



CUSHMAN™

TUG

Service Parts Manual

ELECTRIC POWERED INDUSTRIAL VEHICLE



631069-L

ISSUED FEBRUARY 2013

REVISED MARCH 2017

SERVICE PARTS MANUAL

ELECTRIC POWERED INDUSTRIAL VEHICLE

TUG

STARTING MODEL YEAR 2013

DISCLAIMER: The E-Z-GO Division of Textron Inc. (E-Z-GO) reserves the right to incorporate engineering and design changes to products in this Manual, without obligation to include these changes on units leased/sold previously.

The information contained in this Manual may be revised periodically E-Z-GO, and therefore is subject to change without notice.

E-Z-GO DISCLAIMS LIABILITY FOR ERRORS IN THIS MANUAL, and E-Z-GO SPECIFICALLY DISCLAIMS LIABILITY FOR INCIDENTAL AND CONSEQUENTIAL DAMAGES RESULTING FROM THE USE OF THE INFORMATION AND MATERIALS IN THIS MANUAL.

TO CONTACT US

NORTH AMERICA:

TECHNICAL ASSISTANCE & WARRANTY PHONE: 1-800-774-3946, FAX: 1-800-448-8124

SERVICE PARTS PHONE: 1-888-GET-EZGO (1-888-438-3946), FAX: 1-800-752-6175

INTERNATIONAL: PHONE: 001-706-798-4311, FAX: 001-706-771-4609

E-Z-GO DIVISION OF TEXTRON INC., 1451 MARVIN GRIFFIN RD., AUGUSTA, GEORGIA USA 30906-3852

GENERAL INFORMATION

To obtain a copy of the limited warranty applicable to the vehicle, call or write a local Distributor, authorized Branch or the Warranty Department with vehicle serial number and manufacturer code.

The use of non Original Equipment Manufacturer (OEM) parts may void the warranty.

Overfilling of batteries may void the warranty.

BATTERY PROLONGED STORAGE

All batteries will self discharge over time. The rate of self discharge varies depending on the ambient temperature and the age and condition of the batteries.

A fully charged battery will not freeze in winter temperatures unless the temperature falls below -75° F (-60° C).

As with all electric vehicles, the batteries must be checked and recharged as required or at a minimum of 30 day intervals.

TABLE OF CONTENTS

SECTION	PAGE NO.
HOW TO USE THE SERVICE PARTS MANUAL	v
ACCELERATOR	A
BATTERY SYSTEM	B
BATTERY CHARGER	C
BODY	D
BRAKES	E
HYDRAULIC BRAKE	E - 1
PARK BRAKE	E - 5
FRONT BRAKE	E - 7
REAR BRAKE	E - 13
ELECTRICAL SYSTEM	F
ELECTRICAL COMPONENTS	F - 1
EC CONVERSION KIT	F - 7
FORK AND HANDLEBAR	G
MOTOR	H
REAR AXLE	J
REAR SUSPENSION	K
STEERING KIT	L
SEATING	M
WHEELS AND TIRES	N

HOW TO USE SERVICE PARTS MANUAL

This manual is divided into several sections:

- GENERAL INFORMATION
- APPENDIX

The first section, GENERAL INFORMATION, contains the following information:

- WARRANTY INFORMATION
- GENERAL INDEX
- HOW TO USE THE SERVICE PARTS MANUAL

The second section, ILLUSTRATED PARTS BREAKDOWN, contains illustrations and parts lists for all systems of your vehicle.

The third section, APPENDIX, contains a listing of specialty products and accessories.

USE OF THE MANUAL

To use this manual, consult the GENERAL INDEX to locate the information or illustration required.

Introduction of some revisions varies due to supply of components; therefore, it is possible that various combinations of components may be found that are not directly reflected by each illustration. Consult the illustration that best suits your situation and then contact the Service Parts Department. It is important that the serial number of your vehicle and its model number be supplied to Service Parts when ordering any replacement components.

Locate the serial number plate and note the complete number shown on the plate.

VEHICLE IDENTIFICATION

THESE IDENTIFICATION NUMBERS MUST APPEAR ON ALL CORRESPONDENCE CONCERNING THE VEHICLE.

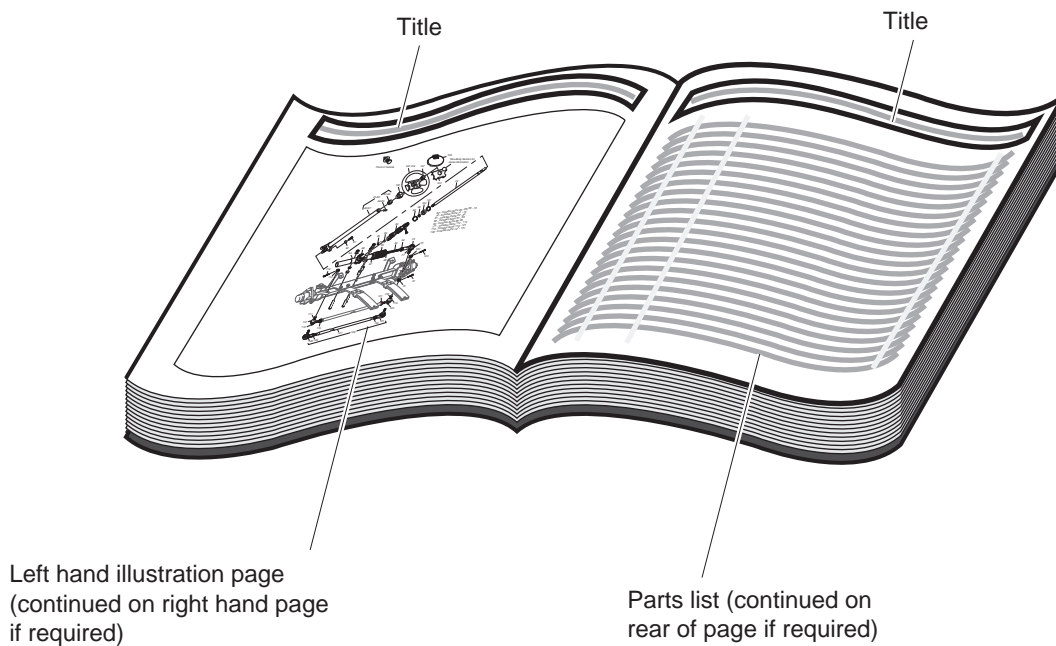
VEHICLE MODEL NUMBER, MODEL YEAR and SERIAL NUMBER

The vehicle model number decal is located on upper left portion of kick panel. The complete (10) ten digit number is required to identify certain parts.



**Model Number, Model Year and
Serial Number on Decal**

HOW TO USE SERVICE PARTS MANUAL



1. WHEN THE PART NUMBER IS NOT KNOWN

- Determine the function and application of the part required. Turn to the General Index and select the most appropriate title.
- Turn to the page number indicated and locate the desired part on the illustration.
- From the illustration, obtain the item number assigned to the desired part. Refer to the accompanying description for specific information regarding the part.

2. IF YOU KNOW THE PART NUMBER

- Locate the part number or description in the appropriate column on the parts list page.

NOTE: It is suggested that you confirm that the part selected is correct by verifying it with the pictorial representation on the illustrated page.

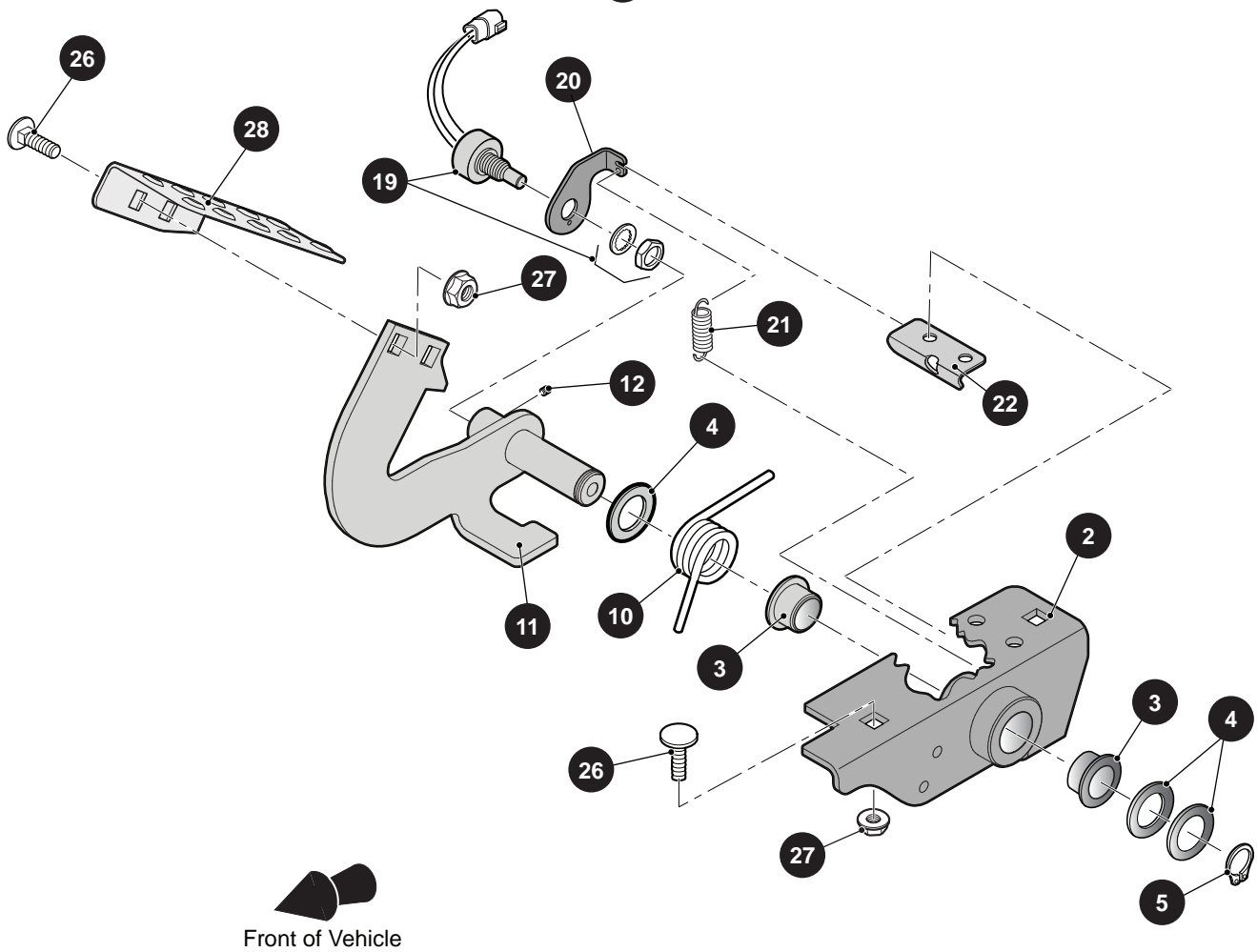
Should an asterisk (*) appear in the part number column on the parts list page, read upwards until a part number is found. The part number is the lowest assembly sold by Service Parts and the asterisk (*) indicates that the part depicted is not available for purchase.

NOTE: Descriptions are indented under the assembly that they are used on. That assembly is, in turn listed under the assembly that it is used on. This process is repeated until the highest final assembly is reached.

To facilitate the maintenance and repair of the vehicle, a Technician's Repair and Service Manual is available from the Service Parts Department.

ACCELERATOR

1 ACCELERATOR PEDAL ASSEMBLY includes items 2 - 22



ACCELERATOR

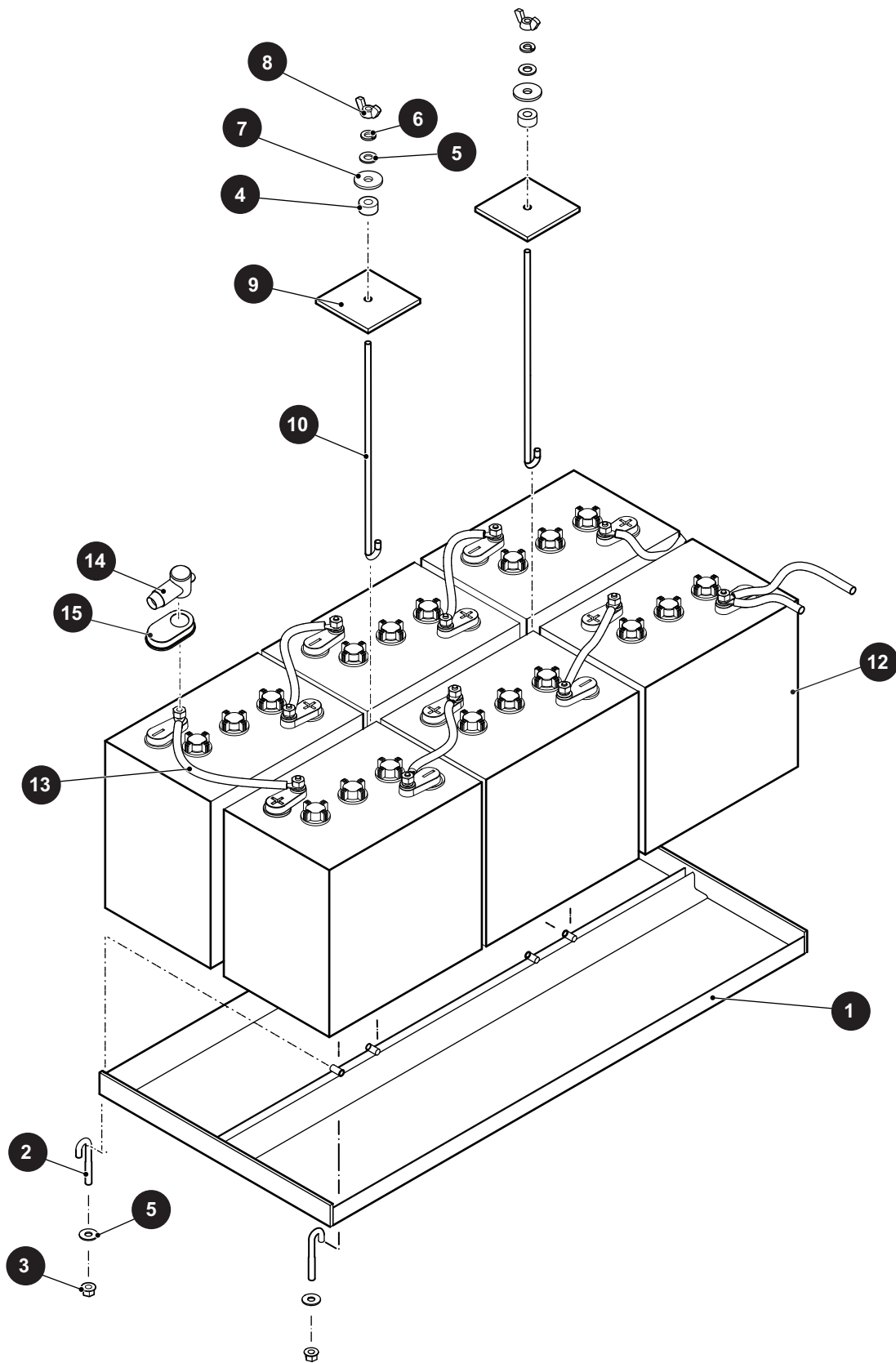
When ordering parts, please specify the model and serial number of the product.

* Indicates a component that is not available as an individual part.

*** Indicates consult Customer Service Department for additional information.

ITEM	PART NO.	1 2 3 4 5	DESCRIPTION	QTY.
1	897184		ACCELERATOR PEDAL ASSEMBLY (INCLUDES ITEMS 2 - 22).....	1
2	897183		BRACKET.....	1
3	840494		FLANGED BEARING, 0.625" I. D.	2
4	548478		FLAT WASHER, 7/16"	3
5	833104		RETAINING RING, 0.625" X 0.05"	1
6				
7				
8				
9				
10	840435		TORSION SPRING, 9/16" X 27/32" X 1-1/32"	1
11	897182		ACCELERATOR ARM.....	1
12	800225		SETSCREW, #10 - 24 X 1/4" LG.....	1
13				
14				
15				
16				
17				
18				
19	4119768		POTENTIOMETER, 30 DEG.	1
20	869184		POTENTIOMETER MOUNT BRACKET	1
21	805421		INDEX SPRING.....	1
22	840688		TAB.....	1
23				
24				
25				
26	800557		CARRIAGE BOLT, 5/16" - 18 X 3/4" LG.....	4
27	548911		FLANGED LOCK NUT, 5/16" - 18.....	4
28	840419		ACCELERATOR PEDAL.....	1

BATTERY SYSTEM



BATTERY SYSTEM

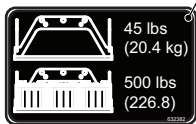
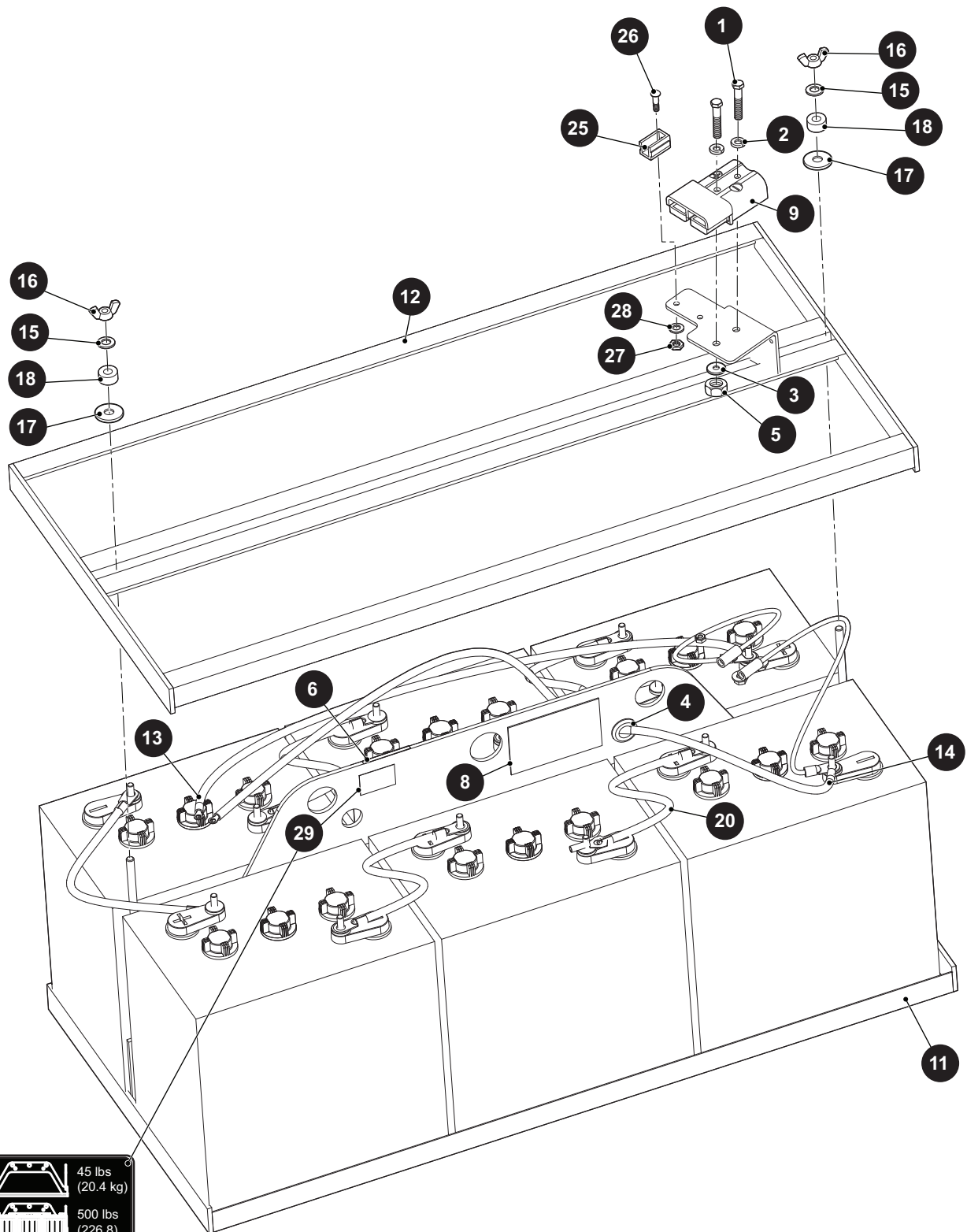
When ordering parts, please specify the model and serial number of the product.

* Indicates a component that is not available as an individual part.

*** Indicates consult Customer Service Department for additional information.

ITEM	PART NO.	1 2 3 4 5	DESCRIPTION	QTY.
1	628530		BATTERY RACK ASSEMBLY	1
2	628099		BATTERY HOLD DOWN BOLT, 5/16" - 18 X 2.44" LG	2
3	800697		HEX NUT, 5/16" - 18	2
4	818303		RUBBER SPACER.....	2
5	103867		FLAT WASHER, 1 1/32"	4
6	306325		LOCK WASHER, 5/16"	2
7	809152		FLAT WASHER, 1 1/32"	2
8	800315		WING NUT, 5/16" - 18.....	2
9	840695		BATTERY HOLD DOWN PLATE	2
10	806954		BATTERY HOOK BOLT, 1/3 - 18 X 87/7" LG	2
11	00642G8		FLAT WASHER, 5/16"	2
12	***		BATTERY, 6V	6
13	628788		BLACK WIRE, 10"	5
14	840177		TERMINAL BOOT	11
15	631156		TERMINAL PROTECTOR.....	11

BATTERY SYSTEM



BATTERY SYSTEM

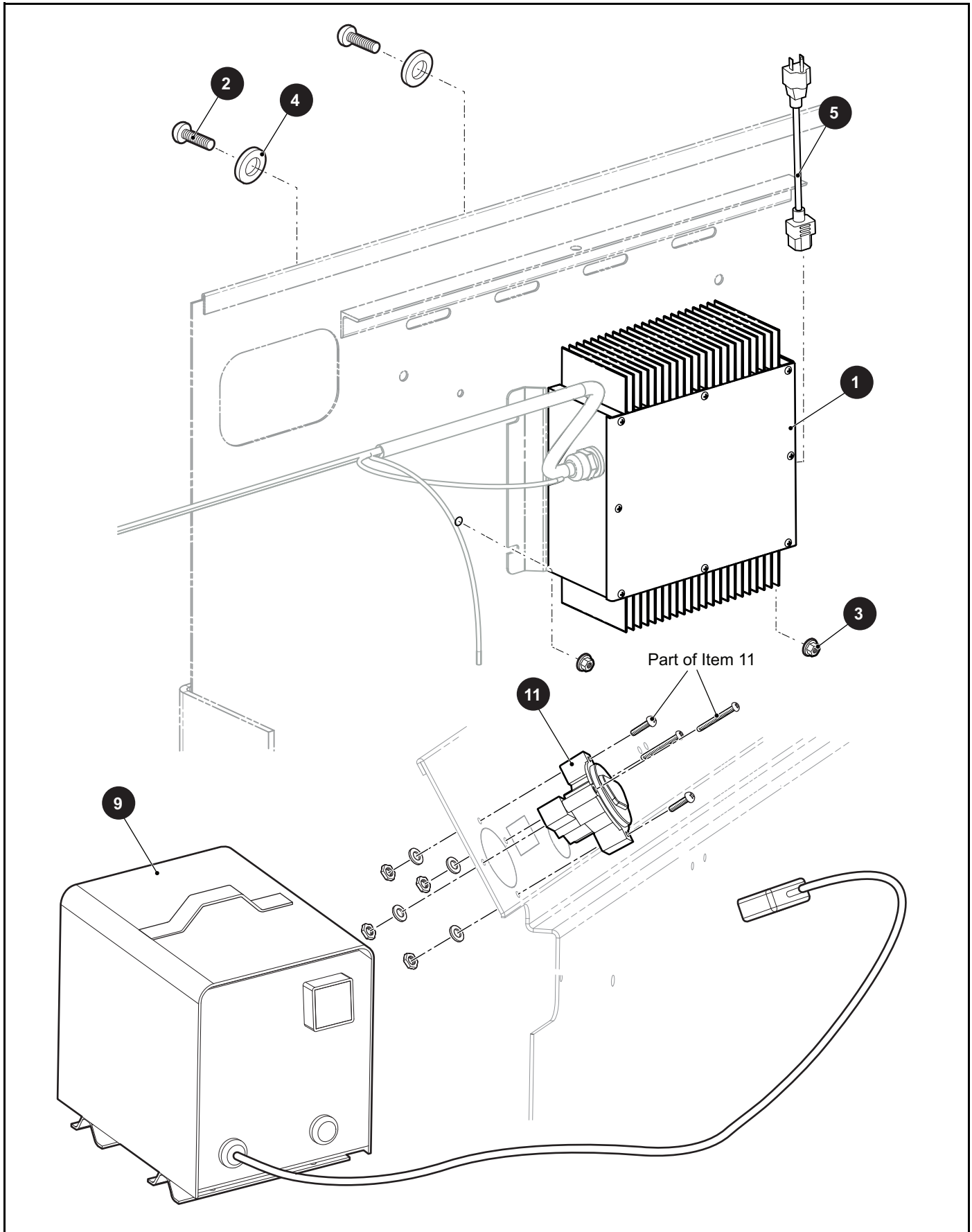
When ordering parts, please specify the model and serial number of the product.

* Indicates a component that is not available as an individual part.

*** Indicates consult Customer Service Department for additional information.

ITEM	PART NO.	1 2 3 4 5	DESCRIPTION	QTY.
1	303459		HEX HEAD BOLT, 1/4" - 20 X 1.5" LG	4
2	306396		LOCK WASHER, 1/4"	4
3	308090		FLAT WASHER, 1/4"	4
4	809231		GROMMET, 1/2"	2
5	00550G1		HEX NUT, 1/4" - 20	4
6	819936		WARNING DECAL.....	1
7				
8	824061		DECAL	2
9	630801		WIRE ASSEMBLY, 175A.....	2
10				
11	631112		BATTERY RACK.....	2
12	887783G01		BATTERY HOLD DOWN.....	2
13	629286		RED WIRE, 10 AWG	2
14	629287		BLACK WIRE, 10 AWG.....	2
15	103867		FLAT WASHER, 5/16"	4
16	800315		WING NUT, 5/16" - 18.....	4
17	809152		FLAT WASHER, 5/16".....	4
18	818303		RUBBER SPACER, 3/4"	4
19				
20	628788		BLACK WIRE, 4 AWG.....	5
21	630802		WIRE ASSEMBLY, 175A (NOT ILLUSTRATED)	1
22				
23	628836		WHITE/BLACK WIRE 10 AWG, 17" (NOT ILLUSTRATED).....	2
24	628837		WHITE/BLACK WIRE 10 AWG, 27" (NOT ILLUSTRATED).....	1
25	841821		MOUNT	2
26	306527		PAN HEAD SCREW, #10 - 24 X 3/4" LG	2
27	00526G3		HEX NUT, #10 - 24,	2
28	120052		LOCK WASHER, 3/16"	2
29	632382		WEIGHT DECAL.....	2

BATTERY CHARGER



BATTERY CHARGER

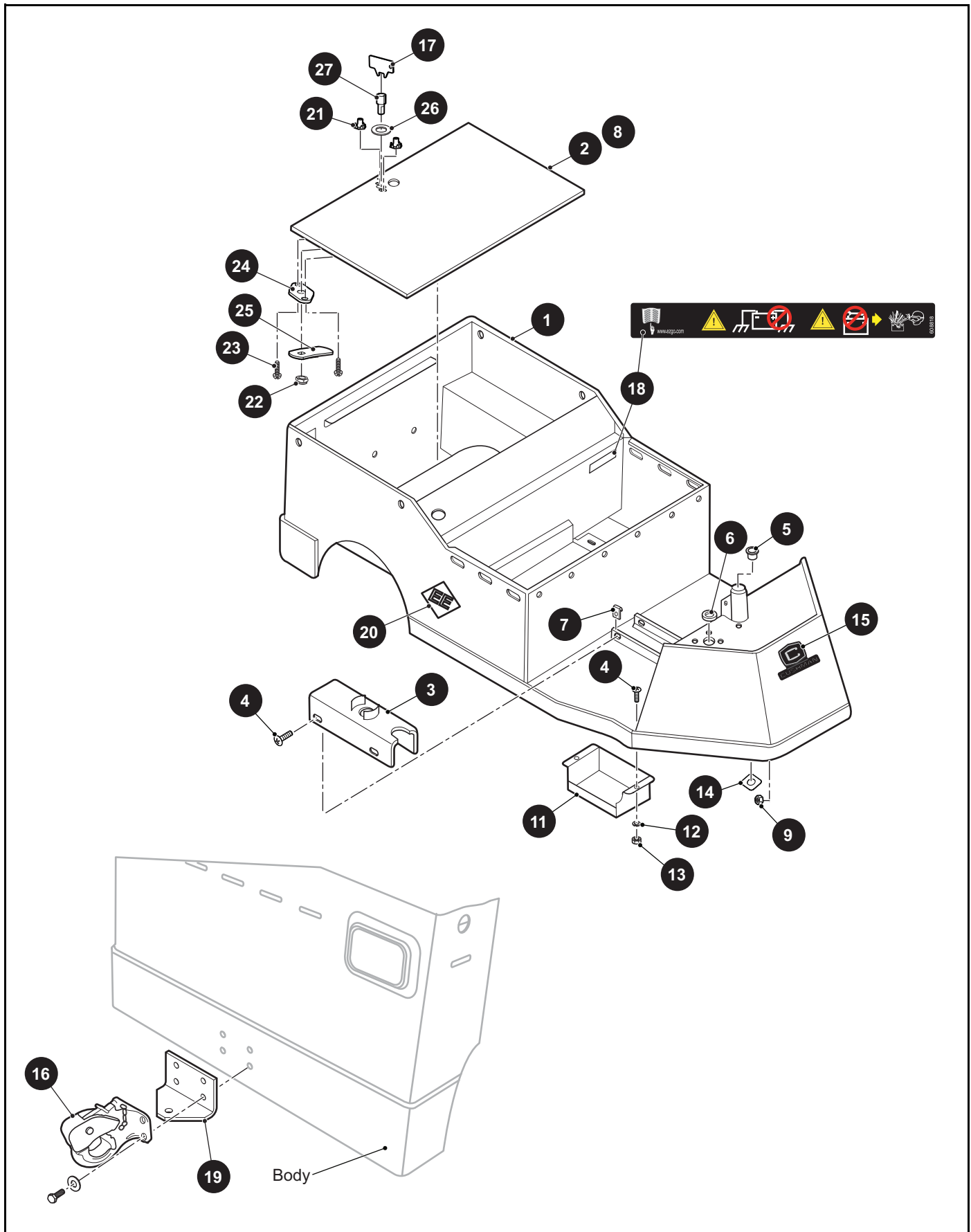
When ordering parts, please specify the model and serial number of the product.

* Indicates a component that is not available as an individual part.

*** Indicates consult Customer Service Department for additional information.

ITEM	PART NO.	1 2 3 4 5	DESCRIPTION	QTY.
1	628102		DELTA- Q CHARGER, 36V.....	1
2	800026		PHILLIPS PAN HEAD MACHINE SCREW, 1/4" - 20 X 3/4" LG	4
3	548910		HEX NUT, 1/4" - 20	4
4	26908G01		THRUST WASHER, .25" I. D.	4
5	600462G01		AC CORD.....	1
6				
7				
8				
9	632482		OFF-BOARD CHARGER, 36V	1
10	628946		RED WIRE, 10 AWG (NOT ILLUSTRATED).....	1
11	885278		RECEPTACLE ASSEMBLY.....	1
12	31539G1		NYLON CLAMP, 15.5" LG (NOT ILLUSTRATED).....	2

BODY

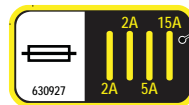
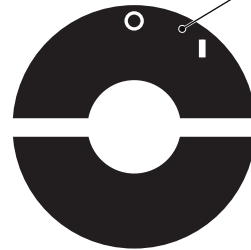
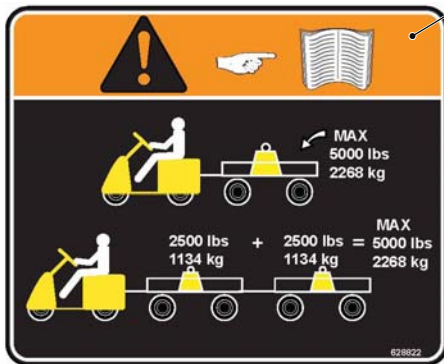
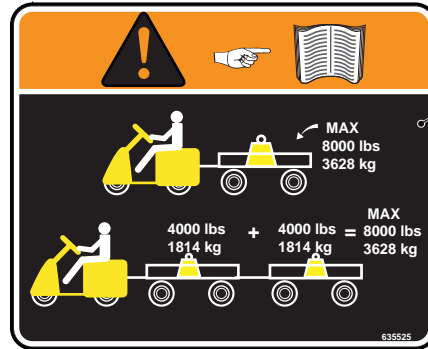
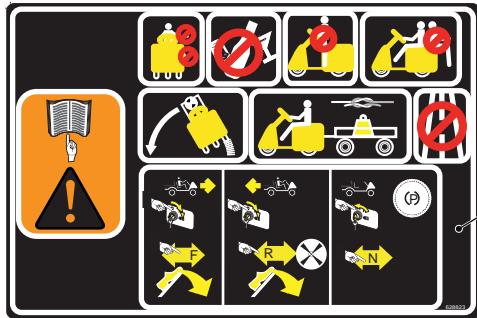


When ordering parts, please specify the model and serial number of the product.

* Indicates a component that is not available as an individual part.

*** Indicates consult Customer Service Department for additional information.

ITEM	PART NO.	1 2 3 4 5	DESCRIPTION	QTY.
1	XXXXXX		BODY AND FRAME, COMPLETE 628868 SAFETY YELLOW 635916 HUNTER GREEN 635917 FLAME RED 635918 ARCTIC WHITE	1
2	656574		REAR DECK BOARD (FOR VEHICLES MANUFACTURED AFTER MARCH 19, 2017).....	1
3	638338		MASTER CYLINDER COVER	1
4	800026		PAN HEAD PHILLIPS SCREW, 1/4" - 20 X 3/4" LG	6
5	869138		BEARING	1
6	829997		GROMMET	2
7	800279		U-TYPE NUT, 1/4" - 20	4
8	627664		REAR DECK BOARD (FOR VEHICLES MANUFACTURED BEFORE MARCH 19, 2017).....	1
9	71597G01		SELF THREADED NUT, 5 X 10 X 15MM.....	3
10				
11	841366		ACCELERATOR PEDAL GUARD	1
12	306396		LOCK WASHER, 1/4"	2
13	306375		HEX NUT, 1/4"- 20	2
14	634963		GROMMET	1
15	624539		CUSHMAN NAME PLATE	1
16	825153		PINTLE HITCH.....	1
17	601841		TYPE EE LATCH KEY	1
18	608818		CE GROUND LABEL	1
19	822829		HITCH PLATE	1
20	35216G01		EE INDUSTRIAL DECAL	2
21	11782G2		TEE NUT, 1/2" - 20.....	2
22	14390G1		LOCK NUT, 3/8" - 24.....	1
23	16705G2		TRUSS HEAD PHILLIPS SCREW (SS), 1/4" - 20 X 5/8" LG.....	2
24	34431G01		PLATE LATCH	1
25	34433G01		LATCH.....	1
26	34434G01		BELLEVILLE WASHER, 3/8" I. D. X 3/4" O. D.	1
27	35244G01		NOTCHED LATCH PIN.....	1



When ordering parts, please specify the model and serial number of the product.

* Indicates a component that is not available as an individual part.

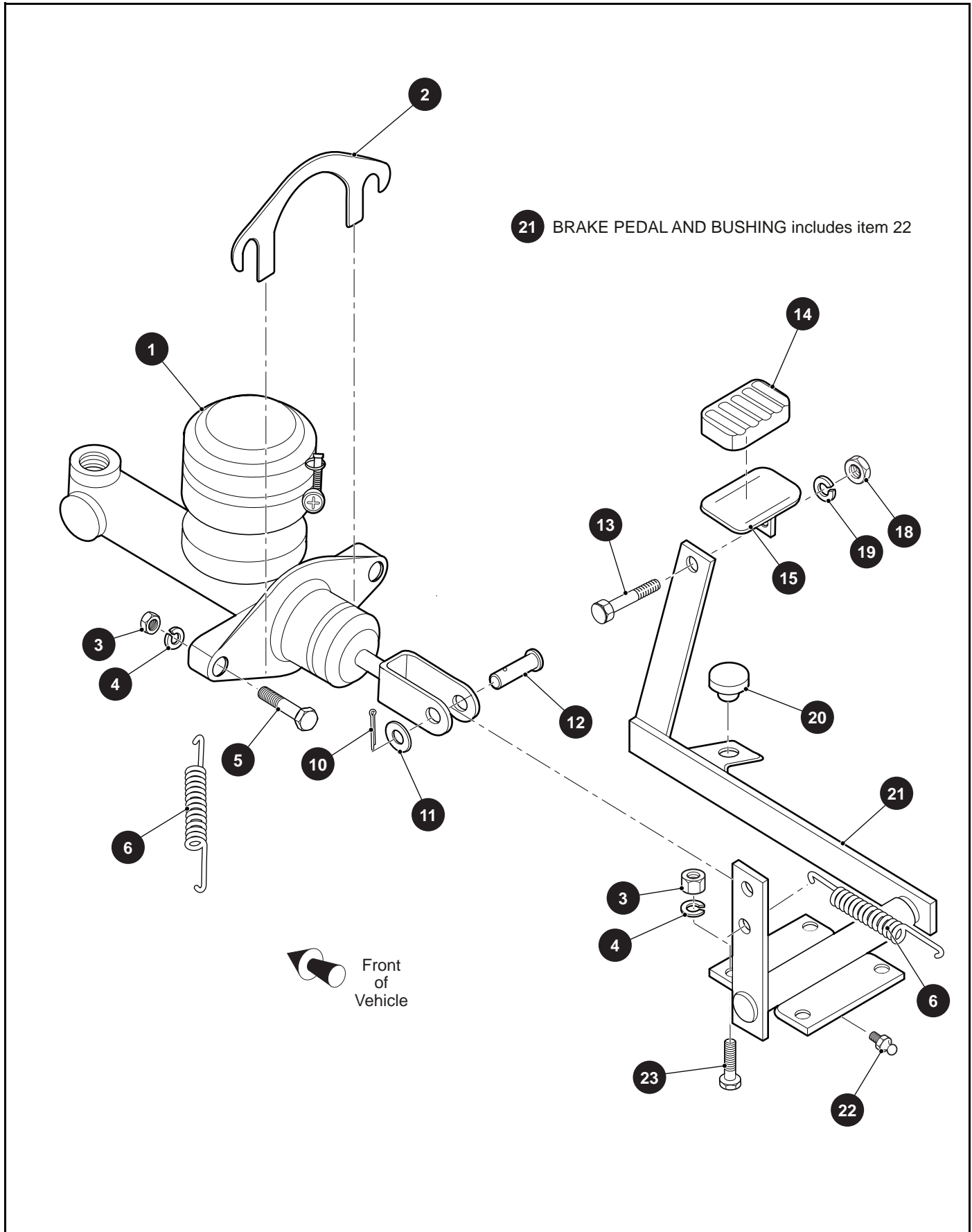
*** Indicates consult Customer Service Department for additional information.

ITEM	PART NO.	1 2 3 4 5	DESCRIPTION	QTY.
28	635525		8000 LB DECAL.....	1
29	628823		WARNING LABEL.....	1
30	628822		5000 LB DECAL.....	1
31	630044		ON - OFF LABEL.....	1
32	630041		DIRECTION SELECTOR LABEL.....	1
33	630927		FUSE DECAL.....	1

Notes:

Large grid area for taking notes.

HYDRAULIC BRAKE



HYDRAULIC BRAKE

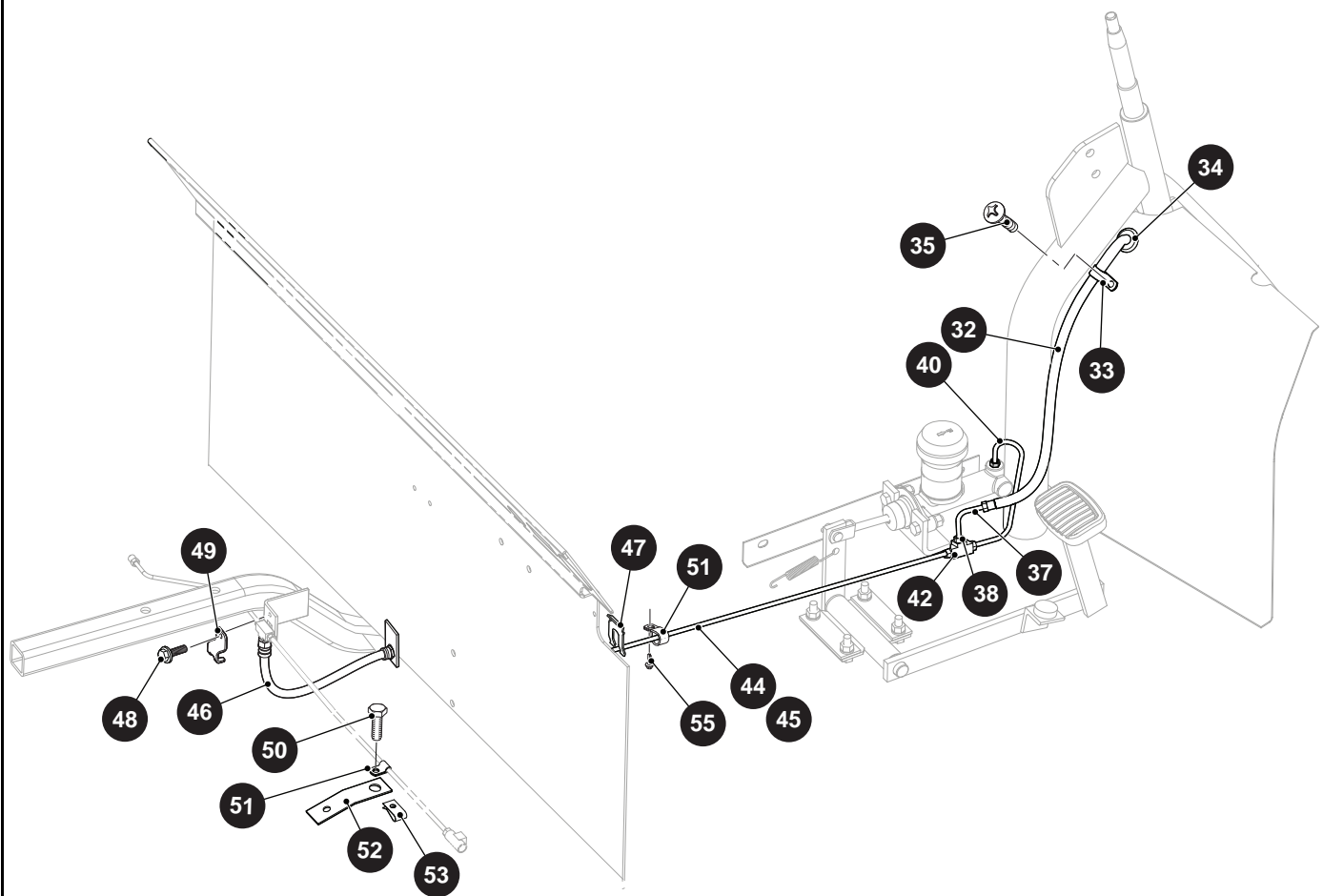
When ordering parts, please specify the model and serial number of the product.

* Indicates a component that is not available as an individual part.

*** Indicates consult Customer Service Department for additional information.

ITEM	PART NO.	1 2 3 4 5	DESCRIPTION	QTY.
1	887364		MASTER CYLINDER	1
2	836873		SHIM	1
3	306932		HEX NUT, 5/16" - 18	6
4	306325		LOCK WASHER, 5/16"	6
5	306435		HEX HEAD BOLT, 5/16" - 18 X 1 1/4" LG	2
6	805444		BRAKE PEDAL RETURN SPRING, 3/8" DIA X 3 1/16" LG	1
7				
8				
9				
10	306328		COTTER PIN, 3/32" X 3/4.....	1
11	103867		FLAT WASHER, 5/16"	1
12	806714		CLEVIS PIN	1
13	306414		HEX HEAD BOLT, 3/8" - 16 X 1" LG	1
14	810152		BRAKE PEDAL COVER	1
15	875212		BRAKE PEDAL	1
16				
17				
18	306562		HEX NUT, 3/8" - 6	1
19	120177		LOCK WASHER, 3/8"	1
20	810149		RUBBER BUMPER.....	1
21	887771		BRAKE PEDAL AND BUSHING (INCLUDES ITEM 22)	1
22	807439		GREASE FITTING.....	1
23	306416		HEX HEAD BOLT, 5/16" - 18 X 1" LG	4
24				
25				
26				
27				
28				
29				
30				
31				

HYDRAULIC BRAKE



HYDRAULIC BRAKE

When ordering parts, please specify the model and serial number of the product.

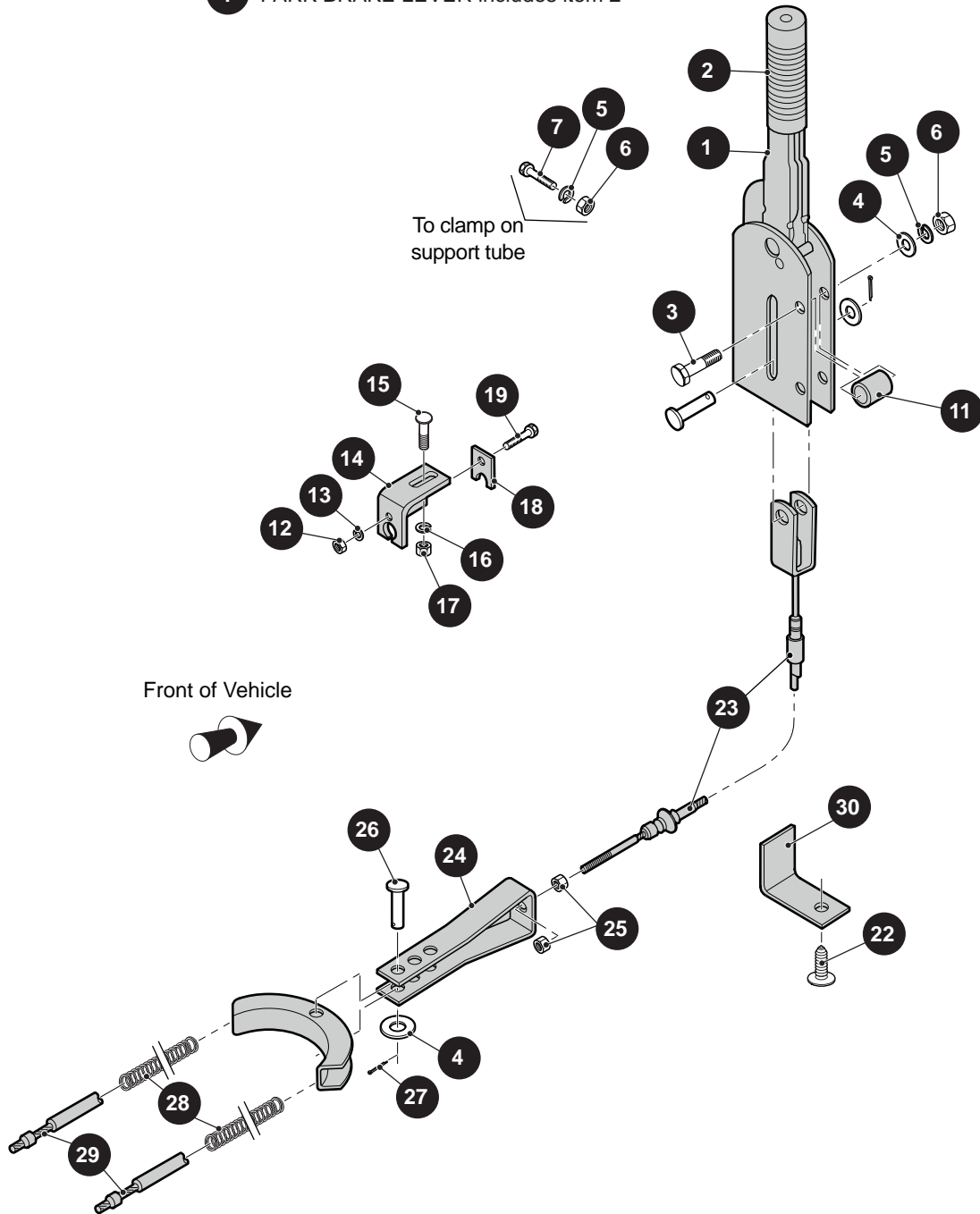
* Indicates a component that is not available as an individual part.

*** Indicates consult Customer Service Department for additional information.

ITEM	PART NO.	1 2 3 4 5	DESCRIPTION	QTY.
32	826603		HOSE	1
33	814924		HOSE CLAMP, 1.43"	1
34	809231		GROMMET	1
35	00614G4		PAN HEAD PHILLIPS SCREW, #8 - 18 X 1/2" LG	1
36				
37	831977		TEE TO FRONT BRAKE HOSE.....	1
38	809423		BRAKE LINE PLUG	1
39				
40	831930		HYDRAULIC MASTER CYLINDER LINE	1
41				
42	820008		FITTING TEE	1
43				
44	2703211		BRAKE LINE (FOR VEHICLES MANUFACTURED BEFORE 21 OCTOBER 2013).....	1
45	635144		BRAKE LINE	1
46	817938		HOSE	1
47	809137		BRAKE HOSE CLIP.....	1
48	112050		FLANGED HEX HEAD BOLT, 1/4" - 20 X 5/8" LG	1
49	635063		T-FITTING BRACKET	1
50	306419		HEX HEAD BOLT, 1/4" - 20 X 1/2" LG	1
51	812445		HOSE CLAMP, .188" I.D.	2
52	832287		BRAKE LINE BRACKET	1
53	800279		U-TYPE SPEED NUT, 1/4" - 20	1
54				
55	800869		HEX HEAD BOLT, 1/4" - 20 X 3/8" LG	1
56	12416G2		NYLON CLAMP, 10" LG (NOT ILLUSTRATED).....	2

PARK BRAKE

1 PARK BRAKE LEVER includes item 2



PARK BRAKE

When ordering parts, please specify the model and serial number of the product.

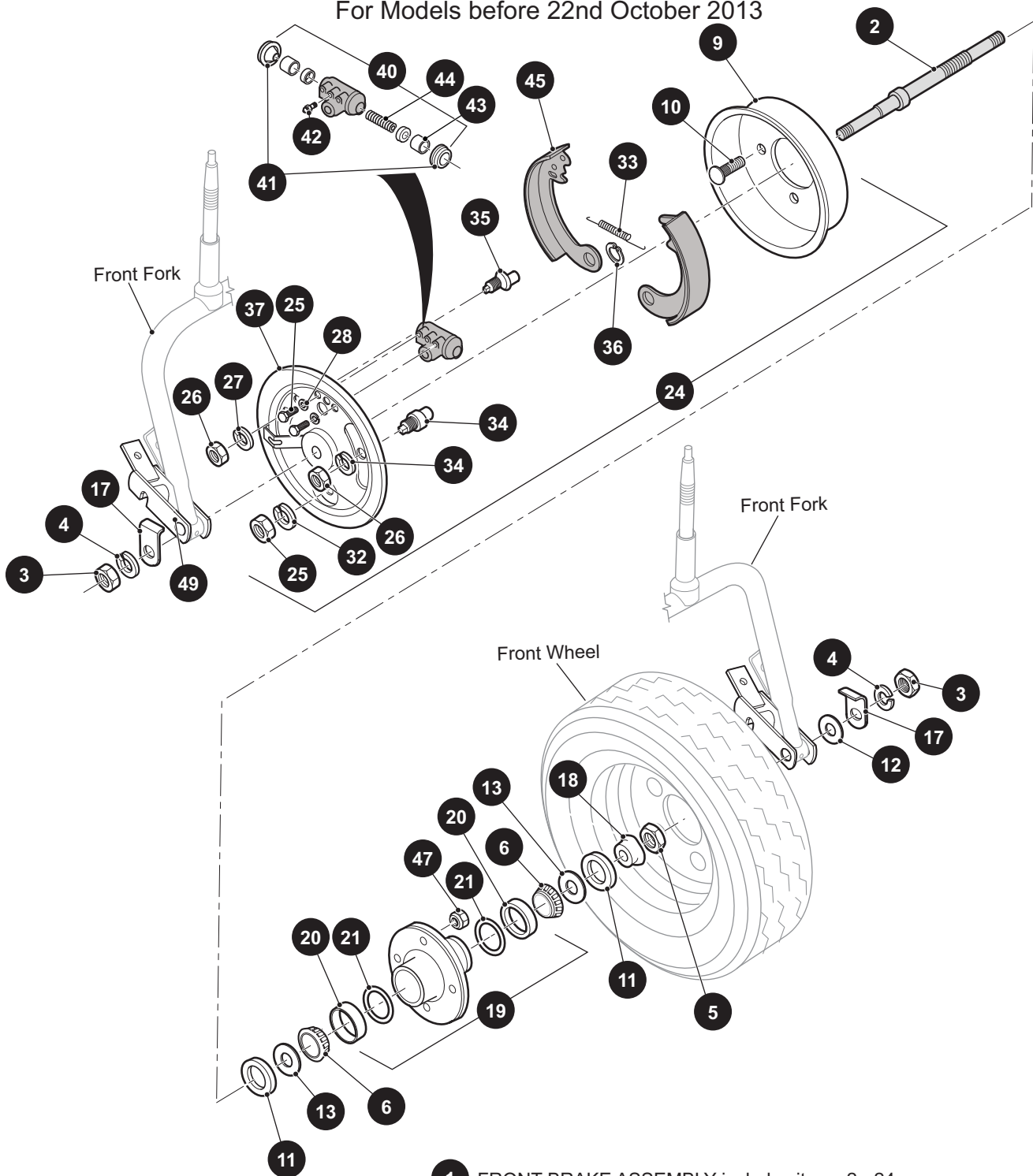
* Indicates a component that is not available as an individual part.

*** Indicates consult Customer Service Department for additional information.

ITEM	PART NO.	1 2 3 4 5	DESCRIPTION	QTY.
1	831263		PARK BRAKE LEVER (INCLUDES ITEM 2)	1
2	807472		HAND GRIP.....	1
3	306423		HEX HEAD BOLT, 5/16" - 18 X 1 3/4" LG	2
4	103867		FLAT WASHER, 5/16"	3
5	306325		LOCK WASHER, 5/16"	3
6	306932		HEX NUT, 5/16" - 18	3
7	306416		HEX HEAD BOLT, 5/16" - 18 X 1" LG	1
8				
9				
10				
11	831540		SPACER.....	2
12	306375		HEX NUT, 1/4"-20	1
13	306396		LOCK WASHER, 1/4"	1
14	879859		CABLE BRACKET	1
15	00769G2		ROUND HEAD CARRIAGE BOLT, 3/8" - 16 X 1.25" LG	1
16	120177		LOCK WASHER, 3/8"	1
17	306562		HEX NUT, 3/8" - 16	1
18	325380		CLAMP (CABLE).....	1
19	300646		HEX HEAD BOLT, 1/4" - 20 X 3/4" LG	1
20				
21				
22	800331		HEX HEAD BOLT, #14 X 3/4" LG.....	1
23	831094		PARK BRAKE CABLE (FRONT).....	1
24	829637		PARK BRAKE BRACKET	1
25	00532G4		HEX NUT, 5/16"- 24	2
26	814079		CLEVIS PIN	1
27	306328		COTTER PIN, 3/32" X 3/4.....	1
28	810380		SPRING	2
29	831093		PARK BRAKE CABLE (REAR)	1
30	831978		RETAINER CABLE	1

FRONT BRAKE

For Models before 22nd October 2013



- 1** FRONT BRAKE ASSEMBLY includes items 2 - 24
- 19** HUB ASSEMBLY includes items 20 - 21
- 24** BRAKE SHOES ASSEMBLY includes items 25 - 37
- 40** WHEEL CYLINDER includes items 41 - 44

FRONT BRAKE

When ordering parts, please specify the model and serial number of the product.

* Indicates a component that is not available as an individual part.

*** Indicates consult Customer Service Department for additional information.

ITEM	PART NO.	1 2 3 4 5	DESCRIPTION	QTY.
1	887194		FRONT BRAKE ASSEMBLY (INCLUDES ITEMS 2 - 24).....	1
2	887193		FRONT AXLE	1
3	304104		HEX NUT, 5/8" - 18.....	2
4	306494		LOCK WASHER, 5/8"	2
5	307665		HEX NUT, 3/8" - 16.....	1
6	385174		CONE BEARING	2
7				
8				
9	805030		BRAKE DRUM.....	1
10	806274		HEX HEAD BOLT, 1/4" - 20 X 1/2" LG	4
11	807630		SEAL	2
12	809156		FLAT WASHER, 0.61" X 1.38" X 0.13"	1
13	809229		SLINGER.....	2
14				
15				
16				
17	832492		FRONT AXLE WASHER	2
18	836719		HEX NUT, 5/8" - 18.....	1
19	876409		HUB ASSEMBLY (INCLUDES ITEMS 20 - 21)	1
20	808088		ROLLER BEARING.....	2
21	809268		BEARING BACKING RING, 1.406" I. D. X 1.776" O.D.	2
22				
23				
24	878482		SHIELD & BRAKE SHOES (INCLUDES ITEMS 25 - 37).....	1
25	304104		HEX NUT, 5/8" - 18	1
26	306319		HEX NUT, 3/8" - 24	2
27	306353		LOCK WASHER, 3/8"	2
28	306396		LOCK WASHER, 1/4"	2
29	306419		HEX HEAD BOLT, 1/4" - 20 X 1/2" LG	2
30				
31				

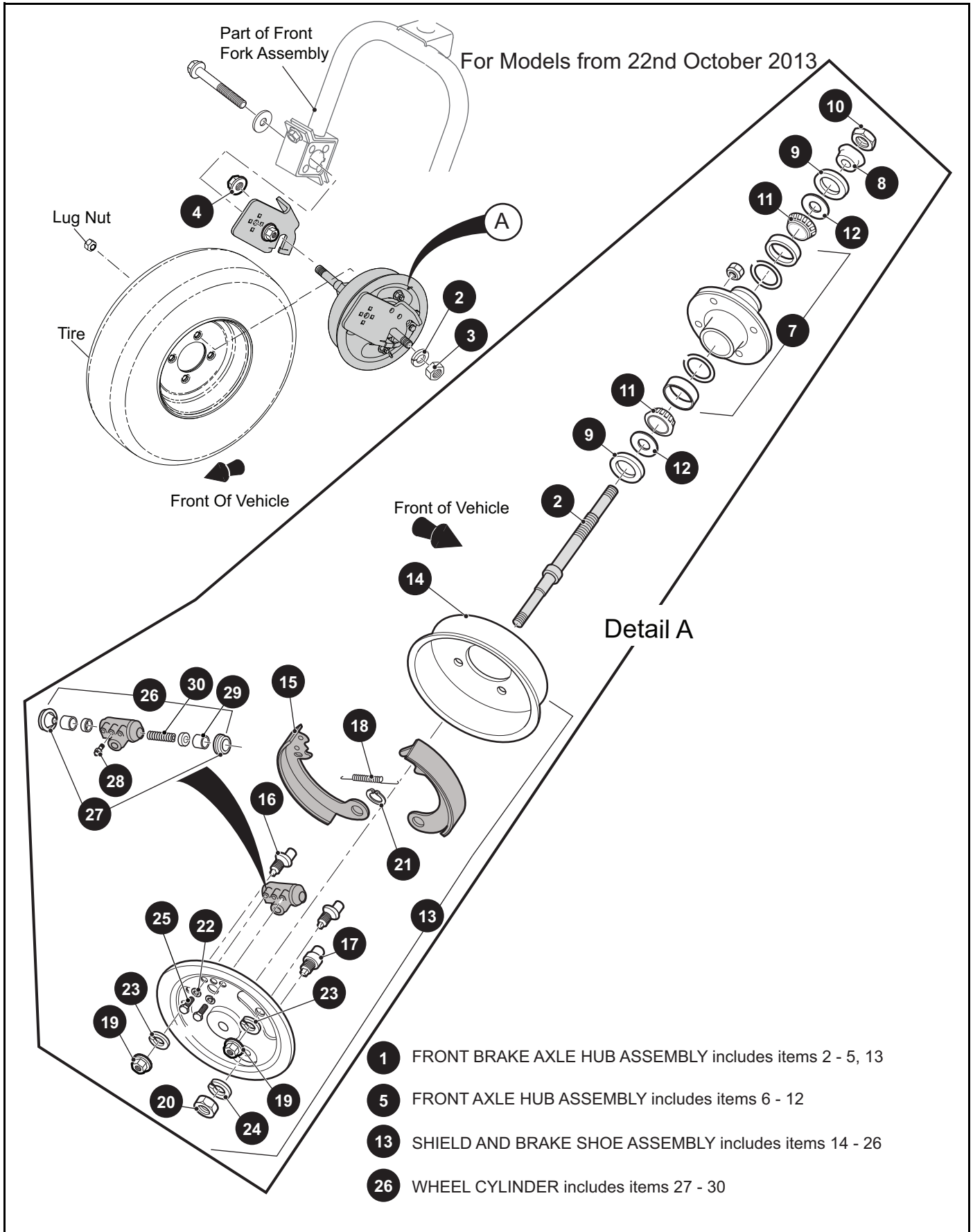
FRONT BRAKE

When ordering parts, please specify the model and serial number of the product.

* Indicates a component that is not available as an individual part.

*** Indicates consult Customer Service Department for additional information.

ITEM	PART NO.	1	2	3	4	5	DESCRIPTION	QTY.
32	306494						LOCK WASHER, 5/8"	1
33	805441						BRAKE SPRING, 1/2" DIA X 3 1/2 " LG	1
34	829348						HEEL PIN, 1" DIA X 1.781"	1
35	806761						ADJUSTMENT PIN, 7/8" DIA X 1.68" LG	2
36	809252						RETAINING RING, 0.672"	1
37	878483						DUST SHIELD	1
38								
39								
40	886371						WHEEL CYLINDER ASSEMBLY (INCLUDES ITEMS 41 - 44)	1
41	811775						WHEEL CYLINDER REPAIR KIT	1
42	811794						BLEEDER SCREW, 0.245" DIA X 0.920" LG	1
43	811910						PISTON	2
44	811911						SPRING, 3/8" DIA X 1.6" LG	1
45	887284						BRAKE SHOE	2
46								
47	805860						WHEEL NUT, 5/8" - 18	4



FRONT BRAKE

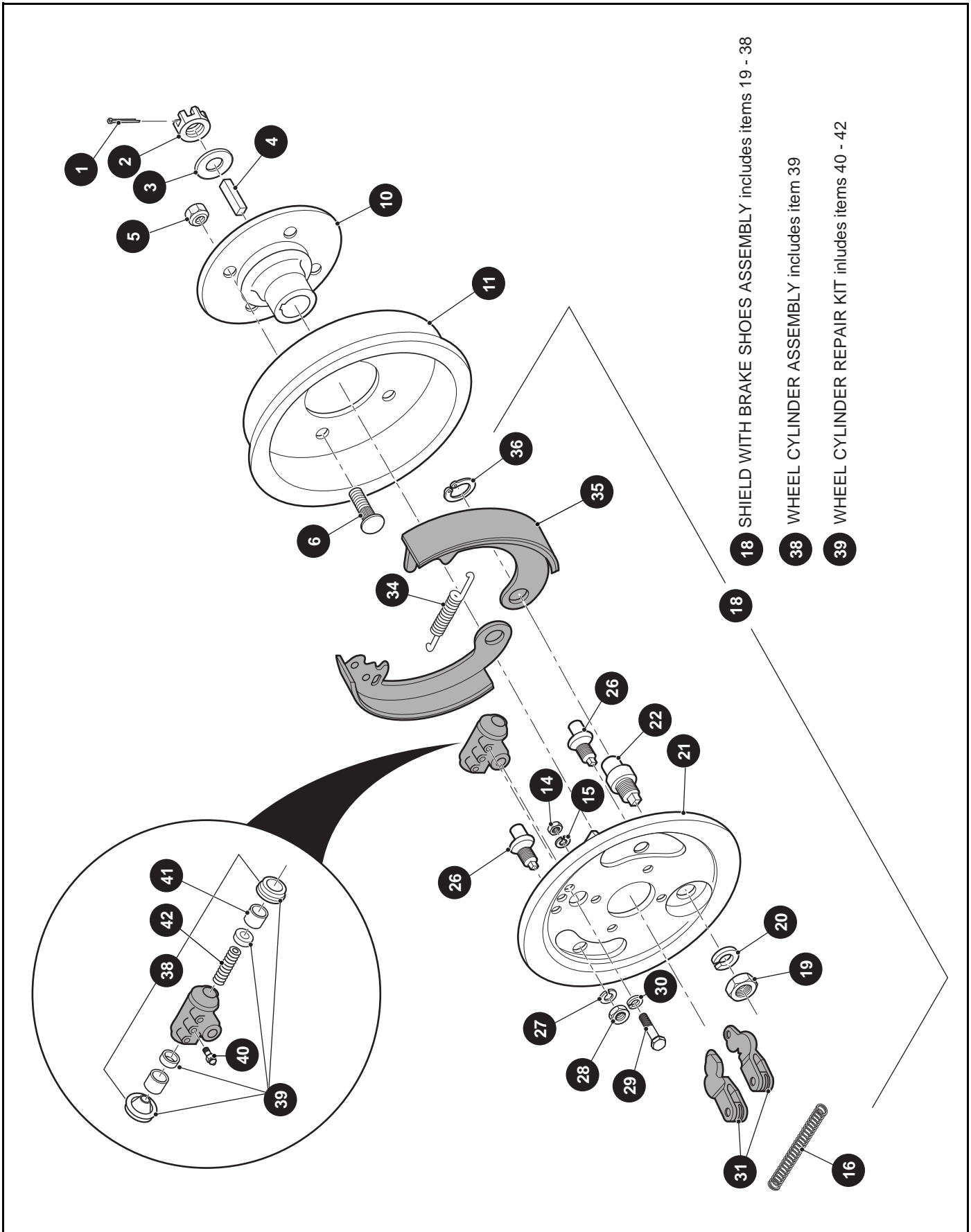
When ordering parts, please specify the model and serial number of the product.

* Indicates a component that is not available as an individual part.

*** Indicates consult Customer Service Department for additional information.

ITEM	PART NO.	1 2 3 4 5	DESCRIPTION	QTY.
1	632708		FRONT BRAKE AND AXLE HUB ASSEMBLY (INCLUDES ITEMS 2 - 5, 13)	1
2	304104		HEX JAM NUT, 5/8" - 16	1
3	306494		LOCK WASHER, 0.636 I. D. X 1.082" O. D	1
4	800973		CROWNLOCK FLANGED HEX NUT, 3/4" - 16	1
5	887592		FRONT AXLE HUB ASSEMBLY (INCLUDES ITEMS 6 - 12)	1
6	887193		FRONT AXLE	1
7	879601		HUB ASSEMBLY	1
8	836719		HEX NUT, 5/8" - 18.....	1
9	807630		SEAL	2
10	307665		HEX NUT, 3/8" - 16.....	1
11	882582		CONE BEARING, 3/4" I.D.....	2
12	809229		SLINGER.....	2
13	632699		SHIELD AND FRONT BRAKE SHOE ASSEMBLY (INCLUDES ITEMS 14 - 26)	1
14	632684		BRAKE SHIELD	1
15	887284		BRAKE SHOE	2
16	806761		ADJUSTMENT PIN, 7/8" DIA X 1.68" LG.....	2
17	829348		HEEL PIN, 1" DIA X 1.781"	1
18	805441		BRAKE SPRING, 1/2" DIA X 3 1/2" LG	1
19	601084		LOCK NUT, 3/8" - 24	2
20	304104		HEX NUT, 5/8" - 18.....	1
21	809252		RETAINING RING, 0.672"	1
22	306396		LOCK WASHER, 1/4"	2
23	306353		LOCK WASHER, 3/8"	2
24	306494		LOCK WASHER, 5/8"	1
25	306419		HEX HEAD BOLT, 1/4" - 20 X 1/2" LG.....	2
26	886371		WHEEL CYLINDER ASSEMBLY (INCLUDES ITEMS 27 - 30).....	1
27	811775		WHEEL CYLINDER REPAIR KIT	1
28	811794		BLEEDER SCREW, 0.245" DIA X 0.920" LG	1
29	811910		PISTON.....	2
30	811911		SPRING, 3/8" DIA X 1.6" LG	1

REAR BRAKE



REAR BRAKE

When ordering parts, please specify the model and serial number of the product.

* Indicates a component that is not available as an individual part.

*** Indicates consult Customer Service Department for additional information.

ITEM	PART NO.	1 2 3 4 5	DESCRIPTION	QTY.
1	304636		COTTER PIN, 1/8 X 1 1/8".....	2
2	805843		HEX NUT, 5/8" - 18	2
3	836674		FLAT WASHER, 5/16"	2
4	805875		KEY, .188" X 1.75"	2
5	805860		WHEEL NUT, 5/8" - 18.....	8
6	806274		STUD BOLT, .44" - 20 X 1.56" LG.....	8
7				
8				
9				
10	821152		WHEEL HUB.....	2
11	805030		BRAKE DRUM.....	2
12				
13				
14	306932		HEX NUT, 5/16" - 18	8
15	306325		LOCK WASHER, 5/16"	8
16	810380		SPRING, 11/32" I.D. X 5 7/8"	2
17				
18	886291		SHIELD WITH BRAKE SHOES (INCLUDES ITEMS 19 - 38)	1
19	304104		HEX NUT, 5/8" - 18.....	1
20	306494		LOCK WASHER, 5/8"	1
21	876519		DUST SHIELD.....	1
22	829348		HEEL PIN, 1" DIA X 1.781" LG	1
23				
24				
25				
26	806761		ADJUSTMENT PIN	2
27	306353		LOCK WASHER, 3/8"	2
28	306319		LOCK NUT, 3/8" - 24	2
29	306419		HEX HEAD BOLT, 1/4" - 20 X 1/2" LG.....	2
30	306396		LOCK WASHER, 1/4"	2
31	876732		BRAKE LEVER.....	2

REAR BRAKE

When ordering parts, please specify the model and serial number of the product.

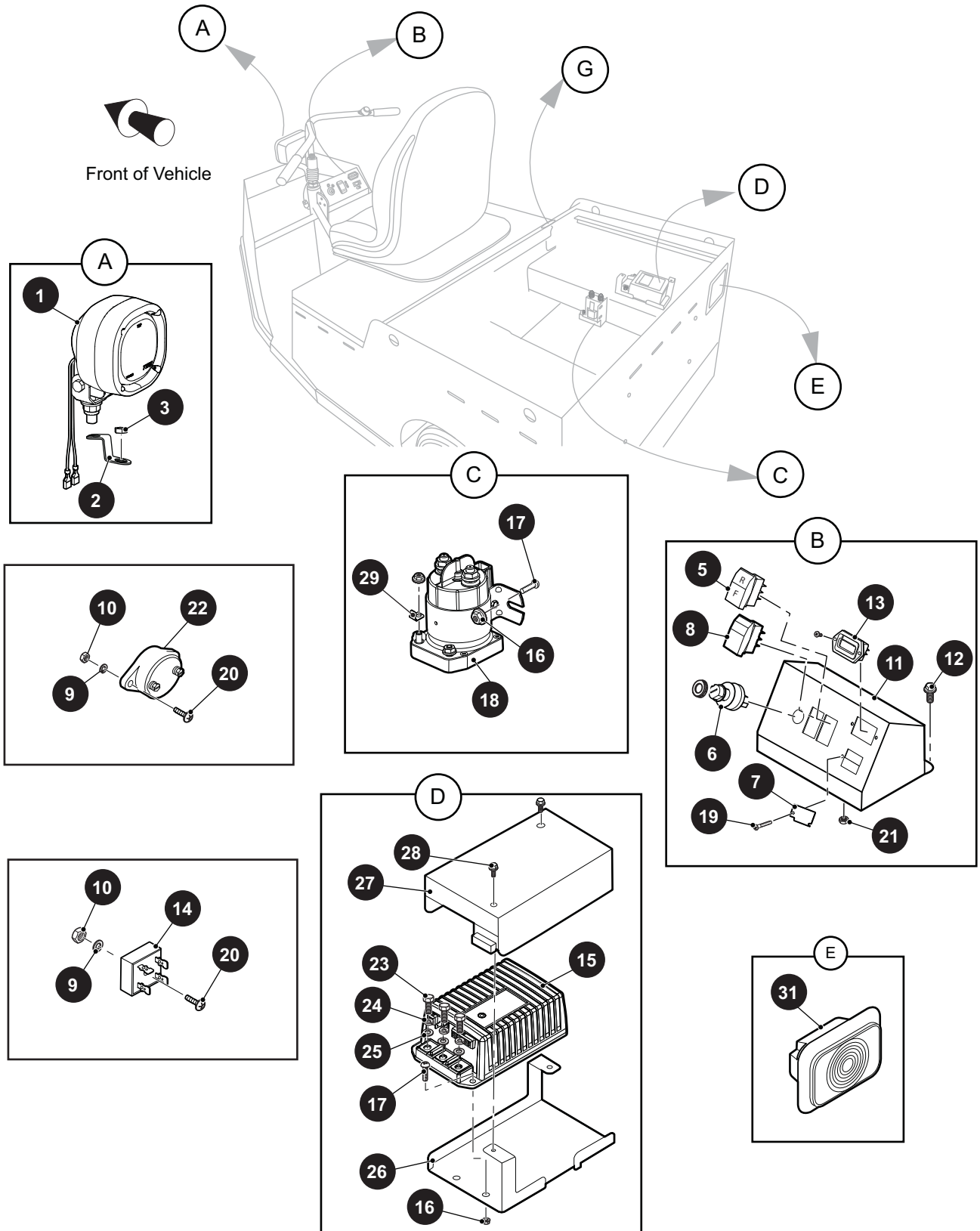
* Indicates a component that is not available as an individual part.

*** Indicates consult Customer Service Department for additional information.

ITEM	PART NO.	1	2	3	4	5	DESCRIPTION	QTY.
32								
33								
34	805441						SPRING	1
35	887284						BRAKE SHOE.....	2
36	809252						RETAINING RING.....	1
37								
38	841354						WHEEL CYLINDER (INCLUDES ITEM 39).....	1
39	841450						WHEEL CYLINDER REPAIR KIT (INCLUDES ITEMS 40 - 42)	1
40	811794						BLEEDER SCREW, 245" DIA X .920" LG	1
41	841451						PISTON.....	1
42	841452						SPRING, 3/8" DIA X 1.6".....	1

ELECTRICAL COMPONENTS

1 HEADLIGHT ASSEMBLY includes items 2 - 3



ELECTRICAL COMPONENTS

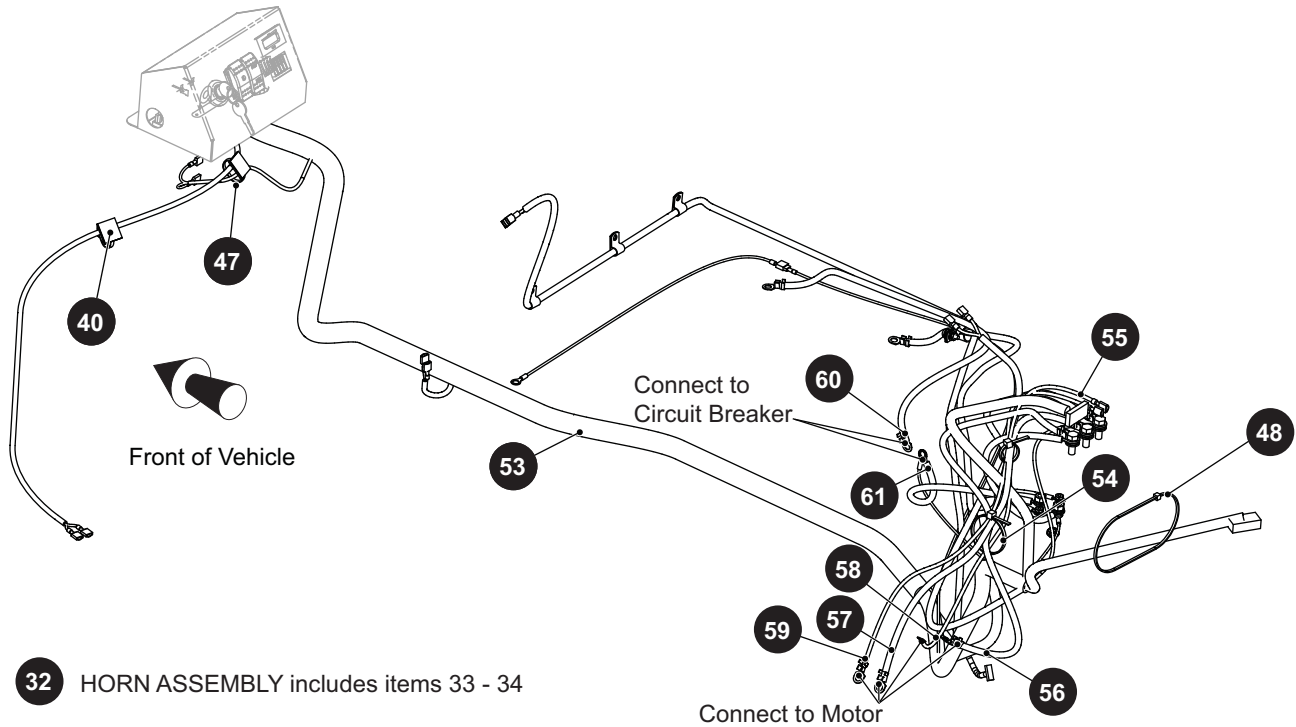
When ordering parts, please specify the model and serial number of the product.

* Indicates a component that is not available as an individual part.

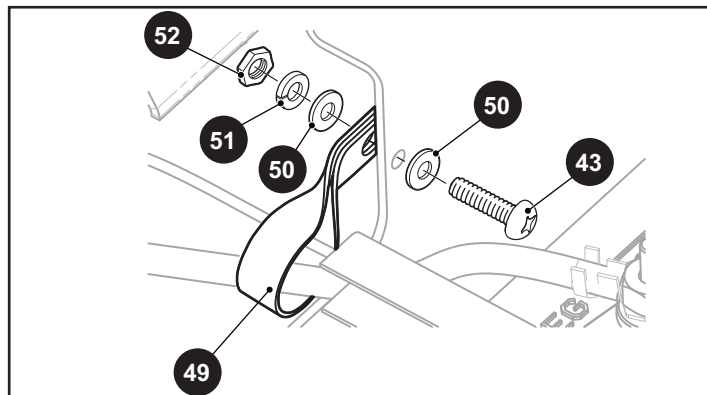
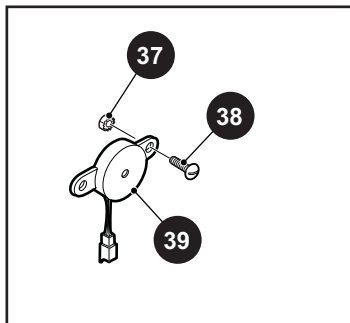
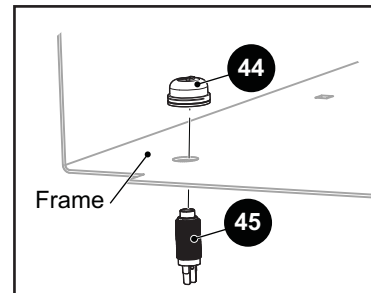
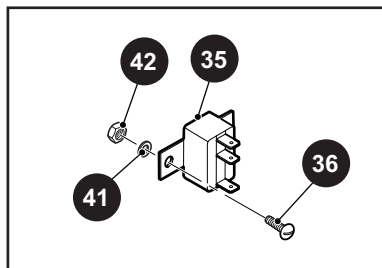
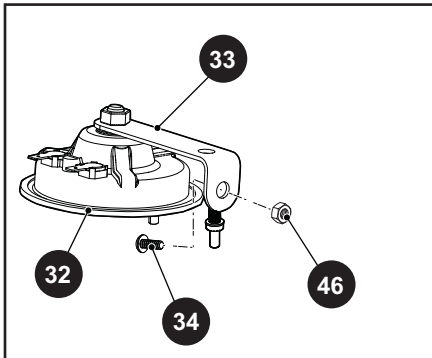
*** Indicates consult Customer Service Department for additional information.

ITEM	PART NO.	1 2 3 4 5	DESCRIPTION	QTY.
1	629122		HEADLIGHT ASSEMBLY (INCLUDES ITEMS 2 - 3).....	1
2	651088		HEADLIGHT BRACKET	1
3	305134		HEX NUT, 7/8" - 14.....	1
4				
5	630089		FORWARD / REVERSE SWITCH	1
6	886311		IGNITION SWITCH	1
7	629491		FUSE BOX COVER	1
8	618789		HEADLIGHT SWITCH	1
9	120052		FLAT WASHER, #10	3
10	00526G3		HEX NUT, #10 - 24.....	3
11	630328		DASH PANEL.....	1
12	71102G02		FLANGED HEX HEAD BOLT, 1/4" - 20 X 5/8" LG	2
13	33636G01		STATE OF CHARGE METER, 36V.....	1
14	840679		RECTIFIER BRIDGE	1
15	628074		SPEED CONTROLLER, 300AMP.....	1
16	548910		HEX NUT, 1/4" - 20	5
17	800026		PAN HEAD PHILLIPS SCREW, 1/4" - 20 X 3/4" LG	5
18	613354G01		SOLENOID, 36V	1
19	00645G2		PAN HEAD PHILLIPS SCREW, #6 - 32 X 1.25" LG	1
20	800299		HEX HEAD BOLT, #10 - 24 X 1" LG	3
21	14390G9		LOCK NUT, #6 - 32	1
22	824800		CIRCUIT BREAKER (150 AMP)	1
23	73296G01		HEX HEAD BOLT, M8 - 1.25 X 8MM LG.....	3
24	606272		LOCK WASHER, 8MM.....	3
25	00559G8		FLAT WASHER, 5/16".....	3
26	628085		SPLASH COVER BRACKET	1
27	628086		CONTROLLER SPLASH SHIELD	1
28	800869		FLANGED HEX HEAD BOLT, 1/4" - 20 X 3/8" LG	2
29	73446G01		FASTON TAB, 90DEG	2
30	73290G02		BUZZER INTERMITTENT (NOT ILLUSTRATED)	1
31	892676		TAILLIGHT	1

ELECTRICAL COMPONENTS



32 HORN ASSEMBLY includes items 33 - 34



ELECTRICAL COMPONENTS

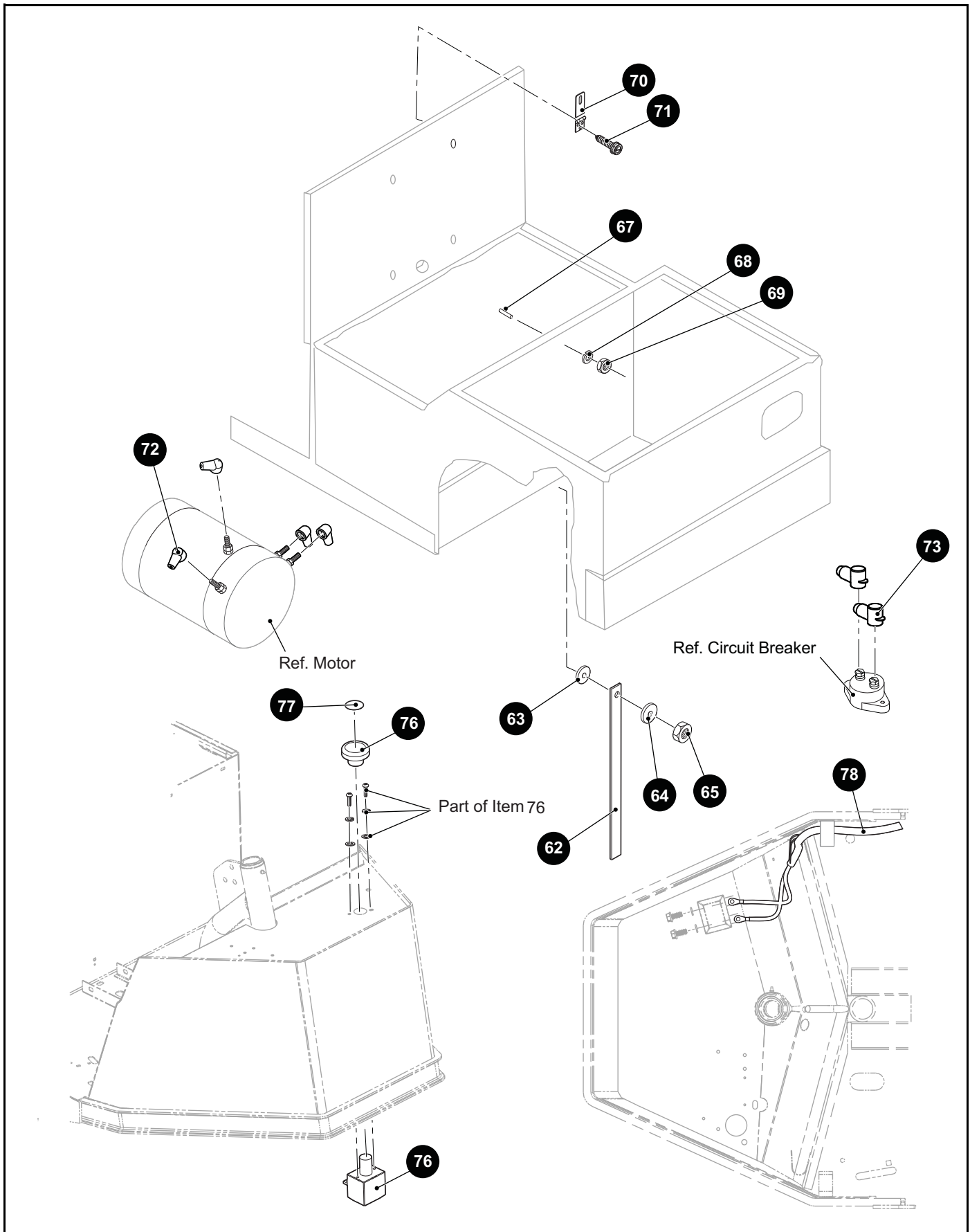
When ordering parts, please specify the model and serial number of the product.

* Indicates a component that is not available as an individual part.

*** Indicates consult Customer Service Department for additional information.

ITEM	PART NO.	1 2 3 4 5	DESCRIPTION	QTY.
32	629676		HORN ASSEMBLY (INCLUDES ITEMS 33 - 34).....	1
33	*		HORN BRACKET	1
34	800017		PAN HEAD PHILLIPS SCREW, 1/4" - 20 X 1" LG.....	1
35	829780		CIRCUIT BREAKER, 20 AMP.....	1
36	800271		PAN HEAD PHILLIPS SCREW, # 10 - 24 X 1/2" LG	2
37	800587		HEX NUT, #4 - 40	1
38	800439		ROUND HEAD SLOTTED SCREW, #4 - 40 X 3/4" LG	2
39	890000		REVERSE WARNING BUZZER	1
40	20058G1		NYLON CLAMP MOUNTING BASE	2
41	120052		FLAT WASHER, #10	2
42	306531		HEX NUT, #10 - 24.....	2
43	800296		PAN HEAD PHILLIPS SCREW, #10 - 24 X 3/4" LG	1
44	17318G2		HORN CAP & NUT	1
45	629241		MOMENTARY SWITCH.....	1
46	548910		HEX NUT, 1/4" - 20	1
47	17618G1		NYLON CLAMP	2
48	31539G1		NYLON CLAMP 15.5" LG	1
49	27327G02		TWISTED CLAMP.....	1
50	00559G5		FLAT WASHER, #10	2
51	00565G5		LOCK WASHER, #10.....	1
52	00526G3		HEX NUT, #10 - 24.....	1
53	628075		MAIN HARNESS, TUG	1
54	12416G2		NYLON CLAMP 10" LG	2
55	628845		6 AWG BLACK WIRE ASSEMBLY, UL, 27"	1
56	628796		6 AWG BLACK WITH BLUE WIRE ASSEMBLY, UL, 20".....	1
57	628846		6 AWG BLACK WITH GREEN WIRE ASSEMBLY, UL, 30"	1
58	630294		10 AWG BLACK WIRE ASSEMBLY, UL, 25"	1
59	630295		10 AWG WHITE WIRE ASSEMBLY, UL, 30".....	1
60	628838		6 AWG RED WIRE ASSEMBLY, UL, 26".....	1
61	635465		6 AWG BLACK WITH RED WIRE ASSEMBLY, UL, 10".....	2

ELECTRICAL COMPONENTS



ELECTRICAL COMPONENTS

When ordering parts, please specify the model and serial number of the product.

* Indicates a component that is not available as an individual part.

*** Indicates consult Customer Service Department for additional information.

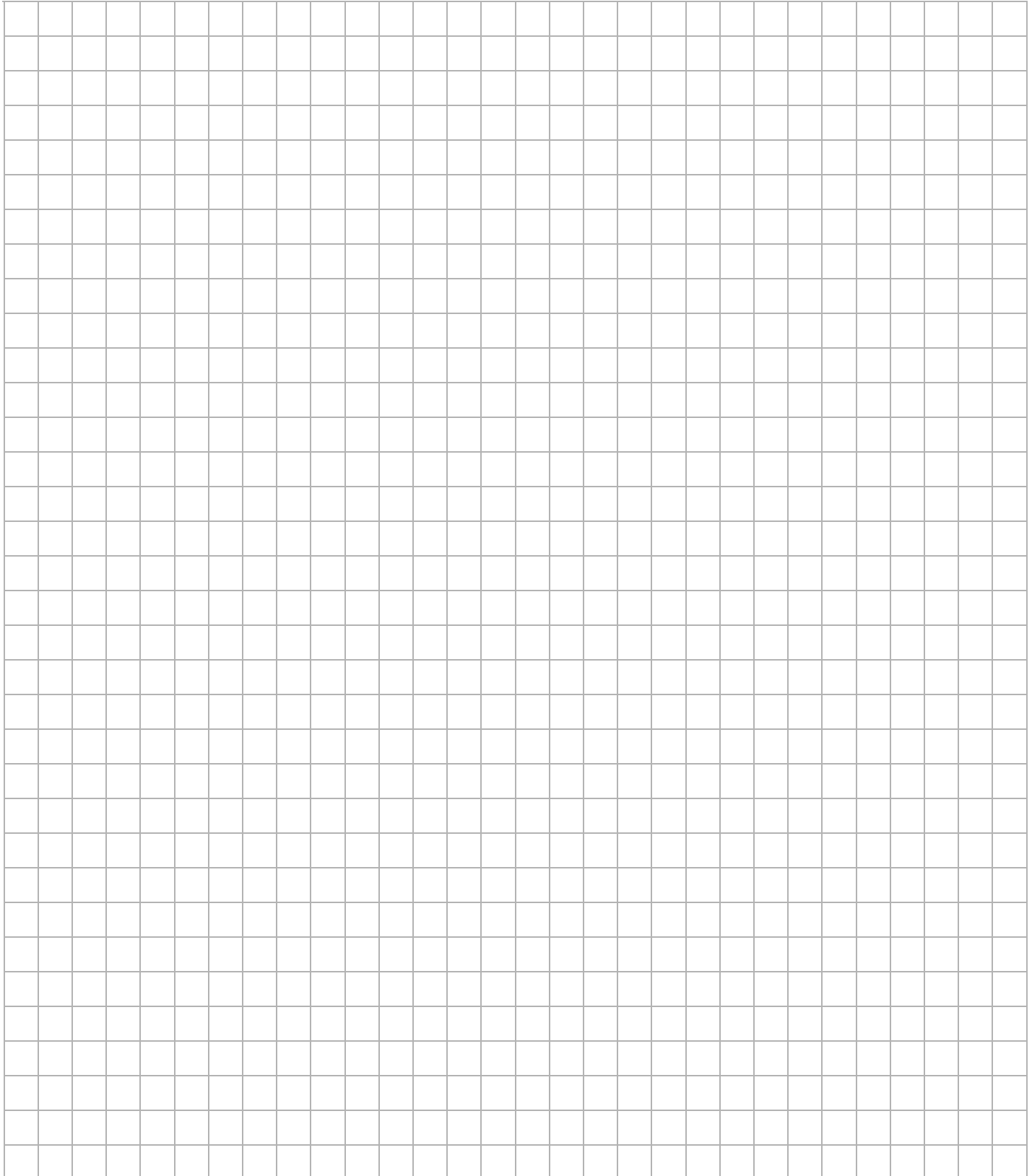
ITEM	PART NO.	1 2 3 4 5	DESCRIPTION	QTY.
62	35213G02		CONDUCTIVE GROUND STRAP	1
63	00568G4		EXTERNAL TOOTH TYPE LOCK WASHER, 9/16"	1
64	800874		FLAT WASHER, 1.25"	1
65	00414G6		HEX HEAD BOLT, 1/4" - 20 X 3/4" LG	1
66				
67	00379G4		PAN HEAD PHILLIPS SCREW, #10 - 24 X 1/2"	4
68	120052		LOCK WASHER, #10.....	4
69	00526G3		HEX NUT, #10 - 24.....	4
70	2702994		HASP	1
71	00106G6		PAN HEAD PHILLIPS SCREW, #12 - 24 X 3/4" LG	3
72	844328		TERMINAL BOOT, 1" DIA X 1.38"	4
73	840177		TERMINAL BOOT, .85" DIA X 1.80"	2
74				
75				
76	627967		E-STOP BUTTON	1
77	630042		E-STOP LABEL.....	1
78	628718		E-STOP WIRE HARNESS 4 AWG, UL, TUG.....	1

Notes:



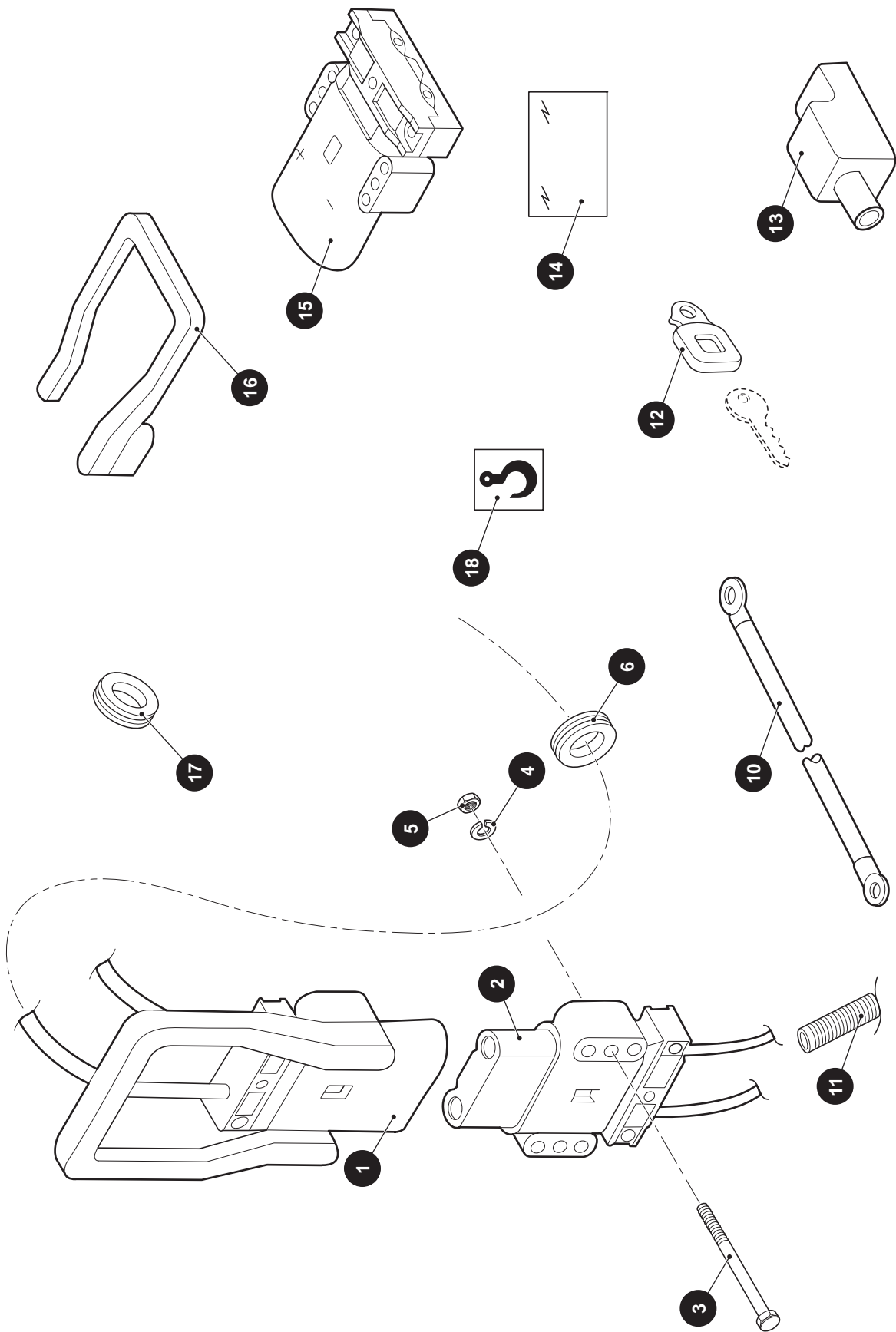
A large grid of graph paper consisting of 28 columns and 30 rows of small squares, intended for taking notes.

Notes:



A large grid of graph paper for taking notes, consisting of 26 columns and 26 rows of small squares.

EC CONVERSION KIT



EC CONVERSION KIT

When ordering parts, please specify the model and serial number of the product.

* Indicates a component that is not available as an individual part.

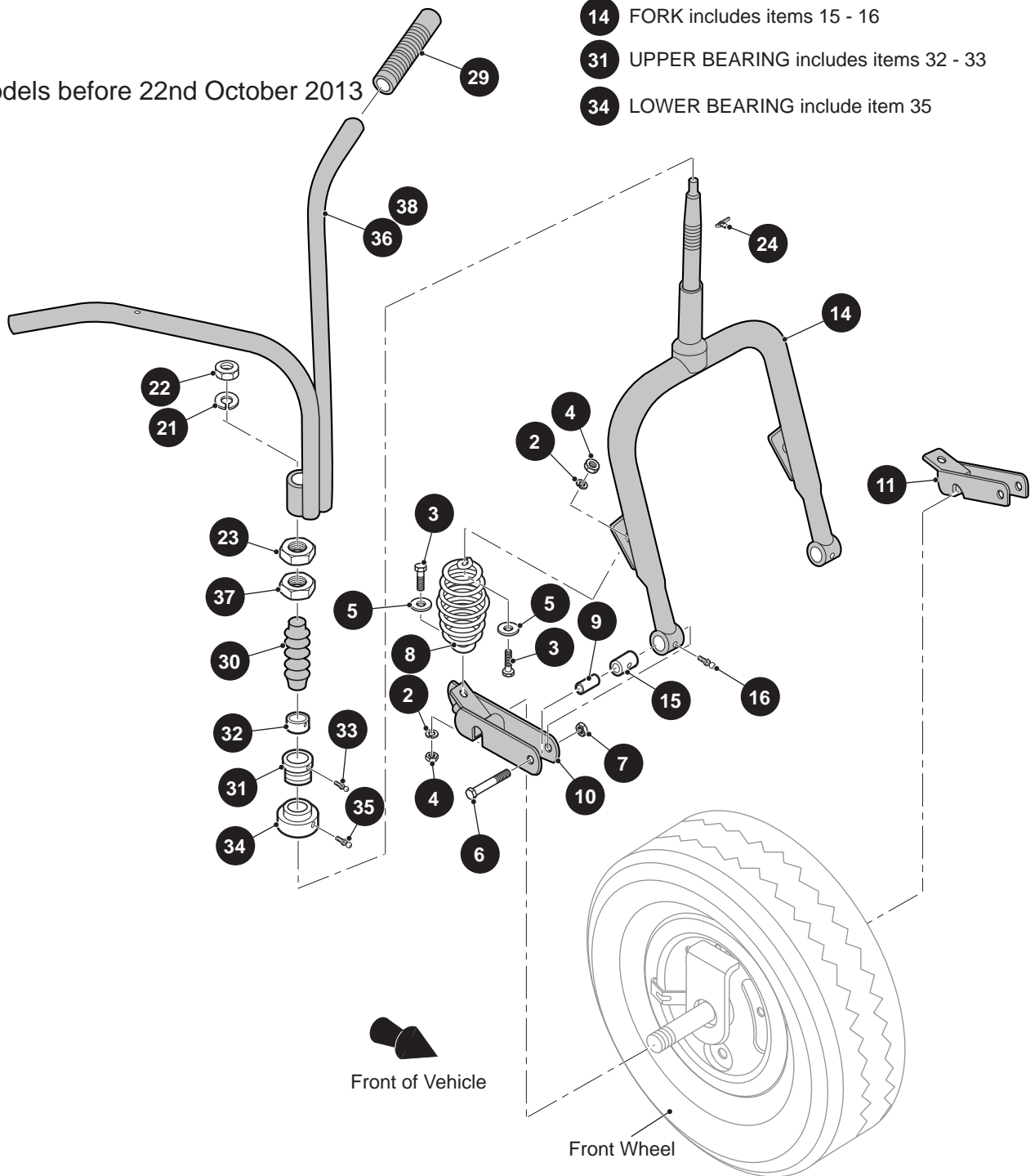
*** Indicates consult Customer Service Department for additional information.

ITEM	PART NO.	1 2 3 4 5	DESCRIPTION	QTY.
1	891657		CONNECTOR, 36V.....	1
2	891693		BATTERY CONNECTOR, 36V, EC.....	1
3	800024		HEX HEAD BOLT, 1/4" - 20 X 1 1/2" LG.....	2
4	306396		LOCK WASHER, 1/4".....	2
5	306375		HEX NUT, 1/4" - 20.....	2
6	813997		GROMMET, .88" X 1.38" X .38".....	1
7				
8				
9				
10	882954		WIRE, 6 GA, (BLACK).....	5
11	825947		TUBING.....	AR
12	837297		KEY HEAD COVER.....	2
13	837462		BATTERY TERMINAL BOOT.....	12
14	837408		BATTERY IDENTIFICATION DECAL.....	1
15	836890		CONNECTOR.....	1
16	836889		HANDLE.....	1
17	828247		GROMMET, 1.50" X 2.13" X .56".....	1
18	837322		DECAL.....	3

FORK AND HANDLEBAR

For Models before 22nd October 2013

- 1 FORK COMPLETE includes items 2 - 14
- 14 FORK includes items 15 - 16
- 31 UPPER BEARING includes items 32 - 33
- 34 LOWER BEARING include item 35



FORK AND HANDLEBAR

When ordering parts, please specify the model and serial number of the product.

* Indicates a component that is not available as an individual part.

*** Indicates consult Customer Service Department for additional information.

ITEM	PART NO.	1 2 3 4 5	DESCRIPTION	QTY.
1	884127		FORK COMPLETE (INCLUDES ITEMS 2 - 14).....	1
2	120177		LOCK WASHER, 3/8"	4
3	306414		HEX HEAD BOLT, 3/8" - 16 X 1" LG.....	4
4	306562		HEX NUT, 3/8" - 16.....	4
5	306981		FLAT WASHER, 3/8"	4
6	311396		HEX HEAD BOLT, 7/16" - 14 X 2" LG.....	2
7	800293		HEX NUT, 7/16" - 14.....	2
8	805383		WHEEL SUSPENSION SPRING, 2.25" O.D. X 5" LG.....	2
9	808969		SPACER, 0.62" O.D. X 1.16" LG	2
10	882188		ARM SIDE (RIGHT).....	1
11	894070		ARM SIDE (LEFT)	1
12				
13				
14	884064		FORK (INCLUDES ITEMS 15 & 16).....	1
15	805189		BEARING	1
16	807439		GREASE FITTING, 1/4" - 28	1
17				
18				
19				
20				
21	120166		LOCK WASHER, 1/2"	1
22	301988		HEX NUT, 1/2" - 20	1
23	305134		HAM HEX NUT, 7/8" - 14	2
24	551041		WOODRUFF KEY, .157" X .625"	2
25				
26				
27				
28				
29	807472		HAND GRIP	2
30	831909		BOOT	1
31	880363		UPPER BEARING (INCLUDES ITEMS 32 - 33).....	1

FORK AND HANDLEBAR

When ordering parts, please specify the model and serial number of the product.

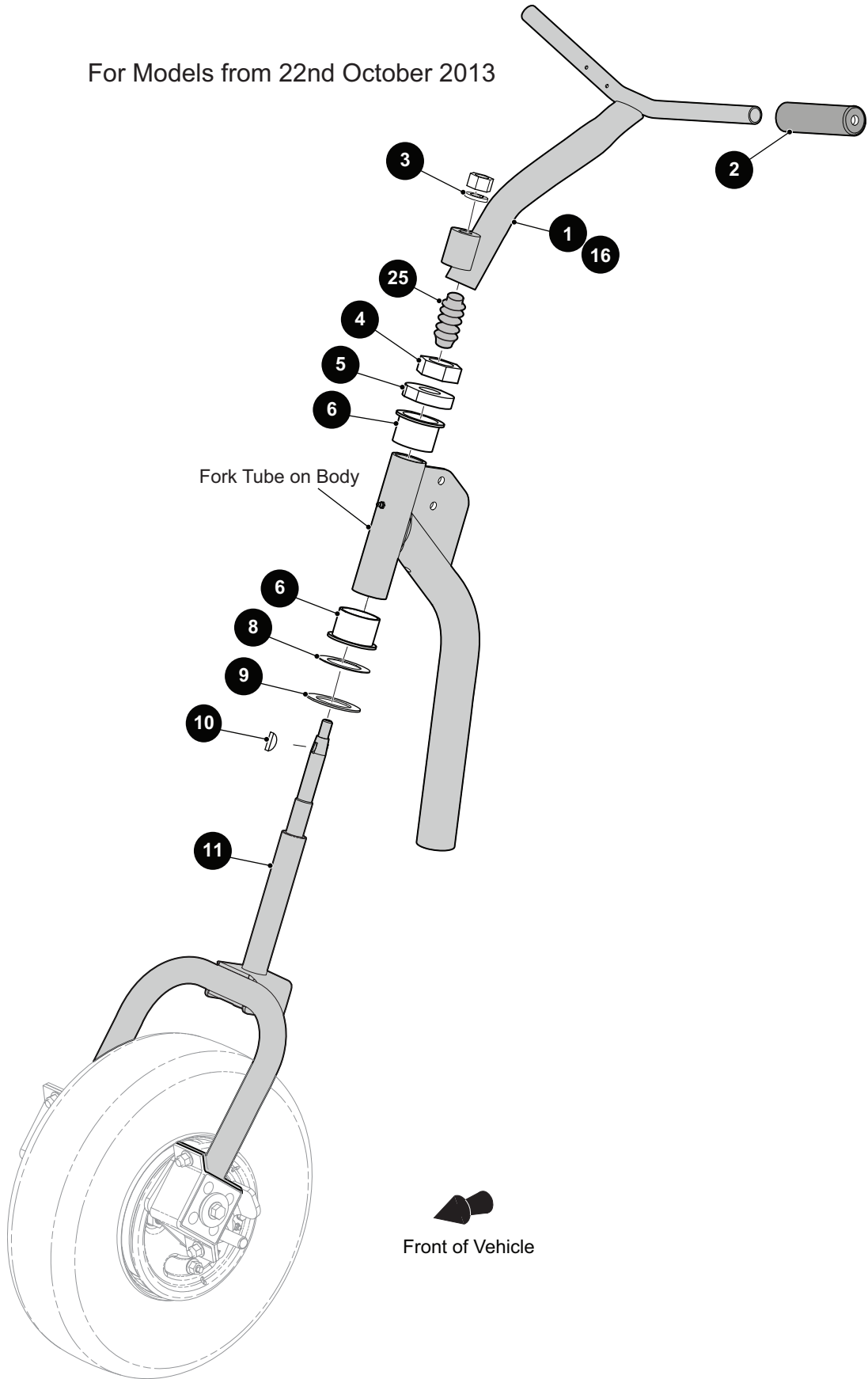
* Indicates a component that is not available as an individual part.

*** Indicates consult Customer Service Department for additional information.

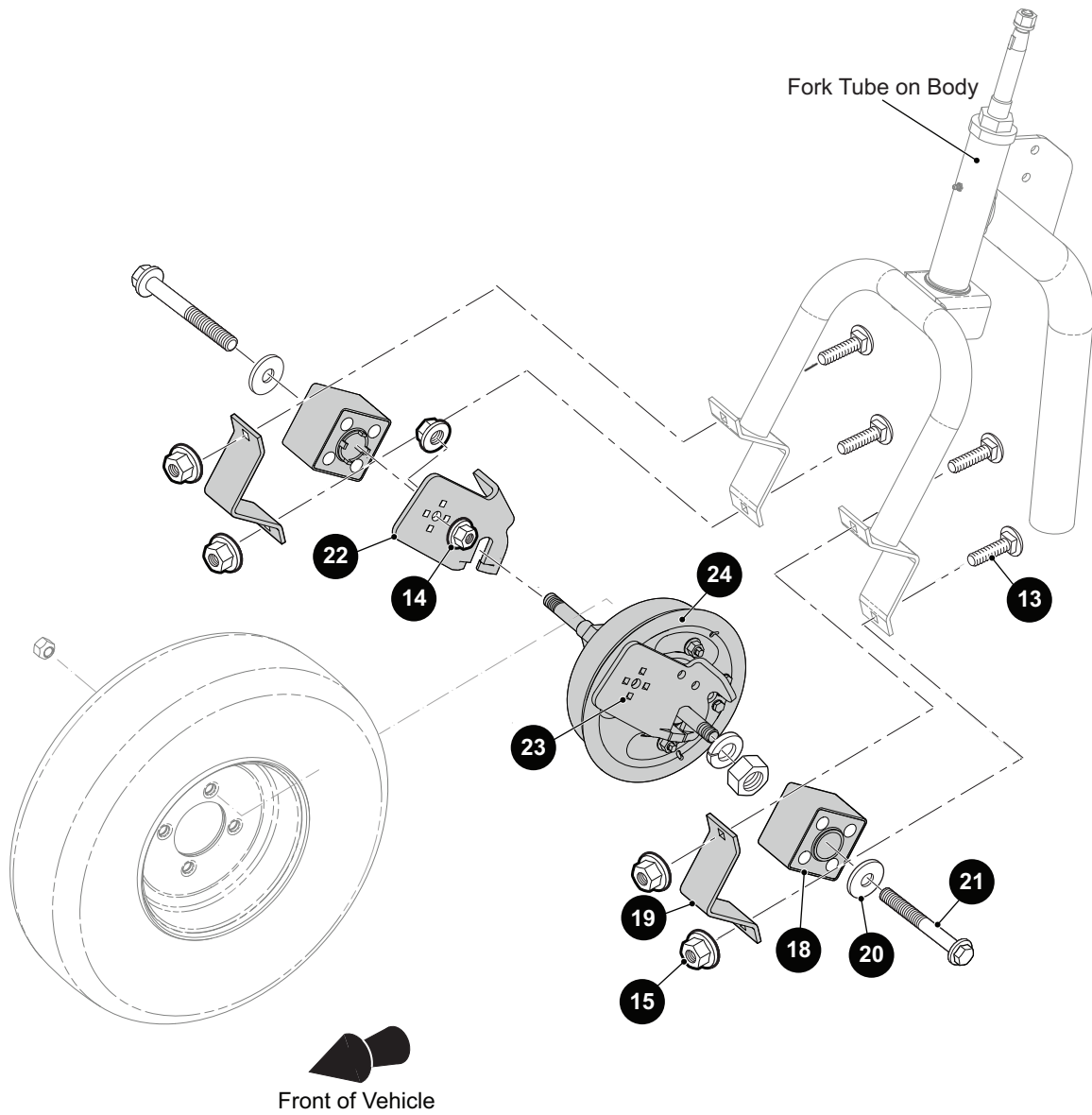
ITEM	PART NO.	1 2 3 4 5	DESCRIPTION	QTY.
32	816198		BEARING	1
33	807439		GREASE FITTING, 1/4" - 28	1
34	880364		LOWER BEARING (INCLUDES ITEM 35)	1
35	815695		GREASE FITTING, #10 - 32	1
36	885010		HANDLEBAR.....	1
37	840411		SPINDLE NUT, 7/8" - 14.....	1
38	632639		HANDLEBAR.....	1

FORK AND HANDLEBAR

For Models from 22nd October 2013



FORK AND HANDLEBAR



FORK AND HANDLEBAR

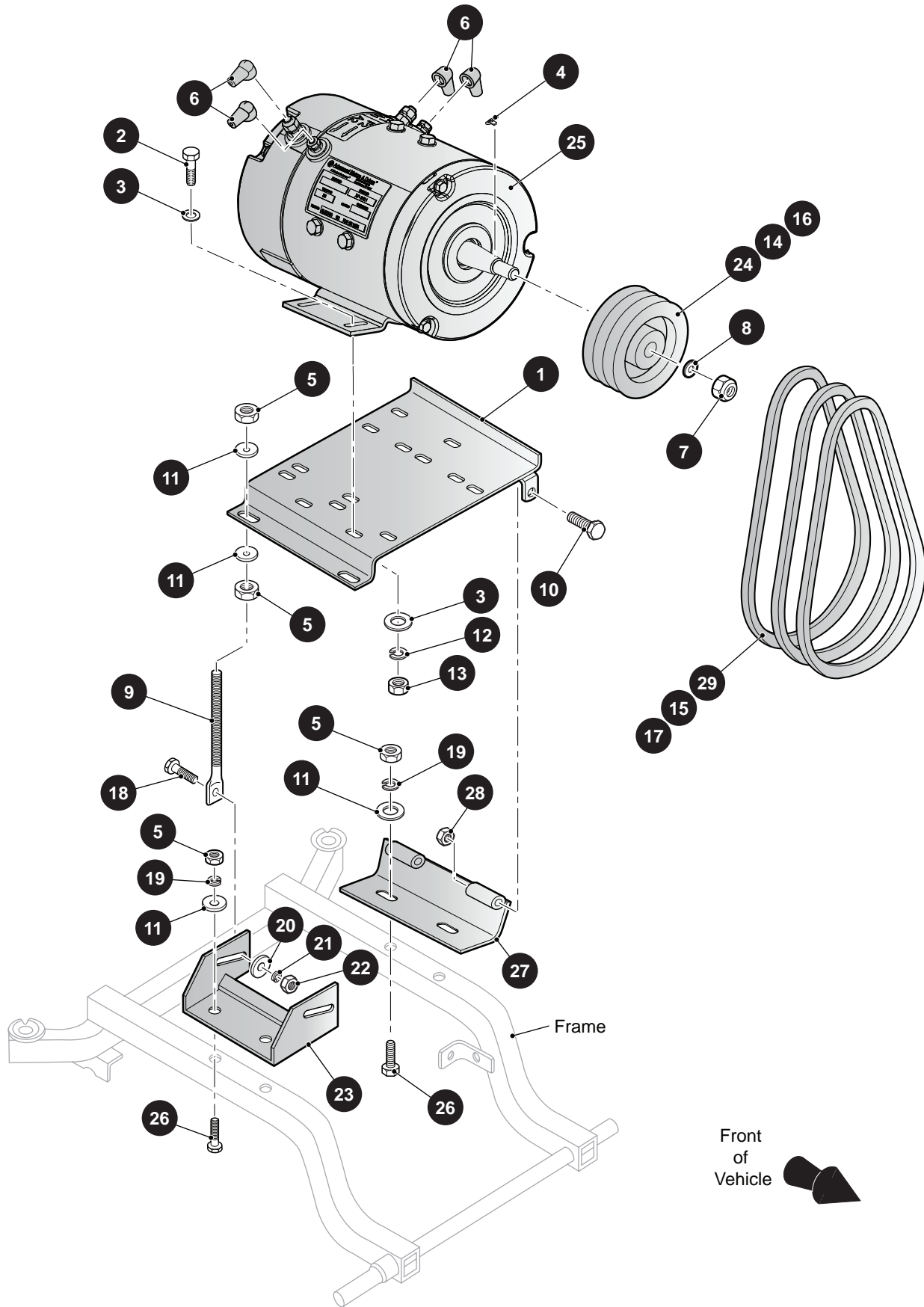
When ordering parts, please specify the model and serial number of the product.

* Indicates a component that is not available as an individual part.

*** Indicates consult Customer Service Department for additional information.

ITEM	PART NO.	1 2 3 4 5	DESCRIPTION	QTY.
1	632618		HANDLEBAR	1
2	807472		HAND GRIP	2
3	120166		LOCK WASHER, 1/2"	1
4	305134		HEX NUT, 7/8" - 14	1
5	840411		SPINDLE NUT, 7/8" - 14	1
6	840324		FLANGED BEARING	2
7				
8	520231		THRUST WASHER, 1.25" X 1.92" X .03"	1
9	840372		FLAT WASHER (RUBBER), 1.31" I.D. X 2" O.D.	1
10	551041		WOODRUFF KEY, .157 X .625".....	1
11	892701		FORK	1
12				
13	800500		CARRIAGE BOLT, 3/8" - 16 X 1" LG.....	4
14	800612		CROWNLOCK FLANGED HEX NUT, 7/16" - 20	2
15	800698		CROWNLOCK FLANGED HEX NUT, 3/8" - 16	4
16	892764		HANDLEBAR	1
17				
18	72995G01		SUSPENSION MOUNT ASSEMBLY	2
19	840318		HALF CLAMP.....	2
20	840412		FLAT WASHER, 0.47" X 1.75" X 0.18"	2
21	800610		HEX HEAD BOLT, 7/16" - 20 X 3 1/2" LG	2
22	632673		FORK BRACKET, RH	1
23	840689		FORK BRACKET, LH.....	1
24	632438		HUB ASSEMBLY AND AXLE (WITHOUT BRAKE)	1
25	831909		BOOT	1

MOTOR



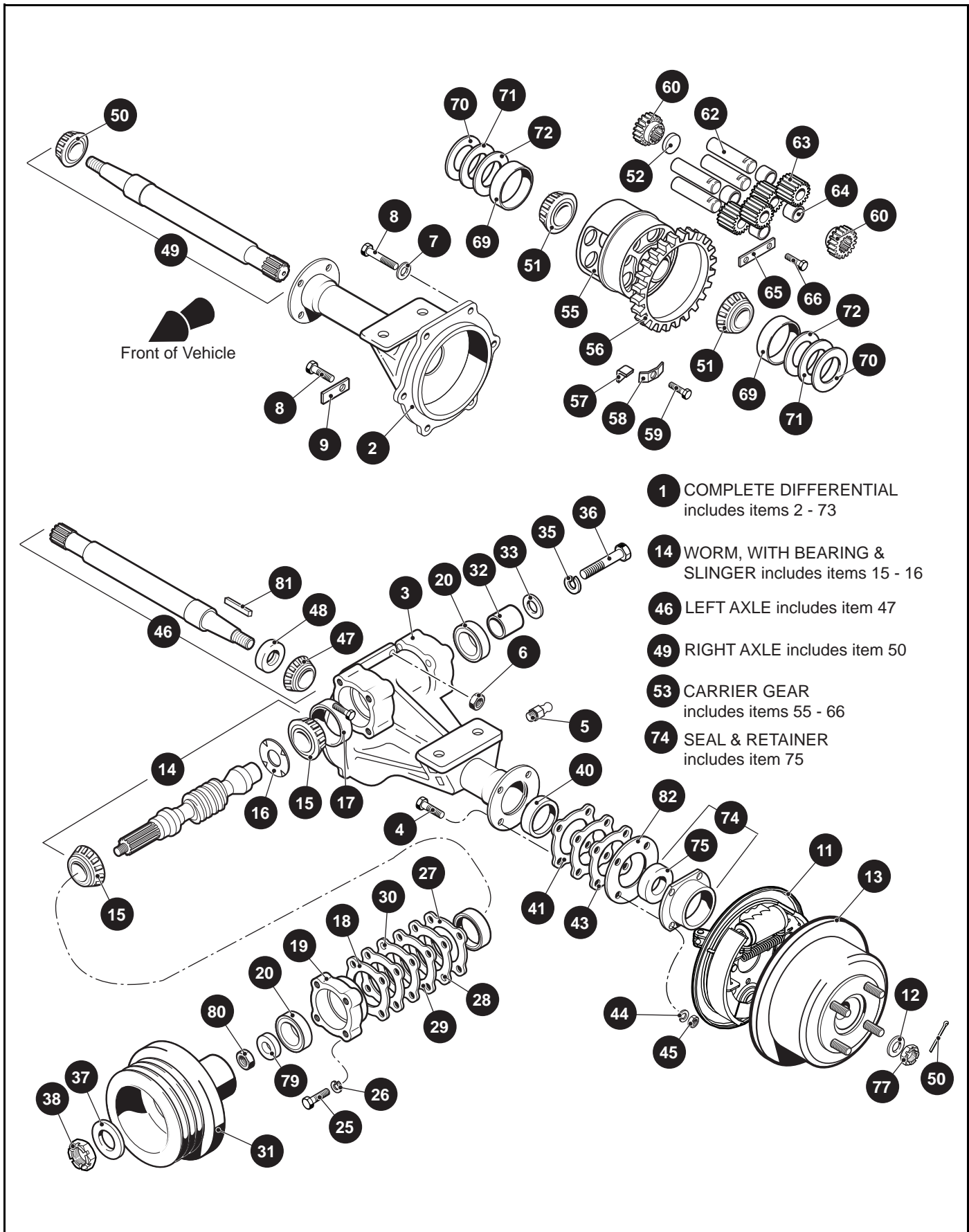
When ordering parts, please specify the model and serial number of the product.

* Indicates a component that is not available as an individual part.

*** Indicates consult Customer Service Department for additional information.

ITEM	PART NO.	1 2 3 4 5	DESCRIPTION	QTY.
1	887778		MOUNTING PLATE	1
2	306416		HEX HEAD BOLT, 5/16" - 18 X 1" LG	4
3	103867		FLAT WASHER, 5/16"	8
4	551041		WOODRUFF KEY, # 6	1
5	304364		HEX NUT, 7/16" - 14	8
6	844328		TERMINAL BOOT	4
7	800198		HEX NUT, 1/2" - 20	1
8	809180		FLAT WASHER, 1/2"	1
9	815558		ADJUSTING ROD	2
10	2702117		HEX HEAD BOLT, 3/8" - 16 X 2" LG	2
11	306982		FLAT WASHER, 7/16"	8
12	306325		LOCK WASHER, 5/16"	4
13	306932		HEX NUT, 5/16" - 18	4
14	629415		PULLEY (5K ONLY)	1
15	630243		V - BELT SET (5K ONLY)	1
16	632937		PULLEY (8K ONLY)	1
17	633677		V - BELT SET (8K ONLY)	1
18	306414		HEX HEAD BOLT, 3/8" - 16 X 1" LG	2
19	303269		LOCK WASHER, 7/16"	4
20	306981		FLAT WASHER, 3/8"	2
21	120177		LOCK WASHER, 3/8"	2
22	306562		HEX NUT, 3/8" - 16	2
23	881759		BRACKET	1
24	815582		PULLEY, 4 1/2" (FOR VEHICLES MANUFACTURED BEFORE 21 OCTOBER 2013)	1
25	628078		MOTOR, 36V	1
26	311397		HEX HEAD BOLT, 7/16" - 14 X 3" LG	4
27	880093		SUPPORT MOUNT	1
28	800698		FLANGED HEX LOCK NUT, 3/8" - 16	2
29	883921		V - BELT SET (FOR VEHICLES MANUFACTURED BEFORE 21 OCTOBER 2013)	1

REAR AXLE



REAR AXLE

When ordering parts, please specify the model and serial number of the product.

* Indicates a component that is not available as an individual part.

*** Indicates consult Customer Service Department for additional information.

ITEM	PART NO.	1 2 3 4 5	DESCRIPTION	QTY.
1	634656		COMPLETE DIFFERENTIAL (INCLUDES ITEMS 2 - 73).....	1
2	883436		AXLE HOUSING (RIGHT).....	1
3	880639		DIFFERENTIAL HOUSING.....	1
4	806251		SPECIAL BOLT.....	8
5	827486		BREATHER VALVE.....	1
6	800290		LOCK NUT, 5/16" - 18.....	6
7	103867		FLAT WASHER, .31" X .69" X .06".....	6
8	304055		HEX HEAD BOLT, 5/16" - 18 X 1 3/8" LG.....	6
9	816046		RATIO TAG (15.67:1).....	1
10	825888		SWITCH.....	1
11	886291		SHOE ASSEMBLY.....	2
12	809156		FLAT WASHER, .62" X 1.38" X .13".....	2
13	879936		BRAKE DRUM ASSEMBLY.....	2
14	880986		WORM, WITH BEARING & SLINGER (INCLUDES ITEMS 15 - 16).....	1
15	814475		BEARING CONE, ROLLER.....	2
16	886706		SLINGER SET, OIL.....	1
17	814476		ROLLER BEARING, CUP.....	2
18	814465		GASKET.....	2
19	879471		BEARING RETAINER.....	1
20	812335		OIL SEAL.....	2
21	831976		TUBE, TEE TO LEFT WHEEL (NOT ILLUSTRATED).....	1
22	826587		TEE (NOT ILLUSTRATED).....	1
23	831975		TUBE, TUBE TO SWITCH (NOT ILLUSTRATED).....	1
24	820008		TEE FITTING (NOT ILLUSTRATED).....	1
25	2702248		HEX HEAD BOLT, 3/8" - 16 X 1 3/4" LG.....	4
26	120177		LOCK WASHER, 3/8".....	4
27	814466		SHIM, .005".....	2
28	814467		SHIM, .010".....	2
29	814468		SHIM, .030".....	2
30	816515		SHIM, .003".....	2
31	815597		PULLEY (140MM).....	1

REAR AXLE

When ordering parts, please specify the model and serial number of the product.

* Indicates a component that is not available as an individual part.

*** Indicates consult Customer Service Department for additional information.

ITEM	PART NO.	1	2	3	4	5	DESCRIPTION	QTY.
32	829455						HUB.....	1
33	817783						FLAT WASHER, .47" X 1.19" X .18"	1
34	831974						HYDRAULIC TUBE, TEE TO RIGHT WHEEL (NOT ILLUSTRATED).....	1
35	303269						LOCK WASHER, 7/16"	1
36	306838						HEX HEAD BOLT, 7/16" - 14 X 1" LG	1
37	809180						FLAT WASHER, .50 X 1.12" X .19"	1
38	800198						CROWN LOCK NUT, 1/2" - 20.....	2
39								
40	814474						ROLLER BEARING CUP	2
41	805320						SHIM, .005"	4
42	805321						SHIM, .010"	4
43	805322						SHIM, .030"	6
44	306325						LOCK WASHER, 5/16"	8
45	306932						HEX NUT, 5/16" - 18	8
46	882052						LEFT AXLE, 15 7/8" (INCLUDES ITEM 47).....	1
47	814473						ROLLER BEARING CONE.....	1
48	814477						OIL SEAL	2
49	883422						RIGHT AXLE, 14 9/16" (INCLUDES ITEM 50)	1
50	814473						ROLLER BEARING CONE.....	1
51	386767						BEARING CONE.....	2
52	814484						SPACER.....	1
53	880176						CARRIER GEAR, (15.67:1 RATIO) (INCLUDES ITEMS 55 - 66).....	1
54								
55	*						CARRIER HOUSING.....	1
56	816038						WORM GEAR (15.67:1 RATIO).....	1
57	816824						LOCKING PLATE	2
58	816823						RETAINER PLATE.....	2
59	306555						HEX HEAD BOLT, 5/16" - 18 X 5/8" LG.....	2
60	842093						AXLE SHAFT GEAR	2
61								
62	816825						DIFFERENTIAL GEAR SHAFT	4

REAR AXLE

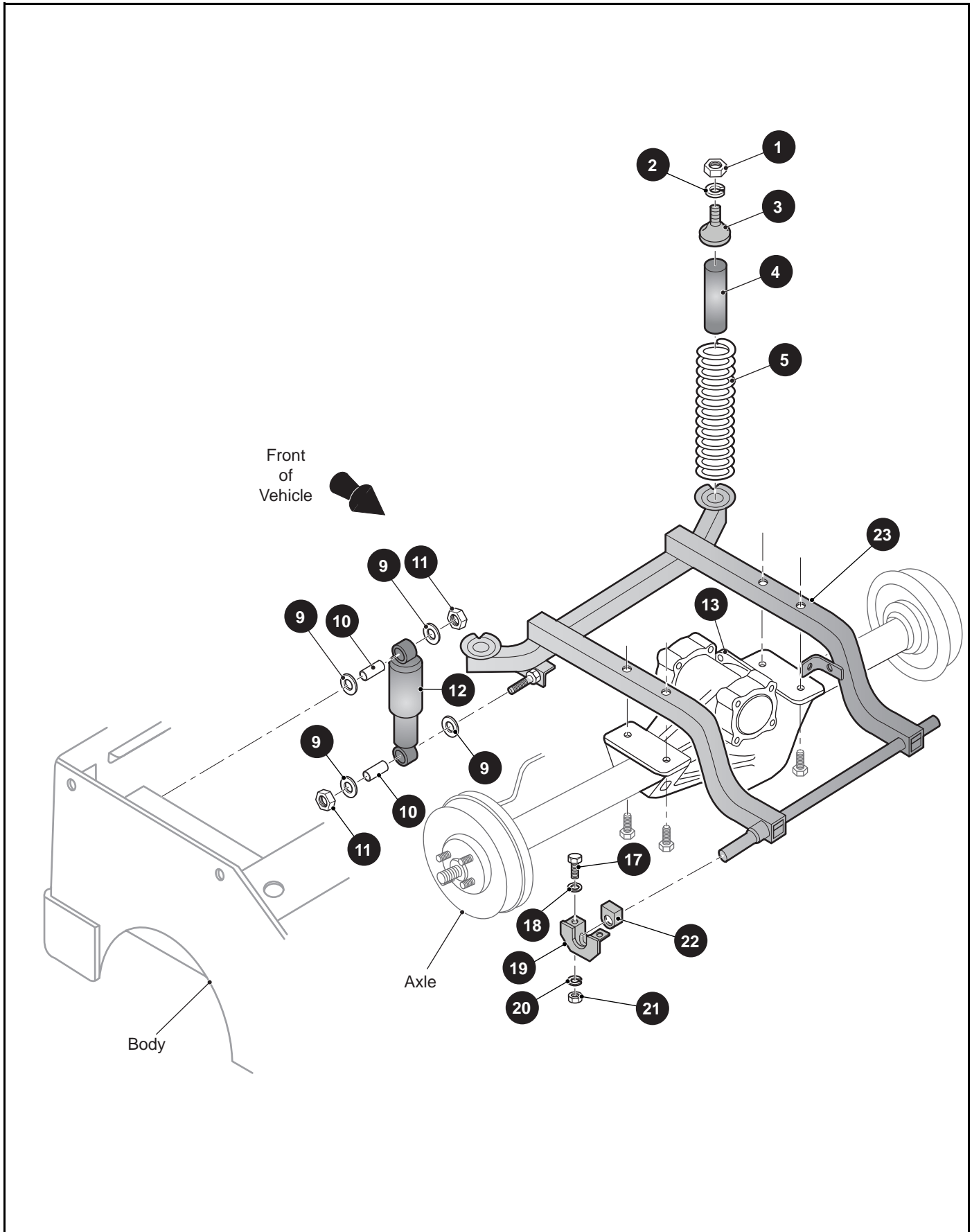
When ordering parts, please specify the model and serial number of the product.

* Indicates a component that is not available as an individual part.

*** Indicates consult Customer Service Department for additional information.

ITEM	PART NO.	1 2 3 4 5	DESCRIPTION	QTY.
63	842094		DIFFERENTIAL PLANET GEAR	4
64	814483		SPACER, .62" O.D. X .61" LG	4
65	815794		LOCKING PLATE	3
66	306835		HEX HEAD BOLT, 3/8" - 16 X 1 1/4" LG	6
67				
68				
69	320122		ROLLER BEARING CUP	2
70	814469		SHIM, .003"	5
71	814470		SHIM, .005"	2
72	814471		SHIM, .010"	6
73	800356		PLUG PIPE (NOT ILLUSTRATED).....	2
74	879476		SEAL & RETAINER (INCLUDES ITEM 75)	2
75	814488		BEARING SEAL	1
76				
77	805843		CASTLE NUT, 5/8" - 18.....	2
78	304636		COTTER PIN, 1/8" X 1 1/8.....	2
79	809180		FLAT WASHER, .50" X 1.12" X .19"	1
80	800198		CONE LOCK NUT, 1/2" - 20	1
81	805875		HUB KEY	2
82	808303		BEARING GASKET	2

REAR SUSPENSION



REAR SUSPENSION

When ordering parts, please specify the model and serial number of the product.

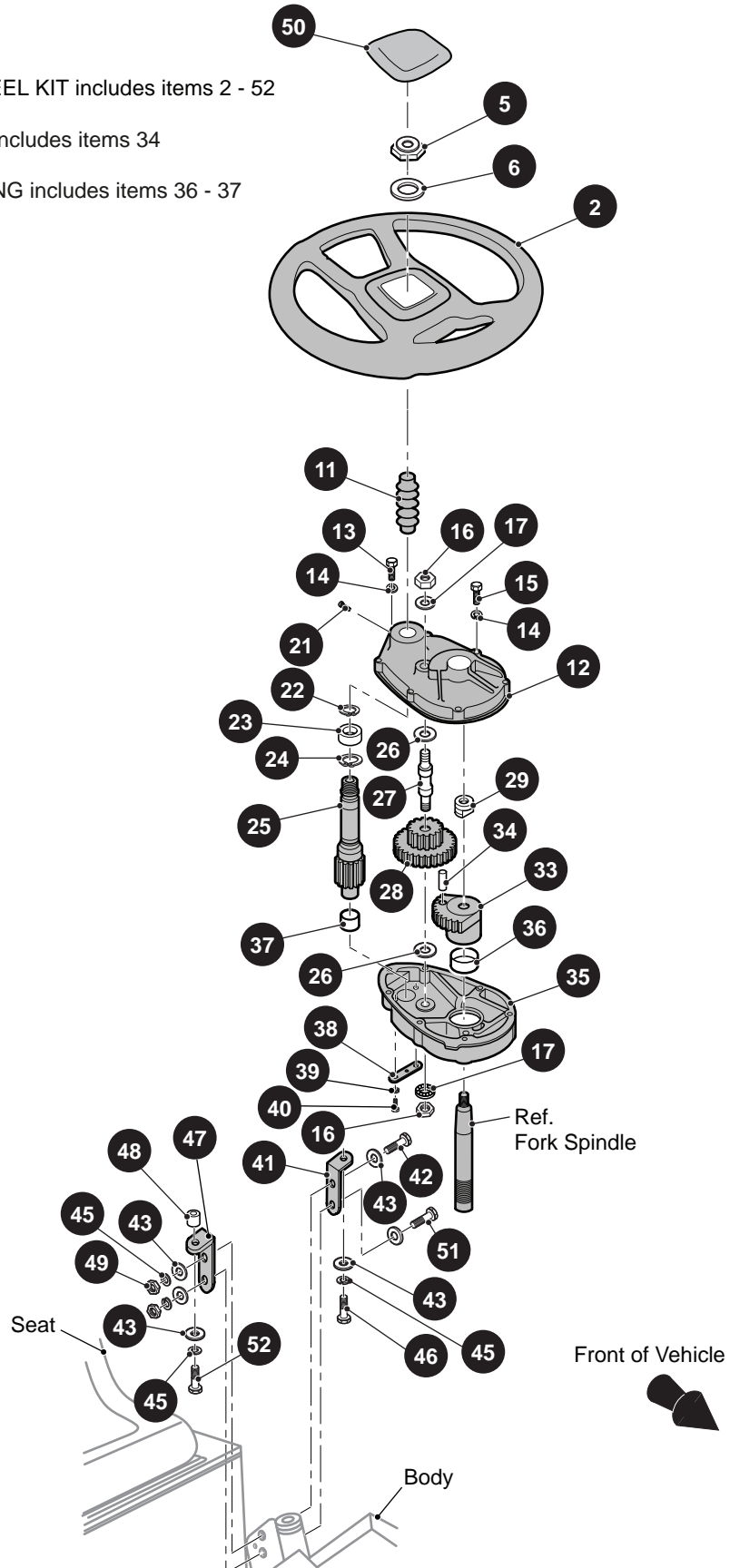
* Indicates a component that is not available as an individual part.

*** Indicates consult Customer Service Department for additional information.

ITEM	PART NO.	1 2 3 4 5	DESCRIPTION	QTY.
1	308332		HEX NUT, 1/2" - 13	2
2	120166		LOCK WASHER, 1/2"	2
3	876660		SPRING RETAINER, 1/2" - 13 X 1" LG	2
4	825435		SPRING BUMPER	2
5	805437		REAR SPRING, 2.50" DIA X 9.75"	2
6				
7				
8				
9	825500		CUP WASHER, 1/2"	4
10	823621		BUSHING, 19/32" DIA X 1 3/16"	2
11	800294		LOCK NUT, 7/16" - 14	2
12	807332		SHOCK ABSORBER	1
13	634656		DIFFERENTIAL ASSEMBLY	1
14				
15				
16				
17	00427G4		HEX HEAD BOLT, 3/8" - 16 X 1 1/2" LG	4
18	306981		FLAT WASHER, 3/8"	4
19	887782		RETAINER	2
20	120177		LOCK WASHER, 3/8"	4
21	306562		HEX NUT, 3/8" - 16	4
22	816667		RUBBER BUSHING	2
23	887196		FRAME	1

STEERING KIT

- 1** STEERING WHEEL KIT includes items 2 - 52
- 33** GEAR DRIVEN includes items 34
- 35** LOWER HOUSING includes items 36 - 37



STEERING KIT

When ordering parts, please specify the model and serial number of the product.

* Indicates a component that is not available as an individual part.

*** Indicates consult Customer Service Department for additional information.

ITEM	PART NO.	1 2 3 4 5	DESCRIPTION	QTY.
1	629242G02		STEERING WHEEL KIT (INCLUDES ITEMS 2 - 52).....	1
2	892228		STEERING WHEEL	1
3				
4				
5	816652		HORN BUTTON NUT, 5/16" - 18	1
6	311496		FLAT WASHER, 5/8"	1
7				
8				
9				
10				
11	831909		BOOT	1
12	832555		UPPER HOUSING	1
13	302030		HEX HEAD BOLT, 1/4" - 20 X 1 1/4" LG.....	3
14	306396		LOCK WASHER, 1/4"	7
15	306832		HEX HEAD BOLT, 1/4" - 20 X 2" LG.....	4
16	800612		HEX NUT, 7/16" - 20.....	2
17	816449		FLAT WASHER, 1/4"	2
18				
19				
20				
21	800022		HEX HEAD BOLT, #10 - 24 X 3/8" LG.....	2
22	816455		RETAINING RING	1
23	816456		BALL BEARING.....	1
24	816447		RETAINING RING	1
25	816660		PINION GEAR SHAFT	1
26	816446		FLAT WASHER, 1/4"	2
27	816452		STUD, 7/16" - 20	1
28	830168		CLUSTER GEAR.....	1
29	825672		STEERING BUSHING NUT, 7/16"- 20	1
30				
31				

STEERING KIT

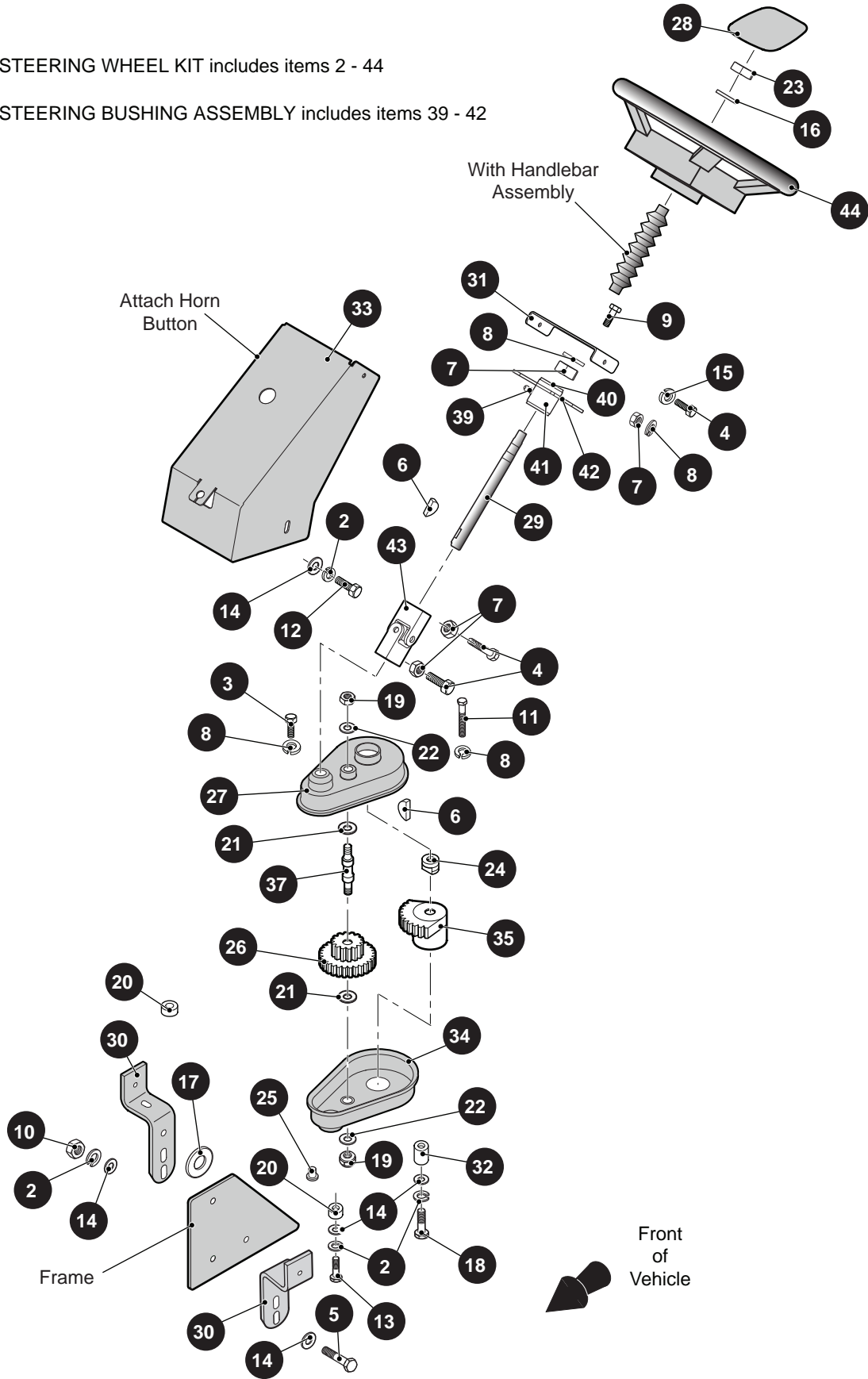
When ordering parts, please specify the model and serial number of the product.

* Indicates a component that is not available as an individual part.

*** Indicates consult Customer Service Department for additional information.

ITEM	PART NO.	1	2	3	4	5	DESCRIPTION	QTY.
32								
33	886913						GEAR DRIVEN (INCLUDES ITEM 34)	1
34	310546						ROLL PIN, 1/2" X 1 1/2" LG	1
35	833182						LOWER HOUSING (INCLUDES ITEMS 36 - 37)	1
36	830370						BUSHING, 1 1/2" X 5/8" LG	1
37	515511						BUSHING, 8/9" X 0.625" LG	1
38	823932						RETAINER PLATE	1
39	306325						LOCK WASHER, 5/16"	2
40	306322						HEX HEAD BOLT, 5/16" - 18 X 7/8" LG	2
41								
42	302600						HEX HEAD BOLT, 3/8" - 16 X 1 1/2" LG	3
43	306981						FLAT WASHER, 3/8"	6
44	825493						SUPPORT HOUSING (LEFT)	1
45	120177						LOCK WASHER, 3/8"	4
46	306835						HEX HEAD BOLT, 3/8" - 16 X 1 1/4" LG	1
47	825492						SUPPORT HOUSING (RIGHT)	1
48	808935						SPACER, 3/4"	1
49	306562						HEX NUT, 3/8" - 16	2
50	840017						STEERING WHEEL COVER	1
51	00427G6						HEX HEAD BOLT, 3/8" - 16 X 1.75" LG	2
52	00427G4						HEX HEAD BOLT, 3/8" - 16 X 1.50" LG	1

- 1 STEERING WHEEL KIT includes items 2 - 44
- 38 STEERING BUSHING ASSEMBLY includes items 39 - 42



STEERING KIT

When ordering parts, please specify the model and serial number of the product.

* Indicates a component that is not available as an individual part.

*** Indicates consult Customer Service Department for additional information.

ITEM	PART NO.	1 2 3 4 5	DESCRIPTION	QTY.
1	632368		STEERING WHEEL KIT (INCLUDES ITEMS 2 - 44)	1
2	120177		LOCK WASHER, 3/8"	8
3	302030		HEX HEAD BOLT, 1/4" - 20 X 1 1/4" LG	3
4	302288		HEX HEAD BOLT, 1/4"- 20 X 1" LG	4
5	302600		HEX HEAD BOLT, 3/8"- 16 X 1 1/2" LG	3
6	306367		WOODRUFF KEY, 0.188" X 0.750" LG	2
7	306375		HEX NUT, 1/4" - 20	8
8	306396		LOCK WASHER, 1/4"	13
9	00414G5		HEX HEAD BOLT, 1/4" - 20 X 0.62" LG	4
10	306562		HEX NUT, 3/8" - 16	3
11	306832		HEX HEAD BOLT, 1/4" - 20 X 2" LG	4
12	306834		HEX HEAD BOLT, 3/8" - 16 X 3/4" LG	2
13	306835		HEX HEAD BOLT, 3/8" - 16 X 1 1/4" LG	2
14	306981		FLAT WASHER, 3/8"	11
15	308090		FLAT WASHER, 1/4"	2
16	311496		FLAT WASHER, 5/8"	1
17	517663		FLAT WASHER, 2"	1
18	2702248		HEX HEAD BOLT, 3/6" - 16 X 1 3/4" LG	1
19	800612		CROWN LOCK NUT, 7/16" - 20	2
20	808935		SPACER, 7/9" O.D. X 4/9" I.D. X 1/3" LG	2
21	816446		FLAT WASHER, 0.44" X 1.00" X 0.11"	2
22	816449		FLAT WASHER, 0.44" X 1.12" X 0.13"	2
23	816652		STEERING WHEEL NUT, 1 - 1/4"	1
24	825672		STEERING BUSHING NUT, 1.125"	1
25	825919		HOLE PLUG.....	1
26	830168		CLUSTER GEAR	1
27	891167		UPPER HOUSING	1
28	840017		STEERING WHEEL CENTER COVER	1
29	840981G01		STEERING WHEEL SHAFT	1
30	840982G01		STEERING SUPPORT	2
31	844264G01		WHEEL MOUNT PLATE	1

STEERING KIT

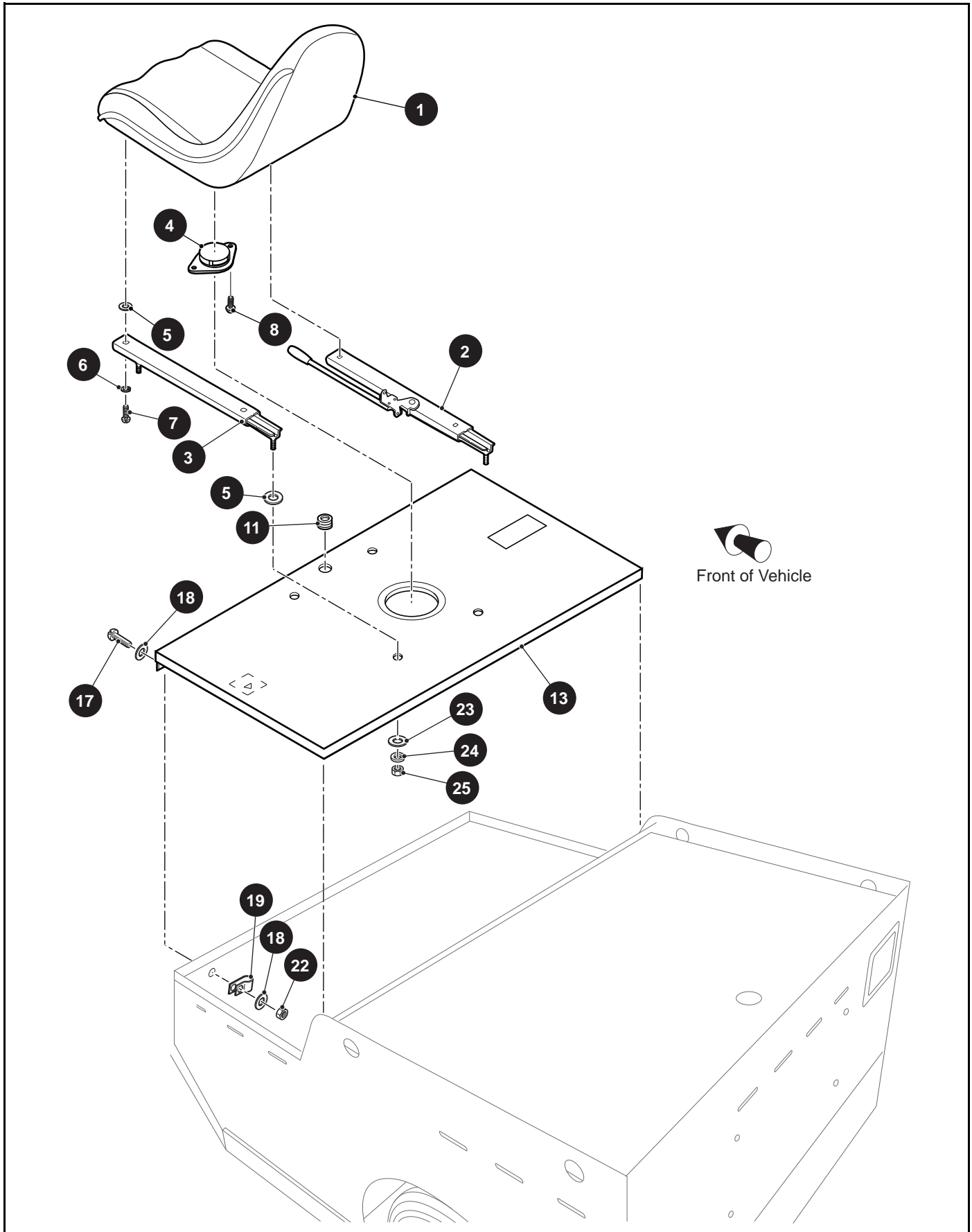
When ordering parts, please specify the model and serial number of the product.

* Indicates a component that is not available as an individual part.

*** Indicates consult Customer Service Department for additional information.

ITEM	PART NO.	1 2 3 4 5	DESCRIPTION	QTY.
32	844290		BUSHING, 7/9" O. D. X 4/9" I. D.	1
33	632207		STEERING COVER	1
34	891167		STEERING HOUSING	1
35	886913		DRIVEN GEAR ASSEMBLY	1
36				
37	816452		IDLER SHAFT, 7/16" - 20 X 3.7" LG.....	1
38	891597G01		STEERING BUSHING ASSEMBLY (INCLUDES ITEMS 39 - 42).....	1
39	548225		LUBE FITTING	1
40	827188		STEERING BEARING.....	2
41	827189		STEERING BUSHING, 1.28" LG.....	1
42	827384		STEERING BUSHING PLATE	1
43	891680		UNIVERSAL JOINT ASSEMBLY	1
44	892228		STEERING WHEEL, 14"	1

SEATING



SEATING

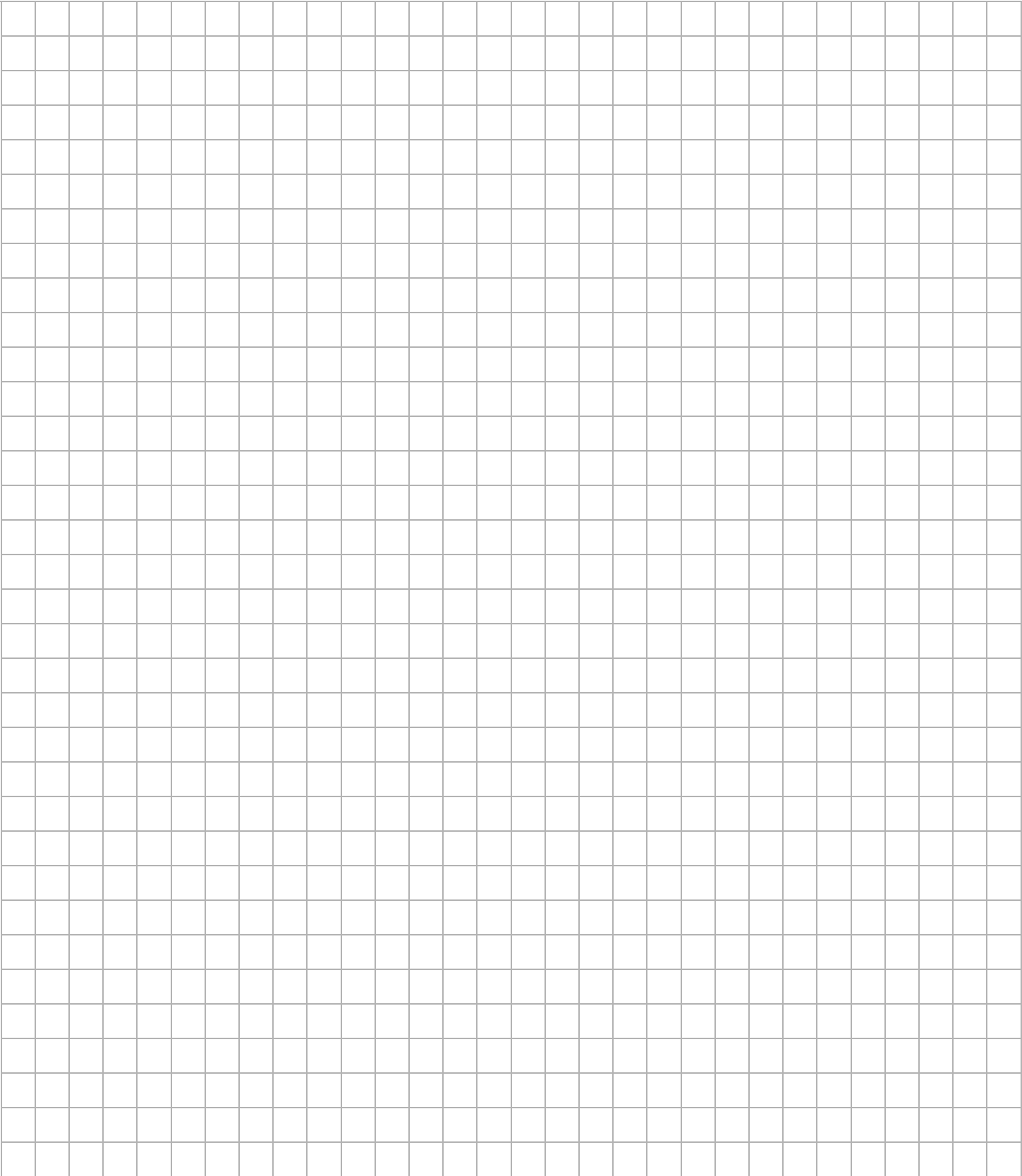
When ordering parts, please specify the model and serial number of the product.

* Indicates a component that is not available as an individual part.

*** Indicates consult Customer Service Department for additional information.

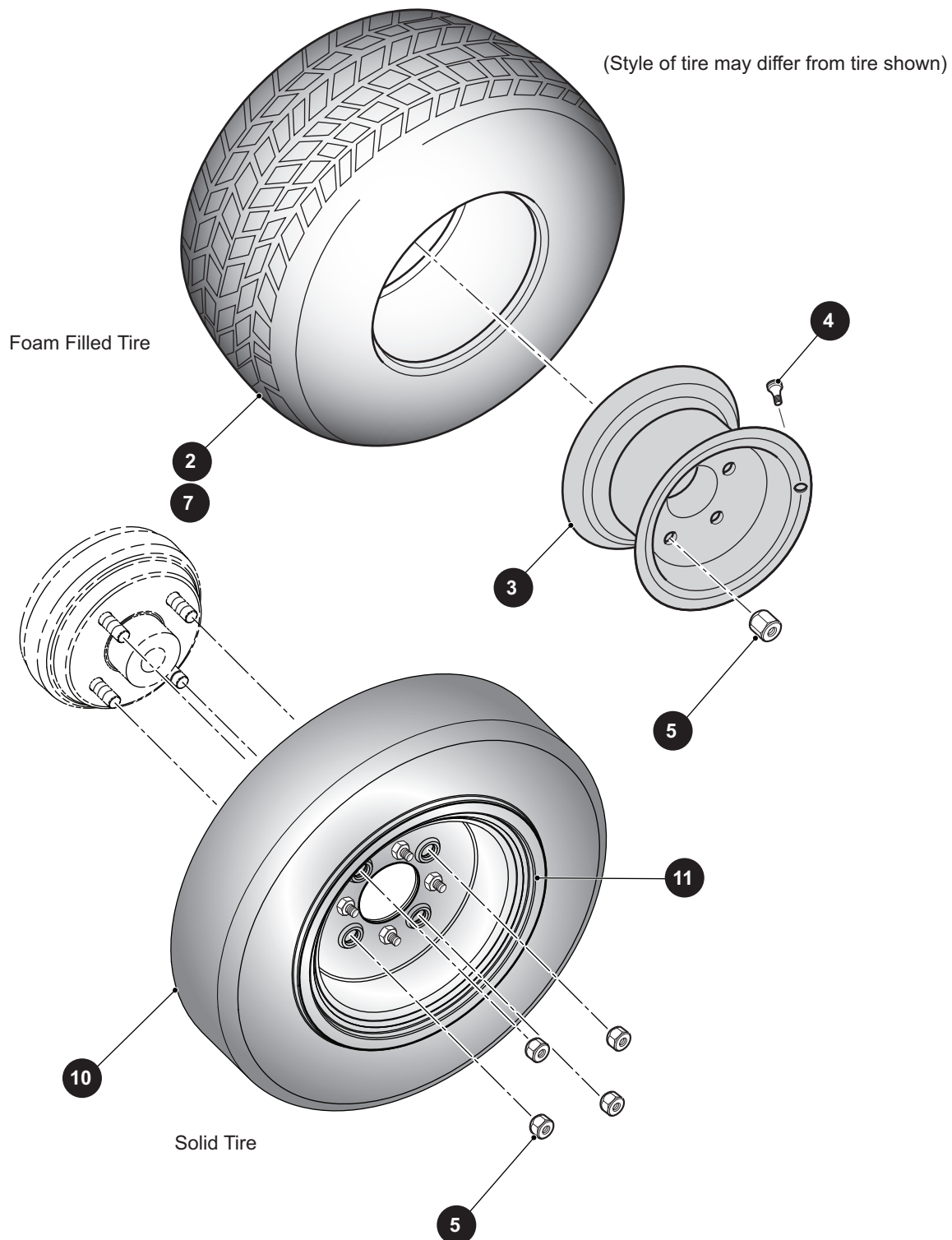
ITEM	PART NO.	1 2 3 4 5	DESCRIPTION	QTY.
1	XXXXXX		SEAT 198057 GREY (5K ONLY) 636061 BLACK (8K ONLY)	1
2	831188		SEAT ADJUSTER (RIGHT).....	1
3	831187		SEAT ADJUSTER (LEFT).....	1
4	15813501		SEAT SWITCH.....	1
5				
6	306325		LOCK WASHER, 5/16"	4
7	548901		HEX HEAD BOLT, 5/16" - 18 X 1/2" LG	4
8	71102G02		HEX HEAD BOLT, 1/4" - 20 X 1/2" LG	2
9				
10				
11	810446		GROMMET	1
12				
13	XXXXXX		SEAT PANEL 630782 SAFETY YELLOW 635925 HUNTER GREEN 635926 FLAME RED 635927 ARCTIC WHITE	1
14				
15				
16				
17	800215		HEX HEAD BOLT, #10 - 24 X 5/8" LG	6
18	308089		FLAT WASHER, #10	12
19	814924		CLAMP	3
20				
21				
22	14390G10		LOCK NUT, #10 - 24	6
23	103867		FLAT WASHER, 5/16"	4
24	306325		LOCK WASHER, 5/16"	4
25	306932		HEX NUT, 5/16" - 18	4

Notes:

A large grid of graph paper, consisting of 20 columns and 30 rows of small squares, intended for taking notes. The grid is empty.

WHEELS AND TIRES

- 1 WHEEL ASSEMBLY 4.80 X 8.00 includes items 2, 5
- 6 WHEEL ASSEMBLY, FOAM FILLED includes items 5, 7
- 8 WHEEL ASSEMBLY, FOAM FILLED includes items 5, 9



WHEELS AND TIRES

When ordering parts, please specify the model and serial number of the product.

* Indicates a component that is not available as an individual part.

*** Indicates consult Customer Service Department for additional information.

ITEM	PART NO.	1 2 3 4 5	DESCRIPTION	QTY.
1	603820		WHEEL AND TIRE ASSEMBLY, (INCLUDES ITEMS 2, 5)	3
2	886378		WHEEL ASSEMBLY, 4.80 x 8.00, (INCLUDES ITEMS 3 - 4).....	1
3	824989		WHEEL, 8.00 X 3.75	1
4	886735		VALVE STEM, .74" DIA X 1.22"	1
5	805860		HEX NUT, 7/16"- 20.....	12
6	603821		WHEEL ASSEMBLY, FOAM FILLED, (INCLUDES ITEMS 5, 7)	3
7	893042G01		TIRE, FOAM FILLED, 4.8 X 8.0, (INCLUDES ITEMS 3 - 4).....	1
8	610235		WHEEL AND TIRE ASSEMBLY, (INCLUDES ITEMS 5, 9)	3
9	612768		TIRE AND WHEEL ASSEMBLY, 4 X 8, SOLID NON MARK (INCLUDES ITEMS 10 - 11)	1
10	612769		TIRE, 4 X 8, SOLID NON MARK	1
11	620679		WHEEL, 4 X 8, SOLID NON MARK.....	1

Notes:

A large grid of graph paper consisting of 30 columns and 25 rows of small squares, intended for writing notes.



CUSHMAN™

E-Z-GO Division of Textron Inc.,
1451 Marvin Griffin Road, Augusta, Georgia 30906 - 3852 USA

TO CONTACT US...

North America:

Technical Assistance & Warranty Phone: 1-800-774-3946, FAX: 1-800-448-8124

Service Parts Phone: 1-888-GET-E-Z-GO (1-888-438-3946), FAX: 1-800-752-6175

International: Phone: 001-706-798-4311, FAX: 001-706-771-4609

Service Parts Manuals, as well as Repair and Service Manuals
are available from a local Distributor, an authorized Branch,
Genuine E-Z-GO Parts & Accessories Department or at www.shopezgo.com.

Copyrighted Material
This manual may not be reproduced in whole or
in part without the express permission of
E-Z-GO Division of Textron Inc.
Technical Communications Department