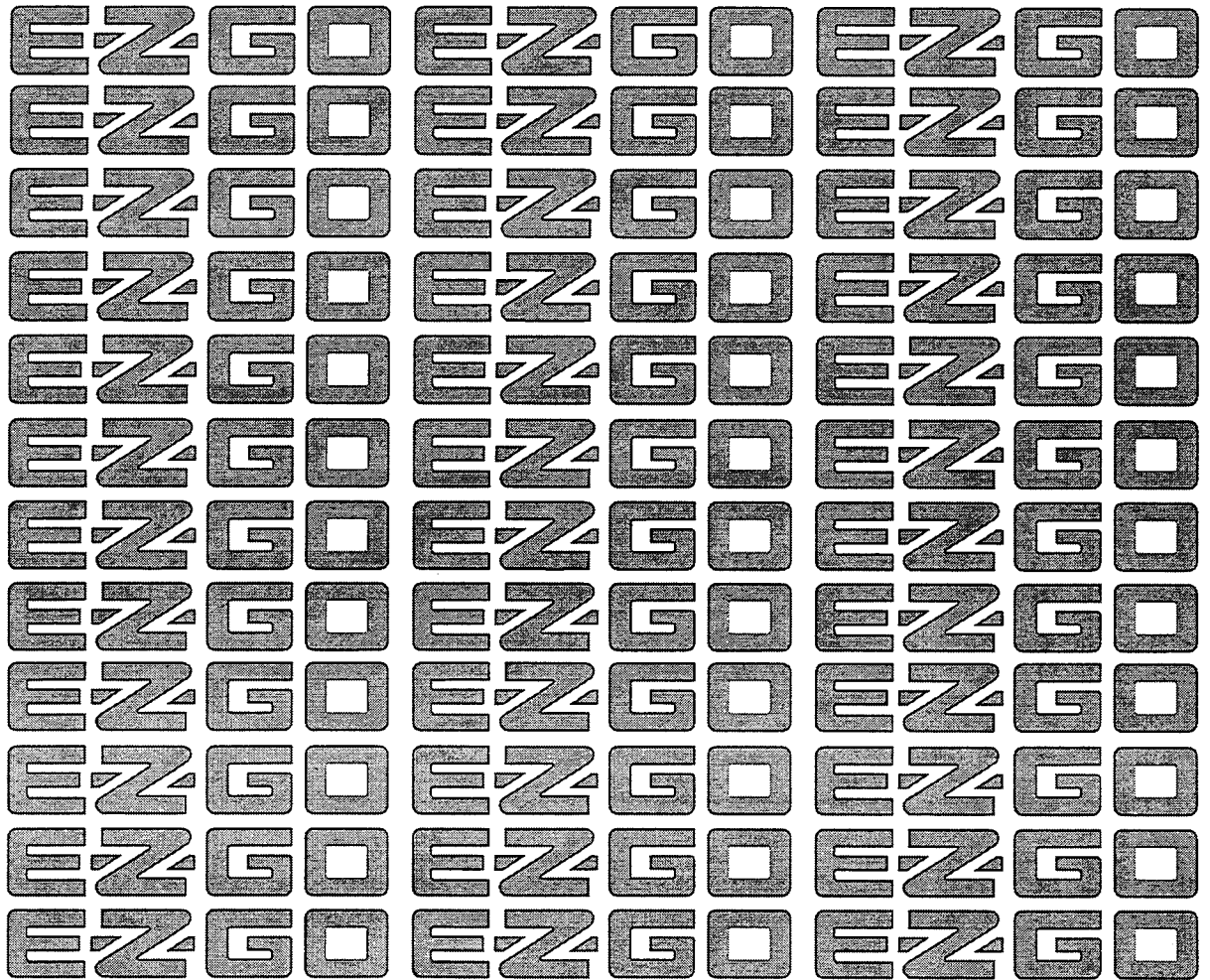




ELECTRIC AND 4 CYCLE GASOLINE POWERED TRUCK

SERVICE PARTS MANUAL



SERVICE PARTS MANUAL

ELECTRIC AND GASOLINE POWERED TRUCK

TRUCKS

XI - 500

XT - 500

GXI - 804 TUFF 1

GXT - 804 TUFF 1

CUSTOMER SERVICE DEPARTMENT PHONE 1-800-227-7029 FAX 1-800-752-6175
E-Z-GO DIVISION OF TEXTRON, INC., P.O.BOX 388, AUGUSTA, GEORGIA 30903-0388, 1-800-241-5855

LIMITED WARRANTY

WARRANTY

TO OBTAIN A COPY OF THE LIMITED WARRANTY THAT IS APPLICABLE TO THE VEHICLE, CALL OR WRITE THE LOCAL DISTRIBUTOR, BRANCH OR E-Z-GO WARRANTY DEPARTMENT WITH VEHICLE SERIAL NUMBER AND MANUFACTURE CODE.

THE USE OF NON E-Z-GO PARTS MAY VOID THE WARRANTY.

OVERFILLING OF BATTERIES MAY VOID THE WARRANTY.

TAMPERING WITH OR ADJUSTING OF GOVERNOR TO PERMIT THE VEHICLE TO OPERATE AT ABOVE FACTORY SETTINGS (15 MPH) WILL VOID YOUR VEHICLE WARRANTY.

WARNING

ENGINE EXHAUST FROM THIS PRODUCT CONTAINS CHEMICALS KNOWN, IN CERTAIN QUANTITIES, TO CAUSE CANCER, BIRTH DEFECTS, OR OTHER REPRODUCTIVE HARM.

GENERAL INDEX

SECTIONS	Page No.
How to use the E-Z-GO Service Manual	vii
California Emissions Warrantry Statement.....	Back Cover

Illustrated Parts Breakdown:

	ELECTRIC TRUCK	GASOLINE TRUCK	ELECTRIC/GASOLINE TRUCK
Illustration	Page No.	Page No.	Page No.
ACCELERATOR LINKAGE	A-1.....	A-3	
• Accelerator Pedal			
• Accelerator Rod			
BATTERY CHARGER, TOTAL CHARGE® III, 36 VOLT (UL) CSA	B-1		
• Onboard			
• Portable			
BODY AND ASSOCIATED PARTS			C-1
• Bagwell			
• Battery Racks			
• Center Console			
• Floorboard			
• Direction Selector Indicator			
• Hip Handhold			
• Seat Wrap			
• Vinyl Bumper Body Trim			
BRAKE LINKAGES			D-1
• Brake Linkage			
• Brake Pedal			
• Compensating Link			
CARBURETOR		E-1	
• Jets			
• Choke Valve			
CLUTCHES		F-1	
• Drive Belt			
• Drive Clutch			
• Driven Clutch			
DIRECTION SELECTOR	H-1	H-5	
• Contact Board			

GENERAL INDEX

Illustrated Parts Breakdown:

Illustration	ELECTRIC TRUCK Page No.	GASOLINE TRUCK Page No.	ELECTRIC/GASOLINE TRUCK Page No.
ELECTRICAL SYSTEM		J-1	
• Battery			
• Coil and Bracket			
• Fuse Holder			
• Ignition Switch			
• Ignitor Unit			
• Voltage Regulator			
• Wiring Harness, Starter/Generator			
ENGINE AND MUFFLER.....		K-1	
• Air Cleaner			
• Engine			
• Muffler			
• Oil Filter			
• Spark Plug			
• Spark Plug Wire			
ENGINE/STARTER MOUNTING		L-1	
• Starter/Generator Belt			
• Engine Mounts			
• Isolation Mounts			
• Engine Guard			
FILTERED AIR SYSTEM		M-1	
• Air Filter			
FRESH AIR INTAKE SYSTEM		N-1	
• Air Intake Box			
• Air Box Gasket			
• Air Hose			
FRONT SHIELD.....			Q-1
FRONT SUSPENSION			R-1
• Front Axle			
• Hub			
• Idler			
• Leaf Springs			
• Spindle			
• Tie Rod			
• Shock Absorbers			

GENERAL INDEX

Illustrated Parts Breakdown:

Illustration	ELECTRIC TRUCK Page No.	GASOLINE TRUCK Page No.	ELECTRIC/GASOLINE TRUCK Page No.
FUEL SYSTEM			S-1
• Choke Cable			
• Fuel Filter			
• Fuel Gauge			
• Fuel Pump			
• Fuel Tank			
HORN AND ACCESSORY WIRING			T-1
• Headlamp			
• Horn			
• Rear Lamp			
• State of Charge Meter			
• Turn Signal			
• Wire Harness			
MOTOR, 2 HP	U-1		
POWER WIRING	V-1		
• Charger Wiring Harness			
• Direction Selector Wiring Indicator			
• Ignition Switch Kit			
REAR AXLE	W-1	W-3	
• Rear Axle			
• Rear Axle Shaft			
• Vent Valve			
REAR SUSPENSION	X-1	X-5	
• Leaf Springs			
• Shock Absorber			
• Spring Shackle			
SEATING	Y-1		
SEATING (GX1/T-804 TUFF 1)			Y-3
SOLID STATE SPEED CONTROL	Z-1		
• Control Rod			
• Electronic Speed Control			
• Mounting Assembly			
• Solenoid			
• Speed Control Cover			

GENERAL INDEX

Illustrated Parts Breakdown:

Illustration	ELECTRIC TRUCK Page No.	GASOLINE TRUCK Page No.	ELECTRIC/GASOLINE TRUCK Page No.
STATER/GENERATOR.....		AA-1	
• Brush			
• Pulley			
• Terminal			
STEERING.....			BB-1
• Rack and Rod			
• Steering Unit			
• Steering Wheel			
TRUCK BED	CC-1		
TRUCKBED (BOLT DOWN)		CC-7	
TRUCK BED AND ELECTRIC LIFT UNIT		CC-11	
WHEEL BRAKE			DD-1
• Brake Assembly			
• Brake Drum			
• Brake Shoe Set			
• Lug Bolt			
WHEELS AND TIRES.....			EE-1
• Tire			
• Tire and Wheel Rim			
• Valve Stem			
• Wheel Rim			
SPECIAL TOOLS LISTING			Appendix-A

HOW TO USE THE E-Z-GO SERVICE PARTS MANUAL

This manual is divided into several sections:

- GENERAL INFORMATION
- ILLUSTRATED PARTS BREAKDOWN FOR ELECTRIC AND 4 CYCLE GASOLINE POWERED TRUCKS
- SPECIAL TOOLS LISTING

The first section, GENERAL INFORMATION, contains the following information:

- WARRANTY INFORMATION
- GENERAL INDEX
- HOW TO USE THE E-Z-GO SERVICE PARTS MANUAL

The second section, ILLUSTRATED PARTS BREAKDOWN (IPB) FOR THE ELECTRIC AND 4 CYCLE GASOLINE POWERED TRUCKS, contains illustrations and parts lists for all systems of the vehicle.

The third section, SPECIAL TOOLS, contains a listing of E-Z-GO service accessories and special tools and that may be purchased from the company to aid in the servicing of the vehicle.

USE OF THE MANUAL

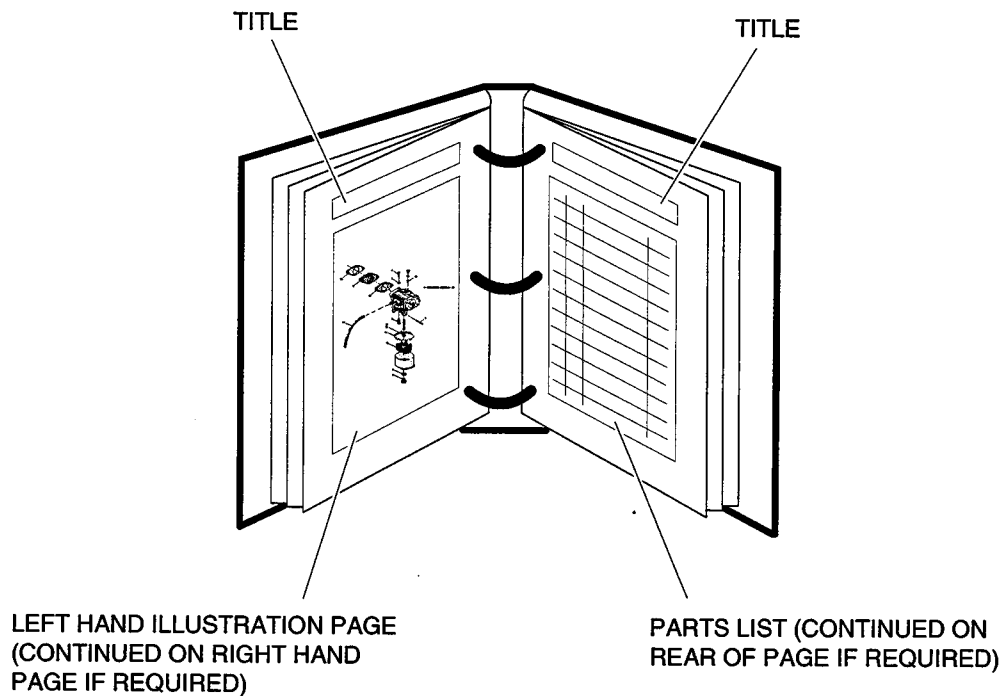
To use this manual, consult the GENERAL INDEX to locate the information or illustration required.

Introduction of some revisions varies due to supply of components; therefore, it is possible that various combinations of components may be found that are not directly reflected by each illustration. Consult the illustration that best suits your situation and then contact the Service Parts Department. It is important that the serial number of your vehicle and its model number be supplied to Service Parts when ordering any replacement components.

Locate the serial number plate (see Model Details located in the IPB section of this manual for its location) and note the complete vehicle serial number and manufacture code shown on the plate.

All relevant systems are listed in the General Index and has an alphabetical prefix. The illustration always appears first and is followed by its related parts list.

HOW TO USE THE E-Z-GO SERVICE PARTS MANUAL



1. WHEN THE PART NUMBER IS NOT KNOWN

- Determine the function and application of the part required. Turn to the General Index and select the most appropriate title.
- Turn to the page number indicated and locate the desired part on the illustration.
- From the illustration, obtain the item number assigned to the desired part. Refer to the accompanying description for specific information regarding the part.

2. IF YOU KNOW THE PART NUMBER

- Locate the part number or description in the appropriate column on the parts list page.

NOTE: It is suggested that you confirm that the part selected is correct by verifying it with the pictorial representation on the illustrated page.

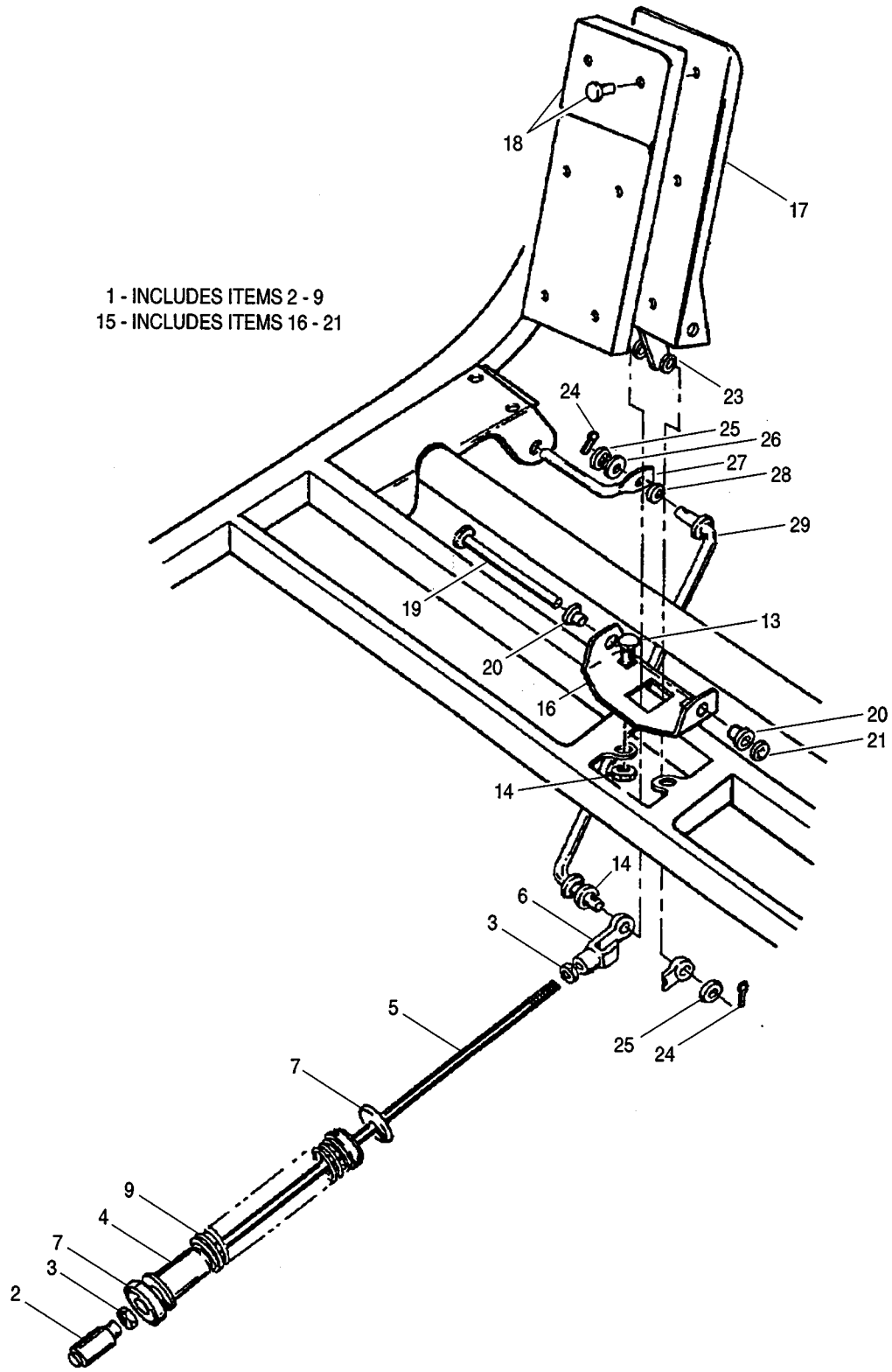
Should an asterisk (*) appear in the part number column on the parts list page, read upwards until a part number is found. The part number is the *lowest* assembly sold by E-Z-GO and the asterisk (*) indicates that the part depicted is not available for sale by E-Z-GO.

NOTE: Descriptions are *indented* under the assembly that they are used on. That assembly is, in turn listed under the assembly that it is used on. This process is repeated until the highest *final assembly* is reached.

To facilitate the maintenance and repair of the vehicle, a Technicians Repair and Service Manual [E-Z-GO p/n 25122-G1(XI-500, XT-500) and E-Z-GO p/n 27206-G01 (GXT-804 , GXI-804 TUFF 1)] is available from the E-Z-GO Service Parts Department.



ILLUSTRATED PARTS BREAKDOWN



THE USE OF NON UL PARTS WILL VOID ANY UL LISTING.

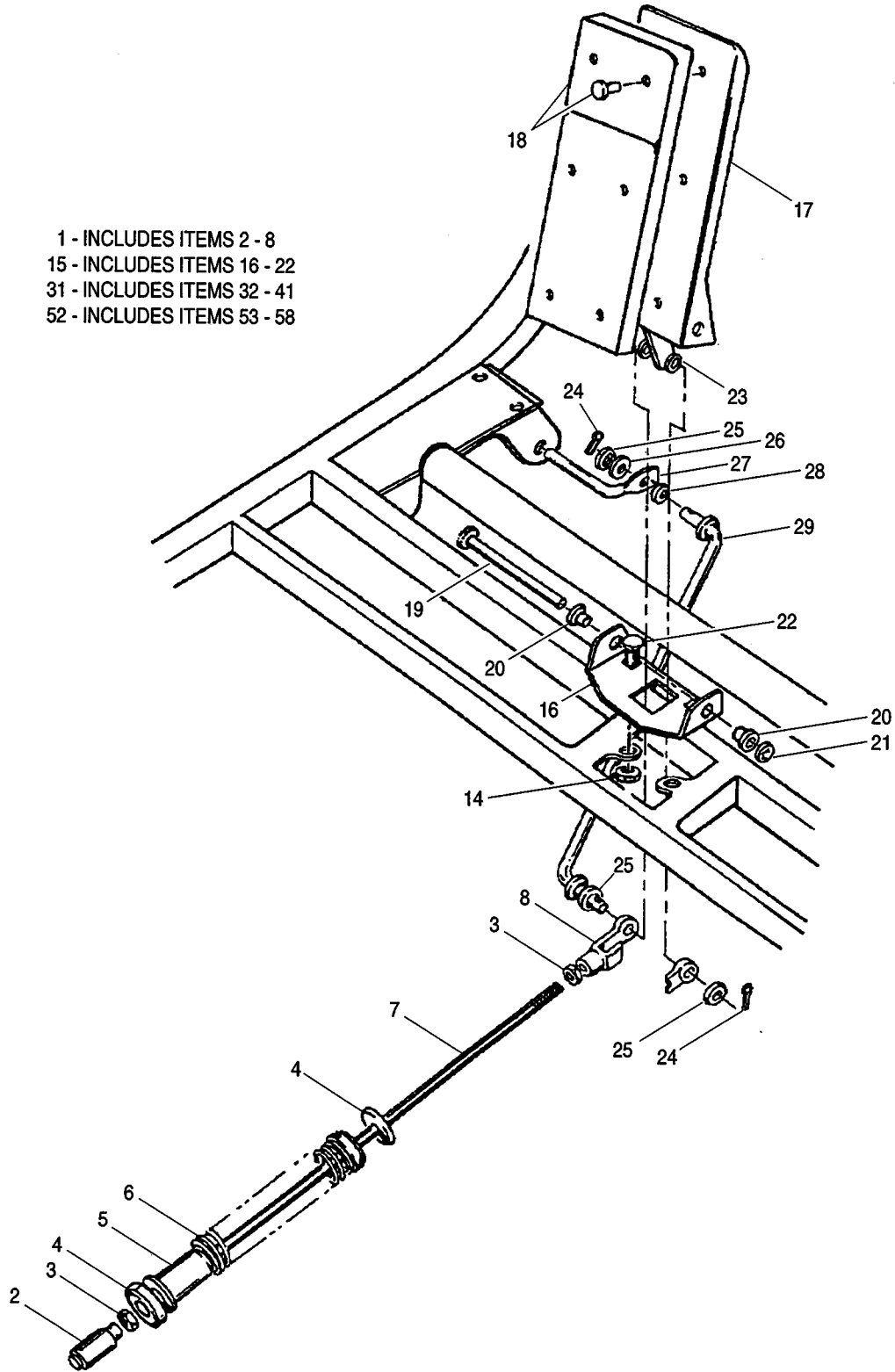
When ordering parts, please specify the model and serial number of the product.

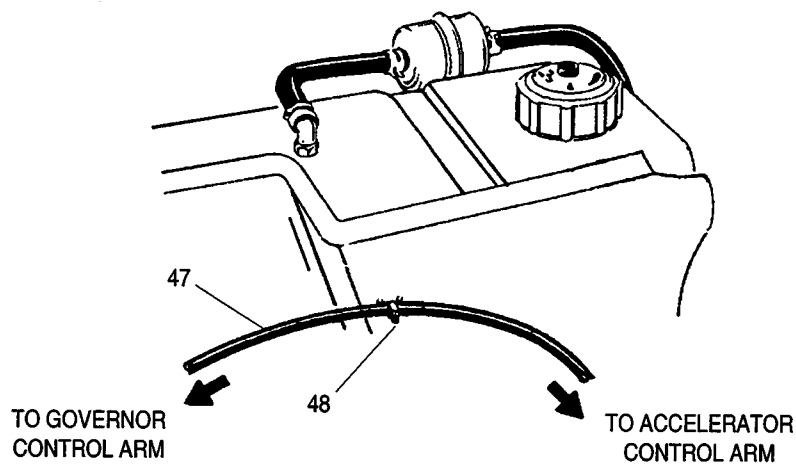
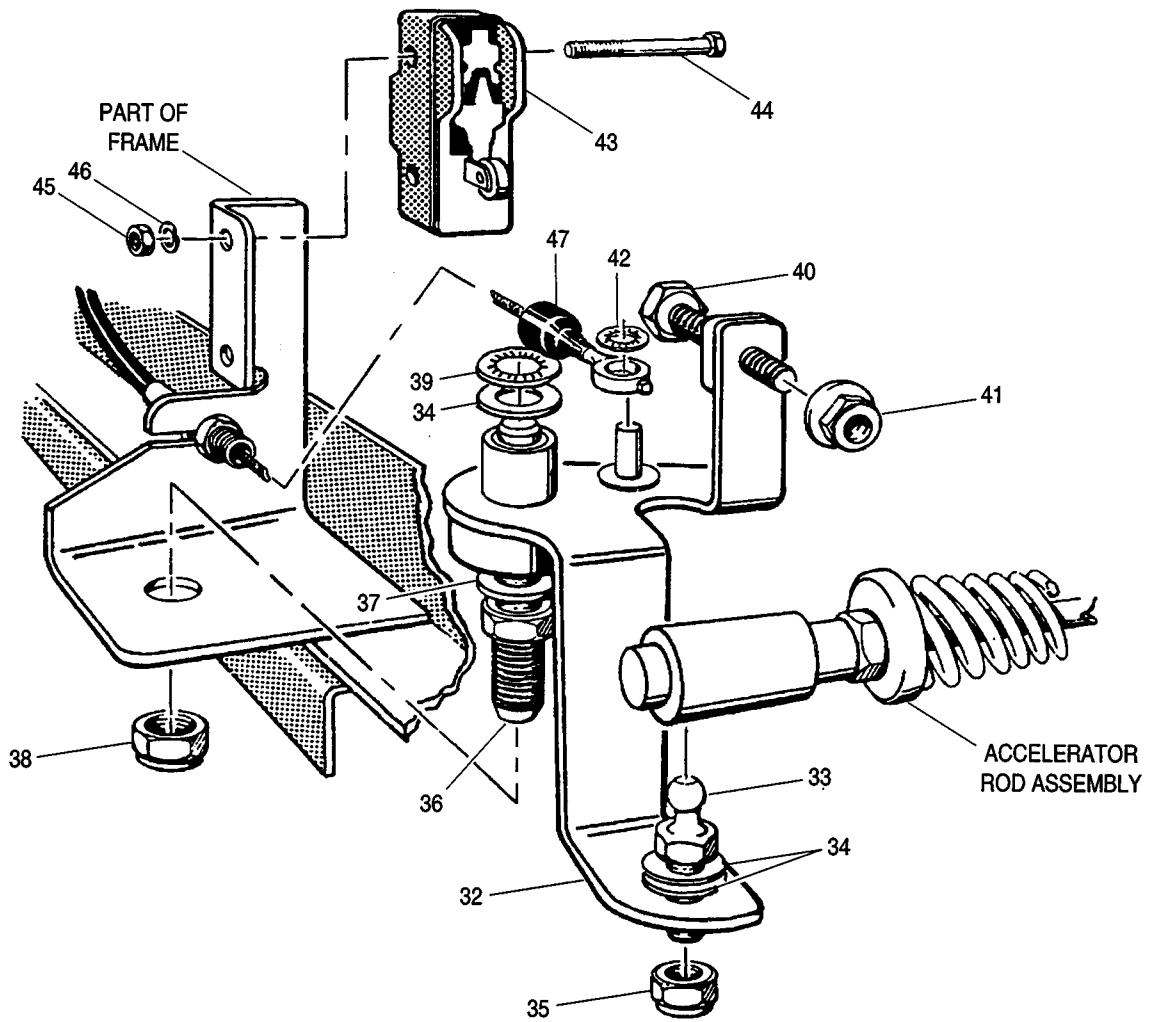
* Indicates a component that is not available as an individual part.

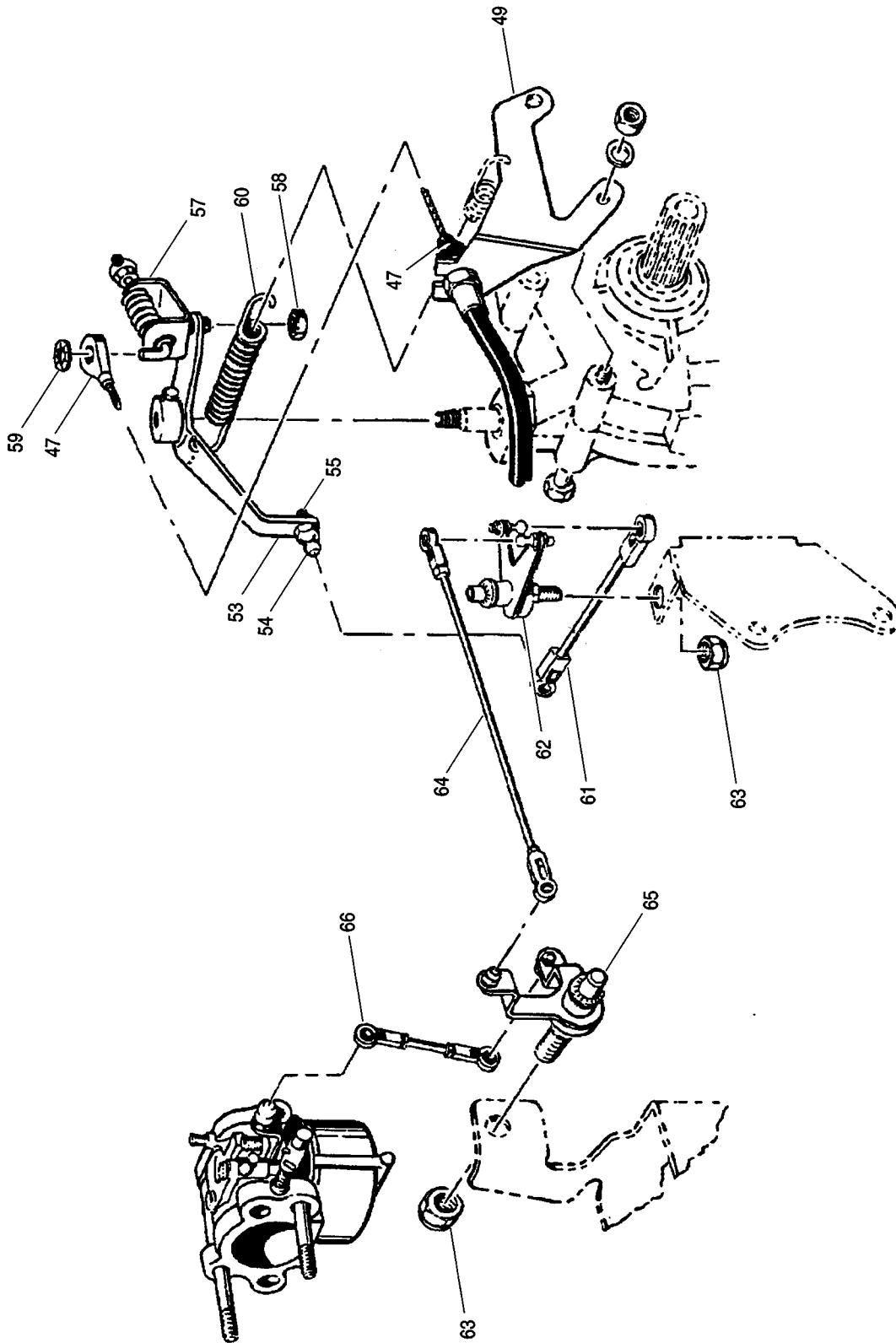
G** Indicates consult Customer Service Department for additional information.

ITEM	PART NO.	1	2	3	4	5	DESCRIPTION	QTY.
1	25780-G1						ACCELERATOR ROD ASSEMBLY (INCLUDES ITEMS 2 - 9).....	1
2	14444-G3						BALL JOINT, SOCKET	1
3	00554-G4						NUT, 5/16 - 24.....	2
4	17979-G1						BUSHING, ACCELERATOR ROD.....	1
5	23613-G1						ROD, ACCELERATOR	1
6	10385-G4						YOKE, CLEVIS.....	1
7	17677-G1						RETAINER, SPRING.....	2
8								
9	17675-G1						SPRING, COMPRESSION.....	1
10								
11								
12								
13	00414-G6						BOLT, CARRIAGE, 1/4 - 20 X 3/4 LG.	2
14	11027-G2						NUT, LOCK, 1/4 - 20	2
15	18083-G2						ACCELERATOR PEDAL ASSEMBLY (INCLUDES ITEMS 16 - 21)	1
16	12511-G1						BASE PLATE, ACCELERATOR.....	1
17	18084-G1						PEDAL, ACCELERATOR	1
18	27844-G01						ACCELERATOR PEDAL PAD KIT (INCLUDES RIVETS).....	1
19	12512-G1						PIN, ACCELERATOR PEDAL	1
20	12513-G1						BEARING.....	2
21	12064-G2						PUSHNUT, 1/4.....	1
22								
23	17255-G1						WASHER, TEFLON	1
24	10387-G3						PIN, COTTER, 3/16 X 3/4 LG.	1
25	00559-G8						WASHER, 5/16.....	1
26	20835-G1						WASHER, NYLON	1
27	19708-G1						ARM, PIVOT	1
28	17838-G1						BUSHING.....	1
29	19707-G1						ROD, LINKAGE.....	1

- 1 - INCLUDES ITEMS 2 - 8
- 15 - INCLUDES ITEMS 16 - 22
- 31 - INCLUDES ITEMS 32 - 41
- 52 - INCLUDES ITEMS 53 - 58







When ordering parts, please specify the model and serial number of the product.
 * Indicates a component that is not available as an individual part.
 G** Indicates consult Customer Service Department for additional information.

ITEM	PART NO.	1	2	3	4	5	DESCRIPTION	QTY.
1	18091-G1						ACCELERATOR ROD ASSEMBLY (INCLUDES ITEMS 2 - 8).....	1
2	14444-G3						BALL JOINT, SOCKET	1
3	00544-G4						NUT, 5/16 - 24.....	2
4	17677-G1						RETAINER, SPRING	2
5	17979-G1						BUSHING, ACCELERATOR ROD	1
6	17675-G1						SPRING, COMPRESSION	1
7	19710-G1						ROD, ACCELERATOR	1
8	10385-G4						YOKE, CLEVIS.....	1
9								
10								
11								
12								
13								
14	11027-G2						NUT, LOCK, 1/4 - 20	2
15	18083-G2						ACCELATOR PEDAL ASSEMBLY (INCLUDES ITEMS 16 - 22).....	1
16	12511-G1						BASE PLATE, ACCELERATOR.....	1
17	18084-G1						PEDAL, ACCELERATOR	1
18	27844-G01						ACCELATOR PEDAL PAD KIT (INCLUDES RIVETS).....	1
19	12512-G1						PIN, ACCELERATOR PEDAL	1
20	12513-G1						BEARING.....	2
21	12064-G1						PUSHNUT, 1/4.....	1
22	26480-G01						BOLT, CARRIAGE, 1/4 - 20 X 3/4 LG.....	2
23	17255-G1						WASHER, TEFLON	2
24	10387-G3						PIN, COTTER, 3/16 X 3/4 LG.	2
25	00559-G8						WASHER, 5/16.....	3
26	20835-G1						WASHER, NYLON	1
27	19708-G1						ARM, PIVOT	1
28	17838-G1						BUSHING.....	1
29	24030-G1						ROD, LINKAGE.....	1
30								

ACCELERATOR LINKAGE

Gasoline Vehicle

When ordering parts, please specify the model and serial number of the product.

* Indicates a component that is not available as an individual part.

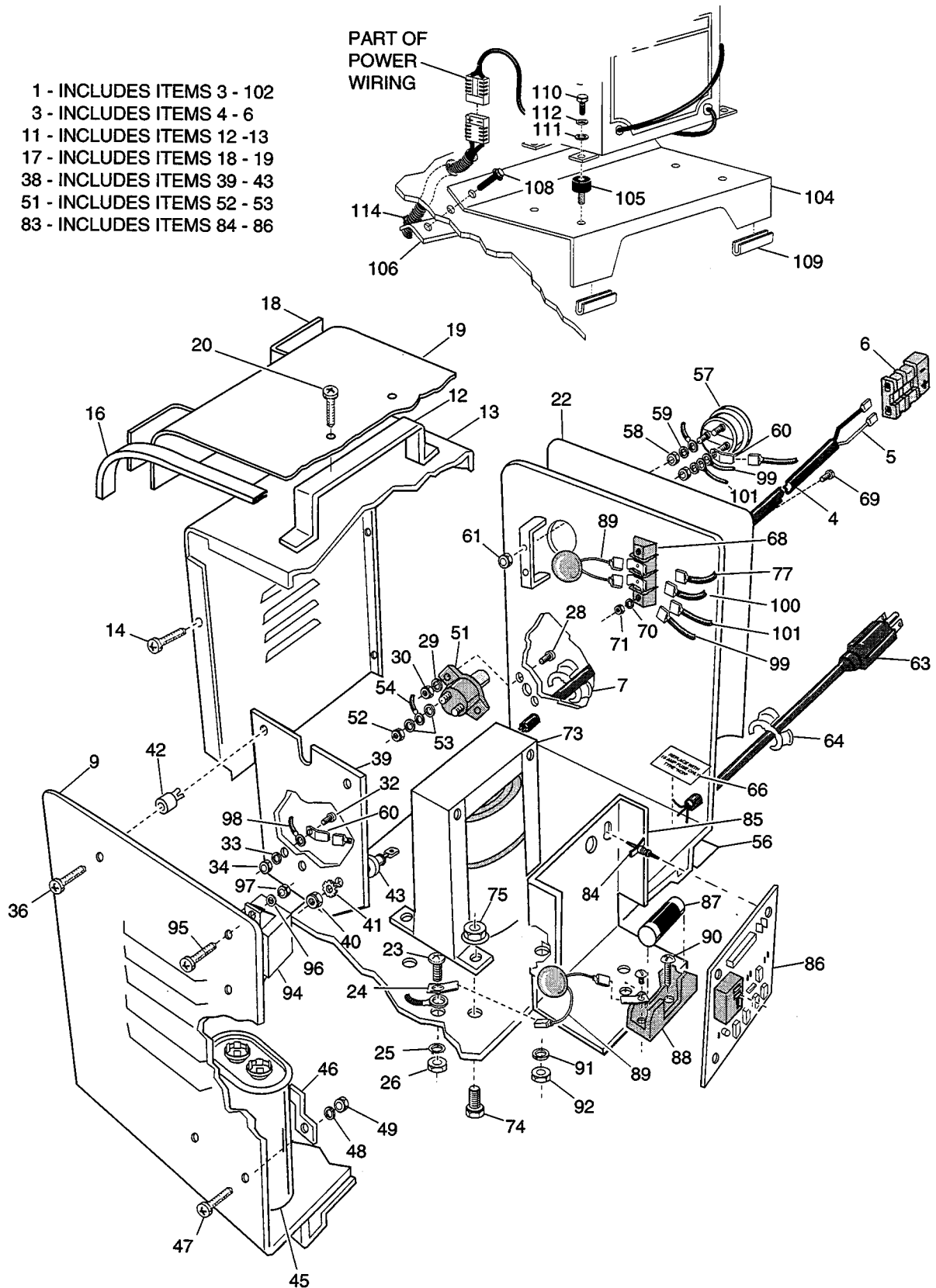
G** Indicates consult Customer Service Department for additional information.

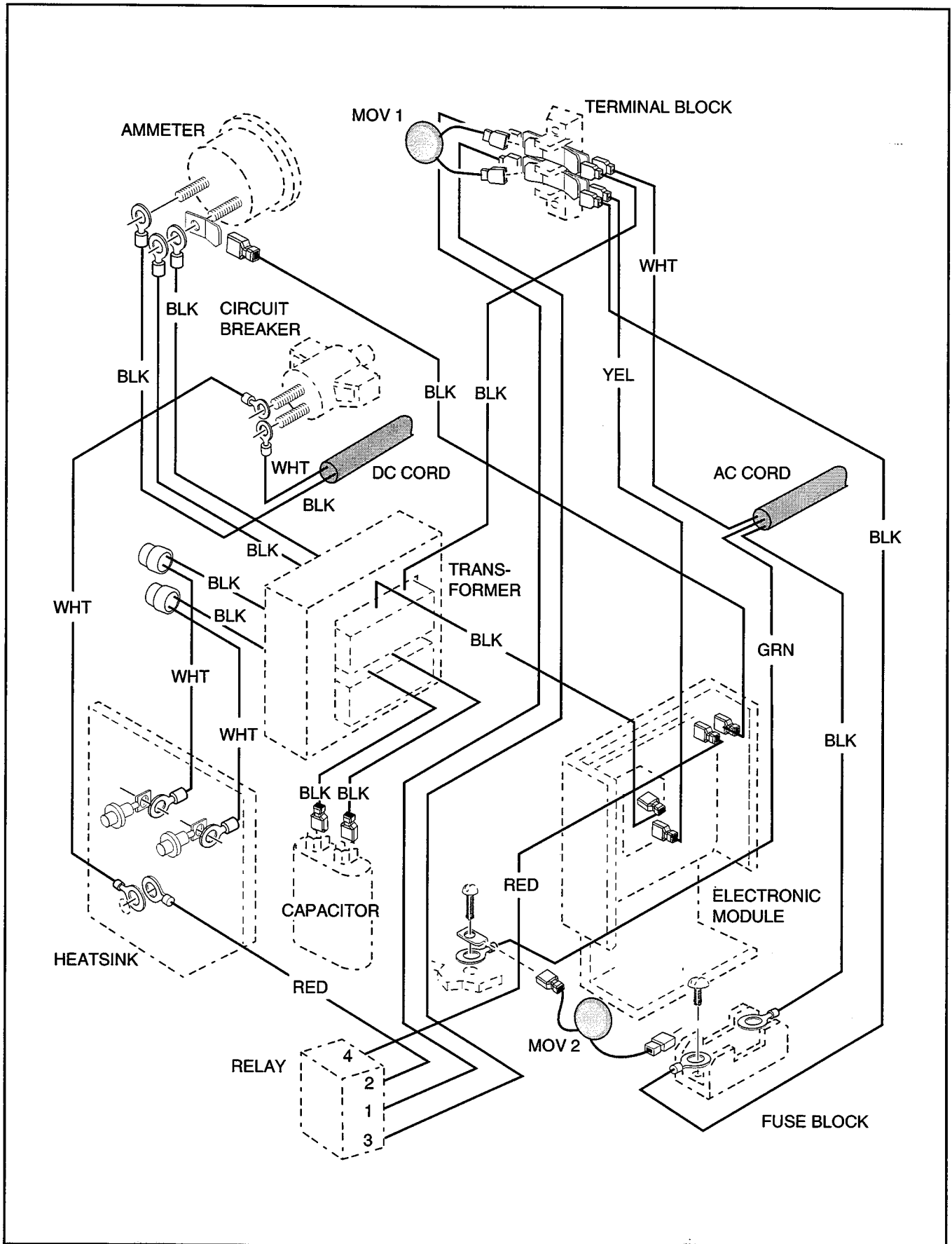
ITEM	PART NO.	1	2	3	4	5	DESCRIPTION	QTY.
31	25338-G1						CONTROL ARM ASSEMBLY (INCLUDES ITEMS 32 - 41)	1
32	25337-G1						ARM, CONTROL	1
33	15944-G3						BALL JOINT BALL	1
34	00559-G8						WASHER, 5/16	2
35	11098-G9						NUT, LOCK, 5/16 - 24	1
36	25768-G01						ROD, PIVOT	1
37	24621-G1						WASHER, NYLON	1
38	14390-G1						NUT, LOCK, 3/8 - 24	1
39	12064-G1						PUSHNUT, 5/16	1
40	18759-G1						SCREW, STAINLESS STEEL, 1/4 - 20 X 1 LG.	1
41	11027-G2						NUT, LOCK, 1/4 - 20	1
42	12064-G3						PUSHNUT, 3/16	1
43	10606-G2						SWITCH, MICRO	1
44	00957-G1						SCREW, #6 - 32 X 1 1/4 LG.	1
45	00525-G5						NUT, #6 - 32	1
46	00565-G3						WASHER, LOCK, #6	1
47	25694-G01						CABLE, ACCELERATOR	1
48	25956-G01						CLAMP, PUSH MOUNT	1
49	25653-G01						BRACKET, ACCELERATOR CABLE	1
50								
51								
52	25690-G02						GOVERNOR CONTROL ARM ASSEMBLY (INCLUDES ITEMS 53 - 58)	1
53	25765-G01						ARM, GOVERNOR CABLE	1
54	24479-G1						BALL JOINT BALL	1
55	00734-G5						NUT, LOCK, #10 - 32	1
56								
57	22751-G3						BRACKET, GOVERNOR	1
58	14390-G4						NUT, LOCK, 1/4 - 20	1
59	12064-G3						PUSHNUT	1
60	25738-G01						SPRING	1

When ordering parts, please specify the model and serial number of the product.
 * Indicates a component that is not available as an individual part.
 G** Indicates consult Customer Service Department for additional information.

ITEM	PART NO.	1	2	3	4	5	DESCRIPTION	QTY.
61	25737-G03						ROD, GOVERNOR LINKAGE.....	1
62	25763-G01						ARM, GOVERNOR PIVOT	1
63	14390-G1						NUT, LOCK, 3/8 - 24	2
64	25737-G02						ROD, LONG THROTTLE LINKAGE (COMPLETE)	1
65	25760-G01						ARM, CARBURETOR PIVOT	1
66	25737-G01						ROD, CARBURETOR LINKAGE, SHORT	1

- 1 - INCLUDES ITEMS 3 - 102
- 3 - INCLUDES ITEMS 4 - 6
- 11 - INCLUDES ITEMS 12 - 13
- 17 - INCLUDES ITEMS 18 - 19
- 38 - INCLUDES ITEMS 39 - 43
- 51 - INCLUDES ITEMS 52 - 53
- 83 - INCLUDES ITEMS 84 - 86





BATTERY CHARGER, ONBOARD

Electric Vehicle

THE USE OF NON UL PARTS WILL VOID ANY UL LISTING.

When ordering parts, please specify the model and serial number of the product.

* Indicates a component that is not available as an individual part.

G** Indicates consult Customer Service Department for additional information.

ITEM	PART NO.	1	2	3	4	5	DESCRIPTION	QTY.
1	26986-G01						BATTERY CHARGER, 36 V, TOTAL CHARGE III, ONBOARD (INCLUDES ITEMS 3 - 102).....	1
2								
3	22052-G1						DC CORD ASSEMBLY (INCLUDES ITEMS 4 - 6)	1
4	*						DC CORD.....	1
5	28030-G01						CONTACT, CONNECTOR (INCLUDES ITEM 6)	2
6	*						CONNECTOR, BLACK	1
7	13557-G3						STRAIN RELIEF (DC CORD).....	1
8								
9	24920-G1						CHASSIS	1
10								
11	19092-G2						TOP COVER ASSEMBLY (INCLUDES ITEMS 12, 13)	1
12	*						BRACKET, CHARGER HANDLE	1
13	*						TOP	1
14	00614-G4						SCREW, #8 - 18 X LG	10
15								
16	18970-G1						STRIP, PROTECTOR SHIELD	1
17	22047-G1						SHIELD ASSEMBLY (INCLUDES ITEMS 18, 19)	1
18	*						BAR, CORD HOLDER	1
19	*						SHIELD	1
20	00614-G4						SCREW, #8 - 18 X LG	6
21								
22	*						LABEL, OPERATING INSTRUCTIONS (SERIALIZED)	1
23	00372-G3						SCREW, #8 - 32 X 3/8 LG	1
24	12914-G1						TAB, FASTON.....	1
25	00565-G4						WASHER, LOCK, #8	1
26	00526-G1						NUT, #8 - 32.....	1
27								
28	00372-G6						SCREW, #8 - 32 X 3/4 LG.	2
29	00565-G4						WASHER, LOCK, #8	2

THE USE OF NON UL PARTS WILL VOID ANY UL LISTING.

When ordering parts, please specify the model and serial number of the product.

* Indicates a component that is not available as an individual part.

G** Indicates consult Customer Service Department for additional information.

ITEM	PART NO.	1	2	3	4	5	DESCRIPTION	QTY.
30	00526-G1						NUT, #8 - 32.....	2
31								
32	00378-G4						SCREW, #10 - 24 X 1/2 LG.	1
33	00565-G5						WASHER, LOCK, #10	1
34	00526-G3						NUT, #10 - 24.....	1
35								
36	00512-G7						SCREW, #8 - 18 X 7/8 LG.	3
37								
38	18768-G1						HEAT SINK ASSEMBLY (INCLUDES ITEMS 39 - 43)	1
39	18489-G1						HEAT SINK.....	1
40	00532-G2						NUT, 1/4 - 28.....	2
41	00567-G7						WASHER, LOCK, #12.....	2
42	11572-G2						NUT, PLASTIC EXPANSION.....	3
43	18488-G1						DIODE, SILICON RECTIFIER	2
44								
45	17077-G1						CAPACITOR.....	1
46	11559-G1						BRACKET, CAPACITOR	1
47	00372-G4						SCREW, #8 - 32 X 1/2 LG.	2
48	00565-G4						WASHER, LOCK, #8	2
49	00526-G1						NUT, #8 - 32.....	2
50								
51	19362-G1						CIRCUIT BREAKER (INCLUDES ITEMS 52 - 53)	1
52	00526-G4						NUT, #10 - 32	2
53	00559-G5						WASHER, #10.....	4
54	19441-G1						WIRE	1
55								
56	25775-G01						LABEL, CHARGER WARNING	1
57	24243-G1						AMMETER (INCLUDES BRACKET)	1
58	00526-G4						NUT, #10 - 32.....	2
59	00565-G5						WASHER, LOCK, #10	2

BATTERY CHARGER, ONBOARD

Electric Vehicle

THE USE OF NON UL PARTS WILL VOID ANY UL LISTING.

When ordering parts, please specify the model and serial number of the product.

* Indicates a component that is not available as an individual part.

G** Indicates consult Customer Service Department for additional information.

ITEM	PART NO.	1	2	3	4	5	DESCRIPTION	QTY.
60	12914-G1						TAB, FASTON.....	2
61	00525-G5						NUT, #6 - 32.....	2
62								
63	19388-G1						AC CORD	1
64	13557-G2						STRAIN RELIEF (AC CORD).....	1
65								
66	19434-G1						LABEL, FUSE	1
67								
68	26962-G01						BLOCK, TERMINAL.....	1
69	00987-G06						SCREW, #6 - 32 X 3/4 LG.	2
70	00565-G3						WASHER, LOCK, #6	2
71	00525-G5						NUT, #6 - 32.....	2
72								
73	19372-G8						TRANSFORMER.....	1
74	00414-G5						SCREW, 1/4 - 20 X 5/8 LG.	4
75	11027-G2						NUT, LOCK, 1/4 - 20.....	4
76								
77	19402-G1						WIRE.....	1
78								
79								
80								
81								
82								
83	19460-G1						ELECTRONIC MODULE ASSEMBLY (INCLUDES ITEMS 84 - 86).....	1
84	27877-G01						SPACER, STANDOFF.....	4
85	19459-G1						BRACKET	1
86	27417-G01						ELECTRONIC MODULE.....	1
87	19361-G1						FUSE	1
88	19363-G1						FUSE BLOCK.....	1

THE USE OF NON UL PARTS WILL VOID ANY UL LISTING.

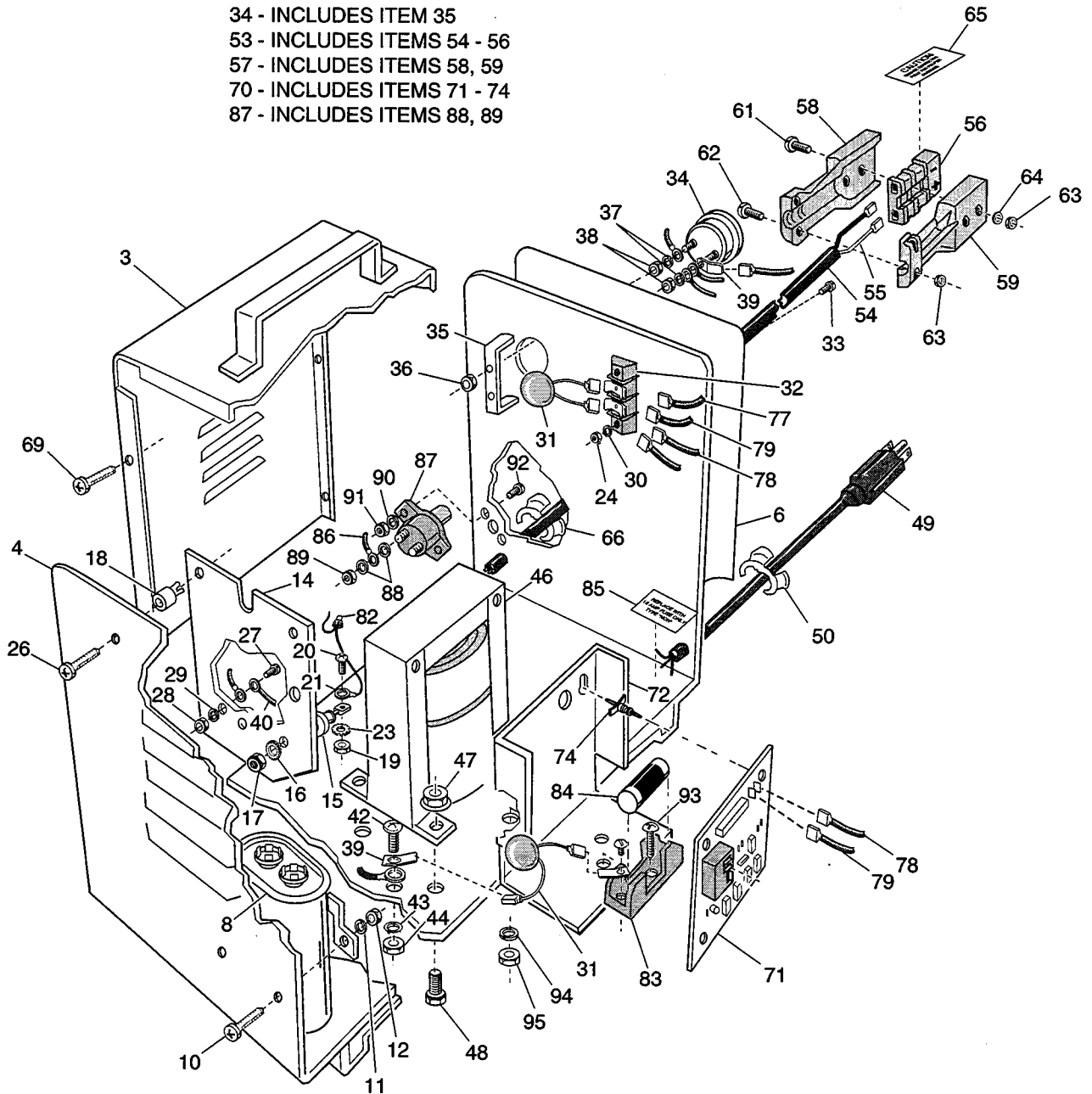
When ordering parts, please specify the model and serial number of the product.

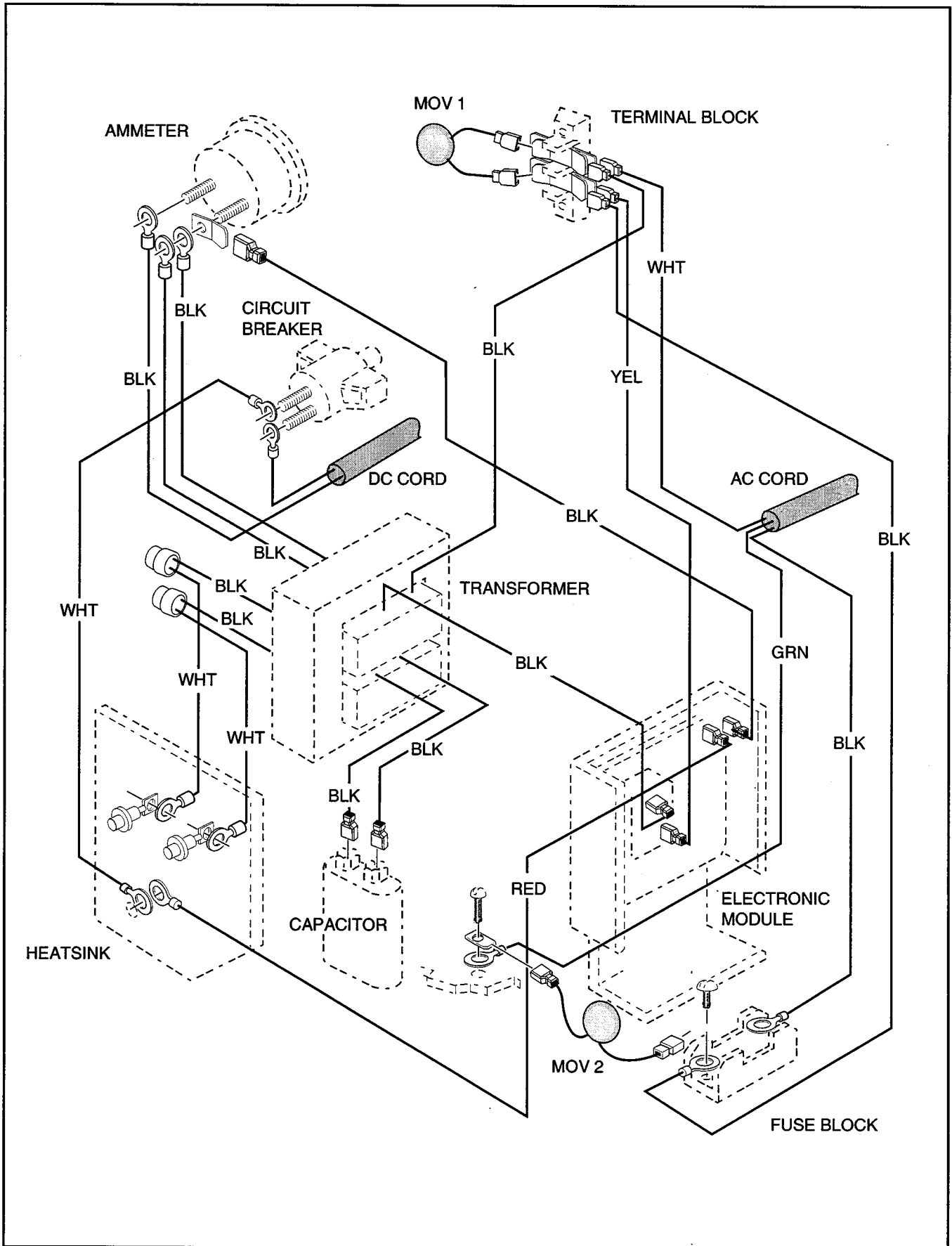
* Indicates a component that is not available as an individual part.

G** Indicates consult Customer Service Department for additional information.

ITEM	PART NO.	1	2	3	4	5	DESCRIPTION	QTY.
89	26320-G01						MOV.....	2
90	00372-G5						SCREW, #8 - 32 X 5/8 LG.....	2
91	00565-G4						WASHER, LOCK, #8.....	2
92	00526-G4						NUT, #8 - 32.....	2
93								
94	21971-G1						RELAY.....	1
95	00138-G5						SCREW, #6 - 32 X 5/8 LG.....	2
96	00565-G3						WASHER, LOCK, #6.....	2
97	00525-G5						NUT, #6 - 32.....	2
98	*						WIRE.....	1
99	*						WIRE.....	1
100	22992-G1						WIRE.....	1
101	25977-G07						WIRE.....	1
102	26340-G01						WIRE.....	1
103								
104	30470-G1						CHARGER SUPPORT.....	1
105	32478-G1						MOUNT, ISOLATION.....	4
106	30468-G1						REINFORCEMENT.....	1
107								
108	13437-G4						SCREW, LOCK, 3/8 - 16 X 1 LG.....	2
109	22281-G3						TRIM, 1 1/2 LG.....	2
110	16705-G4						SCREW, STAINLESS STEEL.....	4
111	00660-G7						WASHER, STAINLESS STEEL, 1/4.....	4
112	00565-G7						WASHER, LOCK, 1/4.....	4
113								
114	17618-G1						CLAMP, NYLON.....	1

- 1 - INCLUDES ITEMS 3 - 95
- 34 - INCLUDES ITEM 35
- 53 - INCLUDES ITEMS 54 - 56
- 57 - INCLUDES ITEMS 58, 59
- 70 - INCLUDES ITEMS 71 - 74
- 87 - INCLUDES ITEMS 88, 89





BATTERY CHARGER, PORTABLE

Electric Vehicle

THE USE OF NON UL PARTS WILL VOID ANY UL LISTING.

When ordering parts, please specify the model and serial number of the product.

* Indicates a component that is not available as an individual part.

G** Indicates consult Customer Service Department for additional information.

ITEM	PART NO.	1	2	3	4	5	DESCRIPTION	QTY.
1	26984-G01						BATTERY CHARGER ASSEMBLY, TOTAL CHARGE® III, PORTABLE 36V, 10 FT. D.C. CORD (INCLUDES ITEMS 3 - 95).....	1
2								
3	19096-G1						TOP COVER.....	1
4	24919-G1						CHASSIS	1
5								
6	*						LABEL, OPERATING INSTRUCTIONS (SERIALIZED)	1
7								
8	17077-G1						CAPACITOR (WITH MOUNTING BRACKET)	1
9								
10	00372-G4						SCREW, #8 - 32 X 1/2 LG.	2
11	00565-G4						WASHER, LOCK, #8	2
12	00526-G1						NUT, #8 - 32.....	2
13								
14	18768-G1						HEATSINK	1
15	18488-G1						DIODE, SILICON RECTIFIER.....	2
16	00567-G7						WASHER, LOCK, 1/4	2
17	00532-G2						NUT, 1/4 - 28.....	2
18	11572-G2						NUT, PLASTIC EXPANSION	3
19	00525-G5						NUT, #6 - 32.....	2
20	00138-G3						SCREW, #6 - 32 X 3/8 LG.	2
21	18769-G2						WIRE.....	2
22								
23	00567-G3						WASHER, LOCK, #6	2
24	00525-G5						NUT, #6 - 32.....	2
25								
26	00512-G7						SCREW, SELF TAPPING, #8 X 7/8 LG.	3
27	00378-G4						SCREW, #10 - 24 X 1/2 LG.	1
28	00526-G3						NUT, #10 - 24.....	1
29	00565-G5						WASHER, LOCK, #10	1

THE USE OF NON UL PARTS WILL VOID ANY UL LISTING.

When ordering parts, please specify the model and serial number of the product.

* Indicates a component that is not available as an individual part.

G** Indicates consult Customer Service Department for additional information.

ITEM	PART NO.	1	2	3	4	5	DESCRIPTION	QTY.
30	00565-G3						WASHER, #6 - 32.....	2
31	26320-G01						MOV.....	2
32	26962-G01						TERMINAL BLOCK	1
33	00987-G06						SCREW, #6 - 32 X 3/4 LG.	2
34	24243-G1						AMMETER (INCLUDES ITEM 35).....	1
35	*						BRACKET, AMMETER.....	1
36	00525-G5						NUT, #6 - 32.....	2
37	00565-G5						WASHER, LOCK, #10	2
38	00526-G4						NUT, #10 - 32.....	2
39	12914-G1						TAB, FASTON.....	2
40	19952-G1						WIRE	1
41								
42	00372-G3						SCREW, #8 - 32 X 3/8 LG.	1
43	00565-G4						WASHER, LOCK, #8	1
44	00526-G1						NUT, #8 - 32.....	1
45								
46	19928-G1						TRANSFORMER.....	1
47	11027-G2						NUT, LOCK, 1/4 - 20.....	4
48	00414-G5						BOLT, 1/4 - 20 X 5/8 LG.....	4
49	19388-G1						AC CORD	1
50	13557-G2						STRAIN RELIEF (AC CORD).....	1
51								
52								
53	18747-G1						DC CORD ASSEMBLY (INCLUDES ITEMS 54 - 56)	1
54	*						DC CORD	1
55	28030-G01						CONNECTOR, CONTACT (INCLUDES ITEM 56).....	2
56	*						CONNECTOR.....	1
57	18972-G1						CHARGER RECEPTACLE HANDLE KIT (INCLUDES ITEMS 58, 59)	1
58	*						HANDLE, HALF, L.H	1

BATTERY CHARGER, PORTABLE

Electric Vehicle

THE USE OF NON UL PARTS WILL VOID ANY UL LISTING.

When ordering parts, please specify the model and serial number of the product.

* Indicates a component that is not available as an individual part.

G** Indicates consult Customer Service Department for additional information.

ITEM	PART NO.	1	2	3	4	5	DESCRIPTION	QTY.
59	*						HANDLE, HALF, R.H.	1
60								
61	00647-G8						SCREW, STAINLESS STEEL, #6 - 32 X 29/32 LG.	2
62	00647-G3						SCREW, STAINLESS STEEL, #6 - 32 X 3/8 LG.	2
63	13521-G5						NUT, LOCK, #6 - 32	4
64	00650-G2						WASHER, #5	2
65	20628-G1						LABEL, CAUTION.....	1
66	13557-G3						STRAIN RELIEF (DC CORD).....	1
67								
68								
69	00614-G4						SCREW, SELF TAPPING, #8 - 18 X 1/2 LG.....	10
70	19460-G1						ELECTRONIC MODULE ASSEMBLY (INCLUDES ITEMS 71 - 74).....	1
71	27417-G01						ELECTRONIC MODULE.....	1
72	19459-G1						BRACKET	1
73								
74	27877-G01						SPACER, SUPPORT.....	4
75								
76								
77	19402-G1						WIRE.....	1
78	19949-G1						WIRE.....	1
79	19954-G1						WIRE.....	1
80								
81								
82	19360-G1						SPLICE, WIRE, CLOSED END	2
83	19363-G1						FUSE BLOCK	1
84	19361-G1						FUSE, 15 AMP	1
85	19434-G1						LABEL, IDENTIFICATION	1
86	19441-G1						WIRE.....	1
87	19362-G1						CIRCUIT BREAKER, 50 AMP (INCLUDES ITEMS 88, 89).....	2

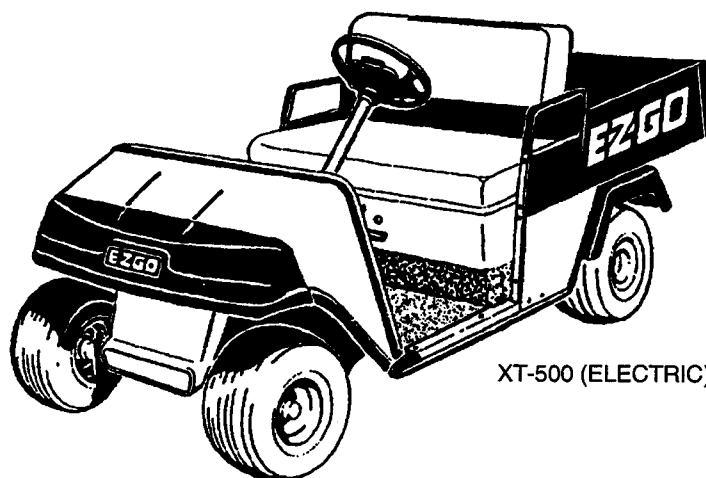
THE USE OF NON UL PARTS WILL VOID ANY UL LISTING.

When ordering parts, please specify the model and serial number of the product.

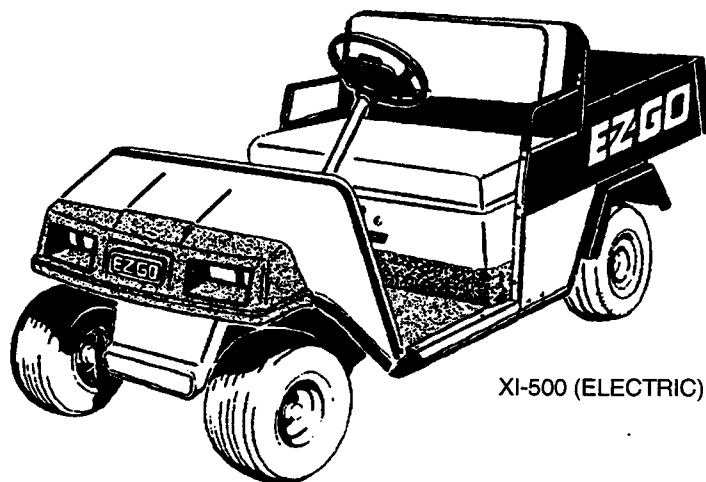
* Indicates a component that is not available as an individual part.

G** Indicates consult Customer Service Department for additional information.

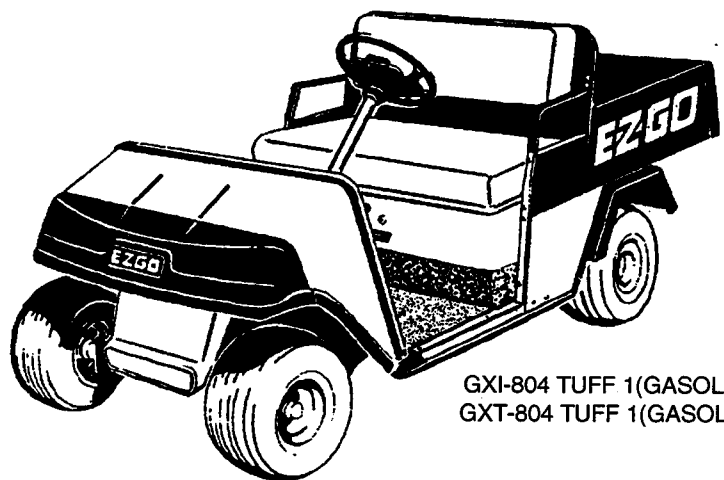
ITEM	PART NO.	1	2	3	4	5	DESCRIPTION	QTY.
88	00559-G5						WASHER, #10.....	4
89	00526-G4						NUT, #10 - 32.....	2
90	00565-G4						WASHER, LOCK, #8.....	2
91	00526-G1						NUT, #8 - 32.....	2
92	00372-G6						SCREW, #8 - 32 X 3/4 LG.....	2
93	00372-G5						SCREW, #8 - 32 X 5/8 LG.....	2
94	00565-G4						WASHER, #8.....	2
95	00526-G1						NUT, #8 - 32.....	2



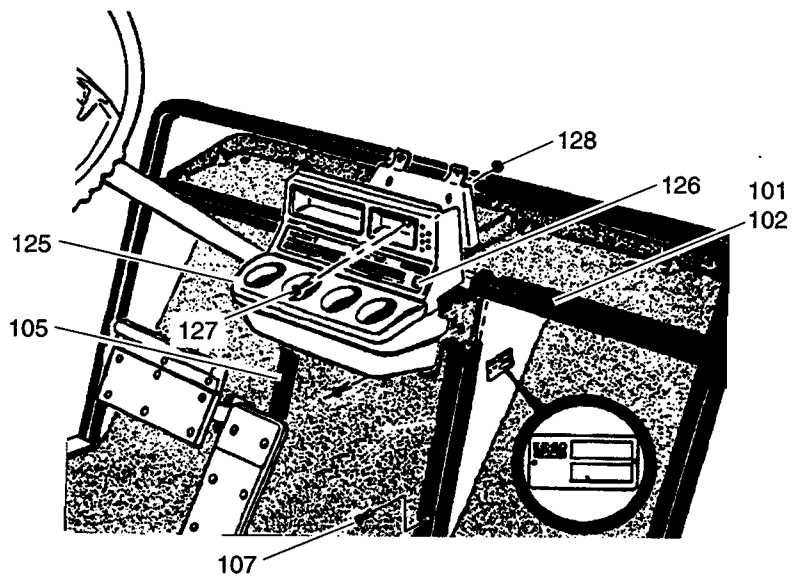
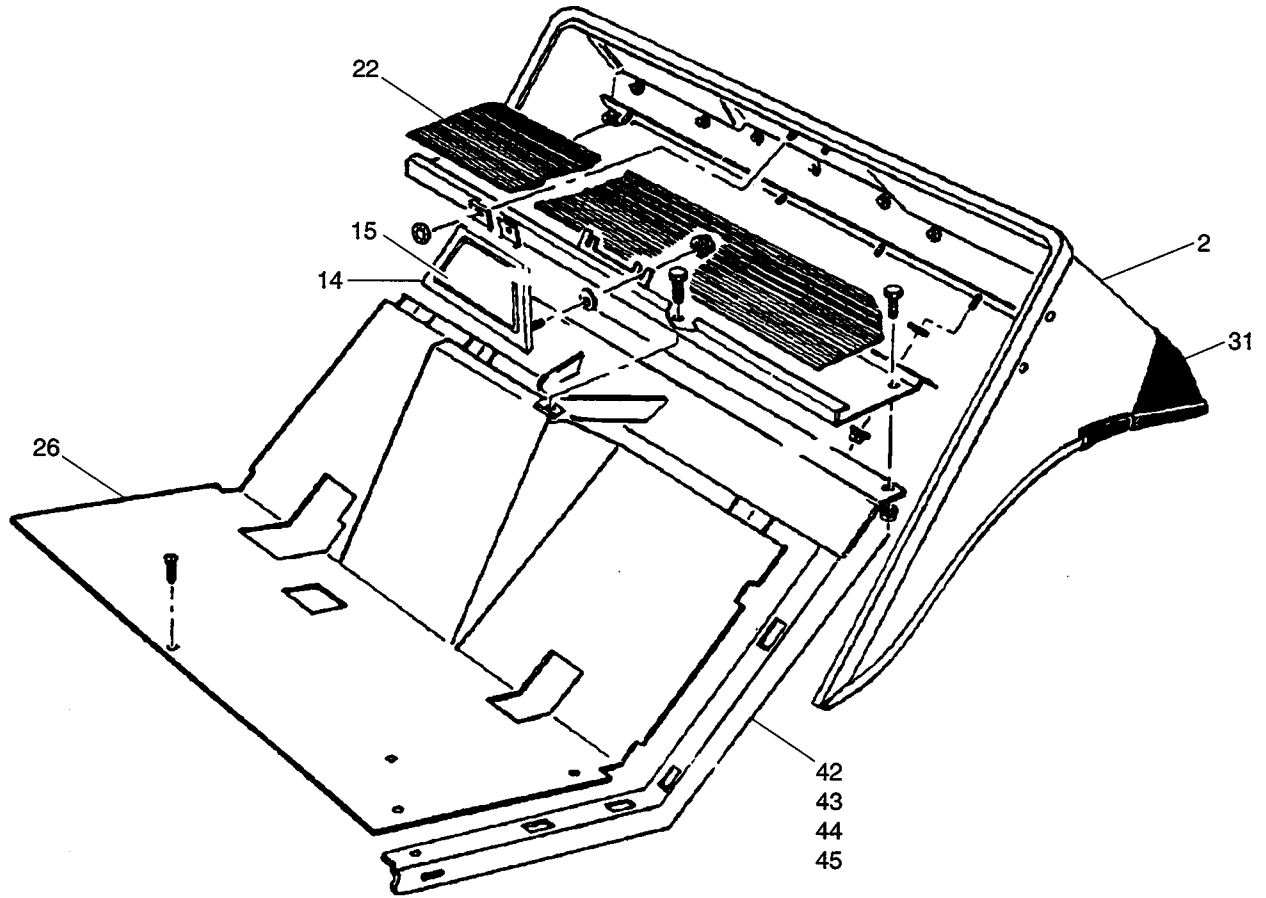
XT-500 (ELECTRIC)

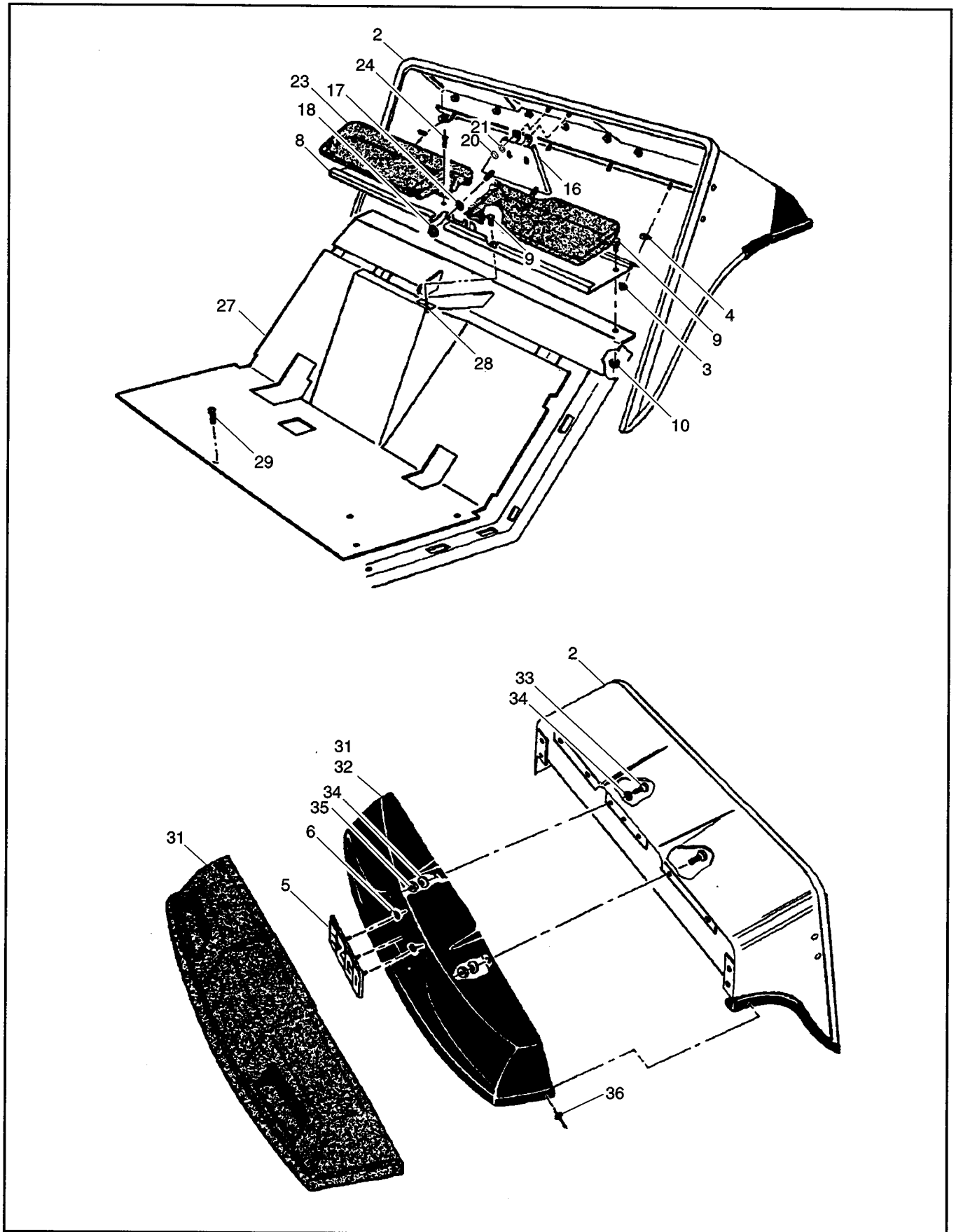


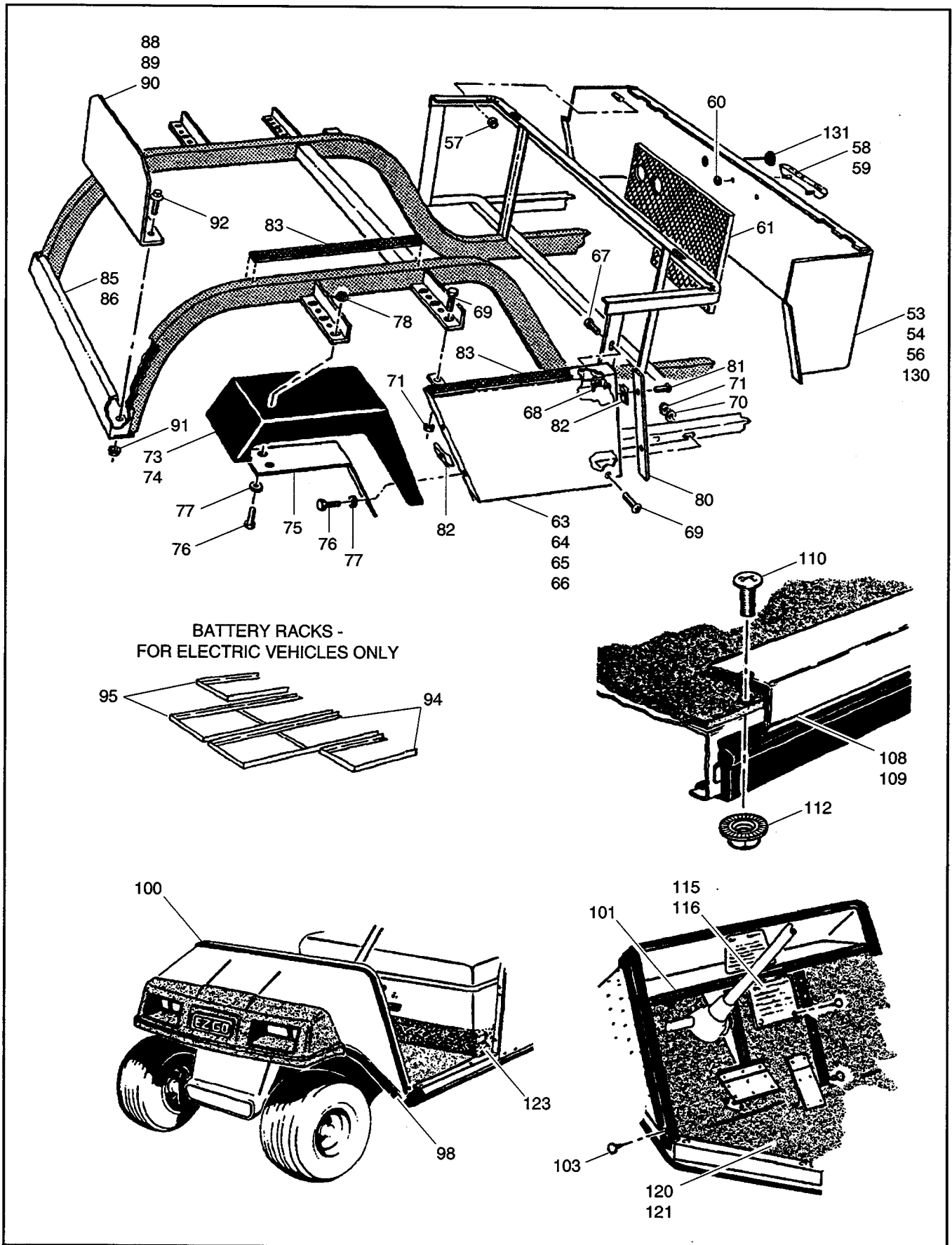
XI-500 (ELECTRIC)



GXI-804 TUFF 1 (GASOLINE)
GXT-804 TUFF 1 (GASOLINE)







BATTERY RACKS -
FOR ELECTRIC VEHICLES ONLY

BODY AND ASSOCIATED PARTS

Electric/Gasoline Vehicle

THE USE OF NON UL PARTS WILL VOID ANY UL LISTING.

When ordering parts, please specify the model and serial number of the product.

* Indicates a component that is not available as an individual part.

G** Indicates consult Customer Service Department for additional information.

ITEM	PART NO.	1 2 3 4 5	DESCRIPTION	QTY.
1				
2	26513-G02		COWL.....	1
3	11027-G2		NUT, 1/4 - 20	16
4	00559-G8		WASHER, 5/16.....	5
5	19817-G1		NAMEPLATE, E-Z-GO	1
6	12064-G3		PUSHNUT	3
7				
8	18353-G2		TRAY, DASH.....	1
9	00414-G6		SCREW, 1/4 - 20 X 3/4 LG.	5
10	11027-G2		NUT, LOCK, 1/4 - 20	3
11				
12				
13	17108-G1		SUPPORT, COWL (INCLUDES ITEMS 14, 15) XI-500.....	1
14	*		SUPPORT.....	1
15	20412-G1		DECAL, WARNING.....	1
16	23148-G1		COWL SUPPORT (OPTIONAL ON XI-500)	1
17	00560-G1		WASHER, 3/8.....	2
18	11027-G2		NUT, 1/4 - 20	4
19				
20	27024-G01		RETAINER, PUSHON	2
21	24621-G1		WASHER, NYLON	2
22	17097-G1		MAT, DASH TRAY, XI-500	1
23	22911-G1		DASH TRAY LINER (INCLUDES ITEM 24) OPTIONAL ON XI-500	1
24	18436-G1		RIVET	2
25				
26	15671-G2		FLOORBOARD (INCLUDES ITEM 28) XI-500	1
27	15671-G3		FLOORBOARD (INCLUDES ITEM 28) OPTIONAL ON XI-500	1
28	14776-G1		"J" NUT, 1/4 - 20.....	2
29	00106-G6		SCREW, SELF TAPPING, #12 - 24 X 3/4 LG.	23
30				

THE USE OF NON UL PARTS WILL VOID ANY UL LISTING.

When ordering parts, please specify the model and serial number of the product.

* Indicates a component that is not available as an individual part.

G** Indicates consult Customer Service Department for additional information.

ITEM	PART NO.	1	2	3	4	5	DESCRIPTION	QTY.
31	27147-G01						COWL CAP, XI-500 AND GXI-804	1
32	27164-G01						COWL CAP, XT-500 AND GXT-804	1
33	00414-G2						SCREW, 1/4 - 20 X 3/4 LG.....	9
34	00559-G7						WASHER, 1/4 - 20	18
35	14390-G4						NUT, LOCK, 1/4 - 20	9
36	15058-G4						RIVET.....	2
37								
38								
39								
40								
41								
42	25454-G3						SIDERAIL, PASSENGER SIDE, XI/T-500.....	1
43	25454-G4						SIDERAIL, DRIVER'S SIDE, XI/T-500	1
44	15664-G2						SIDERAIL, PASSENGER SIDE, GXI/T-804.....	1
45	15665-G2						SIDERAIL, DRIVER'S SIDE, GXI/T-804	1
46								
47								
48								
49								
50								
51								
52								
53	20443-G3						SEATWRAP, XI-500	1
54	20443-G1						SEATWRAP, XT-500	1
55								
56	23961-G2						SEATWRAP, GXI/T-804 (AIR BOX MOUNT ON FRAME)	1
57	11027-G2						NUT, LOCK, 1/4 - 20	9
58	19882-G1						INDICATOR, DIRECTION SELECTOR, XI/T-500	1
59	23791-G4						INDICATOR, DIRECTION SELECTOR, XI/T-804	1
60	12064-G3						PUSHNUT.....	3

BODY AND ASSOCIATED PARTS

Electric/Gasoline Vehicle

THE USE OF NON UL PARTS WILL VOID ANY UL LISTING.

When ordering parts, please specify the model and serial number of the product.

* Indicates a component that is not available as an individual part.

G** Indicates consult Customer Service Department for additional information.

ITEM	PART NO.	1	2	3	4	5	DESCRIPTION	QTY.
61	22428-G1						SOUND CONTROL PANEL, GXI/T-804	1
62								
63	18982-G1						LOWER PANEL, PASSENGER SIDE, XI/T-500.....	1
64	18982-G2						LOWER PANEL, DRIVER'S SIDE, XI/T-500	1
65	18191-G3						LOWER PANEL, PASSENGER SIDE, GXI/T-804.....	1
66	18191-G4						LOWER PANEL, DRIVER'S SIDE, GXI/T-804	1
67	13437-G3						SCREW, 5/16 - 18 X 1 LG.....	2
68	11840-G1						SPEEDNUT, 5/16	2
69	16705-G2						SCREW, STAINLESS STEEL, 1/4 - 20 X 3/4 LG.....	6
70	00559-G7						WASHER, 1/4.....	6
71	14390-G4						NUT, 1/4 - 20	6
72								
73	18213-G1						FENDER, PASSENGER SIDE	1
74	18213-G2						FENDER, DRIVER'S SIDE	1
75	18249-G1						BRACE, FENDER	2
76	00414-G6						SCREW, 1/4 - 20 X 3/4 LG.....	8
77	00559-G7						WASHER, 1/4.....	8
78	11027-G2						NUT, LOCK, 1/4 - 20	4
79								
80	22224-G1						TRIM.....	2
81	16705-G1						SCREW, 1/4 - 20 X 1 LG.....	4
82	14776-G1						"J" NUT, 1/4 - 20	4
83	14382-G1						STRIP, NOISE SUPPRESSOR.....	4
84								
85	23800-G2						BUMPER, REAR.....	1
86								
87								
88	22282-G1						REAR SHIELD, TAILLIGHT MOUNTING, XI-500	1
89	19876-G1						REAR SHIELD	1
90	22291-G1						REAR SHIELD, TAILLIGHT MOUNTING, GXI-804.....	1

THE USE OF NON UL PARTS WILL VOID ANY UL LISTING.

When ordering parts, please specify the model and serial number of the product.

* Indicates a component that is not available as an individual part.

G** Indicates consult Customer Service Department for additional information.

ITEM	PART NO.	1	2	3	4	5	DESCRIPTION	QTY.
91	11027-G2						NUT, LOCK, 1/4 - 20	2
92	13437-G9						SCREW, 1/4 - 20 X 3/4 LG.....	2
93								
94	25457-G2						BATTERY RACK, PASSENGER SIDE	1
95	25457-G3						BATTERY RACK, DRIVER'S SIDE.....	1
96								
97								
98	22888-G3						VINYL BUMPER BODY TRIM, FRONT AND SIDE.....	1
99								
100	22273-G1						VINYL BUMPER BODY TRIM, BACK OF COWL	1
101	17203-G4						DASH VINYL BUMPER BODY TRIM, XI-500	1
102	17203-G9						DASH VINYL BUMPER BODY TRIM, XT-500, GXI/T-804.....	1
103	15058-G2						RIVET.....	4
104								
105	24620-G3						TRIM, FLOORMAT (CUT TO LENGTH).....	2
106								
107	18436-G1						RIVET.....	8
108	22223-G1						TRIM, ROCKER PANEL, PASSENGER SIDE	1
109	22223-G2						TRIM, ROCKER PANEL, DRIVER' S SIDE	1
110	00827-G8						BOLT, CARRIAGE, STAINLESS STEEL, 1/4 - 20 X 1 LG.	2
111								
112	00891-G2						NUT, LOCK, 1/4 - 20	4
113								
114	17117-G2						DECAL AND PLATE ASSEMBLY (INCLUDES ITEMS 115, 116) XI-500	1
115	*						PANEL, MOUNTING PLATE	1
116	23446-G1						LABEL, OPERATING INSTRUCTIONS.....	1
117	15058-G2						RIVET.....	3
118								
119								
120	25091-G2						FLOORMAT (WITH HOLES FOR BATTERY CHARGER) XI-500	1

BODY AND ASSOCIATED PARTS

Electric/Gasoline Vehicle

THE USE OF NON UL PARTS WILL VOID ANY UL LISTING.

When ordering parts, please specify the model and serial number of the product.

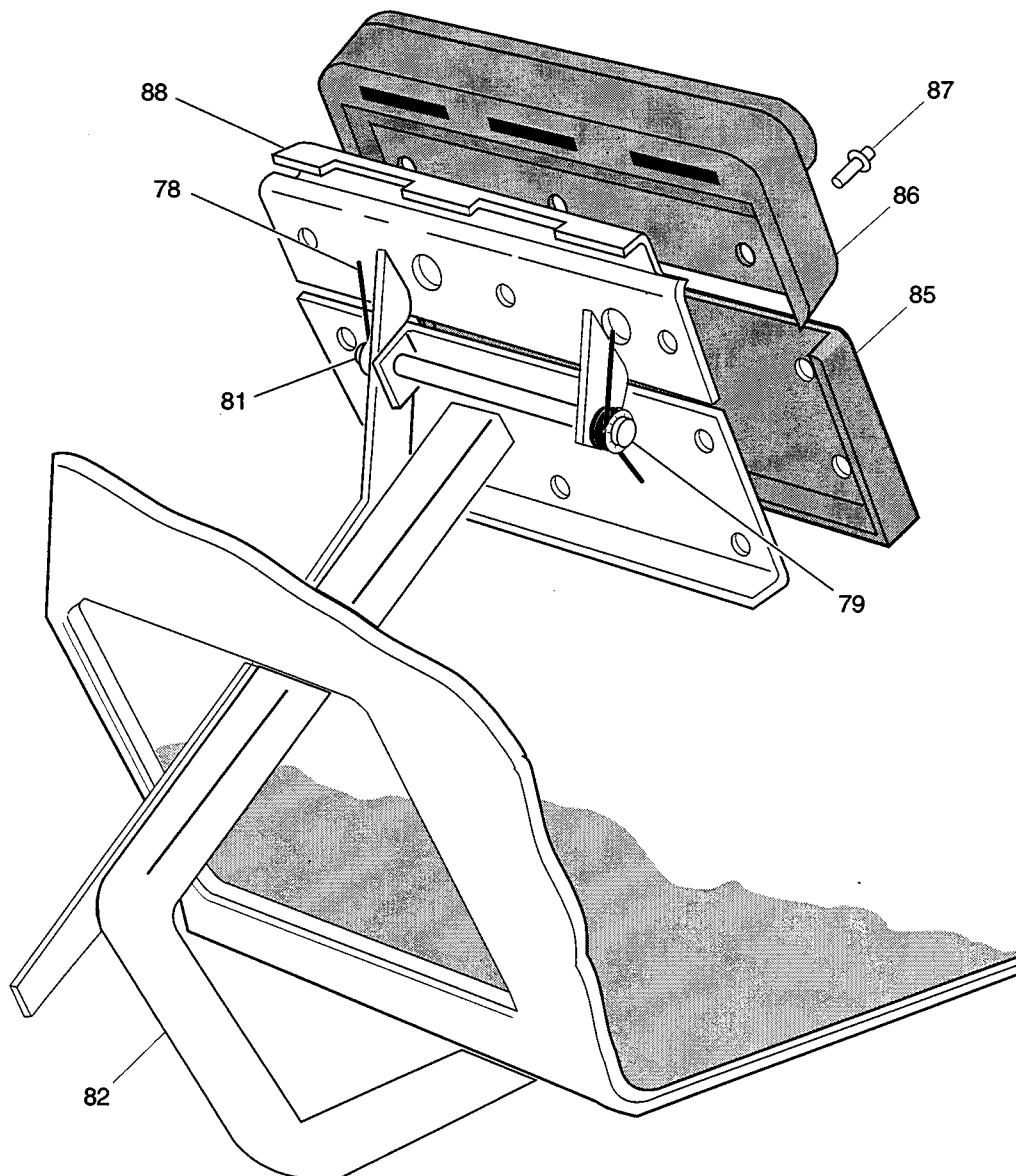
* Indicates a component that is not available as an individual part.

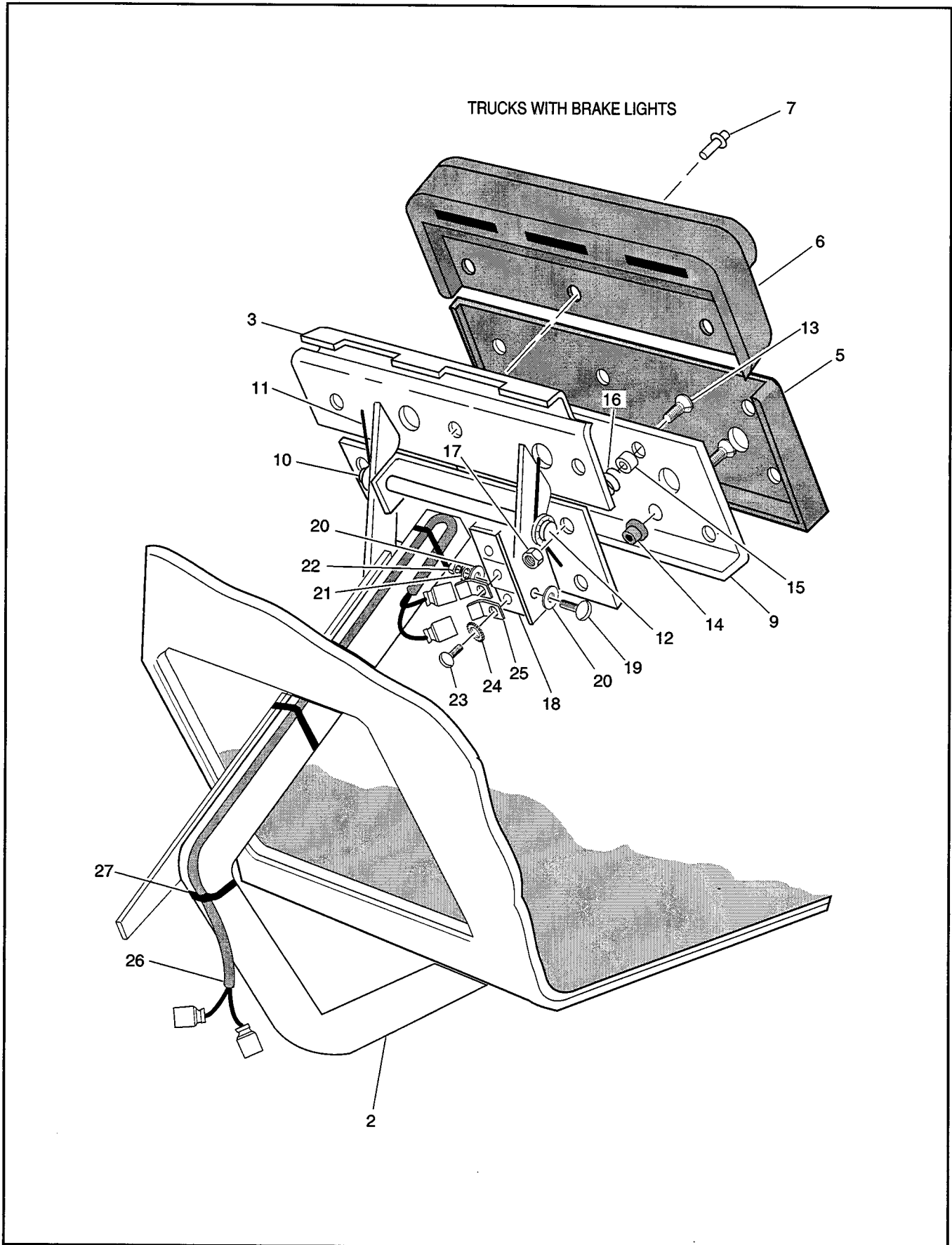
G** Indicates consult Customer Service Department for additional information.

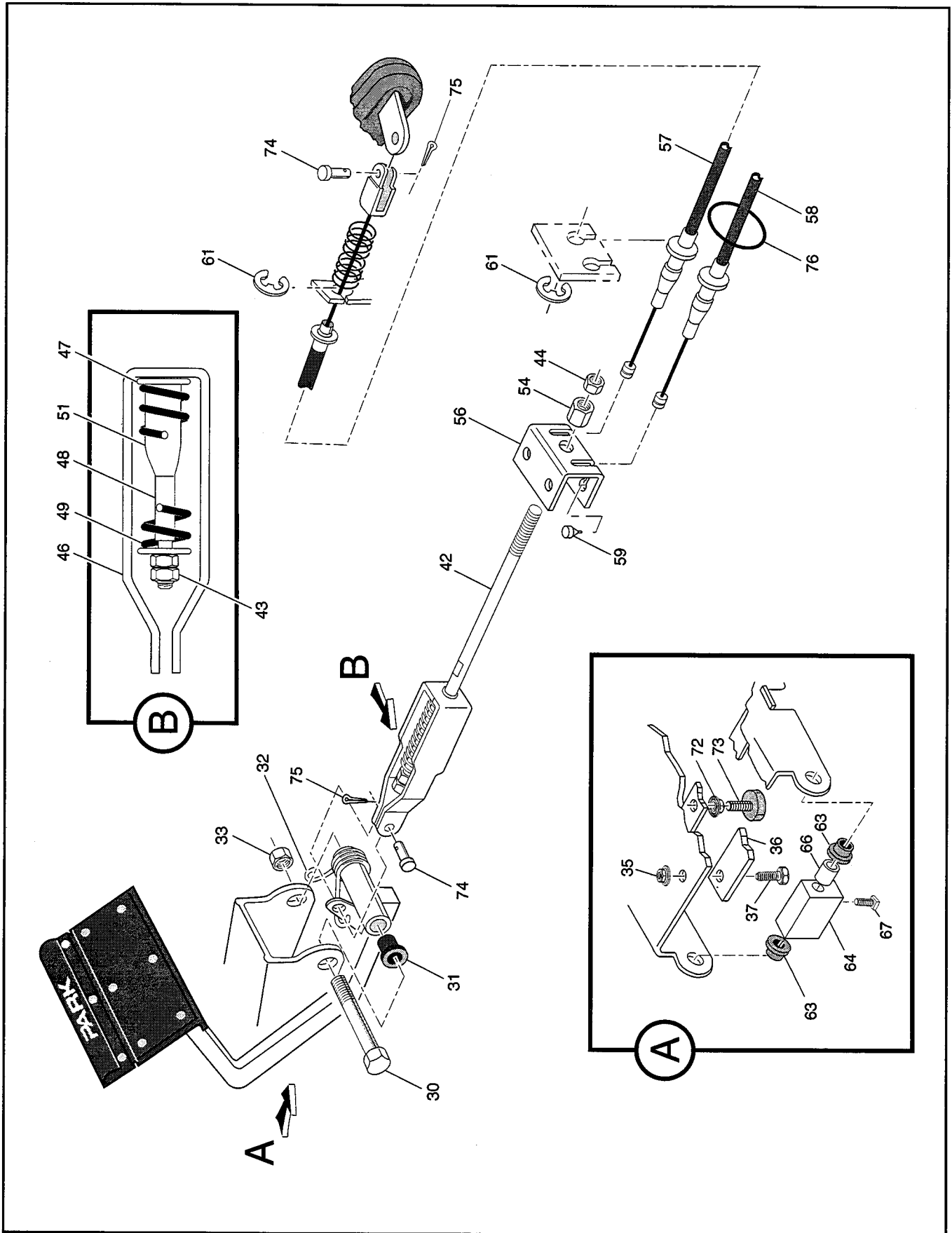
ITEM	PART NO.	1	2	3	4	5	DESCRIPTION	QTY.
121	25091-G1						FLOORMAT.....	1
122								
123	26437-G1						SCUFF GUARD, SEAT WRAP.....	1
124								
125	26570-G**						CENTER CONSOLE (INCLUDES ITEM 126) SPECIFY MODEL WHEN ORDERING.....	1
126	*						LABEL, SAFETY.....	1
127	18436-G1						RIVET.....	4
128	00559-G7						WASHER, 1/4.....	2
129								
130	23692-G5						SEAT WRAP, GXI/T-804 TUFF 1 ONLY.....	1
131	20271-G2						HOLE PLUG, GXI/T-804 TUFF 1 ONLY.....	1

- 1 - INCLUDES ITEMS 2 - 27
- 4 - INCLUDES ITEMS 5 - 7
- 40 - INCLUDES ITEMS 42 - 52
- 55 - INCLUDES ITEMS 56 - 59
- 77 - INCLUDES ITEMS 78 - 89

TRUCKS WITHOUT BRAKE LIGHTS







THE USE OF NON UL PARTS WILL VOID ANY UL LISTING.

When ordering parts, please specify the model and serial number of the product.

* Indicates a component that is not available as an individual part.

G** Indicates consult Customer Service Department for additional information.

ITEM	PART NO.	1	2	3	4	5	DESCRIPTION	QTY.
1	27581-G01						BRAKE PEDAL ASSEMBLY (INCLUDES ITEMS 2 - 27) TRUCKS WITH BRAKE LIGHTS	1
2	*						PEDAL, BRAKE.....	1
3	*						PEDAL, PARK BRAKE	1
4	27843-G01						BRAKE/PARK BRAKE PEDAL PAD KIT (INCLUDES ITEMS 5 - 7).....	1
5	*						PAD, BRAKE PEDAL	1
6	*						PAD, PARK BRAKE	1
7	15766-G1						RIVET, 3/8 x 15/32 LG.	9
8								
9	*						PLATE, BRAKE PEDAL.....	1
10	15932-G2						PIN, PARK BRAKE PEDAL	1
11	11737-G1						SPRING, TORSION, PARK BRAKE	2
12	12064-G1						PUSHNUT, 5/16.....	1
13	00737-G8						SCREW, #10 - 24 X 1 LG.	4
14	00739-G1						NUT, RUBBER, #10 - 24.....	2
15	22362-G3						STANDOFF, BRAKE PEDAL	2
16	27137-G01						SPRING, CONICAL.....	2
17	11098-G7						NUT, LOCK, #10 - 24.....	2
18	10606-G8						SWITCH, MICRO.....	1
19	00645-G2						SCREW, #6 - 32 X 1 1/4 LG.	2
20	00559-G3						WASHER, #6	2
21	00565-G3						WASHER, LOCK, #6	2
22	00525-G5						NUT, #6 - 32.....	2
23	*						SCREW, BRASS	2
24	00567-G3						WASHER, LOCK, #6	6
25	14628-G1						TAB, FASTON, 5/16 X 5/16 LG.	2
26	22447-G1						WIRE HARNESS, BRAKE.....	1
27	17618-G1						NYLON CLAMP	3
28								
29								

BRAKE LINKAGE

Electric Vehicle

THE USE OF NON UL PARTS WILL VOID ANY UL LISTING.

When ordering parts, please specify the model and serial number of the product.

* Indicates a component that is not available as an individual part.

G** Indicates consult Customer Service Department for additional information.

ITEM	PART NO.	1	2	3	4	5	DESCRIPTION	QTY.
30	14158-G01						BOLT, SHOULDER, 3/8 - 16 X 3 LG.	1
31	11079-G1						BUSHING, FLANGED	2
32	25292-G1						SPRING, TORSION	1
33	13521-G4						NUT, LOCK, 3/8 - 16	1
34								
35	11027-G2						NUT, LOCK, 1/4 - 20	2
36	70080-G01						CATCH BRACKET, PARK BRAKE	1
37	00414-G6						BOLT, 1/4 - 20 X 3/4 LG.	2
38								
39								
40	70272-G02						COMPENSATOR ASSEMBLY (INCLUDES ITEMS 42 - 54).....	1
41								
42	25882-G03						ROD, LINK.....	1
43								
44	11098-G9						NUT, LOCK, 5/16 - 24.....	1
45								
46	27330-G01						YOKE, BRAKE.....	1
47	15121-G1						WASHER, 3/8	2
48	23061-G2						TUBE	1
49	23463-G1						SPRING, COMPRESSION	1
50								
51	17979-G1						BUSHING, ACCELERATOR ROD	1
52								
53								
54	00963-G01						NUT, SPHERICAL, 5/16 - 24	1
55	70273-G01						EQUALIZER AND BRAKE CABLE ASSEMBLY (INCLUDES ITEMS 56 - 59)...	1
56	28082-G01						BRACKET, EQUALIZER.....	1
57	*						CABLE, BRAKE, PASSENGER SIDE	1
58	*						CABLE, BRAKE DRIVER'S SIDE.....	1
59	28083-G01						BUMPER, BRAKE COMPENSATOR	2

THE USE OF NON UL PARTS WILL VOID ANY UL LISTING.

When ordering parts, please specify the model and serial number of the product.

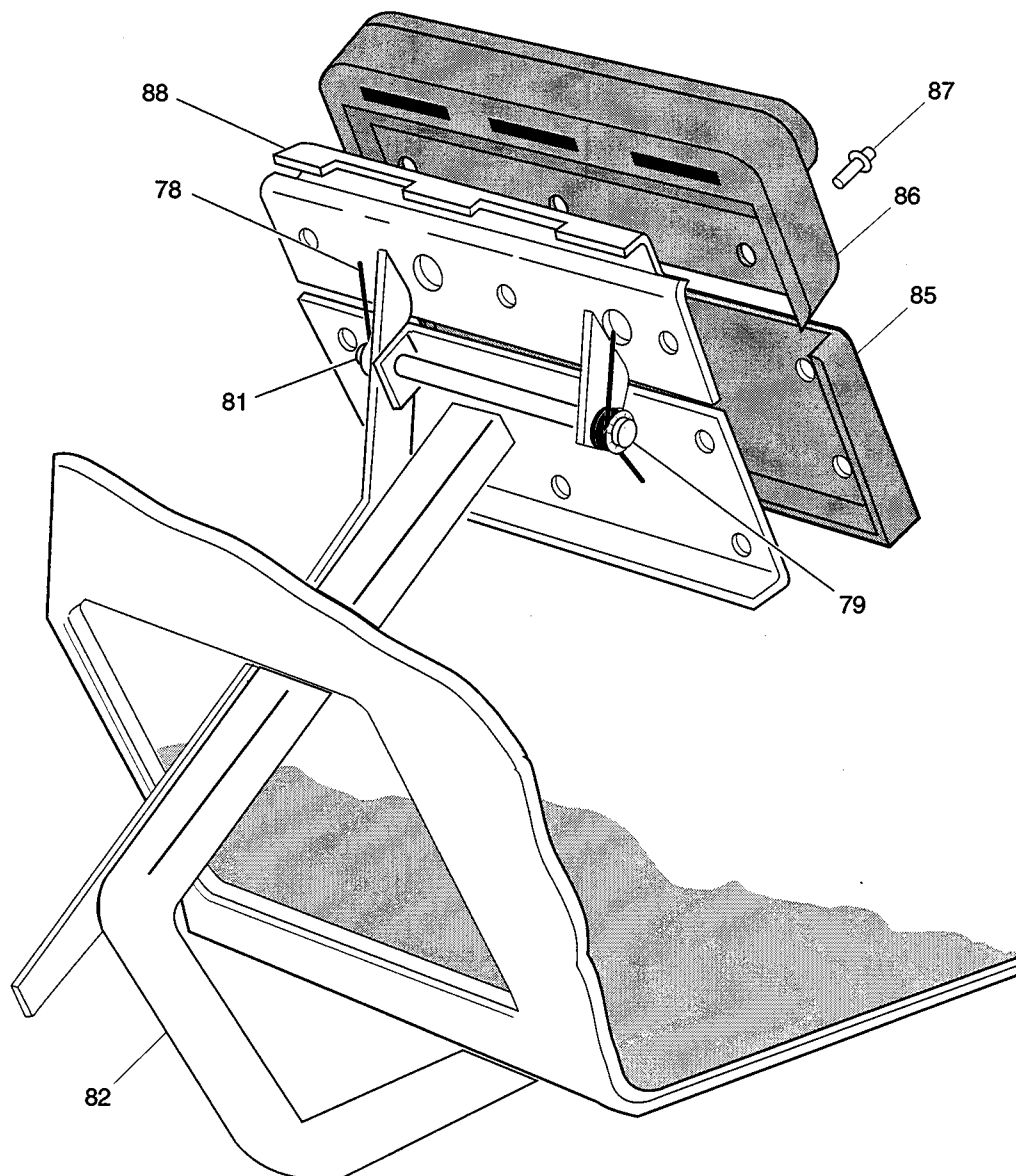
* Indicates a component that is not available as an individual part.

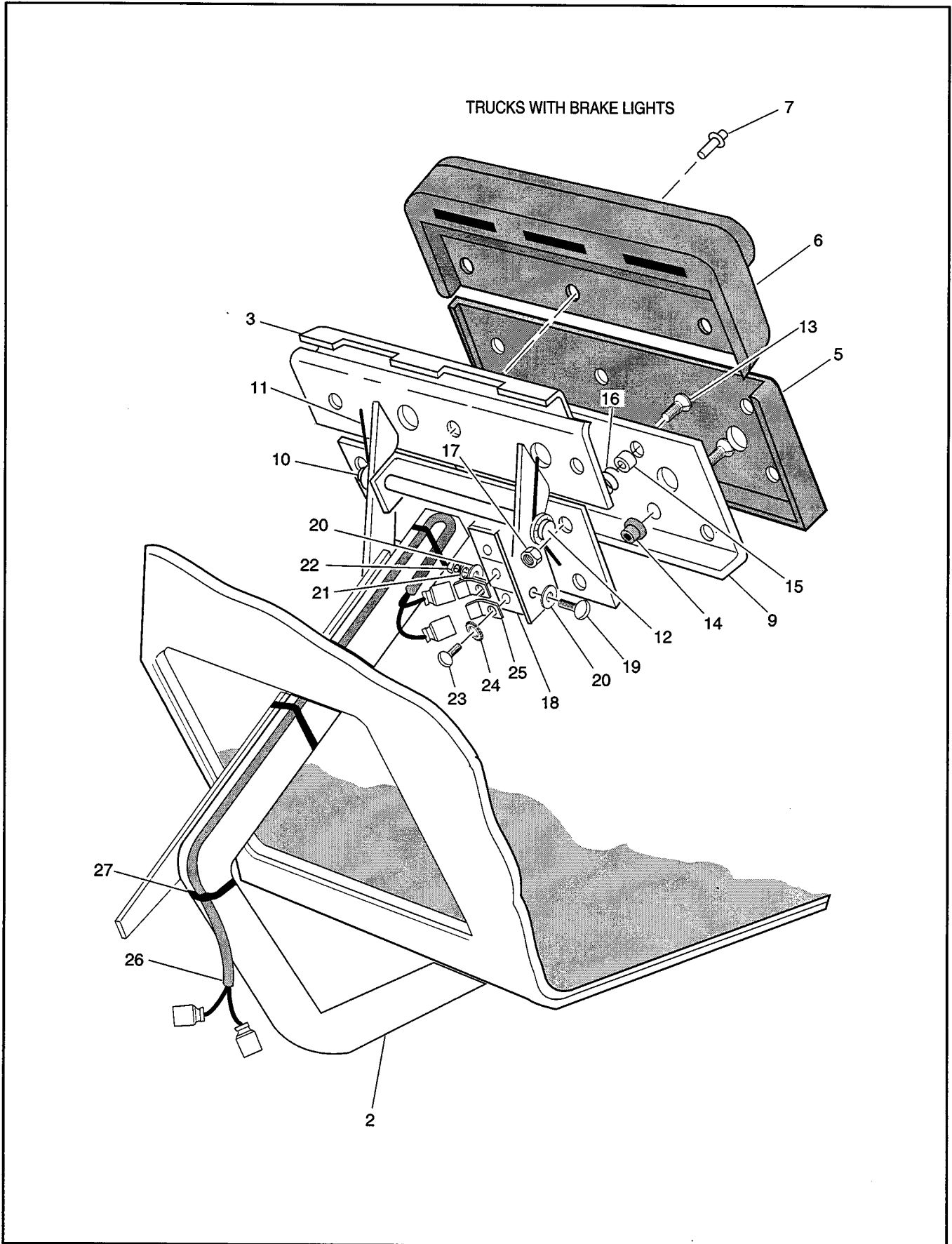
G** Indicates consult Customer Service Department for additional information.

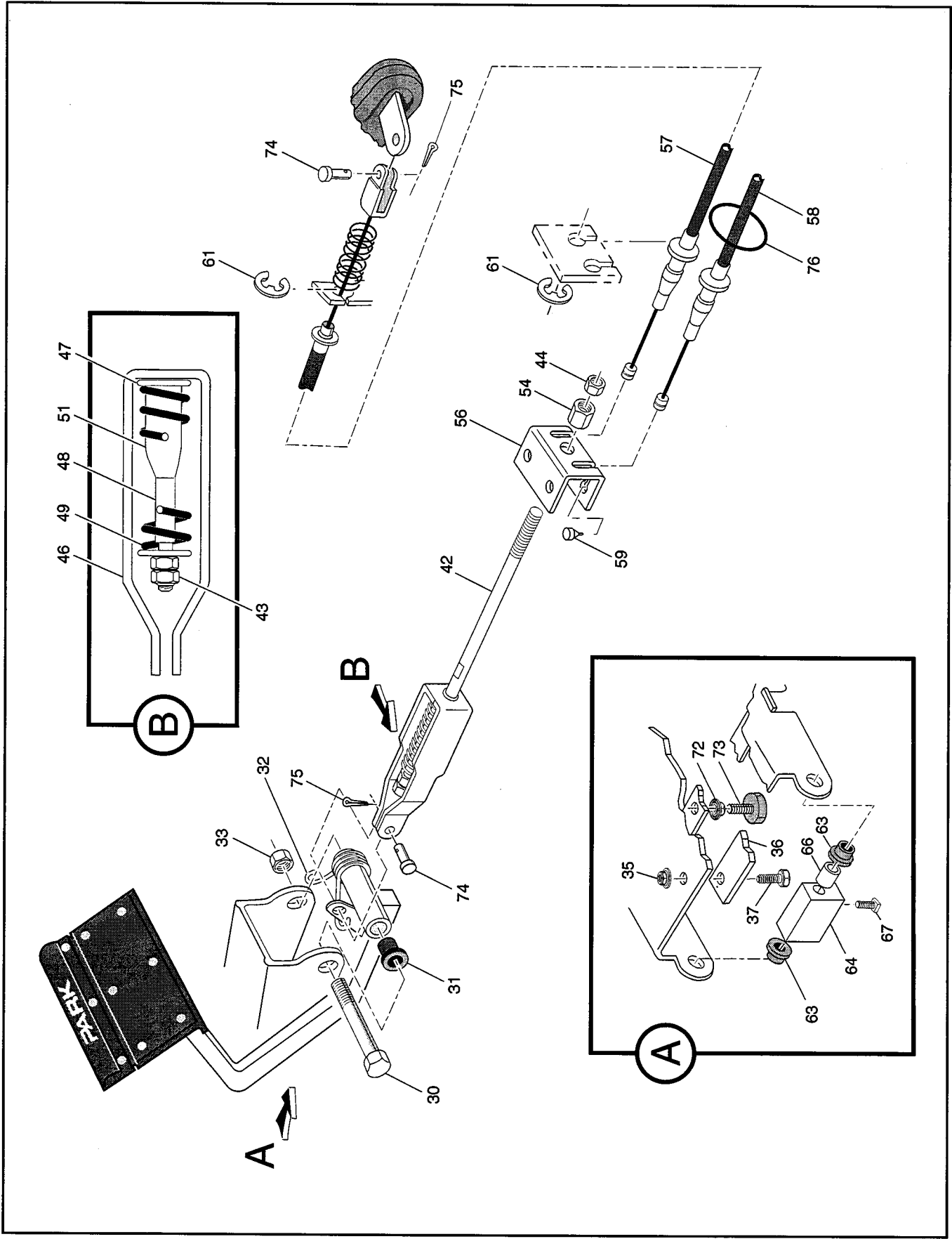
ITEM	PART NO.	1	2	3	4	5	DESCRIPTION	QTY.
60								
61	12305-G1						RING, RETAINING	4
62								
63	10097-G6						BEARING, FLANGED	2
64	25103-G1						CAM, KICK-OFF	1
65								
66	14134-G4						SPACER.....	1
67	00491-G4						SETSCREW, 1/4 - 20 X 1/2 LG.....	2
68								
69								
70								
71								
72	11027-G1						NUT, LOCK, 5/16 - 18	1
73	70113-G01						ADJUSTABLE BUMPER.....	1
74	10386-G3						PIN, CLEVIS, 5/16 X 15/16 LG.	3
75	10387-G3						PIN, COTTER, 3/32 X 3/4 LG.	5
76	12416-G1						NYLON CLAMP	2
77	27580-G01						BRAKE PEDAL ASSEMBLY (INCLUDES ITEMS 78 - 88) TRUCKS WITHOUT BRAKE LIGHTS	1
78	25292-G1						SPRING, TORSION PARK BRAKE.....	2
79	12064-G1						PUSHNUT, 5/16.....	1
80								
81	15932-G2						PIN, PARK BRAKE	1
82	*						BRAKE PEDAL.....	1
83								
84	27843-G01						BRAKE/PARK BRAKE PEDAL PAD KIT (INCLUDES ITEMS 85 - 87).....	1
85	*						PAD, BRAKE PEDAL	1
86	*						PAD, PARK BRAKE PEDAL.....	1
87	15766-G1						RIVET, 3/8 X 15/32 LG.....	9
88	*						PARK BRAKE PEDAL	1

- 1 - INCLUDES ITEMS 2 - 27
- 4 - INCLUDES ITEMS 5 - 7
- 40 - INCLUDES ITEMS 42 - 52
- 55 - INCLUDES ITEMS 56 - 59
- 77 - INCLUDES ITEMS 78 - 89

TRUCKS WITHOUT BRAKE LIGHTS







When ordering parts, please specify the model and serial number of the product.

* Indicates a component that is not available as an individual part.

G** Indicates consult Customer Service Department for additional information.

ITEM	PART NO.	1	2	3	4	5	DESCRIPTION	QTY.
1	27581-G01						BRAKE PEDAL ASSEMBLY (INCLUDES ITEMS 2 - 27) TRUCKS WITH BRAKE LIGHTS	1
2	*						PEDAL, BRAKE	1
3	*						PEDAL, PARK BRAKE	1
4	27843-G01						BRAKE/PARK BRAKE PEDAL PAD KIT (INCLUDES ITEMS 5 - 7).....	1
5	*						PAD, BRAKE PEDAL	1
6	*						PAD, PARK BRAKE	1
7	15766-G1						RIVET, 3/8 x 15/32 LG.	9
8								
9	*						PLATE, BRAKE PEDAL.....	1
10	15932-G2						PIN, PARK BRAKE PEDAL	1
11	11737-G1						SPRING, TORSION, PARK BRAKE	2
12	12064-G1						PUSHNUT, 5/16.....	1
13	00737-G8						SCREW, #10 - 24 X 1 LG.	4
14	00739-G1						NUT, RUBBER, #10 - 24.....	2
15	22362-G3						STANDOFF, BRAKE PEDAL	2
16	27137-G01						SPRING, CONICAL.....	2
17	11098-G7						NUT, LOCK, #10 - 24.....	2
18	10606-G8						SWITCH, MICRO.....	1
19	00645-G2						SCREW, #6 - 32 X 1 1/4 LG.	2
20	00559-G3						WASHER, #6	2
21	00565-G3						WASHER, LOCK, #6	2
22	00525-G5						NUT, #6 - 32.....	2
23	*						SCREW, BRASS	2
24	00567-G3						WASHER, LOCK, #6	6
25	14628-G1						TAB, FASTON, 5/16 X 5/16 LG.	2
26	22447-G1						WIRE HARNESS, BRAKE.....	1
27	17618-G1						NYLON CLAMP.....	3
28								
29								

BRAKE LINKAGE

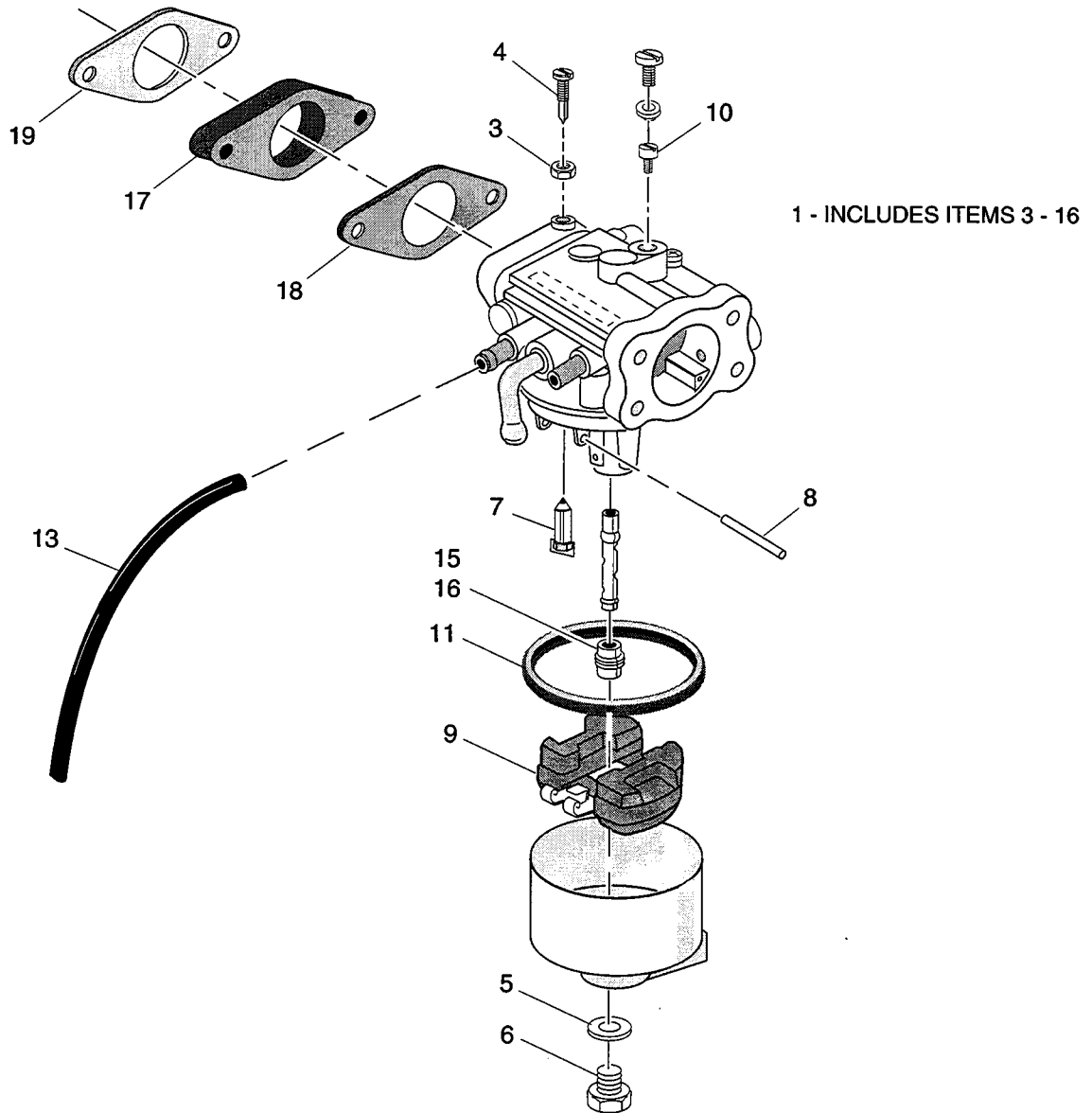
Gasoline Vehicle

When ordering parts, please specify the model and serial number of the product.
 * Indicates a component that is not available as an individual part.
 G** Indicates consult Customer Service Department for additional information.

ITEM	PART NO.	1	2	3	4	5	DESCRIPTION	QTY.
30	70096-G01						BOLT, SHOULDER, 3/8 - 16 X 3 LG.	1
31	11079-G1						BUSHING, FLANGED	2
32	70138-G01						SPRING, TORSION	1
33	12262-G1						NUT, LOCK, 3/8 - 16	1
34								
35	11027-G2						NUT, LOCK, 1/4 - 20	2
36	70080-G01						CATCH BRACKET, PARK BRAKE	1
37	00414-G6						BOLT, 1/4 - 20 X 3/4 LG.	2
38								
39								
40	70272-G03						COMPENSATOR ASSEMBLY (INCLUDES ITEMS 42 - 54)	1
41								
42	25882-G03						ROD, LINK	1
43								
44	11098-G9						NUT, LOCK, 5/16 - 24	1
45								
46	27330-G01						YOKE, BRAKE	1
47	15121-G1						WASHER, 3/8	2
48	23061-G2						TUBE	1
49	23463-G1						SPRING, COMPRESSION	1
50								
51	17979-G1						BUSHING, ACCELERATOR ROD	1
52								
53								
54	00963-G01						NUT, SPHERICAL, 5/16 - 24	1
55	70273-G02						EQUALIZER AND BRAKE CABLE ASSEMBLY (INCLUDES ITEMS 56 - 59)	1
56	28082-G01						BRACKET, EQUALIZER	1
57	*						CABLE, BRAKE, PASSENGER SIDE	1
58	*						CABLE, BRAKE DRIVER'S SIDE	1
59	28083-G01						BUMPER, BRAKE COMPENSATOR	2

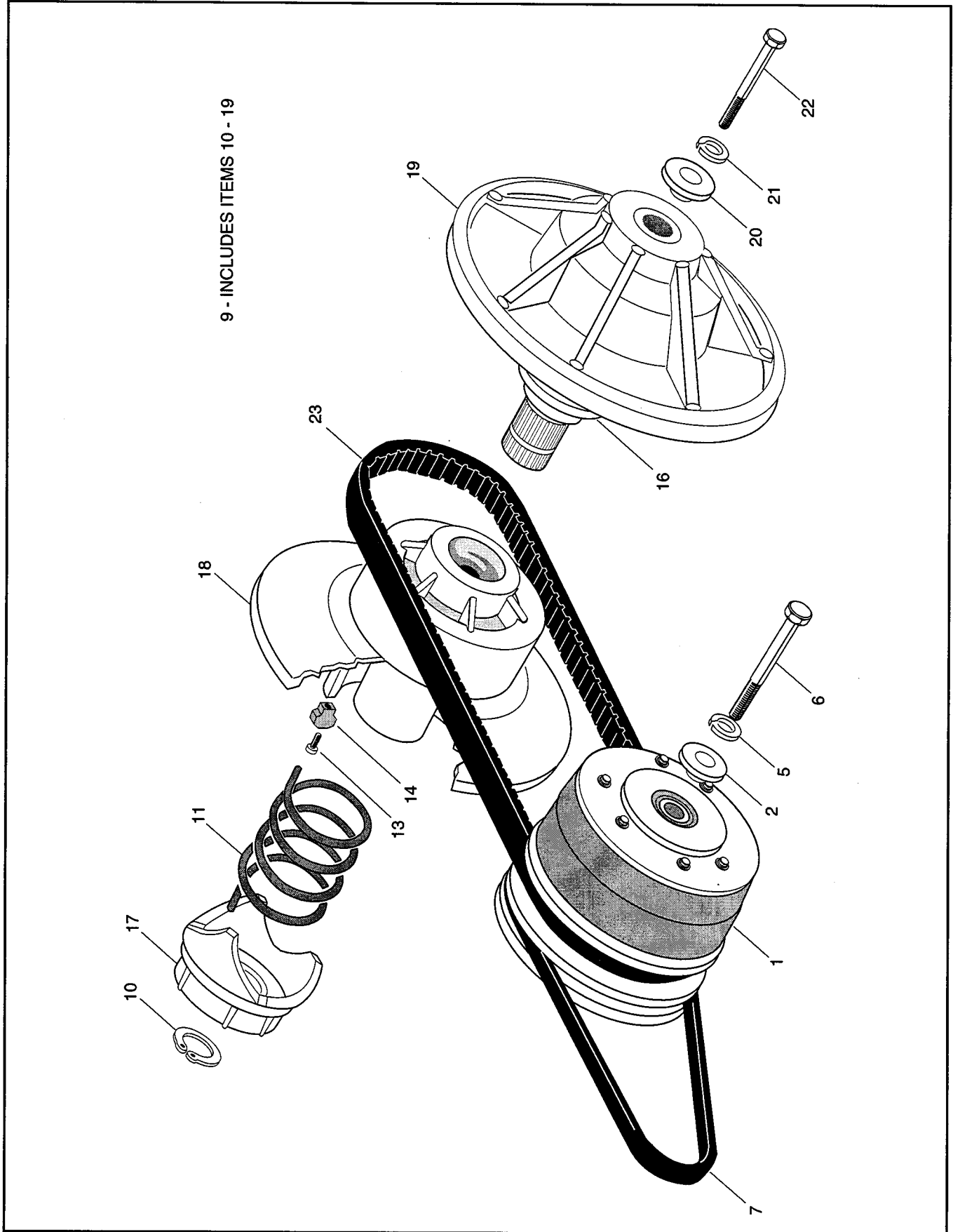
When ordering parts, please specify the model and serial number of the product.
 * Indicates a component that is not available as an individual part.
 G** Indicates consult Customer Service Department for additional information.

ITEM	PART NO.	1	2	3	4	5	DESCRIPTION	QTY.
60								
61	12305-G1						RING, RETAINING	4
62								
63	10097-G6						BEARING, FLANGED	2
64	25103-G1						CAM, KICK-OFF	1
65								
66	14134-G4						SPACER.....	1
67	00491-G4						SETSCREW, 1/4 - 20 X 1/2 LG.....	2
68								
69								
70								
71								
72	11027-G1						NUT, LOCK, 5/16 - 18	1
73	70113-G01						ADJUSTABLE BUMPER.....	1
74	10386-G3						PIN, CLEVIS, 5/16 X 15/16 LG.	3
75	10387-G3						PIN, COTTER, 3/32 X 3/4 LG.	5
76	12416-G1						NYLON CLAMP	2
77	27580-G01						BRAKE PEDAL ASSEMBLY (INCLUDES ITEMS 78 - 88) TRUCKS WITHOUT BRAKE LIGHTS	1
78	25292-G1						SPRING, TORSION PARK BRAKE	2
79	12064-G1						PUSHNUT, 5/16.....	1
80								
81	15932-G2						PIN, PARK BRAKE	1
82	*						BRAKE PEDAL.....	1
83								
84	27843-G01						BRAKE/PARK BRAKE PEDAL PAD KIT (INCLUDES ITEMS 85 - 87).....	1
85	*						PAD, BRAKE PEDAL	1
86	*						PAD, PARK BRAKE PEDAL.....	1
87	15766-G1						RIVET, 3/8 X 15/32 LG.....	9
88	*						PARK BRAKE PEDAL	1



When ordering parts, please specify the model and serial number of the product.
 * Indicates a component that is not available as an individual part.
 G** Indicates consult Customer Service Department for additional information.

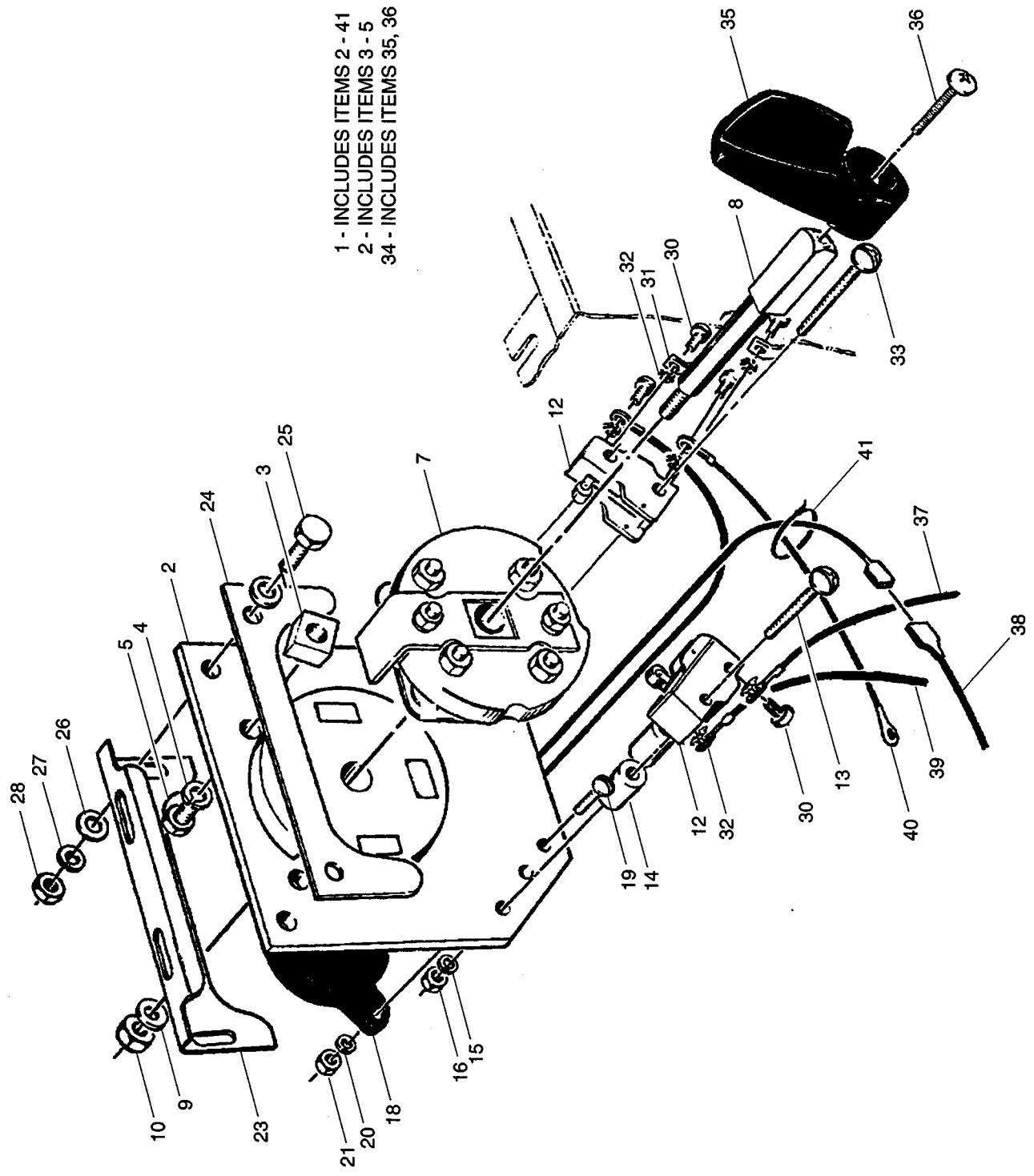
ITEM	PART NO.	1	2	3	4	5	DESCRIPTION	QTY.
1	26645-G01						CARBURETOR ASSEMBLY (INCLUDES ITEMS 3 - 16)	1
2								
3	26847-G01						NUT, PILOT SCREW	2
4	26835-G01						SCREW, PILOT	1
5	26838-G01						GASKET, BOWL SCREEN	1
6	26839-G01						SCREW, BOWL	1
7	26647-G01						VALVE, NEEDLE	1
8	26840-G01						PIN, FLOAT	1
9	26648-G01						FLOAT	1
10	26649-G01						JET, PILOT (#48)	1
11	26843-G01						GASKET, FLOAT BOWL.....	1
12								
13	26650-G01						TUBE, CARBURETOR VENT	2
14								
15	26646-G02						JET, MAIN (#84)	1
16	26646-G03						JET, MAIN (#76) HIGH ALTITUDE - ABOVE 5,000 FEET.....	1
17	26637-G01						INSULATOR, CARBURETOR.....	1
18	26725-G01						GASKET, CARBURETOR MOUNT.....	1
19	26726-G01						GASKET, CARBURETOR MOUNT.....	1



When ordering parts, please specify the model and serial number of the product.
 * Indicates a component that is not available as an individual part.
 G** Indicates consult Customer Service Department for additional information.

ITEM	PART NO.	1 2 3 4 5	DESCRIPTION	QTY.
1	26952-G01		DRIVE CLUTCH.....	1
2	23213-G1		WASHER, PILOT	1
3				
4				
5	00566-G2		WASHER, LOCK, 7/16.....	1
6	00473-G9		BOLT, 7/16 - 20 X 6 1/2 LG.....	1
7	26414-G01		BELT, STARTER / GENERATOR.....	1
8				
9	26301-G02		DRIVEN CLUTCH ASSEMBLY (INCLUDES ITEMS 10 - 19)	1
10	27270-G01		RETAINING RING, HEAVY DUTY.....	1
11	26304-G01		SPRING, COMPRESSION.....	1
12				
13	00979-G01		SCREW, #10 - 24	3
14	26479-G01		RAMP BUTTON.....	3
15				
16	24600-G1		WASHER, SPACER.....	1
17	*		CAM.....	1
18	*		SHEAVE, MOVABLE	1
19	*		SHEAVE AND POST	1
20	22496-G1		WASHER, RETAINING	1
21	00565-G8		WASHER, LOCK, 5/16.....	1
22	00441-G8		BOLT, 5/16 - 18 X 4 LG.....	1
23	27077-G02		BELT, DRIVE.....	1
24	**		PULLER, DRIVE CLUTCH.....	AR
** SEE SERVICE ACCESSORIES AND SPECIAL TOOLS				

- 1 - INCLUDES ITEMS 2 - 41
- 2 - INCLUDES ITEMS 3 - 5
- 34 - INCLUDES ITEMS 35, 36



Electric Vehicle

DIRECTION SELECTOR

THE USE OF NON UL PARTS WILL VOID ANY UL LISTING.

When ordering parts, please specify the model and serial number of the product.

* Indicates a component that is not available as an individual part.

G** Indicates consult Customer Service Department for additional information.

ITEM	PART NO.	1	2	3	4	5	DESCRIPTION	QTY.
1	32911-G1						DIRECTION SELECTOR (INCLUDES ITEMS 2 - 41)	1
2	14651-G1						CONTACT BOARD ASSEMBLY (INCLUDES ITEMS 3 - 5)	1
3	24940-G1						STOP.....	2
4	00565-G7						WASHER, LOCK, 1/4.....	2
5	00414-G6						SCREW, 1/4 - 20 X 3/4 LG.....	2
6								
7	12835-G1						CAM, DIRECTION SELECTOR.....	1
8	19470-G1						SHAFT, DIRECTION SELECTOR	1
9	00560-G1						WASHER, 3/8	1
10	14390-G1						NUT, LOCK, 3/8 - 24.....	1
11								
12	10606-G4						SWITCH, MICRO.....	2
13	00139-G6						SCREW, #6 - 32 X 1 3/4 LG	2
14	12806-G1						SPACER, MICRO SWITCH	2
15	00565-G3						WASHER, LOCK, #6	4
16	00525-G5						NUT, #6 - 32.....	4
17								
18	17940-G1						BUZZER, REVERSE WARNING.....	1
19	00138-G5						SCREW, #6 - 32 X 5/8 LG	2
20	00565-G3						WASHER, LOCK, #6	2
21	00525-G5						NUT, #6 - 32.....	2
22								
23	30278-G1						BRACKET, MOUNTING.....	1
24	15461-G1						SUPPORT, BRACKET MOUNTING	1
25	00414-G8						SCREW, 1/4 - 20 X 1 LG	2
26	00559-G7						WASHER, 1/4	4
27	00565-G7						WASHER, LOCK, 1/4	2
28	00532-G1						NUT, 1/4 - 20.....	2
29								
30	*						SCREW, BRASS	4

DIRECTION SELECTOR

Electric Vehicle

THE USE OF NON UL PARTS WILL VOID ANY UL LISTING.

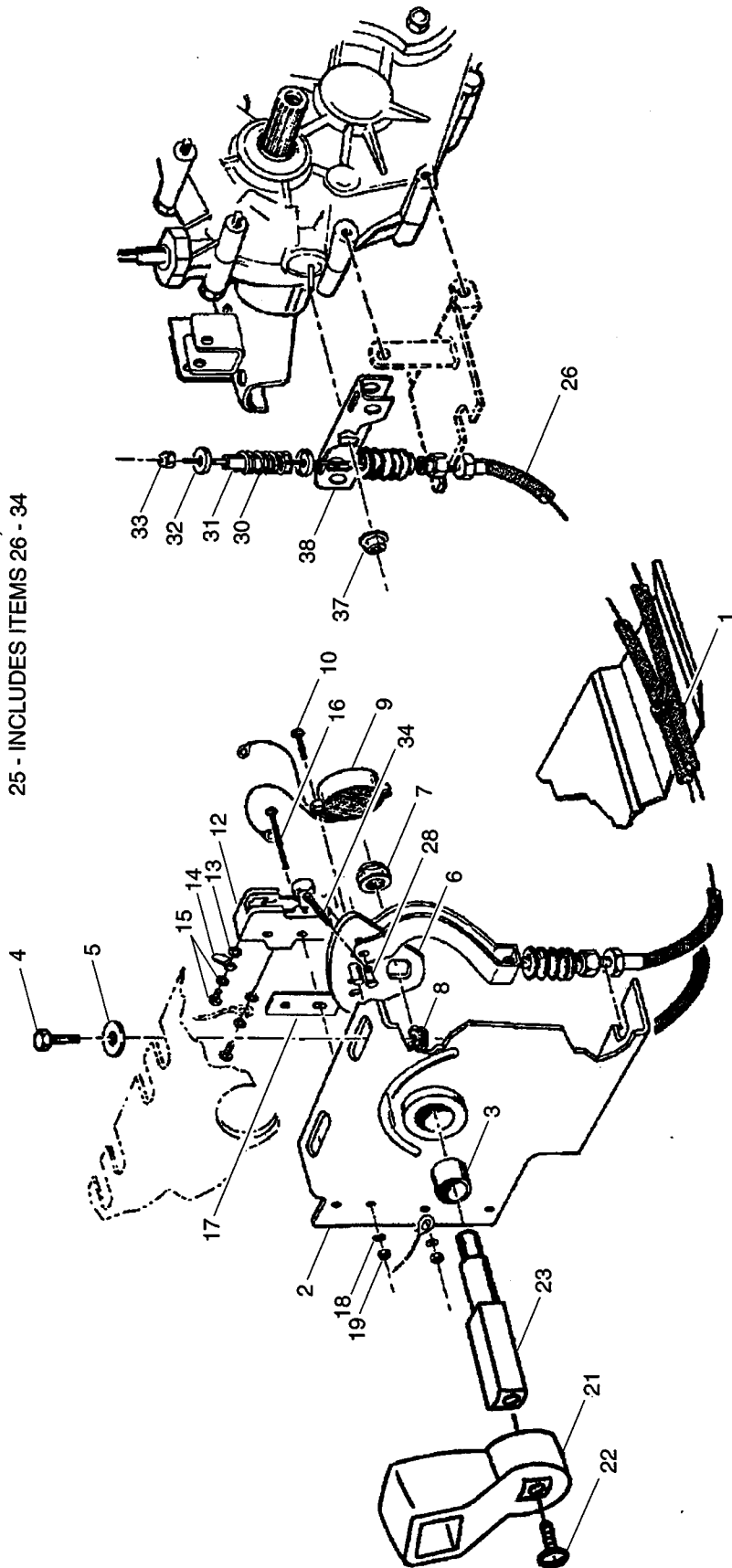
When ordering parts, please specify the model and serial number of the product.

* Indicates a component that is not available as an individual part.

G** Indicates consult Customer Service Department for additional information.

ITEM	PART NO.	1	2	3	4	5	DESCRIPTION	QTY.
31	14628-G1						TAB, FASTON.....	2
32	00567-G3						WASHER, LOCK, #6	4
33	00139-G9						SCREW, #6 - 32 X 1 3/4 LG.	2
34	20325-G1						DIRECTION SELECTOR HANDLE KIT (INCLUDES ITEMS 35, 36)	1
35	19886-G1						HANDLE, DIRECTION SELECTOR.....	1
36	00740-G4						SCREW, #10 - 32 X 1/2 LG.....	1
37	14619-G2						WIRE.....	1
38	21743-G1						WIRE.....	1
39	23862-G2						WIRE.....	1
40	23645-G1						WIRE.....	1
41	17618-G1						CLAMP, NYLON.....	3

20 - INCLUDES ITEMS 21, 22
25 - INCLUDES ITEMS 26 - 34



When ordering parts, please specify the model and serial number of the product.

* Indicates a component that is not available as an individual part.

G** Indicates consult Customer Service Department for additional information.

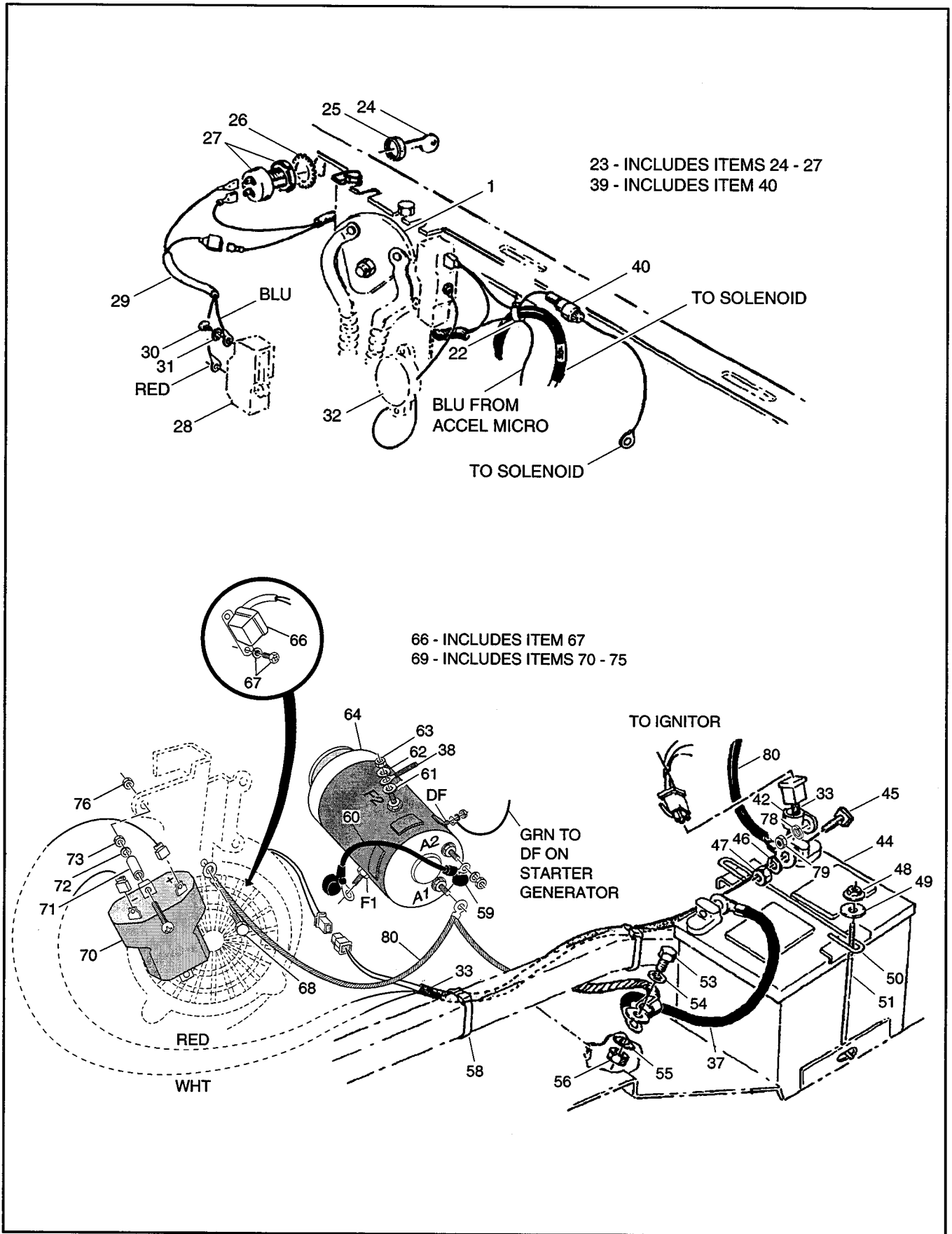
ITEM	PART NO.	1	2	3	4	5	DESCRIPTION	QTY.
1	17618-G1						CLAMP, NYLON.....	1
2	25684-G01						BRACKET, DIRECTION SELECTOR	1
3	25664-G1						BUSHING.....	1
4	00414-G6						SCREW, 1/4 - 20 X 3/4 LG.....	2
5	00559-G7						WASHER, 1/4.....	2
6	25745-G01						CAM, DIRECTION SELECTOR	1
7	14390-G1						NUT, 3/8 - 24	1
8	11027-G2						NUT, LOCK, 1/4 - 20	2
9	17940-G1						BUZZER.....	1
10	00138-G4						SCREW, #6 - 32 X 1/2 LG.....	2
11								
12	10606-G1						SWITCH, MICRO	1
13	00567-G3						WASHER, LOCK,	2
14	14628-G1						TAB, FASTON	1
15	13514-G1						SCREW AND WASHER ASSEMBLY	2
16	00139-G2						SCREW, 1/8 X 1 1/4 LG.....	2
17	27151-G01						SPACER, MICRO SWITCH	1
18	00565-G3						WASHER, LOCK, #6.....	4
19	00525-G5						NUT, #6 - 32	4
20	20325-G2						DIRECTION SELECTOR KIT (INCLUDES ITEMS 21, 22)	1
21	71905-G01						KNOB, PLASTIC.....	1
22	00704-G4						SCREW, #10 - 32 X 1/2 LG.	1
23	27537-G01						SHAFT, DIRECTION SELECTOR.....	1
24								
25	27170-G01						CABLE KIT (INCLUDES ITEMS 26 - 35)	1
26	25691-G02						CABLE, SHIFTER CONTROL, GXI/T-804 MODELS ONLY	2
27								
28	23176-G1						PIN, CLEVIS.....	2
29								
30	27764-G01						SPRING, SHIFTER CABLE.....	2

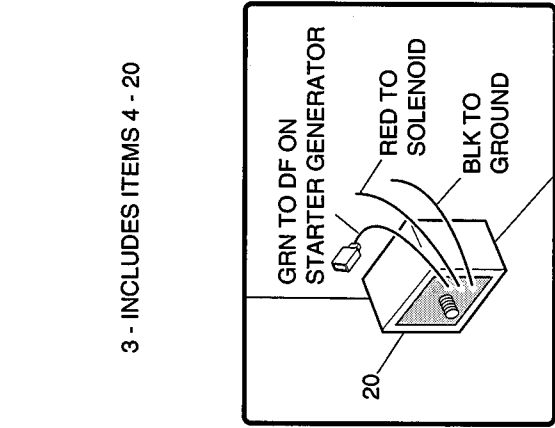
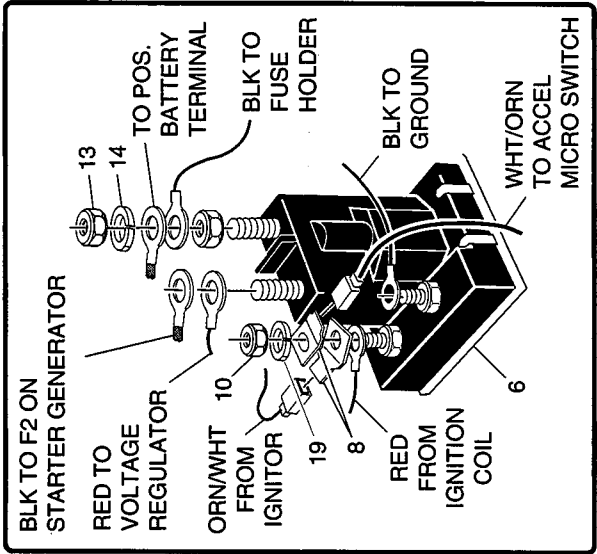
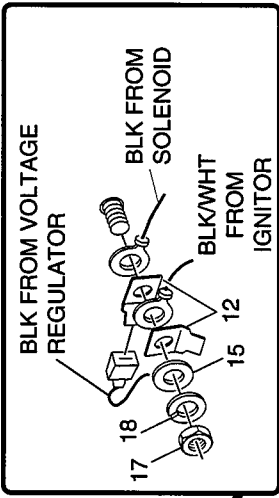
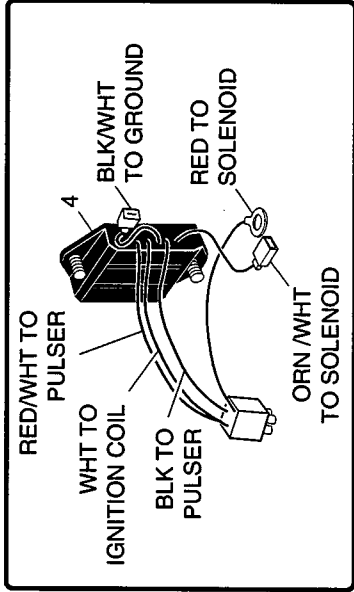
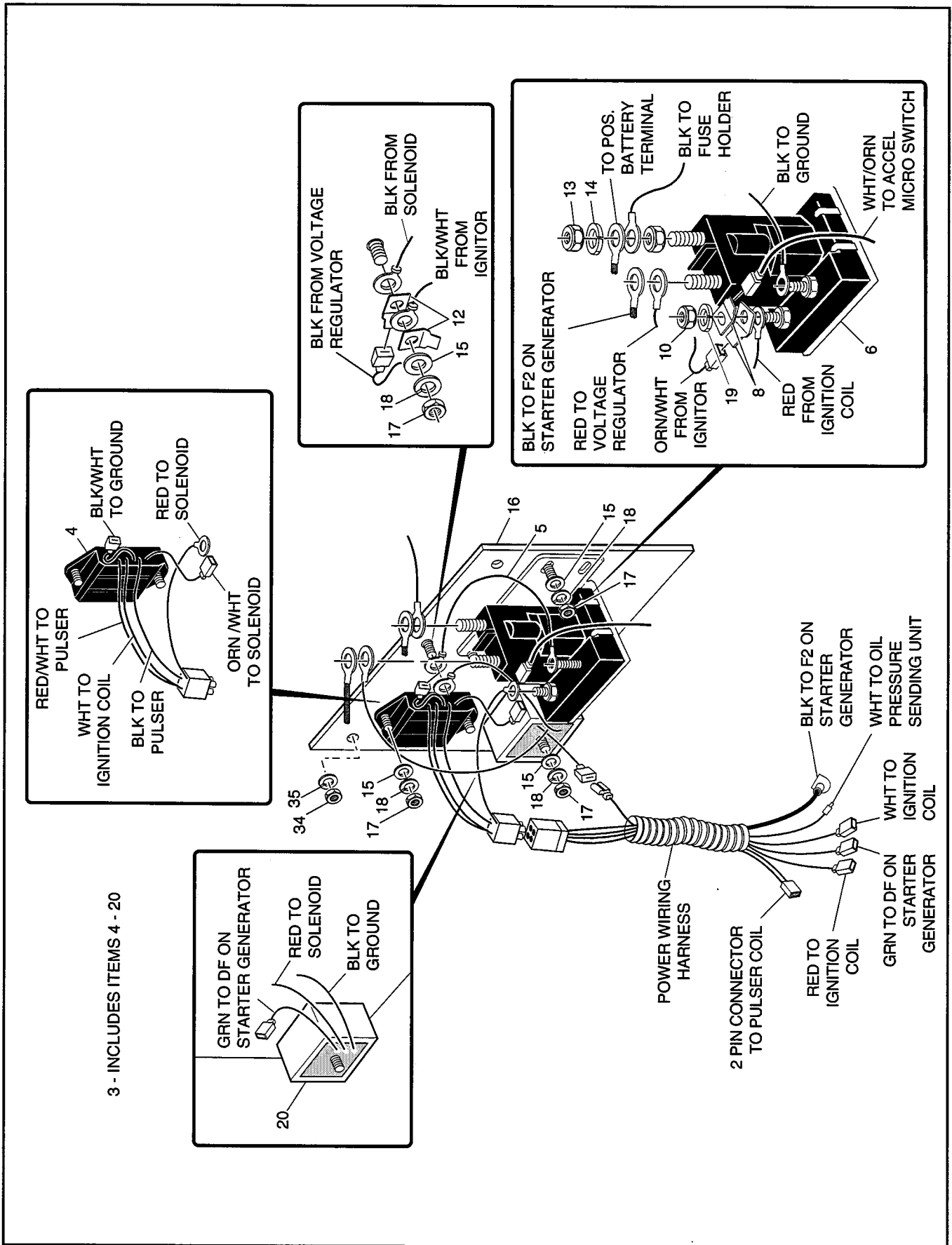
DIRECTION SELECTOR

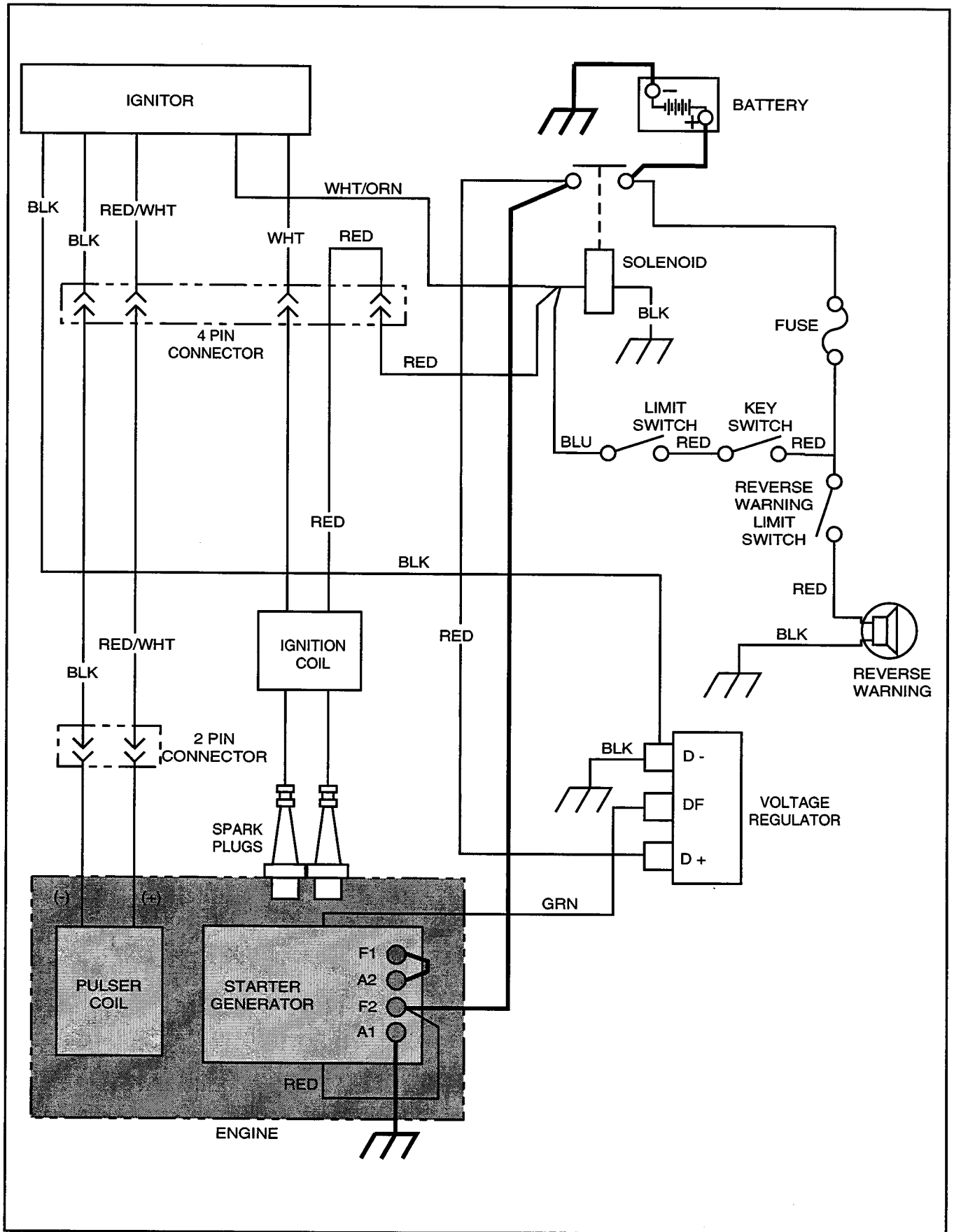
Gasoline Vehicle

When ordering parts, please specify the model and serial number of the product.
 * Indicates a component that is not available as an individual part.
 G** Indicates consult Customer Service Department for additional information.

ITEM	PART NO.	1	2	3	4	5	DESCRIPTION	QTY.
31	23726-G5						SPACER, SHIFTER	2
32	25727-G01						WASHER, CUP	4
33	11098-G7						NUT, LOCK, #10 - 24	2
34	10387-G8						PIN, COTTER	2
35								
36								
37	26830-G01						NUT, SHIFTER LEVER	1
38	25946-G01						LEVER, SHIFTER	1







When ordering parts, please specify the model and serial number of the product.

* Indicates a component that is not available as an individual part.

G** Indicates consult Customer Service Department for additional information.

ITEM	PART NO.	1	2	3	4	5	DESCRIPTION	QTY.
1	XXXXX-XX						DIRECTION SELECTOR (SEE SECTION H FOR PART NUMBER AND QUANTITY)	X
2								
3	27740-G02						ELECTRICAL PLATE ASSEMBLY (INCLUDES ITEMS 4 - 20)	1
4	27746-G01						IGNITOR.....	1
5	25978-G56						WIRE	1
6	27153-G01						SOLENOID	1
7								
8	12914-G1						TAB, FASTON.....	2
9								
10	*						NUT, #10 - 32.....	2
11								
12	12914-G2						TAB, FASTON.....	2
13	*						NUT, 5/16 - 24.....	2
14	*						WASHER, LOCK, 5/16	2
15	00650-G7						WASHER, 1/4	6
16	*						PLATE, ELECTRICAL	1
17	00532-G1						NUT, 1/4 - 20.....	6
18	00565-G7						WASHER, LOCK, 1/4	6
19	*						WASHER, LOCK, #10	2
20	27739-G01						VOLTAGE REGULATOR	1
21								
22	17618-G1						CLAMP, NYLON.....	1
23	17421-G1						IGNITION SWITCH ASSEMBLY (INCLUDES ITEMS 24 - 27 AND ADDITIONAL PUSH ON TERMINALS).....	1
24	17063-G1						KEY, IGNITION	2
25	17137-G1						NUT, 3/4.....	1
26	00568-G6						WASHER, LOCK, 3/4	1
27	*						SWITCH, IGNITION.....	1
28	XXXXX-XX						SWITCH, MICRO (SEE SECTION A FOR PART NUMBER AND QUANTITY)	X

ELECTRICAL SYSTEM

Gasoline Vehicle

When ordering parts, please specify the model and serial number of the product.

* Indicates a component that is not available as an individual part.

G** Indicates consult Customer Service Department for additional information.

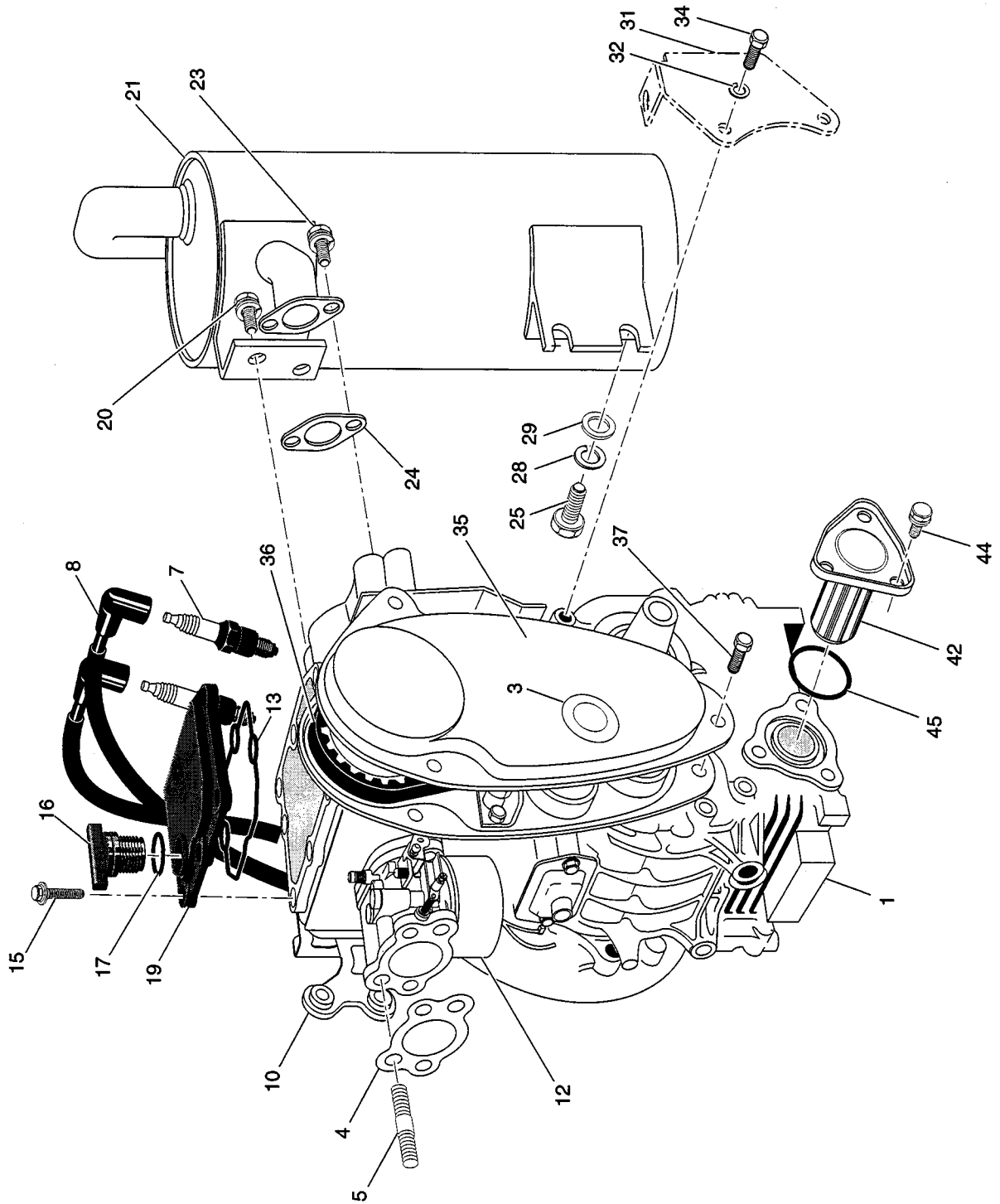
ITEM	PART NO.	1 2 3 4 5	DESCRIPTION	QTY.
29	25932-G01		HARNES, WIRING.....	1
30	13514-G1		SCREW, BRASS, #6 - 32 X 1/4 LG.....	2
31	00567-G3		WASHER, LOCK, #6.....	2
32	XXXXX-XX		REVERSE WARNING BUZZER (SEE SECTION H FOR PART NUMBER AND QUANTITY)	X
33	26583-G01		WIRING HARNES, JUMPER.....	1
34	00532-G1		NUT, LOCK, 1/4 - 20	4
35	00565-G7		WASHER, LOCK, 1/4.....	4
36				
37	27044-G02		CABLE, NEGATIVE BATTERY	1
38	27062-G01		WIRE HARNES.....	1
39	18392-G6		FUSE HOLDER ASSEMBLY (INCLUDES ITEM 40).....	1
40	18392-G6		FUSE, 7 AMP.....	1
41				
42	11845-G5		CLIP, CABLE INSULATED	1
43				
44	24775-G1		BATTERY, 12 VOLT	1
45	12649-G1		BOLT, BATTERY, SQUARE HEAD, 5/16 - 18 X 1 LG.	2
46	00993-G01		WASHER, LOCK, SILICON BRONZE, 5/16.....	2
47	00994-G01		NUT, SILICON BRONZE, 5/16 - 18.....	2
48	14390-G4		NUT, LOCK, 5/16.....	2
49	00571-G2		WASHER, 5/16.....	2
50	18258-G2		RETAINER, BATTERY	1
51	18261-G3		ROD, BATTERY HOLD DOWN.....	2
52				
53	00414-G5		BOLT, 1/4 - 20 X 1/2 LG.	1
54	00660-G7		WASHER, 1/4.....	1
55	00567-G7		WASHER, LOCK, 1/4.....	1
56	00532-G1		NUT, 1/4 - 20	1
57				

When ordering parts, please specify the model and serial number of the product.

* Indicates a component that is not available as an individual part.

G** Indicates consult Customer Service Department for additional information.

ITEM	PART NO.	1	2	3	4	5	DESCRIPTION	QTY.
58	17618-G1						CLAMP, NYLON.....	2
59	25682-G1						COVER, TERMINAL	3
60	25887-G01						WIRE.....	1
61	26702-G01						WASHER, 6.5 MM.....	4
62	51400-G1						WASHER, LOCK, 6 MM.....	4
63	13632-G1						NUT, M6 X 1.....	4
64	XXXXX-XX						STARTER/GENERATOR (SEE SECTION AA FOR PART NUMBER AND QUANTITY)	1
65								
66	26651-G02						IGNITION PICKUP ASSEMBLY (INCLUDES ITEM 67).....	1
67	26707-G01						BOLT AND WASHER ASSEMBLY, M5 X .8 X 10 MM	1
68	26676-G01						SCREW, M6 X 1 X 23 MM	1
69	26652-G01						IGNITION COIL ASSEMBLY (INCLUDES ITEMS 70 - 75)	1
70	*						COIL, IGNITION	1
71	*						SPACER	1
72	*						WASHER, LOCK	1
73	*						NUT	1
74	*						SCREW	1
75								
76	13632-G1						NUT, M6 X 1.....	2
77	26651-G02						PULSER COIL	1
78	00565-G7						WASHER, LOCK, 1/4.....	4
79	00532-G1						NUT, 1/4 - 20.....	4
80	25972-G35						WIRE, BL- TO GROUND	1



When ordering parts, please specify the model and serial number of the product.
 * Indicates a component that is not available as an individual part.
 G** Indicates consult Customer Service Department for additional information.

ITEM	PART NO.	1	2	3	4	5	DESCRIPTION	QTY.
1	26700-G01						ENGINE	1
2								
3	26631-G01						GROMMET, TIMING BELT COVER.....	1
4	26727-G01						GASKET, CARBURETOR/AIR BOX	1
5	26667-G01						STUD	2
6								
7	25523-G02						SPARK PLUG, NGK BP4ES	2
8	26733-G01						SPARK PLUG WIRE SET (2 WITH BOOTS).....	1
9								
10	26657-G01						BRACKET, IGNITION COIL	1
11								
12	XXXXX-XX						CARBURETOR (SEE SECTION E FOR PART NUMBER AND QUANTITY	X
13	26719-G01						GASKET, VALVE COVER	1
14								
15	26676-G01						BOLT, FLANGED, M6 X 1 X 23 MM LG.....	6
16	26601-G01						CAP, OIL FILLER	1
17	26720-G01						O-RING	1
18								
19	26600-G01						COVER, VALVE	1
20	25532-G1						BOLT AND WASHER, M8 X 1.25 X 18 MM LG.	2
21	26344-G01						MUFFLER	1
22								
23	25532-G1						BOLT AND WASHER, M8 X 1.25 X 18 MM LG.	2
24	25531-G1						GASKET, EXHAUST	1
25	00438-G8						BOLT, 5/16 - 18 X 1 LG.	1
26								
27								
28	00565-G8						WASHER, LOCK, 5/16.....	1
29	00642-G8						WASHER, 5/16.....	1

ENGINE AND MUFFLER

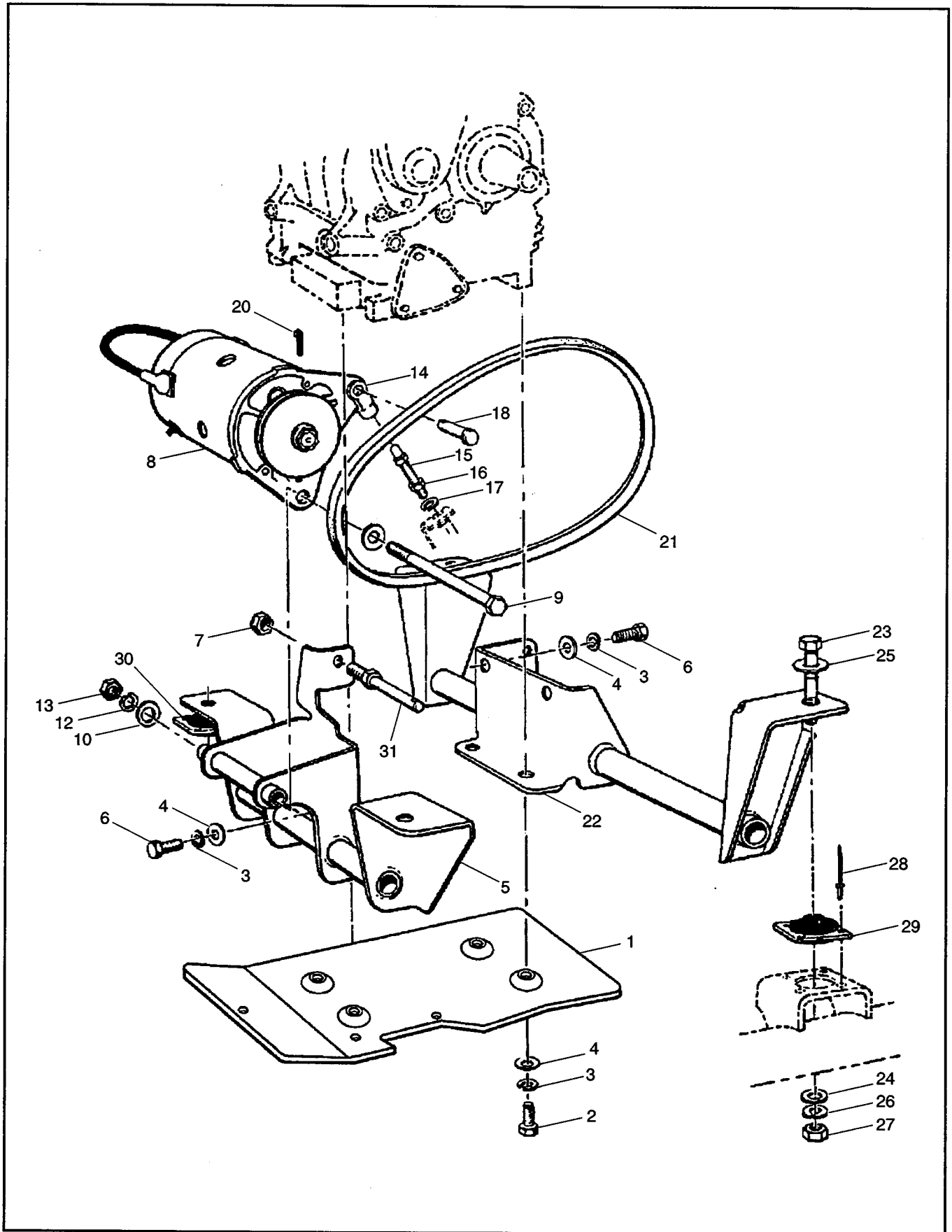
Gasoline Vehicle

When ordering parts, please specify the model and serial number of the product.

* Indicates a component that is not available as an individual part.

G** Indicates consult Customer Service Department for additional information.

ITEM	PART NO.	1	2	3	4	5	DESCRIPTION	QTY.
30								
31	25655-G01						BRACKET, PIVOT	1
32	00565-G8						WASHER, LOCK, 5/16.....	2
33								
34	00276-G6						SCREW, 5/16 - 24 X 3/4 LG.....	2
35	26630-G01						COVER, TIMING BELT	1
36	26626-G01						TIMING BELT	1
37	26678-G01						BOLT, M6 X 1 X 12 MM LG.	3
38								
39								
40								
41								
42	26591-G01						FILTER, OIL	1
43								
44	26680-G01						BOLT AND WASHER, M6 X 1 X 12 MM LG.....	3
45	26710-G01						O-RING, OIL FILTER.....	1

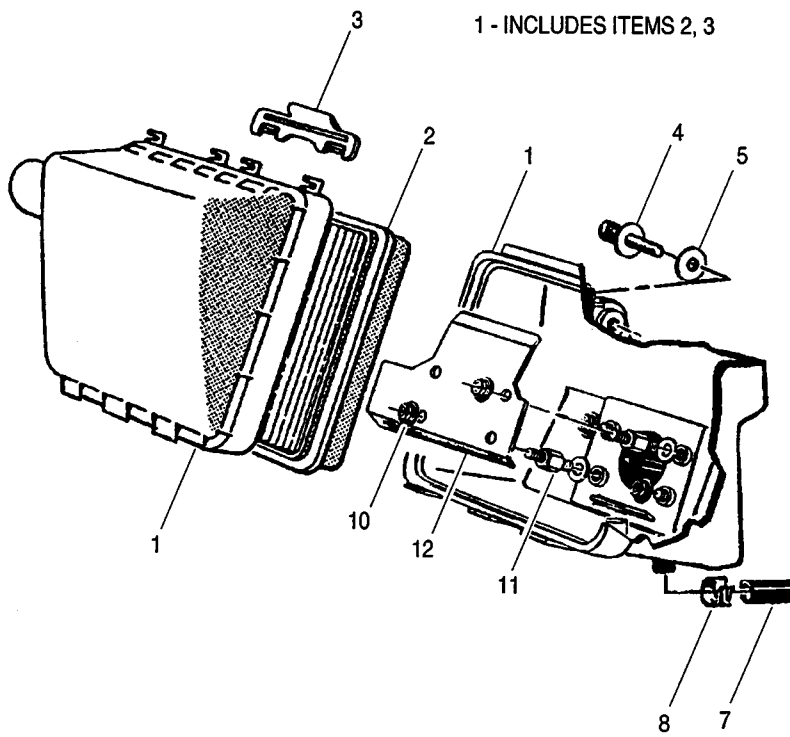


When ordering parts, please specify the model and serial number of the product.
 * Indicates a component that is not available as an individual part.
 G** Indicates consult Customer Service Department for additional information.

ITEM	PART NO.	1	2	3	4	5	DESCRIPTION	QTY.
1	27432-G01						GUARD, ENGINE	1
2	00463-G4						BOLT, 7/16 - 14 X 1/2 LG.	4
3	00566-G2						WASHER, LOCK, 7/16.....	8
4	00922-G3						WASHER, 7/16.....	8
5	25674-G01						BRACKET, FRONT ENGINE MOUNTING.....	1
6	00288-G8						BOLT, 7/16 - 14 X 1 LG.	4
7	14390-G1						NUT, LOCK, 3/8 - 24	1
8	XXXXX-XX						STARTER/GENERATOR (SEE SECTION AA FOR PART NUMBER AND QUANTITY)	X
9	00938-G4						BOLT, 1/2 - 13 X 8 LG.	1
10	00560-G3						WASHER, 1/2.....	2
11								
12	00566-G3						WASHER, LOCK, 1/2.....	1
13	00533-G1						NUT, 1/2 - 13.....	1
14	25708-G01						YOKE, CLEVIS	1
15	24667-G1						PIN, ADJUSTING.....	1
16	00532-G6						NUT, 3/8 - 24.....	1
17	00566-G1						WASHER, LOCK, 3/8.....	1
18	14443-G3						PIN, CLEVIS, 5/16 X 1 LG.	1
19								
20	10387-G4						PIN, COTTER	1
21	26414-G01						BELT, STARTER/GENERATOR.....	1
22	25675-G01						BRACKET, REAR ENGINE MOUNTING	1
23	00428-G6						BOLT, 3/8 - 16 X 2 3/4 LG.	4
24	00560-G1						WASHER, 1.25 O.D. X .38 I.D.	4
25	15121-G1						WASHER, 1.25 O.D. X .38 I.D. ZINC.....	2
26	00566-G1						WASHER, LOCK, 3/8.....	4
27	00550-G5						NUT, LOCK, 3/8 - 16	4
28	14601-G5						RIVET, 3/16 X 13/32 LG.....	16
29	14137-G1						MOUNT, ISOLATION, 25 LB.	2

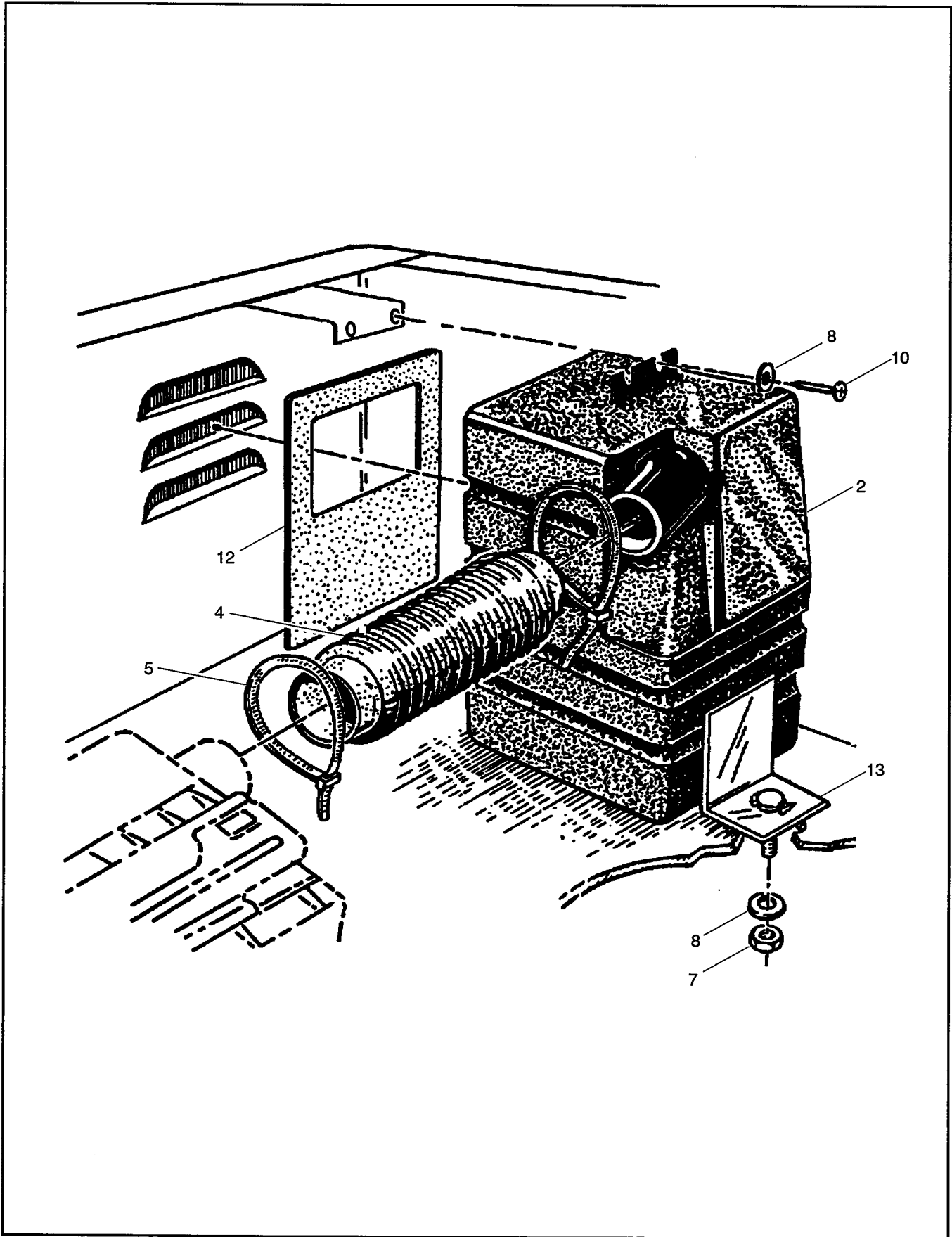
When ordering parts, please specify the model and serial number of the product.
 * Indicates a component that is not available as an individual part.
 G** Indicates consult Customer Service Department for additional information.

ITEM	PART NO.	1 2 3 4 5 DESCRIPTION	QTY.
30	14137-G2	MOUNT, ISOLATION, 35 LB.	2
31	XXXXX-XX	PIVOT, FRONT ENGINE MOUNT (SEE SECTION A FOR PART NUMBER AND QUANTITY)	X



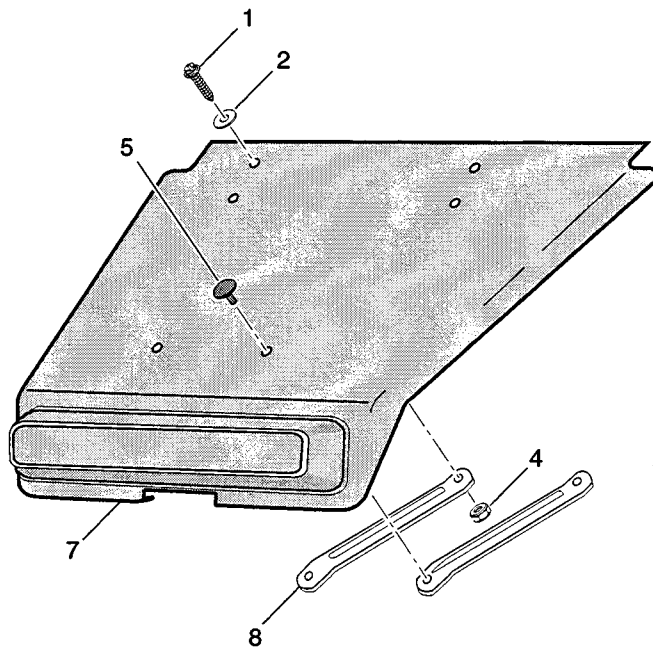
When ordering parts, please specify the model and serial number of the product.
 * Indicates a component that is not available as an individual part.
 G** Indicates consult Customer Service Department for additional information.

ITEM	PART NO.	1 2 3 4 5	DESCRIPTION	QTY.
1	26634-G01		AIR CLEANER ASSEMBLY (INCLUDES ITEMS 2, 3).....	1
2	26855-G01		ELEMENT, AIR CLEANER	1
3	26735-G01		CLIP, AIR CLEANER BOX.....	1
4	26671-G01		BOLT AND WASHER, M6 X 1 X 30 MM LG.	2
5	26701-G01		WASHER, 6.5 MM X 20	2
6				
7	26602-G01		HOSE, BREATHER.....	1
8	18292-G1		CLAMP, HOSE	2
9				
10	26706-G01		NUT, BAFFLE PLATE, M6 X 1	2
11	26679-G01		STUD, BAFFLE PLATE.....	2
12	26729-G01		PLATE, AIR CLEANER BAFFLE.....	1



When ordering parts, please specify the model and serial number of the product.
 * Indicates a component that is not available as an individual part.
 G** Indicates consult Customer Service Department for additional information.

ITEM	PART NO.	1	2	3	4	5	DESCRIPTION	QTY.
1								
2	26481-G01						AIRBOX, INTAKE.....	1
3								
4	25560-G02						HOSE, AIR.....	1
5	17618-G1						CLAMP, NYLON.....	2
6								
7	14390-G4						NUT, LOCK, 1/4 - 20.....	1
8	00559-G6						WASHER, #12.....	2
9								
10	00106-G6						SCREW, SELF TAPPING, #12 - 24 X 3/4 LG.....	2
11								
12	26412-G01						GASKET, AIR BOX.....	1
13	26458-G01						BRACKET, AIR BOX SUPPORT.....	1



THE USE OF NON UL PARTS WILL VOID ANY UL LISTING.

When ordering parts, please specify the model and serial number of the product.

* Indicates a component that is not available as an individual part.

G** Indicates consult Customer Service Department for additional information.

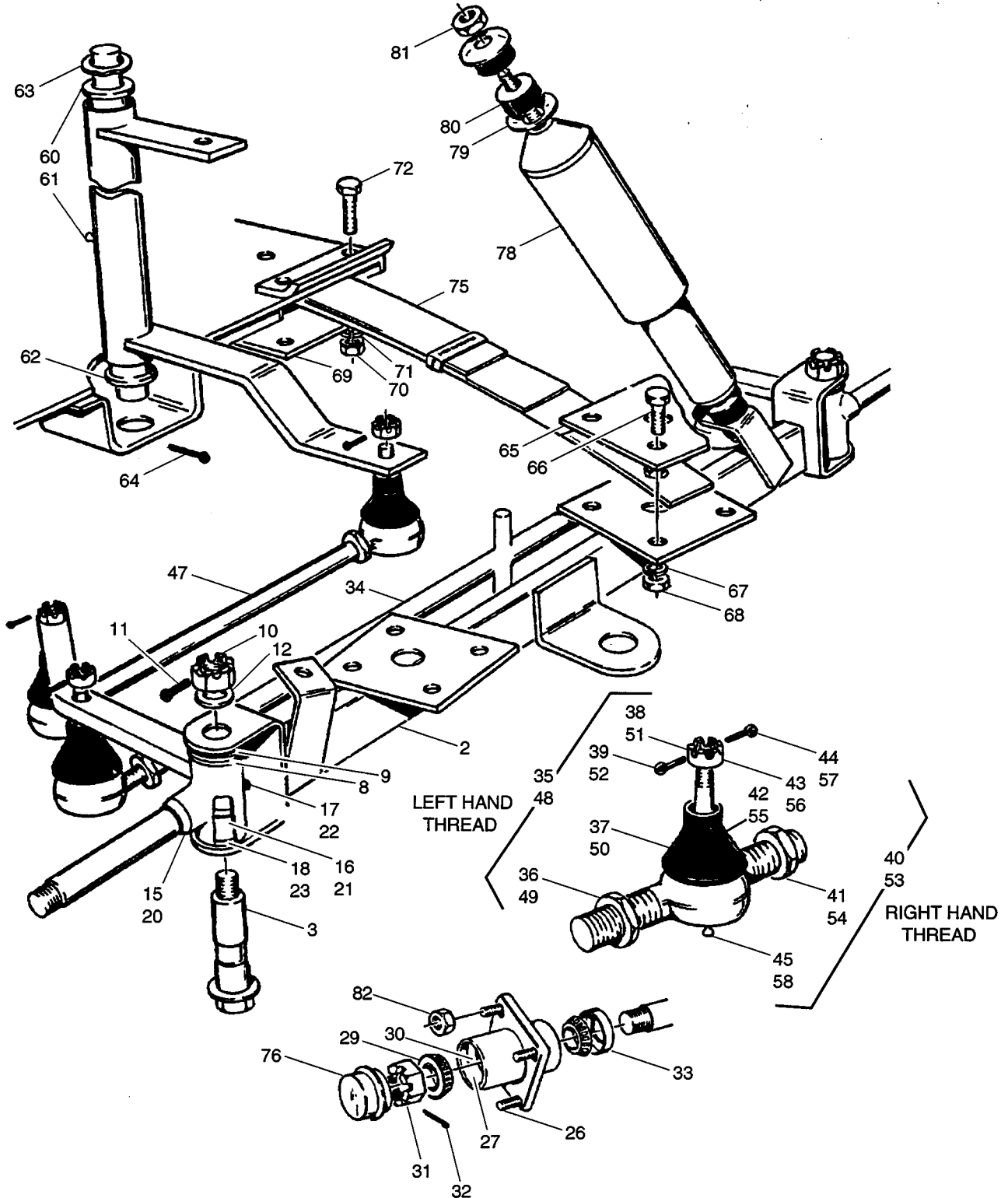
ITEM	PART NO.	1 2 3 4 5	DESCRIPTION	QTY.
1	00414-G8		SCREW, 1/4 - 20 X 1 LG.....	2
2	00559-G7		WASHER, 1/4.....	2
3				
4	14390-G4		NUT, LOCK, 1/4 - 20	2
5	16816-G2		FASTENER	2
6				
7	27166-G03		SHIELD	1
8	27252-G01		SUPPORT, FRONT SHIELD	2

FRONT SUSPENSION

Electric/Gasoline Vehicle

- 1 - INCLUDES ITEMS 2 - 45
- 14 - INCLUDES ITEMS 15 - 18
- 19 - INCLUDES ITEMS 20 - 23
- 25 - INCLUDES ITEMS 26, 27
- 28 - INCLUDES ITEMS 29, 30
- 34 - INCLUDES ITEMS 35 - 45

- 35 - INCLUDES ITEMS 36 - 39
- 40 - INCLUDES ITEMS 41 - 44
- 47 - INCLUDES ITEMS 48 - 58
- 48 - INCLUDES ITEMS 49 - 52
- 53 - INCLUDES ITEMS 54 - 57
- 59 - INCLUDES ITEMS 60, 61



THE USE OF NON UL PARTS WILL VOID ANY UL LISTING.

When ordering parts, please specify the model and serial number of the product.

* Indicates a component that is not available as an individual part.

G** Indicates consult Customer Service Department for additional information.

ITEM	PART NO.	1	2	3	4	5	DESCRIPTION	QTY.
1	25840-G02						FRONT AXLE ASSEMBLY (INCLUDES ITEMS 2 - 45)	1
2	23918-G2						AXLE.....	1
3	25177-G2						PIN, KING.....	1
4								
5								
6								
7								
8	16982-G1						BEARING.....	2
9	00879-G7						WASHER, 7/8	2
10	00886-G1						NUT, SLOTTED, 5/8 - 18.....	2
11	19060-G1						PIN, COTTER, STAINLESS STEEL, 1/4 X 1 1/2 LG.....	2
12	00879-G5						WASHER, 5/8	2
13								
14	25837-G01						SPINDLE ASSEMBLY, DRIVER'S SIDE (INCLUDES ITEMS 15 - 18).....	1
15	*						SPINDLE.....	1
16	16623-G1						BEARING	2
17	10389-G3						FITTING, GREASE	1
18	16626-G1						SEAL	1
19	25836-G01						SPINDLE ASSEMBLY, PASSENGER SIDE (INCLUDES ITEMS 20 - 23).....	1
20	*						SPINDLE.....	1
21	16623-G1						BEARING	2
22	10389-G3						FITTING, GREASE	1
23	16626-G1						SEAL	1
24								
25	19932-G1						HUB ASSEMBLY (INCLUDES ITEMS 26, 27).....	2
26	19862-G1						BOLT, HUB, 1/2 - 20	4
27	*						RACE, BEARING.....	2
28	50892-G1						BEARING AND RACE ASSEMBLY (INCLUDES ITEMS 29, 30).....	2
29	11750-G2						BEARING, ROLLER.....	2

CARBURETOR

Gasoline Vehicle

THE USE OF NON UL PARTS WILL VOID ANY UL LISTING.

When ordering parts, please specify the model and serial number of the product.

* Indicates a component that is not available as an individual part.

G** Indicates consult Customer Service Department for additional information.

ITEM	PART NO.	1	2	3	4	5	DESCRIPTION	QTY.
30	11752-G1						BEARING, RACE	2
31	12093-G1						NUT, SLOTTED	2
32	00798-G8						PIN, COTTER, 1/4 X 1 1/2 LG.	2
33	25146-G1						SEAL.....	1
34	27365-G01						TIE ROD ASSEMBLY (INCLUDES ITEMS 35 - 45).....	1
35	20795-G1						TIE ROD END ASSEMBLY, LEFT HAND THREAD (INCLUDES ITEMS 36 - 39).....	1
36	18434-G1						NUT, 9/16 - 18, LEFT HAND THREAD	1
37	50641-G1						BOOT, RUBBER	1
38	50209-G1						NUT, SLOTTED, 7/16 - 20	1
39	10387-G2						PIN, COTTER, 3/16 X 1 LG.	1
40	20795-G2						TIE ROD END ASSEMBLY, RIGHT HAND THREAD (INCLUDES ITEMS 36 - 39).....	1
41	18434-G1						NUT, 9/16 - 18, RIGHT HAND THREAD.....	1
42	50641-G1						BOOT, RUBBER	1
43	50209-G1						NUT, SLOTTED, 7/16 - 20	1
44	10387-G2						PIN, COTTER, 3/16 X 1 LG.	1
45	10389-G3						FITTING, GREASE	2
46								
47	18377-G1						TIE ROD ASSEMBLY (INCLUDES ITEMS 48 - 58)	1
48	27205-G01						TIE ROD END ASSEMBLY, LEFT HAND THREAD (INCLUDES ITEMS 49 - 52)	1
49	18434-G1						NUT, 9/16 - 18, LEFT HAND THREAD.....	1
50	50641-G1						BOOT, RUBBER.....	1
51	50209-G1						NUT, SLOTTED, 7/16 - 20.....	1
52	10387-G2						PIN, COTTER, 3/16 X 1 LG.	1
53	27205-G02						TIE ROD END ASSEMBLY, RIGHT HAND THREAD (INCLUDES ITEMS 54 - 57)	1
54	18434-G1						NUT, 9/16 - 18, LEFT HAND THREAD.....	1
55	50641-G1						BOOT, RUBBER.....	1
56	50209-G1						NUT, SLOTTED, 7/16 - 20.....	1

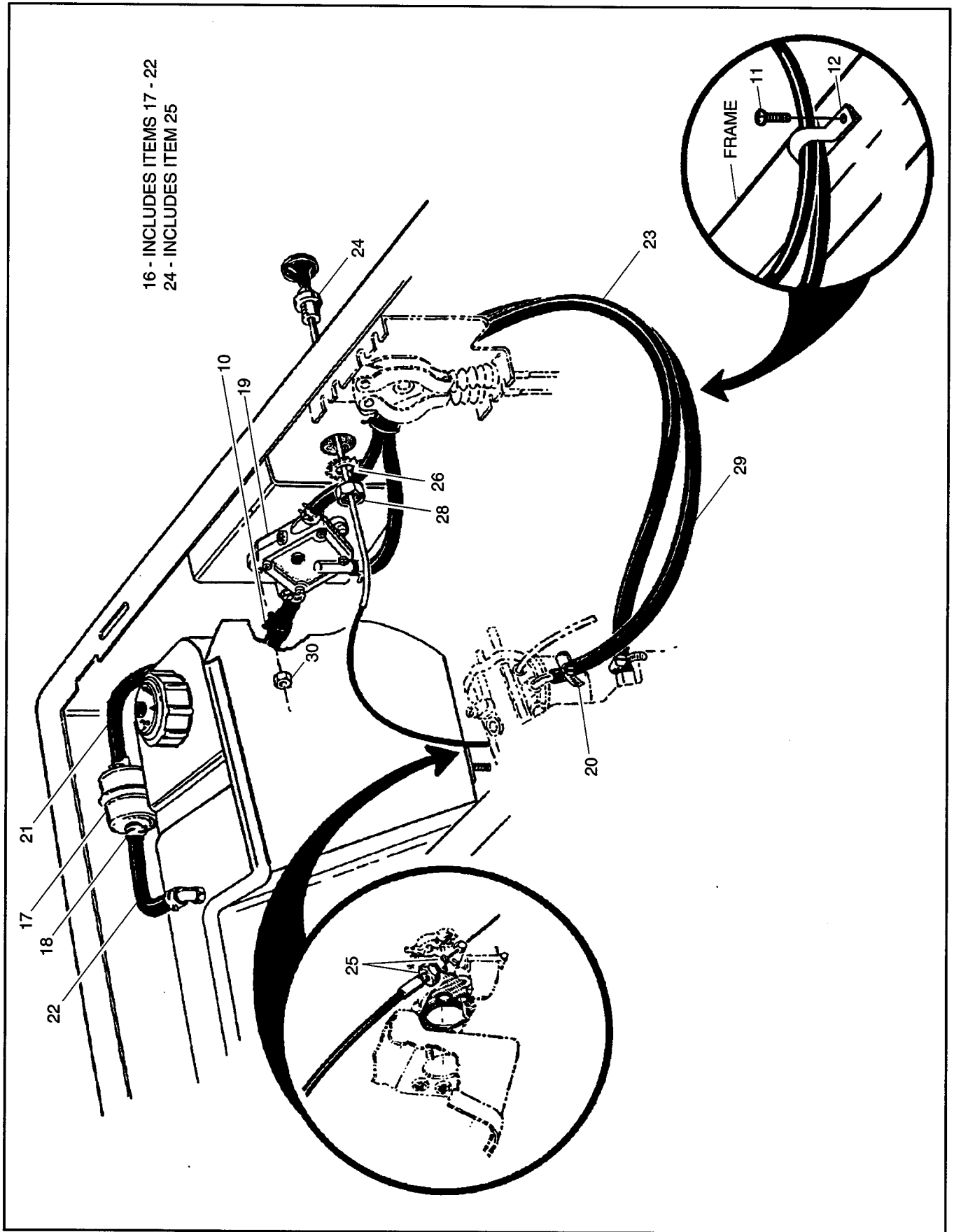
THE USE OF NON UL PARTS WILL VOID ANY UL LISTING.

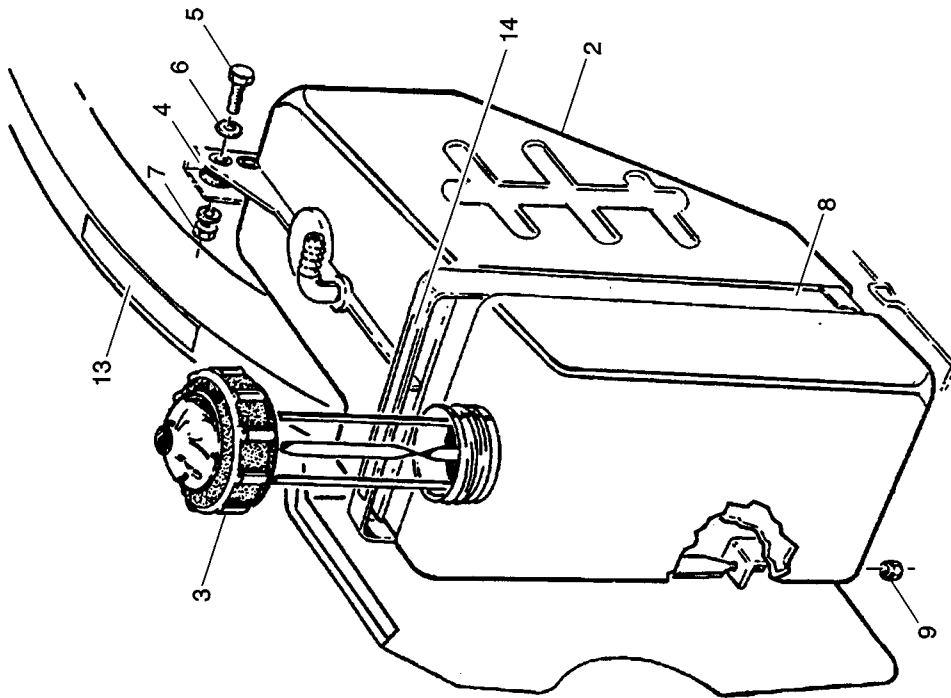
When ordering parts, please specify the model and serial number of the product.

* Indicates a component that is not available as an individual part.

G** Indicates consult Customer Service Department for additional information.

ITEM	PART NO.	1	2	3	4	5	DESCRIPTION	QTY.
57	10387-G2						PIN, COTTER, 3/16 X 1 LG.	1
58	10389-G3						FITTING, GREASE.....	2
59	23929-G2						IDLER ASSEMBLY (INCLUDES ITEMS 60, 61)	1
60	15012-G1						BUSHING, FLANGED	2
61	10389-G3						FITTING, GREASE.....	1
62	16417-G2						SHAFT, IDLER	1
63	13221-G1						WASHER, SPRING WAVE.....	1
64	10387-G1						PIN, COTTER, 1/4 X 1 1/2 LG.	1
65	15023-G2						RETAINER, SPRING	2
66	00876-G4						SCREW, 3/8 - 16 X 1 1/2 LG.....	8
67	00878-G1						WASHER, LOCK, 3/8.....	8
68	00877-G5						NUT, 3/8 - 16.....	6
69	15023-G2						RETAINER, SPRING	2
70	00532-G5						NUT, 3/8 - 16.....	6
71	00566-G1						WASHER, LOCK, 3/8.....	6
72	00428-G2						SCREW, 3/8 - 16 X 2 1/4 LG.....	6
73								
74								
75	24065-G1						SPRING, LEAF	2
76	12091-G1						CAP, SPINDLE.....	2
77								
78	27538-G01						SHOCK ABSORBER.....	2
79	10435-G1						WASHER, 13/32.....	8
80	10194-G1						BUSHING, RUBBER.....	8
81	00532-G6						NUT, 3/8 - 24	4
82	14723-G1						NUT, LUG, 1/2 - 20.....	8





18827-G1

WARNING: AVOID FIRE HAZARD

- IF GASOLINE PUMP IS USED, BE SURE IT IS GROUNDED
- DO NOT REFUEL WHEN ENGINE IS HOT
- IF GASOLINE IS SPILLED, FLUSH THOROUGHLY WITH WATER BEFORE STARTING ENGINE.

26459-G01

FILL WITH GASOLINE ONLY
MIN. 87 OCTANE UNLEADED

FUEL SYSTEM

Gasoline Vehicle

When ordering parts, please specify the model and serial number of the product.
 * Indicates a component that is not available as an individual part.
 G** Indicates consult Customer Service Department for additional information.

ITEM	PART NO.	1 2 3 4 5	DESCRIPTION	QTY.
1				
2	18293-G1		FUEL TANK.....	1
3	14099-G2		GAUGE, FUEL CAP.....	1
4	14091-G1		WASHER, RUBBER.....	1
5	00439-G1		SCREW, 5/16 - 18 X 1 1/8 LG.....	1
6	00559-G8		WASHER, 5/16.....	2
7	11098-G6		NUT, LOCK, 5/16 - 18	1
8	18302-G2		STRAP, FUEL TANK.....	1
9	14390-G4		NUT, LOCK, 1/4 - 20	1
10	17618-G1		CLAMP, NYLON	2
11	00106-G6		SCREW, #12 - 24 X 3/4 LG., GXI/T-804 TUFF1 MODELS ONLY.....	1
12	25325-G1		CLAMP, CUSHIONED, GXI/T-804 TUFF1 MODELS ONLY.....	1
13	18827-G1		LABEL, WARNING: AVOID FIRE HAZARD	1
14	26459-G01		LABEL, GASOLINE ONLY	1
15				
16	25294-G6		FUEL PUMP AND FILTER ASSEMBLY (INCLUDES ITEMS 17 - 22).....	1
17	72084-G01		FILTER.....	1
18	18292-G01		CLAMP, TUBING	2
19	25683-G1		PUMP, FUEL.....	1
20	11391-G1		CLAMP, TUBING	1
21	17470-G1		FUEL TUBING, 13.25" LG. (ORDER TO NEAREST FOOT AND CUT TO LENGTH)	1
22	17470-G1		FUEL TUBING, 6.25" LG. (ORDER TO NEAREST FOOT AND CUT TO LENGTH)	1
23	17470-G1		PULSE FUEL TUBING, 31" LG. (ORDER TO NEAREST FOOT AND CUT TO LENGTH).....	1
24	25693-G01		CHOKE CONTROL ASSEMBLY (INCLUDES ITEM 25).....	1
25	00544-G4		NUT, JAM, 5/16 - 21.....	2
26	00568-G4		WASHER, LOCK, 9/16.....	1
27				
28	00545-G4		NUT, 9/16 - 18	1

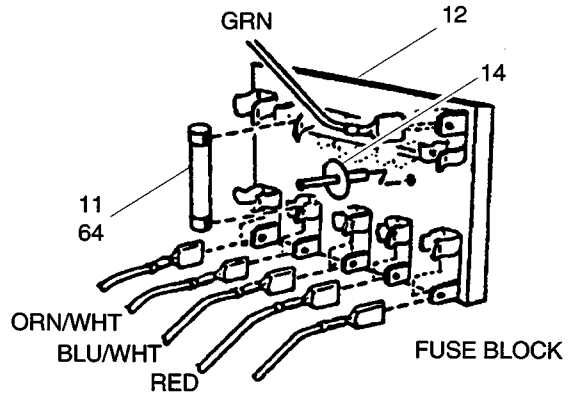
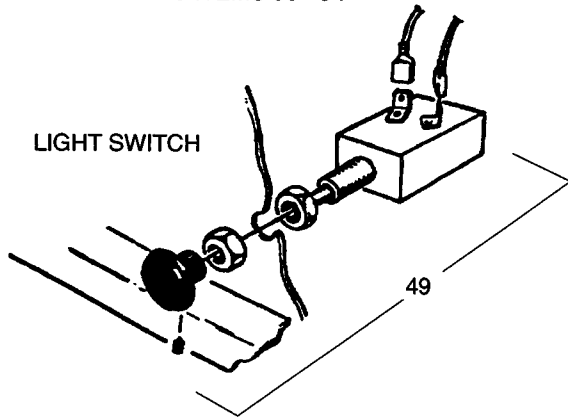
When ordering parts, please specify the model and serial number of the product.

* Indicates a component that is not available as an individual part.

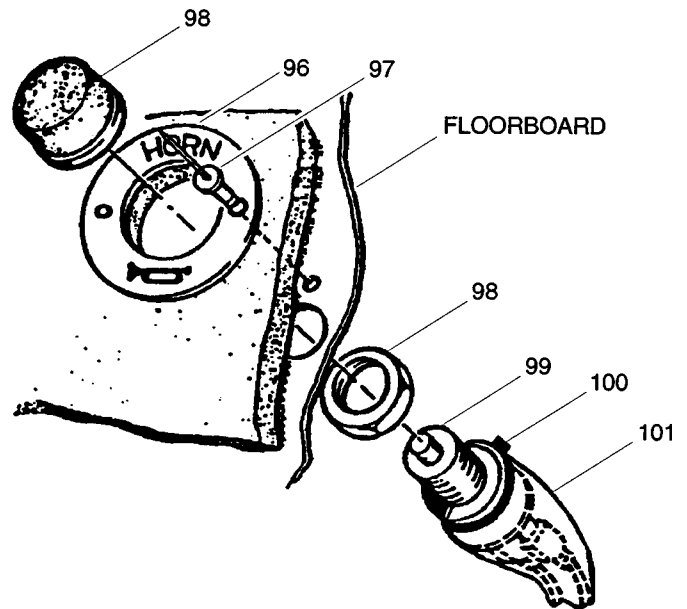
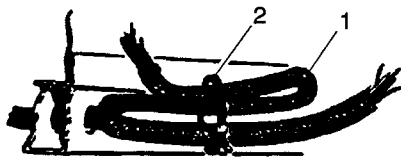
G** Indicates consult Customer Service Department for additional information.

ITEM	PART NO.	1 2 3 4 5 DESCRIPTION	QTY.
29	17470-G1	TUBE, BULK (ORDER TO THE NEAREST FOOT AND CUT TO LENGTH).....	AR
30	11027-G2	NUT, LOCK, 1/4 - 20	2

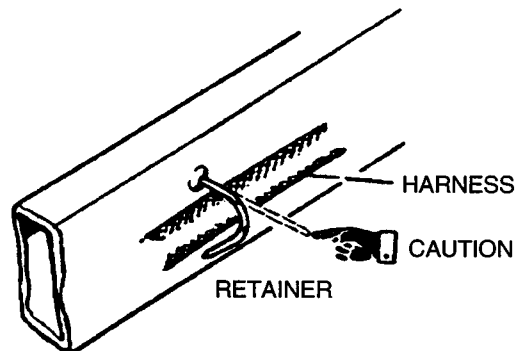
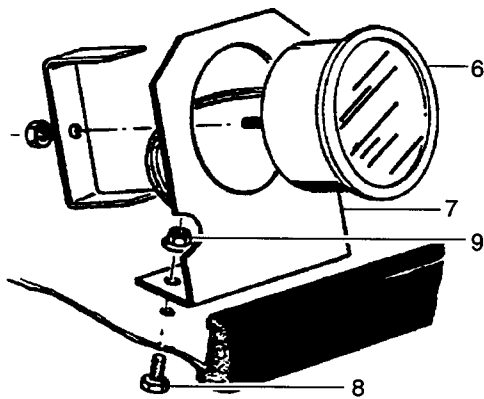
- 5 - INCLUDES ITEMS 6 - 9
- 28 - INCLUDES ITEM 29
- 68 - INCLUDES ITEMS 69 - 80
- 83 - INCLUDES ITEMS 84 - 87
- 89 - INCLUDES ITEMS 90 - 94



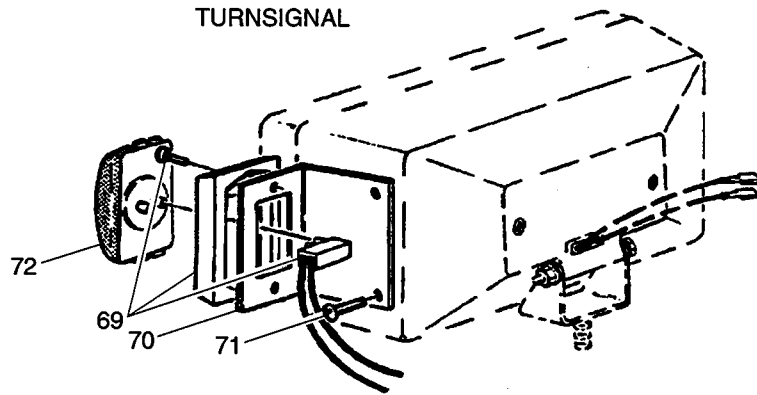
ACCESSORY WIRING HARNESS



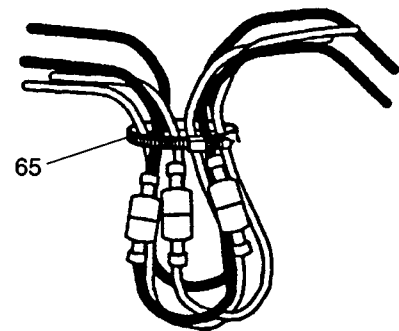
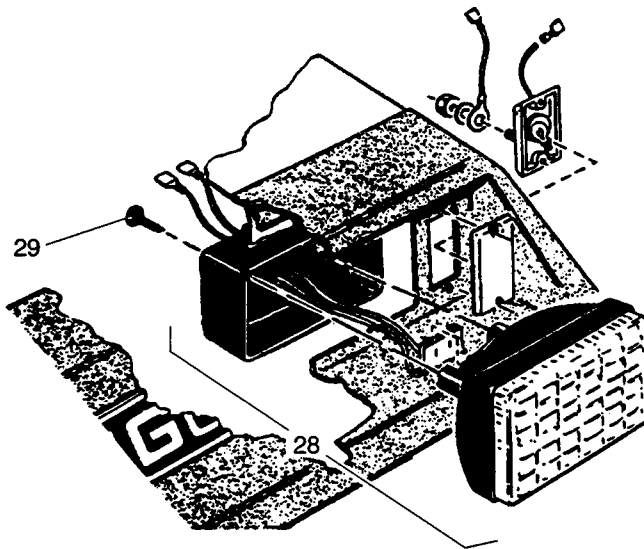
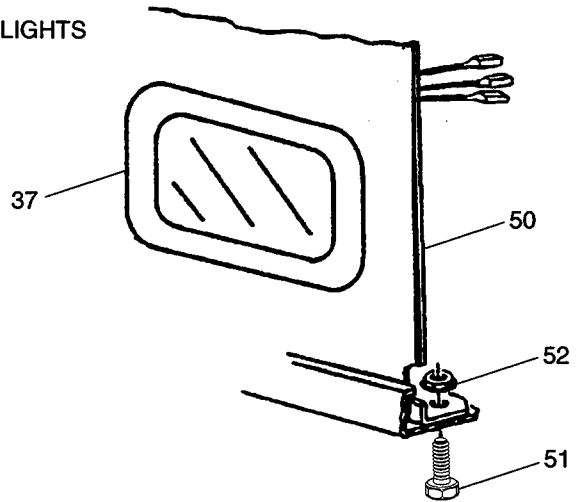
HOUR METER



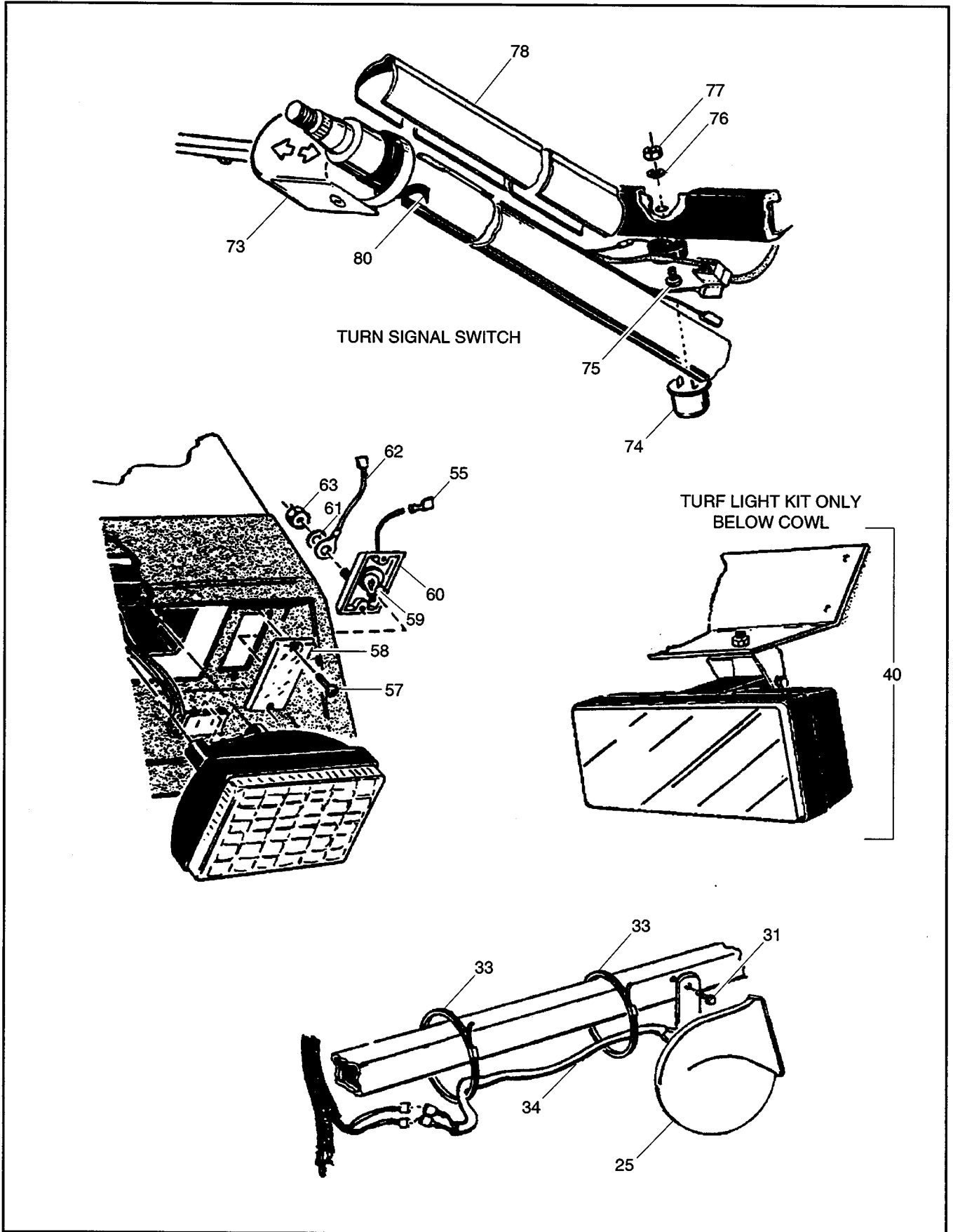
TURNSIGNAL



TAILLIGHTS

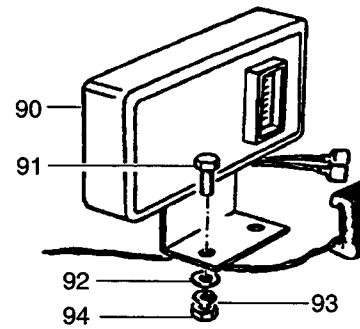
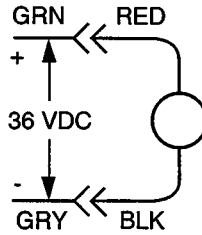
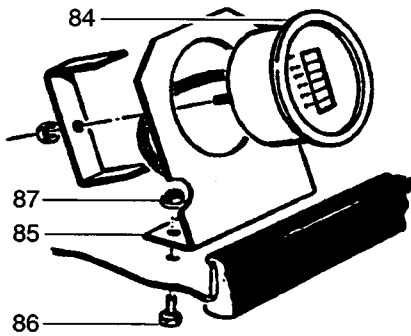


NOTE: TO INSTALL HEADLIGHT, REMOVE AND DISCARD EXISTING SCREWS AND REPLACE THEM WITH ITEM 29 AFTER INSTALLATION.

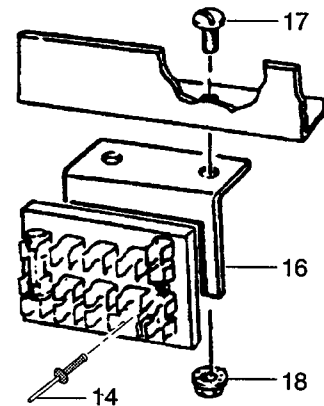


ELECTRIC TRUCKS ONLY

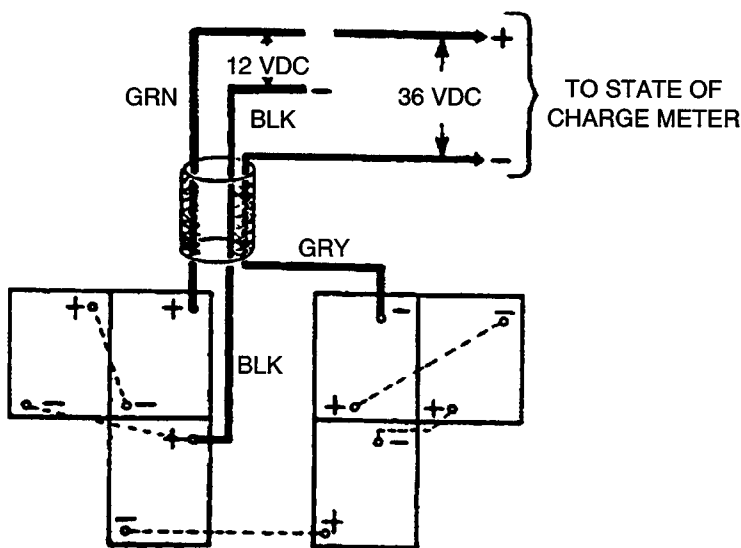
STATE OF CHARGE METERS



FUSE BLOCK MOUNTING BRACKET



ACCESSORY HARNESS CONNECTIONS



HORN AND ACCESSORY WIRING**Electric/Gasoline Vehicle**

THE USE OF NON UL PARTS WILL VOID ANY UL LISTING.

When ordering parts, please specify the model and serial number of the product.

* Indicates a component that is not available as an individual part.

G** Indicates consult Customer Service Department for additional information.

ITEM	PART NO.	1 2 3 4 5	DESCRIPTION	QTY.
1	22069-G1		HARNES, WIRING.....	1
2	16172-G1		CLAMP, NYLON	3
3				
4				
5	19318-G2		HOUR METER KIT (INCLUDES ITEMS 6 - 9).....	1
6	21573-G1		HOUR METER (INCLUDES MOUNTING HARDWARE).....	1
7	18001-G1		BRACKET, HOUR METER	1
8	00414-G4		SCREW, 1/4 - 20 X 1/2 LG.	2
9	11027-G2		NUT, LOCK, 1/4 - 20.....	2
10				
11	18392-G1		FUSE, 15 AMP (ELECTRIC VEHICLES ONLY).....	3
12	25953-G01		FUSEBLOCK.....	1
13				
14	10570-G3		RIVET, 1/8	2
15				
16	22767-G1		BRACKET, FUSE BLOCK MOUNTING (ELECTRIC VEHICLES ONLY).....	1
17	16705-G3		SCREW, 1/4 - 20 X 3/4 LG.....	2
18	11027-G2		NUT, LOCK, 1/4 - 20	2
19				
20				
21				
22				
23				
24				
25	32860-G1		HORN.....	1
26				
27				
28	20209-G3		HEADLAMP (REQUIRES ITEM 29 FOR INSTALLATION)	2
29	00906-G6		SCREW, #10 - 16 X 1 LG.....	2
30				

THE USE OF NON UL PARTS WILL VOID ANY UL LISTING.

When ordering parts, please specify the model and serial number of the product.

* Indicates a component that is not available as an individual part.

G** Indicates consult Customer Service Department for additional information.

ITEM	PART NO.	1	2	3	4	5	DESCRIPTION	QTY.
31	00106-G6						SCREW, SELF TAPPING, #12 - 24 X 3/4 LG.	1
32								
33	17618-G1						CLAMP, NYLON.....	2
34	24684-G2						HARNES, HORN WIRING.....	1
35								
36								
37	32739-G2						TAILLIGHT (INCLUDES BULB)	2
38								
39								
40	22301-G2						HEAD AND TAILLIGHT KIT	1
41								
42								
43								
44								
45								
46								
47								
48								
49	18431-G1						SWITCH, HEADLAMP (INCLUDES MOUNTING HARDWARE)	1
50	22282-G1						PLATE, TAILLIGHT MOUNT	1
51	13437-G9						SCREW, LOCK, 1/4 - 20 X 3/4 LG.....	2
52	11027-G2						NUT, LOCK, 1/4 - 20	2
53								
54	20570-G2						TURN SIGNAL ASSEMBLY (INCLUDES ITEMS 55 - 62)	2
55	18995-G1						TERMINAL, FEMALE.....	1
56	20574-G2						TURN SIGNAL, AMBER (INCLUDES ITEMS 57 - 60).....	1
57	*						SCREW	2
58	*						LENS, TURN SIGNAL	1
59	21760-G1						BULB	1
60	*						HOUSING, TURN SIGNAL.....	1

HORN AND ACCESSORY WIRING

Electric/Gasoline Vehicle

THE USE OF NON UL PARTS WILL VOID ANY UL LISTING.

When ordering parts, please specify the model and serial number of the product.

* Indicates a component that is not available as an individual part.

G** Indicates consult Customer Service Department for additional information.

ITEM	PART NO.	1	2	3	4	5	DESCRIPTION	QTY.
61	00567-G7						WASHER, LOCK, 1/4	1
62	20606-G1						WIRE, JUMPER.....	1
63	00532-G1						NUT, LOCK, 1/4 - 20	1
64	18392-G2						FUSE, 20 AMP (GASOLINE VEHICLES ONLY)	3
65	17618-G1						CLAMP, NYLON	4
66								
67								
68	22437-G1						TURN SIGNAL SWITCH KIT (INCLUDES ITEMS 69 - 80).....	1
69	18927-G1						TURN SIGNAL MOUNT KIT	2
70	21806-G1						BRACKET, TURN SIGNAL	2
71	00598-G4						SCREW, SELF TAPPING, #8 - 18 X 1/2 LG.....	4
72	19180-G2						LAMP, YELLOW SIGNAL	2
73	17867-G1						TURN SIGNAL SWITCH ASSEMBLY (INCLUDES ITEM 74).....	1
74	21640-G1						FLASHER, TURN SIGNAL.....	1
75	00372-G4						SCREW, #8 - 32 X 1/2 LG.	1
76	00565-G4						WASHER, LOCK, #8	1
77	00526-G1						NUT, #8 - 32.....	1
78	20965-G3						COVER, STEERING COLUMN (WITH TURN SIGNALS)	1
79								
80	19344-G1						TAPE, VINYL	AR
81								
82								
83	19197-G7						ROUND STATE OF CHARGE METER KIT (INCLUDES ITEMS 84 - 87).....	1
84	19714-G1						METER, STATE OF CHARGE	1
85	18001-G1						BRACKET	1
86	00414-G4						SCREW, 1/4 - 20 X 1/2 LG.	2
87	11027-G2						NUT, LOCK, 1/4 - 20.....	2
88								
89	19197-G3						SQUARE STATE OF CHARGE METER KIT (INCLUDES ITEMS 90 - 94).....	1
90	19196-G2						METER, STATE OF CHARGE	1

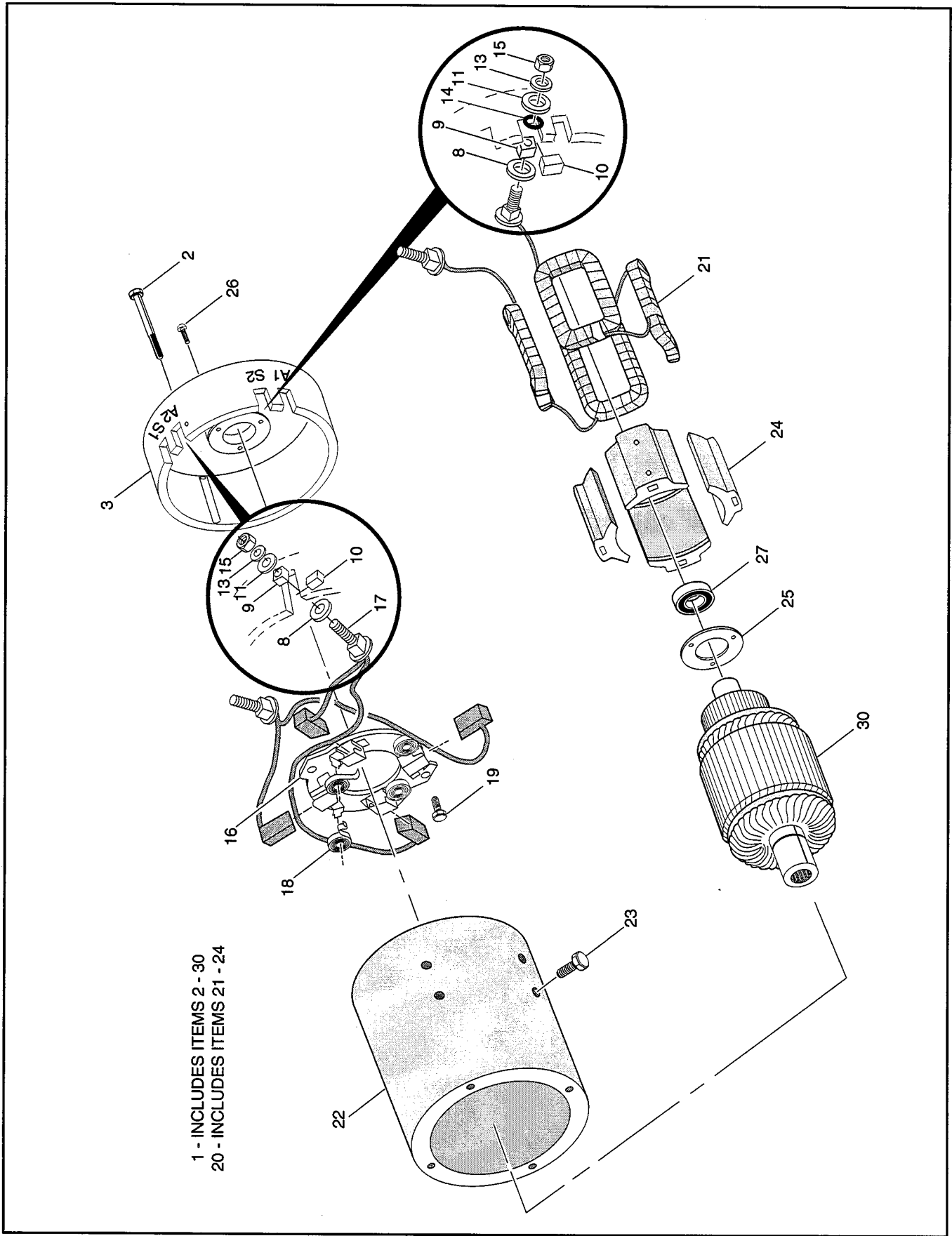
THE USE OF NON UL PARTS WILL VOID ANY UL LISTING.

When ordering parts, please specify the model and serial number of the product.

* Indicates a component that is not available as an individual part.

G** Indicates consult Customer Service Department for additional information.

ITEM	PART NO.	1	2	3	4	5	DESCRIPTION	QTY.
91	00372-G5						SCREW, #8 - 32 X 5/8 LG.	2
92	00559-G4						WASHER, #8	2
93	00565-G4						WASHER, LOCK, #8	2
94	00526-G1						NUT, #8 - 32.....	2
95								
96	19233-G1						DECAL, HORN.....	1
97	14601-G9						RIVET.....	2
98	17318-G2						CAP AND NUT, HORN SWITCH.....	1
99	17318-G1						SWITCH, HORN	1
100	17618-G1						CLAMP, NYLON.....	2
101	27068-G01						BOOT, HORN.....	1



1 - INCLUDES ITEMS 2 - 30
20 - INCLUDES ITEMS 21 - 24

THE USE OF NON UL PARTS WILL VOID ANY UL LISTING.

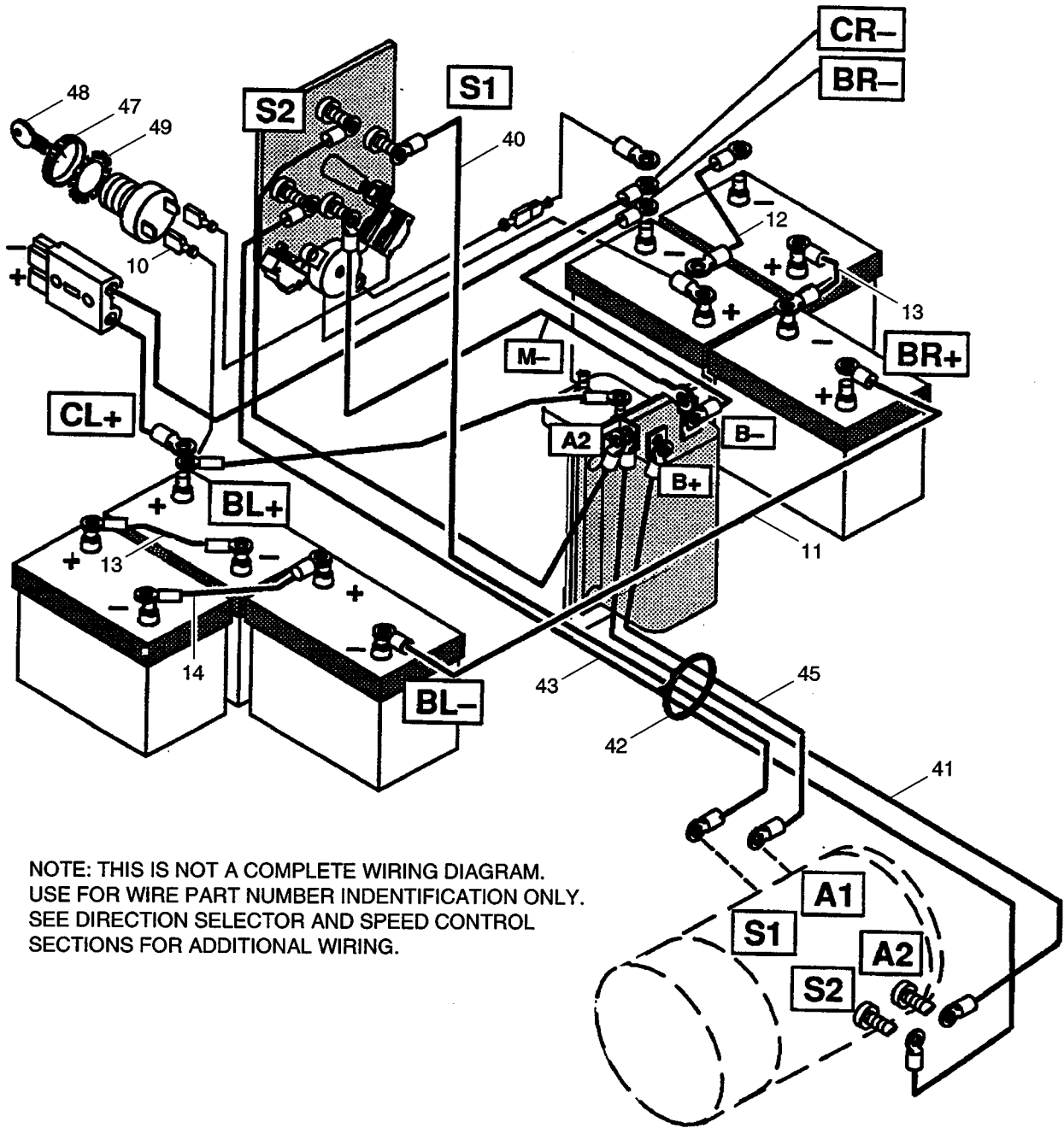
When ordering parts, please specify the model and serial number of the product.

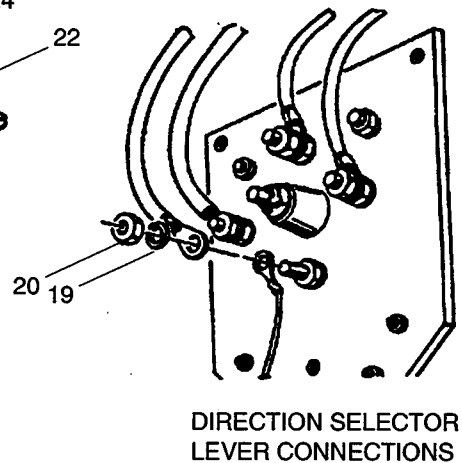
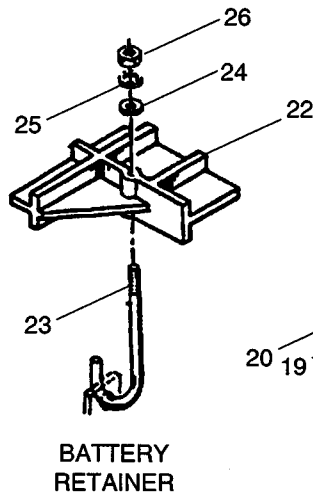
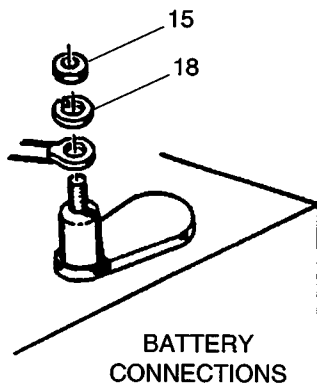
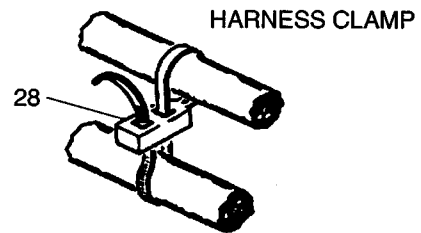
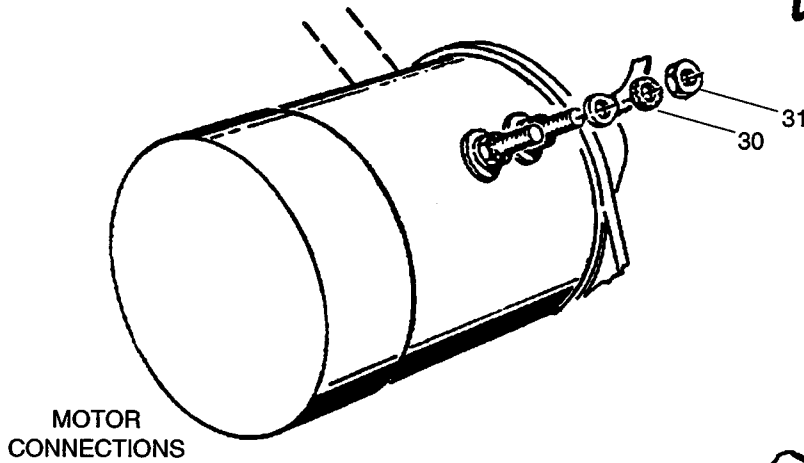
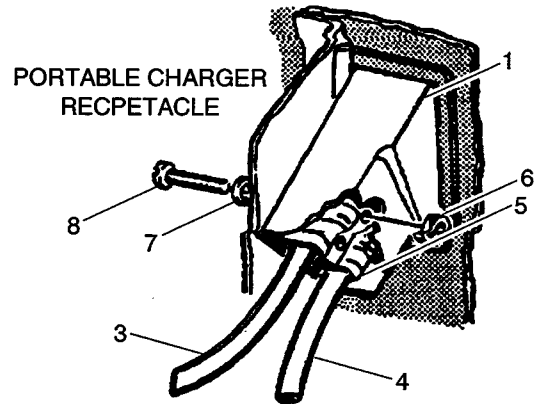
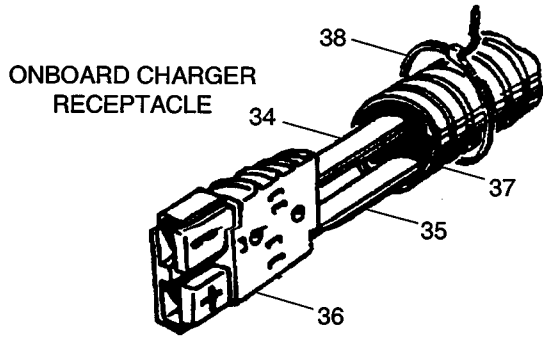
* Indicates a component that is not available as an individual part.

G** Indicates consult Customer Service Department for additional information.

ITEM	PART NO.	1	2	3	4	5	DESCRIPTION	QTY.
1	25028-G1						MOTOR, 2 HP COMPLETE (INCLUDES ITEMS 2 - 30)	1
2	*						SCREW, CLAMP	2
3	*						SHIELD, END	1
4								
5								
6								
7								
8	*						WASHER, INSULATED	4
9	*						GASKET	4
10	*						BUSHING, INSULATED	4
11	*						WASHER, INSULATED	4
12								
13	*						WASHER	4
14	*						GASKET	4
15	*						LOCK NUT.....	4
16	*						BRUSH HOLDER	1
17	*						BRUSH AND PARTS	2
18	*						SPRING	4
19	*						SCREW, BRUSH HOLDER.....	2
20	*						STATOR, COMPLETE (INCLUDES ITEMS 21 - 24)	1
21	*						FIELD COIL.....	1
22	*						STATOR SHELL.....	1
23	*						SCREW POLE	8
24	*						MAIN POLE.....	4
25	*						RETAINER, BEARING.....	2
26	*						SCREW	3
27	*						BALL BEARING.....	1
28								
29								
30	*						ARMATURE.....	1

- 2 - INCLUDES ITEMS 3 - 5
- 33 - INCLUDES ITEMS 34 - 38
- 39 - INCLUDES ITEMS 40 - 45
- 46 - INCLUDES ITEMS 47 - 49





POWER WIRING

Electric Vehicle

THE USE OF NON UL PARTS WILL VOID ANY UL LISTING.

When ordering parts, please specify the model and serial number of the product.

* Indicates a component that is not available as an individual part.

G** Indicates consult Customer Service Department for additional information.

ITEM	PART NO.	1 2 3 4 5	DESCRIPTION	QTY.
1	18724-G1		HOLDER, CHARGER RECEPTACLE.....	1
2	18784-G1		HARNESS, CHARGER CONNECTOR WIRING (INCLUDES ITEMS 3 - 5).....	1
3	14852-G1		WIRE (CR-).....	1
4	14852-G2		WIRE (CL+)	1
5	18782-G1		CONNECTOR.....	1
6	14390-G9		NUT, LOCK, #6 - 32	2
7	00559-G3		WASHER, #6.....	2
8	00645-G2		SCREW, #6 - 32 X 1 1/4 LG.....	2
9				
10	23968-G1		WIRE	1
11	11885-G1		WIRE	1
12	23540-G1		WIRE	1
13	11893-G1		WIRE	2
14	11894-G1		WIRE	1
15	00994-G01		NUT, SILICONE BRONZE, 5/16 - 18	12
16				
17				
18	00993-G01		WASHER, SILICONE BRONZE, 5/16.....	12
19	00565-G8		WASHER, LOCK, 5/16.....	4
20	00702-G2		NUT, 5/16 - 18	4
21				
22	15736-G1		BATTERY HOLD DOWN.....	2
23	15734-G2		"J" BOLT	2
24	00559-G8		WASHER, 5/16.....	2
25	00565-G8		WASHER, LOCK, 5/16.....	2
26	00702-G2		NUT, 5/16 - 18	2
27				
28	23544-G1		CLAMP, DOUBLE NYLON	4
29				

THE USE OF NON UL PARTS WILL VOID ANY UL LISTING.

When ordering parts, please specify the model and serial number of the product.

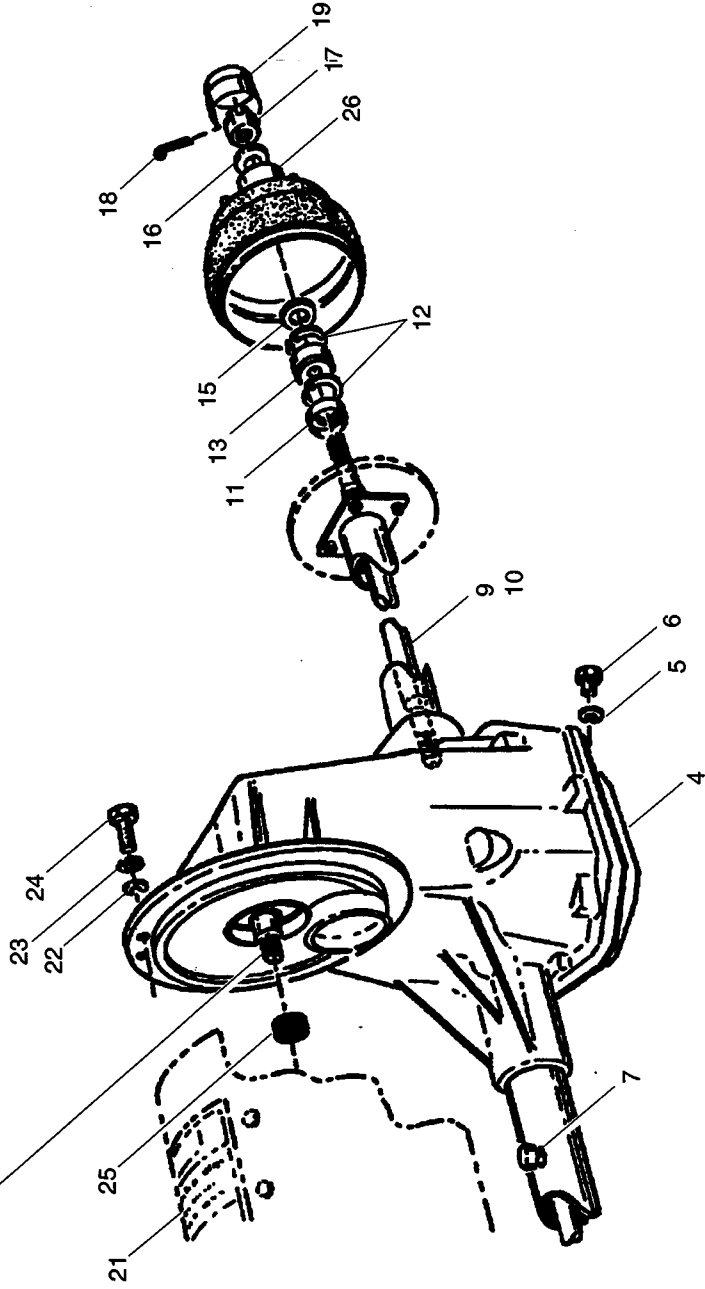
* Indicates a component that is not available as an individual part.

G** Indicates consult Customer Service Department for additional information.

ITEM	PART NO.	1	2	3	4	5	DESCRIPTION	QTY.
30	00567-G8						WASHER, LOCK, 5/16.....	2
31	00532-G3						NUT, 5/16 - 18.....	4
32								
33	22344-G1						HARNES, CHARGER CONNECTOR WIRING (INCLUDES ITEMS 34 - 38) XI-500 MODEL ONLY.....	1
34	22349-G1						WIRE (CR-).....	1
35	22349-G2						WIRE (CL+).....	1
36	18782-G1						CONNECTOR.....	1
37	22351-G1						FLEXLOOM.....	1
38	17618-G1						CLAMP, NYLON.....	2
39	23978-G1						HARNES, DIRECTION SELECTOR WIRING (INCLUDES ITEMS 40 - 45).....	1
40	23793-G9						WIRE (S1).....	1
41	23793-G7						WIRE (S2).....	1
42	17618-G1						CLAMP, NYLON.....	5
43	23793-G8						WIRE (S2).....	1
44								
45	23793-G6						WIRE (A1).....	1
46	17421-G1						IGNITION SWITCH KIT (INCLUDES ITEMS 47 - 49).....	1
47	17137-G1						FACE NUT.....	1
48	17063-G1						IGNITION KEY.....	2
49	00568-G6						WASHER, LOCK, 3/4.....	1

- 2 - INCLUDES ITEMS 4 - 13
- 3 - INCLUDES ITEMS 4 - 13

NOTE: APPLY A LIGHT COAT OF MOLY GREASE TO MALE SPLINE ONLY BEFORE ASSEMBLY. THIS MAY BE PURCHASED AT ANY AUTOMOTIVE STORE.



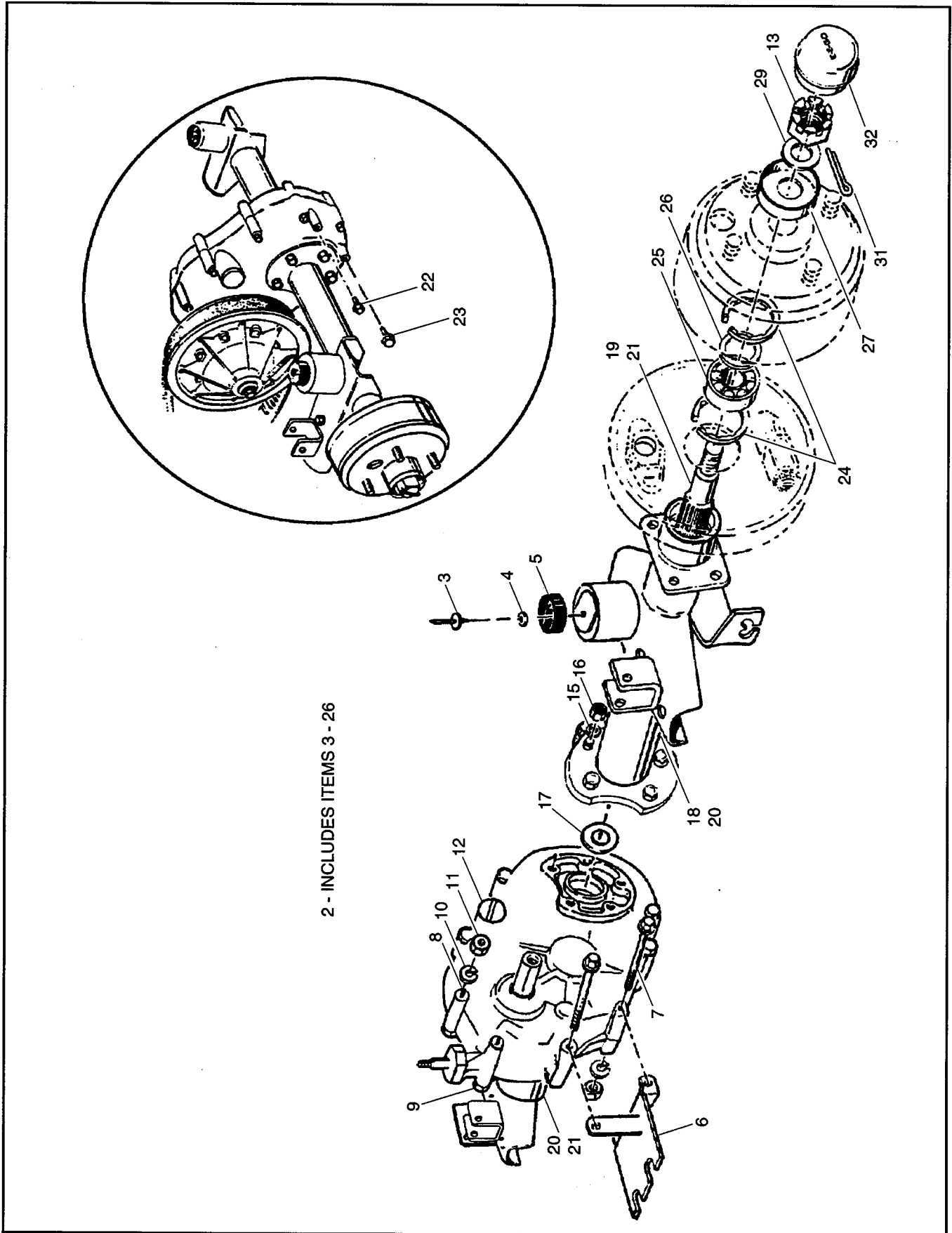
THE USE OF NON UL PARTS WILL VOID ANY UL LISTING.

When ordering parts, please specify the model and serial number of the product.

* Indicates a component that is not available as an individual part.

G** Indicates consult Customer Service Department for additional information.

ITEM	PART NO.	1	2	3	4	5	DESCRIPTION	QTY.
1	XXXXX-XX						WHEEL BRAKE SET (SEE SECTION DD FOR PART NUMBER AND QUANTITY)	X
2	27120-G01						REAR AXLE ASSEMBLY, 12.44 TO 1, XT-500 MODELS (INCLUDES ITEMS 4 - 13)	1
3	27120-G02						REAR AXLE ASSEMBLY, 14.78 TO 1, XI-500 MODELS (INCLUDES ITEMS 4 - 13)	1
4	25228-G1						COVER	1
5	25227-G1						WASHER	1
6	25226-G1						PLUG, CHECK/FILL	1
7	25229-G1						VENT, VALVE	1
8								
9	20377-G4						AXLE SHAFT, PASSENGER SIDE	1
10	20377-G3						AXLE SHAFT, DRIVER'S SIDE	1
11	15114-G1						SEAL, AXLE	2
12	15113-G1						RING, RETAINING	4
13	15112-G1						BALL BEARING, AXLE	2
14								
15	15458-G1						WASHER, 20 MM	2
16	15487-G1						WASHER, BRAKE DRUM, 5/8	2
17	15483-G1						NUT, SLOTTED, 5/8 - 18	2
18	10387-G1						PIN, COTTER, 1/8 X 1/2 LG.	2
19	12091-G1						CAP, SPINDLE	2
20								
21	XXXXX-XX						MOTOR (SEE SECTION U FOR PART NUMBER AND QUANTITY)	1
22	00559-G7						WASHER, 1/4	3
23	00565-G7						WASHER, LOCK, 1/4	3
24	00797-G2						SCREW, 1/4 - 20 X 1 1/4 LG.	3
25	24261-G1						BUMPER, SPLINE	1
26	24939-G1						ADAPTOR, SPINDLE CAP	2



When ordering parts, please specify the model and serial number of the product.
 * Indicates a component that is not available as an individual part.
 G** Indicates consult Customer Service Department for additional information.

ITEM	PART NO.	1	2	3	4	5	DESCRIPTION	QTY.
1								
2	25696-G01						SERVICE, REAR AXLE (INCLUDES ITEMS 3 - 26).....	1
3	14601-G1						RIVET	2
4	00559-G5						WASHER, #10	2
5	13728-G1						BUMPER	2
6	26815-G1						BRACKET, SHIFTER CABLE	2
7	26823-G01						BOLT, FLANGE, M8 X 1.25 X 100 MM LG.	8
8	26824-G01						BOLT, FLANGE, M8 X 1.25 X 110 MM LG.	8
9	26825-G01						BOLT, FLANGE, M8 X 1.25 X 120 MM LG.	8
10	26826-G01						WASHER, LOCK, 8 MM	12
11	26827-G01						NUT, M8 X 1.25 MM	12
12	26772-G01						PLUG, OIL FILL	1
13	00518-G8						NUT, SLOTTED, 3/4 - 16	2
14								
15	26828-G01						WASHER, 10 MM	8
16	26829-G01						NUT, 10 MM X 1.5 MM	8
17	26766-G01						SEAL, OIL.....	2
18	27601-G01						AXLE CASE, DRIVER'S SIDE.....	1
19	26809-G01						AXLE SHAFT, DRIVER'S SIDE	1
20	27600-G01						AXLE CASE, PASSENGER SIDE	1
21	26810-G01						AXLE SHAFT, PASSENGER SIDE.....	1
22	26768-G01						PLUG, OIL CHECK.....	1
23	26770-G01						PLUG, OIL DRAIN	1
24	26814-G01						RING, RETAINING	4
25	26811-G01						BALL BEARING.....	2
26	15485-G1						WASHER, 20 MM	2
27	24939-G2						ADAPTER, SPINDLE CAP	2
28								
29	21830-G1						WASHER, BRAKE DRUM.....	2
30								

REAR AXLE**Gasoline Vehicle**

THE USE OF NON U.L. PARTS WILL VOID ANY U.L. LISTING.

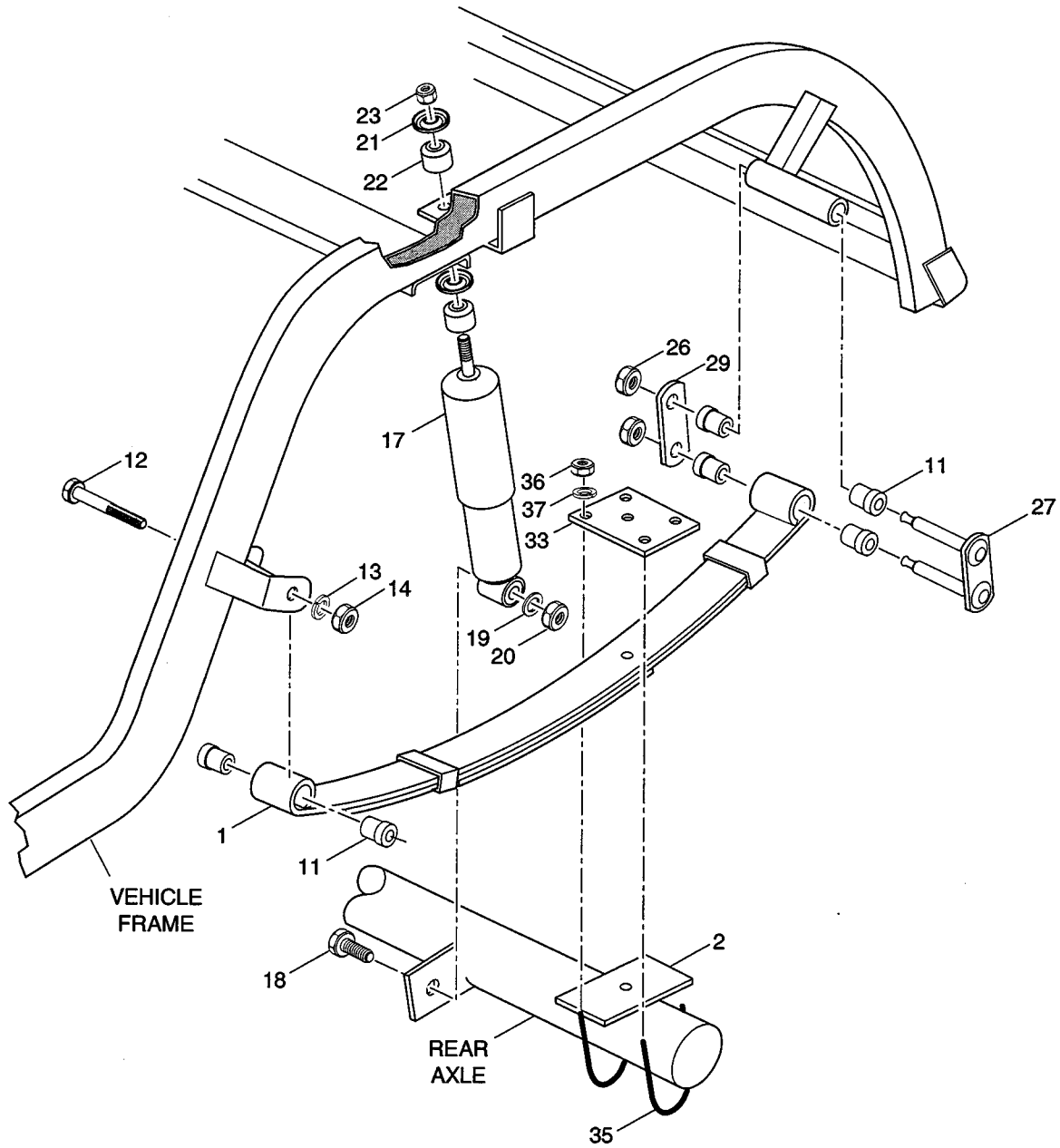
When ordering parts, please specify the model and serial number of the product.

* Indicates a component that is not available as an individual part.

G** Indicates consult Customer Service Department for additional information.

ITEM	PART NO.	1 2 3 4 5	DESCRIPTION	QTY.
31	10387-G1		PIN, COTTER.....	2
32	12091-G1		CAP, SPINDLE	2

25 - INCLUDES ITEMS 26, 27



THE USE OF NON UL PARTS WILL VOID ANY UL LISTING.

When ordering parts, please specify the model and serial number of the product.

* Indicates a component that is not available as an individual part.

G** Indicates consult Customer Service Department for additional information.

ITEM	PART NO.	1 2 3 4 5	DESCRIPTION	QTY.
1	11645-G2		LEAF SPRING	2
2	27859-G01		SPACER, LEAF SPRING	2
3				
4				
5				
6				
7				
8				
9				
10				
11	20098-G1		BUSHING, RUBBER.....	12
12	15727-G1		BOLT, SHOULDER, 3/8 - 16	2
13	00566-G1		WASHER, LOCK, 3/8.....	2
14	00532-G5		NUT, 3/8 - 16	2
15				
16				
17	20279-G1		SHOCK ABSORBER.....	2
18	00428-G2		SCREW, 3/8 - 16 X 2 1/4 LG.....	2
19	00560-G1		WASHER, 3/8.....	2
20	00550-G5		NUT, LOCK, 3/8 - 16	2
21	10435-G1		WASHER, SHOCK ABSORBER	4
22	10194-G1		BUSHING, SHOCK ABSORBER	4
23	00532-G6		NUT, 3/8 - 24	2
24				
25	27458-G01		SHACKLE PLATE ASSEMBLY (INCLUDES ITEMS 26, 27).....	2
26	27459-G01		BOLT, SHACKLE	2
27	27460-G02		SHACKLE PLATE (WITH STUDS)	1
28				
29	27460-G01		PLATE, SHACKLE	2
30				

REAR SUSPENSION

Electric Vehicle

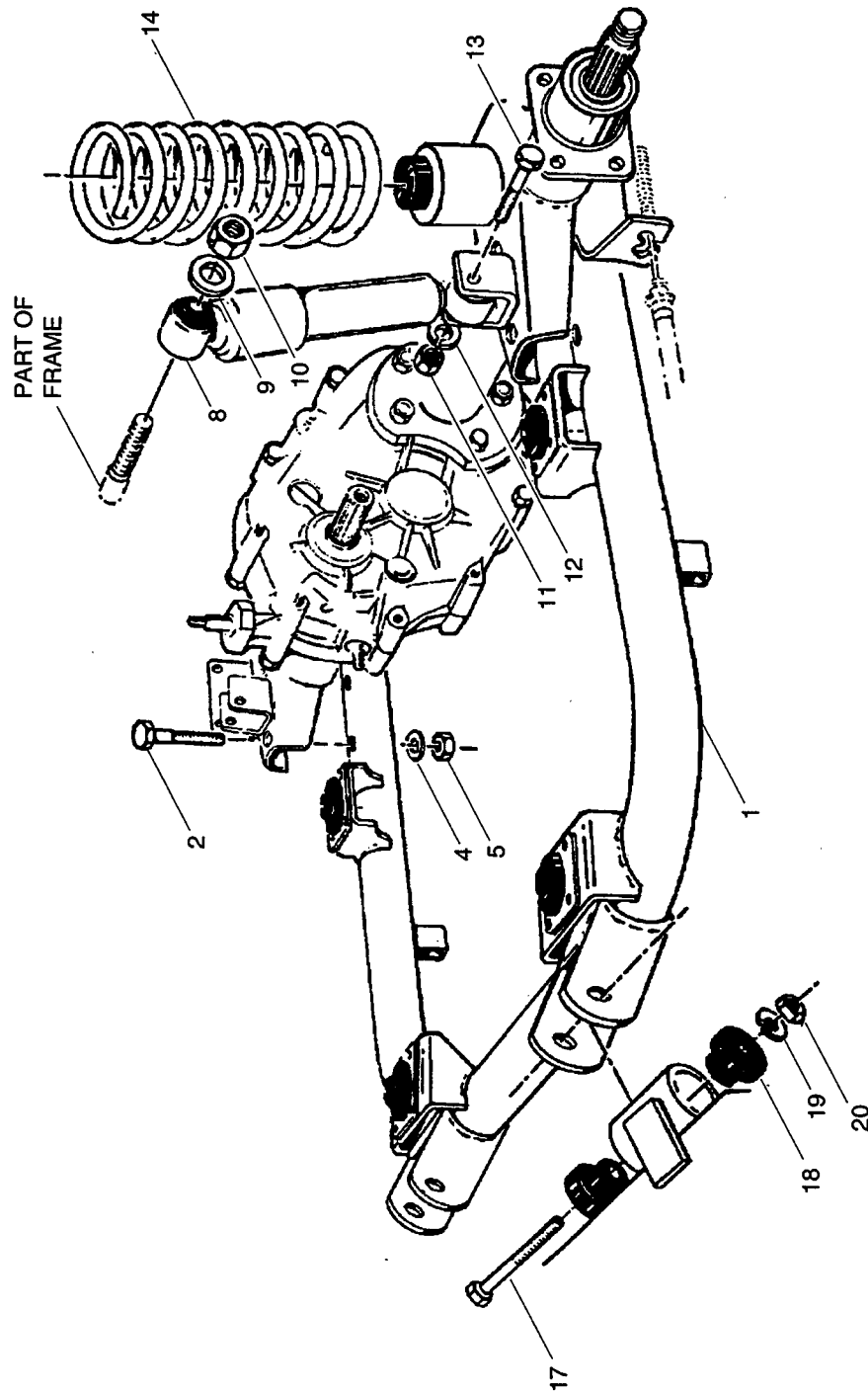
THE USE OF NON UL PARTS WILL VOID ANY UL LISTING.

When ordering parts, please specify the model and serial number of the product.

* Indicates a component that is not available as an individual part.

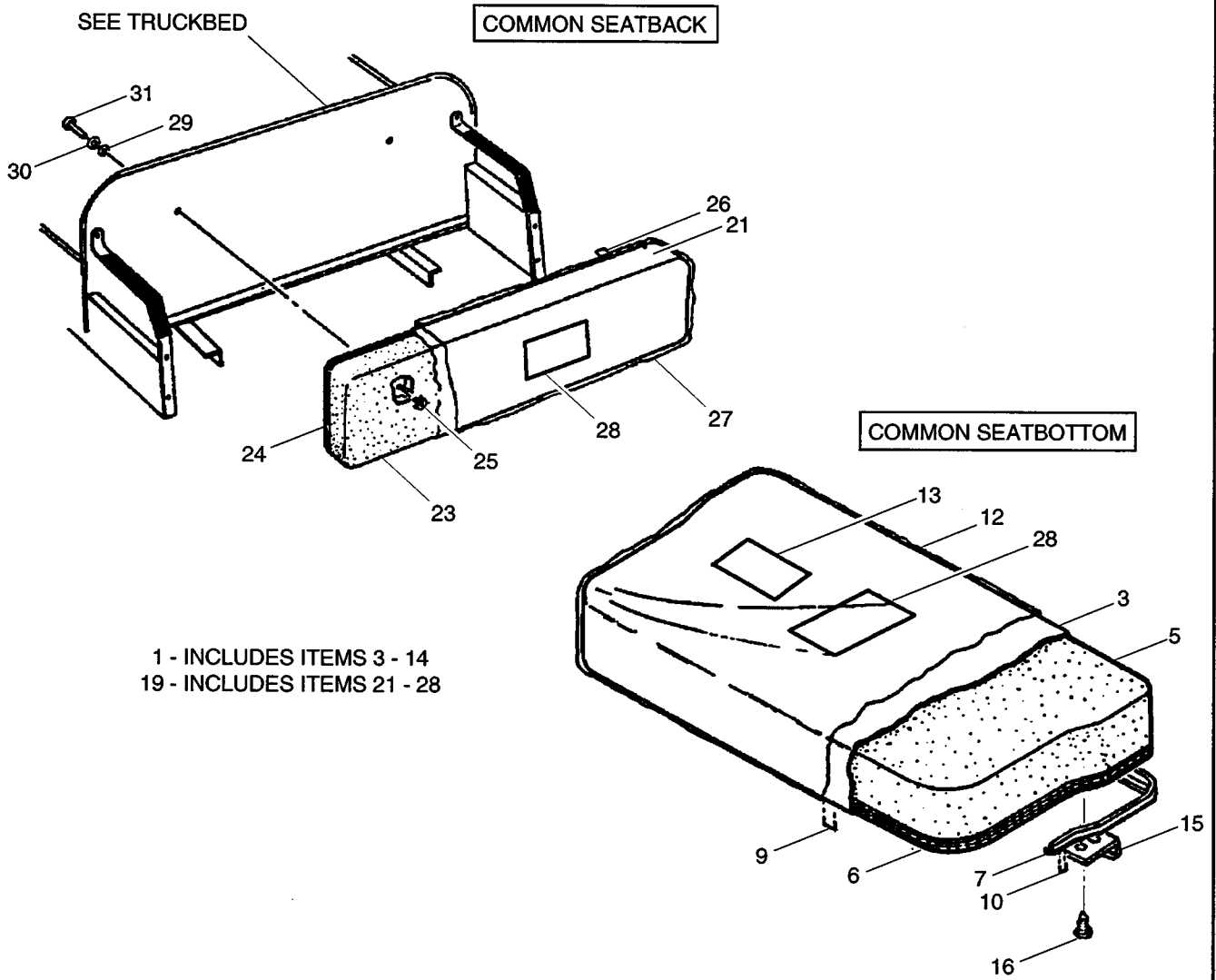
G** Indicates consult Customer Service Department for additional information.

ITEM	PART NO.	1	2	3	4	5	DESCRIPTION	QTY.
31								
32								
33	17034-G1						PLATE, SPRING RETAINER.....	2
34								
35	13716-G2						"U" BOLT, AXLE.....	4
36	00532-G5						NUT, 3/8 - 16	8
37	00566-G1						WASHER, LOCK, 3/8	8



When ordering parts, please specify the model and serial number of the product.
 * Indicates a component that is not available as an individual part.
 G** Indicates consult Customer Service Department for additional information.

ITEM	PART NO.	1 2 3 4 5	DESCRIPTION	QTY.
1	25673-G01		FRAME, INNER (WITH FACTORY INSTALLED ENGINE MOUNTS)	1
2	00428-G6		SCREW, 3/8 - 16 X 2 3/4 LG.....	4
3				
4	00560-G1		WASHER, 3/8.....	4
5	00550-G5		NUT, LOCK, 3/8 - 16	4
6				
7				
8	24957-G1		SHOCK ABSORBER.....	2
9	00560-G3		WASHER, 1/2.....	2
10	00551-G1		NUT, LOCK, 1/2 - 13	2
11	00550-G5		NUT, LOCK, 3/8 - 16	2
12	00560-G1		WASHER, LOCK, 3/8 - 16.....	2
13	00428-G2		SCREW, 3/8 - 16 X 2 1/4 LG.....	2
14	14462-G1		SPRING, COMPRESSION	2
15				
16				
17	00406-G4		SCREW, 1/2 - 13 X 4 1/2 LG.....	2
18	12302-G2		MOUNT, ISOLATION	4
19	00566-G3		WASHER, LOCK, 1/2.....	2
20	00551-G1		NUT, LOCK, 1/2 - 13	2



THE USE OF NON UL PARTS WILL VOID ANY UL LISTING.

When ordering parts, please specify the model and serial number of the product.

* Indicates a component that is not available as an individual part.

G** Indicates consult Customer Service Department for additional information.

ITEM	PART NO.	1	2	3	4	5	DESCRIPTION	QTY.
1	25504-G**						SEAT BOTTOM ASSEMBLY (INCLUDES ITEMS 3 - 14)	1
2								
3	18146-G**						COVER, SEAT BOTTOM.....	1
4								
5	25432-G2						CUSHION, FOAM SEAT BOTTOM	1
6	*						SEAT BOTTOM, PLYWOOD	1
7	17113-G3						TRIM, VINYL.....	1
8								
9	*						STAPLE	110
10	*						STAPLE	24
11								
12	*						PLASTIC, HEAT SHRINK.....	1
13	*						LABEL, WARNING - PROTECTIVE BAG	1
14								
15	18250-G2						BRACKET, HINGE	2
16	00115-G2						SCREW, SELF TAPPING, 1/4 - 14 X 1 1/4 LG.	4
17								
18								
19	25807-G**						SEAT BACK ASSEMBLY (INCLUDES ITEMS 21 - 28).....	1
20								
21	18144-G**						COVER, SEAT BACK.....	1
22								
23	25433-G2						CUSHION, FOAM SEAT BACK.....	1
24	*						SEAT BACK, PLYWOOD.....	1
25	11782-G2						NUT, TEE, 1/4 - 20.....	2
26	*						STAPLE	95
27	*						PLASTIC, HEAT SHRINK.....	1
28	*						LABEL, WARNING - PROTECTIVE BAG	1
29	00915-G1						WASHER, #14.....	2
30	00664-G7						WASHER, LOCK, STAINLESS STEEL, 1/4.....	2

THE USE OF NON UL PARTS WILL VOID ANY UL LISTING.

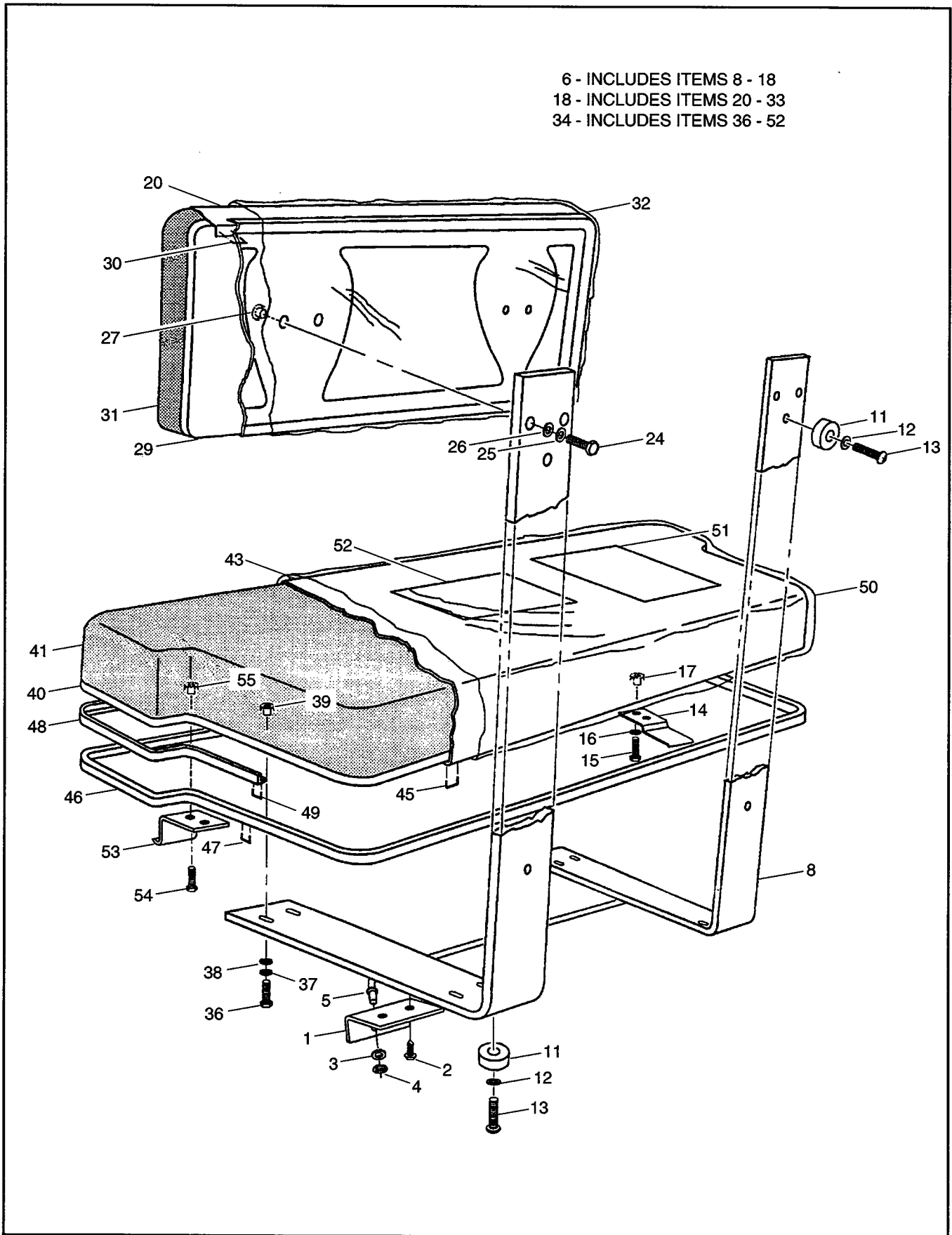
When ordering parts, please specify the model and serial number of the product.

* Indicates a component that is not available as an individual part.

G** Indicates consult Customer Service Department for additional information.

ITEM	PART NO.	1 2 3 4 5 DESCRIPTION	QTY.
31	16705-G1	SCREW, STAINLESS STEEL, 1/4 - 20 X 1 LG.....	2

- 6 - INCLUDES ITEMS 8 - 18
- 18 - INCLUDES ITEMS 20 - 33
- 34 - INCLUDES ITEMS 36 - 52



Gasoline Vehicle

SEATING (GXI/T-804 TUFF 1)

THE USE OF NON UL PARTS WILL VOID ANY UL LISTING.

When ordering parts, please specify the model and serial number of the product.

* Indicates a component that is not available as an individual part.

G** Indicates consult Customer Service Department for additional information.

ITEM	PART NO.	1 2 3 4 5	DESCRIPTION	QTY.
1	22501-G2		MOUNT	1
2	00965-G01		BOLT, 1/4 - 20 X 3/4 LG.	2
3	00559-G8		WASHER, 5/16.....	1
4	12064-G1		PUSHNUT.....	1
5	33274-G01		ROD, SUPPORT.....	1
6	27390-G**		SEAT BOTTOM AND BACK ASSEMBLY (INCLUDES ITEMS 8 - 18).....	1
7				
8	27385-G01		BRACKET, SEAT	2
9				
10				
11	13728-G1		BUMPER, RUBBER	4
12	00559-G5		WASHER, #10.....	4
13	00106-G6		SCREW, #12 - 24 X 3/4 LG.	4
14	27308-G01		RETAINER, SEAT PROP.....	1
15	00661-G6		BOLT, 1/4 - 20 X 3/4 LG.....	2
16	00664-G7		WASHER, LOCK, 1/4 - 20	2
17	11782-G2		NUT, TEE, 1/4 - 20.....	2
18	27546-G**		SEAT BACK ASSEMBLY (INCLUDES ITEMS 20 - 33)	1
19				
20	27545-G**		COVER, BACKREST	1
21				
22	18868-G**		COVER, SEAT BACK.....	1
23				
24	16705-G1		BOLT, 1/4 - 20 X 1 LG.	4
25	00793-G2		WASHER, 1/4.....	4
26	00664-G7		WASHER, LOCK, 1/4 - 20.....	4
27	11782-G2		NUT, TEE, 1/4 - 20	4
28				
29	*		PLYWOOD, SEAT BACK	1
30	*		STAPLE.....	95

SEATING (GXI/T-804 TUFF 1)

Gasoline Vehicle

THE USE OF NON UL PARTS WILL VOID ANY UL LISTING.

When ordering parts, please specify the model and serial number of the product.

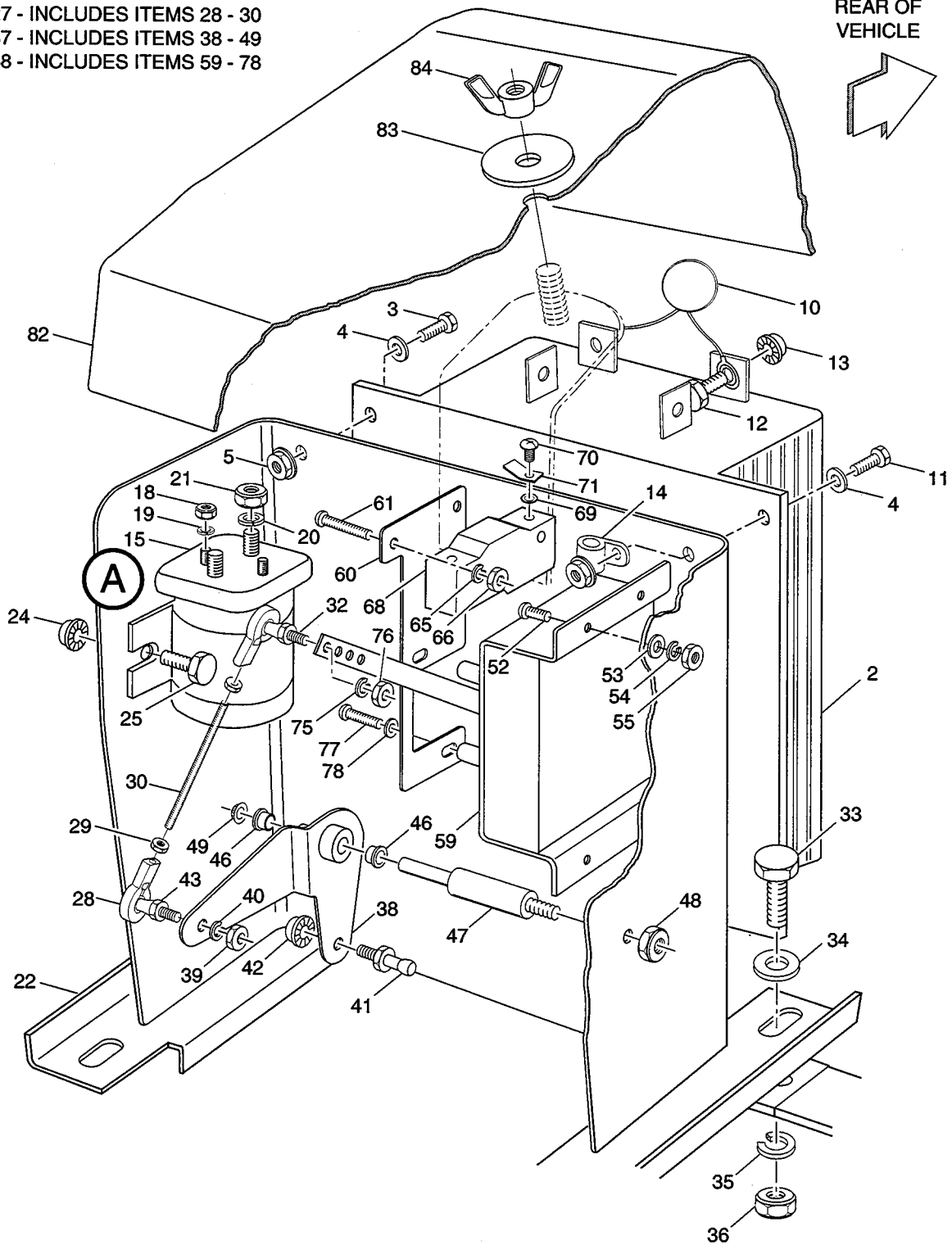
* Indicates a component that is not available as an individual part.

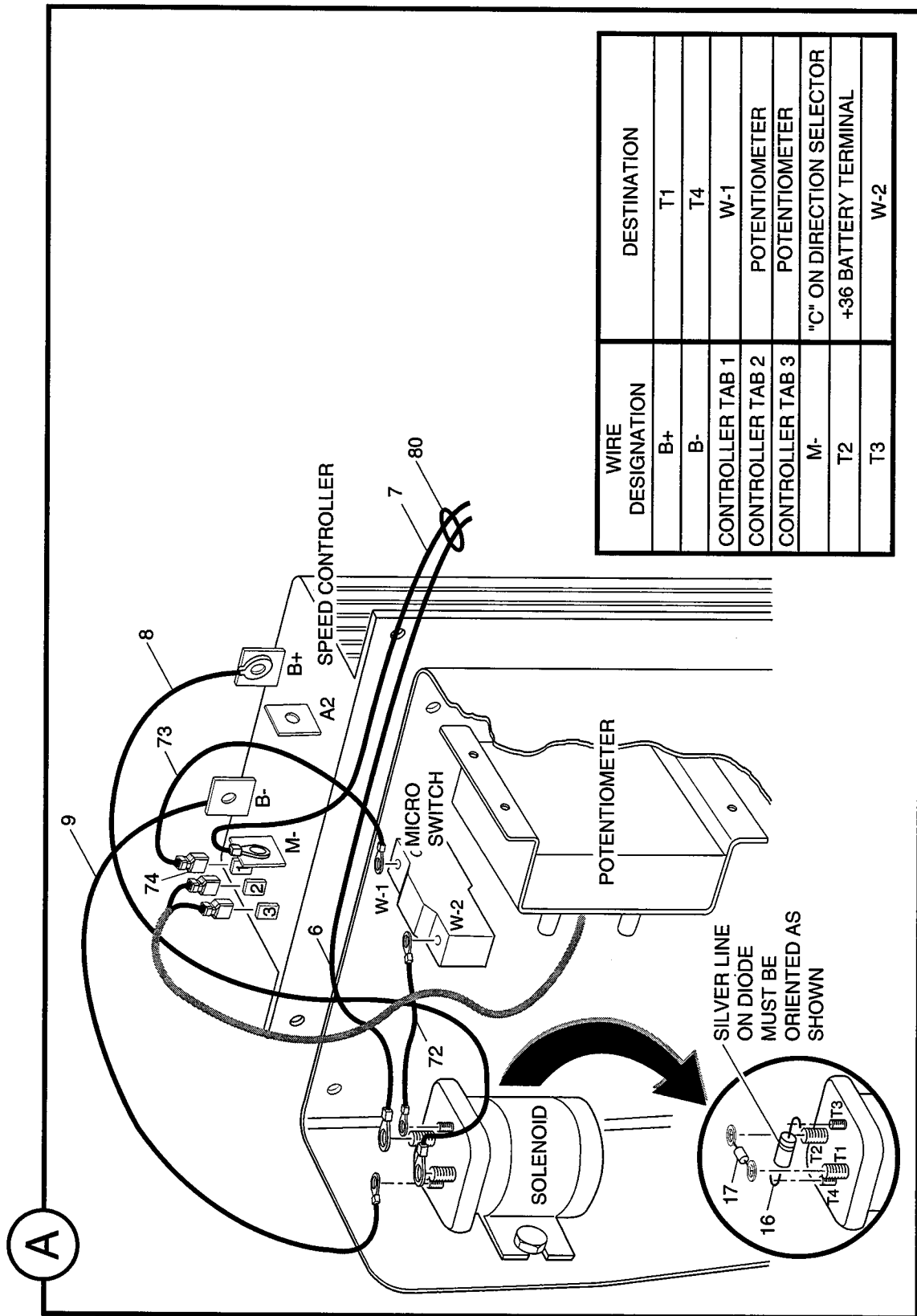
G** Indicates consult Customer Service Department for additional information.

ITEM	PART NO.	1	2	3	4	5	DESCRIPTION	QTY.
31	25433-G4						CUSHION, FOAM SEAT BACK.....	1
32	*						PLASTIC, HEAT SHRINK.....	1
33								
34	27380-G**						SEAT BOTTOM ASSEMBLY (INCLUDES ITEMS 36 - 52).....	1
35								
36	00661-G8						BOLT, 1/4 - 20 X 1 LG.	8
37	00793-G2						WASHER, 1/4.....	8
38	00664-G7						WASHER, LOCK, 1/4 - 20.....	8
39	11782-G2						NUT, TEE, 1/4.....	8
40	*						PLYWOOD, SEAT BOTTOM.....	1
41	25432-G2						CUSHION, FOAM SEAT BOTTOM.....	1
42								
43	18146-G**						COVER, SEAT BOTTOM.....	1
44								
45	*						STAPLE.....	110
46	12727-G10						GASKET, SEAT.....	1
47	*						STAPLE.....	61
48	17113-G1						TRIM, VINYL.....	1
49	*						STAPLE.....	24
50	*						PLASTIC, HEAT SHRINK.....	1
51	*						TAG, NOTICE (SAFETY).....	1
52	*						LABEL, WARNING - PROTECTIVE BAG.....	1
53	18250-G1						BRACKET, SEAT HINGE.....	2
54	00661-G6						BOLT, 1/4 - 20 X 3/4 LG.	4
55	11782-G2						NUT, TEE, 1/4 - 20.....	4

- 1 - INCLUDES ITEMS 2 - 25
- 27 - INCLUDES ITEMS 28 - 30
- 37 - INCLUDES ITEMS 38 - 49
- 58 - INCLUDES ITEMS 59 - 78

REAR OF
VEHICLE





SOLID STATE SPEED CONTROL

Electric Vehicle

THE USE OF NON UL PARTS WILL VOID ANY UL LISTING.

When ordering parts, please specify the model and serial number of the product.

* Indicates a component that is not available as an individual part.

G** Indicates consult Customer Service Department for additional information.

ITEM	PART NO.	1 2 3 4 5	DESCRIPTION	QTY.
1	25389-G02		SOLID STATE SPEED CONTROL ASSEMBLY (INCLUDES ITEMS 2 - 25).....	1
2	22717-G1		CONTROLLER	1
3	00414-G5		SCREW, 1/4 - 20 X 5/8 LG.	3
4	00660-G7		WASHER, STAINLESS STEEL, 1/4	4
5	11027-G2		NUT, LOCK, 1/4 - 20.....	4
6	23793-G3		WIRE (SOL - BL+)	1
7	23793-G4		WIRE (M - C)	1
8	23793-G1		WIRE (SOL - B+)	1
9	24021-G1		WIRE.....	1
10	25949-G01		MOV.....	1
11	00414-G6		SCREW, 1/4 - 20 X 3/4 LG.	1
12	00270-G5		SCREW, 5/16 - 18 X 5/8 LG.	4
13	11027-G1		NUT, LOCK, 5/16 - 18.....	4
14	11845-G5		CLIP, INSULATED CABLE.....	1
15	20468-G1		SOLENOID	1
16	30353-G1		DIODE.....	1
17	21764-G1		RESISTOR.....	1
18	00526-G4		NUT, #10 - 32.....	2
19	00565-G5		WASHER, #10	2
20	00565-G8		WASHER, 5/16	2
21	00544-G4		NUT, 5/16 - 24.....	1
22	25378-G01		BRACKET, ELECTRONIC SPEED CONTROL	1
23				
24	11027-G2		NUT, LOCK, 1/4 - 20.....	2
25	00414-G4		SCREW, 1/4 - 20 X 1/2 LG.	2
26				
27	22587-G8		ADJUSTING ROD ASSEMBLY (INCLUDES ITEMS 28 - 30)	1
28	24465-G1		SOCKET	2
29	00526-G4		NUT, #10 - 32.....	2

THE USE OF NON UL PARTS WILL VOID ANY UL LISTING.

When ordering parts, please specify the model and serial number of the product.

* Indicates a component that is not available as an individual part.

G** Indicates consult Customer Service Department for additional information.

ITEM	PART NO.	1	2	3	4	5	DESCRIPTION	QTY.
30	23722-G1						ROD, CONTROL	1
31								
32	15944-G3						BALL JOINT BALL	2
33	00661-G8						BOLT, 1/4 - 20 X 1 LG.	4
34	00559-G7						WASHER, 1/4.....	4
35	00565-G7						WASHER, LOCK, 1/4.....	4
36	00532-G1						NUT, 1/4 - 20	4
37	25332-G1						PIVOT ARM ASSEMBLY (INCLUDES ITEMS 38 - 49)	1
38	25331-G1						PIVOT ARM	1
39	00526-G4						NUT, #10 - 32.....	2
40	00565-G5						WASHER, #10	1
41	24479-G1						BALL JOINT BALL	1
42	11098-G9						NUT, LOCK, 5/16 - 24.....	1
43	15944-G3						BALL JOINT BALL	2
44								
45								
46	24621-G1						WASHER, NYLON.....	2
47	25328-G1						PIVOT ROD	1
48	14390-G1						NUT, LOCK, 3/8 - 24.....	1
49	12064-G1						PUSHNUT	1
50								
51								
52	00150-G4						SCREW, #10 - 24 X 1/2 LG.....	3
53	00559-G5						WASHER, #10.....	3
54	00565-G5						WASHER, LOCK, #10.....	3
55	00526-G3						NUT, #10 - 24.....	3
56								
57								
58	25458-G1						POTENTIOMETER ASSEMBLY (INCLUDES ITEMS 59 - 78).....	1
59	25460-G1						POTENTIOMETER.....	1

SOLID STATE SPEED CONTROL

Electric Vehicle

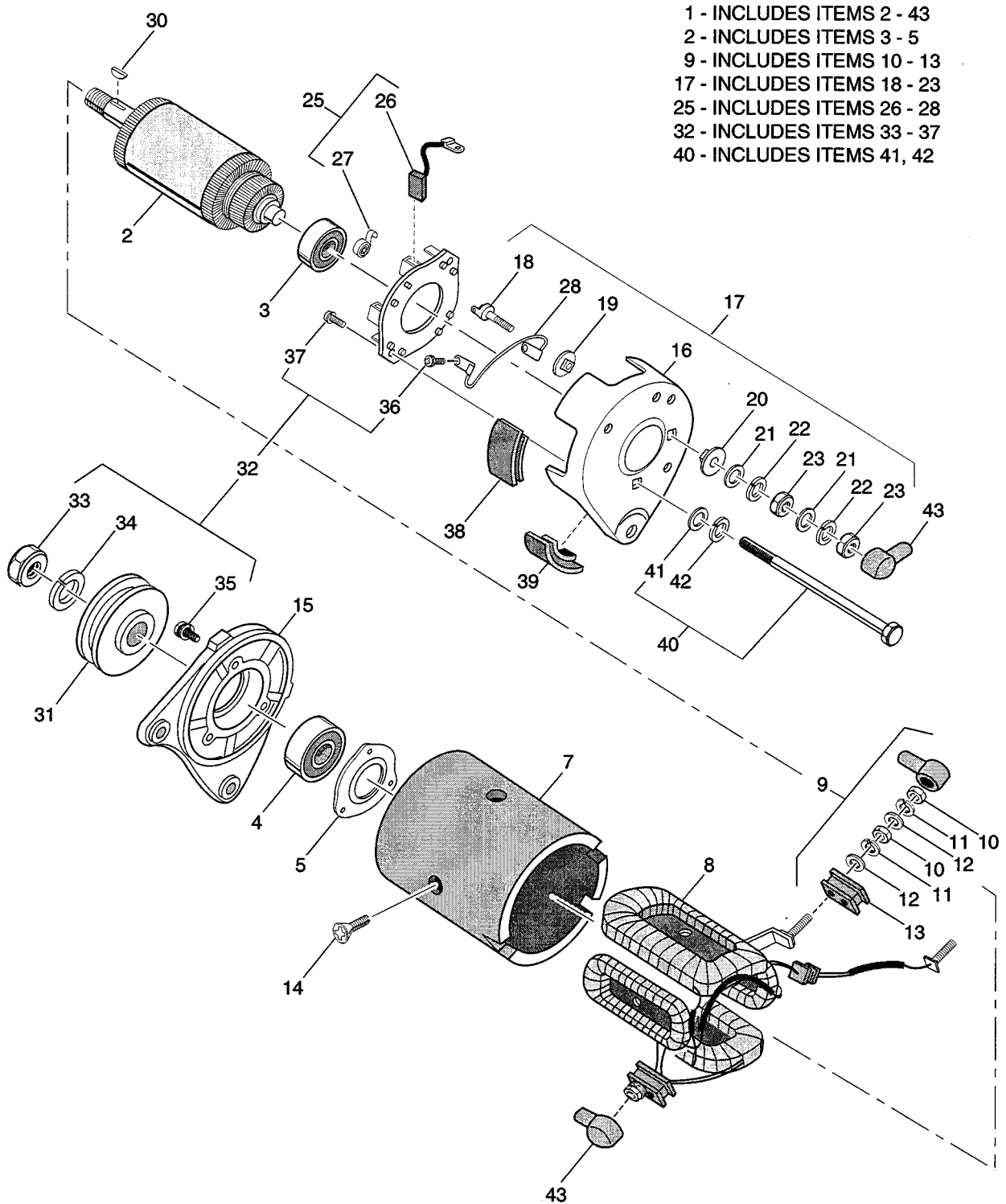
THE USE OF NON UL PARTS WILL VOID ANY UL LISTING.

When ordering parts, please specify the model and serial number of the product.

* Indicates a component that is not available as an individual part.

G** Indicates consult Customer Service Department for additional information.

ITEM	PART NO.	1	2	3	4	5	DESCRIPTION	QTY.
60	23275-G1						BRACKET, POTENTIOMETER MICRO SWITCH	1
61	00645-G1						SCREW, #6 - 32.....	2
62								
63								
64								
65	00565-G3						WASHER, LOCK, #6	2
66	00525-G5						NUT, #6 - 32.....	2
67								
68	10606-G5						MICRO SWITCH.....	1
69	00567-G3						WASHER, LOCK, #6	2
70	13514-G1						SCREW, BRASS, #6 - 32 X 7/32 LG.	2
71	14628-G1						TAB, FASTON.....	1
72	23975-G1						WIRE.....	1
73	24019-G2						WIRE.....	1
74	17064-G1						TERMINAL, PUSHON	4
75	00565-G5						WASHER, #10	1
76	00526-G4						NUT, #10 - 32.....	1
77	00372-G3						SCREW, #8 - 32 X 3/8 LG.	2
78	00559-G4						WASHER, #8	2
79								
80	17618-G10						CLAMP, NYLON	1
81								
82	23723-G2						COVER, ELECTRONIC SPEED CONTROL.....	1
83	16469-G1						WASHER, FENDER.....	1
84	14419-G1						WINGNUT	1



When ordering parts, please specify the model and serial number of the product.

* Indicates a component that is not available as an individual part.

G** Indicates consult Customer Service Department for additional information.

ITEM	PART NO.	1	2	3	4	5	DESCRIPTION	QTY.
1	27065-G01						STARTER/GENERATOR, COMPLETE (INCLUDES ITEMS 2 - 43).....	1
2	26870-G01						ARMATURE ASSEMBLY (INCLUDES ITEMS 3 - 5)	1
3	26871-G01						BALL BEARING, REAR	1
4	26872-G01						BALL BEARING, FRONT	1
5	26873-G01						HOLDER, BEARING	1
6								
7								
8	26875-G01						COIL, FIELD	1
9	26876-G01						"F" INSULATING BRUSH ASSEMBLY (INCLUDES ITEMS 10 - 13).....	2
10	*						NUT.....	2
11	*						WASHER, LOCK.....	2
12	*						WASHER.....	2
13	*						INSULATOR.....	1
14	26877-G01						SCREW, POLE CORE SET.....	4
15	26878-G01						COVER, FRONT.....	1
16	26879-G01						COVER, REAR.....	1
17	26880-G01						"A" TERMINAL ASSEMBLY (INCLUDES ITEMS 18 - 23)	2
18	*						TERMINAL.....	2
19	*						INSULATOR.....	2
20	*						INSULATOR.....	2
21	*						WASHER.....	4
22	*						WASHER, LOCK.....	4
23	*						NUT.....	4
24								
25	26881-G01						BRUSH HOLDER ASSEMBLY (INCLUDES ITEMS 26 - 28)	1
26	26658-G01						BRUSH.....	4
27	26882-G01						BRUSH SPRING.....	4
28	26883-G01						BRUSH CONNECTOR.....	2
29								
30	26884-G01						KEY.....	1

STARTER/GENERATOR

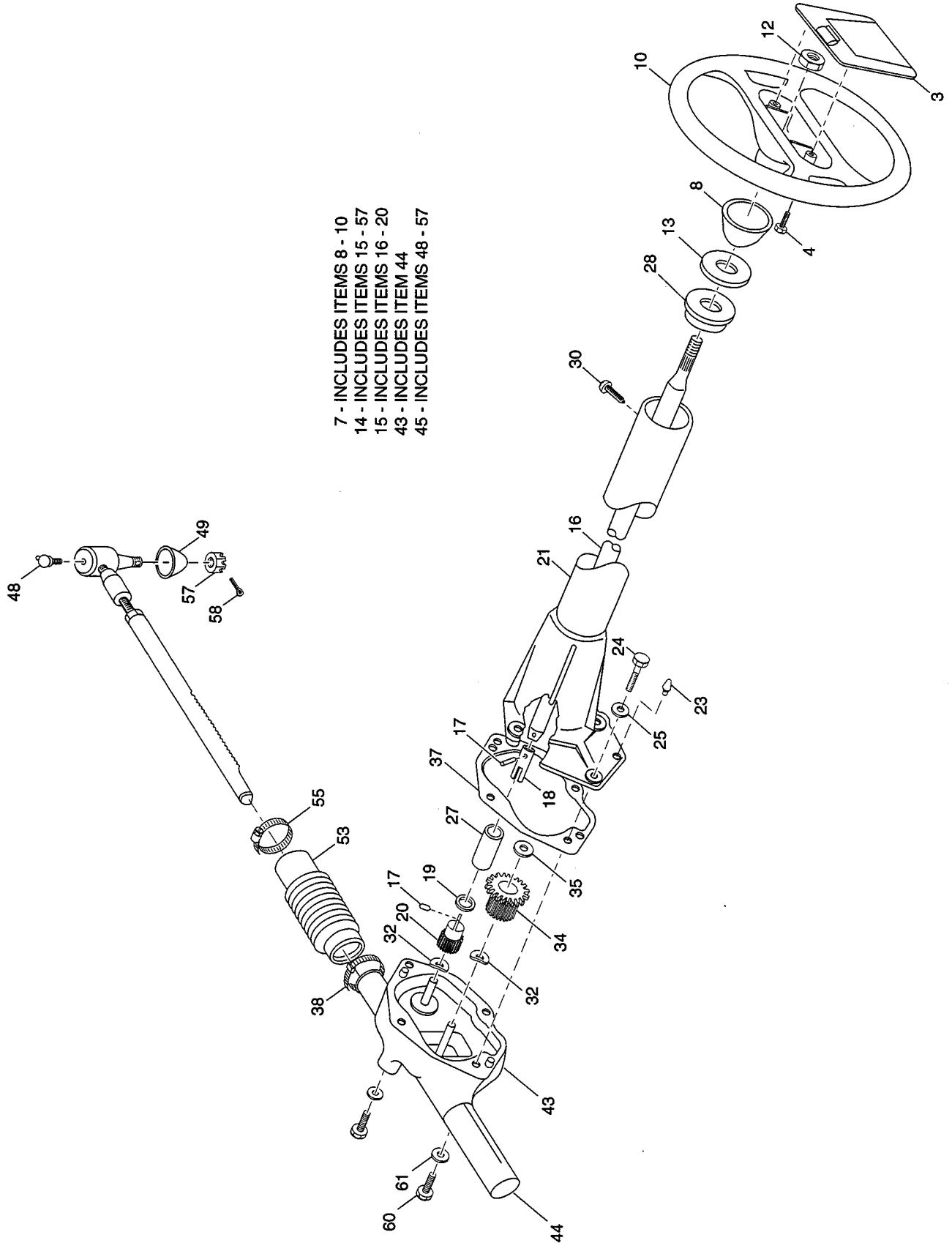
Gasoline Vehicle

When ordering parts, please specify the model and serial number of the product.

* Indicates a component that is not available as an individual part.

G** Indicates consult Customer Service Department for additional information.

ITEM	PART NO.	1	2	3	4	5	DESCRIPTION	QTY.
31	26885-G01						PULLEY	1
32	26886-G01						PULLEY ASSEMBLY (INCLUDES ITEMS 33 - 37).....	1
33	*						NUT	1
34	*						WASHER, LOCK.....	1
35	*						SCREW	3
36	*						SCREW	4
37	*						SCREW	2
38	26887-G01						BRUSH 1 COVER.....	2
39	26888-G01						BRUSH 2 COVER.....	3
40	26889-G01						BOLT AND WASHER ASSEMBLY (INCLUDES ITEMS 41, 42)	2
41	*						WASHER.....	2
42	*						WASHER, LOCK.....	2
43	16896-G1						TERMINAL COVER	4



- 7 - INCLUDES ITEMS 8 - 10
- 14 - INCLUDES ITEMS 15 - 57
- 15 - INCLUDES ITEMS 16 - 20
- 43 - INCLUDES ITEM 44
- 45 - INCLUDES ITEMS 48 - 57

THE USE OF NON UL PARTS WILL VOID ANY UL LISTING.

When ordering parts, please specify the model and serial number of the product.

* Indicates a component that is not available as an individual part.

G** Indicates consult Customer Service Department for additional information.

ITEM	PART NO.	1	2	3	4	5	DESCRIPTION	QTY.
1								
2								
3	27102-G01						HOLDER, CLIP BOARD	1
4	18464-G1						SCREW, #8 X 7/8 LG.....	2
5								
6								
7	18325-G1						STEERING WHEEL ASSEMBLY (INCLUDES ITEMS 8 - 10)	1
8	23225-G1						HUB, COVER EXTENSION.....	1
9								
10	23172-G1						WHEEL, STEERING.....	1
11								
12	14390-G2						NUT, LOCK, 5/8 - 18	1
13	16772-G1						SEAL, STEERING WHEEL.....	1
14	19152-G1						STEERING UNIT ASSEMBLY (INCLUDES ITEMS 15 - 57).....	1
15	17163-G1						STEERING SHAFT ASSEMBLY (INCLUDES ITEMS 16 - 20).....	1
16	*						SHAFT, STEERING	1
17	*						PIN, DOWEL, 1/4	2
18	*						COUPLING	1
19	*						WASHER, THRUST	1
20	*						PINION, STEERING	1
21	19153-G1						STEERING COLUMN UNIT	1
22								
23	*						GREASE FITTING.....	1
24	00444-G8						SCREW, 5/16 - 24 X 1 LG.	4
25	00565-G8						WASHER, LOCK, 5/16	4
26								
27	17140-G1						SLEEVE.....	1
28	17161-G1						BUSHING	1
29								

STEERING

Electric/Gasoline Vehicle

THE USE OF NON UL PARTS WILL VOID ANY UL LISTING.

When ordering parts, please specify the model and serial number of the product.

* Indicates a component that is not available as an individual part.

G** Indicates consult Customer Service Department for additional information.

ITEM	PART NO.	1	2	3	4	5	DESCRIPTION	QTY.
30	00118-G2						SCREW, #6 - 18 X 1/4 LG.	1
31								
32	51294-G1						WASHER, WAVE	2
33								
34	23279-G1						GEAR, REDUCTION	1
35	13059-G2						WASHER, THRUST	1
36								
37	19154-G1						GASKET, HOUSING	1
38	17618-G1						CLAMP, NYLON.....	1
39								
40								
41								
42								
43	13097-G1						HOUSING ASSEMBLY (INCLUDES ITEM 44)	1
44	13570-G2						COVER, RACK.....	1
45	15407-G1						RACK AND ROD END ASSEMBLY (INCLUDES ITEMS 48 - 57)	1
46								
47								
48	18456-G1						GREASE-FITTING	1
49	*						RUBBER BOOT, TIE ROD END.....	1
50								
51								
52								
53	17617-G1						BELLOWS	1
54								
55	11391-G1						CLAMP, HOSE	1
56								
57	50209-G1						NUT, SLOTTED, 7/16 - 20.....	1
58	10387-G2						PIN, COTTER, 3/16 X 1 LG.	1

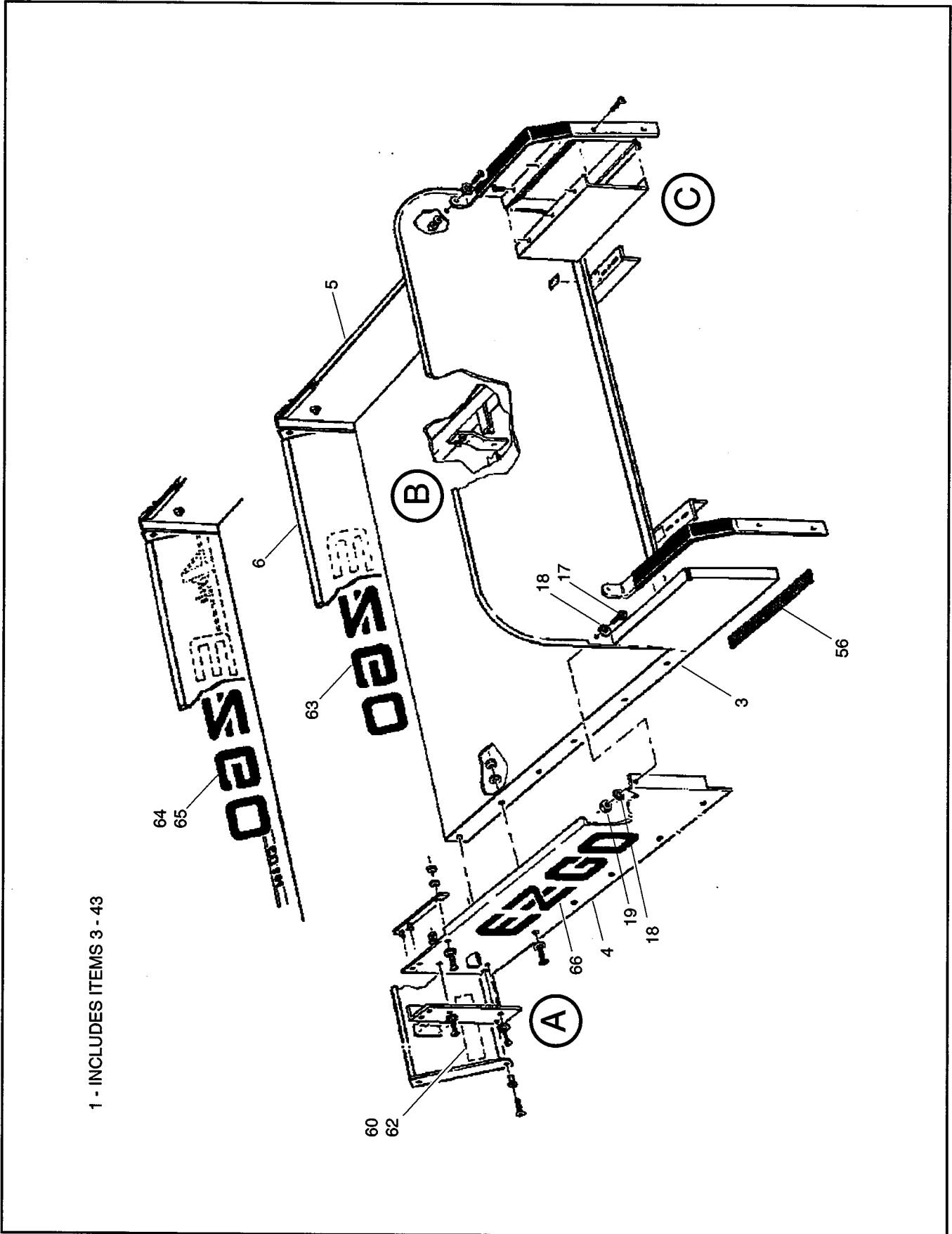
THE USE OF NON UL PARTS WILL VOID ANY UL LISTING.

When ordering parts, please specify the model and serial number of the product.

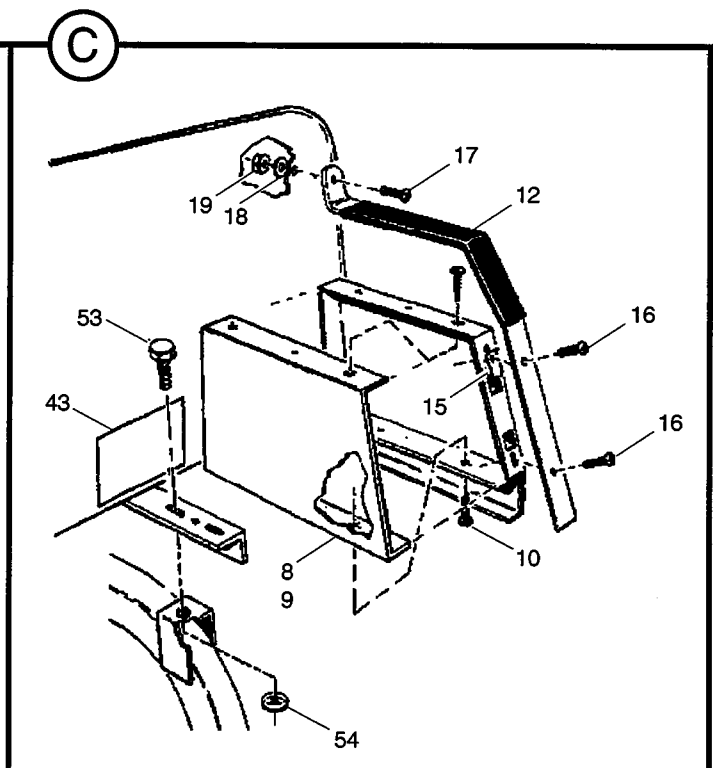
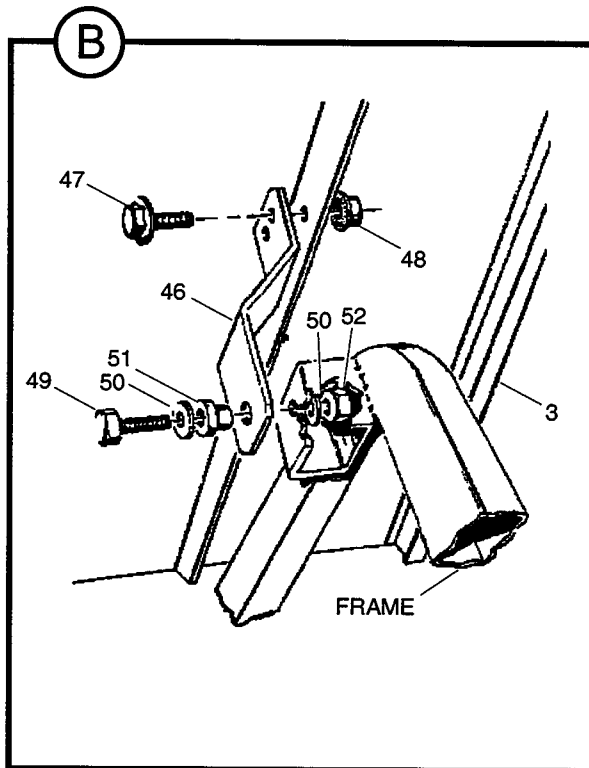
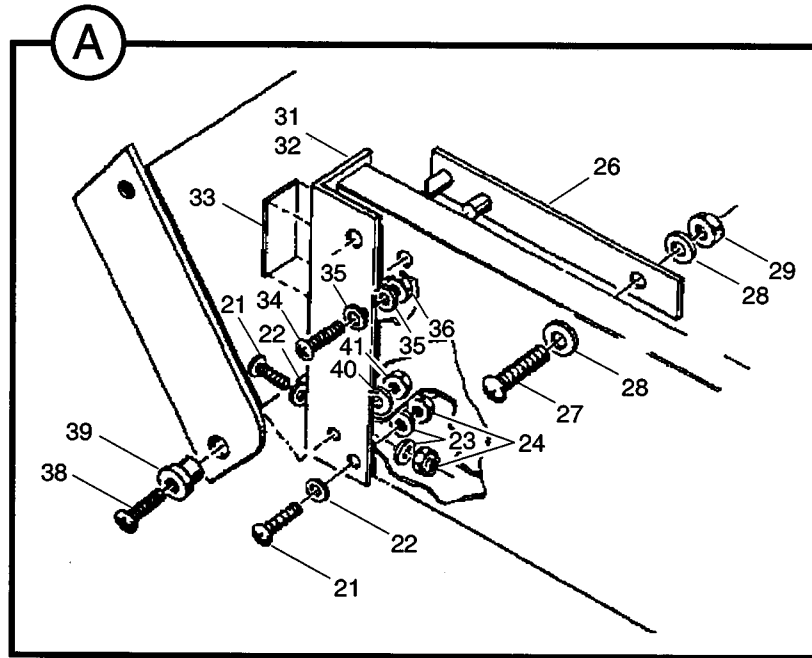
* Indicates a component that is not available as an individual part.

G** Indicates consult Customer Service Department for additional information.

ITEM	PART NO.	1 2 3 4 5 DESCRIPTION	QTY.
59			
60	00444-G8	SCREW, 5/16 - 24 X 1 LG.....	3
61	00565-G8	WASHER, LOCK, 5/16.....	3



1 - INCLUDES ITEMS 3 - 43



THE USE OF NON UL PARTS WILL VOID ANY UL LISTING.

When ordering parts, please specify the model and serial number of the product.

* Indicates a component that is not available as an individual part.

G** Indicates consult Customer Service Department for additional information.

ITEM	PART NO.	1	2	3	4	5	DESCRIPTION	QTY.
1	18218-G5						TRUCKBED ASSEMBLY (INCLUDES ITEMS 3 - 43)	1
2								
3	18205-G3						FLATBED	1
4	18198-G1						SIDE PANEL, PASSENGER SIDE	1
5	18198-G2						SIDE PANEL, DRIVER' S SIDE	1
6	27270-G03						TAILGATE	1
7								
8	18484-G3						SEAT PANEL, PASSENGER SIDE.....	1
9	18484-G4						SEATPANEL, DRIVER'S SIDE	1
10	18449-G1						SCREW SELF TAPPING, #8 - 32 X 1/2 LG.....	10
11								
12	19776-G1						RESTRAINT, HIP HANDHOLD.....	2
13								
14								
15	14776-G1						"J" NUT, 1/4 - 20.....	4
16	16705-G1						SCREW, 1/4 - 20 X 1 LG.	4
17	16705-G3						SCREW, 1/4 - 20 X 3/4 LG.	4
18	00915-G1						WASHER	6
19	14390-G4						NUT, LOCK, 1/4 - 20.....	2
20								
21	16705-G1						SCREW, 1/4 - 20 X 1 LG.	12
22	00915-G1						WASHER	12
23	00559-G7						WASHER, 1/4	12
24	14390-G4						NUT, LOCK, 1/4 - 20.....	12
25								
26	18621-G1						LATCH, TAILGATE.....	2
27	16705-G3						SCREW, 1/4 - 20 X 3/4 LG.	2
28	00915-G1						WASHER	2
29	14390-G4						NUT, LOCK, 1/4 - 20.....	2
30								

THE USE OF NON UL PARTS WILL VOID ANY UL LISTING.

When ordering parts, please specify the model and serial number of the product.

* Indicates a component that is not available as an individual part.

G** Indicates consult Customer Service Department for additional information.

ITEM	PART NO.	1	2	3	4	5	DESCRIPTION	QTY.
31	18470-G3						BRACKET, PASSENGER SIDE TAILGATE.....	1
32	18470-G4						BRACKET, DRIVER'S SIDE TAILGATE	1
33	14465-G1						STRIP, SUPPRESSOR.....	3
34	16705-G2						SCREW, 1/4 - 20 X 5/8 LG.	2
35	00915-G1						WASHER	4
36	14390-G4						NUT, LOCK, 1/4 - 20.....	2
37								
38	16705-G9						SCREW, 1/4 - 20 X 1 1/4 LG.	2
39	18478-G1						BUSHING, TAILGATE.....	2
40	00559-G7						WASHER, 1/4	2
41	14390-G4						NUT, LOCK, 1/4 - 20.....	2
42								
43	27130-G01						LABEL, WARNING	2
44								
45								
46	18159-G1						BRACKET, BED PIVOT	2
47	13437-G4						SCREW, 3/8 - 16 X 1 LG.....	4
48	11027-G5						NUT, LOCK, 3/8 - 16	4
49	00665-G7						SCREW, 3/8 - 16 X 1 1/4 LG.....	2
50	00653-G1						WASHER, 3/8.....	4
51	18220-G1						BUSHING, PIVOT	2
52	00891-G5						NUT, LOCK, 3/8 - 16	2
53	13437-G4						SCREW, LOCK, 5/16 - 18 X 1 LG.....	2
54	18315-G1						FASTENER, 5/16	2
55	11840-G1						NUT, 5/16 - 18	2
56	14382-G1						STRIP, NOISE SUPPRESSOR.....	4
57								
58								
59								
60	19565-G1						DECAL, XT-500.....	1

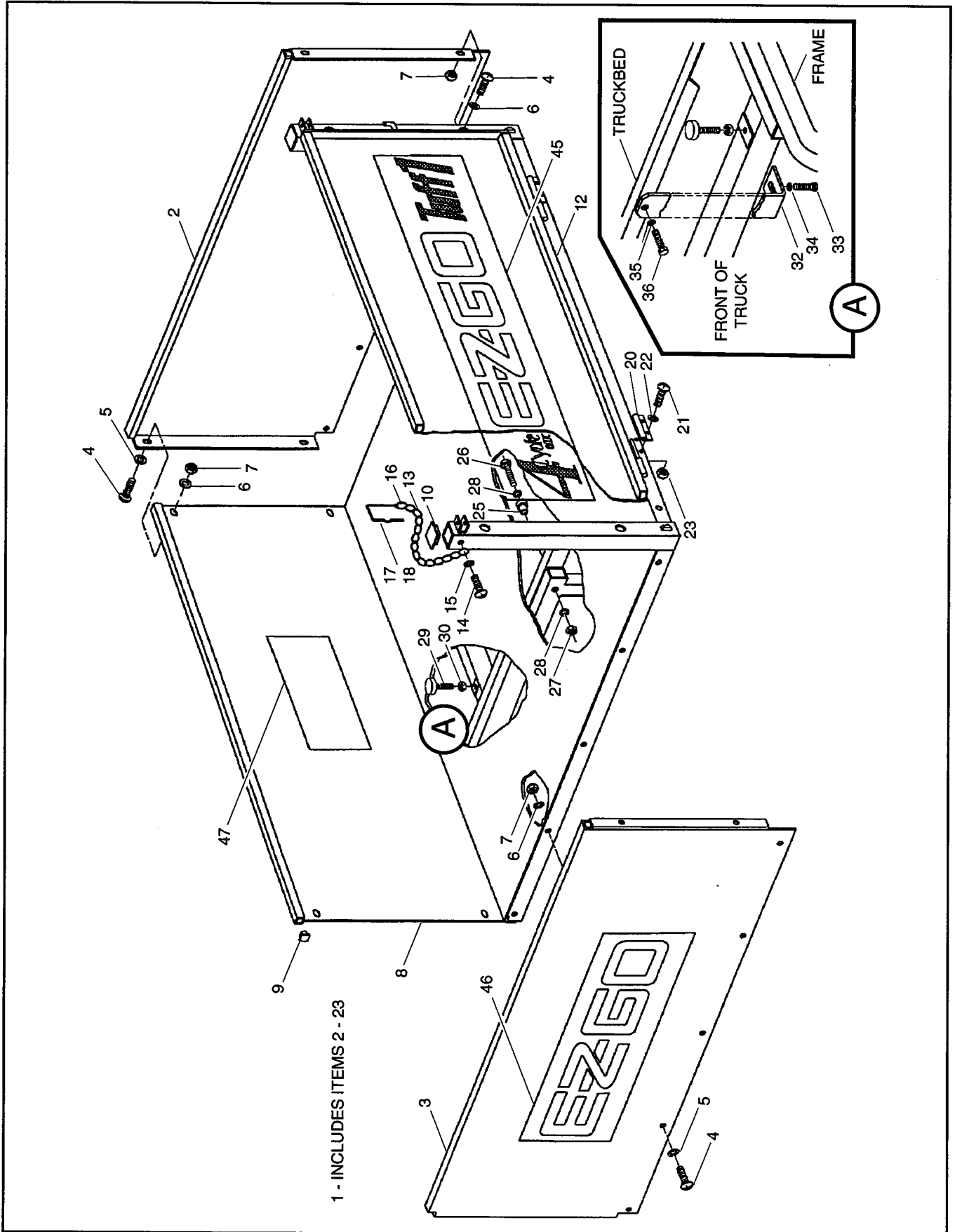
THE USE OF NON UL PARTS WILL VOID ANY UL LISTING.

When ordering parts, please specify the model and serial number of the product.

* Indicates a component that is not available as an individual part.

G** Indicates consult Customer Service Department for additional information.

ITEM	PART NO.	1 2 3 4 5 DESCRIPTION	QTY.
61			
62	19828-G2	DECAL, XI-500.....	1
63	19818-G1	DECAL, WHITE E-Z-GO	1
64	26516-G01	DECAL, 4-CYCLE GXI, E-Z-GO	1
65	26518-G01	DECAL, 4-CYCLE GXT, E-Z-GO.....	1
66	19818-G2	DECAL, BLACK E-Z-GO	1



When ordering parts, please specify the model and serial number of the product.

* Indicates a component that is not available as an individual part.

G** Indicates consult Customer Service Department for additional information.

ITEM	PART NO.	1	2	3	4	5	DESCRIPTION	QTY.
1	27683-G01						TRUCKBED ASSEMBLY (INCLUDES ITEMS 2 - 23).....	1
2	27678-G01						SIDE PANEL, PASSENGER SIDE	1
3	27678-G02						SIDE PANEL, DRIVER'S SIDE.....	1
4	16705-G3						SCREW, 1/4 - 20 X 3/4 LG.	18
5	00915-G1						WASHER, 1/4	14
6	00559-G7						WASHER, 1/4	18
7	14390-G4						NUT, LOCK, 1/4 - 20.....	18
8	27667-G01						TRUCKBED	1
9	27556-G01						INSERT, TUBE	2
10	27684-G01						INSERT, TUBE	2
11								
12	27661-G01						TAILGATE.....	1
13	27544-G01						CHAIN.....	2
14	00106-G6						SCREW, #12 - 24 X 3/4 LG.	2
15	00915-G1						WASHER, 1/4	2
16	27593-G01						LINK, CONNECT	2
17	27675-G01						PIN, DRIVER'S SIDE BED LOCK	1
18	27675-G02						PIN, PASSENGER SIDE BED LOCK.....	1
19								
20	27666-G01						HINGE	2
21	16705-G3						SCREW, 1/4 - 20 X 2 1/2 LG.	2
22	00559-G7						WASHER, 1/4	4
23	14390-G4						NUT, LOCK, 1/4 - 20.....	4
24								
25	27539-G01						BUSHING, PIVOT	2
26	00665-G3						SCREW, 3/8 - 16 X 2 1/2 LG.....	2
27	00891-G1						NUT, LOCK, 3/8 - 16	2
28	00653-G1						WASHER, 3/8.....	4
29	70113-G01						RUBBER BUMPER.....	2
30	00544-G3						NUT, JAM, 5/16 - 18.....	2

TRUCKBED (BOLT DOWN)

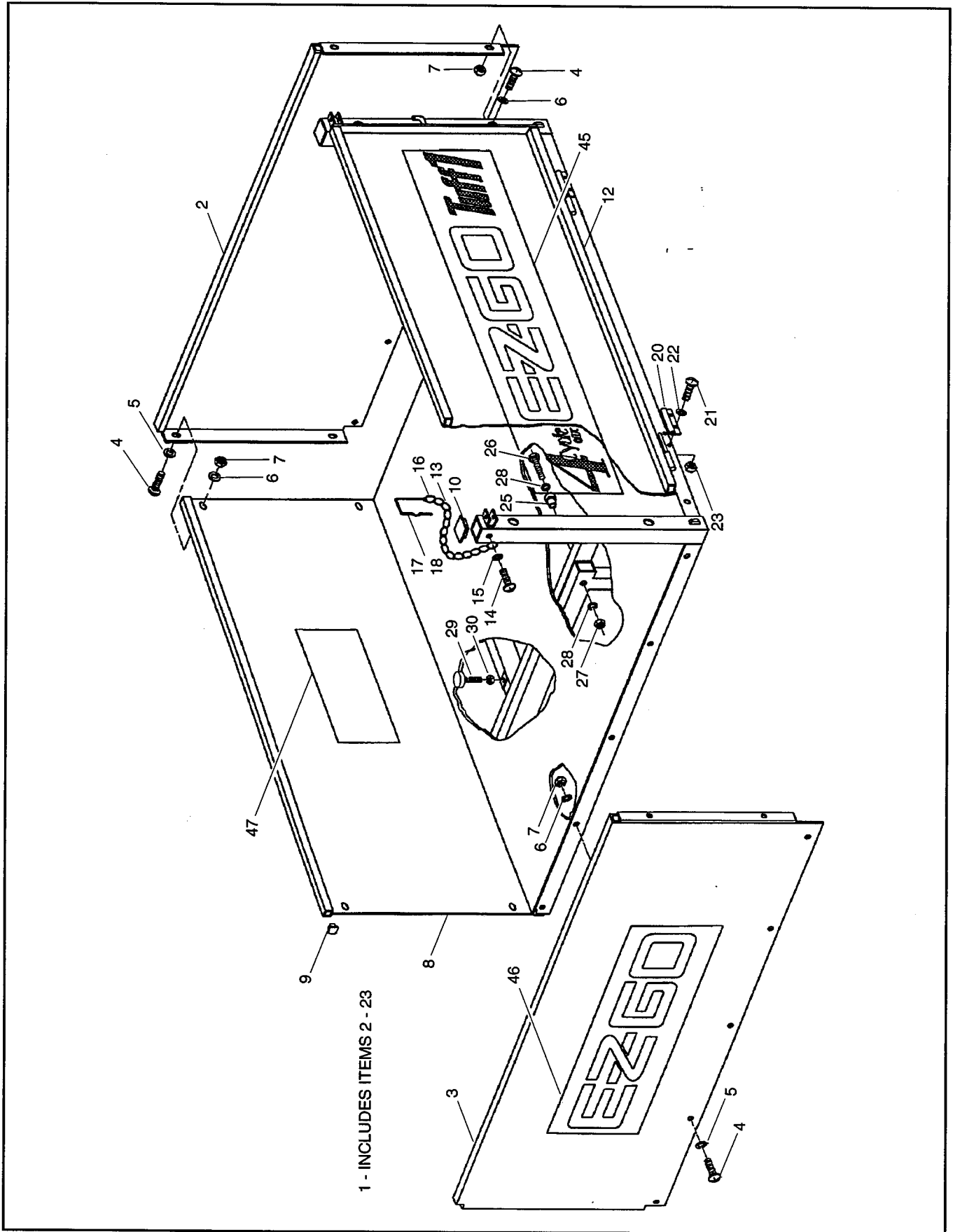
Gasoline Vehicle

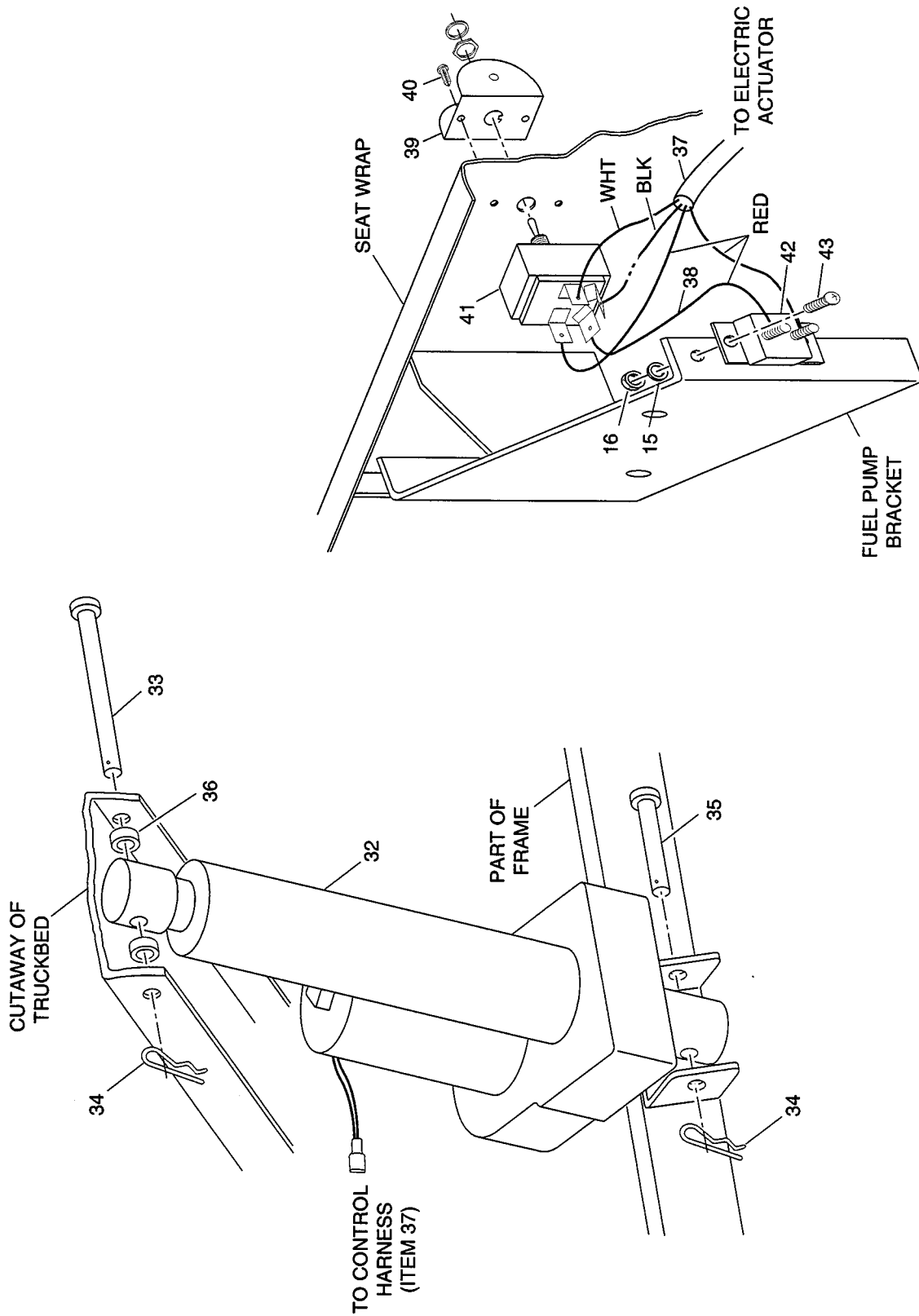
When ordering parts, please specify the model and serial number of the product.

* Indicates a component that is not available as an individual part.

G** Indicates consult Customer Service Department for additional information.

ITEM	PART NO.	1	2	3	4	5	DESCRIPTION	QTY.
31								
32	27687-G01						BRACKET, LOCK DOWN.....	2
33	00438-G4						SCREW, 5/16 - 18 X 1 1/2 LG.....	2
34	00571-G2						WASHER, 5/16.....	2
35	00565-G8						WASHER, LOCK, 5/16.....	2
36	00438-G6						SCREW, 5/16 - 18 X 3/4 LG.....	2
37								
38								
39								
40								
41								
42								
43								
44								
45	27744-G01						DECAL, TAILGATE TUFF1	1
46	19818-G1						DECAL, WHITE E-Z-GO	2
47	27425-G01						LABEL, BED LOADING WARNING	1





When ordering parts, please specify the model and serial number of the product.
 * Indicates a component that is not available as an individual part.
 G** Indicates consult Customer Service Department for additional information.

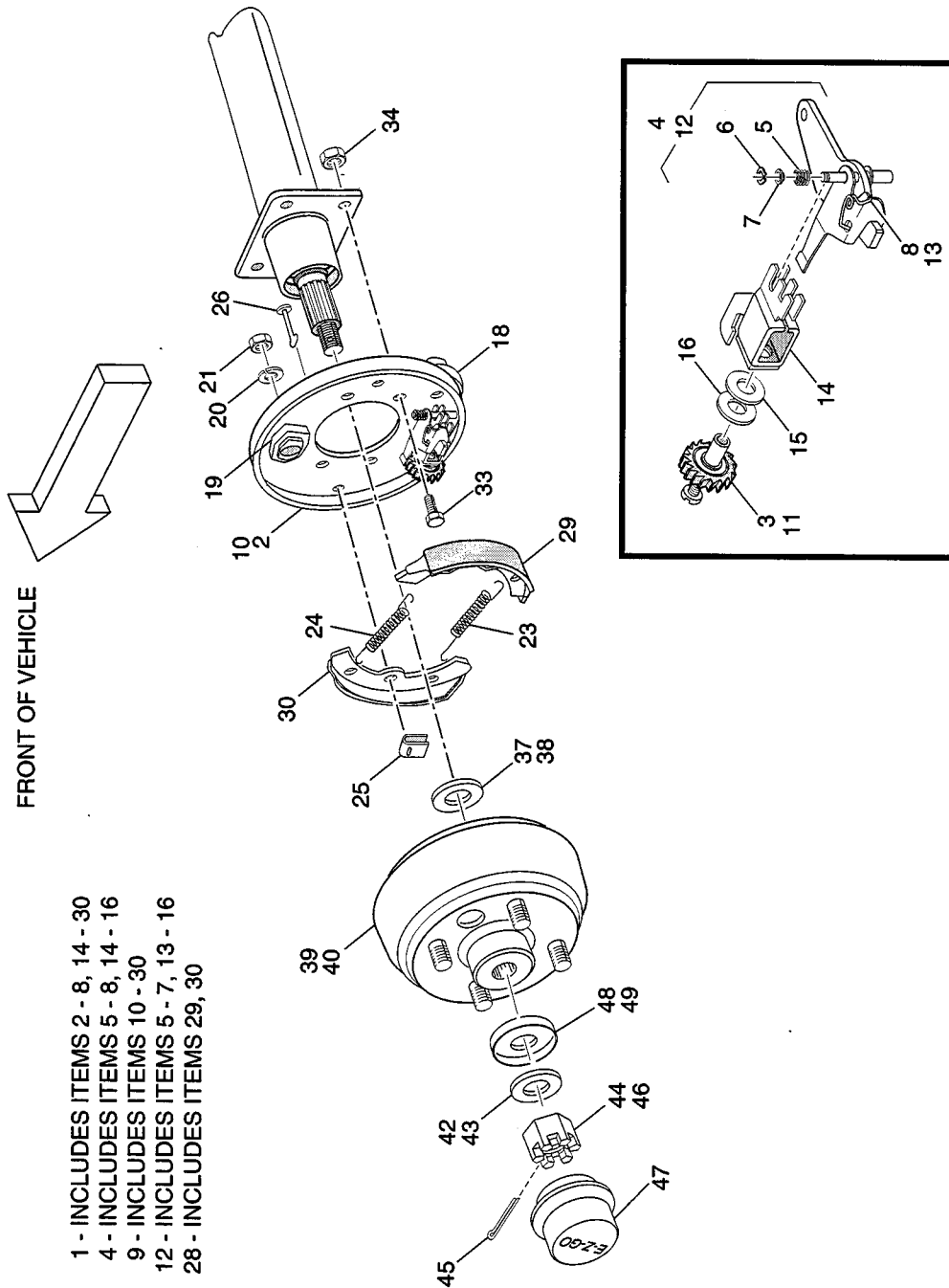
ITEM	PART NO.	1	2	3	4	5	DESCRIPTION	QTY.
1	27683-G01						TRUCKBED ASSEMBLY (INCLUDES ITEMS 2 - 23)	1
2	27678-G01						SIDE PANEL, PASSENGER SIDE	1
3	27678-G02						SIDE PANEL, DRIVER'S SIDE	1
4	16705-G3						SCREW, 1/4 - 20 X 3/4 LG.	18
5	00915-G1						WASHER, 1/4	14
6	00559-G7						WASHER, 1/4	18
7	14390-G4						NUT, LOCK, 1/4 - 20	18
8	27667-G01						TRUCKBED	1
9	27556-G01						INSERT, TUBE	2
10	27684-G01						INSERT, TUBE	2
11								
12	27661-G01						TAILGATE	1
13	27544-G01						CHAIN	2
14	00106-G6						SCREW, #12 - 24 X 3/4 LG.	2
15	00915-G1						WASHER, 1/4	2
16	27593-G01						LINK, CONNECT	2
17	27675-G01						PIN, DRIVER'S SIDE BED LOCK	1
18	27675-G02						PIN, PASSENGER SIDE BED LOCK	1
19								
20	27666-G01						HINGE	2
21	16705-G3						SCREW, 1/4 - 20 X 2 1/2 LG.	2
22	00559-G7						WASHER, 1/4	4
23	14390-G4						NUT, LOCK, 1/4 - 20	4
24								
25	27539-G01						BUSHING, PIVOT	2
26	00665-G3						SCREW, 3/8 - 16 X 2 1/2 LG.	2
27	00891-G1						NUT, LOCK, 3/8 - 16	2
28	00653-G1						WASHER, 3/8	4
29	70113-G01						RUBBER BUMPER	2
30	00544-G3						NUT, JAM, 5/16 - 18	2

When ordering parts, please specify the model and serial number of the product.

* Indicates a component that is not available as an individual part.

G** Indicates consult Customer Service Department for additional information.

ITEM	PART NO.	1	2	3	4	5	DESCRIPTION	QTY.
31								
32	27612-G01						ACTUATOR, ELECTRIC	1
33	14443-G10						PIN, CLEVIS	1
34	25233-G1						PIN, COTTER	2
35	14443-G11						PIN, CLEVIS	1
36	27613-G01						SPACER.....	2
37	27611-G01						HARNESS, CONTROL	1
38	25974-G06						WIRE.....	1
39	27447-G01						TOGGLE GUARD	1
40	10570-G9						RIVET, 1/8.....	2
41	27680-G01						SWITCH, TOGGLE	1
42	21320-G2						BREAKER, CIRCUIT	1
43	00614-G4						SCREW, #8 - 18 X 1/2 LG.....	2
44								
45	27744-G01						DECAL, GXI/T-804 TUFF1, TAILGATE	1
46	19818-G1						DECAL, WHITE E-Z-GO.....	2
47	27425-G01						LABEL, BED LOADING WARNING	1



THE USE OF NON UL PARTS WILL VOID ANY UL LISTING.

When ordering parts, please specify the model and serial number of the product.

* Indicates a component that is not available as an individual part.

G** Indicates consult Customer Service Department for additional information.

ITEM	PART NO.	1	2	3	4	5	DESCRIPTION	QTY.
1	22997-G1						BRAKE ASSEMBLY, PASSENGER SIDE (INCLUDES ITEMS 2 - 8, 14 - 30)	1
2	22518-G1						BACKING PLATE	1
3	23360-G1						ADJUSTER.....	1
4	23357-G1						LEVER ASSEMBLY (INCLUDES ITEMS 5 - 8, 14 - 16)	1
5	*						SPRING	1
6	*						RETAINER	1
7	*						WASHER, SHOULDER.....	1
8	23536-G1						TORSION SPRING, PASSENGER SIDE (SILVER).....	1
9	22997-G2						BRAKE ASSEMBLY, DRIVER'S SIDE (INCLUDES ITEMS 10 - 30)	1
10	22519-G1						BACKING PLATE	1
11	23361-G1						ADJUSTER.....	1
12	23358-G1						LEVER ASSEMBLY (INCLUDES ITEMS 5 - 7, 13 - 16)	1
13	23537-G1						TORSION SPRING, DRIVER'S SIDE (GOLD)	1
14	23363-G1						ADJUSTER BODY.....	1
15	23382-G1						WASHER, 1/4	1
16	23362-G1						THRUST WASHER, 1/4.....	1
17								
18	22519-G1						DUST COVER	1
19	23356-G1						ANCHOR BLOCK.....	1
20	00565-G1						WASHER, LOCK, 1/4	2
21	13632-G1						NUT, 6 MM.....	2
22								
23	23359-G1						SPRING, BRAKE ADJUSTER.....	1
24	17290-G1						SPRING, BRAKE ANCHOR	1
25	17291-G1						CLAMP, SHOE.....	2
26	17292-G1						PIN, SHOE CLAMP TENSION	2
27								
28	23364-G1						BRAKE SHOE SET (INCLUDES ITEMS 29, 30).....	1
29	*						BRAKE SHOE, TRAILING	1

WHEEL BRAKE

Electric/Gasoline Vehicle

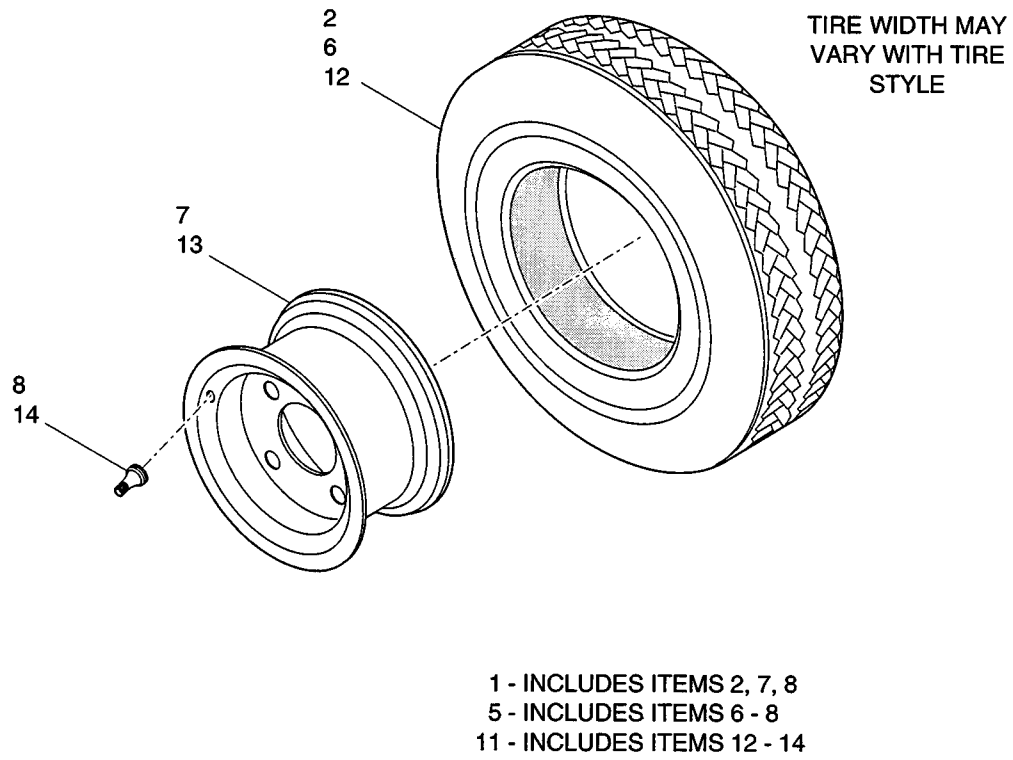
THE USE OF NON UL PARTS WILL VOID ANY UL LISTING.

When ordering parts, please specify the model and serial number of the product.

* Indicates a component that is not available as an individual part.

G** Indicates consult Customer Service Department for additional information.

ITEM	PART NO.	1	2	3	4	5	DESCRIPTION	QTY.
30	*						BRAKE SHOE, LEADING	1
31								
32								
33	17083-G2						BOLT, 5/16 - 24 X 1 LG.	8
34	15126-G1						NUT, LOCK, 5/16 - 24	8
35								
36								
37	15485-G1						WASHER, INNER WHEEL RIM (ELECTRIC VEHICLE).....	2
38	21809-G1						WASHER, INNER WHEEL RIM (GASOLINE VEHICLE)	2
39	21807-G1						BRAKE DRUM (GASOLINE VEHICLE) WITH LUG BOLTS	2
40	19186-G1						BRAKE DRUM (ELECTRIC VEHICLE) WITH LUG BOLTS.....	2
41								
42	21830-G1						WASHER, OUTER WHEEL RIM (GASOLINE VEHICLE).....	2
43	15487-G1						WASHER, OUTER WHEEL RIM (ELECTRIC VEHICLE)	2
44	00518-G8						NUT, SLOTTED, 3/4 - 16 (GASOLINE VEHICLE)	2
45	10387-G1						PIN, COTTER, 1/8 X 1 1/2 LG.	2
46	15483-G1						NUT, SLOTTED, 5/8 - 18 (ELECTRIC VEHICLE)	2
47	12091-G1						CAP, SPINDLE	2
48	24939-G2						ADAPTOR, SPINDLE CAP (GASOLINE VEHICLE)	2
49	24939-G1						ADAPTOR, SPINDLE CAP (ELECTRIC VEHICLE).....	2



THE USE OF NON UL PARTS WILL VOID ANY UL LISTING.

When ordering parts, please specify the model and serial number of the product.

* Indicates a component that is not available as an individual part.

G** Indicates consult Customer Service Department for additional information.

ITEM	PART NO.	1	2	3	4	5	DESCRIPTION	QTY.
1	27772-G03						18 X 8.50 X 8 TIRE AND WHEEL RIM ASSEMBLY, TURF-SAVER, XT-500 AND GXT-804 MODELS ONLY (INCLUDES ITEMS 2, 7, 8).....	AR
2	27772-G07						18 X 8.50 X 8 TIRE, TURF-SAVER	AR
3								
4								
5	27772-G01						18 X 8.50 X 8 TIRE AND WHEEL RIM ASSEMBLY, LINKS, XT-500 AND GXT-804 MODELS ONLY (INCLUDES ITEMS 6 - 8)	AR
6	27772-G05						18 X 8.50 X 8 TIRE, LINKS	AR
7	15169-G1						WHEEL RIM	AR
8	11657-G1						VALVE STEM.....	AR
9								
10								
11	27784-G02						18 X 5.70 X 8 TIRE AND WHEEL RIM ASSEMBLY, USA TRAIL, XI-500 AND GXI-804 MODELS ONLY (INCLUDES ITEMS 12 - 14)	AR
12	27784-G04						18.5 X 5.70 X 8 TIRE, USA TRAIL	AR
13	26482-G01						WHEEL RIM	AR
14	26482-G01						VALVE STEM.....	AR

SPECIAL TOOLS

SPECIAL TOOLS LISTING

SPECIAL TOOLS

ELECTRIC
TRUCK
Part No.

GASOLINE
TRUCK
Part No.

ELECTRIC/GASOLINE
TRUCK
Part No.

SPECIAL TOOLS

SEAL INSTALLATION TOOL
(REAR AXLE SHAFT SEAL)..... 18739-G1

BATTERY SET DISCHARGER..... 28251-G01

CURRENT INDICATOR..... 16489-G2

DIGITAL VOLT OHM METER (DVOM).....27481-G01

CRIMPING TOOL27765-G01

SLIDE HAMMER (AXLE) 18753-G1

SLIDE HAMMER (HUB/DRUM REMOVAL) 15947-G1

CAM PULLEY TOOL.....27851-G01

FLYWHEEL PULLER 27111-G1

DRIVE CLUTCH PULLER 19779-G2

PAINT

CONTACT CUSTOMER REPRESENTATIVE FOR COLOR SPECIFICATIONS AND PART NUMBERS

LIMITED WARRANTY

CALIFORNIA EMISSION CONTROL WARRANTY STATEMENT YOUR WARRANTY RIGHTS AND OBLIGATIONS

The California Air Resources Board and Fuji Heavy Industries Ltd. (herein "FUJI") are pleased to explain the emission control system warranty on your 1995 and later specialty vehicle engine (herein "engine"). In California, the engine must be designed, built and equipped to meet the State's stringent anti-smog standards. FUJI must warrant the emission control system on your engine for the period of time described below, provided there has been no abuse, neglect or improper maintenance of your engine.

Your emission control system may include parts such as the carburetor and the ignition system. Also included may be hoses, connectors and other emission-related assemblies.

Where a warrantable condition exists, FUJI will repair your engine at no cost to you including diagnosis, parts and labor.

MANUFACTURER'S WARRANTY COVERAGE:

The 1995 and later engines are warranted for two (2) years. If any emission related part on your engine is defective, the part will be repaired or replaced by FUJI.

OWNER'S WARRANTY RESPONSIBILITIES:

As the engine owner, you are responsible for the performance of the required maintenance listed in your Owner's Manual. FUJI recommends that you retain all receipts covering maintenance on your engine, but FUJI cannot deny warranty solely for the lack of receipts or for your failure to ensure the performance of all scheduled maintenance.

As the engine owner, you should, however, be aware that FUJI may deny you warranty coverage if your engine or a part has failed due to abuse, neglect, improper maintenance or unapproved modifications. You are responsible for presenting your engine to a dealer, distributor or warranty station authorized by E-Z-GO DIVISION OF TEXTRON, INC. Augusta, Georgia, (herein "E-Z-GO") to which FUJI supplies the engine as soon as a problem exists. The warranty repairs should be completed in a reasonable amount of time, not to exceed 30 days.

If you have any questions regarding your warranty rights and responsibilities, you should contact the E-Z-GO Warranty Department at 1-800-241-5855.

LIMITED WARRANTY on Emission Control Systems - California Only -

FUJI, Tokyo, Japan, warrants to the owner of the 1995 and later engine that the engine (1) has been designed, built and equipped so as to conform at the time of manufacture with the applicable regulations of the California Air Resources Board, and (2) is free from defects in materials and workmanship which could cause it to fail to conform with those regulations as may be applicable in the terms and conditions stated below.

A. WARRANTY COMMENCEMENT DATE

The warranty period begins on the date the engine is delivered to a first retail purchaser.

B. LENGTH OF COVERAGE

FUJI warrants to a first retail purchaser and each subsequent purchaser that the engine is free from defects in materials and workmanship which could cause the failure of a warranted emission-related part for a period of two (2) years after the date of delivery to the first retail purchaser.

C. WHAT IS COVERED:

1. REPAIR OR REPLACEMENT PARTS

Repairs and replacement of any warranted part will be performed at no charge to you by an authorized dealer, distributor or a warranty station. You may contact the E-Z-GO Warranty Department at 1-800-241-5855 to get the nearest appropriate location where your warranty repairs are performed.

2. WARRANTY PERIOD

This warranty continues for a period of two (2) years and shall apply only to the repair, replacement or adjustment of the component parts which are not scheduled for replacement as required maintenance. Further, component parts which are scheduled only for regular inspection to the effect of "repair or replace as necessary" shall be warranted for the warranty period. Any warranted part which is scheduled for replacement as required maintenance shall be warranted for the period of time up to the first scheduled replacement point for that part.

3. DIAGNOSIS

You shall not be charged for diagnostic labor which leads to the determination that a warranted part is defective, if the diagnostic work is performed at an authorized dealer, distributor or warranty station.

4. CONSEQUENTIAL DAMAGES

LIMITED WARRANTY

If a warranted part failed causing damages to other engine components, consult a warranty station.

D. WHAT IS NOT COVERED

1. This limited warranty does not cover any part which malfunctions, fails or is damaged due to failure to follow the maintenance and operating instructions set forth in the 1995 and later Owner's Manual including:
 - (1) improper or inadequate scheduled engine inspection and maintenance
 - (2) improper or inadequate maintenance of any warranted parts
 - (3) improper installation, adjustment or repair of the engine or of any warranted part unless performed by an authorized dealer
 - (4) failure to follow recommendations on fuel use contained in the 1995 and later Owner's Manual
 - (5) repairs performed outside of the authorized warranty service facilities
 - (6) use of parts which are not authorized by FUJI.
2. Add-on or modified parts
This warranty does not cover any part which malfunctions, fails or is damaged due to alterations by changing, adding to or removing parts from the engine.
3. Expenses incurred by processing warranty claims
FUJI, any authorized dealer, distributors and warranty station shall not be liable for any loss of use of the engine, for any alternative usage, for any damage to goods, loss of time or inconvenience.

E. HOW TO FILE A CLAIM

All repairs qualifying under this Limited Warranty must be performed by a dealer who sold you the engine or distributors or warranty stations authorized by E-Z-GO. In the event that any emission-related part is found to be defective during the warranty period, you should notify E-Z-GO Warranty Department at 1-800-241-5855 and you will be given the appropriate warranty service facilities where the warranty repair is performed.

F. WHERE TO GET WARRANTY SERVICE

It is recommended that warranty service be performed by the authorized dealer who sold you the engine, although warranty service will be performed by any authorized dealers, distributors and warranty stations anywhere in the United States. When warranty repair is needed, the engine must be brought to an authorized dealer, distributorship or warranty station's place of business during normal business hours. In all cases, a reasonable time, not to exceed 30 days, must be allowed for the warranty repair to be completed after the engine is received by the authorized dealer, distributor or service station.

G. MAINTENANCE, REPLACEMENT AND REPAIR OF EMISSION-RELATED PARTS

Only warranted engine replacement parts approved by FUJI should be used in the performance of any warranty maintenance or repairs on emission-related parts. If other than authorized parts are used for maintenance, replacement or repair of components affecting emission control, you should assure yourself that such parts are warranted by their manufacturer to be equivalent to authorized parts in performance and durability. FUJI, however, assumes no liability under this warranty with respect to parts other than authorized parts. The use of non-authorized replacement parts does not invalidate the warranty on other components unless the non-authorized parts cause damage to warranted parts.

H. PARTS COVERED UNDER THE CALIFORNIA EMISSIONS WARRANTY

- (1) Fuel Metering System
 - (i) Carburetor and internal parts
 - (ii) Choke System
 - (iii) Fuel filter (annual maintenance item)
- (2) Air Induction System
 - (i) Air filter element (annual maintenance item)
- (3) Ignition System
 - (i) Spark plug (annual maintenance item)
 - (ii) Ignition Coil
 - (iii) Ignitor Complete
 - (iv) Pulser Coil
- (4) Exhaust Manifold
- (5) Miscellaneous Items Used in Above Systems
 - (i) Fuel hoses, clamps and sealing gaskets

I. MAINTENANCE STATEMENTS

It is your responsibility to have all scheduled inspection and maintenance services performed at the times recommended in the 1995 and later Owner's Manual and to retain proof that inspection and maintenance services are performed at the times when recommended. FUJI will not deny a warranty claim solely be-

LIMITED WARRANTY

cause you have no record of maintenance; however, FUJI may deny a warranty claim if your failure to perform required maintenance resulted in the failure of warranted part. The proof which you maintain should be given to each subsequent owner of the engine. You are responsible for performing the scheduled maintenance described below based on the procedures specified in the 1995 and later Owner's Manual. The scheduled maintenance below is based on the normal engine operating schedule.

PROCEDURE	INTERVAL
a) Check for sealing of fuel cap and proper operation of fuel gauge (at each fueling). Check that fuel cap vent is free of dirt	WEEKLY
b) Check engine for unusual noise, vibration acceleration.	MONTH (20 HOURS)
c) Check engine electrical system for coil/spark plug wire for cracks/loose connections.	3 MONTH (50 HOURS)
d) Check fuel system for leaks at tank cap, lines, filters, pump, carburetor. Check lines for cracks/deterioration.	3 MONTH (50 HOURS)
e) Check air cleaner filter element.	SEMIANNUAL (125 HOURS)
f) Replace engine oil, DO NOT OVERFILL. SAE 10W-30/10W-40 SF,SG,CC Oil	SEMIANNUAL (125-150 HOURS)
g) Clean oil filter in solvent (at oil change). Replace O-Rings if required.	SEMIANNUAL (125-150 HOURS)
h) Replace air cleaner filter element if required.	ANNUAL (250-300 HOURS)
i) Check fuel filter for dirt build up. (Replace as required)	ANNUAL (250-300 HOURS)
j) Check the spark plugs for gap 0.030. (Replace if required)	ANNUAL (250-300 HOURS)
k) Check timing belt tension, signs of wear/damage. Replace only if worn or damaged.	ANNUAL (250-300 HOURS)



E-Z-GO Division of Textron Inc.
P.O. Box 388 Augusta, Georgia 30903-0388
Telephone 1-800-241-5855

Copyrighted Material
This manual may not be reproduced in whole or
in part without the express permission of
E-Z-GO Division of Textron Inc.
Technical Communications Department