

SERVICE PARTS MANUAL

TRACKER

OFF ROAD™



Issued 03-19

694793-C
Revised 05-19

SERVICE PARTS MANUAL

GASOLINE EFI POWERED UTILITY VEHICLE

TRACKER LX4

STARTING MODEL YEAR 2020

Never modify the vehicle in any way that will alter the weight distribution of the vehicle, decrease its stability or increase the speed beyond the factory specifications. Such modifications can cause serious personal injury or death. The manufacturer prohibits and disclaims responsibility for any such modifications or any other alteration which would adversely affect the safety of the vehicle.

The manufacturer reserves the right to incorporate engineering and design changes to products in this manual, without obligation to include these changes on units sold previously.

The information contained in this manual may be revised periodically by the manufacturer, and therefore is subject to change without notice.

The manufacturer **DISCLAIMS LIABILITY FOR ERRORS IN THIS MANUAL**, and **SPECIFICALLY DISCLAIMS LIABILITY FOR INCIDENTAL AND CONSEQUENTIAL DAMAGES** resulting from the use of the information and materials in this manual.

These are the original instructions as defined by 2006/42/EC.

MANUFACTURER INFORMATION

Textron Specialized Vehicles, Inc.

1451 Marvin Griffin Road.

Augusta, Georgia, USA 30906-3852

Dealer: 800-296-4804

Consumer: 877-394-6727

www.trackeroffroad.com

GENERAL INFORMATION

To obtain a copy of the limited warranty applicable to the vehicle, call or write a local Distributor, authorized Branch or the Warranty Department with vehicle serial number and manufacturer code.

The use of non Original Equipment Manufacturer (OEM) approved parts may void the warranty.

Tampering with or adjusting the governor to permit vehicle to operate at above factory specifications will void the vehicle warranty.

When servicing engines, all adjustments and replacement components must be per original vehicle specifications in order to maintain the United States of America Federal and State emission certification applicable at the time of manufacture.

BATTERY PROLONGED STORAGE

All batteries will self discharge over time. The rate of self discharge varies depending on the ambient temperature and the age and condition of the batteries.

A fully charged battery will not freeze in winter temperatures unless the temperature falls below -75° F (-60° C).

BATTERY DISPOSAL

Lead-acid batteries are recyclable. Return whole scrap batteries to distributor, manufacturer or lead smelter for recycling. For neutralized spills, place residue in acid-resistant containers with absorbent material, sand or earth and dispose of in accordance with local, state and federal regulations for acid and lead compounds. Contact local and/or state environmental officials regarding disposal information.

TABLE OF CONTENTS

SECTION	Page No.
HOW TO USE THE SERVICE PARTS MANUAL.....	V
ACCELERATOR.....	A - 1
AIR FILTER.....	B - 1
BODY.....	C - 1
BRAKES.....	D - 1
CLUTCH.....	E - 1
DIRECTION SELECTOR.....	F - 1
ELECTRICAL.....	G - 1
ENGINE AND MUFFLER.....	H - 1
ENGINE MOUNTING.....	J - 1
FRONT SUSPENSION AND STEERING.....	K - 1
FUEL SYSTEM.....	L - 1
REAR AXLE.....	M - 1
REAR SUSPENSION.....	N - 1
SEATING.....	P - 1
STARTER/GENERATOR.....	R - 1
WEATHER PROTECTION.....	S - 1
WHEELS AND TIRES.....	T - 1
DECALS AND LABELS.....	U - 1

NOTES

A large grid area for taking notes, consisting of approximately 28 columns and 35 rows.

HOW TO USE THE SERVICE PARTS MANUAL

This manual is divided into several sections:

- GENERAL INFORMATION
- ILLUSTRATED PARTS BREAKDOWN

The first section, GENERAL INFORMATION, contains the following information:

- WARRANTY INFORMATION
- TABLE OF CONTENT
- HOW TO USE THE SERVICE PARTS MANUAL

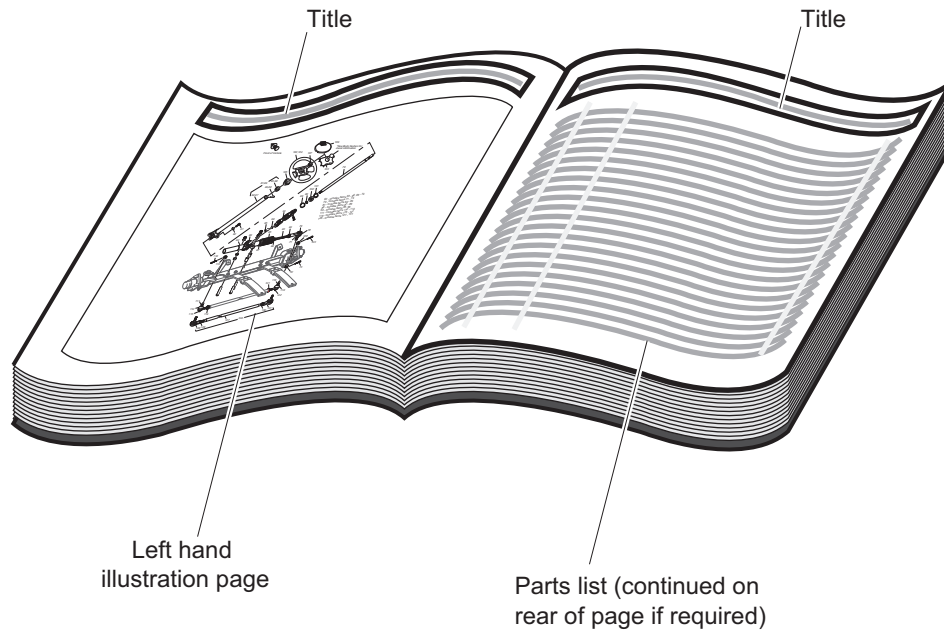
The second section, ILLUSTRATED PARTS BREAKDOWN, contains illustrations and parts lists for all systems of your vehicle.

USE OF THE MANUAL

To use this manual, consult the TABLE OF CONTENTS to locate the information or illustration required.

Introduction of some revisions varies due to supply of components; therefore, it is possible that various combinations of components may be found that are not directly reflected by each illustration. Consult the illustration that best suits your situation and then contact the Service Parts Department. It is important that the serial number or VIN of your vehicle and the model name be supplied to Service Parts when ordering any replacement components.

HOW TO USE THE SERVICE PARTS MANUAL



1. WHEN THE PART NUMBER IS NOT KNOWN

- Determine the function and application of the part required. Turn to the Table of Content and select the most appropriate title.
- Turn to the page number indicated and locate the desired part on the illustration.
- From the illustration, obtain the item number assigned to the desired part. Refer to the accompanying description for specific information regarding the part.

2. IF YOU KNOW THE PART NUMBER

- Locate the part number or description in the appropriate column on the parts list page.

NOTE: It is suggested that you confirm that the part selected is correct by verifying it with the pictorial representation on the illustrated page.

Should an asterisk (*) appear in the part number column on the parts list page, read upwards until a part number is found. The part number is the lowest assembly sold by Service Parts and the asterisk (*) indicates that the part depicted is not available for purchase.

NOTE: Descriptions are indented under the assembly that they are used on. That assembly is, in turn listed under the assembly that it is used on. This process is repeated until the highest final assembly is reached.

To facilitate the maintenance and repair of the vehicle, a Repair and Service Manual is available from the Service Parts Department.

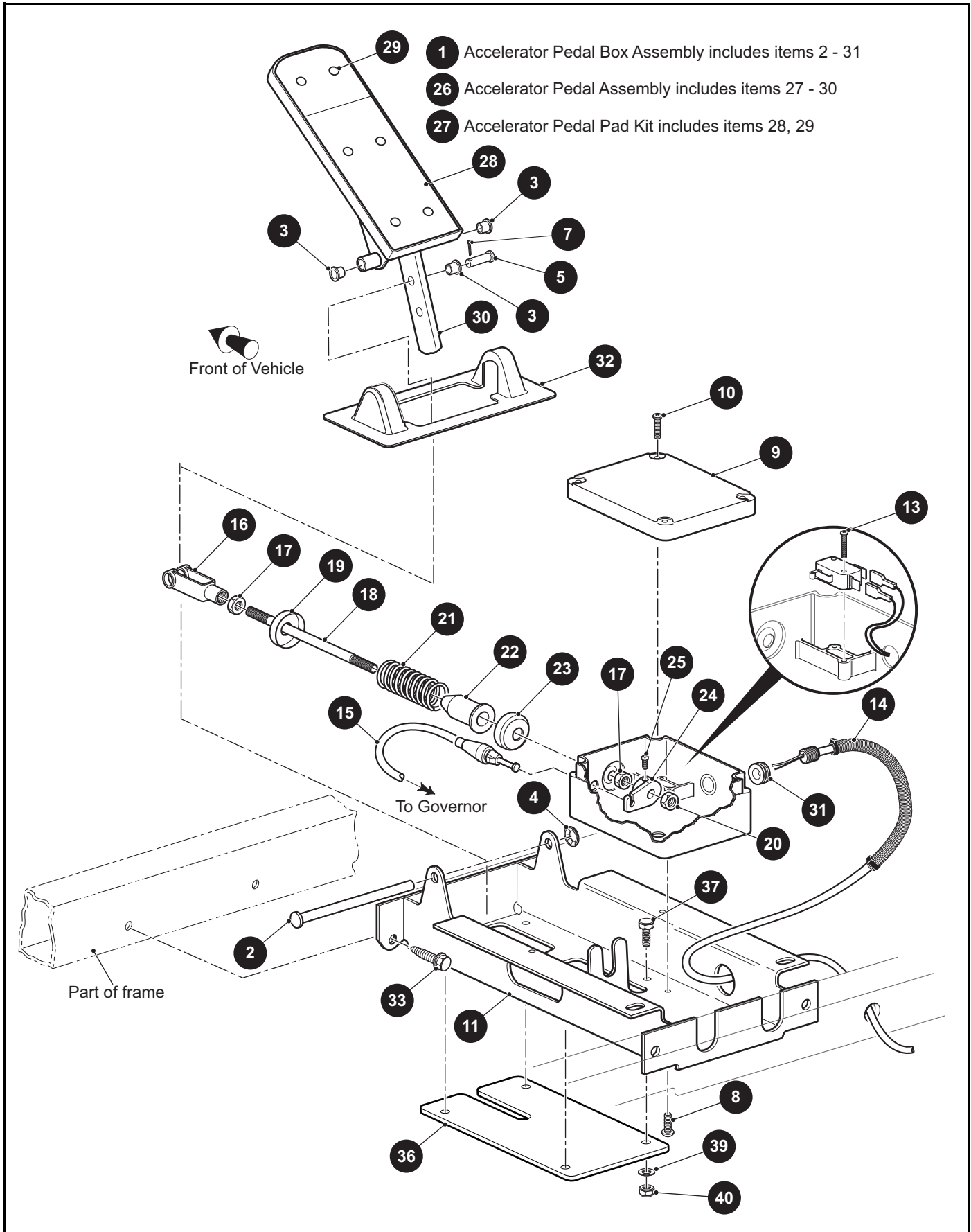
3. COLOR CODE FOR BODY COMPONENTS

The last two digits of the part number for the body part will denote the color code, locate the part number for the cowl, rear body, seat pod, side panel or seat wrap then locate your color in the list below, replace the last ** or XX with the two digit color code.

<u>CODE #</u>	<u>DESCRIPTION</u>
---------------	--------------------

11	BLACK
39	FLAME RED

ACCELERATOR



THE USE OF NON U.L. PARTS WILL VOID ANY U.L. LISTING.

When ordering parts, please specify the model and serial number of the product.

* Indicates a component that is not available as an individual part.

*** Indicates consult Customer Service Department for additional information.

ITEM	PART NO.	1 2 3 4 5	DESCRIPTION	QTY.
1	660444		Accelerator Pedal Box Assembly (Includes Items 2 - 31)	1
2	74432G01		Pedal Pivot Pin	1
3	17838G1		Nyliner Bushing	3
4	12064G6		Push Nut.....	1
5	10386G3		Clevis Pin, 5/16" x 13/16"	1
6				
7	10387G3		Cotter Pin, 3/32" x 3/4"	1
8	01051G01		Pan Head Phillips Screw, #8 - 16 x 1/2" Lg	4
9	25853G03		Pedal Box and Cover.....	1
10	00684G6		Truss Head Phillips Screw, #8 - 16 x 1/2" Lg.....	2
11	652241G03		Accelerator Pedal Bracket	1
12				
13	01050G02		Pan Head Torx Screw, #4 - 20 x 5/8" Lg.....	2
14	658940		Pedal Box Harness.....	1
15	608608		Accelerator Cable	1
16	10385G4		Clevis Yoke	1
17	00532G4		Hex Nut, 5/16" - 24	2
18	72072G01		Accelerator Rod.....	1
19	17677G2		Spring Retainer.....	1
20	15126G1		Lock Nut, 5/16" - 24.....	1
21	73046G01		Compression Spring	1
22	17979G1		Accelerator Rod Bushing.....	1
23	17677G1		Spring Retainer.....	1
24	72716G01		Cam (Micro Switch)	1
25	00487G3		Socket Head Screw, 1/4" - 20 x 3/8" Lg.....	1
26	25799G03		Accelerator Pedal Assembly (Includes Items 27 - 30)	1
27	27844G01		Accelerator Pedal Pad Kit (Includes Items 28, 29).....	1
28	27512G01		Pedal Pad	1
29	15766G1		Oval Rivet, 3/8" x 15/32" Lg.....	6
30	*		Accelerator Pedal.....	1
31	654645		Grommet (Rubber)	1

ACCELERATOR

THE USE OF NON U.L. PARTS WILL VOID ANY U.L. LISTING.

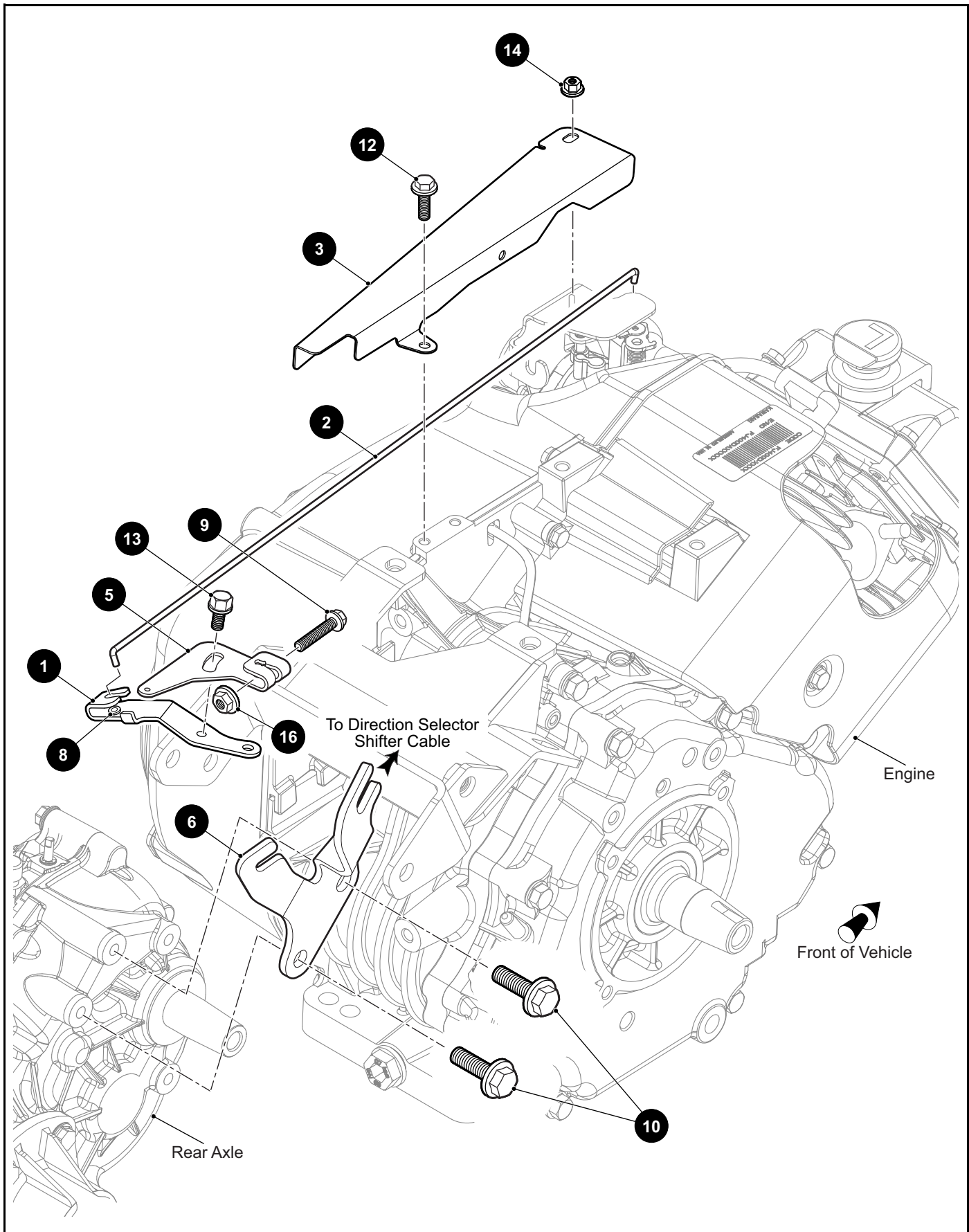
When ordering parts, please specify the model and serial number of the product.

* Indicates a component that is not available as an individual part.

*** Indicates consult Customer Service Department for additional information.

ITEM	PART NO.	1	2	3	4	5	DESCRIPTION	QTY.
32	70135G01						Pedal Pivot Cover	1
33	00715G2						Hex Washer Head Bolt, 5/16" - 18 x 3/4" Lg.....	4
34								
35								
36	652780G03						Pedal Guard	1
37	00414G6						Hex Head Bolt, 1/4" - 20 x 3/4" Lg, Grade 5.....	4
38								
39	01110G01						Flat Washer (SS), 1/4"	4
40	00654G2						Lock Nut (SS), 1/4" - 20.....	4
41								
42	17618G1						Nylon Clamp, 8" Lg (Not Illustrated)	3

ACCELERATOR



THE USE OF NON U.L. PARTS WILL VOID ANY U.L. LISTING.

When ordering parts, please specify the model and serial number of the product.

* Indicates a component that is not available as an individual part.

*** Indicates consult Customer Service Department for additional information.

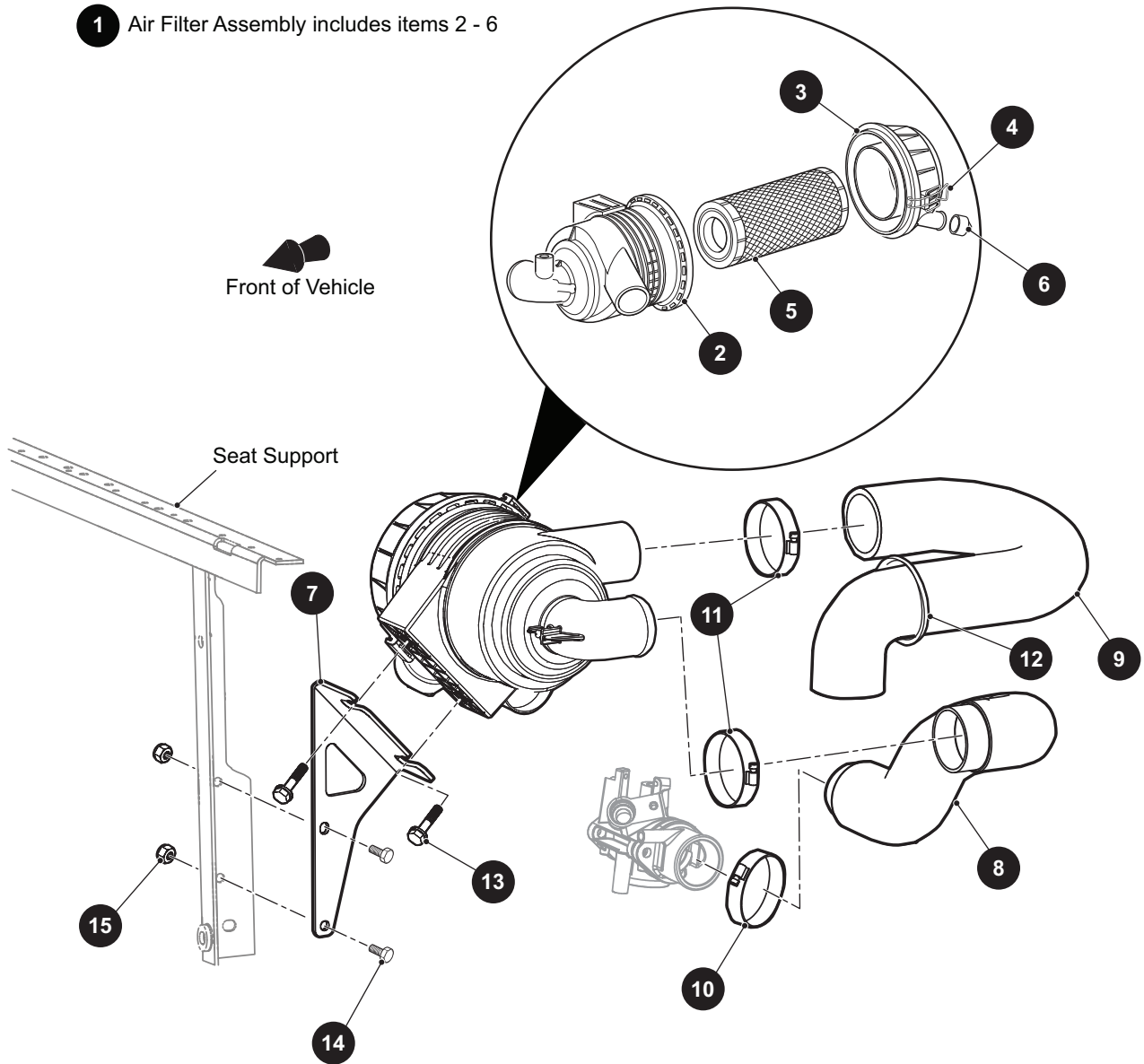
ITEM	PART NO.	1 2 3 4 5	DESCRIPTION	QTY.
1	606005		Governor Bracket (Lower).....	1
2	606284		Governor Link Rod.....	1
3	660005		Governor Rod Guard.....	1
4				
5	606083		Governor Bracket (Upper).....	1
6	632936		Governor Cable / Direction Selector Bracket.....	1
7				
8	606283		Governor Lever Bushing.....	1
9	606421		Flanged Hex Head Bolt, M6 - 1 x 30mm Lg, Grade 8.8.....	1
10	606256		Flanged Hex Head Bolt, M10 - 1.25 x 25mm Lg, Grade 8.8.....	2
11				
12	606264		Flanged Hex Head Bolt, M6 - 1 x 20mm Lg, Grade 8.8.....	1
13	73876G01		Flanged Hex Head Bolt, M6 - 1 x 12mm Lg, Grade 8.8.....	1
14	601476		Lock Nut, M6 - 1.....	1
15				
16	450452		Flanged Hex Nut, M6 - 1.....	1

Notes:

A large grid of 30 columns and 30 rows, intended for taking notes. The grid is empty and occupies the central portion of the page.

AIR FILTER

1 Air Filter Assembly includes items 2 - 6



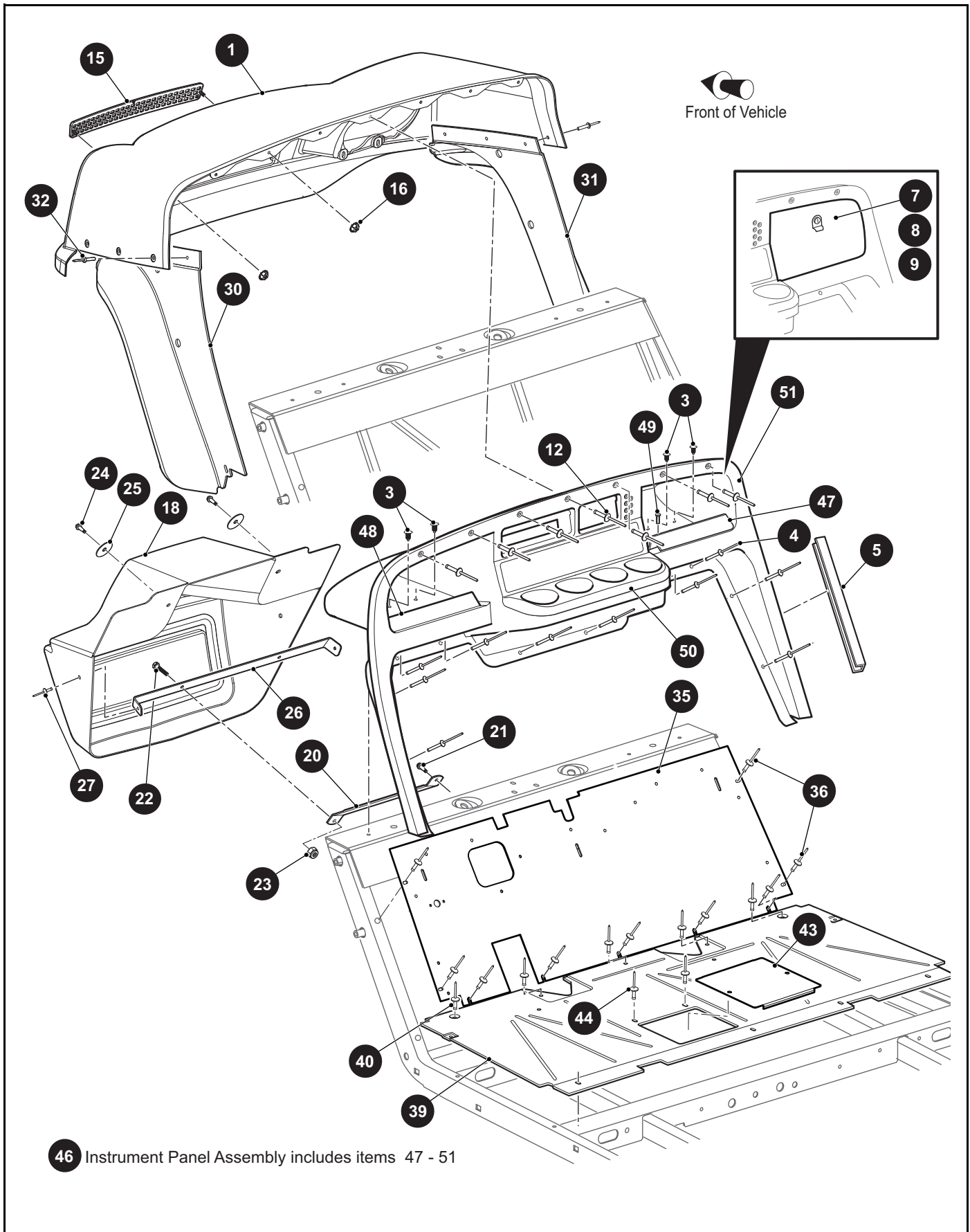
THE USE OF NON U.L. PARTS WILL VOID ANY U.L. LISTING.

When ordering parts, please specify the model and serial number of the product.

* Indicates a component that is not available as an individual part.

*** Indicates consult Customer Service Department for additional information.

ITEM	PART NO.	1 2 3 4 5	DESCRIPTION	QTY.
1	658941		Air Filter Assembly (Includes Items 2 - 6).....	1
2	659139		Air Cleaner Assembly	1
3	658957		Air Cleaner Cover	1
4	72604G01		Air Cleaner Clip	2
5	28463G01		Air Filter	1
6	28462G01		Dust Ejector Valve	1
7	659142		Air Cleaner Mounting Bracket	1
8	601910		Air Filter Tube.....	1
9	661661		Intake Extension Hose	1
10	11391G5		Hose Clamp, .81"	1
11	11391G7		Hose Clamp, 1.56"	2
12	12416G2		Nylon Clamp, 11.8" Lg	1
13	606261		Flanged Hex Head Bolt, M8 - 1.25 x 20mm Lg, Grade 8.8.....	2
14	00414G7		Hex Head Bolt, 1/4" - 20 x 7/8" Lg, Grade 5	2
15	14390G4		Lock Nut, 1/4" - 20	2



THE USE OF NON U.L. PARTS WILL VOID ANY U.L. LISTING.

When ordering parts, please specify the model and serial number of the product.

* Indicates a component that is not available as an individual part.

*** Indicates consult Customer Service Department for additional information.

ITEM	PART NO.	1 2 3 4 5	DESCRIPTION	QTY.
1	613036G0XX		Cowl (See COLOR CODES in HOW TO USE Section)	1
2				
3	16816G2		Ratchet Fastener, 1/4" x .887" Lg.....	4
4	71055G01		Rivet (Aluminum), 3/16" x .985" Lg	10
5	71115G01		Trim (Vinyl)	1
6				
7	75459G01		Glove Box Doors (Both Sides)	1
8	75459G02		Glove Box Door (Driver Side).....	1
9	75459G03		Glove Box Door (Passenger Side)	1
10				
11				
12	71055G01		Rivet (Aluminum), 3/16" x .985" Lg	7
13				
14				
15	617643		Cowl Grill Cover	1
16	71597G01		Self Threading Nut, 5mm x 10mm x 15mm	2
17				
18	613273		Front Fascia	1
19				
20	654276		Front Fascia Mounting Brace	1
21	01038G01		Hex Washer Head Swageform Screw, 1/4" - 20 x .70" Lg	1
22	00414G6		Hex Head Bolt, 1/4" - 20 x 1/2" Lg, Grade 5	1
23	14390G4		Lock Nut, 1/4" - 20	1
24	01038G01		Hex Washer Head Swageform Screw, 1/4" - 20 x .70" Lg	2
25	16469G1		Fender Washer	2
26	654275		Front Fascia Mounting Bracket	1
27	15058G1		Rivet (Aluminum), 3/16" x .450" Lg	2
28				
29				
30	614378		Fender Flare (Driver Side)	1
31	613274		Fender Flare (Passenger Side).....	1

BODY

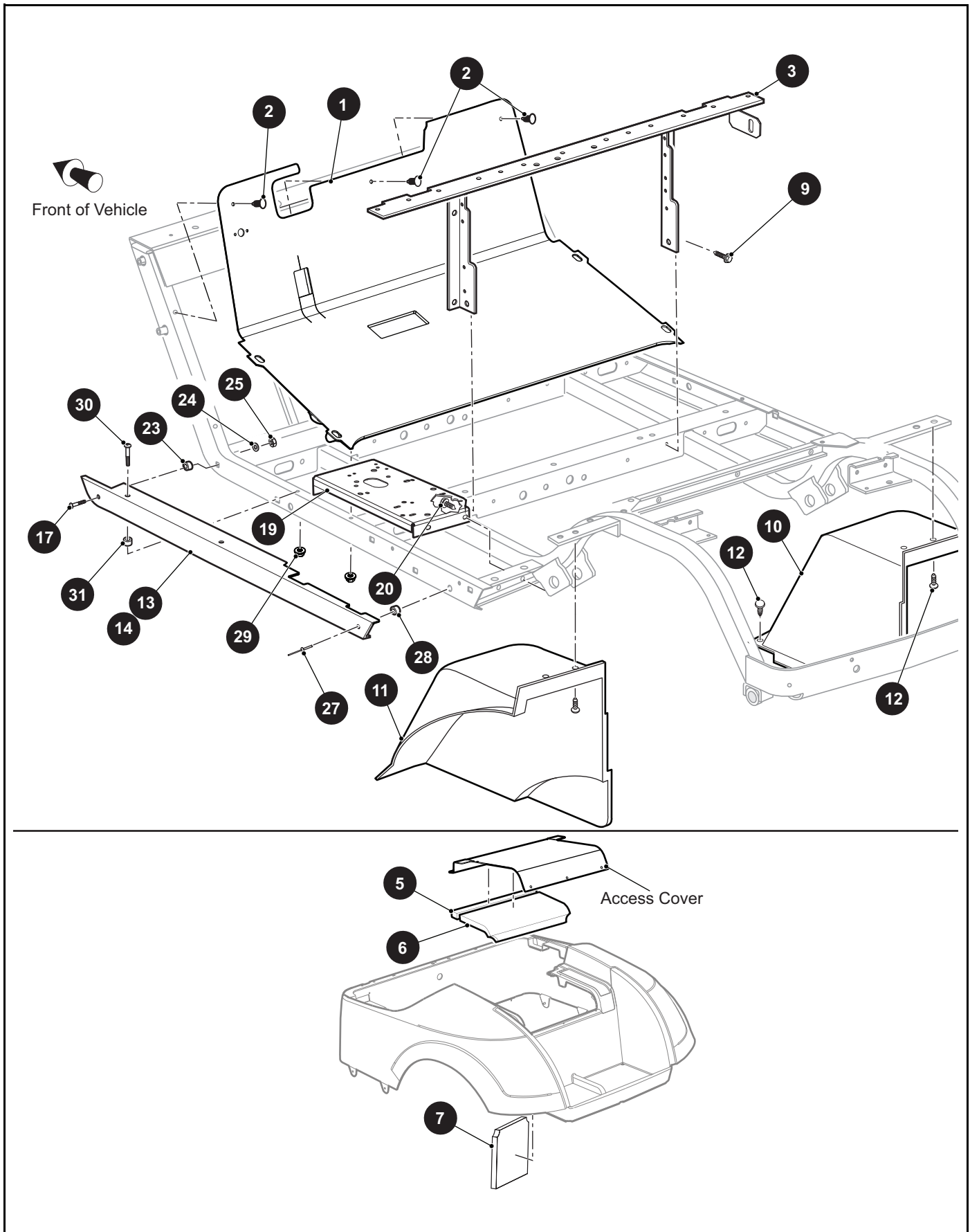
THE USE OF NON U.L. PARTS WILL VOID ANY U.L. LISTING.

When ordering parts, please specify the model and serial number of the product.

* Indicates a component that is not available as an individual part.

*** Indicates consult Customer Service Department for additional information.

ITEM	PART NO.	1 2 3 4 5	DESCRIPTION	QTY.
32	71055G01		Rivet (Aluminum), 3/16" x 1.118" Lg.....	3
33				
34				
35	641260		Upper Floor Panel	1
36	14601G11		Rivet (Aluminum), 3/16" x .575" Lg.....	9
37				
38				
39	70451G01		Lower Floor Panel	1
40	14601G11		Rivet (Aluminum), 3/16" x .575" Lg.....	5
41				
42				
43	70452G01		Access Cover	1
44	14601G11		Rivet (Aluminum), 3/16" x .575" Lg.....	2
45				
46	71151G03		Instrument Panel Assembly (Includes Items 47 - 51)	1
47	71153G01		Deflector (Passenger Side).....	1
48	71154G01		Deflector (Driver Side).....	1
49	00614G3		Pan Head Phillips Screw, #8 - 15 x 3/8" Lg.....	4
50	71158G01		Instrument Panel Insert (Four Cup).....	1
51	71152G01		Instrument Panel	1



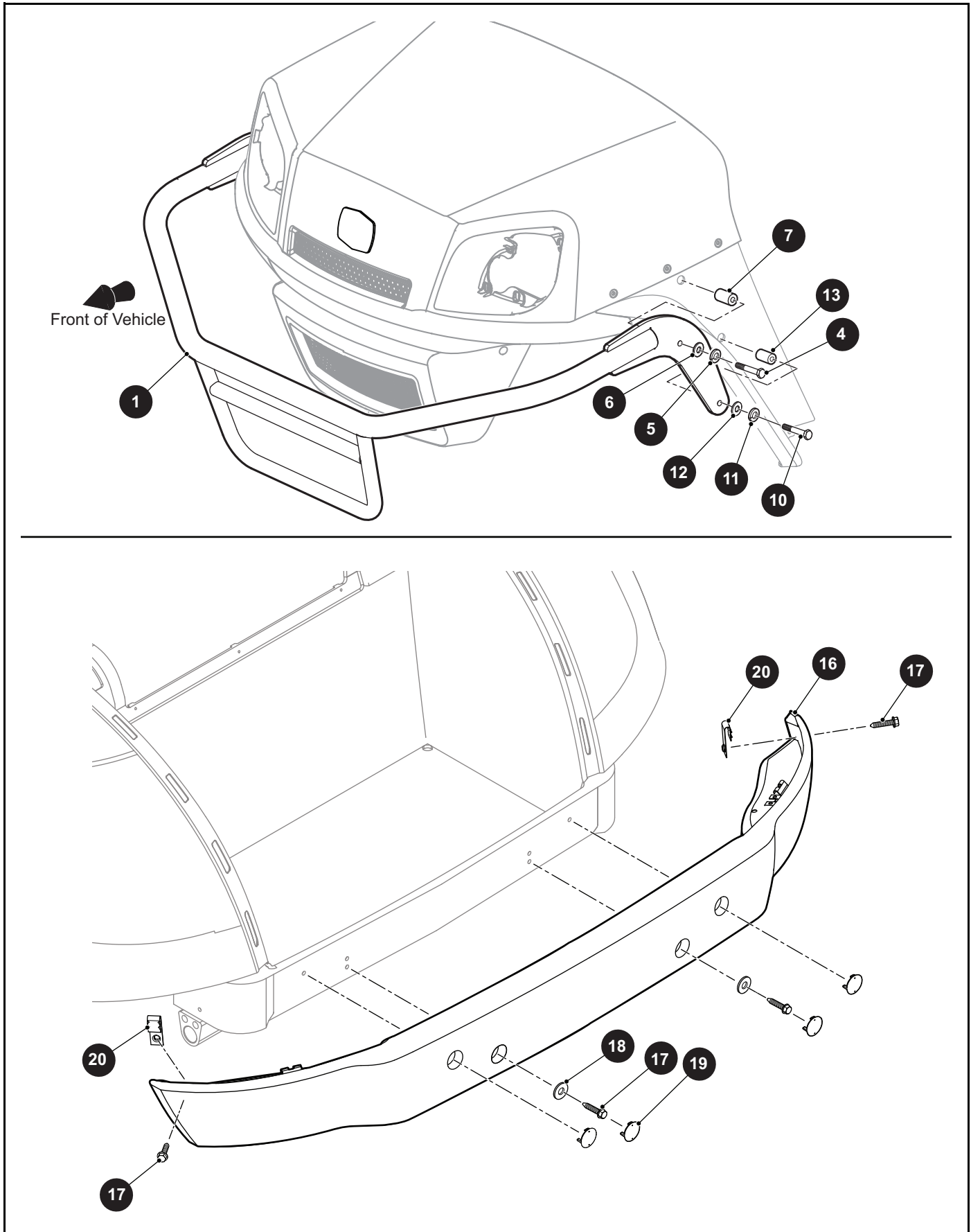
THE USE OF NON U.L. PARTS WILL VOID ANY U.L. LISTING.

When ordering parts, please specify the model and serial number of the product.

* Indicates a component that is not available as an individual part.

*** Indicates consult Customer Service Department for additional information.

ITEM	PART NO.	1 2 3 4 5	DESCRIPTION	QTY.
1	637535G02		Floormat with Horn Holes.....	1
2	16816G1		Ratchet Rivet, .25" x .72"	3
3	659143		Seat Frame	1
4				
5	659357		Sound Treatment, Small (Access Cover)	1
6	657950		Sound Treatment, Large (Access Cover).....	1
7	657953		Sound Treatment (Rear Body)	1
8				
9	00715G2		Hex Washer Head Screw, 5/16" - 18 x .8" Lg.....	2
10	635054G02		Fender Liner (Passenger Side).....	1
11	635054G01		Fender Liner (Driver Side).....	1
12	16816G2		Ratchet Fastener, 1/4" x .887" Lg	4
13	639948G01		Rocker Panel (Driver Side)	1
14	639948G02		Rocker Panel (Passenger Side).....	1
15				
16				
17	00789G2		Truss Head Phillips Screw, #10 - 24 x 1.25" Lg	1
18				
19	70244G05		Splash Panel.....	1
20	00715G2		Hex Washer Head Screw, 5/16" - 18 x .8" Lg.....	4
21				
22				
23	23726G4		Spacer, .298" Lg.....	1
24	00660G5		Flat Washer, #10	1
25	14390G10		Lock Nut, #10 - 24.....	1
26				
27	15058G6		Rivet (Aluminum), 3/16" x .937" Lg	1
28	23726G4		Spacer, .298" Lg.....	1
29	601476		Flanged Lock Nut, 1/4" - 20	2
30	634161		Flanged Button Head Torx Bolt (SS), M6 - 1 x 30mm Lg	2
31	23726G4		Spacer, .298" Lg.....	2



THE USE OF NON U.L. PARTS WILL VOID ANY U.L. LISTING.

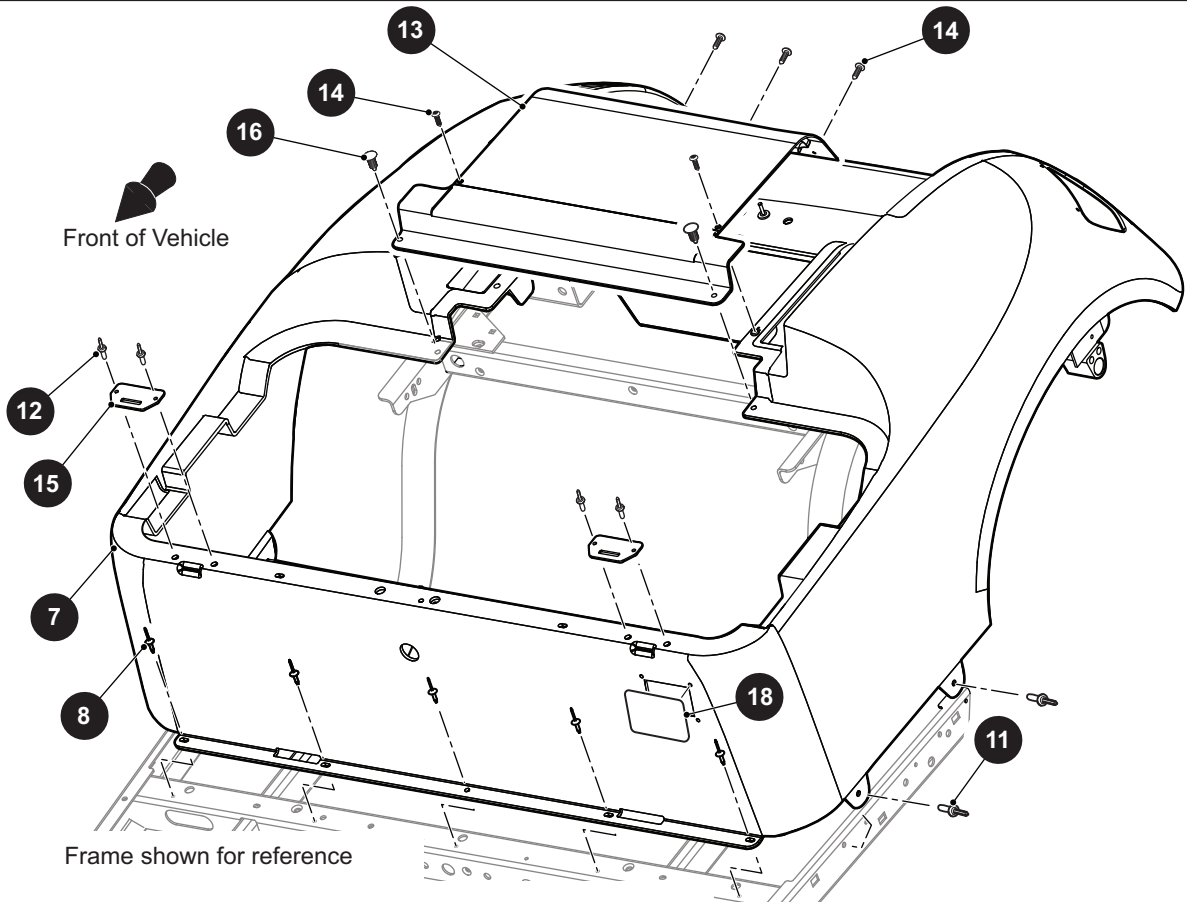
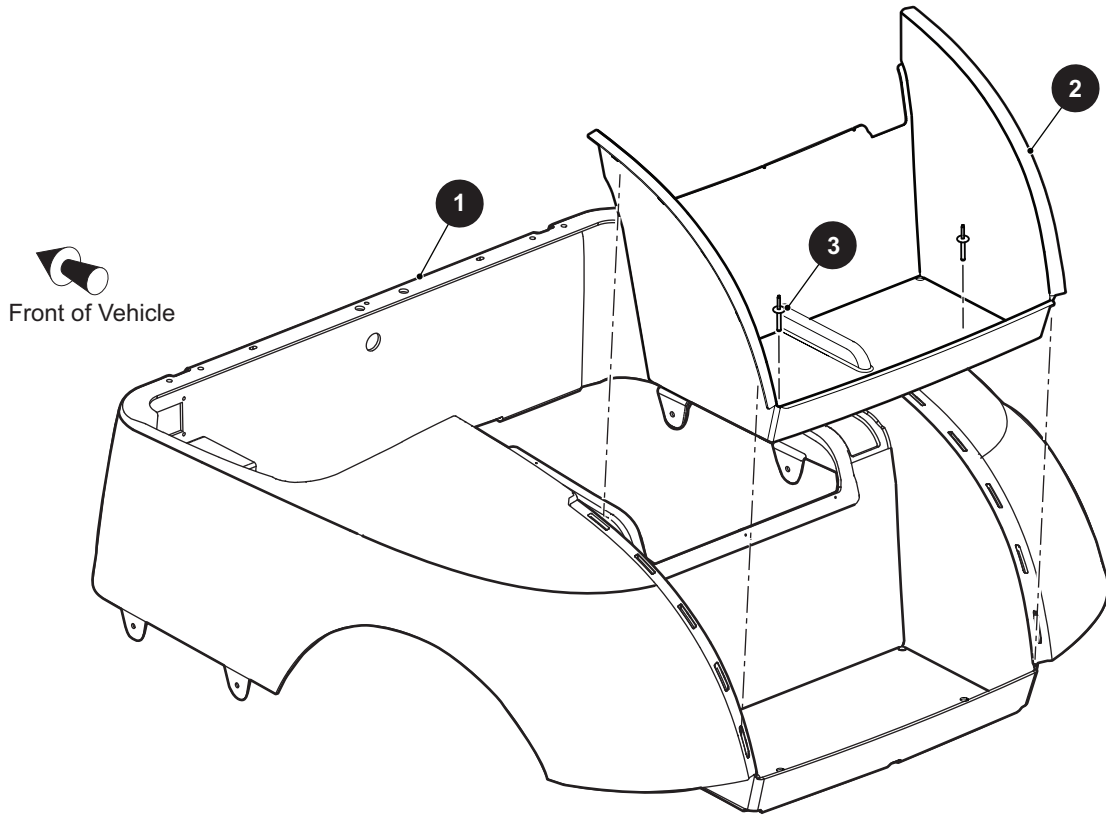
When ordering parts, please specify the model and serial number of the product.

* Indicates a component that is not available as an individual part.

*** Indicates consult Customer Service Department for additional information.

ITEM	PART NO.	1 2 3 4 5	DESCRIPTION	QTY.
1	617620		Brushguard	1
2				
3				
4	00440G6		Hex Head Bolt, 5/16" - 18 x 2 3/4" Lg, Grade 5	2
5	00565G8		Lock Washer, 5/16"	2
6	00559G8		Flat Washer, 5/16"	2
7	75048G02		Spacer, 1.31" Lg.....	2
8				
9				
10	00440G2		Hex Head Bolt, 5/16" - 18 x 2 1/4" Lg, Grade 5	2
11	00565G8		Lock Washer, 5/16"	2
12	00559G8		Flat Washer, 5/16"	2
13	75048G04		Spacer, 1" Lg.....	2
14				
15				
16	71451G02		Rear Bumper.....	1
17	71102G01		Hex Head Bolt, 1/4" - 20 x 3/4" Lg, Grade 5	4
18	00571G2		Flat Washer, 5/16"	2
19	71455G01		Bumper Plug	4
20	71554G01		J-Type Nut Retainer, 1/4" - 20.....	2

BODY



THE USE OF NON U.L. PARTS WILL VOID ANY U.L. LISTING.

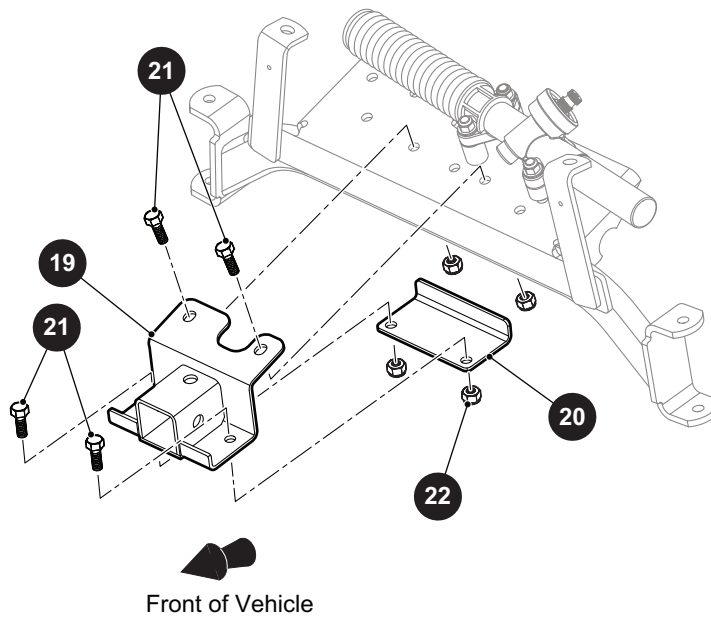
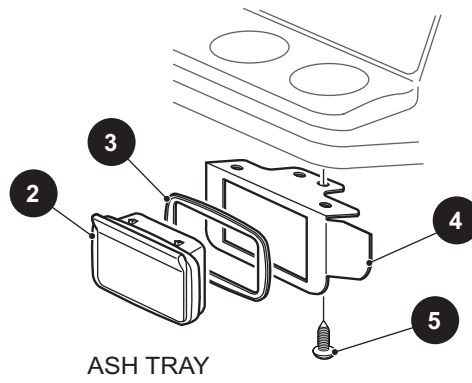
When ordering parts, please specify the model and serial number of the product.

* Indicates a component that is not available as an individual part.

*** Indicates consult Customer Service Department for additional information.

ITEM	PART NO.	1 2 3 4 5	DESCRIPTION	QTY.
1	625272G1XX		Rear Body (without Taillights) (See COLOR CODE in HOW TO USE section)	1
2	624374		Bagwell Liner.....	1
3	633917		Rivet (Plastic).....	2
4				
5				
6				
7	625272G0XX		Rear Body (with Taillights) (See COLOR CODE in HOW TO USE section)	1
8	10570G10		Rivet (SS), 5/32" x .55" Lg	5
9				
10				
11	10570G12		Rivet (Aluminum), .257" x .556" Lg	4
12	10570G11		Rivet (SS), 5/32" x .70" Lg	2
13	71320G01		Access Panel	1
14	01107G01		Pan Head Torx Screw (SS), #8 x .63" Lg	5
15	71609G01		Seat Hinge Plate	1
16	16816G2		Ratchet Rivet, .25" x .887"	2
17				
18	666066		Charger Receptacle Cover.....	1

1 Ash Tray Kit includes items 2 - 5



THE USE OF NON U.L. PARTS WILL VOID ANY U.L. LISTING.

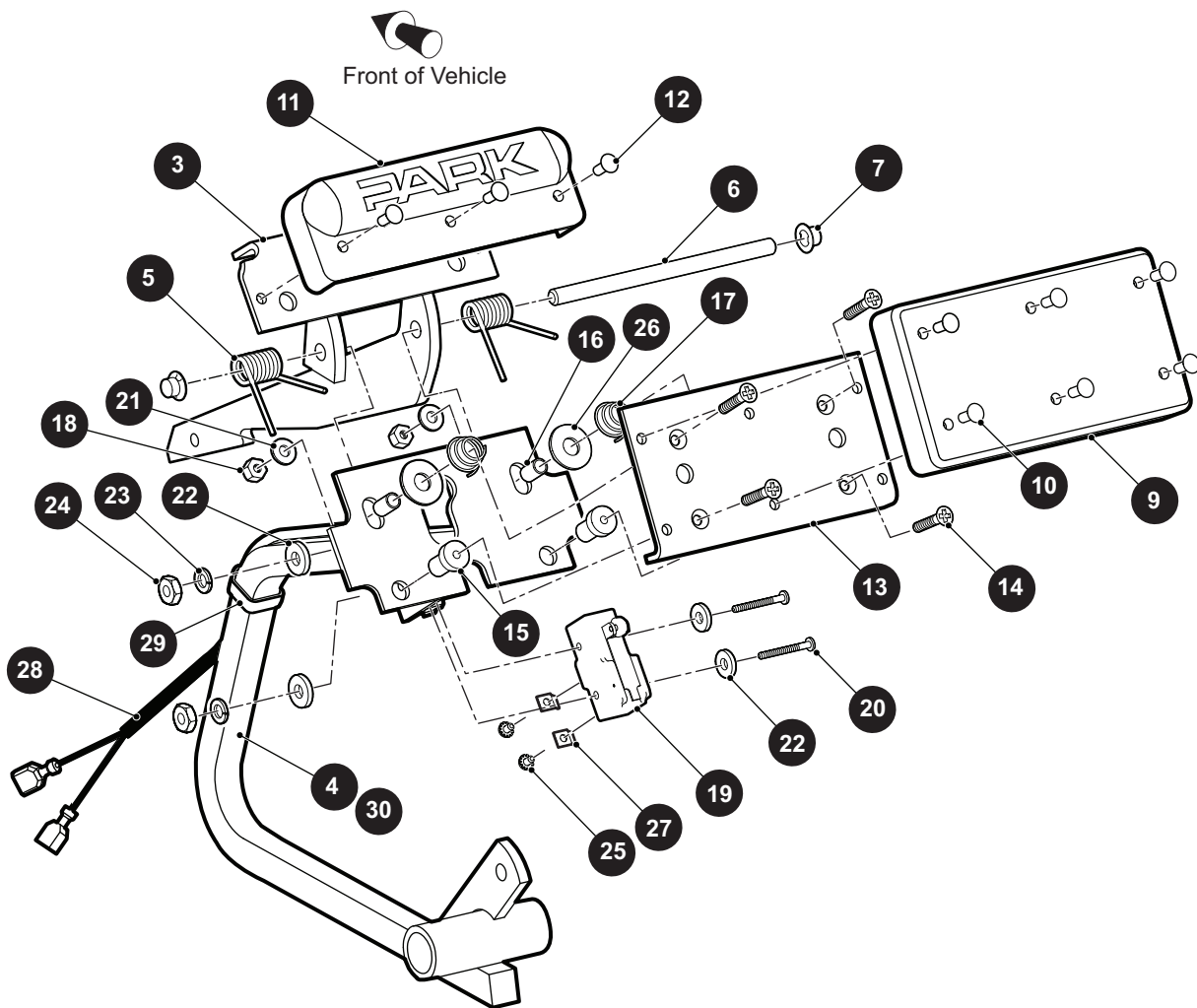
When ordering parts, please specify the model and serial number of the product.

* Indicates a component that is not available as an individual part.

*** Indicates consult Customer Service Department for additional information.

ITEM	PART NO.	1 2 3 4 5	DESCRIPTION	QTY.
1	75109G04		Ash Tray Kit (Includes Items 2 - 5).....	1
2	27731G01		Ash Tray	1
3	27736G01		Gasket	1
4	75108G02		Bracket	1
5	00106G6		Pan Head Phillips Self Tapping Screw, #12 - 24 x .75" Lg	4
6				
7				
8				
9				
10				
11				
12				
13				
14				
15				
16				
17				
18				
19	635202		Winch Receiver	1
20	604572		Winch Receiver Retainer Plate	1
21	00462G8		Hex Head Bolt, 7/16" - 14 x 1" Lg	4
22	00734G1		Lock Nut, 7/16" - 14	4

- 1 Brake Pedal Assembly (without Brake Lights) includes items 3 - 12
- 2 Brake Pedal Assembly (with Brake Lights) includes items 3, 5 - 30



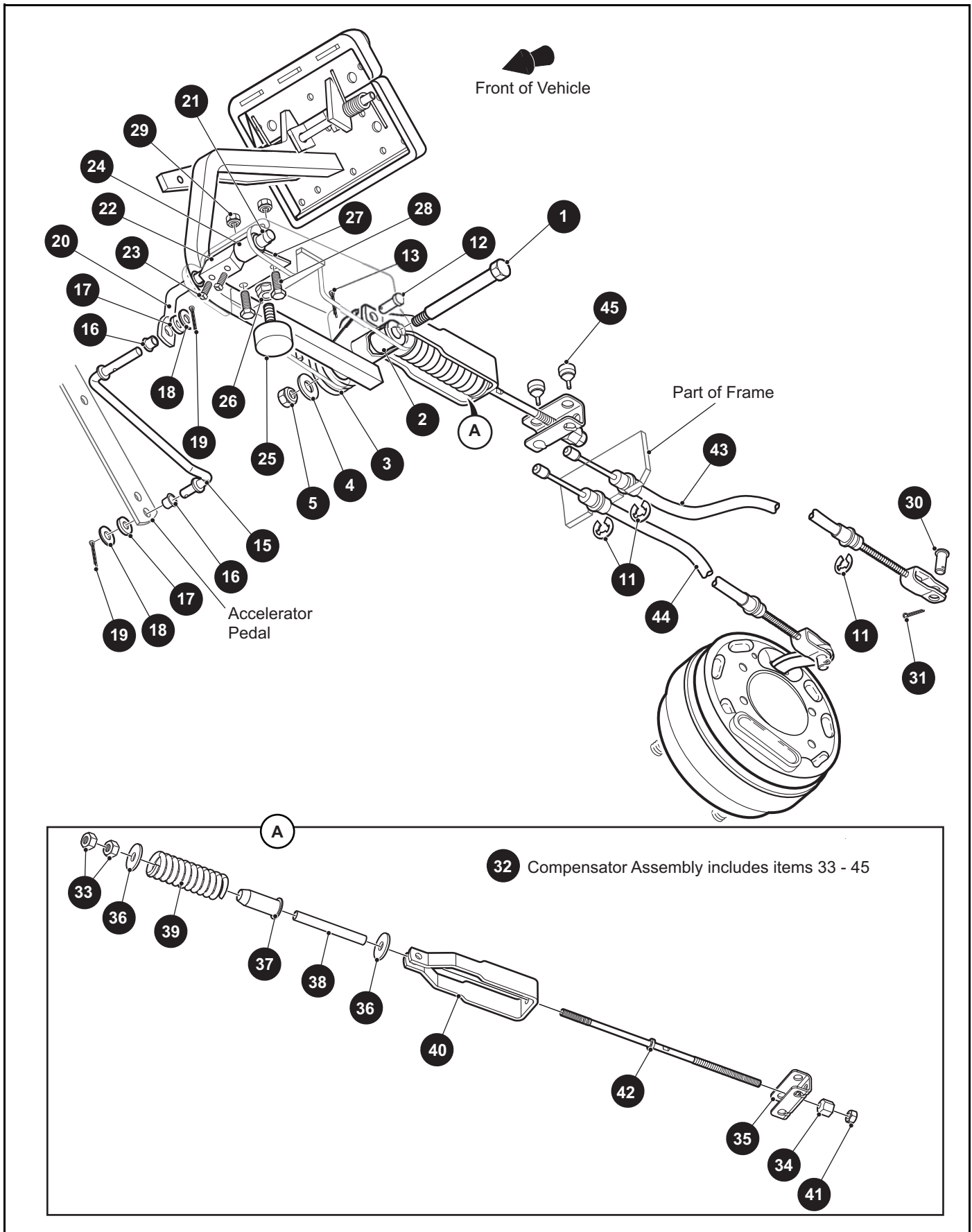
THE USE OF NON U.L. PARTS WILL VOID ANY U.L. LISTING.

When ordering parts, please specify the model and serial number of the product.

* Indicates a component that is not available as an individual part.

*** Indicates consult Customer Service Department for additional information.

ITEM	PART NO.	1 2 3 4 5	DESCRIPTION	QTY.
1	70612G02		Brake Pedal Assembly (without Lights) (Includes Items 3 - 12)	1
2	70690G02		Brake Pedal Assembly (with Lights) (Includes Items 3, 5 - 30)	1
3	652253G03		Park Brake Pedal.....	1
4	652251G03		Brake Pedal (without Lights).....	1
5	70681G01		Torsion Spring.....	2
6	70682G01		Pivot Pin	1
7	658825		Push Nut, 5/16" - 24	2
8				
9	70257G01		Service Brake Pad.....	1
10	16409G1		Oval Rivet, .375" x .468" Lg.....	6
11	70256G01		Park Brake Pedal Pad	1
12	16409G1		Oval Rivet, .375" x .468" Lg.....	3
13	652820		Service Brake Pedal Plate	1
14	00737G8		Flat Head Phillips Screw, #10 - 24 x .875" Lg, Grade 5.....	4
15	00739G1		Rubber Well Nut, #10 - 24	2
16	652355		Brake Pedal Spacer.....	2
17	27137G01		Conical Spring	2
18	14390G10		Lock Nut, #10 - 24	2
19	10606G8		Micro Switch	1
20	00645G2		Pan Head Phillips Screw, #6 - 32 x 1 1/4" Lg	1
21	00559G5		Flat Washer, #10.....	2
22	00559G3		Flat Washer, #6.....	2
23	00565G3		Lock Washer, #6	1
24	00525G5		Lock Nut, #6 - 32	1
25	13514G1		Limit Switch Screw, #6 - 32 x .22" Lg	1
26	00642G8		Flat Washer, 5/16"	2
27	14628G1		Faston Tab.....	1
28	24605G1		Wire Harness (Brake Light)	1
29	17618G1		Wire Tie	2
30	652791G03		Brake Pedal (with Lights).....	1



THE USE OF NON U.L. PARTS WILL VOID ANY U.L. LISTING.

When ordering parts, please specify the model and serial number of the product.

* Indicates a component that is not available as an individual part.

*** Indicates consult Customer Service Department for additional information.

ITEM	PART NO.	1 2 3 4 5	DESCRIPTION	QTY.
1	70582G01		Shoulder Bolt (SS), 3/8" - 16 x 3.406" Lg.....	1
2	70581G01		Flanged Bushing, .1.062" O.D. x .795" I.D.....	2
3	70676G01		Torsion Spring	1
4	00643G1		Lock Washer, 3/8"	1
5	11098G5		Lock Nut, 3/8" - 16	1
6	01038G01		Hex Washer Head Bolt, 1/4" - 20 x .7" Lg (Not Illustrated).....	1
7	12416G2		Nylon Wedge Lock Clamp (Not Illustrated).....	3
8				
9				
10				
11	01111G01		Retaining Ring (SS), Dia. .8".....	4
12	10386G3		Clevis Pin, .438" x .938" Lg.....	1
13	10387G3		Cotter Pin, .094" x .75" Lg.....	1
14				
15	70601G01		Kick-off Link.....	1
16	17838G1		Nylon Bushing, .37" O.D. x .31" I.D.....	2
17	20835G1		Teflon Washer, 3/8"	2
18	00559G8		Flat Washer, 5/16".....	2
19	10387G3		Cotter Pin, .094" x .75" Lg.....	2
20	70098G01		Kick-off Cam Pivot.....	1
21	10097G6		Flanged Bearing.....	2
22	70587G01		Kick-off Cam.....	1
23	71215G01		Set Screw with Patch Lock, 1/4" - 20 x 1/2" Lg.....	2
24	14134G4		Spacer, .76" O.D. x .395" I.D. x 1.25" Lg	1
25	70113G01		Adjustable Bumper.....	1
26	11027G1		Lock Nut, 5/16 - 18"	1
27	70080G02		Catch Bracket.....	1
28	00414G6		Hex Head Bolt, 1/4" - 20 x 3/4" Lg, Grade 5	2
29	14390G4		Lock Nut (SS), 1/4" - 20	2
30	10386G3		Clevis Pin, .438" x .938" Lg.....	1
31	10387G3		Cotter Pin, .094" x .75" Lg.....	1

BRAKES

THE USE OF NON U.L. PARTS WILL VOID ANY U.L. LISTING.

When ordering parts, please specify the model and serial number of the product.

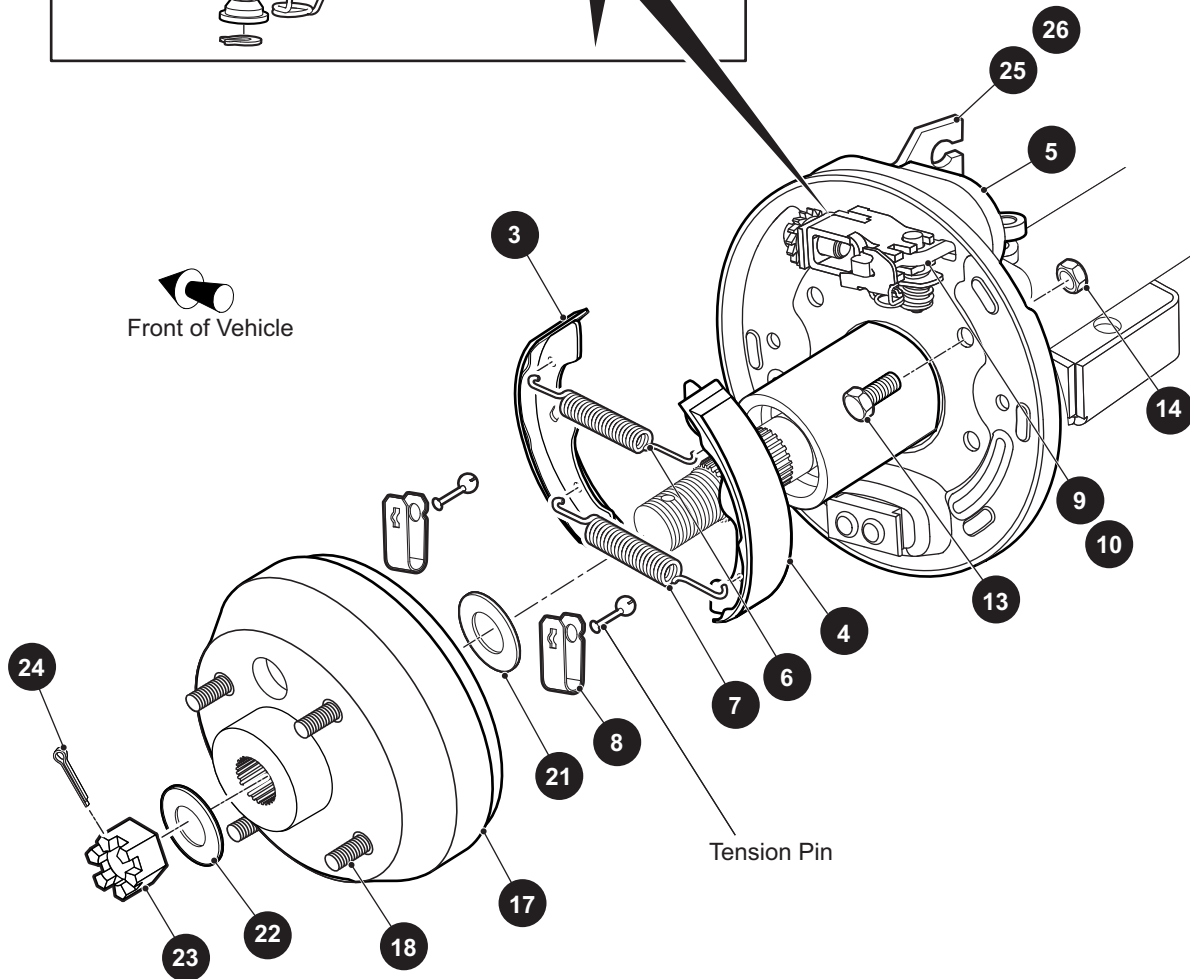
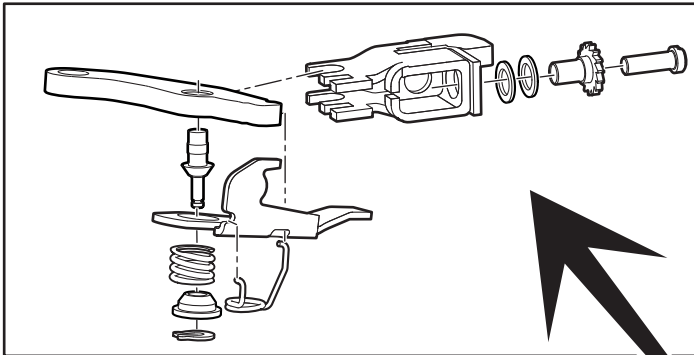
* Indicates a component that is not available as an individual part.

*** Indicates consult Customer Service Department for additional information.

ITEM	PART NO.	1	2	3	4	5	DESCRIPTION	QTY.
32	654667						Compensator Assembly (Includes Items 33 - 45).....	1
33	00532G4						Hex Nut, 1/4" - 20.....	2
34	629486						Spherical Hex Nut, 5/16" - 24.....	1
35	28082G01						Equalizer Bracket.....	1
36	15121G1						Flat Washer, 5/16".....	2
37	17979G1						Accelerator Rod Bushing, .464" I.D. x 1" O.D. x 2" Lg.....	1
38	23061G2						Tube.....	1
39	23463G1						Compression Spring.....	1
40	652256						Brake Yoke.....	1
41	11098G9						Hex Lock Nut, 5/16" - 24.....	1
42	612557						Compensator Link Rod.....	1
43	624690						Brake Cable (Driver Side).....	1
44	624703						Brake Cable (Passenger Side).....	1
45	28083G01						Brake Compensator Bumper.....	2
46								
47	17618G1						Nylon Clamp, 8" Lg (Not Illustrated).....	1

BRAKES

- 1 Brake Assembly (Driver Side) includes items 3 - 9
- 2 Brake Assembly (Passenger Side) includes items 3 - 8, 10
- 16 Brake Drum Assembly includes items 17, 18



THE USE OF NON U.L. PARTS WILL VOID ANY U.L. LISTING.

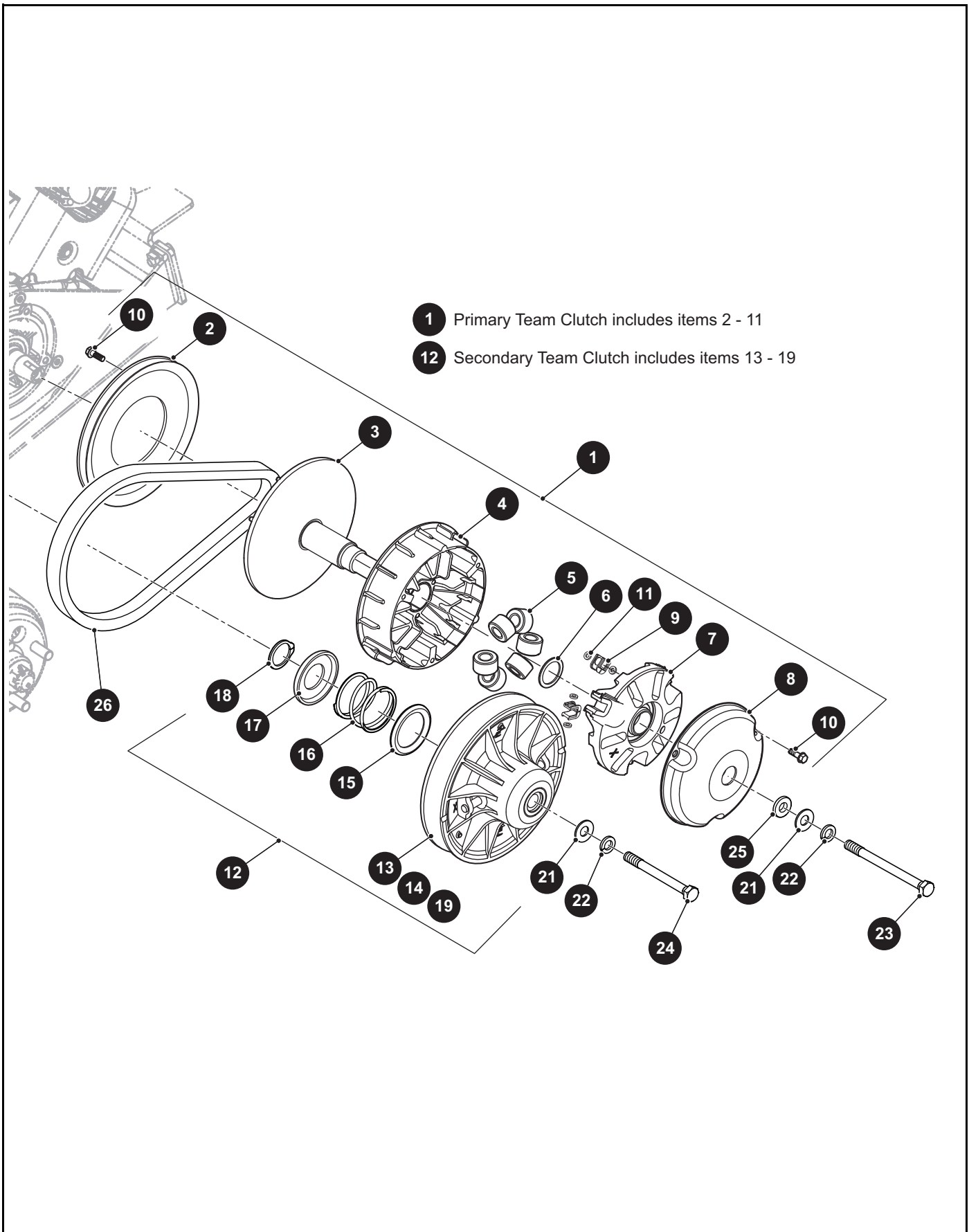
When ordering parts, please specify the model and serial number of the product.

* Indicates a component that is not available as an individual part.

*** Indicates consult Customer Service Department for additional information.

ITEM	PART NO.	1 2 3 4 5	DESCRIPTION	QTY.
1	612189		Brake Assembly (Driver Side) (Includes Items 3 - 9)	1
2	612211		Brake Assembly (Passenger Side) (Includes Items 3 - 8, 10).....	1
3	612411		Brake Shoe, Leading	1
4	612412		Brake Shoe, Trailing	1
5	612413		Dust Cover.....	1
6	612415		Brake Spring, Top	1
7	612414		Brake Spring, Bottom	1
8	612416		Shoe Clamp	2
9	612418		Gear Adjuster (Driver Side)	1
10	612417		Gear Adjuster (Passenger Side).....	1
11				
12				
13	17083G2		Hex Head Bolt, 5/16" - 24 x 1" Lg, Grade 8	4
14	15126G1		Lock Nut, 5/16" - 24	4
15				
16	21807G2		Brake Drum Assembly (Includes Items 17, 18).....	1
17	20947G1		Brake Drum	1
18	19862G2		Lug Bolt, 1/2" - 20 X 1.718" Lg	4
19				
20				
21	21809G1		Flat Washer (Inner Wheel Rim), .984" x 1.31" x .031"	1
22	606945		Brake Drum Washer.....	1
23	612928		Slotted Hex Nut, 3/4" - 16	1
24	10387G1		Cotter Pin, 5/32" x 1 3/4" Lg.....	1
25	652248		Brake Cable Bracket (Passenger Side)	1
26	652249		Brake Cable Bracket (Driver Side).....	1

CLUTCH



THE USE OF NON U.L. PARTS WILL VOID ANY U.L. LISTING.

When ordering parts, please specify the model and serial number of the product.

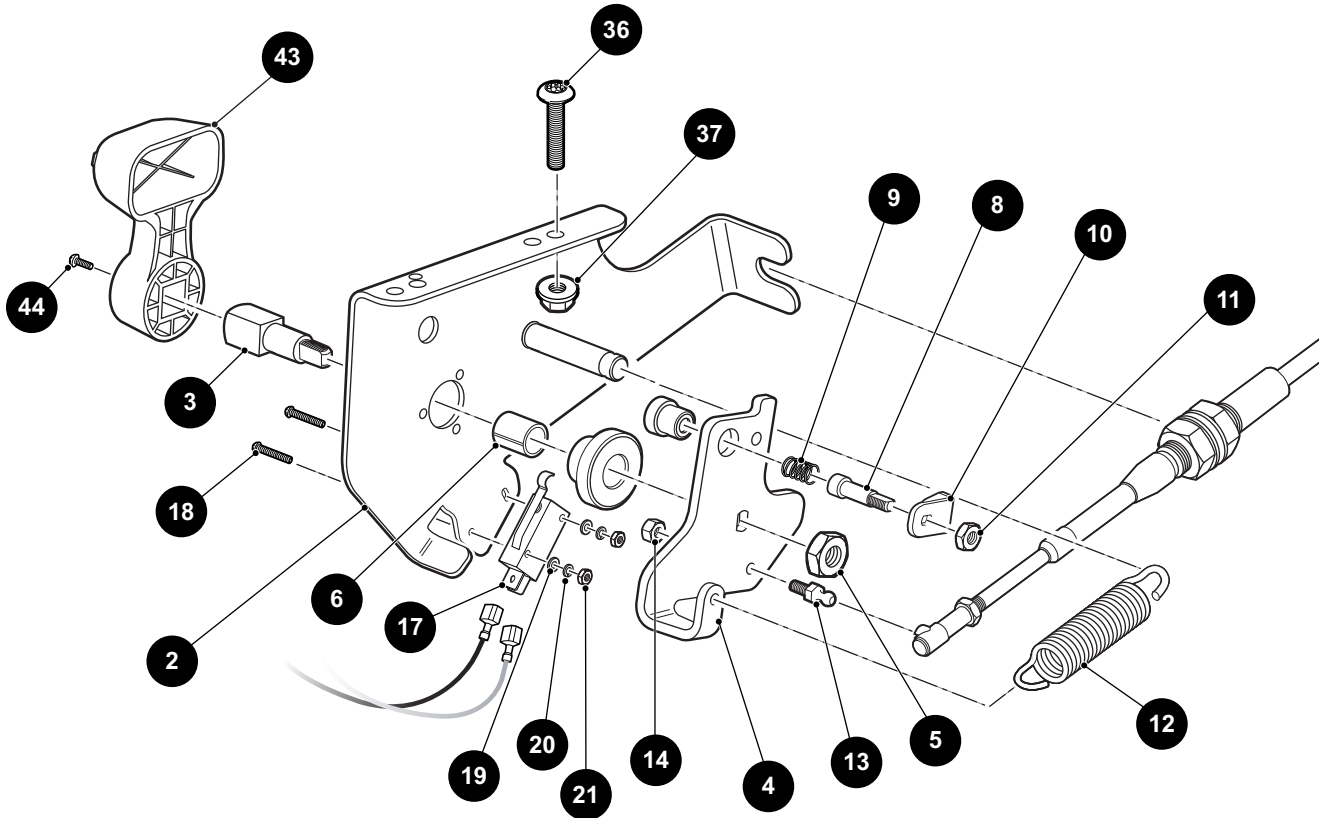
* Indicates a component that is not available as an individual part.

*** Indicates consult Customer Service Department for additional information.

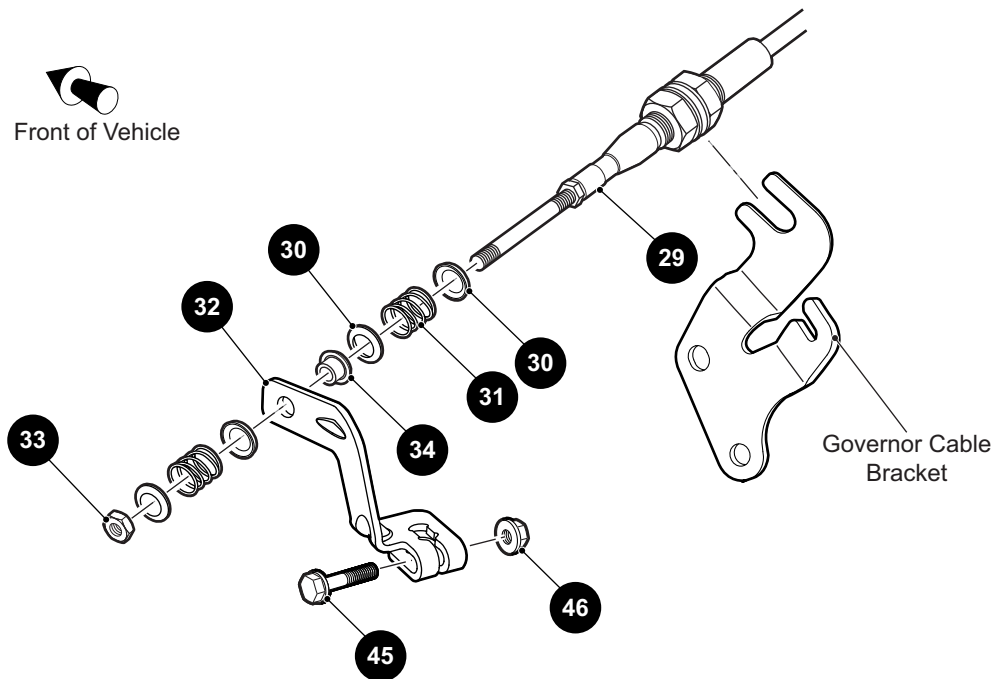
ITEM	PART NO.	1 2 3 4 5	DESCRIPTION	QTY.
1	672688		Primary Team Clutch (Includes Items 2 - 11)	1
2	619333		Primary Starter Pulley, 195	1
3	*		Stationary Assembly	1
4	*		Moveable Primary Assembly	1
5	624112		Shift Roller Assembly	6
6	619337		Shim, 39.5mm x 31.75mm	1
7	644303		Primary Spider Assembly	1
8	*		Primary Dust Cover Assembly	1
9	644305		Torque Primary Button	6
10	619332		Hex Washer Head Bolt, 1/4" - 20 x 3/4" Lg.	7
11	644306		Torque Primary Plug	6
12	623949		Secondary Team Clutch (Includes Items 13 - 19)	1
13	*		Secondary Stationary, 9.5	1
14	*		Moveable Secondary, 9.5	1
15	619327		Inner Retainer Spring	1
16	624111		Compression Spring	1
17	619329		Outer Spring Retainer	1
18	652515		External Retainer Ring	1
19	619331		Thrust Washer, 1 53" x 1 83" x 1"	1
20				
21	606239		Conical Washer, M12	2
22	00566G3		Lock Washer (Spring Type), 3/8"	2
23	606245		Hex Head Bolt, M12 - 1.25 x 160mm Lg, Grade 8.8	1
24	606243		Hex Head Bolt, M12 - 1.25 x 120mm Lg, Grade 8.8	1
25	606230		Clutch Washer, 27.5 Dia. O.D. x 13.06 Dia. I.D.	1
26	618630		Drive Belt	1

DIRECTION SELECTOR

1 Direction Selector Assembly includes items 2 - 34



Front of Vehicle



DIRECTION SELECTOR

THE USE OF NON U.L. PARTS WILL VOID ANY U.L. LISTING.

When ordering parts, please specify the model and serial number of the product.

* Indicates a component that is not available as an individual part.

*** Indicates consult Customer Service Department for additional information.

ITEM	PART NO.	1 2 3 4 5	DESCRIPTION	QTY.
1	606173		Direction Selector Assembly (Includes Items 2 - 34).....	1
2	606077		Direction Selector Bracket	1
3	70233G01		Direction Selector Shaft.....	1
4	603700		Direction Selector Cam.....	1
5	14390G1		Lock Nut, 3/8" - 24	1
6	25664G2		Bushing, 1/2" x .750" Lg	1
7				
8	72724G01		Neutral Lock Pin	1
9	72733G01		Compression Spring	1
10	72729G01		Neutral Lock Latch.....	1
11	00734G2		Lock Nut, 1/4" - 28	1
12	28574G01		Extension Spring	1
13	72732G01		Ball Stud, #10 - 32	1
14	00734G5		Lock Nut, #10 - 32	1
15				
16				
17	72736G01		Micro Switch	1
18	01062G01		Round Head Screw, #4 - 40 x 1" Lg	2
19	00559G1		Flat Washer, #4.....	2
20	00565G1		Lock Washer, #4	2
21	00526G2		Hex Nut, #4 - 40	2
22				
23				
24				
25				
26				
27				
28				
29	605807		Shifter Cable	1
30	25727G01		Cup Washer, 1/4".....	4
31	72735G01		Compression Spring.....	2

DIRECTION SELECTOR

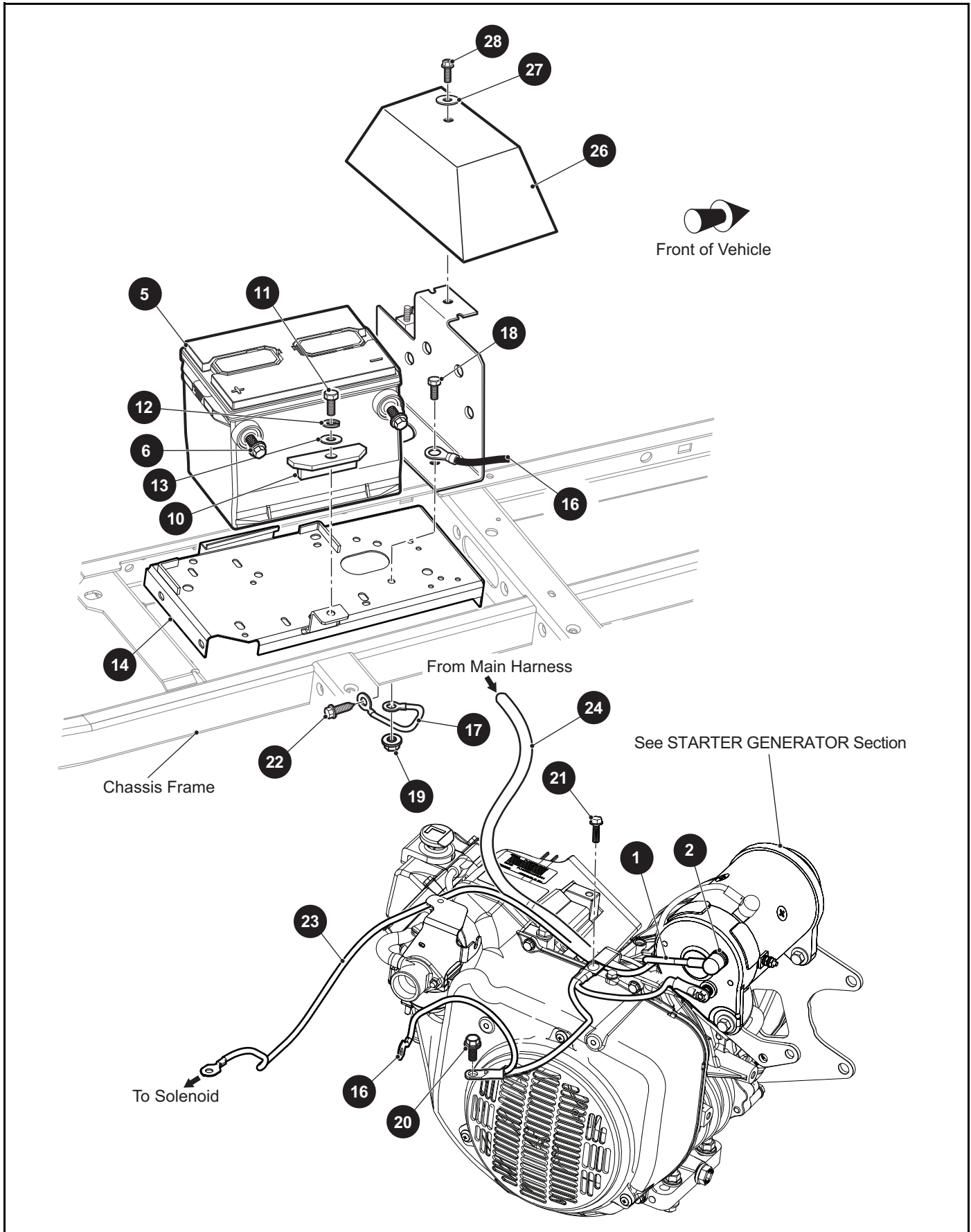
THE USE OF NON U.L. PARTS WILL VOID ANY U.L. LISTING.

When ordering parts, please specify the model and serial number of the product.

* Indicates a component that is not available as an individual part.

*** Indicates consult Customer Service Department for additional information.

ITEM	PART NO.	1	2	3	4	5	DESCRIPTION	QTY.
32	632891						Pivot Bracket.....	1
33	00734G5						Lock Nut, #10 - 32.....	1
34	22754G4						Bushing (Flip Lok), .250".....	1
35								
36	70227G01						Socket Head Bolt, 1/4" - 20 x 7/8" Lg, Grade 8.....	2
37	11027G2						Flanged Lock Nut, 1/4" - 20.....	2
38								
39								
40								
41								
42	31539G1						Nylon Clamp, 15.5" Lg (Not Illustrated).....	2
43	71205G01						Direction Selector Handle.....	1
44	01037G02						Pan Head Torx Screw, #10 - 32 x 1/2" Lg.....	1
45	606421						Flanged Hex Head Bolt, M6 - 1 x 30mm Lg, Grade 8.8.....	1
46	450452						Hex Nut, M6 - 1.....	1



THE USE OF NON U.L. PARTS WILL VOID ANY U.L. LISTING.

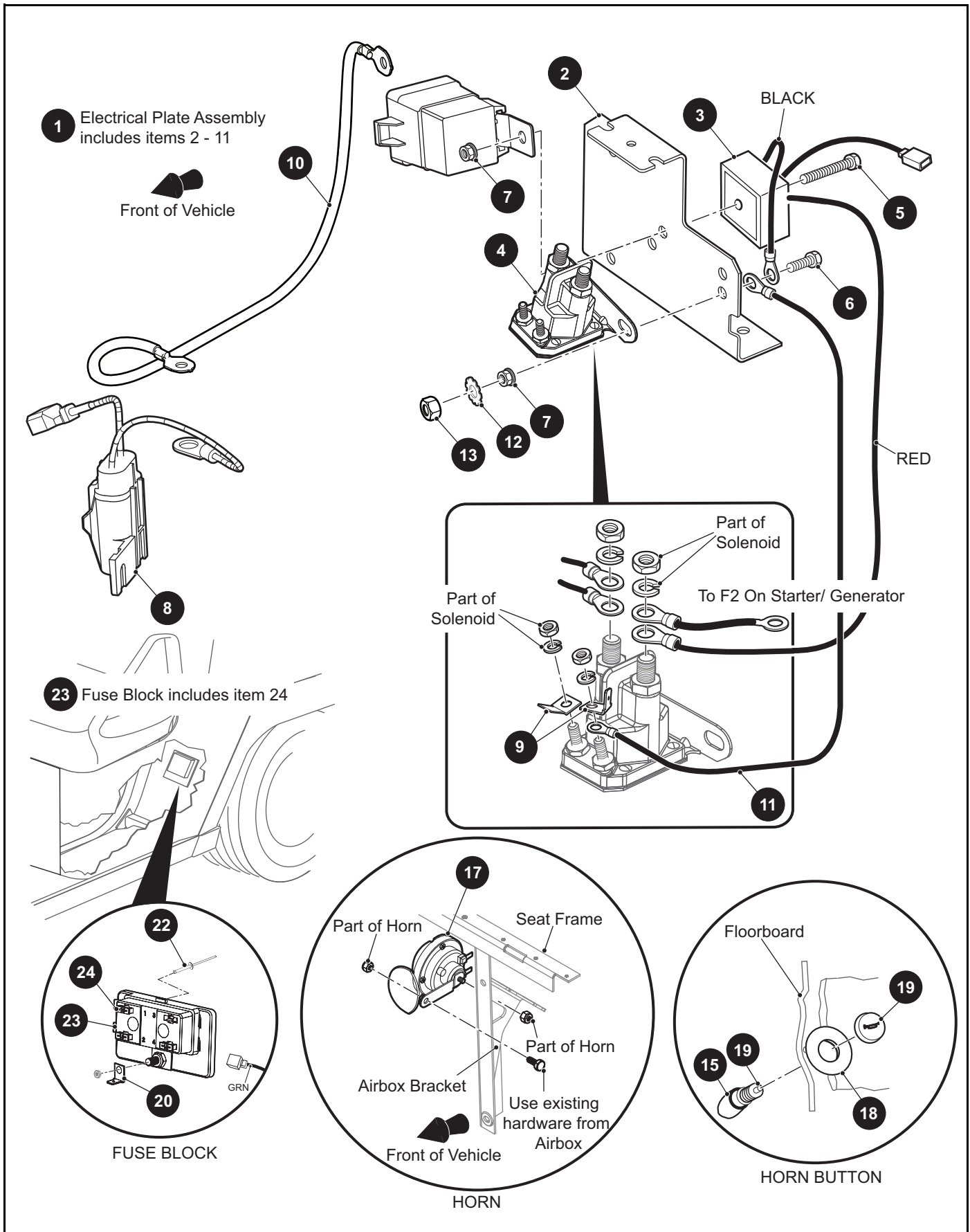
When ordering parts, please specify the model and serial number of the product.

* Indicates a component that is not available as an individual part.

*** Indicates consult Customer Service Department for additional information.

ITEM	PART NO.	1 2 3 4 5	DESCRIPTION	QTY.
1	607053		#6 GA Wire (Black 6", F1 - A2).....	1
2	25682G01		Terminal Cover	3
3				
4				
5	637484		Battery, 12V, HD.....	1
6	640488		Battery Bolt	2
7	663593		Relay, 12V (Not Illustrated)	1
8	636455G13		Fuse, 15Amp (Not Illustrated)	1
9	636455G12		Fuse, 10Amp (Not Illustrated)	1
10	72101G02		Battery Hold Down	1
11	00438G6		Hex Head Bolt, 5/16" - 18 x 3/4" Lg, Grade 5	1
12	00565G8		Lock Washer, 5/16"	1
13	00571G2		Flat Washer (SS), 5/16"	1
14	652441G03		Battery Tray.....	1
15				
16	645191		Battery/Engine Ground Cable	1
17	25976G19		#14 GA Wire (Black 6")	1
18	00438G6		Hex Head Bolt, 5/16" - 18 x 3/4" Lg, Grade 5	2
19	11027G1		Flanged Lock Nut, 5/16" - 18	2
20	26676G01		Flanged Hex Head Bolt, M6 - 1 x 23mm Lg.....	1
21	606264		Flanged Hex Head Bolt, M6 - 1 x 20mm Lg, Grade 8.8.....	1
22	00715G2		Hex Washer Head Screw, 5/16" - 18 x .875" Lg	4
23	607103		#6 GA Wire, 42" Lg	1
24	658686		Main Harness.....	1
25				
26	73049G01		Direction Selector Cover	1
27	16469G1		Fender Washer, 1/4"	1
28	00114G6		Hex Washer Head Slotted Tapping Screw, 1/4" - 14 x 3/4" LG	1

ELECTRICAL



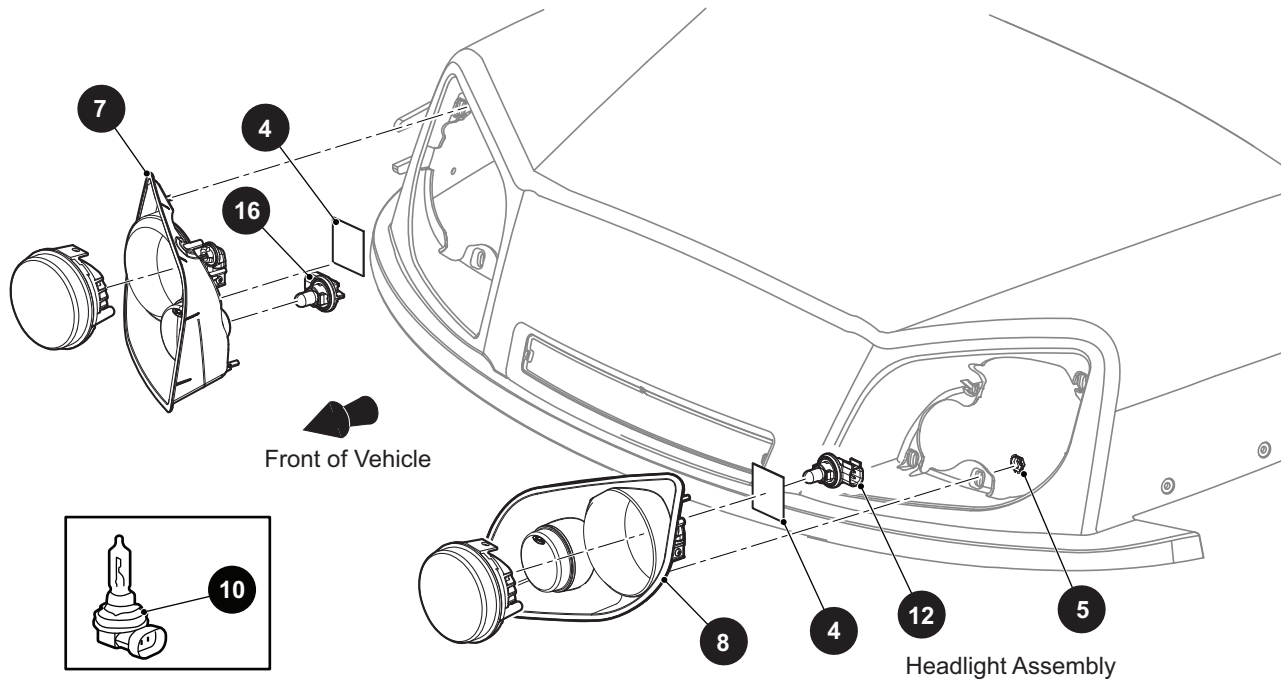
THE USE OF NON U.L. PARTS WILL VOID ANY U.L. LISTING.

When ordering parts, please specify the model and serial number of the product.

* Indicates a component that is not available as an individual part.

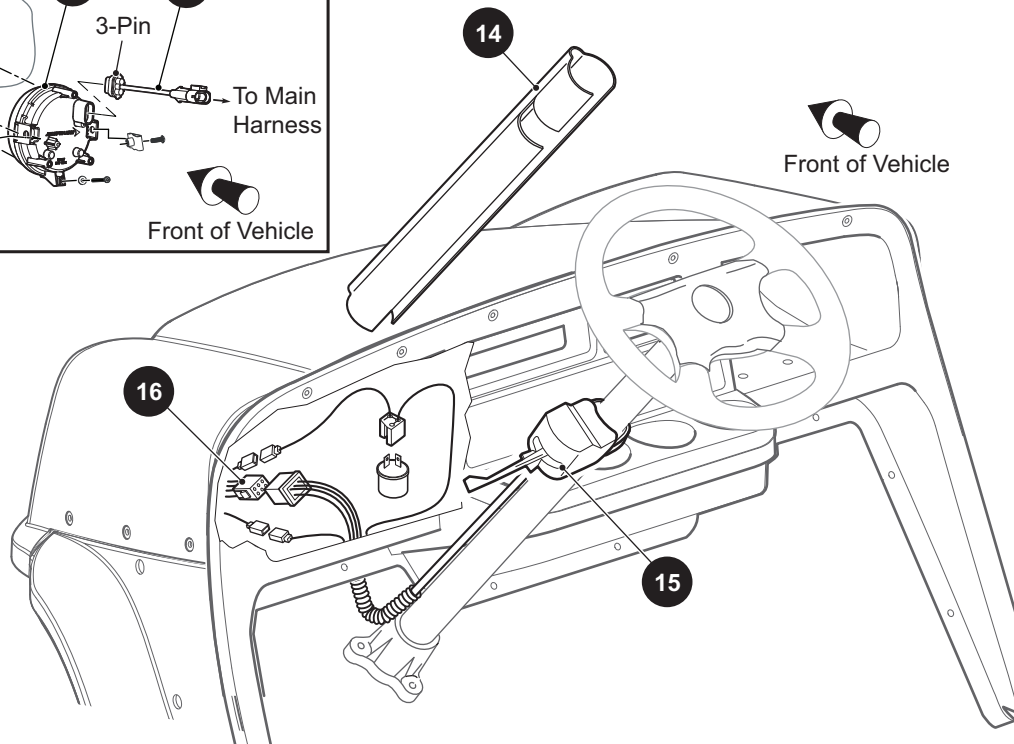
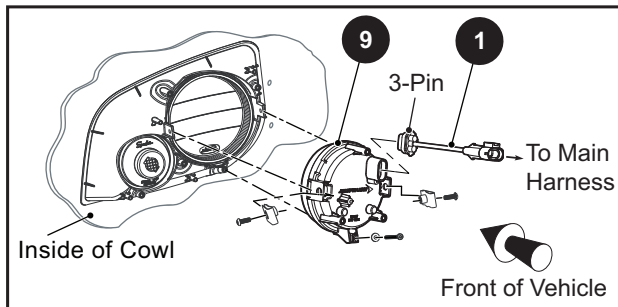
*** Indicates consult Customer Service Department for additional information.

ITEM	PART NO.	1 2 3 4 5	DESCRIPTION	QTY.
1	660446		Electrical Plate Assembly (Includes Items 2 - 11)	1
2	73057G02		Bracket	1
3	27739G01		Voltage Regulator	1
4	663716		Solenoid.....	1
5	303459		Hex Head Bolt, 1/4" - 20 x 1 1/2" Lg, Grade 5.....	1
6	00661G8		Hex Head Bolt (SS), 1/4" - 20 x 1" Lg.....	1
7	11027G2		Flanged Lock Nut, 1/4" - 20.....	2
8	658683		Electrical Plate Harness	1
9	73446G01		Faston Tab, 90°.....	2
10	645190		#6 GA Wire Assembly.....	1
11	25978G56		#18 GA Wire Assembly (Black).....	1
12	00567G7		Lock Washer (External Tooth Type)	1
13	00532G1		Hex Nut, 1/4" - 20.....	1
14				
15	27068G01		Horn Switch Boot	1
16				
17	32860G01		Horn	1
18	608397		Horn Plate	1
19	17318G1		Horn Switch.....	1
20	73446G01		Faston Tab	1
21				
22	15058G6		Rivet, (Aluminum), 3/16" x .937" Lg	2
23	676066G01		Fuse Block (Includes Item 24).....	1
24	636455G23		Fuse, 15A	3



7 LED Headlight Assembly (Passenger Side) includes item 9

8 LED Headlight Assembly (Driver Side) includes item 9



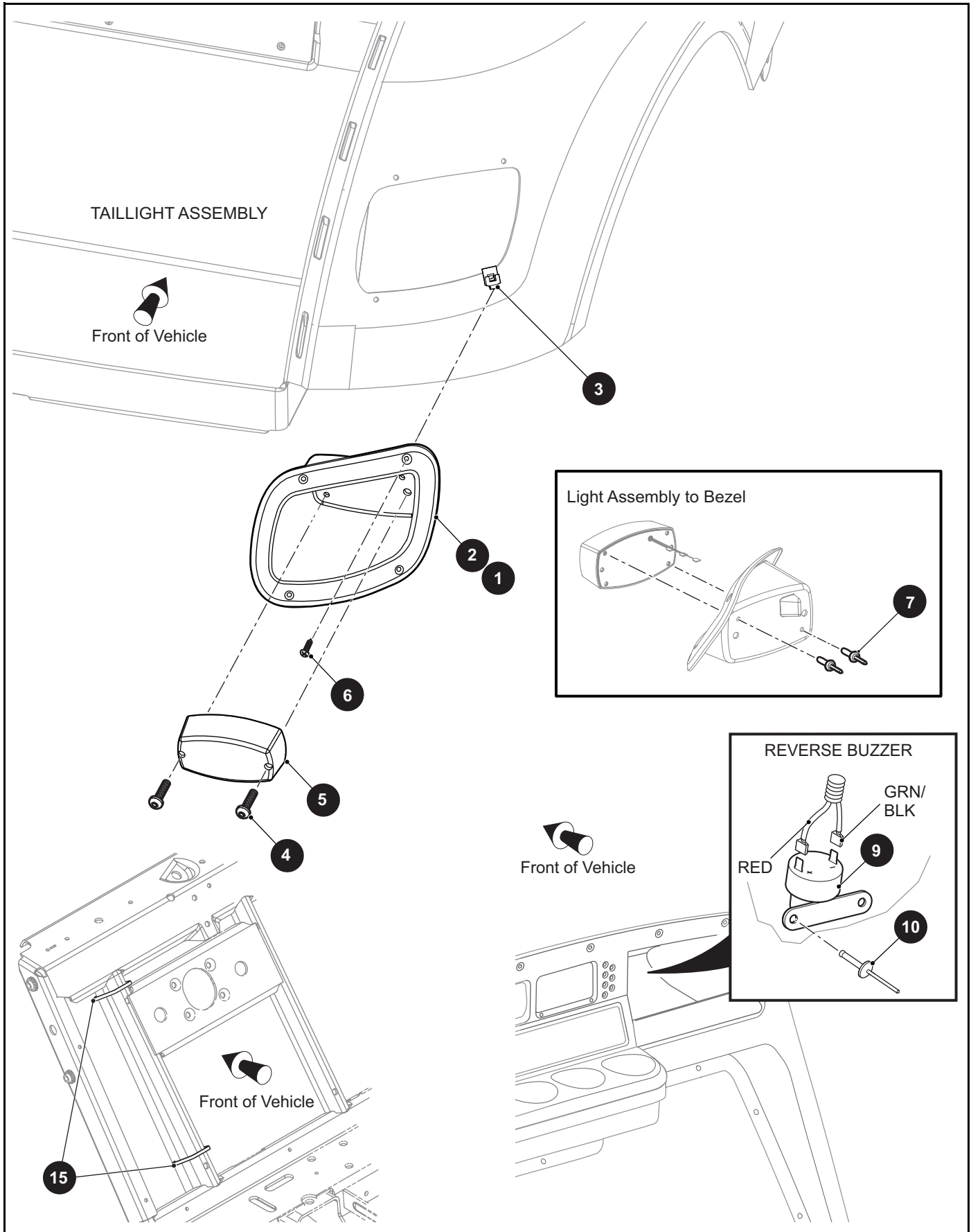
THE USE OF NON U.L. PARTS WILL VOID ANY U.L. LISTING.

When ordering parts, please specify the model and serial number of the product.

* Indicates a component that is not available as an individual part.

*** Indicates consult Customer Service Department for additional information.

ITEM	PART NO.	1 2 3 4 5	DESCRIPTION	QTY.
1	654465		Jumper Harness, Led Headlight.....	1
2				
3				
4	71781G02		Vinyl Tape.....	1
5	71597G01		Self Threading Nut, 5mm x 10mm x 15mm.....	4
6				
7	659008		LED Headlight Assembly (Passenger Side) (Includes Item 9).....	1
8	659009		LED Headlight Assembly (Driver Side) (Includes Item 9).....	1
9	651411G03		LED Headlight	1
10	619100		Headlight Bulb.....	1
11				
12	619102		Turn Signal Assembly Bulb	1
13				
14	20965G3		Steering Column Cover.....	1
15	611810		Turn Signal Switch Assembly	1
16	645193		Accessory Harness	1



THE USE OF NON U.L. PARTS WILL VOID ANY U.L. LISTING.

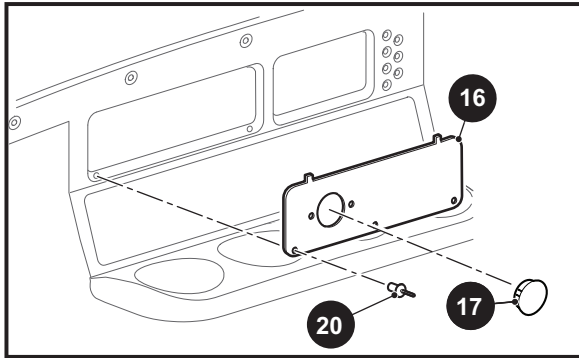
When ordering parts, please specify the model and serial number of the product.

* Indicates a component that is not available as an individual part.

*** Indicates consult Customer Service Department for additional information.

ITEM	PART NO.	1 2 3 4 5	DESCRIPTION	QTY.
1	74371G01		Taillight Bezel (Driver Side)	1
2	74371G02		Taillight Bezel (Passenger Side)	1
3	71364G02		J-Type Nut, #8.....	4
4	00513G4		Pan Head Phillips Screw, #8 - 18 x 3/4" Lg.....	2
5	22288G1		Taillight Assembly.....	1
6	71425G01		Flat Head Phillips Tapping Screw, #8 - 18 x 3/4" Lg.....	4
7	14601G11		Rivet (Aluminum), 3/16" x 9/16"	2
8				
9	73290G03		Buzzer	1
10	01041G01		Rivet, 5/32"	2
11				
12				
13				
14				
15	31539G1		Nylon Clamp, 15.5" Lg	5

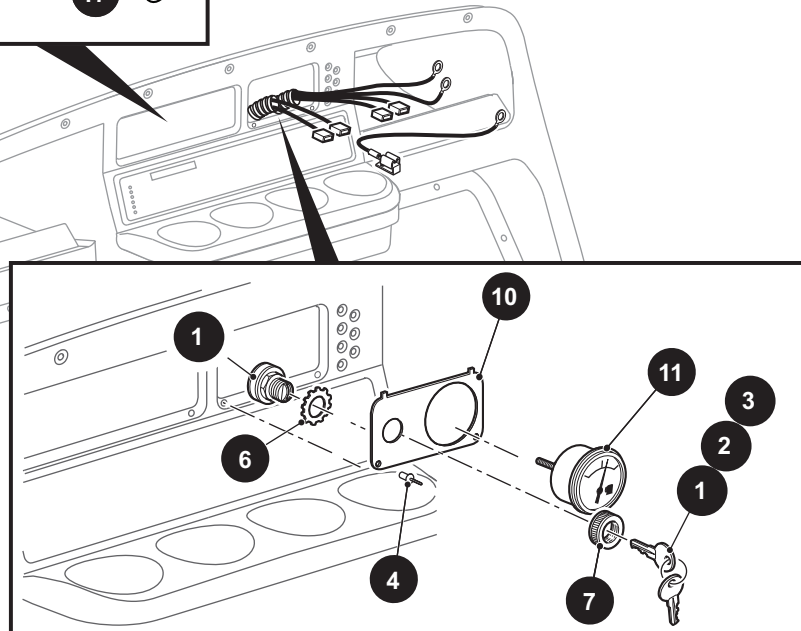
CONSOLE INSERT PLATE



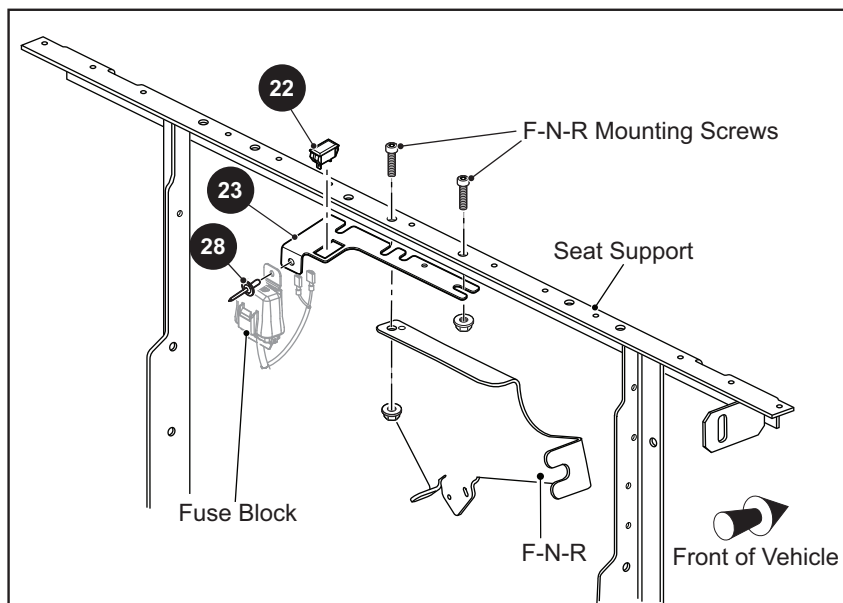
9 Gauge Plate (Fuel Gauge with Lights) includes items 10, 11

15 Console Insert Assembly includes items 16 - 17

Front of Vehicle



KEY SWITCH, INDICATOR LIGHT(S), AND FUEL GAUGE



THE USE OF NON U.L. PARTS WILL VOID ANY U.L. LISTING.

When ordering parts, please specify the model and serial number of the product.

* Indicates a component that is not available as an individual part.

*** Indicates consult Customer Service Department for additional information.

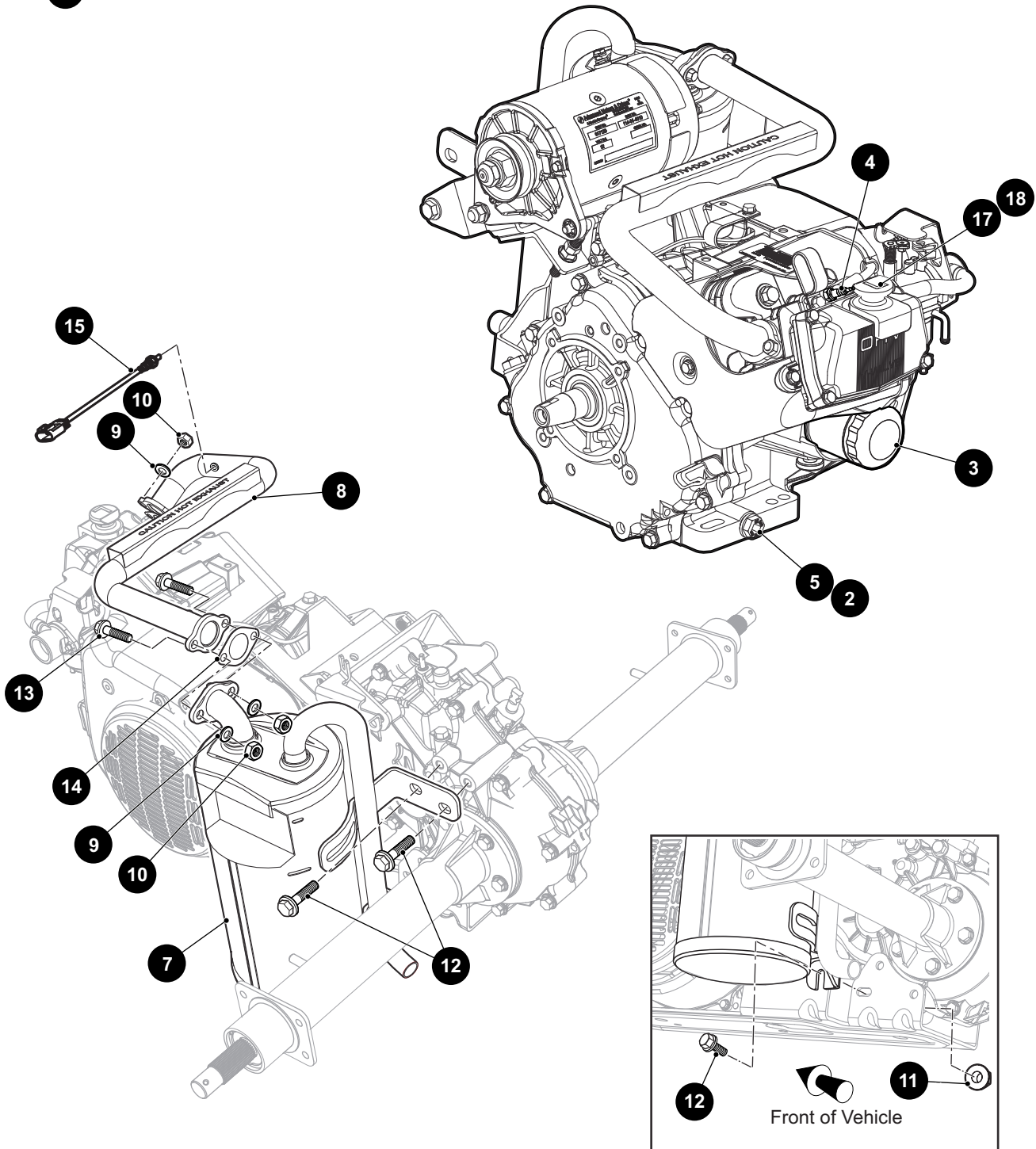
ITEM	PART NO.	1 2 3 4 5	DESCRIPTION	QTY.
1	33639G01		Ignition Switch (with Light)	1
2				
3				
4	33623G02		Drive Rivet, 3/16" x 3/8" Lg	2
5				
6	00568G6		Lock Washer (External Tooth Type), 3/4"	1
7	17137G1		Face Nut, 3/4" - 20	1
8				
9	656282G06		Gauge Plate (Fuel Gauge with Lights) (Includes Items 10, 11).....	1
10	73030G14		Console Insert Plate	1
11	648247		Fuel Level Gauge	1
12				
13				
14				
15	74693G03		Console Insert Assembly (Includes Items 16 - 17).....	1
16	73522G03		Console Insert Plate	1
17	20271G10		Plug	1
18				
19				
20	33623G02		Drive Rivet, 3/16" x 3/8" Lg	3
21				
22	659101		Malfunction Indicator Light	1
23	659085		Fuse Bracket (For Vehicles without Hour Meter)	1
24				
25				
26				
27				
28	71055G01		Rivet, 3/16" Dia.	1

Notes:

A large grid area for taking notes, consisting of approximately 30 columns and 30 rows of small squares. The grid is empty and occupies the majority of the page below the 'Notes:' header.

ENGINE AND MUFFLER

1 EFI Engine, 13.5 HP includes items 2 - 5



ENGINE AND MUFFLER

THE USE OF NON U.L. PARTS WILL VOID ANY U.L. LISTING.

When ordering parts, please specify the model and serial number of the product.

* Indicates a component that is not available as an individual part.

*** Indicates consult Customer Service Department for additional information.

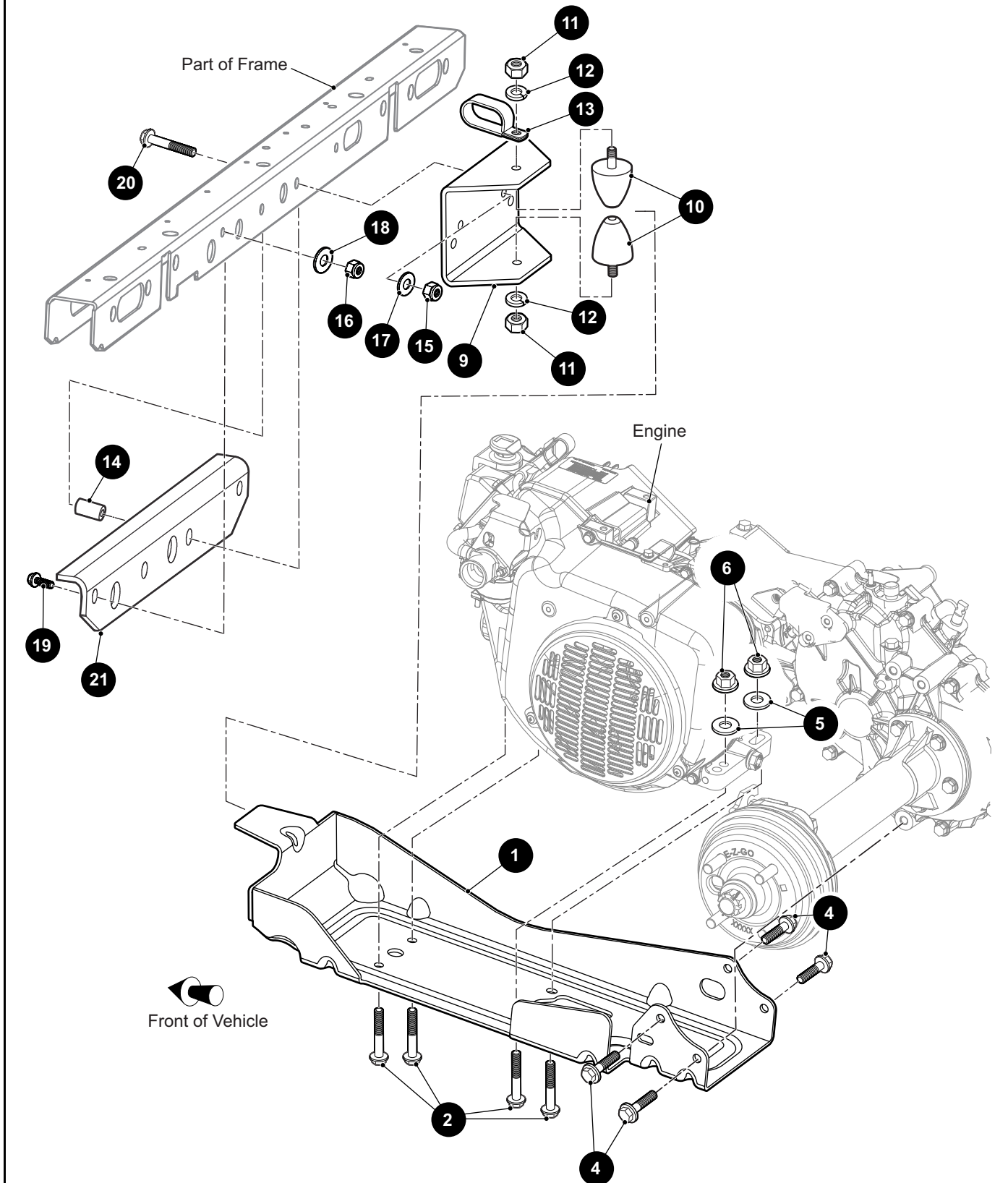
ITEM	PART NO.	1 2 3 4 5	DESCRIPTION	QTY.
1	658237		EFI Engine, 13.5 HP (Includes Items 2 - 5).....	1
2	603562		O-Ring, 16mm	1
3	607454		Oil Filter	1
4	607462		Spark Plug	1
5	603557		Oil Drain Plug	1
6				
7	674854		Muffler	1
8	657450		Exhaust Manifold.....	1
9	606272		Lock Washer, 8mm	4
10	606267		Hex Jam Nut, M8 - 1.25	4
11	606279		Flanged Hex Nut, M10 - 1.25	1
12	606256		Flanged Hex Head Bolt, M10 - 1.25 x 25mm Lg, Grade 8.8.....	3
13	602330		Flanged Hex Head Bolt, M8 - 1.25 x 30mm Lg, Grade 8.8.....	2
14	603599		Exhaust Gasket.....	2
15	657449		Oxygen Sensor	1
16				
17	606390		Oil Dip Stick (For Low Suspension Vehicles)	1
18	606391		Oil Dip Stick (For High Suspension Vehicles)	1

Notes:

Grid area for notes

ENGINE MOUNTING

8 Front Mount Bracket Assembly includes items 9 - 13



ENGINE MOUNTING

THE USE OF NON U.L. PARTS WILL VOID ANY U.L. LISTING.

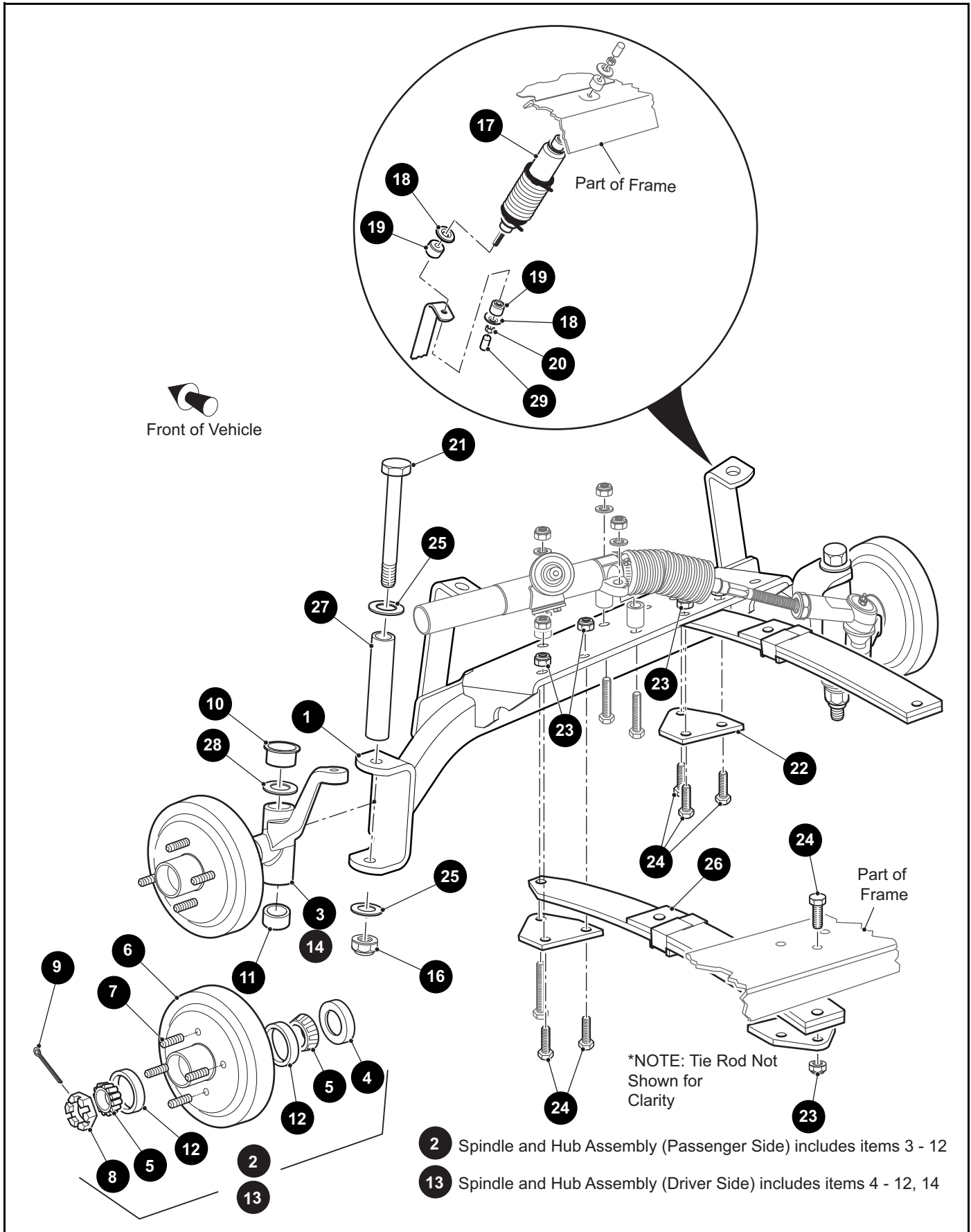
When ordering parts, please specify the model and serial number of the product.

* Indicates a component that is not available as an individual part.

*** Indicates consult Customer Service Department for additional information.

ITEM	PART NO.	1 2 3 4 5	DESCRIPTION	QTY.
1	630776		Engine Pan	1
2	606259		Flanged Hex Head Bolt, M10 - 1.25 x 45mm Lg, Grade 8.8	4
3				
4	606256		Flanged Hex Head Bolt, M10 - 1.25 x 25mm Lg, Grade 8.8	4
5	603823		Flat Washer, M10	4
6	606279		Flanged Hex Nut, M10 - 1.25	4
7				
8	662794		Front Mount Bracket Assembly (Includes Items 9 - 13)	1
9	625345		Front Mount Bracket	1
10	605757		Rubber Bumper	2
11	00974G01		Hex Nut, M10 - 1.5	2
12	608654		Lock Washer, 10mm	2
13	692754		Tube Clamp (Wide), 1"	1
14	72016G01		Tube Spacer.....	2
15	11098G5		Lock Nut, 3/8" - 16	2
16	01109G01		Lock Nut, 5/16" - 18	2
17	00643G1		Flat Washer, 3/8"	2
18	00559G8		Flat Washer, 5/16"	2
19	00438G7		Hex Head Bolt, 5/16" - 18 x 7/8" Lg, Grade 5	2
20	00428G8		Hex Head Bolt, 3/8" - 16 x 2.75" Lg	2
21	652247		Cross-member Brace	1

FRONT SUSPENSION AND STEERING



FRONT SUSPENSION AND STEERING

THE USE OF NON U.L. PARTS WILL VOID ANY U.L. LISTING.

When ordering parts, please specify the model and serial number of the product.

* Indicates a component that is not available as an individual part.

*** Indicates consult Customer Service Department for additional information.

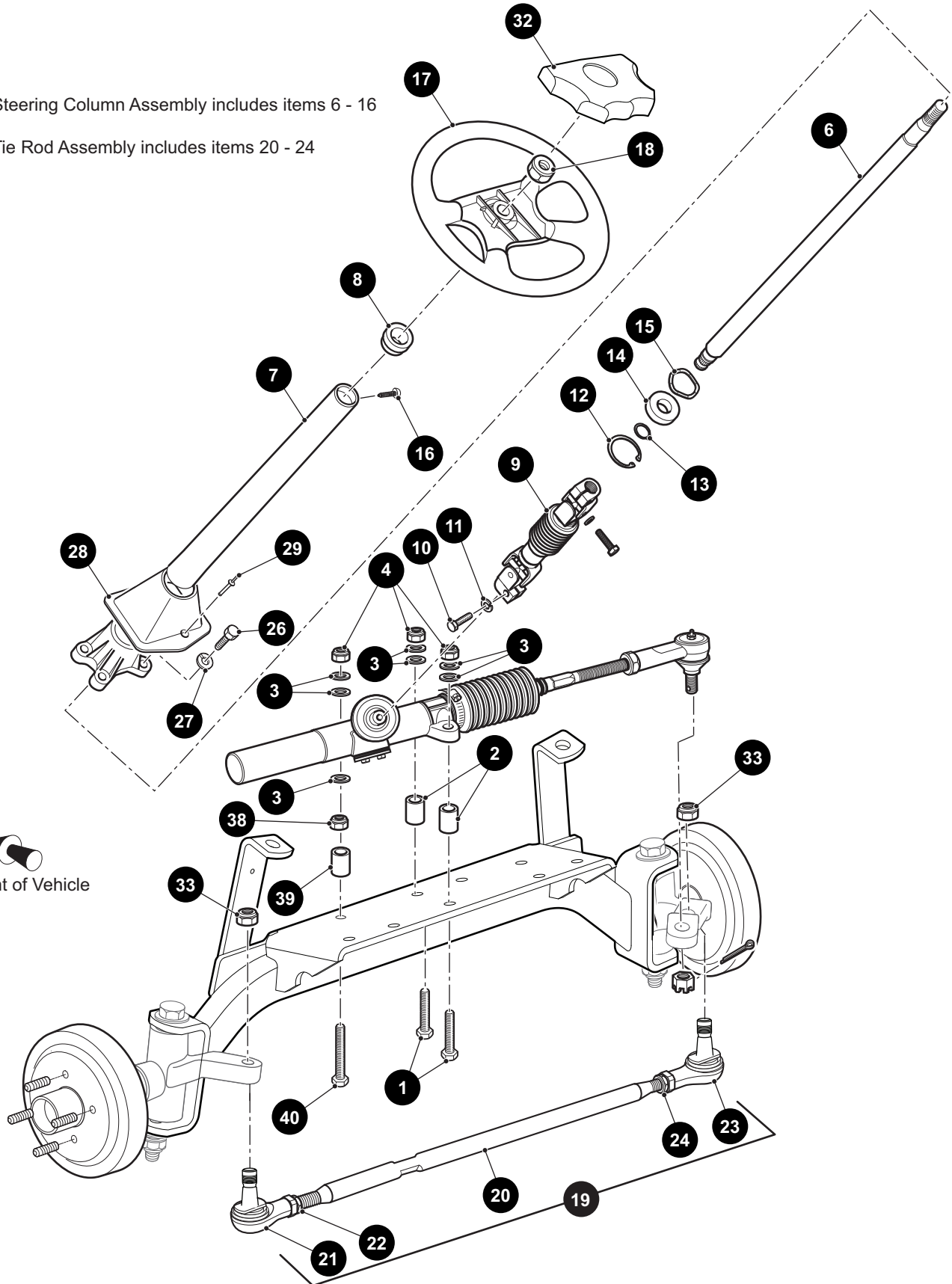
ITEM	PART NO.	1 2 3 4 5	DESCRIPTION	QTY.
1	633795		Front Axle	1
2	70930G02		Spindle and Hub Assembly (Passenger Side) (Includes Items 3 - 12).....	1
3	70802G01		Spindle Assembly (Passenger Side)	1
4	25146G1		Grease Seal.....	1
5	11750G2		Roller Bearing and Race Assembly	2
6	74332G01		Wheel Hub	1
7	36038G01		Drive Flange Stud.....	4
8	12093G1		Castle Nut, 1" - 14	1
9	00798G8		Cotter Pin, 5/32" x 1 3/4" Lg	1
10	632925		Flanged Bushing.....	1
11	632926		Bushing Sleeve.....	1
12	51141G1		Race Bearing.....	2
13	70931G02		Spindle and Hub Assembly (Driver Side) (Includes Items 4 - 12, 14)	1
14	70803G01		Spindle Assembly (Driver Side)	1
15				
16	14390G6		Lock Nut, 1/2" - 13	1
17	76419G01		Shock Absorber.....	2
18	10435G1		Shock Absorber Washer	4
19	10194G1		Rubber Bushing	4
20	00532G6		Hex Nut, 3/8" - 24.....	2
21	00407G6		King Pin Bolt, 1/2" - 13 x 6" Lg, Grade 5.....	1
22	652258		Spring Plate.....	4
23	00734G1		Lock Nut, 7/16" - 14	11
24	00463G11		Hex Head Bolt, 7/16" - 14 x 1 3/4" Lg, Grade 5	11
25	00560G3		Flat Washer, 1/2"	2
26	70990G03		Leaf Spring.....	2
27	70745G01		King Pin Tube.....	1
28	70754G01		Thrust Washer, (SS), 1"	1
29	10044G01		Vinyl Cap.....	2

FRONT SUSPENSION AND STEERING

5 Steering Column Assembly includes items 6 - 16

19 Tie Rod Assembly includes items 20 - 24

Front of Vehicle



FRONT SUSPENSION AND STEERING

THE USE OF NON U.L. PARTS WILL VOID ANY U.L. LISTING.

When ordering parts, please specify the model and serial number of the product.

* Indicates a component that is not available as an individual part.

*** Indicates consult Customer Service Department for additional information.

ITEM	PART NO.	1 2 3 4 5	DESCRIPTION	QTY.
1	00464G8		Hex Head Bolt, 7/16" - 14 x 2 3/4" Lg, Grade 5	2
2	70667G02		Spacer, 1.21"	2
3	00560G2		Flat Washer, 7/16"	7
4	00734G1		Lock Nut, 7/16" - 14	3
5	70758G05		Steering Column Kit (Includes Items 6 - 16)	1
6	70607G01		Steering Shaft	1
7	70610G03		Steering Column	1
8	28569G01		Steering Column Bushing	1
9	70580G01		Intermediate Shaft	1
10	01055G01		Hex Head Bolt, M8 - 1.25 x 1.18" Lg, Grade 5	1
11	00565G8		Lock Washer, 5/16"	1
12	70751G01		Retaining Ring (Internal)	1
13	70888G01		Retaining Ring (External)	1
14	15112G1		Ball Bearing	1
15	70887G01		Wave Washer	1
16	01022G01		Hex Washer Head Screw, #6 - 20 x 5/16" Lg	1
17	602980		Steering Wheel (Premium)	1
18	14390G2		Lock Nut, 5/8" - 18	1
19	70876G02		Tie Rod Assembly (Includes Items 20 - 24)	1
20	70897G02		Threaded Rod, 24" Lg	1
21	70902G01		Tie Rod End (Left Hand Threads)	1
22	01069G01		Jam Nut, M12 x 1.25 (Left Hand Threads)	1
23	70902G02		Tie Rod End (Right Hand Threads)	1
24	01069G02		Jam Nut, M12 x 1.25 (Right Hand Threads)	1
25				
26	01006G01		Hex Washer Head Bolt, 3/8" - 16 x 1 1/4" Lg	4
27	00879G1		Lock Washer, 3/8"	4
28	70997G01		Steering Column Base Cover	1
29	71055G01		Rivet (Aluminum), 3/16" Dia	1
30				
31				

FRONT SUSPENSION AND STEERING

THE USE OF NON U.L. PARTS WILL VOID ANY U.L. LISTING.

When ordering parts, please specify the model and serial number of the product.

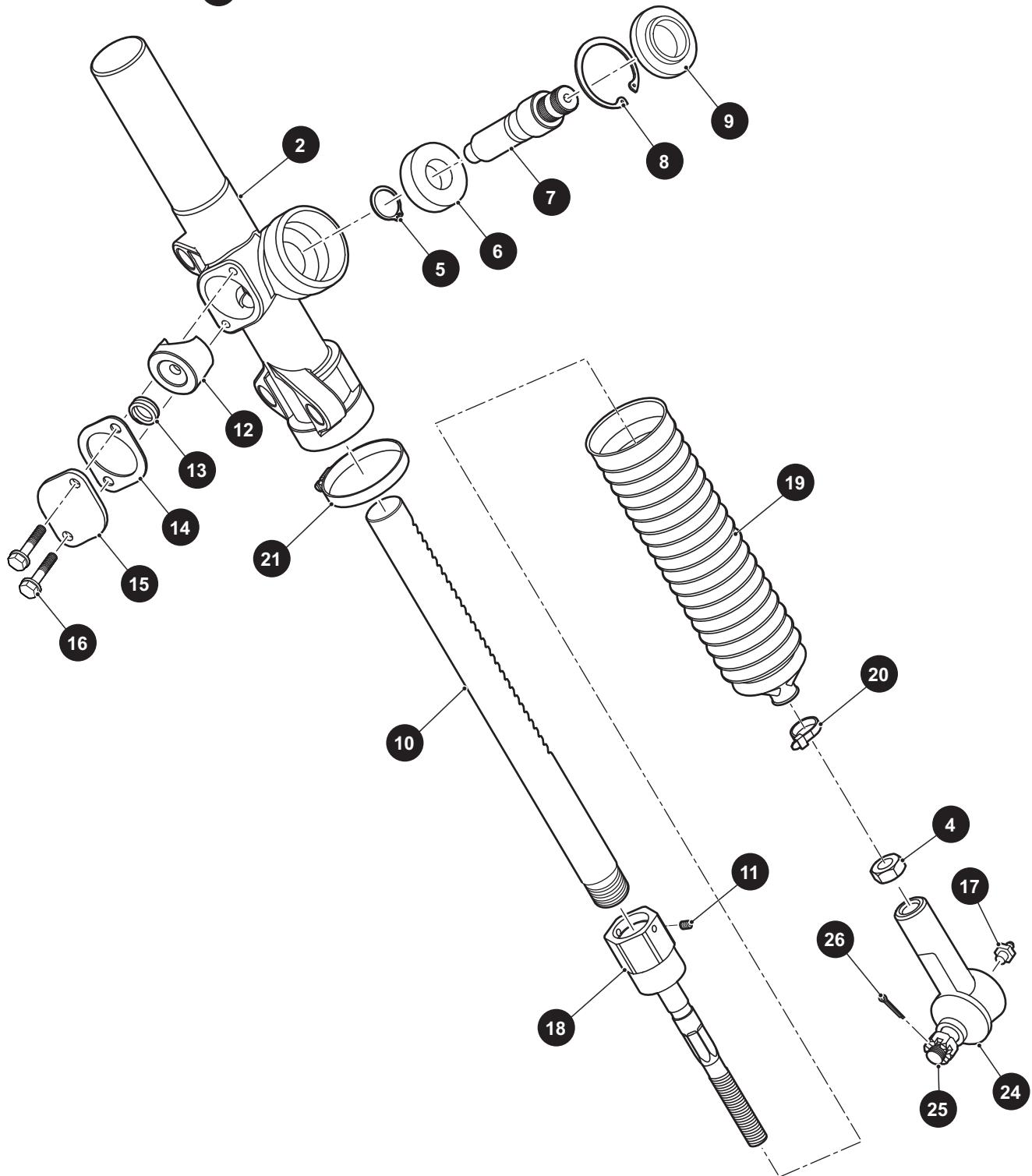
* Indicates a component that is not available as an individual part.

*** Indicates consult Customer Service Department for additional information.

ITEM	PART NO.	1 2 3 4 5	DESCRIPTION	QTY.
32	71147G01		Steering Wheel Cover	1
33	00734G1		Lock Nut, 7/16" - 14	2
34				
35				
36				
37				
38	00532G7		Hex Nut, 7/16" - 14	1
39	70667G04		Spacer, 1" O.D x .469" I.D. x .69" Lg	1
40	01068G01		Hex Head Bolt, 7/16" - 14 x 3.5" Lg, Grade 5	1

FRONT SUSPENSION AND STEERING

- 1 Rack and Pinion Unit includes items 2 - 23
- 23 Tie Rod End (Outer) includes items 24 - 25



FRONT SUSPENSION AND STEERING

THE USE OF NON U.L. PARTS WILL VOID ANY U.L. LISTING.

When ordering parts, please specify the model and serial number of the product.

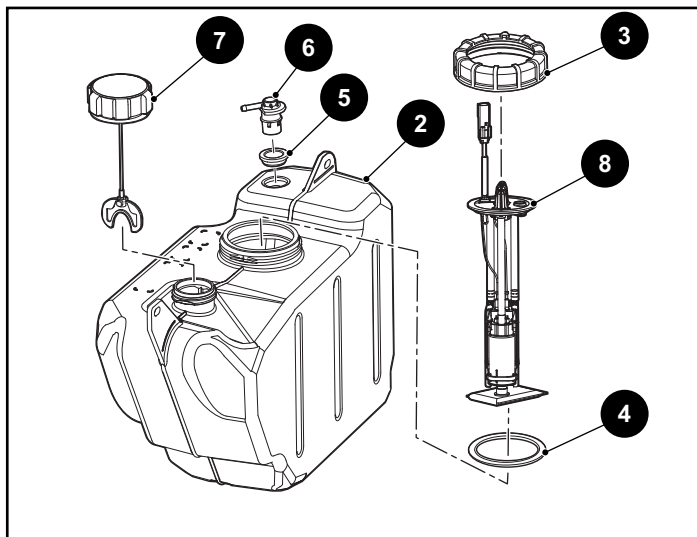
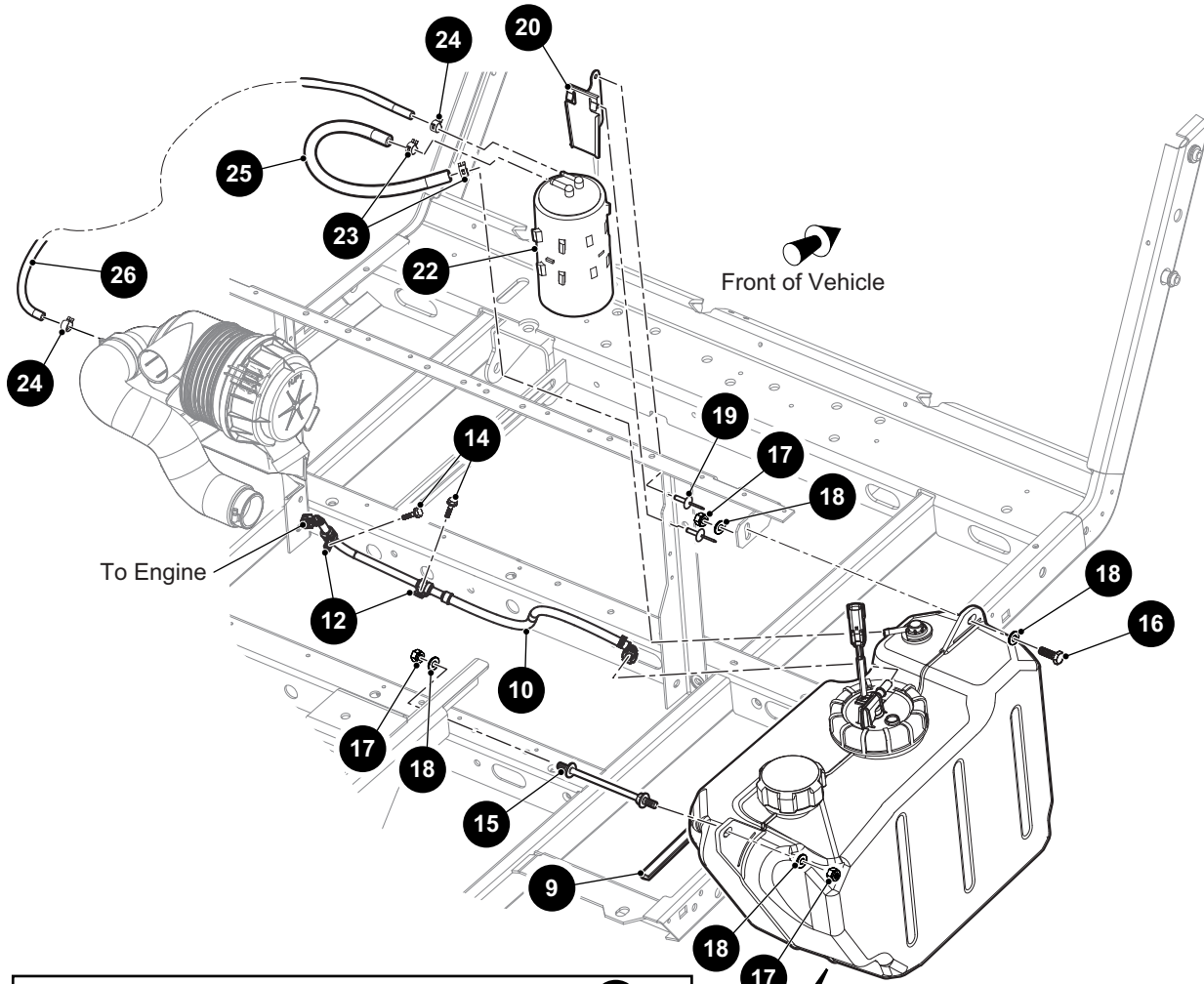
* Indicates a component that is not available as an individual part.

*** Indicates consult Customer Service Department for additional information.

ITEM	PART NO.	1 2 3 4 5	DESCRIPTION	QTY.
1	70964G01		Rack and Pinion Unit (Includes Items 2 - 23).....	1
2	70965G01		Steering Rack Cover and Bearing.....	1
3				
4	*		Jam Nut, 1/2" - 20.....	1
5	70750G01		Retaining Ring (External)	1
6	15112G1		Ball Bearing	1
7	70603G01		Pinion.....	1
8	70751G01		Retaining Ring (Internal).....	1
9	70638G01		Seal (Pinion)	1
10	70604G01		Steering Rack.....	1
11	*		Set Screw, #10 - 32 x .25" Lg	1
12	70590G01		Rack Loader	1
13	70666G01		Compression Spring	1
14	70645G01		Gasket (Rack Loader Cover).....	1
15	652259		Cover (Rack Loader)	1
16	71102G01		Hex Washer Head Bolt, 1/4" - 20 x 11/16" Lg, Grade 5.....	2
17	10389G3		Grease Fitting (Straight)	1
18	70694G01		Rod End (Inner)	1
19	70961G01		Rack Boot.....	1
20	12416G2		Nylon Clamp, 11.8" Lg.....	1
21	11391G8		Hose Clamp, 1.81".....	1
22				
23	70695G01		Tie Rod End (Outer) (Includes Items 24 - 25).....	1
24	50641G1		Grommet.....	1
25	*		Hex Slotted Nut, 7/16" - 20	1
26	10387G2		Cotter Pin, 3/32" X 1"	1

FUEL SYSTEM

- 1 Fuel Tank Assembly includes items 2 - 8
- 21 Carbon Canister Assembly includes items 22 - 26



THE USE OF NON U.L. PARTS WILL VOID ANY U.L. LISTING.

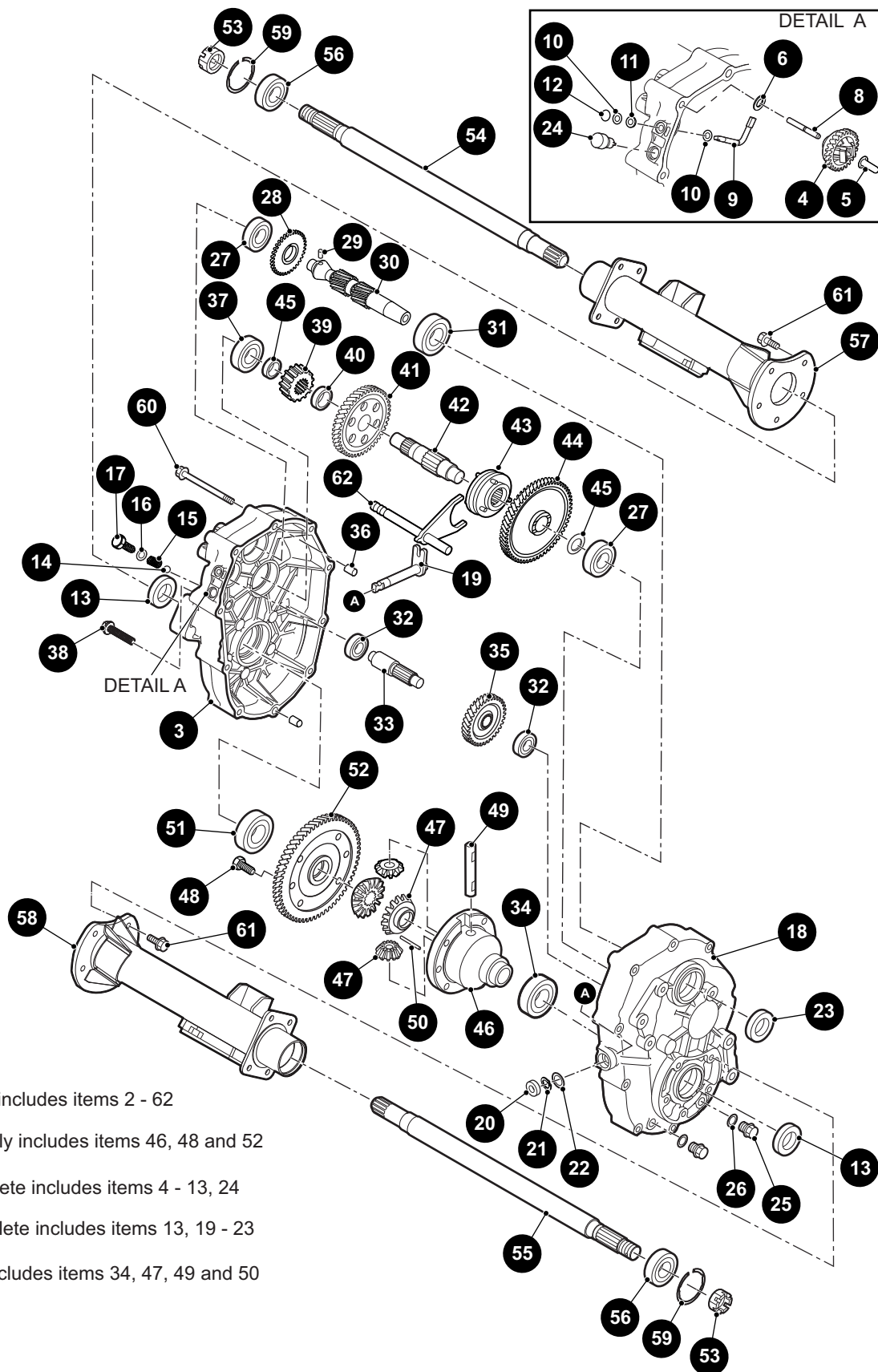
When ordering parts, please specify the model and serial number of the product.

* Indicates a component that is not available as an individual part.

*** Indicates consult Customer Service Department for additional information.

ITEM	PART NO.	1 2 3 4 5	DESCRIPTION	QTY.
1	646825		Fuel Tank Assembly (with Sender Unit) (Includes Items 2 - 8).....	1
2	646306		Fuel Tank	1
3	646837		Fuel Pump Lid	1
4	646838		Seal	1
5	647810		Grommet.....	1
6	647809		Rollover Valve.....	1
7	670898		Fuel Cap	1
8	646353		Fuel Pump with Sender Assembly	1
9	32372G6		Vinyl Trim, 6.25" Lg	1
10	666351		Fuel Hose Assembly	1
11				
12	664747		Tube Clamp, .5"	2
13	602409		Barrel Clip, M6 - 1 (Not Illustrated).....	2
14	606264		Flanged Hex Head Bolt, M6 - 1 x 20mm Lg, Grade 8.8	2
15	70483G01		Spacer, 5/16" - 18	1
16	00438G8		Hex Head Bolt, 5/16" - 18 x 1" Lg, Grade 5	1
17	11098G6		Lock Nut, 5/16" - 18	3
18	00559G8		Flat Washer, 5/16"	4
19	10570G11		Rivet, 3/16" Dia x .70"	2
20	606310		Carbon Canister Mounting Bracket	1
21	662807		Carbon Canister Assembly (Includes Items 22 - 26)	1
22	606071		Carbon Canister	1
23	18292G1		Tube Clamp, 1/2" O.D	2
24	606963		Tube Clamp, 3/16" I.D	2
25	27184G14		Fuel System Tube, 13" Lg	1
26	662608		Hose, 3/16" I.D. x 37" Lg	1

REAR AXLE



- 1 Rear Axle, 11.47:1 includes items 2 - 62
- 2 Differential Assembly includes items 46, 48 and 52
- 3 Axle Case L Complete includes items 4 - 13, 24
- 18 Axle Case R Complete includes items 13, 19 - 23
- 46 Differential Case includes items 34, 47, 49 and 50

THE USE OF NON U.L. PARTS WILL VOID ANY U.L. LISTING.

When ordering parts, please specify the model and serial number of the product.

* Indicates a component that is not available as an individual part.

*** Indicates consult Customer Service Department for additional information.

ITEM	PART NO.	1 2 3 4 5	DESCRIPTION	QTY.
1	670468		Rear Axle, 11.47:1 (Includes Items 2 - 62)	1
2	639847		Differential Assembly (Includes Items 46, 48 and 52).....	1
3	639859		Axle Case L Complete (Includes Items 4 - 13, 24)	1
4	665887		Governor Gear	1
5	639689		Governor Sleeve	1
6	607904		Flat Washer	1
7				
8	639698		Governor Gear Shaft.....	1
9	639707		Governor Shaft.....	1
10	639736		Flat Washer, 6mm	2
11	607911		Oil Seal, 6 x 10 x 2.5mm	1
12	607913		Retaining Ring, E5	1
13	639738		Oil Seal, 24 x 40 x 9mm	2
14	26818G01		Steel Ball	1
15	26819G01		Spring	1
16	26831G01		Gasket, 10	1
17	26820G01		Flanged Hex Head Bolt, M10 - 1.25 x 12mm Lg	1
18	639865		Axle Case R Complete (Includes Items 13, 19 - 23)	1
19	639746		Select Shaft.....	1
20	607915		Oil Seal, 13 x 22 x 5mm	1
21	607916		Snap Ring, 13mm	1
22	607917		Spacer, 13 x 1mm	1
23	640093		Oil Seal, 28 x 47 x 9mm	1
24	607919		Air Breather	1
25	639747		Oil Drain Plug	2
26	639748		Gasket, 14mm	2
27	26785G01		Ball Bearing (6204).....	2
28	665888		Governor Gear,34.....	1
29	607920		Pin, 6 X 12L.....	1
30	639750		Input Shaft	1
31	607922		Ball Bearing (62/28).....	1

REAR AXLE

THE USE OF NON U.L. PARTS WILL VOID ANY U.L. LISTING.

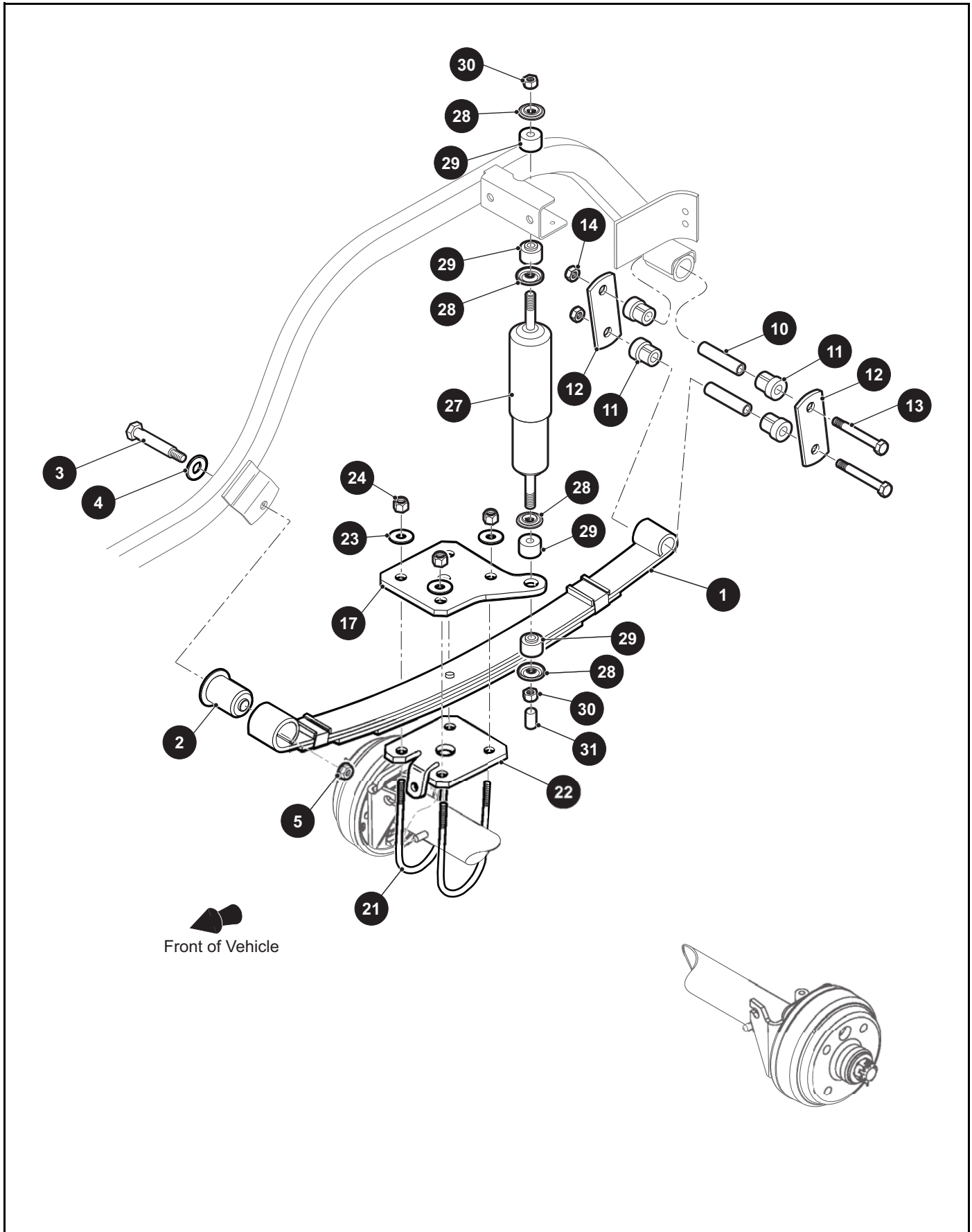
When ordering parts, please specify the model and serial number of the product.

* Indicates a component that is not available as an individual part.

*** Indicates consult Customer Service Department for additional information.

ITEM	PART NO.	1	2	3	4	5	DESCRIPTION	QTY.
32	639868						Ball Bearing (TMB202).....	2
33	639755						Counter Shaft.....	1
34	640744						Ball Bearing (6006)	1
35	639758						Gear, 34	1
36	639869						Knock Pipe.....	2
37	639760						Ball Bearing (6304)	2
38	639768						Flanged Hex Head Bolt, M8 - 1.25 x 40mm Lg.....	1
39	639769						Gear, 17	1
40	28689G01						Collar, 24 x 7.5mm	1
41	639771						Gear, 52	1
42	670697						Center Shaft.....	1
43	639774						Clutch Pin.....	1
44	670696						Gear, 61	1
45	639797						Spacer, 20 x 2mm	2
46	639872						Differential Case (Includes Items 34, 47, 49 and 50).....	1
47	639800						Differential Pair Gear.....	1
48	26808G01						Hex Head Bolt, M10 - 1.25 x 26mm Lg	6
49	28723G01						Differential Shaft.....	1
50	28697G01						Spring Pin, 4 x 40L.....	1
51	639801						Ball Bearing (6007)	1
52	640739						Gear, 60 Complete (Includes Item 51).....	1
53	607938						Castle Nut, M22 - 1.5	2
54	639876						Axle Shaft L Complete (Includes Item 56).....	1
55	639881						Axle Shaft R Complete (Includes Item 56)	1
56	639836						Ball Bearing (6205DD).....	2
57	607939						Axle Case L Complete	1
58	607940						Axle Case R Complete.....	1
59	26814G01						Snap Ring, 52mm	2
60	639839						Flanged Hex Head Bolt, M8 - 1.25 x 60mm Lg.....	9
61	639840						Flanged Hex Head Bolt, M10 - 1.25 x 25mm Lg.....	10
62	639844						Shift Shaft Complete	1

REAR SUSPENSION



REAR SUSPENSION

THE USE OF NON U.L. PARTS WILL VOID ANY U.L. LISTING.

When ordering parts, please specify the model and serial number of the product.

* Indicates a component that is not available as an individual part.

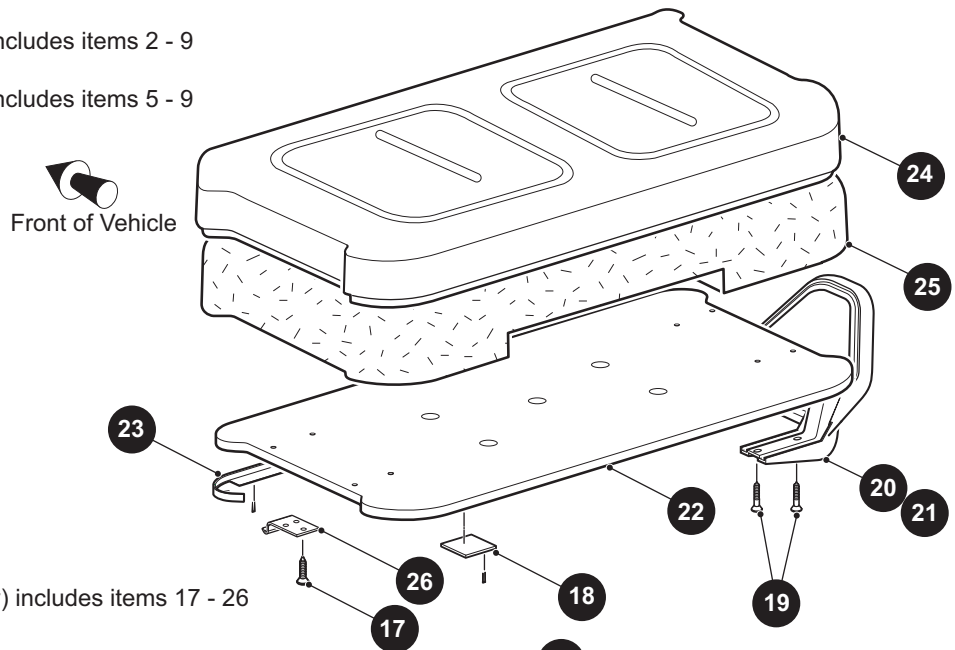
*** Indicates consult Customer Service Department for additional information.

ITEM	PART NO.	1 2 3 4 5	DESCRIPTION	QTY.
1	605721		Leaf Spring	1
2	605445		Leaf Spring Bushing, Front	1
3	00665G9		Hex Head Bolt (SS), 3/8" - 16 x 3 1/2" Lg	1
4	00643G1		Flat Washer, .41 I.D. x 1.0 O.D. x .06	1
5	12262G1		Flanged Lock Nut, 3/8" - 16	1
6				
7				
8				
9				
10	70289G02		Split Spacer (Steel)	2
11	624030		Flanged Bushing	4
12	652245		Shackle Plate	2
13	00665G9		Hex Head Bolt (SS), 3/8" - 16 x 3 1/2" Lg	2
14	11098G5		Lock Nut, 3/8" - 16	2
15				
16				
17	605977		Rear Suspension Plate	1
18				
19				
20				
21	32195G3		U-Bolt, 3/8" - 16 x 5" x 2.875" x 2"	2
22	652580		Rear Suspension Plate	1
23	00643G1		Flat Washer, .41 I.D. x 1.0 O.D. x .06	4
24	11098G5		Lock Nut, 3/8" - 16	4
25				
26				
27	642085		Shock Absorber.....	2
28	10435G1		Shock Absorber Washer	4
29	10194G1		Rubber Shock Bushing	4
30	00532G6		Hex Nut, 3/8" - 24.....	2
31	10044G01		Vinyl Cap.....	1

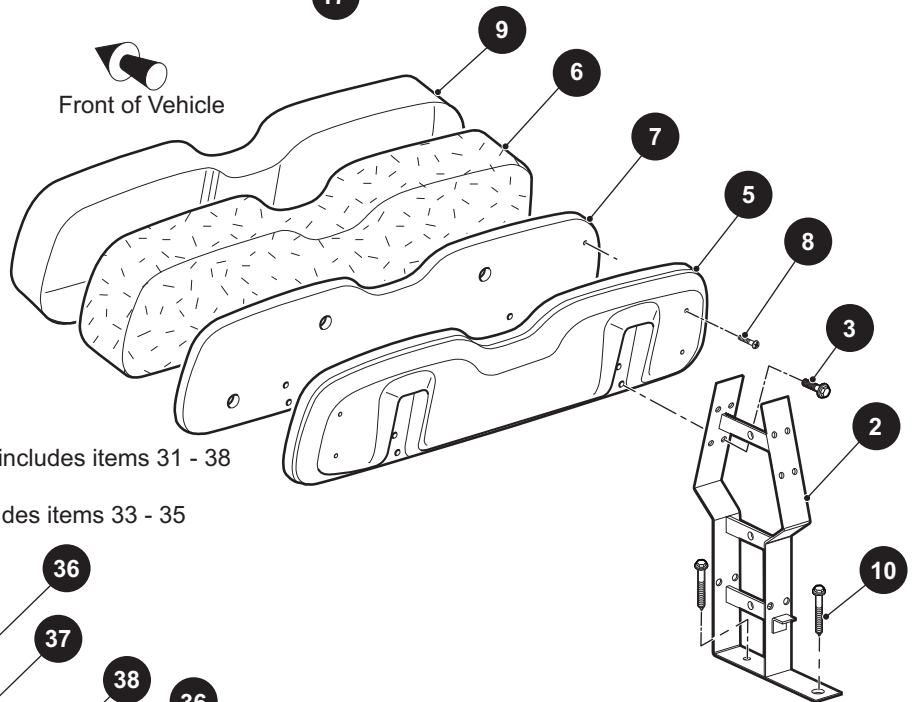
SEATING

1 Seat Back Assembly (Gray) includes items 2 - 9

4 Seat Back Assembly (Gray) includes items 5 - 9

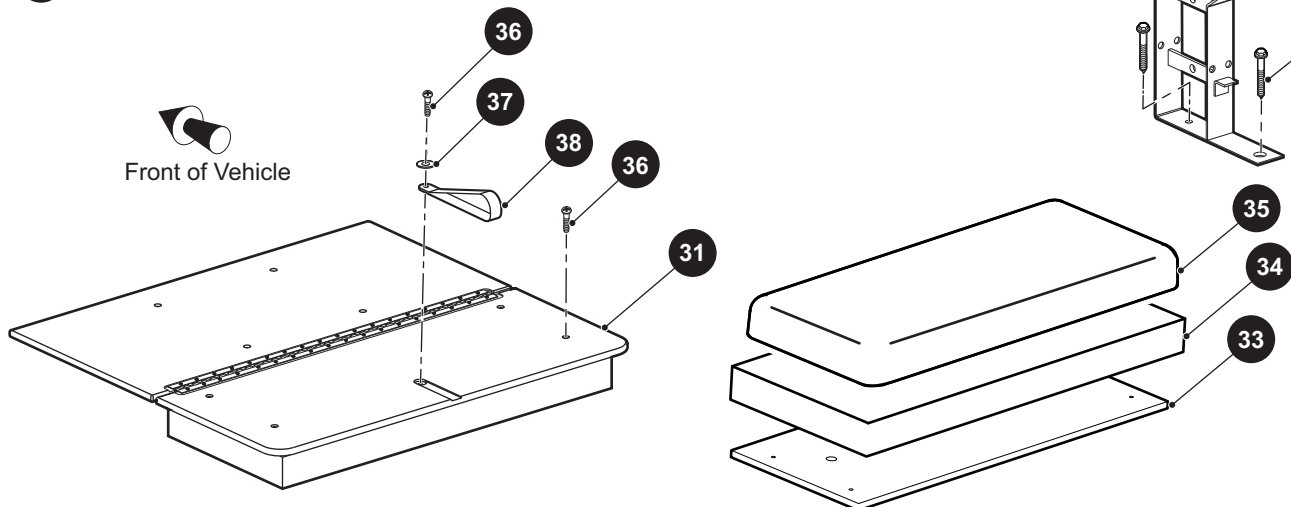


16 Seat Bottom Assembly (Gray) includes items 17 - 26



30 Flip Seat Bottom Assembly (Gray) includes items 31 - 38

32 Seat Bottom Assembly (Gray) includes items 33 - 35



THE USE OF NON U.L. PARTS WILL VOID ANY U.L. LISTING.

When ordering parts, please specify the model and serial number of the product.

* Indicates a component that is not available as an individual part.

*** Indicates consult Customer Service Department for additional information.

ITEM	PART NO.	1 2 3 4 5	DESCRIPTION	QTY.
1	632818G04		Seat Back Assembly (Gray) (Includes Items 2 - 9)	1
2	634178		Support Weldment.....	1
3	71204G01		Hex Washer Head Bolt with Patch Lock, 1/4" - 20 x .875" Lg	4
4	71751G02		Seat Back Assembly (Gray) (Includes Items 5 - 9).....	2
5	71752G01		Cover (Plastic).....	1
6	71754G01		Padding (Foam)	1
7	645021		Base Assembly	1
8	01107G01		Pan Head Torx Screw, #8 x .63" Lg.....	4
9	71753G02		Vinyl Cover (Gray).....	1
10	01006G01		Hex Washer Head Thread Forming Screw, 3/8" - 16 x 1.25" Lg	2
11				
12				
13				
14				
15				
16	629269G0104		Seat Bottom Assembly (Gray) (Includes Items 17 - 26)	1
17	00720G08		Flat Head Phillips Tapping Screw, #12 - 14 x 1" Lg	6
18	17074G1		Soiling Slab.....	2
19	615417		Button Head Torx Bolt, M10 - 1.5 x 25mm Lg.....	4
20	617644		Hip Restraint (Passenger Side)	1
21	617645		Hip Restraint (Driver Side).....	1
22	645492		Base	1
23	71012G01		Trim (Polypropylene)	1
24	71602G02		Vinyl Cover (Gray)	1
25	71603G02		Padding (Foam).....	1
26	71610G01		Seat Hinge.....	2
27				
28				
29				
30	628058G04		Flip Seat Bottom Assembly (Gray) (Includes Item 31 - 38)	1
31	634190		Deck Board Assembly	1

SEATING

THE USE OF NON U.L. PARTS WILL VOID ANY U.L. LISTING.

When ordering parts, please specify the model and serial number of the product.

* Indicates a component that is not available as an individual part.

*** Indicates consult Customer Service Department for additional information.

ITEM	PART NO.	1	2	3	4	5	DESCRIPTION	QTY.
32	632837G04						Seat Bottom Assembly (Gray) (Includes Item 33 - 35).....	1
33	645820						Seat Bottom	1
34	617401						Seat Bottom (Foam).....	1
35	617892						Seat Bottom (Gray) (Vinyl)	1
36	16705G1						Truss Head Phillips Screw (SS), 1/4" - 20 x 1" Lg.....	5
37	00559G7						Flat Washer, 1/4"	1
38	617402						Seat Strap	1

THE USE OF NON U.L. PARTS WILL VOID ANY U.L. LISTING.

When ordering parts, please specify the model and serial number of the product.

* Indicates a component that is not available as an individual part.

*** Indicates consult Customer Service Department for additional information.

ITEM	PART NO.	1 2 3 4 5	DESCRIPTION	QTY.
1	634180		Seat Frame Weldment	1
2	00427G2		Hex Head Bolt, 3/8" - 16 x 1.25" Lg, Grade 5	1
3	614221		Flat Washer, 3/8"	2
4	11098G5		Lock Nut, 3/8" - 16	1
5				
6				
7				
8	634179		Footrest Weldment.....	1
9	19853G1		Square Tube Cap, 1"	1
10	00427G6		Hex Head Bolt, 3/8" - 16 x 1.25" Lg, Grade 5	1
11	614221		Flat Washer, 3/8"	2
12	11098G5		Lock Nut, 3/8" - 16	1
13				
14				
15				
16	634175		Rear Seating Armrest.....	1
17	00427G4		Hex Head Bolt, 3/8" - 16 x 1.25" Lg, Grade 5	2
18	00428G8		Hex Head Bolt, 3/8" - 16 x 2.25" Lg	1
19	614221		Flat Washer, 3/8"	4
20	11027G5		Flanged Lock Nut, 3/8" - 16	2
21	11098G5		Lock Nut, 3/8" - 16	2
22				
23				
24				
25	634174		Seat Frame Support.....	1
26	00427G4		Hex Head Bolt, 3/8" - 16 x 1.5" Lg, Grade 5	1
27	00427G2		Hex Head Bolt, 3/8" - 16 x 1.25" Lg, Grade 5	1
28	614221		Flat Washer, 3/8"	4
29	11098G5		Lock Nut, 3/8" - 16	2
30				

SEATING

THE USE OF NON U.L. PARTS WILL VOID ANY U.L. LISTING.

When ordering parts, please specify the model and serial number of the product.

* Indicates a component that is not available as an individual part.

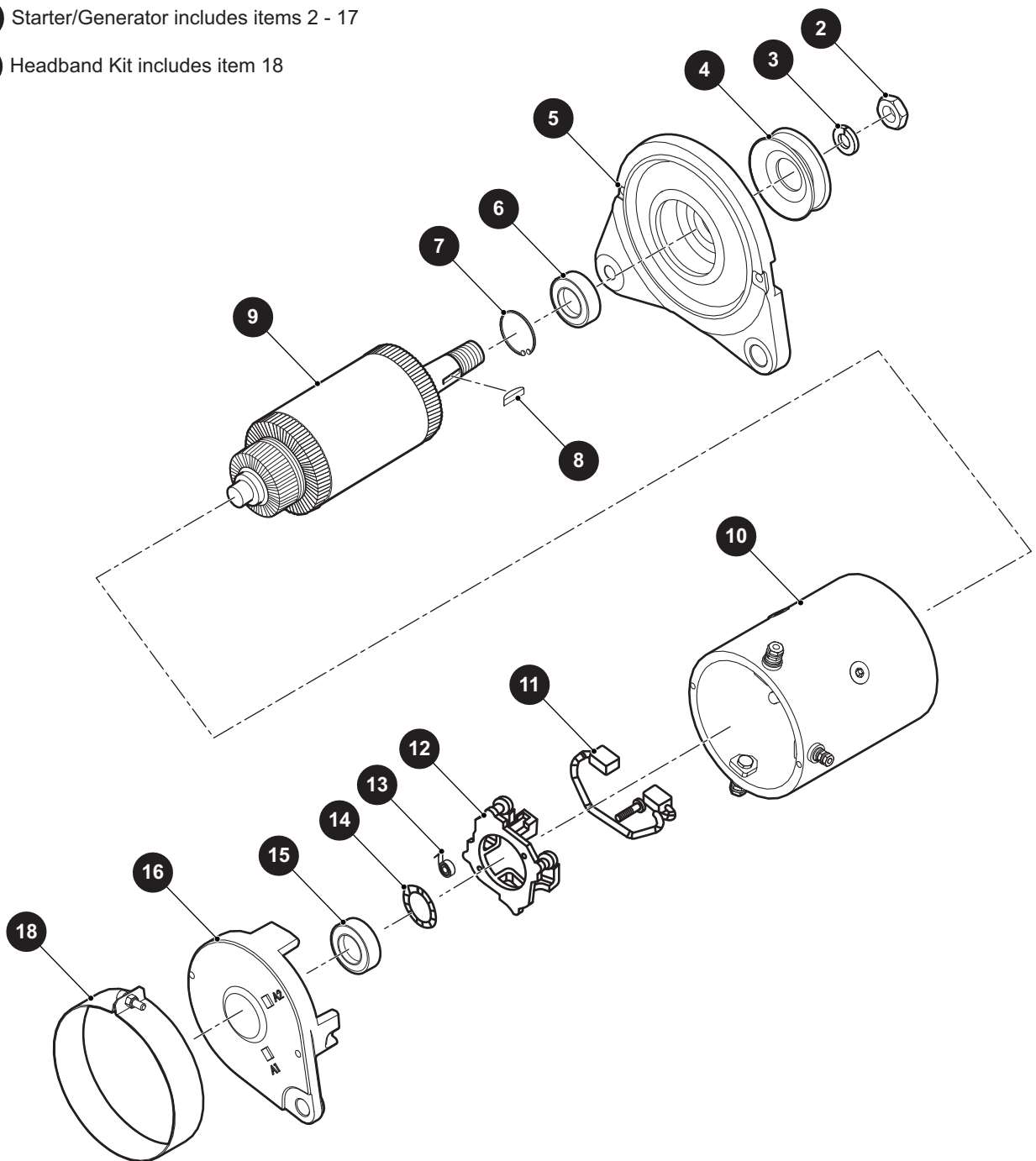
*** Indicates consult Customer Service Department for additional information.

ITEM	PART NO.	1	2	3	4	5	DESCRIPTION	QTY.
31	634184						Rear Flip Seat Handrail Kit (Includes Items 32 - 37)	1
32	634185						Footrest Handle Weldment	1
33	19859G1						Square Tube Cap, 3/4"	2
34								
35	00427G8						Hex Head Bolt, 3/8" - 16 x 2" Lg, Grade 5	4
36	614221						Flat Washer, 3/8"	8
37	11098G5						Lock Nut, 3/8" - 16	4
38								
39								
40								
41	16705G9						Truss Head Phillips Screw (SS), 1/4" - 20 x 1.25" Lg	4
42	00559G7						Flat Washer, 1/4"	4
43	14390G4						Lock Nut, 1/4" - 20	4

STARTER GENERATOR

1 Starter/Generator includes items 2 - 17

17 Headband Kit includes item 18

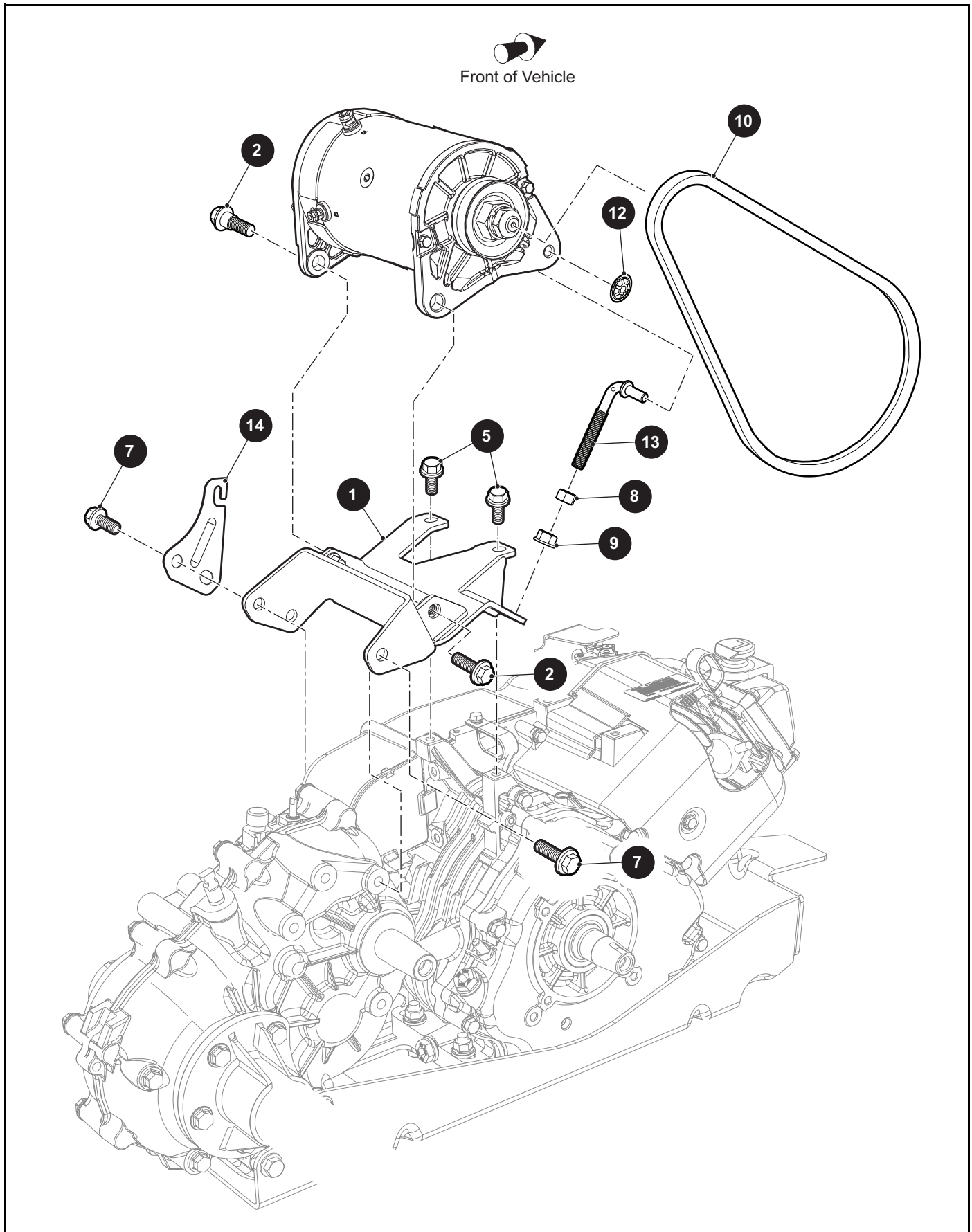


STARTER GENERATOR

THE USE OF NON U.L. PARTS WILL VOID ANY U.L. LISTING.
 When ordering parts, please specify the model and serial number of the product.
 * Indicates a component that is not available as an individual part.
 *** Indicates consult Customer Service Department for additional information.

ITEM	PART NO.	1 2 3 4 5	DESCRIPTION	QTY.
1	660379		Starter/Generator (Includes Items 2 - 17)	1
2	612029		Hex Nut.....	1
3	612030		Lock Washer.....	1
4	625716		Pulley, 2.5" O.D.	1
5	654715		Drive End Head	1
6	612033		Bearing	1
7	612034		Retaining Ring	1
8	612035		Woodruff Key	1
9	612036		Armature Assembly	1
10	654716		Frame and Field Assembly	1
11	612038		Brush Lead and Terminal Package.....	1
12	654717		Brush Box Assembly.....	1
13	656659		Brush Spring.....	4
14	612043		Wavy Washer	1
15	612044		Bearing	1
16	612045		Commutator End Head.....	1
17	658172		Headband Kit (Includes Item 18)	1
18	654718		Head Band	1

STARTER GENERATOR

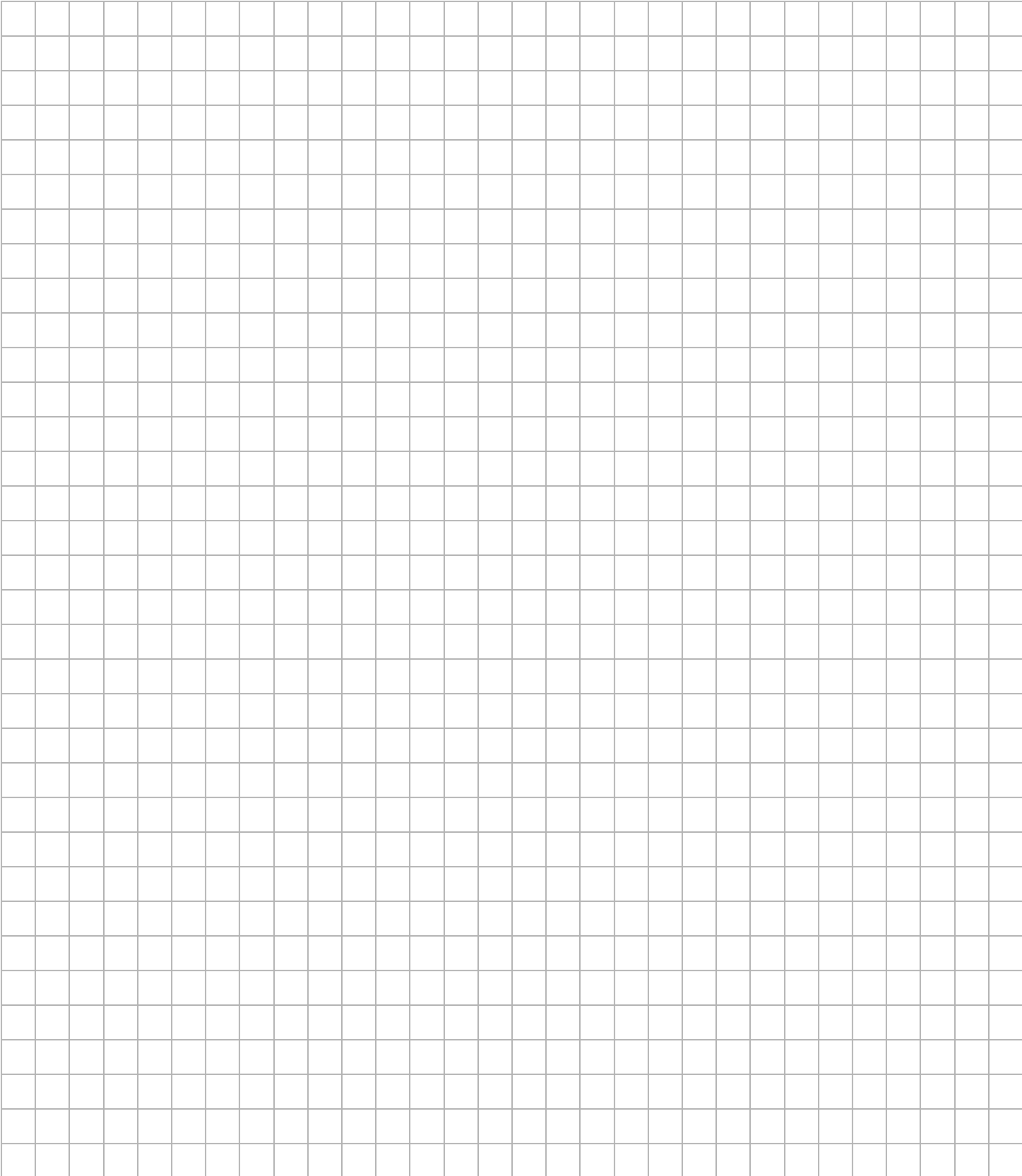


STARTER GENERATOR

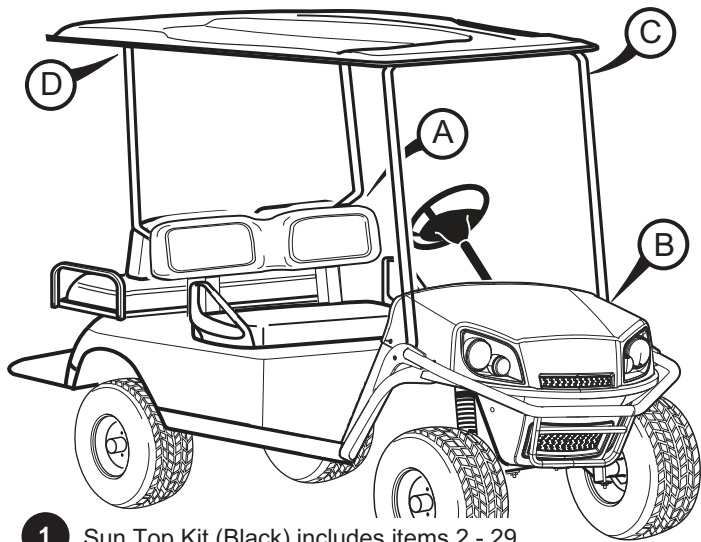
THE USE OF NON U.L. PARTS WILL VOID ANY U.L. LISTING.
 When ordering parts, please specify the model and serial number of the product.
 * Indicates a component that is not available as an individual part.
 *** Indicates consult Customer Service Department for additional information.

ITEM	PART NO.	1 2 3 4 5	DESCRIPTION	QTY.
1	631972		Starter/Generator Support Bracket	1
2	606235		Flanged Hex Head Bolt, M10 - 1.25 x 20mm Lg.....	2
3				
4				
5	606261		Flanged Hex Head Bolt, M8 - 1.25 x 20mm Lg, Grade 8.8.....	2
6				
7	606256		Flanged Hex Head Bolt, M10 - 1.25 x 25mm Lg, Grade 8.8.....	3
8	606255		Hex Jam Nut, M10 - 1.25	1
9	606274		Flanged Hex Nut, M10 - 1.25	1
10	630587		Starter/Generator Belt	1
11				
12	12064G6		Push Nut, 5/16"	1
13	629763		Tensioner Bolt	1
14	660001		Accelerator Cable Guide Bracket.....	1

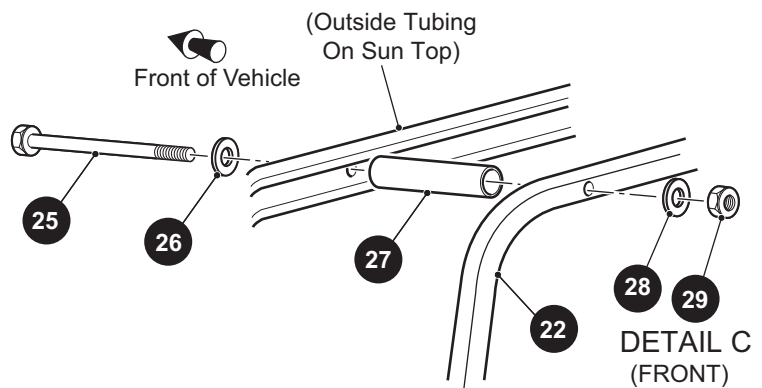
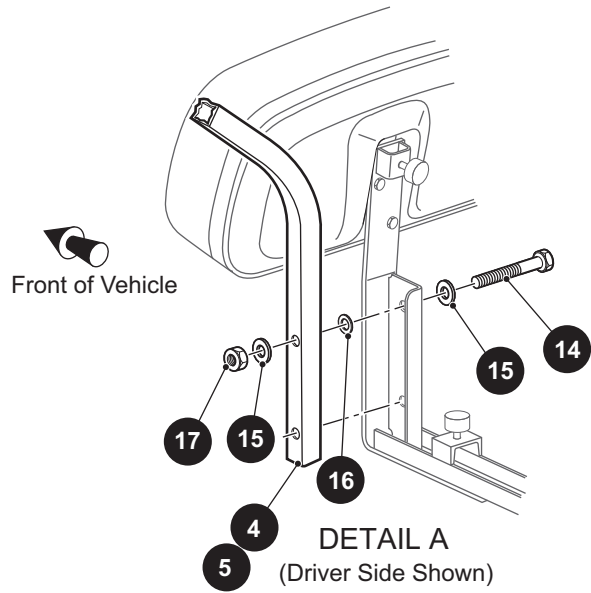
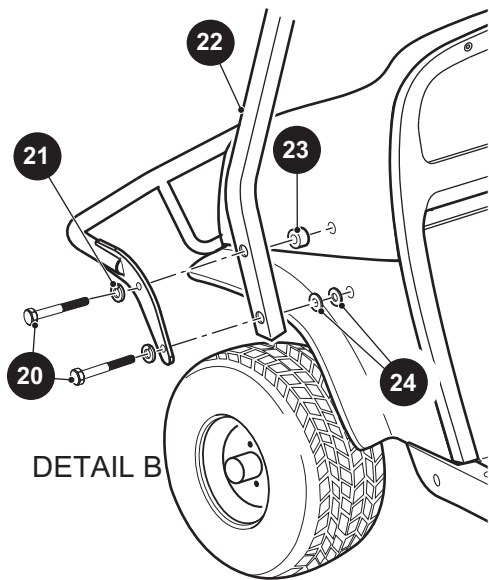
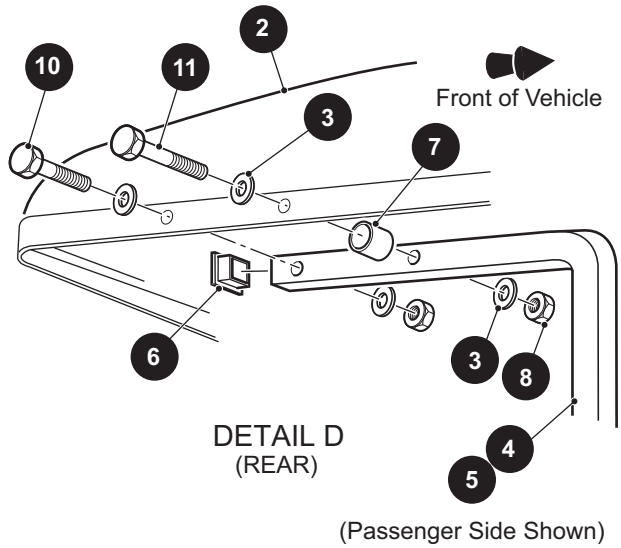
Notes:

A large grid of graph paper, consisting of 20 columns and 25 rows of small squares, intended for taking notes.

WEATHER PROTECTION



1 Sun Top Kit (Black) includes items 2 - 29



WEATHER PROTECTION

THE USE OF NON U.L. PARTS WILL VOID ANY U.L. LISTING.

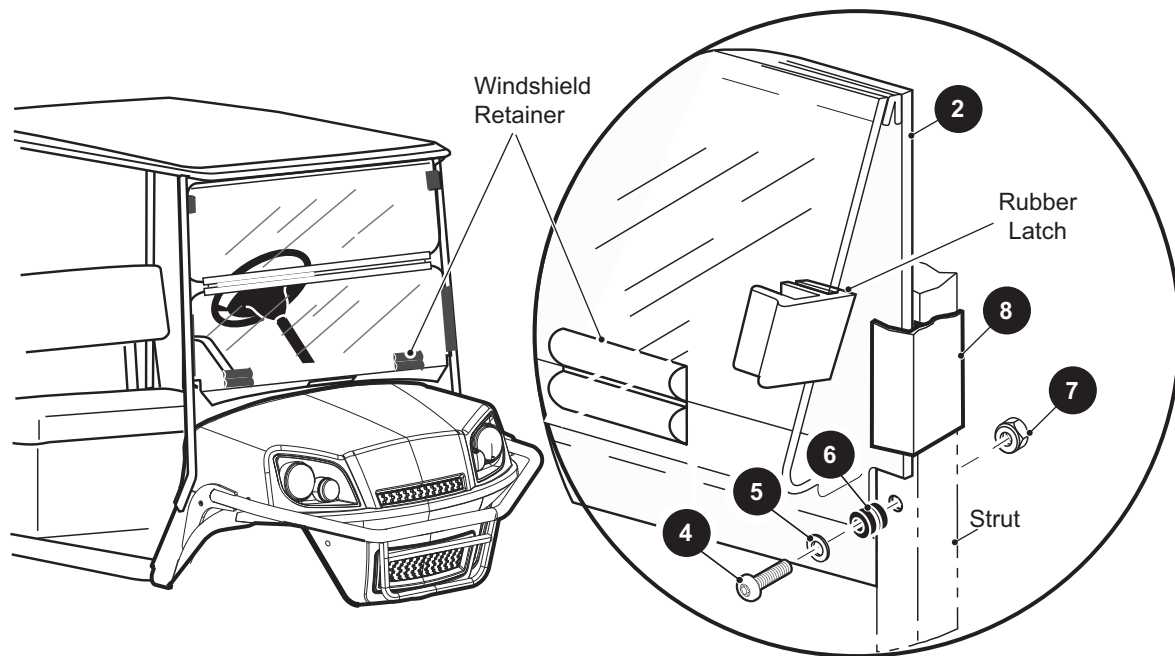
When ordering parts, please specify the model and serial number of the product.

* Indicates a component that is not available as an individual part.

*** Indicates consult Customer Service Department for additional information.

ITEM	PART NO.	1 2 3 4 5	DESCRIPTION	QTY.
1	606260		Sun Top Kit (Black), 80" Lg (Includes Items 2 - 29).....	1
2	606937		Sun Top	1
3	00679G1		Flat Washer (SS), 3/8"	4
4	602743		Rear Strut (Driver Side)	1
5	602741		Rear Strut (Passenger Side)	1
6	19853G1		End Cap, 1 Sq"	1
7	24647G1		Spacer, 1/4"	1
8	00891G5		Lock Nut, 3/8" - 16.....	2
9				
10	00665G6		Hex Head Bolt (SS), 3/8" - 16 x 2" Lg.....	1
11	00665G3		Hex Head Bolt (SS), 3/8" - 16 x 2 1/2" Lg.....	1
12				
13				
14	00665G5		Hex Head Bolt (SS), 3/8" - 16 x 1 3/4" Lg.....	2
15	00679G1		Flat Washer (SS), 3/8"	4
16	00771G5		Nylon Washer, 3/8"	2
17	00891G5		Lock Nut, 3/8" - 16.....	2
18				
19				
20	00440G2		Hex Head Bolt, 5/16" - 18 x 2 1/4" Lg, Grade 5.....	2
21	00565G8		Lock Washer, 5/16".....	2
22	75125G01		Front Strut.....	1
23	75048G01		Spacer, 1/2"	1
24	00879G1		Flat Washer, 3/8"	2
25	00674G8		Hex Head Bolt, 3/8" - 16 x 5" Lg.....	1
26	00679G1		Flat Washer (SS), 3/8"	1
27	18716G1		Spacer	1
28	00653G1		Flat Washer (SS), 3/8"	1
29	00891G5		Lock Nut, 3/8" - 16.....	1

WEATHER PROTECTION



- 1 Split Windshield Kit (Clear) includes items 2, 3
- 3 Hardware Kit includes items 4 - 8



WEATHER PROTECTION

THE USE OF NON U.L. PARTS WILL VOID ANY U.L. LISTING.

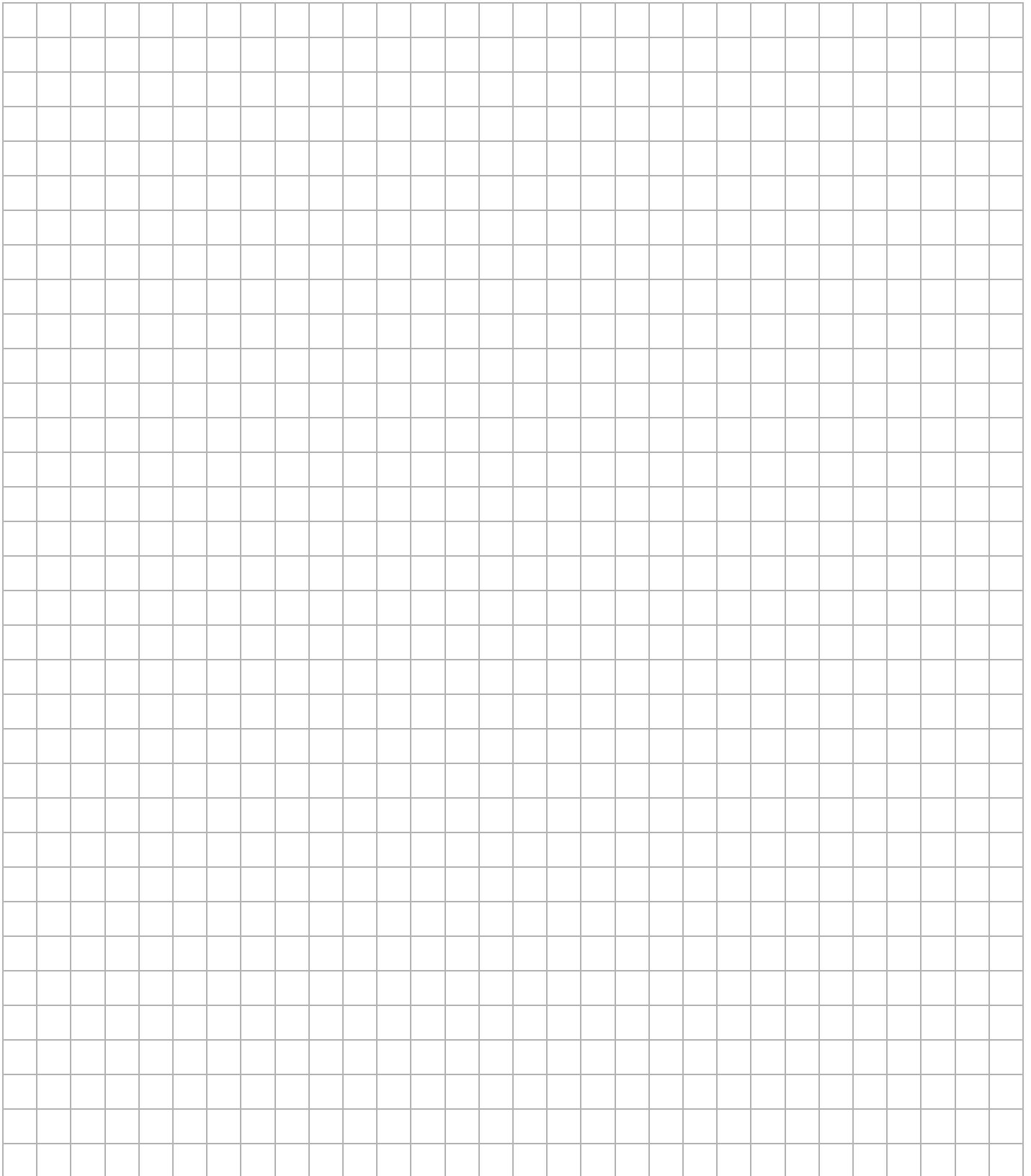
When ordering parts, please specify the model and serial number of the product.

* Indicates a component that is not available as an individual part.

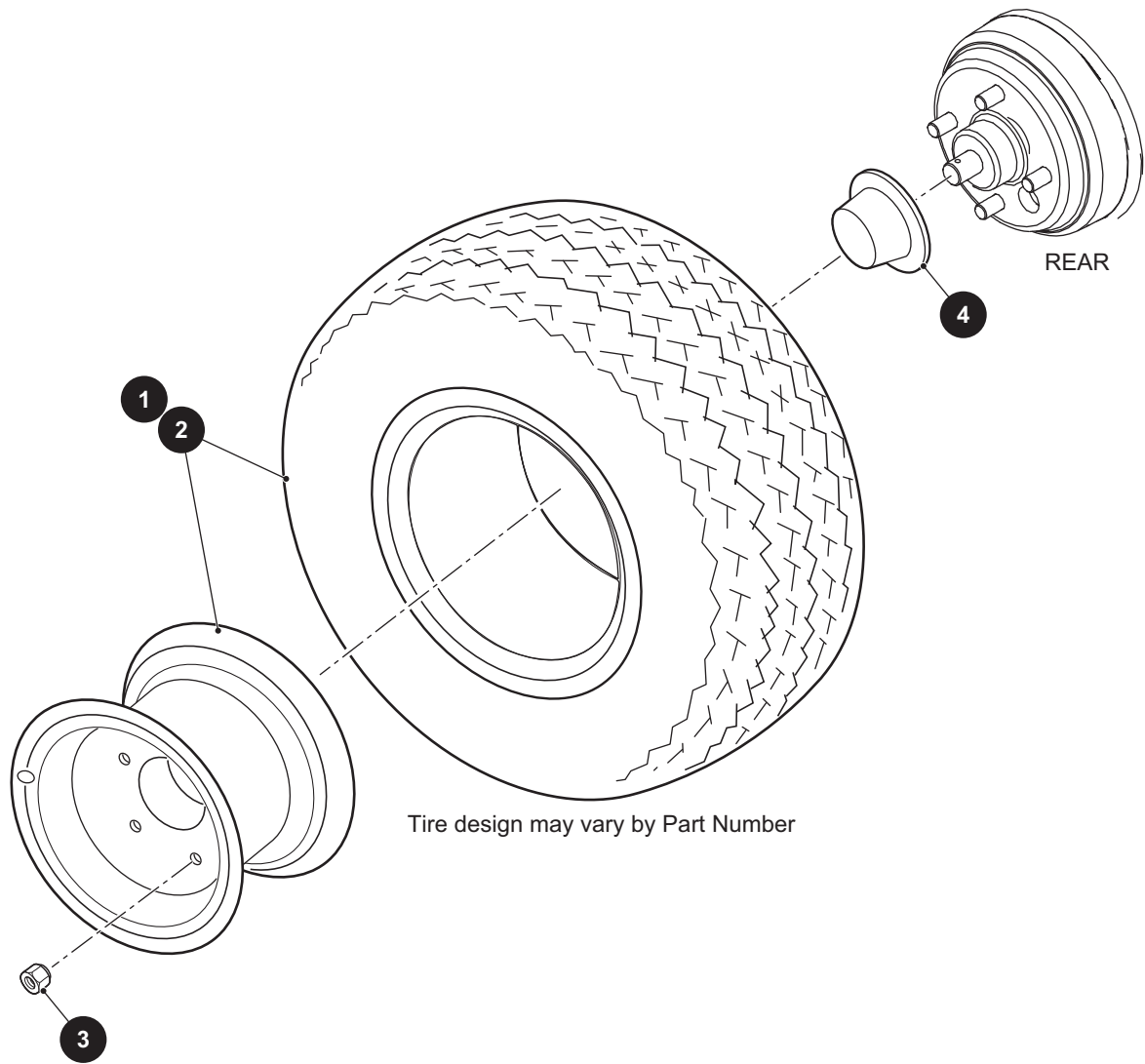
*** Indicates consult Customer Service Department for additional information.

ITEM	PART NO.	1 2 3 4 5	DESCRIPTION	QTY.
1	71966G05		Split Windshield Kit (Clear) (Includes Items 2, 3).....	1
2	630012		Split Windshield (Clear)	1
3	71956G05		Hardware Kit (Includes Items 4 - 8)	1
4	*		Hex Head Bolt (SS), 1/4" - 20 x 1 3/4" Lg	2
5	*		Flat Washer (SS), 1/4"	4
6	*		Rubber Grommet	2
7	*		Lock Nut (SS), 1/4" - 20	2
8	615661		Sash, 12" Lg.....	2

Notes:



WHEELS AND TIRES



WHEELS AND TIRES

THE USE OF NON U.L. PARTS WILL VOID ANY U.L. LISTING.

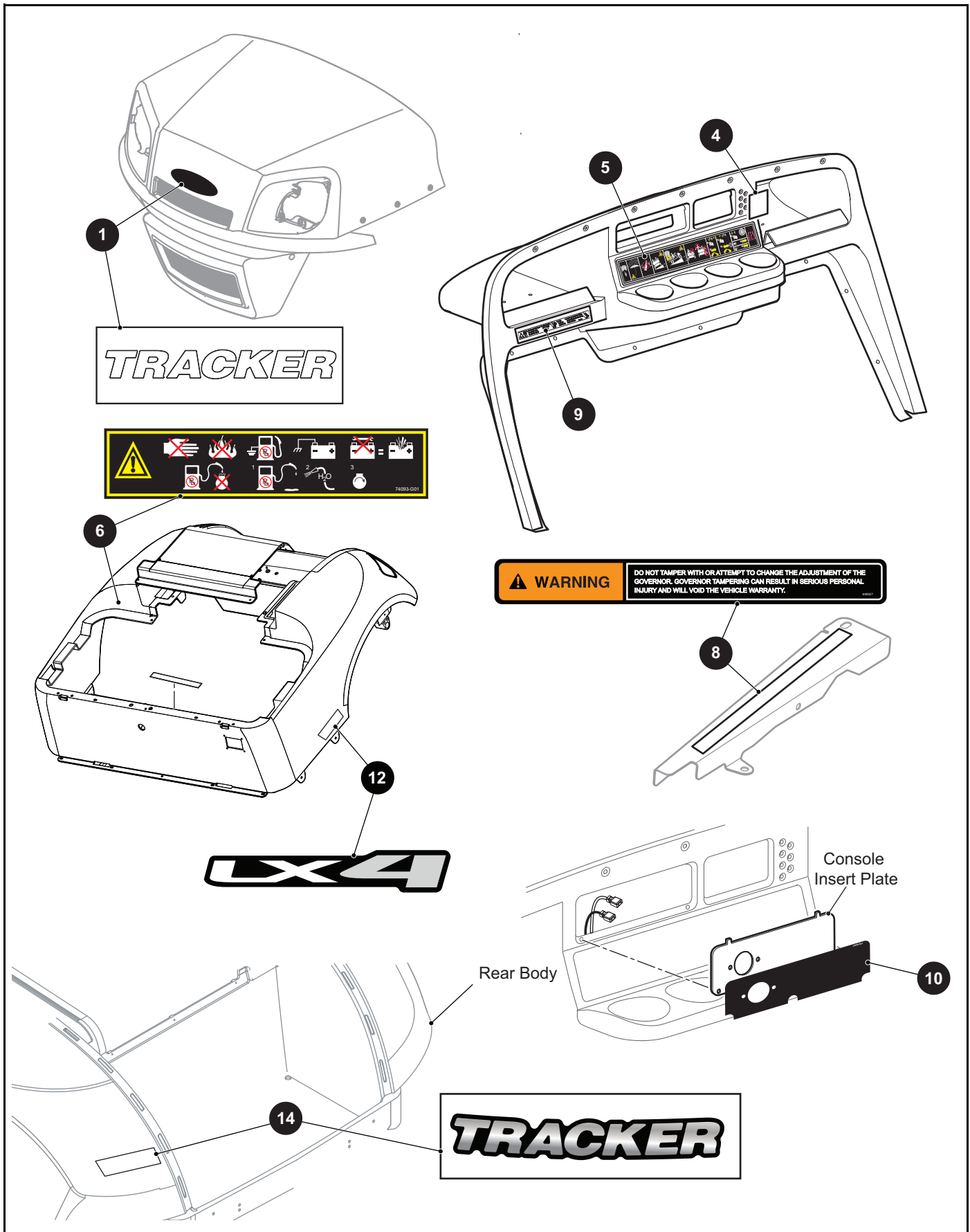
When ordering parts, please specify the model and serial number of the product.

* Indicates a component that is not available as an individual part.

*** Indicates consult Customer Service Department for additional information.

ITEM	PART NO.	1 2 3 4 5	DESCRIPTION	QTY.
1	671955G01		Wheel and Tire Assembly, Left Side.....	1
2	671955G02		Wheel and Tire Assembly, Right Side	1
3	605310		Lug Nut (Chrome)	4
4	74175G01		Dust Cap	1

DECALS AND LABELS



DECALS AND LABELS

THE USE OF NON U.L. PARTS WILL VOID ANY U.L. LISTING.

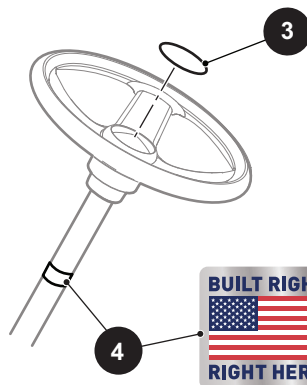
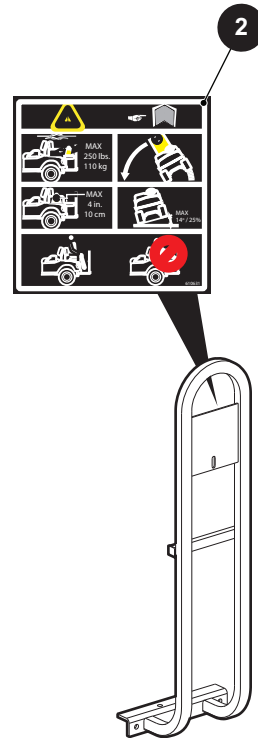
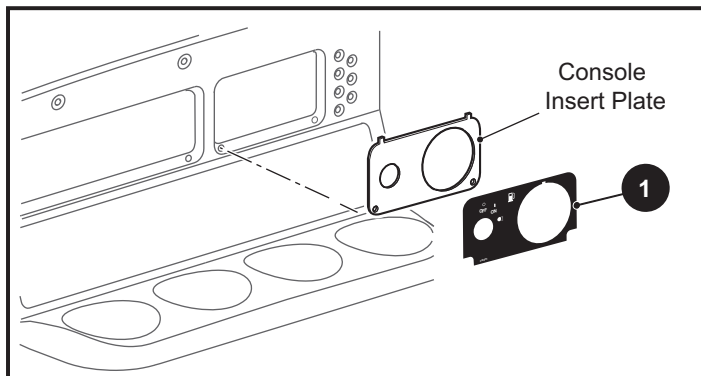
When ordering parts, please specify the model and serial number of the product.

* Indicates a component that is not available as an individual part.

*** Indicates consult Customer Service Department for additional information.

ITEM	PART NO.	1 2 3 4 5	DESCRIPTION	QTY.
1	698039		Tracker Cowl Decal.....	1
2				
3				
4	35968G01		T-Holder Cover Decal.....	1
5	601781		Safety Label	1
6	74093G01		Engine Warning Label.....	1
7				
8	608527		Governor Waring Label.....	1
9	7443G01		Anti-rollback Decal	1
10	35966G03		Ball Holder Decal	1
11				
12	698020		LX4 Decal.....	2
13				
14	698040		Rear Under Taillight Decal	1

DECALS AND LABELS



DECALS AND LABELS

THE USE OF NON U.L. PARTS WILL VOID ANY U.L. LISTING.

When ordering parts, please specify the model and serial number of the product.

* Indicates a component that is not available as an individual part.

*** Indicates consult Customer Service Department for additional information.

ITEM	PART NO.	1 2 3 4 5	DESCRIPTION	QTY.
1	648855		Console, Lights, Fuel Decal	1
2	610631		Clays Bed Decal.....	1
3	695284		Steering Wheel Decal	1
4	685698		MADE IN USA Decal.....	1



MANUFACTURER INFORMATION

Textron Specialized Vehicles, Inc.
1451 Marvin Griffin Road.
Augusta, Georgia, USA 30906-3852

Dealer: 800-296-4804
Consumer: 877-394-6727

Owner's Guides and Repair Manuals are available
from the manufacturer.

Copyrighted Material
This manual may not be reproduced in whole
or in part without the express permission of
the manufacturer.