

**STAMPEDE**

Parts Manual

# TEXTRON



## OFF ROAD

**668060-B**

ISSUED AUGUST 2017

REVISED JANUARY 2018



# SERVICE PARTS MANUAL

## GASOLINE POWERED VEHICLE

### STAMPEDE 4

## STARTING MODEL YEAR 2018

#### **CALIFORNIA Proposition 65 Warning**

**WARNING:** Motor vehicles may contain fuels, oils and fluids, battery posts, terminals, and related accessories which contain lead, lead compounds and other chemicals identified by the State of California to potentially cause cancer, birth defects and other reproductive harm. These chemicals are found in vehicles, vehicle parts and accessories, both new and replacements. During maintenance, these vehicles generate used oil, waste fluids, grease, fumes and particulates, all identified by the State of California to potentially cause cancer, birth defects, and other reproductive harm.

NOTICE: Your TEXTRON OFF ROAD STAMPEDE XTR is equipped with sophisticated exhaust and evaporative emission control systems. TEXTRON OFF ROAD has engineered the entire vehicle for optimum performance and minimal impact on the environment. As the owner, you may choose a qualified repair shop or person to maintain, replace, or repair emission control devices and systems with original or equivalent replacement parts. However, warranty, recall and all other services paid for by TEXTRON OFF ROAD must be performed at an authorized TEXTRON OFF ROAD service center. Installing non-equivalent or non-original components, neglecting maintenance, removing after treatment components, adjusting calibrations or otherwise disabling your emission control systems may void your warranty, cause injury or be a violation of Federal Law.

#### **TO CONTACT US**

##### **NORTH AMERICA:**

**TECHNICAL ASSISTANCE & WARRANTY PHONE: 1-800-774-3946, FAX: 1-800-448-8124**

**SERVICE PARTS PHONE: 1-888-GET-EZGO (1-888-438-3946), FAX: 1-800-752-6175**

**INTERNATIONAL: PHONE: 001-706-798-4311, FAX: 001-706-771-4609**

**TEXTRON SPECIALIZED VEHICLES INC., 1451 MARVIN GRIFFIN RD., AUGUSTA, GEORGIA 30906-3852 USA**

## GENERAL INFORMATION

To obtain a copy of the limited warranty applicable to the vehicle, call or write a local Distributor, authorized Branch or the Warranty Department with vehicle serial number and manufacturer code.

The use of non Original Equipment Manufacturer (OEM) approved parts may void the warranty.

Tampering with or adjusting the governor to permit vehicle to operate at above factory specifications will void the vehicle warranty.

When servicing engines, all adjustments and replacement components must be per original vehicle specifications in order to maintain the United States of America Federal and State emission certification applicable at the time of manufacture.

### BATTERY PROLONGED STORAGE

All batteries will self discharge over time. The rate of self discharge varies depending on the ambient temperature and the age and condition of the batteries.

A fully charged battery will not freeze in winter temperatures unless the temperature falls below -75° F (-60° C).

### BATTERY DISPOSAL

Lead-acid batteries are recyclable. Return whole scrap batteries to distributor, manufacturer or lead smelter for recycling. For neutralized spills, place residue in acid-resistant containers with absorbent material, sand or earth and dispose of in accordance with local, state and federal regulations for acid and lead compounds. Contact local and/or state environmental officials regarding disposal information.



# TABLE OF CONTENTS

<b>SECTION</b>	<b>Page No.</b>
HOW TO USE THE SERVICE PARTS MANUAL .....	V
AIR FILTER .....	A - 1
EXTENDED CAB .....	B - 1
BODY .....	C - 1
BRAKES .....	D - 1
PEDALS .....	E - 1
DIRECTION AND DRIVE SELECTOR .....	F - 1
DRIVETRAIN - FRONT .....	G - 1
DRIVETRAIN - MID .....	H - 1
DRIVETRAIN - REAR .....	J - 1
ENGINE COOLING SYSTEM .....	K - 1
ELECTRICAL .....	L - 1
EXHAUST .....	M - 1
ROPS .....	N - 1
FRAME .....	P - 1
FUEL SYSTEM .....	R - 1
STEERING .....	S - 1
FRONT SUSPENSION .....	T - 1
REAR SUSPENSION .....	U - 1
SEATING .....	V - 1
TRUCK BED .....	W - 1
WHEELS AND TIRES .....	X - 1
DECALS AND LABELS .....	Y - 1



# HOW TO USE THE SERVICE PARTS MANUAL

This manual is divided into several sections:

- GENERAL INFORMATION
- ILLUSTRATED PARTS BREAKDOWN

The first section, GENERAL INFORMATION, contains the following information:

- WARRANTY INFORMATION
- TABLE OF CONTENT
- HOW TO USE THE SERVICE PARTS MANUAL

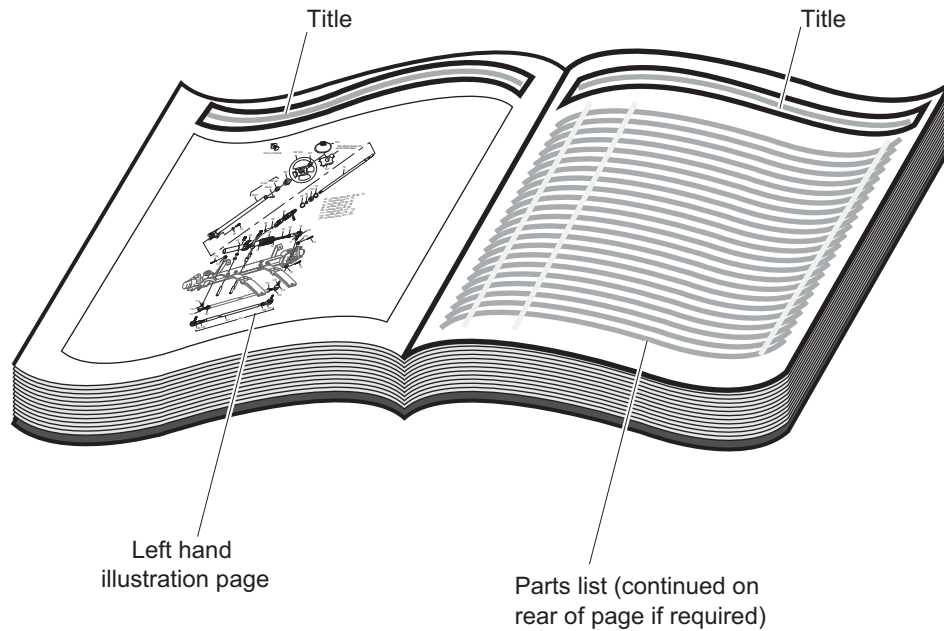
The second section, ILLUSTRATED PARTS BREAKDOWN, contains illustrations and parts lists for all systems of your vehicle.

## USE OF THE MANUAL

To use this manual, consult the TABLE OF CONTENT to locate the information or illustration required.

Introduction of some revisions varies due to supply of components; therefore, it is possible that various combinations of components may be found that are not directly reflected by each illustration. Consult the illustration that best suits your situation and then contact the Service Parts Department. It is important that the serial number or VIN of your vehicle and the model name be supplied to Service Parts when ordering any replacement components.

# HOW TO USE THE SERVICE PARTS MANUAL



## 1. WHEN THE PART NUMBER IS NOT KNOWN

- Determine the function and application of the part required. Turn to the Table of Content and select the most appropriate title.
- Turn to the page number indicated and locate the desired part on the illustration.
- From the illustration, obtain the item number assigned to the desired part. Refer to the accompanying description for specific information regarding the part.

## 2. IF YOU KNOW THE PART NUMBER

- Locate the part number or description in the appropriate column on the parts list page.

NOTE: It is suggested that you confirm that the part selected is correct by verifying it with the pictorial representation on the illustrated page.

Should an asterisk (\*) appear in the part number column on the parts list page, read upwards until a part number is found. The part number is the lowest assembly sold by Service Parts and the asterisk (\*) indicates that the part depicted is not available for purchase.

NOTE: Descriptions are indented under the assembly that they are used on. That assembly is, in turn listed under the assembly that it is used on. This process is repeated until the highest final assembly is reached.

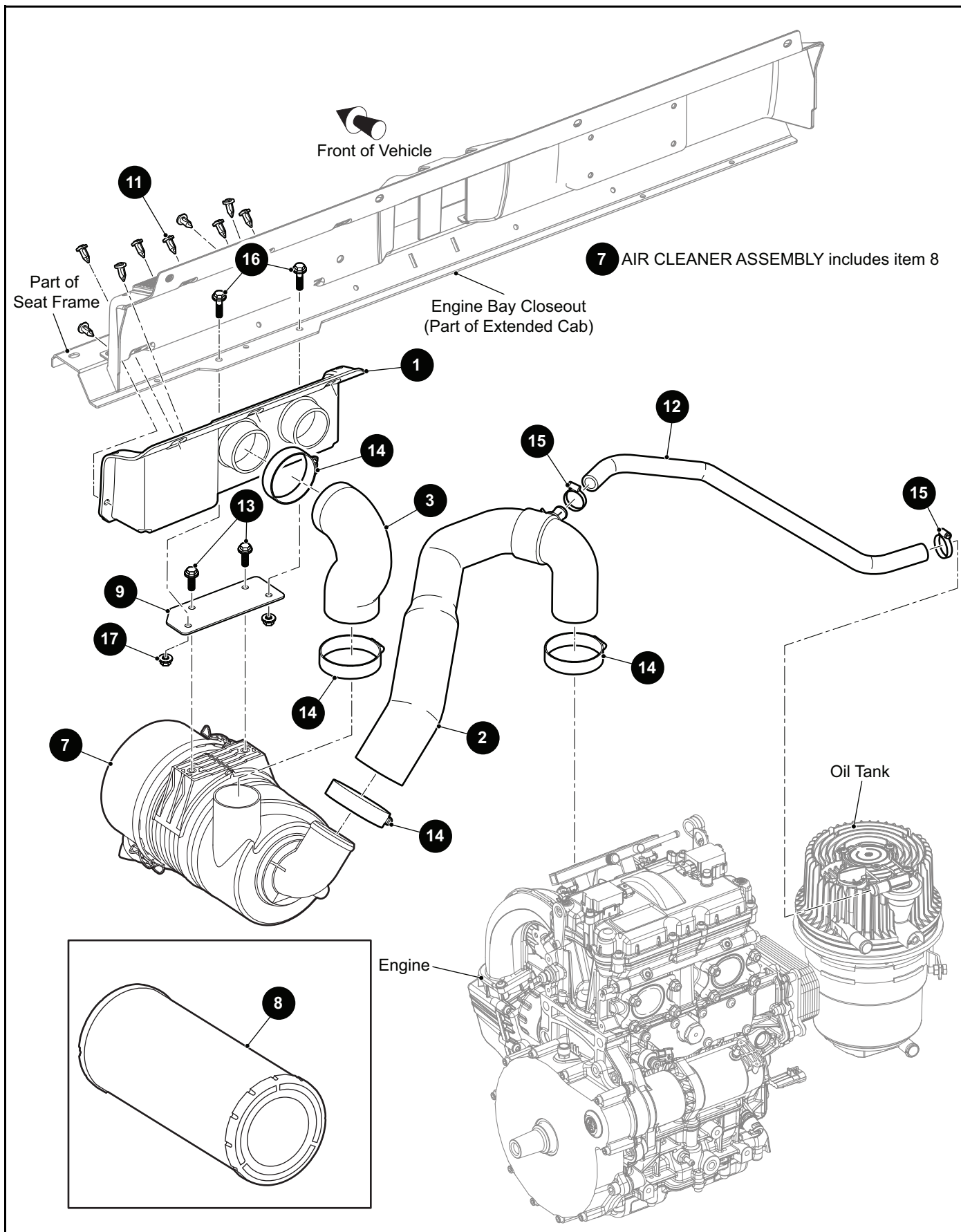
**To facilitate the maintenance and repair of the vehicle, a Technician's Repair and Service Manual is available from the Service Parts Department.**

## 3. COLOR CODE FOR BODY COMPONENTS

The last two digits of the part number for the body part will denote the color code, locate the part number for the cowl, rear body, seat pod, side panel or seat wrap then locate your color in the list below, replace the last \*\* or XX with the two digit color code.

<b><u>CODE #</u></b>	<b><u>DESCRIPTION</u></b>
11	BLACK
20	INFERNO RED METALLIC
38	BRIGHT WHITE
41	ELECTRIC BLUE
89	TRUE TIMBER KANATI
90	ARCTIC BLACK

# AIR FILTER



THE USE OF NON U.L. PARTS WILL VOID ANY U.L. LISTING.

When ordering parts, please specify the model and serial number of the product.

\* Indicates a component that is not available as an individual part.

\*\*\* Indicates consult Customer Service Department for additional information.

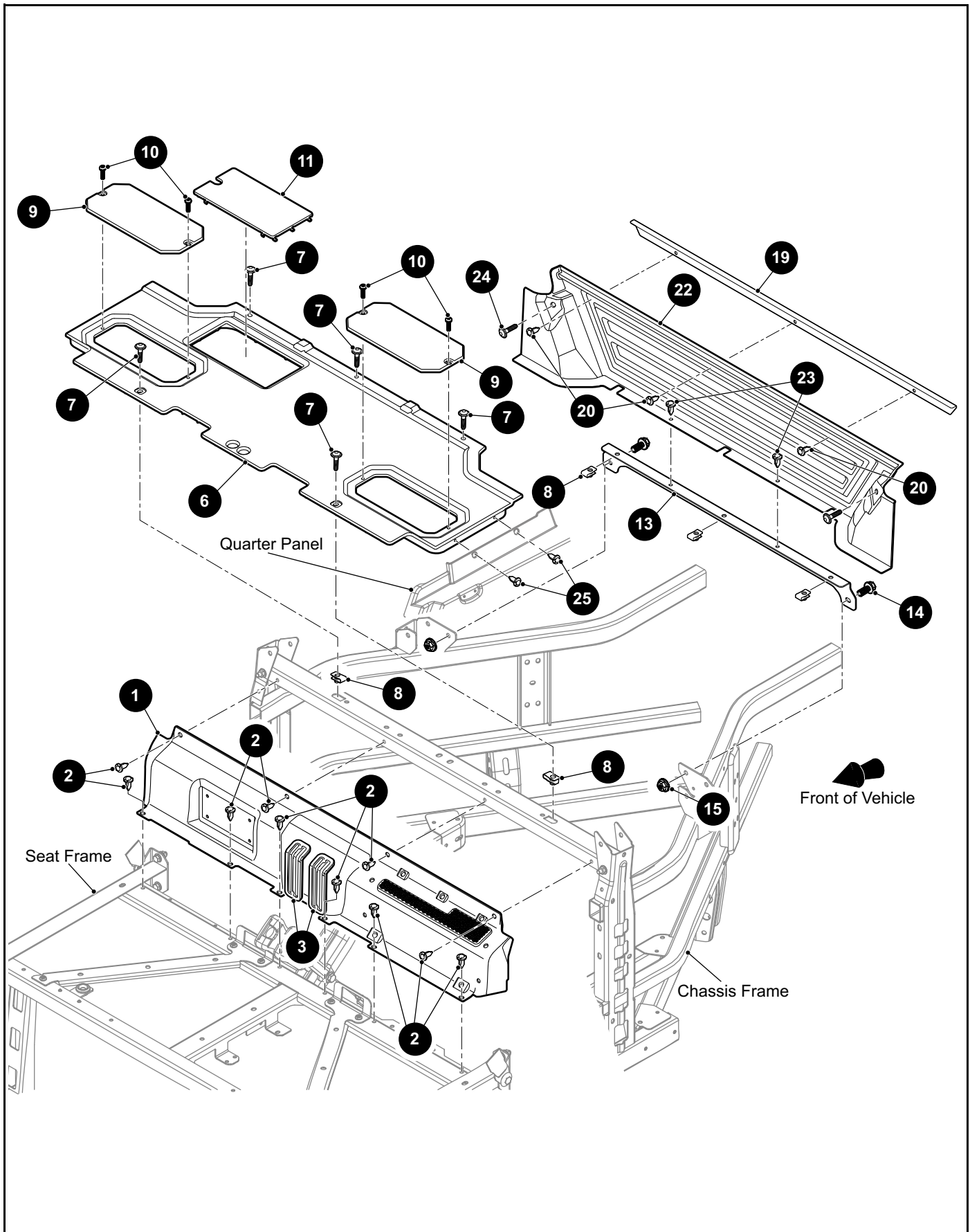
ITEM	PART NO.	1 2 3 4 5	DESCRIPTION	QTY.
1	646819		AIR BOX CONNECTOR .....	1
2	646763		HOSE (AIR CLEANER).....	1
3	646710		HOSE (INTAKE TO AIR CLEANER) .....	1
4				
5				
6				
7	646705		AIR CLEANER ASSEMBLY (INCLUDES ITEM 8).....	1
8	652091		CARTRIDGE .....	1
9	650540		AIR CLEANER MOUNTING BRACKET.....	1
10				
11	667790		REMOVABLE RIVET, 8.13MM DIA X 21MM LG.....	9
12	642127		HOSE (BLOW BY), 16MM .....	1
13	606261		FLANGED HEX HEAD BOLT, M8 - 1 X 20MM LG.....	2
14	11391G2		HOSE CLAMP, 2.06" .....	4
15	649482		HOSE CLAMP, 25 - 40MM.....	2
16	602330		FLANGED HEX HEAD BOLT, M8 - 1 X 30MM LG.....	2
17	645956		FLANGED HEX LOCK NUT, M8 X 1.25.....	2







# EXTENDED CAB



THE USE OF NON U.L. PARTS WILL VOID ANY U.L. LISTING.

When ordering parts, please specify the model and serial number of the product.

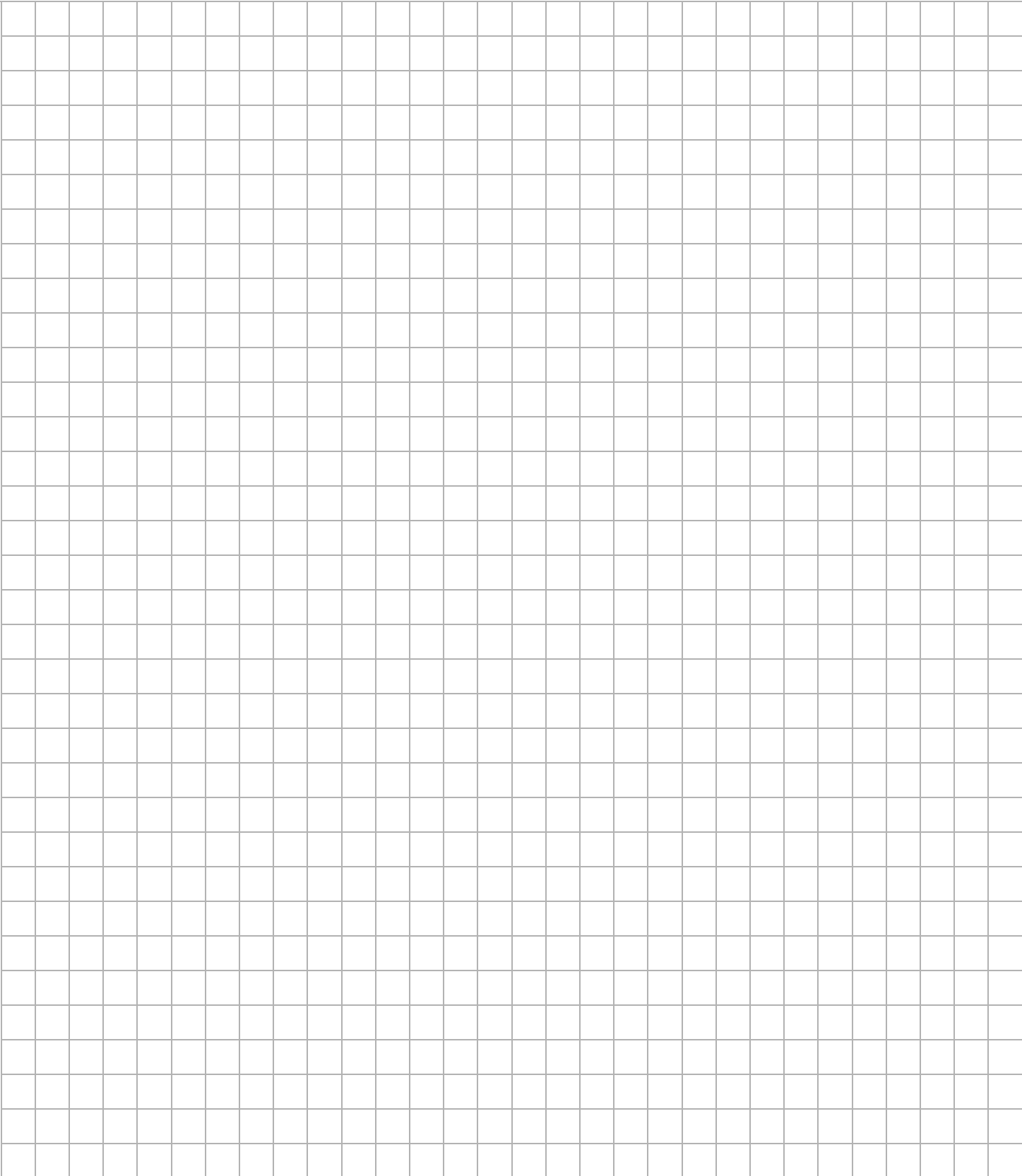
\* Indicates a component that is not available as an individual part.

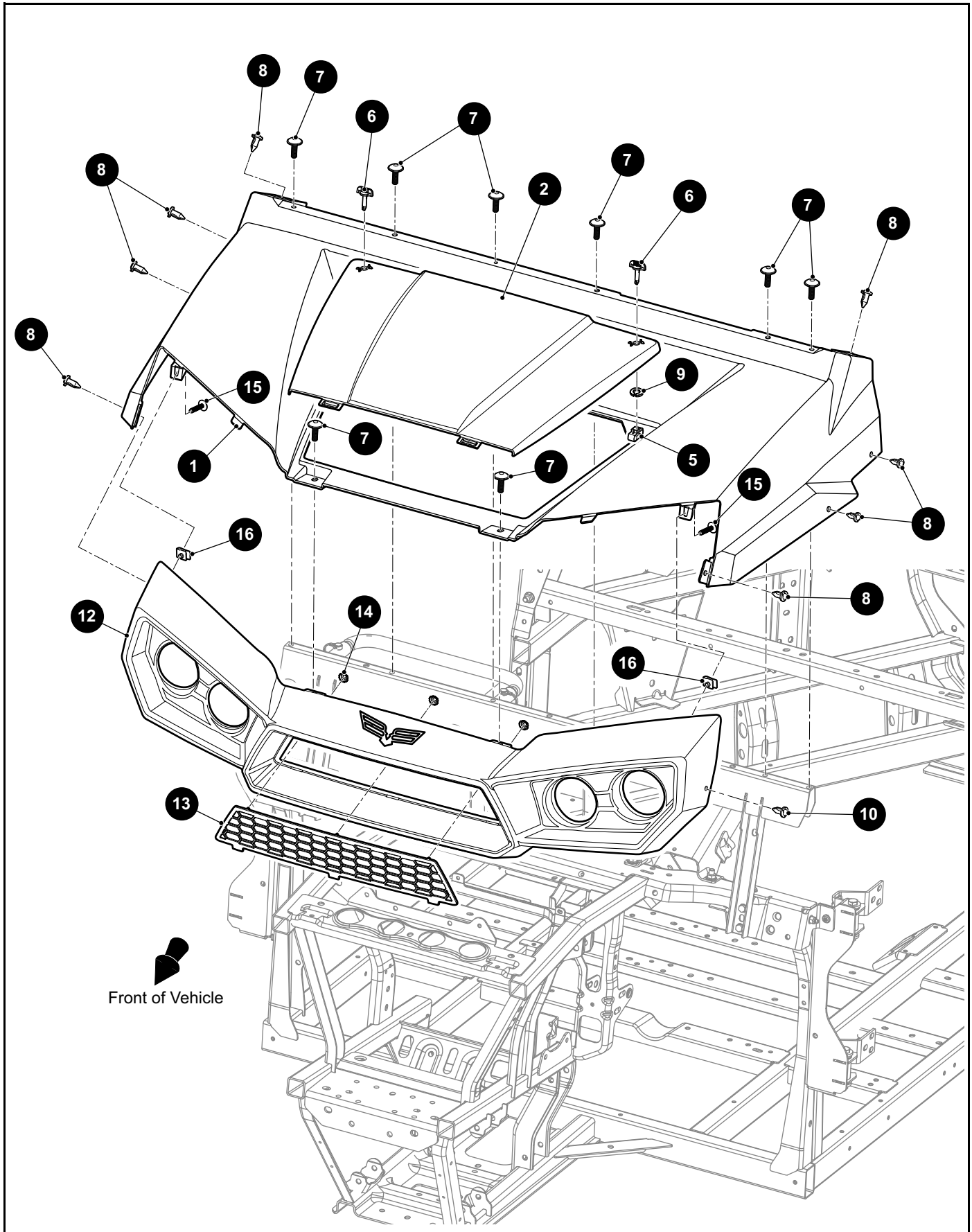
\*\*\* Indicates consult Customer Service Department for additional information.

ITEM	PART NO.	1 2 3 4 5	DESCRIPTION	QTY.
1	643524		ENGINE BAY CLOSEOUT.....	1
2	667790		REMOVABLE RIVET, 8.13MM DIA X 21MM LG.....	10
3	643207		SHIFTER BOOT.....	2
4				
5				
6	641321		CARGO TRAY (HEAT SHIELD REQUIRED SEE SECTION M).....	1
7	645323		PAN WASHER HEAD TORX SCREW, M6 - 1 X 25MM LG.....	5
8	602409		BARREL CLIP, M6 - 1.....	5
9	645312		STORAGE POCKET COVER (HEAT SHIELD REQUIRED SEE SECTION M)	2
10	649803		PAN HEAD TORX SCREW, M6 - 2.65 X 25MM LG.....	4
11	660586		CARGO TRAY DOOR (HEAT SHIELD REQUIRED SEE SECTION M) .....	1
12				
13	643190		CROSSMEMBER (C-PILLAR).....	1
14	603799		FLANGED HEX HEAD BOLT, M10 - 1.5 X 25MM LG.....	2
15	600525		LOCK NUT, M10 - 1.5.....	2
16				
17				
18				
19	653516		EXTENDED CAB SUPPORT.....	1
20	667790		REMOVABLE RIVET, 8.13MM DIA X 21MM LG.....	3
21				
22	641789		CLOSEOUT (EXTENDED CAB).....	1
23	667790		REMOVABLE RIVET, 8.13MM DIA X 21MM LG.....	2
24	645323		PAN WASHER HEAD TORX SCREW, M6 - 1 X 25MM LG.....	2
25	667790		REMOVABLE RIVET, 8.13MM DIA X 21MM LG.....	4



# Notes:

A large, empty grid consisting of 20 columns and 20 rows of squares. The grid is used for taking handwritten notes.



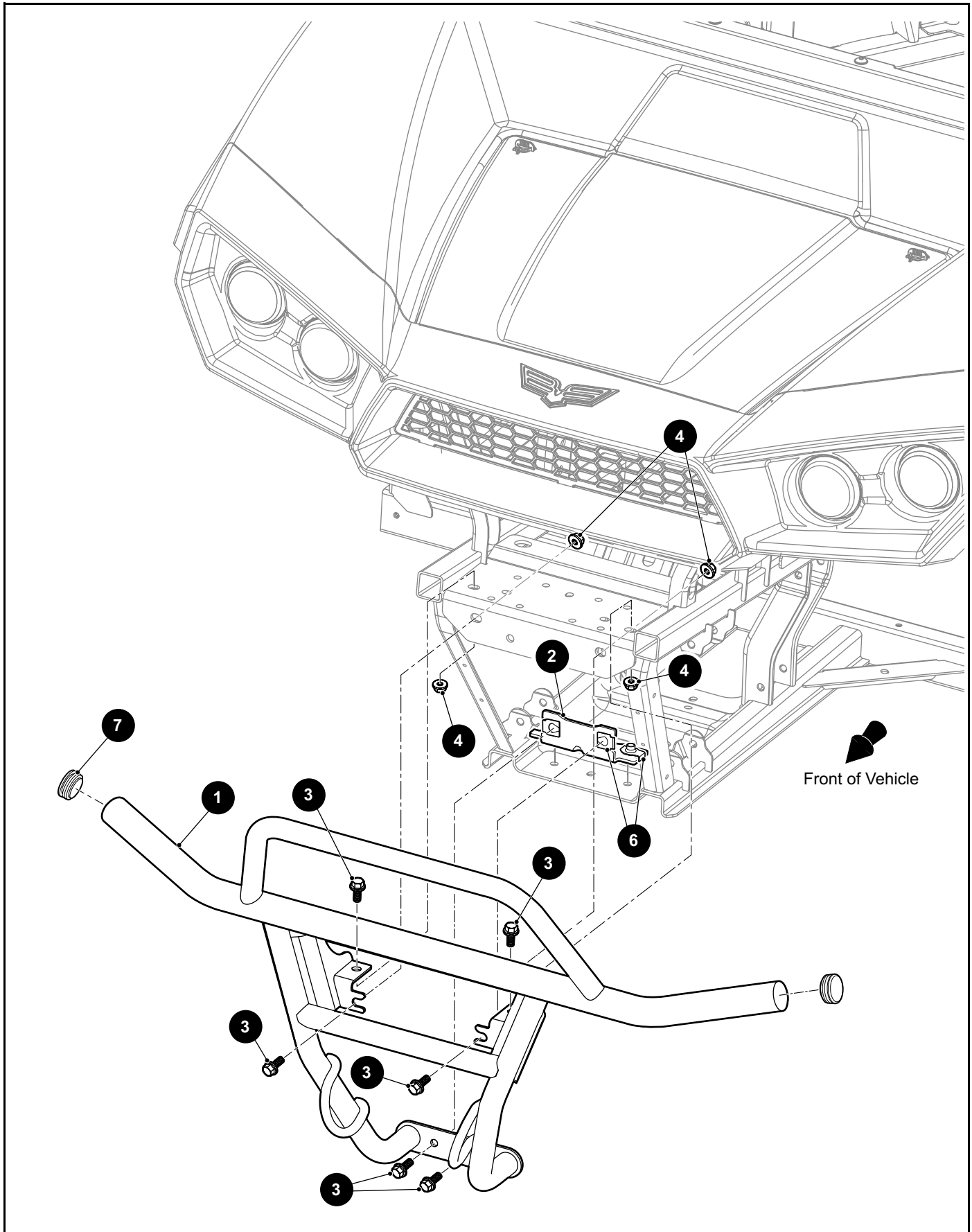
THE USE OF NON U.L. PARTS WILL VOID ANY U.L. LISTING.

When ordering parts, please specify the model and serial number of the product.

\* Indicates a component that is not available as an individual part.

\*\*\* Indicates consult Customer Service Department for additional information.

ITEM	PART NO.	1 2 3 4 5	DESCRIPTION	QTY.
1	663088G00XX		COWL (See COLOR CODE in HOW TO USE Section).....	1
2	641259G00XX		COWL ACCESS PANEL (See COLOR CODE in HOW TO USE Section).....	1
3				
4				
5	654333		RETAINER (BASE) .....	2
6	653127		FASTENER (QUARTER TURN) .....	2
7	644969		PAN WASHER HEAD SELF TAPPING SCREW, M6 - 1 X 20MM LG .....	8
8	667790		REMOVABLE RIVET, .320".....	8
9	618255		RETAINER RING .....	2
10	667790		REMOVABLE PLASTIC RIVET, .320".....	2
11				
12	663105		FRONT FASCIA.....	1
13	641408		GRILL INSERT.....	1
14	71597G01		SELF THREADING NUT, 5 X 10 X 15MM .....	3
15	645323		PAN WASHER HEAD TORX SCREW, M6 - 1 X 23.4MM LG .....	2
16	602409		BARREL CLIP, M6 - 1 .....	2





THE USE OF NON U.L. PARTS WILL VOID ANY U.L. LISTING.

When ordering parts, please specify the model and serial number of the product.

\* Indicates a component that is not available as an individual part.

\*\*\* Indicates consult Customer Service Department for additional information.

ITEM	PART NO.	1 2 3 4 5	DESCRIPTION	QTY.
1	668048		BRUSHGUARD.....	1
2	662222		BRUSHGUARD BRACKET.....	1
3	603799		FLANGED HEX HEAD BOLT, M10 - 1.5 X 25MM LG.....	6
4	600525		LOCK NUT, M10 - 1.5 .....	4
5				
6	603818		BARREL CLIP, M10 - 1.5 .....	4
7	630762		PLUG (PLASTIC), 1.75" O.D. ....	1



THE USE OF NON U.L. PARTS WILL VOID ANY U.L. LISTING.

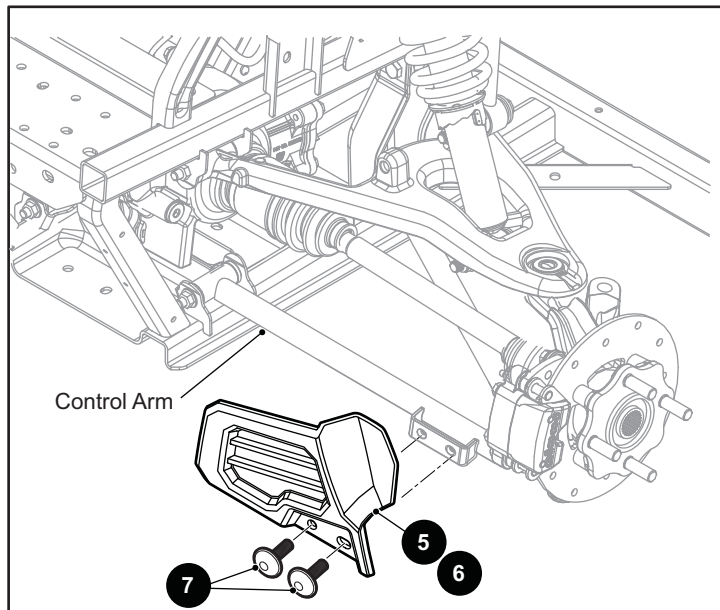
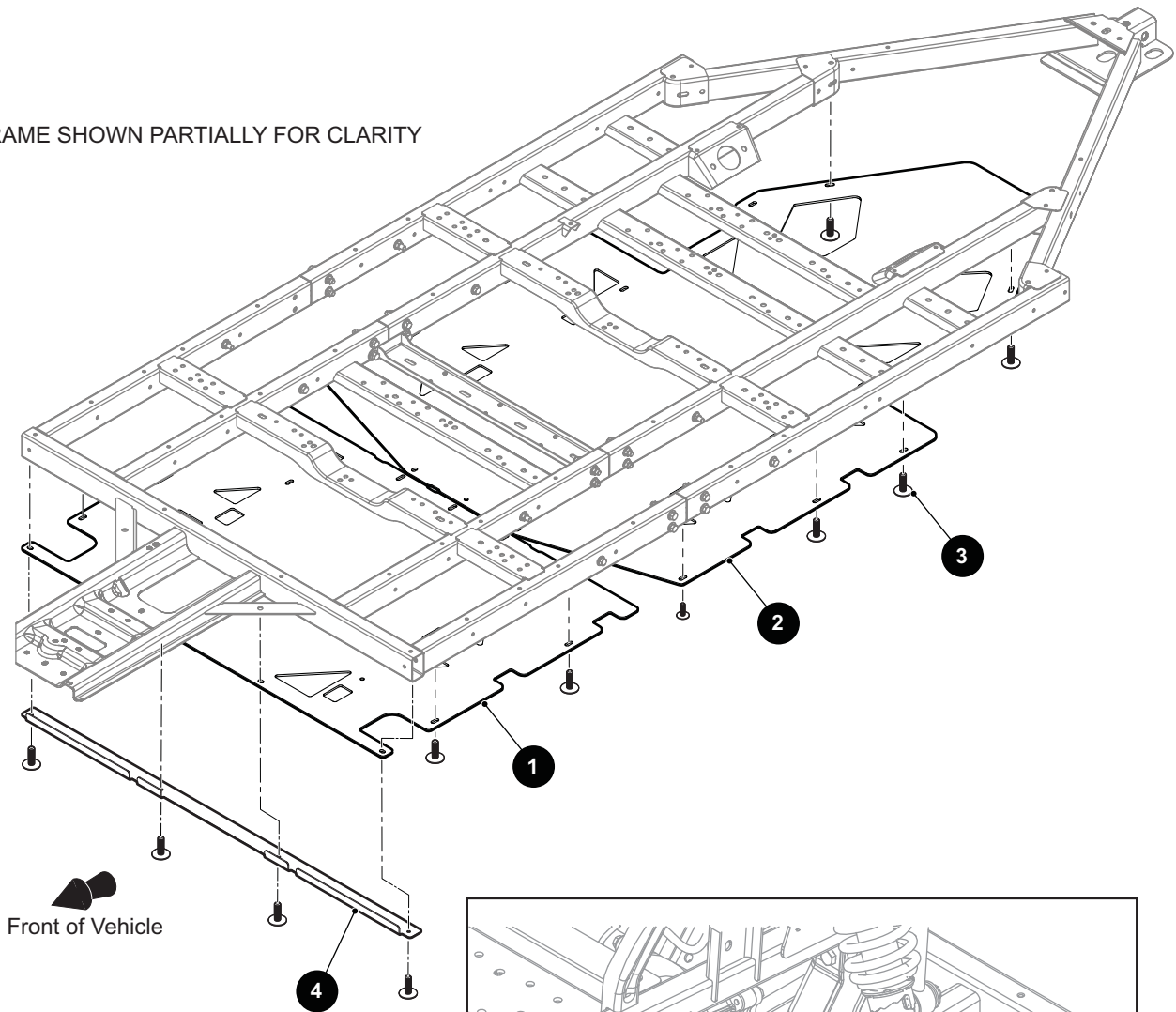
When ordering parts, please specify the model and serial number of the product.

\* Indicates a component that is not available as an individual part.

\*\*\* Indicates consult Customer Service Department for additional information.

ITEM	PART NO.	1 2 3 4 5	DESCRIPTION	QTY.
1	652651		FRAME SHIELD (UPPER).....	1
2	651894		SHIELD MOUNT BRACKET .....	1
3	603799		FLANGED HEX HEAD BOLT, M10 - 1.5 X 25MM LG.....	8
4	603818		BARREL CLIP, M10 - 1.5 .....	4
5				
6				
7	650827		WINCH CLOSEOUT .....	1
8	645637		REMOVABLE RIVET, 8.13MM DIA X 21MM LG.....	2
9				
10				
11	652652		FRAME SHIELD (LOWER).....	1
12	603799		FLANGED HEX HEAD BOLT, M10 - 1.5 X 25MM LG.....	2
13	603818		BARREL CLIP, M10 - 1.5 .....	4

FRAME SHOWN PARTIALLY FOR CLARITY



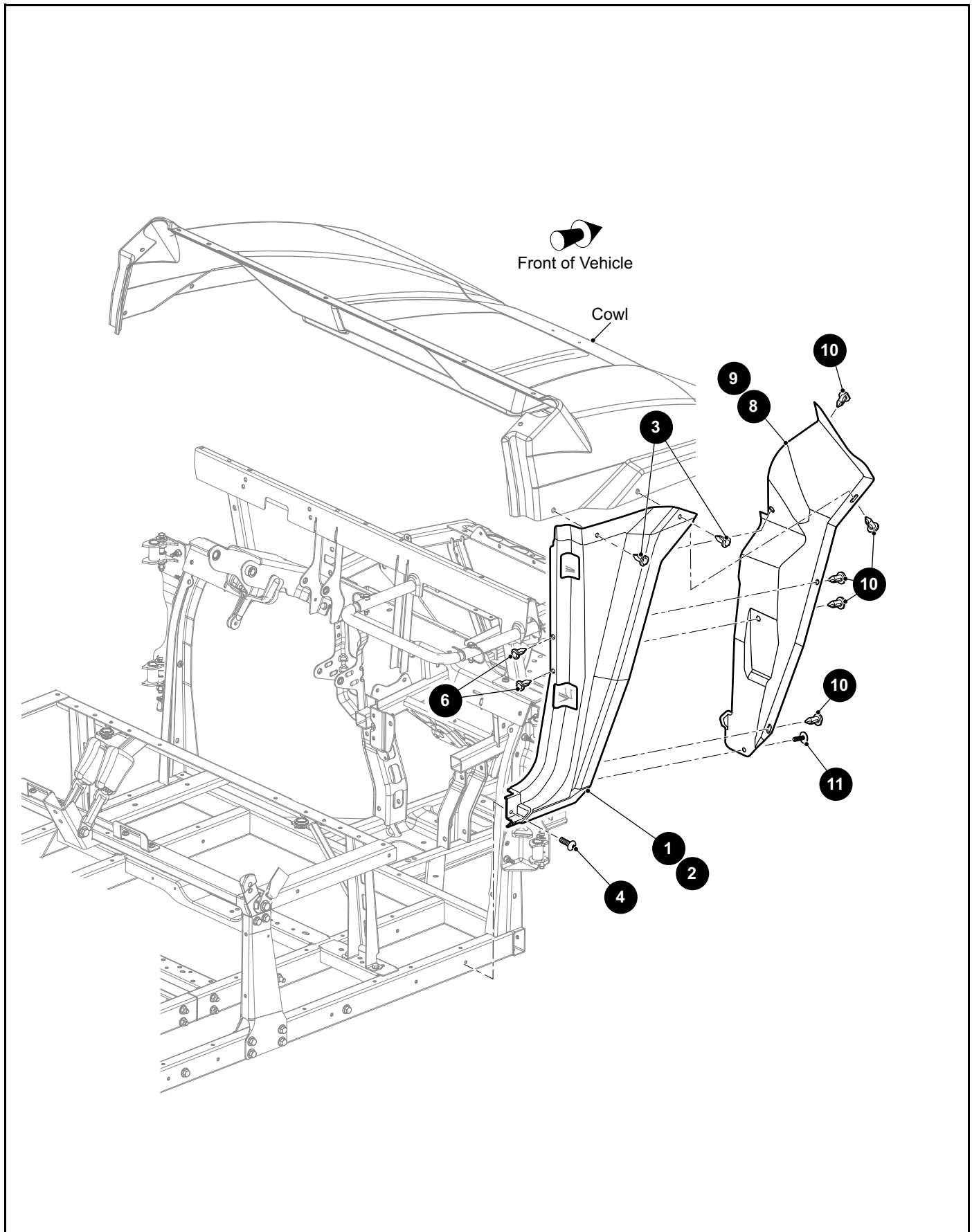
THE USE OF NON U.L. PARTS WILL VOID ANY U.L. LISTING.

When ordering parts, please specify the model and serial number of the product.

\* Indicates a component that is not available as an individual part.

\*\*\* Indicates consult Customer Service Department for additional information.

ITEM	PART NO.	1 2 3 4 5	DESCRIPTION	QTY.
1	660808		FRONT SKID GUARD .....	1
2	665971		REAR SKID GUARD .....	1
3	644969		PAN WASHER HEAD SELF TAPPING SCREW, M6 - 1 X 20MM LG .....	32
4	657367		SKID GUARD BRACKET .....	1
5	642512G01		CV GUARD (DRIVER SIDE) .....	1
6	642512G02		CV GUARD (PASSENGER SIDE) .....	1
7	644969		PAN WASHER HEAD SELF TAPPING SCREW, M6 - 1 X 20MM LG .....	2



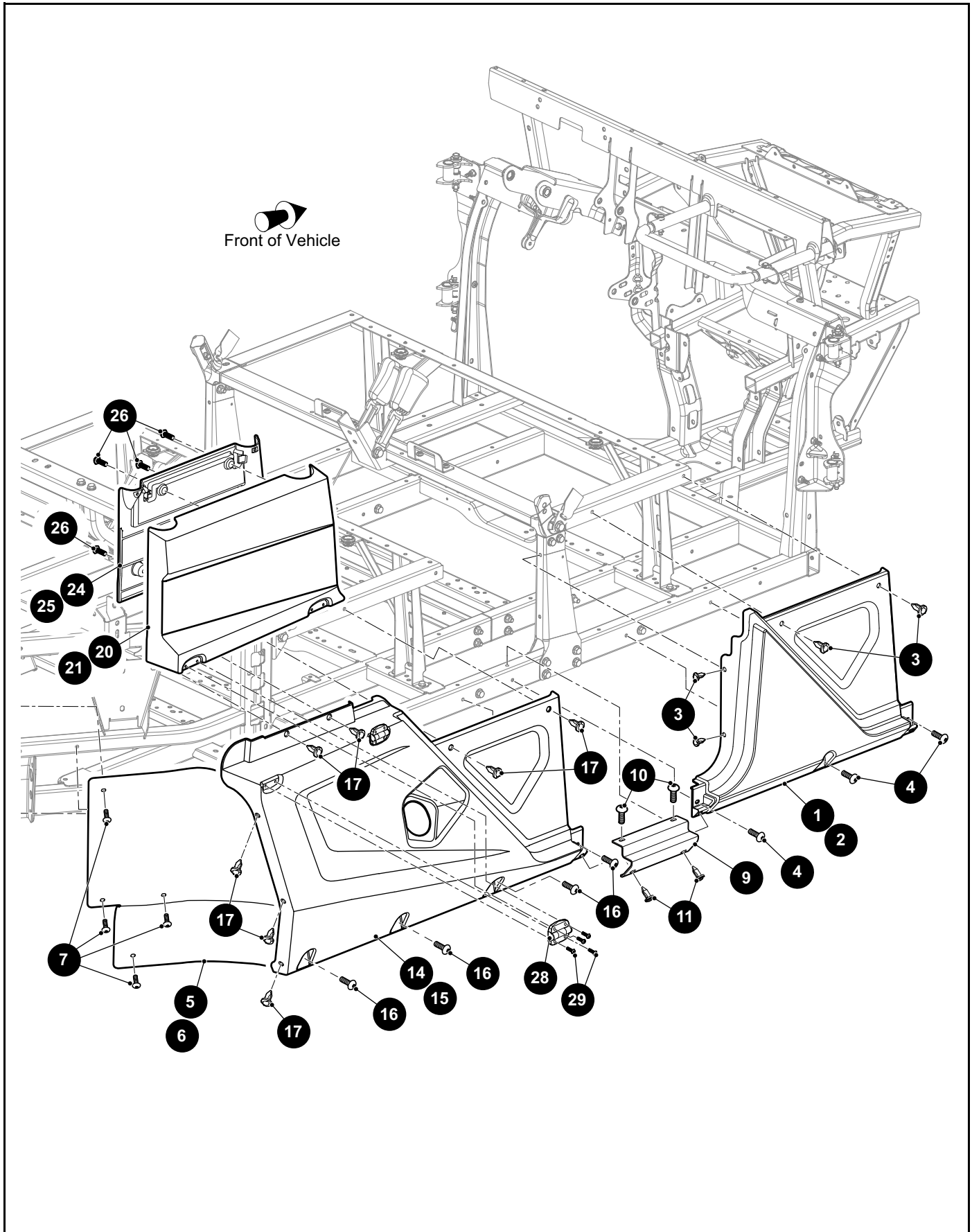
THE USE OF NON U.L. PARTS WILL VOID ANY U.L. LISTING.

When ordering parts, please specify the model and serial number of the product.

\* Indicates a component that is not available as an individual part.

\*\*\* Indicates consult Customer Service Department for additional information.

ITEM	PART NO.	1 2 3 4 5	DESCRIPTION	QTY.
1	641176G01		FRONT FENDER (DRIVER SIDE).....	1
2	641176G02		FRONT FENDER (PASSENGER SIDE) .....	1
3	645637		REMOVABLE RIVET, 8.13MM DIA X 21MM LG.....	2
4	644969		PAN WASHER HEAD SELF TAPPING SCREW, M6 - 1 X 20MM LG .....	1
5				
6	667790		REMOVABLE RIVET, .320".....	2
7				
8	646343G01		FENDER LINER (DRIVER SIDE) .....	1
9	646343G02		FENDER LINER (PASSENGER SIDE).....	1
10	667790		REMOVABLE RIVET, .320".....	5
11	644969		PAN WASHER HEAD SELF TAPPING SCREW, M6 - 1 X 20MM LG .....	1





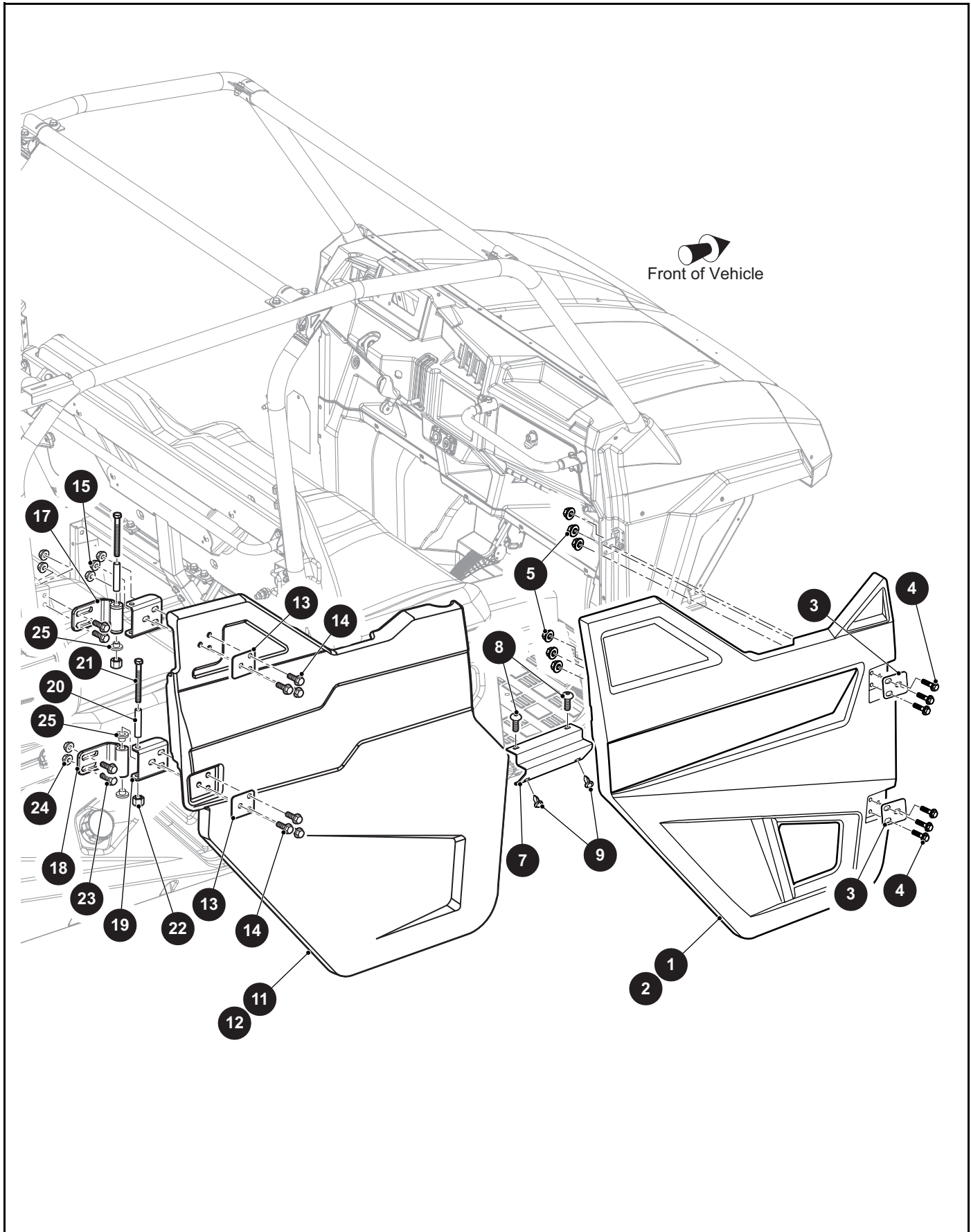
THE USE OF NON U.L. PARTS WILL VOID ANY U.L. LISTING.

When ordering parts, please specify the model and serial number of the product.

\* Indicates a component that is not available as an individual part.

\*\*\* Indicates consult Customer Service Department for additional information.

ITEM	PART NO.	1 2 3 4 5	DESCRIPTION	QTY.
1	644843G01		MIDDLE BODY PANEL (DRIVER SIDE).....	1
2	644843G02		MIDDLE BODY PANEL (PASSENGER SIDE) .....	1
3	667790		REMOVABLE RIVET, .320".....	4
4	644969		PAN WASHER HEAD SELF TAPPING SCREW, M6 - 1 X 20MM LG .....	3
5	642510G01		REAR WHEEL WELL (DRIVER SIDE) .....	1
6	642510G02		REAR WHEEL WELL (PASSENGER SIDE).....	1
7	644969		PAN WASHER HEAD SELF TAPPING SCREW, M6 - 1 X 20MM LG .....	4
8				
9	641395		ROCKER PANEL .....	1
10	644969		PAN WASHER HEAD SELF TAPPING SCREW, M6 - 1 X 20MM LG .....	2
11	667790		REMOVABLE RIVET, .320".....	2
12				
13				
14	641177G01		REAR QUARTER PANEL (DRIVER SIDE).....	1
15	641177G02		REAR QUARTER PANEL (PASSENGER SIDE) .....	1
16	644969		PAN WASHER HEAD SELF TAPPING SCREW, M6 - 1 X 20MM LG .....	4
17	667790		REMOVABLE RIVET, .320".....	7
18				
19				
20	641180G01		EXTENDED CAB DOOR (DRIVER SIDE).....	1
21	641180G02		EXTENDED CAB DOOR (PASSENGER SIDE) .....	1
22				
23				
24	645572G01		DOOR INNER COVER, EXTENDED CAB (DRIVER SIDE).....	1
25	645572G02		DOOR INNER COVER, EXTENDED CAB (PASSENGER SIDE) .....	1
26	646047		PLASTITE SCREW, M6 - 2.14 X 20MM LG.....	4
27				
28	644476		HINGE.....	2
29	646140		THREAD FORM SCREW, M4 - 1.79 X 16MM LG .....	4



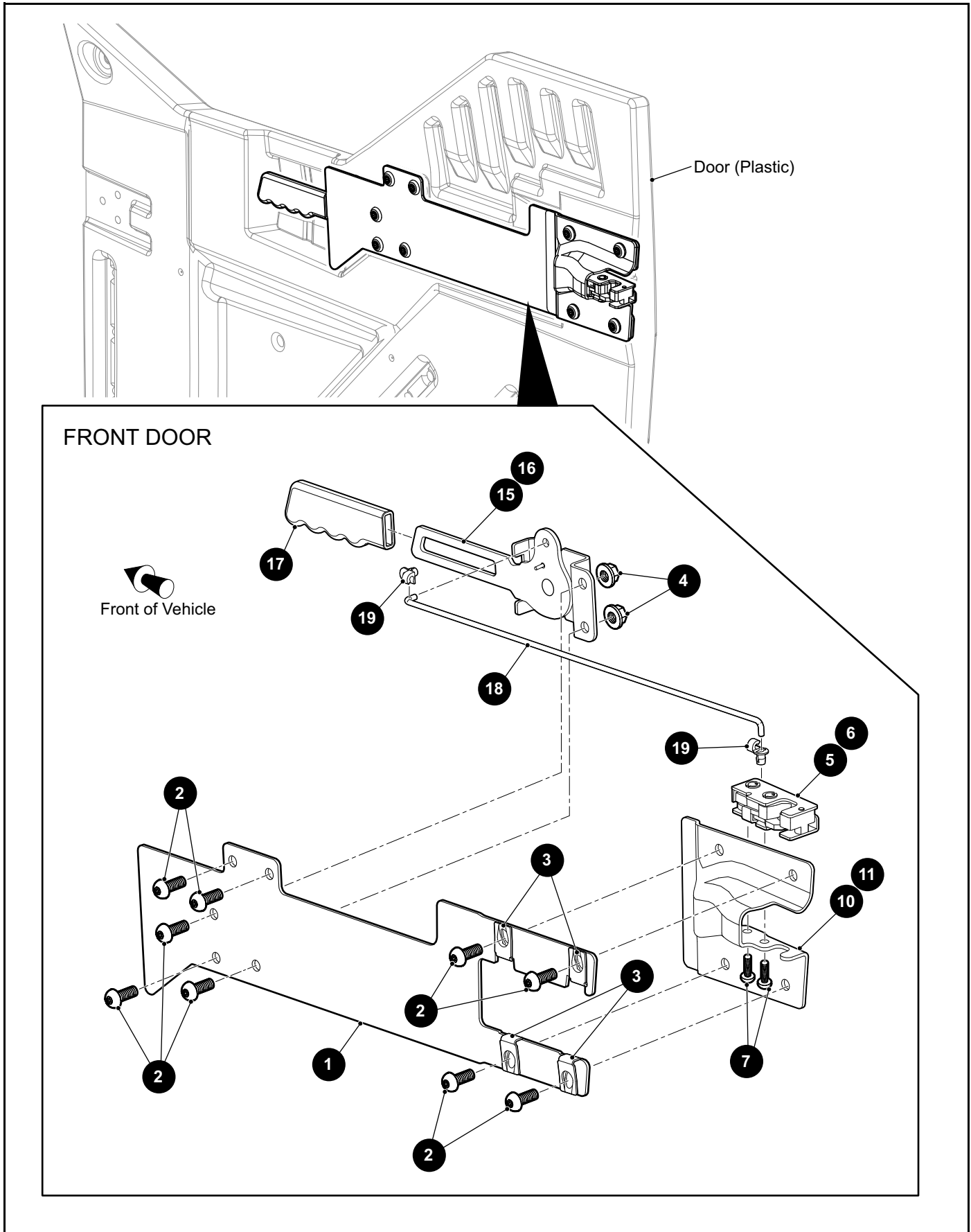
THE USE OF NON U.L. PARTS WILL VOID ANY U.L. LISTING.

When ordering parts, please specify the model and serial number of the product.

\* Indicates a component that is not available as an individual part.

\*\*\* Indicates consult Customer Service Department for additional information.

ITEM	PART NO.	1 2 3 4 5	DESCRIPTION	QTY.
1	667125G01		FRONT DOOR (PLASTIC) (DRIVER SIDE) .....	1
2	667125G02		FRONT DOOR (PLASTIC) (PASSENGER SIDE).....	1
3	649789		DOOR HINGE PLATE .....	2
4	649879		FLANGED HEX HEAD BOLT, M10 - 1.5 X 30MM LG.....	6
5	600525		LOCK NUT, M10 - 1.5 .....	6
6				
7	641395		ROCKER PANEL .....	1
8	644969		PAN WASHER HEAD SELF TAPPING SCREW, M6 - 1 X 20MM LG .....	2
9	667790		REMOVABLE RIVET, .320".....	2
10				
11	649791G01		REAR DOOR (PLASTIC) (DRIVER SIDE).....	1
12	649791G02		REAR DOOR (PLASTIC) (PASSENGER SIDE) .....	1
13	649789		DOOR HINGE PLATE .....	2
14	649879		FLANGED HEX HEAD BOLT, M10 - 1.5 X 30MM LG.....	6
15	600525		LOCK NUT, M10 - 1.5 .....	6
16				
17	655745		DOOR HINGE BRACKET (UPPER) .....	1
18	654583		DOOR HINGE BRACKET (LOWER) .....	1
19	650775		DOOR HINGE .....	2
20	637745		BUSHING .....	1
21	00665G9		HEX HEAD BOLT, 3/8 - 16" X 3.5" LG .....	1
22	11098G5		LOCK NUT, 3/8" - 16 .....	1
23	649879		FLANGED HEX HEAD BOLT, M10 - 1.5 X 30MM LG .....	2
24	600525		LOCK NUT, M10 - 1.5 .....	2
25	70289G02		SPACER .....	2



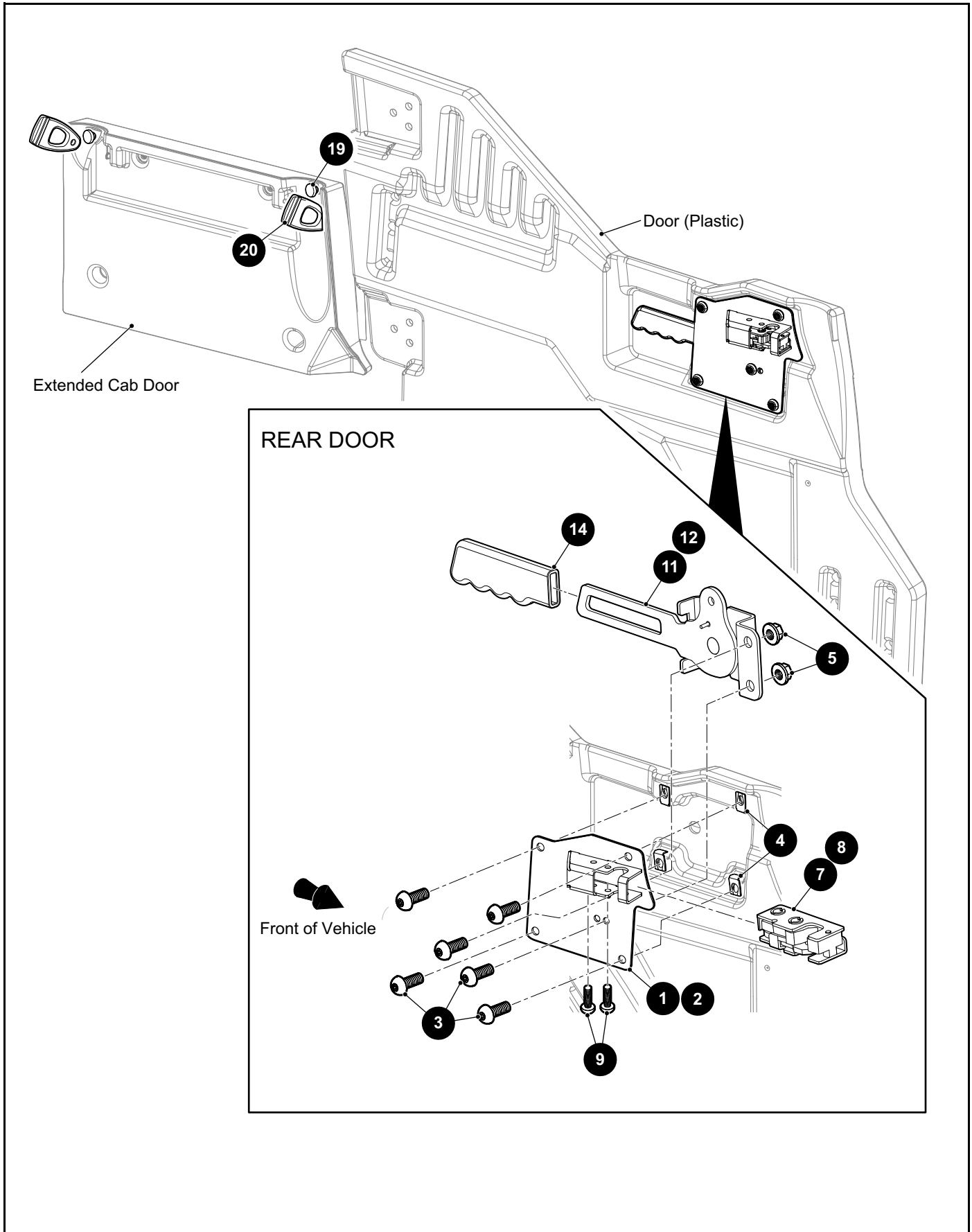
THE USE OF NON U.L. PARTS WILL VOID ANY U.L. LISTING.

When ordering parts, please specify the model and serial number of the product.

\* Indicates a component that is not available as an individual part.

\*\*\* Indicates consult Customer Service Department for additional information.

ITEM	PART NO.	1 2 3 4 5	DESCRIPTION	QTY.
1	649618		COVER PLATE (INNER DOOR).....	1
2	646371		PAN HEAD BOLT, M8 - 1.25 X 20MM LG.....	9
3	649696		BARREL CLIP, M8 - 1.25.....	4
4	645956		FLANGED HEX LOCK NUT, M8 - 1.25.....	2
5	647318G01		DOOR LATCH (DRIVER SIDE).....	1
6	647318G02		DOOR LATCH (PASSENGER SIDE).....	1
7	650084		BUTTON HEAD TORX BOLT WITH PATCH LOCK, M6 - 1 X 20MM LG.....	2
8				
9				
10	647311G01		LATCH MOUNT BRACKET (DRIVER SIDE).....	1
11	647311G02		LATCH MOUNT BRACKET (PASSENGER SIDE).....	1
12				
13				
14				
15	649300G01		DOOR LEVER ASSEMBLY (DRIVER SIDE).....	1
16	649300G02		DOOR LEVER ASSEMBLY (PASSENGER SIDE).....	1
17	648236		GRIP.....	1
18	647301		PUSH ROD (DOOR).....	1
19	656804		PUSH ROD CLIP.....	2



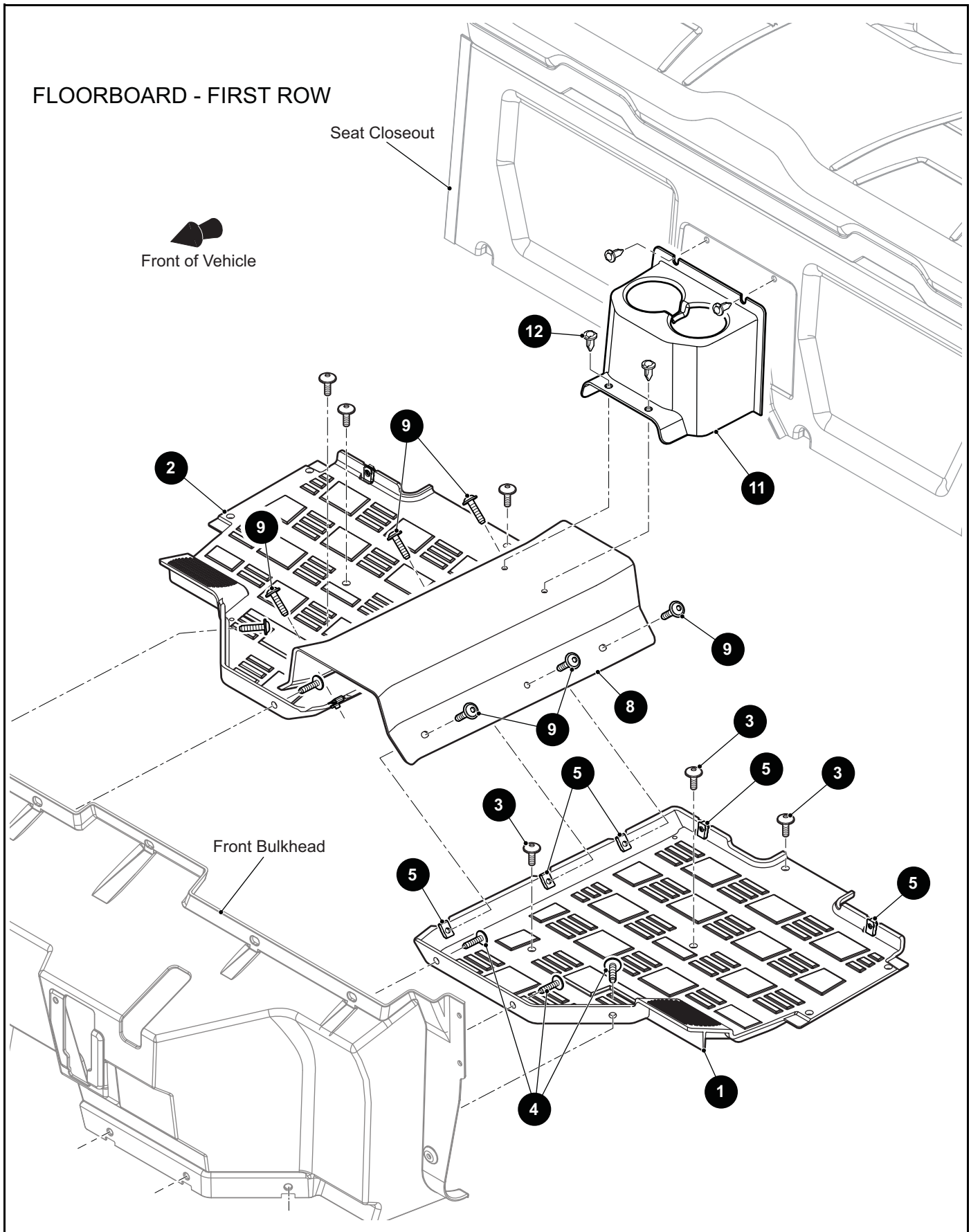
THE USE OF NON U.L. PARTS WILL VOID ANY U.L. LISTING.

When ordering parts, please specify the model and serial number of the product.

\* Indicates a component that is not available as an individual part.

\*\*\* Indicates consult Customer Service Department for additional information.

ITEM	PART NO.	1 2 3 4 5	DESCRIPTION	QTY.
1	650951G01		LATCH MOUNT BRACKET (DRIVER SIDE) .....	1
2	650951G02		LATCH MOUNT BRACKET (PASSENGER SIDE).....	1
3	646371		PAN HEAD BOLT, M8 - 1.25 X 20MM LG .....	6
4	649696		BARREL CLIP, M8 - 1.25 .....	4
5	645956		FLANGED HEX LOCK NUT, M8 - 1.25.....	2
6				
7	647318G01		DOOR LATCH (DRIVER SIDE) .....	1
8	647318G02		DOOR LATCH (PASSENGER SIDE) .....	1
9	650084		BUTTON HEAD TORX BOLT WITH PATCH LOCK, M6 - 1 X 20MM LG .....	2
10				
11	649300G01		DOOR LEVER ASSEMBLY (DRIVER SIDE) .....	1
12	649300G02		DOOR LEVER ASSEMBLY (PASSENGER SIDE).....	1
13				
14	648236		GRIP .....	1
15				
16				
17	646166		BUMPER STOP (RUBBER).....	2
18	647484		RUBBER STRAP .....	2





THE USE OF NON U.L. PARTS WILL VOID ANY U.L. LISTING.

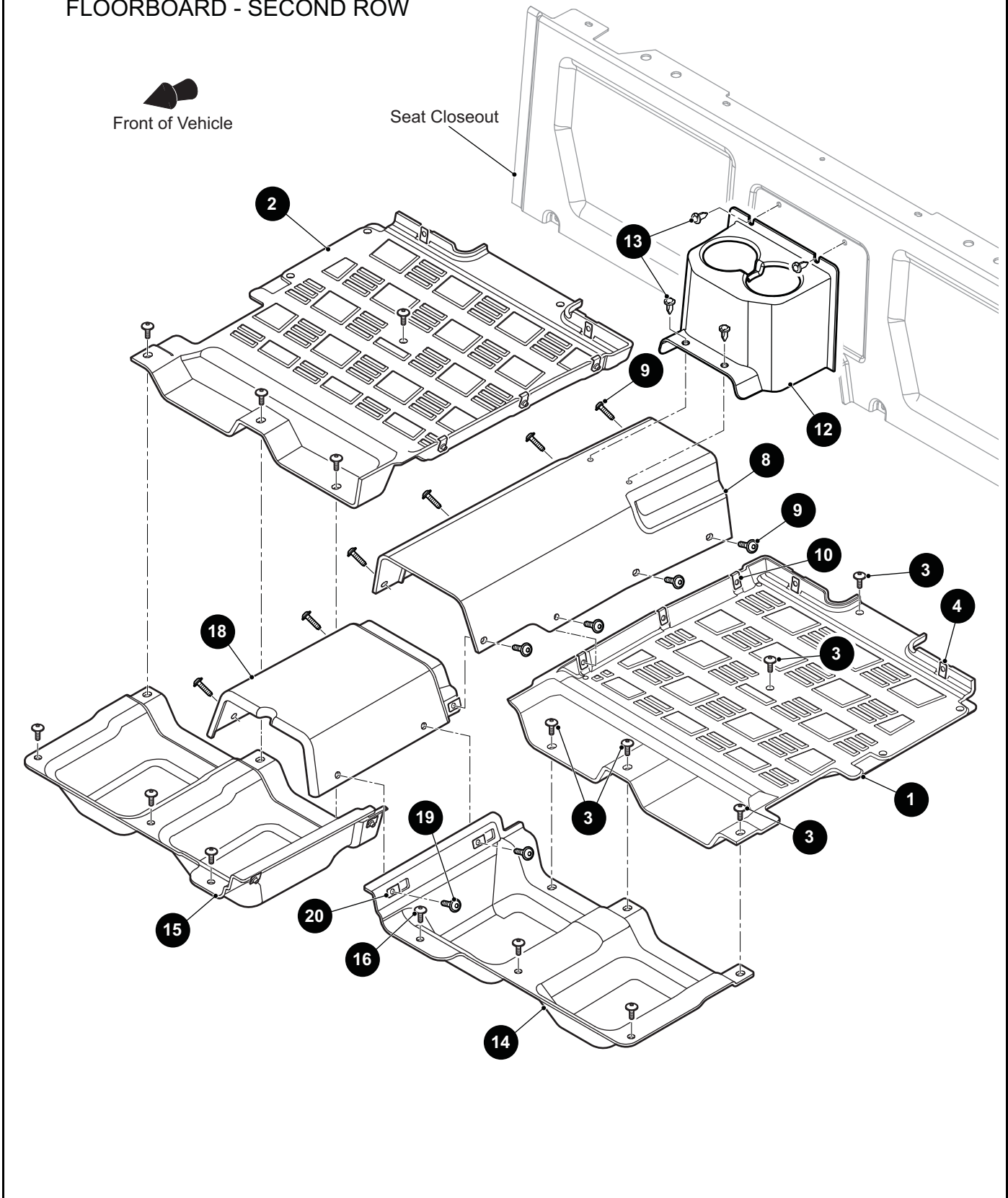
When ordering parts, please specify the model and serial number of the product.

\* Indicates a component that is not available as an individual part.

\*\*\* Indicates consult Customer Service Department for additional information.

ITEM	PART NO.	1 2 3 4 5	DESCRIPTION	QTY.
1	641759		FRONT FLOORBOARD (DRIVER SIDE) .....	1
2	641840		FRONT FLOORBOARD (PASSENGER SIDE).....	1
3	644969		PAN WASHER HEAD SELF TAPPING SCREW, M6 - 1 X 20MM LG .....	3
4	645323		PAN WASHER HEAD TORX SCREW, M6 - 1 X 23.4MM LG .....	3
5	602409		BARREL CLIP, M6 - 1 .....	5
6				
7				
8	641839		CENTER CHANNEL .....	1
9	645323		PAN WASHER HEAD TORX SCREW, M6 - 1 X 23.4MM LG .....	6
10				
11	641662		CUP HOLDER.....	1
12	667790		REMOVABLE RIVET, .320".....	4

FLOORBOARD - SECOND ROW



THE USE OF NON U.L. PARTS WILL VOID ANY U.L. LISTING.

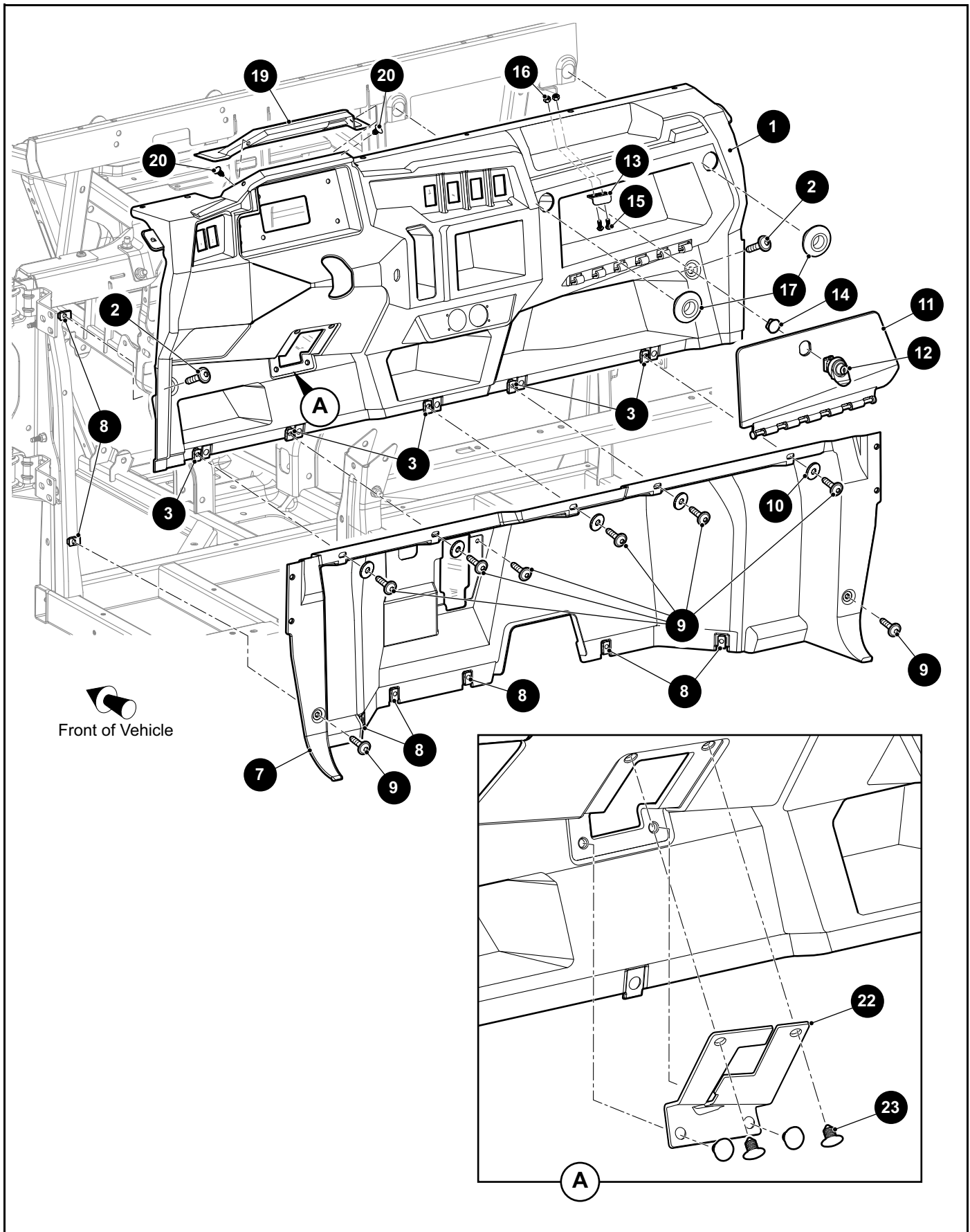
When ordering parts, please specify the model and serial number of the product.

\* Indicates a component that is not available as an individual part.

\*\*\* Indicates consult Customer Service Department for additional information.

ITEM	PART NO.	1 2 3 4 5	DESCRIPTION	QTY.
1	654507		REAR FLOORBOARD (DRIVER SIDE).....	1
2	655102		REAR FLOORBOARD (PASSENGER SIDE).....	1
3	644969		PAN WASHER HEAD SELF TAPPING SCREW, M6 - 1 X 20MM LG .....	5
4	602409		BARREL CLIP, M6 - 1 .....	2
5				
6				
7				
8	654582		CENTER CHANNEL .....	1
9	645323		PAN WASHER HEAD TORX SCREW, M6 - 1 X 23.4MM LG .....	8
10	602409		BARREL CLIP, M6 - 1 .....	8
11				
12	641662		CUP HOLDER.....	1
13	667790		REMOVABLE RIVET, .320".....	4
14	655020		UNDER SEAT STORAGE TRAY (DRIVER SIDE) .....	1
15	655103		UNDER SEAT STORAGE TRAY (PASSENGER SIDE).....	1
16	644969		PAN WASHER HEAD SELF TAPPING SCREW, M6 - 1 X 20MM LG .....	3
17				
18	654469		UNDER SEAT STORAGE TUNNEL.....	1
19	645323		PAN WASHER HEAD TORX SCREW, M6 - 1 X 23.4MM LG .....	4
20	602409		BARREL CLIP, M6 - 1 .....	4

# BODY



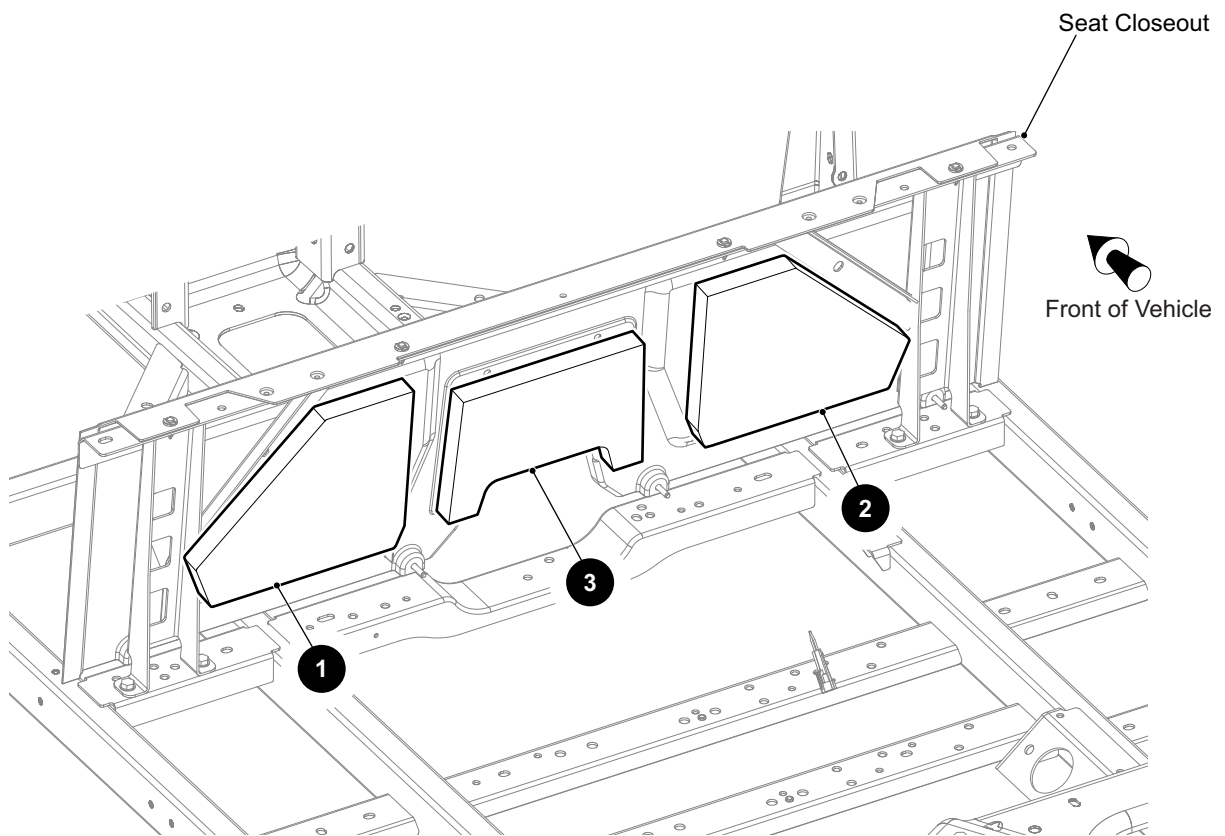
THE USE OF NON U.L. PARTS WILL VOID ANY U.L. LISTING.

When ordering parts, please specify the model and serial number of the product.

\* Indicates a component that is not available as an individual part.

\*\*\* Indicates consult Customer Service Department for additional information.

ITEM	PART NO.	1 2 3 4 5	DESCRIPTION	QTY.
1	641398G01		INSTRUMENT PANEL .....	1
2	645323		PAN WASHER HEAD TORX SCREW, M6 - 1 X 23.4MM LG .....	2
3	602409		BARREL CLIP, M6 - 1 .....	5
4				
5				
6				
7	641393		FRONT BULKHEAD .....	1
8	602409		BARREL CLIP, M6 - 1 .....	10
9	645323		PAN WASHER HEAD TORX SCREW, M6 - 1 X 23.4MM LG .....	8
10	608747		FLAT WASHER, M6 X 1.5.....	5
11	651762		GLOVEBOX ASSEMBLY .....	1
12	612516		LOCK ASSEMBLY (TRUNK LID) (INCLUDES ITEMs 13, 14) .....	1
13	*		PLATE .....	1
14	*		NUT .....	1
15	00645G5		PAN HEAD PHILLIPS SCREW, M3 - .5 X 12MM LG.....	2
16	00525G5		HEX NUT, M3 - .5 .....	2
17	648556		GRAB BAR CLOSEOUT.....	2
18				
19	643939		INSTRUMENT PANEL HOOD .....	1
20	16816G1		RATCHET RIVET, .25" X .680" .....	2
21				
22	646121		INSTRUMENT PANEL CLOSEOUT .....	1
23	16816G1		RATCHET RIVET, .25" X .680" .....	4



THE USE OF NON U.L. PARTS WILL VOID ANY U.L. LISTING.

When ordering parts, please specify the model and serial number of the product.

\* Indicates a component that is not available as an individual part.

\*\*\* Indicates consult Customer Service Department for additional information.

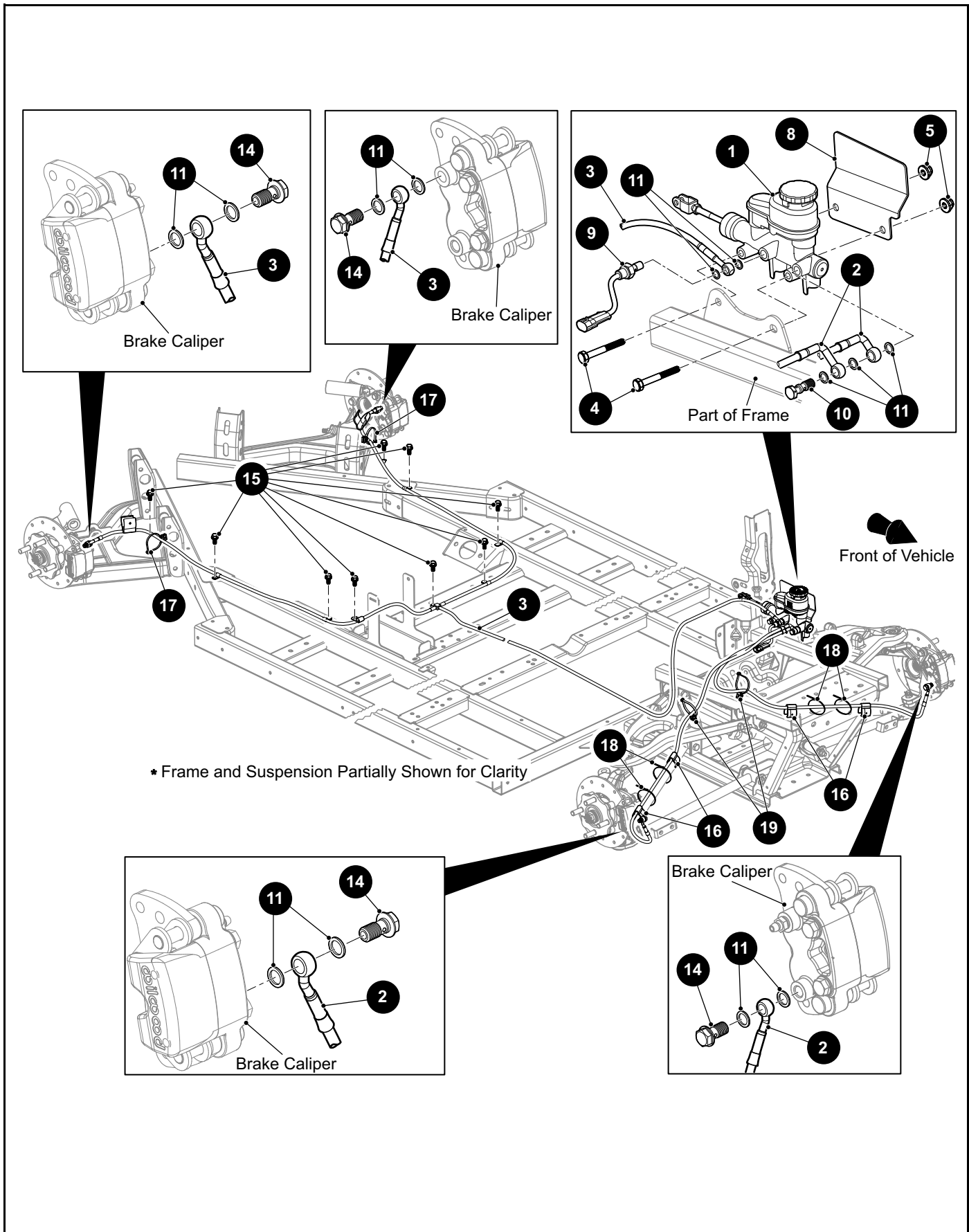
ITEM	PART NO.	1 2 3 4 5 DESCRIPTION	QTY.
1	662620	SEAT CLOSEOUT FOAM (DRIVER SIDE).....	1
2	662621	SEAT CLOSEOUT FOAM (PASSENGER SIDE).....	1
3	662619	SEAT CLOSEOUT FOAM (CENTER).....	1







# BRAKES



THE USE OF NON U.L. PARTS WILL VOID ANY U.L. LISTING.

When ordering parts, please specify the model and serial number of the product.

\* Indicates a component that is not available as an individual part.

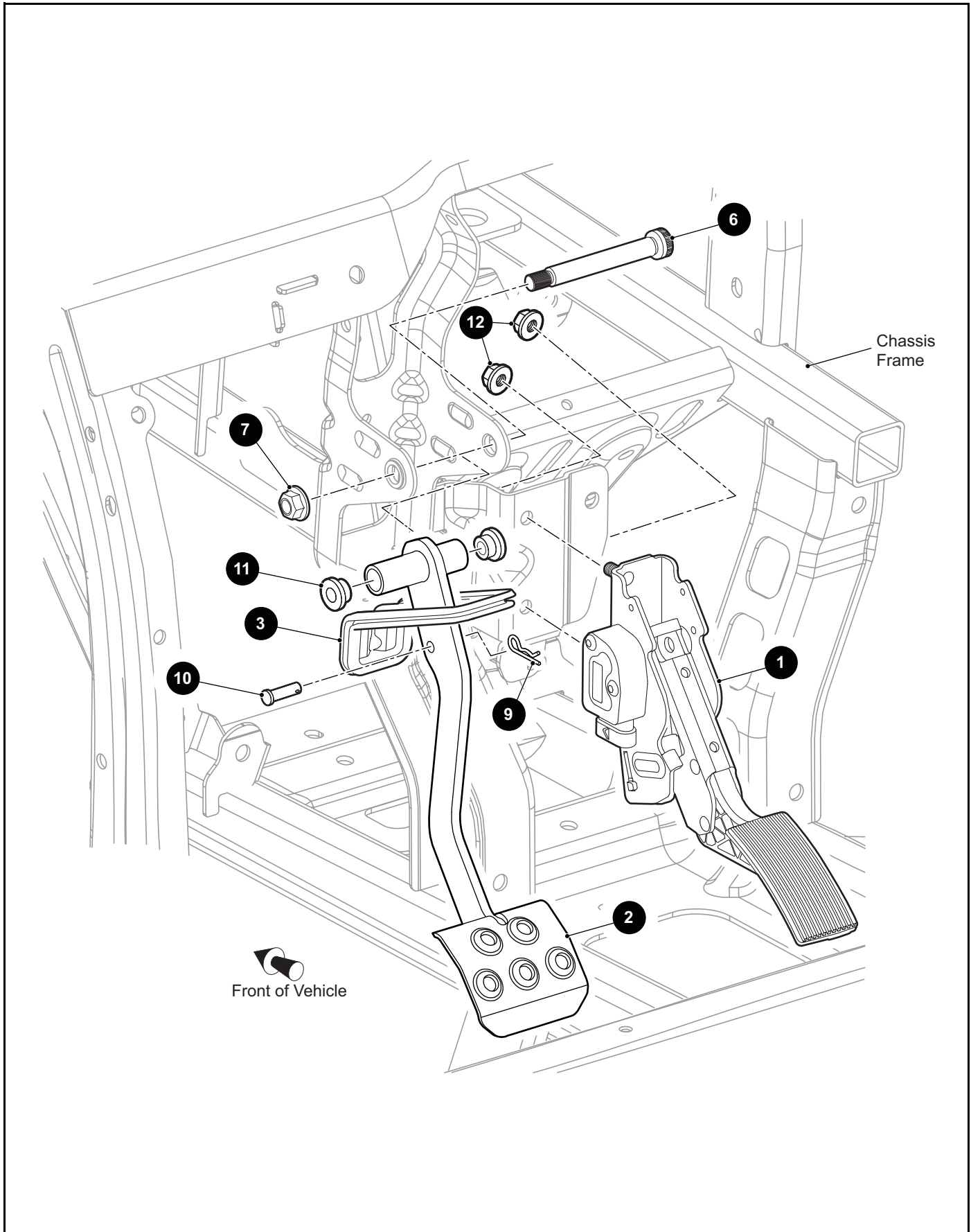
\*\*\* Indicates consult Customer Service Department for additional information.

ITEM	PART NO.	1 2 3 4 5	DESCRIPTION	QTY.
1	631593		MASTER CYLINDER.....	1
2	638225		BRAKE LINE (FRONT), 1128MM LG.....	2
3	645892		BRAKE LINE (REAR), 2490MM X 1307MM X 1347MM LG.....	1
4	616672		HEX HEAD BOLT, M8 - 1.25 X 60MM LG.....	2
5	645956		FLANGED HEX LOCK NUT, M8 - 1.25.....	2
6				
7				
8	644634		SHIELD (MASTER CYLINDER).....	1
9	646161		PRESSURE SWITCH HARNESS.....	1
10	650438		BANJO BOLT (DOUBLE), M10 X .5 .....	1
11	613293		CRUSH WASHER, M10.....	13
12				
13				
14	616459		BANJO BOLT (SINGLE), M10 - 1 X 20MM LG .....	4
15	452695		TAPTITE SCREW, M6 - 1 X 20MM LG .....	9
16	649671		BRAKE LINE CLIP .....	4
17	646439		EDGE CLIP CABLE TIE.....	2
18	17618G1		NYLON CLAMP .....	4
19	645340		CABLE TIE.....	2
<p><b>NOTE: BRAKE ROTORS AND CALIPERS SHOWN IN SUSPENSION SECTIONS.</b></p>				





# PEDALS



THE USE OF NON U.L. PARTS WILL VOID ANY U.L. LISTING.

When ordering parts, please specify the model and serial number of the product.

\* Indicates a component that is not available as an individual part.

\*\*\* Indicates consult Customer Service Department for additional information.

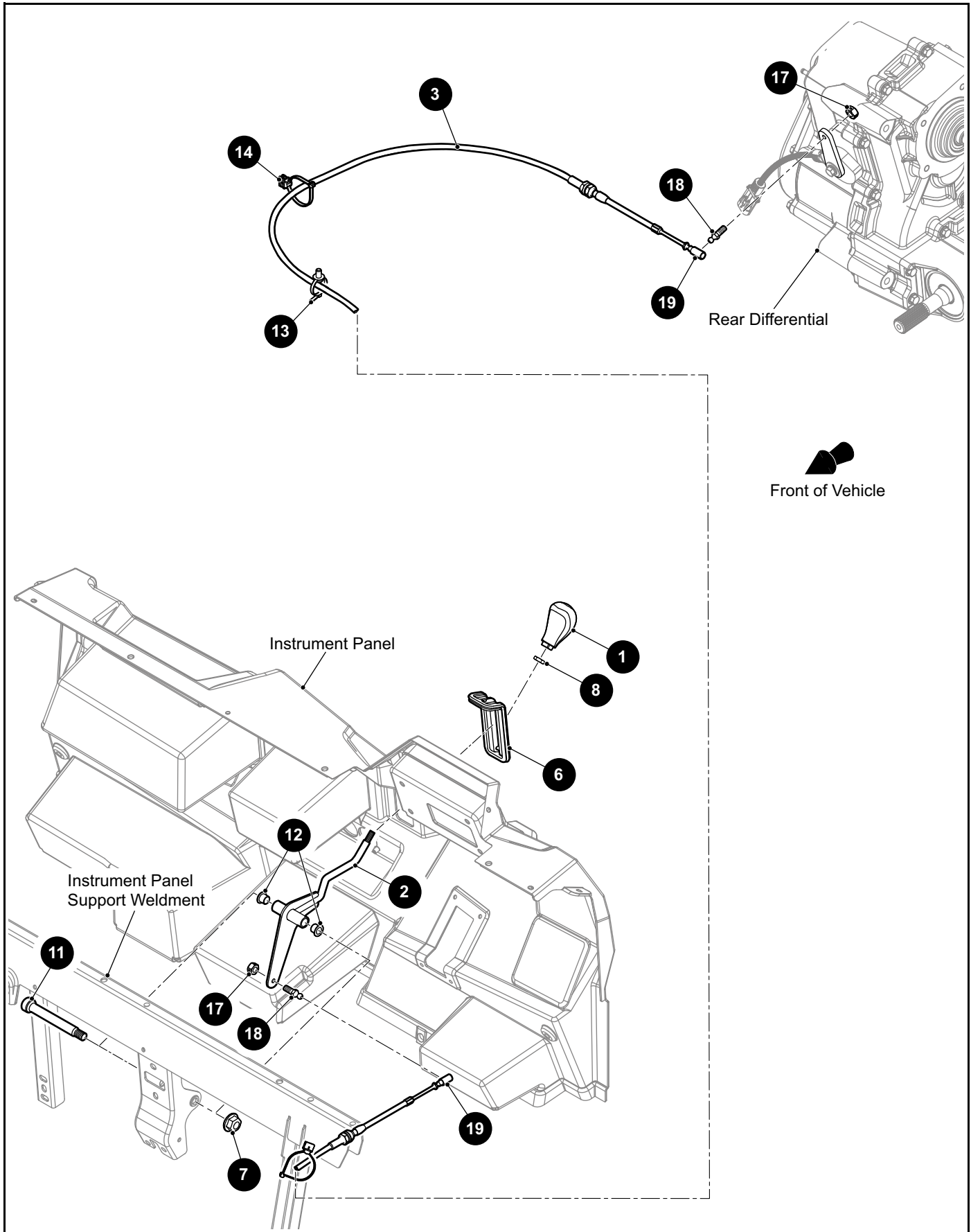
ITEM	PART NO.	1 2 3 4 5	DESCRIPTION	QTY.
1	641295		ACCELERATOR PEDAL (SINGLE SENSOR) .....	1
2	638227		BRAKE PEDAL .....	1
3	643207		SHIFTER BOOT.....	1
4				
5				
6	644182		SHOULDER BOLT, 12/M10 X 80MM LG .....	1
7	600525		LOCK NUT, M10 - 1.5 .....	1
8				
9	01076G01		COTTER PIN, 1.21" LG .....	1
10	10386G2		CLEVIS PIN, 1/4" X 3/4" .....	1
11	644558		FLANGED BEARING .....	2
12	645956		FLANGED HEX NUT, M8 - 1.25.....	2







# DIRECTION AND DRIVE SELECTOR



## DIRECTION AND DRIVE SELECTOR

THE USE OF NON U.L. PARTS WILL VOID ANY U.L. LISTING.

When ordering parts, please specify the model and serial number of the product.

\* Indicates a component that is not available as an individual part.

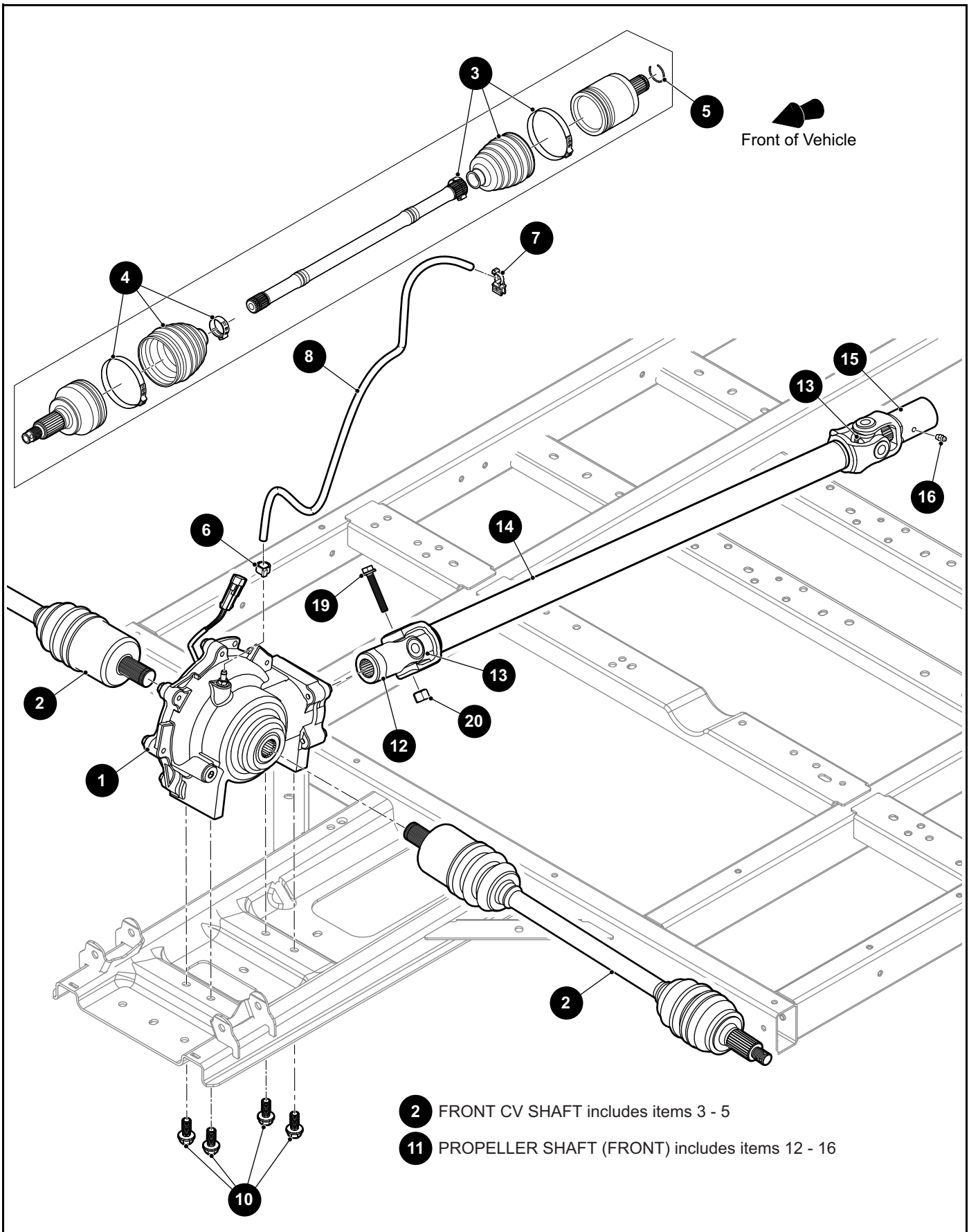
\*\*\* Indicates consult Customer Service Department for additional information.

ITEM	PART NO.	1 2 3 4 5	DESCRIPTION	QTY.
1	637993		SHIFTER KNOB.....	1
2	662788G0390		SHIFTER.....	1
3	657155G02		SHIFT CABLE .....	1
4				
5				
6	643207		SHIFTER BOOT.....	1
7	600525		LOCK NUT, M10 - 1.5 .....	1
8	643494		HEX JAM NUT, M8 - 1 .....	1
9				
10				
11	644182		SHOULDER BOLT, 12/M10 X 80MM LG .....	1
12	644558		FLANGED BEARING .....	2
13	645340		CABLE TIE .....	1
14	646441		CABLE TIE (EDGE CLIP) .....	2
15				
16				
17	648378		HEX CENTER LOCK NUT, 1/4" - 28.....	2
18	73745G01		BALL STUD.....	2
19	654394		BALL JOINT COUPLER.....	2





# DRIVETRAIN - FRONT



## DRIVETRAIN - FRONT

THE USE OF NON U.L. PARTS WILL VOID ANY U.L. LISTING.

When ordering parts, please specify the model and serial number of the product.

\* Indicates a component that is not available as an individual part.

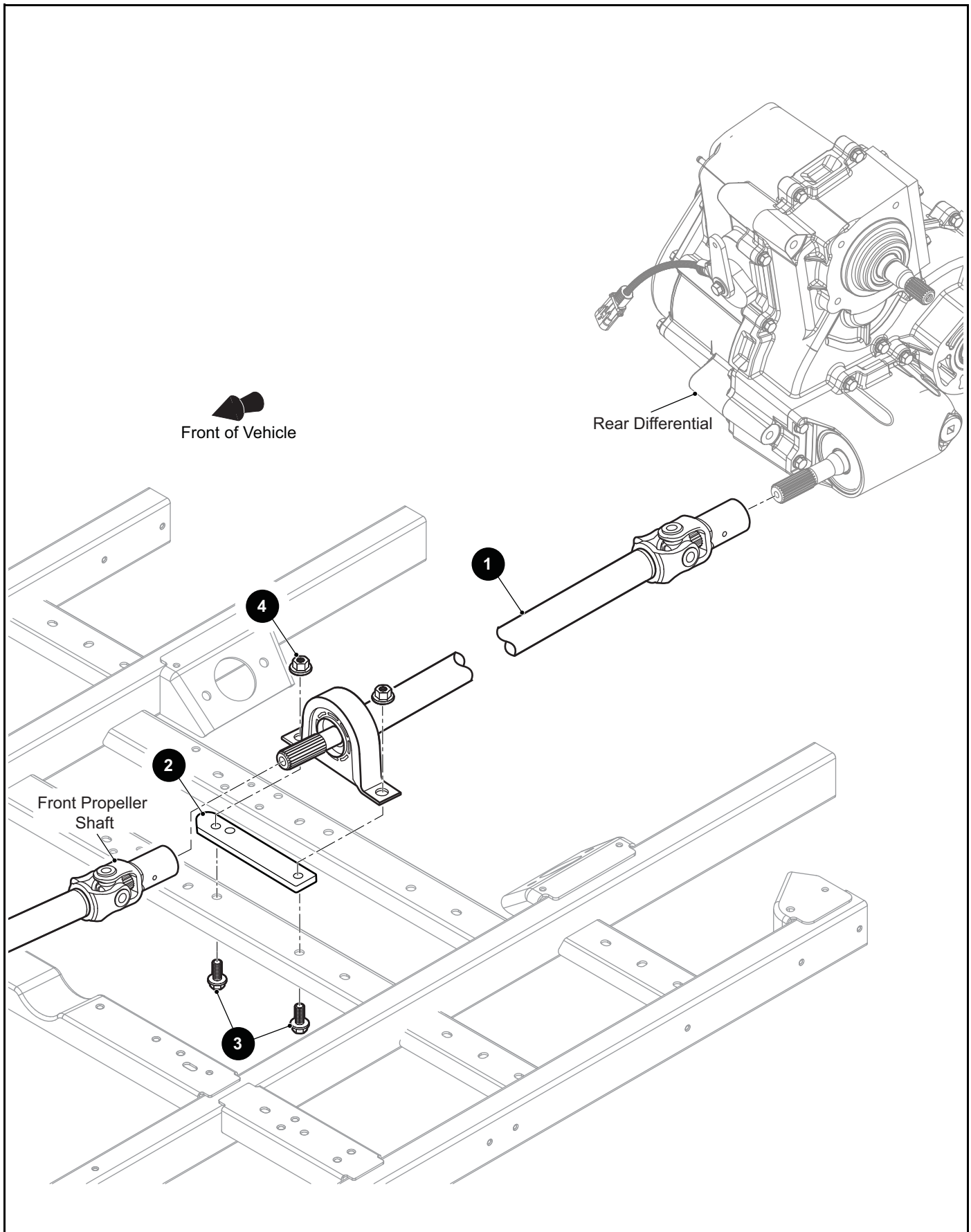
\*\*\* Indicates consult Customer Service Department for additional information.

ITEM	PART NO.	1 2 3 4 5	DESCRIPTION	QTY.
1	640519		FRONT DIFFERENTIAL .....	1
2	651685		FRONT CV SHAFT (INCLUDES ITEMS 3 - 5) .....	1
3	654352		BOOT KIT .....	1
4	656390		CV BOOT KIT .....	1
5	654350		CLIP.....	1
6	17618G1		NYLON CLAMP .....	1
7	646439		CABLE TIE (EDGE CLIP) .....	1
8	644294		VENT HOSE (FRONT DIFFERENTIAL), 6.35MM I.D. ....	1
9				
10	641289		FLANGED HEX HEAD BOLT, 3/8" - 16 X 1" LG .....	4
11	649320		PROPELLER SHAFT (FRONT) (INCLUDES ITEMS 12 - 16) .....	1
12	654354		YOKE.....	1
13	654355		CROSS AND BEARING .....	2
14	*		SHAFT .....	1
15	654356		YOKE.....	1
16	654357		GREASE FITTING.....	1
17				
18				
19	630804G01		FLANGED HEX HEAD BOLT, 5/16" - 18 X 2" LG .....	1
20	11098G6		LOCK NUT, 5/16" - 18.....	1









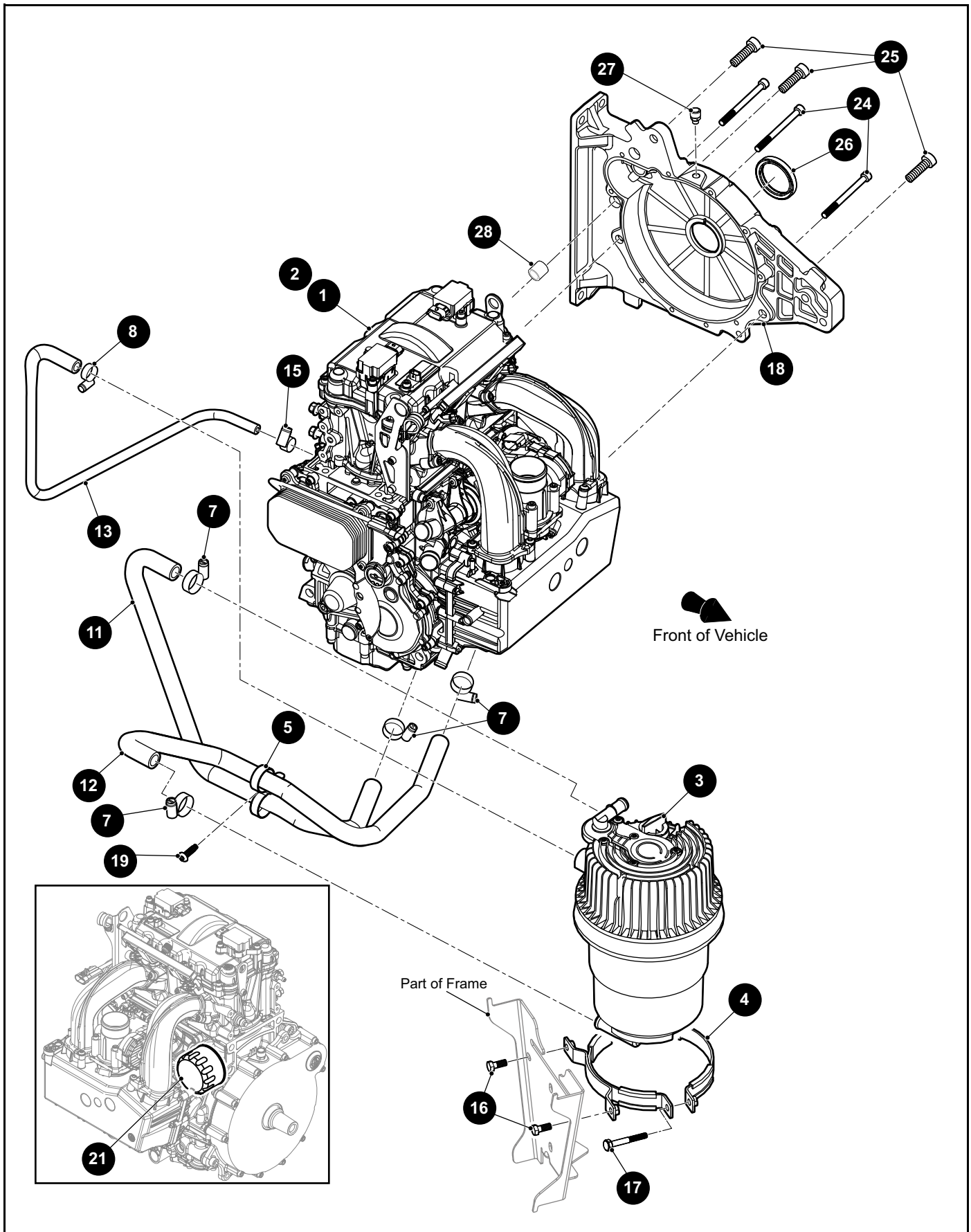
THE USE OF NON U.L. PARTS WILL VOID ANY U.L. LISTING.

When ordering parts, please specify the model and serial number of the product.

\* Indicates a component that is not available as an individual part.

\*\*\* Indicates consult Customer Service Department for additional information.

ITEM	PART NO.	1 2 3 4 5 DESCRIPTION	QTY.
1	649368	PROPELLER SHAFT (REAR) .....	1
2	658782	BEARING SPACER .....	1
3	648684	FLANGED HEX HEAD BOLT, M10 - 1.5 X 35MM LG.....	2
4	648753	FLANGED LOCK NUT, M10 - 1.5 .....	2



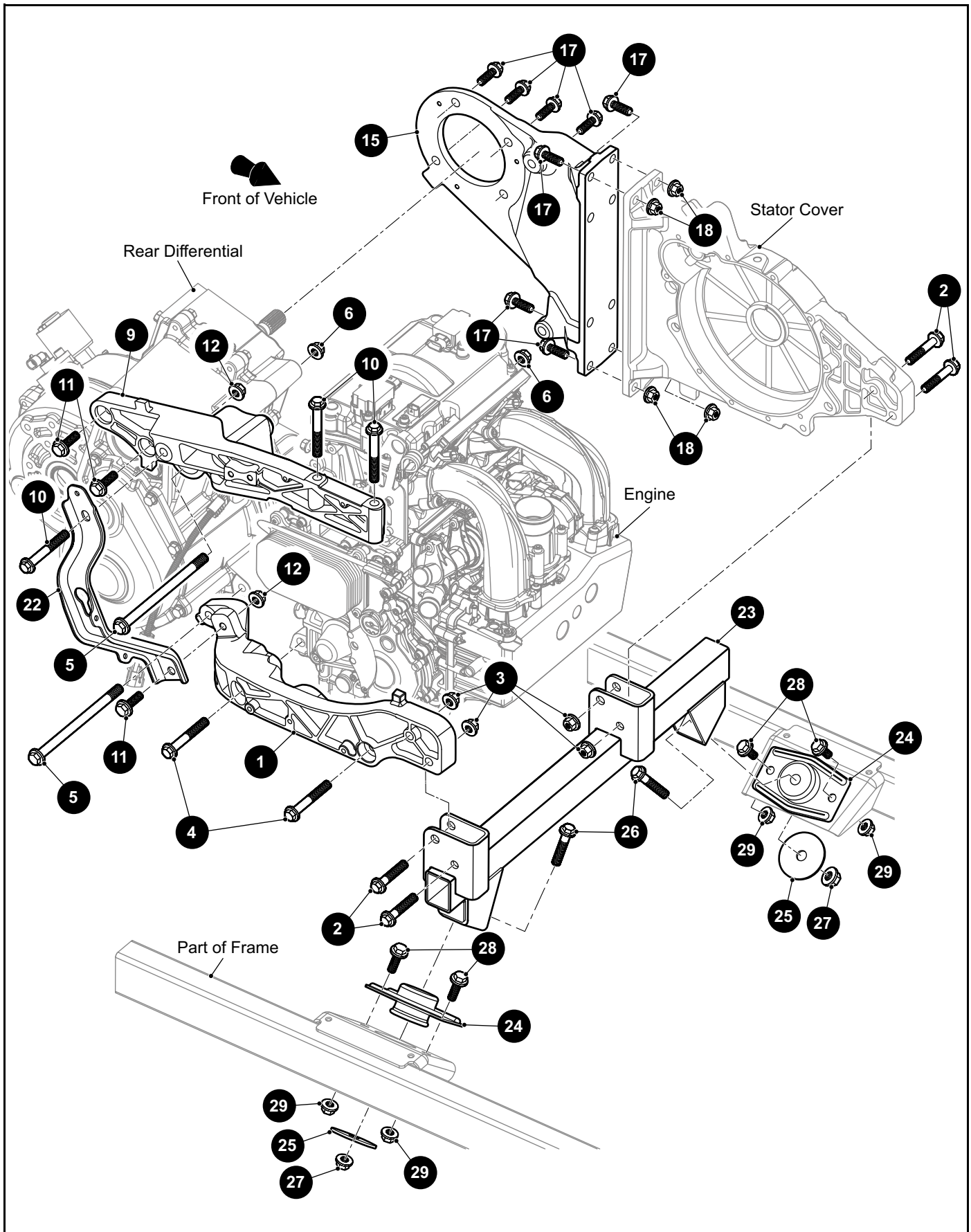
THE USE OF NON U.L. PARTS WILL VOID ANY U.L. LISTING.

When ordering parts, please specify the model and serial number of the product.

\* Indicates a component that is not available as an individual part.

\*\*\* Indicates consult Customer Service Department for additional information.

ITEM	PART NO.	1 2 3 4 5	DESCRIPTION	QTY.
1	409135		ENGINE (FOR STAMPEDE AND STAMPEDE X EPA MODELS ONLY) .....	1
2	410750		ENGINE (FOR STAMPEDE AND STAMPEDE X -CARB MODELS ONLY).....	1
3	404653		OIL RESERVOIR .....	1
4	642126		MOUNTING BRACKET AND CLAMP (OIL RESERVOIR).....	1
5	645341		CLAMP (DUAL).....	1
6				
7	652825		HOSE CLAMP, 20 - 32MM.....	4
8	649517		HOSE CLAMP, 12 - 22MM.....	1
9				
10				
11	642128		OIL SUPPLY HOSE, 16MM I.D. ....	1
12	642129		OIL RETURN HOSE, 16MM I.D.....	1
13	643496		OIL RETURN HOSE (SECONDARY) .....	1
14				
15	649481		HOSE CLAMP, 8 - 16MM.....	1
16	650195		HEX HEAD BOLT, M8 - 1.25 X 20MM LG.....	2
17	616672		HEX HEAD BOLT, M8 - 1.25 X 60MM LG.....	1
18	649116		STATOR COVER .....	1
19	634161		FLANGED BUTTON HEAD TORX BOLT, M6 - 1 X 30MM LG .....	1
20				
21	105041		OIL FILTER .....	1
22				
23				
24	100539		SOCKET HEAD BOLT, M6 X 45MM LG .....	10
25	100555		SOCKET HEAD BOLT, M10 X 40MM LG .....	3
26	402082		SHAFT SEAL 40 X 52 X 7MM LG.....	1
27	410302		VENT PLUG.....	1
28	404470		BEARING, 12 X 18 X 16MM LG .....	1



THE USE OF NON U.L. PARTS WILL VOID ANY U.L. LISTING.

When ordering parts, please specify the model and serial number of the product.

\* Indicates a component that is not available as an individual part.

\*\*\* Indicates consult Customer Service Department for additional information.

ITEM	PART NO.	1 2 3 4 5	DESCRIPTION	QTY.
1	649125		LOWER CASTING (PASSENGER SIDE) .....	1
2	648685		FLANGED HEX HEAD BOLT, M10 - 1.5 X 50MM LG.....	4
3	600525		FLANGED LOCK NUT, M10 - 1.5 .....	4
4	649701		FLANGED HEX HEAD BOLT, M10 - 1.5 X 70MM LG.....	2
5	649659		FLANHED HEX HEAD BOLT, M10 - 1.5 X 180MM LG.....	2
6	648753		FLANGED LOCK NUT, M10 - 1.5 .....	2
7				
8				
9	649113		UPPER CASTING (PASSENGER SIDE).....	1
10	602415		FLANGED HEX HEAD BOLT, M10 - 1.5 X 80MM LG.....	3
11	648684		FLANGED HEX HEAD BOLT, M10 - 1.5 X 35MM LG.....	3
12	648753		FLANGED LOCK NUT, M10 - 1.5 .....	2
13				
14				
15	649115		AXLE CASTING .....	1
16				
17	648684		FLANGED HEX HEAD BOLT, M10 - 1.5 X 35MM LG.....	8
18	648753		FLANGED LOCK NUT, M10 - 1.5 .....	4
19				
20				
21				
22	645536		SHIFTER BRACKET.....	1
23	648127		ENGINE MOUNTING FRAME .....	1
24	645396		ISOLATOR (CENTER BONDED).....	2
25	645622		FLAT WASHER, 13.5 I.D. X 60.5 O.D. X 3.2 .....	2
26	648681		FLANGED HEX HEAD BOLT, M12 - 1.75 X 70MM LG.....	2
27	648751		FLANGED LOCK NUT, M12 - 1.75 .....	2
28	648682		FLANGED HEX HEAD BOLT, M10 - 1.5 X 25MM LG.....	4
29	648753		FLANGED LOCK NUT, M10 - 1.5 .....	4

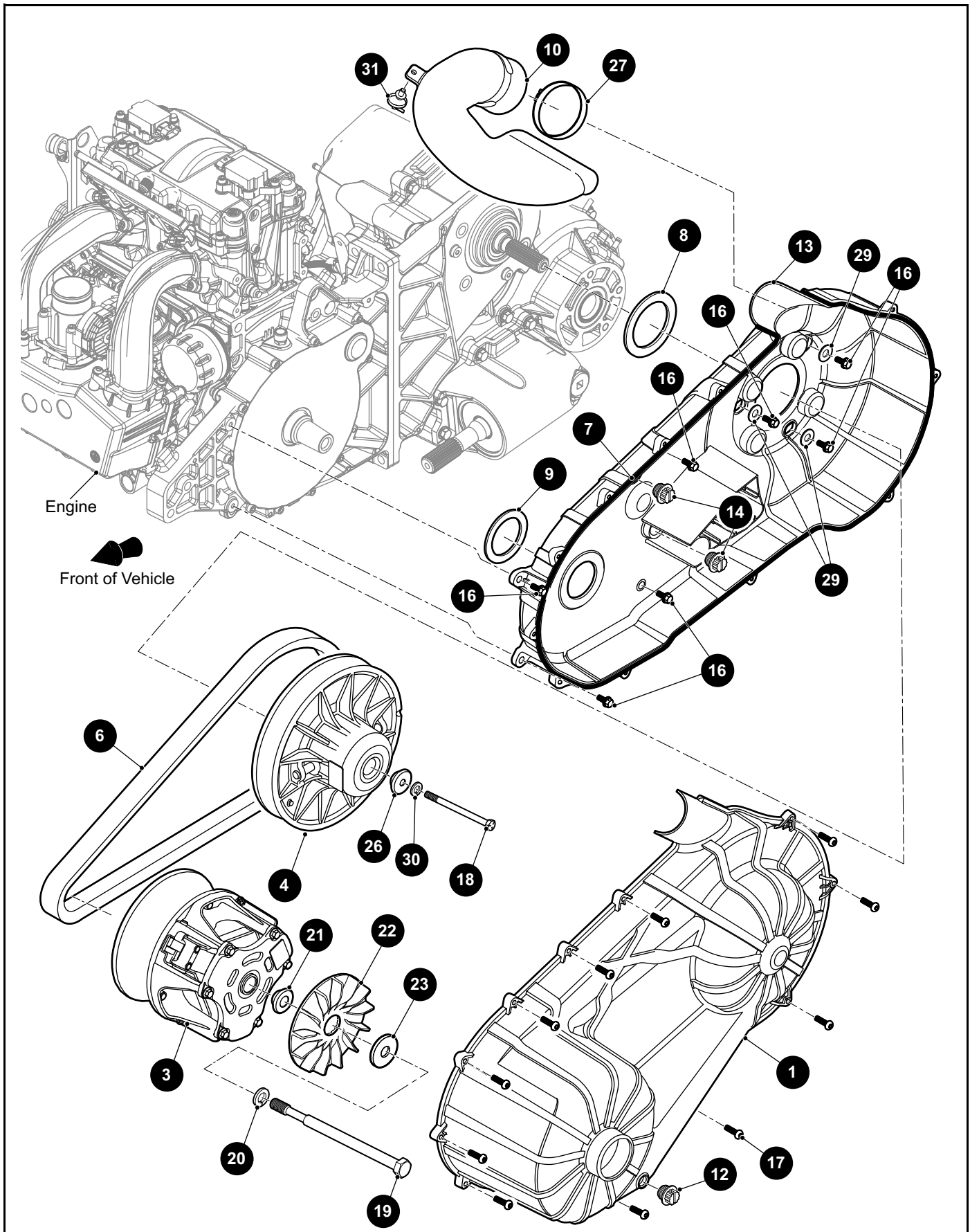
Notes:

Grid area for taking notes.





# DRIVETRAIN - REAR



## DRIVETRAIN - REAR

THE USE OF NON U.L. PARTS WILL VOID ANY U.L. LISTING.

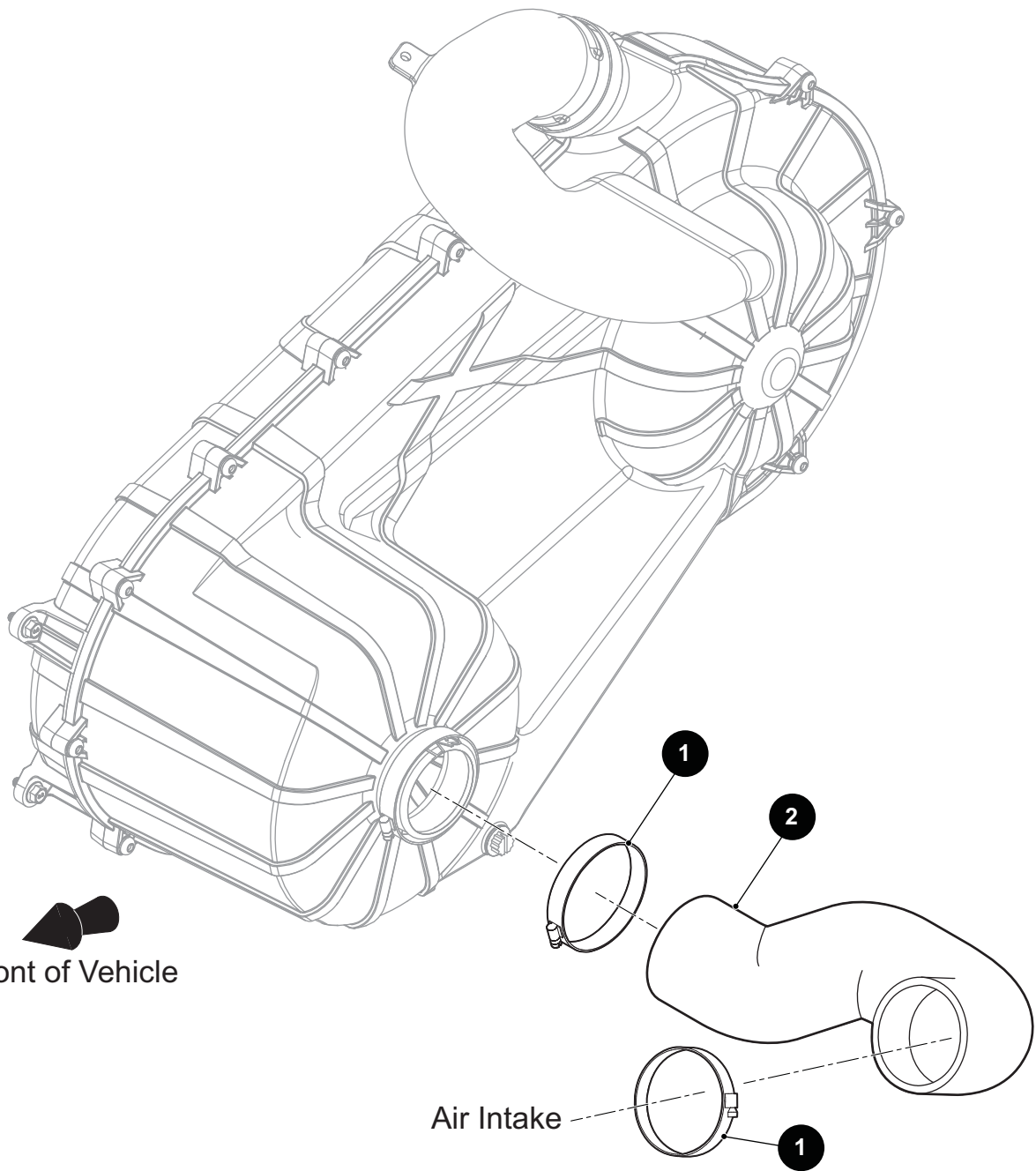
When ordering parts, please specify the model and serial number of the product.

\* Indicates a component that is not available as an individual part.

\*\*\* Indicates consult Customer Service Department for additional information.

ITEM	PART NO.	1 2 3 4 5	DESCRIPTION	QTY.
1	654021		CVT COVER (OUTER) .....	1
2				
3	639636		PRIMARY CLUTCH .....	1
4	639639		SECONDARY CLUTCH.....	1
5				
6	654011		CVT BELT .....	1
7	657144		SEAL FOAM.....	1
8	657138		SEAL FOAM.....	1
9	657141		SEAL FOAM.....	1
10	653501		HOSE (OUTLET) .....	1
11				
12	663979		PLUG .....	1
13	653080		CVT COVER (INNER).....	1
14	663980		PLUG .....	2
15				
16	649906		FLANGED HEX HEAD BOLT, M6 - 1 X 16MM LG.....	7
17	649803		PAN HEAD TORX SCREW, M6 - 2.65 X 25MM LG.....	11
18	646701		HEX HEAD BOLT, M8 - 1.25 X 110MM LG .....	1
19	663755		HEX HEAD BOLT, M14 - 1.5 X 225MM LG.....	1
20	645405		LOCK WASHER, 9/16" .....	1
21	659246		RETAINING WASHER (CLUTCH FAN) .....	1
22	663122		CLUTCH FAN.....	1
23	661759		FLAT WASHER .....	1
24				
25				
26	25756G1		RETAINING WASHER .....	1
27	11391G2		HOSE CLAMP, 2.06" .....	1
28				
29	00642G8		FLAT WASHER, 5/16".....	3
30	00565G8		LOCK WASHER, 5/16" .....	1
31	645340		CABLE TIE (TREE TYPE) .....	1

# DRIVETRAIN - REAR



## DRIVETRAIN - REAR

THE USE OF NON U.L. PARTS WILL VOID ANY U.L. LISTING.

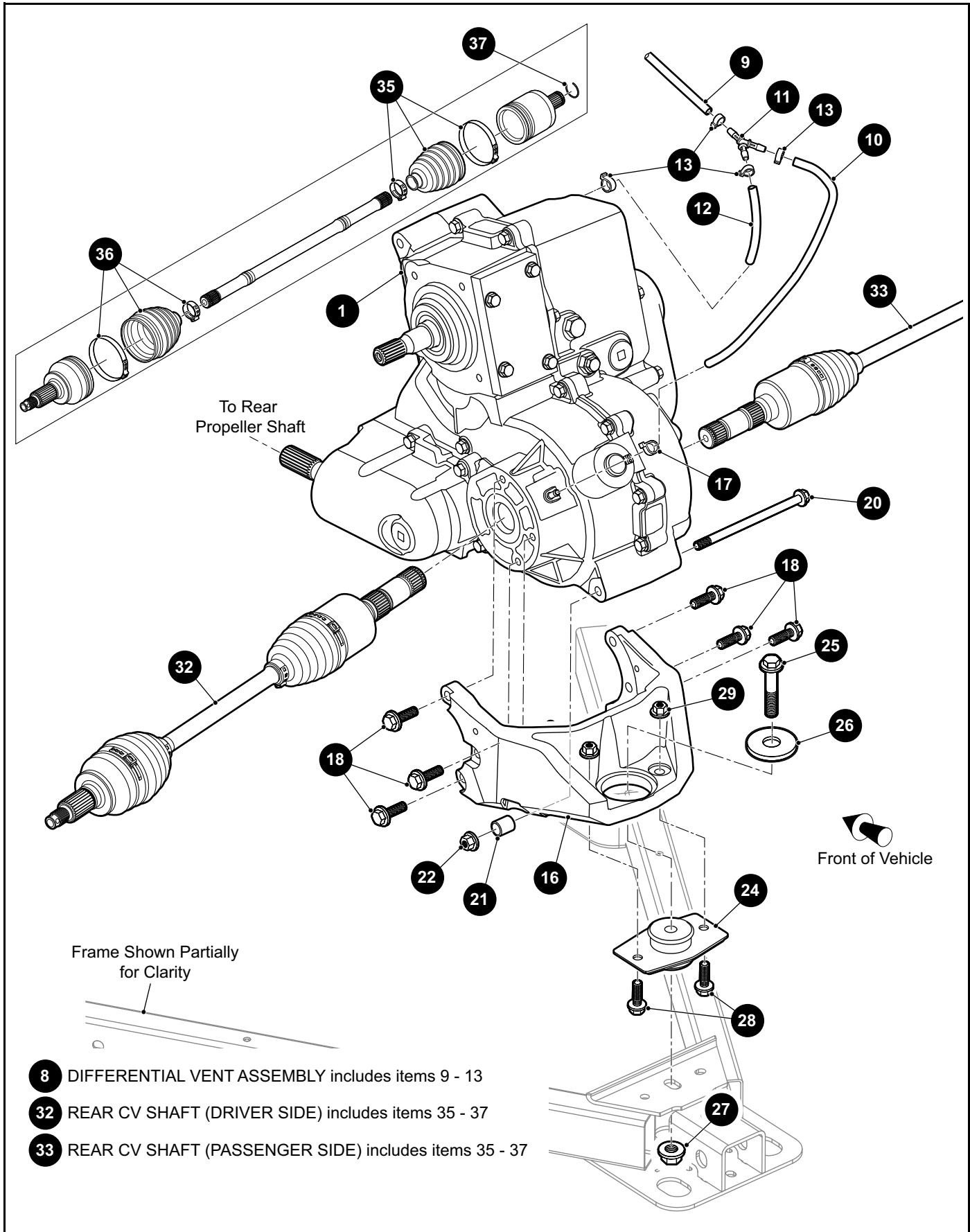
When ordering parts, please specify the model and serial number of the product.

\* Indicates a component that is not available as an individual part.

\*\*\* Indicates consult Customer Service Department for additional information.

ITEM	PART NO.	1 2 3 4 5	DESCRIPTION	QTY.
1	11391G2		HOSE CLAMP, 2.06" .....	2
2	659235		HOSE (INLET TO RESONATOR) .....	1

# DRIVETRAIN - REAR



- 8** DIFFERENTIAL VENT ASSEMBLY includes items 9 - 13
- 32** REAR CV SHAFT (DRIVER SIDE) includes items 35 - 37
- 33** REAR CV SHAFT (PASSENGER SIDE) includes items 35 - 37

## DRIVETRAIN - REAR

THE USE OF NON U.L. PARTS WILL VOID ANY U.L. LISTING.

When ordering parts, please specify the model and serial number of the product.

\* Indicates a component that is not available as an individual part.

\*\*\* Indicates consult Customer Service Department for additional information.

ITEM	PART NO.	1 2 3 4 5	DESCRIPTION	QTY.
1	633701G16		REAR DIFFERENTIAL .....	1
2				
3				
4				
5				
6				
7	645340		CABLE TIE (NOT ILLUSTRATED).....	3
8	643514		DIFFERENTIAL VENT ASSEMBLY (INCLUDES ITEMS 9 - 13) .....	1
9	642175		VENT TUBE (TO AMBIENT) .....	1
10	642173		VENT TUBE (LOWER).....	1
11	642174		Y - ADAPTER (VENT TUBE).....	1
12	642172		VENT TUBE (UPPER).....	1
13	17618G1		NYLON CLAMP, 7" LG .....	4
14				
15				
16	649422		AXLE CASTING .....	1
17	17618G1		NYLON CLAMP, 7" LG.....	1
18	648684		FLANGED HEX HEAD BOLT, M10 - 1.5 X 35MM LG.....	6
19				
20	649129		FLANGED HEX HEAD BOLT, M10 - 1.5 X 150MM LG.....	1
21	646314		SPACER.....	1
22	648753		FLANGED LOCK NUT, M10 - 1.5 .....	1
23				
24	645396		ISOLATOR (CENTER BONDED).....	1
25	648681		FLANGED HEX HEAD BOLT, M12 - 1.75 X 70MM LG.....	1
26	645622		FLAT WASHER, 13.5 I.D. X 60.5 O.D. X 3.2 .....	1
27	648751		FLANGED LOCK NUT, M12 - 1.75 .....	1
28	648684		FLANGED HEX HEAD BOLT, M10 - 1.5 X 35MM LG.....	2
29	648753		FLANGED LOCK NUT, M10 - 1.5 .....	2
30				
31				

## DRIVETRAIN - REAR

THE USE OF NON U.L. PARTS WILL VOID ANY U.L. LISTING.

When ordering parts, please specify the model and serial number of the product.

\* Indicates a component that is not available as an individual part.

\*\*\* Indicates consult Customer Service Department for additional information.

ITEM	PART NO.	1	2	3	4	5	DESCRIPTION	QTY.
32	651684						REAR CV SHAFT (DRIVER SIDE) (INCLUDES ITEMS 35 - 37).....	1
33	651683						REAR CV SHAFT (PASSENGER SIDE) (INCLUDES ITEMS 35 - 37) .....	1
34								
35	654352						BOOT KIT .....	1
36	656390						CV BOOT KIT .....	1
37	654353						CLIP .....	1

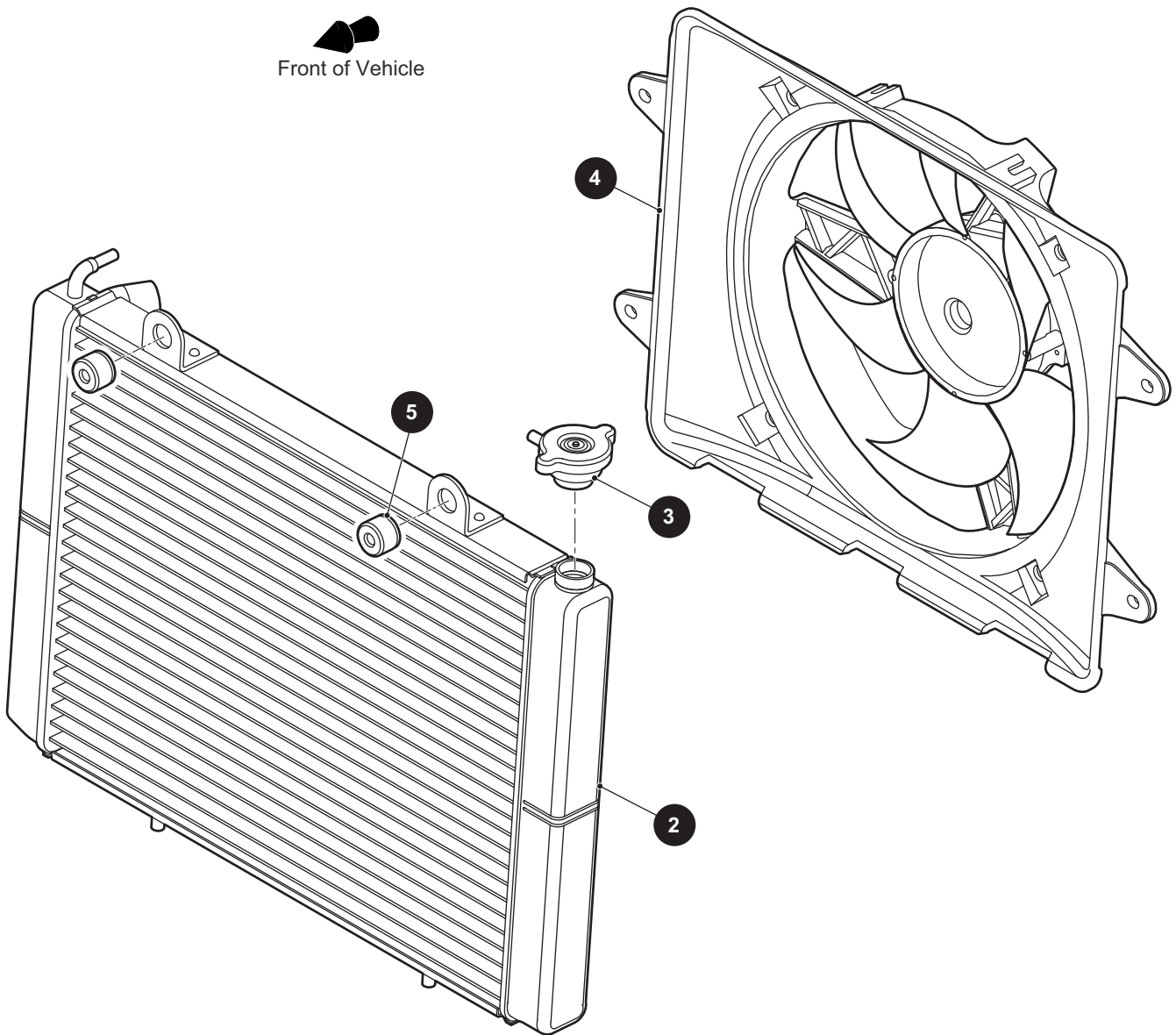




# ENGINE COOLING SYSTEM

**1** RADIATOR ASSEMBLY includes items 2 - 5

Front of Vehicle

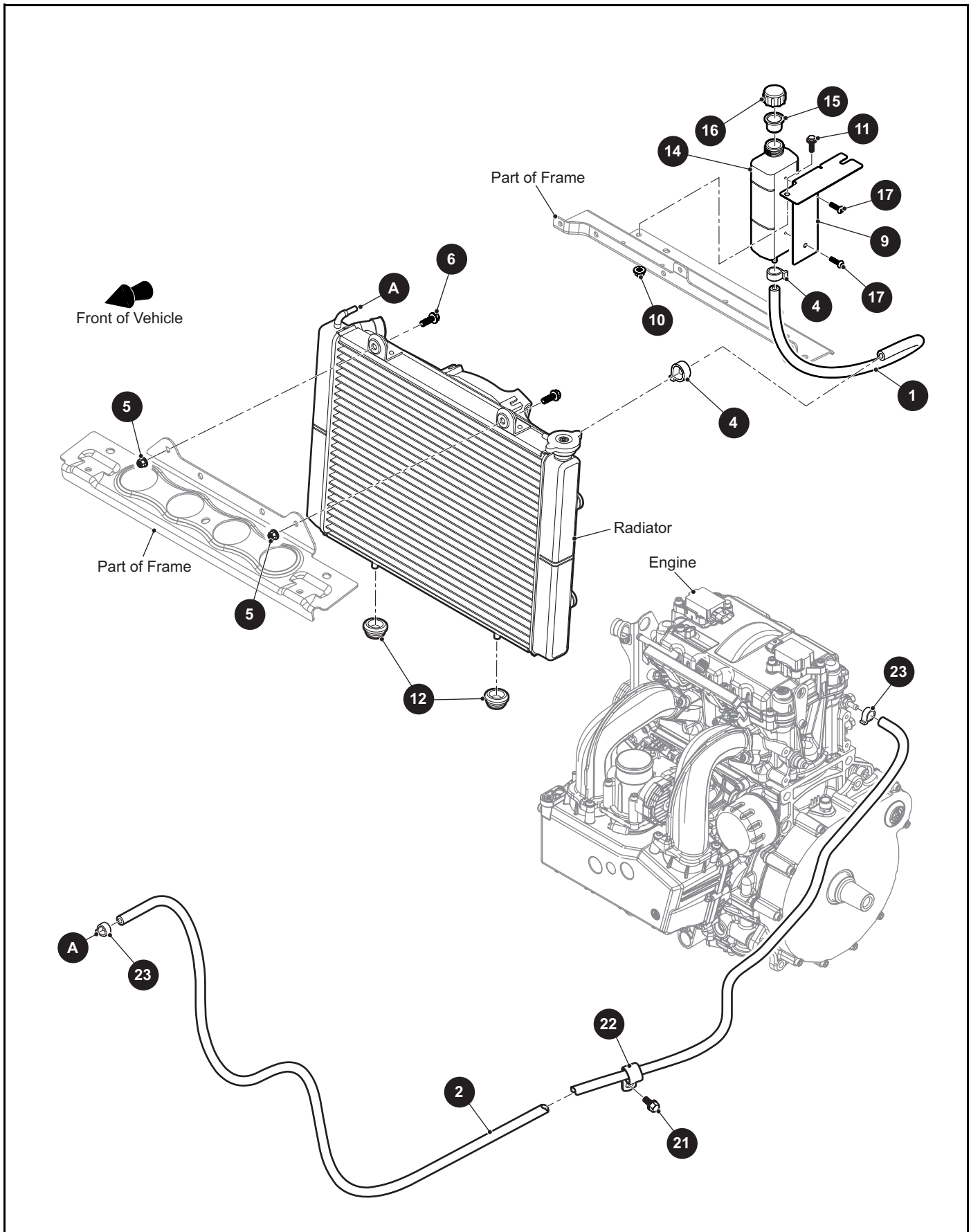


# ENGINE COOLING SYSTEM

THE USE OF NON U.L. PARTS WILL VOID ANY U.L. LISTING.  
 When ordering parts, please specify the model and serial number of the product.  
 \* Indicates a component that is not available as an individual part.  
 \*\*\* Indicates consult Customer Service Department for additional information.

ITEM	PART NO.	1 2 3 4 5	DESCRIPTION	QTY.
1	654950		RADIATOR ASSEMBLY (INCLUDES ITEMS 2 - 5) .....	1
2	622322		RADIATOR .....	1
3	653685		RADIATOR CAP .....	1
4	653688		RADIATOR FAN ASSEMBLY.....	1
5	653686		HEAT PROOF LAGGING ASSEMBLY .....	2

# ENGINE COOLING SYSTEM



## ENGINE COOLING SYSTEM

THE USE OF NON U.L. PARTS WILL VOID ANY U.L. LISTING.

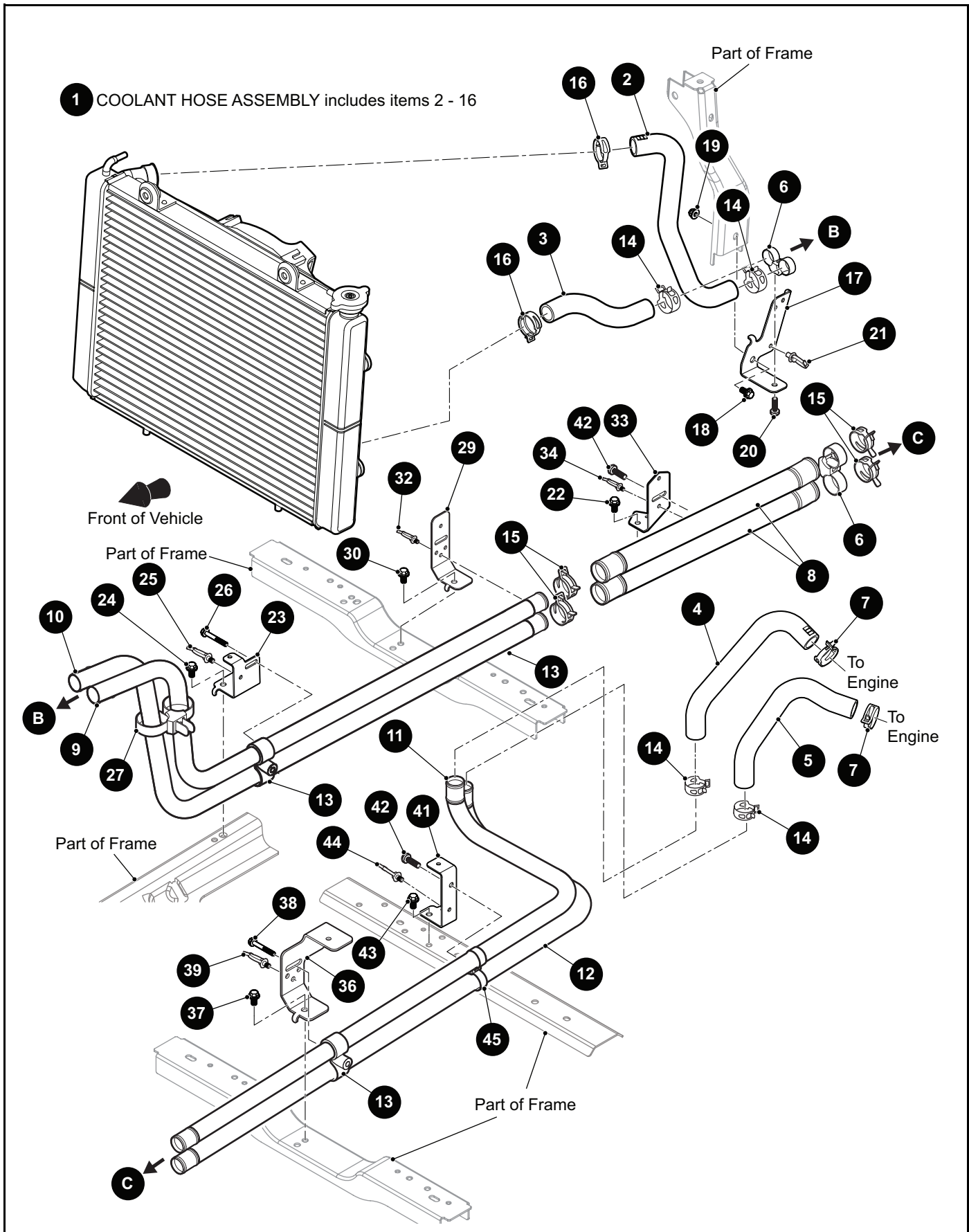
When ordering parts, please specify the model and serial number of the product.

\* Indicates a component that is not available as an individual part.

\*\*\* Indicates consult Customer Service Department for additional information.

ITEM	PART NO.	1 2 3 4 5	DESCRIPTION	QTY.
1	664809G04		COOLANT HOSE (OVERFLOW TO RADIATOR), 6.35MM I.D. ....	1
2	664809G06		COOLANT HOSE (ENGINE TO RADIATOR), 6.35MM I.D. ....	1
3				
4	17618G1		NYLON CLAMP, 8" LG. ....	2
5	601476		LOCK NUT, M6 - 1 .....	2
6	606421		FLANGED HEX HEAD BOLT, M6 - 1 X 30MM LG. ....	2
7				
8				
9	664703G0390		MOUNTING BRACKET. ....	1
10	601476		FLANGED HEX HEAD BOLT, M6 - 1 X 30MM LG. ....	1
11	606421		FLANGED HEX HEAD BOLT, M6 - 1 X 30MM LG. ....	1
12	638668		GROMMET (SEAT RETENTION) .....	2
13				
14	0413-320		COOLANT TANK. ....	1
15	0413-329		COOLANT TANK SLEEVE. ....	1
16	0413-328		COOLANT TANK CAP .....	1
17	8475-512		TRUSS HEAD SCREW, M5 - .8 X 12MM LG .....	2
18				
19				
20				
21	606265		FLANGED HEX HEAD BOLT, M6 - 1 X 12MM LG. ....	1
22	814924		TUBE CLAMP .....	1
23	11391G4		HOSE CLAMP, .25" .....	2

# ENGINE COOLING SYSTEM



## ENGINE COOLING SYSTEM

THE USE OF NON U.L. PARTS WILL VOID ANY U.L. LISTING.

When ordering parts, please specify the model and serial number of the product.

\* Indicates a component that is not available as an individual part.

\*\*\* Indicates consult Customer Service Department for additional information.

ITEM	PART NO.	1 2 3 4 5	DESCRIPTION	QTY.
1	665161		COOLANT LINE ASSEMBLY (INCLUDES ITEMS 2 - 16) .....	1
2	660418		COOLANT HOSE (RADIATOR TO OUTLET TUBE), 25.4MM I.D. ....	1
3	662109		COOLANT HOSE (RADIATOR TO INLET TUBE), 25.4MM I.D. ....	1
4	642165		COOLANT HOSE (INLET TUBE TO ENGINE), 25.4MM I.D. ....	1
5	642166		COOLANT HOSE (OUTLET TUBE TO ENGINE), 25.4MM I.D. ....	1
6	650170		DOUBLE BAND CLAMP (COOLANT LINES) .....	2
7	650169		HOSE CLAMP (COOLANT LINES) .....	2
8	645856		COOLANT LINE (MID HOSE) .....	2
9	656084		RADIATOR SIDE COOLANT LINE (INLET) .....	1
10	656085		RADIATOR SIDE COOLANT LINE (OUTLET) .....	1
11	656086		ENGINE SIDE COOLANT LINE (INLET).....	1
12	656087		ENGINE SIDE COOLANT LINE (OUTLET).....	1
13	649639		BRACKET .....	2
14	651147		HOSE CLAMP .....	4
15	658731		HOSE CLAMP .....	4
16	663966		HOSE CLAMP (COOLANT LINES), 12MM .....	2
17	655023G0390		FRONT MOUNT ROUTING BRACKET .....	1
18	606261		FLANGED HEX HEAD BOLT, M8 - 1.25 X 20MM LG.....	1
19	645956		FLANGED HEX LOCK NUT, M8 - 1.25.....	1
20	649804		BUTTON HEAD TORX SCREW, M8 - 3.5 X 30MM LG .....	1
21	645340		CABLE TIE .....	1
22	640723		SELF TAPPING SCREW, M8 - 1.25 X 20MM LG .....	1
23	645671G0390		FRONT MOUNT ROUTING BRACKET .....	1
24	640723		SELF TAPPING SCREW, M8 - 1.25 X 20MM LG .....	1
25	645340		CABLE TIE .....	1
26	650089		FLANGED BOLT, M6 - 1 X 50MM LG .....	1
27	645341		CLAMP TIE (DUAL) .....	1
28				
29	649954G0390		MID MOUNT ROUTING BRACKET .....	1
30	640723		SELF TAPPING SCREW, M8 - 1.25 X 20MM LG .....	1
31				

## ENGINE COOLING SYSTEM

THE USE OF NON U.L. PARTS WILL VOID ANY U.L. LISTING.

When ordering parts, please specify the model and serial number of the product.

\* Indicates a component that is not available as an individual part.

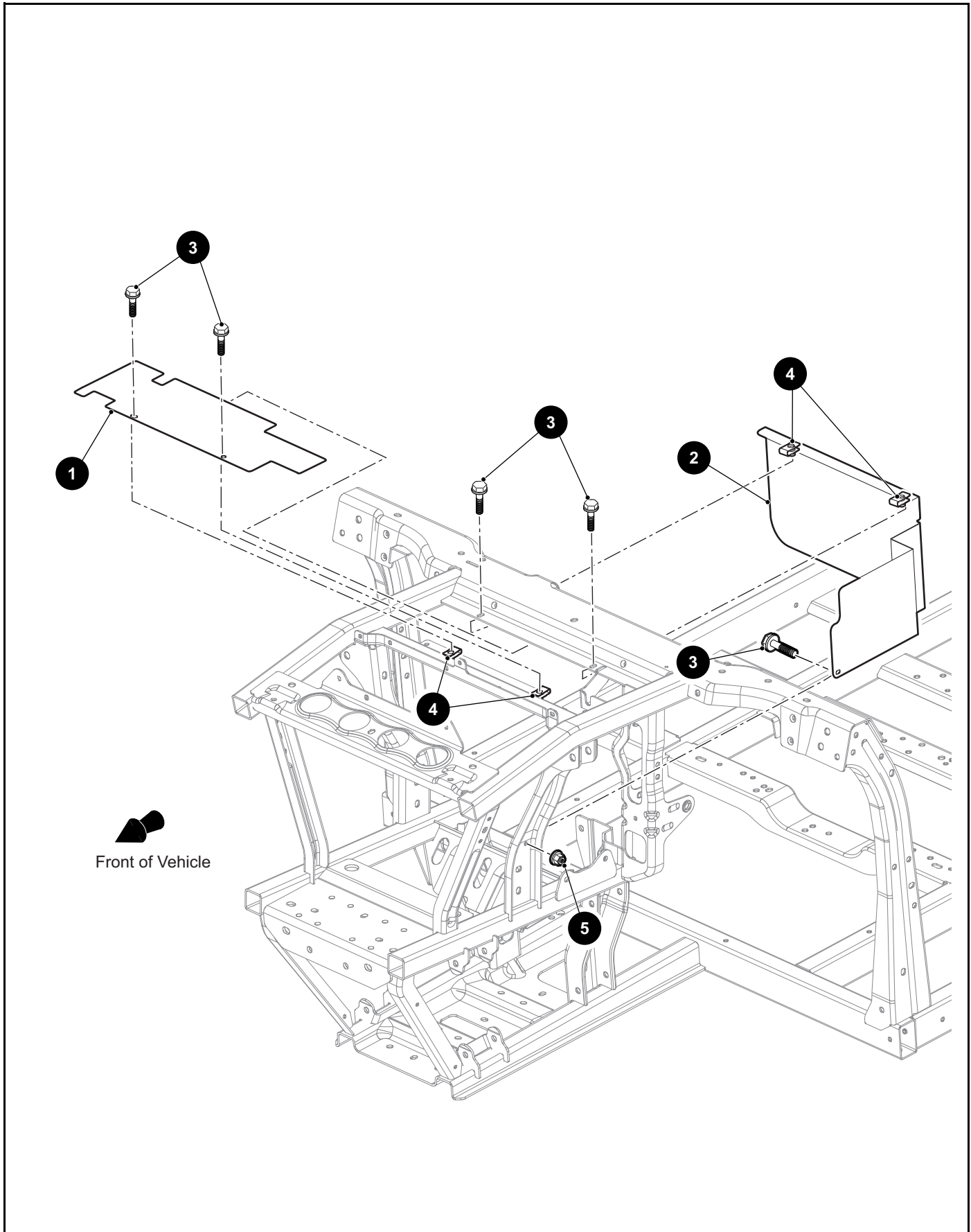
\*\*\* Indicates consult Customer Service Department for additional information.

ITEM	PART NO.	1	2	3	4	5	DESCRIPTION	QTY.
32	645340						CABLE TIE .....	1
33	658787G0390						CROSS MEMBER BRACKET .....	1
34	645340						CABLE TIE .....	1
35								
36	654478G0390						REAR MOUNT ROUTING BRACKET .....	1
37	640723						SELF TAPPING SCREW, M8 - 1.25 X 20MM LG.....	1
38	650089						FLANGED BOLT, M6 - 1 X 50MM LG .....	1
39	645340						CABLE TIE .....	1
40								
41	645672G0390						REAR MOUNT ROUTING BRACKET .....	1
42	649804						BUTTON HEAD TORX SCREW, M8 - 3.5 X 30MM LG .....	2
43	640723						SELF TAPPING SCREW, M8 - 1.25 X 20MM LG.....	1
44	645340						CABLE TIE .....	1
45	650170						DOUBLE BAND CLAMP (COOLANT LINES) .....	1



# Notes:

# ENGINE COOLING SYSTEM



# ENGINE COOLING SYSTEM

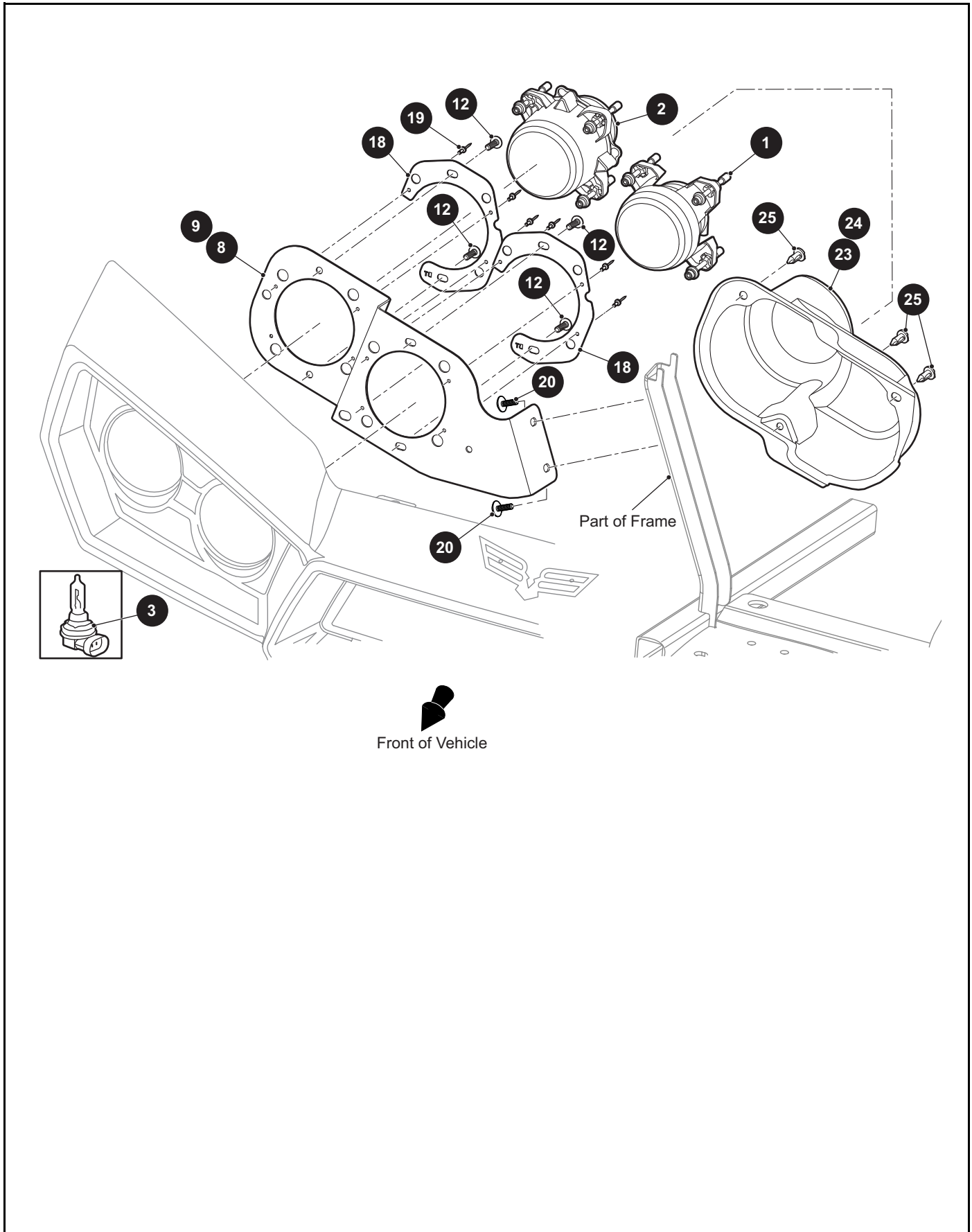
THE USE OF NON U.L. PARTS WILL VOID ANY U.L. LISTING.  
 When ordering parts, please specify the model and serial number of the product.  
 \* Indicates a component that is not available as an individual part.  
 \*\*\* Indicates consult Customer Service Department for additional information.

ITEM	PART NO.	1 2 3 4 5	DESCRIPTION	QTY.
1	663934		RADIATOR CLOSEOUT (UPPER) .....	1
2	660015		HEAT SHIELD CAB (LOWER).....	1
3	606264		FLANGED HEX HEAD BOLT, M6 - 1 X 20MM LG.....	5
4	602409		BARREL CLIP, M6 - 1 .....	4
5	601476		LOCK NUT, M6 -1 .....	1



Notes:

A large grid of graph paper, consisting of approximately 25 columns and 30 rows of small squares, intended for writing notes.



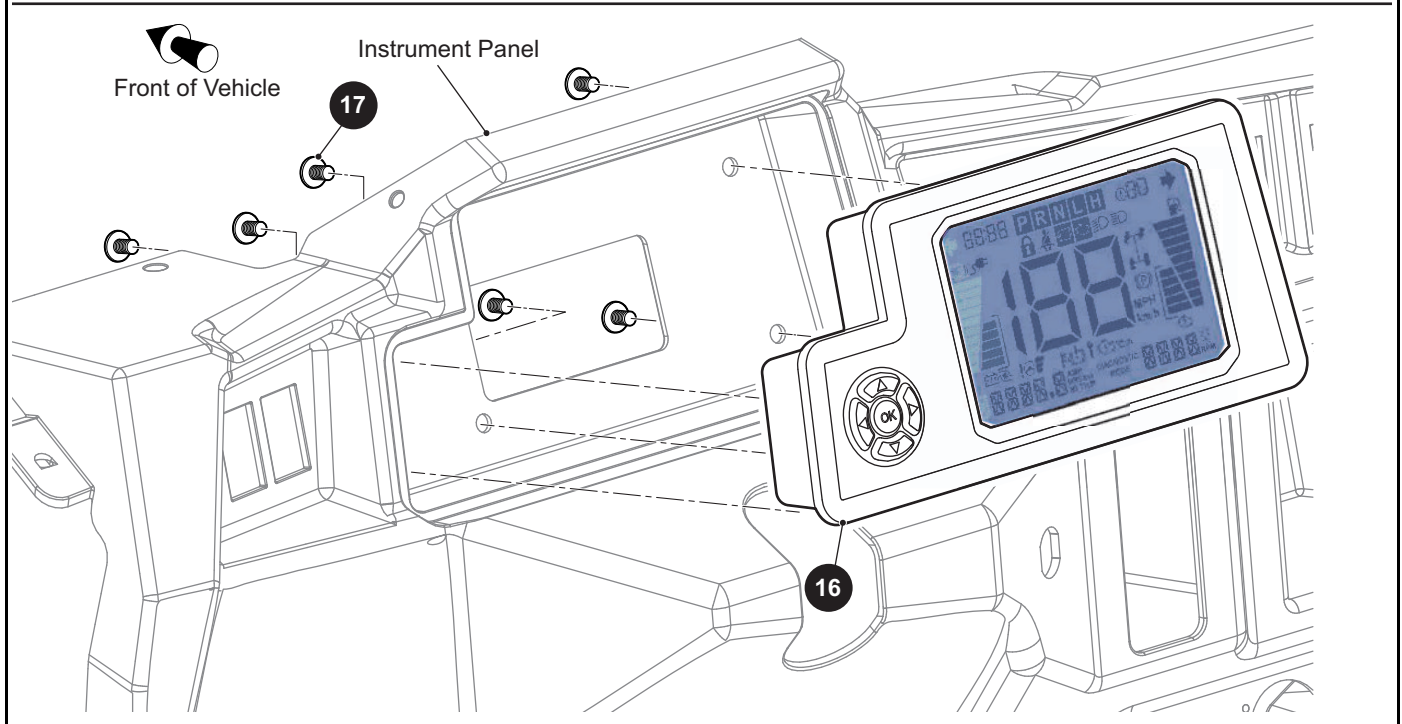
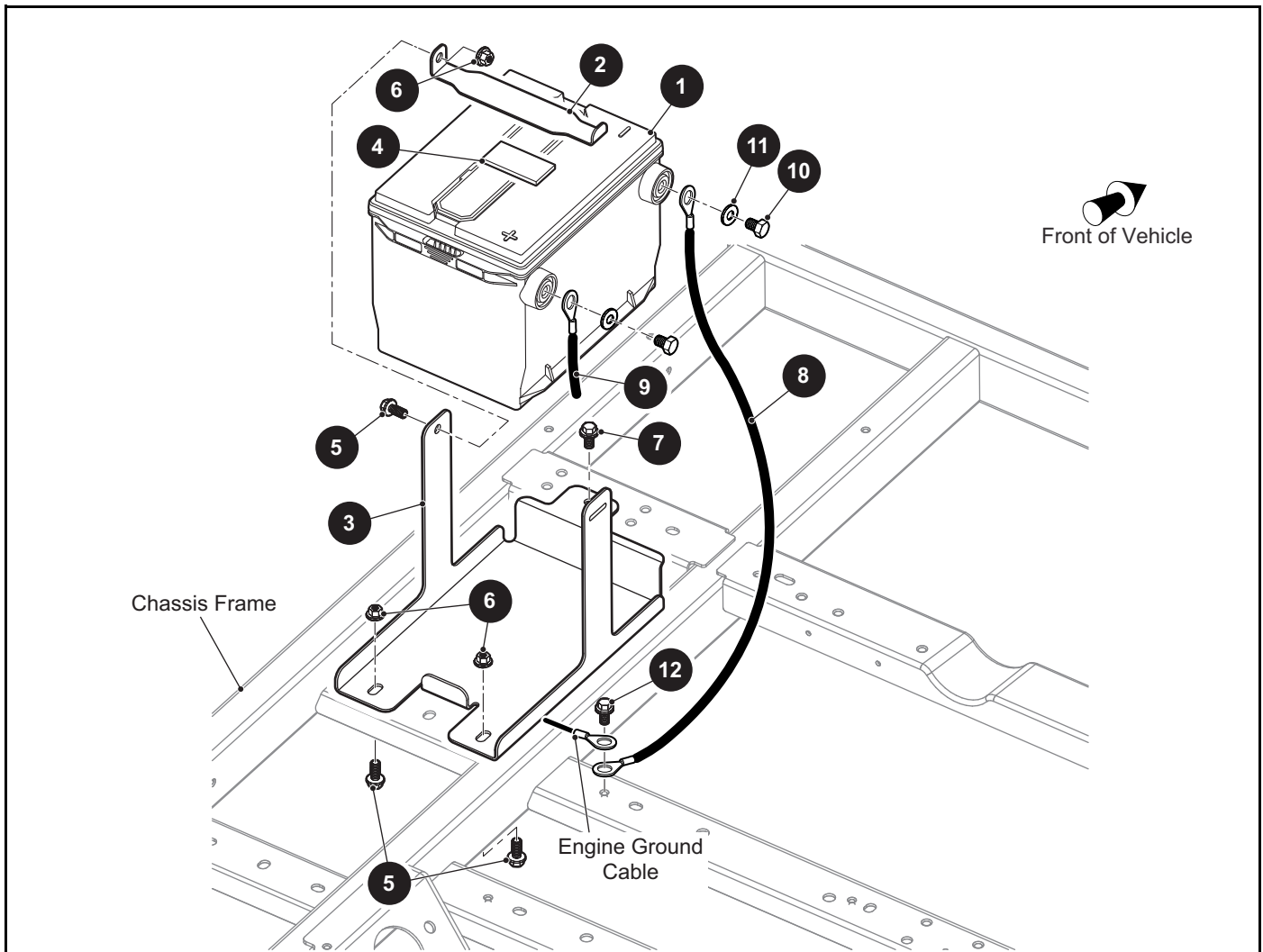
THE USE OF NON U.L. PARTS WILL VOID ANY U.L. LISTING.

When ordering parts, please specify the model and serial number of the product.

\* Indicates a component that is not available as an individual part.

\*\*\* Indicates consult Customer Service Department for additional information.

ITEM	PART NO.	1 2 3 4 5	DESCRIPTION	QTY.
1	650932		HEADLIGHT (HIGH BEAM) .....	1
2	650934		HEADLIGHT (LOW BEAM).....	1
3	654324		HEADLIGHT BULB .....	1
4				
5				
6				
7				
8	643300G01		HEADLIGHT BRACKET (DRIVER SIDE) .....	1
9	643300G02		HEADLIGHT BRACKET (PASSENGER SIDE).....	1
10				
11				
12	646047		PLASTITE SCREW, M6 - 2.14 X 20MM LG.....	4
13				
14				
15				
16				
17				
18	647304		HEADLIGHT BRACKET (RIVETED).....	2
19	647586		RIVET (DOMED), 1/8".....	6
20	644969		PAN WASHER HEAD SELF TAPPING SCREW, M6 - 1 X 20MM LG .....	2
21				
22				
23	655275G01		HEADLIGHT COVER (DRIVER SIDE) .....	1
24	655275G02		HEADLIGHT COVER (PASSENGER SIDE).....	1
25	667790		REMOVABLE RIVET, .320".....	6





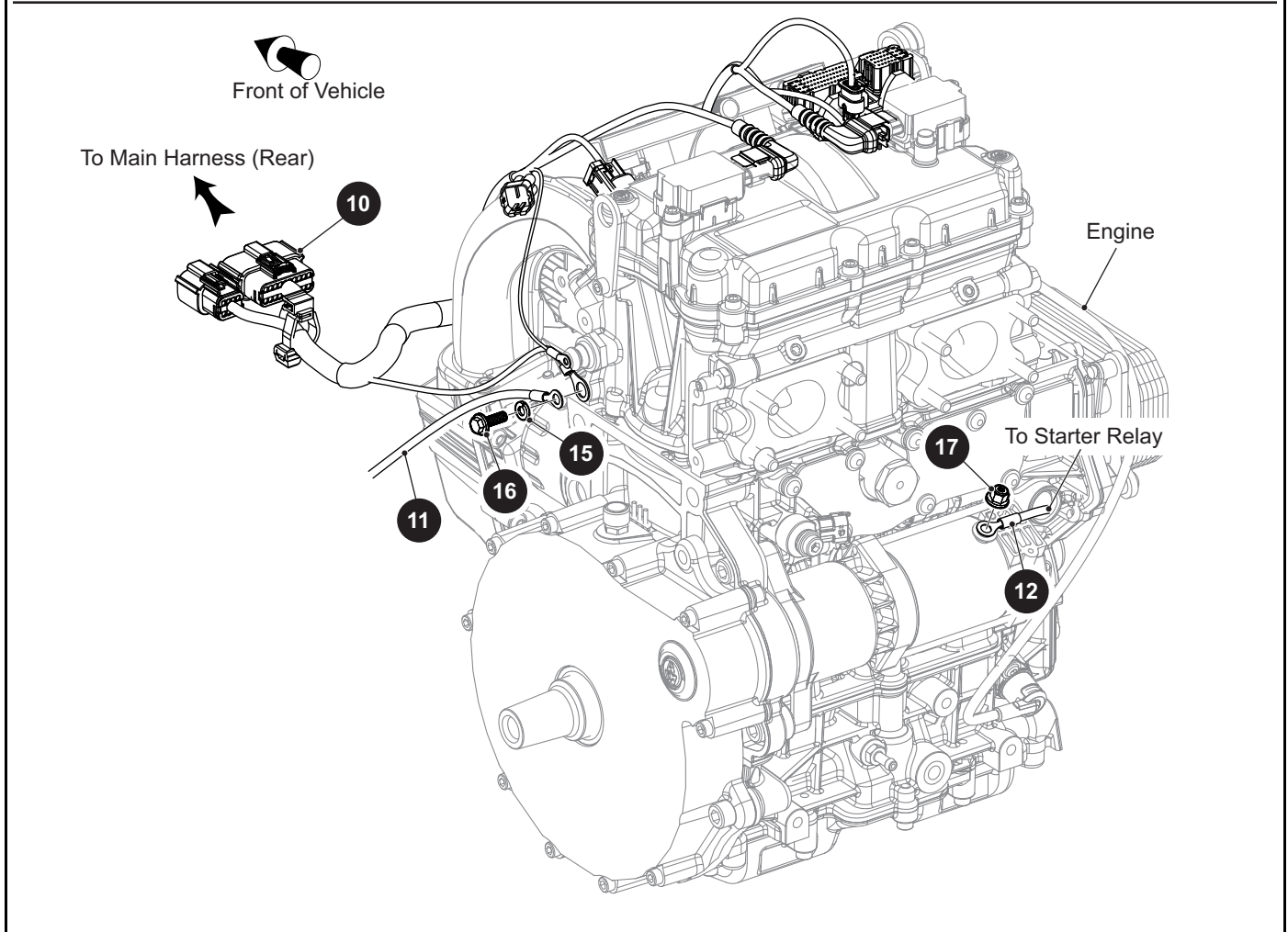
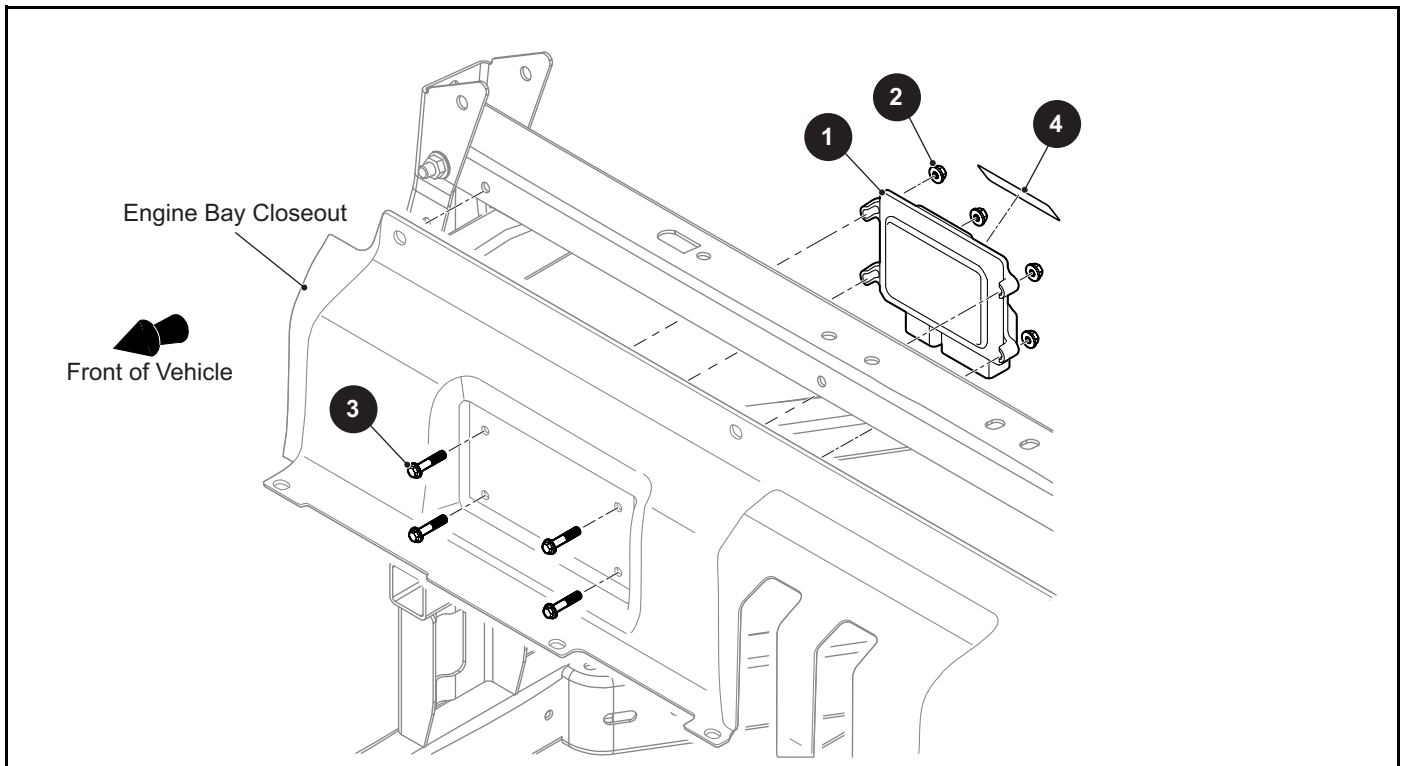
THE USE OF NON U.L. PARTS WILL VOID ANY U.L. LISTING.

When ordering parts, please specify the model and serial number of the product.

\* Indicates a component that is not available as an individual part.

\*\*\* Indicates consult Customer Service Department for additional information.

ITEM	PART NO.	1 2 3 4 5	DESCRIPTION	QTY.
1	637484		BATTERY, 12V.....	1
2	643272		BATTERY HOLD DOWN.....	1
3	645960		BATTERY TRAY.....	1
4	608513		RUBBER PAD.....	1
5	606261		FLANGED HEX HEAD BOLT, M8 - 1.25 X 20MM LG.....	3
6	645956		FLANGED LOCK NUT, M8 - 1.25.....	3
7	640723		SELF TAPPING SCREW, M8 - 1.25 X 20MM LG.....	1
8	641525		#6 AWG CABLE (FRAME TO B NEGATIVE).....	1
9	646448		#6 AWG CABLE (FUSE TO B POSITIVE).....	1
10	651336		BATTERY BOLT.....	2
11	614221		FLAT WASHER, 3/8".....	2
12	452695		TAPTITE SCREW, M6 - 1 X 20MM LG.....	1
13				
14				
15				
16	656715		DISPLAY ASSEMBLY.....	1
17	645881		BUTTON HEAD TORX SCREW, M6 - 2.14 X 10MM LG.....	6



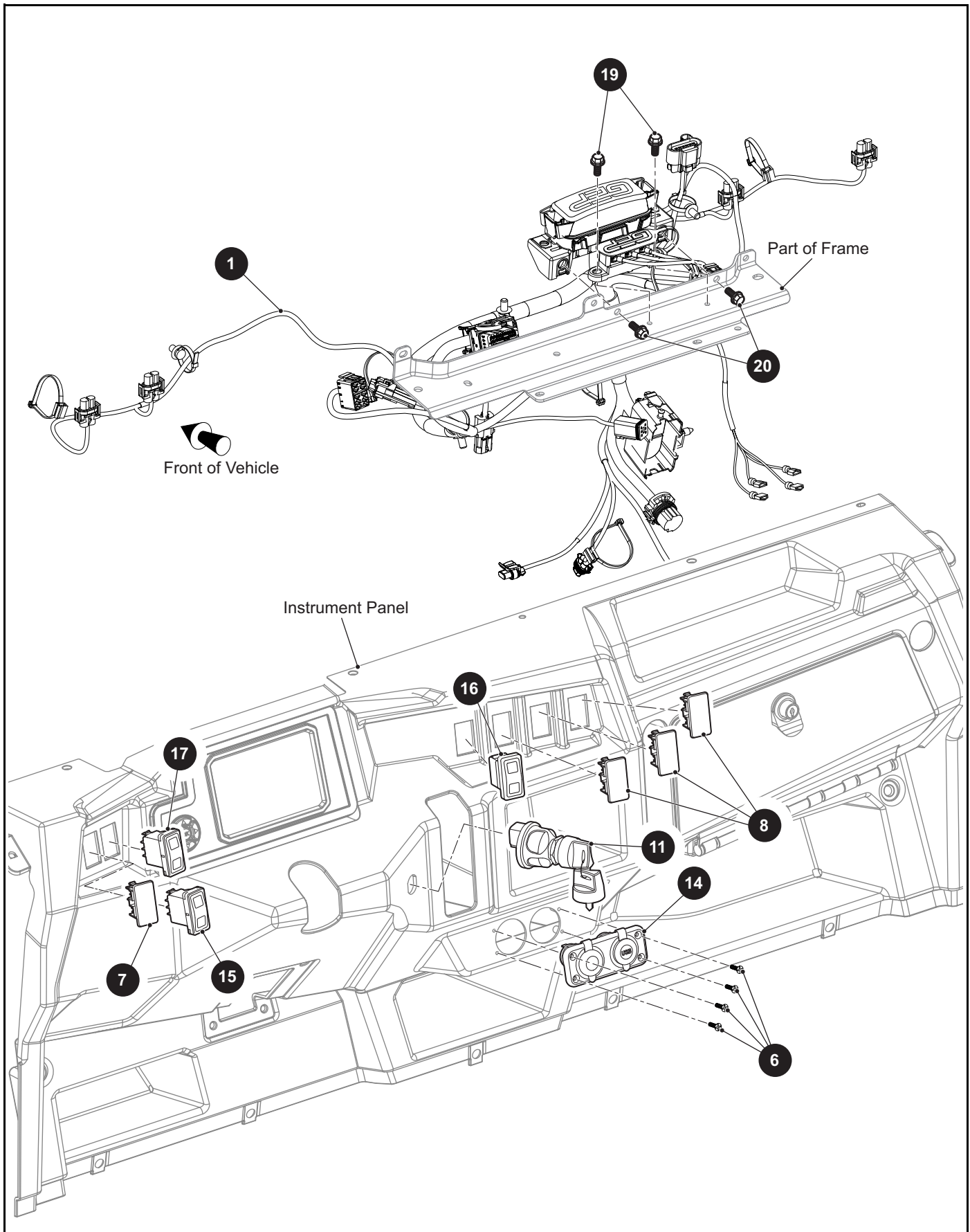
THE USE OF NON U.L. PARTS WILL VOID ANY U.L. LISTING.

When ordering parts, please specify the model and serial number of the product.

\* Indicates a component that is not available as an individual part.

\*\*\* Indicates consult Customer Service Department for additional information.

ITEM	PART NO.	1 2 3 4 5	DESCRIPTION	QTY.
1	405644		ENGINE CONTROL UNIT.....	1
2	601476		LOCK NUT, M6 - 1 .....	4
3	606421		FLANGED HEX HEAD BOLT, M6 - 1 X 30MM LG.....	4
4	649763G01		ECU LABEL .....	1
5				
6				
7				
8				
9				
10	658575		ENGINE HARNESS .....	1
11	641526		#6 AWG ENGINE GROUND CABLE .....	1
12	641524		#6 AWG STARTER MOTOR CABLE .....	1
13				
14				
15	601327		LOCK WASHER, 6MM.....	1
16	606264		FLANGED HEX HEAD BOLT, M6 - 1 X 20MM LG.....	1
17	601476		LOCK NUT, M6 - 1 .....	1



THE USE OF NON U.L. PARTS WILL VOID ANY U.L. LISTING.

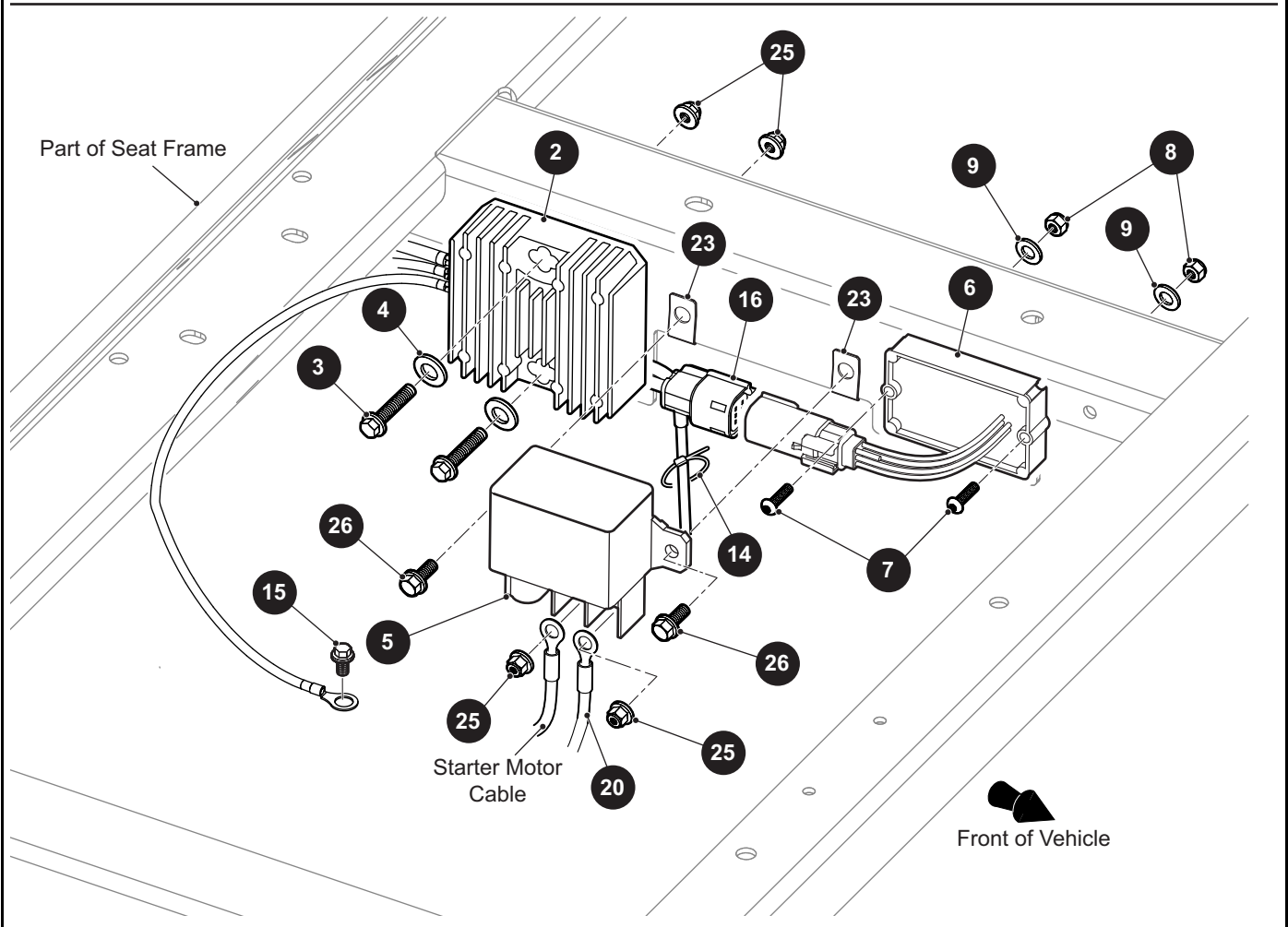
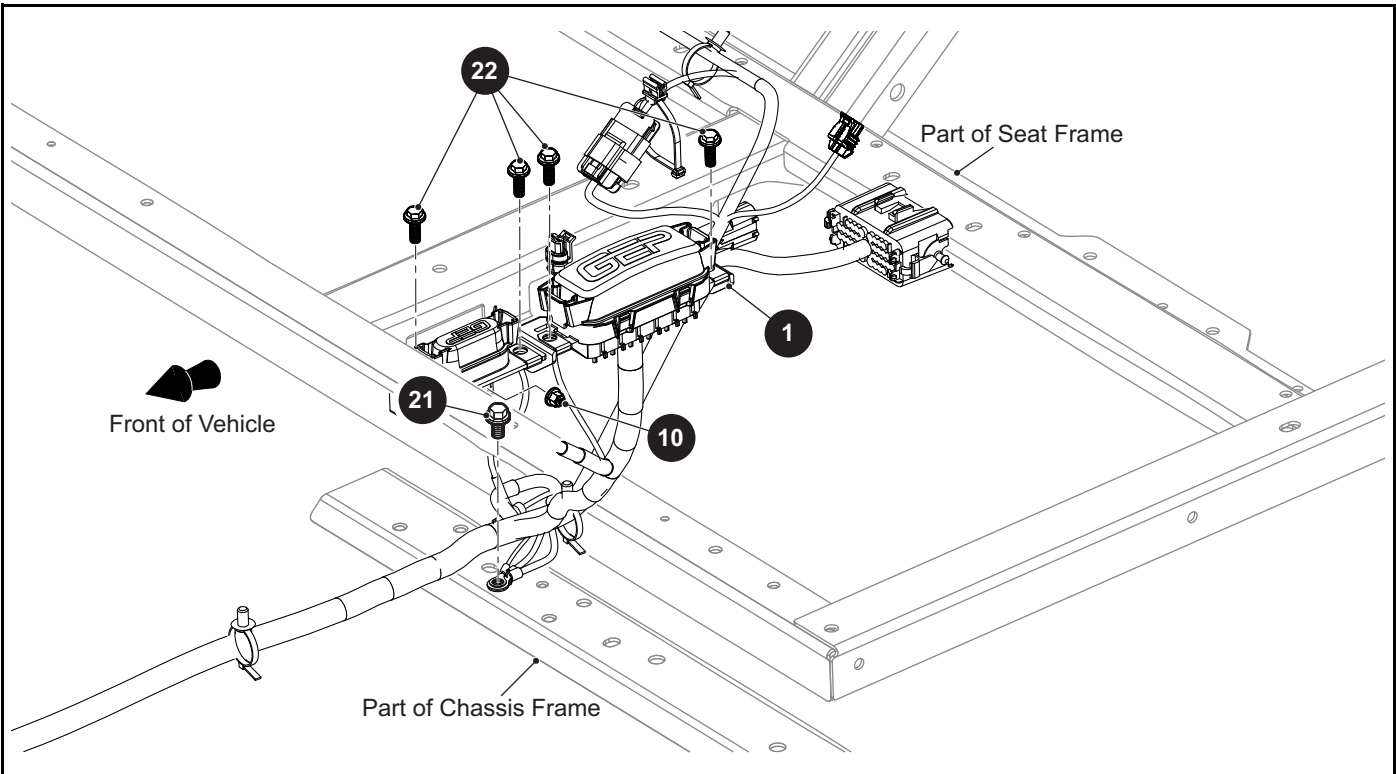
When ordering parts, please specify the model and serial number of the product.

\* Indicates a component that is not available as an individual part.

\*\*\* Indicates consult Customer Service Department for additional information.

ITEM	PART NO.	1 2 3 4 5	DESCRIPTION	QTY.
1	656555		MAIN HARNESS (FRONT).....	1
2				
3				
4				
5				
6	71425G01		TAPPING SCREW, #8 - 18 X 3/4" LG.....	4
7				
8	627035		SWITCH PLUG .....	3
9				
10				
11	640923		KEYSWITCH WITH KEY .....	1
12				
13				
14	654608		USB PORT, 12V .....	1
15	644522		SWITCH (DIFFERENTIAL LOCK) .....	1
16	638267		SWITCH (HI/LOW BEAM) .....	1
17	644523		SWITCH (4WD) .....	1
18				
19	452695		TAPTITE SCREW, M6 - 1 X 20MM LG.....	2
20	606264		FLANGED HEX HEAD BOLT, M6 - 1 X 20MM LG.....	2

# ELECTRICAL



THE USE OF NON U.L. PARTS WILL VOID ANY U.L. LISTING.

When ordering parts, please specify the model and serial number of the product.

\* Indicates a component that is not available as an individual part.

\*\*\* Indicates consult Customer Service Department for additional information.

ITEM	PART NO.	1 2 3 4 5	DESCRIPTION	QTY.
1	659446		MAIN HARNESS (REAR) .....1	
2	407227		VOLTAGE REGULATOR.....	1
3	643471		FLANGED HEX HEAD BOLT, M6 - 1 X 35MM LG.....	2
4	308090		FLAT WASHER, 1/4".....	2
5	405225		STARTER RELAY .....	1
6	639456		SOLENOID CONTROLLER (REAR DIFFERENTIAL) .....	1
7	00379G2		PAN HEAD PHILLIPS SCREW, #10 - 24 X 1 1/4" LG .....	2
8	14390G10		LOCK NUT, #10 - 24 .....	2
9	00559G5		FLAT WASHER, #10 .....	2
10	601476		LOCK NUT, M6 - 1 .....	1
11				
12				
13	646441		CABLE TIE (EDGE CLIP) (NOT ILLUSTRATED) .....	1
14	31539G1		NYLON CLAMP, 15.5" LG.....	5
15	452695		TAPTITE SCREW, M6 - 1 X 20MM LG .....	1
16	657215		REAR DIFFERENTIAL HARNESS .....	1
17				
18				
19				
20	641523		#6 AWG CABLE (FUSE).....	1
21	640723		SELF TAPPING SCREW, M8 - 1.25 X 20MM LG .....	1
22	606264		FLANGED HEX HEAD BOLT, M6 - 1 X 20MM LG.....	4
23	602409		BARREL CLIP, M6 - 1 .....	2
24				
25	601476		LOCK NUT, M6 - 1 .....	4
26	606264		FLANGED HEX HEAD BOLT, M6 - 1 X 20MM LG.....	2

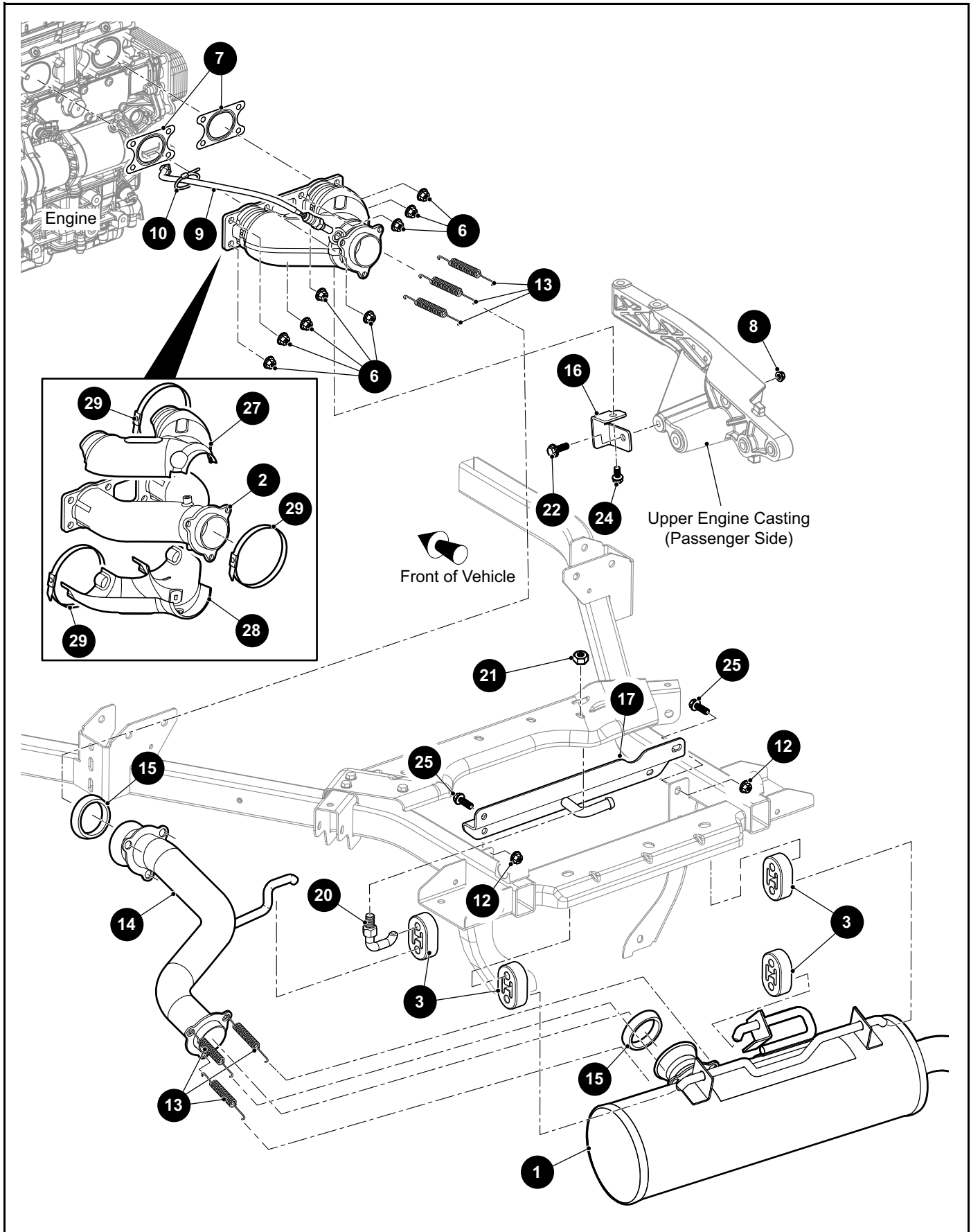
# Notes:

A large grid of graph paper, consisting of 30 columns and 30 rows of small squares, intended for taking notes.





# EXHAUST



THE USE OF NON U.L. PARTS WILL VOID ANY U.L. LISTING.

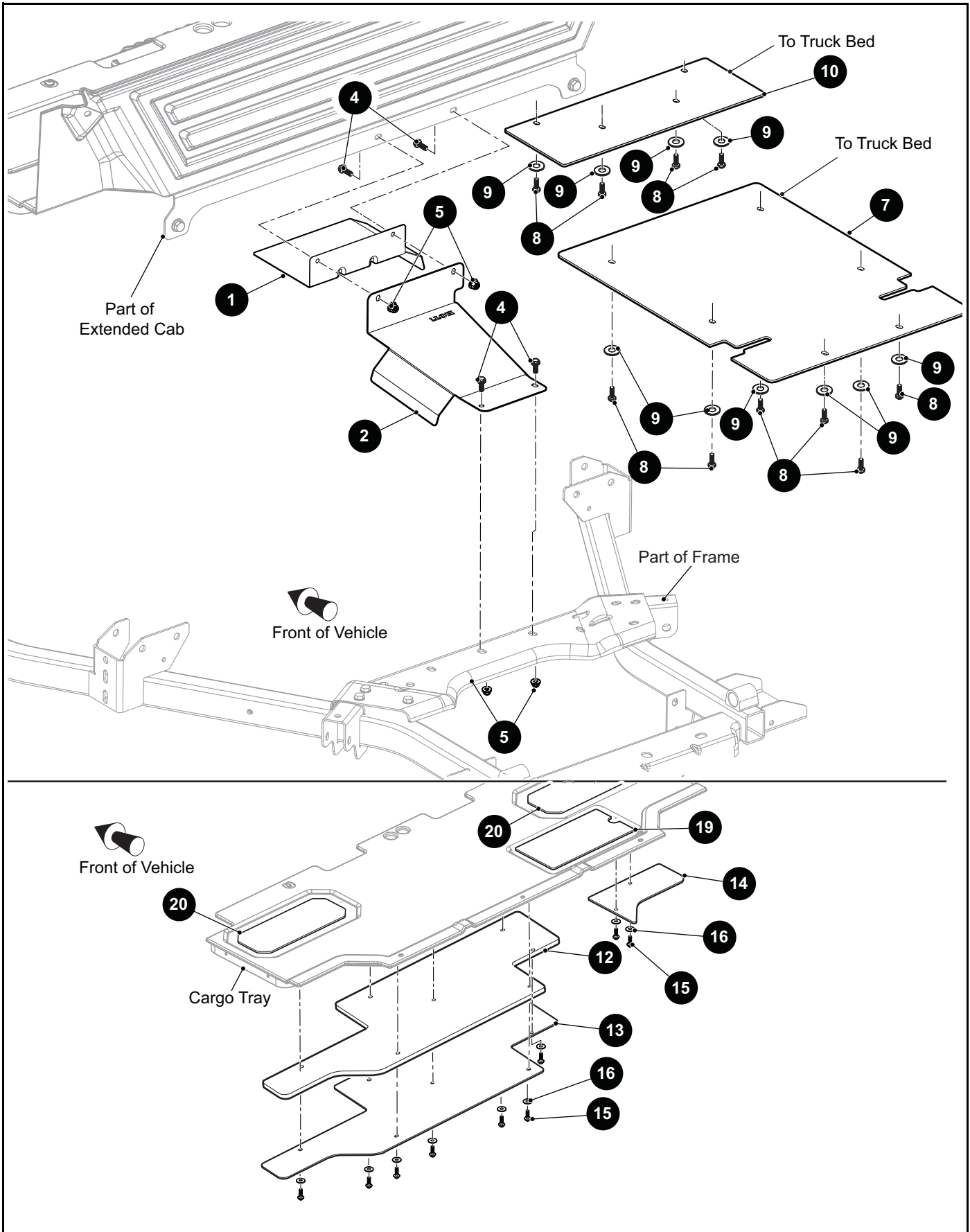
When ordering parts, please specify the model and serial number of the product.

\* Indicates a component that is not available as an individual part.

\*\*\* Indicates consult Customer Service Department for additional information.

ITEM	PART NO.	1 2 3 4 5	DESCRIPTION	QTY.
1	657638		EXHAUST MUFFLER .....	1
2	649120		EXHAUST HEADER PIPE .....	1
3	652412		EXHAUST ISOLATOR .....	4
4				
5				
6	100737		FLANGED LOCK NUT, M8 .....	8
7	101446		HEADER GASKET .....	2
8	26830G01		SELF LOCK NUT, M8 X 1.25 .....	1
9	406241		OXYGEN SENSOR.....	1
10	17618G1		NYLON CLAMP, 8" LG.....	1
11				
12	645956		FLANGED HEX NUT, M8 - 1.25.....	2
13	649713		EXHAUST SPRING .....	6
14	649715		INTERMEDIATE PIPE .....	1
15	649733		GASKET.....	2
16	650340		HEADER SUPPORT BRACKET .....	1
17	658229		MUFFLER SUPPORT BRACKET .....	1
18				
19				
20	650862		EXHAUST HANGER (BOLT AND NUT).....	1
21	14390G6		LOCK NUT, 1/2" - 13.....	1
22	602330		FLANGED HEX HEAD BOLT, M8 - 1.25 X 30MM LG.....	1
23				
24	651085		FLANGED HEX HEAD BOLT, M8 - 1.25 X 10MM LG.....	1
25	606261		FLANGED HEX HEAD BOLT, M8 - 1.25 X 20MM LG.....	2
26				
27	654380		UPPER HEAT SHIELD (EXHAUST MANIFOLD).....	1
28	654381		LOWER HEAT SHIELD (EXHAUST MANIFOLD).....	1
29	654557		BANDIT CLAMP, 2" .....	3
30				

# EXHAUST



THE USE OF NON U.L. PARTS WILL VOID ANY U.L. LISTING.

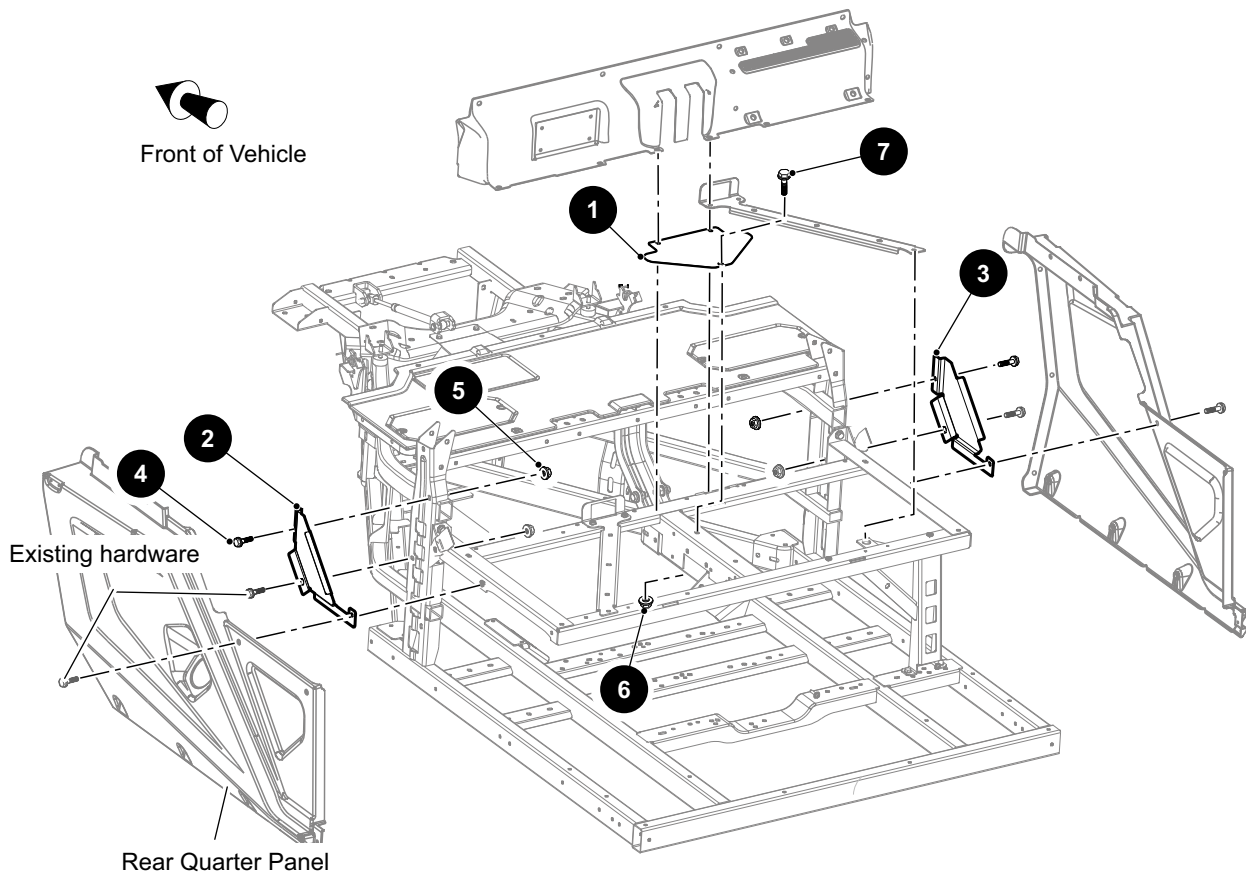
When ordering parts, please specify the model and serial number of the product.

\* Indicates a component that is not available as an individual part.

\*\*\* Indicates consult Customer Service Department for additional information.

ITEM	PART NO.	1 2 3 4 5	DESCRIPTION	QTY.
1	646803		HEAT SHIELD BRACKET (CAB) .....	1
2	658252		HEAT SHIELD BRACKET (BED) .....	1
3				
4	606264		FLANGED HEX HEAD BOLT, M6 - 1 X 20MM LG.....	4
5	601476		LOCK NUT, M6 - 1 .....	4
6				
7	649832		HEAT SHIELD (BED) .....	1
8	646047		PLASTITE SCREW, M6 - 2.14 X 20MM LG.....	10
9	00793G2		FLAT WASHER (SS), 1/4".....	10
10	653421		HEAT SHIELD, FRONT (BED).....	1
11				
12	658439		HEAT SHIELD (EXTENDED CAB) .....	1
13	653387		HEAT SHIELD (EXTENDED CAB TRAY) .....	1
14	649944		HEAT SHIELD (EXTENDED CAB OUTER TRAY).....	1
15	646047		PLASTITE SCREW, M6 - 2.14 X 20MM LG.....	9
16	00793G2		FLAT WASHER (SS), 1/4".....	9
17				
18				
19	653268		HEAT SHIELD (EXTENDED CAB ACCESS PANEL) .....	1
20	653329		HEAT SHIELD (EXTENDED CAB STORAGE POCKET) .....	2

# EXHAUST



THE USE OF NON U.L. PARTS WILL VOID ANY U.L. LISTING.

When ordering parts, please specify the model and serial number of the product.

\* Indicates a component that is not available as an individual part.

\*\*\* Indicates consult Customer Service Department for additional information.

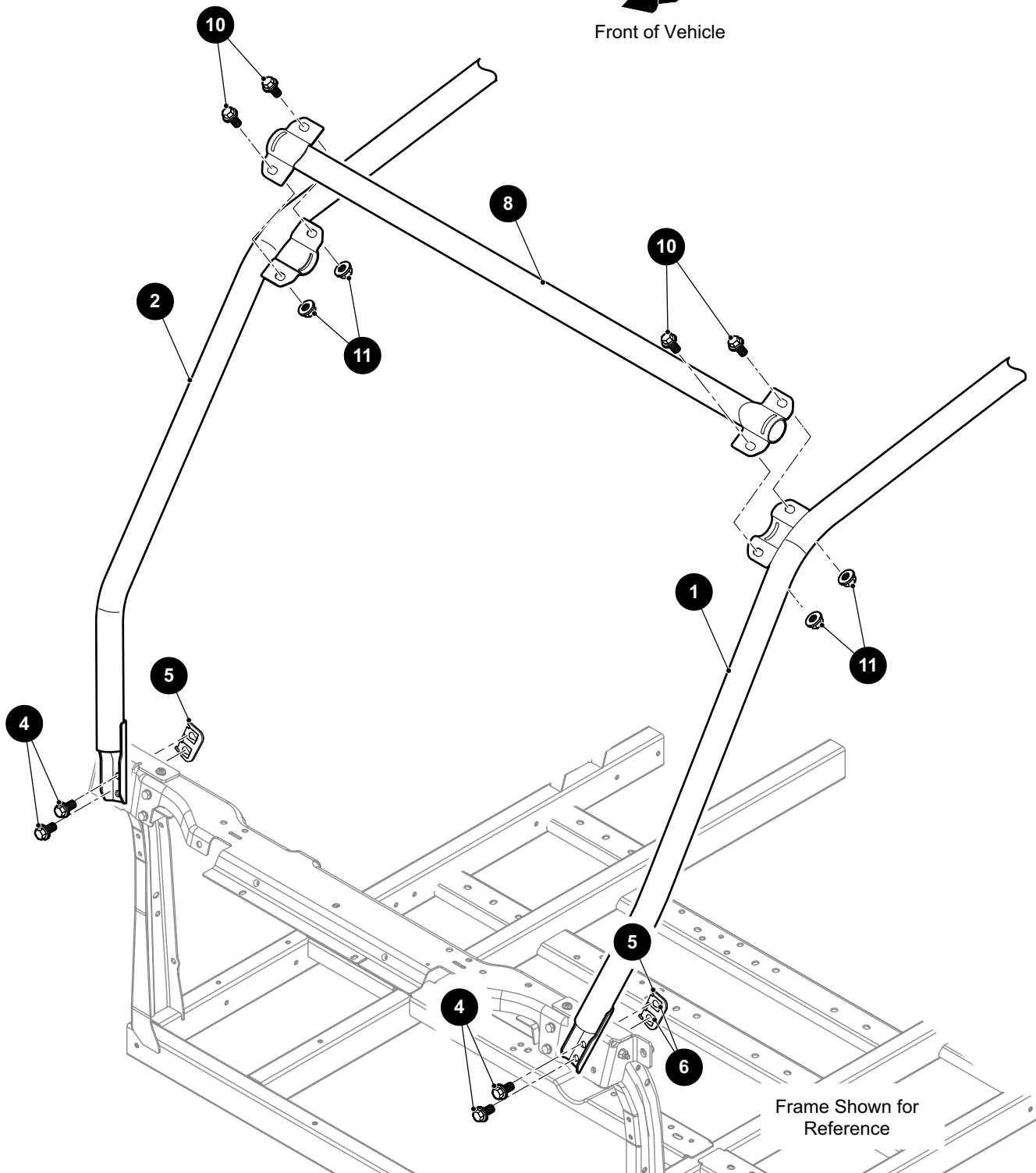
ITEM	PART NO.	1 2 3 4 5	DESCRIPTION	QTY.
1	660711		SEAT HEAT SHIELD .....	1
2	658517G01		SEAT BELT ANCHOR COVER (DRIVER SIDE).....	1
3	658517G02		SEAT BELT ANCHOR COVER (PASSENGER SIDE) .....	1
4	606261		FLANGED HEX HEAD BOLT, M8 - 1.25 X 20MM LG.....	2
5	645956		FLANGED HEX HEAD NUT, M8 X 1.25 .....	2
6	601476		LOCK NUT M6 - 1 .....	1
7	606264		FLANGED HEX HEAD BOLT, M6 - 1 X 20MM LG.....	1







ROPS - FRONT



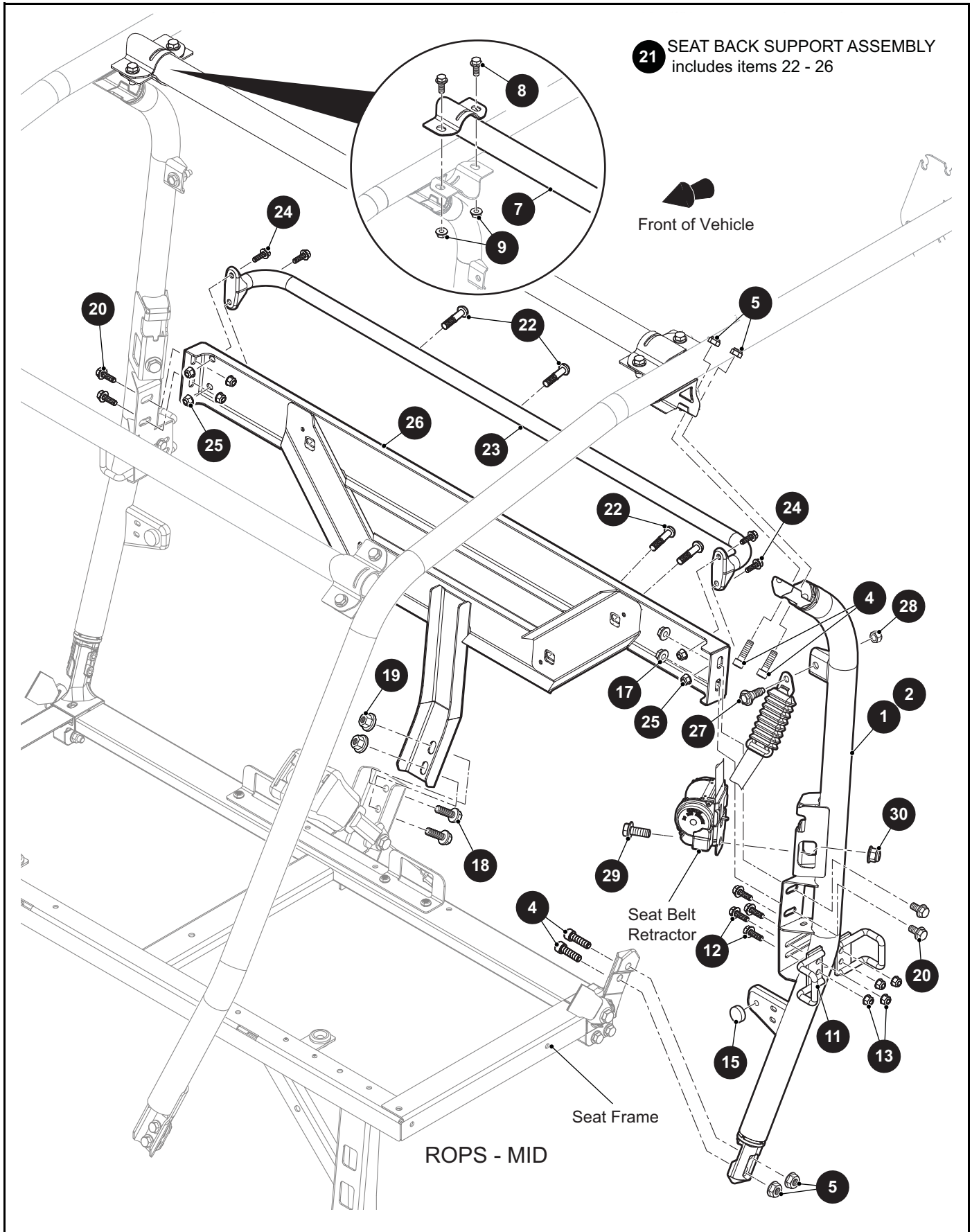
THE USE OF NON U.L. PARTS WILL VOID ANY U.L. LISTING.

When ordering parts, please specify the model and serial number of the product.

\* Indicates a component that is not available as an individual part.

\*\*\* Indicates consult Customer Service Department for additional information.

ITEM	PART NO.	1 2 3 4 5	DESCRIPTION	QTY.
1	665092G13XX		SIDE WELDMENT (DRIVER SIDE) (See COLOR CODE in HOW TO USE Section) .....	1
2	665092G23XX		SIDE WELDMENT (PASSENGER SIDE) (See COLOR CODE in HOW TO USE Section) .....	1
3				
4	649879		FLANGED HEX HEAD BOLT, M10 - 1.5 X 30MM LG.....	2
5	654391		MOUNTING PLATE (BARREL CLIP).....	1
6	603818		BARREL CLIP, M10 - 1.5 .....	2
7				
8	664650G3XX		CROSS TUBE (See COLOR CODE in HOW TO USE Section) .....	1
9				
10	603799		FLANGED HEX HEAD BOLT, M10 - 1.5 X 25MM LG.....	4
11	600525		LOCK NUT, M10 - 1.5 .....	4



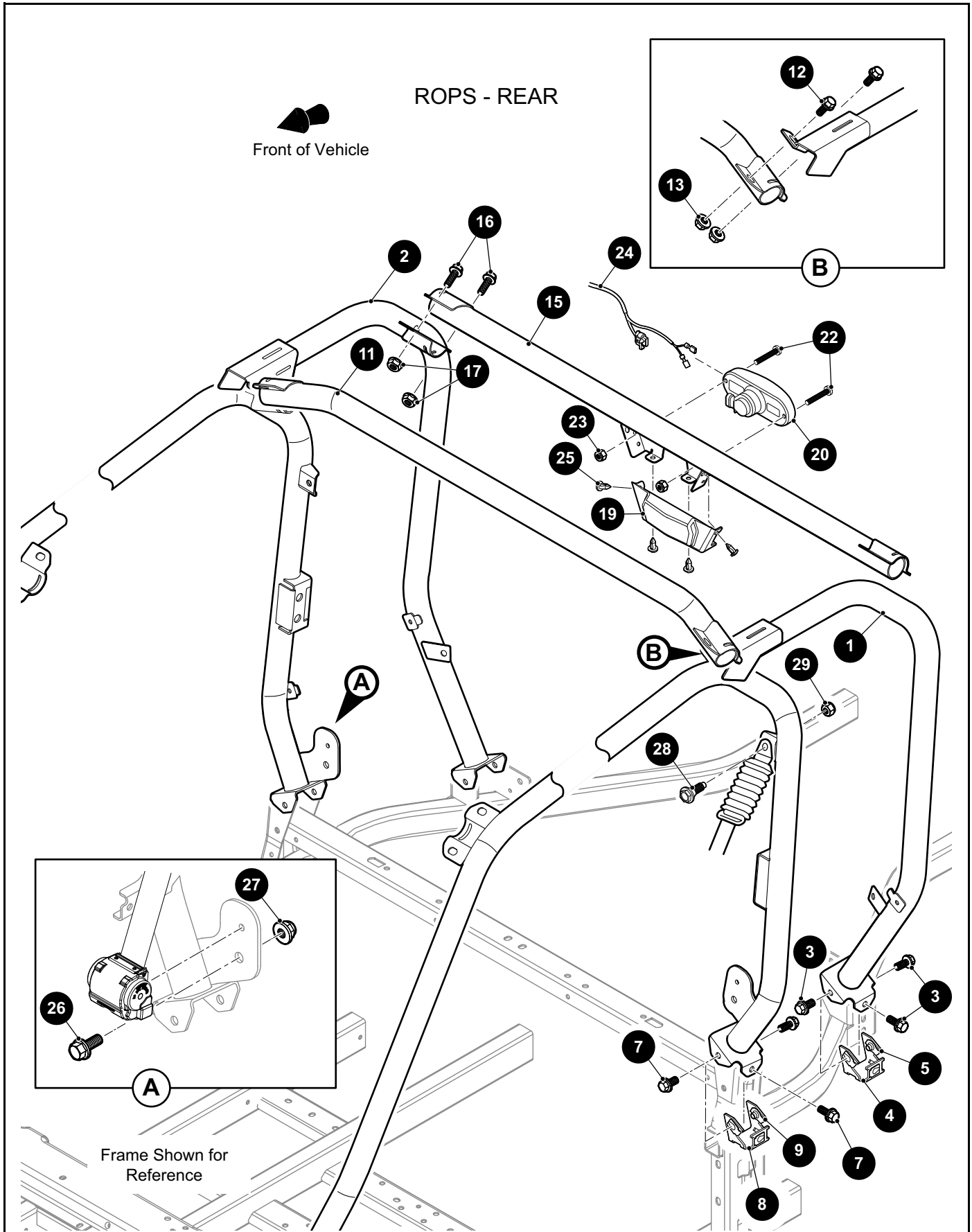
THE USE OF NON U.L. PARTS WILL VOID ANY U.L. LISTING.

When ordering parts, please specify the model and serial number of the product.

\* Indicates a component that is not available as an individual part.

\*\*\* Indicates consult Customer Service Department for additional information.

ITEM	PART NO.	1 2 3 4 5	DESCRIPTION	QTY.
1	665090G23XX		SIDE VERTICAL BAR (PASSENGER SIDE) (See COLOR CODE in HOW TO USE Section) .....	1
2	665090G13XX		SIDE VERTICAL BAR (DRIVER SIDE) (See COLOR CODE in HOW TO USE Section) .....	1
3				
4	608653		SOCKET HEAD BOLT, M10 - 1.5 X 35MM LG .....	4
5	616675		LOCK NUT, M10 - 1.5 .....	4
6				
7	664650G3XX		CROSS TUBE (See COLOR CODE in HOW TO USE Section) .....	1
8	603799		FLANGED HEX HEAD BOLT, M10 - 1.5 X 25MM LG.....	4
9	600525		LOCK NUT, M10 - 1.5 .....	4
10				
11	654731		ADJUSTABLE STRIKER .....	2
12	651122		FLANGED HEX HEAD BOLT, M8 - 1.25 X 25MM LG .....	4
13	645956		FLANGED LOCK NUT, M8 - 1.25 .....	4
14				
15	810149		RUBBER BUMPER .....	1
16				
17	600525		LOCK NUT, M10 - 1.5 .....	4
18	603799		FLANGED HEX HEAD BOLT, M10 - 1.5 X 25MM LG .....	2
19	600525		LOCK NUT, M10 - 1.5 .....	2
20	646561		FLANGED HEX HEAD BOLT, M10 - 1.5 X 20MM LG .....	4
21	656947		SEAT BACK SUPPORT ASSEMBLY(INCLUDES ITEMS 22 - 26) .....	1
22	600530		BUTTON HEAD TORX BOLT, M10 - 1.5 X 25MM LG .....	4
23	654964		GRAB BAR .....	1
24	606261		FLANGED HEX HEAD BOLT, M8 - 1.25 X 20MM LG .....	4
25	645956		FLANGED LOCK NUT, M8 - 1.25 .....	4
26	648608		SEAT BACK SUPPORT .....	1
27	609569		SEAT BELT BOLT, 7/16" - 20 .....	1
28	00734G3		LOCK NUT, 7/16" - 20 .....	1
29	649013		FLANGED HEX HEAD BOLT, M12 - 1.75 X 30MM LG .....	1
30	648198		LOCK NUT, M12 - 1.75 .....	1



THE USE OF NON U.L. PARTS WILL VOID ANY U.L. LISTING.

When ordering parts, please specify the model and serial number of the product.

\* Indicates a component that is not available as an individual part.

\*\*\* Indicates consult Customer Service Department for additional information.

ITEM	PART NO.	1 2 3 4 5	DESCRIPTION	QTY.
1	664661G13XX		EXTENDED CAB WELDMENT (DRIVER SIDE) (See COLOR CODE in HOW TO USE Section) .....	1
2	664661G23XX		EXTENDED CAB WELDMENT (PASSENGER SIDE) (See COLOR CODE in HOW TO USE Section) .....	1
3	603799		FLANGED HEX HEAD BOLT, M10 - 1.5 X 25MM LG.....	3
4	654109		MOUNTING BRACKET (BARRELL CLIP) .....	1
5	603818		BARREL CLIP, M10 - 1.5 .....	3
6				
7	603799		FLANGED HEX HEAD BOLT, M10 - 1.5 X 25MM LG.....	3
8	654109		MOUNTING BRACKET (BARRELL CLIP) .....	1
9	603818		BARREL CLIP, M10 - 1.5 .....	3
10				
11	664652G3XX		CROSS REAR TUBE (See COLOR CODE in HOW TO USE Section) .....	1
12	603799		FLANGED HEX HEAD BOLT, M10 - 1.5 X 25MM LG.....	4
13	600525		LOCK NUT, M10 - 1.5 .....	4
14				
15	664664G3XX		EXTENDED CAB CROSS TUBE (See COLOR CODE in HOW TO USE Section) .....	1
16	603799		FLANGED HEX HEAD BOLT, M10 - 1.5 X 25MM LG.....	4
17	600525		LOCK NUT, M10 - 1.5 .....	4
18				
19	649127		CLOSEOUT .....	1
20	646704		HALOGEN LIGHT ASSEMBLY .....	1
21				
22	647961		CHEESE HEAD SCREW, M5 - .8 X 30MM LG.....	2
23	610683		LOCK NUT, M5 - .8 .....	2
24	657288		HALOGEN LIGHT HARNESS.....	1
25	645637		REMOVABLE RIVET, 8.13MM DIA X 21MM LG.....	4
26	649013		FLANGED HEX HEAD BOLT, M12 - 1.75 X 30MM LG.....	2
27	648198		LOCK NUT, M12 - 1.75 .....	2
28	609569		SEAT BELT BOLT, 7/16" - 20 .....	2
29	00734G3		LOCK NUT, 7/16" - 20.....	2

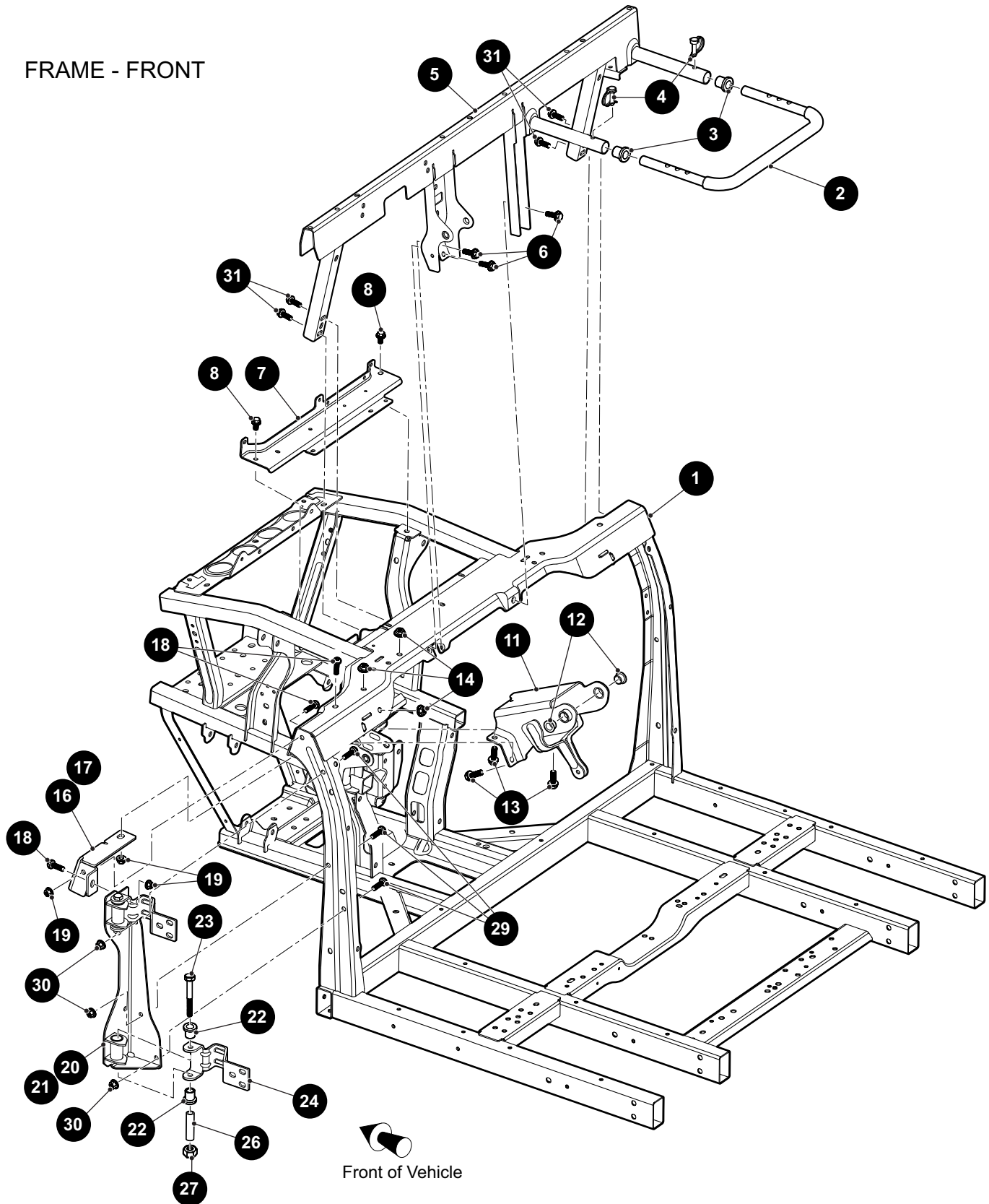






# FRAME

## FRAME - FRONT



THE USE OF NON U.L. PARTS WILL VOID ANY U.L. LISTING.

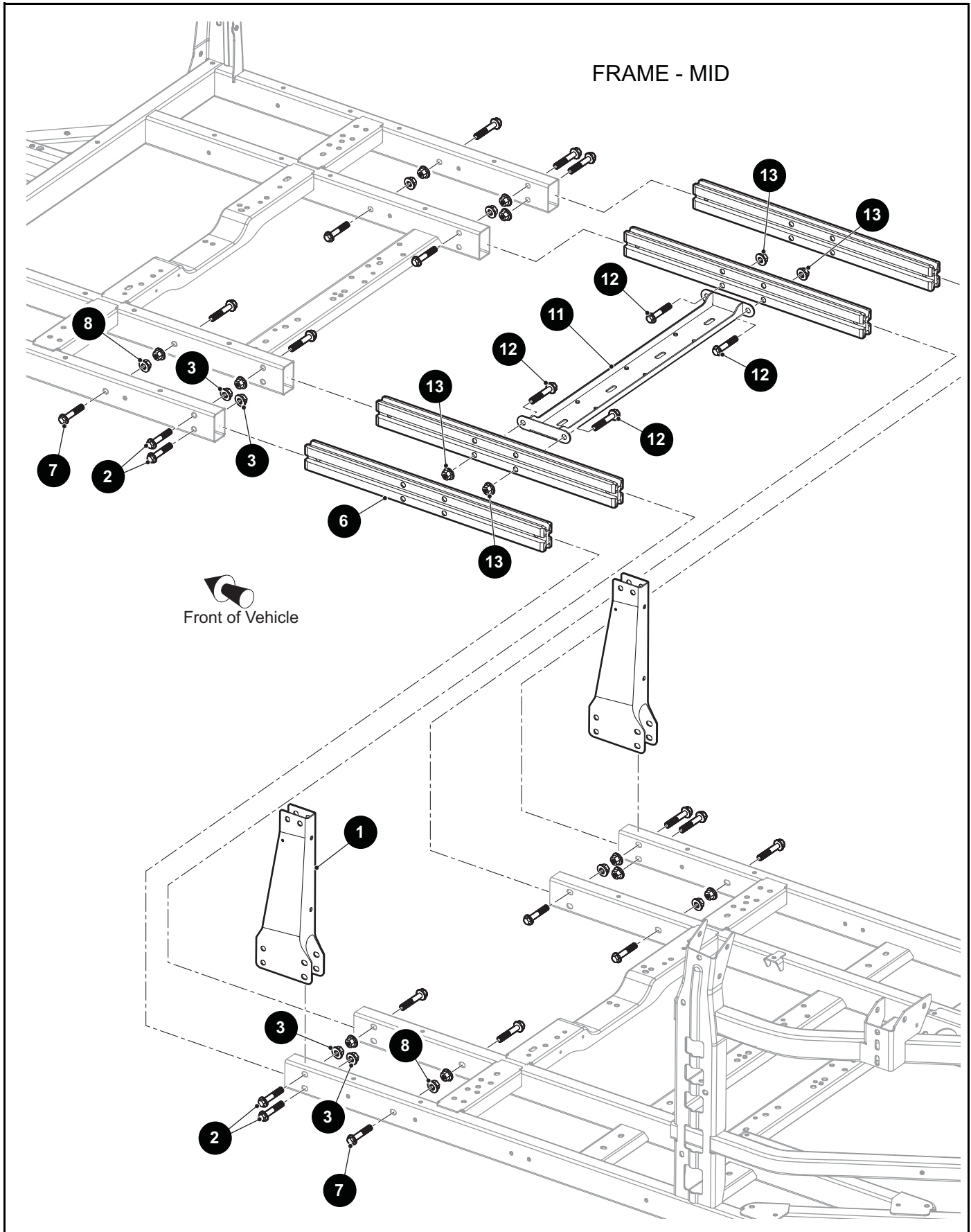
When ordering parts, please specify the model and serial number of the product.

\* Indicates a component that is not available as an individual part.

\*\*\* Indicates consult Customer Service Department for additional information.

ITEM	PART NO.	1 2 3 4 5	DESCRIPTION	QTY.
1	643794G03		FRONT FRAME .....	1
2	648464		PASSENGER HANDLE .....	1
3	644356		FLANGED BUSHING, 19.6MM I.D. ....	2
4	646062		LOCK PIN (ROUND TAB) .....	2
5	644068		INSTRUMENT PANEL SUPPORT WELDMENT .....	1
6	640723		SELF TAPPING SCREW, M8 - 1.25 X 20MM LG .....	3
7	643952		SHOCK TOWER BRACE, FRONT .....	1
8	640723		SELF TAPPING SCREW, M8 - 1.25 X 20MM LG .....	2
9				
10				
11	644144		STEERING COLUMN MOUNT WELDMENT .....	1
12	647352		FLANGED BUSHING, 5/8" .....	2
13	603799		FLANGED HEX HEAD BOLT, M10 - 1.5 X 25MM LG.....	3
14	600525		LOCK NUT, M10 - 1.5 .....	3
15				
16	649370G01		A-PILLAR CAP BRACKET (DRIVER SIDE) .....	1
17	649370G02		A-PILLAR CAP BRACKET (PASSENGER SIDE).....	1
18	628635		PAN HEAD TAPTITE BOLT, M8 - 1.25 X 30MM LG .....	3
19	645956		FLANGED HEX NUT, M8 X 1.25 .....	3
20	644167G01		DOOR HINGE MOUNTING BRACKET (DRIVER SIDE) .....	1
21	644167G02		DOOR HINGE MOUNTING BRACKET (PASSENGER SIDE) .....	1
22	637745		FLANGED BUSHING, 15.875MM SHAFT .....	4
23	00665G9		HEX HEAD BOLT, 3/8" - 16 X 3 1/2" LG .....	2
24	643576		DOOR HINGE .....	2
25				
26	70289G02		SPLIT SPACER (STEEL).....	2
27	11098G5		LOCK NUT, 3/8" - 16.....	2
28				
29	628635		PAN HEAD TAPTITE BOLT, M8 - 1.25 X 30MM LG .....	3
30	645956		FLANGED HEX NUT, M8 X 1.25 .....	3
31	640723		SELF TAPPING SCREW, M8 - 1.25 X 20MM LG .....	4

## FRAME - MID



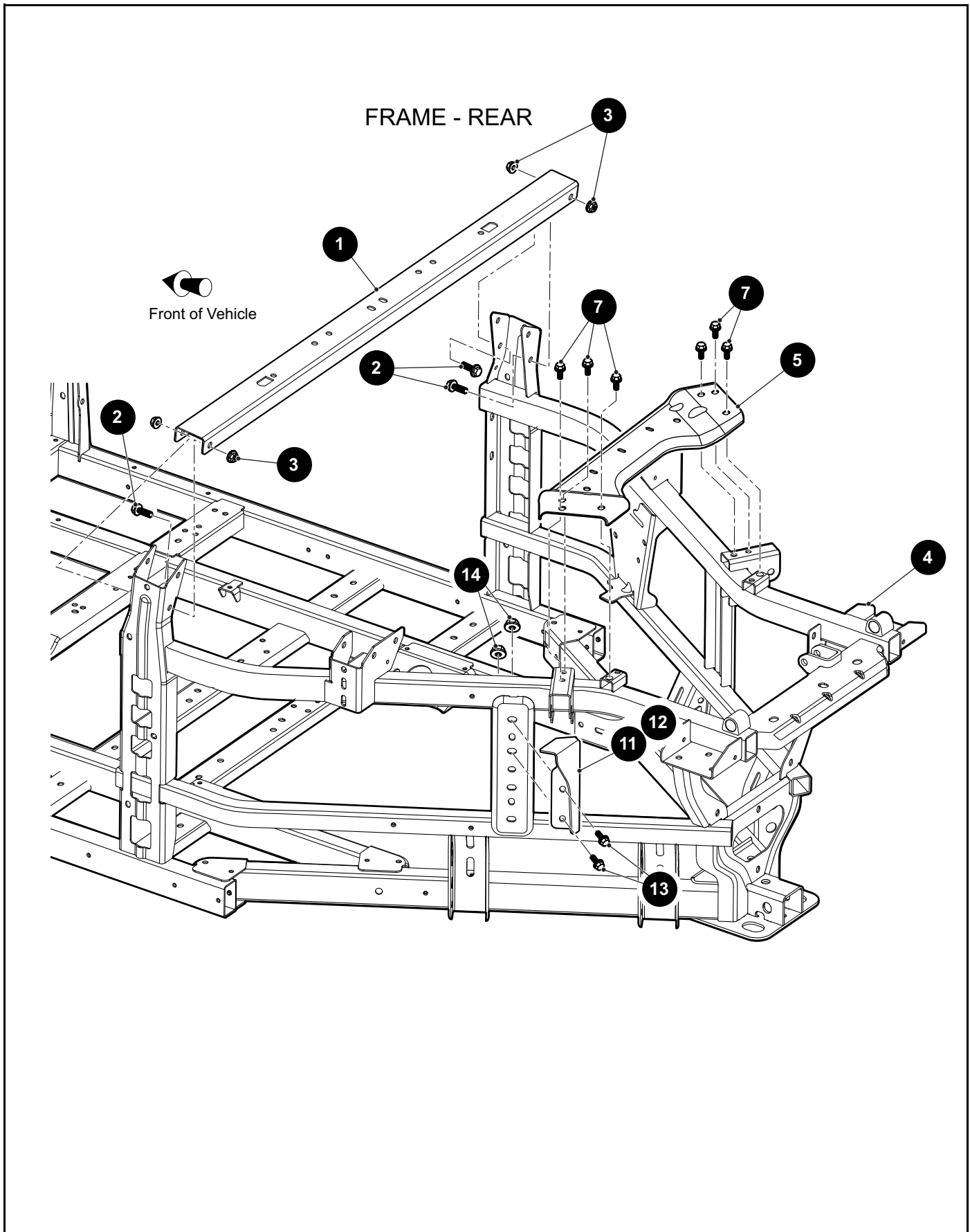
THE USE OF NON U.L. PARTS WILL VOID ANY U.L. LISTING.

When ordering parts, please specify the model and serial number of the product.

\* Indicates a component that is not available as an individual part.

\*\*\* Indicates consult Customer Service Department for additional information.

ITEM	PART NO.	1 2 3 4 5	DESCRIPTION	QTY.
1	648595		SEAT UPRIGHT B-PILLAR .....	1
2	655641		FLANGED HEX HEAD BOLT, M10 - 1.5 X 60MM LG.....	4
3	600525		FLANGED LOCK NUT, M10 - 1.5 .....	4
4				
5				
6	647792		FRAME CONNECTOR .....	1
7	655641		FLANGED HEX HEAD BOLT, M10 - 1.5 X 60MM LG.....	2
8	600525		FLANGED LOCK NUT, M10 - 1.5 .....	2
9				
10				
11	656099		SKID GUARD CROSSMEMBER .....	1
12	655641		FLANGED HEX HEAD BOLT, M10 - 1.5 X 60MM LG.....	4
13	600525		FLANGED LOCK NUT, M10 - 1.5 .....	4



THE USE OF NON U.L. PARTS WILL VOID ANY U.L. LISTING.

When ordering parts, please specify the model and serial number of the product.

\* Indicates a component that is not available as an individual part.

\*\*\* Indicates consult Customer Service Department for additional information.

ITEM	PART NO.	1 2 3 4 5	DESCRIPTION	QTY.
1	642503		CROSSMEMBER (B-PILLAR) .....	1
2	603799		FLANGED HEX HEAD BOLT, M10 - 1.5 X 25MM LG.....	4
3	600525		LOCK NUT, M10 - 1.5 .....	4
4	665566G03		REAR FRAME.....	1
5	652653		SHOCK TOWER BRACE, REAR.....	1
6				
7	640723		SELF TAPPING SCREW, M8 - 1.25 X 20MM LG .....	6
8				
9				
10				
11	653159G01		BED LATCH BRACKET (DRIVER SIDE).....	1
12	653159G02		BED LATCH BRACKET (PASSENGER SIDE) .....	1
13	603799		FLANGED HEX HEAD BOLT, M10 - 1.5 X 25MM LG.....	2
14	600525		LOCK NUT, M10 - 1.5 .....	2

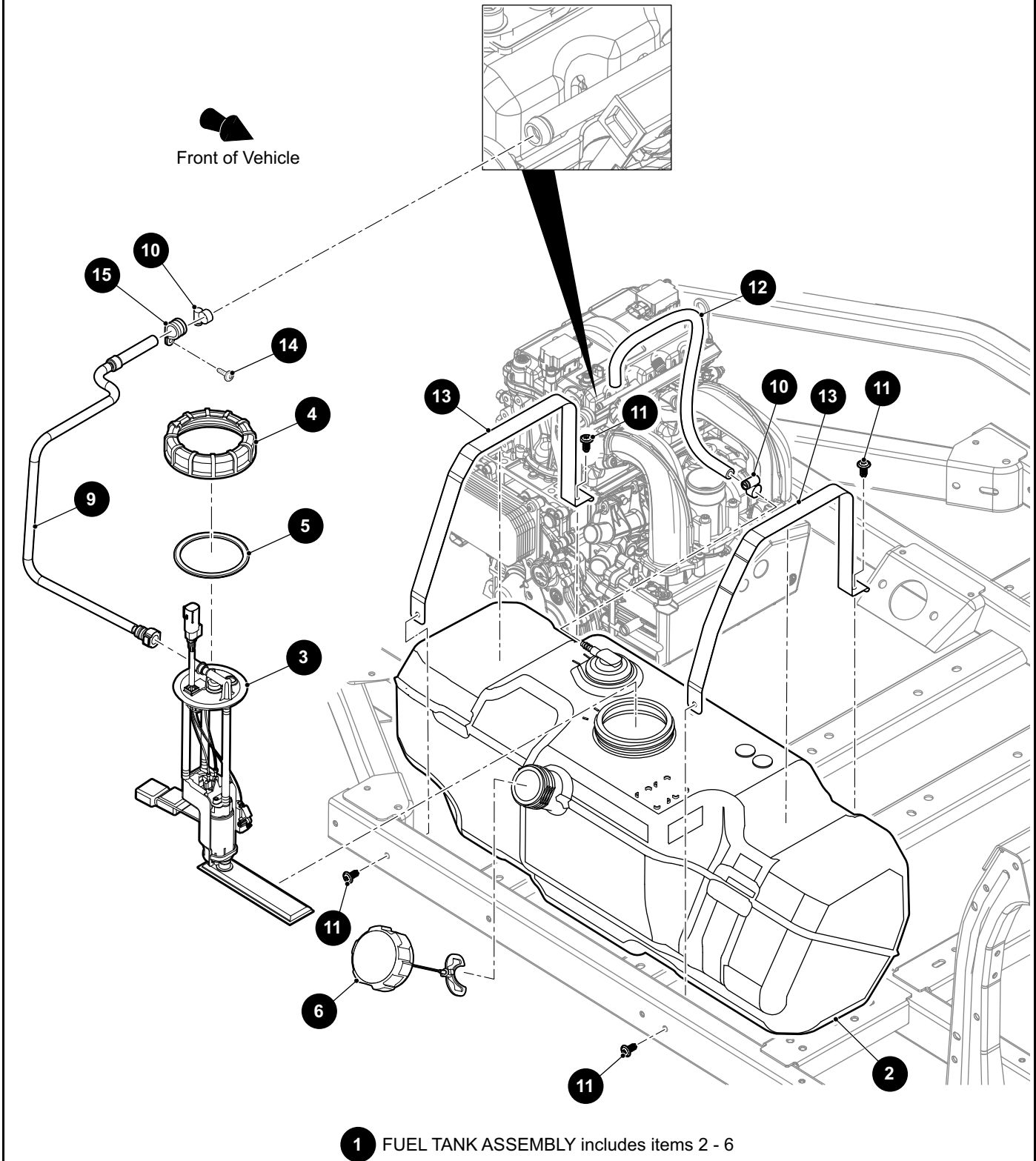






# FUEL SYSTEM

For STAMPEDE 4 and STAMPEDE 4X - EPA MODELS ONLY



# FUEL SYSTEM

THE USE OF NON U.L. PARTS WILL VOID ANY U.L. LISTING.

When ordering parts, please specify the model and serial number of the product.

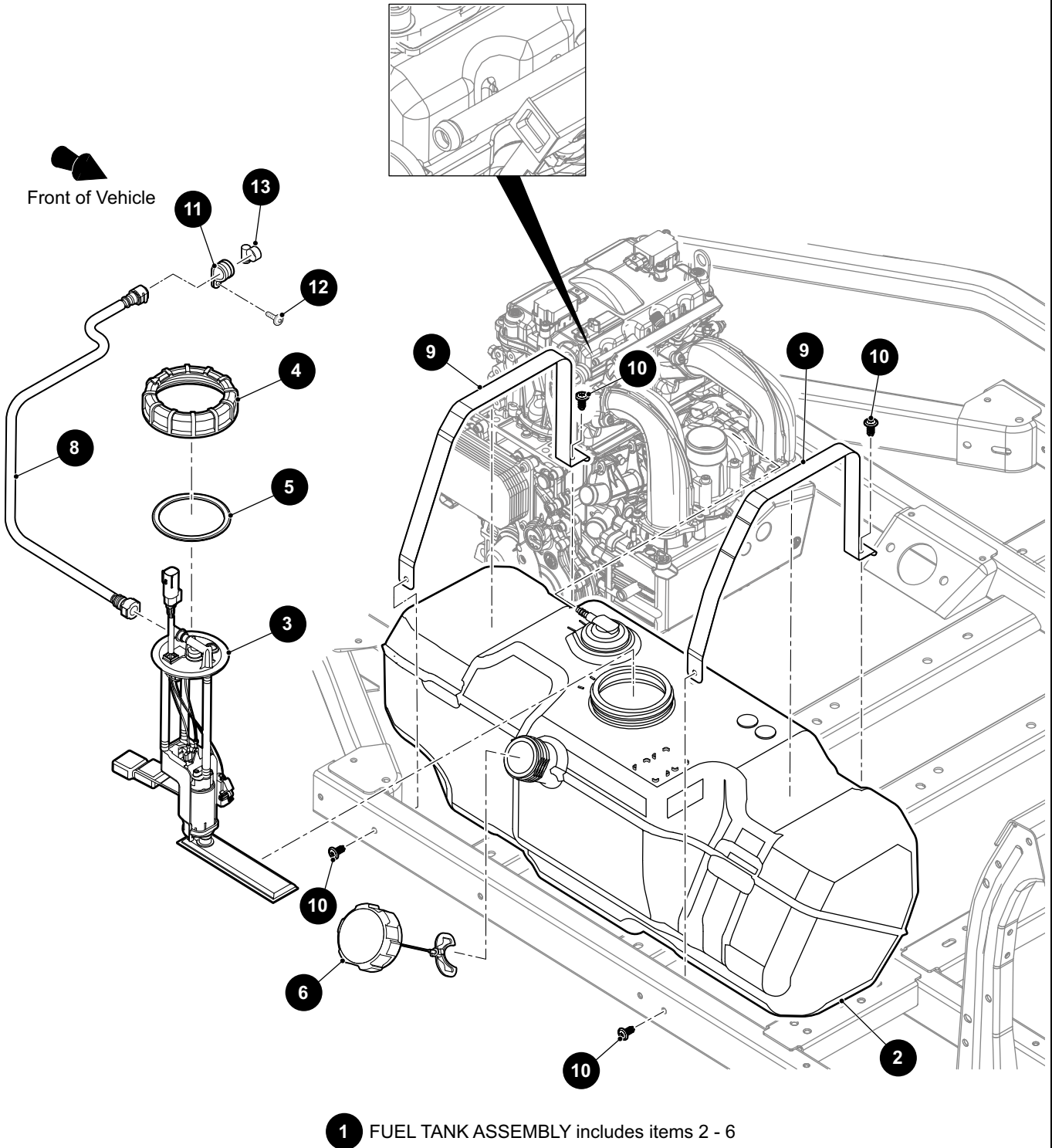
\* Indicates a component that is not available as an individual part.

\*\*\* Indicates consult Customer Service Department for additional information.

ITEM	PART NO.	1 2 3 4 5	DESCRIPTION	QTY.
1	659538		FUEL TANK ASSEMBLY, 9 GAL. (34 LITER) (INCLUDES ITEMS 2 - 6).....	1
2	659536		FUEL TANK .....	1
3	642827		FUEL PUMP ASSEMBLY .....	1
4	642858		LOCKING RING (FUEL PUMP).....	1
5	649707		GASKET .....	1
6	635688		FUEL TANK CAP .....	1
7				
8				
9	664586		FUEL HOSE ASSEMBLY .....	1
10	649481		HOSE CLAMP, 8 - 16MM.....	2
11	644969		PAN WASHER HEAD SELF TAPPING SCREW, M6 - 1 X 20MM LG .....	4
12	649753		VENT TUBE .....	1
13	652124		STRAP .....	2
14	645323		PAN WASHER HEAD SCREW, M6 - 1 X 25MM LG .....	1
15	404018		TUBE HANGER CLAMP .....	1

# FUEL SYSTEM

For STAMPEDE 4 and STAMPEDE 4X - CARB MODELS ONLY



# FUEL SYSTEM

THE USE OF NON U.L. PARTS WILL VOID ANY U.L. LISTING.

When ordering parts, please specify the model and serial number of the product.

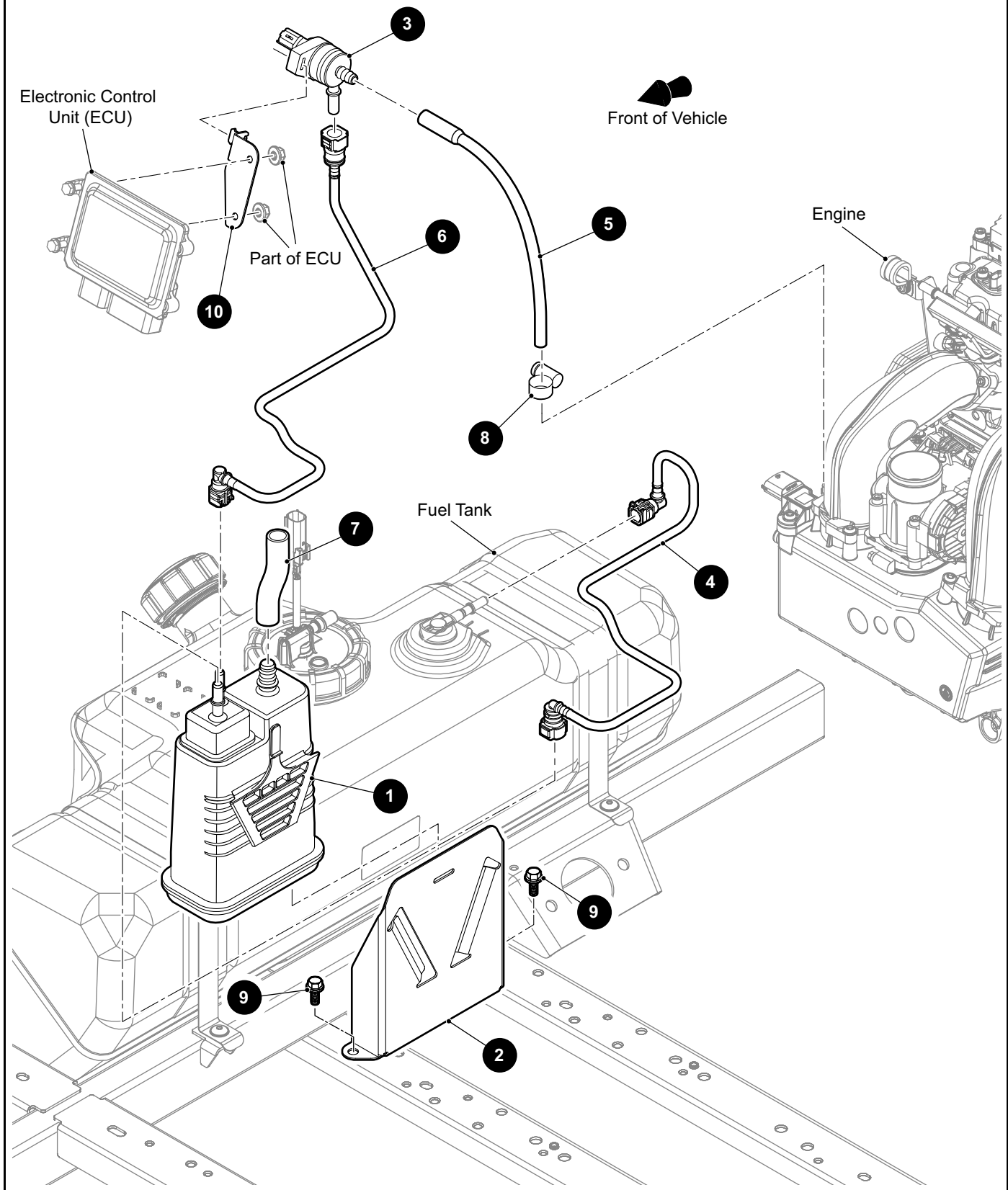
\* Indicates a component that is not available as an individual part.

\*\*\* Indicates consult Customer Service Department for additional information.

ITEM	PART NO.	1 2 3 4 5	DESCRIPTION	QTY.
1	659538		FUEL TANK ASSEMBLY (INCLUDES ITEMS 2 - 6) .....	1
2	659536		FUEL TANK .....	1
3	642827		FUEL PUMP ASSEMBLY .....	1
4	642858		LOCKING RING (FUEL PUMP).....	1
5	649707		GASKET .....	1
6	635688		FUEL TANK CAP .....	1
7				
8	663560		FUEL HOSE .....	1
9	652124		STRAP .....	2
10	644969		PAN WASHER HEAD SELF TAPPING SCREW, M6 - 1 X 20MM LG .....	4
11	404018		TUBE CLAMP .....	1
12	645323		PAN WASHER HEAD TORX SCREW, M6 - 1 X 25MM LG .....	1
13	649481		HOSE CLAMP, 8 - 16MM.....	1

# FUEL SYSTEM

For STAMPEDE 4 and STAMPEDE 4X - CARB MODELS ONLY



# FUEL SYSTEM

THE USE OF NON U.L. PARTS WILL VOID ANY U.L. LISTING.

When ordering parts, please specify the model and serial number of the product.

\* Indicates a component that is not available as an individual part.

\*\*\* Indicates consult Customer Service Department for additional information.

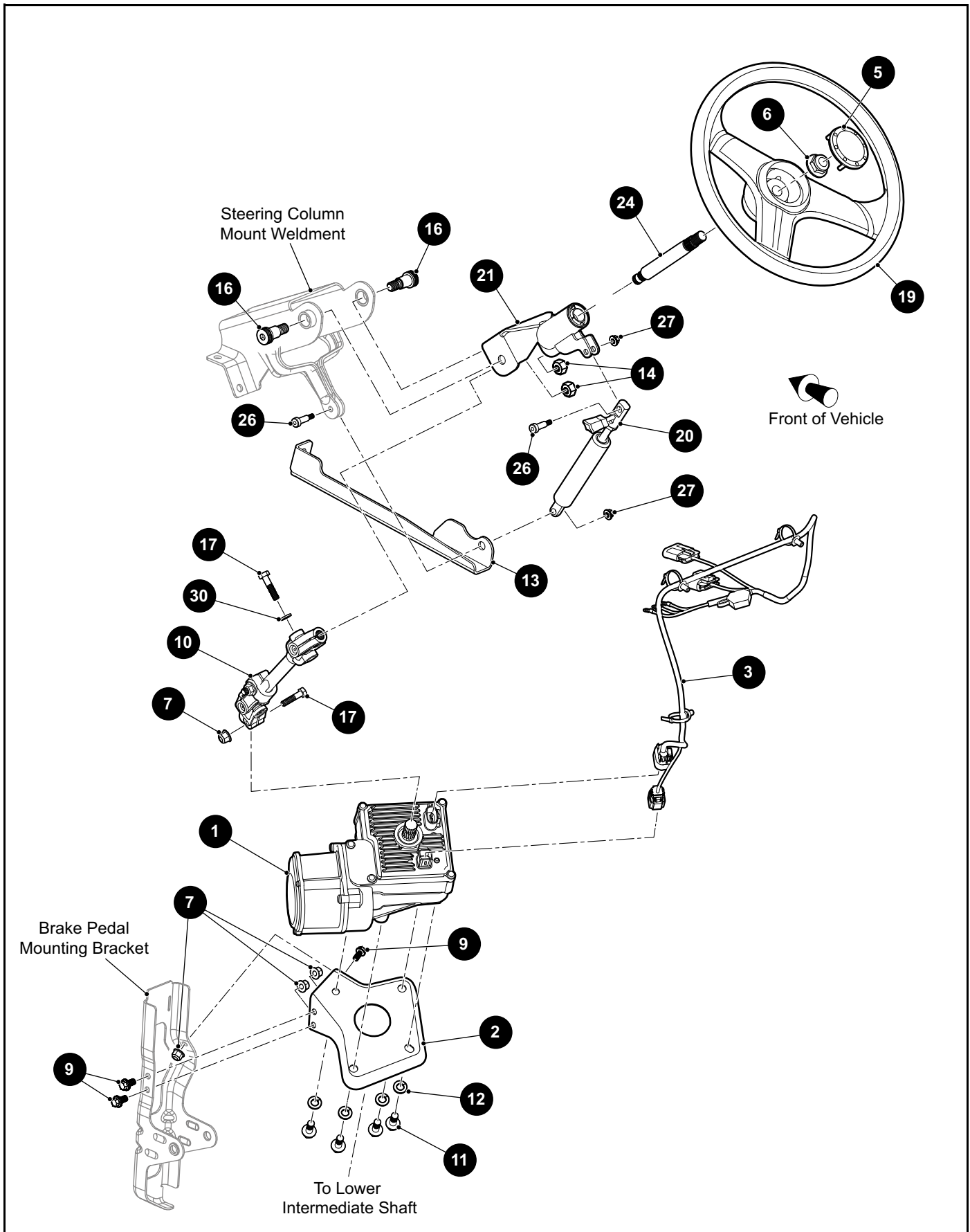
ITEM	PART NO.	1 2 3 4 5	DESCRIPTION	QTY.
1	655381		CARBON CANISTER.....	1
2	655547		CARBON CANISTER MOUNTING BRACKET .....	1
3	657035		PURGE CONTROL VALVE .....	1
4	656003		HOSE (VENT TO CANISTER) .....	1
5	656004		HOSE (VALVE TO MANIFOLD) .....	1
6	656269		HOSE (CANISTER TO VALVE) .....	1
7	659198		HOSE (CANISTER BREATHER) .....	1
8	11391G4		HOSE CLAMP, .25" .....	1
9	640723		SELF TAPPING SCREW, M8 - 1.25 X 20MM LG .....	2
10	657045		PURGE VALVE MOUNTING BRACKET.....	1







# STEERING



THE USE OF NON U.L. PARTS WILL VOID ANY U.L. LISTING.

When ordering parts, please specify the model and serial number of the product.

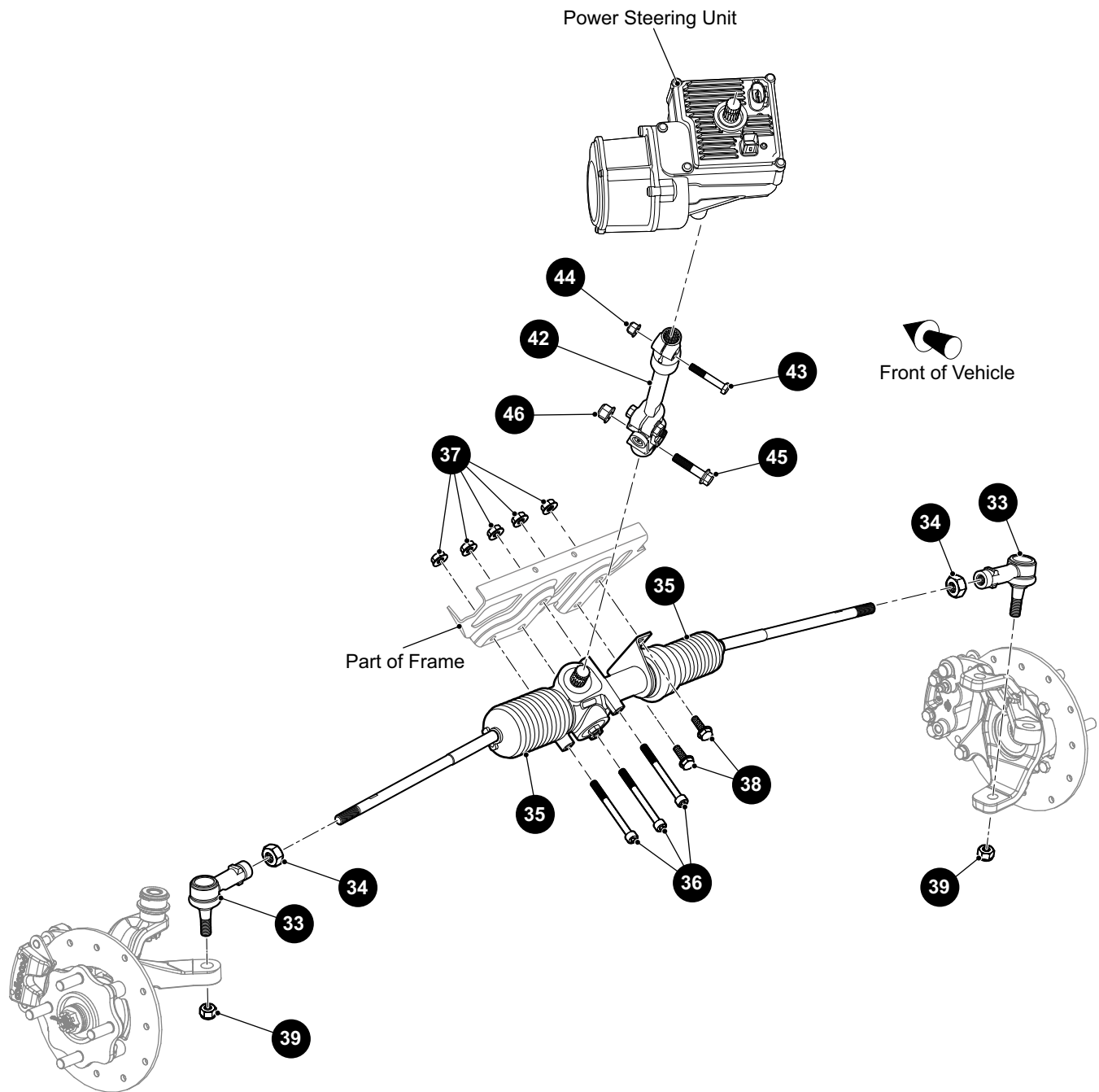
\* Indicates a component that is not available as an individual part.

\*\*\* Indicates consult Customer Service Department for additional information.

ITEM	PART NO.	1 2 3 4 5	DESCRIPTION	QTY.
1	663274		POWER STEERING UNIT, 12V.....	1
2	643649		STEERING MOUNTING BRACKET .....	1
3	645173		HARNESS (EPS UNIT).....	1
4				
5	639439		STEERING WHEEL COVER .....	1
6	601709		LOCK NUT, M16 - 2 .....	1
7	645956		FLANGED HEX LOCK NUT, M8 - 1.25.....	4
8				
9	606261		FLANGED HEX HEAD BOLT, M8 - 1.25 X 20MM LG.....	3
10	644978		UPPER INTERMEDIATE SHAFT .....	1
11	606256		FLANGED HEX HEAD BOLT, M10 - 1.25 X 25MM LG.....	4
12	00566G2		LOCK WASHER (SPRING TYPE), 7/16" .....	4
13	654736		STIFFENER BRACKET .....	1
14	00551G1		HEX NUT (INTERNAL LOCK), 1/2" - 13 .....	2
15				
16	643928		SHOULDER BOLT, .63" DIA X 1/2" - 13 THREAD X 3/4" LG .....	2
17	625878		HEX HEAD BOLT, M8 - 1.25 X 35MM LG.....	2
18				
19	639437		STEERING WHEEL (VIPER).....	1
20	643923		TILT DAMPENER.....	1
21	633649		STEERING COLUMN ASSEMBLY .....	1
22				
23				
24	634517		STEERING SHAFT .....	1
25				
26	646035		SHOULDER BOLT, M6 - 1 X 31MM LG .....	2
27	601476		LOCK NUT, M6 - 1 .....	2
28				
29				
30	606272		LOCK WASHER, 8MM.....	1
31				

# STEERING

**32** STEERING RACK ASSEMBLY includes items 33 - 35



THE USE OF NON U.L. PARTS WILL VOID ANY U.L. LISTING.

When ordering parts, please specify the model and serial number of the product.

\* Indicates a component that is not available as an individual part.

\*\*\* Indicates consult Customer Service Department for additional information.

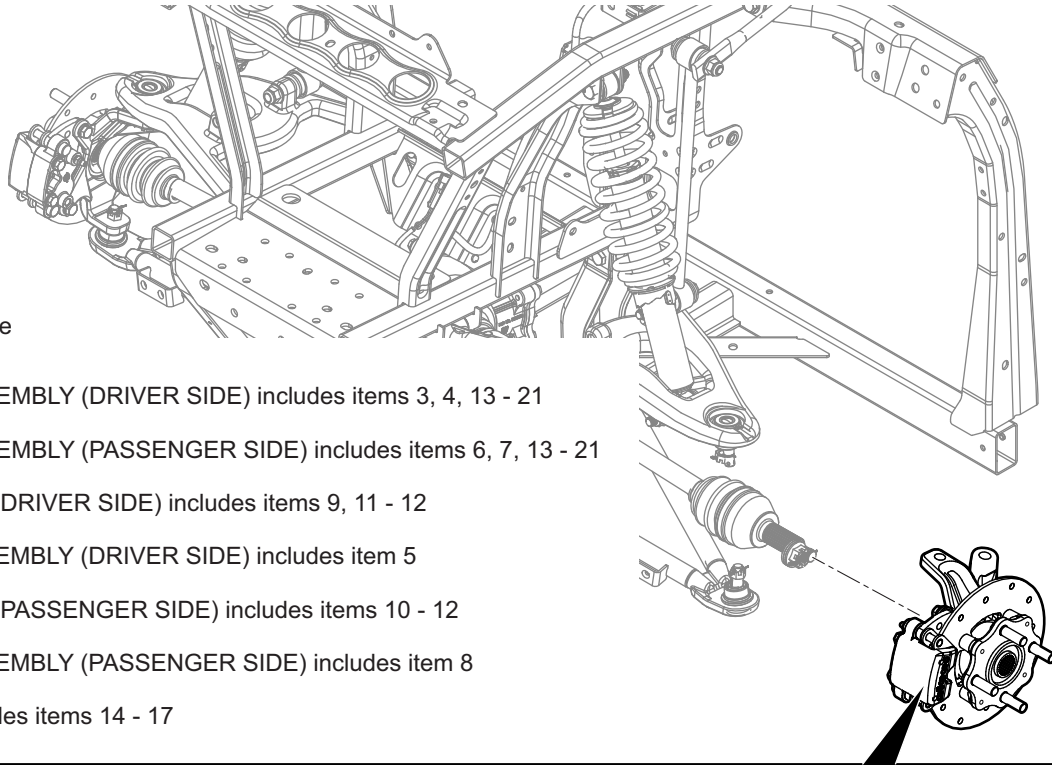
ITEM	PART NO.	1 2 3 4 5	DESCRIPTION	QTY.
32	633214		STEERING RACK ASSEMBLY (INCLUDES ITEMS 33 - 35) .....	1
33	655220		ROD END .....	2
34	655221		JAM NUT .....	2
35	655222		BELLOWS AND CLAMPS KIT.....	1
36	605254		SOCKET HEAD BOLT, M8 - 1.25 X 90MM LG .....	3
37	645956		FLANGED HEX LOCK NUT, M8 - 1.25.....	5
38	606261		FLANGED HEX HEAD BOLT, M8 - 1.25 X 20MM LG.....	2
39	647672		LOCK NUT, M12 - 1.5 .....	2
40				
41				
42	644979		LOWER INTERMEDIATE SHAFT.....	1
43	649756		HEX HEAD BOLT, M8 - 1.25 X 50MM LG.....	1
44	645956		FLANGED HEX LOCK NUT, M8 - 1.25.....	1
45	650475		FLANGED HEX HEAD BOLT, M10 - 1.5 X 45MM LG.....	1
46	648753		FLANGED LOCK NUT, M10 - 1.5 .....	1



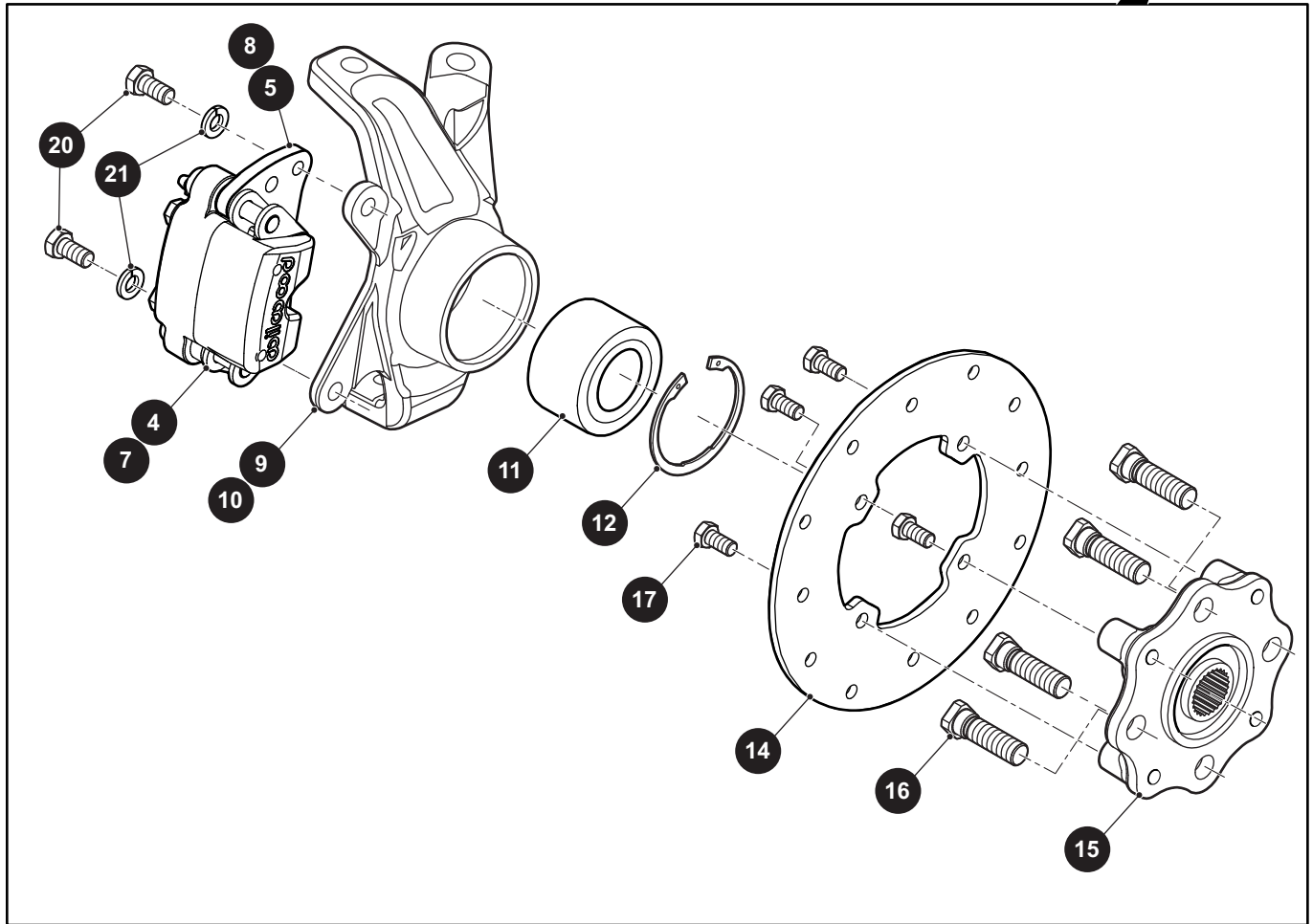


# FRONT SUSPENSION

Front of Vehicle



- 1 FRONT SPINDLE ASSEMBLY (DRIVER SIDE) includes items 3, 4, 13 - 21
- 2 FRONT SPINDLE ASSEMBLY (PASSENGER SIDE) includes items 6, 7, 13 - 21
- 3 SPINDLE ASSEMBLY (DRIVER SIDE) includes items 9, 11 - 12
- 4 BRAKE CALIPER ASSEMBLY (DRIVER SIDE) includes item 5
- 6 SPINDLE ASSEMBLY (PASSENGER SIDE) includes items 10 - 12
- 7 BRAKE CALIPER ASSEMBLY (PASSENGER SIDE) includes item 8
- 13 HUB ASSEMBLY includes items 14 - 17





## FRONT SUSPENSION

THE USE OF NON U.L. PARTS WILL VOID ANY U.L. LISTING.

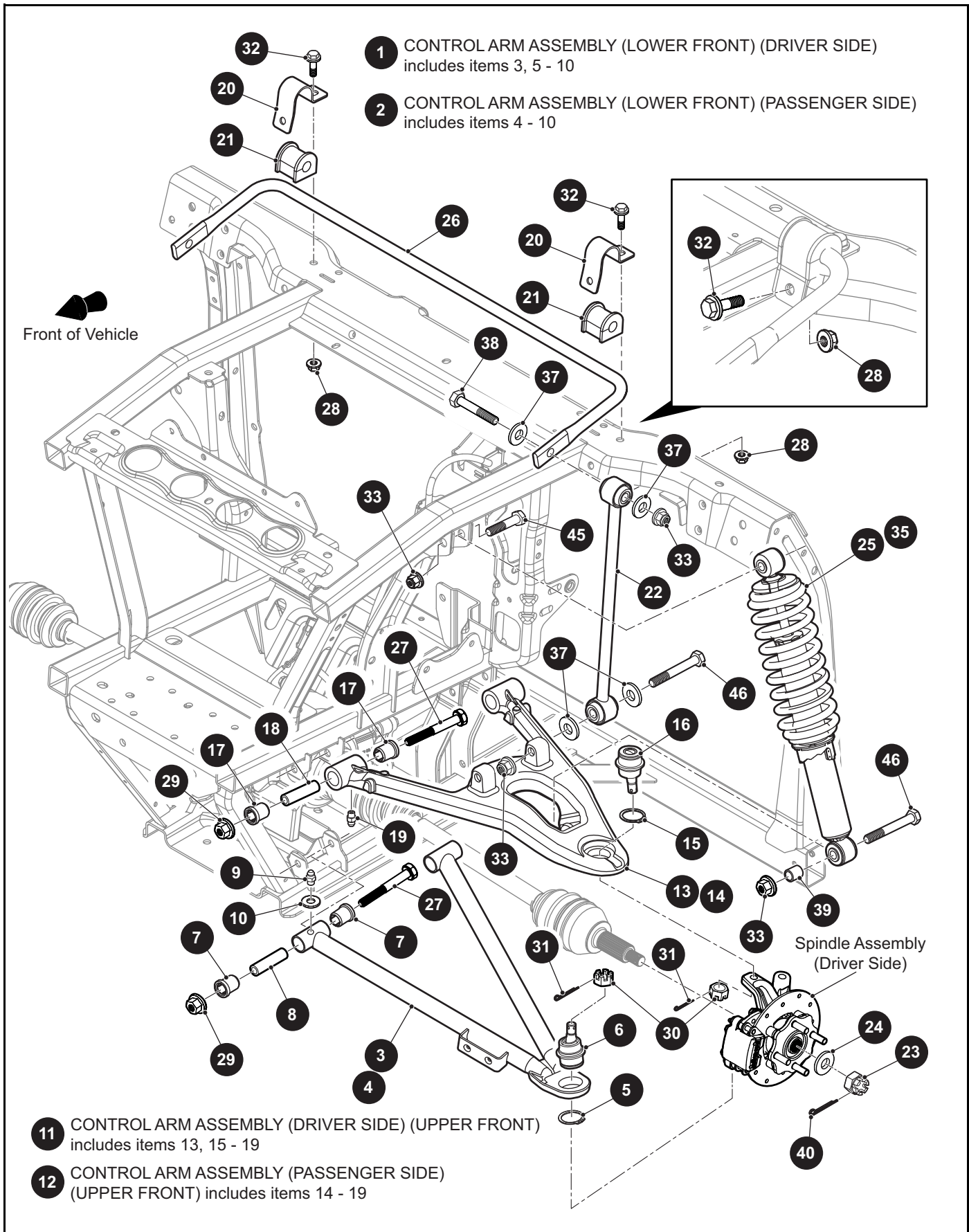
When ordering parts, please specify the model and serial number of the product.

\* Indicates a component that is not available as an individual part.

\*\*\* Indicates consult Customer Service Department for additional information.

ITEM	PART NO.	1 2 3 4 5	DESCRIPTION	QTY.
1	634030G01		FRONT SPINDLE ASSEMBLY (DRIVER SIDE) (INCLUDES ITEMS 3, 4, 13 - 21) .....	1
2	634030G02		FRONT SPINDLE ASSEMBLY (PASSENGER SIDE) (INCLUDES ITEMS 6, 7, 13 - 21) .....	1
3	651647G01		SPINDLE ASSEMBLY (DRIVER SIDE) (INCLUDES ITEMS 9, 11 - 12) ...	1
4	633918G01		BRAKE CALIPER ASSEMBLY (DRIVER SIDE) (INCLUDES ITEM 5).....	1
5	668990		BRAKE PAD KIT .....	1
6	651647G02		SPINDLE ASSEMBLY (PASSENGER SIDE) (INCLUDES ITEMS 10 - 12)	1
7	633918G02		BRAKE CALIPER ASSEMBLY (PASSENGER SIDE) (INCLUDES ITEM 8)	1
8	668990		BRAKE PAD KIT .....	1
9	650034G01		SPINDLE (DRIVER SIDE) .....	1
10	650034G02		SPINDLE (PASSENGER SIDE).....	1
11	650469		BEARING, 72MM O.D. X 42MM I.D.....	1
12	651145		RETAINING RING (INTERNAL), 72MM.....	1
13	650227G01		HUB ASSEMBLY (INCLUDES ITEMS 14 - 17) .....	1
14	650228		ROTOR (CROSS DRILLED).....	1
15	650221G101		HUB.....	1
16	19862G2		WHEEL HUB BOLT, 1/2" - 20 X 1.718" LG .....	4
17	636096		HEX HEAD BOLT, M8 - 1.25 X 20MM LG.....	4
18				
19				
20	00426G8		HEX HEAD BOLT, 3/8" - 16 X 1" LG.....	2
21	00566G1		LOCK WASHER (SPRING TYPE), 3/8" .....	2

# FRONT SUSPENSION



## FRONT SUSPENSION

THE USE OF NON U.L. PARTS WILL VOID ANY U.L. LISTING.

When ordering parts, please specify the model and serial number of the product.

\* Indicates a component that is not available as an individual part.

\*\*\* Indicates consult Customer Service Department for additional information.

ITEM	PART NO.	1 2 3 4 5	DESCRIPTION	QTY.
1	639607G01		CONTROL ARM ASSEMBLY (LOWER FRONT) (DRIVER SIDE) (INCLUDES ITEMS 3, 5 - 10) .....	1
2	639607G02		CONTROL ARM ASSEMBLY (LOWER FRONT) (PASSENGER SIDE) (INCLUDES ITEMS 4 - 10) .....	1
3	633912G01		CONTROL ARM (DRIVER SIDE) .....	1
4	633912G02		CONTROL ARM (PASSENGER SIDE) .....	1
5	634376		SNAP RING (EXTERNAL), 32MM.....	1
6	635130		BALL JOINT, M12 X 1.25.....	1
7	647320		FLANGED BUSHING, 15.875MM I.D.....	4
8	647322G01		TUBE, 10.54MM I.D. X 60.95MM LG .....	2
9	654868G01		ZERK (STRAIGHT) .....	2
10	655130		FLAT WASHER, M6.....	2
11	639615G01		CONTROL ARM ASSEMBLY (DRIVER SIDE) (UPPER FRONT) (INCLUDES ITEMS 13, 15 - 19) .....	1
12	639615G02		CONTROL ARM ASSEMBLY (PASSENGER SIDE) (UPPER FRONT) (INCLUDES ITEMS 14 - 19) .....	1
13	643488G01		CONTROL ARM (DRIVER SIDE) .....	1
14	643488G02		CONTROL ARM (PASSENGER SIDE) .....	1
15	634376		SNAP RING (EXTERNAL), 32MM.....	1
16	635130		BALL JOINT, M12 X 1.25.....	1
17	647320		FLANGED BUSHING, 15.875MM I.D.....	4
18	647322G01		TUBE, 10.54MM I.D. X 60.95MM LG .....	2
19	654868G01		ZERK (STRAIGHT) .....	2
20	648453		STABILIZER BAR BRACKET .....	2
21	647988		STABILIZER BAR BUSHING .....	2
22	634391		STABILIZER BAR LINK .....	1
23	653662		CASTLE NUT, M18 X 1.5MM.....	1
24	653546		FLAT WASHER, M18 .....	1
25	652617		SHOCK ABSORBER (FOR STAMPEDE 4 VEHICLES ONLY).....	1
26	633728		STABILIZER BAR .....	1
27	648282		HEX HEAD BOLT, M10 - 1.5 X 85MM LG.....	4
28	600525		LOCK NUT, M10 - 1.5 .....	4

## FRONT SUSPENSION

THE USE OF NON U.L. PARTS WILL VOID ANY U.L. LISTING.

When ordering parts, please specify the model and serial number of the product.

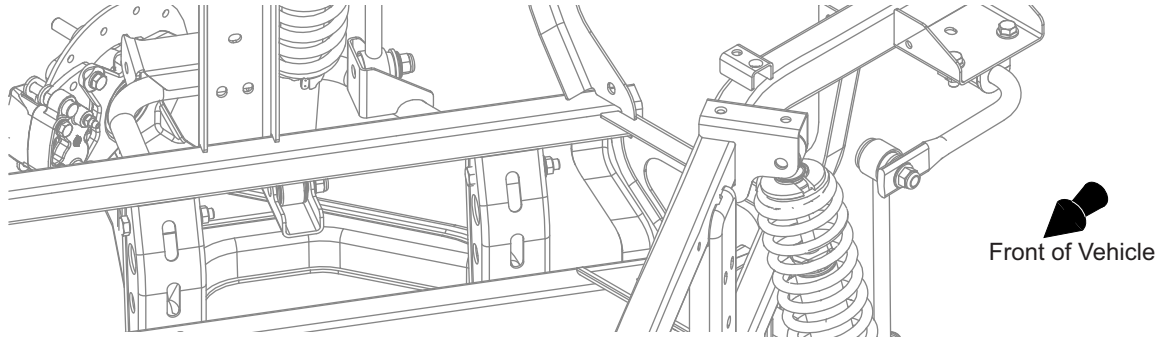
\* Indicates a component that is not available as an individual part.

\*\*\* Indicates consult Customer Service Department for additional information.

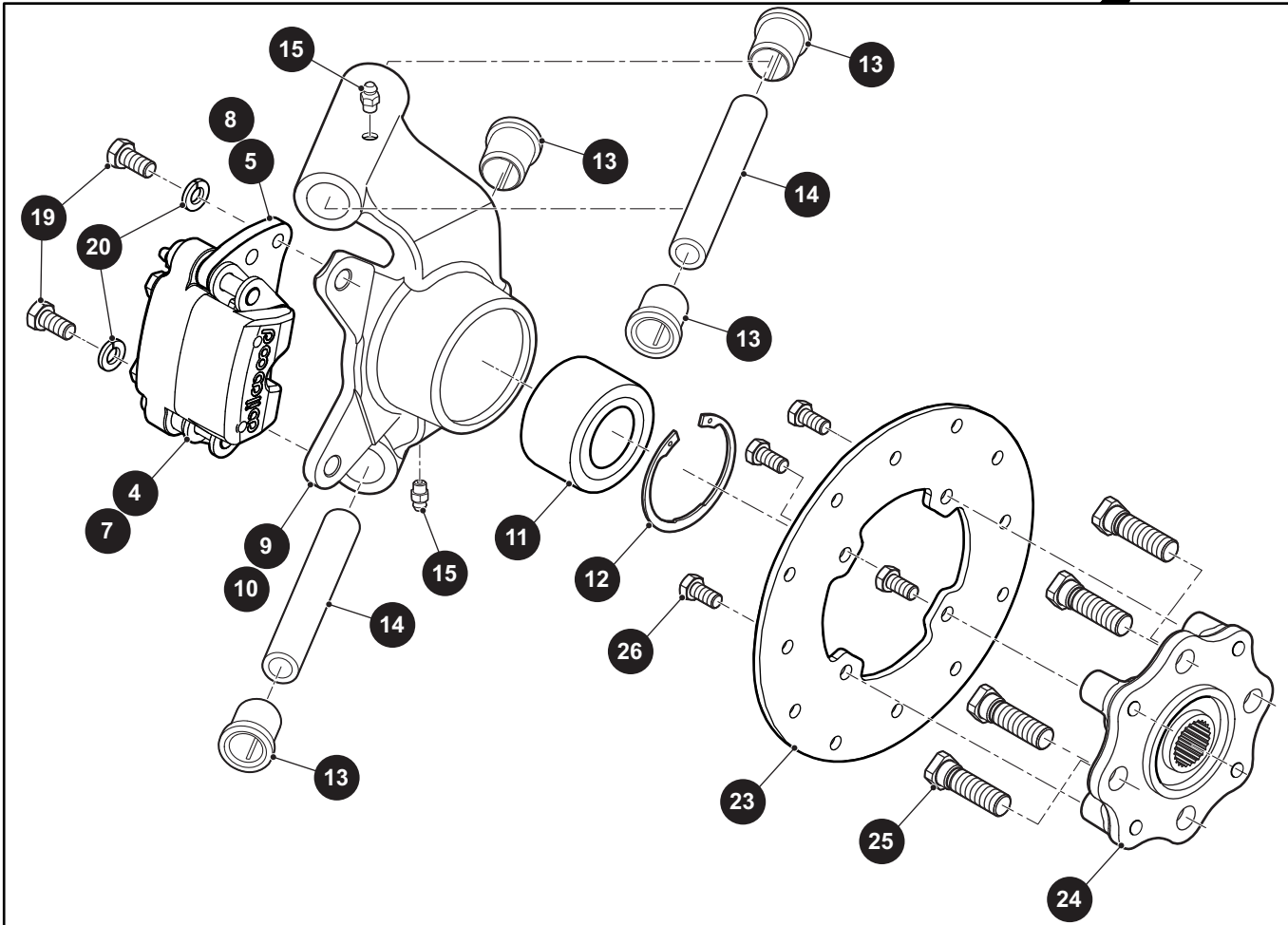
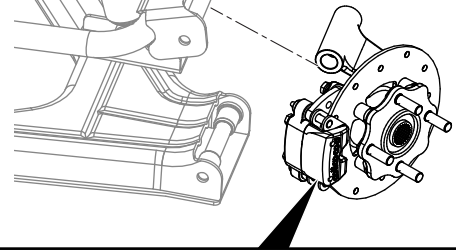
ITEM	PART NO.	1	2	3	4	5	DESCRIPTION	QTY.
29	648753						LOCK NUT, M10 - 1.5.....	4
30	608005						CASTLE NUT, M12 - 1.25 .....	2
31	10387G2						COTTER PIN, .094" X 1".....	2
32	603799						FLANGED HEX HEAD BOLT, M10 - 1.5 X 25MM LG .....	4
33	648198						LOCK NUT, M12 X 1.75 .....	4
34								
35	667177						SHOCK ABSORBER (FOR STAMPEDE 4X VEHICLES ONLY).....	1
36								
37	603182						FLAT WASHER, M12 .....	4
38	01066G05						HEX HEAD BOLT, M12 - 1.75 X 70MM LG .....	1
39	646314						SPACER .....	1
40	00798G8						COTTER PIN, 5/32" X 1 - 3/4".....	1
41								
42								
43								
44								
45	01066G04						HEX HEAD BOLT, M12 - 1.75 X 60MM LG .....	1
46	01066G06						HEX HEAD BOLT, M12 - 1.75 X 90MM LG .....	2



# REAR SUSPENSION



- 1 REAR SPINDLE ASSEMBLY (DRIVER SIDE) includes items 3, 4, 19 - 26
- 2 REAR SPINDLE ASSEMBLY (PASSENGER SIDE) includes items 6, 7, 19 - 26
- 3 SPINDLE ASSEMBLY (DRIVER SIDE) includes items 9, 11 - 15
- 4 BRAKE CALIPER ASSEMBLY (DRIVER SIDE) includes item 5
- 6 SPINDLE ASSEMBLY (PASSENGER SIDE) includes items 10 - 15
- 7 BRAKE CALIPER ASSEMBLY (PASSENGER SIDE) includes item 8
- 22 HUB ASSEMBLY includes items 23 - 26



## REAR SUSPENSION

THE USE OF NON U.L. PARTS WILL VOID ANY U.L. LISTING.

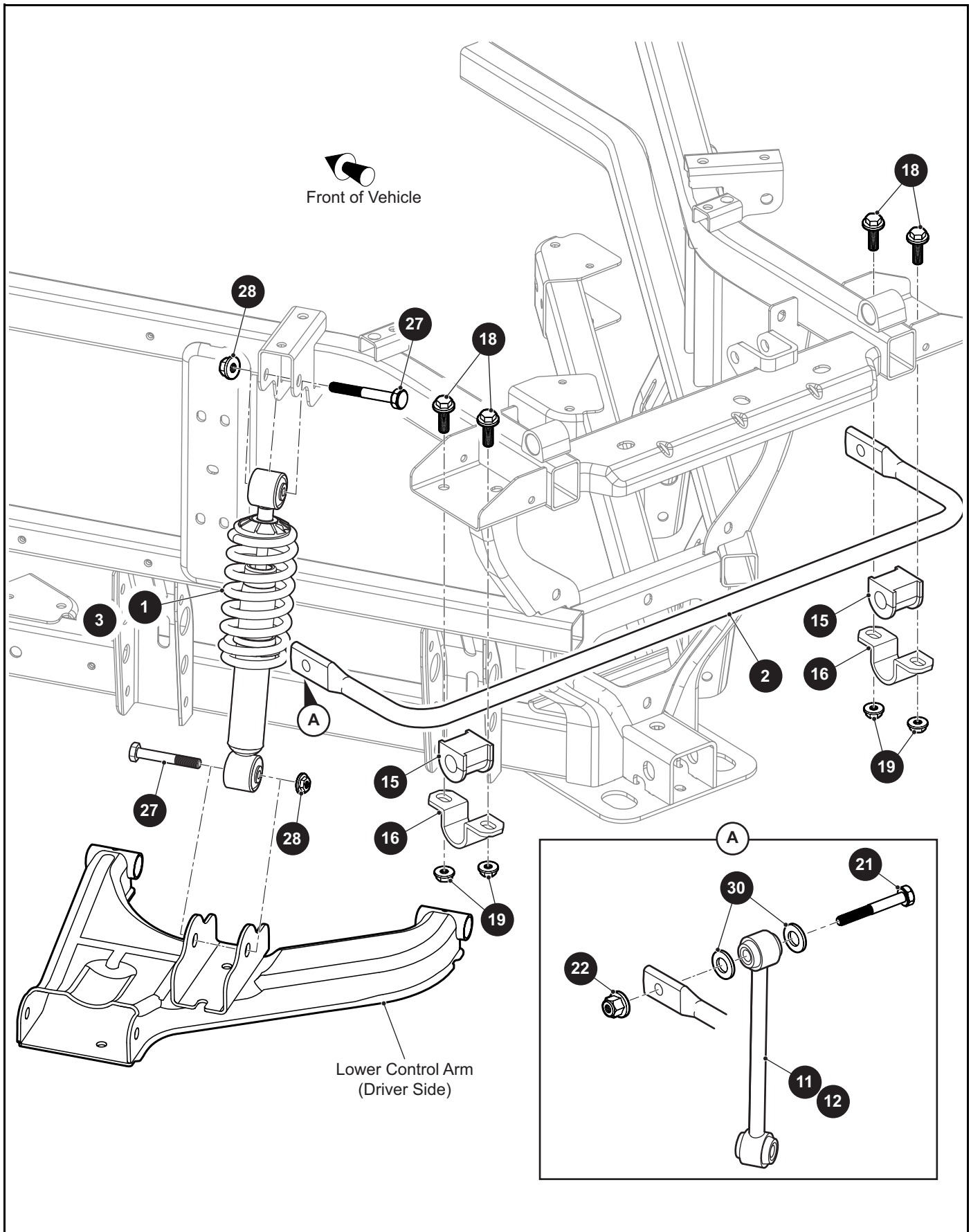
When ordering parts, please specify the model and serial number of the product.

\* Indicates a component that is not available as an individual part.

\*\*\* Indicates consult Customer Service Department for additional information.

ITEM	PART NO.	1 2 3 4 5	DESCRIPTION	QTY.
1	634031G01		REAR SPINDLE ASSEMBLY (DRIVER SIDE) (INCLUDES ITEMS 3, 4, 19 - 26) .....	1
2	634031G02		REAR SPINDLE ASSEMBLY (PASSENGER SIDE) (INCLUDES ITEMS 6, 7, 19 - 26) .....	1
3	651605G01		SPINDLE ASSEMBLY (DRIVER SIDE) (INCLUDES ITEMS 9, 11 - 15) ...	1
4	633918G01		BRAKE CALIPER ASSEMBLY (DRIVER SIDE) (INCLUDES ITEM 5).....	1
5	668990		BRAKE PAD KIT .....	1
6	651605G02		SPINDLE ASSEMBLY (PASSENGER SIDE) (INCLUDES ITEMS 10 - 15)	1
7	633918G02		BRAKE CALIPER ASSEMBLY (PASSENGER SIDE) (INCLUDES ITEM 8)	1
8	668990		BRAKE PAD KIT .....	1
9	650297G01		SPINDLE (DRIVER SIDE) .....	1
10	650297G02		SPINDLE (PASSENGER SIDE).....	1
11	650469		BEARING, 72MM O.D. X 42MM I.D.....	1
12	651145		RETAINING RING (INTERNAL), 72MM.....	1
13	647320		FLANGED BUSHING, 15.875MM I.D. ....	4
14	647322G02		TUBE, 10.54MM X 108.96MM LG .....	2
15	654868G01		ZERK (STRAIGHT), 1/4" - 28 .....	2
16				
17				
18				
19	00426G8		HEX HEAD BOLT, 3/8" - 16 X 1" LG.....	2
20	00566G1		LOCK WASHER (SPRING TYPE), 3/8" .....	2
21				
22	650227G01		HUB ASSEMBLY (INCLUDES ITEMS 23 - 26) .....	1
23	650228		ROTOR (CROSS DRILLED).....	1
24	650221G101		HUB.....	1
25	19862G2		WHEEL HUB BOLT, 1/2" - 20 X 1.718" LG .....	4
26	636096		HEX HEAD BOLT, M8 - 1.25 X 20MM LG.....	4

# REAR SUSPENSION





# REAR SUSPENSION

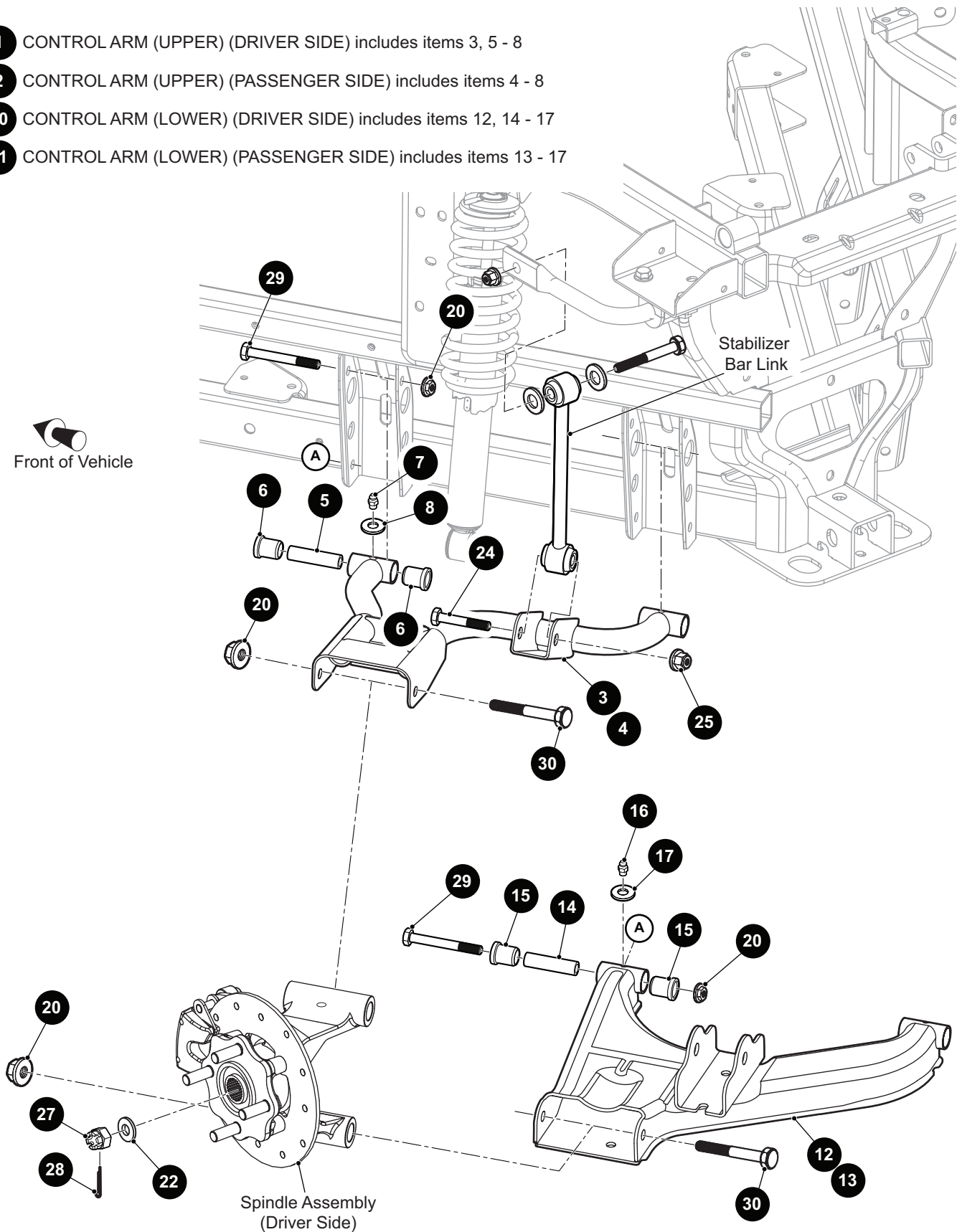
THE USE OF NON U.L. PARTS WILL VOID ANY U.L. LISTING.  
 When ordering parts, please specify the model and serial number of the product.  
 \* Indicates a component that is not available as an individual part.  
 \*\*\* Indicates consult Customer Service Department for additional information.

ITEM	PART NO.	1 2 3 4 5	DESCRIPTION	QTY.
1	651912		SHOCK ABSORBER (FOR STAMPEDE 4) .....	1
2	633724		STABILIZER BAR .....	1
3	667176		SHOCK ABSORBER (FOR STAMPEDE 4X).....	1
4				
5				
6				
7				
8				
9				
10				
11	634396G01		STABILIZER BAR LINK (DRIVER SIDE) .....	1
12	634396G02		STABILIZER BAR LINK (PASSENGER SIDE) .....	1
13				
14				
15	633953		STABILIZER BAR BUSHING .....	2
16	657873		STABILIZER BAR BRACKET .....	2
17				
18	603799		FLANGED HEX HEAD BOLT, M10 - 1.5 X 25MM LG.....	4
19	600525		LOCK NUT, M10 - 1.5 .....	4
20				
21	01066G05		HEX HEAD BOLT, M12 - 1.75 X 70MM LG.....	1
22	648198		LOCK NUT, M12 - 1.75 .....	1
23				
24				
25				
26				
27	01066G08		HEX HEAD BOLT, M12 - 1.75 X 80MM LG.....	2
28	648198		LOCK NUT, M12 - 1.75 .....	2
29				
30	603182		FLAT WASHER, M12 .....	2
31				

# REAR SUSPENSION

- 1** CONTROL ARM (UPPER) (DRIVER SIDE) includes items 3, 5 - 8
- 2** CONTROL ARM (UPPER) (PASSENGER SIDE) includes items 4 - 8
- 10** CONTROL ARM (LOWER) (DRIVER SIDE) includes items 12, 14 - 17
- 11** CONTROL ARM (LOWER) (PASSENGER SIDE) includes items 13 - 17

Front of Vehicle



## REAR SUSPENSION

THE USE OF NON U.L. PARTS WILL VOID ANY U.L. LISTING.

When ordering parts, please specify the model and serial number of the product.

\* Indicates a component that is not available as an individual part.

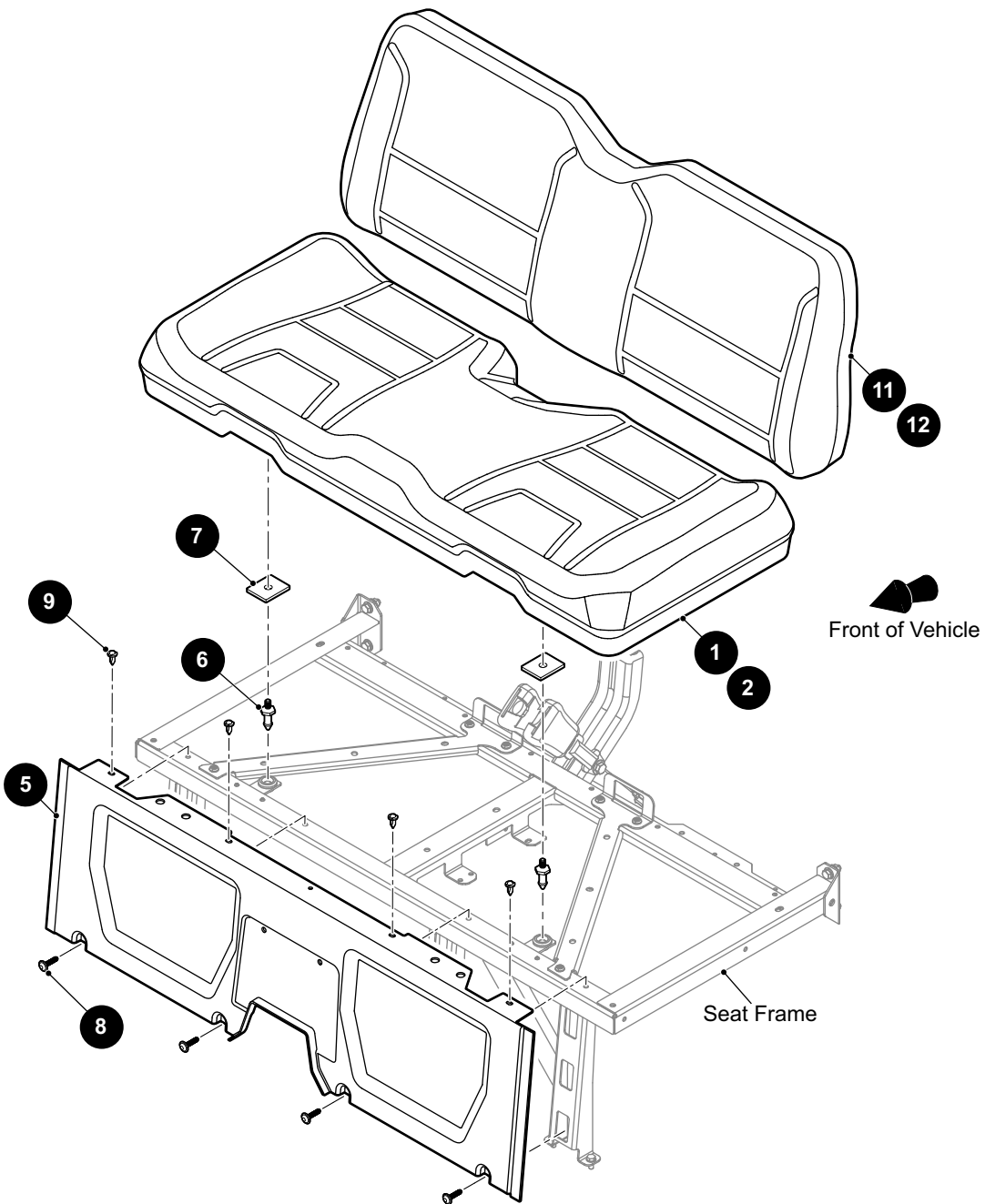
\*\*\* Indicates consult Customer Service Department for additional information.

ITEM	PART NO.	1 2 3 4 5	DESCRIPTION	QTY.
1	656599G01		CONTROL ARM (UPPER) (DRIVER SIDE) (INCLUDES ITEMS 3, 5 - 8).....	1
2	656599G02		CONTROL ARM (UPPER) (PASSENGER SIDE) (INCLUDES ITEMS 4 - 8) ..	1
3	652006G01		CONTROL ARM (DRIVER SIDE) .....	1
4	652006G02		CONTROL ARM (PASSENGER SIDE) .....	1
5	647322G01		TUBE, 10.54MM X 60.95MM LG .....	2
6	647320		FLANGED BUSHING, 15.875MM I.D.....	4
7	654868G01		ZERK (STRAIGHT) .....	2
8	655130		FLAT WASHER, M6.....	2
9				
10	656598G01		CONTROL ARM (LOWER) (DRIVER SIDE) (INCLUDES ITEMS 12, 14 - 17)	1
11	656598G02		CONTROL ARM (LOWER) (PASSENGER SIDE) (INCLUDES ITEMS 13 - 17)	1
12	653386G103		CONTROL ARM (DRIVER SIDE) .....	1
13	653386G203		CONTROL ARM (PASSENGER SIDE) .....	1
14	647322G01		TUBE, 10.54MM X 60.95MM LG .....	2
15	647320		FLANGED BUSHING, 15.875MM I.D.....	4
16	654868G01		ZERK (STRAIGHT) .....	2
17	655130		FLAT WASHER, M6.....	2
18				
19				
20	648753		LOCK NUT, M10 - 1.5 .....	6
21				
22	653546		FLAT WASHER, M18 .....	1
23				
24	01066G05		HEX HEAD BOLT, M12 - 1.75 X 70MM LG.....	1
25	648198		LOCK NUT, M12 - 1.75 .....	1
26				
27	653662		CASTLE NUT, M18 X 1.5MM.....	1
28	00798G8		COTTER PIN, 5/32" X 1 - 3/4" .....	1
29	648282		HEX HEAD BOLT, M10 - 1.5 X 85MM LG.....	4
30	648283		HEX HEAD BOLT, M10 - 1.5 X 140MM LG.....	2





## FRONT SEATING



THE USE OF NON U.L. PARTS WILL VOID ANY U.L. LISTING.

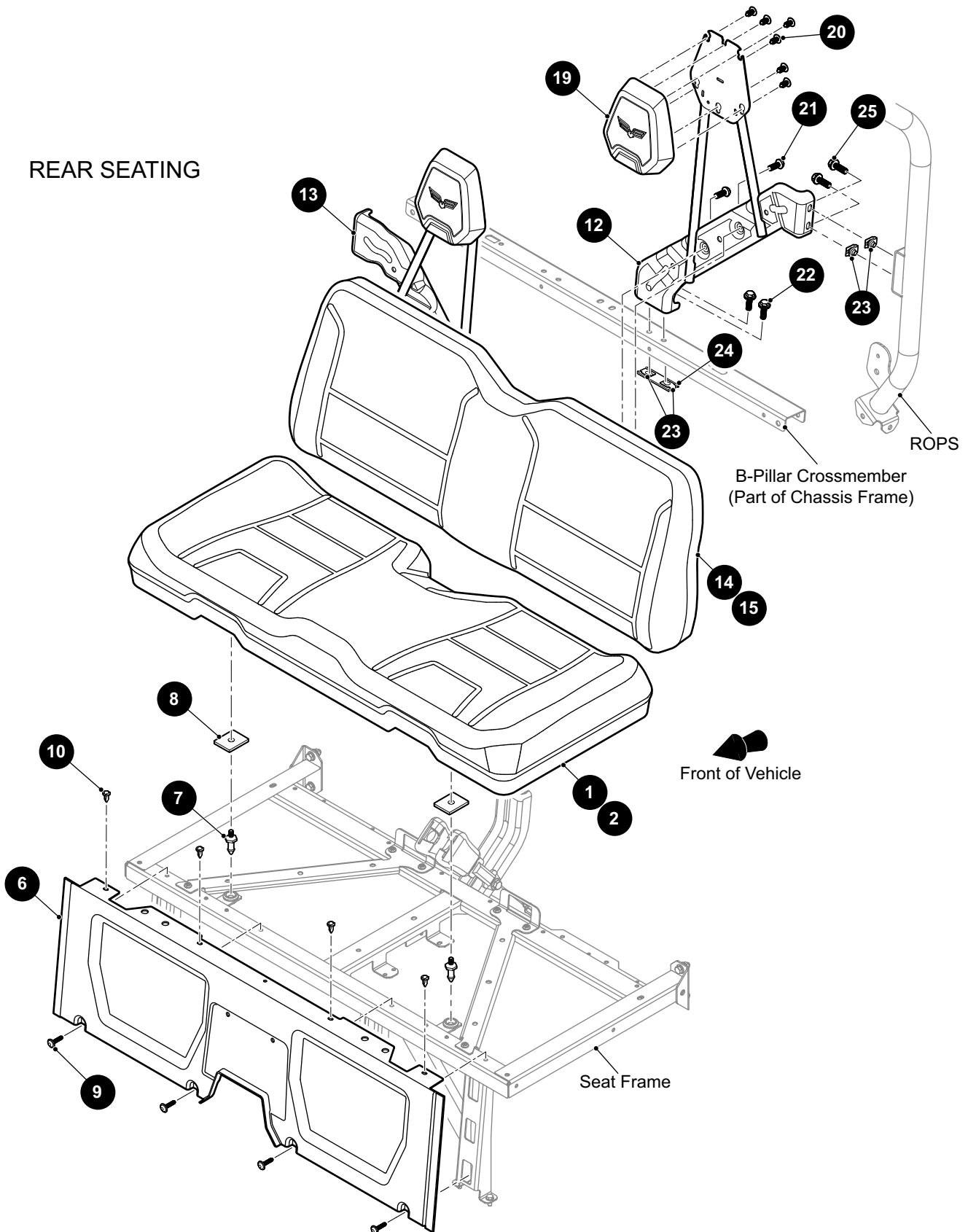
When ordering parts, please specify the model and serial number of the product.

\* Indicates a component that is not available as an individual part.

\*\*\* Indicates consult Customer Service Department for additional information.

ITEM	PART NO.	1 2 3 4 5	DESCRIPTION	QTY.
1	645899G06		SEAT BOTTOM ASSEMBLY (BLACK) (FOR STAMPEDE - 4) .....	1
2	655916GXX		SEAT BOTTOM ASSEMBLY (FOR STAMPEDE - 4X)..... 655916G20 INFERNO RED 655916G41 ELECTRIC BLUE	1
3				
4				
5	641394		FRONT SEAT CLOSEOUT .....	1
6	639904		SEAT RETENTION PIN .....	2
7	646115		BACKING PLATE .....	2
8	645323		PAN WASHER HEAD TORX SCREW, M6 - 1 X 23.4MM LG .....	4
9	667790		REMOVABLE RIVET, .320".....	4
10				
11	645900G06		SEAT BACK ASSEMBLY (BLACK) (FOR STAMPEDE - 4) .....	1
12	655923GXX		SEAT BACK ASSEMBLY (FOR STAMPEDE - 4X) .....	1
			655923G20 INFERNO RED 655923G41 ELECTRIC BLUE	

## REAR SEATING





THE USE OF NON U.L. PARTS WILL VOID ANY U.L. LISTING.

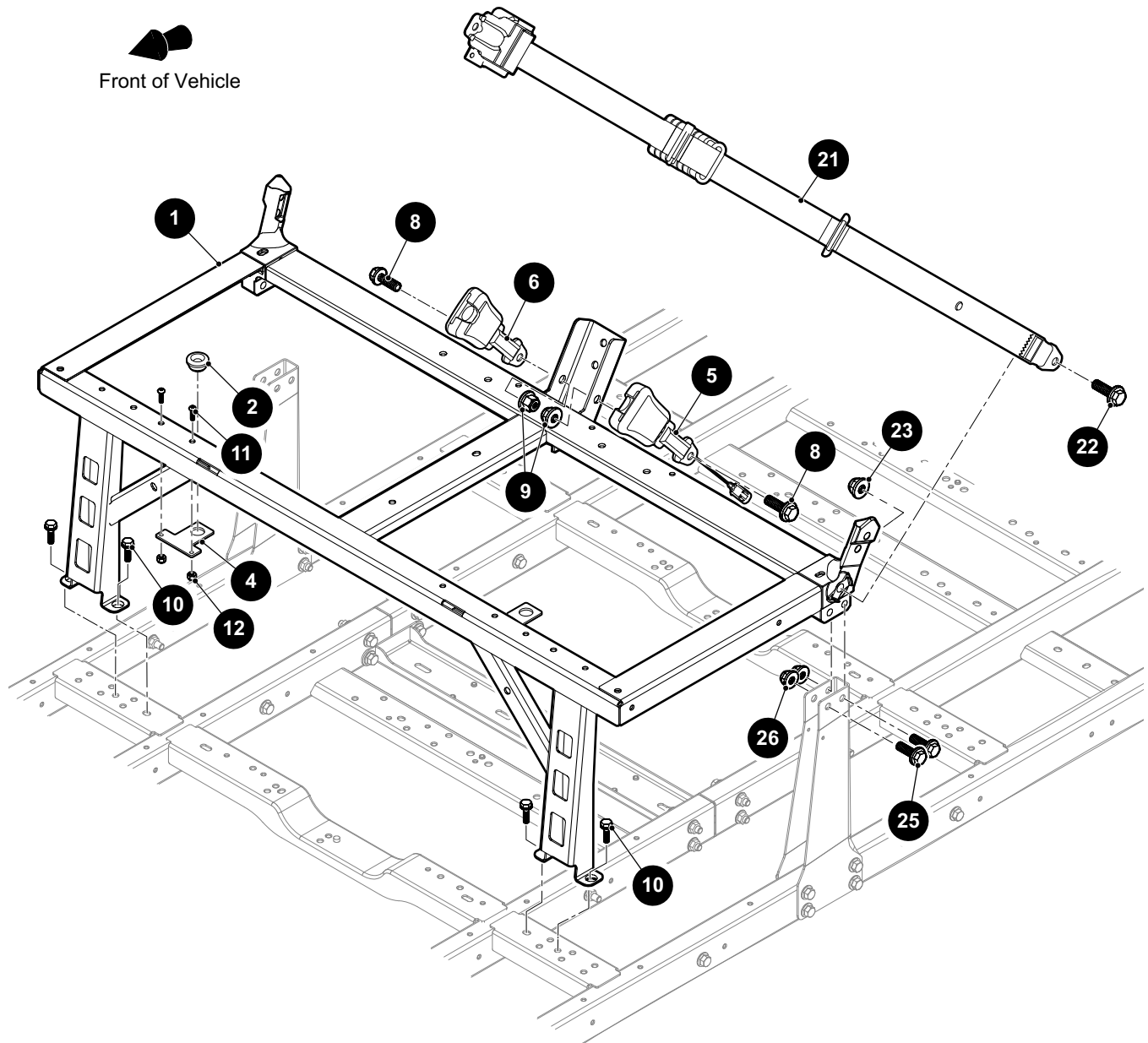
When ordering parts, please specify the model and serial number of the product.

\* Indicates a component that is not available as an individual part.

\*\*\* Indicates consult Customer Service Department for additional information.

ITEM	PART NO.	1 2 3 4 5	DESCRIPTION	QTY.
1	645899G06		SEAT BOTTOM ASSEMBLY (BLACK) (FOR STAMPEDE - 4) .....	1
2	655916GXX		SEAT BOTTOM ASSEMBLY (FOR STAMPEDE - 4X)..... 655916G20 INFERNO RED 655916G41 ELECTRIC BLUE	1
3				
4				
5				
6	649952		REAR SEAT CLOSEOUT .....	1
7	639904		SEAT RETENTION PIN .....	2
8	646115		BACKING PLATE .....	2
9	645323		PAN WASHER HEAD TORX SCREW, M6 - 1 X 23.4MM LG .....	4
10	667790		REMOVABLE RIVET, .320".....	4
11				
12	644918G103		SEAT BACK SUPPORT (DRIVER SIDE).....	1
13	644918G203		SEAT BACK SUPPORT (PASSENGER SIDE) .....	1
14	645900G06		SEAT BACK ASSEMBLY (BLACK) (FOR STAMPEDE - 4) .....	1
15	655923GXX		SEAT BACK ASSEMBLY (FOR STAMPEDE - 4X) .....	1
			655923G20 INFERNO RED 655923G41 ELECTRIC BLUE	
16				
17				
18				
19	641663		HEADREST (POWERSPORT) .....	1
20	16816G2		RATCHET RIVET, .25" X .887" LG .....	6
21	600530		BUTTON HEAD TORX BOLT, M10 - 1.5 X 25MM LG .....	2
22	603799		FLANGED HEX HEAD BOLT, M10 - 1.5 X 25MM LG.....	4
23	603818		BARREL CLIP, M10 - 1.5 .....	4
24	654348		MOUNTING PLATE (REAR) .....	1
25	646561		FLANGED HEX HEAD BOLT, M10 - 1.5 X 20MM LG.....	2

## FRONT SEAT FRAME



THE USE OF NON U.L. PARTS WILL VOID ANY U.L. LISTING.

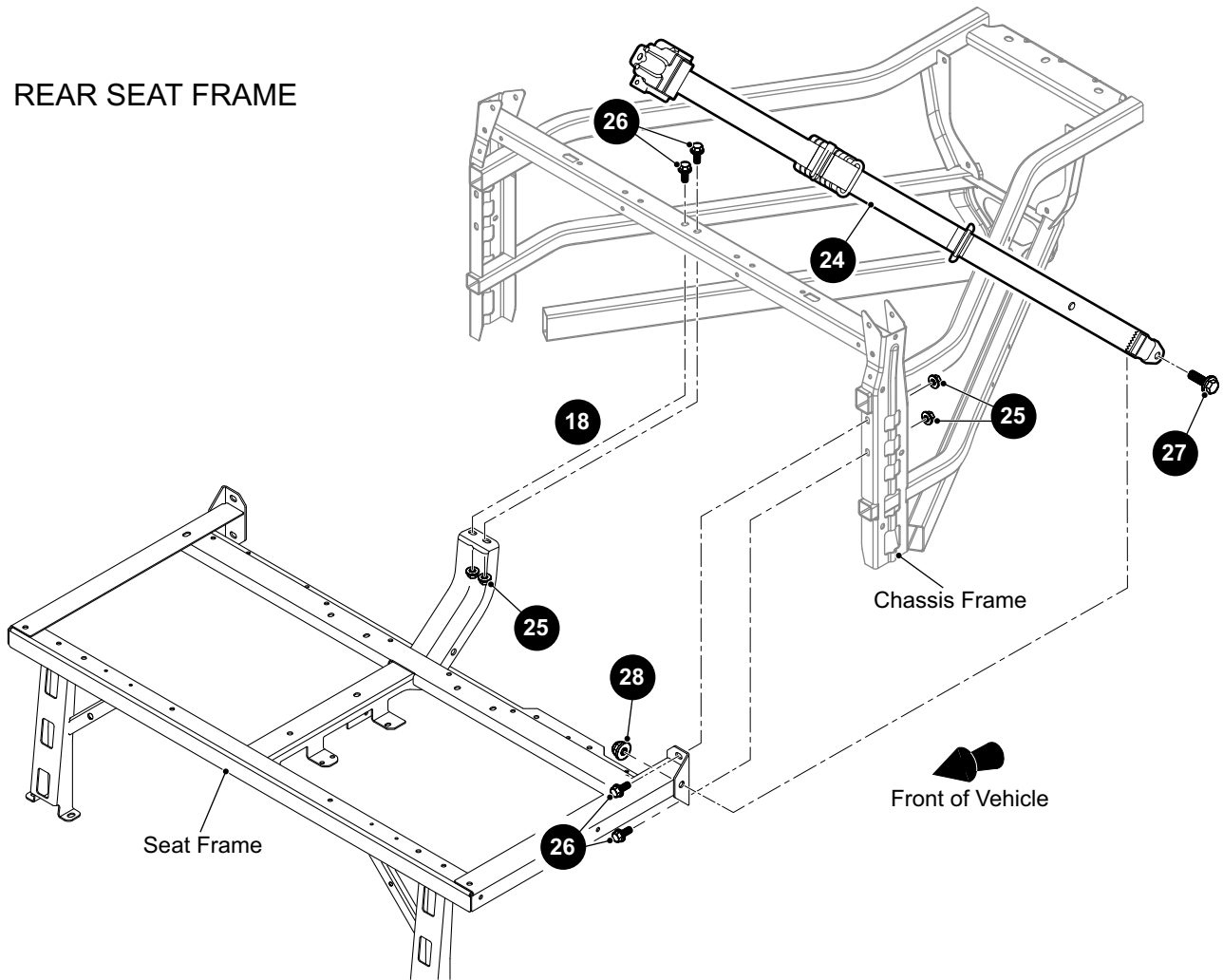
When ordering parts, please specify the model and serial number of the product.

\* Indicates a component that is not available as an individual part.

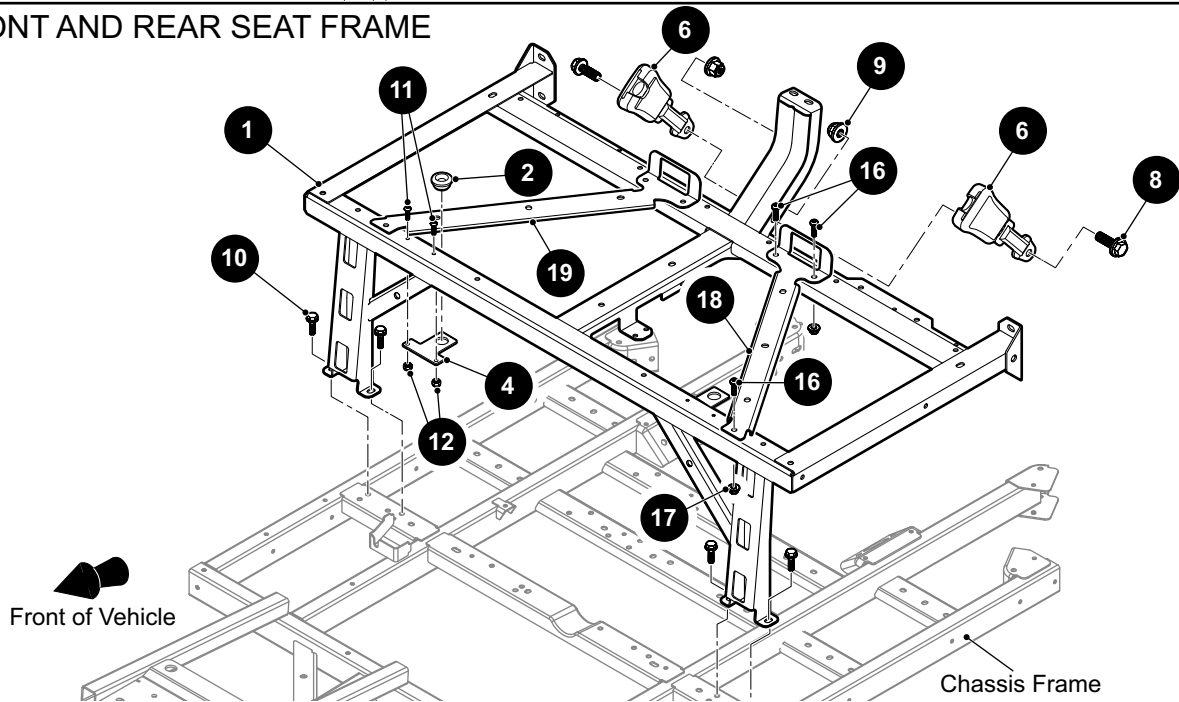
\*\*\* Indicates consult Customer Service Department for additional information.

ITEM	PART NO.	1 2 3 4 5	DESCRIPTION	QTY.
1	661872		FRONT SEAT FRAME .....	1
2	638668		SEAT RETENTION GROMMET.....	2
3				
4	638697		SEAT RETENTION BRACKET .....	2
5	643660		SEAT BELT LATCH WITH CONNECTOR.....	1
6	648412		SEAT BELT LATCH WITHOUT CONNECTOR .....	1
7				
8	649013		FLANGED HEX HEAD BOLT, M12 - 1.75 X 30MM LG.....	2
9	648198		LOCK NUT, M12 - 1.75 .....	2
10	640723		SELF TAPPING SCREW, M8 - 1.25 X 20MM LG .....	4
11	612859		PAN HEAD TORX SCREW, M5 - .8 X 12MM LG.....	4
12	610683		LOCK NUT, M5 - .8 .....	4
13				
14				
15				
16				
17				
18				
19				
20				
21	649870		SEAT BELT RETRACTOR, 112" LG .....	1
22	652665		FLANGED HEX HEAD BOLT, M12 - 1.75 X 45MM LG.....	1
23	616971		LOCK NUT, M12 - 1.75 .....	1
24				
25	603800		FLANGED HEX HEAD BOLT, M10 - 1.5 X 50MM LG .....	4
26	600525		LOCK NUT, M10 - 1.5 .....	4

## REAR SEAT FRAME



## FRONT AND REAR SEAT FRAME



THE USE OF NON U.L. PARTS WILL VOID ANY U.L. LISTING.

When ordering parts, please specify the model and serial number of the product.

\* Indicates a component that is not available as an individual part.

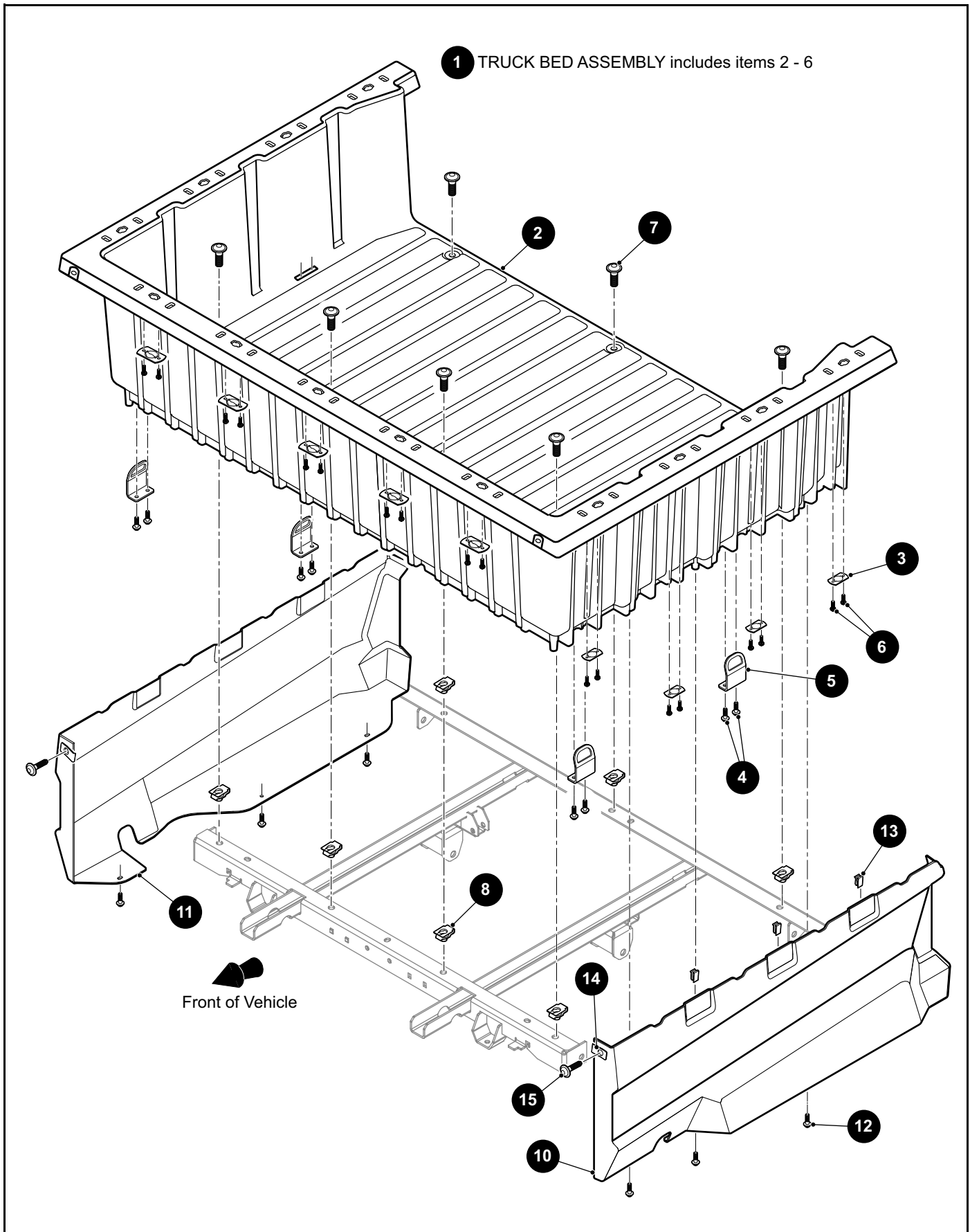
\*\*\* Indicates consult Customer Service Department for additional information.

ITEM	PART NO.	1 2 3 4 5	DESCRIPTION	QTY.
1	643943		REAR SEAT FRAME .....	1
2	638668		SEAT RETENTION GROMMET.....	2
3				
4	638697		SEAT RETENTION BRACKET .....	2
5				
6	648412		SEAT BELT LATCH WITHOUT CONNECTOR .....	2
7				
8	649013		FLANGED HEX HEAD BOLT, M12 - 1.75 X 30MM LG.....	2
9	648198		LOCK NUT, M12 - 1.75 .....	2
10	640723		SELF TAPPING SCREW, M8 - 1.25 X 20MM LG .....	4
11	612859		PAN HEAD TORX SCREW, M5 - .8 X 12MM LG.....	4
12	610683		LOCK NUT, M5 - .8 .....	4
13				
14				
15				
16	646371		PAN HEAD BOLT, M8 - 1.25 X 20MM LG .....	3
17	645956		FLANGED HEX NUT, M8 - 1.25.....	3
18	645357G01		SEAT FRAME SUPPORT CROSSMEMBER (DRIVER SIDE) .....	1
19	645357G02		SEAT FRAME SUPPORT CROSSMEMBER (PASSENGER SIDE) .....	1
20				
21				
22				
23				
24	649870		SEAT BELT RETRACTOR, 112" LG .....	1
25	600525		LOCK NUT, M10 - 1.5 .....	6
26	603799		FLANGED HEX HEAD BOLT, M10 - 1.5 X 25MM LG.....	6
27	649013		FLANGED HEX HEAD BOLT, M12 - 1.75 X 30MM LG.....	1
28	648198		LOCK NUT, M12 - 1.75 .....	1





# TRUCK BED





THE USE OF NON U.L. PARTS WILL VOID ANY U.L. LISTING.

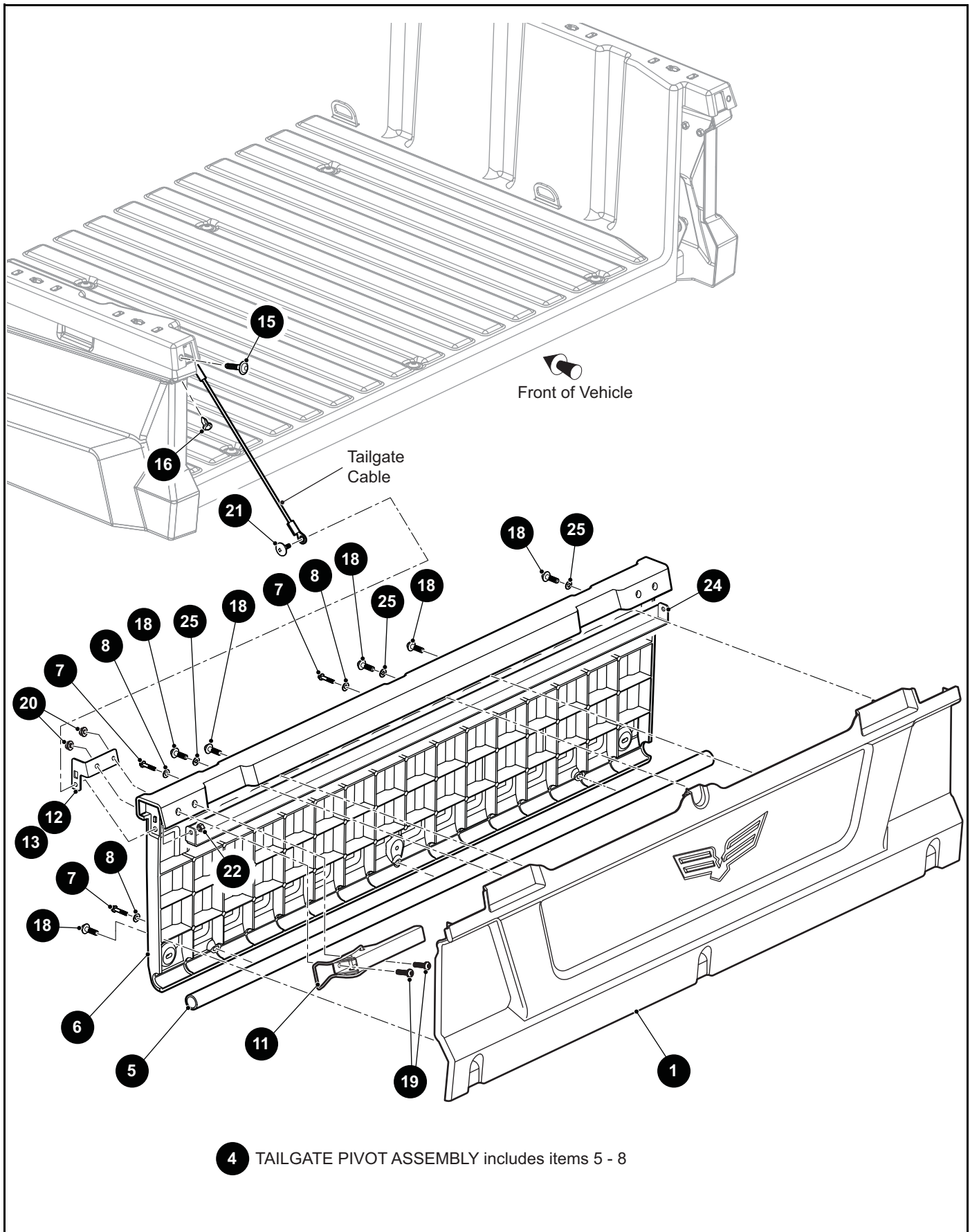
When ordering parts, please specify the model and serial number of the product.

\* Indicates a component that is not available as an individual part.

\*\*\* Indicates consult Customer Service Department for additional information.

ITEM	PART NO.	1 2 3 4 5	DESCRIPTION	QTY.
1	651966		TRUCK BED ASSEMBLY (INCLUDES ITEMS 2 - 6).....	1
2	641181		BED .....	1
3	644202		RECEPTACLE PLATE .....	13
4	646047		PLASTITE SCREW, M6 - 2 X 20MM LG .....	8
5	645017		TIE-DOWN BRACKET.....	4
6	646140		THREAD FORMING SCREW, M4 - 1.79 X 16MM LG .....	26
7	646528		WASHER HEAD TORX BOLT, M10 - 1.5 X 30MM LG .....	7
8	603818		BARREL CLIP, M10 - 1.5 .....	7
9				
10	641183G01		SIDE PANEL (DRIVER SIDE).....	1
11	641183G02		SIDE PANEL (PASSENGER SIDE) .....	1
12	646047		PLASTITE SCREW, M6 - 2.14 X 20MM LG.....	3
13	646759		S-CLIP.....	3
14	602409		BARREL CLIP, M6 - 1 .....	1
15	645323		PAN WASHER HEAD SCREW, M6 - 1 X 25MM LG.....	1

# TRUCK BED



THE USE OF NON U.L. PARTS WILL VOID ANY U.L. LISTING.

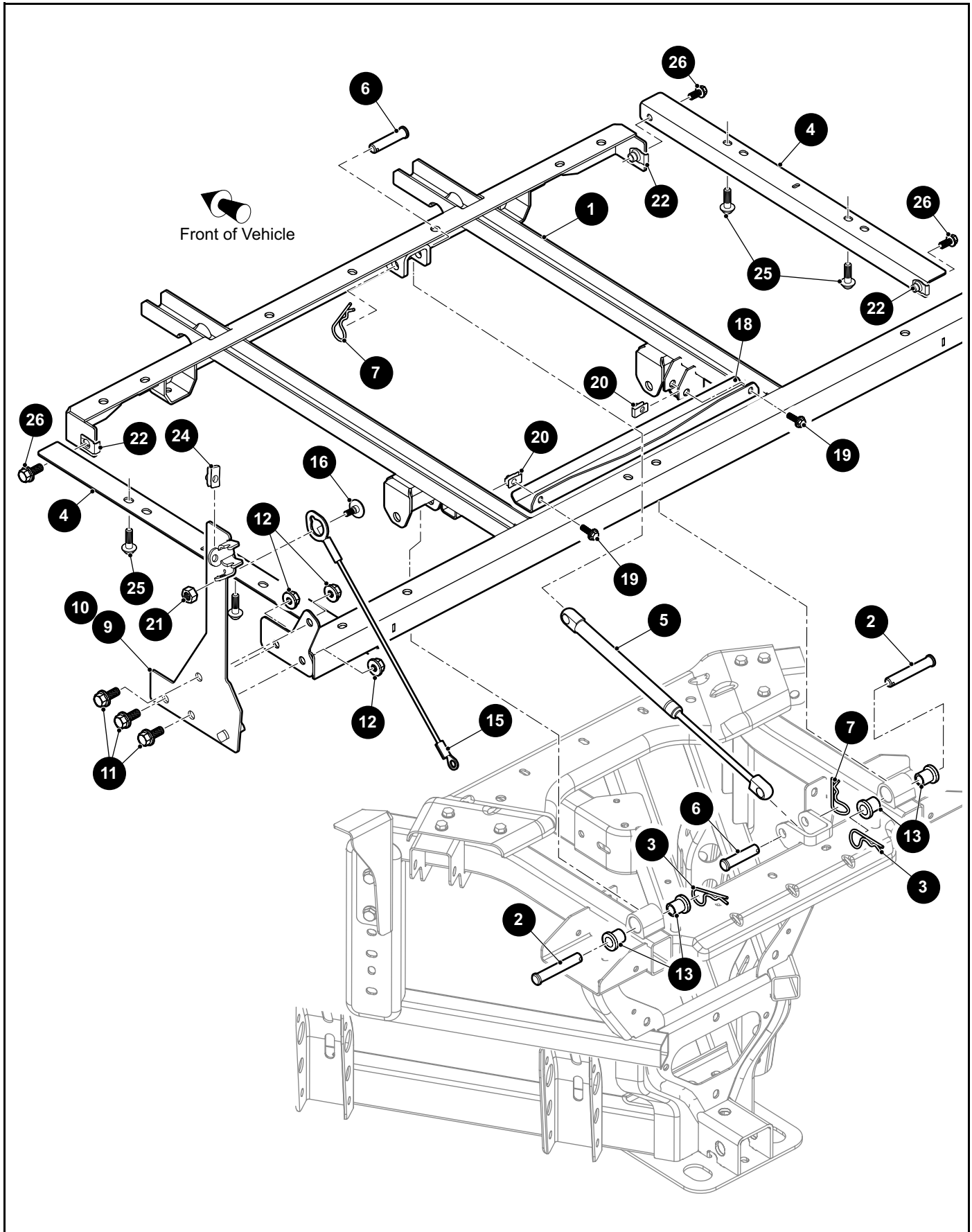
When ordering parts, please specify the model and serial number of the product.

\* Indicates a component that is not available as an individual part.

\*\*\* Indicates consult Customer Service Department for additional information.

ITEM	PART NO.	1 2 3 4 5	DESCRIPTION	QTY.
1	641184G03		TAILGATE PANEL.....	1
2				
3				
4	650968		TAILGATE PIVOT ASSEMBLY (INCLUDES ITEMS 5 - 8).....	1
5	*		PIVOT TUBE .....	1
6	641856		INSIDE WALL.....	1
7	635530		TAPTITE SCREW, #10 - 32 X 11/16" LG .....	3
8	00559G5		FLAT WASHER, #10 .....	3
9				
10				
11	663143		TAILGATE LATCH ASSEMBLY .....	2
12	644871G01		LATCH MOUNT BRACKET (DRIVER SIDE) .....	1
13	644871G02		LATCH MOUNT BRACKET (PASSENGER SIDE).....	1
14				
15	645323		PAN WASHER HEAD SCREW, M6 - 1 X 25MM LG.....	2
16	667790		REMOVABLE RIVET, .320".....	2
17				
18	646047		PLASTITE SCREW, M6 - 2.14 X 20MM LG.....	6
19	601326		BUTTON HEAD TORX BOLT, M6 - 1 X 20MM LG .....	4
20	601476		LOCK NUT, M6 - 1 .....	4
21	653691		SHOULDER BOLT, .350" X .188" LG.....	2
22	00550G1		HEX NUT (INTERNAL LOCK).....	2
23				
24	653026		TAILGATE SUPPORT .....	1
25	608747		FLAT WASHER, M6 - 1.5.....	3

# TRUCK BED



THE USE OF NON U.L. PARTS WILL VOID ANY U.L. LISTING.

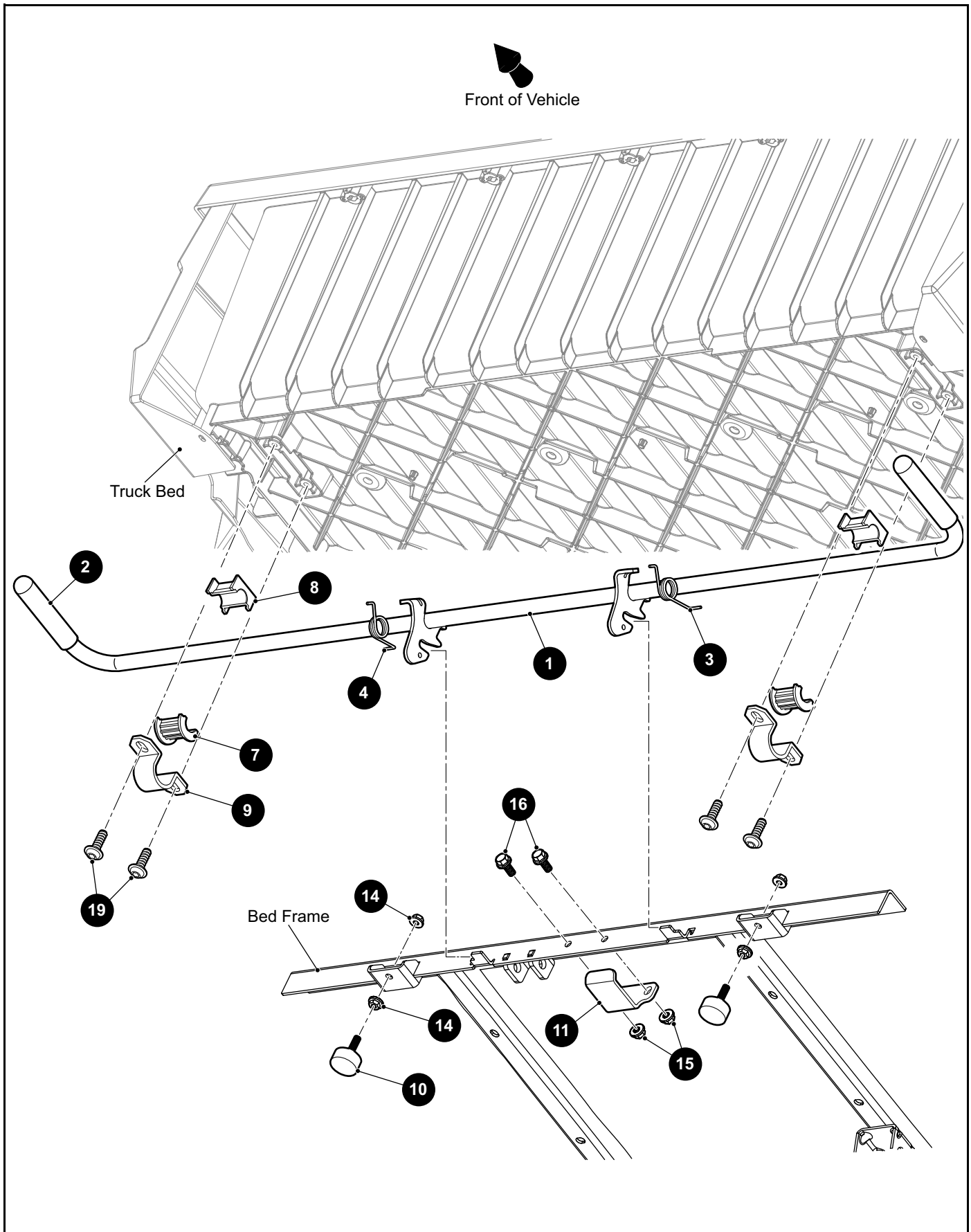
When ordering parts, please specify the model and serial number of the product.

\* Indicates a component that is not available as an individual part.

\*\*\* Indicates consult Customer Service Department for additional information.

ITEM	PART NO.	1 2 3 4 5	DESCRIPTION	QTY.
1	643624		BED FRAME .....	1
2	14443G10		CLEVIS PIN, .50" X 3" LG.....	2
3	21683G1		COTTER PIN, .320" X 2.969" .....	2
4	653645		REINFORCED BRACKET (BED BOTTOM) .....	2
5	655485		GAS SPRING.....	1
6	14443G12		CLEVIS PIN, .50" X 2.22" LG.....	2
7	21683G1		COTTER PIN, .320" X 2.969" .....	2
8				
9	644842G01		TAILGATE BRACKET (DRIVER SIDE).....	1
10	644842G02		TAILGATE BRACKET (PASSENGER SIDE) .....	1
11	603799		FLANGED HEX HEAD BOLT, M10 - 1.5 X 25MM LG.....	6
12	600525		LOCK NUT, M10 - 1.5 .....	6
13	624030		FLANGED BUSHING.....	4
14				
15	651635		TAILGATE CABLE ASSEMBLY.....	2
16	653691		SHOULDER BOLT, .350"/.188" LG .....	2
17				
18	646493		BED STOP CENTER BRACKET .....	1
19	606264		FLANGED HEX HEAD BOLT, M6 - 1 X 20MM LG.....	2
20	602409		BARREL CLIP, M6 - 1 .....	2
21	00550G1		HEX NUT (INTERNAL LOCK).....	2
22	649696		BARRELL CLIP, M8 - 1.25 .....	4
23				
24	602409		BARREL CLIP, M6 - 1 .....	2
25	654108		SELF TAPPING SCREW, M8 X 20MM LG .....	4
26	606261		FLANGED HEX HEAD BOLT, M8 - 1.25 X 20MM LG.....	4

# TRUCK BED



THE USE OF NON U.L. PARTS WILL VOID ANY U.L. LISTING.

When ordering parts, please specify the model and serial number of the product.

\* Indicates a component that is not available as an individual part.

\*\*\* Indicates consult Customer Service Department for additional information.

ITEM	PART NO.	1 2 3 4 5	DESCRIPTION	QTY.
1	643623		HANDLE.....	1
2	643080		HANDLE GRIP.....	2
3	646136G01		BED LATCH RETURN SPRING (DRIVER SIDE).....	1
4	646136G02		BED LATCH RETURN SPRING (PASSENGER SIDE).....	1
5				
6				
7	647633		BED LATCH BUSHING (TOP).....	2
8	647635		BED LATCH BUSHING (BOTTOM).....	2
9	657873		STABILIZER BAR BUSHING BRACKET.....	2
10	70113G01		ADJUSTABLE RUBBER BUMPER.....	2
11	645883		J-HOOK.....	1
12				
13				
14	11027G1		FLANGED LOCK NUT, 5/16" - 18.....	4
15	645956		FLANGED HEX NUT, M8 - 1.25.....	2
16	606261		FLANGED HEX HEAD BOLT, M8 - 1.25 X 20MM LG.....	2
17				
18				
19	654108		SELF TAPPING SCREW, M8 X 20MM LG.....	4

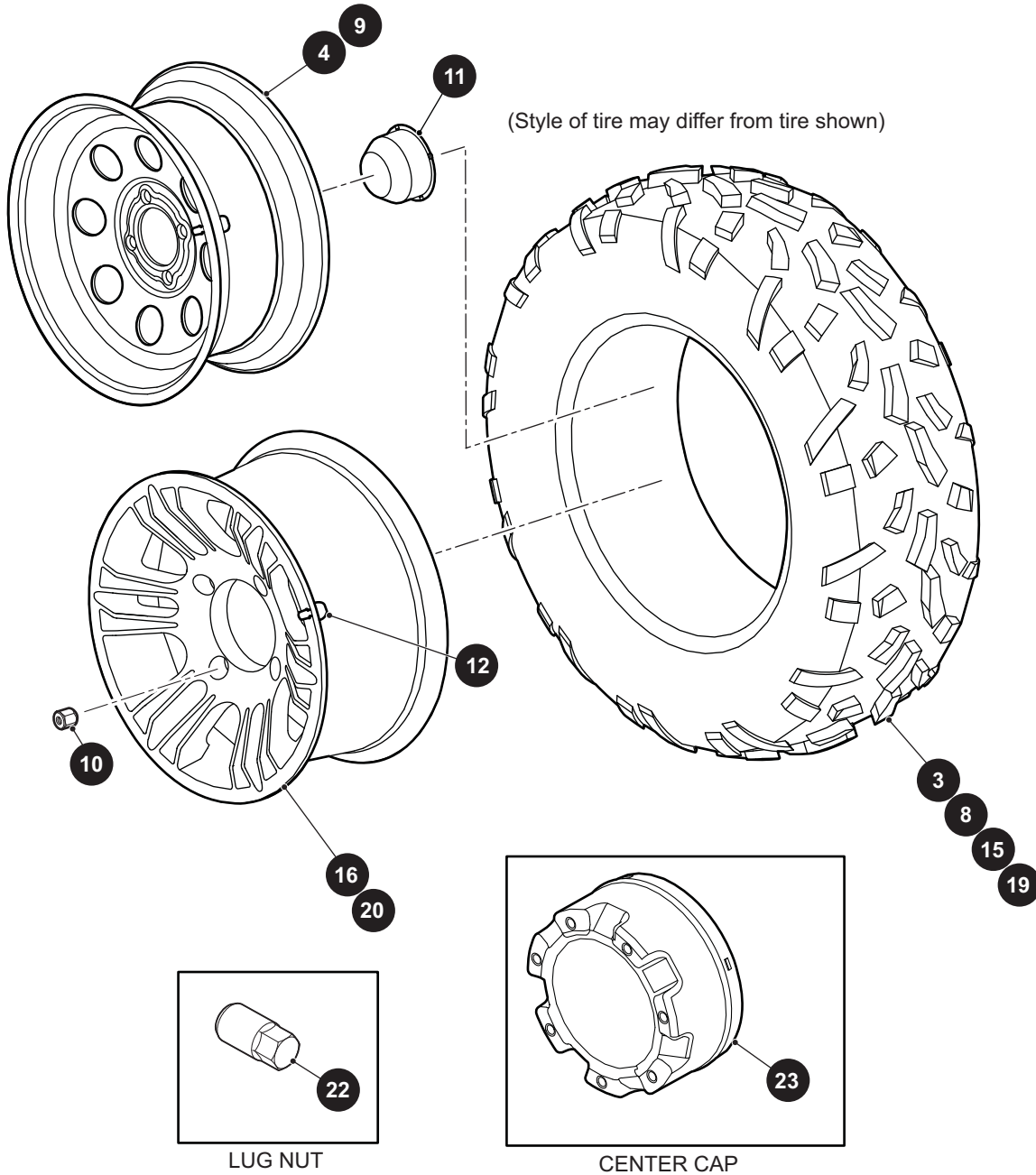






# WHEELS AND TIRES

- 1 WHEEL AND TIRE ASSEMBLY, FRONT (DRIVER SIDE) includes items 3, 4
- 2 WHEEL AND TIRE ASSEMBLY, FRONT (PASSENGER SIDE) includes items 3, 4
- 6 WHEEL AND TIRE ASSEMBLY, REAR (DRIVER SIDE) includes items 8, 9
- 7 WHEEL AND TIRE ASSEMBLY, REAR (PASSENGER SIDE) includes items 8, 9
- 14 WHEEL AND TIRE ASSEMBLY (FRONT) includes items 15, 16
- 18 WHEEL AND TIRE ASSEMBLY (REAR) includes items 19, 20



# WHEELS AND TIRES

THE USE OF NON U.L. PARTS WILL VOID ANY U.L. LISTING.

When ordering parts, please specify the model and serial number of the product.

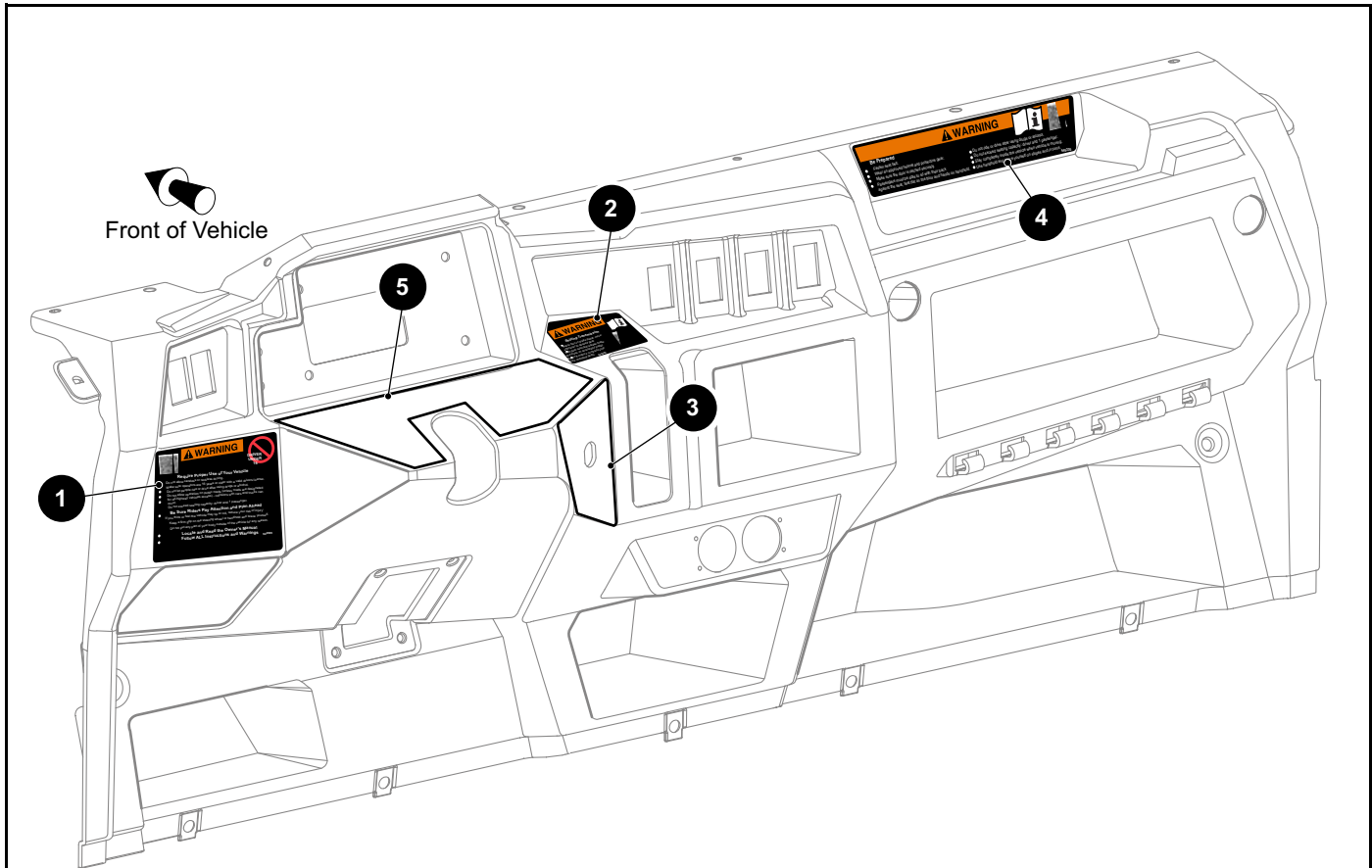
\* Indicates a component that is not available as an individual part.

\*\*\* Indicates consult Customer Service Department for additional information.

ITEM	PART NO.	1 2 3 4 5	DESCRIPTION	QTY.
1	645015G01		WHEEL AND TIRE ASSEMBLY, FRONT (DRIVER SIDE) (INCLUDES ITEMS 3, 4) (FOR STAMPEDE - 4 ONLY) .....	1
2	645015G02		WHEEL AND TIRE ASSEMBLY, FRONT (PASSENGER SIDE) (INCLUDES ITEMS 3, 4) (FOR STAMPEDE - 4 ONLY) .....	1
3	645011		TIRE (KENDA), 26" X 9" X 14" .....	1
4	653744G01		WHEEL (STEEL), 14" X 6.5" .....	1
5				
6	645016G01		WHEEL AND TIRE ASSEMBLY, REAR (DRIVER SIDE) (INCLUDES ITEMS 8, 9) (FOR STAMPEDE - 4 ONLY) .....	1
7	645016G02		WHEEL AND TIRE ASSEMBLY, REAR (PASSENGER SIDE) (INCLUDES ITEMS 8, 9) (FOR STAMPEDE - 4 ONLY) .....	1
8	645012		TIRE (KENDA), 26" X 11" X 14" .....	1
9	653744G02		WHEEL (STEEL), 14" X 8" .....	1
10	14723G1		LUG NUT, 1/2" - 20 (FOR USE WITH STEEL WHEELS) .....	4
11	653751		CENTER CAP (FOR USE WITH STEEL WHEELS) .....	1
12	643948		VALVE STEM .....	1
13				
14	646604		WHEEL AND TIRE ASSEMBLY (FRONT) (INCLUDES ITEMS 15, 16) (FOR STAMPEDE - 4X ONLY) .....	1
15	633541		TIRE (MAXXIS BIGHORN), 27" X 9" X 14" .....	1
16	653461G01		WHEEL (ALUMINUM), 14" X 7" .....	1
17				
18	661632		WHEEL AND TIRE ASSEMBLY (REAR) (INCLUDES ITEMS 19, 20) (FOR STAMPEDE - 4X ONLY) .....	1
19	633542		TIRE (MAXXIS BIGHORN), 27" X 11" X 14" .....	1
20	653461G03		WHEEL (ALUMINUM), 14" X 8" .....	1
21				
22	658026		CHROME LUG NUT (BLACK), 1/2" - 20 (FOR USE WITH ALUMINUM WHEELS) .....	4
23	654993		CENTER CAP (FOR USE WITH ALUMINUM WHEELS) .....	1







**1**

**WARNING**

**DRIVER UNDER 16**

**Require Proper Use of Your Vehicle**

- Do not allow careless or reckless driving.
- Make sure operators are 16 years or older with a valid drivers license.
- Do not let people ride or drive after using drugs or alcohol.
- Do not allow operation on public roads (unless roads are designated for off-highway vehicles access) - collisions with cars and trucks can occur.
- Do not exceed seating capacity: driver and 1 passenger.

**Be Sure Riders Pay Attention and Plan Ahead**  
If you think or feel the vehicle may tip or roll, reduce your risk of injury:

- Keep a firm grip on the steering wheel or handhold and brace yourself.
- Do not put any part of your body outside of the vehicle for any reason.

**Locate and Read the Owner's Manual**  
**Follow ALL Instructions and Warnings**

642800

**2**

**WARNING**

**Shifting Transmission**

- Place foot on brake pedal, move shift lever to desired gear.
- With gear selected release brake and press on accelerator pedal.
- ALWAYS make a complete stop before changing gears.

643602

**3**

OFF

ON

START

645327

**4**

**WARNING**

**Be Prepared**

- Fasten seat belt.
- Wear an approved helmet and protective gear.
- Make sure the door is latched securely.
- Passengers must be able to sit with their back against the seat, feet flat on the floor and hands on handhold.
- Do not ride or drive after using drugs or alcohol.
- Do not exceed seating capacity: driver and 1 passenger.
- Stay completely inside the vehicle when vehicle is moving.
- Use handhold and brace yourself on slopes and in turns.

645330

**5**

**WARNING**

**Be Prepared**

- Fasten seat belt.
- Wear an approved helmet and protective gear.
- Make sure the door is latched securely.
- Clear your path on the steering wheel.
- Do not exceed seating capacity: driver and 1 passenger.
- Passengers must be able to sit with their back against the seat, feet flat on the floor and hands on handhold.
- Stay completely inside the vehicle.

**Drive Responsibly**

This type of vehicle has a high risk of rollover.

Avoid loss of control and rollover:

- Do not drink, do not use drugs, do not use alcohol, do not use prescription or over-the-counter drugs, do not use marijuana, do not use tobacco, do not use any other substances.
- Do not drink, do not use drugs, do not use alcohol, do not use prescription or over-the-counter drugs, do not use marijuana, do not use tobacco, do not use any other substances.
- Do not drink, do not use drugs, do not use alcohol, do not use prescription or over-the-counter drugs, do not use marijuana, do not use tobacco, do not use any other substances.
- Do not drink, do not use drugs, do not use alcohol, do not use prescription or over-the-counter drugs, do not use marijuana, do not use tobacco, do not use any other substances.
- Do not drink, do not use drugs, do not use alcohol, do not use prescription or over-the-counter drugs, do not use marijuana, do not use tobacco, do not use any other substances.

645327

## DECALS AND LABELS

THE USE OF NON U.L. PARTS WILL VOID ANY U.L. LISTING.

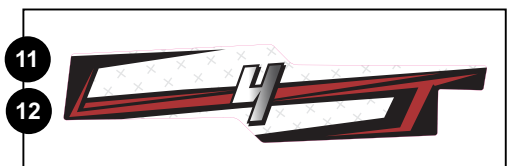
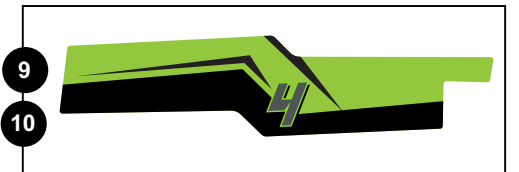
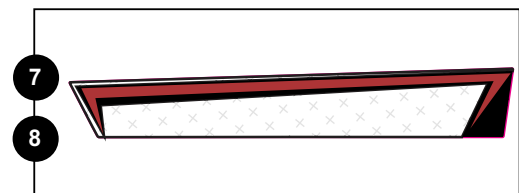
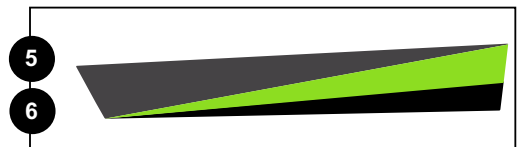
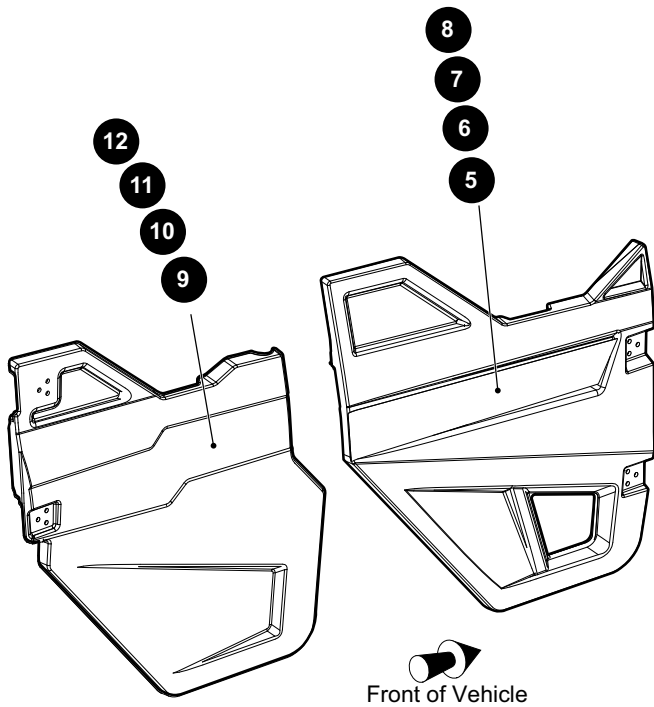
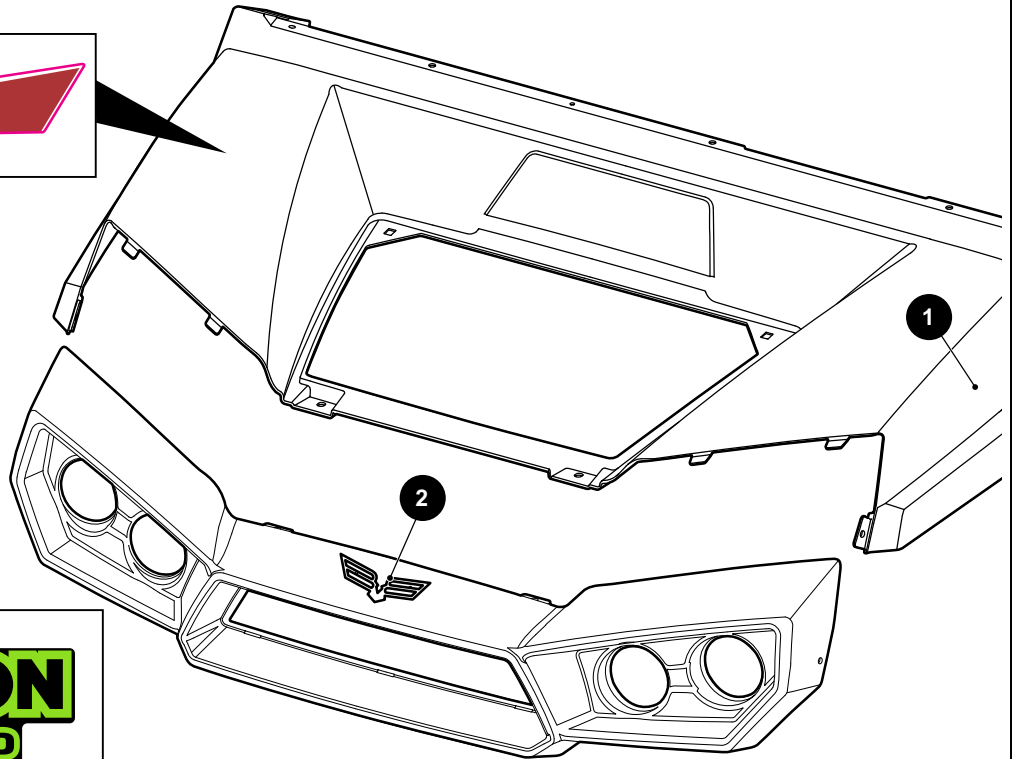
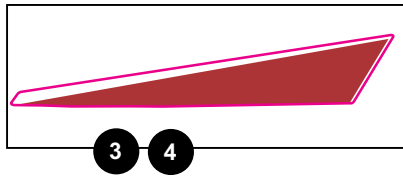
When ordering parts, please specify the model and serial number of the product.

\* Indicates a component that is not available as an individual part.

\*\*\* Indicates consult Customer Service Department for additional information.

ITEM	PART NO.	1 2 3 4 5	DESCRIPTION	QTY.
1	642600		SAFETY LABEL .....	1
2	643602		GEAR SHIFTING LABEL .....	1
3	645327		KEYSWITCH POSITION LABEL .....	1
4	645330		PASSENGER SAFETY LABEL .....	1
5	642599		OPERATOR SAFETY LABEL .....	1

# DECALS AND LABELS





## DECALS AND LABELS

THE USE OF NON U.L. PARTS WILL VOID ANY U.L. LISTING.

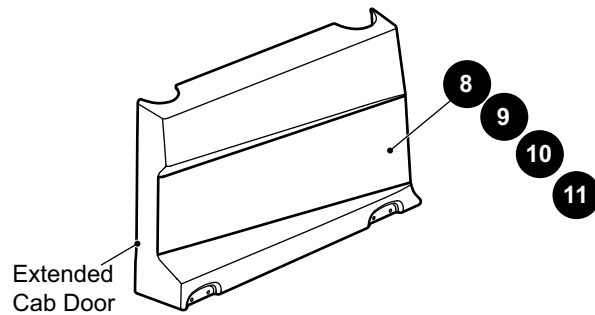
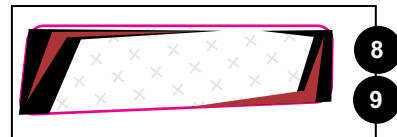
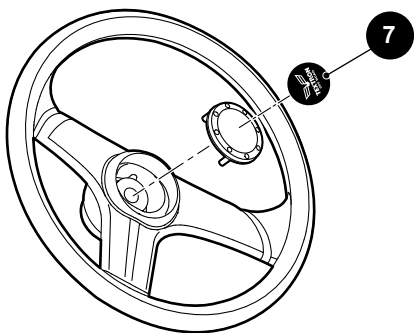
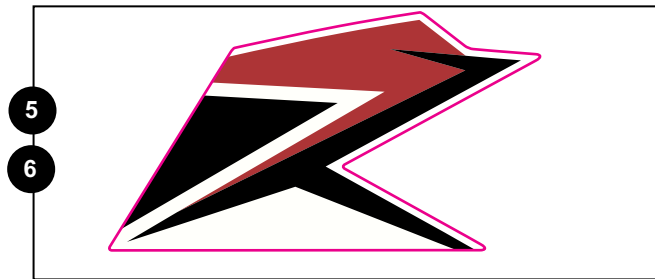
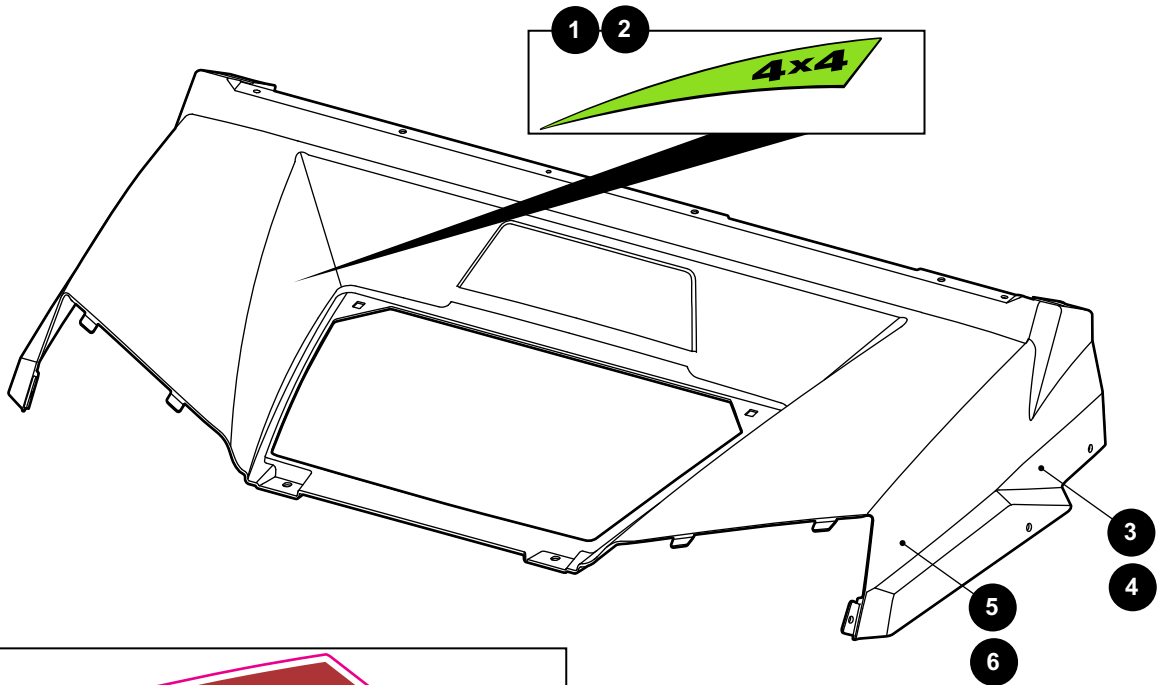
When ordering parts, please specify the model and serial number of the product.

\* Indicates a component that is not available as an individual part.

\*\*\* Indicates consult Customer Service Department for additional information.

ITEM	PART NO.	1 2 3 4 5	DESCRIPTION	QTY.
1	668014G1XXX		TEXTRON OFF ROAD COWL DECAL (DRIVER SIDE) .....	2
2	650008		TEXTRON OFF ROAD BADGE.....	1
3	667080G1XXX		COWL DECAL TOP (DRIVER SIDE) (FOR STAMPEDE 4X) (See COLOR CODE in HOW TO USE Section) .....	1
4	667080G2XXX		COWL DECAL TOP (PASSENGER SIDE) (FOR STAMPEDE 4X) (See COLOR CODE in HOW TO USE Section) .....	1
5	668016G1XXX		DOOR DECAL (DRIVER SIDE) (FOR STAMPEDE 4) (See COLOR CODE in HOW TO USE Section) .....	1
6	668016G2XXX		DOOR DECAL (PASSENGER SIDE) (FOR STAMPEDE 4) (See COLOR CODE in HOW TO USE Section) .....	1
7	667100G1XXX		DOOR DECAL (DRIVER SIDE) (FOR STAMPEDE 4X) (See COLOR CODE in HOW TO USE Section) .....	1
8	667100G2XXX		DOOR DECAL (PASSENGER SIDE) (FOR STAMPEDE 4X) (See COLOR CODE in HOW TO USE Section) .....	1
9	668021G1XXX		REAR DOOR DECAL (DRIVER SIDE) (FOR STAMPEDE 4) (See COLOR CODE in HOW TO USE Section) .....	1
10	668021G2XXX		REAR DOOR DECAL (PASSENGER SIDE) (FOR STAMPEDE 4) (See COLOR CODE in HOW TO USE Section) .....	1
11	667201G1XXX		REAR DOOR DECAL (DRIVER SIDE) (FOR STAMPEDE 4X) (See COLOR CODE in HOW TO USE Section) .....	1
12	667201G2XXX		REAR DOOR DECAL (PASSENGER SIDE) (FOR STAMPEDE 4X) (See COLOR CODE in HOW TO USE Section) .....	1

# DECALS AND LABELS



## DECALS AND LABELS

THE USE OF NON U.L. PARTS WILL VOID ANY U.L. LISTING.

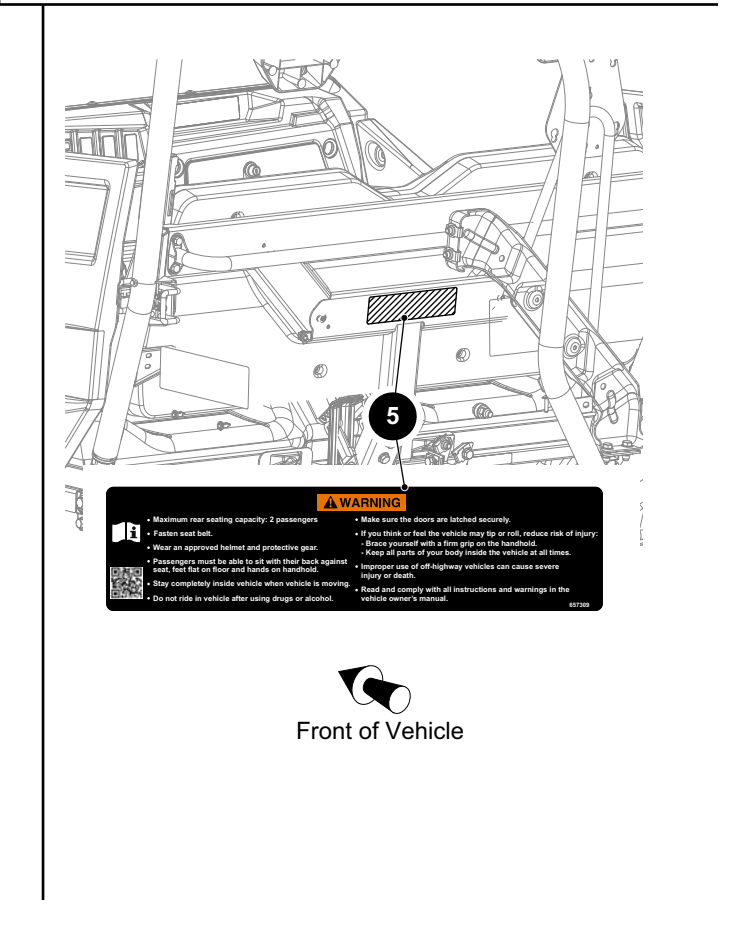
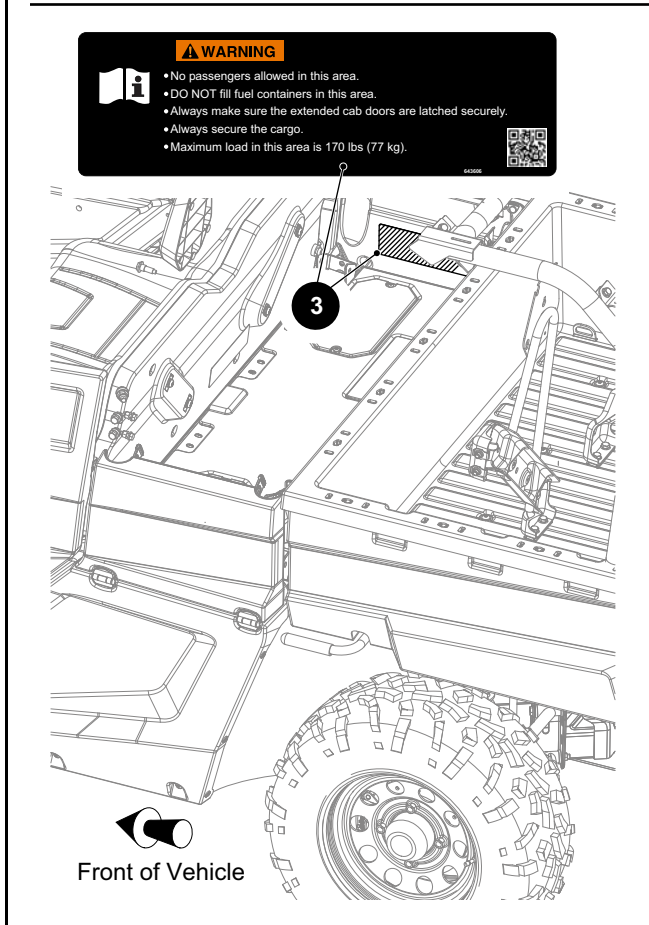
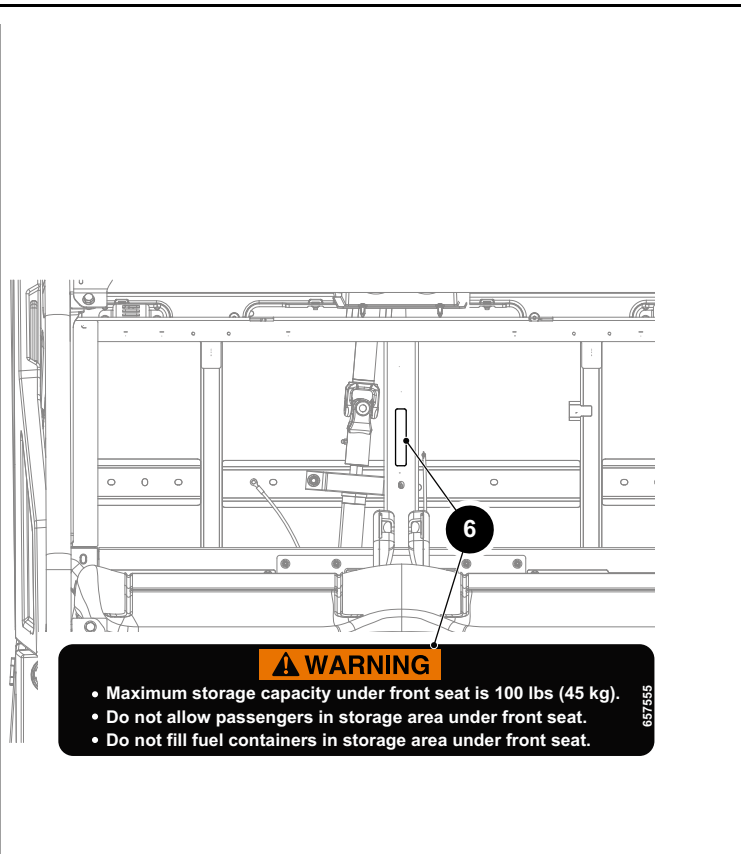
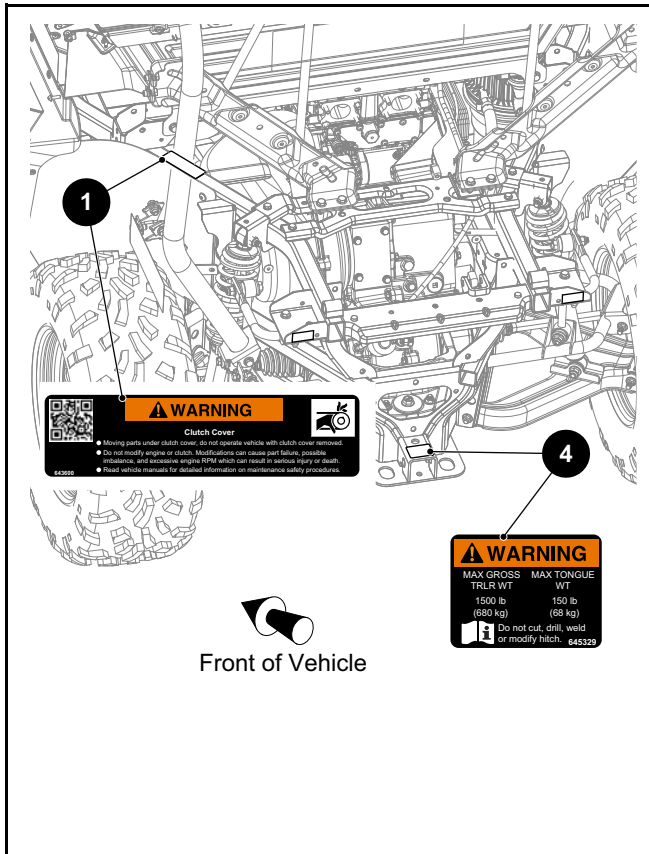
When ordering parts, please specify the model and serial number of the product.

\* Indicates a component that is not available as an individual part.

\*\*\* Indicates consult Customer Service Department for additional information.

ITEM	PART NO.	1 2 3 4 5	DESCRIPTION	QTY.
1	668013G1XXX		INNER COWL DECAL (DRIVER SIDE) (FOR STAMPEDE 4) (See COLOR CODE in HOW TO USE Section) .....	1
2	668013G2XXX		INNER COWL DECAL (PASSENGER SIDE) (FOR STAMPEDE 4) (See COLOR CODE in HOW TO USE Section) .....	1
3	668015G01		OUTER COWL DECAL(DRIVER SIDE) (FOR STAMPEDE 4) (See COLOR CODE in HOW TO USE Section) .....	1
4	668015G02		OUTER COWL DECAL (PASSENGER SIDE) (FOR STAMPEDE 4) (See COLOR CODE in HOW TO USE Section) .....	1
5	667101G1XXX		COWL SIDE DECAL (DRIVER SIDE)(FOR STAMPEDE 4X) (See COLOR CODE in HOW TO USE Section) .....	1
6	667101G2XXX		COWL SIDE DECAL (PASSENGER SIDE) (FOR STAMPEDE 4X) (See COLOR CODE in HOW TO USE Section) .....	1
7	663498		STEERING WHEEL DECAL .....	1
8	668017G1XXX		EXTENDED CAB DOOR DECAL (DRIVER SIDE) (FOR STAMPEDE 4) (See COLOR CODE in HOW TO USE Section) .....	1
9	668017G2XXX		EXTENDED CAB DOOR DECAL (PASSENGER SIDE) (FOR STAMPEDE 4) (See COLOR CODE in HOW TO USE Section) .....	1
10	667099G1XXX		EXTENDED CAB DOOR DECAL (DRIVER SIDE) (FOR STAMPEDE 4X) (See COLOR CODE in HOW TO USE Section) .....	1
11	667099G2XXX		EXTENDED CAB DOOR DECAL (PASSENGER SIDE) (FOR STAMPEDE 4X) (See COLOR CODE in HOW TO USE Section) .....	1

# DECALS AND LABELS



## DECALS AND LABELS

THE USE OF NON U.L. PARTS WILL VOID ANY U.L. LISTING.

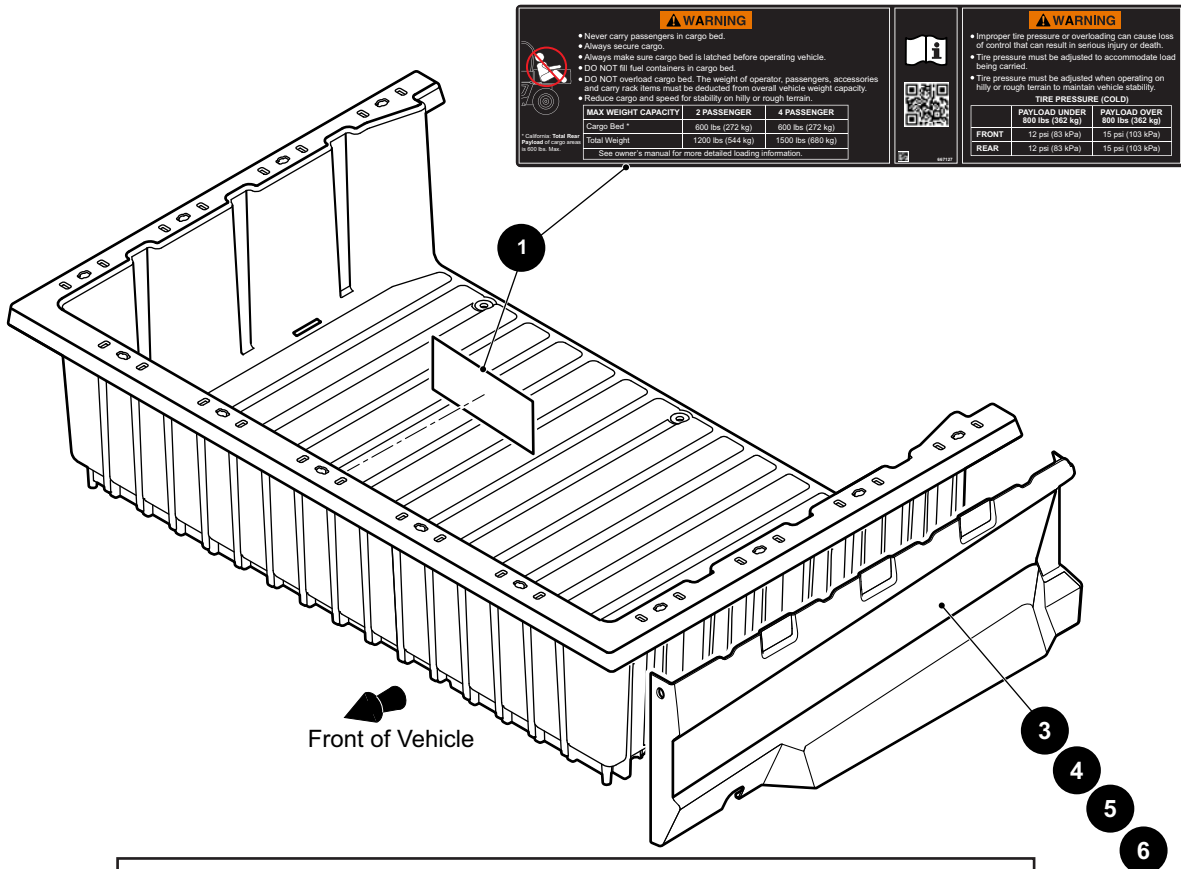
When ordering parts, please specify the model and serial number of the product.

\* Indicates a component that is not available as an individual part.

\*\*\* Indicates consult Customer Service Department for additional information.

ITEM	PART NO.	1 2 3 4 5	DESCRIPTION	QTY.
1	643600		CLUTCH COVER WARNING LABEL .....	1
2				
3	643606		EXTENDED CAB CARGO WARNING LABEL.....	1
4	645329		HITCH WARNING LABEL .....	1
5	657309		REAR SEAT WARNING LABEL.....	1
6	657555		UNDER SEAT STORAGE WARNING LABEL .....	1

# DECALS AND LABELS



**WARNING**

- Never carry passengers in cargo bed.
- Always secure cargo.
- Always make sure cargo bed is latched before operating vehicle.
- DO NOT fill fuel containers in cargo bed.
- DO NOT overload cargo bed. The weight of operator, passengers, accessories and carry racks/ items must be deducted from overall vehicle weight capacity.
- Reduce cargo and speed for stability on hilly or rough terrain.

MAX WEIGHT CAPACITY	2 PASSENGER	4 PASSENGER
Cargo Bed*	800 lbs (272 kg)	800 lbs (272 kg)
Total Weight	1200 lbs (544 kg)	1500 lbs (680 kg)

\*California: Total Rider Payload of cargo must be 800 lbs. limit.  
See owner's manual for more detailed loading information.

**WARNING**

- Improper tire pressure or overloading can cause loss of control that can result in serious injury or death.
- Tire pressure must be adjusted to accommodate load being carried.
- Tire pressure must be adjusted when operating on hilly or rough terrain to maintain vehicle stability.

**TIRE PRESSURE (COLD)**

	PAYLOAD UNDER 800 lbs (362 kg)	PAYLOAD OVER 800 lbs (362 kg)
FRONT	12 psi (83 kPa)	15 psi (103 kPa)
REAR	12 psi (83 kPa)	15 psi (103 kPa)



3 4



5 6

## DECALS AND LABELS

THE USE OF NON U.L. PARTS WILL VOID ANY U.L. LISTING.

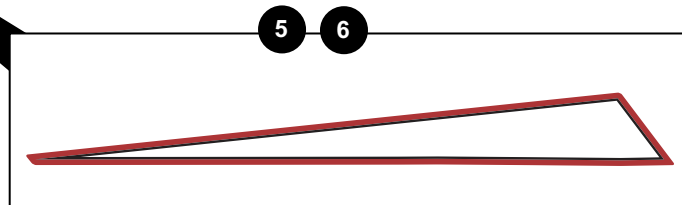
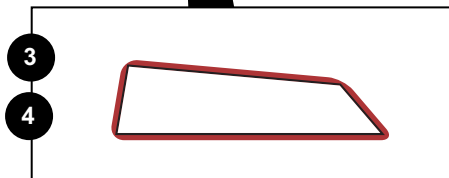
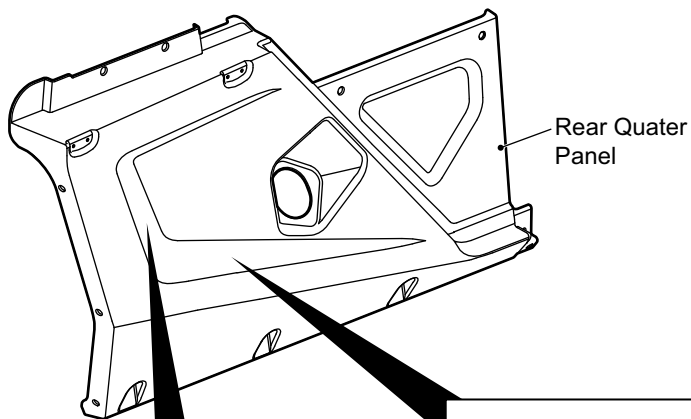
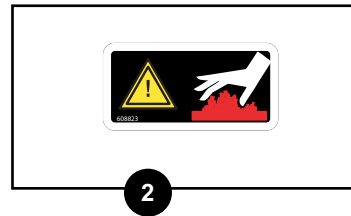
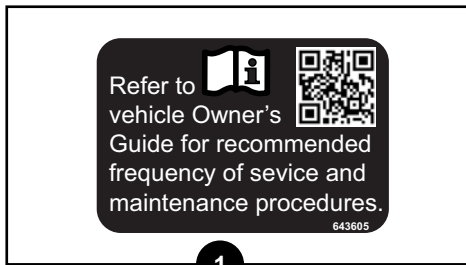
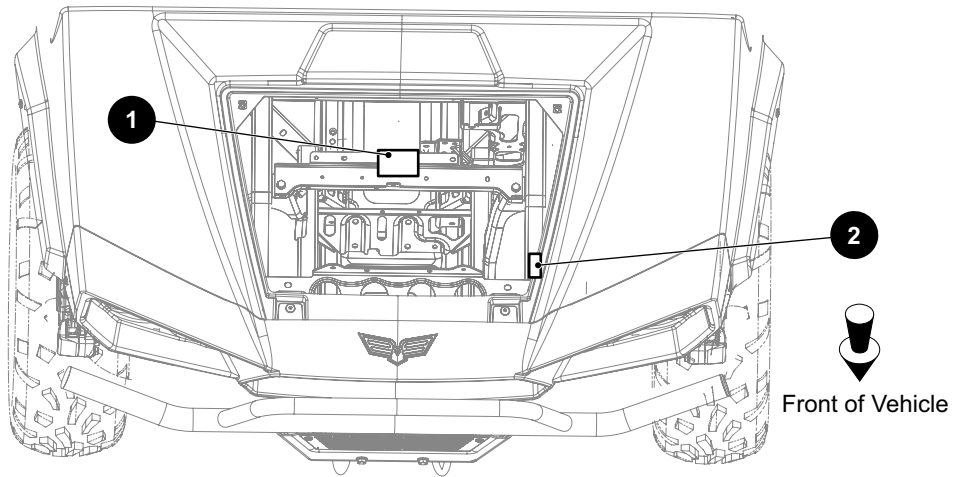
When ordering parts, please specify the model and serial number of the product.

\* Indicates a component that is not available as an individual part.

\*\*\* Indicates consult Customer Service Department for additional information.

ITEM	PART NO.	1 2 3 4 5	DESCRIPTION	QTY.
1	667127		BED CAPACITY LABEL.....	1
2				
3	668018G1XXX		SIDE PANEL BED DECAL (DRIVER SIDE) (FOR STAMPEDE 4) (See COLOR CODE in HOW TO USE Section) .....	1
4	668018G2XXX		SIDE PANEL BED DECAL (PASSENGER SIDE) (FOR STAMPEDE 4) (See COLOR CODE in HOW TO USE Section) .....	1
5	667091G1XXX		SIDE PANEL BED DECAL (DRIVER SIDE) (FOR STAMPEDE 4X) (See COLOR CODE in HOW TO USE Section) .....	1
6	667091G2XXX		SIDE PANEL BED DECAL (PASSENGER SIDE) (FOR STAMPEDE 4X) (See COLOR CODE in HOW TO USE Section) .....	1

# DECALS AND LABELS





## DECALS AND LABELS

THE USE OF NON U.L. PARTS WILL VOID ANY U.L. LISTING.

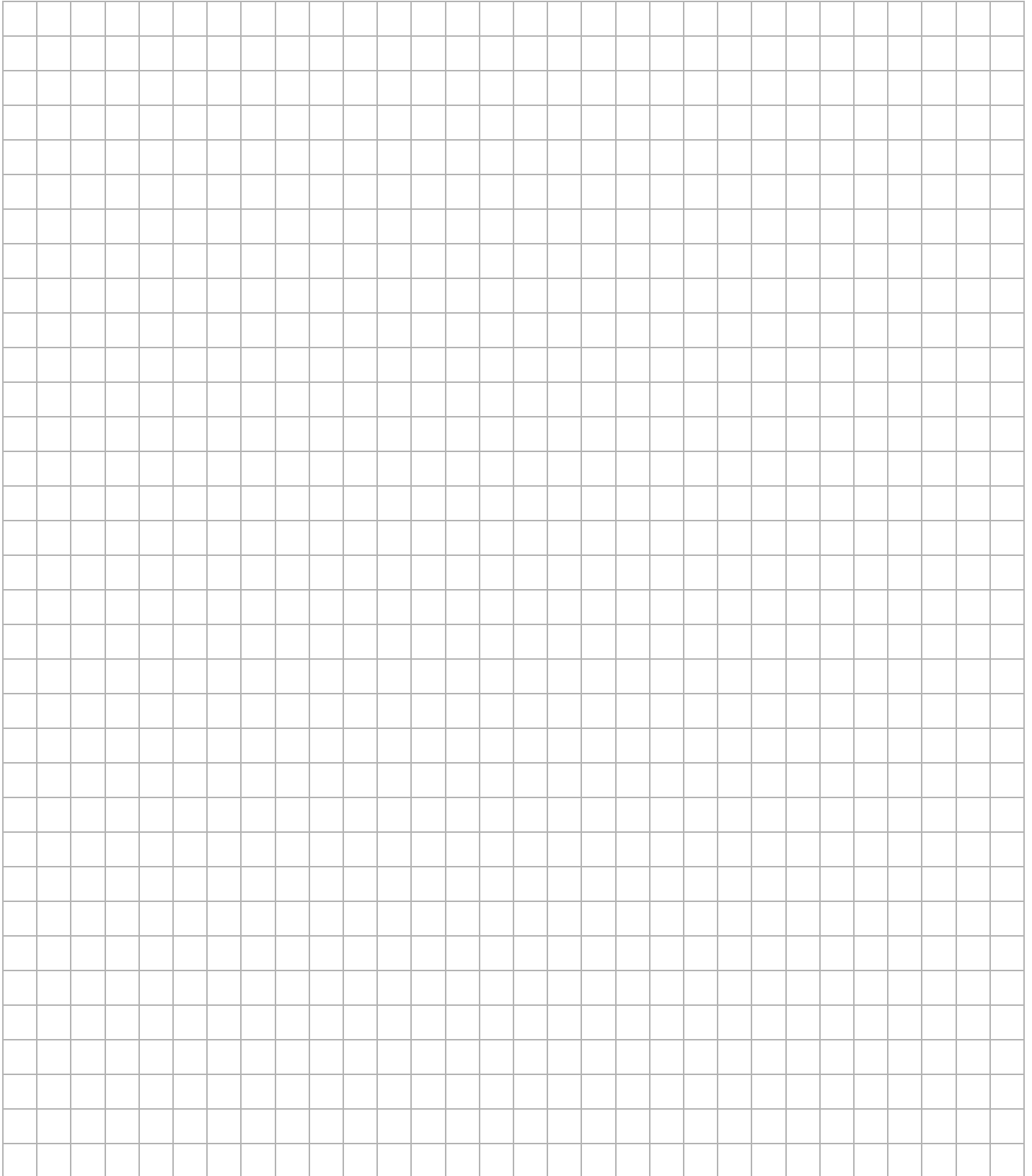
When ordering parts, please specify the model and serial number of the product.

\* Indicates a component that is not available as an individual part.

\*\*\* Indicates consult Customer Service Department for additional information.

ITEM	PART NO.	1 2 3 4 5	DESCRIPTION	QTY.
1	643605		MAINTENANCE LABEL.....	1
2	608823		HOT DECAL, CE.....	3
3	667092G1XXX		QUARTER PANEL SIDE DECAL (DRIVER SIDE) (FOR STAMPEDE 4X) (See COLOR CODE in HOW TO USE Section) .....	1
4	667092G2XXX		QUARTER PANEL SIDE DECAL (PASSENGER SIDE) (FOR STAMPEDE 4X) (See COLOR CODE in HOW TO USE Section) .....	1
5	667093G1XXX		QUARTER PANEL LOWER DECAL (DRIVER SIDE) (FOR STAMPEDE 4X) (See COLOR CODE in HOW TO USE Section) .....	1
6	667093G2XXX		QUARTER PANEL LOWER DECAL (PASSENGER SIDE) (FOR STAMPEDE 4X) (See COLOR CODE in HOW TO USE Section) .....	1

Notes:







# TEXTRON<sup>®</sup>

## OFF ROAD

**Textron Specialized Vehicles, Inc.**

1451 Marvin Griffin Road, Augusta, Georgia 30906 - 3852 USA

TO CONTACT US...

North America:

**Technical Assistance & Warranty**

Phone: 1-800-774-3946, FAX: 1-800-448-8124

**Service Parts**

Phone: 1-888-GET-E-Z-GO (1-888-438-3946), FAX: 1-800-752-6175

International:

Phone: 001-706-798-4311, FAX: 001-706-771-4609

Service Parts Manuals, as well as Repair and Service Manuals are available from a local Distributor, an authorized Branch, Genuine E-Z-GO Parts & Accessories Department or at [www.shopezgo.com](http://www.shopezgo.com).

Copyrighted Material  
This manual may not be reproduced in whole or  
in part without the express permission of  
TSV Textron Inc.  
Technical Communications Department