

Parts Manual

STAMPEDE
4X4



TEXTRON[®]
OFF ROAD

647694-P

ISSUED MAY 2016

REVISED SEPT 2017

SERVICE PARTS MANUAL

GASOLINE POWERED VEHICLE

STAMPEDE 900

STARTING MODEL YEAR 2017

CALIFORNIA Proposition 65 Warning

WARNING: Motor vehicles may contain fuels, oils and fluids, battery posts, terminals, and related accessories which contain lead, lead compounds and other chemicals identified by the State of California to potentially cause cancer, birth defects and other reproductive harm. These chemicals are found in vehicles, vehicle parts and accessories, both new and replacements. During maintenance, these vehicles generate used oil, waste fluids, grease, fumes and particulates, all identified by the State of California to potentially cause cancer, birth defects, and other reproductive harm.

NOTICE: Your TEXTRON OFF ROAD STAMPEDE 900 is equipped with sophisticated exhaust and evaporative emission control systems. TEXTRON OFF ROAD has engineered the entire vehicle for optimum performance and minimal impact on the environment. As the owner, you may choose a qualified repair shop or person to maintain, replace, or repair emission control devices and systems with original or equivalent replacement parts. However, warranty, recall and all other services paid for by TEXTRON OFF ROAD must be performed at an authorized TEXTRON OFF ROAD service center. Installing non-equivalent or non-original components, neglecting maintenance, removing after treatment components, adjusting calibrations or otherwise disabling your emission control systems may void your warranty, cause injury or be a violation of Federal Law.

TO CONTACT US

NORTH AMERICA:

TECHNICAL ASSISTANCE & WARRANTY PHONE: 1-800-774-3946, FAX: 1-800-448-8124

SERVICE PARTS PHONE: 1-888-GET-EZGO (1-888-438-3946), FAX: 1-800-752-6175

INTERNATIONAL: PHONE: 001-706-798-4311, FAX: 001-706-771-4609

TEXTRON SPECIALIZED VEHICLES INC., 1451 MARVIN GRIFFIN RD., AUGUSTA, GEORGIA 30906-3852 USA

GENERAL INFORMATION

To obtain a copy of the limited warranty applicable to the vehicle, call or write a local Distributor, authorized Branch or the Warranty Department with vehicle serial number and manufacturer code.

The use of non Original Equipment Manufacturer (OEM) approved parts may void the warranty.

Tampering with or adjusting the governor to permit vehicle to operate at above factory specifications will void the vehicle warranty.

When servicing engines, all adjustments and replacement components must be per original vehicle specifications in order to maintain the United States of America Federal and State emission certification applicable at the time of manufacture.

BATTERY PROLONGED STORAGE

All batteries will self discharge over time. The rate of self discharge varies depending on the ambient temperature and the age and condition of the batteries.

A fully charged battery will not freeze in winter temperatures unless the temperature falls below -75° F (-60° C).

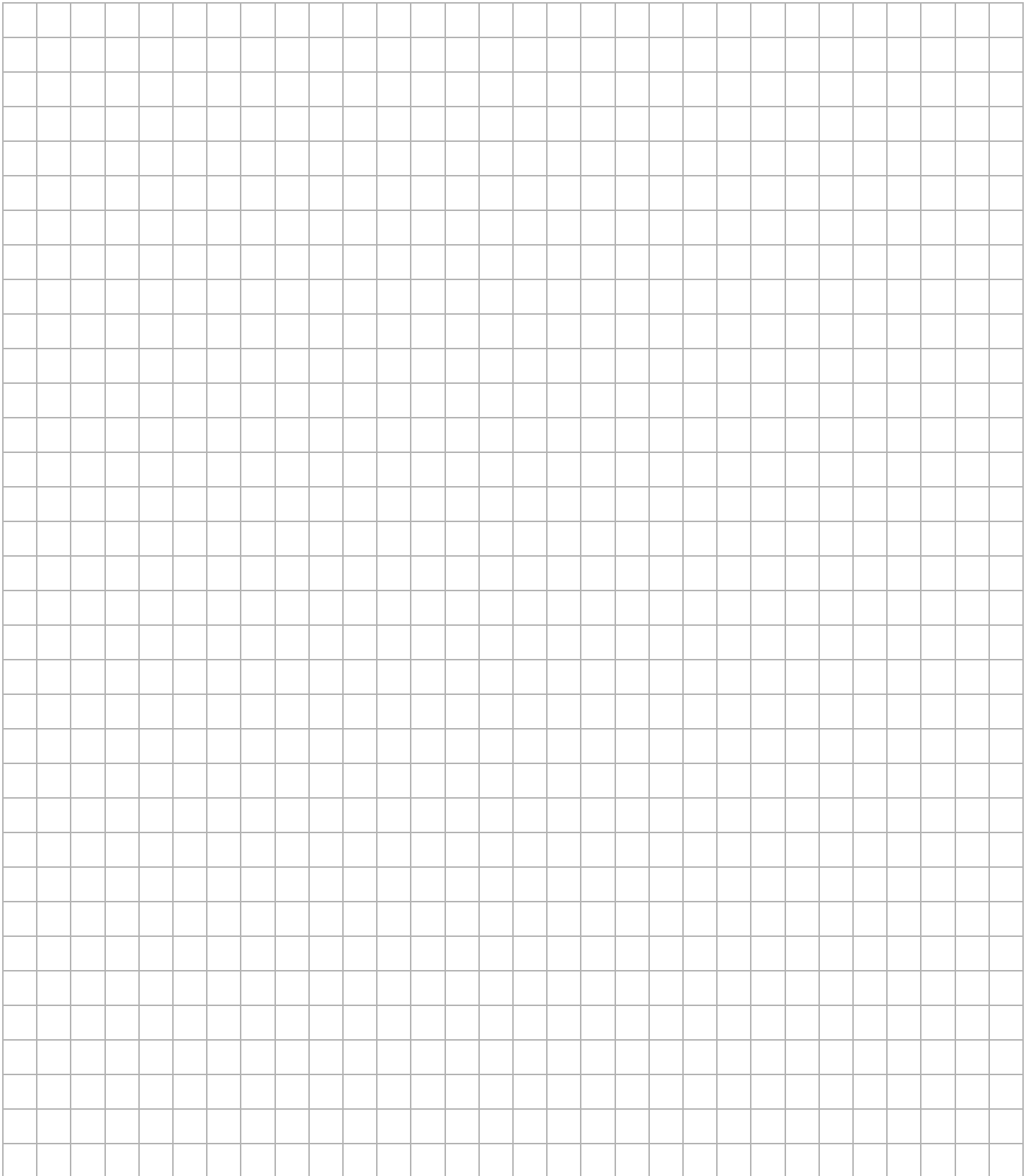
BATTERY DISPOSAL

Lead-acid batteries are recyclable. Return whole scrap batteries to distributor, manufacturer or lead smelter for recycling. For neutralized spills, place residue in acid-resistant containers with absorbent material, sand or earth and dispose of in accordance with local, state and federal regulations for acid and lead compounds. Contact local and/or state environmental officials regarding disposal information.

TABLE OF CONTENTS

| SECTION | Page No. |
|---|-----------------|
| HOW TO USE THE SERVICE PARTS MANUAL | V |
| AIR FILTER | A - 1 |
| EXTENDED CAB | B - 1 |
| BODY | C - 1 |
| BRAKES | D - 1 |
| PEDALS | E - 1 |
| DIRECTION AND DRIVE SELECTOR | F - 1 |
| DRIVETRAIN - FRONT | G - 1 |
| DRIVETRAIN - MID | H - 1 |
| DRIVETRAIN - REAR | J - 1 |
| ENGINE COOLING SYSTEM | K - 1 |
| ELECTRICAL | L - 1 |
| EXHAUST | M - 1 |
| ROPS | N - 1 |
| FRAME | P - 1 |
| FUEL SYSTEM | R - 1 |
| STEERING | S - 1 |
| FRONT SUSPENSION | T - 1 |
| REAR SUSPENSION | U - 1 |
| SEATING | V - 1 |
| TRUCK BED | W - 1 |
| WHEELS AND TIRES | X - 1 |
| DECALS AND LABELS | Y - 1 |

NOTES



HOW TO USE THE SERVICE PARTS MANUAL

This manual is divided into several sections:

- GENERAL INFORMATION
- ILLUSTRATED PARTS BREAKDOWN
- APPENDIX

The first section, GENERAL INFORMATION, contains the following information:

- WARRANTY INFORMATION
- TABLE OF CONTENT
- HOW TO USE THE SERVICE PARTS MANUAL

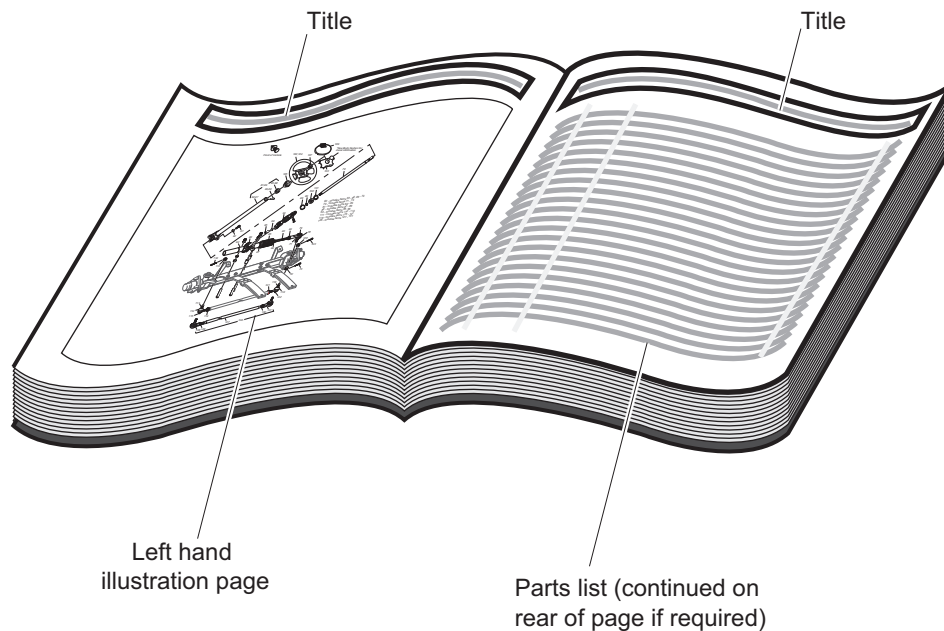
The second section, ILLUSTRATED PARTS BREAKDOWN, contains illustrations and parts lists for all systems of your vehicle.

USE OF THE MANUAL

To use this manual, consult the TABLE OF CONTENT to locate the information or illustration required.

Introduction of some revisions varies due to supply of components; therefore, it is possible that various combinations of components may be found that are not directly reflected by each illustration. Consult the illustration that best suits your situation and then contact the Service Parts Department. It is important that the serial number or VIN of your vehicle and the model name be supplied to Service Parts when ordering any replacement components.

HOW TO USE THE SERVICE PARTS MANUAL



1. WHEN THE PART NUMBER IS NOT KNOWN

- Determine the function and application of the part required. Turn to the Table of Content and select the most appropriate title.
- Turn to the page number indicated and locate the desired part on the illustration.
- From the illustration, obtain the item number assigned to the desired part. Refer to the accompanying description for specific information regarding the part.

2. IF YOU KNOW THE PART NUMBER

- Locate the part number or description in the appropriate column on the parts list page.

NOTE: It is suggested that you confirm that the part selected is correct by verifying it with the pictorial representation on the illustrated page.

Should an asterisk (*) appear in the part number column on the parts list page, read upwards until a part number is found. The part number is the lowest assembly sold by Service Parts and the asterisk (*) indicates that the part depicted is not available for purchase.

NOTE: Descriptions are indented under the assembly that they are used on. That assembly is, in turn listed under the assembly that it is used on. This process is repeated until the highest final assembly is reached.

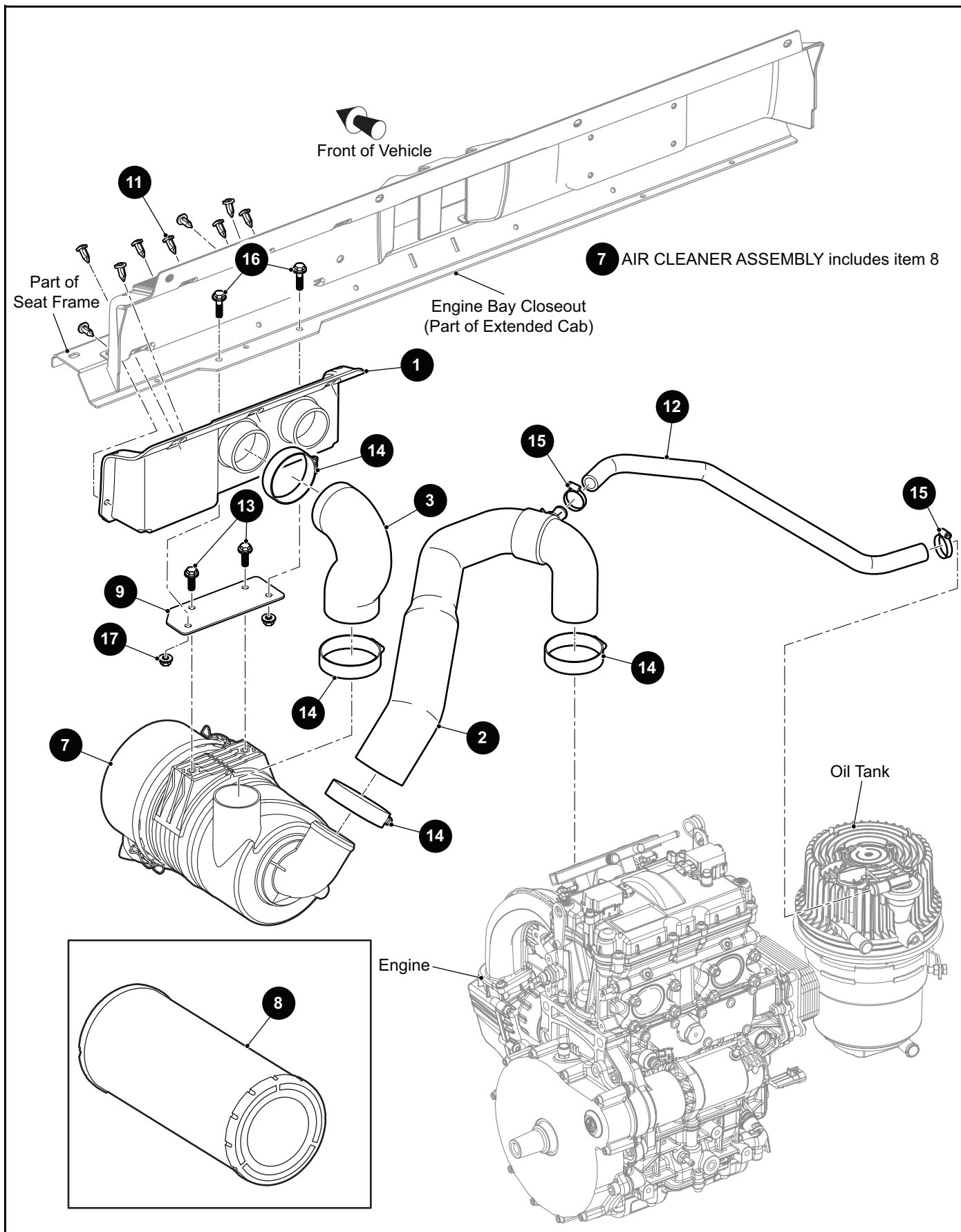
To facilitate the maintenance and repair of the vehicle, a Technician's Repair and Service Manual is available from the Service Parts Department.

3. COLOR CODE FOR BODY COMPONENTS

The last two digits of the part number for the body part will denote the color code, locate the part number for the cowl, rear body, seat pod, side panel or seat wrap then locate your color in the list below, replace the last ** or XX with the two digit color code.

| <u>CODE #</u> | <u>DESCRIPTION</u> |
|---------------|------------------------|
| 11 | BLACK |
| 20 | INFERNO RED METALLIC |
| 37 | FOREST GREEN |
| 38 | BRIGHT WHITE |
| 41 | ELECTRIC BLUE |
| 42 | PLATINUM |
| 78 | REAL TREE EXTRA DIPPED |

AIR FILTER



THE USE OF NON U.L. PARTS WILL VOID ANY U.L. LISTING.

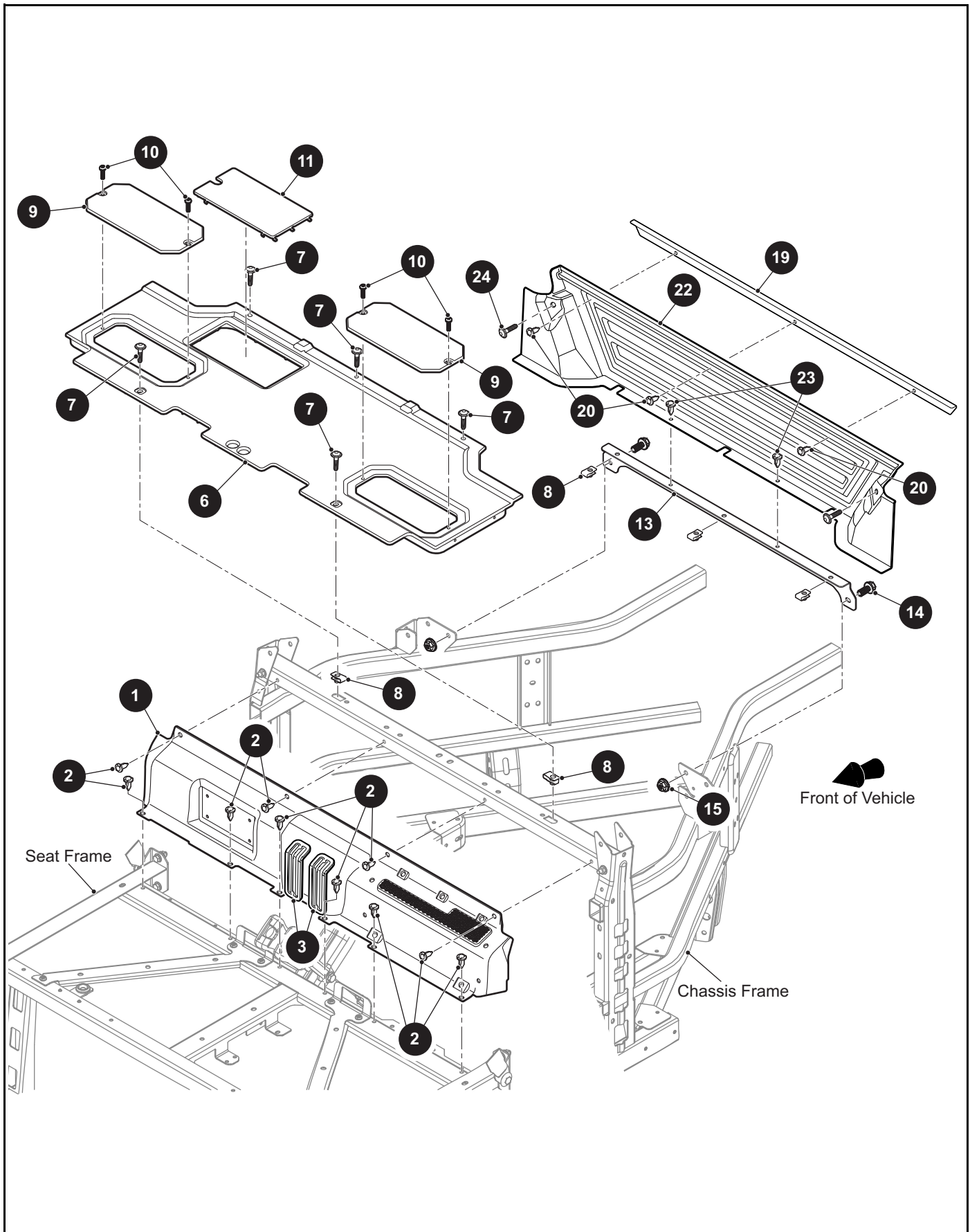
When ordering parts, please specify the model and serial number of the product.

* Indicates a component that is not available as an individual part.

*** Indicates consult Customer Service Department for additional information.

| ITEM | PART NO. | 1 2 3 4 5 | DESCRIPTION | QTY. |
|------|----------|-----------|--|------|
| 1 | 646819 | | AIR BOX CONNECTOR | 1 |
| 2 | 646763 | | HOSE (AIR CLEANER)..... | 1 |
| 3 | 646710 | | HOSE (INTAKE TO AIR CLEANER) | 1 |
| 4 | | | | |
| 5 | | | | |
| 6 | | | | |
| 7 | 646705 | | AIR CLEANER ASSEMBLY (INCLUDES ITEM 8) | 1 |
| 8 | 652091 | | CARTRIDGE | 1 |
| 9 | 650540 | | AIR CLEANER MOUNTING BRACKET..... | 1 |
| 10 | | | | |
| 11 | 645637 | | REMOVABLE RIVET, 8.13MM DIA X 21MM LG | 9 |
| 12 | 642127 | | HOSE (BLOW BY), 16MM | 1 |
| 13 | 606261 | | FLANGED HEX HEAD BOLT, M8 - 1 X 20MM LG..... | 2 |
| 14 | 11391G2 | | HOSE CLAMP, 2.06" | 4 |
| 15 | 649482 | | HOSE CLAMP, 25 - 40MM..... | 2 |
| 16 | 602330 | | FLANGED HEX HEAD BOLT, M8 - 1 X 30MM LG..... | 2 |
| 17 | 645956 | | FLANGED HEX LOCK NUT, M8 X 1.25..... | 2 |

EXTENDED CAB



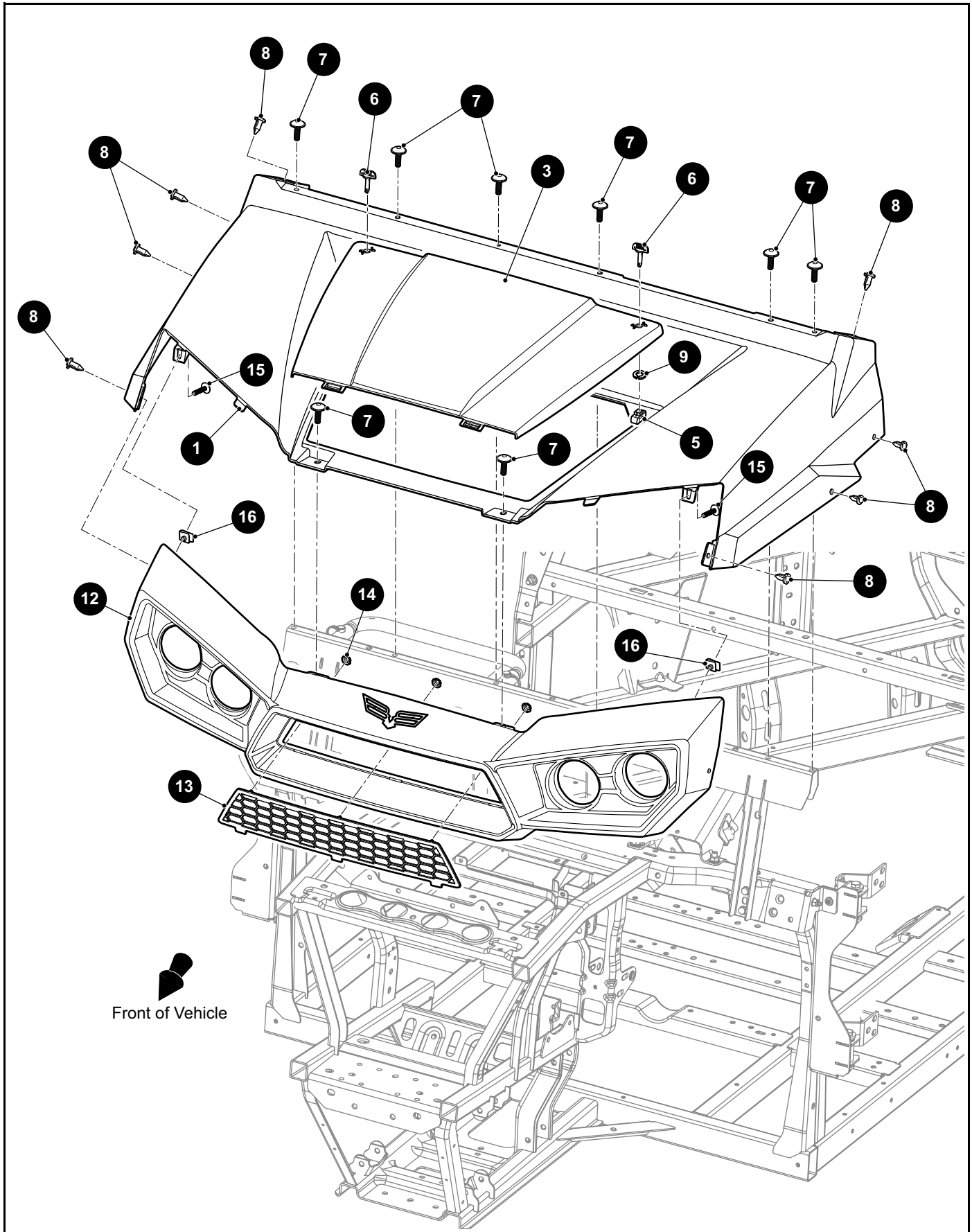
THE USE OF NON U.L. PARTS WILL VOID ANY U.L. LISTING.

When ordering parts, please specify the model and serial number of the product.

* Indicates a component that is not available as an individual part.

*** Indicates consult Customer Service Department for additional information.

| ITEM | PART NO. | 1 2 3 4 5 | DESCRIPTION | QTY. |
|------|----------|-----------|--|------|
| 1 | 643524 | | ENGINE BAY CLOSEOUT..... | 1 |
| 2 | 645637 | | REMOVABLE RIVET, 8.13MM DIA X 21MM LG..... | 10 |
| 3 | 643207 | | SHIFTER BOOT..... | 2 |
| 4 | | | | |
| 5 | | | | |
| 6 | 641321 | | CARGO TRAY (HEAT SHIELD REQUIRED SEE SECTION M)..... | 1 |
| 7 | 645323 | | PAN WASHER HEAD TORX SCREW, M6 - 1 X 25MM LG..... | 5 |
| 8 | 602409 | | BARREL CLIP, M6 - 1..... | 5 |
| 9 | 645312 | | STORAGE POCKET COVER (HEAT SHIELD REQUIRED SEE SECTION M) | 2 |
| 10 | 649803 | | PAN HEAD TORX SCREW, M6 - 2.65 X 25MM LG..... | 4 |
| 11 | 660586 | | CARGO TRAY DOOR (HEAT SHIELD REQUIRED SEE SECTION M) | 1 |
| 12 | | | | |
| 13 | 643190 | | CROSSMEMBER (C-PILLAR)..... | 1 |
| 14 | 603799 | | FLANGED HEX HEAD BOLT, M10 - 1.5 X 25MM LG..... | 2 |
| 15 | 600525 | | LOCK NUT, M10 - 1.5..... | 2 |
| 16 | | | | |
| 17 | | | | |
| 18 | | | | |
| 19 | 653516 | | EXTENDED CAB SUPPORT..... | 1 |
| 20 | 645637 | | REMOVABLE RIVET, 8.13MM DIA X 21MM LG..... | 3 |
| 21 | | | | |
| 22 | 641789 | | CLOSEOUT (EXTENDED CAB)..... | 1 |
| 23 | 645637 | | REMOVABLE RIVET, 8.13MM DIA X 21MM LG..... | 2 |
| 24 | 645323 | | PAN WASHER HEAD TORX SCREW, M6 - 1 X 25MM LG..... | 2 |



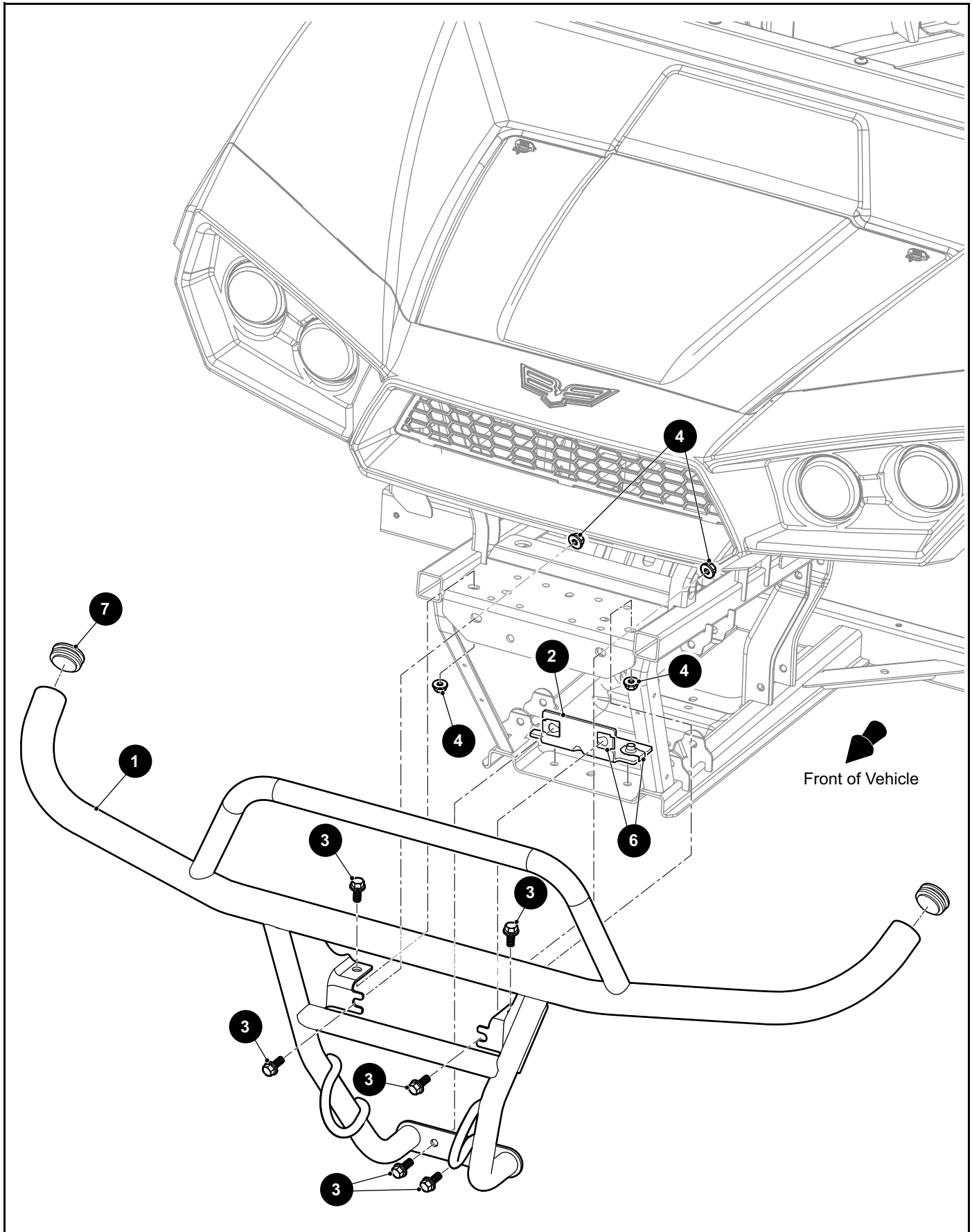
THE USE OF NON U.L. PARTS WILL VOID ANY U.L. LISTING.

When ordering parts, please specify the model and serial number of the product.

* Indicates a component that is not available as an individual part.

*** Indicates consult Customer Service Department for additional information.

| ITEM | PART NO. | 1 2 3 4 5 | DESCRIPTION | QTY. |
|------|-------------|-----------|---|------|
| 1 | 663088G00XX | | COWL (See COLOR CODE in HOW TO USE Section) | 1 |
| 2 | | | | |
| 3 | 641259G00XX | | COWL ACCESS PANEL (See COLOR CODE in HOW TO USE Section)..... | 1 |
| 4 | | | | |
| 5 | 654333 | | RETAINER (BASE) | 2 |
| 6 | 653127 | | FASTENER (QUARTER TURN) | 2 |
| 7 | 644969 | | PAN WASHER HEAD SELF TAPPING SCREW, M6 - 1 X 20MM LG | 8 |
| 8 | 645637 | | REMOVABLE RIVET, 8.13MM DIA X 21MM LG | 8 |
| 9 | 618255 | | RETAINER RING | 2 |
| 10 | | | | |
| 11 | | | | |
| 12 | 663105 | | FRONT FASCIA..... | 1 |
| 13 | 641408 | | GRILL INSERT..... | 1 |
| 14 | 71597G01 | | SELF THREADING NUT, 5 X 10 X 15MM | 3 |
| 15 | 645323 | | PAN WASHER HEAD TORX SCREW, M6 - 1 X 23.4MM LG | 2 |
| 16 | 602409 | | BARREL CLIP, M6 - 1 | 2 |



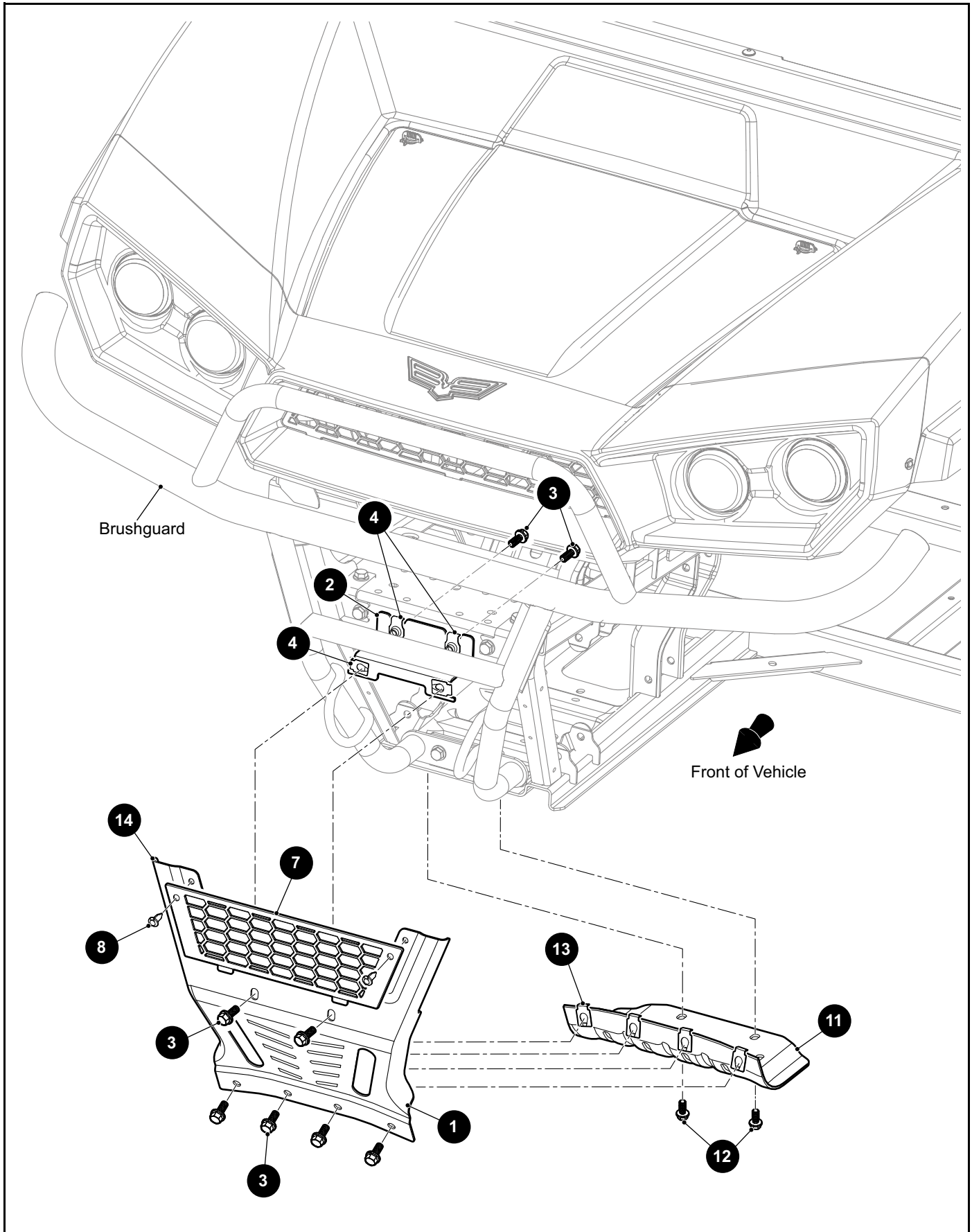
THE USE OF NON U.L. PARTS WILL VOID ANY U.L. LISTING.

When ordering parts, please specify the model and serial number of the product.

* Indicates a component that is not available as an individual part.

*** Indicates consult Customer Service Department for additional information.

| ITEM | PART NO. | 1 2 3 4 5 | DESCRIPTION | QTY. |
|------|----------|-----------|---|------|
| 1 | 641773 | | BRUSHGUARD..... | 1 |
| 2 | 647171 | | BRUSHGUARD BRACKET..... | 1 |
| 3 | 603799 | | FLANGED HEX HEAD BOLT, M10 - 1.5 X 25MM LG..... | 6 |
| 4 | 600525 | | LOCK NUT, M10 - 1.5 | 4 |
| 5 | | | | |
| 6 | 603818 | | BARREL CLIP, M10 - 1.5 | 4 |
| 7 | 630762 | | PLUG (PLASTIC), 1.75" O.D. | 1 |



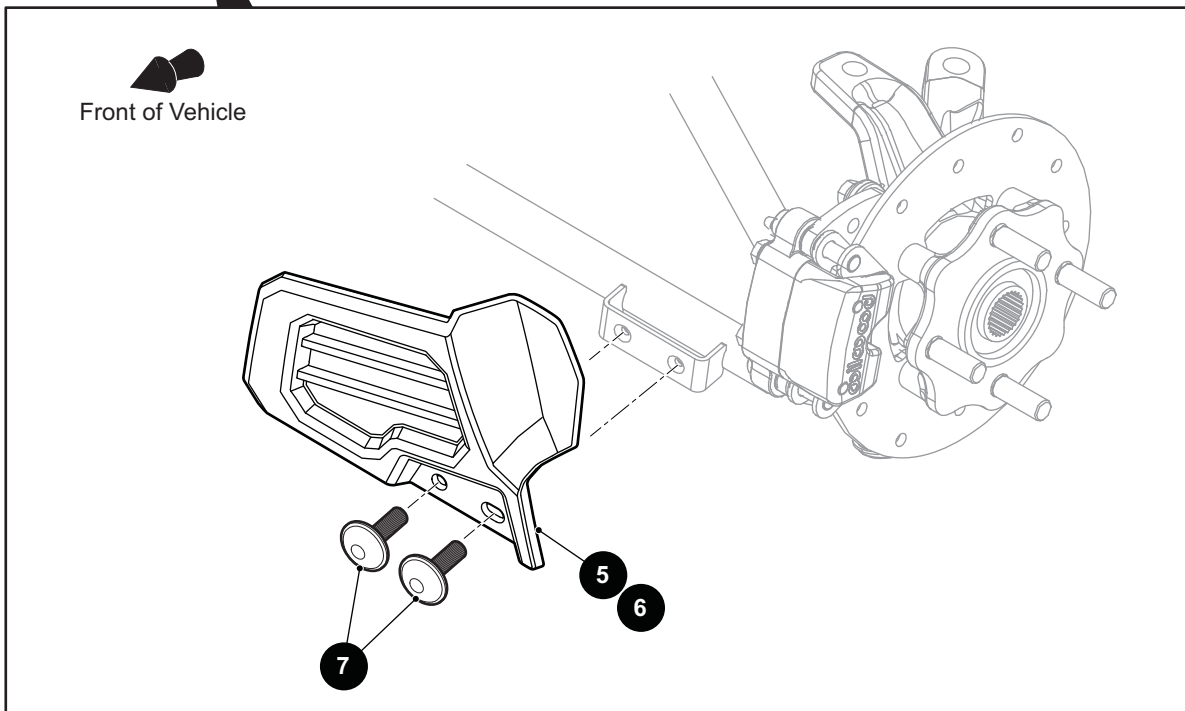
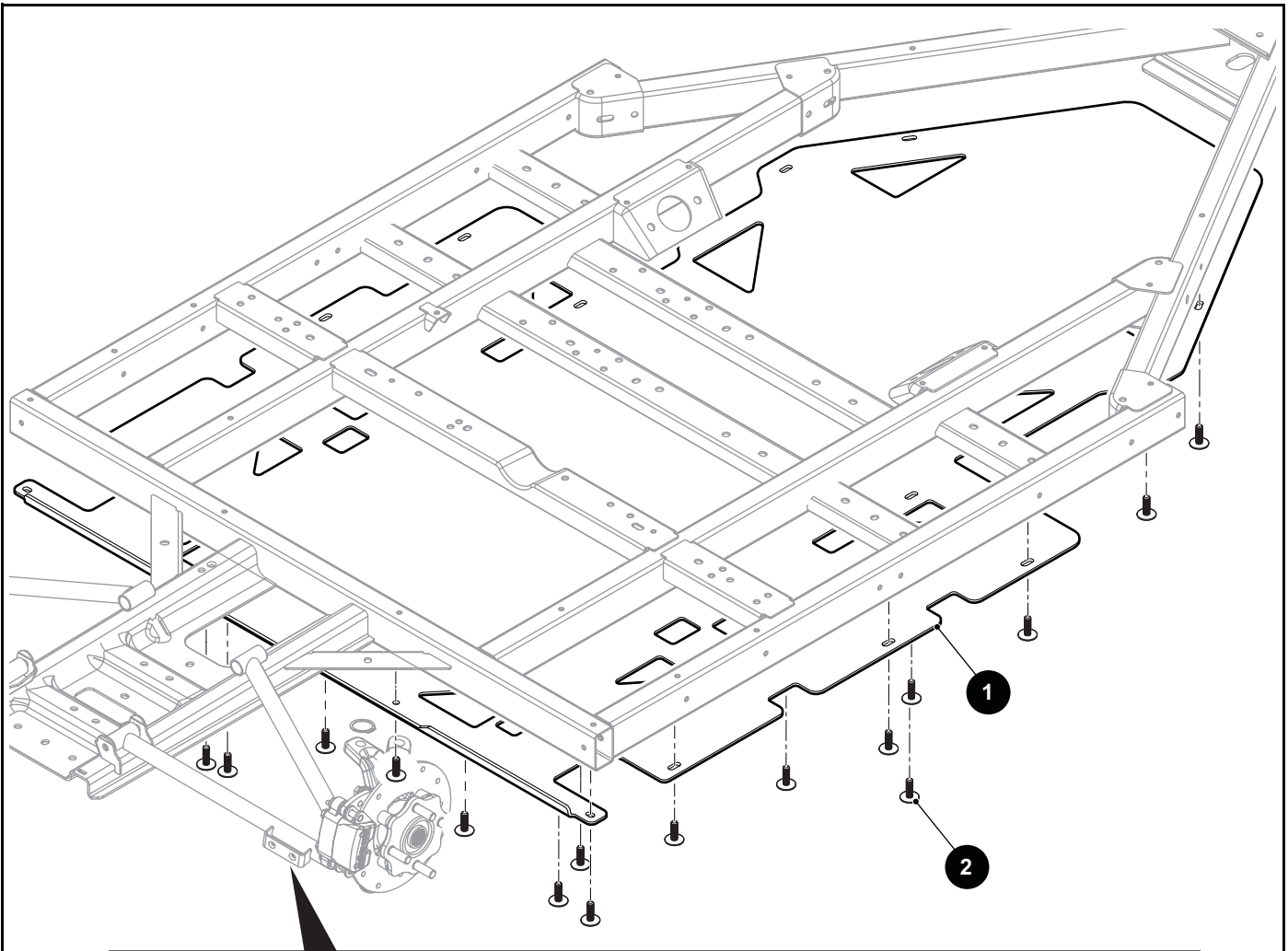
THE USE OF NON U.L. PARTS WILL VOID ANY U.L. LISTING.

When ordering parts, please specify the model and serial number of the product.

* Indicates a component that is not available as an individual part.

*** Indicates consult Customer Service Department for additional information.

| ITEM | PART NO. | 1 2 3 4 5 | DESCRIPTION | QTY. |
|------|----------|-----------|---|------|
| 1 | 652651 | | FRAME SHIELD (UPPER)..... | 1 |
| 2 | 651894 | | SHIELD MOUNT BRACKET | 1 |
| 3 | 603799 | | FLANGED HEX HEAD BOLT, M10 - 1.5 X 25MM LG..... | 8 |
| 4 | 603818 | | BARREL CLIP, M10 - 1.5 | 4 |
| 5 | | | | |
| 6 | | | | |
| 7 | 650827 | | WINCH CLOSEOUT | 1 |
| 8 | 645637 | | REMOVABLE RIVET, 8.13MM DIA X 21MM LG..... | 2 |
| 9 | | | | |
| 10 | | | | |
| 11 | 652652 | | FRAME SHIELD (LOWER)..... | 1 |
| 12 | 603799 | | FLANGED HEX HEAD BOLT, M10 - 1.5 X 25MM LG..... | 2 |
| 13 | 603818 | | BARREL CLIP, M10 - 1.5 | 4 |



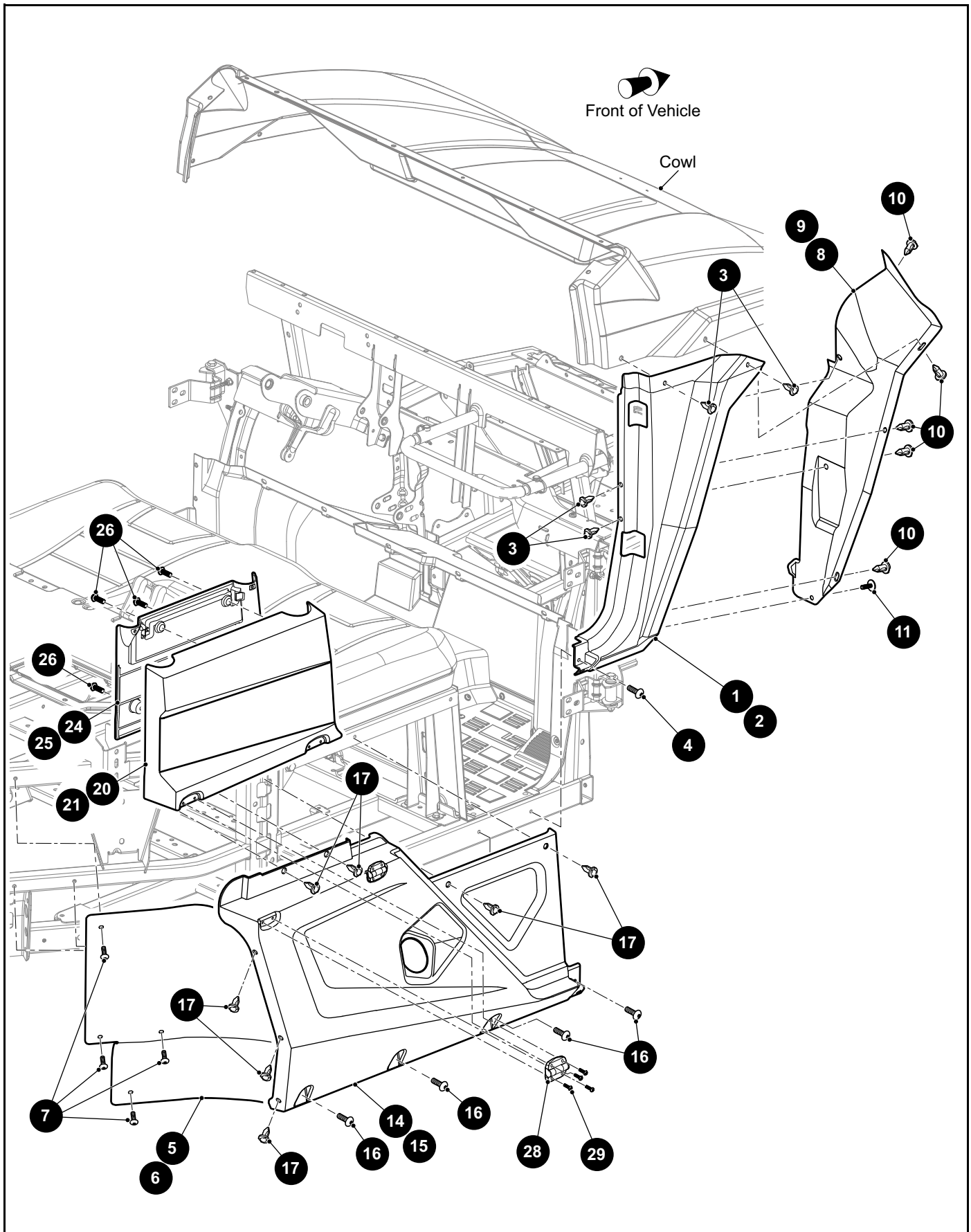
THE USE OF NON U.L. PARTS WILL VOID ANY U.L. LISTING.

When ordering parts, please specify the model and serial number of the product.

* Indicates a component that is not available as an individual part.

*** Indicates consult Customer Service Department for additional information.

| ITEM | PART NO. | 1 2 3 4 5 | DESCRIPTION | QTY. |
|------|-----------|-----------|--|------|
| 1 | 642513 | | SKID GUARD..... | 1 |
| 2 | 644969 | | PAN WASHER HEAD SELF TAPPING SCREW, M6 - 1 X 20MM LG | 18 |
| 3 | | | | |
| 4 | | | | |
| 5 | 642512G01 | | CV GUARD (DRIVER SIDE)..... | 1 |
| 6 | 642512G02 | | CV GUARD (PASSENGER SIDE) | 1 |
| 7 | 644969 | | PAN WASHER HEAD SELF TAPPING SCREW, M6 - 1 X 20MM LG | 2 |



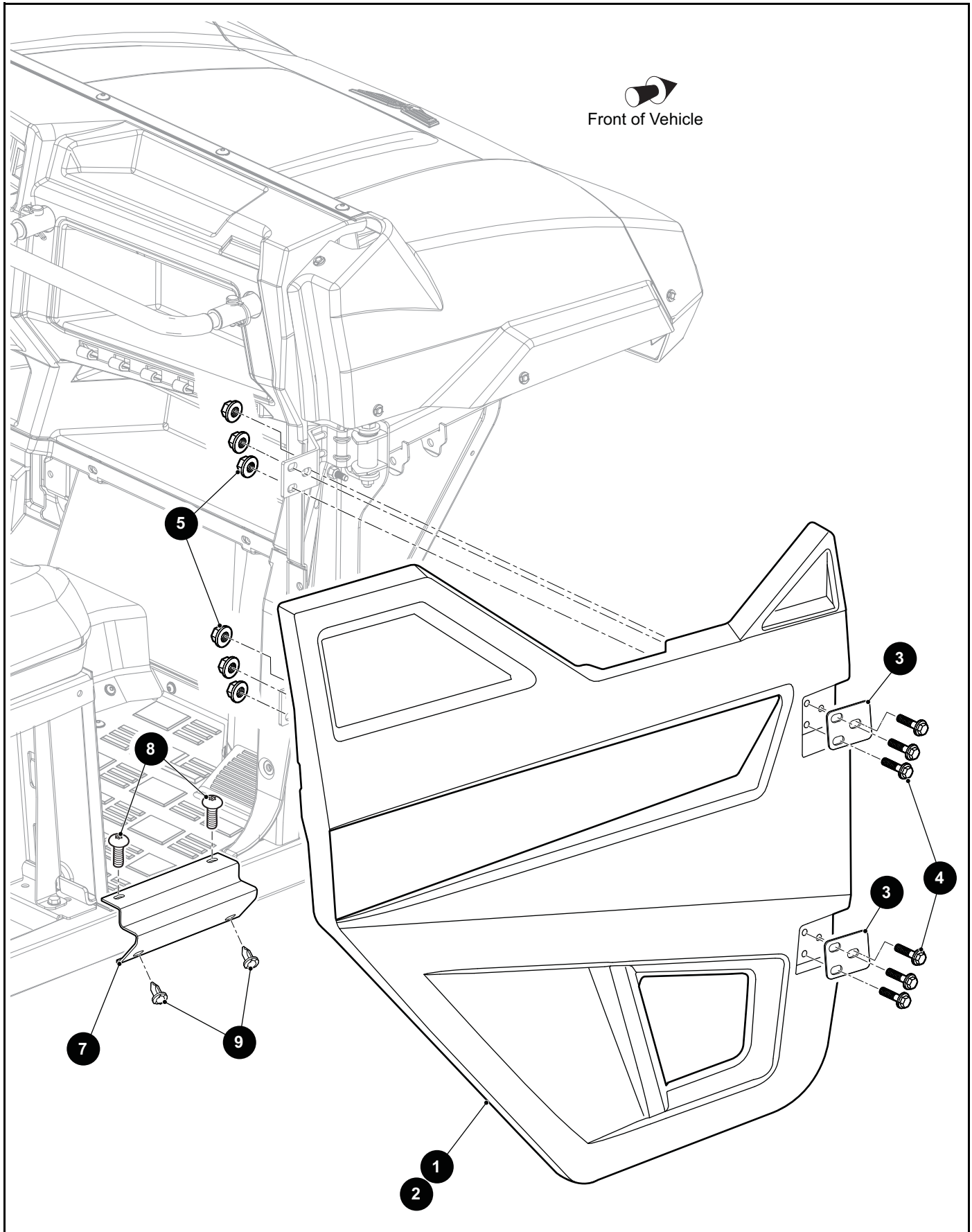
THE USE OF NON U.L. PARTS WILL VOID ANY U.L. LISTING.

When ordering parts, please specify the model and serial number of the product.

* Indicates a component that is not available as an individual part.

*** Indicates consult Customer Service Department for additional information.

| ITEM | PART NO. | 1 2 3 4 5 | DESCRIPTION | QTY. |
|------|-----------|-----------|--|------|
| 1 | 641176G01 | | FRONT FENDER (DRIVER SIDE)..... | 1 |
| 2 | 641176G02 | | FRONT FENDER (PASSENGER SIDE) | 1 |
| 3 | 645637 | | REMOVABLE RIVET, 8.13MM DIA X 21MM LG | 4 |
| 4 | 644969 | | PAN WASHER HEAD SELF TAPPING SCREW, M6 - 1 X 20MM LG | 1 |
| 5 | 642510G01 | | REAR WHEEL WELL (DRIVER SIDE) | 1 |
| 6 | 642510G02 | | REAR WHEEL WELL (PASSENGER SIDE)..... | 1 |
| 7 | 644969 | | PAN WASHER HEAD SELF TAPPING SCREW, M6 - 1 X 20MM LG | 4 |
| 8 | 646343G01 | | FENDER LINER (DRIVER SIDE) | 1 |
| 9 | 646343G02 | | FENDER LINER (PASSENGER SIDE)..... | 1 |
| 10 | 645637 | | REMOVABLE RIVET, 8.13MM DIA X 21MM LG | 5 |
| 11 | 644969 | | PAN WASHER HEAD SELF TAPPING SCREW, M6 - 1 X 20MM LG | 1 |
| 12 | | | | |
| 13 | | | | |
| 14 | 641177G01 | | REAR QUARTER PANEL (DRIVER SIDE)..... | 1 |
| 15 | 641177G02 | | REAR QUARTER PANEL (PASSENGER SIDE) | 1 |
| 16 | 644969 | | PAN WASHER HEAD SELF TAPPING SCREW, M6 - 1 X 20MM LG | 4 |
| 17 | 645637 | | REMOVABLE RIVET, 8.13MM DIA X 21MM LG | 7 |
| 18 | | | | |
| 19 | | | | |
| 20 | 641180G01 | | EXTENDED CAB DOOR (DRIVER SIDE)..... | 1 |
| 21 | 641180G02 | | EXTENDED CAB DOOR (PASSENGER SIDE) | 1 |
| 22 | | | | |
| 23 | | | | |
| 24 | 645572G01 | | DOOR INNER COVER, EXTENDED CAB (DRIVER SIDE)..... | 1 |
| 25 | 645572G02 | | DOOR INNER COVER, EXTENDED CAB (PASSENGER SIDE) | 1 |
| 26 | 646047 | | PLASTITE SCREW, M6 - 2.14 X 20MM LG..... | 4 |
| 27 | | | | |
| 28 | 644476 | | HINGE..... | 2 |
| 29 | 646140 | | THREAD FORM SCREW, M4 - 1.79 X 16MM LG | 4 |



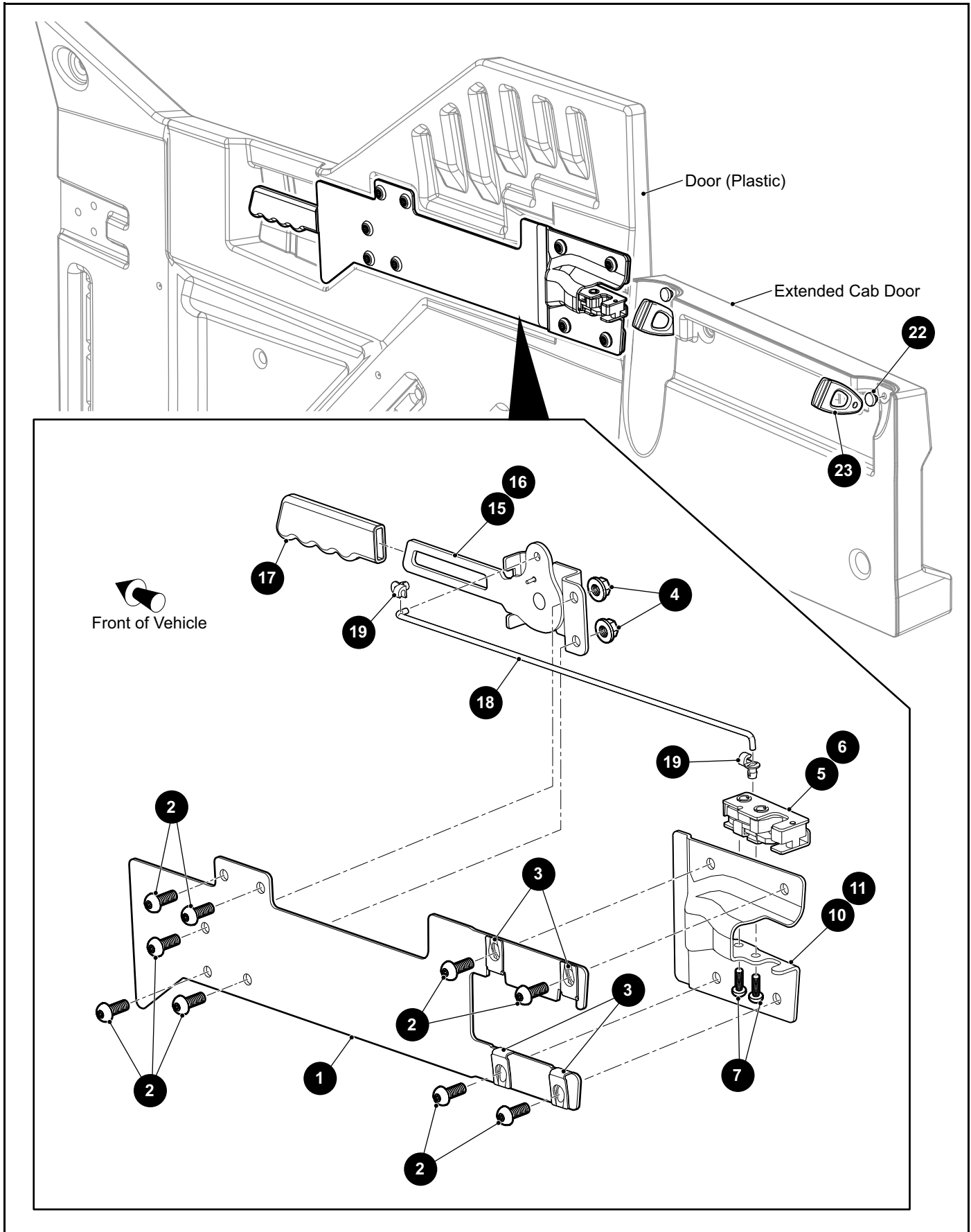
THE USE OF NON U.L. PARTS WILL VOID ANY U.L. LISTING.

When ordering parts, please specify the model and serial number of the product.

* Indicates a component that is not available as an individual part.

*** Indicates consult Customer Service Department for additional information.

| ITEM | PART NO. | 1 2 3 4 5 | DESCRIPTION | QTY. |
|------|-----------|-----------|--|------|
| 1 | 667125G01 | | DOOR (PLASTIC) (DRIVER SIDE)..... | 1 |
| 2 | 667125G02 | | DOOR (PLASTIC) (PASSENGER SIDE) | 1 |
| 3 | 649789 | | DOOR HINGE PLATE | 2 |
| 4 | 649879 | | FLANGED HEX HEAD BOLT, M10 - 1.5 X 30MM LG..... | 6 |
| 5 | 600525 | | LOCK NUT, M10 - 1.5 | 6 |
| 6 | | | | |
| 7 | 641395 | | ROCKER PANEL | 1 |
| 8 | 644969 | | PAN WASHER HEAD SELF TAPPING SCREW, M6 - 1 X 20MM LG | 2 |
| 9 | 645637 | | REMOVABLE RIVET, 8.13MM DIA X 21MM LG..... | 2 |



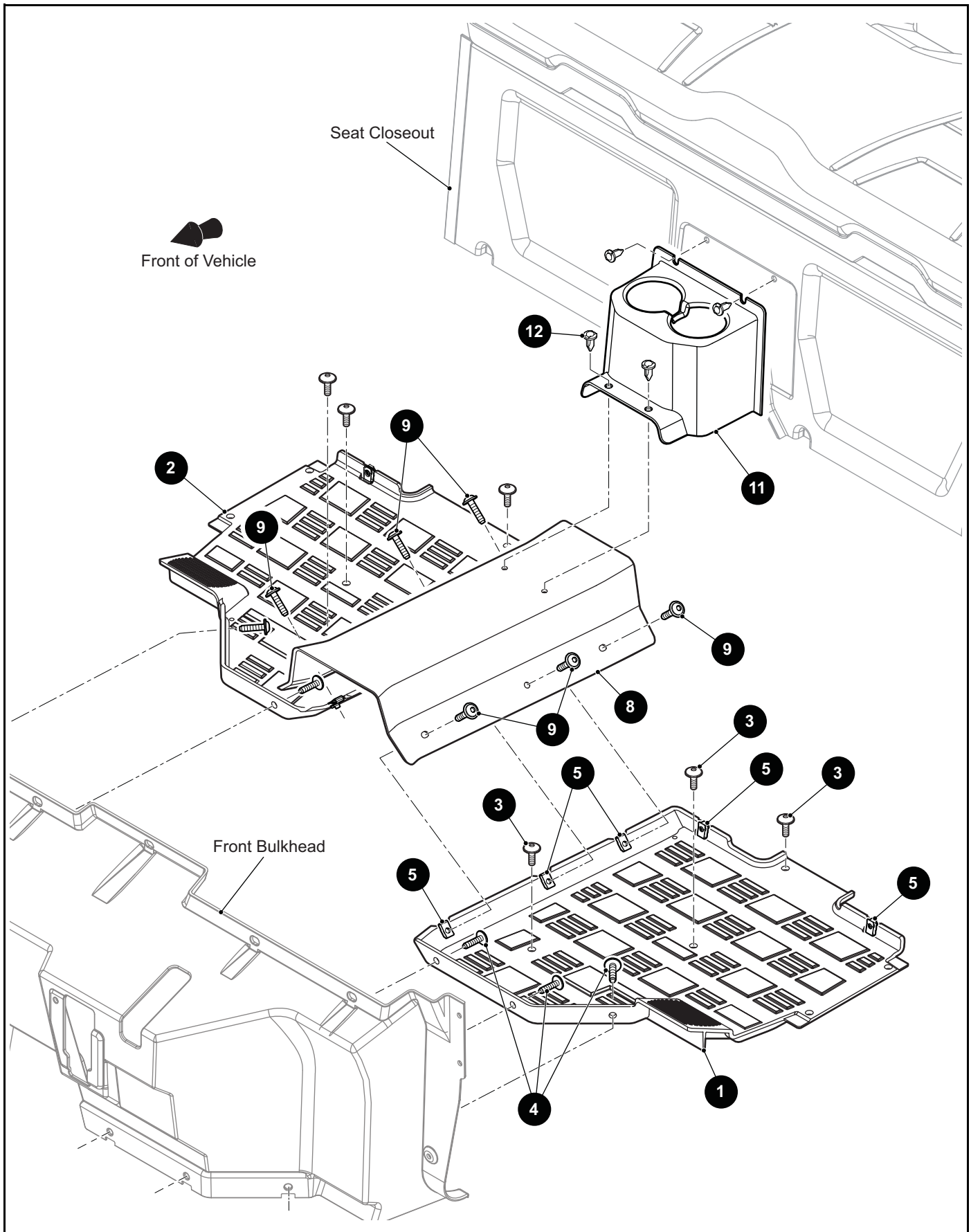
THE USE OF NON U.L. PARTS WILL VOID ANY U.L. LISTING.

When ordering parts, please specify the model and serial number of the product.

* Indicates a component that is not available as an individual part.

*** Indicates consult Customer Service Department for additional information.

| ITEM | PART NO. | 1 2 3 4 5 | DESCRIPTION | QTY. |
|------|-----------|-----------|--|------|
| 1 | 649618 | | COVER PLATE (INNER DOOR)..... | 1 |
| 2 | 646371 | | PAN HEAD BOLT, M8 - 1.25 X 20MM LG..... | 9 |
| 3 | 649696 | | BARREL CLIP, M8 - 1.25..... | 4 |
| 4 | 645956 | | FLANGED HEX LOCK NUT, M8 - 1.25..... | 2 |
| 5 | 647318G01 | | DOOR LATCH (DRIVER SIDE)..... | 1 |
| 6 | 647318G02 | | DOOR LATCH (PASSENGER SIDE)..... | 1 |
| 7 | 650084 | | BUTTON HEAD TORX BOLT WITH PATCH LOCK, M6 - 1 X 20MM LG..... | 2 |
| 8 | | | | |
| 9 | | | | |
| 10 | 647311G01 | | LATCH MOUNT BRACKET (DRIVER SIDE)..... | 1 |
| 11 | 647311G02 | | LATCH MOUNT BRACKET (PASSENGER SIDE)..... | 1 |
| 12 | | | | |
| 13 | | | | |
| 14 | | | | |
| 15 | 649300G01 | | DOOR LEVER ASSEMBLY (DRIVER SIDE)..... | 1 |
| 16 | 649300G02 | | DOOR LEVER ASSEMBLY (PASSENGER SIDE)..... | 1 |
| 17 | 648236 | | GRIP..... | 1 |
| 18 | 647301 | | PUSH ROD (DOOR)..... | 1 |
| 19 | 656804 | | PUSH ROD CLIP..... | 2 |
| 20 | | | | |
| 21 | | | | |
| 22 | 646166 | | BUMPER STOP (RUBBER)..... | 2 |
| 23 | 647484 | | RUBBER STRAP..... | 2 |



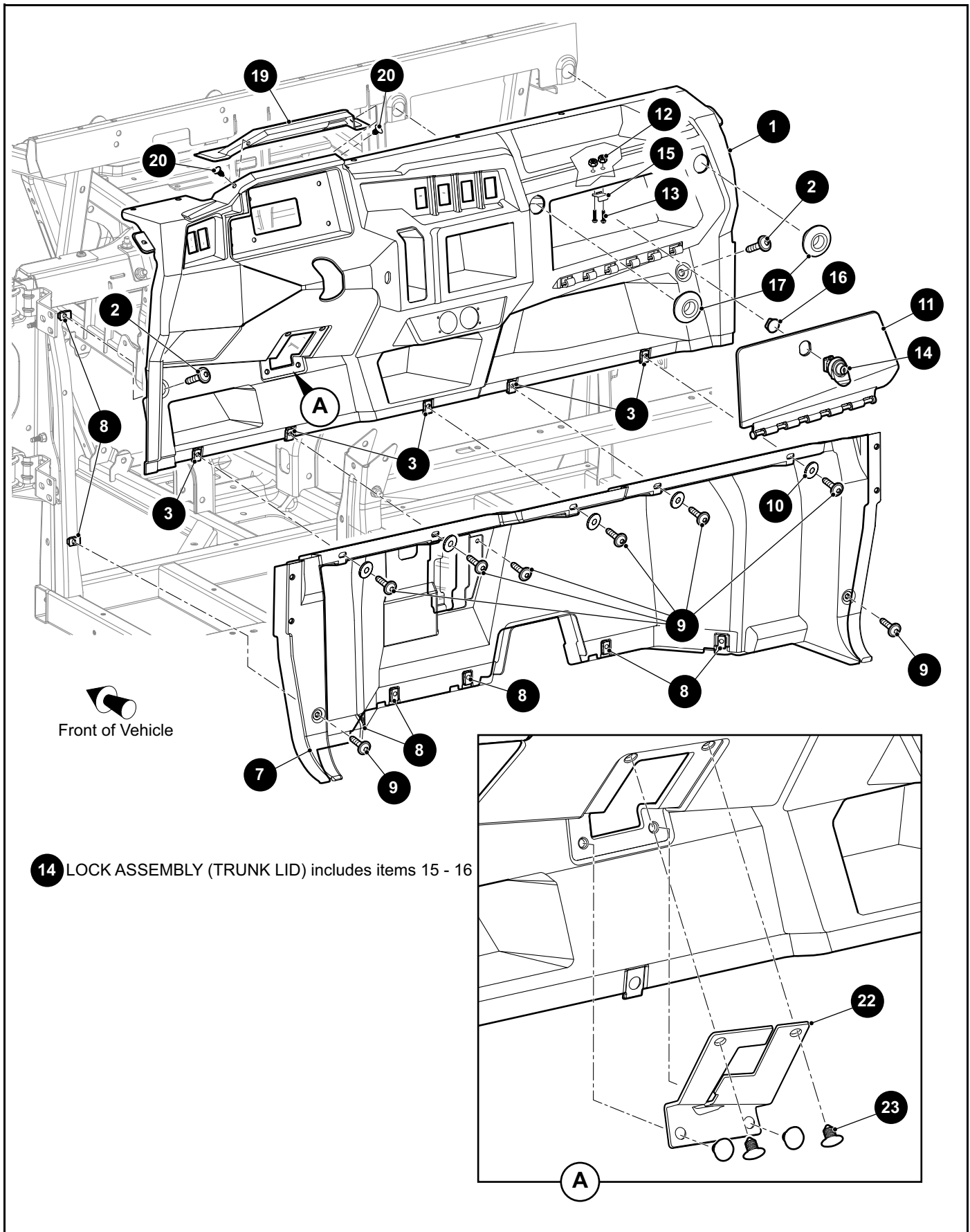
THE USE OF NON U.L. PARTS WILL VOID ANY U.L. LISTING.

When ordering parts, please specify the model and serial number of the product.

* Indicates a component that is not available as an individual part.

*** Indicates consult Customer Service Department for additional information.

| ITEM | PART NO. | 1 2 3 4 5 | DESCRIPTION | QTY. |
|------|----------|-----------|--|------|
| 1 | 641759 | | FLOORBOARD (DRIVER SIDE)..... | 1 |
| 2 | 641840 | | FLOORBOARD (PASSENGER SIDE) | 1 |
| 3 | 644969 | | PAN WASHER HEAD SELF TAPPING SCREW, M6 - 1 X 20MM LG | 3 |
| 4 | 645323 | | PAN WASHER HEAD TORX SCREW, M6 - 1 X 23.4MM LG | 3 |
| 5 | 602409 | | BARREL CLIP, M6 - 1 | 5 |
| 6 | | | | |
| 7 | | | | |
| 8 | 641839 | | CENTER CHANNEL | 1 |
| 9 | 645323 | | PAN WASHER HEAD TORX SCREW, M6 - 1 X 23.4MM LG | 6 |
| 10 | | | | |
| 11 | 641662 | | CUP HOLDER..... | 1 |
| 12 | 645637 | | REMOVABLE RIVET, 8.13MM DIA X 21MM LG | 4 |



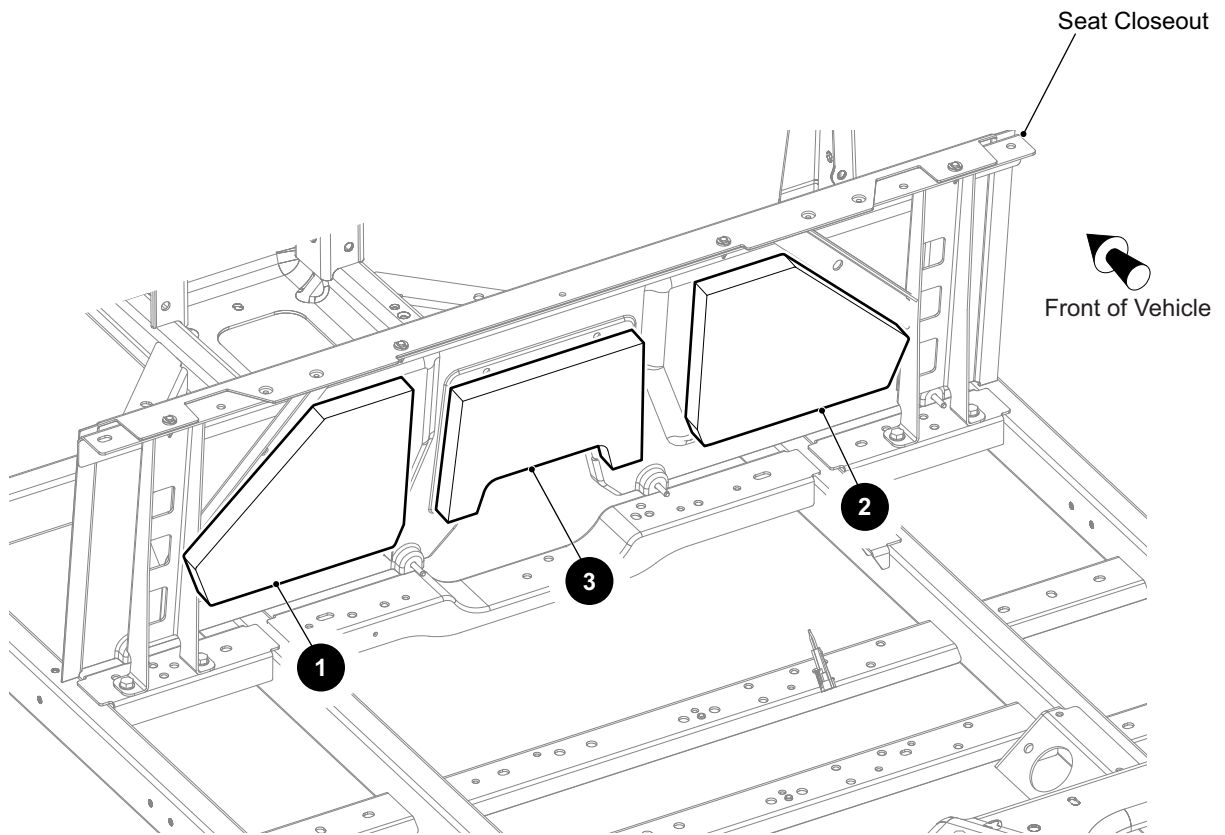
THE USE OF NON U.L. PARTS WILL VOID ANY U.L. LISTING.

When ordering parts, please specify the model and serial number of the product.

* Indicates a component that is not available as an individual part.

*** Indicates consult Customer Service Department for additional information.

| ITEM | PART NO. | 1 2 3 4 5 | DESCRIPTION | QTY. |
|------|-----------|-----------|--|------|
| 1 | 641398G01 | | INSTRUMENT PANEL | 1 |
| 2 | 645323 | | PAN WASHER HEAD TORX SCREW, M6 - 1 X 23.4MM LG | 2 |
| 3 | 602409 | | BARREL CLIP, M6 - 1 | 5 |
| 4 | | | | |
| 5 | | | | |
| 6 | | | | |
| 7 | 641393 | | FRONT BULKHEAD | 1 |
| 8 | 602409 | | BARREL CLIP, M6 - 1 | 10 |
| 9 | 645323 | | PAN WASHER HEAD TORX SCREW, M6 - 1 X 23.4MM LG | 8 |
| 10 | 608747 | | FLAT WASHER, M6 - 1.5..... | 5 |
| 11 | 651762 | | GLOVEBOX ASSEMBLY | 1 |
| 12 | 656945 | | HEX NUT, M3 - .5..... | 2 |
| 13 | 656792 | | PAN HEAD PHILLIPS SCREW, M3 - .5 X 12MM LG..... | 2 |
| 14 | 612516 | | LOCK ASSEMBLY (TRUNK LID) (INCLUDES ITEMS 15 - 16) | 1 |
| 15 | * | | PLATE | 1 |
| 16 | * | | NUT | 1 |
| 17 | 648556 | | GRAB BAR CLOSEOUT..... | 2 |
| 18 | | | | |
| 19 | 643939 | | INSTRUMENT PANEL HOOD | 1 |
| 20 | 16816G1 | | RATCHET RIVET, .25" X .680" | 2 |
| 21 | | | | |
| 22 | 646121 | | INSTRUMENT PANEL CLOSEOUT | 1 |
| 23 | 16816G1 | | RATCHET RIVET, .25" X .680" | 4 |



THE USE OF NON U.L. PARTS WILL VOID ANY U.L. LISTING.

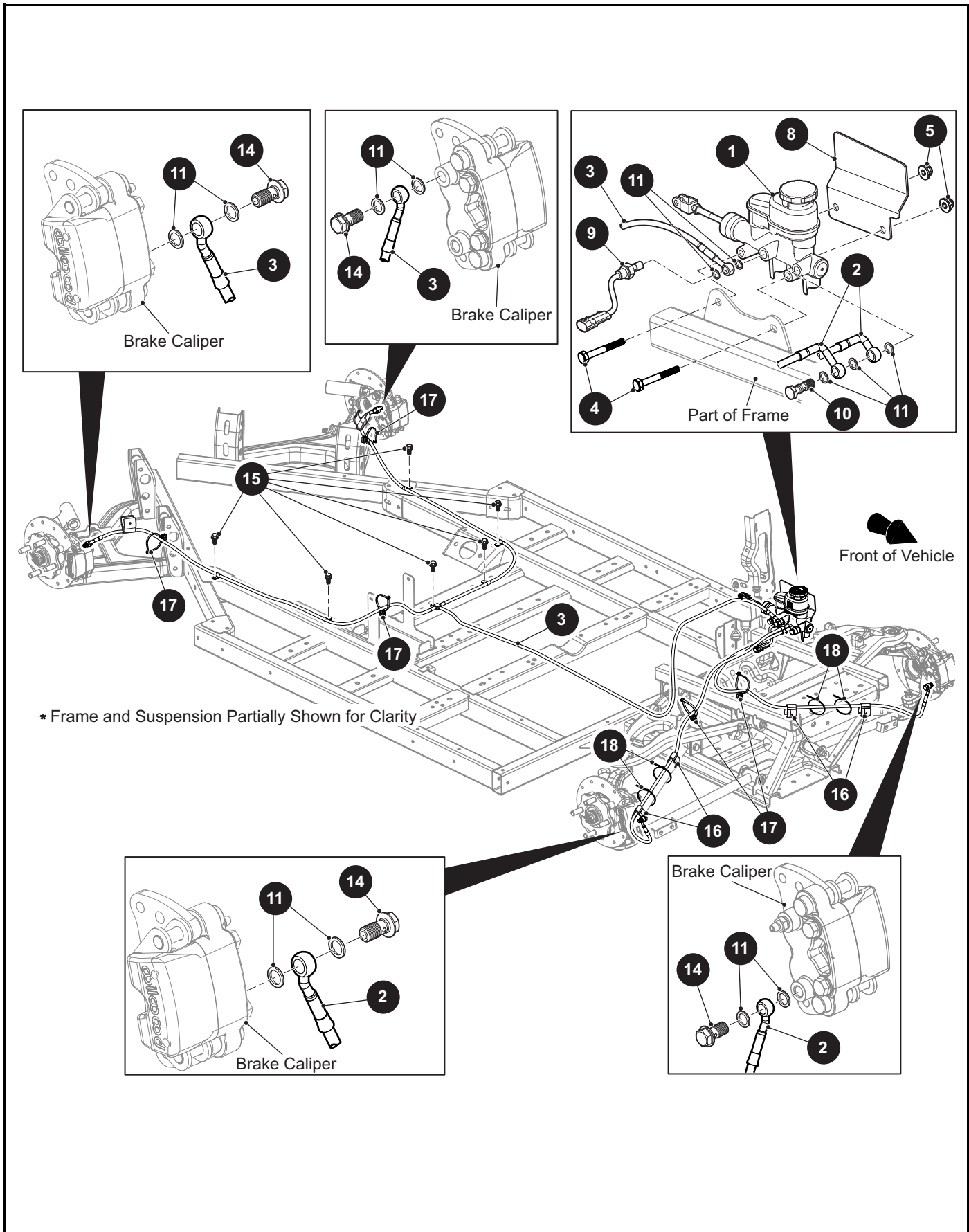
When ordering parts, please specify the model and serial number of the product.

* Indicates a component that is not available as an individual part.

*** Indicates consult Customer Service Department for additional information.

| ITEM | PART NO. | 1 2 3 4 5 DESCRIPTION | QTY. |
|------|----------|--|------|
| 1 | 662620 | SEAT CLOSEOUT FOAM (DRIVER SIDE)..... | 1 |
| 2 | 662621 | SEAT CLOSEOUT FOAM (PASSENGER SIDE)..... | 1 |
| 3 | 662619 | SEAT CLOSEOUT FOAM (CENTER)..... | 1 |

BRAKES



THE USE OF NON U.L. PARTS WILL VOID ANY U.L. LISTING.

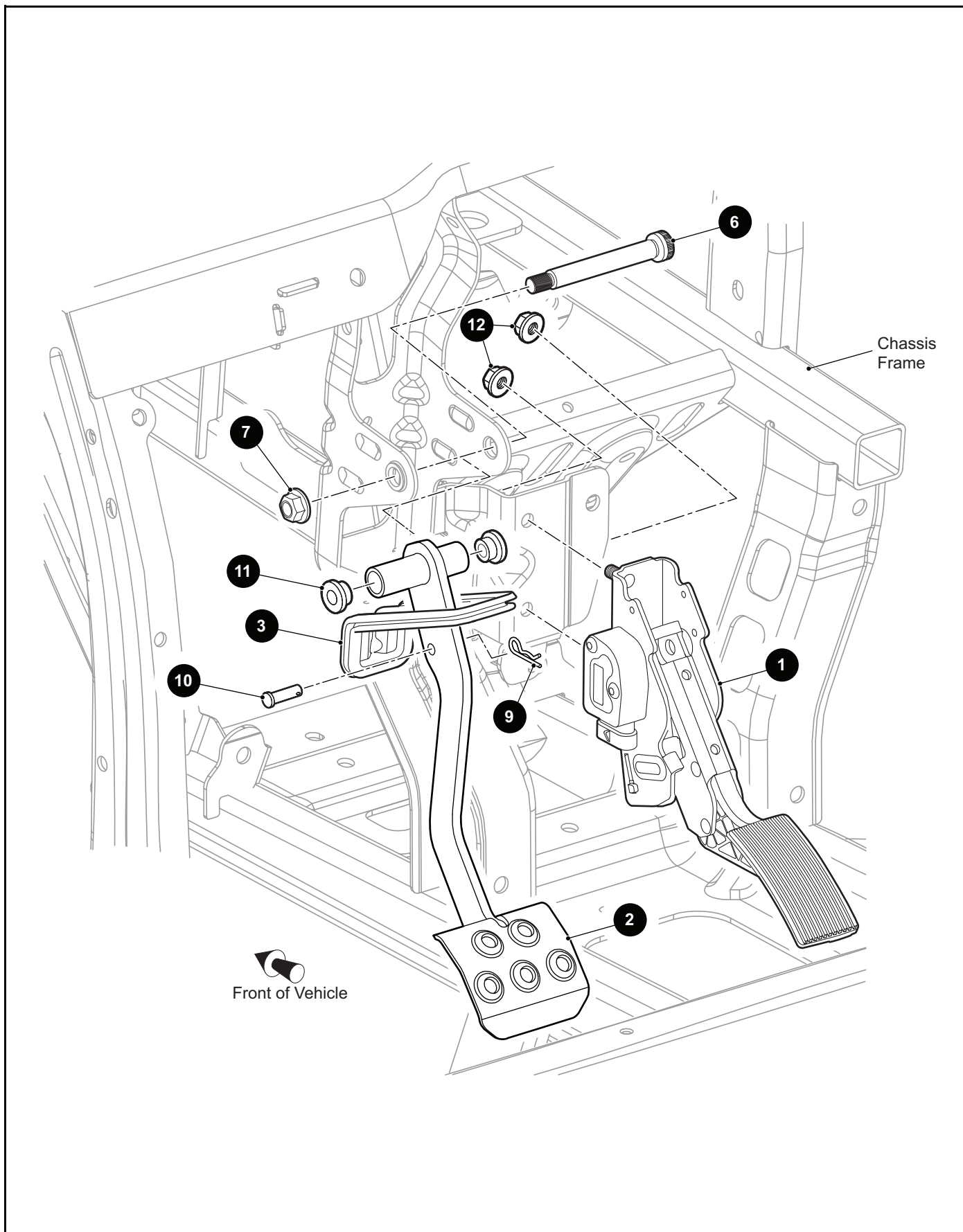
When ordering parts, please specify the model and serial number of the product.

* Indicates a component that is not available as an individual part.

*** Indicates consult Customer Service Department for additional information.

| ITEM | PART NO. | 1 2 3 4 5 | DESCRIPTION | QTY. |
|---|----------|-----------|---|------|
| 1 | 631593 | | MASTER CYLINDER..... | 1 |
| 2 | 638225 | | BRAKE LINE (FRONT), 1128MM LG..... | 2 |
| 3 | 638226 | | BRAKE LINE (REAR), 1677MM X 1307MM X 1347MM LG..... | 1 |
| 4 | 616672 | | HEX HEAD BOLT, M8 - 1.25 X 60MM LG..... | 2 |
| 5 | 645956 | | FLANGED HEX LOCK NUT, M8 - 1.25..... | 2 |
| 6 | | | | |
| 7 | | | | |
| 8 | 644634 | | SHIELD (MASTER CYLINDER)..... | 1 |
| 9 | 646161 | | PRESSURE SWITCH HARNESS..... | 1 |
| 10 | 650438 | | BANJO BOLT (DOUBLE), M10 X .5..... | 1 |
| 11 | 613293 | | CRUSH WASHER, M10..... | 13 |
| 12 | | | | |
| 13 | | | | |
| 14 | 616459 | | BANJO BOLT (SINGLE), M10 - 1 X 20MM LG..... | 4 |
| 15 | 452695 | | TAPTITE SCREW, M6 - 1 X 20MM LG..... | 7 |
| 16 | 649671 | | BRAKE LINE CLIP..... | 4 |
| 17 | 646441 | | EDGE CLIP CABLE TIE (90 DEGREES)..... | 2 |
| 18 | 17618G1 | | NYLON CLAMP..... | 4 |
| <p>NOTE: BRAKE ROTORS AND CALIPERS SHOWN IN SUSPENSION SECTIONS.</p> | | | | |

PEDALS



THE USE OF NON U.L. PARTS WILL VOID ANY U.L. LISTING.

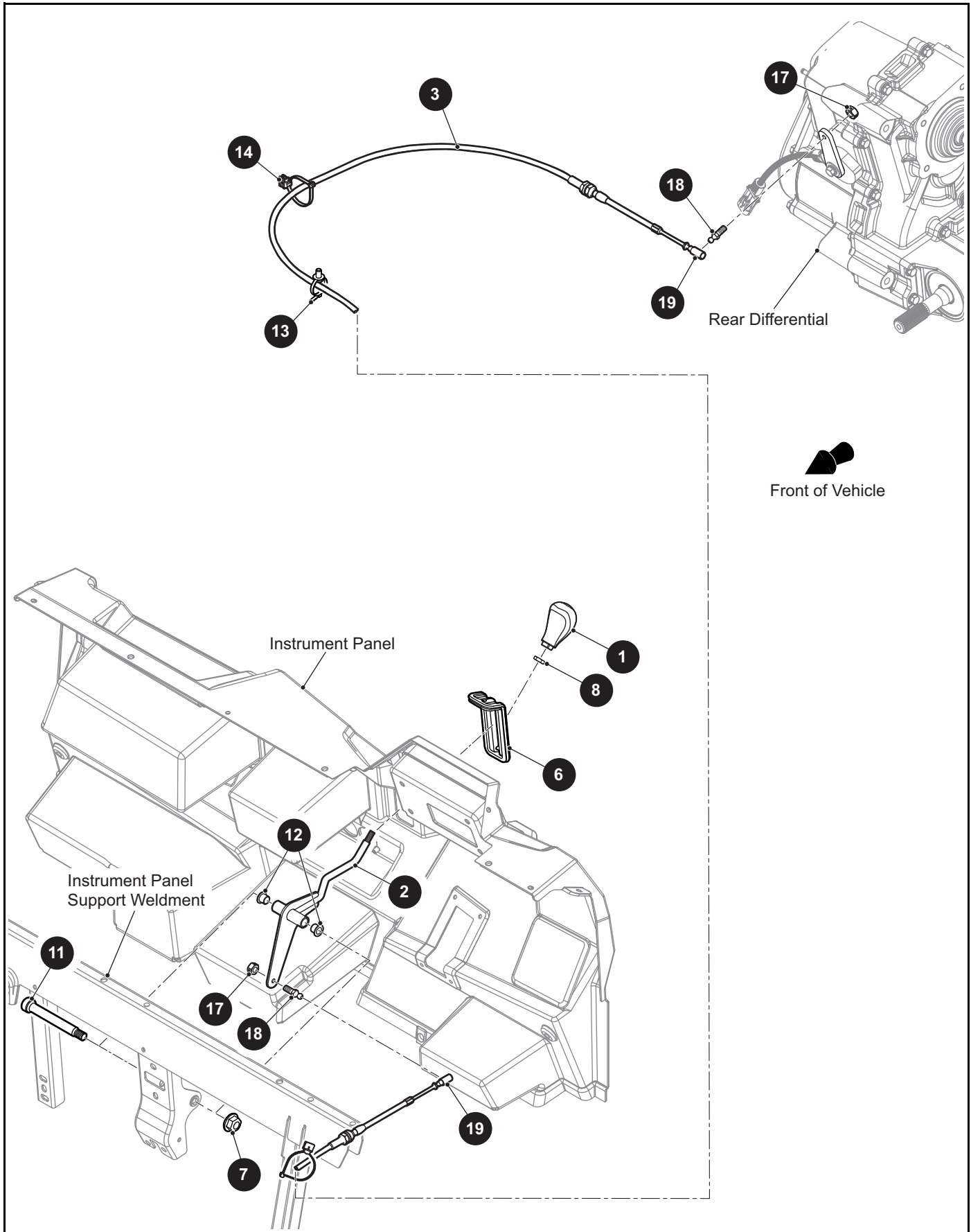
When ordering parts, please specify the model and serial number of the product.

* Indicates a component that is not available as an individual part.

*** Indicates consult Customer Service Department for additional information.

| ITEM | PART NO. | 1 2 3 4 5 | DESCRIPTION | QTY. |
|------|----------|-----------|---|------|
| 1 | 641295 | | ACCELERATOR PEDAL (SINGLE SENSOR) | 1 |
| 2 | 638227 | | BRAKE PEDAL | 1 |
| 3 | 643207 | | SHIFTER BOOT..... | 1 |
| 4 | | | | |
| 5 | | | | |
| 6 | 644182 | | SHOULDER BOLT, 12/M10 X 80MM LG | 1 |
| 7 | 600525 | | LOCK NUT, M10 - 1.5 | 1 |
| 8 | | | | |
| 9 | 01076G01 | | COTTER PIN, 1.21" LG | 1 |
| 10 | 10386G2 | | CLEVIS PIN, 1/4" X 3/4" | 1 |
| 11 | 644558 | | FLANGED BEARING | 2 |
| 12 | 645956 | | FLANGED HEX NUT, M8 - 1.25..... | 2 |

DIRECTION AND DRIVE SELECTOR



DIRECTION AND DRIVE SELECTOR

THE USE OF NON U.L. PARTS WILL VOID ANY U.L. LISTING.

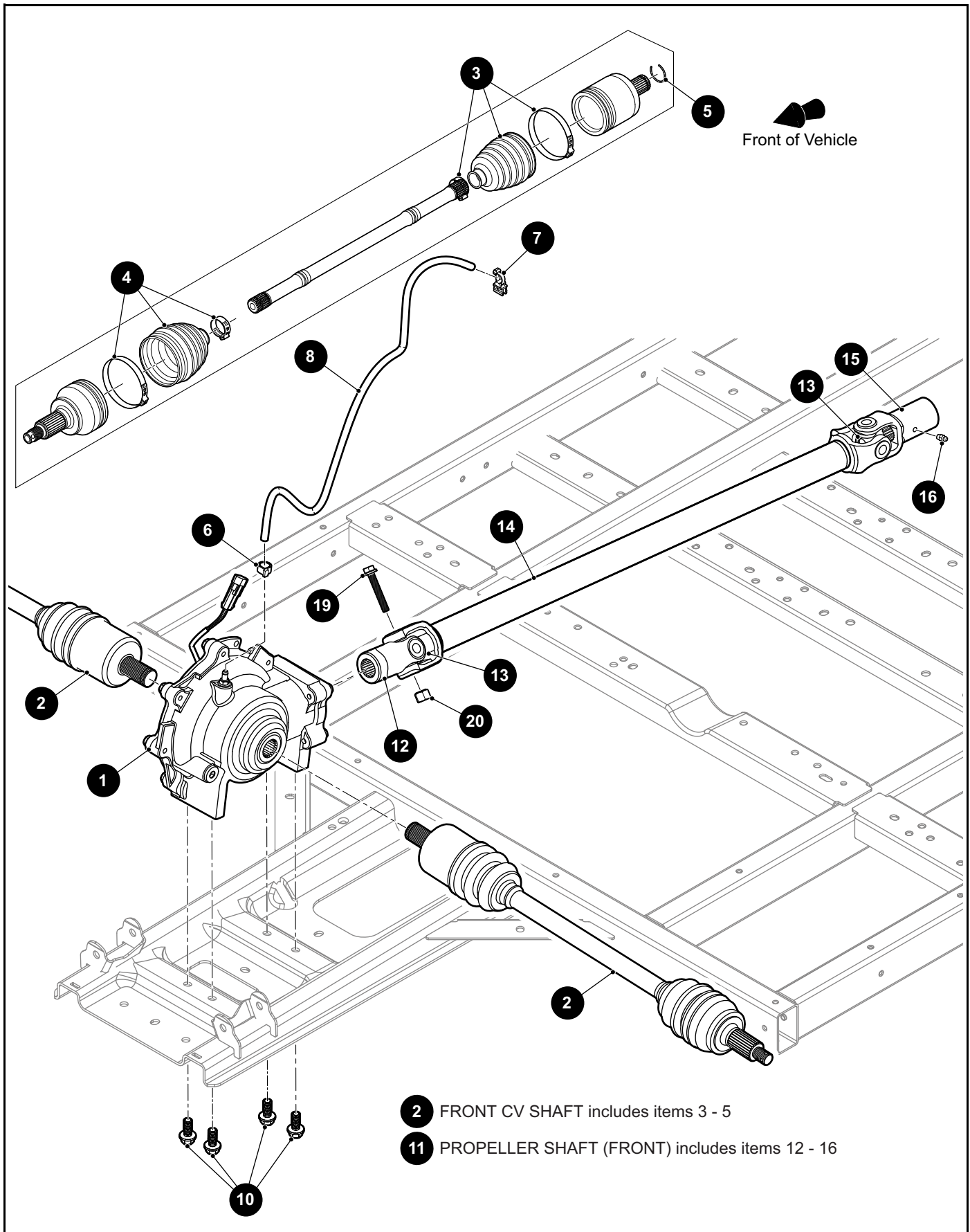
When ordering parts, please specify the model and serial number of the product.

* Indicates a component that is not available as an individual part.

*** Indicates consult Customer Service Department for additional information.

| ITEM | PART NO. | 1 2 3 4 5 | DESCRIPTION | QTY. |
|------|----------|-----------|---------------------------------------|------|
| 1 | 637993 | | SHIFTER KNOB..... | 1 |
| 2 | 637998 | | SHIFTER..... | 1 |
| 3 | 638221 | | SHIFT CABLE | 1 |
| 4 | | | | |
| 5 | | | | |
| 6 | 643207 | | SHIFTER BOOT..... | 1 |
| 7 | 600525 | | LOCK NUT, M10 - 1.5 | 1 |
| 8 | 643494 | | HEX JAM NUT, M8 - 1 | 1 |
| 9 | | | | |
| 10 | | | | |
| 11 | 644182 | | SHOULDER BOLT, 12/M10 X 80MM LG | 1 |
| 12 | 644558 | | FLANGED BEARING | 2 |
| 13 | 645340 | | CABLE TIE | 1 |
| 14 | 646441 | | CABLE TIE (EDGE CLIP) | 2 |
| 15 | | | | |
| 16 | | | | |
| 17 | 648378 | | HEX CENTER LOCK NUT, 1/4" - 28..... | 2 |
| 18 | 73745G01 | | BALL STUD..... | 2 |
| 19 | 654394 | | BALL JOINT COUPLER..... | 2 |

DRIVETRAIN - FRONT



DRIVETRAIN - FRONT

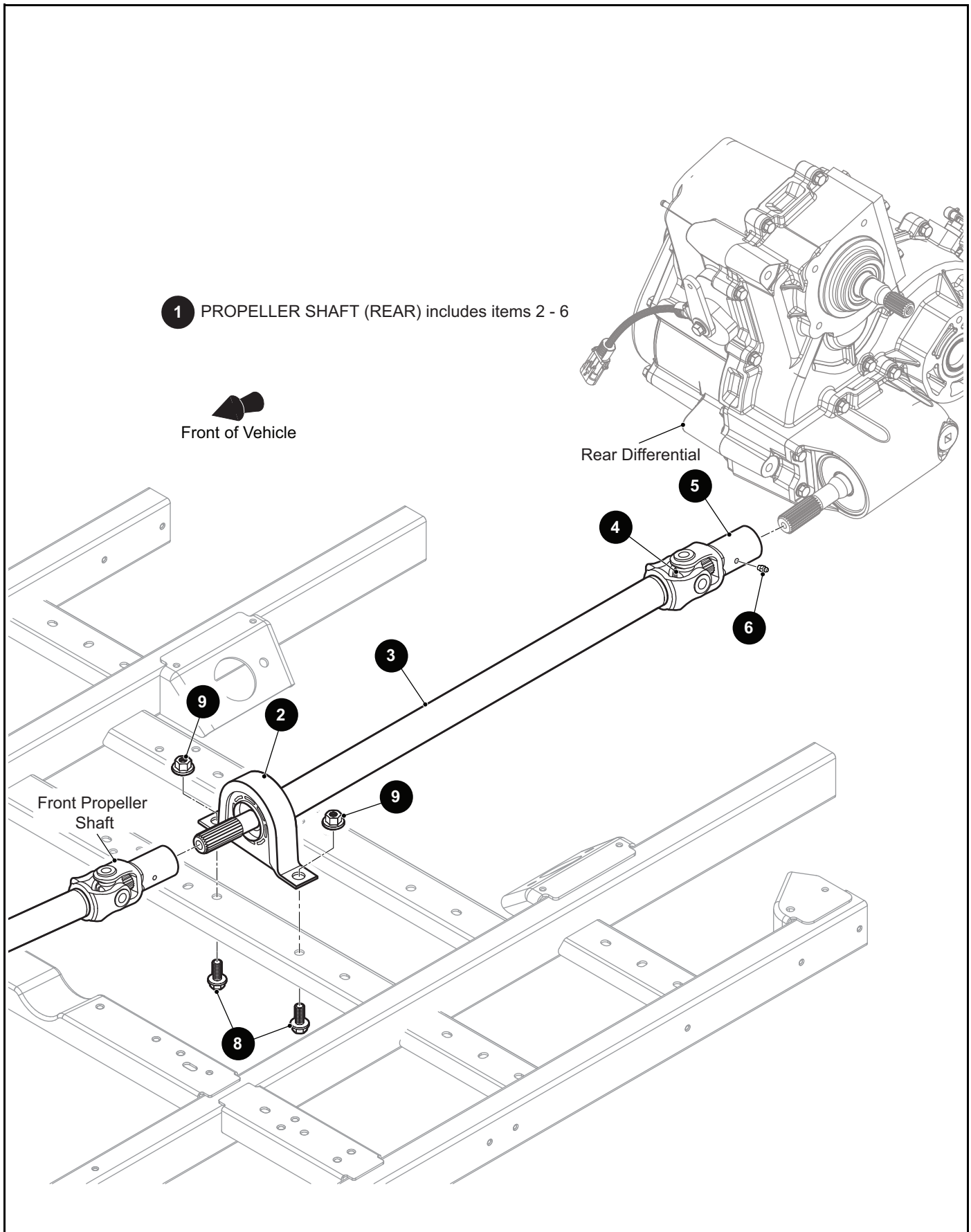
THE USE OF NON U.L. PARTS WILL VOID ANY U.L. LISTING.

When ordering parts, please specify the model and serial number of the product.

* Indicates a component that is not available as an individual part.

*** Indicates consult Customer Service Department for additional information.

| ITEM | PART NO. | 1 2 3 4 5 | DESCRIPTION | QTY. |
|------|-----------|-----------|--|------|
| 1 | 640519 | | FRONT DIFFERENTIAL | 1 |
| 2 | 651685 | | FRONT CV SHAFT (INCLUDES ITEMS 3 - 5) | 1 |
| 3 | 654352 | | BOOT KIT | 1 |
| 4 | 656390 | | CV BOOT KIT | 1 |
| 5 | 654350 | | CLIP..... | 1 |
| 6 | 17618G1 | | NYLON CLAMP | 1 |
| 7 | 646439 | | CABLE TIE (EDGE CLIP) | 1 |
| 8 | 644294 | | VENT HOSE (FRONT DIFFERENTIAL), 6.35MM I.D. | 1 |
| 9 | | | | |
| 10 | 641289 | | FLANGED HEX HEAD BOLT, 3/8" - 16 X 1" LG | 4 |
| 11 | 649320 | | PROPELLER SHAFT (FRONT) (INCLUDES ITEMS 12 - 16) | 1 |
| 12 | 654354 | | YOKE..... | 1 |
| 13 | 654355 | | CROSS AND BEARING | 2 |
| 14 | * | | SHAFT | 1 |
| 15 | 654356 | | YOKE..... | 1 |
| 16 | 654357 | | GREASE FITTING..... | 1 |
| 17 | | | | |
| 18 | | | | |
| 19 | 630804G01 | | FLANGED HEX HEAD BOLT, 5/16" - 18 X 2" LG | 1 |
| 20 | 11098G6 | | LOCK NUT, 5/16" - 18..... | 1 |



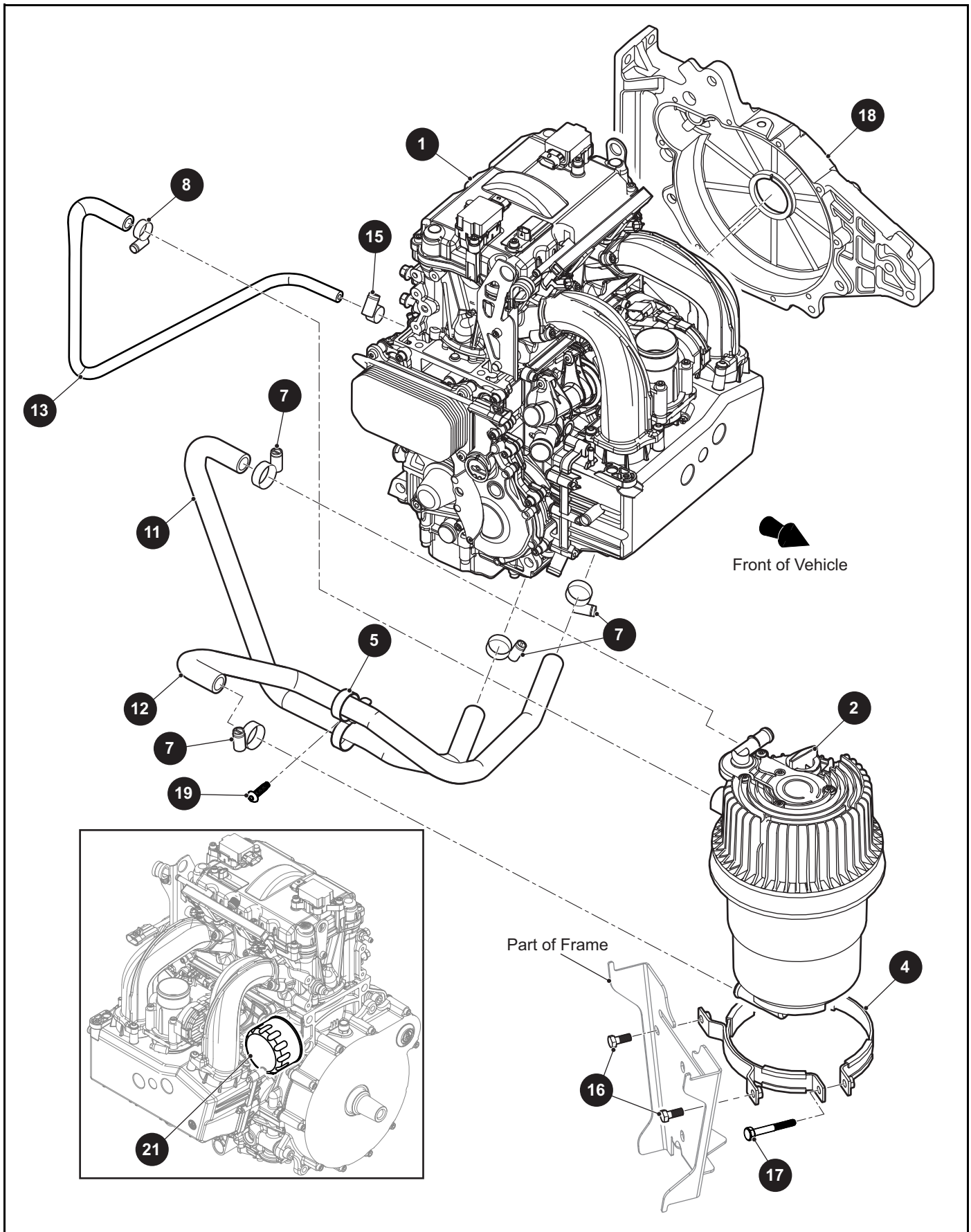
THE USE OF NON U.L. PARTS WILL VOID ANY U.L. LISTING.

When ordering parts, please specify the model and serial number of the product.

* Indicates a component that is not available as an individual part.

*** Indicates consult Customer Service Department for additional information.

| ITEM | PART NO. | 1 2 3 4 5 | DESCRIPTION | QTY. |
|------|----------|-----------|--|------|
| 1 | 649317 | | PROPELLER SHAFT (REAR) (INCLUDES ITEMS 2 - 6)..... | 1 |
| 2 | 649318 | | BEARING | 1 |
| 3 | * | | SHAFT | 1 |
| 4 | 654355 | | CROSS AND BEARING | 1 |
| 5 | 654356 | | YOKE..... | 1 |
| 6 | 654357 | | GREASE FITTING..... | 1 |
| 7 | | | | |
| 8 | 648682 | | FLANGED HEX HEAD BOLT, M10 - 1.5 X 25MM LG..... | 2 |
| 9 | 648753 | | FLANGED LOCK NUT, M10 - 1.5 | 2 |



THE USE OF NON U.L. PARTS WILL VOID ANY U.L. LISTING.

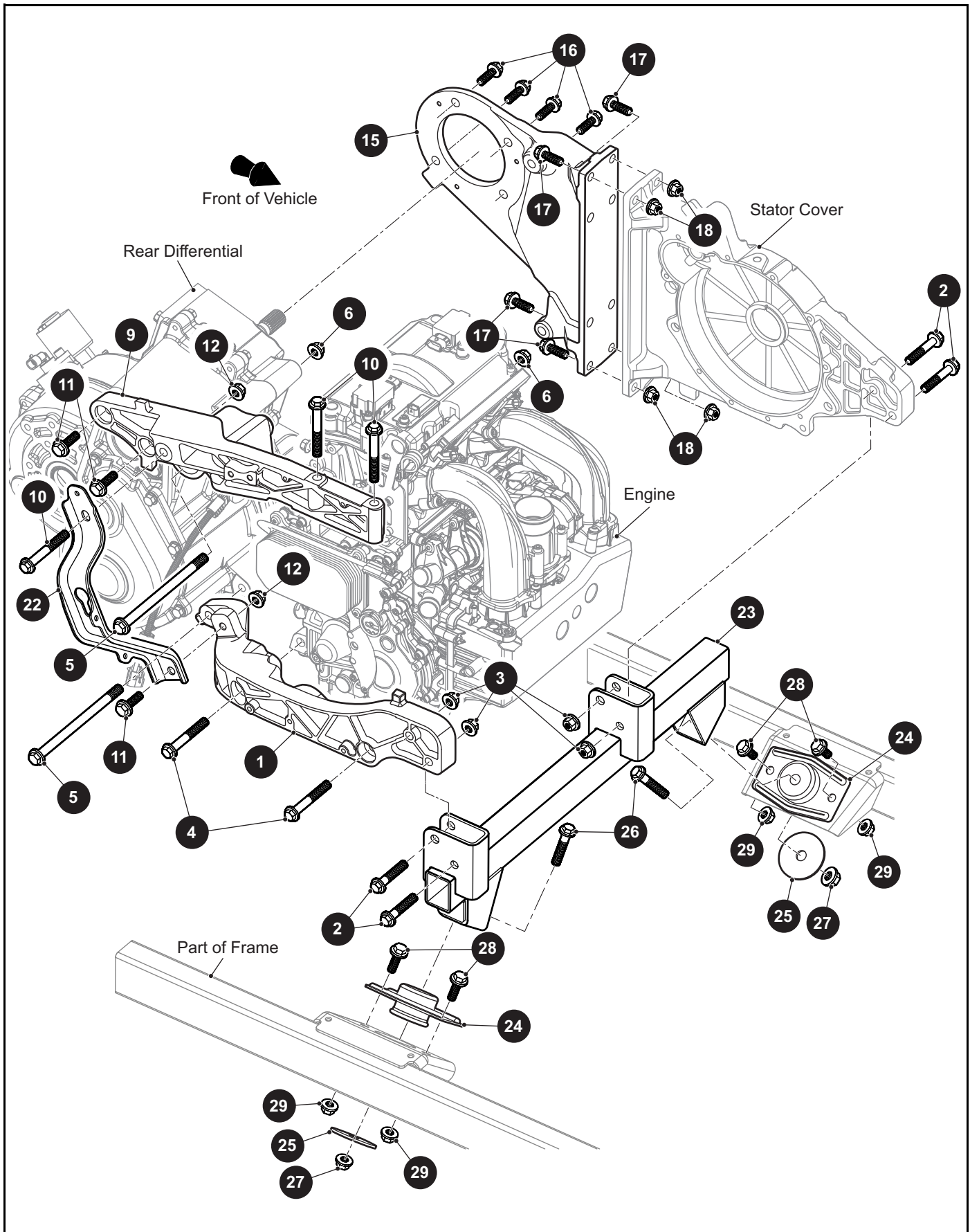
When ordering parts, please specify the model and serial number of the product.

* Indicates a component that is not available as an individual part.

*** Indicates consult Customer Service Department for additional information.

| ITEM | PART NO. | 1 2 3 4 5 | DESCRIPTION | QTY. |
|------|----------|-----------|---|------|
| 1 | 409135 | | ENGINE | 1 |
| 2 | 404653 | | OIL RESERVOIR | 1 |
| 3 | | | | |
| 4 | 642126 | | MOUNTING BRACKET AND CLAMP (OIL RESERVOIR)..... | 1 |
| 5 | 645341 | | CLAMP (DUAL)..... | 1 |
| 6 | | | | |
| 7 | 652825 | | HOSE CLAMP, 20 - 32MM..... | 4 |
| 8 | 649517 | | HOSE CLAMP, 12 - 22MM..... | 1 |
| 9 | | | | |
| 10 | | | | |
| 11 | 642128 | | OIL SUPPLY HOSE, 16MM I.D. | 1 |
| 12 | 642129 | | OIL RETURN HOSE, 16MM I.D..... | 1 |
| 13 | 643496 | | OIL RETURN HOSE (SECONDARY) | 1 |
| 14 | | | | |
| 15 | 649481 | | HOSE CLAMP, 8 - 16MM..... | 1 |
| 16 | 650195 | | HEX HEAD BOLT, M8 - 1.25 X 20MM LG..... | 2 |
| 17 | 616672 | | HEX HEAD BOLT, M8 - 1.25 X 60MM LG..... | 1 |
| 18 | 649116 | | STATOR COVER | 1 |
| 19 | 634161 | | FLANGED BUTTON HEAD TORX BOLT, M6 - 1 X 30MM LG | 1 |
| 20 | | | | |
| 21 | 105041 | | OIL FILTER | 1 |

DRIVETRAIN - MID



THE USE OF NON U.L. PARTS WILL VOID ANY U.L. LISTING.

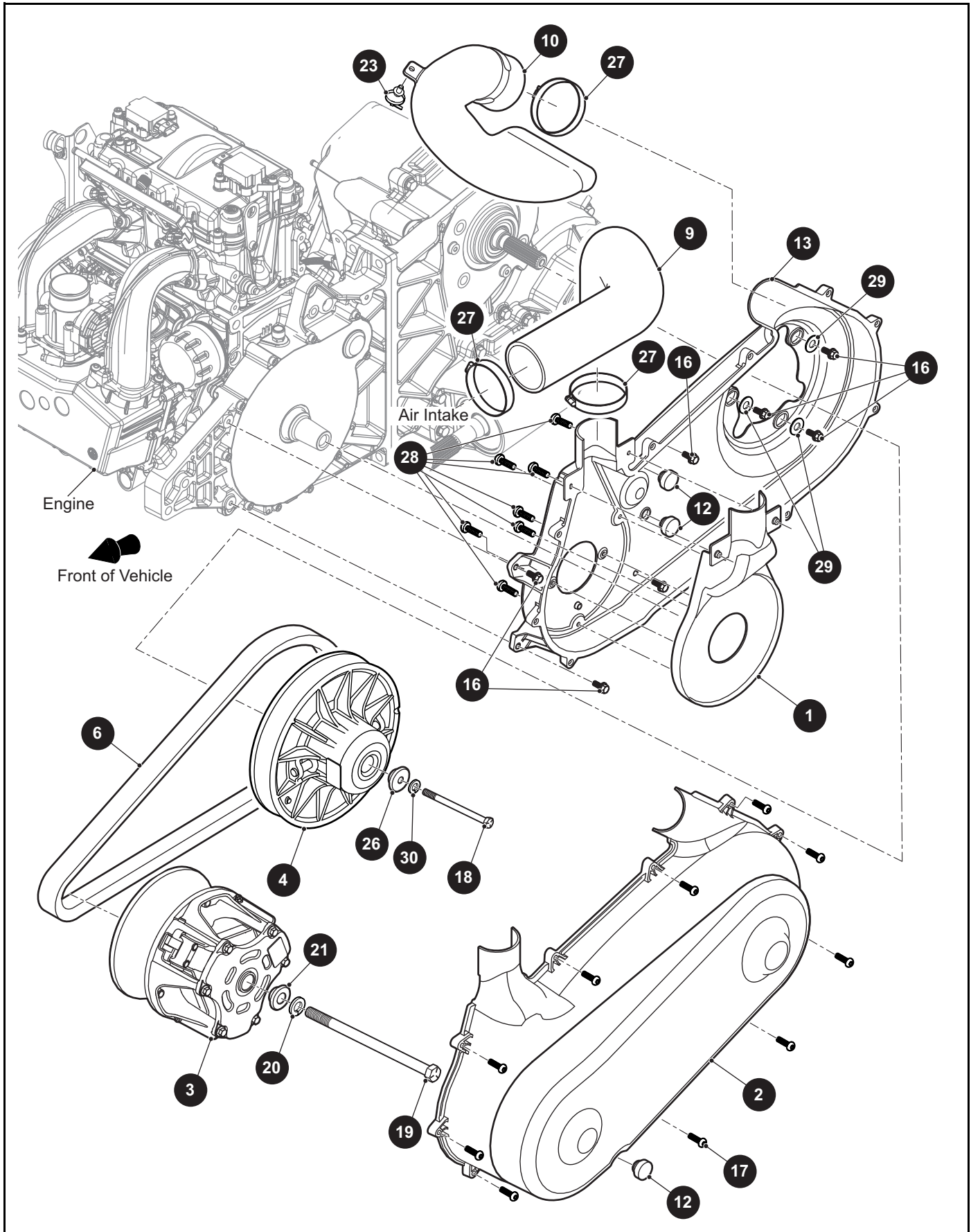
When ordering parts, please specify the model and serial number of the product.

* Indicates a component that is not available as an individual part.

*** Indicates consult Customer Service Department for additional information.

| ITEM | PART NO. | 1 2 3 4 5 | DESCRIPTION | QTY. |
|------|----------|-----------|--|------|
| 1 | 649125 | | LOWER CASTING (PASSENGER SIDE) | 1 |
| 2 | 648685 | | FLANGED HEX HEAD BOLT, M10 - 1.5 X 50MM LG..... | 4 |
| 3 | 600525 | | FLANGED LOCK NUT, M10 - 1.5 | 4 |
| 4 | 649701 | | FLANGED HEX HEAD BOLT, M10 - 1.5 X 70MM LG..... | 2 |
| 5 | 649659 | | FLANHED HEX HEAD BOLT, M10 - 1.5 X 180MM LG..... | 2 |
| 6 | 648753 | | FLANGED LOCK NUT, M10 - 1.5 | 2 |
| 7 | | | | |
| 8 | | | | |
| 9 | 649113 | | UPPER CASTING (PASSENGER SIDE)..... | 1 |
| 10 | 602415 | | FLANGED HEX HEAD BOLT, M10 - 1.5 X 80MM LG..... | 3 |
| 11 | 648684 | | FLANGED HEX HEAD BOLT, M10 - 1.5 X 35MM LG..... | 3 |
| 12 | 648753 | | FLANGED LOCK NUT, M10 - 1.5 | 2 |
| 13 | | | | |
| 14 | | | | |
| 15 | 649115 | | AXLE CASTING..... | 1 |
| 16 | 648686 | | FLANGED HEX HEAD BOLT, M10 - 1.5 X 30MM LG..... | 4 |
| 17 | 648684 | | FLANGED HEX HEAD BOLT, M10 - 1.5 X 35MM LG..... | 4 |
| 18 | 648753 | | FLANGED LOCK NUT, M10 - 1.5 | 4 |
| 19 | | | | |
| 20 | | | | |
| 21 | | | | |
| 22 | 645536 | | SHIFTER BRACKET..... | 1 |
| 23 | 648127 | | ENGINE MOUNTING FRAME | 1 |
| 24 | 645396 | | ISOLATOR (CENTER BONDED)..... | 2 |
| 25 | 645622 | | FLAT WASHER, 13.5 I.D. X 60.5 O.D. X 3.2 | 2 |
| 26 | 648681 | | FLANGED HEX HEAD BOLT, M12 - 1.75 X 70MM LG..... | 2 |
| 27 | 648751 | | FLANGED LOCK NUT, M12 - 1.75 | 2 |
| 28 | 648682 | | FLANGED HEX HEAD BOLT, M10 - 1.5 X 25MM LG..... | 4 |
| 29 | 648753 | | FLANGED LOCK NUT, M10 - 1.5 | 4 |

DRIVETRAIN - REAR



DRIVETRAIN - REAR

THE USE OF NON U.L. PARTS WILL VOID ANY U.L. LISTING.

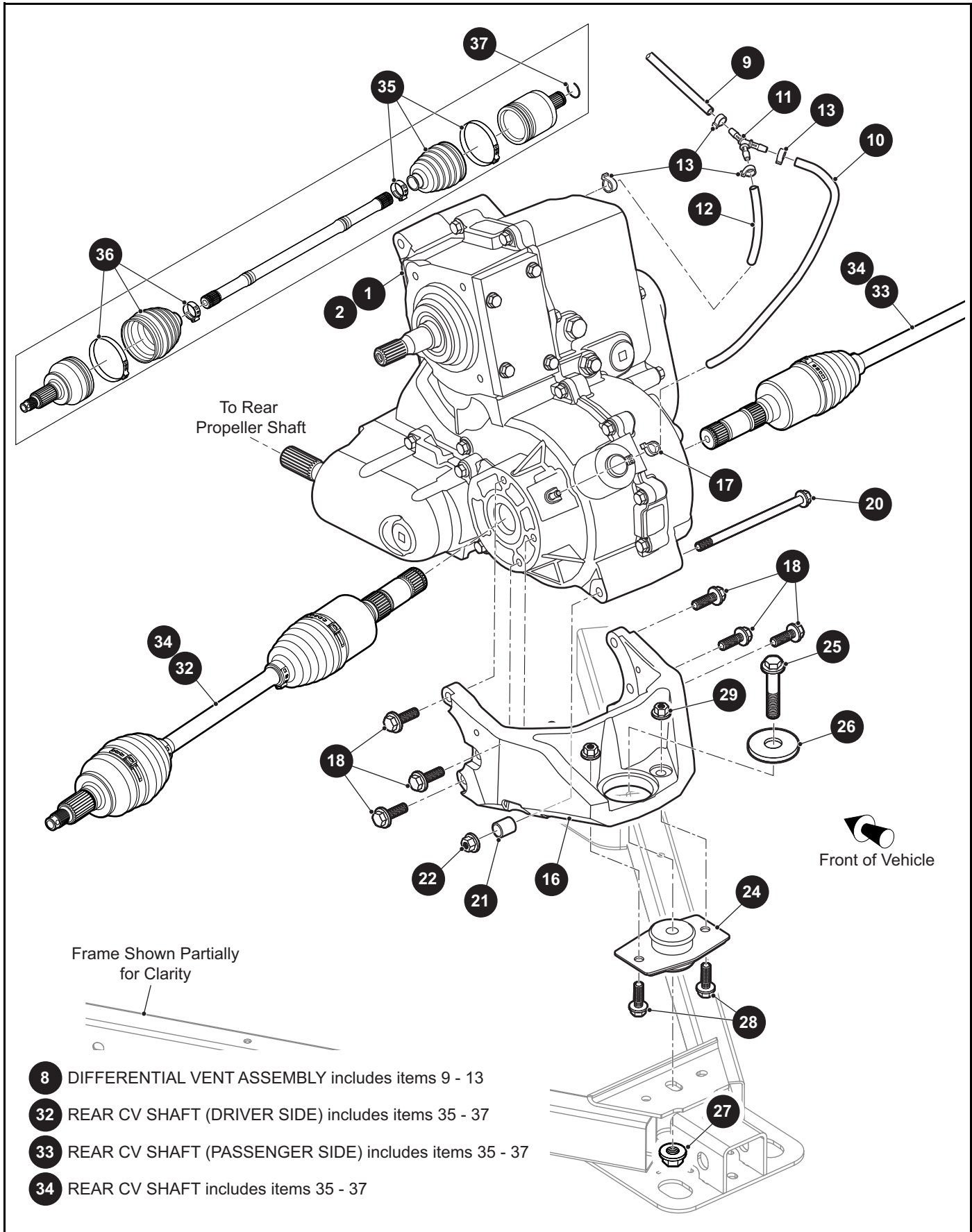
When ordering parts, please specify the model and serial number of the product.

* Indicates a component that is not available as an individual part.

*** Indicates consult Customer Service Department for additional information.

| ITEM | PART NO. | 1 2 3 4 5 | DESCRIPTION | QTY. |
|------|----------|-----------|---|------|
| 1 | 642836 | | CVT CLOSEOUT (INNER)..... | 1 |
| 2 | 654828 | | CVT COVER (OUTER) | 1 |
| 3 | 639636 | | PRIMARY CLUTCH | 1 |
| 4 | 639639 | | SECONDARY CLUTCH..... | 1 |
| 5 | | | | |
| 6 | 654011 | | CVT BELT | 1 |
| 7 | | | | |
| 8 | | | | |
| 9 | 642177 | | HOSE (INLET TO RESONATOR) | 1 |
| 10 | 653501 | | HOSE (OUTLET) | 1 |
| 11 | | | | |
| 12 | 810149 | | RUBBER BUMPER..... | 3 |
| 13 | 654846 | | CVT COVER (INNER)..... | 1 |
| 14 | | | | |
| 15 | | | | |
| 16 | 649906 | | FLANGED HEX HEAD BOLT, M6 - 1 X 16MM LG..... | 7 |
| 17 | 649803 | | PAN HEAD TORX SCREW, M6 - 2.65 X 25MM LG..... | 10 |
| 18 | 646701 | | HEX HEAD BOLT, M8 - 1.25 X 110MM LG | 1 |
| 19 | 645435 | | HEX HEAD BOLT, M14 - 1.5 X 210MM LG..... | 1 |
| 20 | 645405 | | LOCK WASHER, 9/16" | 1 |
| 21 | 645404 | | CLUTCH WASHER (RETAINING) | 1 |
| 22 | | | | |
| 23 | 645340 | | CABLE TIE (TREE TYPE) | 1 |
| 24 | | | | |
| 25 | | | | |
| 26 | 25756G1 | | RETAINING WASHER | 1 |
| 27 | 11391G2 | | HOSE CLAMP, 2.06" | 3 |
| 28 | 01063G01 | | TAPTITE SCREW, #6 - 32 X 3/8" LG | 7 |
| 29 | 00642G8 | | FLAT WASHER, 5/16"..... | 3 |
| 30 | 00565G8 | | LOCK WASHER, 5/16" | 1 |

DRIVETRAIN - REAR



- 8** DIFFERENTIAL VENT ASSEMBLY includes items 9 - 13
- 32** REAR CV SHAFT (DRIVER SIDE) includes items 35 - 37
- 33** REAR CV SHAFT (PASSENGER SIDE) includes items 35 - 37
- 34** REAR CV SHAFT includes items 35 - 37

DRIVETRAIN - REAR

THE USE OF NON U.L. PARTS WILL VOID ANY U.L. LISTING.

When ordering parts, please specify the model and serial number of the product.

* Indicates a component that is not available as an individual part.

*** Indicates consult Customer Service Department for additional information.

| ITEM | PART NO. | 1 2 3 4 5 | DESCRIPTION | QTY. |
|------|-----------|-----------|---|------|
| 1 | 633701G01 | | REAR DIFFERENTIAL (FOR VEHICLES WITHOUT DIFFERENTIAL LOCK) | 1 |
| 2 | 633701G16 | | REAR DIFFERENTIAL (FOR VEHICLES WITH DIFFERENTIAL LOCK) | 1 |
| 3 | | | | |
| 4 | | | | |
| 5 | | | | |
| 6 | | | | |
| 7 | 645340 | | CABLE TIE (NOT ILLUSTRATED)..... | AR |
| 8 | 643514 | | DIFFERENTIAL VENT ASSEMBLY (INCLUDES ITEMS 9 - 13) | 1 |
| 9 | 642175 | | VENT TUBE (TO AMBIENT) | 1 |
| 10 | 642173 | | VENT TUBE (LOWER)..... | 1 |
| 11 | 642174 | | Y - ADAPTER (VENT TUBE)..... | 1 |
| 12 | 642172 | | VENT TUBE (UPPER)..... | 1 |
| 13 | 17618G1 | | NYLON CLAMP, 7" LG | 4 |
| 14 | | | | |
| 15 | | | | |
| 16 | 649422 | | AXLE CASTING | 1 |
| 17 | 17618G1 | | NYLON CLAMP, 7" LG..... | 1 |
| 18 | 648684 | | FLANGED HEX HEAD BOLT, M10 - 1.5 X 35MM LG..... | 6 |
| 19 | | | | |
| 20 | 649129 | | FLANGED HEX HEAD BOLT, M10 - 1.5 X 150MM LG..... | 1 |
| 21 | 646314 | | SPACER..... | 1 |
| 22 | 648753 | | FLANGED LOCK NUT, M10 - 1.5 | 1 |
| 23 | | | | |
| 24 | 645396 | | ISOLATOR (CENTER BONDED)..... | 1 |
| 25 | 648681 | | FLANGED HEX HEAD BOLT, M12 - 1.75 X 70MM LG..... | 1 |
| 26 | 645622 | | FLAT WASHER, 13.5 I.D. X 60.5 O.D. X 3.2 | 1 |
| 27 | 648751 | | FLANGED LOCK NUT, M12 - 1.75 | 1 |
| 28 | 648684 | | FLANGED HEX HEAD BOLT, M10 - 1.5 X 35MM LG..... | 2 |
| 29 | 648753 | | FLANGED LOCK NUT, M10 - 1.5 | 2 |
| 30 | | | | |
| 31 | | | | |

DRIVETRAIN - REAR

THE USE OF NON U.L. PARTS WILL VOID ANY U.L. LISTING.

When ordering parts, please specify the model and serial number of the product.

* Indicates a component that is not available as an individual part.

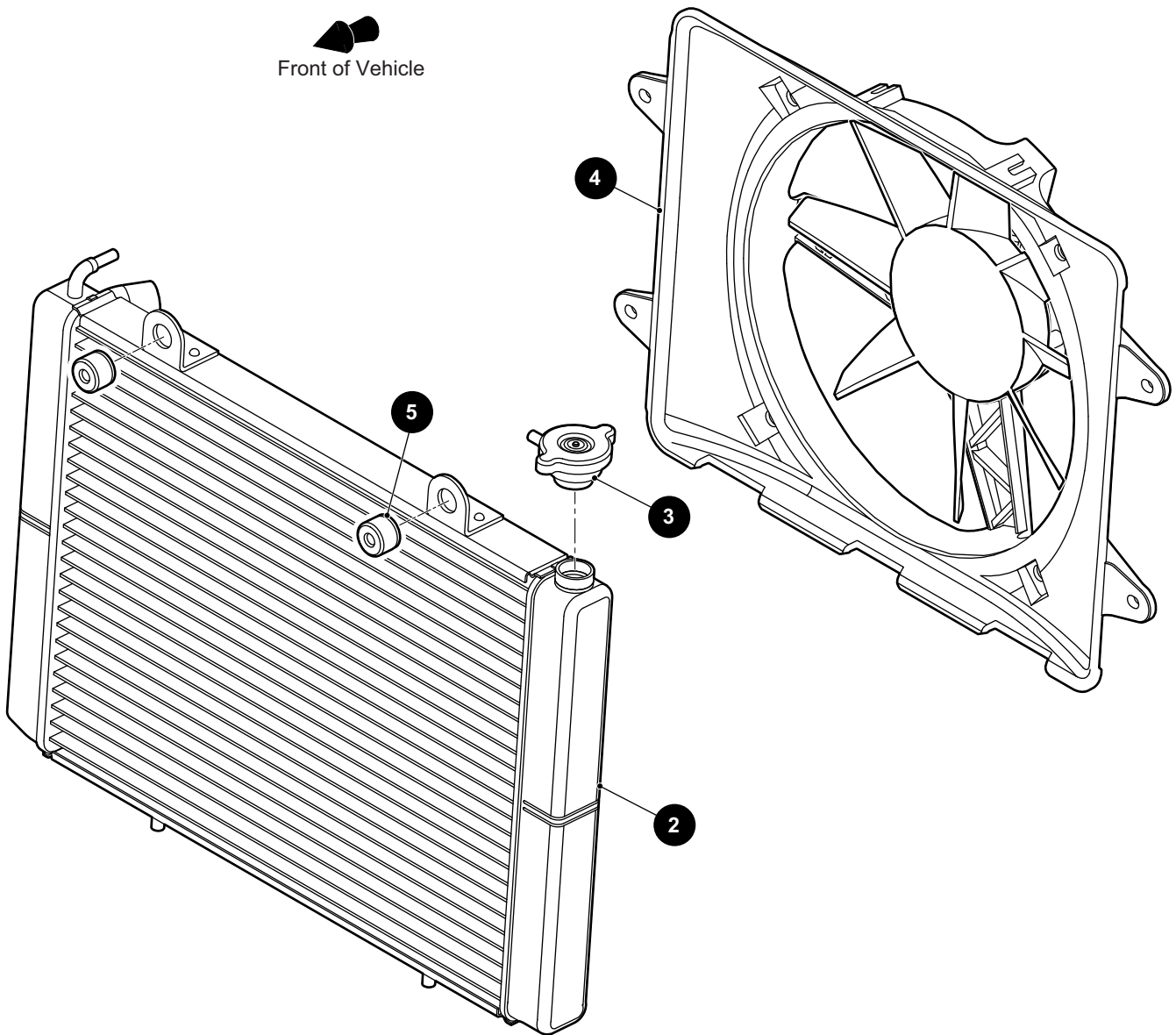
*** Indicates consult Customer Service Department for additional information.

| ITEM | PART NO. | 1 | 2 | 3 | 4 | 5 | DESCRIPTION | QTY. |
|------|----------|---|---|---|---|---|--|------|
| 32 | 651684 | | | | | | REAR CV SHAFT (DRIVER SIDE) (INCLUDES ITEMS 35 - 37) (FOR VEHICLES WITH DIFFERENTIAL LOCK) | 1 |
| 33 | 651683 | | | | | | REAR CV SHAFT (PASSENGER SIDE) (INCLUDES ITEMS 35 - 37) (FOR VEHICLES WITH DIFFERENTIAL LOCK) | 1 |
| 34 | 651683 | | | | | | REAR CV SHAFT (FOR VEHICLES WITHOUT DIFFERENTIAL LOCK) (INCLUDES ITEMS 35 - 37)..... | 2 |
| 35 | 654352 | | | | | | BOOT KIT | 1 |
| 36 | 656390 | | | | | | CV BOOT KIT | 1 |
| 37 | 654353 | | | | | | CLIP | 1 |

ENGINE COOLING SYSTEM

1 RADIATOR ASSEMBLY includes items 2 - 5


Front of Vehicle

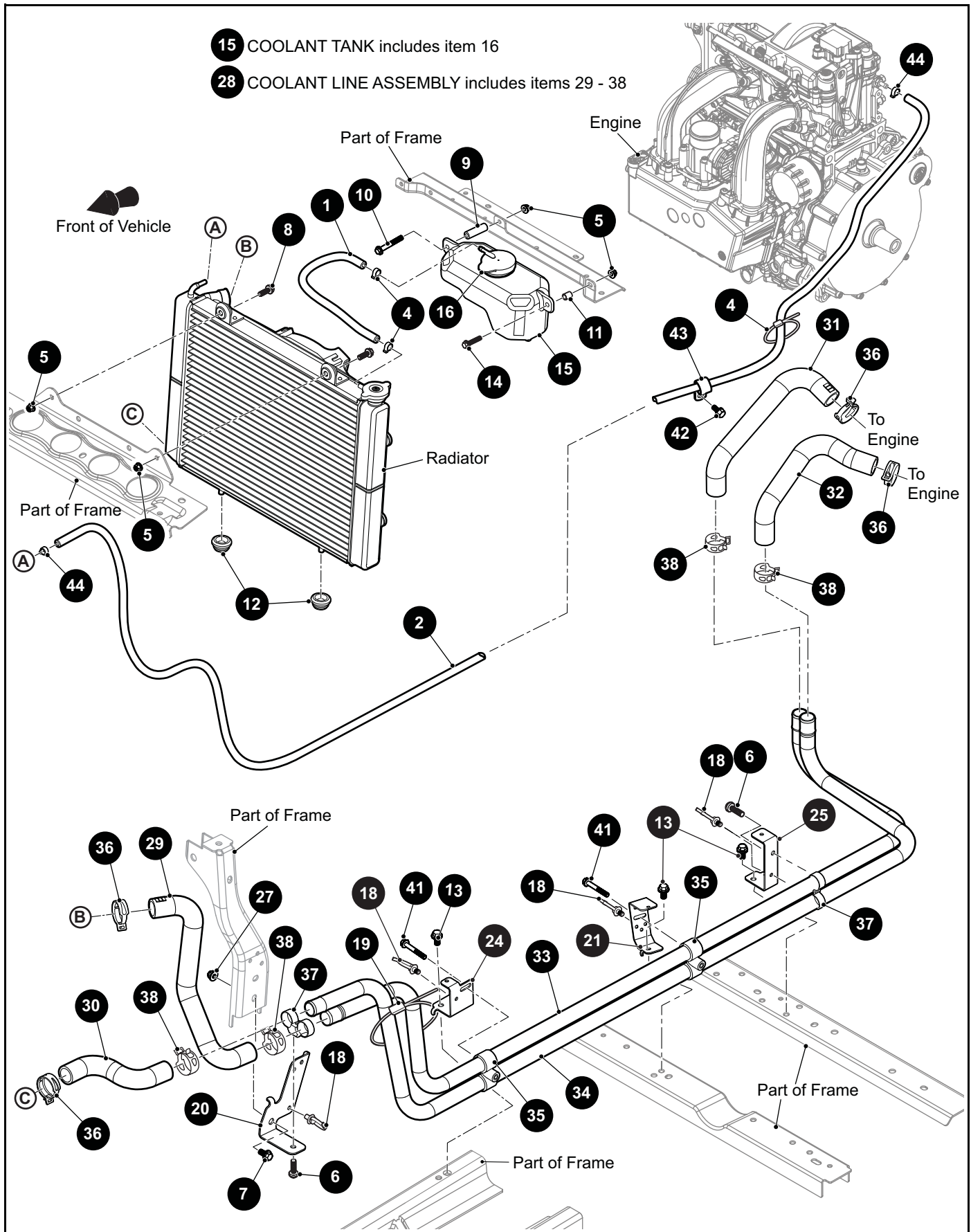


ENGINE COOLING SYSTEM

THE USE OF NON U.L. PARTS WILL VOID ANY U.L. LISTING.
 When ordering parts, please specify the model and serial number of the product.
 * Indicates a component that is not available as an individual part.
 *** Indicates consult Customer Service Department for additional information.

| ITEM | PART NO. | 1 2 3 4 5 | DESCRIPTION | QTY. |
|------|----------|-----------|--|------|
| 1 | 642384 | | RADIATOR ASSEMBLY (INCLUDES ITEMS 2 - 5) | 1 |
| 2 | 653715 | | RADIATOR | 1 |
| 3 | 653685 | | RADIATOR COVER..... | 1 |
| 4 | 653688 | | RADIATOR FAN ASSEMBLY..... | 1 |
| 5 | 653686 | | HEAT PROOF LAGGING ASSEMBLY | 2 |

ENGINE COOLING SYSTEM



ENGINE COOLING SYSTEM

THE USE OF NON U.L. PARTS WILL VOID ANY U.L. LISTING.

When ordering parts, please specify the model and serial number of the product.

* Indicates a component that is not available as an individual part.

*** Indicates consult Customer Service Department for additional information.

| ITEM | PART NO. | 1 2 3 4 5 | DESCRIPTION | QTY. |
|------|-----------|-----------|---|------|
| 1 | 642170G01 | | COOLANT HOSE (OVERFLOW TO RADIATOR), 6.35MM I.D. | 1 |
| 2 | 642170G02 | | COOLANT BLEED HOSE (ENGINE TO RADIATOR), 6.35MM I.D. | 1 |
| 3 | | | | |
| 4 | 17618G1 | | NYLON CLAMP, 8" LG. | 3 |
| 5 | 601476 | | LOCK NUT, M6 - 1 | 4 |
| 6 | 649804 | | BUTTON HEAD TORX SCREW, M8 - 3.5 X 30MM LG | 2 |
| 7 | 606261 | | FLANGED HEX HEAD BOLT, M8 - 1.25 X 20MM LG. | 1 |
| 8 | 606421 | | FLANGED HEX HEAD BOLT, M6 - 1 X 30MM LG. | 2 |
| 9 | 645731 | | SPACER (PLASTIC) | 1 |
| 10 | 73715G01 | | FLANGED HEX HEAD BOLT, M6 - 1 X 60MM LG. | 1 |
| 11 | 625301 | | SPACER (PLASTIC) | 1 |
| 12 | 638668 | | GROMMET (SEAT RETENTION) | 2 |
| 13 | 640723 | | SELF TAPPING SCREW, M8 - 1.25 X 20MM LG | 3 |
| 14 | 643471 | | FLANGED HEX HEAD BOLT, M6 - 1 X 35MM LG. | 1 |
| 15 | 644296 | | COOLANT TANK (INCLUDES ITEM 16) | 1 |
| 16 | 654494 | | CAP | 1 |
| 17 | | | | |
| 18 | 645340 | | CABLE TIE | 4 |
| 19 | 645341 | | CLAMP TIE (DUAL) | 1 |
| 20 | 655023 | | FRONT MOUNT BRACKET (ROUTING) | 1 |
| 21 | 649954 | | MID MOUNT BRACKET (ROUTING) | 1 |
| 22 | | | | |
| 23 | | | | |
| 24 | 645671 | | FRONT FRAME MOUNT BRACKET (ROUTING) | 1 |
| 25 | 645672 | | REAR FRAME MOUNT BRACKET (ROUTING) | 1 |
| 26 | | | | |
| 27 | 645956 | | FLANGED HEX LOCK NUT, M8 X 1.25..... | 1 |
| 28 | 649597 | | COOLANT LINE ASSEMBLY (INCLUDES ITEMS 29 - 38) | 1 |
| 29 | 639484 | | COOLANT HOSE (RADIATOR TO OUTLET TUBE), 25.4MM I.D. | 1 |
| 30 | 639485 | | COOLANT HOSE (RADIATOR TO INLET TUBE), 25.4MM I.D. | 1 |
| 31 | 642165 | | COOLANT HOSE (INLET TUBE TO ENGINE), 25.4MM I.D. | 1 |

ENGINE COOLING SYSTEM

THE USE OF NON U.L. PARTS WILL VOID ANY U.L. LISTING.

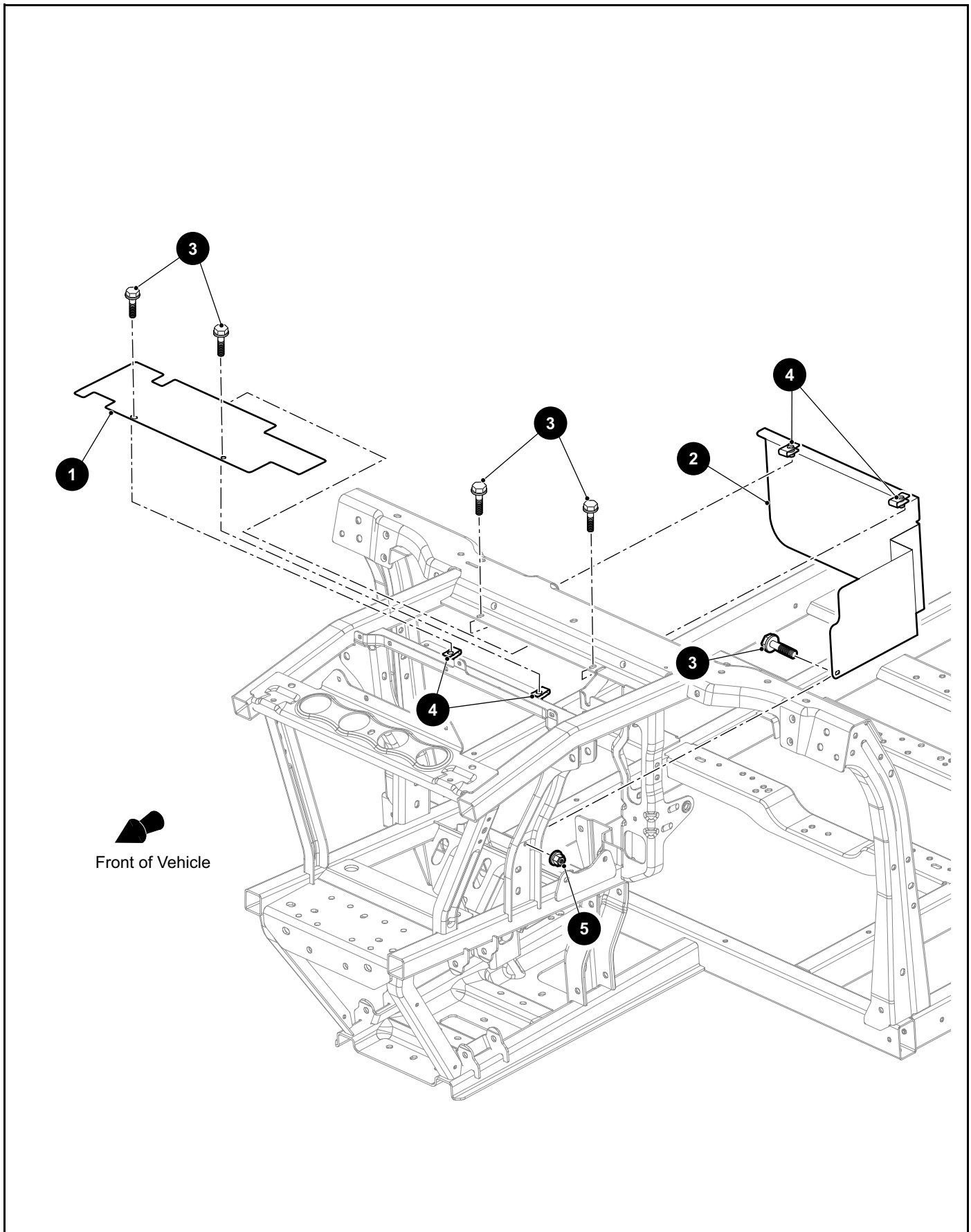
When ordering parts, please specify the model and serial number of the product.

* Indicates a component that is not available as an individual part.

*** Indicates consult Customer Service Department for additional information.

| ITEM | PART NO. | 1 | 2 | 3 | 4 | 5 | DESCRIPTION | QTY. |
|------|----------|---|---|---|---|---|--|------|
| 32 | 642166 | | | | | | COOLANT HOSE (OUTLET TUBE TO ENGINE), 25.4MM I.D. | 1 |
| 33 | 642402 | | | | | | HARD COOLANT LINE (RADIATOR IN) | 1 |
| 34 | 642403 | | | | | | HARD COOLANT LINE (RADIATOR OUT) | 1 |
| 35 | 649639 | | | | | | BRACKET, COOLANT OVERMOLDED..... | 2 |
| 36 | 650169 | | | | | | HOSE CLAMP (COOLANT LINES) | 4 |
| 37 | 650170 | | | | | | DOUBLE BAND CLAMP (COOLANT LINES)..... | 2 |
| 38 | 658731 | | | | | | HOSE CLAMP (HOSE TO LINE) | 4 |
| 39 | | | | | | | | |
| 40 | | | | | | | | |
| 41 | 650089 | | | | | | FLANGED BOLT, M6 - 1 X 50MM LG | 2 |
| 42 | 606265 | | | | | | FLANGED HEX HEAD BOLT, M6 - 1 X 12MM LG | 1 |
| 43 | 814924 | | | | | | TUBE CLAMP..... | 1 |
| 44 | 11391G4 | | | | | | HOSE CLAMP, .25" | 2 |

ENGINE COOLING SYSTEM

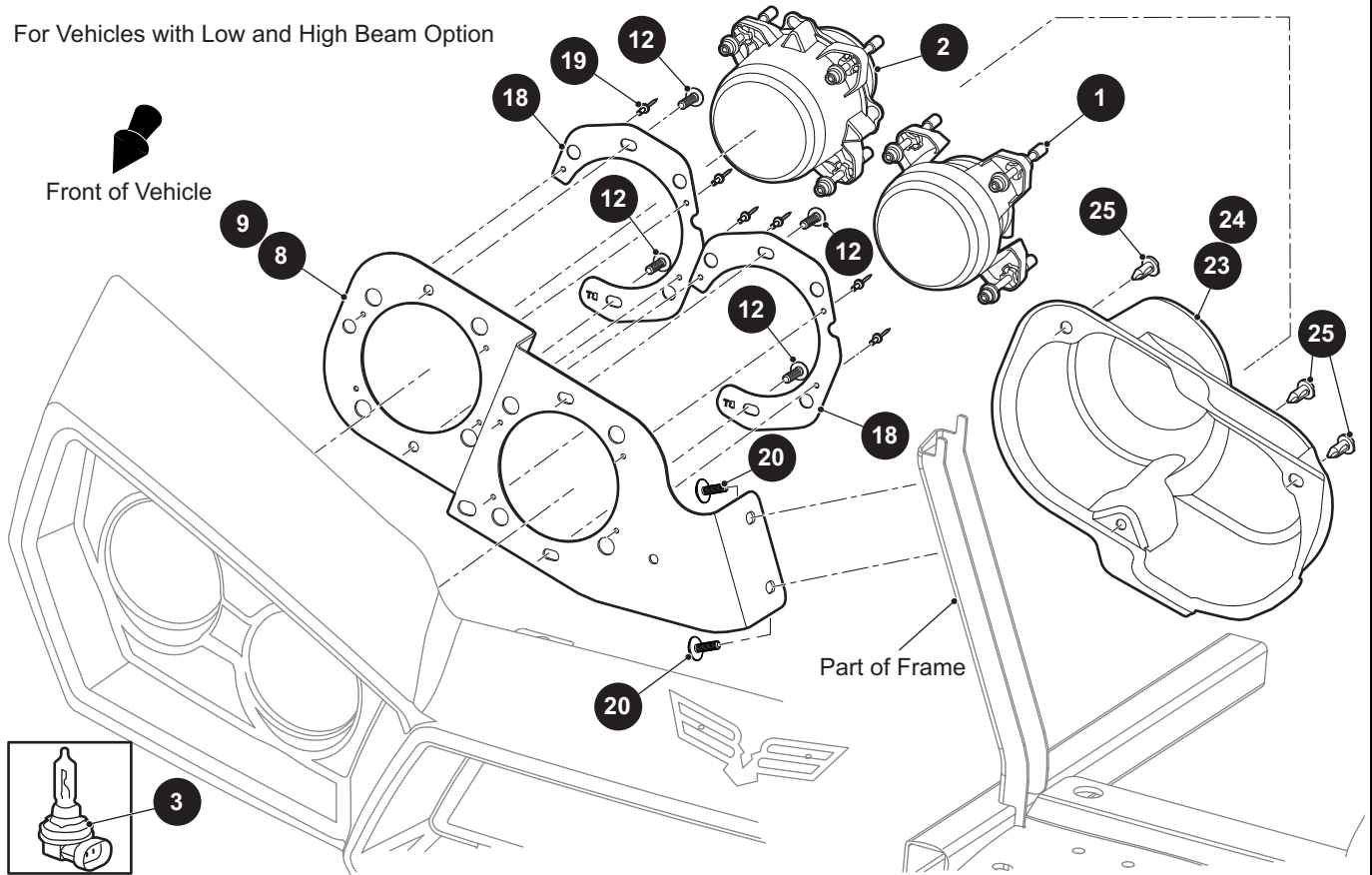


ENGINE COOLING SYSTEM

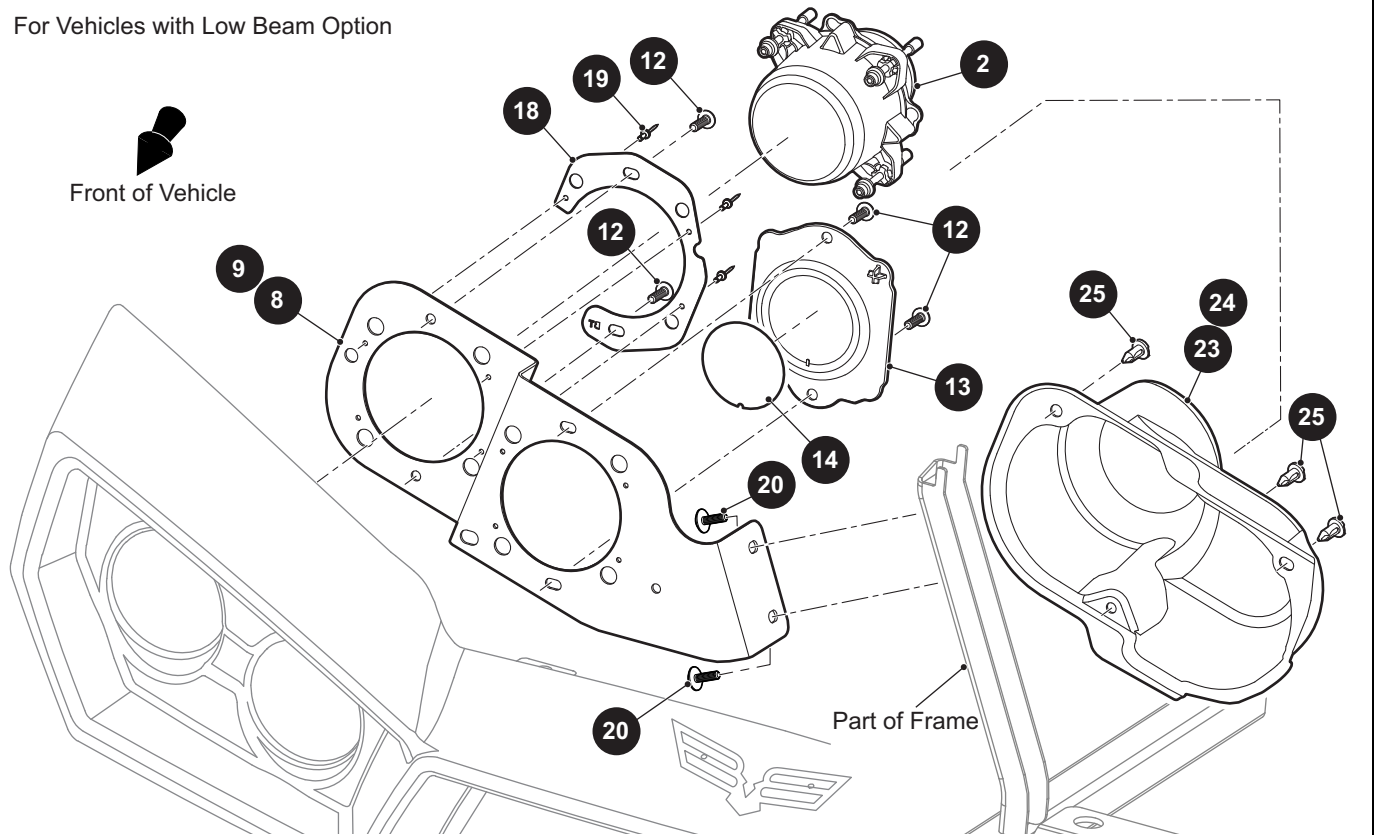
THE USE OF NON U.L. PARTS WILL VOID ANY U.L. LISTING.
 When ordering parts, please specify the model and serial number of the product.
 * Indicates a component that is not available as an individual part.
 *** Indicates consult Customer Service Department for additional information.

| ITEM | PART NO. | 1 2 3 4 5 | DESCRIPTION | QTY. |
|------|----------|-----------|--|------|
| 1 | 663934 | | RADIATOR CLOSEOUT (UPPER) | 1 |
| 2 | 660015 | | HEAT SHIELD CAB (LOWER) | 1 |
| 3 | 606264 | | FLANGED HEX HEAD BOLT, M6 - 1 X 20MM LG..... | 5 |
| 4 | 602409 | | BARREL CLIP, M6 - 1 | 4 |
| 5 | 601476 | | LOCK NUT, M6 -1 | 1 |

For Vehicles with Low and High Beam Option



For Vehicles with Low Beam Option



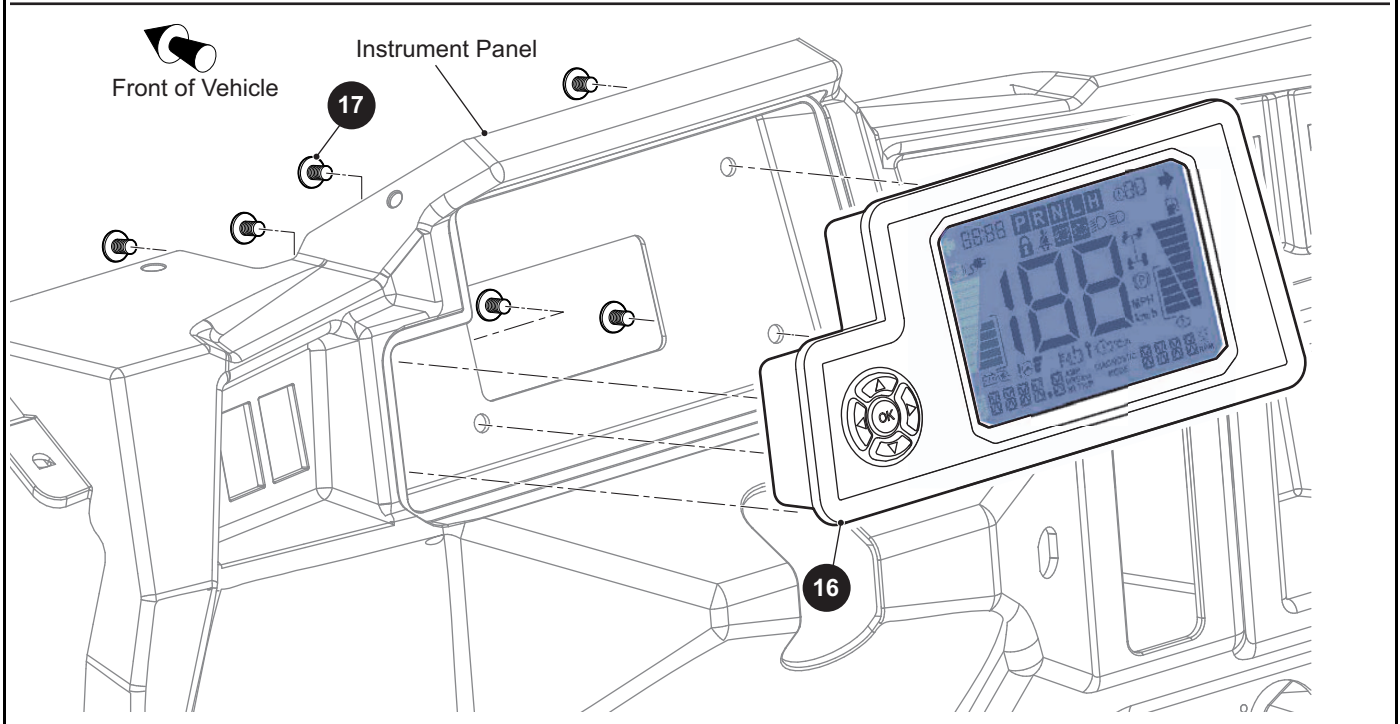
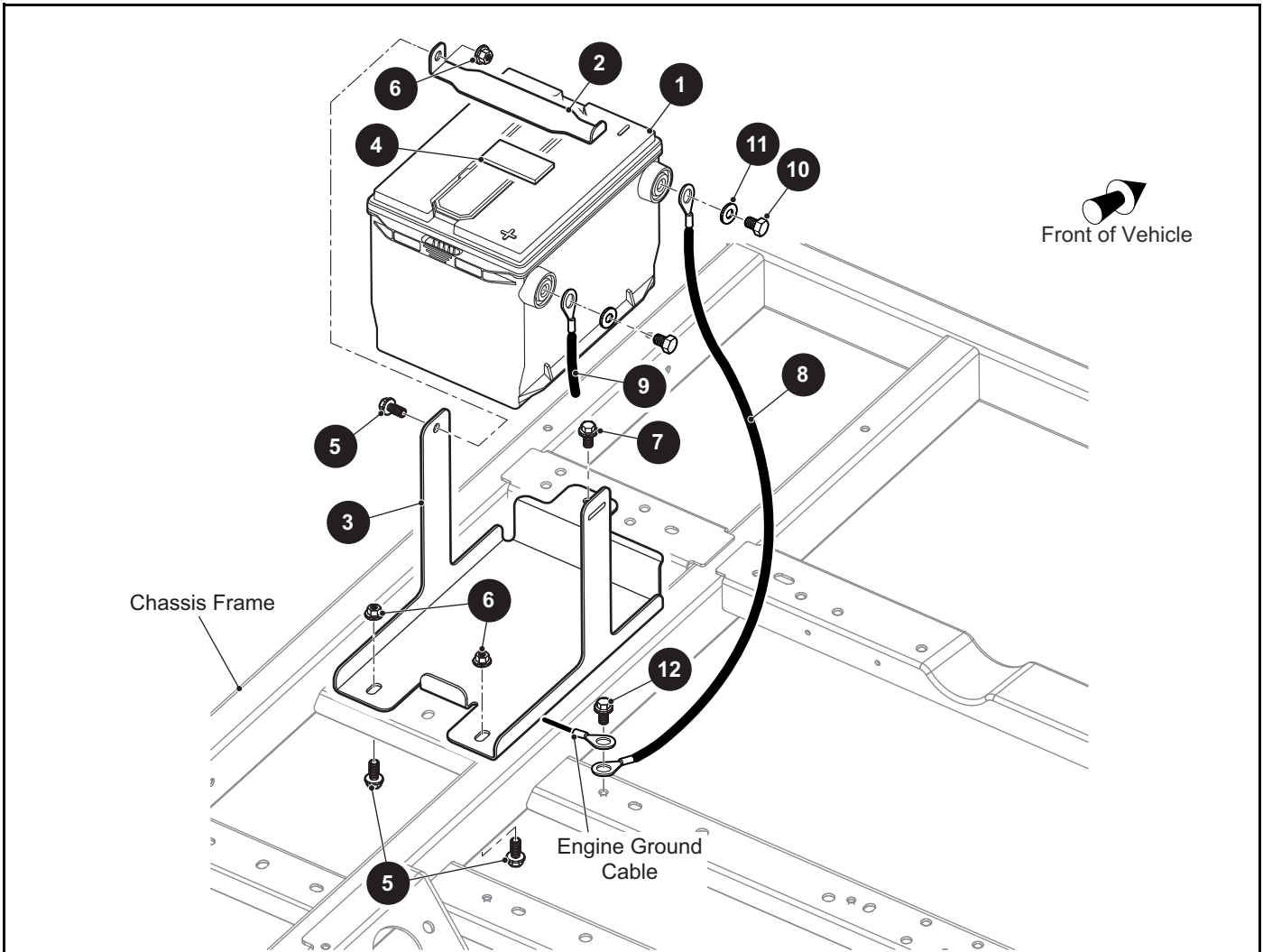
THE USE OF NON U.L. PARTS WILL VOID ANY U.L. LISTING.

When ordering parts, please specify the model and serial number of the product.

* Indicates a component that is not available as an individual part.

*** Indicates consult Customer Service Department for additional information.

| ITEM | PART NO. | 1 2 3 4 5 | DESCRIPTION | QTY. |
|------|-----------|-----------|--|------|
| 1 | 650932 | | HEADLIGHT (HIGH BEAM) | 1 |
| 2 | 650934 | | HEADLIGHT (LOW BEAM)..... | 1 |
| 3 | 654324 | | HEADLIGHT BULB | 1 |
| 4 | | | | |
| 5 | | | | |
| 6 | | | | |
| 7 | | | | |
| 8 | 643300G01 | | HEADLIGHT BRACKET (DRIVER SIDE) | 1 |
| 9 | 643300G02 | | HEADLIGHT BRACKET (PASSENGER SIDE)..... | 1 |
| 10 | | | | |
| 11 | | | | |
| 12 | 646047 | | PLASTITE SCREW, M6 - 2.14 X 20MM LG..... | 4 |
| 13 | 646435 | | HEADLIGHT REFLECTOR INSERT | 1 |
| 14 | 646492 | | FAUX HEADLIGHT DECAL | 1 |
| 15 | | | | |
| 16 | | | | |
| 17 | | | | |
| 18 | 647304 | | HEADLIGHT BRACKET (RIVETED)..... | 1 |
| 19 | 647586 | | RIVET (DOMED), 1/8"..... | AR |
| 20 | 644969 | | PAN WASHER HEAD SELF TAPPING SCREW, M6 - 1 X 20MM LG | 2 |
| 21 | | | | |
| 22 | | | | |
| 23 | 655275G01 | | HEADLIGHT COVER (DRIVER SIDE) | 1 |
| 24 | 655275G02 | | HEADLIGHT COVER (PASSENGER SIDE)..... | 1 |
| 25 | 645637 | | REMOVABLE RIVET, 8.13MM DIA X 21MM LG..... | 6 |



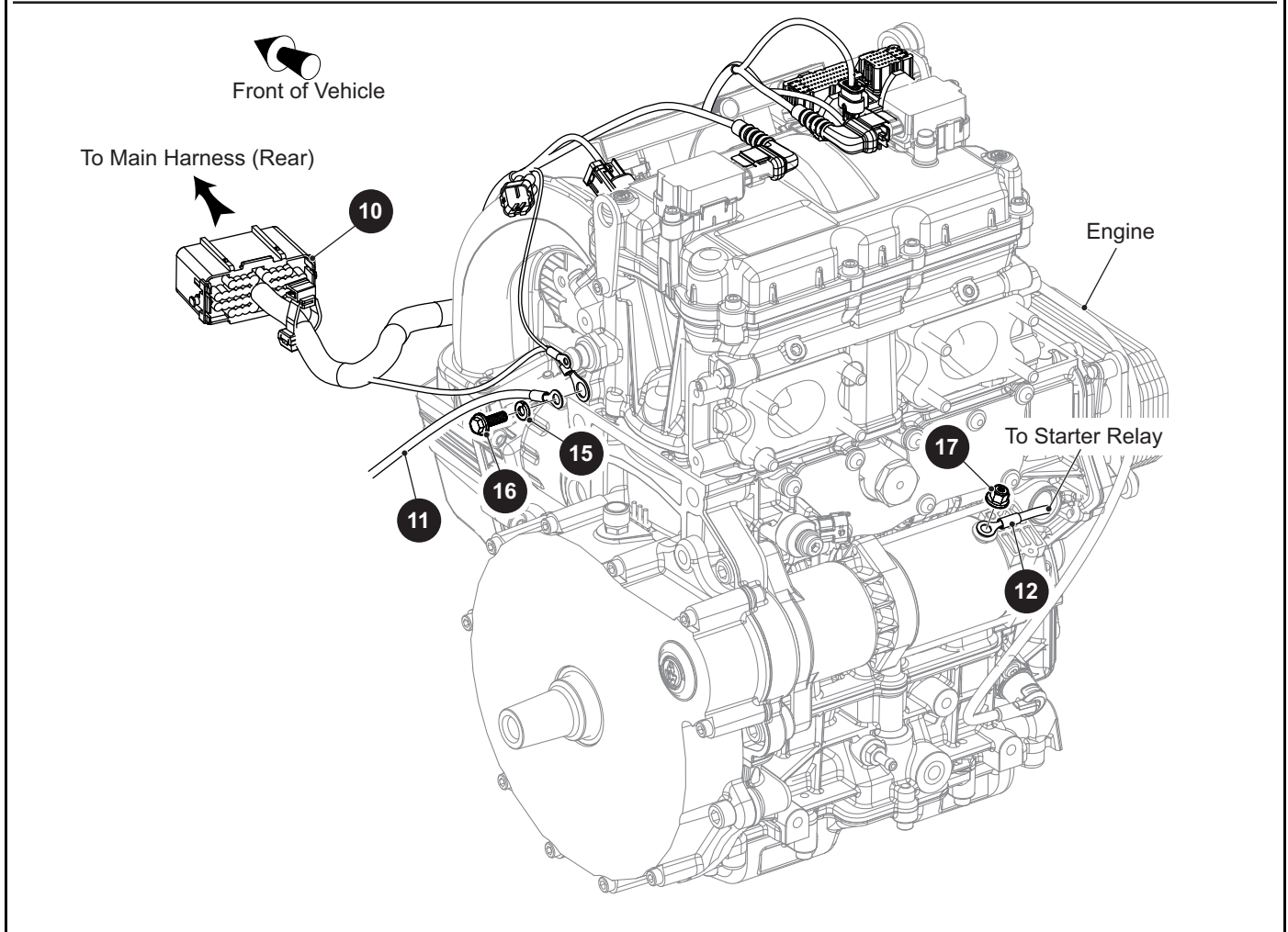
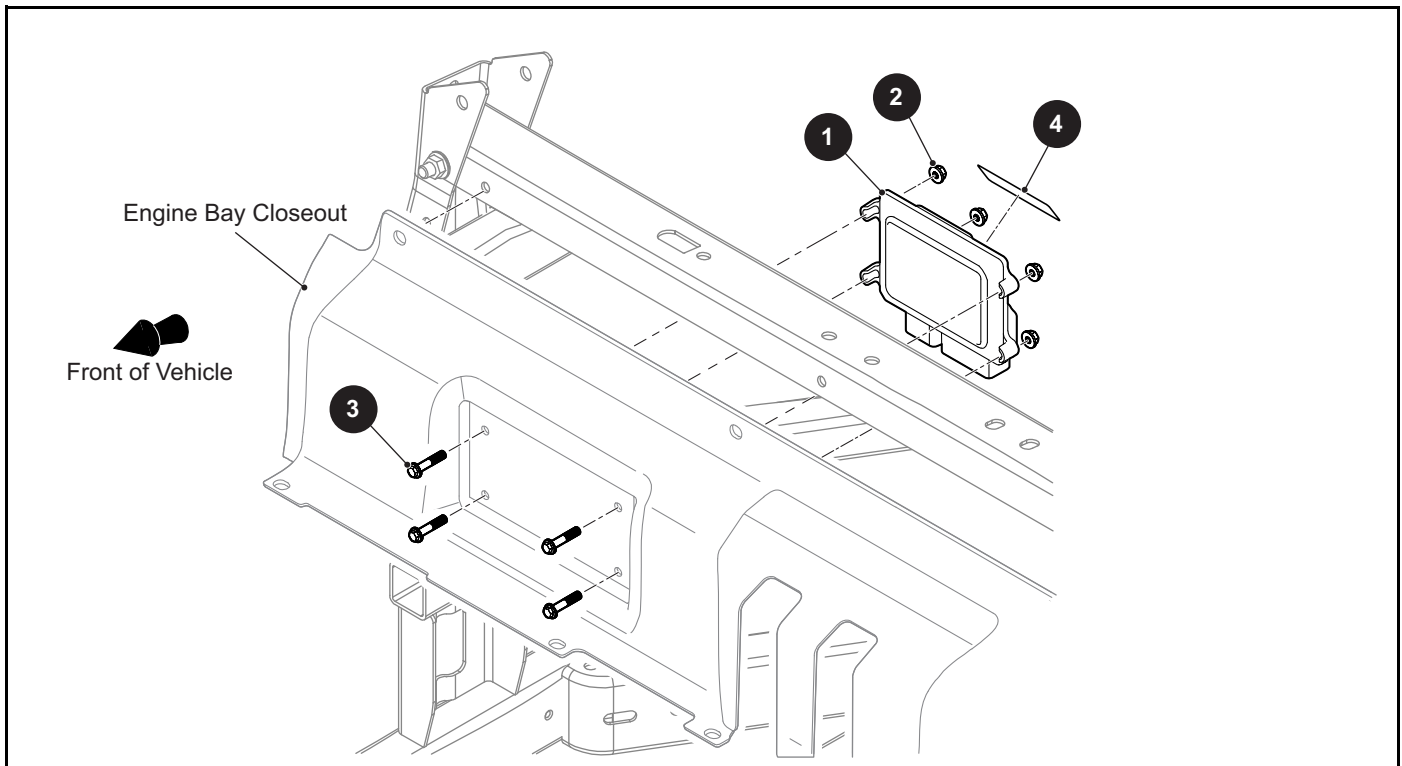
THE USE OF NON U.L. PARTS WILL VOID ANY U.L. LISTING.

When ordering parts, please specify the model and serial number of the product.

* Indicates a component that is not available as an individual part.

*** Indicates consult Customer Service Department for additional information.

| ITEM | PART NO. | 1 2 3 4 5 | DESCRIPTION | QTY. |
|------|----------|-----------|--|------|
| 1 | 637484 | | BATTERY, 12V..... | 1 |
| 2 | 643272 | | BATTERY HOLD DOWN..... | 1 |
| 3 | 645960 | | BATTERY TRAY..... | 1 |
| 4 | 608513 | | RUBBER PAD..... | 1 |
| 5 | 606261 | | FLANGED HEX HEAD BOLT, M8 - 1.25 X 20MM LG..... | 3 |
| 6 | 645956 | | FLANGED LOCK NUT, M8 - 1.25..... | 3 |
| 7 | 640723 | | SELF TAPPING SCREW, M8 - 1.25 X 20MM LG..... | 1 |
| 8 | 641525 | | #6 AWG CABLE (FRAME TO B NEGATIVE)..... | 1 |
| 9 | 646448 | | #6 AWG CABLE (FUSE TO B POSITIVE)..... | 1 |
| 10 | 651336 | | BATTERY BOLT..... | 2 |
| 11 | 614221 | | FLAT WASHER, 3/8"..... | 2 |
| 12 | 452695 | | TAPTITE SCREW, M6 - 1 X 20MM LG..... | 1 |
| 13 | | | | |
| 14 | | | | |
| 15 | | | | |
| 16 | 639719 | | DISPLAY ASSEMBLY..... | 1 |
| 17 | 645881 | | BUTTON HEAD TORX SCREW, M6 - 2.14 X 10MM LG..... | 6 |



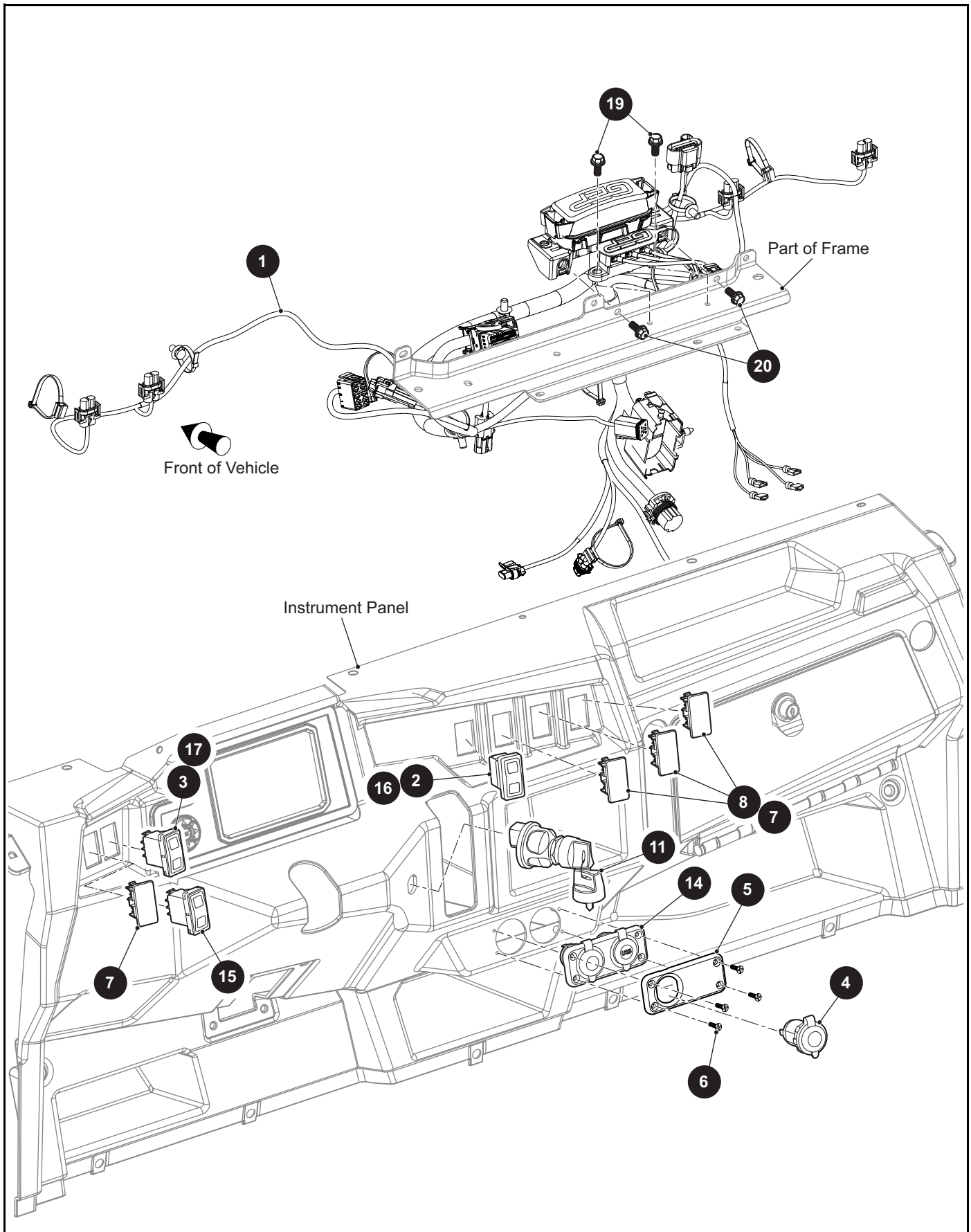
THE USE OF NON U.L. PARTS WILL VOID ANY U.L. LISTING.

When ordering parts, please specify the model and serial number of the product.

* Indicates a component that is not available as an individual part.

*** Indicates consult Customer Service Department for additional information.

| ITEM | PART NO. | 1 2 3 4 5 | DESCRIPTION | QTY. |
|------|-----------|-----------|--|------|
| 1 | 405644 | | ENGINE CONTROL UNIT..... | 1 |
| 2 | 601476 | | LOCK NUT, M6 - 1 | 4 |
| 3 | 606421 | | FLANGED HEX HEAD BOLT, M6 - 1 X 30MM LG..... | 4 |
| 4 | 649763G01 | | ECU LABEL | 1 |
| 5 | | | | |
| 6 | | | | |
| 7 | | | | |
| 8 | | | | |
| 9 | | | | |
| 10 | 638250 | | ENGINE HARNESS..... | 1 |
| 11 | 641526 | | #6 AWG ENGINE GROUND CABLE | 1 |
| 12 | 641524 | | #6 AWG STARTER MOTOR CABLE | 1 |
| 13 | | | | |
| 14 | | | | |
| 15 | 601327 | | LOCK WASHER, 6MM..... | 1 |
| 16 | 606264 | | FLANGED HEX HEAD BOLT, M6 - 1 X 20MMLG..... | 1 |
| 17 | 601476 | | LOCK NUT, M6 - 1 | 1 |



THE USE OF NON U.L. PARTS WILL VOID ANY U.L. LISTING.

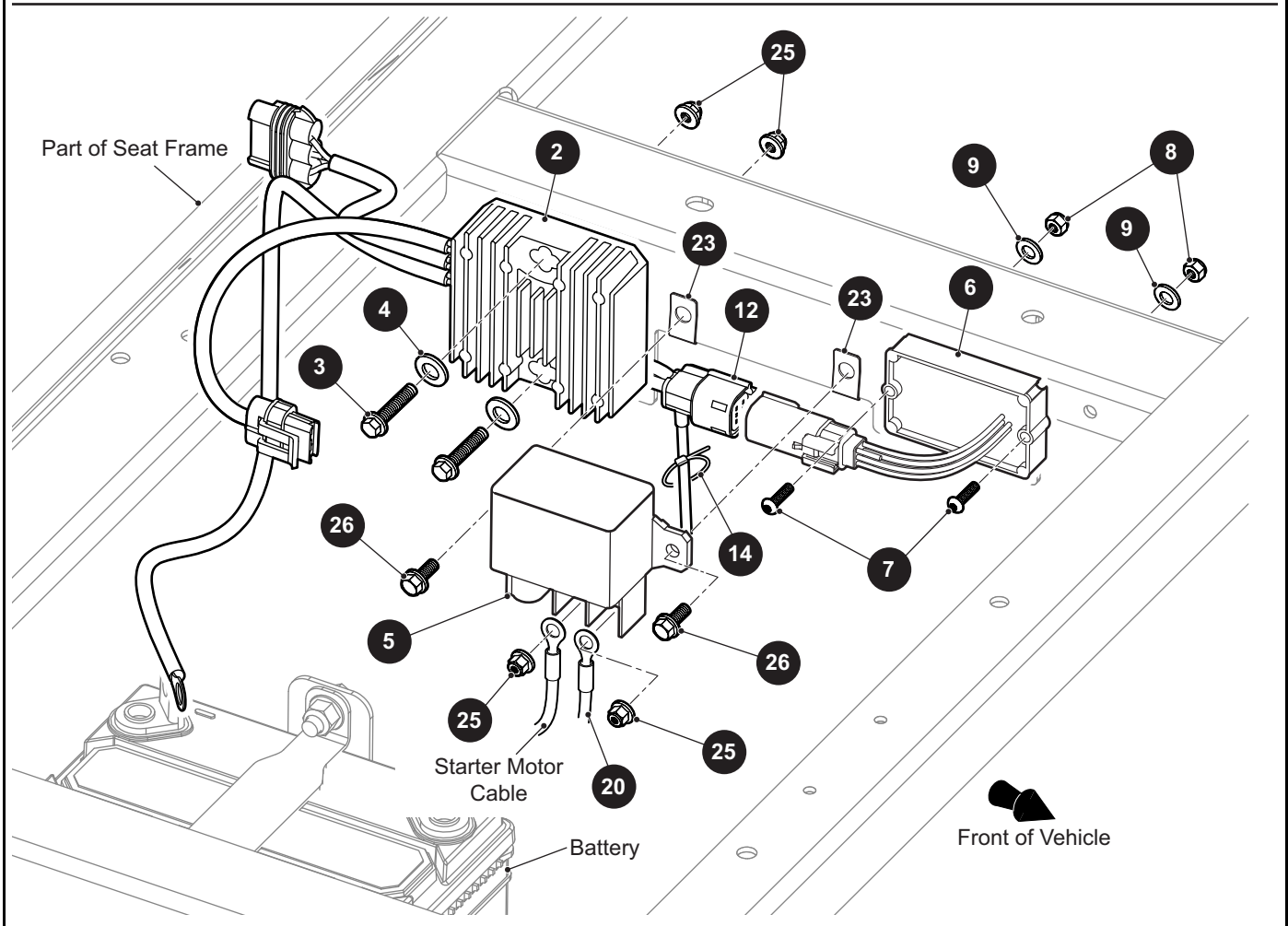
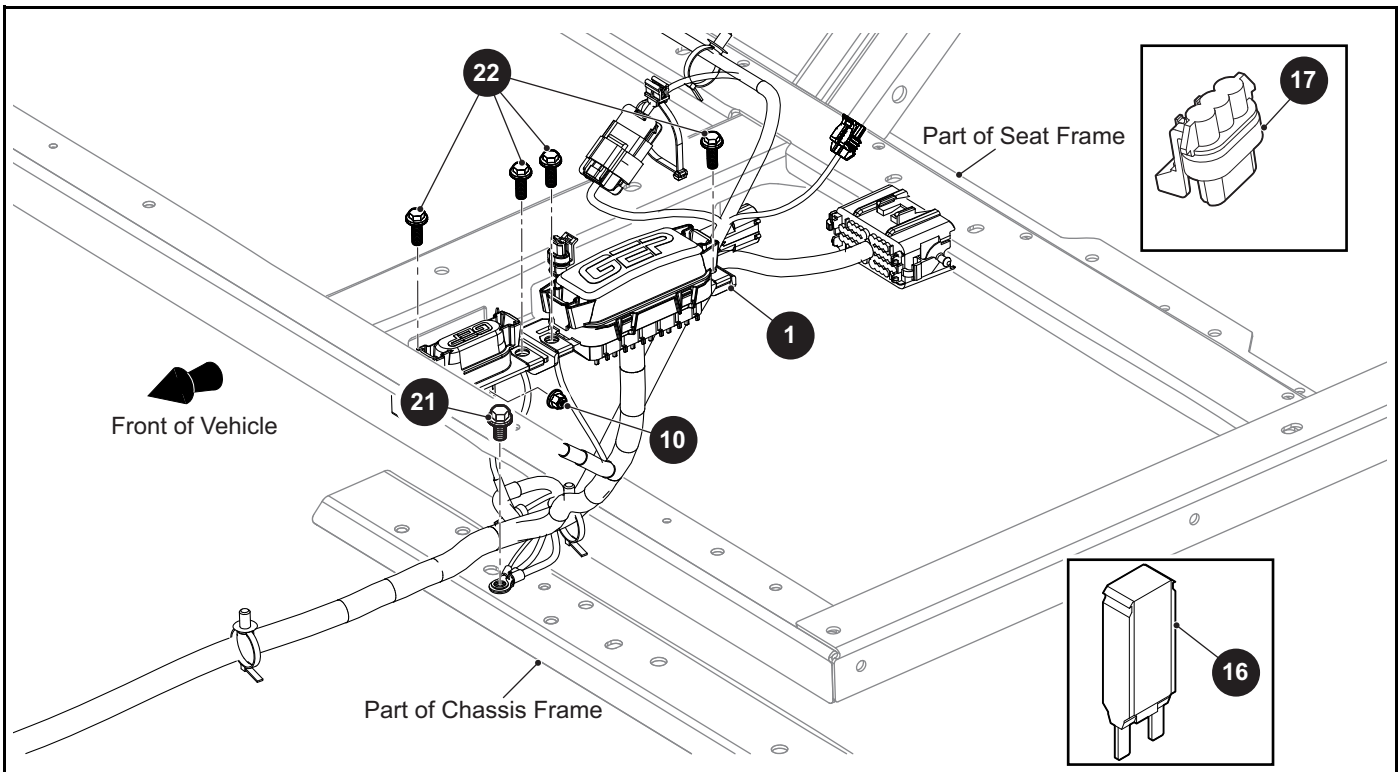
When ordering parts, please specify the model and serial number of the product.

* Indicates a component that is not available as an individual part.

*** Indicates consult Customer Service Department for additional information.

| ITEM | PART NO. | 1 2 3 4 5 | DESCRIPTION | QTY. |
|------|----------|-----------|--|------|
| 1 | 646197 | | MAIN HARNESS (FRONT) | 1 |
| 2 | 648132 | | SWITCH (LOW BEAM) (FOR VEHICLES WITHOUT EPS) | 1 |
| 3 | 648133 | | SWITCH (4WD) (FOR VEHICLES WITHOUT EPS) | 1 |
| 4 | 647807 | | 12V OUTLET (FOR VEHICLES WITHOUT EPS) | 1 |
| 5 | 647341 | | 12V OUTLET MOUNTING PLATE (FOR VEHICLES WITHOUT EPS) | 1 |
| 6 | 71425G01 | | TAPPING SCREW, #8 - 18 X 3/4" LG | 4 |
| 7 | 627035 | | SWITCH PLUG (FOR VEHICLES WITHOUT EPS) | 4 |
| 8 | 627035 | | SWITCH PLUG (FOR VEHICLES WITH EPS) | 3 |
| 9 | | | | |
| 10 | | | | |
| 11 | 640923 | | KEYSWITCH WITH KEY | 1 |
| 12 | | | | |
| 13 | | | | |
| 14 | 654608 | | USB PORT, 12V (FOR VEHICLES WITH EPS) | 1 |
| 15 | 644522 | | SWITCH (DIFFERENTIAL LOCK) (FOR VEHICLES WITH EPS) | 1 |
| 16 | 638267 | | SWITCH (HI/LOW BEAM) (FOR VEHICLES WITH EPS) | 1 |
| 17 | 644523 | | SWITCH (4WD) (FOR VEHICLES WITH EPS) | 1 |
| 18 | | | | |
| 19 | 452695 | | TAPTITE SCREW, M6 - 1 X 20MM LG | 2 |
| 20 | 606264 | | FLANGED HEX HEAD BOLT, M6 - 1 X 20MM LG | 2 |

ELECTRICAL



THE USE OF NON U.L. PARTS WILL VOID ANY U.L. LISTING.

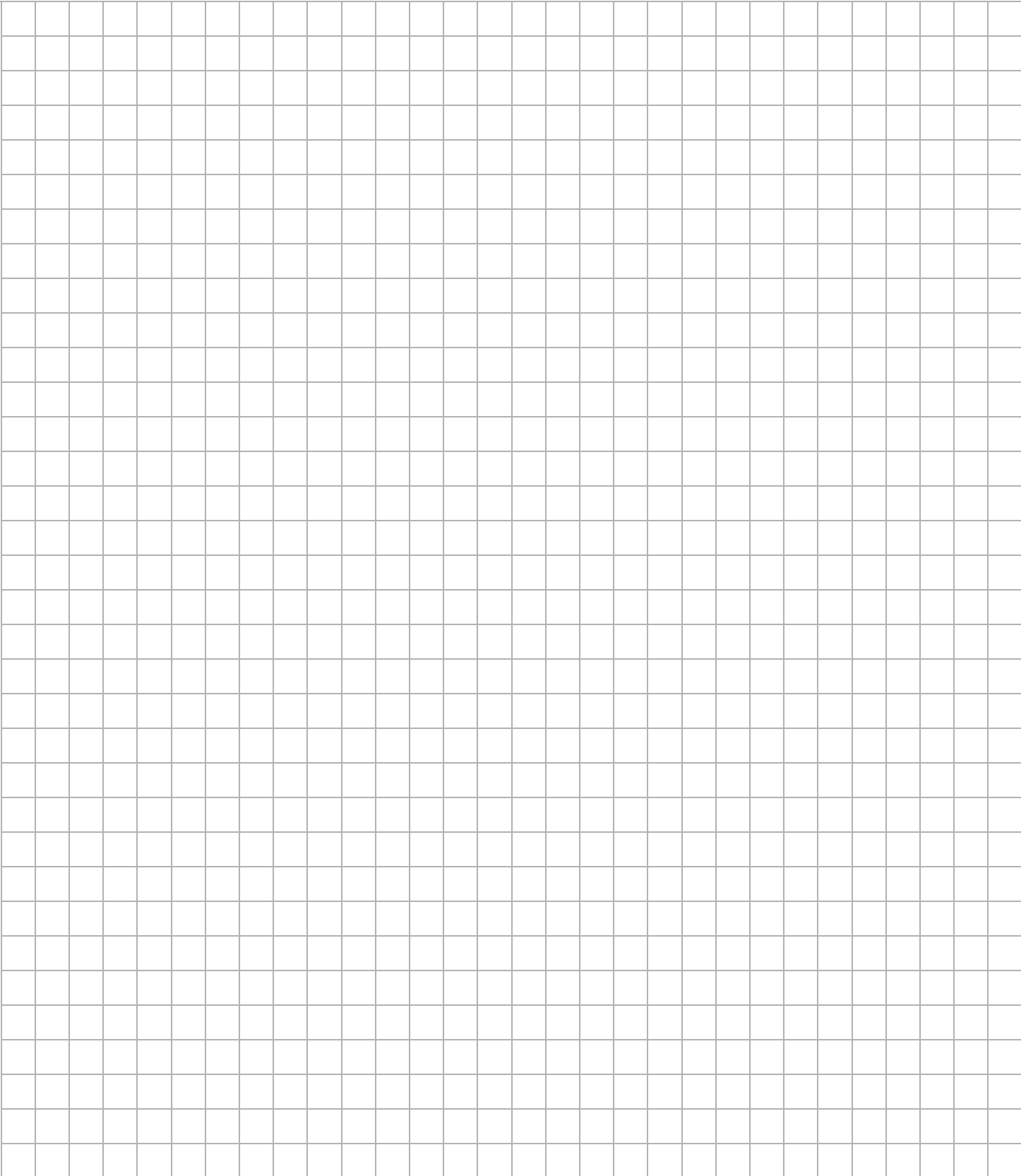
When ordering parts, please specify the model and serial number of the product.

* Indicates a component that is not available as an individual part.

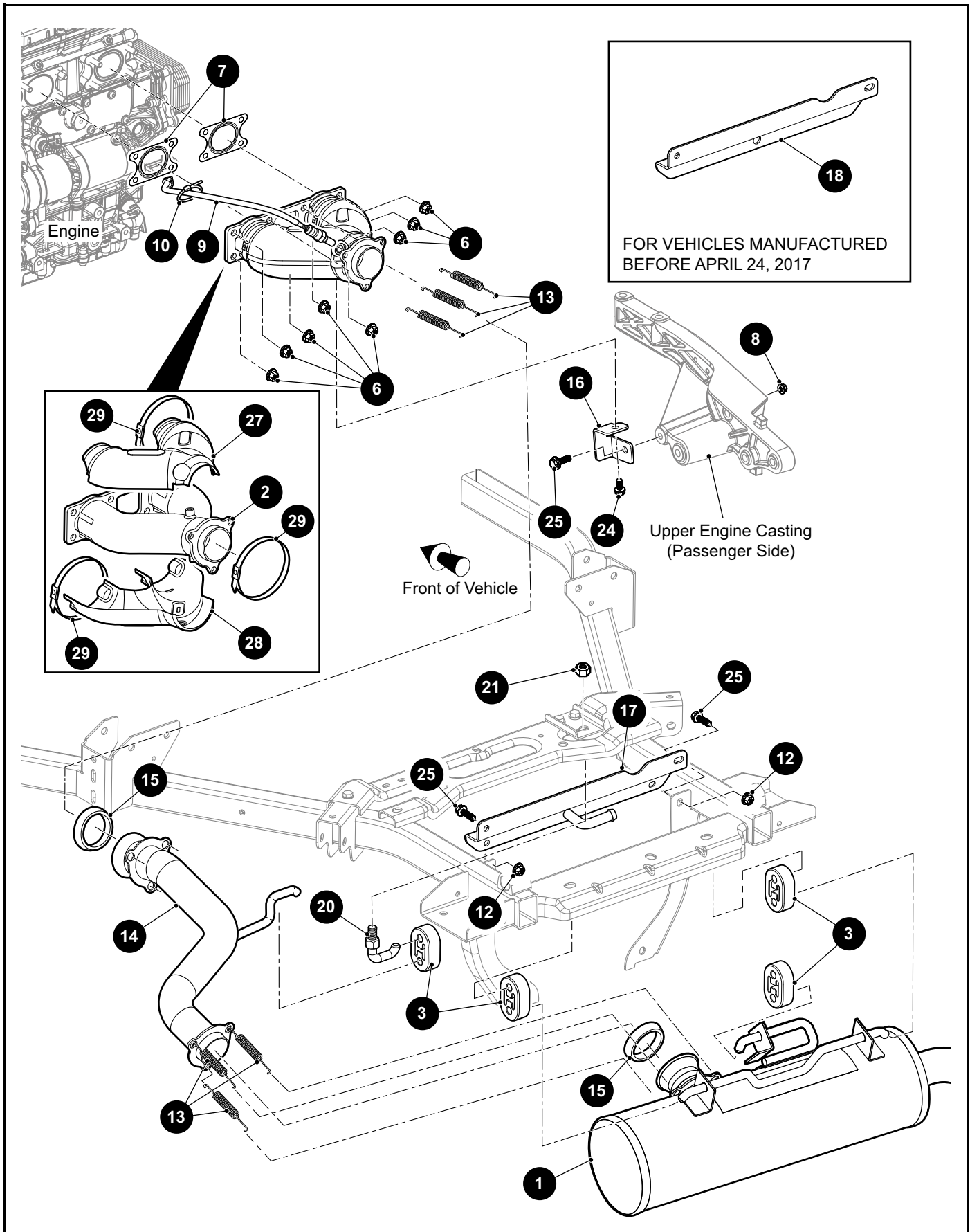
*** Indicates consult Customer Service Department for additional information.

| ITEM | PART NO. | 1 2 3 4 5 | DESCRIPTION | QTY. |
|------|-----------|-----------|---|------|
| 1 | 646198 | | MAIN HARNESS (REAR) | 1 |
| 2 | 407227 | | VOLTAGE REGULATOR..... | 1 |
| 3 | 643471 | | FLANGED HEX HEAD BOLT, M6 - 1 X 35MM LG..... | 2 |
| 4 | 308090 | | FLAT WASHER, 1/4" | 2 |
| 5 | 405225 | | STARTER RELAY | 1 |
| 6 | 639456 | | SOLENOID CONTROLLER (REAR DIFFERENTIAL) (FOR VEHICLES WITH EPS) | 1 |
| 7 | 00379G2 | | PAN HEAD PHILLIPS SCREW, #10 - 24 X 1 1/4" LG (FOR VEHICLES WITH EPS)..... | 2 |
| 8 | 14390G10 | | LOCK NUT, #10 - 24 (FOR VEHICLES WITH EPS) | 2 |
| 9 | 00559G5 | | FLAT WASHER, #10 (FOR VEHICLES WITH EPS)..... | 2 |
| 10 | 601476 | | LOCK NUT, M6 - 1 | 1 |
| 11 | | | | |
| 12 | 647305 | | REAR DIFFERENTIAL HARNESS (FOR VEHICLES WITH EPS) | 1 |
| 13 | 646441 | | CABLE TIE (EDGE CLIP) (FOR VEHICLES WITH EPS) (NOT ILLUSTRATED) | 1 |
| 14 | 31539G1 | | NYLON CLAMP, 15.5" LG..... | AR |
| 15 | | | | |
| 16 | 647613 | | MINI BREAKER, 14V, 25AMP..... | 1 |
| 17 | 639733G03 | | CONNECTOR (FEMALE) (FOR VEHICLES WITHOUT EPS) | 1 |
| 18 | | | | |
| 19 | | | | |
| 20 | 641523 | | #6 AWG CABLE (FUSE) | 1 |
| 21 | 640723 | | SELF TAPPING SCREW, M8 - 1.25 X 20MM LG | 1 |
| 22 | 606264 | | FLANGED HEX HEAD BOLT, M6 - 1 X 20MM LG..... | 4 |
| 23 | 602409 | | BARREL CLIP, M6 - 1 | 2 |
| 24 | | | | |
| 25 | 601476 | | LOCK NUT, M6 - 1 | 4 |
| 26 | 606264 | | FLANGED HEX HEAD BOLT, M6 - 1 X 20MM LG..... | 2 |

Notes:



EXHAUST



THE USE OF NON U.L. PARTS WILL VOID ANY U.L. LISTING.

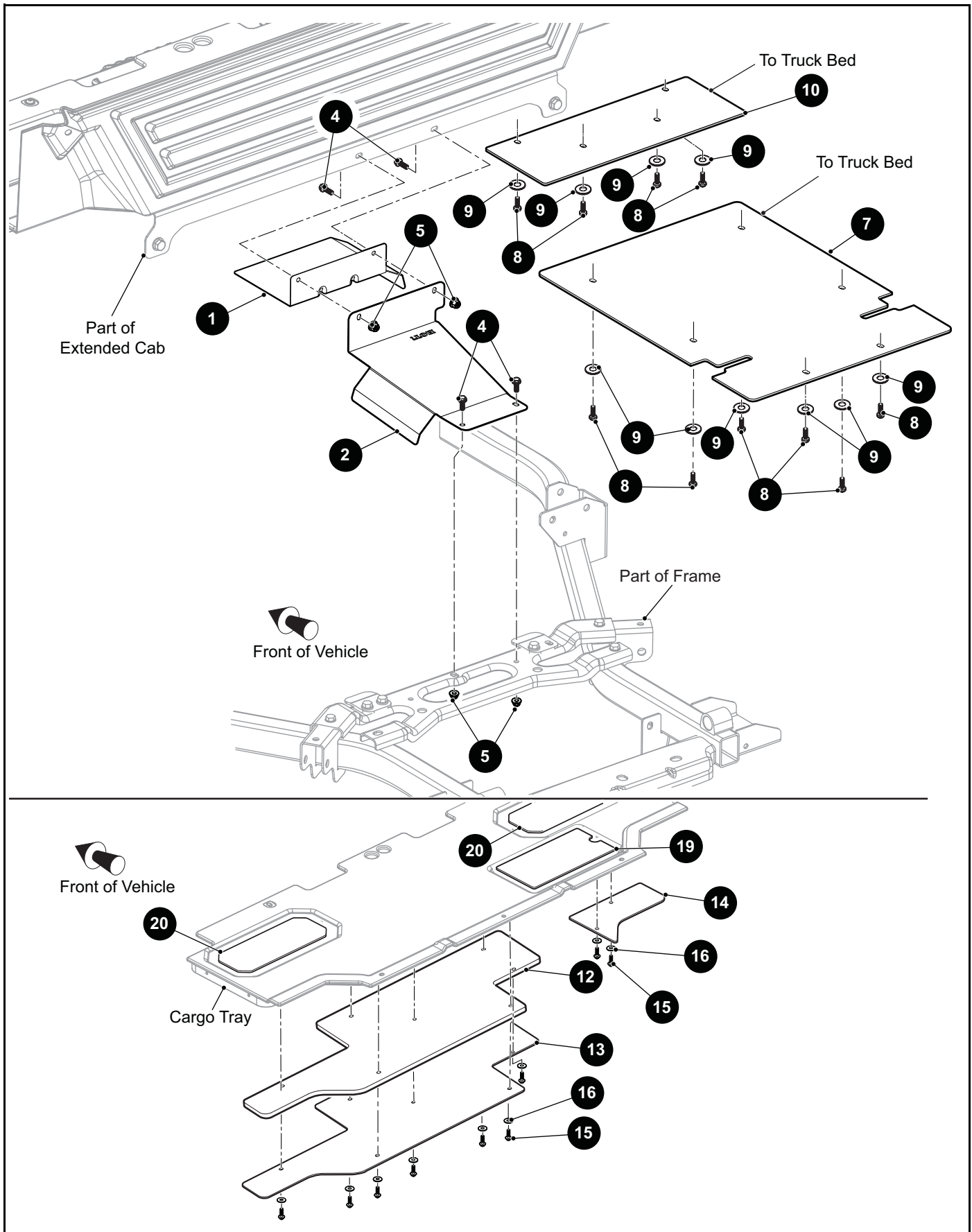
When ordering parts, please specify the model and serial number of the product.

* Indicates a component that is not available as an individual part.

*** Indicates consult Customer Service Department for additional information.

| ITEM | PART NO. | 1 2 3 4 5 | DESCRIPTION | QTY. |
|------|----------|-----------|--|------|
| 1 | 657638 | | EXHAUST MUFFLER | 1 |
| 2 | 649120 | | EXHAUST HEADER PIPE | 1 |
| 3 | 652412 | | EXHAUST ISOLATOR | 4 |
| 4 | | | | |
| 5 | | | | |
| 6 | 100737 | | FLANGED LOCK NUT, M8 | 8 |
| 7 | 101446 | | HEADER GASKET | 2 |
| 8 | 26830G01 | | SELF LOCK NUT, M8 X 1.25 | 1 |
| 9 | 406241 | | OXYGEN SENSOR..... | 1 |
| 10 | 17618G1 | | NYLON CLAMP, 8" LG..... | 1 |
| 11 | | | | |
| 12 | 645956 | | FLANGED HEX NUT, M8 - 1.25..... | 2 |
| 13 | 649713 | | EXHAUST SPRING | 6 |
| 14 | 649715 | | INTERMEDIATE PIPE | 1 |
| 15 | 649733 | | GASKET..... | 2 |
| 16 | 650340 | | HEADER SUPPORT BRACKET | 1 |
| 17 | 658229 | | MUFFLER SUPPORT BRACKET (FOR VEHICLES MANUFACTURED AFTER APRIL 24, 2017) | 1 |
| 18 | 650478 | | MUFFLER SUPPORT BRACKET (FOR VEHICLES MANUFACTURED BEFORE APRIL 24, 2017) | 1 |
| 19 | | | | |
| 20 | 650862 | | EXHAUST HANGER (BOLT AND NUT)..... | 1 |
| 21 | 14390G6 | | LOCK NUT, 1/2" - 13..... | 1 |
| 22 | | | | |
| 23 | | | | |
| 24 | 651085 | | FLANGED HEX HEAD BOLT, M8 - 1.25 X 10MM | 1 |
| 25 | 602330 | | FLANGED HEX HEAD BOLT, M8 - 1.25 X 30MM | 3 |
| 26 | | | | |
| 27 | 654380 | | UPPER HEAT SHIELD (EXHAUST MANIFOLD)..... | 1 |
| 28 | 654381 | | LOWER HEAT SHIELD (EXHAUST MANIFOLD)..... | 1 |
| 29 | 654557 | | BANDIT CLAMP, 2" | 3 |

EXHAUST



THE USE OF NON U.L. PARTS WILL VOID ANY U.L. LISTING.

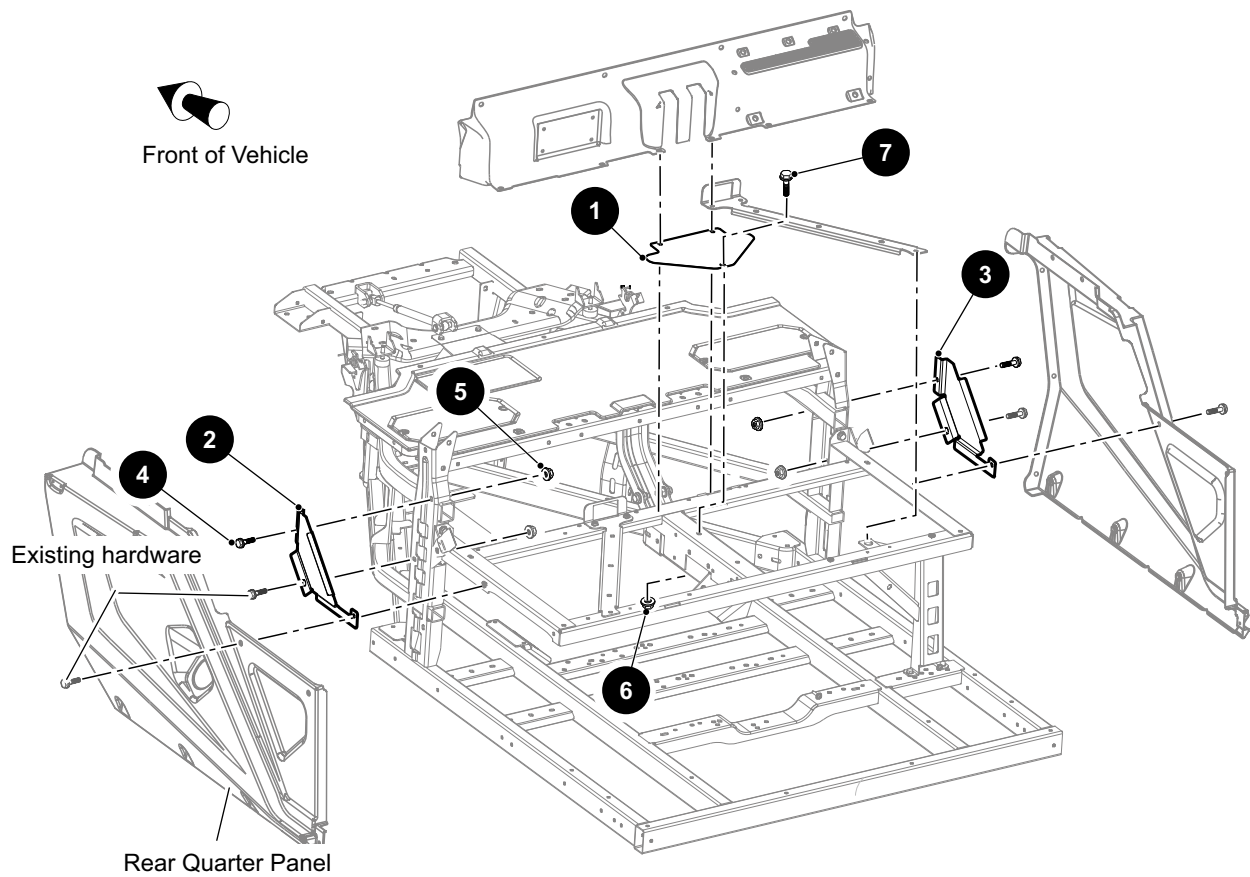
When ordering parts, please specify the model and serial number of the product.

* Indicates a component that is not available as an individual part.

*** Indicates consult Customer Service Department for additional information.

| ITEM | PART NO. | 1 2 3 4 5 | DESCRIPTION | QTY. |
|------|----------|-----------|---|------|
| 1 | 646803 | | HEAT SHIELD BRACKET (CAB) | 1 |
| 2 | 658252 | | HEAT SHIELD BRACKET (BED) | 1 |
| 3 | | | | |
| 4 | 606264 | | FLANGED HEX HEAD BOLT, M6 - 1 X 20MM LG..... | 4 |
| 5 | 601476 | | LOCK NUT, M6 - 1 | 4 |
| 6 | | | | |
| 7 | 649832 | | HEAT SHIELD (BED) | 1 |
| 8 | 646047 | | PLASTITE SCREW, M6 - 2.14 X 20MM LG..... | 10 |
| 9 | 00793G2 | | FLAT WASHER (SS), 1/4"..... | 10 |
| 10 | 653421 | | HEAT SHIELD, FRONT (BED)..... | 1 |
| 11 | | | | |
| 12 | 658439 | | HEAT SHIELD (EXTENDED CAB) | 1 |
| 13 | 653387 | | HEAT SHIELD (EXTENDED CAB TRAY) | 1 |
| 14 | 649944 | | HEAT SHIELD (EXTENDED CAB OUTER TRAY)..... | 1 |
| 15 | 646047 | | PLASTITE SCREW, M6 - 2.14 X 20MM LG..... | 9 |
| 16 | 00793G2 | | FLAT WASHER (SS), 1/4"..... | 9 |
| 17 | | | | |
| 18 | | | | |
| 19 | 653268 | | HEAT SHIELD (EXTENDED CAB ACCESS PANEL) | 1 |
| 20 | 653329 | | HEAT SHIELD (EXTENDED CAB STORAGE POCKET) | 2 |

EXHAUST



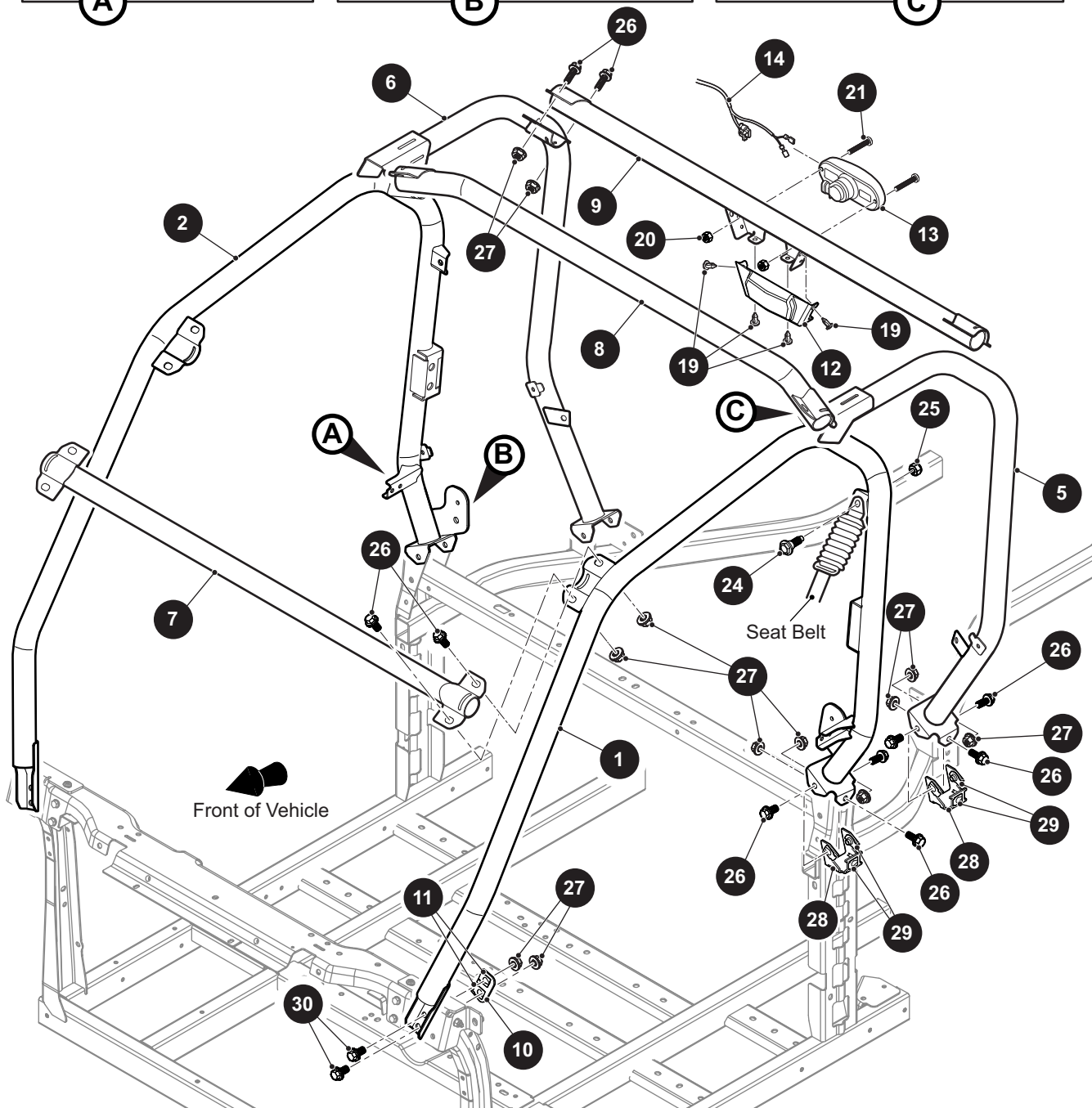
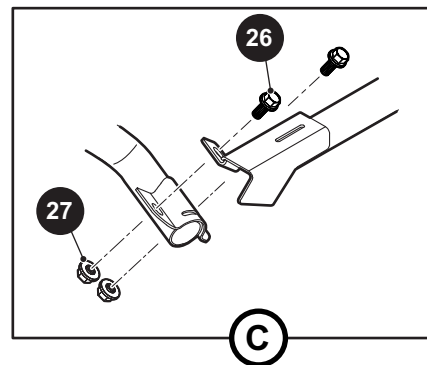
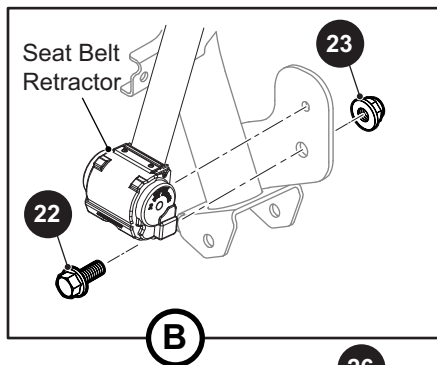
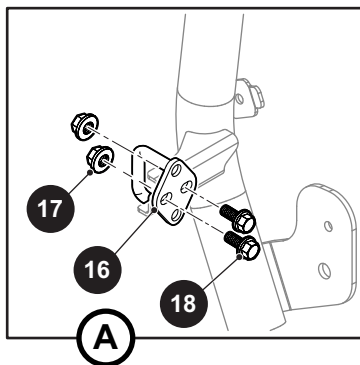
THE USE OF NON U.L. PARTS WILL VOID ANY U.L. LISTING.

When ordering parts, please specify the model and serial number of the product.

* Indicates a component that is not available as an individual part.

*** Indicates consult Customer Service Department for additional information.

| ITEM | PART NO. | 1 2 3 4 5 | DESCRIPTION | QTY. |
|------|-----------|-----------|---|------|
| 1 | 660711 | | SEAT HEAT SHIELD..... | 1 |
| 2 | 658517G01 | | SEAT BELT ANCHOR COVER (DRIVER SIDE)..... | 1 |
| 3 | 658517G02 | | SEAT BELT ANCHOR COVER (PASSENGER SIDE) | 1 |
| 4 | 606261 | | FLANGED HEX HEAD BOLT, M8 - 1.25 X 20MM LG..... | 2 |
| 5 | 645956 | | FLANGED HEX HEAD NUT, M8 X 1.25 | 2 |
| 6 | 601476 | | LOCK NUT M6 - 1 | 1 |
| 7 | 606264 | | FLANGED HEX HEAD BOLT, M6 - 1 X 20MM LG..... | 1 |



THE USE OF NON U.L. PARTS WILL VOID ANY U.L. LISTING.

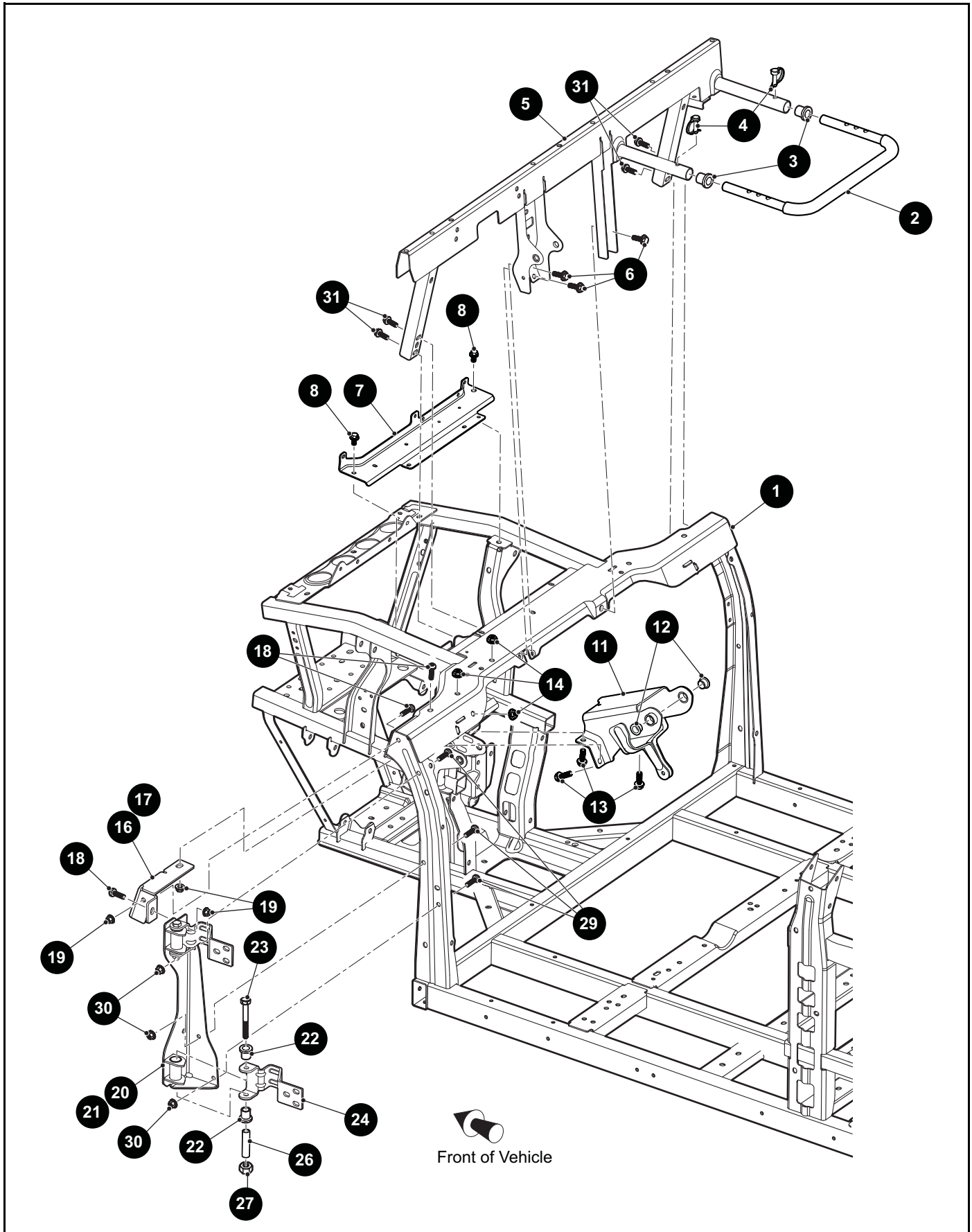
When ordering parts, please specify the model and serial number of the product.

* Indicates a component that is not available as an individual part.

*** Indicates consult Customer Service Department for additional information.

| ITEM | PART NO. | 1 2 3 4 5 | DESCRIPTION | QTY. |
|------|-----------|-----------|--|------|
| 1 | 635335G01 | | SIDE WELDMENT (DRIVER SIDE)..... | 1 |
| 2 | 635335G02 | | SIDE WELDMENT (PASSENGER SIDE) | 1 |
| 3 | | | | |
| 4 | | | | |
| 5 | 639923G01 | | EXTENDED CAB WELDMENT (DRIVER SIDE) | 1 |
| 6 | 639923G02 | | EXTENDED CAB WELDMENT (PASSENGER SIDE)..... | 1 |
| 7 | 635333 | | CROSS TUBE | 1 |
| 8 | 635334 | | CROSS TUBE (REAR) | 1 |
| 9 | 644473 | | EXTENDED CAB CROSS TUBE..... | 1 |
| 10 | 654391 | | MOUNTING PLATE (BARREL CLIP)..... | 1 |
| 11 | 603818 | | BARREL CLIP, M10 - 1.5 | 2 |
| 12 | 649127 | | CLOSEOUT | 1 |
| 13 | 646704 | | HALOGEN LIGHT ASSEMBLY | 1 |
| 14 | 642474 | | HALOGEN LIGHT HARNESS..... | 1 |
| 15 | | | | |
| 16 | 648643 | | STRIKER..... | 1 |
| 17 | 645956 | | FLANGED HEX LOCK NUT, M8 - 1.25..... | 2 |
| 18 | 606261 | | FLANGED HEX HEAD BOLT, M8 - 1.25 X 20MM LG..... | 2 |
| 19 | 645637 | | REMOVABLE RIVET, 8.13MM DIA X 21MM LG..... | 4 |
| 20 | 610683 | | LOCK NUT, M5 - .8 | 2 |
| 21 | 647961 | | CHEESE HEAD SCREW, M5 - .8 X 30MM LG..... | 2 |
| 22 | 649013 | | FLANGED HEX HEAD BOLT, M12 - 1.75 X 30MM LG..... | 2 |
| 23 | 648198 | | LOCK NUT, M12 - 1.75 | 2 |
| 24 | 609569 | | SEAT BELT BOLT, 7/16" - 20 | 2 |
| 25 | 00734G3 | | LOCK NUT, 7/16" - 20..... | 2 |
| 26 | 603799 | | FLANGED HEX HEAD BOLT, M10 - 1.5 X 25MM LG..... | AR |
| 27 | 600525 | | LOCK NUT, M10 - 1.5 | AR |
| 28 | 654109 | | MOUNTING BRACKET (BARRELL CLIP)..... | 2 |
| 29 | 603818 | | BARREL CLIP, M10 - 1.5 | 6 |
| 30 | 649879 | | FLANGED HEX HEAD BOLT, M10 - 1.5 X 30MM LG..... | 2 |
| 31 | | | | |

FRAME



THE USE OF NON U.L. PARTS WILL VOID ANY U.L. LISTING.

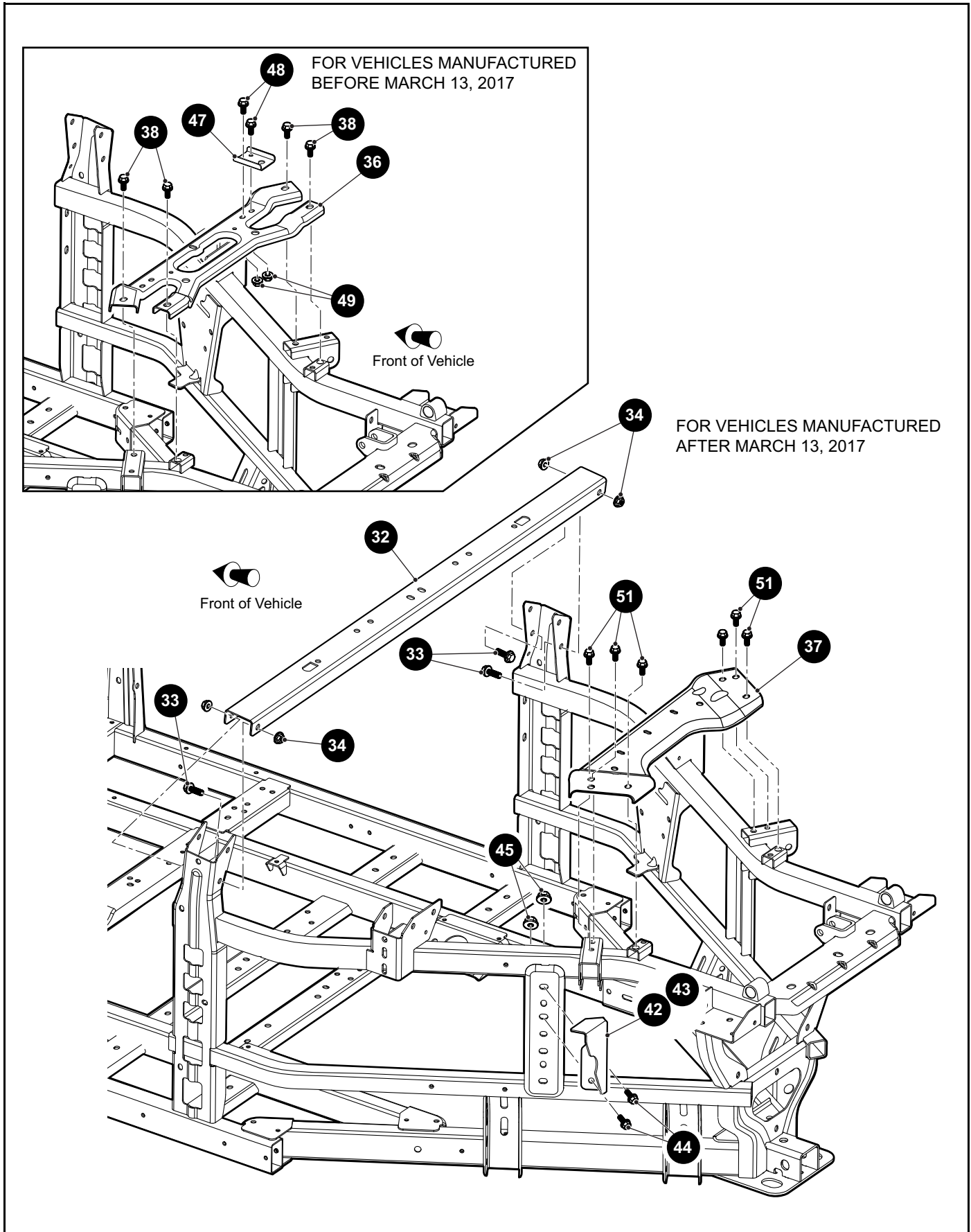
When ordering parts, please specify the model and serial number of the product.

* Indicates a component that is not available as an individual part.

*** Indicates consult Customer Service Department for additional information.

| ITEM | PART NO. | 1 2 3 4 5 | DESCRIPTION | QTY. |
|------|-----------|-----------|--|------|
| 1 | 633444G03 | | FRAME WELDMENT | 1 |
| 2 | 648464 | | PASSENGER HANDLE | 1 |
| 3 | 644356 | | FLANGED BUSHING, 19.6MM I.D. | 2 |
| 4 | 646062 | | LOCK PIN (ROUND TAB) | 2 |
| 5 | 644068 | | INSTRUMENT PANEL SUPPORT WELDMENT | 1 |
| 6 | 640723 | | SELF TAPPING SCREW, M8 - 1.25 X 20MM LG | 3 |
| 7 | 643952 | | SHOCK TOWER BRACE, FRONT | 1 |
| 8 | 640723 | | SELF TAPPING SCREW, M8 - 1.25 X 20MM LG | 2 |
| 9 | | | | |
| 10 | | | | |
| 11 | 644144 | | STEERING COLUMN MOUNT WELDMENT | 1 |
| 12 | 647352 | | FLANGED BUSHING, 5/8" | 2 |
| 13 | 603799 | | FLANGED HEX HEAD BOLT, M10 - 1.5 X 25MM LG..... | 3 |
| 14 | 600525 | | LOCK NUT, M10 - 1.5 | 3 |
| 15 | | | | |
| 16 | 649370G01 | | A-PILLAR CAP BRACKET (DRIVER SIDE) | 1 |
| 17 | 649370G02 | | A-PILLAR CAP BRACKET (PASSENGER SIDE)..... | 1 |
| 18 | 628635 | | PAN HEAD TAPTITE BOLT, M8 - 1.25 X 30MM LG | 3 |
| 19 | 645956 | | FLANGED HEX NUT, M8 X 1.25 | 3 |
| 20 | 644167G01 | | DOOR HINGE MOUNTING BRACKET (DRIVER SIDE) | 1 |
| 21 | 644167G02 | | DOOR HINGE MOUNTING BRACKET (PASSENGER SIDE) | 1 |
| 22 | 637745 | | FLANGED BUSHING, 15.875MM SHAFT | 4 |
| 23 | 00665G9 | | HEX HEAD BOLT, 3/8" - 16 X 3 1/2" LG | 2 |
| 24 | 643576 | | DOOR HINGE | 2 |
| 25 | | | | |
| 26 | 70289G02 | | SPLIT SPACER (STEEL)..... | 2 |
| 27 | 11098G5 | | LOCK NUT, 3/8" - 16..... | 2 |
| 28 | | | | |
| 29 | 628635 | | PAN HEAD TAPTITE BOLT, M8 - 1.25 X 30MM LG | 3 |
| 30 | 645956 | | FLANGED HEX NUT, M8 X 1.25 | 3 |
| 31 | 640723 | | SELF TAPPING SCREW, M8 - 1.25 X 20MM LG | 4 |

FRAME



THE USE OF NON U.L. PARTS WILL VOID ANY U.L. LISTING.

When ordering parts, please specify the model and serial number of the product.

* Indicates a component that is not available as an individual part.

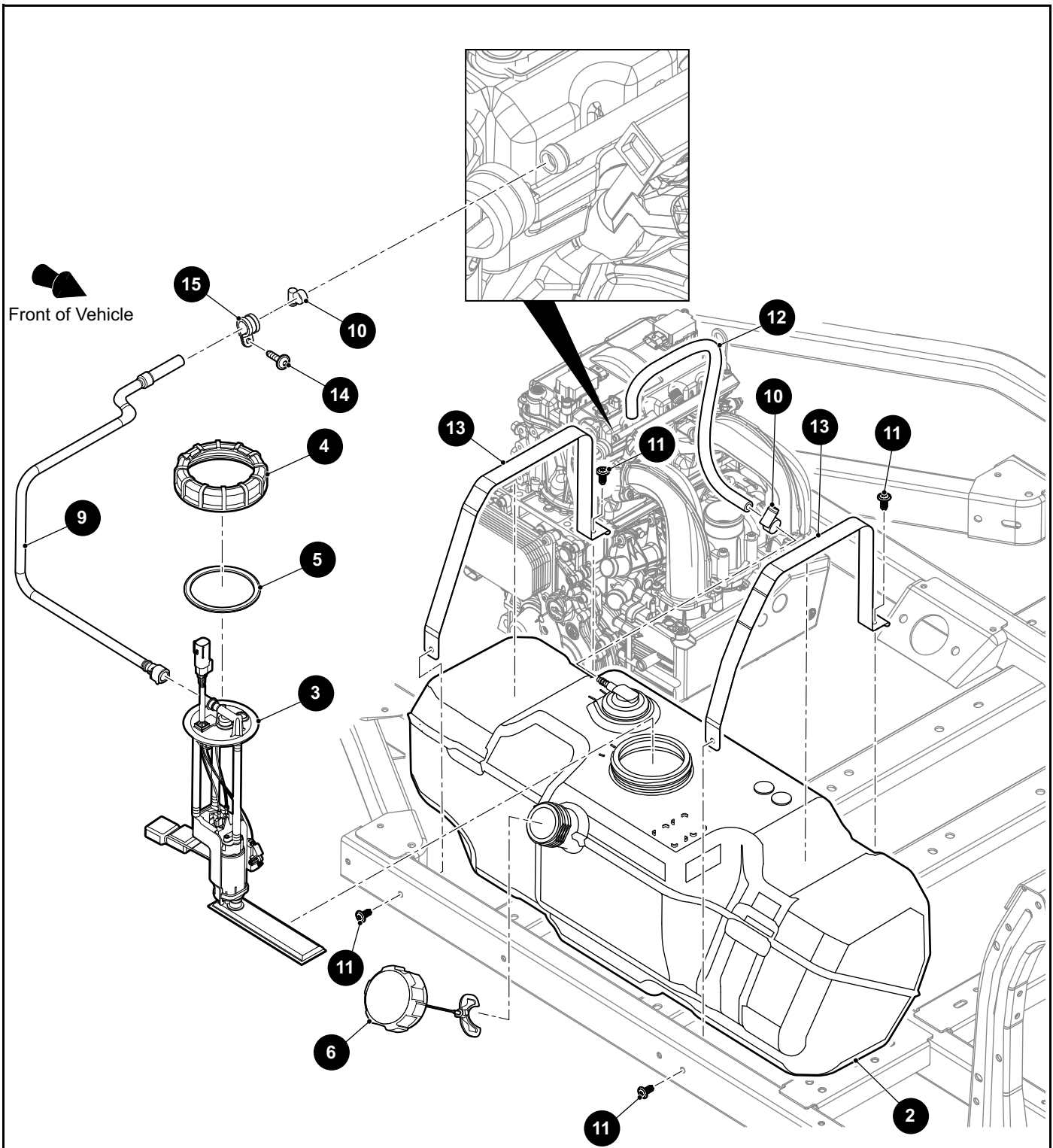
*** Indicates consult Customer Service Department for additional information.

| ITEM | PART NO. | 1 2 3 4 5 | DESCRIPTION | QTY. |
|------|-----------|-----------|--|------|
| 32 | 642503 | | CROSSMEMBER (B-PILLAR) | 1 |
| 33 | 603799 | | FLANGED HEX HEAD BOLT, M10 - 1.5 X 25MM LG..... | 4 |
| 34 | 600525 | | LOCK NUT, M10 - 1.5 | 4 |
| 35 | | | | |
| 36 | 645568 | | SHOCK TOWER BRACE, REAR (FOR VEHICLES MANUFACTURED BEFORE MARCH 13, 2017) | 1 |
| 37 | 652653 | | SHOCK TOWER BRACE, REAR (FOR VEHICLES MANUFACTURED AFTER MARCH 13, 2017)..... | 1 |
| 38 | 640723 | | SELF TAPPING SCREW, M8 - 1.25 X 20MM LG | 4 |
| 39 | | | | |
| 40 | | | | |
| 41 | | | | |
| 42 | 653159G01 | | BED LATCH BRACKET (DRIVER SIDE)..... | 1 |
| 43 | 653159G02 | | BED LATCH BRACKET (PASSENGER SIDE) | 1 |
| 44 | 603799 | | FLANGED HEX HEAD BOLT, M10 - 1.5 X 25MM LG..... | 2 |
| 45 | 600525 | | LOCK NUT, M10 - 1.5 | 2 |
| 46 | | | | |
| 47 | 655209 | | BRACKET (EXHAUST HANGER) | 1 |
| 48 | 606261 | | FLANGED HEX HEAD BOLT, M8 - 1.25 X 20MM LG..... | 2 |
| 49 | 645956 | | FLANGED HEX NUT, M8 X 1.25 | 2 |
| 50 | | | | |
| 51 | 640723 | | SELF TAPPING SCREW, M8 - 1.25 X 20MM LG | 6 |

Notes:

A large grid of graph paper consisting of 30 columns and 30 rows of small squares, intended for taking notes.

FUEL SYSTEM



1 FUEL TANK ASSEMBLY includes items 2 - 6

FUEL SYSTEM

THE USE OF NON U.L. PARTS WILL VOID ANY U.L. LISTING.

When ordering parts, please specify the model and serial number of the product.

* Indicates a component that is not available as an individual part.

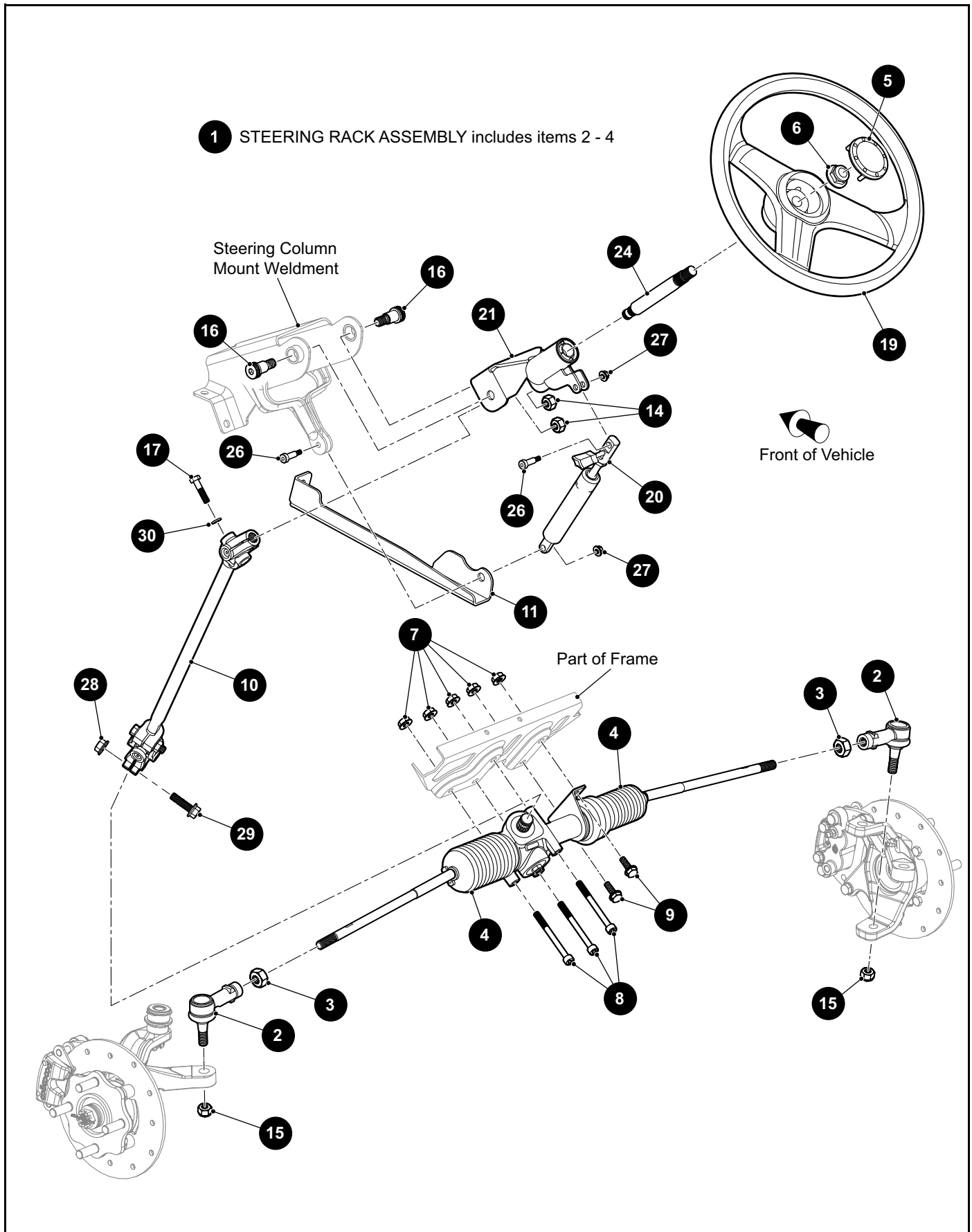
*** Indicates consult Customer Service Department for additional information.

| ITEM | PART NO. | 1 2 3 4 5 | DESCRIPTION | QTY. |
|------|----------|-----------|---|------|
| 1 | 659538 | | FUEL TANK ASSEMBLY, 9 GAL. (34 LITER) (INCLUDES ITEMS 2 - 6)..... | 1 |
| 2 | 659536 | | FUEL TANK | 1 |
| 3 | 642827 | | FUEL PUMP WITH SENDING UNIT AND FILTER..... | 1 |
| 4 | 642858 | | LOCKING RING (FUEL PUMP)..... | 1 |
| 5 | 649707 | | GASKET | 1 |
| 6 | 635688 | | FUEL CAP | 1 |
| 7 | | | | |
| 8 | | | | |
| 9 | 664586 | | FUEL HOSE ASSEMBLY | 1 |
| 10 | 649481 | | HOSE CLAMP, 8 - 16MM..... | 2 |
| 11 | 644969 | | PAN WASHER HEAD SELF TAPPING SCREW, M6 - 1 X 20MM LG | 4 |
| 12 | 649753 | | VENT TUBE | 1 |
| 13 | 652124 | | STRAP | 2 |
| 14 | 645323 | | PAN WASHER HEAD TORX SCREW, M6 - 1 X 23.4MM LG | 1 |
| 15 | 404018 | | TUBE CLAMP | 1 |

Notes:

A large rectangular grid of small squares, intended for handwritten notes. The grid consists of 20 columns and 25 rows of squares.

STEERING



THE USE OF NON U.L. PARTS WILL VOID ANY U.L. LISTING.

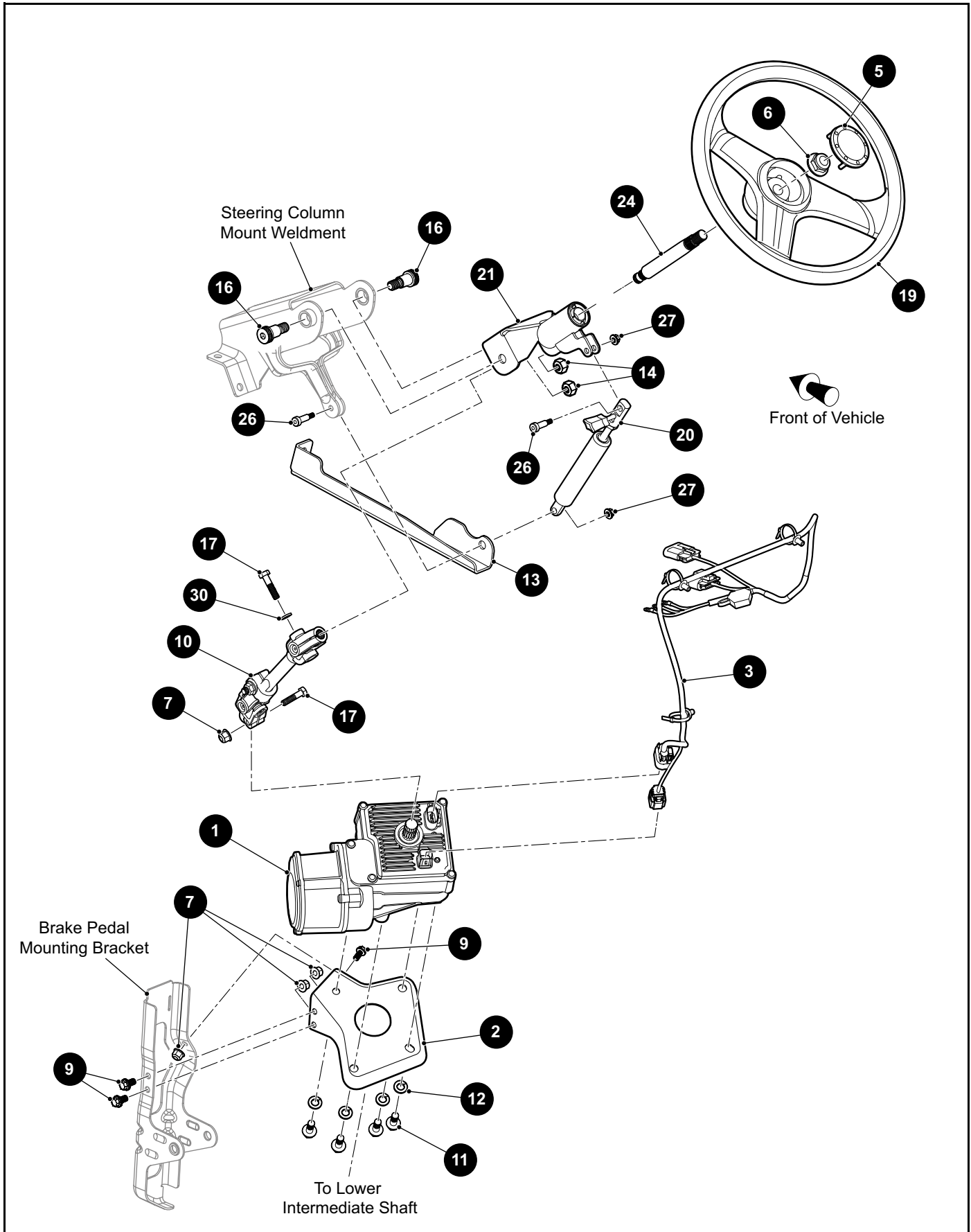
When ordering parts, please specify the model and serial number of the product.

* Indicates a component that is not available as an individual part.

*** Indicates consult Customer Service Department for additional information.

| ITEM | PART NO. | 1 2 3 4 5 | DESCRIPTION | QTY. |
|------|----------|-----------|---|------|
| 1 | 633214 | | STEERING RACK ASSEMBLY (INCLUDES ITEMS 2 - 4) | 1 |
| 2 | 655220 | | ROD END | 2 |
| 3 | 655221 | | JAM NUT | 2 |
| 4 | 655222 | | BELLOWS AND CLAMPS KIT..... | 1 |
| 5 | 639439 | | STEERING WHEEL COVER | 1 |
| 6 | 601709 | | LOCK NUT, M16 - 2 | 1 |
| 7 | 645956 | | FLANGED HEX LOCK NUT, M8 - 1.25..... | 5 |
| 8 | 605254 | | SOCKET HEAD BOLT, M8 - 1.25 X 90MM LG | 3 |
| 9 | 606261 | | FLANGED HEX HEAD BOLT, M8 - 1.25 X 20MM LG..... | 2 |
| 10 | 634519 | | INTERMEDIATE SHAFT | 1 |
| 11 | 654736 | | STIFFENER BRACKET | 1 |
| 12 | | | | |
| 13 | | | | |
| 14 | 00551G1 | | HEX NUT (INTERNAL LOCK), 1/2" - 13 | 2 |
| 15 | 647672 | | LOCK NUT, M12 - 1.5 | 2 |
| 16 | 643928 | | SHOULDER BOLT, .625" DIA X 3/4" LG | 2 |
| 17 | 625878 | | HEX HEAD BOLT, M8 - 1.25 X 35MM LG..... | 1 |
| 18 | | | | |
| 19 | 639437 | | STEERING WHEEL (VIPER)..... | 1 |
| 20 | 643923 | | TILT DAMPENER..... | 1 |
| 21 | 633649 | | STEERING COLUMN ASSEMBLY | 1 |
| 22 | | | | |
| 23 | | | | |
| 24 | 634517 | | STEERING SHAFT | 1 |
| 25 | | | | |
| 26 | 646035 | | SHOULDER BOLT, 8/M6 X 20MM LG | 2 |
| 27 | 601476 | | LOCK NUT, M6 - 1 | 2 |
| 28 | 648753 | | LOCK NUT, M10 - 1.5 | 1 |
| 29 | 650475 | | FLANGED HEX HEAD BOLT, M10 - 1.5 X 45MM LG..... | 1 |
| 30 | 606272 | | LOCK WASHER, 8MM..... | 1 |
| 31 | | | | |

ELECTRIC POWERED STEERING (EPS)



ELECTRIC POWERED STEERING (EPS)

THE USE OF NON U.L. PARTS WILL VOID ANY U.L. LISTING.

When ordering parts, please specify the model and serial number of the product.

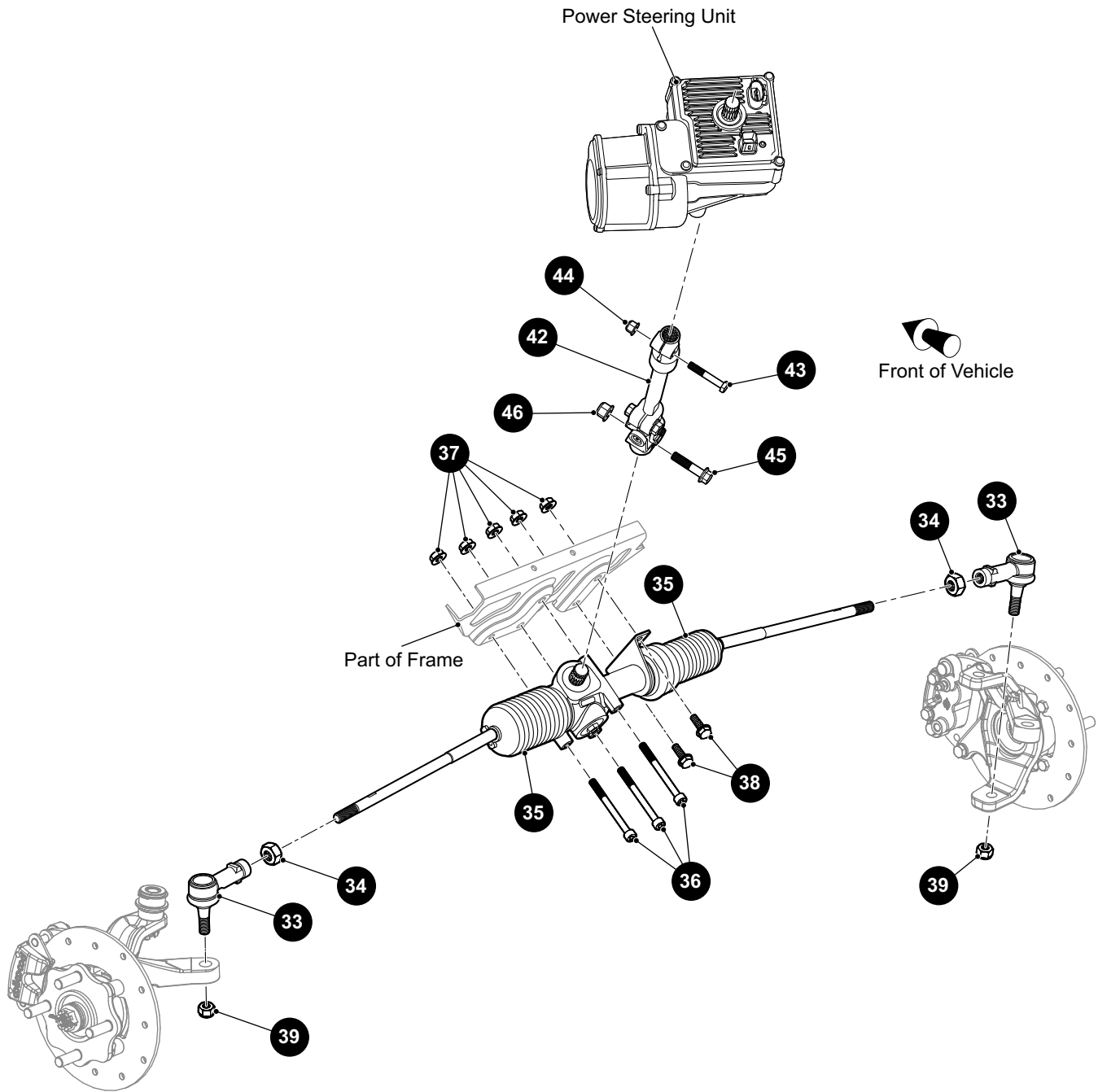
* Indicates a component that is not available as an individual part.

*** Indicates consult Customer Service Department for additional information.

| ITEM | PART NO. | 1 2 3 4 5 | DESCRIPTION | QTY. |
|------|----------|-----------|--|------|
| 1 | 663274 | | POWER STEERING UNIT, 12V..... | 1 |
| 2 | 643649 | | STEERING MOUNTING BRACKET | 1 |
| 3 | 645173 | | HARNES (EPS UNIT)..... | 1 |
| 4 | | | | |
| 5 | 639439 | | STEERING WHEEL COVER | 1 |
| 6 | 601709 | | LOCK NUT, M16 - 2 | 1 |
| 7 | 645956 | | FLANGED HEX LOCK NUT, M8 - 1.25..... | 4 |
| 8 | | | | |
| 9 | 606261 | | FLANGED HEX HEAD BOLT, M8 - 1.25 X 20MM LG..... | 3 |
| 10 | 644978 | | UPPER INTERMEDIATE SHAFT | 1 |
| 11 | 606256 | | FLANGED HEX HEAD BOLT, M10 - 1.25 X 25MM LG..... | 4 |
| 12 | 00566G2 | | LOCK WASHER (SPRING TYPE), 7/16" | 4 |
| 13 | 654736 | | STIFFENER BRACKET | 1 |
| 14 | 00551G1 | | HEX NUT (INTERNAL LOCK), 1/2" - 13 | 2 |
| 15 | | | | |
| 16 | 643928 | | SHOULDER BOLT, .63" DIA X 1/2 - 13 THREAD X 3/4" LG..... | 2 |
| 17 | 625878 | | HEX HEAD BOLT, M8 - 1.25 X 35MM LG..... | 2 |
| 18 | | | | |
| 19 | 639437 | | STEERING WHEEL (VIPER)..... | 1 |
| 20 | 643923 | | TILT DAMPENER..... | 1 |
| 21 | 633649 | | STEERING COLUMN ASSEMBLY | 1 |
| 22 | | | | |
| 23 | | | | |
| 24 | 634517 | | STEERING SHAFT | 1 |
| 25 | | | | |
| 26 | 646035 | | SHOULDER BOLT, M6 - 1 X 31MM LG | 2 |
| 27 | 601476 | | LOCK NUT, M6 - 1 | 2 |
| 28 | | | | |
| 29 | | | | |
| 30 | 606272 | | LOCK WASHER, 8MM..... | 1 |
| 31 | | | | |

ELECTRIC POWERED STEERING (EPS)

32 STEERING RACK ASSEMBLY includes items 33 - 35



ELECTRIC POWERED STEERING (EPS)

THE USE OF NON U.L. PARTS WILL VOID ANY U.L. LISTING.

When ordering parts, please specify the model and serial number of the product.

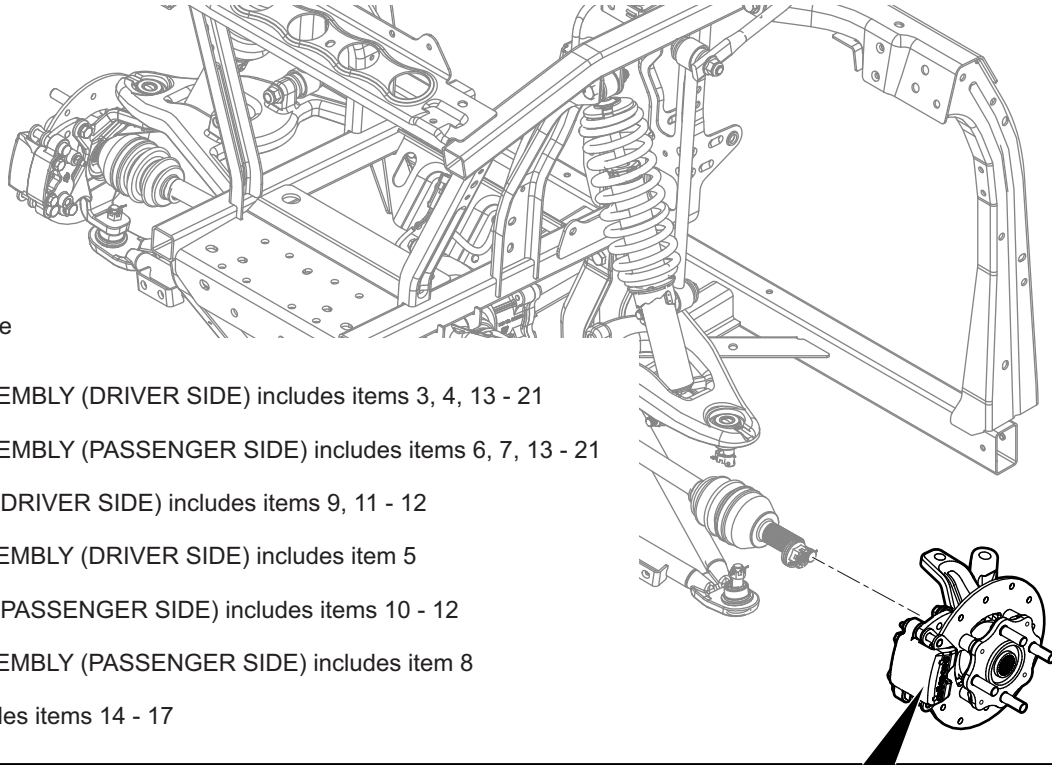
* Indicates a component that is not available as an individual part.

*** Indicates consult Customer Service Department for additional information.

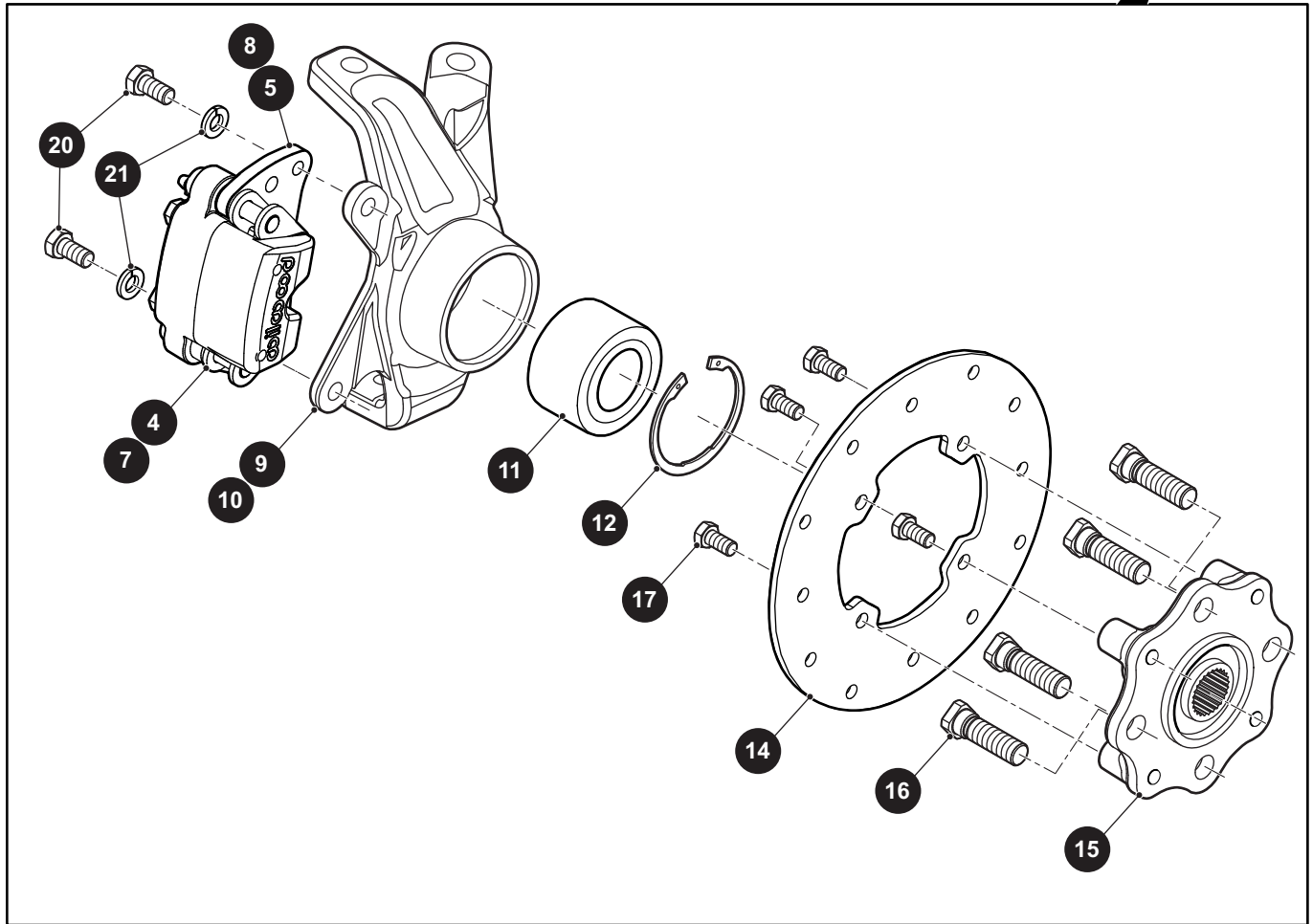
| ITEM | PART NO. | 1 2 3 4 5 | DESCRIPTION | QTY. |
|------|----------|-----------|---|------|
| 32 | 633214 | | STEERING RACK ASSEMBLY (INCLUDES ITEMS 33 - 35) | 1 |
| 33 | 655220 | | ROD END | 2 |
| 34 | 655221 | | JAM NUT | 2 |
| 35 | 655222 | | BELLOWS AND CLAMPS KIT..... | 1 |
| 36 | 605254 | | SOCKET HEAD BOLT, M8 - 1.25 X 90MM LG | 3 |
| 37 | 645956 | | FLANGED HEX LOCK NUT, M8 - 1.25..... | 5 |
| 38 | 606261 | | FLANGED HEX HEAD BOLT, M8 - 1.25 X 20MM LG..... | 2 |
| 39 | 647672 | | LOCK NUT, M12 - 1.5 | 2 |
| 40 | | | | |
| 41 | | | | |
| 42 | 644979 | | LOWER INTERMEDIATE SHAFT..... | 1 |
| 43 | 649756 | | HEX HEAD BOLT, M8 - 1.25 X 50MM LG..... | 1 |
| 44 | 645956 | | FLANGED HEX LOCK NUT, M8 - 1.25..... | 1 |
| 45 | 650475 | | FLANGED HEX HEAD BOLT, M10 - 1.5 X 45MM LG..... | 1 |
| 46 | 648753 | | FLANGED LOCK NUT, M10 - 1.5 | 1 |

FRONT SUSPENSION

Front of Vehicle



- 1 FRONT SPINDLE ASSEMBLY (DRIVER SIDE) includes items 3, 4, 13 - 21
- 2 FRONT SPINDLE ASSEMBLY (PASSENGER SIDE) includes items 6, 7, 13 - 21
- 3 SPINDLE ASSEMBLY (DRIVER SIDE) includes items 9, 11 - 12
- 4 BRAKE CALIPER ASSEMBLY (DRIVER SIDE) includes item 5
- 6 SPINDLE ASSEMBLY (PASSENGER SIDE) includes items 10 - 12
- 7 BRAKE CALIPER ASSEMBLY (PASSENGER SIDE) includes item 8
- 13 HUB ASSEMBLY includes items 14 - 17



FRONT SUSPENSION

THE USE OF NON U.L. PARTS WILL VOID ANY U.L. LISTING.

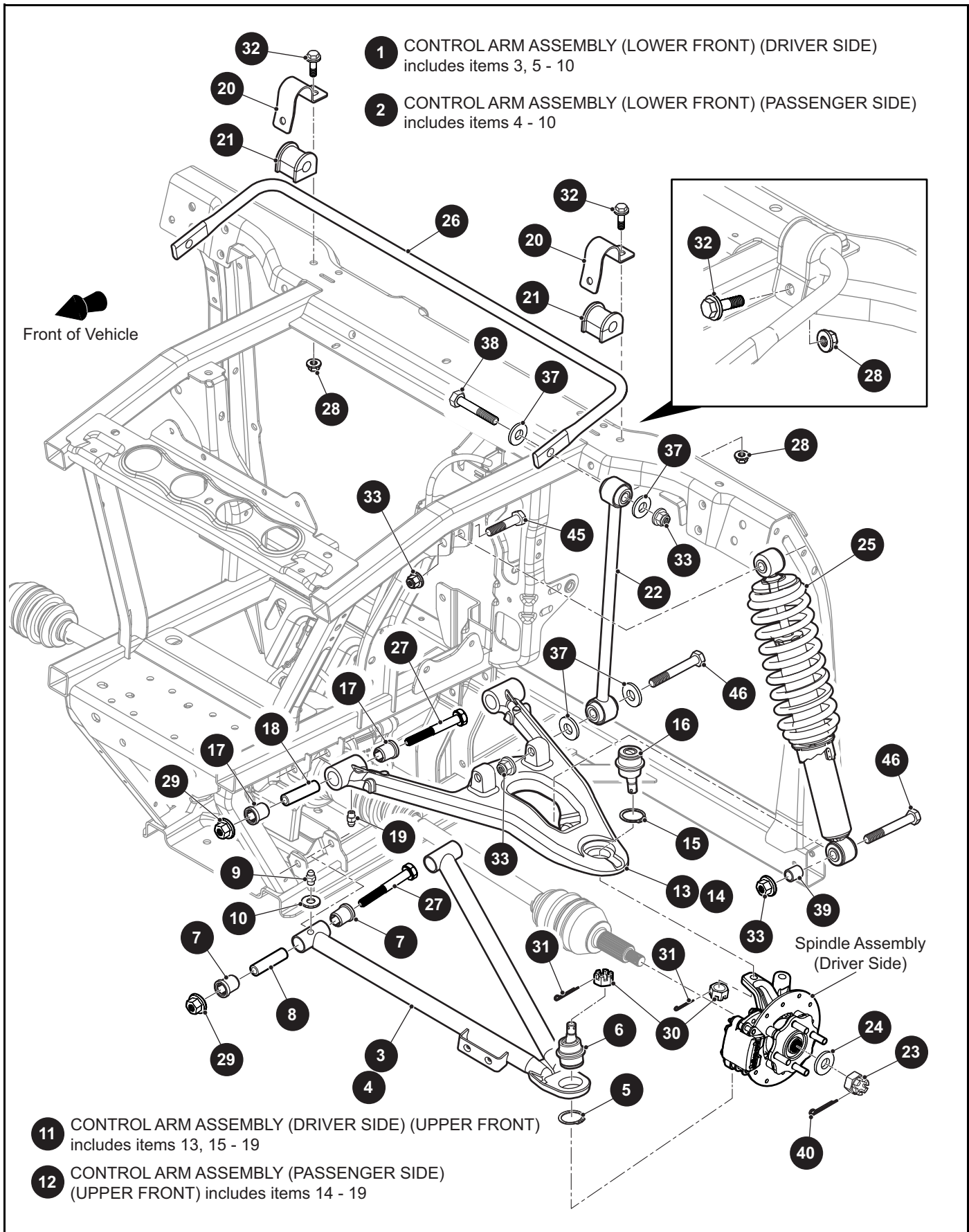
When ordering parts, please specify the model and serial number of the product.

* Indicates a component that is not available as an individual part.

*** Indicates consult Customer Service Department for additional information.

| ITEM | PART NO. | 1 2 3 4 5 | DESCRIPTION | QTY. |
|------|------------|-----------|---|------|
| 1 | 634030G01 | | FRONT SPINDLE ASSEMBLY (DRIVER SIDE) (INCLUDES ITEMS 3, 4, 13 - 21) | 1 |
| 2 | 634030G02 | | FRONT SPINDLE ASSEMBLY (PASSENGER SIDE) (INCLUDES ITEMS 6, 7, 13 - 21) | 1 |
| 3 | 651647G01 | | SPINDLE ASSEMBLY (DRIVER SIDE) (INCLUDES ITEMS 9, 11 - 12) ... | 1 |
| 4 | 633918G01 | | BRAKE CALIPER ASSEMBLY (DRIVER SIDE) (INCLUDES ITEM 5)..... | 1 |
| 5 | 649167 | | BRAKE PAD SET (2 PADS) | 1 |
| 6 | 651647G02 | | SPINDLE ASSEMBLY (PASSENGER SIDE) (INCLUDES ITEMS 10 - 12) | 1 |
| 7 | 633918G02 | | BRAKE CALIPER ASSEMBLY (PASSENGER SIDE) (INCLUDES ITEM 8) | 1 |
| 8 | 649167 | | BRAKE PAD SET (2 PADS) | 1 |
| 9 | 650034G01 | | SPINDLE (DRIVER SIDE) | 1 |
| 10 | 650034G02 | | SPINDLE (PASSENGER SIDE) | 1 |
| 11 | 650469 | | BEARING, 72MM O.D. X 42MM I.D..... | 1 |
| 12 | 651145 | | RETAINING RING (INTERNAL), 72MM..... | 1 |
| 13 | 650227G01 | | HUB ASSEMBLY (INCLUDES ITEMS 14 - 17) | 1 |
| 14 | 650228 | | ROTOR (CROSS DRILLED) | 1 |
| 15 | 650221G101 | | HUB..... | 1 |
| 16 | 19862G2 | | WHEEL HUB BOLT, 1/2" - 20 X 1.718" LG | 4 |
| 17 | 636096 | | HEX HEAD BOLT, M8 - 1.25 X 20MM LG..... | 4 |
| 18 | | | | |
| 19 | | | | |
| 20 | 00426G8 | | HEX HEAD BOLT, 3/8" - 16 X 1" LG..... | 2 |
| 21 | 00566G1 | | LOCK WASHER (SPRING TYPE), 3/8" | 2 |

FRONT SUSPENSION



FRONT SUSPENSION

THE USE OF NON U.L. PARTS WILL VOID ANY U.L. LISTING.

When ordering parts, please specify the model and serial number of the product.

* Indicates a component that is not available as an individual part.

*** Indicates consult Customer Service Department for additional information.

| ITEM | PART NO. | 1 2 3 4 5 | DESCRIPTION | QTY. |
|------|-----------|-----------|--|------|
| 1 | 639607G01 | | CONTROL ARM ASSEMBLY (LOWER FRONT) (DRIVER SIDE) (INCLUDES ITEMS 3, 5 - 10) | 1 |
| 2 | 639607G02 | | CONTROL ARM ASSEMBLY (LOWER FRONT) (PASSENGER SIDE) (INCLUDES ITEMS 4 - 10) | 1 |
| 3 | 633912G01 | | CONTROL ARM (DRIVER SIDE) | 1 |
| 4 | 633912G02 | | CONTROL ARM (PASSENGER SIDE) | 1 |
| 5 | 634376 | | SNAP RING (EXTERNAL), 32MM..... | 1 |
| 6 | 635130 | | BALL JOINT, M12 X 1.25..... | 1 |
| 7 | 647320 | | FLANGED BUSHING, 15.875MM I.D..... | 4 |
| 8 | 647322G01 | | TUBE, 10.54MM I.D. X 60.95MM LG | 2 |
| 9 | 654868G01 | | ZERK (STRAIGHT) | 2 |
| 10 | 655130 | | FLAT WASHER, M6..... | 2 |
| 11 | 639615G01 | | CONTROL ARM ASSEMBLY (DRIVER SIDE) (UPPER FRONT) (INCLUDES ITEMS 13, 15 - 19) | 1 |
| 12 | 639615G02 | | CONTROL ARM ASSEMBLY (PASSENGER SIDE) (UPPER FRONT) (INCLUDES ITEMS 14 - 19) | 1 |
| 13 | 643488G01 | | CONTROL ARM (DRIVER SIDE) | 1 |
| 14 | 643488G02 | | CONTROL ARM (PASSENGER SIDE) | 1 |
| 15 | 634376 | | SNAP RING (EXTERNAL), 32MM..... | 1 |
| 16 | 635130 | | BALL JOINT, M12 X 1.25..... | 1 |
| 17 | 647320 | | FLANGED BUSHING, 15.875MM I.D..... | 4 |
| 18 | 647322G01 | | TUBE, 10.54MM I.D. X 60.95MM LG | 2 |
| 19 | 654868G01 | | ZERK (STRAIGHT) | 2 |
| 20 | 648453 | | STABILIZER BAR BRACKET | 2 |
| 21 | 647988 | | STABILIZER BAR BUSHING | 2 |
| 22 | 634391 | | STABILIZER BAR LINK | 1 |
| 23 | 653662 | | CASTLE NUT, M18 X 1.5MM..... | 1 |
| 24 | 653546 | | FLAT WASHER, M18 | 1 |
| 25 | 632748 | | SHOCK ABSORBER..... | 1 |
| 26 | 633728 | | STABILIZER BAR | 1 |
| 27 | 648282 | | HEX HEAD BOLT, M10 - 1.5 X 85MM LG..... | 4 |
| 28 | 600525 | | LOCK NUT, M10 - 1.5 | 4 |

FRONT SUSPENSION

THE USE OF NON U.L. PARTS WILL VOID ANY U.L. LISTING.

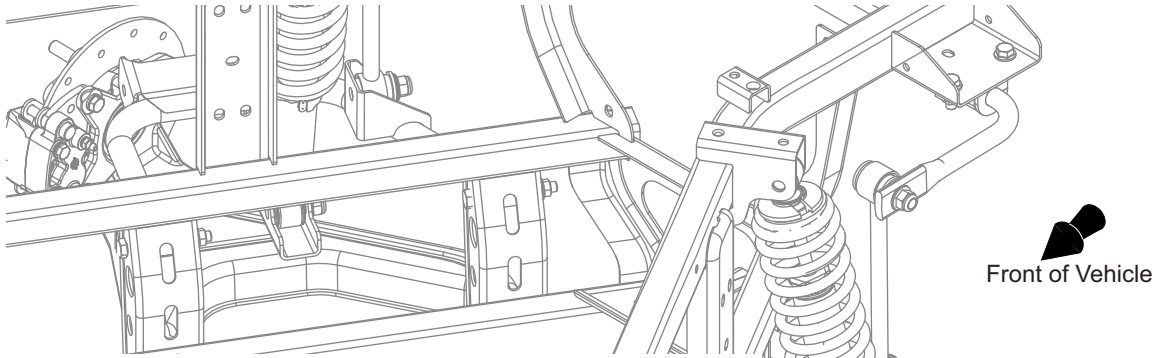
When ordering parts, please specify the model and serial number of the product.

* Indicates a component that is not available as an individual part.

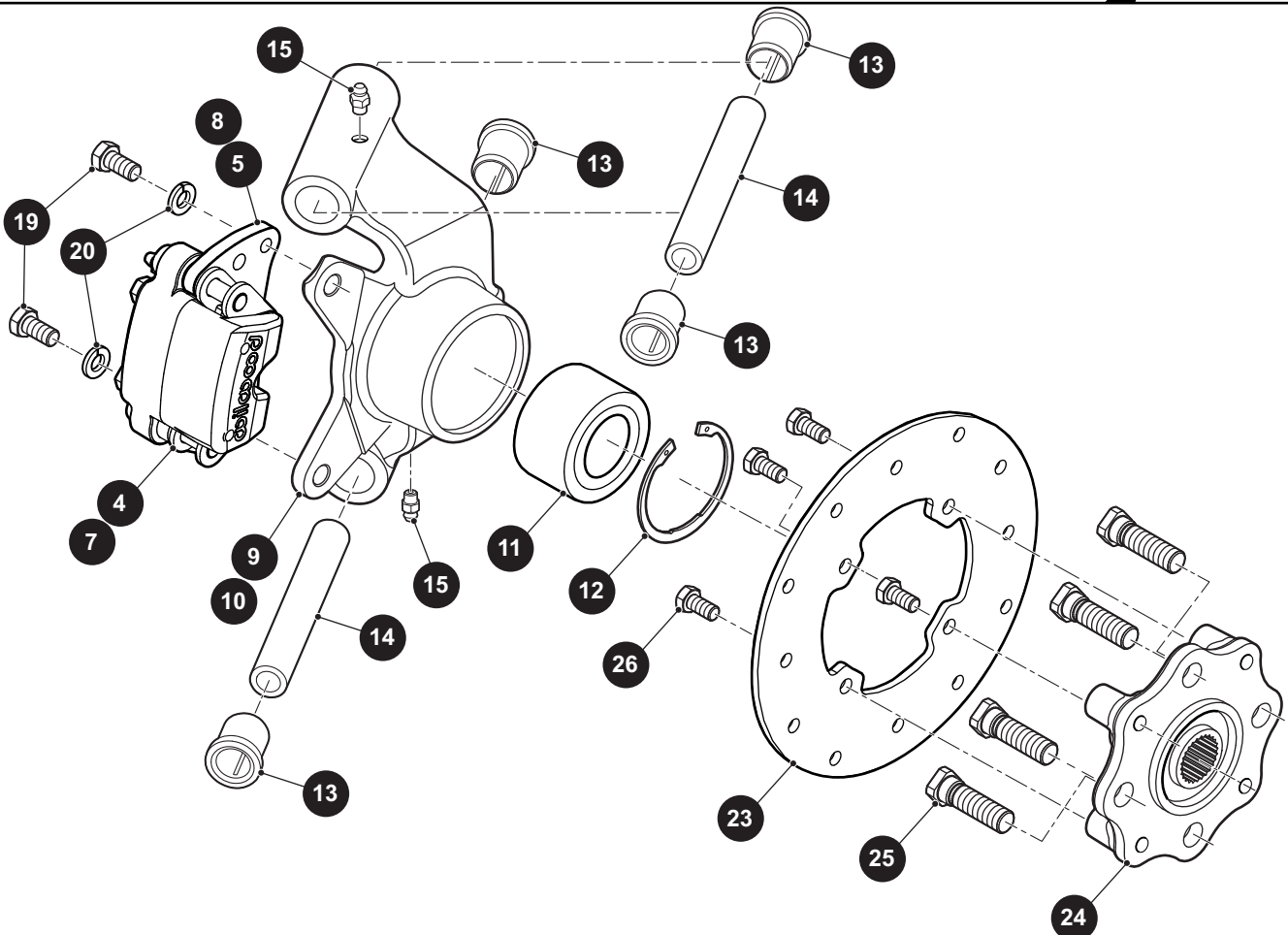
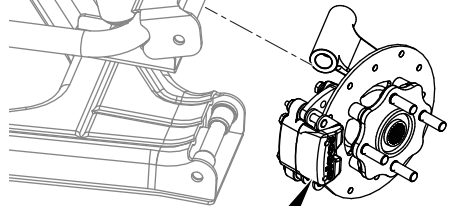
*** Indicates consult Customer Service Department for additional information.

| ITEM | PART NO. | 1 | 2 | 3 | 4 | 5 | DESCRIPTION | QTY. |
|------|----------|---|---|---|---|---|--|------|
| 29 | 648753 | | | | | | LOCK NUT, M10 - 1.5..... | 4 |
| 30 | 608005 | | | | | | CASTLE NUT, M12 - 1.25 | 2 |
| 31 | 10387G2 | | | | | | COTTER PIN, .094" X 1" | 2 |
| 32 | 603799 | | | | | | FLANGED HEX HEAD BOLT, M10 - 1.5 X 25MM LG | 4 |
| 33 | 648198 | | | | | | LOCK NUT, M12 X 1.75 | 4 |
| 34 | | | | | | | | |
| 35 | | | | | | | | |
| 36 | | | | | | | | |
| 37 | 603182 | | | | | | FLAT WASHER, M12 | 4 |
| 38 | 01066G05 | | | | | | HEX HEAD BOLT, M12 - 1.75 X 70MM LG | 1 |
| 39 | 646314 | | | | | | SPACER | 1 |
| 40 | 00798G8 | | | | | | COTTER PIN, 5/32" X 1 - 3/4" | 1 |
| 41 | | | | | | | | |
| 42 | | | | | | | | |
| 43 | | | | | | | | |
| 44 | | | | | | | | |
| 45 | 01066G04 | | | | | | HEX HEAD BOLT, M12 - 1.75 X 60MM LG | 1 |
| 46 | 01066G06 | | | | | | HEX HEAD BOLT, M12 - 1.75 X 90MM LG | 2 |

REAR SUSPENSION



- 1 REAR SPINDLE ASSEMBLY (DRIVER SIDE) includes items 3, 4, 19 - 26
- 2 REAR SPINDLE ASSEMBLY (PASSENGER SIDE) includes items 6, 7, 19 - 26
- 3 SPINDLE ASSEMBLY (DRIVER SIDE) includes items 9, 11 - 15
- 4 BRAKE CALIPER ASSEMBLY (DRIVER SIDE) includes item 5
- 6 SPINDLE ASSEMBLY (PASSENGER SIDE) includes items 10 - 15
- 7 BRAKE CALIPER ASSEMBLY (PASSENGER SIDE) includes item 8
- 22 HUB ASSEMBLY includes items 23 - 26



REAR SUSPENSION

THE USE OF NON U.L. PARTS WILL VOID ANY U.L. LISTING.

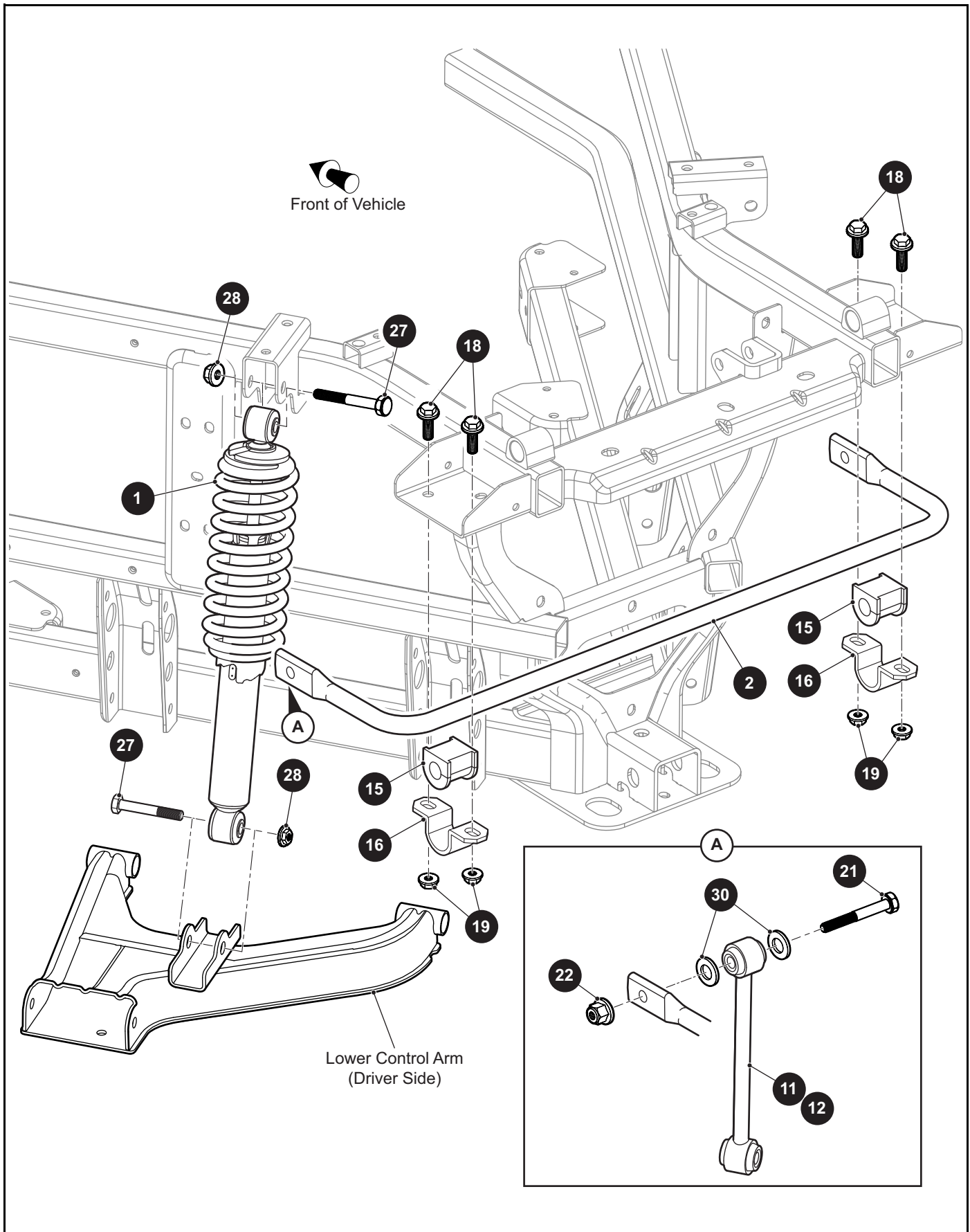
When ordering parts, please specify the model and serial number of the product.

* Indicates a component that is not available as an individual part.

*** Indicates consult Customer Service Department for additional information.

| ITEM | PART NO. | 1 2 3 4 5 | DESCRIPTION | QTY. |
|------|------------|-----------|--|------|
| 1 | 634031G01 | | REAR SPINDLE ASSEMBLY (DRIVER SIDE) (INCLUDES ITEMS 3, 4, 19 - 26) | 1 |
| 2 | 634031G02 | | REAR SPINDLE ASSEMBLY (PASSENGER SIDE) (INCLUDES ITEMS 6, 7, 19 - 26) | 1 |
| 3 | 651605G01 | | SPINDLE ASSEMBLY (DRIVER SIDE) (INCLUDES ITEMS 9, 11 - 15) ... | 1 |
| 4 | 633918G01 | | BRAKE CALIPER ASSEMBLY (DRIVER SIDE) (INCLUDES ITEM 5)..... | 1 |
| 5 | 649167 | | BRAKE PAD SET (2 PADS) | 1 |
| 6 | 651605G02 | | SPINDLE ASSEMBLY (PASSENGER SIDE) (INCLUDES ITEMS 10 - 15) | 1 |
| 7 | 633918G02 | | BRAKE CALIPER ASSEMBLY (PASSENGER SIDE) (INCLUDES ITEM 8) | 1 |
| 8 | 649167 | | BRAKE PAD SET (2 PADS) | 1 |
| 9 | 650297G01 | | SPINDLE (DRIVER SIDE) | 1 |
| 10 | 650297G02 | | SPINDLE (PASSENGER SIDE) | 1 |
| 11 | 650469 | | BEARING, 72MM O.D. X 42MM I.D. | 1 |
| 12 | 651145 | | RETAINING RING (INTERNAL), 72MM | 1 |
| 13 | 647320 | | FLANGED BUSHING, 15.875MM I.D. | 4 |
| 14 | 647322G02 | | TUBE, 10.54MM X 108.96MM LG | 2 |
| 15 | 654868G01 | | ZERK (STRAIGHT), 1/4" - 28 | 2 |
| 16 | | | | |
| 17 | | | | |
| 18 | | | | |
| 19 | 00426G8 | | HEX HEAD BOLT, 3/8" - 16 X 1" LG | 2 |
| 20 | 00566G1 | | LOCK WASHER (SPRING TYPE), 3/8" | 2 |
| 21 | | | | |
| 22 | 650227G01 | | HUB ASSEMBLY (INCLUDES ITEMS 23 - 26) | 1 |
| 23 | 650228 | | ROTOR (CROSS DRILLED) | 1 |
| 24 | 650221G101 | | HUB | 1 |
| 25 | 19862G2 | | WHEEL HUB BOLT, 1/2" - 20 X 1.718" LG | 4 |
| 26 | 636096 | | HEX HEAD BOLT, M8 - 1.25 X 20MM LG | 4 |

REAR SUSPENSION



REAR SUSPENSION

THE USE OF NON U.L. PARTS WILL VOID ANY U.L. LISTING.

When ordering parts, please specify the model and serial number of the product.

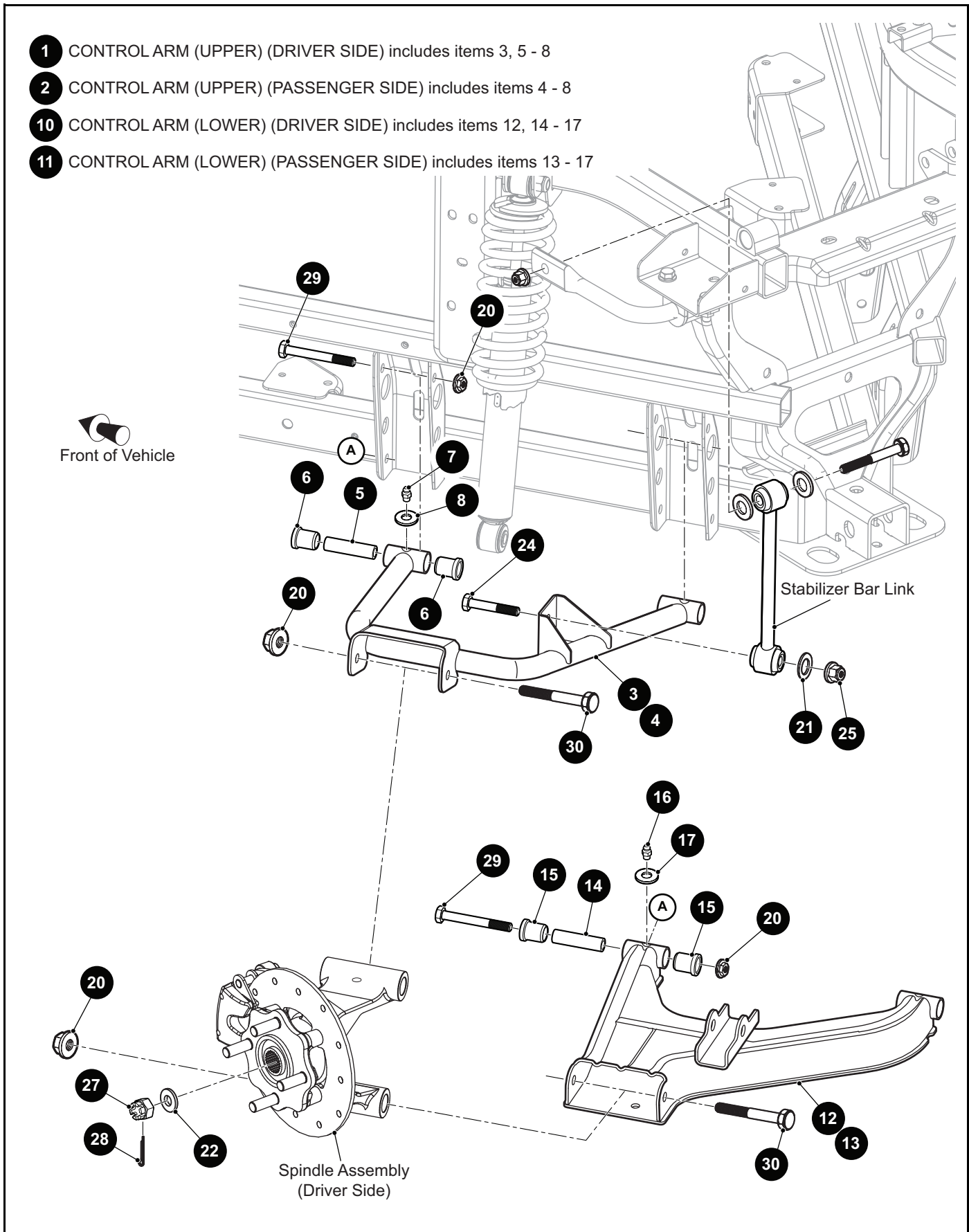
* Indicates a component that is not available as an individual part.

*** Indicates consult Customer Service Department for additional information.

| ITEM | PART NO. | 1 2 3 4 5 | DESCRIPTION | QTY. |
|------|-----------|-----------|---|------|
| 1 | 632894 | | SHOCK ABSORBER..... | 1 |
| 2 | 633724 | | STABILIZER BAR | 1 |
| 3 | | | | |
| 4 | | | | |
| 5 | | | | |
| 6 | | | | |
| 7 | | | | |
| 8 | | | | |
| 9 | | | | |
| 10 | | | | |
| 11 | 634396G01 | | STABILIZER BAR LINK (DRIVER SIDE) | 1 |
| 12 | 634396G02 | | STABILIZER BAR LINK (PASSENGER SIDE) | 1 |
| 13 | | | | |
| 14 | | | | |
| 15 | 633953 | | STABILIZER BAR BUSHING | 2 |
| 16 | 632380 | | STABILIZER BAR BRACKET | 2 |
| 17 | | | | |
| 18 | 603799 | | FLANGED HEX HEAD BOLT, M10 - 1.5 X 25MM LG..... | 4 |
| 19 | 600525 | | LOCK NUT, M10 - 1.5 | 4 |
| 20 | | | | |
| 21 | 01066G05 | | HEX HEAD BOLT, M12 - 1.75 X 70MM LG..... | 1 |
| 22 | 648198 | | LOCK NUT, M12 - 1.75 | 1 |
| 23 | | | | |
| 24 | | | | |
| 25 | | | | |
| 26 | | | | |
| 27 | 01066G04 | | HEX HEAD BOLT, M12 - 1.75 X 60MM LG..... | 2 |
| 28 | 648198 | | LOCK NUT, M12 - 1.75 | 2 |
| 29 | | | | |
| 30 | 603182 | | FLAT WASHER, M12 | 2 |
| 31 | | | | |

REAR SUSPENSION

- 1 CONTROL ARM (UPPER) (DRIVER SIDE) includes items 3, 5 - 8
- 2 CONTROL ARM (UPPER) (PASSENGER SIDE) includes items 4 - 8
- 10 CONTROL ARM (LOWER) (DRIVER SIDE) includes items 12, 14 - 17
- 11 CONTROL ARM (LOWER) (PASSENGER SIDE) includes items 13 - 17



REAR SUSPENSION

THE USE OF NON U.L. PARTS WILL VOID ANY U.L. LISTING.

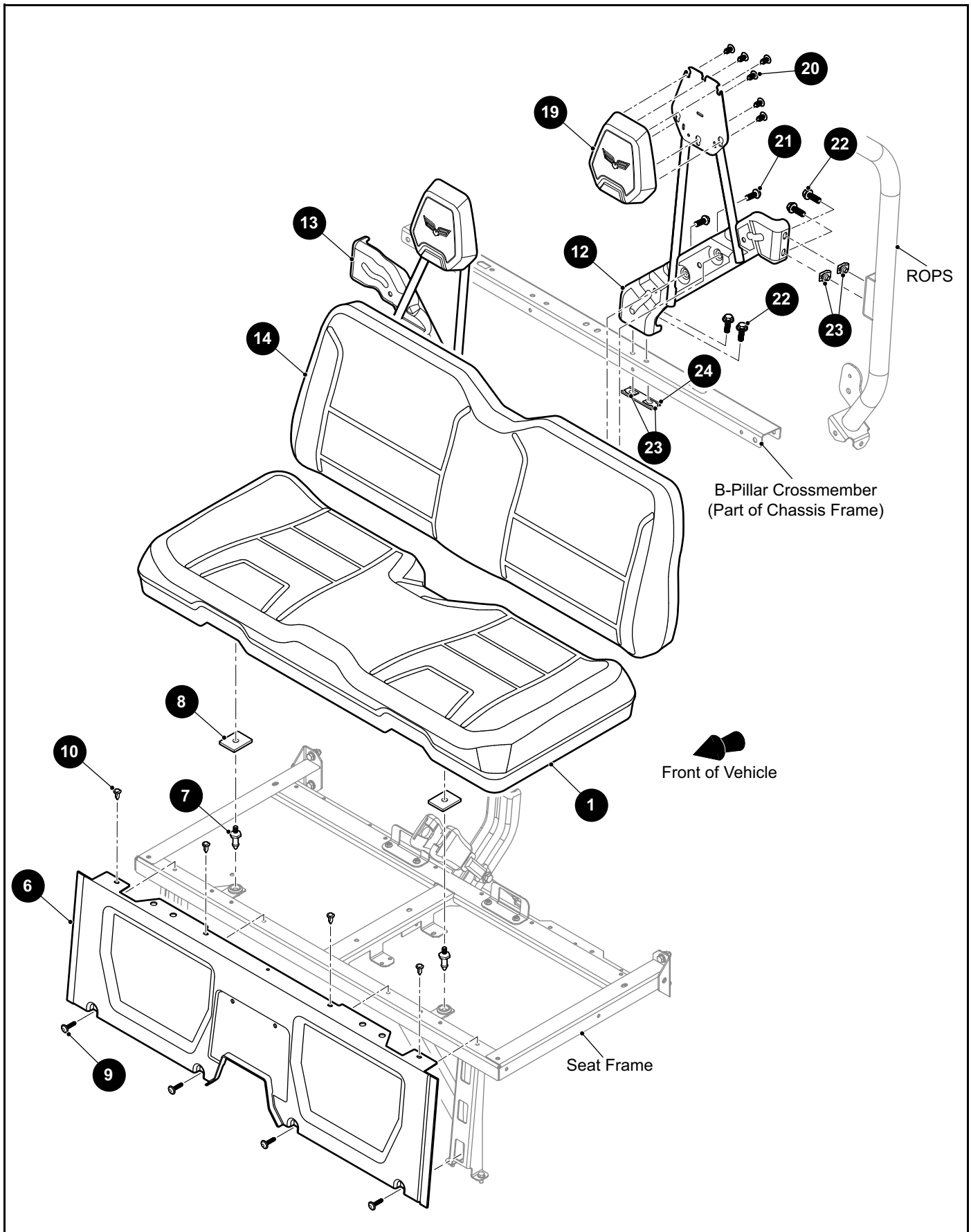
When ordering parts, please specify the model and serial number of the product.

* Indicates a component that is not available as an individual part.

*** Indicates consult Customer Service Department for additional information.

| ITEM | PART NO. | 1 2 3 4 5 | DESCRIPTION | QTY. |
|------|------------|-----------|--|------|
| 1 | 654923G01 | | CONTROL ARM (UPPER) (DRIVER SIDE) (INCLUDES ITEMS 3, 5 - 8)..... | 1 |
| 2 | 654923G02 | | CONTROL ARM (UPPER) (PASSENGER SIDE) (INCLUDES ITEMS 4 - 8) .. | 1 |
| 3 | 633873G01 | | CONTROL ARM (DRIVER SIDE) | 1 |
| 4 | 633873G02 | | CONTROL ARM (PASSENGER SIDE) | 1 |
| 5 | 647322G01 | | TUBE, 10.54MM X 60.95MM LG | 2 |
| 6 | 647320 | | FLANGED BUSHING, 15.875MM I.D..... | 4 |
| 7 | 654868G01 | | ZERK (STRAIGHT) | 2 |
| 8 | 655130 | | FLAT WASHER, M6..... | 2 |
| 9 | | | | |
| 10 | 654922G01 | | CONTROL ARM (LOWER) (DRIVER SIDE) (INCLUDES ITEMS 12, 14 - 17) | 1 |
| 11 | 654922G02 | | CONTROL ARM (LOWER) (PASSENGER SIDE) (INCLUDES ITEMS 13 - 17) | 1 |
| 12 | 633874G103 | | CONTROL ARM (DRIVER SIDE) | 1 |
| 13 | 633874G203 | | CONTROL ARM (PASSENGER SIDE) | 1 |
| 14 | 647322G01 | | TUBE, 10.54MM X 60.95MM LG | 2 |
| 15 | 647320 | | FLANGED BUSHING, 15.875MM I.D..... | 4 |
| 16 | 654868G01 | | ZERK (STRAIGHT) | 2 |
| 17 | 655130 | | FLAT WASHER, M6..... | 2 |
| 18 | | | | |
| 19 | | | | |
| 20 | 648753 | | LOCK NUT, M10 - 1.5 | 6 |
| 21 | 603182 | | FLAT WASHER, M12 | 1 |
| 22 | 653546 | | FLAT WASHER, M18 | 1 |
| 23 | | | | |
| 24 | 01066G04 | | HEX HEAD BOLT, M12 - 1.75 X 60MM LG..... | 1 |
| 25 | 648198 | | LOCK NUT, M12 - 1.75 | 1 |
| 26 | | | | |
| 27 | 653662 | | CASTLE NUT, M18 X 1.5MM..... | 1 |
| 28 | 00798G8 | | COTTER PIN, 5/32" X 1 - 3/4" | 1 |
| 29 | 648282 | | HEX HEAD BOLT, M10 - 1.5 X 85MM LG..... | 4 |
| 30 | 648283 | | HEX HEAD BOLT, M10 - 1.5 X 140MM LG..... | 2 |

SEATING



THE USE OF NON U.L. PARTS WILL VOID ANY U.L. LISTING.

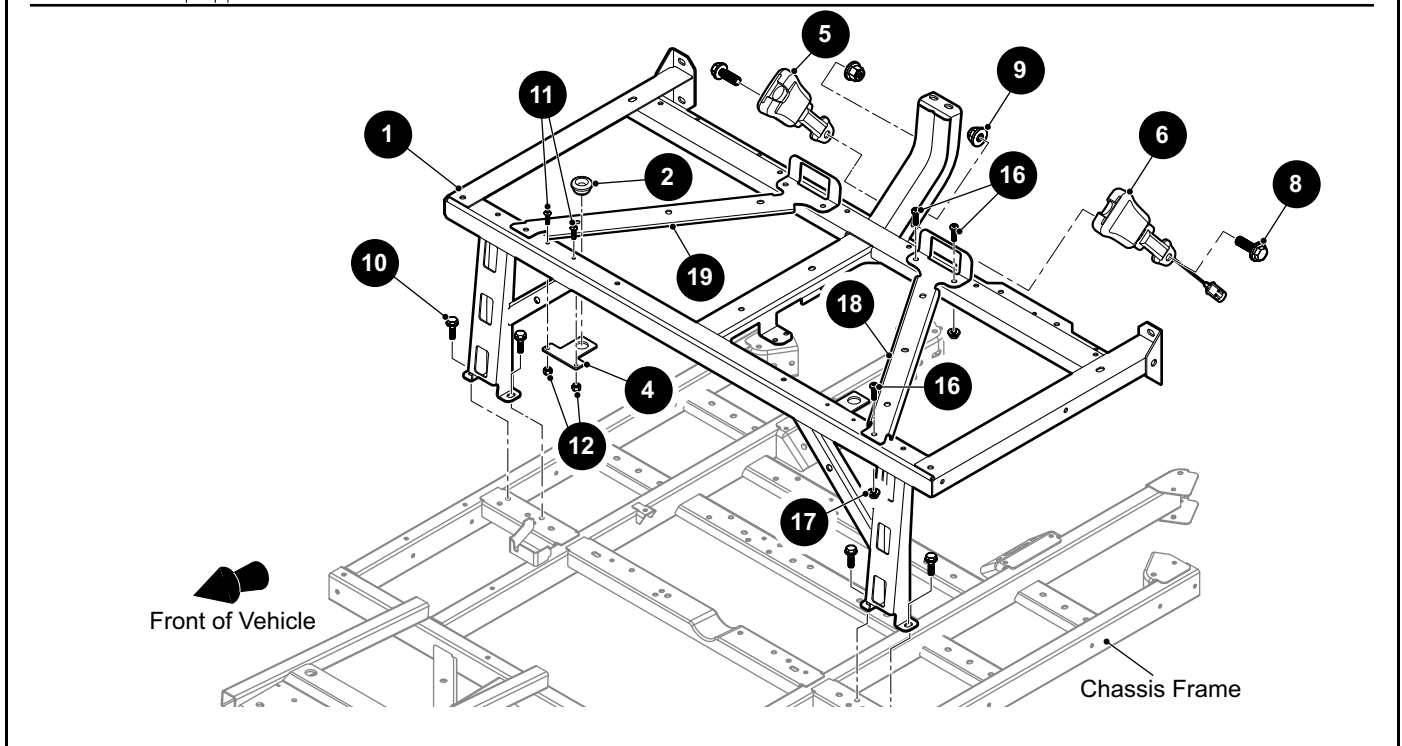
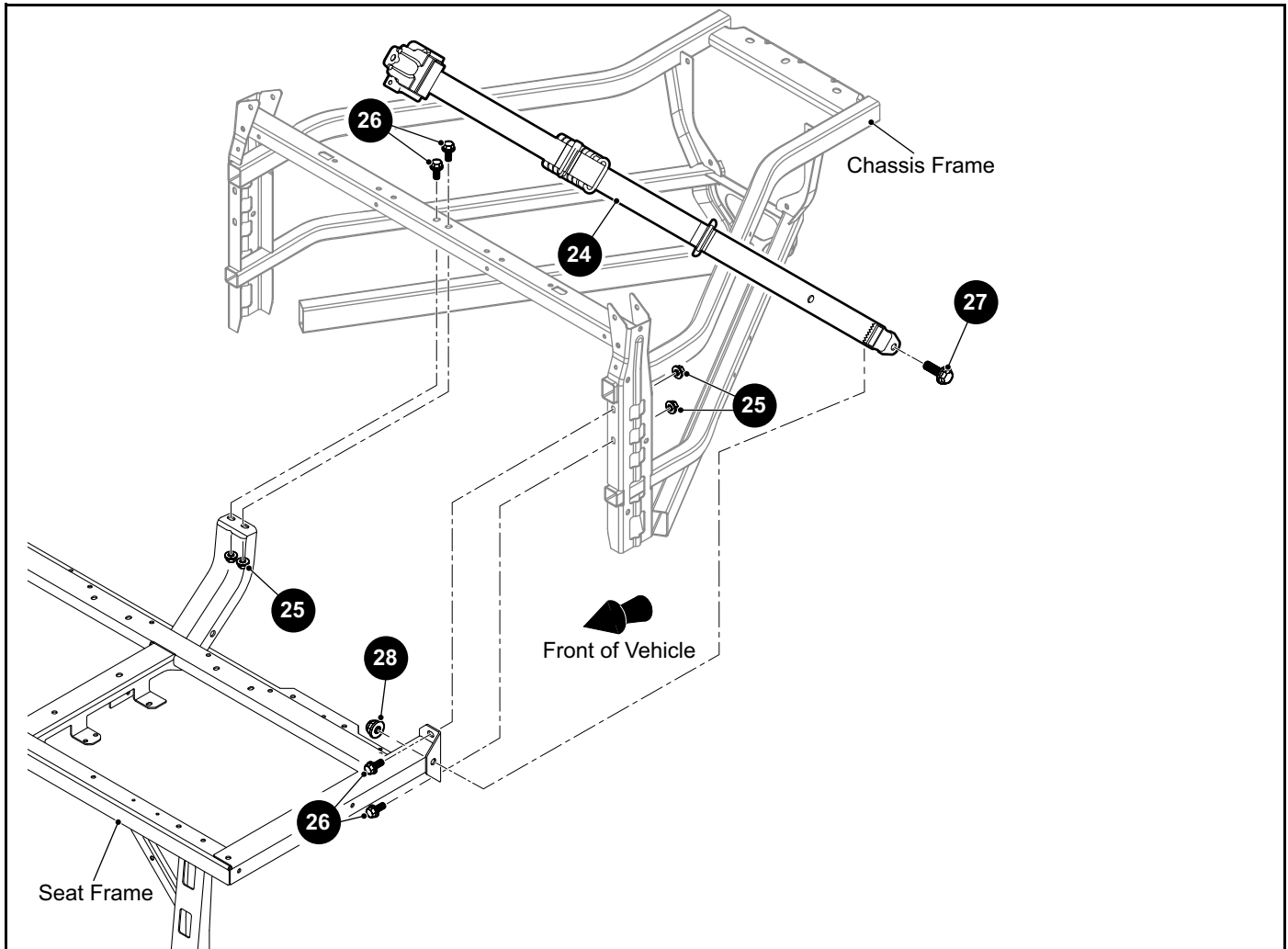
When ordering parts, please specify the model and serial number of the product.

* Indicates a component that is not available as an individual part.

*** Indicates consult Customer Service Department for additional information.

| ITEM | PART NO. | 1 2 3 4 5 | DESCRIPTION | QTY. |
|------|------------|-----------|---|------|
| 1 | 645899G06 | | SEAT BOTTOM ASSEMBLY (BLACK)..... | 1 |
| 2 | | | | |
| 3 | | | | |
| 4 | | | | |
| 5 | | | | |
| 6 | 641394 | | SEAT CLOSEOUT | 1 |
| 7 | 639904 | | SEAT RETENTION PIN | 2 |
| 8 | 646115 | | BACKING PLATE | 2 |
| 9 | 645323 | | PAN WASHER HEAD TORX SCREW, M6 - 1 X 23.4MMLG | 4 |
| 10 | 645637 | | REMOVABLE RIVET, 8.13MM DIA X 21MM LG | 4 |
| 11 | | | | |
| 12 | 644918G103 | | SEAT BACK SUPPORT (DRIVER SIDE)..... | 1 |
| 13 | 644918G203 | | SEAT BACK SUPPORT (PASSENGER SIDE) | 1 |
| 14 | 645900G06 | | SEAT BACK ASSEMBLY (BLACK) | 1 |
| 15 | | | | |
| 16 | | | | |
| 17 | | | | |
| 18 | | | | |
| 19 | 641663 | | HEADREST (POWERSPORT) | 1 |
| 20 | 16816G2 | | RATCHET RIVET, .25" X .887" LG | 6 |
| 21 | 600530 | | BUTTON HEAD TORX BOLT, M10 - 1.5 X 25MM LG | 2 |
| 22 | 603799 | | FLANGED HEX HEAD BOLT, M10 - 1.5 X 25MM LG..... | 4 |
| 23 | 603818 | | BARREL CLIP, M10 - 1.5 | 4 |
| 24 | 654348 | | MOUNTING PLATE (REAR) | 1 |

SEATING



THE USE OF NON U.L. PARTS WILL VOID ANY U.L. LISTING.

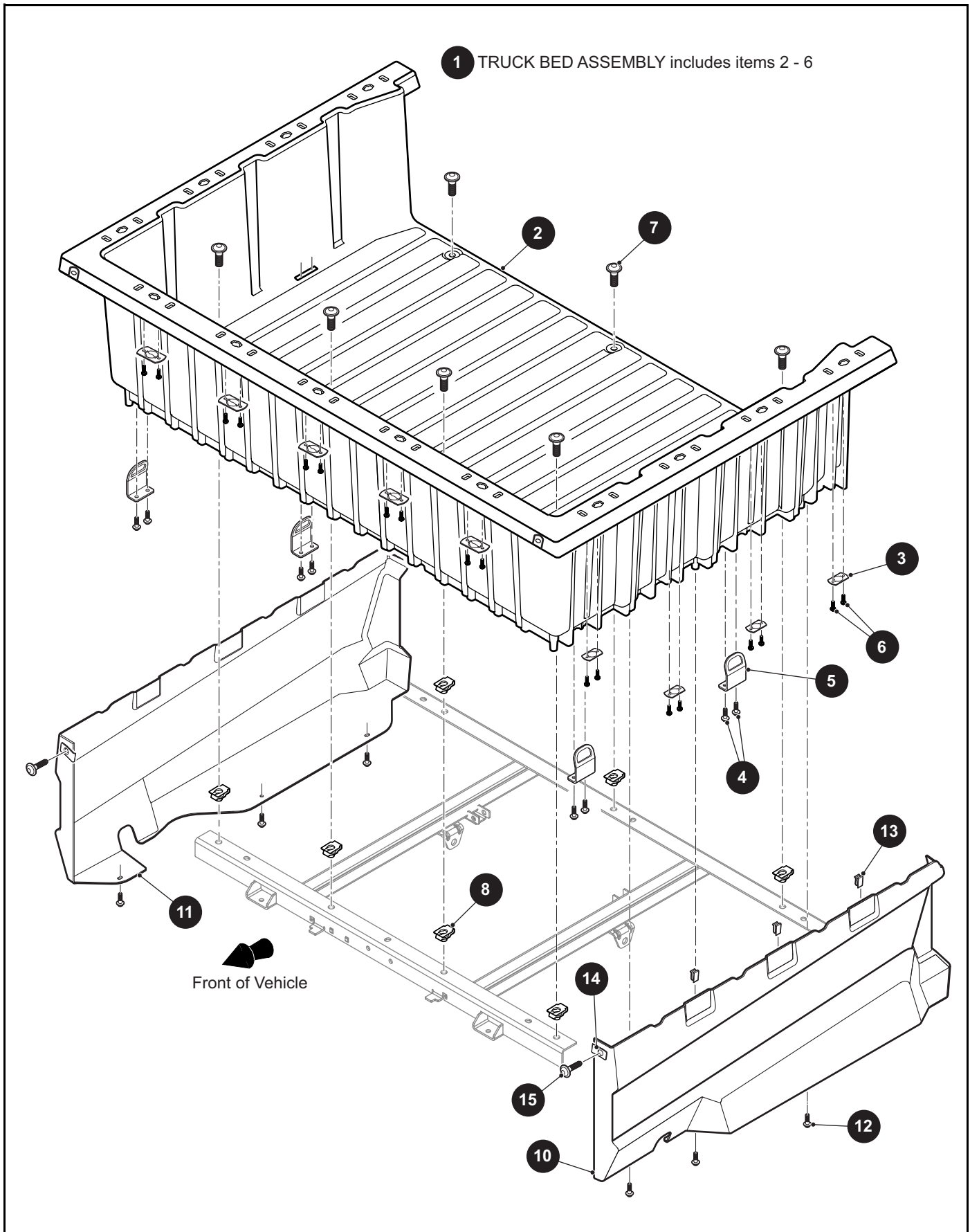
When ordering parts, please specify the model and serial number of the product.

* Indicates a component that is not available as an individual part.

*** Indicates consult Customer Service Department for additional information.

| ITEM | PART NO. | 1 2 3 4 5 | DESCRIPTION | QTY. |
|------|-----------|-----------|---|------|
| 1 | 643943 | | REAR SEAT FRAME | 1 |
| 2 | 638668 | | SEAT RETENTION GROMMET..... | 2 |
| 3 | | | | |
| 4 | 638697 | | SEAT RETENTION BRACKET | 2 |
| 5 | 643660 | | SEAT BELT LATCH WITHOUT CONNECTOR | 2 |
| 6 | 648412 | | SEAT BELT LATCH WITH CONNECTOR..... | 2 |
| 7 | | | | |
| 8 | 649013 | | FLANGED HEX HEAD BOLT, M12 - 1.75 X 30MM LG..... | 2 |
| 9 | 648198 | | LOCK NUT, M12 - 1.75 | 2 |
| 10 | 640723 | | SELF TAPPING SCREW, M8 - 1.25 X 20MM LG | 4 |
| 11 | 612859 | | PAN HEAD TORX SCREW, M5 - .8 X 12MM LG..... | 4 |
| 12 | 610683 | | LOCK NUT, M5 - .8 | 4 |
| 13 | | | | |
| 14 | | | | |
| 15 | | | | |
| 16 | 646371 | | PAN HEAD BOLT, M8 - 1.25 X 20MM LG | 3 |
| 17 | 645956 | | FLANGED HEX NUT, M8 - 1.25..... | 3 |
| 18 | 645357G01 | | SEAT FRAME SUPPORT CROSSMEMBER (DRIVER SIDE) | 1 |
| 19 | 645357G02 | | SEAT FRAME SUPPORT CROSSMEMBER (PASSENGER SIDE) | 1 |
| 20 | | | | |
| 21 | | | | |
| 22 | | | | |
| 23 | | | | |
| 24 | 649870 | | SEAT BELT RETRACTOR, 112" LG | 1 |
| 25 | 600525 | | LOCK NUT, M10 - 1.5 | 6 |
| 26 | 603799 | | FLANGED HEX HEAD BOLT, M10 - 1.5 X 25MM LG..... | 6 |
| 27 | 649013 | | FLANGED HEX HEAD BOLT, M12 - 1.75 X 30MM LG..... | 1 |
| 28 | 648198 | | LOCK NUT, M12 - 1.75 | 1 |

TRUCK BED



THE USE OF NON U.L. PARTS WILL VOID ANY U.L. LISTING.

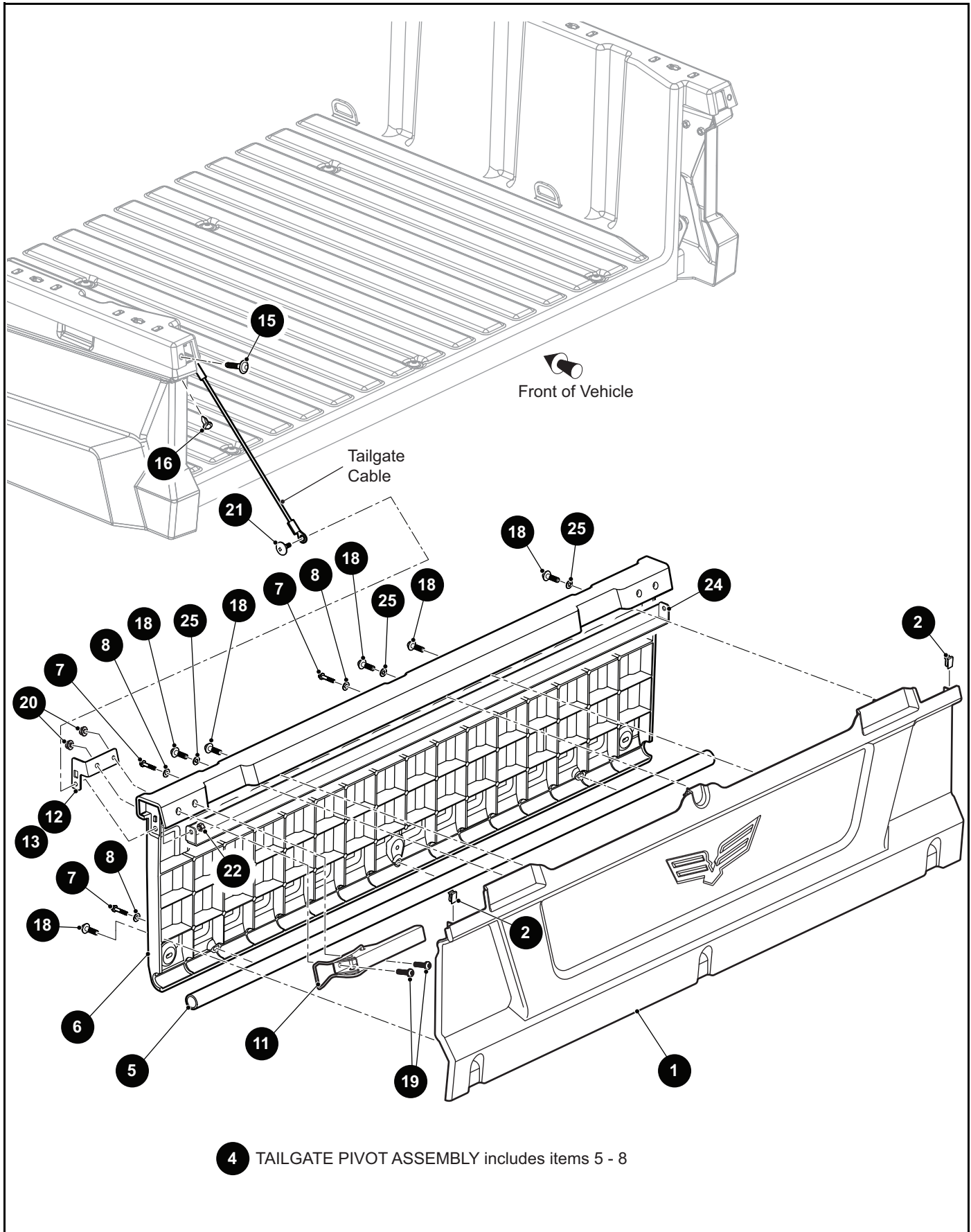
When ordering parts, please specify the model and serial number of the product.

* Indicates a component that is not available as an individual part.

*** Indicates consult Customer Service Department for additional information.

| ITEM | PART NO. | 1 2 3 4 5 | DESCRIPTION | QTY. |
|------|-----------|-----------|--|------|
| 1 | 651966 | | TRUCK BED ASSEMBLY (INCLUDES ITEMS 2 - 6)..... | 1 |
| 2 | 641181 | | BED | 1 |
| 3 | 644202 | | RECEPTACLE PLATE | 13 |
| 4 | 646047 | | PLASTITE SCREW, M6 - 2 X 20MM LG | 8 |
| 5 | 645017 | | TIE-DOWN BRACKET..... | 4 |
| 6 | 646140 | | THREAD FORMING SCREW, M4 - 1.79 X 16MM LG | 26 |
| 7 | 646528 | | WASHER HEAD TORX BOLT, M10 - 1.5 X 30MM LG | 7 |
| 8 | 603818 | | BARREL CLIP, M10 - 1.5 | 7 |
| 9 | | | | |
| 10 | 641183G01 | | SIDE PANEL (DRIVER SIDE)..... | 1 |
| 11 | 641183G02 | | SIDE PANEL (PASSENGER SIDE) | 1 |
| 12 | 646047 | | PLASTITE SCREW, M6 - 2.14 X 20MM LG..... | 3 |
| 13 | 646759 | | S-CLIP..... | 3 |
| 14 | 602409 | | BARREL CLIP, M6 - 1 | 1 |
| 15 | 645323 | | PAN WASHER HEAD SCREW, M6 - 1 X 25MM LG..... | 1 |

TRUCK BED



THE USE OF NON U.L. PARTS WILL VOID ANY U.L. LISTING.

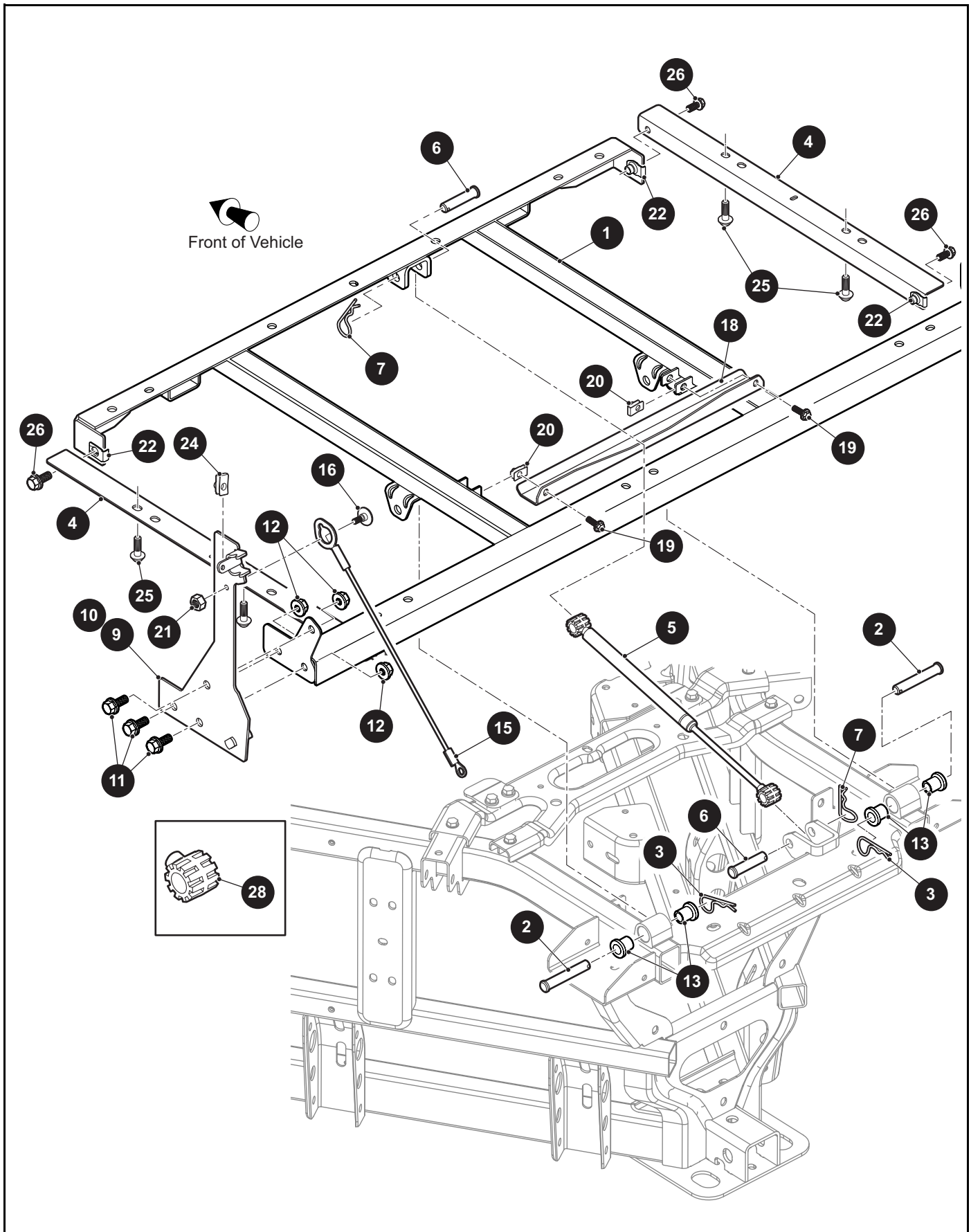
When ordering parts, please specify the model and serial number of the product.

* Indicates a component that is not available as an individual part.

*** Indicates consult Customer Service Department for additional information.

| ITEM | PART NO. | 1 2 3 4 5 | DESCRIPTION | QTY. |
|------|-----------|-----------|---|------|
| 1 | 641184G03 | | TAILGATE PANEL..... | 1 |
| 2 | 646759 | | S-CLIP..... | 2 |
| 3 | | | | |
| 4 | 650968 | | TAILGATE PIVOT ASSEMBLY (INCLUDES ITEMS 5 - 8)..... | 1 |
| 5 | * | | PIVOT TUBE | 1 |
| 6 | 641856 | | INSIDE WALL..... | 1 |
| 7 | 635530 | | TAPTITE SCREW, #10 - 32 X 11/16" LG | 3 |
| 8 | 00559G5 | | FLAT WASHER, #10 | 3 |
| 9 | | | | |
| 10 | | | | |
| 11 | 645082 | | TAILGATE LATCH ASSEMBLY | 2 |
| 12 | 644871G01 | | LATCH MOUNT BRACKET (DRIVER SIDE) | 1 |
| 13 | 644871G02 | | LATCH MOUNT BRACKET (PASSENGER SIDE)..... | 1 |
| 14 | | | | |
| 15 | 645323 | | PAN WASHER HEAD SCREW, M6 - 1 X 25MM LG..... | 2 |
| 16 | 645637 | | REMOVABLE RIVET, 8.13MM DIA X 21MM LG..... | 2 |
| 17 | | | | |
| 18 | 646047 | | PLASTITE SCREW, M6 - 2.14 X 20MM LG..... | 6 |
| 19 | 601326 | | BUTTON HEAD TORX BOLT, M6 - 1 X 20MM LG | 4 |
| 20 | 601476 | | LOCK NUT, M6 - 1 | 4 |
| 21 | 653691 | | SHOULDER BOLT, .350" X .188" LG..... | 2 |
| 22 | 00550G1 | | HEX NUT (INTERNAL LOCK)..... | 2 |
| 23 | | | | |
| 24 | 653026 | | TAILGATE SUPPORT | 1 |
| 25 | 608747 | | FLAT WASHER, M6 - 1.5..... | 3 |

TRUCK BED



THE USE OF NON U.L. PARTS WILL VOID ANY U.L. LISTING.

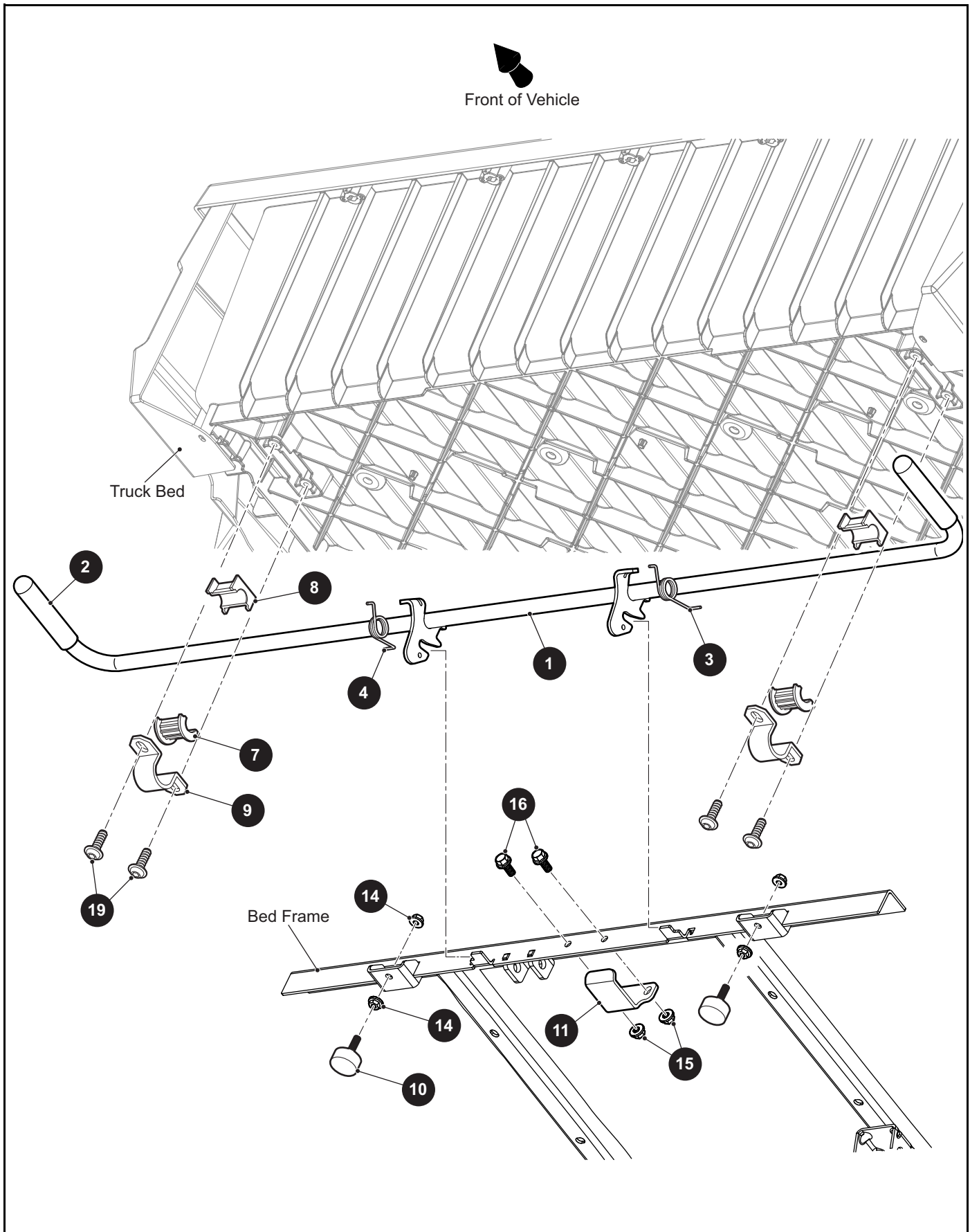
When ordering parts, please specify the model and serial number of the product.

* Indicates a component that is not available as an individual part.

*** Indicates consult Customer Service Department for additional information.

| ITEM | PART NO. | 1 2 3 4 5 | DESCRIPTION | QTY. |
|------|-----------|-----------|---|------|
| 1 | 643624 | | BED FRAME | 1 |
| 2 | 14443G10 | | CLEVIS PIN, .50" X 3" LG..... | 2 |
| 3 | 21683G1 | | COTTER PIN, .320" X 2.969" | 2 |
| 4 | 653645 | | REINFORCED BRACKET (BED BOTTOM) | 2 |
| 5 | 646692 | | GAS SPRING..... | 1 |
| 6 | 14443G12 | | CLEVIS PIN, .50" X 2.22" LG..... | 2 |
| 7 | 21683G1 | | COTTER PIN, .320" X 2.969" | 2 |
| 8 | | | | |
| 9 | 642120G01 | | TAILGATE BRACKET (DRIVER SIDE)..... | 1 |
| 10 | 642120G02 | | TAILGATE BRACKET (PASSENGER SIDE) | 1 |
| 11 | 603799 | | FLANGED HEX HEAD BOLT, M10 - 1.5 X 25MM LG..... | 6 |
| 12 | 600525 | | LOCK NUT, M10 - 1.5 | 6 |
| 13 | 624030 | | FLANGED BUSHING..... | 4 |
| 14 | | | | |
| 15 | 651635 | | TAILGATE CABLE ASSEMBLY..... | 2 |
| 16 | 653691 | | SHOULDER BOLT, .350"/.188" LG | 2 |
| 17 | | | | |
| 18 | 646493 | | BED STOP CENTER BRACKET | 1 |
| 19 | 606264 | | FLANGED HEX HEAD BOLT, M6 - 1 X 20MM LG..... | 2 |
| 20 | 602409 | | BARREL CLIP, M6 - 1 | 2 |
| 21 | 00550G1 | | HEX NUT (INTERNAL LOCK)..... | 2 |
| 22 | 649696 | | BARRELL CLIP, M8 - 1.25 | 4 |
| 23 | | | | |
| 24 | 602409 | | BARREL CLIP, M6 - 1 | 2 |
| 25 | 654108 | | SELF TAPPING SCREW, M8 X 20MM LG | 4 |
| 26 | 606261 | | FLANGED HEX HEAD BOLT, M8 - 1.25 X 20MM LG..... | 4 |
| 27 | | | | |
| 28 | 654959 | | GAS SPRING MOUNT..... | 1 |

TRUCK BED



THE USE OF NON U.L. PARTS WILL VOID ANY U.L. LISTING.

When ordering parts, please specify the model and serial number of the product.

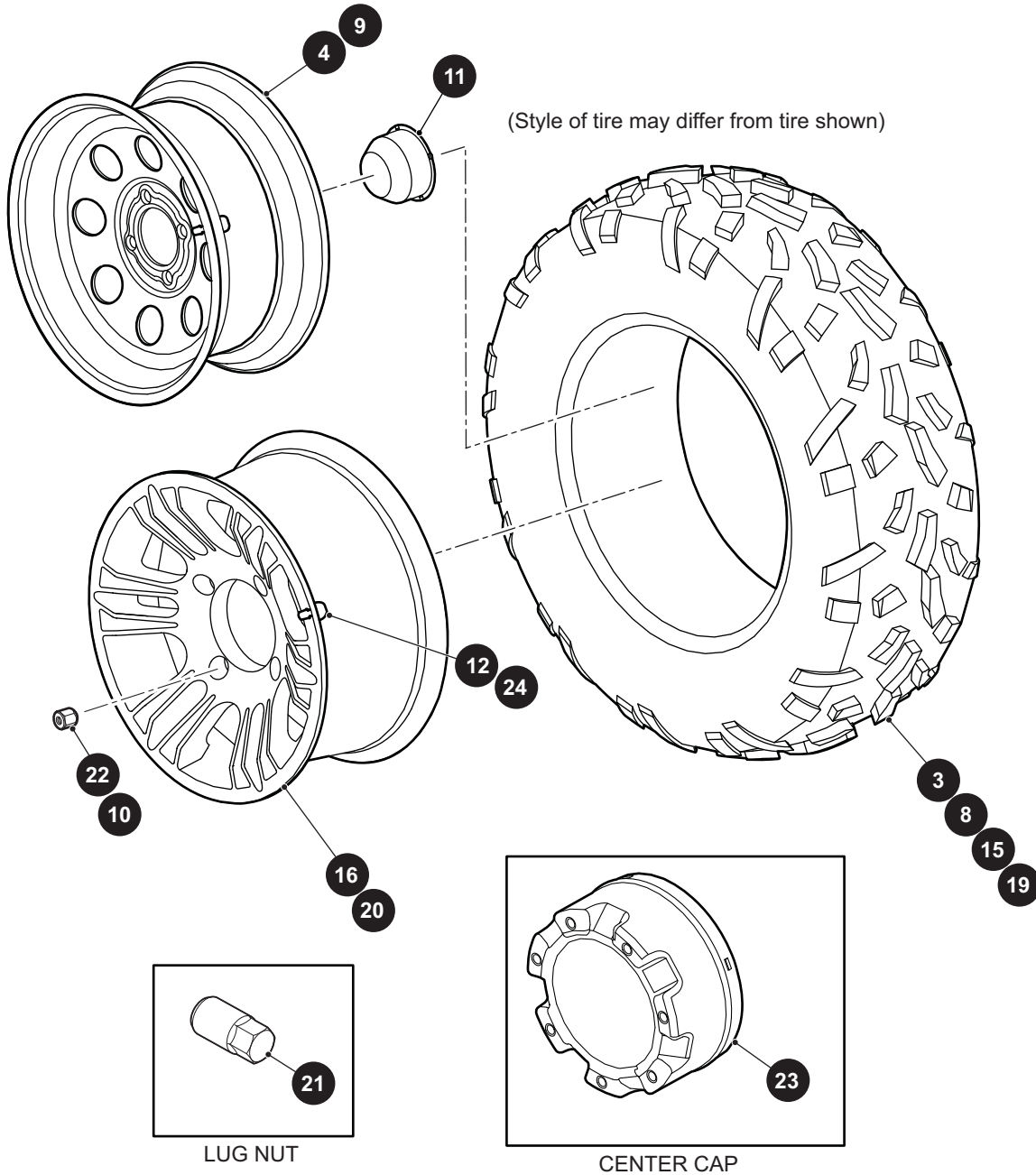
* Indicates a component that is not available as an individual part.

*** Indicates consult Customer Service Department for additional information.

| ITEM | PART NO. | 1 2 3 4 5 | DESCRIPTION | QTY. |
|------|-----------|-----------|---|------|
| 1 | 643623 | | HANDLE..... | 1 |
| 2 | 643080 | | HANDLE GRIP..... | 2 |
| 3 | 646136G01 | | BED LATCH RETURN SPRING (DRIVER SIDE)..... | 1 |
| 4 | 646136G02 | | BED LATCH RETURN SPRING (PASSENGER SIDE)..... | 1 |
| 5 | | | | |
| 6 | | | | |
| 7 | 647633 | | BED LATCH BUSHING (TOP)..... | 2 |
| 8 | 647635 | | BED LATCH BUSHING (BOTTOM)..... | 2 |
| 9 | 632380 | | STABILIZER BAR BUSHING BRACKET..... | 2 |
| 10 | 70113G01 | | ADJUSTABLE RUBBER BUMPER..... | 2 |
| 11 | 645883 | | J-HOOK..... | 1 |
| 12 | | | | |
| 13 | | | | |
| 14 | 11027G1 | | FLANGED LOCK NUT, 5/16" - 18..... | 4 |
| 15 | 645956 | | FLANGED HEX NUT, M8 - 1.25..... | 2 |
| 16 | 606261 | | FLANGED HEX HEAD BOLT, M8 - 1.25 X 20MM LG..... | 2 |
| 17 | | | | |
| 18 | | | | |
| 19 | 654108 | | SELF TAPPING SCREW, M8 X 20MM LG..... | 4 |

WHEELS AND TIRES

- 1 WHEEL AND TIRE ASSEMBLY, FRONT (DRIVER SIDE) includes items 3, 4
- 2 WHEEL AND TIRE ASSEMBLY, FRONT (PASSENGER SIDE) includes items 3, 4
- 6 WHEEL AND TIRE ASSEMBLY, REAR (DRIVER SIDE) includes items 8, 9
- 7 WHEEL AND TIRE ASSEMBLY, REAR (PASSENGER SIDE) includes items 8, 9
- 14 WHEEL AND TIRE ASSEMBLY (FRONT) includes items 15, 16
- 18 WHEEL AND TIRE ASSEMBLY (REAR) includes items 19, 20



WHEELS AND TIRES

THE USE OF NON U.L. PARTS WILL VOID ANY U.L. LISTING.

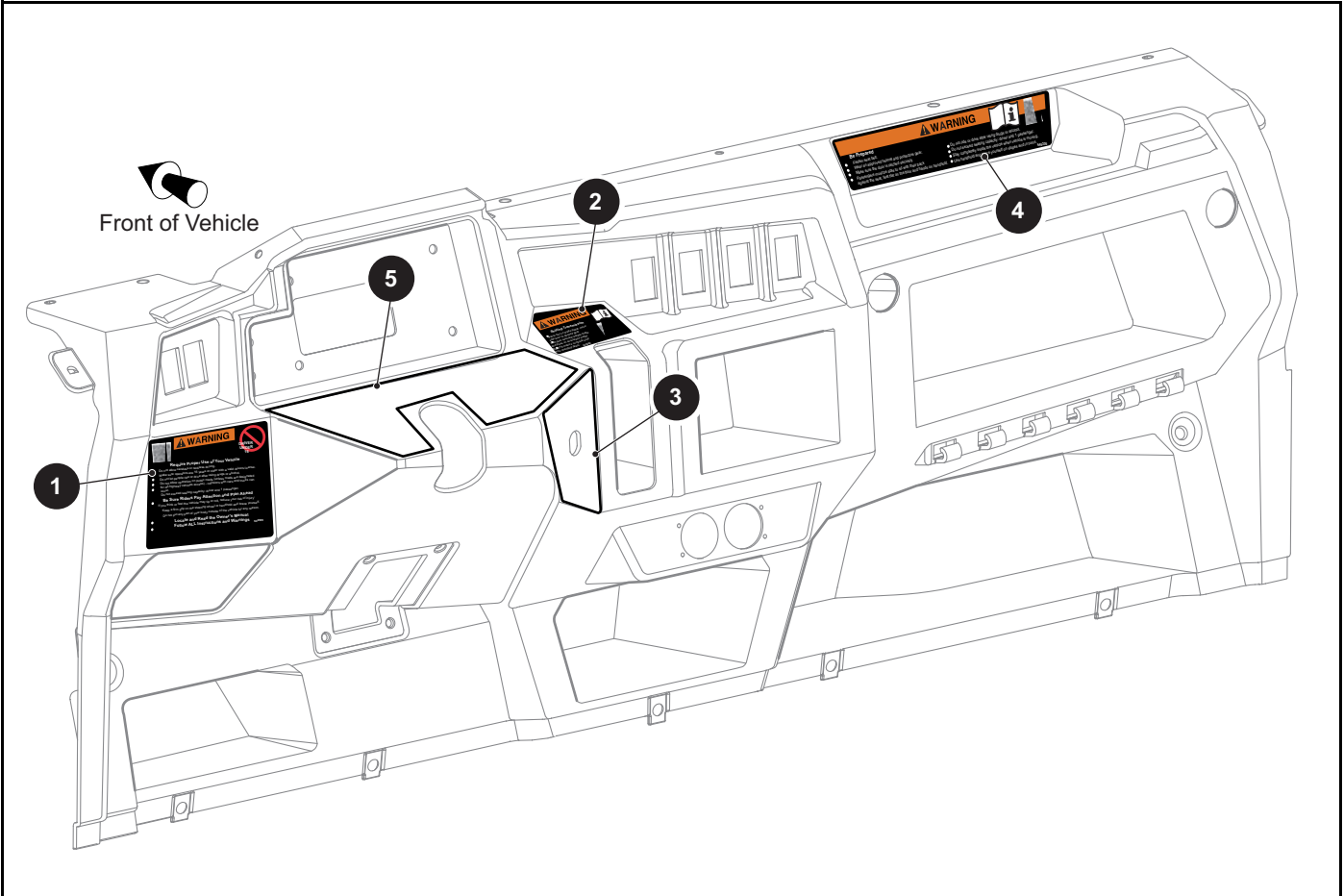
When ordering parts, please specify the model and serial number of the product.

* Indicates a component that is not available as an individual part.

*** Indicates consult Customer Service Department for additional information.

| ITEM | PART NO. | 1 2 3 4 5 | DESCRIPTION | QTY. |
|------|-----------|-----------|---|------|
| 1 | 645015G01 | | WHEEL AND TIRE ASSEMBLY, FRONT (DRIVER SIDE) (INCLUDES ITEMS 3, 4)..... | 1 |
| 2 | 645015G02 | | WHEEL AND TIRE ASSEMBLY, FRONT (PASSENGER SIDE) (INCLUDES ITEMS 3, 4)..... | 1 |
| 3 | 645011 | | TIRE (KENDA), 26" X 9" X 14" | 1 |
| 4 | 653744G01 | | WHEEL (STEEL), 14" X 6.5" | 1 |
| 5 | | | | |
| 6 | 645016G01 | | WHEEL AND TIRE ASSEMBLY, REAR (DRIVER SIDE) (INCLUDES ITEMS 8, 9)..... | 1 |
| 7 | 645016G02 | | WHEEL AND TIRE ASSEMBLY, REAR (PASSENGER SIDE) (INCLUDES ITEMS 8, 9)..... | 1 |
| 8 | 645012 | | TIRE (KENDA), 26" X 11" X 14" | 1 |
| 9 | 653744G02 | | WHEEL (STEEL), 14" X 8" | 1 |
| 10 | 14723G1 | | LUG NUT, 1/2" - 20 (FOR USE WITH STEEL WHEELS) | 4 |
| 11 | 653751 | | CENTER CAP (FOR USE WITH STEEL WHEELS) | 1 |
| 12 | 643948 | | VALVE STEM | 1 |
| 13 | | | | |
| 14 | 646604 | | WHEEL AND TIRE ASSEMBLY (FRONT) (INCLUDES ITEMS 15, 16)..... | 1 |
| 15 | 633541 | | TIRE (MAXXIS BIGHORN), 27" X 9" X 14" | 1 |
| 16 | 653461G01 | | WHEEL (ALUMINUM), 14" X 7" | 1 |
| 17 | | | | |
| 18 | 661632 | | WHEEL AND TIRE ASSEMBLY (REAR) (INCLUDES ITEMS 19, 20) | 1 |
| 19 | 633542 | | TIRE (MAXXIS BIGHORN), 27" X 11" X 14" | 1 |
| 20 | 653461G03 | | WHEEL (ALUMINUM), 14" X 8" | 1 |
| 21 | 653461G02 | | WHEEL (ALUMINUM), 14" X 8" | 1 |
| 22 | 658026 | | LUG NUT (BLACK), 1/2" - 20 (FOR USE WITH ALUMINUM WHEELS) | 4 |
| 23 | 654993 | | CENTER CAP (FOR USE WITH ALUMINUM WHEELS) | 1 |
| 24 | * | | VALVE STEM | 1 |

DECALS AND LABELS



WARNING

Require Proper Use of Your Vehicle

- Do not allow careless or reckless driving.
- Make sure operators are 16 years or older with a valid drivers license.
- Do not let people ride or drive after using drugs or alcohol.
- Do not allow operation on public roads (unless roads are designated for off-highway vehicles access) - collisions with cars and trucks can occur.
- Do not exceed seating capacity: driver and 1 passenger.

Be Sure Riders Pay Attention and Plan Ahead
If you think or feel the vehicle may tip or roll, reduce your risk of injury.

- Keep a firm grip on the steering wheel or handhold and brace yourself.
- Do not put any part of your body outside of the vehicle for any reason.

Locate and Read the Owner's Manual
Follow ALL Instructions and Warnings

642800

WARNING

Shifting Transmission

- Place foot on brake pedal, move shift lever to desired gear.
- With gear selected release brake and press on accelerator pedal.
- ALWAYS make a complete stop before changing gears.

643602

OFF ON

START

645327

WARNING

Be Prepared

- Fasten seat belt.
- Wear an approved helmet and protective gear.
- Make sure the door is latched securely.
- Passengers must be able to sit with their back against the seat, feet flat on the floor and hands on handhold.
- Do not ride or drive after using drugs or alcohol.
- Do not exceed seating capacity: driver and 1 passenger.
- Stay completely inside the vehicle when vehicle is moving.
- Use handhold and brace yourself on slopes and in turns.

645330

WARNING

Drive Responsibility

The type of vehicle has a high risk of rollover.

Be Prepared

- Fasten seat belt.
- Wear an approved helmet and protective gear.
- Make sure the door is latched securely.
- Clear your seat of any items and keep feet on the floor.
- Do not drink alcohol or use drugs.
- Do not exceed seating capacity.
- Do not ride or drive after using drugs or alcohol.
- Do not exceed seating capacity: driver and 1 passenger.
- Stay completely inside the vehicle when vehicle is moving.
- Use handhold and brace yourself on slopes and in turns.

Drive Responsibility

- Avoid loss of control and rollover.
- Do not drink alcohol or use drugs.
- Do not drink alcohol or use drugs.
- Do not drink alcohol or use drugs.
- Do not drink alcohol or use drugs.
- Do not drink alcohol or use drugs.
- Do not drink alcohol or use drugs.
- Do not drink alcohol or use drugs.
- Do not drink alcohol or use drugs.

645327

DECALS AND LABELS

THE USE OF NON U.L. PARTS WILL VOID ANY U.L. LISTING.

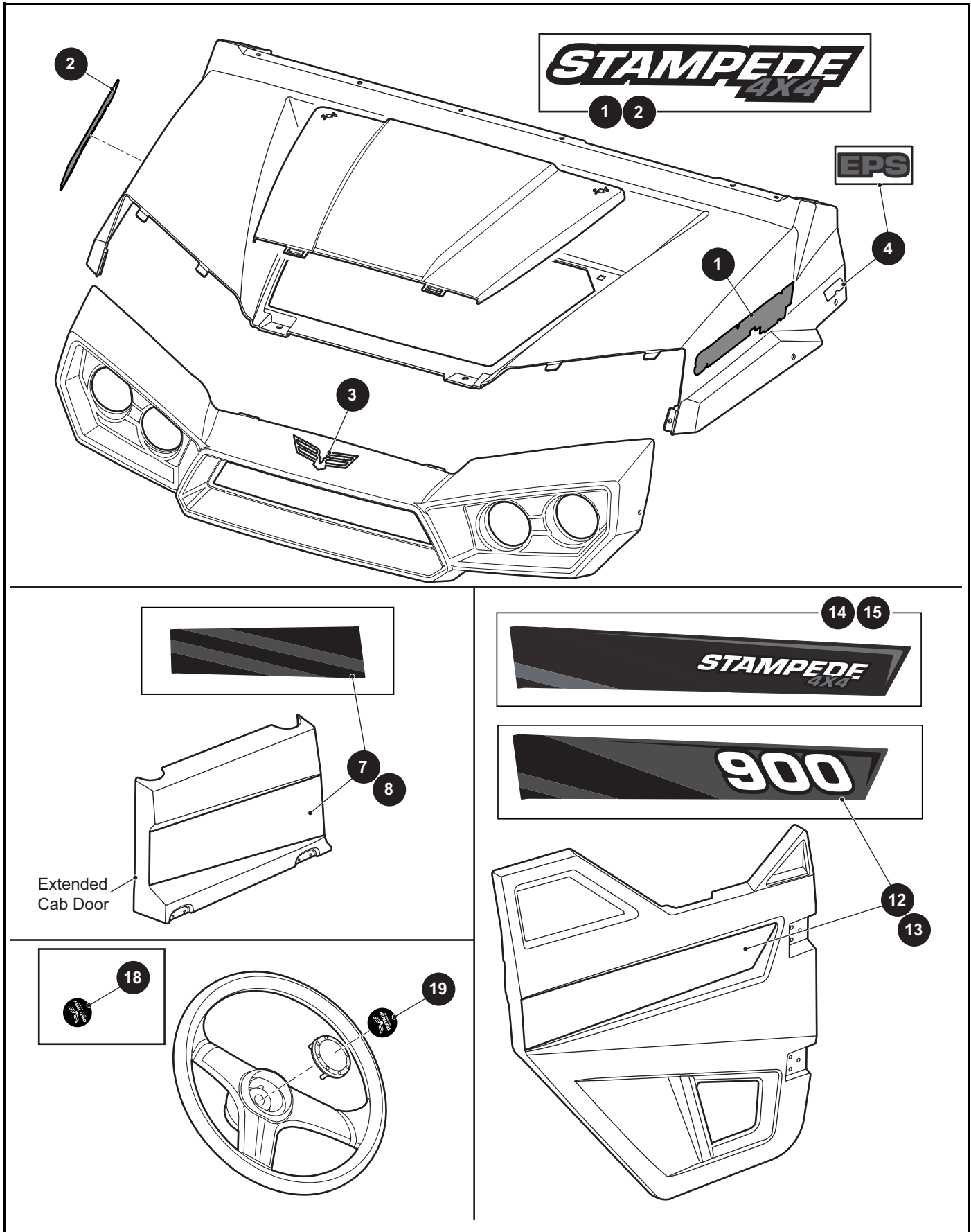
When ordering parts, please specify the model and serial number of the product.

* Indicates a component that is not available as an individual part.

*** Indicates consult Customer Service Department for additional information.

| ITEM | PART NO. | 1 2 3 4 5 | DESCRIPTION | QTY. |
|------|----------|-----------|--------------------------------|------|
| 1 | 642600 | | SAFETY LABEL | 1 |
| 2 | 643602 | | GEAR SHIFTING LABEL | 1 |
| 3 | 645327 | | KEYSWITCH POSITION LABEL | 1 |
| 4 | 645330 | | PASSENGER SAFETY LABEL | 1 |
| 5 | 642599 | | OPERATOR SAFETY LABEL | 1 |

DECALS AND LABELS



DECALS AND LABELS

THE USE OF NON U.L. PARTS WILL VOID ANY U.L. LISTING.

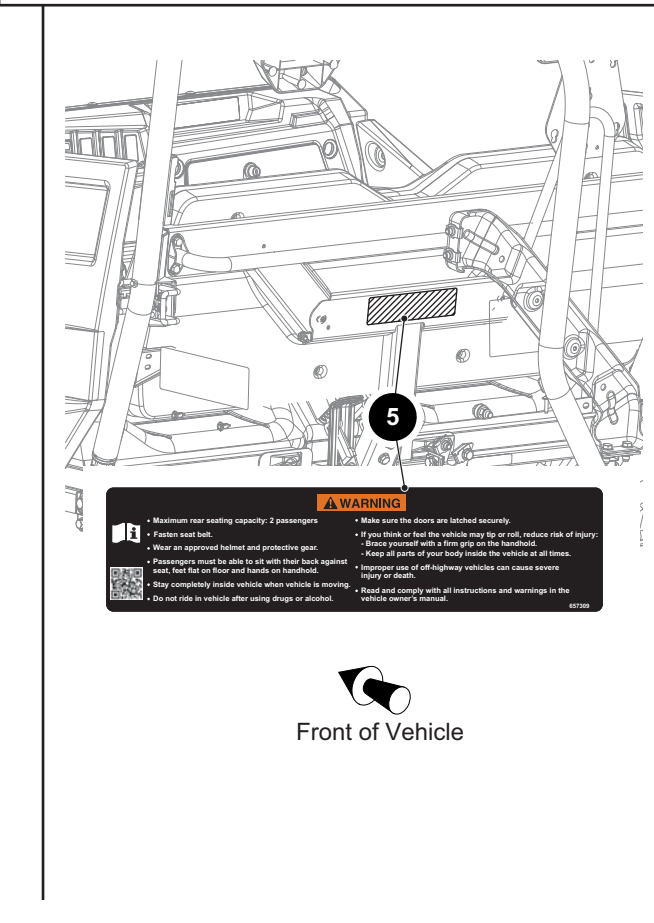
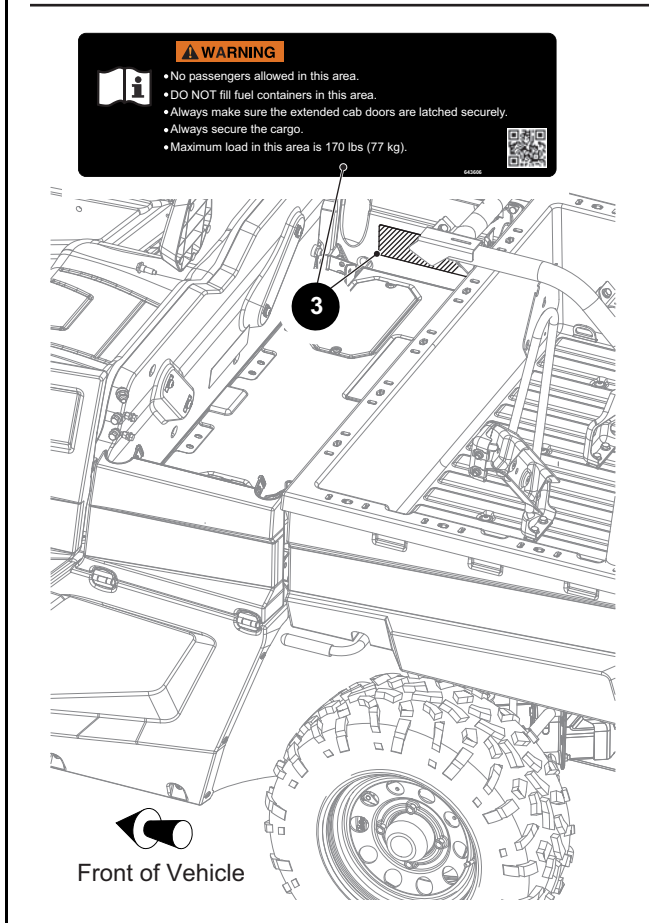
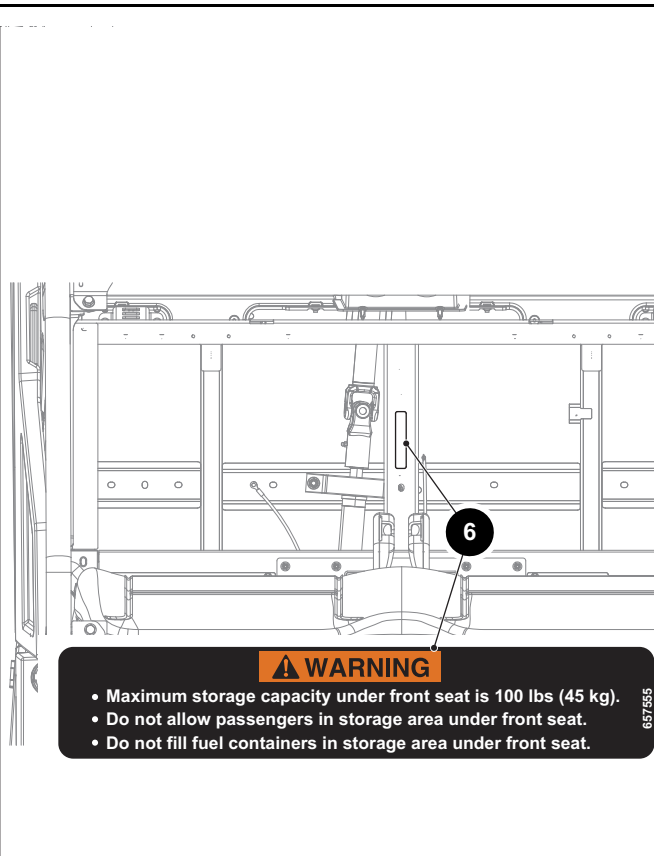
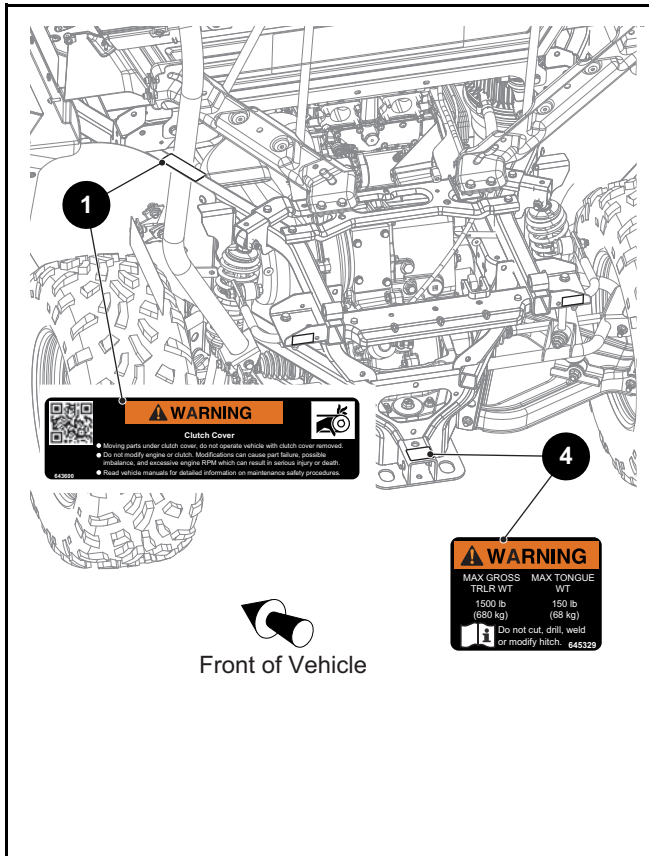
When ordering parts, please specify the model and serial number of the product.

* Indicates a component that is not available as an individual part.

*** Indicates consult Customer Service Department for additional information.

| ITEM | PART NO. | 1 2 3 4 5 | DESCRIPTION | QTY. |
|------|------------|-----------|--|------|
| 1 | 649602G01 | | COWL DECAL (DRIVER SIDE) | 1 |
| 2 | 649602G02 | | COWL DECAL (PASSENGER SIDE)..... | 1 |
| 3 | 650008 | | BAD BOY BADGE..... | 1 |
| 4 | 659467 | | DECAL (EPS MODEL ONLY) | 2 |
| 5 | | | | |
| 6 | | | | |
| 7 | 649604G1XX | | EXTENDED CAB DOOR DECAL (DRIVER SIDE) (See COLOR CODE in HOW TO USE Section) | 1 |
| 8 | 649604G2XX | | EXTENDED CAB DOOR DECAL (PASSENGER SIDE) (See COLOR CODE in HOW TO USE Section) | 1 |
| 9 | | | | |
| 10 | | | | |
| 11 | | | | |
| 12 | 649603G1XX | | DOOR DECAL (DRIVER SIDE) (FOR VEHICLES MANUFACTURED UNTIL OCTOBER 10 2016) (See COLOR CODE in HOW TO USE Section) | 1 |
| 13 | 649603G2XX | | DOOR DECAL (PASSENGER SIDE) (FOR VEHICLES MANUFACTURED UNTIL OCTOBER 10 2016) (See COLOR CODE in HOW TO USE Section) . | 1 |
| 14 | 659422G1XX | | DOOR DECAL (DRIVER SIDE) (FOR VEHICLES MANUFACTURED FROM OCTOBER 11 2016) (See COLOR CODE in HOW TO USE Section)..... | 1 |
| 15 | 659422G2XX | | DOOR DECAL (PASSENGER SIDE) (FOR VEHICLES MANUFACTURED FROM OCTOBER 11 2016) (See COLOR CODE in HOW TO USE Section) . | 1 |
| 16 | | | | |
| 17 | | | | |
| 18 | 650963 | | STEERING WHEEL DECAL (FOR VEHICLES MANUFACTURED BEFORE APRIL 10, 2017) | 1 |
| 19 | 663498 | | STEERING WHEEL DECAL (FOR VEHICLES MANUFACTURED AFTER APRIL 10, 2017) | 1 |

DECALS AND LABELS



DECALS AND LABELS

THE USE OF NON U.L. PARTS WILL VOID ANY U.L. LISTING.

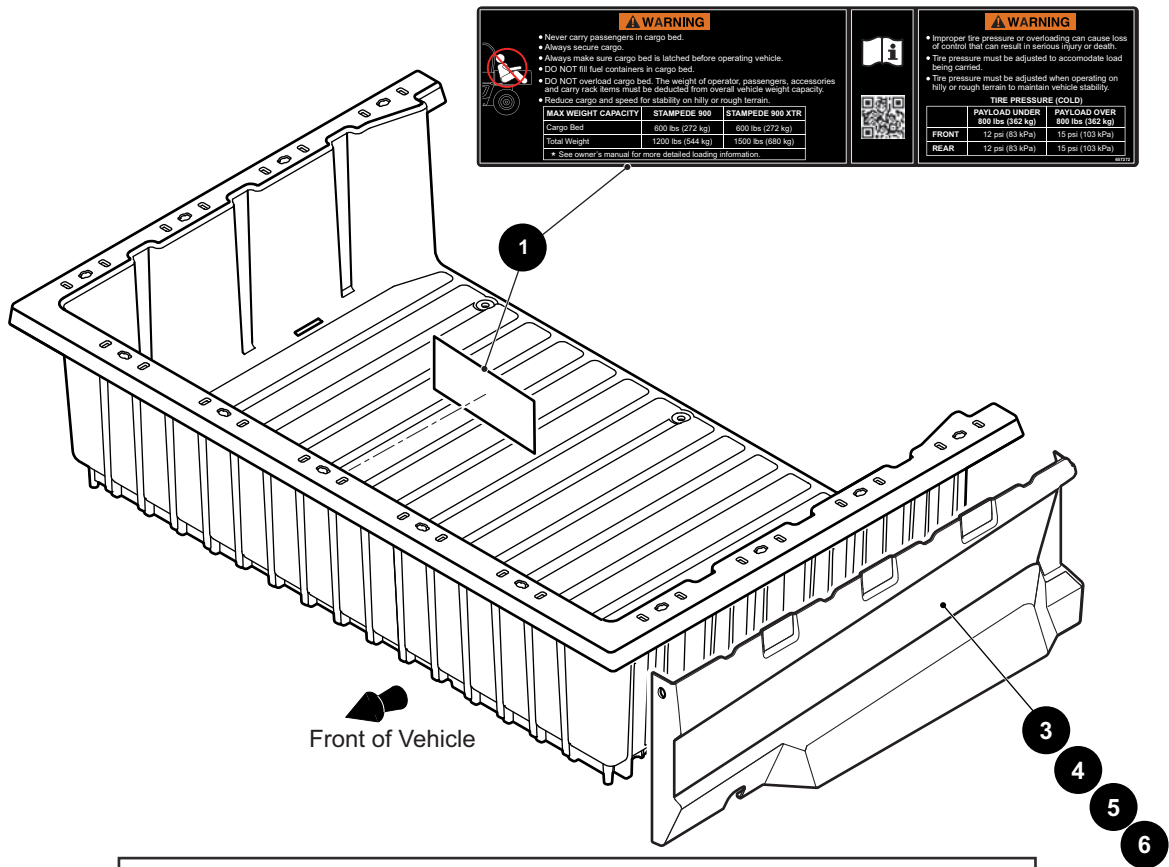
When ordering parts, please specify the model and serial number of the product.

* Indicates a component that is not available as an individual part.

*** Indicates consult Customer Service Department for additional information.

| ITEM | PART NO. | 1 2 3 4 5 | DESCRIPTION | QTY. |
|------|----------|-----------|--|------|
| 1 | 643600 | | CLUTCH COVER WARNING DECAL | 1 |
| 2 | | | | |
| 3 | 643606 | | EXTENDED CAB CARGO WARNING DECAL..... | 1 |
| 4 | 645329 | | HITCH WARNING LABEL | 1 |
| 5 | 657309 | | REAR SEAT WARNING DECAL | 1 |
| 6 | 657555 | | UNDER SEAT STORAGE WARNING DECAL | 1 |

DECALS AND LABELS



⚠ WARNING

- Never carry passengers in cargo bed.
- Always secure cargo.
- Always make sure cargo bed is latched before operating vehicle.
- DO NOT fill tied containers in cargo bed.
- DO NOT overload cargo bed. The weight of operator, passengers, accessories and carry over items must be deducted from overall vehicle weight capacity.
- Reduce cargo and speed for stability on hilly or rough terrain.

| MAX WEIGHT CAPACITY | STAMPEDE 900 | STAMPEDE 900 XTR |
|---------------------|-------------------|-------------------|
| Cargo Bed | 600 lbs (272 kg) | 600 lbs (272 kg) |
| Total Weight | 1200 lbs (544 kg) | 1500 lbs (680 kg) |

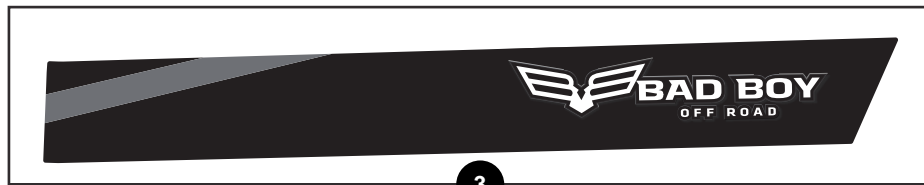
* See owner's manual for more detailed loading information.

⚠ WARNING

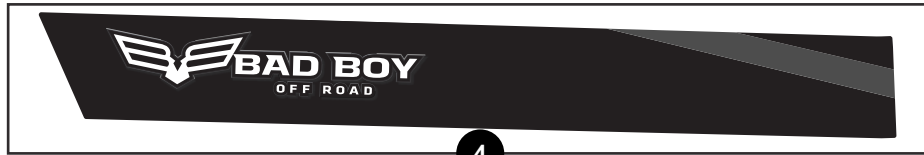
- Improper tire pressure or overloading can cause loss of control that can result in serious injury or death.
- The pressure must be adjusted to accommodate load being carried.
- The pressure must be adjusted when operating on hilly or rough terrain to maintain vehicle stability.

TIRE PRESSURE (COLD)

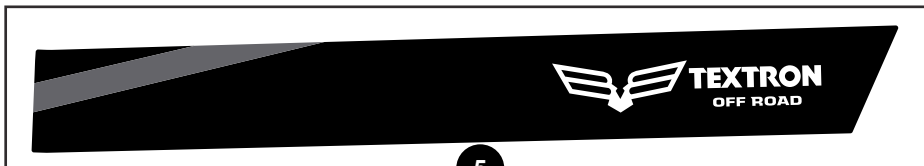
| | PAYLOAD UNDER 800 lbs (362 kg) | PAYLOAD OVER 800 lbs (362 kg) |
|-------|--------------------------------|-------------------------------|
| FRONT | 12 psi (83 kPa) | 15 psi (103 kPa) |
| REAR | 12 psi (83 kPa) | 15 psi (103 kPa) |



3



4



5



6

DECALS AND LABELS

THE USE OF NON U.L. PARTS WILL VOID ANY U.L. LISTING.

When ordering parts, please specify the model and serial number of the product.

* Indicates a component that is not available as an individual part.

*** Indicates consult Customer Service Department for additional information.

| ITEM | PART NO. | 1 2 3 4 5 | DESCRIPTION | QTY. |
|------|------------|-----------|---|------|
| 1 | 657272 | | BED CAPACITY LABEL..... | 1 |
| 2 | | | | |
| 3 | 649605G1XX | | SIDE PANEL BED DECAL (DRIVER SIDE) (FOR VEHICLES MANUFACTURED BEFORE APRIL 10, 2017) (See COLOR CODE in HOW TO USE Section)..... | 1 |
| 4 | 649605G2XX | | SIDE PANEL BED DECAL (PASSENGER SIDE) (FOR VEHICLES MANUFACTURED BEFORE APRIL 10, 2017) (See COLOR CODE in HOW TO USE Section)..... | 1 |
| 5 | 663507G1XX | | SIDE PANEL BED DECAL (DRIVER SIDE) (FOR VEHICLES MANUFACTURED AFTER APRIL 10, 2017) (See COLOR CODE in HOW TO USE Section) | 1 |
| 6 | 663507G2XX | | SIDE PANEL BED DECAL (PASSENGER SIDE) (FOR VEHICLES MANUFACTURED AFTER APRIL 10, 2017) (See COLOR CODE in HOW TO USE Section) | 1 |



TEXTRON[®]

OFF ROAD

Textron Specialized Vehicles, Inc.

1451 Marvin Griffin Road, Augusta, Georgia 30906 - 3852 USA

TO CONTACT US...

North America:

Technical Assistance & Warranty

Phone: 1-800-774-3946, FAX: 1-800-448-8124

Service Parts

Phone: 1-888-GET-E-Z-GO (1-888-438-3946), FAX: 1-800-752-6175

International:

Phone: 001-706-798-4311, FAX: 001-706-771-4609

Service Parts Manuals, as well as Repair and Service Manuals are available from a local Distributor, an authorized Branch, Genuine E-Z-GO Parts & Accessories Department or at www.shopezgo.com.

Copyrighted Material
This manual may not be reproduced in whole or
in part without the express permission of
TSV Textron Inc.
Technical Communications Department