



**CUSHMAN<sup>®</sup>**  
**LET'S WORK.<sup>®</sup>**

# **Shuttle 8**

## **Service Parts Manual**



# SERVICE PARTS MANUAL

## GASOLINE EFI POWERED UTILITY VEHICLE

### SHUTTLE 8

### STARTING MID-MODEL YEAR 2019

Never modify the vehicle in any way that will alter the weight distribution of the vehicle, decrease its stability or increase the speed beyond the factory specifications. Such modifications can cause serious personal injury or death. Textron Specialized Vehicles prohibits and dis-claims responsibility for any such modifications or any other alteration which would adversely affect the safety of the vehicle. TSV reserves the right to incorporate engineering and design changes to products in this manual, without obligation to include these changes on units sold previously.

The information contained in this manual may be revised periodically by TSV, and therefore is subject to change without notice.

TSV DISCLAIMS LIABILITY FOR ERRORS IN THIS MANUAL, and SPECIFICALLY DISCLAIMS LIABILITY FOR INCIDENTAL AND CONSEQUENTIAL DAMAGES resulting from the use of the information and materials in this manual.

These are the original instructions as defined by 2006/42/EC.

#### TO CONTACT US:

Textron Specialized Vehicles, Inc.  
1451 Marvin Griffin Road  
Augusta, Georgia, USA 30906-3852

#### NORTH AMERICA:

Technical Assistance & Warranty PHONE: 1-800-774-3946, FAX: 1-800-448-8124

Service Parts PHONE: 1-888-438-3946, FAX: 1-800-752-6175

International: PHONE: 001-706-798-4311, FAX: 001-706-771-4609

## GENERAL INFORMATION

To obtain a copy of the limited warranty applicable to the vehicle, call or write a local Distributor, authorized Branch or the Warranty Department with vehicle serial number and manufacturer code.

The use of non Original Equipment Manufacturer (OEM) approved parts may void the warranty.

Tampering with or adjusting the governor to permit vehicle to operate at above factory specifications will void the vehicle warranty.

When servicing engines, all adjustments and replacement components must be per original vehicle specifications in order to maintain the United States of America Federal and State emission certification applicable at the time of manufacture.

### BATTERY PROLONGED STORAGE

All batteries will self discharge over time. The rate of self discharge varies depending on the ambient temperature and the age and condition of the batteries.

A fully charged battery will not freeze in winter temperatures unless the temperature falls below -75° F (-60° C).

### BATTERY DISPOSAL

Lead-acid batteries are recyclable. Return whole scrap batteries to distributor, manufacturer or lead smelter for recycling. For neutralized spills, place residue in acid-resistant containers with absorbent material, sand or earth and dispose of in accordance with local, state and federal regulations for acid and lead compounds. Contact local and/or state environmental officials regarding disposal information.

# TABLE OF CONTENTS

<b>SECTION</b>	<b>Page No.</b>
HOW TO USE THE SERVICE PARTS MANUAL.....	V
ACCELERATOR.....	A - 1
AIR FILTER.....	B - 1
BODY.....	C - 1
BRAKES.....	D - 1
CLUTCH.....	E - 1
DIRECTION SELECTOR.....	F - 1
ELECTRICAL.....	G - 1
ENGINE AND MUFFLER.....	H - 1
ENGINE MOUNTING.....	J - 1
FRONT SUSPENSION AND STEERING.....	K - 1
FUEL SYSTEM.....	L - 1
REAR AXLE.....	M - 1
REAR SUSPENSION.....	N - 1
SEATING.....	P - 1
STARTER/GENERATOR.....	R - 1
TRUCK BED.....	S - 1
WEATHER PROTECTION.....	T - 1
WHEELS AND TIRES.....	U - 1
DECALS AND LABELS.....	V - 1



# HOW TO USE THE SERVICE PARTS MANUAL

This manual is divided into several sections:

- GENERAL INFORMATION
- ILLUSTRATED PARTS BREAKDOWN

The first section, GENERAL INFORMATION, contains the following information:

- WARRANTY INFORMATION
- TABLE OF CONTENT
- HOW TO USE THE SERVICE PARTS MANUAL

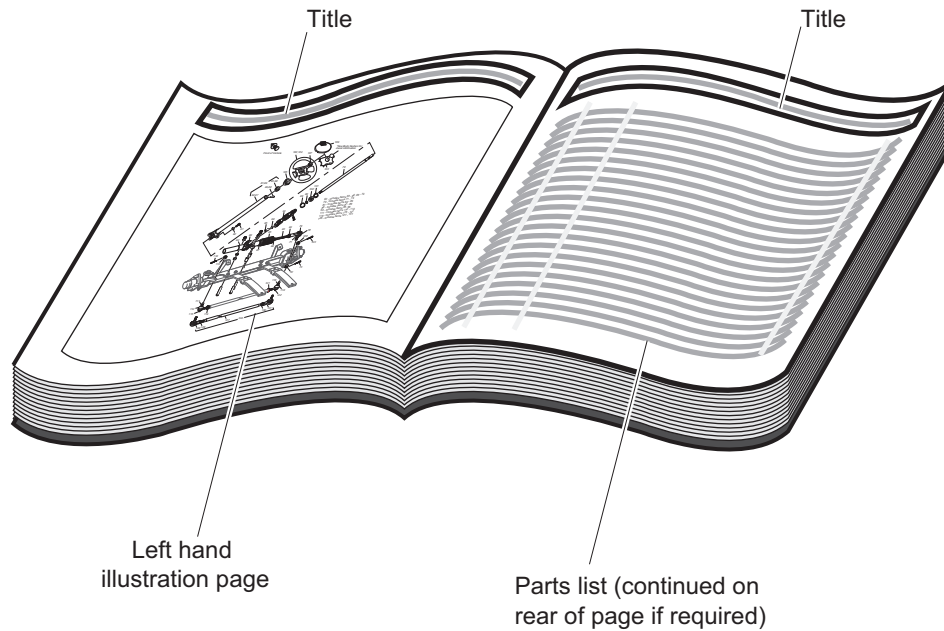
The second section, ILLUSTRATED PARTS BREAKDOWN, contains illustrations and parts lists for all systems of your vehicle.

## USE OF THE MANUAL

To use this manual, consult the TABLE OF CONTENTS to locate the information or illustration required.

Introduction of some revisions varies due to supply of components; therefore, it is possible that various combinations of components may be found that are not directly reflected by each illustration. Consult the illustration that best suits your situation and then contact the Service Parts Department. It is important that the serial number or VIN of your vehicle and the model name be supplied to Service Parts when ordering any replacement components.

# HOW TO USE THE SERVICE PARTS MANUAL



## 1. WHEN THE PART NUMBER IS NOT KNOWN

- Determine the function and application of the part required. Turn to the Table of Content and select the most appropriate title.
- Turn to the page number indicated and locate the desired part on the illustration.
- From the illustration, obtain the item number assigned to the desired part. Refer to the accompanying description for specific information regarding the part.

## 2. IF YOU KNOW THE PART NUMBER

- Locate the part number or description in the appropriate column on the parts list page.

NOTE: It is suggested that you confirm that the part selected is correct by verifying it with the pictorial representation on the illustrated page.

Should an asterisk (\*) appear in the part number column on the parts list page, read upwards until a part number is found. The part number is the lowest assembly sold by Service Parts and the asterisk (\*) indicates that the part depicted is not available for purchase.

NOTE: Descriptions are indented under the assembly that they are used on. That assembly is, in turn listed under the assembly that it is used on. This process is repeated until the highest final assembly is reached.

**To facilitate the maintenance and repair of the vehicle, a Repair and Service Manual is available from the Service Parts Department.**

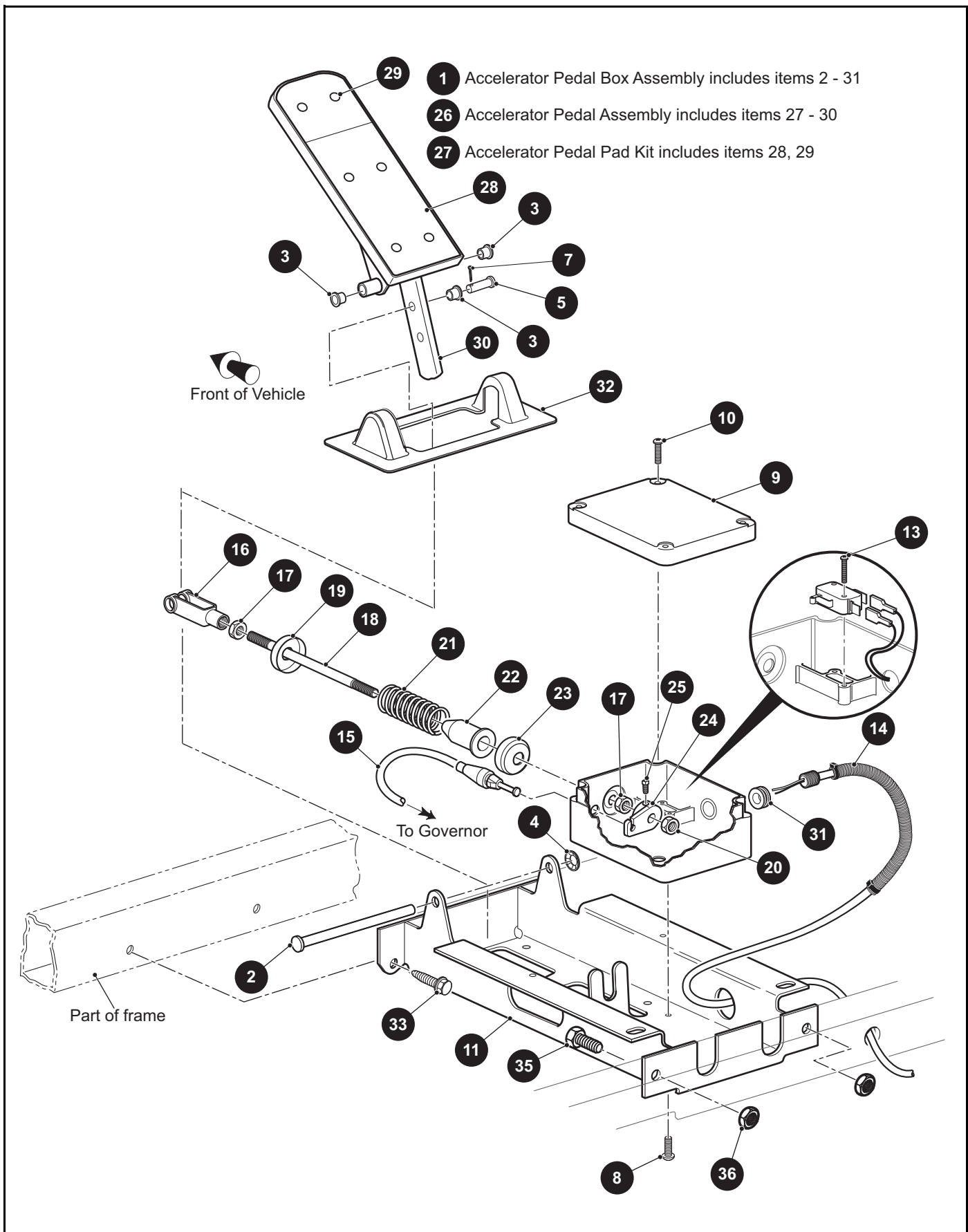


## 3. COLOR CODE FOR BODY COMPONENTS

The last two digits of the part number for the body part will denote the color code, locate the part number for the cowl, rear body, seat pod, side panel or seat wrap then locate your color in the list below, replace the last \*\* or XX with the two digit color code.

<b><u>CODE #</u></b>	<b><u>DESCRIPTION</u></b>
02	SPECIAL COLOR
11	BLACK
19	PATRIOT BLUE PEARL
20	INFERNO RED METALLIC
26	STEEL BLUE PEARL
31	METALLIC CHARCOAL
35	SAFETY YELLOW
36	IVORY
37	FOREST GREEN
38	BRIGHT WHITE
39	FLAME RED
41	ELECTRIC BLUE
42	PLATINUM
43	BURGUNDY
44	ALMOND
51	SUNBURST ORANGE
52	BRITISH RACING GREEN
69	MONSTER GREEN
74	BARLEY GOLD
75	OASIS GREEN
76	JAVA BROWN
79	JACOBSEN ORANGE 172

# ACCELERATOR



THE USE OF NON U.L. PARTS WILL VOID ANY U.L. LISTING.

When ordering parts, please specify the model and serial number of the product.

\* Indicates a component that is not available as an individual part.

\*\*\* Indicates consult Customer Service Department for additional information.

ITEM	PART NO.	1 2 3 4 5	DESCRIPTION	QTY.
1	662834		Accelerator Pedal Box Assembly (Includes Items 2 - 31) .....	1
2	74432G01		Pedal Pivot Pin .....	1
3	17838G1		Nyliner Bushing .....	3
4	12064G6		Push Nut.....	1
5	10386G3		Clevis Pin, 5/16" x 13/16" .....	1
6				
7	10387G3		Cotter Pin, 3/32" x 3/4" .....	1
8	01051G01		Pan Head Phillips Screw, #8 - 16 x 1/2" Lg .....	4
9	25853G03		Pedal Box and Cover.....	1
10	00684G6		Truss Head Phillips Screw, #8 - 16 x 1/2" Lg.....	2
11	652241G03		Accelerator Pedal Bracket .....	1
12				
13	01050G02		Pan Head Torx Screw, #4 - 20 x 5/8" Lg.....	2
14	658940		Pedal Box Harness.....	1
15	626829		Accelerator Cable .....	1
16	10385G4		Clevis Yoke .....	1
17	00532G4		Hex Nut, 5/16" - 24 .....	2
18	72072G01		Accelerator Rod.....	1
19	17677G2		Spring Retainer.....	1
20	15126G1		Lock Nut, 5/16" - 24.....	1
21	73046G01		Compression Spring .....	1
22	17979G1		Accelerator Rod Bushing.....	1
23	17677G1		Spring Retainer.....	1
24	72716G01		Cam (Micro Switch) .....	1
25	00487G3		Socket Head Screw, 1/4" - 20 x 3/8" Lg.....	1
26	25799G03		Accelerator Pedal Assembly (Includes Items 27 - 30) .....	1
27	27844G01		Accelerator Pedal Pad Kit (Includes Items 28, 29).....	1
28	27512G01		Pedal Pad .....	1
29	15766G1		Oval Rivet, 3/8" x 15/32" Lg.....	6
30	*		Accelerator Pedal.....	1
31	654645		Grommet (Rubber) .....	1

# ACCELERATOR

THE USE OF NON U.L. PARTS WILL VOID ANY U.L. LISTING.

When ordering parts, please specify the model and serial number of the product.

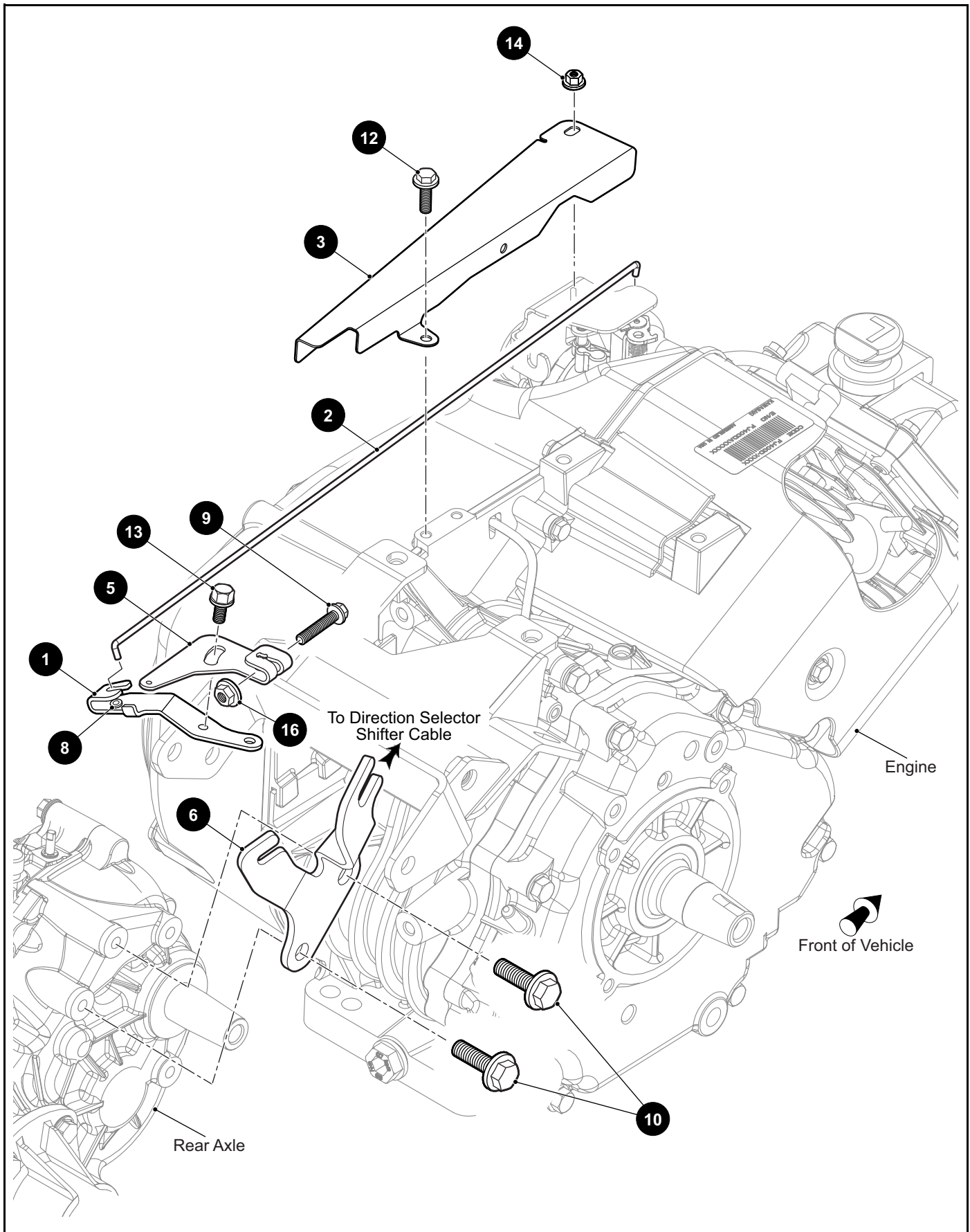
\* Indicates a component that is not available as an individual part.

\*\*\* Indicates consult Customer Service Department for additional information.

ITEM	PART NO.	1 2 3 4 5	DESCRIPTION	QTY.
32	70135G01		Pedal Pivot Cover .....	1
33	00715G2		Hex Washer Head Screw, 5/16" - 18 x 3/4" Lg .....	2
34				
35	00438G8		Hex Head Bolt, 5/16" - 18 x 1" Lg, Grade 5 .....	2
36	00891G3		Lock Nut, 5/16" - 18 .....	2
37	17618G1		Nylon Clamp, 8" Lg (Not Illustrated) .....	3



# ACCELERATOR



THE USE OF NON U.L. PARTS WILL VOID ANY U.L. LISTING.

When ordering parts, please specify the model and serial number of the product.

\* Indicates a component that is not available as an individual part.

\*\*\* Indicates consult Customer Service Department for additional information.

ITEM	PART NO.	1 2 3 4 5	DESCRIPTION	QTY.
1	606005		Governor Bracket (Lower).....	1
2	606284		Governor Link Rod.....	1
3	660005		Governor Rod Guard.....	1
4				
5	606083		Governor Bracket (Upper).....	1
6	632936		Governor Cable / Direction Selector Bracket.....	1
7				
8	606283		Governor Lever Bushing.....	1
9	606421		Flanged Hex Head Bolt, M6 - 1 x 30mm Lg, Grade 8.8.....	1
10	606256		Flanged Hex Head Bolt, M10 - 1.25 x 25mm Lg, Grade 8.8.....	2
11				
12	606264		Flanged Hex Head Bolt, M6 - 1 x 20mm Lg, Grade 8.8.....	1
13	73876G01		Flanged Hex Head Bolt, M6 - 1 x 12mm Lg, Grade 8.8.....	1
14	601476		Lock Nut, M6 - 1.....	1
15				
16	450452		Flanged Hex Nut, M6 - 1.....	1

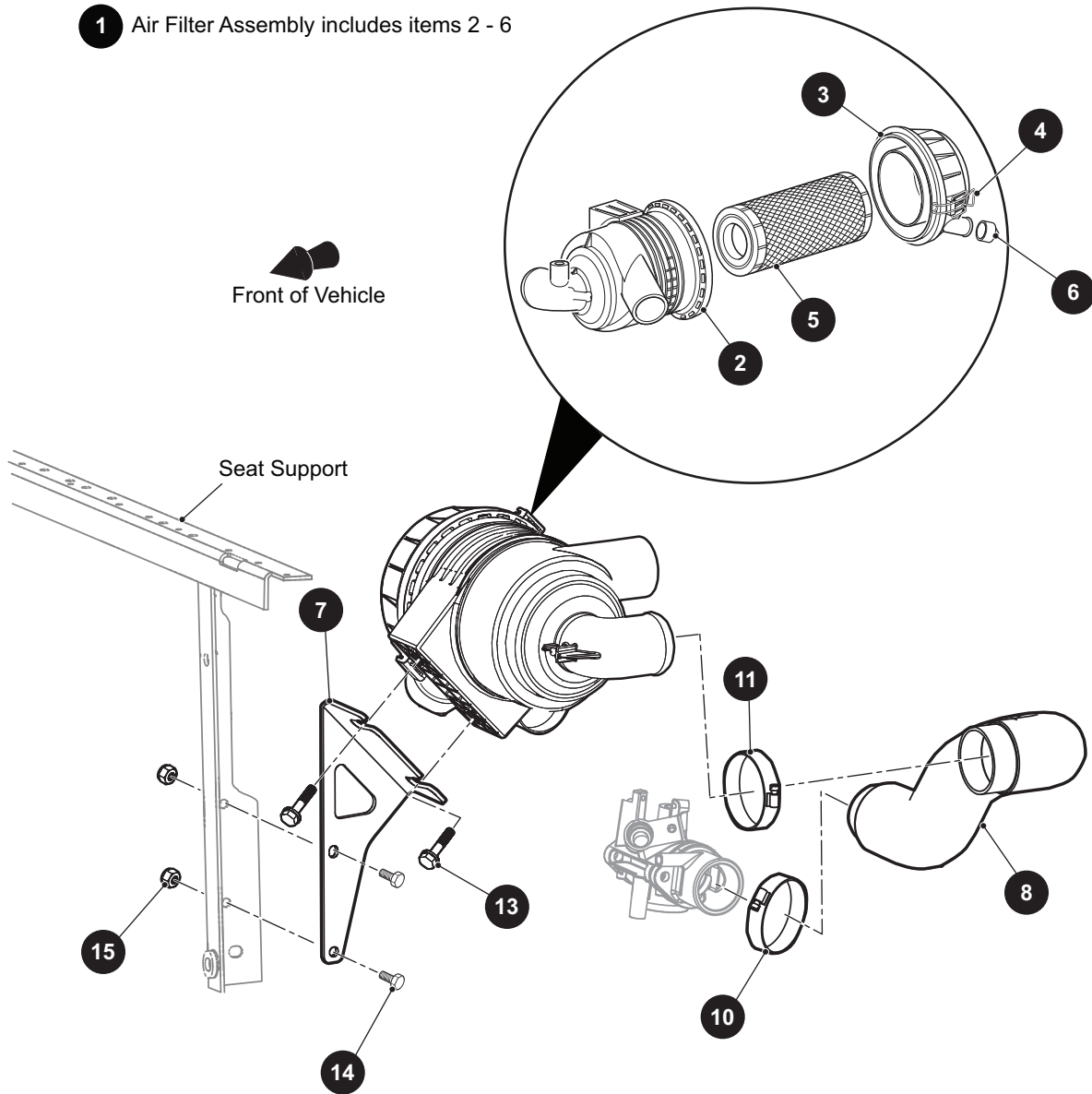






# AIR FILTER

1 Air Filter Assembly includes items 2 - 6



THE USE OF NON U.L. PARTS WILL VOID ANY U.L. LISTING.

When ordering parts, please specify the model and serial number of the product.

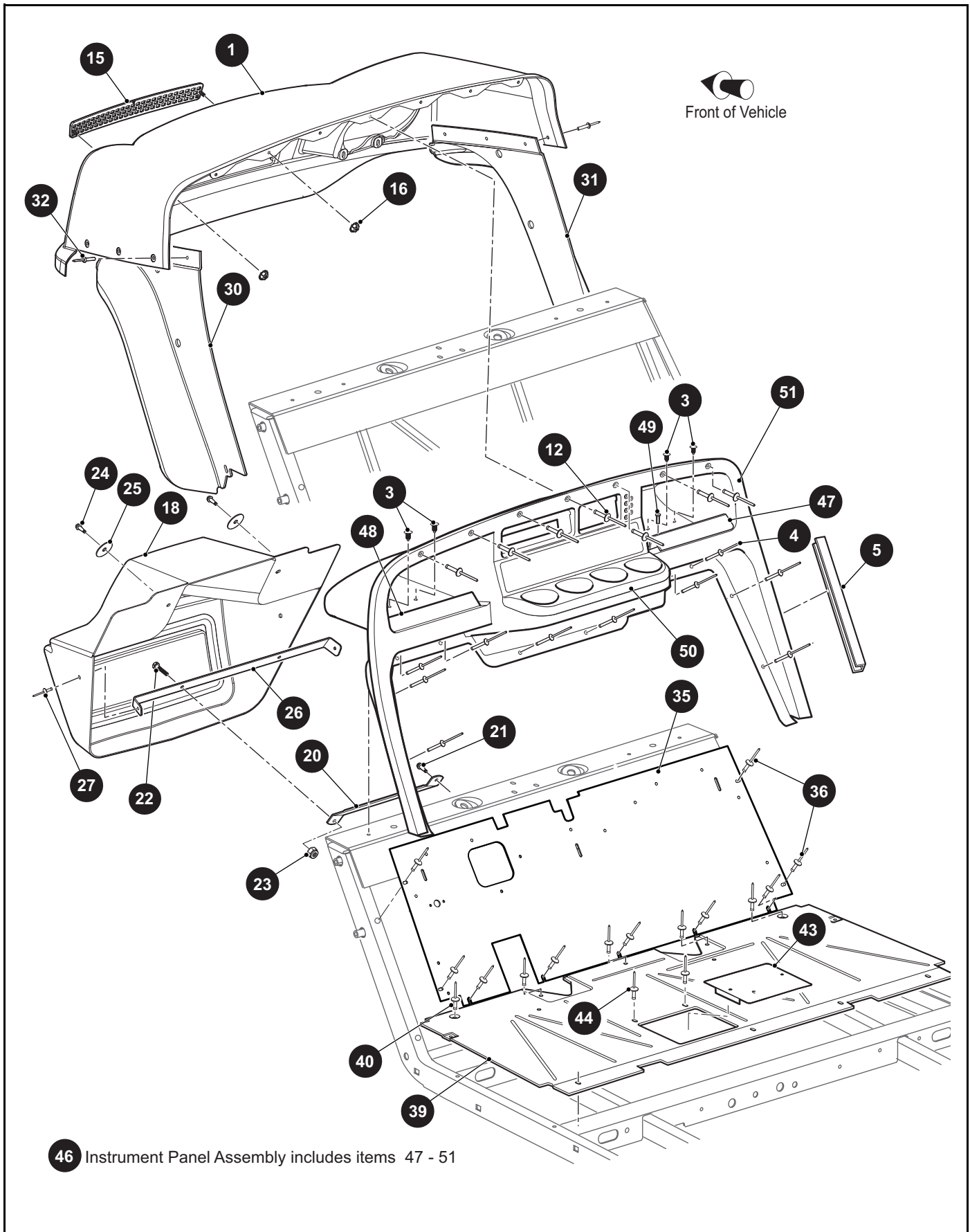
\* Indicates a component that is not available as an individual part.

\*\*\* Indicates consult Customer Service Department for additional information.

ITEM	PART NO.	1 2 3 4 5	DESCRIPTION	QTY.
1	658941		Air Filter Assembly (Includes Items 2 - 6).....	1
2	659139		Air Cleaner Assembly .....	1
3	658957		Air Cleaner Cover .....	1
4	72604G01		Air Cleaner Clip .....	2
5	28463G01		Air Filter .....	1
6	28462G01		Dust Ejector Valve .....	1
7	659142		Air Cleaner Mounting Bracket .....	1
8	601910		Air Filter Tube.....	1
9				
10	11391G5		Hose Clamp, .81" .....	1
11	11391G7		Hose Clamp, 1.56" .....	1
12				
13	606261		Flanged Hex Head Bolt, M8 - 1.25 x 20mm Lg, Grade 8.8.....	2
14	00414G7		Hex Head Bolt, 1/4" - 20 x 7/8" Lg, Grade 5 .....	2
15	14390G4		Lock Nut, 1/4" - 20 .....	2







THE USE OF NON U.L. PARTS WILL VOID ANY U.L. LISTING.

When ordering parts, please specify the model and serial number of the product.

\* Indicates a component that is not available as an individual part.

\*\*\* Indicates consult Customer Service Department for additional information.

ITEM	PART NO.	1 2 3 4 5	DESCRIPTION	QTY.
1	613036G0XX		Cowl (See COLOR CODES in HOW TO USE Section) .....	1
2				
3	16816G2		Ratchet Fastener, 1/4" x .887" Lg.....	4
4	71055G01		Rivet (Aluminum), 3/16" x .985" Lg .....	10
5	71115G01		Trim (Vinyl) .....	1
6				
7				
8				
9				
10				
11				
12	71055G01		Rivet (Aluminum), 3/16" x .985" Lg .....	7
13				
14				
15	617643		Cowl Grill Cover .....	1
16	71597G01		Self Threading Nut, 5mm x 10mm x 15mm .....	2
17				
18	613273		Front Fascia .....	1
19				
20	654276		Front Fascia Mounting Brace .....	1
21	01038G01		Hex Washer Head Swageform Screw, 1/4" - 20 x .70" Lg .....	1
22	00414G6		Hex Head Bolt, 1/4" - 20 x 1/2" Lg, Grade 5 .....	1
23	14390G4		Lock Nut, 1/4" - 20 .....	1
24	01038G01		Hex Washer Head Swageform Screw, 1/4" - 20 x .70" Lg .....	2
25	16469G1		Fender Washer .....	2
26	654275		Front Fascia Mounting Bracket .....	1
27	15058G1		Rivet (Aluminum), 3/16" x .450" Lg .....	2
28				
29				
30	614378		Fender Flare (Driver Side) .....	1
31	613274		Fender Flare (Passenger Side).....	1

# BODY

THE USE OF NON U.L. PARTS WILL VOID ANY U.L. LISTING.

When ordering parts, please specify the model and serial number of the product.

\* Indicates a component that is not available as an individual part.

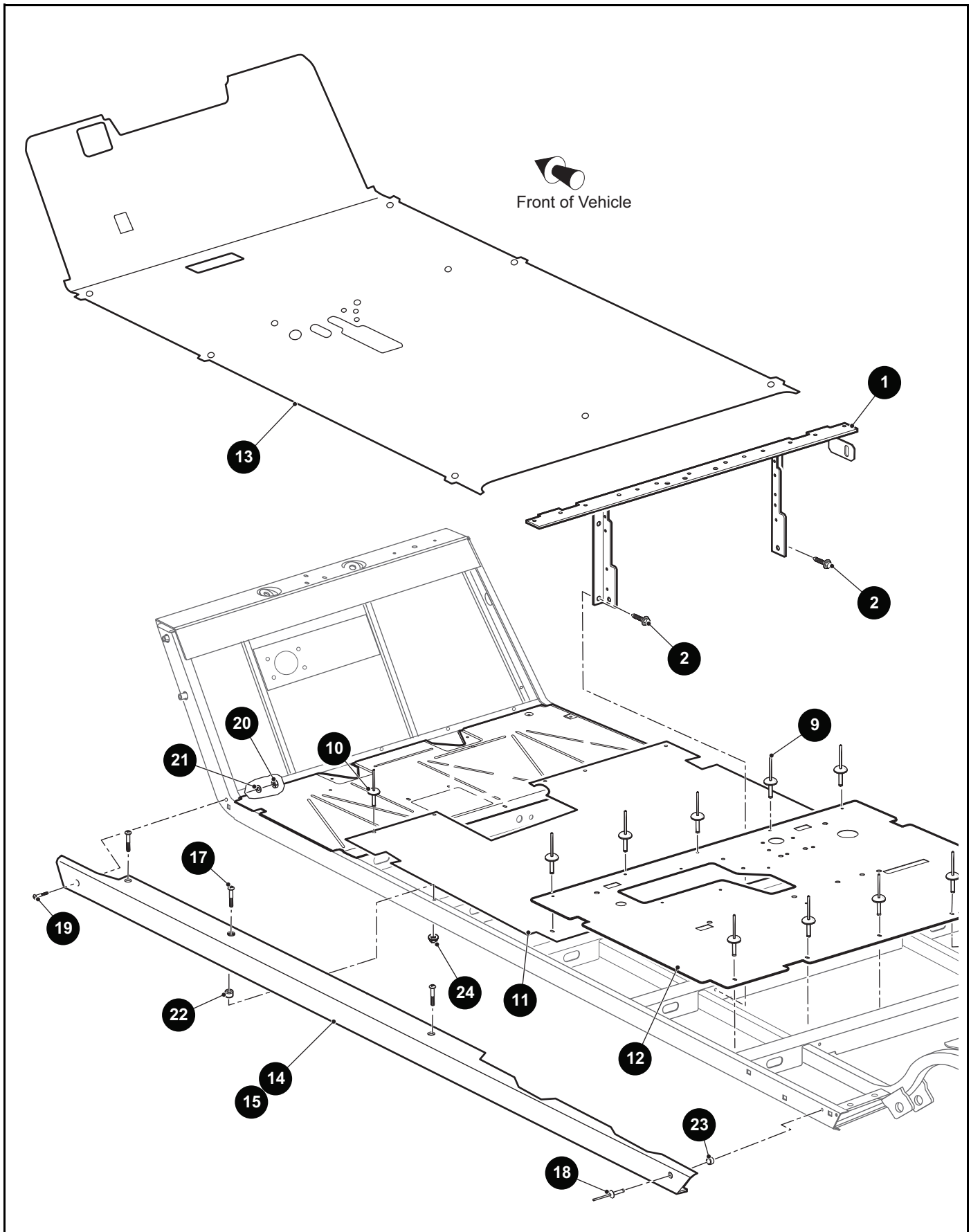
\*\*\* Indicates consult Customer Service Department for additional information.

ITEM	PART NO.	1 2 3 4 5	DESCRIPTION	QTY.
32	71055G01		Rivet (Aluminum), 3/16" x 1.118" Lg.....	3
33				
34				
35	641260		Upper Floor Panel .....	1
36	14601G11		Rivet (Aluminum), 3/16" x .575" Lg.....	9
37				
38				
39	70452G01		Lower Floor Panel .....	1
40	14601G11		Rivet (Aluminum), 3/16" x .575" Lg.....	6
41				
42				
43	70452G01		Access Cover .....	1
44	14601G11		Rivet (Aluminum), 3/16" x .575" Lg.....	2
45				
46	71151G01		Instrument Panel Assembly (Includes Items 47 - 51) .....	1
47	71153G01		Deflector (Passenger Side).....	1
48	71154G01		Deflector (Driver Side).....	1
49	00614G3		Pan Head Phillips Screw, #8 - 15 x 3/8" Lg.....	4
50	71158G01		Instrument Panel Insert (Four Cup).....	1
51	71152G01		Instrument Panel .....	1





# BODY



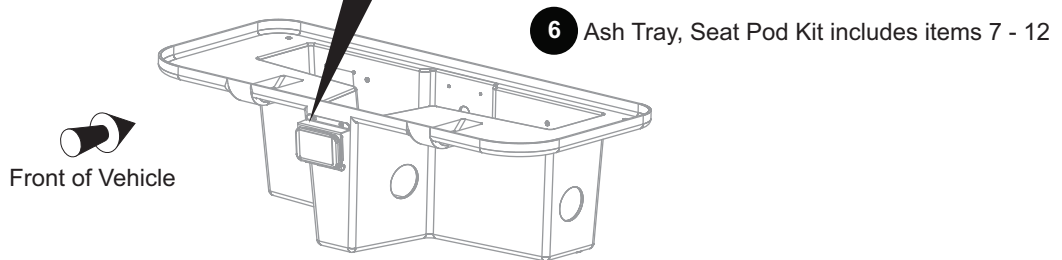
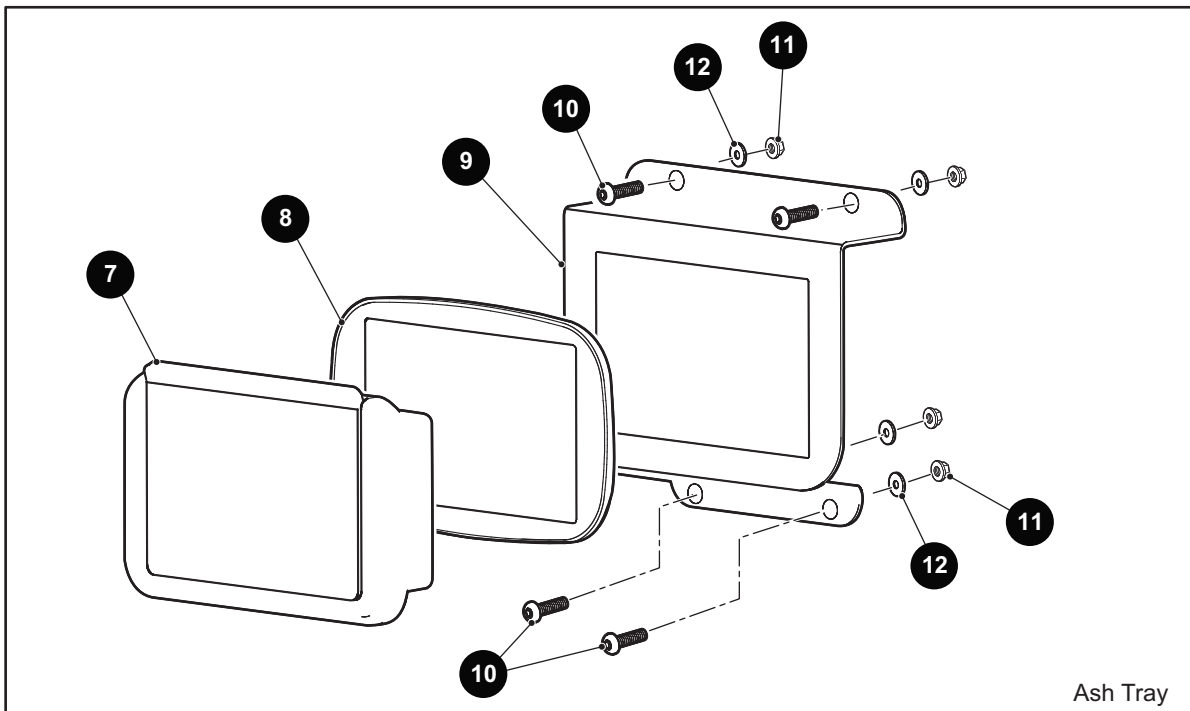
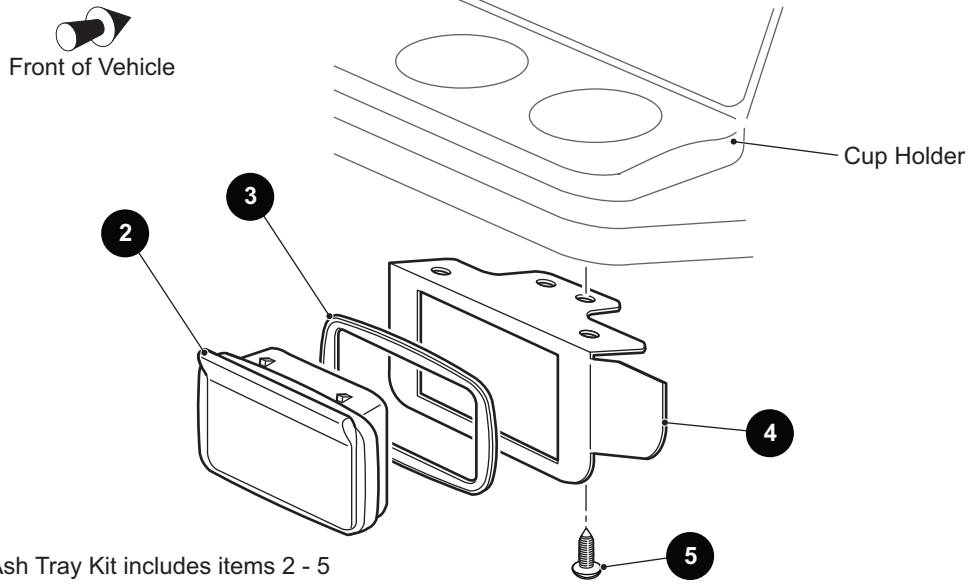
THE USE OF NON U.L. PARTS WILL VOID ANY U.L. LISTING.

When ordering parts, please specify the model and serial number of the product.

\* Indicates a component that is not available as an individual part.

\*\*\* Indicates consult Customer Service Department for additional information.

ITEM	PART NO.	1 2 3 4 5	DESCRIPTION	QTY.
1	659143		Seat Frame .....	1
2	00715G2		Hex Washer Head Screw, 5/16" - 18 x .875 " Lg .....	2
3				
4				
5				
6				
7				
8				
9	10570G10		Domed Rivet (SS), 5/32" x 9/16" Lg .....	10
10	14601G11		Rivet (Aluminum), 3/16" x 9/16" Lg .....	5
11	626493		Mid Floor Panel .....	1
12	648840		Rear Floor Panel .....	1
13	652190		Floormat .....	1
14	640750		Rocker Panel (Driver Side) .....	1
15	640749		Rocker Panel (Passenger Side) .....	1
16				
17	634161		Flanged Button Head Torx Bolt (SS), M6 - 1 x 30mm Lg .....	3
18	15058G6		Rivet (Aluminum), 3/16" x .95" Lg .....	1
19	00789G2		Truss Head Phillips Screw (SS), #10 - 24 x 1 - 1/4" Lg.....	1
20	14390G10		Lock Nut, #10 - 24.....	1
21	00660G5		Flat Washer, #10 .....	1
22	23726G4		Spacer, 5/16".....	3
23	23726G4		Spacer, 5/16".....	1
24	601476		Lock Nut, M6 - 1.....	3



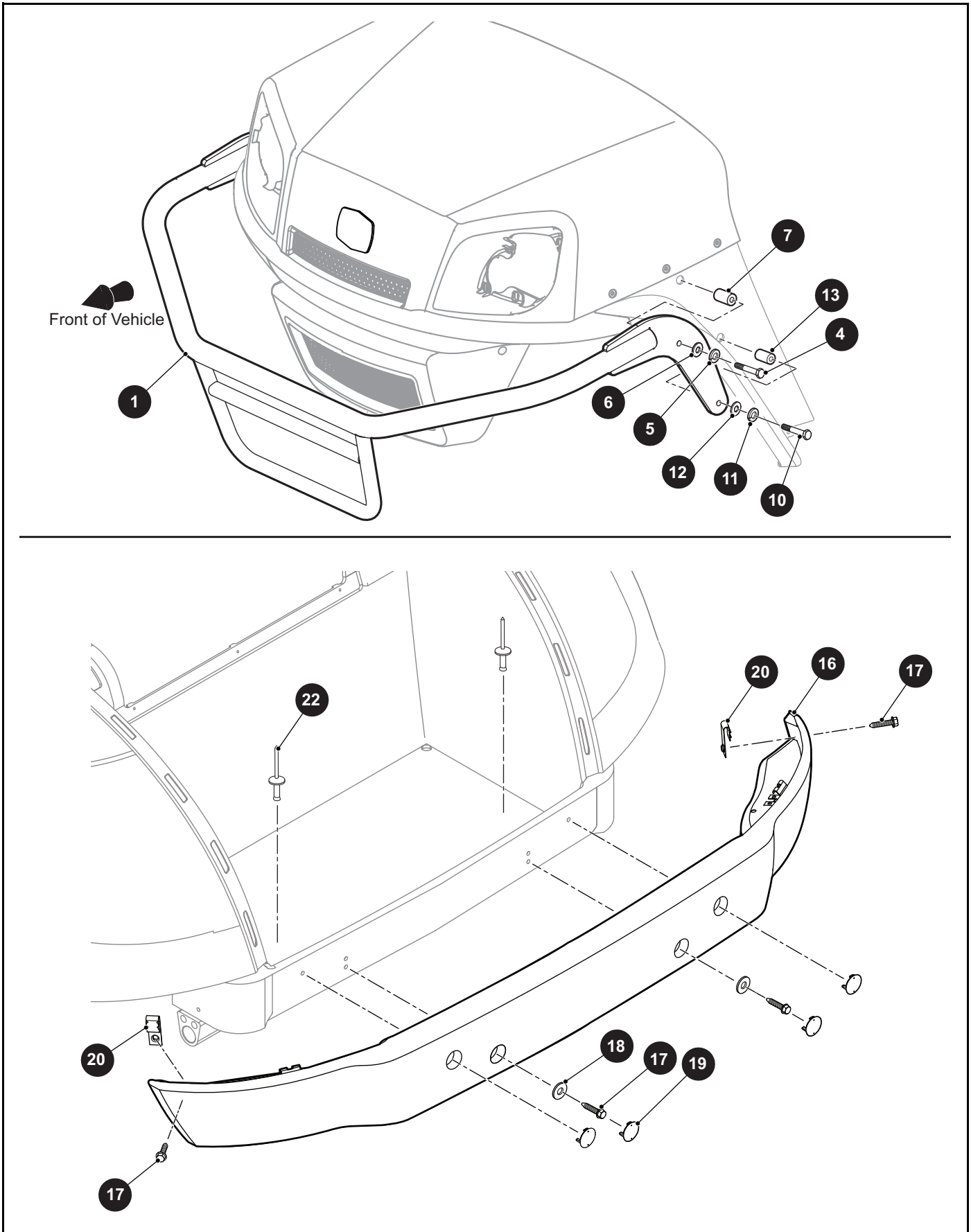
THE USE OF NON U.L. PARTS WILL VOID ANY U.L. LISTING.

When ordering parts, please specify the model and serial number of the product.

\* Indicates a component that is not available as an individual part.

\*\*\* Indicates consult Customer Service Department for additional information.

ITEM	PART NO.	1 2 3 4 5	DESCRIPTION	QTY.
1	75109G03		Ash Tray Kit (Includes Items 2 - 5).....	1
2	27731G01		Ash Tray .....	1
3	27736G01		Gasket .....	1
4	75108G02		Bracket .....	1
5	00106G6		Pan Head Phillips Screw, #12 - 14 x 3/4" Lg .....	4
6	632412		Ash Tray, Seat Pod Kit (Includes Items 7 - 12) .....	1
7	27731G01		Ash Tray .....	1
8	27736G01		Gasket .....	1
9	631079		Bracket .....	1
10	601326		Button Head Torx Bolt, M6 - 1 x 20mm Lg.....	4
11	601476		Flanged Lock Nut, M6 .....	4
12	16469G1		Fender Washer, 9/32" I.D x 1 1/4" O.D.....	4



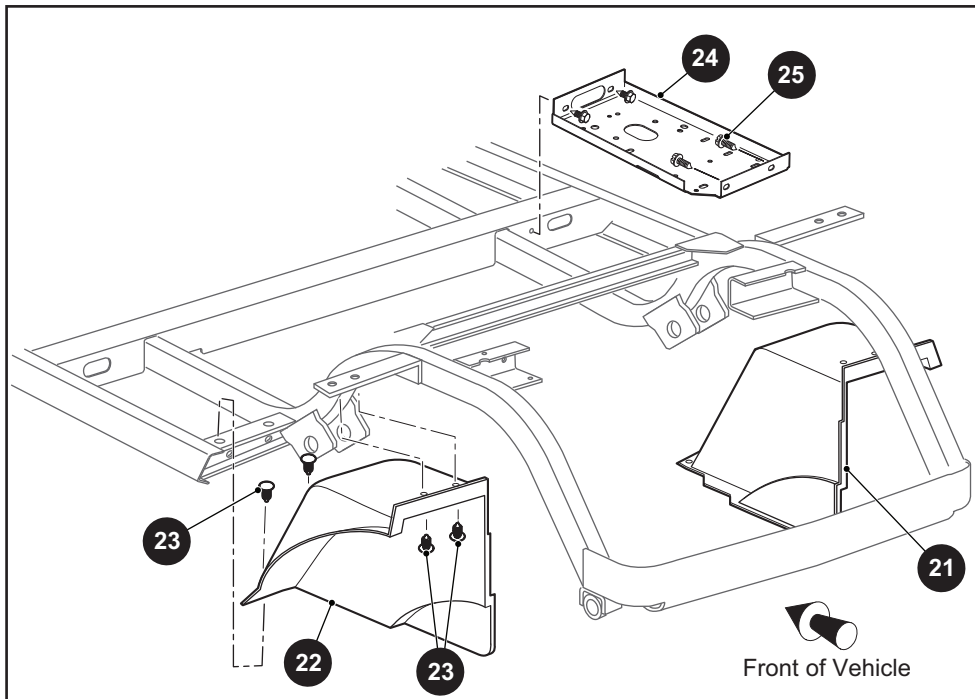
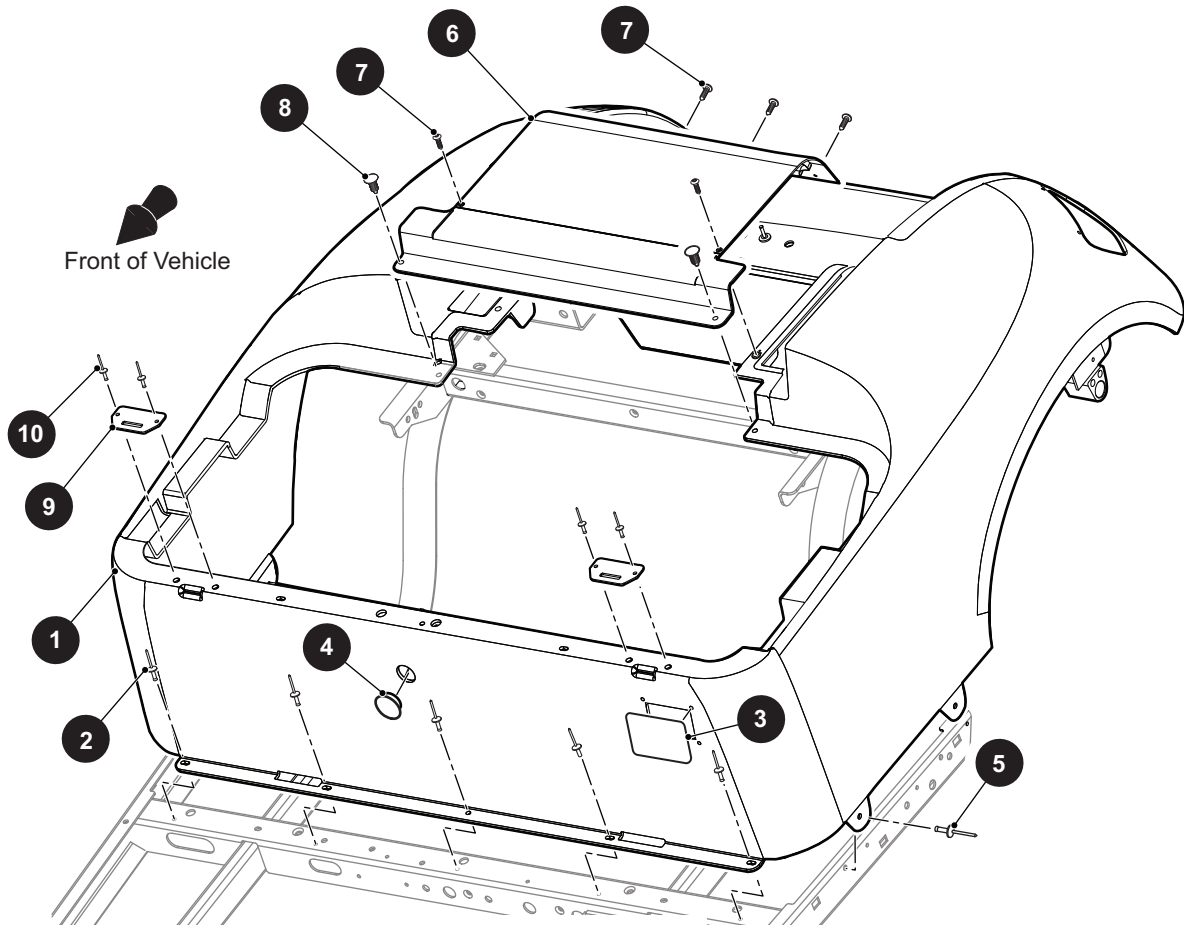
THE USE OF NON U.L. PARTS WILL VOID ANY U.L. LISTING.

When ordering parts, please specify the model and serial number of the product.

\* Indicates a component that is not available as an individual part.

\*\*\* Indicates consult Customer Service Department for additional information.

ITEM	PART NO.	1 2 3 4 5	DESCRIPTION	QTY.
1	617620		Brushguard .....	1
2				
3				
4	00440G6		Hex Head Bolt, 5/16" - 18 x 2 3/4" Lg, Grade 5 .....	2
5	00565G8		Lock Washer, 5/16" .....	2
6	00559G8		Flat Washer, 5/16" .....	2
7	75048G02		Spacer, 1.31" Lg.....	2
8				
9				
10	00440G2		Hex Head Bolt, 5/16" - 18 x 2 1/4" Lg, Grade 5 .....	2
11	00565G8		Lock Washer, 5/16" .....	2
12	00559G8		Flat Washer, 5/16" .....	2
13	75048G04		Spacer, 1" Lg.....	2
14				
15				
16	71451G02		Rear Bumper.....	1
17	71102G01		Hex Head Bolt, 1/4" - 20 x 3/4" Lg, Grade 5 .....	4
18	00571G2		Flat Washer, 5/16" .....	2
19	71455G01		Bumper Plug .....	4
20	71554G01		J-Type Nut Retainer, 1/4" - 20.....	2
21				
22	633917		Rivet (Plastic).....	2





THE USE OF NON U.L. PARTS WILL VOID ANY U.L. LISTING.

When ordering parts, please specify the model and serial number of the product.

\* Indicates a component that is not available as an individual part.

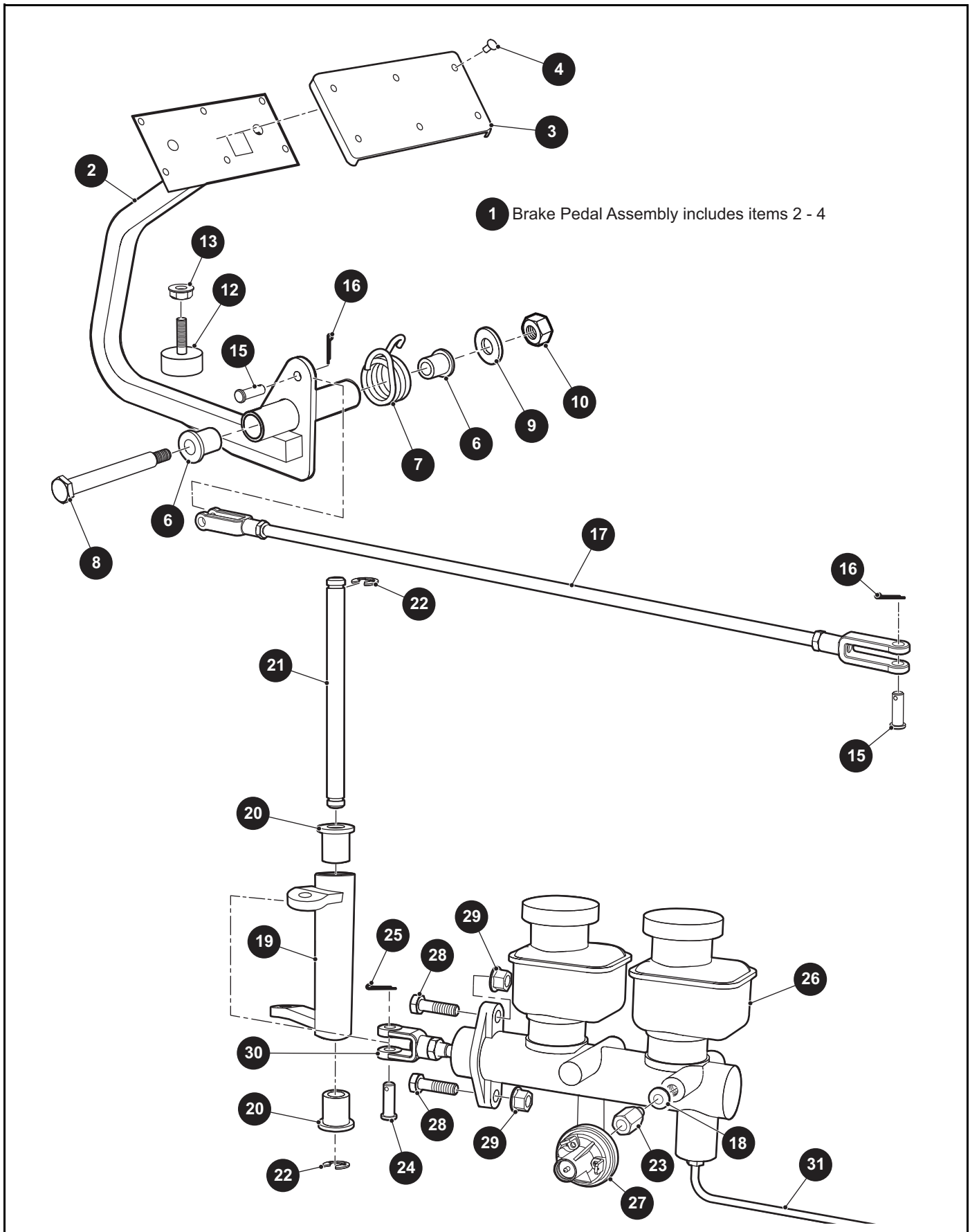
\*\*\* Indicates consult Customer Service Department for additional information.

ITEM	PART NO.	1 2 3 4 5	DESCRIPTION	QTY.
1	625272G1XX		Rear Body with Taillights (See HOW TO USE Section for COLOR CODES) .	1
2	10570G10		Rivet (SS), 5/32" x .55" Lg .....	5
3	666066		Cover Plate .....	1
4	71316G01		Hole Plug .....	1
5	10570G12		Rivet (Aluminum), .257" x .556" Lg .....	2
6	71320G01		Access Panel .....	1
7	01107G01		Pan Head Torx Screw (SS), #8 x .63" Lg .....	5
8	16816G2		Ratchet Rivet, .25" x .887" .....	2
9	71609G01		Seat Hinge Plate .....	1
10	10570G11		Rivet (SS), 5/32" x .70" Lg .....	2
11				
12				
13				
14				
15				
16				
17				
18				
19				
20				
21	635054G02		Fender Liner (Passenger Side).....	1
22	635054G01		Fender Liner (Driver Side).....	1
23	16816G2		Ratchet Fastener, 1/4" x .887" Lg .....	4
24	70244G05		Splash Pan.....	1
25	00715G2		Hex Washer Head Screw, 5/16" - 18 x .80" Lg .....	4





# BRAKES



THE USE OF NON U.L. PARTS WILL VOID ANY U.L. LISTING.

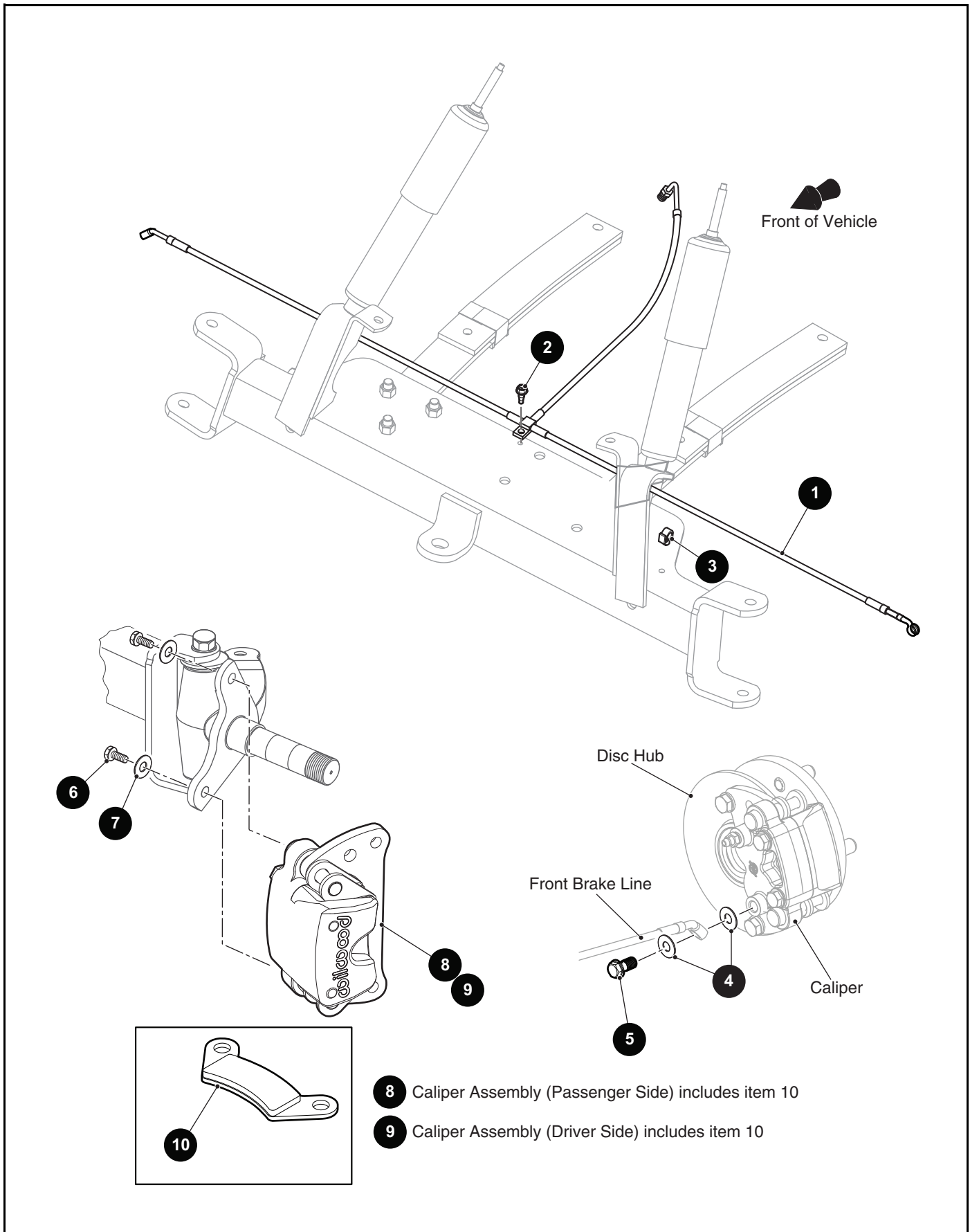
When ordering parts, please specify the model and serial number of the product.

\* Indicates a component that is not available as an individual part.

\*\*\* Indicates consult Customer Service Department for additional information.

ITEM	PART NO.	1 2 3 4 5	DESCRIPTION	QTY.
1	610639		Brake Pedal Assembly (Includes Items 2 - 4) .....	1
2	75605G01		Brake Pedal .....	1
3	70257G01		Brake Pedal Pad.....	1
4	16409G1		Oval Head Rivet, 3/8" x 15/32" .....	6
5				
6	70581G01		Acetal Bushing .....	2
7	70676G01		Torsion Spring .....	1
8	70582G01		Shoulder Bolt, 3/8" - 16 x 3.406" Lg .....	1
9	00643G1		Flat Washer, 3/8" .....	1
10	11098G5		Lock Nut, 3/8" - 16 .....	1
11				
12	70113G01		Adjustable Rubber Bumper .....	1
13	11027G1		Lock Nut, 5/16" - 18 .....	1
14	12416G2		Nylon Wedge Lock Clamp (Not Illustrated) .....	2
15	10386G3		Clevis Pin, 5/16" Dia x 13/16" .....	2
16	10387G3		Cotter Pin, 15/16" x 3/4" .....	2
17	30295G8		Linkage Rod .....	1
18	600479		Pressure Sealing Washer .....	1
19	70415G01		Bell-crank .....	1
20	70581G01		Acetal Bushing .....	2
21	70410G01		Pivot Shaft.....	1
22	01111G01		Retaining Ring.....	2
23	600401G01		Adapter .....	1
24	14443G3		Clevis Pin, 5/16" Dia x 1" .....	1
25	10387G3		Cotter Pin, 15/16" x 3/4" .....	1
26	73793G01		Tandem Master Cylinder .....	1
27	620274		Stop Light Switch .....	1
28	00439G1		Hex Head Bolt, 5/16" - 18 x 1 1/8" Lg, Grade 5 .....	2
29	800697		Flanged Lock Nut, 5/16" - 18 .....	2
30	626513		Push Rod Assembly .....	1
31	626514		Rear Brake Line .....	1

# BRAKES



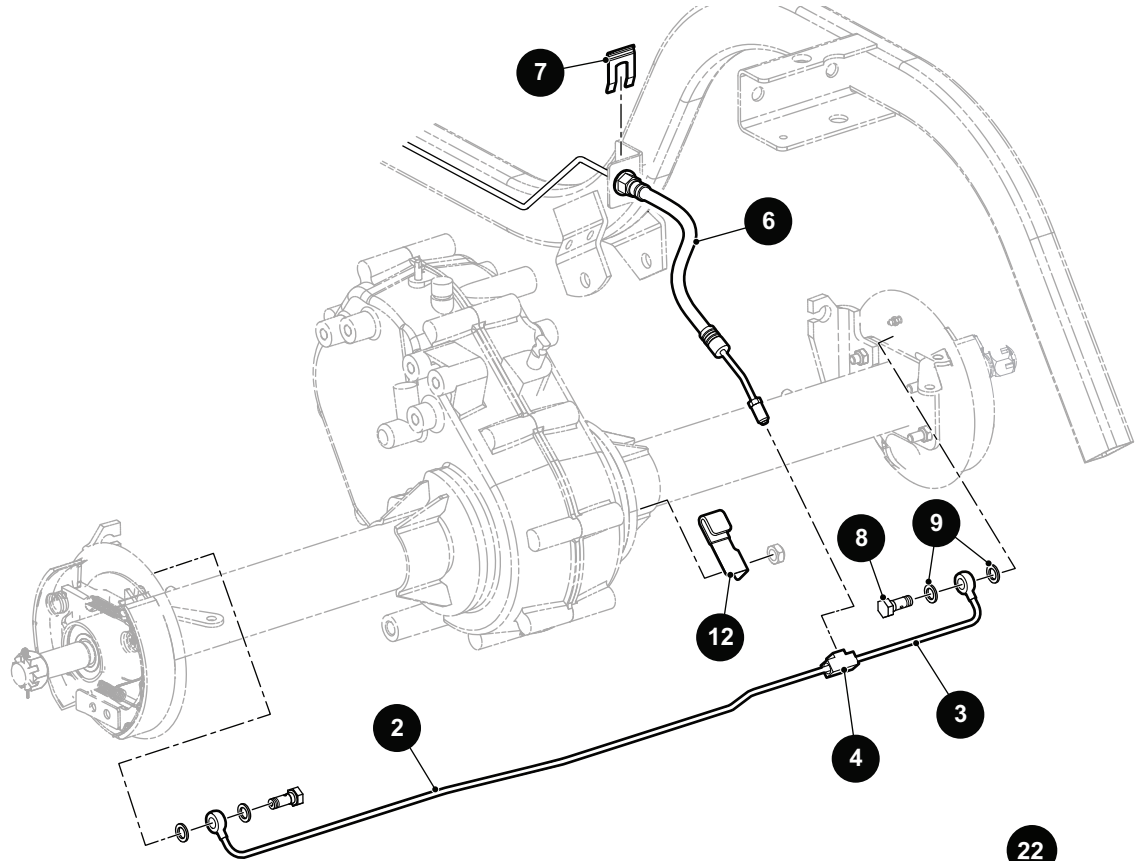
THE USE OF NON U.L. PARTS WILL VOID ANY U.L. LISTING.

When ordering parts, please specify the model and serial number of the product.

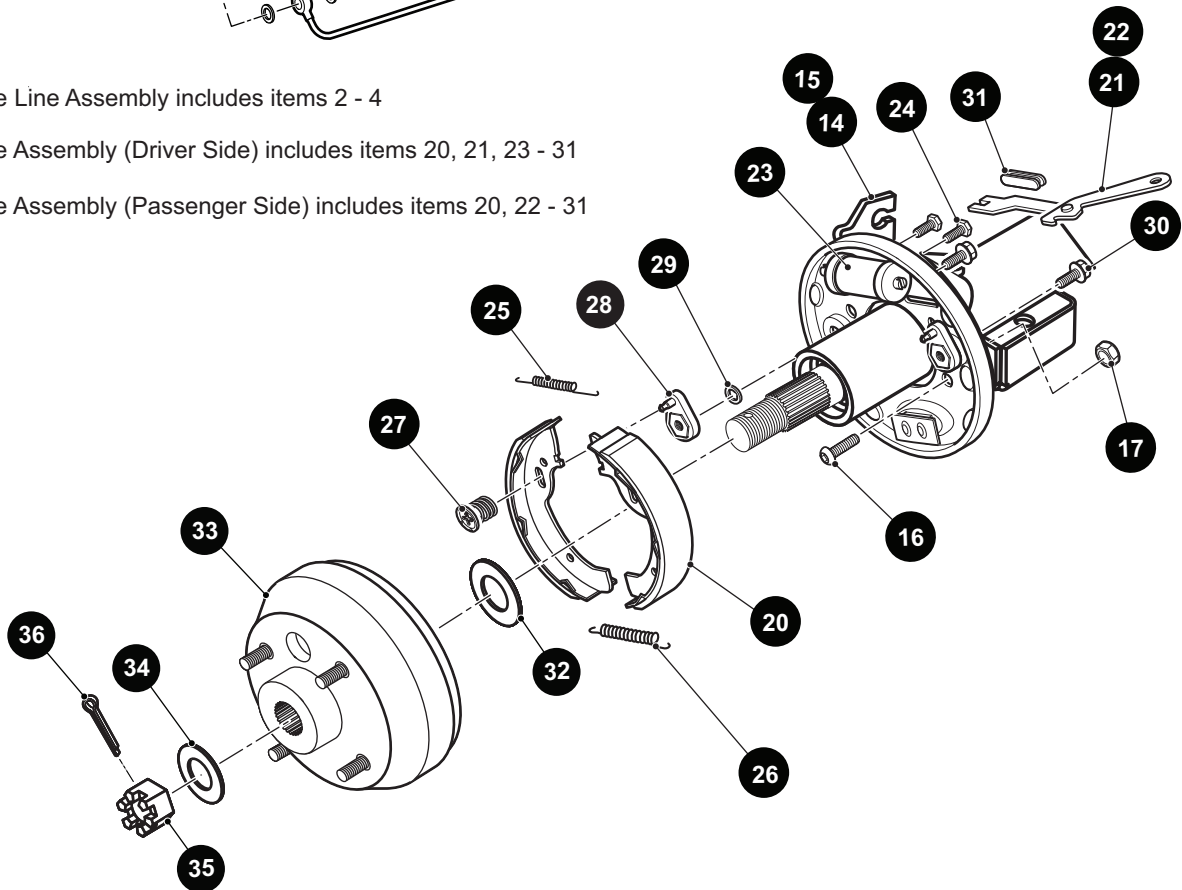
\* Indicates a component that is not available as an individual part.

\*\*\* Indicates consult Customer Service Department for additional information.

ITEM	PART NO.	1 2 3 4 5	DESCRIPTION	QTY.
1	632771		Front Brake Line.....	1
2	01038G01		Hex Washer Head Swageform Screw with Dog Point, 1/4" - 20 x .7" Lg .....	1
3	74875G01		Wire Retainer .....	2
4	613293		Crush Washer, M10 .....	4
5	616459		Banjo Bolt, M10 - 1 x 20mm Lg.....	2
6	00426G6		Hex Head Bolt, 3/8" - 16 x 3/4" Lg, Grade 5 .....	4
7	00566G1		Lock Washer, 3/8" .....	4
8	633918G01		Caliper Assembly (Passenger Side) (Includes Item 10).....	1
9	633918G02		Caliper Assembly (Driver Side) (Includes Item 10) .....	1
10	668990		Brake Pad (Set of 2) .....	1



- 1 Brake Line Assembly includes items 2 - 4
- 18 Brake Assembly (Driver Side) includes items 20, 21, 23 - 31
- 19 Brake Assembly (Passenger Side) includes items 20, 22 - 31





THE USE OF NON U.L. PARTS WILL VOID ANY U.L. LISTING.

When ordering parts, please specify the model and serial number of the product.

\* Indicates a component that is not available as an individual part.

\*\*\* Indicates consult Customer Service Department for additional information.

ITEM	PART NO.	1 2 3 4 5	DESCRIPTION	QTY.
1	620855		Brake Line Assembly (Includes Items 2 - 4).....	1
2	620857		Long Brake Line .....	1
3	620856		Short Brake Line.....	1
4	820008		Tee Fitting.....	1
5				
6	34989G01		Flexible Hydraulic Hose Assembly.....	1
7	809137		Brake Tube Clip.....	1
8	75683G01		Banjo Bolt, 3/8" - 16 x .88 Lg .....	2
9	75684G01		Copper Gasket.....	4
10				
11				
12	75813G01		Brake Line Clamp.....	1
13	17618G1		Nylon Clamp, 8" Lg (Not Illustrated).....	10
14	652249		Brake Cable Bracket (Driver Side).....	1
15	652248		Brake Cable Bracket (Passenger Side) .....	1
16	631224		Socket Head Screw, 5/16" - 24 x 1" Lg .....	8
17	15126G1		Lock Nut, 5/16" - 24 .....	8
18	75685G01		Brake Assembly (Driver Side) (Includes Items 20, 21, 23 - 31) .....	1
19	75685G02		Brake Assembly (Passenger Side) (Includes Items 20, 22 - 31).....	1
20	75830G01		Brake Shoe .....	2
21	75829G01		Park Brake Wheel Lever (Driver Side) .....	1
22	75829G02		Park Brake Wheel Lever (Passenger Side).....	1
23	75828G01		Wheel Cylinder .....	1
24	*		Wheel Cylinder Bolt .....	2
25	*		Upper Return Spring.....	1
26	*		Lower Return Spring.....	1
27	*		Cup and Spring.....	2
28	*		Adjuster .....	2
29	*		Flat Washer .....	2
30	*		Hex Head Bolt, 1/4" - 28 x 1/2" Lg.....	2
31	*		Dust Cover.....	1

# BRAKES

THE USE OF NON U.L. PARTS WILL VOID ANY U.L. LISTING.

When ordering parts, please specify the model and serial number of the product.

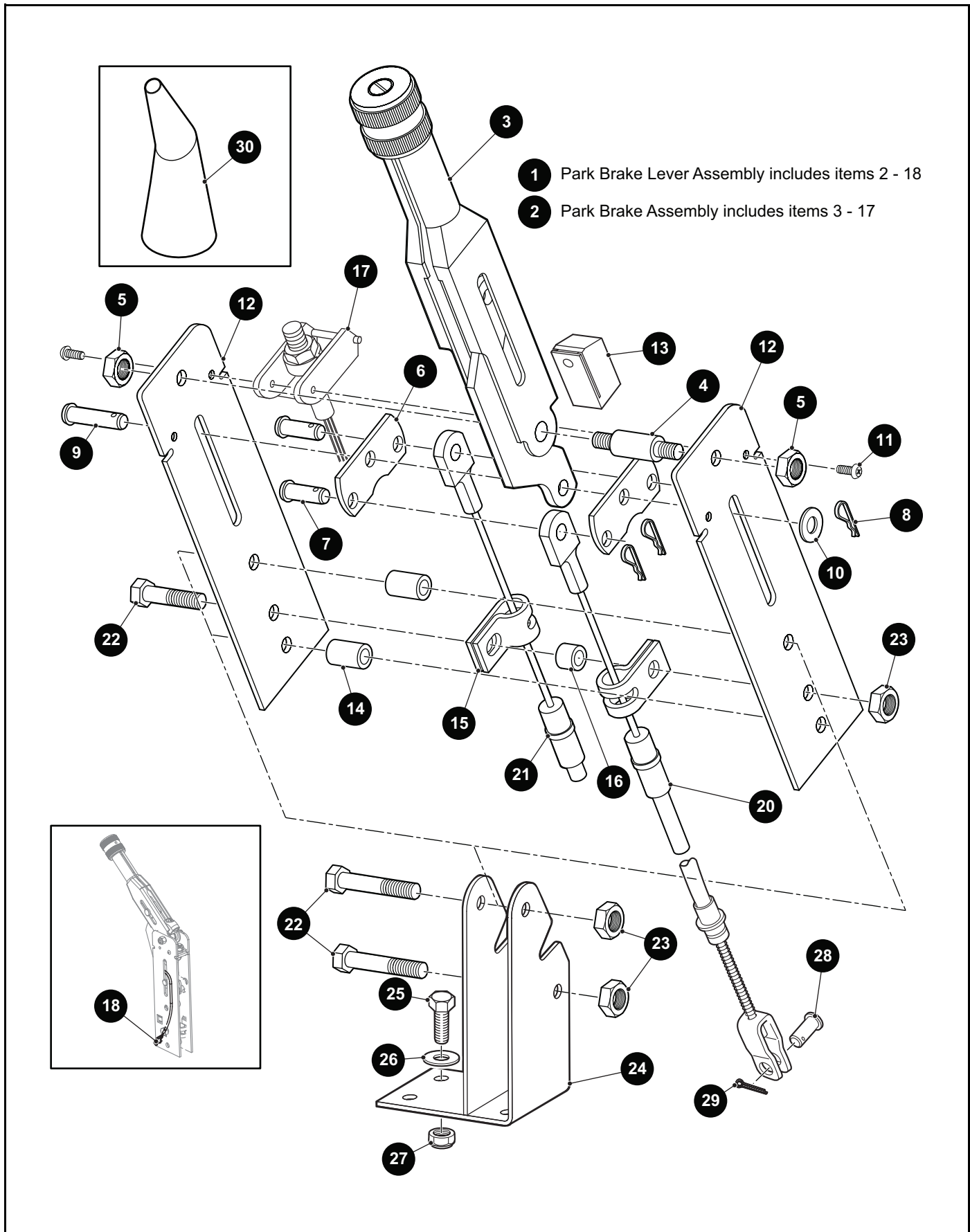
\* Indicates a component that is not available as an individual part.

\*\*\* Indicates consult Customer Service Department for additional information.

ITEM	PART NO.	1 2 3 4 5	DESCRIPTION	QTY.
32	21809G1		Inner Brake Drum Washer, 1.31" O.D. x 1" I.D. x .031" .....	2
33	21807G2		Brake Drum Assembly .....	2
34	606945		Brake Drum Washer .....	2
35	613172		Castle Nut, 3/4" - 16 .....	2
36	10387G1		Cotter Pin, 1/8" x 1.50" .....	2



# BRAKES



THE USE OF NON U.L. PARTS WILL VOID ANY U.L. LISTING.

When ordering parts, please specify the model and serial number of the product.

\* Indicates a component that is not available as an individual part.

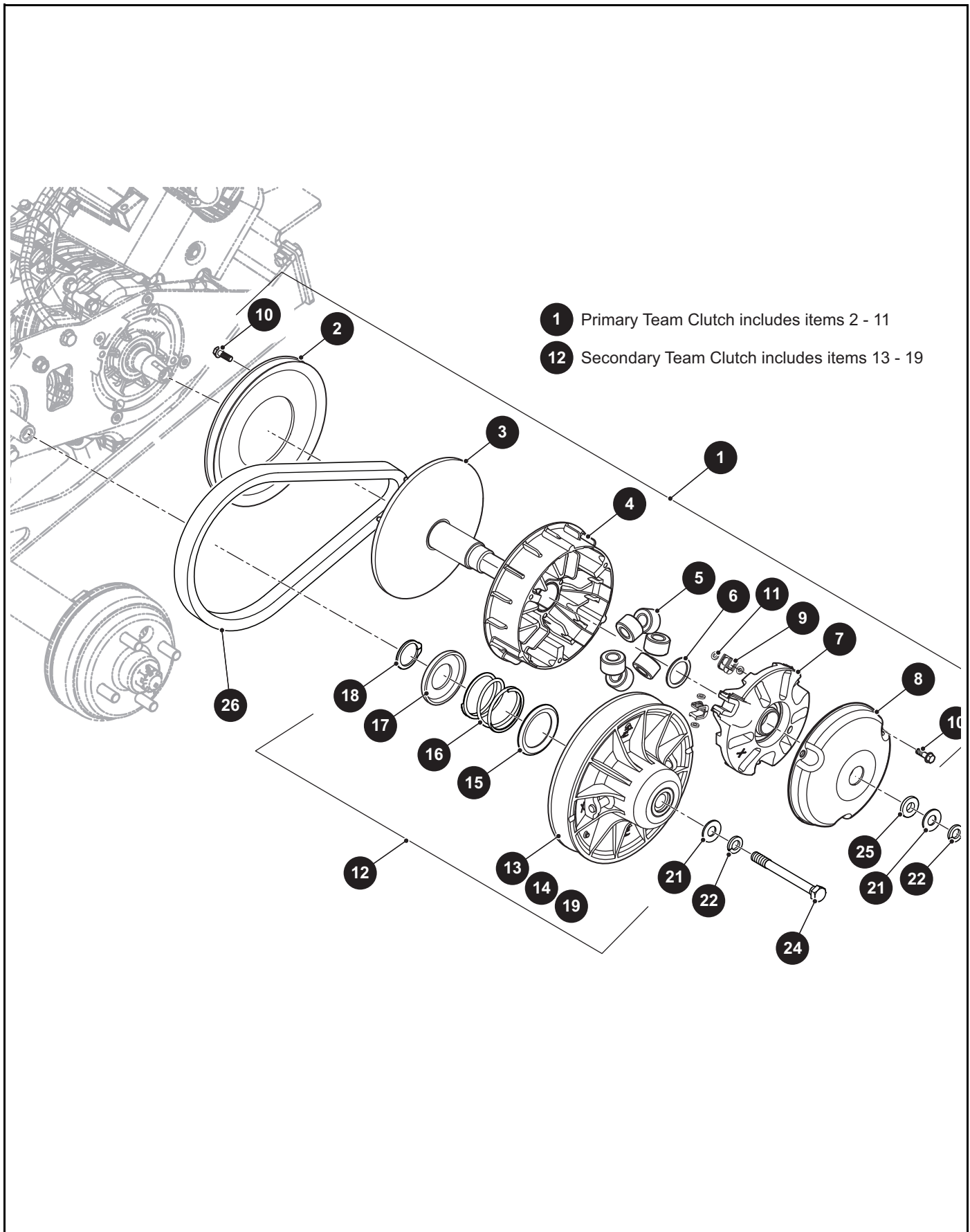
\*\*\* Indicates consult Customer Service Department for additional information.

ITEM	PART NO.	1 2 3 4 5	DESCRIPTION	QTY.
1	639883		Park Brake Lever Assembly (Includes Items 2 - 18) .....	1
2	626518		Park Brake Assembly (Includes Items 3 - 17).....	1
3	*		Brake Lever Assembly .....	1
4	*		Pivot Fastener.....	1
5	*		Pivot Nut.....	2
6	*		Connecting Link .....	2
7	*		Clevis Pin .....	2
8	*		Hair Pin or Cotter Pin .....	3
9	*		Clevis Pin .....	1
10	*		Flat Washer .....	1
11	*		Phillips Head Screw .....	2
12	*		Side Plate.....	2
13	*		Magnet Assembly.....	1
14	*		Spacer.....	2
15	*		Clamp.....	2
16	*		Spacer.....	1
17	*		Magnetic Switch Assembly.....	1
18	17064G1		Push On Terminal (Female).....	2
19				
20	626820		Brake Cable Assembly (Driver Side).....	1
21	626517		Brake Cable Assembly (Passenger Side) .....	1
22	616672		Hex Head Bolt, M8 - 1.25 x 60mm Lg.....	3
23	616673		Lock Nut, M8 x 1.25 .....	3
24	616446		Mounting Bracket .....	1
25	00414G7		Hex Head Bolt, 1/4" - 20 x 1/2" Lg, Grade 5 .....	4
26	00559G7		Flat Washer, 1/4" .....	4
27	14390G4		Lock Nut, 1/4" - 20 .....	4
28	14443G3		Clevis Pin, 1.0" x 2.406" .....	2
29	10387G3		Cotter Pin, .094" x .75".....	2
30	627940		Parking Brake Boot .....	1
31	17618G1		Nylon Clamp, 8" Lg (Not Illustrated).....	8





# CLUTCH





THE USE OF NON U.L. PARTS WILL VOID ANY U.L. LISTING.

When ordering parts, please specify the model and serial number of the product.

\* Indicates a component that is not available as an individual part.

\*\*\* Indicates consult Customer Service Department for additional information.

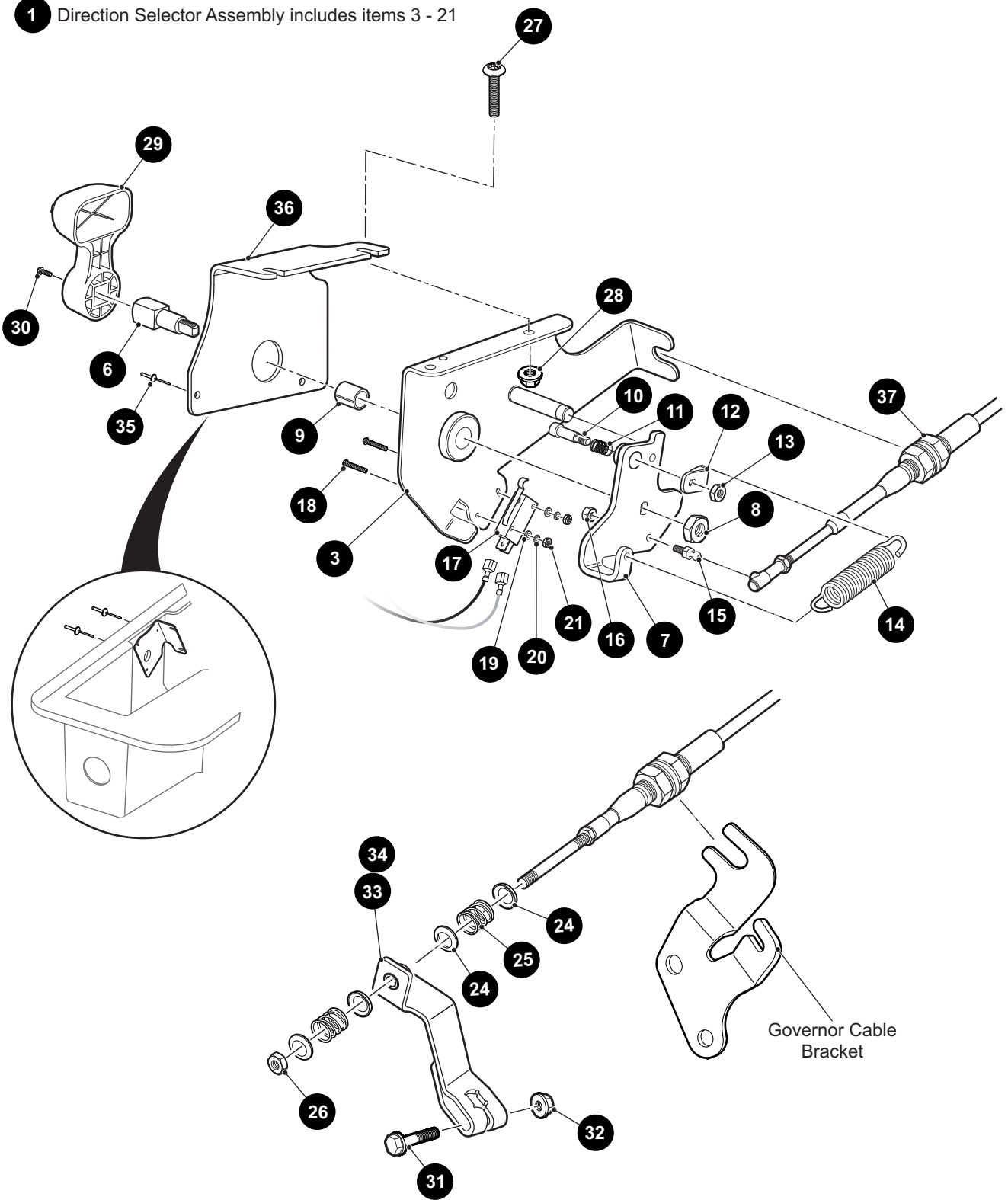
ITEM	PART NO.	1 2 3 4 5	DESCRIPTION	QTY.
1	672688		Primary Team Clutch (Includes Items 2 - 11) .....	1
2	619333		Primary Starter Pulley, 195 .....	1
3	*		Stationary Assembly .....	1
4	*		Moveable Primary Assembly .....	1
5	624112		Shift Roller Assembly .....	6
6	619337		Shim, 39.5mm x 31.75mm .....	1
7	644303		Primary Spider Assembly .....	1
8	*		Primary Dust Cover Assembly .....	1
9	644305		Torque Primary Button .....	6
10	619332		Hex Washer Head Bolt, 1/4" - 20 x 3/4" Lg. ....	7
11	644306		Torque Primary Plug .....	6
12	623949		Secondary Team Clutch (Includes Items 13 - 19) .....	1
13	*		Secondary Stationary, 9.5 .....	1
14	*		Moveable Secondary, 9.5 .....	1
15	619327		Inner Retainer Spring .....	1
16	624111		Compression Spring .....	1
17	619329		Outer Spring Retainer .....	1
18	652515		External Retainer Ring .....	1
19	619331		Thrust Washer, 1 53" x 1 83" x 1" .....	1
20				
21	606239		Conical Washer, M12 .....	2
22	00566G3		Lock Washer (Spring Type), 3/8" .....	2
23	606245		Hex Head Bolt, M12 - 1.25 x 160mm Lg, Grade 8.8 .....	1
24	606243		Hex Head Bolt, M12 - 1.25 x 120mm Lg, Grade 8.8 .....	1
25	606230		Clutch Washer, 27.5 Dia. O.D. x 13.06 Dia. I.D. ....	1
26	618630		Drive Belt .....	1





# DIRECTION SELECTOR

1 Direction Selector Assembly includes items 3 - 21



# DIRECTION SELECTOR

THE USE OF NON U.L. PARTS WILL VOID ANY U.L. LISTING.

When ordering parts, please specify the model and serial number of the product.

\* Indicates a component that is not available as an individual part.

\*\*\* Indicates consult Customer Service Department for additional information.

ITEM	PART NO.	1 2 3 4 5	DESCRIPTION	QTY.
1	605999		Direction Selector Assembly (Includes Items 3 - 21).....	1
2				
3	603627		Direction Selector Bracket .....	1
4				
5				
6	606266		Direction Selector Shaft.....	1
7	603700		Direction Selector Cam.....	1
8	14390G1		Lock Nut, 3/8" - 24 .....	1
9	25664G2		Bushing, 1/2" x .75" .....	1
10	72724G01		Neutral Lock Pin .....	1
11	72733G01		Compression Spring, 3/8" x 5/8" .....	1
12	72729G01		Neutral Lock Bracket .....	1
13	00734G2		Lock Nut, 1/4" - 28 .....	1
14	28574G01		Extension Spring .....	1
15	72732G01		Ball Stud, 1/4" .....	1
16	00734G5		Lock Nut, #10 - 32 .....	1
17	72736G01		Micro Switch .....	1
18	01062G01		Round Head Slotted Screw, #4 - 40 x 1" Lg .....	2
19	00559G1		Lock Washer, 5/8" .....	2
20	00565G1		Lock Washer, 3/4" .....	2
21	00526G2		Hex Nut, #4 - 40 .....	2
22				
23				
24	25727G01		Cup Washer, 1/4" .....	4
25	72735G01		Compression Spring.....	2
26	00734G5		Lock Nut, #10 - 32.....	1
27	70227G01		Socket Head Screw, 1/4" - 20 x 7/8" Lg, Grade 8 .....	2
28	11027G2		Flanged Lock Nut, 1/4" - 20 .....	2
29	71205G01		Direction Selector Handle .....	1
30	01037G02		Pan Head Torx Screw, #10 - 32 x 1/2" Lg .....	1

# DIRECTION SELECTOR

THE USE OF NON U.L. PARTS WILL VOID ANY U.L. LISTING.

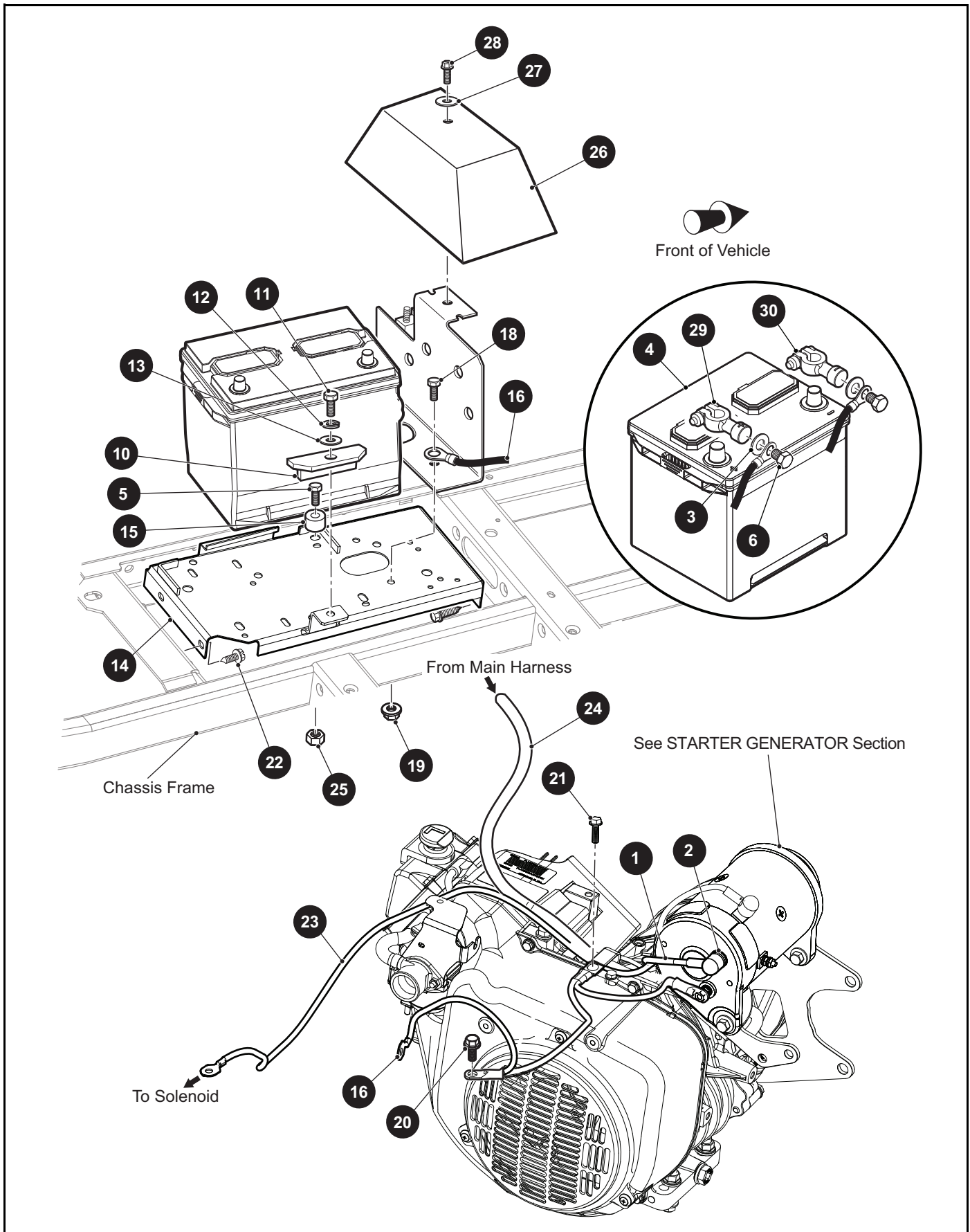
When ordering parts, please specify the model and serial number of the product.

\* Indicates a component that is not available as an individual part.

\*\*\* Indicates consult Customer Service Department for additional information.

ITEM	PART NO.	1 2 3 4 5	DESCRIPTION	QTY.
31	606421		Flanged Hex Head Bolt, M6 - 1 x 30mm Lg, Grade 8.8 .....	1
32	450452		Hex Nut, M6 - 1 .....	1
33	608832		Pivot Bracket .....	1
34	22754G4		Flip Lok Bushing, .25" .....	1
35	71055G01		Rivet, 3/16" x .38" .....	3
36	605869		Direction Selector Mounting Bracket .....	1
37	627511		Direction Selector Cable Assembly .....	1







THE USE OF NON U.L. PARTS WILL VOID ANY U.L. LISTING.

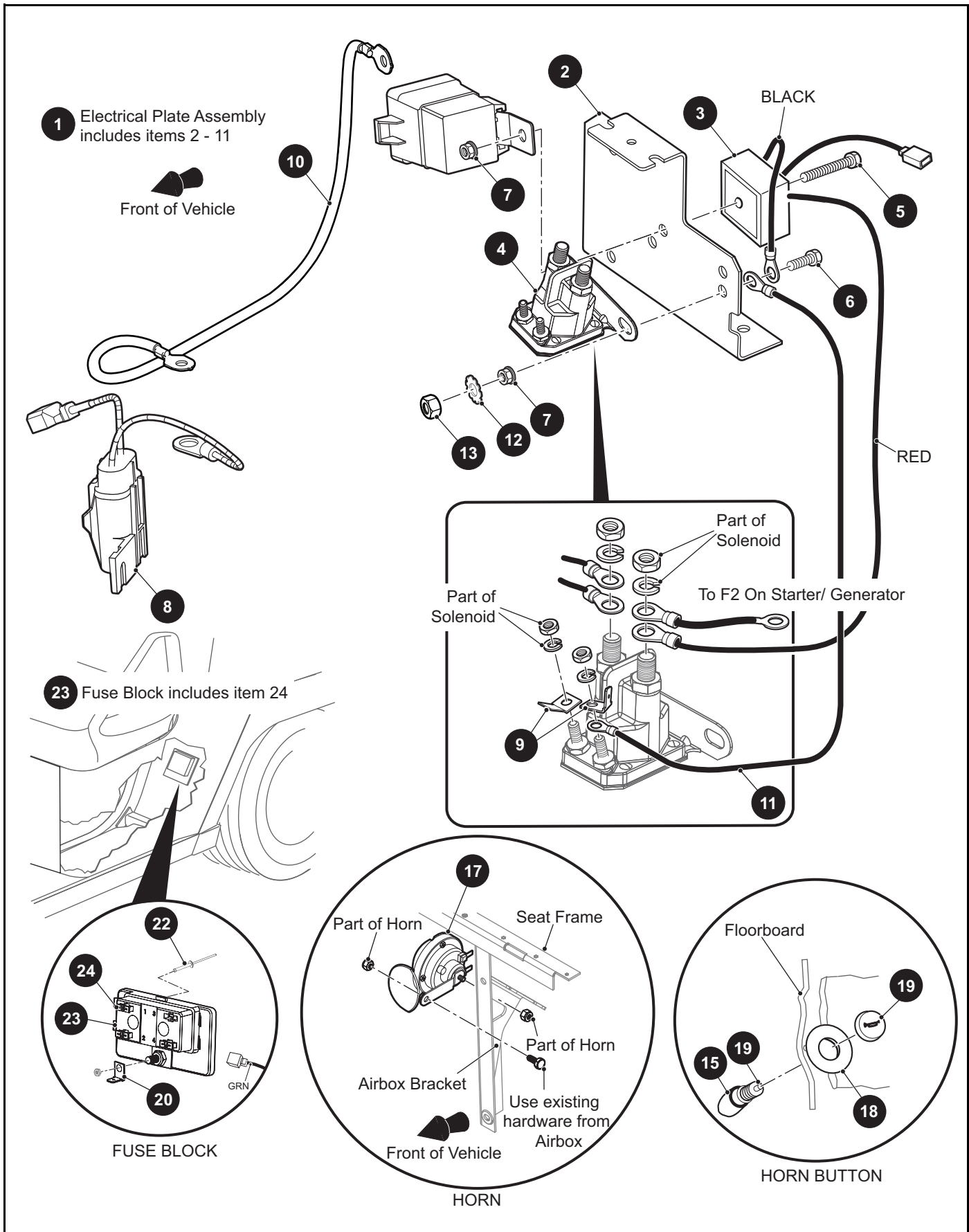
When ordering parts, please specify the model and serial number of the product.

\* Indicates a component that is not available as an individual part.

\*\*\* Indicates consult Customer Service Department for additional information.

ITEM	PART NO.	1 2 3 4 5	DESCRIPTION	QTY.
1	607053		#6 GA Wire (Black 6", F1 - A2).....	1
2	25682G01		Terminal Cover .....	3
3	614221		Flat Washer, 3/8" .....	2
4	639553		Battery, 12V.....	1
5	00439G1		Hex Head Bolt, 5/16" - 18 x 1 1/8" Lg, Grade 5 .....	1
6	651336		Side Terminal Battery Bolt.....	2
7	663593		Relay, 12V (Not Illustrated) .....	1
8	636455G13		Fuse, 15Amp (Not Illustrated) .....	1
9	636455G12		Fuse, 10Amp (Not Illustrated) .....	1
10	72101G02		Battery Hold Down .....	1
11	00438G6		Hex Head Bolt, 5/16" - 18 x 3/4" Lg, Grade 5 .....	1
12	00565G8		Lock Washer, 5/16" .....	1
13	00571G2		Flat Washer (SS), 5/16" .....	1
14	652441G03		Battery Tray.....	1
15	75048G01		Spacer, .328" x .75" x .5" .....	1
16	645191		Battery/Engine Ground Cable .....	1
17				
18	00438G6		Hex Head Bolt, 5/16" - 18 x 3/4" Lg, Grade 5 .....	2
19	11027G1		Flanged Lock Nut, 5/16" - 18 .....	2
20	26676G01		Flanged Hex Head Bolt, M6 - 1 x 23mm Lg.....	1
21	606264		Flanged Hex Head Bolt, M6 - 1 x 20mm Lg, Grade 8.8.....	1
22	00715G2		Hex Washer Head Screw, 5/16" - 18 x .875" Lg .....	4
23	607103		#6 GA Wire, 42" Lg .....	1
24	662830		Main Harness .....	1
25	11098G6		Lock Nut, 5/16" - 18 .....	1
26	73049G01		Direction Selector Cover .....	1
27	16469G1		Fender Washer, 1/4" .....	1
28	00114G6		Hex Washer Head Slotted Tapping Screw, 1/4" - 14 x 3/4" LG .....	1
29	640359		Side Terminal Adaptor (Positive) .....	1
30	640360		Side Terminal Adaptor (Negative) .....	1
31	17618G1		Nylon Clamp, 8" Lg (Not Illustrated).....	12

# ELECTRICAL



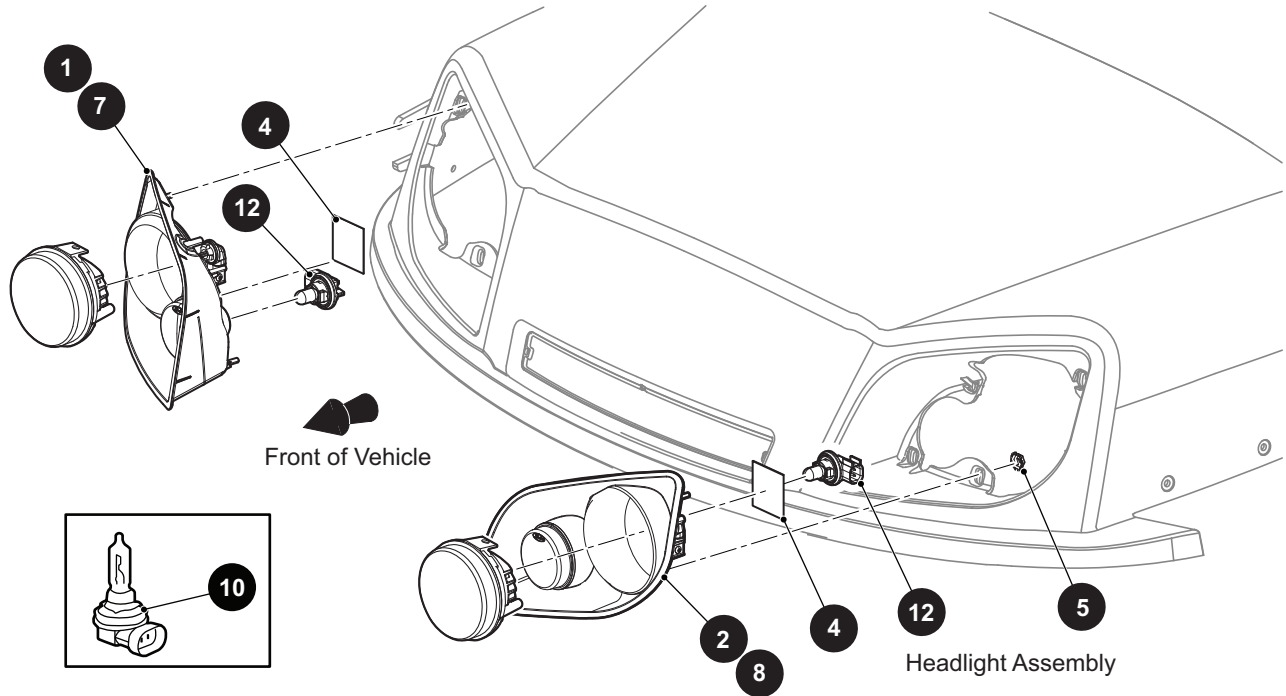
THE USE OF NON U.L. PARTS WILL VOID ANY U.L. LISTING.

When ordering parts, please specify the model and serial number of the product.

\* Indicates a component that is not available as an individual part.

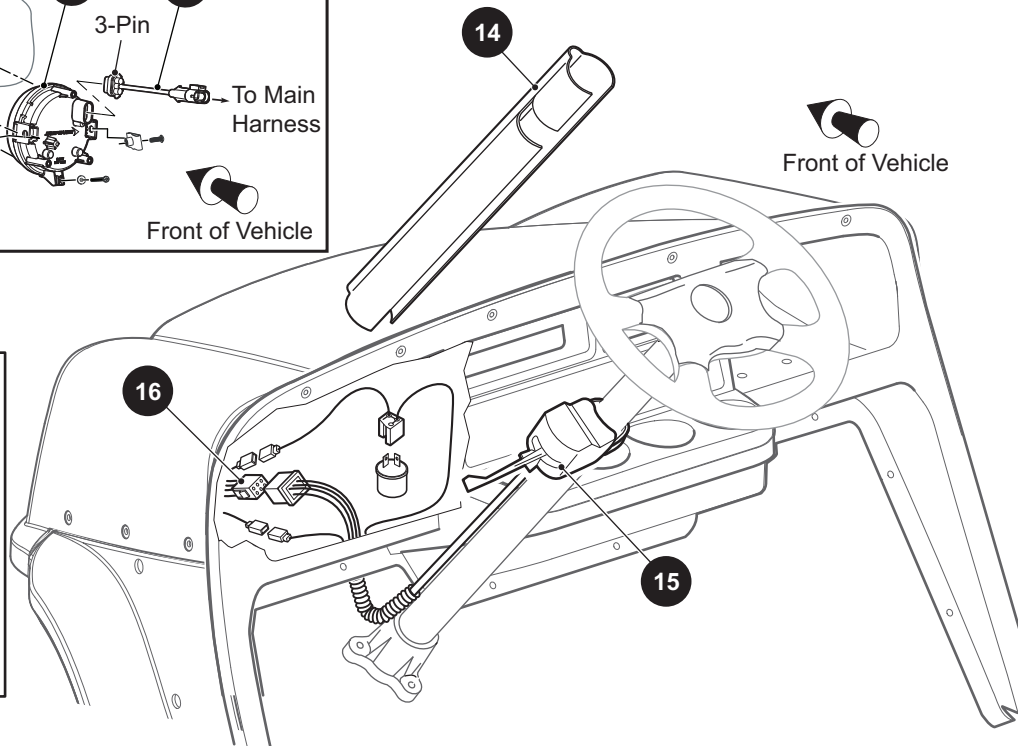
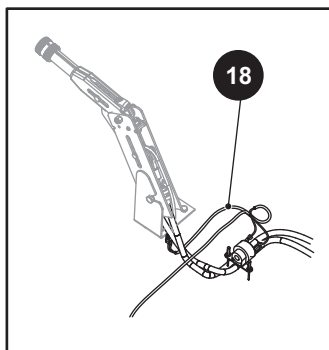
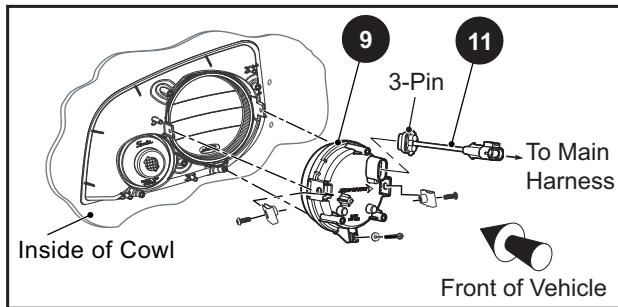
\*\*\* Indicates consult Customer Service Department for additional information.

ITEM	PART NO.	1 2 3 4 5	DESCRIPTION	QTY.
1	660446		Electrical Plate Assembly (Includes Items 2 - 11) .....	1
2	73057G02		Bracket .....	1
3	27739G01		Voltage Regulator .....	1
4	663716		Solenoid.....	1
5	303459		Hex Head Bolt, 1/4" - 20 x 1 1/2" Lg, Grade 5.....	1
6	00661G8		Hex Head Bolt (SS), 1/4" - 20 x 1" Lg.....	1
7	11027G2		Flanged Lock Nut, 1/4" - 20.....	2
8	658683		Electrical Plate Harness .....	1
9	73446G01		Faston Tab, 90°.....	2
10	645190		#6 GA Wire Assembly.....	1
11	25978G56		#18 GA Wire Assembly (Black).....	1
12	00567G7		Lock Washer (External Tooth Type) .....	1
13	00532G1		Hex Nut, 1/4" - 20.....	1
14				
15	27068G01		Horn Switch Boot .....	1
16				
17	32860G01		Horn .....	1
18	608397		Horn Plate .....	1
19	17318G1		Horn Switch.....	1
20	73446G01		Faston Tab .....	1
21				
22	15058G6		Rivet, (Aluminum), 3/16" x .937" Lg .....	2
23	676066G01		Fuse Block (Includes Item 24).....	1
24	636455G23		Fuse, 15A .....	3



**7** LED Headlight Assembly (Passenger Side) includes item 9

**8** LED Headlight Assembly (Driver Side) includes item 9



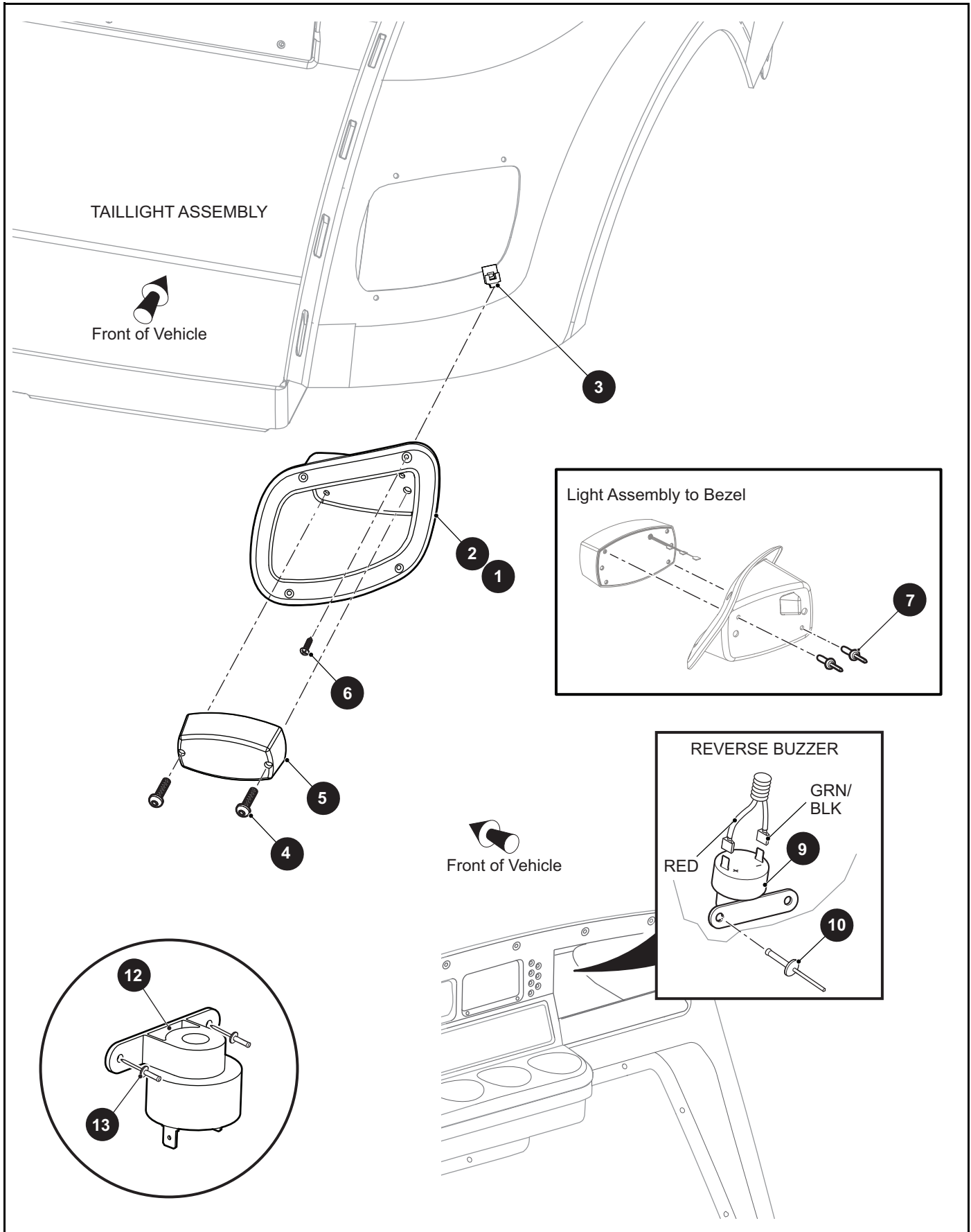
THE USE OF NON U.L. PARTS WILL VOID ANY U.L. LISTING.

When ordering parts, please specify the model and serial number of the product.

\* Indicates a component that is not available as an individual part.

\*\*\* Indicates consult Customer Service Department for additional information.

ITEM	PART NO.	1 2 3 4 5	DESCRIPTION	QTY.
1	644876		Headlight Assembly (Passenger Side).....	1
2	644877		Headlight Assembly (Driver Side) .....	1
3				
4	71781G02		Vinyl Tape.....	1
5	71597G01		Self Threading Nut, 5mm x 10mm x 15mm.....	4
6				
7	659008		LED Headlight Assembly (Passenger Side) (Includes Item 9) .....	1
8	659009		LED Headlight Assembly (Driver Side) (Includes Item 9).....	1
9	651411G03		LED Headlight .....	1
10	619100		Headlight Bulb.....	1
11	654465		Jumper Harness, Led Headlight.....	1
12	619102		Turn Signal Assembly Bulb .....	1
13				
14	20965G3		Steering Column Cover.....	1
15	611810		Turn Signal Switch Assembly .....	1
16	666151		Accessory Harness .....	1
17				
18	626520		Park Brake/Buzzer Harness.....	1



THE USE OF NON U.L. PARTS WILL VOID ANY U.L. LISTING.

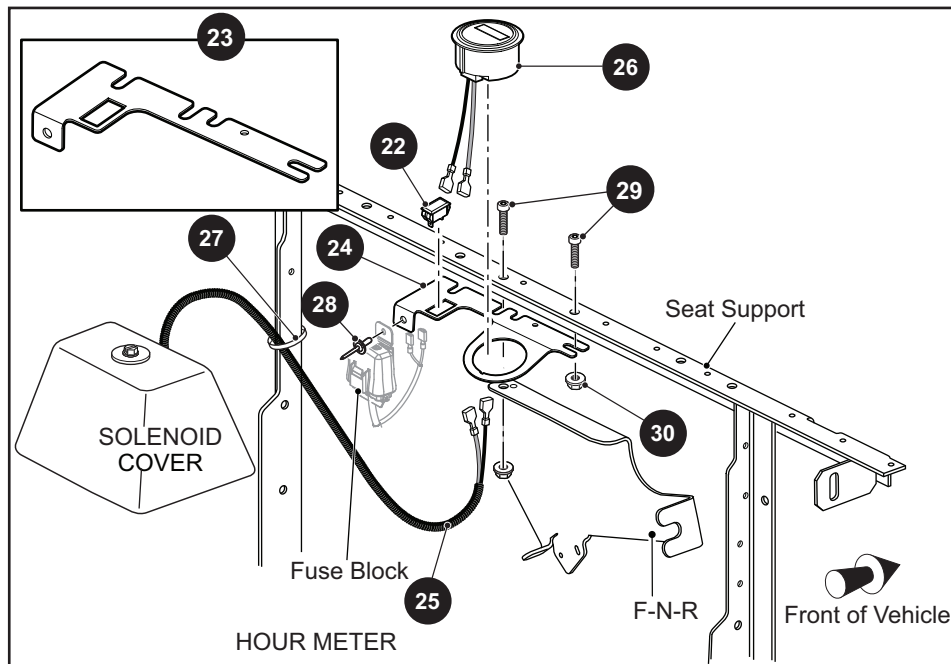
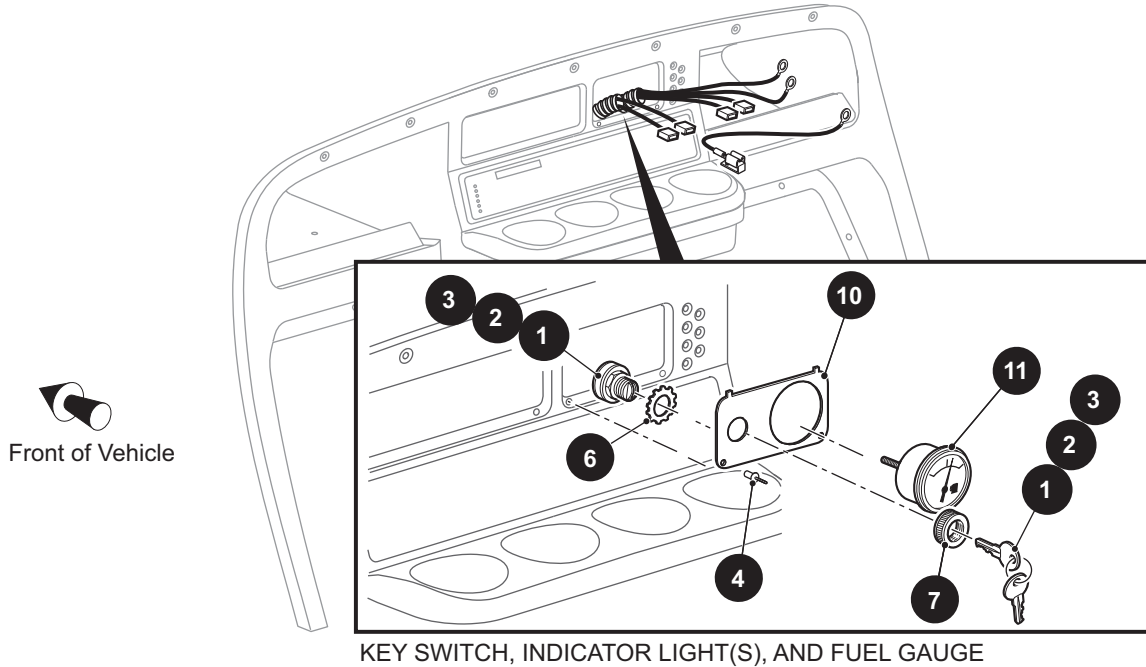
When ordering parts, please specify the model and serial number of the product.

\* Indicates a component that is not available as an individual part.

\*\*\* Indicates consult Customer Service Department for additional information.

ITEM	PART NO.	1 2 3 4 5	DESCRIPTION	QTY.
1	625251		Taillight Bezel (Driver Side) .....	1
2	625252		Taillight Bezel (Passenger Side) .....	1
3	71364G02		J-Type Nut, #8.....	4
4	00513G4		Pan Head Phillips Screw, #8 - 18 x 3/4" Lg.....	2
5	22288G1		Taillight Assembly.....	1
6	71425G01		Flat Head Phillips Tapping Screw, #8 - 18 x 3/4" Lg.....	4
7	14601G11		Rivet (Aluminum), 3/16" x 9/16" .....	2
8				
9	73290G03		Buzzer .....	1
10	01041G01		Rivet, 5/32" .....	2
11				
12	73290G01		Intermittent Buzzer .....	1
13	01041G01		Bulbex Rivet, 5/32" .....	2

9 Gauge Plate (Fuel Gauge with Lights) includes items 10, 11





THE USE OF NON U.L. PARTS WILL VOID ANY U.L. LISTING.

When ordering parts, please specify the model and serial number of the product.

\* Indicates a component that is not available as an individual part.

\*\*\* Indicates consult Customer Service Department for additional information.

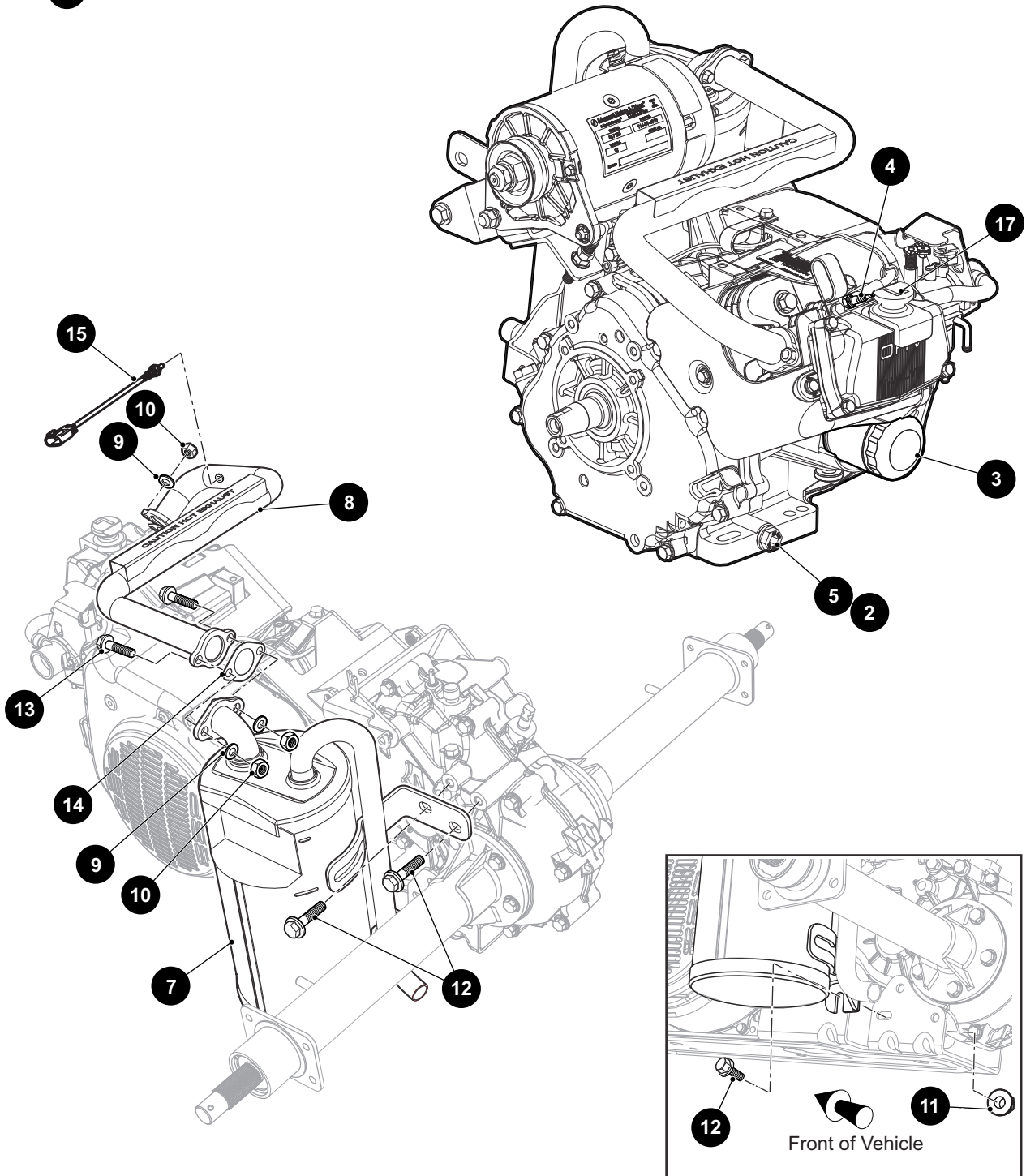
ITEM	PART NO.	1 2 3 4 5	DESCRIPTION	QTY.
1	33639G01		Ignition Switch (with Light) .....	1
2	33639G02		Ignition Switch (with Light, Group Key) .....	1
3	33639G03		Ignition Switch (with Light, Individual) .....	1
4	33623G02		Drive Rivet, 3/16" x 3/8" Lg .....	2
5				
6	00568G6		Lock Washer (External Tooth Type), 3/4" .....	1
7	17137G1		Face Nut, 3/4" - 20 .....	1
8				
9	656282G06		Gauge Plate (Fuel Gauge with Lights) (Includes Items 10, 11).....	1
10	73030G14		Console Insert Plate .....	1
11	648247		Fuel Level Gauge .....	1
12				
13				
14				
15				
16				
17				
18				
19				
20				
21				
22	659101		Malfunction Indicator Light .....	1
23	659085		Fuse Bracket (For Vehicles without Hour Meter) .....	1
24	662631		Fuse Bracket (For Vehicles with Hour Meter) .....	1
25	664689		Hour Meter Harness.....	1
26	617074		Hour Meter .....	1
27	17618G1		Nylon Clamp, 8" Lg .....	2
28	71055G01		Rivet, 3/16" Dia. ....	1
29	70227G01		Socket Head Screw, 1/4" - 20 x 7/8" Lg, Grade 8 .....	2
30	11027G2		Flanged Lock Nut, 1/4" - 20 .....	2





# ENGINE AND MUFFLER

1 EFI Engine, 13.5 HP includes items 2 - 5



# ENGINE AND MUFFLER

THE USE OF NON U.L. PARTS WILL VOID ANY U.L. LISTING.  
 When ordering parts, please specify the model and serial number of the product.  
 \* Indicates a component that is not available as an individual part.  
 \*\*\* Indicates consult Customer Service Department for additional information.

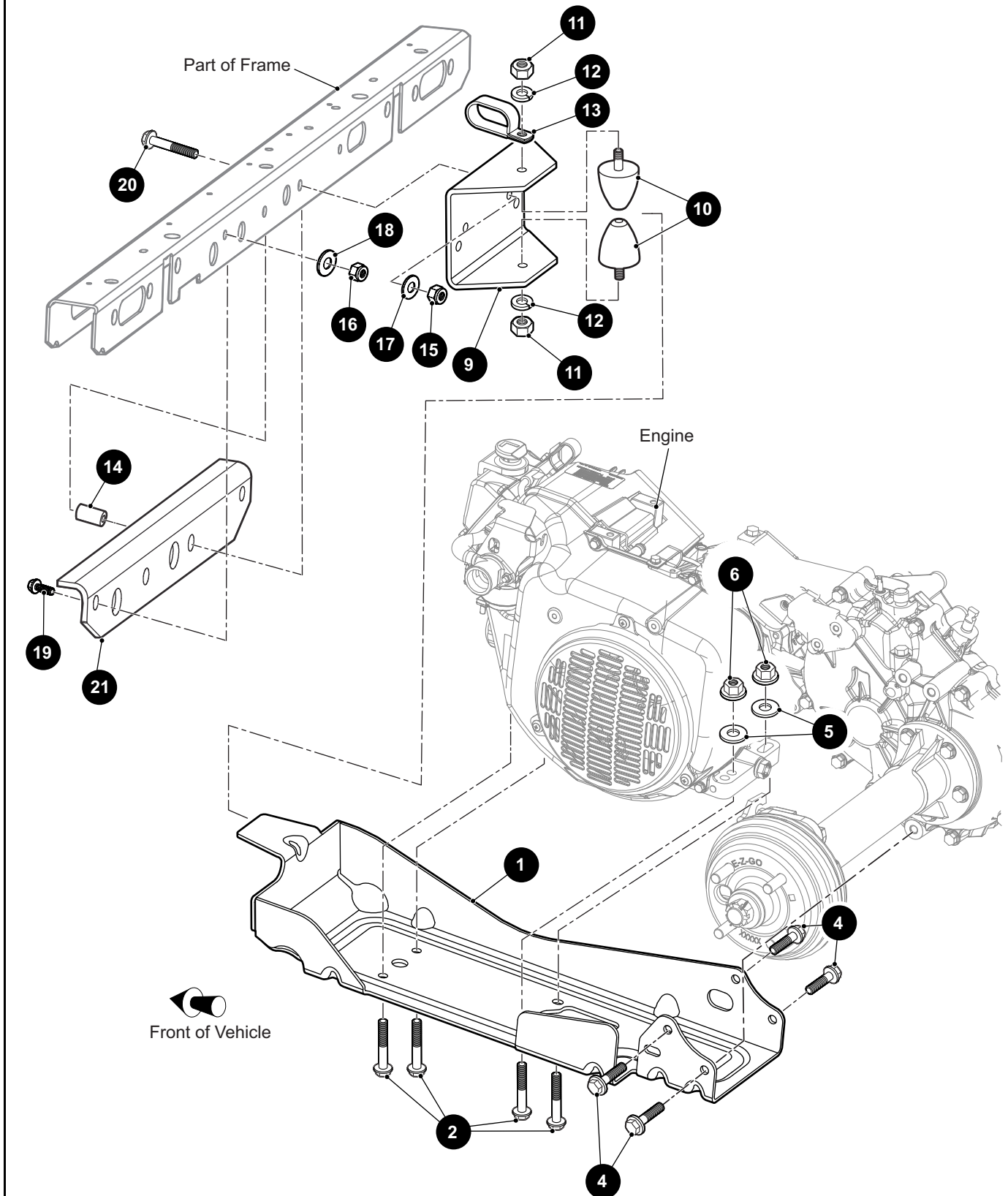
ITEM	PART NO.	1 2 3 4 5	DESCRIPTION	QTY.
1	658237		EFI Engine, 13.5 HP (Includes Items 2 - 5).....	1
2	603562		O-Ring, 16mm .....	1
3	607454		Oil Filter .....	1
4	607462		Spark Plug .....	1
5	603557		Oil Drain Plug .....	1
6				
7	674854		Muffler .....	1
8	657450		Exhaust Manifold.....	1
9	606272		Lock Washer, 8mm .....	4
10	606267		Hex Jam Nut, M8 - 1.25 .....	4
11	606279		Flanged Hex Nut, M10 - 1.25 .....	1
12	606256		Flanged Hex Head Bolt, M10 - 1.25 x 25mm Lg, Grade 8.8.....	3
13	602330		Flanged Hex Head Bolt, M8 - 1.25 x 30mm Lg, Grade 8.8.....	2
14	603599		Exhaust Gasket.....	2
15	657449		Oxygen Sensor .....	1
16				
17	606390		Oil Dip Stick .....	1





# ENGINE MOUNTING

8 Front Mount Bracket Assembly includes items 9 - 13





## ENGINE MOUNTING

THE USE OF NON U.L. PARTS WILL VOID ANY U.L. LISTING.

When ordering parts, please specify the model and serial number of the product.

\* Indicates a component that is not available as an individual part.

\*\*\* Indicates consult Customer Service Department for additional information.

ITEM	PART NO.	1 2 3 4 5	DESCRIPTION	QTY.
1	630776		Engine Pan .....	1
2	606259		Flanged Hex Head Bolt, M10 - 1.25 x 45mm Lg, Grade 8.8 .....	4
3				
4	606256		Flanged Hex Head Bolt, M10 - 1.25 x 25mm Lg, Grade 8.8 .....	4
5	603823		Flat Washer, M10 .....	4
6	606279		Flanged Hex Nut, M10 - 1.25 .....	4
7				
8	662794		Front Mount Bracket Assembly (Includes Items 9 - 13) .....	1
9	625345		Front Mount Bracket .....	1
10	605757		Rubber Bumper .....	2
11	00974G01		Hex Nut, M10 - 1.5 .....	2
12	608654		Lock Washer, 10mm .....	2
13	692754		Tube Clamp (Wide), 1" .....	1
14	72016G01		Tube Spacer.....	2
15	11098G5		Lock Nut, 3/8" - 16 .....	2
16	01109G01		Lock Nut, 5/16" - 18 .....	2
17	00643G1		Flat Washer, 3/8" .....	2
18	00559G8		Flat Washer, 5/16" .....	2
19	00438G7		Hex Head Bolt, 5/16" - 18 x 7/8" Lg, Grade 5 .....	2
20	00428G8		Hex Head Bolt, 3/8" - 16 x 2.75" Lg .....	2
21	652247		Cross-member Brace .....	1



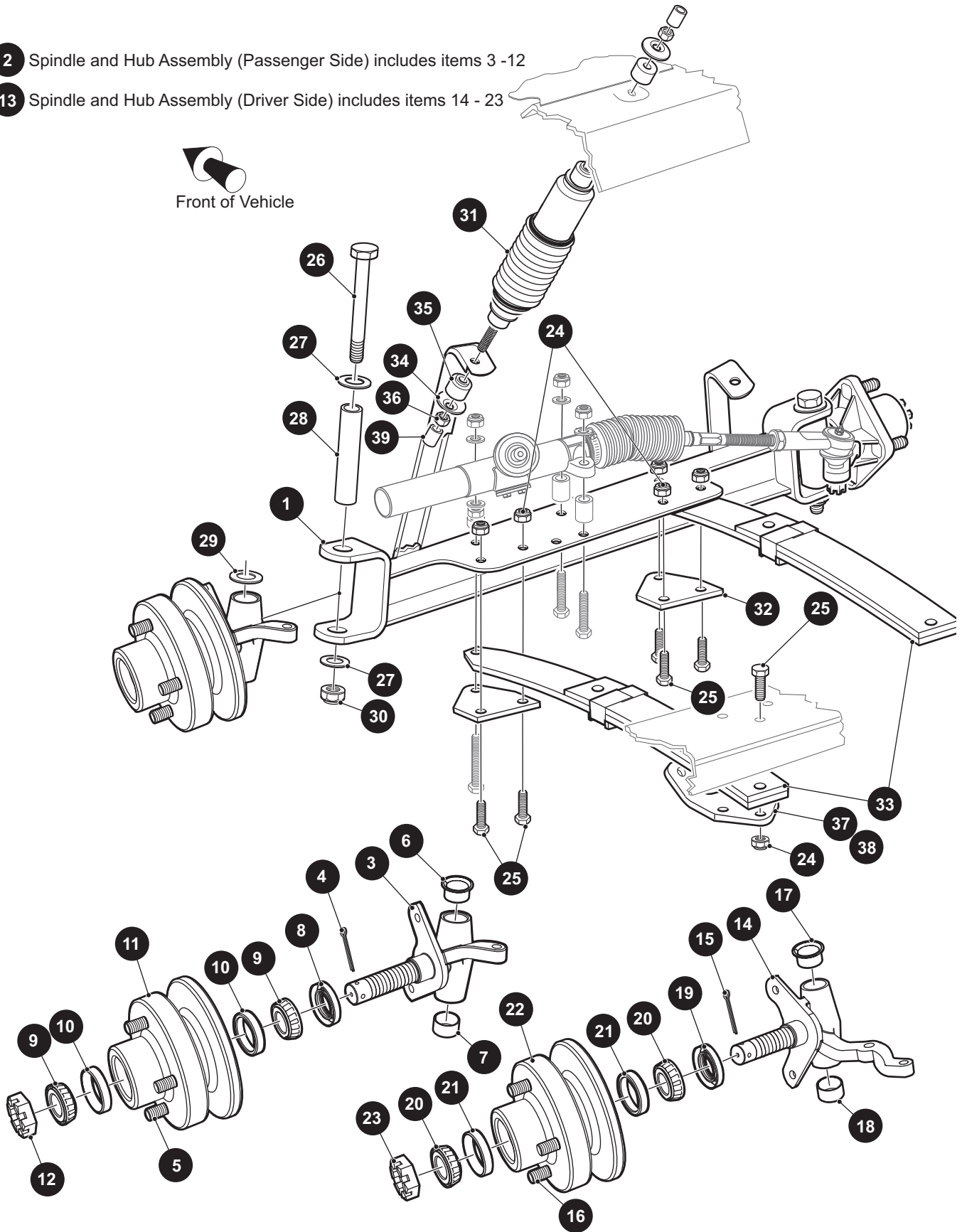


# FRONT SUSPENSION AND STEERING

2 Spindle and Hub Assembly (Passenger Side) includes items 3 - 12

13 Spindle and Hub Assembly (Driver Side) includes items 14 - 23

Front of Vehicle



## FRONT SUSPENSION AND STEERING

THE USE OF NON U.L. PARTS WILL VOID ANY U.L. LISTING.

When ordering parts, please specify the model and serial number of the product.

\* Indicates a component that is not available as an individual part.

\*\*\* Indicates consult Customer Service Department for additional information.

ITEM	PART NO.	1 2 3 4 5	DESCRIPTION	QTY.
1	602327		Front Axle .....	1
2	602288		Spindle and Hub Assembly (Passenger Side) (Includes Items 3 - 12).....	1
3	602158		Spindle (Passenger Side).....	1
4	00798G8		Cotter Pin, 5/32" x 1 3/4" .....	1
5	74864G01		Drive Flange Stud, 1 1/2".....	4
6	632925		Flanged Bushing.....	1
7	632926		Sleeve Bushing.....	1
8	25146G1		Grease Seal.....	1
9	11750G2		Roller Bearing .....	2
10	51141G1		Bearing Race.....	2
11	630672		Disc Brake Hub.....	1
12	12093G1		Slotted Nut, 17/32".....	1
13	602281		Spindle and Hub Assembly (Driver Side) (Includes Items 14 - 23) .....	1
14	602176		Spindle (Driver Side) .....	1
15	00798G8		Cotter Pin, 5/32" x 1 3/4" .....	1
16	74864G01		Drive Flange Stud, 1 1/2".....	4
17	632925		Flanged Bushing.....	1
18	632926		Sleeve Bushing.....	1
19	25146G1		Grease Seal.....	1
20	11750G2		Roller Bearing .....	2
21	51141G1		Bearing Race.....	2
22	630672		Disc Brake Hub.....	1
23	12093G1		Slotted Nut, 17/32".....	1
24	00734G1		Lock Nut, 7/16" - 14 .....	11
25	00463G11		Hex Head Bolt, 7/16" - 14 x 1 1/2" Lg, Grade 5 .....	11
26	00407G6		Hex Head Bolt, 1/2" - 13 x 6" Lg, Grade 5 .....	1
27	00560G3		Flat Washer, 1/2" .....	2
28	70745G01		King Pin Tube.....	1
29	70754G01		Thrust Washer (SS), 1" .....	1
30	14390G6		Lock Nut, 1/2" - 13 .....	1
31	76419G01		Shock Absorber.....	1

## FRONT SUSPENSION AND STEERING

THE USE OF NON U.L. PARTS WILL VOID ANY U.L. LISTING.

When ordering parts, please specify the model and serial number of the product.

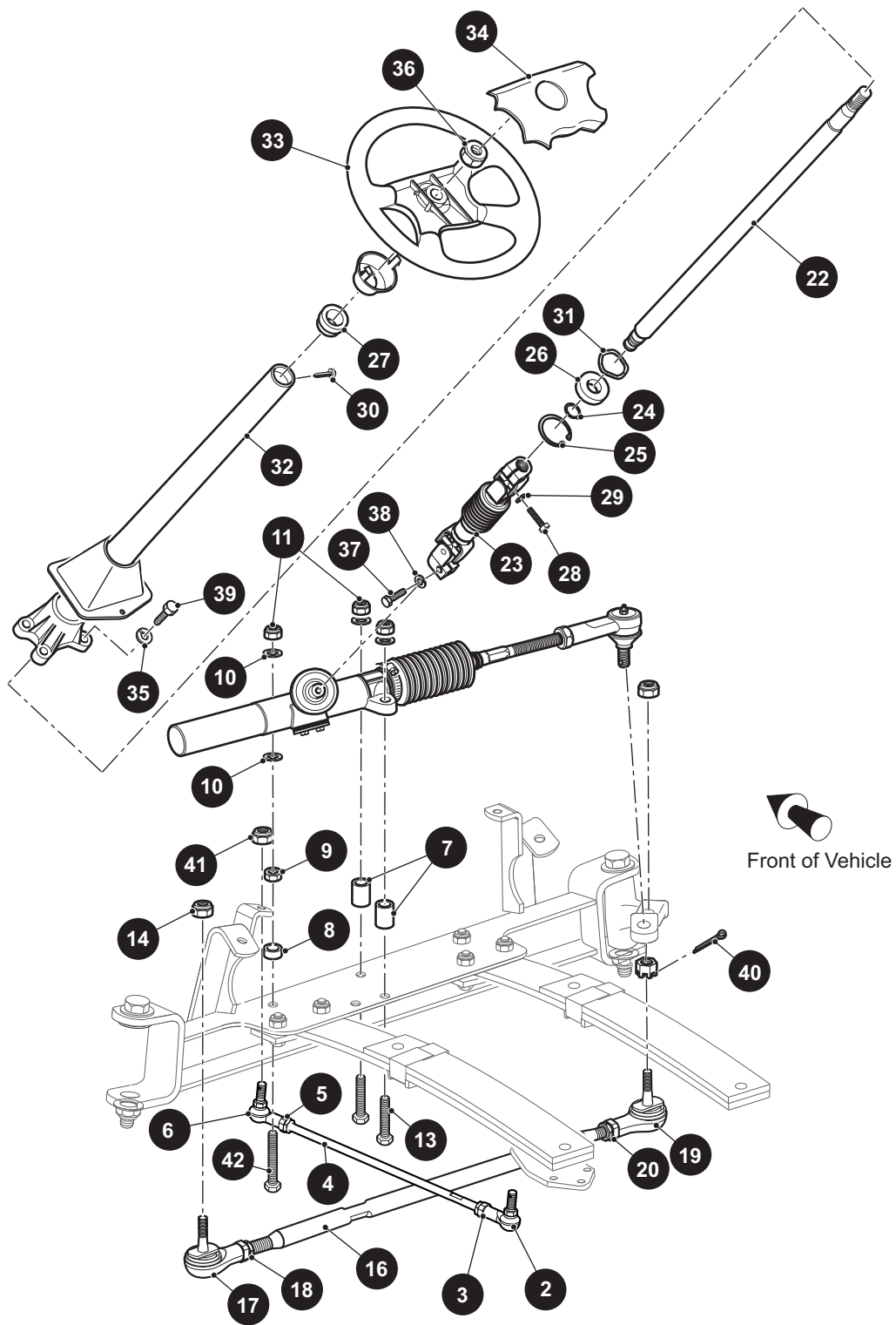
\* Indicates a component that is not available as an individual part.

\*\*\* Indicates consult Customer Service Department for additional information.

ITEM	PART NO.	1 2 3 4 5	DESCRIPTION	QTY.
32	652258		Spring Plate .....	1
33	70664G03		Leaf Spring .....	1
34	10435G1		Shock Absorber Washer, .406" I.D. x 1.25" O.D. ....	4
35	10194G1		Rubber Bushing.....	4
36	00532G6		Hex Nut, 1/4" - 20 .....	2
37	74731G01		Spring Plate (Driver Side).....	1
38	74731G02		Spring Plate (Passenger Side) .....	1
39	10044G01		Vinyl Cap .....	2



# FRONT SUSPENSION AND STEERING



Front of Vehicle

- 1 Link Rod Assembly includes items 2 - 6
- 15 Tie Rod Assembly includes items 16 - 20
- 21 Steering Column Assembly includes items 22 - 32



## FRONT SUSPENSION AND STEERING

THE USE OF NON U.L. PARTS WILL VOID ANY U.L. LISTING.

When ordering parts, please specify the model and serial number of the product.

\* Indicates a component that is not available as an individual part.

\*\*\* Indicates consult Customer Service Department for additional information.

ITEM	PART NO.	1 2 3 4 5	DESCRIPTION	QTY.
1	74730G01		Link Rod Assembly (Includes Items 2 - 6).....	2
2	74734G02		Tie Rod End (Right Hand Threads) .....	1
3	01083G01		Jam Nut, M10 - 1 1/4" (Right Hand Threads) .....	1
4	618531		Link Rod .....	1
5	01083G02		Jam Nut, M10 - 1 1/4" (Left Hand Threads).....	1
6	74734G01		Tie Rod End (Left Hand Threads).....	1
7	70667G02		Spacer, 1.21".....	2
8	70667G04		Steering Housing Spacer .....	1
9	00532G7		Hex Nut, 1/4" - 20.....	1
10	00560G2		Flat Washer, 3/8".....	7
11	00734G1		Lock Nut, 7/16" - 14 .....	3
12				
13	00464G8		Hex Head Bolt, 7/16" - 14 x 2 3/4" Lg, Grade 5 .....	2
14	00734G1		Lock Nut, 7/16" - 14 .....	2
15	70876G02		Tie Rod Assembly (Includes Items 16 - 20) .....	1
16	70897G02		Threaded Rod (24" Lg).....	1
17	70902G01		Tie Rod End (Left Hand Threads).....	1
18	01069G01		Jam Nut, M12 x 1.25 - 05 (Left Hand Threads) .....	1
19	70902G02		Tie Rod End (Right Hand Threads) .....	1
20	01069G02		Jam Nut, M12 x 1.25 - 05 (Right Hand Threads).....	1
21	70758G05		Steering Column Assembly (Includes Items 22 - 32) .....	1
22	70607G01		Steering Shaft.....	1
23	70580G01		Intermediate Shaft .....	1
24	70888G01		Retaining Ring, External.....	1
25	70751G01		Retaining Ring, Internal .....	1
26	15112G1		Ball Bearing .....	1
27	28569G01		Bushing.....	1
28	01055G01		Hex Head Bolt, M8 - 1.25" x 30mm Lg, Grade 5 .....	1
29	00565G8		Spring Lock Washer .....	1
30	01022G01		Hex Washed Head Screw, #6 - 20 x 5/16" Lg .....	1
31	70887G01		Wave Washer (SS).....	1

## FRONT SUSPENSION AND STEERING

THE USE OF NON U.L. PARTS WILL VOID ANY U.L. LISTING.

When ordering parts, please specify the model and serial number of the product.

\* Indicates a component that is not available as an individual part.

\*\*\* Indicates consult Customer Service Department for additional information.

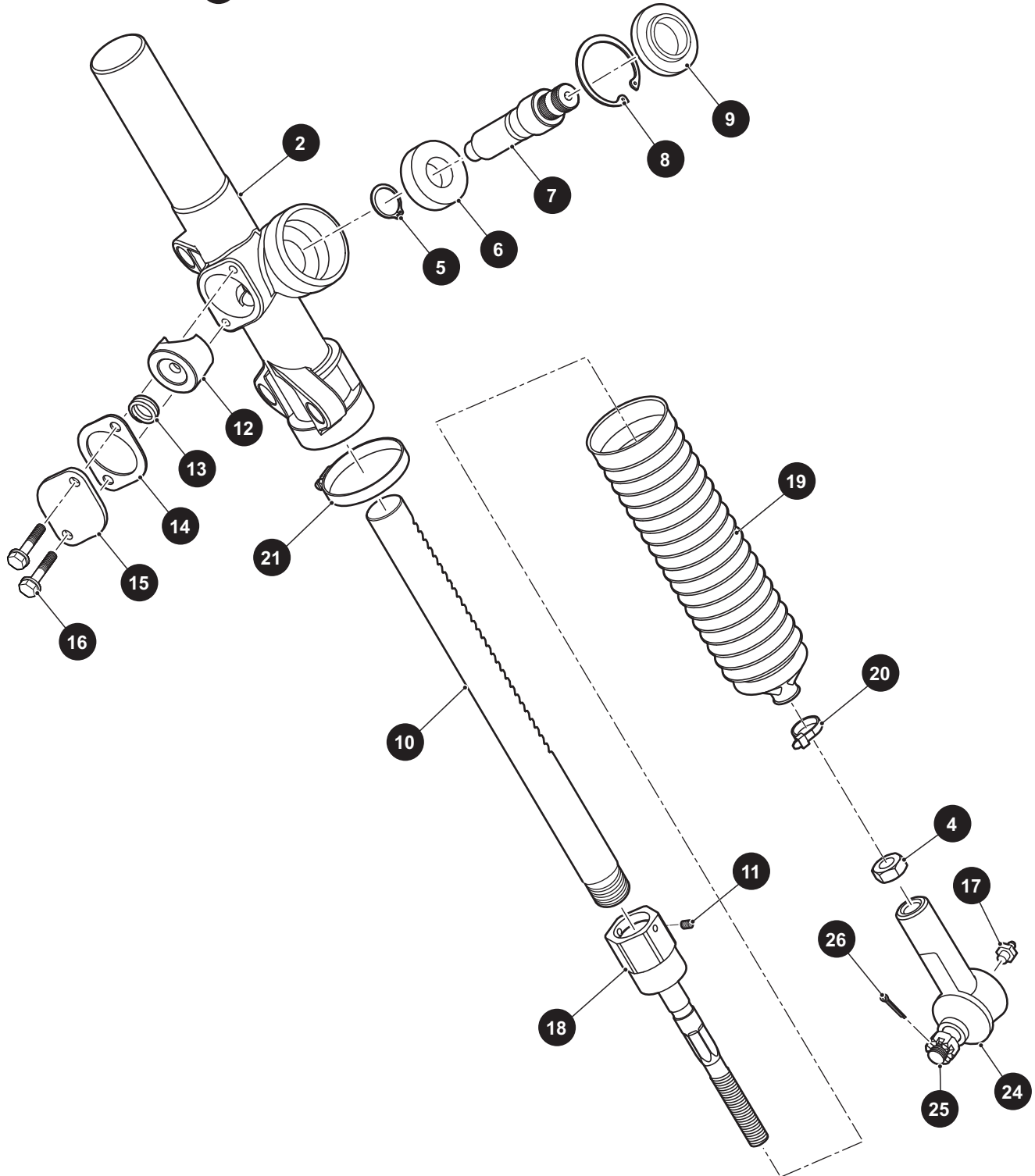
ITEM	PART NO.	1 2 3 4 5	DESCRIPTION	QTY.
32	70610G03		Steering Column Assembly .....	1
33	602980		Steering Wheel (Premium) .....	1
34	71147G01		Steering Wheel Cover .....	1
35	00879G1		Flat Washer, 3/8" .....	4
36	14390G2		Lock Nut, 5/8" - 18 .....	1
37	01055G01		Hex Head Bolt, M8 - 1 1/4" x 30mm Lg, Grade 5 .....	1
38	00565G8		Lock Washer, 5/16" .....	1
39	01006G01		Hex Head Bolt, 3/8" - 16 x 1 1/4" Lg .....	4
40	10387G2		Cotter Pin .094" x 1" .....	1
41	606279		Flanged Hex Nut, M10 - 1.25 .....	4
42	01068G01		Hex Head Bolt, 7/16" - 14 x 3 1/2" Lg, Grade 5 .....	1



# FRONT SUSPENSION AND STEERING

**1** Rack and Pinion Unit includes items 2 - 23

**23** Tie Rod End (Outer) includes items 24 - 25



## FRONT SUSPENSION AND STEERING

THE USE OF NON U.L. PARTS WILL VOID ANY U.L. LISTING.

When ordering parts, please specify the model and serial number of the product.

\* Indicates a component that is not available as an individual part.

\*\*\* Indicates consult Customer Service Department for additional information.

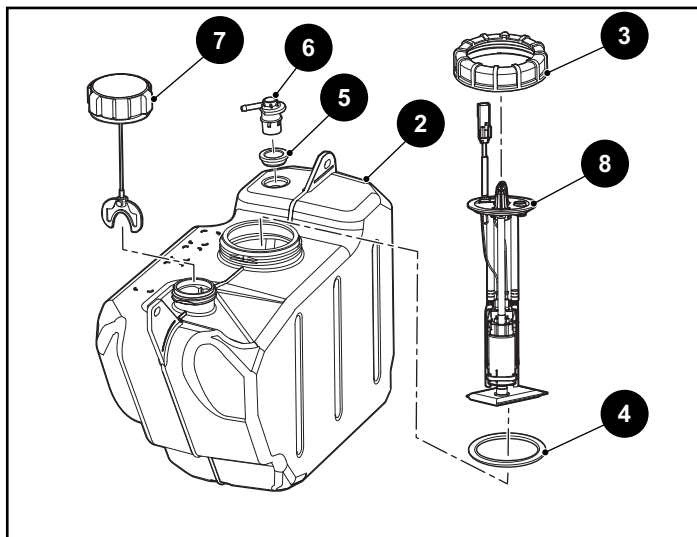
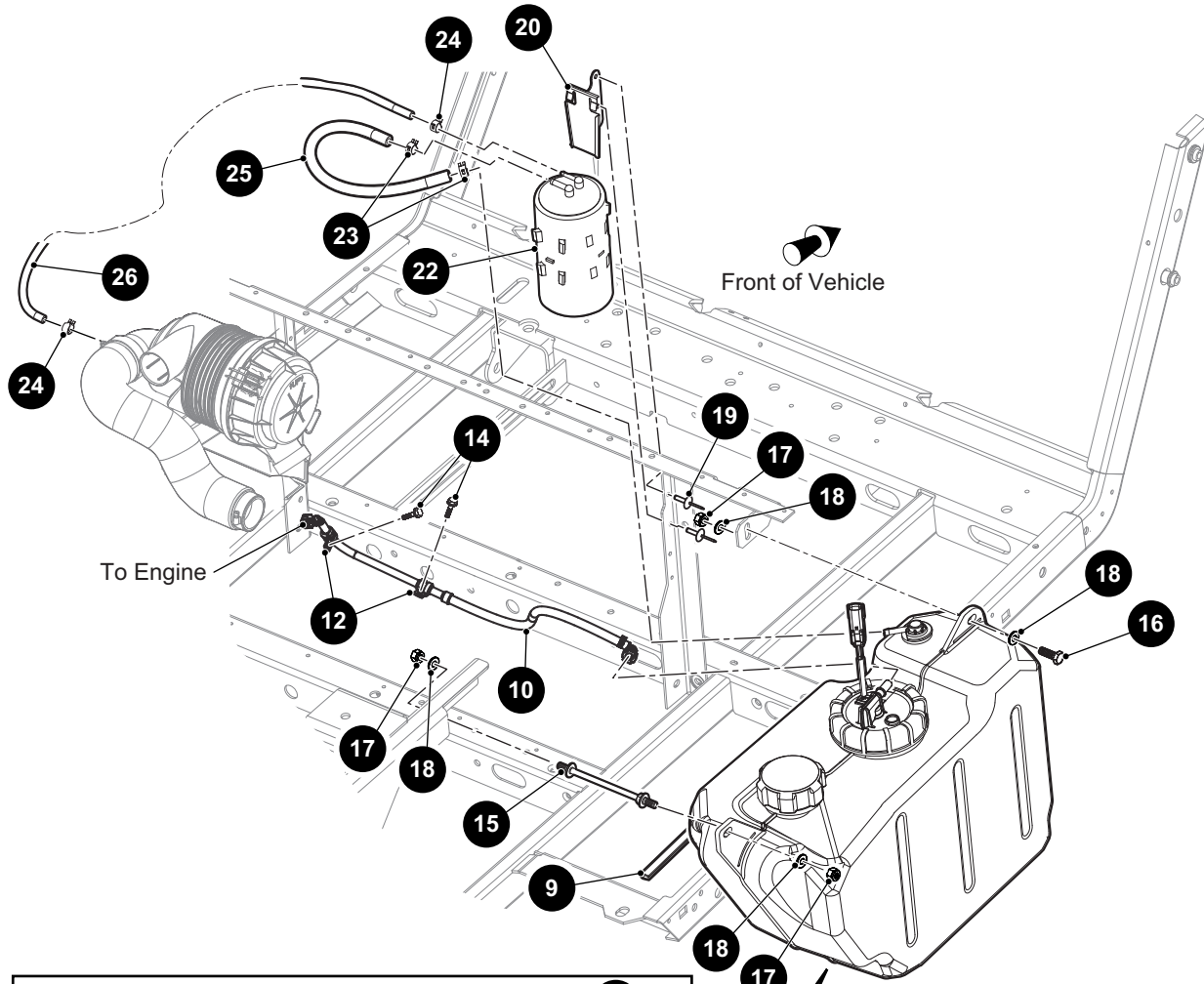
ITEM	PART NO.	1 2 3 4 5	DESCRIPTION	QTY.
1	70964G01		Rack and Pinion Unit (Includes Items 2 - 23).....	1
2	70965G01		Steering Rack Cover and Bearing.....	1
3				
4	*		Jam Nut, 1/2" - 20.....	1
5	70750G01		Retaining Ring (External) .....	1
6	15112G1		Ball Bearing .....	1
7	70603G01		Pinion.....	1
8	70751G01		Retaining Ring (Internal).....	1
9	70638G01		Seal (Pinion) .....	1
10	70604G01		Steering Rack.....	1
11	*		Set Screw, #10 - 32 x .25" Lg .....	1
12	70590G01		Rack Loader .....	1
13	70666G01		Compression Spring .....	1
14	70645G01		Gasket (Rack Loader Cover).....	1
15	652259		Cover (Rack Loader) .....	1
16	71102G01		Hex Washer Head Bolt, 1/4" - 20 x 11/16" Lg, Grade 5.....	2
17	10389G3		Grease Fitting (Straight) .....	1
18	70694G01		Rod End (Inner) .....	1
19	70961G01		Rack Boot.....	1
20	12416G2		Nylon Clamp, 11.8" Lg.....	1
21	11391G8		Hose Clamp, 1.81".....	1
22				
23	70695G01		Tie Rod End (Outer) (Includes Items 24 - 25).....	1
24	50641G1		Grommet.....	1
25	*		Hex Slotted Nut, 7/16" - 20 .....	1
26	10387G2		Cotter Pin, 3/32" X 1" .....	1





# FUEL SYSTEM

- 1 Fuel Tank Assembly includes items 2 - 8
- 21 Carbon Canister Assembly includes items 22 - 26





THE USE OF NON U.L. PARTS WILL VOID ANY U.L. LISTING.

When ordering parts, please specify the model and serial number of the product.

\* Indicates a component that is not available as an individual part.

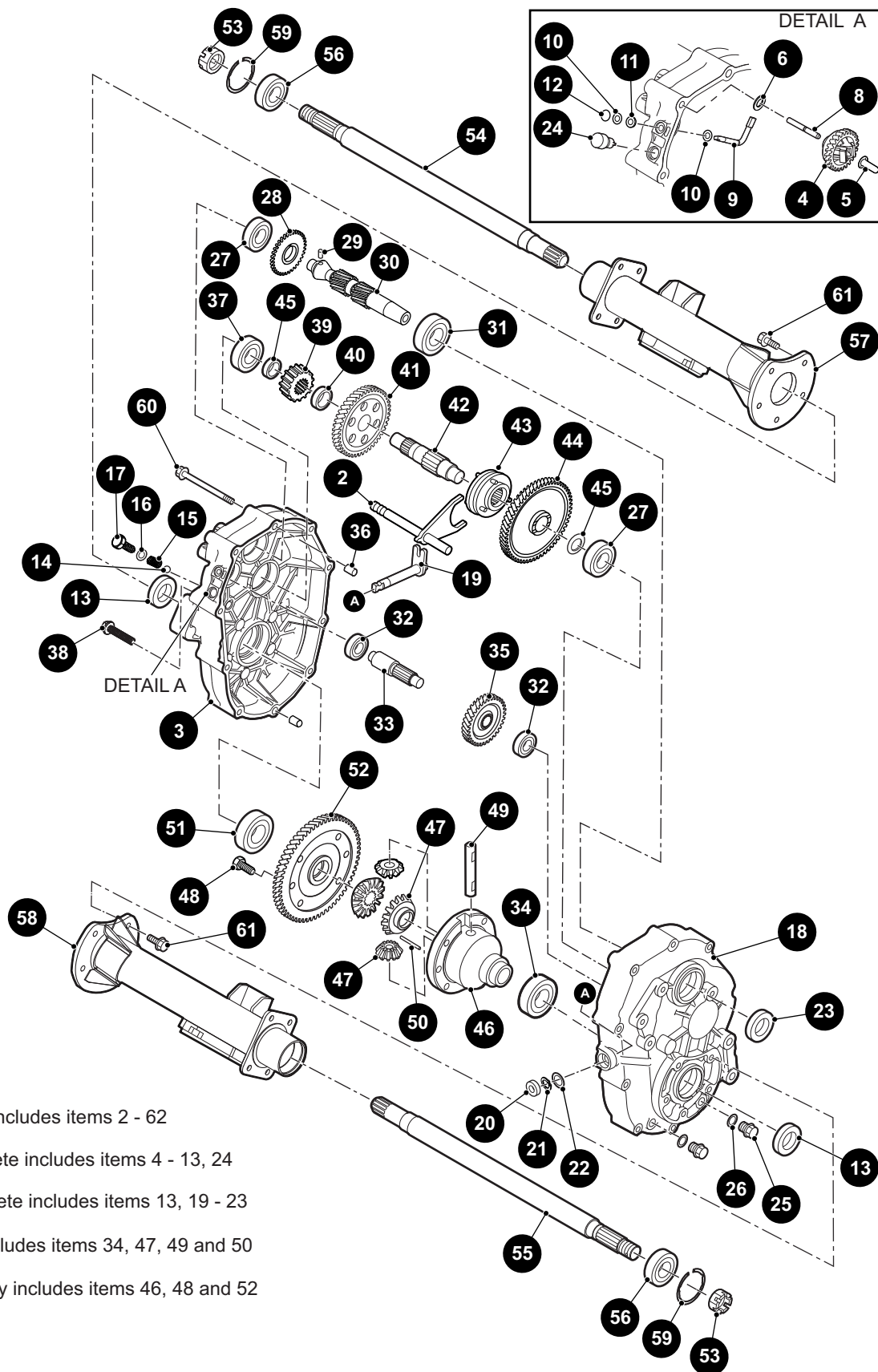
\*\*\* Indicates consult Customer Service Department for additional information.

ITEM	PART NO.	1 2 3 4 5	DESCRIPTION	QTY.
1	646825		Fuel Tank Assembly (with Sender Unit) (Includes Items 2 - 8).....	1
2	646306		Fuel Tank .....	1
3	646837		Fuel Pump Lid .....	1
4	646838		Seal .....	1
5	647810		Grommet.....	1
6	647809		Rollover Valve.....	1
7	670898		Fuel Cap .....	1
8	646353		Fuel Pump with Sender Assembly .....	1
9	32372G6		Vinyl Trim, 6.25" Lg .....	1
10	666351		Fuel Hose Assembly .....	1
11				
12	664747		Tube Clamp, .5" .....	2
13	602409		Barrel Clip, M6 - 1 (Not Illustrated).....	2
14	606264		Flanged Hex Head Bolt, M6 - 1 x 20mm Lg, Grade 8.8 .....	2
15	70483G01		Spacer, 5/16" - 18 .....	1
16	00438G8		Hex Head Bolt, 5/16" - 18 x 1" Lg, Grade 5 .....	1
17	11098G6		Lock Nut, 5/16" - 18 .....	3
18	00559G8		Flat Washer, 5/16" .....	4
19	10570G11		Rivet, 3/16" Dia x .70" .....	2
20	606310		Carbon Canister Mounting Bracket .....	1
21	662807		Carbon Canister Assembly (Includes Items 22 - 26) .....	1
22	606071		Carbon Canister .....	1
23	18292G1		Tube Clamp, 1/2" O.D .....	2
24	606963		Tube Clamp, 3/16" I.D .....	2
25	27184G14		Fuel System Tube, 13" Lg .....	1
26	662608		Hose, 3/16" I.D. x 37" Lg .....	1





# REAR AXLE



- 1 Rear Axle, 11.47:1 includes items 2 - 62
- 3 Axle Case L Complete includes items 4 - 13, 24
- 18 Axle Case R Complete includes items 13, 19 - 23
- 46 Differential Case includes items 34, 47, 49 and 50
- 62 Differential Assembly includes items 46, 48 and 52

THE USE OF NON U.L. PARTS WILL VOID ANY U.L. LISTING.

When ordering parts, please specify the model and serial number of the product.

\* Indicates a component that is not available as an individual part.

\*\*\* Indicates consult Customer Service Department for additional information.

ITEM	PART NO.	1 2 3 4 5	DESCRIPTION	QTY.
1	670468		Rear Axle, 11.47:1 (Includes Items 2 - 62) .....	1
2	639844		Shift Shaft Complete.....	1
3	639859		Axle Case L Complete (Includes Items 4 - 13, 24) .....	1
4	665887		Governor Gear .....	1
5	639689		Governor Sleeve .....	1
6	607904		Flat Washer .....	1
7				
8	639698		Governor Gear Shaft.....	1
9	639707		Governor Shaft.....	1
10	639736		Flat Washer, 6mm .....	2
11	607911		Oil Seal, 6 x 10 x 2.5mm .....	1
12	607913		Retaining Ring, E5 .....	1
13	639738		Oil Seal, 24 x 40 x 9mm .....	2
14	26818G01		Steel Ball .....	1
15	26819G01		Spring .....	1
16	26831G01		Gasket, 10 .....	1
17	26820G01		Flanged Hex Head Bolt, M10 - 1.25 x 12mm Lg .....	1
18	639865		Axle Case R Complete (Includes Items 13, 19 - 23) .....	1
19	639746		Select Shaft.....	1
20	607915		Oil Seal, 13 x 22 x 5mm .....	1
21	607916		Snap Ring, 13mm .....	1
22	607917		Spacer, 13 x 1mm .....	1
23	640093		Oil Seal, 28 x 47 x 9mm .....	1
24	607919		Air Breather .....	1
25	639747		Oil Drain Plug .....	2
26	639748		Gasket, 14mm .....	2
27	26785G01		Ball Bearing (6204).....	2
28	665888		Governor Gear, 34.....	1
29	607920		Pin, 6 X 12L .....	1
30	639750		Input Shaft .....	1
31	607922		Ball Bearing (62/28).....	1

## REAR AXLE

THE USE OF NON U.L. PARTS WILL VOID ANY U.L. LISTING.

When ordering parts, please specify the model and serial number of the product.

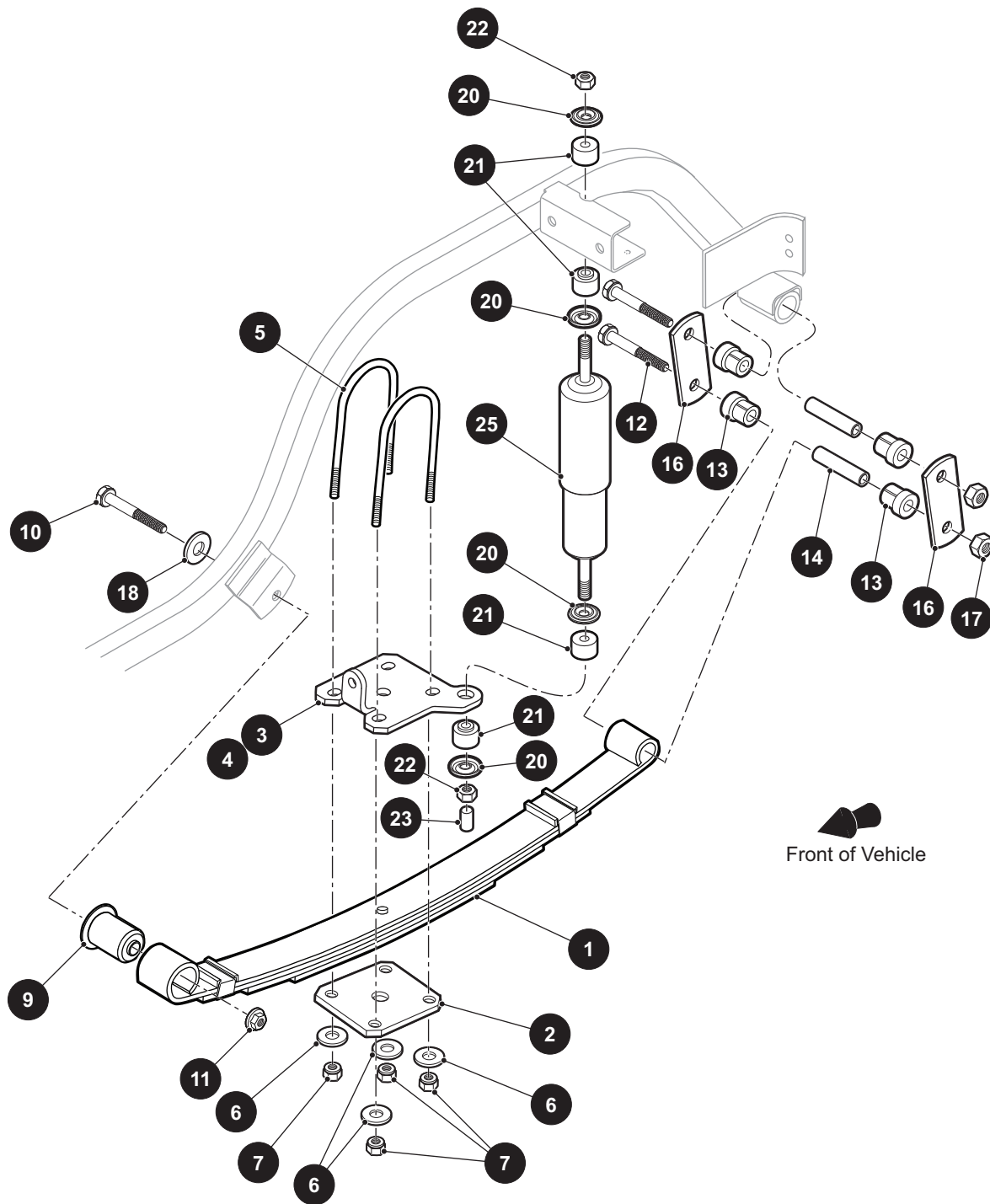
\* Indicates a component that is not available as an individual part.

\*\*\* Indicates consult Customer Service Department for additional information.

ITEM	PART NO.	1	2	3	4	5	DESCRIPTION	QTY.
32	639868						Ball Bearing (TMB202).....	2
33	639755						Counter Shaft.....	1
34	640744						Ball Bearing (6006) .....	1
35	639758						Gear, 34 .....	1
36	639869						Knock Pipe.....	2
37	639760						Ball Bearing (6304) .....	2
38	639768						Flanged Hex Head Bolt, M8 - 1.25 x 40mm Lg.....	1
39	639769						Gear, 17 .....	1
40	28689G01						Collar, 24 x 7.5mm .....	1
41	639771						Gear, 52 .....	1
42	670697						Center Shaft.....	1
43	639774						Clutch Pin.....	1
44	670696						Gear, 61 .....	1
45	639797						Spacer, 20 x 2mm .....	2
46	639872						Differential Case (Includes Items 34, 47, 49 and 50).....	1
47	639800						Differential Pair Gear.....	1
48	26808G01						Hex Head Bolt, M10 - 1.25 x 26mm Lg .....	6
49	28723G01						Differential Shaft.....	1
50	28697G01						Spring Pin, 4 x 40L.....	1
51	639801						Ball Bearing (6007) .....	1
52	640739						Gear, 60 Complete (Includes Item 51).....	1
53	607938						Castle Nut, M22 - 1.5 .....	2
54	639876						Axle Shaft L Complete (Includes Item 56).....	1
55	639881						Axle Shaft R Complete (Includes Item 56) .....	1
56	639836						Ball Bearing (6205DD).....	2
57	607939						Axle Case L Complete .....	1
58	607940						Axle Case R Complete.....	1
59	26814G01						Snap Ring, 52mm .....	2
60	639839						Flanged Hex Head Bolt, M8 - 1.25 x 60mm Lg.....	9
61	639840						Flanged Hex Head Bolt, M10 - 1.25 x 25mm Lg.....	10
62	639847						Differential Assembly (Includes Items 46, 48 and 52) .....	1



# REAR SUSPENSION





# REAR SUSPENSION

THE USE OF NON U.L. PARTS WILL VOID ANY U.L. LISTING.

When ordering parts, please specify the model and serial number of the product.

\* Indicates a component that is not available as an individual part.

\*\*\* Indicates consult Customer Service Department for additional information.

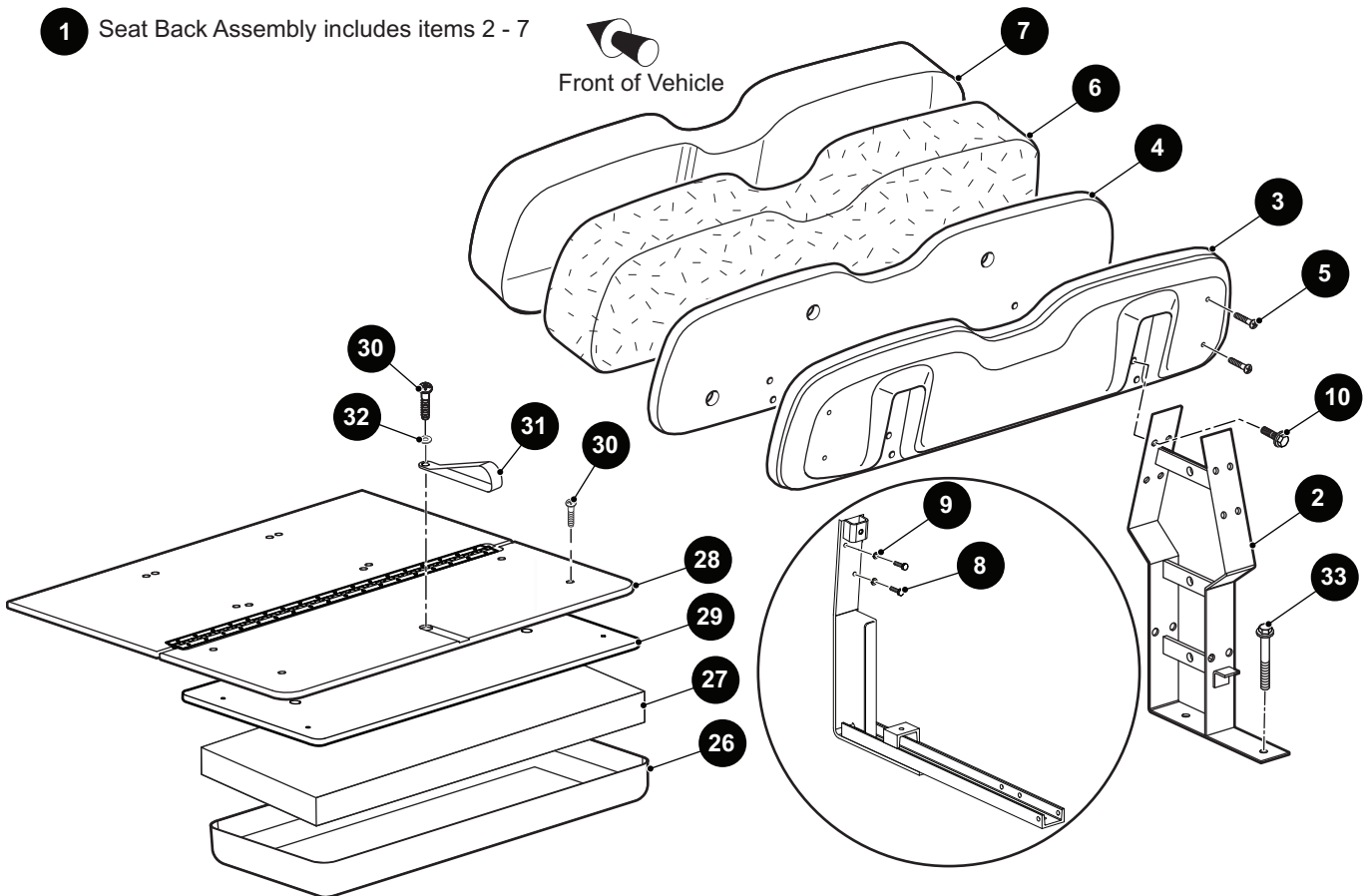
ITEM	PART NO.	1 2 3 4 5	DESCRIPTION	QTY.
1	627738		Leaf Spring.....	1
2	652246		Rear Suspension Plate .....	1
3	605938		Axle Bracket (Driver Side).....	1
4	605958		Axle Bracket (Passenger Side) .....	1
5	32195G3		U Bolt, 3/8" - 16 x 2" x 2 1/8" Lg.....	2
6	00643G1		Flat Washer, 3/8".....	4
7	11098G5		Lock Nut, 3/8" - 16 .....	4
8				
9	605445		Front Spring Bushing .....	1
10	00665G9		Shoulder Bolt, 3/8" - 16 x 3 1/4" Lg.....	1
11	12262G1		Flanged Lock Nut, 3/8" - 16 .....	1
12	00665G9		Shoulder Bolt, 3/8" - 16 x 3 1/4" Lg.....	2
13	624030		Flanged Bushing .....	4
14	70289G02		Split Steel Spacer.....	2
15				
16	652245		Shackle Plate .....	2
17	11098G5		Lock Nut, 3/8" - 16 .....	2
18	00643G1		Flat Washer, 3/8".....	1
19				
20	10435G1		Shock Absorber Washer, .406" I.D. x 1.25" O.D. ....	4
21	10194G1		Rubber Bushing .....	4
22	00532G6		Hex Nut, 3/8" - 24.....	2
23	10044G01		Vinyl Cap.....	1
24				
25	642085		Shock Absorber.....	2





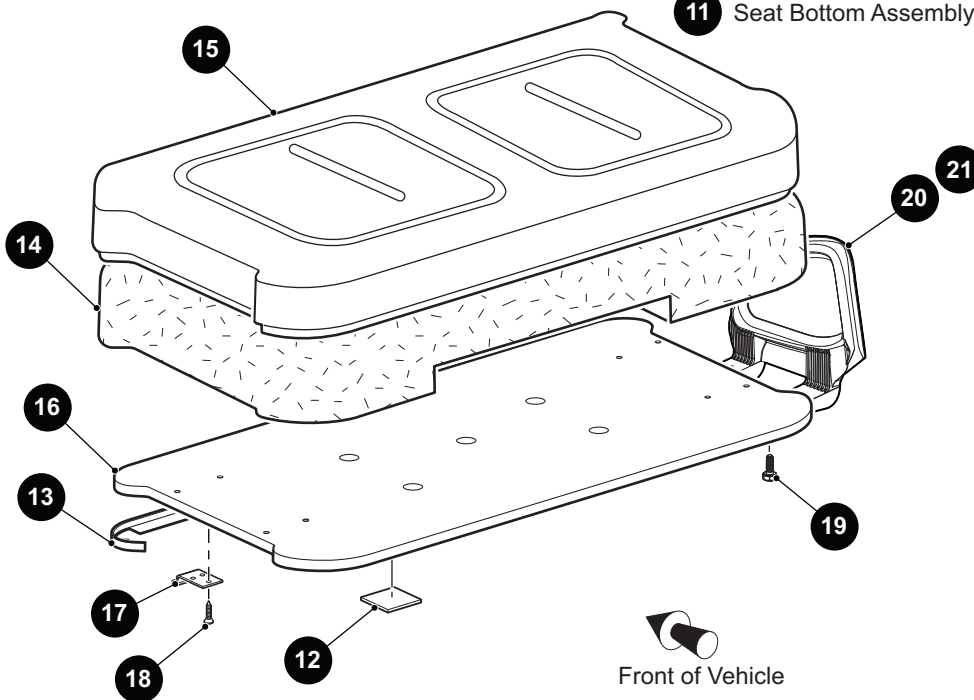
# SEATING

**1** Seat Back Assembly includes items 2 - 7



**25** Flip Flop Seat Bottom Assembly includes items 26 - 32

**11** Seat Bottom Assembly includes items 12 - 21



THE USE OF NON U.L. PARTS WILL VOID ANY U.L. LISTING.

When ordering parts, please specify the model and serial number of the product.

\* Indicates a component that is not available as an individual part.

\*\*\* Indicates consult Customer Service Department for additional information.

ITEM	PART NO.	1	2	3	4	5	DESCRIPTION	QTY.
1	***	Seat Back Assembly (Includes Items 2 - 7).....					1	
							71751G02 Gray	
							71751G03 Oyster	
							71751G04 Tan	
							71751G06 Brown	
							71751G07 Black	
							606828 Red/Black	
							604908 White/Blue	
							604907 White/Red	
							615838 White/Black	
							620794 White/Yellow	
							620796 Gray/Black	
							615837 Oyster/Garnet	
2	634178	Seat Back Support.....					2	
3	71752G01	Seat Back Cover.....					1	
4	645021	Seat Back Base .....					1	
5	01107G01	Pan Head Torx Screw (SS), #8 x 3/8" Lg.....					4	
6	71754G01	Foam Padding (Seat Back) .....					1	
7	***	Vinyl Seat Back Cover .....					1	
							71753G02 Gray	
							71753G03 Oyster	
							71753G04 Tan	
							71753G06 Brown	
							71753G07 Black	
							604916G0304 Red/Black	
							604916G0102 White/Blue	
							604916G0103 White/Red	
							604916G0104 White/Black	
							604916G0108 White/Yellow	
							604916G0704 Gray/Black	
							604916G0506 Oyster/Garnet	
8	00661G8	Hex Head Bolt (SS), 1/4" - 20 x 1/2" Lg .....					4	
9	00664G7	Lock Washer (SS), 1/4".....					4	
10	71204G01	Hex Washer Head Screw with Patch Lock, 1/4" - 20 x 7/8" Lg .....					8	
11	***	Seat Bottom Assembly (Includes Items 12 - 21) .....					1	
							629269G0101 Oyster	
							629269G0103 Tan	
							629269G0104 Gray	
							629269G0106 Black	
							629269G0107 Brown	
							629269G0109 White/Blue	
							629269G0111 White/Red	
							629269G0112 White/Black	
							629269G0113 White/Yellow	

# SEATING

THE USE OF NON U.L. PARTS WILL VOID ANY U.L. LISTING.

When ordering parts, please specify the model and serial number of the product.

\* Indicates a component that is not available as an individual part.

\*\*\* Indicates consult Customer Service Department for additional information.

ITEM	PART NO.	1	2	3	4	5	DESCRIPTION	QTY.
		629269G0114					Gray/Black	
		629269G0115					Oyster/Garnet	
		629269G0110					Red/Black	
12	17074G1						Rubber Pad.....	2
13	71012G01						Vinyl Trim (Seat Bottom) .....	1
14	71603G02						Foam Padding (Seat Bottom).....	1
15	***						Vinyl Seat Bottom Cover .....	1
		71602G03					Oyster	
		71602G04					Tan	
		71602G02					Gray	
		71602G06					Black	
		71602G07					Brown	
		604912G0102					White/Blue	
		604912G0103					White/Red	
		604912G0104					White/Black	
		604912G0108					White/Yellow	
		604912G0704					Gray/Black	
		604912G0506					Oyster/Garnet	
		604912G0304					Red/Black	
16	645492						Seat Bottom Base .....	1
17	71610G01						Seat Hinge .....	2
18	00720G08						Flat Head Phillips Tapping Screw, #12 -14 x 1" Lg.....	6
19	615417						Button Head Torx Bolt, M10 - 1.5 x 25mm Lg .....	4
20	617645						Hip Restraint (Driver Side) .....	1
21	617644						Hip Restraint (Passenger Side).....	1
22								
23								
24								
25	***						Flip Flop Seat Bottom Assembly (Includes Items 26 - 32) .....	1
		628058G01					Oyster	
		628058G03					Tan	
		628058G04					Gray	
		628058G06					Black	
		628058G07					Brown	
		628058G09					White/Blue	
		628058G10					Red/Black	
		628058G11					White/Red	
		628058G12					White/Black	
		628058G13					White/Yellow	
		628058G14					Gray/Black	
		628058G15					Oyster/Garnet	

THE USE OF NON U.L. PARTS WILL VOID ANY U.L. LISTING.

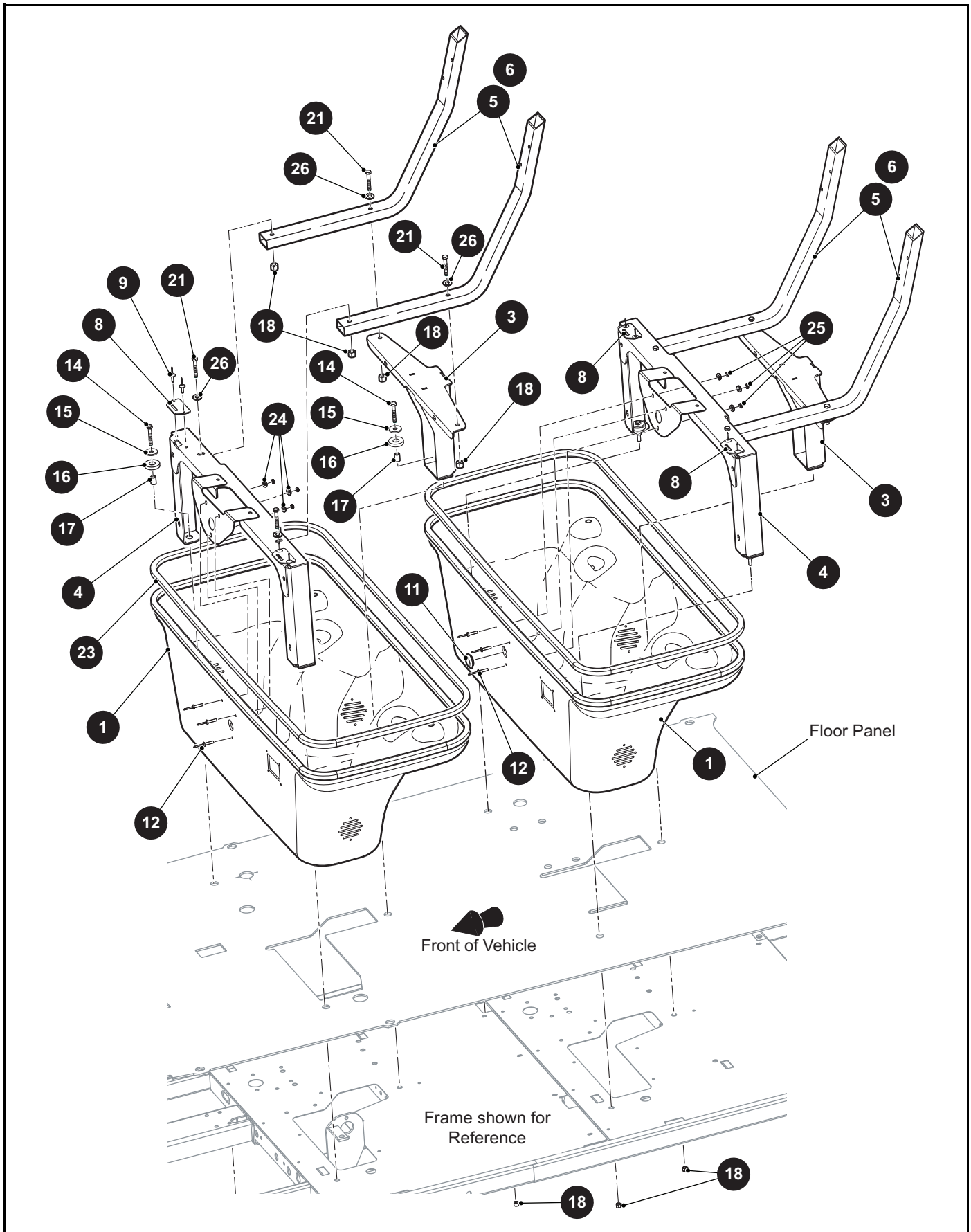
When ordering parts, please specify the model and serial number of the product.

\* Indicates a component that is not available as an individual part.

\*\*\* Indicates consult Customer Service Department for additional information.

ITEM	PART NO.	1	2	3	4	5	DESCRIPTION	QTY.
26	***						Vinyl Seat Bottom Cover .....	1
							615646 Oyster	
							615647 Tan	
							617892 Gray	
							615648 Black	
							617893 Brown	
							611125 Whit/Blue	
							611135 Red/Black	
							611126 White/Red	
							611130 White/Black	
							611127 White/Yellow	
							611137 Gray/Black	
							611136 Oyster/Ruby	
27	617401						Seat Bottom Foam.....	1
28	634190						Deck Board Assembly .....	1
29	645820						Seat Bottom.....	1
30	16705G1						Truss Head Phillips Screw (SS), 1/4" - 20 x 1" Lg .....	5
31	617402						Seat Strap.....	1
32	00559G7						Flat Washer, 1/4" .....	1
33	01006G01						Hex Washer Head Thread Forming Screw, 3/8" - 16 x 1 1/4" Lg .....	4

# SEATING





THE USE OF NON U.L. PARTS WILL VOID ANY U.L. LISTING.

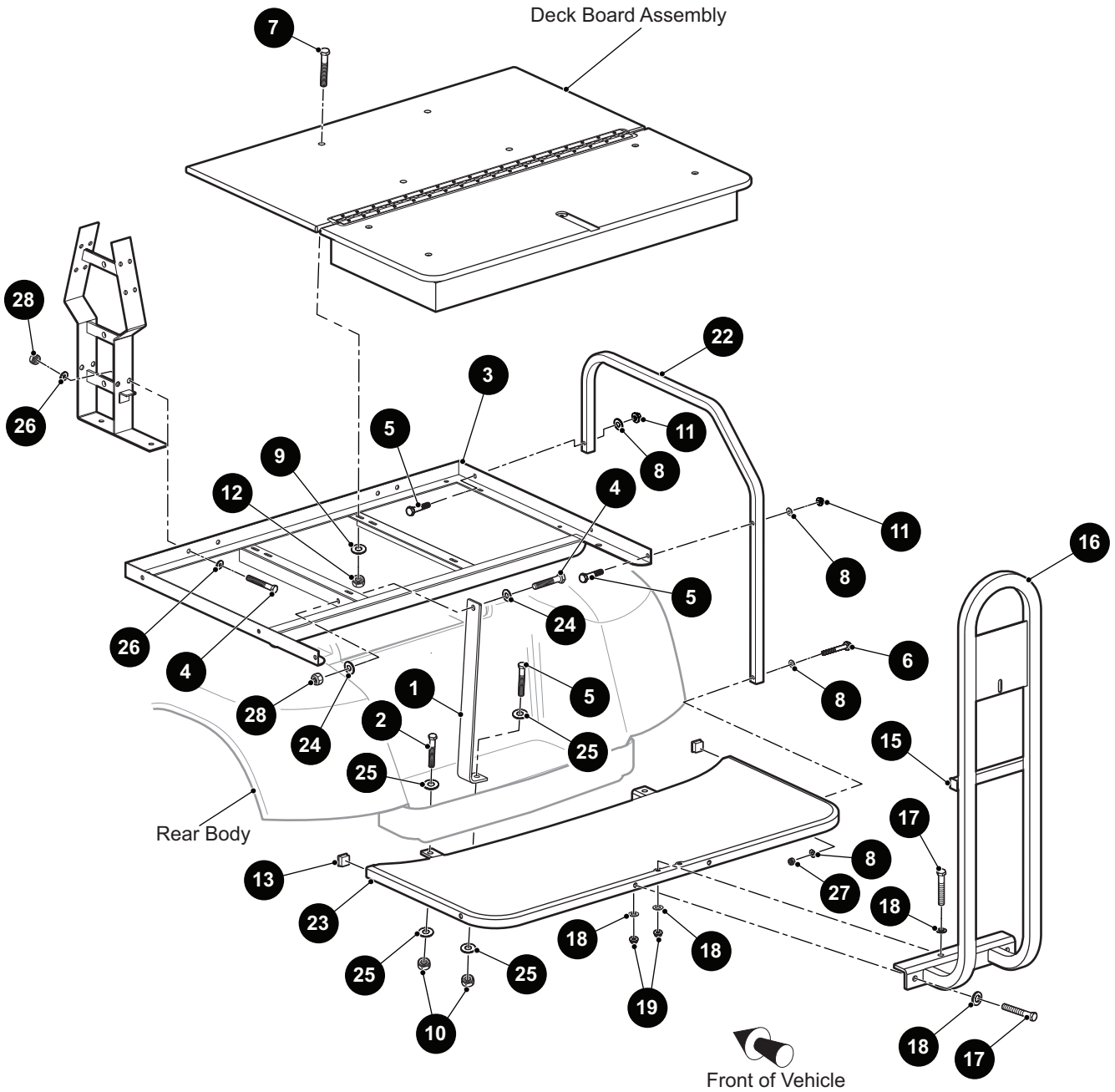
When ordering parts, please specify the model and serial number of the product.

\* Indicates a component that is not available as an individual part.

\*\*\* Indicates consult Customer Service Department for additional information.

ITEM	PART NO.	1 2 3 4 5	DESCRIPTION	QTY.
1	648313GXX		Seat Pod (See COLOR CODES in HOW TO USE Section) .....	1
2				
3	657681		Rear Seat Support .....	1
4	654767		Seat Support .....	1
5	648523		Seat Back Support Tube (For Vehicles Manufactured Before August 17, 2019) .....	2
6	694377		Seat Back Support Tube (For Vehicles Manufactured After August 17, 2019).....	2
7				
8	71609G01		Hinge Plate.....	2
9	10570G11		Rivet (SS), 3/16" x .70" Lg .....	4
10				
11	71316G01		Plug .....	1
12	71055G01		Rivet (Aluminum), 3/16" x 1" Lg .....	3
13				
14	00439G8		Hex Head Bolt (SS), 5/16" - 18 x 2" Lg, Grade 5 .....	3
15	00675G1		Flat Washer (SS), .398" I.D. x 1.25" O.D. x .115" Lg .....	3
16	71883G01		Rubber Washer, .625" I.D. x 1.50" O.D. x .312" Lg.....	3
17	23726G9		Spacer, .312" I.D. x .562" O.D. x .750" Lg .....	3
18	11098G6		Lock Nut, 5/16" - 18 .....	7
19				
20				
21	00439G6		Hex Head Bolt, 5/16" - 18 x 1 3/4" Lg, Grade 5 .....	4
22				
23	32805G6		Trim, 118" Lg.....	1
24	00660G5		Flat Washer (SS), #10.....	3
25	01110G01		Flat Washer, 1/4".....	3
26	00560G1		Flat Washer, 3/8".....	4

14 Hand Kit, Flip Flop Seat includes items 15 - 19



THE USE OF NON U.L. PARTS WILL VOID ANY U.L. LISTING.

When ordering parts, please specify the model and serial number of the product.

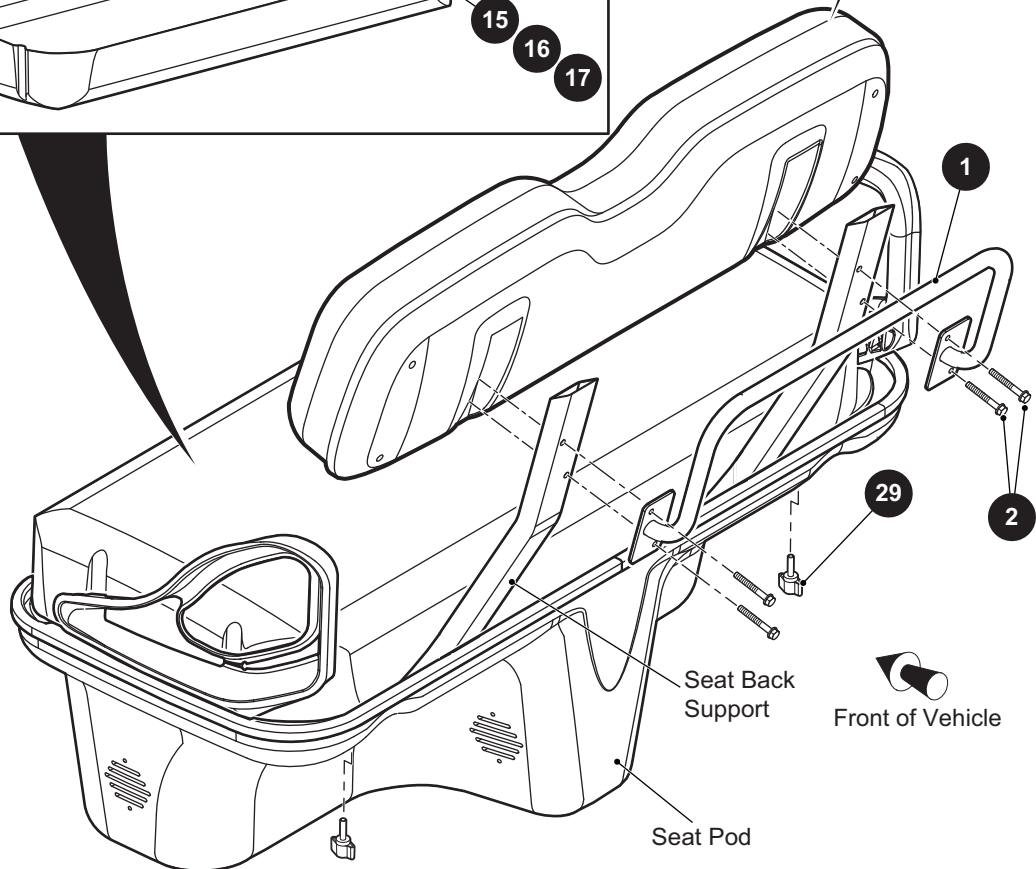
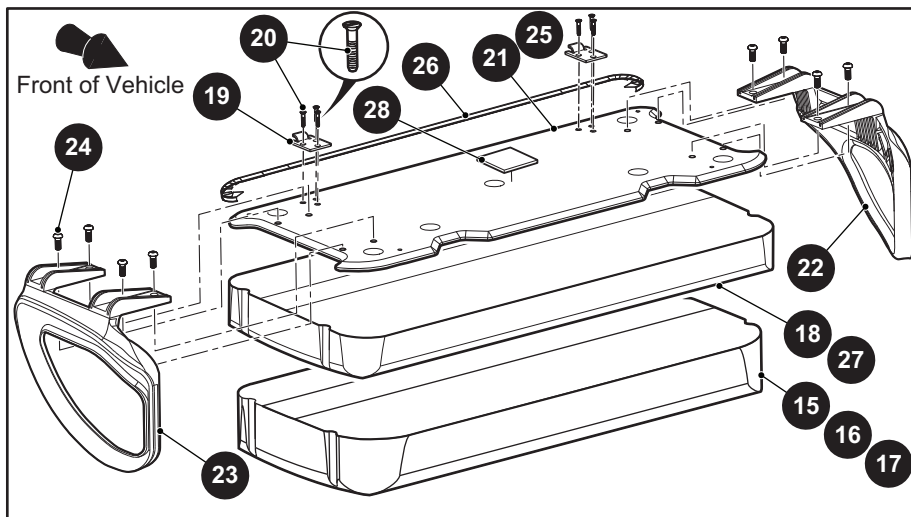
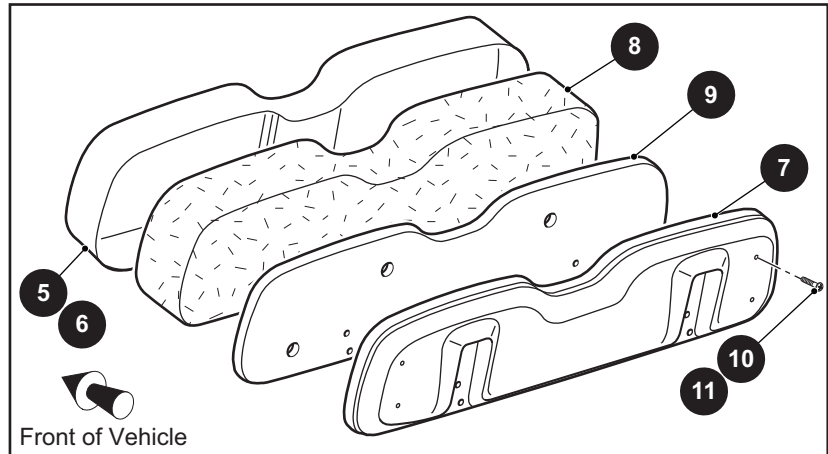
\* Indicates a component that is not available as an individual part.

\*\*\* Indicates consult Customer Service Department for additional information.

ITEM	PART NO.	1 2 3 4 5	DESCRIPTION	QTY.
1	634174		Seat Frame Support .....	2
2	00427G6		Hex Head Bolt, 3/8" - 16 x 1 3/4" Lg, Grade 5 .....	2
3	634180		Seat Frame Weldment .....	1
4	00427G2		Hex Head Bolt, 3/8" - 16 x 1 1/4" Lg, Grade 5 .....	4
5	00427G4		Hex Head Bolt, 3/8" - 16 x 1 1/2" Lg, Grade 5 .....	6
6	00428G8		Hex Head Bolt, 3/8" - 16 x 2 1/4" Lg .....	2
7	16705G9		Truss Head Phillips Screw (SS), 1/4" - 20 x 1 1/4" Lg.....	4
8	614221		Flat Washer, 3/8" .....	8
9	00559G7		Flat Washer, 1/4" .....	4
10	11098G5		Lock Nut, 3/8" - 16 .....	4
11	11027G5		Lock Nut, 3/8" - 16 .....	4
12	14390G4		Lock Nut, 1/4" - 20 .....	4
13	19853G1		Square Tube Cap, 1".....	2
14	634184		Handrail Kit, Flip Flop Seat (Includes Items 15 - 19).....	1
15	19859G1		Square Tube Cap, 3/4" .....	2
16	634185		Footrest Handle Weldment.....	1
17	00427G8		Hex Head Bolt, 3/8" - 16 x 2" Lg, Grade 5.....	4
18	614221		Flat Washer, 3/8" .....	8
19	11098G5		Lock Nut, 3/8" - 16.....	4
20				
21				
22	634175		Rear Seat Arm Rest .....	2
23	634179		Footrest Weldment.....	1
24	614221		Flat Washer, 3/8" .....	4
25	614221		Flat Washer, 3/8" .....	8
26	614221		Flat Washer, 3/8" .....	4
27	11098G5		Lock Nut, 3/8" - 16 .....	2
28	11098G5		Lock Nut, 3/8" - 16 .....	4

# SEATING

- 3 Seat Back Assembly includes items 5, 7 - 10
- 4 Seat Back Assembly includes items 6 - 9, 11
- 12 Seat Bottom Assembly includes items 15, 18 - 24
- 13 Seat Bottom Assembly includes items 16, 18 - 24
- 14 Seat Bottom Assembly includes items 17, 19 - 20, 25 - 28



THE USE OF NON U.L. PARTS WILL VOID ANY U.L. LISTING.

When ordering parts, please specify the model and serial number of the product.

\* Indicates a component that is not available as an individual part.

\*\*\* Indicates consult Customer Service Department for additional information.

ITEM	PART NO.	1 2 3 4 5	DESCRIPTION	QTY.
1	71632G01		Hand Grip Weldment.....	1
2	71204G02		Hex Washer Head Screw with Patch Lock, 1/4" - 20 x 2" Lg .....	4
3	***		Seat Back Assembly (Includes Items 5, 7 - 10)..... 606828 Red/Black 604908 White/Blue 604907 White/Red 615838 White/Black 620794 White/Yellow 620796 Gray/Black 615837 Oyster/Garnet	2
4	***		Seat Back Assembly (Includes Items 6 - 9, 11)..... 71751G01 White 71751G02 Gray 71751G03 Oyster 71751G04 Tan 71751G06 Brown 71751G07 Black	2
5	***		Vinyl Seat Back Cover ..... 604916G0304 Red/Black 604916G0102 White/Blue 604916G0103 White/Red 604916G0104 White/Black 604916G0108 White/Yellow 604916G0704 Gray/Black 604916G0506 Oyster/Garnet	1
6	***		Vinyl Seat Back Cover ..... 71753G01 White 71753G02 Gray 71753G03 Oyster 71753G04 Tan 71753G06 Brown 71753G07 Black	1
7	71752G01		Rear Seat Back Cover .....	1
8	71754G01		Seat Back Padding .....	1
9	645021		Seat Back Base .....	1
10	648271		Pan Head Torx Screw (SS), #8 - 15 x 1" Lg .....	4
11	01107G01		Pan Head Torx Screw (SS), #8 x .63" Lg.....	4
12	***		Seat Bottom Assembly (Includes Items 15, 18 - 24) ..... 629269G1701 Oyster 629269G1703 Tan 629269G1704 Gray 629269G1706 Black 629269G1707 Brown	1

# SEATING

THE USE OF NON U.L. PARTS WILL VOID ANY U.L. LISTING.

When ordering parts, please specify the model and serial number of the product.

\* Indicates a component that is not available as an individual part.

\*\*\* Indicates consult Customer Service Department for additional information.

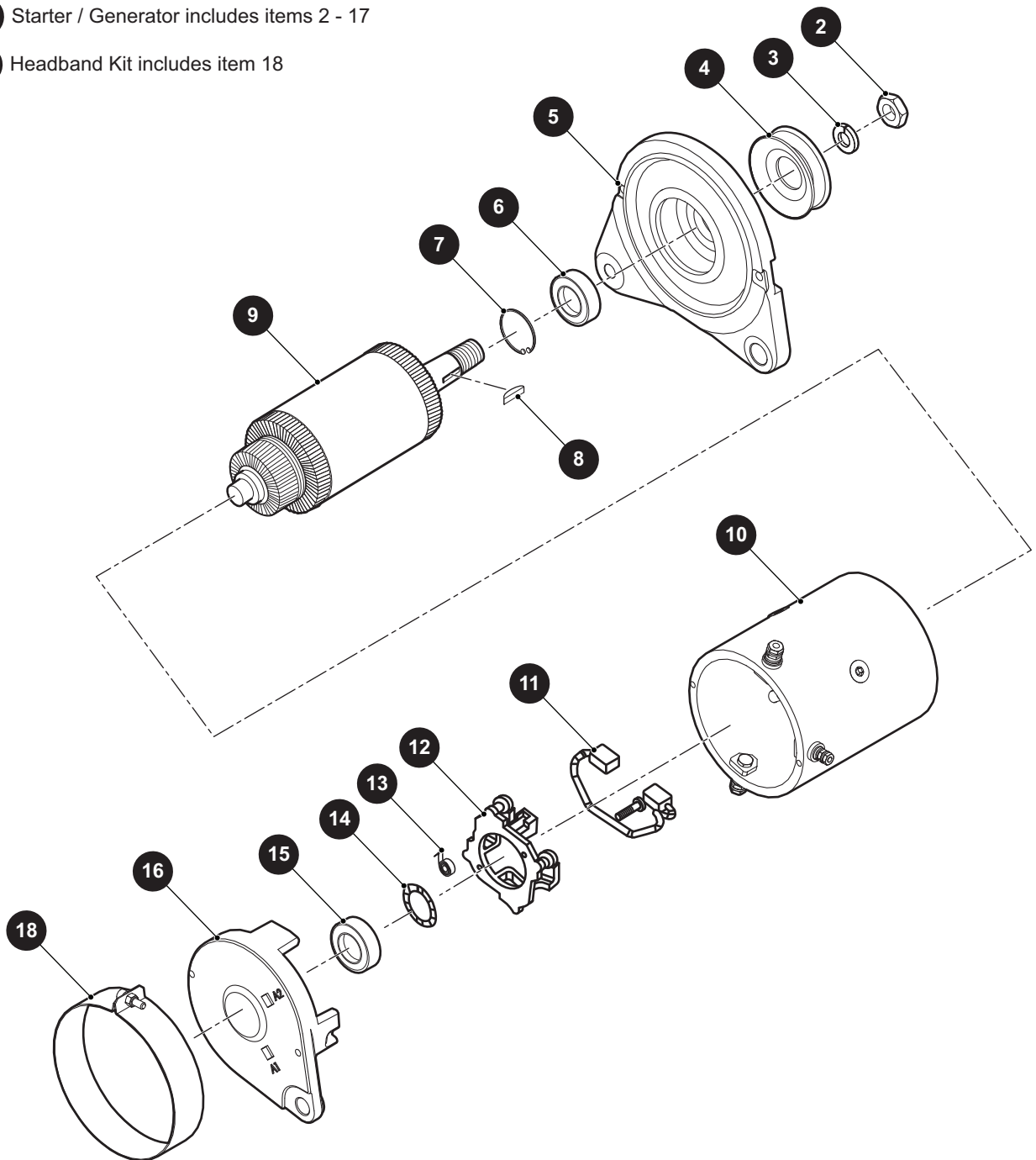
ITEM	PART NO.	1	2	3	4	5	DESCRIPTION	QTY.
13	***						Seat Bottom Assembly (Includes Items 16, 18 - 24)..... 629269G1709 White/Blue 629269G1711 White/Red 629269G1712 White/Black 629269G1713 White/Yellow 629269G1710 Red/Black 629269G1714 Gray/Black 629269G1715 Oyster/Garnet	1
14	***						Seat Bottom Assembly (Includes Items 17,19, 20, 25 - 28)..... 629269G0708 Special	1
15	***						Vinyl Seat Cover ..... 71624G03 Oyster 71624G04 Tan 71624G02 Gray 71624G07 Black 71624G06 Brown	1
16	***						Vinyl Seat Cover ..... 604912G0102 White/Blue 604912G0103 White/Red 604916G0104 White/Black 604916G0108 White/Yellow 604916G0304 Red/Black 604916G0704 Gray/Black 604916G0506 Oyster/Garnet	1
17	***						Vinyl Seat Bottom Cover ..... 71650G05 Special	1
18	71625G01						Seat Bottom Padding .....	1
19	71610G01						Seat Hinge .....	2
20	00720G08						Flat Head Phillips Tapping Screw, #12 -14 x 1" Lg.....	6
21	649851						Seat Bottom Base .....	1
22	617645						Hip Restraint (Driver Side) .....	1
23	617644						Hip Restraint (Passenger Side).....	1
24	615417						Button Head Torx Bolt, M10 - 1.5 x 25mm Lg .....	8
25	645493						Seat Bottom Base .....	1
26	71012G01						Vinyl Trim (Seat Bottom) .....	1
27	71649G01						Seat Bottom Padding .....	1
28	17074G1						Soiling Slab .....	2
29	70864G01						T-Knob Stud, 1/4" - 20 x 1" Lg.....	2



# STARTER GENERATOR

1 Starter / Generator includes items 2 - 17

17 Headband Kit includes item 18



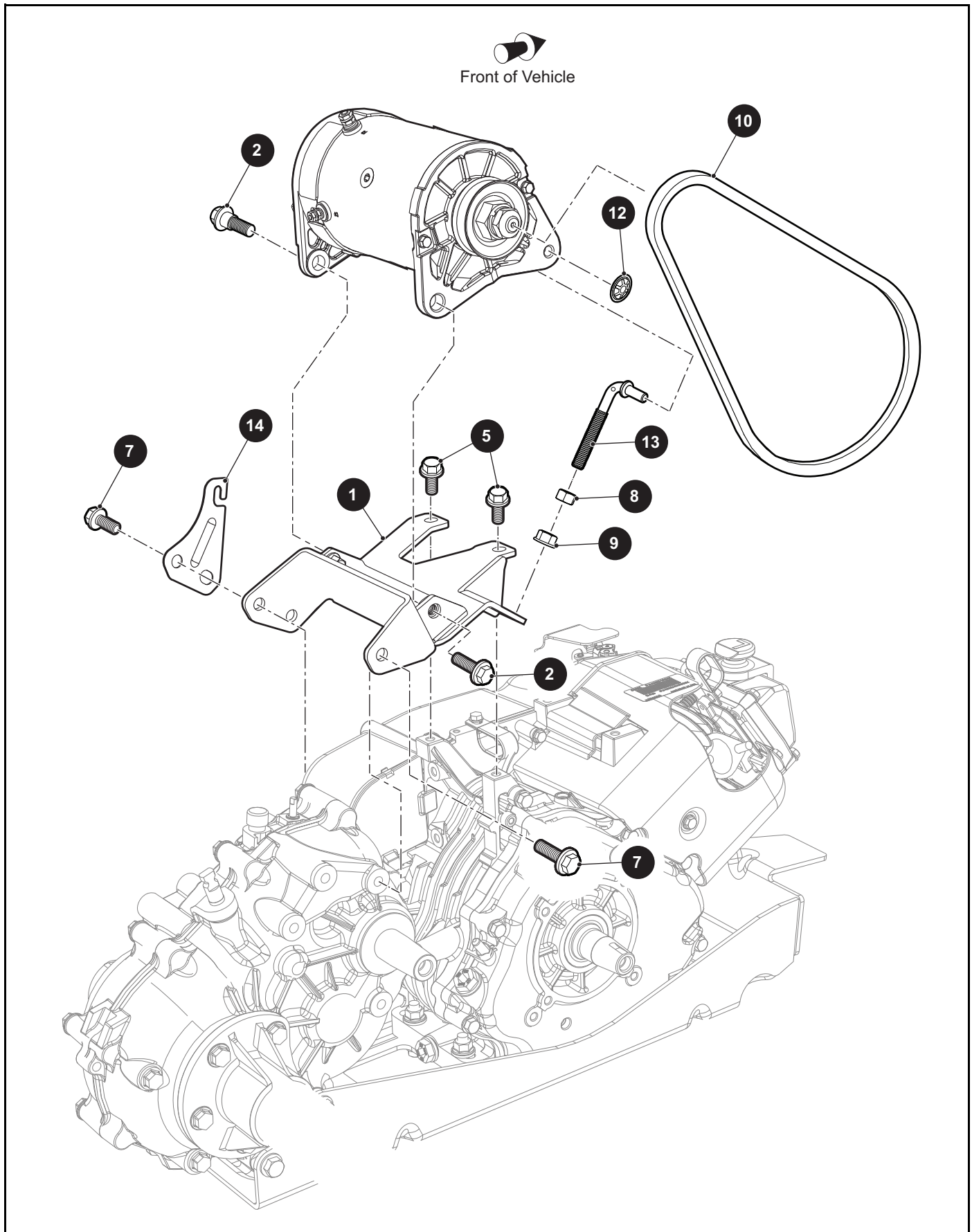


# STARTER GENERATOR

THE USE OF NON U.L. PARTS WILL VOID ANY U.L. LISTING.  
 When ordering parts, please specify the model and serial number of the product.  
 \* Indicates a component that is not available as an individual part.  
 \*\*\* Indicates consult Customer Service Department for additional information.

ITEM	PART NO.	1 2 3 4 5	DESCRIPTION	QTY.
1	660379		Starter/Generator (Includes Items 2 - 17) .....	1
2	612029		Hex Nut.....	1
3	612030		Lock Washer.....	1
4	625716		Pulley, 2.5" O.D. ....	1
5	654715		Drive End Head .....	1
6	612033		Bearing .....	1
7	612034		Retaining Ring .....	1
8	612035		Woodruff Key .....	1
9	612036		Armature Assembly .....	1
10	654716		Frame and Field Assembly .....	1
11	612038		Brush Lead and Terminal Package.....	1
12	654717		Brush Box Assembly.....	1
13	656659		Brush Spring.....	4
14	612043		Wavy Washer .....	1
15	612044		Bearing .....	1
16	612045		Commutator End Head.....	1
17	658172		Headband Kit (Includes Item 18) .....	1
18	654718		Head Band .....	1

# STARTER GENERATOR



# STARTER GENERATOR

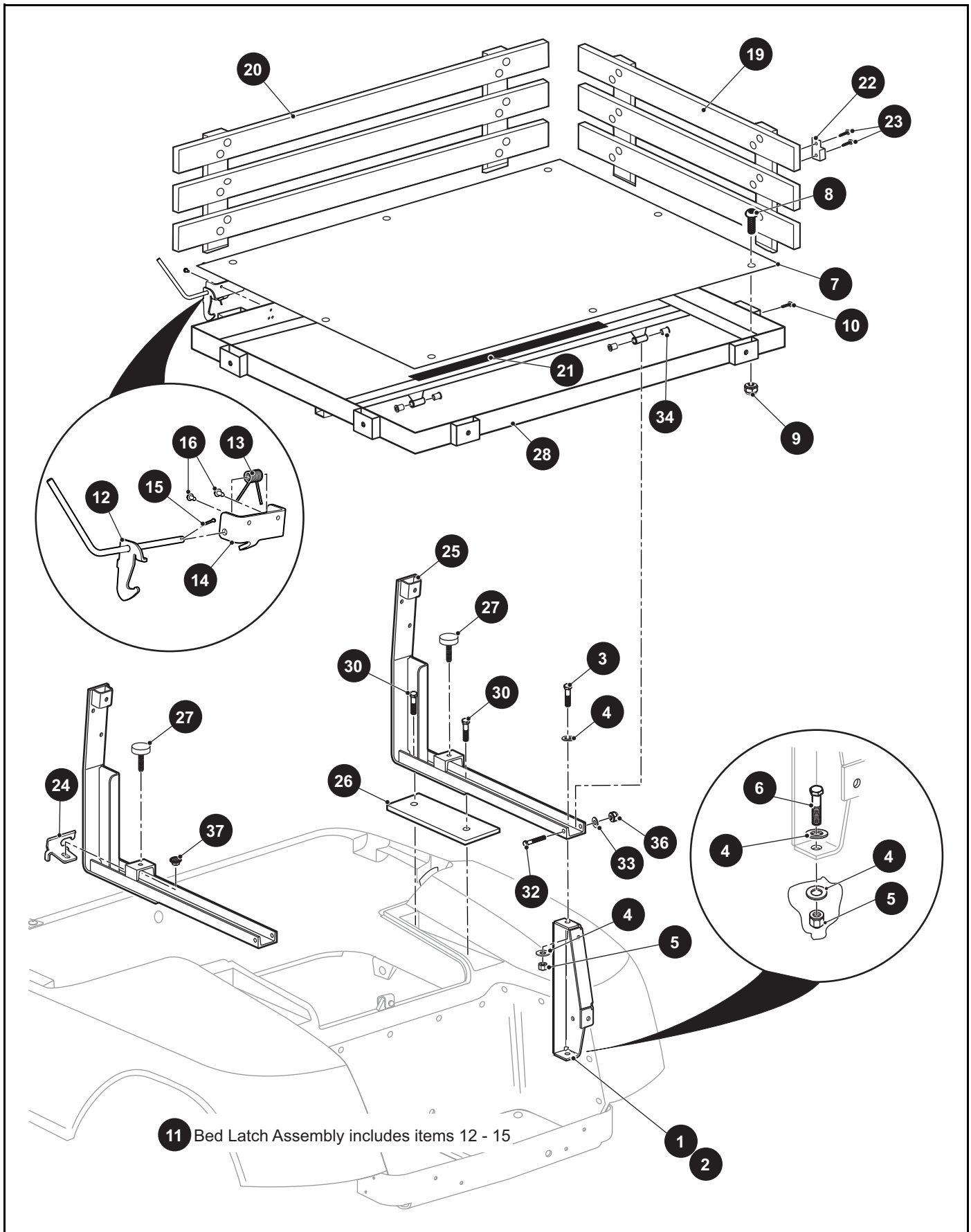
THE USE OF NON U.L. PARTS WILL VOID ANY U.L. LISTING.  
 When ordering parts, please specify the model and serial number of the product.  
 \* Indicates a component that is not available as an individual part.  
 \*\*\* Indicates consult Customer Service Department for additional information.

ITEM	PART NO.	1 2 3 4 5	DESCRIPTION	QTY.
1	631972		Starter/Generator Support Bracket .....	1
2	606235		Flanged Hex Head Bolt, M10 - 1.25 x 20mm Lg.....	2
3				
4				
5	606261		Flanged Hex Head Bolt, M8 - 1.25 x 20mm Lg, Grade 8.8.....	2
6				
7	606256		Flanged Hex Head Bolt, M10 - 1.25 x 25mm Lg, Grade 8.8.....	3
8	606255		Hex Jam Nut, M10 - 1.25 .....	1
9	606274		Flanged Hex Nut, M10 - 1.25 .....	1
10	630587		Starter/Generator Belt .....	1
11				
12	12064G6		Push Nut, 5/16" .....	1
13	629763		Tensioner Bolt .....	1
14	660001		Accelerator Cable Guide Bracket.....	1





# TRUCK BED



THE USE OF NON U.L. PARTS WILL VOID ANY U.L. LISTING.

When ordering parts, please specify the model and serial number of the product.

\* Indicates a component that is not available as an individual part.

\*\*\* Indicates consult Customer Service Department for additional information.

ITEM	PART NO.	1 2 3 4 5	DESCRIPTION	QTY.
1	74126G01		Rear Support Frame (Driver Side) .....	1
2	74126G02		Rear Support Frame (Passenger Side).....	1
3	00426G8		Hex Head Bolt, 3/16" - 16 x 1" Lg, Grade 5 .....	2
4	00560G1		Flat Washer, 3/8" .....	8
5	11098G5		Lock Nut, 3/8" - 16 .....	4
6	00427G4		Hex Head Bolt, 3/8" - 16 x 1 1/2" Lg, Grade 5 .....	2
7	655936		Cargo Deckboard .....	1
8	16705G9		Truss Head Phillips Screw (SS), 1/4" - 20 x 1 1/4" Lg.....	8
9	14390G4		Lock Nut, 1/4" - 20 .....	8
10	00666G6		Truss Head Thread Forming Screw (SS), #10 - 12 x 3/4" Lg.....	6
11	72913G01		Bed Latch Assembly (Includes Items 12 - 15).....	1
12	72912G01		Bed Latch .....	1
13	70681G01		Torsion Spring.....	1
14	74509G01		Pivot Bracket .....	1
15	10387G3		Cotter Pin.....	1
16	00100G6		Hex Washer Self Tapping Screw, #10 - 16 x 3/4" Lg.....	2
17				
18				
19	34280G01		Cargo Rack, 30.5" .....	2
20	34280G02		Cargo Rack, 43" .....	2
21	23052G1		Weather Stripping .....	1
22	74079G02		Tailgate Retainer Bracket.....	2
23	00666G6		Truss Head Thread Forming Screw (SS), #10 - 12 x 3/4" Lg.....	4
24	72914G01		Latch Tab Bracket .....	1
25	685520		Seat Support Weldment.....	1
26	70364G01		Spacer Plate.....	2
27	70113G01		Adjustable Rubber Bumper .....	2
28	635862		Cargo Deck Weldment .....	1
29				
30	01006G01		Hex Washer Head Thread Forming Screw, 3/8" - 16 x 1 1/4" Lg.....	4
31				

# TRUCK BED

THE USE OF NON U.L. PARTS WILL VOID ANY U.L. LISTING.

When ordering parts, please specify the model and serial number of the product.

\* Indicates a component that is not available as an individual part.

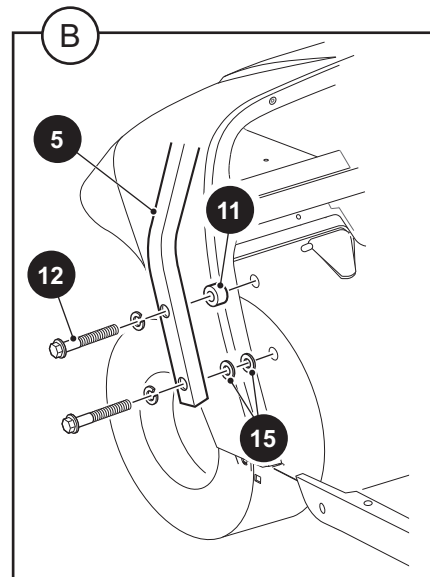
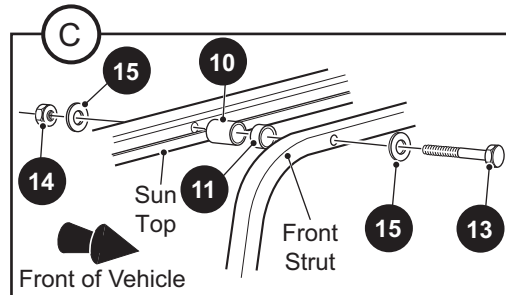
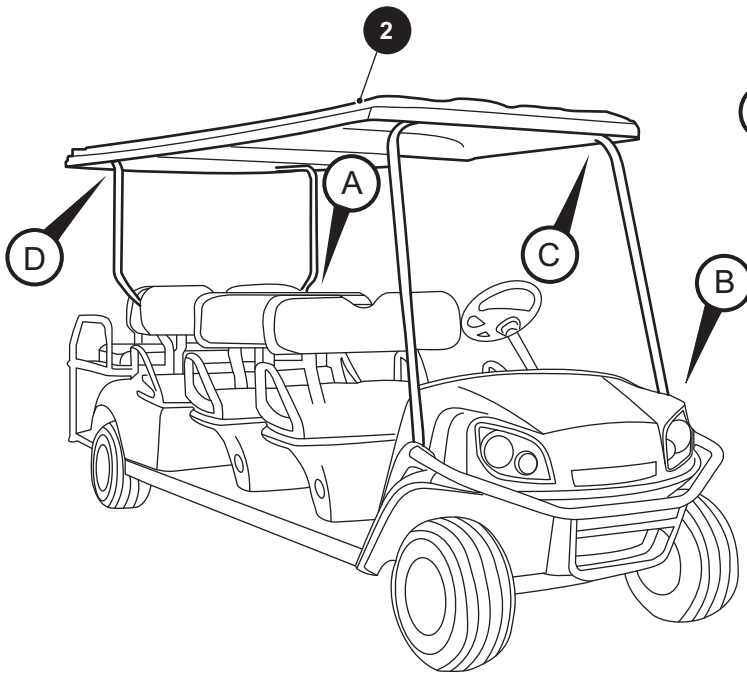
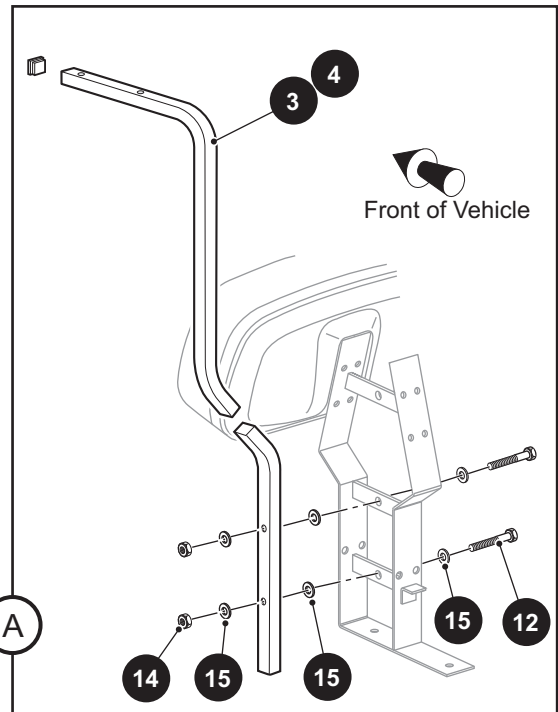
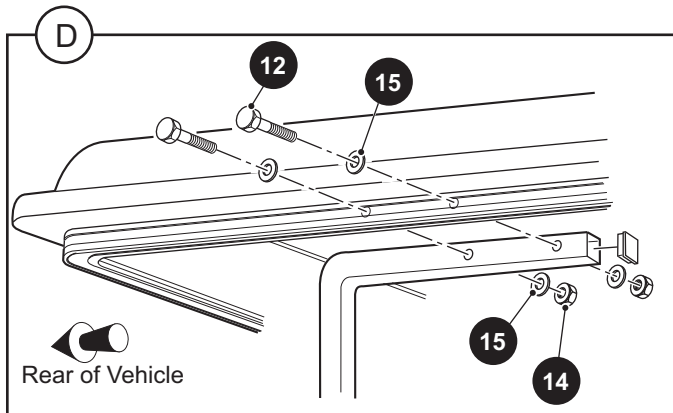
\*\*\* Indicates consult Customer Service Department for additional information.

ITEM	PART NO.	1 2 3 4 5	DESCRIPTION	QTY.
32	00440G4		Hex Head Bolt, 5/16" 18 x 1 1/4" Lg.....	2
33	00559G8		Flat Washer, 5/16" .....	2
34	17838G1		Nyliner Bushing .....	4
35				
36	11098G6		Lock Nut, 5/16" - 18.....	2
37	11027G1		Flanged Lock Nut, 5/16" - 18.....	4





# WEATHER PROTECTION



**1** Sun Top Kit, White, 140" includes items 2 - 16

**9** Sun Top Hardware Kit includes items 10 - 16

## WEATHER PROTECTION

THE USE OF NON U.L. PARTS WILL VOID ANY U.L. LISTING.

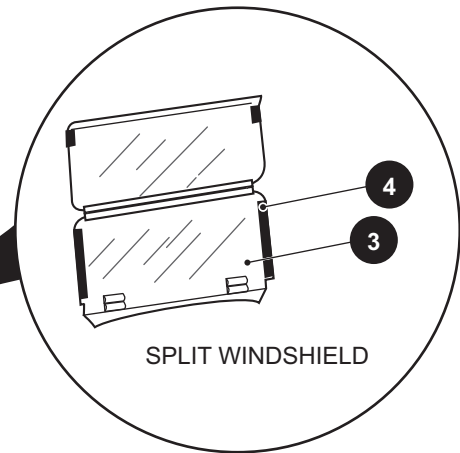
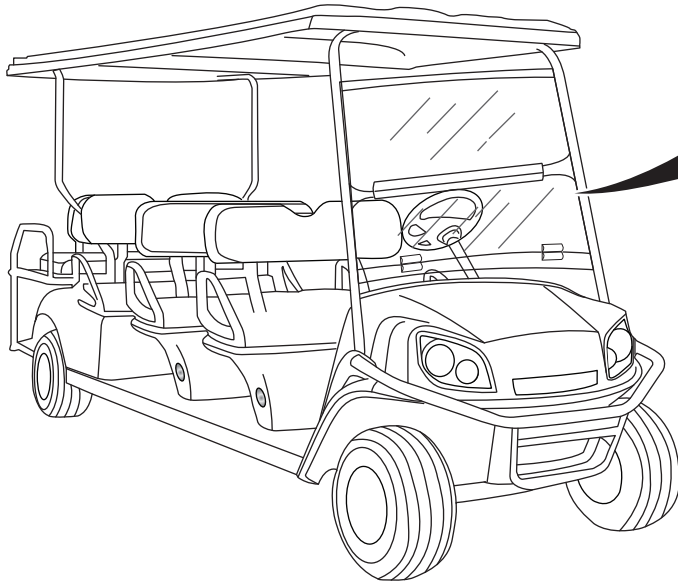
When ordering parts, please specify the model and serial number of the product.

\* Indicates a component that is not available as an individual part.

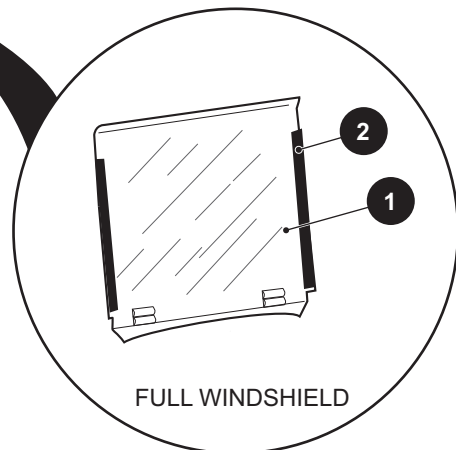
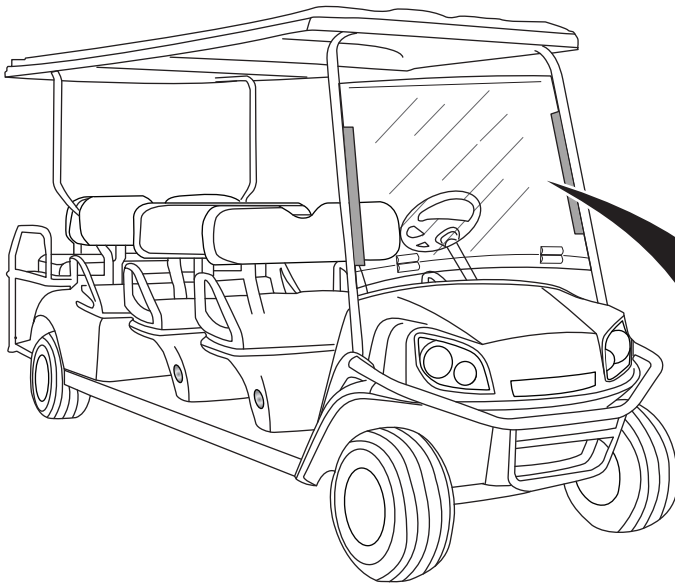
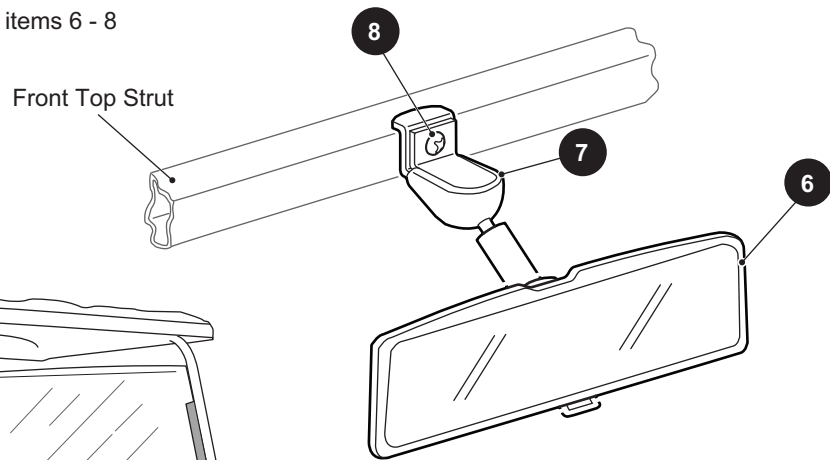
\*\*\* Indicates consult Customer Service Department for additional information.

ITEM	PART NO.	1 2 3 4 5	DESCRIPTION	QTY.
1	626706		Sun Top Kit, White, 140" (Includes Items 2 - 16).....	1
2	626701		Sun Top .....	1
3	626704		Rear Strut (Passenger Side) .....	1
4	626705		Rear Strut (Driver Side) .....	1
5	626703		Front Strut.....	1
6	626702		Sun Top Support (Not Illustrated) .....	2
7				
8				
9	627706		Sun Top Hardware Kit (Includes Items 10 - 16).....	1
10	75048G04		Spacer, .328 x .75 x 1" Lg .....	2
11	75048G01		Spacer, .328 x .75 x 1/2" Lg .....	4
12	01035G02		Hex Head Bolt, 5/16" - 18 x 2 1/2" Lg .....	12
13	00441G8		Hex Head Bolt, 5/16" - 18 x 2" Lg .....	2
14	11098G6		Lock Nut, 5/16" - 18 .....	10
15	01110G03		Flat Washer, 5/16" .....	28
16	800943		T-Screw, #10 - 16 x 3/4" Lg (Not Illustrated) .....	8

# WEATHER PROTECTION



5 Rear View Mirror Kit includes items 6 - 8



# WEATHER PROTECTION

THE USE OF NON U.L. PARTS WILL VOID ANY U.L. LISTING.

When ordering parts, please specify the model and serial number of the product.

\* Indicates a component that is not available as an individual part.

\*\*\* Indicates consult Customer Service Department for additional information.

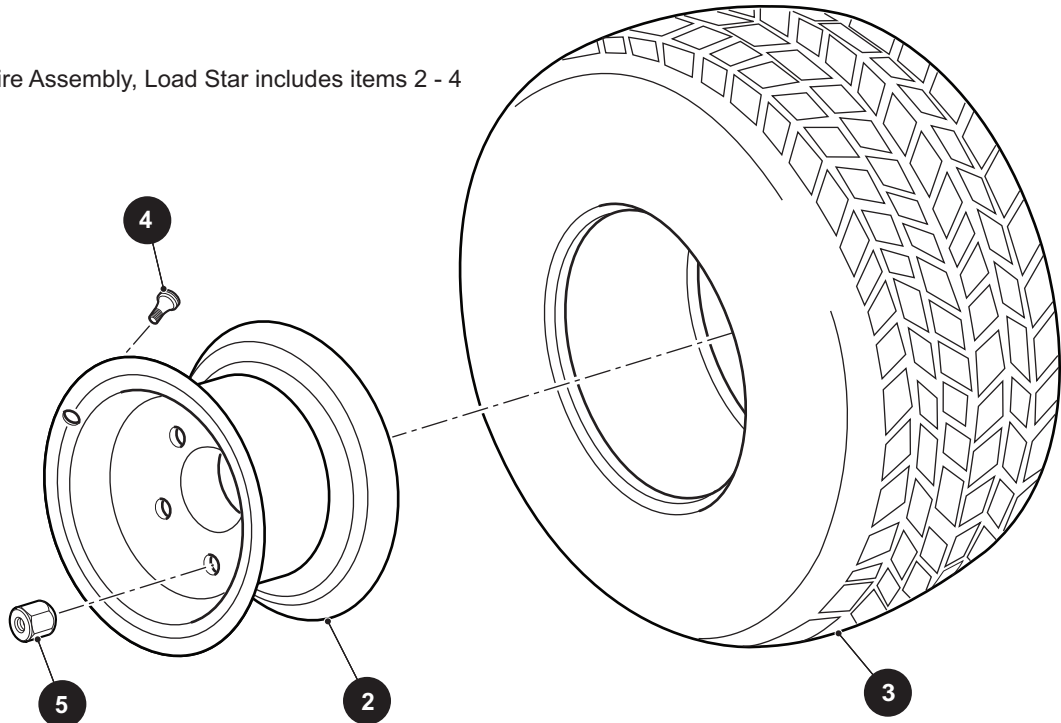
ITEM	PART NO.	1 2 3 4 5	DESCRIPTION	QTY.
1	611099		Full Windshield Kit (Includes Item 2) .....	1
2	615662		Sash, 26" .....	2
3	611100		Split Windshield Kit (Includes Item 4).....	1
4	615661		Sash, 12" .....	2
5	19528G2		Rear View Mirror Kit (Includes Items 6 - 8) .....	1
6	19496G1		Rear View Mirror.....	1
7	19502G2		Support Bracket.....	1
8	19527G1		Pan Head Screw (SS), # 8 - 32 x 5/8" Lg .....	1



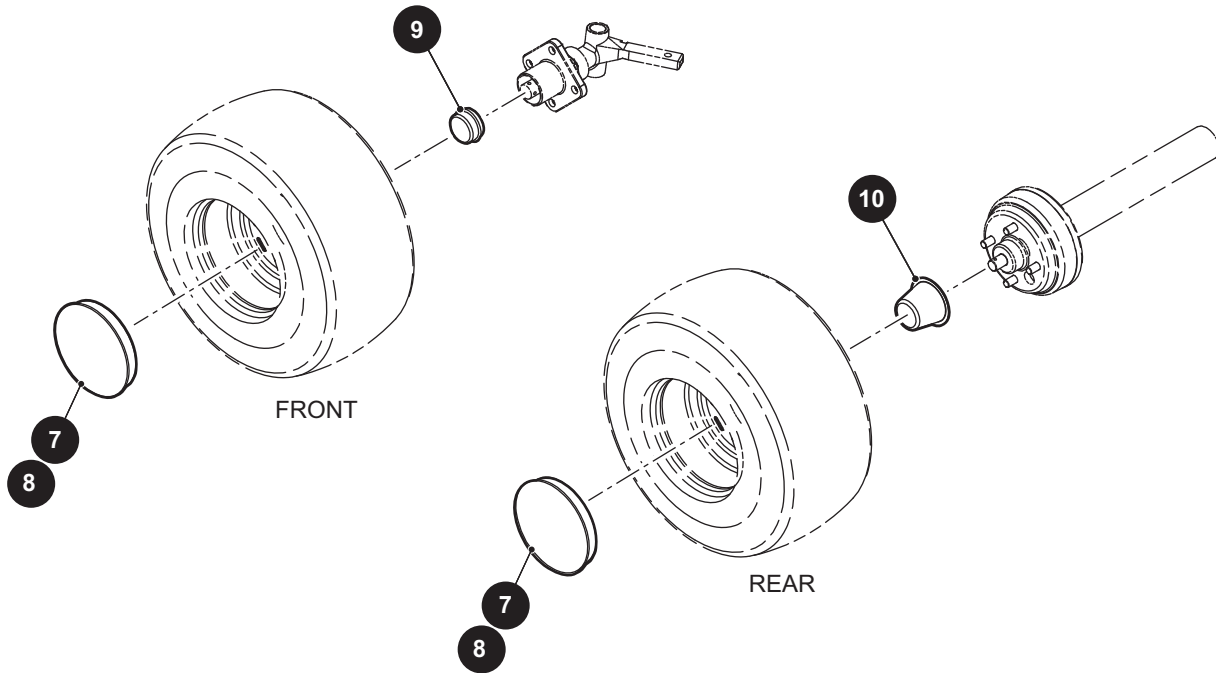


# WHEELS AND TIRES

1 Wheel and Tire Assembly, Load Star includes items 2 - 4



(Style of tire may differ from tire shown)





## WHEELS AND TIRES

THE USE OF NON U.L. PARTS WILL VOID ANY U.L. LISTING.

When ordering parts, please specify the model and serial number of the product.

\* Indicates a component that is not available as an individual part.

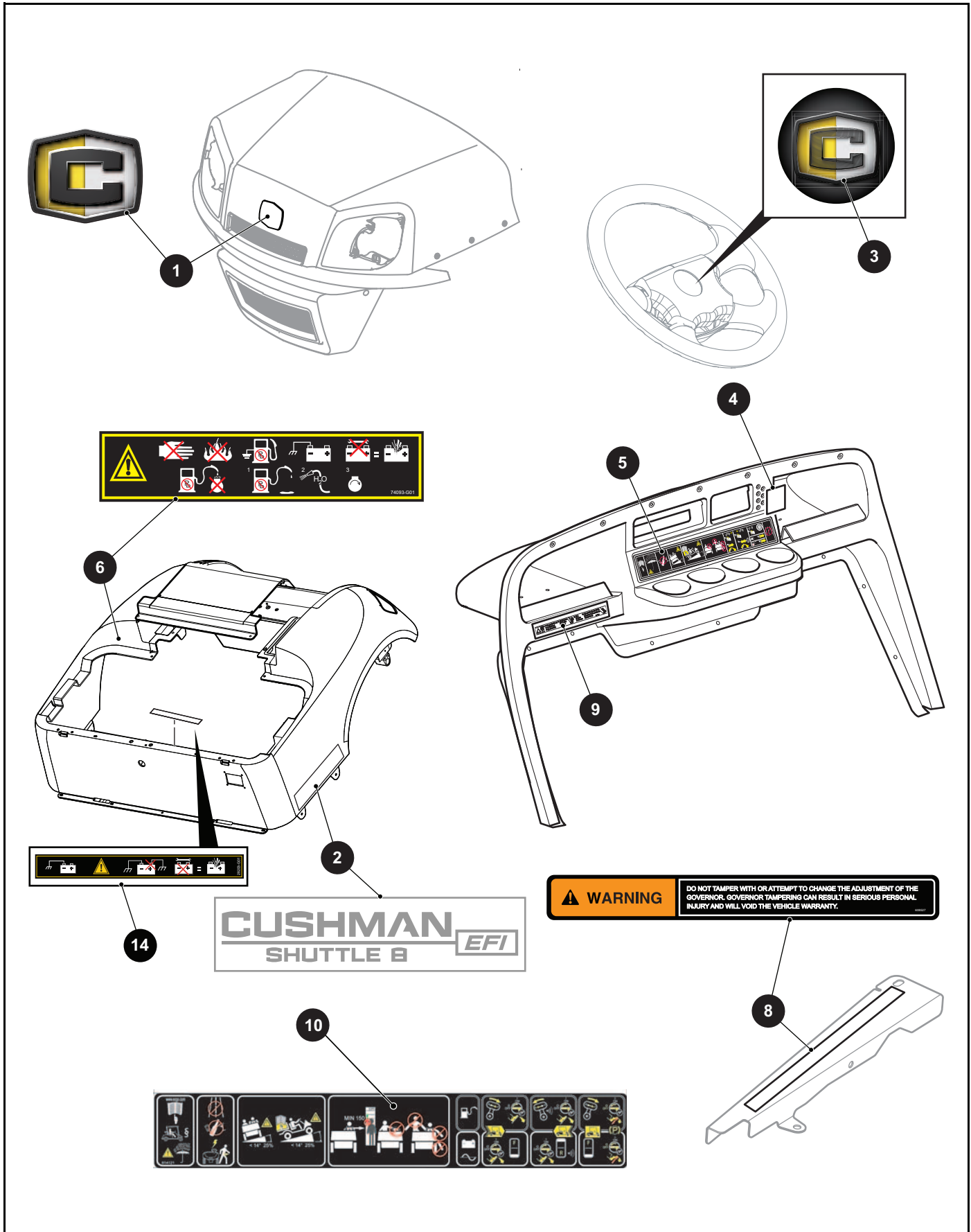
\*\*\* Indicates consult Customer Service Department for additional information.

ITEM	PART NO.	1 2 3 4 5	DESCRIPTION	QTY.
1	614437		Wheel and Tire Assembly, Load Star (Includes Items 2 - 4) .....	1
2	614621		Wheel Rim, 8" x 7" .....	1
3	614438		Tire.....	1
4	11657G2		Valve Stem .....	1
5	14723G1		Lug Nut, 1/2" - 20 .....	4
6				
7	665144		Wheel Cover (Metallic Silver).....	1
8	665149		Wheel Cover (Metallic Gold) .....	1
9	12091G2		Spindle Cap.....	1
10	74175G01		Dust Cap .....	1





# DECALS AND LABELS



## DECALS AND LABELS

THE USE OF NON U.L. PARTS WILL VOID ANY U.L. LISTING.

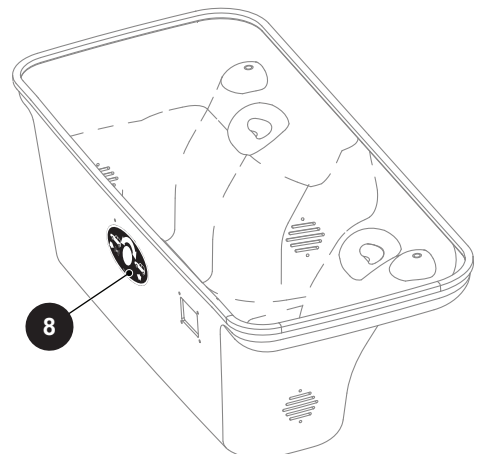
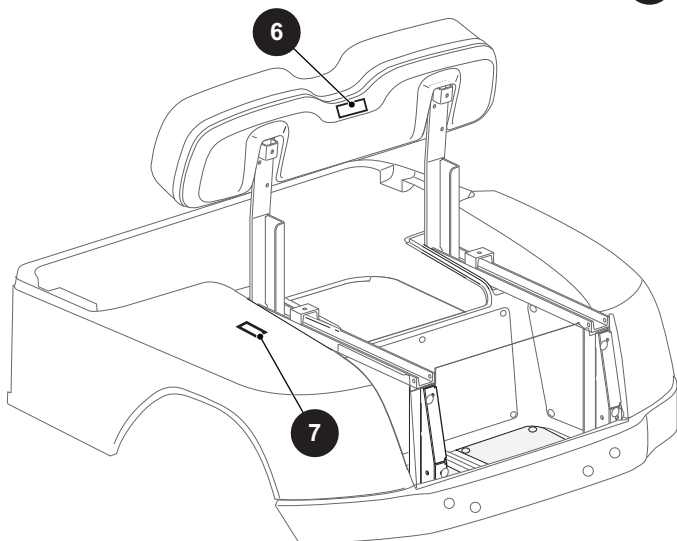
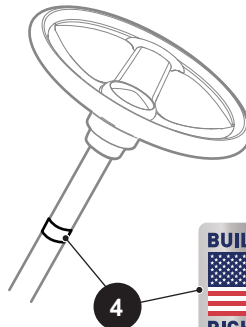
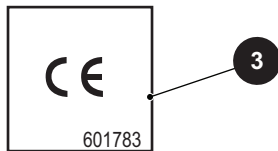
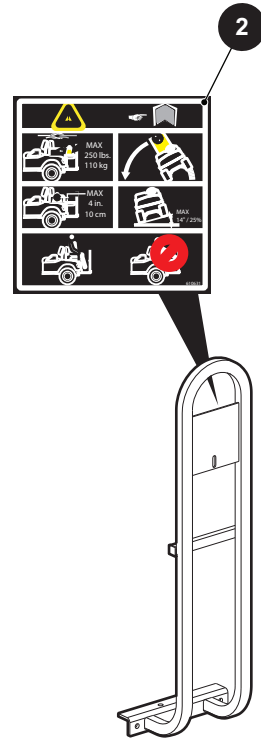
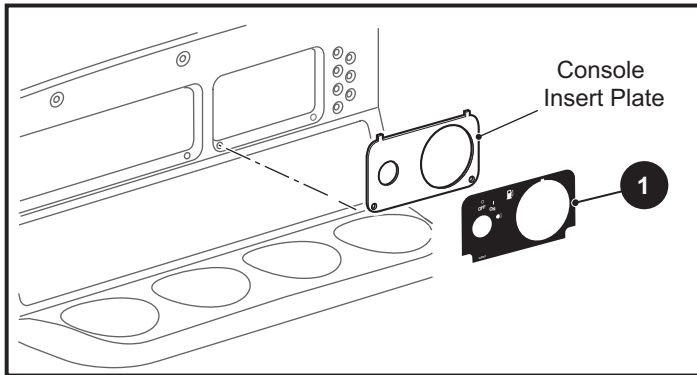
When ordering parts, please specify the model and serial number of the product.

\* Indicates a component that is not available as an individual part.

\*\*\* Indicates consult Customer Service Department for additional information.

ITEM	PART NO.	1 2 3 4 5	DESCRIPTION	QTY.
1	619135		Cushman Cowl Decal.....	1
2	690471		Shuttle- 8 Side Decal .....	1
3	618086		Steering Wheel Decal .....	1
4	35968G01		T-Holder Cover Decal.....	1
5	601781		Safety Label .....	1
6	74093G01		Engine Warning Label.....	1
7				
8	608527		Governor Waring Label.....	1
9	74443G01		Anti-rollback Decal .....	1
10	614121		Operator Warning Instructions Label (For CE Vehicles) .....	1
11				
12				
13				
14	28203G01		Battery Warning Decal (For CE Vehicles).....	1

# DECALS AND LABELS



## DECALS AND LABELS

THE USE OF NON U.L. PARTS WILL VOID ANY U.L. LISTING.

When ordering parts, please specify the model and serial number of the product.

\* Indicates a component that is not available as an individual part.

\*\*\* Indicates consult Customer Service Department for additional information.

ITEM	PART NO.	1 2 3 4 5	DESCRIPTION	QTY.
1	648855		Console, Lights, Fuel Decal .....	1
2	610631		Clays Bed Decal.....	1
3	601783		CE Symbol Decal (For CE Vehicles).....	1
4	685698		MADE IN USA Decal.....	1
5	608822		Governor Decal (For CE Vehicles).....	1
6	74095G01		Bed Warning Label.....	1
7	74099G01		Bed Latch Warning Label.....	1
8	73317G01		Direction Selector Decal.....	1









**Textron Specialized Vehicles, Inc.,**  
1451 Marvin Griffin Road  
Augusta, Georgia 30906 - 3852 USA

#### CONTACT INFORMATION

North America:

**Technical Assistance & Warranty** Phone: 1-800-774-3946, FAX: 1-800-448-8124  
**Service Parts** Phone: 1-888-438-3946, FAX: 1-800-752-6175

International: Phone: 001-706-798-4311, FAX: 001-706-771-4609

Owner's Guides and Repair Manuals  
are available from a local Distributor, an authorized Branch,  
Parts & Accessories Department or at [www.cushman.txtsv.com](http://www.cushman.txtsv.com)

Copyrighted Material  
This manual may not be reproduced in whole or  
in part without the express permission of  
Textron Specialized Vehicles  
Technical Publications Department