



CUSHMAN®
LET'S WORK.®

72V AC SHUTTLE 8

Service Parts Manual

677964 - G
ISSUED JULY 2018

REVISED SEPTEMBER 2019

SERVICE PARTS MANUAL

ELECTRIC POWERED UTILITY VEHICLE

SHUTTLE 8 72V

STARTING MODEL YEAR 2018

Never modify the vehicle in any way that will alter the weight distribution of the vehicle, decrease its stability or increase the speed beyond the factory specifications. Such modifications can cause serious personal injury or death. Textron Specialized Vehicles prohibits and dis-claims responsibility for any such modifications or any other alteration which would adversely affect the safety of the vehicle.

TSV reserves the right to incorporate engineering and design changes to products in this manual, without obligation to include these changes on units sold previously.

The information contained in this manual may be revised periodically by TSV, and therefore is subject to change without notice.

TSV DISCLAIMS LIABILITY FOR ERRORS IN THIS MANUAL, and SPECIFICALLY DISCLAIMS LIABILITY FOR INCIDENTAL AND CONSEQUENTIAL DAMAGES resulting from the use of the information and materials in this manual.

These are the original instructions as defined by 2006/42/EC.

TO CONTACT US:

Textron Specialized Vehicles, Inc.
1451 Marvin Griffin Road
Augusta, Georgia, USA 30906-3852

NORTH AMERICA:

Technical Assistance & Warranty PHONE: 1-800-774-3946, FAX: 1-800-448-8124

Service Parts PHONE: 1-888-438-3946, FAX: 1-800-752-6175

International: PHONE: 001-706-798-4311, FAX: 001-706-771-4609

GENERAL INFORMATION

To obtain a copy of the limited warranty applicable to the vehicle, call or write a local Distributor, authorized Branch or the Warranty Department with vehicle serial number and manufacturer code.

The use of non Original Equipment Manufacturer (OEM) approved parts may void the warranty.

Tampering with or adjusting the governor to permit vehicle to operate at above factory specifications will void the vehicle warranty.

When servicing engines, all adjustments and replacement components must be per original vehicle specifications in order to maintain the United States of America Federal and State emission certification applicable at the time of manufacture.

BATTERY PROLONGED STORAGE

All batteries will self discharge over time. The rate of self discharge varies depending on the ambient temperature and the age and condition of the batteries.

A fully charged battery will not freeze in winter temperatures unless the temperature falls below -75° F (-60° C).

BATTERY DISPOSAL

Lead-acid batteries are recyclable. Return whole scrap batteries to distributor, manufacturer or lead smelter for recycling. For neutralized spills, place residue in acid-resistant containers with absorbent material, sand or earth and dispose of in accordance with local, state and federal regulations for acid and lead compounds. Contact local and/or state environmental officials regarding disposal information.

TABLE OF CONTENTS

| SECTION | Page No. |
|--|-----------------|
| HOW TO USE THE SERVICE PARTS MANUAL..... | V |
| ACCELERATOR..... | A - 1 |
| BATTERY CHARGER..... | B - 1 |
| BODY..... | C - 1 |
| HYDRAULIC BRAKES..... | D - 1 |
| PARKING BRAKES..... | E - 1 |
| ELECTRICAL..... | F - 1 |
| ELECTRONIC SPEED CONTROL..... | G - 1 |
| FRONT SUSPENSION..... | H - 1 |
| MOTOR..... | J - 1 |
| REAR AXLE..... | K - 1 |
| REAR SUSPENSION..... | L - 1 |
| SEATING..... | M - 1 |
| TRUCK BED..... | N - 1 |
| WEATHER PROTECTION..... | P - 1 |
| WHEELS AND TIRES..... | R - 1 |
| DECALS AND LABELS..... | S - 1 |

HOW TO USE THE SERVICE PARTS MANUAL

This manual is divided into several sections:

- GENERAL INFORMATION
- ILLUSTRATED PARTS BREAKDOWN

The first section, GENERAL INFORMATION, contains the following information:

- WARRANTY INFORMATION
- TABLE OF CONTENT
- HOW TO USE THE SERVICE PARTS MANUAL

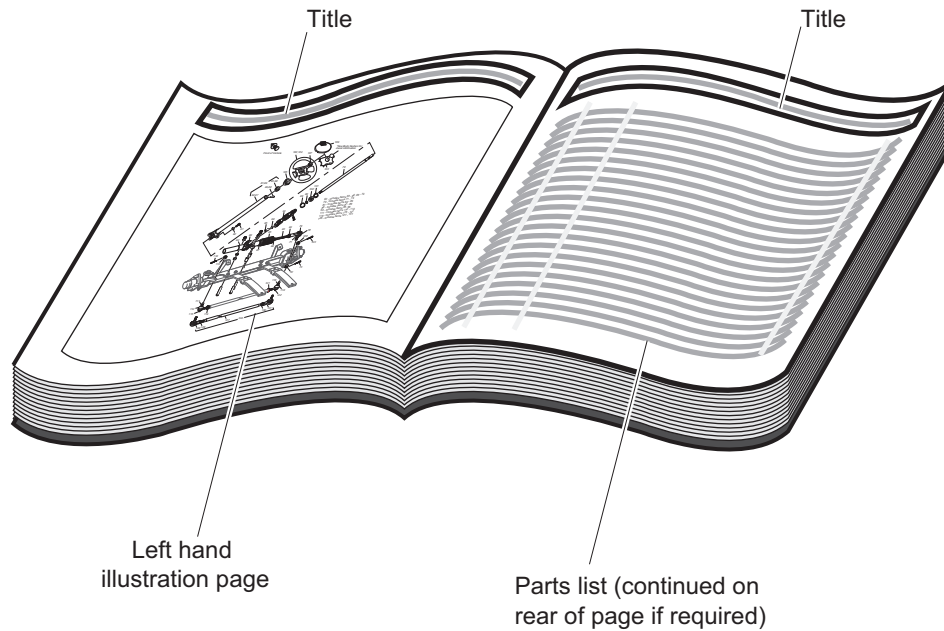
The second section, ILLUSTRATED PARTS BREAKDOWN, contains illustrations and parts lists for all systems of your vehicle.

USE OF THE MANUAL

To use this manual, consult the TABLE OF CONTENT to locate the information or illustration required.

Introduction of some revisions varies due to supply of components; therefore, it is possible that various combinations of components may be found that are not directly reflected by each illustration. Consult the illustration that best suits your situation and then contact the Service Parts Department. It is important that the serial number or VIN of your vehicle and the model name be supplied to Service Parts when ordering any replacement components.

HOW TO USE THE SERVICE PARTS MANUAL



1. WHEN THE PART NUMBER IS NOT KNOWN

- Determine the function and application of the part required. Turn to the Table of Content and select the most appropriate title.
- Turn to the page number indicated and locate the desired part on the illustration.
- From the illustration, obtain the item number assigned to the desired part. Refer to the accompanying description for specific information regarding the part.

2. IF YOU KNOW THE PART NUMBER

- Locate the part number or description in the appropriate column on the parts list page.

NOTE: It is suggested that you confirm that the part selected is correct by verifying it with the pictorial representation on the illustrated page.

Should an asterisk (*) appear in the part number column on the parts list page, read upwards until a part number is found. The part number is the lowest assembly sold by Service Parts and the asterisk (*) indicates that the part depicted is not available for purchase.

NOTE: Descriptions are indented under the assembly that they are used on. That assembly is, in turn listed under the assembly that it is used on. This process is repeated until the highest final assembly is reached.

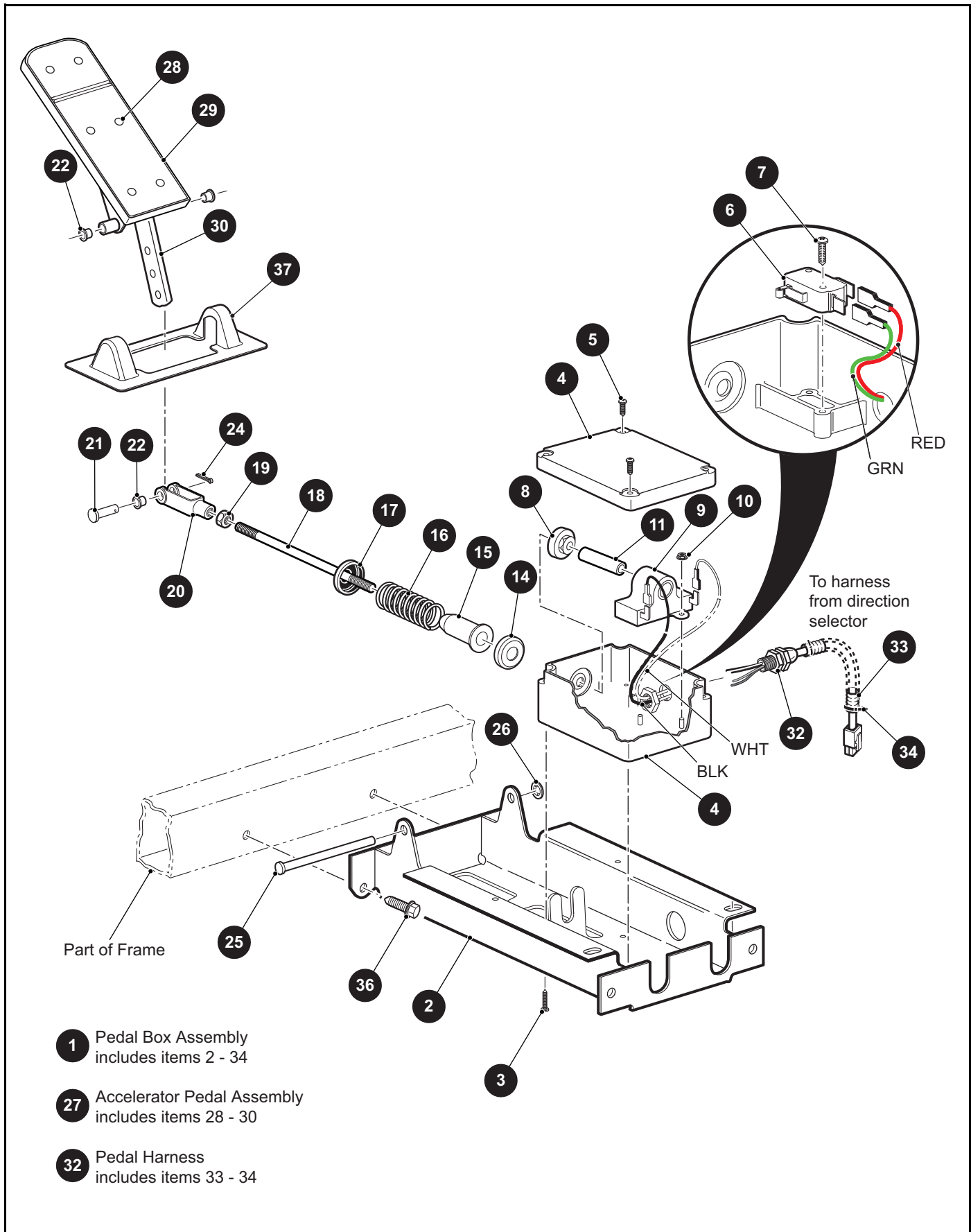
To facilitate the maintenance and repair of the vehicle, a Technician's Repair and Service Manual is available from the Service Parts Department.

3. COLOR CODE FOR BODY COMPONENTS

The last two digits of the part number for the body part will denote the color code, locate the part number for the cowl, rear body, seat pod, side panel or seat wrap then locate your color in the list below, replace the last ** or XX with the two digit color code.

| <u>CODE #</u> | <u>DESCRIPTION</u> |
|----------------------|---------------------------|
| 02 | SPECIAL COLOR |
| 05 | JACOBSEN ORANGE |
| 11 | BLACK |
| 19 | PATRIOT BLUE PEARL |
| 20 | INFERNO RED METALLIC |
| 26 | STEEL BLUE PEARL |
| 31 | METALLIC CHARCOAL |
| 35 | SAFETY YELLOW |
| 36 | IVORY |
| 37 | FOREST GREEN |
| 38 | BRIGHT WHITE |
| 39 | FLAME RED |
| 41 | ELECTRIC BLUE |
| 42 | PLATINUM |
| 43 | BURGUNDY |
| 44 | ALMOND |
| 51 | SUNBURST ORANGE |
| 52 | BRITISH RACING GREEN |
| 69 | MONSTER GREEN |
| 74 | BARLEY GOLD |
| 75 | OASIS GREEN |
| 76 | JAVA BROWN |
| 79 | JACOBSEN ORANGE 172 |
| A5 | OCEAN GRAY |

ACCELERATOR



1 Pedal Box Assembly
includes items 2 - 34

27 Accelerator Pedal Assembly
includes items 28 - 30

32 Pedal Harness
includes items 33 - 34

THE USE OF NON U.L. PARTS WILL VOID ANY U.L. LISTING.

When ordering parts, please specify the model and serial number of the product.

* Indicates a component that is not available as an individual part.

*** Indicates consult Customer Service Department for additional information.

| ITEM | PART NO. | 1 2 3 4 5 | DESCRIPTION | QTY. |
|------|-----------|-----------|--|------|
| 1 | 73333G11 | | Pedal Box Assembly (Includes Items 2 - 34)..... | 1 |
| 2 | 652241G03 | | Accelerator Pedal Bracket | 1 |
| 3 | 01051G01 | | Pan Head Phillips Screw, #8 - 10 x 1/2" Lg | 4 |
| 4 | 25853G01 | | Pedal Box and Cover..... | 1 |
| 5 | 00684G6 | | Truss Head Screw (SS), #8 - 32 x 3/4" Lg..... | 2 |
| 6 | 25861G01 | | Micro Switch | 1 |
| 7 | 01050G01 | | Pan Head Torx Screw, #4 - 20 x 5/8" Lg..... | 2 |
| 8 | 28444G01 | | Accelerator Rod Cam | 1 |
| 9 | 25854G01 | | Inductive Throttle Sensor..... | 1 |
| 10 | 00983G01 | | Self Threading Nut, .38" | 2 |
| 11 | 602484 | | Plunger | 1 |
| 12 | | | | |
| 13 | | | | |
| 14 | 17677G1 | | Spring Retainer..... | 1 |
| 15 | 17979G1 | | Bushing, .75" x 2" Lg | 1 |
| 16 | 73046G01 | | Compression Spring | 1 |
| 17 | 17677G2 | | Spring Retainer, 3/8"..... | 1 |
| 18 | 73332G01 | | Accelerator Rod..... | 1 |
| 19 | 00532G4 | | Hex Nut, 5/16" - 24 | 1 |
| 20 | 10385G4 | | Clevis Yoke (Adjustable)..... | 1 |
| 21 | 10386G3 | | Clevis Pin, 5/16" x 13/16" Lg | 1 |
| 22 | 17838G1 | | Nylon Bushing, .37" x .31" Lg | 3 |
| 23 | | | | |
| 24 | 10387G3 | | Cotter Pin, 3/32" x 3/4" Lg | 1 |
| 25 | 74432G01 | | Pedal Pivot Pin | 1 |
| 26 | 12064G6 | | Push Nut, 5/16"..... | 1 |
| 27 | 25799G03 | | Accelerator Pedal Assembly (Includes Items 28 - 30)..... | 1 |
| 28 | 16409G1 | | Oval Rivet, 3/16" x 7/16" Lg | 6 |
| 29 | 27512G01 | | Accelerator Pedal Pad | 1 |
| 30 | 652824 | | Accelerator Pedal..... | 1 |
| 31 | | | | |

ACCELERATOR

THE USE OF NON U.L. PARTS WILL VOID ANY U.L. LISTING.

When ordering parts, please specify the model and serial number of the product.

* Indicates a component that is not available as an individual part.

*** Indicates consult Customer Service Department for additional information.

| ITEM | PART NO. | 1 | 2 | 3 | 4 | 5 | DESCRIPTION | QTY. |
|------|----------|---|---|---|---|---|---|------|
| 32 | 25879G08 | | | | | | Pedal Harness (Includes Items 33 - 34)..... | 1 |
| 33 | 17313G1 | | | | | | Loom Flex (Bulk), 3/8" | 1 |
| 34 | 17618G1 | | | | | | Nylon Clamp, 8" Lg..... | 2 |
| 35 | | | | | | | | |
| 36 | 00715G2 | | | | | | Hex Head Bolt, 5/16" - 18 x 3/4" Lg..... | 4 |
| 37 | 70135G01 | | | | | | Pedal Pivot Cover..... | 1 |

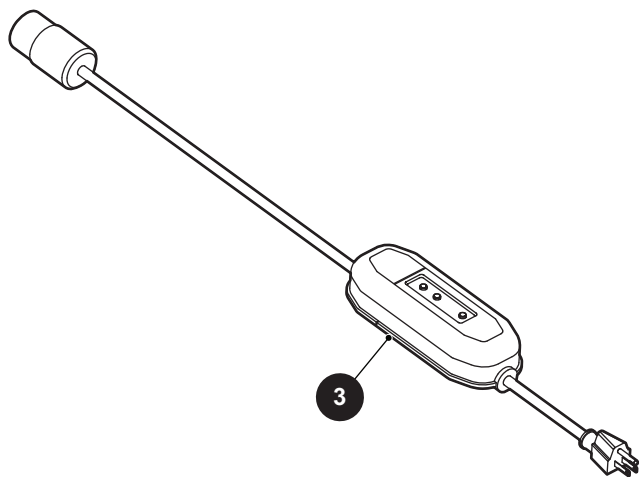
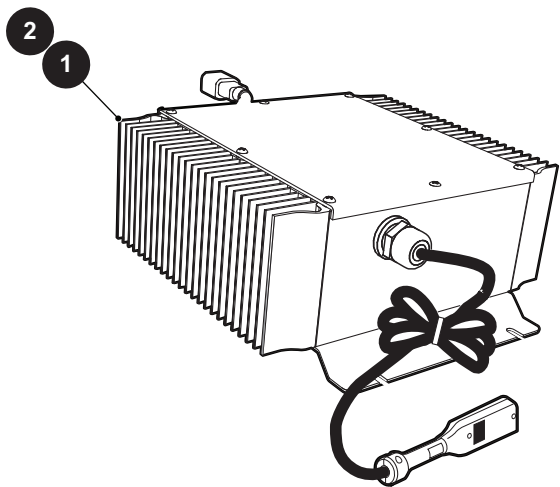
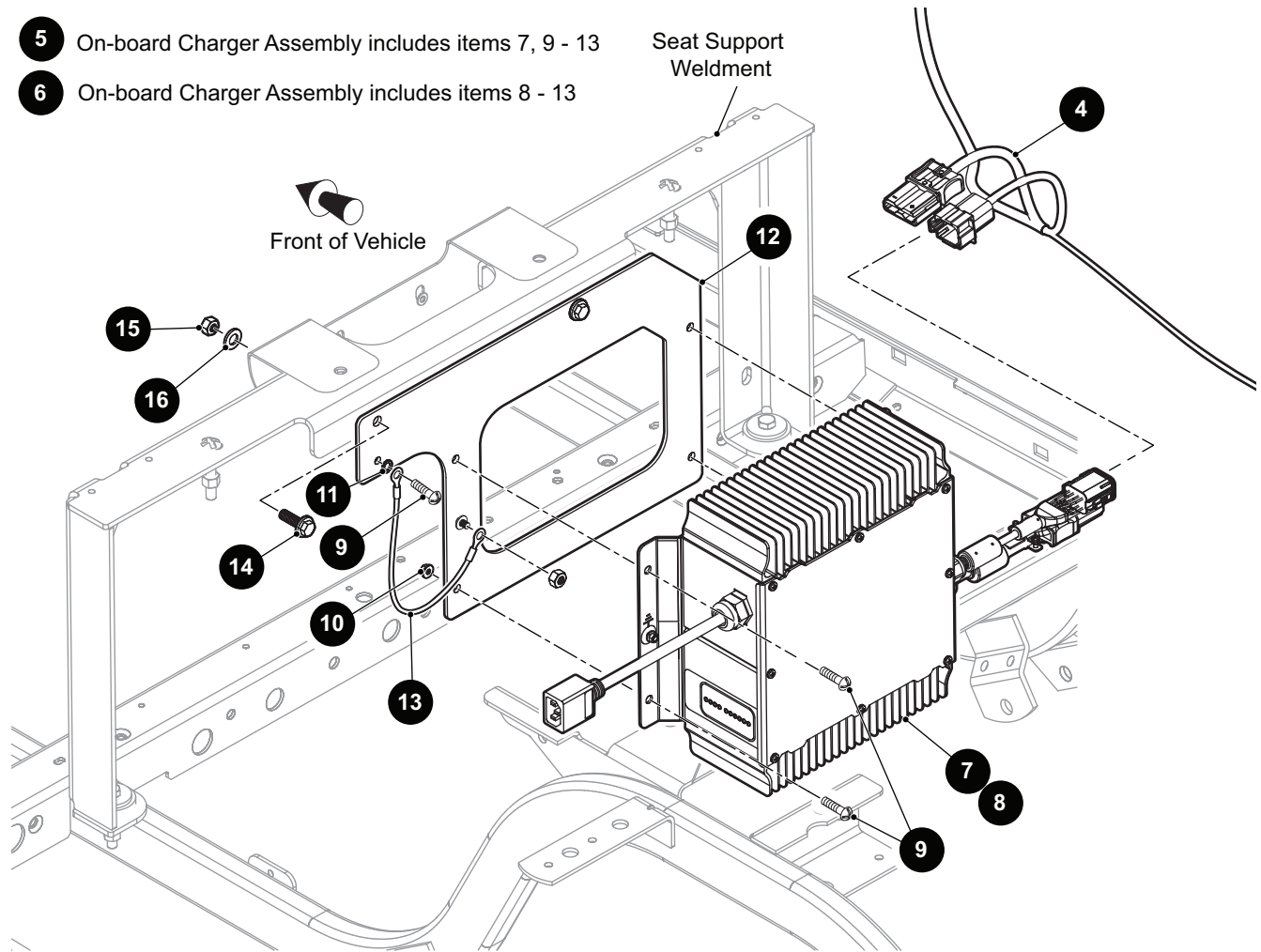
BATTERY CHARGER

5 On-board Charger Assembly includes items 7, 9 - 13

6 On-board Charger Assembly includes items 8 - 13

Seat Support
Weldment

Front of Vehicle



BATTERY CHARGER

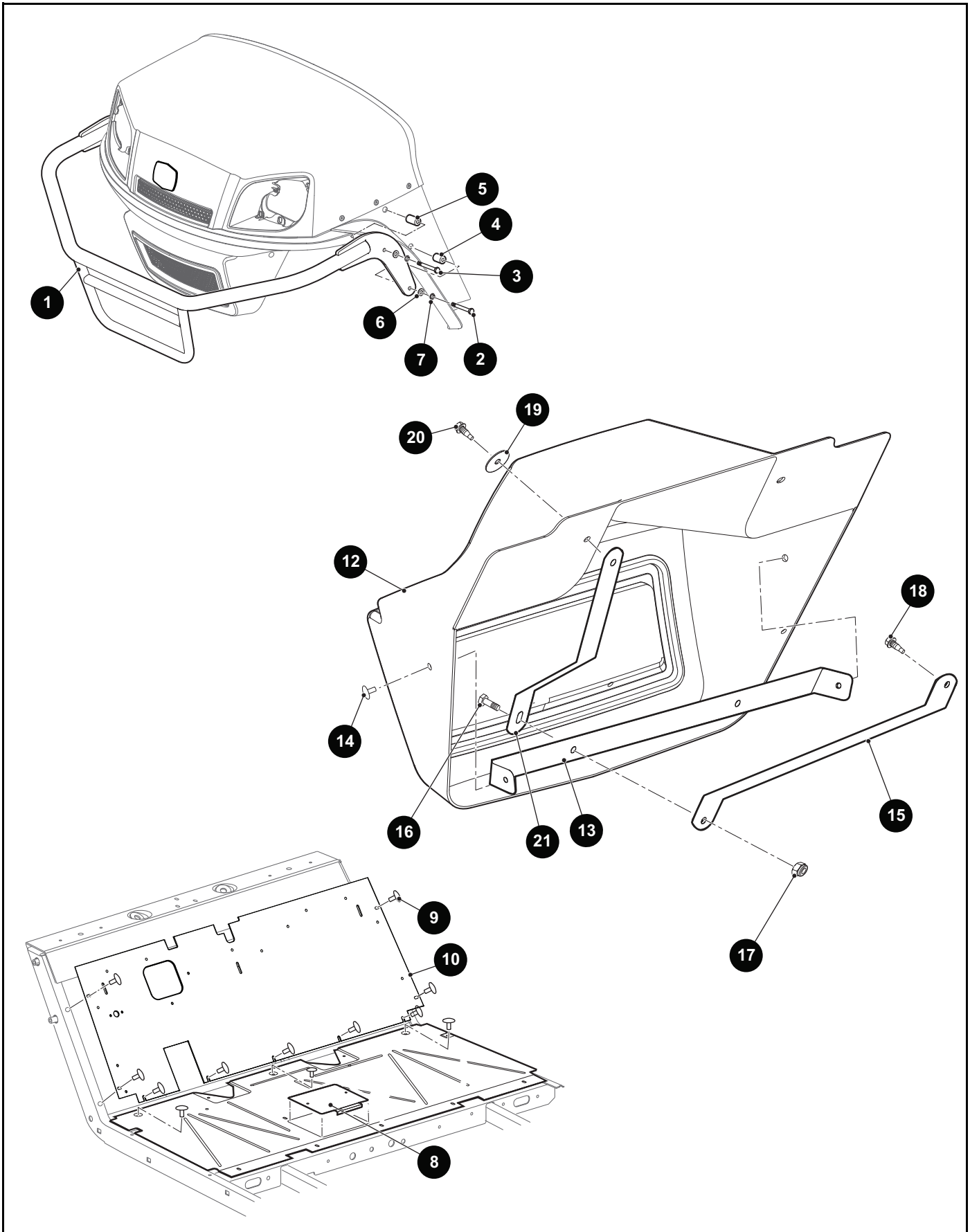
THE USE OF NON U.L. PARTS WILL VOID ANY U.L. LISTING.

When ordering parts, please specify the model and serial number of the product.

* Indicates a component that is not available as an individual part.

*** Indicates consult Customer Service Department for additional information.

| ITEM | PART NO. | 1 2 3 4 5 | DESCRIPTION | QTY. |
|------|-----------|-----------|---|------|
| 1 | 634567 | | Off-board Battery Charger, 72V, 1000W | 1 |
| 2 | 645743 | | Off-board Battery Charger, 72V, 1500W | 1 |
| 3 | 652608 | | Charger Cord, 5meter (For Vehicles with On-board Charger) | 1 |
| 4 | 671750 | | On-board Charger Harness..... | 1 |
| 5 | 681354G01 | | On-board Charger Assembly, 1000W, 72V (Includes Items 7, 9 - 13) | 1 |
| 6 | 681354G02 | | On-board Charger Assembly, 1500W, 72V (Includes Items 8 - 13) | 1 |
| 7 | 640261 | | On-board Charger, 72V (Quiq) | 1 |
| 8 | 642542 | | On-board Charger, 72V (Delta - Q) | 1 |
| 9 | 16705G3 | | Truss Head Phillips Screw (SS), 1/4" - 20 x 3/4" Lg, (Grade 5)..... | 5 |
| 10 | 11027G2 | | Flanged Lock Nut, 1/4" - 20 | 5 |
| 11 | 00567G7 | | Tooth Type Lock Washer | 1 |
| 12 | 672193 | | Mounting Plate..... | 1 |
| 13 | 668709 | | Charger Bonding Jumper | 1 |
| 14 | 13437G3 | | Serrated Flanged Hex Head Bolt, 5/16" - 18 x 1" Lg, (Grade 5) | 2 |
| 15 | 11098G6 | | Lock Nut, 5/16" - 18 | 2 |
| 16 | 00559G8 | | Flat Washer, 5/16" | 2 |



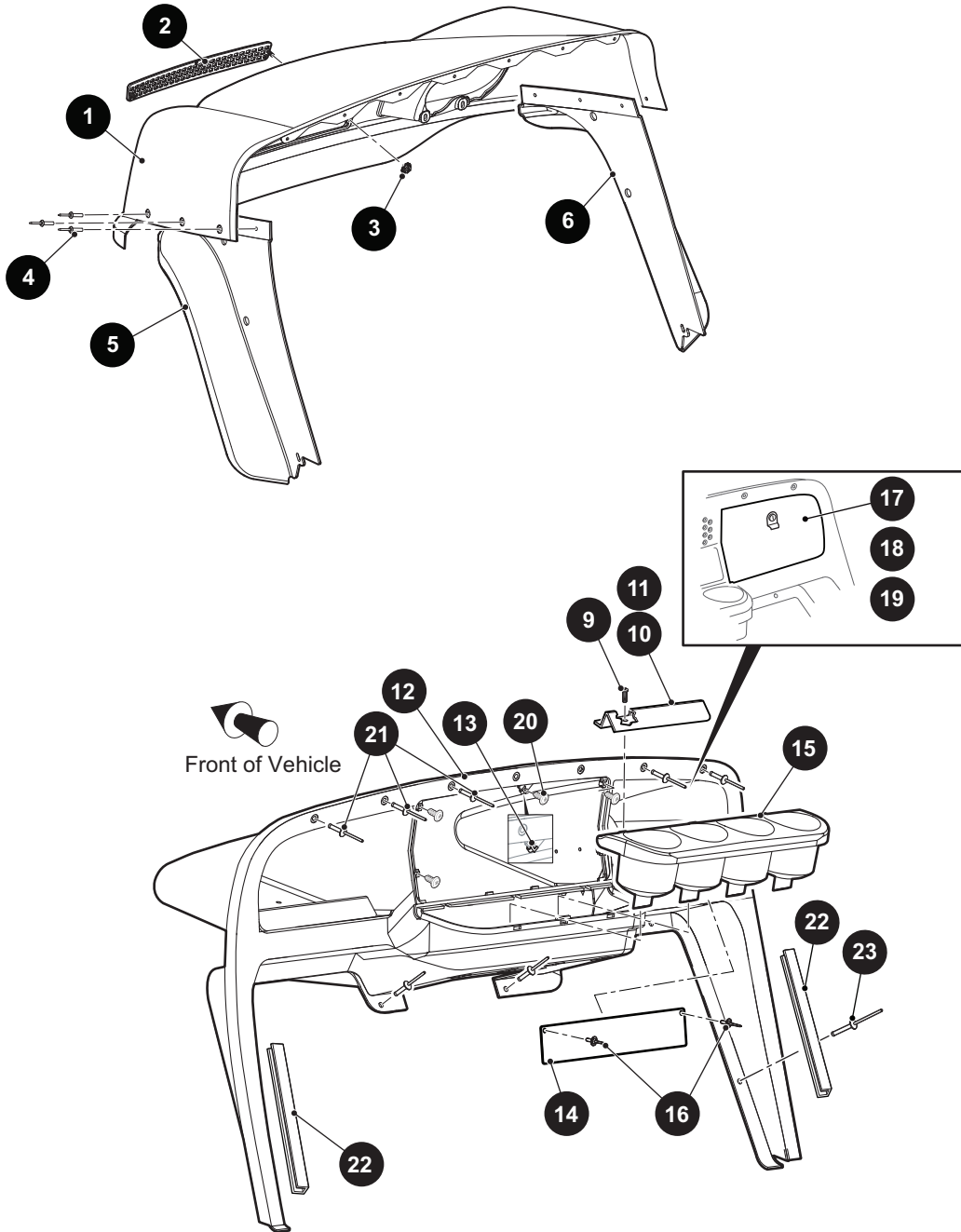
THE USE OF NON U.L. PARTS WILL VOID ANY U.L. LISTING.

When ordering parts, please specify the model and serial number of the product.

* Indicates a component that is not available as an individual part.

*** Indicates consult Customer Service Department for additional information.

| ITEM | PART NO. | 1 2 3 4 5 | DESCRIPTION | QTY. |
|------|----------|-----------|--|------|
| 1 | 617620 | | Brushguard..... | 1 |
| 2 | 00440G2 | | Hex Head Bolt, 5/16" - 18 x 2 1/4" Lg | 2 |
| 3 | 00440G6 | | Hex Head Bolt, 5/16" - 18 x 2 3/4" Lg | 2 |
| 4 | 75048G04 | | Spacer, .328" x .75" x 1" Lg | 2 |
| 5 | 75048G02 | | Spacer, .328" x .75" x 1.31" Lg | 2 |
| 6 | 00559G8 | | Flat Washer (Narrow), 5/16"..... | 4 |
| 7 | 00565G8 | | Lock Washer, 5/16" | 4 |
| 8 | 70452G01 | | Access Cover | 1 |
| 9 | 14601G11 | | Rivet (Aluminum), 3/16" x 9/16" Lg | 12 |
| 10 | 641260 | | Upper Floor Panel..... | 1 |
| 11 | | | | |
| 12 | 613273 | | Front Fascia | 1 |
| 13 | 654275 | | Front Fascia Bracket..... | 1 |
| 14 | 15058G1 | | Rivet (Aluminum Black), 3/16" x .45" | 2 |
| 15 | 654276 | | Front Fascia Brace | 2 |
| 16 | 00414G6 | | Hex Head Bolt, 1/4" - 20 Lg, Grade 5 | 2 |
| 17 | 14390G4 | | Lock Nut, 1/4" - 20 | 2 |
| 18 | 01038G01 | | Hex Washer Head Bolt, 1/4" - 20 x .700" Lg | 2 |
| 19 | 16469G1 | | Fender Washer, 1 1/4" O.D. x 9/32" I.D. | 2 |
| 20 | 71102G03 | | Hex Washer Head Taptite Bolt, 1/4 - 20 x 1.15 mm Lg, Grade 5 | 2 |
| 21 | 664610 | | Cowl Strap..... | 2 |



7 Instrument Panel Assembly includes items 8 - 16

8 Instrument Panel Assembly with Ball Deflector includes items 9 - 13

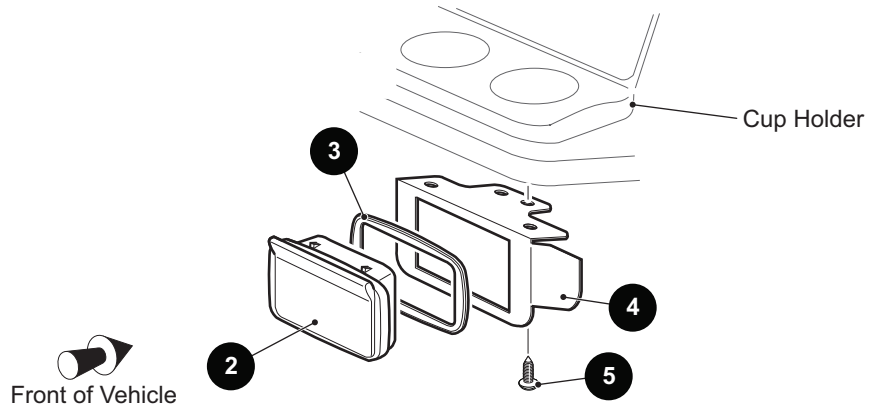
THE USE OF NON U.L. PARTS WILL VOID ANY U.L. LISTING.

When ordering parts, please specify the model and serial number of the product.

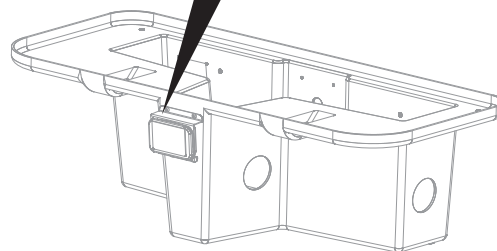
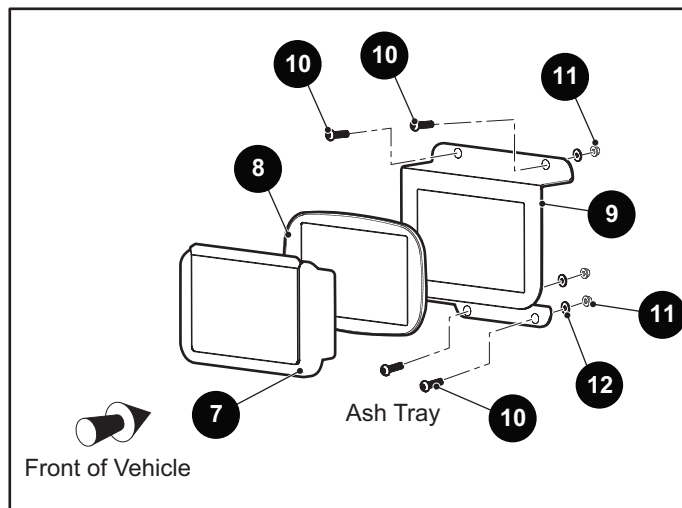
* Indicates a component that is not available as an individual part.

*** Indicates consult Customer Service Department for additional information.

| ITEM | PART NO. | 1 2 3 4 5 | DESCRIPTION | QTY. |
|------|------------|-----------|---|------|
| 1 | 613036G0** | | Cowl (See HOW TO USE Section for COLOR CODES) | 1 |
| 2 | 617643 | | Grill Cover | 1 |
| 3 | 71597G01 | | Self Threading Nut, 5mm x 10mm x 15mm..... | 2 |
| 4 | 71055G01 | | Rivet, 3/16" x 1" Lg | 6 |
| 5 | 614378 | | Fender Flare (Driver Side) | 1 |
| 6 | 613274 | | Fender Flare (Passenger Side)..... | 1 |
| 7 | 674314 | | Instrument Panel Assembly (Includes Items 8 - 16)..... | 1 |
| 8 | 71917G01 | | Instrument Panel Assembly with Ball Deflector (Includes Items 9 - 13) ... | 1 |
| 9 | 00614G3 | | Pan Head Phillips Screw, #8 - 18 x 5/8" Lg..... | 6 |
| 10 | 71153G01 | | Ball Deflector (Passenger Side) | 1 |
| 11 | 71154G01 | | Ball Deflector (Driver Side) | 1 |
| 12 | 628010 | | Instrument Panel | 1 |
| 13 | 71364G02 | | Speed Nut "J" Type, #8 | 5 |
| 14 | 662223 | | Safety Console Label Bracket | 1 |
| 15 | 71158G01 | | Cup Holder Insert | 1 |
| 16 | 71055G01 | | Rivet (Aluminum), 3/16" x 1" Lg | 2 |
| 17 | 75459G01 | | Glove Box (Driver/Passenger Side)..... | 1 |
| 18 | 75459G02 | | Glove Box (Driver Side) | 1 |
| 19 | 75459G03 | | Glove Box (Passenger Side)..... | 1 |
| 20 | 608290 | | Self Tapping Screw, #10 - 16 x 3/4" Lg | 5 |
| 21 | 71055G01 | | Rivet (Aluminum), 3/16" x 1" Lg | 7 |
| 22 | 71115G01 | | Vinyl Trim | 2 |
| 23 | 71055G01 | | Rivet (Aluminum), 3/16" x 1" Lg..... | 2 |



1 Ash Tray Kit includes items 2 - 5



6 Ash Tray, Seat Pod Kit includes items 7 - 12

THE USE OF NON U.L. PARTS WILL VOID ANY U.L. LISTING.

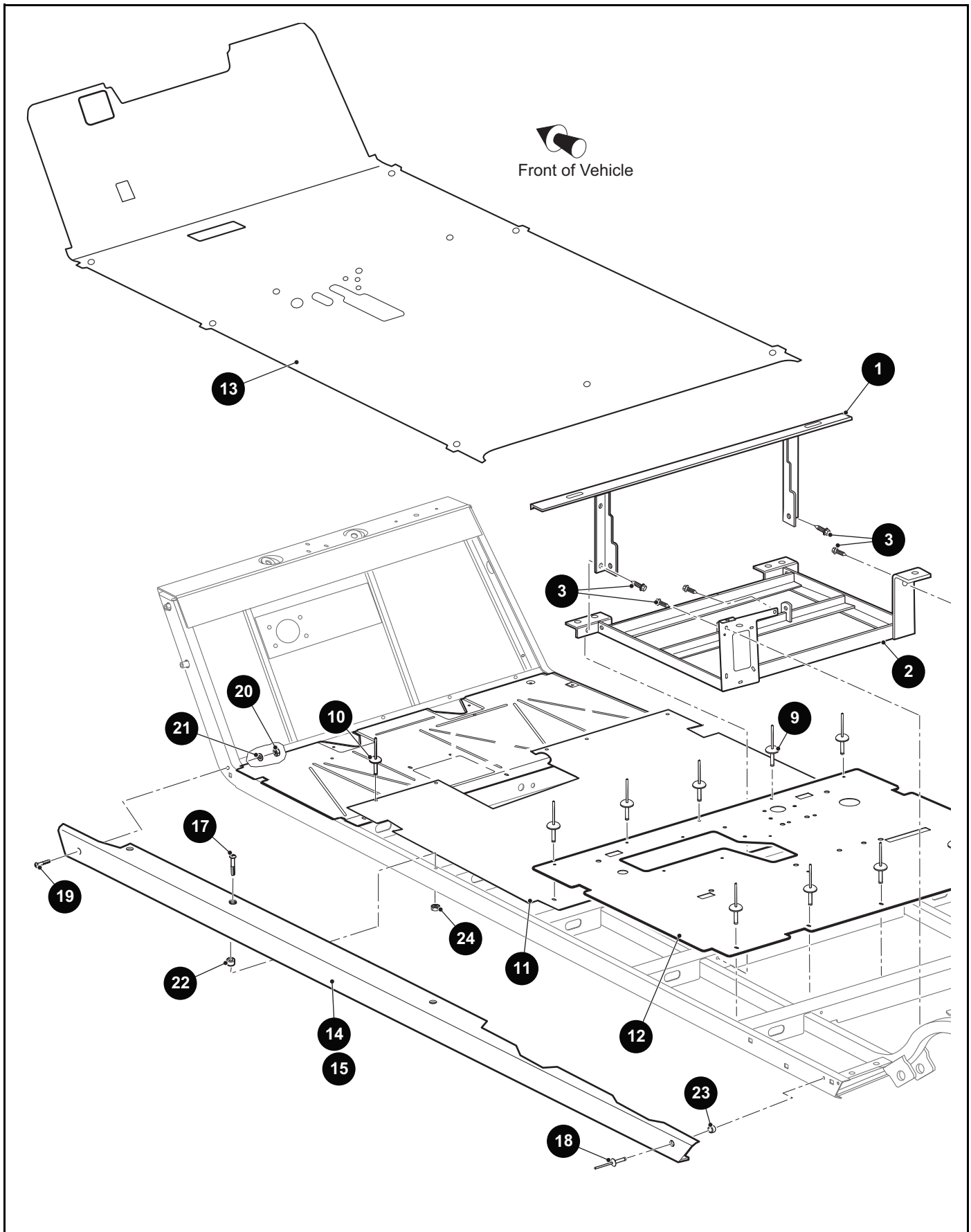
When ordering parts, please specify the model and serial number of the product.

* Indicates a component that is not available as an individual part.

*** Indicates consult Customer Service Department for additional information.

| ITEM | PART NO. | 1 2 3 4 5 | DESCRIPTION | QTY. |
|------|----------|-----------|---|------|
| 1 | 75109G03 | | Ash Tray Kit (Includes Items 2 - 5)..... | 1 |
| 2 | 27731G01 | | Ash Tray | 1 |
| 3 | 27736G01 | | Gasket | 1 |
| 4 | 75108G02 | | Bracket | 1 |
| 5 | 00106G6 | | Pan Head Phillips Screw, #12 - 14 x .75" Lg | 4 |
| 6 | 632412 | | Ash Tray, Seat Pod Kit (Includes Items 7 - 12) | 1 |
| 7 | 27731G01 | | Ash Tray | 1 |
| 8 | 27736G01 | | Gasket | 1 |
| 9 | 631079 | | Bracket | 1 |
| 10 | 601326 | | Button Head Torx Bolt, M6 - 1 x 20mm Lg..... | 4 |
| 11 | 601476 | | Flanged Lock Nut, M6 | 4 |
| 12 | 16469G1 | | Fender Washer, 9/32" I.D x 1 1/4" O.D..... | 4 |

BODY



THE USE OF NON U.L. PARTS WILL VOID ANY U.L. LISTING.

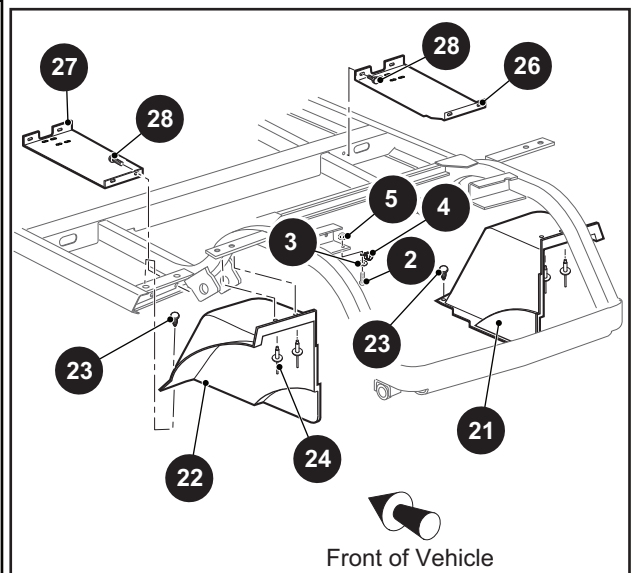
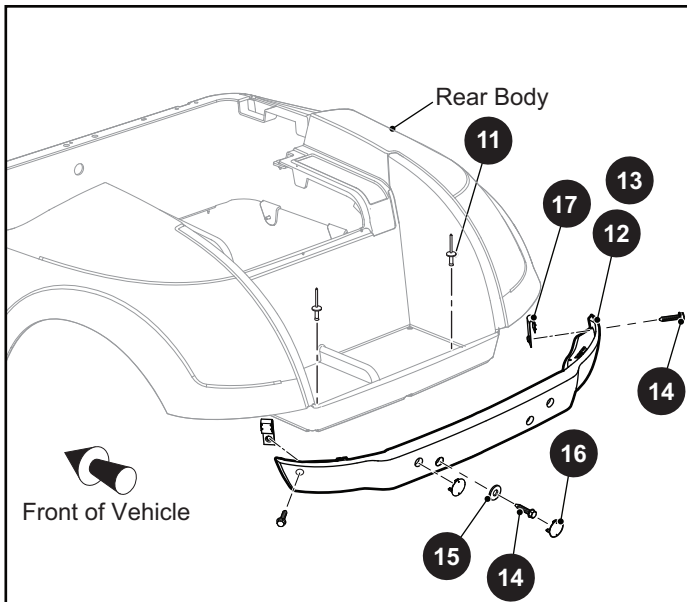
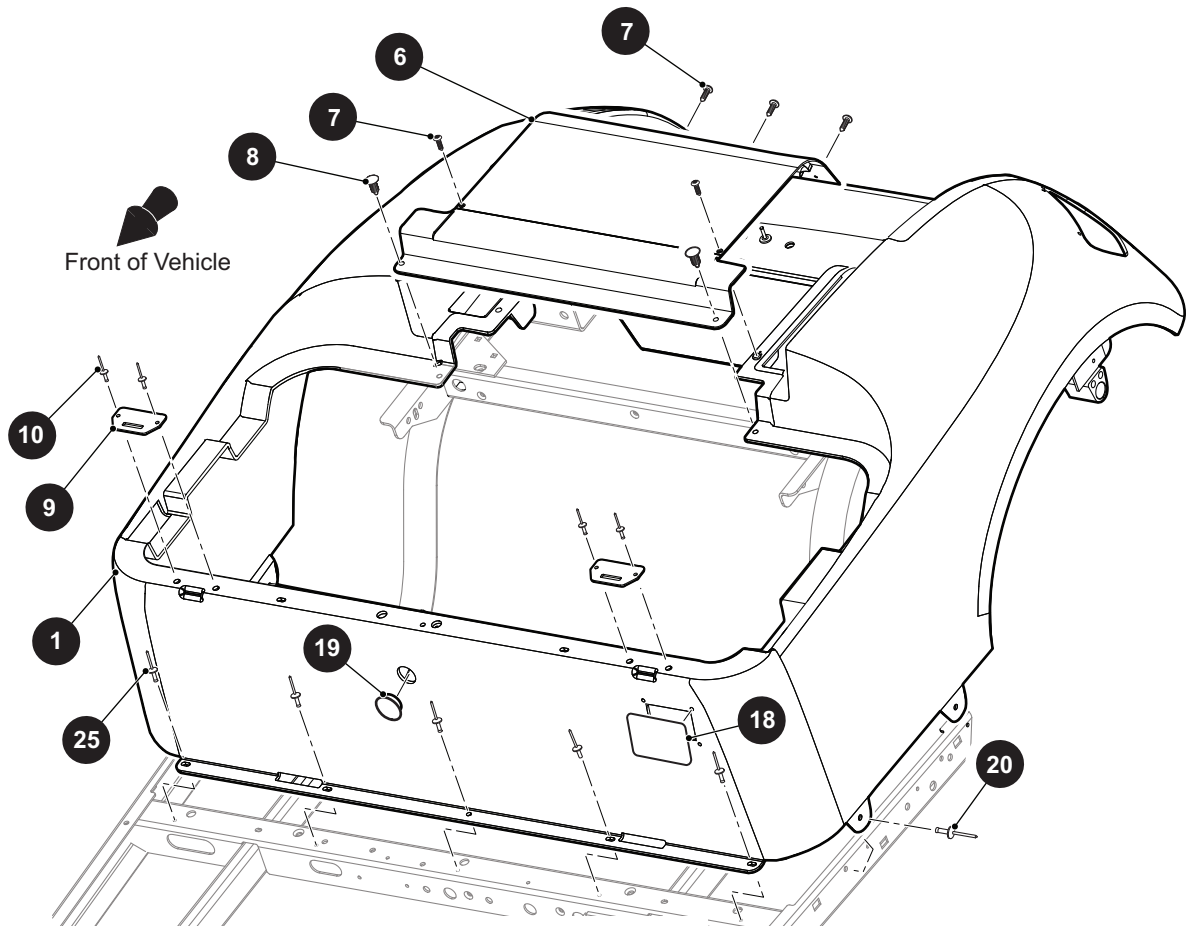
When ordering parts, please specify the model and serial number of the product.

* Indicates a component that is not available as an individual part.

*** Indicates consult Customer Service Department for additional information.

| ITEM | PART NO. | 1 2 3 4 5 | DESCRIPTION | QTY. |
|------|----------|-----------|---|------|
| 1 | 70441G01 | | Seat Frame | 1 |
| 2 | 671632 | | Battery Tray..... | 1 |
| 3 | 00715G2 | | Hex Washer Head Screw, 5/16" - 18 x .875 " Lg | 5 |
| 4 | | | | |
| 5 | | | | |
| 6 | | | | |
| 7 | | | | |
| 8 | | | | |
| 9 | 10570G10 | | Domed Rivet (SS), 5/32" x 9/16" Lg..... | 10 |
| 10 | 14601G11 | | Rivet (Aluminum), 3/16" x 9/16" Lg | 5 |
| 11 | 626493 | | Mid Floor Panel..... | 1 |
| 12 | 648840 | | Rear Floor Panel..... | 1 |
| 13 | 672828 | | Floormat..... | 1 |
| 14 | 640750 | | Rocker Panel (Driver Side) | 1 |
| 15 | 640759 | | Rocker Panel (Passenger Side) | 1 |
| 16 | | | | |
| 17 | 16705G1 | | Truss Head Phillips Screw (SS), 1/4" -20 X 1" Lg..... | 3 |
| 18 | 15058G6 | | Rivet (Aluminum), 3/16" x .95" Lg | 1 |
| 19 | 00789G2 | | Truss Head Phillips Screw (SS), #10 - 24 x 1 - 1/4" Lg..... | 1 |
| 20 | 14390G10 | | Lock Nut, #10 - 24..... | 1 |
| 21 | 00660G5 | | Flat Washer, #10 | 1 |
| 22 | 23726G4 | | Spacer, 5/16"..... | 3 |
| 23 | 23726G4 | | Spacer, 5/16"..... | 1 |
| 24 | 14390G4 | | Lock Nut, 1/4" - 20 | 3 |

BODY



THE USE OF NON U.L. PARTS WILL VOID ANY U.L. LISTING.

When ordering parts, please specify the model and serial number of the product.

* Indicates a component that is not available as an individual part.

*** Indicates consult Customer Service Department for additional information.

| ITEM | PART NO. | 1 2 3 4 5 | DESCRIPTION | QTY. |
|------|------------|-----------|---|------|
| 1 | 625272G1XX | | Rear Body with Taillights (See HOW TO USE Section for COLOR CODES) | 1 |
| 2 | 00414G7 | | Hex Head Bolt, 1/4" - 20 X 1/2" Lg..... | 1 |
| 3 | 00559G7 | | Flat Washer, 1/4" | 1 |
| 4 | 630761 | | Loop Clamp..... | 1 |
| 5 | 11027G2 | | Lock Nut, 1/4" - 20 | 1 |
| 6 | 71320G01 | | Access Panel | 1 |
| 7 | 01107G01 | | Pan Head Torx Screw (SS), #8 x .63" Lg | 5 |
| 8 | 16816G2 | | Ratchet Rivet, .25" x .887" | 2 |
| 9 | 71609G01 | | Seat Hinge Plate | 2 |
| 10 | 10570G11 | | Rivet (SS), 5/32" x .70" Lg | 4 |
| 11 | 633917 | | Rivet (Plastic)..... | 2 |
| 12 | 71451G02 | | Rear Bumper..... | 1 |
| 13 | 71456G01 | | Rear Bumper (For Vehicles With Cargo Bed Option)..... | 1 |
| 14 | 71102G01 | | Hex Head Bolt, 1/4" - 20 x 3/4" Lg | 4 |
| 15 | 00571G2 | | Flat Washer, 5/16" | 2 |
| 16 | 71455G01 | | Bumper Plug | 4 |
| 17 | 71554G01 | | "J" - Type Nut Retainer, 1/4" - 20..... | 2 |
| 18 | 666066 | | Cover Plate | 1 |
| 19 | 71316G01 | | Plug | 1 |
| 20 | 10570G12 | | Rivet (Aluminum), .257" x .556" Lg | 2 |
| 21 | 635054G03 | | Fender Liner (Passenger Side)..... | 1 |
| 22 | 635054G04 | | Fender Liner (Driver Side)..... | 1 |
| 23 | 16816G2 | | Ratchet Fastener, 1/4" x .887" Lg | 2 |
| 24 | 10570G12 | | Rivet (Aluminum), .257" x .556" Lg | 2 |
| 25 | 10570G10 | | Rivet (SS), 5/32" x .55" Lg | 5 |
| 26 | 652443G203 | | Battery Tray (Passenger Side)..... | 1 |
| 27 | 652443G103 | | Battery Tray (Driver Side)..... | 1 |
| 28 | 00715G2 | | Hex Washer head Screw, 5/16" - 18 x.875 " Lg | 4 |

HYDRAULIC BRAKES

THE USE OF NON U.L. PARTS WILL VOID ANY U.L. LISTING.

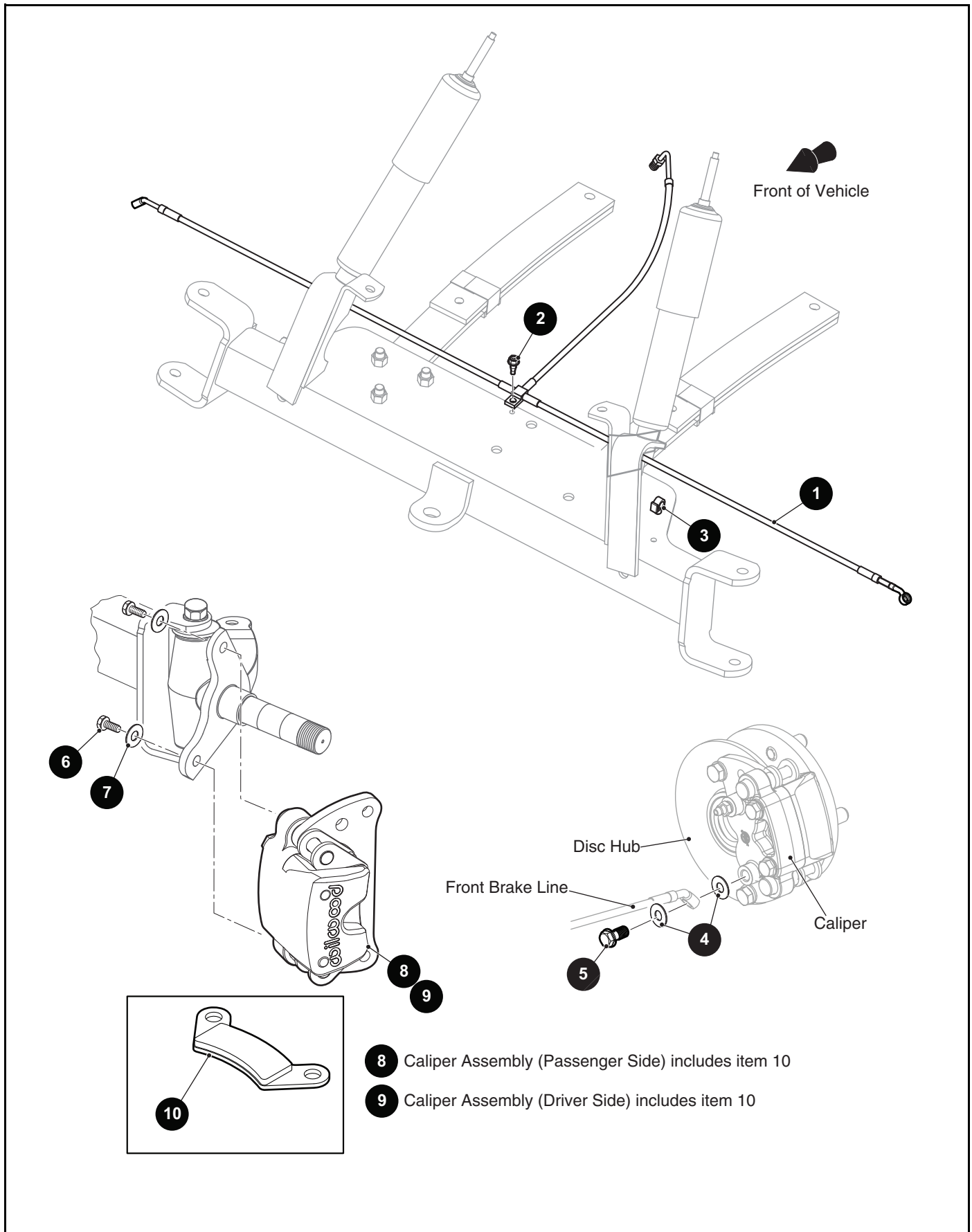
When ordering parts, please specify the model and serial number of the product.

* Indicates a component that is not available as an individual part.

*** Indicates consult Customer Service Department for additional information.

| ITEM | PART NO. | 1 2 3 4 5 | DESCRIPTION | QTY. |
|------|-----------|-----------|---|------|
| 1 | 610639 | | Brake Pedal Assembly (Includes Items 2 - 4) | 1 |
| 2 | 75605G01 | | Brake Pedal | 1 |
| 3 | 70257G01 | | Brake Pedal Pad..... | 1 |
| 4 | 16409G1 | | Oval Head Rivet, 3/8" x 15/32" | 6 |
| 5 | | | | |
| 6 | 70581G01 | | Acetal Bushing | 2 |
| 7 | 70676G01 | | Torsion Spring | 1 |
| 8 | 70582G01 | | Shoulder Bolt, 3/8" - 16 x 3.406" Lg | 1 |
| 9 | 00643G1 | | Flat Washer, 3/8" | 1 |
| 10 | 11098G5 | | Lock Nut, 3/8" - 16 | 1 |
| 11 | | | | |
| 12 | 70113G01 | | Adjustable Rubber Bumper | 1 |
| 13 | 11027G1 | | Lock Nut, 5/16" - 18 | 1 |
| 14 | 12416G2 | | Nylon Wedge Lock Clamp (Not Illustrated) | 2 |
| 15 | 10386G3 | | Clevis Pin, 5/16" Dia x 13/16" | 2 |
| 16 | 10387G3 | | Cotter Pin, 15/16" x 3/4" | 2 |
| 17 | 30295G8 | | Linkage Rod | 1 |
| 18 | 600479 | | Pressure Sealing Washer | 1 |
| 19 | 70415G01 | | Bellcrank | 1 |
| 20 | 70581G01 | | Acetal Bushing | 2 |
| 21 | 70410G01 | | Pivot Shaft..... | 1 |
| 22 | 01111G01 | | Retaining Ring..... | 2 |
| 23 | 600401G01 | | Adapter | 1 |
| 24 | 14443G3 | | Clevis Pin, 5/16" Dia x 1" | 1 |
| 25 | 10387G3 | | Cotter Pin, 15/16" x 3/4" | 1 |
| 26 | 73793G01 | | Tandem Master Cylinder | 1 |
| 27 | 620274 | | Stop Light Switch | 1 |
| 28 | 00439G1 | | Hex Head Bolt, 5/16" - 18 x 1 1/8" Lg | 2 |
| 29 | 800697 | | Flanged Lock Nut, 5/16" - 18 | 2 |
| 30 | 626513 | | Push Rod Assembly | 1 |
| 31 | 626514 | | Rear Brake Line | 1 |

HYDRAULIC BRAKES



HYDRAULIC BRAKES

THE USE OF NON U.L. PARTS WILL VOID ANY U.L. LISTING.

When ordering parts, please specify the model and serial number of the product.

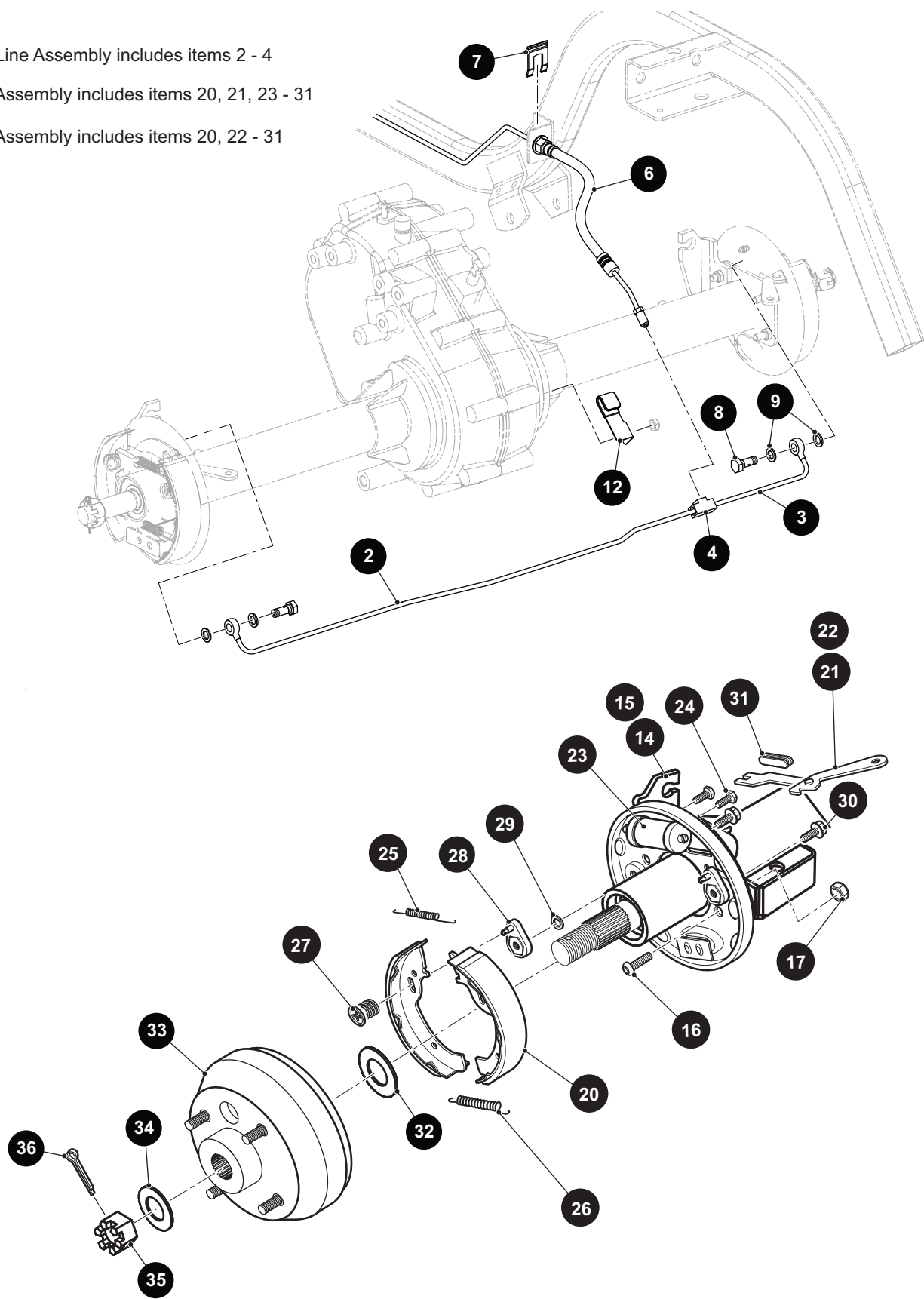
* Indicates a component that is not available as an individual part.

*** Indicates consult Customer Service Department for additional information.

| ITEM | PART NO. | 1 2 3 4 5 | DESCRIPTION | QTY. |
|------|-----------|-----------|--|------|
| 1 | 632771 | | Front Brake Line..... | 1 |
| 2 | 01038G01 | | Hex Washer Head Swageform Screw with Dog Point, 1/4" - 20 x .7" Lg | 1 |
| 3 | 74875G01 | | Wire Retainer | 2 |
| 4 | 613293 | | Crush Washer, M10 | 4 |
| 5 | 616459 | | Banjo Bolt, M10 - 1" x 20" Lg | 2 |
| 6 | 00426G6 | | Hex Head Bolt, 3/8" - 16 x 3/4" Lg (Grade 5)..... | 4 |
| 7 | 00566G1 | | Lock Washer, 3/8" | 4 |
| 8 | 633918G01 | | Caliper Assembly (Passenger Side) (Includes Item 10)..... | 1 |
| 9 | 633918G02 | | Caliper Assembly (Driver Side) (Includes Item 10) | 1 |
| 10 | 668990 | | Brake Pad (Set of 2) | 1 |

HYDRAULIC BRAKES

- 1 Brake Line Assembly includes items 2 - 4
- 18 Brake Assembly includes items 20, 21, 23 - 31
- 19 Brake Assembly includes items 20, 22 - 31



HYDRAULIC BRAKES

THE USE OF NON U.L. PARTS WILL VOID ANY U.L. LISTING.

When ordering parts, please specify the model and serial number of the product.

* Indicates a component that is not available as an individual part.

*** Indicates consult Customer Service Department for additional information.

| ITEM | PART NO. | 1 2 3 4 5 | DESCRIPTION | QTY. |
|------|----------|-----------|---|------|
| 1 | 620855 | | Brake Line Assembly (Includes Items 2 - 4)..... | 1 |
| 2 | 620857 | | Long Brake Line | 1 |
| 3 | 620856 | | Short Brake Line..... | 1 |
| 4 | 820008 | | Tee Fitting..... | 1 |
| 5 | | | | |
| 6 | 34989G01 | | Flexible Hydraulic Hose Assembly..... | 1 |
| 7 | 809137 | | Brake Tube Clip..... | 1 |
| 8 | 75683G01 | | Hex Head Banjo Bolt, 3/8" - 16 x .88 Lg | 2 |
| 9 | 75684G01 | | Copper Gasket..... | 4 |
| 10 | | | | |
| 11 | | | | |
| 12 | 75813G01 | | Brake Line Clamp..... | 1 |
| 13 | 17618G1 | | Nylon Clamp, 8" Lg (Not Illustrated)..... | 10 |
| 14 | 652249 | | Brake Cable Bracket (Driver Side)..... | 1 |
| 15 | 652248 | | Brake Cable Bracket (Passenger Side) | 1 |
| 16 | 631224 | | Socket Head Screw, 5/16" - 24 x 1" Lg | 8 |
| 17 | 15126G1 | | Lock Nut, 5/16" - 24 | 8 |
| 18 | 75685G01 | | Brake Assembly (Driver Side) (Includes Items 20, 21, 23 - 31) | 1 |
| 19 | 75685G02 | | Brake Assembly (Passenger Side) (Includes Items 20, 22 - 31)..... | 1 |
| 20 | 75830G01 | | Brake Shoe | 2 |
| 21 | 75829G01 | | Park Brake Wheel Lever (Driver Side) | 1 |
| 22 | 75829G02 | | Park Brake Wheel Lever (Passenger Side)..... | 1 |
| 23 | 75828G01 | | Wheel Cylinder | 1 |
| 24 | * | | Wheel Cylinder Bolt..... | 2 |
| 25 | * | | Upper Return Spring..... | 1 |
| 26 | * | | Lower Return Spring..... | 1 |
| 27 | * | | Cup and Spring..... | 2 |
| 28 | * | | Adjuster | 2 |
| 29 | * | | Flat Washer | 2 |
| 30 | * | | Hex Head Bolt, 1/4" - 28 x 1/2" Lg..... | 2 |
| 31 | * | | Dust Cover..... | 1 |

HYDRAULIC BRAKES

THE USE OF NON U.L. PARTS WILL VOID ANY U.L. LISTING.

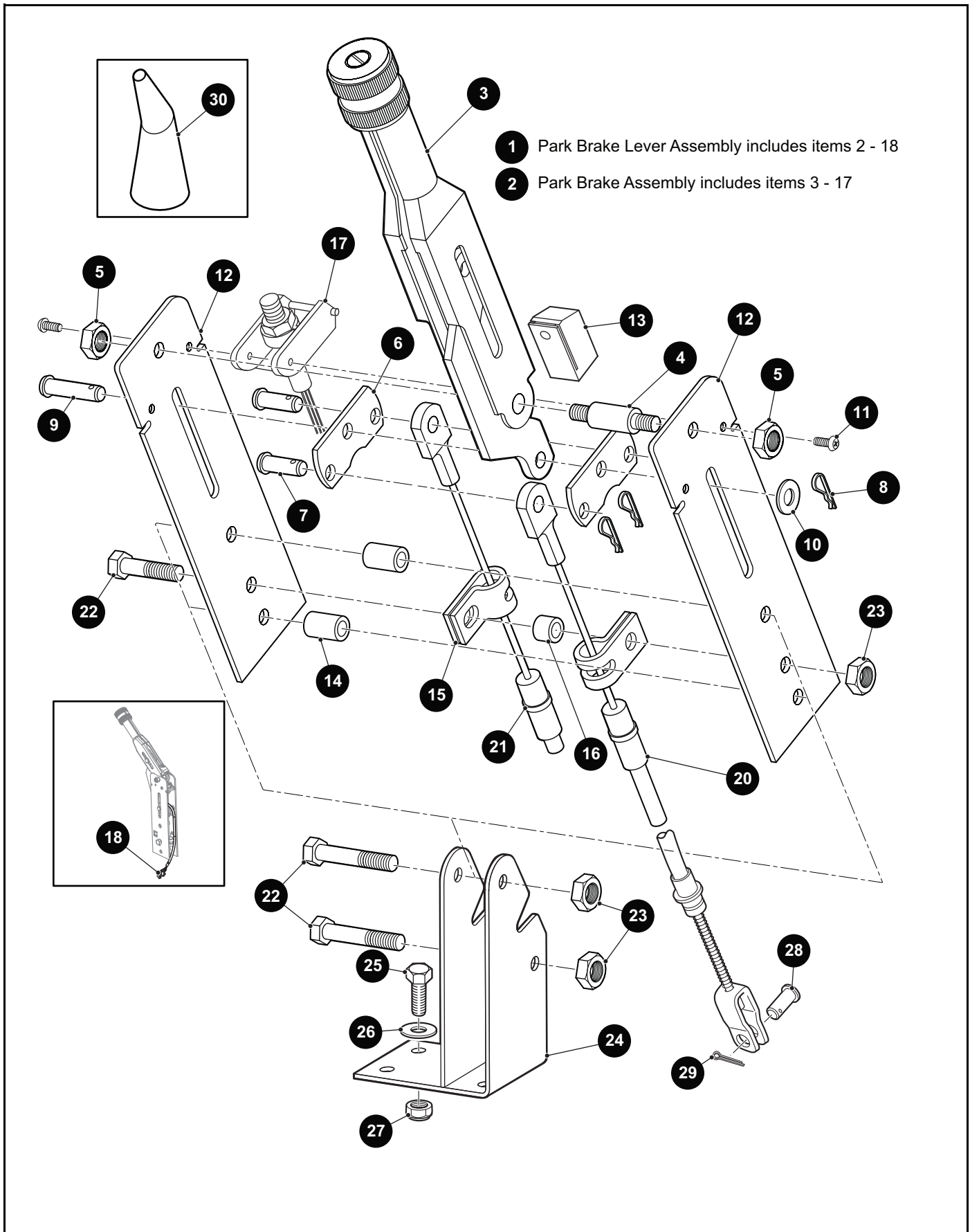
When ordering parts, please specify the model and serial number of the product

* Indicates a component that is not available as an individual part.

*** Indicates consult Customer Service Department for additional information.

| ITEM | PART NO. | 1 2 3 4 5 | DESCRIPTION | QTY. |
|------|----------|-----------|---|------|
| 32 | 21809G1 | | Inner Brake Drum Washer, 1.31" O.D. x 1" I.D. x .031" | 2 |
| 33 | 21807G2 | | Brake Drum Assembly | 2 |
| 34 | 21830G1 | | Outer Brake Drum Washer, 1.50" O.D. x .76" I.D. x .119" | 2 |
| 35 | 613172 | | Castle Nut, 3/4" - 16 | 2 |
| 36 | 10387G1 | | Cotter Pin, 1/8" x 1.50" | 2 |

PARKING BRAKES



PARKING BRAKES

THE USE OF NON U.L. PARTS WILL VOID ANY U.L. LISTING.

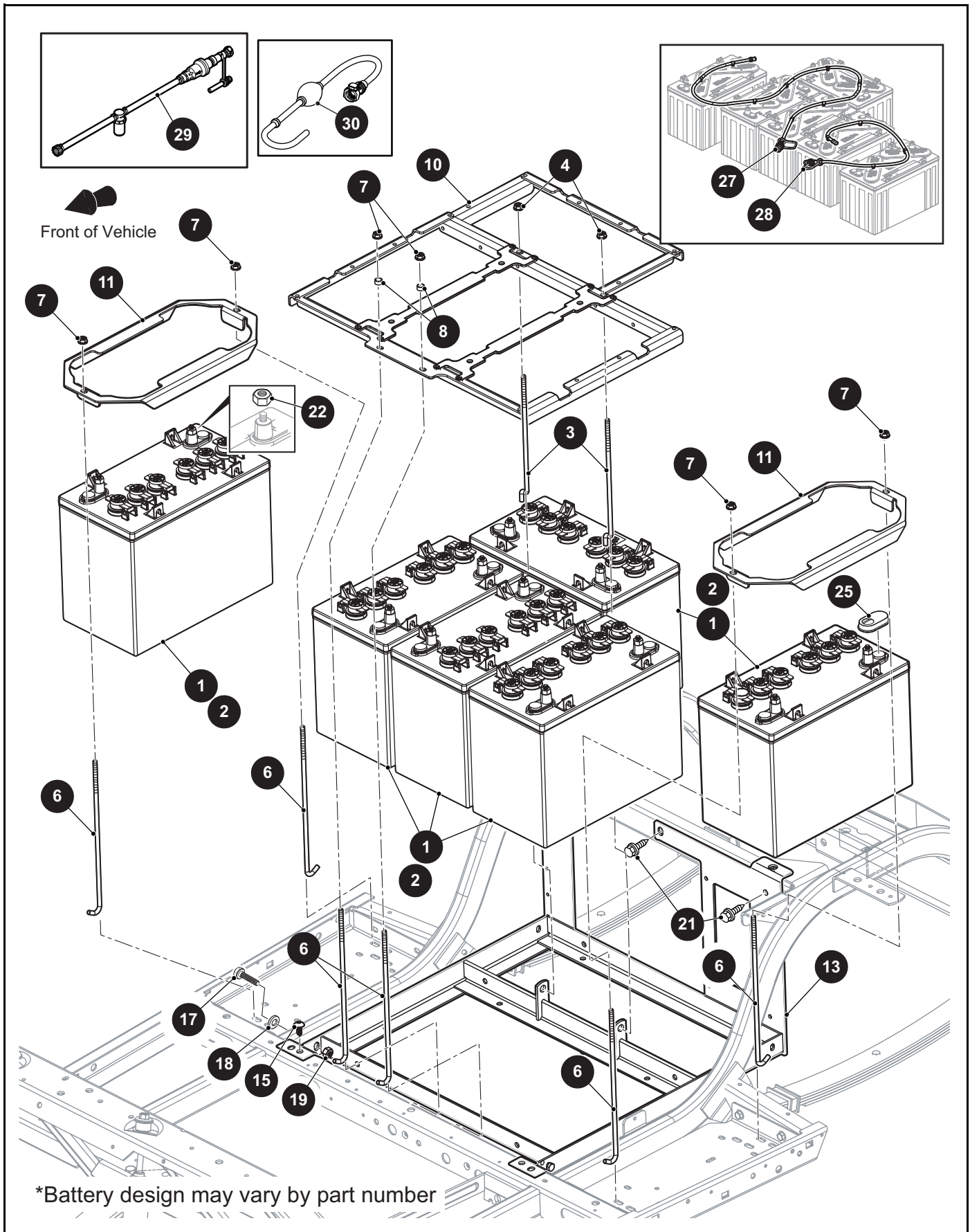
When ordering parts, please specify the model and serial number of the product.

* Indicates a component that is not available as an individual part.

*** Indicates consult Customer Service Department for additional information.

| ITEM | PART NO. | 1 2 3 4 5 | DESCRIPTION | QTY. |
|------|----------|-----------|---|------|
| 1 | 639883 | | Park Brake Lever Assembly (Includes Items 2 - 18) | 1 |
| 2 | 626518 | | Park Brake Assembly (Includes Items 3 - 17)..... | 1 |
| 3 | * | | Brake Lever Assembly | 1 |
| 4 | * | | Pivot Fastener | 1 |
| 5 | * | | Pivot Nut..... | 2 |
| 6 | * | | Connecting Link | 2 |
| 7 | * | | Clevis Pin | 2 |
| 8 | * | | Hair Pin Or Cotter Pin | 3 |
| 9 | * | | Clevis Pin | 1 |
| 10 | * | | Flat Washer | 1 |
| 11 | * | | Phillips Head Screw | 2 |
| 12 | * | | Side Plate..... | 2 |
| 13 | * | | Magnet Assembly..... | 1 |
| 14 | * | | Spacer..... | 2 |
| 15 | * | | Clamp..... | 2 |
| 16 | * | | Spacer..... | 1 |
| 17 | * | | Magnetic Switch Assembly..... | 1 |
| 18 | 17064G1 | | Push On Terminal (Female)..... | 2 |
| 19 | | | | |
| 20 | 626820 | | Brake Cable Assembly (Driver Side)..... | 1 |
| 21 | 626517 | | Brake Cable Assembly (Passenger Side) | 1 |
| 22 | 616672 | | Hex Head Bolt, M8 - 1.25 x 60mm Lg | 3 |
| 23 | 616673 | | Lock Nut, M8 x 1.25 | 3 |
| 24 | 616446 | | Mounting Bracket | 1 |
| 25 | 00414G7 | | Hex Head Bolt, 1/4" - 20 x 1/2" Lg, Grade 5 | 4 |
| 26 | 00559G7 | | Flat Washer, 1/4" | 4 |
| 27 | 14390G4 | | Lock Nut, 1/4" - 20 | 4 |
| 28 | 14443G3 | | Clevis Pin, 1.0" x 2.406" | 2 |
| 29 | 10387G3 | | Cotter Pin, .094" x .75" | 2 |
| 30 | 627940 | | Parking Brake Boot | 1 |
| 31 | 17618G1 | | Nylon Clamp, 8" Lg (Not Illustrated)..... | 8 |

ELECTRICAL



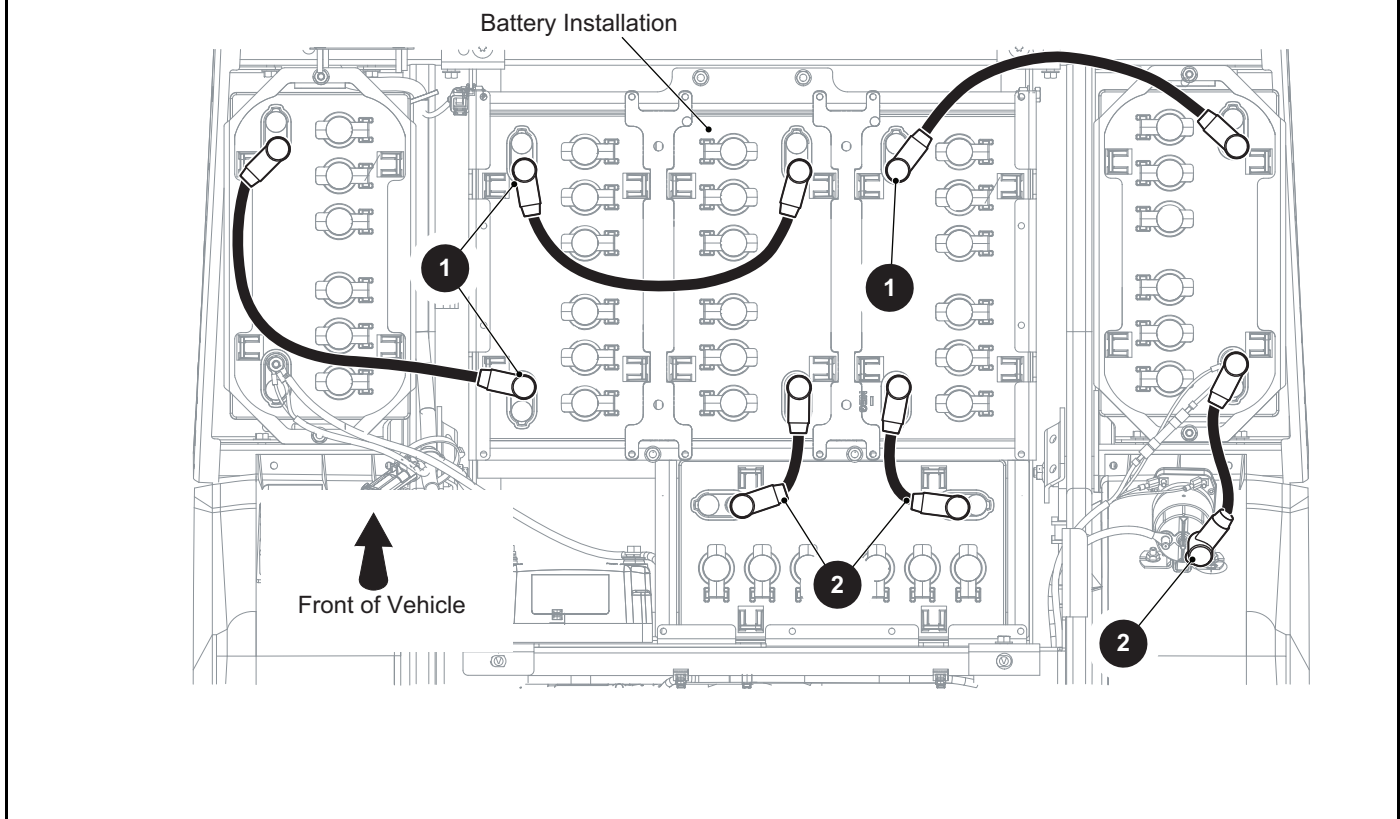
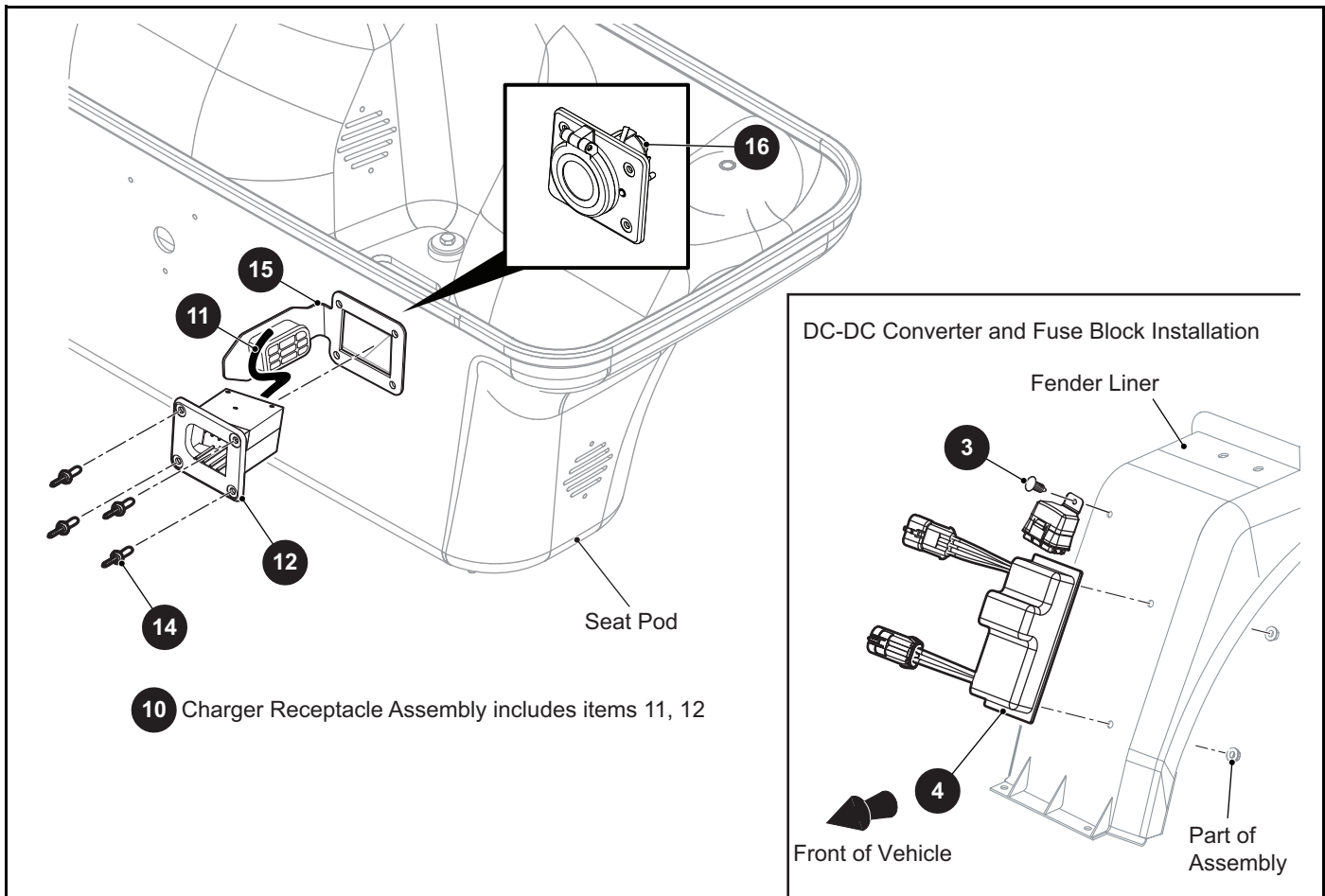
THE USE OF NON U.L. PARTS WILL VOID ANY U.L. LISTING.

When ordering parts, please specify the model and serial number of the product.

* Indicates a component that is not available as an individual part.

*** Indicates consult Customer Service Department for additional information.

| ITEM | PART NO. | 1 2 3 4 5 | DESCRIPTION | QTY. |
|------|----------|-----------|--|------|
| 1 | 647050 | | Battery (12V) without Hydro | 6 |
| 2 | 652295 | | Battery (12V) with Hydro | 6 |
| 3 | 01101G01 | | Tie Down Bolt | 2 |
| 4 | 11027G1 | | Flanged Lock Nut, 5/16" - 18 | 2 |
| 5 | | | | |
| 6 | 70386G01 | | Battery Tie Down Bolt, 5/16" - 18 x 2" Lg | 6 |
| 7 | 11027G1 | | Flanged Lock Nut, 5/16" - 18 | 6 |
| 8 | 23726G2 | | Spacer, .5" O.D. x .25" I.D. x .26" Lg | 2 |
| 9 | | | | |
| 10 | 658565 | | Battery Hold Down | 1 |
| 11 | 631988 | | Battery Hold Down | 2 |
| 12 | | | | |
| 13 | 671632 | | Battery Rack | 1 |
| 14 | | | | |
| 15 | 70200G01 | | Truss Head Torx Screw, 3/8" - 16 x 3/4" Lg | 2 |
| 16 | | | | |
| 17 | 00438G6 | | Hex Head Bolt, 5/16" - 18 x 3/4" Lg, Grade 5 | 2 |
| 18 | 00559G8 | | Flat Washer, 5/16" | 2 |
| 19 | 11098G6 | | Lock Nut, 5/16" - 18 | 2 |
| 20 | | | | |
| 21 | 00715G2 | | Hex Washer Head Bolt, 5/16" - 18 x 3/4" Lg | 3 |
| 22 | 00702G2 | | Hex Nut, 5/16" - 18 | 12 |
| 23 | | | | |
| 24 | | | | |
| 25 | 631156 | | Terminal Protector | 12 |
| 26 | | | | |
| 27 | 620820 | | Hydro-link Snake Assembly | 1 |
| 28 | 630974 | | Battery Fill Snake | 1 |
| 29 | 614521 | | Regulated Hose, 20ft Kit | 1 |
| 30 | 676122 | | Trojan Hand Pump Kit | 1 |



THE USE OF NON U.L. PARTS WILL VOID ANY U.L. LISTING.

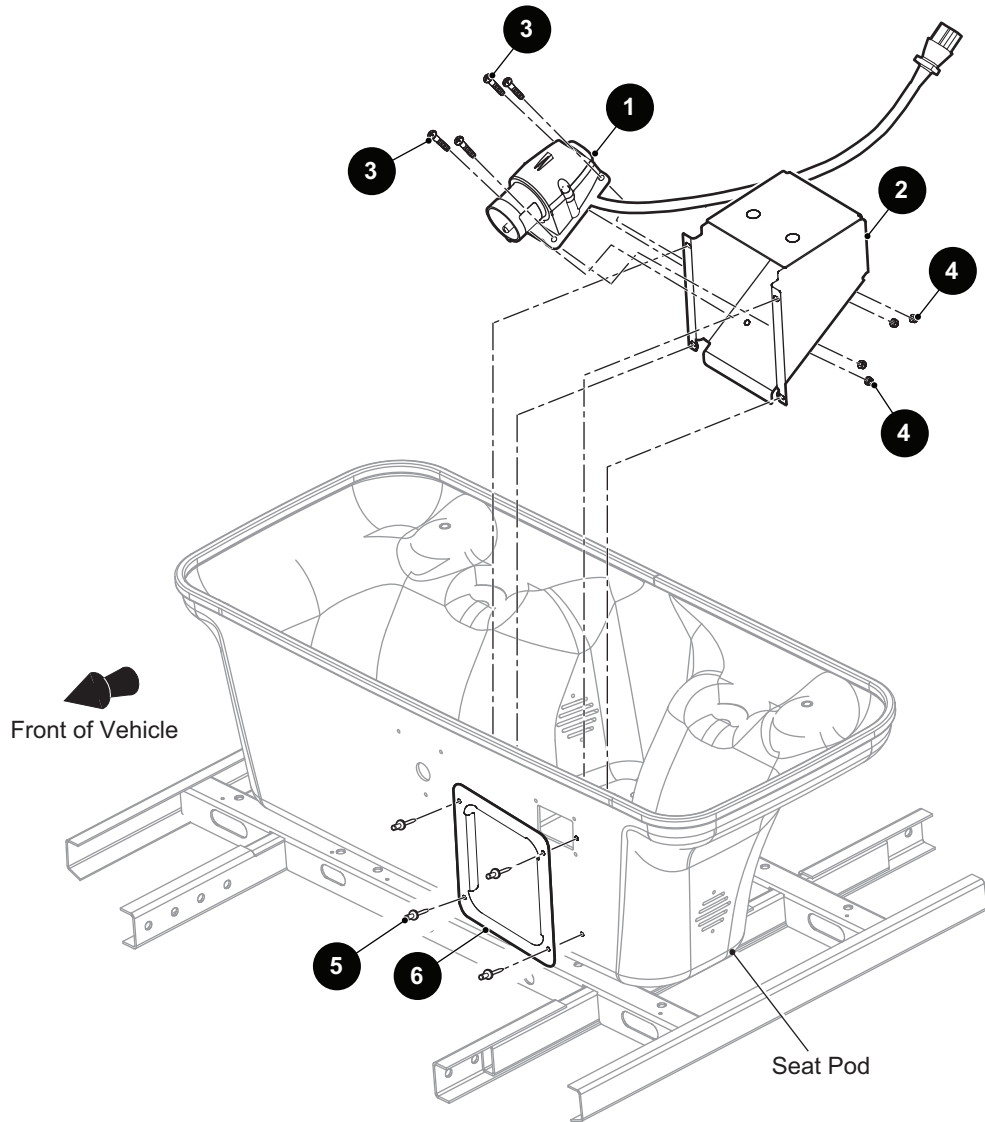
When ordering parts, please specify the model and serial number of the product.

* Indicates a component that is not available as an individual part.

*** Indicates consult Customer Service Department for additional information.

| ITEM | PART NO. | 1 2 3 4 5 | DESCRIPTION | QTY. |
|------|-----------|-----------|---|------|
| 1 | 634270G03 | | 4 AWG Battery Wire, 15" Lg..... | 3 |
| 2 | 634270G01 | | 4 AWG Battery Wire, 6" Lg..... | 3 |
| 3 | 16816G2 | | Ratchet Rivet, .25" x .887" | 1 |
| 4 | 633778 | | DC-DC Converter (72V)..... | 1 |
| 5 | | | | |
| 6 | | | | |
| 7 | | | | |
| 8 | | | | |
| 9 | | | | |
| 10 | 671655 | | Charger Receptacle Assembly (Includes Items 11, 12) | 1 |
| 11 | 669167 | | Receptacle Harness | 1 |
| 12 | 663285 | | Charger Receptacle..... | 1 |
| 13 | | | | |
| 14 | 71055G01 | | Rivet (Aluminum), 5/32" | 4 |
| 15 | 660162 | | Receptacle Cover | 1 |
| 16 | 610536 | | Charger Receptacle (On Board Charger) | 1 |

For CE Vehicles Only



THE USE OF NON U.L. PARTS WILL VOID ANY U.L. LISTING.

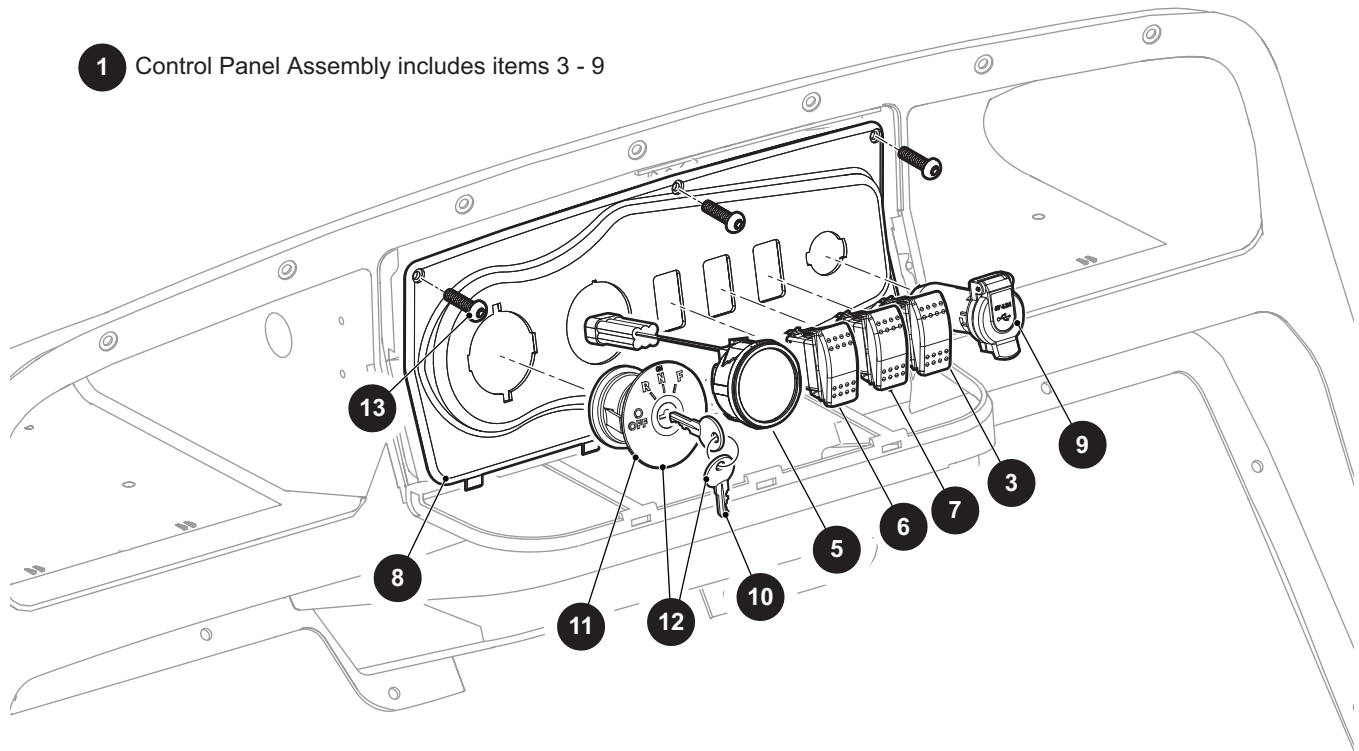
When ordering parts, please specify the model and serial number of the product.

* Indicates a component that is not available as an individual part.

*** Indicates consult Customer Service Department for additional information.

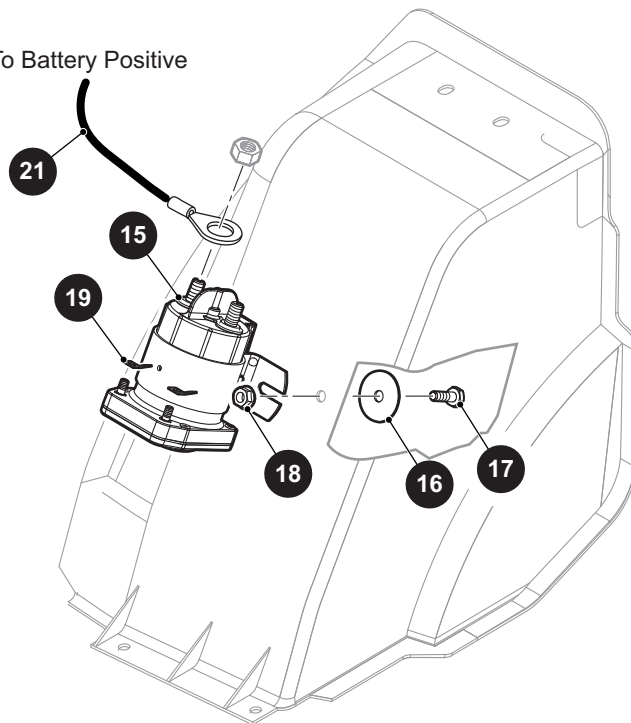
| ITEM | PART NO. | 1 2 3 4 5 | DESCRIPTION | QTY. |
|------|----------|-----------|--|------|
| 1 | 638478 | | Receptacle, AC | 1 |
| 2 | 639167 | | Receptacle Bracket..... | 1 |
| 3 | 00379G4 | | Pan Head Phillips Screw, #10 - 24 x 1/2" Lg..... | 4 |
| 4 | 14390G10 | | Lock Nut, #10 - 24..... | 4 |
| 5 | 14601G13 | | Rivet, 5/32" x 9/16" Lg..... | 4 |
| 6 | 639412 | | Cover Plate | 1 |

1 Control Panel Assembly includes items 3 - 9



Front of Vehicle

To Battery Positive



Solenoid Installation

THE USE OF NON U.L. PARTS WILL VOID ANY U.L. LISTING.

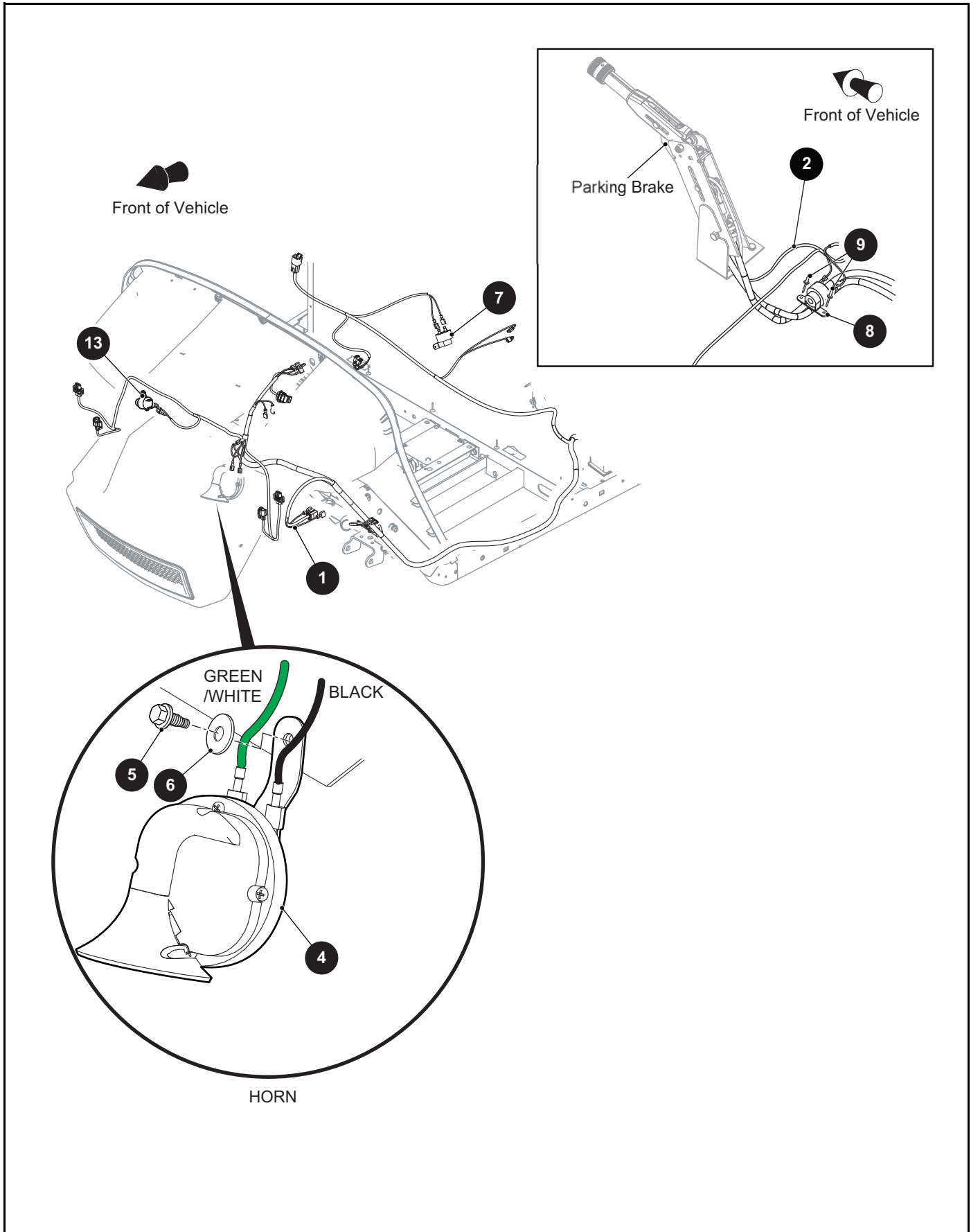
When ordering parts, please specify the model and serial number of the product.

* Indicates a component that is not available as an individual part.

*** Indicates consult Customer Service Department for additional information.

| ITEM | PART NO. | 1 2 3 4 5 | DESCRIPTION | QTY. |
|------|-----------|-----------|---|------|
| 1 | 628708G11 | | Control Panel Assembly (Includes Items 3 - 9) | 1 |
| 2 | | | | |
| 3 | 651897G01 | | Horn Switch | 1 |
| 4 | | | | |
| 5 | 667014G01 | | State of Charge Meter | 1 |
| 6 | 651897G06 | | Speed Rocker Switch | 1 |
| 7 | 651897G05 | | Lights Rocker Switch | 1 |
| 8 | 626655G06 | | Control Panel | 1 |
| 9 | 651901 | | 12V USB Port | 1 |
| 10 | 611282 | | Common Key Set..... | 1 |
| 11 | 611283 | | Key Switch Set..... | 1 |
| 12 | 609692 | | Key Set and Key Switch..... | 1 |
| 13 | 608290 | | Self Tapping Screw, #10 - 16 x .780" Lg | 3 |
| 14 | | | | |
| 15 | 621330 | | Solenoid | 1 |
| 16 | 16469G1 | | Fender Washer | 2 |
| 17 | 00414G6 | | Hex Head Bolt, 1/4" - 20 x .25" Lg | 2 |
| 18 | 11027G2 | | Flanged Lock Nut, 1/4" - 20 | 2 |
| 19 | 12914G1 | | Faston Tab | 2 |
| 20 | | | | |
| 21 | 634270G02 | | #4 AWG Battery Wire, 9" Lg..... | 1 |

ELECTRICAL



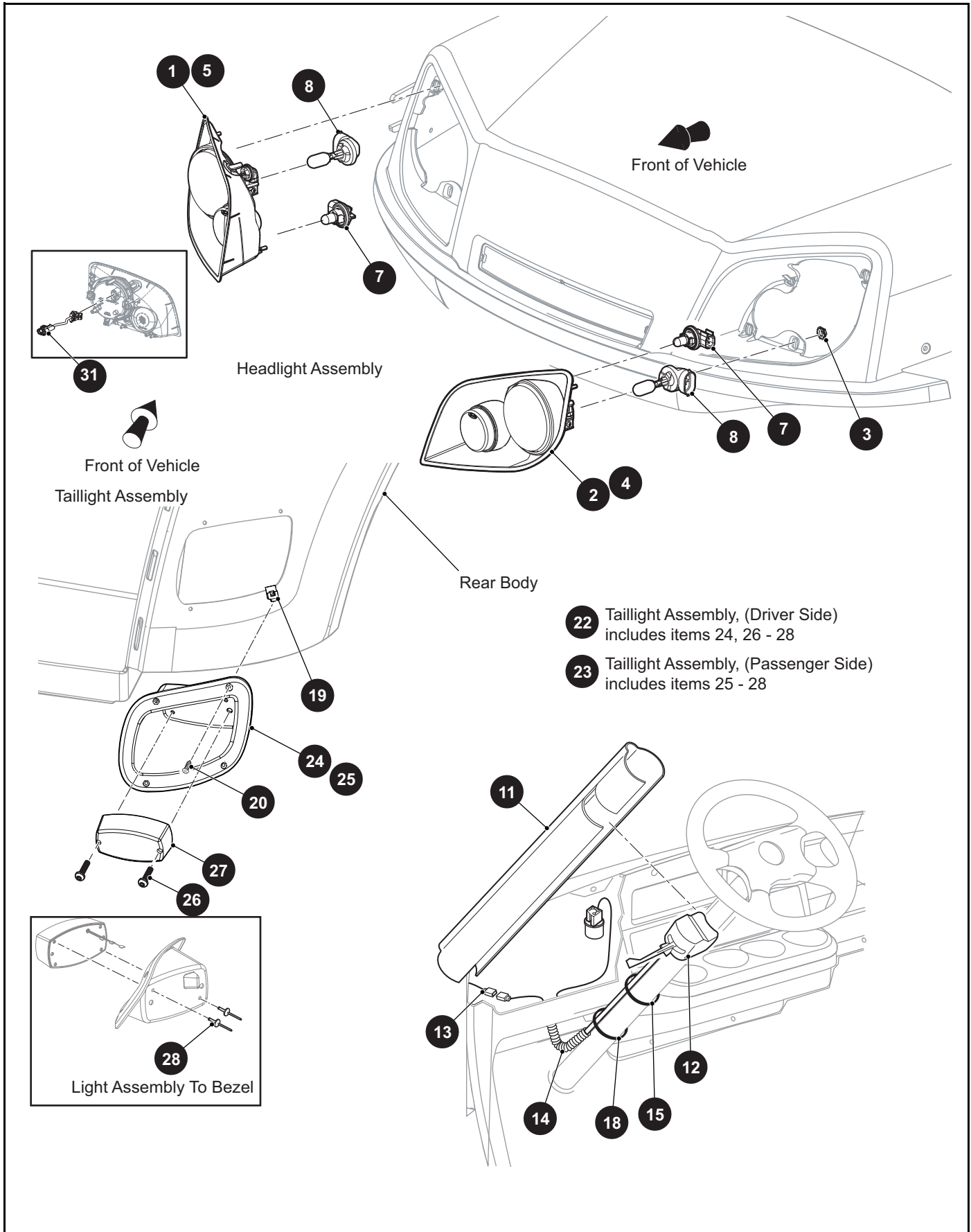
THE USE OF NON U.L. PARTS WILL VOID ANY U.L. LISTING.

When ordering parts, please specify the model and serial number of the product.

* Indicates a component that is not available as an individual part.

*** Indicates consult Customer Service Department for additional information.

| ITEM | PART NO. | 1 2 3 4 5 | DESCRIPTION | QTY. |
|------|----------|-----------|---|------|
| 1 | 682614 | | Control Harness | 1 |
| 2 | 626519 | | Park Brake/Buzzer Harness..... | 1 |
| 3 | | | | |
| 4 | 32860G01 | | Horn | 1 |
| 5 | 01038G01 | | Hex Washer Head Swageform Screw, 1/4" - 20x .70" Lg | 1 |
| 6 | 16469G1 | | Fender Washer | 1 |
| 7 | 73290G02 | | Continuous Tone Buzzer | 1 |
| 8 | 73290G01 | | Intermittent Buzzer | 1 |
| 9 | 01041G01 | | Rivet (Bulbex), 5/32" | 2 |
| 10 | 17618G1 | | Nylon Clamp, 7" Lg (Not Illustrated)..... | 9 |
| 11 | | | | |
| 12 | 664780 | | Turn Signal Lights Jumper Harness (Not Illustrated) | 1 |
| 13 | 613271 | | Reverse Buzzer..... | 1 |



THE USE OF NON U.L. PARTS WILL VOID ANY U.L. LISTING.

When ordering parts, please specify the model and serial number of the product.

* Indicates a component that is not available as an individual part.

*** Indicates consult Customer Service Department for additional information.

| ITEM | PART NO. | 1 2 3 4 5 | DESCRIPTION | QTY. |
|------|----------|-----------|--|------|
| 1 | 659008 | | LED Headlight Assembly (Passenger Side)..... | 1 |
| 2 | 659009 | | LED Headlight Assembly (Driver Side) | 1 |
| 3 | 71597G01 | | Self Threading Nut, 5mm x 10mm x 15mm..... | 4 |
| 4 | 644877 | | Headlight Assembly (Driver Side) | 1 |
| 5 | 644876 | | Headlight Assembly (Passenger Side)..... | 1 |
| 6 | | | | |
| 7 | 619102 | | Turn Signal Bulb | 1 |
| 8 | 619100 | | Headlight Bulb (For Non LED Lights Only) | 1 |
| 9 | | | | |
| 10 | | | | |
| 11 | 20965G3 | | Steering Column Cover..... | 1 |
| 12 | 615236 | | Turn Signal Switch | 1 |
| 13 | 664706 | | Horn Jumper Harness | 1 |
| 14 | 17313G1 | | Flex Loom | 1 |
| 15 | 17618G1 | | Nylon Clamp, 7" Lg | 1 |
| 16 | | | | |
| 17 | | | | |
| 18 | 31539G1 | | Nylon Clamp, 5.5" Lg | 1 |
| 19 | 71364G02 | | "J" Type Nut, #8 | 4 |
| 20 | 71425G01 | | Tapping Screw, #8 - 18 x 3/4" Lg | 4 |
| 21 | 71781G02 | | Tape (Vinyl) (Not Illustrated) | 1 |
| 22 | 655150 | | Taillight Assembly (Driver Side) (Includes Items 24, 26 - 28)..... | 1 |
| 23 | 655152 | | Taillight Assembly (Passenger Side) (Includes Items 25 - 28) | 1 |
| 24 | 625251 | | Taillight Bezel (Driver Side) | 1 |
| 25 | 625252 | | Taillight Bezel (Passenger Side)..... | 1 |
| 26 | 00513G4 | | Pan Head Phillips Screw, #8 - 18 x 3/4" Lg | 2 |
| 27 | 22288G1 | | Taillight Assembly. | 1 |
| 28 | 14601G11 | | Rivet (Aluminum), 3/16" x 9/16"..... | 2 |
| 29 | | | | |
| 30 | | | | |
| 31 | 654465 | | LED Jumper Harness | 1 |

ELECTRONIC SPEED CONTROL

THE USE OF NON U.L. PARTS WILL VOID ANY U.L. LISTING.

When ordering parts, please specify the model and serial number of the product.

* Indicates a component that is not available as an individual part.

*** Indicates consult Customer Service Department for additional information.

| ITEM | PART NO. | 1 2 3 4 5 | DESCRIPTION | QTY. |
|---|------------|-----------|--|------|
| FOR VEHICLES WITH 1234E CONTROLLER | | | | |
| 1 | 671632 | | Electronic Speed Control Assembly (Includes Items 2 - 8) | 1 |
| 2 | 672599G002 | | Controller, 1234SE-AC, 350A | 1 |
| 3 | 73876G01 | | Flanged Hex Head Bolt, M6 - 1 x 12mm Lg | 2 |
| 4 | 00797G2 | | Hex Head Bolt, 1/4" - 20 x 1 1/4" Lg, Grade 8 | 4 |
| 5 | 11027G2 | | Flanged Lock Nut, 1/4" - 20 | 4 |
| 6 | 606272 | | Lock Washer, 8mm | 2 |
| 7 | 634210G13 | | Battery Wire, 4 AWG, 34" Lg | 1 |
| 8 | 634270G04 | | Battery Wire, 4 AWG, 22" Lg | 1 |
| 9 | | | | |
| 10 | 73876G01 | | Flanged Hex Head Bolt, M6 - 1 x 12mm Lg | 3 |
| 11 | 606272 | | Lock Washer, 8mm | 3 |
| FOR VEHICLES WITH 1236E CONTROLLER | | | | |
| 1 | 683061 | | Electronic Speed Control Assembly (Includes Items 2 - 8) | 1 |
| 2 | 683003G001 | | Controller, 1236E-AC, 350A | 1 |
| 3 | 606262 | | Flanged Hex Head Bolt, M8 - 1.25 x 16mm Lg | 2 |
| 4 | 00797G2 | | Hex Head Bolt, 1/4" - 20 x 1 1/4" Lg, Grade 8 | 4 |
| 5 | 11027G2 | | Flanged Lock Nut, 1/4" - 20 | 4 |
| 6 | 606272 | | Lock Washer, 8mm | 2 |
| 7 | 634210G13 | | Battery Wire, 4 AWG, 34" Lg | 1 |
| 8 | 634270G04 | | Battery Wire, 4 AWG, 22" Lg | 1 |
| 9 | 00642G7 | | Flat Washer, 1/4" | 4 |
| 10 | 73876G01 | | Flanged Hex Head Bolt, M6 - 1 x 12mm Lg | 3 |
| 11 | 606272 | | Lock Washer, 8mm | 3 |

FRONT SUSPENSION AND STEERING

THE USE OF NON U.L. PARTS WILL VOID ANY U.L. LISTING.

When ordering parts, please specify the model and serial number of the product.

* Indicates a component that is not available as an individual part.

*** Indicates consult Customer Service Department for additional information.

| ITEM | PART NO. | 1 2 3 4 5 | DESCRIPTION | QTY. |
|------|----------|-----------|--|------|
| 1 | 602327 | | Front Axle | 1 |
| 2 | 602288 | | Spindle And Hub Assembly (Passenger Side) (Includes Items 3 - 12) | 1 |
| 3 | 602158 | | Spindle (Passenger Side)..... | 1 |
| 4 | 00798G8 | | Cotter Pin, 5/32" x 1 3/4" | 1 |
| 5 | 74864G01 | | Drive Flange Stud, 1 1/2"..... | 4 |
| 6 | 632925 | | Flanged Bushing..... | 1 |
| 7 | 632926 | | Sleeve Bushing..... | 1 |
| 8 | 25146G1 | | Grease Seal..... | 1 |
| 9 | 11750G2 | | Roller Bearing | 2 |
| 10 | 51141G1 | | Bearing Race..... | 2 |
| 11 | 630672 | | Hub - Disc Brake | 1 |
| 12 | 12093G1 | | Slotted Nut, 17/32"..... | 1 |
| 13 | 602281 | | Spindle And Hub Assembly (Driver Side) (Includes Items 14 - 23) | 1 |
| 14 | 602176 | | Spindle (Driver Side) | 1 |
| 15 | 00798G8 | | Cotter Pin, 5/32" x 1 3/4" | 1 |
| 16 | 74864G01 | | Drive Flange Stud, 1 1/2"..... | 4 |
| 17 | 632925 | | Flanged Bushing..... | 1 |
| 18 | 632926 | | Sleeve Bushing..... | 1 |
| 19 | 25146G1 | | Grease Seal..... | 1 |
| 20 | 11750G2 | | Roller Bearing | 2 |
| 21 | 51141G1 | | Bearing Race..... | 2 |
| 22 | 630672 | | Hub - Disc Brake | 1 |
| 23 | 12093G1 | | Slotted Nut, 17/32"..... | 1 |
| 24 | 00734G1 | | Lock Nut, 7/16" - 14 | 11 |
| 25 | 00463G11 | | Hex Head Bolt, 7/16" - 14 x 1 1/2" Lg | 11 |
| 26 | 00407G6 | | Hex Head Bolt, 1/2" - 13 x 6" Lg | 2 |
| 27 | 00560G3 | | Flat Washer, 1/2" | 4 |
| 28 | 70745G01 | | King Pin Tube..... | 2 |
| 29 | 70754G01 | | Thrust Washer (SS), 1" | 2 |
| 30 | 14390G6 | | Lock Nut, 1/2" - 13 | 2 |

FRONT SUSPENSION AND STEERING

THE USE OF NON U.L. PARTS WILL VOID ANY U.L. LISTING.

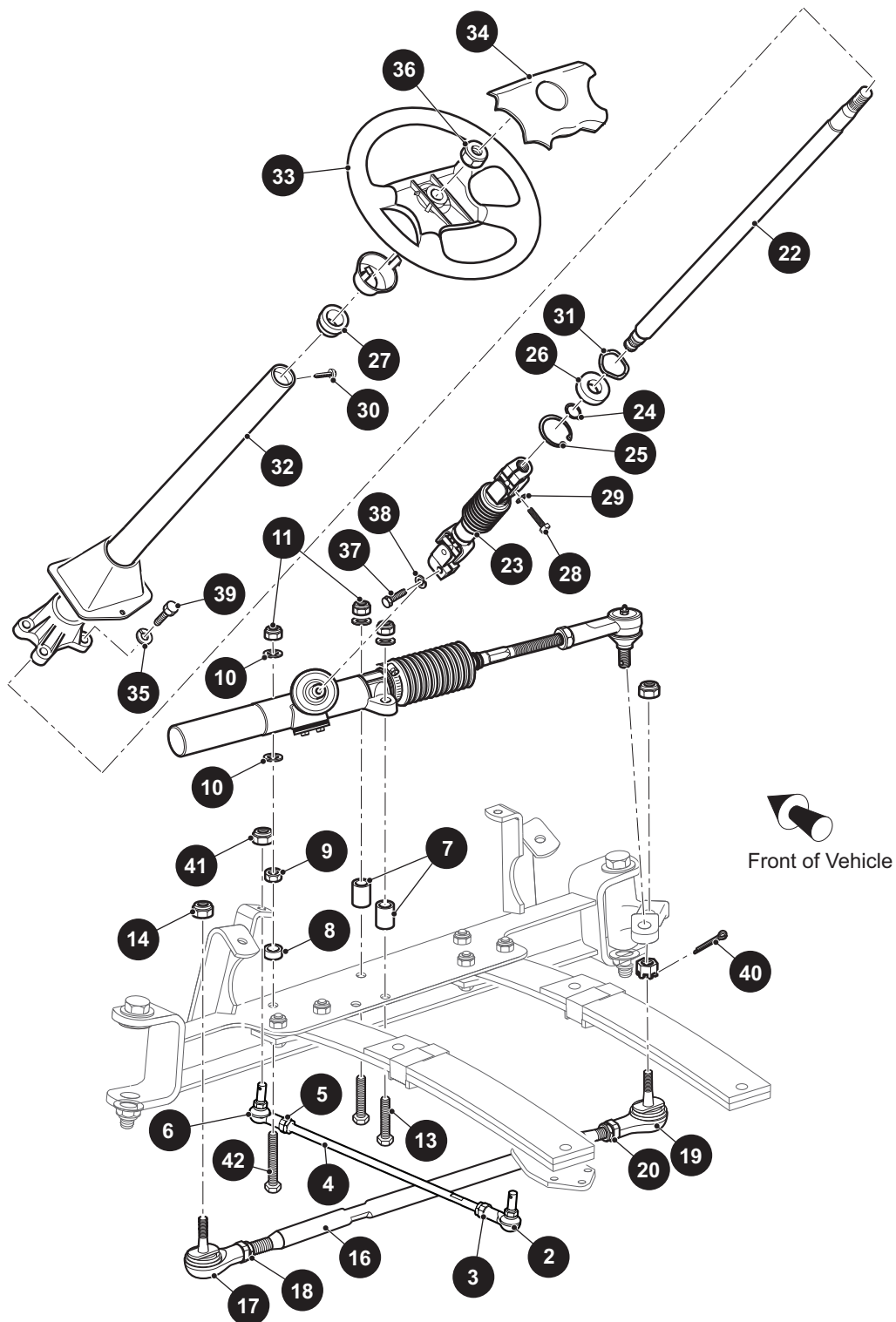
When ordering parts, please specify the model and serial number of the product.

* Indicates a component that is not available as an individual part.

*** Indicates consult Customer Service Department for additional information.

| ITEM | PART NO. | 1 2 3 4 5 | DESCRIPTION | QTY. |
|------|----------|-----------|---|------|
| 31 | 76419G01 | | Shock Absorber | 2 |
| 32 | 652258 | | Spring Plate | 2 |
| 33 | 70664G03 | | Leaf Spring (Heavy Duty) (See Part Number On Spring)..... | 2 |
| 34 | 10435G1 | | Shock Absorber Washer, .406" I.d. x 1.25" O.d. | 8 |
| 35 | 10194G1 | | Rubber Bushing..... | 8 |
| 36 | 00532G6 | | Hex Nut, 1/4" - 20 | 4 |
| 37 | 74731G01 | | Spring Plate (Driver Side)..... | 1 |
| 38 | 74731G02 | | Spring Plate (Passenger Side) | 1 |
| 39 | 10044G01 | | Vinyl Cap | 4 |

FRONT SUSPENSION AND STEERING



- 1 Link Rod Assembly includes items 2 - 6
- 15 Tie Rod Assembly includes items 16 - 20
- 21 Steering Column Assembly includes items 22 - 32

FRONT SUSPENSION AND STEERING

THE USE OF NON U.L. PARTS WILL VOID ANY U.L. LISTING.

When ordering parts, please specify the model and serial number of the product.

* Indicates a component that is not available as an individual part.

*** Indicates consult Customer Service Department for additional information.

| ITEM | PART NO. | 1 2 3 4 5 | DESCRIPTION | QTY. |
|------|----------|-----------|---|------|
| 1 | 74730G01 | | Link Rod Assembly (Includes Items 2 - 6)..... | 2 |
| 2 | 74734G02 | | Tie Rod End (Right Hand Threads) | 1 |
| 3 | 01083G01 | | Jam Nut, M10 - 1 1/4" (Right Hand Threads) | 1 |
| 4 | 618531 | | Link Rod | 1 |
| 5 | 01083G02 | | Jam Nut, M10 - 1 1/4" (Left Hand Threads)..... | 1 |
| 6 | 74734G02 | | Tie Rod End (Left Hand Threads)..... | 1 |
| 7 | 70667G02 | | Spacer, 1.21"..... | 2 |
| 8 | 70667G04 | | Steering Housing Spacer | 1 |
| 9 | 00532G7 | | Hex Nut, 1/4" - 20..... | 1 |
| 10 | 00560G2 | | Flat Washer, 3/8"..... | 7 |
| 11 | 00734G1 | | Lock Nut, 7/16" - 14 | 3 |
| 12 | | | | |
| 13 | 00464G8 | | Hex Head Bolt, 7/16" - 14 x 2 3/4" Lg | 2 |
| 14 | 00734G1 | | Lock Nut, 7/16" - 14 | 2 |
| 15 | 70876G02 | | Tie Rod Assembly (Includes Items 16 - 20) | 1 |
| 16 | 70897G02 | | Threaded Rod (24" Lg)..... | 1 |
| 17 | 70902G01 | | Tie Rod End (Left Hand Threads)..... | 1 |
| 18 | 01069G01 | | Jam Nut, M12 x 1.25 - 05 (Left Hand Threads) | 1 |
| 19 | 70902G02 | | Tie Rod End (Right Hand Threads) | 1 |
| 20 | 01069G02 | | Jam Nut, M12 x 1.25 - 05 (Right Hand Threads)..... | 1 |
| 21 | 70758G05 | | Steering Column Assembly (Includes Items 22 - 32) | 1 |
| 22 | 70607G01 | | Steering Shaft..... | 1 |
| 23 | 70580G01 | | Intermediate Shaft | 1 |
| 24 | 70888G01 | | Retaining Ring, External..... | 1 |
| 25 | 70751G01 | | Retaining Ring, Internal | 1 |
| 26 | 15112G1 | | Ball Bearing | 1 |
| 27 | 28569G01 | | Bushing..... | 1 |
| 28 | 01055G01 | | Hex Head Bolt, M8 - 1.25" x 30mm Lg | 1 |
| 29 | 00565G8 | | Spring Lock Washer | 1 |
| 30 | 01022G01 | | Hex Head Bolt, #6 - 20 x 5/16" Lg | 1 |
| 31 | 70887G01 | | Wave Washer (SS)..... | 1 |

FRONT SUSPENSION AND STEERING

THE USE OF NON U.L. PARTS WILL VOID ANY U.L. LISTING.

When ordering parts, please specify the model and serial number of the product.

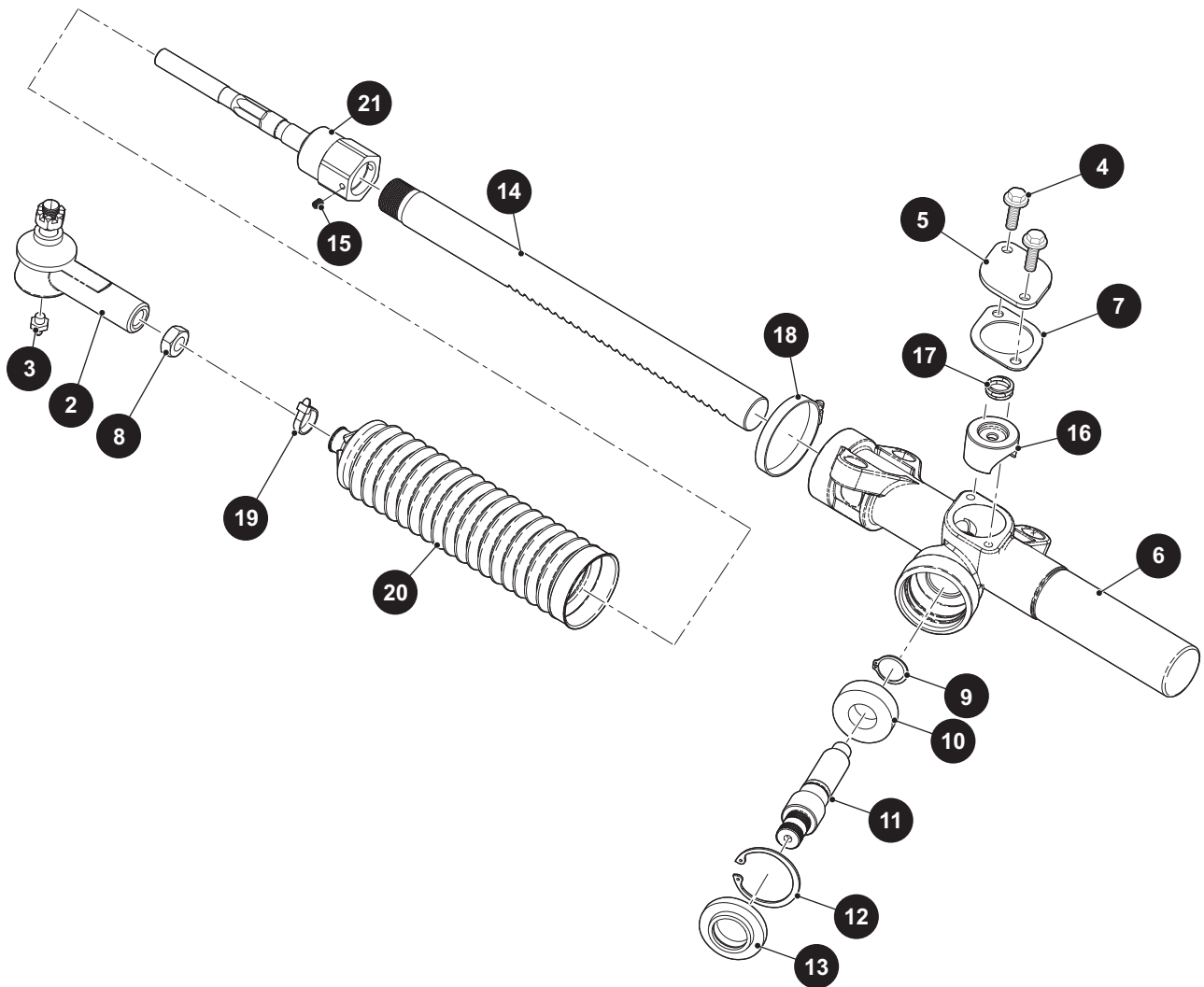
* Indicates a component that is not available as an individual part.

*** Indicates consult Customer Service Department for additional information.

| ITEM | PART NO. | 1 2 3 4 5 | DESCRIPTION | QTY. |
|------|----------|-----------|--|------|
| 32 | 70610G03 | | Steering Column Assembly | 1 |
| 33 | 602979 | | Steering Wheel (Fleet)..... | 1 |
| 34 | 71147G01 | | Steering Wheel Cover | 1 |
| 35 | 00879G1 | | Flat Washer, 3/8" | 4 |
| 36 | 14390G2 | | Lock Nut, 5/8" - 18 | 1 |
| 37 | 01055G01 | | Hex Head Bolt, M8 - 1 1/4" x 30mm Lg | 1 |
| 38 | 00565G8 | | Lock Washer, 5/16"..... | 1 |
| 39 | 01006G01 | | Hex Head Bolt, 3/8" - 16 x 1 1/4" Lg..... | 4 |
| 40 | 10387G2 | | Cotter Pin 0.094" x 1" | 1 |
| 41 | 606279 | | Flanged Hex Nut, M10 - 1.25..... | 4 |
| 42 | 01068G01 | | Hex Head Bolt, 7/16" - 14 x 3 1/2" Lg..... | 1 |

FRONT SUSPENSION AND STEERING

1 Rack and Pinion Unit Assembly includes items 2 - 21



FRONT SUSPENSION AND STEERING

THE USE OF NON U.L. PARTS WILL VOID ANY U.L. LISTING.

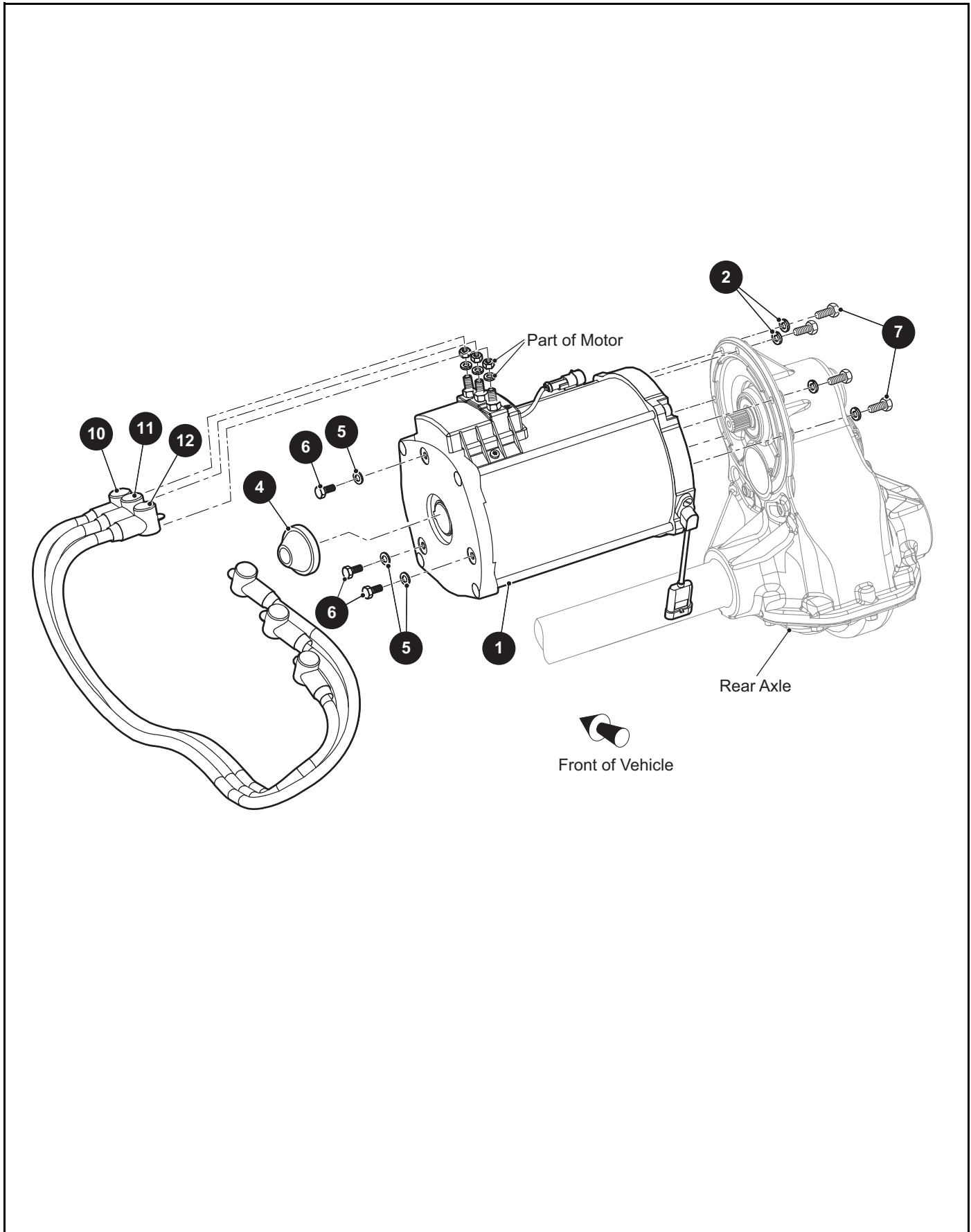
When ordering parts, please specify the model and serial number of the product.

* Indicates a component that is not available as an individual part.

*** Indicates consult Customer Service Department for additional information.

| ITEM | PART NO. | 1 2 3 4 5 | DESCRIPTION | QTY. |
|------|----------|-----------|---|------|
| 1 | 70964G01 | | Rack And Pinion Unit Assembly (Includes Items 2 - 21) | 1 |
| 2 | 70695G01 | | Tie Rod End - Outer..... | 1 |
| 3 | 10389G3 | | Grease Fitting, Straight..... | 1 |
| 4 | 71102G01 | | Hex Head Bolt, 1/4" - 20 | 2 |
| 5 | 652259 | | Cover (Rack Loader) | 1 |
| 6 | 70965G01 | | Steering Rack Cover And Bearing..... | 1 |
| 7 | 70645G01 | | Gasket (Rack Loader) | 1 |
| 8 | * | | Jam Nut, 1/2" - 20..... | 1 |
| 9 | 70750G01 | | Retaining Ring - External..... | 1 |
| 10 | 15112G1 | | Ball Bearing | 1 |
| 11 | 70603G01 | | Pinion..... | 1 |
| 12 | 70751G01 | | Retaining Ring - Internal..... | 1 |
| 13 | 70638G01 | | Pinion Seal | 1 |
| 14 | 70604G01 | | Steering Rack..... | 1 |
| 15 | * | | Socket Head Screw, #10 - 32 | 1 |
| 16 | 70590G01 | | Rack Loader | 1 |
| 17 | 70666G01 | | Compression Spring | 1 |
| 18 | 11391G8 | | Hose Clamp, 1.81"..... | 1 |
| 19 | 12416G2 | | Nylon Clamp, 10"..... | 1 |
| 20 | 70961G01 | | Bellows Rack Cover | 1 |
| 21 | 74694G01 | | Rod End - Inner | 1 |

MOTOR



THE USE OF NON U.L. PARTS WILL VOID ANY U.L. LISTING.

When ordering parts, please specify the model and serial number of the product.

* Indicates a component that is not available as an individual part.

*** Indicates consult Customer Service Department for additional information.

| ITEM | PART NO. | 1 2 3 4 5 | DESCRIPTION | QTY. |
|------|-----------|-----------|--------------------------------------|------|
| 1 | 681071 | | Motor, 72V..... | 1 |
| 2 | 601327 | | Lock Washer, 6mm | 6 |
| 3 | | | | |
| 4 | 668275 | | End Cap Plug..... | 1 |
| 5 | 00915G1 | | Bonded Seal Washer, 1/4" I.D. | 3 |
| 6 | 616716 | | Hex Head Bolt, M6 - 1 x 16mm Lg..... | 3 |
| 7 | 605741 | | Hex Head Bolt, M6 - 1 x 25mm Lg..... | 6 |
| 8 | | | | |
| 9 | | | | |
| 10 | 635137G01 | | Motor Wire (U), 2AWG, 44"..... | 1 |
| 11 | 635137G02 | | Motor Wire (V), 2AWG, 41" | 1 |
| 12 | 635137G03 | | Motor Wire (W), 2AWG, 37" | 1 |

REAR AXLE

THE USE OF NON U.L. PARTS WILL VOID ANY U.L. LISTING.

When ordering parts, please specify the model and serial number of the product.

* Indicates a component that is not available as an individual part.

*** Indicates consult Customer Service Department for additional information.

| ITEM | PART NO. | 1 2 3 4 5 | DESCRIPTION | QTY. |
|------|----------|-----------|---|------|
| 1 | 633599 | | Rear Axle, 16.99:1 (Includes Items 2 - 35)..... | 1 |
| 2 | 601082 | | Differential Assembly | 1 |
| 3 | 620349 | | Intermediate Gear Assembly | 1 |
| 4 | 620350 | | Drive Gear | 1 |
| 5 | 620355 | | Ball Bearing | 1 |
| 6 | | | | |
| 7 | 15118G1 | | Hex Head Bolt, 3/8" - 16 x 2.125" Lg..... | 4 |
| 8 | 15558G1 | | Hex Head Bolt, 5/16" - 18 x .75" Lg..... | 10 |
| 9 | 17473G1 | | Bearing Assembly..... | 2 |
| 10 | 23519G2 | | Ball Bearing Single Lip Seal | 1 |
| 11 | 23520G1 | | Ball Bearing | 1 |
| 12 | 23530G1 | | Retainer Ring..... | 1 |
| 13 | 24628G1 | | O-ring Seal | 1 |
| 14 | 601084 | | Lock Nut, 3/8" - 24 | 4 |
| 15 | 620358 | | O-ring, 18mm..... | 2 |
| 16 | | | | |
| 17 | 608811 | | End Cap..... | 2 |
| 18 | 611788 | | Ball Bearing | 2 |
| 19 | 612064 | | Oil Seal | 2 |
| 20 | 612824 | | Gasket | 1 |
| 21 | 617608 | | Axle Shaft (Driver Side)..... | 1 |
| 22 | 617609 | | Axle Shaft (Passenger Side) | 1 |
| 23 | 620327 | | Input Gear..... | 1 |
| 24 | 620328 | | Oil Seal | 1 |
| 25 | 620335 | | Hex Head Bolt, 3/8" - 24 x 1.25" Lg..... | 4 |
| 26 | 620359 | | Retaining Ring | 6 |
| 27 | | | | |
| 28 | 620340 | | Ball Bearing | 1 |
| 29 | 620345 | | O-ring, 18mm..... | 2 |
| 30 | 620347 | | Rubber Plug..... | 1 |
| 31 | 620348 | | Differential Cover Plate..... | 1 |

REAR AXLE

THE USE OF NON U.L. PARTS WILL VOID ANY U.L. LISTING.

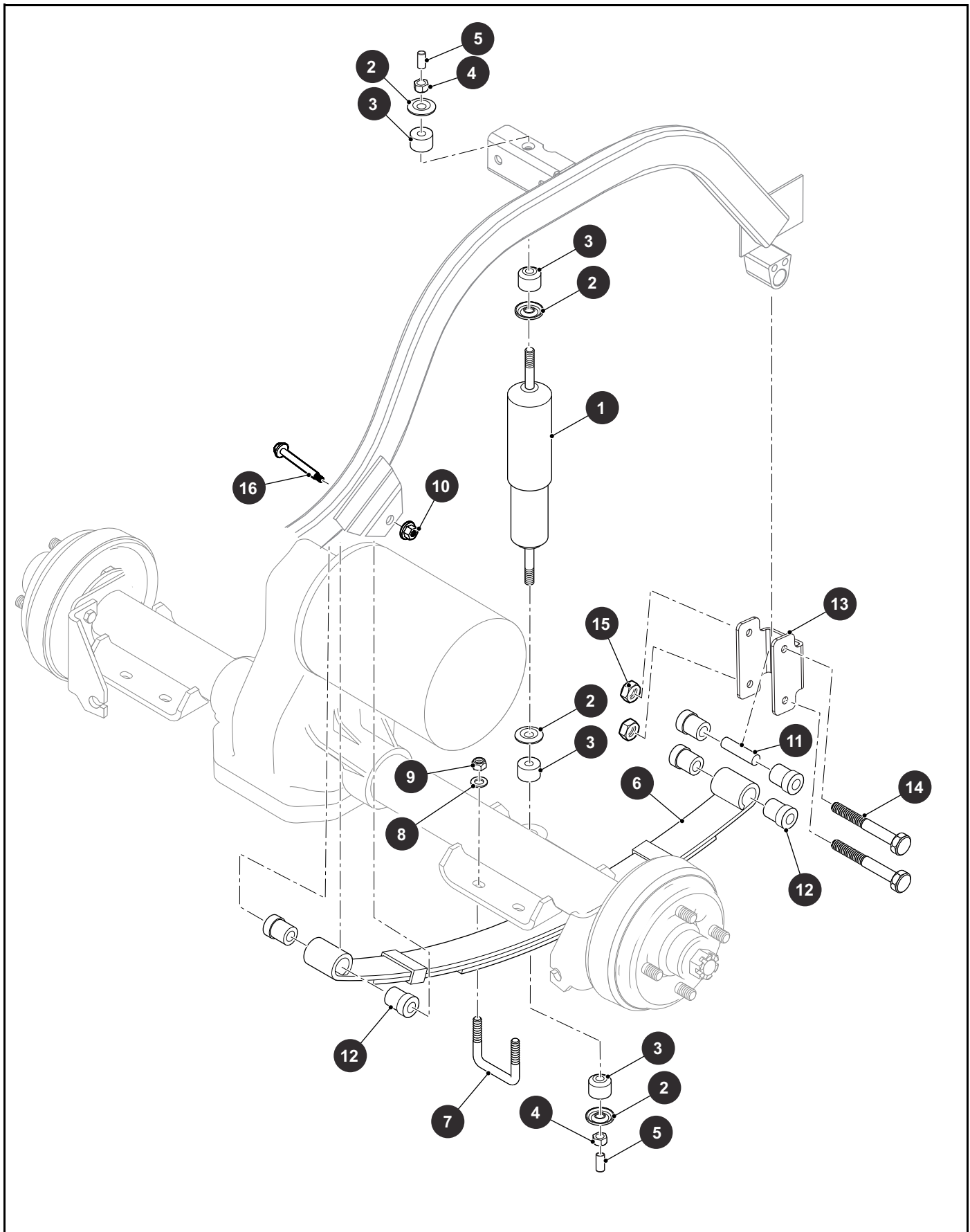
When ordering parts, please specify the model and serial number of the product.

* Indicates a component that is not available as an individual part.

*** Indicates consult Customer Service Department for additional information.

| ITEM | PART NO. | 1 | 2 | 3 | 4 | 5 | DESCRIPTION | QTY. |
|------|----------|---|---|---|---|---|---|------|
| 32 | 620329 | | | | | | Input Gears Kit (Not Illustrated)..... | 1 |
| 33 | 620361 | | | | | | Internal Gears Kit (Not Illustrated)..... | 1 |
| 34 | 620362 | | | | | | Ball Bearing Kit (Not Illustrated)..... | 1 |
| 35 | 620363 | | | | | | Differential Cover Assembly Kit (Not Illustrated) | 1 |

REAR SUSPENSION



REAR SUSPENSION

THE USE OF NON U.L. PARTS WILL VOID ANY U.L. LISTING.

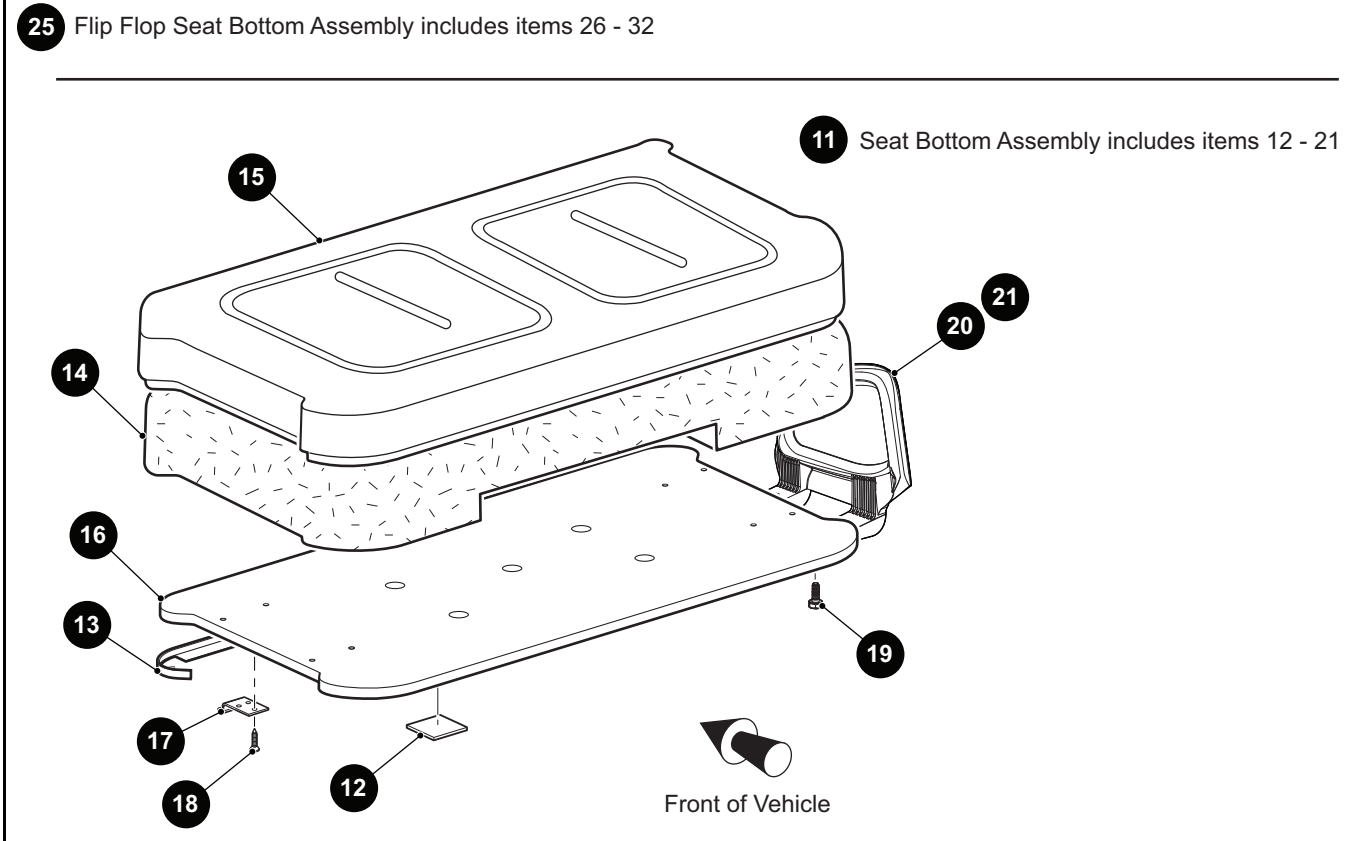
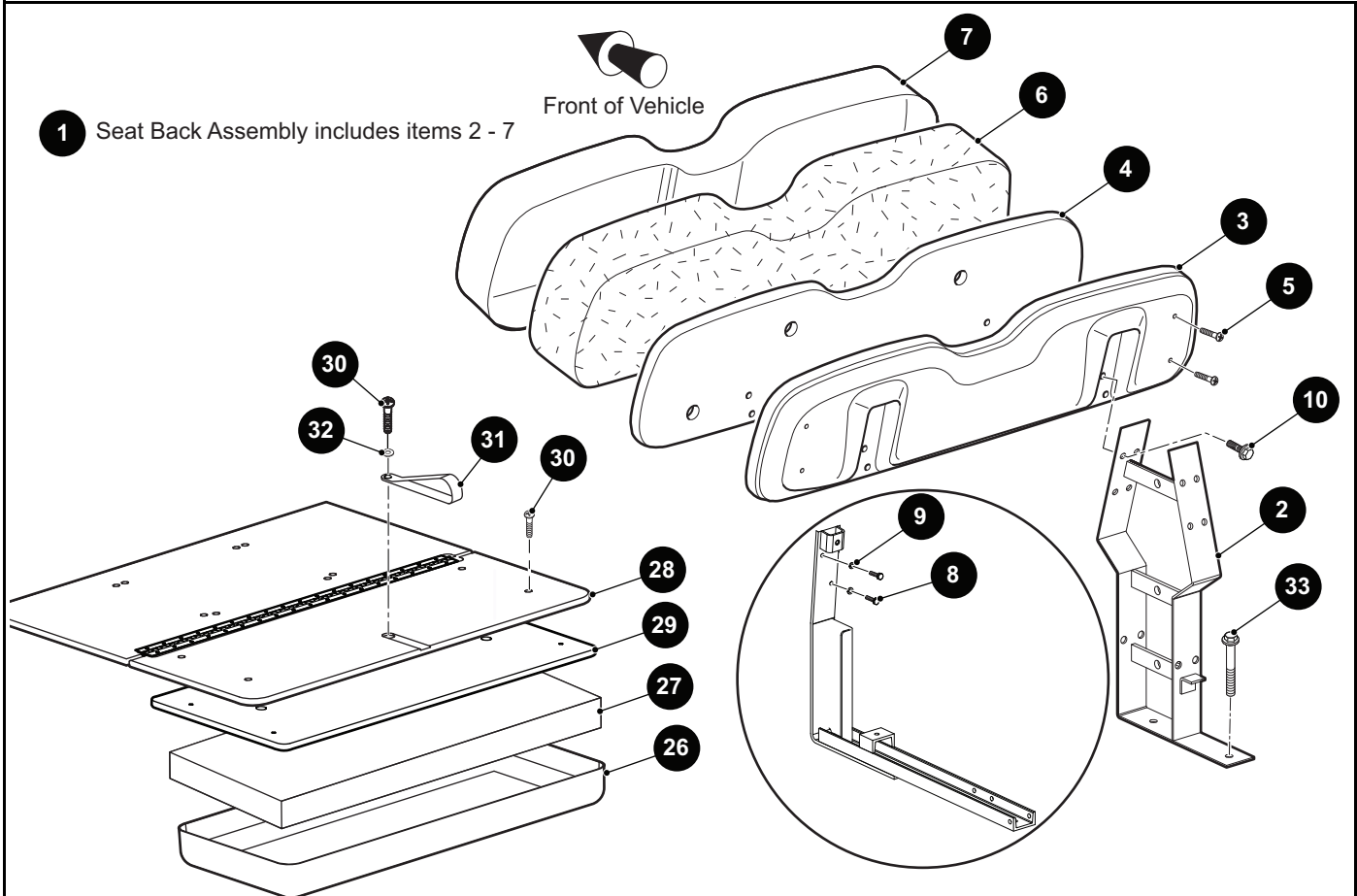
When ordering parts, please specify the model and serial number of the product.

* Indicates a component that is not available as an individual part.

*** Indicates consult Customer Service Department for additional information.

| ITEM | PART NO. | 1 2 3 4 5 | DESCRIPTION | QTY. |
|------|------------|-----------|--|------|
| 1 | 642085 | | Shock Absorber..... | 2 |
| 2 | 10435G1 | | Shock Absorber Washer, I.D. .406" x O.D. 1.25" | 4 |
| 3 | 10194G1 | | Rubber Bushing | 4 |
| 4 | 00532G6 | | Hex Nut, 3/8" - 24..... | 2 |
| 5 | 10044G01 | | Vinyl Cap..... | 1 |
| 6 | 667990 | | Leaf Spring..... | 2 |
| 7 | 624030 | | Flanged Bushing | 2 |
| 8 | 652708G03 | | Lift Bracket | 1 |
| 9 | 00560G1 | | Flat Washer, 3/8"..... | 8 |
| 10 | 11098G5 | | Lock Nut, 3/8" - 16 | 4 |
| 11 | 00430G12 | | Hex Head Bolt, 3/8" - 16 x 5 1/2" Lg | 4 |
| 12 | 624030 | | Flanged Bushing | 4 |
| 13 | 70289G02 | | Split Spacer (Steel), I.D. .376" x O.D. 1" x 1" Lg..... | 2 |
| 14 | | | | |
| 15 | 652245 | | Shackle Plate | 2 |
| 16 | 00665G9 | | Hex Head Bolt (SS), 3/8" - 16 x 3 1/2" Lg | 2 |
| 17 | 11098G5 | | Lock Nut, 3/8" - 16 | 2 |
| 18 | | | | |
| 19 | 652713G103 | | Mounting Plate (Driver Side)..... | 1 |
| 20 | 652713G203 | | Mounting Plate (Passenger Side) | 1 |
| 21 | 70492G01 | | Rubber Bumper..... | 1 |
| 22 | | | | |
| 23 | | | | |
| 24 | 608654 | | Split Lock Washer, M10 | 1 |
| 25 | 00974G01 | | Hex Nut, M10 x 1.0 | 1 |
| 26 | 14158G1 | | Shoulder Bolt, 1/2" Dia x 3/8" - 16 Thread x 3 1/4" Lg | 1 |
| 27 | 12262G1 | | Flanged Lock Nut, 3/8" - 16 | 1 |

SEATING



THE USE OF NON U.L. PARTS WILL VOID ANY U.L. LISTING.

When ordering parts, please specify the model and serial number of the product.

* Indicates a component that is not available as an individual part.

*** Indicates consult Customer Service Department for additional information.

| ITEM | PART NO. | 1 | 2 | 3 | 4 | 5 | DESCRIPTION | QTY. | |
|------|----------|--|---|---|---|---|---------------------------|------|---|
| 1 | *** | Seat Back Assembly (Includes Items 2 - 7)..... | | | | | 1 | | 1 |
| | | | | | | | 71751G02 Gray | | |
| | | | | | | | 71751G03 Oyster | | |
| | | | | | | | 71751G04 Tan | | |
| | | | | | | | 71751G06 Brown | | |
| | | | | | | | 71751G07 Black | | |
| | | | | | | | 606828 Red/Black | | |
| | | | | | | | 604908 White/Blue | | |
| | | | | | | | 604907 White/Red | | |
| | | | | | | | 615838 White/Black | | |
| | | | | | | | 620794 White/Yellow | | |
| | | | | | | | 620796 Gray/Black | | |
| | | | | | | | 615837 Oyster/Garnet | | |
| 2 | 634178 | Seat Back Support..... | | | | | 2 | | 2 |
| 3 | 71752G01 | Plastic Seat Back Cover | | | | | 1 | | 1 |
| 4 | 645021 | Seat Back Base | | | | | 1 | | 1 |
| 5 | 01107G01 | Pan Head Torx Screw (SS), #8 x 3/8" Lg..... | | | | | 4 | | 4 |
| 6 | 71754G01 | Foam Padding (Seat Back) | | | | | 1 | | 1 |
| 7 | *** | Vinyl Seat Back Cover | | | | | 1 | | 1 |
| | | | | | | | 71753G02 Gray | | |
| | | | | | | | 71753G03 Oyster | | |
| | | | | | | | 71753G04 Tan | | |
| | | | | | | | 71753G06 Brown | | |
| | | | | | | | 71753G07 Black | | |
| | | | | | | | 604916G0304 Red/Black | | |
| | | | | | | | 604916G0102 White/Blue | | |
| | | | | | | | 604916G0103 White/Red | | |
| | | | | | | | 604916G0104 White/Black | | |
| | | | | | | | 604916G0108 White/Yellow | | |
| | | | | | | | 604916G0704 Gray/Black | | |
| | | | | | | | 604916G0506 Oyster/Garnet | | |
| 8 | 00661G8 | Hex Head Bolt, 1/4" - 20 x 1/2" Lg | | | | | 4 | | 4 |
| 9 | 00664G7 | Lock Washer (SS), 0.255"..... | | | | | 4 | | 4 |
| 10 | 71204G01 | Hex Washer Head Screw with Patch Lock, 1/4" - 20 x 7/8" Lg | | | | | 8 | | 8 |
| 11 | *** | Seat Bottom Assembly (Includes Items 12 - 21)..... | | | | | 1 | | 1 |
| | | | | | | | 629269G0101 Oyster | | |
| | | | | | | | 629269G0103 Tan | | |
| | | | | | | | 629269G0104 Gray | | |
| | | | | | | | 629269G0106 Black | | |
| | | | | | | | 629269G0107 Brown | | |
| | | | | | | | 629269G0109 White/Blue | | |
| | | | | | | | 629269G0111 White/Red | | |
| | | | | | | | 629269G0112 White/Black | | |
| | | | | | | | 629269G0113 White/Yellow | | |

SEATING

THE USE OF NON U.L. PARTS WILL VOID ANY U.L. LISTING.

When ordering parts, please specify the model and serial number of the product

* Indicates a component that is not available as an individual part.

*** Indicates consult Customer Service Department for additional information.

| ITEM | PART NO. | 1 | 2 | 3 | 4 | 5 | DESCRIPTION | QTY. |
|------|----------|-------------|---|---|---|---|--|------|
| | | 629269G0114 | | | | | Gray/Black | |
| | | 629269G0115 | | | | | Oyster/Garnet | |
| | | 629269G0110 | | | | | Red/Black | |
| 12 | 17074G1 | | | | | | Rubber Pad..... | 2 |
| 13 | 71012G01 | | | | | | Vinyl Trim (Seat Bottom)..... | 1 |
| 14 | 71603G02 | | | | | | Foam Padding (Seat Bottom)..... | 1 |
| 15 | *** | | | | | | Vinyl Seat Bottom Cover..... | 1 |
| | | 71602G03 | | | | | Oyster | |
| | | 71602G04 | | | | | Tan | |
| | | 71602G02 | | | | | Gray | |
| | | 71602G06 | | | | | Black | |
| | | 71602G07 | | | | | Brown | |
| | | 604912G0102 | | | | | White/Blue | |
| | | 604912G0103 | | | | | White/Red | |
| | | 604912G0104 | | | | | White/Black | |
| | | 604912G0108 | | | | | White/Yellow | |
| | | 604912G0704 | | | | | Gray/Black | |
| | | 604912G0506 | | | | | Oyster/Garnet | |
| | | 604912G0304 | | | | | Red/Black | |
| 16 | 645492 | | | | | | Seat Bottom..... | 1 |
| 17 | 71610G01 | | | | | | Seat Hinge..... | 2 |
| 18 | 00720G08 | | | | | | Flat Head Phillips Screw, #12 -14 x 1" Lg..... | 6 |
| 19 | 615417 | | | | | | Button Head Torx Bolt, M10 - 1.5 x 25mm Lg..... | 8 |
| 20 | 617645 | | | | | | Hip Restraint (Driver Side)..... | 1 |
| 21 | 617644 | | | | | | Hip Restraint (Passenger Side)..... | 1 |
| 22 | | | | | | | | |
| 23 | | | | | | | | |
| 24 | | | | | | | | |
| 25 | *** | | | | | | Flip Flop Seat Bottom Assembly (Includes Items 26 - 32)..... | 1 |
| | | 628058G01 | | | | | Oyster | |
| | | 628058G03 | | | | | Tan | |
| | | 628058G04 | | | | | Gray | |
| | | 628058G06 | | | | | Black | |
| | | 628058G07 | | | | | Brown | |
| | | 628058G09 | | | | | White/Blue | |
| | | 628058G10 | | | | | Red/Black | |
| | | 628058G11 | | | | | White/Red | |
| | | 628058G12 | | | | | White/Black | |
| | | 628058G13 | | | | | White/Yellow | |
| | | 628058G14 | | | | | Gray/Black | |
| | | 628058G15 | | | | | Oyster/Garnet | |

THE USE OF NON U.L. PARTS WILL VOID ANY U.L. LISTING.

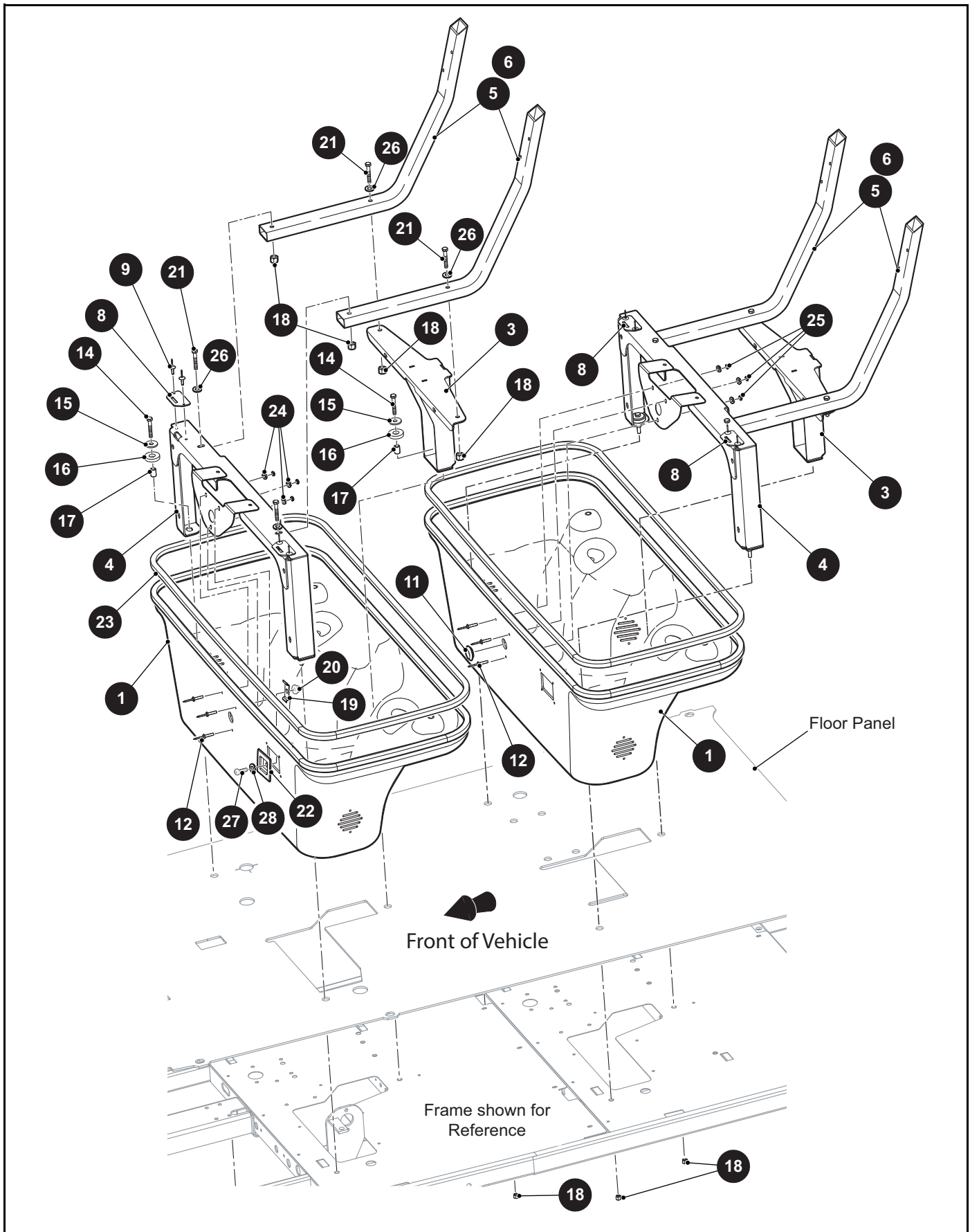
When ordering parts, please specify the model and serial number of the product.

* Indicates a component that is not available as an individual part.

*** Indicates consult Customer Service Department for additional information.

| ITEM | PART NO. | 1 | 2 | 3 | 4 | 5 | DESCRIPTION | QTY. |
|------|----------|---|---|---|---|---|---|------|
| 26 | *** | | | | | | Vinyl Seat Bottom Cover | 1 |
| | | | | | | | 615646 Oyster | |
| | | | | | | | 615647 Tan | |
| | | | | | | | 617892 Gray | |
| | | | | | | | 615648 Black | |
| | | | | | | | 617893 Brown | |
| | | | | | | | 611125 Whit/Blue | |
| | | | | | | | 611135 Red/Black | |
| | | | | | | | 611126 White/Red | |
| | | | | | | | 611130 White/Black | |
| | | | | | | | 611127 White/Yellow | |
| | | | | | | | 611137 Gray/Black | |
| | | | | | | | 611136 Oyster/Ruby | |
| 27 | 617401 | | | | | | Seat Bottom Foam..... | 1 |
| 28 | 634190 | | | | | | Deck Board Assembly | 1 |
| 29 | 645820 | | | | | | Seat Bottom..... | 1 |
| 30 | 16705G1 | | | | | | Truss Head Phillips Screw (SS), 1/4" - 20 x 1" Lg | 5 |
| 31 | 617402 | | | | | | Seat Strap..... | 1 |
| 32 | 00559G7 | | | | | | Flat Washer, 1/4" | 1 |
| 33 | 01006G01 | | | | | | Hex Head Bolt, 3/8" - 16 x 1 1/4" Lg | 4 |

SEATING



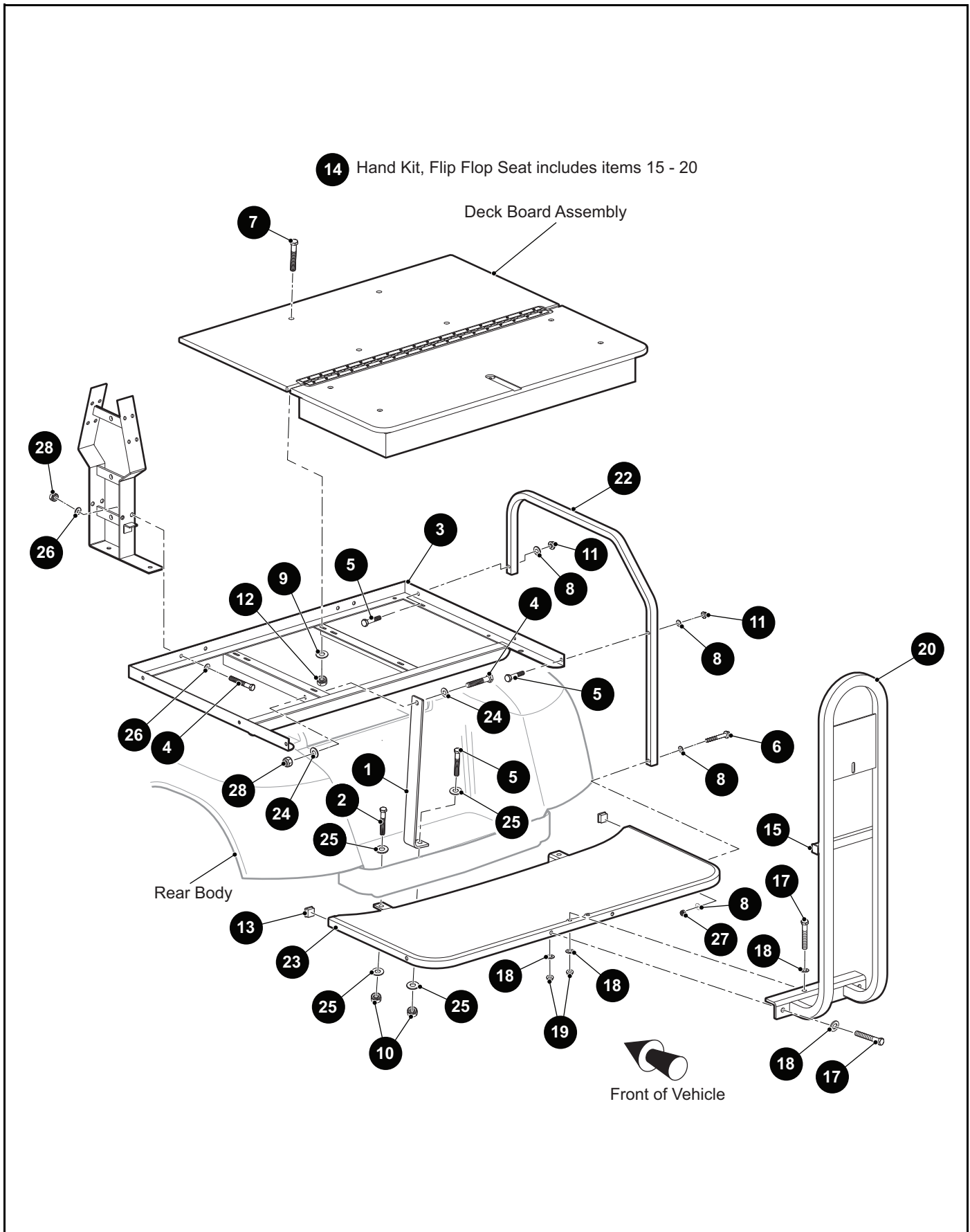
THE USE OF NON U.L. PARTS WILL VOID ANY U.L. LISTING.

When ordering parts, please specify the model and serial number of the product.

* Indicates a component that is not available as an individual part.

*** Indicates consult Customer Service Department for additional information.

| ITEM | PART NO. | 1 2 3 4 5 | DESCRIPTION | QTY. |
|------|-----------|-----------|--|------|
| 1 | 648313GXX | | Seat Pod | 2 |
| 2 | | | | |
| 3 | 657681 | | Rear Seat Support | 2 |
| 4 | 654767 | | Seat Support | 2 |
| 5 | 648523 | | Seat Back Support Tube (For Vehicles Manufactured Before August 17, 2019) | 4 |
| 6 | 694377 | | Seat Back Support Tube (For Vehicles Manufactured After August 17, 2019)..... | 4 |
| 7 | | | | |
| 8 | 71609G01 | | Hinge Plate..... | 4 |
| 9 | 10570G11 | | Rivet (SS), 3/16" x .70" Lg | 8 |
| 10 | | | | |
| 11 | 71316G01 | | Plug | 1 |
| 12 | 71055G01 | | Rivet (Aluminum), 3/16" x 1" Lg | 6 |
| 13 | | | | |
| 14 | 00439G8 | | Hex Head Bolt (SS), 5/16" - 18 x 2" Lg | 6 |
| 15 | 00675G1 | | Flat Washer (SS), .398" I.d. x 1.25" O.d. x .115" Lg..... | 6 |
| 16 | 71883G01 | | Flat Washer (Rubber), .625" I.d. x 1.50" O.D. x .312" Lg..... | 6 |
| 17 | 23726G9 | | Spacer, .312" I.d. x .562" O.d. x .750" Lg..... | 6 |
| 18 | 11098G6 | | Lock Nut, 5/16" - 18 | 14 |
| 19 | 72155G01 | | Retainer..... | 1 |
| 20 | 600525 | | Lock Nut, M10 - 1.5" | 1 |
| 21 | 00439G6 | | Hex Head Bolt, 5/16" - 18 x 1 3/4" Lg | 8 |
| 22 | 72154G01 | | Adapter, Choke Cable | 1 |
| 23 | 32805G6 | | Trim, 118" Lg..... | 2 |
| 24 | 00660G5 | | Flat Washer, #10 | 6 |
| 25 | 01110G01 | | Flat Washer, 1/4"..... | 6 |
| 26 | 00560G1 | | Flat Washer, 3/8"..... | 8 |
| 27 | 600530 | | Button Head Torx Bolt, M10 - 1.5 x 25mm Lg | 1 |
| 28 | 604066 | | Flat Washer, #10 | 1 |



THE USE OF NON U.L. PARTS WILL VOID ANY U.L. LISTING.

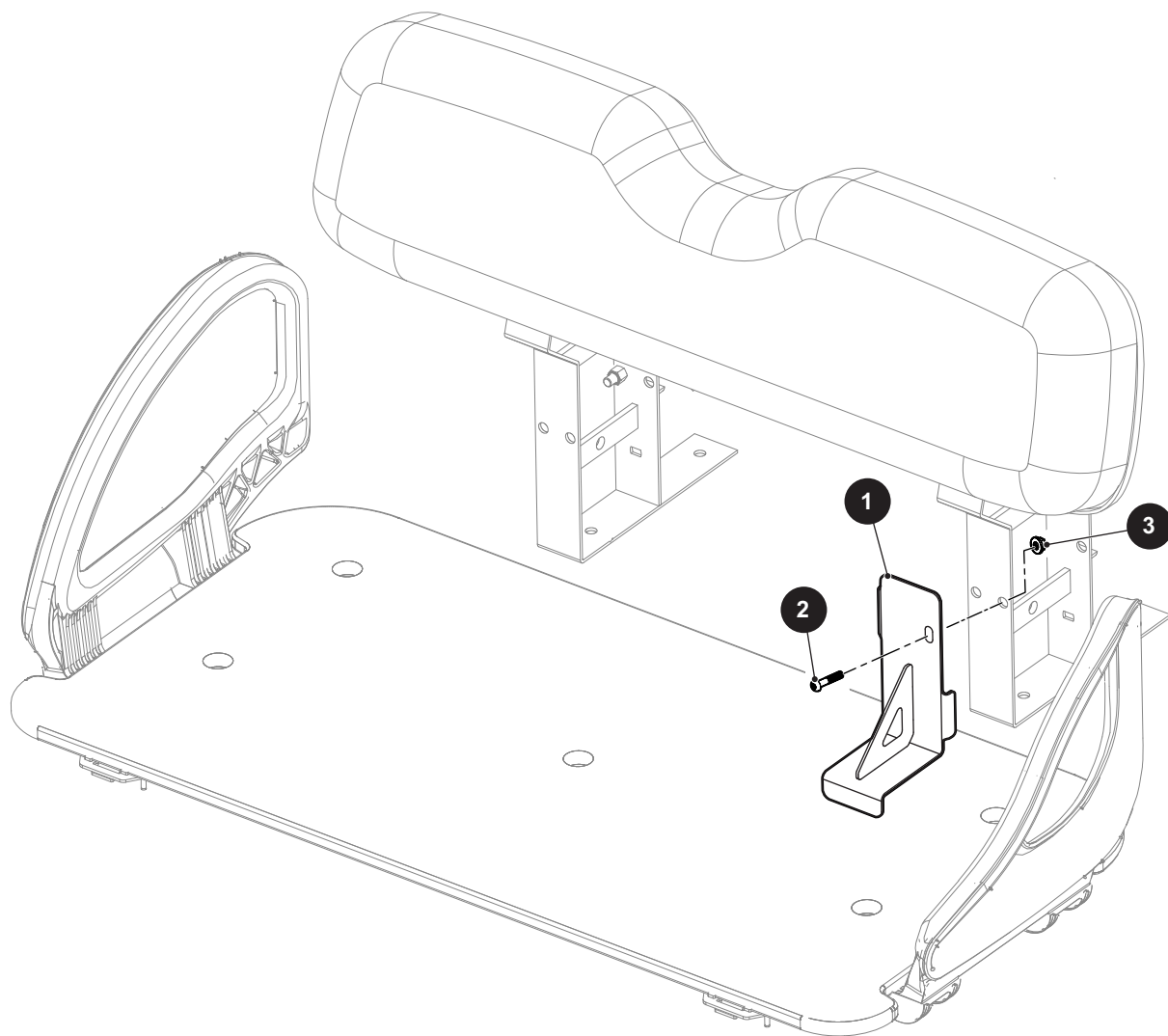
When ordering parts, please specify the model and serial number of the product.

* Indicates a component that is not available as an individual part.

*** Indicates consult Customer Service Department for additional information.

| ITEM | PART NO. | 1 2 3 4 5 | DESCRIPTION | QTY. |
|------|----------|-----------|--|------|
| 1 | 634174 | | Seat Frame Support | 2 |
| 2 | 00427G6 | | Hex Head Bolt, 3/8" - 16 x 1 1/4" Lg | 2 |
| 3 | 634180 | | Seat Frame Weldment | 1 |
| 4 | 00427G2 | | Hex Head Bolt, 3/8" - 49 x 1.25" Lg | 4 |
| 5 | 00427G4 | | Hex Head Bolt, 3/8" - 16 x 1 1/2" Lg | 6 |
| 6 | 00428G8 | | Hex Head Bolt, 3/8" - 16 x 1 1/4" Lg | 2 |
| 7 | 16705G9 | | Truss Head Phillips Screw (SS), 1/4" - 20 x 1 1/4" Lg..... | 4 |
| 8 | 614221 | | Flat Washer, 3/8" | 8 |
| 9 | 00559G7 | | Flat Washer, 1/4" | 4 |
| 10 | 11098G5 | | Lock Nut, 3/8" - 16 | 4 |
| 11 | 11027G5 | | Lock Nut, 3/8" - 16 | 4 |
| 12 | 14390G4 | | Lock Nut, 1/4" - 20 | 4 |
| 13 | 19853G1 | | Square Tube Cap, 1"..... | 2 |
| 14 | 634184 | | Handrail Kit, Flip Flop Seat (Includes Items 15 - 20)..... | 1 |
| 15 | 19859G1 | | Square Tube Cap, 3/4" | 2 |
| 16 | | | | |
| 17 | 00427G8 | | Hex Head Bolt, 3/8" - 16 x 2" Lg | 4 |
| 18 | 614221 | | Flat Washer, 3/8" | 8 |
| 19 | 11098G5 | | Lock Nut, 3/8" - 16 | 4 |
| 20 | 631485 | | Footrest Handle Weldment..... | 1 |
| 21 | | | | |
| 22 | 634175 | | Rear Seat Arm Rest | 2 |
| 23 | 634179 | | Footrest Weldment..... | 1 |
| 24 | 614221 | | Flat Washer, 3/8" | 4 |
| 25 | 614221 | | Flat Washer, 3/8" | 8 |
| 26 | 614221 | | Flat Washer, 3/8" | 4 |
| 27 | 11098G5 | | Lock Nut, 3/8" - 16 | 2 |
| 28 | 11098G5 | | Lock Nut, 3/8" - 16 | 4 |

For CE Vehicles Only

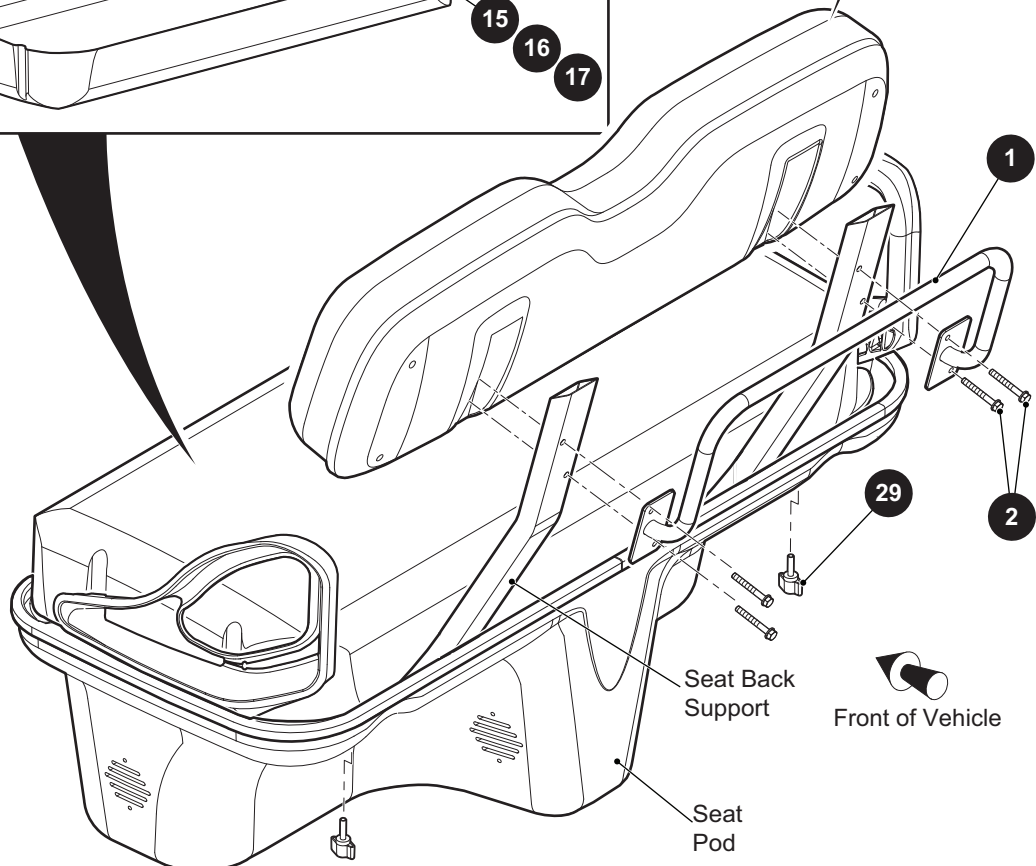
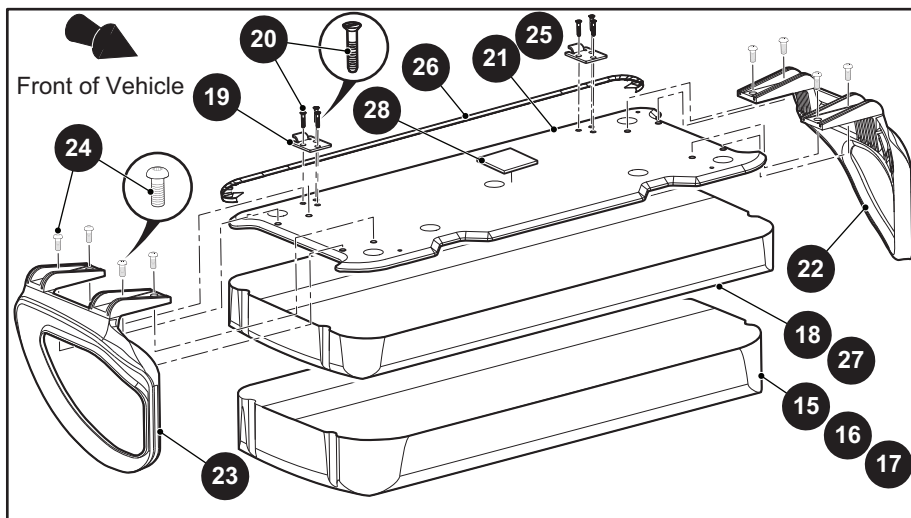
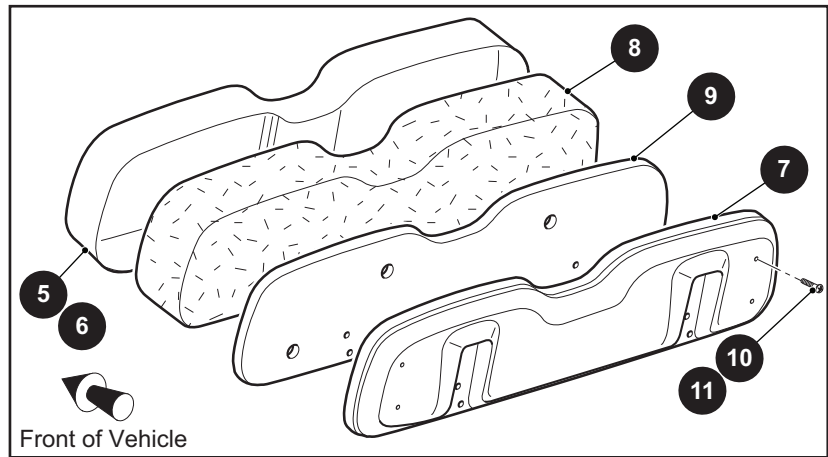


THE USE OF NON U.L. PARTS WILL VOID ANY U.L. LISTING.
 When ordering parts, please specify the model and serial number of the product.
 * Indicates a component that is not available as an individual part.
 *** Indicates consult Customer Service Department for additional information.

| ITEM | PART NO. | 1 2 3 4 5 DESCRIPTION | QTY. |
|------|----------|---|------|
| 1 | 679973 | Lock Out Weldment..... | 1 |
| 2 | 601326 | Button Head Torx Bolt, M6 - 1 x 20mm Lg | 1 |
| 3 | 601476 | Flanged Lock Nut, M6 | 1 |

SEATING

- 3** Seat Back Assembly
includes items 5, 7 - 10
- 4** Seat Back Assembly
includes items 6 - 9, 11
- 12** Seat Bottom Assembly
includes items 15, 18 - 24
- 13** Seat Bottom Assembly
includes items 16, 18 - 24
- 14** Seat Bottom Assembly
includes items 17, 19 - 20, 25 - 28



THE USE OF NON U.L. PARTS WILL VOID ANY U.L. LISTING.

When ordering parts, please specify the model and serial number of the product.

* Indicates a component that is not available as an individual part.

*** Indicates consult Customer Service Department for additional information.

| ITEM | PART NO. | 1 2 3 4 5 | DESCRIPTION | QTY. |
|------|----------|-----------|---|------|
| 1 | 71632G01 | | Hand Grip Weldment..... | 4 |
| 2 | 71204G02 | | Hex Washer Head Screw with Patch Lock, 1/4" - 20 x 2" Lg | 4 |
| 3 | *** | | Seat Back Assembly (Includes Items 5, 7 - 10)..... 606828 Red/Black 604908 White/Blue 604907 White/Red 615838 White/Black 620794 White/Yellow 620796 Gray/Black 615837 Oyster/Garnet | 2 |
| 4 | *** | | Seat Back Assembly (Includes Items 6 - 9, 11)..... 71751G01 White 71751G02 Gray 71751G03 Oyster 71751G04 Tan 71751G06 Brown 71751G07 Black | 2 |
| 5 | *** | | Vinyl Seat Back Cover 604916G0304 Red/Black 604916G0102 White/Blue 604916G0103 White/Red 604916G0104 White/Black 604916G0108 White/Yellow 604916G0704 Grey/Black 604916G0506 Oyster/Garnet | 1 |
| 6 | *** | | Vinyl Seat Back Cover 71753G01 White 71753G02 Gray 71753G03 Oyster 71753G04 Tan 71753G06 Brown 71753G07 Black | 1 |
| 7 | 71752G01 | | Rear Seat Back Cover | 1 |
| 8 | 71754G01 | | Seat Back Padding | 1 |
| 9 | 645021 | | Seat Back Base | 1 |
| 10 | 648271 | | Pan Head Torx Screw (SS), #8 - 15 x 1" Lg | 4 |
| 11 | 01107G01 | | Pan Head Torx Screw (SS), #8 x .63" Lg..... | 4 |
| 12 | *** | | Seat Bottom Assembly (Includes Items 15, 18 - 24) 629269G1701 Oyster 629269G1703 Tan 629269G1704 Gray 629269G1706 Black 629269G1707 Brown | 1 |

SEATING

THE USE OF NON U.L. PARTS WILL VOID ANY U.L. LISTING.

When ordering parts, please specify the model and serial number of the product

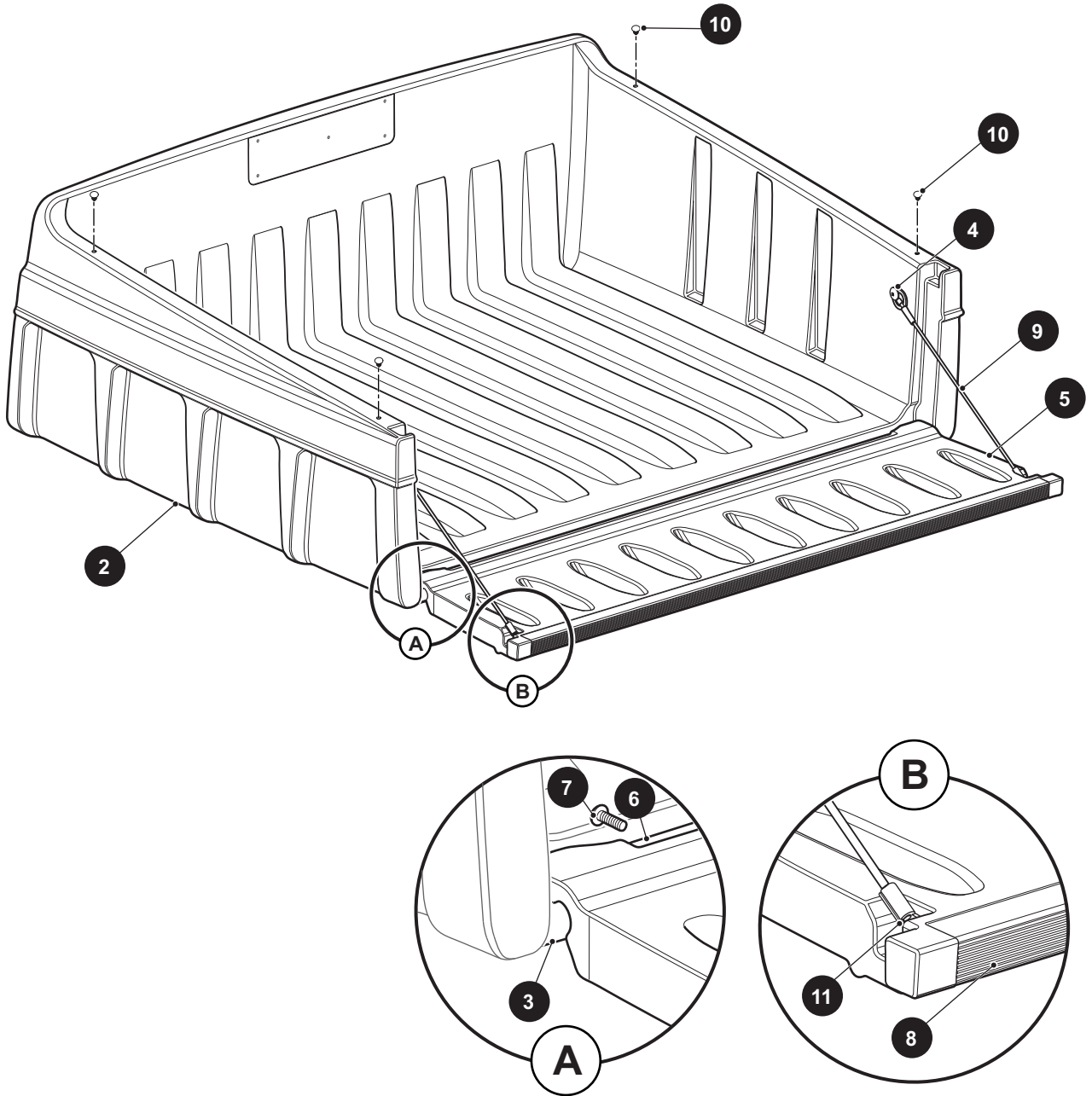
* Indicates a component that is not available as an individual part.

*** Indicates consult Customer Service Department for additional information.

| ITEM | PART NO. | 1 | 2 | 3 | 4 | 5 | DESCRIPTION | QTY. |
|------|----------|---|---|---|---|---|---------------|------|
| 13 | *** | Seat Bottom Assembly (Includes Items 16, 18 - 24)..... | | | | | 1 | |
| | | 629269G1709 | | | | | White/Blue | |
| | | 629269G1711 | | | | | White/Red | |
| | | 629269G1712 | | | | | White/Black | |
| | | 629269G1713 | | | | | White/Yellow | |
| | | 629269G1710 | | | | | Red/Black | |
| | | 629269G1714 | | | | | Gray/Black | |
| | | 629269G1715 | | | | | Oyster/Garnet | |
| 14 | *** | Seat Bottom Assembly (Includes Items 17, 19 - 20, 25 - 27) | | | | | 1 | |
| | | 629269G0708 | | | | | Special | |
| 15 | *** | Vinyl Seat Cover | | | | | 1 | |
| | | 71624G03 | | | | | Oyster | |
| | | 71624G04 | | | | | Tan | |
| | | 71624G02 | | | | | Gray | |
| | | 71624G07 | | | | | Black | |
| | | 71624G06 | | | | | Brown | |
| 16 | *** | Vinyl Seat Cover | | | | | 1 | |
| | | 604912G0102 | | | | | White/Blue | |
| | | 604912G0103 | | | | | White/Red | |
| | | 604916G0104 | | | | | White/Black | |
| | | 604916G0108 | | | | | White/Yellow | |
| | | 604916G0304 | | | | | Red/Black | |
| | | 604916G0704 | | | | | Grey/Black | |
| | | 604916G0506 | | | | | Oyster/Garnet | |
| 17 | *** | Vinyl Seat Bottom Cover | | | | | 1 | |
| | | 71650G05 | | | | | Special | |
| 18 | 71625G01 | Seat Bottom Padding | | | | | 1 | |
| 19 | 71610G01 | Seat Hinge | | | | | 2 | |
| 20 | 00720G08 | Flat Head Phillips Screw, #12 -14 x 1" Lg | | | | | 6 | |
| 21 | 649851 | Seat Bottom Base | | | | | 1 | |
| 22 | 617645 | Hip Restraint (Driver Side) | | | | | 1 | |
| 23 | 617644 | Hip Restraint (Passenger Side)..... | | | | | 1 | |
| 24 | 615417 | Button Head Torx Bolt, M10 - 1.5 x 25mm Lg | | | | | 8 | |
| 25 | 645493 | Seat Bottom | | | | | 1 | |
| 26 | 71012G01 | Vinyl Trim (Seat Bottom) | | | | | 1 | |
| 27 | 71649G01 | Seat Bottom Padding | | | | | 1 | |
| 28 | 17074G1 | Soiling Slab | | | | | 2 | |
| 29 | 70864G01 | T-Knob Stud, 1/4" - 20 x 1" Lg | | | | | 2 | |

TRUCK BED

1 Bed Assembly includes items 2 - 11



THE USE OF NON U.L. PARTS WILL VOID ANY U.L. LISTING.

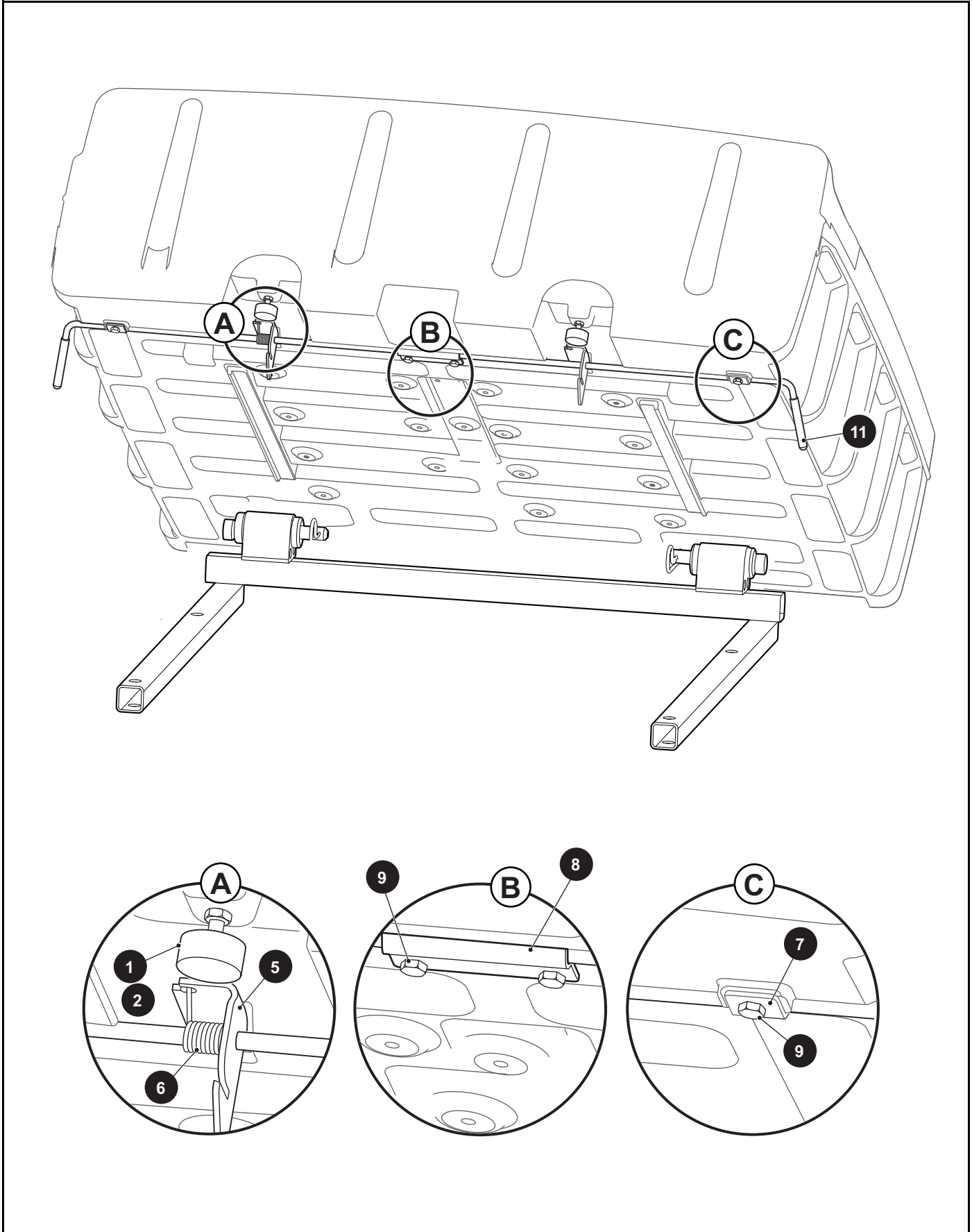
When ordering parts, please specify the model and serial number of the product.

* Indicates a component that is not available as an individual part.

*** Indicates consult Customer Service Department for additional information.

| ITEM | PART NO. | 1 2 3 4 5 | DESCRIPTION | QTY. |
|------|----------|-----------|---|------|
| 1 | 72647G01 | | Bed Assembly (Includes Items 2 -11)..... | 1 |
| 2 | 72648G01 | | Plastic Bed, 36" | 1 |
| 3 | 73454G01 | | Pivot Shaft | 2 |
| 4 | 73460G01 | | Shoulder Bolt, .350" Dia x 1/4" - 20 x 3/4" Lg..... | 2 |
| 5 | 72649G01 | | Tailgate | 1 |
| 6 | 73450G01 | | Bowed Angle..... | 1 |
| 7 | 16705G2 | | Pan Head Phillips Screw (SS), 1/4" - 20 x 5/8" Lg | 4 |
| 8 | 73449G01 | | Tailgate Cap..... | 1 |
| 9 | 73455G02 | | Tailgate Cable | 1 |
| 10 | 16816G5 | | Ratchet Rivet, .187 x .550 | 4 |
| 11 | 00415G2 | | Hex Head Bolt, 1/4" - 20 x 1 1/4" Lg, Grade 5..... | 2 |

TRUCK BED



THE USE OF NON U.L. PARTS WILL VOID ANY U.L. LISTING.

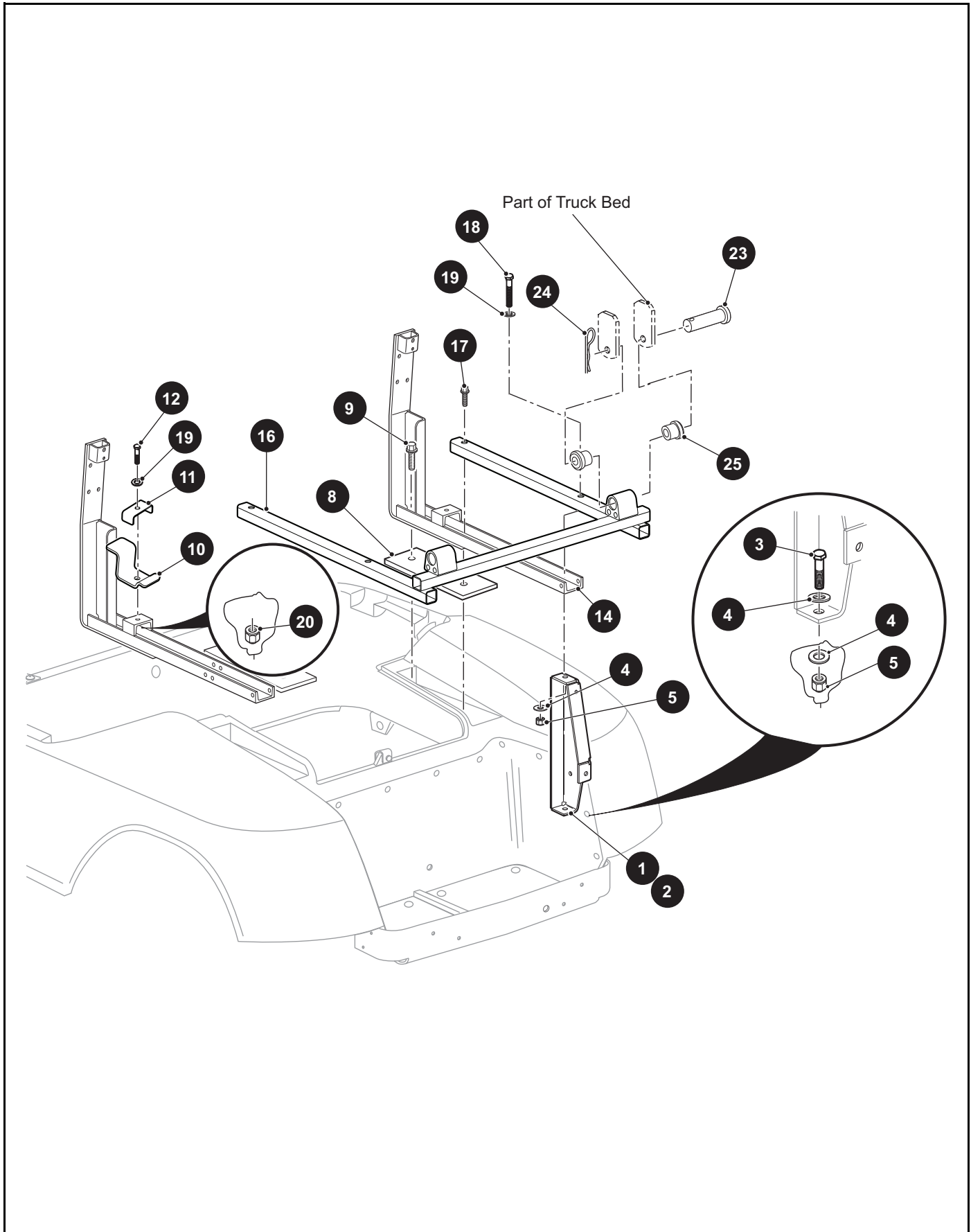
When ordering parts, please specify the model and serial number of the product.

* Indicates a component that is not available as an individual part.

*** Indicates consult Customer Service Department for additional information.

| ITEM | PART NO. | 1 2 3 4 5 | DESCRIPTION | QTY. |
|------|-----------|-----------|--|------|
| 1 | 70113G01 | | Adjustable Rubber Bumper | 2 |
| 2 | 11027G1 | | Lock Nut, 5/16" - 18 | 2 |
| 3 | | | | |
| 4 | | | | |
| 5 | 607072 | | Bed Latch | 1 |
| 6 | 71538G01 | | Latch Torsion Spring | 1 |
| 7 | 652442G03 | | Keeper Plate | 2 |
| 8 | 652440G03 | | Retainer Bracket | 1 |
| 9 | 01118G01 | | Hex Head Bolt, 1/4" - 20 x 5/8" Lg | 4 |
| 10 | | | | |
| 11 | 71704G01 | | Handle Grip | 2 |

TRUCK BED



THE USE OF NON U.L. PARTS WILL VOID ANY U.L. LISTING.

When ordering parts, please specify the model and serial number of the product.

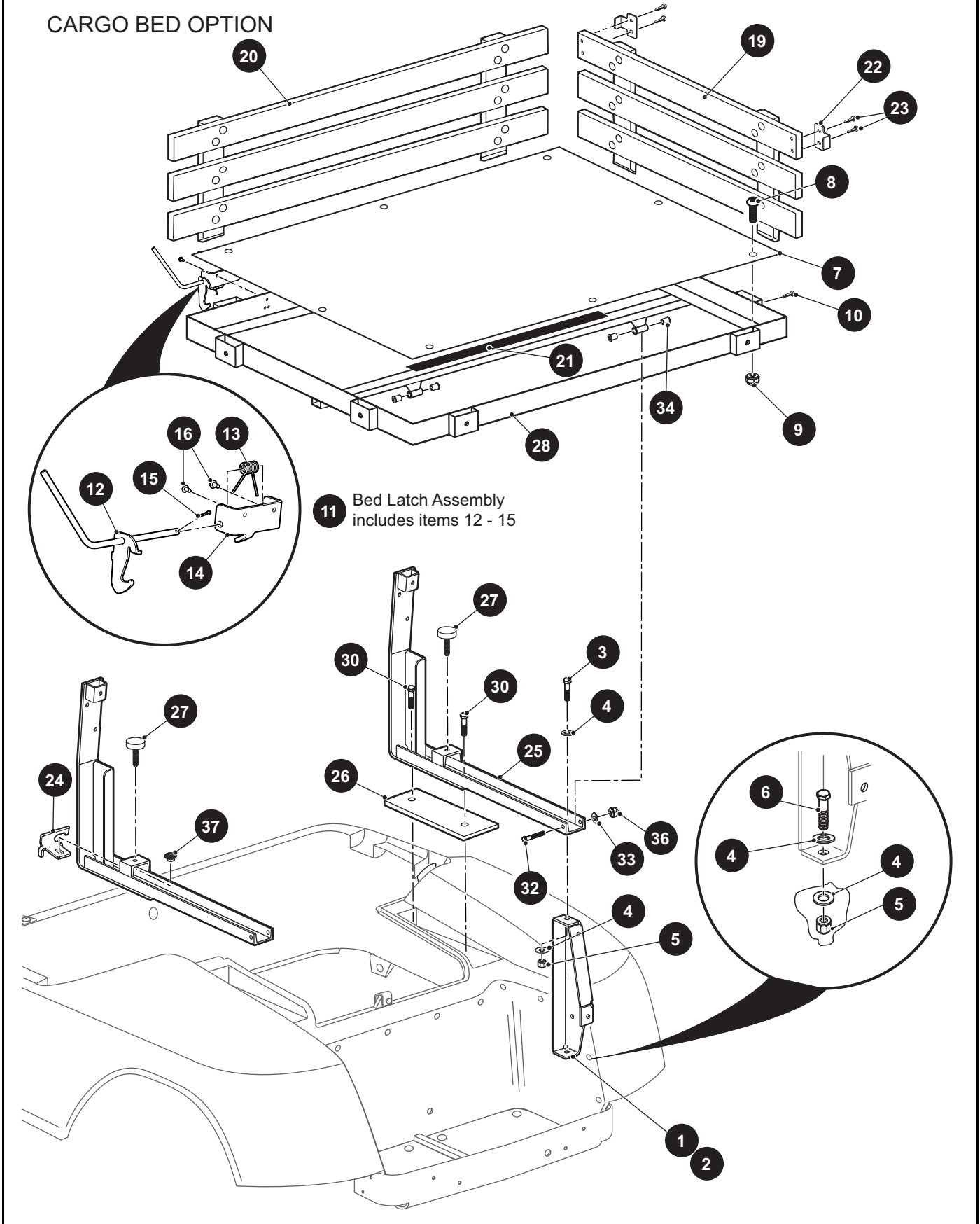
* Indicates a component that is not available as an individual part.

*** Indicates consult Customer Service Department for additional information.

| ITEM | PART NO. | 1 2 3 4 5 | DESCRIPTION | QTY. |
|------|----------|-----------|---|------|
| 1 | 74126G01 | | Rear Support Frame (Driver Side) | 1 |
| 2 | 74126G02 | | Rear Support Frame (Passenger Side) | 1 |
| 3 | 00427G4 | | Hex Head Bolt, 3/8" - 16 x 1 1/2" Lg, Grade 5 | 2 |
| 4 | 00560G1 | | Flat Washer, 3/8" | 6 |
| 5 | 11098G5 | | Lock Nut, 3/8" - 16 | 4 |
| 6 | | | | |
| 7 | | | | |
| 8 | 70364G01 | | Spacer..... | 2 |
| 9 | 01006G02 | | Hex Washer Head Bolt, 3/8" - 16 x 1 1/2" Lg | 2 |
| 10 | 606167 | | Front Bed Support..... | 2 |
| 11 | 607093 | | Bed Support Bracket | 2 |
| 12 | 00439G1 | | Hex Head Bolt, 5/16"- 18 x 1 1/8" Lg, Grade 5 | 2 |
| 13 | | | | |
| 14 | 625525 | | Seat Support | 2 |
| 15 | | | | |
| 16 | 635380 | | Bed Frame | 1 |
| 17 | 01075G02 | | Hex Washer Head Bolt, 3/8" - 16 x 2.5" Lg | 2 |
| 18 | 00665G8 | | Hex Head Bolt, 3/8" - 16 x 2" Lg | 2 |
| 19 | 00559G8 | | Flat Washer, 5/16" | 4 |
| 20 | 11098G6 | | Lock Nut, 3/8" - 16 | 2 |
| 21 | | | | |
| 22 | | | | |
| 23 | 71571G01 | | Clevis Pin | 2 |
| 24 | 21683G1 | | Cotter Pin, 5/32" x 2 13/16" | 2 |
| 25 | 624030 | | Flanged Bushing | 4 |

TRUCK BED

CARGO BED OPTION



THE USE OF NON U.L. PARTS WILL VOID ANY U.L. LISTING.

When ordering parts, please specify the model and serial number of the product.

* Indicates a component that is not available as an individual part.

*** Indicates consult Customer Service Department for additional information.

| ITEM | PART NO. | 1 2 3 4 5 | DESCRIPTION | QTY. |
|------|----------|-----------|---|------|
| 1 | 74126G01 | | Rear Support Frame (Driver Side) | 1 |
| 2 | 74126G02 | | Rear Support Frame (Passenger Side)..... | 1 |
| 3 | 00426G8 | | Hex Head Bolt, 3/16" - 16 x 1" Lg, Grade 5 | 2 |
| 4 | 00560G1 | | Flat Washer, 3/8" | 8 |
| 5 | 11098G5 | | Lock Nut, 3/8" - 16 | 4 |
| 6 | 00427G4 | | Hex Head Bolt, 3/8" - 16 x 1 1/2" Lg, Grade 5 | 2 |
| 7 | 655936 | | Cargo Deckboard | 1 |
| 8 | 16705G9 | | Truss Head Phillips Screw (SS), 1/4" - 20 x 1 1/4" Lg..... | 8 |
| 9 | 14390G4 | | Lock Nut, 1/4" - 20 | 8 |
| 10 | 00666G6 | | Truss Head Thread Forming Screw (SS), #10 - 12 x 3/4" Lg..... | 6 |
| 11 | 72913G01 | | Bed Latch Assembly (Includes Items 12 - 15)..... | 1 |
| 12 | 72912G01 | | Bed Latch | 1 |
| 13 | 70681G01 | | Torsion Spring..... | 1 |
| 14 | 74509G01 | | Pivot Bracket | 1 |
| 15 | 10387G3 | | Cotter Pin..... | 1 |
| 16 | 00100G6 | | Hex Washer Self Tapping Screw, #10 - 16 x 3/4" Lg..... | 2 |
| 17 | | | | |
| 18 | | | | |
| 19 | 34280G01 | | Cargo Rack, 30.5" | 2 |
| 20 | 34280G02 | | Cargo Rack, 43" | 2 |
| 21 | 23052G1 | | Weather Stripping | 1 |
| 22 | 74079G02 | | Tailgate Retainer Bracket..... | 4 |
| 23 | 00666G6 | | Truss Head Thread Forming Screw (SS), #10 - 12 x 3/4" Lg..... | 8 |
| 24 | 72914G01 | | Latch Tab Bracket (Passenger Side)..... | 1 |
| 25 | 625525 | | Seat Support Weldment..... | 2 |
| 26 | 70364G01 | | Spacer Plate..... | 2 |
| 27 | 70113G01 | | Adjustable Rubber Bumper | 2 |
| 28 | 635862 | | Cargo Deck Weldment | 1 |
| 29 | | | | |
| 30 | 01006G01 | | Hex Head Bolt, 3/8" - 16 x 1 1/4" Lg | 4 |
| 31 | | | | |

TRUCK BED

THE USE OF NON U.L. PARTS WILL VOID ANY U.L. LISTING.

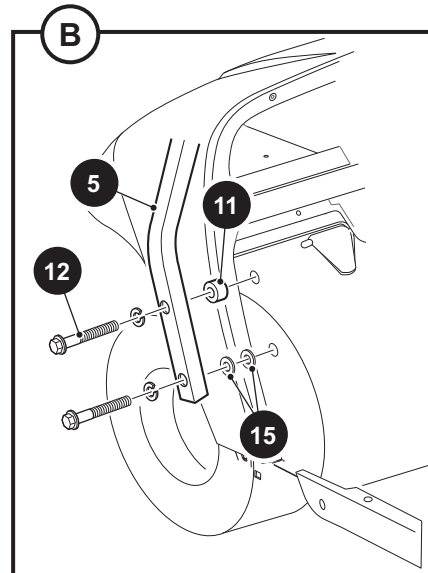
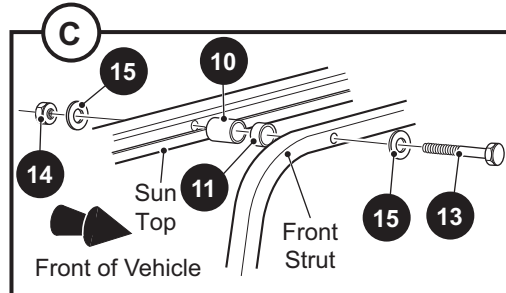
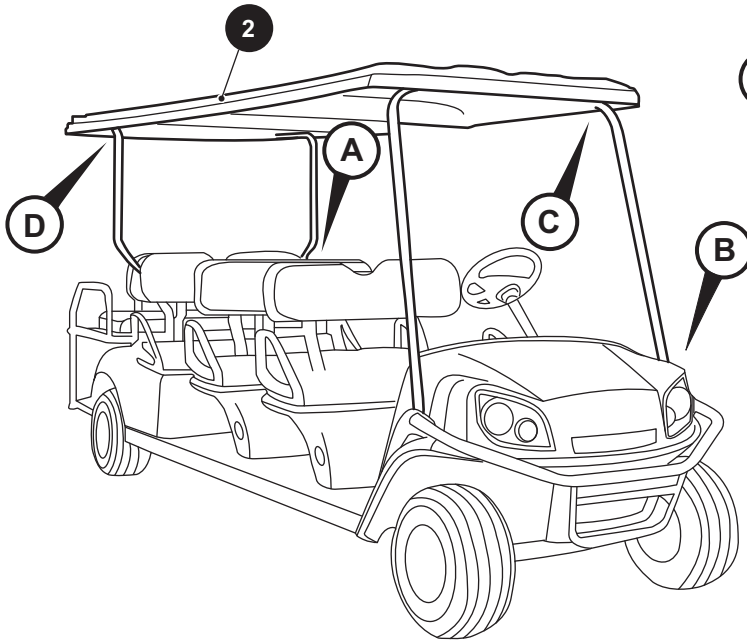
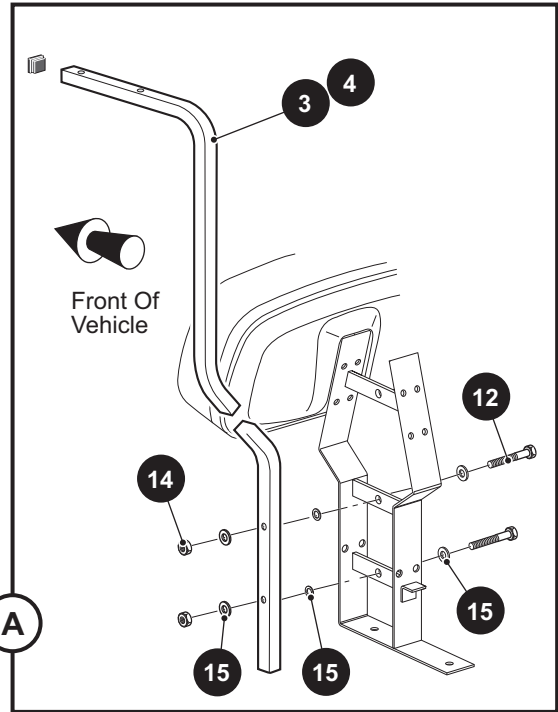
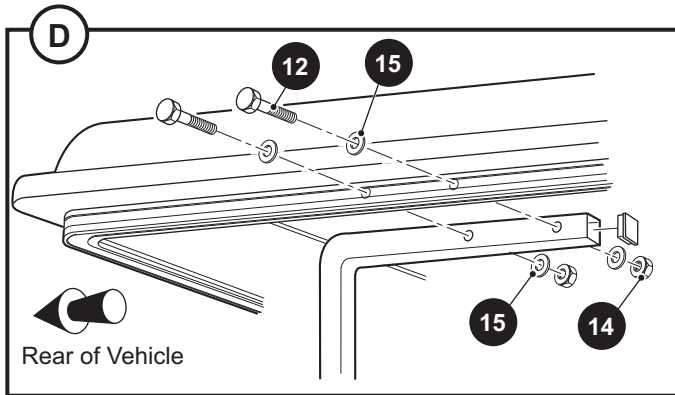
When ordering parts, please specify the model and serial number of the product.

* Indicates a component that is not available as an individual part.

*** Indicates consult Customer Service Department for additional information.

| ITEM | PART NO. | 1 2 3 4 5 | DESCRIPTION | QTY. |
|------|----------|-----------|---|------|
| 32 | 00440G4 | | Hex Head Bolt, 5/16" 18 x 1 1/4" Lg | 2 |
| 33 | 00559G8 | | Flat Washer, 5/16" | 2 |
| 34 | 17838G1 | | Nyliner Bushing | 4 |
| 35 | | | | |
| 36 | 11098G6 | | Lock Nut, 5/16" - 18 | 2 |
| 37 | 11027G1 | | Flanged Lock Nut, 5/16" - 18 | 4 |

WEATHER PROTECTION



- 1 Sun Top Kit, 140" includes items 2 - 9
- 9 Sun Top Hardware Kit includes items 10 - 16

WEATHER PROTECTION

THE USE OF NON U.L. PARTS WILL VOID ANY U.L. LISTING.

When ordering parts, please specify the model and serial number of the product.

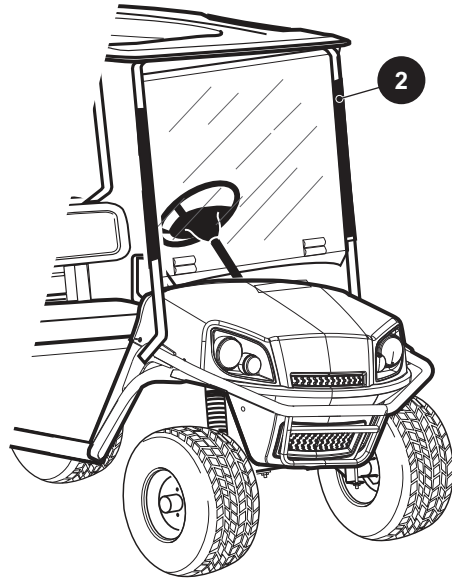
* Indicates a component that is not available as an individual part.

*** Indicates consult Customer Service Department for additional information.

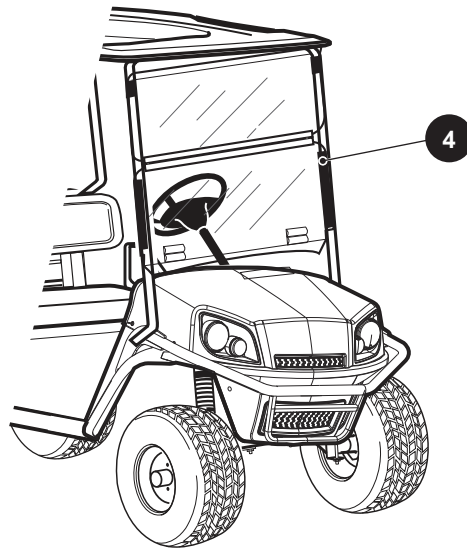
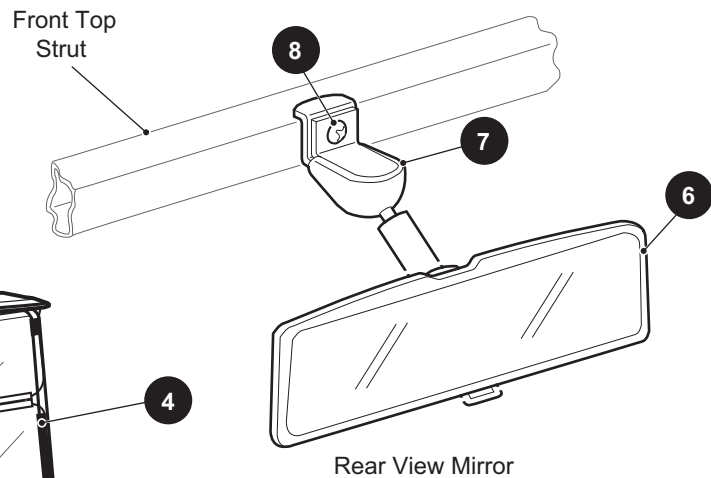
| ITEM | PART NO. | 1 2 3 4 5 | DESCRIPTION | QTY. |
|------|----------|-----------|---|------|
| 1 | 626706 | | Sun Top Kit, 140" (Includes Items 2 - 9)..... | 1 |
| 2 | 626701 | | Sun Top, White | 1 |
| 3 | 626704 | | Rear Strut, Passenger Side..... | 1 |
| 4 | 626705 | | Rear Strut, Driver Side | 1 |
| 5 | 626703 | | Front Strut..... | 1 |
| 6 | 626702 | | Sun Top Support (Not Illustrated) | 2 |
| 7 | | | | |
| 8 | | | | |
| 9 | 627706 | | Sun Top Hardware Kit (Includes Items 10 - 16)..... | 1 |
| 10 | 75048G04 | | Spacer, .328 x .75 x 1" Lg | 2 |
| 11 | 75048G01 | | Spacer, .328 x .75 x 1/2" Lg | 4 |
| 12 | 01035G02 | | Hex Head Bolt, 5/16" - 18 x 2.5" Lg, Grade 5 | 12 |
| 13 | 00441G8 | | Hex Head Bolt, 5/16" - 18 x 2" Lg | 2 |
| 14 | 11098G6 | | Lock Nut, 5/16" - 18 | 10 |
| 15 | 01110G03 | | Flat Washer, 5/16" | 28 |
| 16 | 800943 | | T-Screw, #10 - 16 x 3/4" Lg (Not Illustrated) | 8 |

WEATHER PROTECTION

- 1 Full Windshield includes item 2



- 5 Rear View Mirror Kit includes items 6 - 8



- 3 Split Windshield Kit includes items 4

WEATHER PROTECTION

THE USE OF NON U.L. PARTS WILL VOID ANY U.L. LISTING.

When ordering parts, please specify the model and serial number of the product.

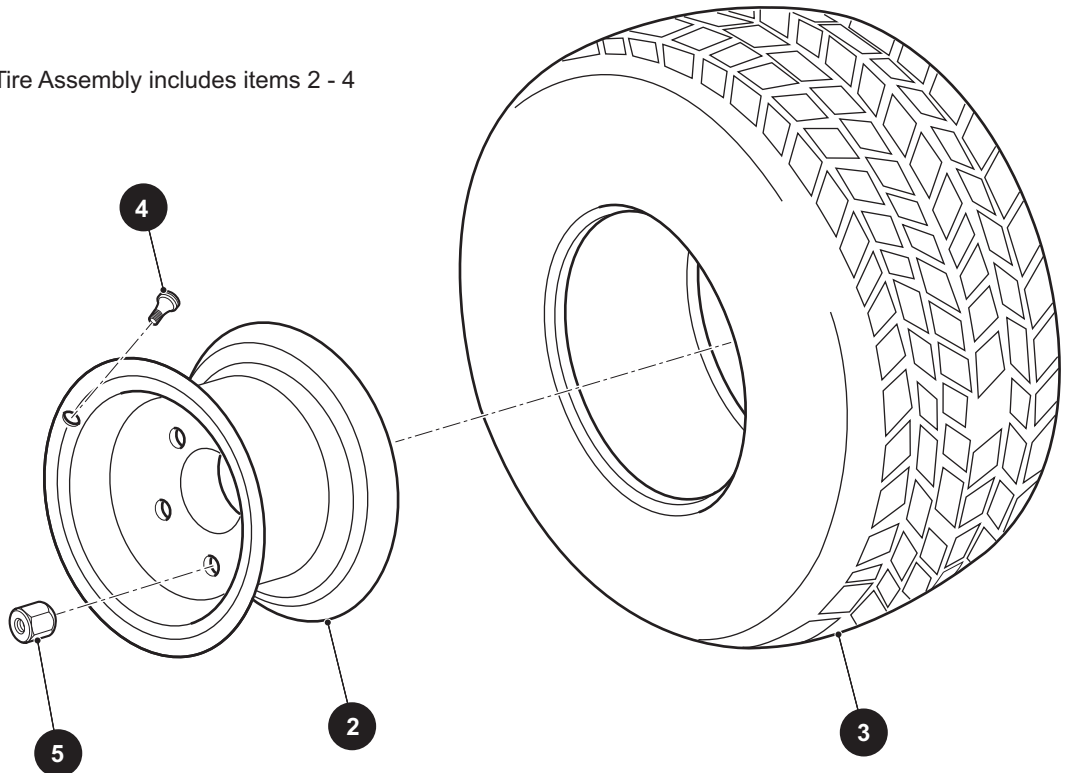
* Indicates a component that is not available as an individual part.

*** Indicates consult Customer Service Department for additional information.

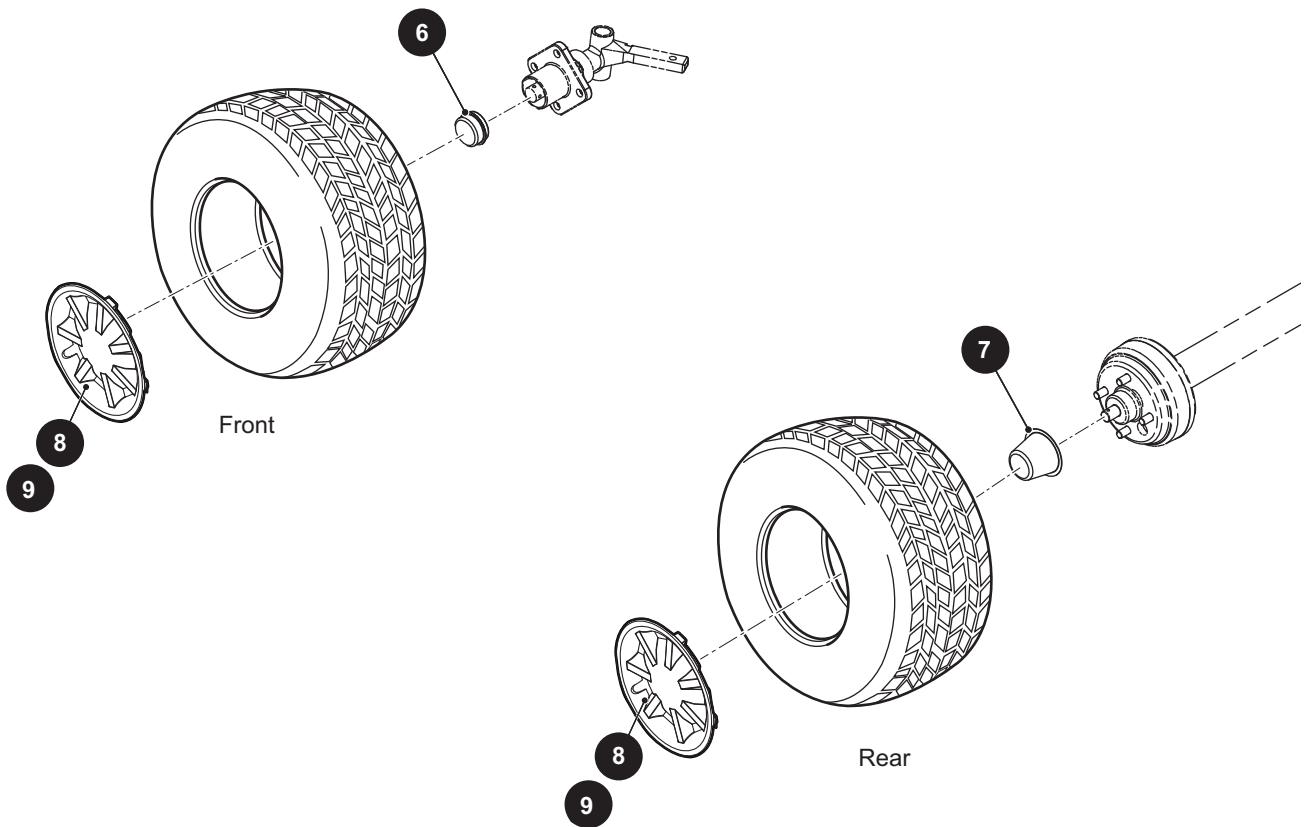
| ITEM | PART NO. | 1 2 3 4 5 | DESCRIPTION | QTY. |
|------|----------|-----------|---|------|
| 1 | 611099 | | Full Windshield (Includes Item 2) | 1 |
| 2 | 615662 | | Sash, 26" | 2 |
| 3 | 611100 | | Split Windshield (Includes Item 4) | 1 |
| 4 | 615661 | | Sash, 12" | 2 |
| 5 | 19528G2 | | Rear View Mirror Kit (Includes Items 6 - 8) | 1 |
| 6 | 19496G1 | | Rear View Mirror | 1 |
| 7 | 19502G2 | | Support Bracket | 1 |
| 8 | 19527G1 | | Pan Head Screw (SS), # 8 - 32 x 5/8" Lg | 1 |

WHEELS AND TIRES

1 Wheels and Tire Assembly includes items 2 - 4



(Style of tire may differ from tire shown)



WHEELS AND TIRES

THE USE OF NON U.L. PARTS WILL VOID ANY U.L. LISTING.

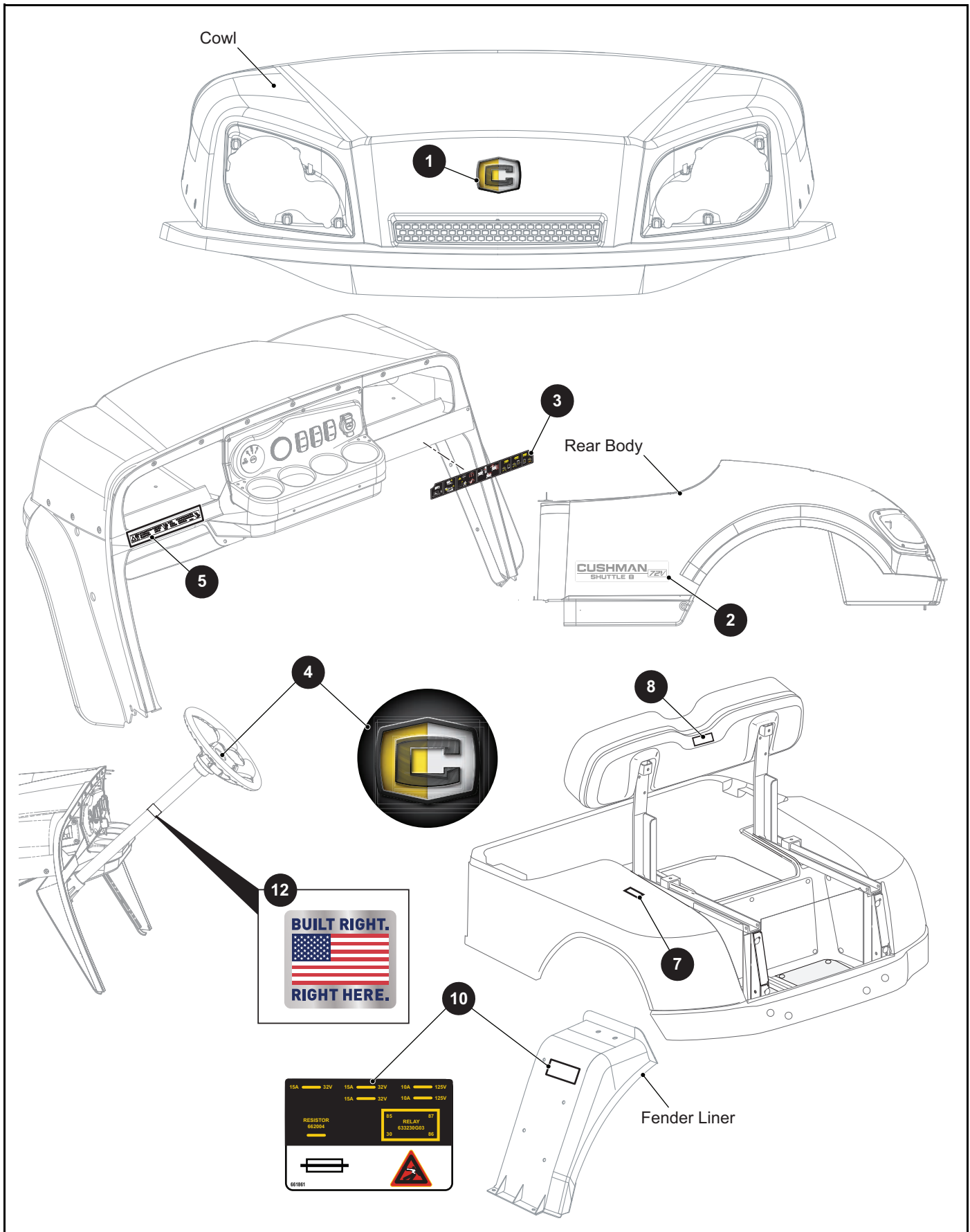
When ordering parts, please specify the model and serial number of the product.

* Indicates a component that is not available as an individual part.

*** Indicates consult Customer Service Department for additional information.

| ITEM | PART NO. | 1 2 3 4 5 | DESCRIPTION | QTY. |
|------|----------|-----------|---|------|
| 1 | 614437 | | Wheel and Tire Assembly, Load Star (Includes Items 2 - 4) | 1 |
| 2 | 614621 | | Wheel | 1 |
| 3 | 614438 | | Tire..... | 1 |
| 4 | 11657G2 | | Valve Stem | 1 |
| 5 | 14723G1 | | Lug Nut, 1/2" - 20 | 4 |
| 6 | 12091G2 | | Spindle Cap..... | 1 |
| 7 | 74175G01 | | Molded Dust Cap | 1 |
| 8 | 665144 | | Wheel Cover, 8" (Metallic Silver)..... | 1 |
| 9 | 665149 | | Wheel Cover, 8" (Metallic Gold) | 1 |

DECALS AND LABELS



DECALS AND LABELS

THE USE OF NON U.L. PARTS WILL VOID ANY U.L. LISTING.

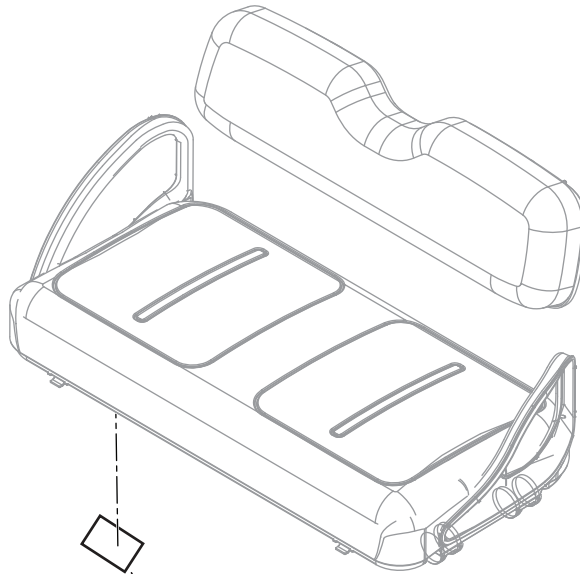
When ordering parts, please specify the model and serial number of the product.

* Indicates a component that is not available as an individual part.

*** Indicates consult Customer Service Department for additional information.

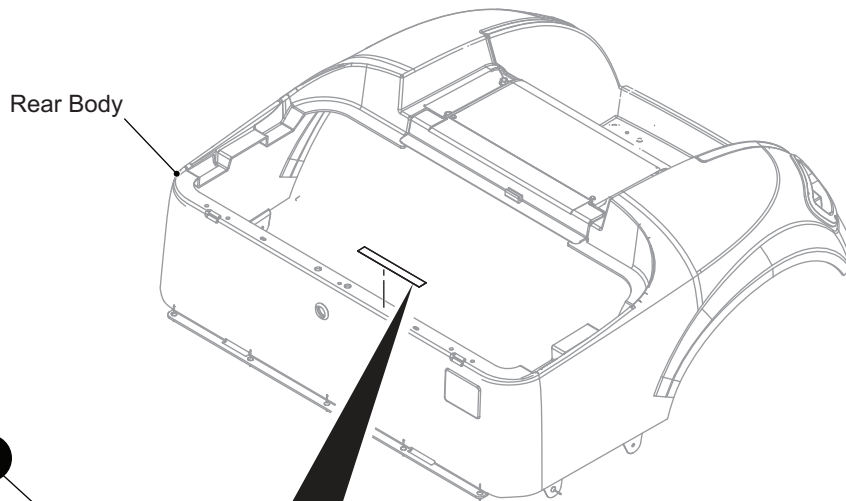
| ITEM | PART NO. | 1 2 3 4 5 | DESCRIPTION | QTY. |
|------|----------|-----------|-----------------------------------|------|
| 1 | 619135 | | Cowl Decal | 1 |
| 2 | 671337 | | Side Decal | 2 |
| 3 | 662186 | | Operating Instruction Label | 1 |
| 4 | 618086 | | Steering Wheel Decal | 1 |
| 5 | 74443G01 | | Anti Rollback Decal | 1 |
| 6 | | | | |
| 7 | 74099G01 | | Bed Latch Warning Label | 1 |
| 8 | 74095G01 | | Bed Warning Label | 1 |
| 9 | | | | |
| 10 | 661861 | | Fuse Block Decal | 1 |
| 11 | | | | |
| 12 | 685698 | | Decal, Made In USA..... | 1 |

For CE vehicles only



1

AUTHORIZED REPRESENTATIVE IN EC IS:
RANSOMES JACOBSEN LTD.
WEST ROAD, IPSWICH,
SUFFOLK, IP3 9TT, UK 014288



2



DECALS AND LABELS

THE USE OF NON U.L. PARTS WILL VOID ANY U.L. LISTING.

When ordering parts, please specify the model and serial number of the product.

* Indicates a component that is not available as an individual part.

*** Indicates consult Customer Service Department for additional information.

| ITEM | PART NO. | 1 2 3 4 5 | DESCRIPTION | QTY. |
|------|----------|-----------|---------------------------------------|------|
| 1 | 614068 | | Authorized Representative Label | 1 |
| 2 | 28203G01 | | Battery Warning Decal | 1 |



Textron Specialized Vehicles, Inc.,
1451 Marvin Griffin Road
Augusta, Georgia 30906 - 3852 USA

CONTACT INFORMATION

North America:

Technical Assistance & Warranty Phone: 1-800-774-3946, FAX: 1-800-448-8124
Service Parts Phone: 1-888-438-3946, FAX: 1-800-752-6175

International: Phone: 001-706-798-4311, FAX: 001-706-771-4609

Owner's Guides and Repair Manuals
are available from a local Distributor, an authorized Branch,
Parts & Accessories Department or at www.cushman.com.

Copyrighted Material
This manual may not be reproduced in whole or
in part without the express permission of
Textron Specialized Vehicles
Technical Publications Department