



Rustler 850 Crew

Service Parts Manual

CALIFORNIA Proposition 65

WARNING

Operating, servicing and maintaining a passenger vehicle or off-road vehicle can expose you to chemicals including engine exhaust, carbon monoxide, phthalates, and lead, which are known to the State of California to cause cancer and birth defects or other reproductive harm. To minimize exposure, avoid breathing exhaust, do not idle the engine except as necessary, service your vehicle in a well-ventilated area and wear gloves or wash your hands frequently when servicing your vehicle. For more information go to www.P65Warnings.ca.gov/passenger-vehicle.

SERVICE PARTS MANUAL

GASOLINE POWERED VEHICLE

RUSTLER 850 CREW

STARTING MODEL YEAR 2018

NOTICE: Your NEW HOLLAND RUSTLER 850 CREW is equipped with sophisticated exhaust and evaporative emission control systems. The entire vehicle has been engineered for optimum performance and minimal impact on the environment. As the owner, you may choose a qualified repair shop or person to maintain, replace, or repair emission control devices and systems with original or equivalent replacement parts. However, warranty, recall and all other services paid for by NEW HOLLAND must be performed at an authorized NEW HOLLAND service center.

Installing non-equivalent or non-original components, neglecting maintenance, removing after treatment components, adjusting calibrations or otherwise disabling your emission control systems may void your warranty, cause injury or be a violation of Federal Law.

TO CONTACT US

NORTH AMERICA:

TECHNICAL ASSISTANCE & WARRANTY PHONE: 1-800-774-3946, FAX: 1-800-448-8124

SERVICE PARTS PHONE: 1-888-GET-EZGO (1-888-438-3946), FAX: 1-800-752-6175

INTERNATIONAL: PHONE: 001-706-798-4311, FAX: 001-706-771-4609

TEXTRON SPECIALIZED VEHICLES INC., 1451 MARVIN GRIFFIN RD., AUGUSTA, GEORGIA 30906-3852 USA

GENERAL INFORMATION

To obtain a copy of the limited warranty applicable to the vehicle, call or write a local Distributor, authorized Branch or the Warranty Department with vehicle serial number and manufacturer code.

The use of non Original Equipment Manufacturer (OEM) approved parts may void the warranty.

Tampering with or adjusting the governor to permit vehicle to operate at above factory specifications will void the vehicle warranty.

When servicing engines, all adjustments and replacement components must be per original vehicle specifications in order to maintain the United States of America Federal and State emission certification applicable at the time of manufacture.

BATTERY PROLONGED STORAGE

All batteries will self discharge over time. The rate of self discharge varies depending on the ambient temperature and the age and condition of the batteries.

A fully charged battery will not freeze in winter temperatures unless the temperature falls below -75° F (-60° C).

BATTERY DISPOSAL

Lead-acid batteries are recyclable. Return whole scrap batteries to distributor, manufacturer or lead smelter for recycling. For neutralized spills, place residue in acid-resistant containers with absorbent material, sand or earth and dispose of in accordance with local, state and federal regulations for acid and lead compounds. Contact local and/or state environmental officials regarding disposal information.

TABLE OF CONTENTS

SECTION	Page No.
HOW TO USE THE SERVICE PARTS MANUAL	V
AIR FILTER	A - 1
BODY	B - 1
BRAKES	C - 1
PEDALS	D - 1
DIRECTION AND DRIVE SELECTOR	E - 1
DRIVETRAIN - FRONT	F - 1
DRIVETRAIN - MID	G - 1
DRIVETRAIN - REAR	H - 1
ENGINE COOLING SYSTEM	J - 1
ELECTRICAL	K - 1
EXHAUST	L - 1
ROPS	M - 1
FRAME	N - 1
FUEL SYSTEM	P - 1
STEERING	R - 1
FRONT SUSPENSION	S - 1
REAR SUSPENSION	T - 1
SEATING	U - 1
TRUCK BED	V - 1
WHEELS AND TIRES	W - 1
DECALS AND LABELS	X - 1

HOW TO USE THE SERVICE PARTS MANUAL

This manual is divided into several sections:

- GENERAL INFORMATION
- ILLUSTRATED PARTS BREAKDOWN

The first section, GENERAL INFORMATION, contains the following information:

- WARRANTY INFORMATION
- TABLE OF CONTENT
- HOW TO USE THE SERVICE PARTS MANUAL

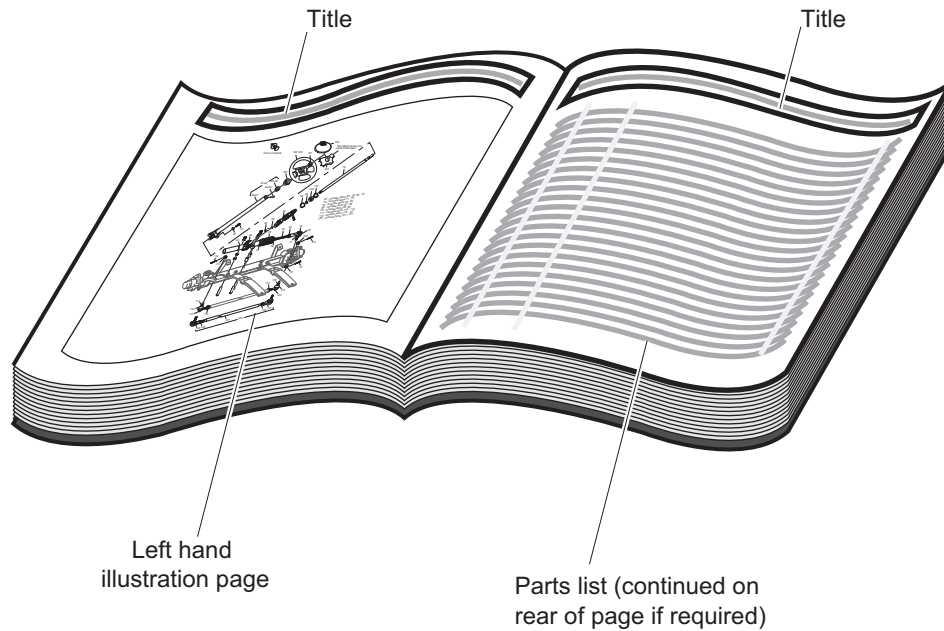
The second section, ILLUSTRATED PARTS BREAKDOWN, contains illustrations and parts lists for all systems of your vehicle.

USE OF THE MANUAL

To use this manual, consult the TABLE OF CONTENT to locate the information or illustration required.

Introduction of some revisions varies due to supply of components; therefore, it is possible that various combinations of components may be found that are not directly reflected by each illustration. Consult the illustration that best suits your situation and then contact the Service Parts Department. It is important that the serial number of your vehicle and its model number be supplied to Service Parts when ordering any replacement components.

HOW TO USE THE SERVICE PARTS MANUAL



1. WHEN THE PART NUMBER IS NOT KNOWN

- Determine the function and application of the part required. Turn to the TABLE OF CONTENT and select the most appropriate title.
- Turn to the page number indicated and locate the desired part on the illustration.
- From the illustration, obtain the item number assigned to the desired part. Refer to the accompanying description for specific information regarding the part.

2. IF YOU KNOW THE PART NUMBER

- Locate the part number or description in the appropriate column on the parts list page.

NOTE: Confirm the part selected is correct by verifying it with the illustration.

If an asterisk (*) appears in the part number column on the parts list page, read upward until a part number is found. The part number is the lowest assembly sold by Service Parts and the asterisk (*) indicates the part depicted is not available for purchase.

NOTE: Descriptions are indented under the assembly that they are used on. That assembly is, in turn listed under the assembly that it is used on. This process is repeated until the highest final assembly is reached.

To facilitate the maintenance and repair of the vehicle, a Technician's Repair and Service Manual is available from the Service Parts Department.

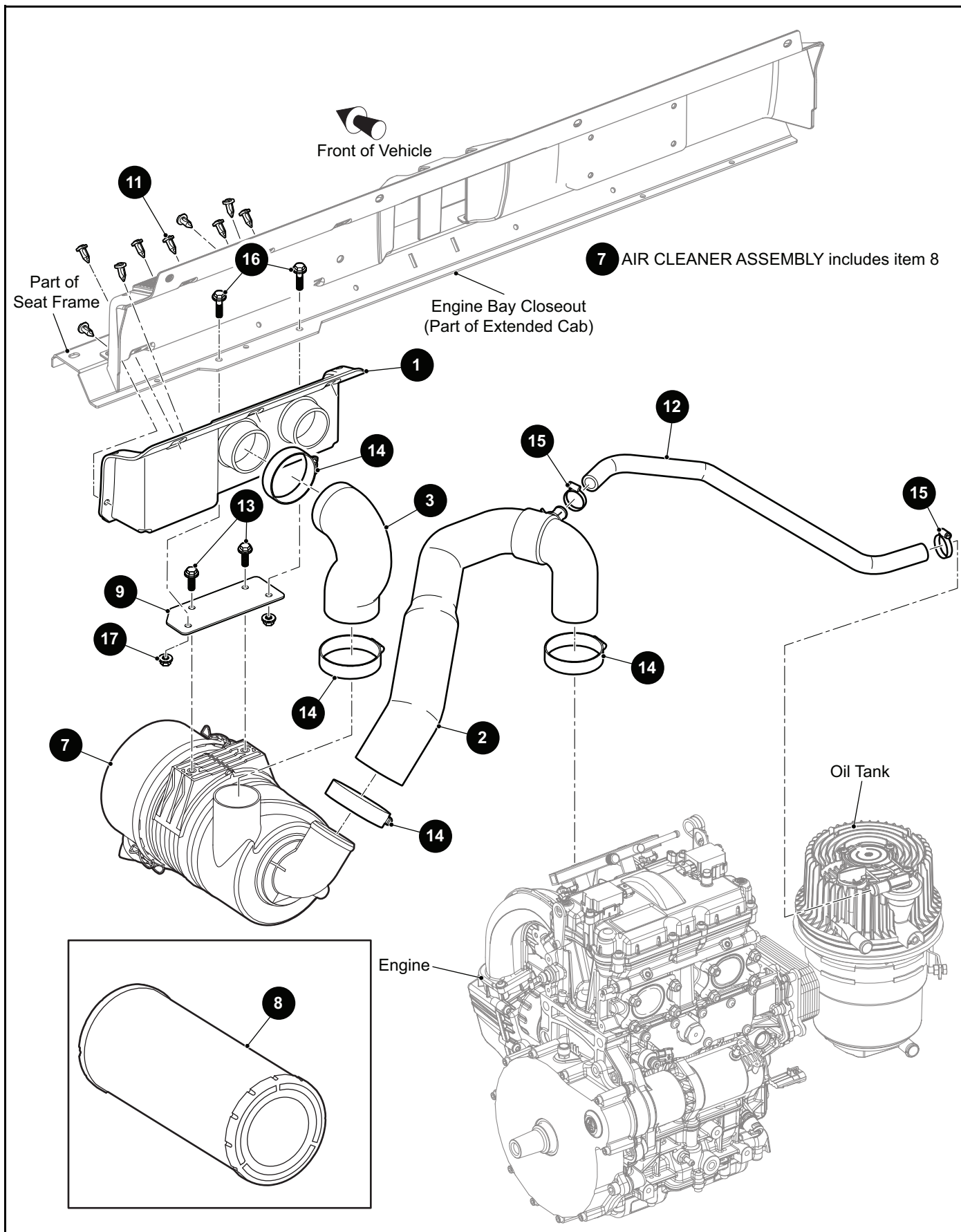
HOW TO USE THE SERVICE PARTS MANUAL

3. COLOR CODE FOR BODY COMPONENTS

The last two digits of the part number for the body part will denote the color code, locate the part number for the cowl, rear body, seat pod, side panel or seat wrap then locate your color in the list below, replace the last ** or XX with the two digit color code.

<u>CODE #</u>	<u>DESCRIPTION</u>
61	REAL TREE AP - MIC
82	NEW HOLLAND BLUE

AIR FILTER



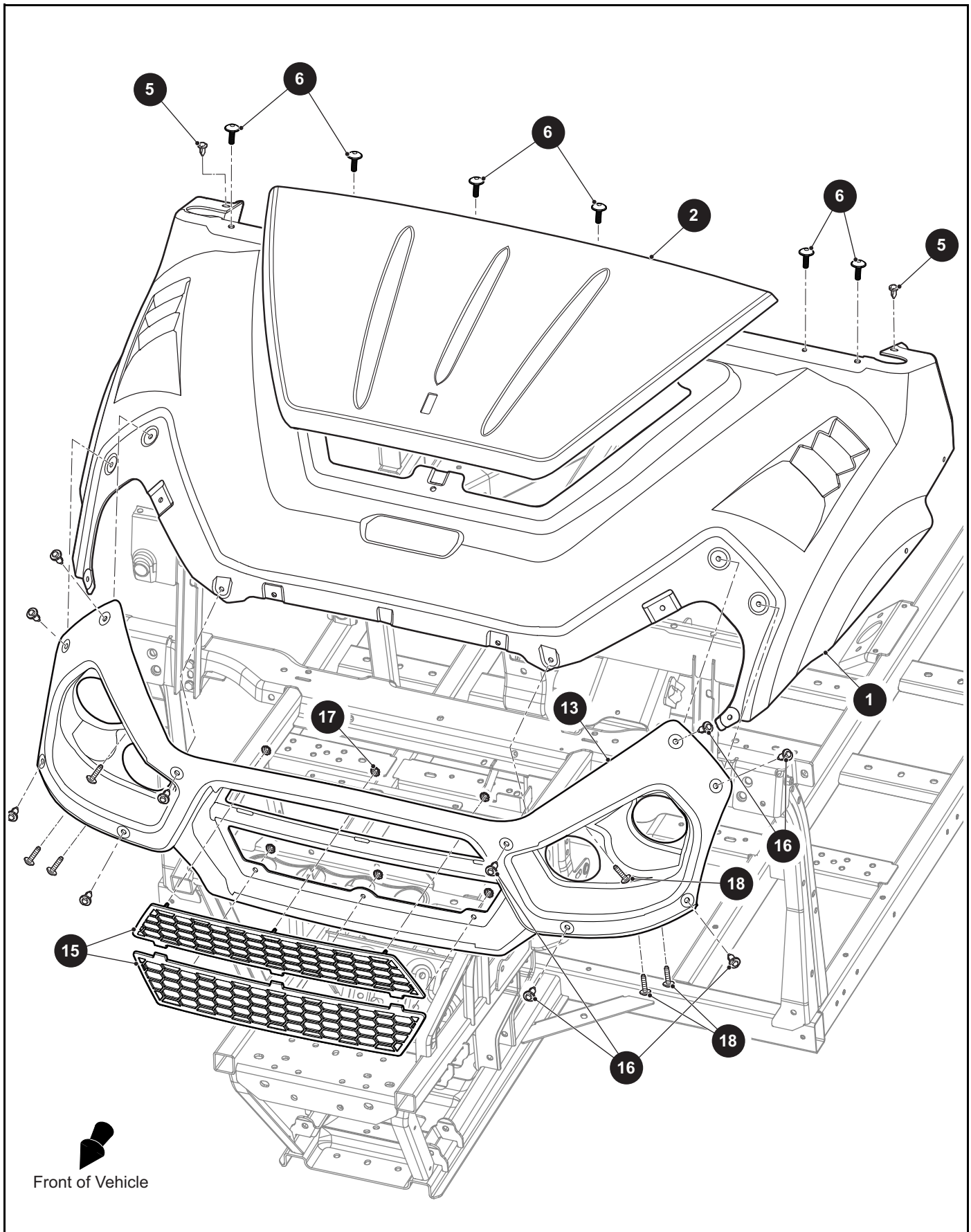
THE USE OF NON U.L. PARTS WILL VOID ANY U.L. LISTING.

When ordering parts, please specify the model and serial number of the product.

* Indicates a component that is not available as an individual part.

*** Indicates consult Customer Service Department for additional information.

ITEM	PART NO.	1 2 3 4 5	DESCRIPTION	QTY.
1	646819		AIR BOX CONNECTOR	1
2	646763		HOSE (AIR CLEANER).....	1
3	646710		HOSE (INTAKE TO AIR CLEANER)	1
4				
5				
6				
7	646705		AIR CLEANER ASSEMBLY (INCLUDES ITEM 8)	1
8	652091		CARTRIDGE	1
9	650540		AIR CLEANER MOUNTING BRACKET.....	1
10				
11	645637		REMOVABLE RIVET, 8.13MM DIA X 21MM LG	9
12	642127		HOSE (BLOW BY), 16MM	1
13	606261		FLANGED HEX HEAD BOLT, M8 - 1 X 20MM LG.....	2
14	11391G2		HOSE CLAMP, 2.06"	4
15	649482		HOSE CLAMP, 25 - 40MM.....	2
16	602330		FLANGED HEX HEAD BOLT, M8 - 1 X 30MM LG.....	2
17	645956		FLANGED HEX LOCK NUT, M8 X 1.25.....	2



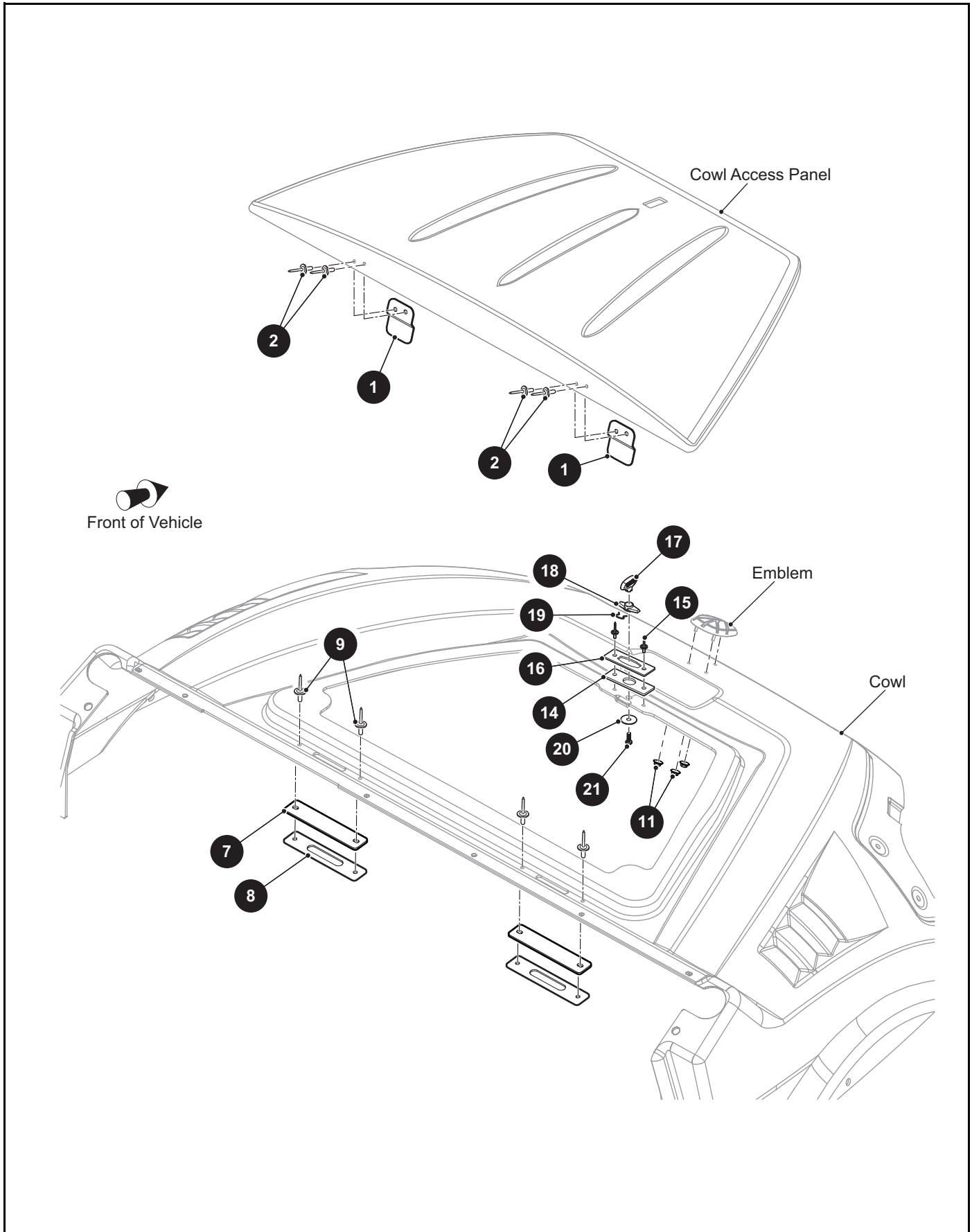
THE USE OF NON U.L. PARTS WILL VOID ANY U.L. LISTING.

When ordering parts, please specify the model and serial number of the product.

* Indicates a component that is not available as an individual part.

*** Indicates consult Customer Service Department for additional information.

ITEM	PART NO.	1 2 3 4 5	DESCRIPTION	QTY.
1	660011G00XX		COWL (See COLOR CODE in HOW TO USE Section).....	1
2	668389		COWL ACCESS PANEL	1
3				
4				
5	645637		REMOVABLE RIVET, 8.13MM DIA X 21MM LG.....	2
6	644969		PAN WASHER HEAD SELF TAPPING SCREW, M6 - 1 X 20MM LG	6
7				
8				
9				
10				
11				
12				
13	660012		FRONT FASCIA	1
14				
15	641408		GRILL INSERT	2
16	667790		REMOVABLE RIVET, .320".....	10
17	71597G01		SELF THREADING NUT, 5 X 10 X 15MM	6
18	645323		PAN WASHER HEAD TORX SCREW, M6 - 1 X 23.4MM LG.....	6



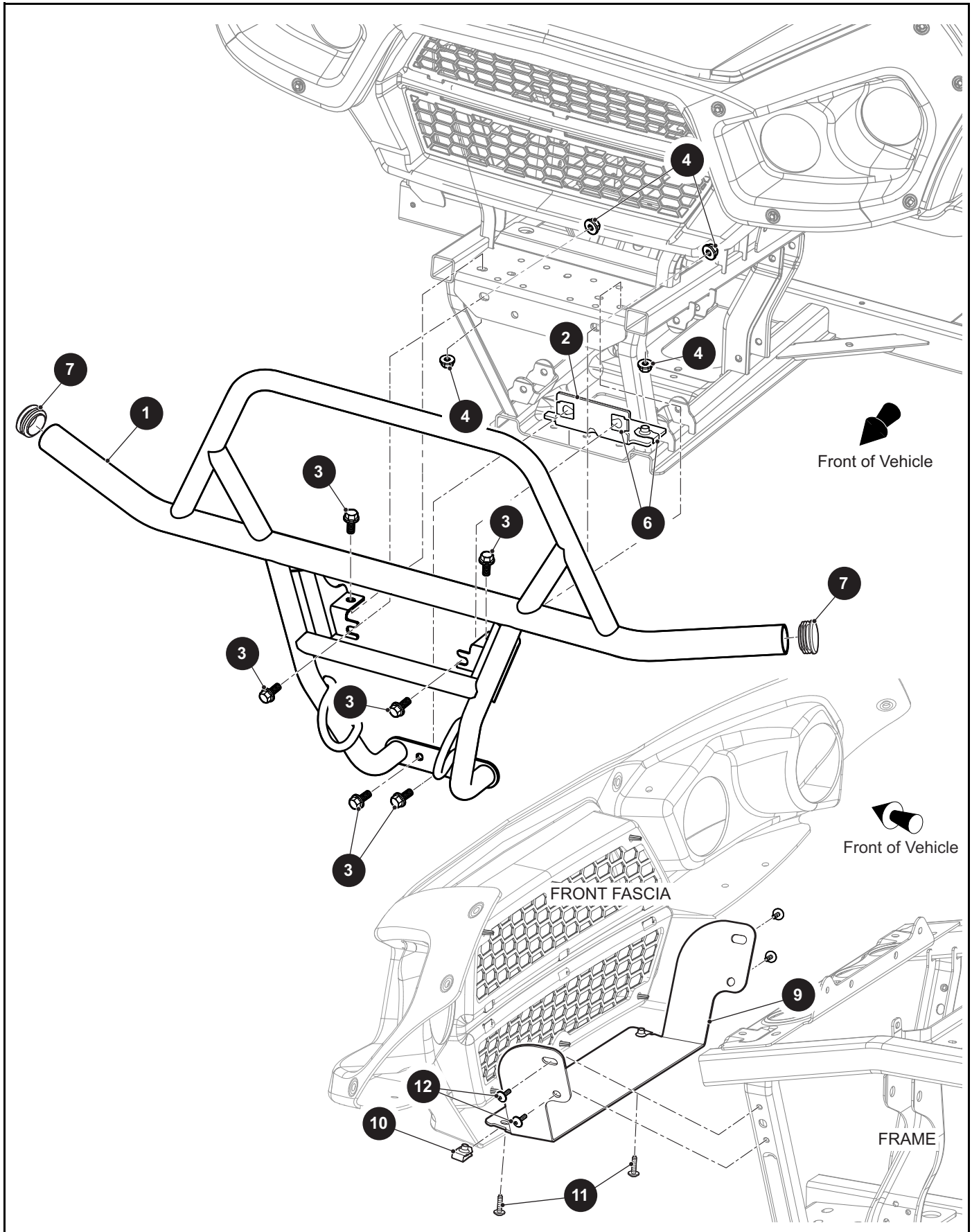
THE USE OF NON U.L. PARTS WILL VOID ANY U.L. LISTING.

When ordering parts, please specify the model and serial number of the product.

* Indicates a component that is not available as an individual part.

*** Indicates consult Customer Service Department for additional information.

ITEM	PART NO.	1 2 3 4 5	DESCRIPTION	QTY.
1	666599G0390		ACCESS PANEL BRACKET (BLACK).....	2
2	71055G01		RIVET, 3/16" DIA.....	4
3				
4				
5				
6				
7	662166		HOOD LATCH GROMMET	2
8	663781G0390		LATCH PLATE GROMMET.....	2
9	71055G01		RIVET, 3/16" DIA.....	2
10				
11	663834		SELF THREADING NUT, M4	3
12				
13				
14	667102G0390		ACCESS PANEL BRACKET (OVAL)	1
15	71055G01		RIVET, 3/16" DIA.....	2
16	667098G0390		ACCESS PANEL BRACKET	1
17	7606-265		KNOB	1
18	7606-296		BACKING PLATE	1
19	2623-155		RETAINING CLIP (C TYPE).....	1
20	16469G7		FENDER WASHER.....	1
21	1623-933		PAN HEAD TORX SCREW, #10 - 14 X 3/4" LG	1



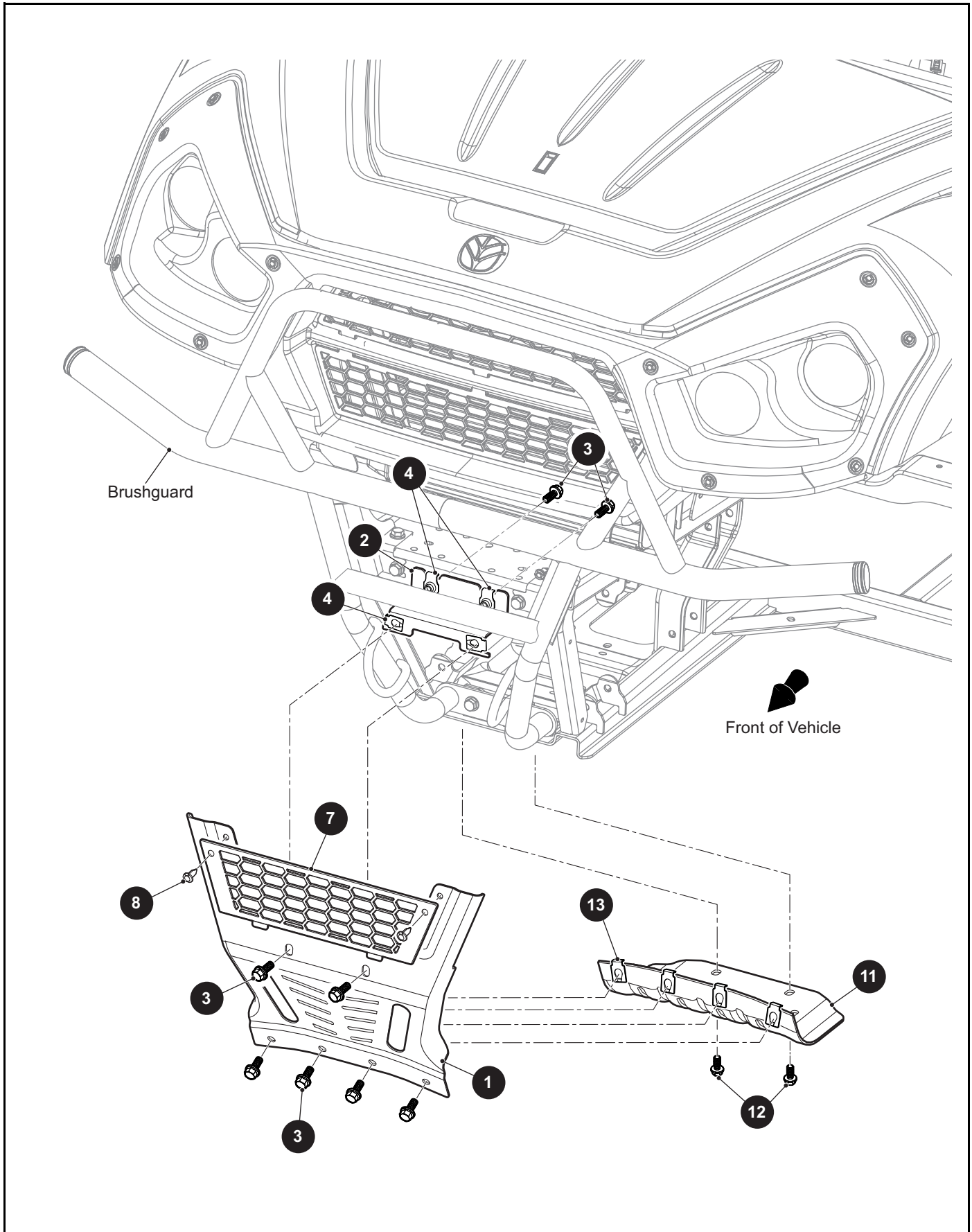
THE USE OF NON U.L. PARTS WILL VOID ANY U.L. LISTING.

When ordering parts, please specify the model and serial number of the product.

* Indicates a component that is not available as an individual part.

*** Indicates consult Customer Service Department for additional information.

ITEM	PART NO.	1 2 3 4 5	DESCRIPTION	QTY.
1	661614		BRUSHGUARD.....	1
2	662222		BRUSHGUARD BRACKET.....	1
3	603799		FLANGED HEX HEAD BOLT, M10 - 1.5 X 25MM LG.....	6
4	600525		LOCK NUT, M10 - 1.5	4
5				
6	603818		BARREL CLIP, M10 - 1.5	4
7	630762		PLUG (PLASTIC), 1.75" O.D.	2
8				
9	655532		FASCIA SUPPORT BRACKET	1
10	602409		BARREL CLIP, M6 - 1	2
11	645323		PAN WASHER HEAD TORX SCREW, M6 - 1 X 23.4MM LG.....	2
12	644969		PAN WASHER HEAD SELF TAPPING SCREW, M6 - 1 X 20MM LG	4



THE USE OF NON U.L. PARTS WILL VOID ANY U.L. LISTING.

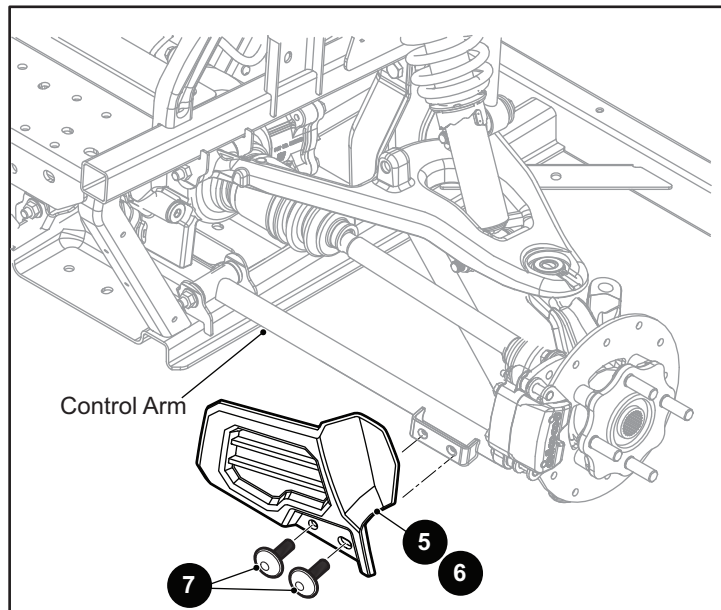
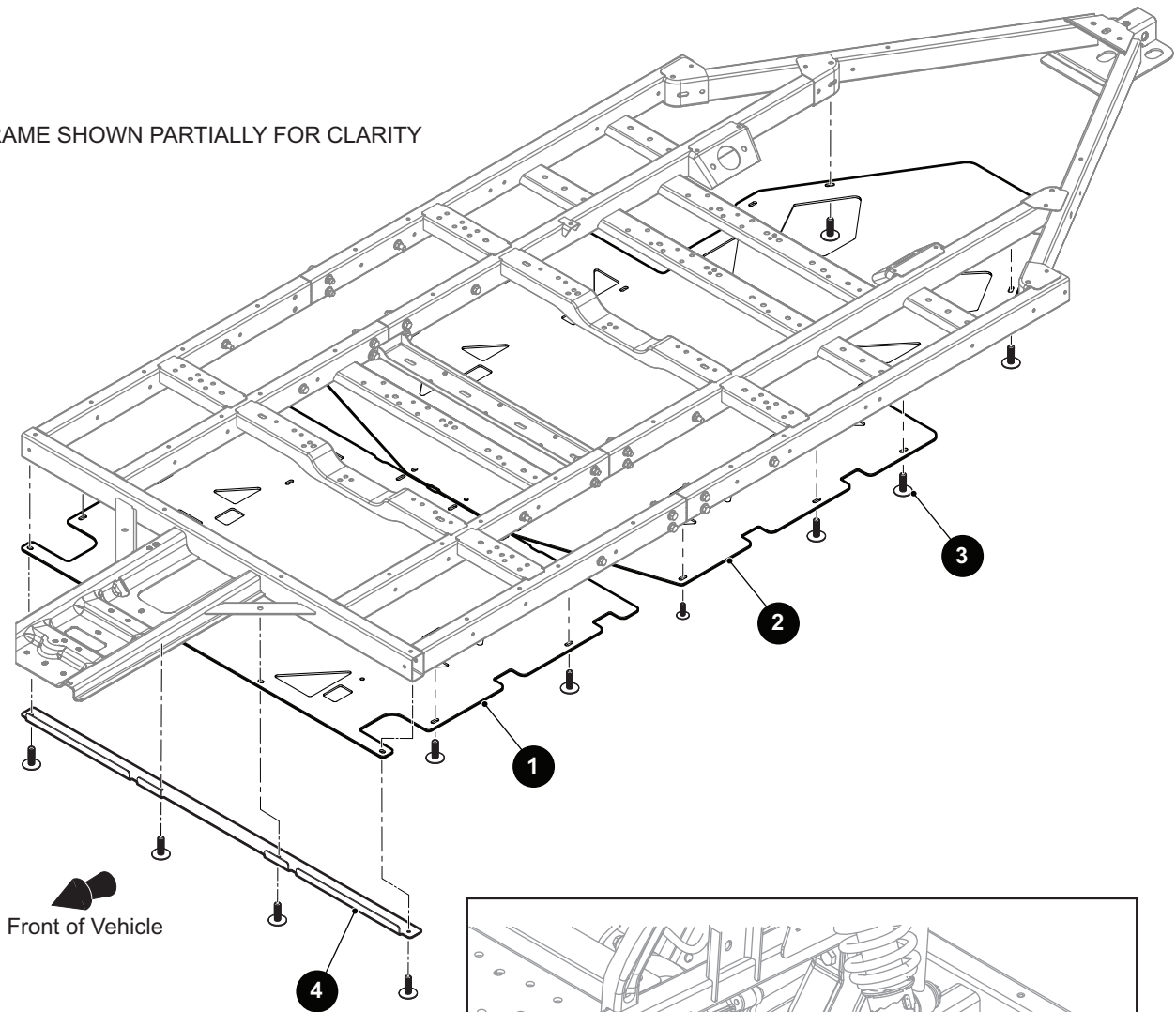
When ordering parts, please specify the model and serial number of the product.

* Indicates a component that is not available as an individual part.

*** Indicates consult Customer Service Department for additional information.

ITEM	PART NO.	1 2 3 4 5	DESCRIPTION	QTY.
1	652651		FRAME SHIELD (UPPER).....	1
2	651894		SHIELD MOUNT BRACKET	1
3	603799		FLANGED HEX HEAD BOLT, M10 - 1.5 X 25MM LG.....	8
4	603818		BARREL CLIP, M10 - 1.5	4
5				
6				
7	650827		WINCH CLOSEOUT	1
8	667790		REMOVABLE RIVET, .320".....	2
9				
10				
11	652652		FRAME SHIELD (LOWER).....	1
12	603799		FLANGED HEX HEAD BOLT, M10 - 1.5 X 25MM LG.....	2
13	603818		BARREL CLIP, M10 - 1.5	4

FRAME SHOWN PARTIALLY FOR CLARITY



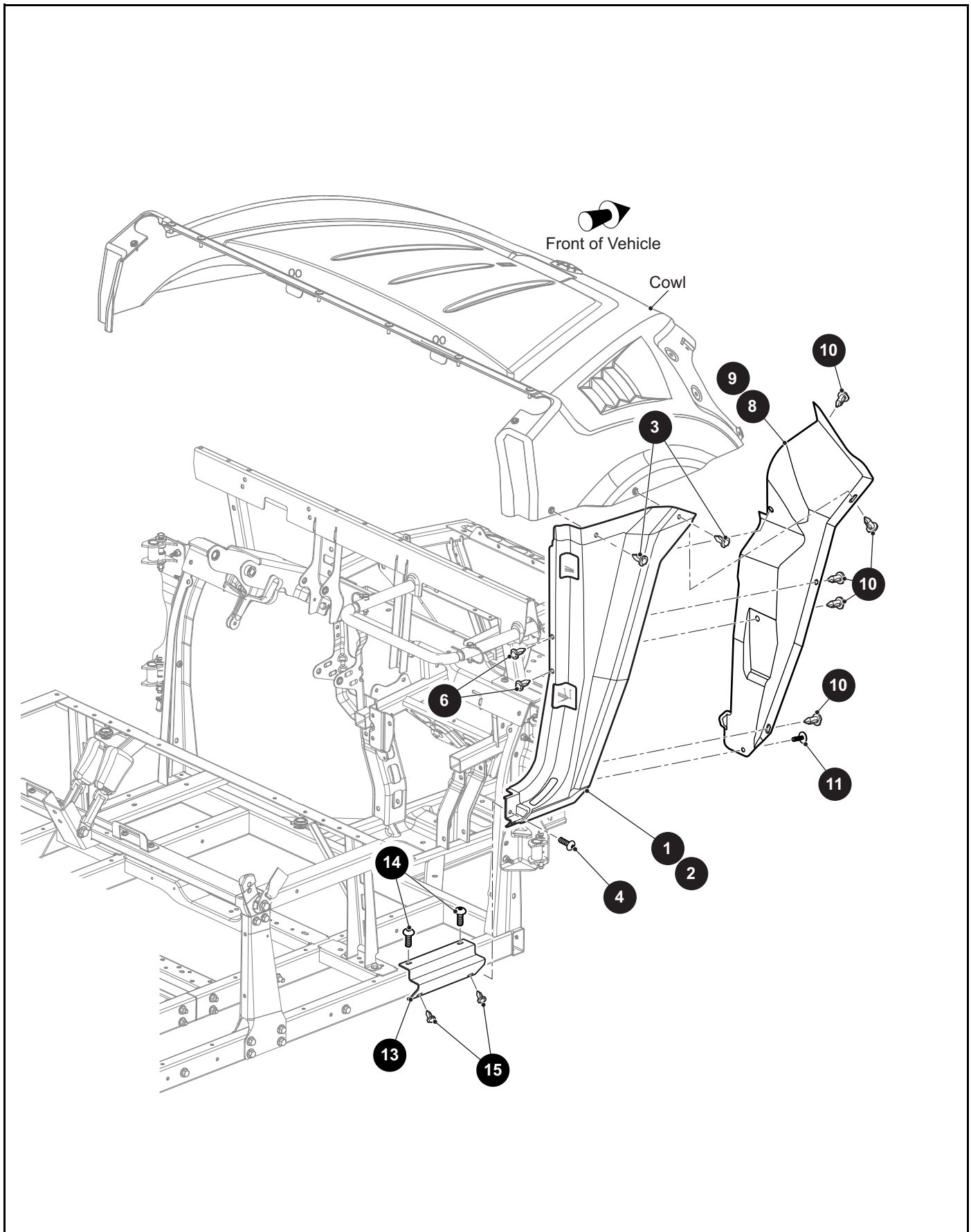
THE USE OF NON U.L. PARTS WILL VOID ANY U.L. LISTING.

When ordering parts, please specify the model and serial number of the product.

* Indicates a component that is not available as an individual part.

*** Indicates consult Customer Service Department for additional information.

ITEM	PART NO.	1 2 3 4 5	DESCRIPTION	QTY.
1	660808		FRONT SKID GUARD	1
2	665971		REAR SKID GUARD	1
3	644969		PAN WASHER HEAD SELF TAPPING SCREW, M6 - 1 X 20MM LG	32
4	657367		SKID GUARD BRACKET	1
5	642512G01		CV GUARD (DRIVER SIDE)	1
6	642512G02		CV GUARD (PASSENGER SIDE)	1
7	644969		PAN WASHER HEAD SELF TAPPING SCREW, M6 - 1 X 20MM LG	2



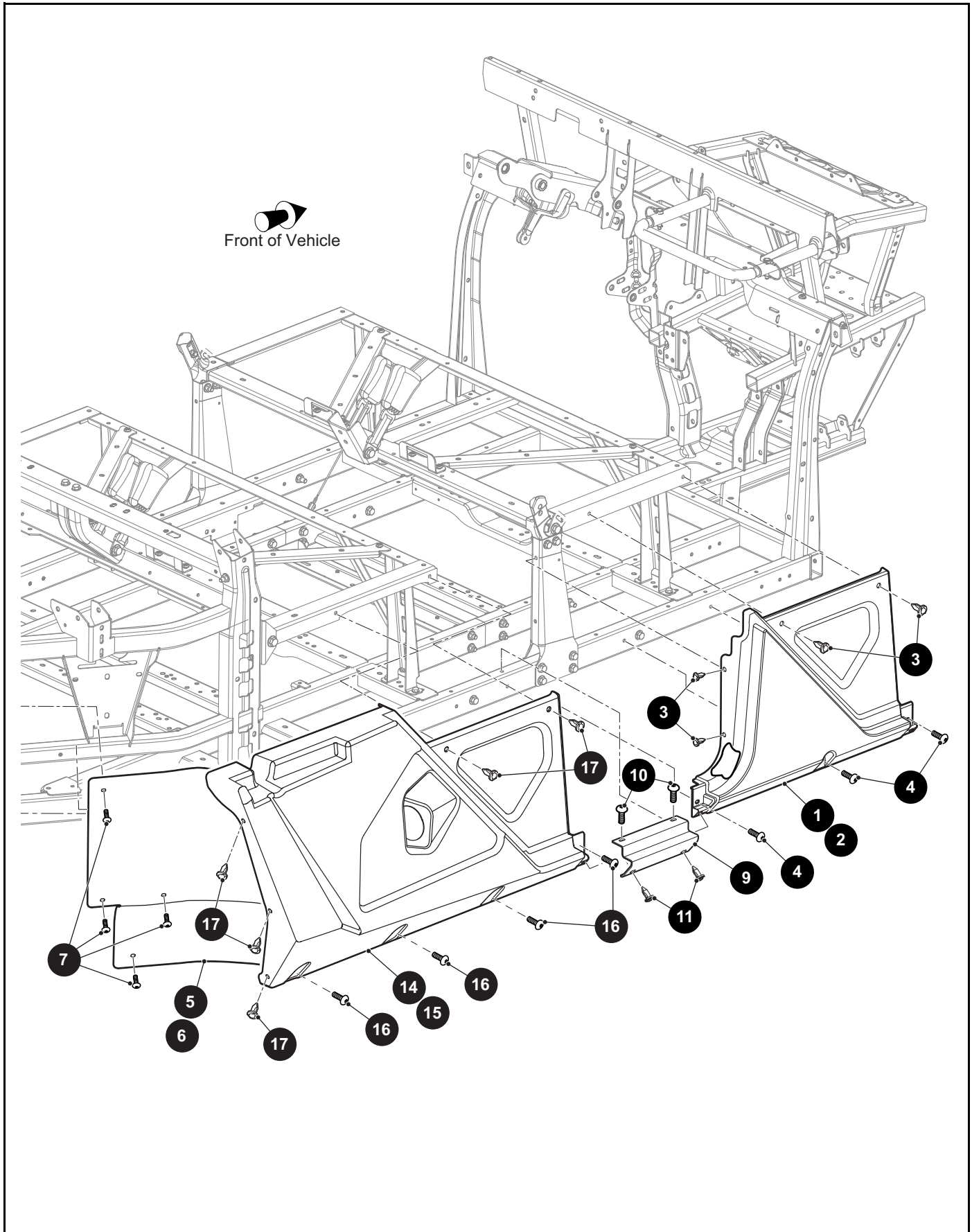
THE USE OF NON U.L. PARTS WILL VOID ANY U.L. LISTING.

When ordering parts, please specify the model and serial number of the product.

* Indicates a component that is not available as an individual part.

*** Indicates consult Customer Service Department for additional information.

ITEM	PART NO.	1 2 3 4 5	DESCRIPTION	QTY.
1	662540G01		FRONT FENDER (DRIVER SIDE).....	1
2	662540G02		FRONT FENDER (PASSENGER SIDE)	1
3	645637		REMOVABLE RIVET, 8.13MM DIA X 21MM LG	2
4	644969		PAN WASHER HEAD SELF TAPPING SCREW, M6 - 1 X 20MM LG	1
5				
6	667790		REMOVABLE RIVET, .320".....	2
7				
8	646343G01		FENDER LINER (DRIVER SIDE)	1
9	646343G02		FENDER LINER (PASSENGER SIDE).....	1
10	645637		REMOVABLE RIVET, .320".....	5
11	644969		PAN WASHER HEAD SELF TAPPING SCREW, M6 - 1 X 20MM LG	1
12				
13	641395		ROCKER PANEL	1
14	644969		PAN WASHER HEAD SELF TAPPING SCREW, M6 - 1 X 20MM LG	2
15	667790		REMOVABLE RIVET, .320".....	2



THE USE OF NON U.L. PARTS WILL VOID ANY U.L. LISTING.

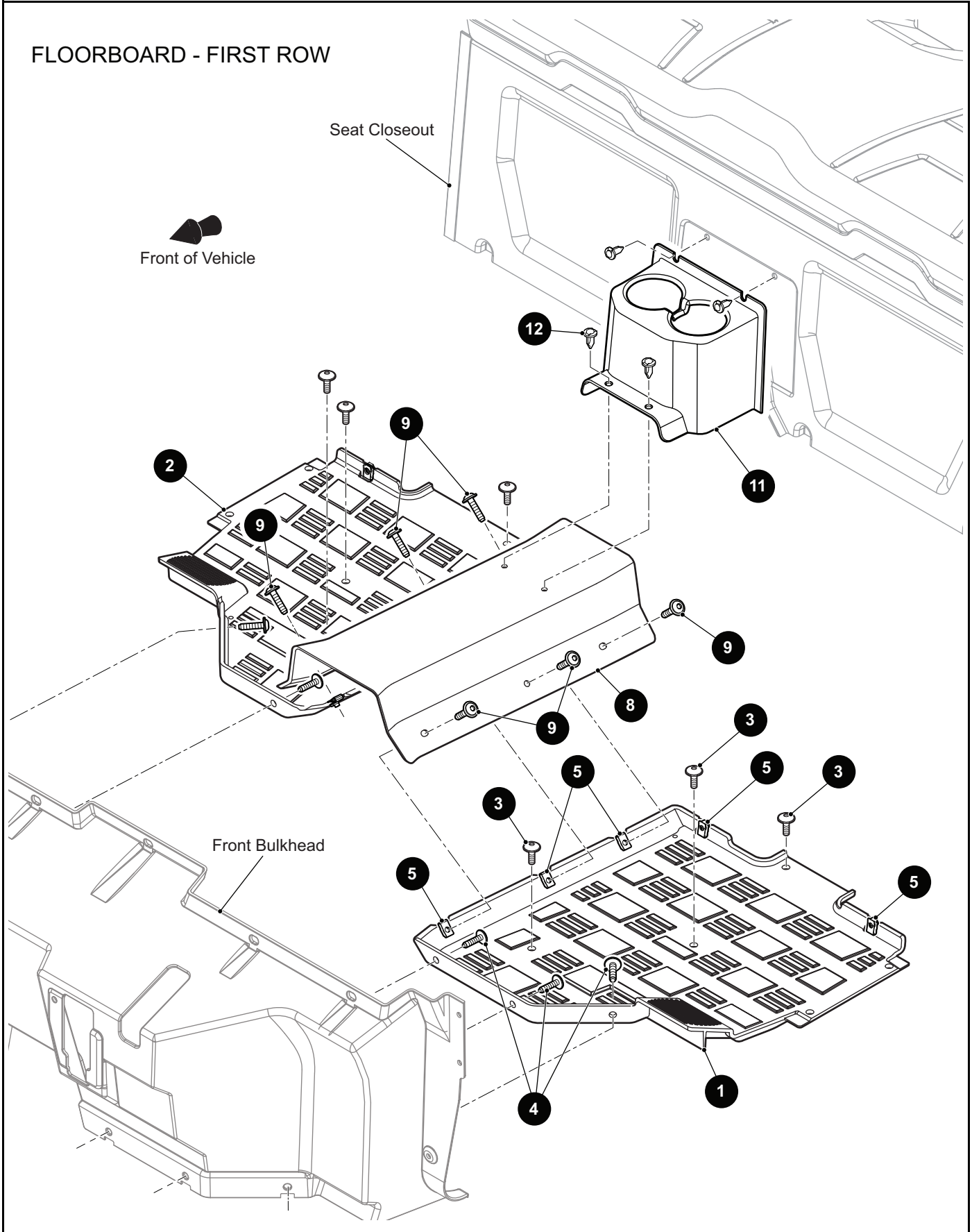
When ordering parts, please specify the model and serial number of the product.

* Indicates a component that is not available as an individual part.

*** Indicates consult Customer Service Department for additional information.

ITEM	PART NO.	1 2 3 4 5	DESCRIPTION	QTY.
1	665936G01		MIDDLE BODY PANEL (DRIVER SIDE).....	1
2	665936G02		MIDDLE BODY PANEL (PASSENGER SIDE)	1
3	645637		REMOVABLE RIVET, .320".....	4
4	644969		PAN WASHER HEAD SELF TAPPING SCREW, M6 - 1 X 20MM LG	3
5	642510G01		REAR WHEEL WELL (DRIVER SIDE)	1
6	642510G02		REAR WHEEL WELL (PASSENGER SIDE).....	1
7	644969		PAN WASHER HEAD SELF TAPPING SCREW, M6 - 1 X 20MM LG	4
8				
9	641395		ROCKER PANEL	1
10	644969		PAN WASHER HEAD SELF TAPPING SCREW, M6 - 1 X 20MM LG	2
11	645637		REMOVABLE RIVET, .320".....	2
12				
13				
14	655202G01		REAR QUARTER PANEL (DRIVER SIDE).....	1
15	655202G02		REAR QUARTER PANEL (PASSENGER SIDE)	1
16	644969		PAN WASHER HEAD SELF TAPPING SCREW, M6 - 1 X 20MM LG	4
17	645637		REMOVABLE RIVET, .320".....	5

FLOORBOARD - FIRST ROW



THE USE OF NON U.L. PARTS WILL VOID ANY U.L. LISTING.

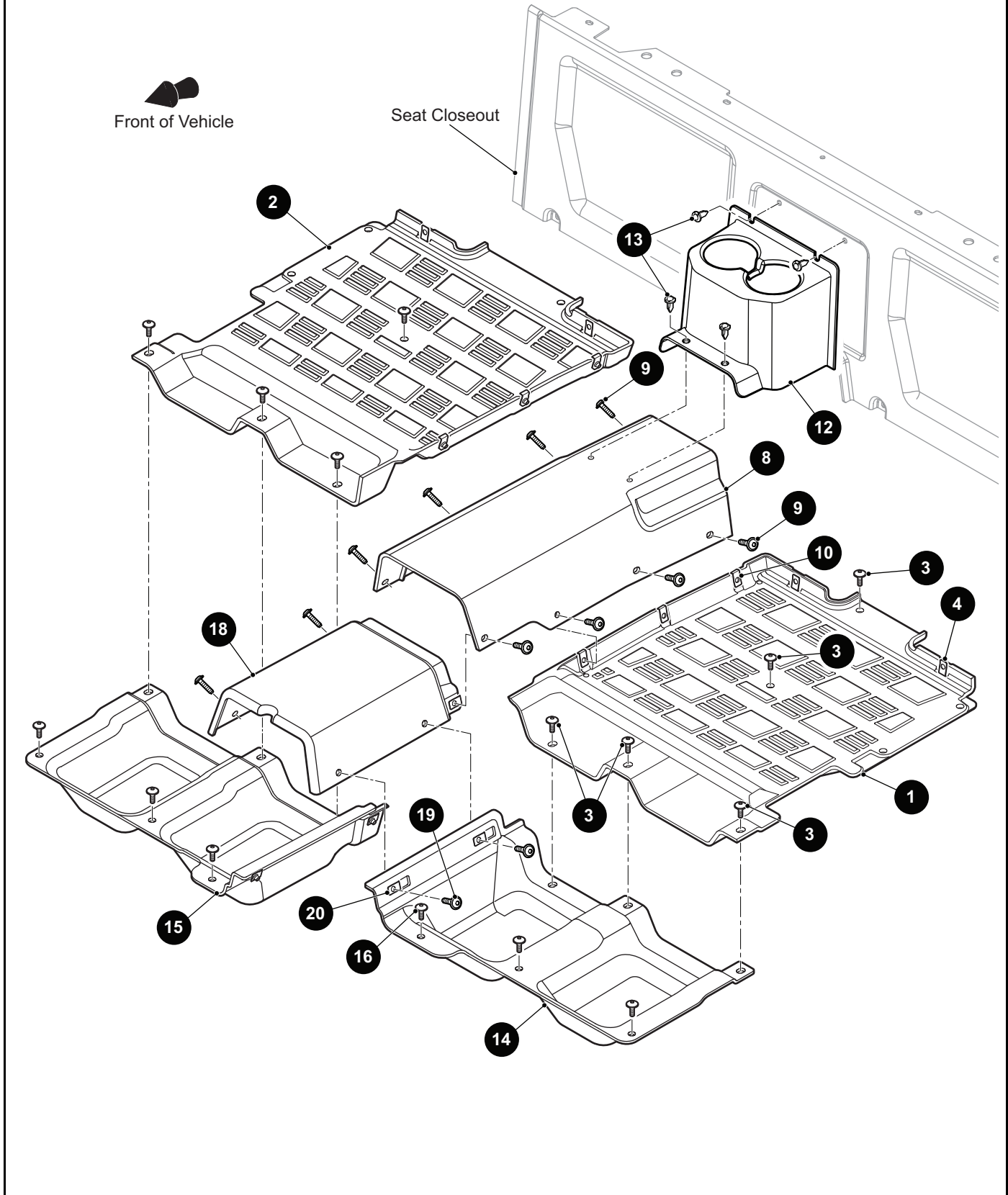
When ordering parts, please specify the model and serial number of the product.

* Indicates a component that is not available as an individual part.

*** Indicates consult Customer Service Department for additional information.

ITEM	PART NO.	1 2 3 4 5	DESCRIPTION	QTY.
1	641759		FRONT FLOORBOARD (DRIVER SIDE)	1
2	641840		FRONT FLOORBOARD (PASSENGER SIDE).....	1
3	644969		PAN WASHER HEAD SELF TAPPING SCREW, M6 - 1 X 20MM LG	3
4	645323		PAN WASHER HEAD TORX SCREW, M6 - 1 X 23.4MM LG	3
5	602409		BARREL CLIP, M6 - 1	5
6				
7				
8	641839		CENTER CHANNEL	1
9	645323		PAN WASHER HEAD TORX SCREW, M6 - 1 X 23.4MM LG	6
10				
11	641662		CUP HOLDER.....	1
12	667790		REMOVABLE RIVET, .320".....	4

FLOORBOARD - SECOND ROW



THE USE OF NON U.L. PARTS WILL VOID ANY U.L. LISTING.

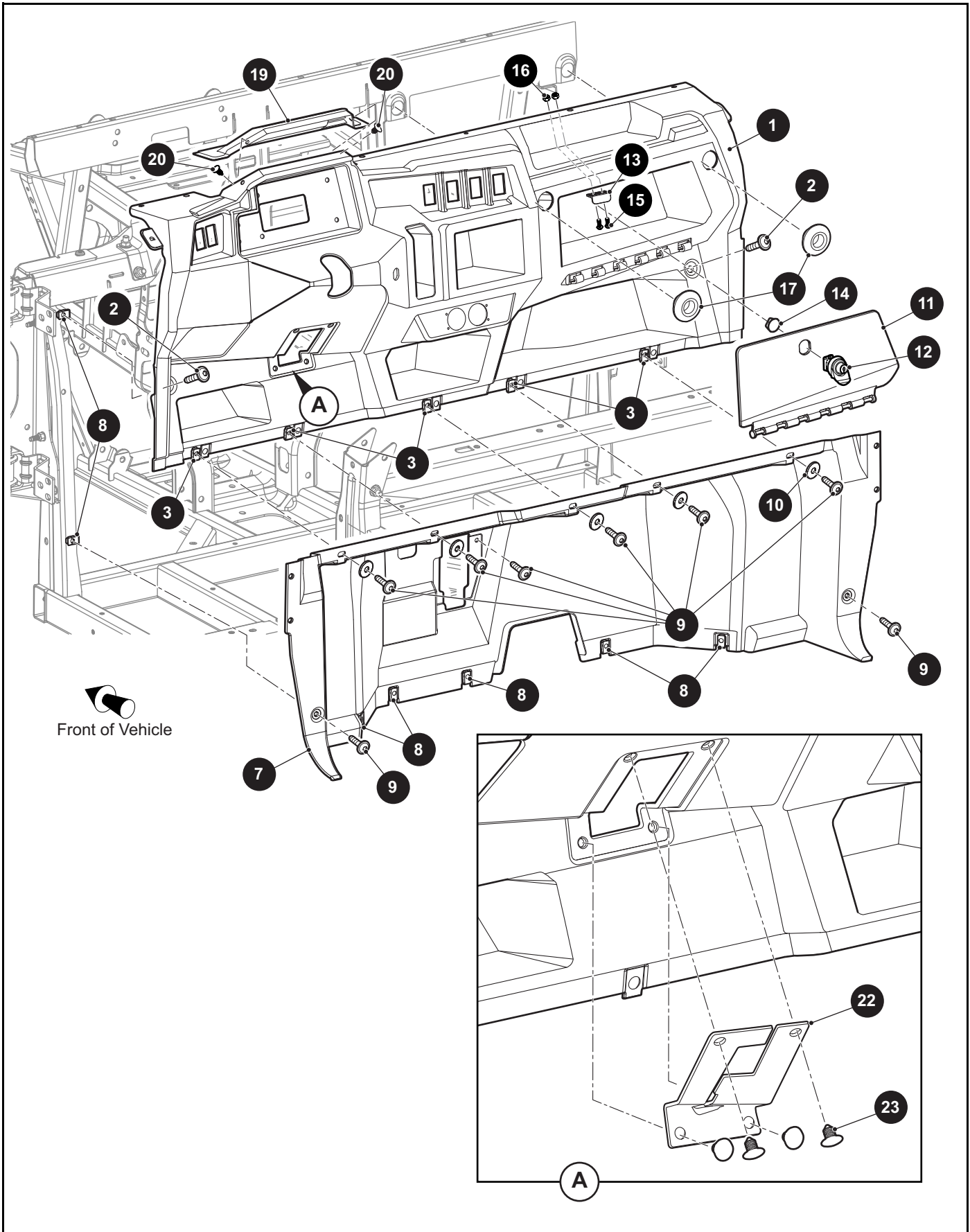
When ordering parts, please specify the model and serial number of the product.

* Indicates a component that is not available as an individual part.

*** Indicates consult Customer Service Department for additional information.

ITEM	PART NO.	1 2 3 4 5	DESCRIPTION	QTY.
1	654507		REAR FLOORBOARD (DRIVER SIDE).....	1
2	655102		REAR FLOORBOARD (PASSENGER SIDE).....	1
3	644969		PAN WASHER HEAD SELF TAPPING SCREW, M6 - 1 X 20MM LG	5
4	602409		BARREL CLIP, M6 - 1	2
5				
6				
7				
8	654582		CENTER CHANNEL	1
9	645323		PAN WASHER HEAD TORX SCREW, M6 - 1 X 23.4MM LG	8
10	602409		BARREL CLIP, M6 - 1	8
11				
12	641662		CUP HOLDER.....	1
13	667790		REMOVABLE RIVET, .320".....	4
14	655020		UNDER SEAT STORAGE TRAY (DRIVER SIDE)	1
15	655103		UNDER SEAT STORAGE TRAY (PASSENGER SIDE).....	1
16	644969		PAN WASHER HEAD SELF TAPPING SCREW, M6 - 1 X 20MM LG	3
17				
18	654469		UNDER SEAT STORAGE TUNNEL.....	1
19	645323		PAN WASHER HEAD TORX SCREW, M6 - 1 X 23.4MM LG	4
20	602409		BARREL CLIP, M6 - 1	4

BODY



THE USE OF NON U.L. PARTS WILL VOID ANY U.L. LISTING.

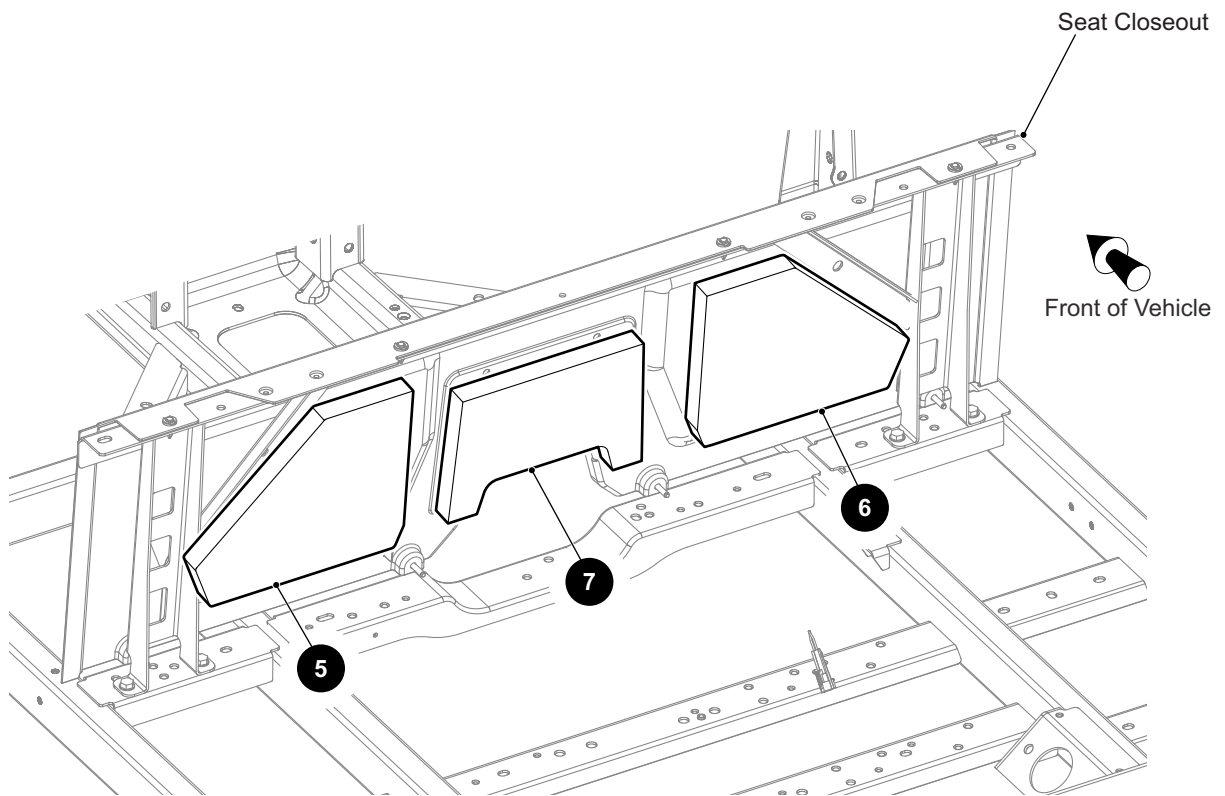
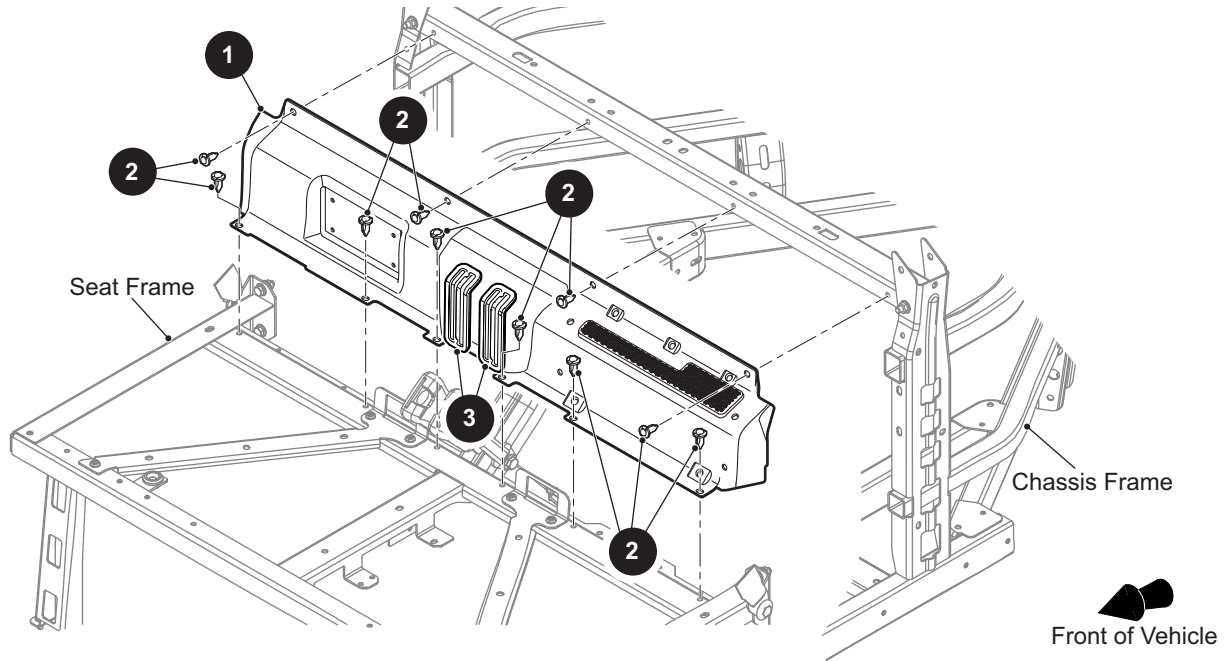
When ordering parts, please specify the model and serial number of the product.

* Indicates a component that is not available as an individual part.

*** Indicates consult Customer Service Department for additional information.

ITEM	PART NO.	1 2 3 4 5	DESCRIPTION	QTY.
1	641398G01		INSTRUMENT PANEL	1
2	645323		PAN WASHER HEAD TORX SCREW, M6 - 1 X 23.4MM LG	2
3	602409		BARREL CLIP, M6 - 1	5
4				
5				
6				
7	641393		FRONT BULKHEAD	1
8	602409		BARREL CLIP, M6 - 1	10
9	645323		PAN WASHER HEAD TORX SCREW, M6 - 1 X 23.4MM LG	8
10	608747		FLAT WASHER, M6 X 1.5.....	5
11	651762		GLOVEBOX ASSEMBLY	1
12	612516		LOCK ASSEMBLY (TRUNK LID) (INCLUDES ITEMS 13, 14)	1
13	*		PLATE	1
14	*		NUT	1
15	00645G5		PAN HEAD PHILLIPS SCREW, M3 - .5 X 12MM LG.....	2
16	00525G5		HEX NUT, M3 - .5	2
17	648556		GRAB BAR CLOSEOUT.....	2
18				
19	643939		INSTRUMENT PANEL HOOD	1
20	16816G1		RATCHET RIVET, .25" X .680"	2
21				
22	646121		INSTRUMENT PANEL CLOSEOUT	1
23	16816G1		RATCHET RIVET, .25" X .680"	4

BODY



THE USE OF NON U.L. PARTS WILL VOID ANY U.L. LISTING.

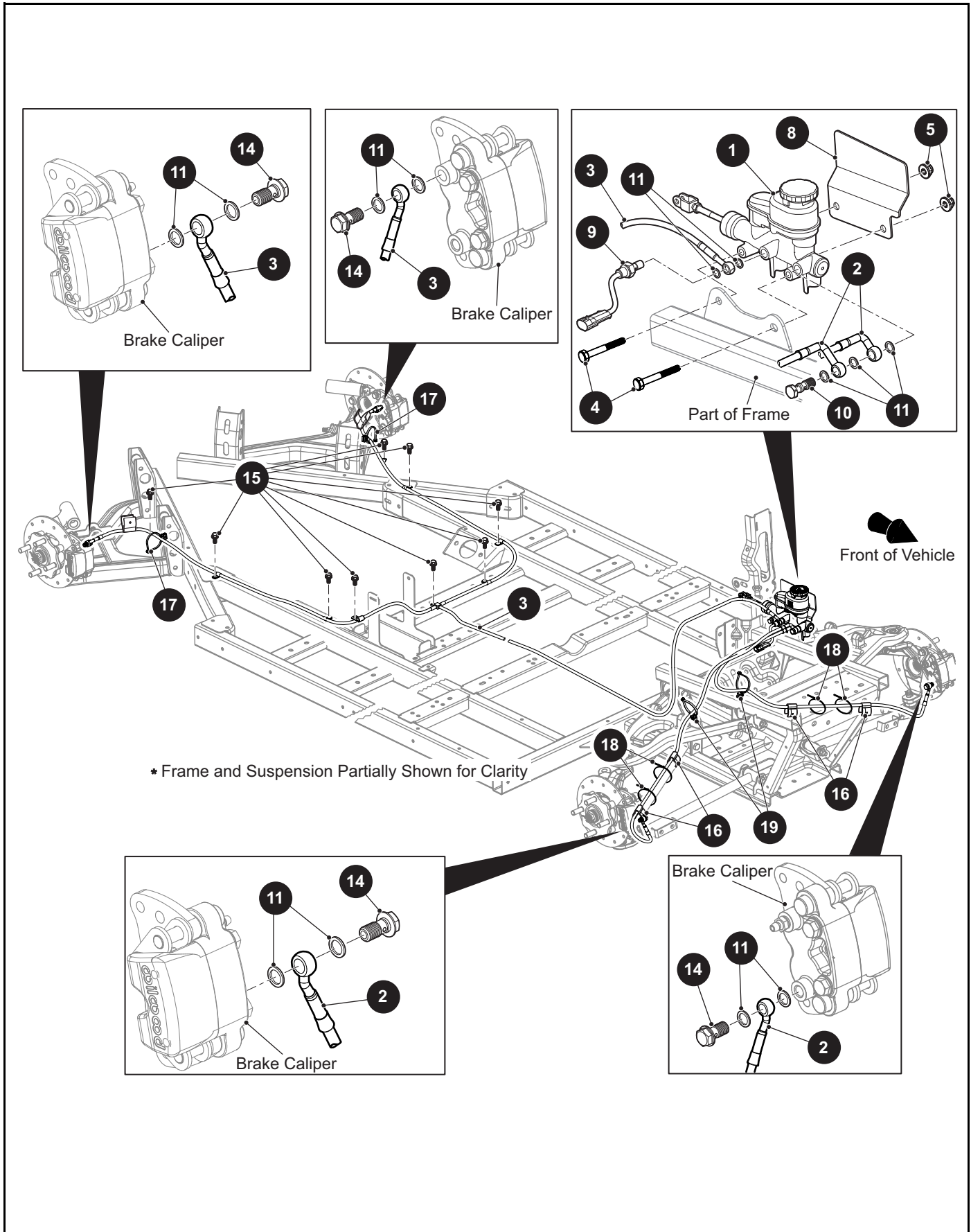
When ordering parts, please specify the model and serial number of the product.

* Indicates a component that is not available as an individual part.

*** Indicates consult Customer Service Department for additional information.

ITEM	PART NO.	1 2 3 4 5	DESCRIPTION	QTY.
1	643524		ENGINE BAY CLOSEOUT.....	1
2	645637		REMOVABLE RIVET, 8.13MM DIA X 21MM LG.....	10
3	643207		SHIFTER BOOT.....	2
4				
5	662620		SEAT CLOSEOUT FOAM (DRIVER SIDE).....	1
6	662621		SEAT CLOSEOUT FOAM (PASSENGER SIDE).....	1
7	662619		SEAT CLOSEOUT FOAM (CENTER).....	1

BRAKES



THE USE OF NON U.L. PARTS WILL VOID ANY U.L. LISTING.

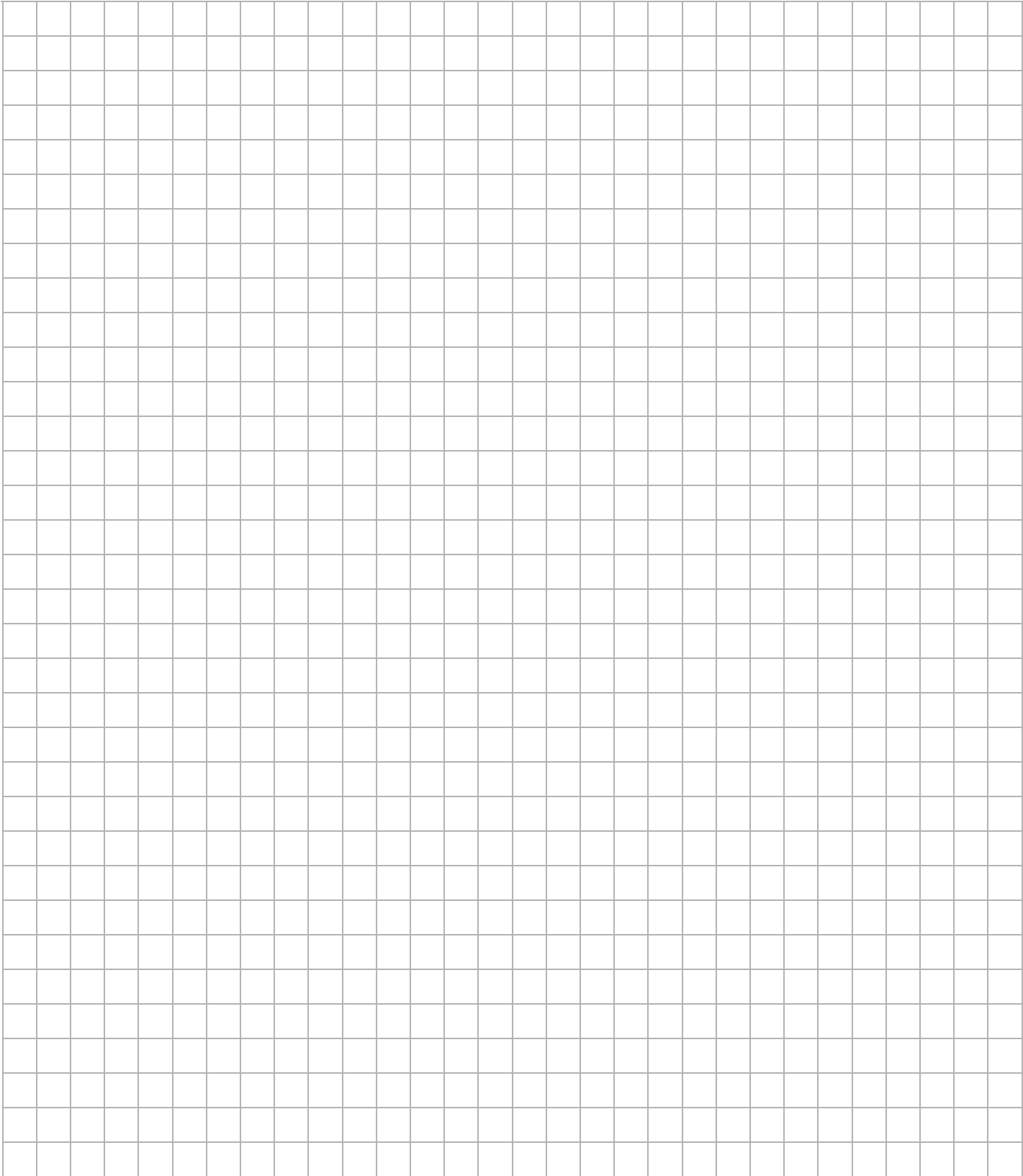
When ordering parts, please specify the model and serial number of the product.

* Indicates a component that is not available as an individual part.

*** Indicates consult Customer Service Department for additional information.

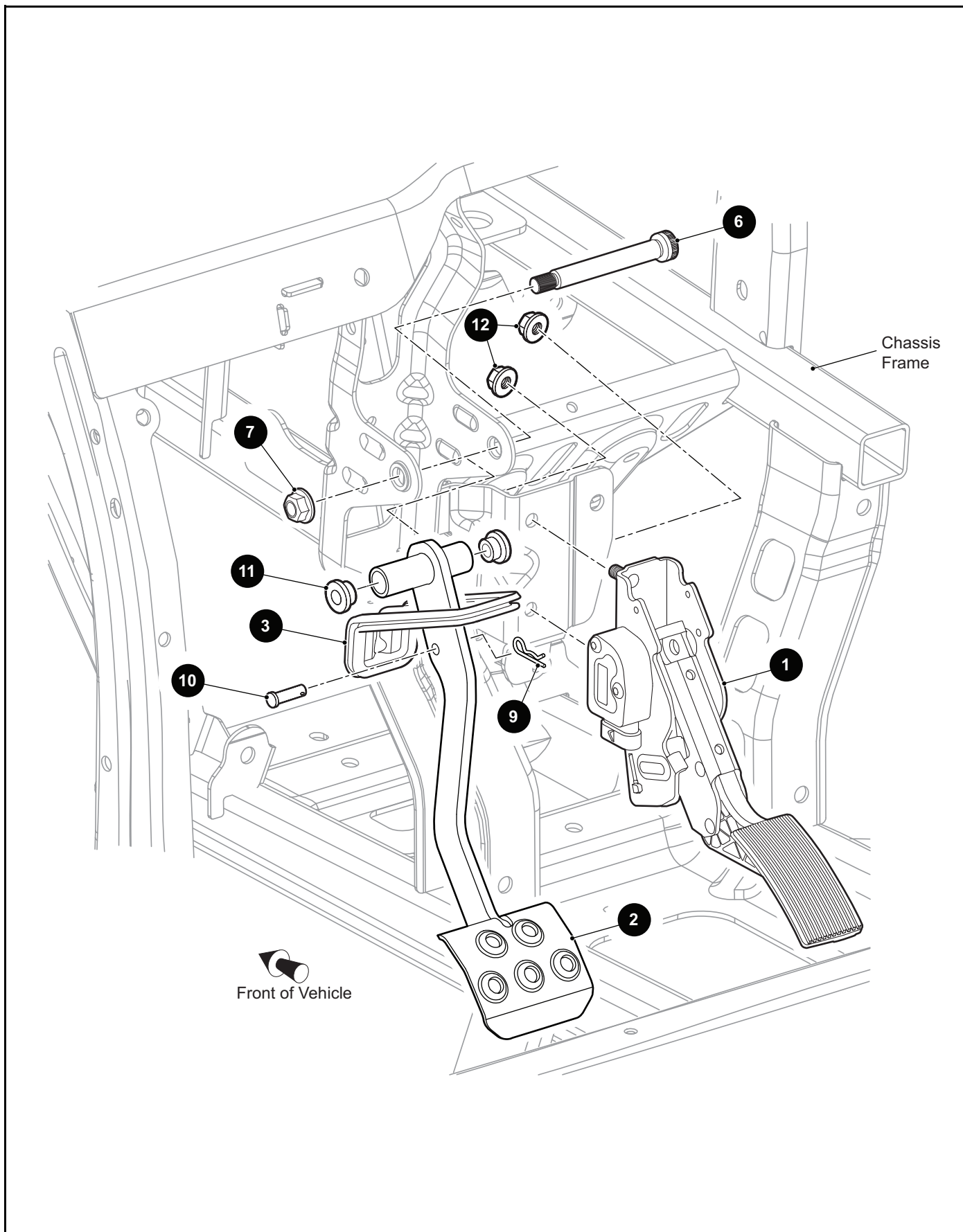
ITEM	PART NO.	1 2 3 4 5	DESCRIPTION	QTY.
1	631593		MASTER CYLINDER.....	1
2	638225		BRAKE LINE (FRONT), 1128MM LG.....	2
3	645892		BRAKE LINE (REAR), 2490MM X 1307MM X 1347MM LG.....	1
4	616672		HEX HEAD BOLT, M8 - 1.25 X 60MM LG.....	2
5	645956		FLANGED HEX LOCK NUT, M8 - 1.25.....	2
6				
7				
8	644634		SHIELD (MASTER CYLINDER).....	1
9	646161		PRESSURE SWITCH HARNESS.....	1
10	650438		BANJO BOLT (DOUBLE), M10 X .5	1
11	613293		CRUSH WASHER, M10.....	13
12				
13				
14	616459		BANJO BOLT (SINGLE), M10 - 1 X 20MM LG	4
15	452695		TAPTITE SCREW, M6 - 1 X 20MM LG	9
16	649671		BRAKE LINE CLIP	4
17	646439		EDGE CLIP CABLE TIE.....	2
18	17618G1		NYLON CLAMP	4
19	645340		CABLE TIE.....	2
<p>NOTE: BRAKE ROTORS AND CALIPERS SHOWN IN SUSPENSION SECTIONS.</p>				

Notes:



A large grid of 32 columns and 36 rows for taking notes.

PEDALS



THE USE OF NON U.L. PARTS WILL VOID ANY U.L. LISTING.

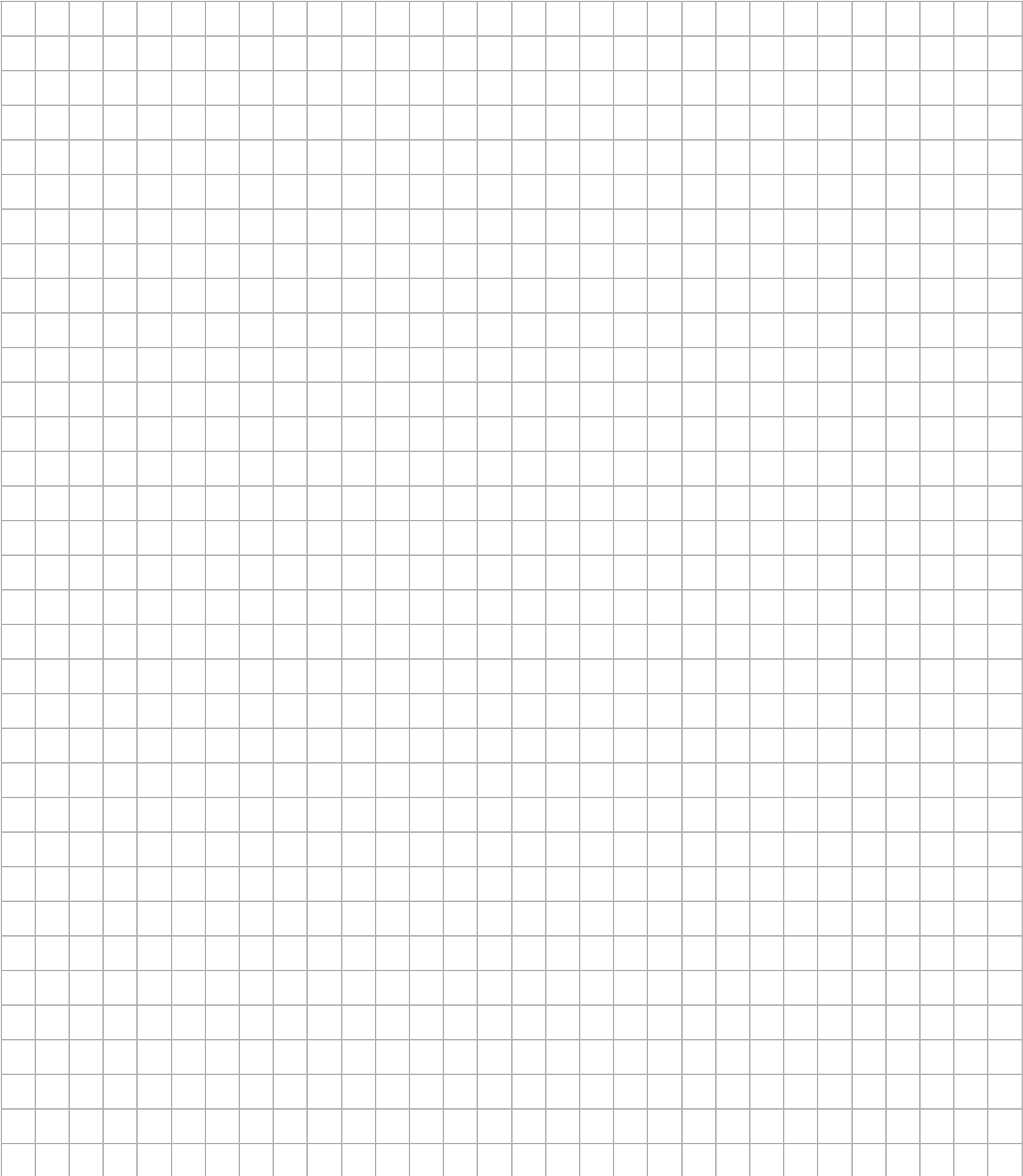
When ordering parts, please specify the model and serial number of the product.

* Indicates a component that is not available as an individual part.

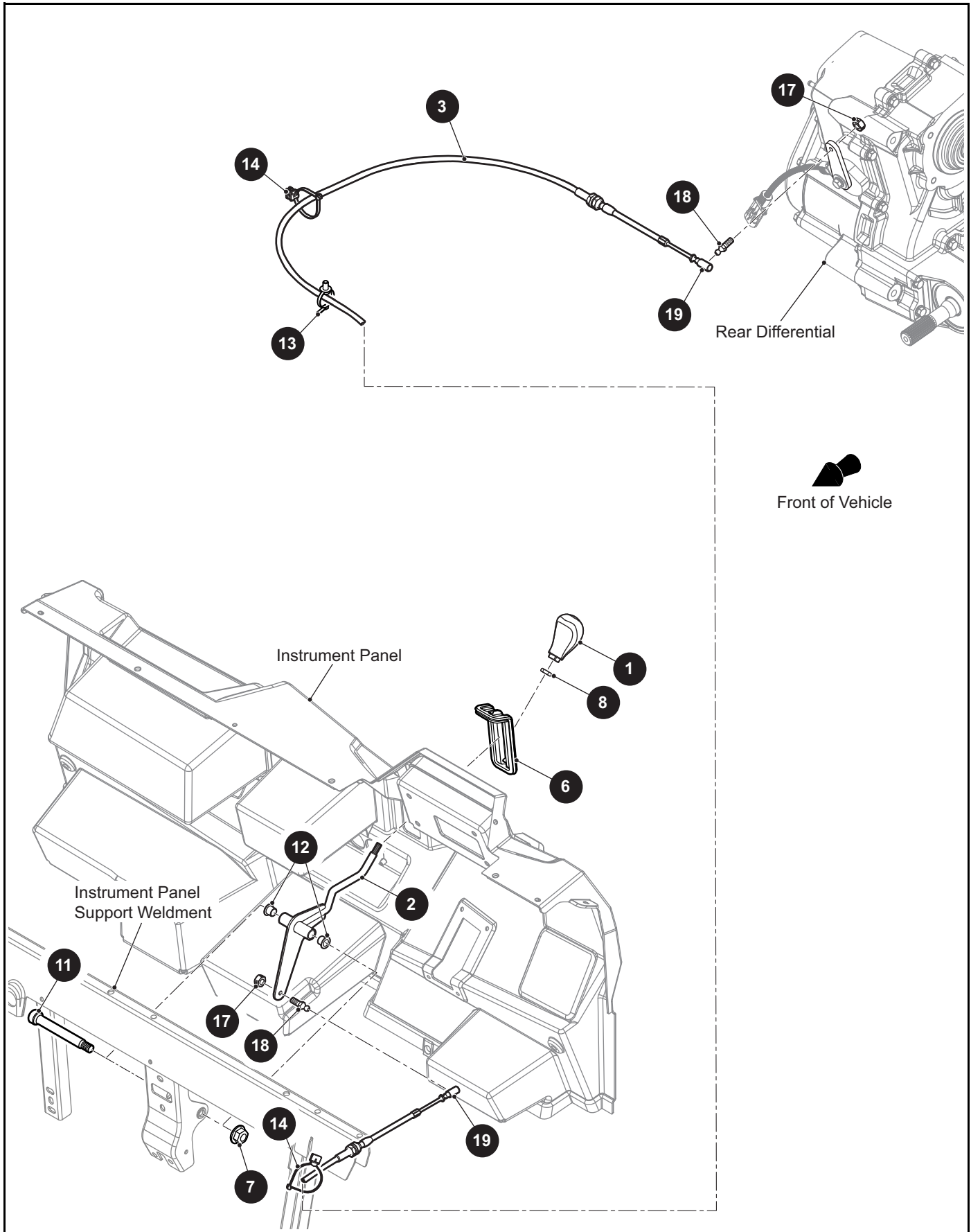
*** Indicates consult Customer Service Department for additional information.

ITEM	PART NO.	1 2 3 4 5	DESCRIPTION	QTY.
1	641295		ACCELERATOR PEDAL (SINGLE SENSOR)	1
2	638227		BRAKE PEDAL	1
3	643207		SHIFTER BOOT.....	1
4				
5				
6	644182		SHOULDER BOLT, 12/M10 X 80MM LG	1
7	600525		LOCK NUT, M10 - 1.5	1
8				
9	01076G01		COTTER PIN, 1.21" LG	1
10	10386G2		CLEVIS PIN, 1/4" X 3/4"	1
11	644558		FLANGED BEARING	2
12	645956		FLANGED HEX NUT, M8 - 1.25.....	2

Notes:



DIRECTION AND DRIVE SELECTOR



DIRECTION AND DRIVE SELECTOR

THE USE OF NON U.L. PARTS WILL VOID ANY U.L. LISTING.

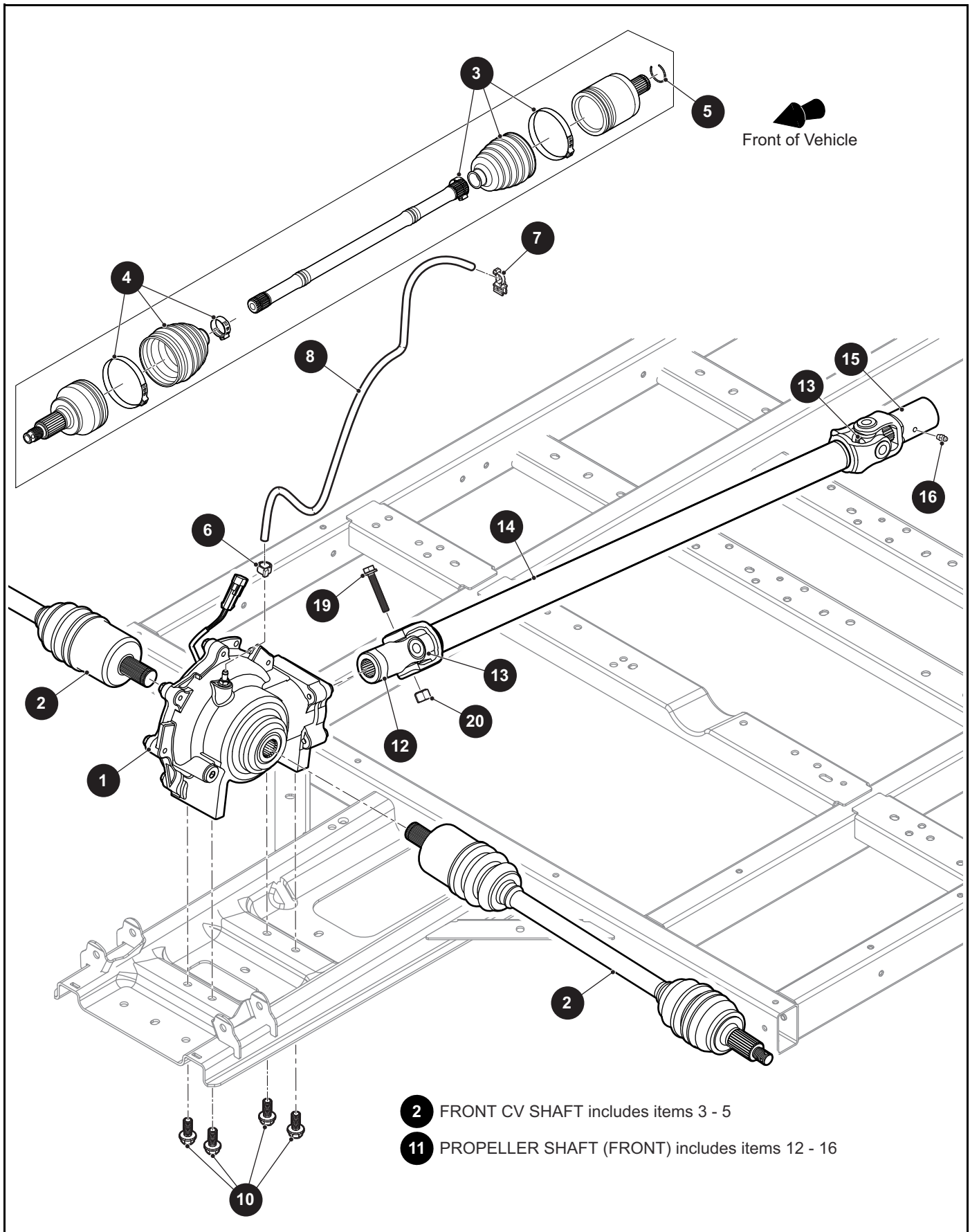
When ordering parts, please specify the model and serial number of the product.

* Indicates a component that is not available as an individual part.

*** Indicates consult Customer Service Department for additional information.

ITEM	PART NO.	1 2 3 4 5	DESCRIPTION	QTY.
1	637993		SHIFTER KNOB.....	1
2	662788G0390		SHIFTER.....	1
3	657155G02		SHIFT CABLE	1
4				
5				
6	643207		SHIFTER BOOT.....	1
7	600525		LOCK NUT, M10 - 1.5	1
8	643494		HEX JAM NUT, M8 - 1	1
9				
10				
11	644182		SHOULDER BOLT, 12/M10 X 80MM LG	1
12	644558		FLANGED BEARING	2
13	645340		CABLE TIE	1
14	646441		CABLE TIE (EDGE CLIP)	2
15				
16				
17	648378		HEX CENTER LOCK NUT, 1/4" - 28.....	2
18	73745G01		BALL STUD.....	2
19	654394		BALL JOINT COUPLER.....	2

DRIVETRAIN - FRONT



DRIVETRAIN - FRONT

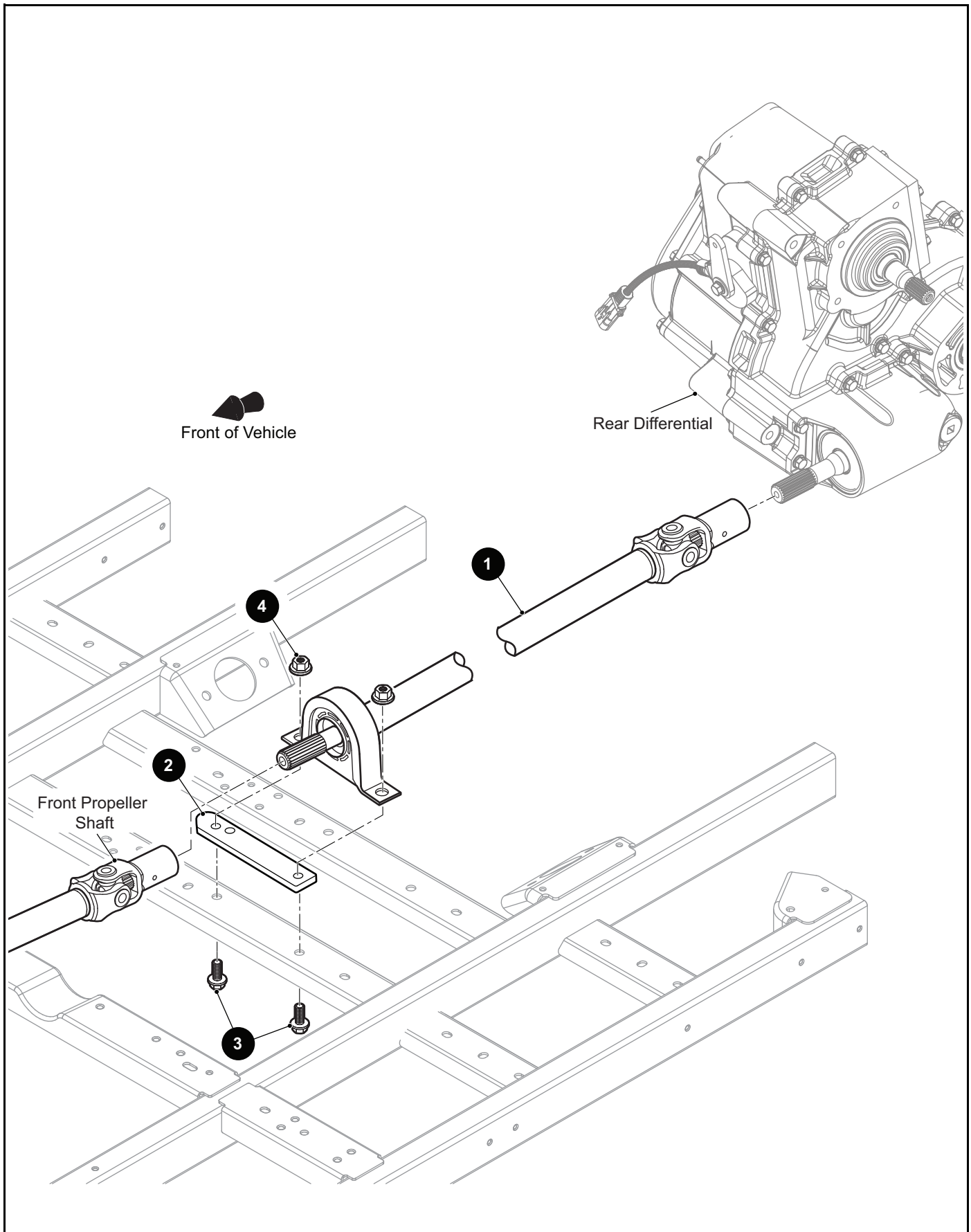
THE USE OF NON U.L. PARTS WILL VOID ANY U.L. LISTING.

When ordering parts, please specify the model and serial number of the product.

* Indicates a component that is not available as an individual part.

*** Indicates consult Customer Service Department for additional information.

ITEM	PART NO.	1 2 3 4 5	DESCRIPTION	QTY.
1	640519		FRONT DIFFERENTIAL	1
2	651685		FRONT CV SHAFT (INCLUDES ITEMS 3 - 5)	1
3	654352		BOOT KIT	1
4	656390		CV BOOT KIT	1
5	654350		CLIP.....	1
6	17618G1		NYLON CLAMP	1
7	646439		CABLE TIE (EDGE CLIP)	1
8	644294		VENT HOSE (FRONT DIFFERENTIAL), 6.35MM I.D.	1
9				
10	641289		FLANGED HEX HEAD BOLT, 3/8" - 16 X 1" LG	4
11	649320		PROPELLER SHAFT (FRONT) (INCLUDES ITEMS 12 - 16)	1
12	654354		YOKE.....	1
13	654355		CROSS AND BEARING	2
14	*		SHAFT	1
15	654356		YOKE.....	1
16	654357		GREASE FITTING.....	1
17				
18				
19	630804G01		FLANGED HEX HEAD BOLT, 5/16" - 18 X 2" LG	1
20	11098G6		LOCK NUT, 5/16" - 18.....	1



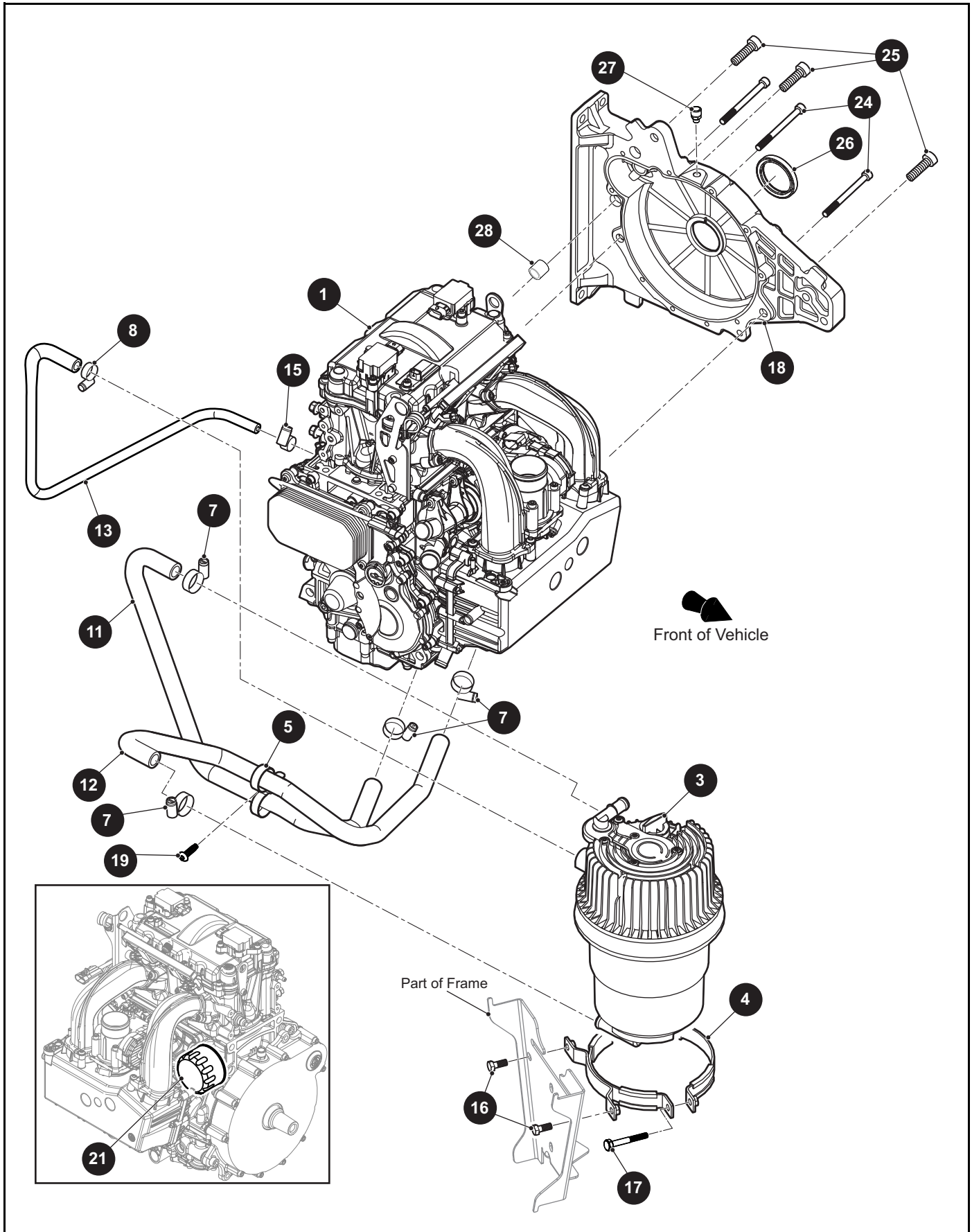
THE USE OF NON U.L. PARTS WILL VOID ANY U.L. LISTING.

When ordering parts, please specify the model and serial number of the product.

* Indicates a component that is not available as an individual part.

*** Indicates consult Customer Service Department for additional information.

ITEM	PART NO.	1 2 3 4 5	DESCRIPTION	QTY.
1	649368		PROPELLER SHAFT (REAR)	1
2	658782		BEARING SPACER	1
3	648684		FLANGED HEX HEAD BOLT, M10 - 1.5 X 35MM LG.....	2
4	648753		FLANGED LOCK NUT, M10 - 1.5	2



THE USE OF NON U.L. PARTS WILL VOID ANY U.L. LISTING.

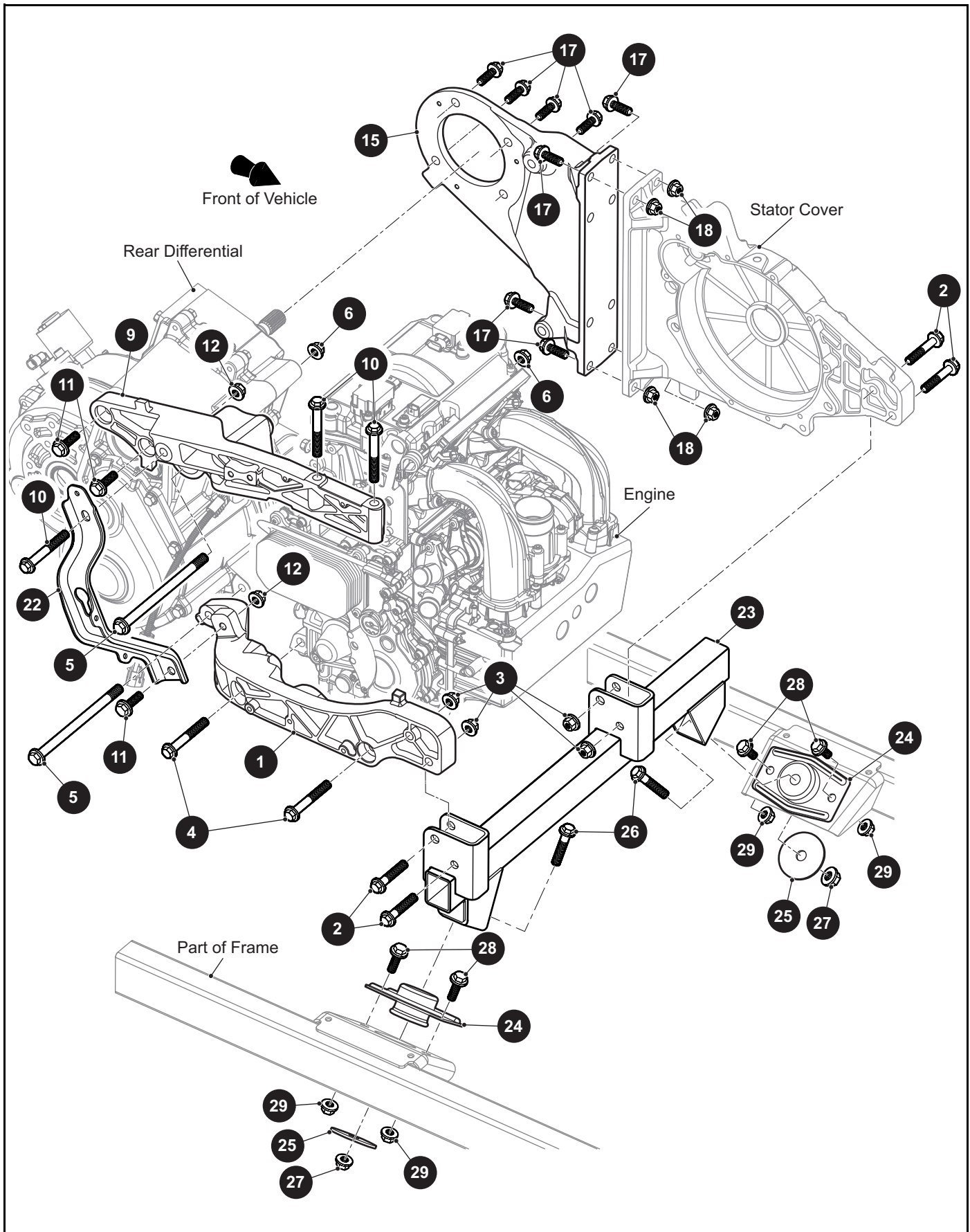
When ordering parts, please specify the model and serial number of the product.

* Indicates a component that is not available as an individual part.

*** Indicates consult Customer Service Department for additional information.

ITEM	PART NO.	1 2 3 4 5	DESCRIPTION	QTY.
1	410750		ENGINE	1
2				
3	404653		OIL RESERVOIR	1
4	642126		MOUNTING BRACKET AND CLAMP (OIL RESERVOIR).....	1
5	645341		CLAMP (DUAL).....	1
6				
7	652825		HOSE CLAMP, 20 - 32MM.....	4
8	649517		HOSE CLAMP, 12 - 22MM.....	1
9				
10				
11	642128		OIL SUPPLY HOSE, 16MM I.D.	1
12	642129		OIL RETURN HOSE, 16MM I.D.....	1
13	643496		OIL RETURN HOSE (SECONDARY)	1
14				
15	649481		HOSE CLAMP, 8 - 16MM.....	1
16	650195		HEX HEAD BOLT, M8 - 1.25 X 20MM LG.....	2
17	616672		HEX HEAD BOLT, M8 - 1.25 X 60MM LG.....	1
18	649116		STATOR COVER	1
19	634161		FLANGED BUTTON HEAD TORX BOLT, M6 - 1 X 30MM LG	1
20				
21	105041		OIL FILTER	1
22				
23	100228		ALIGNMENT DOWEL	2
24	100539		SOCKET HEAD BOLT, M6 X 45MM LG	10
25	100555		SOCKET HEAD BOLT, M10 X 40MM LG	3
26	402082		SHAFT SEAL RING	1
27	410302		VENT PLUG.....	1
28	404470		BEARING, 12 X 18 X 16MM LG	1

DRIVETRAIN - MID



THE USE OF NON U.L. PARTS WILL VOID ANY U.L. LISTING.

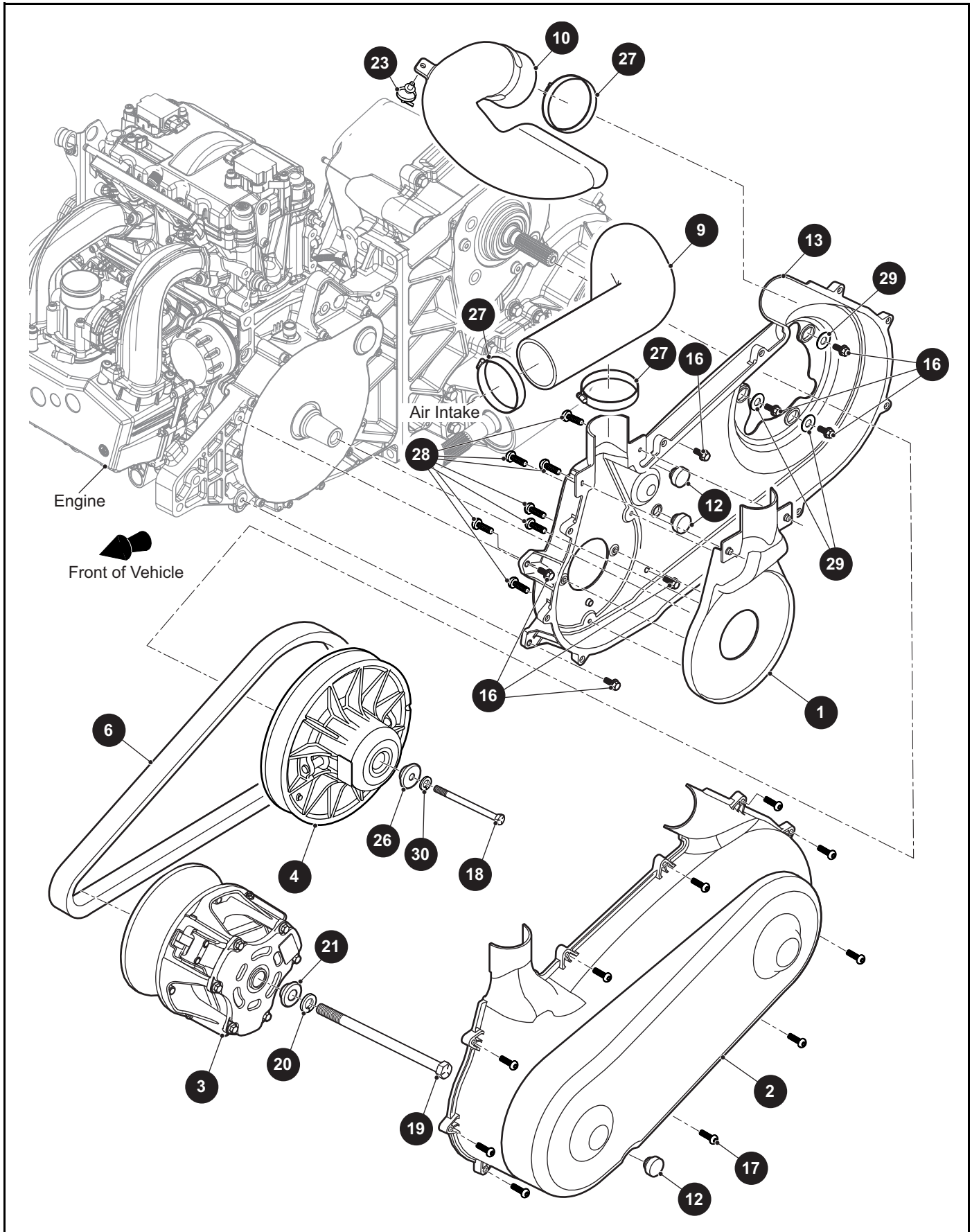
When ordering parts, please specify the model and serial number of the product.

* Indicates a component that is not available as an individual part.

*** Indicates consult Customer Service Department for additional information.

ITEM	PART NO.	1 2 3 4 5	DESCRIPTION	QTY.
1	649125		LOWER CASTING (PASSENGER SIDE)	1
2	648685		FLANGED HEX HEAD BOLT, M10 - 1.5 X 50MM LG.....	4
3	600525		FLANGED LOCK NUT, M10 - 1.5	4
4	649701		FLANGED HEX HEAD BOLT, M10 - 1.5 X 70MM LG.....	2
5	649659		FLANHED HEX HEAD BOLT, M10 - 1.5 X 180MM LG.....	2
6	648753		FLANGED LOCK NUT, M10 - 1.5	2
7				
8				
9	649113		UPPER CASTING (PASSENGER SIDE).....	1
10	602415		FLANGED HEX HEAD BOLT, M10 - 1.5 X 80MM LG.....	3
11	648684		FLANGED HEX HEAD BOLT, M10 - 1.5 X 35MM LG.....	3
12	648753		FLANGED LOCK NUT, M10 - 1.5	2
13				
14				
15	649115		AXLE CASTING	1
16				
17	648684		FLANGED HEX HEAD BOLT, M10 - 1.5 X 35MM LG.....	8
18	648753		FLANGED LOCK NUT, M10 - 1.5	4
19				
20				
21				
22	645536		SHIFTER BRACKET.....	1
23	648127		ENGINE MOUNTING FRAME	1
24	645396		ISOLATOR (CENTER BONDED).....	2
25	645622		FLAT WASHER, 13.5 I.D. X 60.5 O.D. X 3.2	2
26	648681		FLANGED HEX HEAD BOLT, M12 - 1.75 X 70MM LG.....	2
27	648751		FLANGED LOCK NUT, M12 - 1.75	2
28	648682		FLANGED HEX HEAD BOLT, M10 - 1.5 X 25MM LG.....	4
29	648753		FLANGED LOCK NUT, M10 - 1.5	4

DRIVETRAIN - REAR



DRIVETRAIN - REAR

THE USE OF NON U.L. PARTS WILL VOID ANY U.L. LISTING.

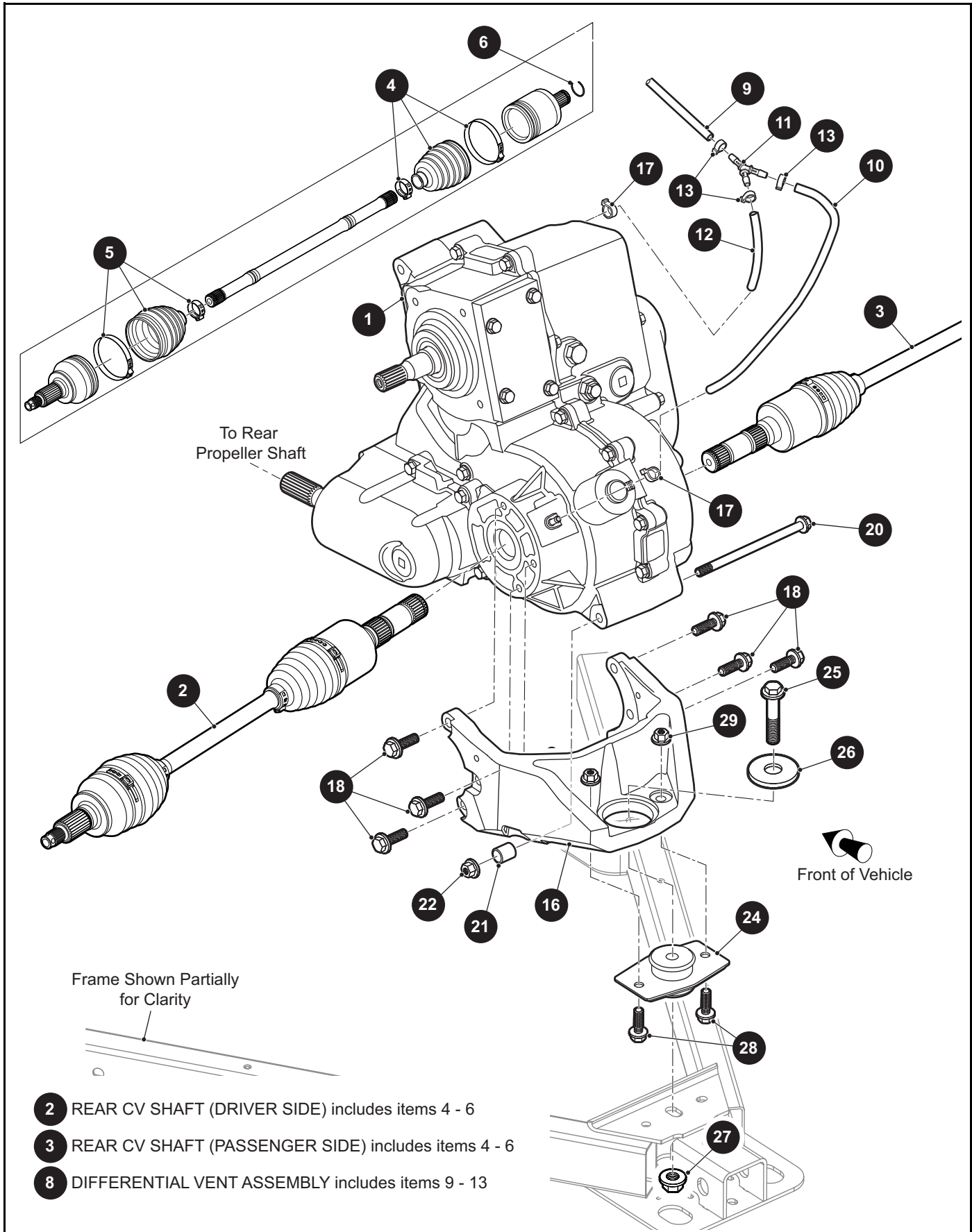
When ordering parts, please specify the model and serial number of the product.

* Indicates a component that is not available as an individual part.

*** Indicates consult Customer Service Department for additional information.

ITEM	PART NO.	1 2 3 4 5	DESCRIPTION	QTY.
1	642836		CVT CLOSEOUT (INNER).....	1
2	654828		CVT COVER (OUTER)	1
3	639636		PRIMARY CLUTCH	1
4	639639		SECONDARY CLUTCH.....	1
5				
6	654011		CVT BELT	1
7				
8				
9	642177		HOSE (INLET TO RESONATOR)	1
10	653501		HOSE (OUTLET)	1
11				
12	810149		RUBBER BUMPER.....	3
13	654846		CVT COVER (INNER).....	1
14				
15				
16	649906		FLANGED HEX HEAD BOLT, M6 - 1 X 16MM LG.....	7
17	649803		PAN HEAD TORX SCREW, M6 - 2.65 X 25MM LG.....	10
18	646701		HEX HEAD BOLT, M8 - 1.25 X 110MM LG	1
19	645435		HEX HEAD BOLT, M14 - 1.5 X 210MM LG.....	1
20	645405		LOCK WASHER, 9/16"	1
21	645404		CLUTCH WASHER (RETAINING)	1
22				
23	645340		CABLE TIE (TREE TYPE)	1
24				
25				
26	25756G1		RETAINING WASHER	1
27	11391G2		HOSE CLAMP, 2.06"	3
28	01063G01		TAPTITE SCREW, #6 - 32 X 3/8" LG	7
29	00642G8		FLAT WASHER, 5/16".....	3
30	00565G8		LOCK WASHER, 5/16"	1

DRIVETRAIN - REAR



DRIVETRAIN - REAR

THE USE OF NON U.L. PARTS WILL VOID ANY U.L. LISTING.

When ordering parts, please specify the model and serial number of the product.

* Indicates a component that is not available as an individual part.

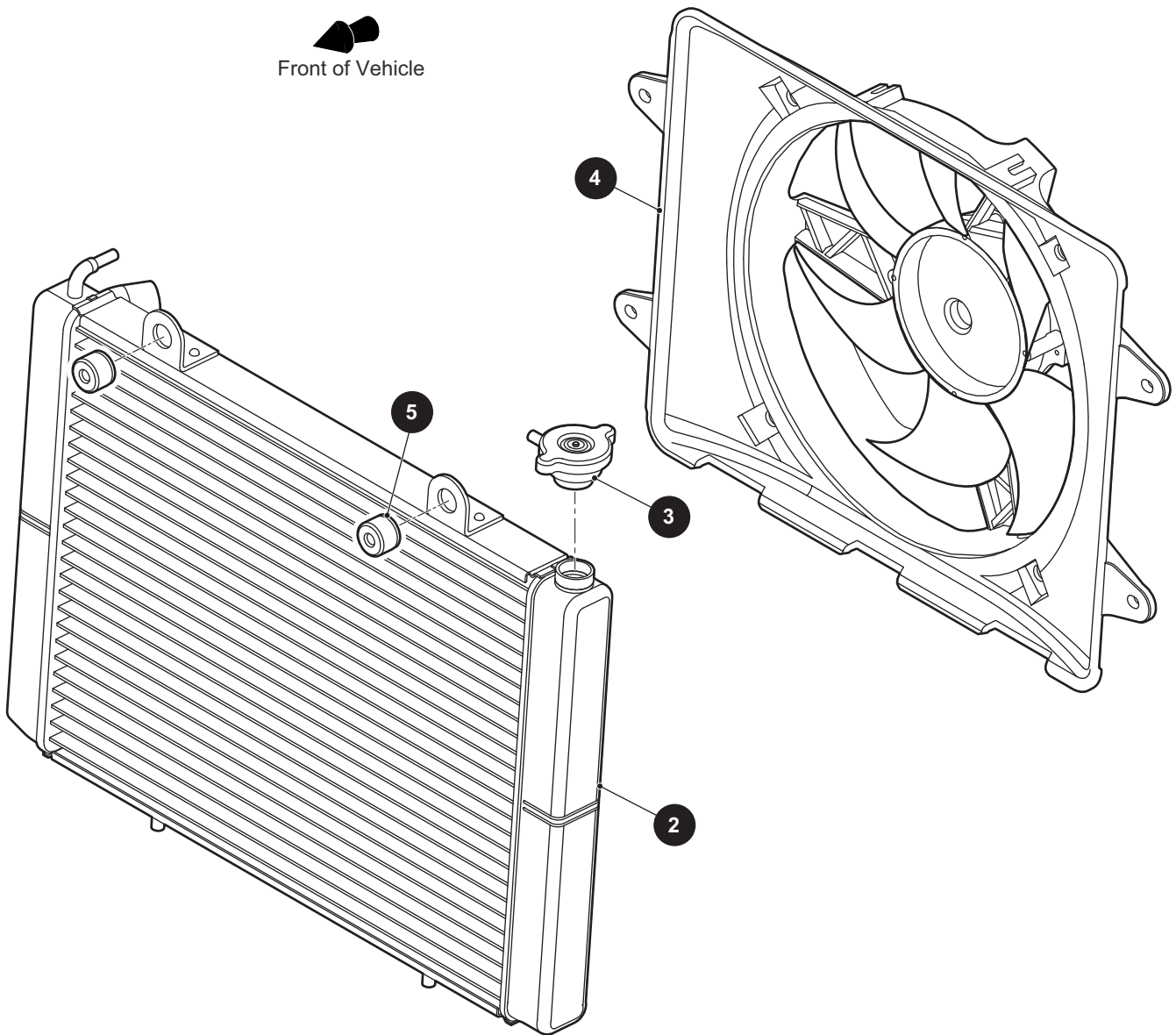
*** Indicates consult Customer Service Department for additional information.

ITEM	PART NO.	1 2 3 4 5	DESCRIPTION	QTY.
1	633701G16		REAR DIFFERENTIAL.....	1
2	651684		REAR CV SHAFT (DRIVER SIDE) (INCLUDES ITEMS 4 - 6)	1
3	651683		REAR CV SHAFT (PASSENGER SIDE) (INCLUDES ITEMS 4 - 6).....	1
4	654352		BOOT KIT	1
5	656390		CV BOOT KIT	1
6	654353		CLIP.....	1
7	645340		CABLE TIE (NOT ILLUSTRATED).....	3
8	643514		DIFFERENTIAL VENT ASSEMBLY (INCLUDES ITEMS 9 - 13)	1
9	642175		VENT TUBE (TO AMBIENT)	1
10	642173		VENT TUBE (LOWER)	1
11	642174		Y - ADAPTER (VENT TUBE).....	1
12	642172		VENT TUBE (UPPER).....	1
13	17618G1		NYLON CLAMP, 7" LG	3
14				
15				
16	649422		AXLE CASTING	1
17	17618G1		NYLON CLAMP, 7" LG.....	2
18	648684		FLANGED HEX HEAD BOLT, M10 - 1.5 X 35MM LG.....	6
19				
20	649129		FLANGED HEX HEAD BOLT, M10 - 1.5 X 150MM LG.....	1
21	646314		SPACER.....	1
22	648753		FLANGED LOCK NUT, M10 - 1.5	1
23				
24	645396		ISOLATOR (CENTER BONDED).....	1
25	648681		FLANGED HEX HEAD BOLT, M12 - 1.75 X 80MM LG.....	1
26	645622		FLAT WASHER, 13.5 I.D. X 60.5 O.D. X 3.2	1
27	648751		FLANGED LOCK NUT, M12 - 1.75	1
28	648684		FLANGED HEX HEAD BOLT, M10 - 1.5 X 35MM LG.....	2
29	648753		FLANGED LOCK NUT, M10 - 1.5	2

ENGINE COOLING SYSTEM

1 RADIATOR ASSEMBLY includes items 2 - 5

Front of Vehicle



ENGINE COOLING SYSTEM

THE USE OF NON U.L. PARTS WILL VOID ANY U.L. LISTING.

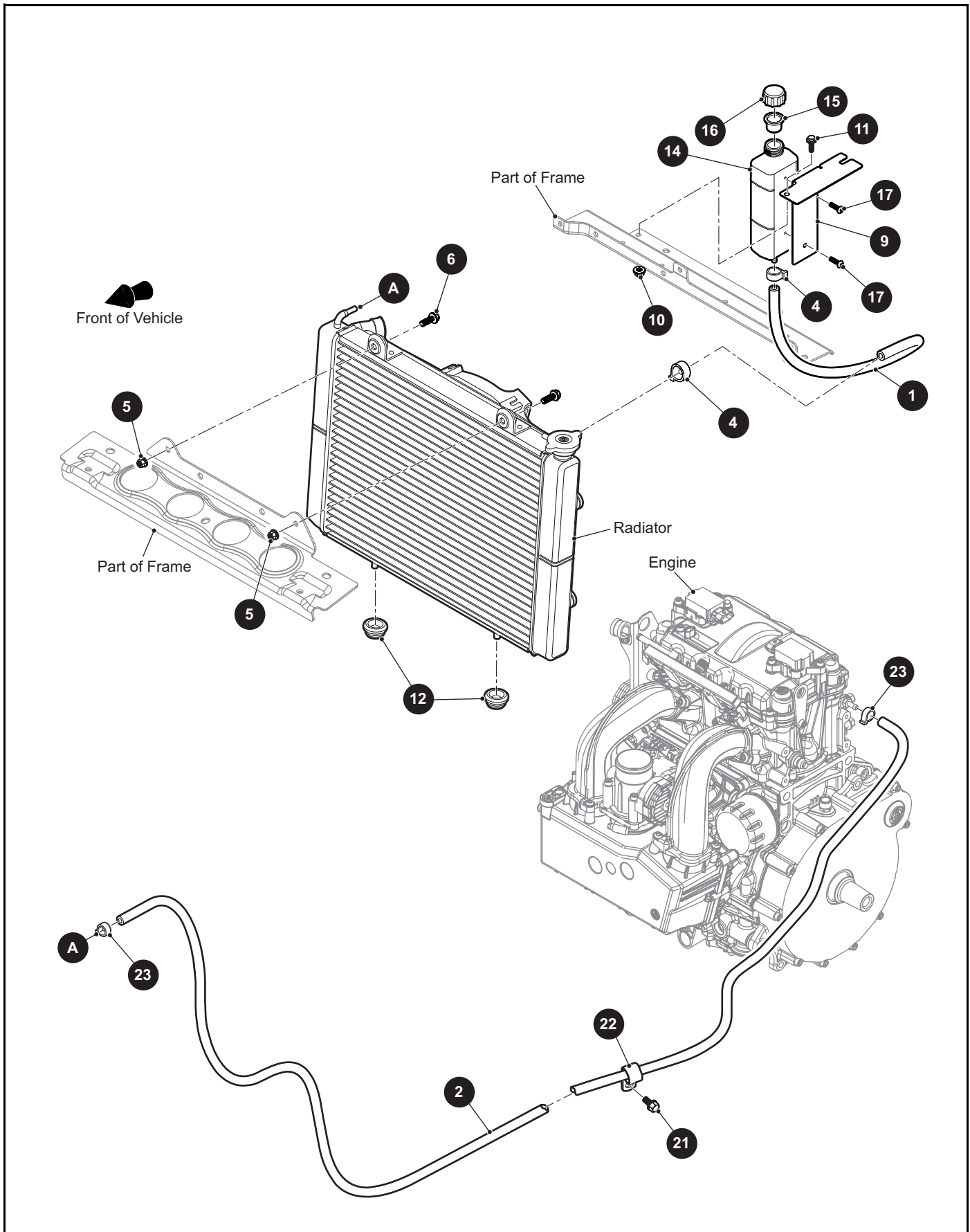
When ordering parts, please specify the model and serial number of the product.

* Indicates a component that is not available as an individual part.

*** Indicates consult Customer Service Department for additional information.

ITEM	PART NO.	1 2 3 4 5	DESCRIPTION	QTY.
1	654950		RADIATOR ASSEMBLY (INCLUDES ITEMS 2 - 5)	1
2	622322		RADIATOR	1
3	653685		RADIATOR CAP	1
4	653688		RADIATOR FAN ASSEMBLY.....	1
5	653686		HEAT PROOF LAGGING ASSEMBLY	2

ENGINE COOLING SYSTEM



ENGINE COOLING SYSTEM

THE USE OF NON U.L. PARTS WILL VOID ANY U.L. LISTING.

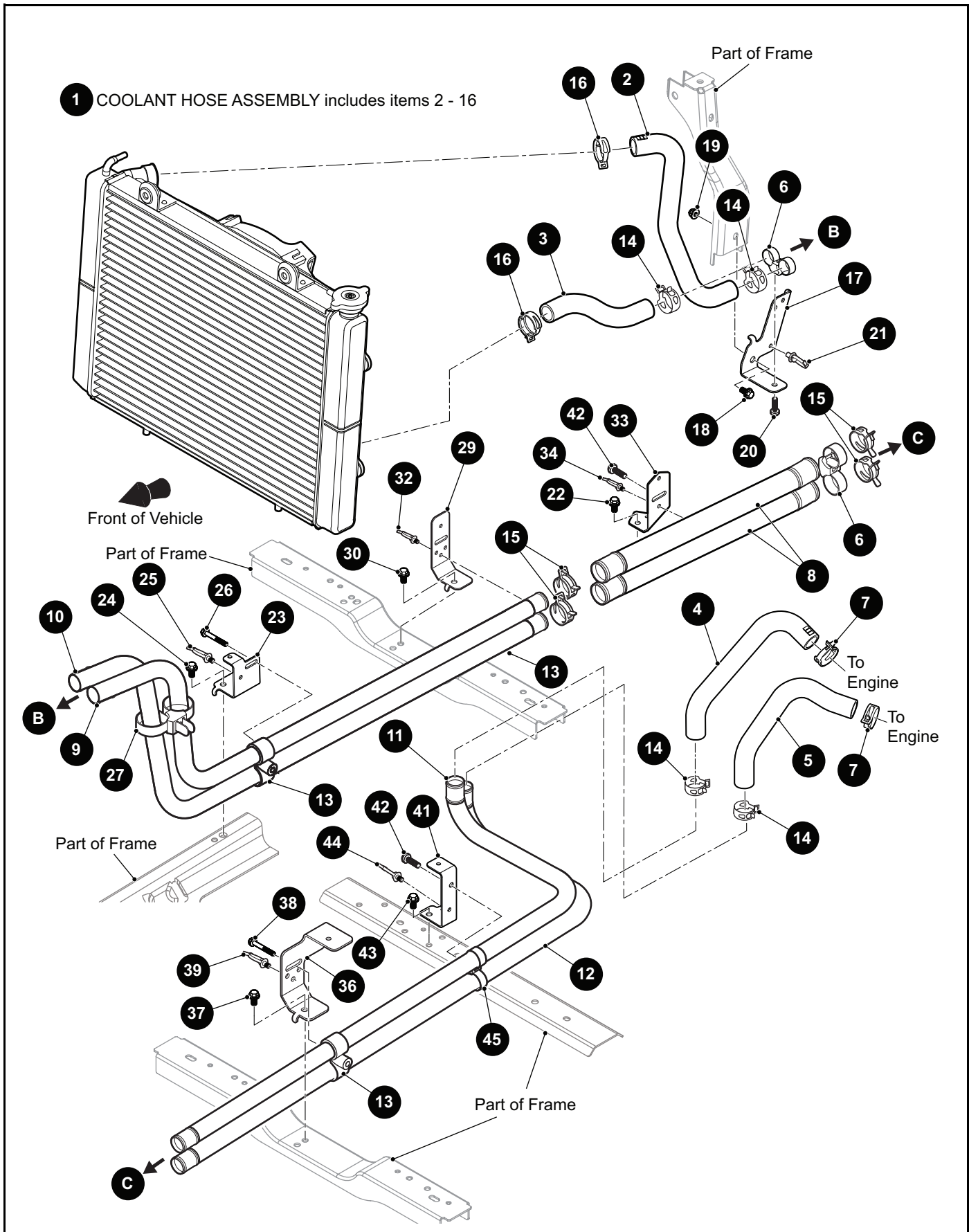
When ordering parts, please specify the model and serial number of the product.

* Indicates a component that is not available as an individual part.

*** Indicates consult Customer Service Department for additional information.

ITEM	PART NO.	1 2 3 4 5	DESCRIPTION	QTY.
1	664809G04		COOLANT HOSE (OVERFLOW TO RADIATOR), 6.35MM I.D.	1
2	664809G06		COOLANT HOSE (ENGINE TO RADIATOR), 6.35MM I.D.	1
3				
4	17618G1		NYLON CLAMP, 8" LG.	2
5	601476		LOCK NUT, M6 - 1	2
6	606421		FLANGED HEX HEAD BOLT, M6 - 1 X 30MM LG.	2
7				
8				
9	664703G0390		MOUNTING BRACKET.	1
10	601476		FLANGED HEX HEAD BOLT, M6 - 1 X 30MM LG.	1
11	606421		FLANGED HEX HEAD BOLT, M6 - 1 X 30MM LG.	1
12	638668		GROMMET (SEAT RETENTION)	2
13				
14	0413-320		COOLANT TANK.	1
15	0413-329		COOLANT TANK SLEEVE.	1
16	0413-328		COOLANT TANK CAP	1
17	8475-512		TRUSS HEAD SCREW, M5 - .8 X 12MM LG	2
18				
19				
20				
21	606265		FLANGED HEX HEAD BOLT, M6 - 1 X 12MM LG.	1
22	814924		TUBE CLAMP	1
23	11391G4		HOSE CLAMP, .25"	2

ENGINE COOLING SYSTEM



ENGINE COOLING SYSTEM

THE USE OF NON U.L. PARTS WILL VOID ANY U.L. LISTING.

When ordering parts, please specify the model and serial number of the product.

* Indicates a component that is not available as an individual part.

*** Indicates consult Customer Service Department for additional information.

ITEM	PART NO.	1 2 3 4 5	DESCRIPTION	QTY.
1	665161		COOLANT LINE ASSEMBLY (INCLUDES ITEMS 2 - 16)	1
2	660418		COOLANT HOSE (RADIATOR TO OUTLET TUBE), 25.4MM I.D.	1
3	662109		COOLANT HOSE (RADIATOR TO INLET TUBE), 25.4MM I.D.	1
4	642165		COOLANT HOSE (INLET TUBE TO ENGINE), 25.4MM I.D.	1
5	642166		COOLANT HOSE (OUTLET TUBE TO ENGINE), 25.4MM I.D.	1
6	650170		DOUBLE BAND CLAMP (COOLANT LINES)	2
7	650169		HOSE CLAMP (COOLANT LINES)	2
8	645856		COOLANT LINE (MID HOSE)	2
9	656084		RADIATOR SIDE COOLANT LINE (INLET)	1
10	656085		RADIATOR SIDE COOLANT LINE (OUTLET)	1
11	656086		ENGINE SIDE COOLANT LINE (INLET).....	1
12	656087		ENGINE SIDE COOLANT LINE (OUTLET).....	1
13	649639		BRACKET.....	2
14	651147		HOSE CLAMP	4
15	658731		HOSE CLAMP	4
16	663966		HOSE CLAMP (COOLANT LINES), 12MM	2
17	655023G0390		FRONT MOUNT ROUTING BRACKET	1
18	606261		FLANGED HEX HEAD BOLT, M8 - 1.25 X 20MM LG.....	1
19	645956		FLANGED HEX LOCK NUT, M8 - 1.25.....	1
20	649804		BUTTON HEAD TORX SCREW, M8 - 3.5 X 30MM LG	1
21	645340		CABLE TIE	1
22	640723		SELF TAPPING SCREW, M8 - 1.25 X 20MM LG	1
23	645671G0390		FRONT MOUNT ROUTING BRACKET	1
24	640723		SELF TAPPING SCREW, M8 - 1.25 X 20MM LG	1
25	645340		CABLE TIE	1
26	650089		FLANGED BOLT, M6 - 1 X 50MM LG	1
27	645341		CLAMP TIE (DUAL)	1
28				
29	649954G0390		MID MOUNT ROUTING BRACKET	1
30	640723		SELF TAPPING SCREW, M8 - 1.25 X 20MM LG	1
31				

ENGINE COOLING SYSTEM

THE USE OF NON U.L. PARTS WILL VOID ANY U.L. LISTING.

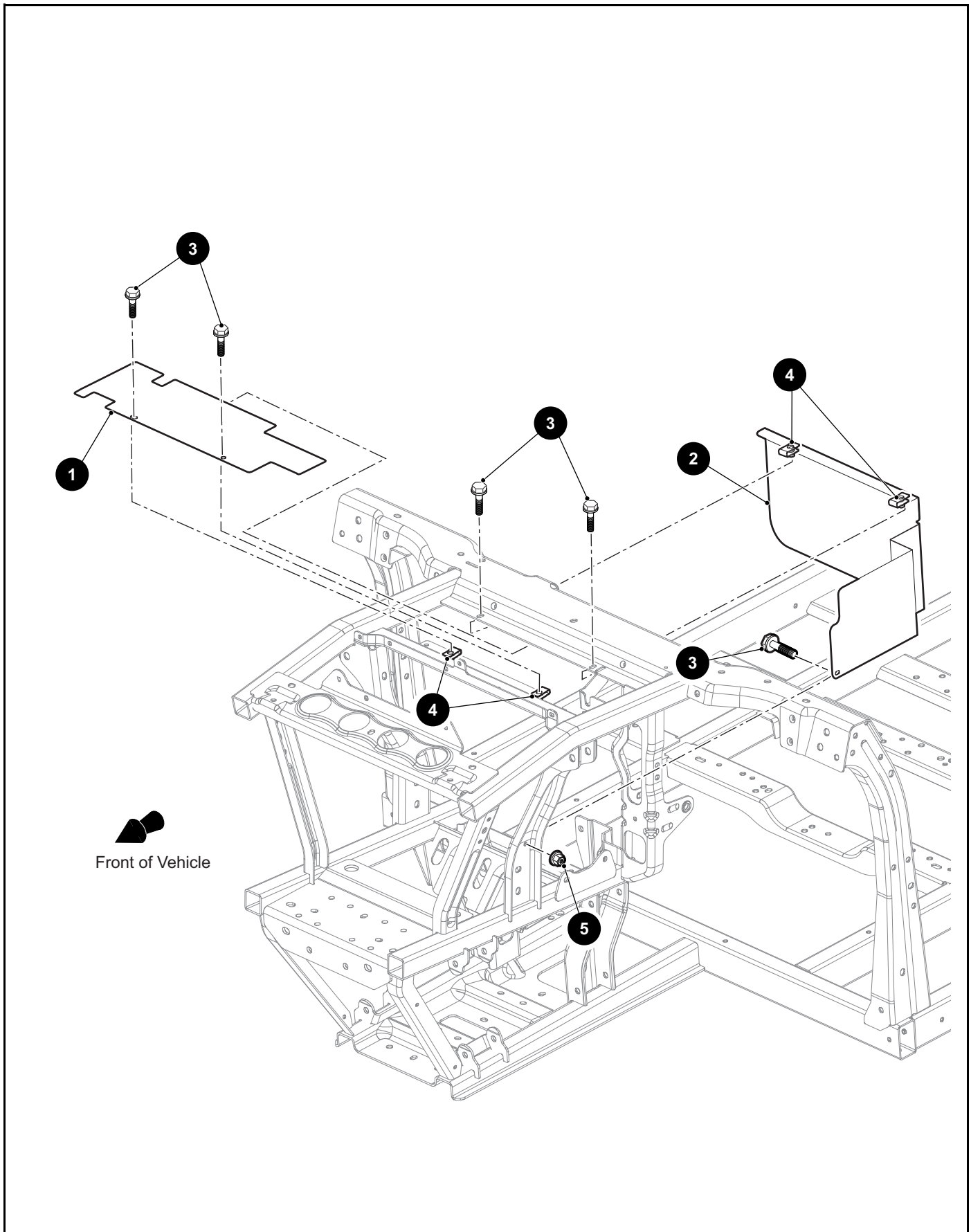
When ordering parts, please specify the model and serial number of the product.

* Indicates a component that is not available as an individual part.

*** Indicates consult Customer Service Department for additional information.

ITEM	PART NO.	1	2	3	4	5	DESCRIPTION	QTY.
32	645340						CABLE TIE	1
33	658787G0390						CROSS MEMBER BRACKET	1
34	645340						CABLE TIE	1
35								
36	654478G0390						REAR MOUNT ROUTING BRACKET	1
37	640723						SELF TAPPING SCREW, M8 - 1.25 X 20MM LG.....	1
38	650089						FLANGED BOLT, M6 - 1 X 50MM LG	1
39	645340						CABLE TIE	1
40								
41	645672G0390						REAR MOUNT ROUTING BRACKET	1
42	649804						BUTTON HEAD TORX SCREW, M8 - 3.5 X 30MM LG	2
43	640723						SELF TAPPING SCREW, M8 - 1.25 X 20MM LG.....	1
44	645340						CABLE TIE	1
45	650170						DOUBLE BAND CLAMP (COOLANT LINES)	1

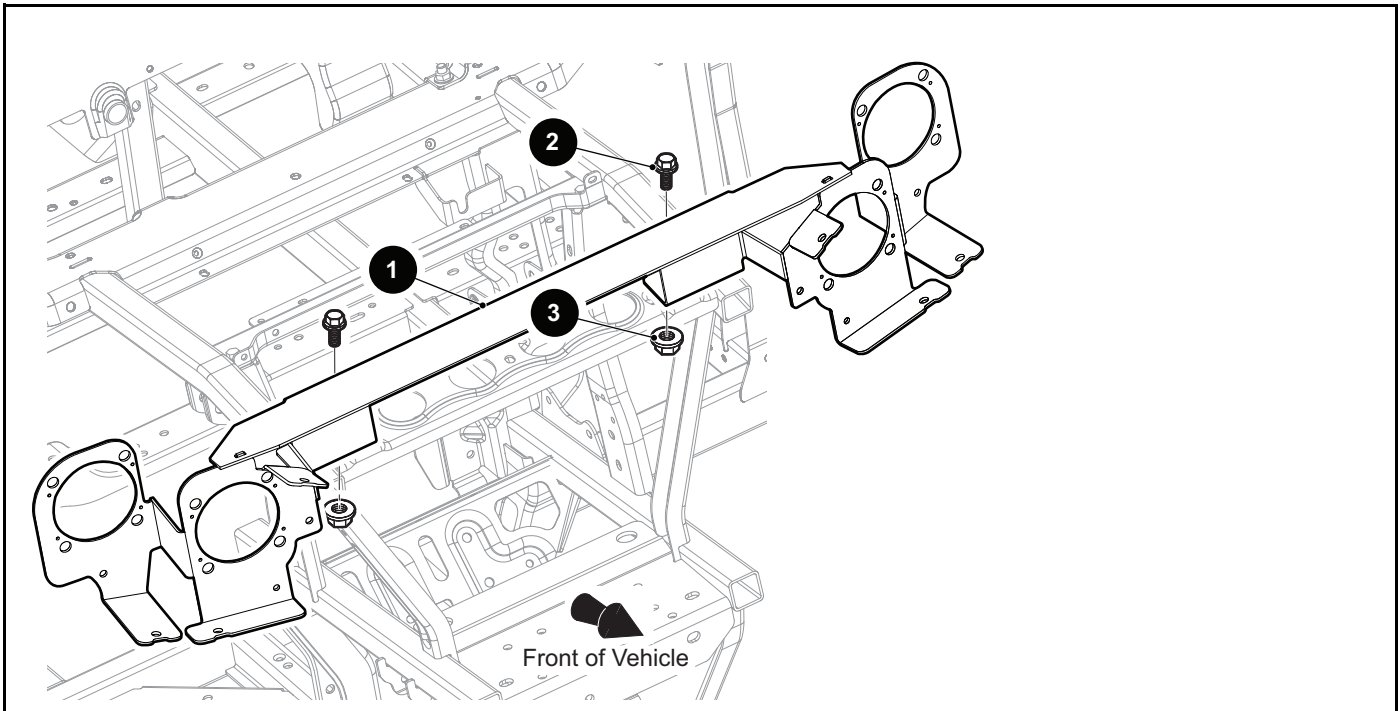
ENGINE COOLING SYSTEM



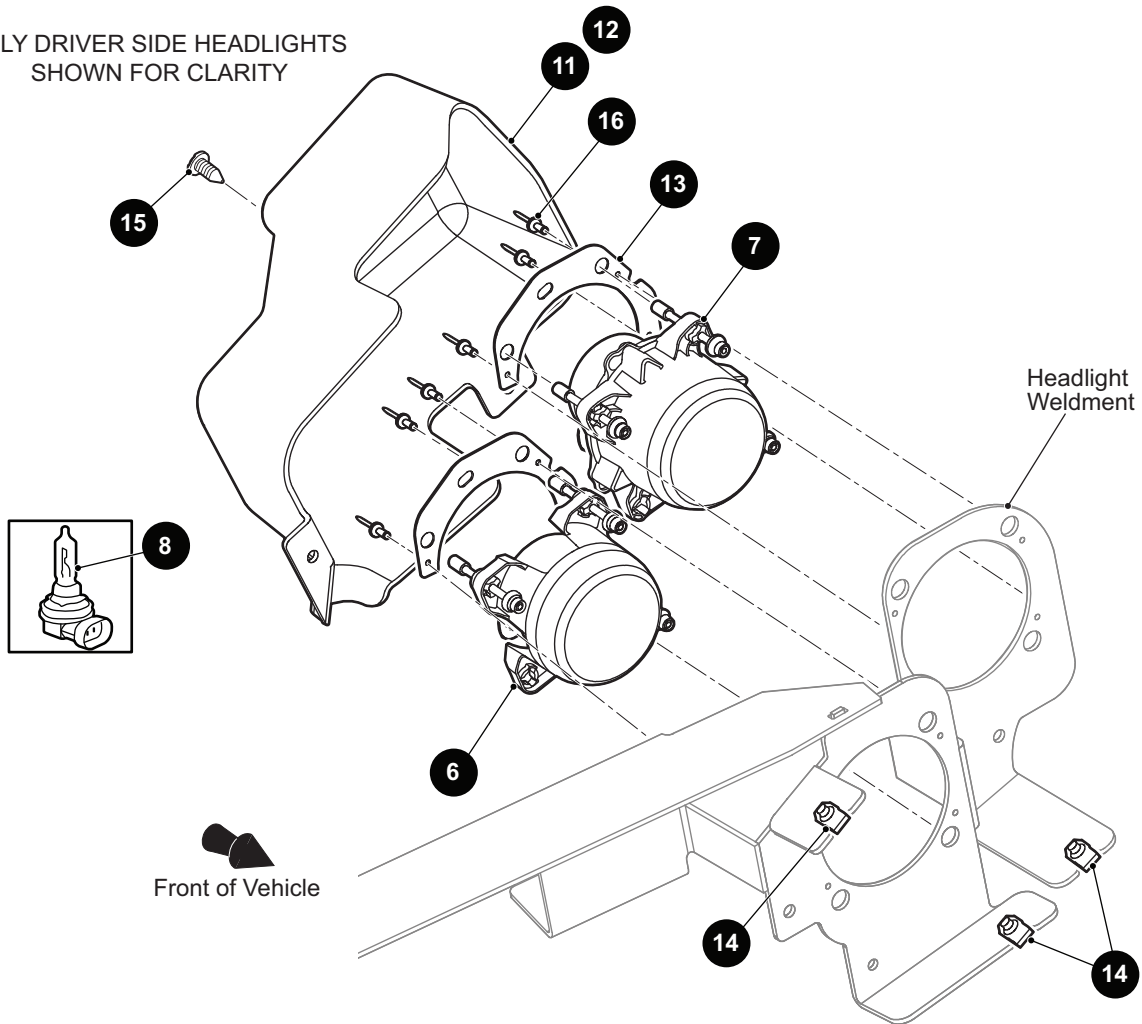
ENGINE COOLING SYSTEM

THE USE OF NON U.L. PARTS WILL VOID ANY U.L. LISTING.
 When ordering parts, please specify the model and serial number of the product.
 * Indicates a component that is not available as an individual part.
 *** Indicates consult Customer Service Department for additional information.

ITEM	PART NO.	1 2 3 4 5	DESCRIPTION	QTY.
1	663934		RADIATOR CLOSEOUT (UPPER)	1
2	660015		HEAT SHIELD CAB (LOWER)	1
3	606264		FLANGED HEX HEAD BOLT, M6 - 1 X 20MM LG.....	5
4	602409		BARREL CLIP, M6 - 1	4
5	601476		LOCK NUT, M6 -1	1



ONLY DRIVER SIDE HEADLIGHTS SHOWN FOR CLARITY



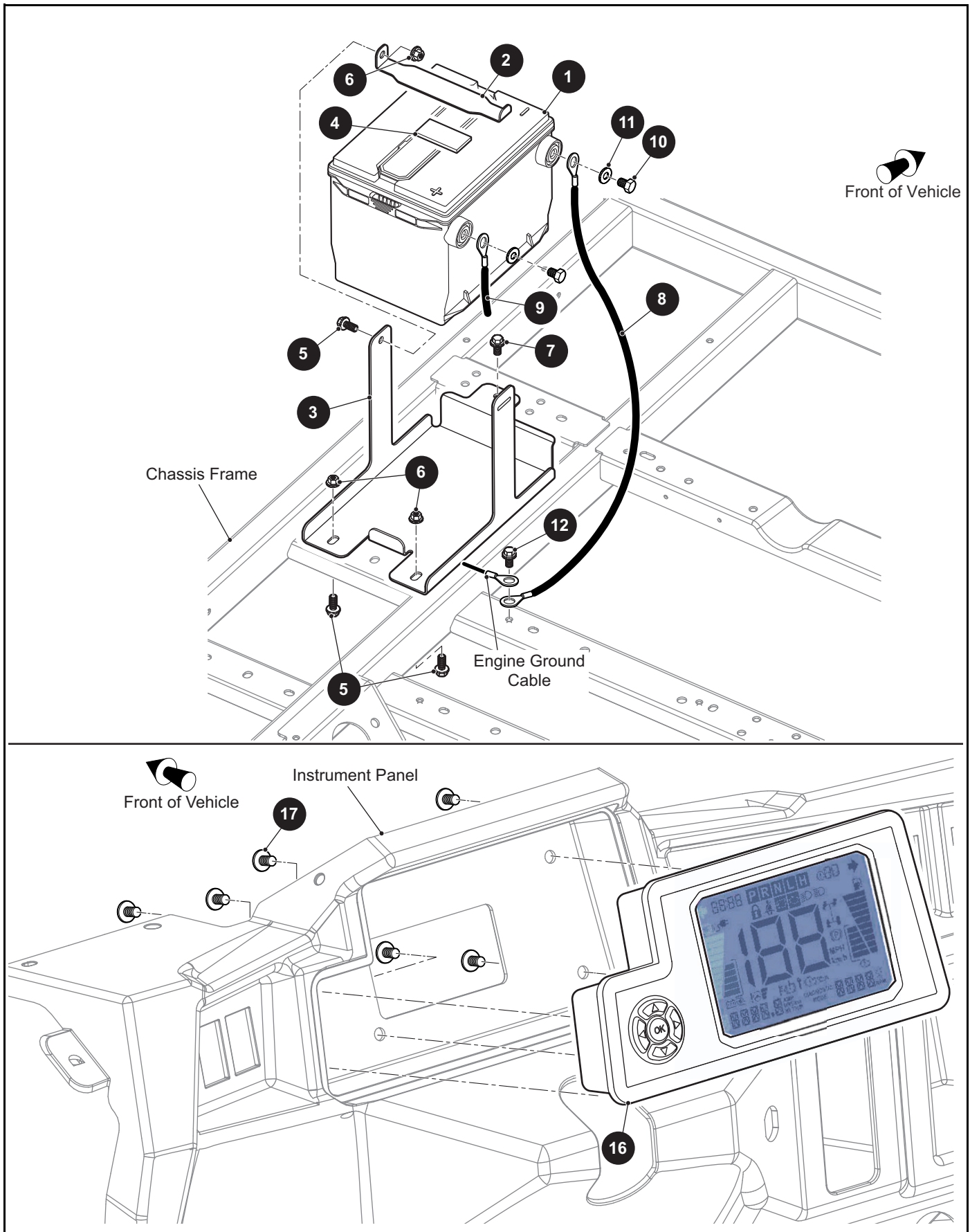
THE USE OF NON U.L. PARTS WILL VOID ANY U.L. LISTING.

When ordering parts, please specify the model and serial number of the product.

* Indicates a component that is not available as an individual part.

*** Indicates consult Customer Service Department for additional information.

ITEM	PART NO.	1 2 3 4 5	DESCRIPTION	QTY.
1	657388		HEADLIGHT WELDMENT	1
2	606261		FLANGED HEX HEAD BOLT, M8 - 1.25 X 20MM LG.....	1
3	645956		FLANGED HEX LOCK NUT, M8 - 1.25.....	1
4				
5				
6	643249		HEADLIGHT (HIGH BEAM)	1
7	643293		HEADLIGHT (LOW BEAM).....	1
8	654324		HEADLIGHT BULB	1
9				
10				
11	659909G01		HEADLIGHT COVER (DRIVER SIDE)	1
12	659909G02		HEADLIGHT COVER (PASSENGER SIDE).....	1
13	647304		HEADLIGHT BRACKET (RIVETED).....	2
14	602409		BARREL CLIP, M6 - 1	3
15	667790		REMOVABLE RIVET, .320".....	2
16	647586		RIVET (DOMED), 1/8".....	6



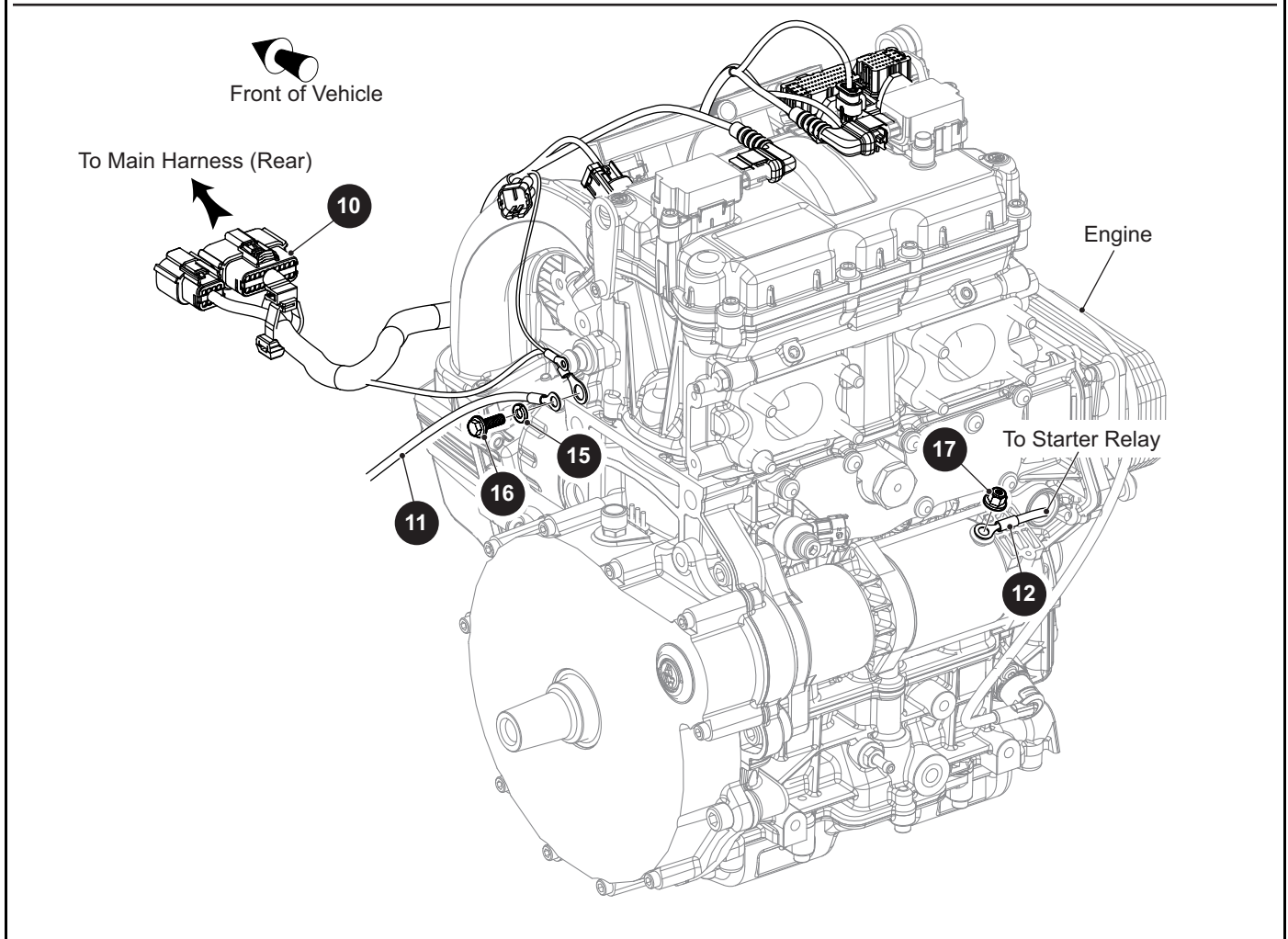
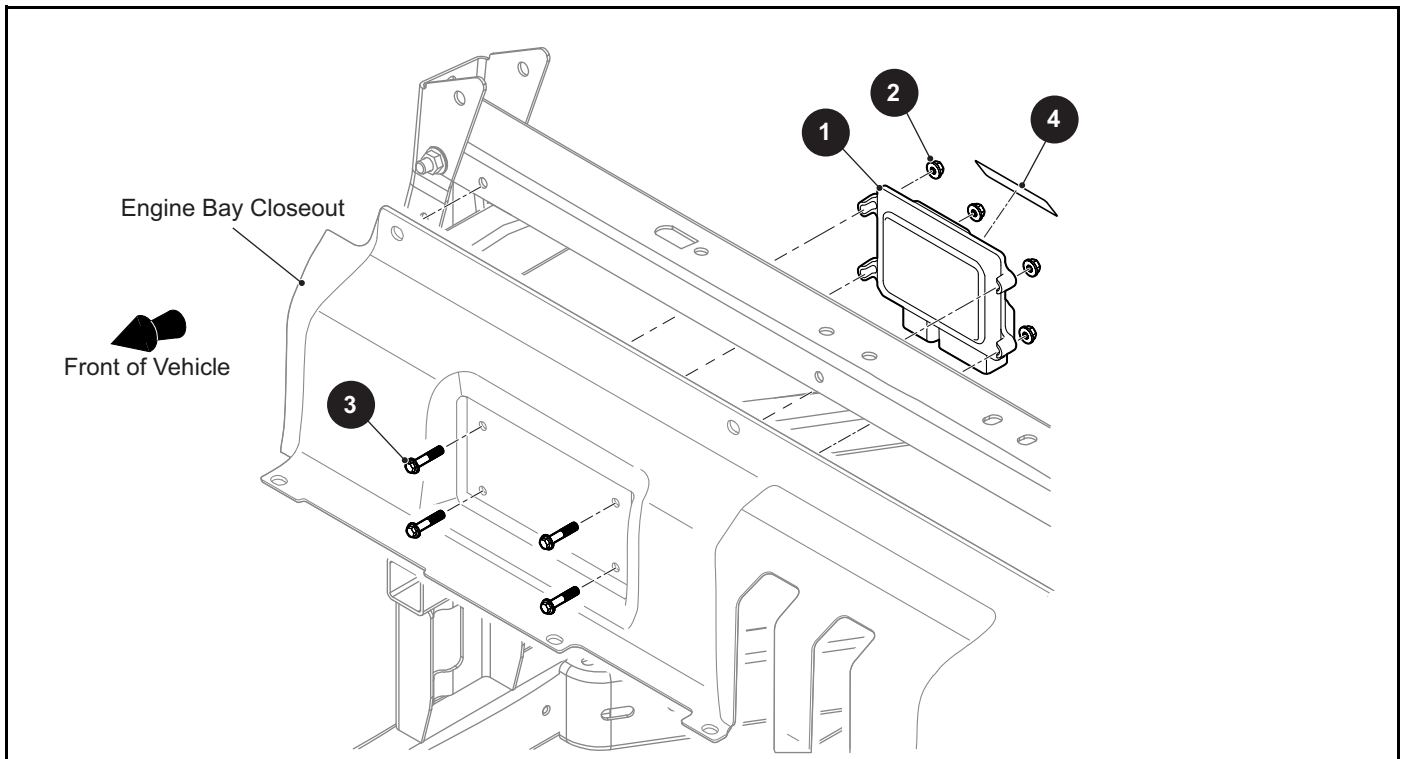
THE USE OF NON U.L. PARTS WILL VOID ANY U.L. LISTING.

When ordering parts, please specify the model and serial number of the product.

* Indicates a component that is not available as an individual part.

*** Indicates consult Customer Service Department for additional information.

ITEM	PART NO.	1 2 3 4 5	DESCRIPTION	QTY.
1	637484		BATTERY, 12V.....	1
2	643272		BATTERY HOLD DOWN.....	1
3	645960		BATTERY TRAY.....	1
4	608513		RUBBER PAD.....	1
5	606261		FLANGED HEX HEAD BOLT, M8 - 1.25 X 20MM LG.....	3
6	645956		FLANGED LOCK NUT, M8 - 1.25.....	3
7	640723		SELF TAPPING SCREW, M8 - 1.25 X 20MM LG.....	1
8	641525		#6 AWG CABLE (FRAME TO B NEGATIVE).....	1
9	646448		#6 AWG CABLE (FUSE TO B POSITIVE).....	1
10	651336		BATTERY BOLT.....	2
11	614221		FLAT WASHER, 3/8".....	2
12	452695		TAPTITE SCREW, M6 - 1 X 20MM LG.....	1
13				
14				
15				
16	656715		DISPLAY ASSEMBLY.....	1
17	645881		BUTTON HEAD TORX SCREW, M6 - 2.14 X 10MM LG.....	6



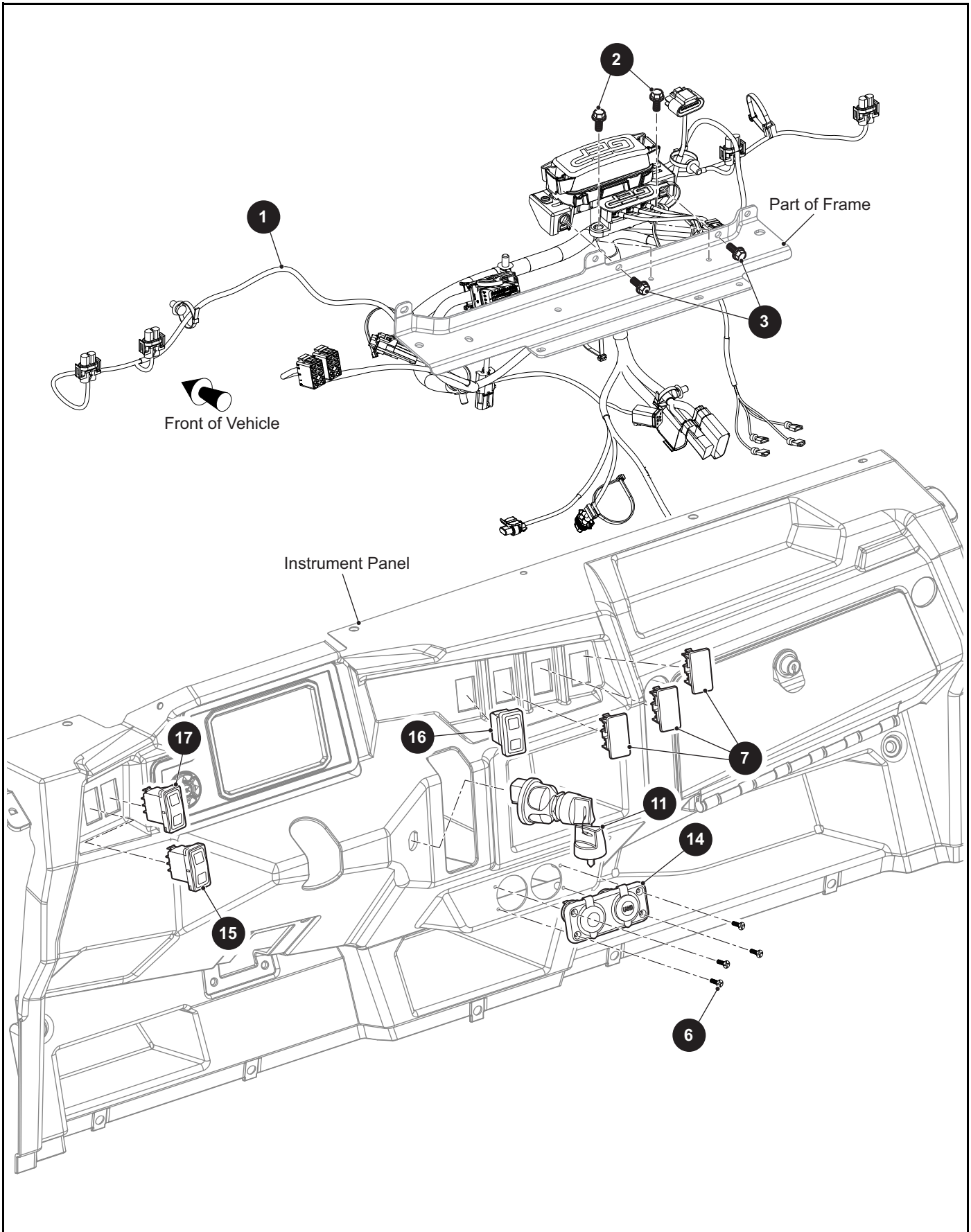
THE USE OF NON U.L. PARTS WILL VOID ANY U.L. LISTING.

When ordering parts, please specify the model and serial number of the product.

* Indicates a component that is not available as an individual part.

*** Indicates consult Customer Service Department for additional information.

ITEM	PART NO.	1 2 3 4 5	DESCRIPTION	QTY.
1	405644		ENGINE CONTROL UNIT.....	1
2	601476		LOCK NUT, M6 - 1	4
3	606421		FLANGED HEX HEAD BOLT, M6 - 1 X 30MM LG.....	4
4	649763G03		ECU LABEL	1
5				
6				
7				
8				
9				
10	658575		ENGINE HARNESS.....	1
11	641526		#6 AWG ENGINE GROUND CABLE	1
12	641524		#6 AWG STARTER MOTOR CABLE	1
13				
14				
15	601327		LOCK WASHER, 6MM.....	1
16	606264		FLANGED HEX HEAD BOLT, M6 - 1 X 20MM LG.....	1
17	601476		LOCK NUT, M6 - 1	1



THE USE OF NON U.L. PARTS WILL VOID ANY U.L. LISTING.

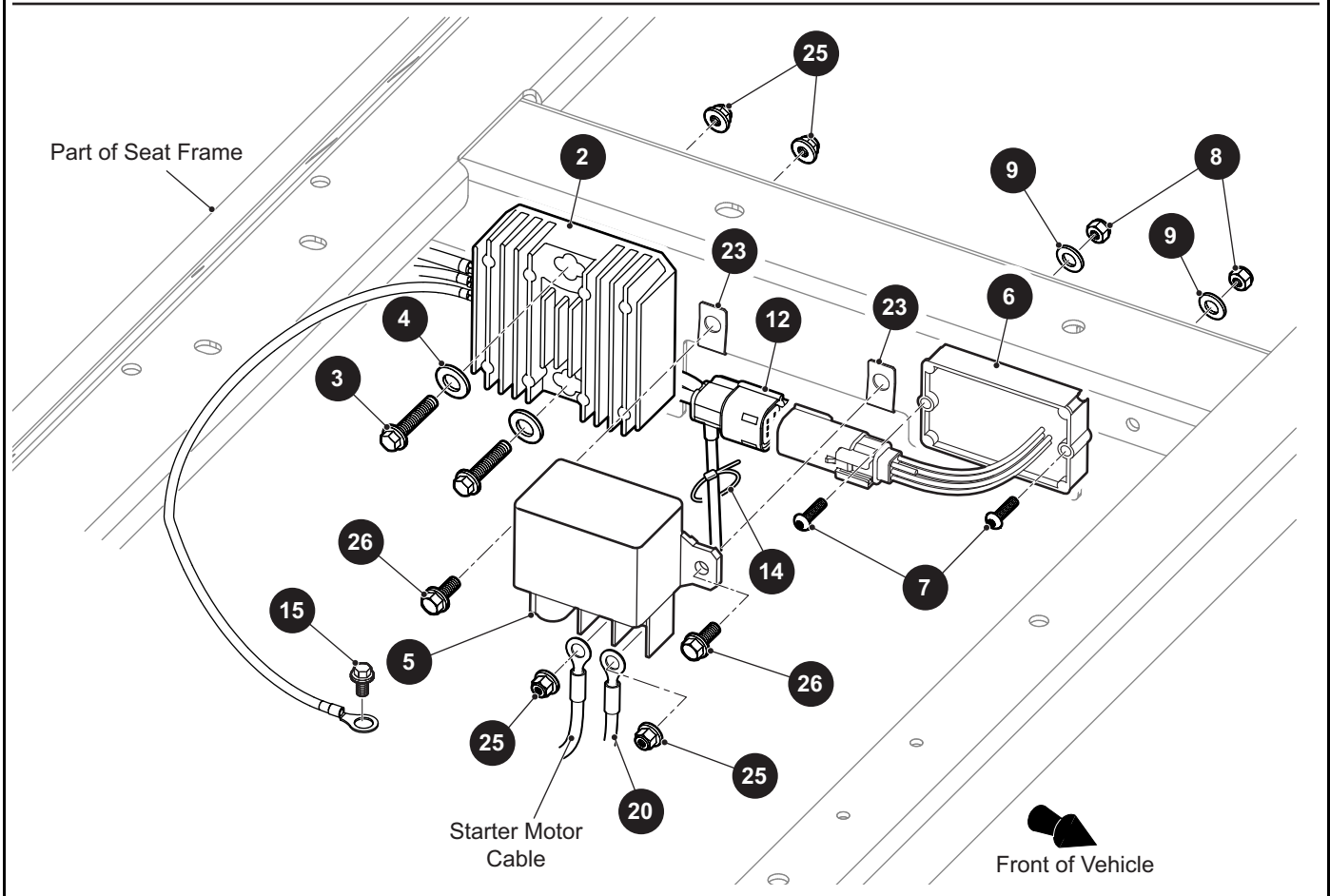
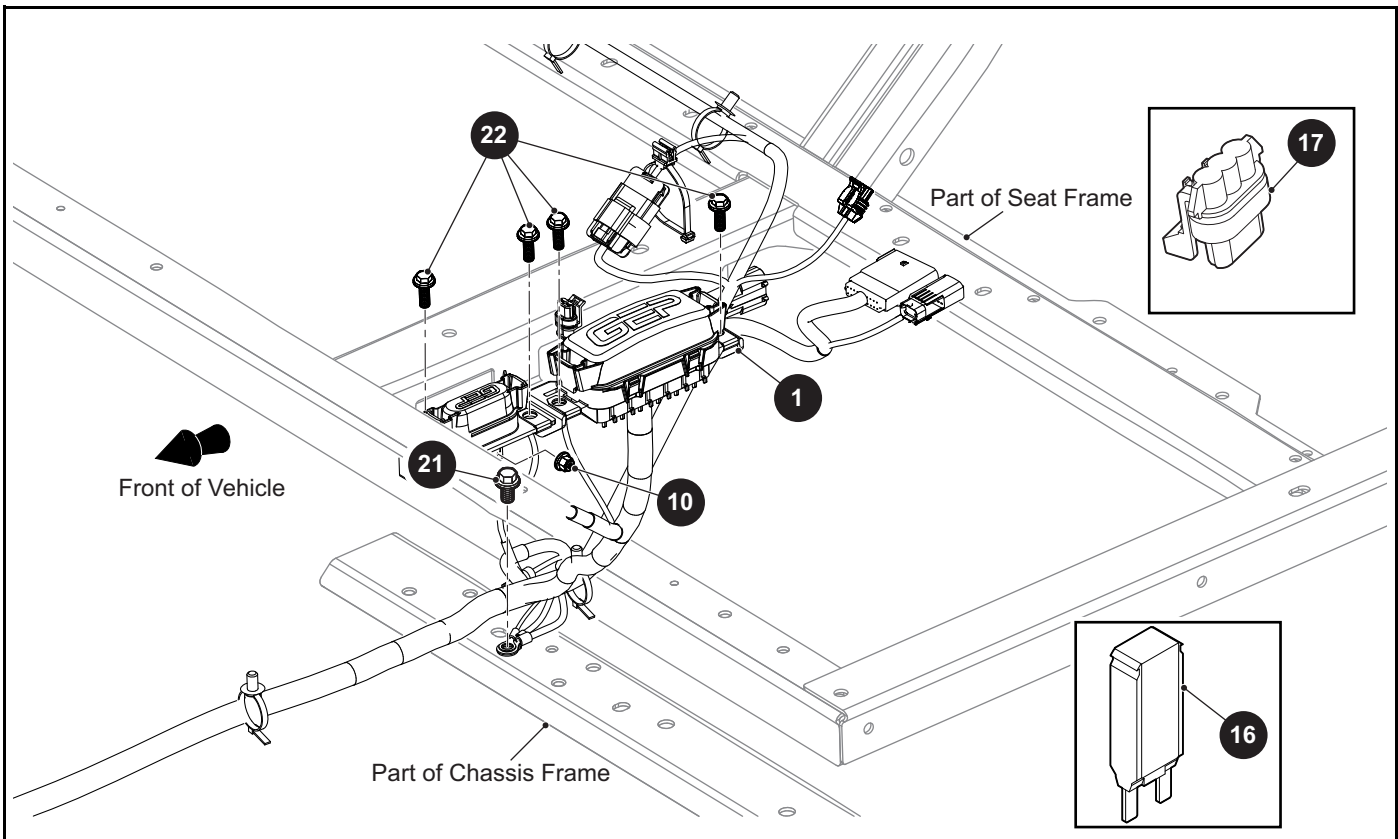
When ordering parts, please specify the model and serial number of the product.

* Indicates a component that is not available as an individual part.

*** Indicates consult Customer Service Department for additional information.

ITEM	PART NO.	1 2 3 4 5	DESCRIPTION	QTY.
1	656555		MAIN HARNESS (FRONT)	1
2	452695		TAPTITE SCREW, M6 - 1 X 20MM LG	2
3	606264		FLANGED HEX HEAD BOLT, M6 - 1 X 20MM LG.....	2
4				
5				
6	71425G01		TAPPING SCREW, #8 - 18 X 3/4" LG.....	4
7	627035		SWITCH PLUG	3
8				
9				
10				
11	640923		KEYSWITCH WITH KEY	1
12				
13				
14	654608		USB PORT, 12V.....	1
15	644522		SWITCH (DIFFERENTIAL LOCK)	1
16	638267		SWITCH (HI/LOW BEAM).....	1
17	644523		SWITCH (4WD).....	1

ELECTRICAL



THE USE OF NON U.L. PARTS WILL VOID ANY U.L. LISTING.

When ordering parts, please specify the model and serial number of the product.

* Indicates a component that is not available as an individual part.

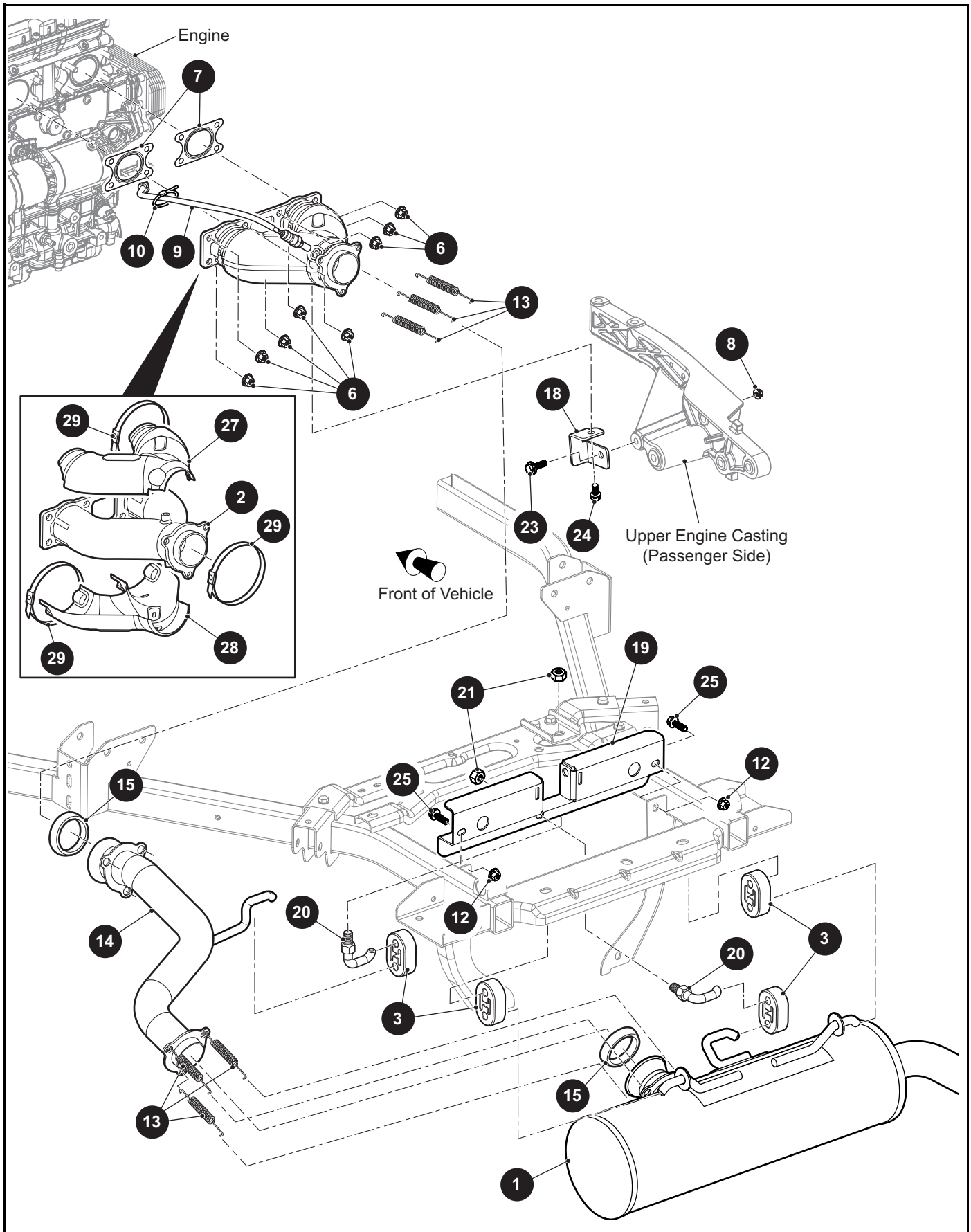
*** Indicates consult Customer Service Department for additional information.

ITEM	PART NO.	1 2 3 4 5	DESCRIPTION	QTY.
1	659446		MAIN HARNESS (REAR)	1
2	407227		VOLTAGE REGULATOR.....	1
3	643471		FLANGED HEX HEAD BOLT, M6 - 1 X 35MM LG.....	2
4	308090		FLAT WASHER, 1/4"	2
5	405225		STARTER RELAY	1
6	639456		SOLENOID CONTROLLER (REAR DIFFERENTIAL)	1
7	00379G2		PAN HEAD PHILLIPS SCREW, #10 - 24 X 1 1/4" LG	2
8	14390G10		LOCK NUT, #10 - 24	2
9	00559G5		FLAT WASHER, #10	2
10	601476		LOCK NUT, M6 - 1	1
11				
12	657215		REAR DIFFERENTIAL HARNESS	1
13	646441		CABLE TIE (EDGE CLIP) (NOT ILLUSTRATED)	1
14	31539G1		NYLON CLAMP, 15.5" LG.....	5
15	452695		TAPTITE SCREW, M6 - 1 X 20MM LG	1
16	647613		MINI BREAKER, 14V, 25AMP.....	1
17	639733G03		CONNECTOR (FEMALE)	1
18				
19				
20	641523		#6 AWG CABLE (FUSE)	1
21	640723		SELF TAPPING SCREW, M8 - 1.25 X 20MM LG	1
22	606264		FLANGED HEX HEAD BOLT, M6 - 1 X 20MM LG.....	4
23	602409		BARREL CLIP, M6 - 1	2
24				
25	601476		LOCK NUT, M6 - 1	4
26	606264		FLANGED HEX HEAD BOLT, M6 - 1 X 20MM LG.....	2

Notes:

A large grid area for taking notes, consisting of 20 columns and 30 rows of small squares.

EXHAUST



THE USE OF NON U.L. PARTS WILL VOID ANY U.L. LISTING.

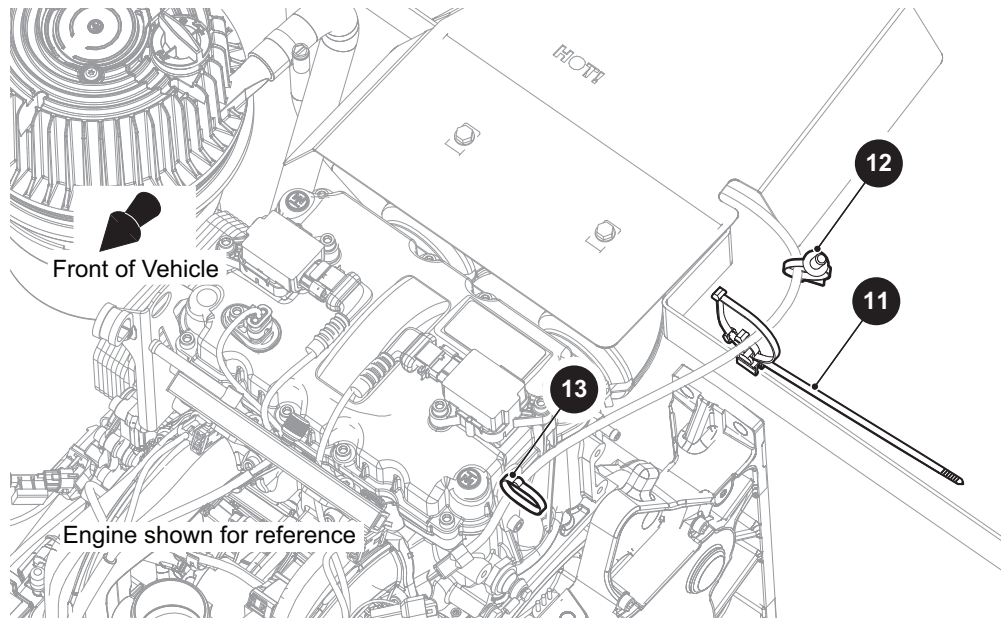
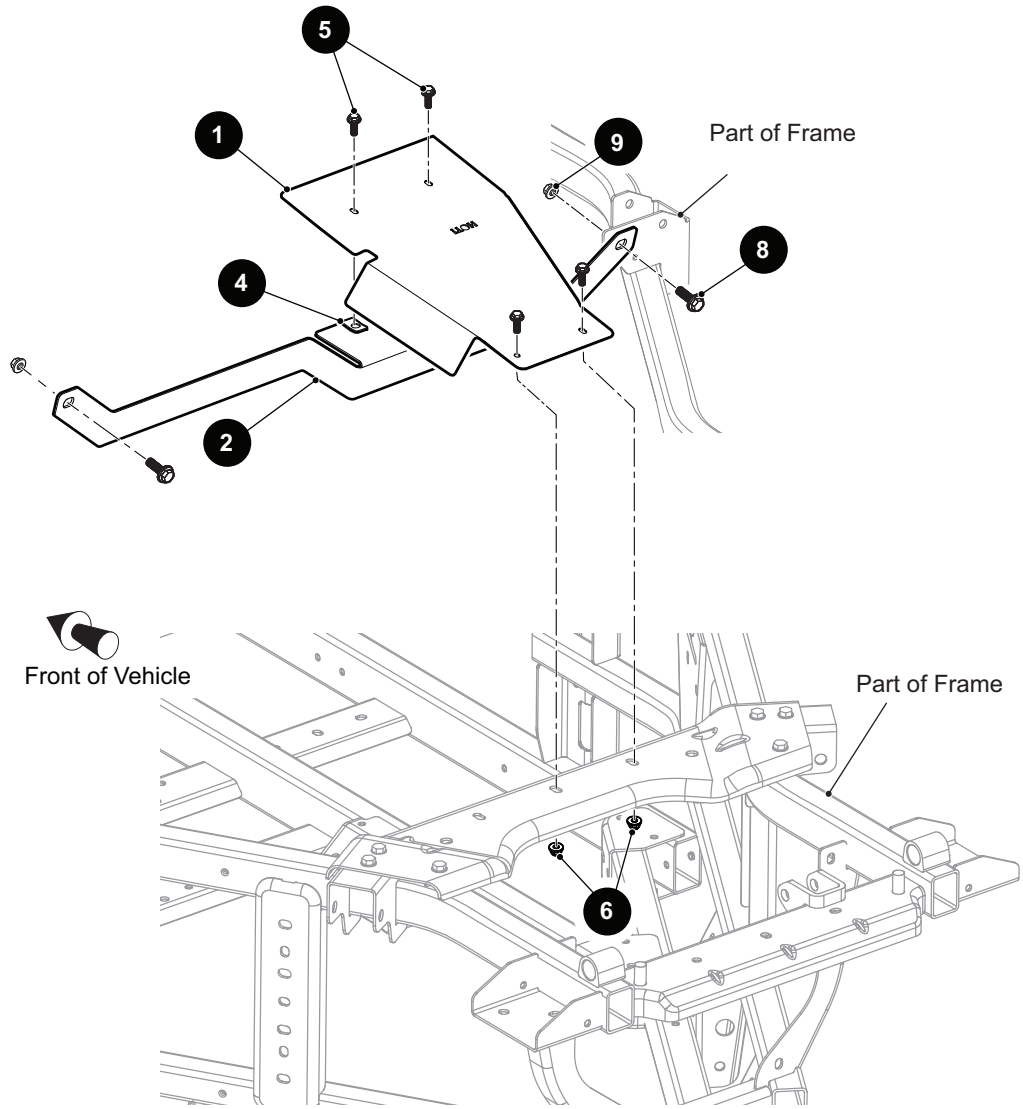
When ordering parts, please specify the model and serial number of the product.

* Indicates a component that is not available as an individual part.

*** Indicates consult Customer Service Department for additional information.

ITEM	PART NO.	1 2 3 4 5	DESCRIPTION	QTY.
1	657638		EXHAUST MUFFLER	1
2	649120		EXHAUST HEADER PIPE	1
3	652412		EXHAUST ISOLATOR	4
4				
5				
6	100737		FLANGED LOCK NUT, M8	8
7	101446		HEADER GASKET	2
8	26830G01		SELF LOCK NUT, M8 X 1.25	1
9	406241		OXYGEN SENSOR.....	1
10	17618G1		NYLON CLAMP, 8" LG.....	1
11				
12	645956		FLANGED HEX NUT, M8 - 1.25.....	2
13	649713		EXHAUST SPRING	6
14	649715		INTERMEDIATE PIPE	1
15	649733		GASKET.....	2
16				
17				
18	650340		HEADER SUPPORT BRACKET	1
19	659154		MUFFLER SUPPORT BRACKET	1
20	650862		EXHAUST HANGER (BOLT AND NUT).....	2
21	14390G6		LOCK NUT, 1/2" - 13.....	2
22				
23	602330		FLANGED HEX HEAD BOLT, M8 - 1.25 X 30MM LG.....	1
24	651085		FLANGED HEX HEAD BOLT, M8 - 1.25 X 10MM LG.....	1
25	606261		FLANGED HEX HEAD BOLT, M8 - 1.25 X 20MM LG.....	2
26				
27	654380		UPPER HEAT SHIELD (EXHAUST MANIFOLD).....	1
28	654381		LOWER HEAT SHIELD (EXHAUST MANIFOLD).....	1
29	654557		BANDIT CLAMP, 2"	3

EXHAUST



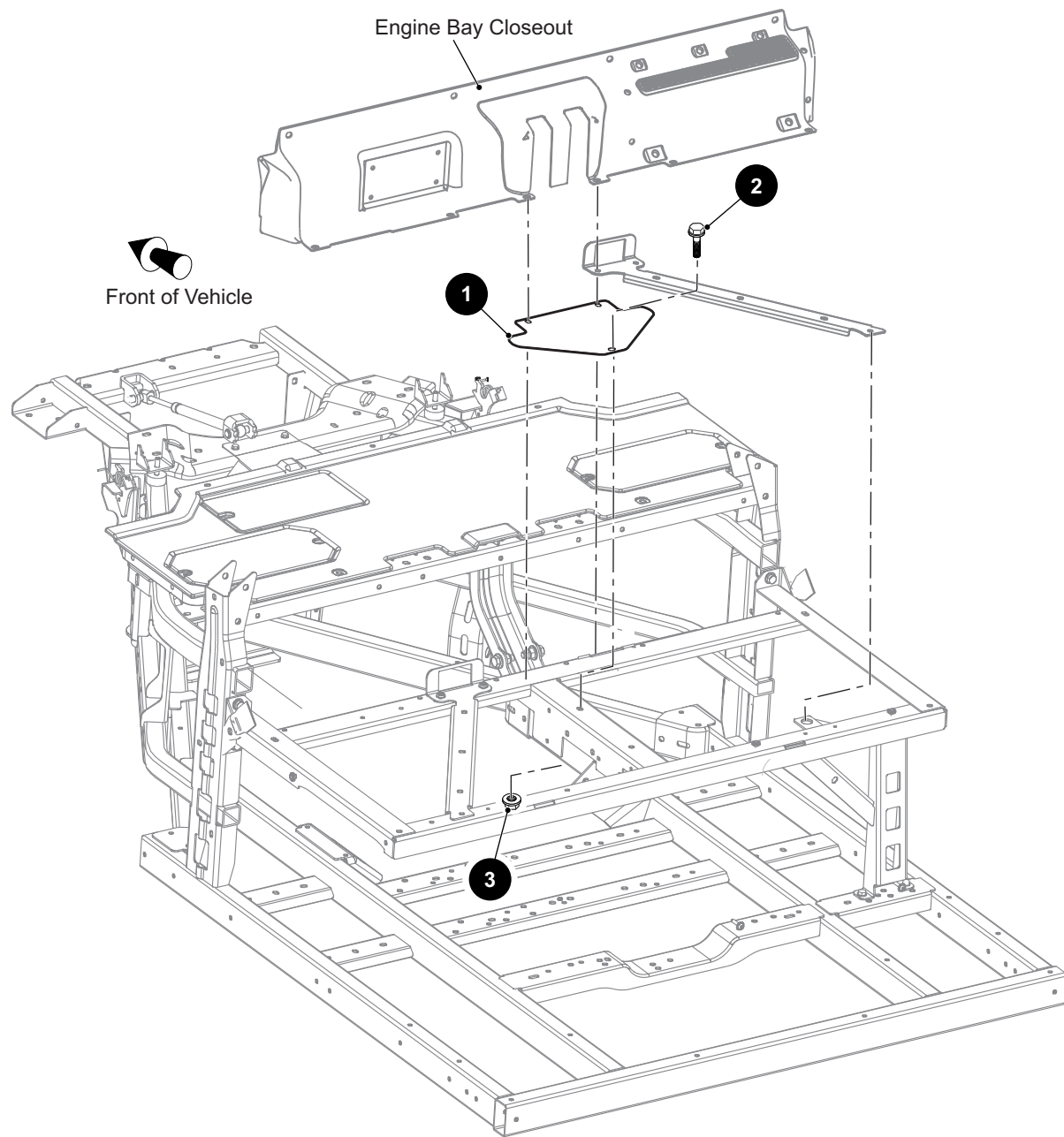
THE USE OF NON U.L. PARTS WILL VOID ANY U.L. LISTING.

When ordering parts, please specify the model and serial number of the product.

* Indicates a component that is not available as an individual part.

*** Indicates consult Customer Service Department for additional information.

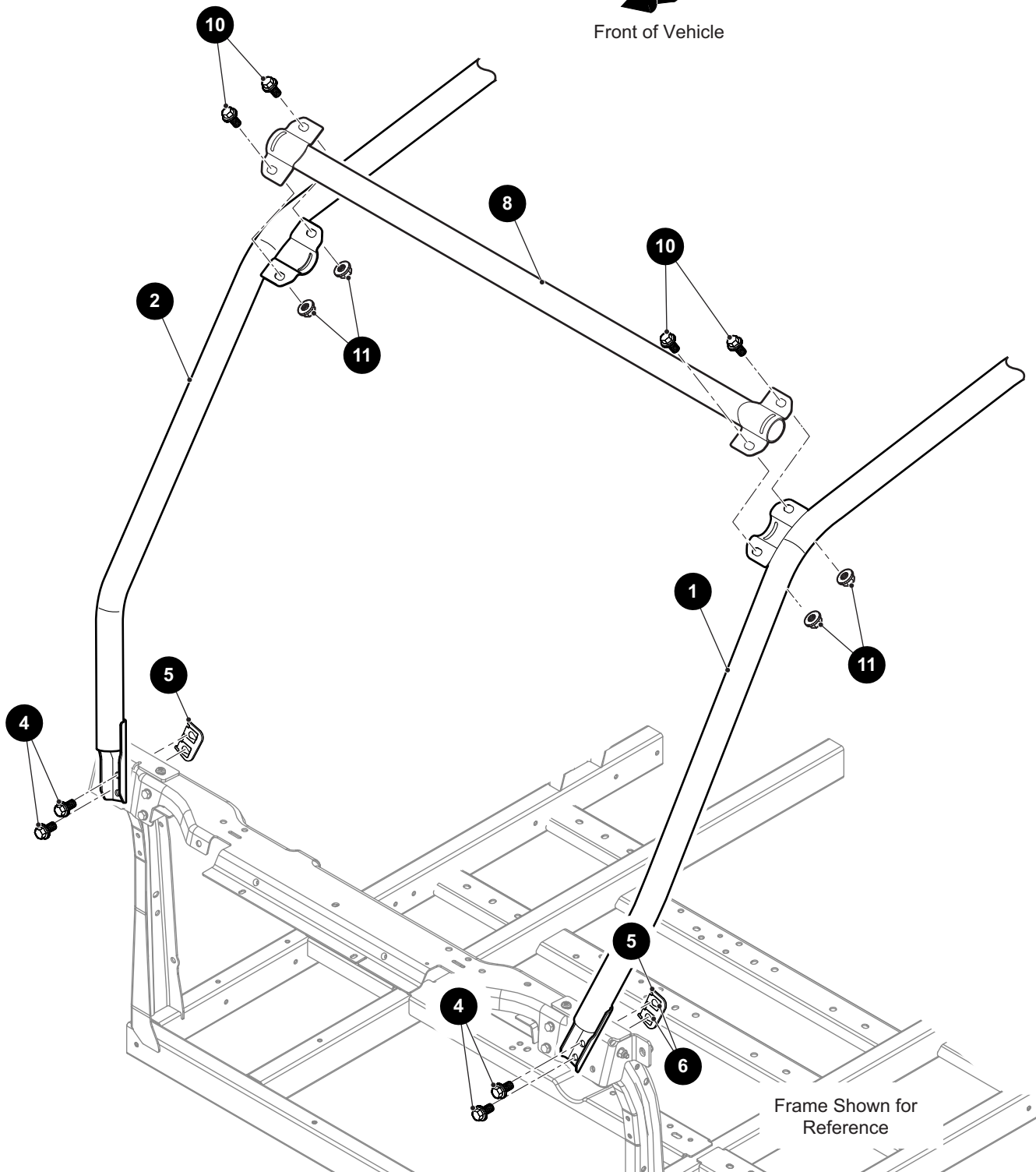
ITEM	PART NO.	1 2 3 4 5	DESCRIPTION	QTY.
1	658722		HEAT SHIELD BRACKET	1
2	656988		C-PILLAR CROSSMEMBER	1
3				
4	602409		BARREL CLIP, M6 - 1	2
5	606264		FLANGED HEX HEAD BOLT, M6 - 1 X 20MM LG.....	4
6	601476		LOCK NUT, M6 - 1	2
7				
8	603799		FLANGED HEX HEAD BOLT, M10 - 1.5 X 25MM LG.....	2
9	600525		LOCK NUT, M10 - 1.5	2
10				
11	646441		CABLE TIE (EDGE CLIP)	1
12	645340		CABLE TIE	1
13	17618G1		NYLON CLAMP, 7" LG.....	1



THE USE OF NON U.L. PARTS WILL VOID ANY U.L. LISTING.
 When ordering parts, please specify the model and serial number of the product.
 * Indicates a component that is not available as an individual part.
 *** Indicates consult Customer Service Department for additional information.

ITEM	PART NO.	1 2 3 4 5 DESCRIPTION	QTY.
1	660711	SEAT HEAT SHIELD	1
2	606264	FLANGED HEX HEAD BOLT, M6 - 1 X 20MM LG.....	1
3	601476	LOCK NUT M6 - 1	1

ROPS - FRONT



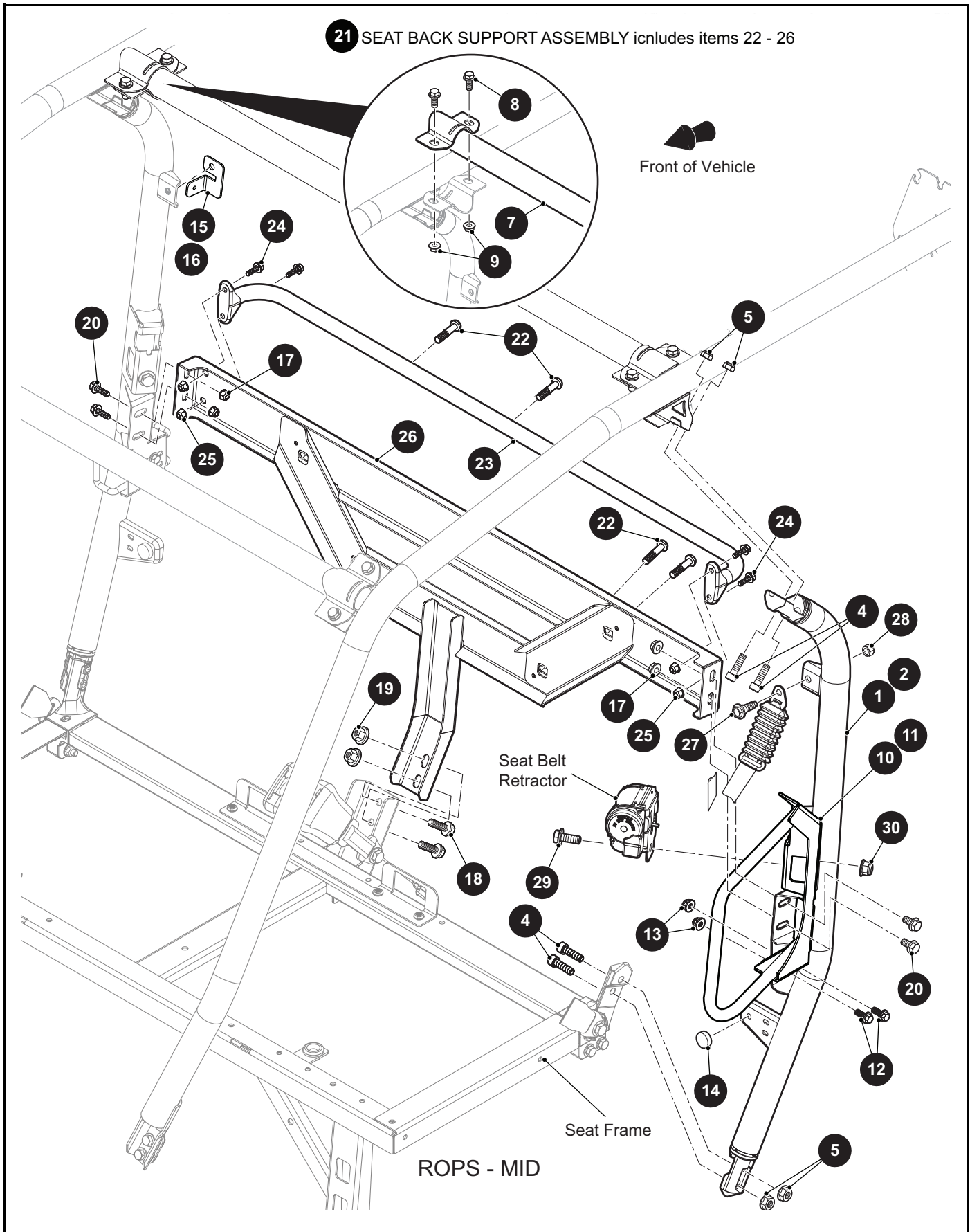
THE USE OF NON U.L. PARTS WILL VOID ANY U.L. LISTING.

When ordering parts, please specify the model and serial number of the product.

* Indicates a component that is not available as an individual part.

*** Indicates consult Customer Service Department for additional information.

ITEM	PART NO.	1 2 3 4 5	DESCRIPTION	QTY.
1	665092G1390		SIDE WELDMENT (DRIVER SIDE)	1
2	665092G2390		SIDE WELDMENT (PASSENGER SIDE)	1
3				
4	649879		FLANGED HEX HEAD BOLT, M10 - 1.5 X 30MM LG.....	2
5	654391G0390		MOUNTING PLATE (BARREL CLIP).....	1
6	603818		BARREL CLIP, M10 - 1.5	2
7				
8	664650G0390		CROSS FRONT TUBE	1
9				
10	603799		FLANGED HEX HEAD BOLT, M10 - 1.5 X 25MM LG.....	4
11	600525		LOCK NUT, M10 - 1.5	4



THE USE OF NON U.L. PARTS WILL VOID ANY U.L. LISTING.

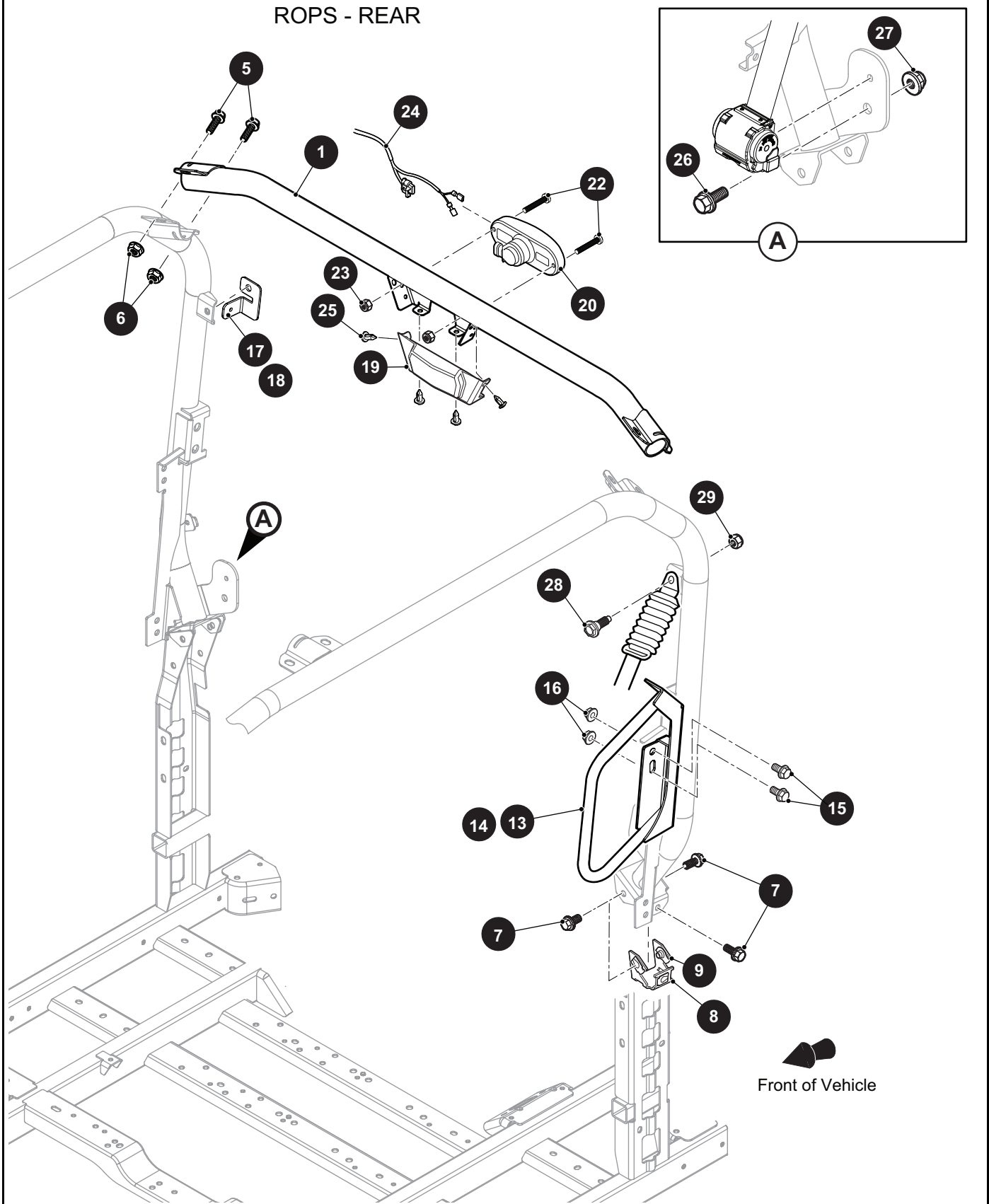
When ordering parts, please specify the model and serial number of the product.

* Indicates a component that is not available as an individual part.

*** Indicates consult Customer Service Department for additional information.

ITEM	PART NO.	1 2 3 4 5	DESCRIPTION	QTY.
1	665090G2390		SIDE VERTICAL BAR (PASSENGER SIDE)	1
2	665090G1390		SIDE VERTICAL BAR (DRIVER SIDE).....	1
3				
4	608653		SOCKET HEAD BOLT, M10 - 1.5 X 35MM LG	4
5	616675		LOCK NUT, M10 - 1.5	4
6				
7	664650G0390		CROSS MID TUBE	1
8	603799		FLANGED HEX HEAD BOLT, M10 - 1.5 X 25MM LG.....	4
9	600525		LOCK NUT, M10 - 1.5	4
10	658921G1390		SHOULDER FRONT BRACKET (DRIVER SIDE)	1
11	658921G2390		SHOULDER FRONT BRACKET (PASSENGER SIDE)	1
12	606261		FLANGED HEX HEAD BOLT, M8 - 1.25 X 20MM LG	4
13	645956		LOCK NUT, M8 - 1.25	4
14	810149		RUBBER BUMPER	1
15	657440G01		SEAT BELT NET BRACKET (DRIVER SIDE)	1
16	657440G02		SEAT BELT NET BRACKET (PASSENGER SIDE)	1
17	600525		LOCK NUT, M10 - 1.5	4
18	646561		FLANGED HEX HEAD BOLT, M10 - 1.5 X 20MM LG	2
19	600525		LOCK NUT, M10 - 1.5	2
20	646561		FLANGED HEX HEAD BOLT, M10 - 1.5 X 20MM LG	4
21	656947		SEAT BACK SUPPORT ASSEMBLY(INCLUDES ITEMS 22 - 26)	1
22	600530		BUTTON HEAD TORX BOLT, M10 - 1.5 X 25MM LG	4
23	654964		GRAB BAR	1
24	606261		FLANGED HEX HEAD BOLT, M8 - 1.25 X 20MM LG	4
25	645956		FLANGED LOCK NUT, M8 - 1.25	4
26	648608		SEAT BACK SUPPORT	1
27	609569		SEAT BELT BOLT, 7/16" - 20	1
28	00734G3		LOCK NUT, 7/16" - 20	1
29	649013		FLANGED HEX HEAD BOLT, M12 - 1.75 X 30MM LG	1
30	648198		LOCK NUT, M12 - 1.75	1

ROPS - REAR



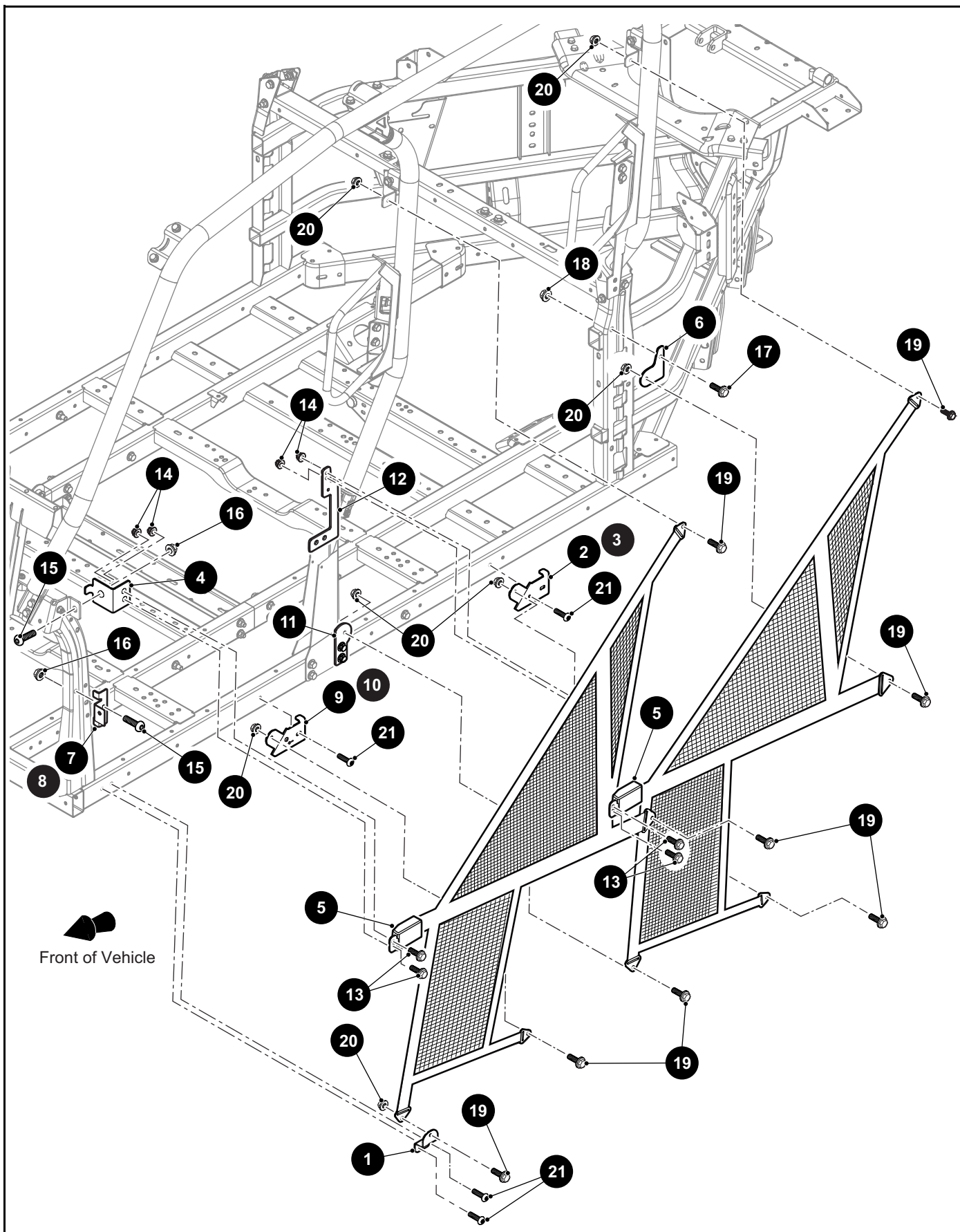
THE USE OF NON U.L. PARTS WILL VOID ANY U.L. LISTING.

When ordering parts, please specify the model and serial number of the product.

* Indicates a component that is not available as an individual part.

*** Indicates consult Customer Service Department for additional information.

ITEM	PART NO.	1 2 3 4 5	DESCRIPTION	QTY.
1	664698G0390		CROSS REAR TUBE	1
2				
3				
4				
5	603799		FLANGED HEX HEAD BOLT, M10 - 1.5 X 25MM LG.....	4
6	600525		LOCK NUT, M10 - 1.5	4
7	603799		FLANGED HEX HEAD BOLT, M10 - 1.5 X 25MM LG.....	3
8	654109		MOUNTING BRACKET (BARRELL CLIP)	1
9	603818		BARREL CLIP, M10 - 1.5	3
10				
11				
12				
13	659599G1390		SHOULDER REAR BRACKET (DRIVER SIDE).....	1
14	659599G2390		SHOULDER REAR BRACKET (PASSENGER SIDE)	1
15	646561		FLANGED HEX HEAD BOLT, M10 - 1.5 X 20MM LG	2
16	600525		LOCK NUT, M10 - 1.5	2
17	657440G01		SEAT BELT NET BRACKET (DRIVER SIDE).....	1
18	657440G01		SEAT BELT NET BRACKET (PASSENGER SIDE)	1
19	649127		CLOSEOUT	1
20	646704		HALOGEN LIGHT ASSEMBLY	1
21				
22	647961		CHEESE HEAD SCREW, M5 - .8 X 30MM LG	2
23	610683		LOCK NUT, M5 - .8	2
24	657288		HALOGEN LIGHT HARNESS.....	1
25	667790		REMOVABLE RIVET, 8.13MM DIA X 21MM LG	4
26	649013		FLANGED HEX HEAD BOLT, M12 - 1.75 X 30MM LG.....	1
27	648198		LOCK NUT, M12 - 1.75	1
28	609569		SEAT BELT BOLT, 7/16" - 20	1
29	00734G3		LOCK NUT, 7/16" - 20.....	1



THE USE OF NON U.L. PARTS WILL VOID ANY U.L. LISTING.

When ordering parts, please specify the model and serial number of the product.

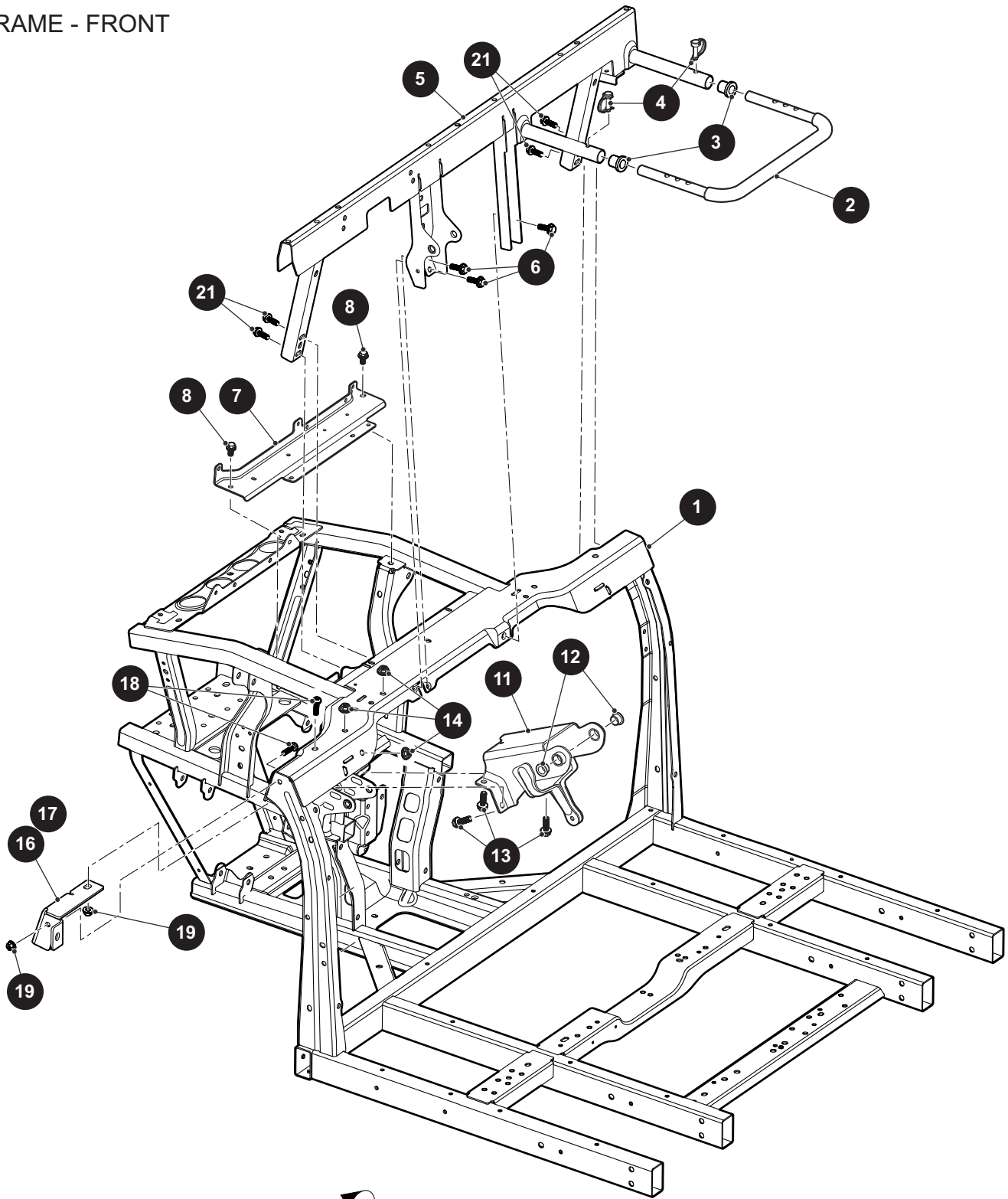
* Indicates a component that is not available as an individual part.

*** Indicates consult Customer Service Department for additional information.

ITEM	PART NO.	1 2 3 4 5	DESCRIPTION	QTY.
1	656763G0390		LOWER NET BRACKET	1
2	655426G1390		SIDE PANEL NET BRACKET (DRIVER SIDE)	1
3	655426G2390		SIDE PANEL NET BRACKET (PASSENGER SIDE)	1
4	656865G0390		TONGUE BRACKET	1
5	656888		BUCKLE SNAP (FEMALE)	2
6	657508G0390		LOWER SEAT DOOR BRACKET	1
7	666657G1390		FENDER SUPPORT BRACKET (DRIVER SIDE)	1
8	666657G2390		FENDER SUPPORT BRACKET (PASSENGER SIDE)	1
9	664287G1390		CREW FRONT LOWER BRACKET (DRIVER SIDE)	1
10	664287G2390		CREW FRONT LOWER BRACKET (PASSENGER SIDE)	1
11	664137G0390		LOWER NET BRACKET	1
12	667192G0390		LOWER HIP BRACKET	1
13	606264		FLANGED HEX HEAD BOLT, M6 - 1 X 20MM LG	4
14	601476		LOCK NUT, M6 - 1	4
15	628635		PAN HEAD TAPTITE BOLT, M8 - 1.25 X 30MM LG	2
16	645956		FLANGED HEX NUT, M8 - 1.25	2
17	606261		FLANGED HEX HEAD BOLT, M8 - 1.25 X 20MM LG	1
18	645956		FLANGED HEX NUT, M8 - 1.25	1
19	606264		FLANGED HEX HEAD BOLT, M6 - 1 X 20MM LG	8
20	601476		LOCK NUT, M6 - 1	8
21	644969		PAN WASHER HEAD SELF TAPPING SCREW, M6 - 1 X 20MM LG	4

FRAME

FRAME - FRONT




Front of Vehicle

THE USE OF NON U.L. PARTS WILL VOID ANY U.L. LISTING.

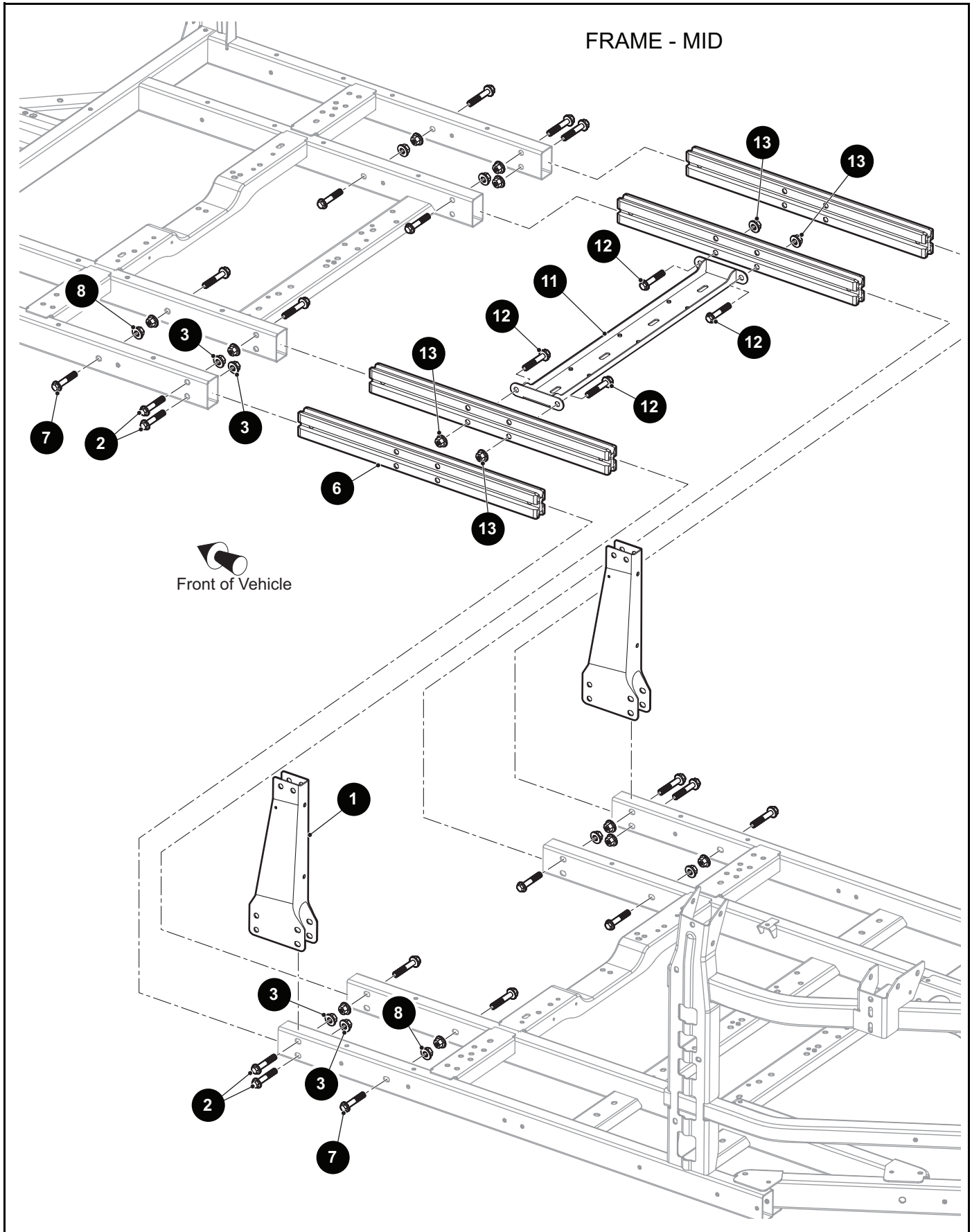
When ordering parts, please specify the model and serial number of the product.

* Indicates a component that is not available as an individual part.

*** Indicates consult Customer Service Department for additional information.

ITEM	PART NO.	1 2 3 4 5	DESCRIPTION	QTY.
1	643794G03		FRONT FRAME	1
2	648464		PASSENGER HANDLE	1
3	644356		FLANGED BUSHING, 19.6MM I.D.	2
4	646062		LOCK PIN (ROUND TAB)	2
5	644068		INSTRUMENT PANEL SUPPORT WELDMENT	1
6	640723		SELF TAPPING SCREW, M8 - 1.25 X 20MM LG	3
7	643952		SHOCK TOWER BRACE, FRONT	1
8	640723		SELF TAPPING SCREW, M8 - 1.25 X 20MM LG	2
9				
10				
11	644144		STEERING COLUMN MOUNT WELDMENT	1
12	647352		FLANGED BUSHING, 5/8"	2
13	603799		FLANGED HEX HEAD BOLT, M10 - 1.5 X 25MM LG.....	3
14	600525		LOCK NUT, M10 - 1.5	3
15				
16	649370G01		A-PILLAR CAP BRACKET (DRIVER SIDE)	1
17	649370G02		A-PILLAR CAP BRACKET (PASSENGER SIDE).....	1
18	628635		PAN HEAD TAPTITE BOLT, M8 - 1.25 X 30MM LG	2
19	645956		FLANGED HEX NUT, M8 X 1.25	2
20				
21	640723		SELF TAPPING SCREW, M8 - 1.25 X 20MM LG	4
22				
23				
24				
25				
26				
27				

FRAME - MID



THE USE OF NON U.L. PARTS WILL VOID ANY U.L. LISTING.

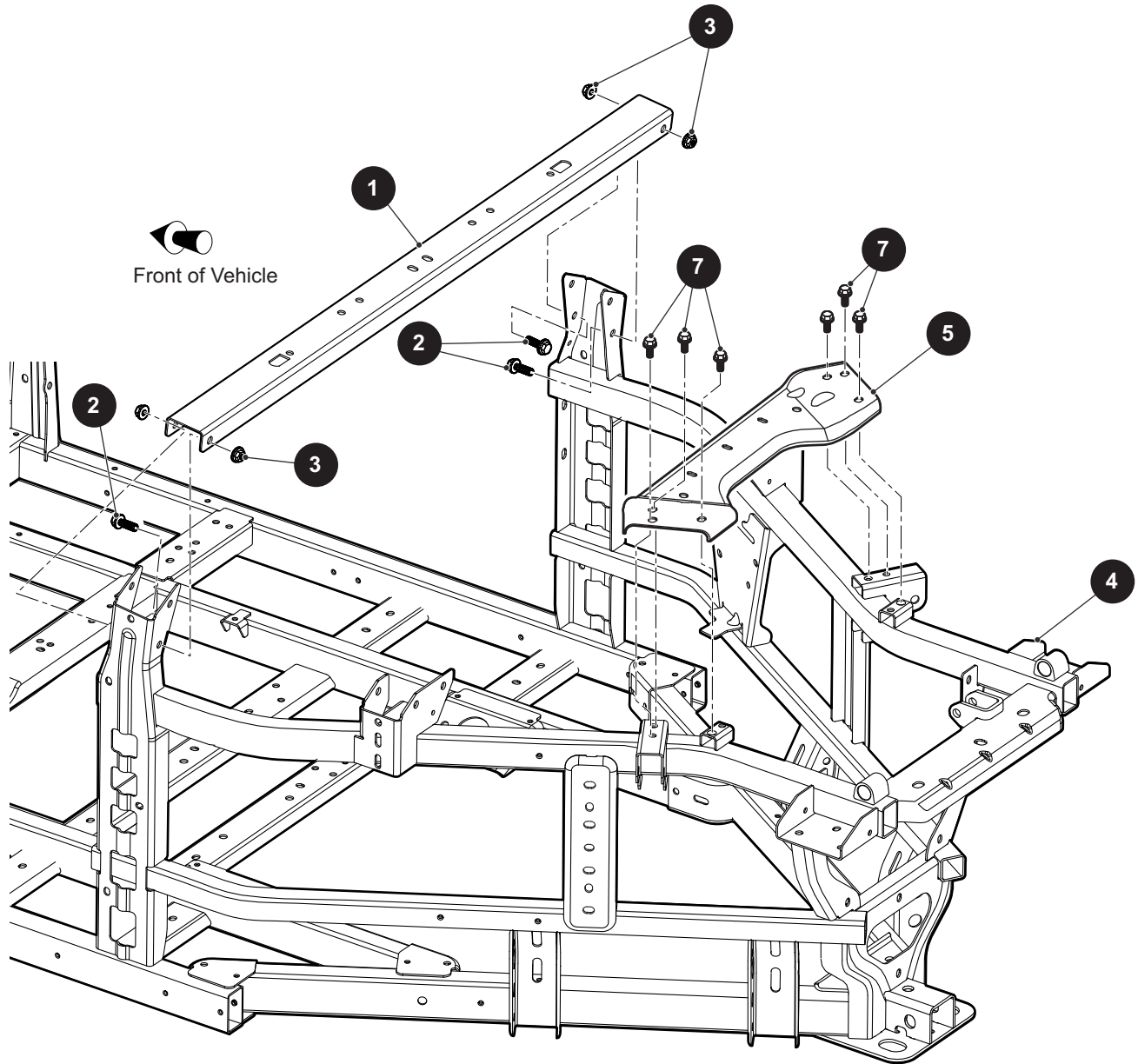
When ordering parts, please specify the model and serial number of the product.

* Indicates a component that is not available as an individual part.

*** Indicates consult Customer Service Department for additional information.

ITEM	PART NO.	1 2 3 4 5	DESCRIPTION	QTY.
1	648595		SEAT UPRIGHT B-PILLAR	1
2	655641		FLANGED HEX HEAD BOLT, M10 - 1.5 X 60MM LG.....	4
3	600525		FLANGED LOCK NUT, M10 - 1.5	4
4				
5				
6	647792		FRAME CONNECTOR	1
7	655641		FLANGED HEX HEAD BOLT, M10 - 1.5 X 60MM LG.....	2
8	600525		FLANGED LOCK NUT, M10 - 1.5	2
9				
10				
11	656099		SKID GUARD CROSSMEMBER	1
12	655641		FLANGED HEX HEAD BOLT, M10 - 1.5 X 60MM LG.....	4
13	600525		FLANGED LOCK NUT, M10 - 1.5	4

FRAME - REAR



THE USE OF NON U.L. PARTS WILL VOID ANY U.L. LISTING.

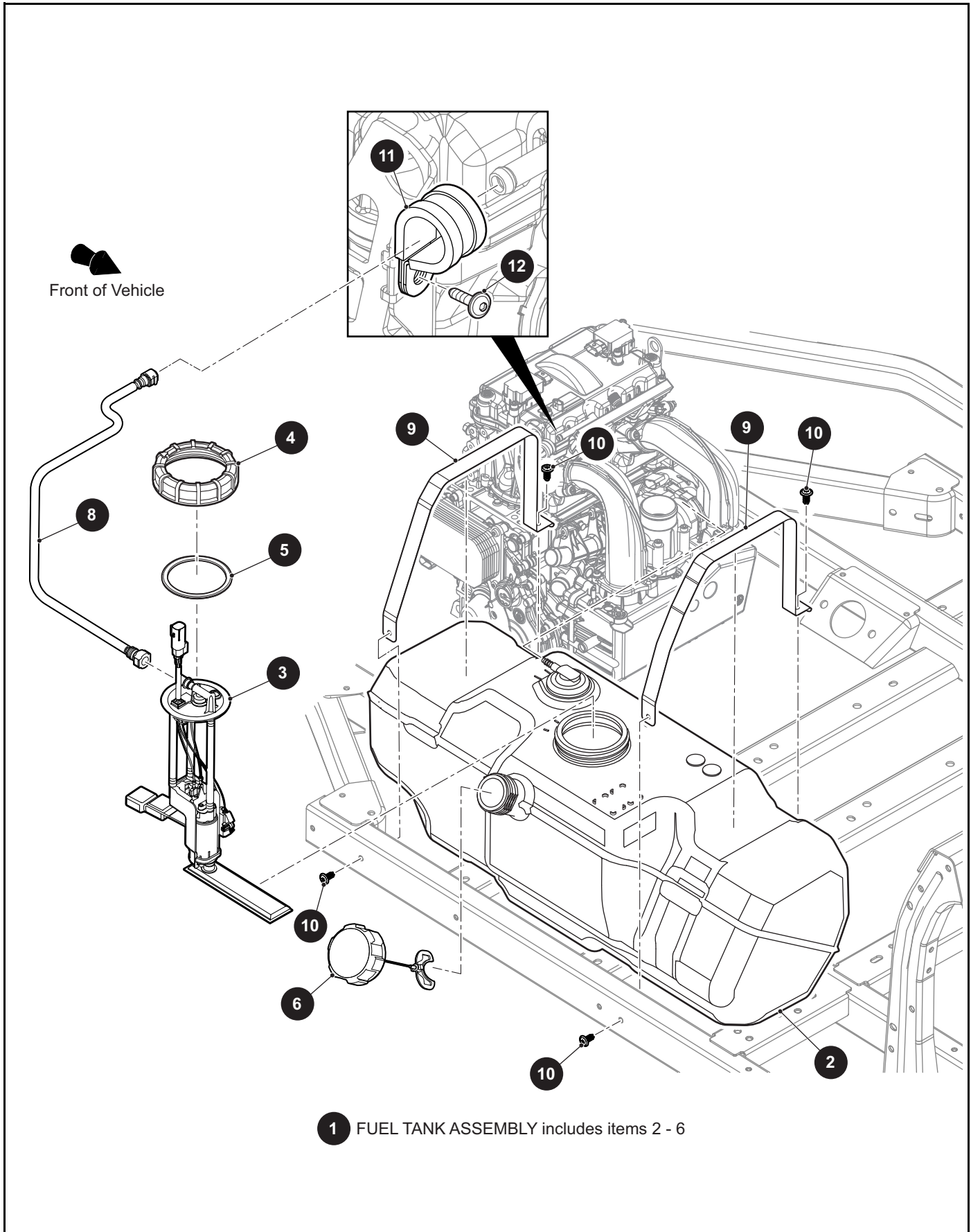
When ordering parts, please specify the model and serial number of the product.

* Indicates a component that is not available as an individual part.

*** Indicates consult Customer Service Department for additional information.

ITEM	PART NO.	1 2 3 4 5	DESCRIPTION	QTY.
1	642503		CROSSMEMBER (B-PILLAR)	1
2	603799		FLANGED HEX HEAD BOLT, M10 - 1.5 X 25MM LG.....	4
3	600525		LOCK NUT, M10 - 1.5	4
4	643795G03		REAR FRAME.....	1
5	652653		SHOCK TOWER BRACE, REAR.....	1
6				
7	640723		SELF TAPPING SCREW, M8 - 1.25 X 20MM LG	6

FUEL SYSTEM

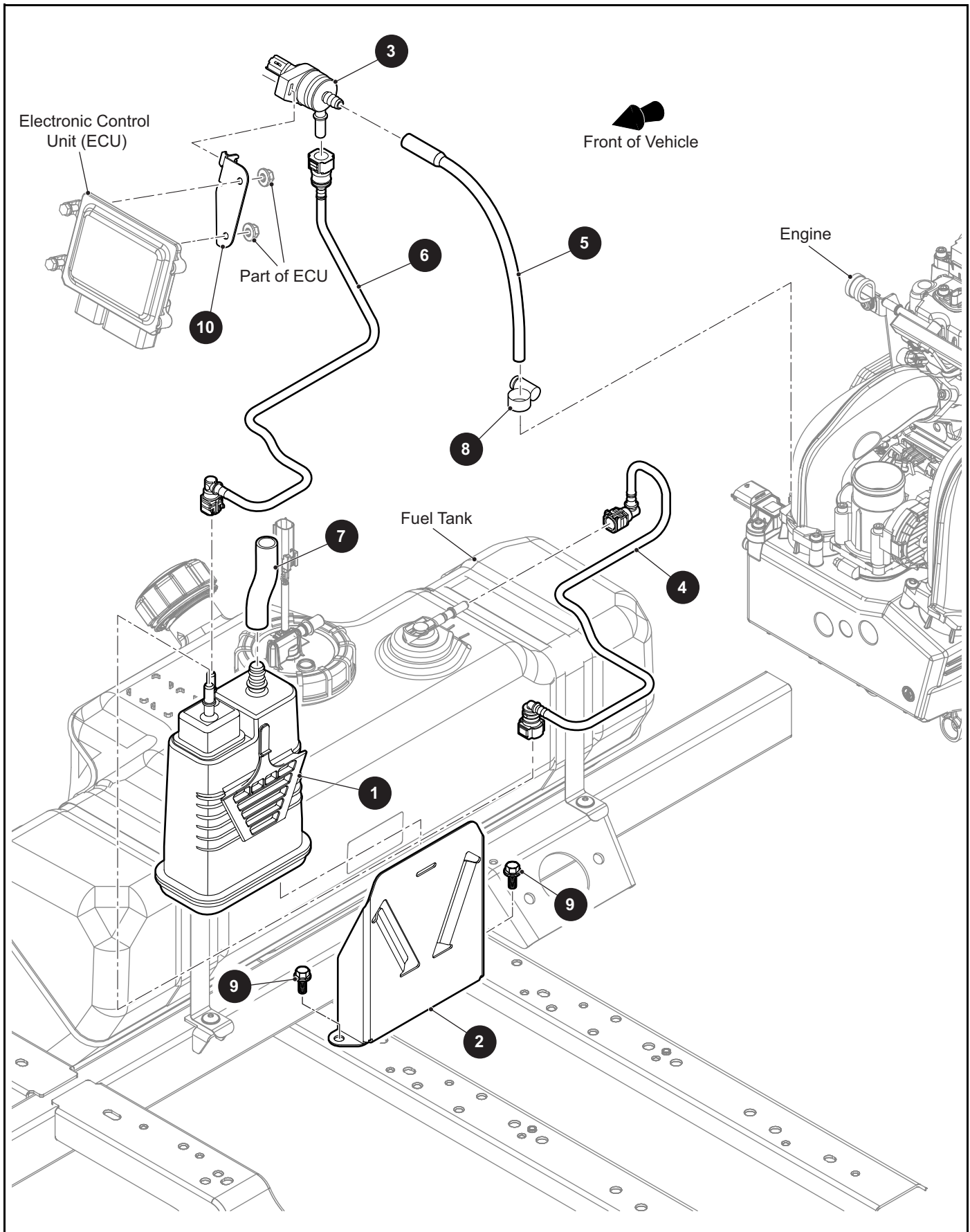


FUEL SYSTEM

THE USE OF NON U.L. PARTS WILL VOID ANY U.L. LISTING.
 When ordering parts, please specify the model and serial number of the product.
 * Indicates a component that is not available as an individual part.
 *** Indicates consult Customer Service Department for additional information.

ITEM	PART NO.	1 2 3 4 5	DESCRIPTION	QTY.
1	659538		FUEL TANK ASSEMBLY (INCLUDES ITEMS 2 - 6)	1
2	659536		FUEL TANK	1
3	642827		FUEL PUMP ASSEMBLY	1
4	642858		LOCKING RING (FUEL PUMP).....	1
5	649707		GASKET	1
6	635688		FUEL TANK CAP	1
7				
8	663560		FUEL HOSE	1
9	652124		STRAP	2
10	644969		PAN WASHER HEAD SELF TAPPING SCREW, M6 - 1 X 20MM LG	4
11	404018		TUBE CLAMP	1
12	645323		PAN WASHER HEAD TORX SCREW, M6 - 1 X 25MM LG	1

FUEL SYSTEM



FUEL SYSTEM

THE USE OF NON U.L. PARTS WILL VOID ANY U.L. LISTING.

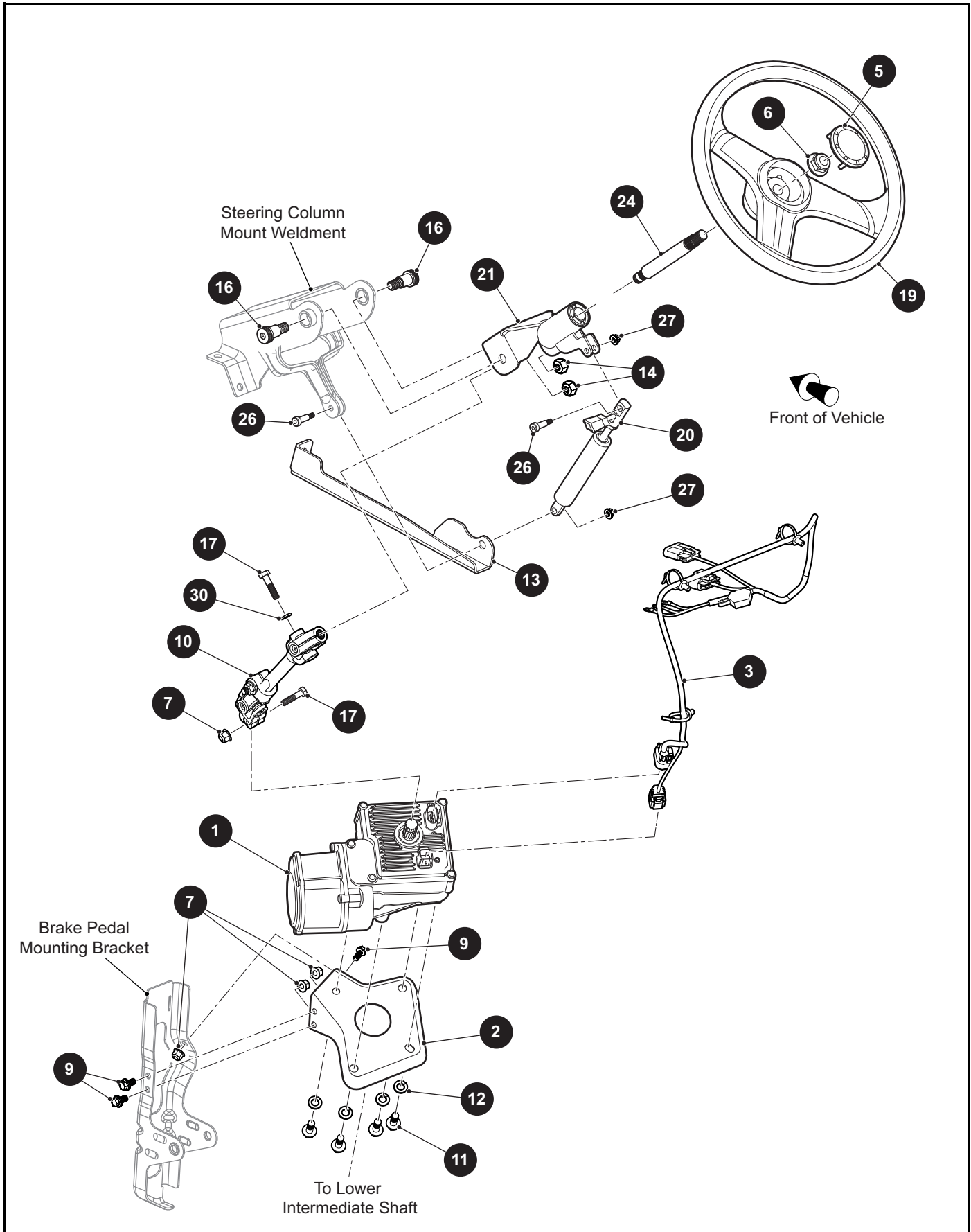
When ordering parts, please specify the model and serial number of the product.

* Indicates a component that is not available as an individual part.

*** Indicates consult Customer Service Department for additional information.

ITEM	PART NO.	1 2 3 4 5	DESCRIPTION	QTY.
1	655381		CARBON CANISTER.....	1
2	655547		CARBON CANISTER MOUNTING BRACKET	1
3	657035		PURGE CONTROL VALVE	1
4	656003		HOSE (VENT TO CANISTER)	1
5	656004		HOSE (VALVE TO MANIFOLD)	1
6	656269		HOSE (CANISTER TO VALVE)	1
7	659198		HOSE (CANISTER BREATHER)	1
8	11391G4		HOSE CLAMP, .25"	1
9	640723		SELF TAPPING SCREW, M8 - 1.25 X 20MM LG	2
10	657045		PURGE VALVE MOUNTING BRACKET.....	1

STEERING



THE USE OF NON U.L. PARTS WILL VOID ANY U.L. LISTING.

When ordering parts, please specify the model and serial number of the product.

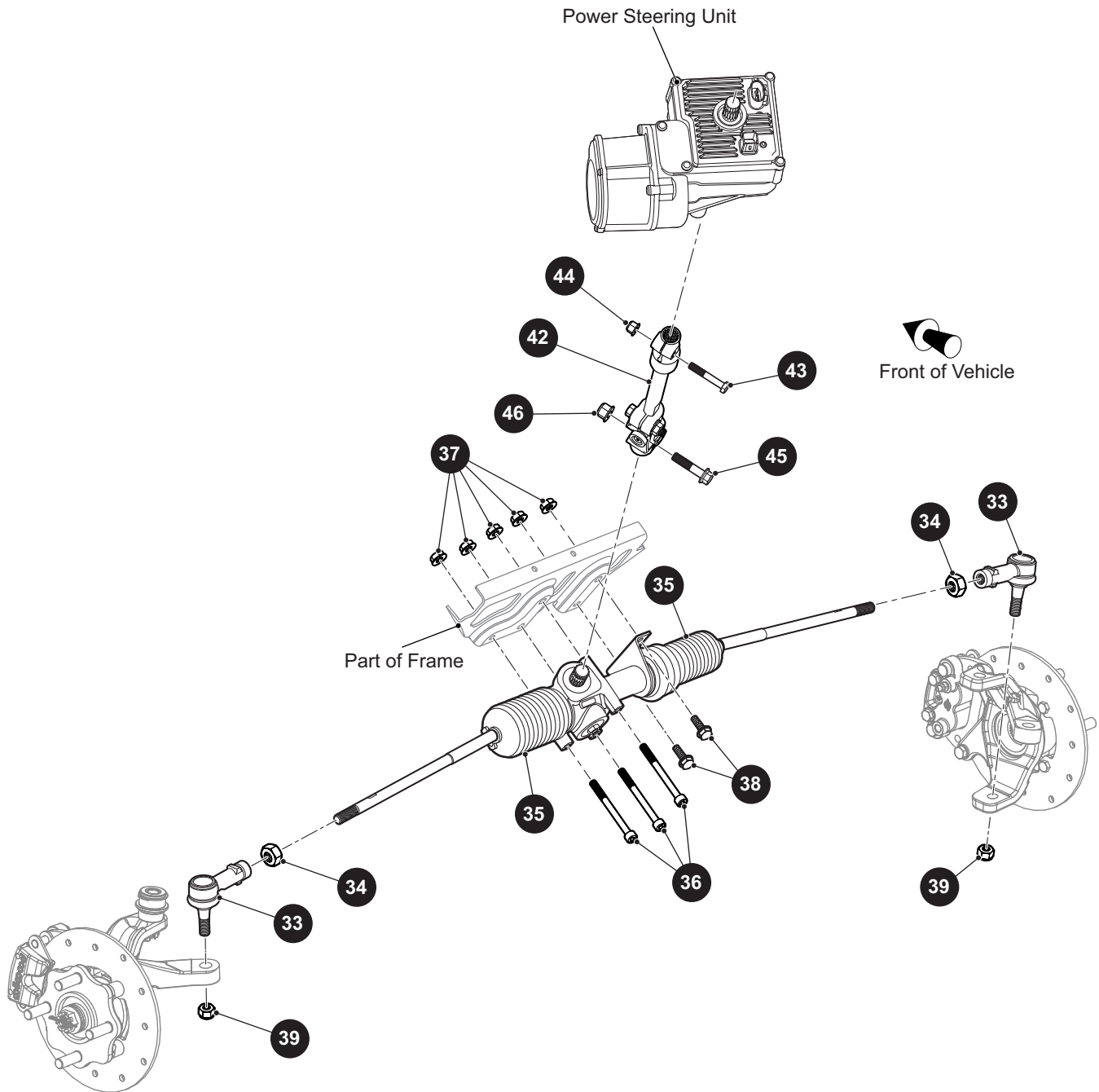
* Indicates a component that is not available as an individual part.

*** Indicates consult Customer Service Department for additional information.

ITEM	PART NO.	1 2 3 4 5	DESCRIPTION	QTY.
1	663274		POWER STEERING UNIT, 12V.....	1
2	643649		STEERING MOUNTING BRACKET	1
3	645173		HARNES (EPS UNIT).....	1
4				
5	639439		STEERING WHEEL COVER	1
6	601709		LOCK NUT, M16 - 2	1
7	645956		FLANGED HEX LOCK NUT, M8 - 1.25.....	4
8				
9	606261		FLANGED HEX HEAD BOLT, M8 - 1.25 X 20MM LG.....	3
10	644978		UPPER INTERMEDIATE SHAFT	1
11	606256		FLANGED HEX HEAD BOLT, M10 - 1.25 X 25MM LG.....	4
12	00566G2		LOCK WASHER (SPRING TYPE), 7/16"	4
13	654736		STIFFENER BRACKET	1
14	00551G1		HEX NUT (INTERNAL LOCK), 1/2" - 13	2
15				
16	643928		SHOULDER BOLT, .63" DIA X 1/2" - 13 THREAD X 3/4" LG	2
17	625878		HEX HEAD BOLT, M8 - 1.25 X 35MM LG.....	2
18				
19	639437		STEERING WHEEL (VIPER).....	1
20	643923		TILT DAMPENER.....	1
21	633649		STEERING COLUMN ASSEMBLY	1
22				
23				
24	634517		STEERING SHAFT	1
25				
26	646035		SHOULDER BOLT, M6 - 1 X 31MM LG	2
27	601476		LOCK NUT, M6 - 1	2
28				
29				
30	606272		LOCK WASHER, 8MM.....	1
31				

STEERING

32 STEERING RACK ASSEMBLY includes items 33 - 35



THE USE OF NON U.L. PARTS WILL VOID ANY U.L. LISTING.

When ordering parts, please specify the model and serial number of the product.

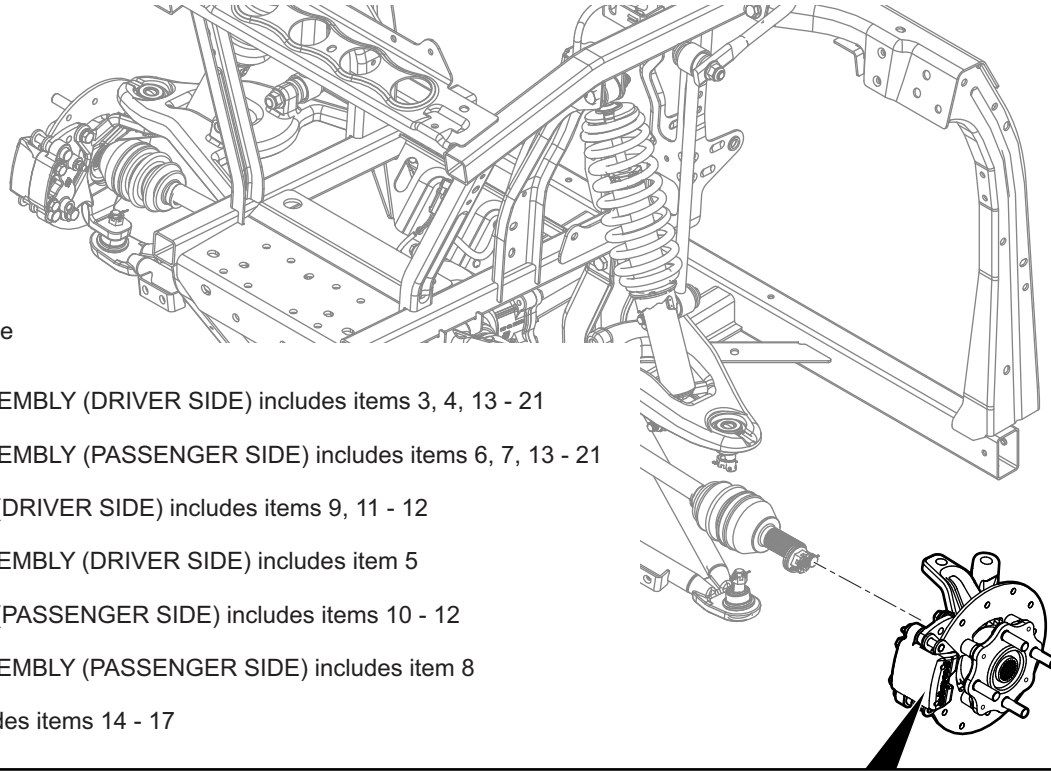
* Indicates a component that is not available as an individual part.

*** Indicates consult Customer Service Department for additional information.

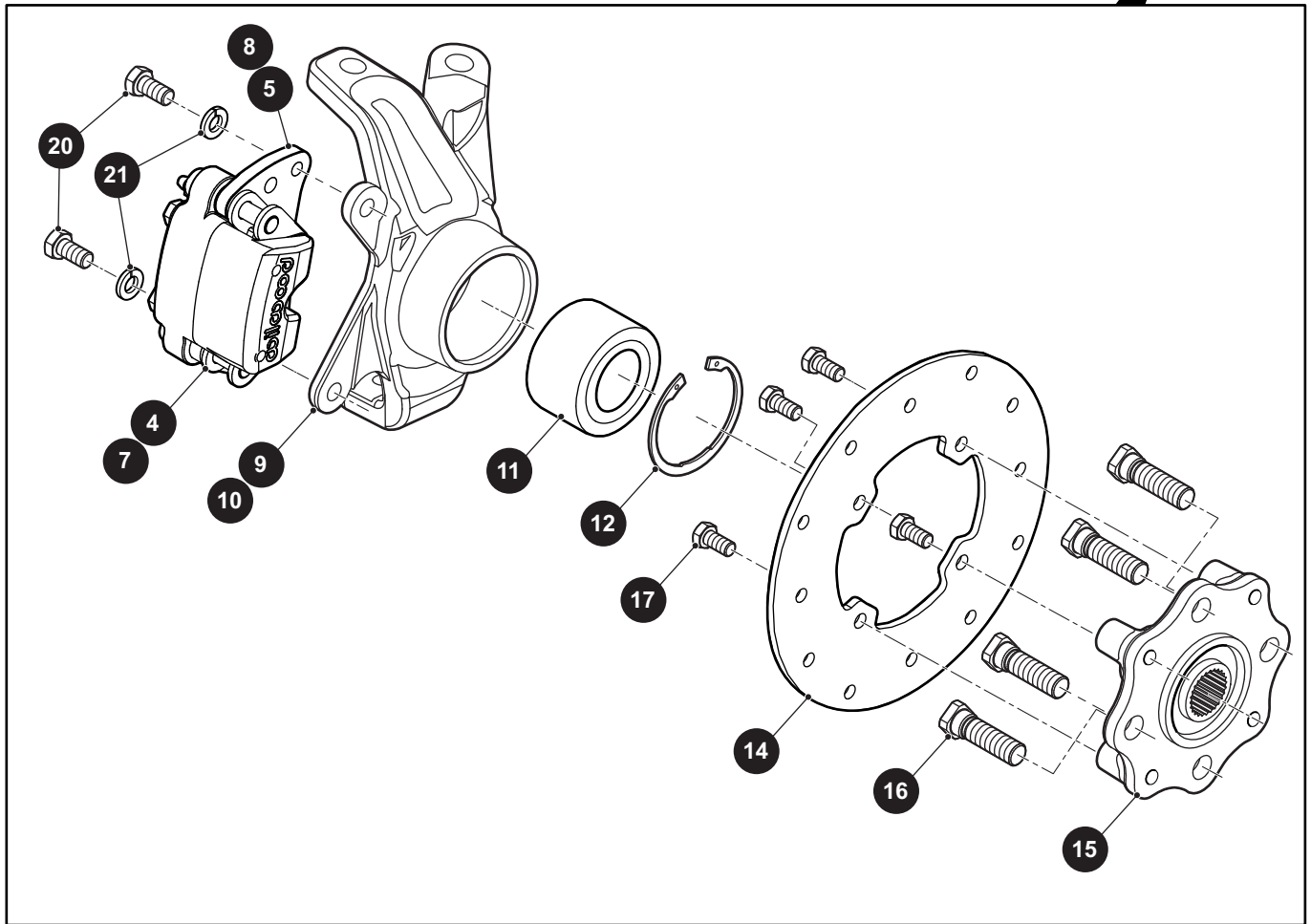
ITEM	PART NO.	1 2 3 4 5	DESCRIPTION	QTY.
32	633214		STEERING RACK ASSEMBLY (INCLUDES ITEMS 33 - 35)	1
33	655220		ROD END	2
34	655221		JAM NUT	2
35	655222		BELLOWS AND CLAMPS KIT.....	1
36	605254		SOCKET HEAD BOLT, M8 - 1.25 X 90MM LG	3
37	645956		FLANGED HEX LOCK NUT, M8 - 1.25.....	5
38	606261		FLANGED HEX HEAD BOLT, M8 - 1.25 X 20MM LG.....	2
39	647672		LOCK NUT, M12 - 1.5	2
40				
41				
42	644979		LOWER INTERMEDIATE SHAFT.....	1
43	649756		HEX HEAD BOLT, M8 - 1.25 X 50MM LG.....	1
44	645956		FLANGED HEX LOCK NUT, M8 - 1.25.....	1
45	650475		FLANGED HEX HEAD BOLT, M10 - 1.5 X 45MM LG.....	1
46	648753		FLANGED LOCK NUT, M10 - 1.5	1

FRONT SUSPENSION

Front of Vehicle



- 1 FRONT SPINDLE ASSEMBLY (DRIVER SIDE) includes items 3, 4, 13 - 21
- 2 FRONT SPINDLE ASSEMBLY (PASSENGER SIDE) includes items 6, 7, 13 - 21
- 3 SPINDLE ASSEMBLY (DRIVER SIDE) includes items 9, 11 - 12
- 4 BRAKE CALIPER ASSEMBLY (DRIVER SIDE) includes item 5
- 6 SPINDLE ASSEMBLY (PASSENGER SIDE) includes items 10 - 12
- 7 BRAKE CALIPER ASSEMBLY (PASSENGER SIDE) includes item 8
- 13 HUB ASSEMBLY includes items 14 - 17



FRONT SUSPENSION

THE USE OF NON U.L. PARTS WILL VOID ANY U.L. LISTING.

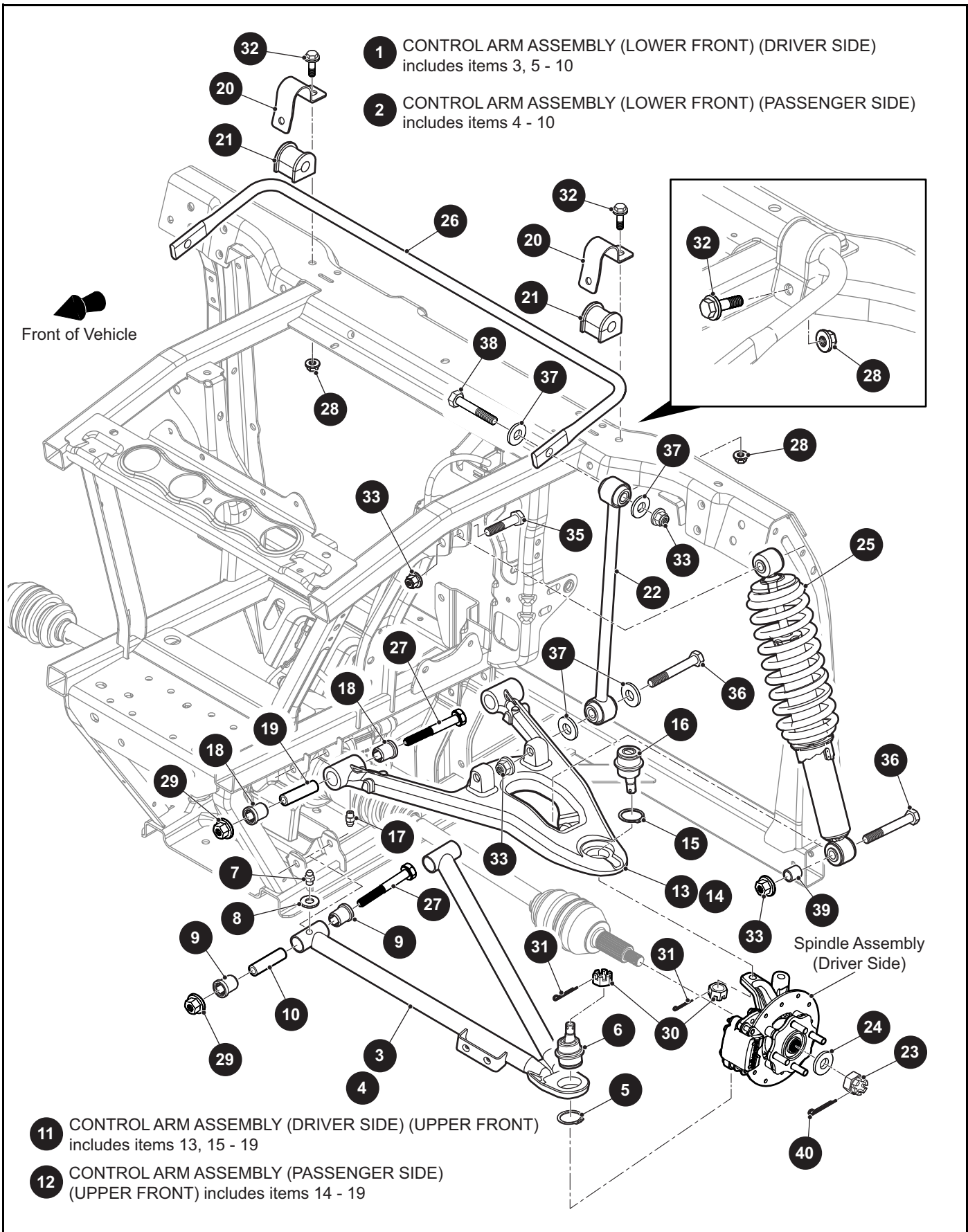
When ordering parts, please specify the model and serial number of the product.

* Indicates a component that is not available as an individual part.

*** Indicates consult Customer Service Department for additional information.

ITEM	PART NO.	1 2 3 4 5	DESCRIPTION	QTY.
1	634030G01		FRONT SPINDLE ASSEMBLY (DRIVER SIDE) (INCLUDES ITEMS 3, 4, 13 - 21)	1
2	634030G02		FRONT SPINDLE ASSEMBLY (PASSENGER SIDE) (INCLUDES ITEMS 6, 7, 13 - 21)	1
3	651647G01		SPINDLE ASSEMBLY (DRIVER SIDE) (INCLUDES ITEMS 9, 11 - 12) ...	1
4	633918G01		BRAKE CALIPER ASSEMBLY (DRIVER SIDE) (INCLUDES ITEM 5).....	1
5	668990		BRAKE PAD KIT	1
6	651647G02		SPINDLE ASSEMBLY (PASSENGER SIDE) (INCLUDES ITEMS 10 - 12)	1
7	633918G02		BRAKE CALIPER ASSEMBLY (PASSENGER SIDE) (INCLUDES ITEM 8)	1
8	668990		BRAKE PAD KIT	1
9	650034G01		SPINDLE (DRIVER SIDE)	1
10	650034G02		SPINDLE (PASSENGER SIDE)	1
11	650469		BEARING, 72MM O.D. X 42MM I.D.....	1
12	651145		RETAINING RING (INTERNAL), 72MM.....	1
13	650227G01		HUB ASSEMBLY (INCLUDES ITEMS 14 - 17)	1
14	650228		ROTOR (CROSS DRILLED).....	1
15	650221G101		HUB.....	1
16	19862G2		WHEEL HUB BOLT, 1/2" - 20 X 1.718" LG	4
17	636096		HEX HEAD BOLT, M8 - 1.25 X 20MM LG.....	4
18				
19				
20	00426G8		HEX HEAD BOLT, 3/8" - 16 X 1" LG.....	2
21	00566G1		LOCK WASHER (SPRING TYPE), 3/8"	2

FRONT SUSPENSION



FRONT SUSPENSION

THE USE OF NON U.L. PARTS WILL VOID ANY U.L. LISTING.

When ordering parts, please specify the model and serial number of the product.

* Indicates a component that is not available as an individual part.

*** Indicates consult Customer Service Department for additional information.

ITEM	PART NO.	1 2 3 4 5	DESCRIPTION	QTY.
1	639607G01		CONTROL ARM ASSEMBLY (LOWER FRONT) (DRIVER SIDE) (INCLUDES ITEMS 3, 5 - 10)	1
2	639607G02		CONTROL ARM ASSEMBLY (LOWER FRONT) (PASSENGER SIDE) (INCLUDES ITEMS 4 - 10)	1
3	633912G01		CONTROL ARM (DRIVER SIDE)	1
4	633912G02		CONTROL ARM (PASSENGER SIDE)	1
5	634376		SNAP RING (EXTERNAL), 32MM.....	1
6	635130		BALL JOINT, M12 - 1.25.....	1
7	654868G01		GREASE FITTING (STRAIGHT)	2
8	655130		FLAT WASHER, M6.....	2
9	647320		FLANGED BUSHING, 15.875MM I.D.....	4
10	647322G01		TUBE, 10.54MM I.D. X 60.95MM LG	2
11	639615G01		CONTROL ARM ASSEMBLY (DRIVER SIDE) (UPPER FRONT) (INCLUDES ITEMS 13, 15 - 19)	1
12	639615G02		CONTROL ARM ASSEMBLY (PASSENGER SIDE) (UPPER FRONT) (INCLUDES ITEMS 14 - 19)	1
13	643488G01		CONTROL ARM (DRIVER SIDE)	1
14	643488G02		CONTROL ARM (PASSENGER SIDE)	1
15	634376		SNAP RING (EXTERNAL), 32MM.....	1
16	635130		BALL JOINT, M12 - 1.25.....	1
17	654868G01		GREASE FITTING (STRAIGHT)	2
18	647320		FLANGED BUSHING, 15.875MM I.D.....	4
19	647322G01		TUBE, 10.54MM I.D. X 60.95MM LG	2
20	648453		STABILIZER BAR BRACKET	2
21	633953		STABILIZER BAR BUSHING	2
22	634391		STABILIZER BAR LINK	1
23	653662		CASTLE NUT, M18 - 1.5.....	1
24	653546		FLAT WASHER (BRAKE DRUM), 34MM O.D X 19MM I.D	1
25	652617		SHOCK ABSORBER.....	1
26	652207		STABILIZER BAR	1
27	648282		HEX HEAD BOLT, M10 - 1.5 X 85MM LG.....	4
28	600525		LOCK NUT, M10 - 1.5	4

FRONT SUSPENSION

THE USE OF NON U.L. PARTS WILL VOID ANY U.L. LISTING.

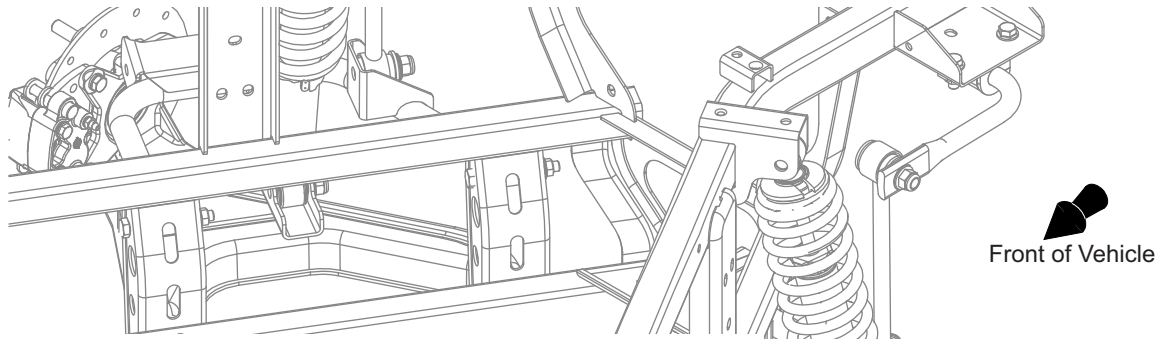
When ordering parts, please specify the model and serial number of the product.

* Indicates a component that is not available as an individual part.

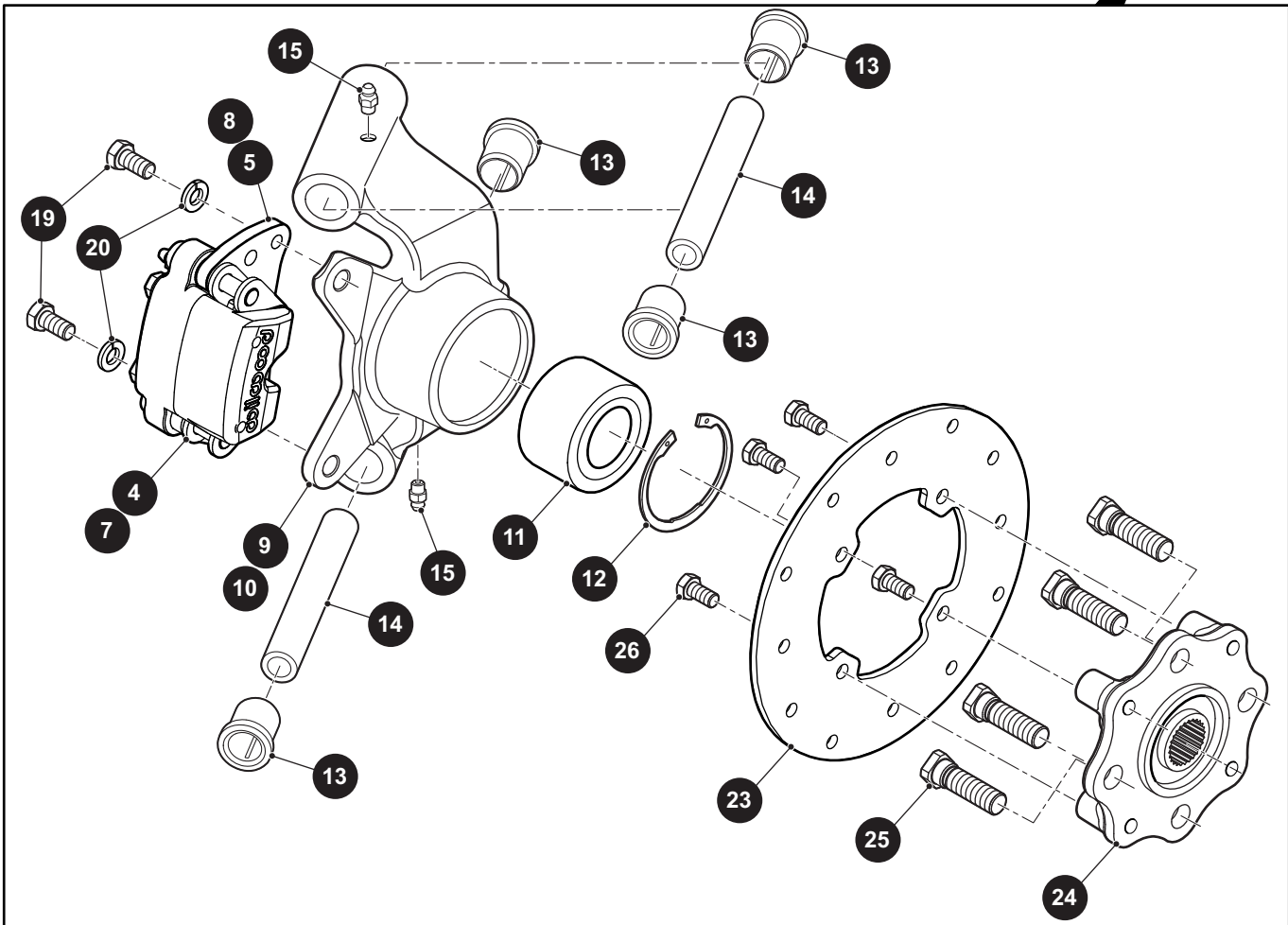
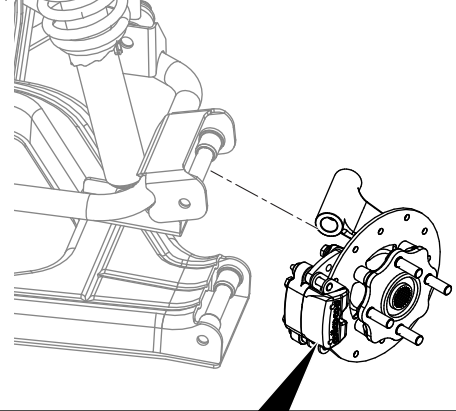
*** Indicates consult Customer Service Department for additional information.

ITEM	PART NO.	1	2	3	4	5	DESCRIPTION	QTY.
29	648753						FLANGED LOCK NUT, M10 - 1.5.....	4
30	608005						CASTLE NUT, M12 - 1.25	2
31	10387G2						COTTER PIN, .094" X 1" LG	2
32	603799						FLANGED HEX HEAD BOLT, M10 - 1.5 X 25MM LG	4
33	648198						LOCK NUT, M12 - 1.75.....	4
34								
35	01066G04						HEX HEAD BOLT, M12 - 1.75 X 60MM LG	1
36	01066G06						HEX HEAD BOLT, M12 - 1.75 X 90MM LG	2
37	603182						FLAT WASHER, M12	4
38	01066G05						HEX HEAD BOLT, M12 - 1.75 X 70MM LG	1
39	646314						SPACER	1
40	00798G8						COTTER PIN, 5/32" X 1 - 3/4"	1

REAR SUSPENSION



- 1 REAR SPINDLE ASSEMBLY (DRIVER SIDE) includes items 3, 4, 19 - 26
- 2 REAR SPINDLE ASSEMBLY (PASSENGER SIDE) includes items 6, 7, 19 - 26
- 3 SPINDLE ASSEMBLY (DRIVER SIDE) includes items 9, 11 - 15
- 4 BRAKE CALIPER ASSEMBLY (DRIVER SIDE) includes item 5
- 6 SPINDLE ASSEMBLY (PASSENGER SIDE) includes items 10 - 15
- 7 BRAKE CALIPER ASSEMBLY (PASSENGER SIDE) includes item 8
- 22 HUB ASSEMBLY includes items 23 - 26



REAR SUSPENSION

THE USE OF NON U.L. PARTS WILL VOID ANY U.L. LISTING.

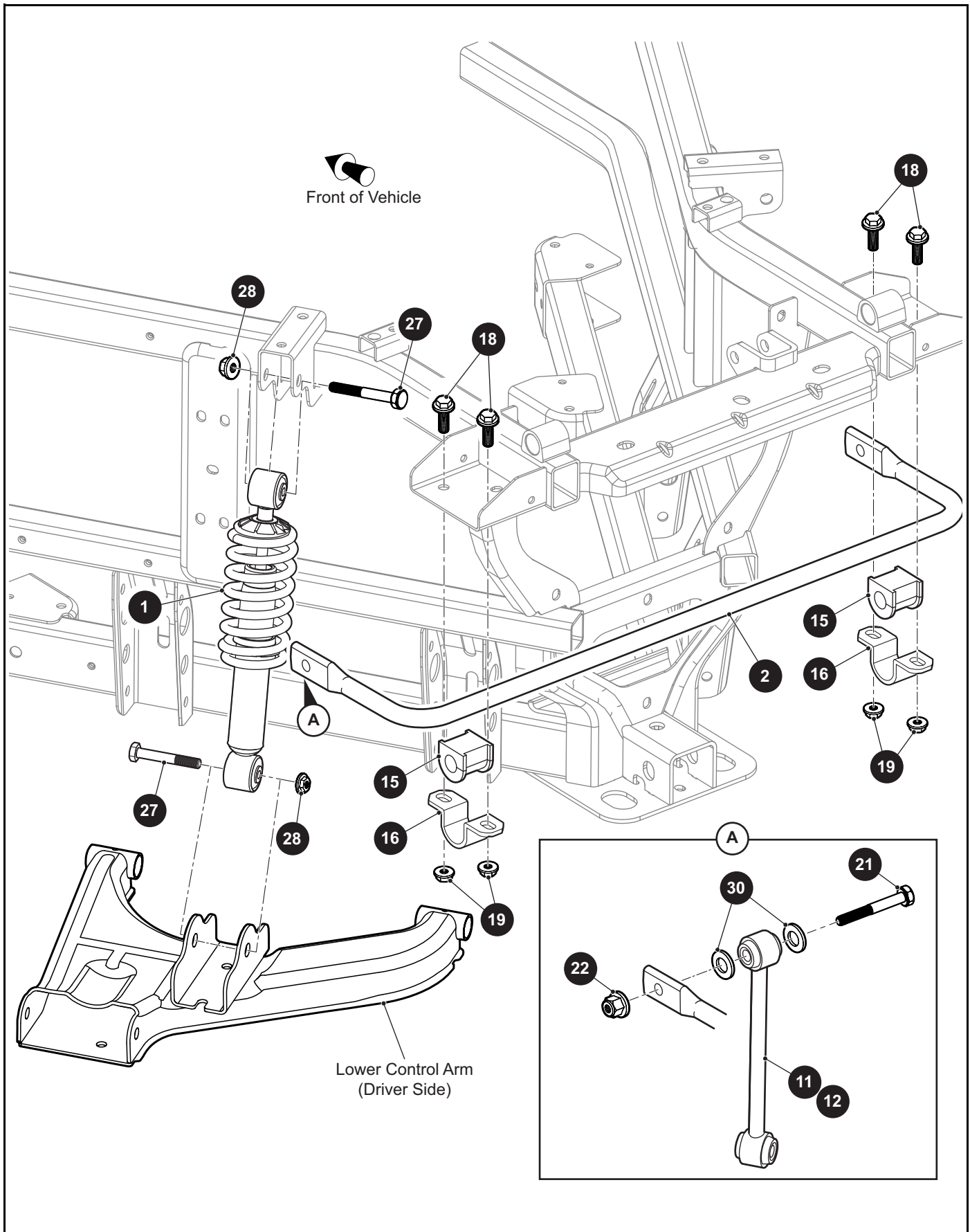
When ordering parts, please specify the model and serial number of the product.

* Indicates a component that is not available as an individual part.

*** Indicates consult Customer Service Department for additional information.

ITEM	PART NO.	1 2 3 4 5	DESCRIPTION	QTY.
1	634031G01		REAR SPINDLE ASSEMBLY (DRIVER SIDE) (INCLUDES ITEMS 3, 4, 19 - 26)	1
2	634031G02		REAR SPINDLE ASSEMBLY (PASSENGER SIDE) (INCLUDES ITEMS 6, 7, 19 - 26)	1
3	651605G01		SPINDLE ASSEMBLY (DRIVER SIDE) (INCLUDES ITEMS 9, 11 - 15) ...	1
4	633918G01		BRAKE CALIPER ASSEMBLY (DRIVER SIDE) (INCLUDES ITEM 5).....	1
5	668990		BRAKE PAD KIT	1
6	651605G02		SPINDLE ASSEMBLY (PASSENGER SIDE) (INCLUDES ITEMS 10 - 15)	1
7	633918G02		BRAKE CALIPER ASSEMBLY (PASSENGER SIDE) (INCLUDES ITEM 8)	1
8	668990		BRAKE PAD KIT	1
9	650297G01		SPINDLE (DRIVER SIDE)	1
10	650297G02		SPINDLE (PASSENGER SIDE)	1
11	650469		BEARING, 72MM O.D. X 42MM I.D.....	1
12	651145		RETAINING RING (INTERNAL), 72MM.....	1
13	647320		FLANGED BUSHING, 15.875MM I.D.	4
14	647322G02		TUBE, 10.54MM X 108.96MM LG	2
15	654868G01		ZERK (STRAIGHT), 1/4" - 28	2
16				
17				
18				
19	00426G8		HEX HEAD BOLT, 3/8" - 16 X 1" LG.....	2
20	00566G1		LOCK WASHER (SPRING TYPE), 3/8"	2
21				
22	650227G01		HUB ASSEMBLY (INCLUDES ITEMS 23 - 26)	1
23	650228		ROTOR (CROSS DRILLED).....	1
24	650221G101		HUB.....	1
25	19862G2		WHEEL HUB BOLT, 1/2" - 20 X 1.718" LG	4
26	636096		HEX HEAD BOLT, M8 - 1.25 X 20MM LG.....	4

REAR SUSPENSION



REAR SUSPENSION

THE USE OF NON U.L. PARTS WILL VOID ANY U.L. LISTING.

When ordering parts, please specify the model and serial number of the product.

* Indicates a component that is not available as an individual part.

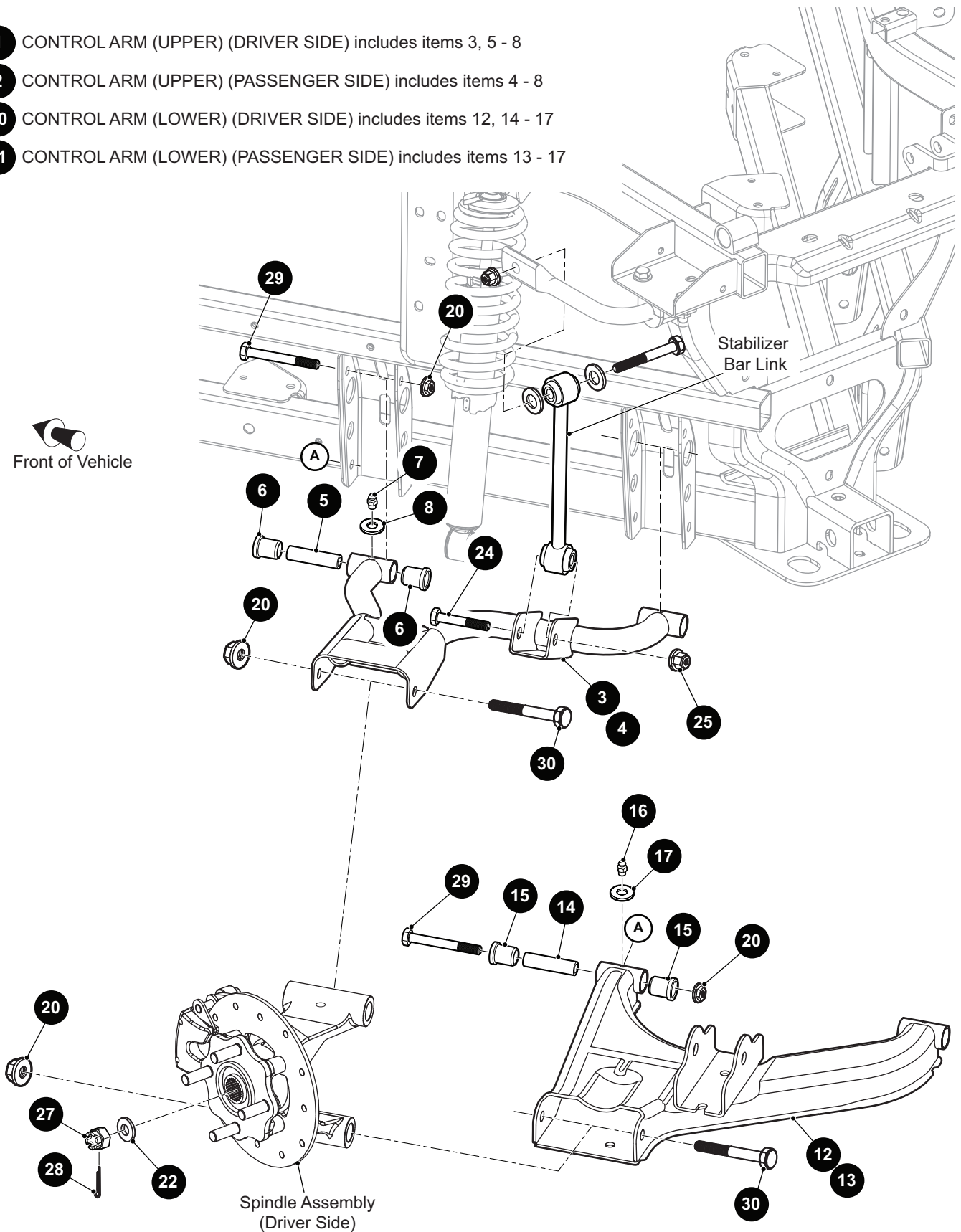
*** Indicates consult Customer Service Department for additional information.

ITEM	PART NO.	1 2 3 4 5	DESCRIPTION	QTY.
1	651912		SHOCK ABSORBER.....	1
2	633724		STABILIZER BAR	1
3				
4				
5				
6				
7				
8				
9				
10				
11	634396G01		STABILIZER BAR LINK (DRIVER SIDE)	1
12	634396G02		STABILIZER BAR LINK (PASSENGER SIDE)	1
13				
14				
15	633953		STABILIZER BAR BUSHING	2
16	657873		STABILIZER BAR BRACKET	2
17				
18	603799		FLANGED HEX HEAD BOLT, M10 - 1.5 X 25MM LG.....	4
19	600525		LOCK NUT, M10 - 1.5	4
20				
21	01066G05		HEX HEAD BOLT, M12 - 1.75 X 70MM LG.....	1
22	648198		LOCK NUT, M12 - 1.75	1
23				
24				
25				
26				
27	01066G08		HEX HEAD BOLT, M12 - 1.75 X 80MM LG.....	2
28	648198		LOCK NUT, M12 - 1.75	2
29				
30	603182		FLAT WASHER, M12	2
31				

REAR SUSPENSION

- 1** CONTROL ARM (UPPER) (DRIVER SIDE) includes items 3, 5 - 8
- 2** CONTROL ARM (UPPER) (PASSENGER SIDE) includes items 4 - 8
- 10** CONTROL ARM (LOWER) (DRIVER SIDE) includes items 12, 14 - 17
- 11** CONTROL ARM (LOWER) (PASSENGER SIDE) includes items 13 - 17

Front of Vehicle

REAR SUSPENSION

THE USE OF NON U.L. PARTS WILL VOID ANY U.L. LISTING.

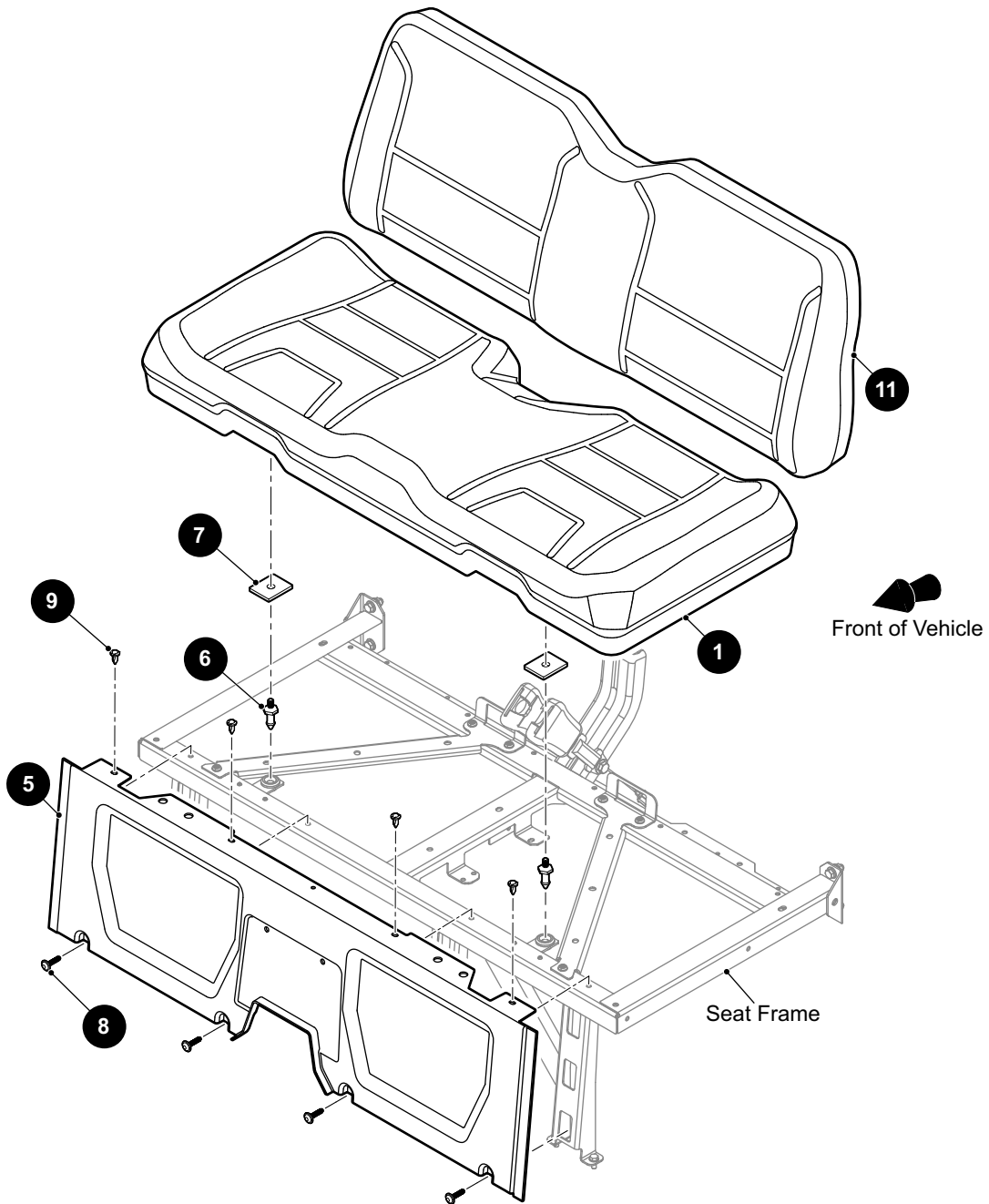
When ordering parts, please specify the model and serial number of the product.

* Indicates a component that is not available as an individual part.

*** Indicates consult Customer Service Department for additional information.

ITEM	PART NO.	1 2 3 4 5	DESCRIPTION	QTY.
1	656599G01		CONTROL ARM (UPPER) (DRIVER SIDE) (INCLUDES ITEMS 3, 5 - 8).....	1
2	656599G02		CONTROL ARM (UPPER) (PASSENGER SIDE) (INCLUDES ITEMS 4 - 8) ..	1
3	652006G01		CONTROL ARM (DRIVER SIDE)	1
4	652006G02		CONTROL ARM (PASSENGER SIDE)	1
5	647322G01		TUBE, 10.54MM X 60.95MM LG	2
6	647320		FLANGED BUSHING, 15.875MM I.D.....	4
7	654868G01		ZERK (STRAIGHT)	2
8	655130		FLAT WASHER, M6.....	2
9				
10	656598G01		CONTROL ARM (LOWER) (DRIVER SIDE) (INCLUDES ITEMS 12, 14 - 17)	1
11	656598G02		CONTROL ARM (LOWER) (PASSENGER SIDE) (INCLUDES ITEMS 13 - 17)	1
12	653386G103		CONTROL ARM (DRIVER SIDE)	1
13	653386G203		CONTROL ARM (PASSENGER SIDE)	1
14	647322G01		TUBE, 10.54MM X 60.95MM LG	2
15	647320		FLANGED BUSHING, 15.875MM I.D.....	4
16	654868G01		ZERK (STRAIGHT)	2
17	655130		FLAT WASHER, M6.....	2
18				
19				
20	648753		LOCK NUT, M10 - 1.5	6
21				
22	653546		FLAT WASHER, M18	1
23				
24	01066G05		HEX HEAD BOLT, M12 - 1.75 X 70MM LG.....	1
25	648198		LOCK NUT, M12 - 1.75	1
26				
27	653662		CASTLE NUT, M18 - 1.5MM	1
28	00798G8		COTTER PIN, 5/32" X 1 - 3/4"	1
29	648282		HEX HEAD BOLT, M10 - 1.5 X 85MM LG.....	4
30	648283		HEX HEAD BOLT, M10 - 1.5 X 140MM LG.....	2

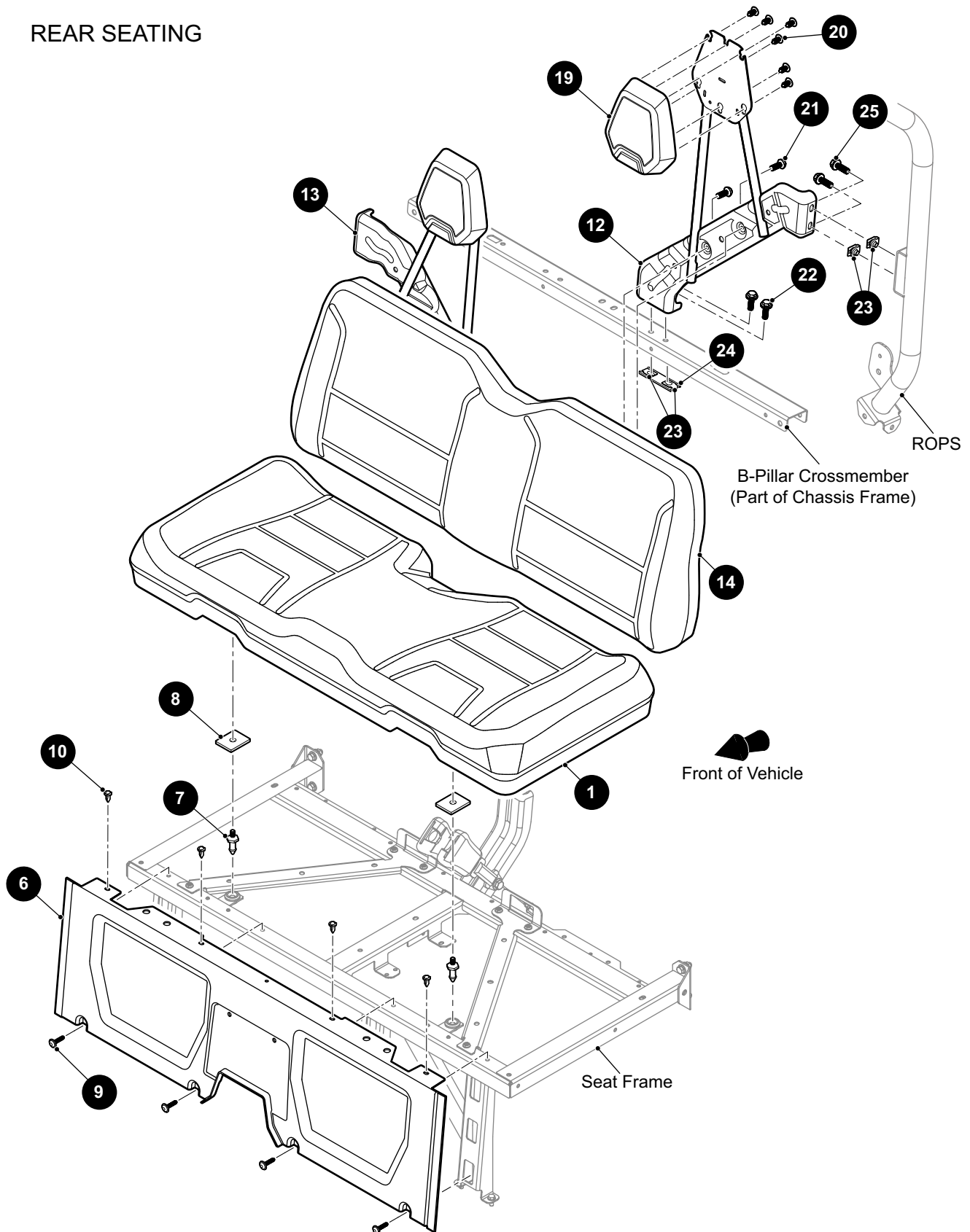
FRONT SEATING



THE USE OF NON U.L. PARTS WILL VOID ANY U.L. LISTING.
 When ordering parts, please specify the model and serial number of the product.
 * Indicates a component that is not available as an individual part.
 *** Indicates consult Customer Service Department for additional information.

ITEM	PART NO.	1 2 3 4 5	DESCRIPTION	QTY.
1	645899G06		SEAT BOTTOM ASSEMBLY (BLACK).....	1
2				
3				
4				
5	641394		FRONT SEAT CLOSEOUT	1
6	639904		SEAT RETENTION PIN	2
7	646115		BACKING PLATE	2
8	645323		PAN WASHER HEAD TORX SCREW, M6 - 1 X 23.4MM LG	4
9	667790		REMOVABLE RIVET, .320".....	4
10				
11	645900G06		SEAT BACK ASSEMBLY (BLACK)	1

REAR SEATING



THE USE OF NON U.L. PARTS WILL VOID ANY U.L. LISTING.

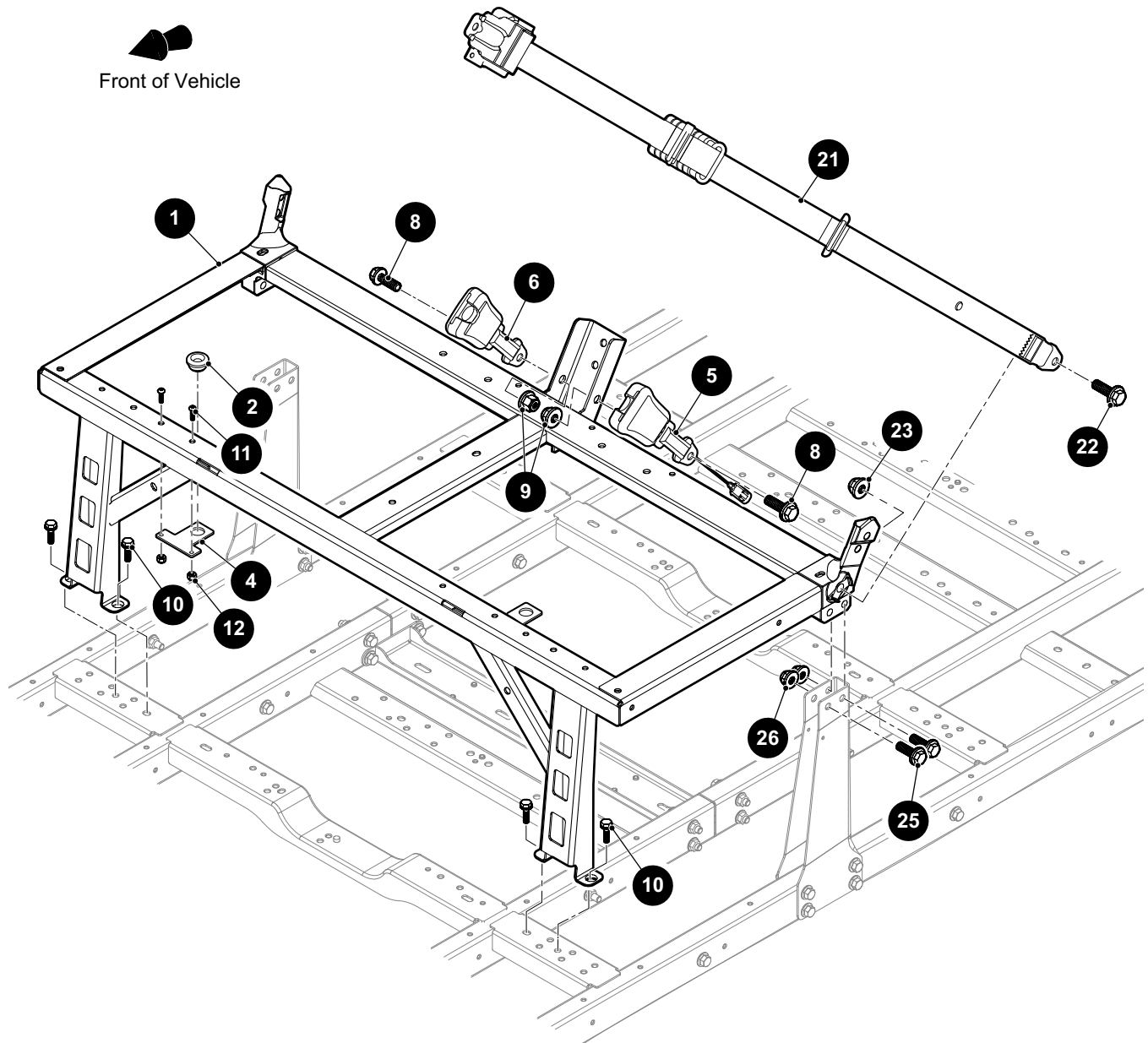
When ordering parts, please specify the model and serial number of the product.

* Indicates a component that is not available as an individual part.

*** Indicates consult Customer Service Department for additional information.

ITEM	PART NO.	1 2 3 4 5	DESCRIPTION	QTY.
1	645899G06		SEAT BOTTOM ASSEMBLY (BLACK).....	1
2				
3				
4				
5				
6	649952		REAR SEAT CLOSEOUT	1
7	639904		SEAT RETENTION PIN	2
8	646115		BACKING PLATE	2
9	645323		PAN WASHER HEAD TORX SCREW, M6 - 1 X 23.4MM LG	4
10	667790		REMOVABLE RIVET, .320".....	4
11				
12	644918G1390		SEAT BACK SUPPORT (DRIVER SIDE).....	1
13	644918G2390		SEAT BACK SUPPORT (PASSENGER SIDE)	1
14	645900G06		SEAT BACK ASSEMBLY (BLACK)	1
15				
16				
17				
18				
19	641663		HEADREST (POWERSPORT)	1
20	16816G2		RATCHET RIVET, .25" X .887" LG	6
21	600530		BUTTON HEAD TORX BOLT, M10 - 1.5 X 25MM LG	2
22	603799		FLANGED HEX HEAD BOLT, M10 - 1.5 X 25MM LG.....	4
23	603818		BARREL CLIP, M10 - 1.5	4
24	654348G0390		MOUNTING PLATE (REAR)	1
25	646561		FLANGED HEX HEAD BOLT, M10 - 1.5 X 20MM LG.....	2

FRONT SEAT FRAME



THE USE OF NON U.L. PARTS WILL VOID ANY U.L. LISTING.

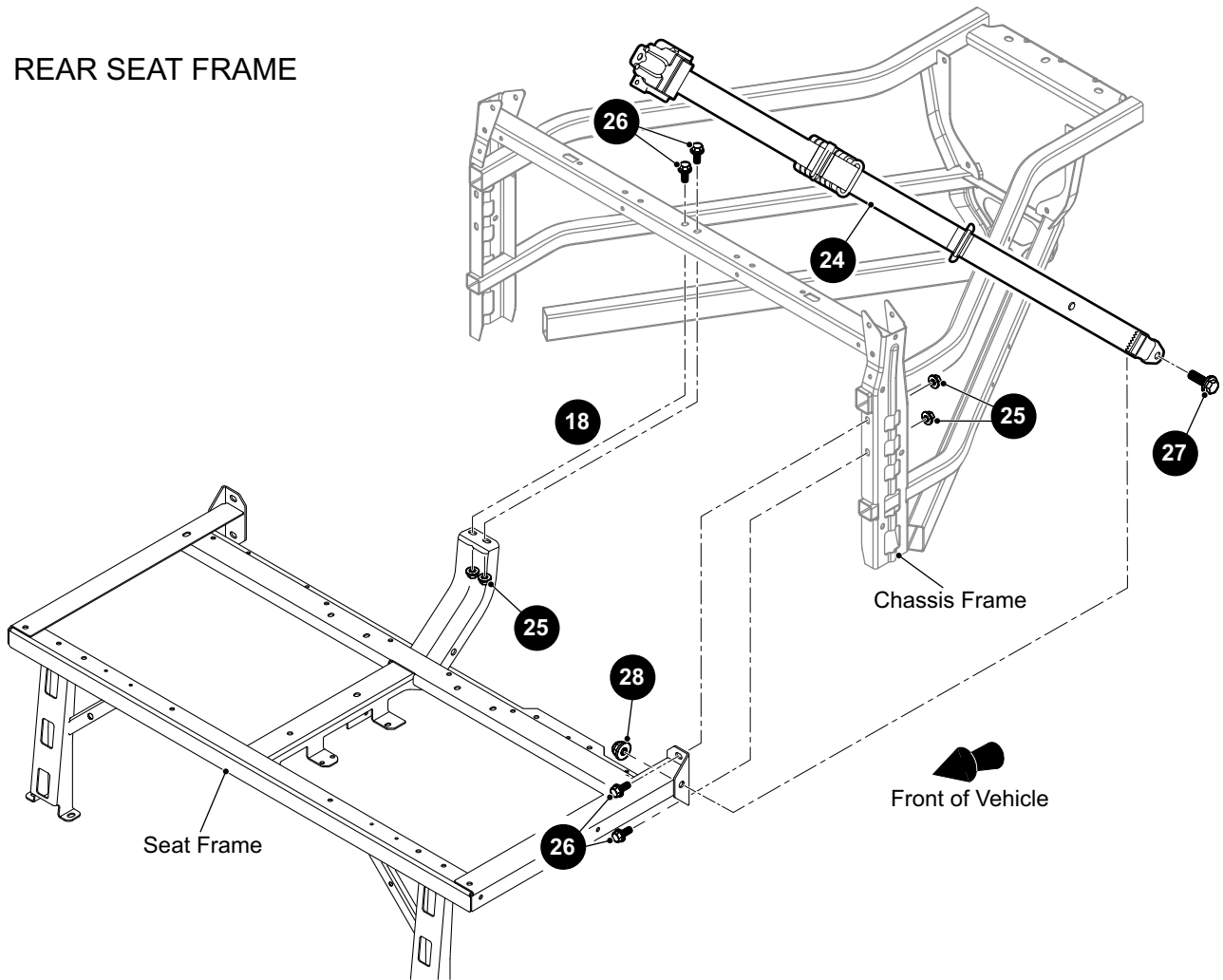
When ordering parts, please specify the model and serial number of the product.

* Indicates a component that is not available as an individual part.

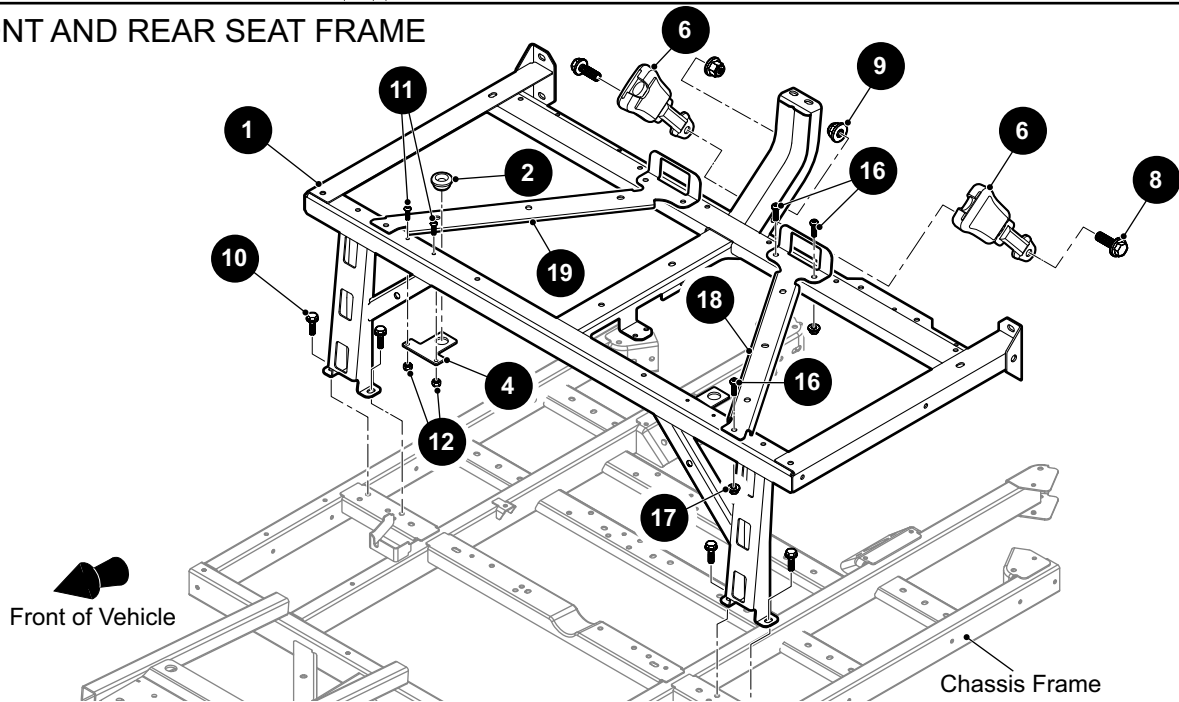
*** Indicates consult Customer Service Department for additional information.

ITEM	PART NO.	1 2 3 4 5	DESCRIPTION	QTY.
1	661872		FRONT SEAT FRAME	1
2	638668		SEAT RETENTION GROMMET.....	2
3				
4	638697		SEAT RETENTION BRACKET	2
5	643660		SEAT BELT LATCH WITH CONNECTOR.....	1
6	648412		SEAT BELT LATCH WITHOUT CONNECTOR	1
7				
8	649013		FLANGED HEX HEAD BOLT, M12 - 1.75 X 30MM LG.....	2
9	648198		LOCK NUT, M12 - 1.75	2
10	640723		SELF TAPPING SCREW, M8 - 1.25 X 20MM LG	4
11	612859		PAN HEAD TORX SCREW, M5 - .8 X 12MM LG.....	4
12	610683		LOCK NUT, M5 - .8	4
13				
14				
15				
16				
17				
18				
19				
20				
21	649870		SEAT BELT RETRACTOR, 112" LG	1
22	652665		FLANGED HEX HEAD BOLT, M12 - 1.75 X 45MM LG.....	1
23	616971		LOCK NUT, M12 - 1.75	1
24				
25	603800		FLANGED HEX HEAD BOLT, M10 - 1.5 X 50MM LG	4
26	600525		LOCK NUT, M10 - 1.5	4

REAR SEAT FRAME



FRONT AND REAR SEAT FRAME



THE USE OF NON U.L. PARTS WILL VOID ANY U.L. LISTING.

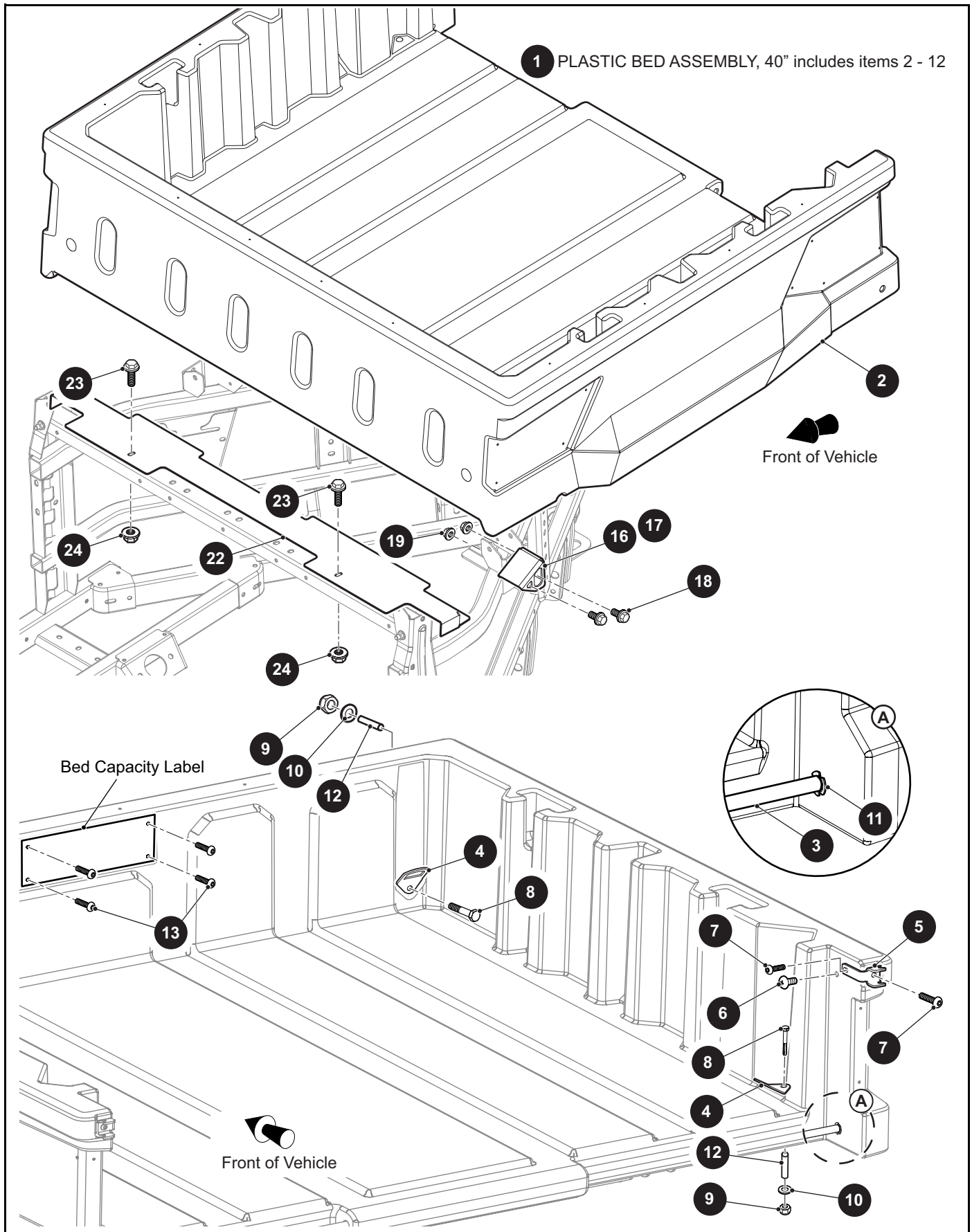
When ordering parts, please specify the model and serial number of the product.

* Indicates a component that is not available as an individual part.

*** Indicates consult Customer Service Department for additional information.

ITEM	PART NO.	1 2 3 4 5	DESCRIPTION	QTY.
1	643943		REAR SEAT FRAME	1
2	638668		SEAT RETENTION GROMMET.....	2
3				
4	638697		SEAT RETENTION BRACKET	2
5				
6	648412		SEAT BELT LATCH WITHOUT CONNECTOR	2
7				
8	649013		FLANGED HEX HEAD BOLT, M12 - 1.75 X 30MM LG.....	2
9	648198		LOCK NUT, M12 - 1.75	2
10	640723		SELF TAPPING SCREW, M8 - 1.25 X 20MM LG	4
11	612859		PAN HEAD TORX SCREW, M5 - .8 X 12MM LG.....	4
12	610683		LOCK NUT, M5 - .8	4
13				
14				
15				
16	646371		PAN HEAD BOLT, M8 - 1.25 X 20MM LG	3
17	645956		FLANGED HEX NUT, M8 - 1.25.....	3
18	645357G01		SEAT FRAME SUPPORT CROSSMEMBER (DRIVER SIDE)	1
19	645357G02		SEAT FRAME SUPPORT CROSSMEMBER (PASSENGER SIDE)	1
20				
21				
22				
23				
24	649870		SEAT BELT RETRACTOR, 112" LG	1
25	600525		LOCK NUT, M10 - 1.5	6
26	603799		FLANGED HEX HEAD BOLT, M10 - 1.5 X 25MM LG.....	6
27	649013		FLANGED HEX HEAD BOLT, M12 - 1.75 X 30MM LG.....	1
28	648198		LOCK NUT, M12 - 1.75	1

TRUCK BED



THE USE OF NON U.L. PARTS WILL VOID ANY U.L. LISTING.

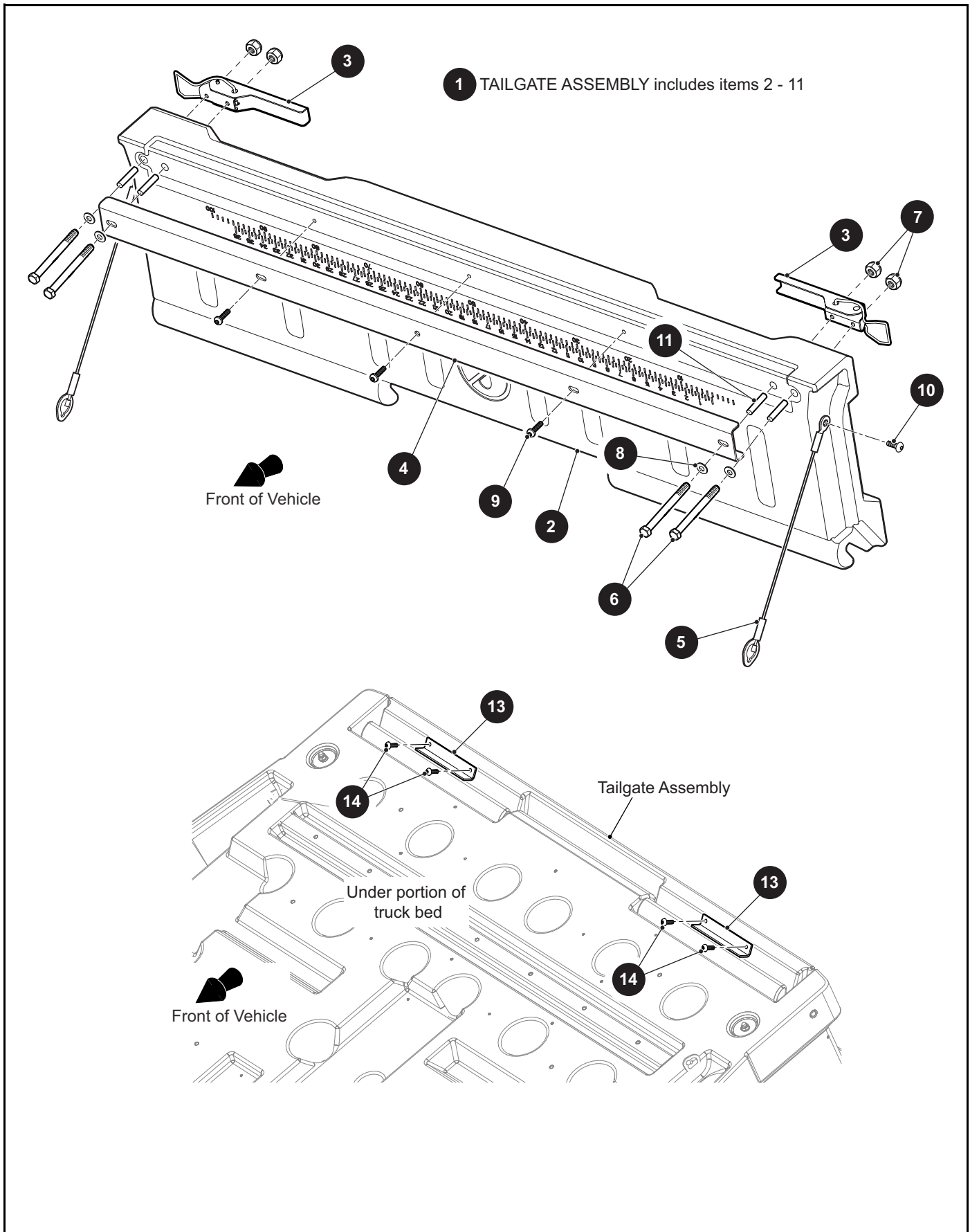
When ordering parts, please specify the model and serial number of the product.

* Indicates a component that is not available as an individual part.

*** Indicates consult Customer Service Department for additional information.

ITEM	PART NO.	1 2 3 4 5	DESCRIPTION	QTY.
1	655663		PLASTIC BED ASSEMBLY, 40" (INCLUDES ITEMS 2 - 12)	1
2	655114		CARGO BED	1
3	656027		TAILGATE HINGE	1
4	650566		D-RINGS	2
5	651110		TAILGATE LATCH	1
6	662512		SHOULDER BOLT, 8.89MM DIA X 4.76MM LG	1
7	662907		TRUSS HEAD SCREW, M6 - 1 X 16MM LG	2
8	616699		HEX HEAD BOLT, M8 - 1.25 X 75MM LG	2
9	642477		LOCK NUT, M8 - 1.25.....	2
10	616671		FLAT WASHER, 15.8MM X 8.5MM X 1.5MM.....	4
11	656028		RETAINER RING	2
12	663573		SLEEVE.....	4
13	646047		PLASTITE SCREW, M6 - 2.14 X 20MM LG.....	4
14				
15				
16	660849G01		STRIKER PLATE (DRIVER SIDE)	1
17	660849G02		STRIKER PLATE (PASSENGER SIDE)	1
18	606261		FLANGED HEX HEAD BOLT, M8 - 1.25 X 20MM LG.....	2
19	606278		FLANGED HEX NUT, M8 - 1.25.....	2
20				
21				
22	659482		CLOSEOUT PANEL.....	1
23	606261		FLANGED HEX HEAD BOLT, M8 - 1.25 X 20MM LG.....	2
24	645956		FLANGED HEX NUT, M8 - 1.25.....	2

TRUCK BED



THE USE OF NON U.L. PARTS WILL VOID ANY U.L. LISTING.

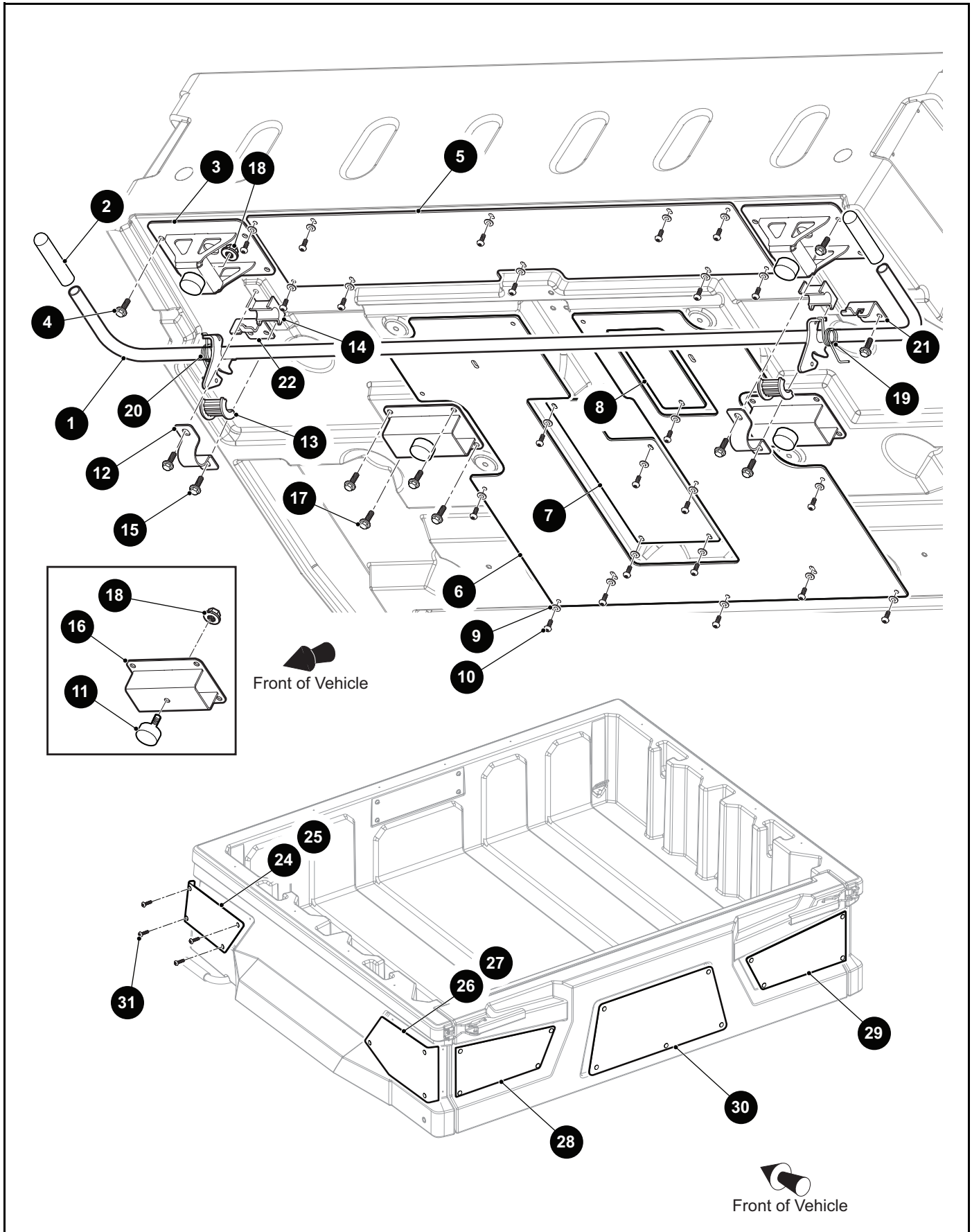
When ordering parts, please specify the model and serial number of the product.

* Indicates a component that is not available as an individual part.

*** Indicates consult Customer Service Department for additional information.

ITEM	PART NO.	1 2 3 4 5	DESCRIPTION	QTY.
1	655664		TAILGATE ASSEMBLY (INCLUDES ITEMS 2 - 11).....	1
2	655449		TAILGATE.....	1
3	645082		LATCH ASSEMBLY	2
4	655717		STIFFENER.....	1
5	651635		TAILGATE CABLE	2
6	662906		TRUSS HEAD PHILLIPS SCREW, 1/4" - 20 X 4.25" LG	4
7	14390G4		LOCK NUT, 1/4" - 20	4
8	608747		FLAT WASHER, M6 X 1.5	4
9	662907		TRUSS HEAD SCREW, M6 X 16MM LG	3
10	662512		SHOULDER BOLT, 8.89MM DIA X 4.76MM LG	2
11	663566		SLEEVE.....	4
12				
13	662009		PIVOT SUPPORT	2
14	646047		PLASTITE SCREW, M6 - 2 X 20MM LG.....	4

TRUCK BED



THE USE OF NON U.L. PARTS WILL VOID ANY U.L. LISTING.

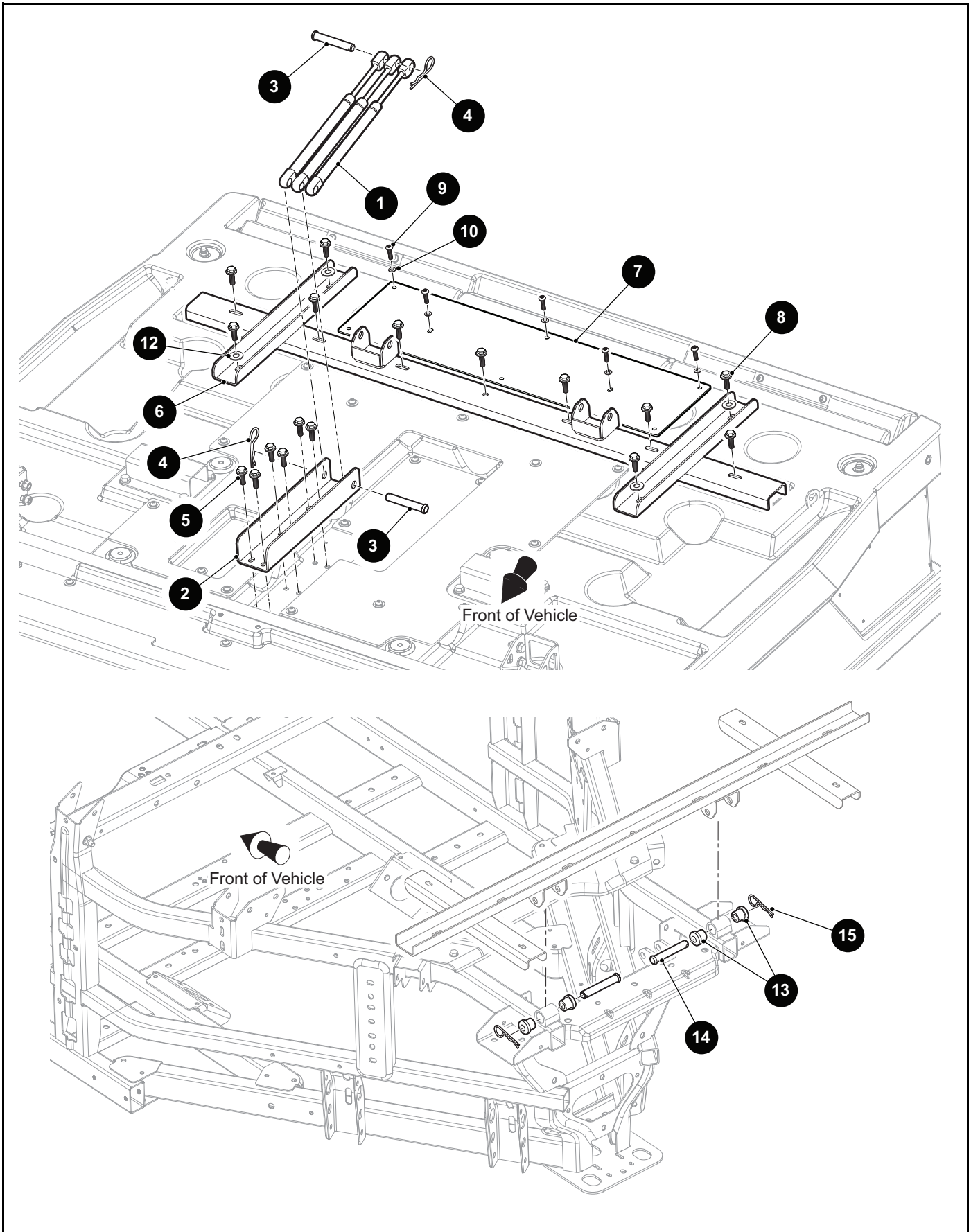
When ordering parts, please specify the model and serial number of the product.

* Indicates a component that is not available as an individual part.

*** Indicates consult Customer Service Department for additional information.

ITEM	PART NO.	1 2 3 4 5	DESCRIPTION	QTY.
1	655078		HANDLE.....	1
2	643080		HANDLE GRIP.....	2
3	660716		BED MOUNT WELDMENT.....	2
4	606261		FLANGED HEX HEAD BOLT, M8 - 1.25 X 20MM LG.....	8
5	655968		FRONT HEATSHIELD.....	1
6	655970		MAIN HEATSHIELD.....	1
7	655973		MIDDLE HEATSHIELD.....	1
8	655972		BED HEATSHIELD (DRIVER SIDE).....	1
9	608747		FLAT WASHER, M6 - 1.5.....	30
10	646047		PLASTITE SCREW, M6 - 2 X 20MM LG.....	30
11	70113G01		ADJUSTABLE BUMPER.....	4
12	657873		STABILIZER BAR BUSHING BRACKET.....	2
13	647633		BUSHING (TOP).....	2
14	647635		BUSHING (BOTTOM).....	2
15	606261		FLANGED HEX HEAD BOLT, M8 - 1.25 X 20MM LG.....	4
16	661915		REAR BED SUPPORT WELDMENT.....	2
17	606261		FLANGED HEX HEAD BOLT, M8 - 1.25 X 20MM LG.....	4
18	11027G1		FLANGED LOCK NUT, 5/16" - 18.....	2
19	646136G01		BED LATCH RETURN SPRING (DRIVER SIDE).....	1
20	646136G02		BED LATCH RETURN SPRING (PASSENGER SIDE).....	1
21	655168G01		BED LATCH SPRING BRACKET (DRIVER SIDE).....	1
22	655168G02		BED LATCH SPRING BRACKET (PASSENGER SIDE).....	1
23				
24	657580G01XX		FRONT BED PANEL (DRIVER SIDE).....	1
25	657580G02XX		FRONT BED PANEL (PASSENGER SIDE).....	1
26	657582G01XX		REAR BED PANEL (DRIVER SIDE).....	1
27	657582G02XX		REAR BED PANEL (PASSENGER SIDE).....	1
28	657588G01XX		TAILGATE PANEL (DRIVER SIDE).....	1
29	657588G02XX		TAILGATE PANEL (PASSENGER SIDE).....	1
30	657589G00XX		TAILGATE CENTER PANEL.....	1
31	646047		PLASTITE SCREW, M6 - 2.14 X 20MM LG.....	27

TRUCK BED



THE USE OF NON U.L. PARTS WILL VOID ANY U.L. LISTING.

When ordering parts, please specify the model and serial number of the product.

* Indicates a component that is not available as an individual part.

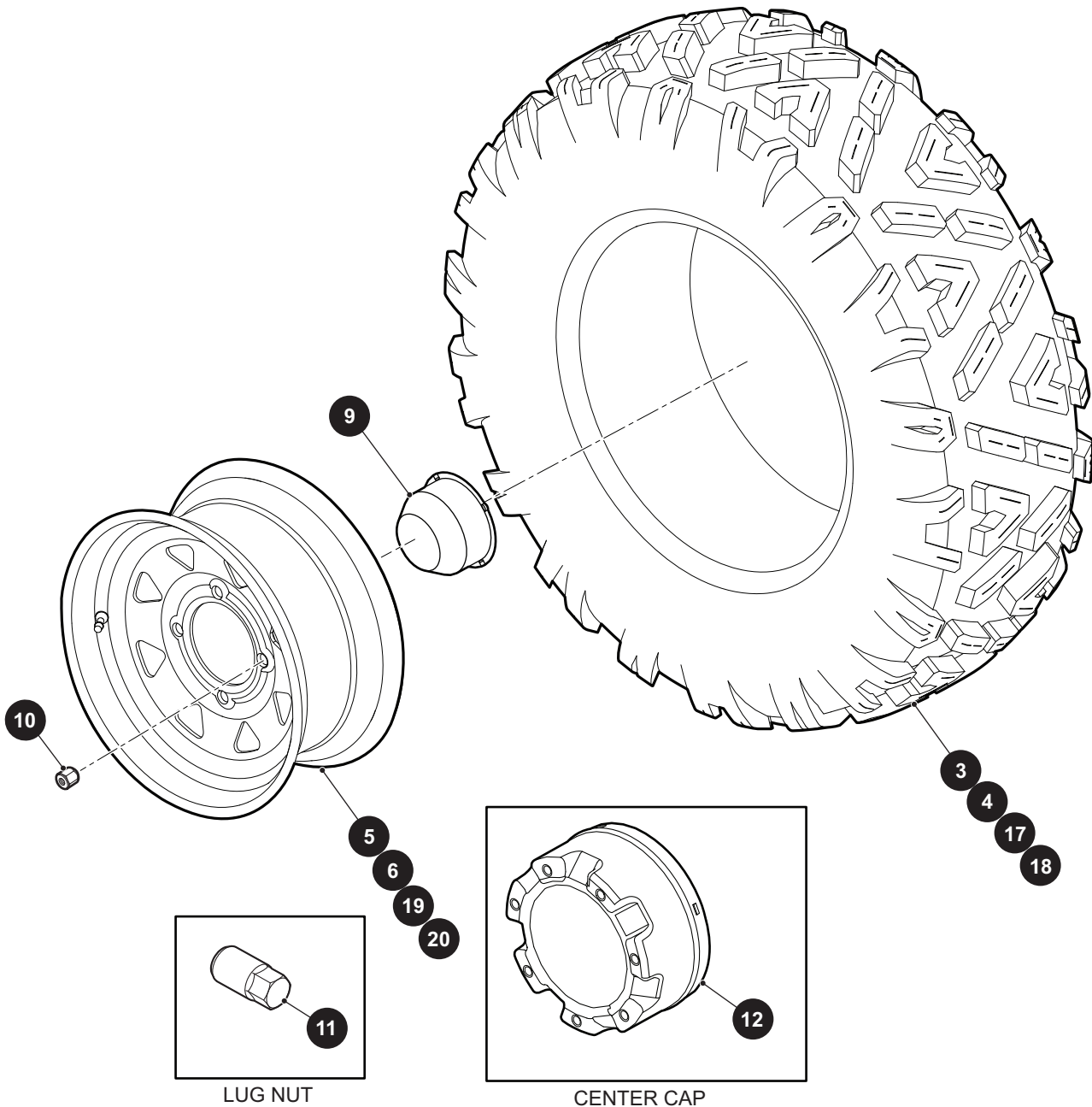
*** Indicates consult Customer Service Department for additional information.

ITEM	PART NO.	1 2 3 4 5	DESCRIPTION	QTY.
1	655485		GAS SPRING.....	3
2	659330		GAS CHANNEL SPRING MOUNT.....	1
3	14443G10		CLEVIS PIN, .50" X 3" LG.....	2
4	21683G1		COTTER PIN, .320" X 2.969"	2
5	606261		FLANGED HEX HEAD BOLT, M8 - 1.25 X 20MM LG.....	6
6	660296		BED FRAME BRACKET	1
7	655971		REAR HEATSHIELD	1
8	606261		FLANGED HEX HEAD BOLT, M8 - 1.25 X 20MM LG.....	11
9	646047		PLASTITE SCREW, M6 - 2 X 20MM LG.....	8
10	608747		FLAT WASHER, M6 - 1.5.....	8
11				
12	603182		FLAT WASHER, M12	2
13	624030		FLANGED BUSHING.....	4
14	14443G10		CLEVIS PIN, .50" X 3" LG.....	2
15	21683G1		COTTER PIN, .320" X 2.969"	2

WHEELS AND TIRES

- 1** WHEEL AND TIRE ASSEMBLY, FRONT includes items 3, 5
- 2** WHEEL AND TIRE ASSEMBLY, REAR includes items 4, 6
- 15** WHEEL AND TIRE ASSEMBLY, FRONT includes items 17, 19
- 16** WHEEL AND TIRE ASSEMBLY, REAR includes items 18, 20

(Style of tire may differ from tire shown)



WHEELS AND TIRES

THE USE OF NON U.L. PARTS WILL VOID ANY U.L. LISTING.

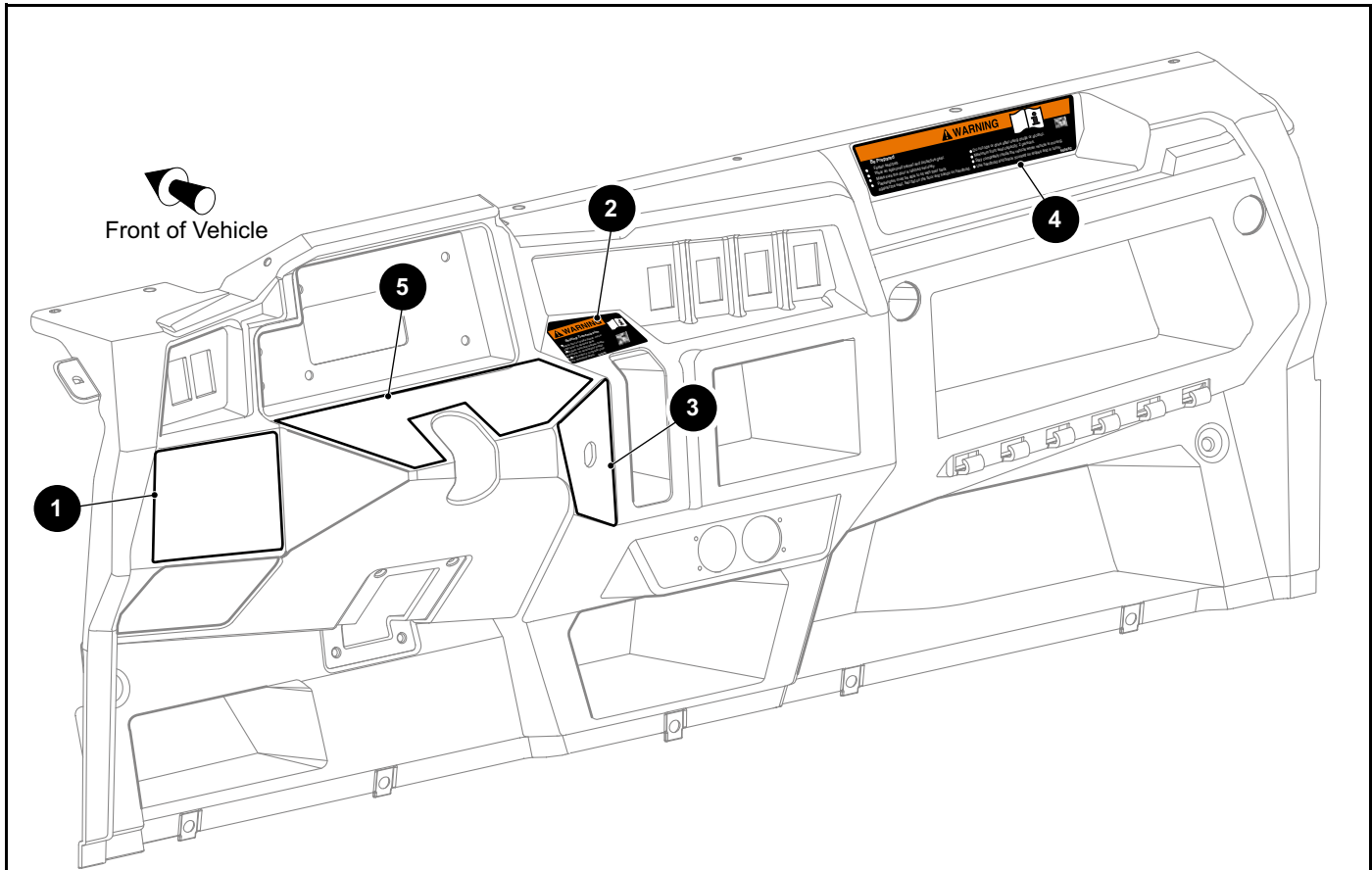
When ordering parts, please specify the model and serial number of the product.

* Indicates a component that is not available as an individual part.

*** Indicates consult Customer Service Department for additional information.

ITEM	PART NO.	1 2 3 4 5	DESCRIPTION	QTY.
1	656076		WHEEL AND TIRE ASSEMBLY, FRONT (INCLUDES ITEMS 3, 5).....	1
2	656077		WHEEL AND TIRE ASSEMBLY, REAR (INCLUDES ITEMS 4, 6).....	1
3	655888		TIRE (KENDA), 26" X 9" X 14"	1
4	655889		TIRE (KENDA), 26" X 11" X 14"	1
5	655704G01		WHEEL (STEEL), 14" X 6.5"	1
6	655704G02		WHEEL (STEEL), 14" X 8"	1
7				
8				
9	653751		CENTER CAP	1
10	14723G1		LUG NUT, 1/2" - 20	4
11	658026		CHROME LUG NUT (BLACK), 1/2" - 20.....	4
12	654993		CENTER CAP (FOR USE WITH ALUMINUM WHEELS)	1
13				
14				
15	663748G01		WHEEL AND TIRE ASSEMBLY, FRONT (INCLUDES ITEMS 17, 19).....	1
16	663749G01		WHEEL AND TIRE ASSEMBLY, REAR (INCLUDES ITEMS 18, 20).....	1
17	655888		TIRE (KENDA), 26" X 9" X 14"	1
18	655889		TIRE (KENDA), 26" X 11" X 14"	1
19	662673G01		WHEEL (ALUMINUM), 14" X 7"	1
20	660702G01		WHEEL (ALUMINUM), 14" X 8"	1

DECALS AND LABELS



1

WARNING

Require Proper Use of Your Vehicle

- Do not allow careless or reckless driving.
- Make sure operators are 16 years or older with a valid drivers license.
- Do not let people ride or drive after using drugs or alcohol.
- Do not allow operation on public roads (unless roads are designated for off-highway vehicles access) - collisions with cars and trucks can occur.
- Maximum front seat capacity: 2 persons.

Be Sure Riders Pay Attention and Plan Ahead

If you think or feel the vehicle may tip or roll, reduce your risk of injury:

- Keep a firm grip on the steering wheel or handhold and brace yourself.
- Do not put any part of your body outside of the vehicle for any reason.

Locate and Read the Owner's Manual
Follow ALL Instructions and Warnings

660684

2

WARNING

Shifting Transmission

- Place foot on brake pedal, move shift lever to desired gear.
- With gear selected release brake and press on accelerator pedal.
- ALWAYS make a complete stop before changing gears.

660690

3

OFF ON

START

645327

4

WARNING

Be Prepared

- Fasten seat belt.
- Wear an approved helmet and protective gear.
- Make sure the net is latched securely.
- Passengers must be able to sit with their back against the seat, feet flat on the floor and hands on handhold.
- Do not ride or drive after using drugs or alcohol.
- Maximum front seat capacity: 2 persons.
- Sit completely inside the vehicle when vehicle is moving.
- Use handhold and brace yourself on slopes and in turns.

660692

5

WARNING

Improper Use of Off-Highway Vehicles Can Cause Severe Injury or Death

Be Prepared

- Fasten seat belt.
- Wear an approved helmet and protective gear.
- Make sure the net is latched securely.
- Passengers must be able to sit with their back against the seat, feet flat on the floor and hands on the handhold.
- Sit completely inside the vehicle.
- Passengers must be able to sit with their back against the seat, feet flat on the floor and hands on the handhold.
- Sit completely inside the vehicle.

Drive Responsibility

This type of vehicle has a high risk of rollover.

- Avoid alcohol consumption, excessive eating, smoking, or texting and NEVER drive drowsy.
- Slow down before entering a turn.
- Avoid hard acceleration when turning, even from a stop.
- Plan for hills, road bumps, potholes and other changes in terrain. Avoid potholes or bumps.
- Avoid taking sharp turns, especially at high speeds.
- Recovery time could be very limited.
- Use death seat on the rear wheel.

660692

DECALS AND LABELS

THE USE OF NON U.L. PARTS WILL VOID ANY U.L. LISTING.

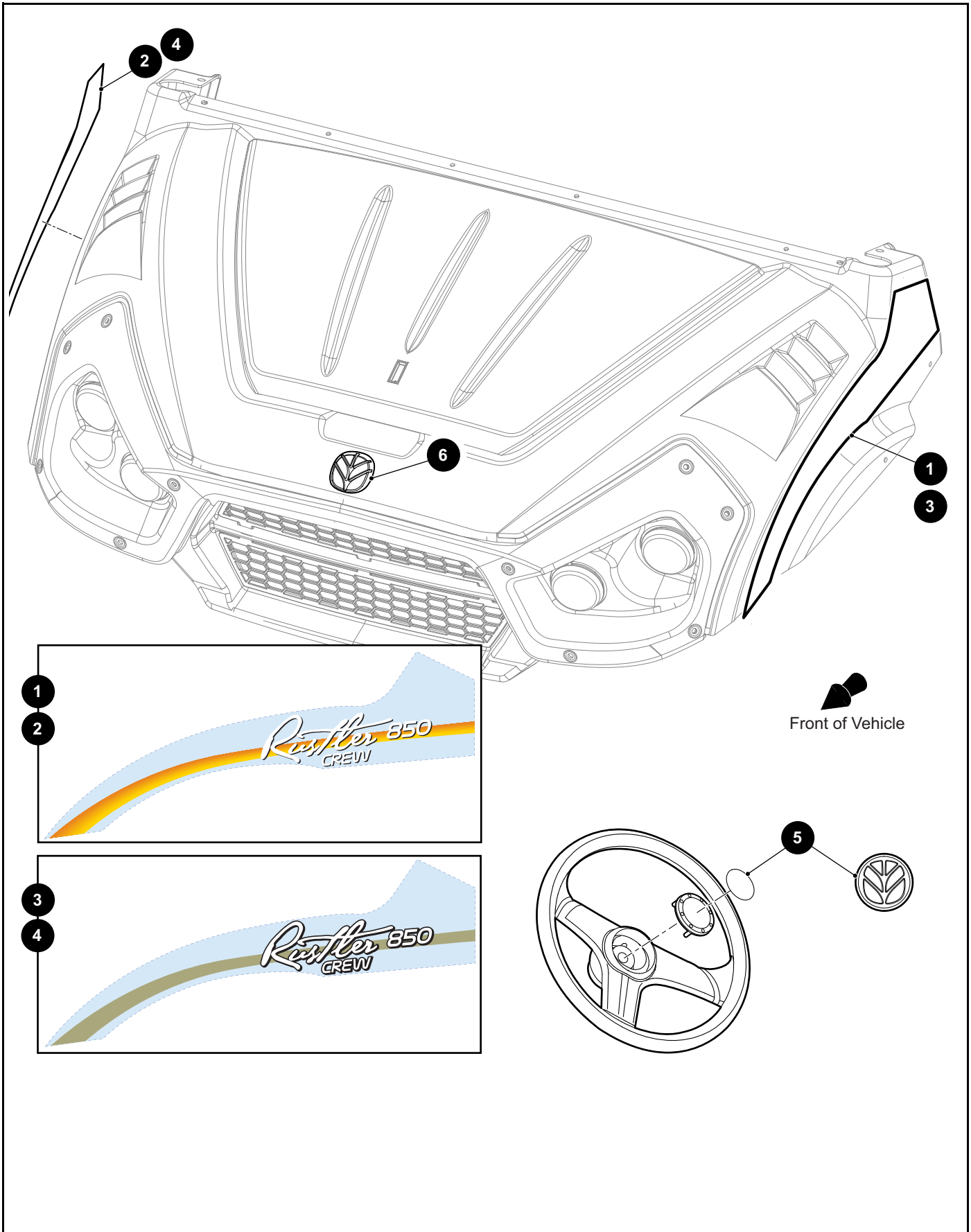
When ordering parts, please specify the model and serial number of the product.

* Indicates a component that is not available as an individual part.

*** Indicates consult Customer Service Department for additional information.

ITEM	PART NO.	1 2 3 4 5	DESCRIPTION	QTY.
1	660684		SAFETY LABEL	1
2	660690		GEAR SHIFTING LABEL	1
3	645327		KEYSWITCH POSITION LABEL	1
4	660692		PASSENGER SAFETY LABEL	1
5	660683		OPERATOR SAFETY LABEL	1

DECALS AND LABELS



DECALS AND LABELS

THE USE OF NON U.L. PARTS WILL VOID ANY U.L. LISTING.

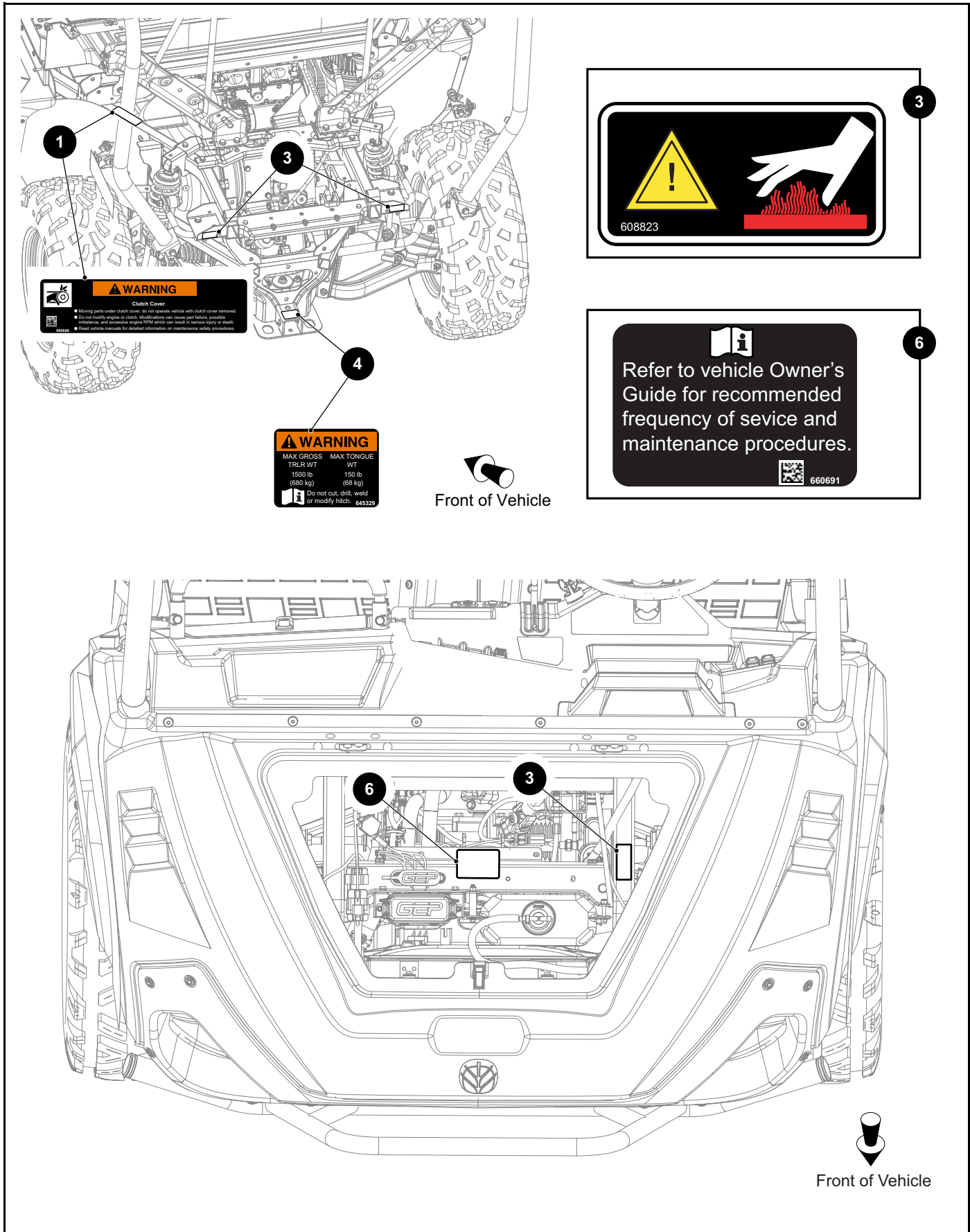
When ordering parts, please specify the model and serial number of the product.

* Indicates a component that is not available as an individual part.

*** Indicates consult Customer Service Department for additional information.

ITEM	PART NO.	1 2 3 4 5	DESCRIPTION	QTY.
1	666973		COWL DECAL (DRIVER SIDE)	1
2	666974		COWL DECAL (PASSENGER SIDE).....	1
3	667288		COWL DECAL (DRIVER SIDE) (FOR PREMIUM MODELS ONLY).....	1
4	667289		COWL DECAL (PASSENGER SIDE) (FOR PREMIUM MODELS ONLY)	1
5	663297		STEERING WHEEL DECAL	1
6	660680		EMBLEM.....	1

DECALS AND LABELS



1

3

4

3

6

WARNING
Clutch Cover
● Moving parts under clutch cover. Do not operate vehicle with clutch cover removed.
● Do not modify engine or clutch. Modifications can cause part failure, possible
retirement, and excessive engine RPM which can lead to serious injury or death.
● Read vehicle manuals for detailed information on maintenance safety procedures.
608823

WARNING
MAX GROSS MAX TONGUE
TRLR WT WT
1500 lb 150 lb
(680 kg) (68 kg)
Do not cut, drill, weld
or modify hitch. 645329



Front of Vehicle

Front of Vehicle

DECALS AND LABELS

THE USE OF NON U.L. PARTS WILL VOID ANY U.L. LISTING.

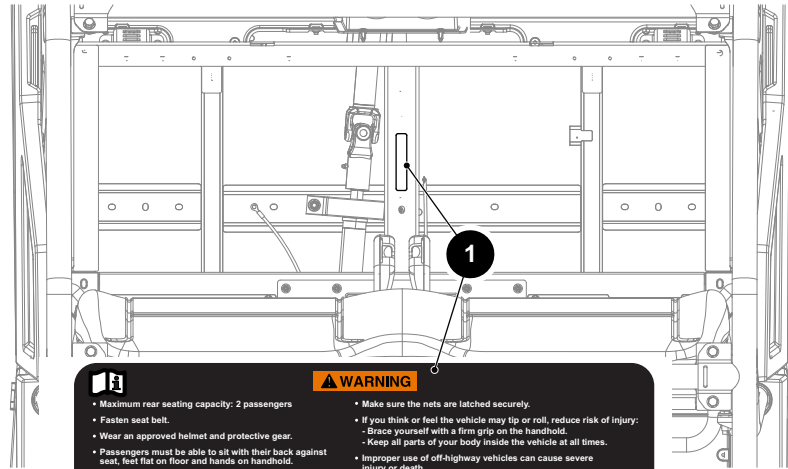
When ordering parts, please specify the model and serial number of the product.

* Indicates a component that is not available as an individual part.

*** Indicates consult Customer Service Department for additional information.

ITEM	PART NO.	1 2 3 4 5	DESCRIPTION	QTY.
1	660688		CLUTCH COVER WARNING LABEL	1
2				
3	608823		HOT DECAL, CE.....	3
4	645329		HITCH WARNING LABEL	1
5				
6	660691		MAINTENANCE LABEL.....	1

DECALS AND LABELS



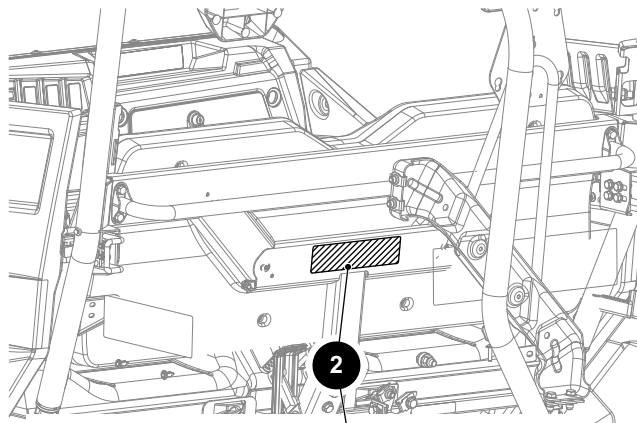
1

WARNING

- Maximum rear seating capacity: 2 passengers
- Fasten seat belt.
- Wear an approved helmet and protective gear.
- Passengers must be able to sit with their back against seat, feet flat on floor and hands on handhold.
- Stay completely inside vehicle when vehicle is moving.
- Do not ride in vehicle after using drugs or alcohol.

- Make sure the nets are latched securely.
- If you think or feel the vehicle may tip or roll, reduce risk of injury:
 - Brace yourself with a firm grip on the handhold.
 - Keep all parts of your body inside the vehicle at all times.
- Improper use of off-highway vehicles can cause severe injury or death.
- Read and comply with all instructions and warnings in the vehicle owner's manual.

664715



2

WARNING

- Maximum rear seating capacity: 2 passengers
- Fasten seat belt.
- Wear an approved helmet and protective gear.
- Passengers must be able to sit with their back against seat, feet flat on floor and hands on handhold.
- Stay completely inside vehicle when vehicle is moving.
- Do not ride in vehicle after using drugs or alcohol.

- Make sure the doors are latched securely.
- If you think or feel the vehicle may tip or roll, reduce risk of injury:
 - Brace yourself with a firm grip on the handhold.
 - Keep all parts of your body inside the vehicle at all times.
- Improper use of off-highway vehicles can cause severe injury or death.
- Read and comply with all instructions and warnings in the vehicle owner's manual.

657223



Front of Vehicle

DECALS AND LABELS

THE USE OF NON U.L. PARTS WILL VOID ANY U.L. LISTING.

When ordering parts, please specify the model and serial number of the product.

* Indicates a component that is not available as an individual part.

*** Indicates consult Customer Service Department for additional information.

ITEM	PART NO.	1 2 3 4 5	DESCRIPTION	QTY.
1	657555		UNDER SEAT STORAGE WARNING LABEL	1
2	664715		REAR SEAT WARNING LABEL.....	1

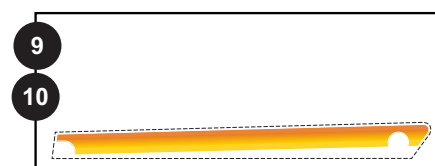
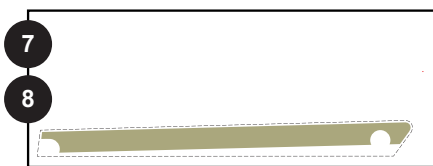
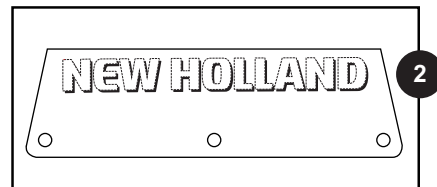
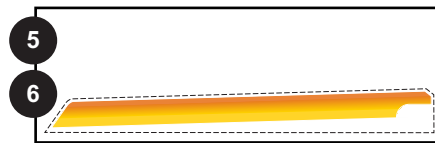
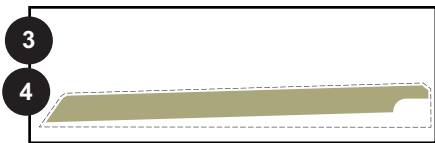
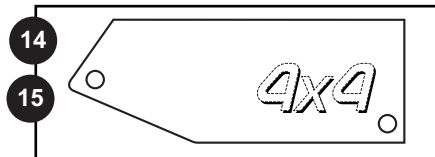
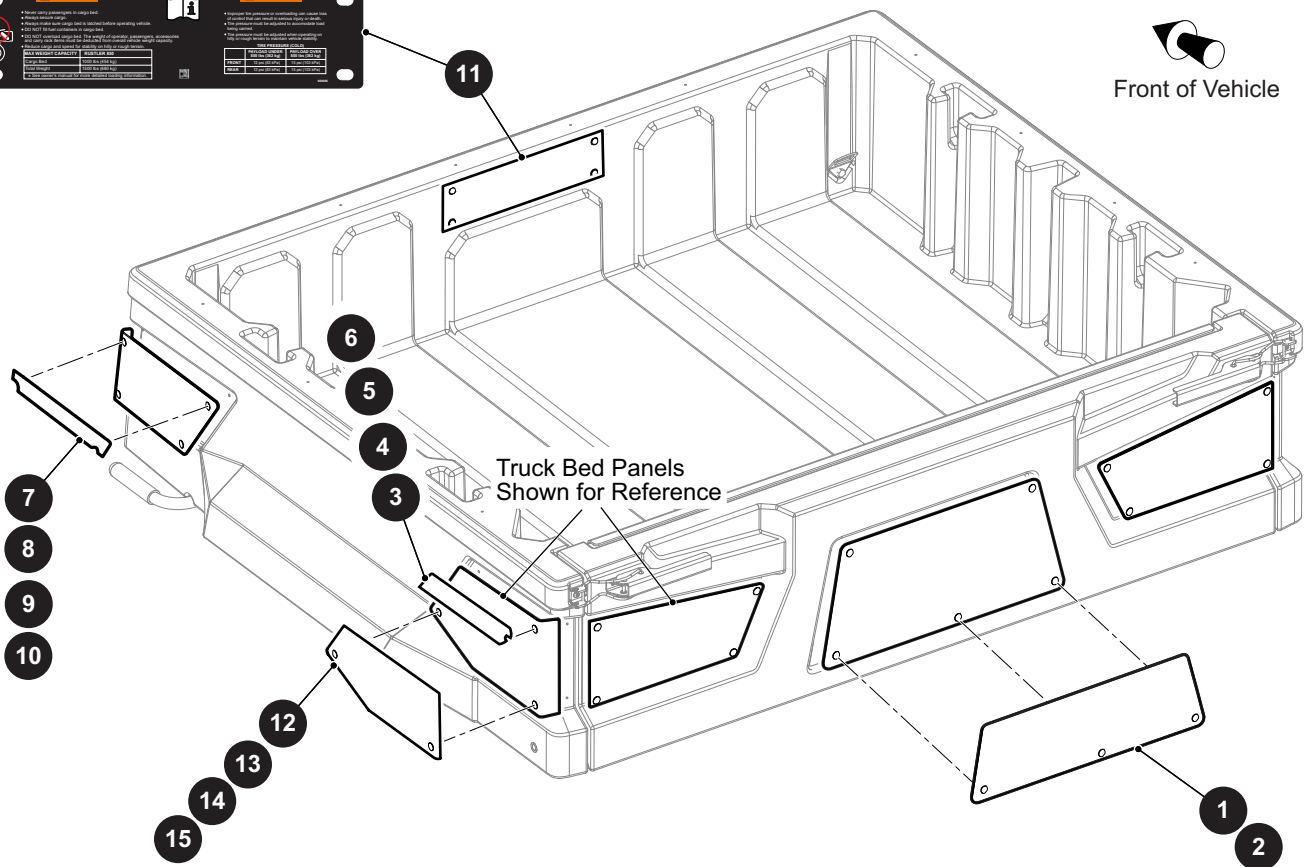
DECALS AND LABELS



11



Front of Vehicle



DECALS AND LABELS

THE USE OF NON U.L. PARTS WILL VOID ANY U.L. LISTING.

When ordering parts, please specify the model and serial number of the product.

* Indicates a component that is not available as an individual part.

*** Indicates consult Customer Service Department for additional information.

ITEM	PART NO.	1 2 3 4 5	DESCRIPTION	QTY.
1	667957		CENTER BED DECAL (FOR PREMIUM MODELS ONLY)	1
2	663368		CENTER BED DECAL	1
3	667301		REAR DECAL (PASSENGER SIDE) (FOR PREMIUM MODELS ONLY).....	1
4	667303		REAR DECAL (DRIVER SIDE) (FOR PREMIUM MODELS ONLY)	1
5	663362		REAR DECAL (PASSENGER SIDE)	1
6	663365		REAR DECAL (DRIVER SIDE).....	1
7	667300		FRONT DECAL (PASSENGER SIDE) (FOR PREMIUM MODELS ONLY)	1
8	667302		FRONT DECAL (DRIVER SIDE) (FOR PREMIUM MODELS ONLY).....	1
9	663366		FRONT DECAL (PASSENGER SIDE)	1
10	663357		FRONT DECAL (DRIVER SIDE).....	1
11	660686		BED CAPACITY LABEL.....	1
12	667958		4X4 REAR DECAL (DRIVER SIDE) (FOR PREMIUM MODELS ONLY)	1
13	667959		4X4 REAR DECAL (PASSENGER SIDE) (FOR PREMIUM MODELS ONLY)	1
14	663852		4X4 REAR DECAL (PASSENGER SIDE).....	1
15	663860		4X4 REAR DECAL (DRIVER SIDE)	1



Textron Specialized Vehicles, Inc.,
1451 Marvin Griffin Road, Augusta, Georgia 30906 - 3852 USA

TO CONTACT US...

North America:

Technical Assistance & Warranty Phone: 1-800-774-3946, FAX: 1-800-448-8124
Service Parts Phone: 1-888-GET-E-Z-GO (1-888-438-3946), FAX: 1-800-752-6175

International: Phone: 001-706-798-4311, FAX: 001-706-771-4609

Owner's guides and repair manuals
are available from a local Distributor, an authorized Branch,
Genuine E-Z-GO Parts & Accessories Department or at www.shopezgo.com.

Copyrighted Material
This manual may not be reproduced in whole or
in part without the express permission of
E-Z-GO Division of Textron Inc.
Technical Communications Department