



CUSHMAN®

LET'S WORK!

LSV 800

Service Parts Manual

ELECTRIC POWERED VEHICLE



647699-AC

ISSUED AUGUST 2015

REVISED SEPTEMBER 2019

SERVICE PARTS MANUAL

ELECTRIC POWERED VEHICLE

LSV 800

STARTING MODEL YEAR 2016

CALIFORNIA Proposition 65 Warning

WARNING: Motor vehicles may contain fuels, oils and fluids, battery posts, terminals, and related accessories which contain lead, lead compounds and other chemicals identified by the State of California to potentially cause cancer, birth defects and other reproductive harm. These chemicals are found in vehicles, vehicle parts and accessories, both new and replacements. During maintenance, these vehicles generate used oil, waste fluids, grease, fumes and particulates, all identified by the State of California to potentially cause cancer, birth defects, and other reproductive harm.

DISCLAIMER: The E-Z-GO Division of Textron Inc. (E-Z-GO) reserves the right to incorporate engineering and design changes to products in this Manual, without obligation to include these changes on units leased/sold previously.

The information contained in this Manual may be revised periodically E-Z-GO, and therefore is subject to change without notice.

E-Z-GO DISCLAIMS LIABILITY FOR ERRORS IN THIS MANUAL, and E-Z-GO SPECIFICALLY DISCLAIMS LIABILITY FOR INCIDENTAL AND CONSEQUENTIAL DAMAGES RESULTING FROM THE USE OF THE INFORMATION AND MATERIALS IN THIS MANUAL.

TO CONTACT US

NORTH AMERICA:

TECHNICAL ASSISTANCE & WARRANTY PHONE: 1-800-774-3946, FAX: 1-800-448-8124

SERVICE PARTS PHONE: 1-888-GET-EZGO (1-888-438-3946), FAX: 1-800-752-6175

INTERNATIONAL: PHONE: 001-706-798-4311, FAX: 001-706-771-4609

E-Z-GO DIVISION OF TEXTRON INC., 1451 MARVIN GRIFFIN RD., AUGUSTA, GEORGIA USA 30906-3852

NOTES

This vehicle has been designed and manufactured in the United States of America (USA). The standards and specifications listed in the following text originate in the USA unless otherwise indicated.

The use of non-Original Equipment Manufacturer (OEM) approved parts may void the warranty.

Failure to properly maintain batteries may void the warranty. Refer to the battery manual for instructions on the proper maintenance and care of the batteries.

BATTERY PROLONGED STORAGE

Batteries self-discharge over time. The rate of self-discharge varies depending on the ambient temperature, the age and condition of the batteries.

Fully charged batteries will not freeze in winter temperatures unless the temperature falls below -75°F (- 60°C).

For winter storage, the batteries must be clean, fully charged and disconnected from any source of electrical drain.

The battery charger may be left connected to the vehicle to maintain a full charge on the batteries, provided the charger is plugged into an active electrical source. If power to the electrical source is disconnected or interrupted, the battery charger will continue to check the charge on the battery pack. This will draw power from the battery pack and eventually drain the batteries if power is not restored in a timely manner.

As with all electric vehicles, the batteries must be checked and recharged as required or at a minimum of 30 day intervals.

Check and maintain the proper fluid level in all battery cells during the storage period. Proper fluid level is required for maximum battery performance.

BATTERY DISPOSAL

Lead-acid batteries are recyclable. Return whole scrap batteries to distributor, manufacturer or lead smelter for recycling. For neutralized spills, place residue in acid-resistant containers with absorbent material such as sand. Dispose of in accordance with local, state and federal regulations for acid and lead compounds. Contact local and/or state environmental officials regarding disposal information.

TABLE OF CONTENTS

SECTION	Page No.
HOW TO USE THE SERVICE PARTS MANUAL.....	V
ACCELERATOR.....	A - 1
BATTERY CHARGER.....	B - 1
BODY.....	C - 1
BRAKES.....	D - 1
ELECTRICAL SYSTEM.....	E - 1
ELECTRONIC SPEED CONTROL.....	F - 1
FRAMES.....	G - 1
FRONT SUSPENSION.....	H - 1
MOTOR.....	J - 1
REAR AXLE.....	K - 1
REAR SUSPENSION.....	L - 1
SEATING.....	M - 1
WEATHER PROTECTION.....	N - 1
WHEELS AND TIRES.....	P - 1
TRUCK BED.....	Q - 1

HOW TO USE THE SERVICE PARTS MANUAL

This manual is divided into several sections:

- GENERAL INFORMATION
- ILLUSTRATED PARTS BREAKDOWN

The first section, GENERAL INFORMATION, contains the following information:

- WARRANTY INFORMATION
- GENERAL INDEX
- HOW TO USE THE SERVICE PARTS MANUAL

The second section, ILLUSTRATED PARTS BREAKDOWN, contains illustrations and parts lists for all systems of your vehicle.

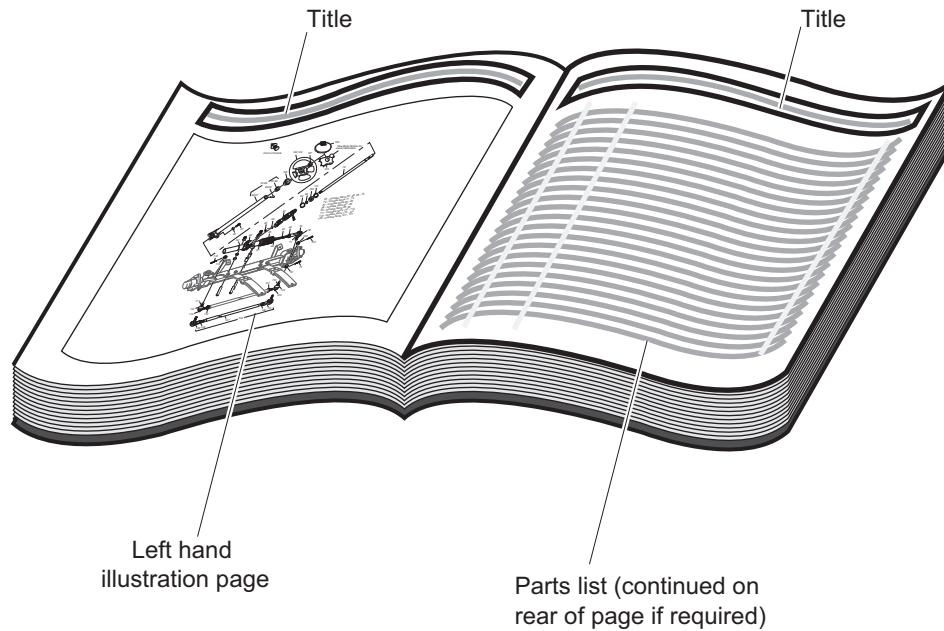
USE OF THE MANUAL

To use this manual, consult the GENERAL INDEX to locate the information or illustration required.

Introduction of some revisions varies due to supply of components; therefore, it is possible that various combinations of components may be found that are not directly reflected by each illustration. Consult the illustration that best suits your situation and then contact the Service Parts Department. It is important that the serial number of your vehicle and its model number be supplied to Service Parts when ordering any replacement components.

Locate the serial number plate (see BODY located in the Illustrated Parts Breakdown section of this manual for its location) and note the complete number shown on the plate.

HOW TO USE THE SERVICE PARTS MANUAL



1. WHEN THE PART NUMBER IS NOT KNOWN

- Determine the function and application of the part required. Turn to the General Index and select the most appropriate title.
- Turn to the page number indicated and locate the desired part on the illustration.
- From the illustration, obtain the item number assigned to the desired part. Refer to the accompanying description for specific information regarding the part.

2. IF YOU KNOW THE PART NUMBER

- Locate the part number or description in the appropriate column on the parts list page.

NOTE: It is suggested that you confirm that the part selected is correct by verifying it with the pictorial representation on the illustrated page.

Should an asterisk (*) appear in the part number column on the parts list page, read upwards until a part number is found. The part number is the lowest assembly sold by Service Parts and the asterisk (*) indicates that the part depicted is not available for purchase.

NOTE: Descriptions are indented under the assembly that they are used on. That assembly is, in turn listed under the assembly that it is used on. This process is repeated until the highest final assembly is reached.

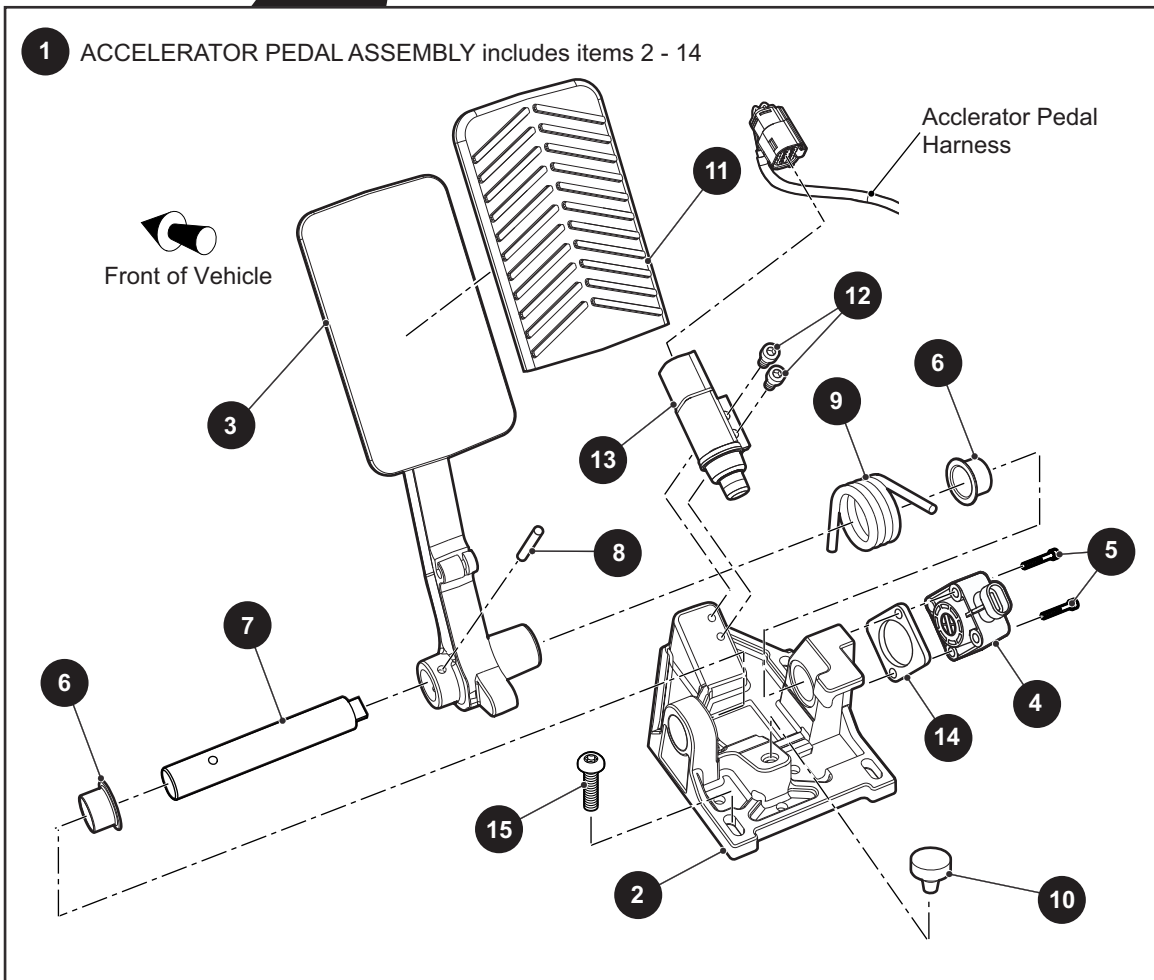
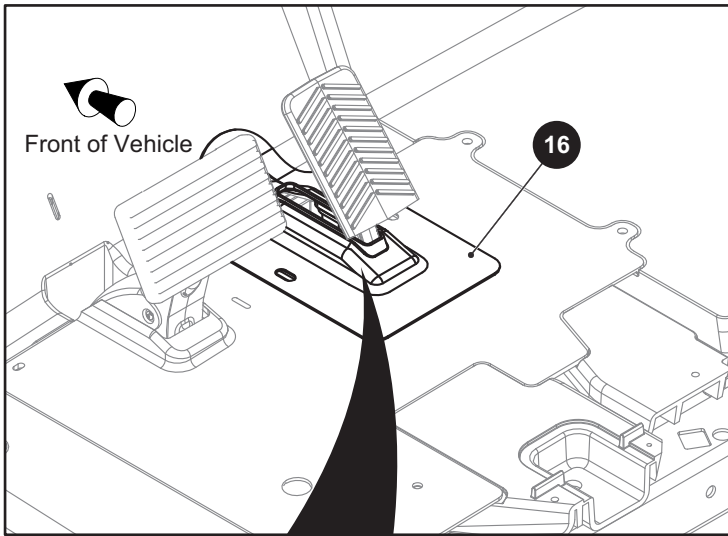
To facilitate the maintenance and repair of the vehicle, a Technician's Repair and Service Manual is available from the Service Parts Department.

3. COLOR CODE FOR BODY COMPONENTS

The last two digits of the part number for the body part will denote the color code, locate the part number for the cowl, rear body, seat pod, side panel or seat wrap then locate your color in the list below, replace the last ** or XX with the two digit color code.

<u>CODE #</u>	<u>DESCRIPTION</u>
11	BLACK
19	PATRIOT BLUE PEARL
20	INFERNO RED METALLIC
26	STEEL BLUE PEARL
31	METALLIC CHARCOAL
35	SAFETY YELLOW
36	IVORY
37	FOREST GREEN
38	BRIGHT WHITE
39	FLAME RED
41	ELECTRIC BLUE
42	PLATINUM
43	BURGUNDY
44	ALMOND
51	SUNBURST ORANGE
52	BRITISH RACING GREEN
74	BARLEY GOLD
75	OASIS GREEN
76	JAVA BROWN
79	JACOBSEN ORANGE 172

ACCELERATOR



ACCELERATOR

THE USE OF NON U.L. PARTS WILL VOID ANY U.L. LISTING.

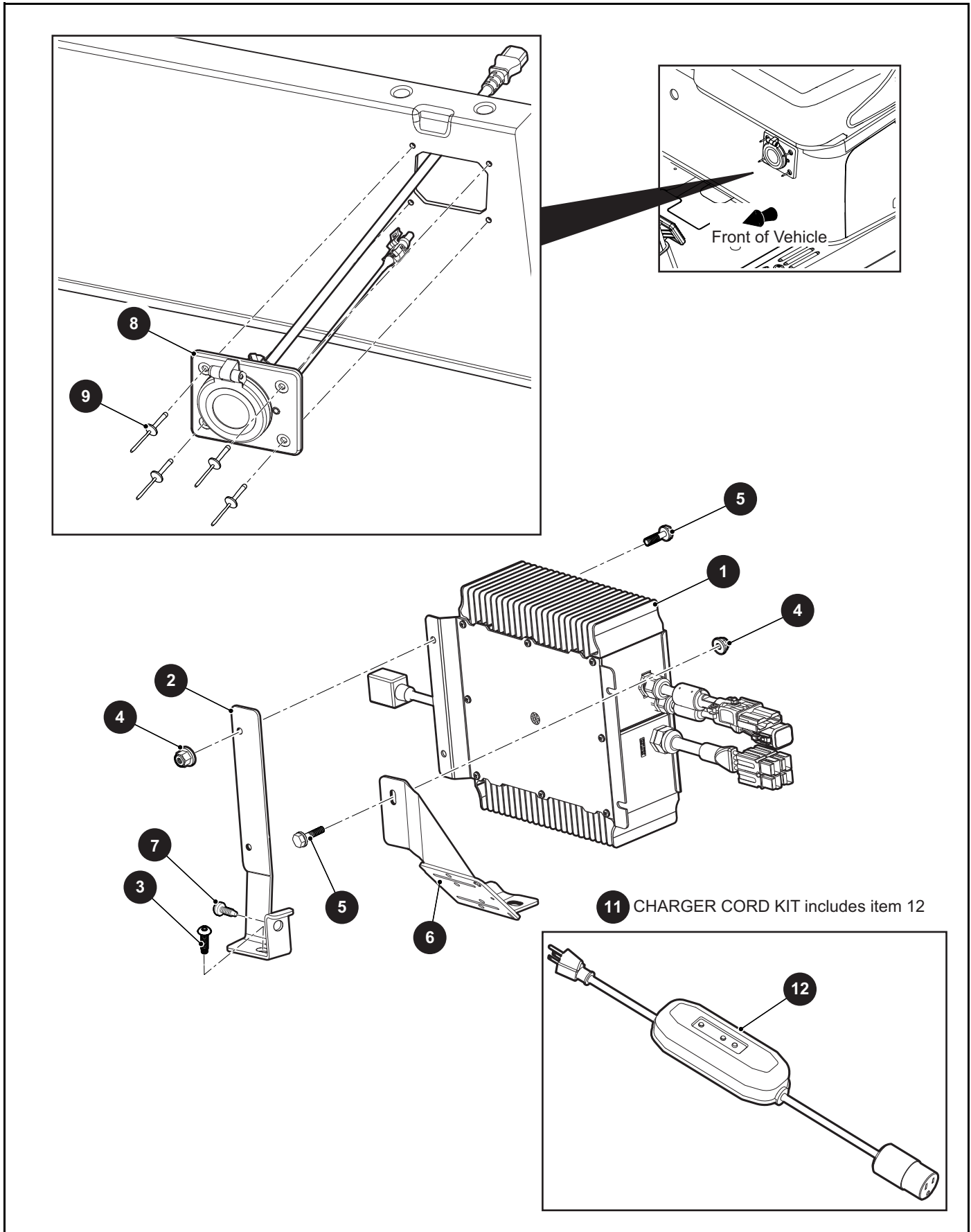
When ordering parts, please specify the model and serial number of the product.

* Indicates a component that is not available as an individual part.

*** Indicates consult Customer Service Department for additional information.

ITEM	PART NO.	1 2 3 4 5	DESCRIPTION	QTY.
1	671889		ACCELERATOR PEDAL ASSEMBLY (INCLUDES ITEMS 2 - 14)	1
2	*		ACCELERATOR PEDAL BRACKET	1
3	*		ACCELERATOR PEDAL	1
4	671848		ROTARY POSITION SENSOR.....	1
5	686390		SOCKET HEAD BOLT, M5 - .8 X 35MM LG.....	2
6	*		FLANGED BUSHING, 16MM X 12 MM.....	2
7	*		ACCELERATOR PIVOT SHAFT.....	1
8	600683		HEAVY DUTY SPIROL PIN, 4 MM X 26 MM.....	1
9	*		TORSION SPRING, 4.5 MM DIA.....	1
10	604097		BUMPER	1
11	610529		ACCELERATOR PEDAL COVER.....	1
12	620030		SOCKET HEAD BOLT, M5 - .8 X 15 MM LG.....	2
13	653242		PEDAL SWITCH.....	1
14	672457		SENSOR SPACER.....	1
15	649803		PAN HEAD TORX SCREW, M6 - 2.65 X 25 MM LG.....	3
16	614393		ACCELERATOR PEDAL INSERT	1

BATTERY CHARGER



BATTERY CHARGER

THE USE OF NON U.L. PARTS WILL VOID ANY U.L. LISTING.

When ordering parts, please specify the model and serial number of the product.

* Indicates a component that is not available as an individual part.

*** Indicates consult Customer Service Department for additional information.

ITEM	PART NO.	1 2 3 4 5	DESCRIPTION	QTY.
1	632862		48V ON-BOARD BATTERY CHARGER WITH DC TO DC CONVERTER	1
2	613145		FRONT CHARGER BRACKET	1
3	649804		BUTTON HEAD TORX SCREW, M8 - 3.50 X 30 MM LG	1
4	601476		FLANGED LOCK NUT, M6 - 1	4
5	606264		FLANGED HEX HEAD BOLT, M6 - 1 X 20 MM LG.....	4
6	613148		CHARGER SUPPORT BRACKET	1
7	602572		PAN HEAD TORX TAPTITE BOLT, M10 - 1.5 X 25 MM LG.....	1
8	610536		CHARGER RECEPTACLE	1
9	71055G01		RIVET (ALUMINUM), 3/16" X 1" LG	4
10				
11	652608		CHARGER CORD KIT, 5 METER DC CORD (INCLUDES ITEM 12).....	1
12	652503		ON BOARD CHARGER CORD, 5 METER DC CORD	1

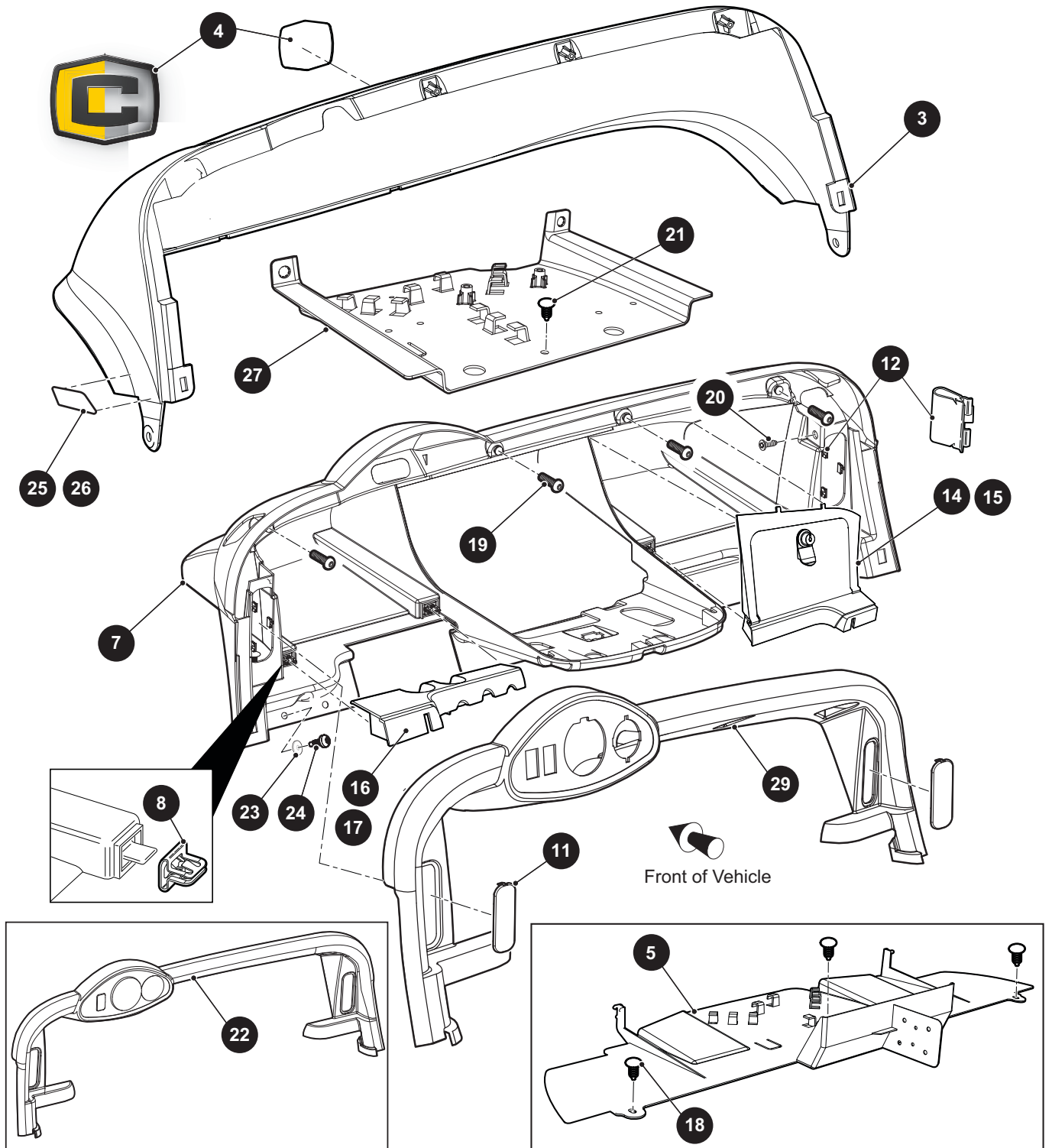
BODY

1 COWL WITH LIGHTS includes item 2

2 COWL includes item 3

6 INSTRUMENT PANEL ASSEMBLY includes items 7 - 8

10 STRUT COVER ASSEMBLY includes items 11 - 12



THE USE OF NON U.L. PARTS WILL VOID ANY U.L. LISTING.

When ordering parts, please specify the model and serial number of the product.

* Indicates a component that is not available as an individual part.

*** Indicates consult Customer Service Department for additional information.

ITEM	PART NO.	1 2 3 4 5	DESCRIPTION	QTY.
1	645759G01XX		COWL WITH LIGHTS (INCLUDES ITEM 2) (see COLOR CODES in HOW TO USE Section)	1
2	645759G00XX		COWL (INCLUDES ITEM 3) (see COLOR CODES in HOW TO USE Section)	1
3	645759G0024		FRONT COWL	1
4	619135		DECAL	1
5	601634		FRONT SPLASH GUARD (FOR VEHICLES MANUFACTURED BEFORE JULY 21, 2019)	1
6	602387		INSTRUMENT PANEL ASSEMBLY (INCLUDES ITEMS 7 - 8).....	1
7	600240		INSTRUMENT PANEL.....	1
8	602184		SPRING CLIP	1
9				
10	602388		STRUT COVER ASSEMBLY (INCLUDES ITEMS 11 - 12).....	1
11	602386		STRUT COVER.....	1
12	602100		SPRING CLIP	1
13				
14	607533		GLOVE BOX (DRIVER SIDE).....	1
15	607131		GLOVE BOX (PASSENGER SIDE)	1
16	600241		BALL HOLDER INSERT (PASSENGER SIDE)	1
17	600243		BALL HOLDER INSERT (DRIVER SIDE).....	1
18	16816G2		RATCHET RIVET, 1/4" X 3/4" LG (FOR VEHICLES MANUFACTURED BEFORE JULY 21, 2019)	3
19	649803		PAN HEAD TORX SCREW, M6 - 2.65 X 25 MM LG.....	4
20	70200G01		TRUSS HEAD TORX SCREW, 3/8" - 16 X 3/4" LG	2
21	16816G2		RATCHET RIVET, .25" X .887" (FOR VEHICLES MANUFACTURED AFTER JULY 21, 2019)	1
22	610621		INSTRUMENT PANEL TRIM (OPENING FOR KEY SWITCH, SPEEDOMETER AND LIGHT SWITCH) (FOR VEHICLES MANUFACTURED BEFORE JULY 22, 2019)	1
23	604066		FLAT WASHER, M10	4
24	602572		PAN HEAD TAPTITE BOLT, M10 - 1.5 X 25 MM LG	4
25	609416		FRONT REFLEX REFLECTOR (PASSENGER SIDE)	1
26	609417		FRONT REFLEX REFLECTOR (DRIVER SIDE).....	1

BODY

THE USE OF NON U.L. PARTS WILL VOID ANY U.L. LISTING.

When ordering parts, please specify the model and serial number of the product.

* Indicates a component that is not available as an individual part.

*** Indicates consult Customer Service Department for additional information.

ITEM	PART NO.	1	2	3	4	5	DESCRIPTION	QTY.
27	683595						FRONT COMPONENT MOUNT PLATE (FOR VEHICLES MANUFACTURED AFTER JULY 21, 2019).....	1
28								
29	698015						INSTRUMENT PANEL TRIM (FOR VEHICLES MANUFACTURED AFTER JULY 22, 2019).....	1

THE USE OF NON U.L. PARTS WILL VOID ANY U.L. LISTING.

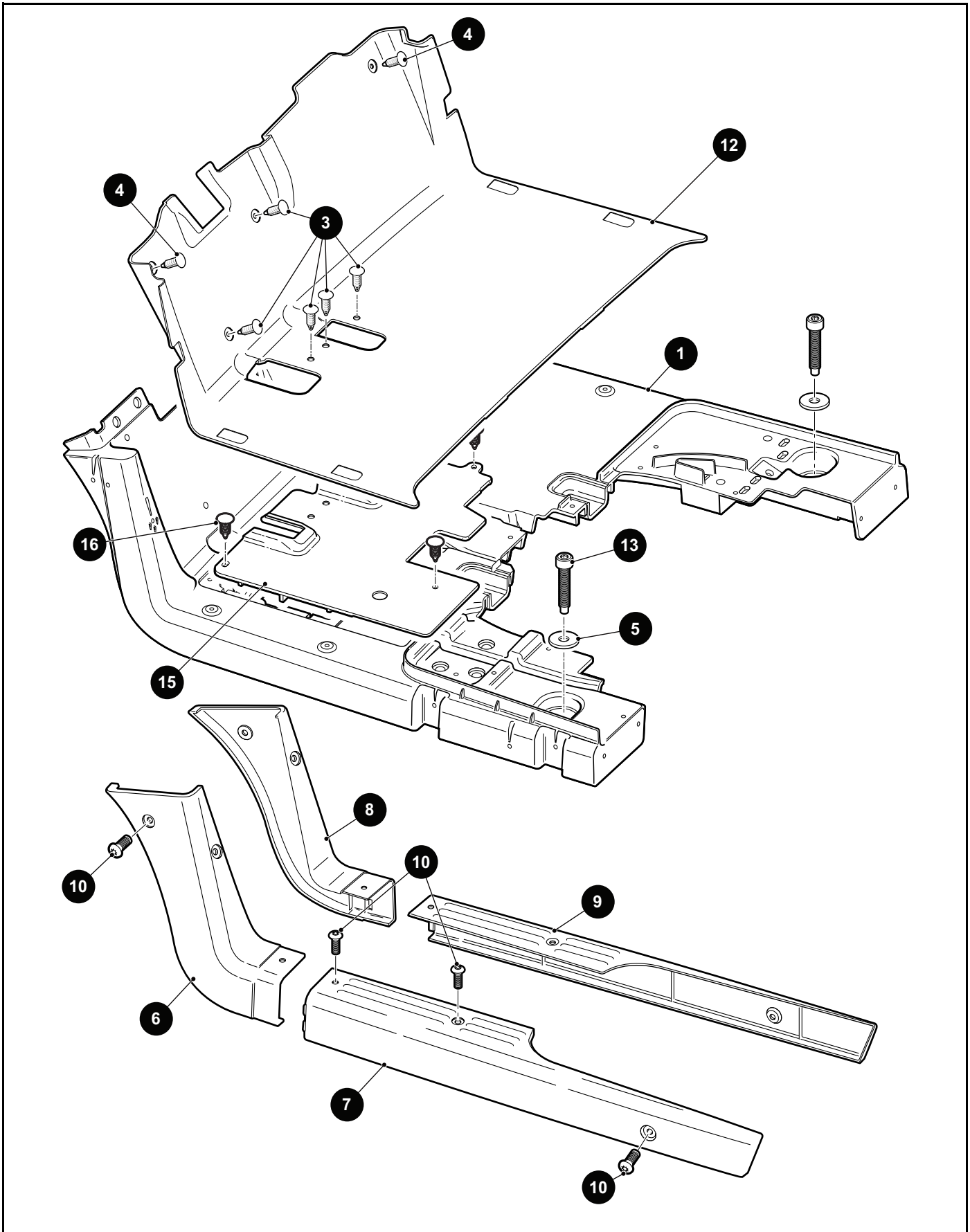
When ordering parts, please specify the model and serial number of the product.

* Indicates a component that is not available as an individual part.

*** Indicates consult Customer Service Department for additional information.

ITEM	PART NO.	1 2 3 4 5	DESCRIPTION	QTY.
1	605935		FRONT BUMPER	1
2				
3	608290		PAN HEAD PHILLIPS SELF TAPPING SCREW, #10 - 16 X 72 MM LG	2
4	613373		PAN HEAD TORX SCREW WITH WASHER, M4.8 - 1.6 X 22 MM LG	2
5	604066		FLAT WASHER, M10	4
6	600525		FLANGED HEX NUT, M10 -1.5.....	2
7	612104		FRONT FASCIA ASSEMBLY WITH LIGHTS (INCLUDES ITEMS 8 - 9)	1
8	620574		FRONT FASCIA WITH TURN SIGNALS	2
9	611900		FRONT FASCIA BLOCK.....	2
10				
11	614043		IP WARNING LABEL, CE	1
12	610793		CUP HOLDER LABEL.....	1
13	603725		ASHTRAY	1
			ITEMS 14 - 21: FOR VEHICLES MANUFACTURED BEFORE JULY 21, 2019	
14	644117		CUP HOLDER ASSEMBLY (INCLUDES ITEMS 15 - 17).....	1
15	640706		CENTER CONSOLE	1
16	608522		WARNING LABEL	1
17	71364G02		J-TYPE SPEED NUT, #8	4
18	638348G05		CENTER COMPARTMENT (OPENING FOR 12V OUTLET ONLY).....	1
19	638348G06		CENTER COMPARTMENT (OPENING FOR 12V OUTLET AND USB ONLY)	1
20	608290		PAN HEAD PHILLIPS SCREW, #10 - 16 X 3/4" LG	4
21	71597G01		SELF THREADING NUT, .226".....	3
			ITEMS 22 - 25: FOR VEHICLES MANUFACTURED AFTER JULY 21, 2019	
22	686696G02		CENTER CONSOLE, USB ASSEMBLY (INCLUDES ITEM 23)	1
23	694334G02		CENTER CONSOLE, USB.....	1
24				
25	71597G01		SELF THREADING NUT, .226".....	3

BODY



THE USE OF NON U.L. PARTS WILL VOID ANY U.L. LISTING.

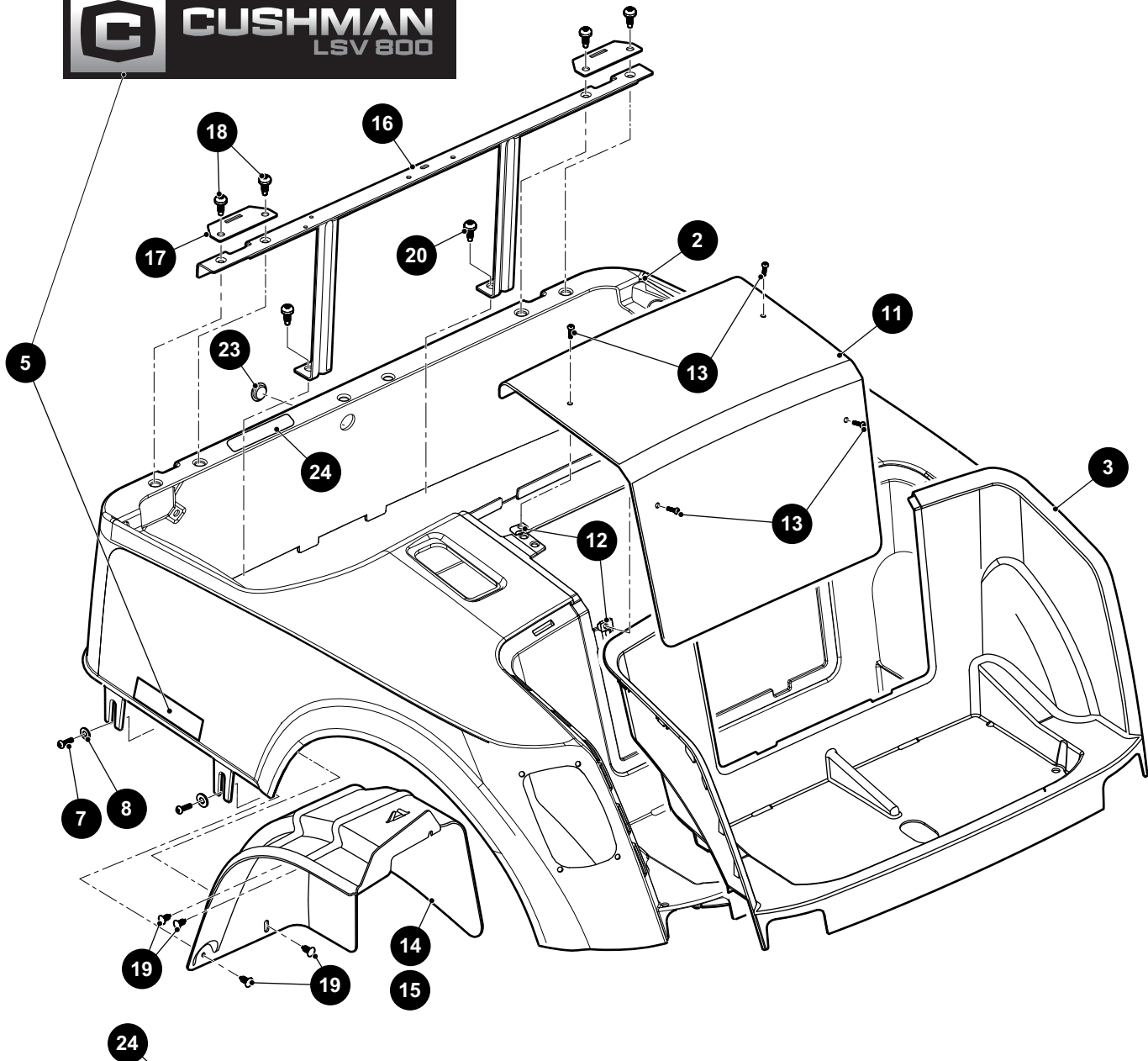
When ordering parts, please specify the model and serial number of the product.


* Indicates a component that is not available as an individual part.

*** Indicates consult Customer Service Department for additional information.

ITEM	PART NO.	1 2 3 4 5	DESCRIPTION	QTY.
1	600225		FLOORBOARD	1
2				
3	16816G2		RATCHET RIVET, .25" X .887"	5
4	16816G1		RATCHET RIVET, .25" X .680"	2
5	604066		FLAT WASHER, M10	2
6	601257		UPPER ROCKER PANEL (DRIVER SIDE).....	1
7	600253		LOWER ROCKER PANEL (DRIVER SIDE).....	1
8	601258		UPPER ROCKER PANEL (PASSENGER SIDE)	1
9	600257		LOWER ROCKER PANEL (PASSENGER SIDE)	1
10	649804		BUTTON HEAD TORX SCREW, M8 - 3.5 X 30MM LG	5
11				
12	601118		FLOORMAT	1
13	602020		SOCKET HEAD TORX BOLT, M10 - 1.5 X 50 MM LG	2
14				
15	605277		PEDAL COVER PLATE.....	1
16	16816G2		RATCHET RIVET, .25" X .887"	4

1 REAR BODY ASSEMBLY WITH LIGHTS AND SEAT BELTS includes items 2 - 3





⚠ DANGER Failure to follow these instructions will result in **DEATH or SERIOUS INJURY**

- High voltage cables and terminals are contained in this compartment.
- Battery electrolyte contains caustic substances.
- Batteries must be connected properly (see Owner's Manual).
- Connect battery charger to properly rated electrical receptacle with GFCI.
- Do not attempt to charge frozen, leaking or damaged batteries.
- **ONLY** charge batteries in a well ventilated area away from flammable materials.

610726

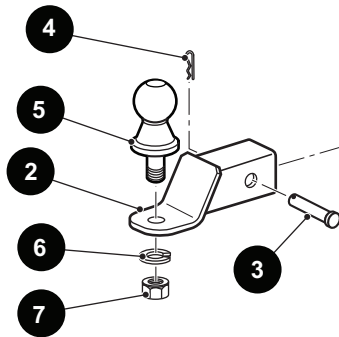
THE USE OF NON U.L. PARTS WILL VOID ANY U.L. LISTING.

When ordering parts, please specify the model and serial number of the product.

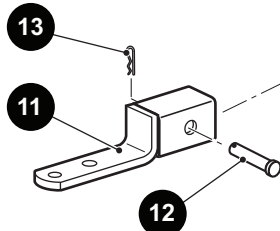
* Indicates a component that is not available as an individual part.

*** Indicates consult Customer Service Department for additional information.

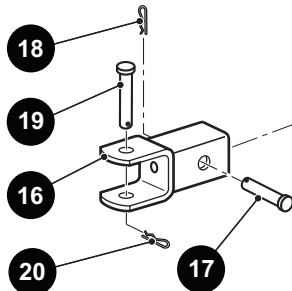
ITEM	PART NO.	1 2 3 4 5	DESCRIPTION	QTY.
1	650353G03XX		REAR BODY ASSEMBLY WITH LIGHTS AND SEAT BELTS (See COLOR CODES in HOW TO USE Section) (INCLUDES ITEMS 2 - 3)..	1
2	650311G02XX		BODY	1
3	650254		BAGWELL LINER.....	1
4				
5	624210		LSV 800 SIDE DECAL	1
6				
7	649804		BUTTON HEAD TORX SCREW, M8 - 3.5 X 30 MM LG	4
8	604066		FLAT WASHER, M10	4
9				
10				
11	650443		ACCESS COVER.....	1
12	602409		BARREL CLIP, M6 - 1	4
13	601326		BUTTON HEAD TORX BOLT, M6 - 1 X 20 MM LG	4
14	601621		REAR SPLASH GUARD (DRIVER SIDE).....	1
15	601622		REAR SPLASH GUARD (PASSENGER SIDE)	1
16	601921		FRONT SEAT SUPPORT ASSEMBLY.....	1
17	602558		SEAT HINGE PLATE.....	1
18	602572		PAN HEAD TAPTITE BOLT, M10 - 1.5 X 25 MM LG	2
19	16816G2		RATCHET RIVET, .25" X .887"	4
20	602572		PAN HEAD TAPTITE BOLT, M10 - 1.5 X 25 MM LG	2
21				
22				
23	71316G01		HOLE PLUG.....	1
24	610786		HIGH VOLTAGE DANGER LABEL	1



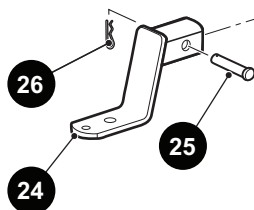
1 HEAVY DUTY BALL HITCH KIT includes items 2 - 5



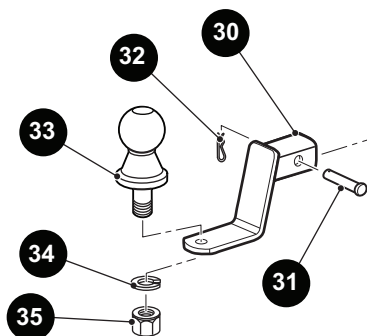
10 ANGLE HITCH KIT includes items 11 - 13



15 CLEVIS HITCH KIT includes items 16 - 20



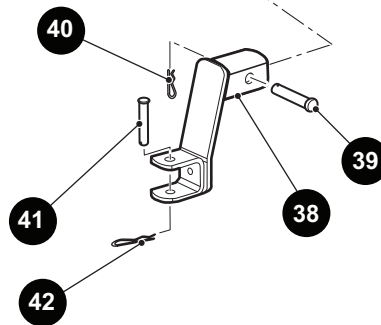
23 DROP ANGLE HITCH KIT includes items 24 - 26



29 DROP BALL HITCH KIT includes items 30 - 33



Front of Vehicle



37 DROP CLEVIS HITCH KIT includes items 38 - 42

THE USE OF NON U.L. PARTS WILL VOID ANY U.L. LISTING.

When ordering parts, please specify the model and serial number of the product.

* Indicates a component that is not available as an individual part.

*** Indicates consult Customer Service Department for additional information.

ITEM	PART NO.	1 2 3 4 5	DESCRIPTION	QTY.
1	646789		HEAVY DUTY BALL HITCH KIT (INCLUDES ITEMS 2 - 5)	1
2	646730		HEAVY DUTY HITCH	1
3	21317G1		CLEVIS PIN, 5/8" X 3" LG	1
4	21683G1		COTTER PIN, 15/32" X 2 1/16" LG	1
5	31757G1		HITCH BALL WITH HARDWARE, 1 7/8" (INCLUDES ITEMS 6 - 7)	1
6	00566G6		LOCK WASHER, 3/4"	1
7	00702G2		HEX NUT, 5/16" - 18	1
8				
9				
10	646790		ANGLE HITCH KIT (INCLUDES ITEMS 11 - 13)	1
11	646729		ANGLE HITCH	1
12	21317G1		CLEVIS PIN, 5/8" X 3" LG	1
13	21683G1		COTTER PIN, 15/32" X 2 1/16" LG	1
14				
15	646791		CLEVIS HITCH KIT (INCLUDES ITEMS 16 - 20)	1
16	646727		CLEVIS HITCH	1
17	21317G1		CLEVIS PIN, 5/8" X 3" LG	1
18	21683G1		COTTER PIN, 15/32" X 2 1/16" LG	1
19	14443G10		CLEVIS PIN, 1/2" X 3" LG	1
20	19314G1		COTTER PIN, 5/2" LG	1
21				
22				
23	646792		DROP ANGLE HITCH KIT (INCLUDES ITEMS 24 - 26)	1
24	646731		DROP ANGLE HITCH	1
25	21317G1		CLEVIS PIN, 5/8" X 3" LG	1
26	21683G1		COTTER PIN, 15/32" X 2 1/16" LG	1
27				
28				
29	646793		DROP BALL HITCH KIT (INCLUDES ITEMS 30 - 33)	1
30	646743		DROP BALL HITCH	1
31	21317G1		CLEVIS PIN, 5/8" X 3" LG	1

BODY

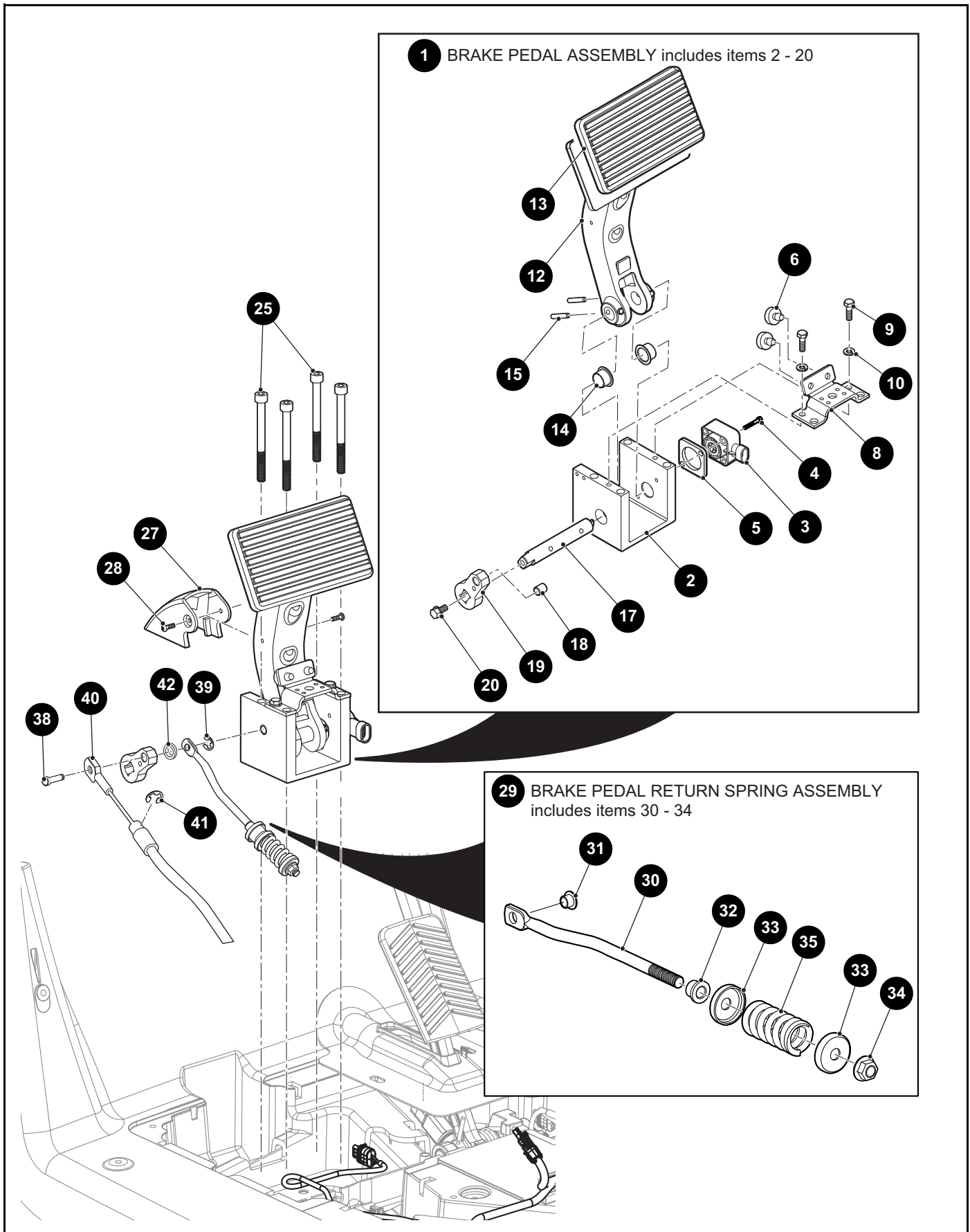
THE USE OF NON U.L. PARTS WILL VOID ANY U.L. LISTING.

When ordering parts, please specify the model and serial number of the product.

* Indicates a component that is not available as an individual part.

*** Indicates consult Customer Service Department for additional information.

ITEM	PART NO.	1	2	3	4	5	DESCRIPTION	QTY.
32	21683G1						COTTER PIN, 15/32" X 2 1/16" LG.....	1
33	31757G1						HITCH BALL WITH HARDWARE, 1 7/8" (INCLUDES ITEMS 34 - 35)	1
34	00566G6						LOCK WASHER, 3/4"	1
35	00702G2						HEX NUT, 5/16" - 18.....	1
36								
37	646794						DROP CLEVIS HITCH KIT (INCLUDES ITEMS 38 - 42)	1
38	646744						DROP CLEVIS HITCH	1
39	21317G1						CLEVIS PIN, 5/8" X 3" LG.....	1
40	21683G1						COTTER PIN, 15/32" X 2 1/16" LG.....	1
41	14443G10						CLEVIS PIN, 1/2" X 3" LG.....	1
42	19314G1						COTTER PIN, 5/2" LG	1



BRAKES

THE USE OF NON U.L. PARTS WILL VOID ANY U.L. LISTING.

When ordering parts, please specify the model and serial number of the product.

* Indicates a component that is not available as an individual part.

*** Indicates consult Customer Service Department for additional information.

ITEM	PART NO.	1 2 3 4 5	DESCRIPTION	QTY.
1	675001		BRAKE PEDAL ASSEMBLY (INCLUDES ITEMS 2 - 20).....	1
2	*		BRAKE ARM MOUNT.....	1
3	671848		ROTARY POSITION SENSOR.....	1
4	686390		SOCKET HEAD BOLT, M5 - .8 X 35MM LG.....	2
5	672457		SENSOR SPACER.....	1
6	604097		REBOUND BUMPER.....	2
7				
8	609226		SWITCH BUTTON BRACKET.....	1
9	613231		HEX HEAD BOLT, M6 - 1 X 20 MM LG.....	2
10	601327		LOCK WASHER (SS), M6.....	2
11				
12	*		BRAKE PEDAL.....	1
13	610471		PEDAL COVER.....	1
14	*		FLANGED BUSHING, 16 MM O.D. X 12 MM I.D.....	2
15	*		SPIROL PIN, 5 MM X 30 MM.....	2
16				
17	*		PIVOT SHAFT.....	1
18	*		SPLIT SLEEVE, 10 MM O.D. X 8 MM I.D X 12 MM LG.....	1
19	626146		BRAKE CABLE ARM (PULL).....	1
20	606265		FLANGED HEX HEAD BOLT, M6 - 1 X 12 MM LG.....	1
21				
22				
23				
24				
25	605254		SOCKET HEAD CAP SCREW, M8 - 1.25 X 90 MM LG.....	4
26				
27	605688		BRAKE PEDAL COVER.....	1
28	600543		BUTTON HEAD TORX BOLT, M4 -.75 X 12 MM LG.....	2
29	613309		BRAKE PEDAL RETURN SPRING ASSEMBLY (INCLUDES ITEMS 30 - 34).....	1
30	*		BRAKE ROD.....	1

BRAKES

THE USE OF NON U.L. PARTS WILL VOID ANY U.L. LISTING.

When ordering parts, please specify the model and serial number of the product.

* Indicates a component that is not available as an individual part.

*** Indicates consult Customer Service Department for additional information.

ITEM	PART NO.	1	2	3	4	5	DESCRIPTION	QTY.
31	*						FLANGED BUSHING, 8MM DIA.....	1
32	*						BUSHING, 10.2MM DIA.....	1
33	*						SHOCK ABSORBER WASHER, 31 MM O.D. X 10.3 MM I.D	2
34	*						FLANGED HEX HEAD LOCK NUT, M10 - 1.5.....	1
35	*						SPRING.....	1
36								
37								
38	614058						CLEVIS PIN, 8 MM X 31 MM	1
39	601835						RETAINING RING, 8 MM	1
40	613157						BRAKE CABLE.....	1
41	01111G01						RETAINING RING, DIA .8"	1
42	614763						FLAT WASHER, M13	1

BRAKES

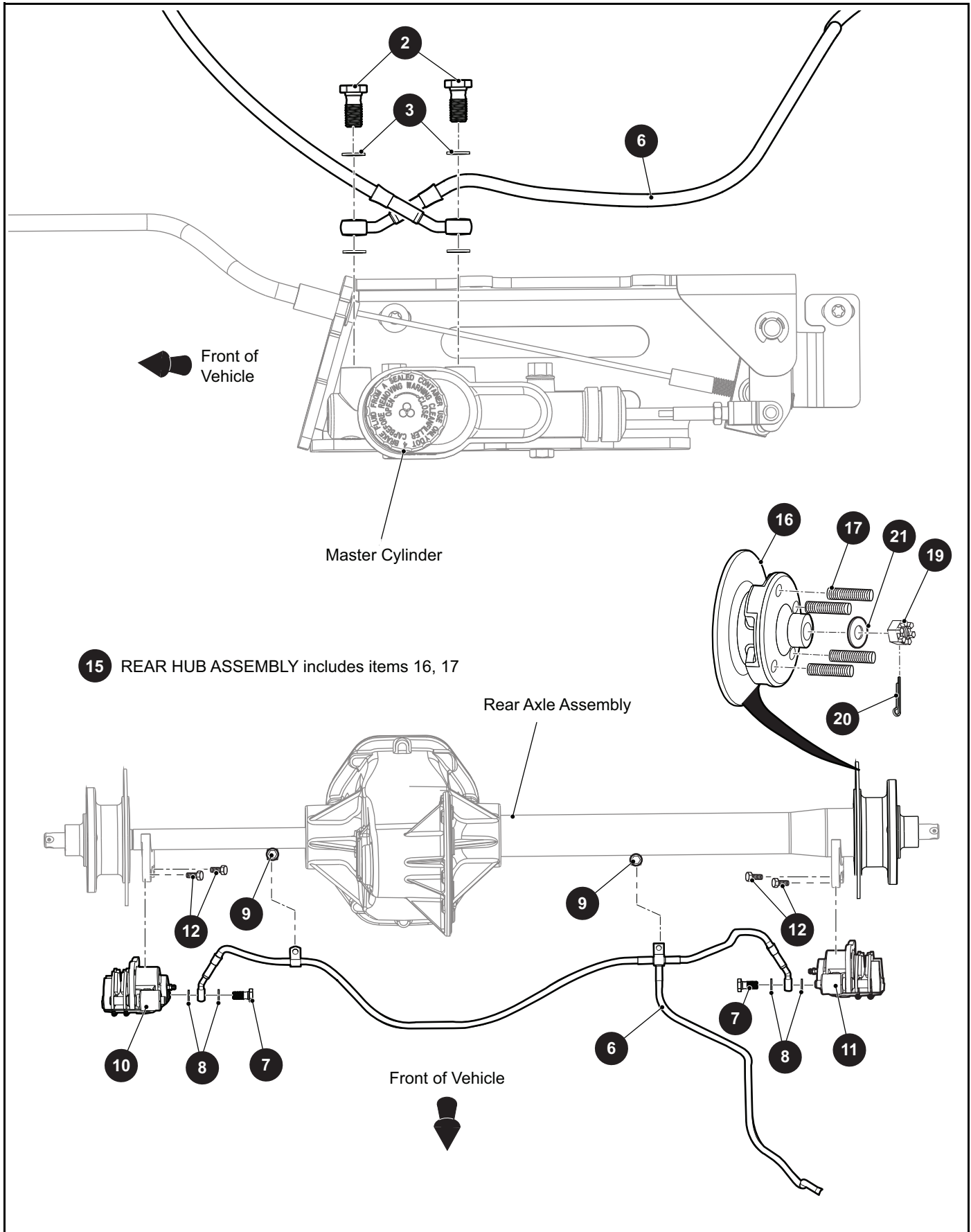
THE USE OF NON U.L. PARTS WILL VOID ANY U.L. LISTING.

When ordering parts, please specify the model and serial number of the product.

* Indicates a component that is not available as an individual part.

*** Indicates consult Customer Service Department for additional information.

ITEM	PART NO.	1 2 3 4 5	DESCRIPTION	QTY.
1	614875		BRAKE CALIPER (DRIVER SIDE)	1
2	614876		BRAKE CALIPER (PASSENGER SIDE).....	1
3	606261		FLANGED HEX HEAD BOLT, M6 - 1 X 60 MM LG.....	2
4	613292		BANJO BOLT, M10 - 1.25 X 20 MM LG	1
5	613293		CRUSH WASHER, M10.....	2
6	613365		WIREFORM (DRIVER SIDE).....	1
7	613366		WIREFORM (PASSENGER SIDE)	1
8	606264		FLANGED HEX HEAD BOLT, M6 - 1 X 20 MM LG.....	1
9	452695		FLANGED HEX HEAD BOLT, M6 - 1 X 20 MM LG.....	1
10				
11				
12	631593		MASTER CYLINDER.....	1
13	10386G2		CLEVIS PIN, .438" X .938" LG.....	1
14	01076G01		COTTER PIN, .094" X .75" LG.....	1
15	613147		MASTER CYLINDER BRACKET	1
16	00439G8		HEX HEAD BOLT, 5/16" - 18 X 1 1/8" LG	2
17	800697		CROWN LOCK NUT, 5/16" - 18.....	2
18	649804		BUTTON HEAD TORX SCREW, M8 - 3.50 X 30 MM LG	2
19				
20				
21				
22	613154		BELL CRANK WELDMENT	1
23	01111G01		RETAINING RING.....	5
24	613152		BELL CRANK SHAFT	1
25	70581G01		BUSHING (ACETAL).....	2
26	613331		BELL CRANK PIN.....	1
27	614261		LOCK NUT, 3/8" - 24.....	1



BRAKES

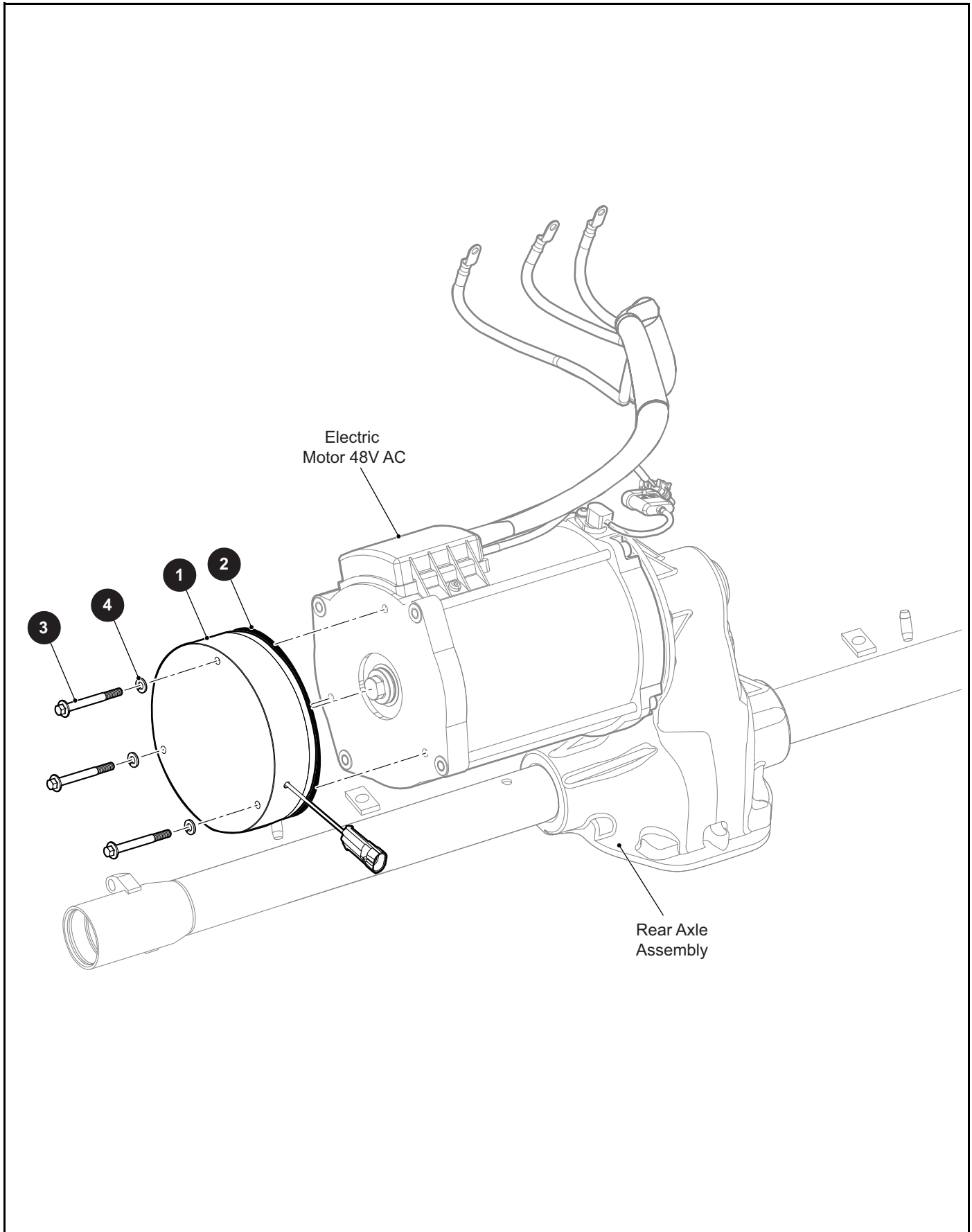
THE USE OF NON U.L. PARTS WILL VOID ANY U.L. LISTING.

When ordering parts, please specify the model and serial number of the product.

* Indicates a component that is not available as an individual part.

*** Indicates consult Customer Service Department for additional information.

ITEM	PART NO.	1 2 3 4 5	DESCRIPTION	QTY.
1	613289		FRONT BRAKE LINE (SS)	1
2	613292		BANJO BOLT, M10 - 1.25 X 20 MM LG	2
3	613293		CRUSH WASHER, M10.....	4
4				
5				
6	613290		REAR BRAKE LINE (SS).....	1
7	613292		BANJO BOLT, M10 - 1.25 X 20 MM LG	2
8	613293		CRUSH WASHER, M10.....	4
9	452695		HEX HEAD BOLT, M6 - 1 X 20 MM LG.....	2
10	614876		BRAKE CALIPER (PASSENGER SIDE).....	1
11	614875		BRAKE CALIPER (DRIVER SIDE)	1
12	606261		FLANGED HEX HEAD BOLT, M6 - 1 X 60 MM LG.....	4
13				
14				
15	617121		REAR HUB ASSEMBLY (INCLUDES ITEMS 16, 17)	1
16	615388		REAR HUB DISC BRAKE	1
17	614820		WHEEL STUD	4
18				
19	613172		CASTELLATED NUT, 3/4" - 16	1
20	10387G1		COTTER PIN, .125" X 1.50" LG.....	1
21	21830G1		BRAKE DRUM WASHER, .765" I.D. X 1.5" O.D.....	1



THE USE OF NON U.L. PARTS WILL VOID ANY U.L. LISTING.

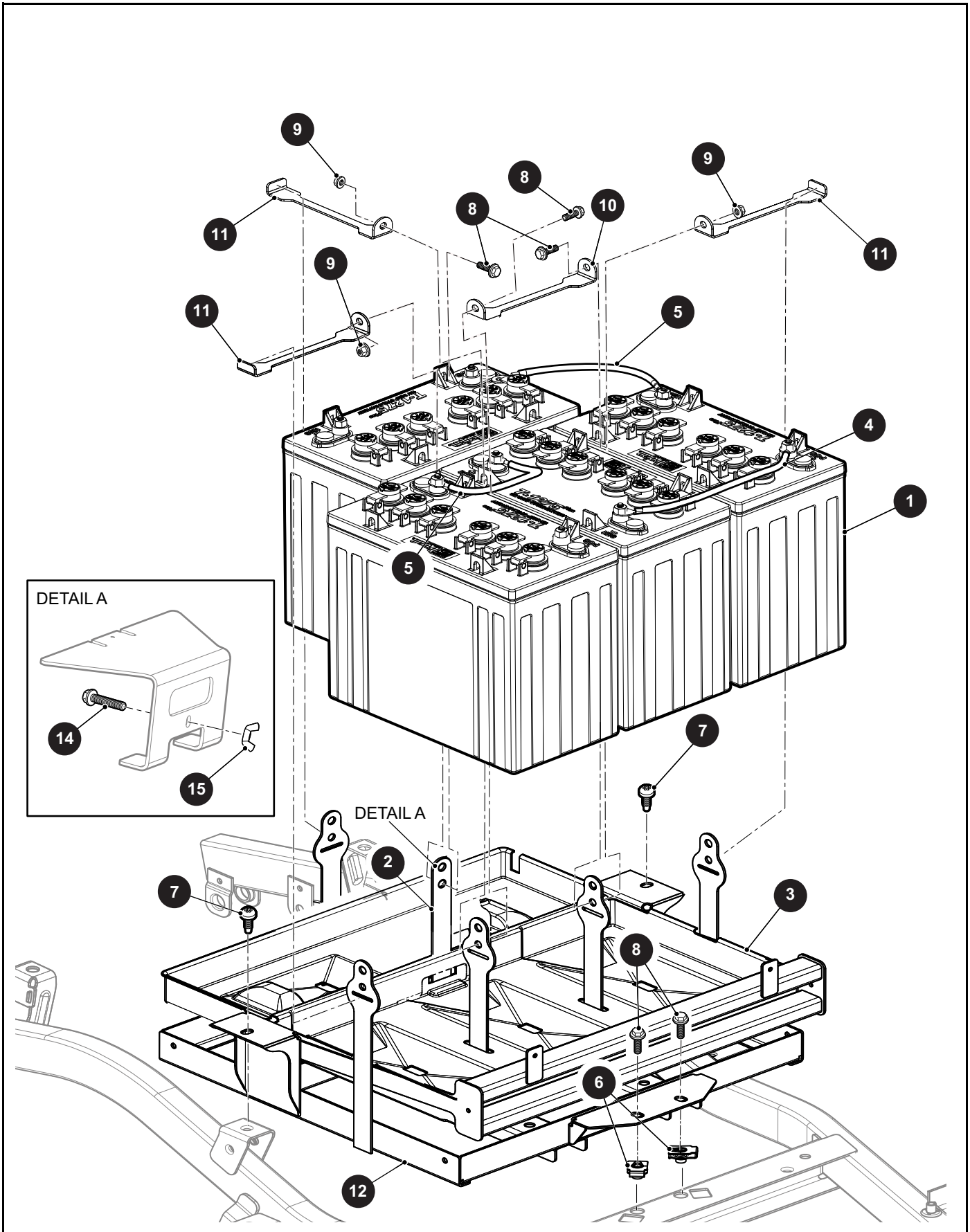
When ordering parts, please specify the model and serial number of the product.

* Indicates a component that is not available as an individual part.

*** Indicates consult Customer Service Department for additional information.

ITEM	PART NO.	1 2 3 4 5	DESCRIPTION	QTY.
1	630894		E - BRAKE	1
2	628550		O - RING, DIA 152 MM	1
3	73715G01		FLANGED HEX HEAD BOLT, M6 - 1 X 60 MM LG.....	3
4	00664G7		LOCK WASHER (SS), 25 MM	3

ELECTRICAL SYSTEM



ELECTRICAL SYSTEM

THE USE OF NON U.L. PARTS WILL VOID ANY U.L. LISTING.

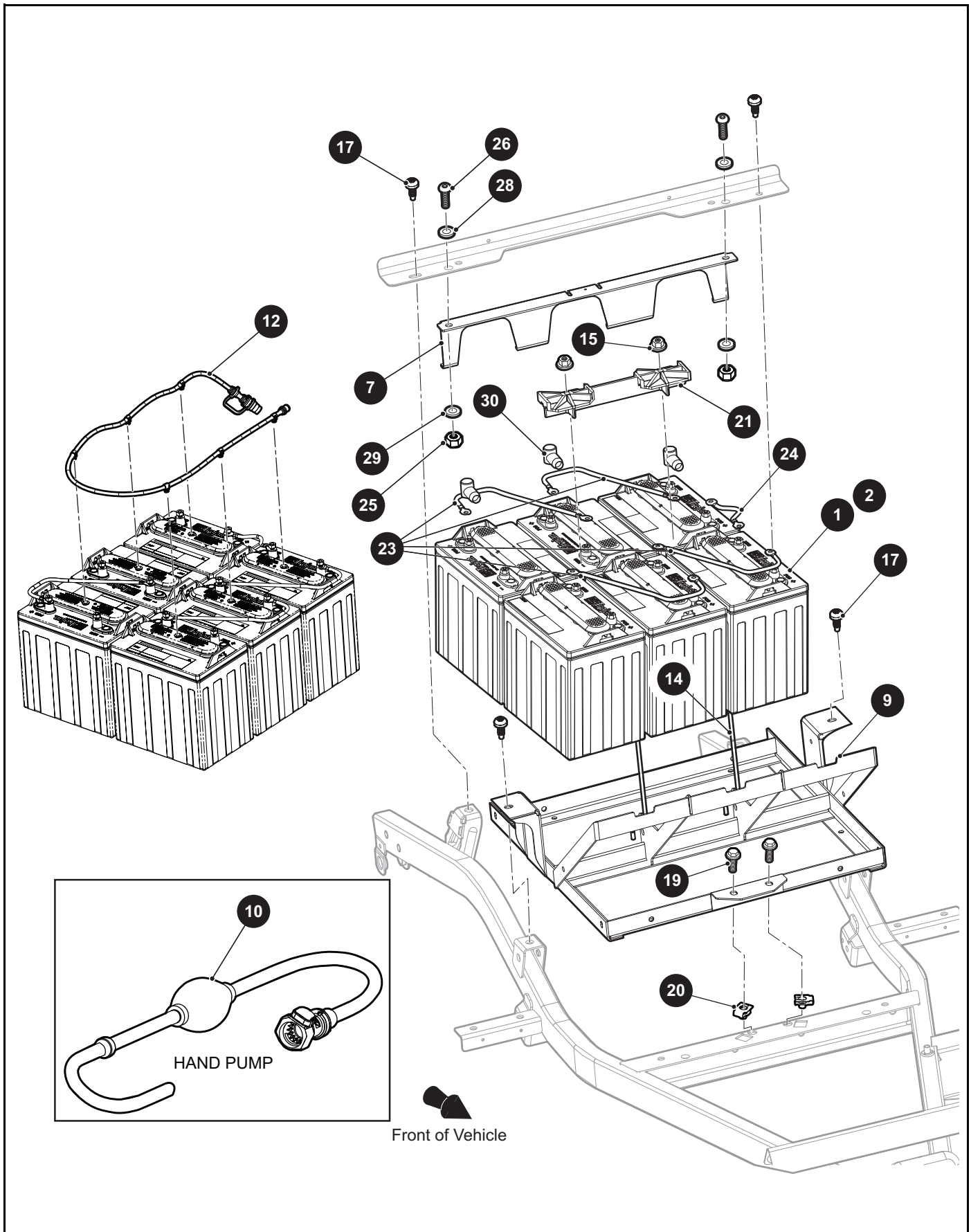
When ordering parts, please specify the model and serial number of the product.

* Indicates a component that is not available as an individual part.

*** Indicates consult Customer Service Department for additional information.

ITEM	PART NO.	1 2 3 4 5	DESCRIPTION	QTY.
1	607906		TROJAN BATTERY, T1275	4
2	614165		REMOVABLE UPRIGHT HOLD DOWN	1
3	611258		BATTERY TRAY LINER	1
4	607057		BLUE WIRE ASSEMBLY, 6AG, 325 MM.....	1
5	602930		BLUE WIRE ASSEMBLY, 6AG, 261 MM.....	2
6	603818		BARREL CLIP, M10 - 1.5	2
7	602572		PAN HEAD TAPTITE BOLT, M10 - 1.5 X 25 MM LG	2
8	603799		FLANGED HEX HEAD BOLT, M10 - 1.5 X 25 MM LG.....	5
9	600525		FLANGED HEX LOCK NUT, M10 - 1.5.....	3
10	609159		BATTERY HOLD DOWN, MIDDLE	1
11	614107		BATTERY HOLD DOWN, OUTER.....	3
12	611364		BATTERY TRAY WELDMENT	1
13				
14	548604		FLANGED HEX HEAD BOLT, 5/16" - 18 X 3/4" LG	1
15	800315		WING NUT, 5/16" - 18.....	1

ELECTRICAL SYSTEM



ELECTRICAL SYSTEM

THE USE OF NON U.L. PARTS WILL VOID ANY U.L. LISTING.

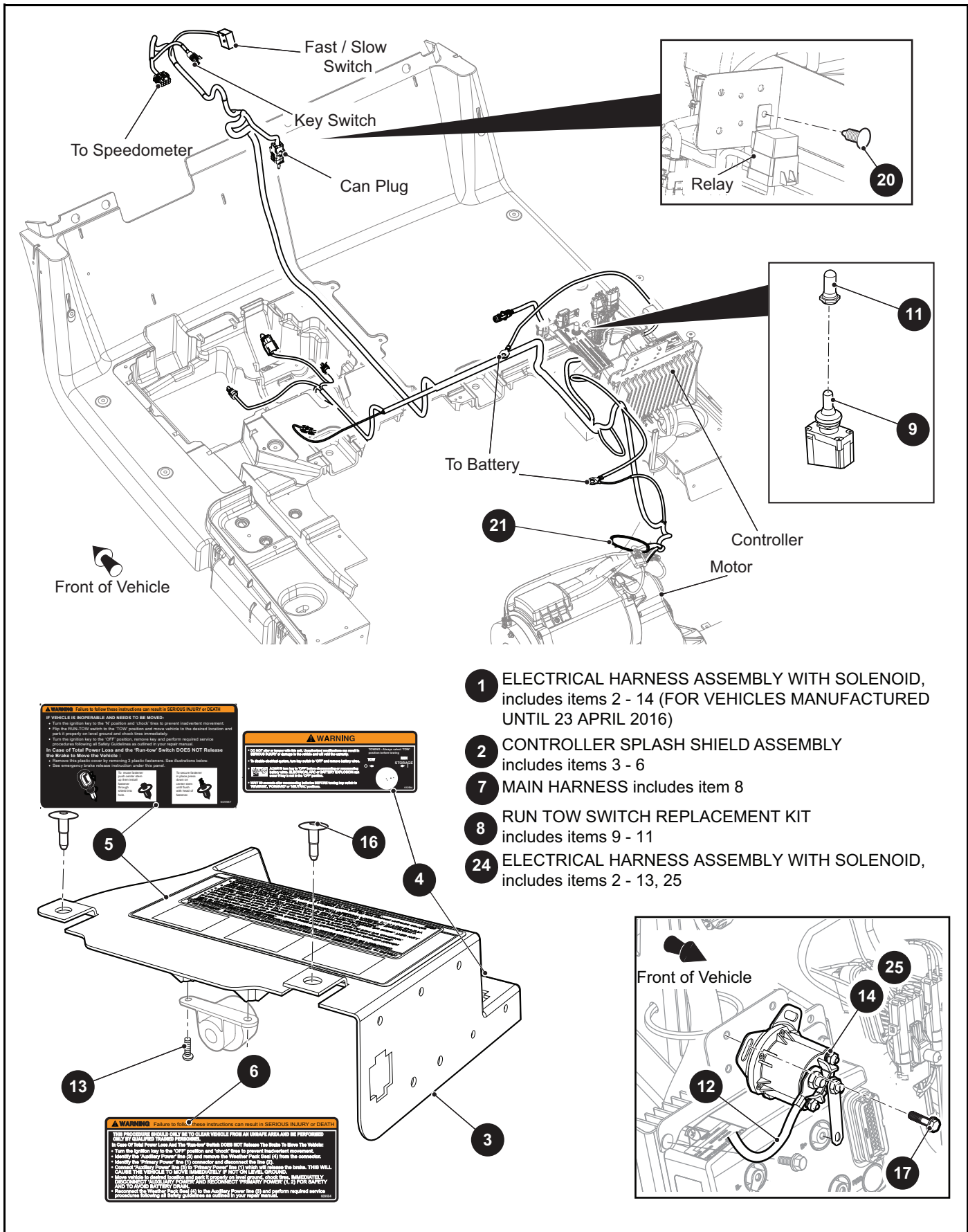
When ordering parts, please specify the model and serial number of the product.

* Indicates a component that is not available as an individual part.

*** Indicates consult Customer Service Department for additional information.

ITEM	PART NO.	1 2 3 4 5	DESCRIPTION	QTY.
1	612626		BATTERY, 8V	6
2	614382		BATTERT, 8V	6
3				
4				
5				
6				
7	671661G03		BATTERY RETAINER - TALL.....	1
8				
9	671660G03		BATTERY TRAY WELDMENT	1
10	614472		HAND PUMP.....	1
11				
12	614457		SNAKE, HYDROLINK.....	1
13				
14	01101G01		TIE DOWN BOLT	2
15	11027G1		FLANGED LOCK NUT, 5/16" - 18.....	2
16				
17	602572		PAN HEAD TAPTITE BOLT, M10 - 1.5 X 25 MM LG	2
18				
19	603799		FLANGED HEX HEAD BOLT, M10 - 1.5 X 25 MM LG.....	2
20	603818		BARREL CLIP, M10 - 1.5	2
21	612867		RETAINER	1
22				
23	613236		BLUE WIRE ASSEMBLY, 6AWG X 380 MM LG	4
24	613237		BLUE WIRE ASSEMBLY, 6AWG X 150 MM LG	1
25	616673		LOCK NUT, M8 X 1.25.....	2
26	628635		BUTTON HEAD BOLT, M8 - 1.25 X 30 MM LG	2
27				
28	604066		FLAT WASHER, M10 - 1.5.....	2
29	00571G2		FLAT WASHER, 5/16".....	2
30	840177		TERMINAL BOOT	3

ELECTRICAL SYSTEM



- 1 ELECTRICAL HARNESS ASSEMBLY WITH SOLENOID, includes items 2 - 14 (FOR VEHICLES MANUFACTURED UNTIL 23 APRIL 2016)
- 2 CONTROLLER SPLASH SHIELD ASSEMBLY includes items 3 - 6
- 7 MAIN HARNESS includes item 8
- 8 RUN TOW SWITCH REPLACEMENT KIT includes items 9 - 11
- 24 ELECTRICAL HARNESS ASSEMBLY WITH SOLENOID, includes items 2 - 13, 25

ELECTRICAL SYSTEM

THE USE OF NON U.L. PARTS WILL VOID ANY U.L. LISTING.

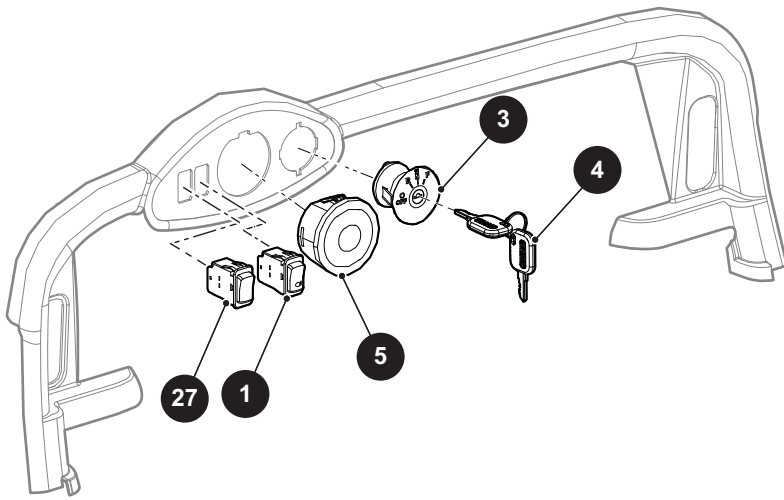
When ordering parts, please specify the model and serial number of the product.

* Indicates a component that is not available as an individual part.

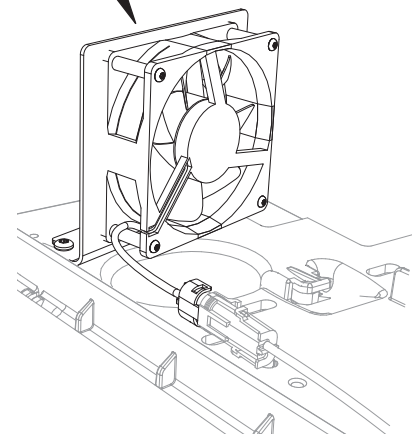
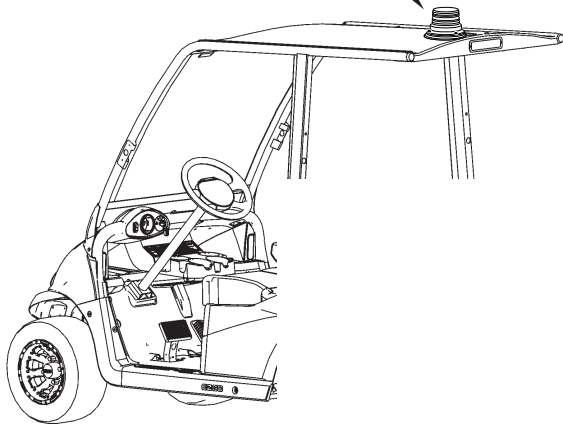
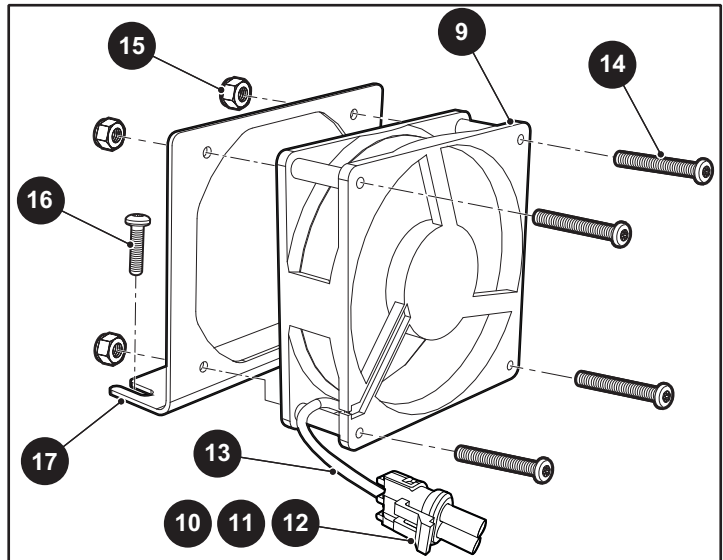
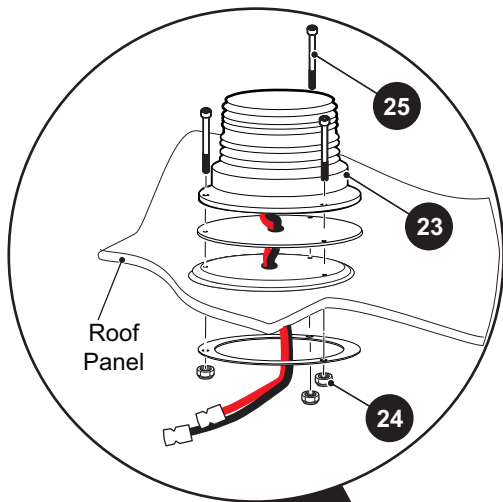
*** Indicates consult Customer Service Department for additional information.

ITEM	PART NO.	1 2 3 4 5	DESCRIPTION	QTY.
1	649038		ELECTRICAL HARNESS ASSEMBLY WITH SOLENOID (INCLUDES ITEMS 2 - 14) FOR VEHICLES MANUFACTURED UNTIL 23 APRIL 2016	1
2	612423		CONTROLLER SPLASH SHIELD ASSEMBLY (INCLUDES ITEMS 3 - 6).....	1
3	612422		SPLASH SHIELD CONTROLLER	1
4	612594		TOW SWITCH LABEL.....	1
5	609987		MAINTENANCE/TOWING LABEL	1
6	609694		TOWING INSTRUCTION NOTICE LABEL	1
7	669735		MAIN HARNESS (INCLUDES ITEM 8)	1
8	608900		RUN TOW SWITCH REPLACENMENT KIT (INCLUDES ITEMS 9 - 11).....	1
9	606980		RUN TOW SWITCH	1
10	608896		WATERPROFF BUTT SPLICE (NOT ILLUSTRATED).....	2
11	605969		RUBBER BOOT.....	1
12	609760		RED WIRE ASSEMBLY, 6 AWG, 650MM	1
13	01051G01		PAN HEAD PHILLIPS SCREW, # 8 - 16 X 1/2" LG	2
14	624428		SOLENOID, 36V.....	1
15				
16	610487		RIVET (PLASTIC), .256"	3
17	71102G02		HEX HEAD BOLT, 1/4" - 20 X 1/2" LG	2
18				
19				
20	16816G2		RATCHET FASTENER, 1/4" X 3/4" LG.....	1
21	17618G1		NYLON CLAMP, 8" LG.....	AR
22				
23				
24	670563		ELECTRICAL HARNESS ASSEMBLY WITH SOLENOID (INCLUDES ITEMS 2 - 13, 25)	1
25	649240		SOLENOID, 48V.....	1

ELECTRICAL SYSTEM



- 2** KEY SWITCH ASSEMBLY
includes items 3 - 4
- 8** A/C FAN CONTROLLER ASSEMBLY
includes items 9 - 13
- 22** STROBE LIGHT KIT
includes items 23 - 25



ELECTRICAL SYSTEM

THE USE OF NON U.L. PARTS WILL VOID ANY U.L. LISTING.

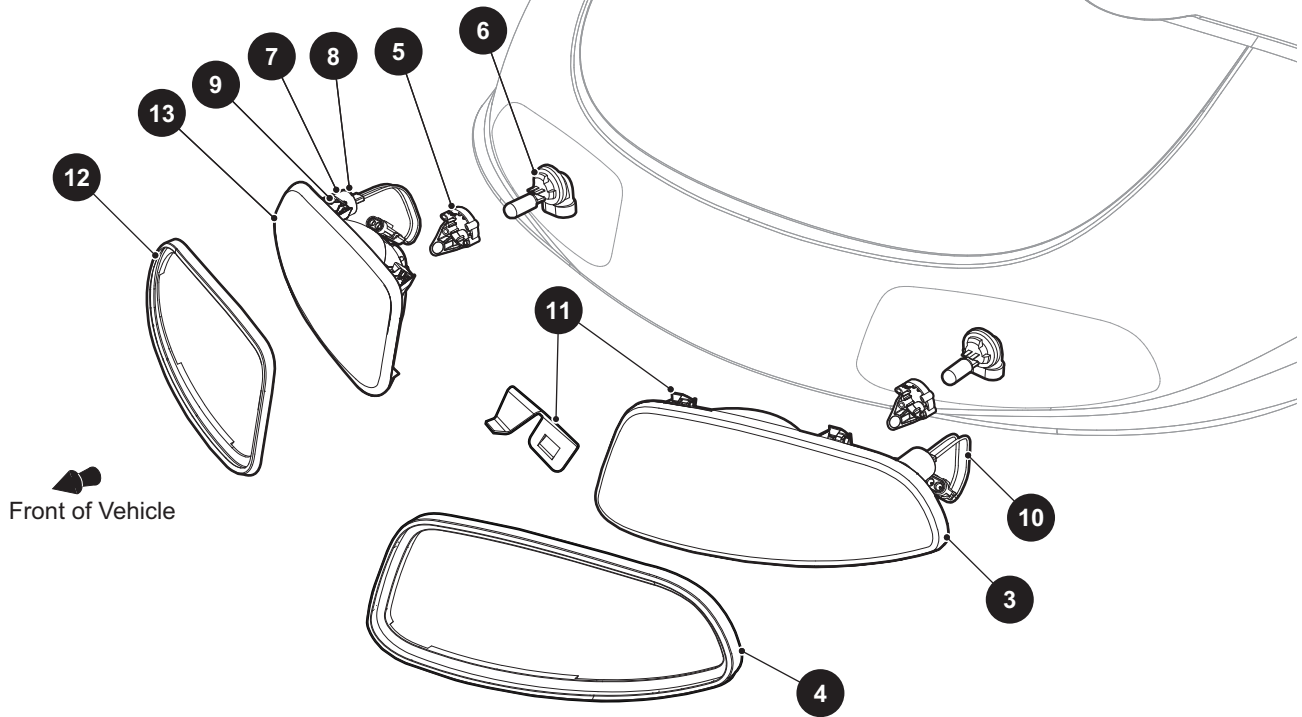
When ordering parts, please specify the model and serial number of the product.

* Indicates a component that is not available as an individual part.

*** Indicates consult Customer Service Department for additional information.

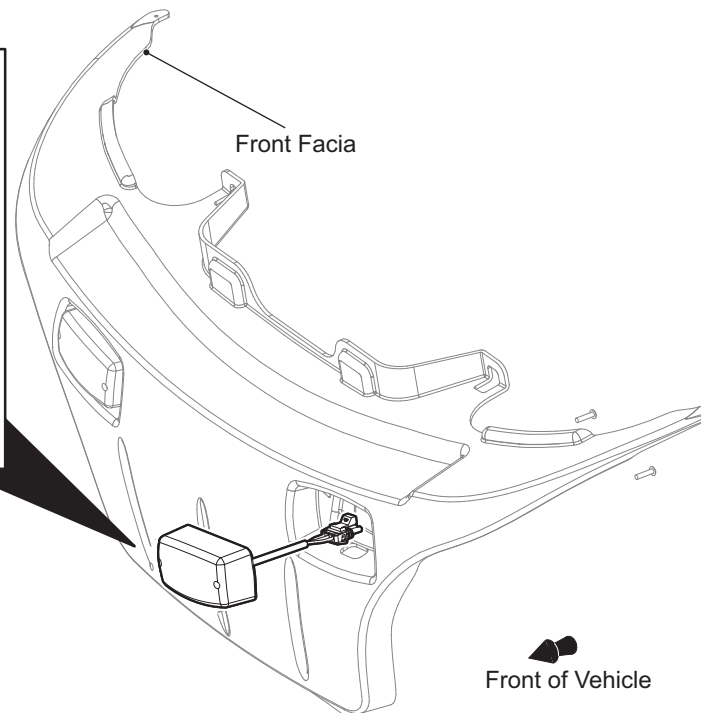
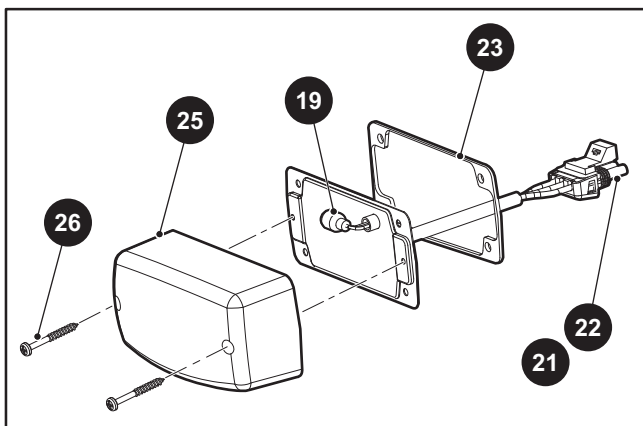
ITEM	PART NO.	1 2 3 4 5	DESCRIPTION	QTY.
1	604019		HEADLIGHT SWITCH	1
2	609692		KEY SWITCH ASSEMBLY (INCLUDES ITEMS 3 - 4)	1
3	609682		KEY SWITCH, DIRECTION SELECTOR	1
4	609693		KEY	1
5	609401		SPEEDOMETER, 48V	1
6				
7				
8	611977		A/C FAN CONTROLLER ASSEMBLY (INCLUDES ITEMS 9 - 13).....	1
9	609524		FAN A/C CONTROLLER	1
10	73183G01		TOWER CONNECTOR	1
11	73186G01		SLEEVE TERMINAL.....	1
12	73187G02		SEAL CABLE.....	1
13	17313G1		FLEX LOOM	AR
14	610441		PAN HEAD TORX SCREW, M4 - .7 X 50 MM LG.....	4
15	602053		LOCK NUT, M4 - .7	4
16	649803		PAN HEAD TORX SCREW, M6 - 2.65 X 25 MM LG.....	2
17	609658		FAN A/C CONTROLLER BRACKET.....	1
18	632861		ACCESSORY HARNESS (NOT ILLUSTRATED)	1
19	609320		STROBE LIGHT AND WIPER HARNESS (NOT ILLUSTRATED)	1
20				
21				
22	609412		STROBE LIGHT KIT (INCLUDES ITEMS 23 - 25)	1
23	611998		STROBE LIGHT ASSEMBLY	1
24	14390G10		LOCK NUT, #10 - 24.....	3
25	00979G01		SOCKET HEAD BOLT, # 10 - 24 X .88" LG	3
26				
27	609380		SPEED SELECTOR SWITCH (FOR VEHICLES MANUFACTURED AFTER JULY 21, 2019)	1

ELECTRICAL SYSTEM



- 1** HEADLIGHT ASSEMBLY (DRIVER SIDE)
includes items 3 - 11
- 2** HEADLIGHT ASSEMBLY (PASSENGER SIDE)
includes items 5 - 13

- 18** FRONT TURN SIGNAL ASSEMBLY
includes items 19 - 24
- 24** TURN SIGNAL ASSEMBLY
includes items 25 - 26



ELECTRICAL SYSTEM

THE USE OF NON U.L. PARTS WILL VOID ANY U.L. LISTING.

When ordering parts, please specify the model and serial number of the product.

* Indicates a component that is not available as an individual part.

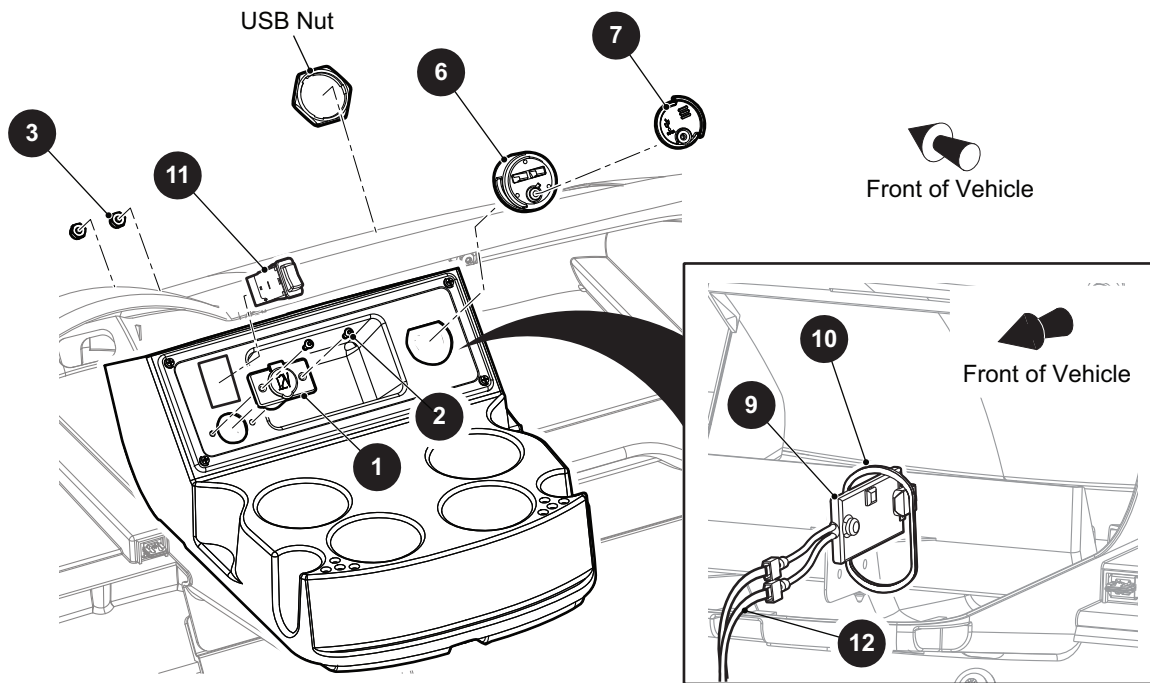
*** Indicates consult Customer Service Department for additional information.

ITEM	PART NO.	1 2 3 4 5	DESCRIPTION	QTY.
1	607439		HEADLIGHT ASSEMBLY (DRIVER SIDE) (INCLUDES ITEMS 3 - 11).....	1
2	607438		HEADLIGHT ASSEMBLY (PASSENGER SIDE) (INCLUDES ITEMS 5 - 13)..	1
3	607436		HEADLIGHT (DRIVER SIDE).....	1
4	607452		GASKET (DRIVER SIDE).....	1
5	615459		ANTI ROTATION COLLAR.....	1
6	74004G01		HEADLIGHT BULB.....	1
7	604539		TURN SIGNAL BULB.....	1
8	608322		BULB RETAINER.....	1
9	608328		BUTTON HEAD TORX SCREW (PLASTITE), M3 - 1.3 X 14 MM LG.....	1
10	607487		TURN SIGNAL WIRE HARNESS.....	1
11	607434		HEADLIGHT RETAINING CLIP.....	4
12	607437		GASKET (PASSENGER SIDE).....	1
13	607435		HEADLIGHT (PASSENGER SIDE).....	1
14				
15				
16				
17				
18	620718		FRONT TURN SIGNAL ASSEMBLY (INCLUDES ITEMS 19 - 24).....	1
19	604311		TAILLIGHT BULB.....	1
20	73187G01		CABLE SEAL (NOT ILLUSTRATED).....	3
21	73186G01		TERMINAL SLEEVE.....	3
22	73183G03		CONNECTOR TOWER.....	1
23	620773		GASKET.....	1
24	620742		TURN SIGNAL ASSEMBLY (INCLUDES ITEMS 25 - 26).....	1
25	620772		TURN SIGNAL LENS.....	1
26	604316		SCREW.....	2

ELECTRICAL SYSTEM

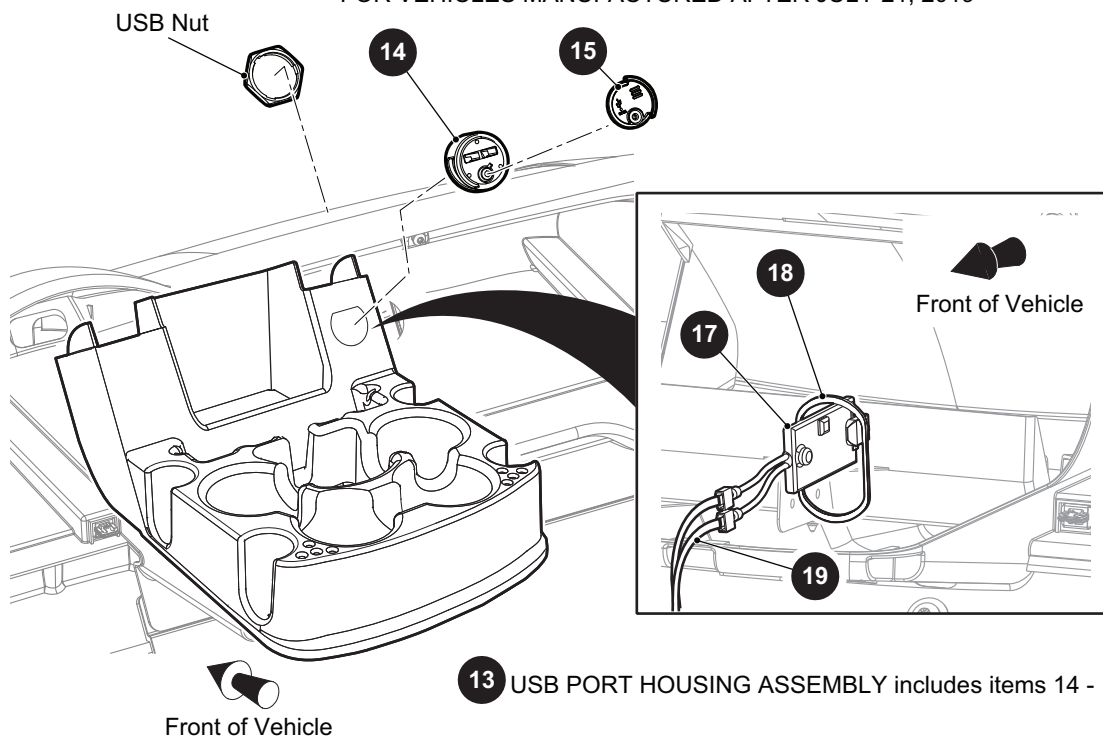
FOR VEHICLES MANUFACTURED BEFORE JULY 21, 2019

5 USB PORT HOUSING ASSEMBLY includes items 6 - 7



FOR VEHICLES MANUFACTURED AFTER JULY 21, 2019

13 USB PORT HOUSING ASSEMBLY includes items 14 - 15



ELECTRICAL SYSTEM

THE USE OF NON U.L. PARTS WILL VOID ANY U.L. LISTING.

When ordering parts, please specify the model and serial number of the product.

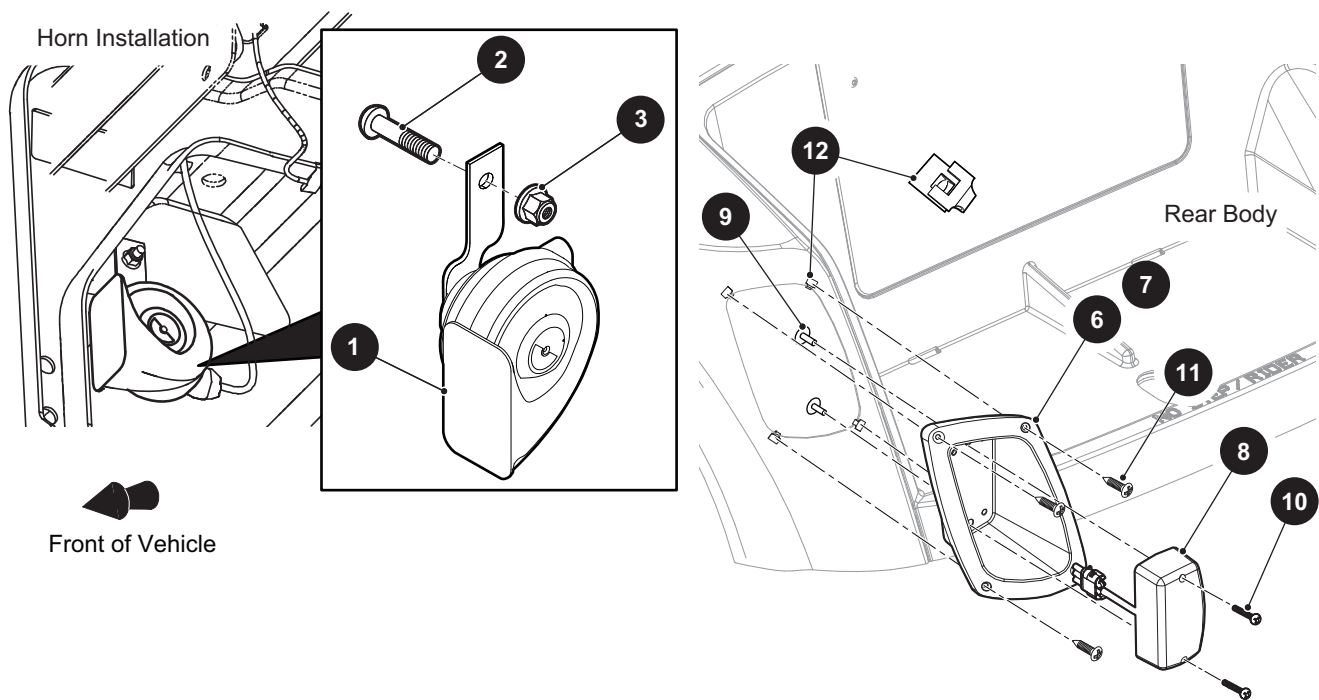
* Indicates a component that is not available as an individual part.

*** Indicates consult Customer Service Department for additional information.

ITEM	PART NO.	1 2 3 4 5	DESCRIPTION	QTY.
ITEMS 1 - 12: FOR VEHICLES MANUFACTURED BEFORE JULY 21, 2019				
1	71078G01		12V POWER OUTLET	1
2	600543		BUTTON HEAD TORX BOLT, M4 - .75 X 12 MM LG	2
3	602053		LOCK NUT, M4 -.7	2
4				
5	639384		USB PORT HOUSING ASSEMBLY (INCLUDES ITEMS 6 - 7)	1
6	639383		USB PORT HOUSING.....	1
7	639382		USB PORT LID.....	1
8				
9	638233		USB ELECTRONICS	1
10	17618G1		CLAMP (NYLON), 7" LG	AR
11	609380		SPEED SELECTOR SWITCH	1
12	638585		USB HARNESS	1
ITEMS 13 - 19: FOR VEHICLES MANUFACTURED AFTER JULY 21, 2019				
13	639384		USB PORT HOUSING ASSEMBLY (INCLUDES ITEMS 14 - 15)	1
14	639383		USB PORT HOUSING.....	1
15	639382		USB PORT LID.....	1
16				
17	638233		USB ELECTRONICS	1
18	17618G1		CLAMP (NYLON), 7" LG	AR
19	638585		USB HARNESS	1

4 TAILLIGHT ASSEMBLY (DRIVER SIDE) includes items 6, 8 - 10

5 TAILLIGHT ASSEMBLY (PASSENGER SIDE) includes items 7 - 10



ELECTRICAL SYSTEM

THE USE OF NON U.L. PARTS WILL VOID ANY U.L. LISTING.

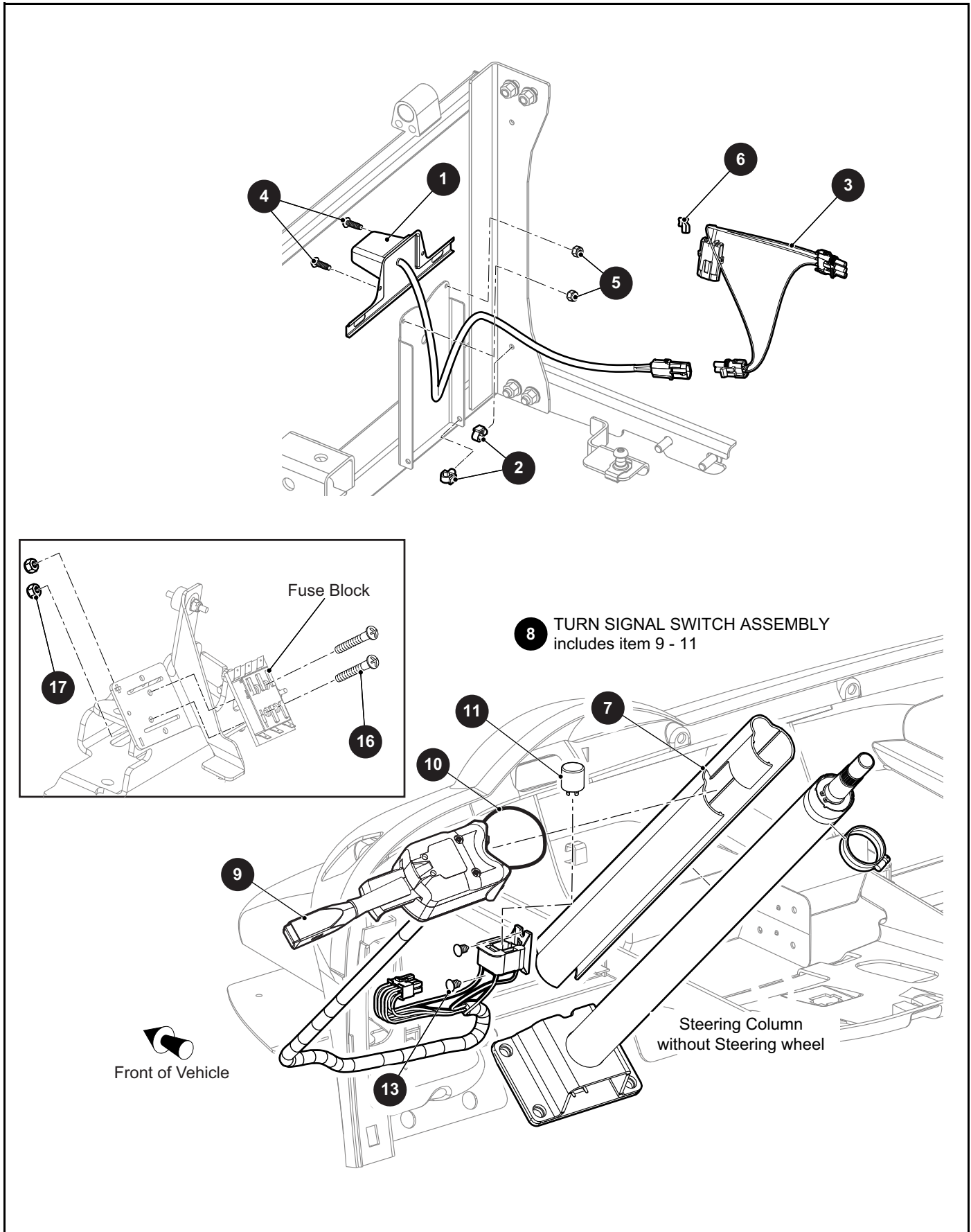
When ordering parts, please specify the model and serial number of the product.

* Indicates a component that is not available as an individual part.

*** Indicates consult Customer Service Department for additional information.

ITEM	PART NO.	1 2 3 4 5	DESCRIPTION	QTY.
1	604196		HORN ASSEMBLY.....	1
2	601326		BUTTON HEAD TORX BOLT, M6 - 1 X 20 MM LG	1
3	601476		LOCK NUT, M6 - 1	1
4	648672G01		TAILLIGHT ASSEMBLY (DRIVER SIDE) (INCLUDES ITEMS 6, 8 - 10)	1
5	648672G01		TAILLIGHT ASSEMBLY (PASSENGER SIDE) (INCLUDES ITEMS 7 - 10)	1
6	639815G01		BEZEL TAILLIGHT (DRIVER SIDE)	1
7	639815G02		BEZEL TAILLIGHT (PASSENGER SIDE).....	1
8	639816		TAILLIGHT ASSEMBLY	1
9	14601G11		RIVET (ALUMINUM), 3/16" X 9/16" LG.....	2
10	00513G4		PAN HEAD PHILLIPS SCREW, #8 - 18 X 3/4" LG	2
11	71425G01		TAPPING SCREW, #8 - 18 X 3/4" LG.....	4
12	71364G02		"J" TYPE SPEED NUT, #8	4

ELECTRICAL SYSTEM



ELECTRICAL SYSTEM

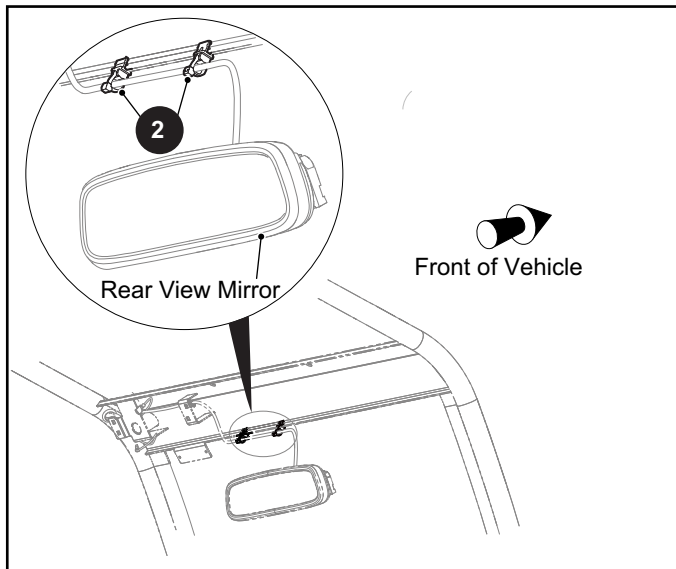
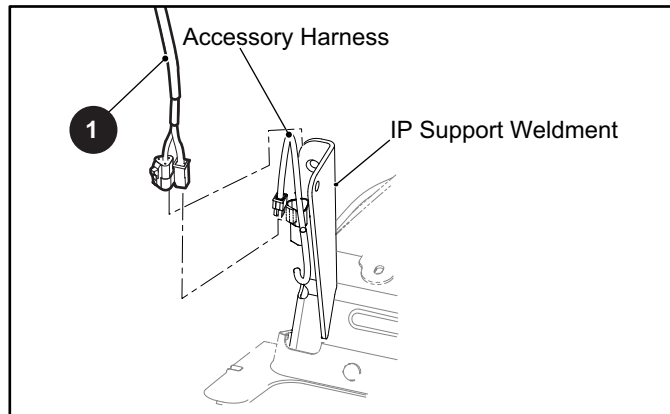
THE USE OF NON U.L. PARTS WILL VOID ANY U.L. LISTING.

When ordering parts, please specify the model and serial number of the product.

* Indicates a component that is not available as an individual part.

*** Indicates consult Customer Service Department for additional information.

ITEM	PART NO.	1 2 3 4 5	DESCRIPTION	QTY.
1	614626		LICENSE PLATE LIGHT	1
2	74875G01		WIRE RETAINER.....	2
3	614432		JUMPER HARNESS	1
4	00740G4		TRUSS HEAD PHILLIPS MACHINE SCREW, #10 - 32 X 1/2" LG.....	2
5	00734G5		LOCK NUT, #10 - 32	2
6	01072G01		CABLE CLIP	1
7	20965G3		COVER (STEERING COLUMN).....	1
8	615236		TURN SIGNAL SWITCH ASSEMBLY (INCLUDES ITEMS 9 - 11)	1
9	615238		TURN SIGNAL SWITCH	1
10	11391G5		HOSE CLAMP	1
11	604367		FLASHER UNIT.....	1
12				
13	16816G5		RATCHET RIVET, .187" X .550" LG.....	2
14	31539G1		NYLON CLAMP (NOT ILLUSTRATED)	AR
15				
16	00379G2		PAN HEAD PHILLIPS SCREW, #10 - 24 X 1 1/4" LG	2
17	14390G10		LOCK NUT, #10 - 24	2



ELECTRICAL SYSTEM

THE USE OF NON U.L. PARTS WILL VOID ANY U.L. LISTING.

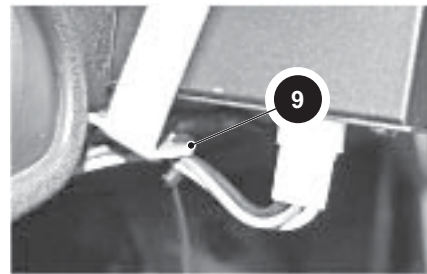
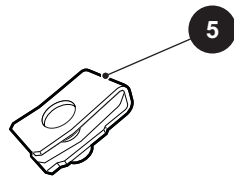
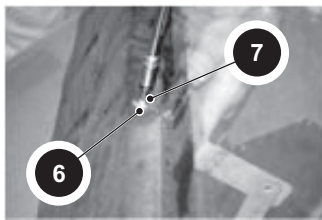
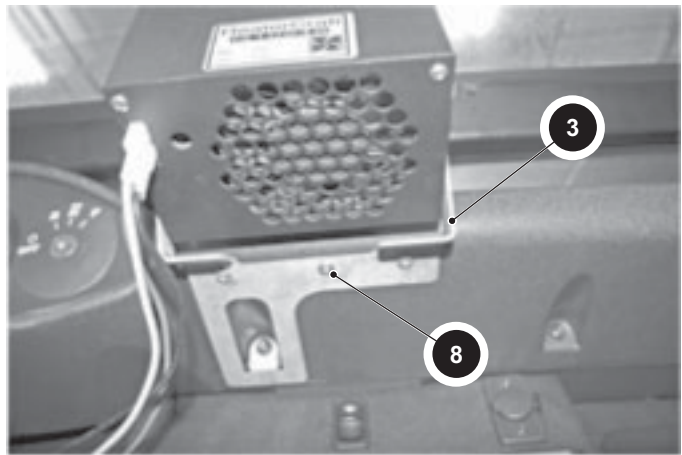
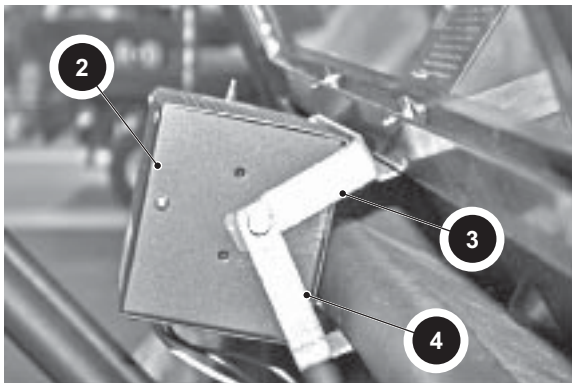
When ordering parts, please specify the model and serial number of the product.

* Indicates a component that is not available as an individual part.

*** Indicates consult Customer Service Department for additional information.

ITEM	PART NO.	1 2 3 4 5	DESCRIPTION	QTY.
1	669746		STROBE HARNESS (WIPER AND CAMERA)	1
2	646439		EDGE CLIP, CABLE TIE	2

1 DEFROSTER / HEATER KIT includes items 2 - 9



ELECTRICAL SYSTEM

THE USE OF NON U.L. PARTS WILL VOID ANY U.L. LISTING.

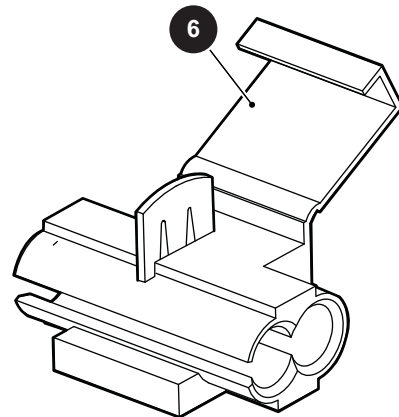
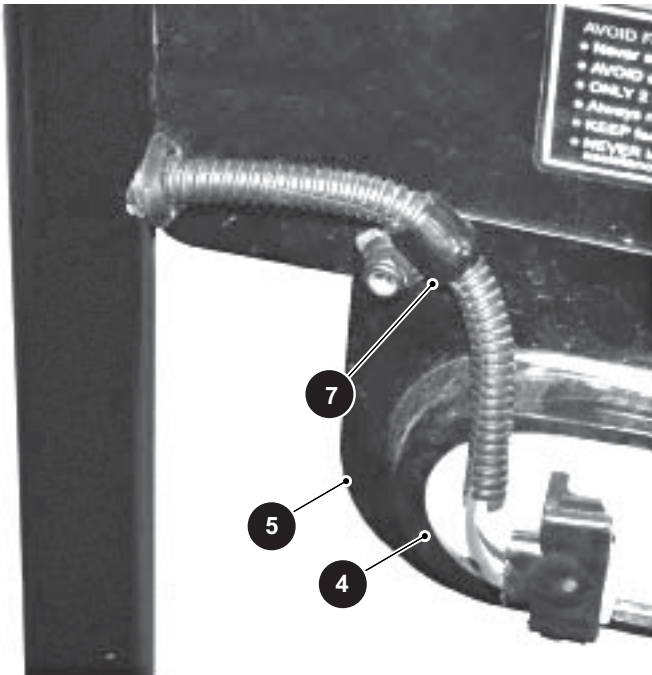
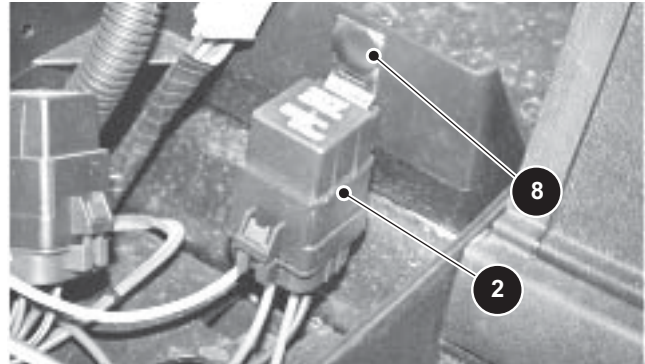
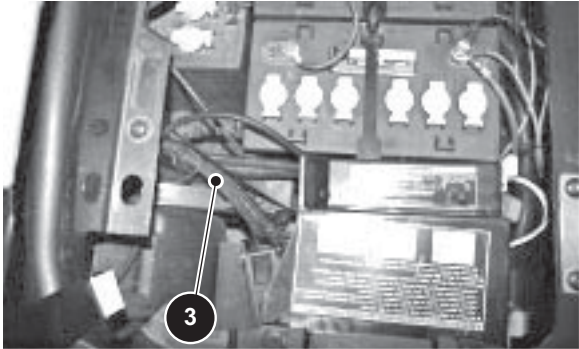
When ordering parts, please specify the model and serial number of the product.

* Indicates a component that is not available as an individual part.

*** Indicates consult Customer Service Department for additional information.

ITEM	PART NO.	1 2 3 4 5	DESCRIPTION	QTY.
1	614712		DEFROSTER / HEATER KIT (INCLUDES ITEMS 2 - 9)	1
2	614915		DEFROSTER / HEATER 48V	1
3	614835		DEFROSTER UPPER BRACKET	1
4	614833		DEFROSTER LOWER BRACKET	1
5	602409		BARREL CLIP, M6 - 1	1
6	601326		BUTTON HEAD TORX BOLT, M6 - 1 X 20 MM LG	1
7	00559G7		FLAT WASHER, 1/4"	1
8	608290		SELF TAPPING SCREW, #10 - 16 X 3/4" LG	3
9	17618G1		NYLON CLAMP, 8" LG	2

1 TRUCK BACKUP LIGHT KIT includes items 2 - 11



ELECTRICAL SYSTEM

THE USE OF NON U.L. PARTS WILL VOID ANY U.L. LISTING.

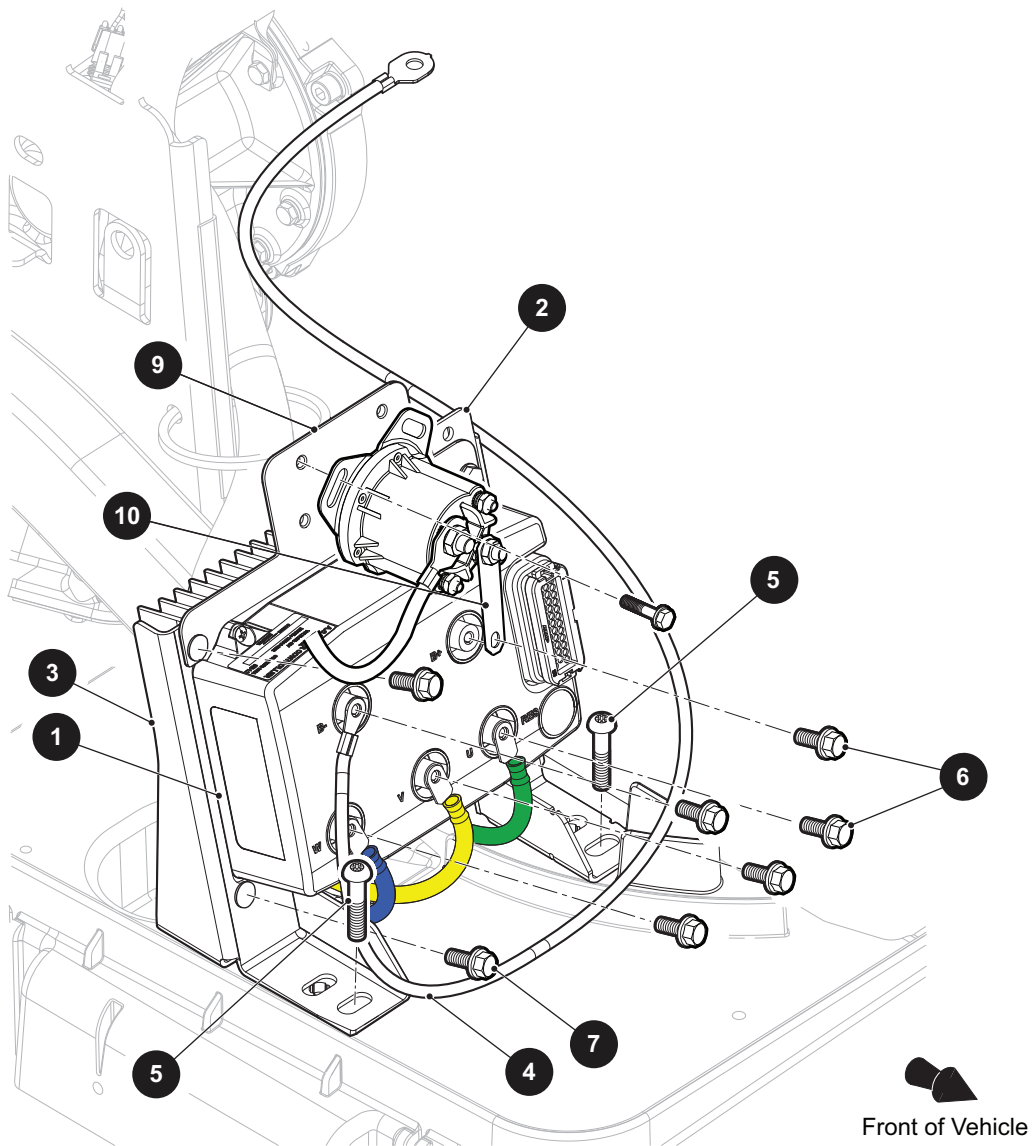
When ordering parts, please specify the model and serial number of the product.

* Indicates a component that is not available as an individual part.

*** Indicates consult Customer Service Department for additional information.

ITEM	PART NO.	1 2 3 4 5	DESCRIPTION	QTY.
1	625484		TRUCK BACKUP LIGHT KIT (INCLUDES ITEMS 2 - 11)	1
2	620831		BACKUP LIGHT HARNESS WITH 48V RELAY	1
3	620830		BACKUP LIGHT HARNESS	1
4	614871		LED BACKUP LIGHT	1
5	614800		BACKUP LIGHT BRACKET	1
6	614901		SELF STRIPPING SPLICE	2
7	11845G5		INSULATED CABLE CLIP	1
8	16816G1		RATCHET RIVET. .25" X .680"	1
9	00559G7		FLAT WASHER, 1/4" (NOT ILLUSTRATED)	4
10	00532G1		HEX NUT, 1/4" - 20 (NOT ILLUSTRATED).....	2
11	00415G4		HEX HEAD BOLT, 1/4" - 20 X 1 1/2" LG (NOT ILLUSTRATED).....	2

ELECTRONIC SPEED CONTROL



ELECTRONIC SPEED CONTROL

THE USE OF NON U.L. PARTS WILL VOID ANY U.L. LISTING.

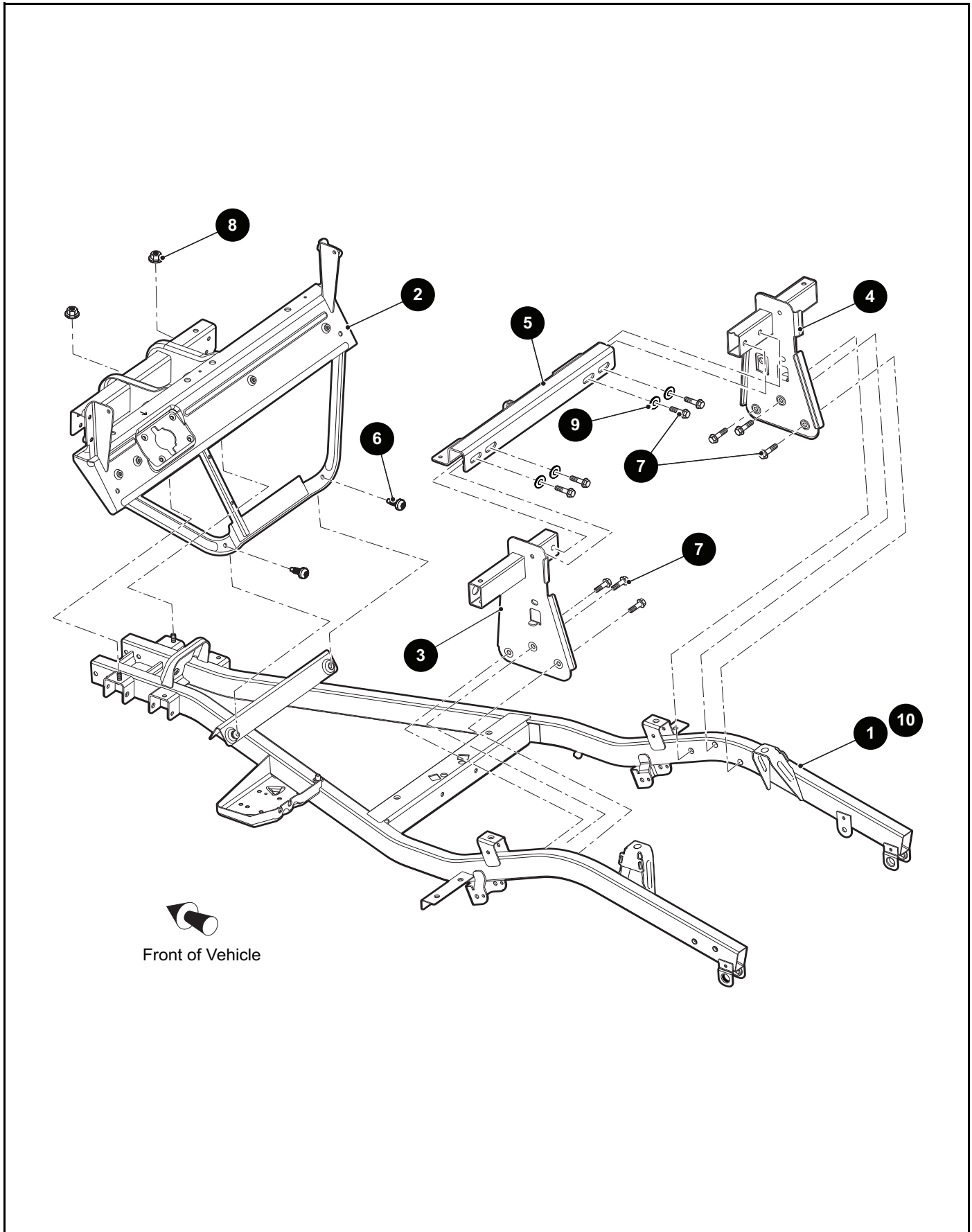
When ordering parts, please specify the model and serial number of the product.

* Indicates a component that is not available as an individual part.

*** Indicates consult Customer Service Department for additional information.

ITEM	PART NO.	1 2 3 4 5	DESCRIPTION	QTY.
1	667000G03		CONTROLLER, 1206 AC.....	1
2	623170		CONTROLLER BRACKET (DRIVER SIDE).....	1
3	623213		CONTROLLER BRACKET (PASSENGER SIDE).....	1
4	624618		BLACK WIRE, 6AWG, 830MM	1
5	649804		BUTTON HEAD TORX SCREW, M8 X 3.50 X 30MM LG.....	2
6	73876G01		FLANGED HEX HEAD BOLT, M6 - 1 X 12 MM LG.....	4
7	606264		HEX HEAD BOLT, M6 - 1 X 20 MM LG.....	4
8				
9	646008		SOLENOID BRACKET.....	1
10	619047		BUS BAR	1

FRAME



THE USE OF NON U.L. PARTS WILL VOID ANY U.L. LISTING.

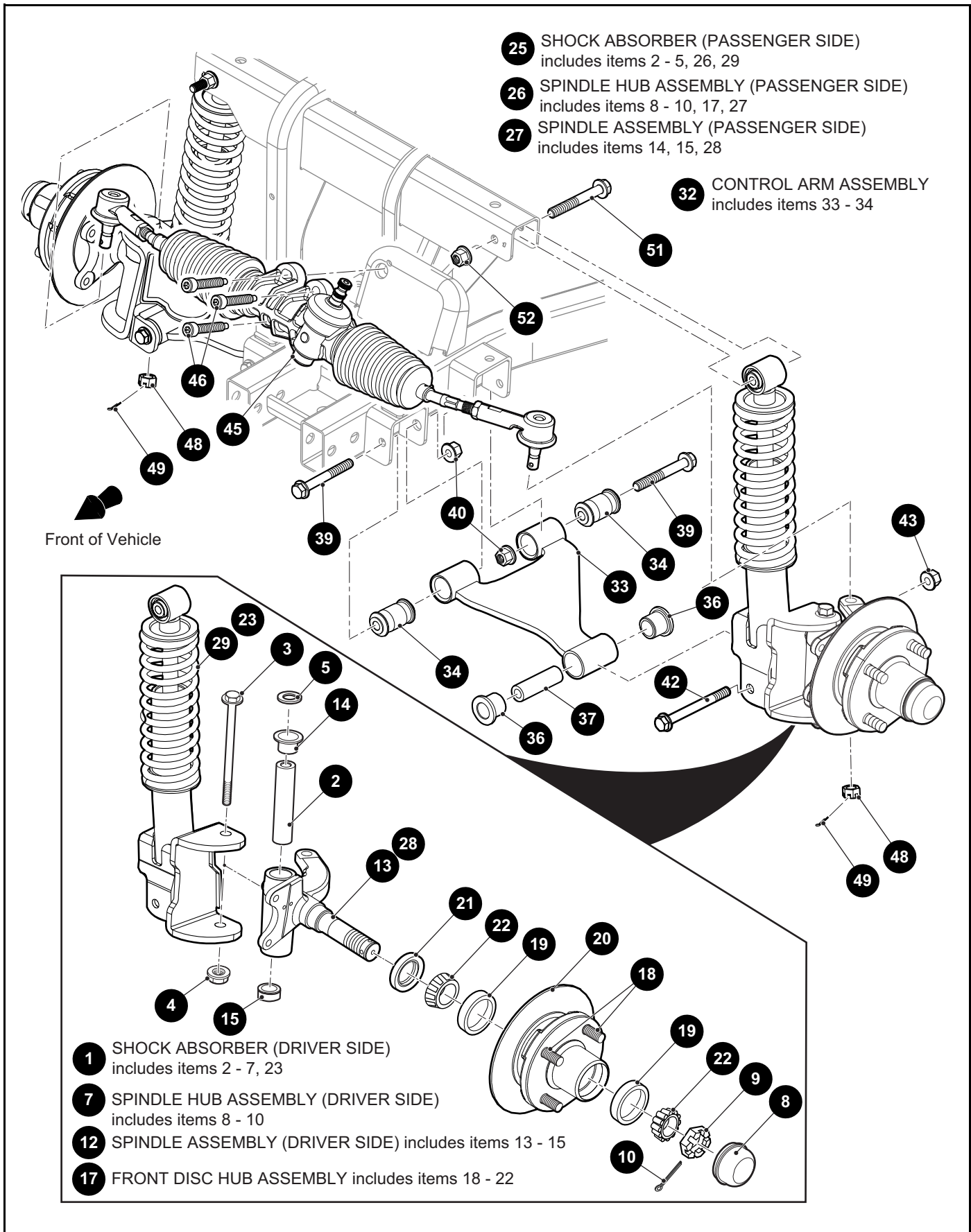
When ordering parts, please specify the model and serial number of the product.

* Indicates a component that is not available as an individual part.

*** Indicates consult Customer Service Department for additional information.

ITEM	PART NO.	1 2 3 4 5	DESCRIPTION	QTY.
1	657280G05		FRAME WELDMENT, P/COAT	1
2	614597		IP SUPPORT WELDMENT	1
3	609290		SEAT SUPPORT WELDMENT (DRIVER SIDE).....	1
4	609291		SEAT SUPPORT WELDMENT (PASSENGER SIDE)	1
5	609860		SEAT BELT FRONT CENTER WELDMENT.....	1
6	602572		PAN HEAD TORX BOLT, M10 - 1.5 X 25 MM LG	2
7	603799		FLANGED HEX HEAD BOLT, M10 - 1.5 X 23 MM LG.....	10
8	600525		FLANGED HEX NUT, M10 - 1.5.....	2
9	604066		FLAT WASHER, M10	4
10	657280G03		FRAME WELDMENT, E/COAT & P/COAT	1

FRONT SUSPENSION AND STEERING



FRONT SUSPENSION AND STEERING

THE USE OF NON U.L. PARTS WILL VOID ANY U.L. LISTING.

When ordering parts, please specify the model and serial number of the product.

* Indicates a component that is not available as an individual part.

*** Indicates consult Customer Service Department for additional information.

ITEM	PART NO.	1 2 3 4 5	DESCRIPTION	QTY.
1	657229		SHOCK ABSORBER (DRIVER SIDE) (INCLUDES ITEMS 2 - 7, 23)	1
2	614034		KINGPIN TUBE	1
3	620380		FLANGED HEX HEAD BOLT, M12 - 1.25 X 14 5MM LG	1
4	600549		LOCK NUT, M12 - 1.25.....	1
5	601920		THRUST WASHER (SS), 35MM O.D. X 26 MM I.D. X 2.5 MM LG.....	1
6				
7	617115		SPINDLE HUB ASSEMBLY (DRIVER SIDE) (INCLUDES ITEMS 8 - 10).	1
8	12091G2		SPINDLE CAP	1
9	12093G1		HEX SLOTTED NUT, 7/16" - 20.....	1
10	00798G8		COTTER PIN, 5/32" X 1 - 3/4"	1
11				
12	613026		SPINDLE ASSEMBLY (DRIVER SIDE) (INCLUDES ITEMS 13 - 15).	1
13	613025		SPINDLE (DRIVER SIDE).....	1
14	632925		FLANGED BUSHING	1
15	632926		SLEEVE BUSHING	1
16				
17	617107		FRONT DISC HUB ASSEMBLY (INCLUDES ITEMS 18 - 22)	1
18	614820		STUD WHEEL	4
19	51141G1		BEARING RACE	2
20	615384		FRONT DISC HUB	1
21	25146G1		GREASE SEAL.....	1
22	11750G2		ROLLER BEARING	2
23	655526		STRUT (DRIVER SIDE)	1
24				
25	657228		SHOCK ABSORBER (PASSENGER SIDE) (INCLUDES ITEMS 2 - 5, 26, 29)	1
26	617116		SPINDLE HUB ASSEMBLY (PASSENGER SIDE) (INCLUDES ITEMS 8 - 10, 17, 27).....	1
27	613246		SPINDLE ASSEMBLY (PASSENGER SIDE) (INCLUDES ITEMS 14, 15, 28).....	1
28	613242		SPINDLE	1
29	655529		STRUT (PASSENGER SIDE).....	1

FRONT SUSPENSION AND STEERING

THE USE OF NON U.L. PARTS WILL VOID ANY U.L. LISTING.

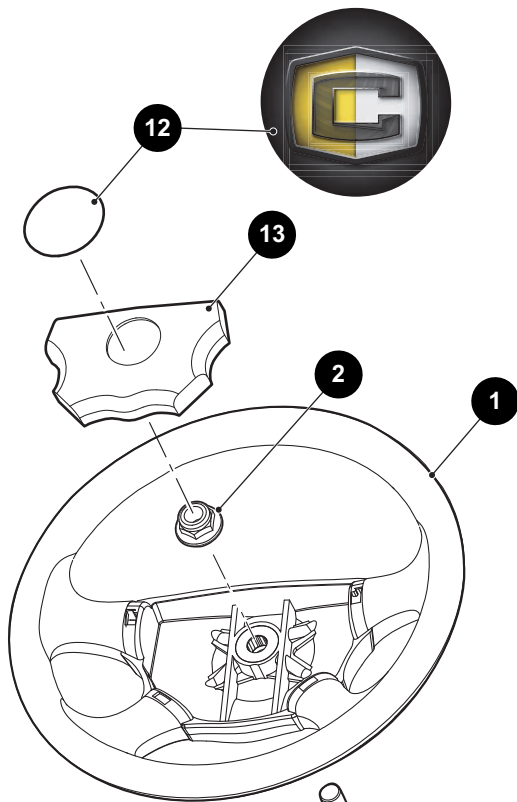
When ordering parts, please specify the model and serial number of the product.

* Indicates a component that is not available as an individual part.

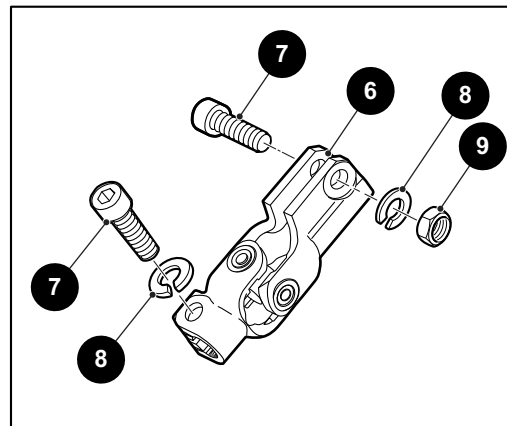
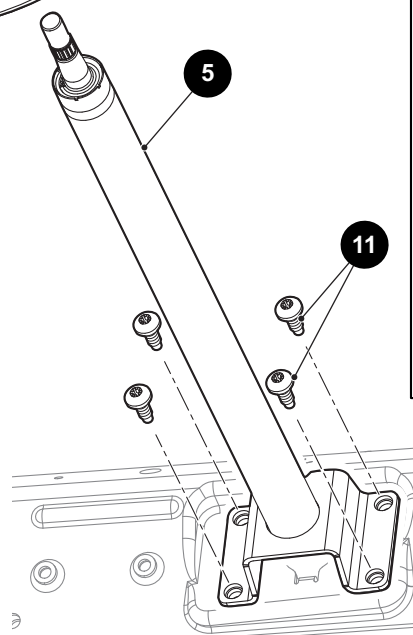
*** Indicates consult Customer Service Department for additional information.

ITEM	PART NO.	1	2	3	4	5	DESCRIPTION	QTY.
30								
31								
32	608089						CONTROL ARM ASSEMBLY (INCLUDES ITEMS 33 - 34).....	1
33	608090						CONTROL ARM.....	1
34	608086						MOUNTING SLEEVE (RUBBER).....	2
35								
36	601340						CONTROL ARM BUSHING.....	2
37	602085						CONTROL ARM CARRIER TUBE.....	2
38								
39	602415						FLANGED HEX HEAD BOLT, M10 - 1.5 X 80 MM LG.....	1
40	600525						LOCK NUT, M10 - 1.5.....	2
41								
42	601754						FLANGED HEX HEAD BOLT, M10 - 1.5 X 100 MM LG.....	1
43	600525						LOCK NUT, M10 - 1.5.....	1
44								
45	618330						STEERING RACK ASSEMBLY.....	1
46	602020						SOCKET HEAD BOLT, M10 - 1.5 X 50 MM LG.....	3
47								
48	608005						CASTLE NUT (SS), M12 - 1.25.....	2
49	10387G2						COTTER PIN, .094" X 1".....	2
50								
51	602415						FLANGED HEX HEAD BOLT, M10 - 1.5 X 80 MM LG.....	1
52	600525						LOCK NUT, M10 - 1.5.....	1

FRONT SUSPENSION AND STEERING



4 STEERING COLUMN ASSEMBLY includes items 5 - 9



FRONT SUSPENSION AND STEERING

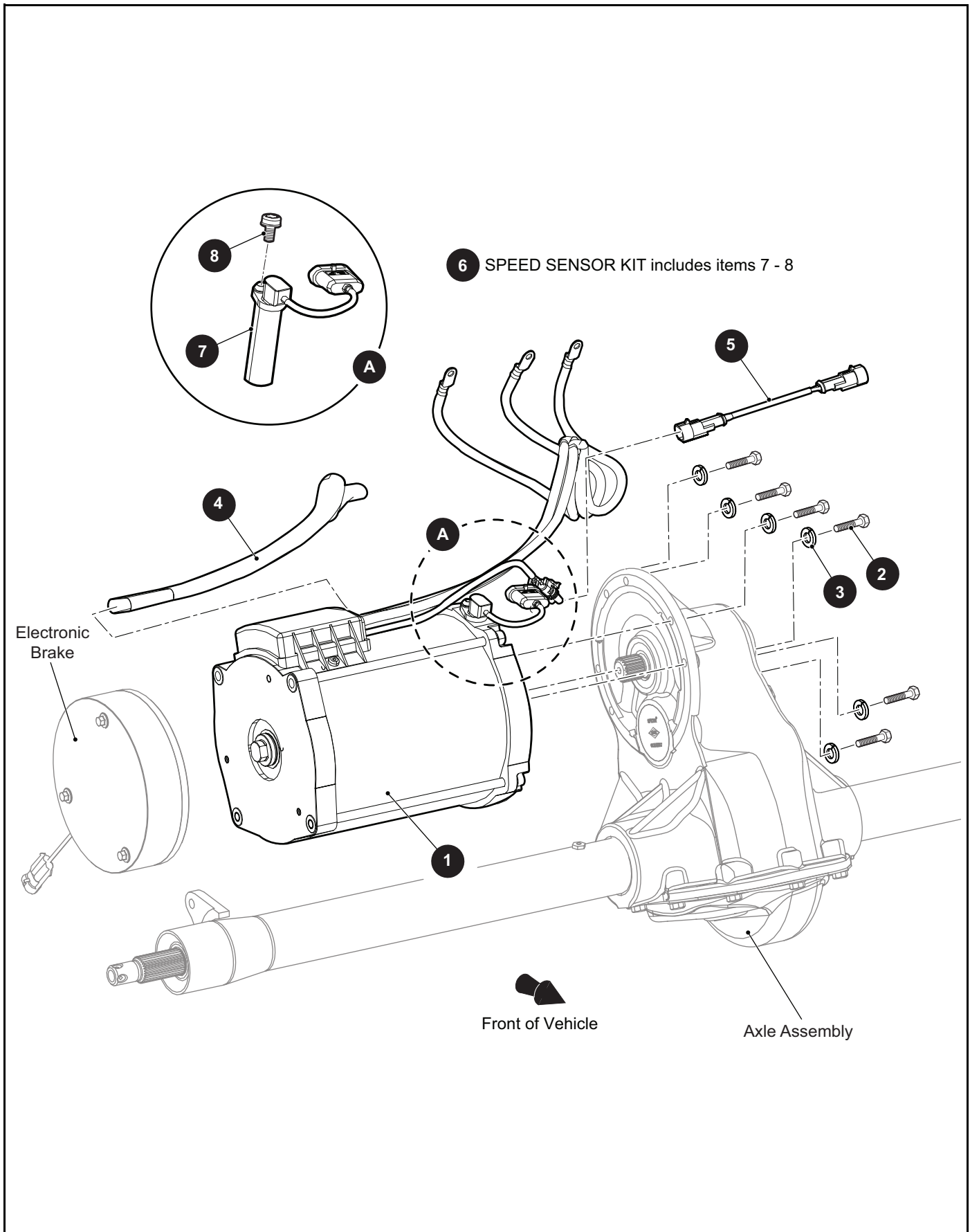
THE USE OF NON U.L. PARTS WILL VOID ANY U.L. LISTING.

When ordering parts, please specify the model and serial number of the product.

* Indicates a component that is not available as an individual part.

*** Indicates consult Customer Service Department for additional information.

ITEM	PART NO.	1 2 3 4 5	DESCRIPTION	QTY.
1	602980		STEERING WHEEL	1
2	601709		FLANGED LOCK NUT, M6 - 2	1
3				
4	600333		STEERING COLUMN ASSEMBLY (INCLUDES ITEMS 5 - 9)	1
5	608117		STEERING COLUMN	1
6	608114		STEERING YOKE	1
7	608653		SOCKET HEAD SCREW, M10 - 1.5 X 35 MM LG	2
8	608654		LOCK WASHER, 10.5MM	2
9	608655		HEX NUT, M10 - 1.5	1
10				
11	602572		PAN HEAD TAPTITE BOLT, M10 - 1.5 X 25 MM LG	4
12	618086		DECAL	1
13	71147G01		STEERING WHEEL COVER	1



THE USE OF NON U.L. PARTS WILL VOID ANY U.L. LISTING.

When ordering parts, please specify the model and serial number of the product.

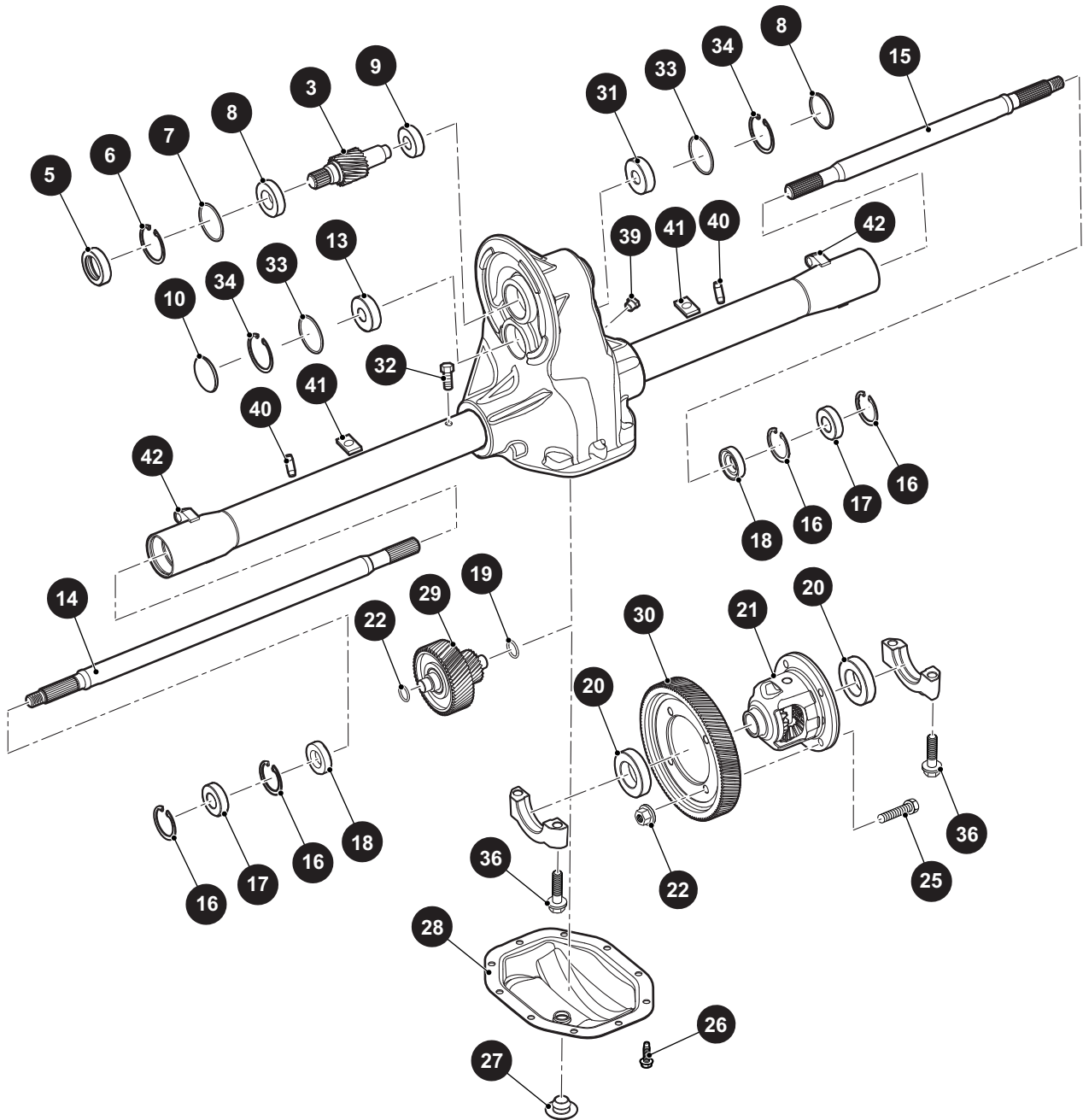
* Indicates a component that is not available as an individual part.

*** Indicates consult Customer Service Department for additional information.

ITEM	PART NO.	1 2 3 4 5	DESCRIPTION	QTY.
1	666986		MOTOR, 48V	1
2	605741		HEX HEAD BOLT, M6 - 1 X 25 MM LG.....	6
3	601327		LOCK WASHER, 6 MM.....	6
4	605714		FLEXLOOM.....	1
5	668214		TEMPERATURE SENSOR JUMPER HARNESS, 48V	1
6	614252		SPEED SENSOR KIT (INCLUDES ITEMS 7 - 8)	1
7	612741		SPEED SENSOR	1
8	614253		PAN HEAD TORX BOLT, M6 - 1 X 12 MM LG.....	1
9				
10				
11				
12	32372G6		VINYL TRIM (NOT ILLUSTRATED)	1
13	27327G02		TWISTED CLAMP CLIP (NOT ILLUSTRATED).....	1

REAR AXLE

1 HEAVY DUTY REAR AXLE ASSEMBLY, 14.76 : 11 includes items 3 - 42



REAR AXLE

THE USE OF NON U.L. PARTS WILL VOID ANY U.L. LISTING.

When ordering parts, please specify the model and serial number of the product.

* Indicates a component that is not available as an individual part.

*** Indicates consult Customer Service Department for additional information.

ITEM	PART NO.	1 2 3 4 5	DESCRIPTION	QTY.
1	618150		HEAVY DUTY REAR AXLE ASSEMBLY, 14.76 : 11 (INCLUDES ITEMS 3 - 42)	1
2				
3	612060		INPUT GEAR.....	1
4				
5	614751		OIL SEAL.....	1
6	23530G1		RETAINING RING	1
7	24628G1		O-RING.....	1
8	23519G2		BALL BEARING.....	1
9	23520G1		BALL BEARING.....	1
10	608811		END CAP PLUG.....	2
11				
12				
13	620340		BALL BEARING.....	1
14	614750		AXLE SHAFT (DRIVER SIDE)	1
15	614749		AXLE SHAFT (PASSENGER SIDE).....	1
16	620342		RETAINER RING.....	4
17	614748		BALL BEARING.....	2
18	612064		SHAFT AXLE OIL SEAL.....	2
19	620345		O-RING.....	2
20	17473G1		DIFFERENTIAL BEARING ASSEMBLY.....	2
21	613252		OPEN DIFFERENTIAL WITH STEEL DIFFERENTIAL GEARS	1
22	620333		FLANGED LOCK NUT, 3/8" - 24	4
23				
24				
25	620335		FLANGED HEX HEAD BOLT, 3/8" - 24 X 1.25" LG.....	4
26	620346		FLANGED HEX HEAD BOLT, 5/16" - 18 X .75" LG.....	10
27	620347		RUBBER PLUG	1
28	620348		COVER PLATE.....	1
29	612067		INTERMEDIATE GEAR ASSEMBLY	1
30	620350		RING GEAR	1

REAR AXLE

THE USE OF NON U.L. PARTS WILL VOID ANY U.L. LISTING.

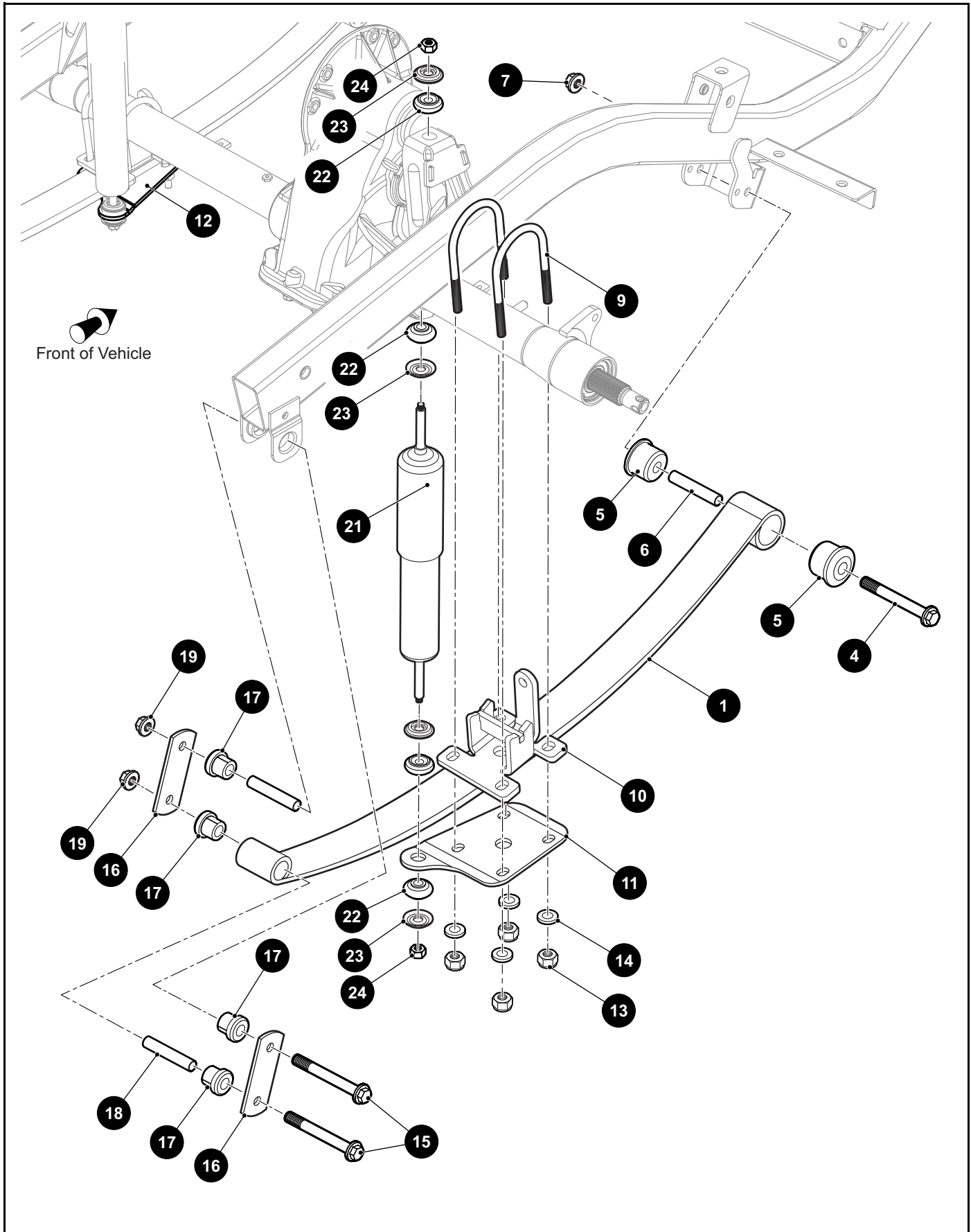
When ordering parts, please specify the model and serial number of the product.

* Indicates a component that is not available as an individual part.

*** Indicates consult Customer Service Department for additional information.

ITEM	PART NO.	1	2	3	4	5	DESCRIPTION	QTY.
31	620355						BALL BEARING	1
32	613328						AXLE VENT	1
33	620358						O-RING	2
34	612071						RETAINING RING.....	2
35	612072						SEALANT (NOT ILLUSTRATED).....	A/R
36	15118G1						BEARING CAP SCREW, 3/8" - 16 X 2 1/2" LG	4
37								
38								
39	614188						PLUG	1
40	618650						PIN	1
41	613307						HYDRAULIC LINE TAB.....	2
42	612941						REAR CALIPER MOUNT	2

REAR SUSPENSION



REAR SUSPENSION

THE USE OF NON U.L. PARTS WILL VOID ANY U.L. LISTING.

When ordering parts, please specify the model and serial number of the product.

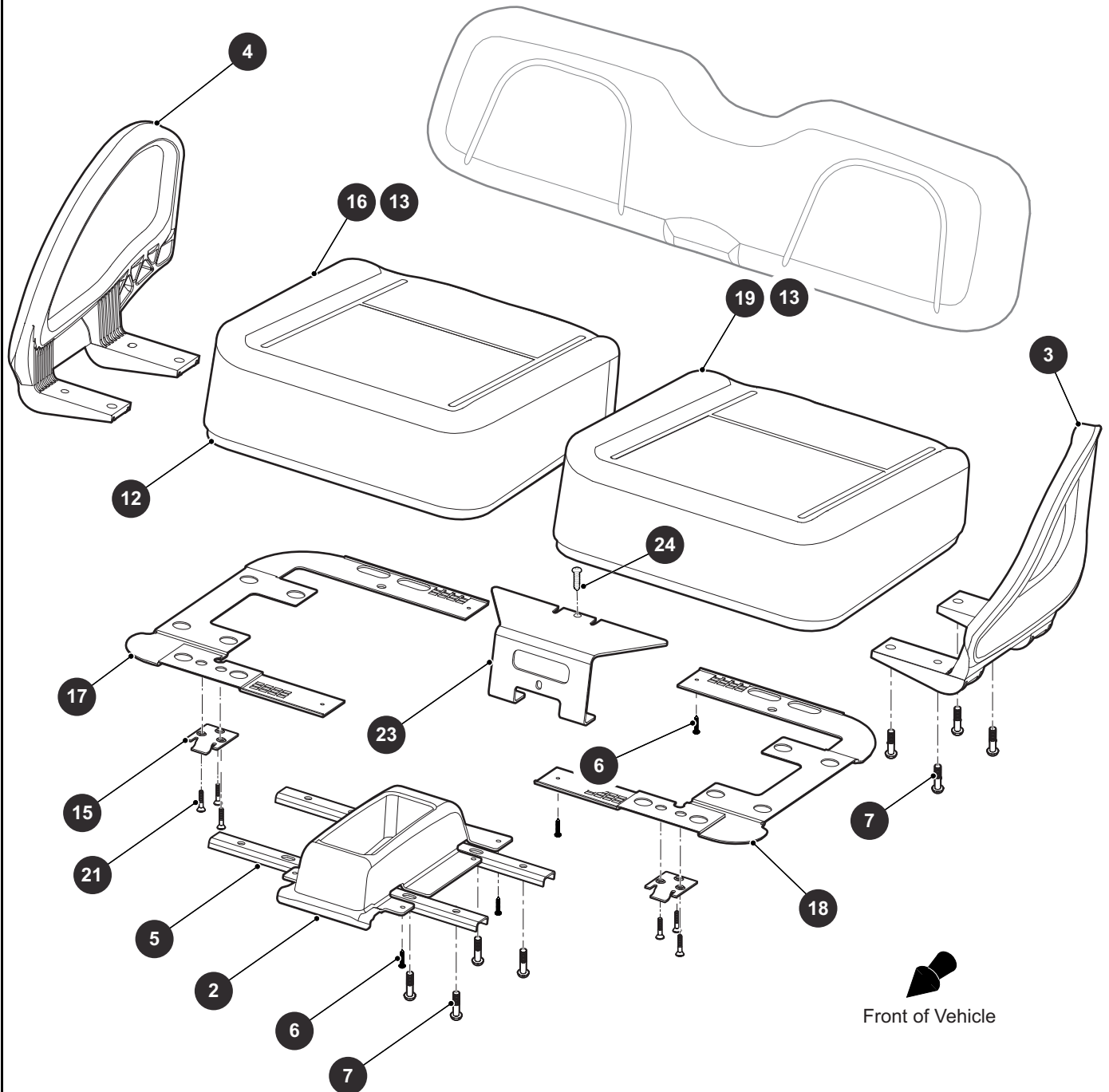
* Indicates a component that is not available as an individual part.

*** Indicates consult Customer Service Department for additional information.

ITEM	PART NO.	1 2 3 4 5	DESCRIPTION	QTY.
1	604494		HEAVY DUTY LEAF SPRING.....	1
2				
3				
4	601754		FLANGED HEX HEAD BOLT, M10 - 1.5 X 100 MM LG.....	1
5	620160		FLANGED BUSHING (URETHANE).....	2
6	620161		SPLIT SPACER (STEEL).....	1
7	614974		FLANGED HEX NUT, M10 - 1.5.....	1
8				
9	630819		U - BOLT, 3/8" - 16 X 5.75" LG.....	2
10	633986		AXLE SUPPORT BRACKET.....	1
11	625658		SHOCK MOUNT PLATE (PASSENGER SIDE).....	1
12	625657		SHOCK MOUNT PLATE (DRIVER SIDE).....	1
13	11098G4		LOCK NUT, 3/8" - 16.....	4
14	00571G3		FLAT WASHER, 5/16".....	4
15	601754		FLANGED HEX HEAD BOLT, M10 - 1.5 X 100 MM LG.....	2
16	652245		SHACKLE PLATE.....	2
17	624030		FLANGED BUSHING (IGUS).....	4
18	620161		SPLIT SPACER (STEEL).....	2
19	614974		FLANGED HEX NUT, M10 - 1.5.....	2
20				
21	76418G01		SHOCK ABSORBER.....	1
22	10194G1		RUBBER BUSHING.....	4
23	10435G1		SHOCK ABSORBER WASHER, 1.25" O.D. X .406" I.D X .22" LG.....	4
24	00532G6		HEX NUT, 3/8" - 24.....	2

SEATING

- 1 SEAT BOTTOM ASSEMBLY includes items 2 - 11
- 8 SEAT BOTTOM SUB-ASSEMBLY (STONE BEIGE), (PASSENGER SIDE) includes items 12 - 17
- 9 SEAT BOTTOM SUB-ASSEMBLY (STONE BEIGE), (DRIVER SIDE) includes items 12 - 16, 18
- 10 SEAT BOTTOM SUB-ASSEMBLY (OYSTER), (PASSENGER SIDE) includes items 12 - 15, 17, 19
- 11 SEAT BOTTOM SUB-ASSEMBLY (OYSTER), (DRIVER SIDE) includes items 12 - 15, 18, 19



THE USE OF NON U.L. PARTS WILL VOID ANY U.L. LISTING.

When ordering parts, please specify the model and serial number of the product.

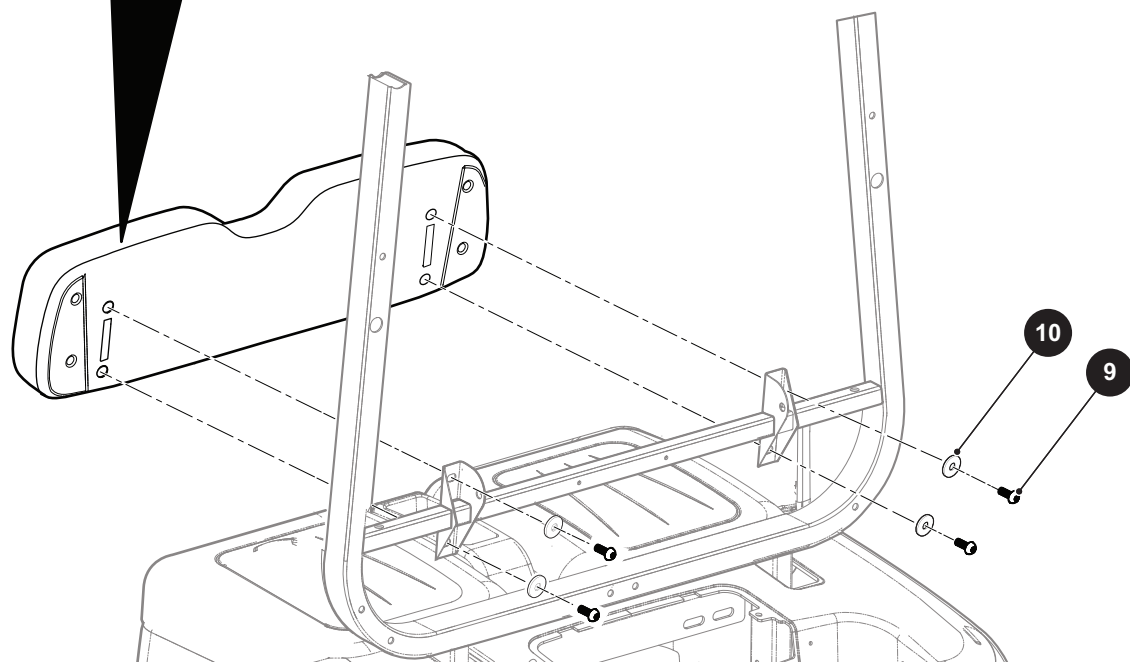
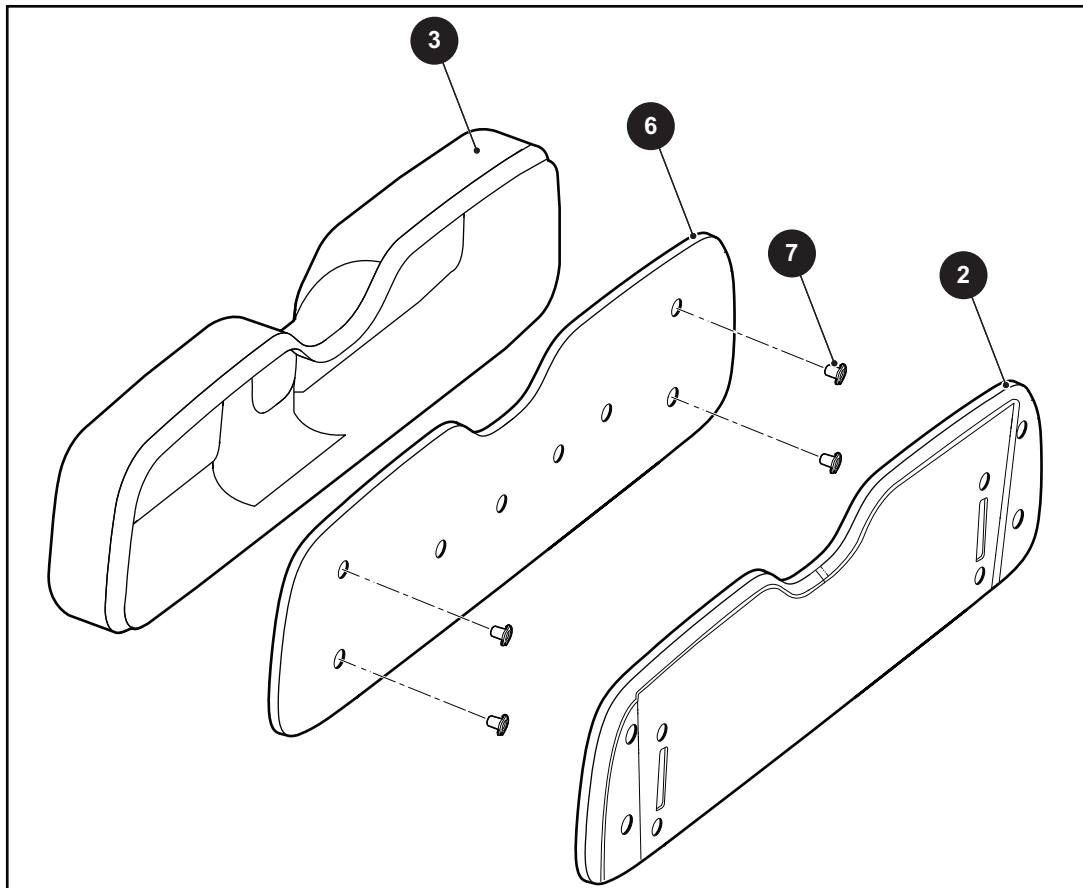
* Indicates a component that is not available as an individual part.

*** Indicates consult Customer Service Department for additional information.

ITEM	PART NO.	1 2 3 4 5	DESCRIPTION	QTY.
1	629269G11XX		SEAT BOTTOM ASSEMBLY (INCLUDES ITEMS 2 - 11) (see COLOR CODES in HOW TO USE section)	
2	614233		FRONT BUCKET SEAT CENTER CONSOLE	1
3	617644		HIP RESTRAINT (PASSENGER SIDE)	1
4	617645		HIP RESTRAINT (DRIVER SIDE)	1
5	613264		FRONT BUCKET SEAT STRAP	2
6	608290		PAN HEAD PHILLIPS SELF TAPPING SCREW, #10 - 16 X 3/4" LG	4
7	615417		BUTTON HEAD TORX BOLT, M10 - 1.5 X 1" LG	4
8	614716		SEAT BOTTOM SUB-ASSEMBLY (STONE BEIGE), (PASSENGER SIDE) (INCLUDES ITEMS 12 - 17)	1
9	614717		SEAT BOTTOM SUB-ASSEMBLY (STONE BEIGE), (DRIVER SIDE) (INCLUDES ITEMS 12 - 16, 18)	1
10	614718		SEAT BOTTOM SUB-ASSEMBLY (OYSTER), (PASSENGER SIDE) (INCLUDES ITEMS 12 - 15, 17, 19)	1
11	614719		SEAT BOTTOM SUB-ASSEMBLY (OYSTER), (DRIVER SIDE) (INCLUDES ITEMS 12 - 15, 18, 19)	1
12	614104		BUCKET SEAT BOTTOM BOARD	1
13	613253		BUCKET SEAT FOAM	1
14				
15	71610G01		SEAT HINGE	1
16	613254		BUCKET SEAT BOTTOM VINYL COVER (STONE BEIGE)	1
17	612659		BUCKET SEAT BOTTOM TRIM (PASSENGER SIDE)	1
18	612658		BUCKET SEAT BOTTOM TRIM (DRIVER SIDE)	1
19	614098		BUCKET SEAT BOTTOM VINYL COVER (OYSTER)	1
20				
21	00720G08		FLAT HEAD PHILLIPS TAPPING SCREW, #12 - 14 X 1" LG	3
22				
23	632527		CENTER CLOSEOUT CONSOLE	1
24	608290		SELF TAPPING SCREW, #10 - 16 X 3/4" LG	1

1 SEAT BACK ASSEMBLY includes items 2 - 5

5 HIP SEAT BACK ASSEMBLY includes items 6 - 7



THE USE OF NON U.L. PARTS WILL VOID ANY U.L. LISTING.

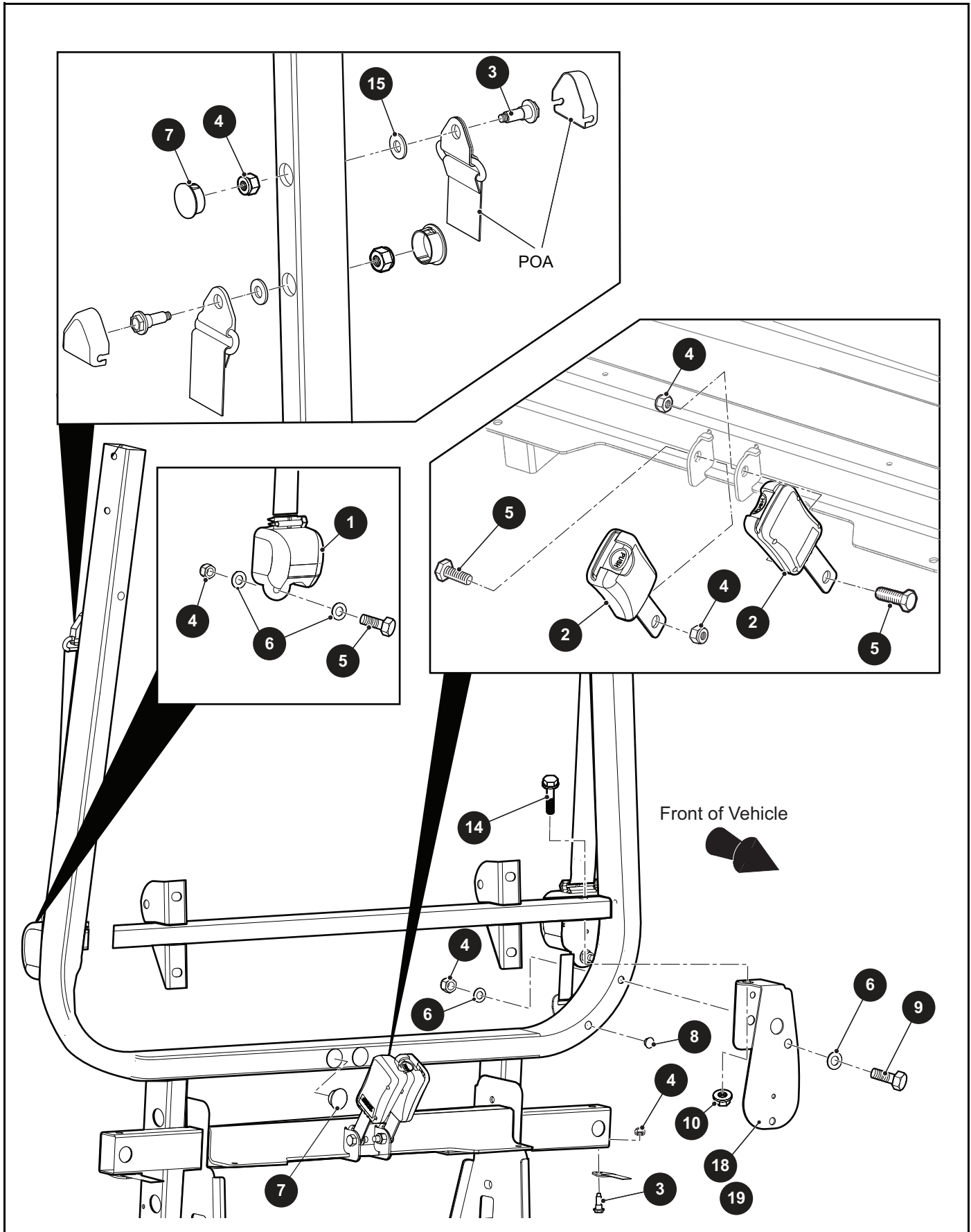
When ordering parts, please specify the model and serial number of the product.

* Indicates a component that is not available as an individual part.

*** Indicates consult Customer Service Department for additional information.

ITEM	PART NO.	1 2 3 4 5	DESCRIPTION	QTY.
1	641897G00XX		SEAT BACK ASSEMBLY (INCLUDES ITEMS 2 - 5).....	1
2	605529		SEAT BACK COVER.....	1
3	644820G01		VINYL AND FOAM.....	1
4				
5	644268		HIP SEAT BACK ASSEMBLY (INCLUDES ITEMS 6 - 7)	1
6	644286		HIP SEAT BACK	1
7	632420		RIVETED T-NUT, M10 - 1.5	4
8				
9	600530		BOSS HEAD TORX BOLT, M10 - 1.5 X 25 MM LG	4
10	604066		FLAT WASHER, M10	4

SEATING



THE USE OF NON U.L. PARTS WILL VOID ANY U.L. LISTING.

When ordering parts, please specify the model and serial number of the product.

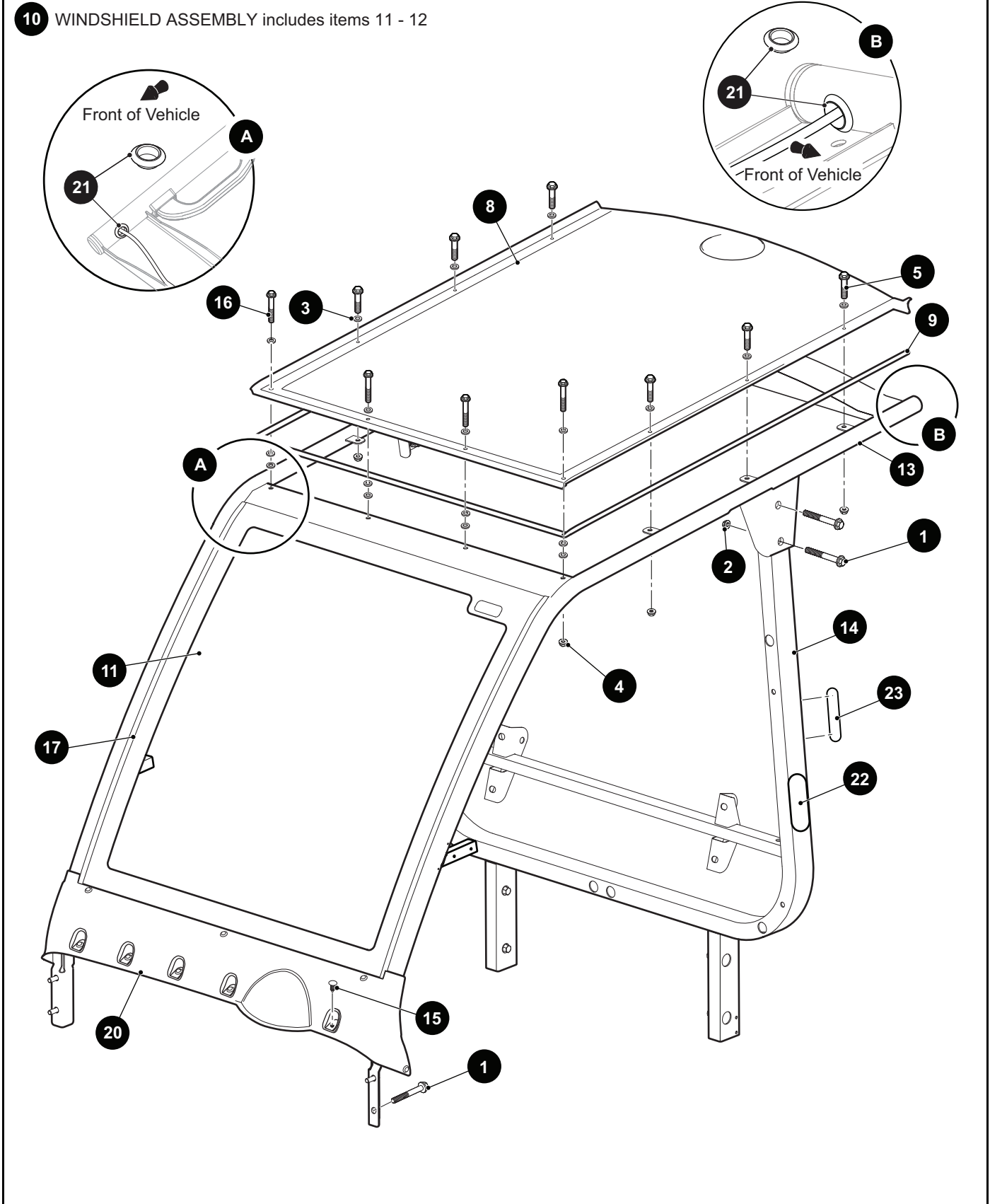
* Indicates a component that is not available as an individual part.

*** Indicates consult Customer Service Department for additional information.

ITEM	PART NO.	1 2 3 4 5	DESCRIPTION	QTY.
1	649133		SEAT BELT RETRACTOR	1
2	609854		SEAT BELT BUCKLE LATCH, 6"	2
3	609569		HEX HEAD SHOLDER BOLT, 7/16" - 20 X 19 MM LG	2
4	00734G3		LOCK NUT, 7/16"	5
5	610753		HEX HEAD BOLT, 7/16" - 20 X 1" LG	2
6	00560G3		FLAT WASHER, 3/8"	4
7	604087		HOLE PLUG, 25.4 MM.....	3
8	610847		HOLE PLUG, 11.1 MM.....	4
9	610755		HEX HEAD BOLT, 7/16" - 20 X 3.5" LG	1
10	600525		FLANGED HEX LOCK NUT, M10 - 1.5.....	1
11				
12				
13				
14	603800		FLANGED HEX HEAD BOLT, M10 - 1.5 X 50 MM LG.....	1
15	613286		FLAT WASHER, 9/16"	2
16				
17				
18	612554		SEAT BELT BRACKET (PASSENGER SIDE).....	1
19	612555		SEAT BELT BRACKET (DRIVER SIDE).....	1

WEATHER PROTECTION

10 WINDSHIELD ASSEMBLY includes items 11 - 12



WEATHER PROTECTION

THE USE OF NON U.L. PARTS WILL VOID ANY U.L. LISTING.

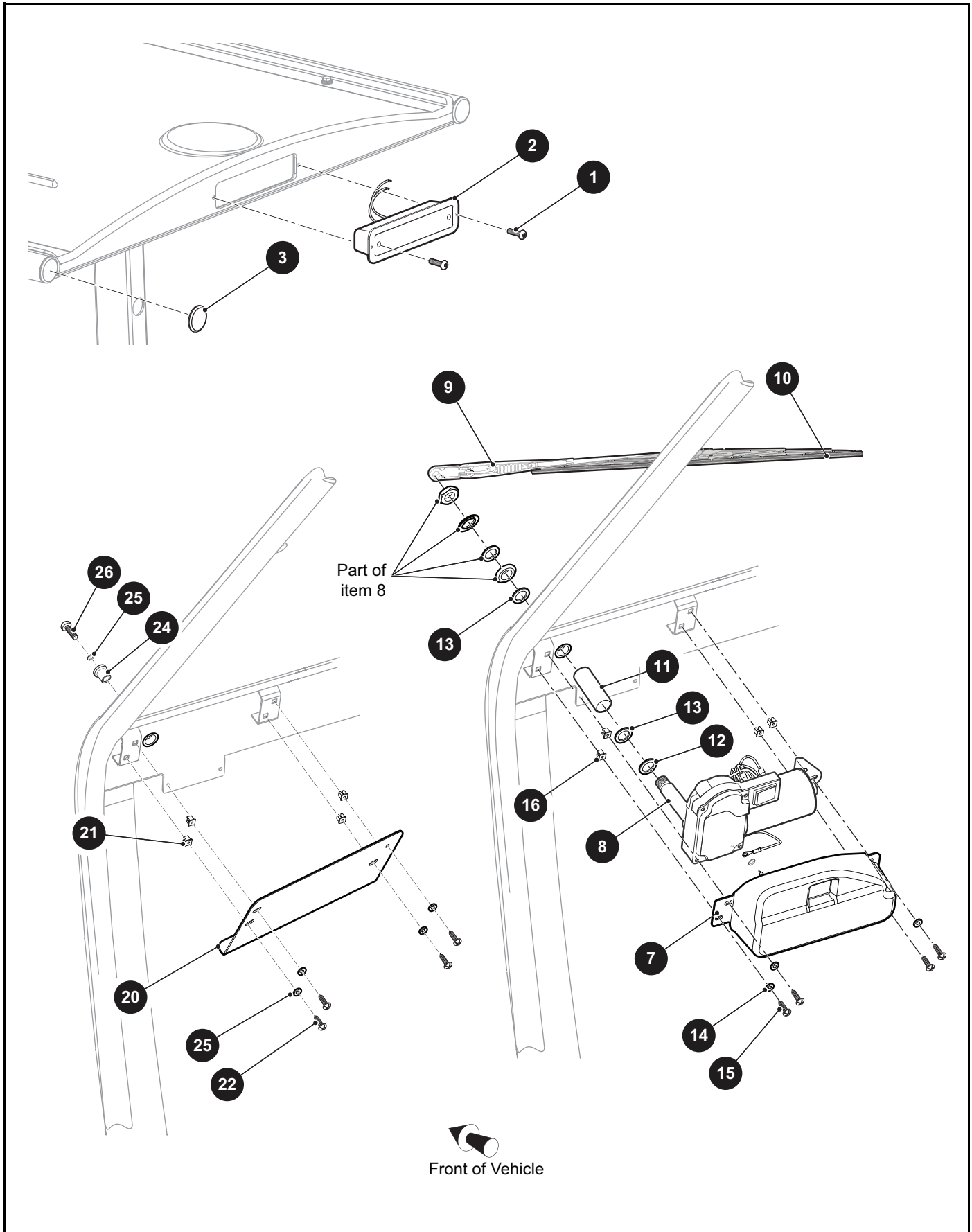
When ordering parts, please specify the model and serial number of the product.

* Indicates a component that is not available as an individual part.

*** Indicates consult Customer Service Department for additional information.

ITEM	PART NO.	1 2 3 4 5	DESCRIPTION	QTY.
1	603799		FLANGED HEX HEAD BOLT, M10 - 1.5 X 25 MM LG.....	8
2	600525		FLANGED HEX LOCK NUT, M10 - 1.5.....	4
3	00915G1		BONDED SEAL WASHER, # 14.....	18
4	601476		LOCK NUT, M6 - 1.....	10
5	606264		FLANGED HEX HEAD BOLT, M6 - 1 X 20 MM LG.....	6
6				
7				
8	609233		SHORT CANOPY.....	1
9	609871		CANOPY WEATHER SEAL.....	1
10	611725		WINDSHIELD ASSEMBLY (INCLUDES ITEMS 11 - 12).....	1
11	609369		WINDSHIELD.....	1
12	611720		WINDSHIELD MIRROR MOUNT (NOT ILLUSTRATED).....	1
13	626370		CANOPY WITH MIRROR TUBE WELDED.....	1
14	609297		CANOPY WELDMENT, SUPPORT TUBE.....	1
15	18436G1		PLASTIC DRIVE RIVET, 3/16".....	10
16	606421		FLANGED HEX HEAD BOLT, M6 - 1 X 30 MM LG.....	4
17	610105		WINDSHIELD SEAL.....	2
18				
19				
20	609313		WINDSHIELD TRIM.....	1
21	613515		PLUG CAP.....	2
22	609418		REAR OVAL REFLEX REFLECTOR.....	2
23	609421		REAR REFLEX REFLECTOR.....	2
24				
25	633967G010		ENCLOSURE, WHITE (NOT ILLUSTRATED).....	1
26	633967G002		ENCLOSURE, BLACK (NOT ILLUSTRATED).....	1
27	633967G003		ENCLOSURE TAN (NOT ILLUSTRATED).....	1

WEATHER PROTECTION



WEATHER PROTECTION

THE USE OF NON U.L. PARTS WILL VOID ANY U.L. LISTING.

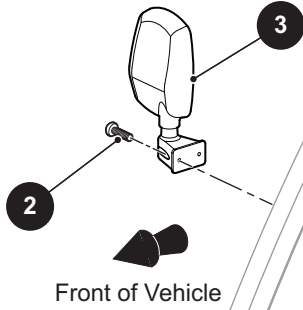
When ordering parts, please specify the model and serial number of the product.

* Indicates a component that is not available as an individual part.

*** Indicates consult Customer Service Department for additional information.

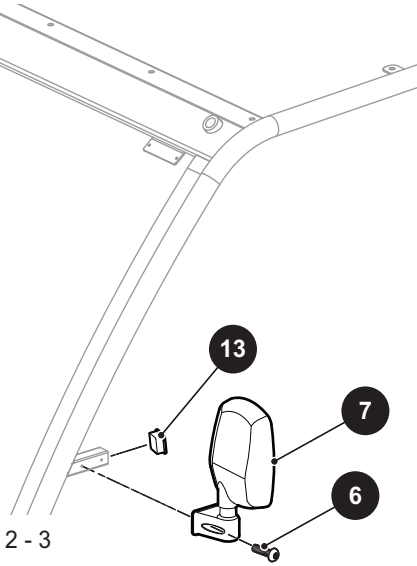
ITEM	PART NO.	1 2 3 4 5	DESCRIPTION	QTY.
1	00118G5		PAN HEAD PHILLIPS SELF TAPPING SCREW, #6 - 18 X .625" LG.....	2
2	612021		CENTER BRAKE LIGHT ASSEMBLY.....	1
3	617679		TUBE PLUG (PLASTIC), 1.5" O.D.....	2
4				
5				
6				
7	609204		WIPER MOTOR COVER.....	1
8	610695		WIPER MOTOR ASSEMBLY.....	1
9	698248		WIPER ARM.....	1
10	698249		WIPER BLADE, 22".....	1
11	612895		NYLON TUBE.....	1
12	21830G1		BRAKE DRUM WASHER, .76".....	1
13	613286		FLAT WASHER, 1.313" X .615 " X .145".....	2
14	00559G4		FLAT WASHER, .18".....	3
15	00614G4		PAN HEAD PHILLIPS SELF DRILL SCREW, #8 - 18 X 1/2" LG.....	4
16	609814		SCREW ANCHOR.....	4
17				
18				
19				
20	611773		WIPER HARNESS COVER.....	1
21	609814		PLASTIC SCREW ANCHOR.....	4
22	00614G4		PAN HEAD PHILLIPS SELF DRILL SCREW, #8 - 18 X 1/2" LG.....	4
23	00559G4		FLAT WASHER, #8.....	4
24	614311		WIPER PLUG.....	1
25	604066		FLAT WASHER, M10 - 1.5.....	1
26	600530		BUTTON HEAD TORX BOLT, M10 - 1.5 X 25 MM LG.....	1

WEATHER PROTECTION



1 SIDE VIEW MIRROR KIT (PASSENGER SIDE) includes items 2 - 3

5 SIDE VIEW MIRROR KIT (DRIVER SIDE) includes items 6 - 7

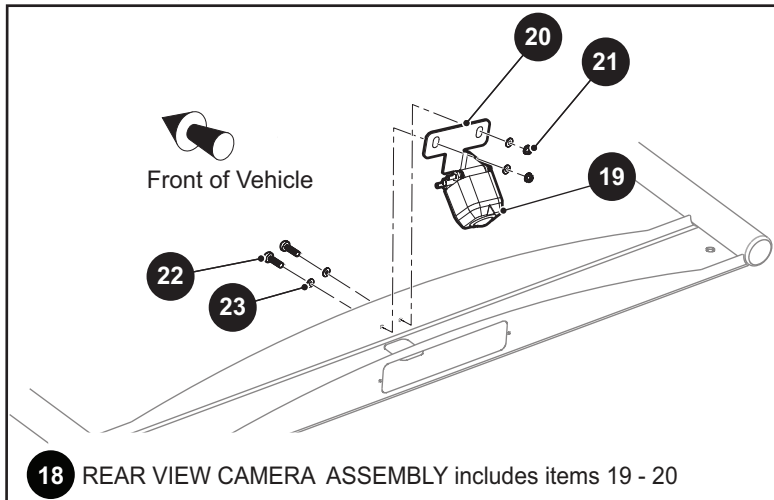
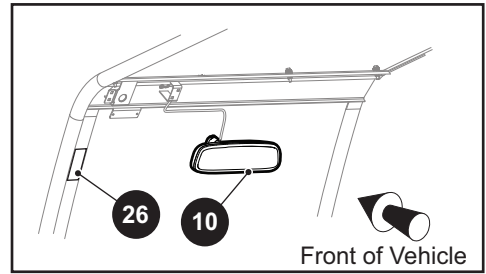
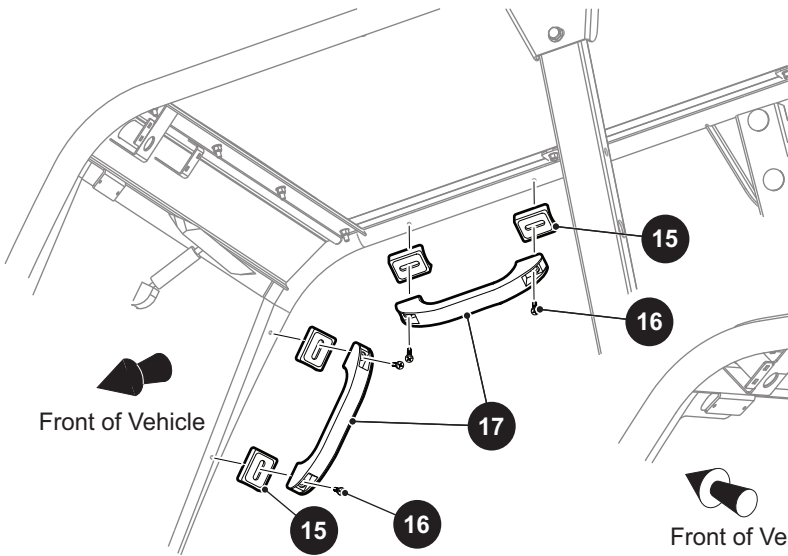


WARNING

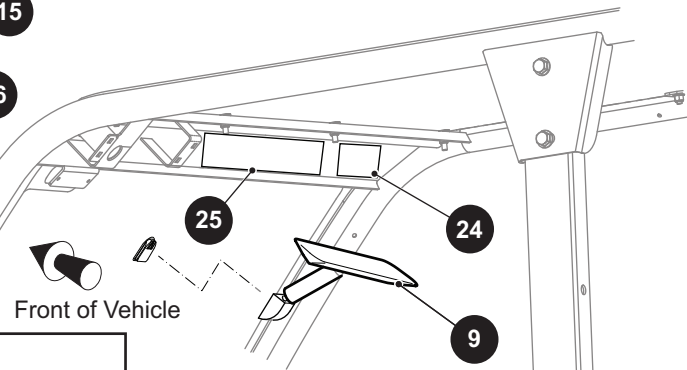
Windshields do not provide protection from flying objects

611233

26



18 REAR VIEW CAMERA ASSEMBLY includes items 19 - 20



LOW SPEED VEHICLE DISCLOSURE

THIS VEHICLE IS CLASSIFIED AS A LOW SPEED VEHICLE

THIS VEHICLE

- has a maximum speed of greater than 20 miles per hour, but not greater than 25 miles per hour;
- shall not be operated on a public highway with a speed limit in excess of the maximum specified by the state or local jurisdiction in which it is operated;
- may be a hazard on the roadways if it impedes traffic;
- may subject the driver to citations for impeding traffic;
- may not be equipped with such safety features as bumpers, a padded dashboard, wheels and a temperature- resistant odometer; and
- may be subject to other restrictions specified by the state or local jurisdiction in which it is operated.

17102

WARNING	OPERATING INSTRUCTIONS	AVOID TIP OVERS
<p>SEVERE WEATHER: • Read all warning labels on the owner's manual. Contact an authorized E-Z-GO dealer or visit www.ezgo.com for a replacement manual.</p> <p>• This vehicle is designed for recreational use in controlled environments. Operating this vehicle in local areas may require additional equipment in your community.</p> <p>SAFE OPERATION: • This vehicle is NOT a "TOY," "GO-KART," "ATV," "UTV," "MOTORCYCLE," or "MOTORBIKE." Always operate the motorized product.</p> <p>• Always bring the vehicle to a complete stop BEFORE shifting the direction selector.</p> <p>• Operate from the driver's seat ONLY.</p> <p>CAUTION: • Set the direction selector to "OFF" and remove the key. The parking brake is automatically engaged when the key is removed.</p> <p>RESTRICTIONS: • This vehicle is designed to operate on paved surfaces. It is not intended for use on unpaved surfaces.</p>	<p>SEVERE WEATHER: • Read all warning labels on the owner's manual. Contact an authorized E-Z-GO dealer or visit www.ezgo.com for a replacement manual.</p> <p>• This vehicle is designed for recreational use in controlled environments. Operating this vehicle in local areas may require additional equipment in your community.</p> <p>SAFE OPERATION: • This vehicle is NOT a "TOY," "GO-KART," "ATV," "UTV," "MOTORCYCLE," or "MOTORBIKE." Always operate the motorized product.</p> <p>• Always bring the vehicle to a complete stop BEFORE shifting the direction selector.</p> <p>• Operate from the driver's seat ONLY.</p> <p>CAUTION: • Set the direction selector to "OFF" and remove the key. The parking brake is automatically engaged when the key is removed.</p> <p>RESTRICTIONS: • This vehicle is designed to operate on paved surfaces. It is not intended for use on unpaved surfaces.</p>	<p>AVOID TIP OVERS: • Read all warning labels on the owner's manual. Contact an authorized E-Z-GO dealer or visit www.ezgo.com for a replacement manual.</p> <p>• This vehicle is designed for recreational use in controlled environments. Operating this vehicle in local areas may require additional equipment in your community.</p> <p>SAFE OPERATION: • This vehicle is NOT a "TOY," "GO-KART," "ATV," "UTV," "MOTORCYCLE," or "MOTORBIKE." Always operate the motorized product.</p> <p>• Always bring the vehicle to a complete stop BEFORE shifting the direction selector.</p> <p>• Operate from the driver's seat ONLY.</p> <p>CAUTION: • Set the direction selector to "OFF" and remove the key. The parking brake is automatically engaged when the key is removed.</p> <p>RESTRICTIONS: • This vehicle is designed to operate on paved surfaces. It is not intended for use on unpaved surfaces.</p>

WEATHER PROTECTION

THE USE OF NON U.L. PARTS WILL VOID ANY U.L. LISTING.

When ordering parts, please specify the model and serial number of the product.

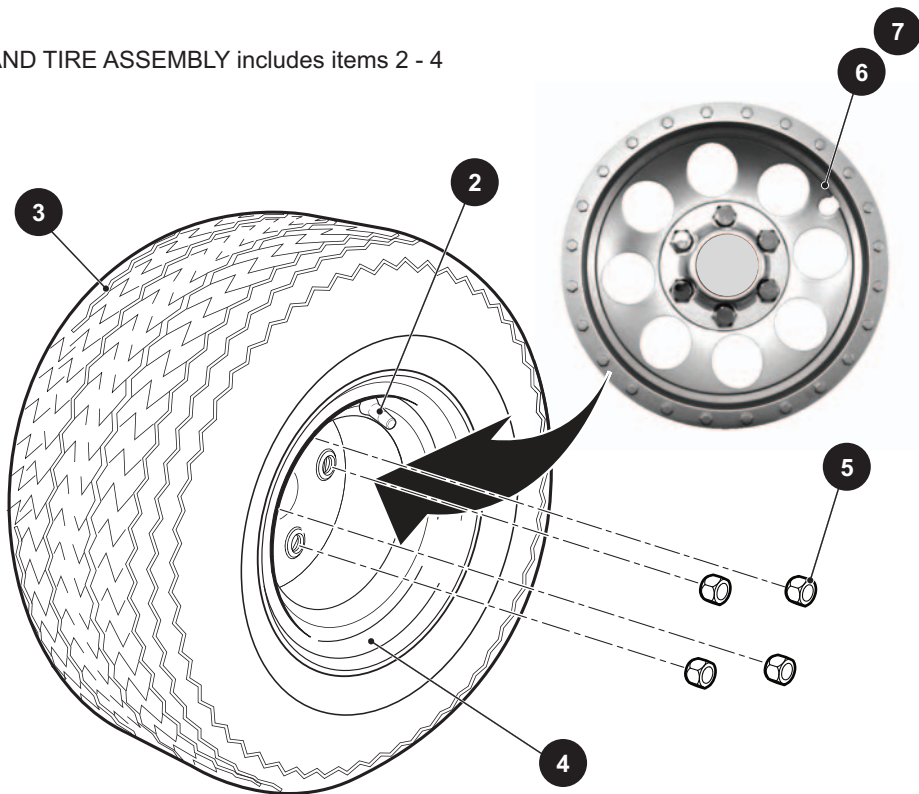
* Indicates a component that is not available as an individual part.

*** Indicates consult Customer Service Department for additional information.

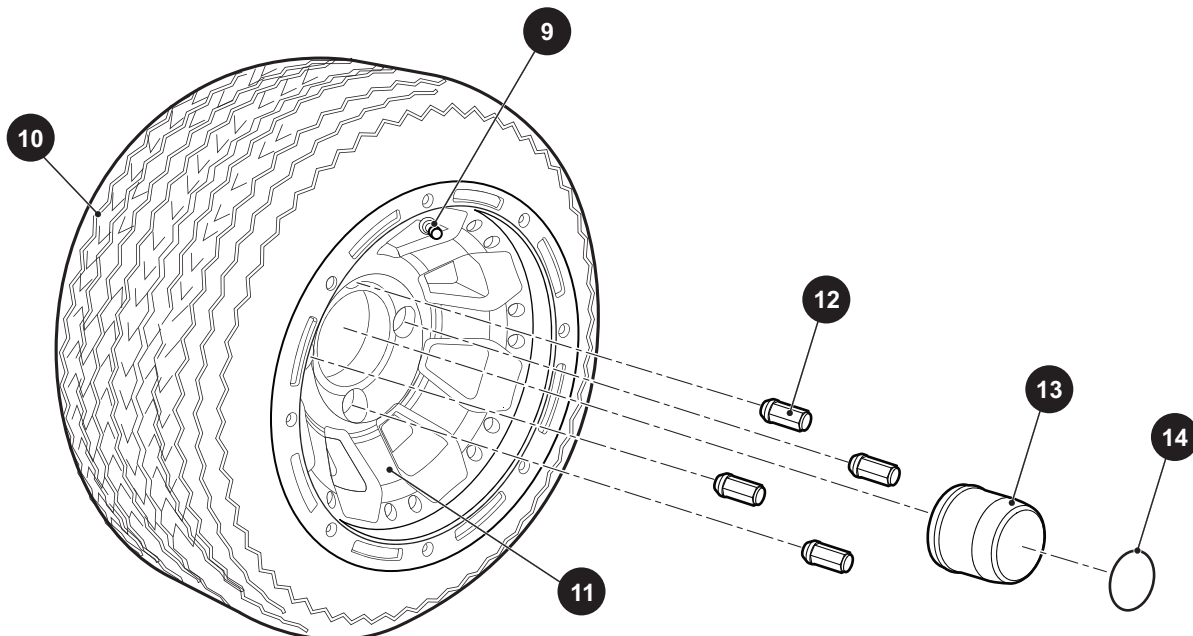
ITEM	PART NO.	1 2 3 4 5	DESCRIPTION	QTY.
1	625785		SIDE VIEW MIRROR KIT (PASSENGER SIDE) (INCLUDES ITEMS 2 - 3)	1
2	00614G5		PAN HEAD SELF TAPPING SCREW, # 8 - 18 X 5/8" LG	2
3	621127		SIDE VIEW MIRROR	1
4				
5	625786		SIDE VIEW MIRROR KIT (DRIVER SIDE) (INCLUDES ITEMS 6 - 7)	1
6	00614G5		PAN HEAD SELF TAPPING SCREW, # 8 - 18 X 5/8" LG	2
7	621147		SIDE VIEW MIRROR	1
8				
9	609376		REAR VIEW MIRROR (FOR VEHICLES MANUFACTURED BEFORE MARCH 4, 2018)	1
10	670781		REAR VIEW MIRROR (FOR VEHICLES MANUFACTURED AFTER MARCH 4, 2018).....	1
11				
12				
13	19853G1		TUBE CAP	2
14				
15	612254		GRAB HANDLE MOUNT	4
16	612255		PAN HEAD PHILLIPS TORX SCREW, #12 - 14 X 1" LG	4
17	611774		GRAB HANDLE	2
18	675119		REAR VIEW CAMERA ASSEMBLY (INCLUDES ITEAMS 19 - 20)	1
19	670782		CAMERA	1
20	673985		BRACKET.....	1
21	14390G9		LOCK NUT, # 6 - 32"	2
22	00645G5		PAN HEAD PHILLIPS SCREW, # 6 - 32 X .62" LG	2
23	00559G3		FLAT WASHER, M6	4
24	611962		LABEL, 25MPH VEHICLE.....	1
25	610798		OPERATOR INSTUCTIONS LABEL.....	1
26	611233		WINDSHIELD LABEL	1

WHEELS AND TIRES

1 WHEEL AND TIRE ASSEMBLY includes items 2 - 4



8 TIRE AND MAG WHEEL ASSEMBLY includes items 9 - 11



WHEELS AND TIRES

THE USE OF NON U.L. PARTS WILL VOID ANY U.L. LISTING.

When ordering parts, please specify the model and serial number of the product.

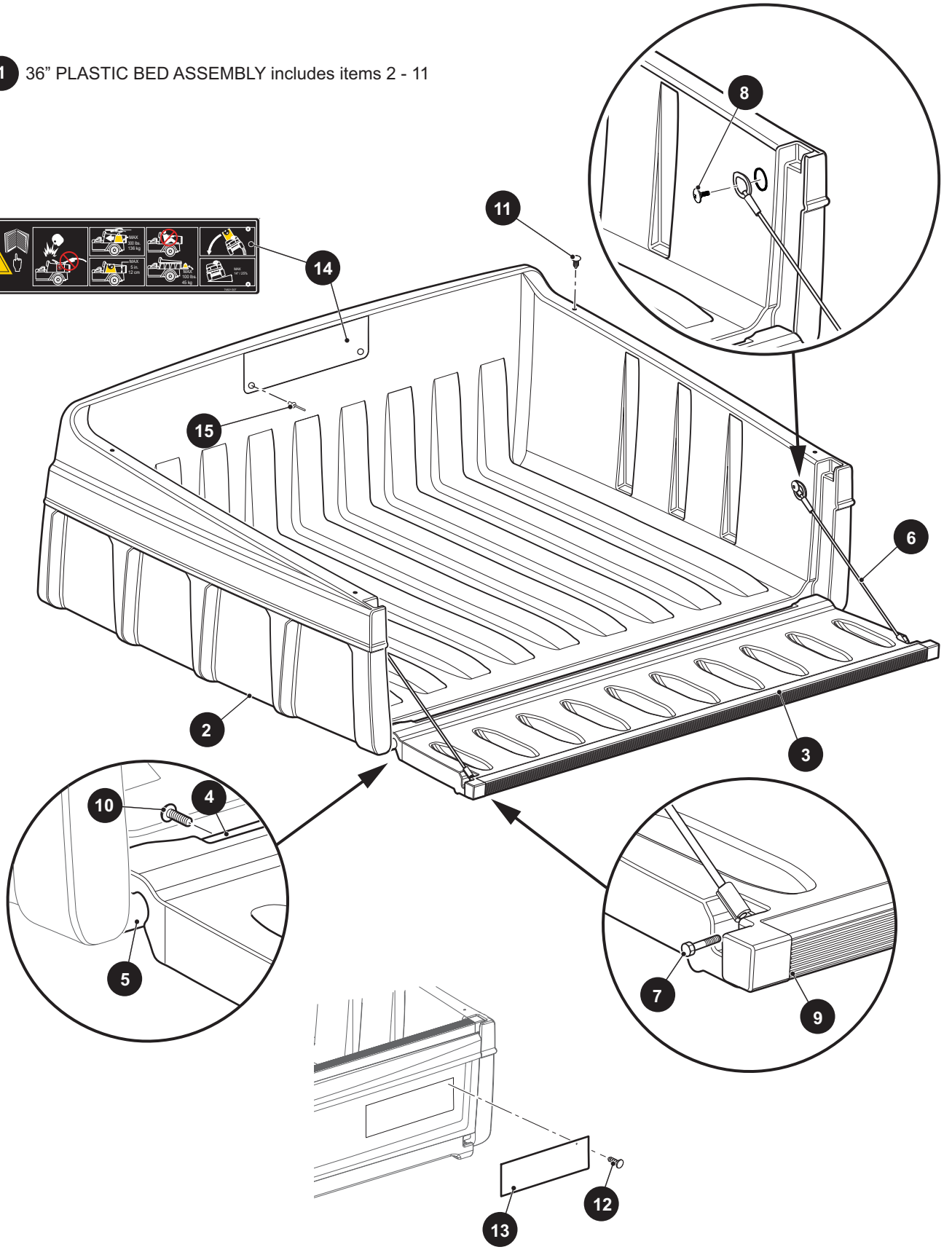
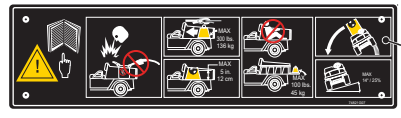
* Indicates a component that is not available as an individual part.

*** Indicates consult Customer Service Department for additional information.

ITEM	PART NO.	1 2 3 4 5	DESCRIPTION	QTY.
1	623904		WHEEL AND TIRE ASSEMBLY (INCLUDES ITEMS 2 - 4)	1
2	620659		VALVE STEM.....	1
3	614246		KENDA RADIAL PRO TOUR TIRE, 205"/50" R10	1
4	620658		SILVER CHROME WHEEL, 10" X 6"	1
5	14723G1		LUG NUT, 1/2" - 20	4
6	608912		WHEEL COVER, 10" (FOR VEHICLES MANUFACTURED BEFORE JANUARY 8, 2018).....	1
7	665151		WHEEL COVER, 10" (SILVER) (FOR VEHICLES MANUFACTURED AFTER JANUARY 8, 2018).....	1
8	623906		TIRE AND MAG WHEEL ASSEMBLY (INCLUDES ITEMS 9 - 11)	1
9	604915		VALVE STEM (CHROME)	1
10	614246		KENDA RADIAL PRO TOUR TIRE, 205"/50" R10	1
11	606152		WHEEL (DIAMOND).....	1
12	605310		LUG NUT (CHROME), 1/2" - 20.....	4
13	608910		DIAMOND WHEEL CAP	1
14	624213		HUB CAP DECAL	1

TRUCK BED

1 36" PLASTIC BED ASSEMBLY includes items 2 - 11



THE USE OF NON U.L. PARTS WILL VOID ANY U.L. LISTING.

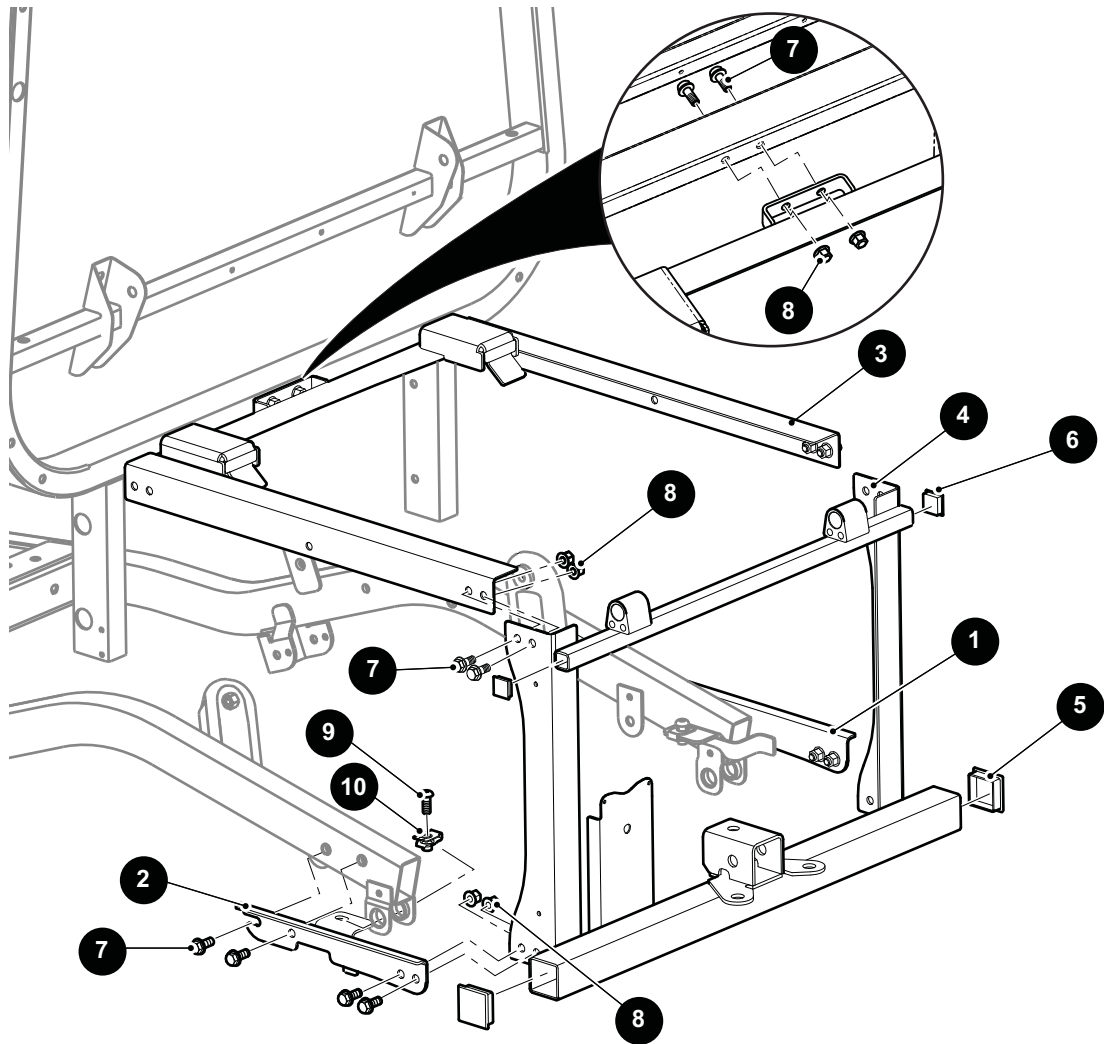
When ordering parts, please specify the model and serial number of the product.

* Indicates a component that is not available as an individual part.

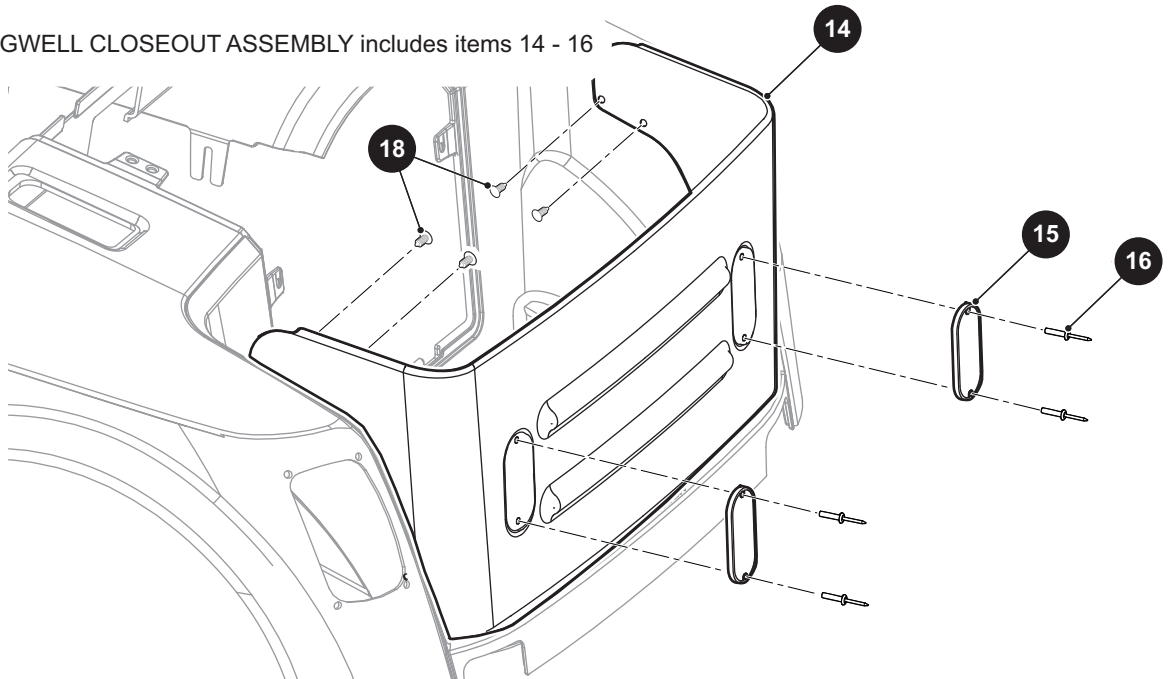
*** Indicates consult Customer Service Department for additional information.

ITEM	PART NO.	1 2 3 4 5	DESCRIPTION	QTY.
1	72647G01		36" PLASTIC TRUCK BED ASSEMBLY (INCLUDES ITEMS 2 - 11).....	1
2	72648G01		36" PLASTIC BED	1
3	72649G01		36" PLASTIC TAILGATE.....	1
4	73450G01		BOWED ANGLE	1
5	73454G01		PIVOT SHAFT	2
6	73455G02		TAILGATE CABLE ASSEMBLY	2
7	00415G2		HEX HEAD BOLT, 1/4" - 20 X 1.25" LG.....	2
8	73460G01		PHILLIPS SHOULDER SCREW, 1/4" - 20 X .75" LG.....	2
9	73449G01		TAILGATE CAP	1
10	16705G2		PAN HEAD PHILLIPS SCREW, 1/4" - 2 X .62" LG.....	4
11	16816G5		RACHET FASTENER.....	4
12	16816G02		RACHET FASTENER, .25" X .887"	4
13	619207		CUSHMAN TAILGATE DECAL	1
14	74821G07		BED CAPACITY LABEL, 300 LBS	1
15	710055G01		RIVET, 3/16"	4

TRUCK BED



13 BAGWELL CLOSEOUT ASSEMBLY includes items 14 - 16



THE USE OF NON U.L. PARTS WILL VOID ANY U.L. LISTING.

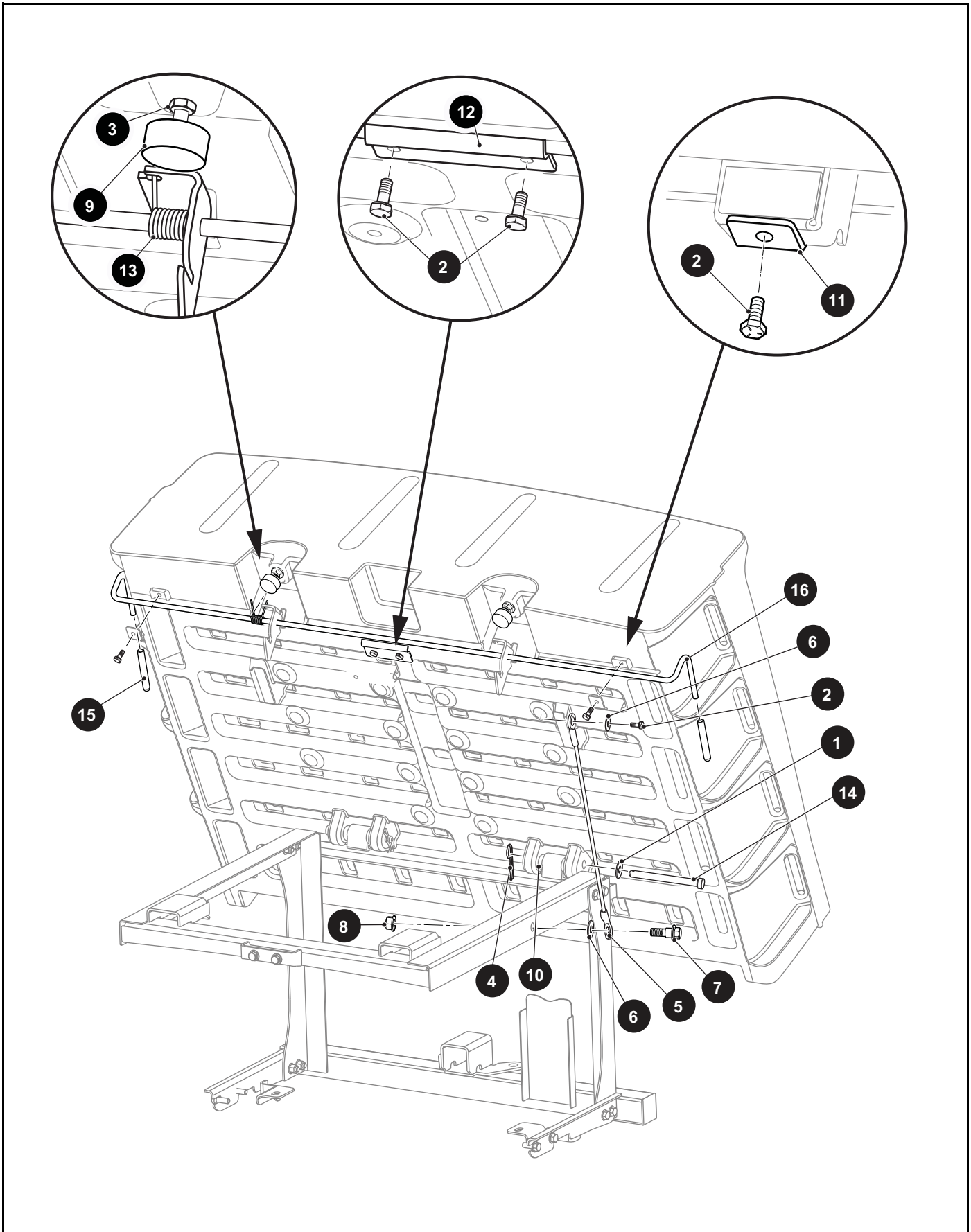
When ordering parts, please specify the model and serial number of the product.

* Indicates a component that is not available as an individual part.

*** Indicates consult Customer Service Department for additional information.

ITEM	PART NO.	1 2 3 4 5	DESCRIPTION	QTY.
1	624662		FRAME MOUNTED BED SUPPORT (PASSENGER SIDE).....	1
2	624660		FRAME MOUNTED BED SUPPORT (DRIVER SIDE)	1
3	624357		BED SUPPORT RAILS	1
4	624358		REAR BED SUPPORT	1
5	626264		SQUARE TUBE PLUG, 2"	1
6	19853G1		SQUARE TUBE CAP, 1"	1
7	603799		FLANGED HEX HEAD BOLT, M10 - 1.5 X 25 MM LG.....	7
8	600525		FLANGED HEX LOCK NUT, M10 - 1.5.....	5
9	600530		TORX HEAD BOLT, M10 - 1.5 X 25 MM LG	1
10	603818		BARREL CLIP, M10 - 1.5	1
11				
12				
13	643973		BAGWELL CLOSEOUT ASSEMBLY (INCLUDES ITEMS 14 - 16)	1
14	643062		BAGWELL CLOSEOUT	1
15	614973		RED REFLECTOR	1
16	71055G02		RIVET, 3/16" DIA	2
17				
18	16816G2		RATCHET RIVET, .25" X .887"	8

TRUCK BED



THE USE OF NON U.L. PARTS WILL VOID ANY U.L. LISTING.

When ordering parts, please specify the model and serial number of the product.

* Indicates a component that is not available as an individual part.

*** Indicates consult Customer Service Department for additional information.

ITEM	PART NO.	1 2 3 4 5	DESCRIPTION	QTY.
1	00571G5		FLAT WASHER, 5/16".....	2
2	01118G01		HEX HEAD BOLT, 1/4" - 20 X .62" LG.....	5
3	11027G1		FLANGED HEX NUT, 5/16" - 18.....	2
4	21683G1		COTTER PIN, 2.9".....	2
5	602904		BED TETHER CABLE ASSEMBLY.....	1
6	604066		FLAT WASHER, M10.....	2
7	606235		FLANGED HEX HEAD BOLT, M10 - 1.25 X 20 MM LG.....	1
8	606274		FLANGED HEX NUT, M10 - 1.25.....	1
9	70113G01		ADJUSTABLE RUBBER BUMPER.....	2
10	70291G01		FLANGED BUSHING.....	4
11	652442G03		LATCH PLATE KEEPER.....	2
12	652440G03		BRACKET, LATCH RETAINER.....	1
13	71538G01		LATCH TORSION SPRING.....	1
14	71571G01		CLEVIS PIN, 5.25".....	2
15	71704G01		HANDLE GRIP.....	2
16	74962G01		BED LATCH WELDMENT.....	1



E-Z-GO Division of Textron Inc.

1451 Marvin Griffin Road, Augusta, Georgia 30906-3852 USA

CONTACT US:

North America:

**Technical Assistance & Warranty
Service Parts**

Phone: 1-800-774-3946, FAX: 1-800-448-8124

Phone: 1-888-GETEZGO (1-888-438-3946), FAX: 1-800-752-6175

International:

Phone: 001-706-798-4311, FAX: 001-706-771-4609

Service Parts Manuals, as well as Repair and Service Manuals
are available from a local Distributor, an authorized Branch,
Genuine E-Z-GO Parts & Accessories Department or at www.shopezgo.com.

Copyrighted Material

This manual may not be reproduced in whole
or in part without the express permission of
E-Z-GO Division of Textron Inc.,
Technical Communications Department