



CUSHMAN®

LET'S WORK:

HAULER 4X4

Service Parts Manual

GASOLINE POWERED VEHICLE



643675-S

ISSUED MARCH 2015

REVISED FEBRUARY 2018

SERVICE PARTS MANUAL

GASOLINE POWERED UTILITY VEHICLE

HAULER 4X4

STARTING MODEL YEAR 2015

CALIFORNIA Proposition 65 Warning

WARNING: Motor vehicles may contain fuels, oils and fluids, battery posts, terminals, and related accessories which contain lead, lead compounds and other chemicals identified by the State of California to potentially cause cancer, birth defects and other reproductive harm. These chemicals are found in vehicles, vehicle parts and accessories, both new and replacements. During maintenance, these vehicles generate used oil, waste fluids, grease, fumes and particulates, all identified by the State of California to potentially cause cancer, birth defects, and other reproductive harm.

DISCLAIMER: The E-Z-GO Division of Textron Inc. (E-Z-GO) reserves the right to incorporate engineering and design changes to products in this Manual, without obligation to include these changes on units leased/sold previously.

The information contained in this Manual may be revised periodically E-Z-GO, and therefore is subject to change without notice.

E-Z-GO DISCLAIMS LIABILITY FOR ERRORS IN THIS MANUAL, and E-Z-GO SPECIFICALLY DISCLAIMS LIABILITY FOR INCIDENTAL AND CONSEQUENTIAL DAMAGES RESULTING FROM THE USE OF THE INFORMATION AND MATERIALS IN THIS MANUAL.

TO CONTACT US

NORTH AMERICA:

TECHNICAL ASSISTANCE & WARRANTY PHONE: 1-800-774-3946, FAX: 1-800-448-8124

SERVICE PARTS PHONE: 1-888-GET-EZGO (1-888-438-3946), FAX: 1-800-752-6175

INTERNATIONAL: PHONE: 001-706-798-4311, FAX: 001-706-771-4609

E-Z-GO DIVISION OF TEXTRON INC., 1451 MARVIN GRIFFIN RD., AUGUSTA, GEORGIA USA 30906-3852

GENERAL INFORMATION

To obtain a copy of the limited warranty applicable to the vehicle, call or write a local Distributor, authorized Branch or the Warranty Department with vehicle serial number and manufacturer code.

The use of non Original Equipment Manufacturer (OEM) approved parts may void the warranty.

Tampering with or adjusting the governor to permit vehicle to operate at above factory specifications will void the vehicle warranty.

When servicing engines, all adjustments and replacement components must be per original vehicle specifications in order to maintain the United States of America Federal and State emission certification applicable at the time of manufacture.

BATTERY PROLONGED STORAGE

All batteries will self discharge over time. The rate of self discharge varies depending on the ambient temperature and the age and condition of the batteries.

A fully charged battery will not freeze in winter temperatures unless the temperature falls below -75° F (-60° C).

BATTERY DISPOSAL

Lead-acid batteries are recyclable. Return whole scrap batteries to distributor, manufacturer or lead smelter for recycling. For neutralized spills, place residue in acid-resistant containers with absorbent material, sand or earth and dispose of in accordance with local, state and federal regulations for acid and lead compounds. Contact local and/or state environmental officials regarding disposal information.

TABLE OF CONTENTS

SECTION	Page No.
HOW TO USE THE SERVICE PARTS MANUAL	V
ACCELERATOR	A - 1
BODY	B - 1
ROPS AND CAB	C - 1
BRAKES	D - 1
BRAKES - PARK	E - 1
DIRECTION AND DRIVE SELECTOR	F - 1
DRIVETRAIN	
DRIVETRAIN - FRONT	G - 1
DRIVETRAIN - MID	G - 3
DRIVETRAIN - REAR	G - 7
ELECTRICAL	H - 1
EXHAUST	J - 1
FRONT SUSPENSION AND STEERING	K - 1
FUEL SYSTEM	L - 1
REAR SUSPENSION	M - 1
SEATING	N - 1
TRUCKBED	P - 1
WEATHER PROTECTION	Q - 1
WHEELS AND TIRES	R - 1

HOW TO USE THE SERVICE PARTS MANUAL

This manual is divided into several sections:

- GENERAL INFORMATION
- ILLUSTRATED PARTS BREAKDOWN
- APPENDIX

The first section, GENERAL INFORMATION, contains the following information:

- WARRANTY INFORMATION
- GENERAL INDEX
- HOW TO USE THE SERVICE PARTS MANUAL

The second section, ILLUSTRATED PARTS BREAKDOWN, contains illustrations and parts lists for all systems of your vehicle.

The third section, APPENDIX, contains a listing of specialty products and accessories.

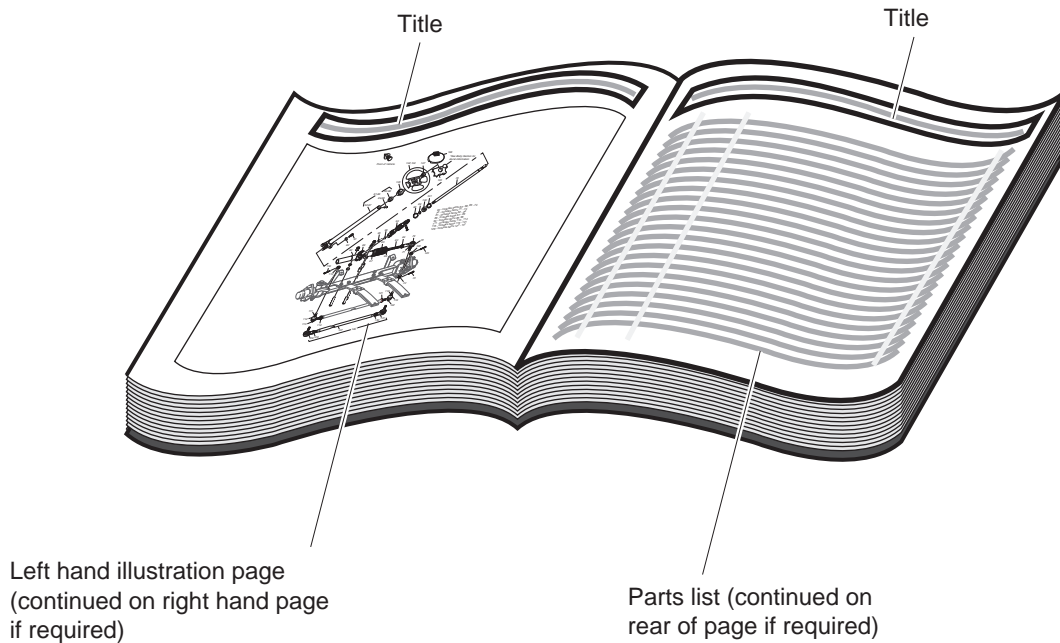
USE OF THE MANUAL

To use this manual, consult the GENERAL INDEX to locate the information or illustration required.

Introduction of some revisions varies due to supply of components; therefore, it is possible that various combinations of components may be found that are not directly reflected by each illustration. Consult the illustration that best suits your situation and then contact the Service Parts Department. It is important that the serial number of your vehicle and its model number be supplied to Service Parts when ordering any replacement components.

Locate the serial number plate (see BODY located in the Illustrated Parts Breakdown section of this manual for its location) and note the complete number shown on the plate.

HOW TO USE THE SERVICE PARTS MANUAL



1. WHEN THE PART NUMBER IS NOT KNOWN

- Determine the function and application of the part required. Turn to the General Index and select the most appropriate title.
- Turn to the page number indicated and locate the desired part on the illustration.
- From the illustration, obtain the item number assigned to the desired part. Refer to the accompanying description for specific information regarding the part.

2. IF YOU KNOW THE PART NUMBER

- Locate the part number or description in the appropriate column on the parts list page.

NOTE: It is suggested that you confirm that the part selected is correct by verifying it with the pictorial representation on the illustrated page.

Should an asterisk (*) appear in the part number column on the parts list page, read upwards until a part number is found. The part number is the lowest assembly sold by Service Parts and the asterisk (*) indicates that the part depicted is not available for purchase.

NOTE: Descriptions are indented under the assembly that they are used on. That assembly is, in turn listed under the assembly that it is used on. This process is repeated until the highest final assembly is reached.

To facilitate the maintenance and repair of the vehicle, a Technician's Repair and Service Manual is available from the Service Parts Department.

3. COLOR CODE FOR BODY COMPONENTS

The last two digits of the part number for the body part will denote the color code, locate the part number for the cowl, rear body, seat pod, side panel or seat wrap then locate your color in the list below, replace the last ** or XX with the two digit color code.

<u>CODE #</u>	<u>DESCRIPTION</u>
11	BLACK
19	PATRIOT BLUE PEARL
20	INFERNO RED METALLIC
26	STEEL BLUE PEARL
31	METALLIC CHARCOAL
35	SAFETY YELLOW
36	IVORY
37	HUNTER GREEN
38	BRIGHT WHITE
39	FLAME RED
41	ELECTRIC BLUE
42	PLATINUM
43	BURGUNDY
44	ALMOND
51	SUNBURST ORANGE
79	JACOBSEN ORANGE

ACCELERATOR

THE USE OF NON U.L. PARTS WILL VOID ANY U.L. LISTING.

When ordering parts, please specify the model and serial number of the product.

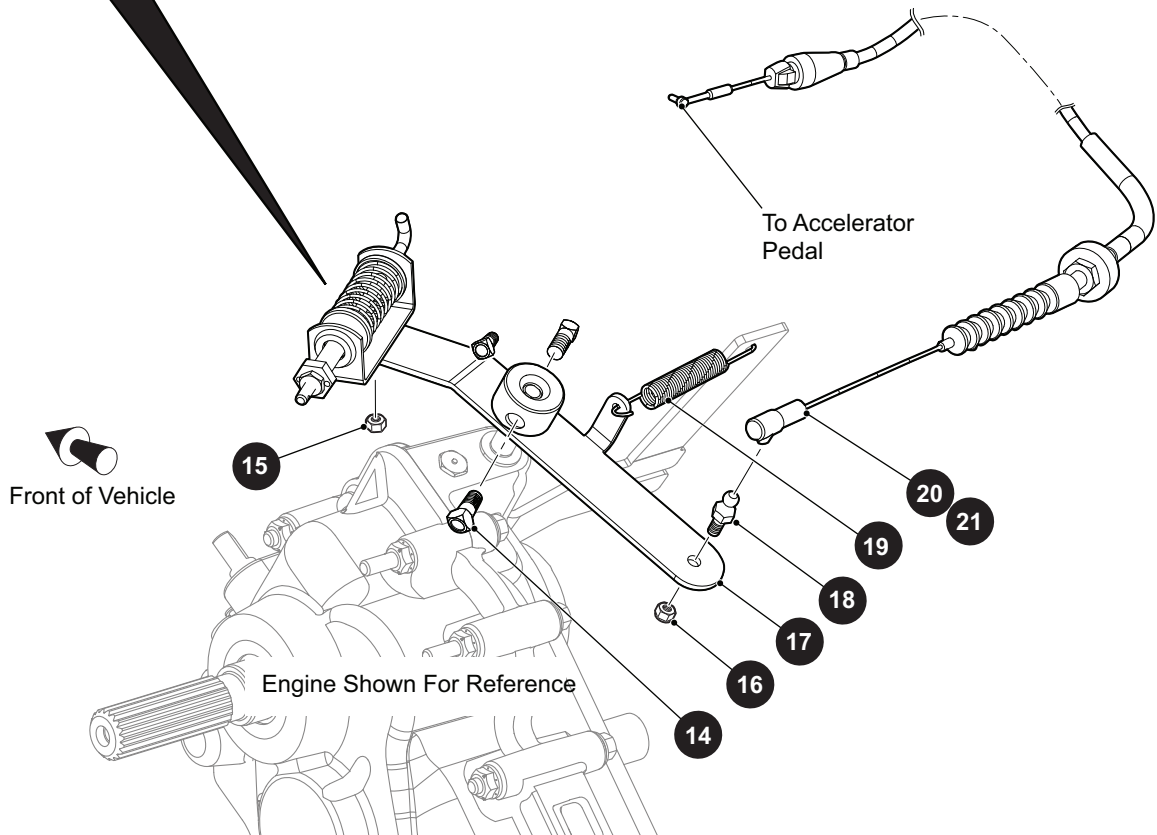
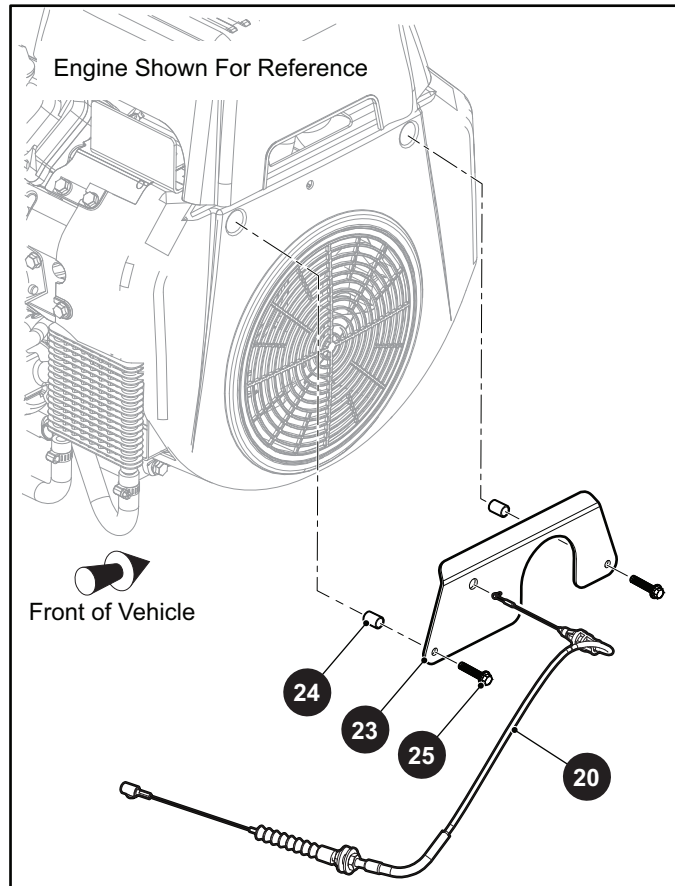
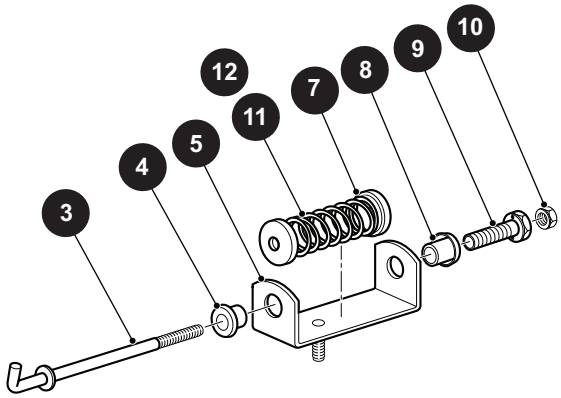
* Indicates a component that is not available as an individual part.

*** Indicates consult Customer Service Department for additional information.

ITEM	PART NO.	1 2 3 4 5	DESCRIPTION	QTY.
1	653677		ACCELERATOR PEDAL ASSEMBLY (INCLUDES ITEMS 2 - 9)	1
2	626140		PEDAL BRACKET	1
3	604097		REBOUND BUMPER	1
4	610529		PEDAL COVER	1
5	625731		FLANGED BUSHING, 16MM X 12MM	2
6	653205		TORSION SPRING, 4.5MM DIA.....	1
7	638177		ACCELERATOR PIVOT SHAFT.....	1
8	600683		SPIROL PIN (HEAVY DUTY), 4MM X 26MM	1
9	*		PEDAL.....	1
10				
11	12064G3		PUSH NUT, 3/16"	2
12	10386G2		CLEVIS PIN	1
13	632759		PEDAL BRACKET.....	1
14	632919		PEDAL SPRING (SHORT).....	1
15	635195		PEDAL CABLE.....	1
16				
17				
18				
19	00415G2		HEX HEAD BOLT, 1/4" - 20 X 1 1/4" LG	3
20	00559G7		FLAT WASHER, 1/4"	6
21	14390G4		LOCK NUT, 1/4" - 20	3
22	31539G1		NYLON CLAMP, 15.5" LG (NOT ILLUSTRATED).....	1

ACCELERATOR

- 1 GOVERNOR BRACKET ASSEMBLY
includes items 2 - 11
- 2 GOVERNOR BRACKET ASSEMBLY
includes items 2 - 10, 12



THE USE OF NON U.L. PARTS WILL VOID ANY U.L. LISTING.

When ordering parts, please specify the model and serial number of the product.

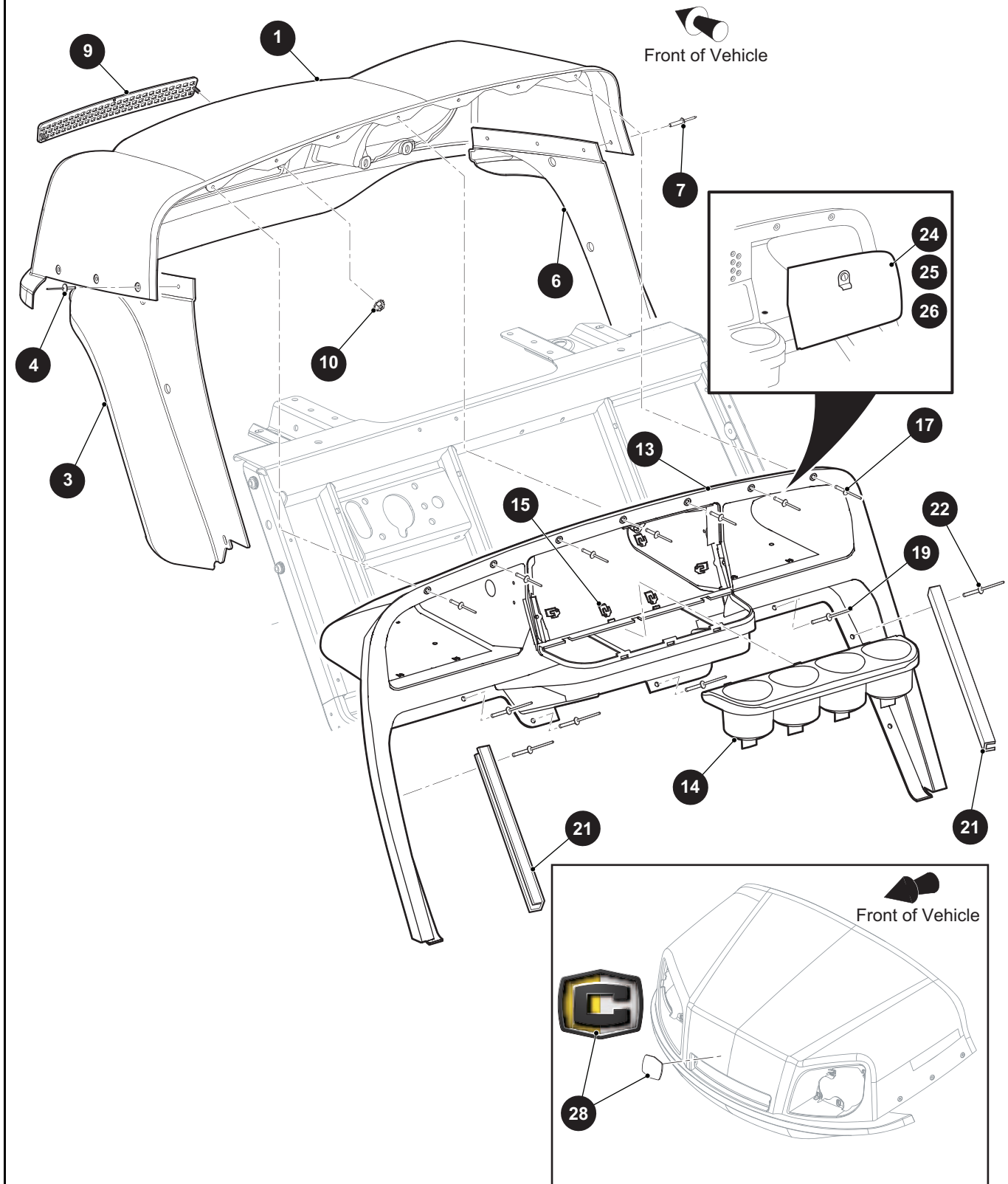
* Indicates a component that is not available as an individual part.

*** Indicates consult Customer Service Department for additional information.

ITEM	PART NO.	1 2 3 4 5	DESCRIPTION	QTY.
1	22751G2		GOVERNOR BRACKET ASSEMBLY(INCLUDES ITEMS 2 - 11).....	1
2	22751G6		GOVERNOR BRACKET ASSEMBLY(INCLUDES ITEMS 2 - 10, 12)	1
3	25274G1		GOVERNOR ROD.....	1
4	22754G1		BUSHING (FLIP), .25" I.D. X .37" O.D.	1
5	22752G1		GOVERNOR BRACKET WELDMENT	1
6				
7	25661G01		CUP WASHER, .84"	2
8	22754G2		BUSHING (FLIP), .375" I.D. X .495" O.D.	1
9	23859G1		GOVERNOR ADJUSTER.....	1
10	00526G4		HEX NUT, #10 - 32.....	1
11	23578G1		COMPRESSION SPRING, 8.9 LBS./INCH	1
12	641785		COMPRESSION SPRING, 1.33 LBS./INCH	1
13				
14	71215G01		SET SCREW WITH PATCH LOCK, 1/4" - 20 X 1/2" LG	2
15	14390G4		LOCK NUT, 1/4" - 20	1
16	00734G5		LOCK NUT, M10 - 32	1
17	638954		GOVERNOR LEVER WELDMENT	1
18	72732G01		BALL STUD.....	1
19	635011		GOVERNOR SPRING EXTENSION.....	1
20	646094		GOVERNOR CABLE	1
21	635313		GOVERNOR CABLE	1
22				
23	646070		GOVERNOR CABLE MOUNTING BRACKET	1
24	23726G7		SPACER, .315" X .4" X .55" LG	2
25	643471		FLANGED HEX HEAD BOLT, M6 - 1 X 35MM LG.....	2

BODY - FRONT

12 INSTRUMENT PANEL ASSEMBLY includes items 13 - 15



BODY - FRONT

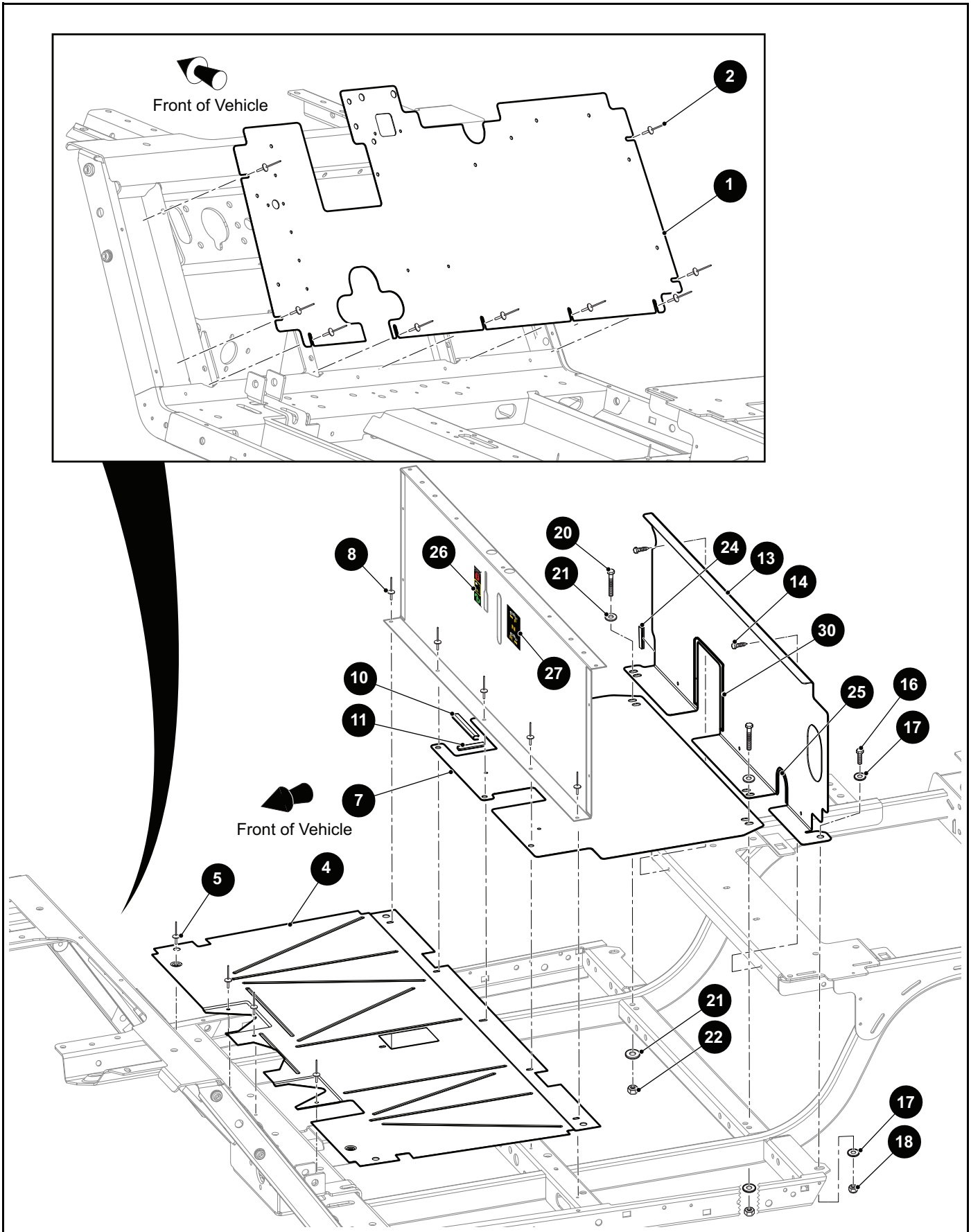
THE USE OF NON U.L. PARTS WILL VOID ANY U.L. LISTING.

When ordering parts, please specify the model and serial number of the product.

* Indicates a component that is not available as an individual part.

*** Indicates consult Customer Service Department for additional information.

ITEM	PART NO.	1 2 3 4 5	DESCRIPTION	QTY.
1	613036G0XX		COWL (See COLOR CODE in HOW TO USE Section).....	1
2				
3	633010G01		FENDER FLARE (DRIVER SIDE)	1
4	71055G01		RIVET (ALUMINUM), 3/16" X .985" LG	3
5				
6	633010G02		FENDER FLARE (PASSENGER SIDE).....	1
7	71055G01		RIVET (ALUMINUM), 3/16" X .985" LG	3
8				
9	617643		COWL GRILL COVER	1
10	71597G01		SELF THREADING NUT, 5MM X 10MM X 15MM	2
11				
12	633298		INSTRUMENT PANEL ASSEMBLY (INCLUDES ITEMS 13 - 15).....	1
13	633297		INSTRUMENT PANEL.....	1
14	71158G01		CUP INSERT	1
15	71364G02		"J" TYPE SPEED NUT, #8.....	5
16				
17	71055G01		RIVET (ALUMINUM), 3/16" X .985" LG	7
18				
19	71055G01		RIVET (ALUMINUM), 3/16" X .985" LG	4
20				
21	71115G01		TRIM (LDPE), 12.90" LG	2
22	71055G01		RIVET (ALUMINUM), 3/16" X .985" LG	2
23				
24	75459G01		GLOVE BOX DOORS (BOTH SIDES).....	1
25	75459G02		GLOVE BOX DOOR (DRIVER SIDE).....	1
26	75459G03		GLOVE BOX DOOR (PASSENGER SIDE)	1
27				
28	619135		COWL DECAL.....	1



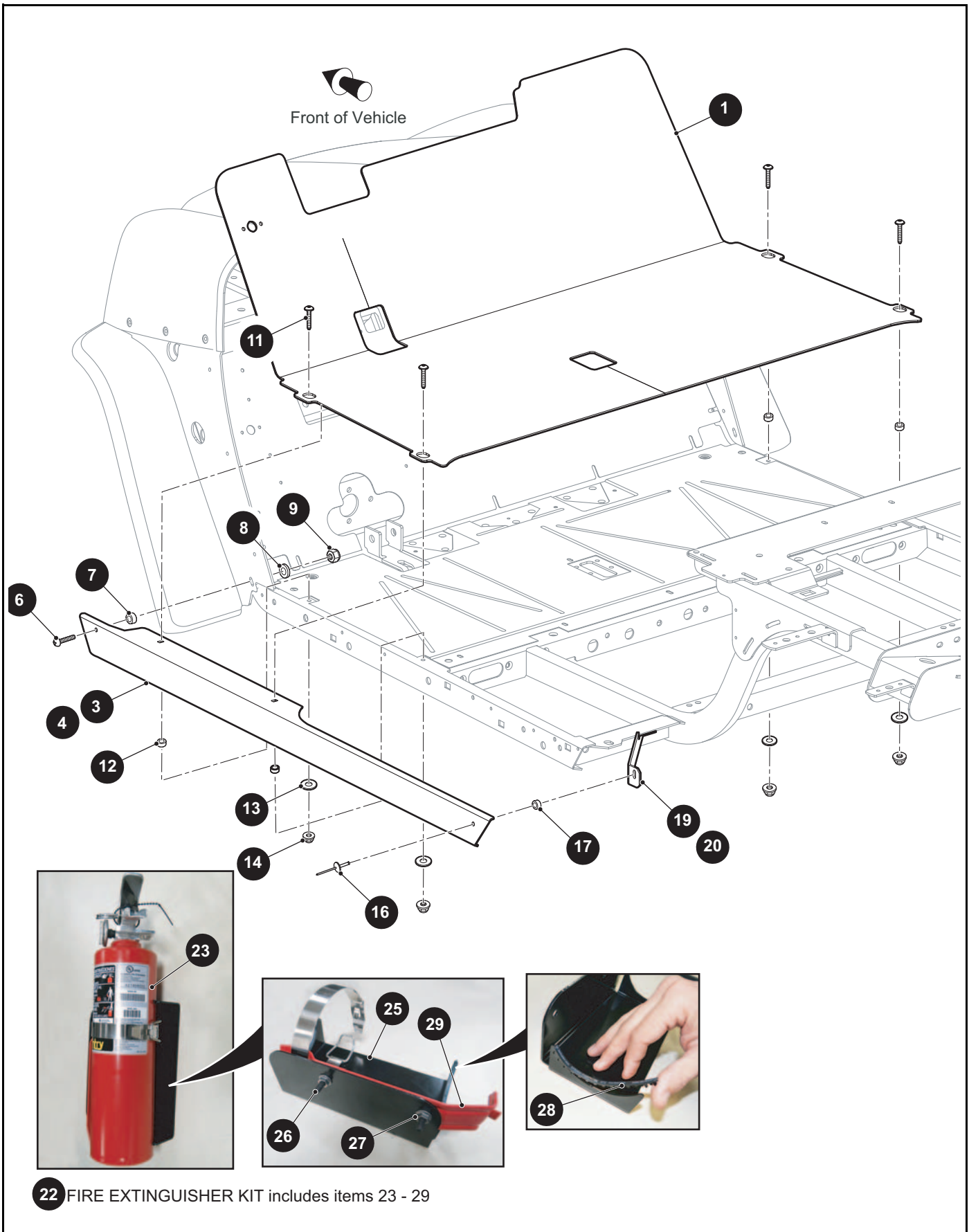
THE USE OF NON U.L. PARTS WILL VOID ANY U.L. LISTING.

When ordering parts, please specify the model and serial number of the product.

* Indicates a component that is not available as an individual part.

*** Indicates consult Customer Service Department for additional information.

ITEM	PART NO.	1 2 3 4 5	DESCRIPTION	QTY.
1	640553		UPPER FLOOR PANEL.....	1
2	14601G11		RIVET (ALUMINUM), 3/16" X .575"	9
3				
4	70451G03		LOWER FLOOR PANEL.....	1
5	14601G11		RIVET (ALUMINUM), 3/16" X .575"	5
6				
7	644555		SEAT BOTTOM FLOOR PANEL.....	1
8	10570G10		RIVET (SS), .5/32" X .55"	5
9				
10	32372G8		TRIM (BLACK), 4" LG	1
11	635932		TRIM (BLACK), 2" LG	1
12				
13	650045		HEAT SHIELD (BATTERY)	1
14	00715G2		HEX WASHER HEAD SCREW, 5/16" - 18 X .8" LG	2
15				
16	00462G7		HEX HEAD BOLT, 7/16" - 14 X 7/8" LG	1
17	00922G3		FLAT WASHER, 7/16".....	2
18	00734G1		LOCK NUT, 7/16" - 14.....	1
19				
20	00440G6		HEX HEAD BOLT, 5/16" - 18 X 2 1/4" LG	2
21	00559G8		FLAT WASHER, 5/16".....	4
22	11098G6		LOCK NUT, 5/16" - 18.....	2
23				
24	635932		TRIM (BLACK), 2" LG	1
25	32372G6		TRIM (VINYL), 6.25" LG	1
26	633615		DIFFERENTIAL LOCK DECAL.....	1
27	644126		DIRECTION SELECTOR DECAL (FNR)	1
28				
29				
30	645169G2		TRIM, 14.5" LG	1



THE USE OF NON U.L. PARTS WILL VOID ANY U.L. LISTING.

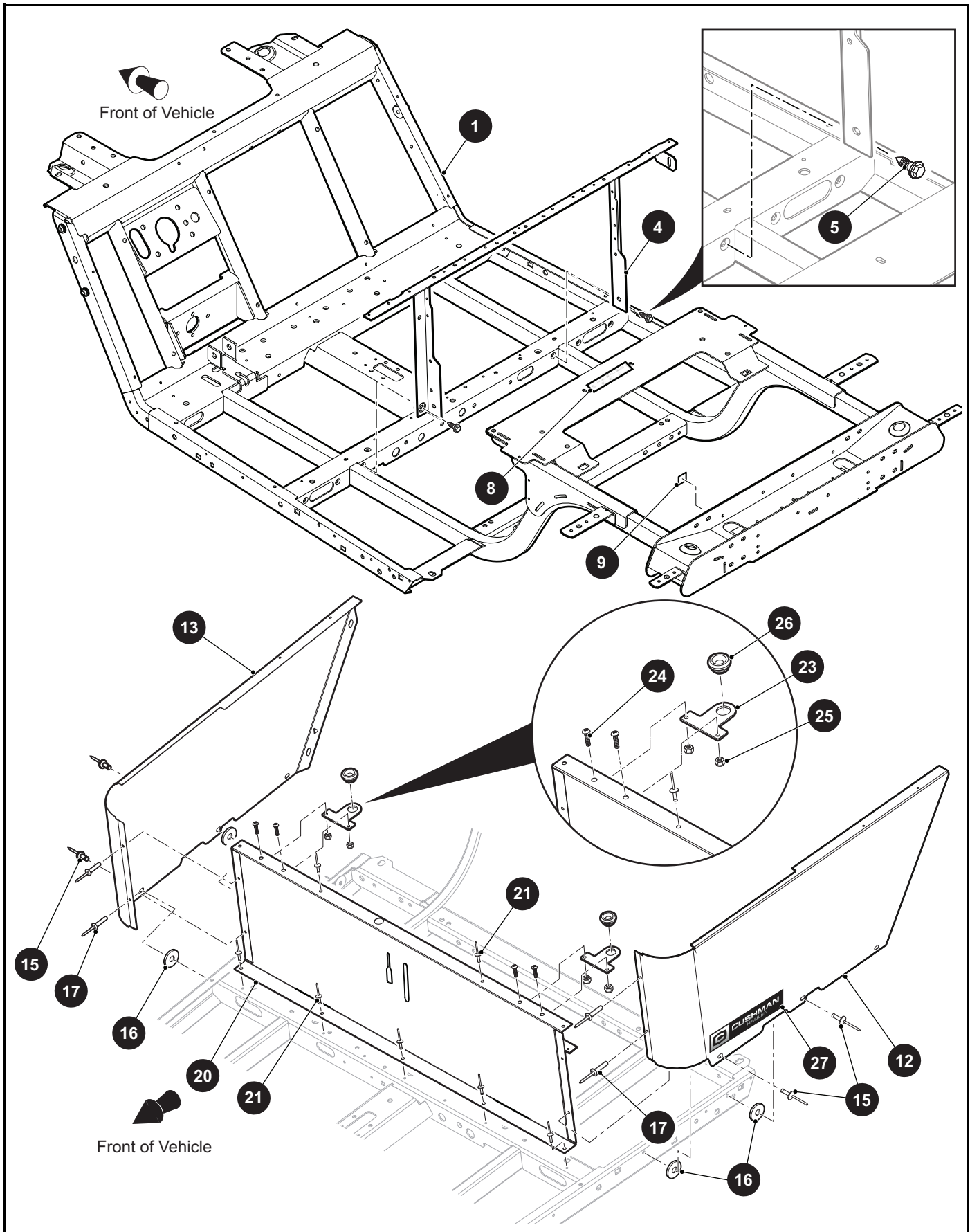
When ordering parts, please specify the model and serial number of the product.

* Indicates a component that is not available as an individual part.

*** Indicates consult Customer Service Department for additional information.

ITEM	PART NO.	1 2 3 4 5	DESCRIPTION	QTY.
1	640813		FLOOR MAT	1
2				
3	618886		ROCKER PANEL (DRIVER SIDE)	1
4	618885		ROCKER PANEL (PASSENGER SIDE)	1
5				
6	00789G2		TRUSS HEAD PHILLIPS SCREW, #10 - 24 X 1 1/4" LG	1
7	23726G4		SPACER, .298" LG	1
8	00660G5		FLAT WASHER, #10	1
9	14390G10		LOCK NUT, #10 - 24	1
10				
11	634161		FLANGED HEXALOBULAR TORX BOLT (SS), M6 - 1 X 38MM LG	2
12	23726G4		SPACER, .298" LG	2
13	00559G7		FLAT WASHER, 1/4"	2
14	601476		LOCK NUT, M6 - 1	2
15				
16	15058G6		RIVET (ALUMINUM), 3/16" X .95"	1
17	23726G4		SPACER, .298" LG	1
18				
19	71440G03		PANEL BRACE (DRIVER SIDE)	1
20	71440G04		PANEL BRACE (PASSENGER SIDE)	1
21				
22	641455		FIRE EXTINGUISHER KIT (INCLUDES ITEM 23 - 29)	1
23	644931		FIRE EXTINGUISHER	1
24	*		ADHESIVE TAPE 3" LG (NOT ILLUSTRATED)	3
25	644986		BRACKET	1
26	628906		HEX FLANGE SCREW, M10 - 24 X .75" LG	2
27	14390G1		LOCK NUT, M10 - 24	2
28	645169G1		TRIM, 4.25" LG	2
29	*		LATCH BRACKET	1

BODY - MID



THE USE OF NON U.L. PARTS WILL VOID ANY U.L. LISTING.

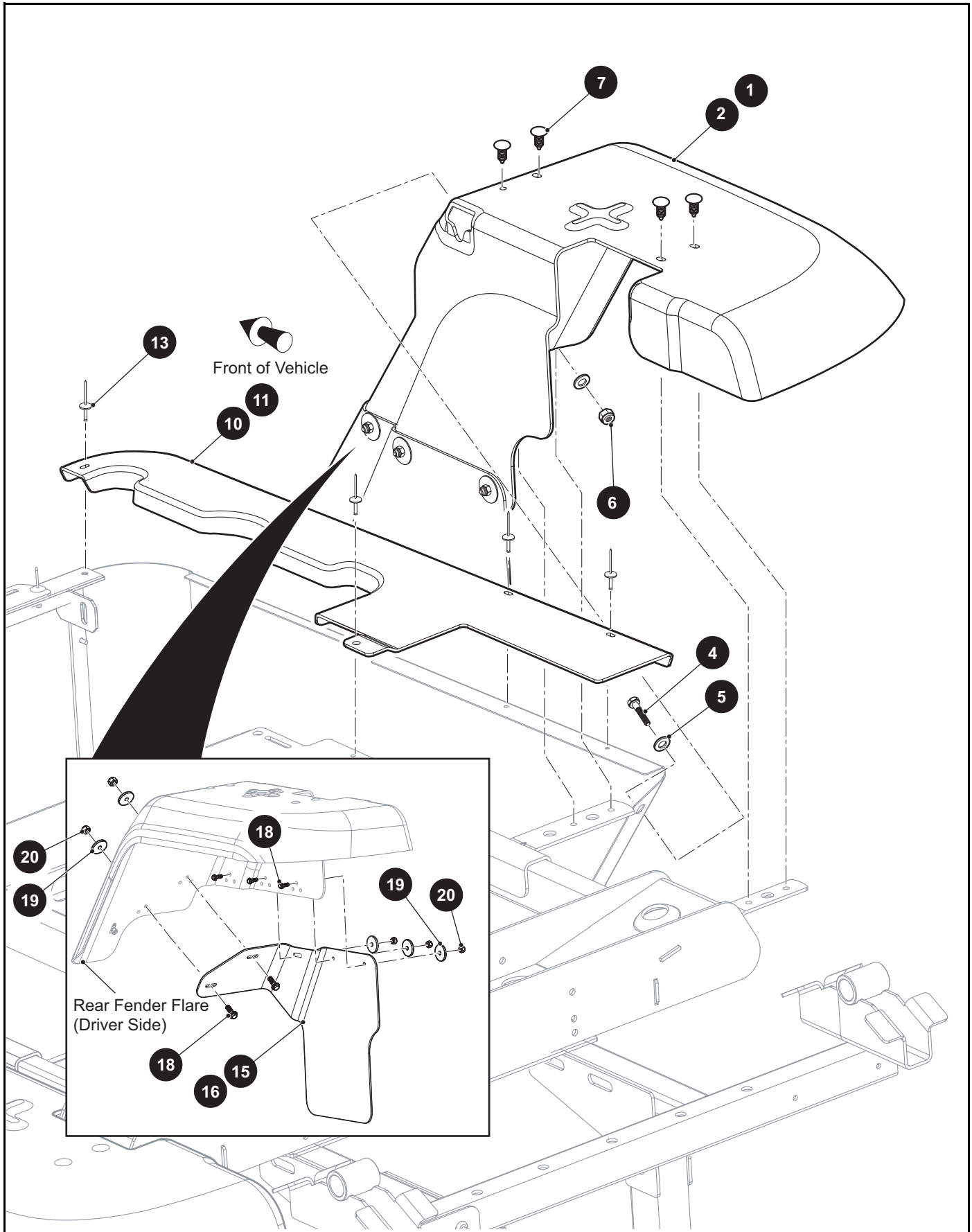
When ordering parts, please specify the model and serial number of the product.

* Indicates a component that is not available as an individual part.

*** Indicates consult Customer Service Department for additional information.

ITEM	PART NO.	1 2 3 4 5	DESCRIPTION	QTY.
1	642184		FRAME WELDMENT	1
2				
3				
4	632688		SEAT FRAME WELDMENT	1
5	00715G2		HEX WASHER HEAD SCREW, 5/16" - 18 X .8" LG	2
6				
7				
8	74093G01		ENGINE WARNING DECAL	1
9	75696G01		HOT EXHAUST DECAL.....	1
10				
11				
12	609168G1XX		SIDE PANEL (DRIVER SIDE) (See COLOR CODE in HOW TO USE Section)	1
13	609168G2XX		SIDE PANEL (PASSENGER SIDE) (See COLOR CODE in HOW TO USE Section)	1
14				
15	10570G12		RIVET (ALUMINUM), 1/4" X .625"	2
16	16469G1		FENDER WASHER, 1/4"	2
17	71055G01		RIVET (ALUMINUM), 3/16" X .985" LG	2
18				
19				
20	633168GXX		SEAT WRAP PANEL (See COLOR CODE in HOW TO USE SECTION)	1
21	10570G10		RIVET (SS), .5/32" X .55"	8
22				
23	642136		SEAT RETENTION BRACKET	1
24	800296		PAN HEAD MACHINE SCREW, #10 - 24 X 3/4" LG.....	2
25	14390G10		LOCK NUT, #10 - 24	2
26	638668		SEAT RETENTION GROMMET.....	1
27	642046		CUSHMAN SIDE DECAL.....	1

BODY - REAR



THE USE OF NON U.L. PARTS WILL VOID ANY U.L. LISTING.

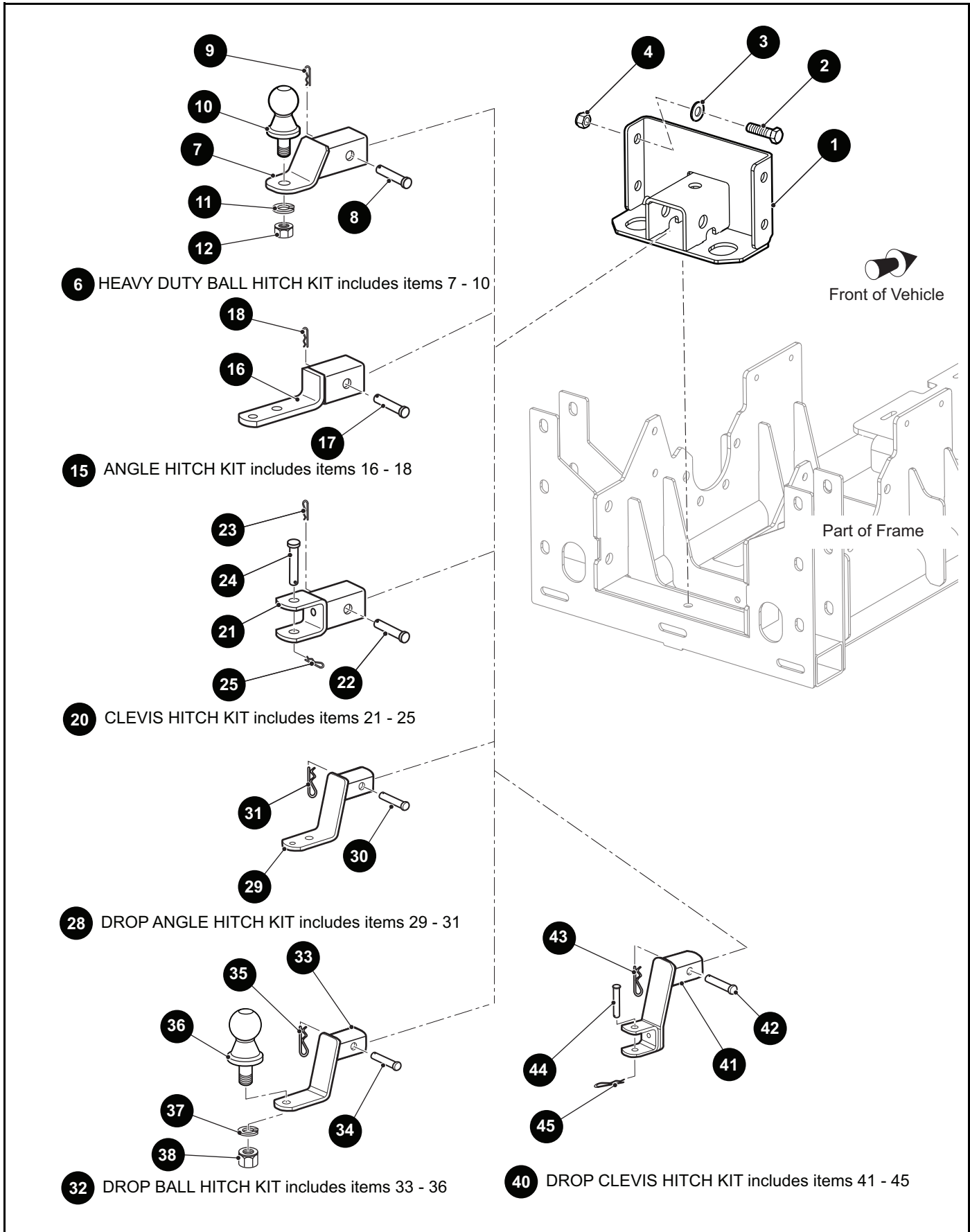
When ordering parts, please specify the model and serial number of the product.

* Indicates a component that is not available as an individual part.

*** Indicates consult Customer Service Department for additional information.

ITEM	PART NO.	1 2 3 4 5	DESCRIPTION	QTY.
1	646133		REAR FENDER FLARE (DRIVER SIDE)	1
2	646135		REAR FENDER FLARE (PASSENGER SIDE).....	1
3				
4	00414G6		HEX HEAD BOLT, 1/4" - 20 X 1/2" LG	2
5	00642G7		FLAT WASHER, 1/4".....	4
6	14390G4		LOCK NUT, 1/4" - 20.....	2
7	16816G2		RATCHET RIVET, .25" X .887"	4
8				
9				
10	635690		SEAT FILLER PANEL (DRIVER SIDE).....	1
11	635691		SEAT FILLER PANEL (PASSENGER SIDE)	1
12				
13	10570G10		RIVET (SS), .5/32" X .55"	4
14				
15	646191		INNER REAR FENDER (DRIVER SIDE).....	1
16	646187		INNER REAR FENDER (PASSENGER SIDE)	1
17				
18	13437G9		FLANGED HEX HEAD BOLT, 1/4" - 20 X 3/4" LG	5
19	16469G1		FENDER WASHER, 1/4"	5
20	14390G4		LOCK NUT, 1/4" - 20.....	5

BODY - REAR



THE USE OF NON U.L. PARTS WILL VOID ANY U.L. LISTING.

When ordering parts, please specify the model and serial number of the product.

* Indicates a component that is not available as an individual part.

*** Indicates consult Customer Service Department for additional information.

ITEM	PART NO.	1 2 3 4 5	DESCRIPTION	QTY.
1	646642		HITCH RECEIVER	1
2	00463G4		HEX HEAD BOLT, 7/16" - 14 X 1 1/2" LG	4
3	00922G3		FLAT WASHER, 7/16"	8
4	00734G1		LOCK NUT, 7/16" - 14	4
5				
6	646789		HEAVY DUTY BALL HITCH KIT (INCLUDES ITEMS 7 - 10)	1
7	646730		HEAVY DUTY HITCH	1
8	21317G1		CLEVIS PIN, 5/8" X 3" LG	1
9	21683G1		COTTER PIN, 15/32" X 2 1/16" LG	1
10	31757G1		HITCH BALL WITH HARDWARE, 1 7/8" (INCLUDES ITEMS 11 - 12)	1
11	00566G6		LOCK WASHER, 3/4"	1
12	00702G2		HEX NUT, 5/16" - 18	1
13				
14				
15	646790		ANGLE HITCH KIT (INCLUDES ITEMS 16 - 18)	1
16	646729		ANGLE HITCH	1
17	21317G1		CLEVIS PIN, 5/8" X 3" LG	1
18	21683G1		COTTER PIN, 15/32" X 2 1/16" LG	1
19				
20	646791		CLEVIS HITCH KIT (INCLUDES ITEMS 21 - 25)	1
21	646727		CLEVIS HITCH	1
22	21317G1		CLEVIS PIN, 5/8" X 3" LG	1
23	21683G1		COTTER PIN, 15/32" X 2 1/16" LG	1
24	14443G10		CLEVIS PIN, 1/2" X 3" LG	1
25	19314G1		COTTER PIN, 5/2" LG	1
26				
27				
28	646792		DROP ANGLE HITCH KIT (INCLUDES ITEMS 29 - 31)	1
29	646731		DROP ANGLE HITCH	1
30	21317G1		CLEVIS PIN, 5/8" X 3" LG	1
31	21683G1		COTTER PIN, 15/32" X 2 1/16" LG	1

BODY - REAR

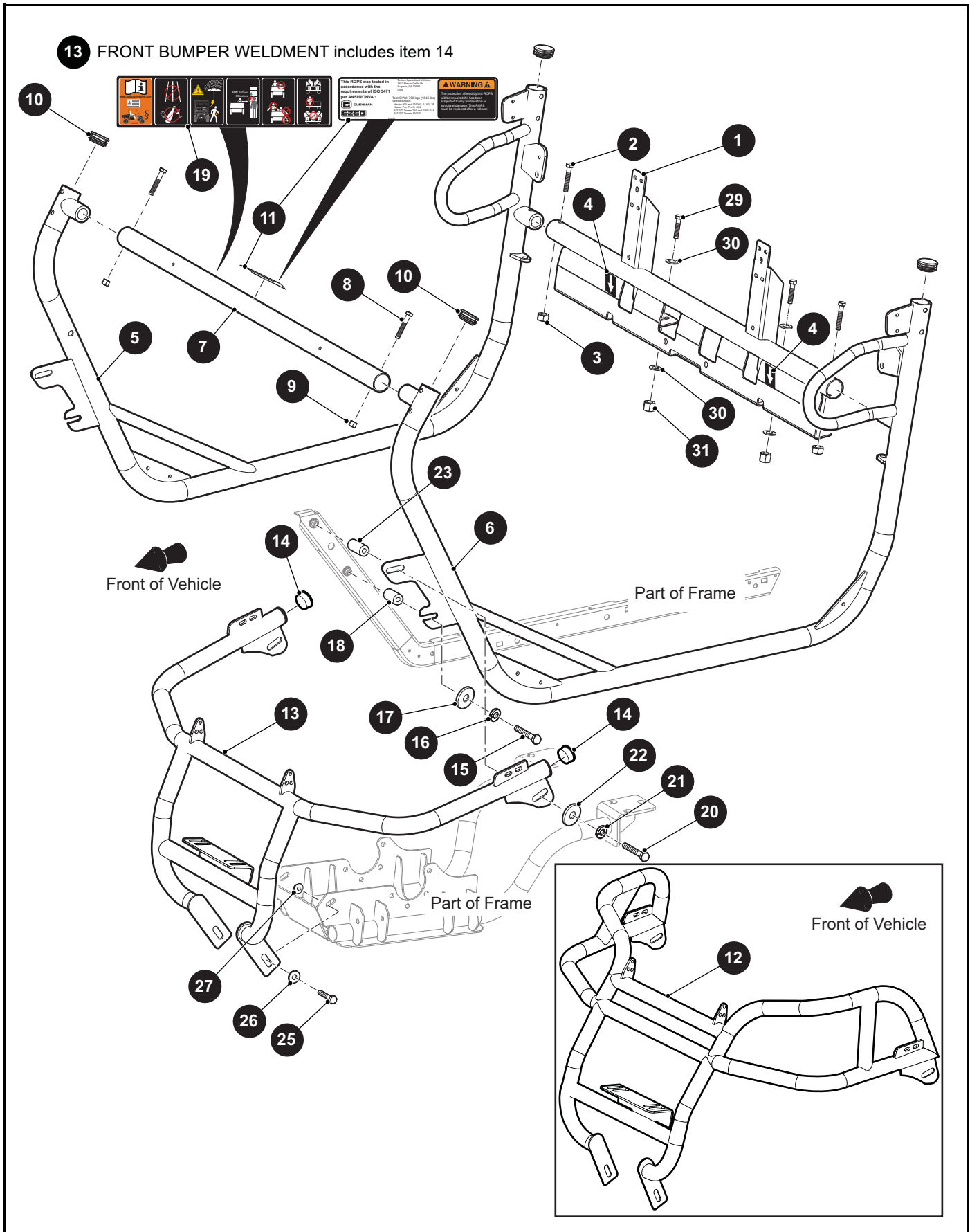
THE USE OF NON U.L. PARTS WILL VOID ANY U.L. LISTING.

When ordering parts, please specify the model and serial number of the product.

* Indicates a component that is not available as an individual part.

*** Indicates consult Customer Service Department for additional information.

ITEM	PART NO.	1	2	3	4	5	DESCRIPTION	QTY.
32	646793						DROP BALL HITCH KIT (INCLUDES ITEMS 33 - 36)	1
33	646743						DROP BALL HITCH	1
34	21317G1						CLEVIS PIN, 5/8" X 3" LG.....	1
35	21683G1						COTTER PIN, 15/32" X 2 1/16" LG.....	1
36	31757G1						HITCH BALL WITH HARDWARE, 1 7/8" (INCLUDES ITEMS 37 - 38)	1
37	00566G6						LOCK WASHER, 3/4"	1
38	00702G2						HEX NUT, 5/16" - 18.....	1
39								
40	646794						DROP CLEVIS HITCH KIT (INCLUDES ITEMS 41 - 45)	1
41	646744						DROP CLEVIS HITCH	1
42	21317G1						CLEVIS PIN, 5/8" X 3" LG.....	1
43	21683G1						COTTER PIN, 15/32" X 2 1/16" LG.....	1
44	14443G10						CLEVIS PIN, 1/2" X 3" LG.....	1
45	19314G1						COTTER PIN, 5/2" LG	1



THE USE OF NON U.L. PARTS WILL VOID ANY U.L. LISTING.

When ordering parts, please specify the model and serial number of the product.

* Indicates a component that is not available as an individual part.

*** Indicates consult Customer Service Department for additional information.

ITEM	PART NO.	1 2 3 4 5	DESCRIPTION	QTY.
1	640293		SEAT SUPPORT BRACKET	1
2	630642		HEX HEAD BOLT, 3/8" - 16 X 2 1/2" LG	2
3	630643		LOCK NUT, 3/8" - 16	2
4	632939		SEAT BOTTOM INDICATOR DECAL	1
5	640183		ROPS BOTTOM (PASSENGER SIDE).....	1
6	640182		ROPS BOTTOM (DRIVER SIDE)	1
7	629023		FRONT CROSSBAR TUBE	1
8	630642		HEX HEAD BOLT, 3/8" - 16 X 2 1/2" LG	2
9	630643		LOCK NUT, 3/8" - 16	2
10	630762		PLUG (PLASTIC), 1.75" DIA.....	1
11	*		ROPS CERTIFIED DECAL	1
12	641498		BRUSHGUARD (PREMIUM)	1
13	641470		BRUSHGUARD (INCLUDES ITEM 14)	1
14	643635		TUBE PLUG, 1.5 O.D.....	2
15	00440G2		HEX HEAD BOLT, 5/16" - 18 X 2 1/4" LG	1
16	00565G8		LOCK WASHER, 5/16"	1
17	00675G1		FLAT WASHER(SS), 1/4" I.D X 3/8" O.D.....	1
18	75048G04		SPACER, 1" LG	1
19	638040		SAFETY LABEL	1
20	00440G6		HEX HEAD BOLT, 5/16" - 18 X 2 1/4" LG	1
21	00565G8		LOCK WASHER, 5/16"	1
22	00675G1		FLAT WASHER(SS), 1/4" I.D X 3/8" O.D.....	1
23	75048G02		SPACER, 1.31" LG	1
24				
25	00427G2		HEX HEAD BOLT, 3/8" - 16 X 1 1/4" LG	2
26	00571G2		FLAT WASHER, 5/16"	2
27	12262G1		FLANGED LOCK NUT, 3/8" - 16.....	2
28				
29	00427G2		HEX HEAD BOLT, 3/8" - 16 X 1 1/4" LG	2
30	00571G2		FLAT WASHER, 5/16"	4
31	11098G5		LOCK NUT, 3/8" - 16.....	2

THE USE OF NON U.L. PARTS WILL VOID ANY U.L. LISTING.

When ordering parts, please specify the model and serial number of the product.

* Indicates a component that is not available as an individual part.

*** Indicates consult Customer Service Department for additional information.

ITEM	PART NO.	1 2 3 4 5	DESCRIPTION	QTY.
1	631578		ROPS UPPER KIT (INCLUDES ITEMS 2 - 7)	1
2	631576		ROPS TOP WELDMENT.....	1
3	629080		CONNECTOR REAR (DRIVER SIDE).....	1
4	629079		CONNECTOR REAR (PASSENGER SIDE).....	1
5	629082		CONNECTOR FRONT (DRIVER SIDE).....	1
6	629081		CONNECTOR FRONT (PASSENGER SIDE)	1
7	629328		ROPS UPPER HARDWARE KIT (INCLUDES ITEMS 8, 9)	1
8	630642		HEX HEAD BOLT, 3/8" - 16 X 2 1/2" LG	16
9	630643		LOCK NUT, 3/8" - 16.....	16
10				
11				
12	644863		ROPS ACCESSORIES KIT (INCLUDES ITEMS 13 - 21).....	1
13	611774		GRAB HANDLE	1
14	612254		GRAB HANDLE MOUNT.....	2
15				
16	635789		SEAT BELT RETRACTOR.....	2
17	628577		HEADREST	2
18	629642		CLAMP GUARD	2
19	629666		HEADREST PLATE	2
20	627786		CLAMP	2
21	640434		HARDWARE KIT (INCLUDES ITEMS 22 - 27)	1
22	610753		HEX HEAD BOLT, 7/16" - 20 X 1" LG	4
23	609569		HEX HEAD BOLT, 7/16" - 20 X 3/4" LG	4
24	00734G3		LOCK NUT, 7/16" - 20.....	8
25	612255		PAN HEAD TORX SCREW, 12 - 14 X 1" LG	2
26	630763		CARRIAGE BOLT (SS), 1/4" - 20 X .75" LG	4
27	14390G4		LOCK NUT, 1/4" - 20.....	4



THE USE OF NON U.L. PARTS WILL VOID ANY U.L. LISTING.

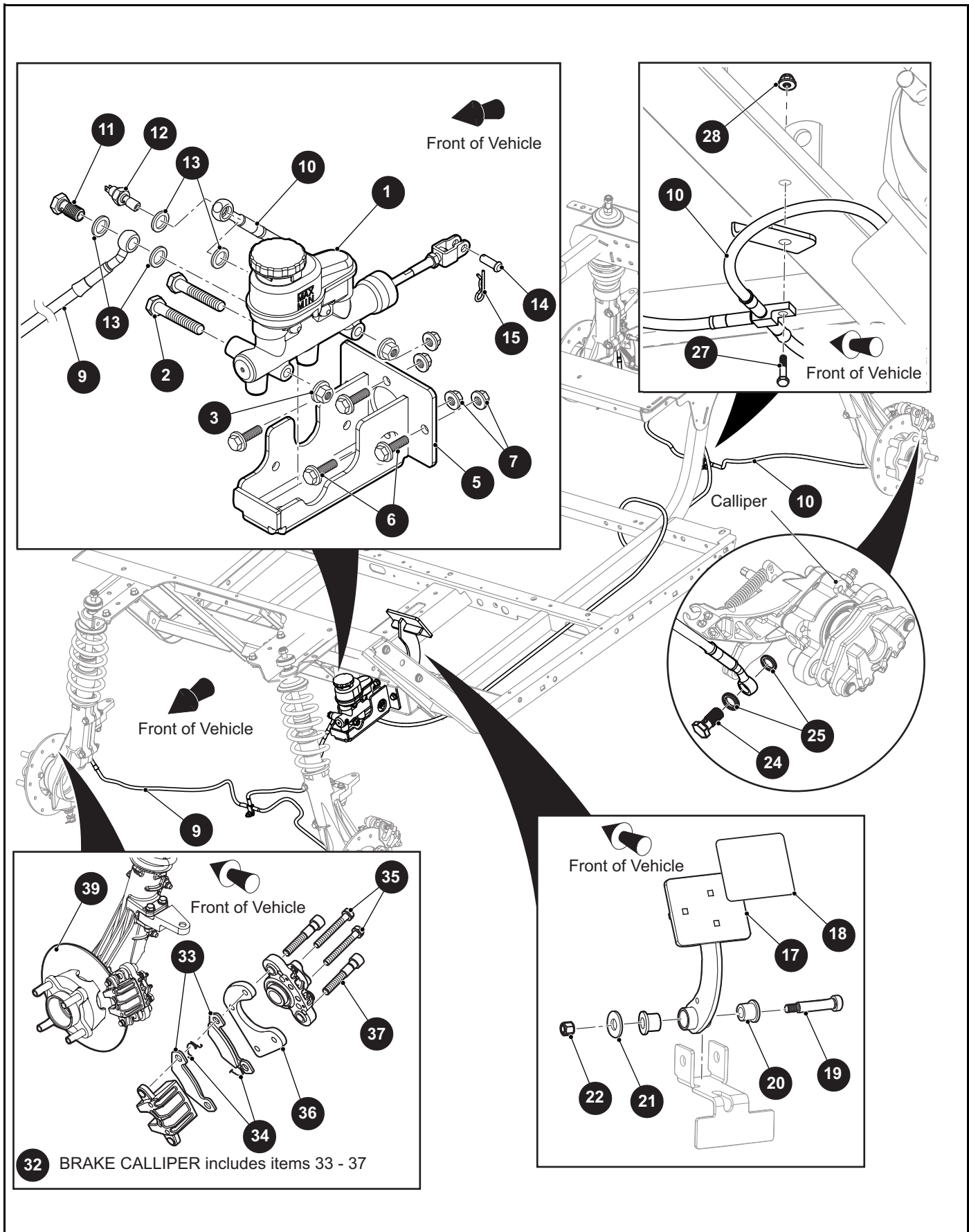
When ordering parts, please specify the model and serial number of the product.

* Indicates a component that is not available as an individual part.

*** Indicates consult Customer Service Department for additional information.

ITEM	PART NO.	1 2 3 4 5 DESCRIPTION	QTY.
1	641453	CAB KIT	1
2	637643	FRAMED DOOR (VINYL) KIT	1
<p>REPLACEMENT PARTS AND ACCESSORIES MAY BE OBTAINED FROM DFK AMERICA, INC. 2215 W. CURTISS STREET, DOWNERS GROVE, IL 60515, U.S.A. PHONE: +1 630 324 6793 E-MAIL: INFO@DFKCABS.COM WWW.DFKCABS.COM</p>			

BRAKES



BRAKES

THE USE OF NON U.L. PARTS WILL VOID ANY U.L. LISTING.

When ordering parts, please specify the model and serial number of the product.

* Indicates a component that is not available as an individual part.

*** Indicates consult Customer Service Department for additional information.

ITEM	PART NO.	1 2 3 4 5	DESCRIPTION	QTY.
1	631593		BRAKE MASTER CYLINDER.....	1
2	00439G8		HEX HEAD BOLT, 5/18" - 18 X 1 1/8" LG	2
3	800697		LOCK NUT, 5/16" - 18	2
4				
5	631616		MASTER CYLINDER BRACKET	1
6	13437G3		FLANGED HEX HEAD BOLT, 5/16" - 18 X 1" LG	4
7	800697		LOCK NUT, 5/16" - 18	4
8				
9	626613		FRONT BRAKE LINE	1
10	616455		REAR BRAKE LINE	1
11	613292		BANJO BOLT, M10 - 1.25 X 20MM LG	1
12	640820		PRESSURE SWITCH	1
13	613293		CRUSH WASHER, M10.....	4
14	10386G2		CLEVIS PIN, O.D .375" X I.D .25" X .76" LG	1
15	01076G01		COTTER PIN, 1.21" LG	1
16				
17	641160		BRAKE PEDAL	1
18	640478		PEDAL GRIP.....	1
19	635177		SHOULDER BOLT, 3/8" - 16 X 2" LG	1
20	70581G02		BUSHING (ACETAL), 1.062" X 1.795" X 1" LG	2
21	00643G1		FLAT WASHER, 3/8".....	1
22	11098G5		LOCK NUT, 3/8" - 16.....	1
23				
24	616459		BANJO BOLT, M10 - 1 X 20MM LG	1
25	613293		CRUSH WASHER, M10.....	2
26				
27	613231		HEX HEAD BOLT, M6 - 1 X 20MM LG.....	1
28	601476		LOCK NUT, M6 - 1	1
29	12416G2		NYLON CLAMP, 10" (NOT ILLUSTRATED)	AR
30				
31				

BRAKES

THE USE OF NON U.L. PARTS WILL VOID ANY U.L. LISTING.

When ordering parts, please specify the model and serial number of the product.

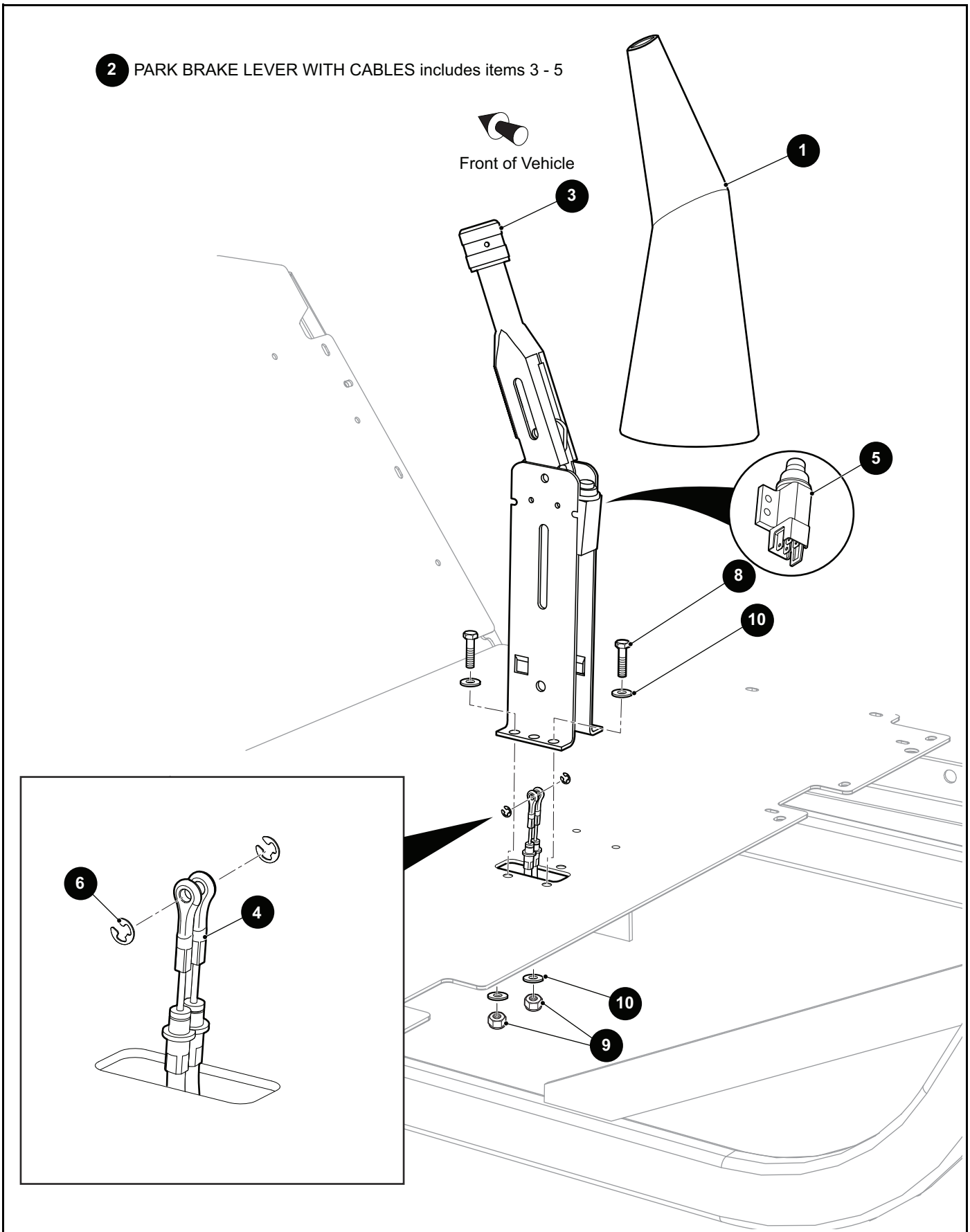
* Indicates a component that is not available as an individual part.

*** Indicates consult Customer Service Department for additional information.

ITEM	PART NO.	1	2	3	4	5	DESCRIPTION	QTY.
32	638129						BRAKE CALLIPER (INCLUDES ITEMS 33 - 37)	1
33	633875						BRAKE PADS	2
34	*						ANTI RATTLE SPRING.....	2
35	616596						CALLIPER BOLTS, 3/8" - 24 X .75" LG	2
36	616451						MOUNTING BRACKET.....	1
37	*						SLIDER PINS.....	2
38								
39	633792G02						DISC BRAKE ROTOR HUB	1

BRAKES - PARK

2 PARK BRAKE LEVER WITH CABLES includes items 3 - 5



BRAKES - PARK

THE USE OF NON U.L. PARTS WILL VOID ANY U.L. LISTING.

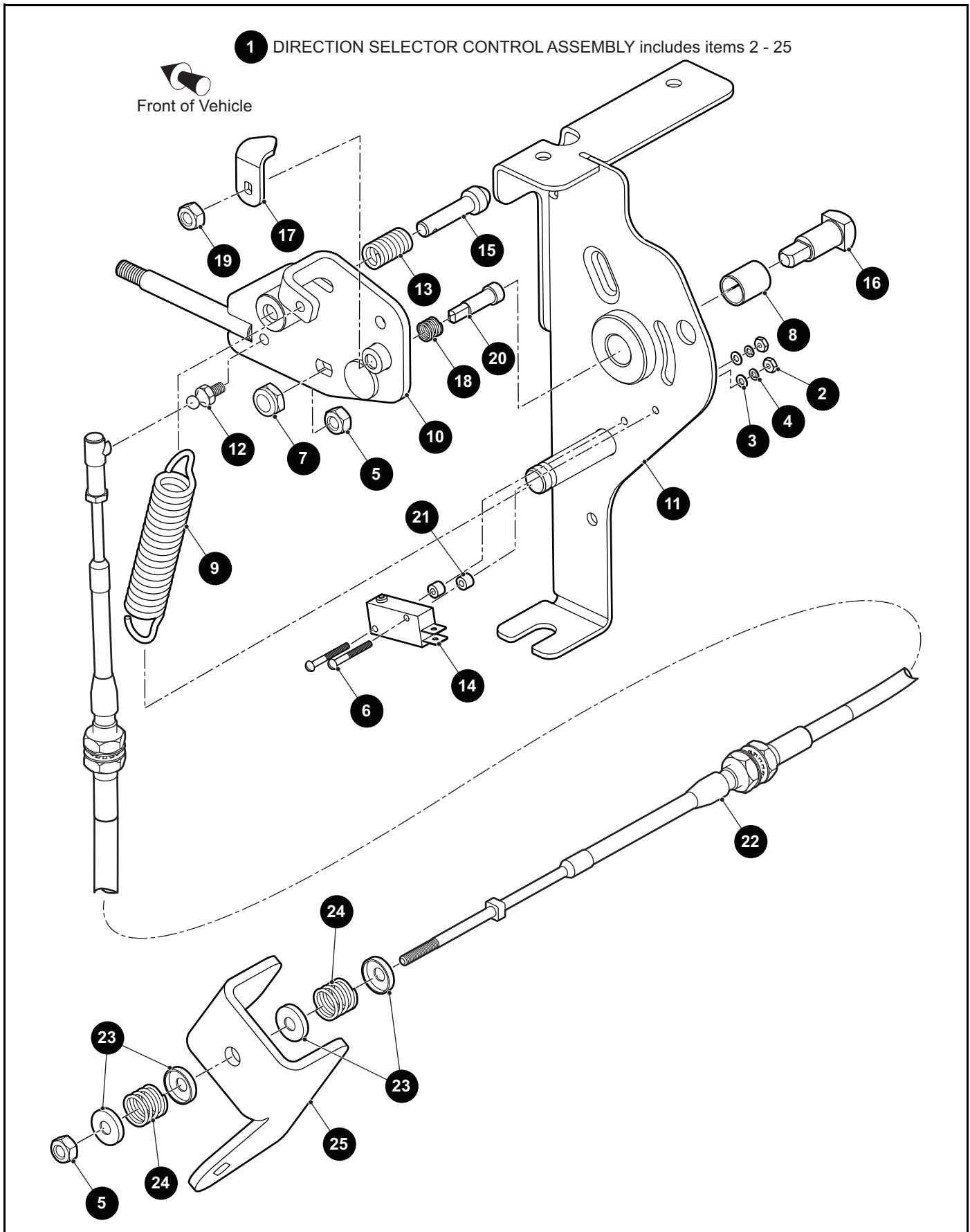
When ordering parts, please specify the model and serial number of the product.

* Indicates a component that is not available as an individual part.

*** Indicates consult Customer Service Department for additional information.

ITEM	PART NO.	1 2 3 4 5	DESCRIPTION	QTY.
1	627940		PARK BRAKE BOOT	1
2	640186		PARK BRAKE LEVER WITH CABLES (INCLUDES ITEMS 3 - 5)	1
3	627393		PARK BRAKE	1
4	633039		PARK BRAKE CABLE	2
5	634719		PARK BRAKE SWITCH.....	1
6	01111G01		RETAINING RING.....	2
7	31539G1		NYLON CLAMP (NOT ILLUSTRATED)	AR
8	302288		HEX HEAD BOLT, 1/4" - 20 X 1" LG	4
9	14390G4		LOCK NUT, 1/4" - 20.....	4
10	01110G01		FLAT WASHER, 1/4"	8

DIRECTION AND DRIVE SELECTOR



DIRECTION AND DRIVE SELECTOR

THE USE OF NON U.L. PARTS WILL VOID ANY U.L. LISTING.

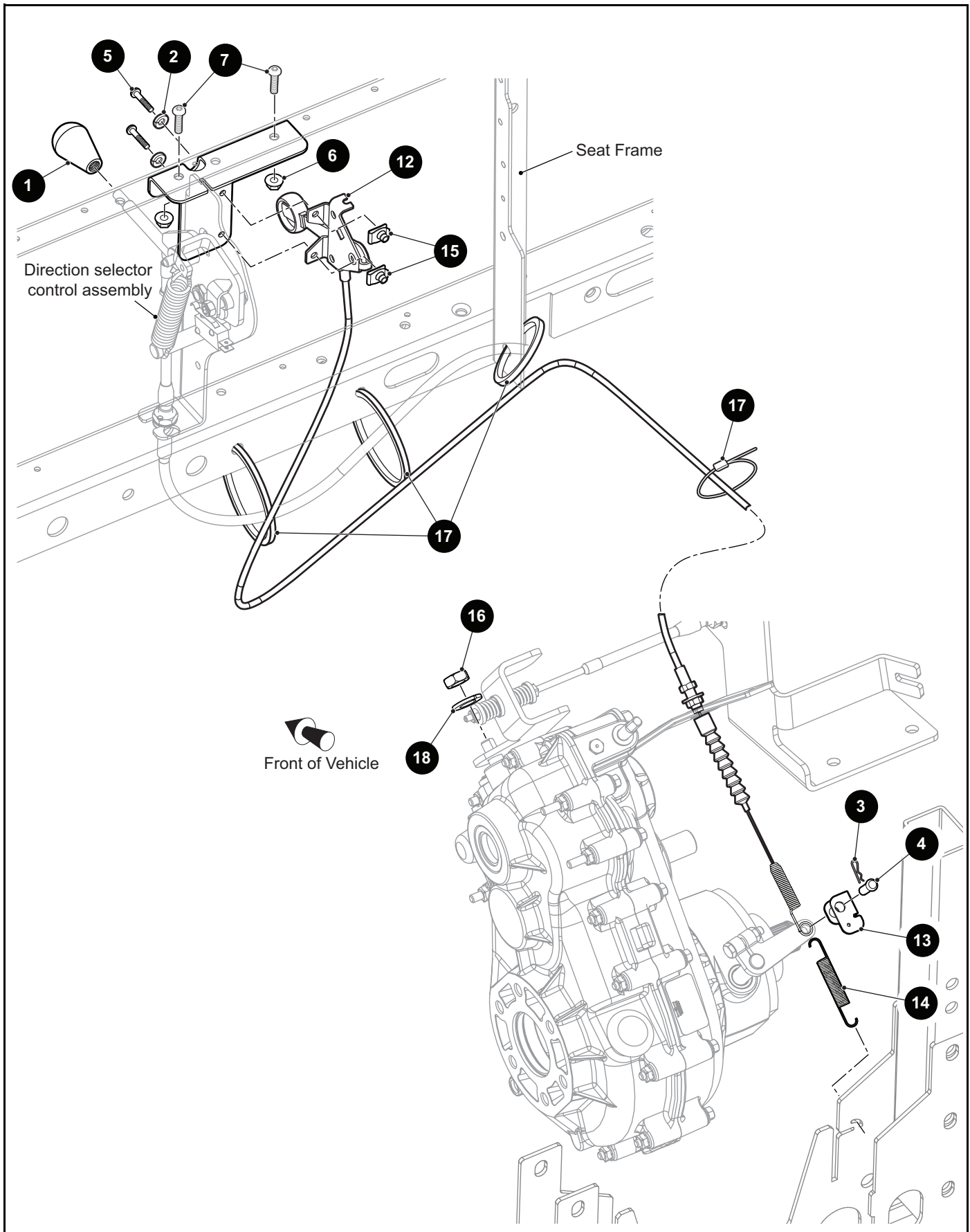
When ordering parts, please specify the model and serial number of the product.

* Indicates a component that is not available as an individual part.

*** Indicates consult Customer Service Department for additional information.

ITEM	PART NO.	1 2 3 4 5	DESCRIPTION	QTY.
1	642443		DIRECTION SELECTOR CONTROL ASSEMBLY (INCLUDES ITEMS 2 - 25)	1
2	00526G2		HEX NUT, #8 - 32	2
3	00559G1		FLAT WASHER, #4	2
4	00565G1		LOCK WASHER, #4	2
5	00734G5		LOCK NUT, #10 - 32.....	2
6	01062G01		ROUND HEAD SLOTTED SCREW, #4 - 40 X 1" LG	2
7	14390G1		LOCK NUT, 3/8" - 24	1
8	25664G2		BUSHING	1
9	28574G01		EXTENSION SPRING	1
10	641813		HANDLE	1
11	641822		CONTROL BRACKET	1
12	72732G01		BALL STUD	1
13	643977		COMPRESSION SPRING	1
14	72736G01		LIMIT SWITCH	1
15	643984		DETENT PIN	1
16	75937G01		PIVOT SHAFT	1
17	72729G01		NEUTRAL LOCK BRACKET	1
18	72733G01		COMPRESSION SPRING	1
19	00734G2		LOCK NUT, 1/4" - 28	1
20	72724G01		NEUTRAL LOCK PIN	1
21	643846		SPACER (PLASTIC), #4 X .188"	2
22	641203		DIRECTION SELECTOR CABLE	1
23	25727G01		CUP WASHER	4
24	636045		COMPRESSION SPRING, .60" O.D.	2
25	633009		NEUTRAL BRACKET WITH BUSHING	1

DIRECTION AND DRIVE SELECTOR



DIRECTION AND DRIVE SELECTOR

THE USE OF NON U.L. PARTS WILL VOID ANY U.L. LISTING.

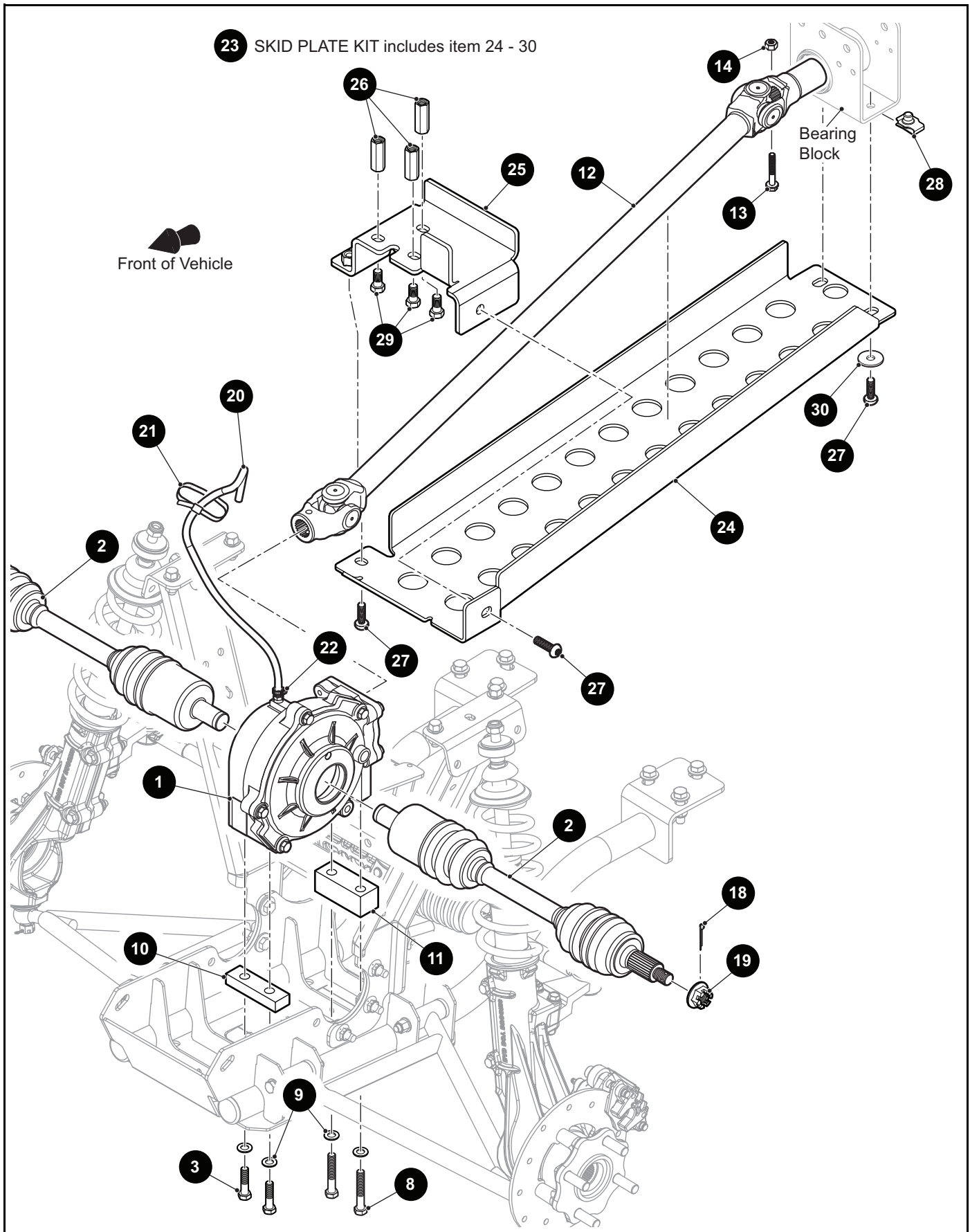
When ordering parts, please specify the model and serial number of the product.

* Indicates a component that is not available as an individual part.

*** Indicates consult Customer Service Department for additional information.

ITEM	PART NO.	1 2 3 4 5	DESCRIPTION	QTY.
1	11989G1		KNOB (PLASTIC).....	1
2	00565G4		LOCK WASHER, #8.....	2
3	01076G01		COTTER PIN, 1.21" LG	1
4	10386G2		CLEVIS PIN, .375" O.D X I.D .25" X .76" LG	1
5	18464G1		SELF TAPPING SCREW, #8 - 18 X 1" LG.....	2
6	450452		FLANGED HEX NUT, M6 - 1.....	2
7	601326		BUTTON HEAD TORX BOLT, M6 - 1 X 20MM LG	2
8				
9				
10				
11				
12	633163		DIFFERENTIAL LOCK CABLE (REAR).....	1
13	633536		CLEVIS (DIFFERENTIAL LOCK).....	1
14	635011		EXTENSION SPRING (GOVERNOR)	1
15	635982		SPEED NUT, #8.....	2
16	01069G02		JAM NUT, M12 X 1.25.....	1
17	31539G1		NYLON CLAMP, 15.5" LG.....	4
18	00566G3		LOCK WASHER, 1/2"	1

DRIVETRAIN - FRONT



DRIVETRAIN - FRONT

THE USE OF NON U.L. PARTS WILL VOID ANY U.L. LISTING.

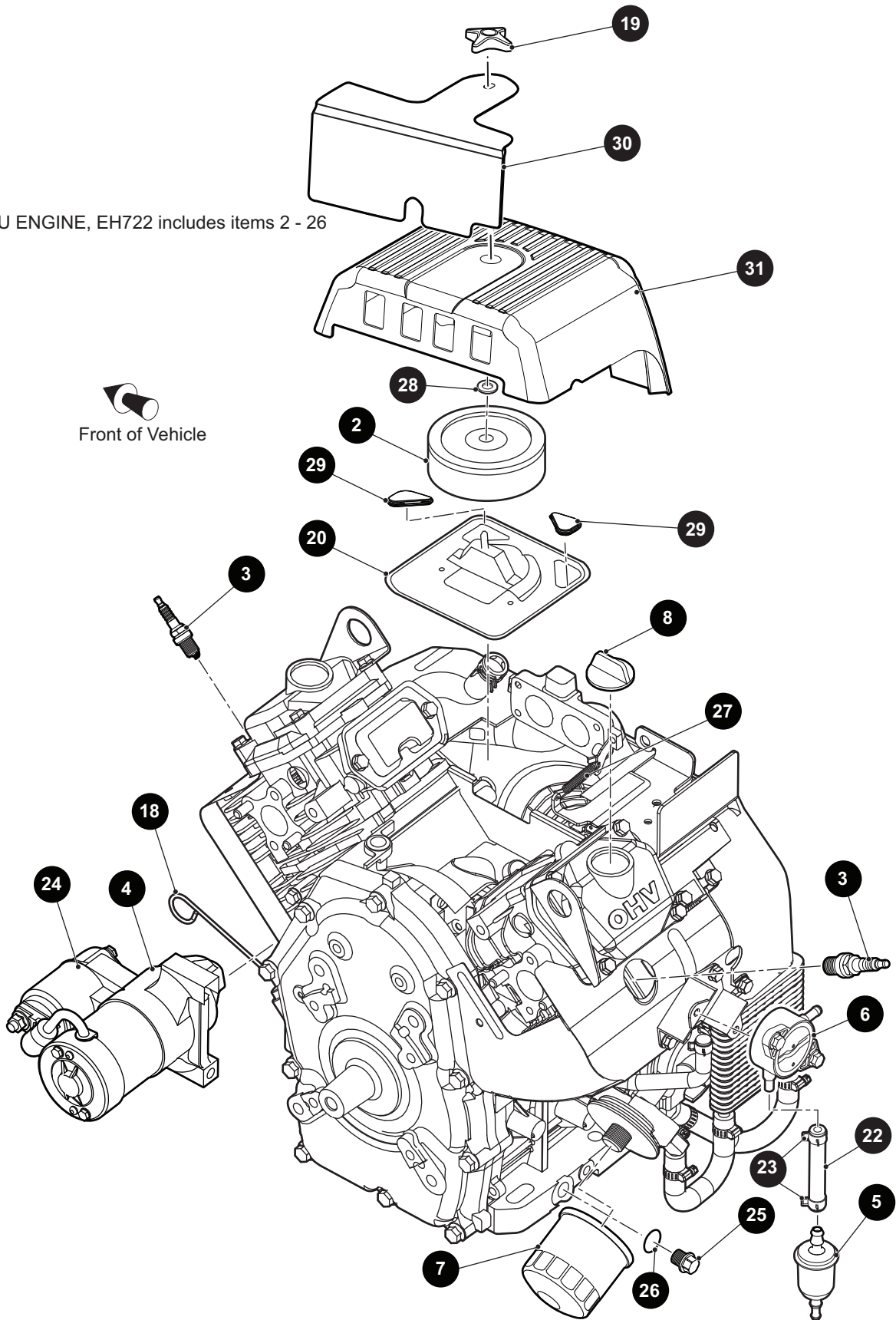
When ordering parts, please specify the model and serial number of the product.

* Indicates a component that is not available as an individual part.

*** Indicates consult Customer Service Department for additional information.

ITEM	PART NO.	1 2 3 4 5	DESCRIPTION	QTY.
1	628638		FRONT DIFFERENTIAL	1
2	640158		FRONT CV SHAFT	1
3	00427G4		HEX HEAD BOLT, 3/8" - 16 X 1 1/2" LG	2
4				
5				
6				
7				
8	00428G2		HEX HEAD BOLT, 3/8" - 16 X 2 1/4" LG	2
9	00560G1		FLAT WASHER, 3/8"	4
10	640105		SPACER (FRONT)	1
11	640106		SPACER (REAR)	1
12	641564		FRONT SHAFT	1
13	630804G01		FLANGED HEX HEAD BOLT, 5/16" - 18 X 2" LG	1
14	11098G6		LOCK NUT, 5/16" - 18	1
15				
16				
17				
18	10387G1		COTTER PIN, .125" X 1.5" LG	1
19	635491		FLANGED CASTLE NUT, M16 X 1.5	1
20	616705		BREATHER HOSE	1
21	31539G1		NYLON CLAMP, 15.5" LG	1
22	11391G4		HOSE CLAMP, .25" DIA	1
23	641460		SKID PLATE KIT (INCLUDES ITEMS 24 - 30)	1
24	644334		SKID PLATE	1
25	644883		MOUNTING BRACKET	1
26	643055		HEX COUPLING NUT, 7/16" - 14 X 1 3/4" LG	3
27	600530		BUTTON HEAD TORX BOLT, M10 - 1.5 X 25MM LG	4
28	635363		U - NUT (BARREL), M10 X 1.5	2
29	00462G7		HEX HEAD BOLT, 7/16" - 14 X 7/8" LG	3
30	15121G1		FLAT WASHER, 5/16"	2

1 SUBARU ENGINE, EH722 includes items 2 - 26



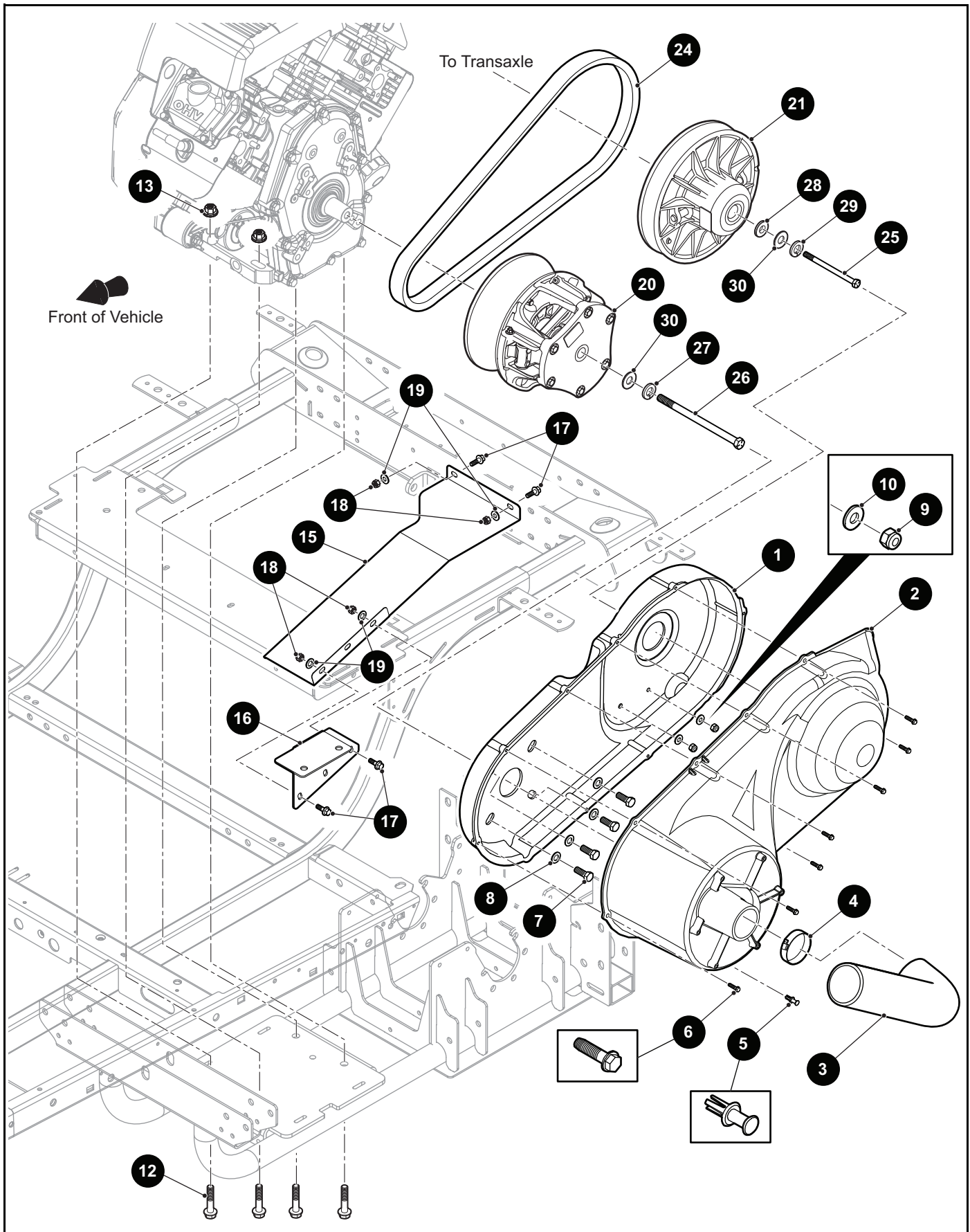
THE USE OF NON U.L. PARTS WILL VOID ANY U.L. LISTING.

When ordering parts, please specify the model and serial number of the product.

* Indicates a component that is not available as an individual part.

*** Indicates consult Customer Service Department for additional information.

ITEM	PART NO.	1 2 3 4 5	DESCRIPTION	QTY.
1	638596		SUBARU ENGINE, EH722 (INCLUDES ITEMS 2 - 26).....	1
2	635771		AIR FILTER	1
3	637260		SPARK PLUG	2
4	635779		STARTER MOTOR.....	1
5	635772		FUEL FILTER	1
6	635773		FUEL PUMP ASSEMBLY	1
7	635774		OIL FILTER.....	1
8	635775		OIL FILLER CAP	1
9	637254		IGNITION COIL (NOT ILLUSTRATED)	2
10	635762		MAIN BEARING COVER GASKET (NOT ILLUSTRATED)	1
11	635763		CYLINDER HEAD GASKET 1 (NOT ILLUSTRATED).....	1
12	635764		CYLINDER HEAD GASKET 2 (NOT ILLUSTRATED).....	1
13	635765		ROCKER COVER GASKET (NOT ILLUSTRATED).....	2
14	635767		IN/EXHAUST CLEANER GASKET (NOT ILLUSTRATED).....	1
15	635768		IN/EXHAUST ADAPTER GASKET (NOT ILLUSTRATED).....	1
16	635769		IN/EXHAUST CARBURETOR GASKET (NOT ILLUSTRATED)	1
17	635770		INTAKE MANIFOLD GASKET (NOT ILLUSTRATED).....	2
18	637298		OIL DIPSTICK	1
19	637199		WING NUT	1
20	637197		AIR FILTER BASE	1
21				
22	637297		RUBBER HOSE	1
23	637356		HOSE CLAMP	2
24	637278		SOLENOID SWITCH.....	1
25	637138		PLUG.....	2
26	637140		GASKET	2
27	639886		THROTTLE EXTENSION SPRING.....	1
28	00559G8		FLAT WASHER, 5/16".....	1
29	653491		GROMMET (AIR INTAKE)	2
30	652481		AIR FILTER SPLASH COVER	1
31	645875		AIR FILTER COVER	1



THE USE OF NON U.L. PARTS WILL VOID ANY U.L. LISTING.

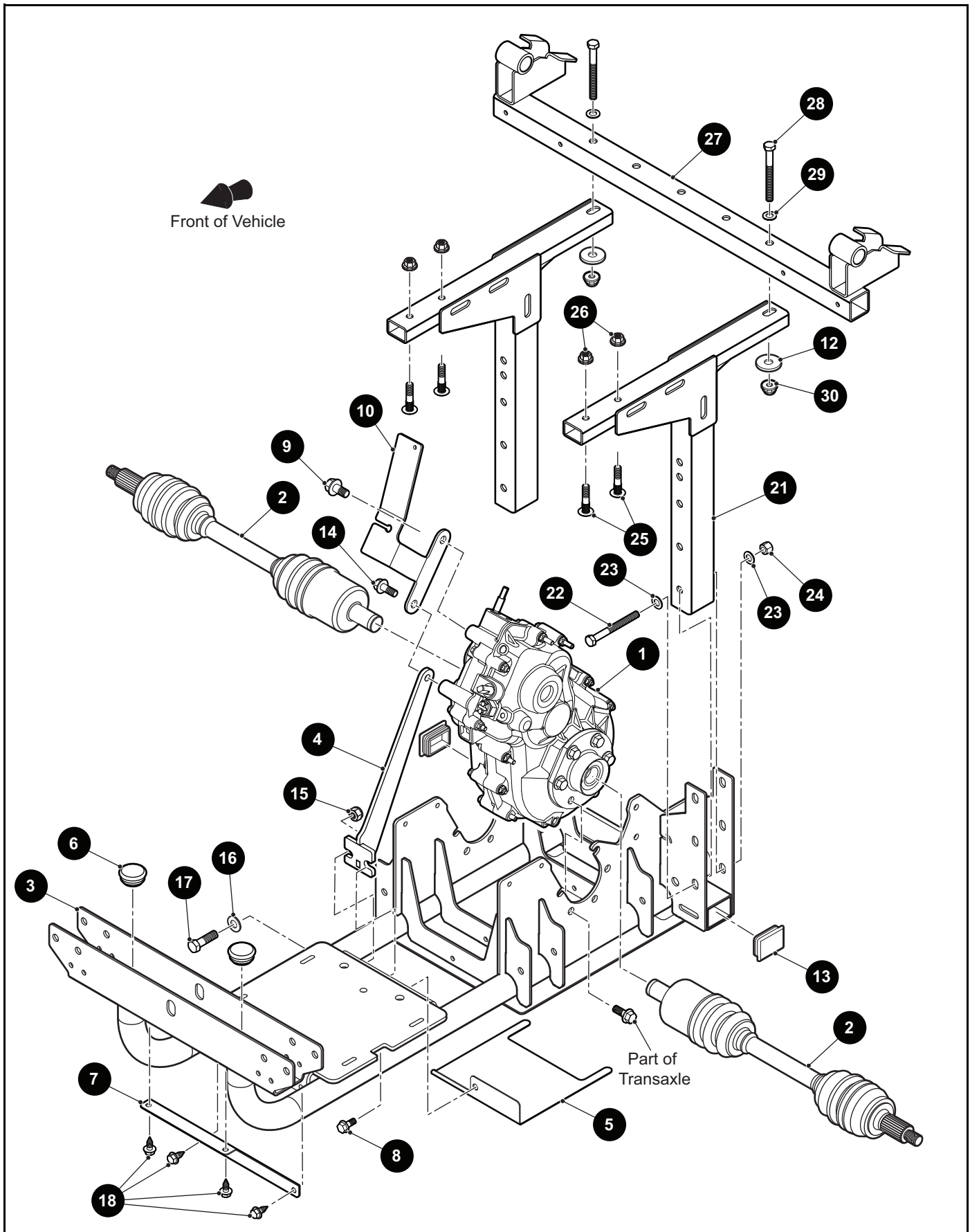
When ordering parts, please specify the model and serial number of the product.

* Indicates a component that is not available as an individual part.

*** Indicates consult Customer Service Department for additional information.

ITEM	PART NO.	1 2 3 4 5	DESCRIPTION	QTY.
1	636513		CLUTCH COVER (BACK).....	1
2	636512		CLUTCH COVER (FRONT).....	1
3	633594		INTAKE TUBE (CLUTCH COVER).....	1
4	11391G6		HOSE CLAMP, 2.12".....	1
5	633165		DRAIN PLUG.....	1
6	635530		TAPTITE SCREW, #10 - 32 X 11/16" LG.....	8
7	00426G8		HEX HEAD BOLT, 3/8" - 16 X 3/4" LG.....	4
8	00560G1		FLAT WASHER, 3/8".....	4
9	14390G4		LOCK NUT, 1/4" - 20.....	2
10	00559G7		FLAT WASHER, 1/4".....	2
11				
12	603800		FLANGED HEX HEAD BOLT, M10 - 1.5 X 50MM LG.....	4
13	600525		FLANGED LOCK NUT, M10 X 1.5.....	4
14				
15	635136		HEAT SHIELD (HEADER PIPE).....	1
16	635411		BRACKET (HEAT SHIELD).....	1
17	13437G9		FLANGED SERRATED HEAD BOLT, 1/4" - 20 X 3/4" LG.....	4
18	14390G4		LOCK NUT, 1/4" - 20.....	4
19	00559G7		FLAT WASHER, 1/4".....	4
20	646914		PRIMARY CLUTCH.....	1
21	646915		SECONDARY CLUTCH.....	1
22				
23				
24	631808		CVT BELT.....	1
25	629496		HEX HEAD BOLT, 5/16" - 18 X 4 1/2" LG.....	1
26	629495		HEX HEAD BOLT, 7/16" - 20 X 7" LG.....	1
27	00566G2		LOCK WASHER (SPRING TYPE), 7/16".....	1
28	606230		CLUTCH WASHER.....	1
29	00565G8		LOCK WASHER, 5/16".....	1
30	606239		CONICAL WASHER, M12.....	2

DRIVETRAIN - REAR



DRIVETRAIN - REAR

THE USE OF NON U.L. PARTS WILL VOID ANY U.L. LISTING.

When ordering parts, please specify the model and serial number of the product.

* Indicates a component that is not available as an individual part.

*** Indicates consult Customer Service Department for additional information.

ITEM	PART NO.	1 2 3 4 5	DESCRIPTION	QTY.
1	640246		TRANSAXLE.....	1
2	636438		REAR CV SHAFT	1
3	644792		FRAME (POWERTRAIN).....	1
4	635783		ANTI-ROTATION WELDMENT	1
5	634687		ACCESS PANEL (OIL).....	1
6	628915		TUBE PLUG (PLASTIC)	1
7	634680		GUARD (STARTER)	1
8	548604		FLANGED HEX HEAD BOLT, 5/16" - 18 X 3/4" LG	1
9	635795		FLANGED HEX HEAD BOLT, 3/8" - 16 X 3/4" LG (FOR VEHICLES MANUFACTURED UNTIL OCTOBER 10, 2015).....	1
10	646165		MOUNTING BRACKET (DIFFERENTIAL LOCK CABLE) (FOR VEHICLES MANUFACTURED UNTIL OCTOBER 10, 2015).....	1
11				
12	5121G1		FLAT WASHER, 3/8"	2
13	634762		TUBE PLUG, 1.5" X 2".....	1
14	635794		FLANGED HEX HEAD BOLT, 3/8" - 16 X 1" LG	1
15	00734G1		LOCK NUT, 7/16" - 14.....	2
16	00922G3		FLAT WASHER, 7/16".....	2
17	00463G4		HEX HEAD BOLT, 7/16" - 14 X 1 1/2" LG	2
18	00715G2		HEX WASHER HEAD BOLT, 5/16" - 18 X .80" LG	4
19				
20				
21	632160		REAR POWERTRAIN SUPPORT WELDMENT	2
22	00665G9		HEX HEAD BOLT, 3/8" - 16 X 1" LG	2
23	00560G1		FLAT WASHER, 3/8"	4
24	11098G5		LOCK NUT, 3/8" - 16.....	2
25	635176		ROUND HEAD BOLT, 3/8" - 16 X 1 3/4" LG	4
26	12262G1		FLANGED LOCK NUT, 3/8" - 16.....	4
27	637334		BED PIVOT WELDMENT	1
28	00665G9		HEX HEAD BOLT, 3/8" - 16 X 1" LG	2
29	00560G1		FLAT WASHER, 3/8".....	2
30	12262G1		FLANGED LOCK NUT, 3/8" - 16.....	2

DRIVETRAIN - REAR

THE USE OF NON U.L. PARTS WILL VOID ANY U.L. LISTING.

When ordering parts, please specify the model and serial number of the product.

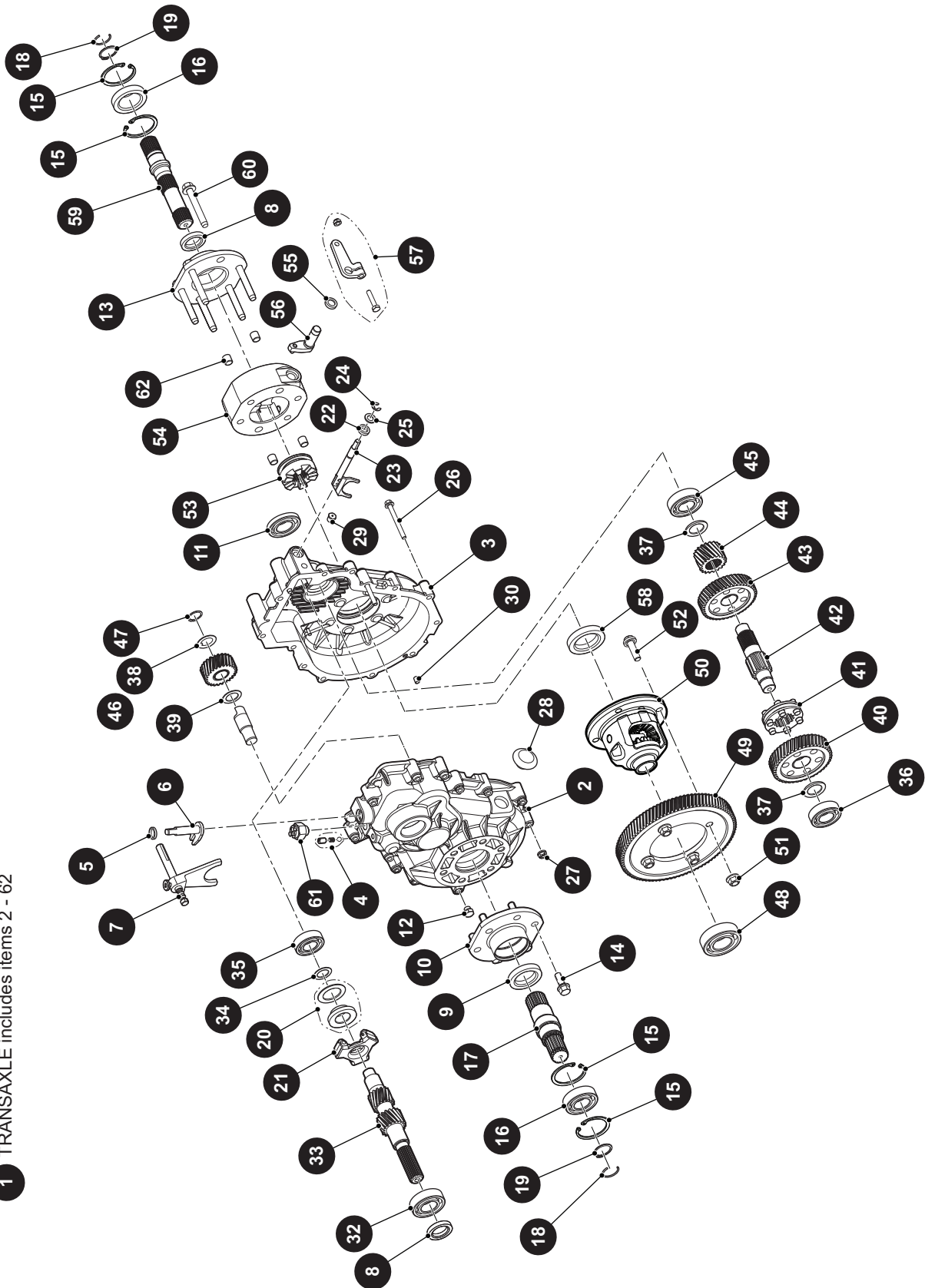
* Indicates a component that is not available as an individual part.

*** Indicates consult Customer Service Department for additional information.

ITEM	PART NO.	1 2 3 4 5	DESCRIPTION	QTY.
1	641716		DRIVE SHAFT (MIDSHAFT).....	1
2	641724		BEARING BLOCK.....	1
3	00665G9		HEX HEAD BOLT, 3/8" - 16 X 1" LG	5
4	00560G1		FLAT WASHER, 3/8"	10
5	11098G5		LOCK NUT, 3/8" - 16.....	5
6				
7	641563		REAR SHAFT	1
8	646558		LOWER BRACKET (GEAR BOX).....	1
9	00428G8		HEX HEAD BOLT, 3/8" - 16 X 2 1/4" LG	5
10	00560G1		FLAT WASHER. 3/8"	5
11	548604		FLANGED HEX HEAD BOLT, 5/16" - 18 X 3/4" LG	4
12	629266		GEAR BOX	1
13	638390		CHAIN COUPLING	1
14	642479		KEY (SQUARE), 3/16" X 1"	2
15	548604		FLANGED HEX HEAD BOLT, 5/16" - 18 X 3/4" LG	6
16	00559G8		FLAT WASHER, 5/16"	2
17	11098G6		LOCK NUT, 5/16" - 18.....	2
18	638149		UPPER BRACKET (GEAR BOX) (FOR VEHICLES MANUFACTURED UNTIL OCTOBER 10, 2015)	1
19				
20	630804G01		FLANGED HEX HEAD BOLT, 5/16" - 18 X 2" LG	2
21	11098G6		LOCK NUT, 5/16" - 18.....	2
22				
23				
24	647799		GOVERNOR CABLE BRACKET (FOR VEHICLES MANUFACTURED FROM OCTOBER 11, 2015)	1
25	647519		DIFFERENTIAL LOCK CABLE BRACKET (FOR VEHICLES MANUFACTURED FROM OCTOBER 11, 2015).....	1
26	647366		ACCELERATOR CABLE BRACKET (FOR VEHICLES MANUFACTURED FROM OCTOBER 11, 2015).....	1
27	635795		FLANGED HEX HEAD BOLT, 3/8 - 16 X 3/4" LG (FOR VEHICLES MANUFACTURED FROM OCTOBER 11, 2015).....	1

DRIVETRAIN - REAR

1 TRANSAXLE includes items 2 - 62



DRIVETRAIN - REAR

THE USE OF NON U.L. PARTS WILL VOID ANY U.L. LISTING.

When ordering parts, please specify the model and serial number of the product.

* Indicates a component that is not available as an individual part.

*** Indicates consult Customer Service Department for additional information.

ITEM	PART NO.	1 2 3 4 5	DESCRIPTION	QTY.
1	640246		TRANSAXLE (INCLUDES ITEMS 2 - 62)	1
2	638277		LEFT AXLE HOUSING ASSEMBLY	1
3	654698		RIGHT AXLE HOUSING	1
4	638279		DETENT KIT	1
5	638280		OIL SEAL	1
6	654699		SHIFT ACTUATOR	1
7	638282		SHIFT ROD ASSEMBLY	1
8	638283		OIL SEAL	2
9	638284		OIL SEAL	1
10	638285		TUBE ASSEMBLY	1
11	654704		OIL SEAL	1
12	654705		OIL PLUG	1
13	638286		TUBE ASSEMBLY	1
14	638287		FLANGE HEAD SCREW	6
15	638288		RETAINING RING	4
16	638289		BALL BEARING	2
17	638290		AXLE SHAFT	1
18	638291		RETAINING RING	2
19	638292		RETAINING RING	2
20	638293		ACTUATING SLEEVE ASSEMBLY	1
21	638294		BACKING PLATE ASSEMBLY	1
22	638295		OIL SEAL	1
23	638296		GOVERNOR ACTUATOR ASSEMBLY	1
24	638297		RETAINING RING	1
25	638298		WASHER	1
26	638299		FLANGE HEAD SCREW	13
27	638300		LOCK NUT	13
28	638301		RUBBER PLUG	1
29	638302		VENT	1
30	638303		DOWEL PIN	2
31				

DRIVETRAIN - REAR

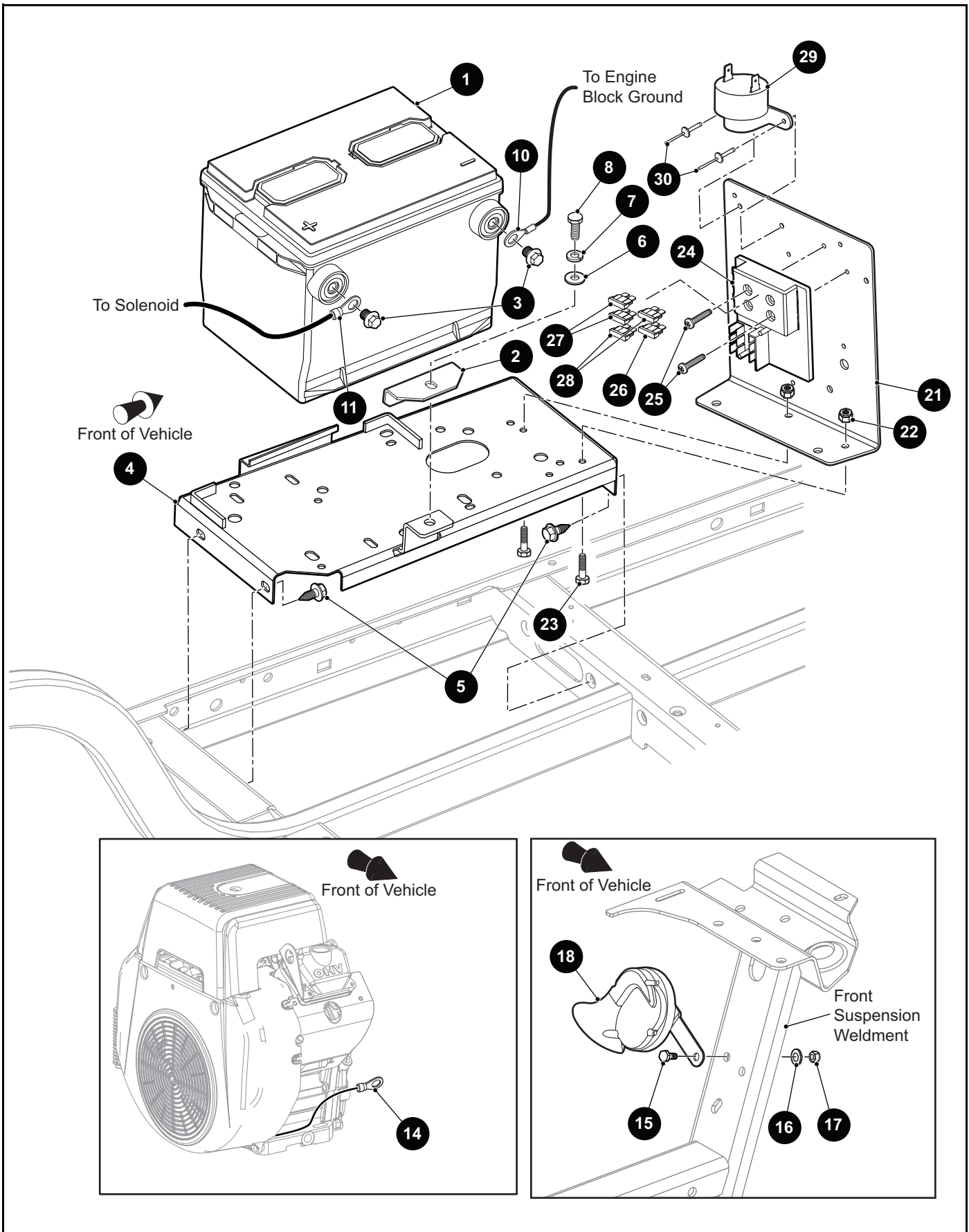
THE USE OF NON U.L. PARTS WILL VOID ANY U.L. LISTING.

When ordering parts, please specify the model and serial number of the product.

* Indicates a component that is not available as an individual part.

*** Indicates consult Customer Service Department for additional information.

ITEM	PART NO.	1	2	3	4	5	DESCRIPTION	QTY.
32	638304						BALL BEARING	1
33	638305						INPUT SHAFT	1
34	638306						SHIM WASHER	AR
35	638307						BALL BEARING	1
36	638308						BALL BEARING	1
37	638309						FLAT SPACER	2
38	638310						THRUST WASHER	1
39	638311						THRUST WASHER	1
40	638312						FORWARD GEAR ASSEMBLY	1
41	638313						CLUTCH GEAR	1
42	654700						INTERMEDIATE SHAFT	1
43	638315						REVERSE GEAR ASSEMBLY	1
44	638316						PINION GEAR.....	1
45	638317						BALL BEARING	1
46	638318						REVERSE IDLER GEAR ASSEMBLY	1
47	638319						RETAINING RING.....	1
48	638320						BALL BEARING	1
49	654701						OUTPUT GEAR	1
50	638322						DIFFERENTIAL ASSEMBLY KIT	1
51	638323						LOCK NUT	4
52	638324						HEX BOLT.....	4
53	638325						DIFERENTIAL LOCK GEAR CLUTCH	1
54	638326						DIFFERENTIAL LOCK HOUSING	1
55	638327						OIL SEAL	1
56	654702						SHIFT SHAFT ASSEMBLY	1
57	638329						LEVER ASSEMBLY	1
58	638330						BALL BEARING	1
59	638331						AXLE SHAFT	1
60	638332						FLANGE HEAD SCREW	6
61	638333						NEUTRAL SWITCH	1
62	638334						HOLLOW DOWEL PIN	4



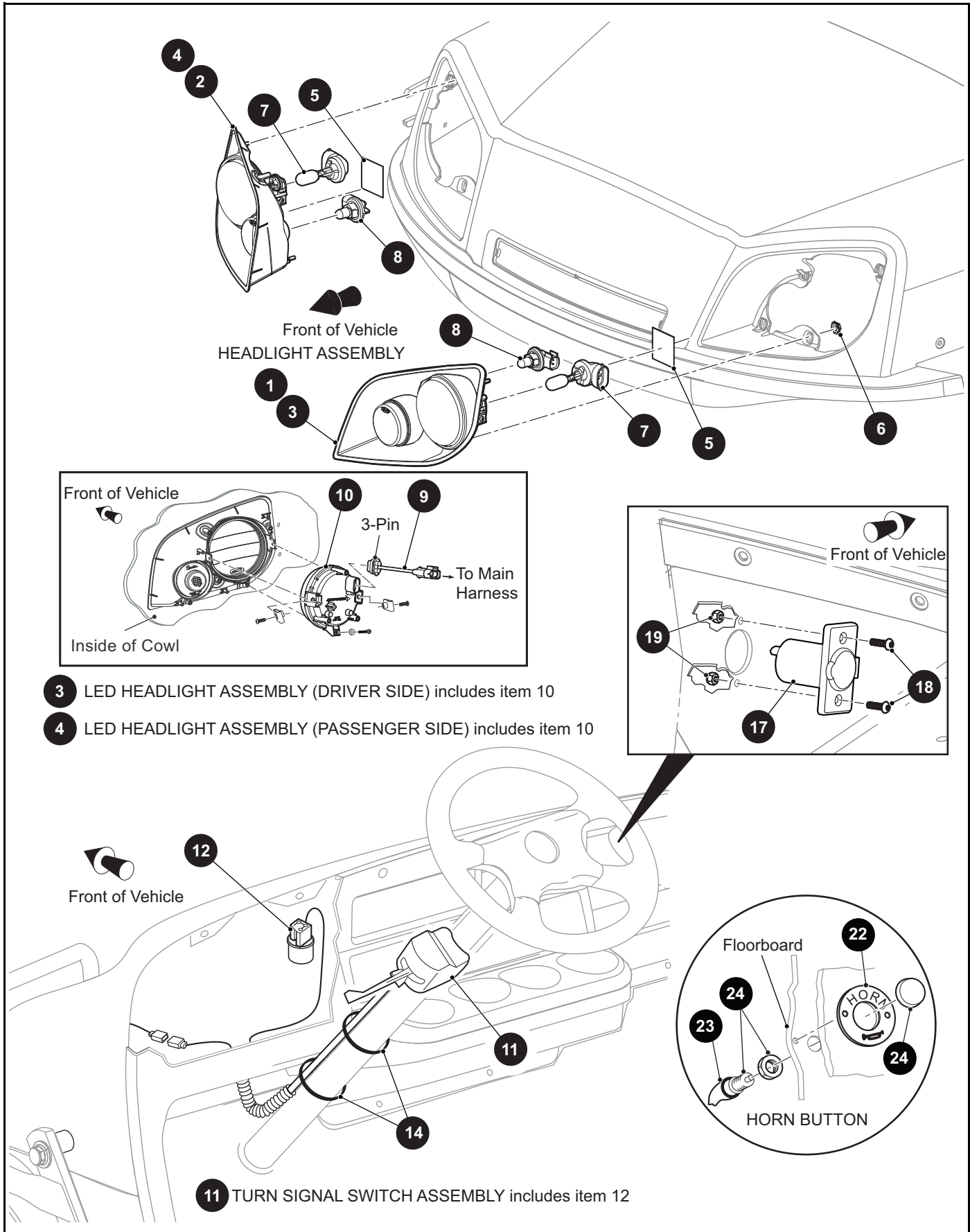
THE USE OF NON U.L. PARTS WILL VOID ANY U.L. LISTING.

When ordering parts, please specify the model and serial number of the product.

* Indicates a component that is not available as an individual part.

*** Indicates consult Customer Service Department for additional information.

ITEM	PART NO.	1 2 3 4 5	DESCRIPTION	QTY.
1	637484		BATTERY, 12V.....	1
2	72101G02		BATTERY HOLD DOWN.....	1
3	640488		BATTERY BOLT, 3/8" - 16 X 15/32" LG	2
4	652441G03		BATTERY TRAY.....	1
5	00715G2		HEX WASHER HEAD BOLT, 5/16" - 18 X .80" LG	4
6	00571G2		FLAT WASHER, 5/16".....	1
7	00565G8		LOCK WASHER, 5/16"	1
8	00438G6		HEX HEAD BOLT, 5/16" - 18 X 5/8" LG	1
9				
10	641798		6 AWG WIRE (BLACK), 36.5" LG	1
11	641797		6 AWG WIRE (RED), 26" LG	1
12	31539G1		NYLON CLAMP, 15.5" LG (NOT ILLUSTRATED).....	AR
13	648195		CONTROL HARNESS (NOT ILLUSTRATED) (FOR VEHICLES MANUFACTURED FROM 9TH NOVEMBER 2015)	1
14	643682		GROUND HARNESS.....	1
15	00414G5		HEX HEAD BOLT, 1/4" - 20 X 1/2" LG	1
16	00559G7		FLAT WASHER, 1/4".....	1
17	14390G4		LOCK NUT, 1/4" - 20.....	1
18	32860G1		HORN.....	1
19	646918		CONTROL HARNESS (NOT ILLUSTRATED)	1
20				
21	633303		DC-DC CONVERTER BRACKET	1
22	14390G4		LOCK NUT, 1/4" - 20.....	2
23	302288		HEX HEAD BOLT, 1/4" - 20 X 1" LG	2
24	630034		FUSE PANEL.....	1
25	635806		PAN HEAD TAPPING SCREW, #10 - 16 X 1" LG.....	2
26	35212G04		FUSE, 30A	1
27	35212G07		FUSE, 10A	2
28	35212G01		FUSE, 15A	2
29	73290G03		BUZZER.....	1
30	01041G01		BULBEX RIVET, 5/32" DIA.....	2



THE USE OF NON U.L. PARTS WILL VOID ANY U.L. LISTING.

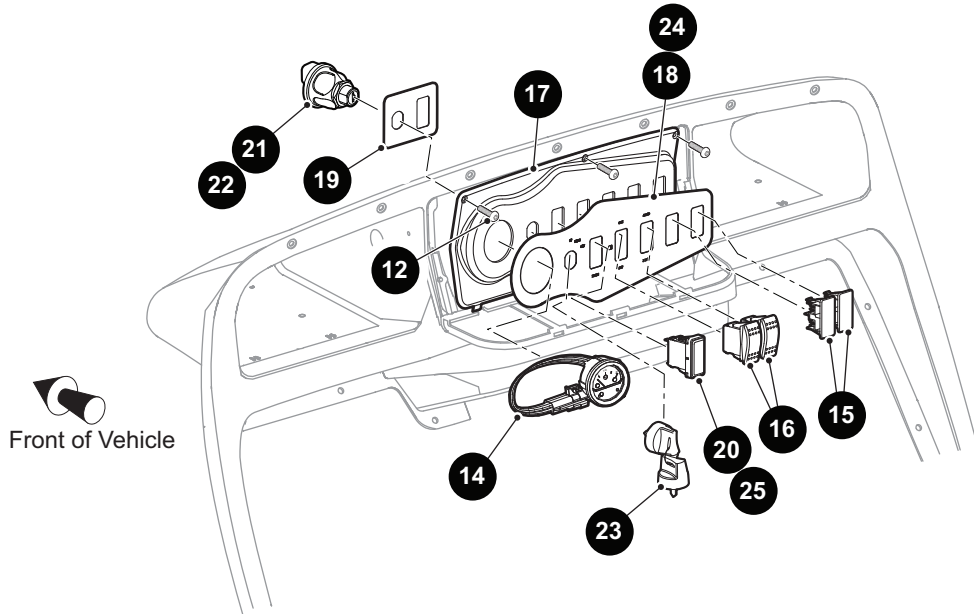
When ordering parts, please specify the model and serial number of the product.

* Indicates a component that is not available as an individual part.

*** Indicates consult Customer Service Department for additional information.

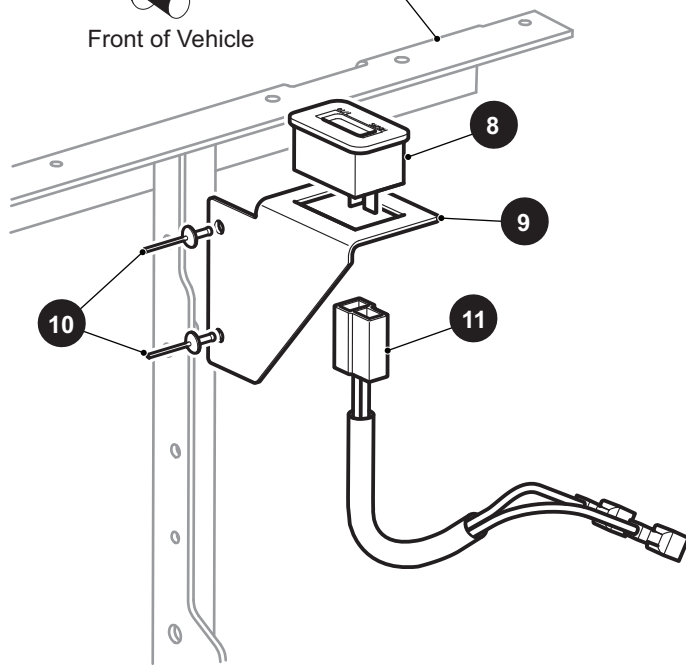
ITEM	PART NO.	1 2 3 4 5	DESCRIPTION	QTY.
1	644877		HEADLIGHT ASSEMBLY (DRIVER SIDE)	1
2	644876		HEADLIGHT ASSEMBLY (PASSENGER SIDE).....	1
3	659009		LED HEADLIGHT ASSEMBLY (DRIVER SIDE) (INCLUDES ITEM 10)	1
4	659008		LED HEADLIGHT ASSEMBLY (PASSENGER SIDE) (INCLUDES ITEM 10)..	1
5	71781G02		VINYL TAPE (FOR VEHICLES WITHOUT TURN SIGNALS).....	1
6	71597G01		SELF THREADING NUT, 5MM X 10MM X 15MM	4
7	619100		HEADLIGHT BULB	1
8	619102		TURN SIGNAL BULB ASSEMBLY.....	1
9	654465		JUMPER HARNESS, LED HEADLIGHT	2
10	651411G03		LED HEADLIGHT	1
11	615236		TURN SIGNAL SWITCH ASSEMBLY (INCLUDES ITEM 12).....	1
12	604367		FLASHER UNIT.....	1
13				
14	31539G1		NYLON CLAMP, 15.5" LG.....	4
15				
16				
17	71078G01		POWER OUTLET, 12V	1
18	600543		BUTTON HEAD TORX SCREW, M4 - .75 X 12MM LG	2
19	602053		LOCK NUT, M4 - .7	2
20				
21				
22	608397		HORN PLATE	1
23	27068G01		HORN SWITCH BOOT	1
24	17318G1		HORN SWITCH	1

13 CONTROL PANEL ASSEMBLY includes items 14 - 20



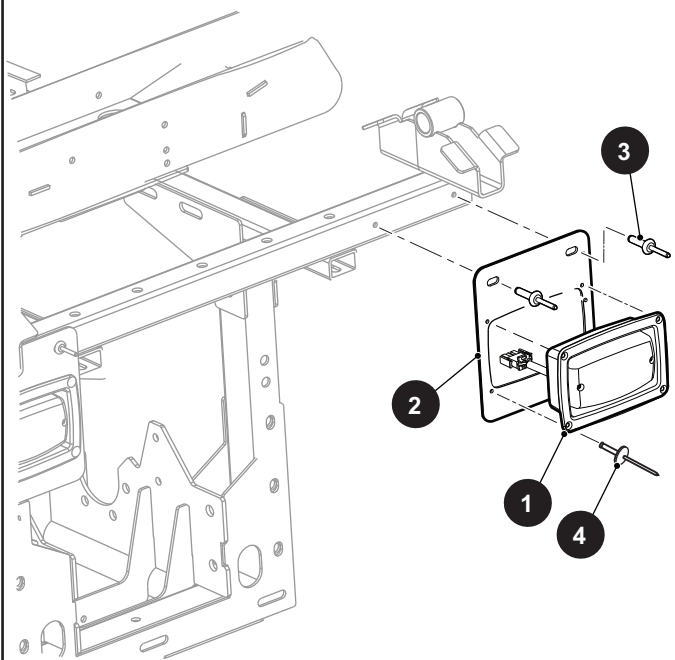
Front of Vehicle

Seat Frame



HOUR METER

Front of Vehicle



TAILLIGHT

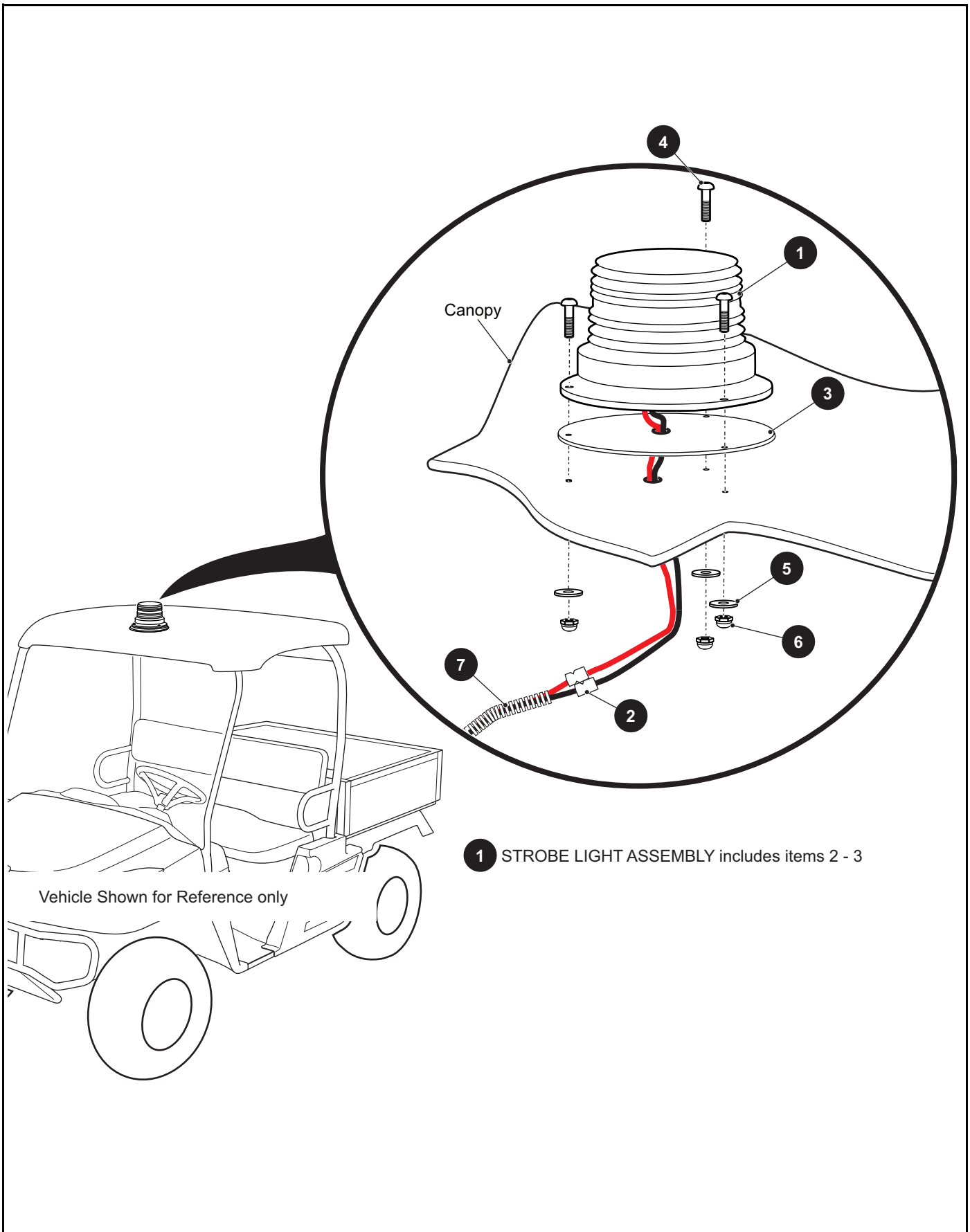
THE USE OF NON U.L. PARTS WILL VOID ANY U.L. LISTING.

When ordering parts, please specify the model and serial number of the product.

* Indicates a component that is not available as an individual part.

*** Indicates consult Customer Service Department for additional information.

ITEM	PART NO.	1 2 3 4 5	DESCRIPTION	QTY.
1	629148		TAILLIGHT ASSEMBLY (LED)	1
2	640586		TAILLIGHT BRACKET	1
3	01057G01		RIVET, 1/4"	2
4	71055G01		RIVET, 3/16" DIA.....	4
5				
6				
7				
8	644324		HOUR METER.....	1
9	74716G01		HOUR METER BRACKET	1
10	71055G01		RIVET, 3/16" X .70"	2
11	628947		18 AWG WIRE	1
12	608290		SELF TAPPING SCREW, #10 - 16 X .780" LG.....	3
13	628708G07		CONTROL PANEL ASSEMBLY (INCLUDES ITEMS 14 - 20).....	1
14	631656		FUEL METER.....	1
15	627035		PLUG.....	1
16	628931		2 POSITION SWITCH	1
17	626655G05		CONTROL PANEL.....	1
18	628937G04		LABEL.....	1
19	640812		KEY SWITCH PLATE	1
20	647136		PARK BRAKE LIGHT	1
21	640617		KEY SWITCH (COMMON).....	1
22	640923		KEY SWITCH (WITH INDIVIDUAL KEY).....	1
23	644481		STANDARD KEY	1
24	628937G03		CONTROL PANEL LABEL	1
25	641841		PARK BRAKE LIGHT.....	1



1 STROBE LIGHT ASSEMBLY includes items 2 - 3

THE USE OF NON U.L. PARTS WILL VOID ANY U.L. LISTING.

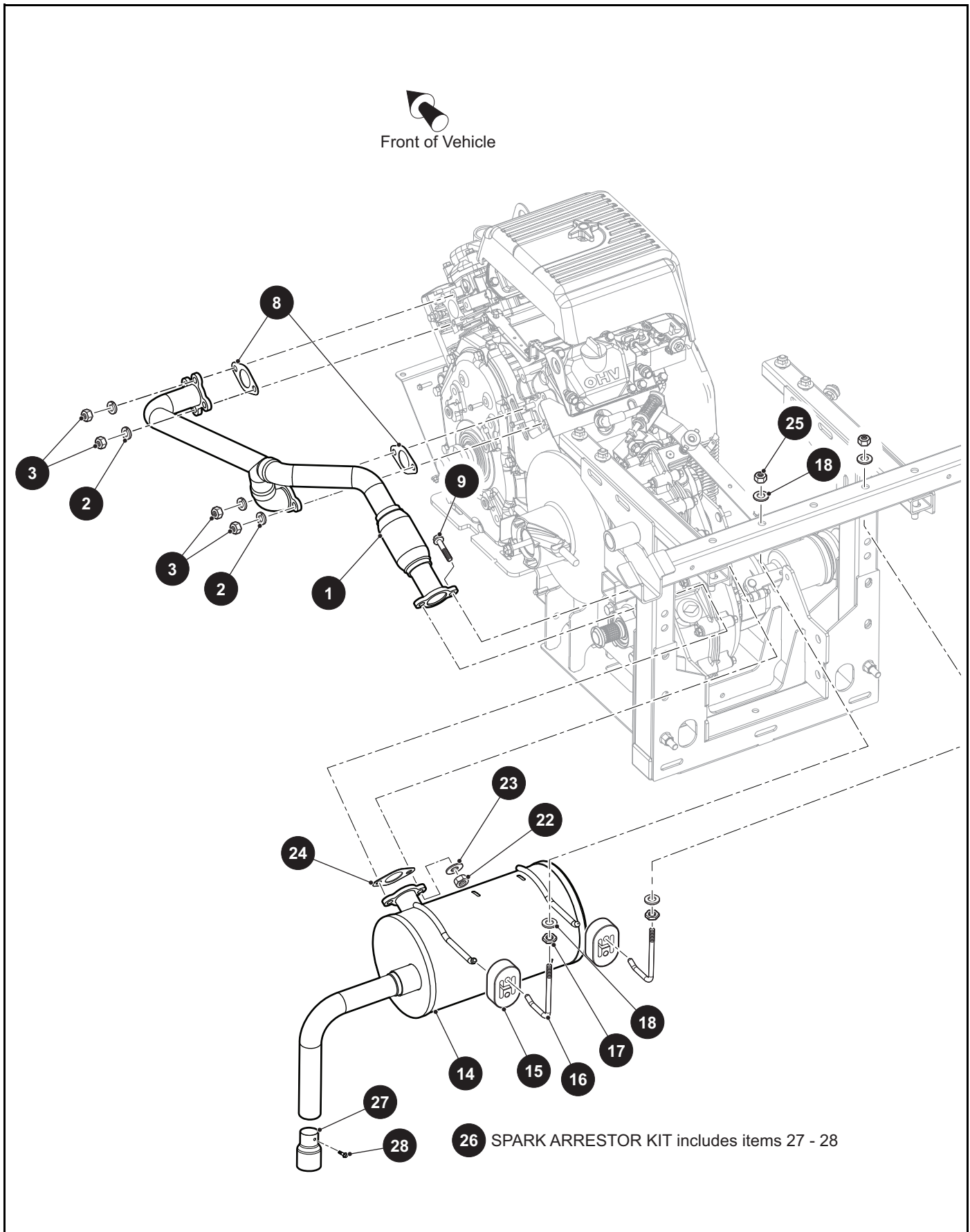
When ordering parts, please specify the model and serial number of the product.

* Indicates a component that is not available as an individual part.

*** Indicates consult Customer Service Department for additional information.

ITEM	PART NO.	1 2 3 4 5	DESCRIPTION	QTY.
1	638496		STROBE LIGHT ASSEMBLY (INCLUDES ITEMS 2 - 3)	1
2	*		FEMALE TERMINALS.....	2
3	*		RUBBER GASKET	1
4	00979G01		SOCKET HEAD SCREW, 10 - 24 X 7/8" LG.....	3
5	00559G5		FLAT WASHER, #10	3
6	14390G10		LOCK NUT, #10 - 24	3
7	618812		STROBE LIGHT HARNESS	1
8	17618G1		NYLON CLAMP (NOT ILLUSTRATED)	AR

EXHAUST



THE USE OF NON U.L. PARTS WILL VOID ANY U.L. LISTING.

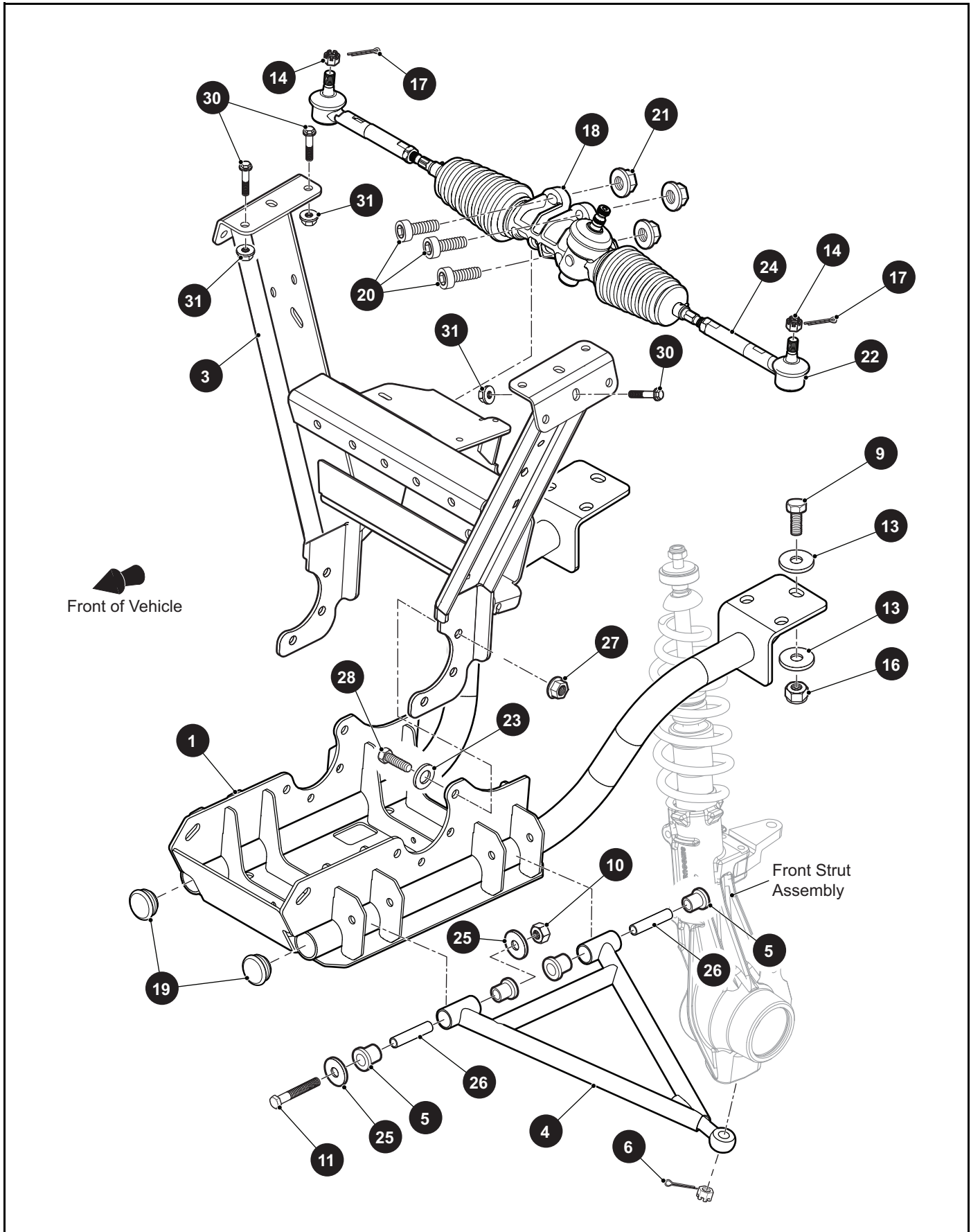
When ordering parts, please specify the model and serial number of the product.

* Indicates a component that is not available as an individual part.

*** Indicates consult Customer Service Department for additional information.

ITEM	PART NO.	1 2 3 4 5	DESCRIPTION	QTY.
1	637546		EXHAUST MANIFOLD.....	1
2	606272		LOCK WASHER, 8MM.....	4
3	606267		HEX JAM NUT, M8 X 1.25	4
4				
5				
6				
7				
8	633613		GASKET.....	2
9	602330		FLANGED HEX HEAD BOLT, M8 - 1.25 X 30MM LG.....	2
10				
11				
12				
13				
14	632218		MUFFLER	1
15	615848		MUFFLER ISOLATION MOUNT	2
16	632666		HANGER.....	2
17	00544G3		HEX JAM NUT, 1/4" - 28.....	2
18	00559G8		FLAT WASHER, 5/16".....	4
19				
20				
21				
22	606267		HEX JAM NUT, M8 X 1.25	2
23	606272		LOCK WASHER, 8MM.....	2
24	633613		GASKET.....	1
25	11098G6		LOCK NUT, 5/16" - 18.....	2
26	644011		SPARK ARRESTOR KIT (INCLUDES ITEMS 27 - 28).....	1
27	641696		SPARK ARRESTOR.....	1
28	00772G4		HEX HEAD TAPPING SCREW, #8 - 18 X 1/2" LG.....	1

FRONT SUSPENSION AND STEERING



FRONT SUSPENSION AND STEERING

THE USE OF NON U.L. PARTS WILL VOID ANY U.L. LISTING.

When ordering parts, please specify the model and serial number of the product.

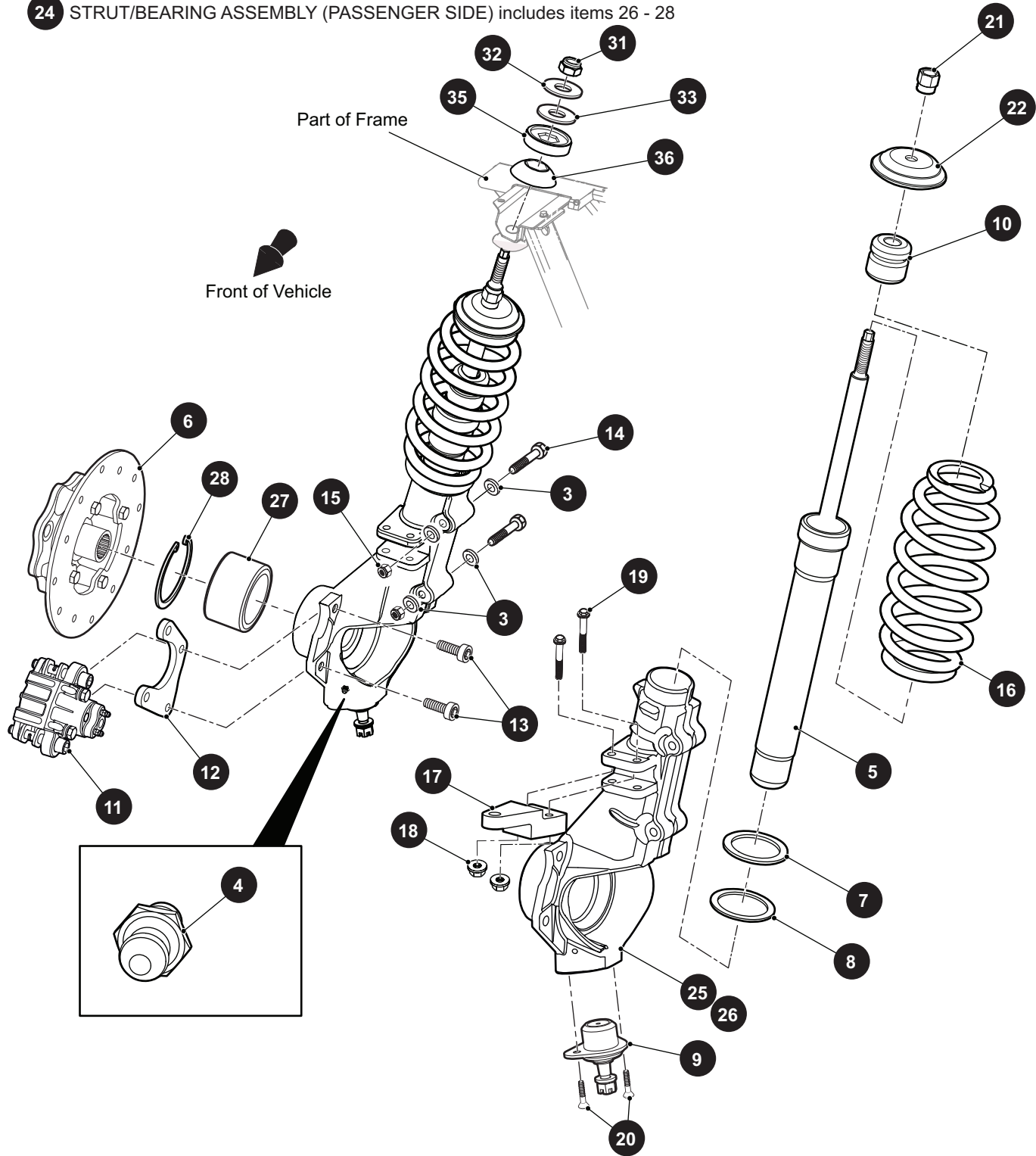
* Indicates a component that is not available as an individual part.

*** Indicates consult Customer Service Department for additional information.

ITEM	PART NO.	1 2 3 4 5	DESCRIPTION	QTY.
1	637378		FRONT POWERTRAIN FRAME	1
2				
3	641999		FRONT UPPER SUSPENSION WELDMENT	1
4	638383G01		CONTROL ARM ASSEMBLY	1
5	637745		CONTROL ARM BUSHING	4
6	10387G2		COTTER PIN, .094" X 1"	1
7				
8				
9	00463G11		HEX HEAD BOLT, 7/16" - 14 X 1 1/2" LG	6
10	11098G5		LOCK NUT, 3/8" - 16	2
11	00429G4		HEX HEAD BOLT, 3/8" - 16 X 3 1/2" LG	2
12				
13	306982		FLAT WASHER, .34" X .92" X .06"	12
14	608005		CASTLE NUT, M12 - 1.25	2
15				
16	00734G1		LOCK NUT, 7/16" - 14	6
17	10387G2		COTTER PIN, .094" X 1"	2
18	630988		STEERING RACK WITH SPACER	1
19	628915		TUBE PLUG	2
20	630449		SOCKET HEAD BOLT, M10 - 1.50 X 45MM LG	3
21	630450		FLANGED LOCK NUT, M10 - 1.50	3
22	604614		ROD END ASSEMBLY	1
23	00571G3		FLAT WASHER, 5/16"	6
24	618835		STEERING ROD	1
25	00560G1		FLAT WASHER, 3/8"	4
26	638223		SPLIT SPACER, 3/8" X 2.390"	2
27	12262G1		FLANGED LOCK NUT, 3/8" - 16	6
28	306835		HEX HEAD BOLT, 3/8" - 16 X 1 1/4" LG	6
29				
30	641289		FLANGED HEX HEAD BOLT, 3/8" - 16 X 1" LG	6
31	11027G5		FLANGED LOCK NUT, 3/8" - 16	6

FRONT SUSPENSION AND STEERING

- 1 FRONT STRUT ASSEMBLY (DRIVER SIDE) includes items 3 - 23
- 2 FRONT STRUT ASSEMBLY (PASSENGER SIDE) includes items 3 - 22, 24
- 23 STRUT/BEARING ASSEMBLY (DRIVER SIDE) includes items 25, 27- 28
- 24 STRUT/BEARING ASSEMBLY (PASSENGER SIDE) includes items 26 - 28



FRONT SUSPENSION AND STEERING

THE USE OF NON U.L. PARTS WILL VOID ANY U.L. LISTING.

When ordering parts, please specify the model and serial number of the product.

* Indicates a component that is not available as an individual part.

*** Indicates consult Customer Service Department for additional information.

ITEM	PART NO.	1 2 3 4 5	DESCRIPTION	QTY.
1	640501G01		FRONT STRUT ASSEMBLY (DRIVER SIDE) (INCLUDES ITEMS 3 - 23).....	1
2	640501G02		FRONT STRUT ASSEMBLY (PASSENGER SIDE) (INCLUDES ITEMS 3 - 22, 24)	1
3	103867		FLAT WASHER, .31" X .69" X .06"	4
4	632405		GREASE FITTING, 3/16"	1
5	634705		SHOCK STRUT	1
6	633792G02		HUB ASSEMBLY	1
7	616053		STRUT WASHER, 52MM	1
8	616060		STRUT WASHER (COIL SPRING), 52MM.....	1
9	645047		STRUT BALL JOINT.....	1
10	616073		STRUT BUMP STOPS	1
11	638129		BRAKE CALIPER	1
12	616451		CALIPER MOUNT BRACKET	1
13	616596		SOCKET HEAD BOLT, 3/8" - 24 X 3/4" LG	2
14	616672		HEX HEAD BOLT, M8 - 1.25 X 60MM LG	2
15	616673		LOCK NUT, M8.....	2
16	618346		COIL SPRING.....	1
17	626725		STEERING ARM (SHORT).....	1
18	630803		LOCK NUT, 5/16" - 18	2
19	630804G01		FLANGED HEX HEAD BOLT, 5/16" - 18 X 2" LG.....	2
20	616597		FLAT HEAD TORX SCREW, 1/4" - 20 X 3/4" LG	2
21	616056		SPRING RETAINING NUT, M12 - 1.25	1
22	634967		COIL SPRING CAP	1
23	642461G01		STRUT/BEARING ASSEMBLY (DRIVER SIDE) (INCLUDES ITEMS 25, 27 - 28).....	1
24	642461G02		STRUT/BEARING ASSEMBLY (PASSENGER SIDE) (INCLUDES ITEMS 26 - 28).....	1
25	632410G03		STRUT BASE (DRIVER SIDE)	1
26	632410G04		STRUT BASE (PASSENGER SIDE).....	1
27	633663		WHEEL BEARING	1
28	632409		SNAP RING	1
29				

FRONT SUSPENSION AND STEERING

THE USE OF NON U.L. PARTS WILL VOID ANY U.L. LISTING.

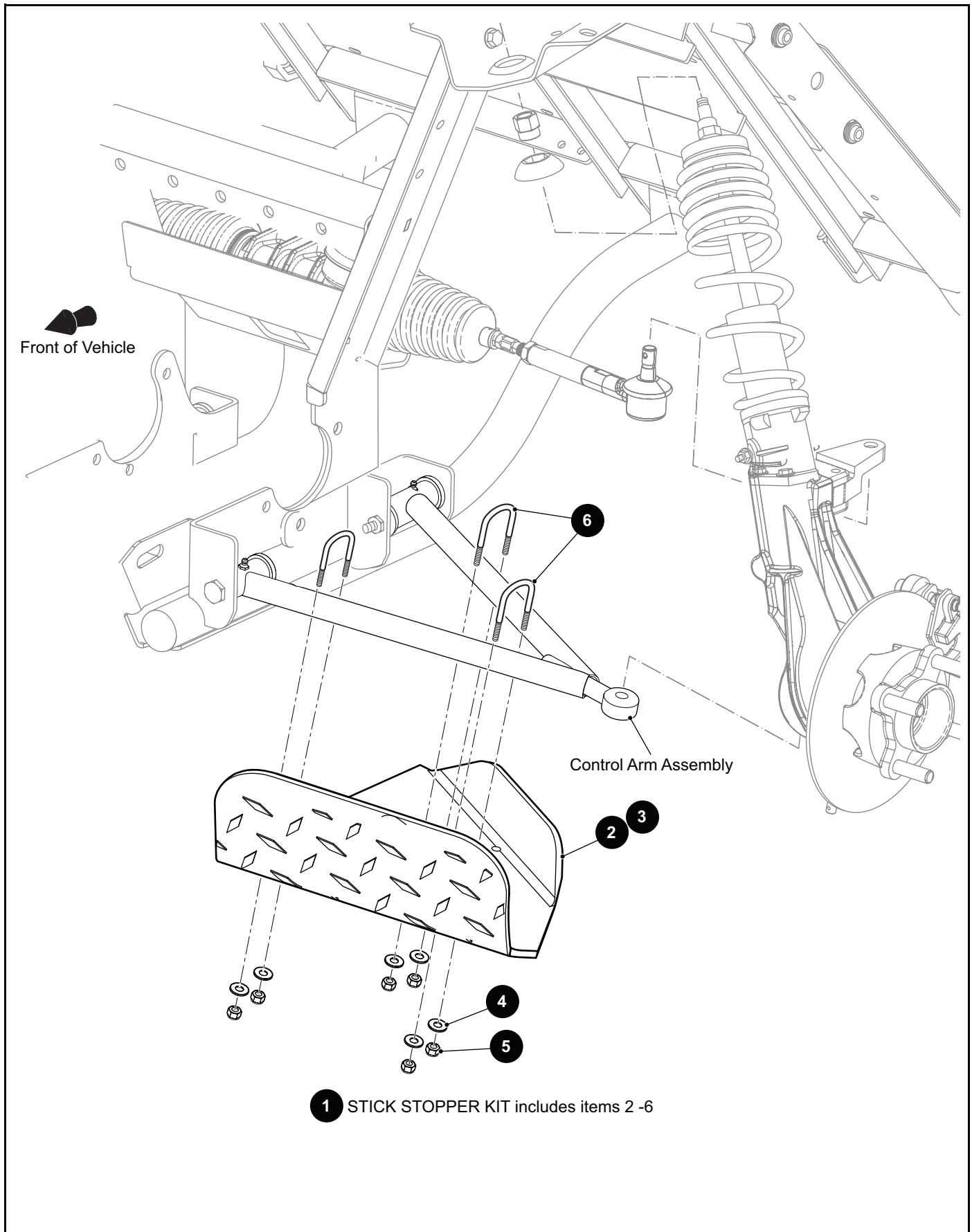
When ordering parts, please specify the model and serial number of the product.

* Indicates a component that is not available as an individual part.

*** Indicates consult Customer Service Department for additional information.

ITEM	PART NO.	1 2 3 4 5	DESCRIPTION	QTY.
31	625748		NYLOCK NUT, 1/2" - 13	1
32	636610		FLAT WASHER, 1"	1
33	616701		RUBBER WASHER, 1.5MM X .76MM	1
34				
35	629592		STRUT BUSHING (FEMALE)	1
36	629593		STRUT BUSHING (MALE)	1

FRONT SUSPENSION AND STEERING



FRONT SUSPENSION AND STEERING

THE USE OF NON U.L. PARTS WILL VOID ANY U.L. LISTING.

When ordering parts, please specify the model and serial number of the product.

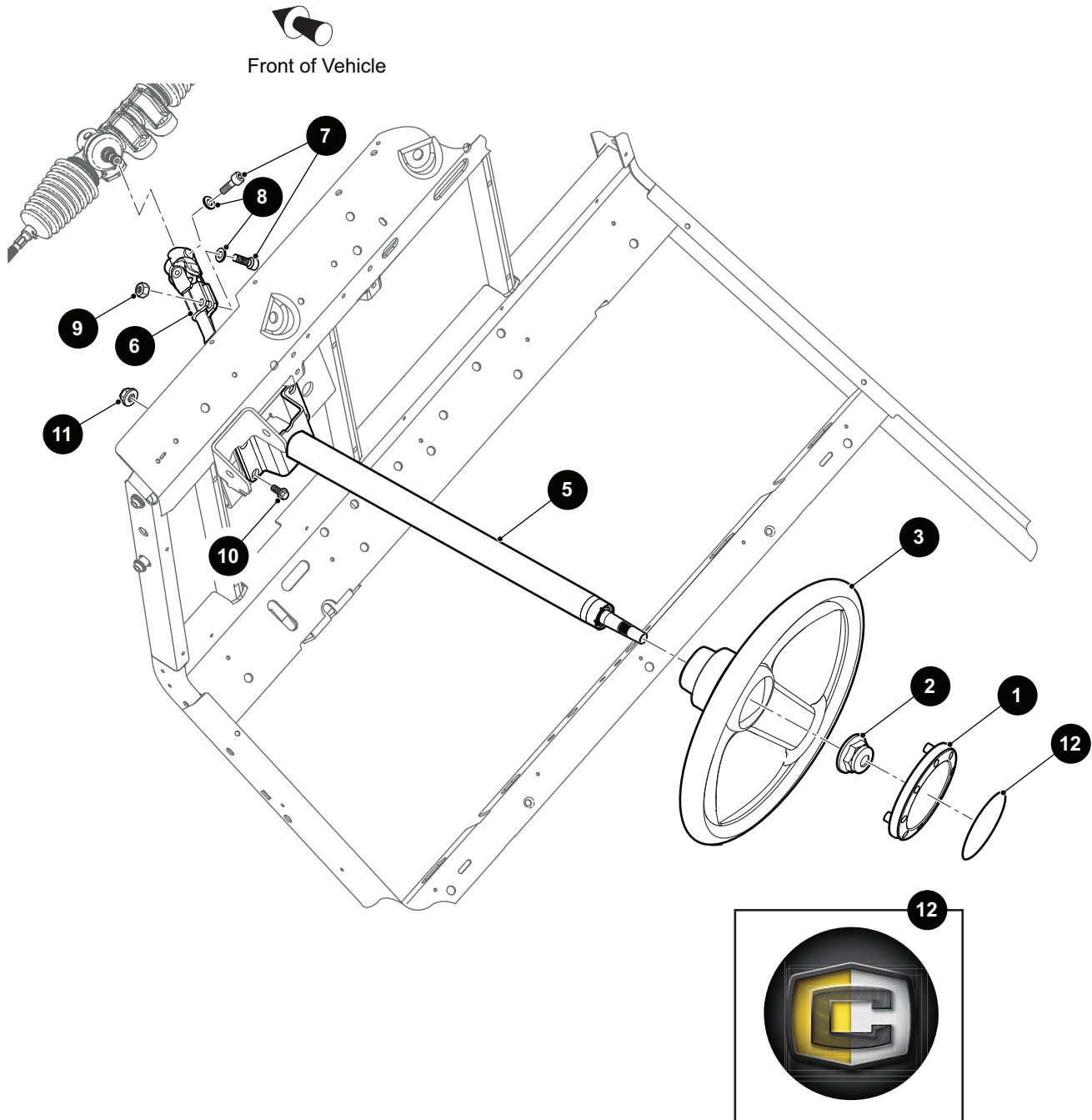
* Indicates a component that is not available as an individual part.

*** Indicates consult Customer Service Department for additional information.

ITEM	PART NO.	1 2 3 4 5	DESCRIPTION	QTY.
1	639841		STICK STOPPER KIT (INCLUDES ITEMS 2 - 6)	1
2	631703G01		STICK STOPPER (DRIVER SIDE).....	1
3	631703G02		STICK STOPPER (PASSENGER SIDE)	1
4	616671		FLAT WASHER, 15.8MM X 8.5MM X 1.5MM.....	6
5	14390G4		LOCK NUT, 1/4" - 20	6
6	616713		"U" BOLT, 1/4" - 20 X 1.37" LG	3

FRONT SUSPENSION AND STEERING

4 STEERING COLUMN ASSEMBLY includes items 5 - 9



FRONT SUSPENSION AND STEERING

THE USE OF NON U.L. PARTS WILL VOID ANY U.L. LISTING.

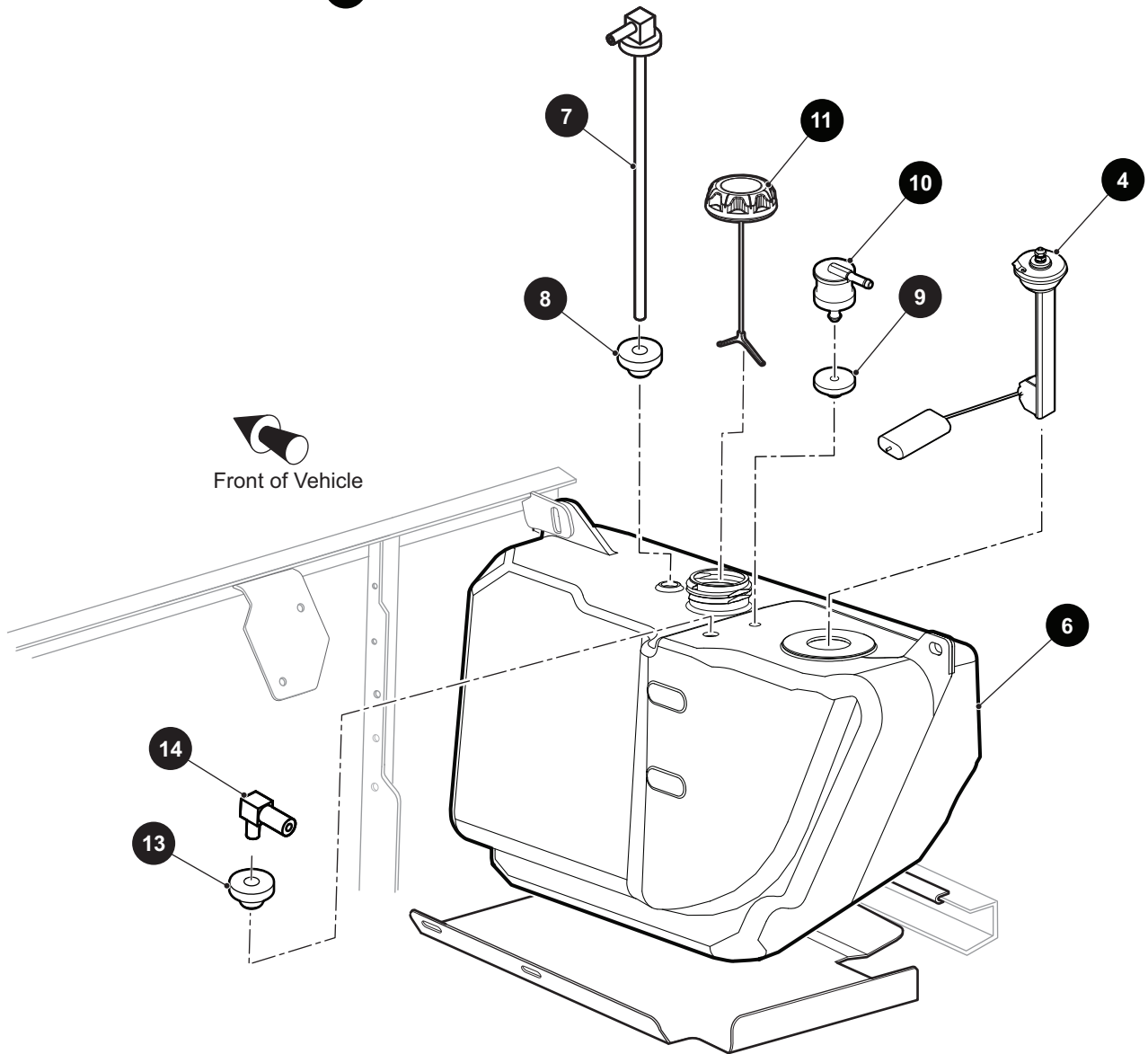
When ordering parts, please specify the model and serial number of the product.

* Indicates a component that is not available as an individual part.

*** Indicates consult Customer Service Department for additional information.

ITEM	PART NO.	1 2 3 4 5	DESCRIPTION	QTY.
1	639439		STEERING WHEEL COVER	1
2	601709		LOCK NUT, M16 - 2	1
3	639437		STEERING WHEEL	1
4	600333		STEERING COLUMN ASSEMBLY (INCLUDES ITEMS 5 - 9)	1
5	608117		COLUMN SUB-ASSEMBLY	1
6	608114		STEERING YOKE	1
7	608653		SOCKET HEAD SCREW, M10 - 35 X 1.5" LG	2
8	608654		LOCK WASHER, 10.5MM	2
9	608655		HEX NUT, M10 - 1.5	1
10	603799		FLANGED HEX HEAD BOLT, M10 - 25 X 1.5" LG	4
11	600525		FLANGED LOCK NUT, M10 - 1.5	4
12	618086		CUSHMAN DECAL (STEERING WHEEL)	1

1 CARB FUEL TANK ASSEMBLY includes items 4 - 14



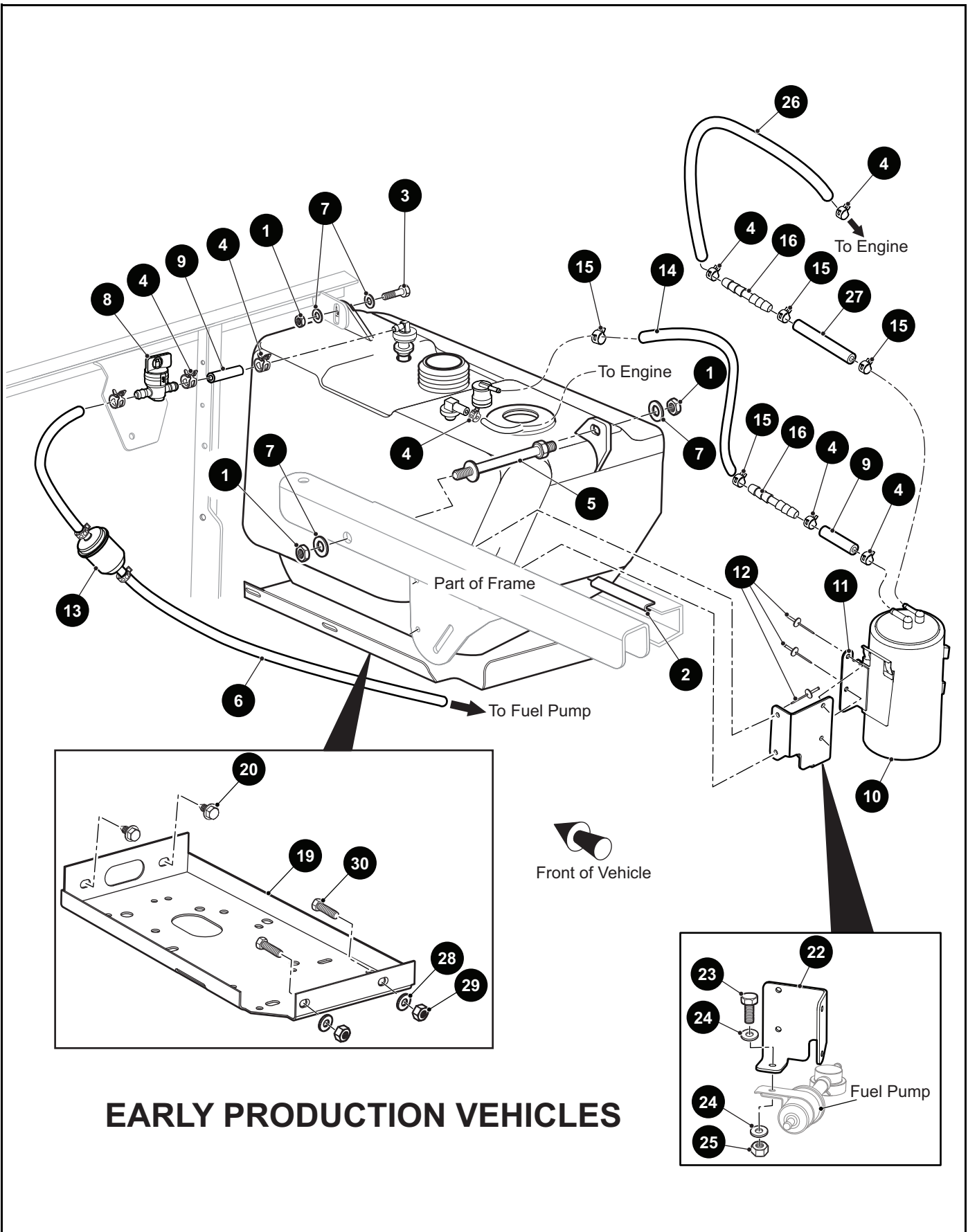
EARLY PRODUCTION VEHICLES

FUEL SYSTEM

THE USE OF NON U.L. PARTS WILL VOID ANY U.L. LISTING.
 When ordering parts, please specify the model and serial number of the product.
 * Indicates a component that is not available as an individual part.
 *** Indicates consult Customer Service Department for additional information.

ITEM	PART NO.	1 2 3 4 5	DESCRIPTION	QTY.
1	645035		CARB FUEL TANK ASSEMBLY (INCLUDES ITEMS 4 - 14)	1
2				
3				
4	633024G03		FUEL LEVEL SENDER.....	1
5				
6	*		FUEL TANK (WITH SENDER UNIT)	1
7	18287G3		SIPHON TUBE ASSEMBLY	1
8	70988G01		SIPHON TUBE GROMMET.....	1
9	606068		ROLLOVER VALVE GROMMET	1
10	606067		ROLLOVER VALVE	1
11	633423		FUEL TANK CAP	1
12				
13	633545		FUEL RETURN GROMMET	1
14	633546		FUEL RETURN FITTING.....	1

FUEL SYSTEM



THE USE OF NON U.L. PARTS WILL VOID ANY U.L. LISTING.

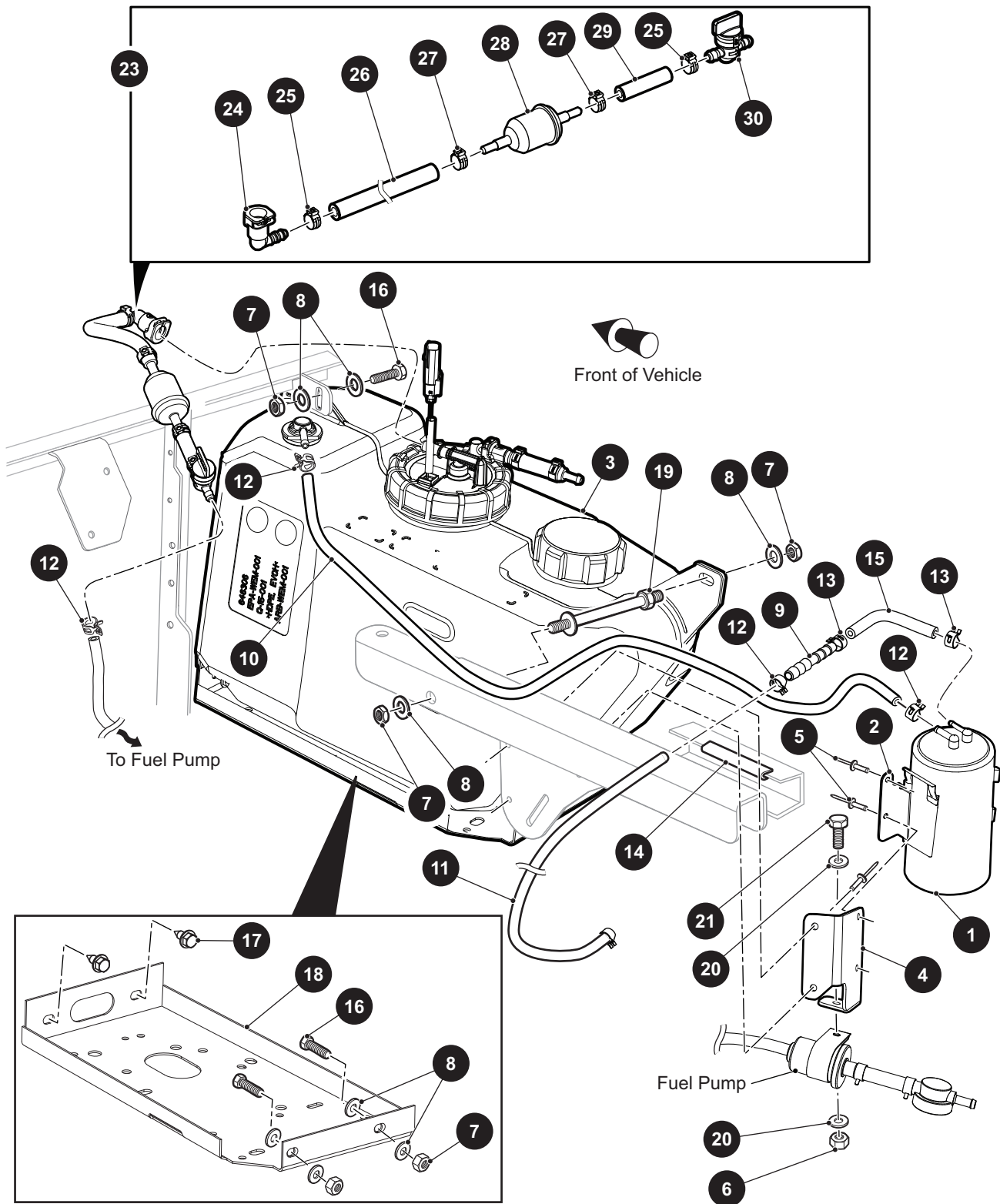
When ordering parts, please specify the model and serial number of the product.

* Indicates a component that is not available as an individual part.

*** Indicates consult Customer Service Department for additional information.

ITEM	PART NO.	1 2 3 4 5	DESCRIPTION	QTY.
1	11098G6		LOCK NUT, 5/16" - 18.....	3
2	32372G6		VINYL TRIM, 6.25".....	1
3	00438G8		HEX HEAD BOLT, 5/16" - 18 X 1" LG.....	1
4	18292G1		TUBING CLAMP.....	7
5	70483G01		SPACER.....	1
6	637296		FUEL HOSE.....	1
7	00559G8		FLAT WASHER, 5/16".....	4
8	611181		FUEL SHUT-OFF VALVE.....	1
9	615350		FUEL HOSE, 2" LG.....	2
10	606071		CARBON CANISTER.....	1
11	606310		CHARCOAL CANISTER BRACKET.....	1
12	15058G1		RIVET, 3/16" X 5/8" LG.....	4
13	635772		FUEL FILTER.....	1
14	606964		HOSE, 3/16" I.D. X 13" LG.....	1
15	606963		HOSE CLAMP, 3/16" I.D.....	4
16	615346		HOSE REDUCER, 1/4" I.D. X 3/16" O.D.....	2
17				
18				
19	70244G05		SPLASH PAN.....	1
20	00715G2		THREAD FORMING SCREW, 5/16" - 18 X .8" LG.....	2
21				
22	633308		CANISTER BRACKET.....	1
23	00661G8		HEX HEAD BOLT (SS), 1/4" - 20 X 1" LG.....	1
24	308090		FLAT WASHER, 1/4".....	2
25	14390G4		LOCK NUT, 1/2" - 20.....	1
26	633623		FUEL HOSE, 1/4" I.D. X 34" LG.....	1
27	633620		HOSE, 3/16" I.D. X 4" LG.....	1
28	00559G8		FLAT WASHER, 5/16".....	2
29	11098G6		LOCK NUT, 5/16" - 18.....	2
30	00438G8		HEX HEAD BOLT, 5/16" - 18 X 1" LG.....	2

FUEL SYSTEM



LATE PRODUCTION VEHICLES

THE USE OF NON U.L. PARTS WILL VOID ANY U.L. LISTING.

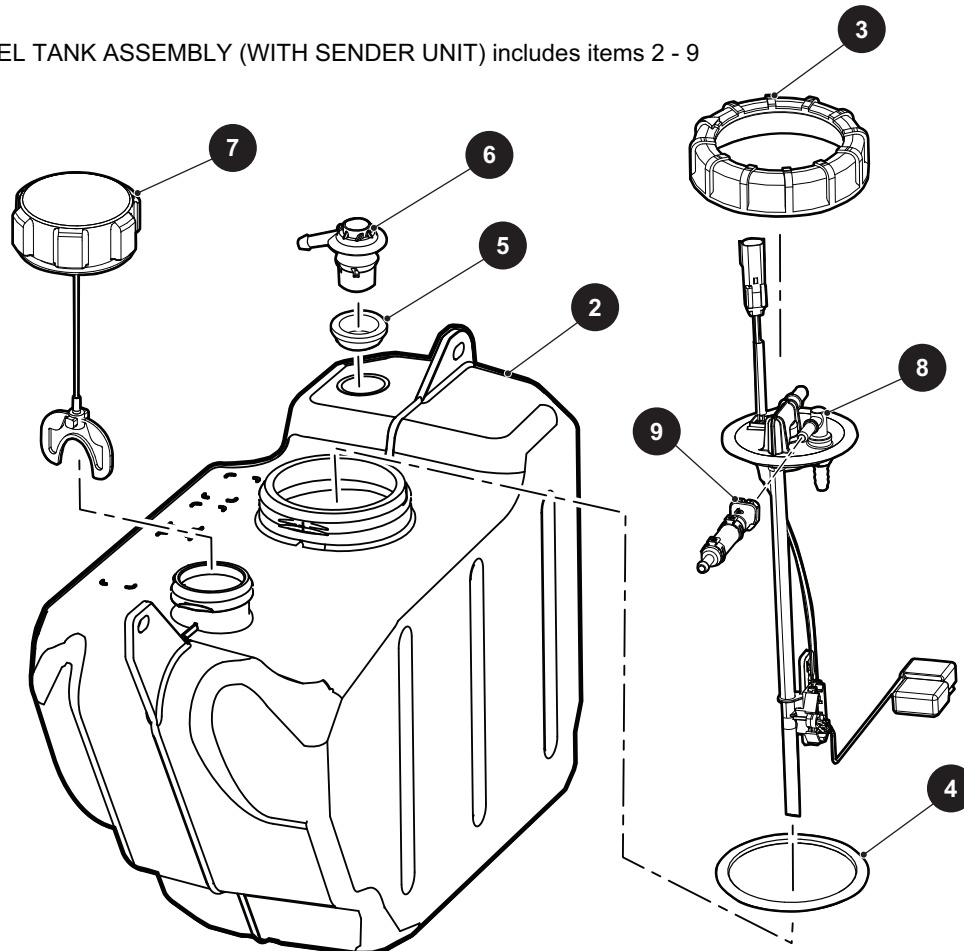
When ordering parts, please specify the model and serial number of the product.

* Indicates a component that is not available as an individual part.

*** Indicates consult Customer Service Department for additional information.

ITEM	PART NO.	1 2 3 4 5	DESCRIPTION	QTY.
1	606071		CARBON CANISTER.....	1
2	606310		CHARCOAL CANISTER BRACKET	1
3	656141		FUEL TANK ASSEMBLY (WITH SENDER UNIT).....	1
4	633308		CANISTER BRACKET	1
5	15058G1		RIVET (ALUMINUM), 3/16" X 5/8" LG	4
6	14390G4		LOCK NUT, 1/4" - 20.....	1
7	11098G6		LOCK NUT, 5/16" - 18.....	5
8	00559G8		FLAT WASHER, 5/16".....	8
9	615346		HOSE REDUCER, 1/4" I.D. X 3/16" O.D.	1
10	27184G01		FUEL TUBE.....	1
11	633623		FUEL HOSE, 1/2" I.D. X 34" LG	1
12	18292G1		TUBING CLAMP	4
13	606963		HOSE CLAMP, 3/16" I.D.	2
14	32372G6		VINYL TRIM, 6.25".....	1
15	633620		HOSE, 3/16" I.D. X 4" LG.....	1
16	00438G8		HEX HEAD BOLT, 5/16" - 18 X 1" LG	3
17	00715G2		FLANGED HEX HEAD BOLT, 5/16" - 18 X .8" LG	2
18	70244G05		SPLASH PAN.....	1
19	70483G01		SPACER, 5/16" - 18 X .66" LG.....	1
20	308090		FLAT WASHER, 1/4".....	2
21	00661G8		HEX HEAD BOLT (SS), 1/4" - 20 X 1" LG	1
22				
23	649515		FUEL LINE ASSEMBLY (INCLUDES ITEMS 24 - 30)	1
24	649577		CONNECTOR, 5/16" I.D.	1
25	649873		CLAMP, 1/2" O.D.	2
26	649570		HOSE, .312" I.D. X .562" O.D. X 9" LG	1
27	649874		CLAMP, 9/16" O.D.	2
28	72084G01		FUEL FILTER	1
29	615350		HOSE, 2" LG	1
30	611181		SHUT-OFF VALVE.....	1

1 FUEL TANK ASSEMBLY (WITH SENDER UNIT) includes items 2 - 9



Front of Vehicle

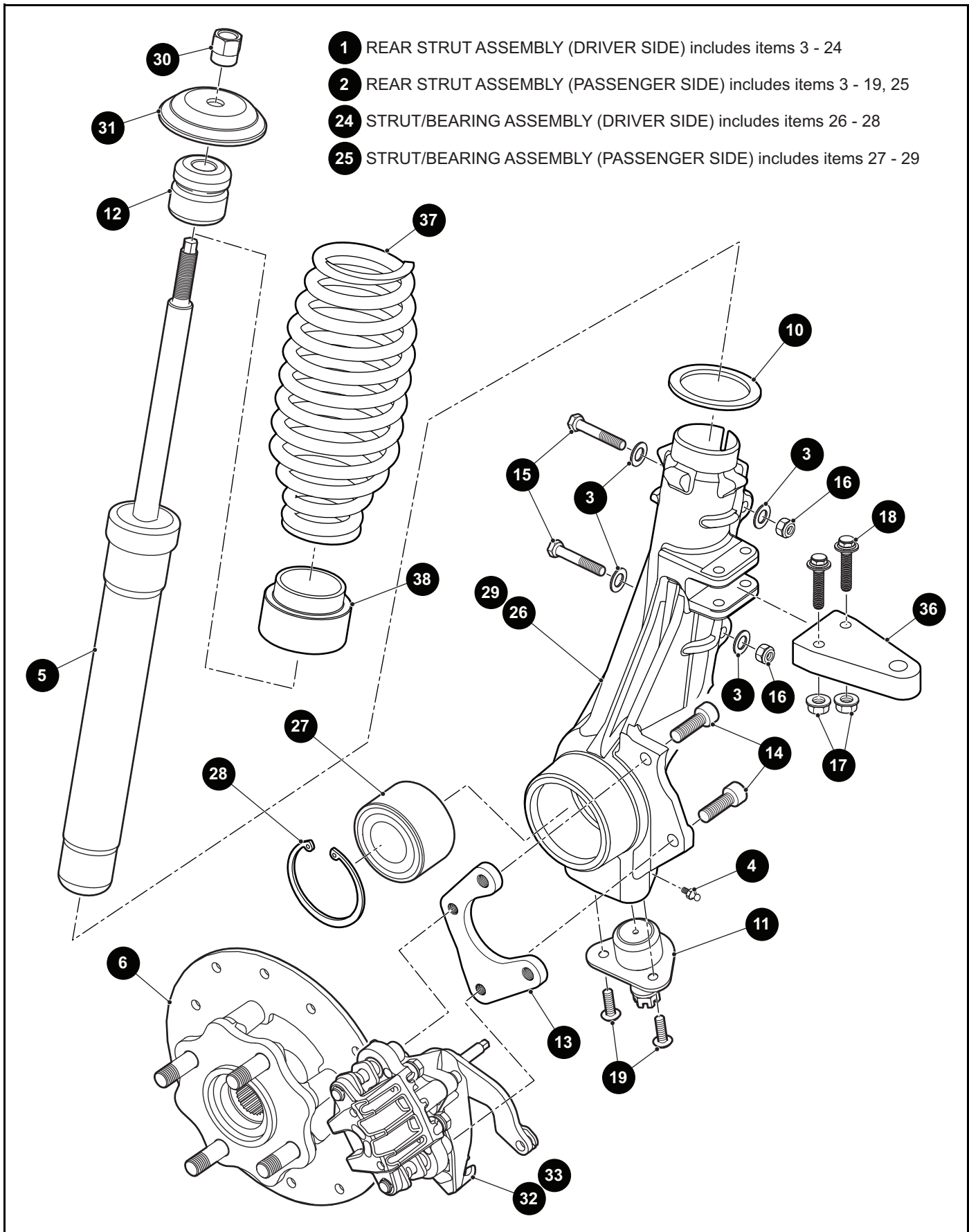
LATE PRODUCTION VEHICLES

FUEL SYSTEM

THE USE OF NON U.L. PARTS WILL VOID ANY U.L. LISTING.
 When ordering parts, please specify the model and serial number of the product.
 * Indicates a component that is not available as an individual part.
 *** Indicates consult Customer Service Department for additional information.

ITEM	PART NO.	1 2 3 4 5	DESCRIPTION	QTY.
1	656141		FUEL TANK ASSEMBLY (WITH SENDER UNIT) (INCLUDES ITEMS 2 - 9)	1
2	646306		FUEL TANK	1
3	646837		MASON JAR CAP	1
4	646838		MASON JAR SEAL.....	1
5	647810		ROLLOVER VALVE GROMMET	1
6	647809		ROLLOVER VALVE	1
7	635688		FUEL TANK CAP (RATCHET).....	1
8	646354		FUEL PICKUP WITH SENDER ASSEMBLY	1
9	650293		FUEL HOSE REDUCTION ASSEMBLY	1

REAR SUSPENSION



REAR SUSPENSION

THE USE OF NON U.L. PARTS WILL VOID ANY U.L. LISTING.

When ordering parts, please specify the model and serial number of the product.

* Indicates a component that is not available as an individual part.

*** Indicates consult Customer Service Department for additional information.

ITEM	PART NO.	1 2 3 4 5	DESCRIPTION	QTY.
1	640501G07		REAR STRUT ASSEMBLY (DRIVER SDIE) (INCLUDES ITEMS 3 - 24)	1
2	640501G08		REAR STRUT ASSEMBLY (PASSENGER SIDE) (INCLUDES ITEMS 3 -19, 25)	1
3	103867		FLAT WASHER, .31" X .69" X .06"	4
4	632405		GREASE FITTING, 3/16"	1
5	634705		SHOCK STRUT	1
6	633792G02		HUB ASSEMBLY	1
7				
8				
9				
10	616053		STRUT WASHER, 52MM	1
11	645047		STRUT BALL JOINT.....	1
12	616073		STRUT BUMP STOP.....	1
13	616451		CALIPER MOUNT BRACKET	1
14	616596		SOCKET HEAD BOLT, 3/8" - 24 X 3/4" LG	2
15	616672		HEX HEAD BOLT, M8 - 1.25 X 60MM LG	2
16	616673		LOCK NUT, M8 - 1.25.....	2
17	630803		LOCK NUT, 5/16" - 18	2
18	630804G01		FLANGED HEX HEAD BOLT, 5/16" - 18 X 2" LG.....	2
19	616597		FLAT HEAD TORX SCREW, 1/4" - 20 X 3/4" LG	2
20				
21				
22				
23				
24	642461G01		STRUT/BEARING ASSEMBLY (DRIVER SIDE) (INCLUDES ITEMS 26 - 28)	1
25	642461G02		STRUT/BEARING ASSEMBLY (PASSENGER SIDE) (INCLUDES ITEMS 27 - 29).....	1
26	632410G03		STRUT BASE (DRIVER SIDE)	1
27	633663		WHEEL BEARING, 2.52" O.D X 1.37" I.D	1
28	632409		SNAP RING	1
29	632410G04		STRUT BASE (PASSENGER SIDE).....	1

REAR SUSPENSION

THE USE OF NON U.L. PARTS WILL VOID ANY U.L. LISTING.

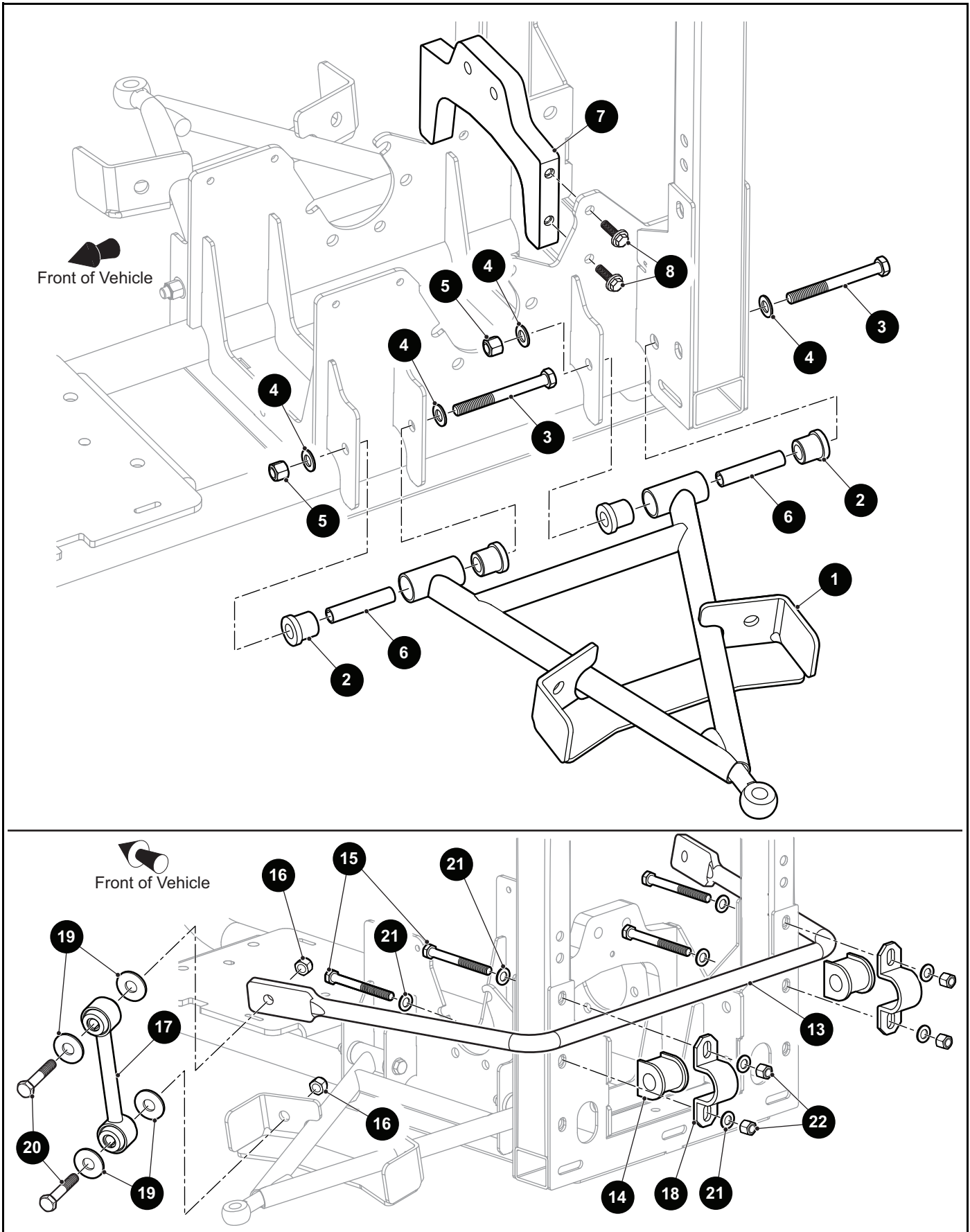
When ordering parts, please specify the model and serial number of the product.

* Indicates a component that is not available as an individual part.

*** Indicates consult Customer Service Department for additional information.

ITEM	PART NO.	1 2 3 4 5	DESCRIPTION	QTY.
30	616056		SPRING RETAINING NUT, M12 - 1.25	1
31	634967		COIL SPRING CAP	1
32	638127		BRAKE CALIPER (DRIVER SIDE).....	1
33	638128		BRAKE CALIPER (PASSENGER SIDE)	1
34				
35				
36	634928		REAR STEERING ARM	1
37	616063		COIL SPRING.....	1
38	634936G01		SPRING SPACER, 1.13"	1

REAR SUSPENSION



REAR SUSPENSION

THE USE OF NON U.L. PARTS WILL VOID ANY U.L. LISTING.

When ordering parts, please specify the model and serial number of the product.

* Indicates a component that is not available as an individual part.

*** Indicates consult Customer Service Department for additional information.

ITEM	PART NO.	1 2 3 4 5	DESCRIPTION	QTY.
1	638383G02		CONTROL ARM ASSEMBLY	1
2	637745		CONTROL ARM BUSHING, .84" O.D. X .51" I.D.....	4
3	00429G4		HEX HEAD BOLT, 3/8" - 16 X 3 1/2" LG	2
4	00560G1		FLAT WASHER, 3/8"	4
5	11098G5		LOCK NUT, 3/8" - 16.....	2
6	638223		SPLIT SPACER, 3/8" X 2.390" LG	2
7	634721		STEERING ROD MOUNTING BRACKET	1
8	13437G3		FLANGED HEX HEAD BOLT, 5/16" - 18 X 1" LG	2
9				
10				
11				
12				
13	633473		SWAY BAR.....	1
14	633953		SWAY BAR BUSHING, .75" DIA	2
15	00429G4		HEX HEAD BOLT, 3/8" - 16 X 3 1/2" LG	4
16	00734G3		LOCK NUT, 7/16" - 20.....	4
17	635472		SWAY BAR LINK ASSEMBLY.....	2
18	632380		SWAY BAR BUSHING BRACKET	2
19	00571G5		FLAT WASHER, 1/2"	8
20	628995		HEX HEAD BOLT, 7/16" - 20 X 2 3/4" LG	4
21	00560G1		FLAT WASHER, 1/2"	8
22	11098G5		LOCK NUT, 3/8" - 16.....	4

REAR SUSPENSION

THE USE OF NON U.L. PARTS WILL VOID ANY U.L. LISTING.

When ordering parts, please specify the model and serial number of the product.

* Indicates a component that is not available as an individual part.

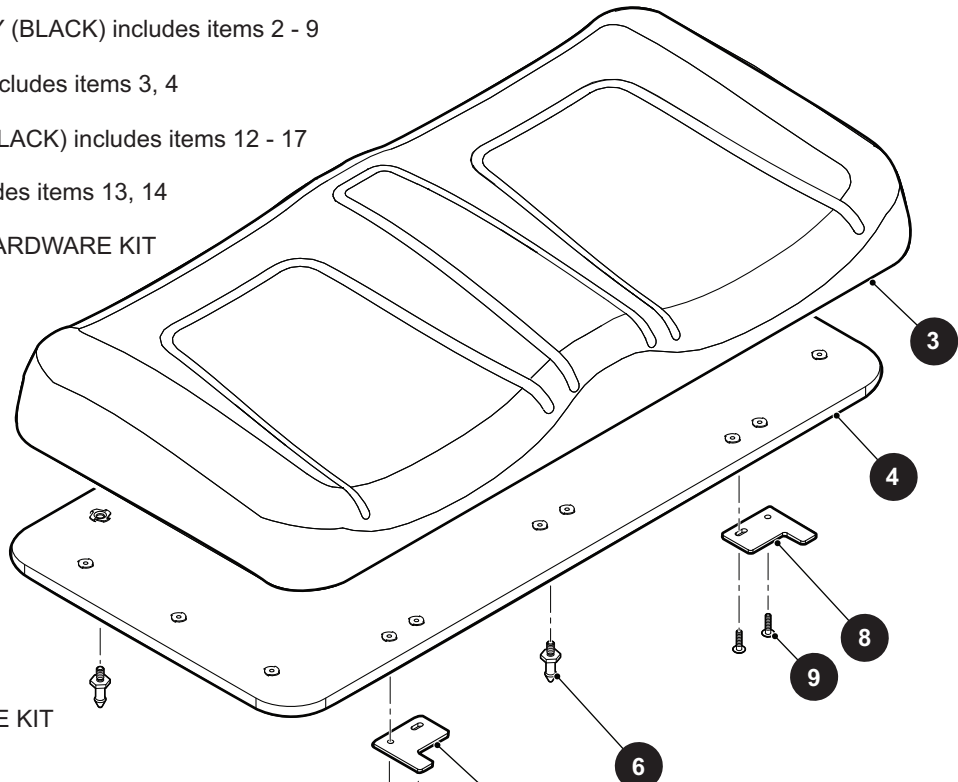
*** Indicates consult Customer Service Department for additional information.

ITEM	PART NO.	1 2 3 4 5	DESCRIPTION	QTY.
1	633535		TIE ROD ASSEMBLY (INCLUDES ITEMS 2 - 6).....	1
2	632114		THREADED TIE ROD	1
3	70902G01		TIE ROD END (DRIVER SIDE)	1
4	70902G02		TIE ROD END (PASSENGER SIDE).....	1
5	01069G01		JAM NUT, M12 - 1.25 (DRIVER SIDE)	1
6	01069G02		JAM NUT, M12 - 1.25 (PASSENGER SIDE)	1
7				
8				
9	625748		LOCK NUT, M12 - 1.25	1
10	636610		FENDER WASHER, 3/8"	1
11	616701		RUBBER WASHER, 1.50" X .76" X .12"	1
12	629592		STRUT BUSHING (FEMALE)	1
13	629593		STRUT BUSHING (MALE).....	1
14	635491		FLANGED CASTLE NUT, M6 - 1.5	1
15	00734G1		LOCK NUT, 7/16" - 14	2
16				
17	00798G3		COTTER PIN, 3/32" X 1/2"	1
18	10387G1		COTTER PIN, .125" X 1.50"	1

SEATING

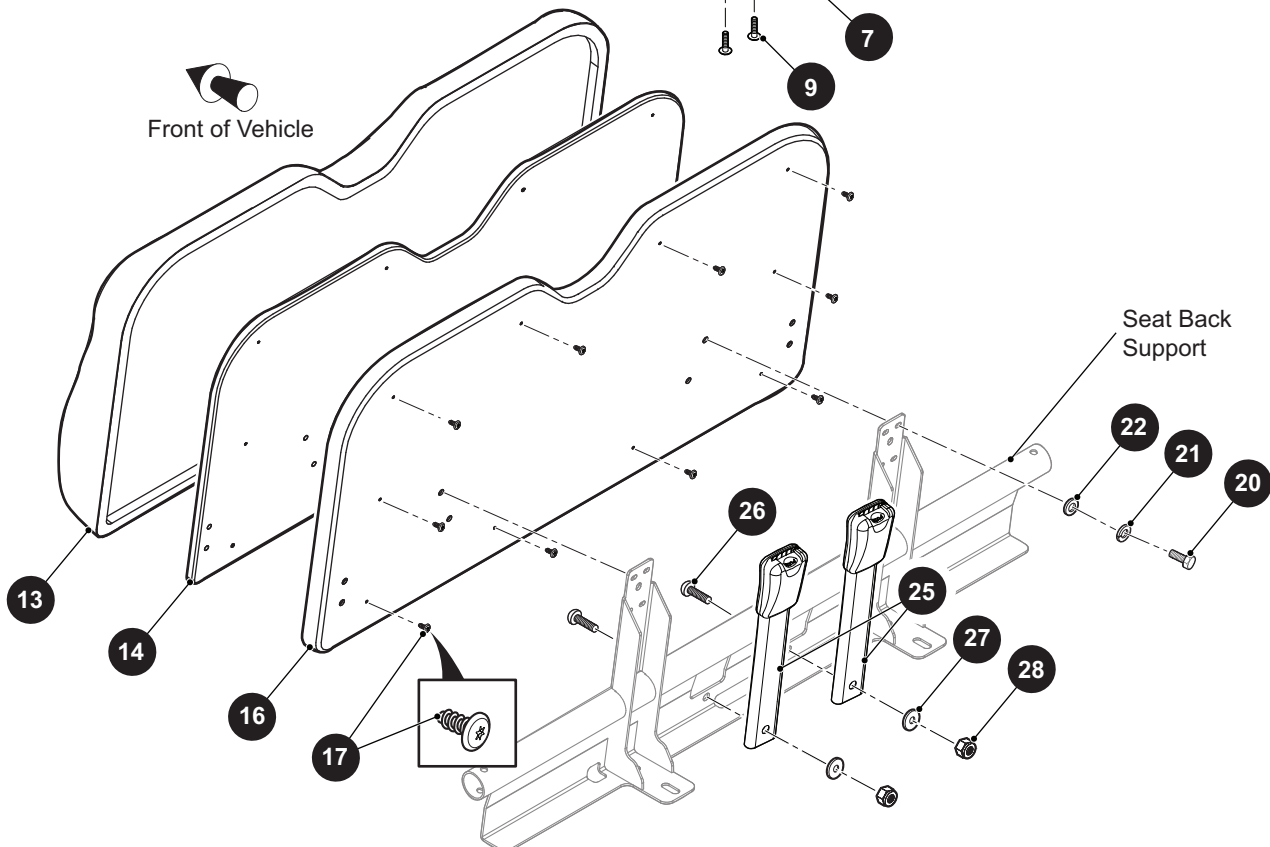
- 1 SEAT BOTTOM ASSEMBLY (BLACK) includes items 2 - 9
- 2 SEAT BOTTOM (BLACK) includes items 3, 4
- 11 SEAT BACK ASSEMBLY (BLACK) includes items 12 - 17
- 12 SEAT BACK (BLACK) includes items 13, 14
- 19 SEAT BACK ASSEMBLY HARDWARE KIT includes items 20 - 22

Front of Vehicle



- 24 LOWER ROPS HARDWARE KIT includes items 25 - 28

Front of Vehicle



THE USE OF NON U.L. PARTS WILL VOID ANY U.L. LISTING.

When ordering parts, please specify the model and serial number of the product.

* Indicates a component that is not available as an individual part.

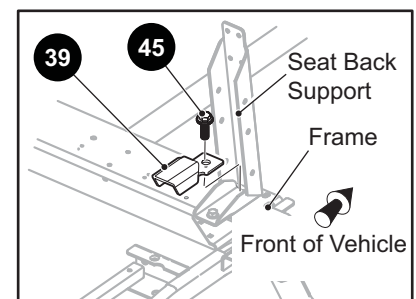
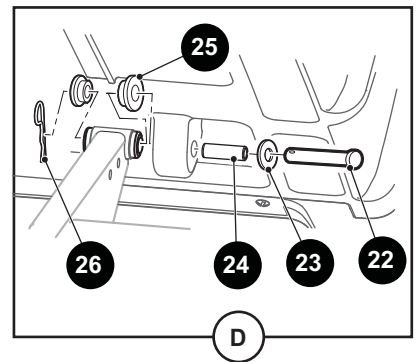
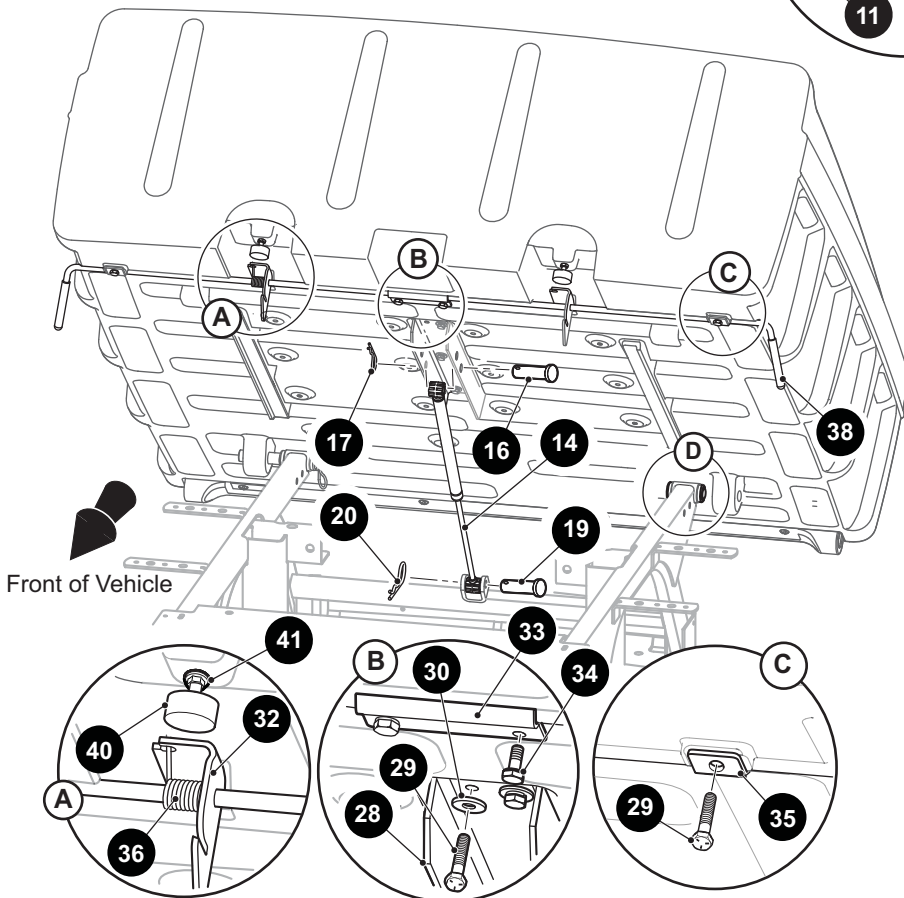
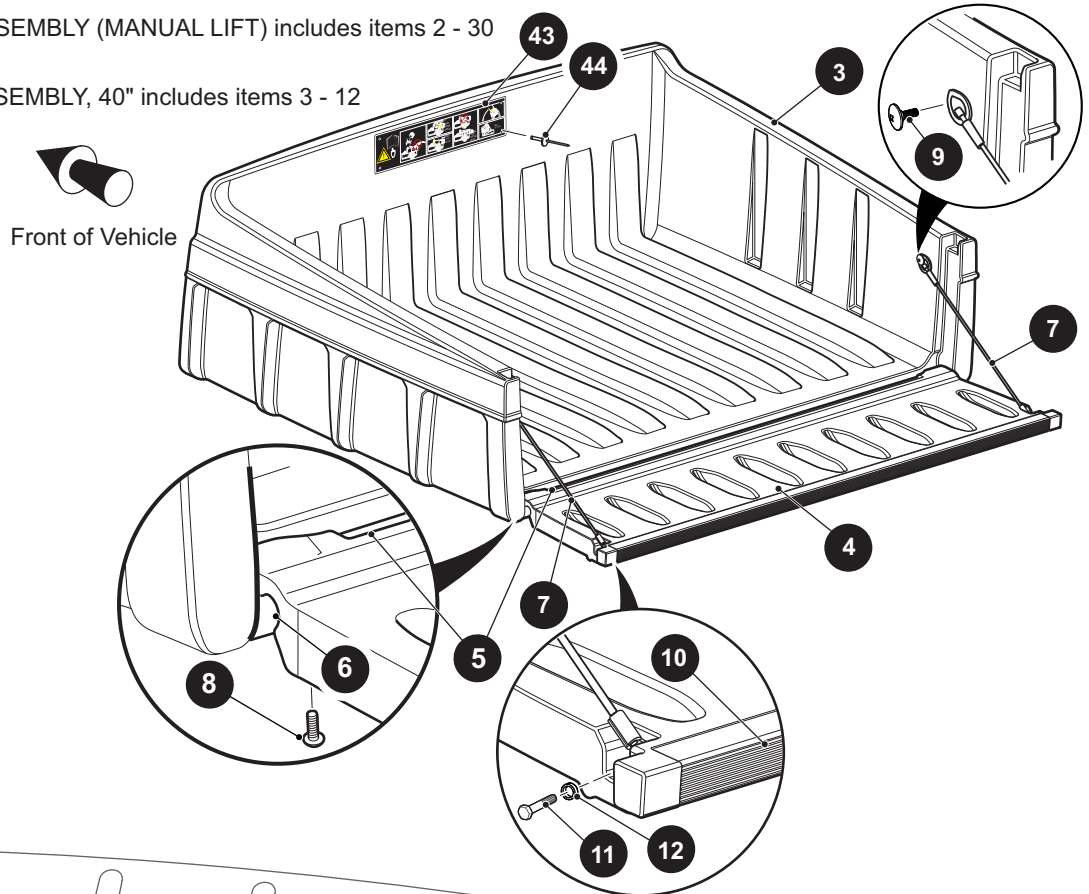
*** Indicates consult Customer Service Department for additional information.

ITEM	PART NO.	1 2 3 4 5	DESCRIPTION	QTY.
1	640489G0106		SEAT BOTTOM ASSEMBLY (BLACK) (INCLUDES ITEMS 2 - 9).....	1
2	637823G06		SEAT BOTTOM (BLACK) (INCLUDES ITEMS 3, 4)	1
3	640234G06		BOTTOM (VINYL AND FOAM)	1
4	640198		BOTTOM (WOOD).....	1
5				
6	639904		RETENTION PIN.....	2
7	638701G01		SEAT LOCATOR TAB (DRIVER SIDE)	1
8	638701G02		SEAT LOCATOR TAB (PASSENGER SIDE).....	1
9	16705G1		TRUSS HEAD PHILLIPS SCREW (SS), 1/4" - 20 X 1" LG	2
10				
11	640781G06		SEAT BACK ASSEMBLY (BLACK) (INCLUDES ITEMS 12 - 17)	1
12	637824G06		SEAT BACK (BLACK) (INCLUDES ITEMS 13, 14)	1
13	640233G06		BACK (VINYL AND FOAM).....	1
14	640208		BACK (WOOD)	1
15				
16	640209		COVER.....	1
17	01107G01		PAN HEAD TORX SCREW, #8 X .63" LG	10
18				
19	643074		SEAT BACK ASSEMBLY HARDWARE KIT (INCLUDES ITEMS 20 - 22).....	1
20	00661G8		HEX HEAD BOLT, 1/4" - 20 X 1" LG.....	4
21	00664G7		LOCK WASHER, 1/4"	4
22	01110G01		FLAT WASHER, 1/4"	4
23				
24	642823		LOWER ROPS HARDWARE KIT (INCLUDES ITEMS 25 - 28)	1
25	631973		BUCKLE AND BRACKET ASSEMBLY, 13.5" LG	1
26	635630		BUTTON HEAD TORX BOLT, 7/16" - 20 X 1.25" LG	1
27	00560G3		FLAT WASHER, 1/2"	1
28	00734G3		LOCK NUT, 7/16" - 14	1

TRUCK BED - PLASTIC

1 PLASTIC BED ASSEMBLY (MANUAL LIFT) includes items 2 - 30

2 PLASTIC BED ASSEMBLY, 40" includes items 3 - 12



TRUCK BED - PLASTIC

THE USE OF NON U.L. PARTS WILL VOID ANY U.L. LISTING.

When ordering parts, please specify the model and serial number of the product.

* Indicates a component that is not available as an individual part.

*** Indicates consult Customer Service Department for additional information.

ITEM	PART NO.	1 2 3 4 5	DESCRIPTION	QTY.
1	633441		PLASTIC BED ASSEMBLY (MANUAL LIFT) (INCLUDES ITEMS 2 - 30)	1
2	73451G01		PLASTIC BED ASSEMBLY, 40" (INCLUDES ITEMS 3 - 12).....	1
3	*		BED.....	1
4	73448G01		TAILGATE	1
5	73450G01		ANGLE	1
6	73454G01		TAILGATE PIVOT SHAFT.....	2
7	73455G01		TAILGATE CABLE	2
8	16705G2		PAN HEAD PHILLIPS SCREW (SS), 1/4" - 20 X 5/8" LG.....	4
9	73460G01		SHOULDER BOLT, 1/4" - 20 X 3/4" LG.....	2
10	73449G01		EXTRUSION CHANNEL.....	1
11	00415G2		HEX HEAD BOLT, 1/4" - 20 X 1 1/4" LG	2
12	71541G01		SPACER.....	2
13				
14	71537G04		GAS SPRING	1
15				
16	14443G10		CLEVIS PIN, 1/2" X 3" LG	1
17	21683G1		COTTER PIN, .8" X 2.9" LG	1
18				
19	14443G12		CLEVIS PIN, 1/2" X 2.22" LG	1
20	21683G1		COTTER PIN, .8" X 2.9" LG	1
21				
22	71571G01		CLEVIS PIN, .75" O.D. X 5.25" LG.....	2
23	00571G5		FLAT WASHER, 5/16"	2
24	71570G01		BUSHING (ACETAL), 1/2" X 2.3" LG	2
25	624030		FLANGED BUSHING, 28.7MM O.D. X 13.4MM I.D. X 23.7MM LG.....	4
26	21683G1		COTTER PIN, .8" X 2.9" LG	2
27				
28	633245		GAS SPRING CHANNEL	1
29	01118G01		HEX HEAD BOLT (WITH PATCH LOCK), 1/4" - 20 X .77" LG	2
30	00642G7		FLAT WASHER, 1/4"	6
31				

TRUCK BED - PLASTIC

THE USE OF NON U.L. PARTS WILL VOID ANY U.L. LISTING.

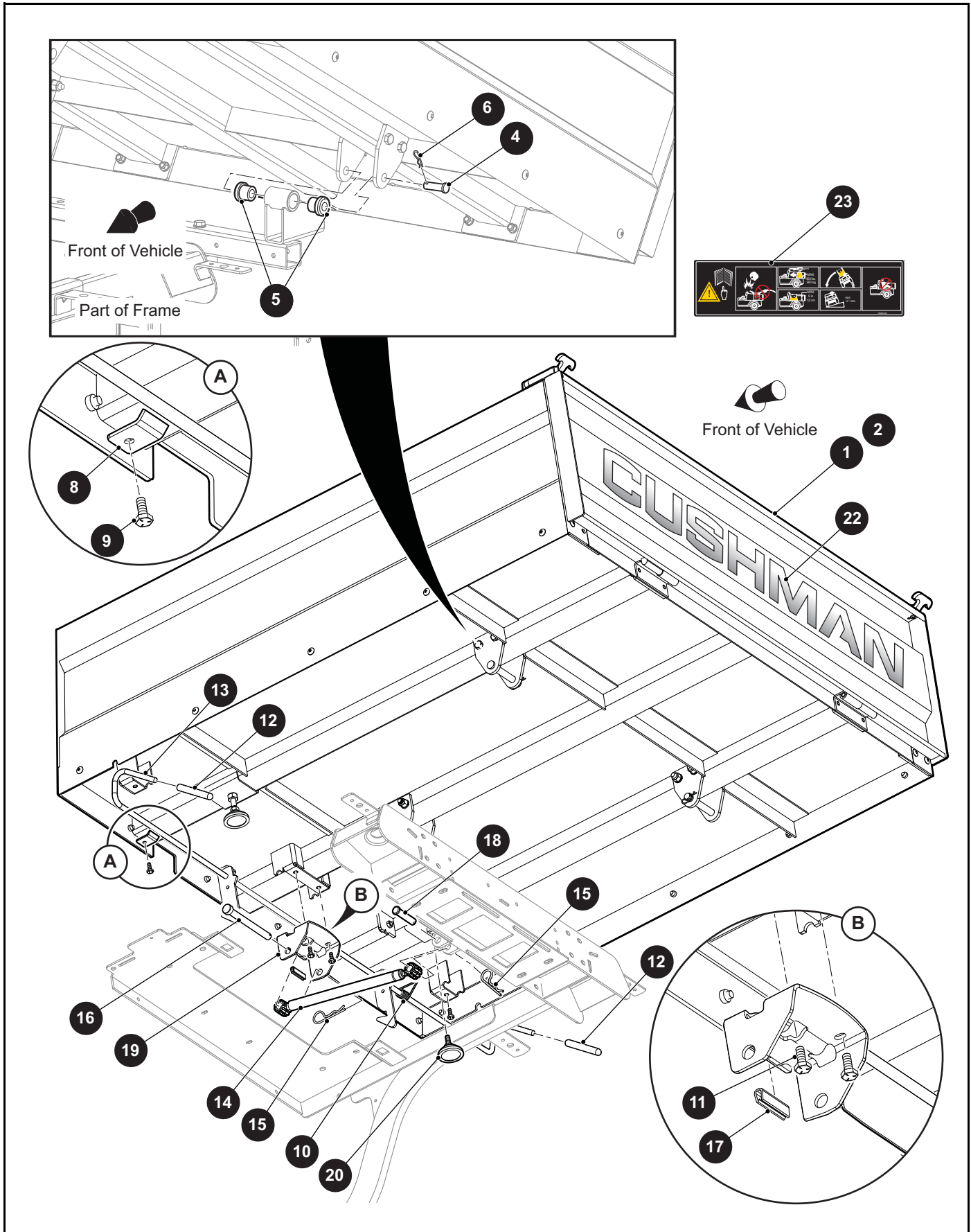
When ordering parts, please specify the model and serial number of the product.

* Indicates a component that is not available as an individual part.

*** Indicates consult Customer Service Department for additional information.

ITEM	PART NO.	1	2	3	4	5	DESCRIPTION	QTY.
32	633698						BED LATCH.....	1
33	652440G03						RETAINER BRACKET	1
34	01118G01						HEX HEAD BOLT (WITH PATCH LOCK), 1/4" - 20 X .77" LG	4
35	652442G03						LATCH PLATE	2
36	71538G01						BED LATCH TORSION SPRING.....	1
37								
38	71704G01						HANDLE GRIP	2
39	633679						BED BUMPER BRACKET.....	2
40	70113G01						ADJUSTABLE RUBBER BUMPER	2
41	11027G1						FLANGED LOCK NUT, 5/16" - 18	2
42								
43	74821G03						BED LOAD DECAL, 600 LBS.....	1
44	71055G01						RIVET (ALUMINUM), 3/16" X .985" LG	4
45	01006G01						FLANGED HEX HEAD BOLT, 3/8" - 16 X 1.25" LG.....	2

TRUCK BED - ALUMINUM



TRUCK BED - ALUMINUM

THE USE OF NON U.L. PARTS WILL VOID ANY U.L. LISTING.

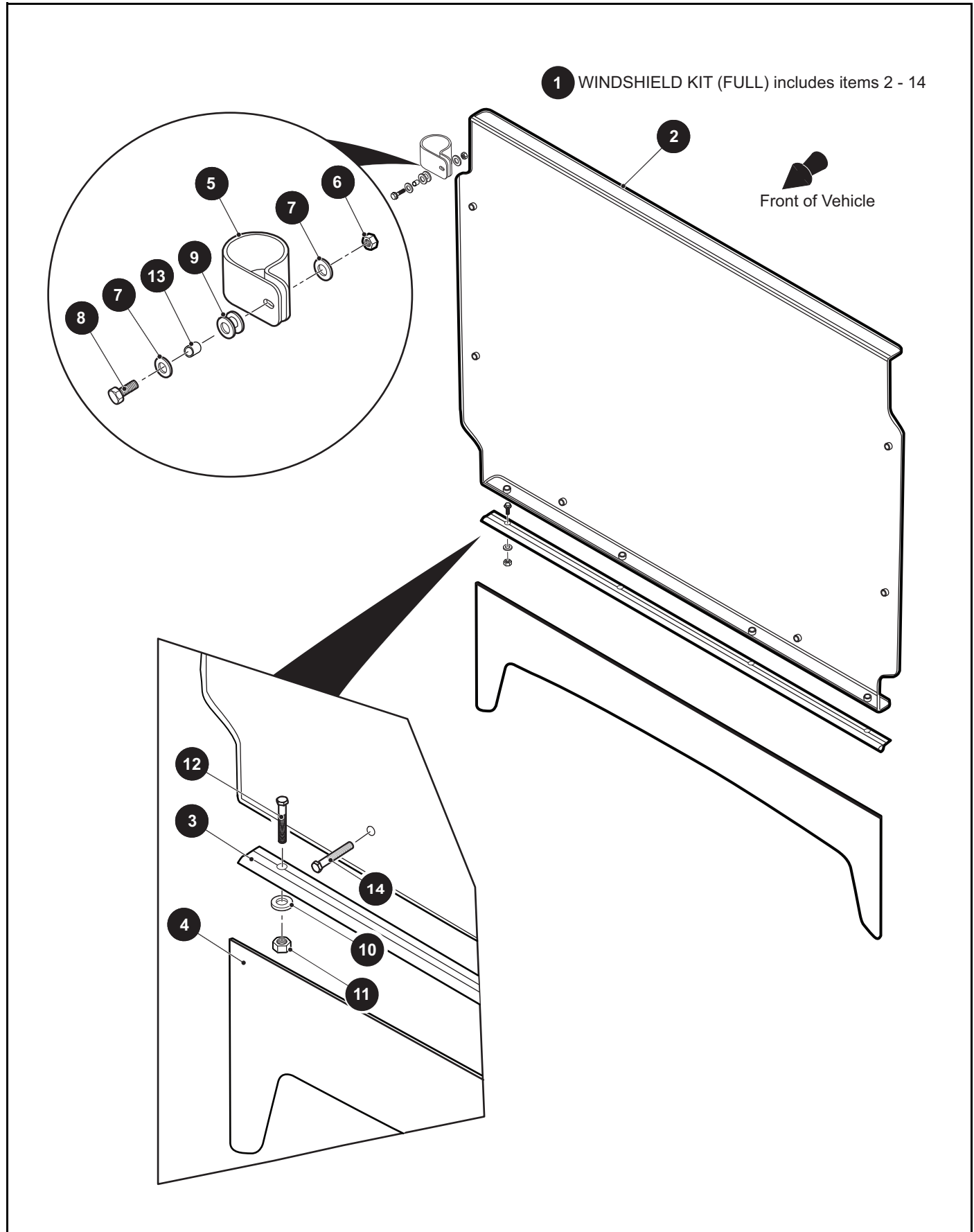
When ordering parts, please specify the model and serial number of the product.

* Indicates a component that is not available as an individual part.

*** Indicates consult Customer Service Department for additional information.

ITEM	PART NO.	1 2 3 4 5	DESCRIPTION	QTY.
1	628000		ALUMINUM BED (SHORT).....	1
2	640568		ALUMINUM BED (LARGE).....	1
3				
4	71571G01		CLEVIS PIN, .75" O.D. X 5.25" LG	2
5	624030		FLANGED BUSHING, 28.7MM O.D. X 13.4MM I.D. X 23.7MM LG	4
6	21683G1		COTTER PIN, .8" X 2.9" LG.....	2
7				
8	652442G03		LATCH PLATE	2
9	01118G01		HEX HEAD BOLT (WITH PATCH LOCK), 1/4" - 20 X .77" LG.....	2
10	71538G01		BED LATCH TORSION SPRING	1
11	01118G01		HEX HEAD BOLT (WITH PATCH LOCK), 1/4" - 20 X .77" LG.....	2
12	71704G01		HANDLE GRIP.....	2
13	633698		BED LATCH	1
14	71537G04		GAS SPRING.....	1
15	21683G1		COTTER PIN, .8" X 2.9" LG.....	2
16	71571G01		CLEVIS PIN, .75" O.D. X 5.25" LG	1
17	22281G3		TRIM (BLACK), 1.5" LG	1
18	14443G12		CLEVIS PIN, 1/2" X 2.22" LG.....	1
19	643008		LATCH RETAINER BRACKET.....	1
20	644120		ADJUSTABLE BUMPER.....	2
21				
22	618088		REAR BED DECAL.....	1
23	35980G04		BED LOAD DECAL, 800 LBS	1

WEATHER PROTECTION



WEATHER PROTECTION

THE USE OF NON U.L. PARTS WILL VOID ANY U.L. LISTING.

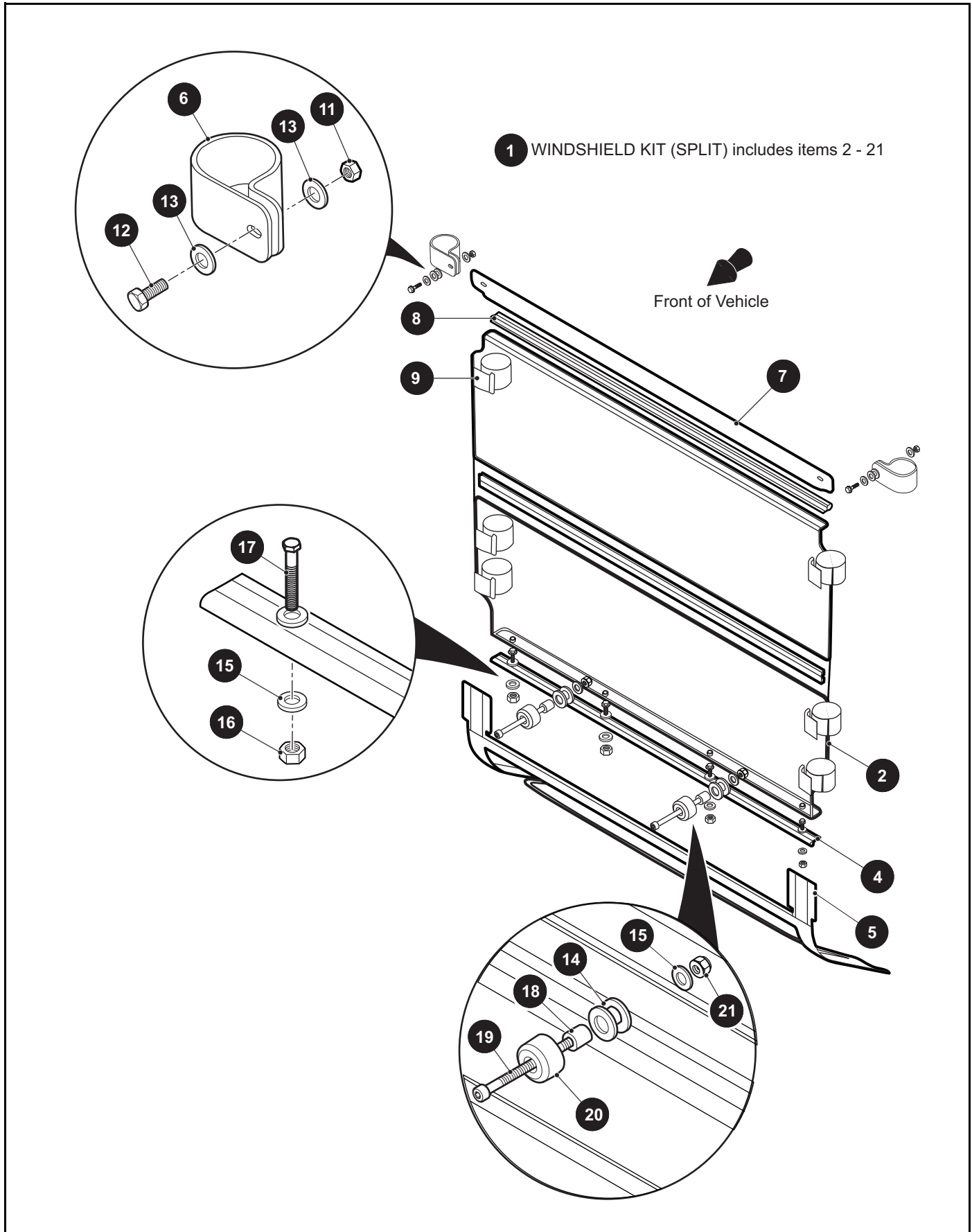
When ordering parts, please specify the model and serial number of the product.

* Indicates a component that is not available as an individual part.

*** Indicates consult Customer Service Department for additional information.

ITEM	PART NO.	1 2 3 4 5	DESCRIPTION	QTY.
1	627079		WINDSHIELD KIT (FULL) (INCLUDES ITEMS 2 - 14)	1
2	*		WINDSHIELD	1
3	*		AWNING MOLDING (ALUMINUM).....	1
4	*		TEXTILE SKIRT PLACEHOLDER.....	1
5	*		PLASTIC CLAMP	4
6	*		HEX NUT	6
7	*		FLAT WASHER	12
8	*		HEX HEAD BOLT	4
9	*		WINDSHIELD GROMMET	6
10	*		FLAT WASHER	8
11	*		HEX NUT	4
12	*		HEX HEAD BOLT	4
13	*		CRUSH SLEEVE	6
14	*		HEX HEAD BOLT	2

WEATHER PROTECTION



WEATHER PROTECTION

THE USE OF NON U.L. PARTS WILL VOID ANY U.L. LISTING.

When ordering parts, please specify the model and serial number of the product.

* Indicates a component that is not available as an individual part.

*** Indicates consult Customer Service Department for additional information.

ITEM	PART NO.	1 2 3 4 5	DESCRIPTION	QTY.
1	627080		WINDSHIELD KIT (SPLIT) (INCLUDES ITEMS 2 - 21).....	1
2	*		WINDSHIELD	1
3				
4	*		AWNING MOLDING (ALUMINUM).....	1
5	*		TEXTILE SKIN PLACEHOLDER	1
6	*		PLASTIC CLAMP	2
7	*		UPPER METAL SEAL	1
8	*		UNIGRIP.....	1
9	*		TEXTILE STRAP	6
10				
11	*		HEX NUT.....	2
12	*		HEX HEAD BOLT	2
13	*		FLAT WASHER	4
14	*		GROMMET	2
15	*		FLAT WASHER	10
16	*		HEX NUT.....	4
17	*		HEX HEAD BOLT	4
18	*		CRUSH SLEEVE	2
19	*		HEX HEAD BOLT	2
20	*		BUMPER	2
21	*		HEX NUT.....	2
22				

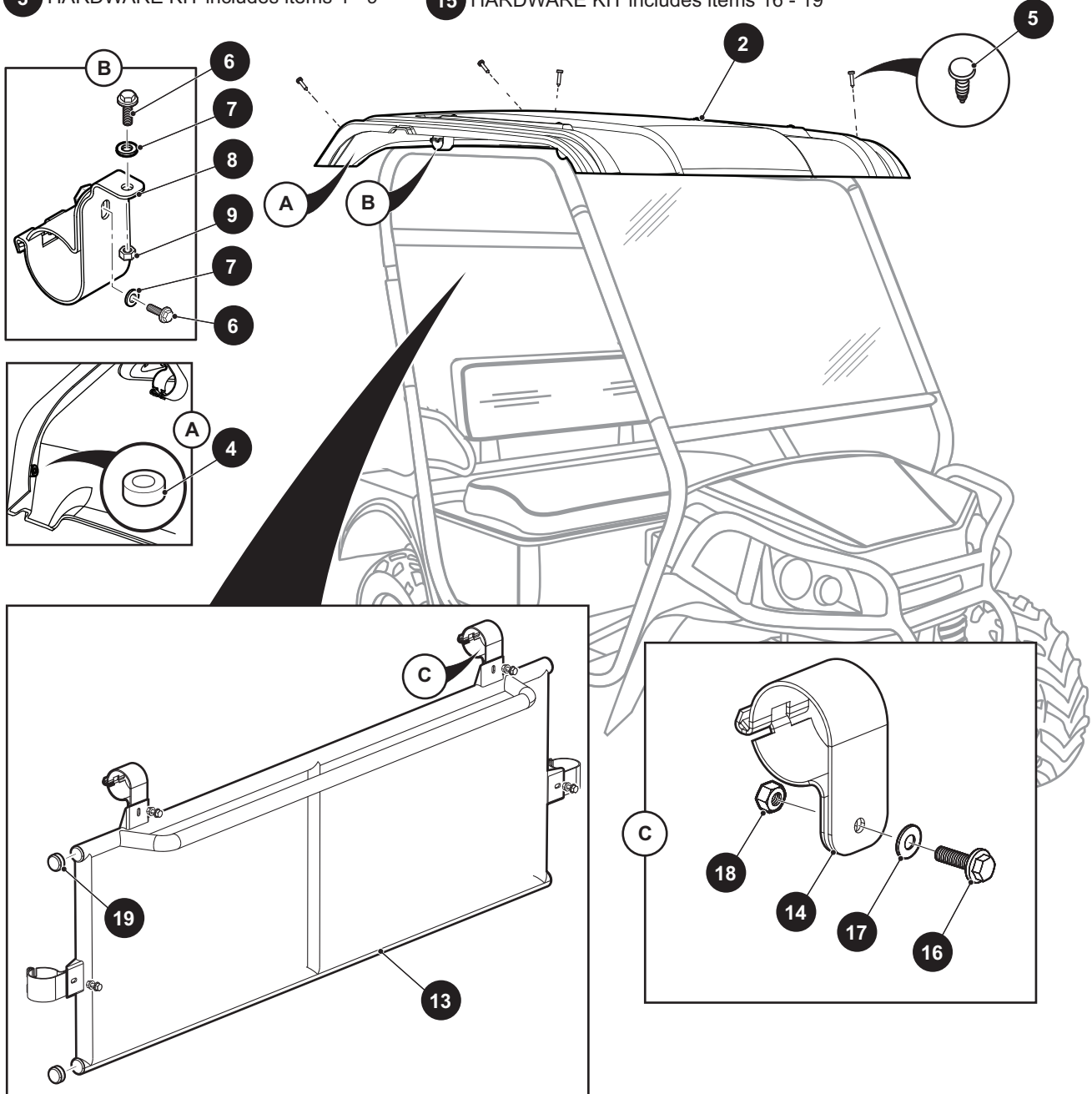
WEATHER PROTECTION

1 BAD BOY TOP KIT includes items 2, 3

12 LOWER CAB GUARD KIT includes items 13 - 15

3 HARDWARE KIT includes items 4 - 9

15 HARDWARE KIT includes items 16 - 19



WEATHER PROTECTION

THE USE OF NON U.L. PARTS WILL VOID ANY U.L. LISTING.

When ordering parts, please specify the model and serial number of the product.

* Indicates a component that is not available as an individual part.

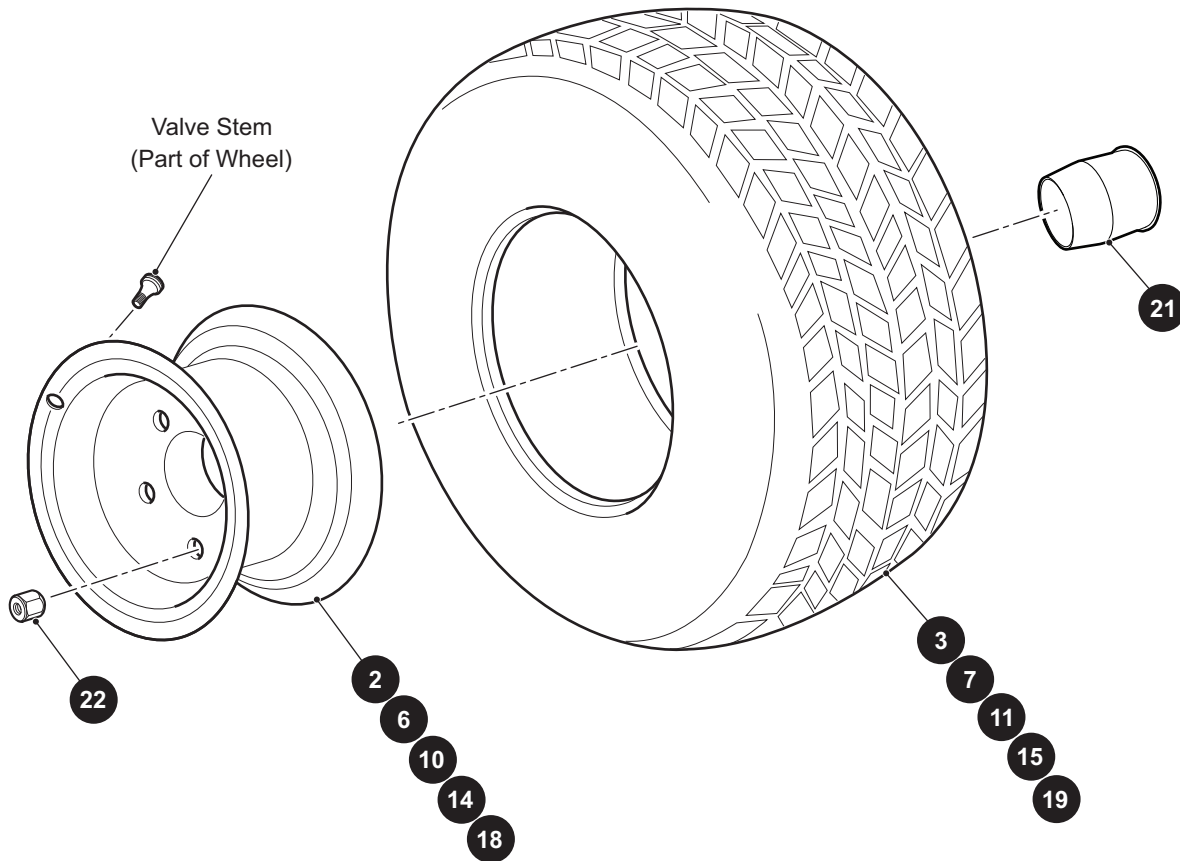
*** Indicates consult Customer Service Department for additional information.

ITEM	PART NO.	1 2 3 4 5	DESCRIPTION	QTY.
1	628584		CANOPY TOP KIT, 43" LG (INCLUDES ITEMS 2, 3).....	1
2	627077		CANOPY TOP	1
3	628585		HARDWARE KIT (INCLUDES ITEMS 4 - 9)	1
4	*		RUBBER SPACER.....	4
5	*		CHRISTMAS TREE PUSH RIVET.....	4
6	*		FLANGED HEX HEAD BOLT, M6 - 1 X 20MM LG.....	8
7	*		FLAT WASHER, 1/4"	12
8	*		CLAMP (2 PIECE).....	4
9	*		HEX NUT, M6 - 1.....	4
10				
11				
12	627088		LOWER CAB GUARD KIT (INCLUDES ITEMS 13 - 15)	1
13	*		CAB GUARD WELDMENT.....	1
14	*		CLAMP	4
15	*		HARDWARE KIT (INCLUDES ITEMS 16 - 19)	1
16	*		FLANGED HEX HEAD BOLT, M6 - 1 X 20MM LG.....	8
17	*		FLAT WASHER, 1/4"	12
18	*		HEX NUT, M6 - 1.....	4
19	*		TUBE PLUG, 1" DIA.....	4

WHEELS AND TIRES

- 1 WHEEL AND TIRE ASSEMBLY, TERRA TRAC (BLACK STEEL) includes items 2, 3
- 5 WHEEL AND TIRE ASSEMBLY (REAR), KENDA 590 (BLACK STEEL) (DRIVER SIDE) includes item 6, 7
- 9 WHEEL AND TIRE ASSEMBLY (FRONT), KENDA 590 (BLACK STEEL) (DRIVER SIDE) includes item 10, 11
- 13 WHEEL AND TIRE ASSEMBLY (REAR), KENDA 590 (BLACK STEEL) (PASSENGER SIDE) includes item 14, 15
- 17 WHEEL AND TIRE ASSEMBLY (FRONT), KENDA 590 (BLACK STEEL) (PASSENGER SIDE) includes item 18, 19

(Style of tire may differ from tire shown)



WHEELS AND TIRES

THE USE OF NON U.L. PARTS WILL VOID ANY U.L. LISTING.

When ordering parts, please specify the model and serial number of the product.

* Indicates a component that is not available as an individual part.

*** Indicates consult Customer Service Department for additional information.

ITEM	PART NO.	1 2 3 4 5	DESCRIPTION	QTY.
1	640412		WHEEL AND TIRE ASSEMBLY, TERRA TRAC (BLACK STEEL) (INCLUDES ITEMS 2, 3).....	1
2	631041		WHEEL (STEEL), 12" X 7"	1
3	640413		TIRE (TERRA TRAC), 25" X 10" X 12"	1
4				
5	639551		WHEEL AND TIRE ASSEMBLY (REAR), KENDA 590 (BLACK STEEL) (DRIVER SIDE) (INCLUDES ITEMS 6, 7)	1
6	631041		WHEEL (STEEL), 12" X 7"	1
7	639541		TIRE (KENDA), 25" X 11" X 12"	1
8				
9	639550		WHEEL AND TIRE ASSEMBLY (FRONT), KENDA 590 (BLACK STEEL) (DRIVER SIDE) (INCLUDES ITEMS 10, 11)	1
10	631041		WHEEL (STEEL), 12" X 7"	1
11	639540		TIRE (KENDA), 25" X 8" X 12"	1
12				
13	639549		WHEEL AND TIRE ASSEMBLY (REAR), KENDA 590 (BLACK STEEL) (PASSENGER SIDE) (INCLUDES ITEMS 14, 15).....	1
14	631041		WHEEL (STEEL), 12" X 7"	1
15	639541		TIRE (KENDA), 25" X 11" X 12"	1
16				
17	639548		WHEEL AND TIRE ASSEMBLY (FRONT), KENDA 590 (BLACK STEEL) (PASSENGER SIDE) (INCLUDES ITEMS 18, 19).....	1
18	631041		WHEEL (STEEL), 12" X 7"	1
19	639540		TIRE (KENDA), 25" X 8" X 12"	1
20				
21	630268		FLAT CENTER CAP (BLACK)	1
22	14723G1		LUG NUT, 1/2" - 20	4



CUSHMAN®
LET'S WORK!

E-Z-GO Division of Textron Inc.,
1451 Marvin Griffin Road, Augusta, Georgia 30906 - 3852 USA

TO CONTACT US...

North America:

Technical Assistance & Warranty Phone: 1-800-774-3946, FAX: 1-800-448-8124

Service Parts Phone: 1-888-GET-E-Z-GO (1-888-438-3946), FAX: 1-800-752-6175

International: Phone: 001-706-798-4311, FAX: 001-706-771-4609

Service Parts Manuals, as well as Repair and Service Manuals
are available from a local Distributor, an authorized Branch,
Genuine E-Z-GO Parts & Accessories Department or at www.shopezgo.com.

Copyrighted Material
This manual may not be reproduced in whole or
in part without the express permission of
E-Z-GO Division of Textron Inc.
Technical Communications Department