



CUSHMAN®
LET'S WORK.®

72V SHUTTLE 2+2
Service Parts Manual

SERVICE PARTS MANUAL

72V ELECTRIC POWERED UTILITY VEHICLE

SHUTTLE 2+2

STARTING MODEL YEAR 2017

CALIFORNIA Proposition 65 Warning

WARNING: Motor vehicles may contain fuels, oils and fluids, battery posts, terminals, and related accessories which contain lead and lead compounds and other chemicals identified by the State of California to potentially cause cancer, birth defects, and other reproductive harm. These chemicals are found in vehicles, vehicle parts and accessories, both new and replacements. During maintenance, these vehicles generate used oil, waste fluids, grease, fumes, and particulates, all identified by the State of California to potentially cause cancer, birth defects, and other reproductive harm.

Never modify the vehicle in any way that will alter the weight distribution of the vehicle, decrease its stability or increase the speed beyond the factory specifications. Such modifications can cause serious personal injury or death. Textron Specialized Vehicles prohibits and dis-claims responsibility for any such modifications or any other alteration which would adversely affect the safety of the vehicle. TSV reserves the right to incorporate engineering and design changes to products in this manual, without obligation to include these changes on units sold previously.

The information contained in this manual may be revised periodically by TSV, and therefore is subject to change without notice.

TSV DISCLAIMS LIABILITY FOR ERRORS IN THIS MANUAL, and SPECIFICALLY DISCLAIMS LIABILITY FOR INCIDENTAL AND CONSEQUENTIAL DAMAGES resulting from the use of the information and materials in this manual.

These are the original instructions as defined by 2006/42/EC.

TO CONTACT US:

Textron Specialized Vehicles, Inc.

1451 Marvin Griffin Road

Augusta, Georgia, USA 30906-3852

NORTH AMERICA:

Technical Assistance & Warranty PHONE: 1-800-774-3946, FAX: 1-800-448-8124

Service Parts PHONE: 1-888-438-3946, FAX: 1-800-752-6175

International: PHONE: 001-706-798-4311, FAX: 001-706-771-4609

email: cushmancomm@textron.com

GENERAL INFORMATION

This vehicle has been designed and manufactured in the United States of America (USA). The Standards and Specifications listed in the following text originate in the USA unless otherwise indicated.

The use of non-Original Equipment Manufacturer (OEM) approved parts may void the warranty.

Failure to properly maintain batteries may void the warranty. Refer to the battery manual for instructions on the proper maintenance and care of the batteries.

BATTERY PROLONGED STORAGE

Batteries self-discharge over time. The rate of self-discharge varies depending on the ambient temperature, the age and condition of the batteries.

Fully charged batteries will not freeze in winter temperatures unless the temperature falls below -75°F (-60°C).

For winter storage, the batteries must be clean, fully charged and disconnected from any source of electrical drain.

The battery charger may remain connected to the vehicle to maintain a full charge on the batteries, provided the charger is plugged into an active electrical source. If power to the electrical source is disconnected or interrupted, the battery charger continues to check the charge on the battery pack. This pulls power from the battery pack and eventually drains the batteries if power is not restored in a timely manner.

As with all electric vehicles, the batteries must be checked and recharged as required or at a minimum of 30 day intervals.

Check and maintain the proper fluid level in all battery cells during the storage period. Proper fluid level is required for maximum battery performance.

BATTERY DISPOSAL

Lead-acid batteries are recyclable. Return whole scrap batteries to distributor, manufacturer or lead smelter for recycling. For neutralized spills, place residue in acid-resistant containers with absorbent material such as sand. Dispose in accordance with local, state and federal regulations for acid and lead compounds. Contact local and/or state environmental officials regarding disposal information.

TABLE OF CONTENTS

SECTION	Page No.
HOW TO USE THE SERVICE PARTS MANUAL.....	V
ACCELERATOR.....	A
BATTERY CHARGER.....	B
BODY.....	C
BRAKES.....	D
ELECTRICAL.....	E
ELECTRONIC SPEED CONTROL.....	F
FRONT SUSPENSION AND STEERING.....	G
MOTOR.....	H
REAR AXLE.....	J
REAR SUSPENSION.....	K
SEATING.....	L
WEATHER PROTECTION.....	M
WHEELS AND TIRES.....	N
DECALS AND LABELS.....	P

NOTES



HOW TO USE THE SERVICE PARTS MANUAL

This manual is divided into several sections:

- GENERAL INFORMATION
- ILLUSTRATED PARTS BREAKDOWN

The first section, GENERAL INFORMATION, contains the following information:

- WARRANTY INFORMATION
- GENERAL INDEX
- HOW TO USE THE SERVICE PARTS MANUAL

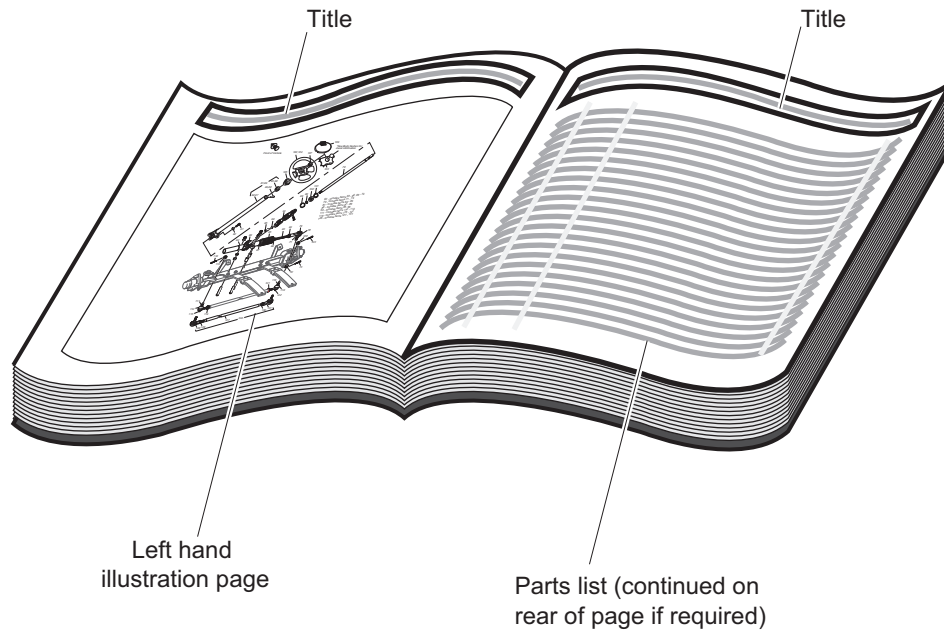
The second section, ILLUSTRATED PARTS BREAKDOWN, contains illustrations and parts lists for all systems of your vehicle.

USE OF THE MANUAL

To use this manual, consult the TABLE OF CONTENT to locate the information or illustration required.

Introduction of some revisions varies due to supply of components; therefore, it is possible that various combinations of components may be found that are not directly reflected by each illustration. Consult the illustration that best suits your situation and then contact the Service Parts Department. It is important that the serial number of your vehicle and its model number be supplied to Service Parts when ordering any replacement components.

HOW TO USE THE SERVICE PARTS MANUAL



1. WHEN THE PART NUMBER IS NOT KNOWN

- Determine the function and application of the part required. Turn to the TABLE OF CONTENT and select the most appropriate title.
- Turn to the page number indicated and locate the desired part on the illustration.
- From the illustration, obtain the item number assigned to the desired part. Refer to the accompanying description for specific information regarding the part.

2. IF YOU KNOW THE PART NUMBER

- Locate the part number or description in the appropriate column on the parts list page.

NOTE: Confirm the part selected is correct by verifying it with the illustration.

If an asterisk (*) appears in the part number column on the parts list page, read upward until a part number is found. The part number is the lowest assembly sold by Service Parts and the asterisk (*) indicates the part depicted is not available for purchase.

NOTE: Descriptions are indented under the assembly that they are used on. That assembly is, in turn listed under the assembly that it is used on. This process is repeated until the highest final assembly is reached.

To facilitate the maintenance and repair of the vehicle, a Technician's Repair and Service Manual is available from the Service Parts Department.

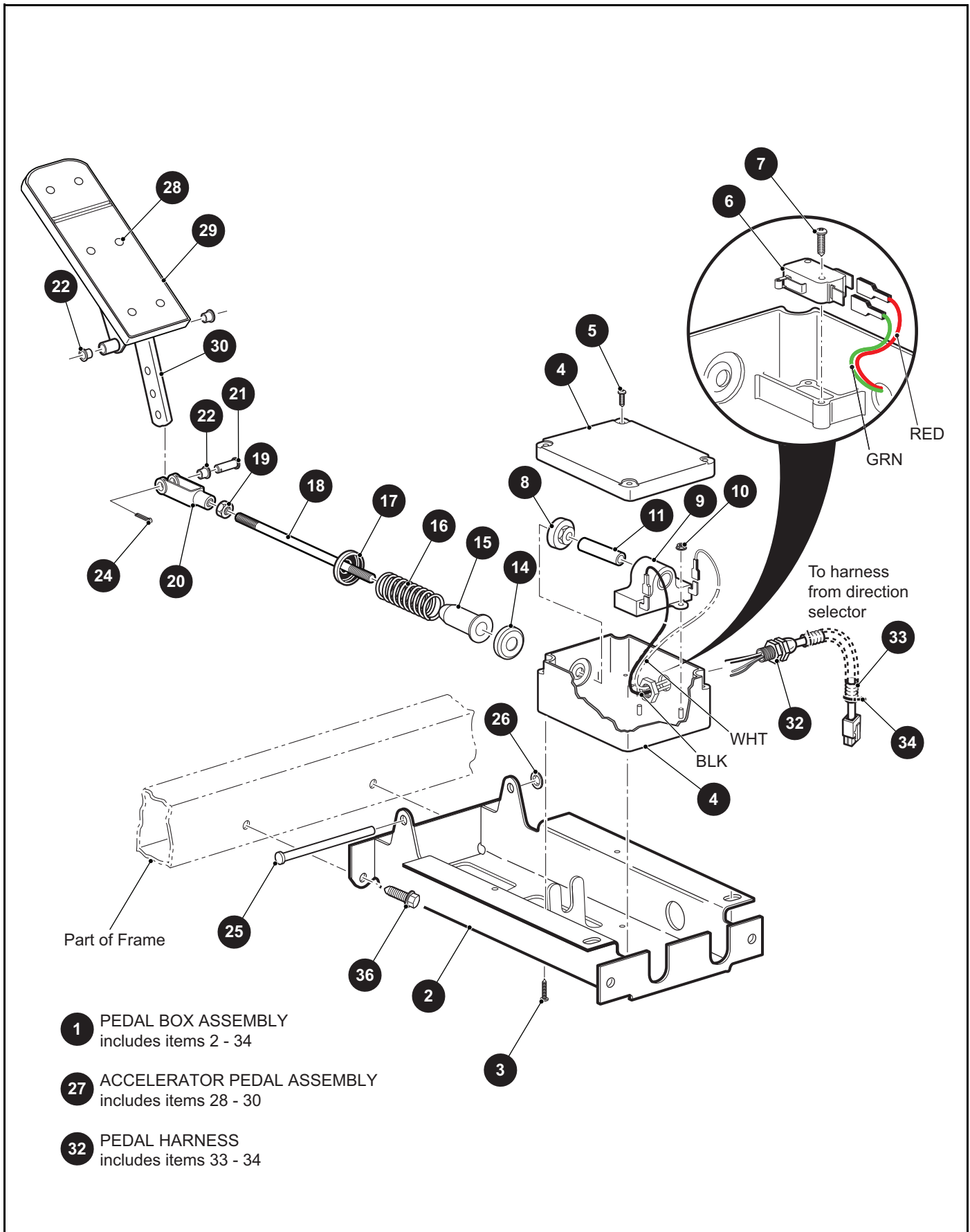
HOW TO USE THE SERVICE PARTS MANUAL

3. COLOR CODE FOR BODY COMPONENTS

The last two digits of the part number for the body part will denote the color code, locate the part number for the cowl, rear body, seat pod, side panel or seat wrap then locate your color in the list below, replace the last ** or XX with the two digit color code.

<u>CODE #</u>	<u>DESCRIPTION</u>
11	BLACK
19	PATRIOT BLUE PEARL
20	INFERNO RED METALLIC
26	STEEL BLUE PEARL
31	METALLIC CHARCOAL
35	SAFETY YELLOW
36	IVORY
37	FOREST GREEN
38	BRIGHT WHITE
39	FLAME RED
41	ELECTRIC BLUE
42	PLATINUM
43	BURGUNDY
44	ALMOND
51	SUNBURST ORANGE
52	BRITISH RACING GREEN
79	JACOBSEN ORANGE 172
A5	OCEAN GRAY

ACCELERATOR



1 PEDAL BOX ASSEMBLY
includes items 2 - 34

27 ACCELERATOR PEDAL ASSEMBLY
includes items 28 - 30

32 PEDAL HARNESS
includes items 33 - 34

THE USE OF NON U.L. PARTS WILL VOID ANY U.L. LISTING.

When ordering parts, please specify the model and serial number of the product.

* Indicates a component that is not available as an individual part.

*** Indicates consult Customer Service Department for additional information.

ITEM	PART NO.	1 2 3 4 5	DESCRIPTION	QTY.
1	73333G11		PEDAL BOX ASSEMBLY (INCLUDES ITEMS 2 - 34)	1
2	652241G03		ACCELERATOR PEDAL BRACKET	1
3	01051G01		PAN HEAD PHILLIPS SCREW, #8 - 10 X 1/2" LG	4
4	25853G01		PEDAL BOX AND COVER	1
5	00684G6		TRUSS HEAD SCREW (SS), #8 - 32 X 3/4" LG	2
6	25861G01		MICRO SWITCH	1
7	01050G01		PAN HEAD TORX SCREW, #4 - 20 X 5/8" LG	2
8	28444G01		ACCELERATOR ROD CAM	1
9	25854G01		INDUCTIVE THROTTLE SENSOR	1
10	00983G01		SELF THREADING NUT, .38"	2
11	602484		PLUNGER	1
12				
13				
14	17677G1		SPRING RETAINER	1
15	17979G1		BUSHING, .75" X 2" LG	1
16	73046G01		COMPRESSION SPRING	1
17	17677G2		SPRING RETAINER, 3/8"	1
18	73332G01		ACCELERATOR ROD	1
19	00532G4		HEX NUT, 5/16" - 24	1
20	10385G4		CLEVIS YOKE (ADJUSTABLE)	1
21	10386G3		CLEVIS PIN, 5/16" X 13/16" LG	1
22	17838G1		NYLON BUSHING, .37" X .31" LG	3
23				
24	10387G3		COTTER PIN, 3/32" X 3/4" LG	1
25	74432G01		PEDAL PIVOT PIN	1
26	12064G6		PUSH NUT, 5/16"	1
27	25799G03		ACCELERATOR PEDAL ASSEMBLY (INCLUDES ITEMS 28 - 30)	1
28	16409G1		OVAL RIVET, 3/16" X 7/16" LG	6
29	27512G01		ACCELERATOR PEDAL PAD	1
30	652824		ACCELERATOR PEDAL	1
31				

ACCELERATOR

THE USE OF NON U.L. PARTS WILL VOID ANY U.L. LISTING.

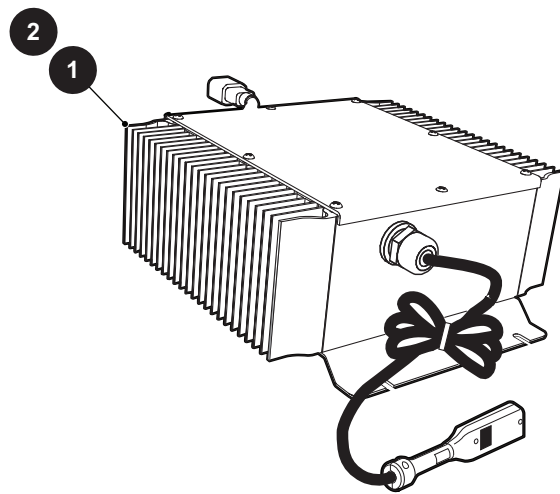
When ordering parts, please specify the model and serial number of the product.

* Indicates a component that is not available as an individual part.

*** Indicates consult Customer Service Department for additional information.

ITEM	PART NO.	1	2	3	4	5	DESCRIPTION	QTY.
32	25879G08						PEDAL HARNESS (INCLUDES ITEMS 33 - 34)	1
33	17313G1						LOOM FLEX (BULK), 3/8"	1
34	17618G1						NYLON CLAMP, 8" LG	2
35								
36	00715G2						HEX HEAD BOLT, 5/16" - 18 X 3/4" LG.....	4

BATTERY CHARGER



BATTERY CHARGER

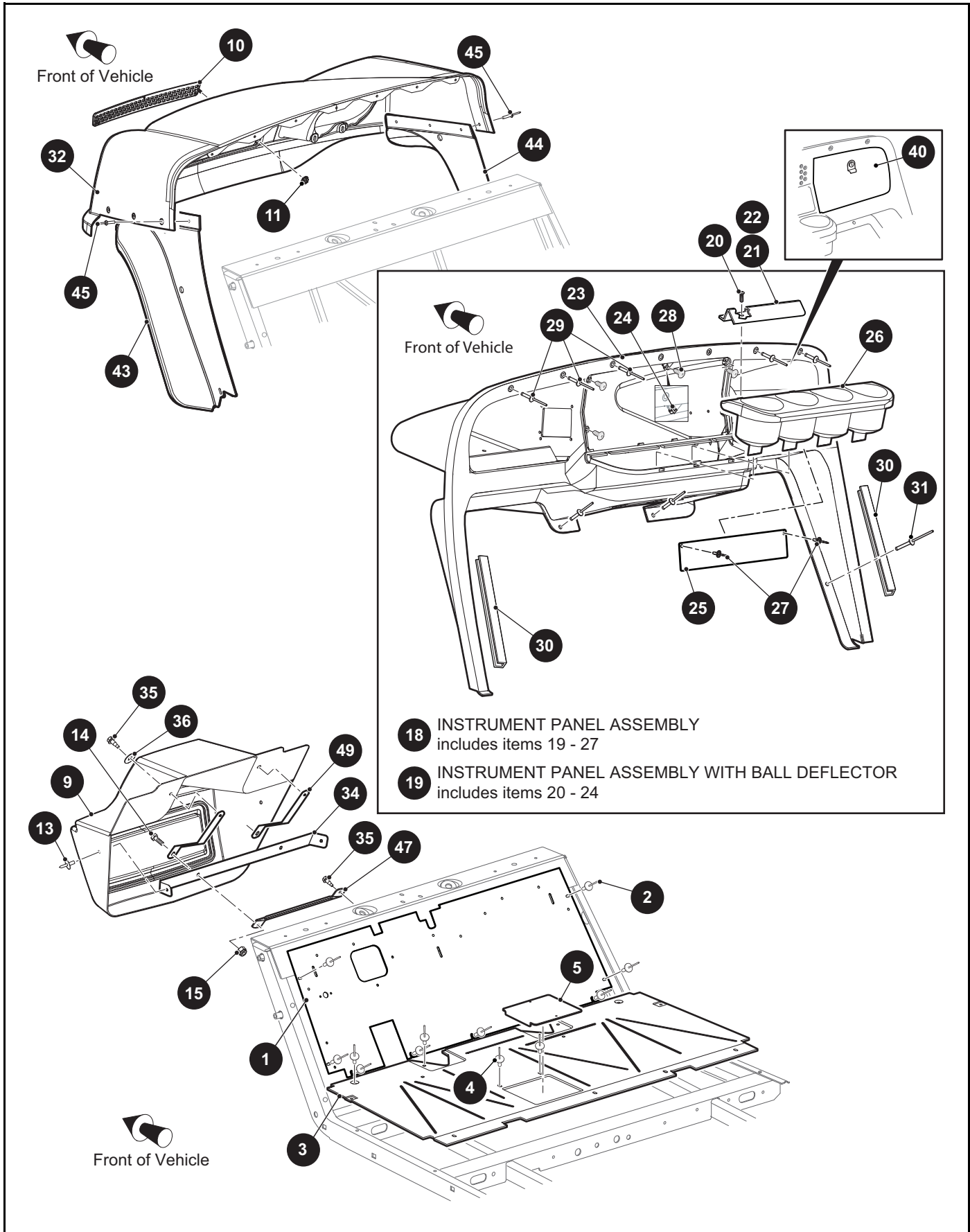
THE USE OF NON U.L. PARTS WILL VOID ANY U.L. LISTING.

When ordering parts, please specify the model and serial number of the product.

* Indicates a component that is not available as an individual part.

*** Indicates consult Customer Service Department for additional information.

ITEM	PART NO.	1 2 3 4 5	DESCRIPTION	QTY.
1	645743		72V BATTERY CHARGER, 1500W	1
2	634567		72V BATTERY CHARGER, 1000W	1



THE USE OF NON U.L. PARTS WILL VOID ANY U.L. LISTING.

When ordering parts, please specify the model and serial number of the product.

* Indicates a component that is not available as an individual part.

*** Indicates consult Customer Service Department for additional information.

ITEM	PART NO.	1 2 3 4 5	DESCRIPTION	QTY.
1	641260		UPPER FLOORPAN	1
2	14601G11		RIVET (ALUMINUM), 3/16" X 9/16" LG	7
3	70451G01		LOWER FLOORPAN	1
4	14601G11		RIVET (ALUMINUM), 3/16" X 9/16" LG	9
5	70452G01		ACCESS COVER.....	1
6				
7				
8				
9	613273		FRONT FASCIA.....	1
10	617643		COWL GRILL COVER	1
11	71597G01		SELF THREADING NUT, 5MM X 10MM X 15MM LG	2
12				
13	15058G1		RIVET (ALUMINUM), .87" LG	2
14	00414G6		HEX HEAD BOLT, 1/4" - 20 X 3/4" LG	2
15	14390G4		LOCK NUT, 1/4" - 20.....	2
16				
17				
18	662328		INSTRUMENT PANEL ASSEMBLY (INCLUDES ITEM 19 - 27).....	1
19	71917G01		INSTRUMENT PANEL ASSEMBLY WITH BALL DEFLECTOR (INCLUDES ITEM 20 - 24)	1
20	00614G3		PAN HEAD PHILLIPS SCREW, #8 - 15 X 3/8" LG	4
21	71158G01		BALL DEFLECTOR (PASSENGER SIDE)	1
22	71153G01		BALL DEFLECTOR (DRIVER SIDE)	1
23	628010		INSTRUMENT PANEL	1
24	71364G02		SPEED NUT "J" TYPE, #8	5
25	662223		SAFETY CONSOLE LABEL BRACKET	1
26	71158G01		CUP HOLDER INSERT	1
27	71055G01		RIVET (ALUMINUM), 3/16" X 1" LG	2
28	608290		SELF TAPPING SCREW, #10 - 16 X 3/4" LG.....	5
29	71055G01		RIVET (ALUMINUM), 3/16" X 1" LG	7
30	71115G01		VINYL TRIM	2

BODY

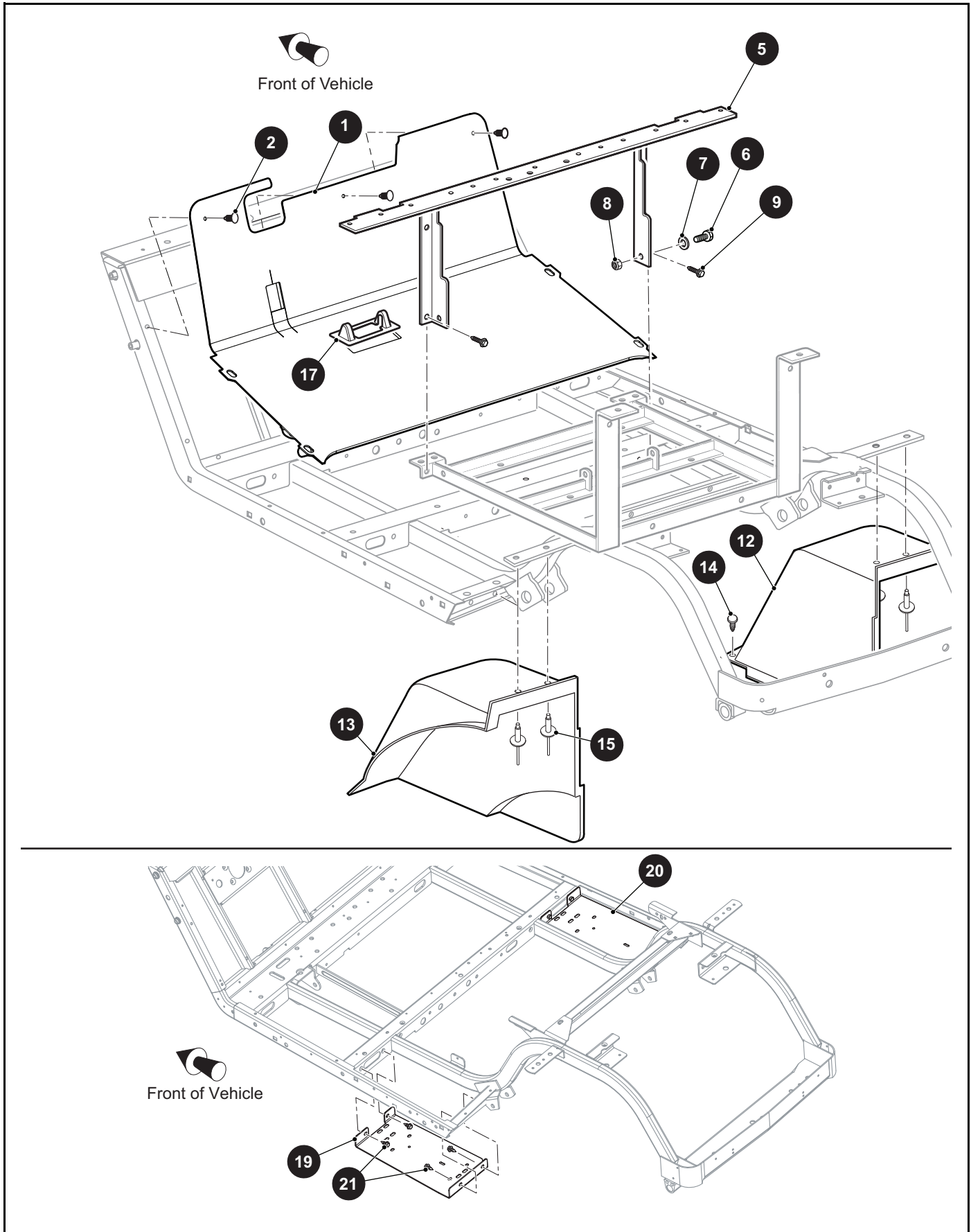
THE USE OF NON U.L. PARTS WILL VOID ANY U.L. LISTING.

When ordering parts, please specify the model and serial number of the product.

* Indicates a component that is not available as an individual part.

*** Indicates consult Customer Service Department for additional information.

ITEM	PART NO.	1 2 3 4 5	DESCRIPTION	QTY.
31	71055G01		RIVET (ALUMINUM), 3/16" X 1" LG.....	2
32	613036G0XX		COWL (See COLOR CODE in HOW TO USE Section of Manual)	1
33				
34	654275		FASCIA BRACKET	1
35	01038G01		HEX WASHER HEAD SWAGEFORM SCREW WITH DOGPOINT, 1/4" - 20 X .7" LG	2
36	16469G1		FENDER WASHER, 9/32"	2
37				
38				
39				
40	75459G03		GLOVE BOX DOOR (PASSENGER SIDE)	1
41				
42				
43	614378		FENDER FLARE (DRIVER SIDE).....	1
44	613274		FENDER FLARE (PASSENGER SIDE)	1
45	71055G01		RIVET (ALUMINUM), 3/16" X 1" LG.....	3
46				
47	654276		FRONT SHIELD BRACE	2
48				
49	664610		COWL STRAP	2



THE USE OF NON U.L. PARTS WILL VOID ANY U.L. LISTING.

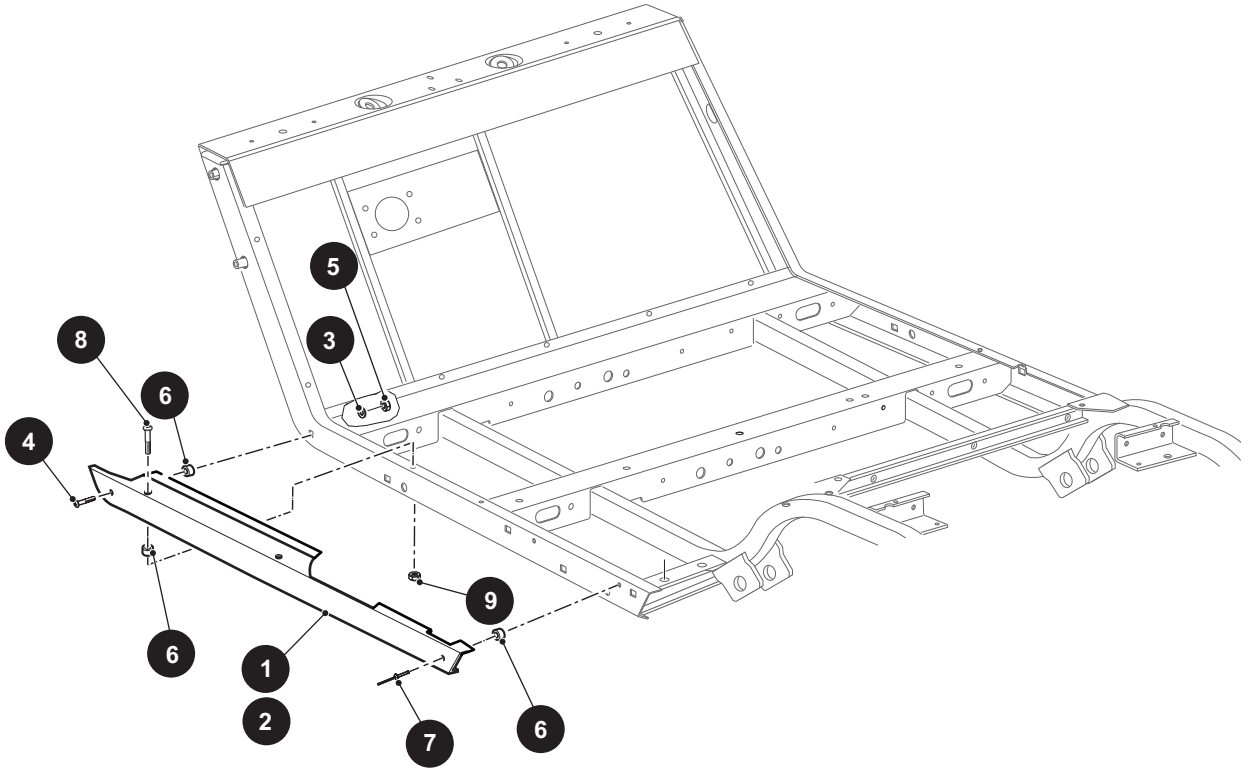
When ordering parts, please specify the model and serial number of the product.

* Indicates a component that is not available as an individual part.

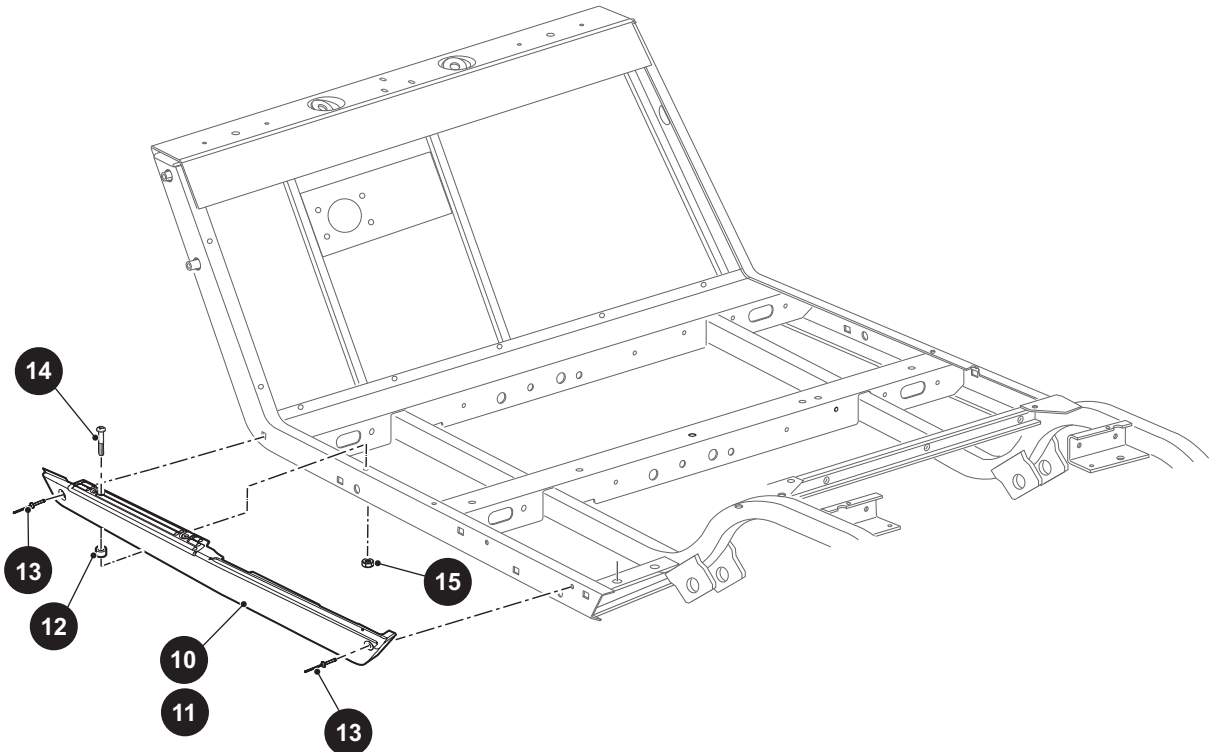
*** Indicates consult Customer Service Department for additional information.

ITEM	PART NO.	1 2 3 4 5	DESCRIPTION	QTY.
1	70663G03		FLOOR MAT	1
2	16816G1		RATCHET RIVET, .25" X .72"	3
3				
4				
5	70441G01		SEAT FRAME	1
6	00438G6		HEX HEAD BOLT, 5/16" - 18 X .625 LG	2
7	00559G8		FLAT WASHER, 5/16"	2
8	11098G6		LOCK NUT , 5/16" - 18	2
9	00715G2		HEX WASHER HEAD BOLT, 5/16" - 18 X .8" LG	2
10				
11				
12	658946		FENDER LINER (PASSENGER SIDE).....	1
13	658949		FENDER LINER (DRIVER SIDE)	1
14	16816G2		RATCHET FASTENER, 1/4" X .887" LG.....	4
15	10570G12		RIVET (ALUMINUM), .257" X .556" LG	2
16				
17	70135G01		PEDAL PIVOT COVER	1
18				
19	652443G103		BATTERY TRAY BRACKET (DRIVER SIDE)	1
20	652443G203		BATTERY TRAY BRACKET (PASSENGER SIDE)	1
21	00715G2		HEX WASHER HEAD BOLT, 5/16" - 18 X .8" LG	4

FOR VEHICLES MANUFACTURED BEFORE JUNE 02, 2019



FOR VEHICLES MANUFACTURED AFTER JUNE 02, 2019



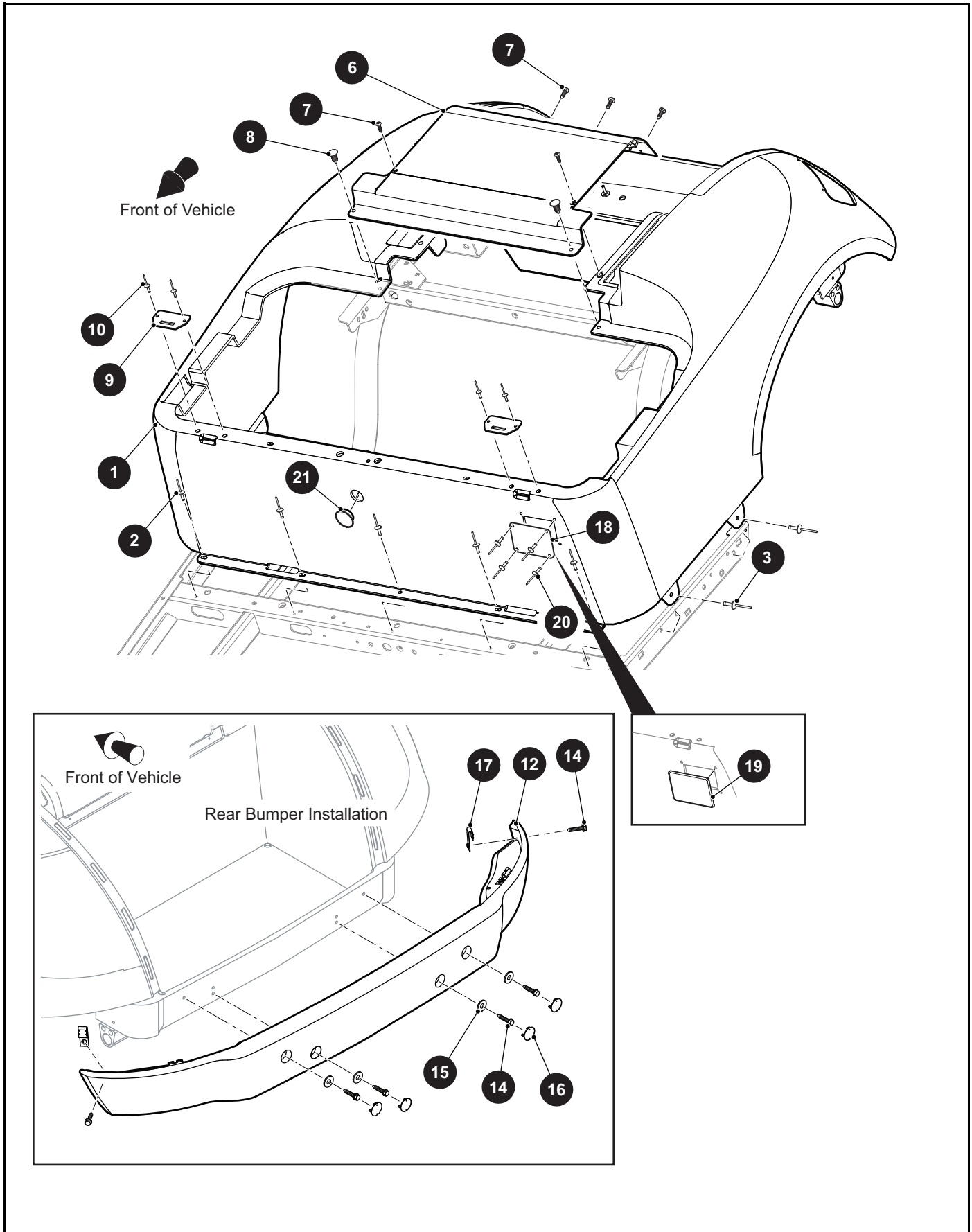
THE USE OF NON U.L. PARTS WILL VOID ANY U.L. LISTING.

When ordering parts, please specify the model and serial number of the product.

* Indicates a component that is not available as an individual part.

*** Indicates consult Customer Service Department for additional information.

ITEM	PART NO.	1 2 3 4 5	DESCRIPTION	QTY.
FOR VEHICLES MANUFACTURED BEFORE JUNE 02, 2019				
1	639948G01		ROCKER PANEL (DRIVER SIDE).....	1
2	639948G02		ROCKER PANEL (PASSENGER SIDE)	1
3	00660G5		FLAT WASHER, #10	2
4	00789G2		TRUSS HEAD PHILLIPS SCREW #10 - 24 X 1.25" LG	2
5	14390G10		LOCK NUT, #10 - 24	2
6	23726G4		SPACER, 0.25"	4
7	15058G6		RIVET (ALUMINUM), 3/16"	1
8	634161		FLANGED BUTTON HEAD TORX BOLT, M6 - 1 X 30MM LG	2
9	601476		LOCK NUT, 1/4" - 20	2
FOR VEHICLES MANUFACTURED AFTER JUNE 02, 2019				
10	689928G01		ROCKER PANEL (DRIVER SIDE).....	1
11	689928G02		ROCKER PANEL (PASSENGER SIDE)	1
12	23726G4		SPACER, 0.25"	2
13	15058G6		RIVET (ALUMINUM), 3/16"	2
14	645323		BUTTON HEAD TORX HEXALOBULAR SCREW, M6 - 1 X 23.4MM LG	2
15	601476		LOCK NUT, M6 - 1	2



THE USE OF NON U.L. PARTS WILL VOID ANY U.L. LISTING.

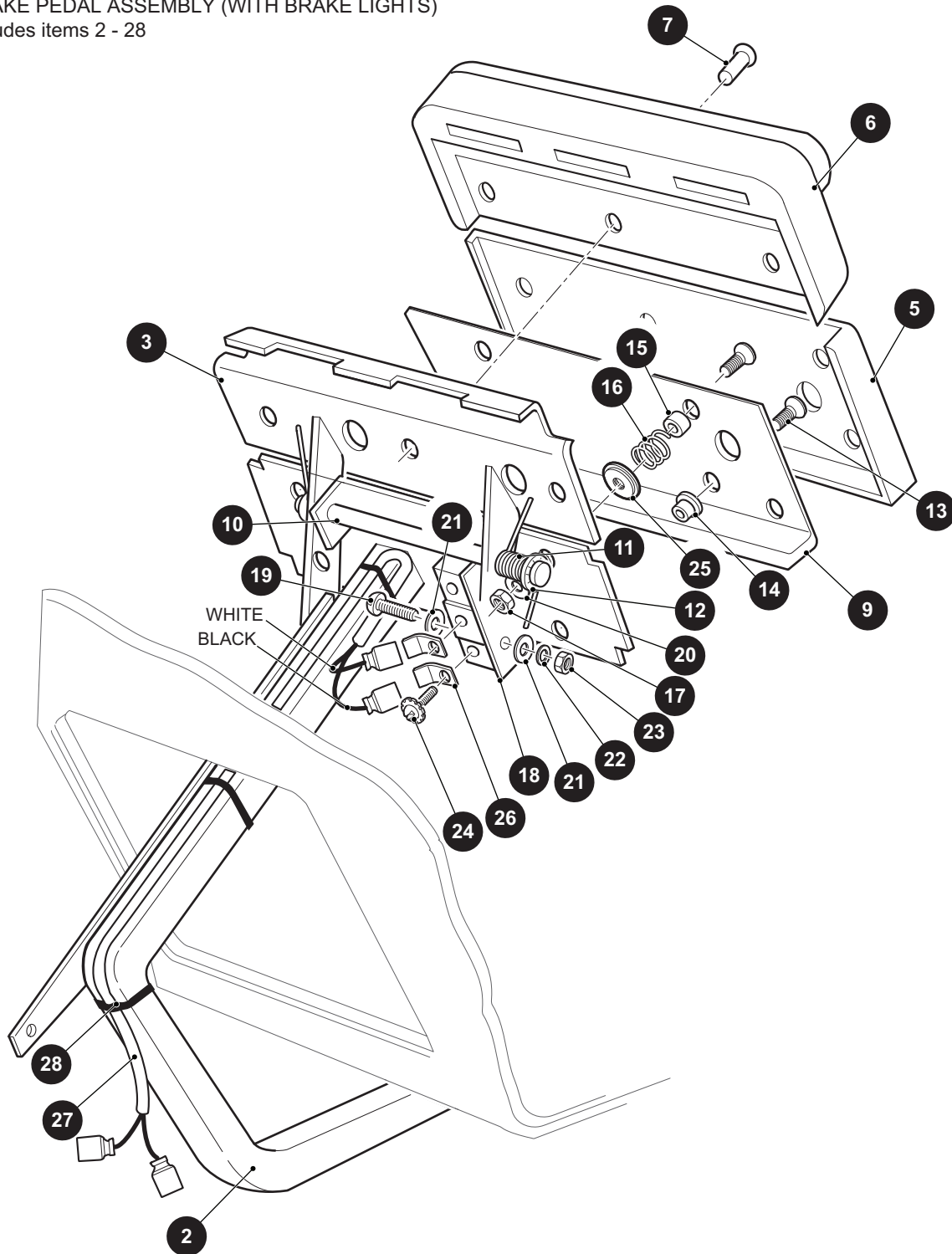
When ordering parts, please specify the model and serial number of the product.

* Indicates a component that is not available as an individual part.

*** Indicates consult Customer Service Department for additional information.

ITEM	PART NO.	1 2 3 4 5	DESCRIPTION	QTY.
1	625272G1XX		REAR BODY (WITH TAILLIGHTS) (See COLOR CODE in HOW TO USE Section))	1
2	10570G10		RIVET (SS), 5/32" X .55" LG.....	5
3	10570G12		RIVET (ALUMINUM), .257" X .556" LG	4
4	633917		RIVET (PLASTIC) (NOT ILLUSTRATED)	2
5				
6	71320G01		ACCESS PANEL.....	1
7	01107G01		PAN HEAD TORX SCREW (SS), #8 X .63" LG	5
8	16816G2		RATCHET RIVET, .25" X .887"	2
9	71609G01		SEAT HINGE PLATE.....	1
10	10570G11		RIVET (SS), 5/32" X .70" LG.....	2
11				
12	71451G02		REAR BUMPER.....	1
13				
14	71102G01		HEX HEAD BOLT, 1/4" - 20 X 3/4" LG	6
15	00571G2		FLAT WASHER, 5/16"	4
16	71455G01		BUMPER PLUG	4
17	71554G01		"J" - TYPE NUT RETAINER, 1/4" - 20.....	2
18	73173G02		COVER PLATE (FOR VEHICLES MANUFACTURED BEFORE OCTOBER 29, 2018).....	1
19	666066		RECEPTACLE COVER PLATE (FOR VEHICLES MANUFACTURED AFTER OCTOBER 29, 2018).....	1
20	71055G01		RIVET (ALUMINUM), 3/16" X 1" LG (FOR VEHICLES MANUFACTURED BEFORE OCTOBER 29, 2018).....	4
21	71316G01		PLUG	1

1 BRAKE PEDAL ASSEMBLY (WITH BRAKE LIGHTS)
includes items 2 - 28



BRAKES

THE USE OF NON U.L. PARTS WILL VOID ANY U.L. LISTING.

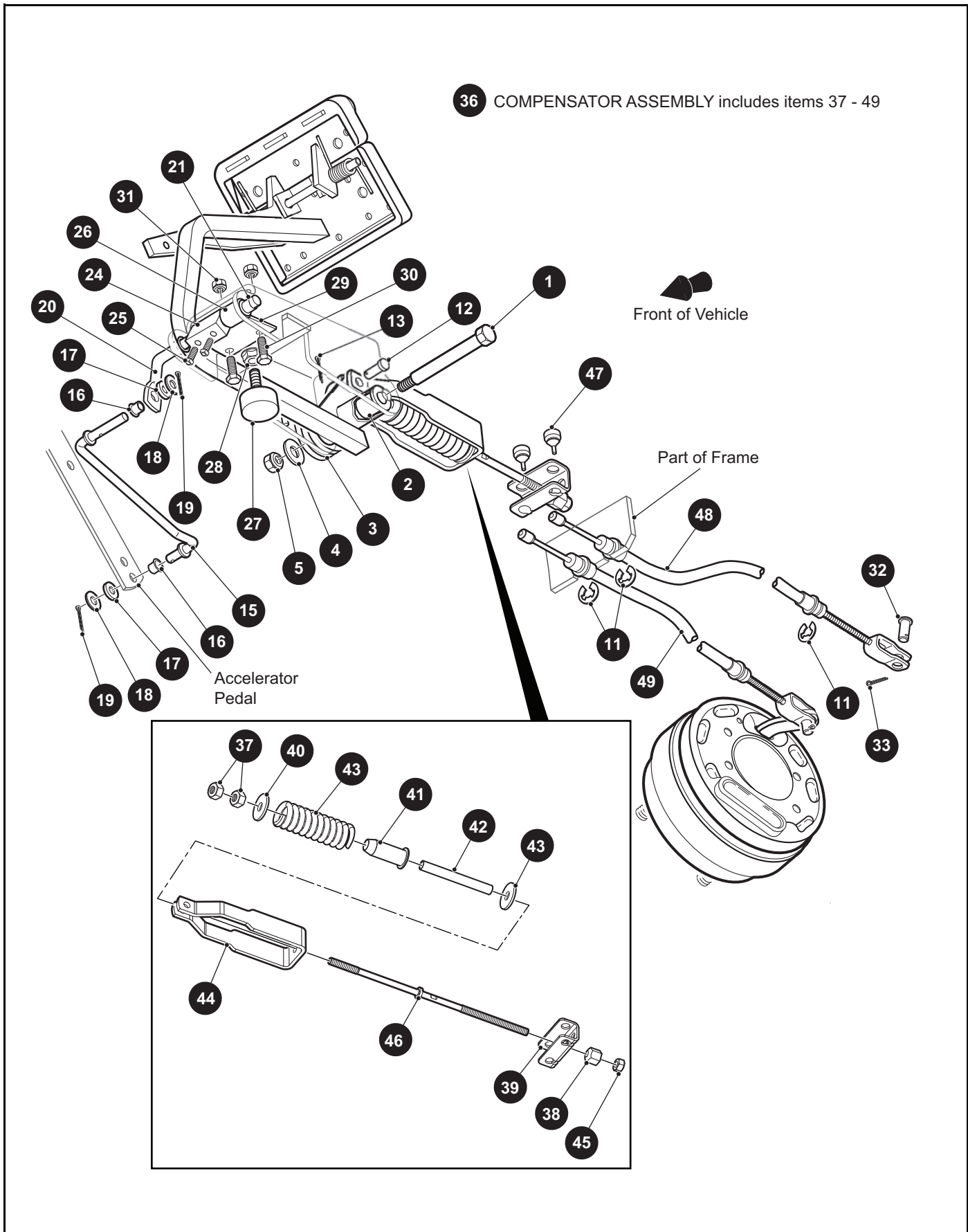
When ordering parts, please specify the model and serial number of the product.

* Indicates a component that is not available as an individual part.

*** Indicates consult Customer Service Department for additional information.

ITEM	PART NO.	1 2 3 4 5	DESCRIPTION	QTY.
1	70690G02		BRAKE PEDAL ASSEMBLY (WITH BRAKE LIGHTS) (INCLUDES ITEMS 2 - 28)	1
2	652791G03		BRAKE PEDAL.....	1
3	652253G03		PARK BRAKE PEDAL	1
4				
5	70257G01		SERVICE BRAKE PAD.....	1
6	70256G01		PARK BRAKE PAD.....	1
7	16409G1		OVAL RIVET, 3/8" X 15/32" LG	9
8				
9	652820		SERVICE BRAKE PEDAL PLATE	1
10	70682G01		PIVOT PIN.....	1
11	70681G01		TORSION SPRING, .408" DIA X .93" LG	2
12	658825		PUSH NUT, 5/16"	2
13	00737G8		FLAT HEAD PHILLIPS SCREW, #10 - 24 X 1" LG.....	4
14	00739G1		RUBBER NUT, #10 - 24	2
15	652355		BRAKE PEDAL SPACER	2
16	27137G01		CONICAL SPRING	2
17	14390G10		LOCK NUT, #10 - 24.....	2
18	10606G8		MICRO SWITCH	1
19	00645G2		PAN HEAD PHILLIPS SCREW, #6 - 32 X 1 1/4" LG.....	2
20	00559G5		FLAT WASHER, #10	2
21	00559G3		FLAT WASHER, #6	4
22	00565G3		LOCK WASHER, #6	2
23	00525G5		HEX NUT, #6 - 32	2
24	13514G1		PAN HEAD PHILLIPS SCREW WITH INTERNAL TOOTH LOCK WASHER, #6 - 32 X .22" LG	2
25	00642G8		FLAT WASHER, 5/16"	2
26	14628G1		FASTON TAB.....	2
27	24605G1		WIRE HARNESS, BRAKE LIGHT	1
28	17618G1		NYLON CLAMP, 7" LG	2

36 COMPENSATOR ASSEMBLY includes items 37 - 49



THE USE OF NON U.L. PARTS WILL VOID ANY U.L. LISTING.

When ordering parts, please specify the model and serial number of the product.

* Indicates a component that is not available as an individual part.

*** Indicates consult Customer Service Department for additional information.

ITEM	PART NO.	1 2 3 4 5	DESCRIPTION	QTY.
1	70582G01		HEX HEAD SHOULDER BOLT (SS), 3/4" X 4.03", 3/8" - 16 X .62" LG	1
2	70581G01		FLANGED BUSHING, .1.062" O.D. X .795" I.D.....	2
3	70676G01		TORSION SPRING	1
4	00643G1		LOCK WASHER, 3/8"	1
5	11098G5		LOCK NUT, 3/8" - 16.....	1
6	01038G01		HEX WASHER HEAD BOLT, 1/4" - 20 X .7" LG (NOT ILLUSTRATED)	1
7	12416G2		NYLON WEDGE LOCK CLAMP (NOT ILLUSTRATED).....	3
8				
9				
10				
11	01111G01		RETAINING RING (SS), DIA .8".....	4
12	10386G3		CLEVIS PIN, .438" X .938" LG.....	1
13	10387G3		COTTER PIN, .094" X .75" LG.....	1
14				
15	70601G01		KICK-OFF LINK	1
16	17838G1		NYLON BUSHING, .37" O.D. X .31" I.D.	2
17	20835G1		TEFLON WASHER, 3/8".....	2
18	00559G8		FLAT WASHER, 5/16".....	2
19	10387G3		COTTER PIN, .094" X .75" LG.....	2
20	70098G01		KICK-OFF CAM PIVOT.....	1
21	10097G6		FLANGED BEARING	2
22				
23				
24	70587G01		KICK-OFF CAM	1
25	71215G01		SET SCREW WITH PATCH LOCK, 1/4" - 20 X .5" LG	2
26	14134G4		SPACER, .76" O.D. X .395" I.D. X 1.25" LG	1
27	70113G01		ADJUSTABLE BUMPER.....	1
28	11027G1		LOCK NUT, 5/16 - 18"	1
29	70080G02		CATCH BRACKET	1
30	00414G6		HEX HEAD BOLT, 1/4" - 20 X .25" LG	2
31	14390G4		LOCK NUT (SS), 1/4" - 20	2

BRAKES

THE USE OF NON U.L. PARTS WILL VOID ANY U.L. LISTING.

When ordering parts, please specify the model and serial number of the product.

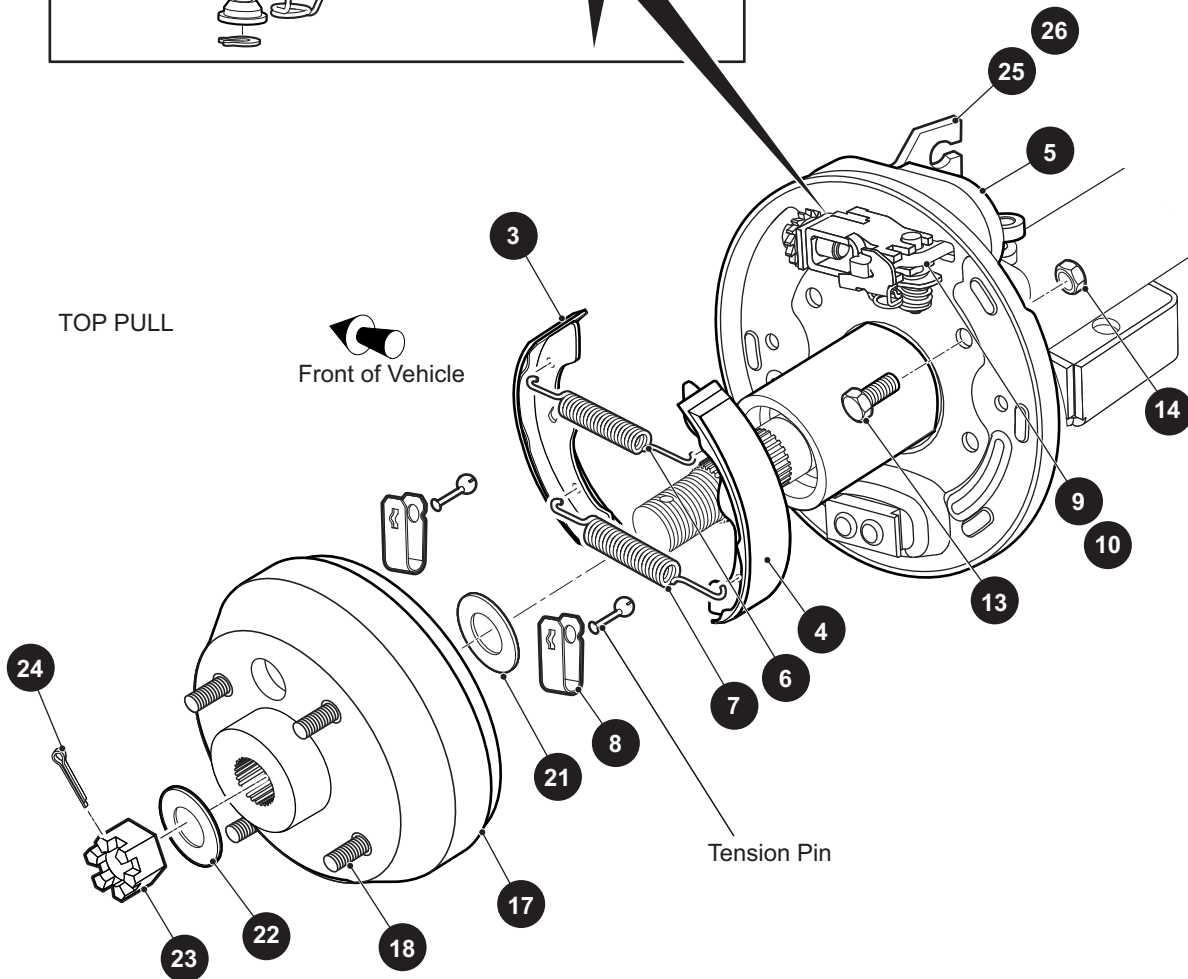
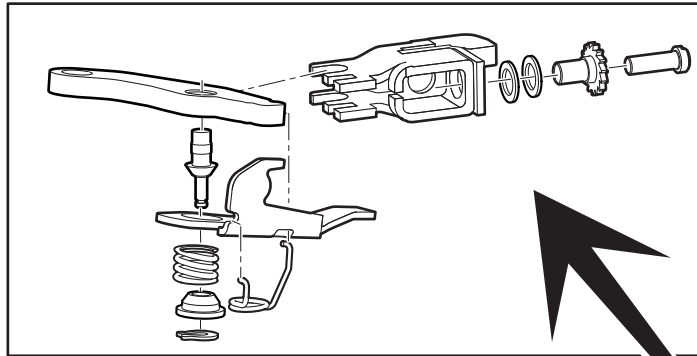
* Indicates a component that is not available as an individual part.

*** Indicates consult Customer Service Department for additional information.

ITEM	PART NO.	1	2	3	4	5	DESCRIPTION	QTY.
32	10386G3						CLEVIS PIN, .438" X .938" LG	1
33	10387G3						COTTER PIN, .094" X .75" LG	1
34								
35								
36	654663						COMPENSATOR ASSEMBLY (INCLUDES ITEMS 37 - 49)	1
37	00532G4						HEX NUT, 1/4" - 20	2
38	629486						SPHERICAL HEX NUT, 5/16" - 24	1
39	28082G01						EQUALIZER BRACKET	1
40	15121G1						FLAT WASHER, 5/16"	2
41	17979G1						ACCELERATOR ROD BUSHING, .464" I.D. X 1" O.D. X 2" LG.....	1
42	23061G2						TUBE.....	1
43	23463G1						COMPRESSION SPRING	1
44	652256						BRAKE YOKE	1
45	11098G9						HEX LOCK NUT, 5/16" - 24	1
46	612557						COMPENSATOR LINK ROD	1
47	28083G01						BRAKE COMPENSATOR BUMPER.....	2
48	624690						BRAKE CABLE (DRIVER SIDE).....	1
49	624691						BRAKE CABLE (PASSENGER SIDE)	1

BRAKES

- 1 BRAKE ASSEMBLY (DRIVER SIDE) includes items 3 - 9
- 2 BRAKE ASSEMBLY (PASSENGER SIDE) includes items 3 - 8, 10
- 16 BRAKE DRUM ASSEMBLY includes items 17, 18



BRAKES

THE USE OF NON U.L. PARTS WILL VOID ANY U.L. LISTING.

When ordering parts, please specify the model and serial number of the product.

* Indicates a component that is not available as an individual part.

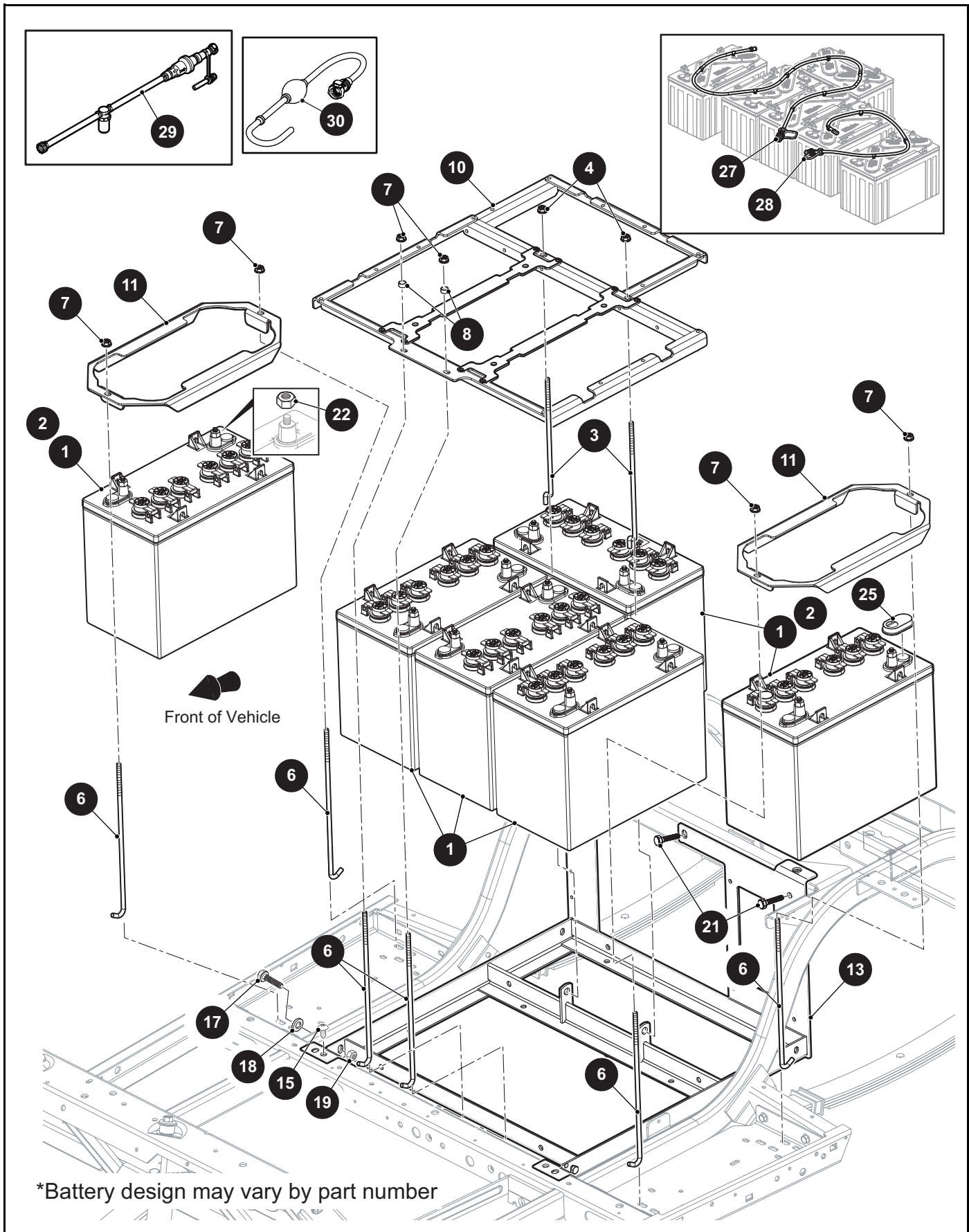
*** Indicates consult Customer Service Department for additional information.

ITEM	PART NO.	1 2 3 4 5	DESCRIPTION	QTY.
1	612189		BRAKE ASSEMBLY (DRIVER SIDE) (INCLUDES ITEMS 3 - 9).....	1
2	612211		BRAKE ASSEMBLY (PASSENGER SIDE) (INCLUDES ITEMS 3 - 8, 10)	1
3	612411		BRAKE SHOE, LEADING	1
4	612412		BRAKE SHOE, TRAILING.....	1
5	612413		DUST COVER	1
6	612415		BRAKE SPRING, TOP	1
7	612414		BRAKE SPRING, BOTTOM	1
8	612416		SHOE CLAMP	2
9	612418		GEAR ADJUSTER (DRIVER SIDE)	1
10	612417		GEAR ADJUSTER (PASSENGER SIDE).....	1
11				
12				
13	17083G2		HEX HEAD BOLT, 5/16" - 24 X 1" LG	4
14	15126G1		LOCK NUT, 5/16" - 24.....	4
15				
16	21807G2		BRAKE DRUM ASSEMBLY (INCLUDES ITEMS 17, 18).....	1
17	20947G1		BRAKE DRUM.....	1
18	19862G1		LUG BOLT, 1/2" - 20 X 1.218" LG.....	4
19				
20				
21	21809G1		FLAT WASHER (INNER WHEEL RIM), 1.31" O.D. X .85" I.D	1
22	21830G1		FLAT WASHER (BRAKE DRUM), 1.5" O.D. X .76" I.D.....	1
23	613172		CASTELLATED HEX NUT, 3/4" - 16	1
24	10387G1		COTTER PIN, 5/32" X 1 3/4" LG.....	1
25	652248		BRAKE CABLE BRACKET (PASSENGER SIDE)	1
26	652249		BRAKE CABLE BRACKET (DRIVER SIDE).....	1

Notes:

Grid for notes

ELECTRICAL



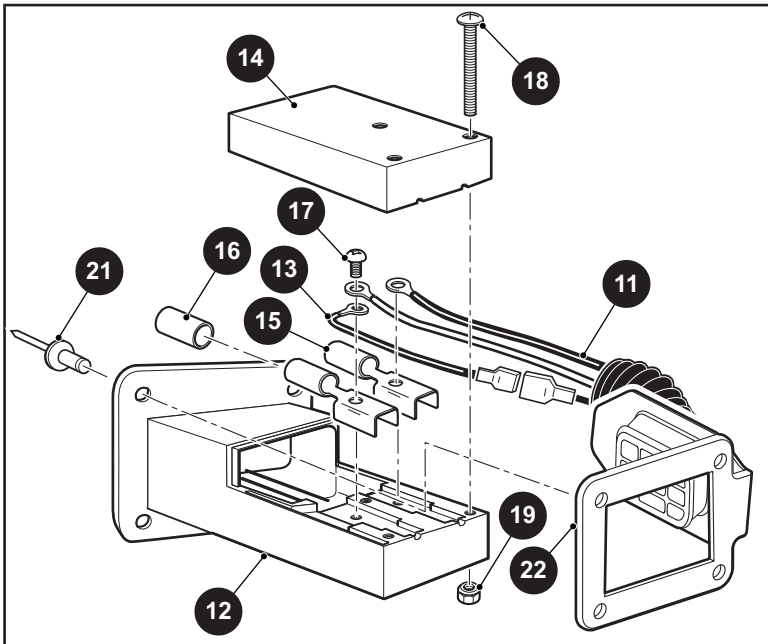
THE USE OF NON U.L. PARTS WILL VOID ANY U.L. LISTING.

When ordering parts, please specify the model and serial number of the product.

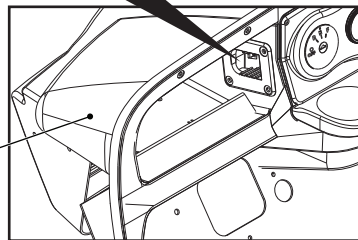
* Indicates a component that is not available as an individual part.

*** Indicates consult Customer Service Department for additional information.

ITEM	PART NO.	1 2 3 4 5	DESCRIPTION	QTY.
1	647050		BATTERY (12V) WITHOUT HYDROLINK.....	6
2	652295		BATTERY (12V) WITH HYDROLINK	6
3	01101G01		TIE DOWN BOLT	2
4	11027G1		FLANGED LOCK NUT, 5/16" - 18	2
5				
6	70386G01		BATTERY TIE DOWN BOLT, 5/16" - 18 X 2" LG	6
7	11027G1		FLANGED LOCK NUT, 5/16" - 18	6
8	23726G2		SPACER, .5" O.D. X .25" I.D. X .26" LG	2
9				
10	658565		BATTERY HOLD DOWN	1
11	631988		BATTERY HOLD DOWN	2
12				
13	659514		BATTERY RACK	1
14				
15	70200G01		TRUSS HEAD TORX SCREW, 3/8" - 16 X 3/4" LG	2
16				
17	00438G6		HEX HEAD BOLT, 5/16" - 18 X 3/4" LG	2
18	00559G8		FLAT WASHER, 5/16"	2
19	11098G6		LOCK NUT, 5/16" - 18	2
20				
21	00715G2		HEX HEAD BOLT, 5/16" - 18 X 3/4" LG	3
22	00702G2		HEX NUT, 5/16" - 18	2
23				
24				
25	631156		TERMINAL PROTECTOR	12
26				
27	620820		HYDRO-LINK SNAKE ASSEMBLY	1
28	630974		BATTERY FILL SNAKE	1
29	614521		REGULATED HOSE, 20FT KIT.....	1
30	676122		TROJAN HAND PUMP KIT.....	1

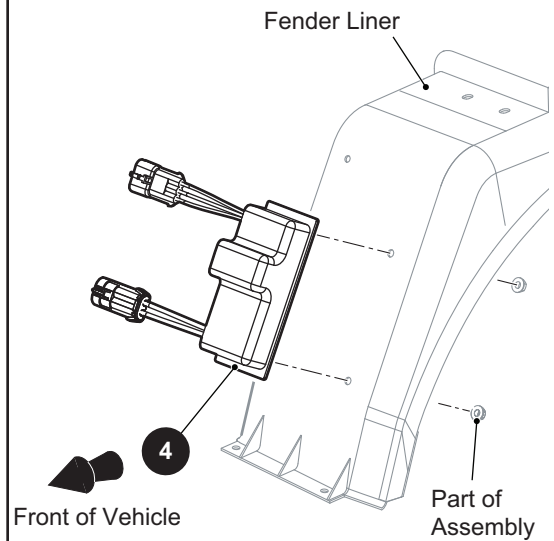


10 CHARGER RECEPTACLE ASSEMBLY includes items 11 - 19

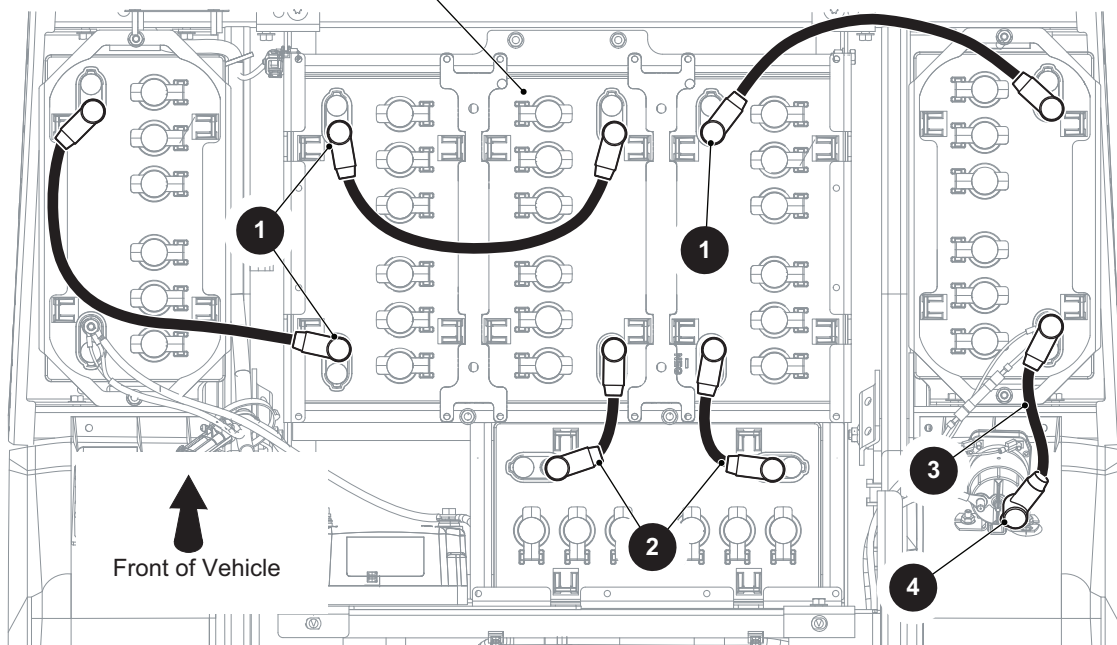


Instrument Panel

DC-DC Converter and Fuse Block Installation



Battery Installation



THE USE OF NON U.L. PARTS WILL VOID ANY U.L. LISTING.

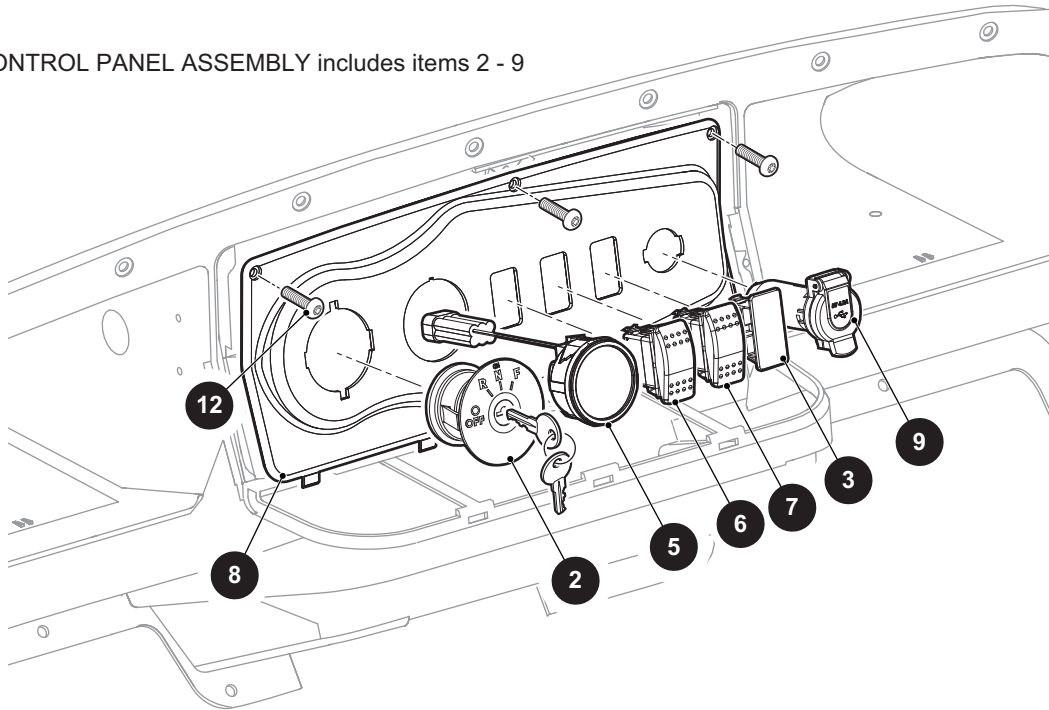
When ordering parts, please specify the model and serial number of the product.

* Indicates a component that is not available as an individual part.

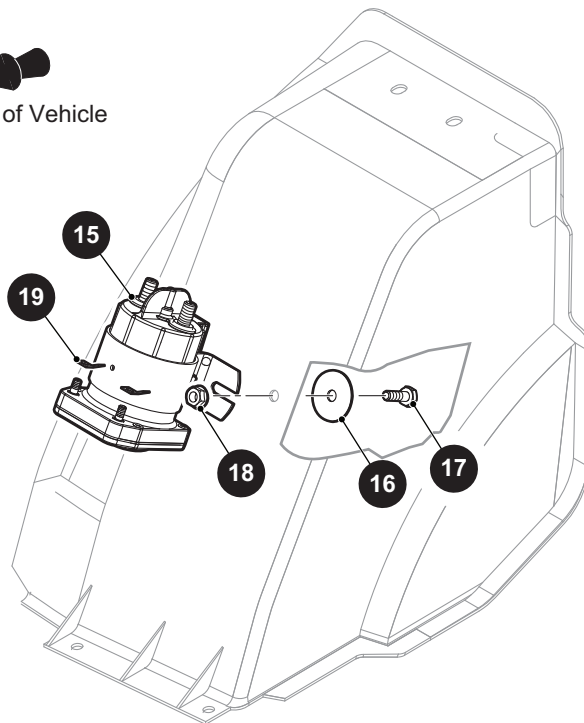
*** Indicates consult Customer Service Department for additional information.

ITEM	PART NO.	1 2 3 4 5	DESCRIPTION	QTY.
1	634270G03		4 AWG BATTERY WIRE, 15" LG	3
2	634270G01		4 AWG BATTERY WIRE, 6" LG	2
3	634270G02		4 AWG BATTERY WIRE, 9" LG	1
4	840177		RUBBER BOOT	1
5	636455G13		FUSE, 15A (NOT ILLUSTRATED)	3
6	636455G05		FUSE, 10A (NOT ILLUSTRATED)	3
7	633230G01		RELAY, 35A (NOT ILLUSTRATED)	3
8	660812		FUSE, 30A (NOT ILLUSTRATED).....	3
9	662004		RESISTOR, 665 OHM (NOT ILLUSTRATED)	3
10	658089		CHARGER RECEPTACLE ASSEMBLY (INCLUDES ITEMS 11 - 19)	1
11	658986		CHARGER WIRE HARNESS	1
12	663285		CHARGER RECEPTACLE	1
13	25978G25		18 GA WIRE (RED).....	1
14	*		RECEPTACLE COVER	1
15	*		FEMALE CONNECTOR	2
16	*		INSULATOR SLEEVE.....	1
17	*		BRASS SCREW, #10 - 32 X 1/2" LG.....	2
18	*		PAN HEAD SCREW (SS), #6 - 32 X 1 3/4" LG.....	3
19	*		LOCK NUT, #6 - 32.....	3
20				
21	71055G01		RIVET (ALUMINUM), 5/32"	4
22	660162		RECEPTACLE COVER	1
23	633778		DC-DC CONVERTER (72V)	1

1 CONTROL PANEL ASSEMBLY includes items 2 - 9



Front of Vehicle



Solenoid Installation

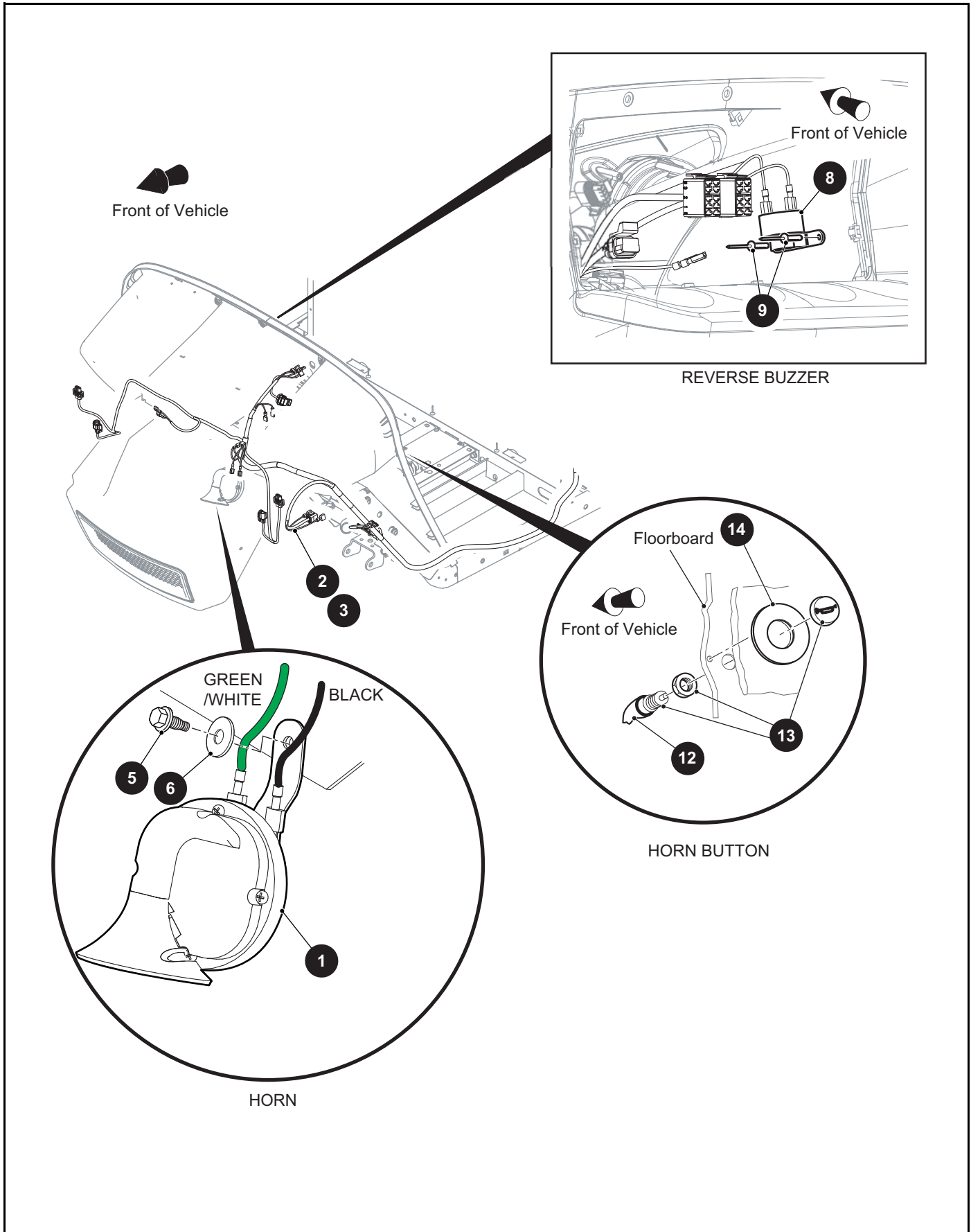
THE USE OF NON U.L. PARTS WILL VOID ANY U.L. LISTING.

When ordering parts, please specify the model and serial number of the product.

* Indicates a component that is not available as an individual part.

*** Indicates consult Customer Service Department for additional information.

ITEM	PART NO.	1 2 3 4 5	DESCRIPTION	QTY.
1	628708G09		CONTROL PANEL ASSEMBLY (INCLUDES ITEMS 2 - 9)	1
2	609692		KEY SWITCH	1
3	627035		SWITCH PANEL PLUG	1
4				
5	651033G01		STATE OF CHARGE METER	1
6	651897G06		SPEED ROCKER SWITCH	1
7	651897G05		LIGHTS ROCKER SWITCH	1
8	626655G06		CONTROL PANEL	1
9	651901		12V USB PORT	1
10				
11				
12	608290		SELF TAPPING SCREW, #10 - 16 X .780" LG	3
13				
14				
15	621330		SOLENOID	1
16	16469G1		FENDER WASHER	2
17	00414G6		HEX HEAD BOLT, 1/4" - 20 X .25" LG	2
18	11027G2		FLANGED LOCK NUT, 1/4" - 20	2
19	12914G1		FASTON TAB	2
20				
21	699417		JUMPER HARNESS, TURN SIGNAL HORN (NOT ILLUSTRATED).....	1



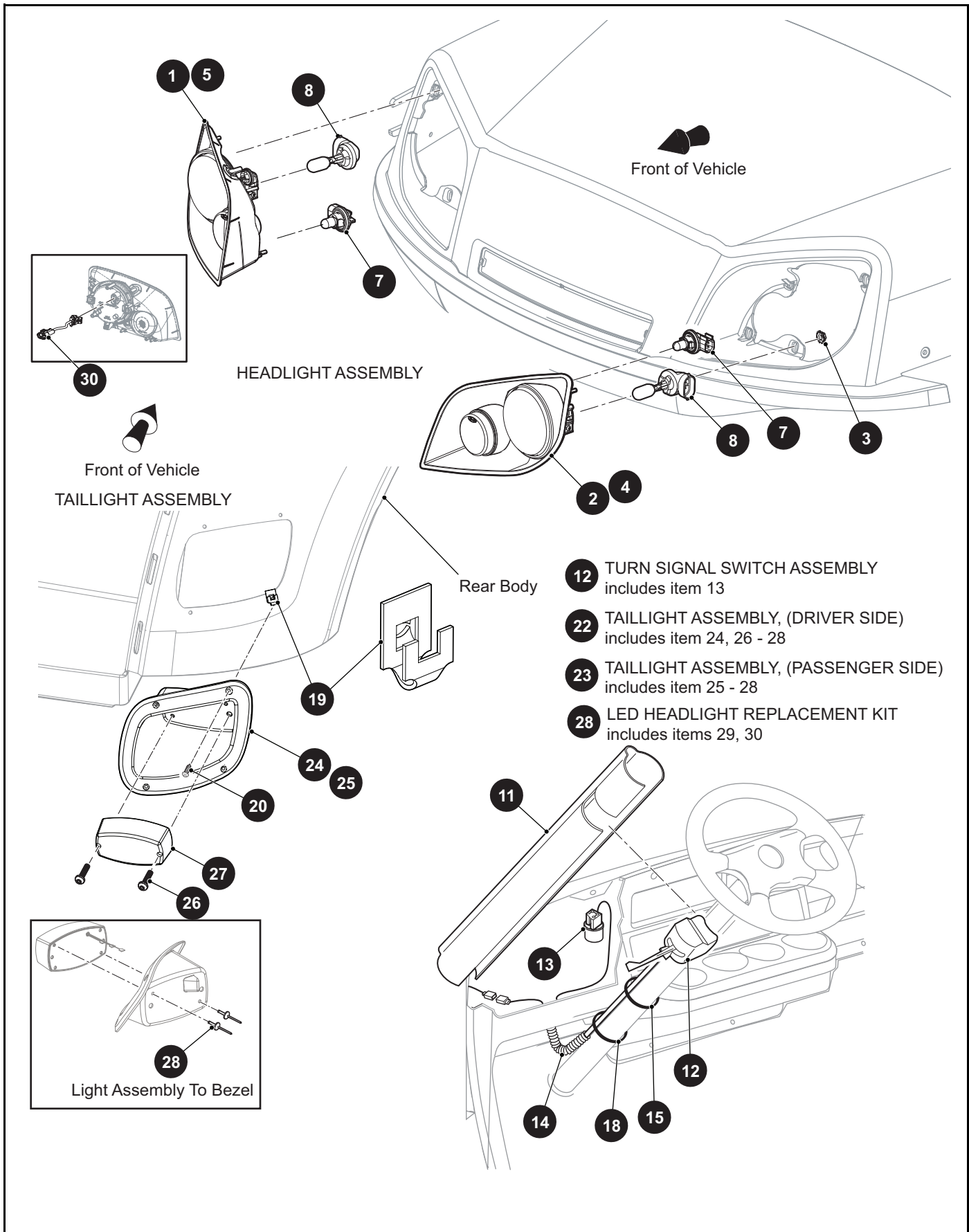
THE USE OF NON U.L. PARTS WILL VOID ANY U.L. LISTING.

When ordering parts, please specify the model and serial number of the product.

* Indicates a component that is not available as an individual part.

*** Indicates consult Customer Service Department for additional information.

ITEM	PART NO.	1 2 3 4 5	DESCRIPTION	QTY.
1	32860G01		HORN	1
2	671776		CONTROL HARNESS (FOR VEHICLES MANUFACTURED BEFORE JUNE 14, 2019)	1
3	687518		CONTROL HARNESS (FOR VEHICLES MANUFACTURED AFTER JUNE 14, 2019)	1
4				
5	01038G01		HEX WASHER HEAD SWAGEFORM SCREW, 1/4" - 20 X .70" LG	1
6	16469G1		FENDER WASHER	1
7				
8	613271		REVERSE BUZZER	1
9	01041G01		RIVET (BULBEX), 5/32"	2
10	17618G1		NYLON CLAMP, 7" LG (NOT ILLUSTRATED)	9
11				
12	17318G1		MOMENTARY SWITCH	1
13	27068G01		BOOT (HORN SWITCH)	1
14	608397		HORN PLATE	1



THE USE OF NON U.L. PARTS WILL VOID ANY U.L. LISTING.

When ordering parts, please specify the model and serial number of the product.

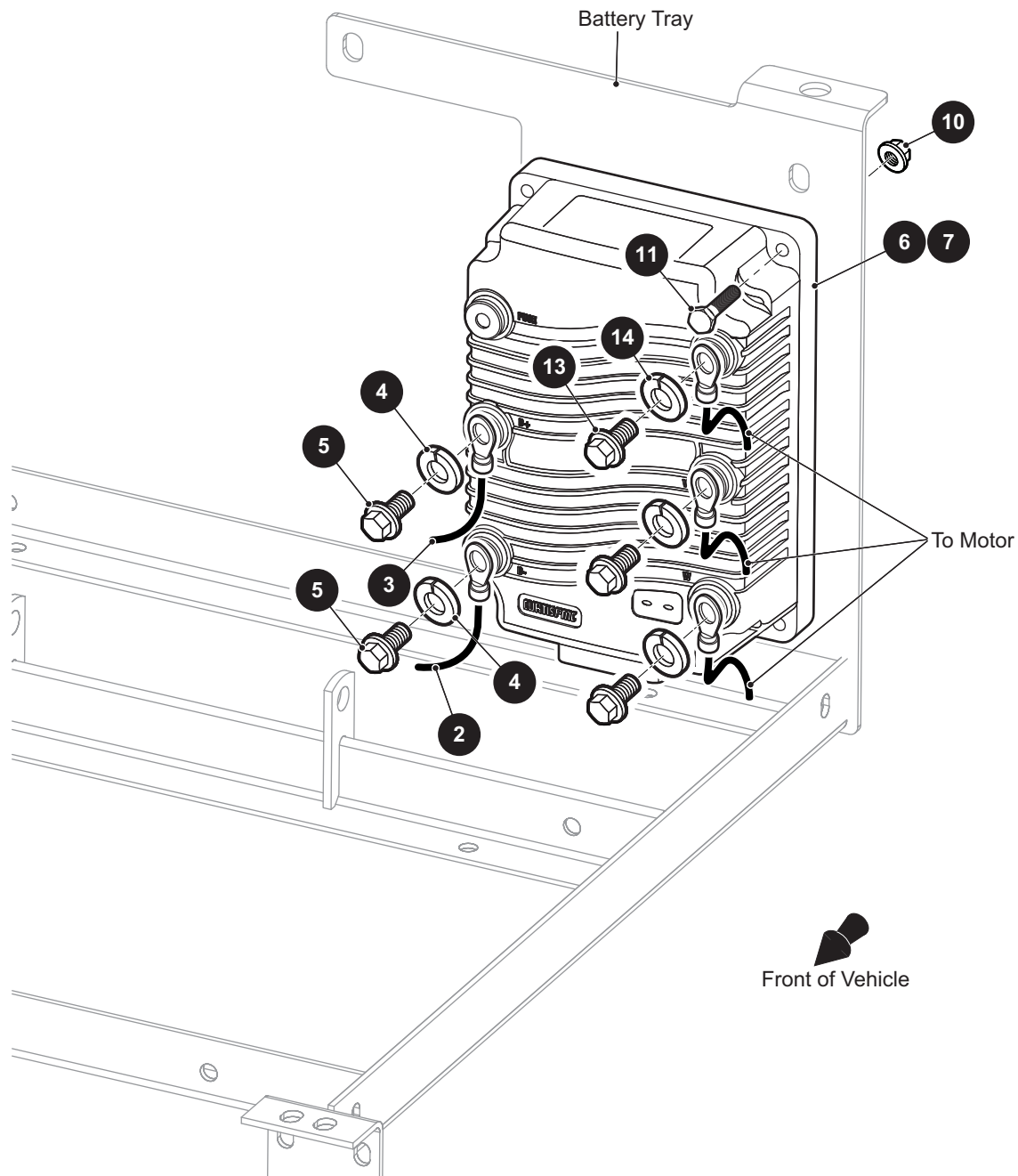
* Indicates a component that is not available as an individual part.

*** Indicates consult Customer Service Department for additional information.

ITEM	PART NO.	1 2 3 4 5	DESCRIPTION	QTY.
1	644878		LED HEADLIGHT ASSEMBLY (PASSENGER SIDE).....	1
2	644879		LED HEADLIGHT ASSEMBLY (DRIVER SIDE)	1
3	71597G01		SELF THREADING NUT, 5MM X 10MM X 15MM	4
4	644877		HEADLIGHT ASSEMBLY (DRIVER SIDE)	1
5	644876		HEADLIGHT ASSEMBLY (PASSENGER SIDE).....	1
6				
7	619102		TURN SIGNAL BULB	1
8	619100		HEADLIGHT BULB (FOR NON LED LIGHTS ONLY)	1
9	651411G03		LED HEADLIGHT REPLACEMENT KIT (INCLUDES ITEMS 6)	1
10				
11	20965G3		STEERING COLUMN COVER	1
12	615236		TURN SIGNAL SWITCH ASSEMBLY (INCLUDES ITEM 13)	1
13	21640G1		FLASHER UNIT	1
14	17313G1		FLEX LOOM	1
15	17618G1		NYLON CLAMP	1
16				
17	16816G5		RATCHET RIVET, .187" X .550" LG (NOT ILLUSTRATED)	2
18	31539G1		CLAMP (NYLON), 5.5" LG	1
19	71364G02		"J" TYPE NUT, #8	4
20	71425G01		TAPPING SCREW, #8 - 18 X 3/4" LG.....	4
21	71781G02		TAPE (VINYL) (NOT ILLUSTRATED)	1
22	655150		TAILLIGHT ASSEMBLY (DRIVER SIDE) (INCLUDES ITEM 24, 26 - 28).....	1
23	655152		TAILLIGHT ASSEMBLY (PASSENGER SIDE) (INCLUDES ITEM 25 - 28)	1
24	625251		TAILLIGHT BEZEL (DRIVER SIDE)	1
25	625252		TAILLIGHT BEZEL (PASSENGER SIDE).....	1
26	00513G4		PAN HEAD PHILLIPS SCREW, #8 - 18 X 3/4" LG.....	2
27	22288G1		TAILLIGHT ASSEMBLY.....	1
28	14601G11		RIVET (ALUMINUM), 3/16" X 9/16".....	2
29	660993		LED HEADLIGHT REPLACEMENT KIT (INCLUDES ITEMS 29, 30)	1
30	651411G03		LED HEADLIGHT (NOT ILLUSTRATED).....	1
31	654465		LED JUMPER HARNESS	1

ELECTRONIC SPEED CONTROL

1 CONTROLLER ASSEMBLY includes items 2 - 11



ELECTRONIC SPEED CONTROL

THE USE OF NON U.L. PARTS WILL VOID ANY U.L. LISTING.

When ordering parts, please specify the model and serial number of the product.

* Indicates a component that is not available as an individual part.

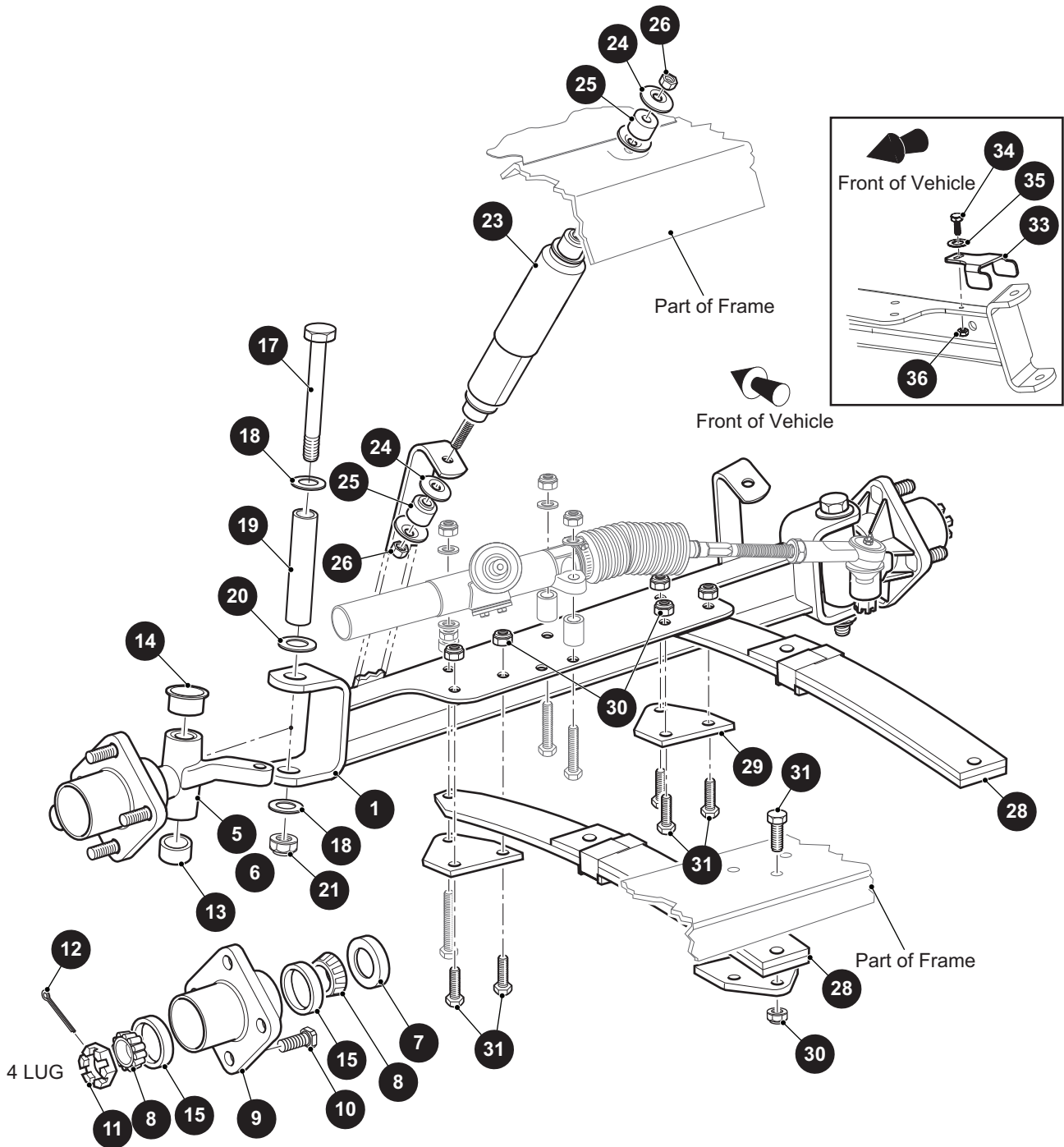
*** Indicates consult Customer Service Department for additional information.

ITEM	PART NO.	1 2 3 4 5	DESCRIPTION	QTY.
1	689935		CONTROLLER ASSEMBLY (INCLUDES ITEMS 2 - 11)	1
2	634270G04		#4 AWG, BATTERY WIRE, 22" LG.....	1
3	634210G13		#4 AWG, BATTERY WIRE, 34" LG.....	1
4	606272		LOCK WASHER, 8MM	2
5	606262		FLANGED HEX HEAD BOLT, M8 - 1.25 X 16MM LG	2
6	666996G03		CONTROLLER, 1236, 350A (FOR VEHICLES MANUFACTURED AFTER MARCH 5, 2018)	1
7	660647		CONTROLLER, 1236, 350A (FOR VEHICLES MANUFACTURED BEFORE MARCH 5, 2018).....	1
8				
9				
10	11027G2		FLANGED LOCK NUT, 1/4" - 20	4
11	00797G2		HEX HEAD BOLT, 1/4" - 20 X 1 1/4" LG.....	4
12				
13	73876G01		FLANGED HEX HEAD BOLT, M6 - 1 X 12MM LG.....	3
14	606272		LOCK WASHER, 8MM.....	3

Notes:

Grid area for notes.

FRONT SUSPENSION AND STEERING



3 SPINDLE AND HUB ASSEMBLY (PASSENGER SIDE)
includes items 6 - 15

4 SPINDLE AND HUB ASSEMBLY (DRIVER SIDE)
includes items 5, 7 - 15

FRONT SUSPENSION AND STEERING

THE USE OF NON U.L. PARTS WILL VOID ANY U.L. LISTING.

When ordering parts, please specify the model and serial number of the product.

* Indicates a component that is not available as an individual part.

*** Indicates consult Customer Service Department for additional information.

ITEM	PART NO.	1 2 3 4 5	DESCRIPTION	QTY.
1	652822		FRONT AXLE.....	1
2				
3	70942G03		SPINDLE AND HUB ASSEMBLY (PASSENGER SIDE) (INCLUDES ITEMS 6 - 15)	1
4	70673G03		SPINDLE AND HUB ASSEMBLY (DRIVER SIDE) (INCLUDES ITEMS 5, 7 - 15)	1
5	70742G02		SPINDLE (DRIVER SIDE).....	1
6	70940G02		SPINDLE (PASSENGER SIDE)	1
7	25146G1		GREASE SEAL.....	1
8	11750G2		ROLLER BEARING	2
9	70589G01		WHEEL HUB	1
10	19862G1		LUG BOLT, 1/2" - 20 X 1.218" LG.....	4
11	12093G1		CASTELLATED NUT, 1" - 14.....	1
12	00798G8		COTTER PIN, 5/32" X 1 3/4" LG	1
13	632925		FLANGED BUSHING	1
14	632926		BEARING	1
15	51141G1		RACE BEARING	2
16				
17	00407G6		HEX HEAD BOLT 1/2" - 13 X 6" LG.....	2
18	00560G3		FLAT WASHER, 1/2".....	4
19	70745G01		KING PIN TUBE.....	2
20	70754G01		THRUST WASHER (SS), 1"	2
21	14390G6		LOCK NUT, 1/2" - 13.....	2
22				
23	76419G01		SHOCK ABSORBER.....	1
24	10435G1		SHOCK ABSORBER WASHER.....	4
25	10194G1		RUBBER BUSHING.....	2
26	00532G6		HEX NUT, 3/8" - 24	2
27				
28	70989G03		LEAF SPRING	2
29	652258		SPRING PLATE	4
30	00734G1		LOCK NUT, 7/16" - 14.....	11

FRONT SUSPENSION AND STEERING

THE USE OF NON U.L. PARTS WILL VOID ANY U.L. LISTING.

When ordering parts, please specify the model and serial number of the product.

* Indicates a component that is not available as an individual part.

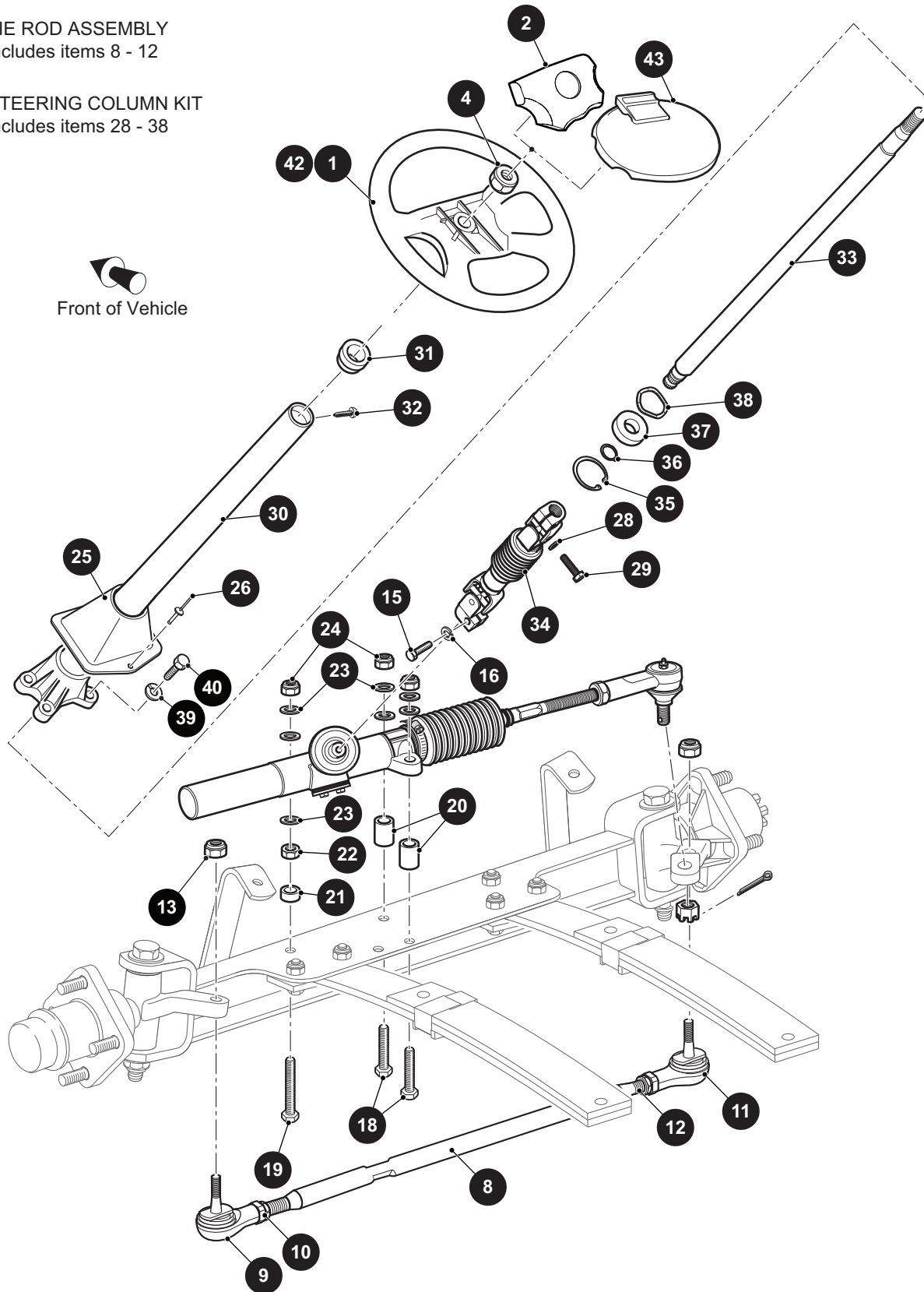
*** Indicates consult Customer Service Department for additional information.

ITEM	PART NO.	1 2 3 4 5	DESCRIPTION	QTY.
31	00463G11		HEX HEAD BOLT, 7/16" - 14 X 1 3/4" LG.....	11
32				
33	613372		BRACKET, STEERING STOP	1
34	00414G6		HEX HEAD SCREW, 1/4 - 20 X 1/2" LG	1
35	00559G8		FLAT WASHER, 5/16"	1
36	14390G4		LOCK NUT, 1/4" - 20	1

FRONT SUSPENSION AND STEERING

7 TIE ROD ASSEMBLY
includes items 8 - 12

27 STEERING COLUMN KIT
includes items 28 - 38



FRONT SUSPENSION AND STEERING

THE USE OF NON U.L. PARTS WILL VOID ANY U.L. LISTING.

When ordering parts, please specify the model and serial number of the product.

* Indicates a component that is not available as an individual part.

*** Indicates consult Customer Service Department for additional information.

ITEM	PART NO.	1 2 3 4 5	DESCRIPTION	QTY.
1	602980		PREMIUM STEERING WHEEL.....	1
2	71147G01		STEERING WHEEL COVER.....	1
3				
4	14390G2		LOCK NUT, 5/8" - 18.....	1
5				
6				
7	70876G02		TIE ROD ASSEMBLY (INCLUDES ITEMS 8 - 12).....	1
8	70897G02		THREADED ROD, 24" LG.....	1
9	70902G01		TIE ROD END.....	1
10	01069G01		JAM NUT, M12 X 1.25.....	1
11	70902G02		TIE ROD END.....	1
12	01069G02		JAM NUT, M12 X 1.25.....	1
13	00734G1		LOCK NUT, 7/16" - 14.....	2
14				
15	01055G01		HEX HEAD BOLT, M8 - 1.25 X 1.18" LG.....	1
16	00565G8		LOCK WASHER, 5/16".....	1
17				
18	00464G8		HEX HEAD BOLT, 7/16" - 14 X 2 3/4" LG.....	2
19	01068G01		HEX HEAD BOLT, 7/16" - 14 X 3 1/2" LG.....	1
20	70667G02		SPACER, 1.21".....	2
21	70667G04		SPACER (SHORT), 0.69".....	1
22	00532G7		HEX NUT, 7/16" - 14.....	1
23	00560G2		FLAT WASHER, 7/16".....	7
24	00734G1		LOCK NUT, 7/16" - 14.....	3
25	70997G01		COVER.....	1
26	71055G01		RIVET (ALUMINUM), 3/16" X 1" LG.....	1
27	70758G05		STEERING COLUMN KIT (INCLUDES ITEMS 28 - 38).....	1
28	00565G8		LOCK WASHER, 5/16".....	1
29	01055G01		HEX HEAD BOLT, M8 - 1.25 X 1.18" LG.....	1
30	70610G03		STEERING COLUMN.....	1
31	28569G01		STEERING COLUMN BUSHING.....	1

FRONT SUSPENSION AND STEERING

THE USE OF NON U.L. PARTS WILL VOID ANY U.L. LISTING.

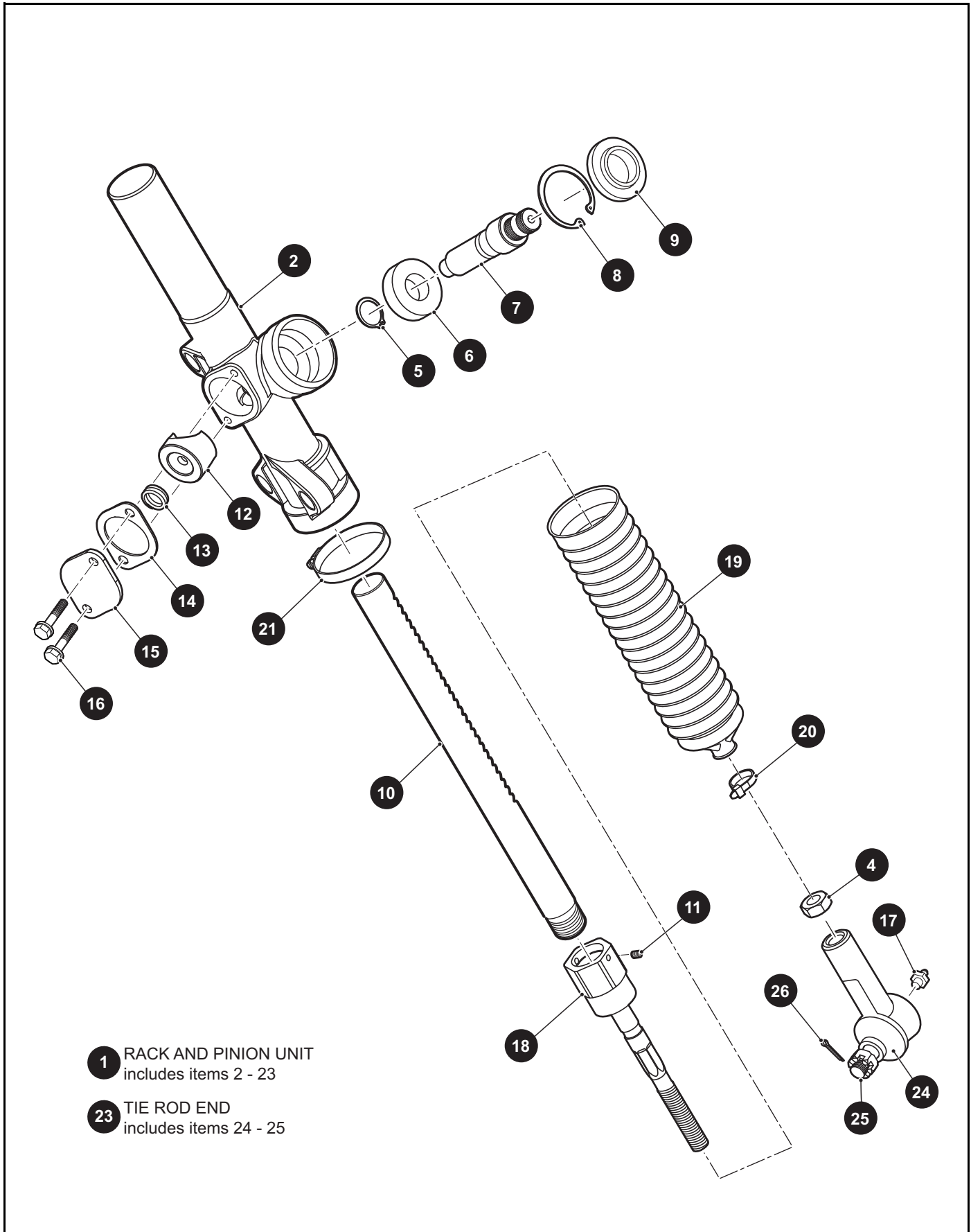
When ordering parts, please specify the model and serial number of the product.

* Indicates a component that is not available as an individual part.

*** Indicates consult Customer Service Department for additional information.

ITEM	PART NO.	1	2	3	4	5	DESCRIPTION	QTY.
32	01022G01						HEX WASHER HEAD SCREW, #6 - 20 X 5/16" LG	1
33	70607G01						STEERING SHAFT	1
34	70580G01						INTERMEDIATE SHAFT	1
35	70751G01						RETAINING RING (INTERNAL).....	1
36	70888G01						RETAINING RING (EXTERNAL)	1
37	15112G1						BALL BEARING	1
38	70887G01						WAVE WASHER	1
39	00879G1						LOCK WASHER, 3/8"	4
40	01006G01						HEX HEAD BOLT, 3/8" - 16 X 1 1/4" LG.....	4
41								
42	639437						STEERING WHEEL.....	1
43	639439						STEERING WHEEL COVER.....	1

FRONT SUSPENSION AND STEERING



FRONT SUSPENSION AND STEERING

THE USE OF NON U.L. PARTS WILL VOID ANY U.L. LISTING.

When ordering parts, please specify the model and serial number of the product.

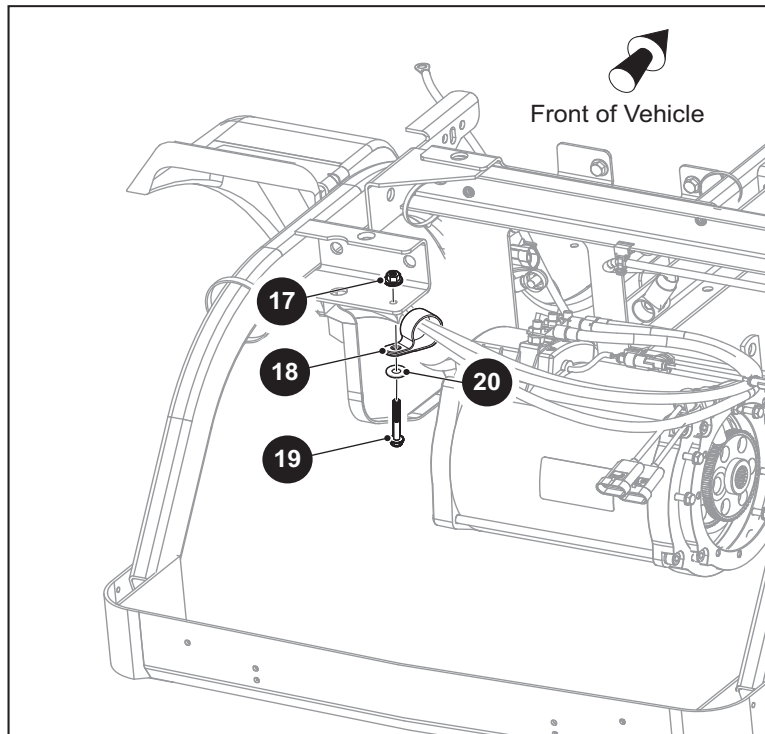
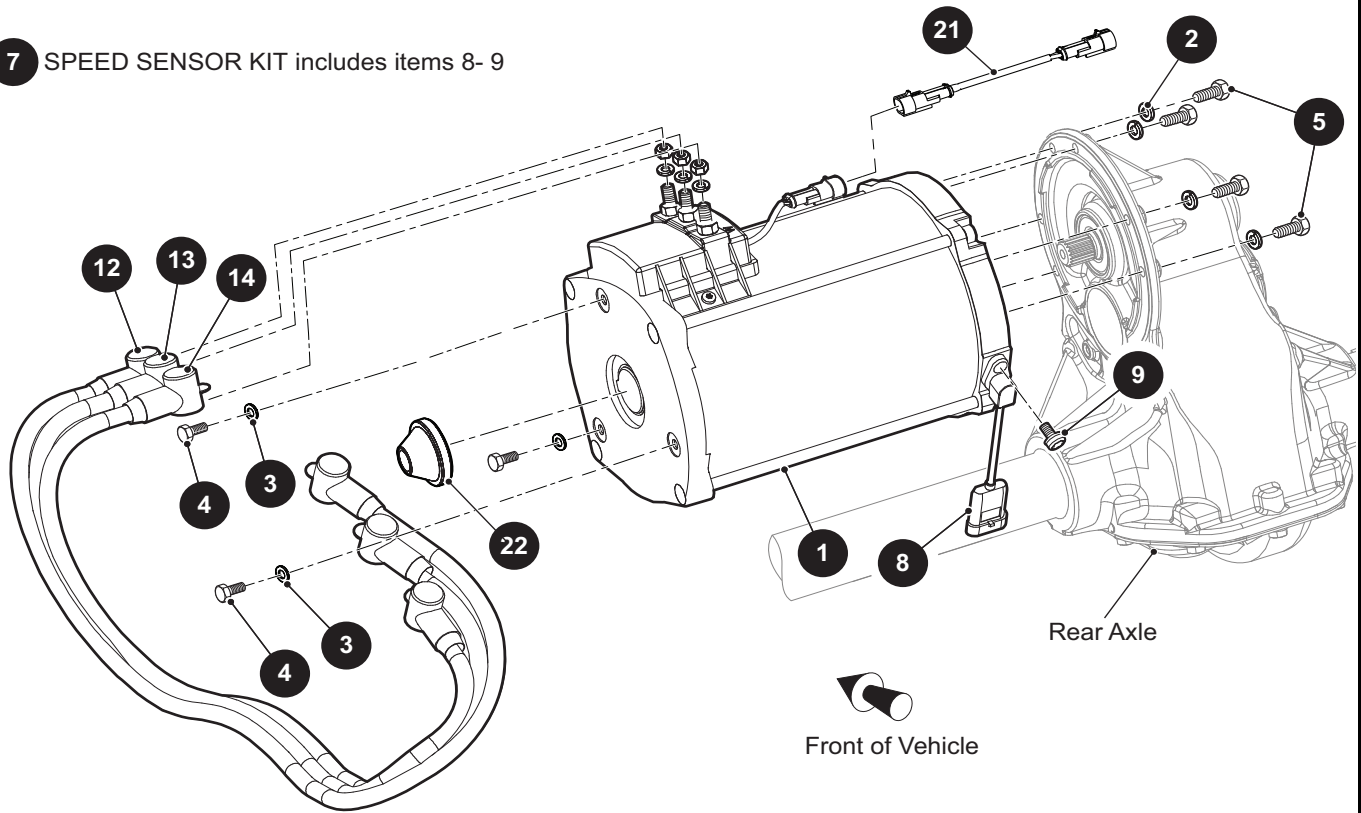
* Indicates a component that is not available as an individual part.

*** Indicates consult Customer Service Department for additional information.

ITEM	PART NO.	1 2 3 4 5	DESCRIPTION	QTY.
1	70964G01		RACK AND PINION UNIT (INCLUDES ITEMS 2 - 23)	1
2	70965G01		STEERING RACK COVER AND BEARING	1
3				
4	*		JAM NUT, 1/2" - 20	1
5	70750G01		RETAINING RING (EXTERNAL)	1
6	15112G1		BALL BEARING	1
7	70603G01		PINION	1
8	70751G01		RETAINING RING (INTERNAL)	1
9	70638G01		SEAL (PINION)	1
10	70604G01		STEERING RACK	1
11	*		SET SCREW, #10 - 32 X .25" LG	1
12	70590G01		RACK LOADER	1
13	70666G01		COMPRESSION SPRING	1
14	70645G01		GASKET (RACK LOADER COVER)	1
15	652259		COVER (RACK LOADER)	1
16	71102G01		HEX WASHER HEAD BOLT, 1/4" - 20 X 1 1/16" LG	2
17	10389G3		GREASE FITTING (STRAIGHT)	1
18	74694G01		ROD END (INNER)	1
19	70961G01		RACK BOOT	1
20	12416G2		NYLON CLAMP, 10"	1
21	11391G8		HOSE CLAMP, 1.81"	1
22				
23	70695G01		TIE ROD END (INCLUDES ITEMS 24 - 25)	1
24	50641G1		GROMMET	1
25	50209G2		HEX SLOTTED NUT, 7/16" - 20	1
26	10387G2		COTTER PIN, 3/32" X 1"	1

MOTOR

7 SPEED SENSOR KIT includes items 8-9



THE USE OF NON U.L. PARTS WILL VOID ANY U.L. LISTING.

When ordering parts, please specify the model and serial number of the product.

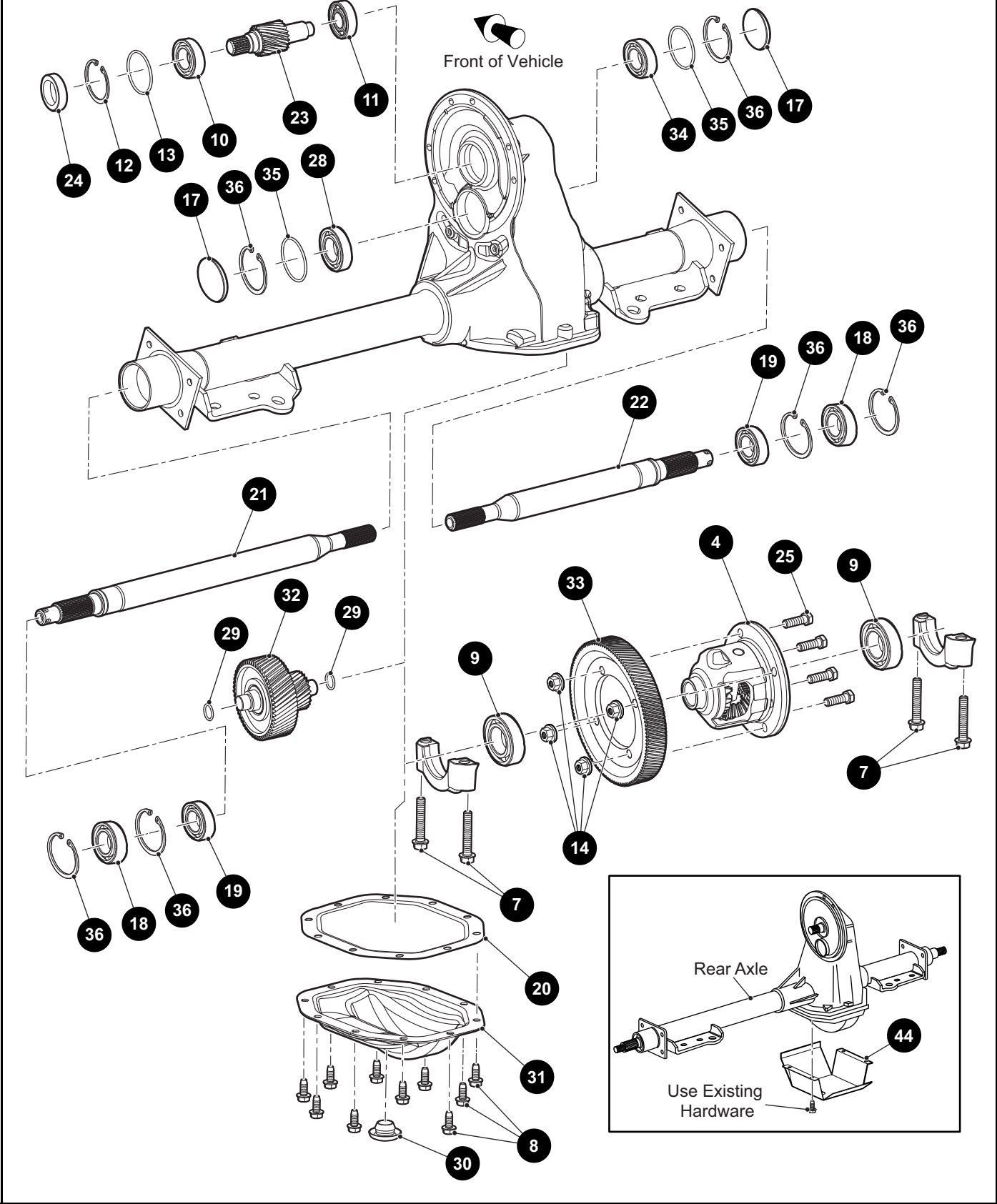
* Indicates a component that is not available as an individual part.

*** Indicates consult Customer Service Department for additional information.

ITEM	PART NO.	1 2 3 4 5	DESCRIPTION	QTY.
1	681071		MOTOR, 72V	1
2	601327		LOCK WASHER, 6MM.....	6
3	00915G1		BONDED SEAL WASHER, 1/4" I.D	3
4	616716		HEX HEAD BOLT, M6 - 1 X 16MM LG.....	3
5	605741		HEX HEAD BOLT, M6 - 1 X 25MM LG.....	6
6				
7	614252		SPEED SENSOR KIT (INCLUDES ITEMS 8 - 9)	1
8	612741		SPEED SENSOR	1
9	614253		PAN HEAD TORX SCREW, M6 - 1 X 12MM LG	1
10				
11				
12	635137G01		MOTOR WIRE (U), 2AWG, 44".....	1
13	635137G02		MOTOR WIRE (V), 2AWG, 41"	1
14	635137G03		MOTOR WIRE (W), 2AWG, 37"	1
15				
16				
17	11027G2		FLANGED LOCK NUT, 1/4" - 20.....	1
18	630761		LOOP CLAMP, CUSHIONED.....	1
19	00414G7		HEX HEAD BOLT, 1/4" - 20 X .875" LG	1
20	00559G7		FLAT WASHER, 1/4".....	1
21	667804		TEMPERATURE SENSOR JUMPER, 72V.....	1
22	668275		END CAP	1

REAR AXLE

1 REAR AXLE, 16.99:1 includes items 4 - 42



REAR AXLE

THE USE OF NON U.L. PARTS WILL VOID ANY U.L. LISTING.

When ordering parts, please specify the model and serial number of the product.

* Indicates a component that is not available as an individual part.

*** Indicates consult Customer Service Department for additional information.

ITEM	PART NO.	1 2 3 4 5	DESCRIPTION	QTY.
1	633599		REAR AXLE, 16.99:1 (INCLUDES ITEMS 4 - 42).....	1
2				
3				
4	601082		DIFFERENTIAL ASSEMBLY	1
5				
6				
7	15118G1		HEX HEAD BOLT, 3/8" - 16 X 2.125" LG.....	4
8	15558G1		HEX HEAD BOLT, 5/16" - 18 X .75" LG.....	10
9	17473G1		BEARING ASSEMBLY.....	2
10	23519G2		LIP SEAL BALL BEARING	1
11	23520G1		BALL BEARING.....	1
12	23530G1		RETAINER RING.....	1
13	24628G1		O-RING SEAL.....	1
14	601084		LOCK NUT, 3/8" - 24	4
15				
16				
17	608811		END CAP.....	2
18	611788		BALL BEARING.....	2
19	612064		OIL SEAL.....	2
20	612824		GASKET	1
21	617608		AXLE SHAFT (DRIVER SIDE)	1
22	617609		AXLE SHAFT (PASSENGER SIDE).....	1
23	620327		INPUT GEAR.....	1
24	620328		OIL SEAL.....	1
25	620335		FLANGED HEX HEAD BOLT, 3/8" - 24 X 1.25" LG.....	4
26				
27				
28	620340		BALL BEARING.....	1
29	620345		O-RING, 18MM.....	2
30	620347		RUBBER PLUG.....	1
31	620348		DIFFERENTIAL COVER PLATE	1

REAR AXLE

THE USE OF NON U.L. PARTS WILL VOID ANY U.L. LISTING.

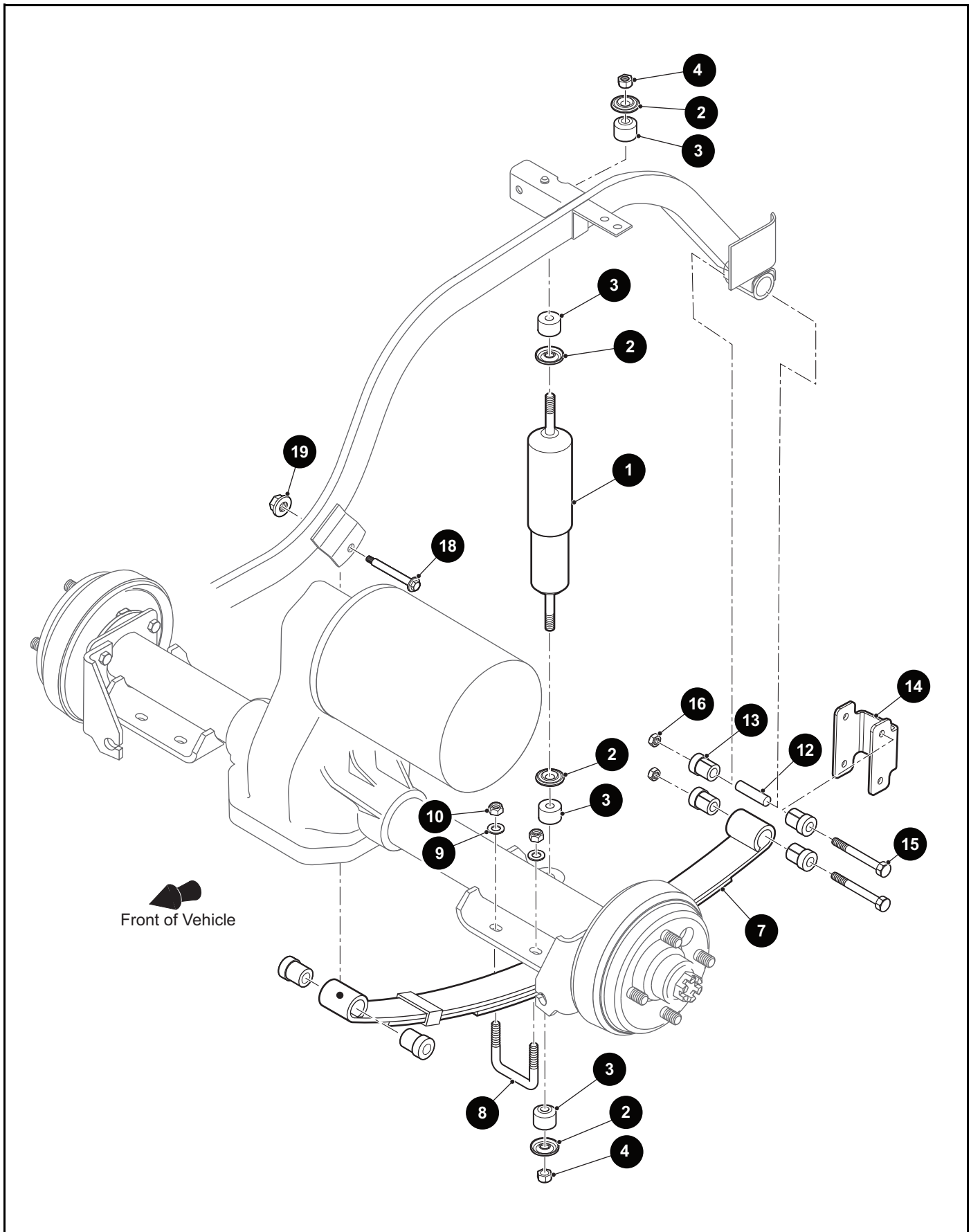
When ordering parts, please specify the model and serial number of the product.

* Indicates a component that is not available as an individual part.

*** Indicates consult Customer Service Department for additional information.

ITEM	PART NO.	1	2	3	4	5	DESCRIPTION	QTY.
32	620349						INTERMEDIATE GEAR	1
33	620350						DRIVE GEAR.....	1
34	620355						BALL BEARING	1
35	620358						O-RING, 18MM	2
36	620359						RETAINING RING.....	6
37								
38								
39	620329						INPUT GEARS KIT (NOT ILLUSTRATED)	1
40	620361						INTERNAL GEARS KIT (NOT ILLUSTRATED)	1
41	620362						BALL BEARING KIT (NOT ILLUSTRATED).....	1
42	620363						DIFFERENTIAL COVER ASSEMBLY KIT (NOT ILLUSTRATED)	1
43								
44	72763G02						SCUFF GUARD.....	1

REAR SUSPENSION



REAR SUSPENSION

THE USE OF NON U.L. PARTS WILL VOID ANY U.L. LISTING.
 When ordering parts, please specify the model and serial number of the product.
 * Indicates a component that is not available as an individual part.
 *** Indicates consult Customer Service Department for additional information.

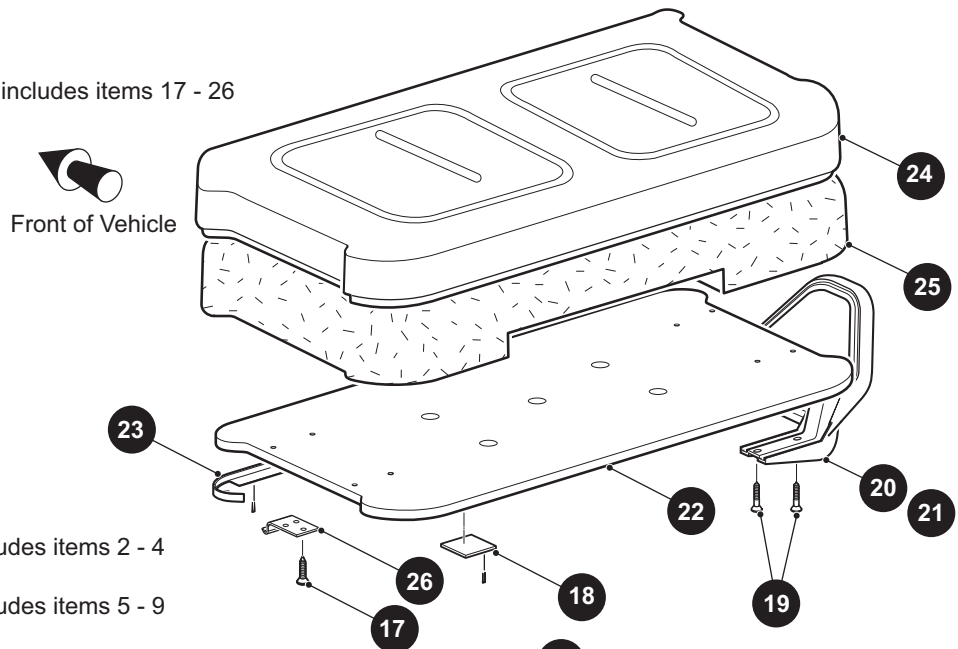
ITEM	PART NO.	1 2 3 4 5	DESCRIPTION	QTY.
1	642085		SHOCK ABSORBER.....	1
2	10435G1		SHOCK ABSORBER WASHER, .406" X 1.25" X .22"	4
3	10194G1		RUBBER BUSHING, 1"	4
4	00532G6		HEX JAM NUT, 3/8" - 24	2
5				
6				
7	667990		LEAF SPRING	1
8	72618G01		U BOLT, 3/8" - 16 X 2" X 2 1/2" LG	2
9	00560G1		FLAT WASHER, 3/8"	4
10	11098G5		LOCK NUT, 3/8" - 16	4
11				
12	70289G02		SPLIT STEEL SPACER	2
13	70291G01		FLANGED BUSHING, 21.5MM.....	6
14	652252G03		SHACKLE BRACKET	2
15	00665G9		HEX HEAD BOLT (SS), 3/8" - 16 X 3 1/2" LG	2
16	11098G5		LOCK NUT, 3/8" - 16	2
17				
18	14158G1		SHOULDER BOLT, 1/2" DIA X 3/8" - 16 THREAD X 3 1/4" LG	1
19	12262G1		LOCK NUT, 3/8" - 16	1

Notes:

A large grid area for taking notes, consisting of approximately 24 columns and 40 rows of small squares.

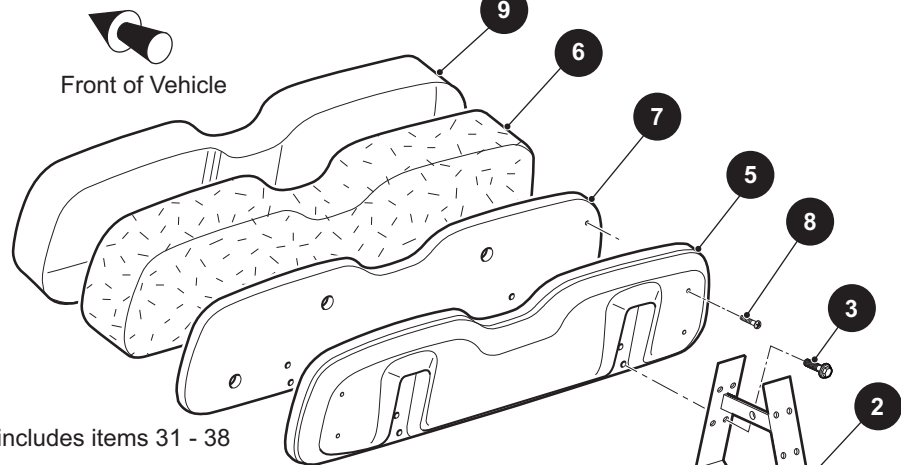
SEATING

16 SEAT BOTTOM ASSEMBLY includes items 17 - 26



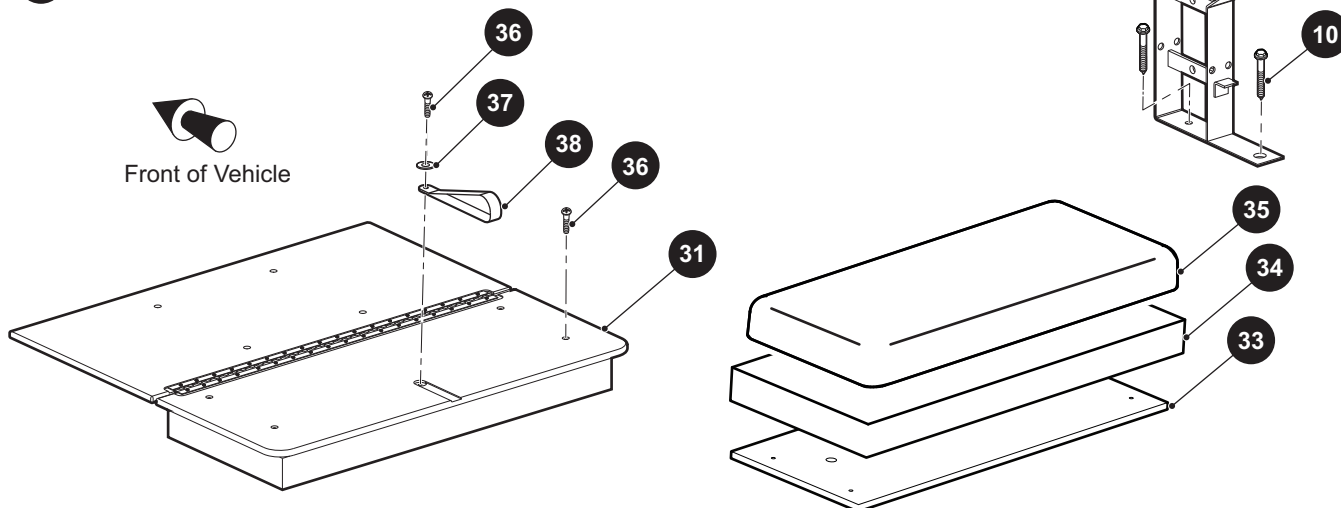
1 SEAT BACK ASSEMBLY includes items 2 - 4

4 SEAT BACK ASSEMBLY includes items 5 - 9



30 FLIP SEAT BOTTOM ASSEMBLY includes items 31 - 38

32 SEAT BOTTOM ASSEMBLY includes items 33 - 35



THE USE OF NON U.L. PARTS WILL VOID ANY U.L. LISTING.

When ordering parts, please specify the model and serial number of the product.

* Indicates a component that is not available as an individual part.

*** Indicates consult Customer Service Department for additional information.

ITEM	PART NO.	1 2 3 4 5	DESCRIPTION	QTY.
1	632818GXX		SEAT BACK ASSEMBLY (INCLUDES ITEMS 2 - 4)..... 632818G01 OYSTER 632818G03 TAN 632818G04 GREY 632818G06 BLACK 632818G07 BROWN	1
2	634178		SUPPORT WELDMENT	1
3	71204G01		HEX WASHER HEAD BOLT WITH PATCH LOCK, 1/4" - 20 X .875" LG..	4
4	71751GXX		SEAT BACK ASSEMBLY (INCLUDES ITEMS 5 - 9) 71751G01 OYSTER 71751G03 TAN 71751G04 GREY 71751G06 BLACK 71751G07 BROWN	2
5	71752G01		COVER (PLASTIC).....	1
6	71754G01		PADDING (FOAM)	1
7	645021		BASE ASSEMBLY	1
8	01107G01		PAN HEAD TORX SCREW, #8 X .63" LG	4
9	71753GXX		VINYL COVER..... 71753G01 OYSTER 71753G03 TAN 71753G04 GREY 71753G06 BLACK 71753G07 BROWN	1
10	01006G01		HEX WASHER HEAD SCREW, 3/8" - 16 X 1.25" LG	2
11				
12				
13				
14				
15				
16	629269G0XX		SEAT BOTTOM ASSEMBLY (INCLUDES ITEMS 17 - 26)..... 629269G0101 OYSTER 629269G0103 TAN 629269G0104 GREY 629269G0106 BLACK 629269G0107 BROWN	1
17	00720G08		FLAT HEAD PHILLIPS TAPPING SCREW, #12 - 14 X 1" LG	6
18	17074G1		SOILING SLAB	2
19	615417		BUTTON HEAD TORX BOLT, M10 - 1.5 X 25MM LG	4

SEATING

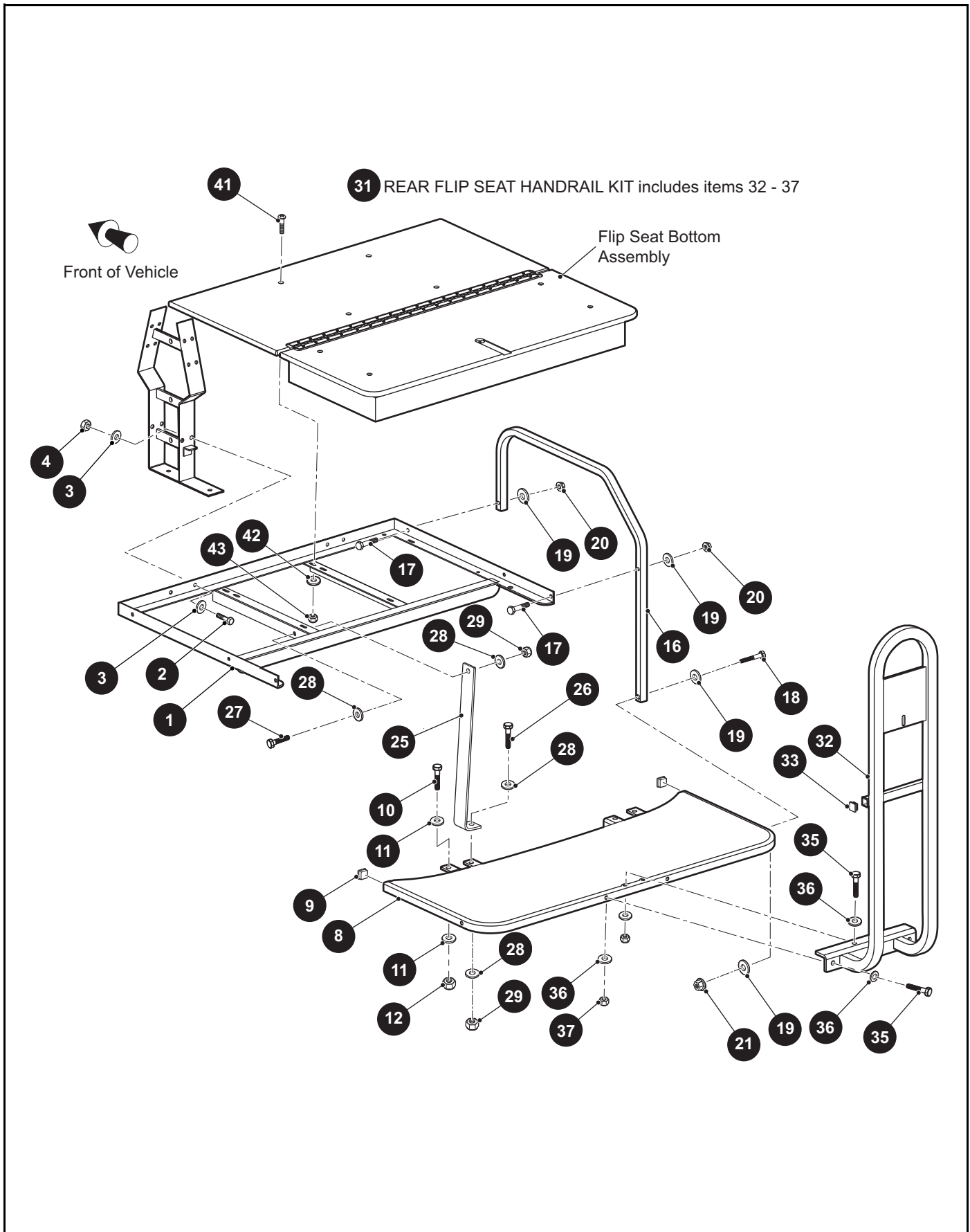
THE USE OF NON U.L. PARTS WILL VOID ANY U.L. LISTING.

When ordering parts, please specify the model and serial number of the product.

* Indicates a component that is not available as an individual part.

*** Indicates consult Customer Service Department for additional information.

ITEM	PART NO.	1	2	3	4	5	DESCRIPTION	QTY.
20	617644						HIP RESTRAINT (PASSENGER SIDE).....	1
21	617645						HIP RESTRAINT (DRIVER SIDE)	1
22	645492						BASE	1
23	71012G01						TRIM (POLYPROPYLENE).....	1
24	71602GXX						VINYL COVER..... 71602G01 OYSTER 71602G03 TAN 71602G04 GREY 71602G06 BLACK 71602G07 BROWN	1
25	71603G02						PADDING (FOAM)	1
26	71610G01						SEAT HINGE.....	2
27								
28								
29								
30	628058GXX						FLIP SEAT BOTTOM ASSEMBLY (INCLUDES ITEM 31 - 38) 628058G01 OYSTER 628058G03 TAN 628058G04 GREY 628058G06 BLACK 628058G07 BROWN	1
31	634190						DECK BOARD ASSEMBLY	1
32	632837GXX						SEAT BOTTOM ASSEMBLY (INCLUDES ITEM 33 - 35) 632837G01 OYSTER 632837G03 TAN 632837G04 GREY 632837G06 BLACK 632837G07 BROWN	1
33	617400						SEAT BOTTOM (PLYWOOD).....	1
34	617401						SEAT BOTTOM (FOAM)	1
35	***						SEAT BOTTOM (VINYL) 617893 BROWN 615648 BLACK 617892 GREY 615647 TAN 615646 OYSTER	1
36	16705G1						PHILLIPS SCREW (SS), 1/4" - 20 X 1" LG.....	5
37	00559G7						FLAT WASHER, 1/4".....	1
38	617402						SEAT STRAP	1



THE USE OF NON U.L. PARTS WILL VOID ANY U.L. LISTING.

When ordering parts, please specify the model and serial number of the product.

* Indicates a component that is not available as an individual part.

*** Indicates consult Customer Service Department for additional information.

ITEM	PART NO.	1 2 3 4 5	DESCRIPTION	QTY.
1	634180		SEAT FRAME WELDMENT	1
2	00427G2		HEX HEAD BOLT, 3/8" - 16 X 1.25" LG	1
3	614221		FLAT WASHER, 3/8"	2
4	11098G5		LOCK NUT, 3/8" - 16	1
5				
6				
7				
8	634179		FOOTREST WELDMENT	1
9	19853G1		SQUARE TUBE CAP, 1"	2
10	00427G6		HEX HEAD CAP SCREW, 3/8" - 16 X 1.25" LG	1
11	614221		FLAT WASHER, 3/8"	2
12	11098G5		LOCK NUT, 3/8" - 16	1
13				
14				
15				
16	634175		REAR SEATING ARMREST	1
17	00427G4		HEX HEAD BOLT, 3/8" - 16 X 1.25" LG	2
18	00428G8		HEX HEAD CAP SCREW, 3/8" - 16 X 2.25" LG	1
19	614221		FLAT WASHER, 3/8"	4
20	11027G5		FLANGED LOCK NUT, 3/8" - 16	2
21	11098G5		LOCK NUT, 3/8" - 16	2
22				
23				
24				
25	634174		SEAT FRAME SUPPORT	1
26	00427G4		HEX HEAD BOLT, 3/8" - 16 X 1.5" LG	1
27	00427G2		HEX HEAD BOLT, 3/8" - 16 X 1.25" LG	1
28	614221		FLAT WASHER, 3/8"	4
29	11098G5		LOCK NUT, 3/8" - 16	2
30				

SEATING

THE USE OF NON U.L. PARTS WILL VOID ANY U.L. LISTING.

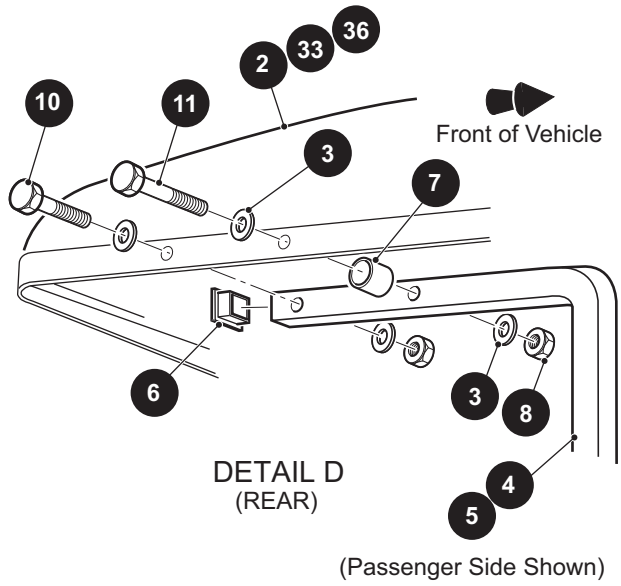
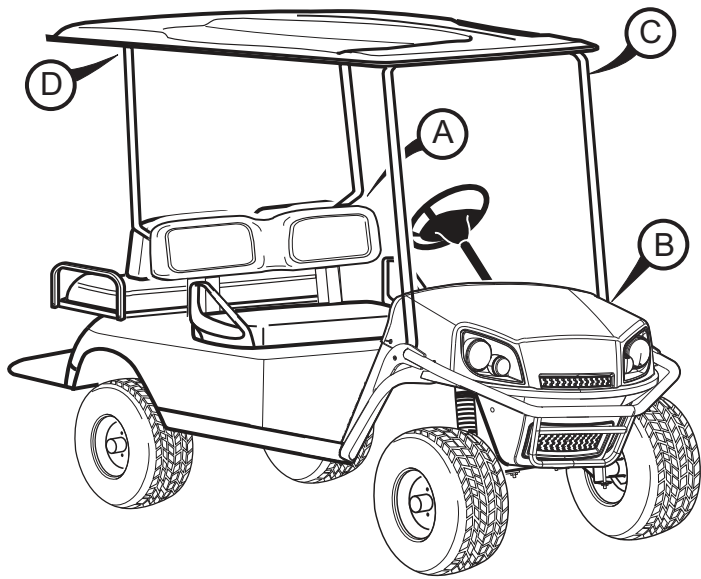
When ordering parts, please specify the model and serial number of the product.

* Indicates a component that is not available as an individual part.

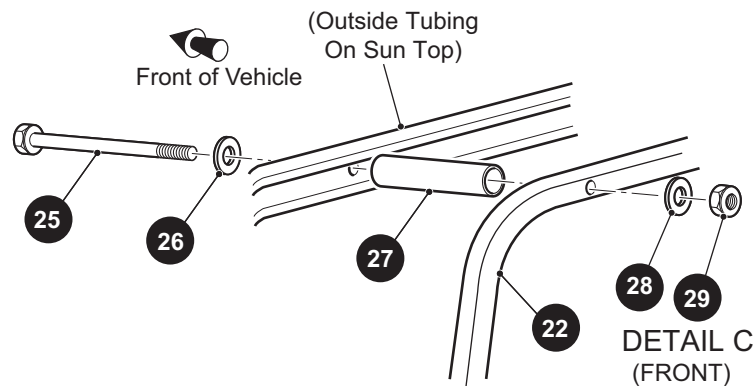
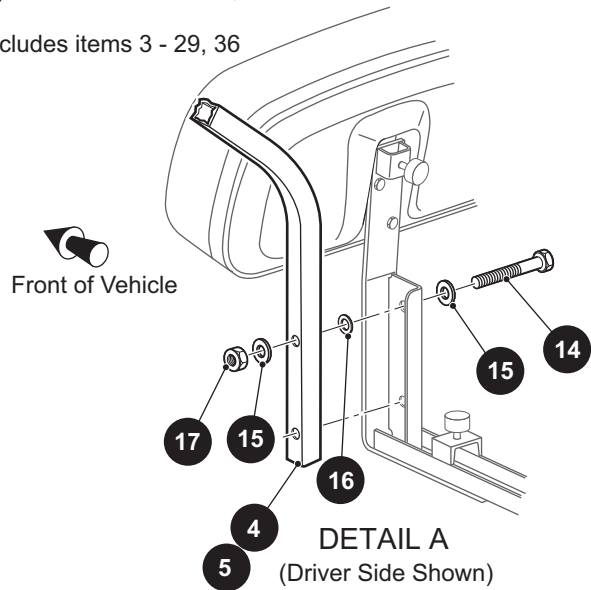
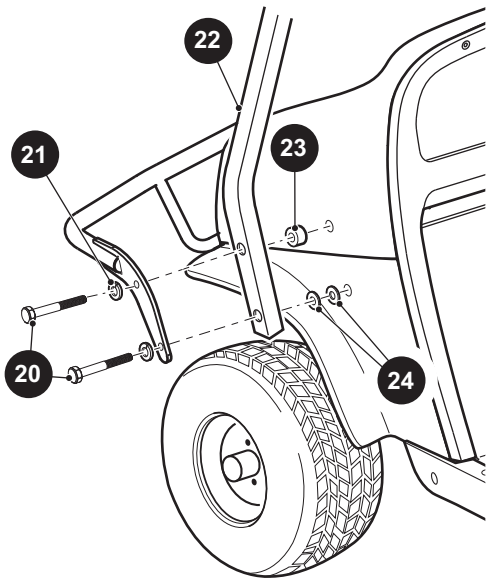
*** Indicates consult Customer Service Department for additional information.

ITEM	PART NO.	1	2	3	4	5	DESCRIPTION	QTY.
31	634184						REAR FLIP SEAT HANDRAIL KIT (INCLUDES ITEMS 32 - 37).....	1
32	634185						FOOTREST HANDLE WELDMENT	1
33	19859G1						SQUARE TUBE CAP, 3/4"	2
34								
35	00427G8						HEX HEAD BOLT, 3/8" - 16 X 2" LG	4
36	614221						FLAT WASHER, 3/8"	8
37	11098G5						LOCK NUT, 3/8" - 16.....	4
38								
39								
40								
41	16705G9						TRUSS HEAD PHILLIPS SCREW (SS), 1/4" - 20 X 1.25" LG	4
42	00559G7						FLAT WASHER, 1/4"	4
43	14390G4						LOCK NUT, 1/4" - 20	4

WEATHER PROTECTION



- 1 SUN TOP KIT (BLACK) includes items 2 - 29
- 32 SUN TOP KIT (WHITE) includes items 3 - 29, 33
- 35 SUN TOP KIT (TAN) includes items 3 - 29, 36



WEATHER PROTECTION

THE USE OF NON U.L. PARTS WILL VOID ANY U.L. LISTING.

When ordering parts, please specify the model and serial number of the product.

* Indicates a component that is not available as an individual part.

*** Indicates consult Customer Service Department for additional information.

ITEM	PART NO.	1 2 3 4 5	DESCRIPTION	QTY.
1	606260		SUN TOP KIT (BLACK), 80" LG (INCLUDES ITEMS 2 - 29).....	1
2	606937		SUN TOP	1
3	00679G1		FLAT WASHER (SS), 3/8"	4
4	602743		REAR STRUT (DRIVER SIDE)	1
5	602741		REAR STRUT (PASSENGER SIDE).....	1
6	19853G1		END CAP, 1 SQ"	1
7	24647G1		SPACER, 1/4"	1
8	00891G5		LOCK NUT, 3/8" - 16	2
9				
10	00665G6		HEX HEAD BOLT (SS), 3/8" - 16 X 2" LG	1
11	00665G3		HEX HEAD BOLT (SS), 3/8" - 16 X 2 1/2" LG	1
12				
13				
14	00665G5		HEX HEAD BOLT (SS), 3/8" - 16 X 1 3/4" LG	2
15	00679G1		FLAT WASHER (SS), 3/8"	4
16	00771G5		NYLON WASHER, 3/8"	2
17	00891G5		LOCK NUT, 3/8" - 16	2
18				
19				
20	00440G2		HEX HEAD BOLT, 5/16" - 18 X 2 1/4" LG	2
21	00565G8		LOCK WASHER, 5/16"	2
22	75125G01		FRONT STRUT	1
23	75048G01		SPACER, 1/2"	1
24	00879G1		FLAT WASHER, 3/8"	2
25	00674G8		HEX HEAD BOLT, 3/8" - 16 X 5" LG.....	1
26	00679G1		FLAT WASHER (SS), 3/8"	1
27	18716G1		SPACER	1
28	00653G1		FLAT WASHER (SS), 3/8"	1
29	00891G5		LOCK NUT, 3/8" - 16	1
30				
31				

WEATHER PROTECTION

THE USE OF NON U.L. PARTS WILL VOID ANY U.L. LISTING.

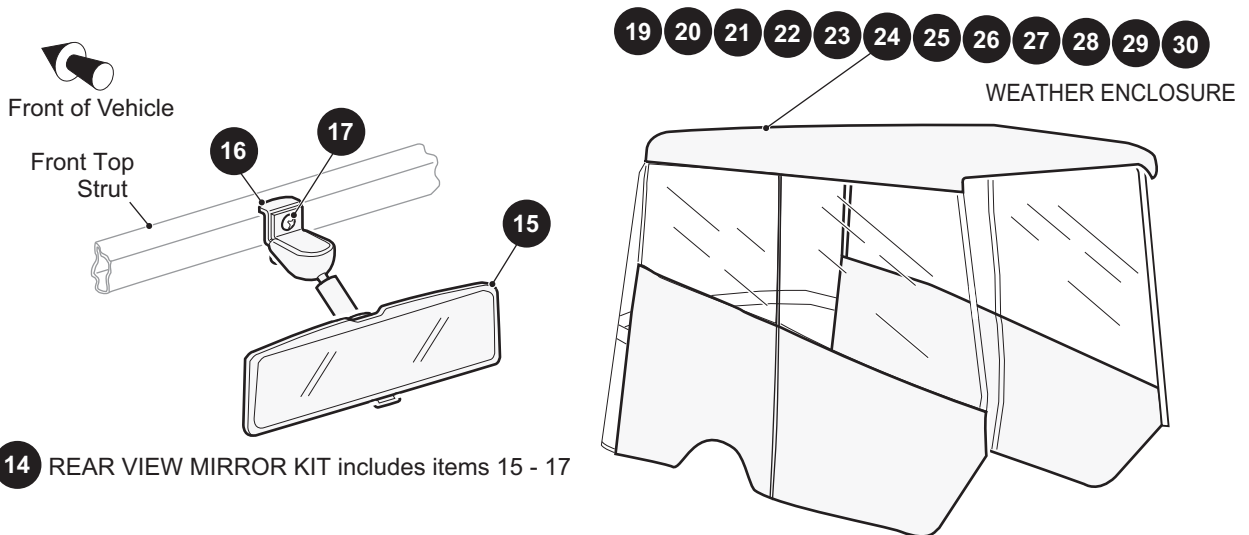
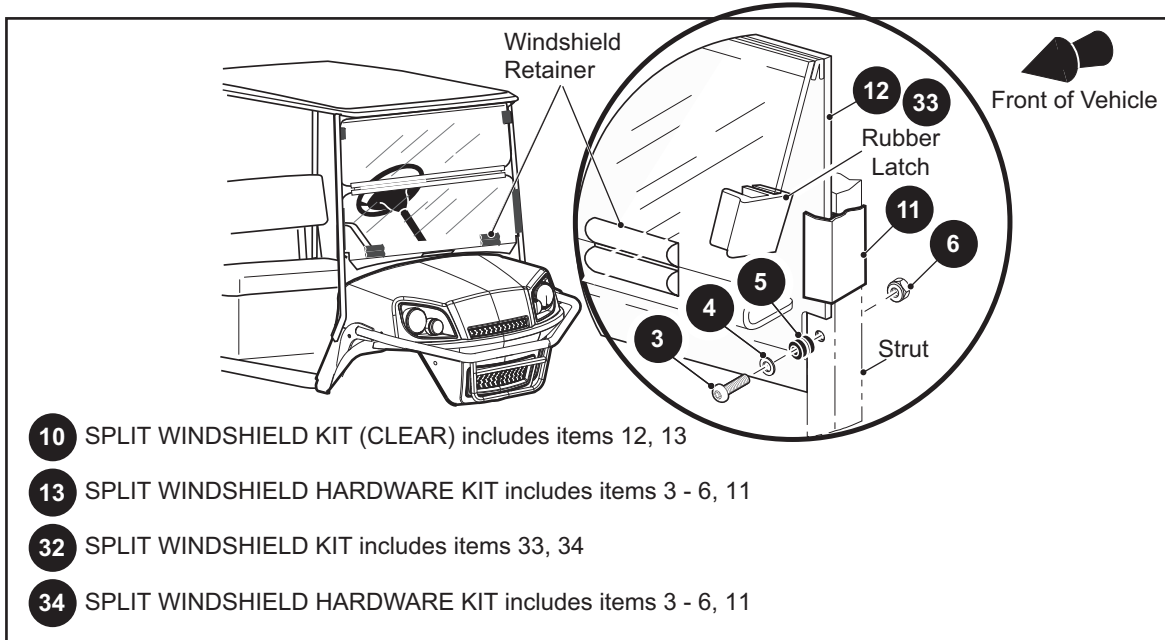
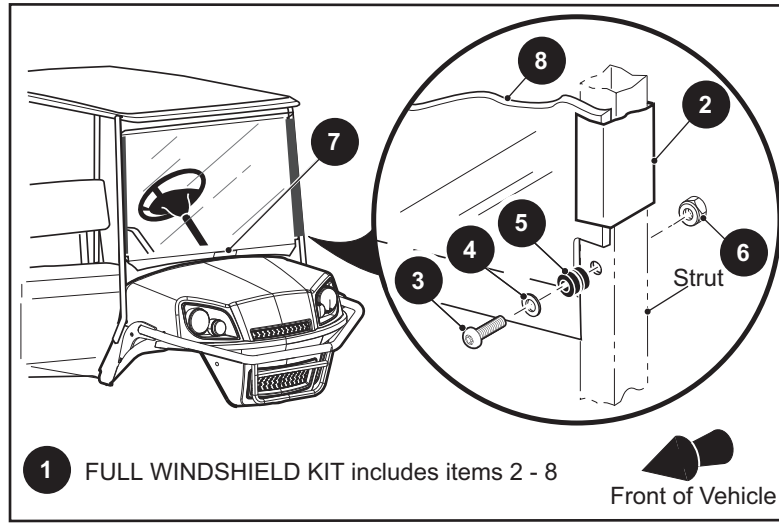
When ordering parts, please specify the model and serial number of the product.

* Indicates a component that is not available as an individual part.

*** Indicates consult Customer Service Department for additional information.

ITEM	PART NO.	1	2	3	4	5	DESCRIPTION	QTY.
32	603119						SUN TOP KIT (WHITE), 80" LG (INCLUDES ITEMS 3 - 29, 33)	1
33	27604G01						SUN TOP	1
34								
35	603120						SUN TOP KIT (TAN), 80" LG (INCLUDES 3 - 29, 36)	1
36	602672						SUN TOP	1

WEATHER PROTECTION



WEATHER PROTECTION

THE USE OF NON U.L. PARTS WILL VOID ANY U.L. LISTING.

When ordering parts, please specify the model and serial number of the product.

* Indicates a component that is not available as an individual part.

*** Indicates consult Customer Service Department for additional information.

ITEM	PART NO.	1 2 3 4 5	DESCRIPTION	QTY.
1	71966G03		FULL WINDSHIELD KIT (INCLUDES ITEMS 2 - 8).....	1
2	615662		SASH, 26" LG.....	2
3	*		HEX HEAD BOLT (SS), 1/4" - 20 X 1 3/4" LG.....	2
4	*		FLAT WASHER (SS), 1/4".....	4
5	*		RUBBER GROMMET.....	2
6	*		LOCK NUT (SS), 1/4" - 20.....	2
7				
8	*		FULL WINDSHIELD.....	1
9				
10	71966G05		SPLIT WINDSHIELD KIT (CLEAR) (INCLUDES ITEMS 12, 13).....	1
11	615661		SASH, 12" LG.....	2
12	630012		SPLIT WINDSHIELD (CLEAR).....	1
13	71956G05		SPLIT WINDSHIELD HARDWARE KIT (INCLUDES ITEMS 3 - 6, 11).....	1
14	19528G2		REAR VIEW MIRROR KIT (INCLUDES ITEMS 15 - 17).....	1
15	19496G1		REAR VIEW MIRROR.....	1
16	19502G2		SUPPORT BRACKET.....	1
17	19527G1		PAN HEAD SCREW, #8 - 32 X 5/8" LG.....	1
18				
19	605119		WEATHER ENCLOSURE (TAN).....	1
20	605120		WEATHER ENCLOSURE (OYSTER).....	1
21	605121		WEATHER ENCLOSURE (HUNTER GREEN).....	1
22	605122		WEATHER ENCLOSURE (PACIFIC BLUE).....	1
23	605123		WEATHER ENCLOSURE (CAPRI).....	1
24	605125		WEATHER ENCLOSURE (HEMLOCK TWEED).....	1
25	605126		WEATHER ENCLOSURE (BURGUNDY).....	1
26	605127		WEATHER ENCLOSURE (LINEN TWEED).....	1
27	605128		WEATHER ENCLOSURE (TUSCAN).....	1
28	605130		WEATHER ENCLOSURE (CHARCOAL TWEED).....	1
29	605131		WEATHER ENCLOSURE (JOCKEY RED).....	1
30	605132		WEATHER ENCLOSURE (MEDITERRANEAN BLUE).....	1
31				

WEATHER PROTECTION

THE USE OF NON U.L. PARTS WILL VOID ANY U.L. LISTING.

When ordering parts, please specify the model and serial number of the product.

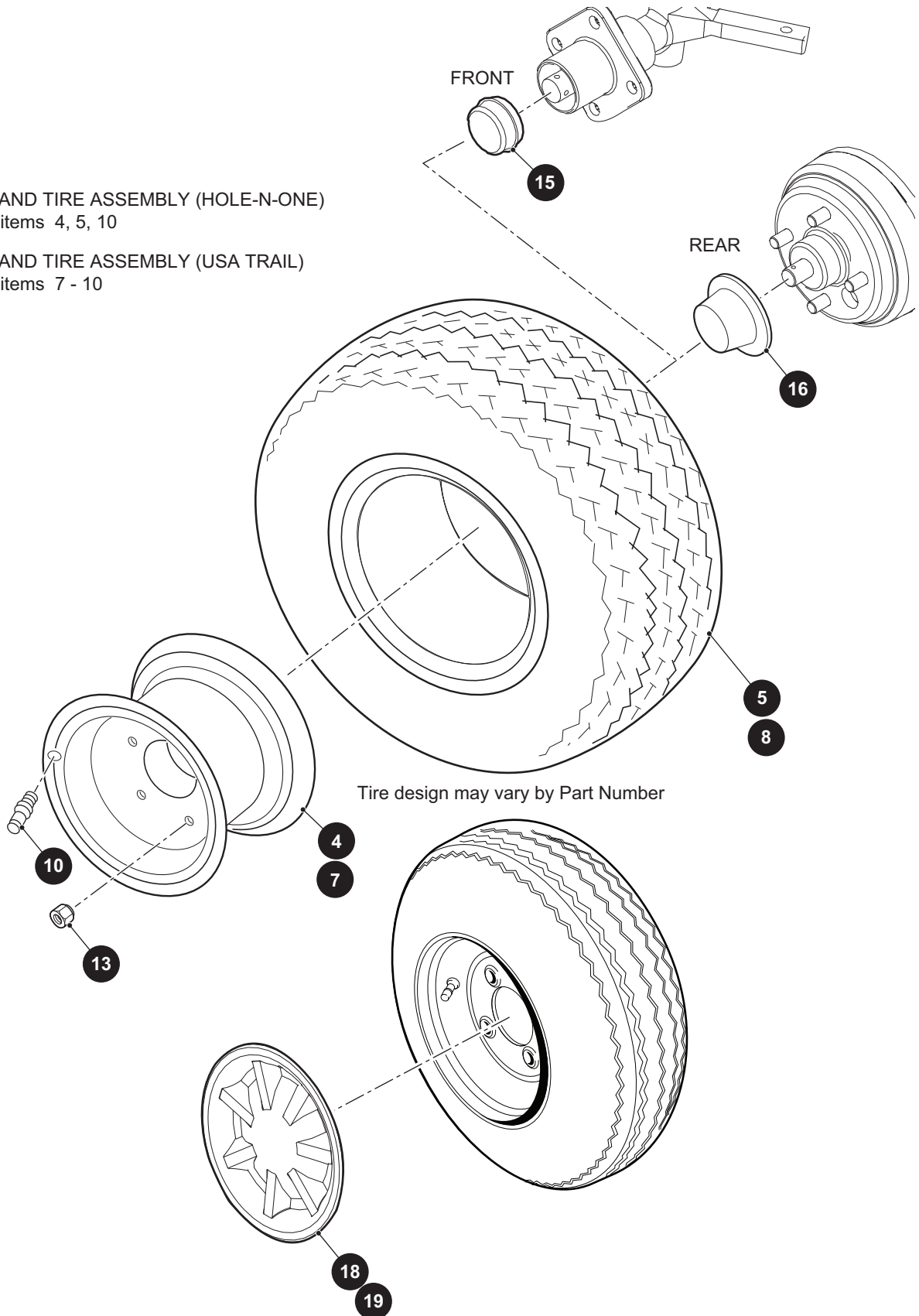
* Indicates a component that is not available as an individual part.

*** Indicates consult Customer Service Department for additional information.

ITEM	PART NO.	1	2	3	4	5	DESCRIPTION	QTY.
32	71966G06						SPLIT WINDSHIELD KIT (TINTED) (INCLUDES ITEMS 33, 34).....	1
33	630013						SPLIT WINDSHIELD (TINTED)	1
34	71956G05						SPLIT WINDSHIELD HARDWARE KIT (INCLUDES ITEMS 3 - 6, 11).....	1

WHEELS AND TIRES

- 1** WHEEL AND TIRE ASSEMBLY (HOLE-N-ONE)
includes items 4, 5, 10
- 2** WHEEL AND TIRE ASSEMBLY (USA TRAIL)
includes items 7 - 10



WHEELS AND TIRES

THE USE OF NON U.L. PARTS WILL VOID ANY U.L. LISTING.

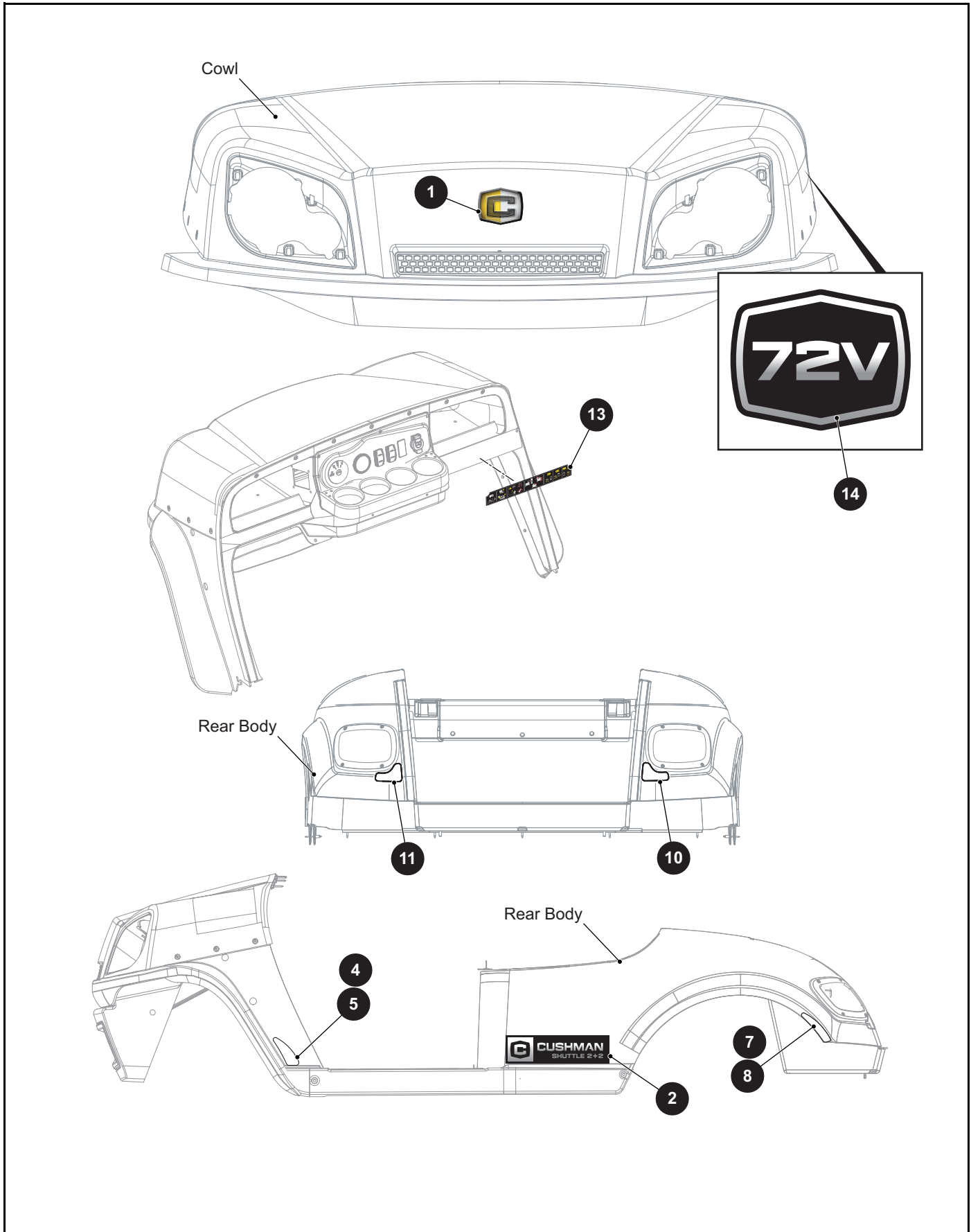
When ordering parts, please specify the model and serial number of the product.

* Indicates a component that is not available as an individual part.

*** Indicates consult Customer Service Department for additional information.

ITEM	PART NO.	1 2 3 4 5	DESCRIPTION	QTY.
1	612772		WHEEL AND TIRE ASSEMBLY (HOLE-N-ONE) (INCLUDES ITEMS 4, 5, 10).....	1
2	28842G01		WHEEL AND TIRE ASSEMBLY (USA TRAIL) (INCLUDES ITEMS 7 - 10)	1
3				
4	612770		WHEEL, 8".....	1
5	612771		TIRE (KENDA).....	1
6				
7	28759G01		WHEEL	1
8	28764G08		TIRE (USA TRAIL)	1
9				
10	11657G2		VALVE STEM.....	1
11				
12				
13	14723G1		LUG NUT, 1/2" - 20	4
14				
15	12091G2		SPINDLE CAP	1
16	74175G01		DUST CAP	1
17				
18	615618		HUBCAP (SILVER)	1
19	615617		HUBCAP (GOLD).....	1

DECALS AND LABELS



DECALS AND LABELS

THE USE OF NON U.L. PARTS WILL VOID ANY U.L. LISTING.

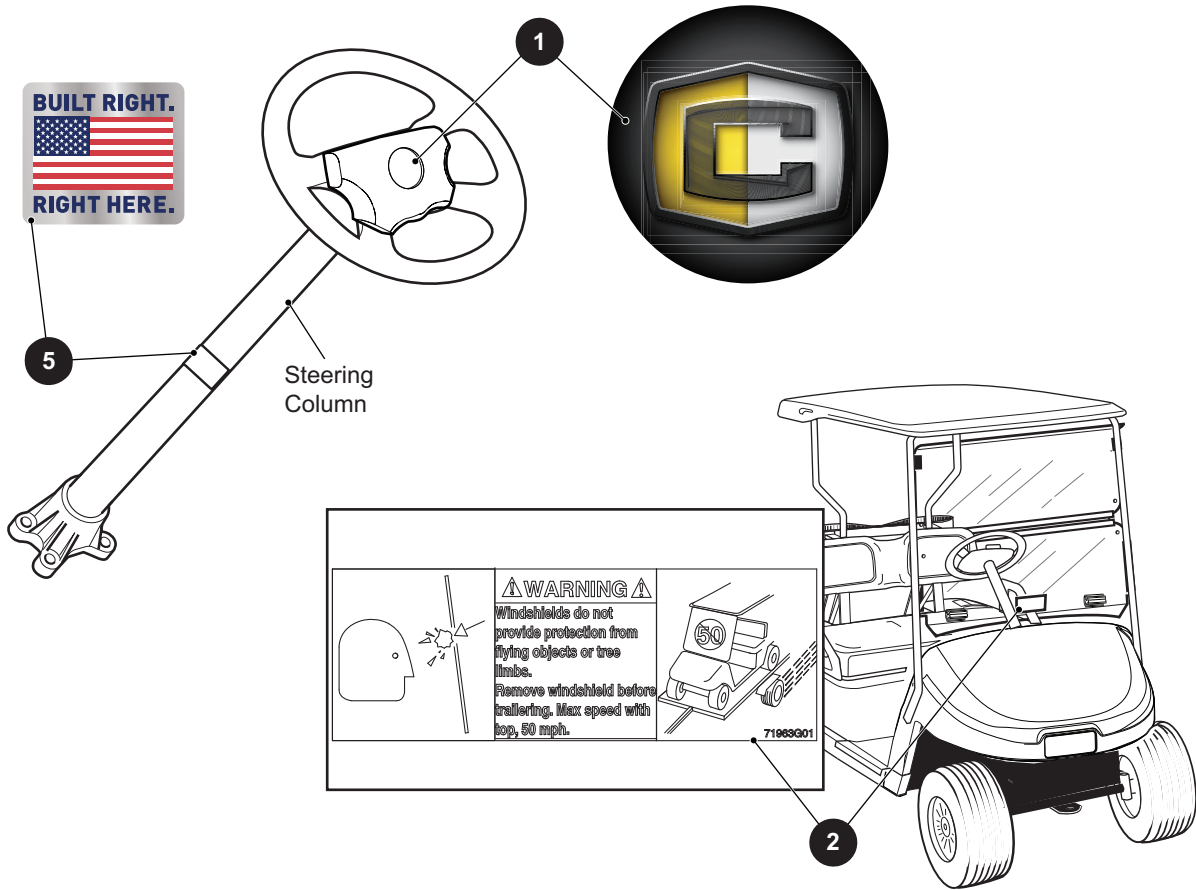
When ordering parts, please specify the model and serial number of the product.

* Indicates a component that is not available as an individual part.

*** Indicates consult Customer Service Department for additional information.

ITEM	PART NO.	1 2 3 4 5	DESCRIPTION	QTY.
1	619135		COWL DECAL	1
2	642581		SIDE DECAL	1
3				
4	627561		FRONT REFLECTOR (PASSENGER SIDE)	1
5	627562		FRONT REFLECTOR (DRIVER SIDE)	1
6				
7	627563		SIDE REFLECTOR (PASSENGER SIDE)	1
8	627564		SIDE REFLECTOR (DRIVER SIDE)	1
9				
10	625244		REAR REFLECTOR (PASSENGER SIDE)	1
11	625246		REAR REFLECTOR (DRIVER SIDE)	1
12				
13	662186		OPERATING INSTRUCTION LABEL	1
14	662187		72V COWL DECAL	1

DECALS AND LABELS



DECALS AND LABELS

THE USE OF NON U.L. PARTS WILL VOID ANY U.L. LISTING.

When ordering parts, please specify the model and serial number of the product.

* Indicates a component that is not available as an individual part.

*** Indicates consult Customer Service Department for additional information.

ITEM	PART NO.	1 2 3 4 5	DESCRIPTION	QTY.
1	618086		STEERING WARNING LABEL	1
2	71963G01		WINDSHIELD CLIP-ON WARNING LABEL	1
3	610631		REAR FLIP SEAT SAFETY LABEL.....	1
4				
5	685698		DECAL, MADE IN USA.....	1



CUSHMAN[®]

LET'S WORK.[®]

Textron Specialized Vehicles, Inc.
1451 Marvin Griffin Road
Augusta, Georgia 30906 - 3852 USA

CONTACT US:

North America:

Technical Assistance & Warranty Phone: 1-800-774-3946, FAX: 1-800-448-8124
Service Parts Phone: 1-888-438-3946, FAX: 1-800-752-6175

International:

Phone: 001-706-798-4311, FAX: 001-706-771-4609

Owner's guides and repair manuals
are available from a local Distributor, or an authorized Branch,
Parts & Accessories Department or at www.cushman.com.

Copyrighted Material

This manual may not be reproduced in whole
or in part without the express permission of
TSV Technical Communications Department