

# **2020 Transporter Maintenance and Service Manual**



**Electric Vehicle with QuiQ™ Charger**

Manual Number 86753090026

Edition Code A



## FOREWORD

---

Club Car vehicles are designed and built to provide the ultimate in performance efficiency; however, proper maintenance and repair are essential for achieving maximum service life and continued safe and reliable operation.

This manual provides detailed information for the maintenance and repair of the Transporter vehicles, and should be thoroughly reviewed prior to servicing the vehicle. The procedures provided must be properly implemented, and the DANGER, WARNING, and CAUTION statements must be heeded.

This manual was written for the trained technician who already possesses knowledge and skills in electrical and mechanical repair. *If the technician does not have such knowledge and skills, attempted service or repairs to the vehicle may render the vehicle unsafe.* For this reason, Club Car advises that all repairs and/or service be performed by an authorized Club Car distributor/dealer representative or by a Club Car factory-trained technician.

It is the policy of Club Car to assist its distributors and dealers in continually updating their service knowledge and facilities so they can provide prompt and efficient service for vehicle owners. Regional technical representatives, vehicle service seminars, periodic service bulletins, maintenance and service manuals, and other service publications also represent Club Car's continuing commitment to customer support.

Club Car offers a full line of training and continuing education classes for technicians who want to learn more about our products. For more information, contact your local dealer or Club Car's Technical Services department for a list of upcoming classes.

This manual covers all aspects of typical vehicle service; however, unique situations sometimes occur when servicing a vehicle. If it appears that a service question is not answered in this manual, please contact your nearest authorized Club Car dealer or distributor for assistance.

To find your local authorized Club Car dealer, visit [www.clubcardealer.com](http://www.clubcardealer.com), call 1-800-ClubCar (258-2227), or scan this Quick Response (QR) code to be taken to the Club Car dealer locator. Refer to Figure 1. Download a QR code reader such as RedLaser or Barcode Scanner to your cell phone or tablet.

If you would prefer to write to us, direct your letter to: Club Car LLC, Attention: Marketing Services, P.O. Box 204658, Augusta, Georgia 30917-4658 USA.

### Dealer Locator QR Code



Copyright © 2019

*Club Car is a registered trademark of Club Car, LLC*

This manual effective July, 2019

# FOREWORD

---

## TECHNICAL PUBLICATION CUSTOMER SATISFACTION ONLINE SURVEY

Let your voice be heard!

Please participate in the Technical Publication customer satisfaction online survey. This survey takes less than five minutes to complete and your responses will help examine current performance and identify areas for future improvement.

Our top priority is to provide timely, accurate, and user friendly manuals.

The online survey can be found at <http://bit.ly/1w9uFMh> or using the QR Code below.

Online Survey QR Code



## **⚠ WARNING**

---

- Read Safety on page 1-1 before attempting any service on the vehicle.
- Before servicing vehicle, read complete section(s) and any referenced information that may be relevant to the service or repair to be performed.

**NOTE:** *This manual represents the most current information at the time of publication. Club Car is continually working to further improve its vehicles and other products. These improvements may affect servicing procedures. Any modification and/or significant change in specifications or procedures will be forwarded to all Club Car dealers and will, when applicable, appear in future editions of this manual.*

*Club Car reserves the right to change specifications and designs at any time without notice and without the obligation of making changes to units previously sold.*

*There are no warranties expressed or implied in this manual. See the limited warranty found in the vehicle Owner's Manual.*

# CONTENTS

---

<b>SECTION 1 — Safety</b> .....	1-1
<hr/>	
Safety Details .....	1-1
Personal Safety .....	1-1
Machine Safety.....	1-1
Information.....	1-1
General Warnings.....	1-2
Disabling the Vehicle.....	1-3
Disconnecting the Batteries – Electric Vehicles .....	1-3
Connecting the Batteries – Electric Vehicles .....	1-4
Recycling Lead-Acid Batteries .....	1-4
International safety symbols on batteries.....	1-5
<b>SECTION 2 — Vehicle Specifications</b> .....	2-1
<hr/>	
Vehicle Specifications .....	2-1
Vehicle Specifications .....	2-1
QuiQ Battery Charger Specifications.....	2-3
<b>SECTION 3 — General Information</b> .....	3-1
<hr/>	
Model Identification.....	3-1
Storing the vehicle .....	3-2
Preparing the Vehicle for Extended Storage .....	3-2
Returning the Stored Vehicle to Service .....	3-3
<b>SECTION 4 — Body and Trim</b> .....	4-1
<hr/>	
Cleaning the Vehicle .....	4-1
Seat Cleaning.....	4-1
Front Body Repair .....	4-2
Light Scratches.....	4-2
Abrasions and Haze .....	4-2
Large Scratches and Abrasions .....	4-2
Front Body .....	4-2
Brushguard Removal .....	4-2
Brushguard Installation .....	4-3
Cowl Removal .....	4-4
Cowl Installation .....	4-4
Grille Removal.....	4-6
Grille Installation.....	4-6
Front Bumper and Side Fender Removal .....	4-8
Front Bumper and Side Fender Installation.....	4-8
Instrument Panel Removal .....	4-9
Instrument Panel Installation .....	4-9
Dash Removal.....	4-10
Dash Installation.....	4-10
Tilt Bed .....	4-12
Tilt Bed Removal .....	4-12
Tilt Bed Installation .....	4-12
Bed Latch Assembly Removal .....	4-14
Bed Latch Assembly Installation .....	4-14
Rear Fenders and Tailskirt.....	4-16
Rear Fender and Tailskirt Removal .....	4-17
Rear Fender and Tailskirt Installation .....	4-17
Rear Triangle Reflector .....	4-18
Rear Triangle Reflector Removal .....	4-18
Rear Triangle Reflector Installation .....	4-18
Electric Bed Lift .....	4-20
Electric Bed Lift Removal .....	4-21

---

Electric Bed Lift Installation .....	4-21
Floor Mat .....	4-22
Floor Mat Removal .....	4-22
Floor Mat Installation.....	4-22
Rear-Facing Seat .....	4-23
Trailer Hitch.....	4-24
Trailer Hitch Removal.....	4-24
Trailer Hitch Installation.....	4-24
Electrolyte Tray .....	4-25
Electrolyte Tray Removal .....	4-26
Electrolyte Tray Installation.....	4-26
<b>SECTION 5 — Accelerator and Brake Pedal Group .....</b>	<b>5-1</b>
<hr/>	
Brake Pedal and Park Brake .....	5-1
Brake Pedal Removal .....	5-1
Brake Pedal Installation .....	5-2
Park Brake Removal.....	5-4
Park Brake Installation .....	5-5
Accelerator Pedal – Electric Vehicles .....	5-6
Accelerator Pedal Removal – Electric Vehicles .....	5-7
Accelerator Pedal Installation – Electric Vehicles .....	5-7
Pedal Group Adjustment – Electric Vehicles .....	5-8
<b>SECTION 6 — Brake System .....</b>	<b>6-1</b>
<hr/>	
General Information .....	6-1
Brake Shoe Removal.....	6-1
Brake Assembly Cleaning .....	6-3
Brake Shoe Installation .....	6-6
Brake Adjustment .....	6-7
Brake Cluster Adjustment.....	6-8
Brake Cable Equalization .....	6-10
Final Brake Cluster Adjustment.....	6-11
Test Drive Vehicle .....	6-11
Brake Cluster Removal and Installation.....	6-12
Front Brake Cluster Removal.....	6-12
Front Brake Cluster Installation.....	6-12
Rear Brake Cluster Removal .....	6-14
Rear Brake Cluster Installation .....	6-14
Front Brake Cables.....	6-15
Front Brake Cable Removal .....	6-16
Front Brake Cable Installation.....	6-16
Rear Brake Cables .....	6-17
Rear Brake Cable Removal .....	6-18
Rear Brake Cable Installation .....	6-18
Emergency Brake System .....	6-19
Emergency Brake Removal .....	6-19
Emergency Brake Installation .....	6-20
Emergency Brake Adjustment .....	6-20
<b>SECTION 7 — Steering and Front Suspension .....</b>	<b>7-1</b>
<hr/>	
General Information .....	7-1
Steering Wheel.....	7-1
Steering Wheel Removal.....	7-1
Steering Wheel Installation.....	7-2
Steering Column.....	7-3
Steering Column Removal.....	7-4
Steering Column Disassembly.....	7-4
Steering Column Assembly .....	7-4
Steering Column Installation.....	7-5
Steering Adjustment .....	7-6
Rack and Pinion .....	7-7

Rack and Pinion Inspection .....	7-7
Rack and Pinion Removal .....	7-7
Rack and Pinion Disassembly .....	7-8
Rack and Pinion Assembly .....	7-10
Rack and Pinion Installation .....	7-13
Tie Rod and Drag Link .....	7-14
Tie Rod and Drag Link Removal .....	7-14
Tie Rod and Drag Link Installation .....	7-14
Front Suspension .....	7-15
Lubrication .....	7-15
Wheel Alignment .....	7-15
Front Suspension Components .....	7-17
Leaf Spring Removal .....	7-17
Leaf Spring Installation .....	7-17
Kingpin and Steering Spindle Removal .....	7-17
Kingpin and Steering Spindle Installation .....	7-20
Delta A-Plate Removal .....	7-20
Delta A-Plate Installation .....	7-20
Shock Absorber Removal .....	7-20
Shock Absorber Installation .....	7-20
Front Wheel Bearings and Hubs .....	7-21
Front Wheel Free Play Inspection .....	7-21
Front Hub and Wheel Bearings Removal .....	7-21
Front Hub and Wheel Bearings Installation .....	7-22
<b>SECTION 8 — Wheels and Tires .....</b>	<b>8-1</b>
<hr/>	
General Information .....	8-1
Wheels .....	8-1
Wheel Removal .....	8-1
Wheel Installation .....	8-1
Tires .....	8-2
Tire Removal .....	8-2
Tire Repair .....	8-2
Tire Installation .....	8-3
<b>SECTION 9 — Rear Suspension .....</b>	<b>9-1</b>
<hr/>	
General Information .....	9-1
Shock Absorbers .....	9-1
Shock Absorber Inspection and Removal .....	9-1
Shock Absorber Installation .....	9-1
Multi-Leaf Springs .....	9-2
Multi-Leaf Spring Removal .....	9-2
Multi-Leaf Spring Installation .....	9-3
<b>SECTION 10 — Periodic Maintenance .....</b>	<b>10-1</b>
<hr/>	
General Information .....	10-1
Pre-Operation and Daily Safety Checklist .....	10-1
Performance Inspection .....	10-1
Maintenance .....	10-2
Periodic Service Schedules .....	10-3
Periodic Lubrication Schedules .....	10-6
<b>SECTION 11 — Controller Diagnostic Tool (CDT) .....</b>	<b>11-1</b>
<hr/>	
General Information .....	11-2
Features .....	11-2
Plugging the CDT into the Vehicle .....	11-2
Introductory Display .....	11-3
Quick Reference Guide – IQ Plus with Quiq Charger .....	11-4
System Info .....	11-5
Model Number .....	11-5

Serial Number .....	11-5
Hardware Version .....	11-5
Protocol Version .....	11-5
Param Block Version.....	11-5
MFG Date Code .....	11-5
OS Version.....	11-5
SM Version .....	11-5
VCL App Version .....	11-5
Parameters .....	11-6
Settings .....	11-6
Amp Hours.....	11-9
Access Codes .....	11-9
Vehicle ID .....	11-9
Monitor Menu .....	11-11
Speed In .....	11-11
Throttle % .....	11-11
Batt Voltage.....	11-11
Heatsink Temp .....	11-11
Mode .....	11-11
Arm Current .....	11-11
Field Current .....	11-11
Arm PWM .....	11-12
Field PWM .....	11-12
Foot Input .....	11-12
Key Input .....	11-12
Forward Input.....	11-12
Reverse Input.....	11-12
Mode Switch .....	11-12
WK Away Relay.....	11-12
Main Cont .....	11-12
Password Tries (OEM Access Level Only).....	11-12
Cir BRKR Open # .....	11-13
THRTL Fault # .....	11-13
Undervoltage #.....	11-13
Overvoltage #.....	11-13
Temp Cutback # .....	11-13
HPD #.....	11-13
Main Welded # .....	11-13
Relay Welded # .....	11-13
SPD Sensor # .....	11-13
Main DRV On # .....	11-13
Main Coil OPN #.....	11-13
Main Dropout #.....	11-13
Motor Stall #.....	11-13
Main DRVR Off#.....	11-13
Relay DNC # .....	11-14
Current Sense # .....	11-14
M-Shorted # .....	11-14
Relay Coil # .....	11-14
Precharge # .....	11-14
FLD Missing # .....	11-14
HW Failsafe #.....	11-14
DRVR Overcur #.....	11-14
RLY DRVR On #.....	11-14
RLY DRVR Off #.....	11-14
V min I.....	11-14
Signed Battery Current.....	11-14
BDI Percent.....	11-14
Charger Inhibit.....	11-15
LED Driver .....	11-15
Odometer.....	11-15
BDI Info .....	11-15
Battery Monitor.....	11-15
Charging Totals .....	11-15



Amp Hours Display .....	11-16
LIN .....	11-16
Diagnostics Menu .....	11-17
Present Errors Folder .....	11-17
Fault History Folder .....	11-17
System Faults .....	11-17
Fault Recovery .....	11-19
Fault Descriptions .....	11-20
01 Throttle Fault 1 .....	11-20
02 Low Battery Voltage .....	11-20
03 Overvoltage .....	11-20
04 Thermal Cutback .....	11-20
06 HPD .....	11-20
07 Main Welded .....	11-20
08 Relay Welded .....	11-20
09 Speed Sensor .....	11-20
10 Main Driver On .....	11-20
11 Main Coil Open .....	11-20
12 Main Dropout .....	11-21
13 Motor Stall .....	11-21
14 Main Driver Off .....	11-21
15 Relay DNC .....	11-21
16 Keyswitch SRO .....	11-21
17 Current Sense .....	11-21
18 M- Shorted .....	11-21
20 Driver Overcurrent .....	11-21
21 Precharge Fault .....	11-21
22 Field Missing .....	11-21
23 Relay Driver On .....	11-21
24 HW Failsafe .....	11-21
25 Incorrect Password .....	11-22
26 Circuit BRKR Open .....	11-22
27 Max Password Tries .....	11-22
29 Relay DRVR Off .....	11-22
30 Relay Coil Fault .....	11-22
Anti-Tamper Fault .....	11-22
Lockout Fault .....	11-22
Low SOC .....	11-22
Main CONT DNC .....	11-23
Main Coil Fault .....	11-23
PROC/Wiring .....	11-23
Open Armature .....	11-23
Incorrect Password (OEM Access Level Only) .....	11-23
Fault History .....	11-23
Clearing Fault History .....	11-23
Programming .....	11-24
Cloning .....	11-24
Favorites .....	11-24
HHP Settings .....	11-25
Plot & Log .....	11-26
Plot .....	11-26
Log .....	11-26
CDT Troubleshooting .....	11-27
Connection Tests .....	11-28
<b>SECTION 12 — Electrical System Troubleshooting .....</b>	<b>12-1</b>
General Information .....	12-1
Accessories .....	12-1
Charge Indicator Light .....	12-1
Features .....	12-1
Sonic Weld, Diode, and 10k Ohm Resistor Locations .....	12-4
Troubleshooting .....	12-5
Troubleshooting the Vehicle with the CDT .....	12-5

Troubleshooting Guide 1 .....	12-6
Troubleshooting Guide 2 .....	12-9
Test Procedures .....	12-11
Testing Basics .....	12-11
<b>SECTION 13 — Electrical Components</b> .....	<b>13-1</b>
<hr/>	
Key Switch .....	13-1
Testing the Key Switch .....	13-1
Key Switch Removal .....	13-1
Key Switch Installation .....	13-1
Forward/Reverse Rocker Switch .....	13-2
Forward/Reverse Rocker Switch Removal .....	13-2
Forward/Reverse Rocker Switch Installation .....	13-2
Run/Tow Switch .....	13-3
Run/Tow Switch Removal .....	13-3
Run/Tow Switch Installation .....	13-3
Circuit Breaker .....	13-4
Circuit Breaker Removal .....	13-4
Circuit Breaker Installation .....	13-4
Motor Controller Output Regulator (MCOR) .....	13-5
Testing the MCOR .....	13-5
MCOR Removal .....	13-5
MCOR Installation .....	13-5
Reverse Buzzer .....	13-6
Reverse Buzzer Removal .....	13-6
Reverse Buzzer Installation .....	13-6
Speed Controller Cover .....	13-6
Removing the Speed Controller Cover .....	13-6
Installing the Speed Controller Cover .....	13-6
Solenoid .....	13-7
Solenoid Removal .....	13-7
Solenoid Installation .....	13-7
Speed Controller .....	13-8
Speed Controller Removal .....	13-8
Speed Controller Installation .....	13-8
Charge Indicator Light .....	13-10
Testing the Charge Indicator Light .....	13-10
Charge Indicator Light Removal .....	13-10
Charge Indicator Light Installation .....	13-10
Emergency Stop Switch .....	13-10
Testing the Emergency Stop Switch .....	13-10
Emergency Stop Switch Removal .....	13-10
Emergency Stop Switch Installation .....	13-11
Headlights .....	13-12
Headlight Bezel Removal .....	13-12
Headlight Bezel Installation .....	13-12
Halogen Headlight Bulb Removal .....	13-13
Halogen Headlight Bulb Installation .....	13-13
Halogen Headlight Lens Removal .....	13-14
Halogen Headlight Lens Installation .....	13-14
LED Headlight Removal .....	13-15
LED Headlight Installation .....	13-15
Lockout Relay .....	13-15
Lockout Relay Removal .....	13-16
Lockout Relay Installation .....	13-16
Walk Away Relay .....	13-17
Walk Away Relay Removal .....	13-17
Walk Away Relay Installation .....	13-17
<b>SECTION 14 — Batteries</b> .....	<b>14-1</b>
<hr/>	
General Information .....	14-1
Battery Testing Basics – 6 Volt .....	14-2

Observation.....	14-2
Measuring Voltage of Battery Set.....	14-2
Battery Cell Numbering.....	14-2
Battery Testing – 6 Volt.....	14-3
Battery Regrouping.....	14-3
Battery Replacement.....	14-5
Battery Care.....	14-6
Water Quality.....	14-6
Deionizer.....	14-7
Battery Care – Vehicles Equipped with the Single-Point Watering System (SPWS).....	14-8
Battery Care – Vehicles Without the Single-Point Watering System (SPWS).....	14-9
Self-Discharge.....	14-10
Electrolyte Level.....	14-10
Vibration Damage.....	14-11
Single Point Watering System (SPWS).....	14-11
Initial Maintenance of the SPWS.....	14-11
Watering Batteries with the SPWS.....	14-11
Battery Storage.....	14-13
Fleet Rotation.....	14-13
Deep-Discharge.....	14-14
Early Excessive Discharging.....	14-14
<b>SECTION 15 — Battery Charger.....</b>	<b>15-1</b>
<hr/>	
General Information.....	15-1
Features.....	15-1
UL and CSA Listing.....	15-1
CE Compliance.....	15-1
IP (Ingress Protection) Rating.....	15-1
How To Identify Charge Algorithm Number.....	15-2
How To Change The Algorithm.....	15-3
The Charge Circuit.....	15-3
Onboard Charger Operation.....	15-4
Charger Displays.....	15-6
AC Power Connection.....	15-8
Charging Batteries.....	15-8
Maintenance.....	15-9
Troubleshooting.....	15-10
Test Procedures.....	15-11
Charger Repairs.....	15-12
Onboard Charger Removal And Installation.....	15-12
Onboard Charger Removal.....	15-12
Onboard Charger Installation.....	15-13
<b>SECTION 16 — Motor.....</b>	<b>16-1</b>
<hr/>	
General Information.....	16-1
External Motor Testing.....	16-1
Motor Removal.....	16-3
Motor Disassembly.....	16-5
Motor Component Testing and Inspection.....	16-7
Armature Inspection and Testing.....	16-7
Motor Frame and Field Windings Inspection.....	16-8
Motor Brush, Spring, and Terminal Insulator Inspection.....	16-8
Reconditioning the Motor.....	16-11
Motor Specifications.....	16-11
Motor Assembly.....	16-11
Motor Installation.....	16-13
<b>SECTION 17 — Transaxle.....</b>	<b>17-1</b>
<hr/>	
Lubrication.....	17-1
Axle Bearing and Shaft.....	17-1
Axle Shaft.....	17-1

Axle Bearing.....	17-4
Transaxle .....	17-5
Transaxle Removal.....	17-5
Transaxle Disassembly, Inspection, and Assembly.....	17-8
Transaxle Disassembly and Inspection.....	17-8
Transaxle Assembly.....	17-10
Transaxle Installation .....	17-11
<b>SECTION 18 — Wiring Diagrams.....</b>	<b>18-1</b>
<hr/>	
General Information .....	18-1
Index .....	Index-1
<hr/>	

---

## SAFETY DETAILS

---

To ensure the safety of those servicing Club Car vehicles, and to protect the vehicles from possible damage resulting from improper service or maintenance, the procedures in this manual must be followed.

It is important to note that throughout this manual there are statements labeled DANGER, WARNING, or CAUTION. These special statements relate to specific safety issues, and must be read, understood, and heeded before proceeding with procedures. There are statements labeled NOTE, which provide other essential service or maintenance information.

### PERSONAL SAFETY

#### **DANGER**

- A DANGER indicates an immediate hazard that will result in severe personal injury or death. The color associated with Danger is RED.

#### **WARNING**

- A WARNING indicates an immediate hazard that could result in severe personal injury or death. The color associated with Warning is ORANGE.

#### **CAUTION**

- A CAUTION with the safety alert symbol indicates a hazard or unsafe practice that could result in minor personal injury. The color associated with Caution is YELLOW.

### MACHINE SAFETY

#### **CAUTION**

- A CAUTION without the safety alert symbol indicates a potentially hazardous situation that could result in property damage.

A CAUTION, without the safety alert symbol, is intended for machine and property safety. It is used throughout this manual followed by specific instructions to prevent machine or property damage. Failure to follow these CAUTION messages could result in machine or property damage.

### INFORMATION

**NOTE:** Instructions that clarify steps, procedures, or other information in this manual.

## GENERAL WARNINGS

---

The following safety statements must be heeded whenever the vehicle is being operated, repaired, or serviced. Other specific safety statements appear throughout this manual and on the vehicle.

### **⚠ DANGER**

---

- **Battery – Explosive gases! Do not smoke. Keep sparks and flames away from the vehicle and service area. Ventilate when charging or operating vehicle in an enclosed area. Wear a full face shield and rubber gloves when working on or near batteries.**
- **The vehicle will not provide protection from lightning, flying objects, or other storm-related hazards. If caught in a storm while driving a Club Car vehicle, exit the vehicle and seek shelter in accordance with applicable safety guidelines for your location.**

### **⚠ WARNING**

---

- **Follow the procedures exactly as stated in this manual, and heed all DANGER, WARNING, and CAUTION statements in this manual as well as those on the vehicle and battery charger.**
- **Do not leave children unattended in vehicle at any time.**
- **Prior to leaving the vehicle unattended or servicing the vehicle, set the park brake, place the Forward/Reverse handle or switch in the NEUTRAL position, turn the key switch to the OFF position, and remove the key. Chock the wheels when servicing the vehicle.**
- **Improper use of the vehicle or failure to properly maintain it can result in decreased vehicle performance, severe personal injury, or death.**
- **Any modification or change to the vehicle that affects the electrical system, stability or handling of the vehicle, or increases maximum vehicle speed beyond factory specifications, can result in severe personal injury or death.**
- **Check the vehicle for proper location of all vehicle safety and operation decals and make sure they are in place and are easy to read.**
- **For vehicles with cargo beds, remove all cargo (including accessories) before raising the bed or servicing the vehicle. If the vehicle is equipped with a prop rod, ensure that it is securely engaged while bed is raised. Do not close bed until all persons are clear of cargo bed area. Keep hands clear of all crush areas. Do not drop cargo bed; lower gently and keep entire body clear. Failure to heed this warning can result in severe personal injury or death.**
- **Only trained technicians should service or repair the vehicle or battery charger. Anyone doing even simple repairs or service should have knowledge and experience in electrical and mechanical repair. The appropriate instructions must be used when performing maintenance, service, or accessory installation.**
- **Ensure battery connections are clean and properly tightened. See Battery Care – Vehicles Equipped with the Single-Point Watering System (SPWS) on page 14-8 or Battery Care – Vehicles Without the Single-Point Watering System (SPWS) on page 14-9.**
- **Place Run/Tow switch in the TOW position before disconnecting or connecting the batteries. Failure to heed this warning can result in a battery explosion or severe personal injury.**
- **To avoid unintentionally starting an electric vehicle, disconnect the batteries and discharge the controller. See Disconnecting the Batteries – Electric Vehicles on page 1-3.**

WARNING CONTINUED ON NEXT PAGE

---

## **⚠ WARNING**

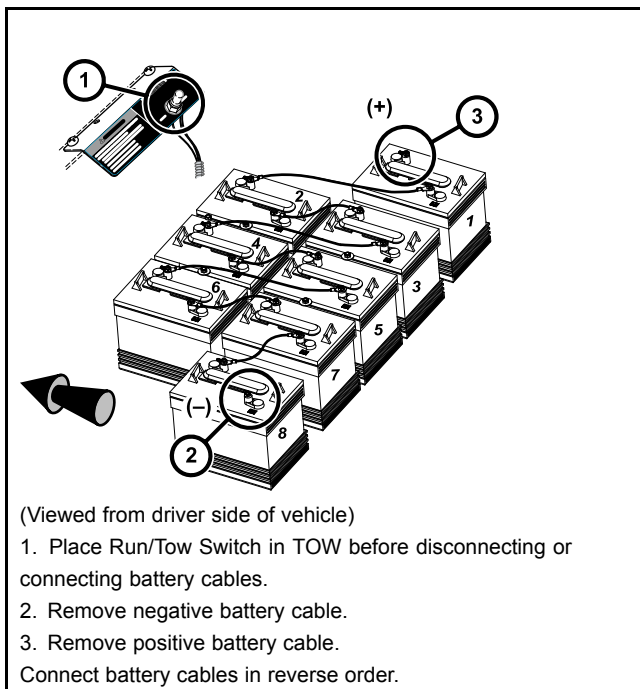
- **Wear safety glasses or approved eye protection when servicing the vehicle or battery charger. Wear a full face shield and rubber gloves when working on or near batteries.**
- **Do not wear loose clothing or jewelry such as rings, watches, chains, etc., when servicing the vehicle or battery charger.**
- **Use insulated tools when working near batteries or electrical connections. Use extreme caution to avoid shorting of components or wiring.**

## **DISABLING THE VEHICLE**

1. Engage park brake to lock wheels.
2. Turn the key switch OFF and remove the key.
3. Place the Forward/Reverse control in the NEUTRAL position.
4. In addition, chock the wheels if servicing or repairing the vehicle.

## **DISCONNECTING THE BATTERIES – ELECTRIC VEHICLES**

1. Disable the vehicle. **See Disabling the Vehicle on page 1-3.**
2. Place Run/Tow switch in the TOW position before disconnecting or connecting the batteries. Failure to heed this warning can result in a battery explosion or severe personal injury.
3. Disconnect the batteries, negative (–) cable first, as shown (**Figure 1-1**).
4. After disconnecting the batteries, wait 90 seconds for the controller capacitors to discharge.



2780

**Figure 1-1 Battery Cable Removal – Electric Vehicle**

## CONNECTING THE BATTERIES – ELECTRIC VEHICLES

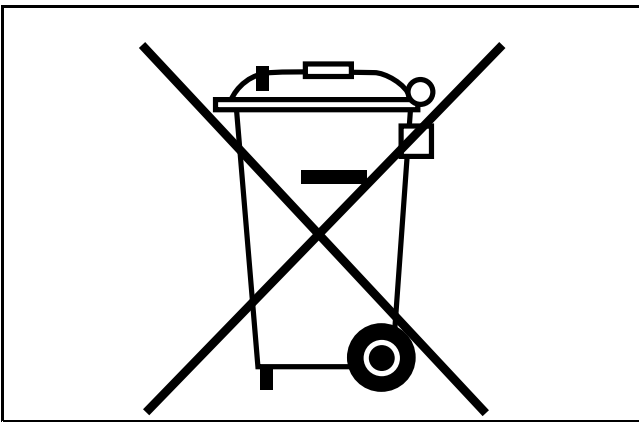
1. Ensure the Run/Tow switch is in the TOW position.
2. Connect the battery cables, positive (+) cable first.
3. Tighten battery terminals to 110 in·lb (12.4 N·m).
4. Coat terminals with Battery Terminal Protector Spray to minimize corrosion.

## RECYCLING LEAD-ACID BATTERIES

### **⚠ WARNING**

- **Lead-acid batteries contain lead (Pb), other metals, acids and other compounds. If improperly handled, they can contaminate both water and soil, causing environmental damage and personal injury.**

Lead-acid batteries are identified by the symbol shown below and should be properly recycled (**Figure 1-2**). They cannot be disposed as municipal waste and must be collected separately. Responsibility for environmental protection must be shared, not only by the manufacturers of the batteries, but by people who use the batteries as well. Please contact your nearest Club Car dealer or distributor for information on how to properly recycle your batteries.



1403

**Figure 1-2 Dispose of Lead-acid Batteries Properly**



**INTERNATIONAL SAFETY SYMBOLS ON BATTERIES**

Anyone using, repairing, or servicing the vehicle must understand and heed the safety symbols on the vehicle battery or batteries.



1. Shield eyes.	3. No smoking, no open flames, no sparks.	5. Battery acid hazard.
2. Read and follow operating instructions.	4. Keep away from children.	6. Explosive gas hazard.
Refer to General Warnings for more information.		

1642

**Figure 1-3 International Safety Symbols on Batteries**

Pagination Page

## VEHICLE SPECIFICATIONS

### VEHICLE SPECIFICATIONS

SPECIFICATIONS	TRANSPORTER
<b>POWER SOURCE</b>	
<b>Drive motor:</b> Direct drive, 48 volts DC, shunt wound, 3.1 hp	•
<b>Transaxle:</b> Double reduction helical gear with 12.28:1 direct drive axle	•
<b>Electrical system:</b> 48 volts DC, reduced speed reverse	•
<b>Batteries:</b> High capacity, deep cycle	•
<b>Charger:</b> Automatic, 13.5 amp; UL and CSA listed. <b>See QuiQ Battery Charger Specifications on page 2-3.</b>	•
<b>STEERING/SUSPENSION/BRAKES</b>	
<b>Steering:</b> Self-adjusting rack and pinion	•
<b>Suspension:</b> Independent leaf spring with dual hydraulic shocks	•
<b>Brakes:</b> Mechanical brake cable system to manually adjusted drum brakes on each wheel. Park brake is automatically released. Multi-latch ratchet and pawl	•
<b>BODY/CHASSIS</b>	
<b>Frame/chassis:</b> Twin I-Beam welded aluminum	•
<b>Side and rear body:</b> All aluminum	•
<b>Front body:</b> ArmorFlex®	•
<b>Front body finish:</b> Automotive-grade paint with clear-coat finish	•
<b>Tires:</b> 20 x 10 – 10 tubeless, 6-ply rated load range front and rear	•
<b>DIMENSIONS/WEIGHT</b>	
<b>Overall length:</b> Standard rear cover with rear seat*: *Add 1.8 in ( 4.5 cm) for heavy-duty front bumper	140.6 in (357.2 cm) 146.9 in (373.0 cm)
<b>Overall width:</b> Without mirrors With mirrors	50.3 in (127.7 cm) 62.6 in (159.0 cm)
<b>Overall height:</b> At steering wheel With canopy With cab	47.1 in (119.6 cm) 70.7 in (179.5 cm) 74.3 in (188.7 cm)
<b>Wheelbase</b>	99.1 in (251.7 cm)
<b>Ground clearance</b>	5.2 in (13.2 cm)
<b>Front wheel tread</b>	36.6 in (92.9 cm)
<b>Rear wheel tread</b>	39.5 in (100.3 cm)
<b>Weight:</b> Standard electric vehicle	1413 lb (641 kg)
<b>Forward speed</b>	15 to 17 mph (24 to 27 km/h)
<b>Outside clearance circle</b> (diameter)	340.5 in (864.9 cm)
<b>Turning radius</b> (per SAE J 695)	162.8 in (413.4 cm)

TABLE CONTINUED ON NEXT PAGE

SPECIFICATIONS	TRANSPORTER
Intersecting aisle clearance	123.9 in (314.7 cm)
Floorboard height	12.5 in (31.75 cm)
Load bed height	29.5 in (74.93 cm)
Load bed size: Box bed dimensions	37 x 47.5 x 10.5 in (93.9 x 120.6 x 26.6 cm)
Load bed size: Flat bed dimensions	36.5 x 48.8 in (92.7 x 123.9 cm)
Vehicle rated capacity: With boxbed (Level surface only)	1300 lb (590 kg)
Standard seating capacity	4
<b>LIQUID CAPACITIES</b>	
Transaxle	22 fl-oz (0.67 L)
<b>TIRE PRESSURE</b>	
Front and rear	28 to 32 psig (193 to 221 kPa)
<b>NOISE AND VIBRATION</b>	
<i>Transporter ( Electric with Stakeside Kit or Rear Seat )</i> <b>Drive-by noise level to operator</b> Test method: EN 12053:2001	72 dBa Uncertainty: ± 2 dBa
<i>Transporter (Electric with Stakeside Kit or Rear Seat)</i> <b>Vibration at driver's seat</b> Test method: EN 13059:2002	0.6 (m/s <sup>2</sup> ) <sup>2</sup> Uncertainty: ± 0.17 (m/s <sup>2</sup> ) <sup>2</sup>

**QUIQ BATTERY CHARGER SPECIFICATIONS**

<b>QUIQ BATTERY CHARGER SPECIFICATIONS</b>	
<b>AC INPUT</b>	
AC Voltage – range	85 to 265 VAC (acceptable)
AC Voltage – nominal	120 to 230 VAC
Frequency	45 to 65 Hz
AC Power Factor – nominal	>0.99 @ 120 VAC / >0.98 @ 230 VAC
<b>POWER CONSUMPTION</b>	
AC current (amps)	Max: 12 Amps Nominal: 9.5 Amps rms @ 120 VAC 5 Amps rms @ 230 VAC
<b>DC OUTPUT</b>	
DC voltage (VDC) – nominal	48 V
DC voltage (VDC) – maximum	68 V
DC current – maximum	18 Amps
Interlock current – maximum	1 Amp
<b>DIMENSIONS/WEIGHT</b>	
Case – Overall length	11 in (28 cm)
Case – Overall width	9.7 in (24.6 cm)
Case – Overall height	4.3 in (11 cm)
Weight – with standard output cord	< 11 lb (< 5 kg)
<b>MOUNTING CONFIGURATION</b>	
Mounting	Onboard

Pagination Page

### **⚠ DANGER**

- See General Warnings on page 1-2.

### **⚠ WARNING**

- See General Warnings on page 1-2.

Important features unique to the different models covered in this manual are highlighted. Club Car, LLC recommends the owner/operator read and understand this manual and pay special attention to features specific to their vehicle(s).

Refer to the owner's manual provided with the vehicle for information on the following topics:

- Controls and Indicators
- Pre-Operation and Daily Safety Checklist
- Driving Instructions
- Bed Latch
- Prop Rod
- Loading and Unloading
- Towing with a Vehicle
- Transporting on a Trailer
- Subsequent Owner Registration
- Warranties

## MODEL IDENTIFICATION

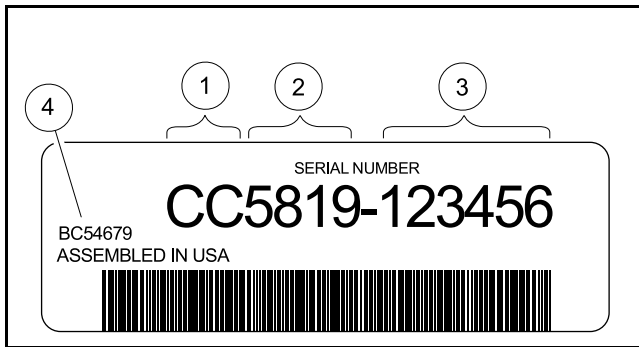
---

The serial number of each vehicle is printed on a bar code decal mounted below the center dash panel (Example: CC5819-123456) (**Figure 3-1**).

The two letters (1) at the beginning of the serial number indicate the vehicle model. The following four digits (2) indicate the model year and production week during which the vehicle was built. The six digits (3) following the hyphen represent the unique sequential number assigned to each vehicle built within a given model year. **See following NOTE.**

**NOTE:** Have the vehicle serial number available when ordering parts or making inquiries.

**Build Code:** The build code (4) is a five-digit number that appears on the vehicle serial number decal. The build code exists to enable the user to identify the correct owner's manual for a vehicle. This owner's manual is valid for the build code range indicated on the back cover of this owner's manual.



2843

Figure 3-1 Serial Number Decal

## STORING THE VEHICLE

See General Warnings on page 1-2.

### **⚠ WARNING**

- Turn the key switch to the OFF position, remove the key, and leave the Forward/Reverse handle or switch in the NEUTRAL position during storage. This is to prevent unintentionally starting the vehicle or a fire hazard. Place Run/Tow switch in the TOW position.
- Only trained technicians should service or repair the vehicle or battery charger. Anyone doing even simple repairs or service should have knowledge and experience in electrical and mechanical repair. The appropriate instructions must be used when performing maintenance, service, or accessory installation.
- Do not attempt to charge frozen batteries or batteries with bulged cases. Discard the battery. Frozen batteries can explode.

### **⚠ CAUTION**

- Batteries in a low state of charge will freeze at low temperatures.
- To avoid exposing electrical components to moisture and subsequent damage, do not use any type or pressure washing or steam cleaning equipment to wash the vehicle.

## PREPARING THE VEHICLE FOR EXTENDED STORAGE

### Check Battery Water Levels Two Weeks Prior to Storage

Check water levels at least two weeks prior to winter storage to ensure proper mixing of water and electrolyte. Note that it takes approximately five charge cycles with a minimum of 10 amp hours removed after each charge to properly mix the water with electrolyte. Do NOT water batteries immediately prior to storage because this will not provide sufficient charge time to mix the water with the electrolyte. Freezing can occur when batteries are stored in this condition.

1. Check the water levels in each battery cell. If water is required, fill the cells to cover the plates, charge the batteries, and then use distilled water to fill each cell to the correct level. Electrolyte level should be from 1/2 inch (13 mm) above plates to 1/4 inch (6 mm) below the level indicator (**Figure 14-3**).



**Immediately Prior to Storage, Perform the Following Steps**

1. Unload the vehicle so that tires are supporting only the weight of the vehicle.
2. Turn the key switch to the OFF position, remove the key, and leave the Forward/Reverse switch in the NEUTRAL position during storage.
3. If so installed, turn off all accessories, including GPS units, fans, etc.
4. Place the Run/Tow switch in the TOW position.

**NOTE:** All functions of the dash-mounted charge indicator light are disabled when the Run/Tow switch is in the TOW position.

5. Batteries should be clean and free of corrosion. Wash tops and terminals of batteries with a solution of baking soda and water; use 1 cup (237 mL) baking soda per 1 gallon (3.8 L) of water. Rinse solution off batteries. Do not allow this solution to enter the batteries. Let the terminals dry and then coat them with Battery Terminal Protector Spray.
6. Tighten all battery cable connections to 110 in·lb (12.4 N·m).
7. Store vehicle in a cool, dry place. This will minimize battery self-discharge.
8. Adjust tires to recommended tire pressure. **See Vehicle Specifications on page 2-1.**
9. Perform semiannual periodic lubrication. **See Periodic Lubrication Schedules on page 10-6.**
10. Thoroughly clean front body, rear body, seats, battery compartment, and underside of vehicle.
11. Do not engage the park brake. Chock the wheels to prevent the vehicle from rolling.

**NOTE:** It is recommended that the vehicles be plugged in and the electrolyte level maintained throughout the storage period. If any of the following conditions exist, however, then disconnect the batteries for storage: 1) The charger cannot remain plugged in, 2) AC power will not be available during extended storage, or 3) Electrolyte levels will not be maintained. To disconnect batteries for storage, go to step 12.

12. To keep batteries fully charged during storage:
  - 12.1. Plug the battery charger into the car. Leave battery chargers plugged in during storage. The charger will automatically activate when necessary.
  - 12.2. Check the electrolyte level and charger function monthly to ensure that proper operation is maintained.

**CAUTION**

- **Be sure to check the batteries and charger monthly to maintain correct battery water level and to ensure the charger is operating correctly during storage.**
13. If disconnecting the batteries for storage, disconnect B negative (-) battery cable and secure it in a way that ensures the cable will not come into contact with battery terminal.

**RETURNING THE STORED VEHICLE TO SERVICE**

1. If necessary, connect batteries. **See Connecting the Batteries – Electric Vehicles on page 1-4.**
2. Fully charge batteries.

**⚠ WARNING**

- **Do not attempt to charge frozen batteries or batteries with bulged cases. Discard the battery. Frozen batteries can explode.**
3. Adjust tires to recommended tire pressure. **See Vehicle Specifications on page 2-1.**
  4. Perform the Pre-Operation and Daily Safety Checklist on page 10-1 and the Performance Inspection on page 10-1.

Pagination Page

### **⚠ DANGER**

- See General Warnings on page 1-2.

### **⚠ WARNING**

- See General Warnings on page 1-2.

## CLEANING THE VEHICLE

See General Warnings on page 1-2.

### **CAUTION**

- Do not use detergents or cleaning solvents that contain ammonia, aromatic solvents, or alkali materials on body panels or seats.
- Do not allow battery acid to drip on body panels. Battery acid will cause permanent damage. Wash spilled battery acid from body panels immediately.

These vehicles are equipped with painted TPO front bodies and aluminum only rear bodies with black polypropylene rear fender and tailskirt. The cargo beds are steel with aluminum sheet and Rhino Lining®.

The manufacturer does not recommend any type of pressure washing or steam cleaning. Such a process will expose electrical components to moisture. Moisture entering electrical components can result in water damage and subsequent component failure. Normal residential water pressure is adequate for exterior cleaning.

For regular cleaning, use commercially available automotive cleaning solutions with a sponge or soft cloth. The painted finish is the same paint used in automotive applications. Automotive cleaning/polishing products are available at automotive specialty and hardware stores.

Use non-abrasive wax products. Battery acid, fertilizers, tars, asphalt, creosote, paint, or chewing gum should be removed immediately to prevent possible stains.

## SEAT CLEANING

Clean seats regularly using the following guidelines:

**Light Soiling** – A solution of 10% liquid dish soap and warm water applied with a soft, damp cloth is recommended. A soft bristle brush may be used if necessary. Wipe off any residue with a water dampened cloth. **See following NOTE.**

**NOTE:** *Dispose of waste water properly.*

**Difficult Stains** – Dampen a soft, white cloth with a solution of 10% household bleach (sodium hypochlorite) and 90% water. Rub gently to remove stain, then rinse with a water dampened cloth to remove bleach concentration.

**More Difficult Stains** – Perform previous procedure using full-strength bleach, or allow bleach to puddle on affected area for approximately 30 minutes. Rinse with a water dampened cloth to remove any remaining bleach concentration. **See following CAUTION.**

## CAUTION

---

- To prevent damage to the vehicle when removing difficult stains or heavy soiling, remove the seat from the vehicle first.

## FRONT BODY REPAIR

---

See General Warnings on page 1-2.

### LIGHT SCRATCHES

1. Clean entire area to be repaired with clean, clear water.
2. Using 1200 grit sandpaper, water-sand entire area of scratch until original scratch is no longer visible, either with finishing sander or wet sanding block. Be sure that sandpaper is centered on sanding pad. Continue to flush with water while sanding, to increase sandpaper life and keep the sanded surface cool. Wipe repaired area dry and visually inspect to be sure that the original scratch has completely disappeared.
3. Repeat step 2 using 1500 grit sandpaper until all 1200 grit scratches are removed paying close attention to edges.
4. Install a wool cutting pad (3M #5711 or equivalent) on buffer and spread approx 1/2 tsp. (2mL) of compound (3M #05955 or equivalent). Buff slowly and steadily over small area so as not to heat surface as this may cause warping or melting of plastic. Buff sanded area until all sanding scratches have disappeared. Use as much buffing compound as necessary to achieve this step. If at any time original scratches can be seen, repeat steps 2 and 3 as needed. When all 1500 grit scratches have disappeared, there will be a dull luster over entire area.
5. Install a foam polishing pad (3M #5725 or equivalent) on buffer and repeat step 4 using approx 1/2 tsp. (2 mL) buffing compound (3M #5933 or equivalent). Buff compound off until scratches have disappeared. It may be necessary to apply additional compound to achieve this. The result will be an almost-finished product with a very high luster and very few buffer swirls.
6. Using a clean foam polishing pad (3M #5725 or equivalent) and finish glaze (3M #05937 or equivalent), apply a slightly smaller amount of material than in steps 4 and 5 and buff to desired gloss.
7. Wipe clean with soft, clean cloth. Any dirt on cloth can mar surface.

### ABRASIONS AND HAZE

Abrasions and haze can be greatly minimized by performing steps 5 through 7 above.

### LARGE SCRATCHES AND ABRASIONS

Touch-up is not recommended. Replace the entire body part or have it repaired by a professional paint and body repair shop with experience repairing bodies.

## FRONT BODY

---

See General Warnings on page 1-2.

### BRUSHGUARD REMOVAL

1. Disconnect the batteries. **See Disconnecting the Batteries – Electric Vehicles, Section 1, Page 1-3.**

2. Remove the bolts (1) (**Figure 4-1, Page 4-3**).
3. Remove the screws (2) and washers (3).
4. Remove the brushguard (4).

## BRUSHGUARD INSTALLATION

1. Position the brushguard (4) onto the vehicle (**Figure 4-1, Page 4-3**).
2. Install the washers (3), screws (2), and bolts (1). Tighten the bolts to 36 ft·lb (49 N·m). Tighten the screws to 25 ft·lb (34 N·m).
3. Connect the batteries. **See Connecting the Batteries – Electric Vehicles, Section 1, Page 1-4.**

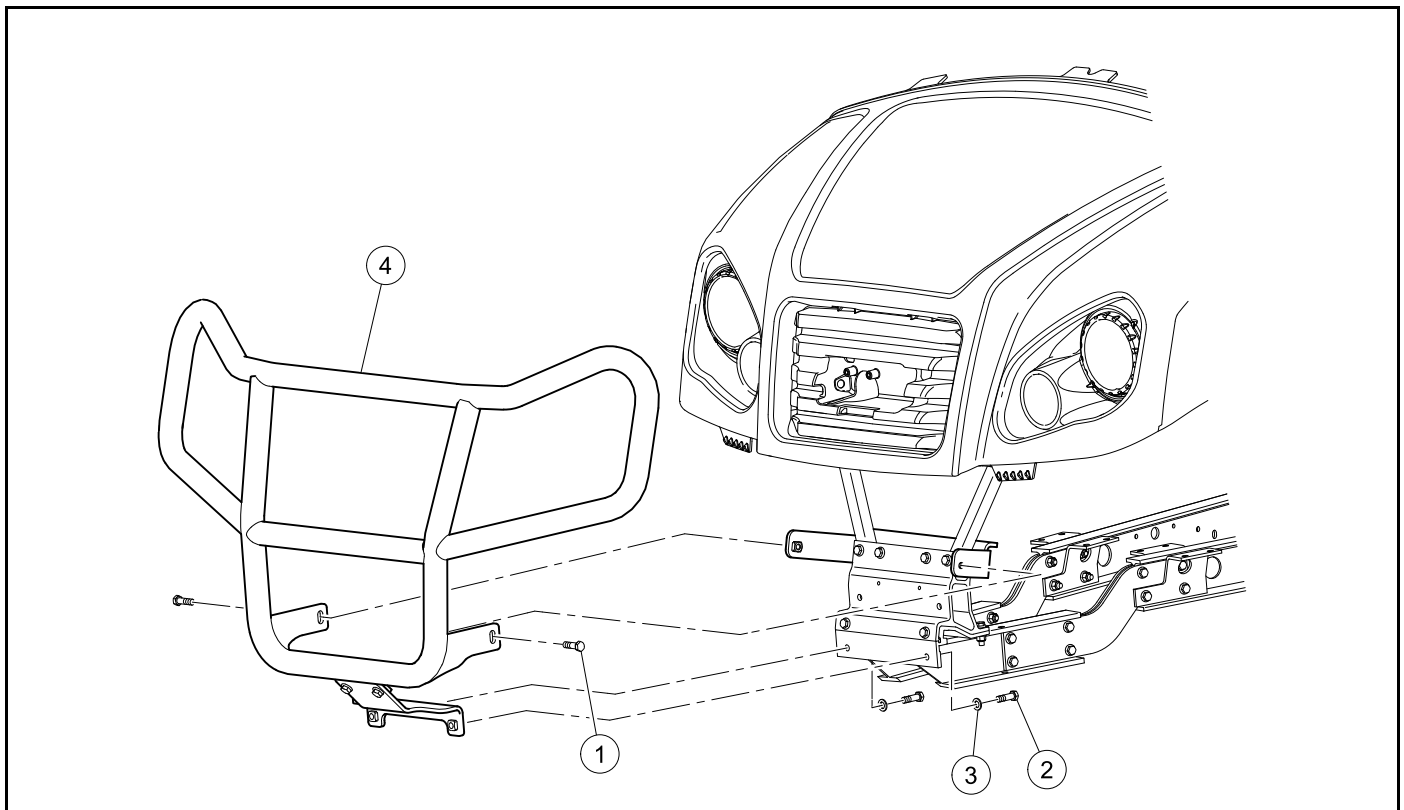


Figure 4-1 Brushguard

## COWL REMOVAL

1. Park vehicle and chock tires.
2. Disconnect the batteries. **See Disconnecting the Batteries – Electric Vehicles, Section 1, Page 1-3.**

The cowl is secured by tabs located behind the front fenders (2), and under the lip of the dash (1) (**Figure 4-2, Page 4-5**).

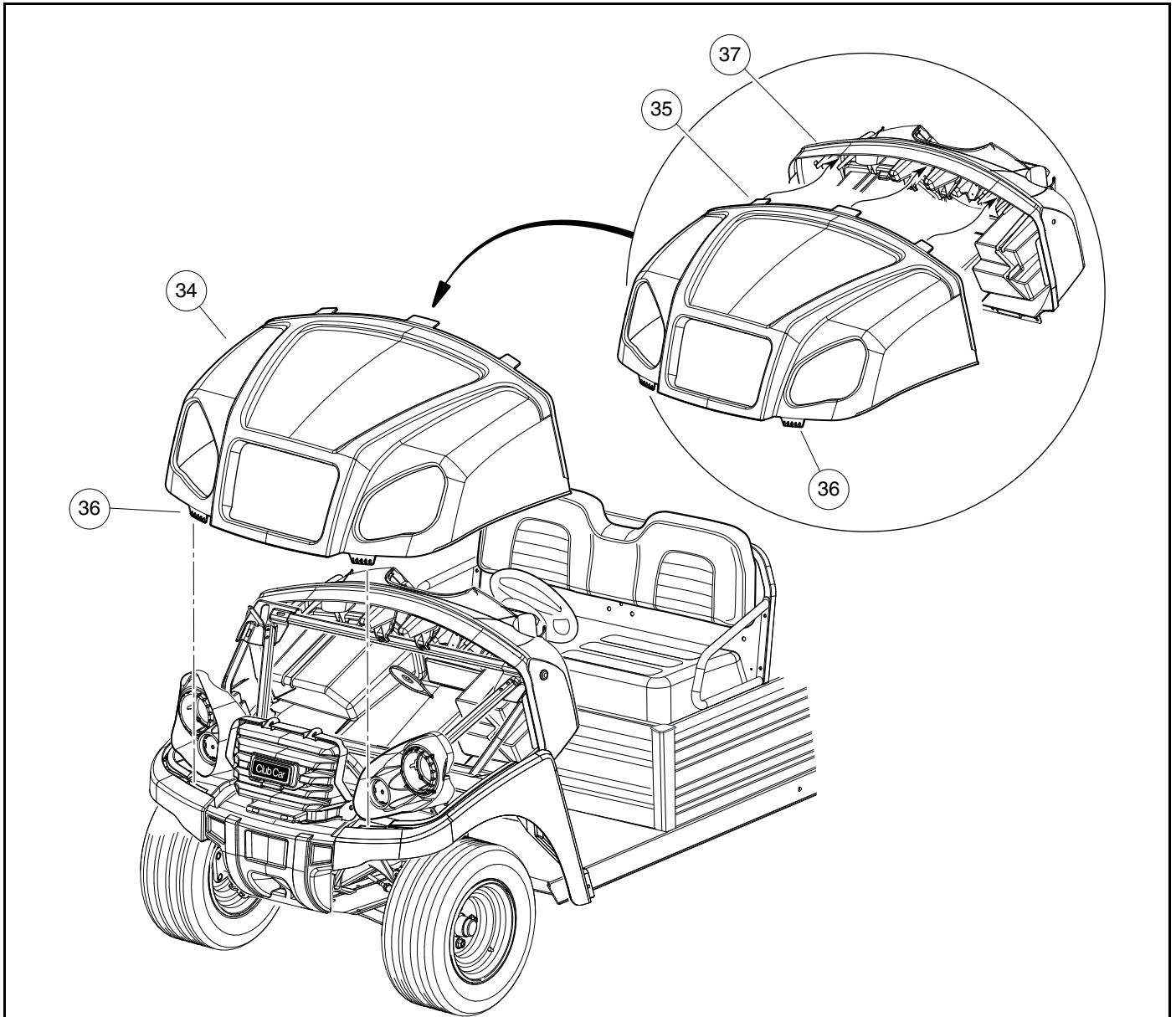
3. Push down and rearward on front fenders to unsnap cowl in two locations.
4. Slide cowl forward until free, then lift out cowl.

## COWL INSTALLATION

1. Slide bottom edges of cowl into grooves in front fenders.
2. Ensure the three tabs on cowl install under lip of dash (1) (**Figure 4-2, Page 4-5**).
3. Ensure sides of cowl (3) assemble between the two ribs on side of dash.
4. Ensure center tab on cowl assembles beneath the rib in the grille.
5. With fenders disengaged from the front bumper, press down on front fenders, line up cowl tabs and fully engage snap tabs.
6. Ensure front corners of cowl are engaged with front fender (2).
7. Engage the front fenders to the body clips under the front bumper.

**NOTE:** *Ensure that cowl is fully engaged to prevent dislodging during use.*

8. Connect the batteries. **See Connecting the Batteries – Electric Vehicles, Section 1, Page 1-4.**
9. Remove tire chocks.



2846

Figure 4-2 Front Cowl

## GRILLE REMOVAL

1. Park vehicle and chock the tires.
2. Disconnect the batteries. **See Disconnecting the Batteries – Electric Vehicles, Section 1, Page 1-3.**
3. Remove HD bumper (if equipped). **See Brushguard Removal, Section 4, Page 4-2.**
4. Remove cowl. **See Cowl Removal on page 4-4.**
5. Loosen and remove the two M6 self-tapping fasteners (1) at the top of grille (7). **(Figure 4-3, Page 4-7).**
6. Loosen and remove the two lower left and right side bolts (1 and 7) that attach the grille and plastic bumper (6).
7. Remove charger receptacle (if equipped) by removing the three screws that attach the receptacle or disconnect connector (quick connect).

## GRILLE INSTALLATION

1. Connect the charger receptacle or connector (quick connect).
2. Install, but do not tighten upper M6 screws. (Do not tighten screws until plastic bumper is installed).
3. Lower grille holes are shared with the front bumper, ensure lower bumper screws are attached first then install grille.
4. Line up upper and lower bolt holes.
5. Install and tighten upper bolts, then lower right and left side bolts. Tighten to 44 in·lb (5 N·m).
6. Connect the batteries. **See Connecting the Batteries – Electric Vehicles, Section 1, Page 1-4.**



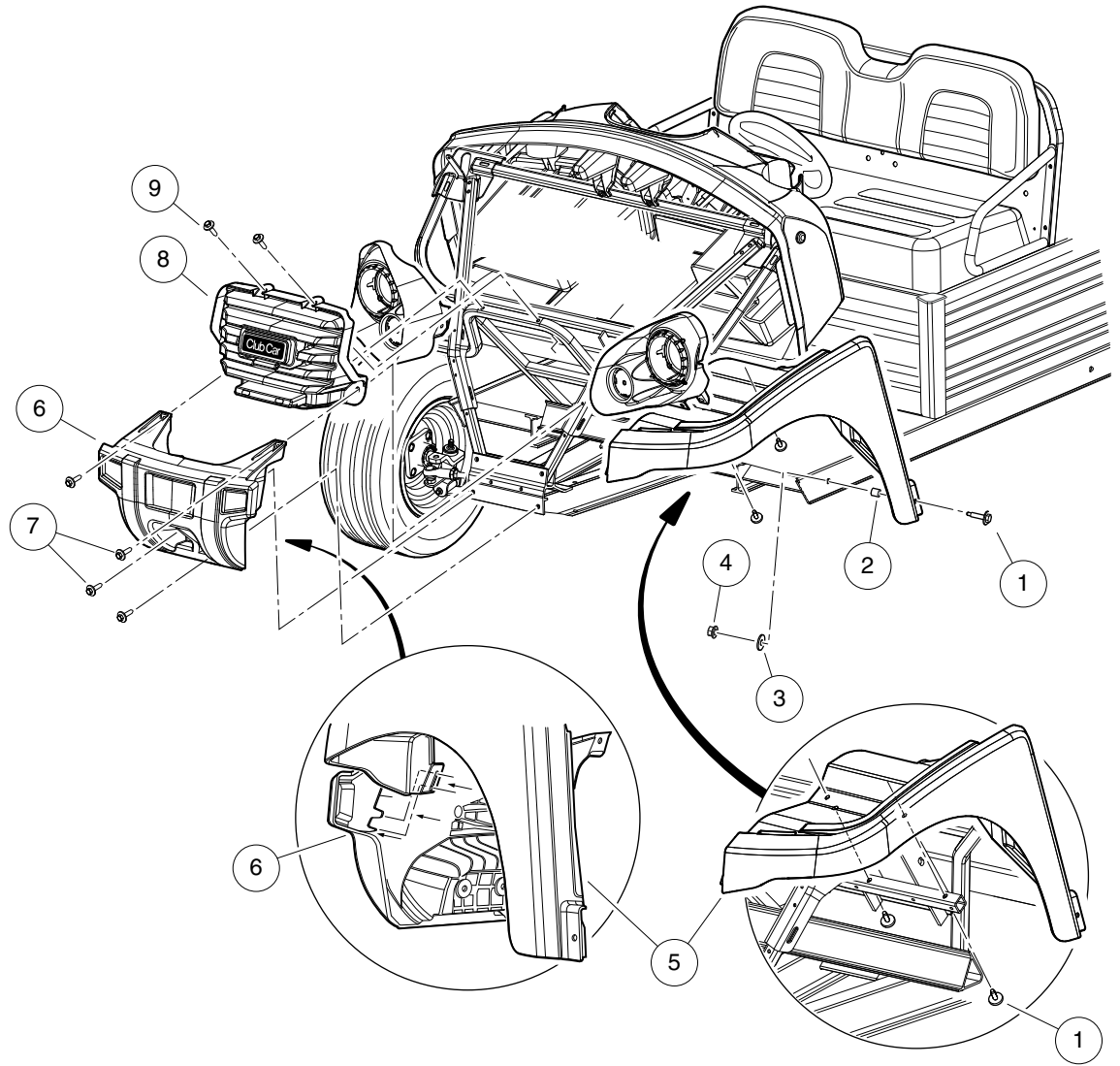


Figure 4-3 Front Grille, Bumper, and Side Fenders

## FRONT BUMPER AND SIDE FENDER REMOVAL

1. Park the vehicle, chock tires.
2. Disconnect the batteries. **See Disconnecting the Batteries – Electric Vehicles, Section 1, Page 1-3.**
3. Remove HD bumper, (if equipped). **See Brushguard Removal on page 4-2.**
4. Remove the front cowl. **See Front Cowl on page 4-5.**
5. Remove the grille. **See Grille Removal on page 4-6.**
6. Loosen and remove the two upper and lower bolts (7) that attach the bumper to the vehicle frame. Push down and rearward on front fenders near the bumper. **(Figure 4-3, Page 4-7).**
7. Remove front bumper (6).
8. Loosen and remove the inner screws, nuts, and spacers (1, 2, 3, and 4) that attach the side fender to the frame. (repeat procedure on opposite side).
9. Unsnap body clips and remove side fenders (5).

## FRONT BUMPER AND SIDE FENDER INSTALLATION

1. Install side fenders (5) by snapping in body clips.
2. Install inner screws, nuts, and spacers (1, 2, 3, and 4) that attach the side fender to the frame.
3. Install front bumper (6).
4. Install the two upper and lower bolts (7) that attach the bumper to the vehicle frame. Push down and rearward on front fenders near the bumper to install.
5. Install the grille. **See Grille Installation, Section 4, Page 4-6.**
6. Install the front cowl. **See Cowl Installation, Section 4, Page 4-4.**
7. Install HD bumper (if equipped). **See Brushguard Installation, Section 4, Page 4-3.**
8. Connect the batteries. **See Connecting the Batteries – Electric Vehicles, Section 1, Page 1-4.**
9. Remove tire chocks.

## INSTRUMENT PANEL REMOVAL

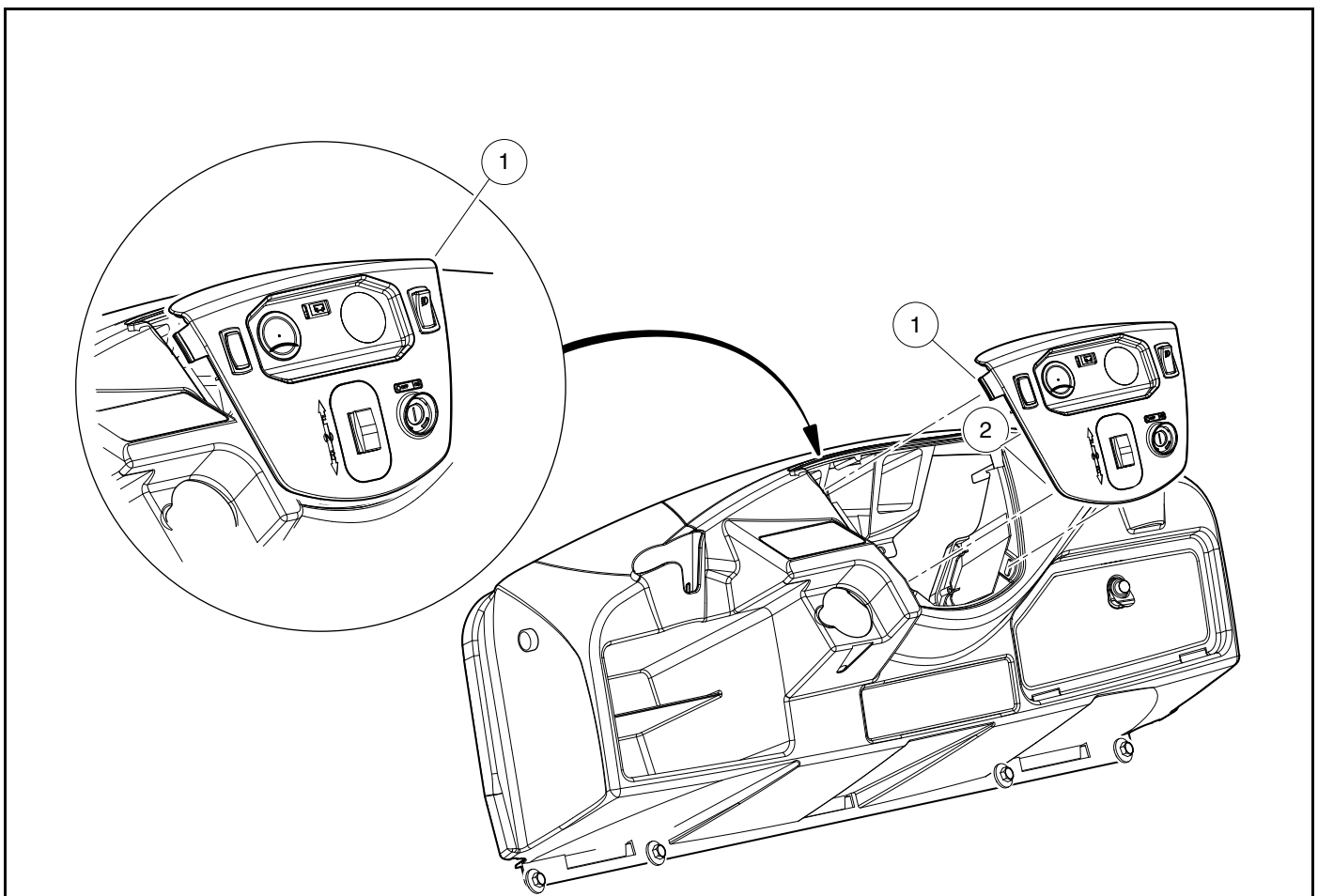
1. Disconnect the batteries. **See Disconnecting the Batteries – Electric Vehicles, Section 1, Page 1-3.**

Remove front cowl. **See Cowl Removal, Section 4, Page 4-4.**

2. From the inside of the dash, press upper snap tabs (1) of the instrument panel inward to release from dash.
3. Then push the instrument panel near the bottom (2) to pop out the lower body clips (be careful not to pry the lower clips off).
4. Pull instrument panel out from the dash panel (2).

## INSTRUMENT PANEL INSTALLATION

1. Place upper tab of instrument panel into slot (1).
2. Snap panel into dash while pushing in on the driver and passenger side tabs and sliding the top portion of the panel into place.
3. Snap lower body clips in at each lower corner.
4. Connect the batteries. **See Connecting the Batteries – Electric Vehicles, Section 1, Page 1-4.**



2946

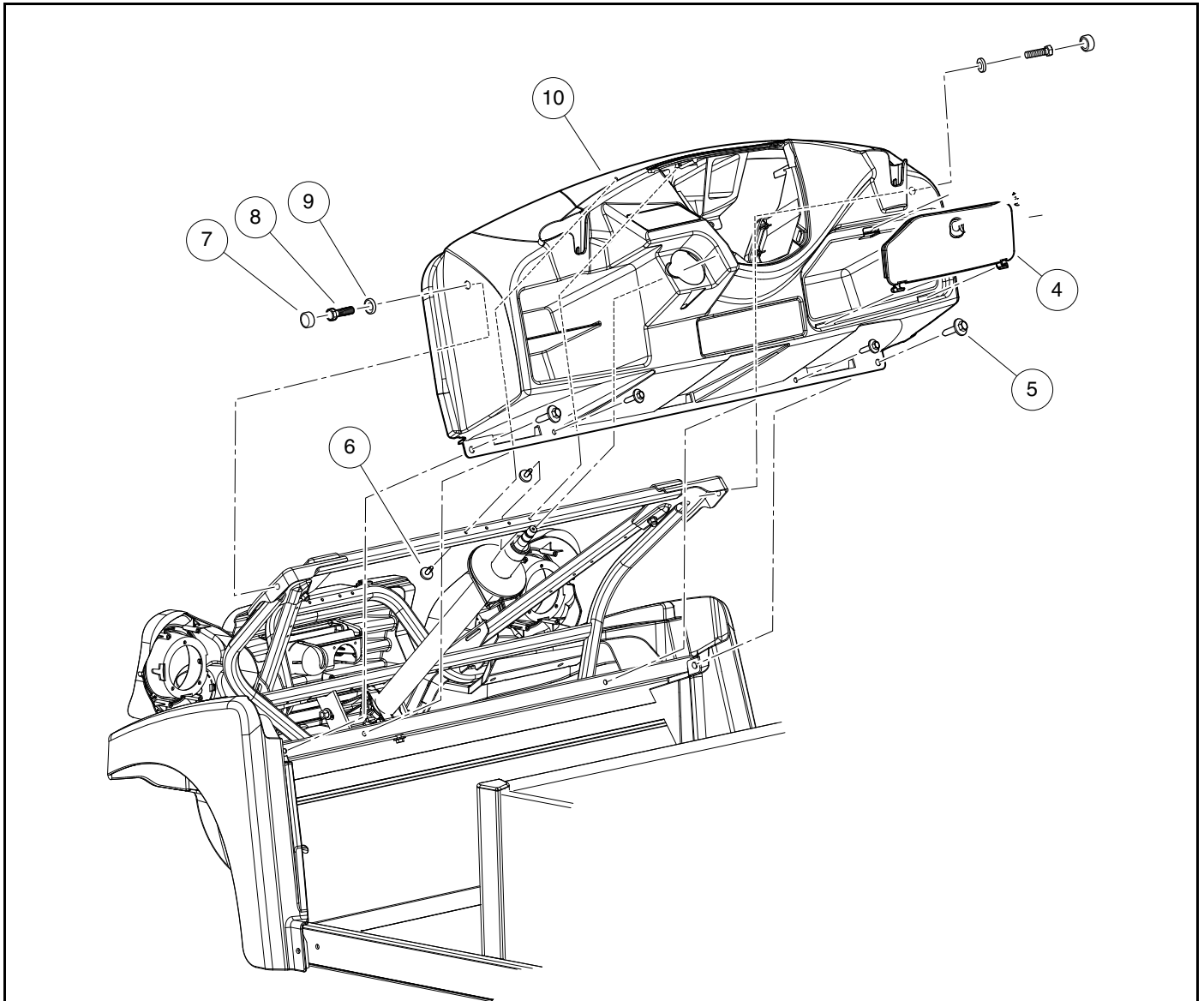
Figure 4-4 Instrument Panel

## DASH REMOVAL

1. Disconnect the batteries. **See Disconnecting the Batteries – Electric Vehicles, Section 1, Page 1-3.**
2. Remove cowl. **See Cowl Removal on page 4-4.**
3. Remove steering wheel. **See Steering Wheel Removal, Section 7, Page 7-1.**
4. Disconnect instrument panel wiring.
5. Remove the bolts, and washers (5, 6, 7, 8, and 9) from the top, sides and bottom of the dash (10). **(Figure 4-5, Page 4-11).**
6. Remove dash assembly.

## DASH INSTALLATION

1. Install dash assembly.
2. Install the bolts, and washers (5, 6, 7, 8, and 9) to the top, sides and bottom of dash (10). **(Figure 4-5, Page 4-11)**
3. Connect instrument panel wiring.
4. Install steering wheel. **See Steering Wheel Installation, Section 7, Page 7-2.**
5. Install cowl. **See Cowl Installation, Section 4, Page 4-4.**
6. Connect the batteries. **See Connecting the Batteries – Electric Vehicles, Section 1, Page 1-4.**



2863

Figure 4-5 Dash Assembly

## TILT BED

---

See General Warnings on page 1-2.

### TILT BED REMOVAL

**NOTE:** This procedure requires two people.

#### **⚠ WARNING**

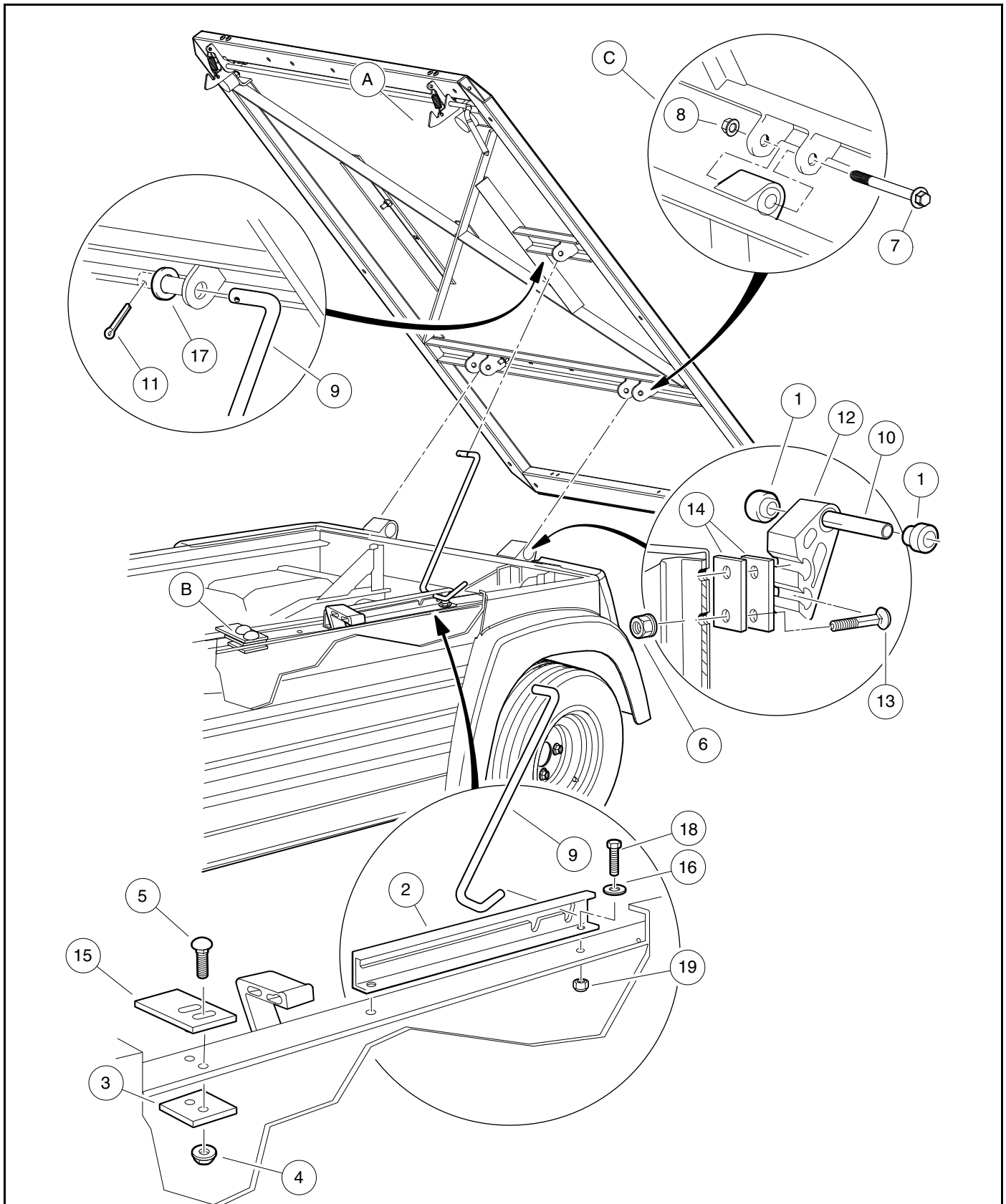
- **Remove all cargo before raising the bed or servicing the vehicle. If the vehicle is equipped with a prop rod, ensure that it is securely engaged while bed is raised. Do not close bed until all persons are clear of cargo bed area. Keep hands clear of all crush areas. Do not drop cargo bed; lower gently and keep entire body clear. Failure to heed this warning could result in severe personal injury or death.**
1. Raise bed and secure prop rod (9) in prop rod track (2). Hold bed securely in an upright position. Remove cotter pin (11) and flat washer (17) from top end of prop rod where prop rod attaches to bed. Remove prop rod (9) from bed and place prop rod between prop rod track (2) and rear body panel. Lower bed onto vehicle frame (**Figure 4-6, Page 4-13**).
  2. Remove two lock nuts (8) from left and right hinge assemblies (C).
  3. Apply slight upward pressure (by hand) on the rear of the bed to relieve pressure on the hinges, and remove the hinge bolts (7) from the hinge assemblies.
  4. Raise rear edge of bed approximately 6 inches (15.2 cm) and pull bed assembly toward rear of vehicle approximately 3 inches (7.6 cm) to release bed latch assembly (A) from latch plate (B).
  5. Lift bed from vehicle.

### TILT BED INSTALLATION

**NOTE:** This procedure requires two people.

*Lubricate the hinge bolts (7) with light motor oil prior to assembly.*

1. Place bed on vehicle. Hold bed at a slight angle (front of bed lower than rear of bed) to vehicle and push front edge of bed onto vehicle frame engaging bed latch assembly (A) with latch plates (B).
2. Install bolt (7) into each hinge assembly.
3. Install a nylon lock nut (8) on each bolt (7) and tighten to 15 ft·lb (21 N·m).
4. Lift bed and insert the prop rod (9) in bed mounting hole. Install a 3/8-inch flat washer (17) and a new cotter pin (11) on prop rod.



2980

Figure 4-6 Tilt Bed Mounting

## BED LATCH ASSEMBLY REMOVAL

**NOTE:** This procedure requires the aid of an assistant.

1. Park the vehicle and chock the tires.
2. Disconnect the batteries. **See Disconnecting the Batteries – Electric Vehicles, Section 1, Page 1-3.**
3. Raise bed and secure prop rod (9) in prop rod track (2) (**Figure 4-6, Page 4-13**). **See following WARNING.**

### **⚠ WARNING**

- Remove all cargo before raising the bed or servicing the vehicle. If the vehicle is equipped with a prop rod, ensure that it is securely engaged while bed is raised. Do not close bed until all persons are clear of cargo bed area. Keep hands clear of all crush areas. Do not drop cargo bed; lower gently and keep entire body clear. Failure to heed this warning could result in severe personal injury or death.
4. Remove the four bolts (12) and lock nuts (7) that secure the bed latch (6) to the underside of the bed (**Figure 4-7, Page 4-15**).
  5. Remove the bed latch (6) and springs (5).

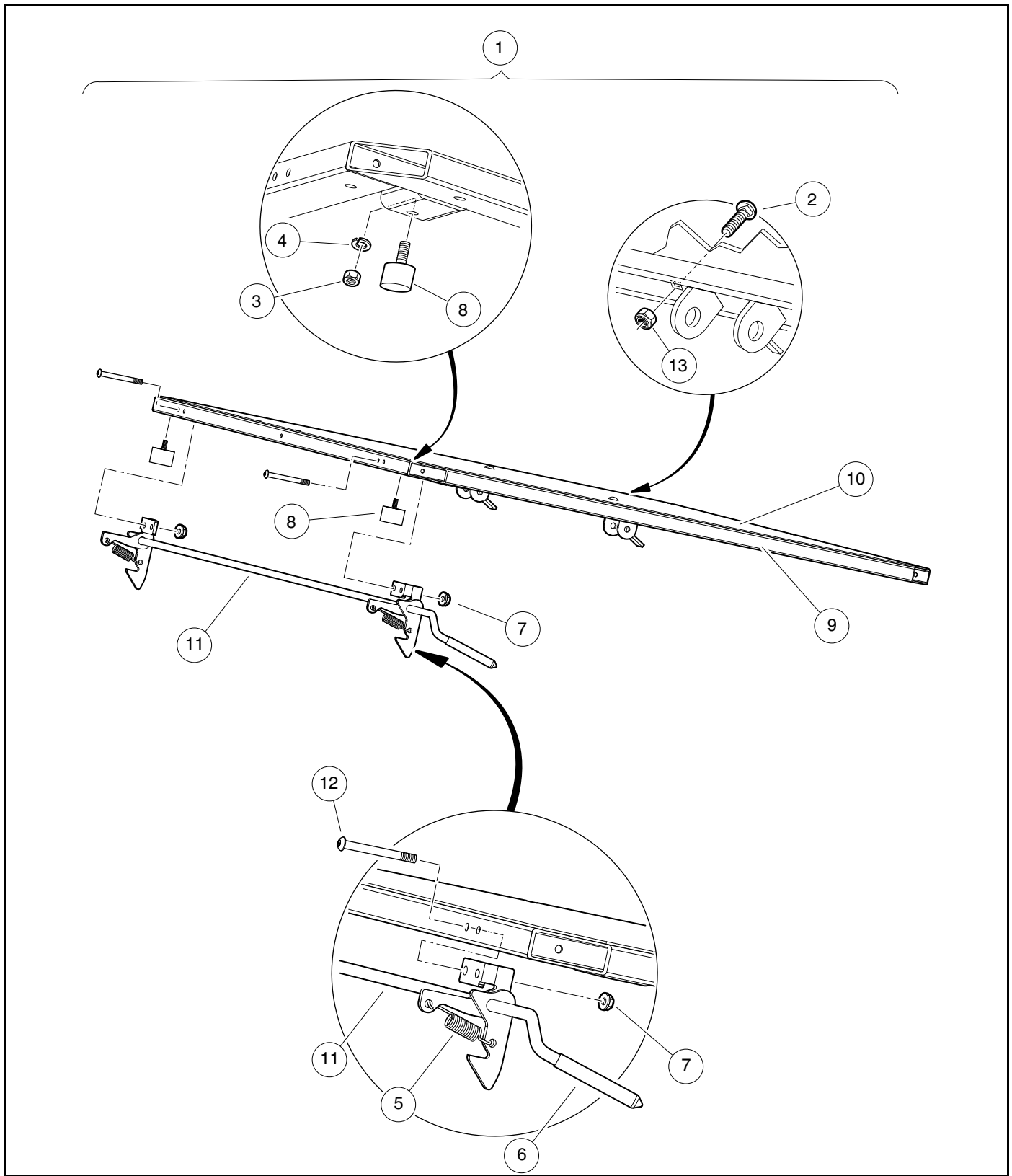
## BED LATCH ASSEMBLY INSTALLATION

1. Install bed latch (6) and springs (5).

**NOTE:** Latch assembly needs to sit open exactly as shown (**Figure 4-7, Page 4-15**).

2. Install the four bolts (12) and lock nuts (7) that secure the bed latch (6) to the underside of the bed. Tighten to 70 to 80 in·lb (8 to 9 N·m).
3. Connect the batteries. **See Connecting the Batteries – Electric Vehicles, Section 1, Page 1-4.**
4. Remove tire chocks.



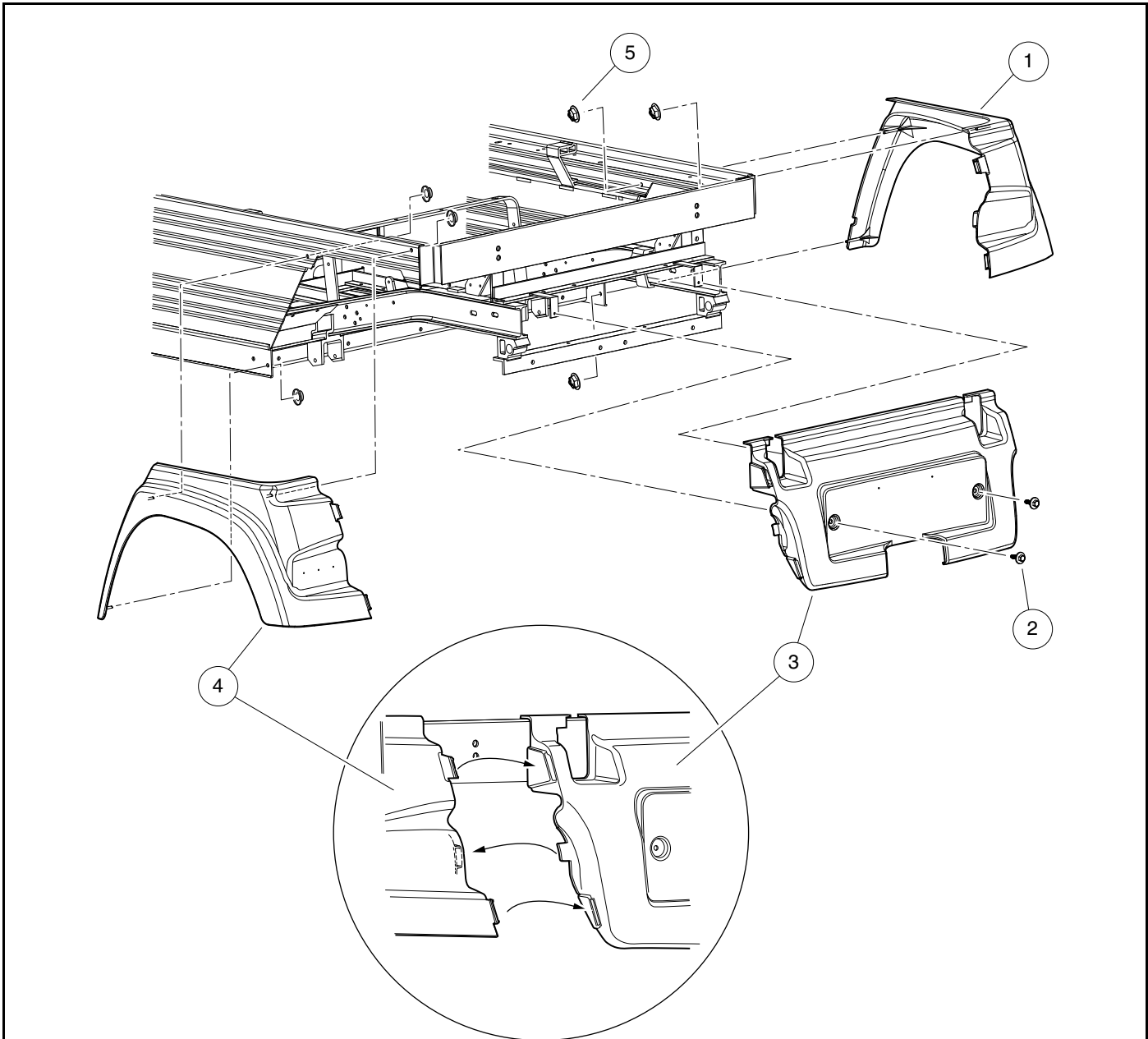


2982

Figure 4-7 Bed Latch Assembly

## REAR FENDERS AND TAILSKIRT

See General Warnings on page 1-2.



2984

Figure 4-8 Rear Fender and Tailskirt

## REAR FENDER AND TAILSKIRT REMOVAL

1. Turn the key switch OFF and remove the key. Place the Forward/Reverse handle in NEUTRAL and set the park brake. Chock the wheels.
2. Disconnect the battery cables and either discharge the controller or disconnect the spark plug wire(s). **See Disconnecting the Batteries – Electric Vehicles, Section 1, Page 1-3.**
3. Remove the tilt bed. **See Tilt Bed Removal on page 4-12.**
4. Disconnect the three taillight wires.
5. Using a 10 mm socket, remove the three fasteners (5) that attach the rear fender (4) to vehicle frame (**Figure 4-8, Page 4-16**).
6. Using a 10 mm socket, remove the two M6 screws (2) that attach the tailskirt (3) to the vehicle frame.
7. Remove fenders and tailskirt.

## REAR FENDER AND TAILSKIRT INSTALLATION

1. Using a 10 mm socket, install the two screws (2) that attach the tailskirt (3) to the vehicle frame (**Figure 4-8, Page 4-16**). Tighten to 44 in·lb (5 N·m).
2. Using a 10 mm socket, install the three fasteners (5) that attach the rear fender (4) to the vehicle frame. Tighten to 5 in·lb (0.56 N·m). Do not over torque.
3. Connect the taillight wires.
4. Install the two bolts and nuts that secure taillight to the rear fender.
5. Connect the three taillight wires.
6. Install the tilt bed. **See Tilt Bed Installation on page 4-12.**
7. Connect the batteries. **See Connecting the Batteries – Electric Vehicles on page 1-4.**

## REAR TRIANGLE REFLECTOR

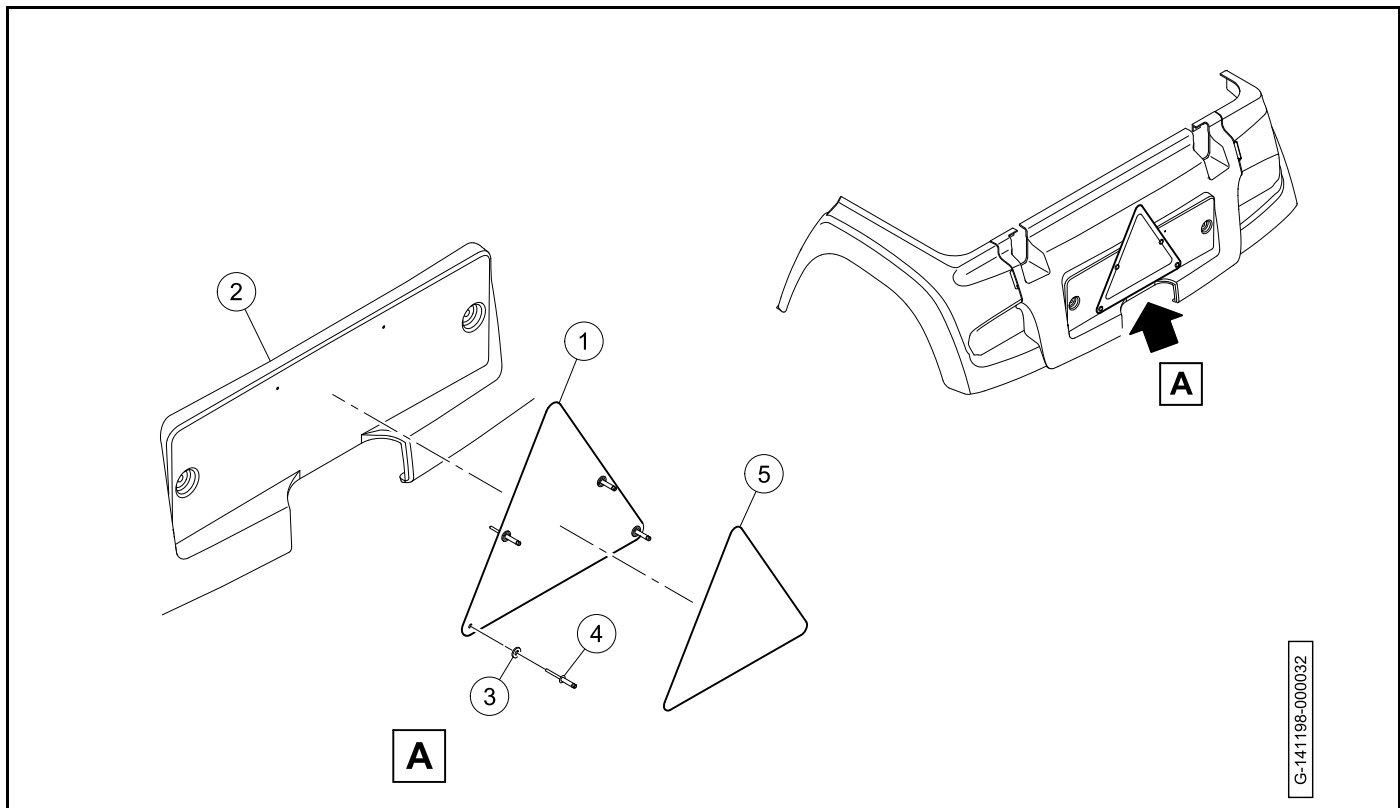


Figure 4-9

### REAR TRIANGLE REFLECTOR REMOVAL

1. Disable the vehicle.
2. Remove the four rivets (1) and washers (2) (**Figure 4-9**). Discard the rivets.
3. Remove the rear triangle reflector (3).

### REAR TRIANGLE REFLECTOR INSTALLATION

1. If the rear triangle reflector has never been installed:
  - 1.1. Put the triangle plate (1) on the tail skirt (2) (**Figure 4-9**).

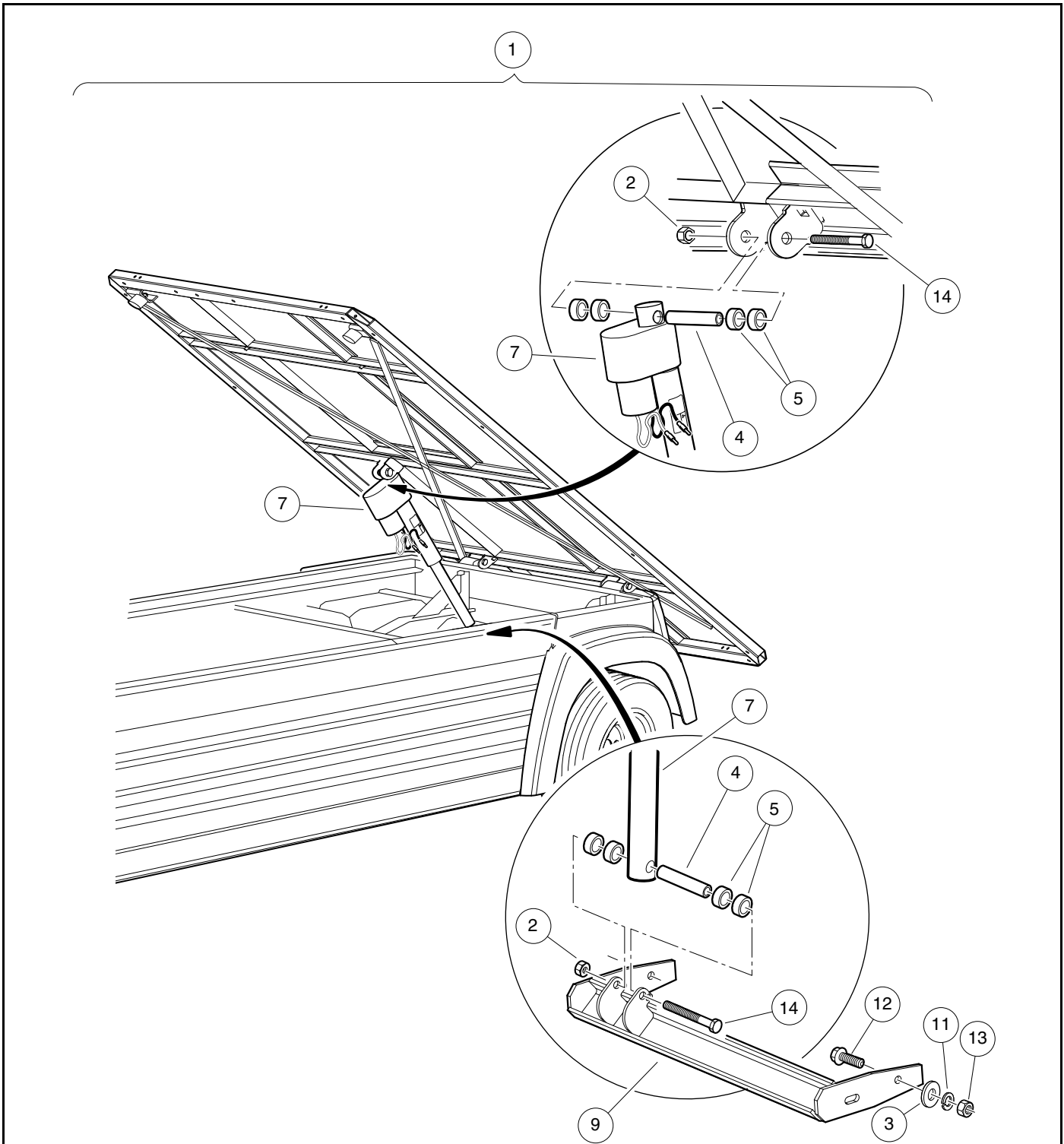
**NOTE:** Make sure to laterally align the triangle plate on the center-line of the tail skirt.

*Make sure to vertically align the lower edge of the triangle plate with the lower part of the flat vertical surface.*

- 1.2. Use the four holes in the triangle plate as a template. Match drill four 0.20 inch (5.08 mm) holes through the tail skirt. Deburr all holes drilled and remove unwanted material.
2. Attach the triangle plate to the tail skirt with four washers (3) and four new rivets (4).
3. Make sure that the air and surface temperatures are above 60° F (16° C). Temperatures above 60° F (16° C) result in a good bond.
4. Clean the triangle plate surface area with soap and water. Make sure to remove all debris (dirt, grease, and oils).
5. Dry the area fully with a lint free cloth.

6. Clean the triangle plate surface area with an Isopropyl Alcohol prep pad (70 percent Isopropyl Alcohol and 30 percent water). Wipe dry before the Isopropyl Alcohol dries.
7. Install the reflective triangle decal (5) on the triangle plate. Make sure to keep proper alignment and remove any air bubbles.

# ELECTRIC BED LIFT



2983

Figure 4-10 Electric Bed Lift

## ELECTRIC BED LIFT REMOVAL

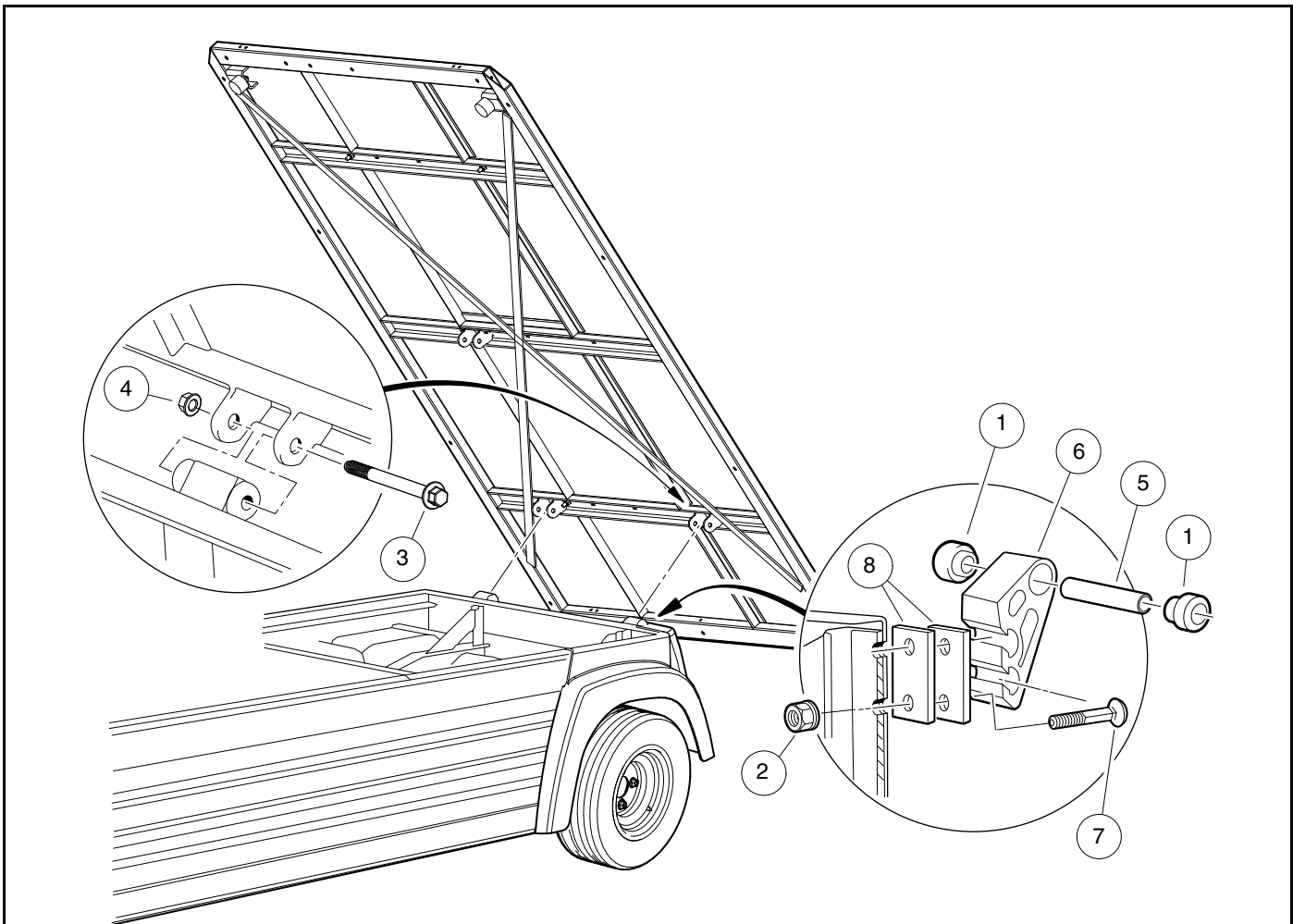
**NOTE:** For vehicles equipped with an electric bed lift.

*This procedure requires the aid of an assistant.*

1. Disconnect the batteries. **See Disconnecting the Batteries – Electric Vehicles on page 1-3.**
2. Raise the bed.
3. Disconnect actuator wires.
4. Remove actuator hardware that secures lift (7) (**Figure 4-10, Page 4-20**).
5. Lower the bed.
6. Remove the hex-head bolts, lock nuts, spacers and bushings (1, 2, 5, 6, 7, and 8) (**Figure 4-11, Page 4-22**).

## ELECTRIC BED LIFT INSTALLATION

1. Install hex-head bolts, lock nuts, spacers and bushings (1, 2, 5, 6, 7, and 8) (**Figure 4-11, Page 4-22**).
2. Lift bed.
3. Install actuator hardware that secures lift (7) (**Figure 4-10, Page 4-20**).
4. Connect actuator wires.
5. Lower bed.
6. Connect the batteries. **See Connecting the Batteries – Electric Vehicles on page 1-4.**



2985

Figure 4-11 Electric Bed Mounting

## FLOOR MAT

See General Warnings on page 1-2.

### FLOOR MAT REMOVAL

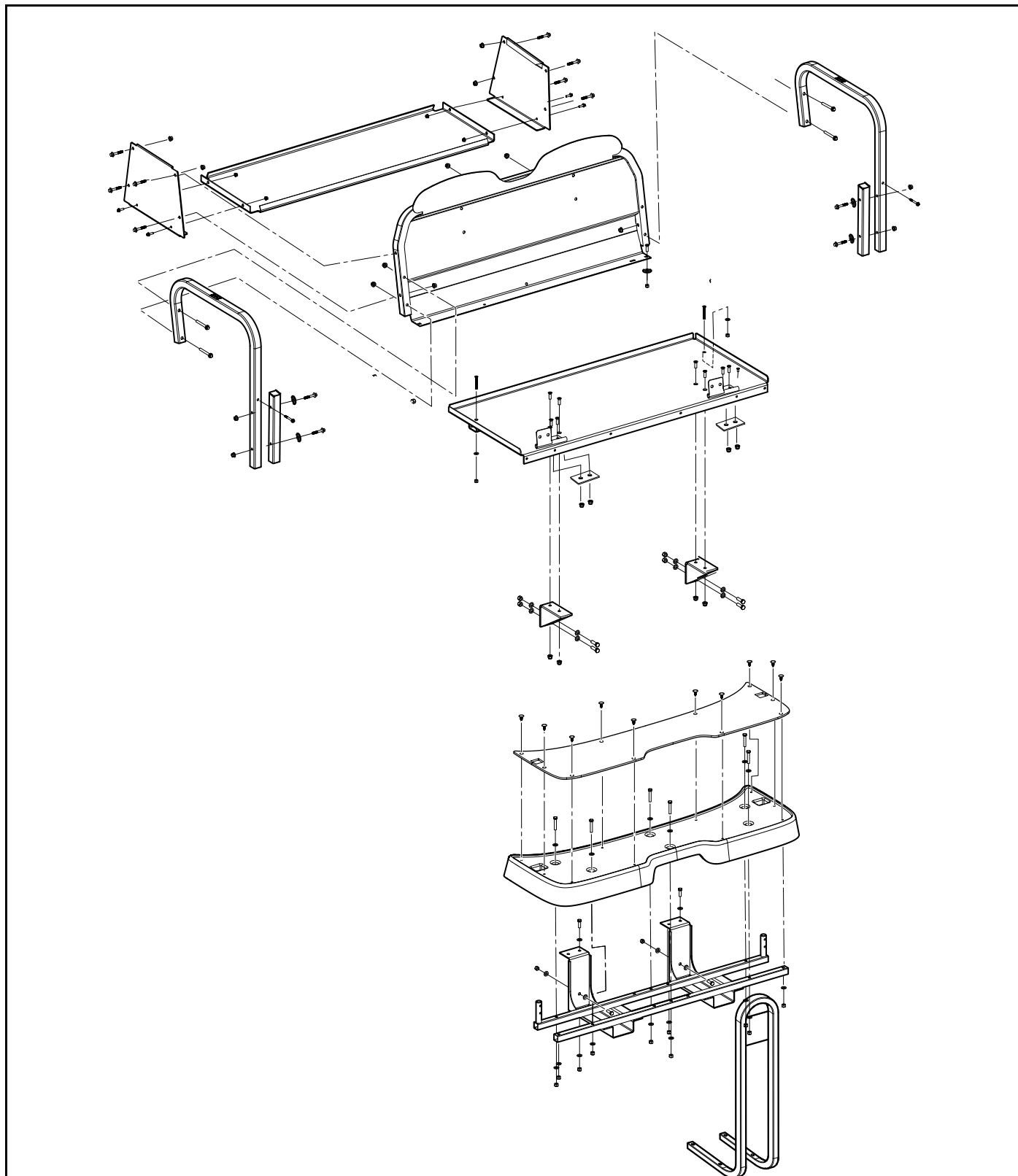
1. Remove the brake and accelerator pedals. **See Accelerator and Brake Pedal Group, Section 5, Page 5-1.**
2. Remove the top edge of the floor mat from the overlapping flange under the dash.
3. Lift the mat from the vehicle.

### FLOOR MAT INSTALLATION

1. Install mat into vehicle. Ensure mat is laying flat.
2. Install top edge of the floor mat into the overlapping flange under the dash.
3. Install the brake and accelerator pedals. **See Accelerator and Brake Pedal Group, Section 5, Page 5-1.**

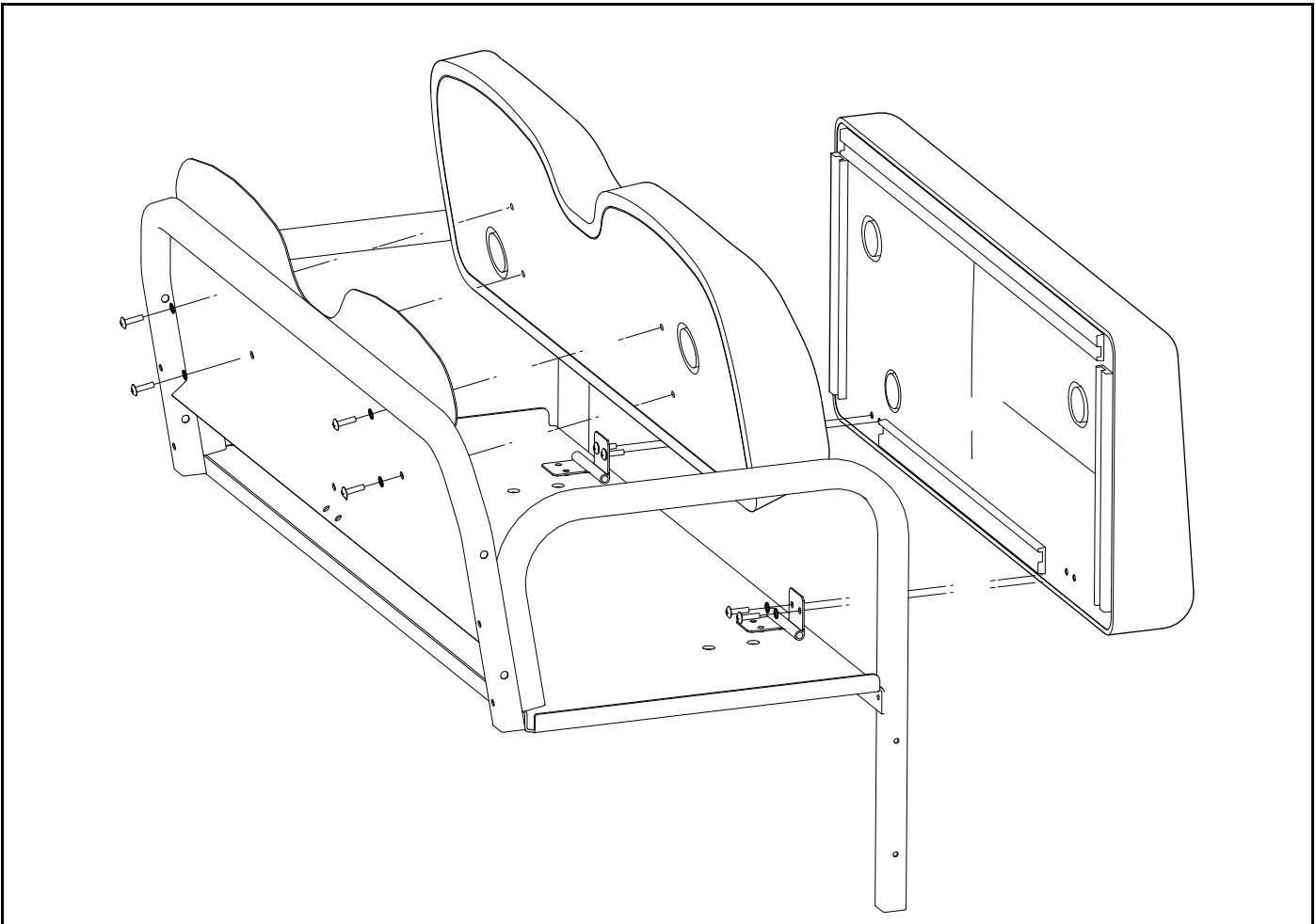


# REAR-FACING SEAT



3214

Figure 4-12 Rear-Facing Seat Frame



3215

Figure 4-13 Rear-Facing Seat Cushions

## TRAILER HITCH

See General Warnings, Section 1, Page 1-2.

### TRAILER HITCH REMOVAL

1. Remove the tailskirt. **See Rear Fender and Tailskirt Removal on page 4-17.**
2. Where the hitch is mounted to frame, remove two nuts, lockwashers, flat washers, and bolts.
3. Where the hitch is mounted to hitch brace, remove the nut, lockwasher, flat washer, and bolt.
4. Remove hitch from vehicle.

### TRAILER HITCH INSTALLATION

1. Mount hitch to hitch brace, install nut, lockwasher, flat washer, and bolt.
2. Install hitch to frame, install two nuts, lockwashers, flat washer, and bolts.

3. Tighten hardware to 15 ft·lb (20.3 N·m).
4. Install tailskirt. **See Rear Fender and Tailskirt Installation, Section 4, Page 4-17.**

## ELECTROLYTE TRAY

---

See General Warnings, Section 1, Page 1-2.

### **⚠ DANGER**

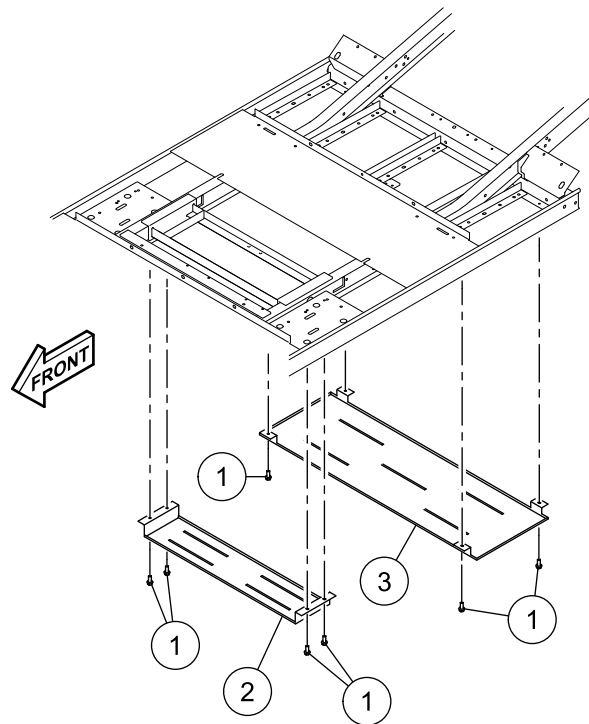
---

- **Battery – Explosive gases! Do not smoke. Keep sparks and flames away from the vehicle and service area. Ventilate when charging or operating vehicle in an enclosed area. Wear a full face shield and rubber gloves when working on or near batteries.**
- **Battery – Poison! Contains acid! Causes severe burns. Avoid contact with skin, eyes, or clothing. Antidotes:**
  - **External: Flush with water. Call a physician immediately.**
  - **Internal: Drink large quantities of milk or water. Follow with milk of magnesia or vegetable oil. Call a physician immediately.**
  - **Eyes: Flush with water for 15 minutes. Call a physician immediately.**

### **⚠ WARNING**

---

- **Wear safety glasses or approved eye protection when servicing the vehicle or battery charger. Wear a full face shield and rubber gloves when working on or near batteries.**
- **Use insulated tools when working near batteries or electrical connections. Use extreme caution to avoid shorting of components or wiring.**



3502

Figure 4-14 Electrolyte Trays

## ELECTROLYTE TRAY REMOVAL

1. Turn the key switch OFF and remove the key. Place the Forward/Reverse switch in NEUTRAL and set the park brake. Chock the wheels.
2. Disconnect the battery set and discharge the controller. **See Disconnecting the Batteries – Electric Vehicles, Section 1, Page 1-3.**
3. Remove the two self-threading screws (1) from driver-side of electrolyte tray (2 or 3) using a 3/8 inch socket (**Figure 4-14, Page 4-26**).
4. Remove the two self-threading screws (1) from passenger-side of electrolyte tray (2 or 3) using a 3/8 inch socket.
5. Remove electrolyte tray (2 or 3) from underneath vehicle.

## ELECTROLYTE TRAY INSTALLATION

1. Place electrolyte tray (2 or 3) underneath vehicle (**Figure 4-14, Page 4-26**).
2. Lift driver-side of electrolyte tray (2 or 3) to chassis and align screw holes.
3. Install two self-threading screws (1) into holes using a 3/8 inch socket. Tighten screws to 50 in·lb (5.6 N·m).
4. Repeat previous steps at passenger-side of electrolyte tray (2 or 3).
5. Connect the battery set. **See Connecting the Batteries – Electric Vehicles on page 1-4.**

## **⚠ DANGER**

- See General Warnings on page 1-2.

## **⚠ WARNING**

- See General Warnings on page 1-2.

## **BRAKE PEDAL AND PARK BRAKE**

See General Warnings on page 1-2.

### **BRAKE PEDAL REMOVAL**

1. Disconnect the battery cables and either discharge the controller or disconnect the spark plug wire(s). **See Disconnecting the Batteries – Electric Vehicles, Section 1, Page 1-3.**

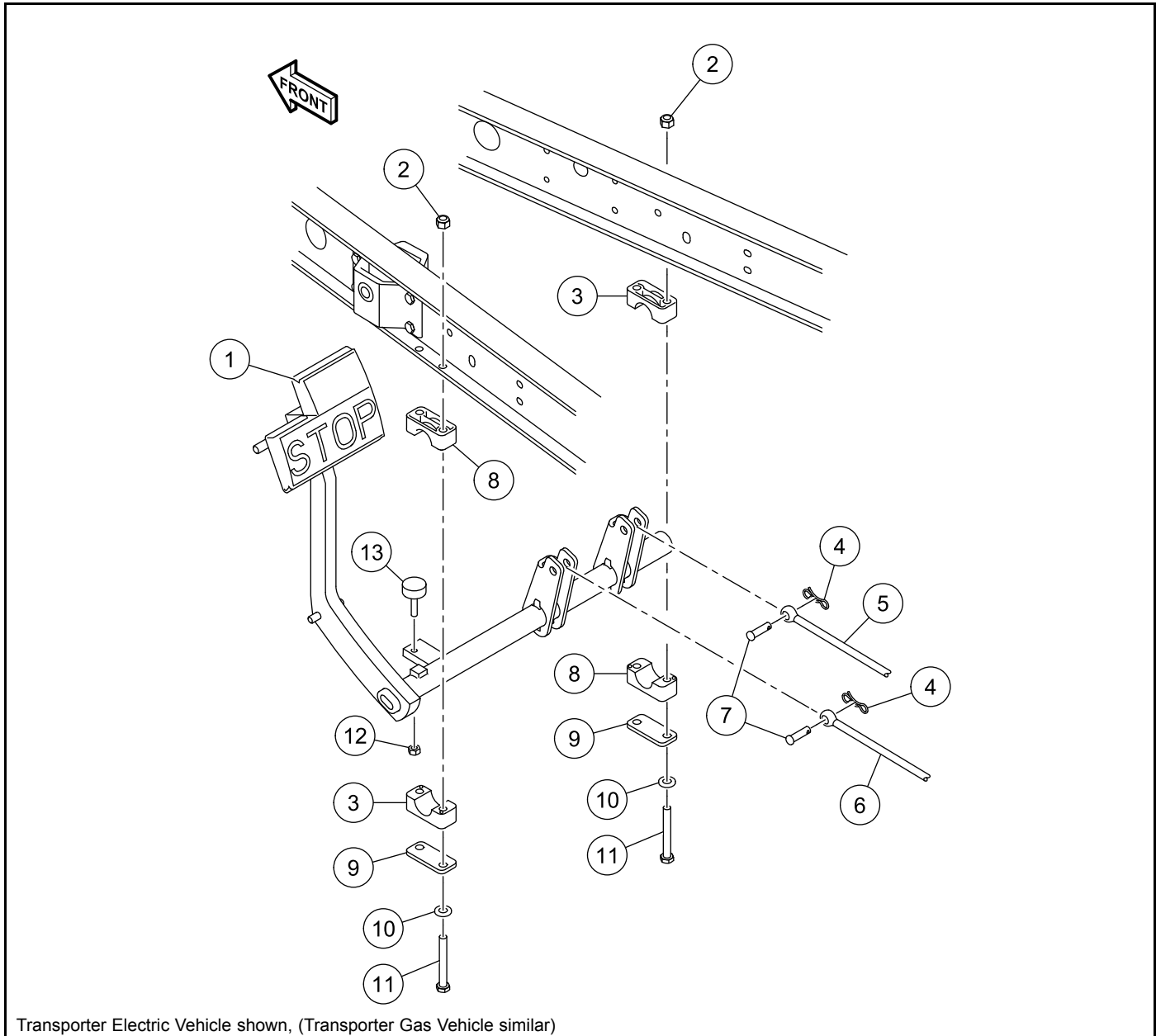
Place chocks under the rear wheels and lift the front end of the vehicle with a chain hoist or floor jack. Place jack stands under the front cross tube of the vehicle frame and lower the vehicle onto the jack stands. **See following WARNING.**

## **⚠ WARNING**

- **Lift only one end of the vehicle at a time. Use a suitable lifting device (chain hoist or hydraulic floor jack) with 1000 lb (454 kg) minimum lifting capacity. Do not use lifting device to hold vehicle in raised position. Use approved jack stands of proper weight capacity to support the vehicle and chock the wheels that remain on the floor. When not performing a test or service procedure that requires movement of the wheels, lock the brakes.**
2. Remove the brake pedal assembly.
    - 2.1. Disconnect the equalizer rod (5) from the pedal shaft by removing the clevis pin (7) and bow-tie pin (4) (**Figure 5-1, Page 5-2**).
    - 2.2. Remove the nuts (2), flat washers (10), bolts (11), and mounting blocks (3 and 8). If the mounting blocks (3 and 8) show signs of excessive wear or are damaged, they must be replaced with new ones before installing pedal assembly.
    - 2.3. Remove the nut (12) and brake stop bumper (13) and lift pedal assembly (1) through the floorboard (**Figure 5-2, Page 5-3**).

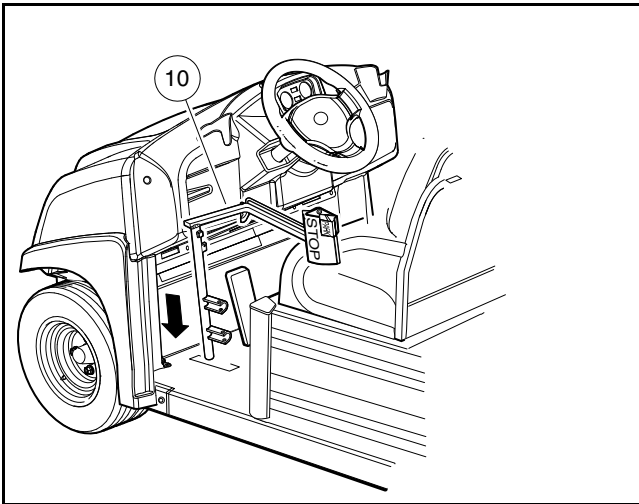
## BRAKE PEDAL INSTALLATION

1. From the top side of the floorboard, insert the brake pedal assembly (1) through the opening in the floor as shown (Figure 5-2, Page 5-3) and install the brake pedal stop bumper (13) (Figure 5-1, Page 5-2) on the brake pedal assembly, but do not tighten the jam nut (12) at this time.
2. Secure the equalizer rod (5) to the brake pedal assembly (1) with clevis pin (7) and bow-tie pin (4) as shown.



3208

Figure 5-1 Brake and Park Brake Pedal Assembly and Mounting



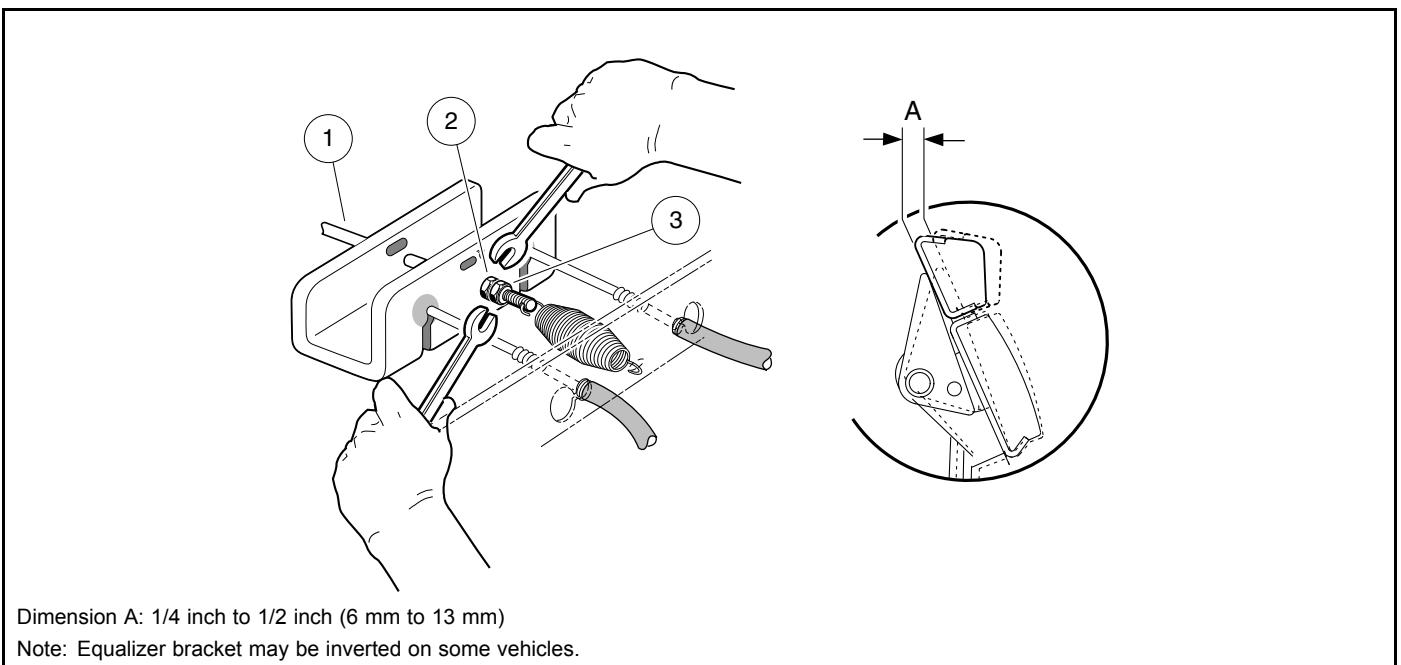
2999

Figure 5-2 Brake Pedal Weldment Through Floor

3. Position and attach brake pedal assembly, mounting blocks (3 and 8), and washers (10) to vehicle frame as shown. Tighten the bolts (11) and nuts to 95 in·lb (10.7 N·m).
4. Tighten the nut (2) on the equalizer rod (1) so that brake pedal free-play is from 1/4 inch to 1/2 inch (6 mm to 13 mm) (Figure 5-3, Page 5-3). See following NOTE.

**NOTE:** Brake pedal free-play is the distance the brake pedal can be pressed before the brake actuator arm moves.

5. Tighten the jam nut (3) while holding the adjustment nut (2) in the correct position.
6. Adjust the pedal group. Refer to the appropriate adjustment procedure:
  - For gasoline vehicles, see .
  - For electric vehicles, see Pedal Group Adjustment – Electric Vehicles on page 5-8.



Dimension A: 1/4 inch to 1/2 inch (6 mm to 13 mm)

Note: Equalizer bracket may be inverted on some vehicles.

1369

Figure 5-3 Brake Pedal Free-Play Adjustment

## PARK BRAKE REMOVAL

1. Disconnect the battery cables and either discharge the controller or disconnect the spark plug wire(s). **See Disconnecting the Batteries – Electric Vehicles, Section 1, Page 1-3.**
2. Place chocks under the rear wheels and lift the front end of the vehicle with a chain hoist or floor jack. Place jack stands under the front cross tube of the vehicle frame and lower the vehicle onto the jack stands. **See following WARNING.**

### **⚠ WARNING**

- **Lift only one end of the vehicle at a time. Use a suitable lifting device (chain hoist or hydraulic floor jack) with 1000 lb (454 kg) minimum lifting capacity. Do not use lifting device to hold vehicle in raised position. Use approved jack stands of proper weight capacity to support the vehicle and chock the wheels that remain on the floor. When not performing a test or service procedure that requires movement of the wheels, lock the brakes.**
3. Remove the park brake assembly.
    - 3.1. To remove the park brake rod and pawl assembly (17 through 20), remove the push nut (19) and disconnect the ball joint sleeve (21) from the park brake pedal (1) (**Figure 5-4, Page 5-4**). **See following NOTE.**
- NOTE:** New push nuts (19) and (32) must be used when reassembling the park brake.
- 3.2. To remove the park brake pedal (1), remove the push retainer nut (32), disconnect the torsion spring (22) and slide the pedal off of the shaft. **See preceding NOTE.**
  - 3.3. Inspect all parts for wear and damage and replace as necessary.

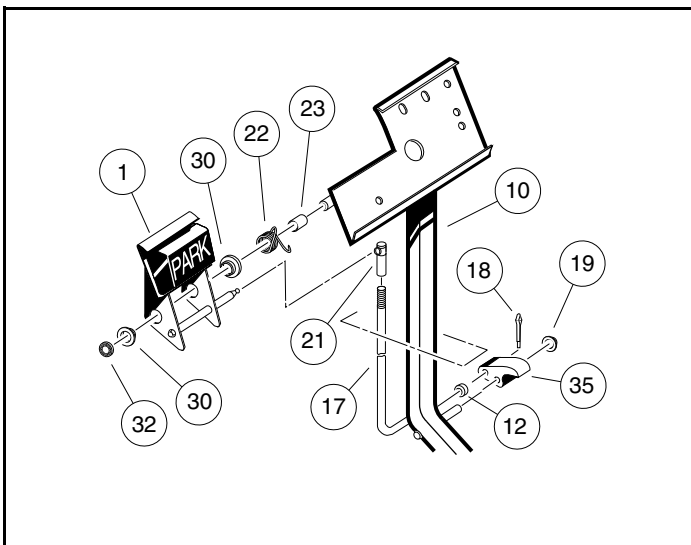


Figure 5-4 Park Brake Assembly

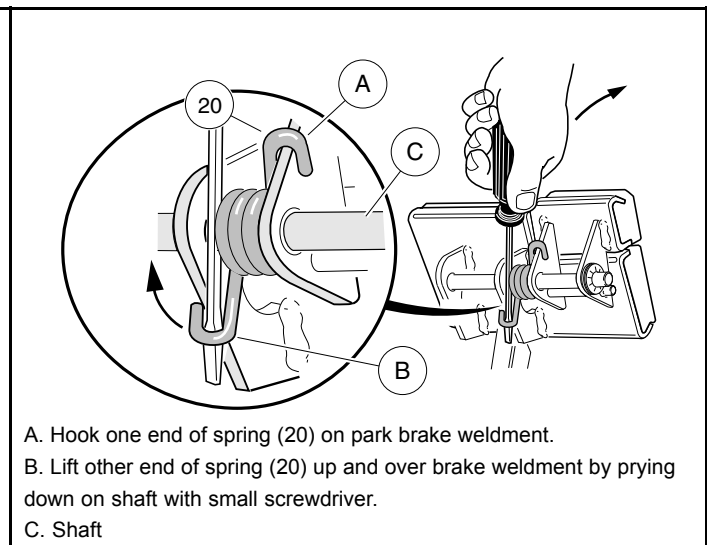


Figure 5-5 Torsion Spring Installation

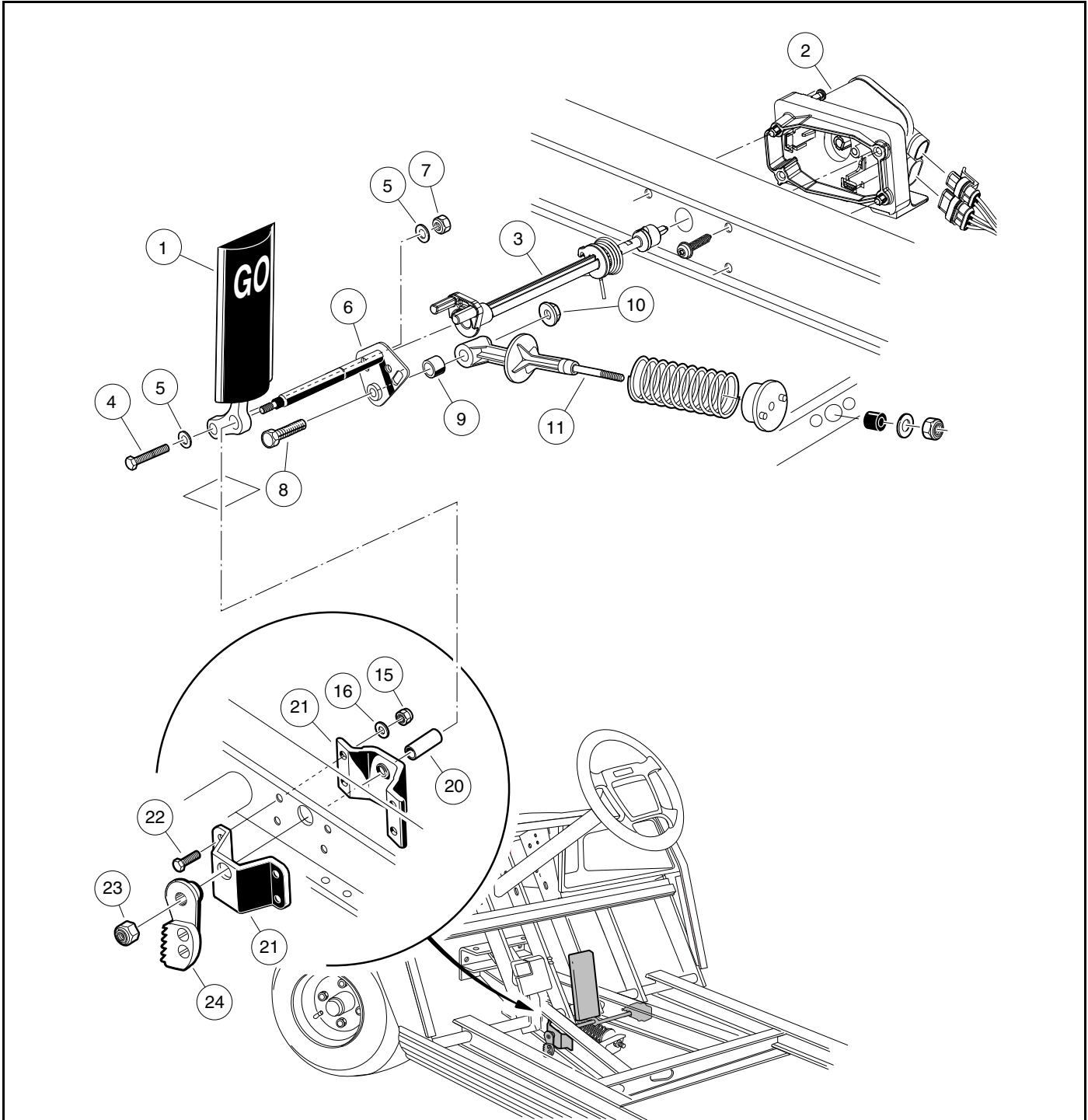


## PARK BRAKE INSTALLATION

1. From the bottom side of the floorboard, insert the park brake rod (17) through the brake pedal assembly opening. Then install the park brake pawl (35) onto the shaft on the brake pedal assembly (10) and also insert the park brake rod (17) into the park brake pawl (**Figure 5-4, Page 5-4**).
2. Install the push nut (19) on to the park brake pawl shaft.
3. Install the spacer (23) and torsion spring (22) on the park brake pedal shaft on the brake pedal assembly.
4. Install the two bushings (30) in the park brake pedal and position the park brake pedal on the shaft on the brake pedal assembly weldment (10). Then attach the ends of the torsion spring to the park brake pedal and to the brake pedal weldment as shown (**Figure 5-5, Page 5-4**).
5. Install the push nut (32) on the park brake pedal shaft (**Figure 5-4, Page 5-4**).
6. Connect park brake rod (17) with ball joint (21) to the ball stud on the park brake pedal assembly.
7. Adjust park brake ratchet/pawl gap and pawl engagement. Refer to the appropriate adjustment procedure:
  - **For gasoline vehicles, see .**
  - **For electric vehicles, see Pedal Group Adjustment – Electric Vehicles on page 5-8.**

## ACCELERATOR PEDAL – ELECTRIC VEHICLES

See General Warnings on page 1-2.



2642

Figure 5-6 Accelerator Pedal – Electric Vehicle with MCOR

## ACCELERATOR PEDAL REMOVAL – ELECTRIC VEHICLES

1. Disconnect the batteries and discharge the controller. **See Disconnecting the Batteries – Electric Vehicles, Section 1, Page 1-3.**
2. Place chocks under the rear wheels and lift the front end of the vehicle with a chain hoist or floor jack. Place jack stands under the front cross tube of the vehicle frame and lower the vehicle onto the jack stands. **See following WARNING.**

### **▲ WARNING**

- **Lift only one end of the vehicle at a time. Use a suitable lifting device (chain hoist or hydraulic floor jack) with 1000 lb (454 kg) minimum lifting capacity. Do not use lifting device to hold vehicle in raised position. Use approved jack stands of proper weight capacity to support the vehicle and chock the wheels that remain on the floor. When not performing a test or service procedure that requires movement of the wheels, lock the brakes.**

3. Remove the MCOR (2) and drive bar (3) as instructed (**Figure 5-6, Page 5-6**). **See MCOR Removal, Section 13, Page 13-5.**
4. Use a 9/16-inch (14 mm) socket wrench to remove the nut (7), two washers (5), and bolt (4) securing the accelerator pedal (1) to the pivot rod (6) (**Figure 5-6, Page 5-6**).
5. Remove the nut (10) and bolt (8) from the accelerator pivot rod assembly (6).
6. Slide the spring retainer (11) off of the accelerator pivot rod.
7. Inspect the pivot support bearing (9) for wear and replace if necessary.
8. Use a marker to mark the position of the park brake ratchet (24) on the accelerator pivot rod (6). **See following NOTE.**

**NOTE:** Failure to mark position of the ratchet could cause it to be installed improperly, resulting in improper adjustment and possible failure of the park brake.

9. Remove the lock nut (23) from the accelerator pivot rod.
10. Press the brake pedal slightly and slide the park brake ratchet (24) toward the end of the accelerator pivot rod. Rotate the ratchet and remove it from the pivot rod.
11. Remove the pivot rod (6) and spacer (20) from the accelerator pivot rod supports (21) (**Figure 5-6, Page 5-6**).
12. Inspect the accelerator pivot rod supports (21) for wear and damage and replace as necessary. If the pivot rod supports do not require replacement, loosen, but do not remove, the four bolts (22) and lock nuts (15) to make installation of the pivot rod easier.
13. Remove the accelerator pedal (1) from the vehicle.
14. Inspect all parts for wear and damage. Replace as necessary.

## ACCELERATOR PEDAL INSTALLATION – ELECTRIC VEHICLES

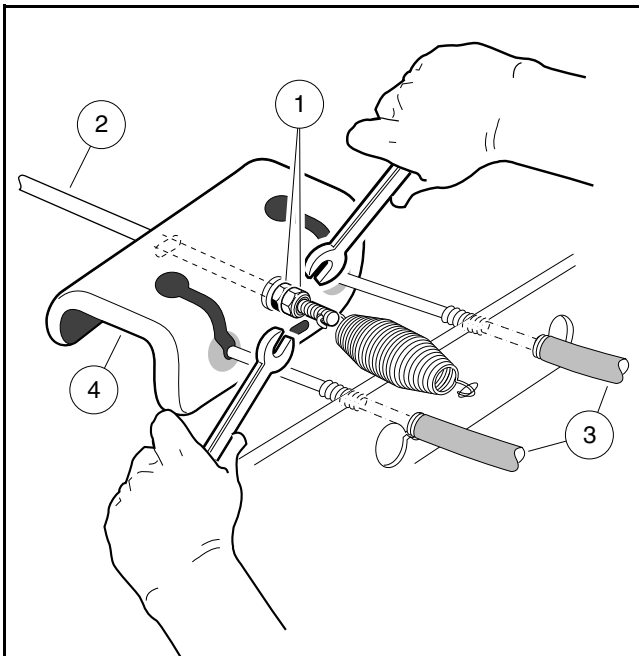
1. If the accelerator pivot rod supports were replaced, position the supports (21) on the vehicle frame and install the four bolts (22), flat washers (16), and lock nuts (15) (**Figure 5-6, Page 5-6**). Finger-tighten nuts at this time.
2. Insert the lower end of the accelerator pedal (1) through the floorboard and install the accelerator pivot rod (6) through the uppermost hole in the pedal.
3. Install plastic spacer (20) on pivot rod (6).
4. Insert the pivot rod through the pivot rod supports (21) on the vehicle frame.
5. Tighten the four bolts (22) attaching the pivot rod supports to the frame to 75 in·lb (8.5 N·m).
6. Insert the bolt (4), two washers (5), and a new lock nut (7) through the lower hole in the pedal and through the pivot rod. Finger-tighten lock nut at this time.

7. Install the bolt (8) through the pivot rod (6) bearing (9) and spring retainer (11). Secure these parts with the nut (10). Tighten the nut to 50 in-lb (5.5 N·m).
8. Press the brake pedal slightly, and with the park brake ratchet oriented so that the tip of the ratchet is pointed toward the rear of the vehicle, slide the ratchet onto the pivot rod (do not slide the ratchet onto the pivot rod splines). Release the brake pedal and allow the ratchet to rotate until its tip is pointed downward. The ratchet should now rotate freely on the rod.
9. Rotate the ratchet clockwise until it touches the park brake pawl, then slide the ratchet onto the splines of the pivot rod (it may be necessary to push the pivot rod toward the driver side of the vehicle to make the splines accessible). The ratchet may have to be rotated counterclockwise slightly to align the splines.
10. Install lock nut (23) on pivot rod (**Figure 5-6, Page 5-6**). Tighten to 18 ft·lb (24.5 N·m).
11. Install the MCOR (2) and drive bar (3) as instructed. **See MCOR Installation, Section 13, Page 13-5.**
12. Adjust the accelerator pedal height. **See Pedal Group Adjustment – Electric Vehicles on page 5-8.**

## PEDAL GROUP ADJUSTMENT – ELECTRIC VEHICLES

See General Warnings on page 1-2.

1. Disconnect the batteries and discharge the controller. **See Disconnecting the Batteries – Electric Vehicles, Section 1, Page 1-3.**
2. Adjust brake pedal height.
  - 2.1. Chock wheels and release park brake. Lift rear of vehicle and place jack stands under the axle tubes to support the vehicle.
  - 2.2. To provide slack in the brake cables, loosen the equalizer retaining nuts (1) on the equalizer rod (2) (**Figure 5-7, Page 5-8**).



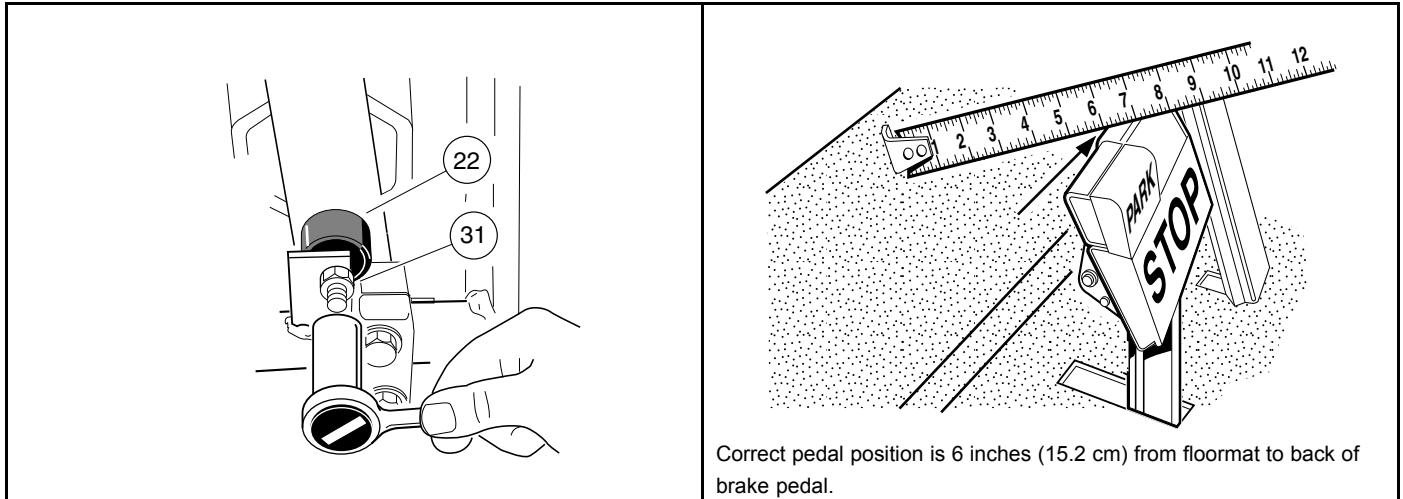
1400-18100-10209

**Figure 5-7** Loosen Rear Brake Equalizer Rod Nuts

- 2.3. Loosen the brake stop jam nut (31), then relieve pedal pressure on the stop by pushing down slightly on the pedal. Next, adjust the brake stop bumper (22) up or down (**Figure 5-8, Page 5-9**). Adjusting the

bumper upward decreases distance between pedal and floorboard. Adjusting the bumper downward increases distance between pedal and floorboard. Proper brake pedal height is 6 inches (15.2 cm) (**Figure 5-9, Page 5-9**).

- 2.4. Tighten the jam nut (31) to 8 ft·lb (9.5 N·m) (**Figure 5-8, Page 5-9**).



1400-18000-10211

Figure 5-8 Brake Pedal Height Adjustment

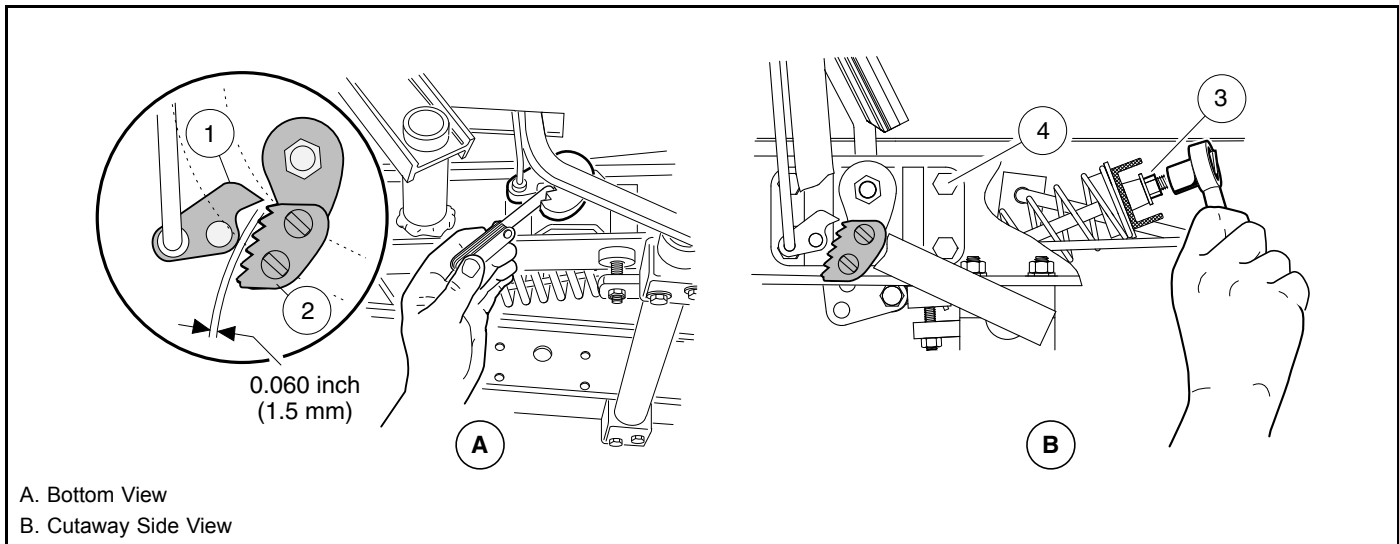
1400-18000-10212

Figure 5-9 Brake Pedal Height Measurement

3. Adjust brake pedal free play. **See following NOTE.**

**NOTE:** Brake pedal free play is the distance the brake pedal can be pressed before the brake actuator arm (at the brake cluster) moves.

- 3.1. Measure perpendicularly from the floorboard to the back of the brake pedal, then press the brake pedal and measure the distance that the pedal moves before all of the slack is taken out of the brake cables (**Figure 5-9, Page 5-9**).
- 3.2. Tighten the nut (2) on the equalizer rod (1) so that the brake pedal free play is 1/4 inch to 1/2 inch (6.3 mm to 12.7 mm) (**Figure 5-3, Page 5-3**).
- 3.3. Tighten the jam nut (3) while holding the adjustment nut (2) in the correct position.
4. Adjust park brake ratchet/pawl gap and pawl engagement.
  - 4.1. Inspect the park brake pawl (1) and ratchet (2) for excessive wear, grooves, cracks, or chips (**Figure 5-10, Page 5-10**). If either the pawl or ratchet is damaged, both must be replaced.
  - 4.2. Adjust retaining nut (3) on spring support rod until there is a 0.060 inch (1.5 mm) gap between the pawl and the tips of the ratchet teeth. Use a feeler gauge to verify the gap (**Figure 5-10, Page 5-10**). The gap should be consistent through range of pawl movement. If the gap is not consistent, loosen the four bolts (4) securing the accelerator pivot rod supports and adjust the supports. If the gap becomes smaller as the park brake pedal is pressed, move the pivot rod supports slightly rearward until the gap is consistent. If the gap becomes larger as the park brake pedal is pressed, move the pivot rod supports slightly forward until gap is consistent.



2643

Figure 5-10 Park Brake Ratchet/Pawl Gap Adjustment

- 4.3. With the park brake unlocked, measure and note the distance from the top of the accelerator pedal to the floorboard, then lock the park brake (**Figure 5-11, Page 5-10**).
- 4.4. With the park brake locked, make sure at least 75% of ratchet tooth length engages the pawl (**Figure 5-12, Page 5-10**). Tooth engagement should be between the two lines marked on the pawl.

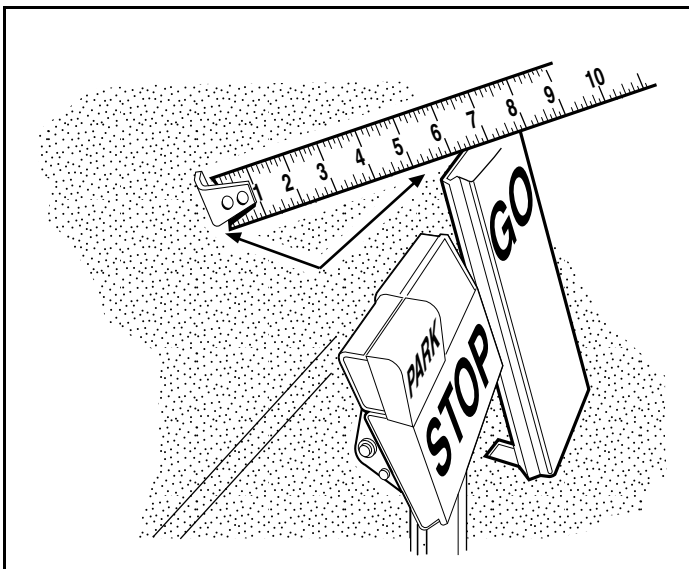


Figure 5-11 Accelerator Pedal Height Measurement

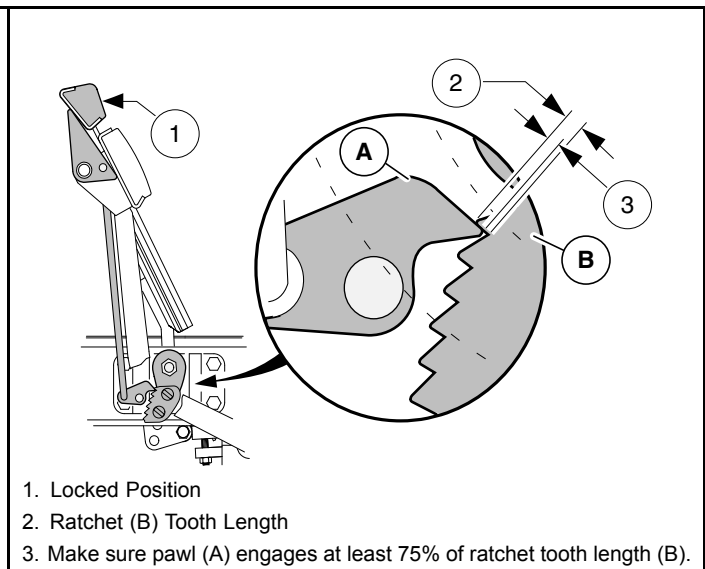
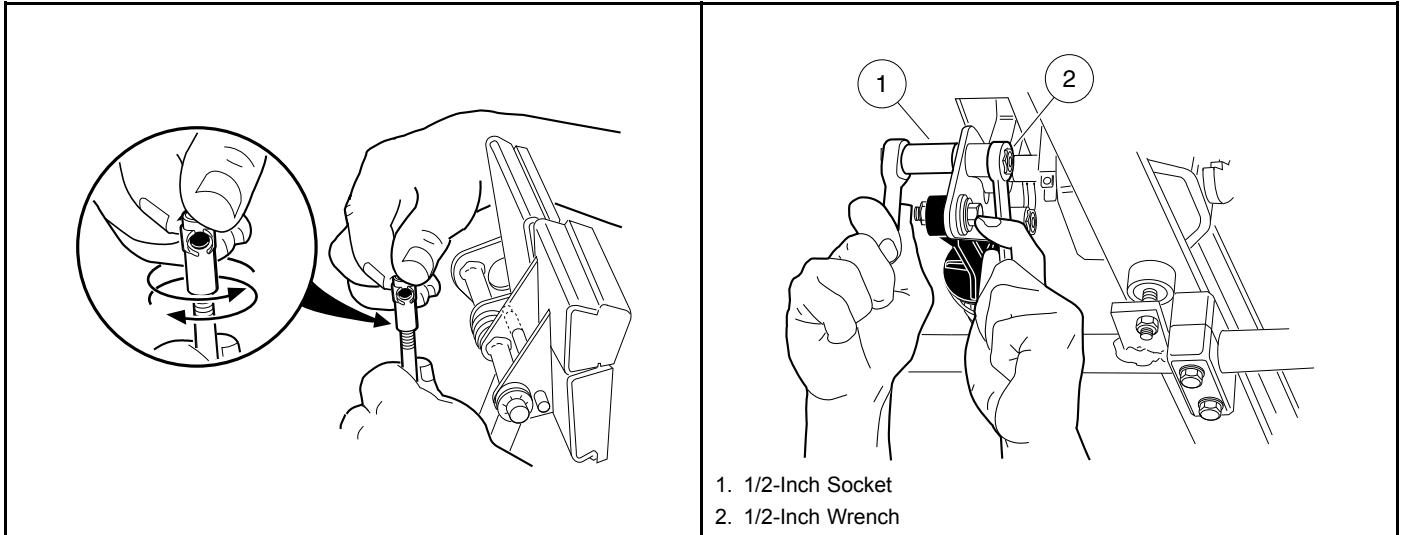


Figure 5-12 Ratchet/Pawl Tooth Engagement

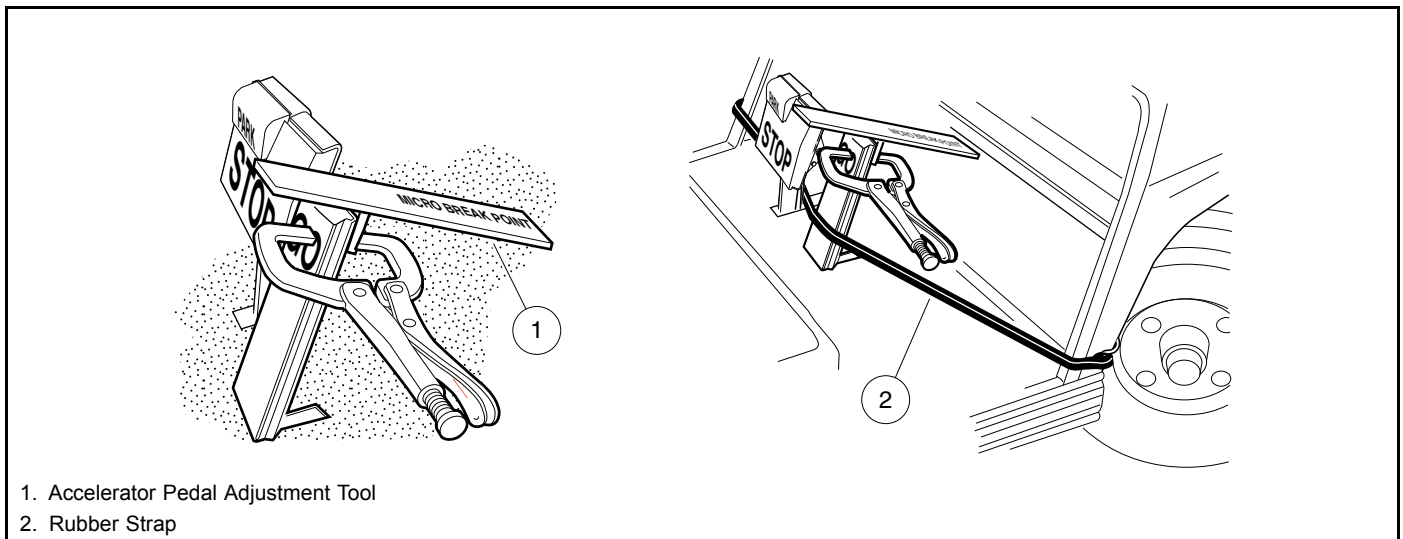
- 4.5. With park brake still locked, measure the distance from the top of accelerator pedal to floorboard. If the measurement has changed, ratchet tooth engagement is too deep and must be adjusted.
- 4.6. If ratchet/pawl engagement must be adjusted, disconnect the ball joint at the top of the brake rod and rotate the ball joint sleeve clockwise to increase engagement or counterclockwise to decrease engagement. Reconnect ball joint (**Figure 5-13, Page 5-11**).
- 4.7. Check for proper brake operation prior to driving the vehicle.
5. Adjust accelerator pedal height.
  - 5.1. Loosen the nut and bolt (**Figure 5-14, Page 5-11**) securing the accelerator pedal to the pivot plate. Clamp the accelerator pedal adjustment tool to the accelerator pedal, with the end marked *accelerator pedal height*

closest to the floorboard. Press the accelerator pedal until the end of the tool rests against the floorboard; pedal height should be 5-5/8 inches (14.3 cm). Use a rubber strap to hold pedal in position against the floorboard and then tighten nut to 26 ft·lb (35.3 N·m) (**Figure 5-15, Page 5-11**).



**Figure 5-13 Brake Rod Adjustment**

**Figure 5-14 Accelerator Pedal Height Adjustment**



**Figure 5-15 Accelerator Pedal Height Adjustment**

6. Adjust the brakes. **See Brake Adjustment, Section 6, Page 6-7.**
7. Connect the battery cables. **See Connecting the Batteries – Electric Vehicles, Section 1, Page 1-4.**

Pagination Page



### **⚠ DANGER**

- See General Warnings on page 1-2.

### **⚠ WARNING**

- See General Warnings on page 1-2.

#### Asbestos Dust Warning

- Some aftermarket brake shoes contain asbestos fiber, and asbestos dust is created when these brake mechanisms are handled. Wear approved eye and respiratory protection when disassembling and cleaning brake mechanisms. Inhalation of asbestos could result in severe personal injury or death. Do not use compressed air or aerosol sprays to clean the brake mechanism. Clean brake mechanism using the negative pressure enclosure/hepa vacuum system or low pressure/wet cleaning method per OSHA/29 CFR - 1910.1001.

## GENERAL INFORMATION

The vehicles covered in this manual are equipped with a mechanical brake cable system connected to manually-adjusted drum brakes at all four wheels. In addition, a mechanical hand brake **See Section 2 – Vehicle Specifications**.

foot-operated pedal actuated

hand-operated lever actuated

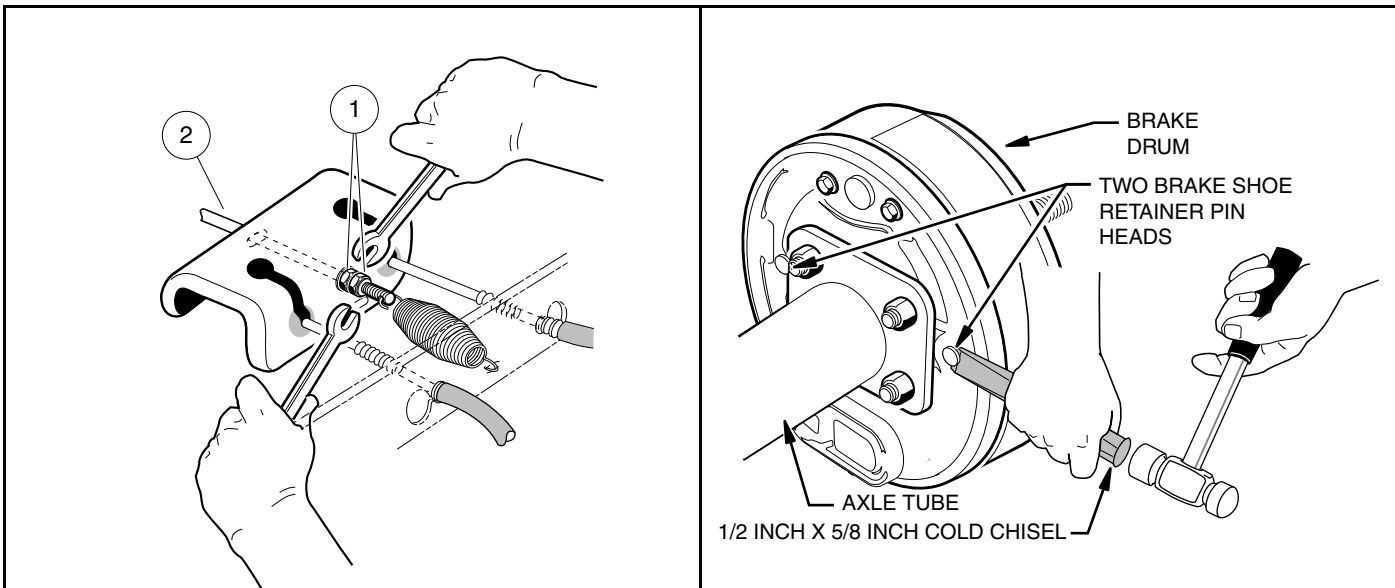
## BRAKE SHOE REMOVAL

See General Warnings on page 1-2. See also Asbestos Dust Warning on page 6-1.

1. To remove rear brake shoes, place chocks at the front wheels, loosen the rear wheel lug nuts, and lift the rear of the vehicle with a chain hoist or floor jack. Place jack stands under the axle tubes to support the vehicle.
2. Release park brake if latched and loosen equalizer retaining nuts (1) on equalizer rod (2) to slightly loosen brake cable (**Figure 6-1, Page 6-2**).
3. Remove the rear wheels and brake drums. If the brake drums were easily removed, proceed to remove axle (for electric vehicles only) or remove wheel hub (for gasoline vehicles only). **See following CAUTION and NOTE.**

### **⚠ CAUTION**

- Worn or damaged brake drums cannot be machined to refinish them. Replace as necessary.
4. Removing brake drums with badly worn brake shoes.
    - 4.1. On the back of each brake cluster assembly, locate the heads of two brake shoe retainer pins. It may be necessary to remove sealant material around the head of each pin.



2814

Figure 6-1 Loosen Equalizer Nut

2834a

Figure 6-2 Shoe Retainer Pins

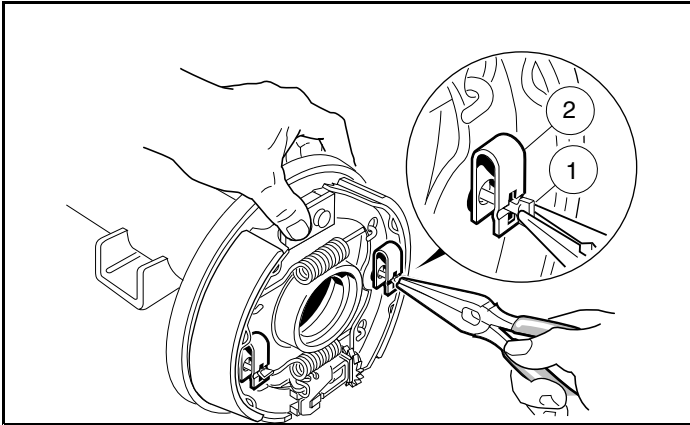
- 4.2. Insert a 1/2 inch x 5/8 inch cold chisel (1) under the head (2) of each pin and shear them off as illustrated (**Figure 6-2, Page 6-2**). This will release the shoes from the backing plate, allowing them to pivot away from the inside of the brake drum (3), which should then allow the brake drum to be pulled free. After completing step 6, skip step 7. **See following NOTE.**

**NOTE:** Although step 6 allows easier access to the brake shoes, it is not imperative to do so in order to remove the brake shoes.

5. **For electric vehicles:** Remove the axle shaft. **See Axle Shaft and Oil Seal Removal, Section 17, Page 17-1.**  
**For gasoline vehicles:** Remove the wheel hub assembly.
6. Using needle nose pliers, turn the clip retainer pin (1) 90° to remove the shoe retainer clip (2). **See following CAUTION.**

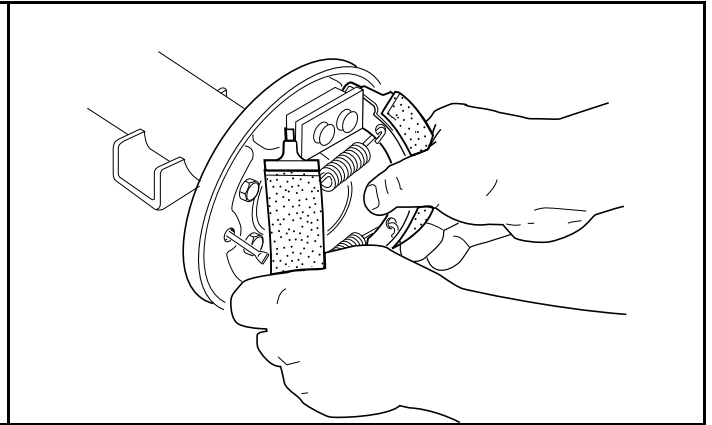
### **CAUTION**

- The brake shoes are under spring pressure and can release suddenly when brake shoe retainers are removed.
7. Grasp both brake shoes and pull them, together with the springs, out of the brake assembly as shown.



2824

Figure 6-3 Rotate Clip Retainer



2825

Figure 6-4 Remove Shoes

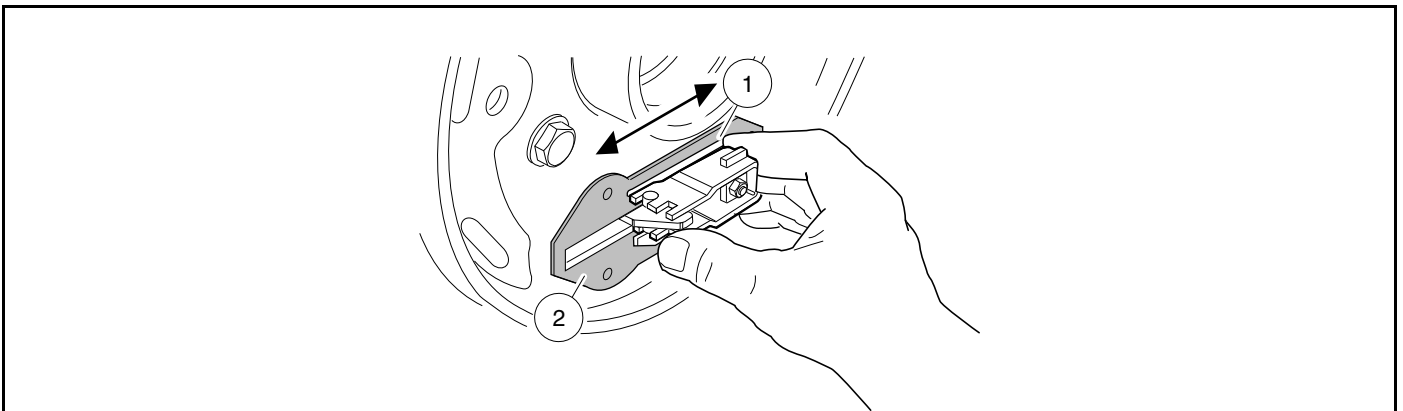
## BRAKE ASSEMBLY CLEANING

See General Warnings on page 1-2. See also Asbestos Dust Warning on page 6-1.

1. Carefully clean the brake backing plate and all mechanical components.
2. Remove the rubber boot from backing plate and wipe with a clean damp cloth.
3. Lubricate the slide (1) and slide plate (2) with dry moly lubricant on both sides of the backing plate (**Figure 6-5, Page 6-3**). After lubricating, work slide back and forth against backing plate to ensure that it slides smoothly and easily. Install rubber boot onto backing plate. Reinstall rubber boot onto backing plate. **See following WARNING**

### **⚠ WARNING**

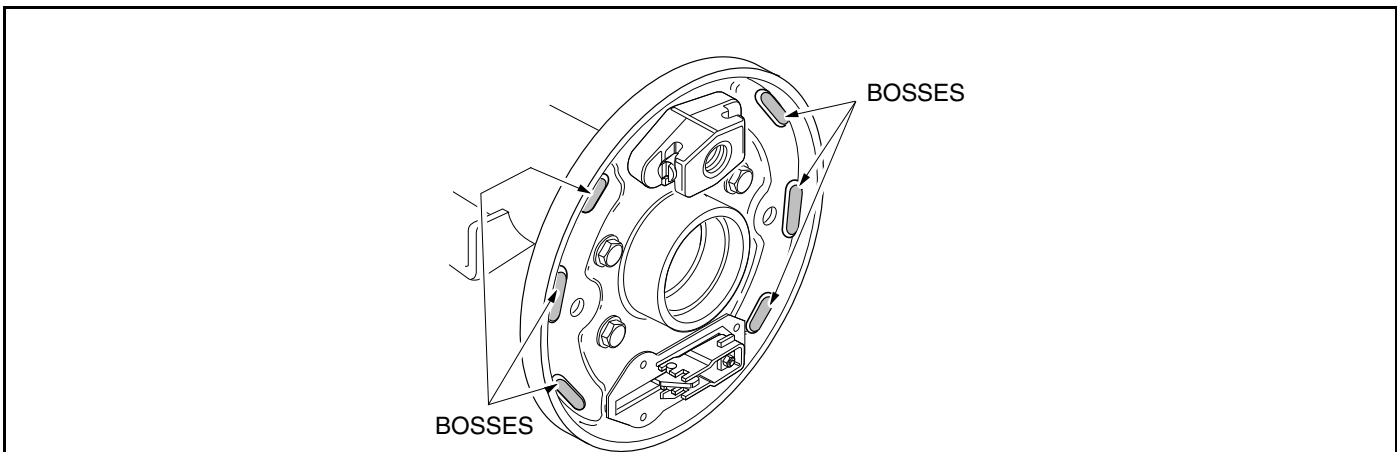
- Apply grease carefully when performing the following steps. Do not allow any grease to get onto the friction surfaces of the brake shoe pads or the brake drum. Failure to heed this warning could cause diminished brake performance, possibly resulting in property damage or severe personal injury.



2816

Figure 6-5 Lubricate Slide

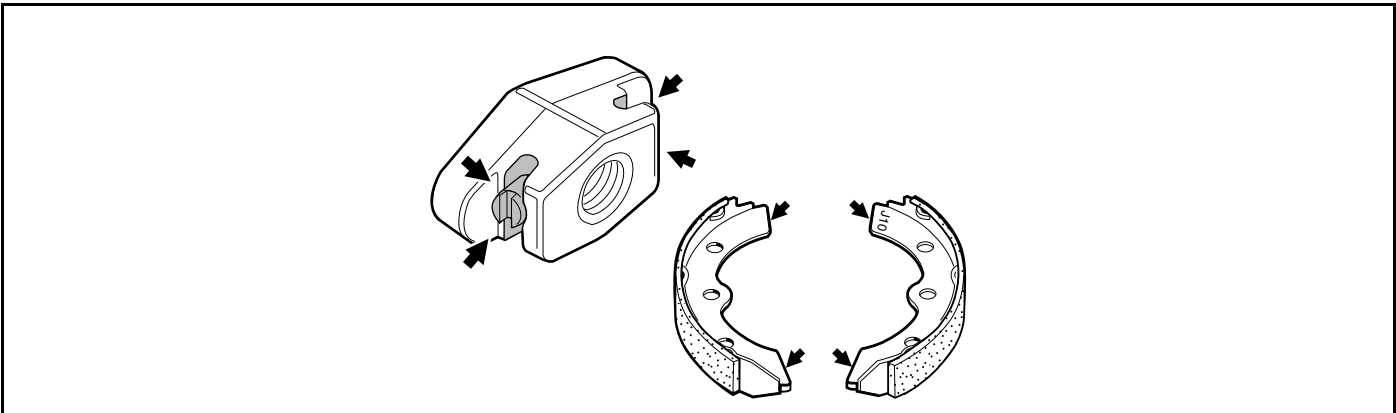
4. Use a small brush to carefully apply a light coat of white lithium NLGI #2 grease (Dow Corning® BR2-Plus or equivalent) on each of the six raised bosses on brake backing plate (**Figure 6-6**). **See preceding WARNING.**



2817

**Figure 6-6 Lubricate Raised Bosses**

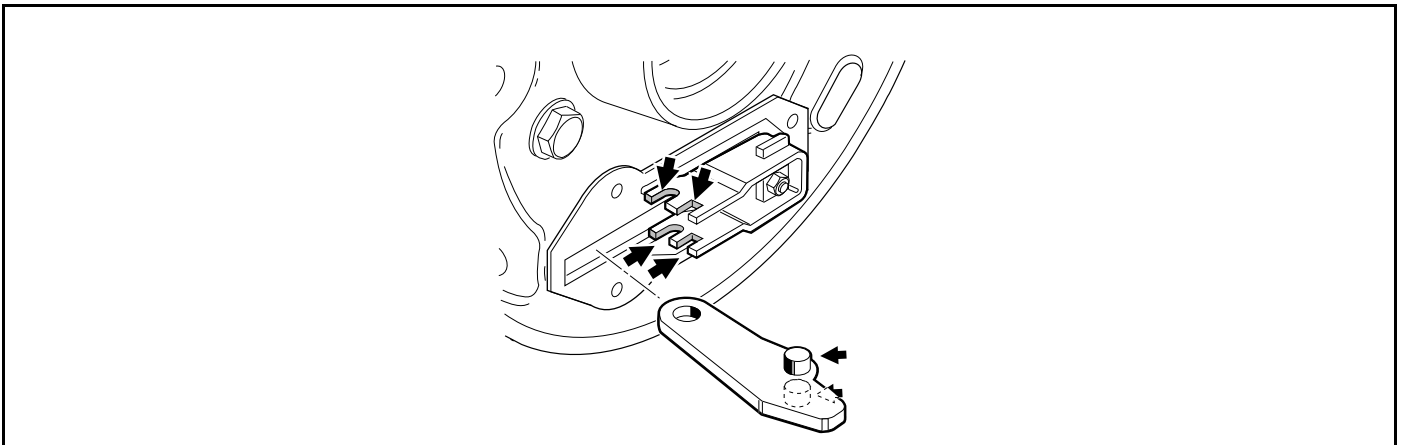
5. Use a small brush to carefully apply a light coat of white lithium NLGI #2 grease (Dow Corning BR2-Plus or equivalent) to each end of both brake shoes and into the slots in the brake shoe mounting block as shown (**Figure 6-7, Page 6-4**). **See preceding WARNING.**



2819

**Figure 6-7 Lubricate Shoes**

6. Use a small brush to carefully apply a light coat of white lithium NLGI #2 grease (Dow Corning BR2-Plus or equivalent) to the brake actuator assembly as shown (**Figure 6-8, Page 6-5**). See preceding **WARNING**.



2799

**Figure 6-8** Lubricate Actuator

## BRAKE SHOE INSTALLATION

See General Warnings on page 1-2. See also Asbestos Dust Warning on page 6-1.

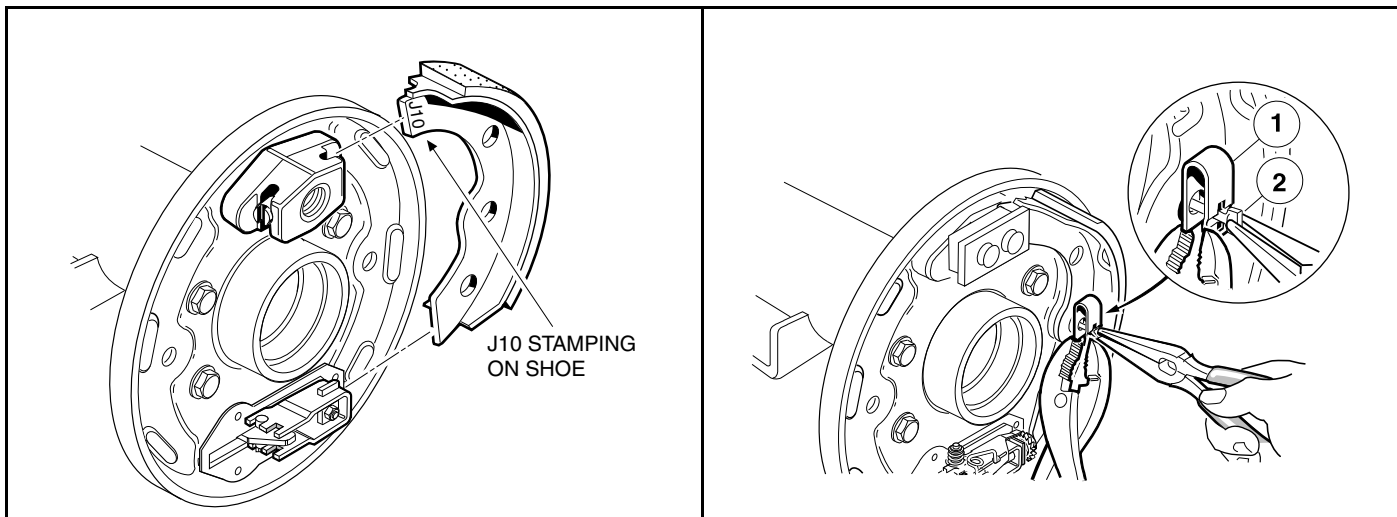
**NOTE:** Components of the front wheel brake assembly are identical to the rear wheel manually-adjusted brake assembly. The front brake assembly is rotated 90° (when compared to the rear brake assembly) so the adjusting bolt on each assembly is oriented to the rear of the vehicle rather than at the top of the assembly (Figure 6-21, Page 6-15).

1. Position one shoe in the slots in the mounting block anchor piston and brake actuator (Figure 6-12, Page 6-7). See following WARNING.

### **▲ WARNING**

- When installing brake shoes, the shoes must be oriented with tips stamped J10 inserted into the mounting block anchor piston slots rather than into the brake actuator slots (Figure 6-12, Page 6-7). Incorrectly installed brake shoes will be too tight and make adjustment of the brake impossible.
2. Install the shoe retainer clip, using pliers to compress the clip (1) while turning the retainer pin (2) into position (Figure 6-10, Page 6-6).
  3. Attach the springs (with hooks pointing outwards) onto the trailing shoe already installed. Then hold the leading shoe next to the trailing shoe, correctly oriented, and attach the springs to it (Figure 6-11, Page 6-7).

**NOTE:** With brake shoe tips marked J10 oriented to the mounting block, the stamping will be visible on one shoe only. The other J10 stamping will be facing the backing plate and will not be visible.



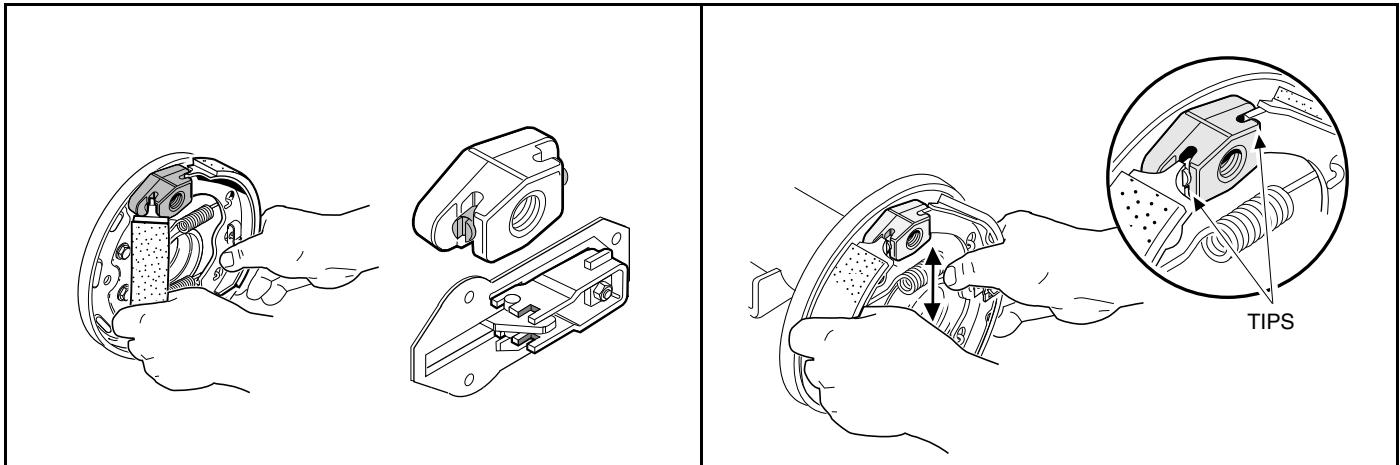
2807

Figure 6-9 Position Shoes

644

Figure 6-10 Retainer Clip

4. While maintaining spring attachment on both shoes, position tips of the second shoe (1) in the mounting slots and then push shoe into place. Hold shoe in position and install retaining clip.
5. After the shoes are installed, move them together up and down and side to side to make sure that they will easily slide approximately 1/4 inch to 3/8 inch (6.3 mm to 9.5 mm) without binding. Make sure the shoes are positioned vertically so the tips of the shoes are positioned flush with the top surface of the shoe mounting blocks as shown in (Figure 6-11, Page 6-7). See following Caution.



2808

Figure 6-11 Insert Shoes

2800

Figure 6-12 Position Shoes

## CAUTION

- Clean any residual oil from the exposed end of the axle shaft and from the oil seal area prior to installing the axle shaft.

6. For electric vehicles: Install the axle shaft. See **Axle Shaft and Oil Seal Installation, Section 17, Page 17-4.**  
For gasoline vehicles: Install the wheel hub assembly.
  7. Install the brake drum and make sure that it is properly seated. See following NOTE.
- NOTE:** If drum installation is difficult, the brake shoes may need to be adjusted vertically in the mounting slots.
8. After the drum is installed, make sure the axle and drum turn freely.

## BRAKE ADJUSTMENT

See General Warnings on page 1-2. See also Asbestos Dust Warning on page 6-1.

## CAUTION

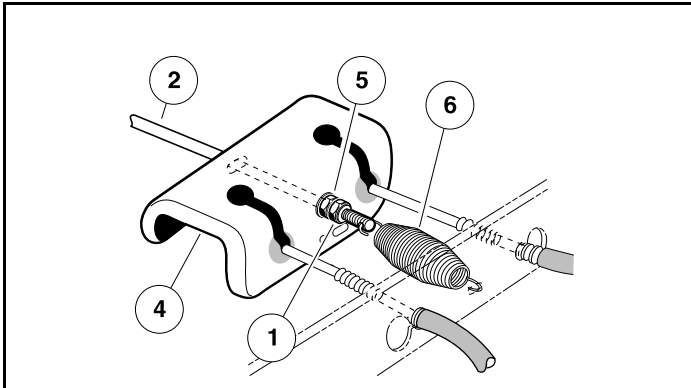
- Pedal group adjustment must be within specifications prior to beginning brake adjustment. Perform the appropriate pedal group adjustment.
- For gasoline vehicles, refer to .
- For electric vehicles, refer to Pedal Group Adjustment – Electric Vehicles on page 5-8.

**NOTE:** All brake cluster components must be clean, lubricated, and in good working condition prior to beginning brake adjustment.

All wheels must be installed on the vehicle and lug nuts tightened to 65 ft·lb (88 N·m).

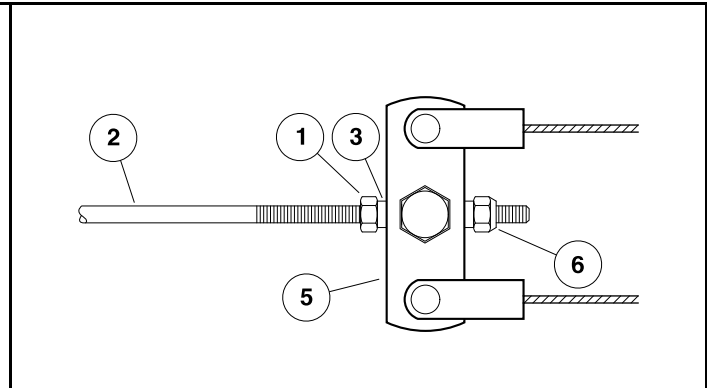
## BRAKE CLUSTER ADJUSTMENT

1. Chock the wheels.
2. To provide slack in the brake cables, loosen the equalizer retaining nuts (1 and 5) on the equalizer rod (2) (**Figure 6-13, Page 6-8**).
3. Loosen the front brake equalizer rod (**Figure 6-14, Page 6-8**).



2801

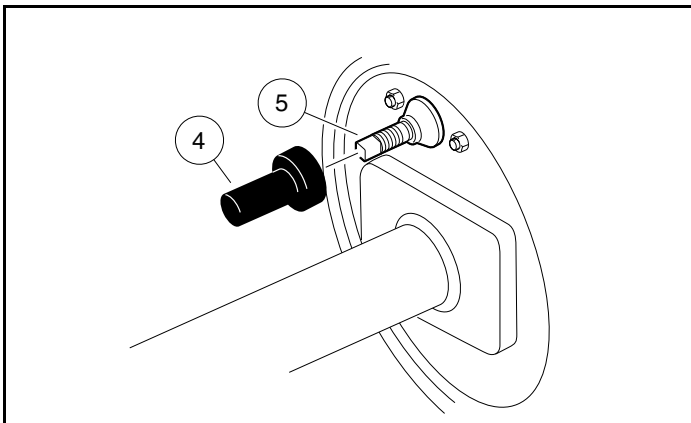
**Figure 6-13 Rear Equalizer Adjustment**



2802

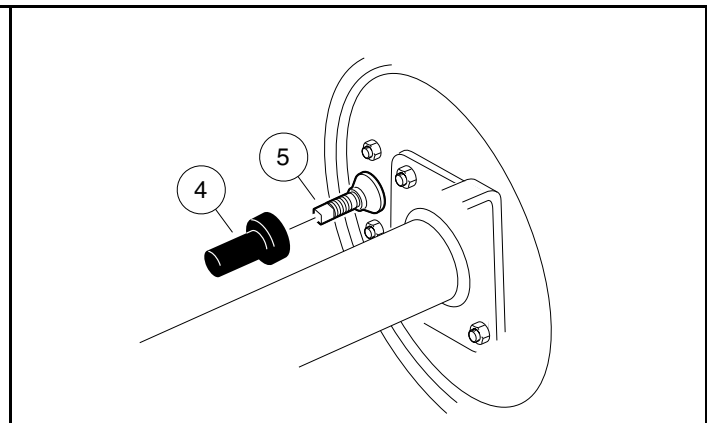
**Figure 6-14 Front Equalizer Adjustment**

4. Remove the dust cover (4) on the left and right rear brake cluster assemblies (**Figure 6-15, Page 6-8**).



2804

**Figure 6-15 Rear Brake Adjustment Bolt**



2803

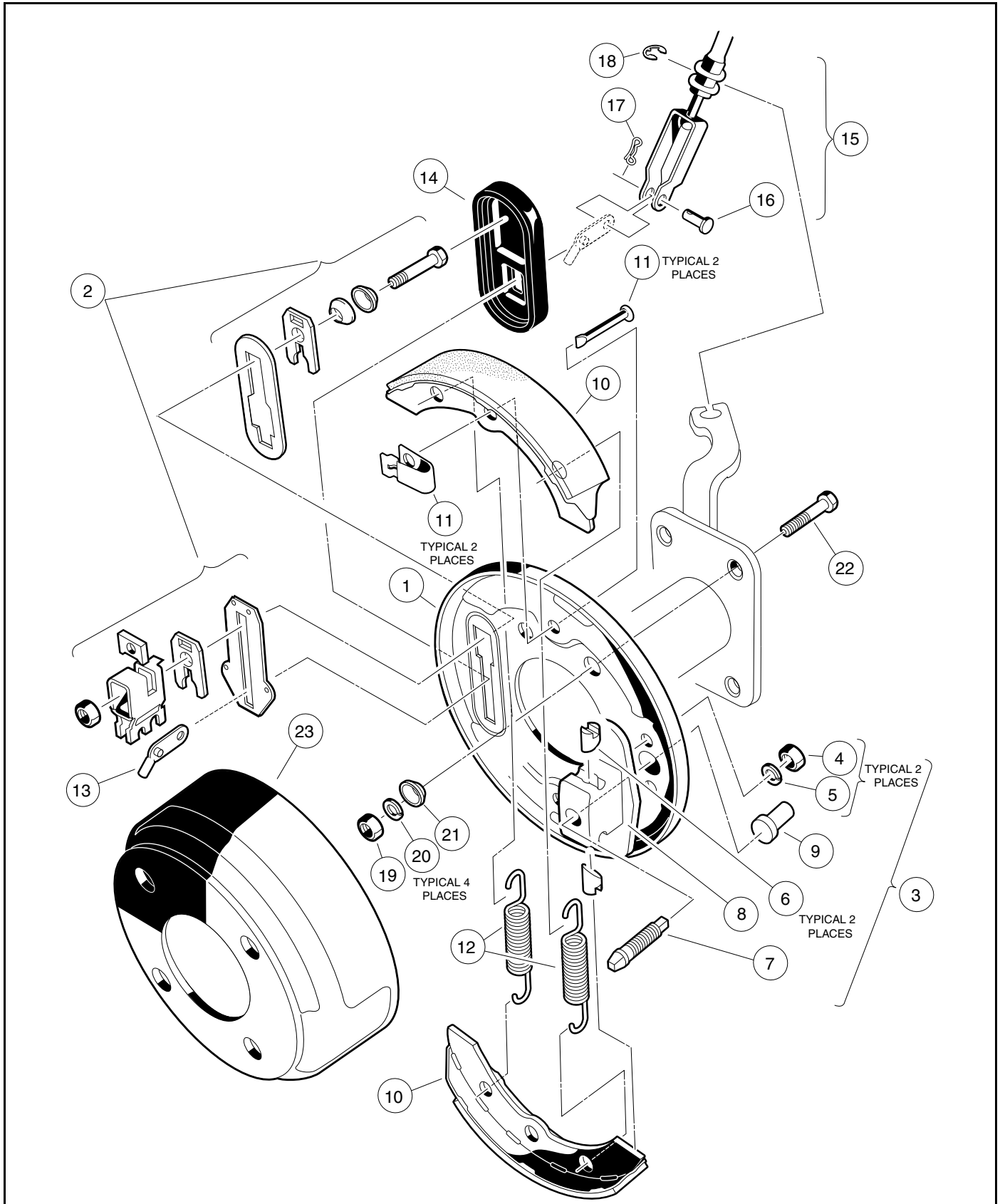
**Figure 6-16 Front Brake Adjustment Bolt**

5. Use a torque wrench and a 7 mm 8-point socket or Club Car brake adjustment tool to turn the brake adjustment bolt (5) on each brake clockwise until it is tightened to 15 ft·lb (20.3 N·m) then back off 5 clicks. **See following NOTE**

**NOTE:** If a wheel can still be turned by hand after step 4, inspect the brake clusters and clean and/or replace all parts that do not work properly.

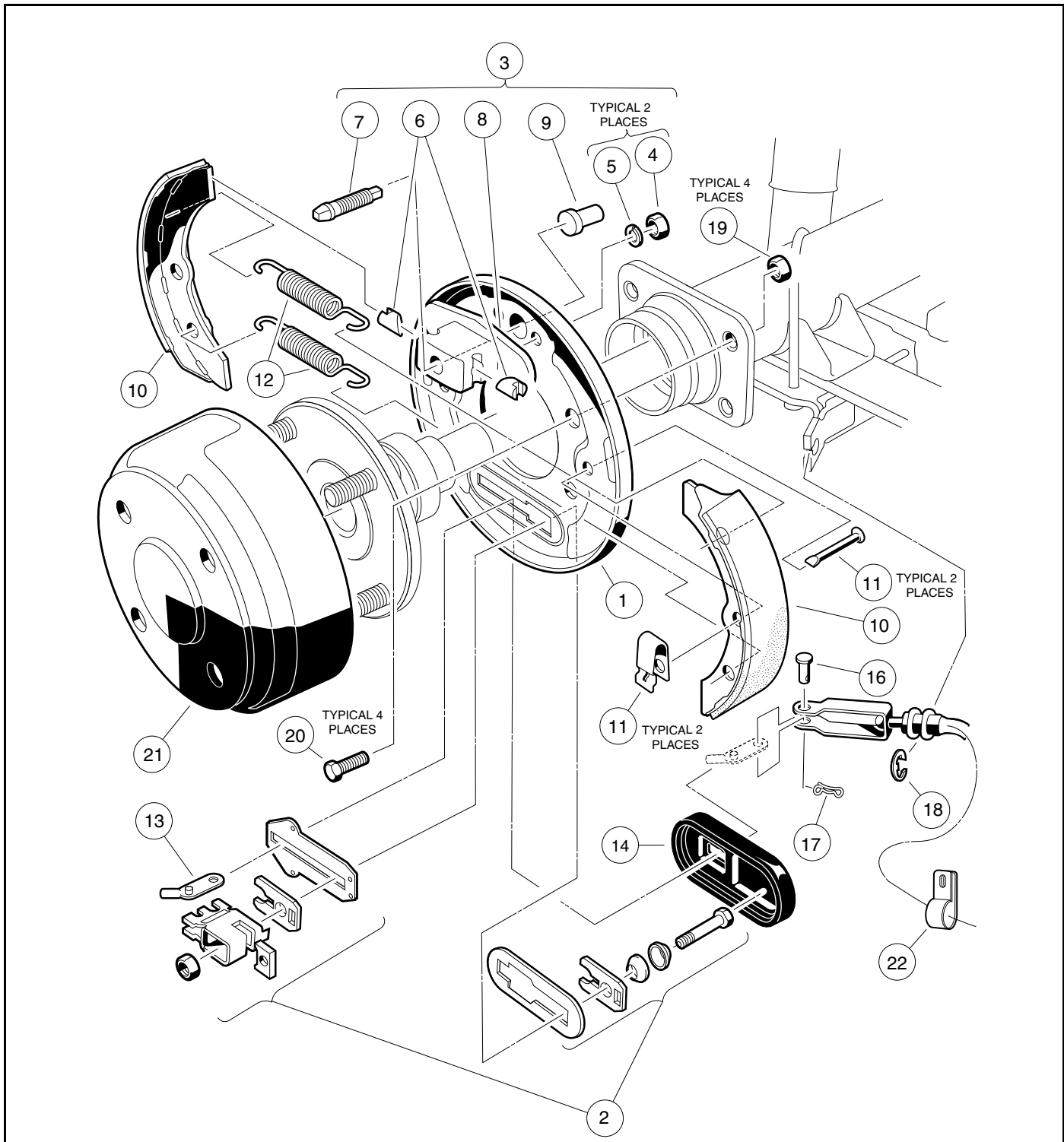
6. Repeat procedure at front brake clusters.





2806

Figure 6-17 Front Manually Adjusted Brake Assembly

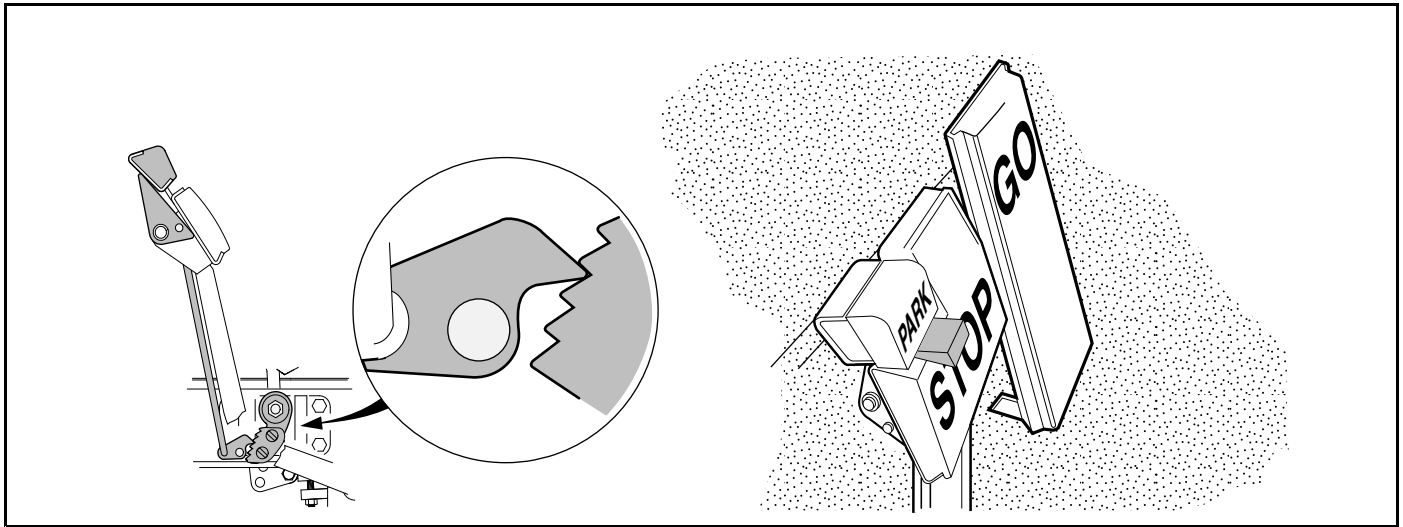


2903

Figure 6-18 Rear Manually-Adjusted Brake Assembly

## BRAKE CABLE EQUALIZATION

1. Set park brake in the third tooth of the ratchet. Place a wedge between the park brake pedal and brake pedal to prevent the park brake from disengaging while equalizing the brake cables (**Figure 6-19, Page 6-11**).



2809

Figure 6-19 Set Park Brake and Insert Wedge

2. Equalize the brake cables.
  - 2.1. Tighten the nylon lock nut (6) on the front equalizer rod (2) to 35 in·lb (4 N·m) (Figure 6-14, Page 6-8).
  - 2.2. Tighten the jam nut (5) on the rear equalizer rod (2) clockwise to 35 in·lb (4 N·m) (Figure 6-13, Page 6-8).
  - 2.3. Repeat steps 3 and 4 until the nuts remain on the torque setting.
  - 2.4. Hold the lock nut (6) on the front equalizer rod (2) in place with a wrench and tighten the jam nut (1) to 13 ft·lb (17.6 N·m) (Figure 6-14, Page 6-8).
  - 2.5. Hold the jam nut (5) on the rear equalizer rod (2) in place with a wrench and tighten the lock nut (1) to 13 ft·lb (17.6 N·m) (Figure 6-13, Page 6-8). **See following CAUTION.**

## CAUTION

- If the brake pedal return spring (6) was disconnected while equalizing the brake cables, be sure to reconnect it before proceeding (Figure 6-13, Page 6-8).

## FINAL BRAKE CLUSTER ADJUSTMENT

1. To adjust the brake shoes, turn the adjustment bolt counterclockwise five clicks.
2. Repeat step 1 at other brake cluster(s).
3. Install the rubber dust covers (4) over the brake adjustment bolts (5) (Figure 6-15, Page 6-8) and (Figure 6-16, Page 6-8).
4. Carefully support the vehicle with the lifting device, remove jack stands and lower the vehicle to the ground.

## TEST DRIVE VEHICLE

1. With the vehicle on a level surface, release the park brake and push the vehicle by hand. If brake drag exists, readjust cable tension and brakes. **See Brake Cable Equalization on page 6-10. See Final Brake Cluster Adjustment on page 6-11.**
2. Pedal free play should be less than 1 inch (2.5 cm). If free play exceeds 1 inch (2.5 cm), check pedal group adjustment, and readjust cable tension and brakes. **See Brake Cable Equalization on page 6-10. See Final Brake Cluster Adjustment on page 6-11. See following NOTE.**

**NOTE:** Brake pedal free play is the distance the brake pedal can be pressed before the brake actuator arm (at the brake cluster) moves.

3. Test drive vehicle. Be sure the brakes function properly. When brake pedal is fully pressed under moderate pressure, it should not go more than halfway to floor, and the vehicle should come to a smooth, straight stop. If the brake pedal goes more than halfway to the floor, or if the vehicle swerves or fails to stop, check pedal group adjustment, and readjust cable tension and brakes. **See Brake Cable Equalization on page 6-10. See Final Brake Cluster Adjustment on page 6-11.** Brake adjustment must be maintained so the brake pedal cannot be pressed to the floor under any circumstance.

## BRAKE CLUSTER REMOVAL AND INSTALLATION

---

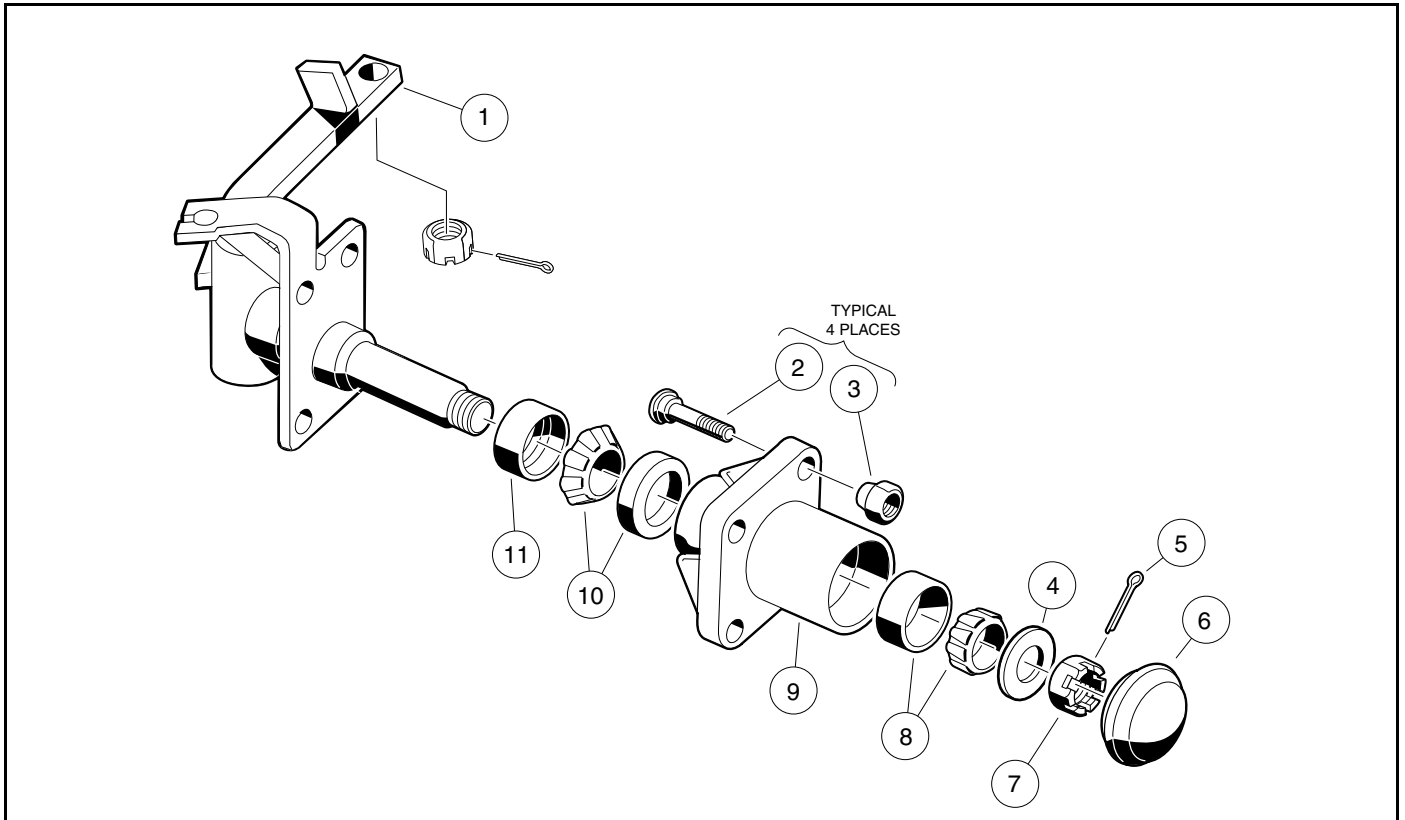
See General Warnings on page 1-2. See also Asbestos Dust Warning on page 6-1.

### FRONT BRAKE CLUSTER REMOVAL

1. Place chocks at rear wheels, loosen lug nuts on front wheels, and lift the front of the vehicle with a chain hoist or floor jack. Place jack stands under the round tube crossmember of the frame to support vehicle.
2. Release park brake.
3. Loosen the equalizer retaining nuts (1 and 6) on the front equalizer rod (2) to slightly loosen the brake cable (**Figure 6-14, Page 6-8**).
4. Remove the front wheels and then the brake drums.
5. Remove bow-tie pin (17) and clevis pin (16) from brake cable (**Figure 6-21, Page 6-15**) (**Figure 6-20, Page 6-13**).
6. Remove dust cap (6) on hub and bearing assembly.
7. Remove cotter pin (5) and hex nut (7) from spindle shaft (**Figure 6-20, Page 6-13**).
8. Remove hub and bearing assembly from spindle shaft. Remove four bolts (22), cone washers (21), lockwashers (20), and hex nuts (19) that mount the brake cluster to the spindle (**Figure 6-21, Page 6-15**).
9. Remove brake cluster assembly from spindle.

### FRONT BRAKE CLUSTER INSTALLATION

1. Install in reverse order of removal. Use bolts (22), cone washers (21), lock washers (20), and hex nuts (19) to mount brake cluster (**Figure 6-21, Page 6-15**).
2. Tighten bolts to 30 ft·lb (41 N·m). Adjust brakes as previously described in this section. Use new bow-tie pins when reconnecting brake cables.



2810

Figure 6-20 Front Spindle Assembly

## REAR BRAKE CLUSTER REMOVAL

1. Place chocks at the front wheels, loosen the lug nuts on the rear wheels and lift the rear of the vehicle with a chain hoist or floor jack. Place jack stands under the axle tubes to support the vehicle.
2. Release park brake and loosen equalizer retaining nuts (1 and 5) on equalizer rod (2) to slightly loosen brake cable (**Figure 6-13, Page 6-8**).
3. Remove the rear wheels and then the brake drums. **See following NOTE.**

**NOTE:** When servicing vehicles with brake drums that cannot be removed by normal methods, perform step 4 of **Brake Shoe Removal on page 6-1**, then continue with this procedure.

4. **For electric vehicles:** Remove the axle shaft. **See Axle Shaft and Oil Seal Removal, Section 17, Page 17-1.**  
**For gasoline vehicles:** Remove the wheel hub assembly.
5. Remove bow-tie pin (17) and clevis pin (16) from brake cable (**Figure 6-18, Page 6-10**).
6. Remove 4 bolts (20) and cone lock nuts (19) that mount the brake cluster to the transaxle (**Figure 6-18, Page 6-10**).
7. Remove rear brake cluster assembly from transaxle.

## REAR BRAKE CLUSTER INSTALLATION

1. Install in reverse order of disassembly. Use new bow tie locking pins when installing brake cables. **See following CAUTION for Electric Vehicles.**

### **⚠ CAUTION**

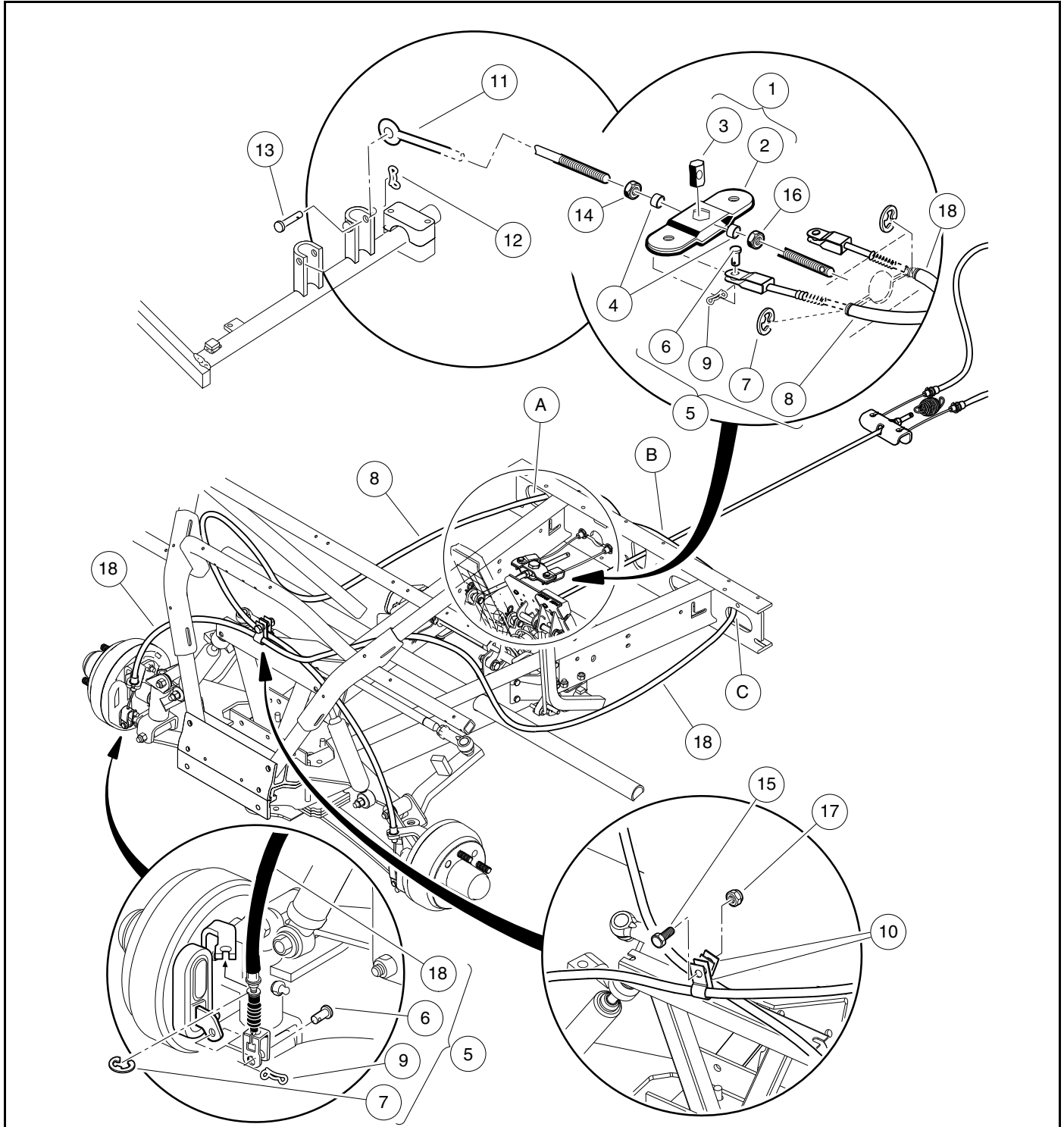
- Clean any residual oil from the exposed end of the axle tube and from the oil seal area prior to installing the axle shaft.
2. Be sure bolts (20) and new lock nuts (19) are used to mount the brake cluster (**Figure 6-18, Page 6-10**).
  3. Tighten nuts to 17 ft·lb (23.0 N·m). If torquing the bolt heads, torque to 30 ft·lb (40 N·m). **See following WARNING for Electric Vehicles.**

### **⚠ WARNING**

- Be sure retaining ring is properly seated in groove. If ring is not properly installed, axle assembly will separate from transaxle and damage axle assembly and other components. Loss of vehicle control could result in severe personal injury or death.
4. **For electric vehicles:** Install the axle shaft. **See Axle Shaft and Oil Seal Installation, Section 17, Page 17-4.**  
**For gasoline vehicles:** Install the wheel hub assembly.
  5. Adjust brakes as previously described in this section.

FRONT BRAKE CABLES

See General Warnings on page 1-2. See also Asbestos Dust Warning on page 6-1.



3189

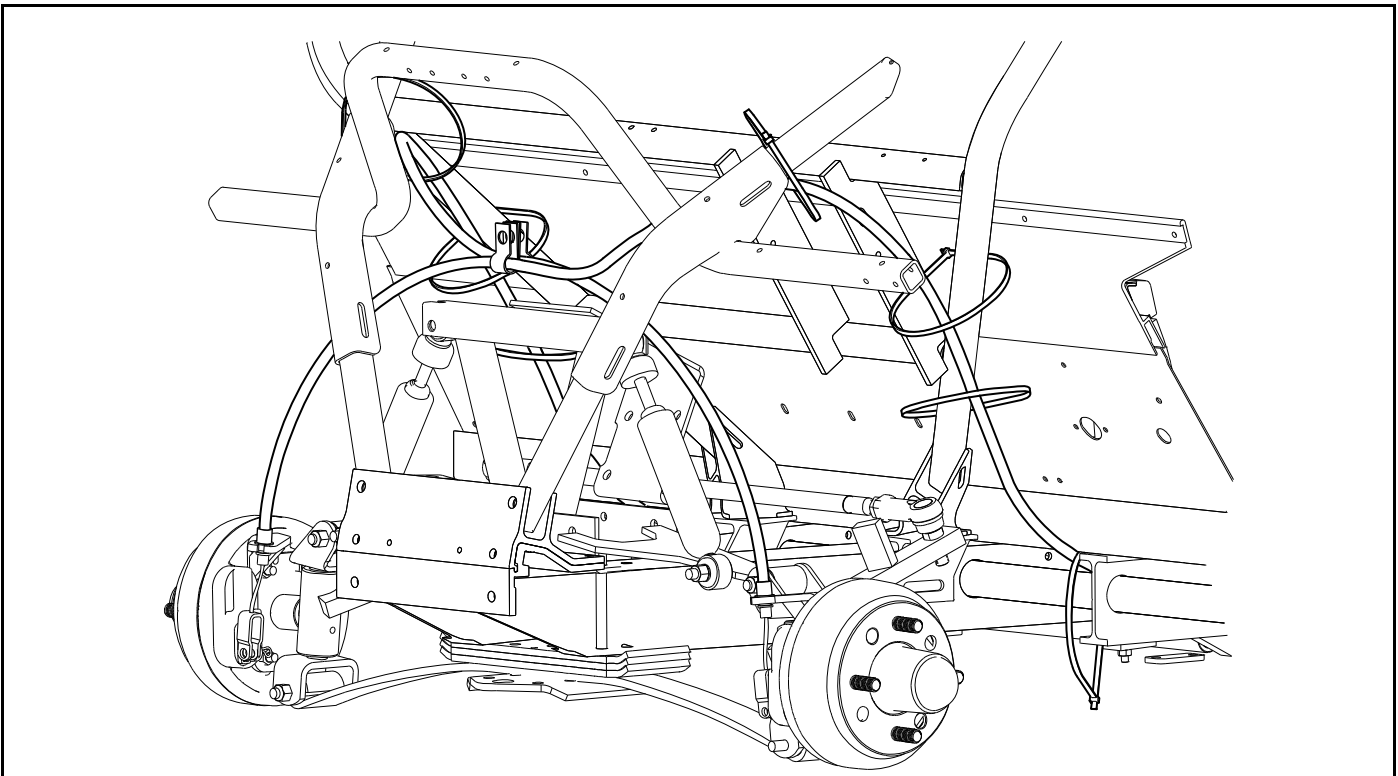
Figure 6-21 Front Brake Cables and Equalizer

## FRONT BRAKE CABLE REMOVAL

1. Remove bow-tie pin (9) and clevis pin (6) from brake lever arm on front brake cluster (**Figure 6-21, Page 6-15**).
2. Remove E-clip (7) from brake cable housing at the front spindle bracket and remove cable (8 or 18) from spindle.
3. Remove bow-tie pin (9), clevis pin (6), and E-clip (7) from brake cable (8 or 18) at equalizer (2).
4. Remove bolt (15) and nut (17) from brake cable clamp (10).
5. Note location and number of wire ties securing brake cable to chassis (**Figure 6-22, Page 6-16**). Cut wire ties and remove front brake cable from vehicle.

## FRONT BRAKE CABLE INSTALLATION

1. Place brake cable (8 or 18) through frame mounting hole behind equalizer (2) and install E-clip (7) on cable housing (**Figure 6-21, Page 6-15**).
2. Attach brake cable clevis to equalizer (2) with clevis pin (6) and new bow-tie pin (9).
3. Route inner cable (8) through slot opening in passenger-side of I-beam (A).
4. Route outer cable (18) over rear brake equalizer rod (B) and through slot opening in driver-side of I-beam (C).
5. Route cables (8 and 18) along inside of frame rails towards front of vehicle (**Figure 6-21, Page 6-15**); through gap between floorboard and tubular crossmember; under cowl frame supports; and crisscross above shock support as shown (**Figure 6-22, Page 6-16**).
6. Secure brake cable clamp (10) with a bolt (15) and nut (17) (**Figure 6-21, Page 6-15**).
7. Attach brake cable (8 or 18) through the front spindle bracket with E-clip (7).
8. Attach brake cable clevis to brake lever arm with clevis pin (6) and a new bow-tie pin (9).
9. At original locations, secure brake cable (8 or 18) to chassis with new wire ties (**Figure 6-22, Page 6-16**).
10. Adjust brakes. **See Brake Adjustment on page 6-7.**

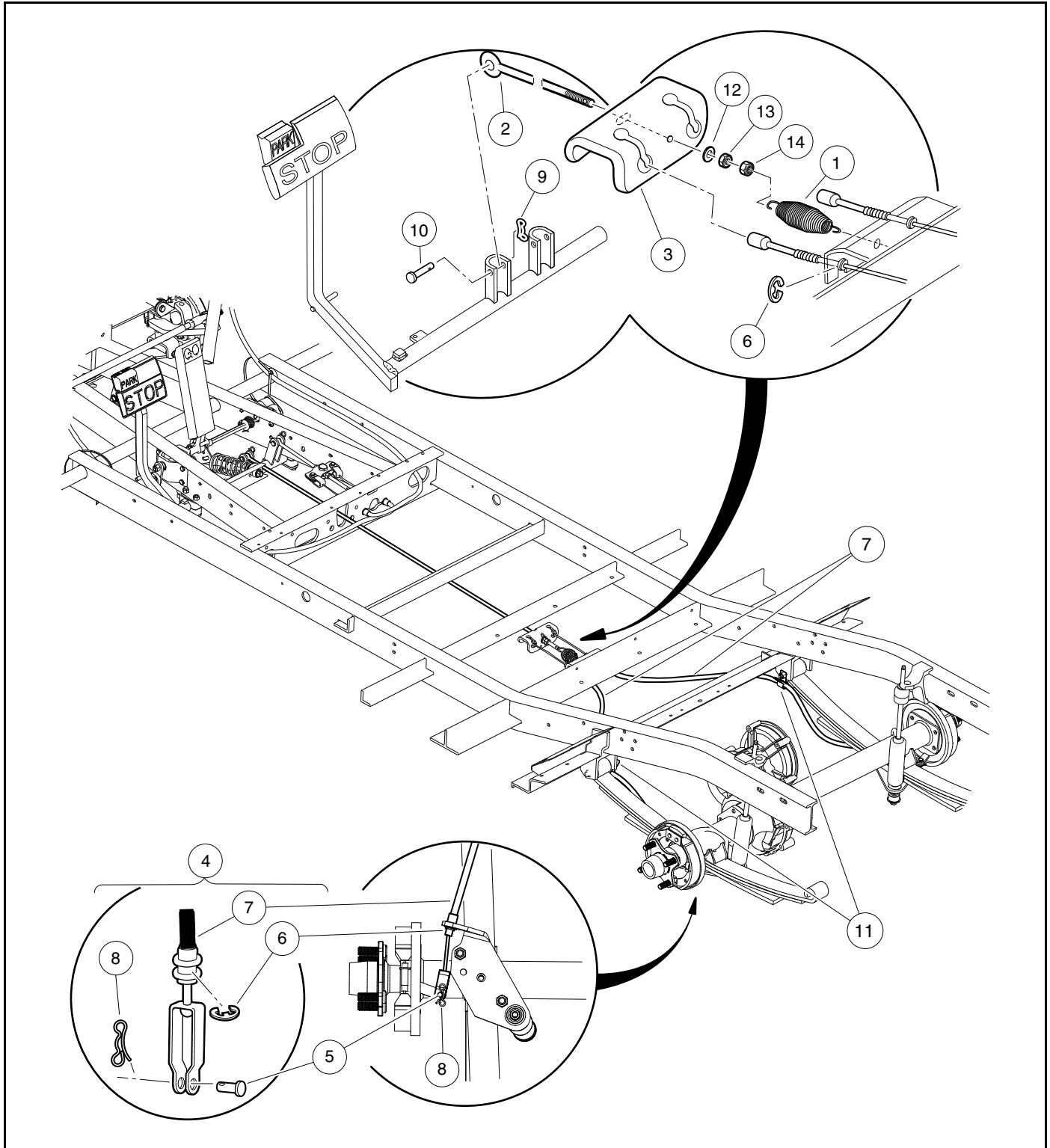


3190

**Figure 6-22 Front Brake Cable Routing Under Cowl and Wire Tie Locations**



REAR BRAKE CABLES



3191

Figure 6-23 Rear Brake Cables and Equalizer

## REAR BRAKE CABLE REMOVAL

1. Chock wheels to keep vehicle from unintentionally moving.
2. Release park brake if latched and loosen equalizer retaining nuts (13 and 14) on equalizer rod (2) to slightly loosen brake cables (7) (**Figure 6-23, Page 6-17**).
3. Rotate brake cables (7) upward and pull ends through holes in top of equalizer (3).
4. Disconnect brake cables (7) at rear wheels.
  - 4.1. Remove bow-tie pins (8), clevis pins (5), and E-clips (6) (**Figure 6-23, Page 6-17**).
  - 4.2. Remove cable (7) from plate under leaf spring.
  - 4.3. Note location of hangers (11) and pull cables out of vehicle.

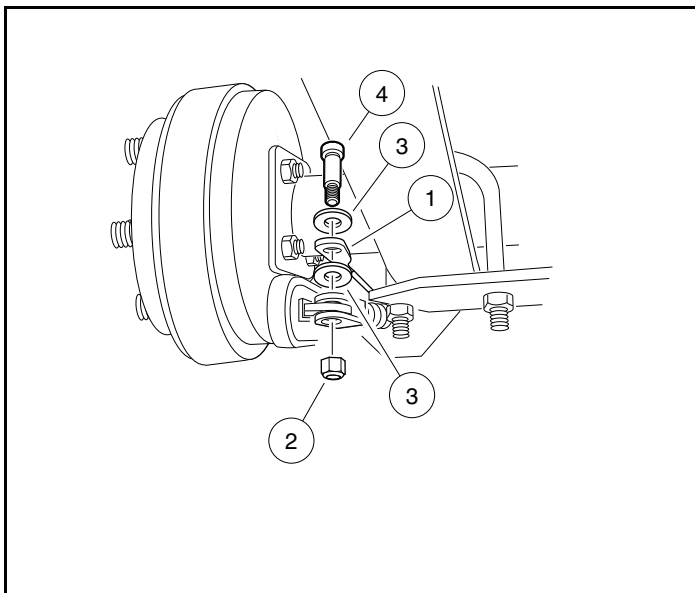
## REAR BRAKE CABLE INSTALLATION

1. Place the cable ends in the equalizer (3) (**Figure 6-23, Page 6-17**). Route cables through hangers (11) in the same manner as the ones removed.
2. At the rear wheel brakes, connect the cables (7) to the brake actuator arms using clevis pins (5) and new bow-tie pins (8).
3. Place cables (7) in plate under leaf springs and secure with E-clips (6).
4. Adjust brakes. **See Brake Adjustment on page 6-7.**

## EMERGENCY BRAKE SYSTEM

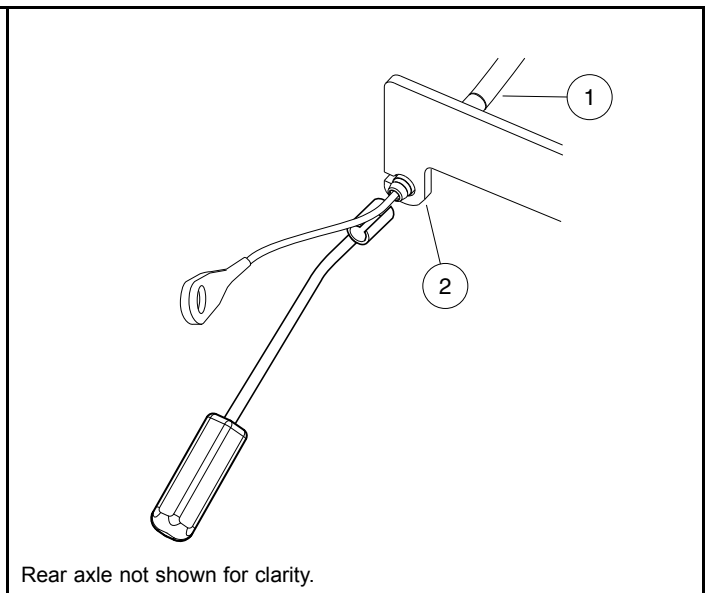
### EMERGENCY BRAKE REMOVAL

1. Chock the wheels to prevent the vehicle from rolling.
2. Release the emergency brake.
3. Disconnect emergency brake cables (1) at rear wheels.
  - 3.1. Remove locknut (2), washers (3), and shoulder bolt (4) securing each cable (1) to brake lever arm (**Figure 6-24, Page 6-19**).
  - 3.2. Using the brake cable release tool, compress the retaining clips on each end of the cable sheathing to release cables (1) from bracket (2) on rear axle (**Figure 6-25, Page 6-19**).



3211

**Figure 6-24** Disconnect Emergency Brake Cables at Rear Brake Drums



3212

**Figure 6-25** Release Brake Cables from Rear Axle Bracket

4. Cut all wire ties securing cables to chassis.
5. Remove the four locknuts (6) and bolts (2 and 4) that secure the emergency brake assembly (1) to the floorboard. Retain the washers (3) and aluminum spacers (5) for installation (**Figure 6-26, Page 6-20**).
6. Pull the emergency brake (1) and cables as an assembly from the vehicle.

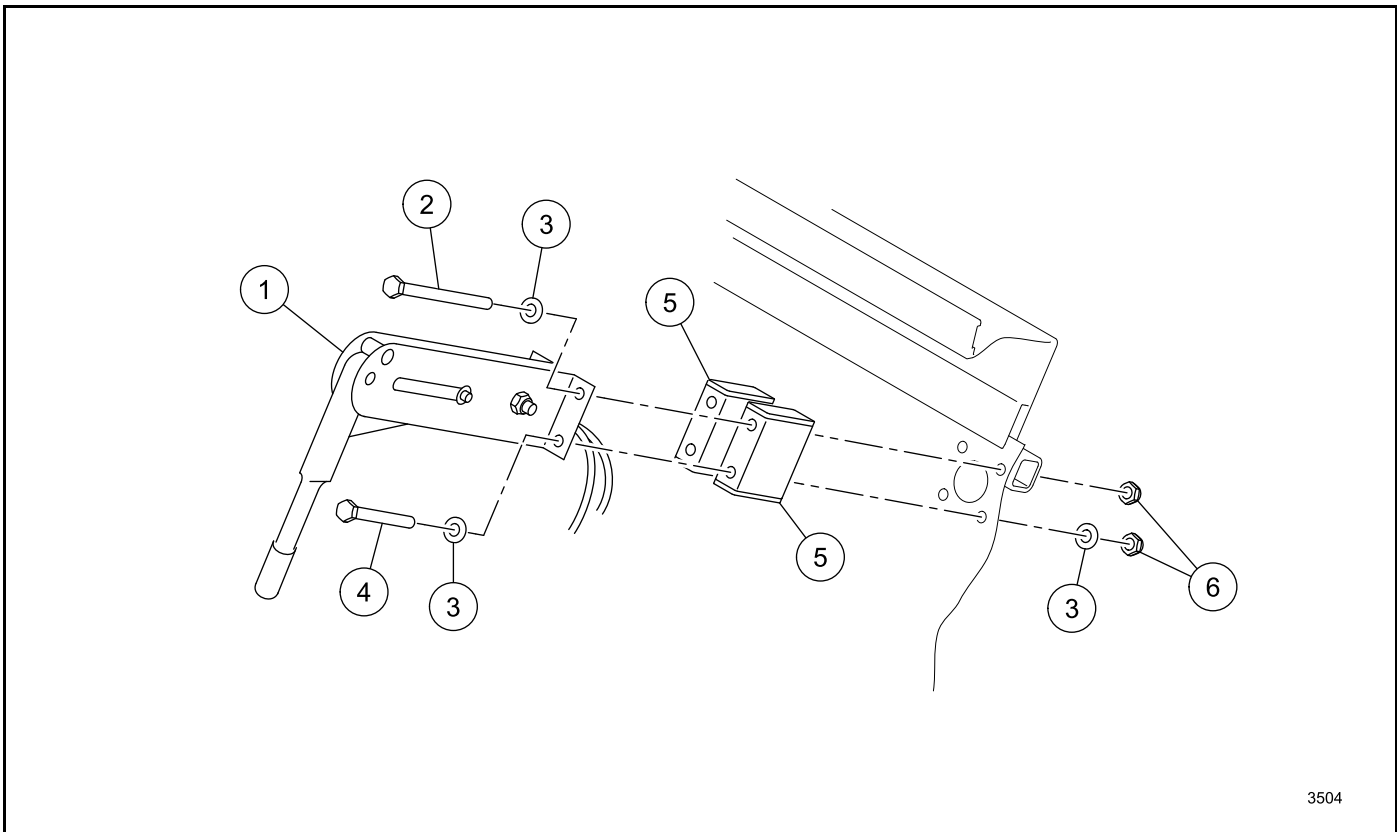


Figure 6-26 Emergency Brake Removal

## EMERGENCY BRAKE INSTALLATION

1. Installation is the reverse of removal. **See also for more info.** Tighten the emergency brake locknuts (6) to 72 in-lb (8 N·m) (Figure 6-26, Page 6-20). Tighten the brake lever arm locknuts (2) to 72 in-lb (8 N·m) (Figure 6-24, Page 6-19).
2. Safety tie the cables to the chassis with wire ties.
3. Adjust the emergency brake. **See Emergency Brake Adjustment on page 6-20.**
4. Perform all brake system inspections. **See Performance Inspection on page 10-1.**

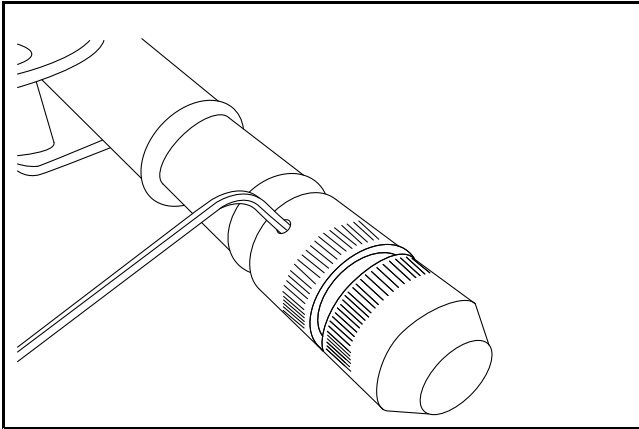
## EMERGENCY BRAKE ADJUSTMENT

### **⚠ WARNING**

- Make sure the brake pedal and park brake function properly before emergency brake adjustment.

### **CAUTION**

- Perform the following procedure only on a level surface. To avoid injury or property damage, ensure that the path of the vehicle is clear before the vehicle is pushed.



3213

**Figure 6-27 Adjustment Knob Set Screw**

1. Place vehicle on a level surface and release the emergency brake.
2. Loosen the adjustment knob set screw with an Allen wrench (**Figure 6-27, Page 6-21**).
3. Turn adjustment knob clockwise to tighten cables.
4. Tighten cables until a force of 133 to 138 N (30 to 31 lbf) is required to pull the handle up to the engaged position.
5. Tighten the set screw to lock the adjustment knob setting (**Figure 6-27, Page 6-21**).
6. Inspect the brake pedal system to make sure it has not been affected by adjustments to the emergency brake. **See Performance Inspection on page 10-1.**
7. Drive vehicle in a clear area and perform a stop test.
8. Release accelerator pedal and immediately engage the emergency brake. The vehicle should stop.
9. If vehicle does not stop, loosen set screw and tighten adjustment knob a small increment. Repeat test
10. Repeat adjustment and test until vehicle stops.
11. Tighten the set screw.
12. Inspect the brake pedal and park brake systems to make sure that they have not been affected by any additional adjustments to the emergency brake. **See Performance Inspection on page 10-1.**

Pagination Page

### **⚠ DANGER**

- See General Warnings on page 1-2.

### **⚠ WARNING**

- See General Warnings on page 1-2.

## GENERAL INFORMATION

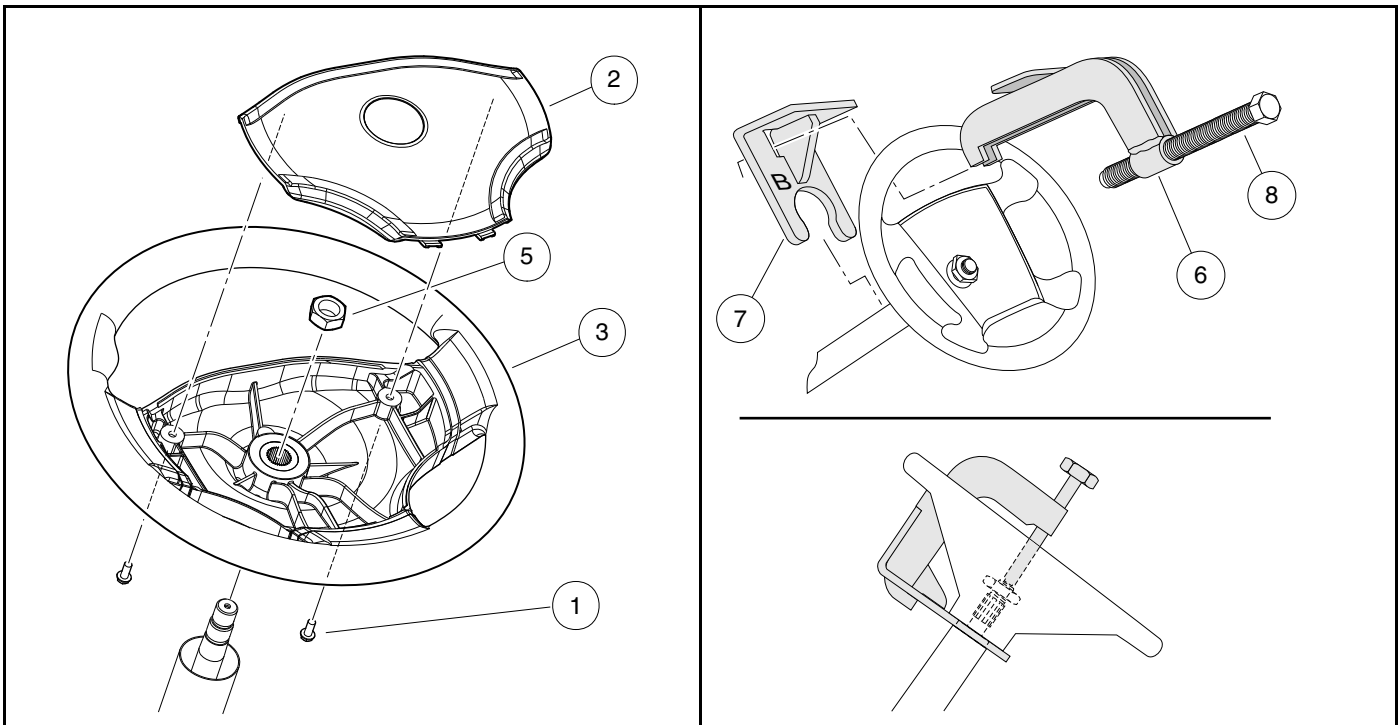
Steering is controlled through a rack and pinion steering assembly that is connected by a steering column to a steering wheel. No manual adjustment to the rack and pinion gear assembly is required. A spring loaded self-adjusting mechanism is incorporated into the assembly.

## STEERING WHEEL

See General Warnings on page 1-2.

### STEERING WHEEL REMOVAL

1. Disconnect the battery cables and either discharge the controller or disconnect the spark plug wire(s). **See Disconnecting the Batteries – Electric Vehicles, Section 1, Page 1-3.**
2. Remove the two mounting screws (1) and plate (2) (**Figure 7-1, Page 7-2**).
3. Match mark the steering wheel (3) and steering column shaft (4) so when the steering wheel is removed it can be placed back in exactly the same position on steering column shaft.
4. Loosen the steering wheel nut (5) and back it off approximately 1/4 inch (6 mm). Do not remove the nut.
5. Use the steering wheel puller to remove steering wheel.
  - 5.1. Place the puller anvil (6) through the top opening of the steering wheel (**Figure 7-2, Page 7-2**).
  - 5.2. Insert the anvil feet through the two slots in the base plate (marked "B") (7) as shown.
  - 5.3. Rotate the anvil screw (8) clockwise until the base plate contacts the bottom of the steering wheel where it attaches to the steering column.
  - 5.4. Use a 1/2-inch drive air impact wrench to tighten the anvil screw (8) until the steering wheel breaks free from the steering shaft.
  - 5.5. Remove the steering wheel puller.
  - 5.6. Remove the steering wheel nut (5) and the steering wheel (3) from the steering column (9) (**Figure 7-1, Page 7-2**).



2862

Figure 7-1 Steering Wheel

1500-18300-10253

Figure 7-2 Steering Wheel Puller

## STEERING WHEEL INSTALLATION

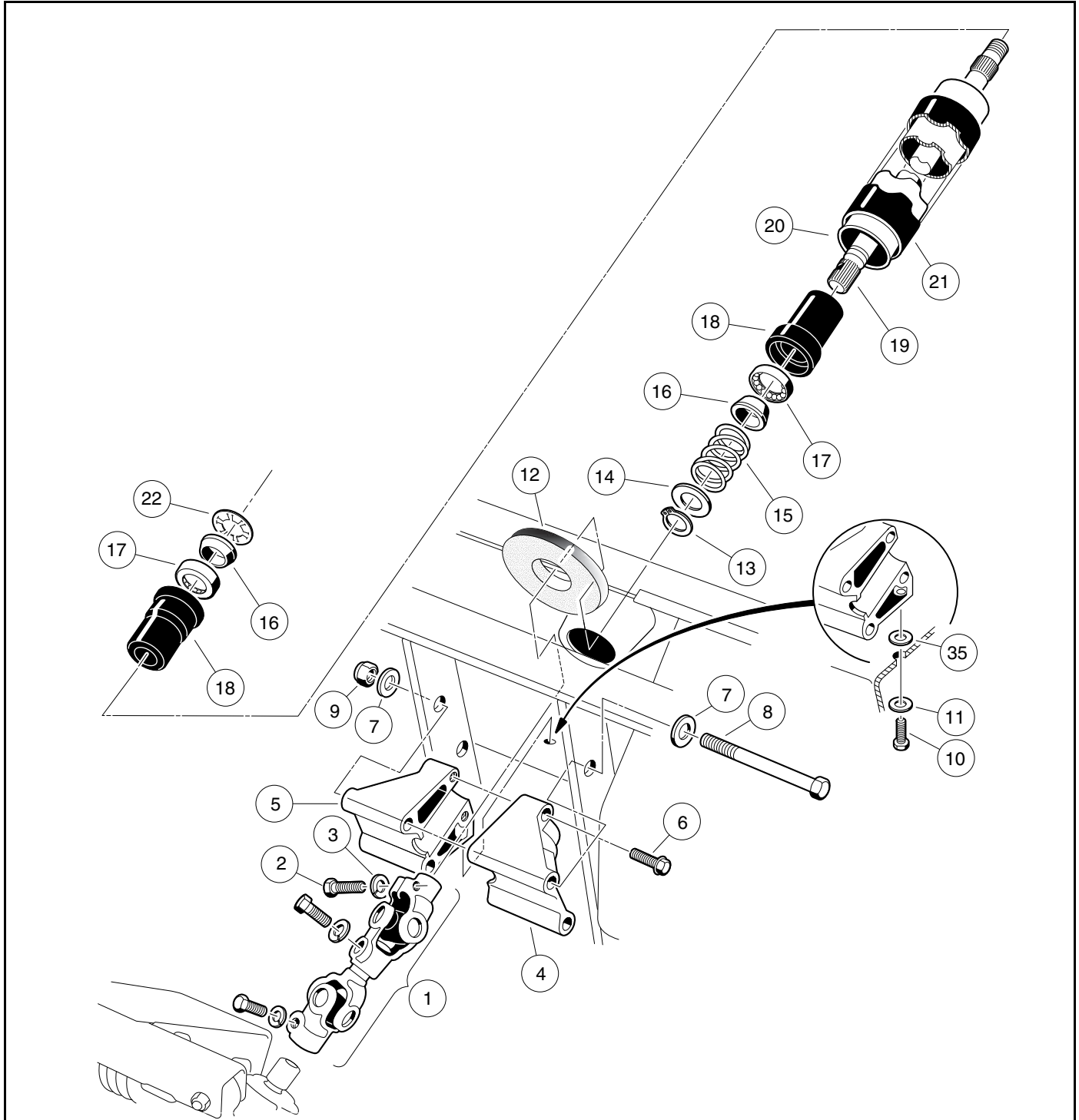
**NOTE:** To minimize corrosion and to make future removal of the steering wheel easier, apply a small amount of oil or anti-seize compound to steering shaft splines and taper before installing the steering wheel.

1. Install the steering wheel (3) on the splines of the steering shaft (4). Be sure to align the match marks placed on the wheel and steering column shaft in step 3 above (**Figure 7-1, Page 7-2**).
2. Install the steering wheel nut (5) and tighten to 156 in·lb (17.6 N·m).
3. Install the plate (2) and screws (1) (**Figure 7-1, Page 7-2**). Tighten screws to 16 in·lb (1.8 N·m).
4. Connect the battery cables. **See Connecting the Batteries – Electric Vehicles, Section 1, Page 1-4.**



STEERING COLUMN

See General Warnings on page 1-2.



2609

Figure 7-3 Steering Column

## STEERING COLUMN REMOVAL

1. Remove the steering wheel as previously instructed.
2. Remove cowl. **See Cowl Removal, Section 4, Page 4-4.**
3. Remove the upper bolt (2) and lock washer (3) from the universal joint (**Figure 7-3, Page 7-3**).
4. Remove the nuts (9), bolts (8 and 10), and washers (7 and 11) from the steering column mount (4 and 5) (**Figure 7-3, Page 7-3**).
5. Remove the steering column from the vehicle.

## STEERING COLUMN DISASSEMBLY

1. Remove bolts (6) and mounts (4 and 5) from steering column. Remove boot (12) (**Figure 7-3, Page 7-3**).
2. While supporting steering column (20) on a workbench, remove snap ring (13) from shaft. **See following NOTE.**

**NOTE:** Do not allow the steering shaft to slide out of the steering tube when removing the snap ring.

3. Remove the washer (14), spring (15), and wedge (16).
4. Turn the steering column over and slide the shaft out of the tube to expose the retaining ring (22). Use pliers to twist the retaining ring (22) until it breaks off, then remove the wedge (16).
5. Remove the shaft (19) from the bottom of the tube (20).
6. Use steering shaft (19) to push bearing seat (18) out from the opposite end of the steering tube (20).
7. Insert a flat blade screwdriver between the bottom of the outer race of the bearing (17) and the bottom lip of the bearing seat (18) and remove the bearing (17). **See following NOTE.**

**NOTE:** Use new retaining rings and bearings for reassembly.

## STEERING COLUMN ASSEMBLY

1. Insert bearing seat (18) into both ends of steering tube (20). Place a block of wood on bearing seat and tap lightly on block until bearing seat (18) is fully seated in steering tube (20) (**Figure 7-4, Page 7-5**).
2. Press the bearing (17) all the way into the bearing seat (18) using a steering column bearing press tool or a metal tube approximately six inches (15.2 cm) long with a maximum outer diameter of 1-3/16 inches (3.3 cm) and a minimum inside diameter of 7/8 inch (2.2 cm). Be sure the bearing is installed in the bearing seat as shown (**Figure 7-4, Page 7-5**) so the wedge (16) will ride against the inner race of the bearing.
3. Install the wedge (16), spring (15), washer (14), and snap ring (13) onto the bottom end of the steering shaft (19) (**Figure 7-4, Page 7-5**).
4. Insert the shaft (19) from the bottom of the steering tube (20) (**Figure 7-3, Page 7-3**).
5. Turn the assembly over and place the shaft (19) on a bench. Install the wedge (16) and retaining ring (22) onto the top of the shaft. Be sure the prongs on the retaining ring face up and away from the wedge. Use a steering column retaining ring tool to seat the retaining ring to the proper depth. Support end of tube while pressing. If you do not have the recommended tool, use the same tube as was used in step 2 to press the retaining ring onto the top of the shaft. The retaining ring should be pressed onto the shaft until 2 inches to 2-1/8 inches (5.1 cm to 5.4 cm) of the shaft extends from the top of the bearing seat in the steering tube (**Figure 7-5, Page 7-5**).

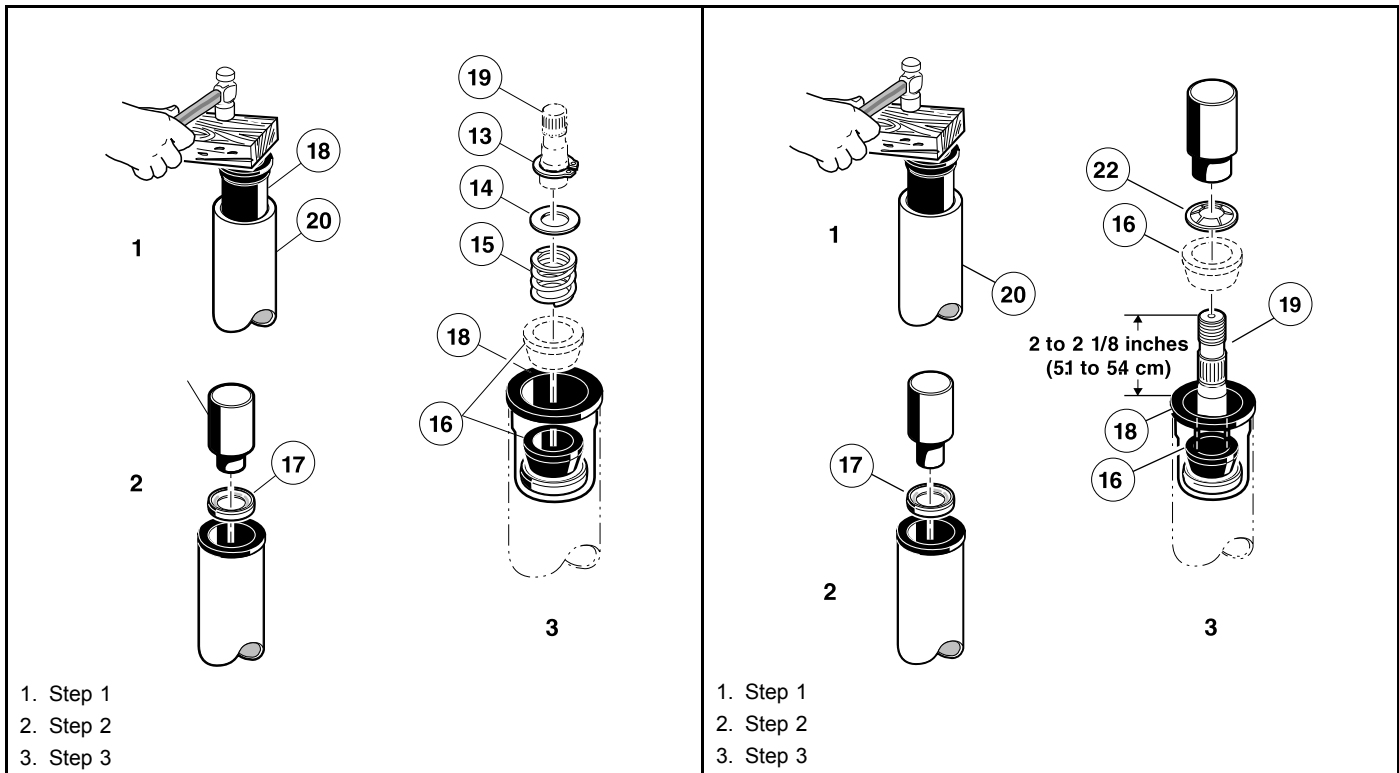


Figure 7-4 Steering Shaft – Bottom End

Figure 7-5 Steering Shaft – Top End

## STEERING COLUMN INSTALLATION

1. Install boot (12). Reinstall mount (4 and 5) onto the end of the steering column. Tighten bolts (6) to 20 ft·lb (27 N·m) (**Figure 7-3, Page 7-3**).
2. For ease of assembly and to prevent corrosion, apply a light coat of anti-seize or lubricating compound to both splined ends of the steering shaft.
3. Position the steering column assembly in the vehicle while inserting the steering column shaft into the upper universal joint (1). The flat portion of the steering shaft spline (19) must be aligned with the bolt hole in the universal joint (1) before sliding the spline into the universal joint. While holding the steering column in place, attach it to the frame using bolts (8), washers (7), and nuts (9) (**Figure 7-3, Page 7-3**). Thread the nuts onto the bolts but do not tighten them.
4. Install wide washer (35), washer (11) and screw (10). Tighten to 20 ft·lb (27 N·m) (**Figure 7-3, Page 7-3**).
5. Install the bolt (2) and lock washer (3) on the upper universal joint and finger-tighten.
6. Tighten the two nuts (9) and bolts (8) to 18 ft·lb (24.4 N·m) (**Figure 7-3, Page 7-3**).
7. Tighten the bolt (2) on the upper universal joint to 15 ft·lb (20 N·m) (**Figure 7-3, Page 7-3**).
8. Check the other two bolts of the universal joint (1) to ensure that they are properly tightened to 15 ft·lb (20 N·m) (**Figure 7-3, Page 7-3**).
9. Install cowl. **See Cowl Installation, Section 4, Page 4-4.**
10. Install the steering wheel. **See Steering Wheel Installation on page 7-2.**

## STEERING ADJUSTMENT

---

See General Warnings on page 1-2.

1. Turn the steering wheel all the way to the right. Note the distance between the passenger side spindle stop (2) and passenger side A-plate (3) (**Figure 7-6, Page 7-8**). The internal stop on the rack must reach its limit of travel against rack and pinion housing at exactly the same time the spindle stops against the passenger side A-plate (with vehicle wheels turned to the right). If simultaneous contact occurs, steering is in correct adjustment; proceed to step 4. If simultaneous contact does not occur, proceed to step 2.
2. Loosen the nuts (27 and 29) and turn the drag link (28) (**Figure 7-10, Page 7-10**) to adjust the drag link rod. Adjust the link rod with the steering wheel turned all the way to the right, so the passenger side spindle stop lightly touches the passenger side A-plate. The internal stop on the rack must reach its limit of travel at the same time the spindle stops against the passenger side A-plate (with vehicle wheels turned to the right). **See following CAUTION.**

### **CAUTION**

---

- **The drag link has both left and right-hand threads. The end of the drag link toward the spindle has left-hand threads, and the end toward the rack has right-hand threads. To prevent damage to threaded parts, care should be taken when servicing the drag link.**
3. When all adjustments have been completed, tighten the nuts (27 and 29) on the drag link assembly with an open end wrench. Tighten nuts to 21 ft·lb (28.4 N·m) (**Figure 7-10, Page 7-10**). **See following CAUTION.**

### **CAUTION**

---

- **When tightening the nuts (27 and 29), make sure the drag link (28) does not turn (Figure 7-10, Page 7-10).**
4. Straighten wheels and turn steering wheel from lock to lock. Wheels should turn smoothly and easily. If steering wheel does not turn smoothly and easily, inspect steering assemblies as follows:
    - ball joints (23) (**Figure 7-10, Page 7-10**) and (6 and 13) (**Figure 7-18, Page 7-18**)
    - spindle bushings (3 and 4) (**Figure 7-19, Page 7-19**)
    - wave washers (20) (**Figure 7-19, Page 7-19**)
    - rack assembly (17) (**Figure 7-10, Page 7-10**)
  5. Also inspect front suspension assemblies as follows:
    - A-plates (1) (**Figure 7-18, Page 7-18**)
    - urethane bushings (2) (**Figure 7-18, Page 7-18**)
    - leaf springs (6) (**Figure 7-19, Page 7-19**)
  6. Replace components as necessary.

---

## RACK AND PINION

---

See General Warnings on page 1-2.

### **CAUTION**

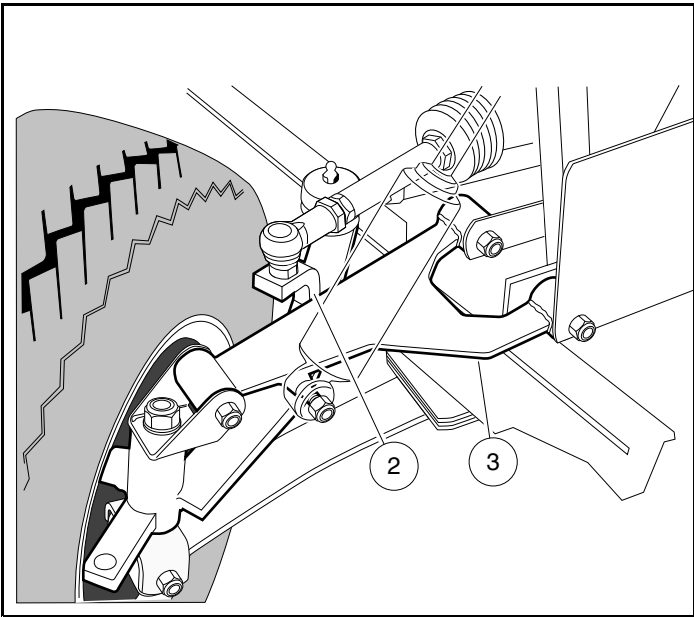
- **Front impacts that bend tie rods and/or drag links can possibly damage internal steering gear components. See Rack and Pinion Inspection on page 7-7. The manufacturer recommends inspecting the rack and pinion and replacing if damaged.**

### **RACK AND PINION INSPECTION**

1. Look for obvious damage to the chassis, where the rack and pinion is mounted, and the rack and pinion housing. Particularly check the housing for broken mounting points.
2. Compare the toe-in against the specification. **See Toe-in Adjustment on page 7-16.**
3. If obvious visible damage is found, such as a bent tie rod, check the steering gear for abnormal free-play, noise, binding or clunking while it is under a load. With the steering system fully assembled and all four tires on the ground/floor, turn the steering wheel from stop to stop. While turning, feel for any binding, clunking or tight/loose spots. Listen for unusual noises. Replace the rack and pinion as an assembly if any is found.
4. In the event of an known impact and obvious visible damage is not found in the method described above, disconnect the tie rods and/or drag links from the spindles. Turn the steering wheel from stop to stop. While turning, feel for any binding or tight/loose spots. Listen for unusual noises. Replace the rack and pinion as an assembly if any is found.

### **RACK AND PINION REMOVAL**

1. Remove the front body. **See Front Body, Section 4, Page 4-2.**
2. Remove the drag link ball joint retaining nut (25) **(Figure 7-10, Page 7-10).**
3. Remove the outer drag link ball joint (23) from the spindle assembly (33) and inspect for excessive wear and seal damage.
4. Remove the bolts (30), washers (31), and lock nuts (32) from the steering rack assembly mounting bracket **(Figure 7-10, Page 7-10).**
5. Remove the bolt (2) and flat washer (3) on the upper universal joint, then remove the rack assembly and universal joint from the vehicle **(Figure 7-3, Page 7-3).**



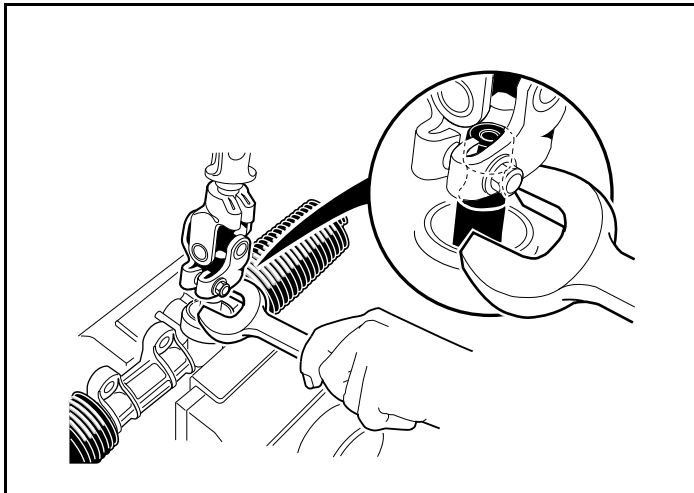
1838

Figure 7-6 Adjust Steering Alignment

## RACK AND PINION DISASSEMBLY

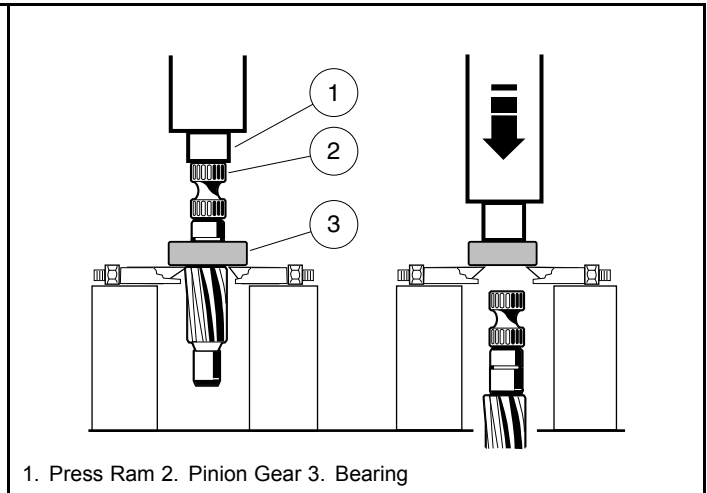
### **CAUTION**

- The ball joint (23) (Figure 7-10, Page 7-10) has left-hand threads.
1. Remove ball joint from the spindle and inspect it for excessive wear.
  2. Remove the drag link (28) (Figure 7-10, Page 7-10).
  3. Remove both bellows clamps (2) (plastic wire ties).
  4. Remove the hex nut (29) and slide off the dust seal bellows (1).
  5. Remove the retaining ring (21), then slide off dust seal bellows (20).
  6. Remove the rack screw lock nut (15), rack guide screw (16), rack guide pressure spring (14), and the rack guide (13) (Figure 7-10, Page 7-10).
  7. Remove the universal joint assembly from the pinion (8) by fully removing the bolt and then sliding off the universal joint.



1500-18400-10259

**Figure 7-7 Remove Pinion from Housing**



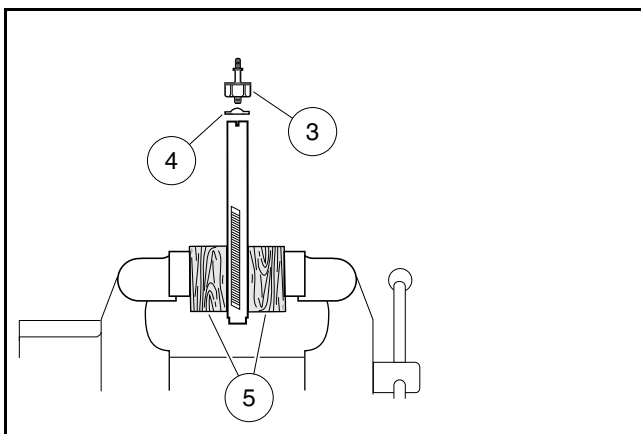
1500-18400-10260

**Figure 7-8 Remove Bearing from Pinion**

8. If necessary, remove the dust seal (12). **See following NOTE.**

**NOTE:** If the dust seal (12) is removed, replace with a new one.

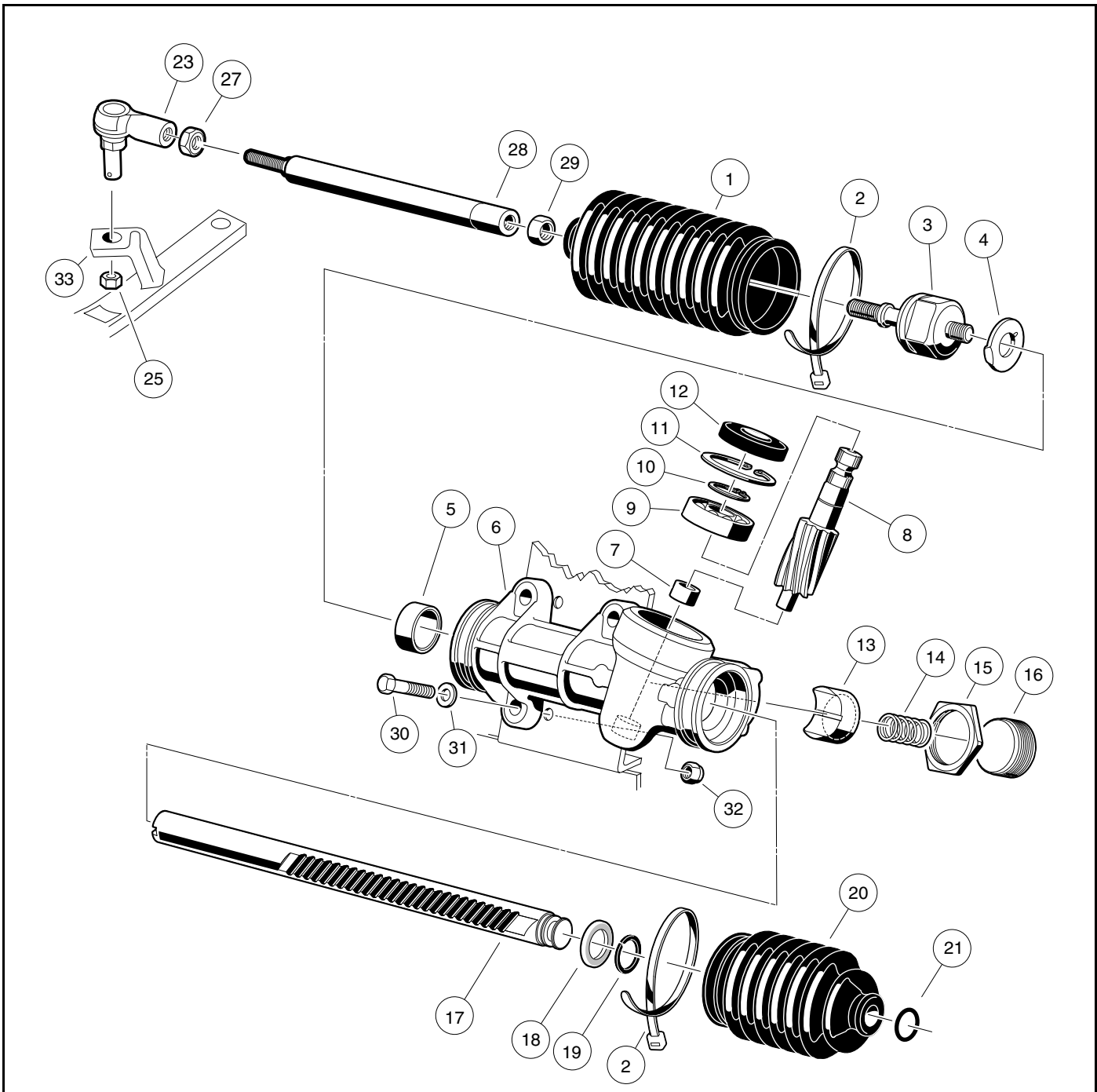
9. Use snap ring pliers to remove the internal snap ring (11) (**Figure 7-10, Page 7-10**).
10. Install the universal joint onto the pinion and place a large open end wrench under the universal joint (**Figure 7-7, Page 7-9**). Use the wrench as a lever to pull the pinion from the housing.
11. If the ball bearing (9) has been damaged, remove the external snap ring (10) (**Figure 7-10, Page 7-10**) and press the bearing off (**Figure 7-8, Page 7-9**).
12. Remove retaining ring (19) and stop washer (18), then remove rack (17) from housing (6) (**Figure 7-10, Page 7-10**).
13. If the inner ball joint (3) is excessively worn, remove the ball joint and tab washer (4) from the rack (**Figure 7-9, Page 7-9**).
- 13.1. Secure the rack in a vise using wood blocks (5) between the rack and the jaws of the vise to protect the rack from damage (**Figure 7-9, Page 7-9**).
- 13.2. Loosen and remove the inner ball joint with a wrench.



1500-18400-10261

**Figure 7-9 Secure Rack in Vise**

14. Inspect the bushing (5) for excessive wear. If wear is excessive, replace the steering box assembly (**Figure 7-10, Page 7-10**).



1839

Figure 7-10 Steering Gear – Maintenance-Free Ball Joints

## RACK AND PINION ASSEMBLY

1. Install a new tab washer (4) and an inner ball joint (3) (**Figure 7-9, Page 7-9**). Install the ball joint onto the rack by securing the rack in a vise using wood blocks between the rack and the jaws of the vise to protect the rack from damage. Tighten the ball joint to 60 ft·lb (81 N·m).
2. Bend the edges of the tab washer (4) up against the ball joint (3) (**Figure 7-9, Page 7-9**).



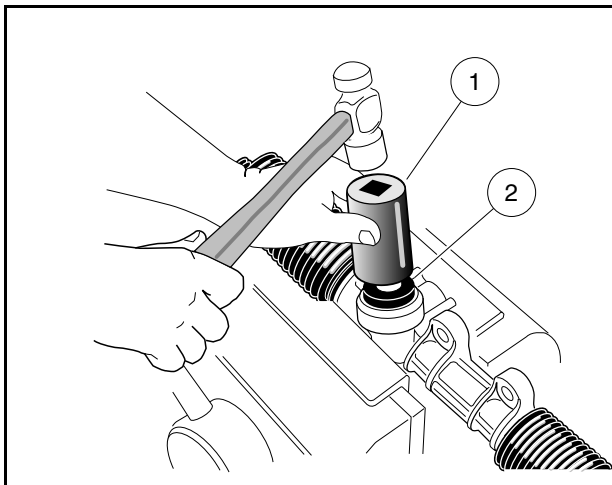
3. Apply a light coating of EP grease to the teeth of the rack (17), then slide the rack through the bushing (5) and housing (6). Install the stop washer (18) and retaining ring (19) to the end of the rack (**Figure 7-10, Page 7-10**).

## **CAUTION**

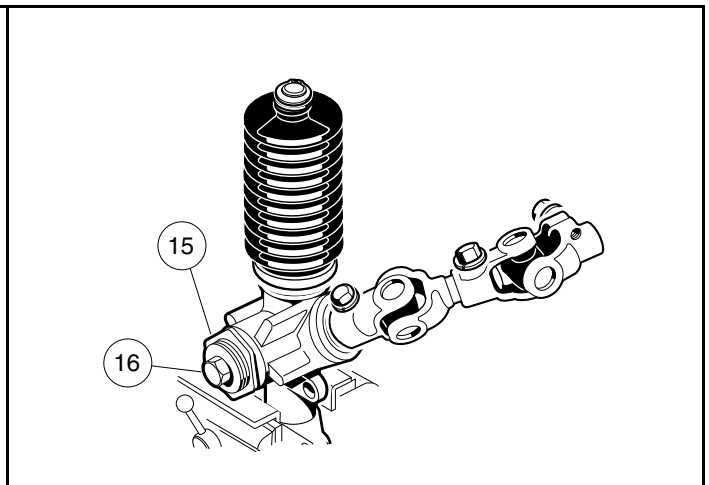
- In step 4, do not press against the outer race of the bearing.
4. If the bearing (9) was removed, press on a new bearing, exerting all pressure on the inner race (grease the bearing before installing it). Then install the external snap ring (10) (**Figure 7-10, Page 7-10**). See preceding **CAUTION**.
  5. If the needle bearing (7) is damaged, the steering box assembly must be replaced (**Figure 7-10, Page 7-10**).
  6. Install pinion (8) and bearing (9) assembly into the housing (6) (**Figure 7-10, Page 7-10**). Make sure the rack gear teeth will mesh with the gear teeth on the pinion. The rack may need to be rotated slightly while lightly tapping on the pinion-bearing assembly with a rubber mallet. See following **CAUTION**.

## **CAUTION**

- Do not force the pinion-bearing assembly into the housing. The gear teeth or the small bearing could be damaged.

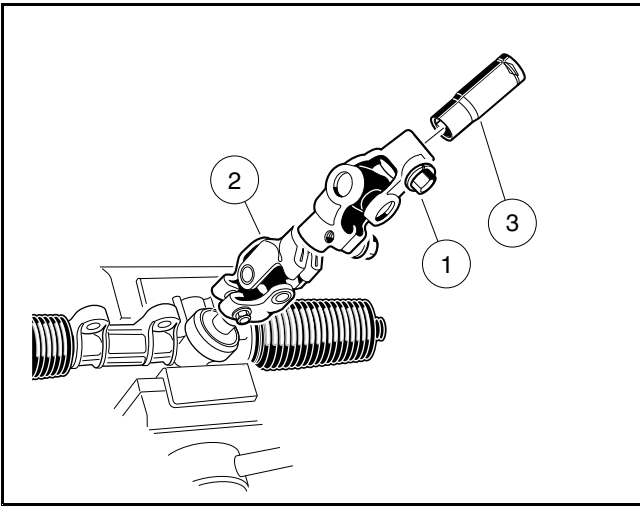


1500-18400-10263

**Figure 7-11 Press In Dust Seal**

1500-18400-10264

**Figure 7-12 Rack and Pinion Adjustment**



1500-18400-10265

**Figure 7-13 Rack and Pinion Resistance**

7. Install the internal snap ring (11) (**Figure 7-10, Page 7-10**).
8. Using an appropriate size deep well socket (1) to apply pressure evenly, press in a new dust seal (2) (**Figure 7-11, Page 7-11**).
9. Apply a small amount of grease to the rack guide (13) where it comes into contact with the rack (17) (**Figure 7-10, Page 7-10**).
10. Place a few drops of Loctite® 222 to the threads of the screw (16) (**Figure 7-10, Page 7-10**).
11. Install the rack guide (13), pressure spring (14), and screw (16). The screw should be threaded in until a rotational torque of 10 in·lb (1.13 N·m) is achieved (**Figure 7-10, Page 7-10**).
- 11.1. Reposition the rack and pinion in a vise.
- 11.2. Insert a 3/8-inch deep well socket (3) into the steering column end of the universal joint (2) and tighten the bolt (1) to 15 ft·lb (20.3 N·m) (**Figure 7-13, Page 7-12**).
- 11.3. Use a torque wrench connected to the 3/8-inch deep well socket (3) to measure the resistance of the rack and pinion. Rotational resistance should measure 7 to 15 in·lb (0.8 to 1.7 N·m).
- 11.4. If measured resistance does not equal 7 to 15 in·lb, loosen the lock nut (15) and tighten the screw (16) until it bottoms out, then back the screw off one quarter turn. Tighten the lock nut to 28 ft·lb (38 N·m) (**Figure 7-12, Page 7-11**). **See following NOTE.**

**NOTE:** When tightening the lock nut (15) make sure the screw (16) does not change adjustment (**Figure 7-12, Page 7-11**).

12. Install the dust seal bellows (20) and retaining ring (21) (**Figure 7-10, Page 7-10**).
13. Install the dust seal bellows (1) and hex nut (29) (**Figure 7-10, Page 7-10**).
14. Install the universal joint on the pinion. Tighten the bolt to 15 ft·lb (20 N·m).
15. Install new bellows clamps (wire ties) (2) (**Figure 7-10, Page 7-10**).
16. Install the drag link (28) by fully threading the ground end into the inner ball joint (3). **See following CAUTION.**

## **CAUTION**

- The ball joint (23) (**Figure 7-10, Page 7-10**) has left-hand threads.
  - The tie rod and drag link have right-hand threads on one end and left-hand threads on the other end. Right-hand threads are identified by a groove in the tie rod or drag link.
17. Install the ball joint (23) (**Figure 7-10, Page 7-10**). **See preceding CAUTION.**

## RACK AND PINION INSTALLATION

1. Position the steering gear box assembly on the shock and gear support and install the bolts (30), washers (31), and nuts (32). Do not tighten the mounting bolts (**Figure 7-10, Page 7-10**).
2. For ease of assembly and to prevent corrosion, apply a light coat of anti-seize and lubricating compound to the splined end of the steering column shaft.
3. Align the flat portion of the steering shaft spline with the bolt hole in the universal joint and then slide the shaft into the upper universal joint. Install the bolt and lock washer on the upper universal joint and tighten it to 15 ft·lb (20 N·m).
4. Tighten the steering rack mounting bolts (30) to 22 ft·lb (29.8 N·m) (**Figure 7-10, Page 7-10**).
5. Install the drag link ball joint (23) on the spindle arm riser (33) and secure with retaining nut (25). Tighten nut to 40 ft·lb (54 N·m).
6. Adjust the steering. **See Steering Adjustment on page 7-6.**

## TIE ROD AND DRAG LINK

---

See General Warnings on page 1-2.

### TIE ROD AND DRAG LINK REMOVAL

1. Using locking pliers to hold tie rod and drag link, loosen jam nuts (7 and 12) on tie rod ball joints (**Figure 7-18, Page 7-18**) and loosen jam nuts (27 and 29) on the drag link (**Figure 7-10, Page 7-10**).
2. Remove the ball joint retaining nuts (20) (**Figure 7-18, Page 7-18**).
3. Remove ball joints (6 and 13) (**Figure 7-18, Page 7-18**) and (23) (**Figure 7-10, Page 7-10**) from the spindles.
4. Remove the ball joints from the tie rod (11) (**Figure 7-18, Page 7-18**).
5. Remove drag link (28) from inner ball joint assembly (3) and drag link ball joint (23) (**Figure 7-10, Page 7-10**).

### TIE ROD AND DRAG LINK INSTALLATION

1. Thread ball joints (6 and 13) into tie rod (11) to a depth of 1/2-inch (12.5 mm) (**Figure 7-18, Page 7-18**). See following **WARNING** and **CAUTION**.

#### **⚠ WARNING**

- The ball joints must be threaded into the rod at least 5/16 of an inch (8 mm). Failure to thread ball joints in deep enough may cause a ball joint to separate from the rod during adjustment or while being operated, possibly resulting in loss of vehicle control and severe personal injury.

#### **CAUTION**

- The tie rod and drag link have right-hand threads on one end and left-hand threads on the other end. Right-hand threads are identified by a groove in the tie rod or drag link.
2. Attach the tie rod ball joints (6 and 13) to the spindle tabs (23), then install and tighten the nuts (20) to 40 ft·lb (54 N·m) (**Figure 7-18, Page 7-18**).
  3. Thread the drag link rod (28) all the way onto the threaded stud of the inner ball joint assembly (3) (right-hand threads) (**Figure 7-10, Page 7-10**).
  4. Thread the ball joint (23) into the drag link rod (28) (left-hand threads) to full thread depth (**Figure 7-10, Page 7-10**).
  5. Install the drag link ball joint (23) on the spindle arm riser (33) and secure with retaining nut (25) (**Figure 7-10, Page 7-10**). Tighten nut to 40 ft·lb (54 N·m).
  6. Adjust camber and toe-in. See **Camber Adjustment on page 7-15** and **Toe-in Adjustment on page 7-16**.
  7. Adjust steering. See **Steering Adjustment on page 7-6**.

## FRONT SUSPENSION

See General Warnings on page 1-2.

### LUBRICATION

Two grease fittings (one in each spindle housing) are provided. Lubricate these fittings at the recommended interval with the proper lubricant. **See Periodic Lubrication Schedules, Section 10, Page 10-6.**

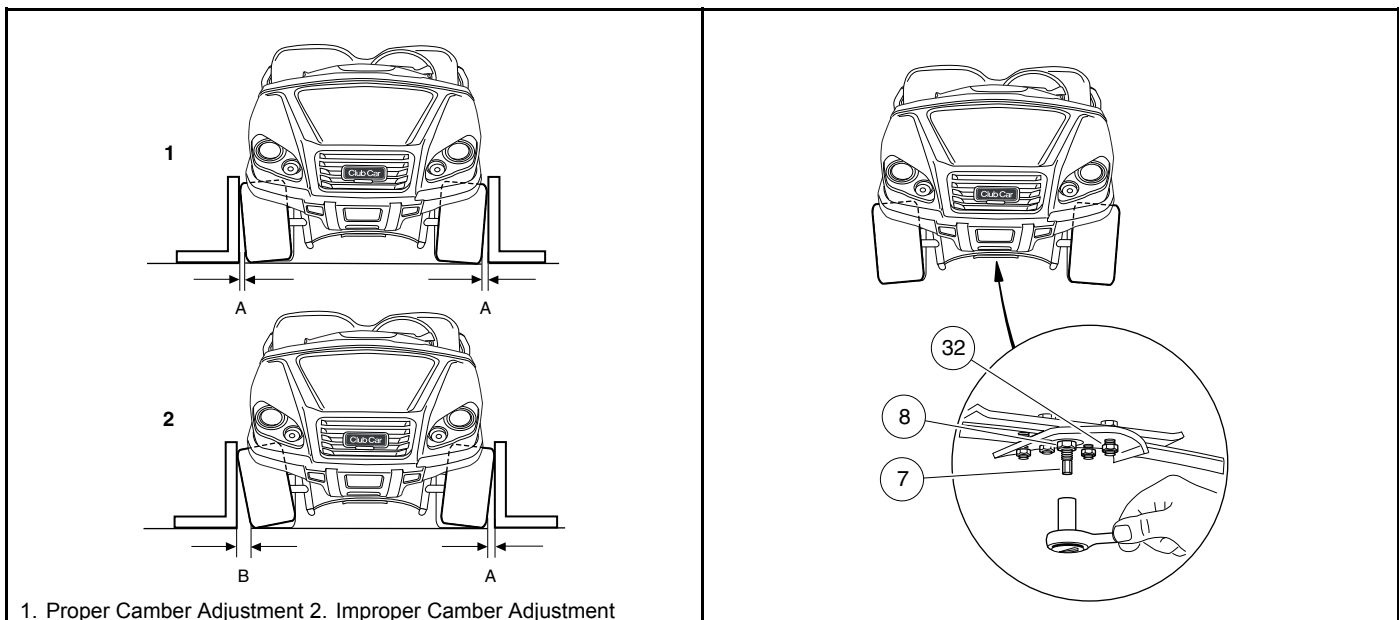
### WHEEL ALIGNMENT

Wheel alignment is limited to equalizing the camber angle of each front wheel and adjusting toe-in of the front wheels. There is also a drag link adjustment to equalize the turning radius in both directions. **See Steering Adjustment on page 7-6. See following NOTE.**

**NOTE:** Prior to making any front suspension adjustments, inspect components for wear and damage and repair or replace as necessary.

#### Camber Adjustment

1. Check each front wheel with a framing square. At the floor (or ground), there should be an equal amount of space between each tire and the framing square (**Figure 7-14, Page 7-15**).
2. Loosen, but do not remove, the four nuts (32) that secure the leaf spring (6) to the bottom spring plate (29) (**Figure 7-19, Page 7-19**). **See also Figure 7-15, Page 7-15.**



1. Proper Camber Adjustment 2. Improper Camber Adjustment

2868

**Figure 7-14 Check Camber**

2869

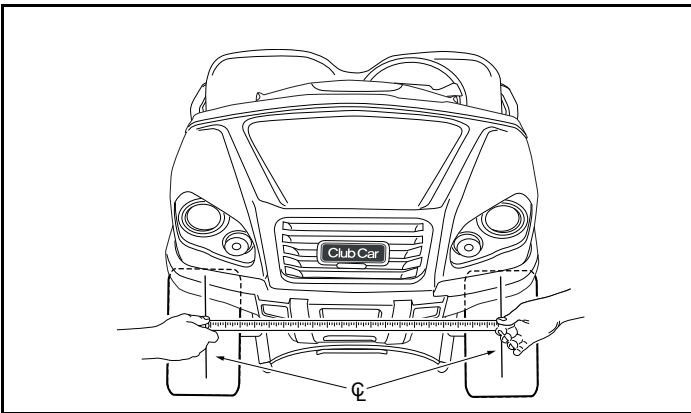
**Figure 7-15 Adjust Camber**

3. Loosen, but do not remove, the hex nut (8) on the adjustment eccentric (7) (**Figure 7-19, Page 7-19**) in the center of the spring. **See also Figure 7-15, Page 7-15.**
4. Use a 7 mm deep well socket to rotate the eccentric (**Figure 7-15, Page 7-15**).
5. After adjusting camber, tighten the four spring retaining nuts (32) (**Figure 7-19, Page 7-19**) to 23 ft·lb (31 N·m). Then roll the vehicle forward one full tire revolution and recheck the camber. Adjust as required. **See also Figure 7-14, Page 7-15.**

- Tighten the hex nut (8) on the adjustment eccentric (7) to 23 ft·lb (31 N·m) (**Figure 7-19, Page 7-19**). See also **Figure 7-15, Page 7-15**.

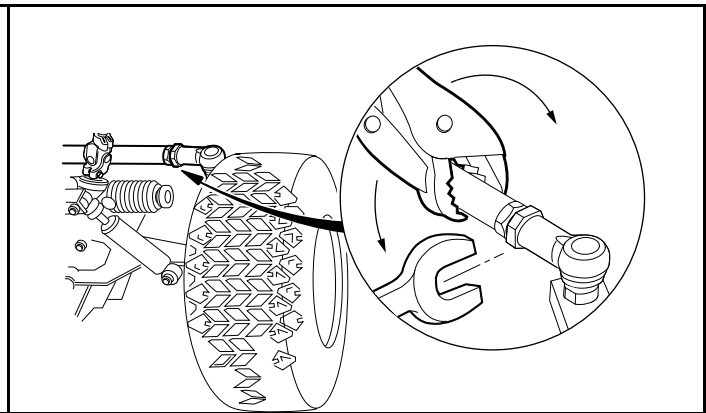
### Toe-in Adjustment

- On a level surface, roll the vehicle forward, then stop. Make sure the front wheels are pointed straight ahead. Do not turn the steering wheel again during this procedure.
- On each front tire, mark (as closely as possible) the center of the tread face that is oriented toward the rear of the vehicle. The marks should be even with the bottom surfaces of the vehicle frame I-beams.
- Measure the distance between the marks on the rear-facing surfaces of the tires, and then roll the vehicle **forward** one and a half wheel revolutions until the marks appear on the forward facing surfaces of the tires at about the same height from the floor (**Figure 7-16, Page 7-16**).



2870

**Figure 7-16 Check Toe-In**



2620

**Figure 7-17 Adjust Toe-In**

- Measure the distance between the marks on the forward-facing surfaces of the tires. See following **NOTE**.

**NOTE:** The front measurement must be less than the rear measurement.

- Subtract the measurement on the front of the tires from the measurement on the rear of the tires. The difference is the toe-in. Proper toe-in is 1/8 to 3/8 of an inch (3.2 to 9.5 mm).
- If adjustment is necessary, loosen the jam nut on each tie rod ball joint and rotate the tie rod to increase or decrease toe-in (**Figure 7-17, Page 7-16**). See following **CAUTION**.

### CAUTION

- The tie rod has right-hand threads on one end and left-hand threads on the other end. Right-hand threads are identified by a groove in the tie rod.
- Tighten nuts (loosened in step 6) to 21 ft·lb (28 N·m) and recheck toe-in.
  - After toe-in adjustment is made and with wheels in the straight ahead position, the steering wheel should be at the center of its travel. There should be equal travel to the left and right. See following **NOTE**.

**NOTE:** If the minimum turning radius is not the same for both left and right turns, adjust the steering. See **Steering Adjustment on page 7-6**.

## FRONT SUSPENSION COMPONENTS

---

See General Warnings on page 1-2.

### LEAF SPRING REMOVAL

1. Disconnect the battery cables and either discharge the controller or disconnect the spark plug wire(s). **See Disconnecting the Batteries – Electric Vehicles, Section 1, Page 1-3.**
2. Remove both front wheels. **See Wheel Removal, Section 8, Page 8-1.**
3. Remove the nuts (14) and bolts (25) from the bottom of each king pin (26) (**Figure 7-19, Page 7-19**).
4. Remove the four bolts (30), four nuts (32), four lock washers (31), and bottom spring plate (29).
5. Remove leaf spring (6).
6. Check the condition of the urethane bushings (27) and steel sleeves (28). Replace any that are worn or damaged.

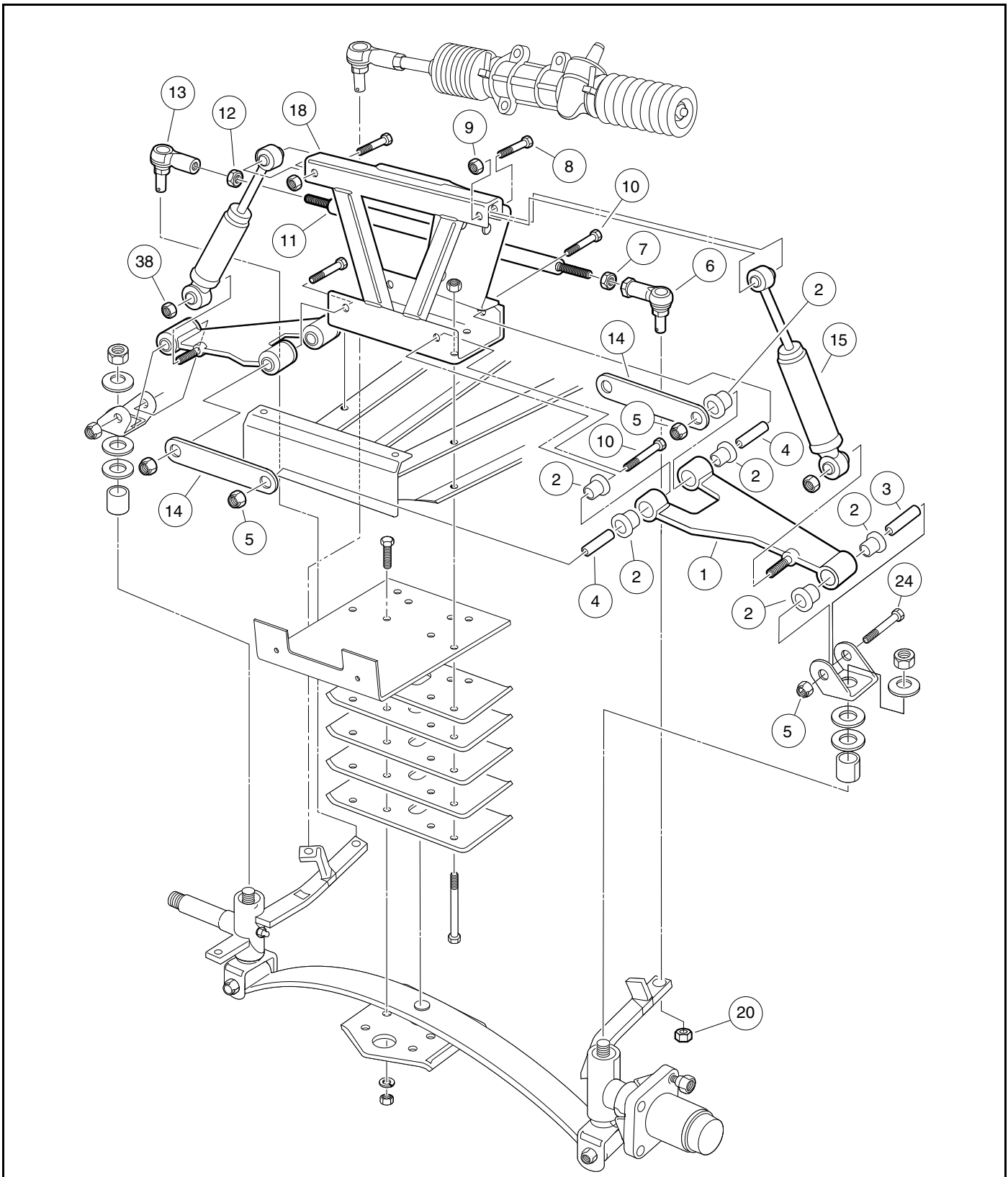
### LEAF SPRING INSTALLATION

1. Install urethane bushings (27) and steel sleeves (28) into leaf spring eyes (**Figure 7-19, Page 7-19**).
2. Install tapered leaf spring (6), bottom spring plate (29), four bolts (30), four lock washers (31), and four nuts (32). Using a crisscross pattern sequence, tighten bolts to 23 ft·lb (31 N·m).
3. Install spring in king pins (26) with bolts (25) and nuts (14). Tighten to 17 ft·lb (23 N·m).
4. Install the wheels and lower the vehicle. **See Wheel Installation, Section 8, Page 8-1.**
5. Adjust camber and toe-in. **See Camber Adjustment on page 7-15 and Toe-in Adjustment on page 7-16.**

### KINGPIN AND STEERING SPINDLE REMOVAL

1. Remove the front hub. **See Front Hub and Wheel Bearings Removal on page 7-21.**
2. Remove nuts (20) and remove ball joints from spindles (**Figure 7-18, Page 7-18**). Remove drag link ball joint. **See also Tie Rod and Drag Link Removal on page 7-14.**
3. Remove the lock nut (17) and conical washer (34) from the top of the kingpin (26) (**Figure 7-19, Page 7-19**).
4. Raise the upper clevis (16) from the kingpin.
5. Remove the flat washer (33) and thrust washer (19).
6. Slide the spindle (1 or 2) off the kingpin (26).
7. Remove the wave washer (35) and inspect it. If the washer is broken or has a wave bottom to wave crest height dimension of less than 0.040 inch (0.10 cm), it must be replaced.
8. Remove bolt (25) and nut (14) from bottom of kingpin (26) and remove kingpin.
9. Inspect the kingpin and spindle. If either is worn or damaged, it must be replaced.
10. Inspect the bushings (3 and 4). If the bushings are worn or damaged, remove them and press in new ones. **See following NOTE.**

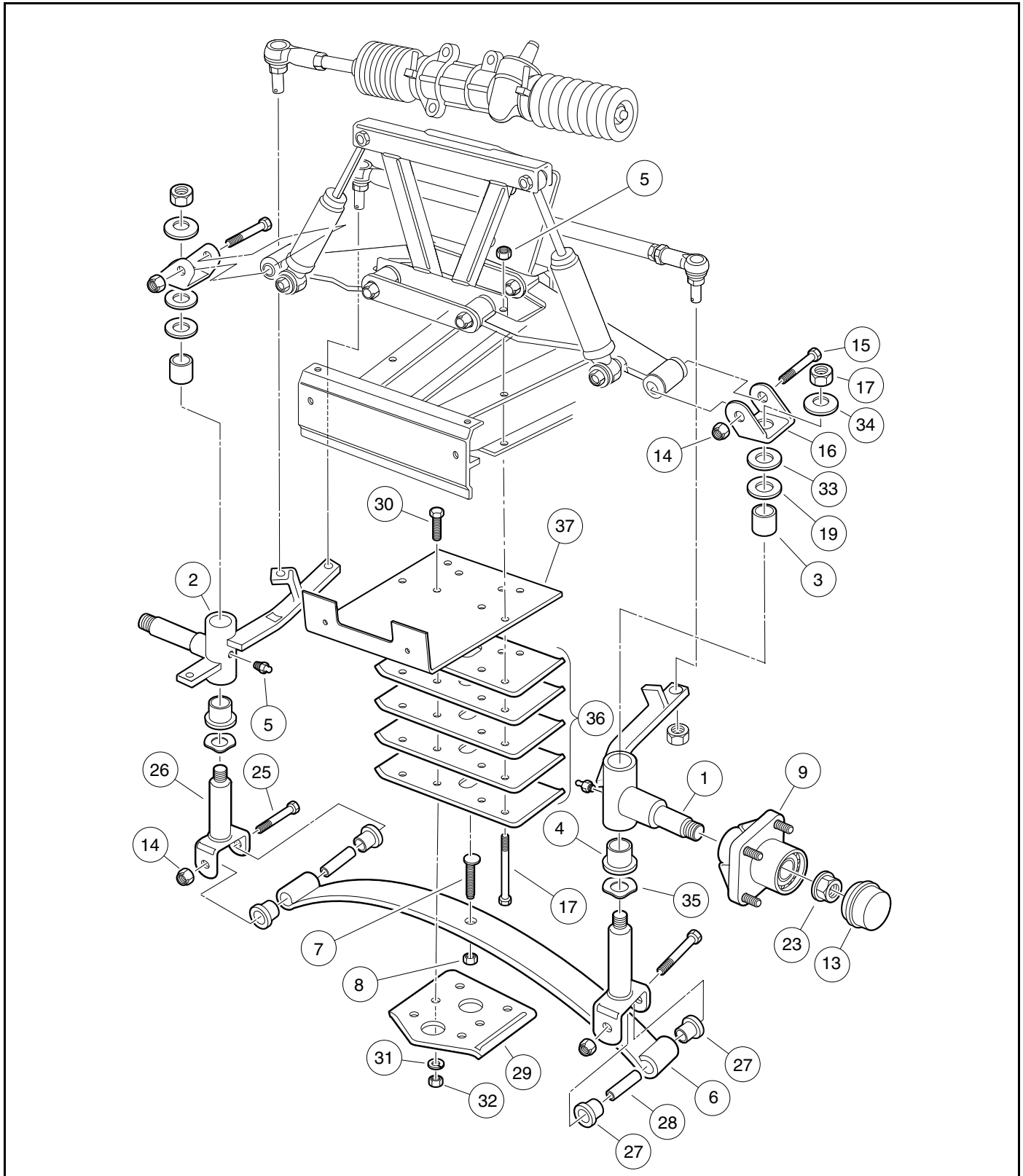
**NOTE:** If the bushings are replaced, ream new bushings from 0.750 inch to 0.752 inch (19.05 to 19.10 mm) in diameter. The reamer should be long enough to ream both bushings from one direction.



2610

Figure 7-18 Front Suspension – Upper Portion





2611

Figure 7-19 Front Suspension – Lower Portion

## KINGPIN AND STEERING SPINDLE INSTALLATION

1. Inspect all parts and replace them as necessary.
2. Install the kingpin (26) over the leaf spring eye. Insert the bolt (25) and install the nut (14) (**Figure 7-19, Page 7-19**). Tighten the bolt to 17 ft·lb (23 N·m).
3. Install the wave washer (35).
4. Install the steering spindle on the kingpin. Then install the thrust washer (19), flat washer (33), upper plate clevis (16), conical washer (34), and nut (17). Tighten the nut to 65 ft·lb (88 N·m).
5. Attach the tie rod ball joints (6 and 13) to the spindle tabs, then install and tighten the nuts (20) to 40 ft·lb (54 N·m) (**Figure 7-18, Page 7-18**).
6. Install the drag link ball joint. **See Tie Rod and Drag Link Installation on page 7-14.**
7. Install front hub and wheel. **See Front Hub and Wheel Bearings Installation on page 7-22.**

## DELTA A-PLATE REMOVAL

1. Remove front wheel(s). **See Wheel Removal, Section 8, Page 8-1.**
2. Remove bolts (10 and 24), A-Plate straps (14), and nuts (5) (**Figure 7-18, Page 7-18**).
3. Remove the lower shock absorber mounting nut (38), then slide the shock absorber (15) free of the Delta A-Plate (1).
4. Remove the Delta A-Plate (1).
5. Inspect the bushings (2) and sleeves (3 and 4) in the Delta A-Plate and replace them if necessary.

## DELTA A-PLATE INSTALLATION

1. Install the A-Plate (1) in reverse order of removal. Tighten the A-Plate suspension bolts (10 and 24) to 20 ft·lb (27 N·m) (**Figure 7-18, Page 7-18**).
2. Tighten shock absorber mounting nut (38) to 20 ft·lb (27.1 N·m).
3. Install the wheel(s). **See Wheel Installation, Section 8, Page 8-1.**
4. Adjust the wheel alignment. **See Wheel Alignment on page 7-15.**

## SHOCK ABSORBER REMOVAL

1. Inspect the shock absorbers (15) for fluid leakage at the point where the shaft enters the shock absorber body. Leaking shock absorbers should be replaced.
2. Remove the nut (38) attaching the shock absorber to the A-Plate (1) (**Figure 7-18, Page 7-18**).
3. Remove the nut (9) and bolt (8) attaching the shock absorber to the shock and gear support (18).
4. Remove the shock absorber (15).

## SHOCK ABSORBER INSTALLATION

**NOTE:** When installing shock absorbers, make sure front shocks have identical part numbers and rear shocks have identical part numbers.

1. Install the shock absorber by reversing the removal procedure.
2. Tighten the nuts (9 and 38) to 20 ft·lb (27 N·m).

## FRONT WHEEL BEARINGS AND HUBS

See General Warnings on page 1-2.

### FRONT WHEEL FREE PLAY INSPECTION

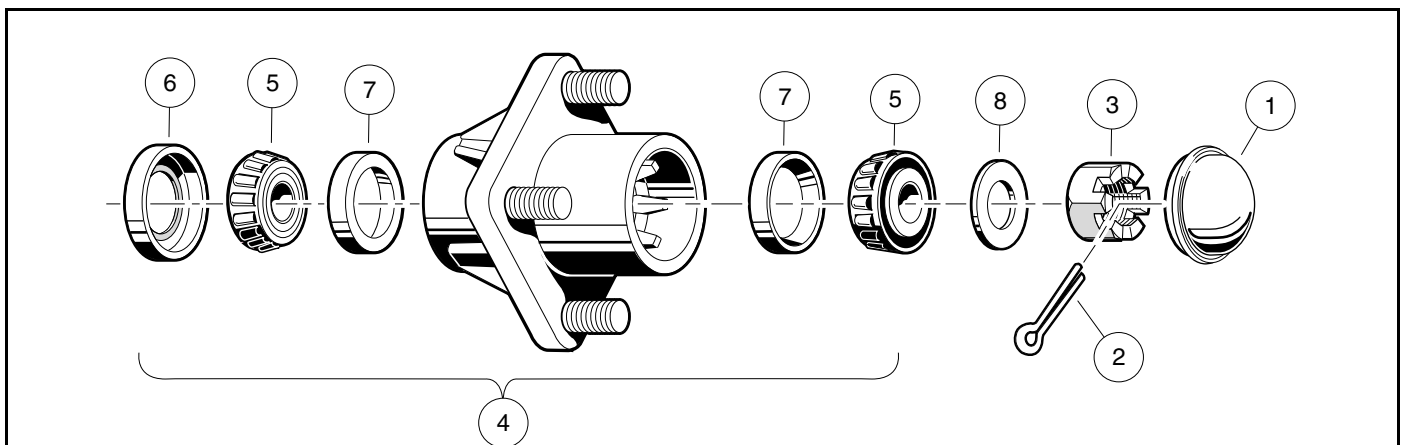
1. Raise the front of the vehicle.
2. Using your hands, attempt to rock the wheel and hub assembly back and forth on the spindle. If there is any observable movement of the wheel and hub on the spindle, remove dust cap (1) and cotter pin (2) and then tighten the spindle nut (3) until the bearing (5) fully seats in the bearing race (7) (**Figure 7-20, Page 7-21**).
3. Loosen spindle nut one cotter pin position. If the hub does not turn freely, loosen spindle nut one more cotter pin position.
4. Install a new cotter pin (2). If movement continues, replace the wheel bearings (5) as required (**Figure 7-20, Page 7-21**).

### FRONT HUB AND WHEEL BEARINGS REMOVAL

1. Remove the front wheels. **See Wheel Removal on page 8-1.**
2. Remove the front wheel hubs.
  - 2.1. Remove dust cover (1), cotter pin (2), spindle nut (3), and flat washer (8) (**Figure 7-20, Page 7-21**).
  - 2.2. Remove the hub assembly (4) from the spindle shaft (**Figure 7-20, Page 7-21**).
3. Remove the seal (6) and the bearings (5) from the hub (**Figure 7-20, Page 7-21**).
4. Inspect the bearing cups (7). If they are worn or pitted, remove the cups by inserting a drift punch from the opposite end of the hub and tapping lightly around them (**Figure 7-20, Page 7-21**).
5. Clean all parts and inspect them for wear. Replace any damaged or worn parts. **See following NOTE.**

**NOTE:** Do not use compressed air to dry wheel bearings after cleaning.

6. Inspect the surface of the spindle shaft where the seal (6) seats. It should be clean and smooth (**Figure 7-20, Page 7-21**).



1500-18700-10273

**Figure 7-20 Front Wheel Bearings and Hub**

## FRONT HUB AND WHEEL BEARINGS INSTALLATION

1. Pack the wheel bearings (5) and hub cavities, and lubricate cups (7) with wheel bearing grease or chassis lube. Make sure the grease is forced between the rollers (**Figure 7-20, Page 7-21**).
2. If bearing cups (7) were removed, press new ones in squarely against stops in the hub (**Figure 7-20, Page 7-21**).

**NOTE:** Install new cups when new bearings are installed.

3. Install the wheel bearings (5) into the hub and install a new seal (6), with the metal edge toward the hub (**Figure 7-20, Page 7-21**). See following **NOTE**.

**NOTE:** Apply grease around dust seal inner lip before installation.

4. Install the hub assembly (4) and flat washer (8) on the spindle and start the spindle nut (3) (**Figure 7-20, Page 7-21**).
5. Tighten the spindle nut (3) until the hub is hard to turn, then back the nut off until the hub turns freely. Install a new cotter pin (2) (**Figure 7-20, Page 7-21**). See following **WARNING** and **NOTE**.

### **⚠ WARNING**

- **Make sure to install and bend the cotter pin. Failure to bend the cotter pin could result in the separation of the wheel hub from the spindle. Loss of vehicle control could result, causing death or severe personal injury.**

**NOTE:** When the cotter pins are bent, make sure they do not contact the hub or dust cap.

6. Check front wheel free play. See **Front Wheel Free Play Inspection** on page 7-21.
7. Install the dust cap (1) (**Figure 7-20, Page 7-21**).
8. Repeat the procedure for the opposite wheel.
9. Install the wheels and then finger tighten the lug nuts.
10. Lower the vehicle and finish tightening lug nuts, using a crisscross pattern, to 55 ft·lb (74.6 N·m).

### **⚠ DANGER**

- See General Warnings on page 1-2.

### **⚠ WARNING**

- See General Warnings on page 1-2.

## GENERAL INFORMATION

---

*NOTE: Use only Club Car approved tires when replacing tires.*

Maximum tire life and good vehicle handling qualities are directly related to proper wheel and tire care.

- Keep tires properly inflated. **See Vehicle Specifications on page 2-1.**
- Keep lug nuts properly tightened.
- Keep the front end properly aligned and adjusted.

## WHEELS

---

See General Warnings on page 1-2.

### WHEEL REMOVAL

1. Slightly loosen the lug nuts on the wheel to be removed.
2. Raise the end of the vehicle from which the wheel is to be removed. Make sure the wheels are off the ground. **See WARNING “Lift only one end of the vehicle...” in General Warnings on page 1-2.**
3. Remove the lug nuts and remove the wheel.

### WHEEL INSTALLATION

1. Install wheel(s), and tighten the lug nuts, using a crisscross pattern, until they are snug.
2. Lower the vehicle and finish tightening the lug nuts, using a crisscross pattern, to 65 ft·lb (88 N·m).

## TIRES

See General Warnings on page 1-2.

### TIRE REMOVAL

**NOTE:** Tire must be removed or installed from the valve stem side of the rim.

1. Remove the tire and wheel assembly from the vehicle as instructed above. **See Wheel Removal on page 8-1.**
2. Remove the valve cap and valve core and allow air to escape from the tire.
3. If possible, use a tire machine to remove the tire from the rim.
- 3.1. If a tire machine is not available, loosen both tire beads by applying pressure to the tire side walls and pushing the tire bead away from the rim flange and into the rim well (**Figure 8-1, Page 8-2, Detail A**).
- 3.2. With the valve stem side of the wheel up, use a tire tool to carefully start the upper bead over the edge of the rim (**Figure 8-1, Page 8-2, Detail B**). **See following CAUTION.**

### CAUTION

- To avoid damage to the tire, do not use excessive force when starting the bead over the edge of the rim.
- 3.3. When top bead is free of the rim, pull the bead from the bottom side of the rim up into the upper part of the rim well. Insert the tire tool under the lower bead as shown (**Figure 8-1, Page 8-2, Detail C**) and carefully pry the lower bead over the rim flange.
  - 3.4. Once the lower bead is started over the rim flange, the tire can be removed from the rim by hand.

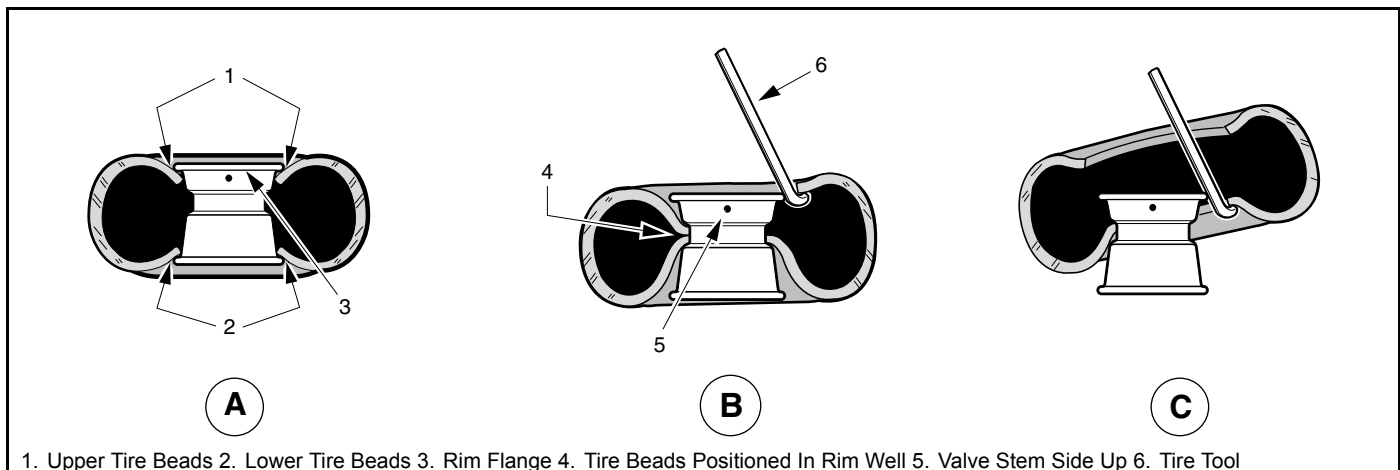


Figure 8-1 Tire Removal

### TIRE REPAIR

1. Determine the location and cause of the air leak.
  - 1.1. Remove the wheel. **See Wheel Removal on page 8-1.** Inflate the tire to no more than 20 psig (138 kPa).
  - 1.2. Immerse the tire in water and then mark the point where bubbles are formed by escaping air.
  - 1.3. Determine the cause of the air leak. **See following NOTE.**

**NOTE:** An air leak could be due to a punctured casing, faulty valve core, improperly seated valve stem, or improperly seated tire bead.

*Small holes in the casing can be plugged using a standard automotive tubeless tire repair kit available at auto supply stores.*

2. When the cause of the air leak has been determined, remove tire from the rim and repair as required. **See Tire Removal on page 8-2.**

## TIRE INSTALLATION

### **⚠ WARNING**

- **While mounting or inflating tire, keep hands, fingers, etc. from exposed areas between the tire bead and rim.**

1. Clean both tire beads to remove dirt or other foreign matter.
2. Where the tire beads seat, clean the rim with a wire brush. Wipe away any debris with a clean cloth. **See following NOTE.**

**NOTE:** Because tubeless tires require a perfect seal in order to seat, keeping the tire and rim clean is very important.

3. Apply a liberal amount of tire-mounting lubricant (soap and water solution) to both tire beads and rim flanges.
4. Install the tire on the rim from the valve stem side. If there is no tire machine available, use a rubber mallet and tire iron.
5. Remove the valve core, and position the tire so that both beads are on the rim flange narrow bead seats.
6. Place the tire and wheel assembly against a wall in an upright position and push it against the wall while inflating the tire to the recommended pressure. **See Vehicle Specifications on page 2-1.** The three-point contact (wall, floor, and hand) will help ensure that beads snap into place and form a proper seal as the tire is inflated (**Figure 8-2, Page 8-4**). **See following WARNING.**

### **⚠ WARNING**

- **Do not use a compressed air source with pressure over 100 psig (689.48 kPa). Due to the low pressure requirements of a small tire, over-inflation could be reached almost instantly when using a high pressure air supply. Over-inflation could cause the tire to explode, possibly resulting in personal injury.**
7. Quickly remove the air nozzle and install the valve core.
  8. Adjust air pressure in the tire to recommended pressure. **See Vehicle Specifications on page 2-1.**
  9. Immerse the wheel and tire assembly in water to make sure there are no leaks.



Figure 8-2 Inflate Tire



### **⚠ DANGER**

- See General Warnings on page 1-2.

### **⚠ WARNING**

- See General Warnings on page 1-2.

## GENERAL INFORMATION

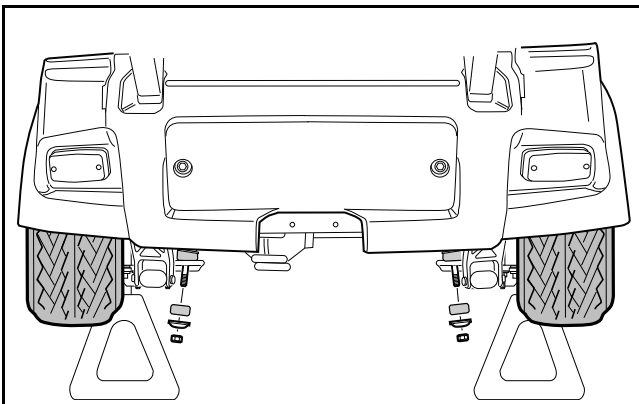
The rear suspension and powertrain of the vehicle move independently from the vehicle frame. It consists of two leaf springs controlled by two shock absorbers mounted between the springs and the vehicle frame.

## SHOCK ABSORBERS

See General Warnings on page 1-2.

### SHOCK ABSORBER INSPECTION AND REMOVAL

1. Check shock absorbers (19) for damage or fluid leakage at the point where the shaft enters the shock absorber body. Replace damaged or leaking shock absorbers (**Figure 9-1, Page 9-1**) and (**Figure 9-4, Page 9-4**).
2. To remove a shock absorber, remove the nut (1), cup washers (4), and rubber bushings (3) from the stem at the top of the shock absorber.
3. Remove lower mounting hardware (1, 3, and 4) on shock absorber lower mount.
4. Compress the shock absorber to remove it.



2860  
**Figure 9-1 Shock Absorber Removal**

### SHOCK ABSORBER INSTALLATION

**NOTE:** When installing shock absorbers, make sure front shocks have identical part numbers and rear shocks have identical part numbers.

**NOTE:** Tighten 3/8 hex nut at shock absorber until shock absorber cushions are approximately the same diameter as the retainers. Do not over tighten.

1. On the upper and lower shock absorber mounting stems, tighten the nut (1) until the rubber bushing (3) expands to the size of the cup washer (4).

## MULTI-LEAF SPRINGS

---

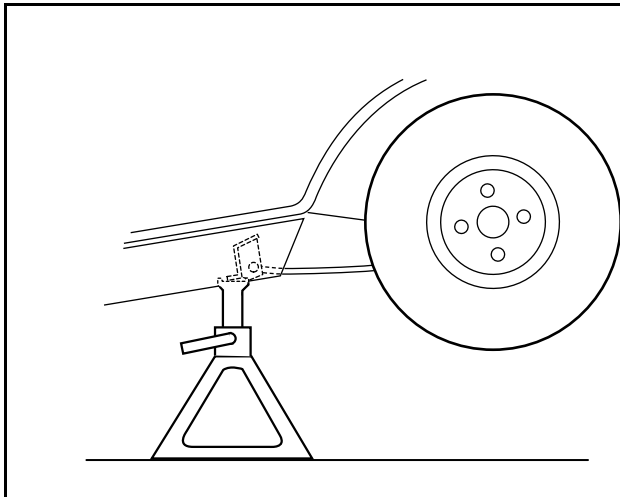
See General Warnings on page 1-2.

### MULTI-LEAF SPRING REMOVAL

1. Disconnect the battery cables and either discharge the controller or disconnect the spark plug wire(s). See **Disconnecting the Batteries – Electric Vehicles, Section 1, Page 1-3**.
2. Loosen, but do not remove, lug nuts on tire and wheel assembly on the side from which the spring is to be removed. Place chocks at the front wheels and lift the rear of the vehicle with a chain hoist or floor jack. Position jack stands under the frame crossmember between the spring mount and the side stringer, just forward of each rear wheel. Lower the vehicle to let the jack stands support the vehicle (**Figure 9-2, Page 9-3**). See following **WARNING**.

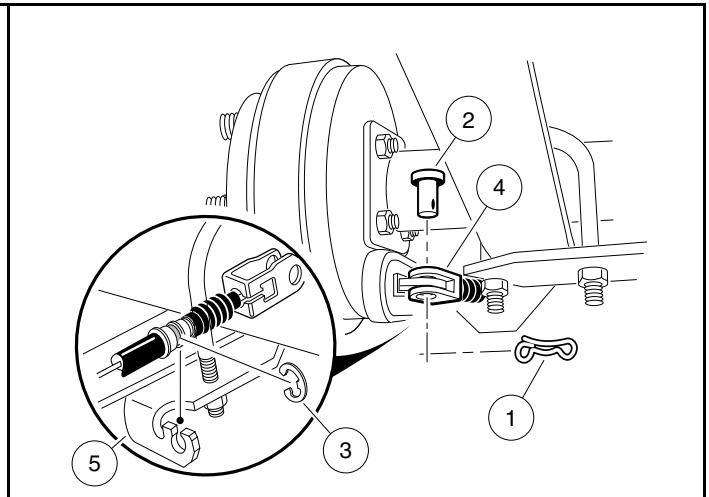
### **⚠ WARNING**

- Lift only one end of the vehicle at a time. Use a suitable lifting device (chain hoist or hydraulic floor jack) with 1000 lb (454 kg) minimum lifting capacity. Do not use lifting device to hold vehicle in raised position. Use approved jack stands of proper weight capacity to support the vehicle and chock the wheels that remain on the floor. When not performing a test or service procedure that requires movement of the wheels, lock the brakes.
3. Place a floor jack under the transaxle differential casing to support (but not lift) the drivetrain. Raise it just enough to relieve tension on the shock absorbers without compressing them.
  4. Remove the tire and wheel assembly on the side from which the spring is to be removed.
  5. Remove the bow-tie pin (1) and the clevis pin (2) at the brake lever and brake cable connection and pull the clevis (3) away from the lever (**Figure 9-3, Page 9-3**). Detach the brake cable from the shock mount bracket (**Figure 9-2, Page 9-3**).
  6. Remove the nut (1), cup washers (4), and rubber bushings (3) from the lower mounting stem of the shock absorber (**Figure 9-4, Page 9-4**).
  7. Remove the nuts (7) and the U-bolt (9) securing the spring to the shock mounting bracket (16). Remove the shock mount bracket (6), angle bracket (8), and the U-bolt (**Figure 9-4, Page 9-4**).
  8. Remove the nut (11) and bolt (17) attaching the rear spring to the lower end of the shackle brackets (13).
  9. Remove the nut (11) and bolt (17) attaching the front of the spring to the vehicle frame and remove the spring.
  10. Inspect the bushings and spacers in the spring eyes and replace them if they are worn or damaged.



2600-30000-10369

Figure 9-2 Support Vehicle on Jack Stands



1400-18100-10243

Figure 9-3 Disconnect Brake Cable

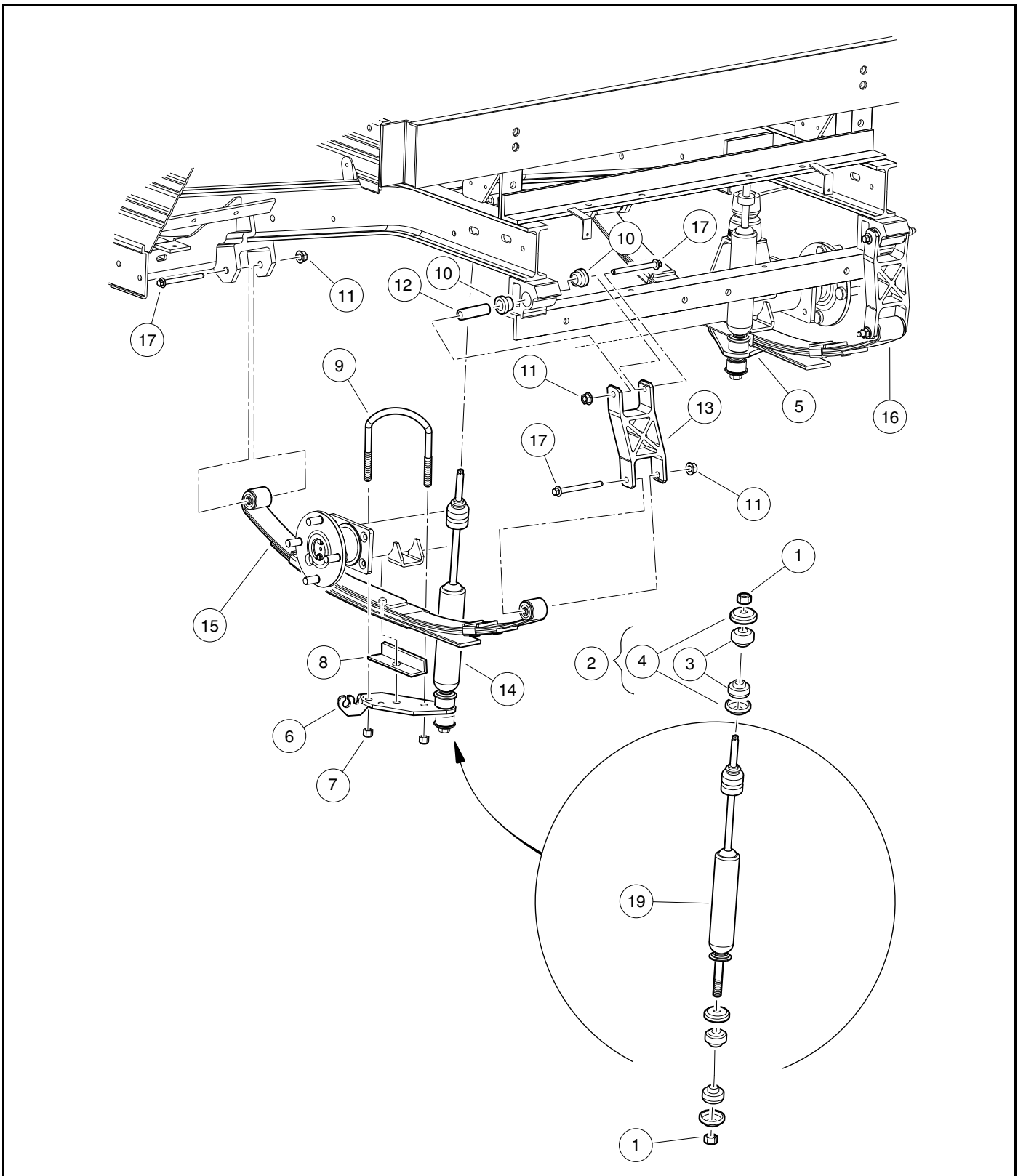
## MULTI-LEAF SPRING INSTALLATION

**NOTE:** Tighten bolt (11) after clamp from brake cable has been positioned between nut and frame component.

1. Install the bushings and spacers in the spring eyes. **See following CAUTION.**

### **▲ CAUTION**

- **When positioning the spring on the transaxle, be sure to insert the locating bolt on the spring in the locating hole in the transaxle saddle.**
2. Install the nut (11) and bolt (17) attaching the front of the spring to the vehicle frame and install the spring.
  3. Install the nut (11) and bolt (17) attaching the rear spring to the lower end of the shackle brackets (13).
  4. Install the nuts (7) and the U-bolt (9) securing the spring to the shock mounting bracket (16). Install the shock mount bracket (6), angle bracket (13) and the U-bolt.
  5. Tighten the nuts (7) on the U-bolt (9) to 22 to 27 ft·lb (30 to 37 N·m).
  6. Install the nut (1), cup washers (4), and rubber bushings (3) to the lower mounting stem of the shock absorber
  7. Tighten nylon lock nuts (11) on spring mounting bolts (17) to 17 to 20 ft·lb (24 to 28 N·m) **(Figure 9-4, Page 9-4).**
  8. Tighten the nuts (1) until the rubber bushing (3) expands to the size of the cup washer (4).
  9. Connect the battery cables. **See Connecting the Batteries – Electric Vehicles, Section 1, Page 1-4.**



2987

Figure 9-4 Rear Suspension Assembly and Mounting

## GENERAL INFORMATION

---

See **General Warnings** on page 1-2.

To ensure trouble-free vehicle performance, it is very important to follow an established preventive maintenance program (regularly scheduled service). Regular and consistent vehicle maintenance can prevent vehicle down-time and expensive repairs that result from neglect. Any vehicle not functioning correctly should be removed from use until it is properly repaired. This will prevent further damage to the vehicle and avoid the possibility of injury due to unsafe conditions.

Contact your local authorized distributor/dealer to perform all repairs and semiannual and annual periodic service.

## PRE-OPERATION AND DAILY SAFETY CHECKLIST

---

Each Club Car vehicle has been thoroughly inspected and adjusted at the factory; however, upon receiving your new vehicle(s), you should become familiar with its controls, indicators, and operation. Carefully inspect each vehicle to ensure that it is in proper working condition before accepting delivery.

Use the following checklist as a guide to inspect the vehicle. This checklist should be used daily to ensure that the vehicle is in proper working condition and in conjunction with the Performance Inspection on page 10-1 and the Periodic Service Schedules on page 10-3. Any problems should be corrected by a Club Car distributor/dealer or a trained technician.

- **General:** All the parts should be in place and properly installed. Be sure that all nuts, bolts, and screws are tight.
- **Safety and information decals:** Check to ensure that all safety and information decals are in place.
- **Tires:** Visually inspect for wear, damage, and proper inflation on a daily basis. **See Vehicle Specifications on page 2-1.**
- **Battery(ies):** Check electrolyte to ensure that it is at its proper level (**Figure 14-3, Page 14-10**). Check battery posts. Wires should be tight and free of corrosion. On electric vehicles, charge batteries fully before first use of vehicle.
- **Charger cord and plug (electric vehicles):** Visually inspect for cracks, loose connections, and frayed wiring.
- **Performance Inspection:** Inspect as instructed. **See Performance Inspection on page 10-1.**

### **⚠ WARNING**

- **Be sure the plastic has been removed from the seat bottom before operating the vehicle. Failure to do so can result in a fire, property damage, personal injury, or death.**

## PERFORMANCE INSPECTION

After you have familiarized yourself with the vehicle controls and have read and understood the driving instructions, take the vehicle for a test drive.

Use the following checklist, in conjunction with the Pre-Operation and Daily Safety Checklist, as a guide to inspect the vehicle and check daily for proper operation. Any problems should be corrected by a Club Car distributor/dealer or a trained technician.

- **Forward/Reverse control:** Check for proper operation.
- **Brakes:** Be sure the brakes function properly. When brake pedal is fully pressed under moderate pressure, it should not go more than halfway to the floor, and vehicle should come to a smooth, straight stop. If the brake

pedal goes more than halfway to the floor, or if the vehicle swerves or fails to stop, have the brake system checked and adjusted as required. Brake adjustment must be maintained so that the brake pedal cannot be pressed to the floor under any circumstance.

- **Park brake:** When latched, the park brake should lock the wheels and hold the vehicle stationary (on an incline of 20% or less). It should release when either the accelerator or brake pedal is pressed.
- **Emergency brake:** When engaged, the emergency brake should not let a parked vehicle move and should stop a vehicle in motion. The brake should release when the emergency brake handle is lowered.
- **Reverse buzzer:** The reverse buzzer should sound as a warning when the Forward/Reverse handle or switch is in the REVERSE position.
- **Steering:** The vehicle should be easy to steer and should not have any play in the steering wheel.
- **General:** Listen for any unusual noises such as squeaks or rattles. Check the vehicle ride and performance. Have a Club Car distributor/dealer or a trained technician investigate anything unusual.
- **Accelerator:** With the key switch in the ON position and the Forward/Reverse switch in the FORWARD position, as the accelerator pedal is pressed, the motor should start and the vehicle should accelerate smoothly to full speed. Club Car vehicles operate at reduced speed in reverse. When the pedal is released, it should return to the original position and the motor should rotate freely or go into motor braking mode. **See Pedal Up Motor Braking below.**
- **Walk Away Braking:** With the vehicle parked on level ground and the park brake disengaged, place the Run/Tow switch in the RUN position and attempt to push the vehicle. Motor braking should engage and limit rolling to no more than 1 to 3 mph (1.6 to 4.8 km/h) with the Forward/Reverse switch in any position. When walk away motor braking is engaged, the reverse buzzer should emit a distinct pattern of beeps.
- **Pedal Up Motor Braking:** Accelerate the vehicle to full speed and then release the accelerator pedal. Motor braking should quickly and smoothly slow the vehicle. Motor braking will disengage when vehicle slows to the programmed speed for IQ Plus vehicles. This feature is programmable for IQ Plus vehicles. Contact your local Club Car dealer/distributor to inquire about this adjustable feature.
- **Pedal Down Motor Braking:** Accelerate down an incline with the accelerator pedal pressed. When the vehicle reaches maximum programmed speed, motor braking should engage and limit the vehicle to its maximum programmed speed. On very steep grades, the vehicle may slightly exceed its maximum programmed speed, requiring use of the brake pedal.

## MAINTENANCE

---

**See General Warnings on page 1-2.**

To ensure trouble-free vehicle performance, it is very important to follow an established preventive maintenance program. Regular and consistent vehicle maintenance can prevent vehicle downtime and expensive repairs that can result from neglect. Use the Pre-Operation and Daily Safety Checklist on page 10-1 and the following *Periodic Service Schedules* and *Periodic Lubrication Schedules* to keep the vehicle in proper working condition.

Any vehicle not functioning correctly should be removed from use until it is properly repaired. This will prevent further damage to the vehicle and avoid the possibility of injury due to unsafe conditions.

Contact your local Club Car distributor/dealer to perform all repairs and semiannual and annual periodic service.

## **⚠ WARNING**

- If any problems are found during scheduled inspection or service, do not operate the vehicle until repairs are made. Failure to make necessary repairs can result in fire, property damage, serious personal injury, or death.
- Only trained technicians should service or repair the vehicle or battery charger. Anyone doing even simple repairs or service should have knowledge and experience in electrical and mechanical repair. The appropriate instructions must be used when performing maintenance, service, or accessory installation.
- Do not work on vehicle powertrain or under the cargo bed when it is loaded.
- Do not wear loose clothing or jewelry, such as rings, watches, chains, etc., when servicing the vehicle.
- Turn the key switch to OFF, remove the key, place the Forward/Reverse handle or switch in the NEUTRAL position, and chock tires prior to servicing.
- Do not close bed until all persons are clear of the bed area. Lower the bed gently, keeping entire body clear. Do not drop the bed. Failure to follow these instructions can result in serious personal injury.
- Hot! Do not attempt to service hot motor. Attempting to do so can cause serious burns.
- To avoid unintentionally starting the vehicle, disconnect the batteries and discharge the controller. See Disconnecting the Batteries – Electric Vehicles on page 1-3.

## **PERIODIC SERVICE SCHEDULES**

---

See General Warnings on page 1-2.

## **⚠ WARNING**

- Service, repairs, and adjustments must be made per instructions in the maintenance and service manual.
- If any problems are found during scheduled inspection or service, do not operate the vehicle until repairs are made. Failure to make necessary repairs can result in fire, property damage, serious personal injury, or death.

**NOTE:** *If the vehicle is constantly hauling heavy loads or hauling a trailer, these preventive maintenance procedures should be performed more often than recommended in the Periodic Service Schedule.*

*Both the Periodic Service Schedules and the Periodic Lubrication Schedules must be followed to keep vehicle in optimum operating condition.*

PERIODIC SERVICE SCHEDULE		
REGULAR INTERVAL	SERVICE	
Daily service by owner	Pre-Operation and Daily Safety Checklist	See Pre-Operation and Daily Safety Checklist on page 10-1.
	Performance Inspection	See Performance Inspection on page 10-1.
	Batteries	Charge batteries (after each daily use only).
Weekly service by owner	Batteries (For vehicles NOT equipped with the Single-Point Watering System)	Check electrolyte level. Add water if necessary. See page 14-10.
Monthly service by owner or trained technician	Batteries (For vehicles equipped with the Single-Point Watering System). Water monthly or according to the established watering interval.	Water the batteries. Observe that water flow occurs and no water overflows from any cell. See Battery Care – Vehicles Equipped with the Single-Point Watering System (SPWS) on page 14-8.
	Batteries	Wash battery tops and clean terminals with baking soda/water solution.
	Tires	Check air pressure and adjust if necessary. See Vehicle Specifications on page 2-1.
	General vehicle	Wash battery compartment and underside of vehicle.
Initial (one-time) inspection by owner or trained technician after six weeks of use	Batteries (For vehicles newly equipped with the SPWS)	For vehicles newly equipped with the SPWS, manually check battery electrolyte levels of all cells to verify correct valve operation. See page 14-8.
Semiannual service by trained technician only (or every 50 hours of operation, whichever comes first)	Brake system	Check brake shoes; replace if necessary or adjust as required.
		Check brake cables for damage; replace if necessary.
		Check brake cable equalizer adjustment; adjust if necessary.
		Check emergency brake tension, adjust if necessary.
	Electrical wiring and connections	Check for tightness and damage.
	Front wheel alignment and camber	Check and adjust as required. See Steering and Front Suspension section in the maintenance and service manual.
	Motor Controller Output Regulator (MCOR)	Check for loose hardware, cracks, or other damage.

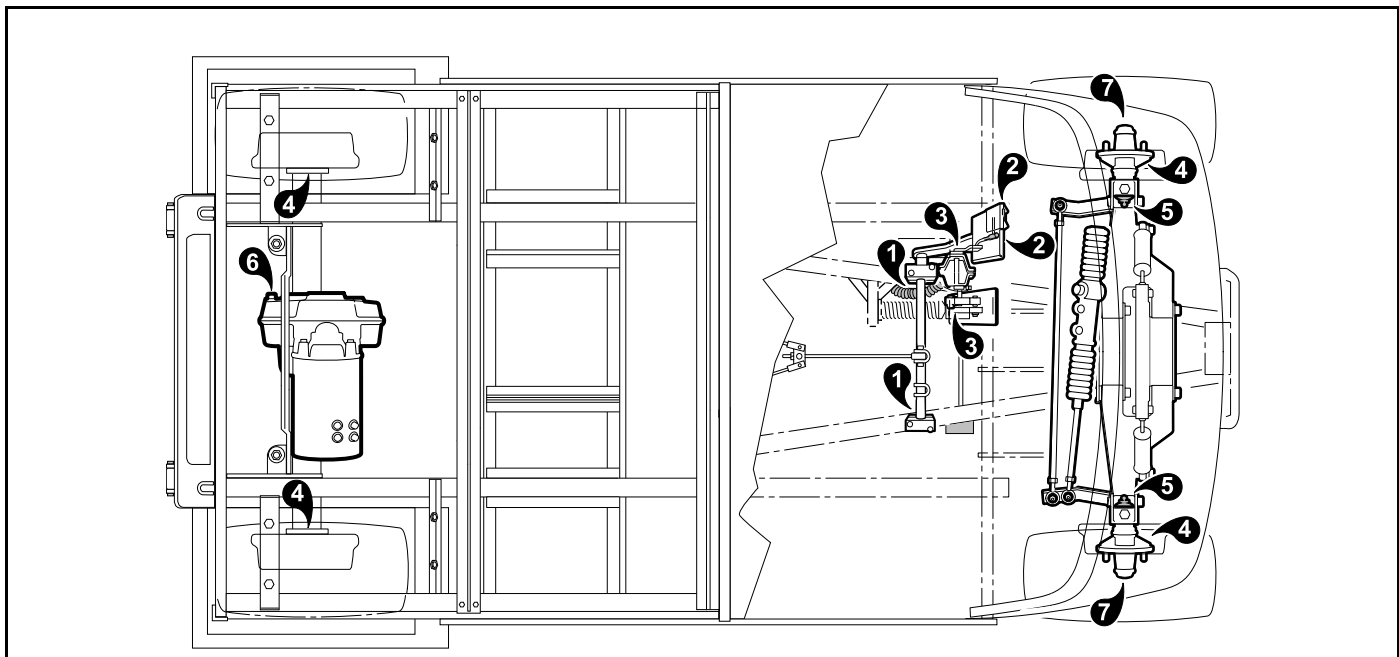
TABLE CONTINUED ON NEXT PAGE



PERIODIC SERVICE SCHEDULE		
REGULAR INTERVAL	SERVICE	
Annual service by trained technician only (or every 100 hours of operation, whichever comes first)	Batteries (For vehicles equipped with the SPWS)	Manually check battery electrolyte levels of all cells to verify correct valve operation. <b>See page 14-8.</b>
	Batteries	If batteries are not performing as expected, see the Batteries section in the maintenance and service manual.
	Safety decals	Check safety decals. Replace if damaged or illegible.

## PERIODIC LUBRICATION SCHEDULES

PERIODIC LUBRICATION SCHEDULE			
REGULAR INTERVAL	SERVICE	LUBRICATION POINTS	RECOMMENDED LUBRICANT
Semiannually by owner or trained technician (or every 50 hours of operation, whichever comes first)	Brake pedal shaft bearings	1	Dry Moly Lube
	Brake linkage and pivots	2	Dry Moly Lube
	Accelerator pivot rod supports	3	Dry Moly Lube
	Brake slides	4	Dry Moly Lube
	Front suspension	5	Chassis Lube – EP NLGI Grade 2
Annually by trained technician only (or every 100 hours of operation, whichever comes first)	Transaxle: Check/fill to plug level.	6	22 fl-oz (0.67 L) SAE 30 WT. API Class SE, SF, SG Oil (or higher)
	Inspect front wheel bearings (Repack as necessary)	7	Chassis Lube – EP NLGI Grade 2



2822

Figure 10-1 Lubrication Points

## **⚠ DANGER**

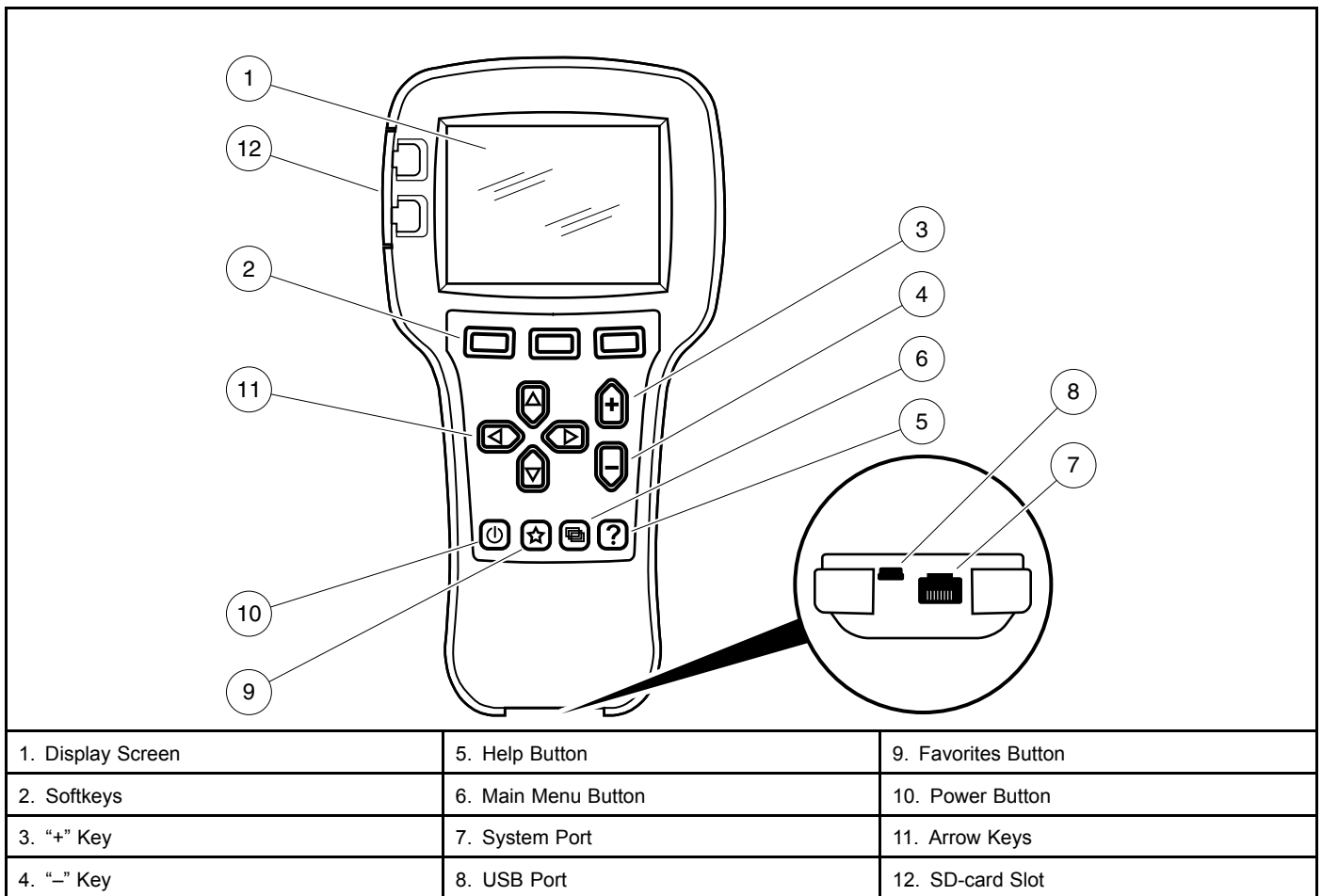
- See General Warnings on page 1-2.

## **⚠ WARNING**

- See General Warnings on page 1-2.

**NOTE:** The information presented in this section addresses the following:

- The Controller Diagnostic Tool (CDT) handheld programmer which replaced the IQDM series 2 handset.
- How to use the CDT to troubleshoot the vehicle and to adjust controller parameters that affect vehicle behavior.



3115

**Figure 11-1 CDT Overview**

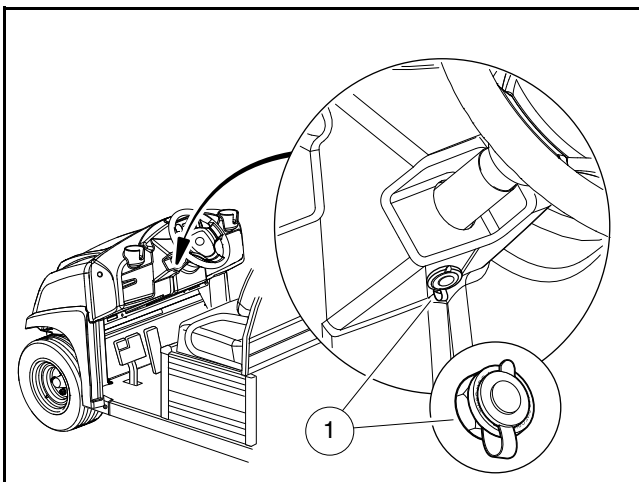
## GENERAL INFORMATION

The CDT is used to adjust and save parameter settings of the controller, monitor real-time data, and perform diagnostics and troubleshooting of the electric vehicle.

### FEATURES

- **Batteries:** Two AA batteries provide power for the CDT's real-time clock and they allow for use of the CDT when not connected to a vehicle.
- **Convenient parameter adjustment:** You can easily adjust a wide range of parameters to customize vehicle performance. These settings can then be saved as a unique .cpf (Cab Provisioning Format) file and stored. Multiple .cpf files can be stored and restored as needed.
- **Diagnostics and troubleshooting:** Existing faults as well as all the accumulated faults in the system's fault history file are listed in clear language. Suggestions for clearing each fault are also provided.
- **Help function:** Help screens give descriptions of adjustable parameters, monitored variables, and faults.
- **PC interface:** Files can be downloaded from a PC (onto an Secure Digital (SD) card or into the programmer directly through its USB connector) for installation into the controller.
- **Plot and Log:** The plot and log programs allow you to look at variables over time, either in graphical format or as data files you can upload in a spreadsheet program, such as Microsoft Excel.
- **Real-time monitoring:** Values of monitored data variables are displayed in easy-to-read formats.
- **SD-card support:** An SD card provides additional memory capacity. This is where any screenshots you take will be stored. SD cards can be used to deliver software upgrades, and can be used in multiple programmers to install identical software.
- **Softkeys:** Three versatile softkeys provide multiple functions, depending on context.
- **Update:** The handheld programmer can update its own software.

## PLUGGING THE CDT INTO THE VEHICLE



2977

Figure 11-2 Communication Port Under Instrument Panel

1. Connect one end of the cable to the port located on the bottom of the CDT.
2. Connect the cable adaptor to the CDT cable.
3. Find the communication port on the vehicle (**Figure 11-2, Page 11-2**).
4. Remove the dust cap from the communication port.
5. Align the keyed portion of the plug with the communication port and insert plug into port.

## INTRODUCTORY DISPLAY

Immediately after the CDT is connected to the vehicle, it begins loading controller information. During this time, the loading status is shown as a percentage, the CDT's software version is given, and status/information icons appear in the upper right corner. Once loading is complete, the screen displays the Main Menu.

**NOTE:** *If the Power button is used to turn ON the handset and the handset is not connected to a vehicle, the message "No System Detected" will be displayed.*

In the event that the handset does not display any information, or the screen is difficult to read, refer to the CDT troubleshooting procedures. **See CDT Troubleshooting on page 11-27.**

## QUICK REFERENCE GUIDE – IQ PLUS WITH QUIQ CHARGER

<b>OPERATION:</b>	
Change screen contrast for better viewing by selecting the following: HPP Settings, Backlight	
Preset Favorites: Select a frequently viewed screen, press “Add to” softkey, highlight “Favorites”, press “Select” softkey.	
<b>CONTROLLER FAULTS:</b>	
<b>Anti Tamper:</b> If car not equipped with Visage, make sure Control Mode is set to zero (0).	<b>Main Weld:</b> Replace solenoid, if it doesn't correct fault of car running at half speed, check accessory wiring.
<b>Circuit Breaker Open:</b> Check wiring, replace circuit breaker.	<b>Motor Stall:</b> If car moves freely, issue not with vehicle, operator error.
<b>Current Sense Fault:</b> Replace controller.	<b>Open ARM (Armature):</b> Check motor brushes, A1 and A2 motor wires at controller and check controller.
<b>FLD Missing:</b> Check in order; orange or blue wire broke or disconnected at motor/controller, short in motor. If good, replace controller.	<b>Overage Voltage:</b> Controller reads 72 volts or more, it's an effect, not a cause. See other faults that accompany OV.
<b>HPD:</b> Check throttle %. If at zero (0), driver issue.	<b>Pre-Charge Resistor:</b> Replace controller.
<b>HW Failsafe:</b> Replace controller.	<b>PROC/Wiring:</b> Check for water in FNR switch, corroded contacts of switch inside FNR, and/or replace switch.
<b>Incorrect Password:</b> Incorrect code being entered into controller, check code A,B,C.	<b>Relay Coil:</b> Check wiring. If OPEN, replace relay.
<b>Low Battery Voltage:</b> Check Battery Voltage Under a Load less than 34 volts, could be an effect, not a cause.	<b>Relay DNC:</b> Check wiring, replace relay.
<b>M-Shorted:</b> Replace controller.	<b>Relay Driver Off:</b> Replace controller.
<b>M (Main) Coil Open:</b> Broken or disconnected coil wire (B+ or B-), a defective solenoid coil. Replace solenoid.	<b>Relay Driver On:</b> Replace controller.
<b>Main Driver Off:</b> Replace controller.	<b>Relay Welded:</b> Replace relay.
<b>Main Driver On:</b> Replace controller.	<b>Speed Sensor:</b> Check connection, replace speed sensor.
<b>Main Driver Overcurrent:</b> Replace controller.	<b>Thermal (TEMP) Cutback:</b> Controller heatsink rises above 185 °F . (above 85 °C), increased resistance causes issue.
<b>Main Dropout:</b> Solenoid or any component before it in circuit could be at fault. Check components from key switch to solenoid and connections.	<b>Throttle Fault:</b> Possible MCOR failure, perform additional diagnostic if car is running.
<b>Main Dropout 2:</b> Effect more than the cause, see other faults that accompany Main Dropout 2	
<b>WHEN CDT IS NOT COMMUNICATING WITH CONTROLLER, CHECK THE FOLLOWING COMPONENTS:</b>	
The main connection port is corroded. Plug directly into the controller.	The battery pack voltage is below 32 volts. Check pack voltage to see if it is above 32 volts.
The AC cord is plugged into an AC outlet for more than 10 minutes. Unplug AC Cord.	Gray wire (pin # 4) to controller (24-pin connector) is loose or broken.
The charger interlock circuit has failed. Check for voltage on Light Blue wire in pin 2 of 24-pin connector.	Sonic weld 1 or 12 in Tow switch circuit failed (wire harnesses vary; see wiring schematic for that model vehicle)
Run/Tow switch is in “Tow” position. Switch to “Run” position.	The controller has failed.
The Tow circuit has failed. Check 15 Amp ATC fuse in fuse block, Tow switch, 24-pin connector, and wire harness.	

---

## SYSTEM INFO

---

The *System Info* menu is accessed by using the arrow keys to highlight *System Info* and pressing the *Select* softkey to activate the menu.

The *System Info* selection displays information pertaining to the controller. The information provided from this menu selection includes:

### MODEL NUMBER

Displays the model number of the controller.

### SERIAL NUMBER

Displays the serial number of the controller.

### HARDWARE VERSION

Displays the controller hardware version. **See following NOTE.**

### PROTOCOL VERSION

Displays the controller protocol version.

### PARAM BLOCK VERSION

Displays a number that represents the default parameter settings at time of manufacture.

### MFG DATE CODE

Displays the date the controller was manufactured.

### OS VERSION

Displays the controller operating system software version. **See following NOTE.**

### SM VERSION

Displays the version number of the Start Manager software in the controller.

### VCL APP VERSION

Displays the version number of the Vehicle Control Language application software in the controller.

## PARAMETERS

The *Parameters* menu is accessed by using the arrow keys to highlight *Parameters* and pressing the *Select* softkey to activate the menu.

The Parameters menu is where you can view and modify the settings of the controller's adjustable parameters. Navigate through this complex menu using the arrow keys, +/- keys, and softkeys. **The parameters displayed will depend on the access level of the handset.**

Be aware when changing parameter settings, the new values replace the earlier values. If you make adjustments that you don't like, and wish you could return to the earlier values, you cannot do this unless you have written down those earlier settings (which is unlikely) or unless you have saved them. To save your parameter settings, use the "Save .cpf File" function in the Programming menu; see Plot & Log on page 11-26. Your parameter settings will then be saved in a .cpf file. You can save as many .cpf files as you desire, and you can create unique names for them. If you prefer, each .cpf can automatically be given a name consisting of the date and time when it was created; see the "Text for save as" item in the HHP (Handheld Programmer) Settings menu; see Plot & Log on page 11-26. For information on creating names, see **Using the Keyboard** in the CDT Owner's Manual.

## SETTINGS

### M1/M2 Speed

**NOTE:** M1 refers to "Mode 1" and M2 refers to "Mode 2." To activate Mode 2 in the CDT, Code A, Code B and Code C must be entered. **See Code A, Code B, and Code C on page 11-9.** All settings in Mode 2 are programmed with the same procedures as Mode 1.

The vehicle's top speed can be changed by selecting values 1 through 4. **See chart below.**

SPEED SETTING	VEHICLE SPEED
1	8.0 mph (12.9 km/h)
2	12 mph (19.3 km/h)
3	15 mph (24.1 km/h)
4	17 mph (27.4 km/h)

A vehicle programmed for speed setting 4 does not conform to ANSI Z130.1 – American National Standard for Golf Cars – Safety and Performance Specifications because it is capable of speeds in excess of 15 mph (24.1 km/h). For more information on this feature, contact your local Club Car distributor or dealer.

### M1/M2 Fast Accel

*M1/M2 fast accel* (fast acceleration) is an option that can be enabled or disabled. With *fast accel* turned on, the vehicle will accelerate at a noticeably faster rate. With this feature turned off, the vehicle speed will gradually increase, even if the accelerator is quickly pressed to the floor. Turn the feature on or off by pressing "+" or "-" on the change value button.

### M1/M2 Pedal Up

Three options exist for *M1/M2 pedal up* (motor braking). On a level surface, when the accelerator pedal is released, motor braking will slow the vehicle to a stop when pedal up motor braking is enabled (option 1 or 2). If pedal up motor braking is disabled (option 0), the vehicle will coast to a stop when the pedal is released.

When the vehicle is going down an incline, and the accelerator pedal is released motor braking will slow the vehicle to a controlled speed directly proportional to the slope of the incline when pedal up motor braking is enabled (option 1 or 2). If pedal up motor braking is disabled (option 0), the vehicle will coast up to the programmed top speed when the pedal is released.



Change the settings of the M1/M2 Pedal Up by pressing “+” or “-” on the change value button.

M1/M2 PEDAL UP SETTING	MODE	OPERATION DESCRIPTION
0	Off	Pedal up motor braking is disabled
1	Mild pedal up	Mild pedal up motor braking
2	Aggressive pedal up	Aggressive pedal up motor braking

### M1/M2 Speed Cal

The *M1/M2 speed cal* (speed calibration) menu item allows the user to fine tune the vehicle speed. This feature cannot be used to increase the vehicle speed. The range for speed calibration is 0 to 30. Each time the number is increased, the top speed will be decreased by approximately 0.1 mph (0.2 km/h). The top vehicle speed will be determined by the *M1/M2 speed* menu item and the speed calibration setting. For example, if the speed setting is set for a value of 3 (15.0 mph (24.1 km/h)), and the speed calibration is set for 5, the total top speed of the vehicle should be approximately 14.5 mph (23.3 km/h). See the table below for a list of possible approximate speed calibrations.

M1/M2 Speed Cal	Speed Setting			
	1	2	3	4
0	8.0 mph (12.9 km/h)	12.0 mph (19.3 km/h)	15.0 mph (24.1 km/h)	17.0 mph (27.4 km/h)
1	7.9 mph (12.7 km/h)	11.9 mph (19.2 km/h)	14.9 mph (24.0 km/h)	16.9 mph (27.2 km/h)
2	7.8 mph (12.6 km/h)	11.8 mph (19.0 km/h)	14.8 mph (23.8 km/h)	16.8 mph (27.0 km/h)
3	7.7 mph (12.4 km/h)	11.7 mph (18.8 km/h)	14.7 mph (23.7 km/h)	16.7 mph (26.9 km/h)
4	7.6 mph (12.2 km/h)	11.6 mph (18.7 km/h)	14.6 mph (23.5 km/h)	16.6 mph (26.7 km/h)
5	7.5 mph (12.1 km/h)	11.5 mph (18.5 km/h)	14.5 mph (23.3 km/h)	16.5 mph (26.6 km/h)
6	7.4 mph (11.9 km/h)	11.4 mph (18.3 km/h)	14.4 mph (23.2 km/h)	16.4 mph (26.4 km/h)
7	7.3 mph (11.7 km/h)	11.3 mph (18.2 km/h)	14.3 mph (23.0 km/h)	16.3 mph (26.2 km/h)
8	7.2 mph (11.6 km/h)	11.2 mph (18.0 km/h)	14.2 mph (22.9 km/h)	16.2 mph (26.1 km/h)
9	7.1 mph (11.4 km/h)	11.1 mph (17.9 km/h)	14.1 mph (22.7 km/h)	16.1 mph (26.0 km/h)
10	7.0 mph (11.3 km/h)	11.0 mph (17.7 km/h)	14.0 mph (22.5 km/h)	16.0 mph (25.7 km/h)
11	6.9 mph (11.1 km/h)	10.9 mph (17.5 km/h)	13.9 mph (22.4 km/h)	15.9 mph (25.6 km/h)
12	6.8 mph (10.9 km/h)	10.8 mph (17.4 km/h)	13.8 mph (22.2 km/h)	15.8 mph (25.4 km/h)
13	6.7 mph (10.8 km/h)	10.7 mph (17.2 km/h)	13.7 mph (22.0 km/h)	15.7 mph (25.3 km/h)
14	6.6 mph (10.6 km/h)	10.6 mph (17.1 km/h)	13.6 mph (21.9 km/h)	15.6 mph (25.1 km/h)
15	6.5 mph (10.5 km/h)	10.5 mph (16.9 km/h)	13.5 mph (21.7 km/h)	15.5 mph (25.0 km/h)
16	6.4 mph (10.3 km/h)	10.4 mph (16.7 km/h)	13.4 mph (21.6 km/h)	15.4 mph (24.8 km/h)
17	6.3 mph (10.1 km/h)	10.3 mph (16.6 km/h)	13.3 mph (21.4 km/h)	15.3 mph (24.6 km/h)
18	6.2 mph (10.0 km/h)	10.2 mph (16.4 km/h)	13.2 mph (21.2 km/h)	15.2 mph (24.5 km/h)
19	6.1 mph (9.8 km/h)	10.1 mph (16.3 km/h)	13.1 mph (21.0 km/h)	15.1 mph (24.3 km/h)
20	6.0 mph (9.7 km/h)	10.0 mph (16.1 km/h)	13.0 mph (20.9 km/h)	15.0 mph (24.1 km/h)
21	5.9 mph (9.5 km/h)	9.9 mph (15.9 km/h)	12.9 mph (20.8 km/h)	14.9 mph (24.0 km/h)

TABLE CONTINUED ON NEXT PAGE

22	5.8 mph (9.3 km/h)	9.8 mph (15.8 km/h)	12.8 mph (20.6 km/h)	14.8 mph (23.8 km/h)
23	5.7 mph (9.2 km/h)	9.7 mph (15.6 km/h)	12.7 mph (20.4 km/h)	14.7 mph (23.7 km/h)
24	5.6 mph (9.0 km/h)	9.6 mph (15.4 km/h)	12.6 mph (20.3 km/h)	14.6 mph (23.5 km/h)
25	5.5 mph (8.9 km/h)	9.5 mph (15.3 km/h)	12.5 mph (20.1 km/h)	14.5 mph (23.3 km/h)
26	5.4 mph (8.7 km/h)	9.4 mph (15.1 km/h)	12.4 mph (20.0 km/h)	14.4 mph (23.2 km/h)
27	5.3 mph (8.5 km/h)	9.3 mph (15.0 km/h)	12.3 mph (19.8 km/h)	14.3 mph (23.0 km/h)
28	5.2 mph (8.4 km/h)	9.2 mph (14.8 km/h)	12.2 mph (19.6 km/h)	14.2 mph (22.9 km/h)
29	5.1 mph (8.2 km/h)	9.1 mph (14.6 km/h)	12.1 mph (19.5 km/h)	14.1 mph (22.7 km/h)
30	5.0 mph (8.0 km/h)	9.0 mph (14.5 km/h)	12.0 mph (19.3 km/h)	14.0 mph (22.5 km/h)

### Control Mode

The *control mode* option is used to configure the controller for different modes of speed control operation. Four modes are available:

- 0 = Standard: Uses maximum speeds defined in the parameters.
- 1 = LIN (Local Interconnect bus) (i.e. Guardian or Visage): Uses maximum speeds assigned to a particular location or area as defined by the fleet operator; however, these defined speeds can not override maximums set in the parameters.
- 2 = ES-Protocol (UpLink): Uses maximum speeds assigned to a particular location or area as defined by the fleet operator; however, these defined speeds can not override previously set values from other *control mode* options. To avoid this, after changing the *control mode* to 2, cycle power to the controller by placing the Run/Tow Switch in the TOW position for 30 seconds. Then return it to RUN.
- 3 = Deterrent Demo Mode: Uses maximum speeds defined by the *deterrent demo* setting to demonstrate the automatic speed control features of Guardian and UpLink. **See Deterrent Demo on page 11-8.**

### Anti-Tamper

The *anti-tamper* setting defines maximum speed if the Anti-Tamper fault is triggered (e.g. controller is disconnected from the Guardian or Visage system). These speeds can only be activated if the Control Mode option is set to 1 (Guardian/Visage) and are intended to be a deterrent. Factory default setting is 1.

- 0 = OFF; uses controller configured speed even if the Anti-Tamper fault is triggered
- 1 = 2 mph
- 2 = 0 mph
- 3 = 7 mph

### Deterrent Demo

The *deterrent demo* setting defines maximum speed of Control Mode 3.

- 0 = Controller configured speed
- 1 = 10 mph
- 2 = 7 mph
- 3 = 2 mph

### WalkAway Deterrent

The *walkaway deterrent* menu item allows the user to turn this function ON or OFF. *Walkaway deterrent* is triggered by the High Speed WalkAway fault. With it ON, the reverse buzzer will sound immediately upon the key switch being turned OFF at speeds above 2 mph. With it OFF, the buzzer will cycle on and off at a higher frequency (7.5 Hz vs. 2.5 Hz).

## Battery Type

The *battery type* menu item is intended to be used with Guardian/Visage so that the type of battery could be determined and displayed when remotely monitoring vehicles.

## Charger Control

Beep Option

The *Beep Option* controls use of the reverse buzzer to sound a confirmation that charging has started: 0 = OFF, 1 = 1 beep, 2 = 3 beeps. From the factory, the *Beep Option* will be set to 2.

## AMP HOURS

### Reset Trip Amp Hours

The *reset trip amp hours* menu item allows the user to reset counter to zero (0). To reset, set to ON and then immediately back to OFF. To review or validate, proceed to Amp Hours Display on page 11-16 under the Monitor Menu.

## ACCESS CODES

### Code A, Code B, and Code C

**NOTE:** *Smartkey: Mode 2 and Code A, Code B, and Code C are available as part of the Smartkey option. The Smartkey feature is available as a factory option, or as a field kit (102962602 Kit, Field, Smartkey) and can be ordered from Service Parts.*

The code entries are used to activate Mode 2 (M2) functions in the Parameters Menu. Each vehicle has a unique code for placing the vehicle in this mode.

Once activated, Mode 2 settings can be programmed using the same procedures as Mode 1 settings. This allows the vehicle to be customized to perform according to which mode it is operated in. For more information on this feature, contact your local Club Car distributor or dealer.

### To activate Mode 2:

1. Enter Code A, Code B, and Code C.
2. Turn the Run/Tow switch to Tow.
3. Wait 30 seconds.
4. Turn the Run/Tow switch to Run.
5. M2 options will now appear in the Parameters Menu.

## VEHICLE ID

### S/N ASCII Letter 1

### S/N ASCII Letter 2

The two-letter serial number prefix is coded as two separate ASCII characters per the following table. For example, serial number JE1401-000001 would have 74 for *S/N ASCII Letter 1* and 69 for *S/N ASCII Letter 2*.

ASCII NUMBER	ASCII CHARACTER		ASCII NUMBER	ASCII CHARACTER
65	A		78	N
66	B		79	O
67	C		80	P
68	D		81	Q
69	E		82	R
70	F		83	S
71	G		84	T
72	H		85	U
73	I		86	V
74	J		87	W
75	K		88	X
76	L		89	Y
77	M		90	Z

**Vehicle Date of Manufacture**

Four digit number programmed by vehicle manufacturer. **Example:** 1401 represents Model Year 2014, week 1.

**Vehicle S/N**

Six digit number programmed by vehicle manufacturer.

**Vehicle Decal**

Decal number ranging from 0 to 999 and programmed by vehicle manufacturer.

---

## MONITOR MENU

---

The *Monitor* menu is accessed by using the arrow keys to highlight *Monitor* and pressing the *Select* softkey to activate the menu.

All information in the *Monitor* menu is updated in real time, allowing the trained technician to troubleshoot the vehicle by monitoring the handset as the key switch is cycled, Forward/Reverse switch is activated, etc. **See following NOTE.**

**NOTE:** *Values appearing in these menus represent approximate measurements made by the controller and may differ from measurements made by external instruments.*

Since the *Monitor* menu is updated while the vehicle is in operation, the trained technician has the ability to monitor the status of several components in conditions or locations where a problem with vehicle performance has been reported. **See following WARNING.**

### **WARNING**

- **The vehicle operator should not monitor the handset while the vehicle is in motion. A technician can monitor the handset while traveling as a passenger in the vehicle. Failure to heed this warning could result in severe personal injury or death.**

The following parameters can be monitored in real time with the handset from the *Monitor* menu:

#### **SPEED IN**

Indicates the approximate ground speed of the vehicle in miles per hour (MPH).

#### **THROTTLE %**

Indicates the position of the accelerator pedal from 0% (pedal not pressed) to 95% and 100% (pedal fully pressed). This item can be monitored when the key switch is in the ON or OFF position.

#### **BATT VOLTAGE**

Displays the current battery voltage at the speed controller.

#### **HEATSINK TEMP**

Displays the temperature (in degrees Celsius) of the speed controller heatsink. During normal operating conditions, the heatsink temperature should be below 85 °C (±5) (185 °F (±9)). **See following NOTE.**

**NOTE:** *Improper brake adjustment can sometimes cause the operating current to be higher than normal. This higher current increases the temperature of the speed controller heatsink.*

#### **MODE**

Indicates what mode the vehicle is being operated in (Mode 1 or Mode 2).

#### **ARM CURRENT**

Displays the motor armature current (in amperes).

#### **FIELD CURRENT**

Displays the motor field current (in amperes).

## ARM PWM

Displays motor armature PWM (pulse width modulation). The range of pulse width modulation is 0% to 100%. When the vehicle is operating at full speed, the pulse width modulation should be at 100%.

## FIELD PWM

Displays motor field PWM (pulse width modulation). The range of pulse width modulation is 0% to 100%. When the vehicle is in operation, the pulse width modulation will fluctuate in response to the terrain and throttle input.

## FOOT INPUT

Indicates the status of the MCOR (motor controller output regulator) internal limit switch: on or off. When the accelerator pedal is unpressed, the handset should indicate that the limit switch is off. When the accelerator pedal is pressed and the key switch is in the ON position, the display should indicate that the limit switch is on.

## KEY INPUT

Displays the position of the key switch: OFF or ON.

## FORWARD INPUT

With the Forward/Reverse switch in the NEUTRAL or REVERSE position, the handset should indicate that the forward input is off. When the Forward/Reverse switch is placed in the FORWARD position, the handset should indicate that the forward input is on.

## REVERSE INPUT

With the Forward/Reverse switch in the NEUTRAL or FORWARD position, the handset should indicate that the reverse input is off. When the Forward/Reverse switch is placed in the REVERSE position, the handset should indicate that the reverse input is on.

## MODE SWITCH

Indicates what position the Mode Switch is in (On or Off).

## WK AWAY RELAY

Displays the state of the Walk Away Relay (On or Off). If the speed controller detects that the throttle is at 0% and the vehicle is moving, the relay will activate, reversing the direction of the field current until no motion of the vehicle is detected.

## MAIN CONT

Displays the state of the solenoid (main contactor). When the contactor is activated, the handset indicates that the solenoid is on. When the contactor is not activated, the handset indicates that the solenoid is off.

## PASSWORD TRIES (OEM ACCESS LEVEL ONLY)

A password is required to activate Mode 2. The speed controller will log unsuccessful and unauthorized attempts to activate Mode 2. If repeated attempts are unsuccessful, the speed controller will permanently lock out access to Mode 2. In the event that Mode 2 is locked out, the controller must be removed and shipped to Club Car before Mode 2 can be activated.

**NOTE:** The lower portion of the monitor menu contains the fault counter information. Each fault is listed in the left hand column and the number of occurrences will be listed in the right hand column.

**CIR BRKR OPEN #**

Displays the number of times the CIR BRKR OPEN fault has been detected. **See Fault Descriptions on page 11-20.**

**THRTL FAULT #**

Displays the number of times the THRTL fault has been detected. **See Fault Descriptions on page 11-20.**

**UNDERVOLTAGE #**

Displays the number of times the UNDERVOLTAGE fault has been detected. **See Fault Descriptions on page 11-20.**

**OVERVOLTAGE #**

Displays the number of times the OVERVOLTAGE fault has been detected. **See Fault Descriptions on page 11-20.**

**TEMP CUTBACK #**

Displays the number of times the TEMP CUTBACK fault has been detected. **See Fault Descriptions on page 11-20.**

**HPD #**

Displays the number of times the HPD fault has been detected. **See Fault Descriptions on page 11-20.**

**MAIN WELDED #**

Displays the number of times the MAIN WELDED fault has been detected. **See Fault Descriptions on page 11-20.**

**RELAY WELDED #**

Displays the number of times the RELAY WELDED fault has been detected. **See Fault Descriptions on page 11-20.**

**SPD SENSOR #**

Displays the number of times the SPD SENSOR fault has been detected. **See Fault Descriptions on page 11-20.**

**MAIN DRV ON #**

Displays the number of times the MAIN DRV ON fault has been detected. **See Fault Descriptions on page 11-20.**

**MAIN COIL OPN #**

Displays the number of times the MAIN COIL OPN fault has been detected. **See Fault Descriptions on page 11-20.**

**MAIN DROPOUT #**

Displays the number of times the MAIN DROPOUT fault has been detected. **See Fault Descriptions on page 11-20.**

**MOTOR STALL #**

Displays the number of times the MOTOR STALL fault has been detected. **See Fault Descriptions on page 11-20.**

**MAIN DRVR OFF#**

Displays the number of times the MAIN DRVR OFF fault has been detected. **See Fault Descriptions on page 11-20.**

**RELAY DNC #**

Displays the number of times the RELAY DNC fault has been detected (Did not close). **See Fault Descriptions on page 11-20.**

**CURRENT SENSE #**

Displays the number of times the CURRENT SENSE fault has been detected. **See Fault Descriptions on page 11-20.**

**M-SHORTED #**

Displays the number of times the M-SHORTED fault has been detected. **See Fault Descriptions on page 11-20.**

**RELAY COIL #**

Displays the number of times the RELAY COIL fault has been detected. **See Fault Descriptions on page 11-20.**

**PRECHARGE #**

Displays the number of times the PRECHARGE fault has been detected. **See Fault Descriptions on page 11-20.**

**FLD MISSING #**

Displays the number of times the FLD MISSING fault has been detected. **See Fault Descriptions on page 11-20.**

**HW FAILSAFE #**

Displays the number of times the HW FAILSAFE fault has been detected. **See Fault Descriptions on page 11-20.**

**DRVR OVERCUR #**

Displays the number of times the DRVR OVERCUR fault has been detected. **See Fault Descriptions on page 11-20.**

**RLY DRVR ON #**

Displays the number of times the RLY DRVR ON fault has been detected. **See Fault Descriptions on page 11-20.**

**RLY DRVR OFF #**

Displays the number of times the RLY DRVR OFF fault has been detected. **See Fault Descriptions on page 11-20.**

**V<sub>MIN</sub> I**

Displays volts (minimum) at a certain amperage. This is a setting parameter used with the Low SOC (State of Charge) detection fault.

**SIGNED BATTERY CURRENT**

While driving the vehicle, this displays either the current being pulled out of the batteries or the current being returned to the batteries during regenerative motor braking. It has a range from negative (-) 300 amps to positive (+) 300 amps.

**BDI PERCENT**

Battery Discharge Indicator (BDI) Percent displays the current battery state of charge as a percent. It is based on several parameters monitored by the controller.



## CHARGER INHIBIT

Displays charger connection. When the charger is connected and the controller does not drive (inhibited), the handset indicates ON. When the charger is not connected and the controller is allowed to drive, the handset indicates OFF.

## LED DRIVER

Displays the present state of pin 11 in the controller 16-pin connector that operates the charge indicator light on the dash. When pin 11 is activated, power is provided to the light and the handset indicates that the LED Driver is ON. When pin 11 is not activated, the handset indicates that the LED Driver is OFF.

## ODOMETER

Displays approximate distance travelled in miles.

## BDI INFO

### Load Line SOC

Load Line SOC is the state of charge estimation based upon battery voltage during a defined discharge current (between 50 and 60 amps).

### Load Line Valid

Load Line Valid is an indication (Load Line Valid = 1) that the discharge current is between 50 and 60 amps.

### BDI Int Factor

BDI Int Factor is an auto-adjusting correction factor for estimating state of charge based upon the difference between the currently estimated state of charge and the Load Line SOC.

### Open Circuit Voltage Start

Open Circuit Voltage Start is the voltage, as determined by the controller, following a cycle of the Run/Tow switch or coming out of sleep mode.

### Open Circuit SOC Start

Open Circuit SOC Start is the estimated state of charge following a cycle of the Run/Tow switch or coming out of sleep mode.

## BATTERY MONITOR

These menu items reset every time the vehicle is charged.

### Lowest Battery Voltage

Displays the lowest battery pack voltage reached since the last charge.

### I Batt at Lowest Volts

Displays the current through the controller at the lowest battery pack voltage.

### Highest Battery Voltage

Displays the highest battery pack voltage after being charged.

## CHARGING TOTALS

These menu items accumulate totals for the life of the vehicle.

### Completed Charges

Displays the number of completed charge cycles.

### Interrupted Charges

Displays the number of interrupted charge cycles.

**Storage Charges**

Displays the number of storage charge cycles.

**AMP HOURS DISPLAY****Signed Battery Current**

While driving the vehicle, this displays either the current being pulled out of the batteries or the current being returned to the batteries during regenerative motor braking. It has a range from negative (-) 300 amps to positive (+) 300 amps.

**Amp Hours**

Displays total accumulated amp hours removed from batteries since initial vehicle start-up.

**Regen Amp Hours**

Displays total accumulated amp hours returned to the batteries from regenerative braking since initial vehicle start-up.

**Charge Amp Hours**

Displays amp hours removed from batteries since the last charge.

**Charge Regen Amp Hours**

Displays amp hours returned to the batteries from regenerative braking since the last charge.

**Trip Amp Hours**

Displays amp hours removed from batteries since *trip amp hours* was reset. **See Reset Trip Amp Hours on page 11-9.**

**Trip Regen Amp Hours**

Displays amp hours returned to the batteries from regenerative braking since *trip amp hours* was reset.

**LIN**

Relates to communication between the controller and the Guardian/Visage device (if equipped).

**Charger****Additional**

## DIAGNOSTICS MENU

---

### CAUTION

- **A failed motor will damage the controller. Always inspect the motor before replacing the controller. See External Motor Testing, Section 16, Page 16-1.**

**NOTE:** *The software is subject to frequent updates, and this manual may span many versions. Be aware that some faults listed in this manual may not display in the CDT, indicating older software.*

*Sometimes the fault circuits catch a temporary event that is not a true fault in the system. It is good practice to turn the control system OFF and back ON again to see if the fault clears by itself.*

The *Diagnostics* menu is accessed by using the arrow keys to highlight *Diagnostics* and pressing the *Select* softkey to activate the menu. Under the *Diagnostics* menu are two folders: *Present Errors* and *Fault History*.

Faults displayed in the *Diagnostics* menu will aid the trained technician in troubleshooting the vehicle. Faults displayed often indicate which components in the electrical system need to be tested.

Since the *Diagnostics* menu is updated while the vehicle is in operation, the trained technician has the ability to monitor the occurrence of faults in conditions or locations where a problem with vehicle performance has been reported. **See following WARNING.**

### WARNING

- **The vehicle operator should not monitor the handset while the vehicle is in motion. A technician can monitor the handset while traveling as a passenger in the vehicle. Failure to heed this warning could result in severe personal injury or death.**

## PRESENT ERRORS FOLDER

The *Fault History* folder displays all existing faults in chronological order. An item in this folder can only be removed by remedying the fault. As long as the fault exists, it will be included in the *Present Errors* folder. The “number / number” in the upper right corner of the screen indicates the number of present faults and which fault is highlighted. *Example:* “1/3” means the first of three total faults is highlighted.

## FAULT HISTORY FOLDER

The *Fault History* folder displays all of the faults detected by the controller since the last time the fault history has been cleared. The faults displayed in this folder may or may not be currently active. Once a fault has been detected, it is stored in the memory of the controller for display on the *Fault History* folder. Each detected fault is listed only once, even if the fault has occurred multiple times. You can clear the entire contents of this folder to allow a fresh *Fault History* to be started.

## SYSTEM FAULTS

**NOTE:** *The system faults menu displays all of the present faults detected by the speed controller. The faults displayed in this menu are currently active. Once a fault has been detected, it is stored in the memory of the speed controller for display on the fault history menu. Each detected fault is listed only once in the fault history menu, the number of fault occurrences are located in the fault counter section of the monitor menu, even if the fault has occurred multiple times.*

### Causes of Faults

Some common causes of faults are

- Loose, broken, or disconnected wires or connectors
- Failed components
- Improper adjustment or installation of electrical or mechanical components (examples: brake adjustment, improper MCOR installation)
- Improper wiring of electrical components

As shown above, there are many possible causes for faults to occur, and the speed controller has a programmed reaction to each fault that is based on the fault currently detected. The technician should be familiar with the detected faults and the controller's reactions to faults to ensure a proper diagnosis.

An example of a possible mis-diagnosis of a vehicle due to a fault: If the three-pin speed sensor wire has been disconnected, the speed controller will detect a *speed sensor* fault. When a *speed sensor* fault is detected, the controller responds to the fault by limiting the vehicle speed to 1/2 of its normal top speed. If the technician reaches the conclusion that the vehicle is running slowly because batteries are heavily discharged, he has made an improper diagnosis of the problem.

The vehicle speed controller should be checked for fault codes before any service is performed.

The speed controller, after detecting a fault, will respond in one or more of the following ways:

1. Reduce vehicle speed to zero by reducing armature current to zero
2. Reduce vehicle speed to zero by reducing field current to zero
3. Turn off Main Contactor
4. "Limp-Home:" Cause the vehicle to run at half speed
5. Gradually reduce the armature current limit
6. Quickly reduce the armature current until speed sensor pulses occur
7. Gradually reduce Regen Current Limit
8. SmartKey functions NOT enabled
9. PASSWORD TRIES count incremented
10. Set Internal Scaled Throttle Signal to Zero
11. Turn off Walk Away Relay
12. Activate Walk Away function
13. Activate Walk Away beeping immediately

**FAULT RECOVERY**

When a fault is detected by the speed controller, the speed controller will attempt to recover from the fault and resume normal operation. In the case of an intermittent problem such as a loose wiring connection, the controller **may** be able to recover and operate normally for a while, but the problem should be repaired before placing the vehicle in service.

Depending on the type of fault, the controller will attempt to recover immediately after the condition clears or after the accelerator pedal has been cycled (released and pressed again).

CONTROLLER FAULT	TEST WHEN	CONTROLLER RESPONSE	RECOVER WHEN
01 THROTTLE FAULT 1	Continuous	10	Condition clears
02 UNDER VOLTAGE	Continuous	5	Condition clears
03 OVERVOLTAGE	Continuous	7	Condition clears
04 THERMAL CUTBACK	Continuous	5	Condition clears
06 HPD	KSI Off/On, F or R on	10	Throttle < 25%
07 MAIN WELDED	Contactora commanded open	4	Main or relay successfully opened
08 RELAY WELDED	After Walk Away sequenced	4	Main or relay successfully opened
09 SPEED SENSOR FAULT	Throttle Applied, Arm PWM > 50%	4	Speed pulses appear
10 MAIN DRIVER ON	Continuous while KSI is ON	4	Condition clears
11 MAIN COIL OPEN	Continuous while KSI is ON	3	Condition clears
12 MAIN DROPOUT	Throttle applied	3,12	Throttle applied
13 MOTOR STALL	Throttle applied	6	Speed pulses appear
14 MAIN DRIVER OFF	Throttle applied	3,10	Condition clears
15 RELAY DNC	WalkAway	2,13	Throttle applied
16 KEY SWITCH SRO	At controller power up	3	Cycle KSI
17 CURRENT SENSE FAULT	KSI Off/On, Continuous	1,2,3	KSI Off/On when condition cleared
18 M-SHORTED	Throttle Applied	1,2	Throttle Cycled
20 DRIVER OVERCURRENT	Continuous	1,2,3,11	Throttle Reapplied
21 PRECHARGE FAULT	Throttle Applied	1,2,3,11	Cycle KSI or Throttle reapplied
22 FIELD MISSING	Throttle Applied	2,10,11	Cycle KSI
23 RELAY DRIVER ON	Continuous	4	Condition clears
24 HW FAILSAFE	Throttle Applied	1,2,3,11	Cycle KSI
25 INCORRECT PASSWORD	At power up, after SmartKey codes entered	8,9	Cycle Run/Tow
26 CIRCUIT BRKR OPEN	Continuous	4	Condition Clears
27 MAX PASSWORD TRIES	At power up, after SmartKey codes entered	8	Not Field Repairable
29 RELAY DRVR OFF	WalkAway	2,13	Condition clears in WalkAway
30 RELAY COIL FAULT	Continuous	4	Condition clears

---

## FAULT DESCRIPTIONS

---

The following faults can be detected by the IQ Plus controller and seen under both the *Monitor Menu* and *Diagnostics Menu*:

### 01 THROTTLE FAULT 1

If the MCOR (Motor Controller Output Regulator) voltage is less than 0.20 volts or greater than 4.80 volts, the controller detects a *throttle fault*.

### 02 LOW BATTERY VOLTAGE

If the battery voltage falls below 34 volts ( $\pm 5\%$ ), the *low battery voltage* fault is detected by the speed controller.

### 03 OVERVOLTAGE

If the speed controller detects that the battery voltage is too high (72 volts ( $\pm 5\%$ )), the *overvoltage* fault is detected.

### 04 THERMAL CUTBACK

If the controller heatsink temperature is found to be in excess of 85 °C ( $\pm 5$ ) (185 °F ( $\pm 9$ )) or below -25 °C ( $\pm 5$ ) (-13 °F ( $\pm 9$ )), the *thermal cutback* fault is detected.

### 06 HPD

The *HPD* (High Pedal Detect) fault is detected if the accelerator pedal is already depressed when the key switch is turned to the ON position. This fault, when not caused by the operator, can indicate that the pedal limit switch has failed closed.

### 07 MAIN WELDED

If the speed controller detects that the solenoid contacts are welded closed, a *main welded* fault is detected.

### 08 RELAY WELDED

If the speed controller detects that the external Walk Away relay contacts are welded closed, a *relay welded* fault is detected.

### 09 SPEED SENSOR

If the speed controller does not detect pulses from the speed sensor while the controller outputs power (greater than 75% armature PWM) to the motor, a *speed sensor* fault is detected.

### 10 MAIN DRIVER ON

If the FET that controls the activation of the solenoid coil is found to be energized when it should not be, a *main driver on* fault is detected by the speed controller.

### 11 MAIN COIL OPEN

If the Main Contactor Coil develops an open circuit or is disconnected from the controller, a *main coil open* fault is detected. Walk Away is not affected by this fault.

## 12 MAIN DROPOUT

If the controller detects that the solenoid contacts have opened while the vehicle is in operation, a *main dropout* fault is detected.

## 13 MOTOR STALL

If the motor current is high and there is no movement of the vehicle wheels for a short period of time, a *motor stall* is detected by the speed controller. This fault can be caused by an operator holding the vehicle on a hill by depressing the accelerator pedal instead of the brake pedal.

## 14 MAIN DRIVER OFF

If the FET that controls the activation of the solenoid coil is **not** energized when it should be, a *main driver off* fault is detected by the speed controller.

## 15 RELAY DNC

If the external Walk Away Relay contacts do not close, a *relay dnc* is detected.

## 16 KEYSWITCH SRO

If the key switch is in the ON position when the controller is powered up, a *key switch sro* fault is detected. This fault detection feature may be turned on or off with an CDT. Factory default setting is off.

## 17 CURRENT SENSE

If there are problems with the armature current sensor circuitry, a *current sense* fault is detected.

## 18 M- SHORTED

If an uncontrolled current path is detected from the motor to B- (bypassing the MOSFETs), an *M- shorted* fault is detected.

## 20 DRIVER OVERCURRENT

If the current on the relay driver exceeds 120 mA, or the current on the solenoid driver exceeds 6 A, a *driver overcurrent* fault is detected.

## 21 PRECHARGE FAULT

If the internal precharge circuit fails, or there is a short between the B+ and B- controller terminals, a *precharge* fault is detected.

## 22 FIELD MISSING

If the speed controller is operating at a duty cycle of greater than 90% (almost full speed) and the field current is less than 3 amps, a *field missing* fault is detected by the speed controller.

## 23 RELAY DRIVER ON

If the relay driver has been commanded to turn OFF, but remains on, a *relay driver on* fault is detected.

## 24 HW FAILSAFE

If the speed controller detects a failure of the armature drive FETs or circuitry, an *hw failsafe* fault is detected.

## 25 INCORRECT PASSWORD

If an incorrect attempt is made to activate Mode 2 by entering Code A, Code B, or Code C, an *incorrect password* fault is detected.

## 26 CIRCUIT BRKR OPEN

If the circuit breaker element in the Walk Away circuit is blown, or not wired to the controller, a *circuit brkr open* fault is detected.

## 27 MAX PASSWORD TRIES

The *max password tries* fault is declared when the incorrect password fault has been declared several times. In the event that the *max password tries* fault is indicated, the speed controller must be removed and shipped to Club Car before it can ever be placed in Mode 2. **See also** Password Tries (OEM Access Level Only) on page 11-12.

## 29 RELAY DRVR OFF

If the Walk Away relay driver FET remains in the OFF state when commanded to switch on, a *relay drvr off* fault is detected.

## 30 RELAY COIL FAULT

If the Walk Away relay develops an open circuit or is disconnected from the controller, a *relay coil fault* is detected.

## ANTI-TAMPER FAULT

If communication with the Visage or Guardian unit is interrupted, the controller registers an *anti-tamper fault*.

**What it means:** This is a symptom, not a cause. The controller is set to communicate with a Visage or Guardian unit and it is unable to.

**What to do:** Clear the Fault History in the CDT. Ensure wiring is connected and inspect for damaged wires. If the vehicle is not or no longer going to be equipped with these services, change Control Mode setting to zero (0).

## LOCKOUT FAULT

If the controller receives a signal that the charger interlock is activated while the vehicle is being driven, the controller registers a *lockout fault* and may prevent the vehicle from operating.

**What it means:** This is a symptom, not a cause. The controller should only see charger interlock activated when the charger's DC cord (external charger) is connected to the vehicle or AC cord (onboard charger) is connected to an AC outlet. One possible cause is failure of the 10k ohm resistor in the charger interlock circuit.

**What to do:** Clear the Fault History in the CDT. If the fault does not return and the car operates normally, do not replace the controller. If the fault continues to occur, inspect and test the charger interlock circuit. **See Test Procedure 11 – Charger Interlock on page 12-23.** If the 10k ohm resistor has failed, replace resistor. If no problems are found in the charger interlock circuit, replace the controller.

## LOW SOC

If the controller sees that the battery pack has reached a low state of charge (SOC), the controller registers a *low SOC fault*.

**What it means:** This is a symptom, not a cause. The controller records the number of times this occurs.

**What to do:** Charge batteries. If fault occurs more frequently than normal, test battery pack. Section 14 — Batteries



## MAIN CONT DNC

The *main cont dnc* (main contactor (solenoid) did not close) fault is detected when the speed controller has sent voltage to the solenoid activating coil but the solenoid contacts are not closed.

## MAIN COIL FAULT

If the speed controller determines that the solenoid is not closing as a result of a solenoid coil failure, a *main coil fault* is detected.

## PROC/WIRING

This fault is detected if the Forward/Reverse switch is giving a signal to place the controller in forward and reverse at the same time. This rare fault can be caused by a failed Forward/Reverse switch or improper vehicle wiring.

## OPEN ARMATURE

If the accelerator pedal is pressed 2/3 to the floor, the armature current is less than 20 amps, and there are no speed sensor pulses, an *open armature* fault is detected.

## INCORRECT PASSWORD (OEM ACCESS LEVEL ONLY)

Each vehicle has a password in the form of a unique set of codes used to activate Mode 2. If a set of codes has been entered incorrectly, the *incorrect password* fault is declared. **See also** Password Tries (OEM Access Level Only) on page 11-12.

## FAULT HISTORY

The *fault history* menu can be useful in determining the cause of a vehicle problem; however, the fault history alone should not be the factor that determines when a component is replaced. Some faults detected by the speed controller are not the result of a failed component, and are instead the result of vehicle operator error. If a fault appears in the *fault history* menu, the trained technician should attempt to determine when and where the fault has occurred. For example, if the *motor stall* fault is present in the fault history, the trained technician may be able to determine the location on the course where an operator has held the vehicle on a hill by using the accelerator pedal.

## CLEARING FAULT HISTORY

After a repair has been made, the fault history should be cleared. This will enable the trained technician to properly troubleshoot the vehicle in the future, in the event that another problem occurs. If the fault history is not cleared after a repair, a technician may mistakenly replace a new component due to an old fault code. For example, if the MCOR device was disconnected and the speed controller detected a fault code associated with the throttle, the fault history should be cleared so that any future problem is not diagnosed incorrectly as a throttle problem. **See Fault History Folder on page 11-17.**

---

## PROGRAMMING

---

The *Programming* menu is accessed by using the arrow keys to highlight *Programming* and pressing the *Select* softkey to activate the menu.

The *Programming* menu selection allows the user to save and restore parameter settings files (.cpf files). These files contain controller information and are saved to the internal memory or SD card. Once saved, they can be used for future reference or emailed when the CDT or SD card is connected to a PC. For information on how to save and restore these files, refer to the manual supplied with the CDT.

## CLONING

Use the “Restore .cpf File” function to clone a controller with a saved .cpf file stored in the CDT.

If using an OEM-level CDT, after you highlight a stored .cpf file and choose “Restore,” a pop-up window will ask whether you want to enable Advanced Cloning (“Yes”/“No”) using the softkeys. This choice is not offered in the User-level CDT. Without Advanced Cloning (if you select “No”), an OEM-level CDT will restore only those parameters up to and including OEM level. Advanced Cloning (“Yes”) restores all parameters, including those at a higher level. This makes a true clone by copying parameters that cannot be seen at the OEM level. It is recommended to enable Advanced Cloning.

---

## FAVORITES

---

The *Favorites* menu is accessed by pressing the Favorites key (9) (**Figure 11-1, Page 11-1**). This menu can also be accessed by using the arrow keys to highlight *Favorites* and pressing the *Select* softkey to activate the menu. Return to the Main Menu at any time by pressing the Main Menu key (6).

The *Favorites* menu selection consists of the custom set of items you have created. Typically, you will want to include the parameters you most frequently adjust, along with the monitor items you most frequently check. This way you can go directly to these items more easily than by navigating through the entire Parameters and Monitor menus.

Any item or folder in the Parameters or Monitor menu can be added to Favorites. Once added, it can be renamed if desired. When you add a ready-made folder from the Parameters or Monitor menu, the folder icon will appear in the Favorites menu with a star on it. Although you can rename a ready-made folder, you are not allowed to rename any of the items within that folder. You can also create folders of your own to hold specific sets of items; these folders will be indicated with the usual folder icon. You may want to create a folder for each type of vehicle or application, or for each customer.

## HHP SETTINGS

The *HHP Settings* menu is accessed by using the arrow keys to highlight *HHP Settings* and pressing the *Select* softkey to activate the menu.

The *HHP Settings* menu selection allows the user to adjust the appearance of the screen displays, adjust several aspects of the handheld programmer's functionality, and displays information pertaining to the handset.

MENU ITEM	DESCRIPTIONS
Access Level	The Access Level of the programmer can be set to its own level or to any lower level: OEM, Dealer, Service, User. Setting the Access Level to a lower level allows you to see what a person with that level programmer would see. For example, a dealer could set the Access Level to User, to see what a person with a User-level programmer would see.
Language	You can select English, Deutsch, Français, Italiano, or Español for the screen text.
Left Handed Soft Keys	Selecting "Yes" for Left Handed Soft Keys reverses the position of items in the softkey text line, to make the keys more convenient for left-handed people.
Backlight	Here you can set the brightness of the programmer's LCD display—from 100% to 20%, in 5% increments.
Keytone	You can choose between several tones to sound each time you press a key, or you can turn the keytone Off for silent programmer operation.
Auto Poweroff (battery)	You can set the idle time before the programmer will automatically power off when it is powered by its own batteries (i.e., when the control system is not running, or when the programmer is not connected to the control system).
Auto Poweroff (ext)	You can set the idle time before the programmer will automatically power off when it is being powered by the controller.
Exit menus with left arrow	The left-arrow key ( ) is used to navigate backwards within menus. When set to Yes, you can use the left-arrow key to leave the presently displayed screen and return to the next higher (i.e., previous) screen; using the left-arrow key will eventually return you to the Main Menu. When set to No, you must use the appropriate softkeys (Exit, Cancel) and the Main Menu key ( ) to leave the present screen and reach the Main Menu. You may find this setting preferable if you use the table screens frequently, as it eliminates any possible confusion caused by the left-arrow key having two functions: moving one cell to the left, and exiting the table altogether.
Enable Screenshot	The Yes/No setting of this item determines whether the programmer will allow screenshots to be taken; see Section 14 for a description of this function. When set to "No," if you attempt to take a screenshot—by pressing the Power key ( ) followed by the Favorites key ( )—the power command is ignored and the screen jumps to the Favorites menu in response to the Favorites key command.
Show only empty battery	A battery icon showing the state-of-charge of the programmer's battery can be displayed in the upper right corner of the screen. If you do not want the icon to be displayed except as a warning when the battery is empty, set this to "Yes."
Text for save as	When you create a new .cpf file, the field at the top of the keyboard screen is either blank ("No text") or is automatically filled with the date and time in this format: YYYY_MM_DD_HHMM ("Date/Time").
Keyboard help text	When set to On, every time you enter the keyboard screen a pop-up explains how to use the keyboard. When set to Off, no pop-up appears as you enter the keyboard screen, but you can still use the Help key ( ? ) at any time.

TABLE CONTINUED ON NEXT PAGE

MENU ITEM	DESCRIPTIONS
Remember Last View	When set to On, when you select a menu from the Main Menu screen, you will be returned to the screen you were on before you last exited that menu. When set to Off, each time you select a menu from the Main Menu screen, you will go to the selected root menu. It does not matter what you did the last time you used that menu.
Delete Cache File	This item is different from the other HHP items, because it is a procedure instead of an adjustable setting. The first time you connect the programmer to a system, menu cache files are created. If you encounter problems when connecting, you can delete the cache files and retry connecting. To delete the cache files, select this item and press the right-arrow key ( ).
Date & Time	This folder contains eight items. Show Date/Time in header. The date and time are typically displayed at the top of the Main Menu screen. However, if you do not use batteries in the handheld programmer and there is no real-time clock in the connected control system, you can set this item to "Off," since it would not provide accurate information. 12h/24h. Here you can select the format used to display the time. Date Format. Several options are available: the year appearing first or last, and the month appearing before the day or the day appearing before the month. Year, Month, Day, Hour, and Minute allow you to set the date and the time for your time zone.
About	This folder contains information about the programmer similar to what is shown in the System Info menu for each of the modules in the control system: model number, software version, hardware version, serial number, etc.

## PLOT & LOG

The *Plot & Log* menu selection allows the user, with the Plot program, to plot real-time variables on the CDT display screen; or, with the Log program, to create a log file of variable values to view later in a spreadsheet program on a PC.

The first step is to add the desired items to the Plot Variable List or the Log Variable List. While in the *Monitor* menu or *Parameters* menu, highlight an item and press the "Add to" softkey. In the next screen, highlight Plot or Log and press the "Select" softkey to view the list. To add the item to the list, press the "Add" softkey followed by the "Finish" softkey; you can include up to five items. To remove an item from a Variable List, select it and press the "Delete" softkey.

### PLOT

In the Plot Variables list, a colored circle beside each variable shows the color that will be used to represent that variable in the plot. The colors are in a fixed order. If you want to use specific colors for specific variables, use the "Move Down" and "Move Up" softkeys to achieve the desired combinations. Use the left-arrow key to return to the Plot & Log menu.

To open the plotting program, highlight Plot and press the right-arrow key. The vertical axis is always used for the variables being plotted, and the horizontal axis is always used for time. For On/Off items, On = 1 and Off = 0 on the plot. Press the "Start" softkey to begin plotting data. Press the "Stop" softkey to stop plotting data and freeze the plot. You have the option of pressing the "Start" softkey to resume the plot.

### LOG

To create a log of the items in your Log Variable List, highlight Log and press the right-arrow key. Then, in the "Start Logging" window, press the "OK" softkey. Select the location where you want to save the .xls file, and after pressing the "Save As" softkey and naming the .xls file, press the "OK" softkey. The display will now show the Plot & Log menu with a flashing red dot next to Log, indicating that logging is in progress. To stop logging, press the right-arrow key, and then in the "Stop Logging" screen, press the "OK" softkey.

## CDT TROUBLESHOOTING

In the event that the handset does not function as described in this manual, the following troubleshooting guide should be studied and the referenced test procedures should be performed to troubleshoot the handset.

TROUBLESHOOTING GUIDE		
SYMPTOM	POSSIBLE CAUSES	CORRECTIVE ACTION
Handset display screen is blank	Handset cord and/or adaptor is disconnected	See <b>Plugging the CDT into the Vehicle on page 11-2.</b>
	Vehicle batteries – loose terminals or corrosion	Section 14 — Batteries
	Vehicle batteries – improperly wired	Section 14 — Batteries
	Vehicle batteries – batteries failed	Section 14 — Batteries
	Vehicle batteries – batteries not fully charged	Section 14 — Batteries
	Handset cord has failed	Test Procedure 1 – Handset Cord on page 11-28
	Handset cord adaptor has failed	Test Procedure 2 – Handset Cord Adaptor on page 11-28
	CDT port (mounted under instrument panel assembly) has failed	Test Procedure 3 – CDT Ports on page 11-29
	Contrast Setting is too light	See Backlight under <i>HHP Settings</i> menu
	Controller is in power-down mode (vehicle unused and not charged for 72 hours)	Connect charger or drive the vehicle a short distance and reconnect the handset to the vehicle
	Charger has been connected and charging for more than 10 minutes	Disconnect charger, wait 30 seconds and reconnect charger
	Loose vehicle wire harness connections	Test Procedure 3 – CDT Ports on page 11-29
	Speed controller malfunction	Section 12 — Electrical System Troubleshooting
Handset has failed	Replace handset	
Display screen shows jumbled or undecipherable characters	Speed controller malfunction	Section 12 — Electrical System Troubleshooting
	Handset malfunction	Disconnect the CDT cord from the vehicle. Wait a few seconds and reconnect the handset to the vehicle
	Loose connection at CDT port	Test Procedure 3 – CDT Ports on page 11-29
	Intermittent handset cord failure	Test Procedure 1 – Handset Cord on page 11-28
	Intermittent handset cord adaptor failure	Test Procedure 2 – Handset Cord Adaptor on page 11-28
	Loose vehicle wire harness connections	Test Procedure 3 – CDT Ports on page 11-29

TABLE CONTINUED ON NEXT PAGE

TROUBLESHOOTING GUIDE		
SYMPTOM	POSSIBLE CAUSES	CORRECTIVE ACTION
Handset is "locked-up" – buttons do not respond	Handset malfunction	Disconnect the CDT cord from the vehicle. Wait a few seconds and reconnect the handset to the vehicle
	Vehicle batteries – loose terminals or corrosion	Section 14 — Batteries
	Vehicle batteries – improperly wired	Section 14 — Batteries
	Vehicle batteries – batteries failed	Section 14 — Batteries
	Vehicle batteries – batteries not fully charged	Section 14 — Batteries
	Speed controller malfunction	Section 12 — Electrical System Troubleshooting

## CONNECTION TESTS

### **⚠ WARNING**

- If wires are removed or replaced, make sure wiring and wire harness is properly routed and secured. Failure to properly route and secure wiring could result in vehicle malfunction, property damage, personal injury, or death.

### Index of Test Procedures

- 1 – Handset Cord
- 2 – Handset Cord Adaptor
- 3 – CDT Ports

### TEST PROCEDURE 1 – Handset Cord

See General Warnings on page 1-2.

1. Using a multimeter set for 200 ohms, place the red (+) probe into one of the terminals on the end of the cord with the square plug.
2. Place the black (–) probe on each of the pins, one at a time, on the plug on the other end of the cord.
3. The multimeter should indicate continuity on only one pin. If any other reading is obtained, the cord must be replaced.
4. Repeat the procedure three more times, each time with the red (+) probe inserted into a different terminal on the end of the cord with the square plug.

### TEST PROCEDURE 2 – Handset Cord Adaptor

See General Warnings on page 1-2.

The procedure for testing the handset cord adaptor is similar to the cord test.

1. Using a multimeter set for 200 ohms, place the red (+) probe into one of the terminals on the end of the adaptor with the square plug.

2. Place the black (–) probe on each of the pins, one at a time, on the other plug of the adaptor.
3. The multimeter should indicate continuity on only one pin. If any other reading is obtained, the adaptor must be replaced.
4. Repeat the procedure three more times, each time with the red (+) probe inserted into a different terminal on the end of the adaptor with the square plug.

### TEST PROCEDURE 3 – CDT Ports

Inspect the CDT ports for damage or corrosion.

#### 3A – CDT PORT (LOCATED UNDER INSTRUMENT PANEL)

See General Warnings on page 1-2.

1. Turn the key switch to the OFF position, place the Forward/Reverse switch in the NEUTRAL position, and lock the park brake.
2. Disconnect the batteries and discharge the controller. **See Disconnecting the Batteries – Electric Vehicles, Section 1, Page 1-3.**
3. Check the CDT port mounted under the steering wheel.
  - 3.1. Remove the instrument panel. **See Instrument Panel Removal, Section 4, Page 4-9.**
  - 3.2. Disconnect the CDT port four-pin connector from the main wire harness and visually inspect the contacts for damage and corrosion. Inspect the CDT port mounted to the bottom of the dash panel. Repair and replace parts as necessary.
  - 3.3. If no problem is found, connect the four-pin connector and install the center dash panel.
  - 3.4. Connect the batteries. **See Connecting the Batteries – Electric Vehicles, Section 1, Page 1-4.**
  - 3.5. Align the keyed portion of the CDT plug with the CDT port and connect. If the handset fails to function, **see CDT Troubleshooting on page 11-27.**

#### 3B – CDT PORT (LOCATED ON CONTROLLER)

See General Warnings on page 1-2.

1. Check the CDT port on the speed controller.
  - 1.1. Remove the controller access panel.
  - 1.2. Disconnect the square four-pin connector (1) from the speed controller.
  - 1.3. Connect the handset cord to the handset.
  - 1.4. Connect the other end of the handset cord (without the adapter) to the four-pin connector of the speed controller.
  - 1.5. Connect the vehicle batteries, positive (+) cable first.

If the handset does not function during Test Procedure 3A, but does function when connected directly to the speed controller, the handset cord adapter and vehicle wire harness should be thoroughly tested. **See Test Procedure 2 – Handset Cord Adaptor on page 11-28.** The CDT ports and connections should also be thoroughly checked. Section 12 — Electrical System Troubleshooting

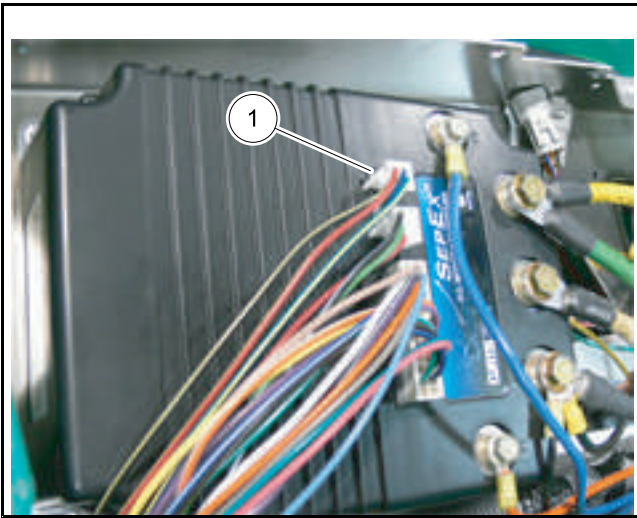


Figure 11-3 Disconnect Four-pin Connector.



## **⚠ DANGER**

- See General Warnings on page 1-2.

## **⚠ WARNING**

- See General Warnings on page 1-2.

## GENERAL INFORMATION

---

The IQ Plus vehicle uses a 48-volt electrical system with a shunt-wound, 3.7 hp motor that is powered by eight 6-Volt, lead-acid batteries and charged by a high-frequency charger. Several additional features include the following:

### ACCESSORIES

For powered accessories that need to be controlled by the key switch, use the 12-volt power strip located under the cowl.

### CHARGE INDICATOR LIGHT

IQ Plus vehicles with QuiQ Charger system feature a dash mounted charge indicator light (below the steering column) that serves two functions: 1) Battery low state of charge warning, and 2) Charging confirmation. The charge indicator light is controlled by pin 11 of the controller.

#### Battery Low State of Charge Warning

- The light comes on and remains solid when the battery state of charge falls below 20%.
- The light begins flashing when the battery state of charge falls below 10%.

#### Charging Confirmation

- The light will flash three times and the reverse buzzer simultaneously will sound three times to indicate a battery charging session has begun. **See following NOTE.**

**NOTE:** *The number of flashes and beeps can vary depending on the Beep Option setting. See Beep Option, Section 11, Page 11-9.*

### FEATURES

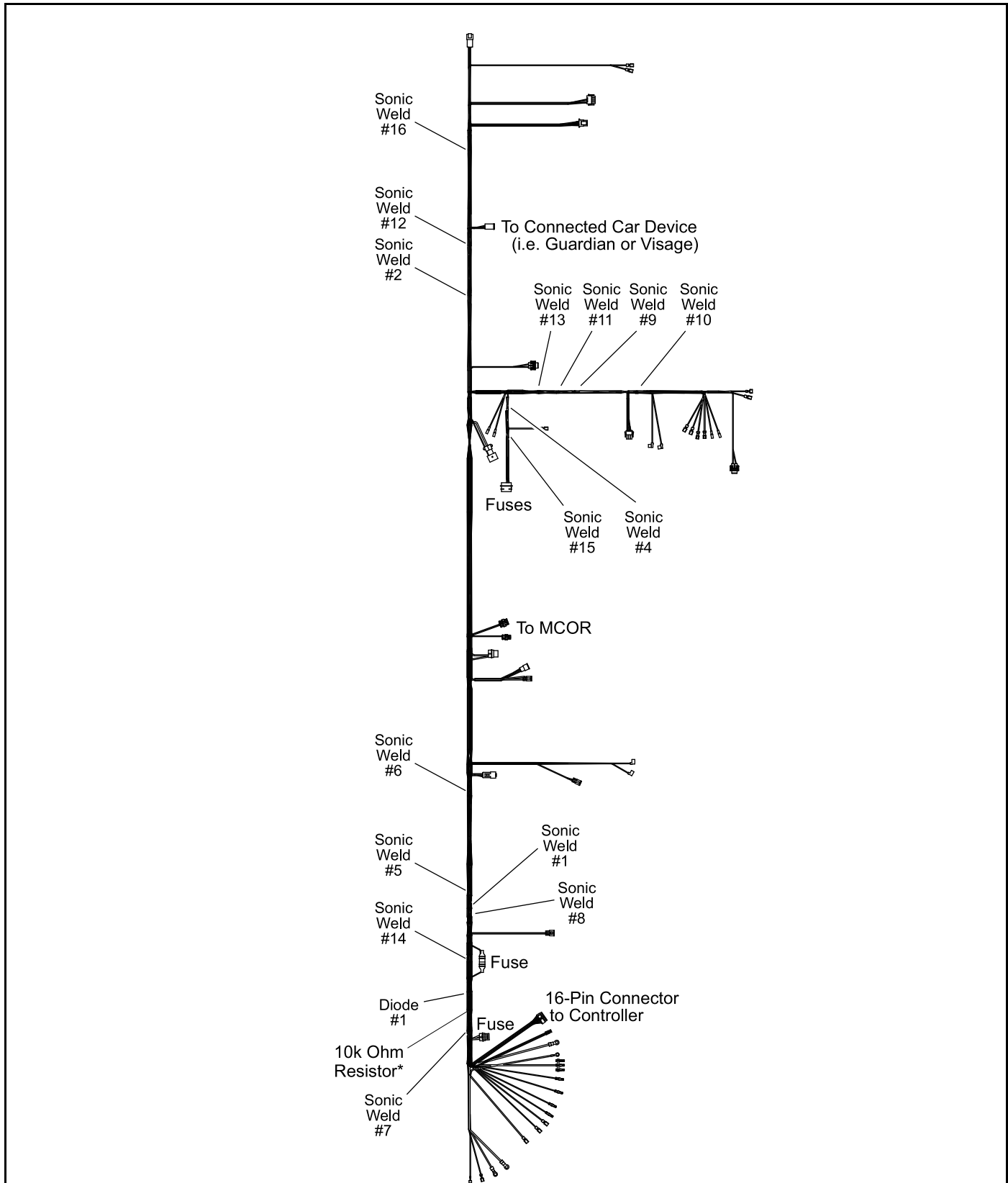
- **Shunt-Wound Motor:** The shunt-wound motor, unlike a series motor, is designed so that the speed controller is able to vary the amount of current passing through the field coils independently from the current passing through the armature.
- **Motor Braking:** Under certain conditions a shunt-wound motor also has the ability to act as an electrical brake to slow the vehicle. There are three features of the IQ Plus electrical system which will activate the motor braking function: Walk Away Braking, Pedal Down Motor Braking, and Pedal Up Motor Braking (adjustable with the CDT handset).
- **Walk Away Braking:** the walk away braking feature will prevent the vehicle from rolling at more than 1 or 3 mph (1.5 or 4.8 km/h) unless the accelerator is pressed. This prevents the possibility of a parked vehicle (with the park brake disengaged) rolling away too fast to be overtaken on foot. If the walk away braking function remains engaged for two seconds or more, a warning buzzer will sound to alert the driver that motor braking has been activated.

## **⚠ WARNING**

- **Walk away braking will not limit vehicle speed to 1 mph (1.6 km/h) on very steep grades. Do not operate vehicle on slopes exceeding 20% grades.**
- **Pedal Down Motor Braking:** This feature helps to control vehicle downhill speed. Motor braking is activated when the vehicle reaches the programmed top speed and holds the vehicle at that speed. Motor braking is automatically disengaged when vehicle speed slows below the programmed top speed.
- **Pedal Up Motor Braking (adjustable):** Speed settings are programmable for IQ Plus vehicles. Motor braking is activated when the accelerator pedal is released at or above the programmed speed. When the vehicle slows to the programmed lower speed, motor braking will disengage. If no speed settings are programmed, motor braking will be activated at any time accelerator is released, and it will only disengage when the vehicle comes to a stop. Contact your Club Car dealer/distributor to inquire about this programmable feature.
- **Regenerative Braking:** When motor braking is activated, the vehicle motor acts as a generator, slowing the vehicle as it creates energy that is used to charge the batteries.
- **Run/Tow Switch:** When the Run/Tow switch is in the RUN position, the vehicle will function normally. When the switch is in the TOW position, power to the OBC and controller is shut off, disabling the vehicle operating circuit and walk away braking, allowing the vehicle to be towed.
- **Speed Calibration:** This function allows the vehicle's top speed to be calibrated in 0.1 mph (0.2 km/h) increments. **See M1/M2 Speed Cal, Section 11, Page 11-7.**
- **Motor Protection Circuit:** The operator should never attempt to hold the vehicle on an incline by pressing the accelerator pedal instead of the brake pedal, as motor overheating could result. By reducing the current to the motor during such an occurrence, the motor protection circuit reduces the possibility of motor damage. When this situation arises, a *motor stall fault* is recorded by the speed controller and will be displayed on an CDT handset in the Diagnostic History menu. **See CDT Troubleshooting, Section 11, Page 11-27.**
- **High Pedal Detect:** This function prevents unexpected vehicle movement if the key switch is turned ON after the accelerator is pressed or the Forward/Reverse switch is used to change the direction of travel while the vehicle is being driven. The vehicle slowly comes to a controlled stop, then starts to gradually accelerate in the new direction. If either situation arises, an *HPD fault* is recorded by the speed controller and will be displayed on an CDT handset in the Diagnostic History menu. **See CDT Troubleshooting, Section 11, Page 11-27.**

Pagination Page

### SONIC WELD, DIODE, AND 10K OHM RESISTOR LOCATIONS



3119

Figure 12-1 Sonic Weld, Diode and 10k Ohm Resistor Locations (Approximate) – CA300 with ERIC Charging

---

## TROUBLESHOOTING

---

The following troubleshooting guides will be helpful in identifying operating difficulties should they occur. The guides include the symptom, probable cause(s) and suggested checks. The procedures used in making these checks can be found in the referenced sections of this maintenance and service supplement.

### TROUBLESHOOTING THE VEHICLE WITH THE CDT

Club Car recommends the use of the CDT handset for troubleshooting vehicles equipped with the IQ Plus electrical system. Troubleshooting Guide 1 is to be used in conjunction with the CDT handset. Refer to the CDT Owner's Manual for operating instructions. **See following WARNING.**

#### **WARNING**

- **The vehicle operator should not monitor the CDT while the vehicle is in motion. A technician can monitor the CDT while traveling as a passenger in the vehicle. Failure to heed this warning could result in severe personal injury or death.**

In the event that the vehicle is not functioning properly after completing Troubleshooting Guide 1, the technician should proceed to Troubleshooting Guide 2.

If an CDT handset is unavailable, the technician should proceed to Troubleshooting Guide 2.

## TROUBLESHOOTING GUIDE 1

The following troubleshooting guide is intended for use with an CDT handset. For CDT operating instructions, refer to the CDT Owner's Manual. **See following NOTE.**

**NOTE:** Before troubleshooting the vehicle, check the diagnostic history from the Special Diagnostics Menu. Note any fault codes.

TROUBLESHOOTING GUIDE 1		
SYMPTOM	POSSIBLE CAUSES	CORRECTIVE ACTION
Monitor Menu – THROTTLE % value does not increase as the accelerator pedal is pressed or Diagnostic Menu – THROTTLE FAULT 1 fault code	Loose or disconnected three-pin connector at the MCOR or broken wire	Repair and/or connect the three-pin connector to the MCOR
	Loose or disconnected 24-pin connector at speed controller or broken wire	Repair and/or connect the 24-pin connector to the speed controller
	Failed MCOR	Test Procedure 12 – MCOR Voltage on page 12-24
Monitor Menu – HEATSINK °C indicates that temperature is above 85 °C (145 °F) or Diagnostic Menu – THERMAL CUTBACK fault code	Over-adjusted brakes	See Wheel Brake Assemblies Section
	Vehicle is over-loaded	Ensure that vehicle is not over-loaded before returning to operation
Monitor Menu – ARM PWM value does not reach 100% when vehicle is at full speed	Failed MCOR	Test Procedure 12 – MCOR Voltage on page 12-24
	Improper pedal group adjustment	See Accelerator and Brake Pedal Group Section
Monitor Menu – SPEED PULSES menu item indicates that speed pulses are OFF when the vehicle is in motion or Diagnostic Menu – SPEED SENSOR fault code	Loose or disconnected motor speed sensor or broken wire	Repair and/or connect the three-pin connector to the motor speed sensor
	Loose or disconnected 24-pin connector at speed controller or broken wire	Repair and/or connect the 24-pin connector to the speed controller
	Failed motor speed sensor or failed magnet	Test Procedure 13 – Motor Speed Sensor on page 12-26
Monitor Menu – FOOT INPUT menu item indicates that the MCOR internal limit switch is always ON or always OFF.	Loose or disconnected two-pin connector at the MCOR or broken wire	Repair and/or connect the two-pin connector to the MCOR
	Loose or disconnected 24-pin connector at speed controller or broken wire	Repair and/or connect the 24-pin connector to the speed controller
	Failed MCOR limit switch	Test Procedure 7 – Key Switch and MCOR Limit Switch Circuit on page 12-20
Monitor Menu – FORWARD INPUT and/or REVERSE INPUT does not indicate the correct reading or Diagnostic Menu – PROC/WIRING fault code	Loose or disconnected Forward/Reverse rocker switch (quick disconnect terminals) or broken wire	Repair and/or connect the quick disconnect terminals to the Forward/Reverse switch
	Loose or disconnected Forward/Reverse rocker switch (three-pin connector) or broken wire	Repair and/or connect the three-pin connector from the Forward/Reverse switch to the wire harness
	Loose or disconnected 24-pin connector at speed controller or broken wire	Repair and/or connect the 24-pin connector to the speed controller
	Failed Forward/Reverse rocker switch	Test Procedure 8 – Forward/Reverse Rocker Switch on page 12-21

TABLE CONTINUED ON NEXT PAGE

TROUBLESHOOTING GUIDE 1		
SYMPTOM	POSSIBLE CAUSES	CORRECTIVE ACTION
Monitor Menu – MAIN CONT (solenoid) does not indicate ON when the solenoid should be activated. or Diagnostic Menu – MAIN CONT DNC (main contactor (solenoid) did not close) fault code	Speed controller logic malfunction	Disconnect the batteries and allow the speed controller capacitors to discharge. <b>See WARNING “To avoid unintentionally starting...” in See General Warnings on page 1-2.</b> Reconnect the batteries and see if the symptom returns.
	Failed controller FET (that powers up solenoid coil)	
	Loose, broken, or disconnected wire(s) at solenoid or B+ speed controller terminal	Repair and/or connect the loose or disconnected wire(s)
	Loose or disconnected 24-pin connector at speed controller or broken wire	Repair and/or connect the 24-pin connector to the speed controller
Monitor Menu – KEY INPUT does not indicate ON when key switch is in the ON position	Failed solenoid	Replace solenoid. <b>See Solenoid Removal on page 13-7.</b>
	Loose or disconnected wires at key switch terminals or broken wire	Repair and/or connect the quick disconnect terminals to the Forward/Reverse switch
	Loose or disconnected 24-pin connector at speed controller or broken wire	Repair and/or connect the 24-pin connector to the speed controller
Diagnostic Menu – THROTTLE FAULT 1 fault code	Failed key switch	Test Procedure 7 – Key Switch and MCOR Limit Switch Circuit on page 12-20
	Loose or disconnected three-pin connector at the MCOR or broken wire	Repair and/or connect the three-pin connector to the MCOR
	Loose or disconnected 24-pin connector at speed controller or broken wire	Repair and/or connect the 24-pin connector to the speed controller
Diagnostic Menu – HW FAILSAFE (Hardware Failsafe) fault code	Failed MCOR	Test Procedure 12 – MCOR Voltage on page 12-24
	Armature drive FET's (field-effect transistors) inside speed controller have failed	Replace the speed controller. <b>See Speed Controller Removal on page 13-8.</b>
Diagnostic Menu – MAIN WELDED (main solenoid contacts welded) fault code	Speed controller logic malfunction	Disconnect the batteries and allow the speed controller capacitors to discharge. <b>See WARNING “To avoid unintentionally starting...” in See General Warnings on page 1-2.</b> Reconnect the batteries and see if the symptom returns.
	Solenoid contacts have failed closed	Replace solenoid. <b>See Solenoid Removal on page 13-7.</b>
Diagnostic Menu – MAIN DRIVER ON or MAIN DRIVER OFF fault code	Speed controller logic malfunction	Disconnect the batteries and allow the speed controller capacitors to discharge. <b>See WARNING “To avoid unintentionally starting...” in See General Warnings on page 1-2.</b> Reconnect the batteries and see if the symptom returns.
	Failure of the FET that controls the solenoid coil	Replace the speed controller. <b>See Speed Controller Removal on page 13-8.</b>
Diagnostic Menu – MAIN COIL FAULT fault code or Diagnostic Menu – MAIN DROPOUT fault code	Solenoid coil has failed in an open condition or broken wire to solenoid coil	Replace solenoid. <b>See Solenoid Removal on page 13-7.</b>

TABLE CONTINUED ON NEXT PAGE

TROUBLESHOOTING GUIDE 1		
SYMPTOM	POSSIBLE CAUSES	CORRECTIVE ACTION
Diagnostic Menu – FIELD MISSING fault code	Loose or disconnected motor field coil wires at motor or speed controller or broken wire	Repair and/or connect the field coil wires
	Failure of the motor field windings	Section 16 — Motor
	Failure of the FET's that control field current	Replace the speed controller. <b>See Speed Controller Removal on page 13-8.</b>
Diagnostic Menu – HPD (high pedal detect) fault code	Operator error	Train operators to fully remove foot from accelerator pedal before turning key switch to the ON position or changing the selected direction with the Forward/Reverse switch
Diagnostic Menu – LOW BATTERY fault code	Batteries require charging	Place batteries on battery charger and allow them to fully charge
	Improperly maintained or failed batteries	Section 14 — Batteries
Diagnostic Menu – MOTOR STALL fault code	Operator error	Train operators to use the brake to hold the vehicle on a hill, rather than holding the vehicle on a hill using the accelerator pedal.
Diagnostic Menu – OPEN ARMATURE fault code	Loose or disconnected motor armature wires at motor or speed controller or broken wire	Repair and/or connect the motor armature wires
	Failure of the motor armature or brushes	Section 16 — Motor
	Failure of the FET's that control armature current	Replace the speed controller. <b>See Speed Controller Removal on page 13-8.</b>



**TROUBLESHOOTING GUIDE 2**

TROUBLESHOOTING GUIDE 2		
SYMPTOM	POSSIBLE CAUSES	CORRECTIVE ACTION
Vehicle does not operate	Batteries discharged	Charge batteries
	Improper or poor battery connections	Check vehicle wiring. <b>See Wiring Diagrams beginning on page</b>
	Battery charger is connected to the vehicle – Solenoid lockout feature has disabled the vehicle	Disconnect the battery charger from the vehicle
	Key switch and MCOR limit switch circuit	Check for loose or disconnected wires at key switch and MCOR
	Failed key switch	Test Procedure 7 – Key Switch and MCOR Limit Switch Circuit on page 12-20
	Failed MCOR	Test Procedure 7 – Key Switch and MCOR Limit Switch Circuit on page 12-20 See also Test Procedure 12 – MCOR Voltage on page 12-24
	Forward/Reverse rocker switch	Test Procedure 8 – Forward/Reverse Rocker Switch on page 12-21
	Solenoid – loose wires	Test Procedure 9 – Solenoid Activating Coil on page 12-22
	Solenoid – failed coil	Test Procedure 9 – Solenoid Activating Coil on page 12-22
	Solenoid – failed solenoid diode	Test Procedure 9 – Solenoid Activating Coil on page 12-22
	Speed controller thermal cutback	Allow controller to cool and ensure that vehicle is not over-loaded before returning to operation
	24-pin connector at speed controller	Check for loose or disconnected wires at the 24-pin connector. <b>See also</b> Test Procedure 15 – 24-Pin Connector on page 12-30.
	High pedal detect	Cycle accelerator pedal
	Motor stall	Cycle accelerator pedal
	Motor failure	Section 16 — Motor
Failed Run/Tow switch	Test Procedure 3 – Run/Tow Switch on page 12-15	
Speed controller failure	Replace speed controller. <b>See Speed Controller Removal on page 13-8.</b>	

TABLE CONTINUED ON NEXT PAGE

TROUBLESHOOTING GUIDE 2		
SYMPTOM	POSSIBLE CAUSES	CORRECTIVE ACTION
Vehicle runs slowly	Speed sensor disconnected or failed	Test Procedure 13 – Motor Speed Sensor on page 12-26
	Incorrect speed setting	To change the programmed top speed of the vehicle, an CDT handset must be used
	Wiring – improperly wired	Check vehicle wiring. <b>See Wiring Diagrams beginning on page</b>
	Batteries discharged	Charge batteries
	MCOR malfunction	Test Procedure 12 – MCOR Voltage on page 12-24
	Motor – loose wires	Inspect and tighten all wire connections at the motor
	Failed motor	Replace motor. <b>See Motor Removal on page 16-3.</b>
	Vehicle is over-loaded	Ensure that vehicle is not over-loaded before returning to operation
	Speed controller failure	Replace speed controller. <b>See Speed Controller Removal on page 13-8.</b>
	Brakes – improperly adjusted	<b>See Wheel Brake Assemblies Section.</b>
Tires – under-inflated or flat tires	<b>See Wheels and Tires Section.</b>	
Vehicle operates, but motor braking function does not	Wiring – improperly wired	Check vehicle wiring. <b>See Wiring Diagrams beginning on page</b>
	Speed sensor disconnected or failed	Test Procedure 13 – Motor Speed Sensor on page 12-26
Vehicle will run in forward, but not in reverse or will run in reverse but not forward	Forward/Reverse rocker switch – improperly wired	Test Procedure 8 – Forward/Reverse Rocker Switch on page 12-21
	Motor – improperly wired	Check motor wiring. <b>See Wiring Diagrams beginning on page</b>
	Speed controller – improperly wired or failed speed controller FET	Check vehicle wiring. <b>See Wiring Diagrams beginning on page</b>
Vehicle operates, but battery charger does not charge batteries	Charger interlock failure	Test Procedure 11 – Charger Interlock on page 12-23
	Battery charger connections – loose wires at charger or batteries	Check wire connections and tighten if necessary.
	Battery charger	Section 15 — Battery Charger

## TEST PROCEDURES

---

Using the following procedures, the entire IQ Plus electrical system can be tested without major disassembly of the vehicle. **See following WARNING.**

### **⚠ WARNING**

- **If wires are removed or replaced, make sure wiring and wire harness is properly routed and secured. Failure to properly route and secure wiring could result in vehicle malfunction, property damage, personal injury, or death.**

### TESTING BASICS

- To use the CDT, the Run/Tow switch must be in the RUN position. The Run/Tow switch provides power to the logic board and power board inside the controller.
- Battery Pack Voltage (BPV) will be referenced throughout the test procedures. BPV is accessed in **Test Procedure 1 – Batteries / Voltage Check (BPV) on page 12-12.**
- The Run/Tow switch powers the key switch, controller, Forward/Reverse switch, 15-amp fuse, and reverse buzzer.
- The key switch powers the MCOR 2-pin circuit, pin 1 of the 24-pin connector, solenoid, and the 12-Volt power strip.
- The MCOR 3-pin circuit, motor speed sensor circuit, the communication point for the connected car device (white/black wire in position 21 of the 24-pin connector), and charge indicator light is powered by the controller (with Run/Tow switch in RUN).
- The 2-amp fuse is powered directly by the batteries via the solenoid and carries BPV to the connected car device. No switch is involved.
- The term “back-probe” refers to probing the side of a connector that the wire enters. This is usually done when the connector must remain connected to a device. **See following CAUTION.**

### **CAUTION**

- **Be careful not to damage the wire or terminal when back-probing.**
- When testing voltage, the batteries must remain connected.
- When testing voltage, unless specifically directed to do otherwise in a procedure, connect the black (–) probe of the multimeter to the negative post of battery no. 8 (6 x 8-Volt battery set) or the B- terminal of the controller, whichever is easier to access.
- When testing controller functions, the Run/Tow switch must be in the RUN position. The TOW position removes power to the controller.

### Index of Test Procedures

- 1 – Batteries / Voltage Check (BPV)
- 2 – 48-Volt Battery Pack Voltage Under Load
- 3 – Run/Tow Switch
- 4 – Fuses
- 5 – Circuit Breaker
- 6 – Wire Harness Diodes
- 7 – Key Switch and MCOR Limit Switch Circuit
- 8 – Forward/Reverse Rocker Switch
- 9 – Solenoid Activating Coil
- 10 – Solenoid Contacts

- 11 – Charger Interlock
- 12 – MCOR Voltage
- 13 – Motor Speed Sensor
- 14 – A1 and A2 Motor Voltage
- 15 – 24-Pin Connector
- 16 – Reverse Buzzer
- 17 – Walk Away Braking Relay
- 18 – Charge Indicator Light
- 19 – 4-Pin Connector (for Connected Car Device)
- 20 – Emergency Stop Switch

## TEST PROCEDURE 1 – Batteries / Voltage Check (BPV)

See General Warnings on page 1-2.

**NOTE:** This is a voltage test.

*If battery voltage drops below 34 volts during operation, the vehicle will shut down and give a Low Battery Voltage/Undervoltage fault.*

*The batteries must be properly maintained and fully charged in order to perform the following test procedures. Battery maintenance procedures, including watering information and allowable mineral content, can be found in the Battery section of this manual. See **Battery Care on page 14-6.***

The battery voltage can be displayed with the CDT handset. If an CDT handset is not available, proceed to **Batteries / Voltage Check without the CDT Handset.**

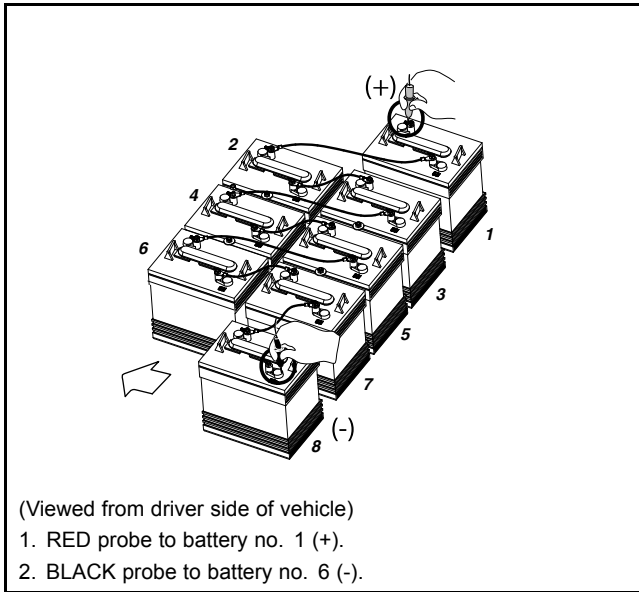
### Batteries / Voltage Check with the CDT Handset

1. Connect the CDT to the vehicle.
2. Access the Monitor menu and select BATT VOLTAGE by using the SCROLL DISPLAY buttons. The CDT should indicate at least 48 volts. **See following NOTE.** If not, check for loose battery connections or a battery installed in reverse polarity. **Refer to Batteries on page 14-1 for further details on battery testing.**

**NOTE:** The voltage displayed through the CDT shows what the controller thinks it sees. If the controller is not operating properly, it may display a different voltage from what the battery pack voltage (BPV) really is. Always compare and confirm with readings obtained using a multimeter in the following procedure.

### Batteries / Voltage Check without the CDT Handset

1. If necessary, see Testing Basics on page 12-11.
2. With batteries connected and using a multimeter set to 200 volts DC, place red (+) probe on the positive (+) post of battery no. 1 and the black (–) probe on the negative (–) post of battery no. 6 (**Figure 12-2, Page 12-13**).
3. The multimeter should indicate at least 48 volts. If not, check for loose battery connections or a battery installed in reverse polarity. **Refer to Batteries on page 14-1 for further details on battery testing.**



3072

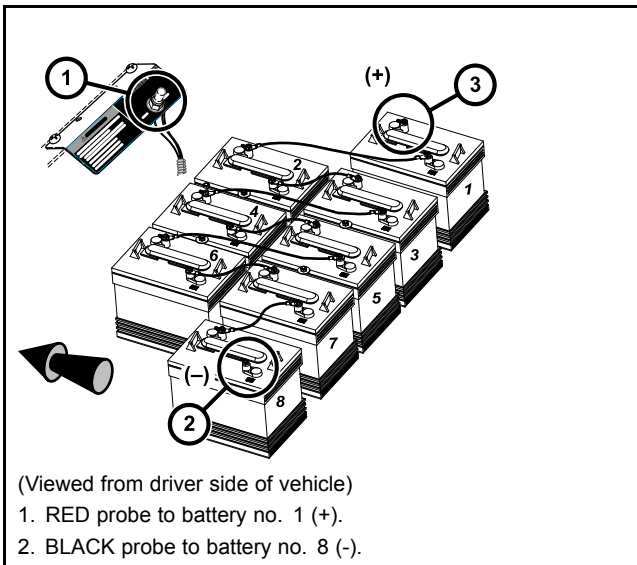
**Figure 12-2 Battery Voltage Test – 500/550/700**

## TEST PROCEDURE 2 – 48-Volt Battery Pack Voltage Under Load

See General Warnings on page 1-2.

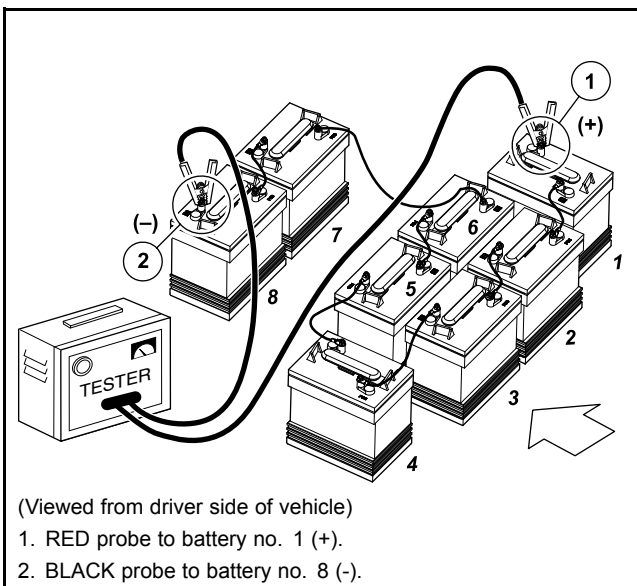
**NOTE:** This is a voltage test.

1. If necessary, see Testing Basics on page 12-11.
2. Be sure the batteries are fully charged and that the electrolyte level is correct in all cells.
3. Connect the tester leads to the positive (+) post of battery no. 1 and negative (-) post of battery no. 8 (**Figure 12-3, Page 12-14**).



2780a

**Figure 12-3 Battery Discharge Test**



2781a

**Figure 12-4 Battery Discharge Test**

4. Turn the discharge machine on and record the voltage reading of battery pack while under load.

5. A fully charged set of batteries in good condition should read between 47 and 49 volts while under load.
6. A reading of 32 to 42 volts indicates discharged or failed batteries. Each battery should be checked with a multimeter while under load. **See following NOTE.**

**NOTE:** *If a 48-volt set of batteries is down in the 32 to 38 volt range, the discharge machine will activate but it will think it is testing a 36-volt battery set.*

7. A reading of 31.5 volts or less will not activate discharge machine. If the voltage of the batteries is below 32 volts, the batteries are deeply discharged or have failed.
8. Recording the battery pack voltage reading while under load provides a more accurate diagnosis of the condition of the batteries. When the discharge machine is ON, it places the battery pack under load and many times can help determine if one or more batteries in the set have failed. Testing battery voltage while the batteries are not under load will not always indicate the true condition of the batteries. For more information about the batteries, refer to Section 14 — Batteries

### TEST PROCEDURE 3 – Run/Tow Switch

See General Warnings on page 1-2.

**NOTE:** *This is a voltage test.*

*If no voltage is coming to the Run/Tow Switch, inspect the 12-gauge red wire connection at the solenoid and sonic weld 12.*

#### Run/Tow Switch Test with the CDT Handset

1. With the Run/Tow switch in the RUN position, connect the CDT to the vehicle. **See Plugging the CDT into the Vehicle on page 11-2.**
2. Immediately after the CDT is connected to the vehicle, the screen should display a copyright notice and the CDT model number.
3. If the CDT display screen is blank, drive the vehicle a short distance to activate the onboard computer.
4. If the vehicle will not operate, proceed to **Run/Tow Switch Test without the CDT Handset.**
5. If the CDT display screen begins to work after the vehicle has been driven, turn the key switch to the OFF position and proceed to step 6; otherwise, perform **Run/Tow Switch Test without the CDT Handset.**
6. With the CDT still connected to the vehicle, place the Run/Tow Switch in the TOW position and wait 90 seconds.
7. If the CDT display screen goes blank, the Run/Tow switch and connecting wires are operating correctly.
8. If the CDT display screen is still active after 90 seconds, the switch has failed closed. Replace the Run/Tow switch. **See Run/Tow Switch Removal on page 13-3.**

#### Run/Tow Switch Test without the CDT Handset

1. Set a multimeter to 200 volts DC. With the batteries connected, and the Run/Tow switch in either the TOW or RUN position, connect the black (–) probe to the negative post of battery no. 8 and connect red (+) probe (with insulation-piercing probe) on the pink wire close to the two-pin connector on the Run/Tow switch.
2. If the reading is 48 to 50 volts, proceed to Step 3. If the voltage reading is 0 volts, check wire continuity from the large post of the solenoid (red, 12-gauge wire (w80) attached), through sonic weld 12 (where it changes to a pink, 16-gauge wire (w50)), to the pink wire side of the Run/Tow switch two-pin connector.
3. Set a multimeter to 200 volts DC and with the batteries connected, connect the black (–) probe to the negative post of battery no. 8 and connect red (+) probe (with insulation-piercing probe) on the light green wire (1) close to the two-pin connector on the Run/Tow switch.
4. With the Run/Tow switch in the RUN position, the reading should be approximately 48 to 50 volts. With the switch in the TOW position, the reading should be approximately 0 volts.
5. If the two-pin connector and pink wire continuity readings are correct, replace the Run/Tow switch.

## TEST PROCEDURE 4 – Fuses

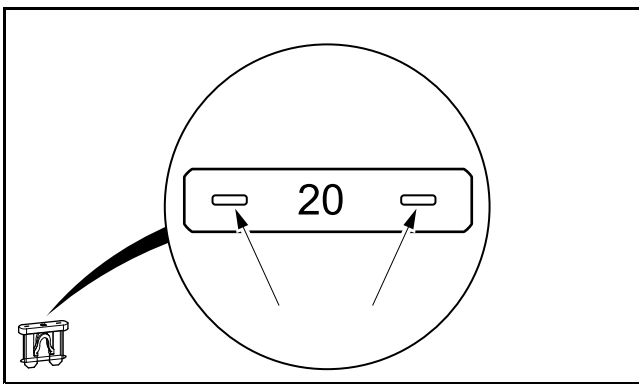
See General Warnings on page 1-2.

### **⚠ WARNING**

- Failure to use properly rated fuse can result in a fire hazard.

**NOTE:** These vehicles predominately use a combination of ATC-style and ATM-style blade fuses. A single AGC-style glass fuse is used for the charger interlock circuit.

*This is a voltage test. It can be performed relatively easily on ATC-style and ATM-style fuses. A voltage test can be performed on the AGC-style glass fuse if insulation-piercing probes are used. Otherwise, the AGC-style will have to be removed to visually inspect or check using a continuity test.*



2976

Figure 12-5 Testing the Fuse

1. If necessary, see Testing Basics on page 12-11.
2. Access the fuses but do not remove them. Fuses are found at the following locations:
  - **On Controller Mounting Plate:** 15-amp fuse to DC/DC converter, 2-amp fuse to connected car device (Guardian/Visage V3 Circuit), and 15-amp fuse to electric powertrain
  - **Under Floorboard Near MCOR:** 20-amp fuse from DC/DC converter to accessories
  - **Under Front Cowl:** 15-amp fuse to cab, 10-amp fuse to brake lights, horn and turn signals, 7.5-amp fuse to headlights and taillights, 10-amp fuse to 12-volt power strip and power point
  - **On Main Harness Near Controller Mounting Plate:** 30-amp fuse for charger receptacle harness
  - **On Main Harness Forward of the 30-Amp Fuse:** 1-amp fuse for charger interlock circuit
3. **2-Amp and 15-Amp ATC Fuses On Controller Mounting Plate and 30-Amp ATC Charger Receptacle Fuse:** With the batteries connected and the Run/Tow switch in the RUN position:
  - 3.1. Probe the two, small metal contacts on the top of the fuse (**Figure 12-5, Page 12-16**).
  - 3.2. Each contact should show BPV.
  - 3.3. If only one side shows BPV, replace fuse.
  - 3.4. If neither side of fuse shows BPV, do the following:
    - Check BPV.
    - Check condition and connection of large red wires at solenoid.
    - Check sonic weld\_8 in main wire harness.



- For one of the 15-amp ATC fuses, check Run/Tow switch to make sure it is in RUN position.
  - Check if 12 gauge red wire is coming off large post on solenoid.
4. **1-amp AGC Glass Fuse Only:** With the Run/Tow switch in the RUN position:
    - 4.1. Probe the wire on each side of the fuse with insulation-piercing probes.
    - 4.2. Each probe should show 42 to 46 volts.
    - 4.3. If only one side shows voltage, replace fuse.
    - 4.4. If neither side of fuse shows voltage, do the following:
      - Check Run/Tow switch to make sure it is in RUN position.
      - Check diode\_1 in main wire harness.
      - Check 10k ohm in main wire harness.
      - Check 15-amp ATC fuse on controller mounting plate.
  5. **20-Amp ATC Fuse Near MCOR and ATM Fuses Under Front Cowl:** With the batteries connected, key switch ON and DC/DC converter operating:

**NOTE:** For these fuses only, connect the black probe of the meter to the 12 volt ground terminal block located under the front cowl.

- 5.1. Probe the two, small metal contacts on the top of the fuse (**Figure 12-5, Page 12-16**).
- 5.2. Each contact should show approximately 12.5 to 13.5 volts.
- 5.3. If only one side shows 12.5 to 13.5 volts, replace fuse.
- 5.4. If neither side of fuse shows 12.5 to 13.5 volts, do the following:
  - Check 15-amp ATC fuse on controller mounting plate that supplies power to DC/DC converter. If fuse is good, check converter.
  - **For ATM Fuses Under Front Cowl:** Check sonic weld\_4 in main wire harness.
  - Check key switch.
  - Check lockout relay.
  - **For All Fuses Powered by the DC/DC Converter:** Check sonic weld\_16 in main wire harness.

## TEST PROCEDURE 5 – Circuit Breaker

See General Warnings on page 1-2.

1. Check the circuit breaker position:
  - 1.1. If the circuit breaker is in the tripped position, push the button in to close the circuit.
2. Turn the key switch to OFF.
3. Make sure that the Run/Tow switch is in the RUN position.
4. Set a multimeter on 200 volts DC. With the batteries connected, connect the negative (–) lead to battery no. 8 negative post. With an insulation-piercing probe, connect the positive (+) lead to the green wire on the back of the circuit breaker.
  - 4.1. If there is 48 volts, check the voltage at the tan wire.
  - 4.2. If there is no voltage, use the wiring diagram to find the broken wire between the green wire and SW 12.
5. Set a multimeter on 200 volts DC. With the batteries connected, connect the negative (–) lead to battery no. 8 negative post. With an insulation-piercing probe, connect the positive (+) lead to the tan wire on the back of the circuit breaker.
  - 5.1. If there is no voltage, replace the circuit breaker.

6. If there is 48 volts, do the following:
7. Make sure that the green and tan wires are securely connected to the circuit breaker.
8. Make sure that the 24 pin connector has no corrosion.
9. Make sure that the 24 pin connector is securely connected to the controller.
10. Make sure that the number 3 pin of the 24 pin connector is seated correctly into the 24 pin connector.
11. Number 3 pin voltage check:
  - 11.1. Set the Run/Tow switch to TOW.
  - 11.2. Disconnect the batteries.
  - 11.3. Disconnect the 24 pin connector from the controller.
  - 11.4. Connect the batteries. Do not connect the 24 pin connector to the controller.
  - 11.5. Set the Run/Tow switch to RUN.
  - 11.6. Check the voltage at the number 3 pin of the 24 pin connector.
12. If there is voltage at the number 3 pin:
  - 12.1. Replace the controller.

**NOTE:** Make sure the correct controller is used.

*Early 2006 model year to 2013 model year (with onboard computer) and Villager 6 & 8: use controller model number 1520*

*Mid model year 2014 models without onboard computer (OBC) onboard charger (Delta Quiq): use controller model number 1520L*

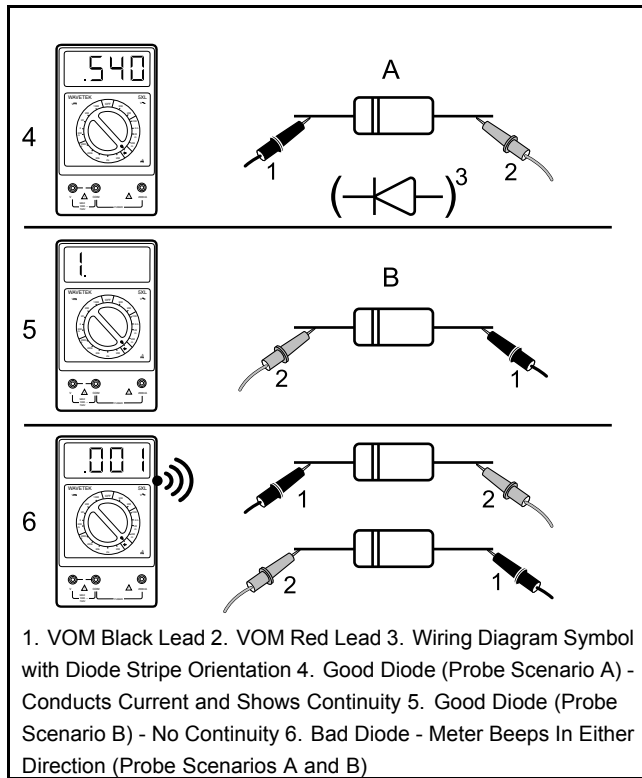
13. If there is no voltage at the number 3 pin:
  - 13.1. Check for voltage at the green wire on the circuit breaker switch.
    - 13.1.1. If there is 48 volts, there is a broken wire between the tan wire on the circuit breaker and the number 3 pin on the 24 pin connector. Use the wiring diagram to find the broken wire.
14. Set the Run/Tow switch to TOW.
15. Disconnect the batteries.
16. Connect the 24 pin connector to the controller.
17. Connect the batteries.
18. Set the Run/Tow switch to RUN.

## TEST PROCEDURE 6 – Wire Harness Diodes

See General Warnings on page 1-2.

A diode is designed to conduct current in one direction only. Depending on the application, diodes are used in the vehicle to control electrical system logic, or to help protect relay and switch contacts from excessive arcing. **See following NOTE.**

**NOTE:** *If a diode conducts current in both directions, the diode has failed closed. If a diode will not conduct current in either direction, the diode has failed open (Figure 12-6, Page 12-19).*



1127

Figure 12-6 Basic Diode Information

## TEST PROCEDURE 7 – Key Switch and MCOR Limit Switch Circuit

See General Warnings on page 1-2.

**NOTE:** This is a voltage test.

*The MCOR provides FOOT INPUT to the controller.*

*The key switch provides KEY INPUT to the controller.*

### Key Switch and MCOR Limit Switch Circuit Test with the CDT Handset

1. Place chocks at the front wheels and lift the rear of the vehicle with a chain hoist or floor jack. Position jack stands under the frame crossmember between the spring mount and side stringer, just forward of each rear wheel. **See WARNING “Lift only one end...” in General Warnings on page 1-2.**
2. Turn the key switch to the OFF position and place the Forward/Reverse switch in the NEUTRAL position.
3. Connect the CDT to the vehicle. **See Plugging the CDT into the Vehicle on page 11-2.**
4. Test the key switch.
  - 4.1. Access the Monitor menu, and select KEY INPUT by using the SCROLL DISPLAY buttons. The CDT should indicate OFF when the key switch is in the OFF position.
  - 4.2. While monitoring the CDT display screen, turn the key switch to the ON position. The CDT should indicate ON.
  - 4.3. If the CDT does not indicate that KEY INPUT is ON when the key switch is in the ON position, proceed to the following procedure, Key Switch and MCOR Limit Switch Circuit Test without the CDT Handset. If the key switch functions as described, proceed to the following step. **See following NOTE.**

**NOTE:** The key switch **MUST** function properly in order to test the MCOR limit switch with the CDT handset.

5. Test the MCOR limit switch.
  - 5.1. Select FOOT INPUT on the Monitor menu by using the SCROLL DISPLAY buttons on the CDT.
  - 5.2. The CDT should indicate that FOOT INPUT is OFF when the accelerator pedal is not pressed, regardless of the key switch position.
  - 5.3. With the key switch in the ON position, press the accelerator pedal. The CDT should indicate that FOOT INPUT is ON when the accelerator pedal is pressed.
6. If any reading is obtained that is not described in steps 4 and 5, perform the following steps:
  - 6.1. Check the pedal group for proper adjustment. **See Accelerator and Brake Pedal Group Section.**
  - 6.2. Check the wiring of the key switch and MCOR.
  - 6.3. Check the continuity of the key switch wires and the MCOR limit switch wires.
7. If the problem was not found, proceed to the following procedure.

### Key Switch and MCOR Limit Switch Circuit Test without the CDT Handset

1. If necessary, see Testing Basics on page 12-11.
2. Place chocks at the front wheels and lift the rear of the vehicle with a chain hoist or floor jack. Position jack stands under the frame rails just forward of each spring mount. **See WARNING “Lift only one end...” in General Warnings.**
3. Place the Run/Tow switch in the RUN position and the Forward/Reverse switch in the NEUTRAL position.
4. **Pin 1 Tan Wire:** Lift bed, remove access cover, access the controller. **See following NOTE.**

**NOTE:** The easiest way to test the key switch and MCOR Limit Switch is to check the pin 1 tan wire in the 24-pin connector. Pin 1 is the end of this circuit.

- 4.1. Locate and connect an insulation-piercing probe to the pin 1 tan wire in the 24-pin connector.
- 4.2. With the key switch in the OFF position and the accelerator pedal at rest, the tan wire should show zero (0) volts.
- 4.3. With the key switch in the ON position and the accelerator pedal pressed, the tan wire should show BPV which is KEY INPUT (ON position) to controller.
  - If it shows BPV, then the key switch and related wiring is functioning properly.
  - If not, first check the key switch.
5. **Key Switch:** Remove instrument panel to access the back of the key switch but do not disconnect wires. **See Instrument Panel Removal, Section 4, Page 4-9.**
  - 5.1. With the key switch in the OFF position:
    - The green wire should show BPV coming to the switch.
    - The blue wire should show zero (0) volts. If it shows BPV, the switch has failed CLOSED and must be replaced.
  - 5.2. With the key switch in the ON position:
    - The blue wire should show BPV passing through the key switch to the MCOR. If it does not show BPV, the switch has failed OPEN and must be replaced.
6. **MCOR Limit Switch (FOOT INPUT):** Access the MCOR from under the vehicle passenger side.
  - 6.1. With the key switch in the ON position:
    - With an insulation-piercing probe, check voltage of the blue wire in the MCOR 2-pin connector. It should show BPV coming to the MCOR. If not, check wiring.
    - With an insulation-piercing probe, check voltage of the green wire in the MCOR 2-pin connector. It should show zero (0) volts with the accelerator pedal at rest. Press the accelerator pedal and the green wire should show BPV passing through the MCOR to the controller for FOOT INPUT. From the MCOR, the blue wire supplies voltage (BPV) to pin 8. If not, replace MCOR. **See MCOR Removal on page 13-5.**

## TEST PROCEDURE 8 – Forward/Reverse Rocker Switch

See General Warnings on page 1-2.

**NOTE:** This is a voltage test.

*The Forward/Reverse Switch provides FORWARD INPUT and REVERSE INPUT to the controller.*

*If the controller sees both FORWARD INPUT and REVERSE INPUT at the same time, the reverse buzzer will sound in all FNR positions and the vehicle will not operate in either direction. Common causes of this include corrosion across the contacts inside the switch, water inside the switch, or a switch that has failed CLOSED.*

### Forward/Reverse Rocker Switch Test with the CDT Handset

1. Turn the key switch to the OFF position and place the Forward/Reverse switch in the NEUTRAL position.
2. Connect the CDT to the vehicle. **See Plugging the CDT into the Vehicle, Section 11, Page 11-2.**
3. Test FORWARD INPUT.
  - 3.1. Access the Monitor menu and select FORWARD INPUT by using the SCROLL DISPLAY buttons. The CDT should indicate OFF when the Forward/Reverse switch is in the NEUTRAL or REVERSE position.
  - 3.2. Place the Forward/Reverse switch in the FORWARD position. The CDT should indicate that FORWARD INPUT is ON. If the CDT indicates any other reading, check vehicle wiring. **See Wiring Diagrams beginning on page .** Also check the 24-pin connector at the speed controller. **See 24-Pin Connector on page 12-30.**
4. Test REVERSE INPUT.

- 4.1. Access the Monitor menu and select REVERSE INPUT by using the SCROLL DISPLAY buttons. The CDT should indicate OFF when the Forward/Reverse switch is in the NEUTRAL or FORWARD position.
- 4.2. Place the Forward/Reverse switch in the REVERSE position. The CDT should indicate that REVERSE INPUT is ON. If the CDT indicates any other reading, check vehicle wiring. . Also check the 24-pin connector at the speed controller. **See 24-Pin Connector on page 12-30.**
5. If the CDT displays readings other than those described above and the wiring is found to be correct, proceed to the following procedure.

#### Forward/Reverse Rocker Switch Test without the CDT Handset

1. If necessary, see Testing Basics on page 12-11.
2. Place the Run/Tow switch in the RUN position and the Forward/Reverse switch in the NEUTRAL position.
3. Remove Forward/Reverse switch from its housing by carefully prying up each side with a small, flat-tip screwdriver.
4. Back-probe the following three wires connected to the Forward/Reverse switch in each position:
  - 4.1. **Orange Wire**
    - The orange wire provides power to the switch and should show BPV coming to the switch in all three positions.

If the orange wire does not show BPV, check the 15-amp fuse, Run/Tow switch, red-to-pink wire spade terminal connection and related wiring.
  - 4.2. **Brown Wire**
    - The brown wire should show BPV in FORWARD.
    - The brown wire should show zero (0) volts in NEUTRAL and REVERSE

If the brown wire shows voltage in NEUTRAL, the switch may have corrosion across the contacts or the switch has failed CLOSED and must be replaced. **See Forward/Reverse Rocker Switch Removal on page 13-2.**

If the brown wire does not show BPV in FORWARD, the switch may have corrosion on the contact or the switch has failed OPEN and must be replaced. **See Forward/Reverse Rocker Switch Removal on page 13-2.**
  - 4.3. **Red/Green Wire**
    - The red/green wire should show BPV in REVERSE.
    - The red/green wire should show zero (0) volts in NEUTRAL and FORWARD.

If the red/green wire shows voltage in NEUTRAL, the switch may have corrosion across the contacts or the switch has failed CLOSED and must be replaced. **See Forward/Reverse Rocker Switch Removal on page 13-2.**

If the red/green wire does not show BPV in REVERSE, the switch may have corrosion on the contact or the switch has failed OPEN and must be replaced. **See Forward/Reverse Rocker Switch Removal on page 13-2..**
5. When installing the Forward/Reverse switch into its housing, orient the three wire terminals towards the front of the vehicle (i.e. biased closer to the front of the switch housing and farther from the rear body).

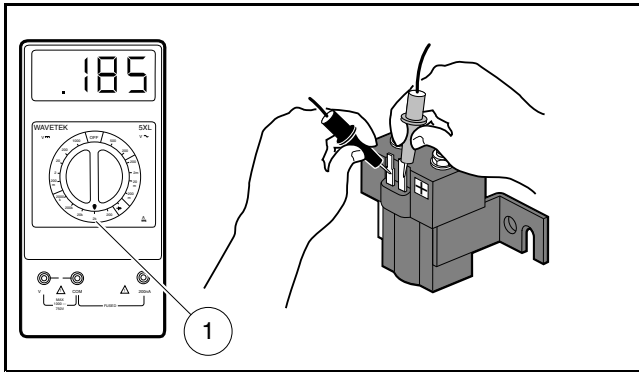
#### TEST PROCEDURE 9 – Solenoid Activating Coil

See General Warnings on page 1-2.

**NOTE:** This is a resistance test.

1. If necessary, see Testing Basics on page 12-11.

2. Disconnect the batteries and discharge the controller. **See Disconnecting the Batteries – Electric Vehicles on page 1-3.**
3. Access the solenoid by removing the electronics module cover. **See Removing the Speed Controller Cover on page 13-6.**
4. Remove the two small wire terminals from the solenoid.
5. Place red (+) probe of the multimeter on the positive (+) solenoid terminal. Place the black (–) probe on the other small solenoid terminal.
  - A reading of 180 to 190 ohms should be obtained (**Figure 12-7, Page 12-23**). If not, replace the solenoid.



2500-20000-10283

**Figure 12-7 Activating Coil Test – Service Replacement Solenoid**

## TEST PROCEDURE 10 – Solenoid Contacts

See General Warnings on page 1-2.

**NOTE:** Unlike other controllers used by Club Car, the pre-charge resistor is internal to the IQ Plus controller.

1. Place chocks at the front wheels and lift the rear of the vehicle with a chain hoist or floor jack. Position jack stands under the frame crossmember between the spring mount and side stringer, just forward of each rear wheel. **See WARNING “Lift only one end...” in General Warnings on page 1-2.**
2. Turn the key switch to the ON position and place the Forward/Reverse switch in the FORWARD position.
3. Set a multimeter to 200 volts. Place the black (–) probe on the battery no. 8 negative post and place the red (+) probe on the large post with the 6-gauge yellow wire.
4. With the pedal up, the reading should be 9.5 to 10.5 volts. If the voltage is higher, let the car sit for 5 to 10 minutes to allow the capacitors to discharge to 9.5 to 10.5 volts.
5. Press the accelerator pedal. The voltage should read 48 to 50 volts with the pedal pressed. If the voltage does not increase or goes to 0 volts with the pedal pressed, replace the solenoid.

## TEST PROCEDURE 11 – Charger Interlock

See General Warnings on page 1-2.

### Controller Interlock Function Test with the CDT Handset

1. If necessary, see **See Testing Basics, Section 12, Page 12-11.**
2. Connect the CDT to the vehicle.
3. Access the Monitor menu and select CHARGER INHIBIT by using the SCROLL DISPLAY buttons. The CDT should indicate OFF.

4. Insert the onboard charger AC plug into an AC outlet.
5. In a few seconds, the CDT should indicate ON and the vehicle can no longer be driven. If not, check the KEY, FORWARD, REVERSE and FOOT INPUTS to the controller.
  - If the CDT does not indicate ON, check circuit wiring and DC plug connection. See the following procedure **Testing the Interlock Circuit**.
  - If the CDT does indicate ON, but the vehicle can still be driven, replace the controller. **See Speed Controller Removal, Section 13, Page 13-8.**

### Testing the Interlock Circuit

The charger interlock circuit consists of a 48 V power source through the RUN/TOW switch, sonic welds, a lockout relay, two diodes, a 15-amp fuse, and a 10k ohm resistor. **See following NOTE.** Use the following procedure to test the charger interlock circuit:

**NOTE:** The following steps involve testing voltage and resistance.

1. With batteries connected, place the Run/Tow switch in the RUN position.
2. Remove electronics module cover.
3. **Check 15-amp fuse:** Check the 15-amp fuse located in the electrical component box. It is the fuse that has a pink wire and a light green wire connected to it. **See Test Procedure 4 – Fuses on page 12-16.**
4. **Check power:** Using a multimeter set to 200 volts DC, place red (+) probe (with insulation-piercing probe) on the light blue wire (pin 2 of the 24-pin connector) and black (–) probe on B- terminal of controller. The reading should be approximately 42 to 46 volts. If the reading is not approximately 42 to 46 volts, proceed to check the 10k ohm resistor. If the reading is approximately 42 to 46 volts, check continuity of circuit wires.
5. **Check 10k ohm resistor:** Set multimeter to 20k ohms. Remove the 15-amp fuse. With the red (+) probe (with insulation-piercing probe) still on the light blue wire (pin 2 of the 24-pin connector), place the black (–) probe to the pink wire terminal in the 15-amp fuse holder. The reading should be approximately 10.0k ohms. If the reading is not approximately 10.0k ohms, replace the resistor or main wire harness (**Figure 12-1, Page 12-4**).
6. **Check 1-amp fuse:** Remove and check the 1-amp fuse from the yellow fuse holder in onboard charger harness lead.
7. **Check D\_1 diode:** Set multimeter to Diode test and check diode 1 (D\_1) near onboard charger harness lead. **See Wire Harness Diodes on page 12-18.** Probe between the light blue wire (pin 2 of the 24-pin connector) at the controller and the light blue wire terminal (pin 4 of the 8-pin connector) of the onboard charger.
8. When finished, install 15-amp fuse.

## TEST PROCEDURE 12 – MCOR Voltage

See General Warnings on page 1-2.

**NOTE:** This is a voltage test.

The accelerator position, which is proportional to the MCOR voltage, can be displayed with the CDT handset. If an CDT handset is not available, proceed to **MCOR Voltage Test without the CDT Handset**.

The following are potential MCOR symptoms:

- Vehicle will not drive due to no FOOT INPUT to the controller.
- Vehicle will not reach top speed because MCOR does not reach 100% throttle position.
- Vehicle does not maintain speed nor will it accelerate due to MCOR having a “dead-spot” in its pedal travel.
- The voltage signal from the MCOR randomly or sporadically fluctuates with pedal at rest, during pedal travel and with pedal fully pressed.



### MCOR Voltage Test with the CDT Handset

1. Place chocks at the front wheels and lift the rear of the vehicle with a chain hoist or floor jack. Position jack stands under the frame crossmember between the spring mount and side stringer, just forward of each rear wheel. **See WARNING “Lift only one end...” in General Warnings on page 1-2. See also following WARNING.**

#### **⚠ WARNING**

- The key switch should be placed in the OFF position and left in the OFF position for the duration of this test.

2. Connect the CDT to the vehicle. **See Plugging the CDT into the Vehicle on page 11-2.**
3. Access the Monitor menu and select THROTTLE % by using the SCROLL DISPLAY buttons.
4. The CDT should indicate 0% with the pedal not pressed. While monitoring the CDT display screen, slowly press the accelerator pedal. As the pedal is pressed, the CDT should indicate a steady, incremental rise from 0% (pedal not pressed) to 100% (pedal fully pressed). **See following NOTE.**

**NOTE:** Observe closely to see if throttle input percentage randomly or sporadically fluctuates with pedal at rest, during pedal travel and with pedal fully pressed. If it fluctuates or does not rise to 100%, check the drive bar for wear. If drive bar is not worn, replace MCOR.

5. If the MCOR passes the previous test, press and hold the accelerator pedal to the floor. By hand, gently move the pedal from side to side and see if the throttle input percentage fluctuates from 100%. If it fluctuates, check the drive bar for wear. If drive bar is not worn, replace MCOR.
6. If throttle input percentage never reaches 100% in the previous steps, check the drive bar for wear. If drive bar is not worn, replace MCOR.

### MCOR Voltage Test without the CDT Handset

1. Place chocks at the front wheels and lift the rear of the vehicle with a chain hoist or floor jack. Position jack stands under the frame rails just forward of each spring mount. **See WARNING “Lift only one end...” in General Warnings. See also following WARNING.**

#### **⚠ WARNING**

- The key switch should be placed in the OFF position and left in the OFF position for the duration of this test.

2. With the batteries connected, place Run/Tow switch in RUN. Using a multimeter set to 200 volts DC, place red (+) probe on battery no. 1 positive post and place black (–) probe (with insulation-piercing probe) on the purple/white wire at a point close to the three-pin connector at the MCOR. The reading should be approximately 48 to 50 volts (full battery voltage).
3. If reading is zero volts, check the purple/white wire continuity from the three-pin connector at the MCOR to the 16-pin connector at the speed controller. Check terminal positions in three-pin connector at the MCOR and the 16-pin connector. If all of the continuity readings are correct and the connectors are wired correctly, replace the speed controller.
4. With multimeter set to 20 volts DC, place the black (–) probe on battery no. 6 (6 x 8 volt battery set) negative post and the red (+) probe (with insulation-piercing probe) on the white wire at a point close to the three-pin connector at the MCOR. The reading should be approximately 4.65 volts.
5. If reading is zero volts, check the white wire continuity from the three-pin connector at the MCOR to the 16-pin connector at the speed controller. Check terminal positions in three-pin connector at the MCOR and the 16-pin connector. If all of the continuity readings are correct and the connectors are wired correctly, replace the speed controller.
6. With multimeter set to 20 volts DC, place the black (–) probe on battery no. 6 (6 x 8 volt battery set) negative post and the red (+) probe (with insulation-piercing probe) on the yellow wire at a point close to three-pin connector

at the MCOR. The reading should be zero (0) volts with the pedal up. Slowly press the accelerator pedal and note the readings on the multimeter. As the pedal is pressed, the reading should increase until it reaches approximately 4.65 volts when the pedal is fully pressed.

7. If reading does not increase as the pedal is pressed, check the drive bar for wear. If drive bar is not worn, replace MCOR. **See following NOTE.**

**NOTE:** Observe closely to see if voltage randomly or sporadically fluctuates with pedal at rest, during pedal travel and with pedal fully pressed. If it fluctuates, the MCOR is defective and must be replaced.

## TEST PROCEDURE 13 – Motor Speed Sensor

See General Warnings on page 1-2.

### Motor Speed Sensor Test without any Tool

#### **⚠ CAUTION**

- Perform the following procedure only on a level surface. To avoid injury or property damage, ensure that the path of the vehicle is clear before pushing vehicle.
1. Place the Forward/Reverse switch in the REVERSE position to verify reverse buzzer is functioning properly. If not, repair or replace the buzzer.
  2. With Run/Tow switch in the RUN position, turn the key switch to the OFF position and place the Forward/Reverse switch in the NEUTRAL position.
  3. Slowly push the vehicle a short distance (about 3 feet (1 meter)). The reverse buzzer should sound and motor braking should engage while the vehicle is rolling.
  4. If the reverse buzzer does not sound and motor braking does not engage while the vehicle is rolling, replace the Motor Speed Sensor.

### Motor Speed Sensor Test with the CDT Handset

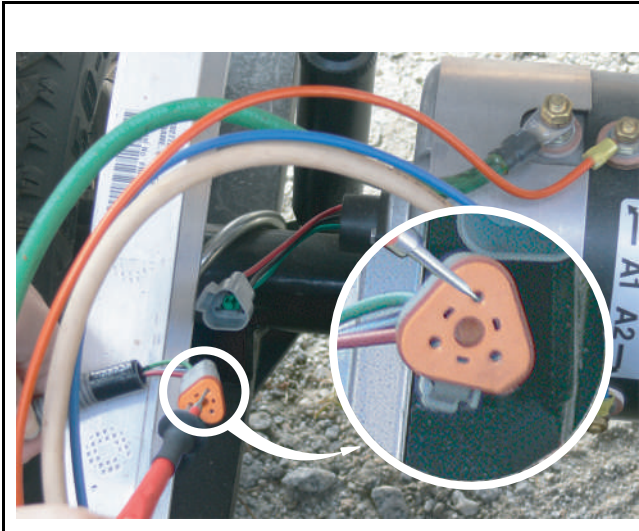
#### **⚠ CAUTION**

- Perform the following procedure only on a level surface. To avoid injury or property damage, ensure that the path of the vehicle is clear before pushing vehicle.
1. Turn the key switch to the OFF position and place the Forward/Reverse switch in the NEUTRAL position.
  2. Connect the CDT to the vehicle. **See Plugging the CDT into the Vehicle, Section 11, Page 11-2.**
  3. Access the Monitor menu and select SPEED PULSES by using the SCROLL DISPLAY buttons. The CDT should indicate OFF when the vehicle is at rest.
  4. While monitoring the CDT display screen, slowly push the vehicle a short distance (about 3 feet (1 meter)). The CDT should indicate ON for speed sensor pulses while the wheels are in motion.
  5. If the CDT does not indicate ON while the wheels are in motion, proceed to the following procedure.

### Motor Speed Sensor Test without the CDT Handset

**NOTE:** The Motor Speed Sensor uses the 6-pin connector at controller.  
Pins 4, 5, and 6 are the outputs and inputs to the controller and speed sensor.  
Pin 4: Black/White Wire — Ground  
Pin 5: Light Green Wire — Input to controller (0 to 5 volts)  
Pin 6: Red Wire — Output from controller (15 volts to sensor)

1. Turn the key switch to the OFF position and place the Forward/Reverse switch in the NEUTRAL position.
2. With batteries connected, disconnect the three-pin connector at the motor speed sensor.
3. Check voltage at black/white wire:
  - 3.1. Set a multimeter to 200 volts DC. Place the red (+) probe on the battery no. 1 positive post and place the black (-) probe on the black/white wire terminal socket in the three-pin connector. The voltage reading should be 48 to 50 volts (full battery voltage).
  - 3.2. If the reading is zero volts, check the continuity of the black/white wire from the 24-pin connector at the speed controller to the three-pin connector at the motor speed sensor. If the continuity is correct, replace the speed controller.



**Figure 12-8 Test 13: Speed Sensor Black/White Wire**

4. Check voltage at the red motor speed sensor wire:
  - 4.1. With Run/Tow switch in the RUN position and using a multimeter set to 20 volts DC, place the black (-) probe on the battery no. 8 negative post and place red (+) probe on red wire terminal socket in three-pin connector. The voltage reading should be approximately 15 to 16 volts.
  - 4.2. If the voltage reading is zero volts, check the continuity of the red wire from the 24-pin connector at the speed controller to the three-pin connector at the motor speed sensor. If the wire continuity is correct, replace the speed controller.
  - 4.3. If the reading is below 14 volts, replace the speed controller.
  - 4.4. If the voltage reading is correct, proceed to the following step.

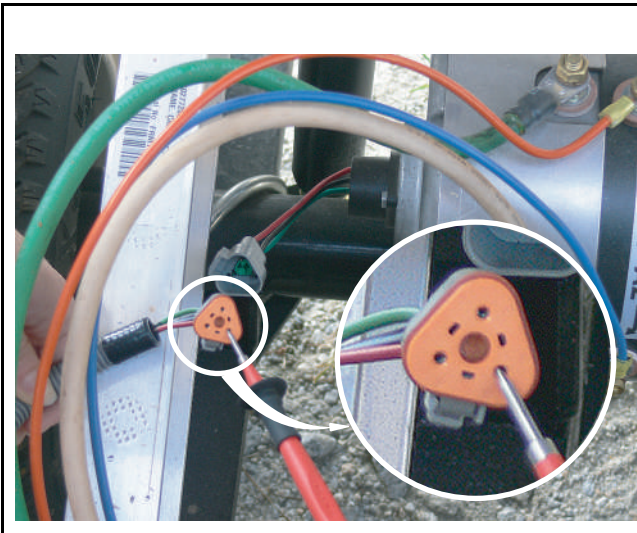


Figure 12-9 Test 13: Speed Sensor Red Wire

5. Check voltage at the light green wire:
  - 5.1. Set a multimeter to 20 volts DC. Place the black (–) probe on the battery no. 8 negative post and place the red (+) probe on the light green wire female terminal in the three-pin connector at the motor speed sensor. The voltage reading should be from 4.60 to 5.00 volts.
  - 5.2. If the voltage is zero volts, check the continuity of the light green wire from the 24-pin connector at the speed controller to the three-pin connector at the motor speed sensor. If the continuity is correct, replace the speed controller.
  - 5.3. If reading is below 3.50 volts, check the continuity of the wires and plug and replace the speed controller if necessary.

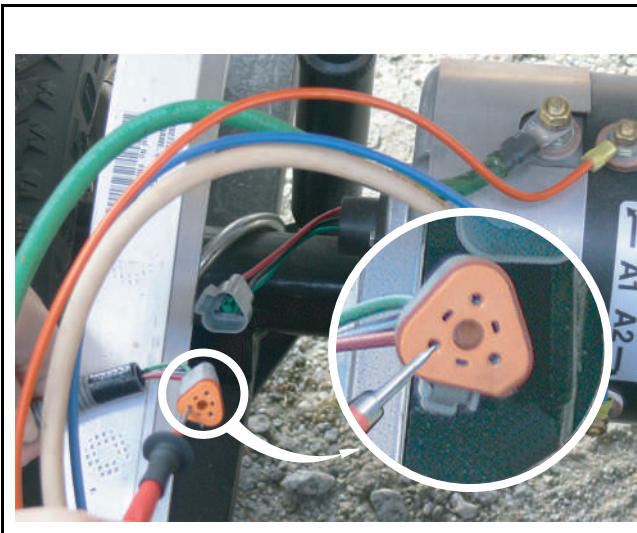


Figure 12-10 Test 13: Speed Sensor Light Green Wire

6. Reconnect the three-pin connector at the motor speed sensor. Using a multimeter set to 20 volts DC, place the black (–) probe on the battery no. 8 negative post and place the red (+) probe (with insulation-piercing probe) on the green wire between the three-pin connector and the motor speed sensor.

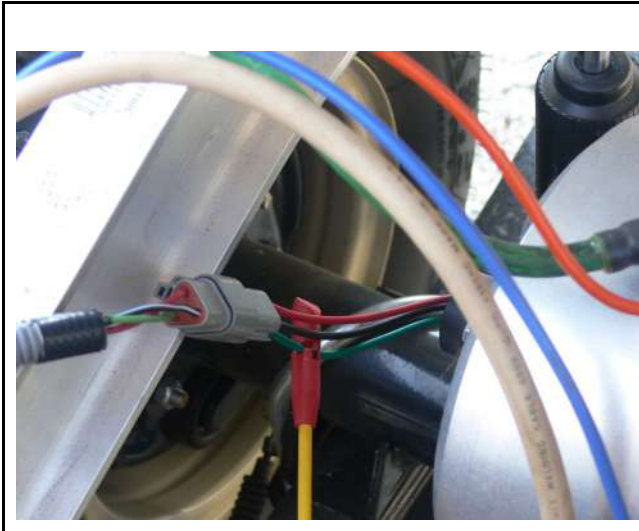


Figure 12-11 Test 13: Speed Sensor Green Wire

- 6.1. Raise one rear wheel off ground. Slowly turn the rear wheel to rotate the motor armature. As the armature rotates, the voltage reading should alternate from zero to approximately 4.85 volts. The voltage reading will fluctuate from zero to 4.85 volts and back to zero four times for each revolution of the motor armature. **See following NOTE.**

**NOTE:** The voltage reading of 4.85 is an approximate reading. The actual reading may vary from 4.50 to 5.00 volts.

- 6.2. Replace the speed sensor if
  - there is no voltage reading.
  - the voltage reading is not above 3.50.
  - the voltage reading does not fluctuate as the motor is turned.

## TEST PROCEDURE 14 – A1 and A2 Motor Voltage

See General Warnings on page 1-2.

1. Place chocks at the front wheels and lift the rear of the vehicle with a chain hoist or floor jack. Position jack stands under the frame crossmember between the spring mount and side stringer, just forward of each rear wheel. **See WARNING “Lift only one end...” in General Warnings on page 1-2. See also following WARNING.**

### **⚠ WARNING**

- **Keep people and equipment clear from rotating rear wheels. Do not allow persons under the car. Contact with rotating rear wheels could result in serious personal injury.**
2. With the batteries connected and using a multimeter set to 200 volts DC, place the black (–) probe on the A2 (1) motor terminal (white wire) and connect the red (+) probe to the A1 (2) motor terminal (green wire) (**Figure 12-12, Page 12-30**).
  3. With Run/Tow switch in the RUN position, place the Forward/Reverse switch in the FORWARD position, turn key switch to the ON position and slowly press accelerator pedal.
  4. As the accelerator pedal is pressed, the voltage reading should increase from approximately 5 volts RMS when the MCOR limit switch closes, to approximately 32 to 37 volts RMS with the accelerator pedal fully pressed. **See following NOTE.**

**NOTE:** Voltage can vary depending on controller speed setting as well as which zone a Guardian equipped vehicle is located.

**Example:** Speed setting 1 may only read 30 volts.

- 4.1. If there is no voltage reading or if there is no increase in voltage as the pedal is pressed, check the MCOR. **See MCOR Voltage on page 12-24.** Also check the continuity of the large posts of the solenoid. **See Solenoid Contacts on page 12-23.**
- 4.2. Disconnect the batteries and discharge the controller. **See Disconnecting the Batteries – Electric Vehicles, Section 1, Page 1-3.**
- 4.3. Check continuity on A1 and A2 motor terminal posts and continuity of the F1 and F2 motor terminal posts. Also, check continuity of all motor wires. **See Motor Component Testing and Inspection, Section 16, Page 16-7.**
- 4.4. Connect the batteries. **See Connecting the Batteries – Electric Vehicles, Section 1, Page 1-4.**

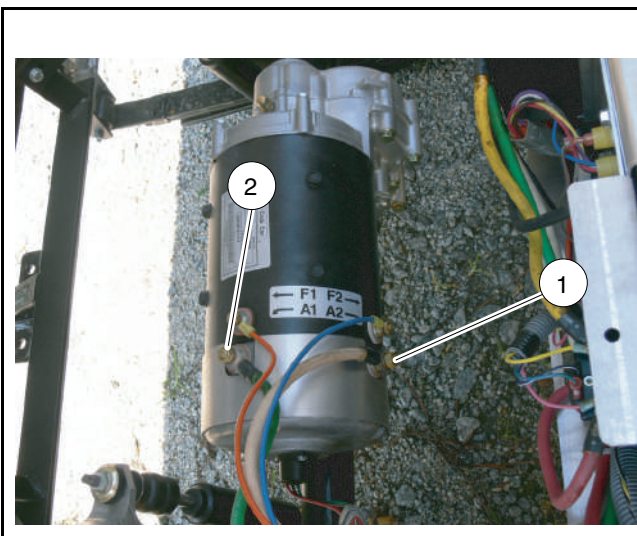


Figure 12-12 Test A1 and A2 Motor Voltage

## TEST PROCEDURE 15 – 24-Pin Connector

See General Warnings on page 1-2.

1. Disconnect the batteries and discharge the controller. **See Disconnecting the Batteries – Electric Vehicles, Section 1, Page 1-3.**
2. Disconnect the 24-pin connector from the speed controller. Inspect terminal ends inside plug to ensure they are in position and seated in plug housing. If any terminals look like they are not pushed all the way into the connector, gently push the terminals until they are firmly seated in the 24-pin connector. After each terminal has been pushed into the housing, gently pull on the wire to ensure it is locked into place.
3. Check wires in the plug to make sure none are broken at the terminal pin crimp. Repair or replace as required.
4. Check the wire colors of each wire and make sure that the colors for each pin position match the wire colors in the wiring diagram. **See Wiring Diagrams beginning on page .**
5. When connecting the 24-pin connector to the controller, push plug into controller receptacle with enough force to lock plug into place. An audible click will be heard when plug is properly seated to the controller.

A procedure is provided for testing each of the wires in the 24-pin connector. Refer to the following chart for the appropriate procedure for each pin in the 24-pin connector.

If the results of any of the referenced procedures are different from those described in the procedure, check the continuity of the wires in the wire harness and test the connected components with the appropriate test procedures. (See Index of Test Procedures on page 12-11).

SPEED CONTROLLER 24-PIN CONNECTOR WIRE	TEST PROCEDURE
Pin 1 – Tan (18-gauge)	KEY INPUT
Pin 2 – Light Blue (18-gauge)	Test Procedure 11 – Charger Interlock on page 12-23
Pin 3 – Orange (18-gauge)	
Pin 4 – Gray (18-gauge)	Test Continuity of wire
Pin 5 – Open (no wire)	
Pin 6 – Open (no wire)	
Pin 7 – Open (no wire)	
Pin 8 – Green (18-gauge)	FOOT INPUT
Pin 9 – Pink (18-gauge)	Test continuity of wire
Pin 10 – Brown (18-gauge)	
Pin 11 – Red/Green (18-gauge)	
Pin 12 – Open (no wire)	
Pin 13 – White (18-gauge)	
Pin 14 – Purple/White (18-gauge)	Test continuity of each wire and perform
Pin 15 – Yellow (18-gauge)	
Pin 16 – Open (no wire)	
Pin 17 – Blue/White (18-gauge)	
Pin 18 – Open (no wire)	
Pin 19 – Orange/White (18-gauge)	
Pin 20 – Purple (18-gauge)	
Pin 21 – White/Black (18-gauge) Supplies approximately 13 volts to the Guardian/Visage unit.	CONNECTED CAR OUTPUT Approximately 13 volts measured between pin 1 and B- terminal on controller (Key switch either ON or OFF)
Pin 22 – Blue/Yellow (18-gauge) Supplies a positive (+), controlled current source to power the charge indicator light on the instrument panel.	CHARGE INDICATOR LIGHT OUTPUT Start a charging session. After a few seconds, light should flash. Can also be seen under LED Driver in the Monitor menu of the CDT.
Pin 23 – Green/White (18-gauge)	
Pin 24 – Open (no wire)	

### Pins 13, 14, and 15

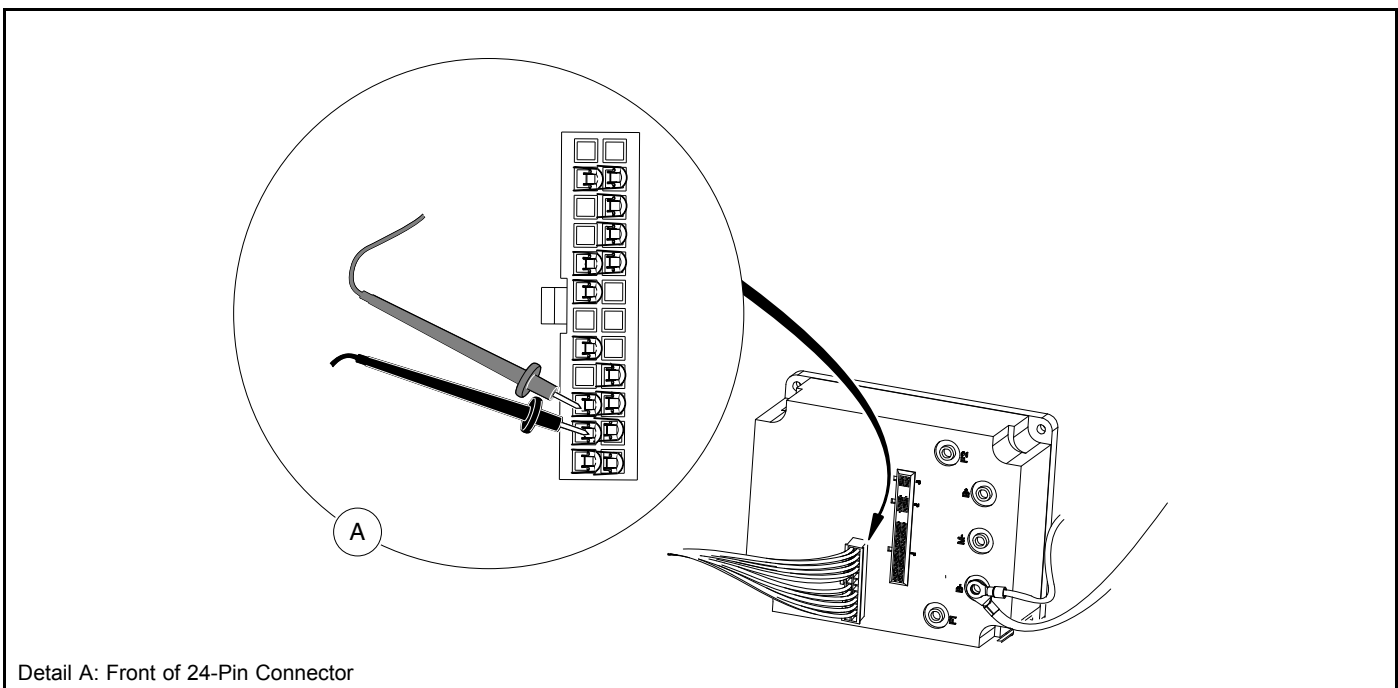
See General Warnings on page 1-2.

Pins 13, 14, and 15 in the 24-pin connector provide a connection point from the MCOR potentiometer to the speed controller.

1. Disconnect the batteries and discharge the controller. **See Disconnecting the Batteries – Electric Vehicles, Section 1, Page 1-3.**
2. Place chocks at the front wheels and lift the rear of the vehicle with a chain hoist or floor jack. Position jack stands under the frame crossmember between the spring mount and side stringer, just forward of each rear wheel. **See WARNING “Lift only one end...” in General Warnings on page 1-2.**
3. Disconnect the 24-pin connector at the speed controller.
4. Set a multimeter to 20k ohms. Insert the red (+) probe of the multimeter into pin 15 (yellow wire) of the 24-pin connector. **See following CAUTION.** Insert the black (–) probe into pin 14 (purple/white wire) of the 24-pin connector (**Figure 12-13, Page 12-32**).

## CAUTION

- **Do not fully insert probes into the 24-pin plug. Doing so can result in a poor connection.**
5. With the accelerator pedal fully up (not pressed), the multimeter should read approximately 1k ohms.
  6. Slowly press the accelerator pedal while monitoring the multimeter. The resistance should rise as the pedal is pressed. When the pedal is all the way to the floor, the multimeter should indicate between 5.67k ohms and 7.43k ohms.
  7. Set a multimeter to 20k ohms. Insert the red (+) probe of the multimeter into pin 15 (yellow wire) at the 24-pin connector. Connect the black (–) probe into pin 13 (white wire). **See previous CAUTION.**
  8. With the accelerator pedal fully up (not pressed), the multimeter should indicate between 5.67k ohms and 7.43k ohms.
  9. Slowly press the accelerator pedal while monitoring the multimeter. The resistance should drop as the pedal is pressed. When the pedal is all the way to the floor, the multimeter should indicate approximately 1k ohms.
  10. If any other reading is observed, check the continuity of the wires in the wire harness.
  11. Connect the batteries. **See Connecting the Batteries – Electric Vehicles, Section 1, Page 1-4.**



**Figure 12-13 Test: Pins 14 and 15 (Purple/White and Yellow wires)**



**Pin 8**

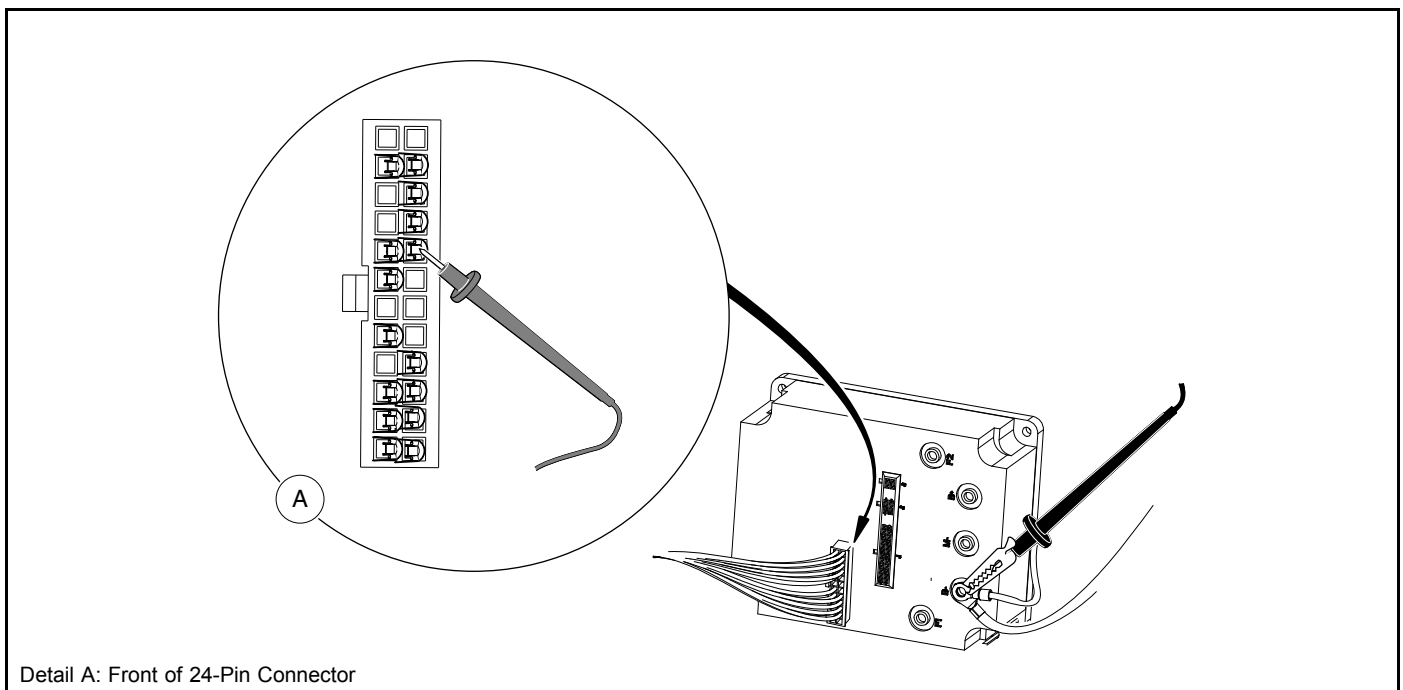
See General Warnings on page 1-2.

Pin 8 in the 24-pin connector provides a connection point for the MCO limit switch to the speed controller.

1. Disconnect the batteries and discharge the controller. See **Disconnecting the Batteries – Electric Vehicles, Section 1, Page 1-3.**
2. Place chocks at the front wheels and lift the rear of the vehicle with a chain hoist or floor jack. Position jack stands under the frame crossmember between the spring mount and side stringer, just forward of each rear wheel. See **WARNING “Lift only one end...” in General Warnings on page 1-2.**
3. Disconnect the 24-pin connector at the speed controller.
4. Place the Run/Tow switch in the TOW position and connect the battery cables, positive (+) cable first. See **Connecting the Batteries – Electric Vehicles, Section 1, Page 1-4.**
5. Set a multimeter to 200 volts DC, insert the red (+) probe of the multimeter into pin 8 (green wire) of the 24-pin connector. See following **CAUTION.** Connect the black (–) probe to the B– terminal of the speed controller or negative (–) post of battery no. 8 (**Figure 12-14, Page 12-33**).

**CAUTION**

- Do not fully insert probes into the 24-pin plug. Doing so can result in a poor connection.



**Figure 12-14 Test: Pin 8 (Green Wire)**

6. Place the Run/Tow switch in the RUN position and key switch in the ON position.
7. The multimeter should indicate zero volts DC at this time.
8. The multimeter should indicate full battery voltage (approximately 48 volts) when the accelerator pedal is pressed.
9. While observing the multimeter, release the accelerator pedal.
10. The multimeter should indicate zero volts when the accelerator pedal is not pressed.
11. If any other reading is obtained, check the following items:
  - Continuity of the wires in the wire harness.

- Run/Tow switch for proper operation. **See Run/Tow Switch on page 12-15.**
- Key switch and MCOR limit switch for proper operation. **See Key Switch and MCOR Limit Switch Circuit on page 12-20.**
- Ensure that the pedal group is adjusted correctly. **See Accelerator and Brake Pedal Group Section.**

## Pin 19

**See General Warnings on page 1-2.**

Pin 19 in the 24-pin connector provides a connection point for the reverse buzzer to the speed controller.

1. Disconnect the batteries and discharge the controller. **See Disconnecting the Batteries – Electric Vehicles, Section 1, Page 1-3.**
2. Place chocks at the front wheels and lift the rear of the vehicle with a chain hoist or floor jack. Position jack stands under the frame crossmember between the spring mount and side stringer, just forward of each rear wheel. **See WARNING “Lift only one end...” in General Warnings on page 1-2.**
3. Disconnect the 24-pin connector at the speed controller.
4. Place a jumper wire with an alligator clip between the B– terminal of the speed controller (use alligator clip for this connection) and pin 19 (orange/white wire) of the 24-pin connector (**Figure 12-15, Page 12-35**). **See following CAUTION.**

## **CAUTION**

- **Do not fully insert probes into the 24-pin plug. Doing so can result in a poor connection.**
5. Place the Run/Tow switch in the TOW position and connect the battery cables, positive (+) cable first. **See Connecting the Batteries – Electric Vehicles, Section 1, Page 1-4.**
  6. Place the Run/Tow switch in the RUN position.
  7. The reverse buzzer should sound when the Run/Tow switch is in the RUN position.
  8. If any other activity is observed, check the following items:
    - Continuity of the wires in the wire harness
    - Reverse buzzer for proper operation. **See Reverse Buzzer on page 12-39.**
    - Run/Tow switch for proper operation. **See Run/Tow Switch on page 12-15.**

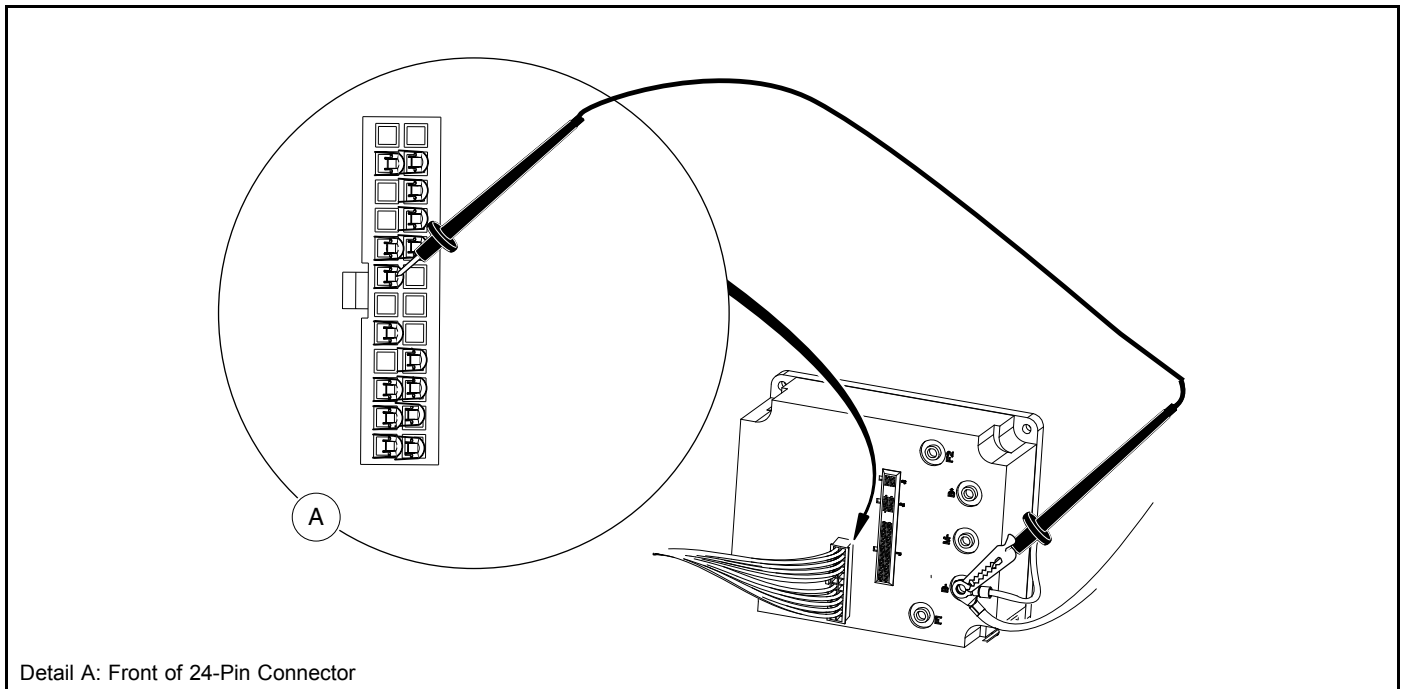


Figure 12-15 Test: Pin 19 (Orange/White Wire)

### Pins 10 and 11

See General Warnings on page 1-2.

Pins 10 and 11 in the 24-pin connector provide a connection point for the Forward/Reverse rocker switch to the speed controller. The switch provides a +48 volt signal to the speed controller through pin 10 when the Forward/Reverse switch is in the FORWARD position and provides a +48 volt signal on pin 11 when the Forward/Reverse switch is in the REVERSE position.

1. Disconnect the batteries and discharge the controller. See **Disconnecting the Batteries – Electric Vehicles, Section 1, Page 1-3.**
2. Place chocks at the front wheels and lift the rear of the vehicle with a chain hoist or floor jack. Position jack stands under the frame crossmember between the spring mount and side stringer, just forward of each rear wheel. See **WARNING “Lift only one end...” in General Warnings on page 1-2.**
3. Disconnect the 24-pin connector at the speed controller.
4. Set a multimeter to 200 volts DC, insert the red (+) probe of the multimeter into pin 10 (brown wire) of the 24-pin connector. See following **CAUTION.** Using an alligator clip, connect the black (–) probe to the B– terminal of the speed controller (**Figure 12-16, Page 12-36**).

### CAUTION

- Do not fully insert probes into the 24-pin plug. Doing so can result in a poor connection.
5. Place the Run/Tow switch in the TOW position and connect the battery cables, positive (+) cable first. See **Connecting the Batteries – Electric Vehicles, Section 1, Page 1-4.**
  6. Place the Run/Tow switch in the RUN position and the Forward/Reverse switch in the NEUTRAL position. The multimeter should indicate zero volts DC at this time.
  7. While monitoring the multimeter, place the Forward/Reverse switch in the REVERSE position. The multimeter should still indicate zero volts.

8. Place the Forward/Reverse switch in the FORWARD position. The multimeter should indicate full battery voltage (approximately 48 volts).
9. Insert the red (+) probe of the multimeter into pin 11 (blue wire) of the 24-pin connector. Leave the black (-) probe (alligator clip) connected to the B- terminal of the speed controller. **See previous CAUTION.**
10. Place the Forward/Reverse switch in the NEUTRAL position. The multimeter should indicate zero volts DC at this time.
11. While monitoring the multimeter, place the Forward/Reverse switch in the FORWARD position. The multimeter should still indicate zero volts.
12. Place the Forward/Reverse switch in the REVERSE position. The multimeter should indicate full battery voltage (approximately 48 volts).
13. If any other reading is obtained, check the following items:
  - Continuity of the wires in the wire harness
  - Forward/Reverse switch for proper operation. **See Forward/Reverse Rocker Switch on page 12-21.**
  - Run/Tow switch for proper operation. **See Run/Tow Switch on page 12-15.**

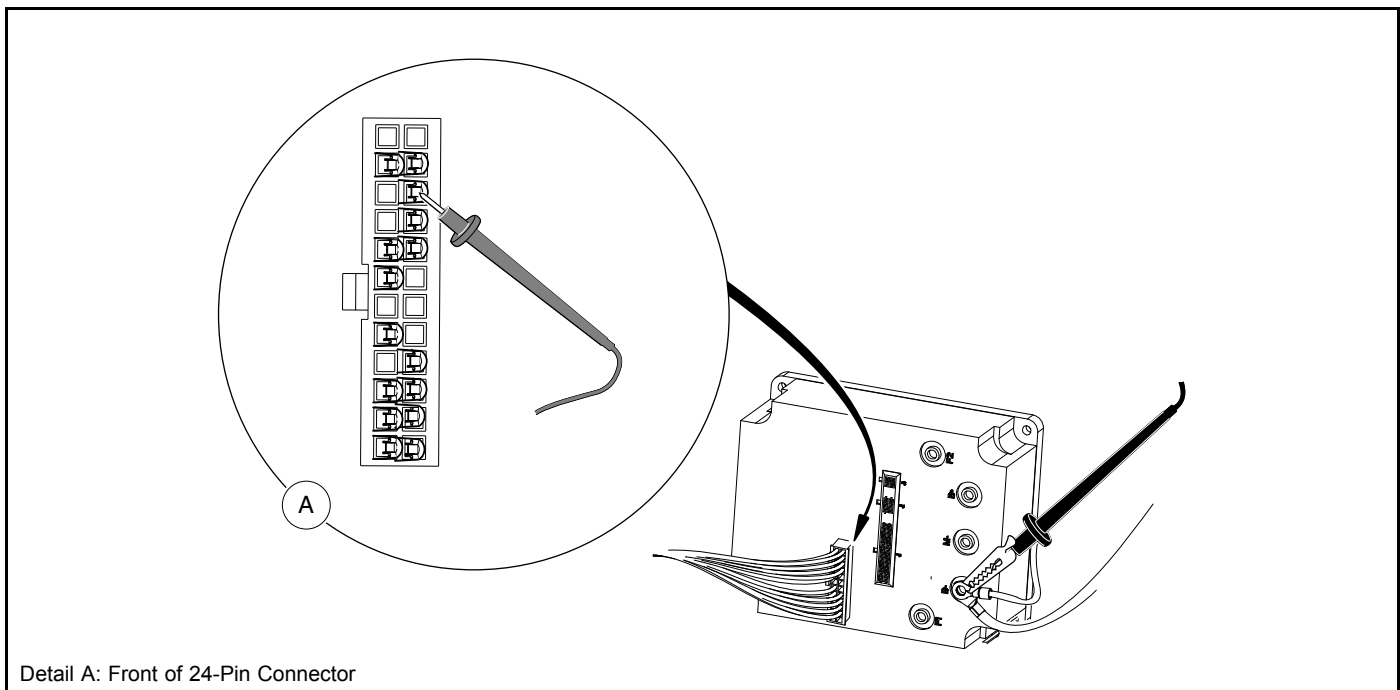


Figure 12-16 Test: Pin 10 (Black Wires)

### Pin 1

See General Warnings on page 1-2.

Pin 1 in the 24-pin connector provides a connection point for the key switch to the speed controller. The key switch provides a +48 volt signal to the speed controller through pin 1 (tan wire) when the key switch is in the ON position.

1. Disconnect the batteries and discharge the controller. **See Disconnecting the Batteries – Electric Vehicles, Section 1, Page 1-3.**
2. Place chocks at the front wheels and lift the rear of the vehicle with a chain hoist or floor jack. Position jack stands under the frame crossmember between the spring mount and side stringer, just forward of each rear wheel. **See WARNING “Lift only one end...” in General Warnings on page 1-2.**
3. Disconnect the 24-pin connector at the speed controller.

- With a multimeter set for 200 volts DC, insert the red (+) probe of the multimeter into pin 1 (tan wire) of the 24-pin connector. **See following CAUTION.** With an alligator clip, connect the black (-) probe to the B- terminal of the speed controller (**Figure 12-17, Page 12-37**).

## CAUTION

- Do not fully insert probes into the 24-pin plug. Doing so can result in a poor connection.

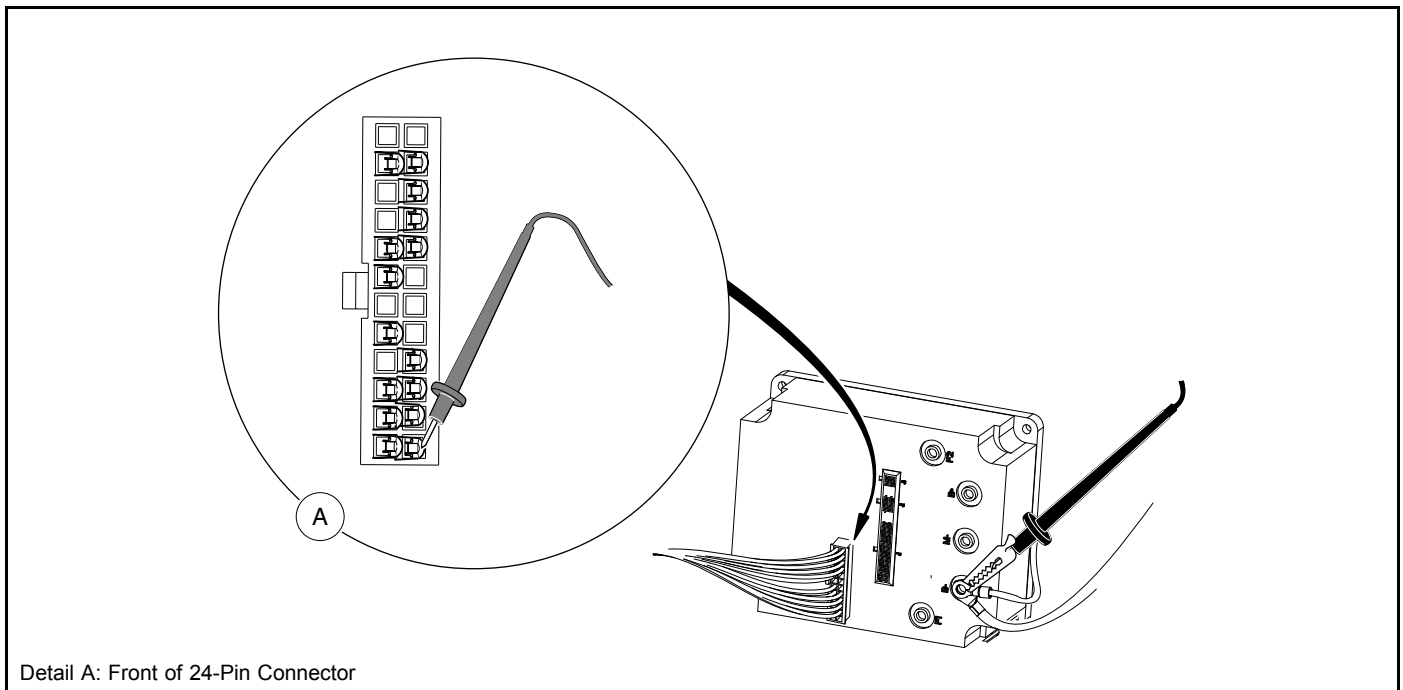


Figure 12-17 Test: Pin 1 (Tan Wire)

- Place the Run/Tow switch in the TOW position and connect the battery cables, positive (+) cable first. **See Connecting the Batteries – Electric Vehicles, Section 1, Page 1-4.**
- With the Run/Tow switch in the TOW position, the multimeter should indicate zero volts.
- Place the Run/Tow switch in the RUN position and the key switch in the ON position.
- With the key switch in the ON position, the multimeter should indicate full battery voltage (approximately 48 volts). With the key switch in the OFF position, the reading should be zero volts.
- If any other reading is obtained, check the following items:
  - Continuity of the wires in the wire harness
  - Run/Tow switch for proper operation. **See Run/Tow Switch on page 12-15.**
  - Key switch for proper operation. **See Key Switch and MCOR Limit Switch Circuit on page 12-20.**

### Pin 17

**See General Warnings on page 1-2.**

Pin 17 in the 24-pin connector provides a connection point for the solenoid coil to the speed controller. The speed controller activates the solenoid coil by providing a ground to the solenoid coil at the appropriate time.

- Place chocks at the front wheels and lift the rear of the vehicle with a chain hoist or floor jack. Position jack stands under the frame crossmember between the spring mount and side stringer, just forward of each rear wheel. **See WARNING “Lift only one end...” in General Warnings on page 1-2.**

2. Set a multimeter to 200 volts DC. Use an alligator clip to connect the red (+) probe to the positive terminal on battery no. 1. With an insulation-piercing probe, connect the black (–) probe to the blue/white wire attached to pin 17 of the 24-pin connector.
3. Place the Run/Tow switch in the RUN position, the Forward/Reverse switch in the FORWARD position, and the key switch in the ON position.
4. With the accelerator pedal pressed, the multimeter should read 48 volts DC. With the pedal up, the multimeter should read 0 volts DC.
5. If any other activity is observed, check the following items:
  - Continuity of the wires in the wire harness.
  - Reverse buzzer for proper operation. **See Reverse Buzzer on page 12-39.**
  - Run/Tow switch for proper operation. **See Run/Tow Switch on page 12-15.**
  - Key switch for proper operation. **See Key Switch and MCOR Limit Switch Circuit on page 12-20.**
  - Solenoid for proper operation. **See Solenoid Contacts on page 12-23.**

### Pin 3

Voltage is supplied to Pin 3 through the walk away braking circuit breaker:

1. Disconnect the 24-pin connector at the speed controller.
2. With a multimeter set for 200 volts DC, insert the red (+) probe of the multimeter into pin 3 (orange wire) of the 24-pin connector. **See following CAUTION.** With an alligator clip, connect the black (–) probe to the negative terminal of battery # 8.

### **CAUTION**

- **Do not fully insert probes into the 24-pin plug. Doing so can result in a poor connection.**

3. The reading should be 48 volts. If the reading is zero volts, replace the circuit breaker.

### Pin 20 (Smart-Key Switch Only)

Voltage is supplied to Pin 20 when it is in the Mode position.

1. With a multimeter set for 200 volts DC, insert the red (+) probe of the multimeter into pin 20 (purple wire) of the 24-pin connector. **See following CAUTION.** With an alligator clip, connect the black (–) probe to the negative terminal of battery # 8.
2. The reading should be 48 volts. If the reading is zero volts, check the purple wire continuity from the key switch to the 24 pin connector. If there is no continuity, replace the keyswitch.

### Pin 23

1. Place the Run/Tow switch in the RUN position, the Forward/Reverse switch in the NEUTRAL position, and the key switch in the OFF position.
2. Set the multimeter for 200 volts DC. With an alligator clip, connect the red (+) probe of the multimeter to the positive terminal of battery # 1. With an insulation-piercing probe, connect the black (–) probe to the green/white wire at Pin 23.
3. Push the car to activate walk away braking. When braking activates and reverse buzzer sounds, the reading should be 48 volts.
4. If the reading is zero volts, check the continuity of the green/white wire. If the continuity is good, replace the speed controller.

## TEST PROCEDURE 16 – Reverse Buzzer

See General Warnings on page 1-2.

1. Disconnect the batteries and discharge the controller. **See Disconnecting the Batteries – Electric Vehicles, Section 1, Page 1-3.**
2. Remove the instrument panel. **See Instrument Panel Removal, Section 4, Page 4-9.**
3. Place the Run/Tow switch in the TOW position and connect the battery cables, positive (+) cable first. **See Connecting the Batteries – Electric Vehicles, Section 1, Page 1-4.**
4. Place the Run/Tow switch in the RUN position.
5. Set a multimeter to 200 volts DC. Place the black (–) probe on battery no. 8 negative post and place the red (+) probe on the red wire terminal end that was disconnected from the reverse buzzer. The reading should be approximately 48 volts (full battery voltage).
  - 5.1. If the voltage reading is correct, proceed to step 6.
  - 5.2. If reading is zero volts, check red wire continuity and Run/Tow switch. **See Run/Tow Switch on page 12-15.**
  - 5.3. If the continuity readings are not correct, repair or replace the red wire.
  - 5.4. If the continuity readings are correct, proceed to step 6.
6. Place the Forward/Reverse switch in REVERSE. Using a multimeter set to 200 volts DC, place the black (–) probe on the orange/white wire terminal end (that was disconnected from the reverse buzzer) and place the red (+) probe on battery no. 1 positive post. The reading should be approximately 48 volts (full battery voltage).
  - 6.1. If the voltage reading is correct, replace the reverse buzzer.
  - 6.2. If reading is zero volts, check orange/white wire continuity and connection at Pin 19 in 24-Pin connector.
  - 6.3. If there is no continuity in the orange/white wire, or the Pin 19 terminal in the 24-Pin connector is not properly seated, repair or replace as required.
  - 6.4. If the orange/white wire continuity and 24-Pin connector are correct and there is no voltage at the orange wire, replace the controller.

## TEST PROCEDURE 17 – Walk Away Braking Relay

See General Warnings on page 1-2.

### Walk Away Braking Relay Test with the CDT Handset

1. Turn the key switch to the OFF position and place the Forward/Reverse switch in the NEUTRAL position.
2. Connect the CDT to the vehicle. **See Plugging the CDT into the Vehicle, Section 11, Page 11-2.**
3. Check the FAULTS Menu.
4. If a 15 RELAY DNC or 30 RELAY COIL FAULT is shown in the list, a walk away braking fault has occurred.

### Walk Away Braking Relay Test without the CDT Handset

1. Turn the key switch to the OFF position and place the Forward/Reverse switch in the NEUTRAL position.
2. Slowly push the vehicle a short distance (about 3 feet (1 meter)).
3. You should hear the relay click and feel resistance as motor braking is applied. The reverse buzzer will also begin pulsing. If neither of these conditions are present, test the Motor Speed Sensor. **See Motor Speed Sensor on page 12-26.** If the Motor Speed Sensor is operational, replace the walk away braking relay.

## TEST PROCEDURE 18 – Charge Indicator Light

See General Warnings on page 1-2.

1. With batteries connected, Run/Tow switch in the RUN position and the key switch in the OFF position, connect charger DC cord to vehicle.
2. In a few seconds, the light will flash three times and the reverse buzzer simultaneously will sound three times to indicate charging has begun. **See following NOTE.**

**NOTE:** The number of flashes and beeps can vary depending on the Beep Option setting. **See Beep Option, Section 11, Page 11-9.**

3. If charge indicator light does not flash three times, disconnect charger DC cord from vehicle and connect an CDT to the vehicle.
4. Access the Monitor menu and select LED Driver by using the SCROLL DISPLAY buttons. The CDT should indicate OFF.
5. Reconnect charger DC cord to vehicle.
6. In a few seconds, the CDT should quickly display ON just once while the dash-mounted charge indicator light flashes three times. **See following NOTE.**

**NOTE:** The CDT will still flash ON even with a failed or missing charge indicator light.

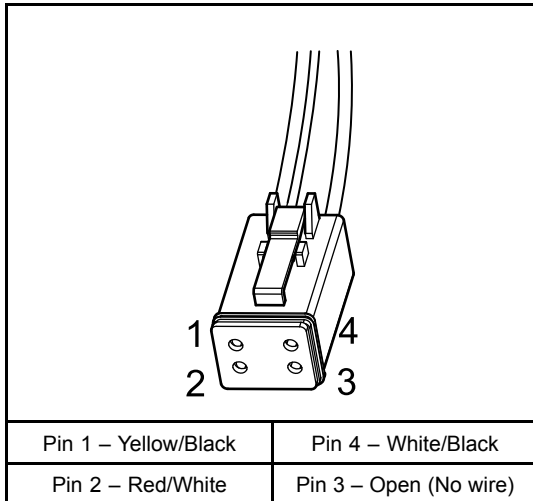
7. If the CDT quickly displays ON but the charge indicator light still does not flash, check the following items:
  - Condition of the blue/yellow wire terminal in the 16-pin connector.
  - Condition of the 9-pin connector behind instrument panel.
  - Condition of the yellow/green wire terminal in the instrument panel wire harness.
  - Continuity of the wires in the wire harnesses.
8. If no problems exist in the above items, replace the charge indicator light.



**TEST PROCEDURE 19 – 4-Pin Connector (for Connected Car Device)**

See General Warnings on page 1-2.

**NOTE:** This is a voltage and continuity test.



2786

**Figure 12-18 4-Pin Connector**

1. If necessary, see Testing Basics on page 12-11.
2. Check for continuity between pin 1 (yellow/black wire) (**Figure 12-18, Page 12-41**) and pin 3 (purple/white wire) of the 16-pin connector. It should indicate continuity. If not, check sonic welds no. 1 and no. 2.
3. Probe pin 2 (red/white wire). It should show BPV. If not, check 2-amp fuse. **See following NOTE.**

**NOTE:** The red/white wire has BPV with the Run/Tow switch in either position.

4. Probe pin 4 (white/black wire). It should show approximately 13 volts supplied by the controller. If not, check wiring and then controller. **See following NOTE.**

**NOTE:** The white/black wire only has voltage with the Run/Tow switch in the RUN position.

*If pin 4 has no voltage, the controllers LIN (Local Interconnect bus) may have failed. The vehicle can be driven if it is not used with Guardian or Visage and will not show any symptoms. Otherwise, Guardian or Visage will disable the vehicle until communication is restored.*

## TEST PROCEDURE 20 – Emergency Stop Switch

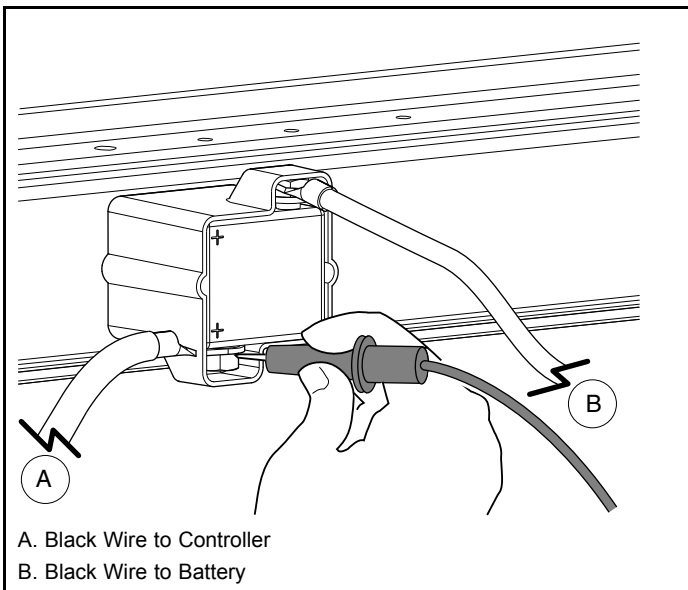
See General Warnings on page 1-2.

### **⚠ WARNING**

- Motor braking and Walk Away braking functions are disabled when the emergency stop is activated.

**NOTE:** This is a voltage test.

If no voltage is coming to the Emergency Stop Switch, inspect the 4-gauge black wires and their connections.



3210

**Figure 12-19 Emergency Stop Switch Voltage Test**

1. Place vehicle on a level surface.
2. Engage the park brake.
3. Remove seat.
4. Set a multimeter to 200 volts DC. With the batteries connected, connect the black (-) probe to the negative post of battery no. 8.
5. Identify the 4-gauge black wire that connects the controller to the Emergency Stop switch.
6. Probe the switch terminal for this black wire (**Figure 12-19, Page 12-42**).
7. With the Emergency Stop switch in the “operate” position, the reading should be approximately 48 to 50 volts. With the switch in the “stop” position, the reading should be approximately 0 volts. If the reading is not approximately zero (0) volts, replace the Emergency Stop switch.

### **⚠ DANGER**

- See General Warnings on page 1-2.

### **⚠ WARNING**

- See General Warnings on page 1-2.

## KEY SWITCH

See General Warnings on page 1-2.

### TESTING THE KEY SWITCH

See Test Procedure 7 – Key Switch and MCOR Limit Switch Circuit on page 12-20.

### KEY SWITCH REMOVAL

1. Disconnect the batteries and discharge the controller. **See Disconnecting the Batteries – Electric Vehicles, Section 1, Page 1-3.**
2. Remove instrument panel. Refer to **See Instrument Panel Removal on page 4-9.**

***NOTE:** Take care to prevent key switch terminals and wires from touching the metal frame around the dash.*

3. Disconnect the wires from the key switch. Do not allow wires to touch.
4. From the back of the instrument panel, push down on the retaining tabs surrounding the key switch (4) and remove the key switch cap (8). Using a 1-inch socket, hold the key switch and remove the switch retaining nut (6) from the outside of the instrument panel (**Figure 13-1, Page 13-2**).

### KEY SWITCH INSTALLATION

1. Position the key switch (3) and key switch washer (1) in the instrument panel, then install and tighten the key switch nut (5) to 35 to 45 in·lb (4 to 5 N·m). Install key switch cap (6) into instrument panel, align the bent washer tab with the slot in the plastic. (**Figure 13-1, Page 13-2**)
2. Refer to the wiring diagram to connect the wires to the key switch terminals.
3. Install instrument panel. **See Instrument Panel Installation on page 4-9.**
4. Connect the batteries. **See Connecting the Batteries – Electric Vehicles, Section 1, Page 1-4.**

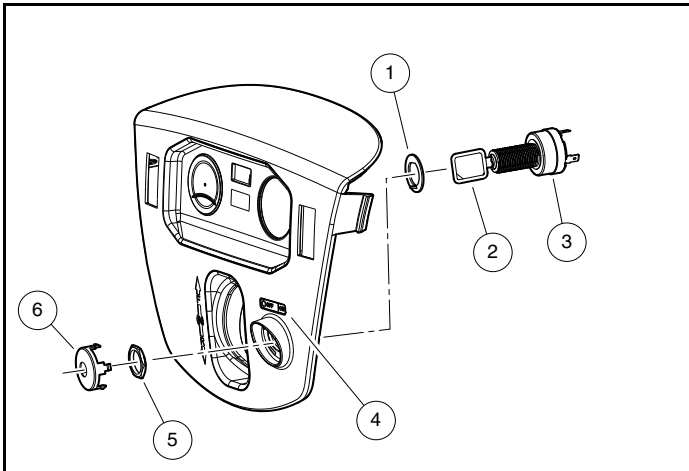


Figure 13-1 Key Switch

## FORWARD/REVERSE ROCKER SWITCH

See General Warnings on page 1-2.

### TESTING THE FORWARD/REVERSE ROCKER SWITCH

See Test Procedure 8 – Forward/Reverse Rocker Switch on page 12-21.

### FORWARD/REVERSE ROCKER SWITCH REMOVAL

1. Disconnect the batteries and discharge the controller. **See Disconnecting the Batteries – Electric Vehicles, Section 1, Page 1-3.**
2. Remove the instrument panel. **See Instrument Panel Removal, Section 4, Page 4-9.**
3. Disconnect the 18-gauge brown, orange, and red/green wires from the rocker switch.
4. Press the locking tabs on each end of switch and push switch out of instrument panel.

### FORWARD/REVERSE ROCKER SWITCH INSTALLATION

1. Press the locking tabs on each end of the rocker switch and push switch into instrument panel.
2. Connect the 18-gauge brown, orange, and red/green wires to the rocker switch exactly as shown in the wiring diagram.
3. Install instrument panel. **See Instrument Panel Installation on page 4-9.**
4. Connect the batteries. **See Connecting the Batteries – Electric Vehicles, Section 1, Page 1-4.**
5. Place the Run/Tow switch in the RUN position.
6. Inspect the vehicle for proper operation. **See following WARNINGS.**

## **WARNING**

- Make sure that the vehicle operates in the forward direction when the Forward/Reverse switch is in the FORWARD position.
- Make sure that the vehicle operates in the reverse direction when the Forward/Reverse switch is in the REVERSE position. The reverse buzzer will sound as a warning when the Forward/Reverse switch is in REVERSE.
- Make sure that the vehicle does not operate when the Forward/Reverse switch is in the NEUTRAL position.

## **RUN/TOW SWITCH**

See General Warnings on page 1-2.

### **TESTING THE Run/Tow SWITCH**

See Test Procedure 3 – Run/Tow Switch on page 12-15.

### **RUN/TOW SWITCH REMOVAL**

1. Disconnect the batteries and discharge the controller. **See Disconnecting the Batteries – Electric Vehicles, Section 1, Page 1-3.**
2. Using a 5/8 in (16 mm) socket, remove Run/Tow switch boot/hex nut (6).
3. Remove Run/Tow switch (10) and nut (9) from bracket (5).
4. Disconnect the two-pin connector (7) and remove switch.

### **RUN/TOW SWITCH INSTALLATION**

1. Installation is reverse of removal. Make sure groove on switch is aligned with tang on bracket. Tighten Run/Tow switch boot/hex nut (6) to 16 in·lb (1.8 N·m).
2. Connect the batteries. **See Connecting the Batteries – Electric Vehicles, Section 1, Page 1-4.**

## CIRCUIT BREAKER

See General Warnings on page 1-2.

### TESTING THE CIRCUIT BREAKER

See Test Procedure 5 – Circuit Breaker on page 12-17

### CIRCUIT BREAKER REMOVAL

1. Disconnect the batteries and discharge the controller. **See Disconnecting the Batteries – Electric Vehicles, Section 1, Page 1-3.**
2. Remove the plastic nut (1) from the circuit breaker (**Figure 13-2, Page 13-4**).
3. Remove circuit breaker and metal nut (2) from bracket (3).
4. Disconnect tan and green wires from the spade connectors (4) on the back of the circuit breaker.

### CIRCUIT BREAKER INSTALLATION

1. Installation is reverse of removal. Connect tan and green wires to the spade connectors (4) on the back of the circuit breaker. **See following NOTE.**

**NOTE:** The spade connectors are not polarity-sensitive. It does not matter what color wire goes to either of the spade connectors.

2. Insert the circuit breaker and metal nut (2) into the bracket (3).
3. Replace the plastic nut (1) on the circuit breaker.
4. Connect the batteries. **See Connecting the Batteries – Electric Vehicles, Section 1, Page 1-4.**

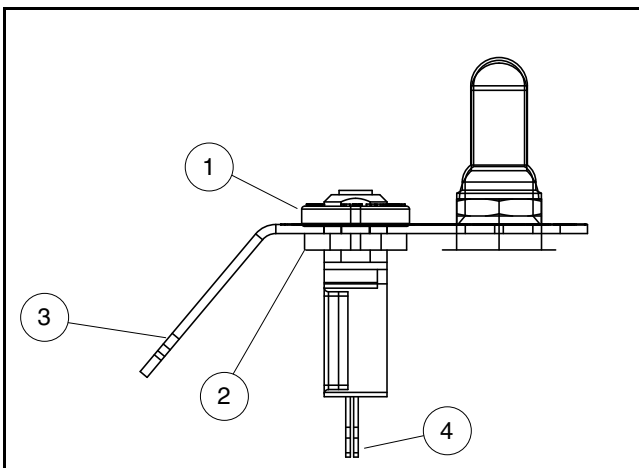


Figure 13-2 Circuit Breaker

## MOTOR CONTROLLER OUTPUT REGULATOR (MCOR)

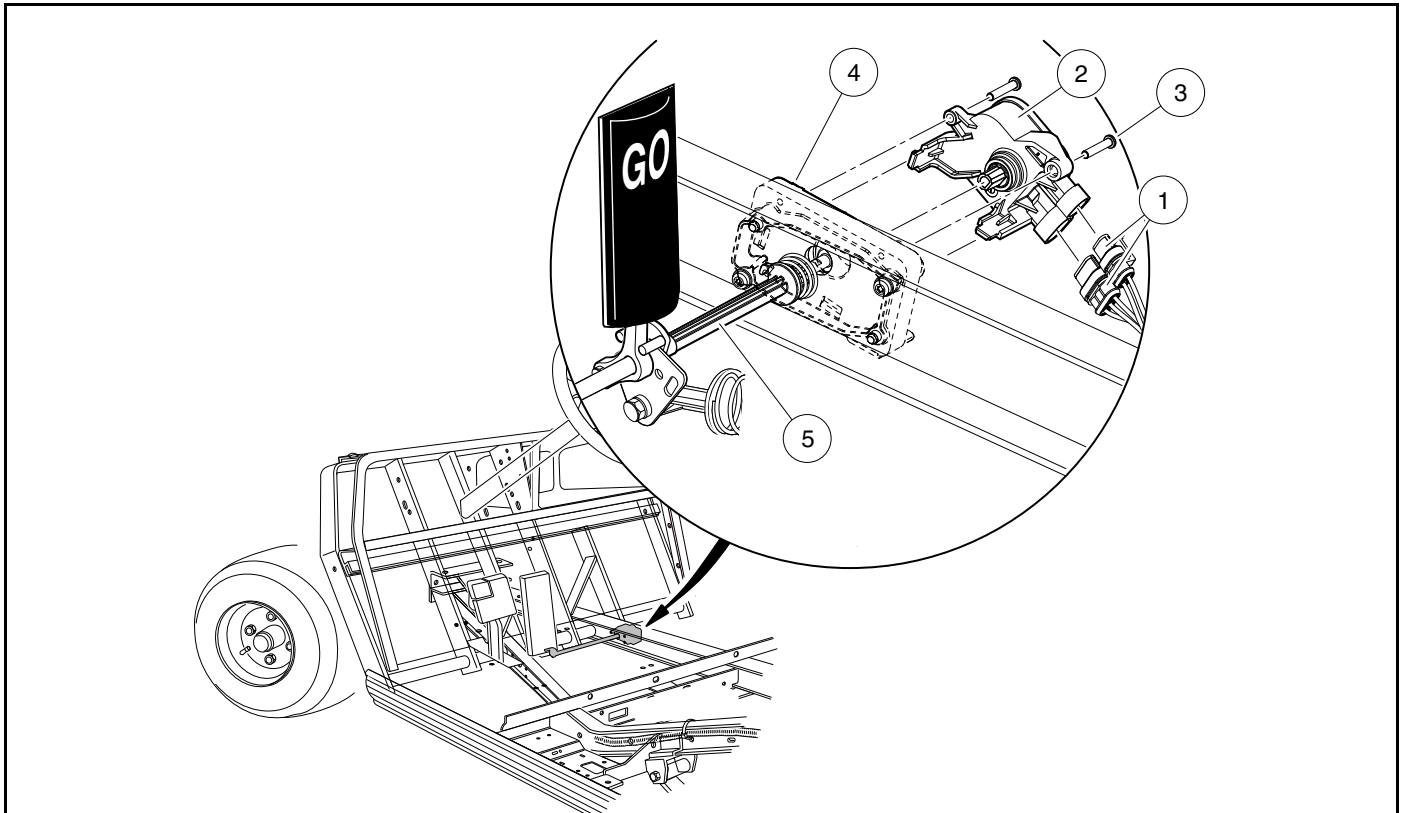
See General Warnings on page 1-2.

### TESTING THE MCOR

See Test Procedure 12 – MCOR Voltage on page 12-24 and Test Procedure 7 – Key Switch and MCOR Limit Switch Circuit on page 12-20.

### MCOR REMOVAL

1. Disconnect the batteries and discharge the controller. **See Disconnecting the Batteries – Electric Vehicles, Section 1, Page 1-3.**
2. Place chocks at rear wheels and lift the front of the vehicle with a chain hoist or floor jack. Place jack stands under the round tube crossmember of the frame to support vehicle.
3. Disconnect the two-pin and three-pin connectors (1) from the MCOR (2) (**Figure 13-3, Page 13-5**).
4. Remove the two torx screws (3) securing the MCOR (2) to the plastic housing (4) on the chassis.
5. Detach the two tabs from the plastic housing (4) and remove the MCOR (2) from vehicle.



2646

Figure 13-3 MCOR Mounting

### MCOR INSTALLATION

1. Align the two tabs of the MCOR (2) with the slots in the plastic housing (4) on the chassis (**Figure 13-3, Page 13-5**). Insert the MCOR into the plastic housing (4) until the tabs engage. **See following NOTE.**

**NOTE:** Rotate the drive bar (5) back and forth if necessary to align the D-shaped end with the MCOR.

2. Secure the MCOR (2) to the plastic housing (4) with two torx screws (3). Tighten screws to 12 in·lb (1.4 N·m).
3. Connect the two-pin and three-pin connectors (1) from the wire harness to the MCOR (2).
4. Connect the batteries. **See Connecting the Batteries – Electric Vehicles, Section 1, Page 1-4.**

## REVERSE BUZZER

---

See General Warnings on page 1-2.

### TESTING THE REVERSE BUZZER

See Test Procedure 16 – Reverse Buzzer on page 12-39.

### REVERSE BUZZER REMOVAL

1. Disconnect the batteries and discharge the controller. **See Disconnecting the Batteries – Electric Vehicles, Section 1, Page 1-3.**
2. Remove the instrument panel. **See Instrument Panel Removal, Section 4, Page 4-9.**
3. Disconnect the 18-gauge pink and orange/white wires from reverse buzzer.
4. Remove the two screws from the reverse buzzer. Remove the reverse buzzer from the center dash panel.

### REVERSE BUZZER INSTALLATION

1. Install the reverse buzzer in the reverse order of removal. Tighten screws to 4 in·lb (0.45 N·m).
2. Connect the batteries. **See Connecting the Batteries – Electric Vehicles, Section 1, Page 1-4.**

## SPEED CONTROLLER COVER

---

### REMOVING THE SPEED CONTROLLER COVER

1. Use a flathead screwdriver to pry up the center pieces of the 3 push rivets (5) and remove the rivets (**Figure 13-5, Page 13-9**).
2. Pull the speed controller cover (9) down and away from the component mounting plate.
3. Lift the curved edges of the speed controller cover out of the slots in the component mounting plate.

### INSTALLING THE SPEED CONTROLLER COVER

1. Place the curved edges on the bottom of the speed controller cover into the slots on the component mounting plate.
2. Press the speed controller cover onto the component mounting plate over the speed controller and other electrical components.
3. Install the three push rivets (5) (**Figure 13-5, Page 13-9**).



## SOLENOID

See General Warnings on page 1-2.

The solenoid is located on the passenger side of the electrical component mounting plate.

### TESTING THE SOLENOID

See Test Procedure 9 – Solenoid Activating Coil on page 12-22 and Test Procedure 10 – Solenoid Contacts on page 12-23.

### SOLENOID REMOVAL

1. Disconnect the batteries and discharge the controller. **See Disconnecting the Batteries – Electric Vehicles, Section 1, Page 1-3.**
2. Remove the speed controller cover. **See Removing the Speed Controller Cover on page 13-6.**
3. Disconnect all wires from the solenoid (**Figure 13-4, Page 13-7**).
4. Loosen, but do not remove, the two screws (1) that hold the solenoid (2) to the component mounting plate.
5. Lift the solenoid (2) up and off of the component mounting plate.

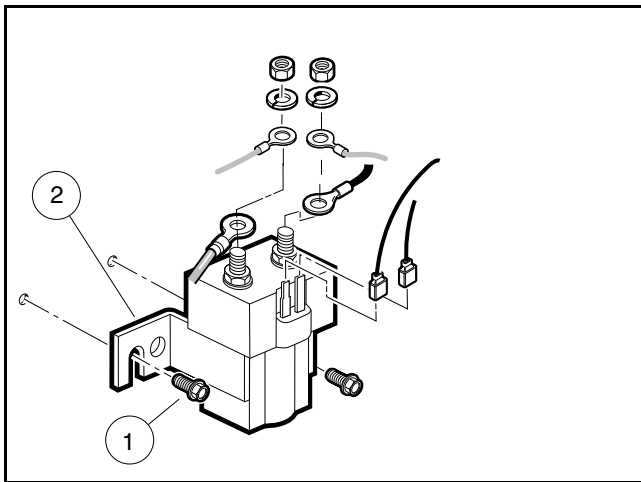


Figure 13-4 Solenoid

### SOLENOID INSTALLATION

1. Mount solenoid (2) onto component mounting plate with screws (1) (**Figure 13-4, Page 13-7**).
2. Tighten screws (1) to 60 in·lb (6.8 N·m).
3. Using the wiring diagram, install the wires, washers, and nuts onto the large mounting posts. Tighten nuts to 77 in·lb (8.7 N·m).
4. Install the blue/white and light blue wires onto the small terminals of the solenoid (**Figure 13-4, Page 13-7**).
5. Install speed controller cover. **See See Installing the Speed Controller Cover on page 13-6.**
6. Connect the batteries. **See Connecting the Batteries – Electric Vehicles, Section 1, Page 1-4.**

---

## SPEED CONTROLLER

---

See General Warnings on page 1-2.

### TESTING THE SPEED CONTROLLER

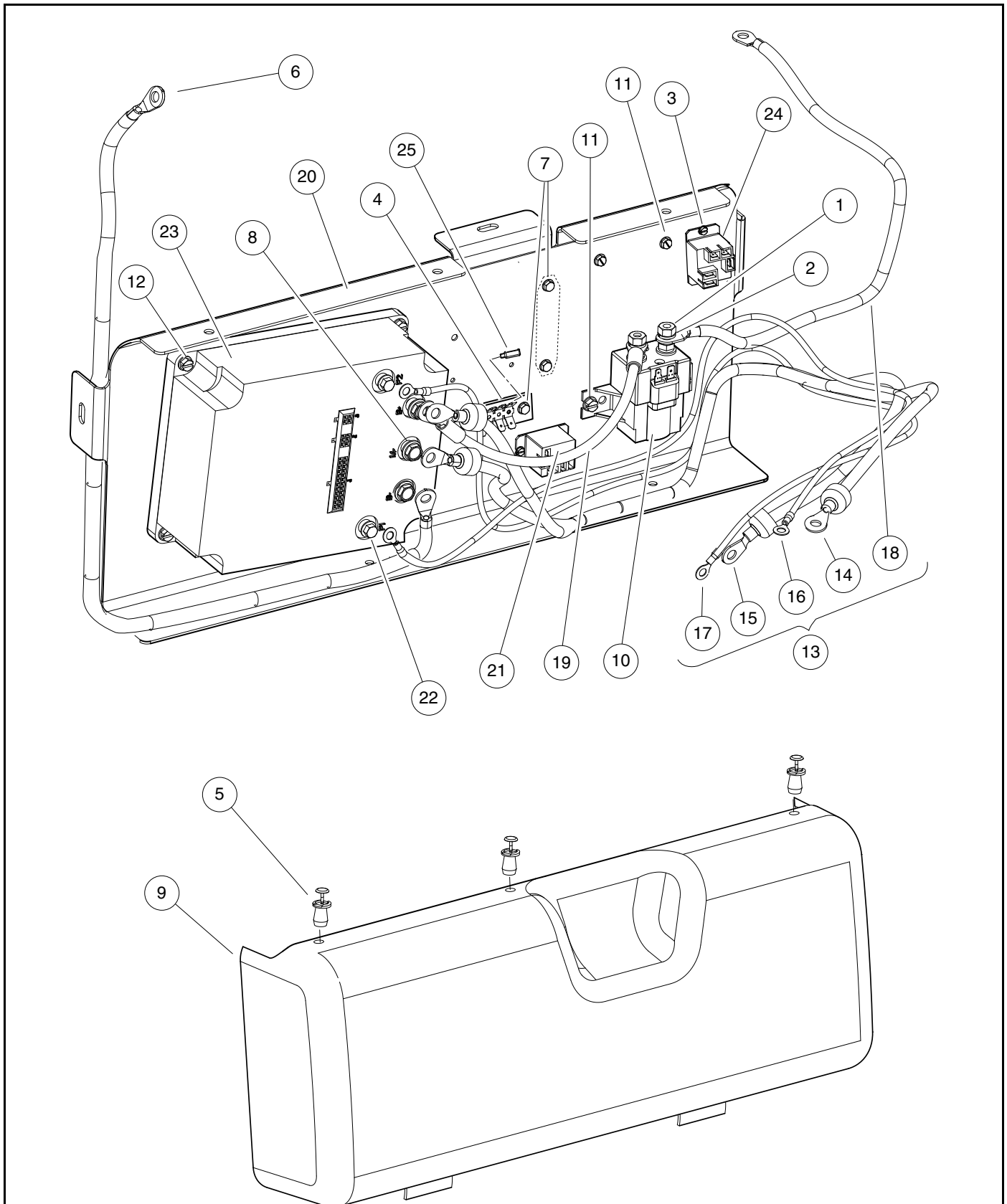
See Test Procedure 14 – A1 and A2 Motor Voltage on page 12-29.

### SPEED CONTROLLER REMOVAL

1. Disconnect the batteries and discharge the controller. **See Disconnecting the Batteries – Electric Vehicles, Section 1, Page 1-3.**
2. Remove the speed controller cover. **See Removing the Speed Controller Cover on page 13-6.**
3. Disconnect all wires and multi-pin connectors from the speed controller.
4. Remove the four bolts that hold the speed controller to the component mounting plate and remove the controller from the vehicle.

### SPEED CONTROLLER INSTALLATION

1. Install the four bolts (12) that hold the speed controller (23) to the component mounting plate and tighten to 50 in·lb (5.6 N·m) (**Figure 13-5, Page 13-9**).
2. Using the wiring diagram, install the multi-pin connectors and all wires as illustrated. Tighten bolts (8) to 13.5 ft·lb (18.3 N·m). Tighten bolts (22) to 11 ft·lb (14.9 N·m) (**Figure 13-5, Page 13-9**).
3. Install the speed controller cover. **See Installing the Speed Controller Cover on page 13-6.**
4. Connect the batteries. **See Connecting the Batteries – Electric Vehicles, Section 1, Page 1-4.**
5. Place the Run/Tow switch in the RUN position.
6. Inspect the vehicle for proper operation:
  - Make sure that the vehicle operates in the forward direction when the Forward/Reverse switch is in the FORWARD position.
  - Make sure that the vehicle operates in the reverse direction when the Forward/Reverse switch is in the REVERSE position. The reverse buzzer will sound as a warning when the Forward/Reverse switch is in REVERSE.
  - Make sure that the vehicle does not operate when the Forward/Reverse switch is in the NEUTRAL position.



2998

Figure 13-5 Speed Controller

## CHARGE INDICATOR LIGHT

---

See General Warnings on page 1-2.

### TESTING THE CHARGE INDICATOR LIGHT

See Test Procedure 18 – Charge Indicator Light on page 12-40.

### CHARGE INDICATOR LIGHT REMOVAL

1. Disconnect the batteries and discharge the controller. **See Disconnecting the Batteries – Electric Vehicles, Section 1, Page 1-3.**
2. Remove instrument panel. **See Instrument Panel Removal on page 4-9.**
3. Disconnect the wires at the warning light.
4. Press the two retaining tabs and remove the light from the instrument panel.

### CHARGE INDICATOR LIGHT INSTALLATION

1. Install light into instrument panel.
2. Connect wires to the warning light.
3. Install the instrument panel. **See Instrument Panel Installation on page 4-9.**
4. Connect the batteries. **See Connecting the Batteries – Electric Vehicles, Section 1, Page 1-4.**

## EMERGENCY STOP SWITCH

---

See General Warnings on page 1-2.

### TESTING THE EMERGENCY STOP SWITCH

See Test Procedure 20 – Emergency Stop Switch on page 12-42.

### EMERGENCY STOP SWITCH REMOVAL

**NOTE:** The Emergency Stop switch button (1) is threaded onto the shaft of the E-Stop switch (7).

1. Disconnect the batteries and discharge the controller. **See Disconnecting the Batteries – Electric Vehicles, Section 1, Page 1-3.**
2. Remove screw (5) and lockwasher (4) securing each 4 gauge black wire (6 and 8) to Emergency Stop switch (7) with a 13 mm wrench.
3. Turn Emergency Stop switch button (1) counter-clockwise to remove from switch (7).
4. Remove two screws (2) with an 8 mm wrench and remove Emergency Stop switch (7) from vehicle. Retain protective boot (3).

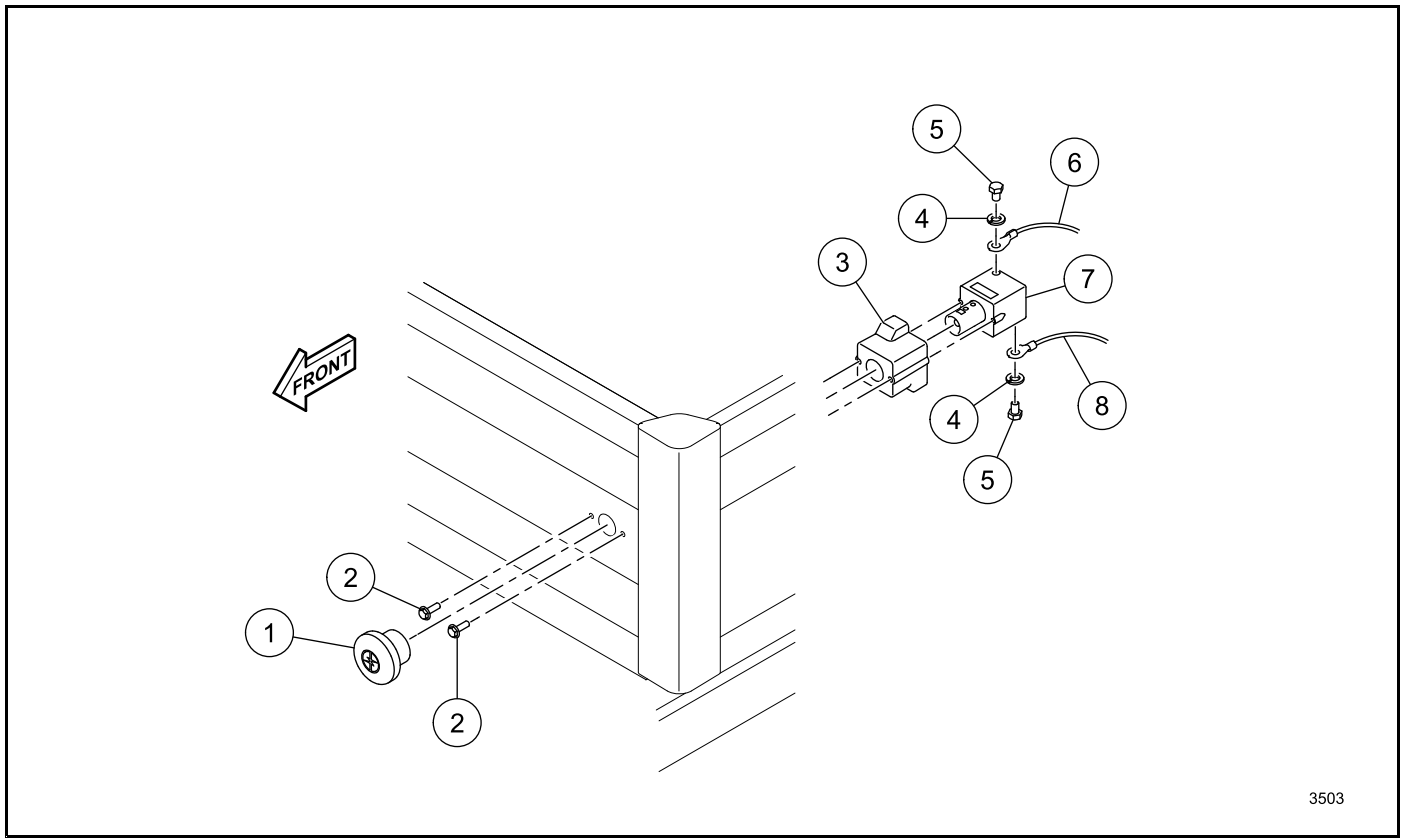


Figure 13-6 Emergency Stop Switch Components

## EMERGENCY STOP SWITCH INSTALLATION

1. Installation is reverse of removal. Make sure to install the protective boot (3) over the switch (7) before installation.
2. Tighten screws (2) to 35 in·lb (4 N·m).
3. Tighten terminal screws (5) to 75 in·lb (8.5 N·m).
4. Connect the battery set. **See Connecting the Batteries – Electric Vehicles, Section 1, Page 1-4.**

## HEADLIGHTS

### HEADLIGHT BEZEL REMOVAL

1. Disconnect the batteries and discharge the controller.
2. Remove the cowl.
3. Remove the front fender.
4. Disconnect the headlight and turn signal electrical connectors.
5. Remove the bolts (1) (**Figure 13-7, Page 13-12**).

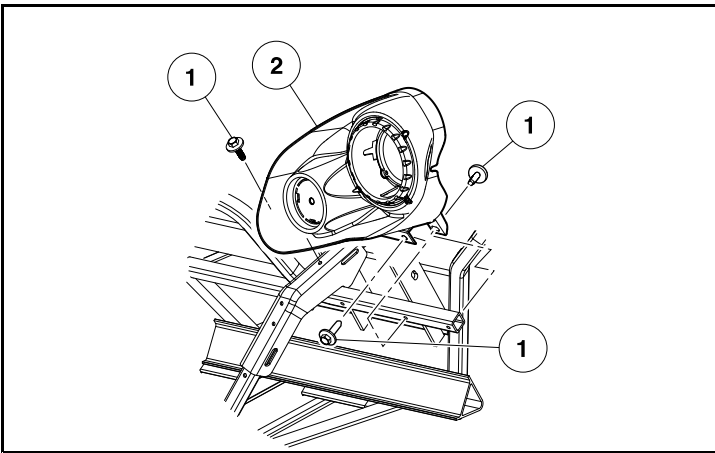


Figure 13-7 Headlight Bezel

6. Remove the headlight bezel (2).

### HEADLIGHT BEZEL INSTALLATION

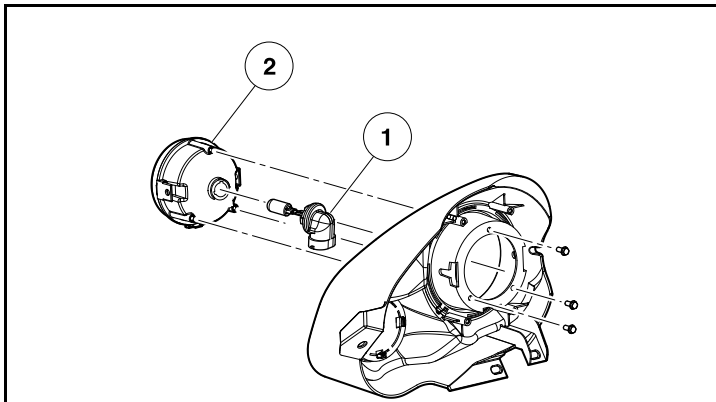
1. Install the headlight bezel (2) to vehicle frame (**Figure 13-7, Page 13-12**).
2. Install the bolts (1). Tighten the bolts to 44 in·lb (5 N·m).
3. Connect the headlight bulb and turn signal electrical connectors.
4. Install the front fenders.
5. Install the cowl.
6. Connect the batteries.

## HALOGEN HEADLIGHT BULB REMOVAL

### **CAUTION**

- Do not touch the glass part of the headlight bulb. Oil from fingertips can decrease the life of the headlight bulb.

1. Disconnect the batteries and discharge the controller.
2. Remove the cowl.
3. Lift the tabs on the connector harness to release the electrical connector from the headlight bulb (1) (**Figure 13-8, Page 13-13**).



2993C

**Figure 13-8 Halogen Headlight Bulb**

4. Turn the headlight bulb clockwise 1/4 (one-quarter) turn. Remove the headlight bulb from the headlight assembly (2).

## HALOGEN HEADLIGHT BULB INSTALLATION

### **CAUTION**

- Do not touch the glass part of the headlight bulb. Oil from fingertips can decrease the life of the headlight bulb.

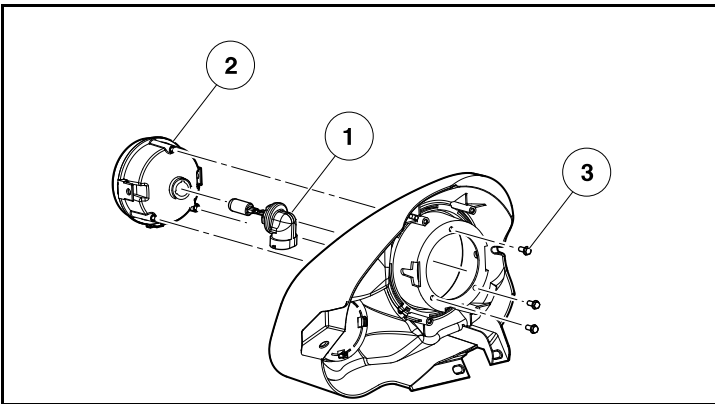
1. Install the headlight bulb (1) into the headlight lens (2) (**Figure 13-8, Page 13-13**).
2. Install the electrical connector onto the headlight bulb.
3. Connect the batteries.
4. Install the cowl.

## HALOGEN HEADLIGHT LENS REMOVAL

### CAUTION

- Do not touch the glass part of the headlight bulb. Oil from fingertips can decrease the life of the headlight bulb.

1. Disconnect the batteries and discharge the controller.
2. Remove the cowl.
3. Lift the tabs on the connector harness to release the electrical connector from the headlight bulb (1) (**Figure 13-9, Page 13-14**).



2993D

**Figure 13-9 Halogen Headlight Lens**

4. Turn the headlight bulb clockwise 1/4 (one-quarter) turn. Remove the headlight bulb from the headlight lens (2).
5. Remove the screws (3).
6. Remove the headlight lens.

## HALOGEN HEADLIGHT LENS INSTALLATION

### CAUTION

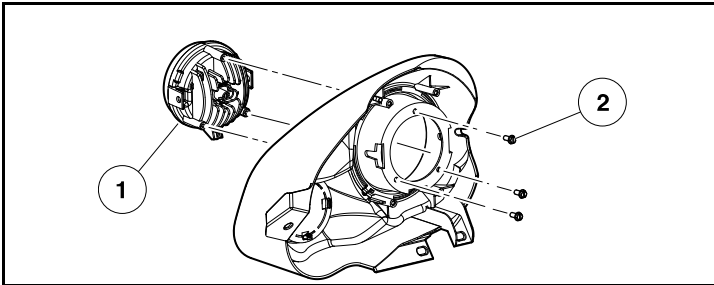
- Do not touch the glass part of the headlight bulb. Oil from fingertips can decrease the life of the headlight bulb.

1. Install the headlight lens (2) into the headlight bezel (**Figure 13-9, Page 13-14**).
2. Install the screws (3). Tighten the screws to 22 in·lb (2.5 N·m).
3. Install the headlight bulb (1) into the headlight lens.
4. Install the electrical connector onto the headlight bulb.
5. Connect the batteries.
6. Install the cowl.



## LED HEADLIGHT REMOVAL

1. Disconnect the batteries and discharge the controller.
2. Remove the cowl.
3. Lift the tabs on the connector harness to release the electrical connector from the LED headlight (1) (**Figure 13-10, Page 13-15**).



2993E

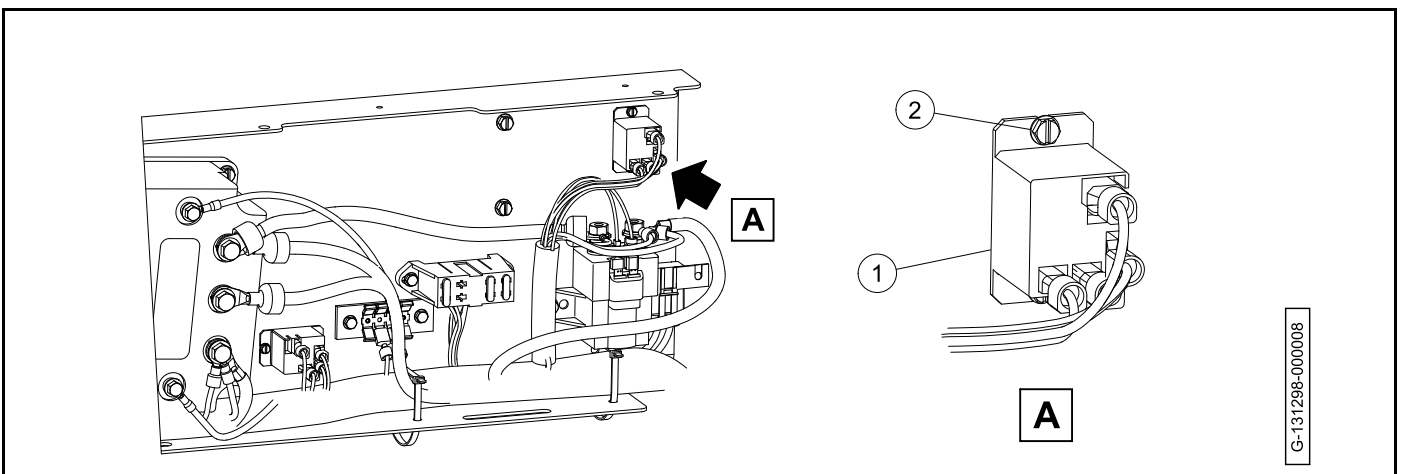
**Figure 13-10 LED Headlight**

4. Remove the screws (2).
5. Remove the LED headlight.

## LED HEADLIGHT INSTALLATION

1. Install the LED headlight (1) into the headlight bezel (**Figure 13-10, Page 13-15**).
2. Install the screws (2). Tighten the screws to 22 in·lb (2.5 N·m).
3. Install the electrical connector onto the LED headlight.
4. Connect the batteries.
5. Install the cowl.

## LOCKOUT RELAY



**Figure 13-11**

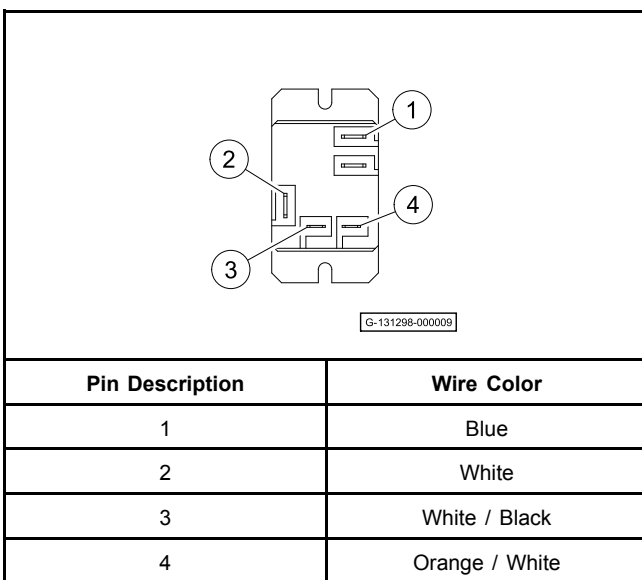
G-131298-000008

## LOCKOUT RELAY REMOVAL

1. Disable the vehicle.
2. Disconnect the batteries and discharge the controller.
3. Remove the speed controller cover.
4. Disconnect the wires from the lockout relay (1) (**Figure 13-11**).
5. Remove the screws (2) and the lockout relay.

## LOCKOUT RELAY INSTALLATION

1. Install the lockout relay (1) and screws (2) (**Figure 13-11**). Tighten the screws from 8 to 10 in·lb (0.9 to 1.1 N·m).
2. Connect the wires to the lockout relay (**Figure 13-12**).



**Figure 13-12**

3. Install the speed controller cover.
4. Connect the batteries.

## WALK AWAY RELAY

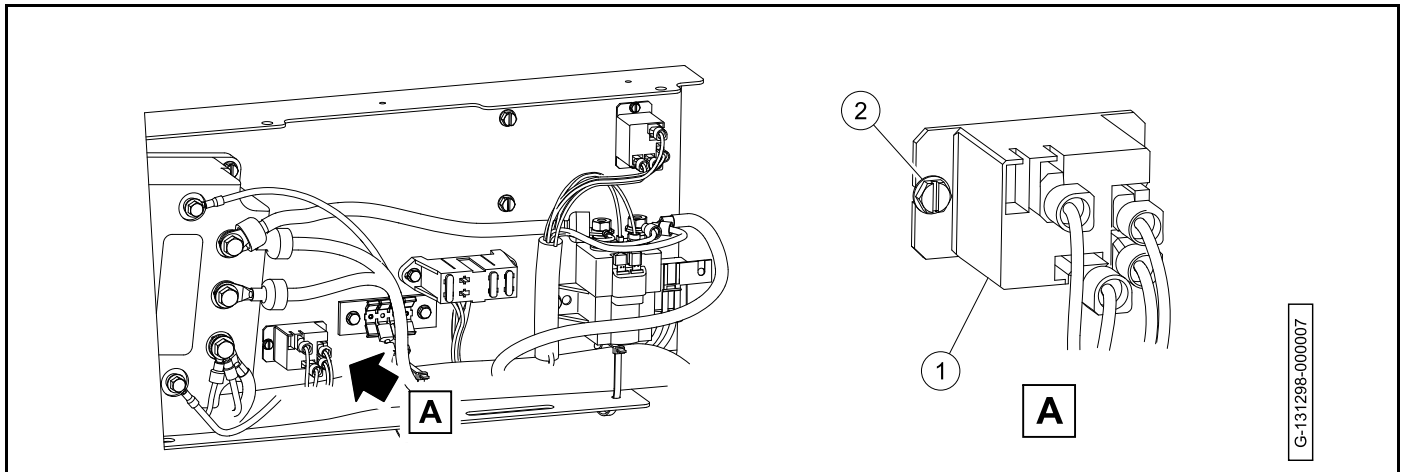


Figure 13-13

### WALK AWAY RELAY REMOVAL

1. Disable the vehicle.
2. Disconnect the batteries and discharge the controller.
3. Remove the speed controller cover.
4. Disconnect the wires from the walk away relay (1) (Figure 13-13).
5. Remove the screws (2) and the walk away relay.

### WALK AWAY RELAY INSTALLATION

1. Install the walk away relay (1) and screws (2) (Figure 13-13). Tighten the screws from 8 to 10 in·lb (0.9 to 1.1 N·m).
2. Connect the wires to the walk away relay (Figure 13-14).

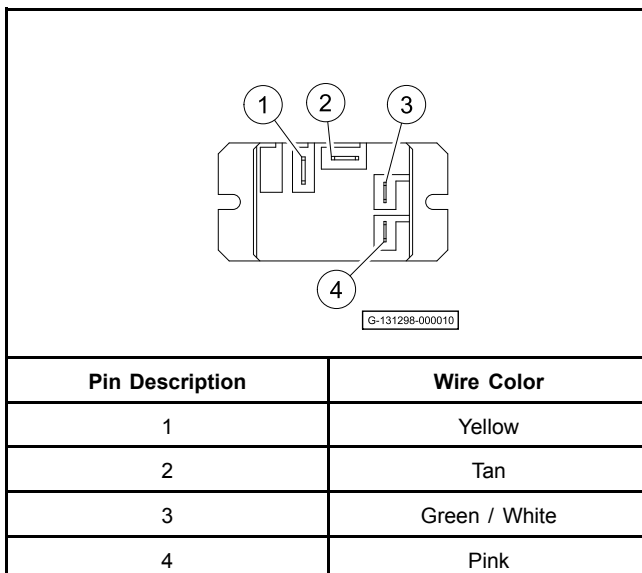


Figure 13-14

3. Install the speed controller cover.
4. Connect the batteries.

### **⚠ DANGER**

- See General Warnings on page 1-2.

### **⚠ WARNING**

- See General Warnings on page 1-2.

### **⚠ DANGER**

- **Battery – Explosive gases! Do not smoke. Keep sparks and flames away from the vehicle and service area. Ventilate when charging or operating vehicle in an enclosed area. Wear a full face shield and rubber gloves when working on or near batteries.**
- **Charge batteries in a well-ventilated area only. Batteries emit hydrogen while being charged. Hydrogen is an explosive gas and must never exceed a level of 2% of the air.**
- **Battery – Poison! Contains acid! Causes severe burns. Avoid contact with skin, eyes, or clothing. Antidotes:**
  - **External: Flush with water. Call a physician immediately.**
  - **Internal: Drink large quantities of milk or water. Follow with milk of magnesia or vegetable oil. Call a physician immediately.**
  - **Eyes: Flush with water for 15 minutes. Call a physician immediately.**

### **⚠ WARNING**

- **Wear safety glasses or approved eye protection when servicing the vehicle or battery charger. Wear a full face shield and rubber gloves when working on or near batteries.**
- **Use insulated tools when working near batteries or electrical connections. Use extreme caution to avoid shorting of components or wiring.**
- **Ensure battery connections are clean and properly tightened. See Battery Care on page 14-6.**

### **CAUTION**

- **On all vehicles, turn off all accessories before charging batteries.**

*NOTE: Recycle or dispose of discarded batteries in accordance with local, state, and federal regulations.*

## **GENERAL INFORMATION**

---

The batteries supplied with an electric vehicle are different from those supplied with an automobile. The outward appearance of these two batteries is similar, but the operating characteristics are very different. The electric vehicle battery is a deep-cycle battery, and the automotive battery is a “starting, lighting, and ignition” (SLI) battery. They should never be substituted for one another.

## BATTERY TESTING BASICS – 6 VOLT

See General Warnings on page 1-2.

### OBSERVATION

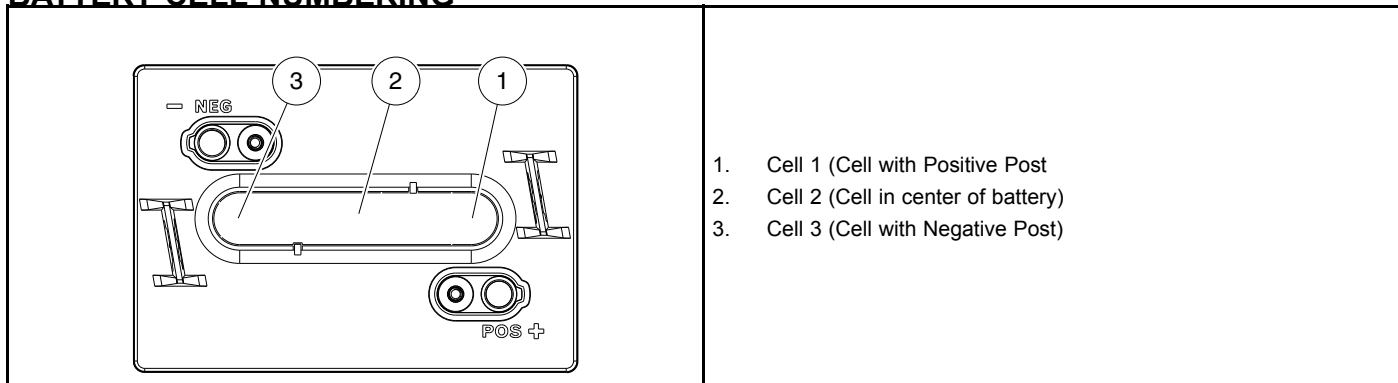
Inspect the battery compartment for the following items:

- Rusted, corroded, or broken battery posts
- Rusted, corroded, loose or broken wires
- Low or overfilled electrolyte levels
- Cracked, punctured, or bulging battery cases
- Loose, over-tightened, missing, or improperly placed battery hold-downs
- Incorrect orientation of batteries (i.e. terminal posts)
- Poor, fair, or proper cleanliness of batteries
- Added electric accessories
- Use of a single-point watering system (SPWS)

### MEASURING VOLTAGE OF BATTERY SET

Set the multimeter to 200 volts DC. Place the red (+) probe on the positive (+) post of battery no. 1 and the black (-) probe on the negative (-) post of battery no. 8. Record the reading.

### BATTERY CELL NUMBERING



2947

Figure 14-1 Battery Cell Numbering – 6 Volt

---

## BATTERY TESTING – 6 VOLT

---

See General Warnings on page 1-2.

Test procedures not available at time of publication. Refer to most recent Bulletin for battery test procedures.

---

## BATTERY REGROUPING

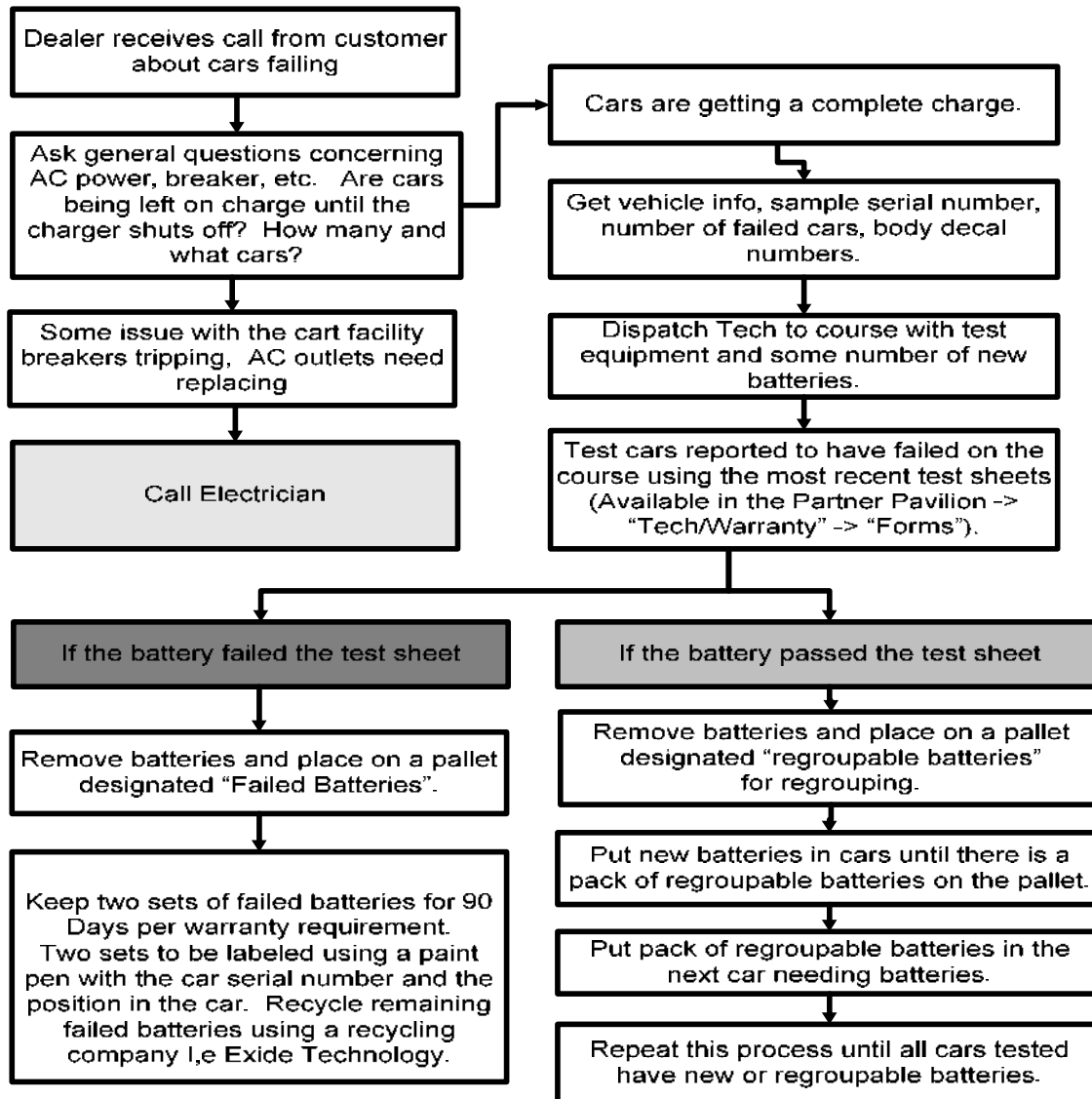
---

### **CAUTION**

- **To prevent degradation of battery performance and life, never mix batteries of different part numbers or brands/model numbers. Anytime a different model of battery is used, the charging algorithm must be changed to match it. For vehicles with PowerDrive charger, the vehicles' onboard computer must be changed to one that is specific to the battery installed. For vehicles with high-frequency charger (e.g. ERIC or QuiQ), the charger must be reprogrammed with the appropriate algorithm specific to the battery installed.**

*Regrouping* is now Club Car's standard battery replacement method. *Regrouping* is the practice of placing batteries of similar condition together in one vehicle. For example, if there was an issue with the batteries in two cars and the battery test indicated three failed batteries in each car, after removing the failed batteries, there will be six good batteries remaining. Install the six remaining good batteries together in one car and install NEW batteries in the other car. We recommend regrouping batteries in as many cars as possible at a given opportunity to minimize mixing old and new batteries together in one battery pack. A training video for regrouping is available to view in the Partner Pavilion under "Tech/Warranty" and then "Training Videos". Contact your regional Tech Support person to assist you in the regrouping process if needed.

### BATTERY REGROUPING PROCESS FLOW (6 volt, 8 volt, and 12 volt batteries)



**CAUTION:** To prevent degradation of battery performance and life, never mix batteries of different part numbers or brands/model numbers. Charging algorithms are specific to a particular battery model.

1. Install all new batteries or all regroupable batteries of the same brand and model or part number; do not mix new with regroupable except for the last car regrouped.
2. Accurate and accumulative Amp Hours are required for Warranty claims. Make sure to have battery lights on hand to replace ones that may be defective so you can capture every car's Amp Hour reading.

Figure 14-2 Battery Regrouping Process Flow



## BATTERY REPLACEMENT

---

See General Warnings on page 1-2.

### **⚠ WARNING**

- Wear steel-toe shoes when replacing batteries.
- To prevent electrolyte leakage from the battery vents, batteries must be kept in an upright position. Tipping a battery beyond a 45° angle in any direction can allow a small amount of electrolyte to leak out the vent hole. Do not exceed this 45° angle when lifting, carrying, or installing batteries. Battery acid can cause severe personal injury to skin or eyes, and can damage clothing.
- When replacing batteries in the Single Point Watering System, place the battery cap from the new replacement battery onto the used battery being removed from the car. Important safety warnings on the battery cap must remain with the battery after it has been removed from the car

### **CAUTION**

- To prevent degradation of battery performance and life, never mix batteries of different part numbers or brands/model numbers. Anytime a different model of battery is used, the charging algorithm must be changed to match it. For vehicles with PowerDrive charger, the vehicles' onboard computer must be changed to one that is specific to the battery installed. For vehicles with high-frequency charger (e.g. ERIC or QuiQ), the charger must be reprogrammed with the appropriate algorithm specific to the battery installed.
1. Before removing batteries, note the orientation of the batteries and the connecting wires. Disconnect the battery cables and discharge the controller as instructed. **See Disconnecting the Batteries – Electric Vehicles on page 1-3.** Remove remaining wires and batteries.
  2. Visually inspect the new batteries for any damage that may have occurred in transit. New batteries will not deliver their full capabilities until they have been discharged and recharged 50 to 70 times. To obtain the maximum service life from new batteries, restrict vehicles with new batteries to one hour of operation between charges for the first two months vehicle is in service. Batteries should be fully charged before first use of new vehicle, before first use of a vehicle after storage, and before use each day.
  3. If the battery cables are to be reused, inspect them for broken or frayed wires, damaged terminals, or worn insulation. Remove any corrosion on the connectors. A solution of baking soda and water (1 cup (237 mL) baking soda per 1 gallon (3.8 L) of water) does an excellent job of neutralizing and removing the corrosion. Be careful not to allow the baking soda solution to enter the battery.
  4. Check and clean the battery rack and hold-downs. The nuts and bolts on the hold-downs may corrode. It is therefore advised they be cleaned periodically and replaced as necessary.
  5. Regroup batteries as required. **See Battery Regrouping on page 14-3.**
  6. Install regrouped or new batteries in the proper orientation. **See Connecting the Batteries – Electric Vehicles, Section 1, Page 1-4.** Install battery hold-downs. The hold-downs should be tight enough so batteries do not move while vehicle is in motion, but not so tight as to crack or buckle battery case. Tighten hold-down retaining nuts to 72 in·lb (8.1 N·m), alternating between hold-down bolts.
  7. Install wires in proper sequence. Install black wire to negative post of battery no. 8 (8 x 6-Volt battery set) last. **See Connecting the Batteries – Electric Vehicles on page 1-4.**
  8. Give the batteries a full charge prior to operation. This ensures all the batteries are fully charged and the cells are equalized prior to use.

## BATTERY CARE

See General Warnings on page 1-2.

### WATER QUALITY

Water purity is the most important factor in the performance and life span of the vehicle batteries. Club Car is, therefore, placing increased importance on battery water quality.

Outlined below are four battery watering procedures, grouped into two categories: Preferred and Alternate methods. Club Car recommends the use of a deionizer or distilled water. Alternate methods of reverse osmosis or tap water are allowable but should be avoided since water quality can change from day to day depending on additives, water main leaks, etc.

#### Preferred Methods

- **Distilled Water:** Distilled water is the most common type of water used in batteries. Distilled water is created by boiling water, collecting the steam, and allowing the steam to condense back into water. The distilling process results in water that is free of minerals that can lead to the degradation of battery performance and life.
- **Deionized Water:** Deionized water is created by inducing electrically charged resins that attract and bind to sodium, calcium, iron, copper, chloride, and bromide ions. The result of this electrical filtering is purified water, which contains little to no mineral ions. To make sure the deionized water remains at a high quality, replace the filter in the deionizer per the manufacturer's recommendations.
- **Deionized Systems:** The Service Parts Department at Club Car offers two deionizer systems: one for vehicles equipped with the Single Point Watering System (SPWS), and one for vehicles without SPWS (used in combination with Battery Watering Nozzle Gun).

#### Alternate Methods

- **Reverse Osmosis:** Reverse osmosis involves forcing water through a membrane that allows water to pass while trapping solids. The choice of membrane used determines the amount of solids or impurities that get trapped and hence the purity quality of the filtered water. In addition, the usage frequency of the membrane can also contribute to the filtered water quality. Due to the variance in water quality consistency, Club Car recommends the use of the deionizer or distilled water.
- **Tap Water:** While the use of tap water without filtering is an alternate method of battery watering, its use should be limited due to the levels of dissolved minerals and chemicals that can degrade battery performance and life. If unfiltered tap water is used, regular water analyses must be conducted to check for impurities. The following chart lists the maximum allowable minerals, solids, and contaminants in parts per million and their impact on battery performance. Water testing, however, is expensive, and water quality can change from day to day depending on additives, water main leaks, etc. Due to the cost and labor of performing water quality tests, Club Car recommends the use of distilled water or a deionizer.

IMPURITY	ALLOWABLE CONTENT (PARTS PER MILLION)	EFFECTS OF IMPURITY
Suspended matter	Trace	N/A
Total solids	100.0	N/A
Organic and volatile matter	50.0	Corrosion of positive plates
Ammonia	8.0	Slight self-discharge of both plates

TABLE CONTINUED ON NEXT PAGE

IMPURITY	ALLOWABLE CONTENT (PARTS PER MILLION)	EFFECTS OF IMPURITY
Antimony	5.0	Self-discharge, reduces life, lower on-charge voltage
Arsenic	0.5	Self-discharge, can form poisonous gas
Calcium	40.0	Increase of positive plate shedding
Chloride	5.0	Loss of capacity in plates, greater loss in positive plates
Copper	5.0	Increased self-discharge, lower on-charge voltage
Iron	3.0	Increased self-discharge, lower on-charge voltage
Magnesium	40.0	Reduced life
Nickel	None allowed	Intense lowering of on-charge voltage
Nitrates	10.0	Increased sulfation of negative plate
Nitrites	5.0	Plate corrosion, loss of capacity, reduced life
Platinum	None allowed	Violent self-discharge, lower on-charge voltage
Selenium	2.0	Positive plate shedding
Zinc	4.0	Slight self-discharge of negative plates

## DEIONIZER

Deionizer systems for SPWS configured fleets became standard with Model Year 2014 fleet golf orders.

### Regular Maintenance

This system requires regular preventative maintenance on at least a quarterly basis.

- Check all screens and/or filters on water supplies. Clean or replace all filters / line strainers as necessary. Failure to do so can cause a reduction in the water pressure and flow rates needed to operate the system properly. A filter screen can be found on the inlet of all regulators, and a line strainer on all supply hoses. Be sure to replace the deionizer filter cartridge as indicated by the water quality light. The Deionizer system has a battery-powered, water quality light. Deionizer filters have a limited life cycle and are disposable. Life cycle of the filter will vary based on incoming water quality and water usage. If the deionizer system is equipped with a water quality light, press the button to check. Replace filter immediately if the red light comes ON indicating service is required.

Replacement filters are available from Club Car Service Parts.

- Inspect the condition of all tubing, connections, and couplers. Make sure that all parts are in good working condition, secure, leak free, and properly connected. The coupler must have an O-ring and the dust cover properly attached.
- Clean optical indicator of the water quality light. If the optical indicator is dirty, clean it by wiping with a cloth.

### Decals

Starting December 2013, new decals were installed on the deionizer wall bracket and the deionizer filter. The blue, deionizer wall bracket decal is a Filter Replacement Record Log. The yellow filter decal is a Fleet Inspection Record Log. Use these decals to record filter replacement activity and fleet inspection activity. For convenience, both decals have a QR code for ordering replacement filters.

### Seasonal Maintenance

Water supplies must be drained and stored in an empty state if they will be exposed to freezing temperatures. Failure to do so can cause permanent damage.

Single point watering systems will require seasonal maintenance if vehicles are taken out of service or put into storage for a period of 6 weeks or longer. To prepare the SPWS, ensure the feed tube and coupler are on top of battery. Then, use the following steps to bring vehicle back into service:

1. After the batteries have been fully charged/equalized, connect the system to its water supply for 3 to 5 seconds, then disconnect regardless of whether or not the batteries are completely full.
2. Return the vehicle to normal operation.
3. Place the vehicle back into its regular watering schedule, waiting at least one week until next watering.

## BATTERY CARE – VEHICLES EQUIPPED WITH THE SINGLE-POINT WATERING SYSTEM (SPWS)

To keep batteries in good working condition, follow this maintenance program on a regular basis:

1. Keep the batteries clean and free of corrosion. Wash tops and terminals of batteries with a solution of baking soda and water; use 1 cup (237 mL) baking soda per 1 gallon (3.8 L) of water. Rinse solution off of the batteries. Do not allow this solution to enter the battery. Be sure terminals are tight. Let the terminals dry and then coat with Battery Terminal Protector Spray. **See following NOTE.**

**NOTE:** Dispose of waste water properly.

2. The battery hold-downs should be tight enough so that the batteries do not move while the vehicle is in motion, but not so tight as to crack or buckle the battery case. Tighten hold-down retaining nuts to 55 in-lb (6.2 N·m). The terminal connections should be clean and tight, and any worn insulation or frayed wires should be replaced. Tighten battery terminals to proper torque. **See Connecting the Batteries – Electric Vehicles on page 1-4. See following WARNING.**

### **⚠ WARNING**

- If battery wire terminals are damaged or corroded, replace or clean them as necessary. Failure to do so can cause them to overheat during operation and can result in fire, property damage, or personal injury.
3. After use, charge the batteries. The batteries should never be left discharged any longer than absolutely necessary (do not leave discharged overnight).
  4. Water the batteries monthly or according to the watering interval. **See Establishing the Watering Interval for New Vehicles on page 14-8. See Watering Batteries with the SPWS on page 14-11.**

### **CAUTION**

- The watering interval must adequately maintain the electrolyte level above the top of the plates (Figure 14-3, Page 14-10).
- Water the batteries only **AFTER** charging.

**NOTE:** Bottled distilled water, with the hand pump is recommended for private consumer SPWS applications.

#### **Establishing the Watering Interval for New Vehicles**

If you do not already have a battery watering interval for your vehicles, manually check the battery water level weekly to establish the correct watering interval. Thereafter, water batteries according to the established interval. During periods of heavy use, add additional watering as required.

#### **Single-Point Watering System (SPWS) Maintenance**

1. For vehicles newly equipped with the Single-Point Watering System, the initial electrolyte level check on all battery cells verifies that all the valves in the SPWS are functioning correctly. **See Periodic Service Schedules on page 10-3.** If a valve fails to open, the cell will eventually dry out. The initial one-time inspection of all cells

will identify any occurrence of a valve that fails to open. If a valve fails to close, it will become evident due to the cell overflowing during routine watering. Either failure scenario is rare, but should be monitored in the initial inspection and during routine watering sessions. Replace malfunctioning valves to ensure maximum battery life. **See following CAUTION.**

## **CAUTION**

- **After checking the electrolyte, fully tighten the battery caps to prevent electrolyte leakage.**
2. After the initial six-week inspection, manually check the electrolyte level at least once per year, particularly after long-term storage or any other period of vehicle inactivity. **See preceding CAUTION.**

## **BATTERY CARE – VEHICLES WITHOUT THE SINGLE-POINT WATERING SYSTEM (SPWS)**

To keep batteries in good working condition, follow this maintenance program on a regular basis:

1. Keep the batteries clean and free of corrosion. Wash tops and terminals of batteries with a solution of baking soda and water; use 1 cup (237 mL) baking soda per 1 gallon (3.8 L) of water. Rinse solution off of the batteries. Do not allow this solution to enter the battery. Be sure terminals are tight. Let the terminals dry and then coat with Battery Terminal Protector Spray. **See following NOTE.**

**NOTE:** *Dispose of waste water properly.*

2. Check the electrolyte level weekly (**Figure 14-3**). Add water only **after** charging unless the electrolyte level is below the top of the plates. In this case, add just enough water to cover the plates, charge, and then check the level again. Never charge batteries if plates are exposed above electrolyte level. For best battery life, add only distilled water. **See following CAUTION.**

## **⚠ CAUTION**

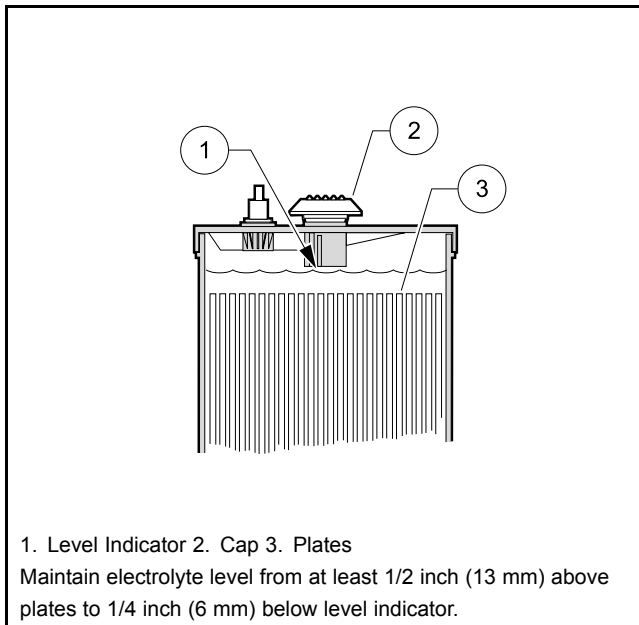
- **Do not overfill the batteries.**

**NOTE:** *A battery watering gun or bottle is available from your authorized Club Car dealer.*

3. The battery hold-downs should be tight enough so that the batteries do not move while the vehicle is in motion, but not so tight as to crack or buckle the battery case. Tighten hold-down retaining nuts to 55 in·lb (6.2 N·m). The terminal connections should be clean and tight, and any worn insulation or frayed wires should be replaced. Tighten battery terminals to proper torque. **See Connecting the Batteries – Electric Vehicles on page 1-4.** **See following WARNING.**

## **⚠ WARNING**

- **If battery wire terminals are damaged or corroded, replace or clean them as necessary. Failure to do so can cause them to overheat during operation and can result in fire, property damage, or personal injury.**
4. After use, charge the batteries. The batteries should never be left discharged any longer than absolutely necessary (do not leave discharged overnight).



17

**Figure 14-3 Electric Battery Electrolyte Level**

## SELF-DISCHARGE

Contaminants on dirty batteries can provide a path for a small current draw that can slowly discharge batteries, thus wasting valuable energy. To prevent self-discharge, batteries should always be kept clean.

Hot weather also has an effect on a battery's self-discharge rate. The higher the temperature, the quicker a set of batteries will discharge. In hotter climates, batteries should be checked more often. When storing batteries, keep in a cool place. **See Battery Storage on page 14-13.**

## ELECTROLYTE LEVEL

### **⚠ CAUTION**

- **Do not allow battery acid from battery caps or hydrometer to drip onto the front or rear body of the vehicle. Battery acid will cause permanent damage. Wash immediately.**

Add water only after charging unless the electrolyte is below the level of the plates. If the electrolyte level is below the level of the plates, add just enough water to cover the plates and then charge the batteries. After charging, fill with water to the level indicator. Filling a battery to the level indicator before charging will result in overfilling because the electrolyte level will rise during charging and some of the electrolyte may bubble out of the cap. This reduces the battery's capacity and corrodes the metal parts around it.

The electrolyte level should be checked weekly to be sure electrolyte is at its proper level (**Figure 14-3, Page 14-10**). Never allow the electrolyte level to fall below the tops of the plates because this will cause the exposed part of the plate to become permanently inactive. For best results, use a battery watering gun to add water to batteries. Check the electrolyte level more frequently in hot weather or when batteries are old.

## VIBRATION DAMAGE

The battery hold-downs should always be tight enough to keep the battery from bouncing. Battery life may be severely shortened if the battery hold-downs are too loose. **See step 6. of Battery Replacement on page 14-5.** Excessive vibration causes the plates to shed prematurely and shortens the life of the battery. It may also cause acid to leak out of the vent caps and corrosion to build up on surrounding metal parts. The acid which is lost reduces the capacity of the battery and cannot be replaced. Battery hold-downs should NOT be so tight as to crack or buckle the battery case. This may cause leaks which would dry out a cell or cause internal short circuits. **See Battery Replacement on page 14-5.**

## SINGLE POINT WATERING SYSTEM (SPWS)

### **⚠ WARNING**

- When replacing batteries in the Single Point Watering System, place the battery cap from the new replacement battery onto the used battery being removed from the car. Important safety warnings on the battery cap must remain with the battery after it has been removed from the car

### **CAUTION**

- Water the batteries only **AFTER** charging.
- Use water that meets the quality standards shown on page 14-6. Maximize battery life by removing ions and heavy metals from water with the use of a single point watering system deionizer. A deionizer for vehicles with SPWS, Club Car Part Number 105166801 is available from Service Parts (DC powered water quality indicator light). Replacement cartridge: 104005901. Bottled distilled water, with hand pump, Club Car Part Number 104006101, is recommended for private consumer applications.

## INITIAL MAINTENANCE OF THE SPWS

After six weeks of operation, remove the valves from the batteries and manually check the battery water level to ensure that the SPWS is not leaving any cells dry. This initial electrolyte level check on all the battery cells verifies that all the valves in the SPWS are functioning correctly. If a valve fails to open, the cell will eventually dry out. The initial one-time inspection of all cells will identify any occurrence of a valve that fails to open. If a valve fails to close, it will become evident due to the cell overflowing during routine watering. Either failure scenario is rare, but should be monitored in the initial inspection and during routine watering sessions. Replace malfunctioning valves to ensure maximum battery life.

After the initial six-week inspection, manually check the battery water levels at least once per year, particularly after winter storage or any other period of vehicle inactivity. **See following NOTE.**

**NOTE:** For the longest battery life, be sure the mineral contents of the water meet the minimum requirements as stated in the vehicle's appropriate maintenance and service manual. **See Battery Care on page 14-6.**

## WATERING BATTERIES WITH THE SPWS

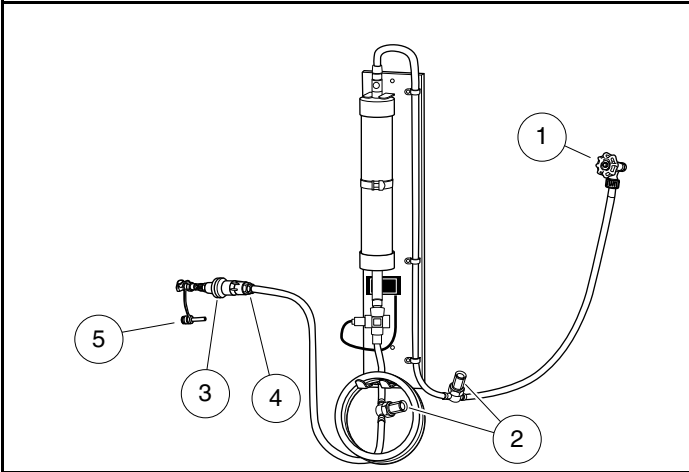
### Checking the Water Flow Rate

1. Connect the water hose with the built-in screen filter (2) to the water faucet (1) (**Figure 14-4**). **See following CAUTION.**

### **CAUTION**

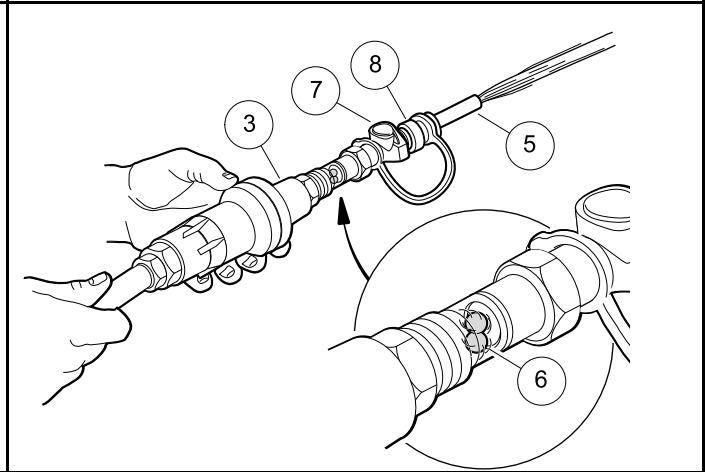
- Make sure the screen filter is clean.

- Do not use a longer garden hose than provided with the System (20 feet or 6 meters), as a decrease in water pressure can overflow the batteries and damage the refill system.
2. Before screwing the hose-end assembly (3) onto the opposite end of the water hose, check the screen filter (4) inside the end of the assembly to make sure it is clean (**Figure 14-4**).
  3. Connect the purger (5) to the female coupler (8) on the end of the hose-end assembly (**Figure 14-5**).



3083

Figure 14-4 Connecting Hose with Filter to Water Source



69

Figure 14-5 Checking the Water Flow Rate

4. Completely open the water faucet until the water flows out of the hose-end assembly (3), and note the movement of the red flow indicator balls (6). **See following NOTE.**

**NOTE:** This step also eliminates any trapped air from the water hose.

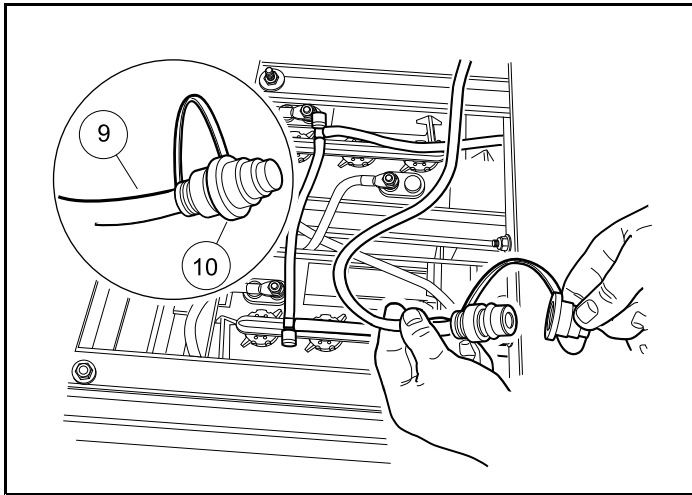
*The water flow rate must be at least 2 gallons per minute (7.6 L per minute) and the water pressure must be no more than 100 psig (689.5 kPa) when static (no flow) for the SPWS to function properly.*

5. Check the water quality light on the deionizer to make sure the light is green in color, indicating acceptable water quality. If the light indicates unacceptable water quality, the cartridge must be replaced.
6. After ensuring adequate water flow rate and water quality, press the grey button (7) on the end of the female coupler (8) to disconnect the purger from the pressure regulator.

### Refilling the Batteries

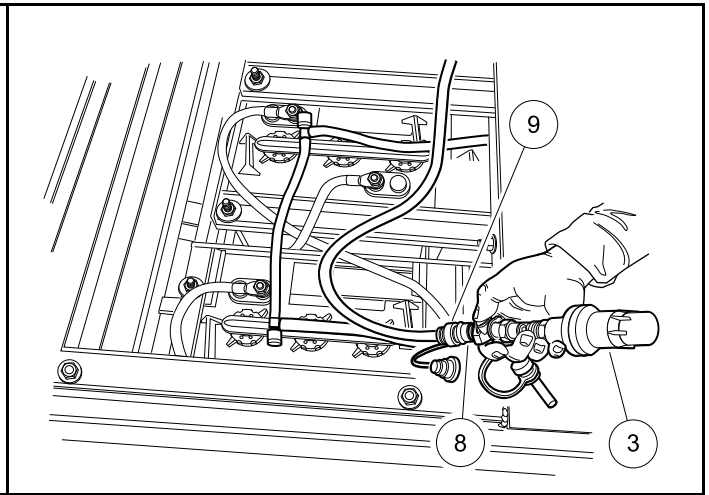
1. Locate the battery fill coupling (9) on the driver side of the battery compartment, remove the dust cover (10) from the male connector (**Figure 14-6**), and connect the hose-end assembly (3) (**Figure 14-7**). The water flow will begin immediately.





2829

Figure 14-6 Dust Cap



2830

Figure 14-7 Connecting Hose-end Assembly to Battery Fill Connector

- The red flow indicator balls should swirl, indicating that the batteries are being filled. **See following CAUTION.**

## CAUTION

- If at any time water overflows from the batteries, immediately stop the refill process, disconnect the pressure regulator from the battery fill coupling, and call for service.
- When the red flow indicator balls stop moving, immediately press the grey button to disconnect the hose-end assembly from the battery fill coupling (9), and squeeze the dust cover (10) to lightly secure it to the male connector of the battery fill coupling (Figure 14-6).
  - Place the battery fill coupling into the space between the batteries and the car body. Leaving the fill coupling on top of the battery bank or tucked between the batteries can result in coupling damage.
  - Turn the water faucet off when finished filling the vehicle(s).

## BATTERY STORAGE

See Storing the vehicle, Section 3, Page 3-2.

## FLEET ROTATION

Rotate vehicle usage. It is very hard on batteries if the last vehicles in at night are the first ones out in the morning. Spread the workload evenly, giving all vehicles the same amount of use. This will keep your fleet in balance and will not overwork certain sets of batteries. **See following NOTE.**

**NOTE:** When vehicles are being rotated, the CDT (Controller Diagnostic Tool) can be a very helpful service tool. Monitoring the value of the Odometer or Amp-Hours with the CDT simplifies vehicle usage scheduling. See **Monitor Menu, Section 11, Page 11-11.**

## DEEP-DISCHARGE

---

Never discharge batteries to the point the vehicle will no longer operate. This will considerably shorten the cycle life of the batteries, and may permanently damage the batteries. It is possible the batteries will not accept a charge if they are completely discharged. The deeper the discharge, the harder it is on the batteries. For this reason, it is recommended that electric vehicle batteries be charged after each use (provided the charge cycle will not be interrupted and the charger will be allowed to shut off automatically). Placing the batteries on charge after each use reduces the depth of discharge and prolongs battery life.

## EARLY EXCESSIVE DISCHARGING

---

When vehicle batteries are new, they do not reach their full capacity until they have been discharged and recharged 50 to 70 times. If they are excessively discharged early in their life, their effective service life will be shortened. It is advisable to limit the use of any vehicle with new batteries for at least the first four weeks and then gradually increase their range.

### **⚠ DANGER**

- See General Warnings on page 1-2.

### **⚠ WARNING**

- See General Warnings on page 1-2.

## GENERAL INFORMATION

This section includes information pertaining to servicing the QuiQ™ high frequency battery charger. Do not attempt to service a battery charger that has not been properly identified. If a charger cannot be properly identified, contact your local authorized Club Car dealer or distributor.

The High Frequency Battery Charger functions as an integral part of the vehicles' electrical system and will not work with other electric vehicles. The charger is programmed with a specific charge algorithm that is appropriate to the specific battery type used in the vehicle. **See Battery Charger Algorithms on page 15-2.**

The charger utilizes sophisticated charge termination criterion to shut off automatically, preventing the possibility of either undercharging or overcharging. The charger accomplishes this by monitoring battery Voltage, charge current, charge time and using strict dV/dt termination criterion.

## FEATURES

### **Charge Interlock**

When the AC power cord is inserted into a wall receptacle, the charger locks out the vehicle drive system. This prevents the possibility of driving the vehicle while the charger is plugged in and potentially damaging the vehicle and charger.

### **Long-Term Storage Charge**

This charger is designed to be left connected to AC power during off-season or long-term storage. Be sure to check the charger monthly to ensure the charger is operating correctly during storage. The charger will enter maintenance mode if supported by the charge algorithm or automatically activate if battery voltage drops less than 2.1 volts per cell (24 cells is 50.4 volts) or 30 days have elapsed. To return the vehicle to service, disconnect the AC cord from the wall outlet, wait 15 seconds and then plug the AC cord back in. The charger will activate. Allow the vehicle to complete one full charge cycle before putting it into service.

## UL AND CSA LISTING

When operated on a 120 volt / 60 Hz electrical system, this battery charger has been listed by Underwriters Laboratories and by the Canadian Underwriters (thereby meeting the criteria of the Canadian Standards Association).

## CE COMPLIANCE

This battery charger is compliant with the EU EMC Directive 2004/108/EC.

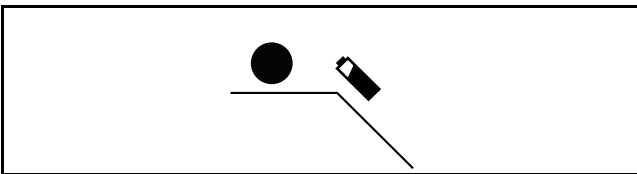
## IP (INGRESS PROTECTION) RATING

The enclosure of the charger has been tested successfully to EN60529, meeting IP66. The AC supply inlet is rated to IP20, which is suitable for indoor use only. Keep all AC connections clean and dry.

## HOW TO IDENTIFY CHARGE ALGORITHM NUMBER

The algorithm numbers offered can be found in **See Battery Charger Algorithms on page 15-2**. The charger can display its algorithm number by initiating Algorithm Display Mode. To enter Algorithm Display Mode, do the following:

1. Disconnect the AC cord from the power outlet.
2. Disconnect the DC connector from the battery charger.
3. Wait for 1 to 1.5 minutes.
4. Connect the AC cord into the power outlet.
  - 4.1. All of the charger lights will turn on and then off.
  - 4.2. The AC on symbol will turn on.
  - 4.3. The current algorithm will display for 11 seconds.

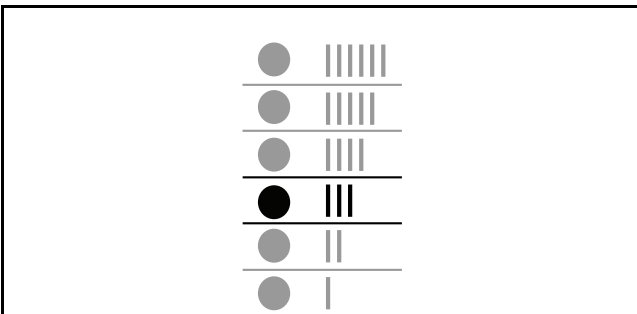


2388B

**Figure 15-1 80% Charge Light**

5. If the 80% charge light flashes, the current algorithm is 72 (**Figure 15-1**).

**NOTE:** The 80% charge light will flash 7 times, pause, then flash 2 times.



2387B

**Figure 15-2 Number 3 Light**

6. If the number 3 light flashes, the current algorithm is 3 (**Figure 15-2**).
7. Disconnect the AC cord from the power outlet.
8. Connect the DC connector.

### Battery Charger Algorithms

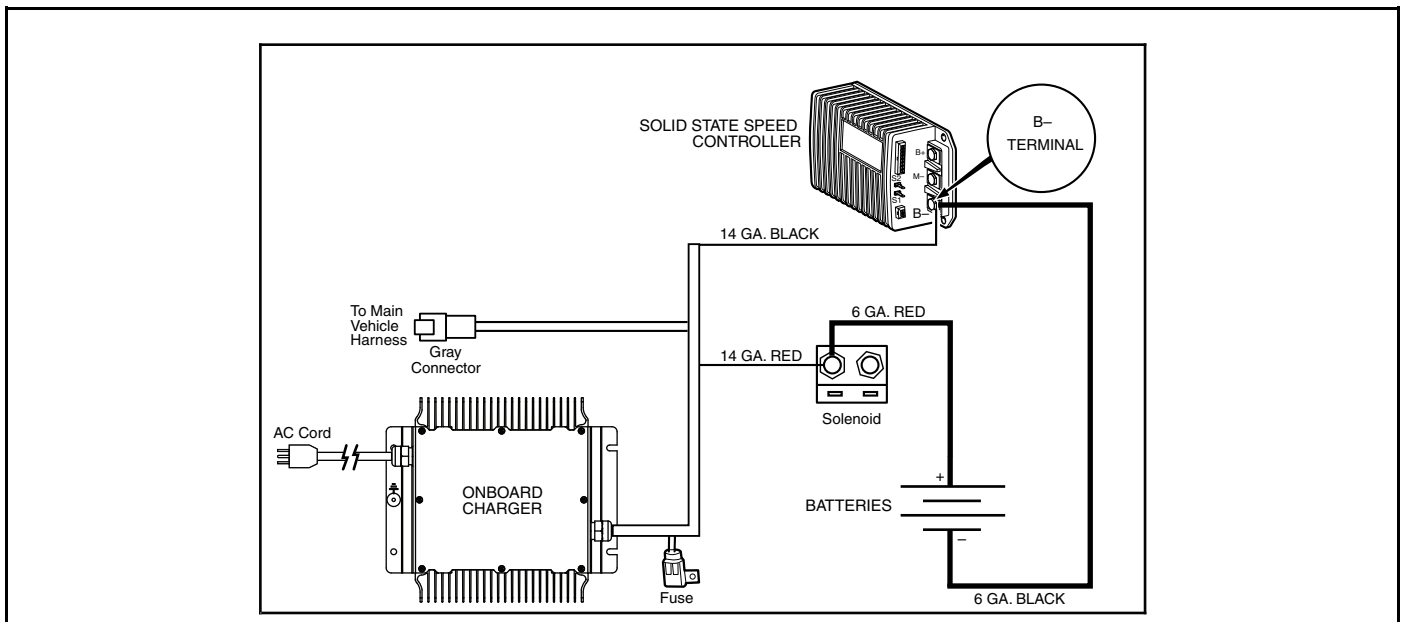
CHARGER MODEL (PART NUMBER)	ALGORITHM	BATTERY TYPE
912-4854-04	algorithm # 72	JCI
912-4854-04	algorithm # 3	Trojan

## HOW TO CHANGE THE ALGORITHM

1. Set the Run/Tow switch to TOW.
2. If equipped, disconnect the DC/DC converter connector.
3. Disconnect the AC cord.
4. Disconnect the main positive (+) battery wire.
5. Wait for 1 to 1.5 minutes.
6. Connect the AC cord.
7. While the battery charger lights flash, touch the main positive (+) battery wire to the battery post.
- 7.1. After three seconds, the algorithm display will change to the next algorithm. Continue to touch the main positive (+) battery wire to the battery post until the batteries start to charge.
- 7.2. When the batteries start to charge, disconnect the main positive (+) battery wire.
8. Disconnect the AC cord.
9. Connect the main positive (+) battery wire.
10. If equipped, connect the DC/DC converter connector.
11. Set the Run/Tow switch to RUN.

## THE CHARGE CIRCUIT

The charge circuit consists of the onboard charger, batteries and charger information light (**Figure 15-3, Page 15-3**).



2979

**Figure 15-3 Charge Circuit**

---

## ONBOARD CHARGER OPERATION

---

### **⚠ DANGER**

---

- Battery – Explosive gases! Do not smoke. Keep sparks and flames away from the vehicle and service area. Ventilate when charging or operating vehicle in an enclosed area. Wear a full face shield and rubber gloves when working on or near batteries.
- The charging area must be ventilated. Hydrogen level in the air must never exceed 2%. The total volume of air in the charging area must be changed five times per hour. Exhaust fans should be located at the highest point of the roof. Contact a local HVAC engineer.
- Do not charge the vehicle batteries with the vehicle covered or enclosed. Any enclosure or cover should be removed or unzipped and pulled back when batteries are being charged. An accumulation of hydrogen gas could result in an explosion.
- Risk of electric shock. Connect charger power cord to an outlet that has been properly installed and grounded in accordance with all local codes and ordinances. A grounded outlet is required to reduce risk of electric shock; do not use ground adapters or modify plug.
- Do not touch uninsulated portion of output connector or uninsulated battery terminals.
- Disconnect the AC supply before making or breaking the connections to the battery.
- Do not open or disassemble charger.
- Do not operate this charger if the AC supply cord is damaged or if the charger has received a sharp blow, been dropped, or otherwise damaged in any way. Refer all repair work to the manufacturer or qualified personnel.
- This appliance is not intended for use by persons (including children) with reduced physical, sensory or mental capabilities, or lack of experience and knowledge, unless they have been given supervision or instruction concerning use of the appliance by a person responsible for their safety. Children should be supervised to ensure that they do not play with the appliance

### **⚠ WARNING**

---

- The high frequency battery charger is programmed with an algorithm that matches the type and design specifications of the batteries originally installed in the vehicle. Never use this charger to charge batteries of a different type and design specification. Doing so will damage the non-matching batteries and greatly reduce their life span. If the batteries can not be replaced with the same as original, the charger must be replaced with one that matches the replacement batteries.
- Do not attempt to charge frozen batteries or batteries with bulged cases. Discard the battery in accordance with all environmental laws or return to an authorized Club Car dealer. Frozen batteries can explode.
- Only trained technicians should repair or service the charger. Contact your nearest Club Car distributor/dealer.
- Each charger should have its own dedicated 15 or 20 ampere separately protected (circuit breaker or fuse) single phase branch circuit, in accordance with all applicable electrical codes for the location.
- Connect the charger AC supply cord to a properly grounded, three-wire outlet of the proper Voltage and frequency as shown on the charger.

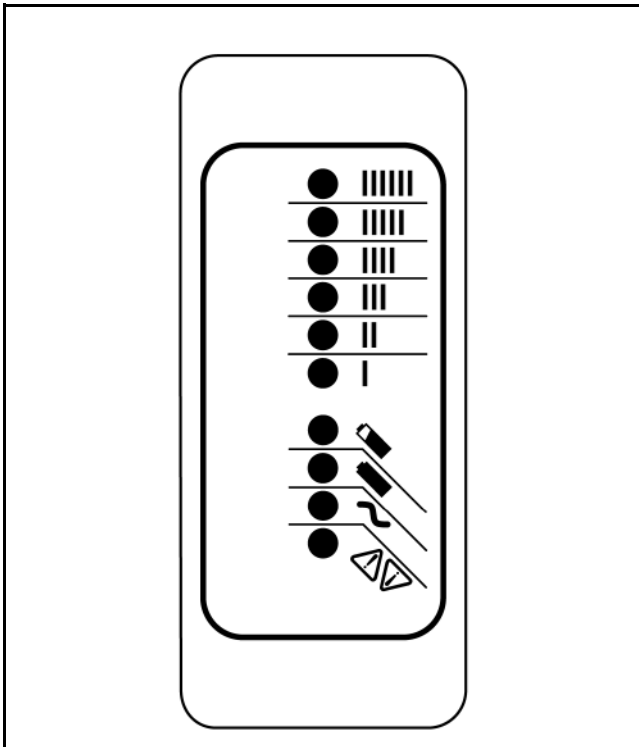
WARNING CONTINUED ON NEXT PAGE

** WARNING**

- Do not use an adapter to plug the charger with a three-prong plug into a two-prong outlet. Improper connection of the equipment-grounding conductor can result in a fire or an electrical shock.
- Use only an appropriately sized AC power cord. See AC Power Connection on page 15-8.
- Do not use near fuels, grain dust, solvents, thinners, or other flammables. Chargers can ignite flammable materials and vapors.
- Do not expose to rain or any liquid. Keep the charger dry.
- Prior to servicing the charger, disconnect the AC power supply cord from the wall outlet and remove the battery charger from the vehicle. See removal procedure in the appropriate maintenance and service manual.
- Do not use a battery charger if the cord or plug is damaged in any way. Replace worn or damaged parts immediately. Failure to heed this warning could result in a fire, property damage, severe personal injury, or death.
- Do not operate the charger if it has received a sharp blow, was dropped, or otherwise damaged in any way.
- Have worn, cut, or damaged power cords or wires replaced immediately.
- Install surge arrestors on incoming AC power lines. Surge arrestors will help protect electrical components in the charger and on the vehicle from all but direct or close lightning strikes
- Ensure battery connections are clean and properly tightened.
- Wear safety glasses or approved eye protection when servicing the vehicle or battery charger. Wear a full face shield and rubber gloves when working on or near batteries.
- Do not wear loose clothing or jewelry such as rings, watches, chains, etc., when servicing the vehicle or battery charger.
- Use insulated tools when working near batteries or electrical connections. Use extreme caution to avoid shorting of components or wiring.

## CHARGER DISPLAYS

10-LED display on charger:






2379

Figure 15-4 10-LED Display on Charger

LED Color	Icon	Indication (following "Power-On Self Test")	STATUS EXPLANATION
Ammeter (Amber)		Solid:	Displays approximate scale of current output during bulk phase.
		Flashing:	High internal charger temperature. Output reduced. Also displays algorithm #1 through # 6 for 11 seconds if no battery is connected.
80% Charge (Amber)		Solid:	Bulk charge phase complete, 80% charged. In Absorption phase.
		Flashing:	<ol style="list-style-type: none"> <li>With no battery connecte, indicates algorithm # selected by number of flashes.</li> <li>With battery connected, indicates battery being charged.</li> </ol>

TABLE CONTINUED ON NEXT PAGE



100% Charge (Green)		Solid:	Charging is complete. Charger in Maintenance Mode.
		Flashing:	Absorption phase complete. In Finish phase
AC on (Amber)		Solid:	AC Power good
		Flashing:	Low AC Voltage. Check Voltage and power cord length (refer to guidelines) <b>See AC Power Connection on page 15-8.</b>
Fault (Red)		Flashing:	<ol style="list-style-type: none"> <li>1. Solid Red = Charger Hardware Failure; requires charger to be replaced</li> <li>2. Flashing Red = Charge Cycle Caution; AC Voltage, DC Voltage, Ambient Temperature, Charge Cycle Timers</li> </ol>

## AC POWER CONNECTION

### CAUTION

- **Charger enclosure may be hot during charging. Use hand protection if handling the charger while charging.**

**NOTE:** Make sure that the AC cord provided with your charger has the proper AC plug for your location. If it does not, contact your Club Car representative to obtain the proper cord or plug.

Only use one charger on a single 15 amp circuit or the circuit may become overloaded.

To reduce the risk of electric shock, the battery charger must be grounded. The charger is equipped with an AC electric cord with an equipment-grounding conductor and a grounding type plug. The AC plug must be connected to an appropriate receptacle that is properly installed and grounded in accordance with the National Electric Code and all local codes and ordinances.

The AC power cord must be a three-conductor, no. 12 AWG (American Wire Gauge) or no. 14 SWG (British Standard Wire Gauge), heavy-duty cord with ground, properly wired and in good electrical condition. Keep it as short as possible (no more than 12 feet (3.7 m)). Place all cords so they will not be stepped on, tripped over, or otherwise subject to damage or stress.

## CHARGING BATTERIES

**NOTE:** Batteries should be put on charge even if they have been used for only a short time, i.e., 10 minutes. The charger is automatic and will turn off when batteries are fully charged. If the charger does not seem to be operating properly, or if the batteries seem weak, contact a local Club Car distributor/ dealer.

*New batteries will not deliver their full range until the vehicle has been driven and recharged from 20 to 50 times.*

*Vehicles should be restricted to 40 to 50 amp hours of discharge between charges until the batteries have been properly seasoned (20 to 50 charge cycles). For maximum battery life, Club Car recommends that electric vehicles always be recharged after 40 to 50 amp hours of discharge or each night in order to avoid deep discharging the batteries. Charging between uses will also extend battery life.*

*When temperatures fall below 65 °F (18.3 °C), batteries charged in unheated areas should be placed on charge as soon as possible after use. Batteries are warmest immediately after use, while cold batteries require more time to fully charge.*

1. Insert the onboard charger AC plug into a dedicated and properly wired AC receptacle to begin a charge cycle. **See Battery Charger Algorithms, Section 15, Page 15-2.**

**NOTE:** Only connect ONE charger to a single 15 amp circuit or the circuit may become overloaded.

2. Place the charger AC cord so it will not be stepped on, tripped over, or otherwise subject to damage or stress.
3. Do not place items in the compartment where the battery charger is installed. Provide the charger with adequate ventilation.

After the charger is plugged in, the vehicle's control circuit is locked out, preventing operation of the vehicle, as well as the possibility of subsequent damage to the charger and vehicle.

Once the lockout is actuated, the charger turns on and performs a Power-On Self Test in which the LED lights on the charger flash ON in sequence, the Charger Indicator Light on the dash will flash three times and the reverse buzzer will simultaneously sound three times. If test is successful, charging will start and the ammeter will come on.

The charger monitors battery voltage, charge current and charge time to determine when the batteries are properly charged. The charger will shut off by itself and the green battery icon will stop flashing and remain on.

The vehicle’s control circuit lockout remains activated until the charger AC plug is disconnected from the AC receptacle.

## **MAINTENANCE**

**See General Warnings on page 1-2.**

To ensure trouble-free performance, it is very important to follow an established preventive maintenance program. Regular and consistent maintenance can prevent vehicle downtime and expensive repairs that can result from neglect. Any charger not functioning correctly should be removed from use until it is properly repaired. This will prevent further damage to the vehicle and avoid the possibility of injury due to unsafe conditions. Contact your local Club Car distributor/dealer to perform all repairs and semiannual and annual periodic service

### **WARNING**

- **If any problems are found during scheduled inspection or service, do not operate the vehicle until repairs are made. Failure to make necessary repairs could result in fire, property damage, severe personal injury, or death.**
- **Do not wear loose clothing or jewelry, such as rings, watches, chains, etc., when servicing the charger.**
- Do not expose charger to oil, dirt, mud or direct heavy water spray when cleaning vehicle.
- Keep all AC connections clean and dry.
- If the detachable input power supply cord set is damaged, replace with a cord that meets the following criteria:

For North America:	UL or CSA listed/approved detachable cord, 3 conductor, 16AWG minimum, and rated SJT; terminating in a grounding type IEC 60320 C14 plug rated 250V, 13A minimum.
For all other countries:	Safety approved detachable cord, 3 conductor, 1.5mm <sup>2</sup> ; minimum, rated appropriately for industrial use. The cord set must be terminated on one end with a grounding type input connector appropriate for use in the country of destination and, on the other end, an output grounding type IEC 60320 C14 plug.

## TROUBLESHOOTING

See General Warnings on page 1-2.

### **⚠ DANGER**







- Do not touch any wire or component in the battery charger while AC power is present. Failure to heed this warning will result in an electric shock.

### **⚠ WARNING**

- Knowledge of battery charger wiring and component terminology is required before attempting any repair (Figure 15-2, Page 15-3).
- Prior to servicing the charger, disconnect the AC power supply cord from the wall outlet and remove the battery charger from the vehicle. See Onboard Charger Removal And Installation on page 15-12.

If a fault occurs, count the number of red flashes (on the charger or dash) between pauses and refer to the table below:

#### HIGH FREQUENCY BATTERY CHARGER TROUBLESHOOTING GUIDE

RED FLASHES	CAUSE	SOLUTION
	Battery High Voltage	Ensure battery set is rated 48 volts and composed of 24 cells. <b>See Battery Voltage Using Multimeter on page 15-11.</b> If not, replace with correct battery set. Reset charger (interrupt AC power for 15 seconds).
	Battery Low Voltage	Ensure battery set is rated 48 volts and composed of 24 cells. Also, check the voltage of each individual battery. <b>See Battery Voltage Using Multimeter on page 15-11.</b> If not, replace with correct battery set. Reset charger (interrupt AC power for 15 seconds).
	Charge Timeout caused by battery pack not reaching required voltage. Charger output was reduced due to high temperatures	Check for loose or corroded connections. Check for old or defective batteries. <b>See Test Procedures on page 15-11.</b> Operate charger at a lower ambient temperature.
	Check Battery: battery could not be trickle charged up to minimum voltage	Check for shorted or damaged cells. <b>See Battery Voltage Using Multimeter on page 15-11.</b>
	Over-Temperature: Charger shut down due to high internal temperature	Check for dirty, obstructed, or damaged cooling fins. Clean if necessary and ensure sufficient cooling air flow. Reset charger (interrupt AC power for 15 seconds).
	Charger Internal Fault	Reset charger (interrupt AC power for 15 seconds). Return to qualified service depot if fault persists.

---

## TEST PROCEDURES

---

See General Warnings, Section 1, Page 1-2.

### Index of Test Procedures

- 1 – Battery Voltage Using Multimeter
- 2 – Battery Condition Using Charger – All Batteries
- 3 – On-Charge Battery Voltage Using Charger And Multimeter
- 4 – AC Power and Continuity Test of AC Circuit
- 5 – Charger DC Circuit Continuity Test

### TEST PROCEDURE 1 – Battery Voltage Using Multimeter

See General Warnings on page 1-2.

1. Check battery pack voltage. **See Measuring Voltage of Battery Set, Section 14, Page 14-2.**
2. Normal no-load voltage should be between 50 and 52 volts for a fully charged battery set. Normal no-load voltage of an individual battery should not be less than 0.5 volts of the other 7 batteries (for 8 x 6 volt battery set).

### TEST PROCEDURE 2 – Battery Condition Using Charger – All Batteries

The easiest way to monitor the condition of a vehicle's batteries is simply to observe the charger display (usually found on the dash) at the end of the charge cycle. After a full charge, disconnect the charger AC plug, wait 30 seconds and reconnect the charger AC plug. The green battery icon will flash quickly and then flash slowly within 10 to 20 minutes, indicating sound, fully charged batteries.

**NOTE:** Batteries near the end of their useful lives may not allow the battery charge current to taper and the green battery icon will continue to flash quickly. **See Batteries on page 14-1.**

Continued poor performance may indicate a problem in the vehicle electrical system, brakes or battery charger. If the problem is not found in the vehicle or charging system, proceed to the on-charge voltage test. If the green battery icon does not change to a slow flash, the batteries should be tested further using the on-charge voltage test.

### TEST PROCEDURE 3 – On-Charge Battery Voltage Using Charger And Multimeter

When the batteries are fully charged, disconnect the charger DC plug. Wait 20 to 30 seconds and reconnect the DC plug to restart the charger. After 5 minutes, use a multimeter to check and record the voltage of the battery set as well as the individual batteries. Set the multimeter to 200 volts DC. Place the red (+) probe on the positive (+) post of battery no. 1 and the black (-) probe on the negative (-) post of battery no. 8 (for 8 x 6 volt battery set). Record reading. Then set multimeter to 20 volts DC and place the red (+) probe on the positive (+) post and the black (-) probe at the negative (-) post of each battery. Record the readings.

The on-charge voltage for the set should be between 56.0 volts and 63.0 volts depending on the age and state of charge of the batteries being tested.

**For 6 volt batteries:** If individual batteries read above 7.0 volts and are within 0.5 volt of each other, go to the hydrometer test or discharge test. **See Battery Testing – 6 Volt, Section 14, Page 14-3.** If any battery reads below 7.0 volts and not within 0.5 volts of those batteries above 7.0 volts, replace battery. If readings are below 7.0 volts but within 0.5 volts of each other, the batteries are old.

### TEST PROCEDURE 4 – AC Power and Continuity Test of AC Circuit

1. Disconnect AC cord from the wall outlet and DC plug from the vehicle receptacle.
2. Check the AC line fuse or circuit breaker in the storage facility.
3. With a multimeter set to 500 volts AC, check incoming AC voltage. Insert multimeter test probes into AC wall outlet; voltage should be between 85 and 270 volts. **See QuiQ Battery Charger Specifications, Section 2, Page 2-3.** If proper voltage is not present, have building wiring checked by a licensed electrical contractor.
4. If the charger will not power ON, check AC cord connections.
5. If the charger is connected correctly, check continuity of the AC cord wires.

### TEST PROCEDURE 5 – Charger DC Circuit Continuity Test

1. Disconnect the AC cord from the wall outlet and the DC cord plug from the charger lead.
2. Check continuity of the DC cord wires from plug pin to large solenoid post (10-gauge red wire) and B- terminal of controller (10-gauge black wire). **See following NOTE.**

**NOTE:** The 10-gauge red wire from the charger to the solenoid has an in-line 30-amp fuse.

3. When finished, connect DC cord plug to the charger lead.

## CHARGER REPAIRS

---

See General Warnings on page 1-2.

**NOTE:** The high frequency charger offers no replacement parts. If necessary, the charger must be replaced. See **Onboard Charger Removal And Installation on page 15-12.**

## ONBOARD CHARGER REMOVAL AND INSTALLATION

---

See General Warnings on page 1-2.

### **⚠ WARNING**

- Knowledge of battery charger wiring and component terminology is required before attempting any repair See Troubleshooting on page 15-10.
- Prior to servicing the charger, disconnect the AC power supply cord from the wall outlet and remove the battery charger from the vehicle.

### ONBOARD CHARGER REMOVAL

1. Disconnect the batteries and discharge the controller. **See Disconnecting the Batteries – Electric Vehicles, Section 1, Page 1-3.**
  2. Remove the wire ties securing the connector to the charger P-clip.
  3. Disconnect the all connectors from the charger AC and DC connector.
  4. Remove four lock nuts (5) securing charger to charger mounting plate.
-

5. Remove charger from vehicle.

## **ONBOARD CHARGER INSTALLATION**

1. Install charger onto vehicle.
2. Install the four lock nuts (5) securing charger to charger mounting plate. Tighten to 40 in·lb (5.4 N·m).
3. Connect the AC and DC connector.
4. Connect 8-pin grey connector.
5. Install wire ties to secure connectors to the charger P-clip.
6. Connect the batteries. **See Connecting the Batteries – Electric Vehicles on page 1-4.**

Pagination Page



## **⚠ DANGER**

- See General Warnings on page 1-2.

## **⚠ WARNING**

- See General Warnings on page 1-2.

## GENERAL INFORMATION

---

The IQ Plus vehicle is equipped with a 48-volt DC, shunt-wound, reversible traction motor. This 3.7 horsepower motor is designed for use on IQ Plus vehicles only. Club Car recommends that motors requiring major repair be sent to a qualified motor repair shop; however, there are many relatively simple tasks that can be performed by a technician with general knowledge and experience in electric motor repair.

## EXTERNAL MOTOR TESTING

---

The following tests can be performed without disassembling the motor using a multimeter or continuity tester.

**NOTE:** Tag the motor wires for identification before disconnecting.

### Index of Test Procedures

- 1 – Internal Short Circuits
- 2 – Armature Circuit Open
- 3 – Field Circuit Open

### TEST PROCEDURE 1 – Internal Short Circuits

See General Warnings on page 1-2.

1. Disconnect the batteries and discharge the controller. **See Disconnecting the Batteries – Electric Vehicles, Section 1, Page 1-3.**
2. Disconnect wires from terminals on motor using two wrenches to prevent posts from turning.
3. With a multimeter set to 200 ohms, place black (–) probe on motor housing. Scratch through paint to ensure a good connection. Place red (+) probe on A1, A2, F1, and F2 terminals respectively. Multimeter should indicate no continuity. If readings are incorrect, motor will need to be removed from the vehicle and repaired by a qualified technician. **See Motor Removal on page 16-3.**
- 3.1. An incorrect reading from the A1 or A2 terminal indicates three possible problems: a grounded A1 or A2 terminal, a grounded wire in the brush area, or a grounded armature/commutator. An incorrect reading for the F1 or F2 terminal indicates a possible grounded F1 or F2 terminal or field coil.
4. Connect the batteries. **See Connecting the Batteries – Electric Vehicles, Section 1, Page 1-4.**

## TEST PROCEDURE 2 – Armature Circuit Open

See General Warnings on page 1-2.

1. Disconnect the batteries and discharge the controller. **See Disconnecting the Batteries – Electric Vehicles, Section 1, Page 1-3.**
2. Disconnect wires from the A1 and A2 terminals on the motor using two wrenches to prevent posts from turning. Set a multimeter to 200 ohms and place the red (+) probe on the A1 terminal and black (–) probe on the A2 terminal. The multimeter should indicate continuity. If the reading is incorrect, a possible open or poor contact in a brush assembly and/or open armature windings may be the cause. The motor will need to be removed from the vehicle and repaired by a qualified technician. **See Motor Removal on page 16-3.**
3. Connect the batteries. **See Connecting the Batteries – Electric Vehicles, Section 1, Page 1-4.**

## TEST PROCEDURE 3 – Field Circuit Open

See General Warnings on page 1-2.

1. Disconnect the batteries and discharge the controller. **See Disconnecting the Batteries – Electric Vehicles, Section 1, Page 1-3.**
2. Disconnect wires from the F1 and F2 terminals on the motor using two wrenches to prevent posts from turning. Set a multimeter to 200 ohms and place the red (+) probe on the F1 terminal and the black (–) probe on the F2 terminal. The multimeter should indicate continuity. If the reading is incorrect, a possible open field coil or bad connections at the terminals may be the cause. The motor will need to be removed from the vehicle and repaired by a qualified technician. **See Motor Removal on page 16-3.**
3. Connect the batteries. **See Connecting the Batteries – Electric Vehicles, Section 1, Page 1-4.**

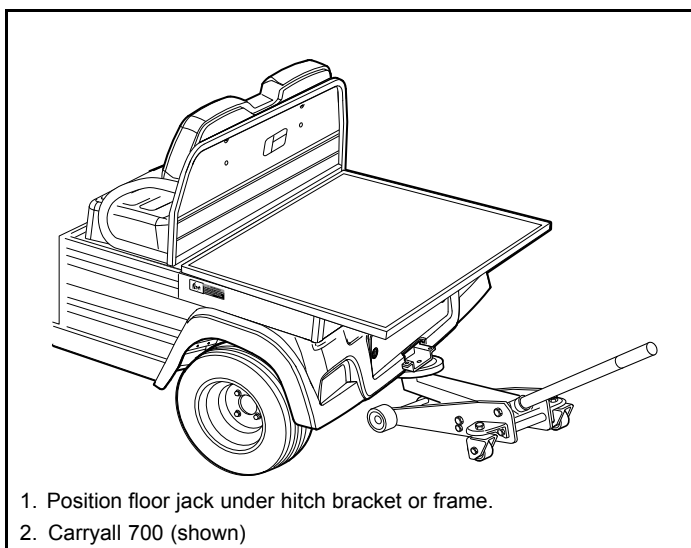
## MOTOR REMOVAL

See General Warnings on page 1-2.

1. Disconnect the batteries and discharge the controller. See **Disconnecting the Batteries – Electric Vehicles, Section 1, Page 1-3.**
2. Disconnect wires from the terminals on the motor using two wrenches to prevent posts from turning. Label the wires to ensure proper reconnection.
3. Slightly loosen all the lug nuts on both rear wheels.
4. Place floor jack under transaxle and raise rear of vehicle (**Figure 16-1, Page 16-3**) then place jack stands under frame crossmember between the spring mount and the side stringer, just forward of each rear wheel. Lower the vehicle to let the jack stands support the vehicle (**Figure 16-2, Page 16-3**). See following **WARNING**.

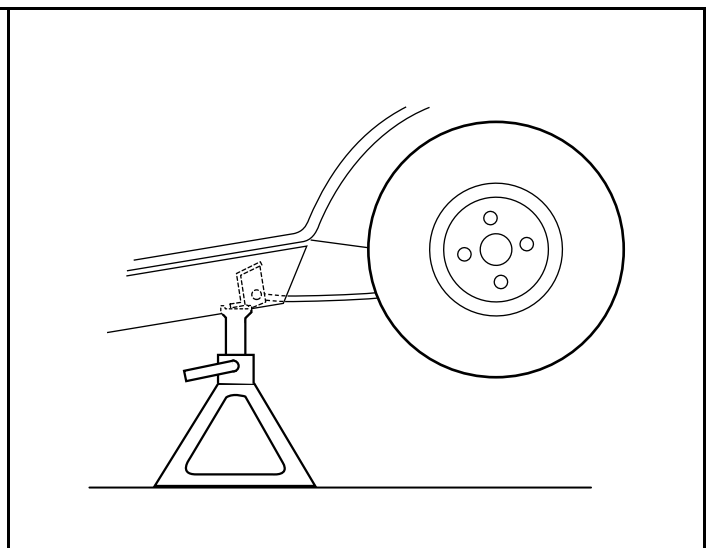
### **▲ WARNING**

- Lift only one end of the vehicle at a time. Use a suitable lifting device (chain hoist or hydraulic floor jack) with 1000 lb. (454 kg) minimum lifting capacity. Do not use lifting device to hold vehicle in raised position. Use approved jack stands of proper weight capacity to support the vehicle and chock the wheels that remain on the floor. When not performing a test or service procedure that requires movement of the wheels, lock the brakes.



2867

**Figure 16-1 Lift Vehicle with Floor Jack**



**Figure 16-2 Vehicle Supported on Jack Stands**

5. Remove both rear wheels.
6. Remove the nut, cup washer, and bushing from the bottom side of the shock absorber. Compress the shock absorber (pushing upwards) to move it out of the way (**Figure 16-3, Page 16-4**).
7. Remove the nuts and bolts mounting the rear leaf springs to the shackles.
8. To gain easier access to the motor, lower the transaxle as low as it will go. If more room is needed, remove the jack from beneath the transaxle and allow the springs to rest on the floor (**Figure 16-3, Page 16-4**).

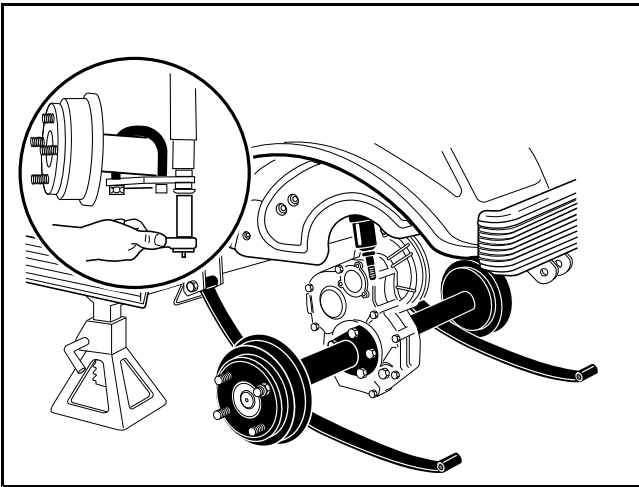


Figure 16-3 Lower Axle

9. Remove the four bolts that mount the motor to the transaxle (**Figure 16-21, Page 16-16**). See following **CAUTION**.

### **⚠ CAUTION**

- Do not position fingers under motor when sliding motor off of the input shaft in step 9. Fingers may get pinched when motor disengages.

10. Carefully slide the motor away from the transaxle until the motor spline disengages the input shaft and remove the motor from the vehicle.



Figure 16-4 Speed Sensor Magnet



Figure 16-5 End Cap Removal

## MOTOR DISASSEMBLY

1. Release the clasp and remove the headband assembly (21) from the motor. Visually inspect brushes and springs. **(Figure 16-13, Page 16-10).**
2. Before continuing disassembly, place match marks on the motor end cap (20) and motor frame (14).
3. Remove speed sensor (10) and magnet (12).
  - 3.1. Remove the two screws (11) and clamp that secure the speed sensor (10) to the end cap (20).
  - 3.2. Remove the bolt (13) securing the magnet (12) to the armature shaft (15). Hold the back of the armature assembly to keep it from turning as you remove the bolt.
  - 3.3. Inspect the speed sensor magnet. **See Speed Sensor Magnet Inspection on page 16-9.**

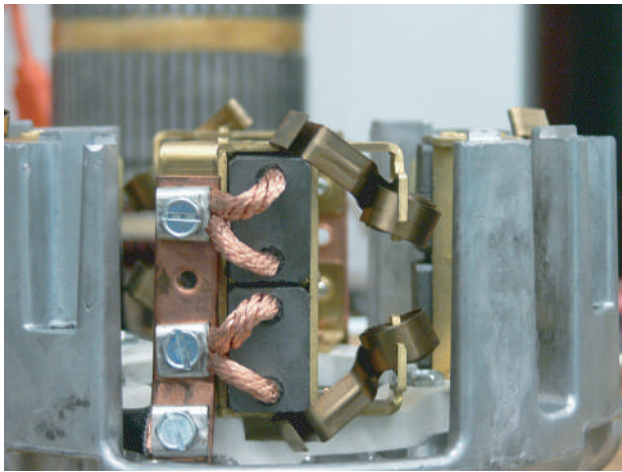


Figure 16-6 Brush Springs Positioning

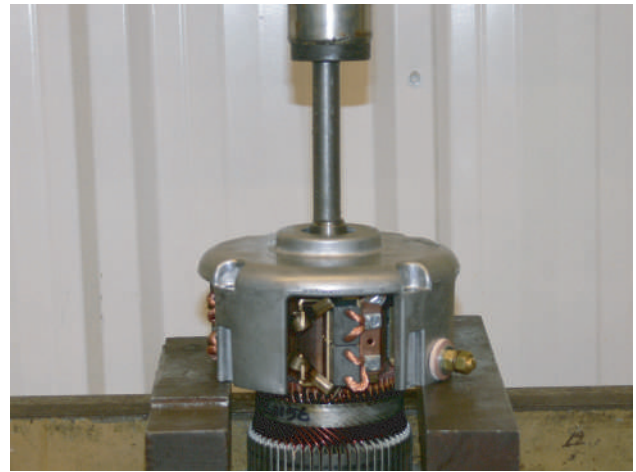


Figure 16-7 Armature Removal

4. Orient the motor so that the splined end of the armature is facing down.
5. Remove the four end cap bolts. The weight of the motor housing will cause it to drop when the bolts are removed. **See following CAUTION.**

### **⚠ CAUTION**

- **The motor housing will drop when the bolts are removed. Do not put fingers under the motor housing when removing bolts.**

6. Remove the end cap and armature from the motor frame **(Figure 16-5, Page 16-4).**
7. Inspect the brush springs for proper tension. **See Motor Brush, Spring, and Terminal Insulator Inspection on page 16-8.**
8. Remove the armature from the end cap bearing. **See following CAUTION and NOTE.**

## **⚠ CAUTION**

- Removing the armature from the end cap requires two people: one to operate the press, and another to hold the armature. Failure to heed this CAUTION could result in personal injury and/or damage to the armature resulting from an unsupported armature falling after it becomes disengaged from the end cap bearing.

**NOTE:** Replacement of the end cap bearing is recommended if the armature is removed.

- 8.1. Position the brush springs to reduce tension during removal of the armature. (Figure 16-6, Page 16-5).
- 8.2. Place the end cap in a press with the armature facing down.
- 8.3. Place a bearing press tool with an outer diameter smaller than that of the armature shaft between the press ram and the armature shaft (Figure 16-7, Page 16-5).
- 8.4. Have an assistant support the armature while the press is activated.
9. Inspect the armature for wear and damage. **See Armature Inspection and Testing on page 16-7.**
10. Inspect the motor frame and field windings. **See Motor Frame and Field Windings Inspection on page 16-8.**
11. Remove the brush rigging.
  - 11.1. Mark the brush terminal posts (A1 and A2).
  - 11.2. Remove the two nuts securing the brush terminals (A1 and A2) to the end cap.
  - 11.3. Remove the four bolts and the brush rigging from the end cap (Figure 16-8, Page 16-6).
12. Inspect the terminal insulators. **See Terminal Insulator Inspection on page 16-9.**
13. Remove the bearing from the end cap.
  - 13.1. Remove the retaining ring that secures the bearing in the end cap (Figure 16-9, Page 16-6).
  - 13.2. Use an arbor press to remove the bearing from the end cap.
14. Inspect the bearing for wear and damage. **See Bearing Inspection on page 16-9.**

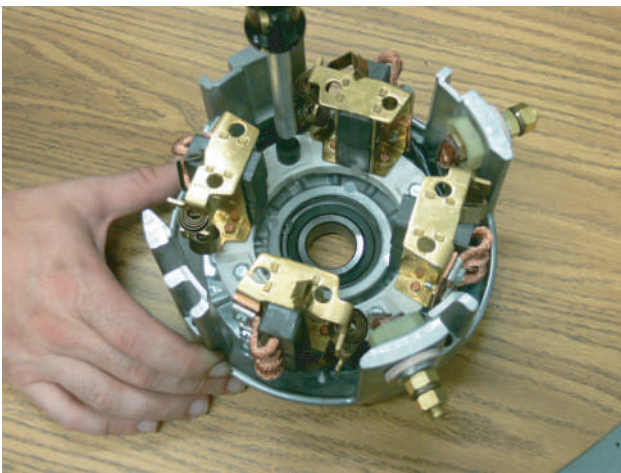


Figure 16-8 Brush Rigging Removal

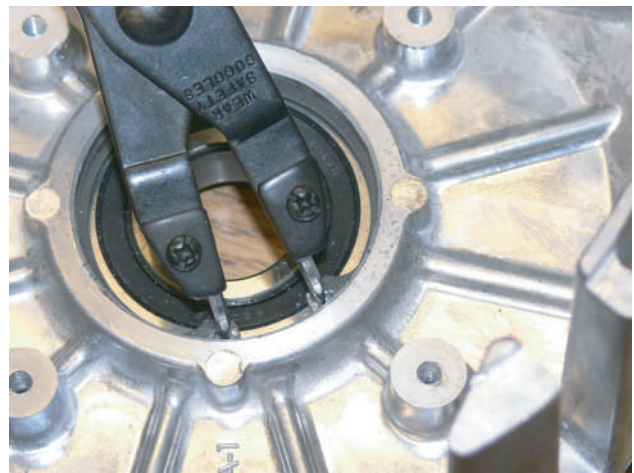


Figure 16-9 Retaining Ring Removal

---

## MOTOR COMPONENT TESTING AND INSPECTION

---

See General Warnings on page 1-2.

### ARMATURE INSPECTION AND TESTING

1. Remove the motor from the vehicle. **See Motor Removal, Section 16, Page 16-3.**
2. Remove the end cap and armature by performing steps 1 through 6 of Motor Disassembly on page 16-5.

#### Visual Inspection

- Burned, charred or cracked insulation
- Improperly cured varnish
- Thrown solder
- Flared armature windings
- Damaged armature core laminations
- Worn, burned or glazed commutators
- Dirty or oily commutators
- Raised commutator bars
- Worn armature bearing or shaft

A dirty or oily commutator should be cleaned and wiped dry. Abnormalities identified during the inspection can help determine original cause of failure. Slight roughness of the commutator can be polished smooth with 400 grit or finer sandpaper. **See following CAUTION and NOTE.**

#### **CAUTION**

- **Do not use emery cloth to polish the commutator. Particles of emery are conductive and may short-circuit the commutator bars. Do not use oil or lubricants on the commutator or brushes.**

**NOTE:** Oil on the commutator may indicate a faulty transaxle input shaft oil seal.

#### Armature Ground Test

#### **CAUTION**

- **Do not submerge the armature in solvent.**

**NOTE:** Before testing the armature, wipe it clean with a clean cloth. Remove any carbon dust and metal particles from between the commutator bars.

1. With a multimeter set to 200 ohms, place one probe on the commutator (1) and the other on the armature core (2). The multimeter should indicate no continuity (**Figure 16-10, Page 16-8**). If the reading is incorrect, replace the armature.

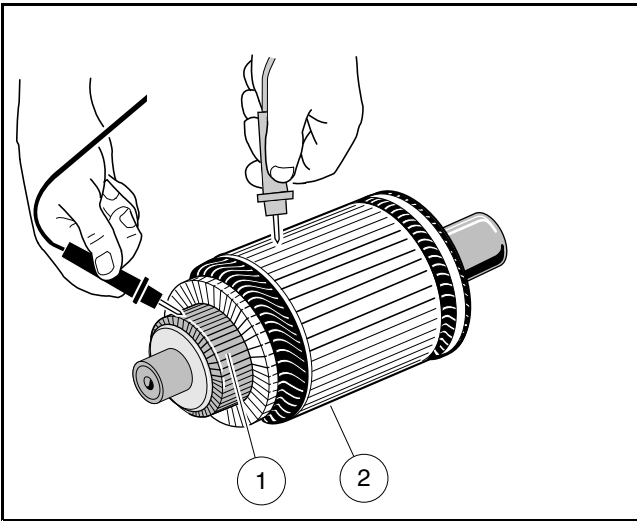


Figure 16-10 Armature Test

## MOTOR FRAME AND FIELD WINDINGS INSPECTION

1. Remove the motor from the vehicle. **See Motor Removal, Section 16, Page 16-3.**
2. Remove the end cap and armature by performing steps 1 through 6 of Motor Disassembly on page 16-5.
3. Burned or scorched insulation on the field windings indicates the motor has overheated due to overloads or grounded or shorted coil windings. If the insulation on the field windings is scorched, replace the motor or the stator shell assembly.

## MOTOR BRUSH, SPRING, AND TERMINAL INSULATOR INSPECTION

### Brush Spring Tension Test

1. Remove the motor from the vehicle. **See Motor Removal, Section 16, Page 16-3.**
2. Release the clasp and remove the headband from the motor.
3. Inspect the brush springs (18) (**Figure 16-13, Page 16-10**). Replace springs that are discolored from heat (light gold or blue tinted).
4. Test the brush springs for proper tension.
  - 4.1. Place a C-shaped steel plate (1) on a scale (2).
  - 4.2. Place the end of the C-shaped plate (1) so that it is between the spring and the brush.
  - 4.3. Gently pull the scale (2) to obtain the spring tension reading. **See following CAUTION.**

## CAUTION

- **When checking brush spring tension, do not over-extend the spring. Using excessive force will damage the spring.**
- 4.4. Replace springs which require a force of less than 35 ozf. (990 gf.) (**Figure 16-11, Page 16-9**). **See following NOTE.**

**NOTE:** When installing new brushes, remove and replace brushes one at a time. This method ensures the terminals and brushes will be properly positioned in the rigging. Refer to **Motor Assembly on page 16-11** for brush installation.

When replacing brushes, replace all four brushes. Never replace only two.



Install the brushes in the same rigging 180° apart from each other.

### Brush Inspection

1. Remove the motor from the vehicle. **See Motor Removal, Section 16, Page 16-3.**
2. Release the clasp and remove the headband from the motor.
3. Inspect the brushes (16) for damage or excessive wear (**Figure 16-13, Page 16-10**). Replace brushes if required. **See preceding NOTE.**
4. Use dial calipers or a micrometer to measure the brush length. The minimum-allowable brush length is 0.62 inches (16 mm). Replace the set of brushes as required. **See preceding NOTE.**

### Terminal Insulator Inspection

1. Remove the motor from the vehicle. **See Motor Removal, Section 16, Page 16-3.**
2. Remove the terminal insulators by performing steps 1 through 11 of Motor Disassembly on page 16-5.
3. Inspect the insulators for cracks or other damage. Replace insulators as required.

### Bearing Inspection

**NOTE:** Replacement of the end cap bearing is highly-recommended if the end cap is removed from the motor. The following procedure is provided as a guideline for determining general bearing failure.

1. Remove the motor from the vehicle. **See Motor Removal, Section 16, Page 16-3.**
2. Remove the bearing by performing steps 1 through 13 of Motor Disassembly on page 16-5.
3. Use a clean cloth to wipe the carbon dust off of the bearing. Inspect the bearing by spinning it by hand and checking for both axial (A) and radial (B) play (**Figure 16-12, Page 16-9**).
4. Replace the bearing if it is noisy, does not spin smoothly, or has excessive play. Check the bearing and replace if rusted, worn, cracked, or if there is an abnormal color change in the metal of the bearing.

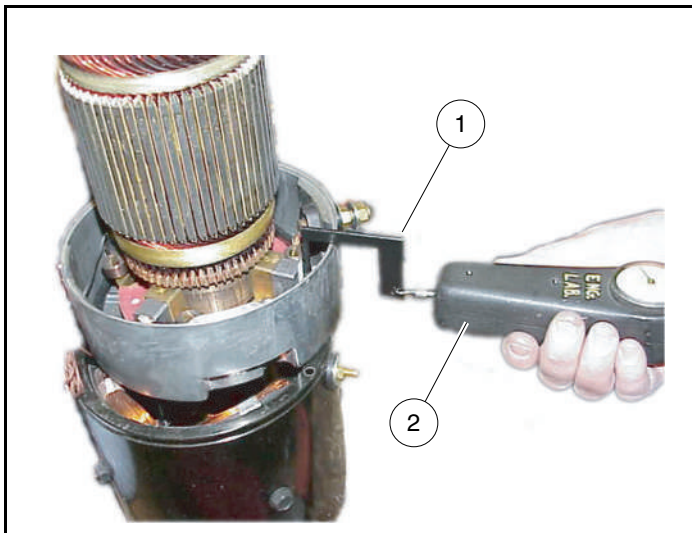


Figure 16-11 Brush Spring Tension Test

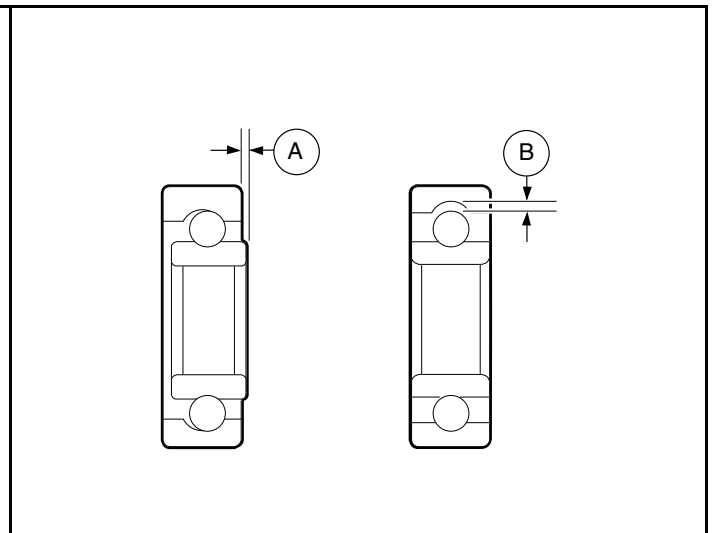


Figure 16-12 Bearing Inspection

### Speed Sensor Magnet Inspection

Inspect the speed sensor magnet (12) for rust, wear, and cracks (**Figure 16-13, Page 16-10**). Replace the magnet if necessary.

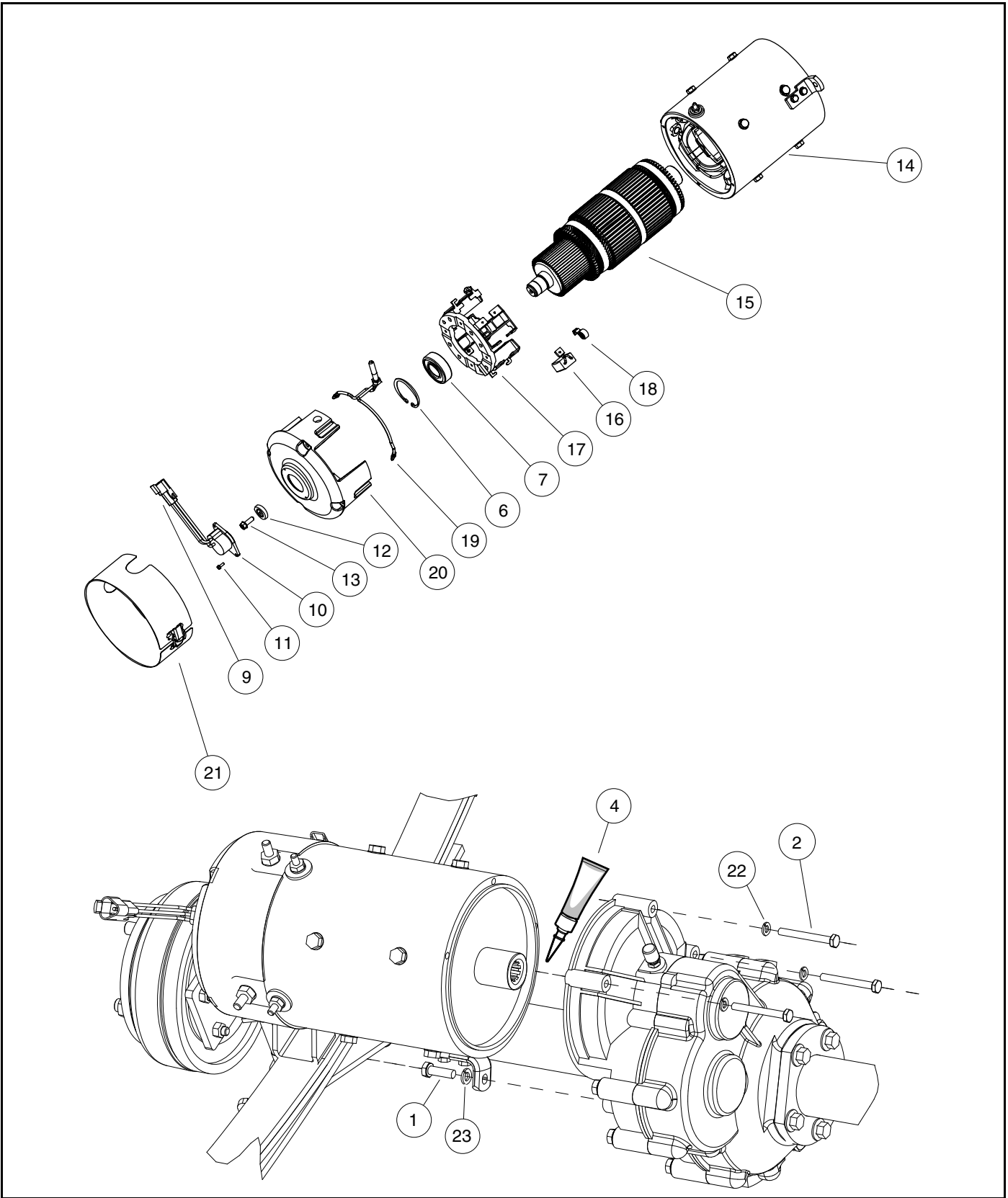


Figure 16-13 Motor

## RECONDITIONING THE MOTOR

See General Warnings on page 1-2.

Motor reconditioning must be performed by a qualified motor repair technician. The use of proper tools and procedures is absolutely essential for successful motor reconditioning.

### MOTOR SPECIFICATIONS

Any rework must be performed by a qualified technician. Motor service specifications are listed in the following table.

ITEM	SERVICE LIMIT
Commutator diameter (minimum)	2.80 in. (71.10 mm)
Commutator concentric with armature shaft within	0.003 in. (0.08 mm)
Bar to bar runout should not exceed	0.005 in. (0.013 mm)
Undercut of segment insulator after machining commutator	0.040 in. (1.0 mm)
Armature resistance at 75 °F (24 °C)	0.014 ohms between bars 1 and 15
Field resistance at 75 °F (24 °C)	0.55 ohms

## MOTOR ASSEMBLY

See General Warnings on page 1-2.

1. Replace the bearing.
  - 1.1. Use an arbor press to install a new bearing into the end cap. To help avoid damaging the bearing, apply pressure only to the outer race when installing the bearing.
  - 1.2. Install the retaining ring to secure the bearing.
2. Install the brushes and brush rigging. **See following NOTE.**

**NOTE:** When installing new brushes, remove and replace brushes one at a time. This method ensures the terminals and brushes will be properly positioned in the rigging.

*When replacing brushes, replace all eight brushes.*

*Install the brushes in the same rigging 180° apart from each other.*

- 2.1. Insert the brushes into the brush rigging as shown.
- 2.2. Insert the two terminal posts through insulators in the end cap (20) wall at the A1 and A2 positions (**Figure 16-13, Page 16-10**).
- 2.3. Place external insulators and washers on each terminal post, and secure terminal with nuts. Tighten nuts to 100 in·lb (11.3 N·m). Ensure that the terminal posts do not rotate when tightening the nuts.
- 2.4. Secure the brush rigging to the end cap with four bolts. Tighten the bolts to 25 in·lb (2.8 N·m).
- 2.5. One at a time, push the brushes back until they are completely retracted into their mounting slots (**Figure 16-14, Page 16-12**).

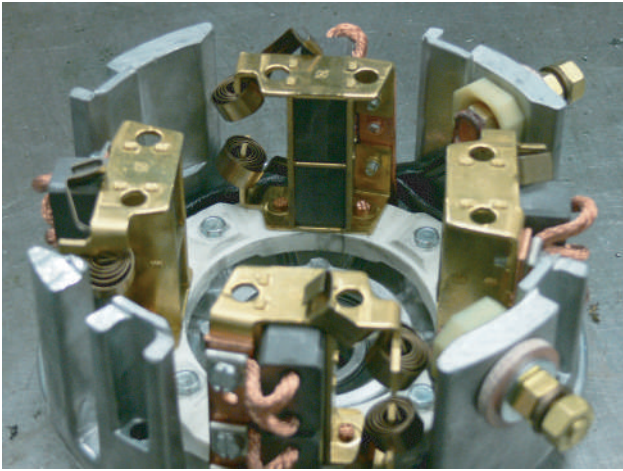


Figure 16-14 Retracted Brushes

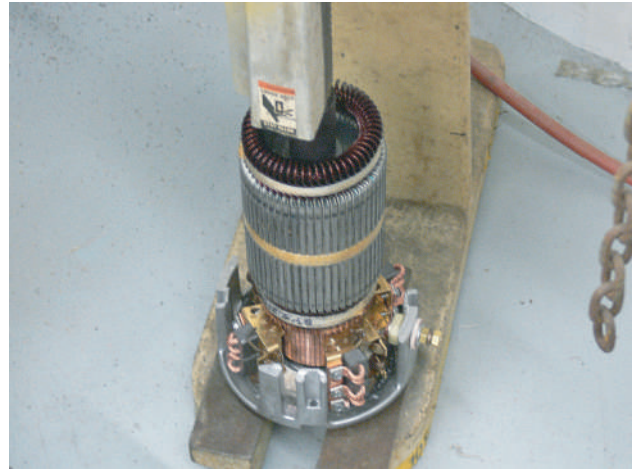
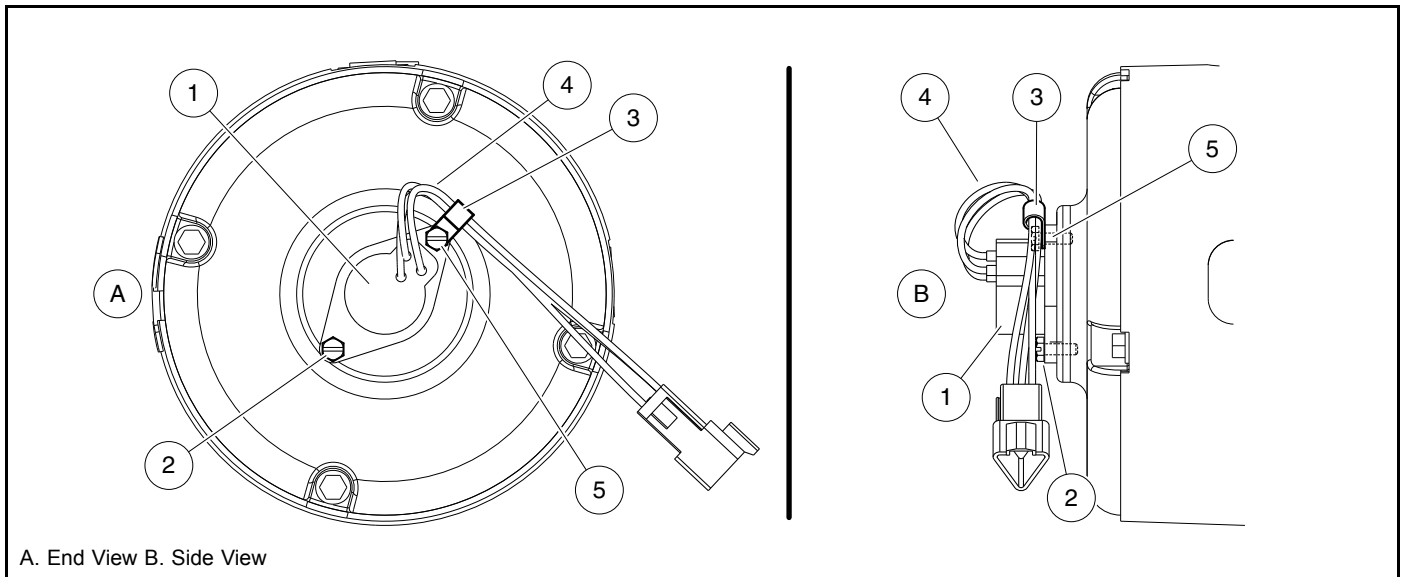


Figure 16-15 Armature Installation

3. With the brushes retracted, use an arbor press to press the armature shaft into the end cap bearing (**Figure 16-15, Page 16-12**). See following **CAUTION**.

## **CAUTION**

- **Make sure the brushes are held back. Do not allow the brushes to support the weight of the commutator. The brushes can be easily damaged by this weight.**
4. Move the springs back to their original position. Ensure that the spring rests on the end of each brush.
  5. Align the match marks on the end cap (20) and the motor frame (14) and secure with four bolts (**Figure 16-13, Page 16-10**). Tighten bolts to 130 in·lb (14.7 N·m).
  6. Install the speed sensor magnet (12) with bolt (13). Tighten to 65 in·lb (7.3 N·m).
  7. Install the speed sensor (1) with one screw (2) finger-tight (**Figure 16-16, Page 16-13**).
  8. Install clamp (3) onto sensor wires (4) and secure with other screw (5) finger-tight. Ensure clamp (3) and wires (4) are oriented as shown (**Figure 16-16, Page 16-13**). Tighten both screws (2 and 5) to 20 in·lb (2.2 N·m).
  9. Make sure the armature turns freely. If it does not turn freely, disassemble the motor to find the problem.



3066

Figure 16-16 Speed Sensor Clamp

## MOTOR INSTALLATION

See General Warnings on page 1-2.

1. Clean the transaxle input shaft.
  - 1.1. Spray the input shaft thoroughly with CRC® Brakleen™ or equivalent brake cleaner degreaser.
  - 1.2. Wipe input shaft with a clean cloth.
  - 1.3. Inspect the grooves of the input shaft and remove any remaining debris.
  - 1.4. Repeat steps 1.1 through 1.3 until input shaft is clean.
2. Lubricate the transaxle input shaft.
  - 2.1. Squeeze approximately 1/2 inch (1.3 cm) of moly-teflon lubricant from tube onto a putty knife as shown (Figure 16-17, Page 16-14).
  - 2.2. Rotate wheels to rotate input shaft.
  - 2.3. Apply motor coupling grease evenly to the rotating input shaft starting at approximately 1/8 inch (3.1 mm) from the end of the shaft and working back toward the transaxle (away from the end of the shaft) (Figure 16-18, Page 16-14).
  - 2.4. The grease should be evenly distributed in the grooves to a width of approximately 3/8 inch (9.5 mm).
  - 2.5. Use a flat screwdriver to clean the grease out of one of the grooves and allow air to escape when the motor is pushed onto the input shaft.

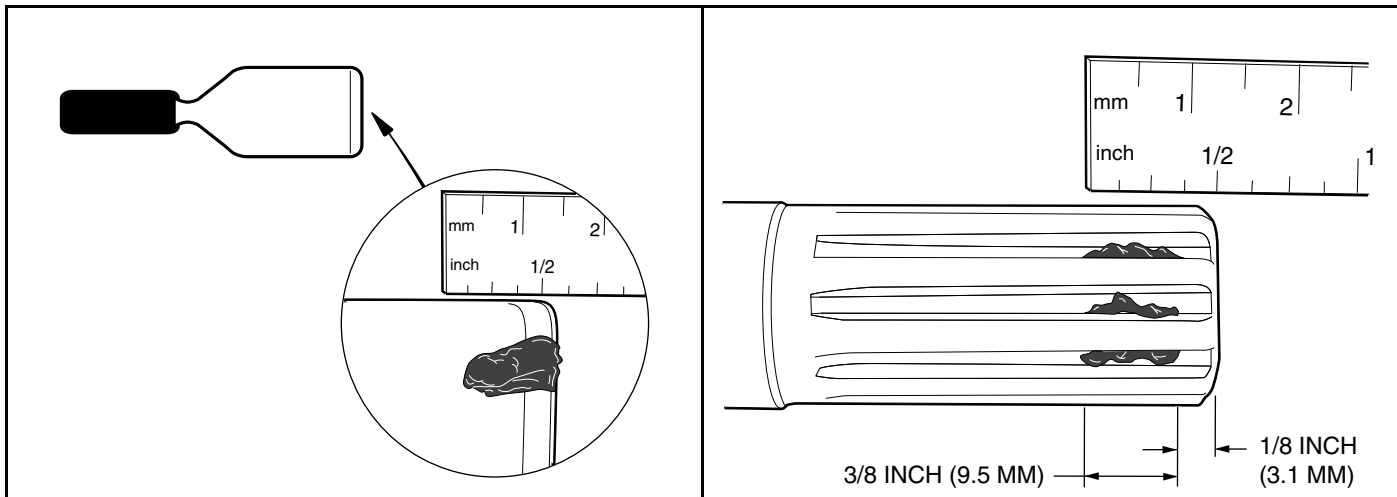


Figure 16-17 Grease on Putty Knife

Figure 16-18 Application of grease to Input Shaft Grooves

- 2.6. Check the chamfer (1) and end (2) of the input shaft to ensure these areas are completely clean of grease as shown (**Figure 16-19, Page 16-15**).
3. Install motor on transaxle.
  - 3.1. Slide the motor coupling onto the transaxle input shaft. **See following NOTE.**

**NOTE:** The coupling will push any excess grease on the input shaft along the shaft toward the transaxle.

*When the motor is pushed onto the input shaft, the motor housing will not bottom out against the transaxle housing. There will be approximately 1/16 inch (1.6 mm) gap between the motor adapter ring and transaxle housing as shown (**Figure 16-20, Page 16-15**).*

- 3.2. Loosely install the four bolts that secure the motor to the transaxle. Do not tighten.
- 3.3. Begin finger-tightening the bolts (1 and 2) in the sequence indicated (**Figure 16-21, Page 16-16**). Continue tightening by hand until the motor is seated in the transaxle housing. **See following CAUTION and NOTE.**

## **CAUTION**

- **Make sure the motor is properly seated in the transaxle housing.**

**NOTE:** Failure to install and tighten the motor mounting bolts in the proper sequence and to the proper tightness may result in motor noise during operation.

- 3.4. Tighten the right bolt (1) to 65 in·lb (7.3 N·m) (**Figure 16-21, Page 16-16**).
- 3.5. Tighten the left bolt (2) to 65 in·lb (7.3 N·m) (**Figure 16-21, Page 16-16**).
- 3.6. Tighten the center bolt (3) to 65 in·lb (7.3 N·m).
- 3.7. Tighten the bolt (4) inserted through the tab to 155 in·lb (17.5 N·m).
- 3.8. Install the motor wires, making sure they are connected to the correct motor terminals and that the terminal orientation is correct. Tighten the terminal retaining nuts to 65 in·lb (7.3 N·m). Use a wrench on the bottom nuts to keep the terminals from moving.
- 3.9. Secure the white, orange, green, and blue wires with a wire tie so that none of the motor wires will scrub the motor or transaxle when the vehicle is in operation.
- 3.10. Connect the three-pin speed sensor plug to the vehicle wire harness.

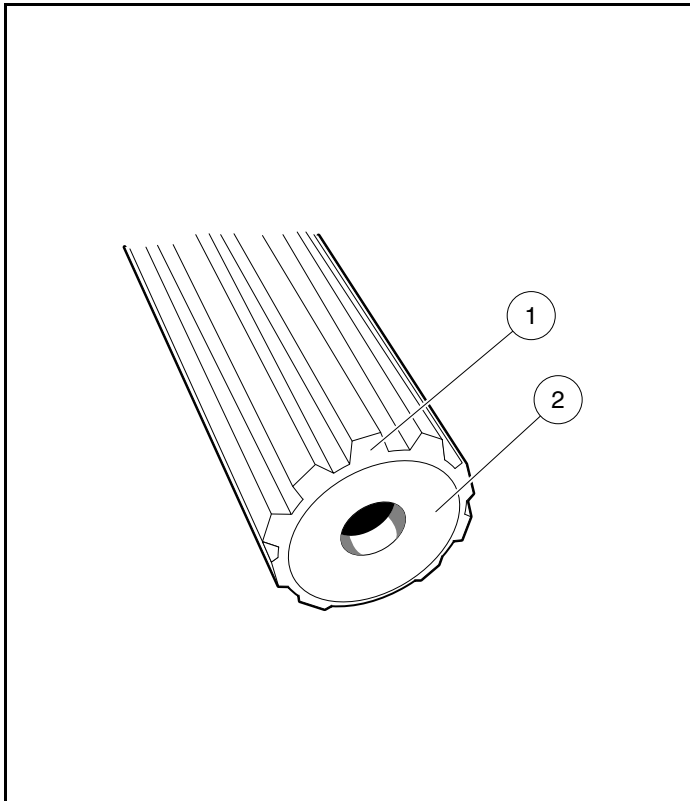


Figure 16-19 Clean Chamfer and Input Shaft End

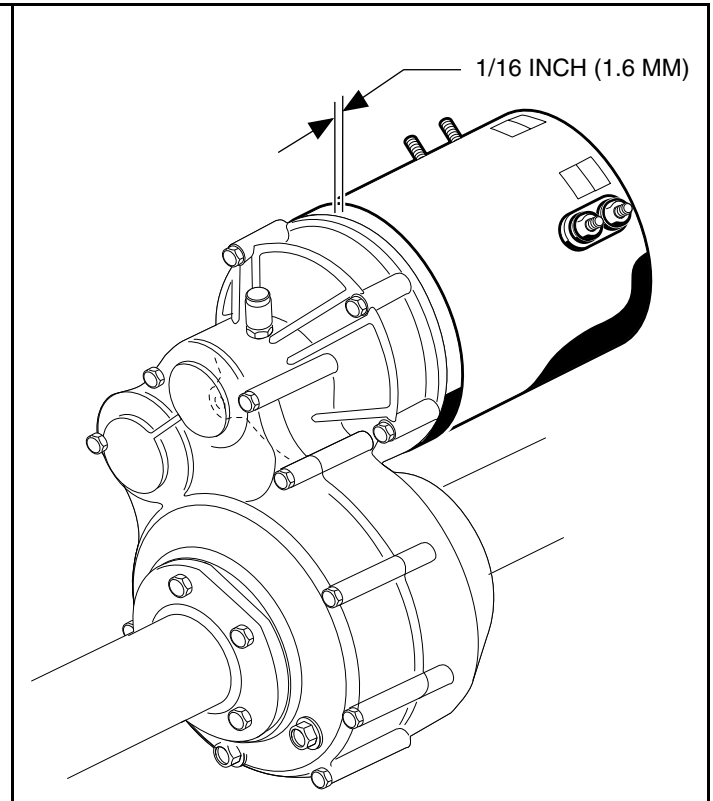
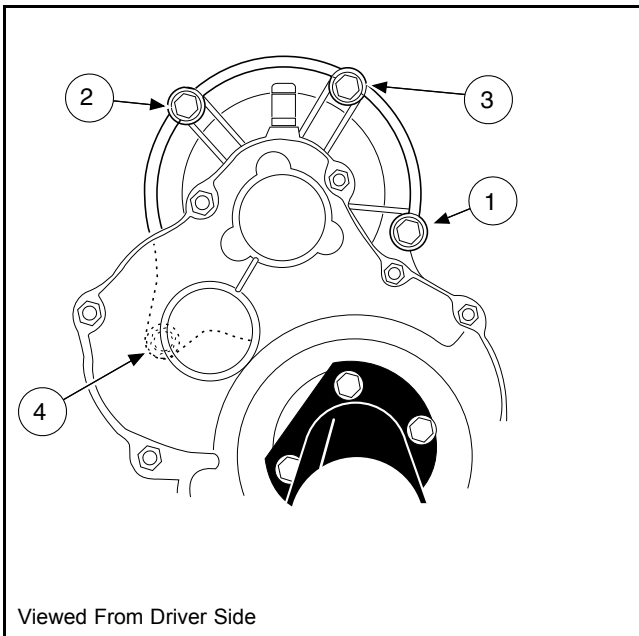


Figure 16-20 Gap at Motor and Transaxle

4. If using a chain hoist, lower the vehicle and guide the leaf springs into the shackles. If using a floor jack, raise the transaxle until the leaf springs can be guided into the shackles.
5. Insert the mounting bolts through the spring shackles and the bushings in the leaf spring eyes and install locknuts. Tighten the bolts to 23 ft·lb (31 N·m). **See Rear Suspension Section.**
6. Install the shock absorbers. Tighten nut until rubber bushing expands to the diameter of the cup washer.
7. If removed, install wheels and finger tighten the lug nuts.
8. Lift vehicle and remove jack stands. Lower vehicle to the floor and tighten lug nuts, using a crisscross pattern. **See Wheel Installation, Section 8, Page 8-1.**
9. Connect the batteries. **See Connecting the Batteries – Electric Vehicles, Section 1, Page 1-4.**
10. Place the Run/Tow switch in the RUN position.
11. Inspect the vehicle for proper operation. **See following WARNING.**

### **⚠ WARNING**

- **Make sure that the vehicle operates in the forward direction when the Forward/Reverse switch is in the FORWARD position.**
- **Make sure that the vehicle operates in the reverse direction when the Forward/Reverse switch is in the REVERSE position. The reverse buzzer will sound as a warning when the Forward/Reverse switch is in REVERSE.**
- **Make sure that the vehicle does not operate when the Forward/Reverse switch is in the NEUTRAL position.**



**Figure 16-21 Motor Tightening Sequence**



### **▲ DANGER**

- See General Warnings on page 1-2.

### **▲ WARNING**

- See General Warnings on page 1-2.

## LUBRICATION

See General Warnings on page 1-2.

There are two plugs located on the lower half of the transaxle housing. The upper plug (21) (as viewed when the vehicle is on a level surface) is used as a lubricant level indicator (**Figure 17-5, Page 17-3**). When the vehicle is parked on a level surface, the lubricant level should be even with the bottom of the hole. The lower plug (22) is for draining the lubricant. When draining the lubricant, the upper plug should be removed so the lubricant will drain faster. Be sure the drain plug is installed before filling. **See following NOTE.**

***NOTE:** Recycle or dispose of used oil or lubricant in accordance with local, state, and federal regulations.*

## AXLE BEARING AND SHAFT

See General Warnings on page 1-2.

### AXLE SHAFT

#### Axle Shaft and Oil Seal Removal

1. Disconnect the batteries and discharge the controller. **See Disconnecting the Batteries – Electric Vehicles, Section 1, Page 1-3.**
2. Place chocks at the front wheels. Loosen lug nuts on rear wheels and lift the rear of the vehicle with a chain hoist or floor jack. Place jack stands under the axle tubes to support the vehicle. **See WARNING “Lift only one end...” in General Warnings on page 1-2.**
3. Remove the rear wheel and brake drum. **See Wheel Brake Assemblies Section and Wheels and Tires Section.**
4. Use 90° internal snap ring pliers to remove the internal retaining ring (1) from the axle tube (**Figure 17-1, Page 17-2**).
5. Remove the axle (2), retaining ring, and bearing assembly by pulling the axle straight out of the housing.
6. If necessary, remove the axle oil seal and adapter ring.
- 6.1. Use a bearing puller to remove the axle seal and adapter ring from the axle tube (**Figure 17-2, Page 17-2**). **See following CAUTION and NOTE.**

### **CAUTION**

- Do not scar or damage the inside surfaces of the tube when removing the oil seal and adapter ring. A damaged tube might have to be replaced.

***NOTE:** Do not discard the adapter ring. If the adapter ring is lost or damaged, the axle tube will have to be replaced.*

- 6.2. Use a press to separate the axle oil seal (15) from the adapter ring (39) (**Figure 17-3, Page 17-2**). Retain the adapter ring and discard the oil seal.

7. Inspect the axle shaft assembly to be sure the bearing and collar have not slipped and are still seated against the shoulder on the axle shaft.
8. Inspect bearing (5) (**Figure 17-5, Page 17-3**). If the bearing in a Type G transaxle is worn or damaged, the entire axle shaft assembly (1 or 2) must be replaced.

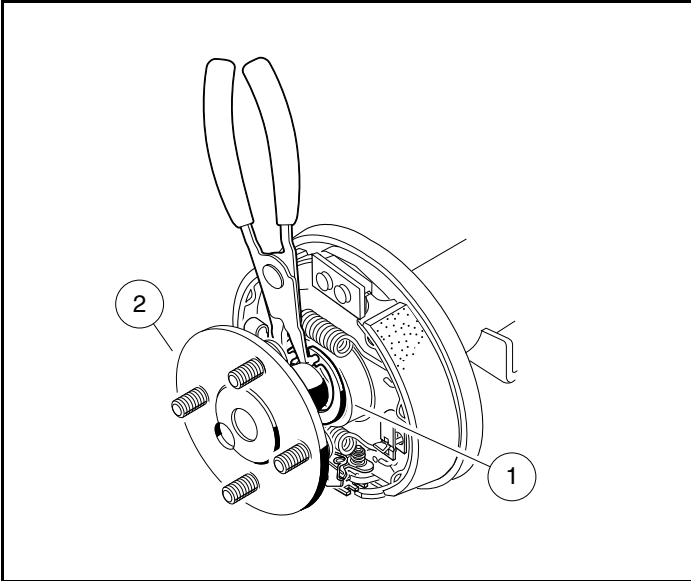


Figure 17-1 Remove Internal Retaining Ring

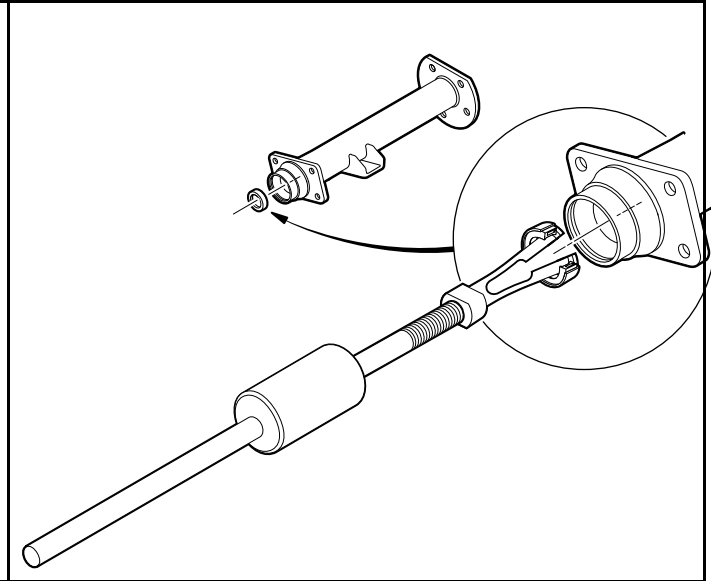


Figure 17-2 Axle Seal and Adapter Ring Removal

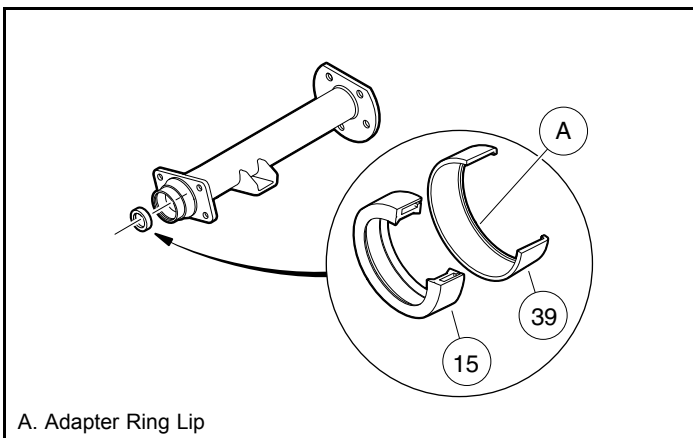


Figure 17-3 Axle Seal and Adapter Ring

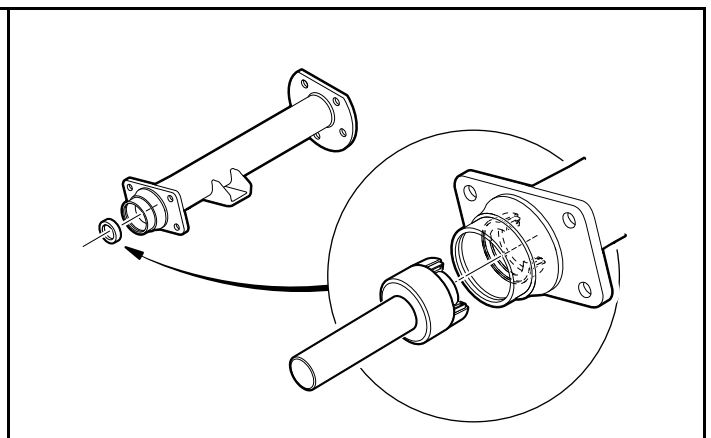


Figure 17-4 Axle Seal and Adapter Ring Installation

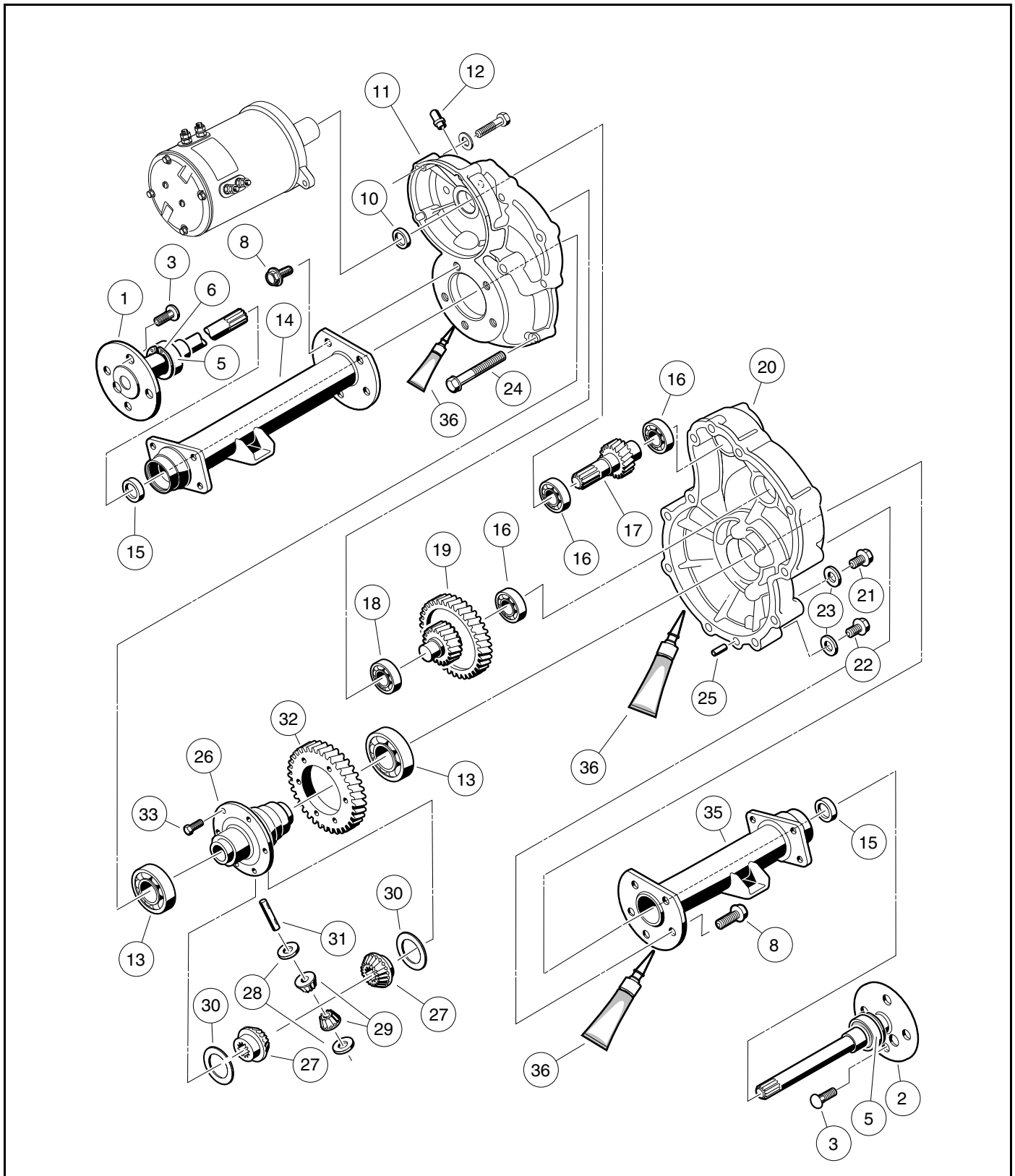


Figure 17-5 Transaxle – Type G

### Axle Shaft and Oil Seal Installation

1. If previously removed, install a new oil seal.
  - 1.1. Clean seal seat in the adapter ring (39) (**Figure 17-3, Page 17-2**).
  - 1.2. Place a new seal (15) in the adapter ring with the seal lip facing toward the adapter ring lip (**Figure 17-3, Page 17-2**). Use an axle seal tool and mallet to tap it in until it seats firmly in position (**Figure 17-3, Page 17-2**). A hydraulic press may also be used with the axle seal tool.
  - 1.3. Clean adapter ring seat(s) in the axle tube (14 or 35) (**Figure 17-5, Page 17-3**).
  - 1.4. Apply Loctite® 603 to the outer diameter of the adapter ring.
  - 1.5. Place the oil seal and adapter ring assembly into the axle tube with the seal lip facing away from the bearing (**Figure 17-4, Page 17-2**). Use an axle seal tool and mallet to tap it in until it seats firmly in position. **See following CAUTION.**

### **CAUTION**

- **Clean any residual oil from the exposed end of the axle shaft and from the oil seal area prior to installing the axle shaft to prevent oil from coming in contact with brakes.**

2. Install the rear axle into the transaxle. **See following NOTE.**
  - 2.1. Insert the shaft, splined end first, through the seal and into the axle tube. Be careful not to damage the seal on the inside of the axle tube hub. Advance the shaft through to the bearing on the shaft, then rotate it to align the shaft splines with the splined bore of the differential side gear (27) (**Figure 17-5, Page 17-3**). Continue advancing the shaft until the bearing on the axle is firmly seated within the axle tube hub seat.
  - 2.2. Use a pair of snap ring pliers to install the retaining ring (6) inside axle tube hub so that it seats against the axle bearing assembly and into the machined slot in the inside wall of the axle tube hub (**Figure 17-5, Page 17-3**). **See following NOTE.**

**NOTE:** *If the retaining ring (6), axle bearing (5), or sleeve (4) must be replaced, the entire axle shaft assembly (1 or 2) must be replaced (**Figure 17-5, Page 17-3**).*

- 2.3. Place a 1/4 to 3/8-inch (6 to 10 mm) diameter rod against the retaining ring and tap lightly at four to five locations around the retaining ring to ensure it is properly seated. **See following WARNING.**

### **⚠ WARNING**

- **Be sure the retaining ring is properly seated in its groove. If the ring is not properly installed, the axle assembly will separate from the transaxle and damage the axle assembly and other components. Loss of vehicle control could result, causing severe personal injury or death.**

3. If a new oil seal was installed, allow 24 hours before operating the vehicle to allow the Loctite 603 to fully cure.
4. Connect the batteries. **See Connecting the Batteries – Electric Vehicles, Section 1, Page 1-4.**

### **AXLE BEARING**

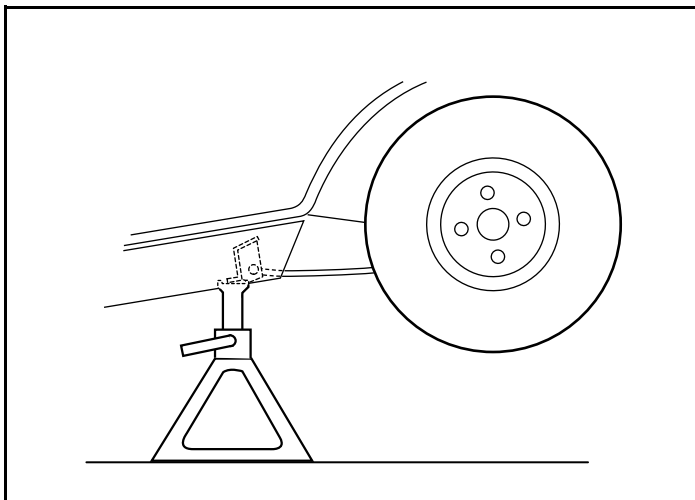
Do not remove the axle bearing (5) from a Type G transaxle. If bearing is worn or damaged, the entire axle assembly (1 or 2) must be replaced (**Figure 17-5, Page 17-3**).

## TRANSAXLE

See General Warnings on page 1-2.

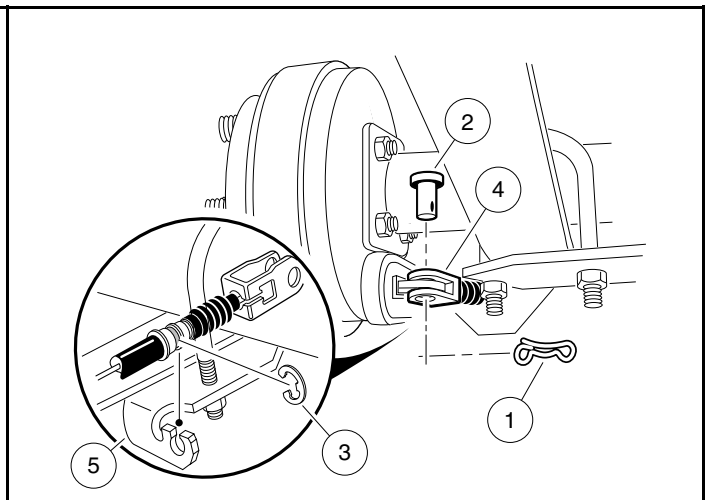
### TRANSAXLE REMOVAL

1. Disconnect the batteries and discharge the controller. **See Disconnecting the Batteries – Electric Vehicles, Section 1, Page 1-3.**
2. Place chocks at the front wheels and slightly loosen lug nuts on both rear wheels.
3. Place a floor jack under the transaxle and raise the rear of the vehicle. Position jack stands under the frame crossmember between the spring mount and the side stringer, just forward of each rear wheel. Lower the vehicle to let the jack stands support the vehicle (**Figure 17-6, Page 17-5**). **See WARNING “Lift only one end of the vehicle...” in General Warnings on page 1-2.**
4. Remove the rear wheels, then thread one lug nut onto a stud on each rear hub. This will keep the brake drums on the hubs.
5. Remove the bow tie pins (1), brake cable clevis pins (2), and cable retaining E-clips (3). Disconnect the brake cables (4) (**Figure 17-7, Page 17-5**).



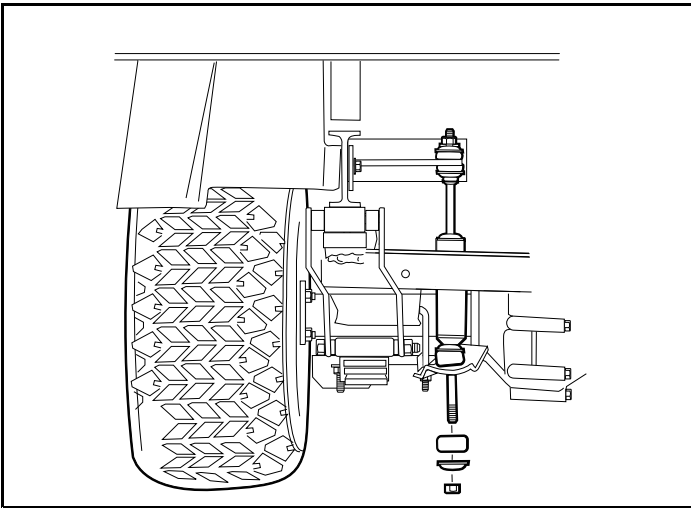
2600-30000-10369

**Figure 17-6** Vehicle Supported on Jack Stands



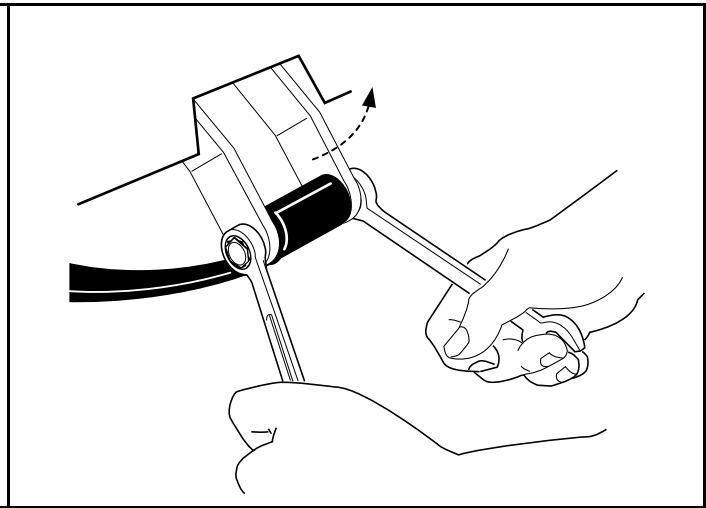
1400-18100-10243

**Figure 17-7** Brake Cables



2629

Figure 17-8 Disconnect Shocks



2631

Figure 17-9 Detach Spring From Shackles

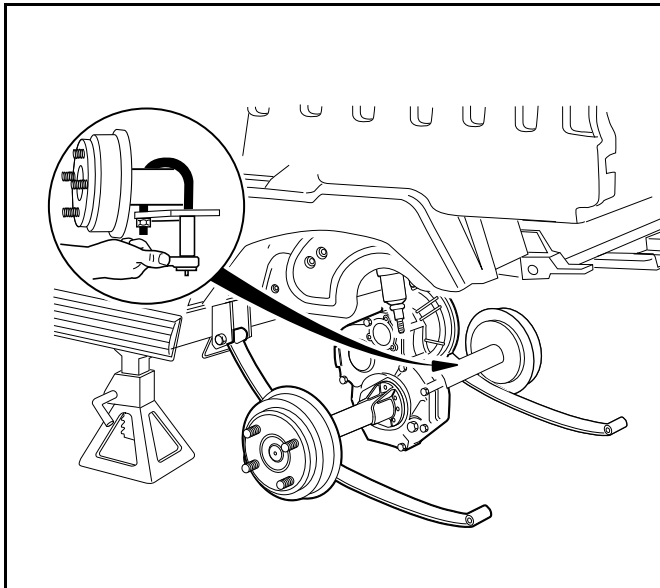
6. Disconnect the shock absorbers from their lower mounts (**Figure 17-8, Page 17-6**).
7. Disconnect the four motor wires. Use two wrenches to prevent the post from turning.
8. With a floor jack supporting the transaxle, remove lower spring shackle nuts and bolts. Rotate shackles up and away from springs (**Figure 17-9, Page 17-6**).
9. If a chain hoist was used to raise the vehicle, lift the vehicle high enough to permit easy access and clearance for removal of the motor. If a floor jack was used to raise the vehicle, lower the transaxle enough to permit easy access and clearance for removal of the motor.
10. Remove the three motor mounting bolts (**Figure 17-11, Page 17-7**) and the motor positioning bolt (**Figure 17-12, Page 17-7**) mounting the motor to the transaxle. **See following CAUTION.**

### **⚠ CAUTION**

- Do not position fingers under motor when sliding motor off of the input shaft. Fingers may get pinched when motor disengages.

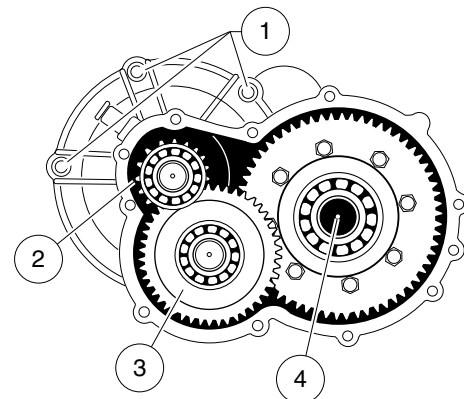
CAUTION CONTINUED ON NEXT PAGE

## ⚠ CAUTION



2639

Figure 17-10 Detach Axle From Leaf Springs



1. Motor Mounting Bolts
2. Input Pinion Gear
3. Intermediate Gear Assembly
4. Differential Gear Case

Figure 17-11 Motor Mounting Bolts and Gear Assembly

11. Carefully remove the motor from the transaxle. Slide the motor away from the transaxle until the motor spline becomes disengaged from the input shaft, then lift motor out. **See preceding WARNING.**
12. If a floor jack was used, pull floor jack from beneath the transaxle and allow the springs to rest on the floor.
13. Remove the U-bolts attaching the transaxle to the leaf springs (**Figure 17-10, Page 17-7**).
14. Carefully lift each end of the transaxle off its positioning pin (on the leaf spring) and slide the transaxle to the rear and out of the vehicle.
15. Drain the lubricant from the transaxle and remove the axle shafts. **See Axle Shaft and Oil Seal Removal on page 17-1. See following NOTE.**

**NOTE:** Recycle or dispose of used oil or lubricant in accordance with local, state, and federal regulations.

16. Remove the brake assemblies if required. **See Wheel Brake Assemblies Section.**

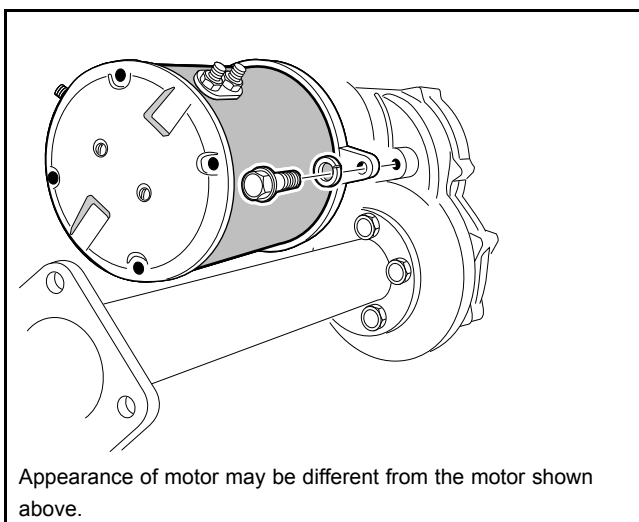


Figure 17-12 Motor Positioning Bolt

## TRANSAXLE DISASSEMBLY, INSPECTION, AND ASSEMBLY

See General Warnings on page 1-2.

### TRANSAXLE DISASSEMBLY AND INSPECTION

1. To detach axle tubes (14 and 35) from the transaxle housing, remove the bolts (8) (**Figure 17-5, Page 17-3**).
2. Remove 11 bolts (24) that hold housing together.
3. Pull the halves of the housing (11 and 20) apart. If necessary, tap lightly on the spline of the input pinion (17).  
**See following CAUTION.**

### **CAUTION**

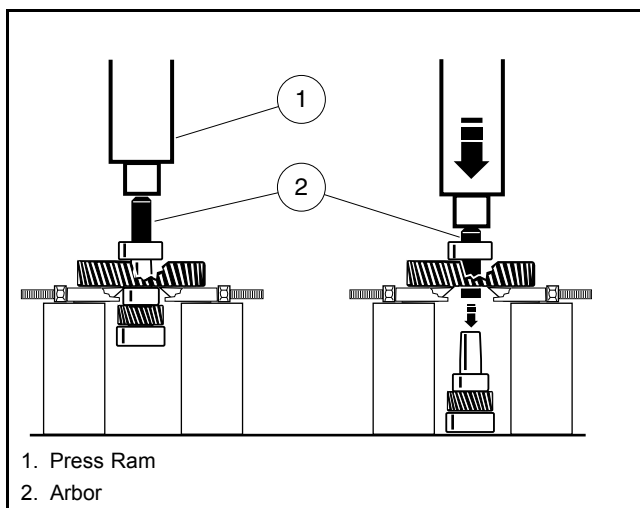
- To prevent damage to the housing mating seal surfaces, use caution when separating halves.
4. Remove input pinion gear (17) by pulling gear out while rocking intermediate gear assembly (19). Lift intermediate gear assembly and differential gear case unit out simultaneously (**Figure 17-5, Page 17-3**). **See following CAUTION.**

### **CAUTION**

- Do not damage gears. Use extreme care when handling them.
5. Use a bearing puller or arbor press to remove bearings (16) from the input pinion gear. If the oil seal (10) is damaged, replace it (**Figure 17-5, Page 17-3**). **See also Figure 17-13, Page 17-8. See following CAUTION.**

### **CAUTION**

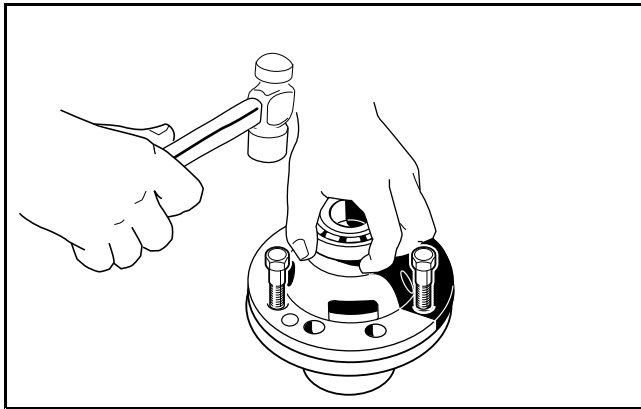
- Do not reuse bearings after removing them. Replace bearings with new ones.
6. To disassemble the intermediate gear assembly, press off together the bearing (16) and the gear (19) (**Figure 17-5, Page 17-3**). **See also Figure 17-13, Page 17-8.**
  7. Press the bearing (18) off the intermediate gear assembly (**Figure 17-5, Page 17-3**).



**Figure 17-13 Intermediate Gear Assembly**

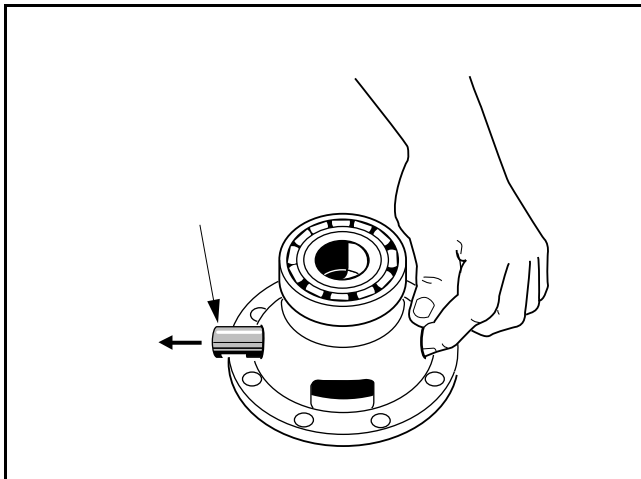


8. Disassemble the differential gear case:
  - 8.1. Remove the hex bolts (33) and the ring gear (32) from the differential case (**Figure 17-5, Page 17-3**).
  - 8.2. Remove the ring gear.
  - 8.3. Separate the differential gear case housing. If necessary, install two of the hex bolts (removed previously in step 8.1) into the differential gear unit and, while holding the unit slightly above the work area, lightly tap the bolt heads (**Figure 17-14, Page 17-9**). Remove the two bolts.

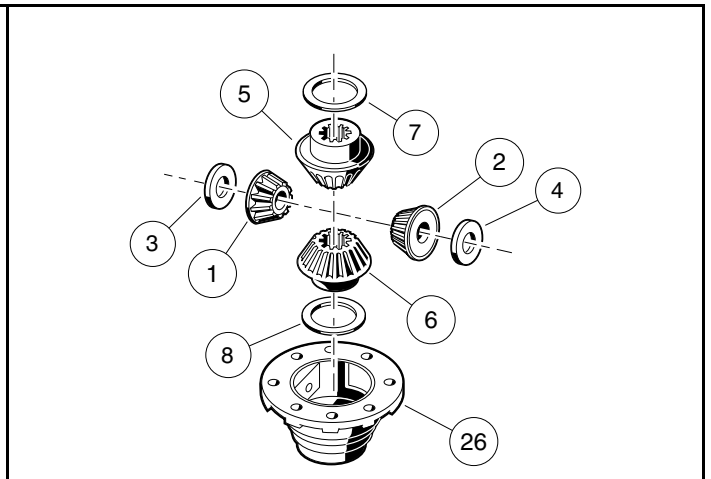


**Figure 17-14 Separate Housing**

- 8.4. Remove the differential pin (31) by pushing pin through differential gear case from one side (**Figure 17-5, Page 17-3**). **See also Figure 17-15, Page 17-9.**
- 8.5. Remove the idler gears (1 and 2) and thrust plates (3 and 4) (**Figure 17-16, Page 17-9**).



**Figure 17-15 Differential Pin**



**Figure 17-16 Left Differential**

- 8.6. Remove the differential gears (5 and 6) and thrust plates (7 and 8).
- 8.7. Inspect the bearings (13) of the differential case (26) and replace them if they are damaged (**Figure 17-5, Page 17-3**). To remove them, press them off. **See following CAUTION.**

## **CAUTION**

- **Do not reuse bearings after removing them. Replace bearings with new ones.**

9. Inspect parts for wear or damage. Any worn or damaged parts should be replaced. **See following NOTE.**

**NOTE:** Damaged or worn gears should be replaced as sets.

## TRANSAXLE ASSEMBLY

### **CAUTION**

- Do not press against the bearing outer race.
  - The housing and all parts must be wiped clean and dry before reassembly.
1. If bearings (13) were removed during disassembly, install new bearings using an arbor press (**Figure 17-5, Page 17-3**).
  2. Assemble the differential gear case.
    - 2.1. Install the pin (31) (**Figure 17-5, Page 17-3**). Apply a small amount of oil to all thrust plates and to both ends of the pin.
    - 2.2. Install the hex bolts (33) and output gear (32). Tighten bolts to 58 ft·lb (78.6 N·m).
  3. Press a new bearing (18) onto the intermediate gear assembly (**Figure 17-5, Page 17-3**).
  4. Press new bearing (16) onto input pinion gear (17).
  5. Apply grease to the lip of the new oil seal (10) and install the seal using a transaxle pinion seal tool. The lip of the oil seal should face the inside of the transaxle housing. Make sure the seal is firmly seated.
  6. Install the differential assembly, the intermediate gear assembly, and the input pinion gear simultaneously. Be sure all bearings are seated properly in the housing. Rotate the input shaft to check for smooth gear operation (**Figure 17-11, Page 17-7**).
  7. Install both dowel pins (25) in the transaxle housing (20) (**Figure 17-5, Page 17-3**).
  8. Install left half of transaxle housing:
    - 8.1. Place a 1/8-inch (3 mm) bead of Three Bond liquid gasket on mating surface of housing.
    - 8.2. Install left half of transaxle housing (20) (**Figure 17-5, Page 17-3**).
    - 8.3. Install eleven bolts (24) in the case housing and tighten to 19 ft·lb (25.7 N·m). Type G transaxles have no shims or gasket.
    - 8.4. Install axle tube (14 and 35) with bolts (8) (**Figure 17-5, Page 17-3**). Tighten the bolts to 37 ft·lb (50.2 N·m).
  9. Install the brake assemblies as instructed. **See Wheel Brake Assemblies Section.**
  10. Apply a small amount of grease to the lip of the oil seal (15) (**Figure 17-5, Page 17-3**). **See following CAUTION.**

### **⚠ CAUTION**

- Clean any residual oil from the exposed end of the axle shaft and from the oil seal area prior to installing the axle shaft to prevent oil from coming in contact with brakes.
11. Install the rear axle onto the transaxle.
    - 11.1. Insert the splined end of the axle shaft into the axle tube. Be careful not to damage the seal on the inside of the axle tube hub. Advance the shaft through to the bearing on the shaft, and rotate it to align the shaft splines with the splined bore of the differential gear. Continue advancing the shaft until the bearing on the axle is firmly seated within the axle tube hub seat.
    - 11.2. Using 90° internal snap ring pliers (0.090 tip), attach the internal retaining ring into the axle tube hub so that it seats against the axle bearing assembly and into the machined slot in the inside wall of the axle tube hub (**Figure 17-5, Page 17-3**).
    - 11.3. Place a 1/4 to 3/8-inch (6 to 10 mm) diameter rod against the retaining ring and tap lightly at four or five locations to ensure it is properly seated. **See following WARNING.**

## **⚠ WARNING**

- **Be sure retaining ring is properly seated in its groove. If ring is not properly installed, the axle assembly will separate from the transaxle and damage the axle assembly and other components. Loss of vehicle control could result in severe personal injury or death.**
12. Make sure the drain plug (22) is installed in the transaxle and tightened to 23 ft·lb (31 N·m). Fill the transaxle, through the level indicator hole, with 22 ounces of SAE 30 API Class SE, SF, or SG oil (a higher grade may also be used). Install and tighten the level indicator plug (21) to 23 ft·lb (31 N·m).

## **TRANSAXLE INSTALLATION**

See General Warnings on page 1-2.

1. If using a chain hoist, raise the vehicle and place transaxle in position on the jack stands. If using a floor jack, lower the jack stands to their lowest settings and place the transaxle in position on the jack stands.
2. Align the center hole in the saddle of the transaxle with the pilot bolt in the leaf spring assembly.
3. Install the two U-bolts, jounce bumper mount (if required), and spacers, lockwashers, and nuts. Tighten the nuts to 25 ft·lb (34 N·m). Tighten the U-bolt nuts so an equal amount of thread is visible on each leg of the bolt.
4. Install the motor. **See Motor Installation on page 16-13.**
5. If using a chain hoist, lower the vehicle while guiding the leaf springs into the rear spring shackles. If using a floor jack, raise the differential while guiding the leaf springs into the rear spring shackles. Then raise the jack stands to support the transaxle.
6. Connect the four motor wires. Tighten the retaining nuts to 65 in·lb (7.3 N·m). Use two wrenches to prevent the posts from turning. **See following NOTE.**

**NOTE:** *If the motor wires were not tagged when disconnected, refer to the wiring diagram for proper connection.*

7. Insert bolts through the spring shackles and bushings in the leaf spring eyes. Secure bolts with locknuts. Tighten to 15 ft·lb (20.3 N·m).
8. Connect the brake cables using new bow tie pins (1) (**Figure 17-7, Page 17-5**).
9. Install the shock absorbers. Tighten shock absorber retaining nuts until the rubber bushings expand to the same size as the cup washers.
10. Install the rear wheels and finger-tighten the lug nuts.
11. Lift the vehicle and remove the jack stands.
12. Lower vehicle and tighten the lug nuts using a crisscross pattern. **See Wheel Installation, Section 8, Page 8-1.**
13. Connect the batteries. **See Connecting the Batteries – Electric Vehicles, Section 1, Page 1-4.**
14. Inspect the vehicle to check for proper operation. **See following WARNING.**

## **⚠ WARNING**

- **Make sure that the vehicle operates in the forward direction when the Forward/Reverse switch is in the FORWARD position.**
- **Make sure that the vehicle operates in the reverse direction when the Forward/Reverse switch is in the REVERSE position. The reverse buzzer will sound as a warning when the Forward/Reverse switch is in REVERSE.**

WARNING CONTINUED ON NEXT PAGE

**⚠ WARNING**

- Make sure that the vehicle does not operate when the Forward/Reverse switch is in the **NEUTRAL** position.

## GENERAL INFORMATION

### Wire Description

EXAMPLE: 18\_GRN\_RED

- 18 = 18 gauge wire
- GRN\_RED = Green wire with red stripe

### Wire Colors

**NOTE:** The following colors will be represented as a black wire in the wiring diagrams:

- Black
- White
- Yellow
- White with Black Stripe

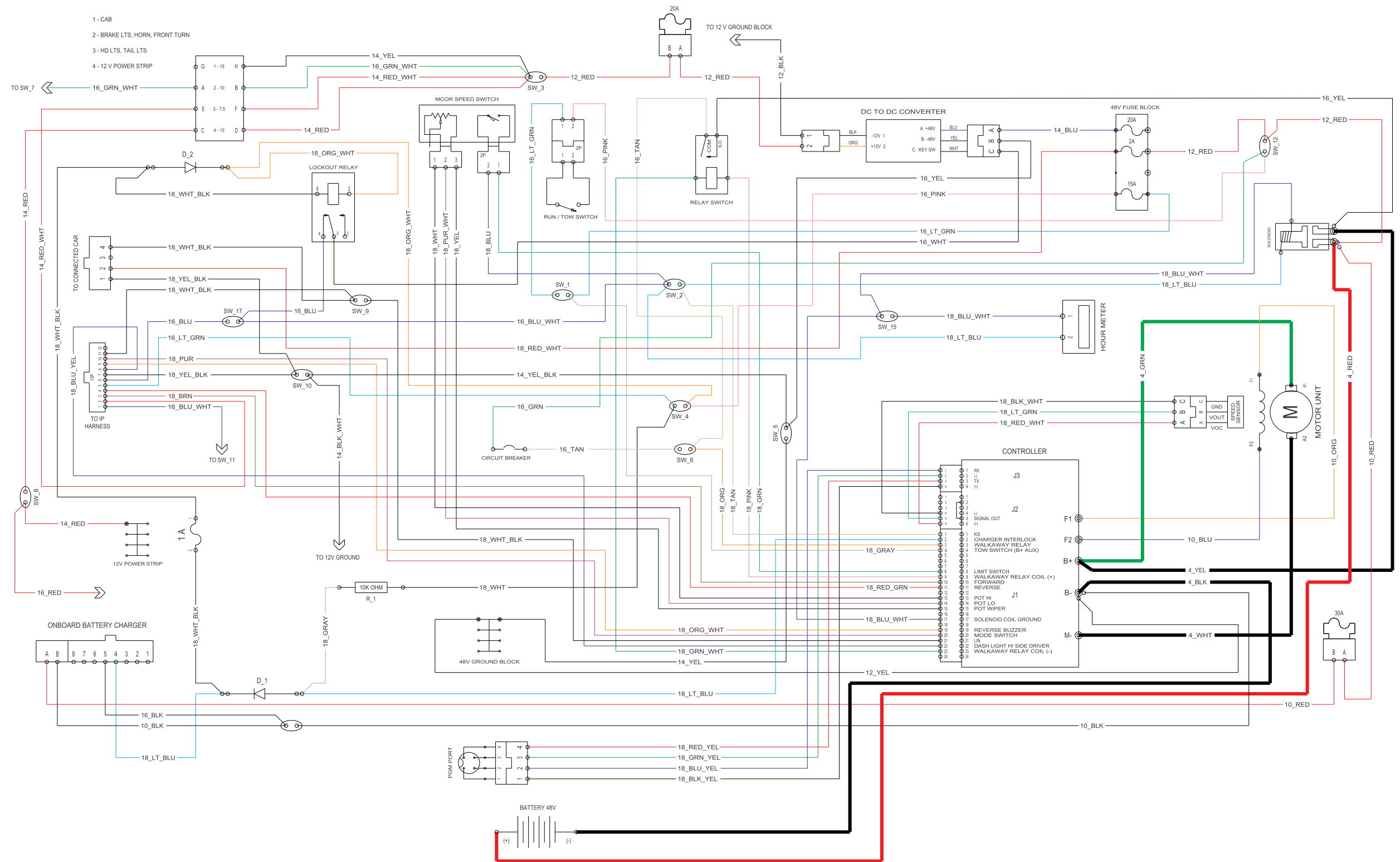
Abbreviation	Wire Color
BLK	Black
BLU	Blue
LT BLU	Light Blue
BRN	Brown
GRAY	Gray
GRN	Green
ORG	Orange
PINK	Pink
PUR	Purple
RED	Red
TAN	Tan
WHT	White
YEL	Yellow
BLK_LT_BLUE	Black with Light Blue Stripe
BLK_ORG	Black with Orange Stripe
BLK_PINK	Black with Pink Stripe
BLK_WHT	Black with White Stripe
BLK_YEL	Black with Yellow Stripe
BLU_WHT	Blue with White Stripe
BRN_WHT	Brown with White Stripe
GRN_RED	Green with Red Stripe

TABLE CONTINUED ON NEXT PAGE

---

GRN_WHT	Green with White Stripe
ORG_BLK	Orange with Black Stripe
ORG_WHT	Orange with White Stripe
PUR_WHT	Purple with White Stripe
RED_GRN	Red with Green Stripe
RED_WHT	Red with White Stripe
RED_YEL	Red with Yellow Stripe
WHT_BLK	White with Black Stripe

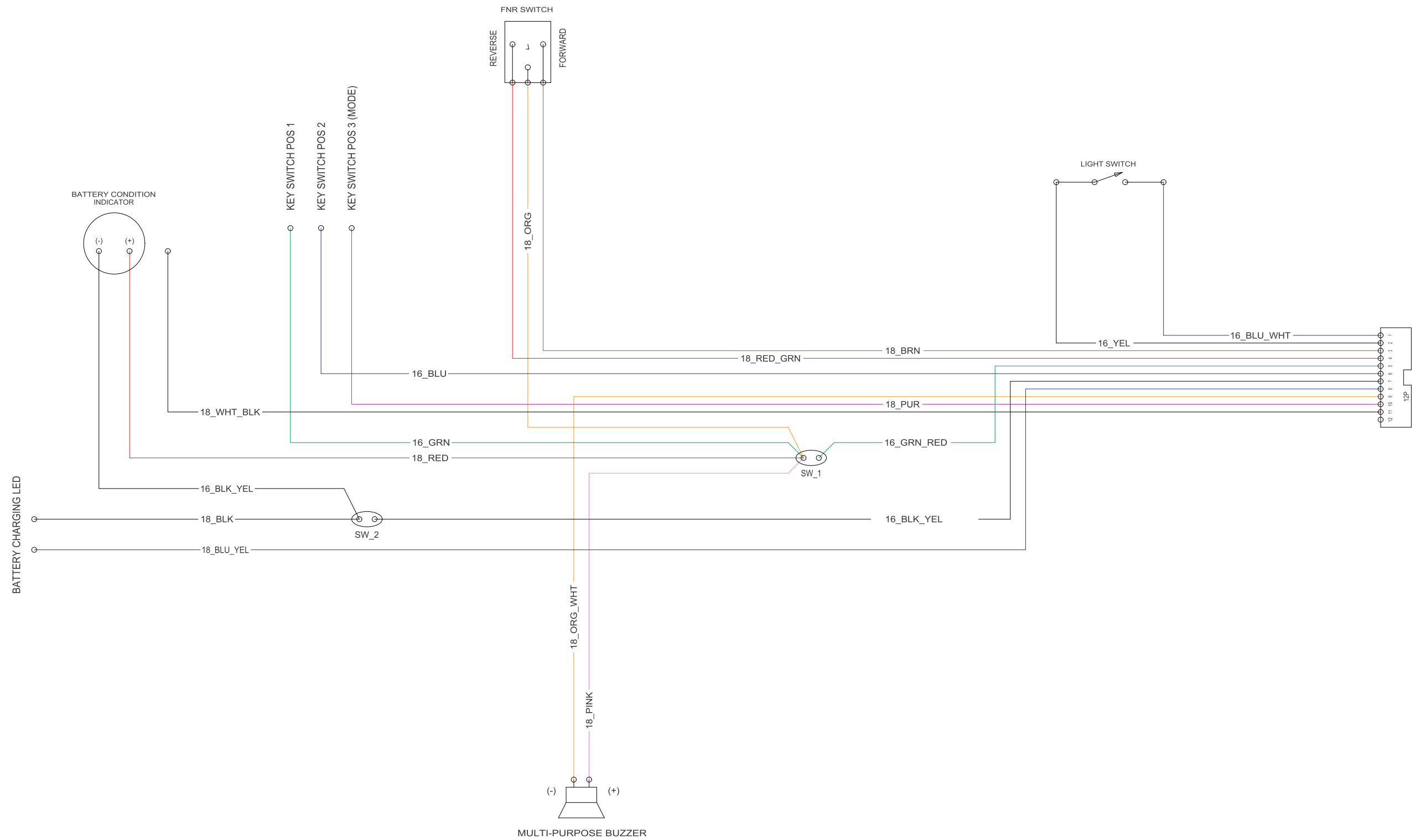
**ELECTRIC: MAIN HARNESS**



*(Page intentionally left blank.)*

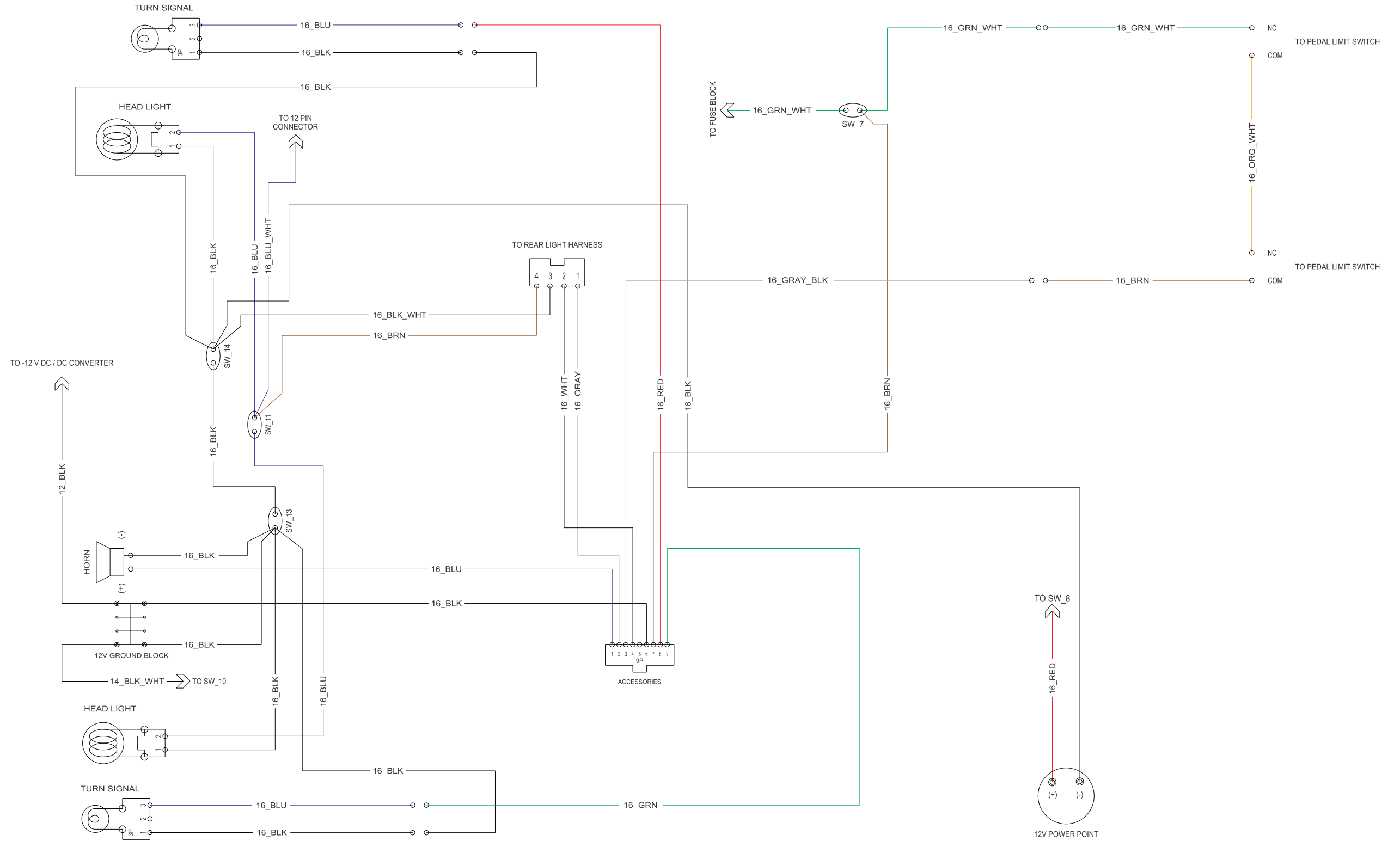


# ELECTRIC: INSTRUMENT PANEL HARNESS



*(Page intentionally left blank.)*

# ELECTRIC: ACCESSORIES HARNESS



*(Page intentionally left blank.)*

**A**

- AC power and circuit
  - testing (QuiQ charger) ..... 15-12
- accelerator
  - pedal (electric)
    - height adjustment..... 5-10
    - installation ..... 5-7
    - removal ..... 5-7
- accessories
  - switched power connection ..... 12-1
- algorithm
  - battery charger algorithms ..... 15-2
  - change the algorithm ..... 15-3
  - how to identify ..... 15-2
- armature, motor
  - see motor, armature ..... 16-7

**B**

- batteries ..... 14-1
  - care ..... 14-6
  - deep discharge ..... 14-14
  - electrolyte
    - adding water (mineral content) ..... 14-6
    - level ..... 14-10
  - excessive early discharging ..... 14-14
  - fleet rotation ..... 14-13
  - replacement ..... 14-5
  - see also battery charger ..... 14-1
  - self-discharge ..... 14-10
  - storage ..... 14-13
  - testing ..... 14-3
    - basics ..... 14-2
    - voltage test ..... 12-12
    - voltage test (under load) ..... 12-14
  - vibration damage ..... 14-11
- bearing, axle
  - see transaxle, type g, axle bearing ..... 17-4
- bearing, motor
  - see motor, bearing ..... 16-9
- bed, tilt
  - see tilt bed ..... 4-12
- body, front
  - repair ..... 4-2
- body, rear
  - repair ..... 4-2
- brake, park
  - see park brake ..... 5-4
- brakes
  - adjustment ..... 6-7
  - cable
    - installation ..... 6-16
    - removal ..... 6-16
  - cleaning assembly ..... 6-3
  - cluster
    - installation ..... 6-14
    - removal ..... 6-14

- emergency brake system ..... 6-19
  - adjustment ..... 6-20
  - installation ..... 6-20
  - removal ..... 6-19
- pedal
  - height adjustment (electric) ..... 5-8
  - installation ..... 5-2
  - removal ..... 5-1
- shoe
  - installation ..... 6-6
  - removal ..... 6-1
- braking, motor
  - see regenerative braking ..... 12-2
- braking, regenerative
  - see regenerative braking ..... 12-2
- bumper
  - installation ..... 4-8
  - removal ..... 4-8

**C**

- CAUTION
  - definition of ..... 1-1
- CDT
  - amp hours ..... 11-9
  - anti-tamper speed ..... 11-8
  - audible charging indicator ..... 11-9
  - battery type ..... 11-9
  - code A ..... 11-9
  - code B ..... 11-9
  - code C ..... 11-9
  - connection tests ..... 11-28
  - control mode ..... 11-8
  - deterrent demo speed ..... 11-8
  - diagnostics ..... 11-1
  - diagnostics menu ..... 11-17
  - fault history folder ..... 11-17
  - favorites ..... 11-24
  - general info ..... 11-2
  - handheld programmer ..... 11-2
  - handset cord ..... 11-28
  - handset cord adaptor ..... 11-28
  - HHP settings ..... 11-25
  - introductory display ..... 11-3
  - M1/M2 Fast Accel ..... 11-6
  - M1/M2 Pedal Up ..... 11-6
  - M1/M2 Speed ..... 11-6
  - M1/M2 Speed Cal ..... 11-7
  - monitor menu ..... 11-11
  - parameters menu ..... 11-6
  - plot & log ..... 11-26
  - plug into vehicle ..... 11-2
  - ports ..... 11-29
  - present errors folder ..... 11-17
  - programming menu ..... 11-24
  - quick reference guide – IQ Plus with Quiq ..... 11-4
  - S/N ASCII letter 1 ..... 11-9
  - S/N ASCII letter 2 ..... 11-9

## INDEX

system info menu ..... 11-5  
troubleshooting ..... 11-27  
vehicle date of manufacture ..... 11-10  
vehicle decal ..... 11-10  
vehicle s/n ..... 11-10  
walkaway deterrent ..... 11-8  
CDT General Info ..... 15-1  
charge indicator light  
  installation ..... 13-10  
  removal ..... 13-10  
  testing ..... 12-40  
circuit breaker  
  installation ..... 13-4  
  removal ..... 13-4  
circuit breaker testing ..... 12-17  
cleaning  
  brake assembly ..... 6-3  
  vehicle body ..... 4-1  
column, steering  
  see steering column ..... 7-3  
connector, 24-pin  
  see test procedures ..... 12-30  
connector, 4-pin  
  see test procedures ..... 12-41  
Controller Diagnostic Tool (CDT)  
  diagnostics ..... 11-1  
cowl  
  installation  
    gas ..... 4-4  
    removal  
      gas ..... 4-4

## D

DANGER  
  definition of ..... 1-1  
dash panel  
  removal ..... 4-10  
DC circuit  
  testing ..... 15-12  
diode  
  locations ..... 12-4  
diode, solenoid  
  testing ..... 12-22  
diode, wire harness  
  testing ..... 12-18  
drive motor  
  see motor ..... 16-1

## E

E-stop switch  
  installation ..... 13-11  
  removal ..... 13-10  
  testing ..... 12-42  
electric bed lift  
  installation ..... 4-21

removal ..... 4-21  
electric motor  
  see motor ..... 16-1  
electrical system ..... 12-1  
  testing circuits ..... 12-11  
electrolyte tray  
  installation ..... 4-26  
  removal ..... 4-26

## F

fender, tailskirt, rear  
  removal ..... 4-17  
floor mat  
  installation ..... 4-22  
  removal ..... 4-22  
forward/reverse  
  switch  
    testing ..... 12-21  
Forward/Reverse switch  
  installation ..... 13-2  
  removal ..... 13-2  
fuses  
  testing ..... 12-16

## G

grille  
  installation ..... 4-6  
  removal ..... 4-6  
Guardian  
  connector, 4-pin  
    see test procedures ..... 12-41

## H

high pedal detect ..... 12-2

## I

inspection  
  front wheel free play ..... 7-21  
  motor  
    armature ground test ..... 16-7  
    armature inspection ..... 16-7  
    bearing ..... 16-9  
    brush ..... 16-8  
    brush spring ..... 16-8  
    field windings ..... 16-8  
    speed sensor magnet ..... 16-9  
  shock absorber ..... 9-1  
  transaxle, type g ..... 17-8  
instrument panel  
  installation ..... 4-9

removal ..... 4-9

**K**

key switch  
 installation ..... 13-1  
 removal ..... 13-1  
 testing ..... 12-20

**L**

leaf spring  
 see suspension, front and suspension, rear ..... 9-2  
 lockout relay ..... 13-15  
 installation ..... 13-16  
 removal ..... 13-16  
 lubrication  
 front suspension ..... 7-15  
 transaxle, type g ..... 17-1

**M**

magnet, motor speed sensor  
 see motor, speed sensor magnet ..... 16-9  
 motor ..... 12-1  
 armature  
 ground test ..... 16-7  
 inspection ..... 16-7  
 assembly ..... 16-11  
 bearing  
 inspection ..... 16-9  
 braking  
 pedal down motor braking ..... 12-2  
 pedal up motor braking ..... 12-2  
 brush  
 inspection ..... 16-8  
 brush spring  
 inspection ..... 16-8  
 disassembly ..... 16-5  
 features ..... 12-1  
 field winding inspection ..... 16-8  
 general information ..... 16-1  
 identification ..... 16-1  
 installation ..... 16-13  
 motor braking ..... 12-1  
 protection circuit ..... 12-2  
 reconditioning ..... 16-11  
 removal ..... 16-3  
 service specifications ..... 16-11  
 speed sensor  
 testing ..... 12-26  
 speed sensor magnet  
 inspection ..... 16-9  
 testing ..... 12-29  
 see test procedures, motor ..... 16-1  
 walk away braking ..... 12-1  
 motor braking

see regenerative braking ..... 12-2  
 motor controller output regulator (MCOR)  
 testing ..... 12-20, 12-24  
 motor controller output regulator 3 (MCOR)  
 installation ..... 13-5  
 removal ..... 13-5

**P**

park brake  
 adjustment (electric) ..... 5-9  
 installation ..... 5-5  
 removal ..... 5-4  
 pedal group adjustment  
 electric ..... 5-8

**R**

rack and pinion  
 assembly ..... 7-10  
 disassembly ..... 7-8  
 installation ..... 7-13  
 removal ..... 7-7  
 rear suspension  
 see suspension, rear ..... 9-1  
 rear-facing seats ..... 4-23  
 regenerative braking ..... 12-2  
 resistor  
 location ..... 12-4  
 reverse buzzer  
 installation ..... 13-6  
 removal ..... 13-6  
 testing ..... 12-39  
 Run/Tow switch ..... 12-2  
 installation ..... 13-3  
 removal ..... 13-3  
 testing ..... 12-15

**S**

safety ..... 1-1  
 seats  
 rear-facing ..... 4-23  
 shock absorber  
 see suspension, front and suspension, rear ..... 9-1  
 shock absorber, front  
 installation ..... 7-20  
 removal ..... 7-20  
 single point watering system (SPWS) ..... 14-11  
 solenoid  
 installation ..... 13-7  
 removal ..... 13-7  
 testing ..... 12-23  
 solenoid activating coil  
 testing ..... 12-22  
 sonic weld  
 locations ..... 12-4

## INDEX

- specifications, vehicle ..... 2-1
  - speed controller
    - connector, 24-pin
      - see test procedures ..... 12-30
    - installation ..... 13-8
    - removal ..... 13-8
  - speed controller cover
    - installation ..... 13-6
    - removal ..... 13-6
  - steering
    - adjustment ..... 7-6
    - rack and pinion
      - assembly ..... 7-10
      - disassembly ..... 7-8
      - installation ..... 7-13
      - removal ..... 7-7
  - steering column
    - assembly ..... 7-4
    - disassembly ..... 7-4
    - installation ..... 7-5
    - removal ..... 7-4
  - steering wheel
    - installation ..... 7-2
    - removal ..... 7-1
  - suspension, front
    - camber adjustment ..... 7-15
    - components ..... 7-17
      - delta a-plate, installation ..... 7-20
      - delta a-plate, removal ..... 7-20
      - kingpin and steering spindle, installation ..... 7-20
      - kingpin and steering spindle, removal ..... 7-17
      - leaf spring, installation ..... 7-17
      - leaf spring, removal ..... 7-17
      - shock absorber, installation ..... 7-20
      - shock absorber, removal ..... 7-20
      - wheel bearings and hub, inspection ..... 7-21
      - wheel bearings and hub, installation ..... 7-22
      - wheel bearings and hub, removal ..... 7-21
    - lubrication ..... 7-15
    - toe-in adjustment ..... 7-16
    - wheel alignment ..... 7-15
  - suspension, rear
    - leaf spring
      - installation ..... 9-3
      - removal ..... 9-2
    - shock absorber
      - inspection and removal ..... 9-1
      - installation ..... 9-1
- ## T
- test procedures, CDT connection ..... 11-28
  - test procedures, charger
    - AC power and continuity test of AC circuit ..... 15-12
    - DC circuit continuity test ..... 15-12
  - test procedures, electric vehicle
    - 15-amp fuse ..... 12-16
    - 24-pin connector ..... 12-30
  - 4-pin connector ..... 12-41
  - batteries/voltage check ..... 12-12
  - battery pack voltage (under load) ..... 12-14
  - charge indicator light ..... 12-40
  - charger interlock ..... 12-23
  - circuit breaker ..... 12-17
  - E-stop switch ..... 12-42
  - Forward/Reverse rocker switch ..... 12-21
  - key switch & MCOR limit switch circuit ..... 12-20
  - MCOR ..... 12-24
  - motor, A1 and A2 voltage ..... 12-29
  - reverse buzzer ..... 12-39
  - Run/Tow switch ..... 12-15
  - solenoid ..... 12-23
  - solenoid activating coil ..... 12-22
  - solenoid diode ..... 12-22
  - speed sensor, motor ..... 12-26
  - walk away braking relay ..... 12-39
  - wire harness diodes ..... 12-18
  - test procedures, motor
    - 1 internal short circuits ..... 16-1
    - 2 armature circuit open ..... 16-2
    - 3 field circuit open ..... 16-2
    - armature ground test ..... 16-7
  - tie rod and drag link
    - installation ..... 7-14
    - removal ..... 7-14
  - tilt bed
    - installation ..... 4-12
    - removal ..... 4-12
  - tire
    - installation ..... 8-3
    - pressure ..... 8-1
    - removal ..... 8-2
    - repair ..... 8-2
  - transaxle, type g
    - assembly ..... 17-10
    - axle bearing ..... 17-4
    - axle shaft
      - installation ..... 17-4
      - removal ..... 17-1
    - disassembly ..... 17-8
    - inspection ..... 17-8
    - installation ..... 17-11
    - lubrication ..... 17-1
    - oil seal
      - installation ..... 17-4
      - removal ..... 17-1
    - removal ..... 17-5
  - troubleshooting ..... 12-4–12-5
    - CDT handheld programmer ..... 11-27
    - troubleshooting guide 1 ..... 12-6
    - troubleshooting guide 2 ..... 12-9
- ## V
- Visage
    - connector, 4-pin



---

see test procedures..... 12-41

## W

walk away braking ..... 12-1  
walk away braking relay  
  testing ..... 12-39  
walk away relay ..... 13-17  
  installation ..... 13-17  
  removal ..... 13-17  
WARNING  
  definition of ..... 1-1  
water level  
  see batteries, electrolyte level ..... 14-10  
wheel  
  installation ..... 8-1  
  removal ..... 8-1  
  see also tire ..... 8-3  
wiring diagrams ..... 18-1











**Club Car, LLC**  
P.O. Box 204658  
Augusta, GA 30917-4658  
USA

**Web** [www.clubcar.com](http://www.clubcar.com)  
**Phone** 1.706.863.3000  
1.800.ClubCar  
**Int'l** +1 706.863.3000  
**Fax** 1.706.863.5808