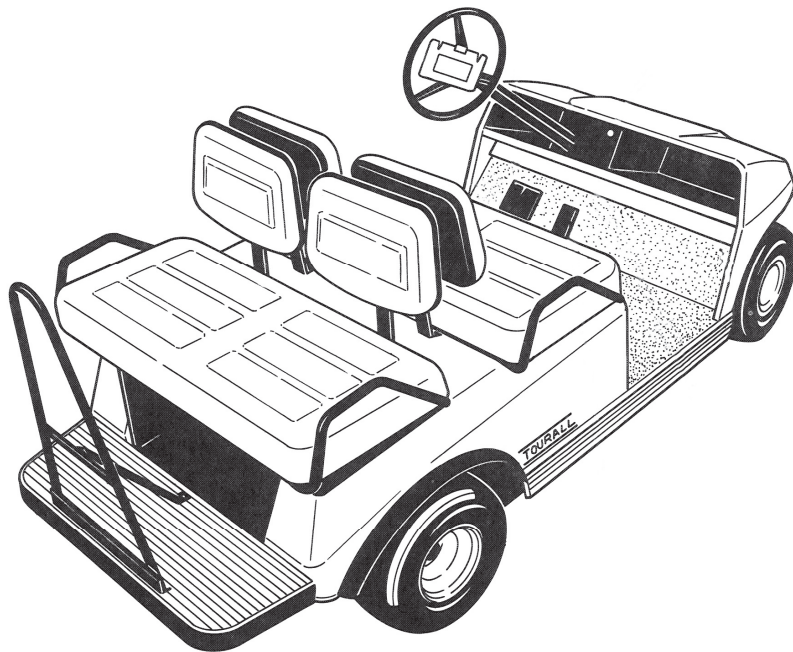


**1989  
Tourall  
Owner's Manual**



**Electric Vehicles**

Manual Number 1014819  
Edition Code 0888B1008A

---

**WARNING:**

---

This instruction manual should be read completely and carefully before attempting to drive or service this vehicle. Failure to follow the instructions in this manual could result in severe personal injury or death.

---

**Safety Details:**

It is important to note that some statements throughout this manual are preceded by the words **DANGER**, **WARNING**, **CAUTION** or **NOTE**. We recommend that you take special notice of these safety procedures for your protection. Safety procedures are essential and must be followed.

**DANGER:**

---

A danger indicates an immediate hazard which will result in severe personal injury or death.

---

**WARNING:**

---

A warning indicates an immediate hazard which could result in severe personal injury or death.

---

**CAUTION:**

---

A caution indicates hazards or unsafe practices which could result in minor personal injury or product or property damage.

---

**NOTE:** A note provides key information to make procedures easier or clearer.

The safety procedures listed below must be followed whenever the vehicle is being repaired or serviced. Other specific warnings appear throughout this manual.

**WARNING:**

---

Only trained people should repair or service this vehicle. All people doing even simple repairs or service should follow the correct procedures and obey the warnings listed in this manual and the maintenance and service manual.

Always wear safety glasses or approved eye protection when servicing the vehicle.

Remove key, place forward and reverse switch in neutral (straight up position) and disconnect batteries before working on vehicle.

Always use insulated tools when working around batteries or electrical connections.

Improper use of this vehicle or the failure to maintain it could result in decreased performance or severe personal injury.

Any modification or change to the vehicle which affects the stability or increases the speed beyond the factory specifications could result in severe personal injury or death.

---

**DANGER:**

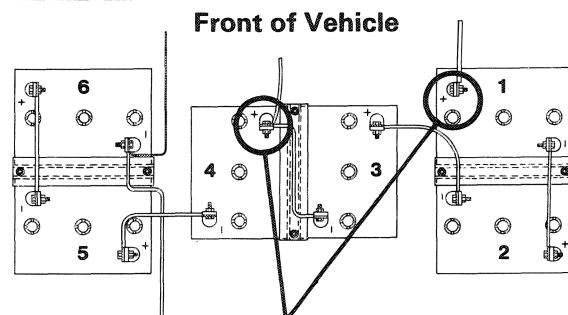
---

**Battery Vapors — Flammable — Explosive — Do not smoke. Keep sparks and flames away from the area of the vehicle. Only service in well-ventilated area.**

---

If any of the warning labels become damaged, have been removed or cannot be easily read, they should be replaced immediately. Contact your Carryall line Dealer.

---



Remove these battery cables before working on vehicle.

---

## TABLE OF CONTENTS

	Page
Safety Details .....	Inside Front Cover
Foreword .....	1
Vehicle Feature Identification .....	2-3
Model Identification .....	4
Pre-Operation Checklist .....	4
Controls .....	5
Driving Instructions .....	6
Transporting On A Trailer .....	7
Storage .....	8
Maintenance .....	9
Lubrication Chart .....	10
Batteries .....	11
Battery Charger .....	11
Capacities .....	14
Cleaning .....	14
Storage Compartment .....	14
Subsequent Owner Registration .....	14
Specifications .....	15
Warranty Information .....	Inside Back Cover

### Foreword

Congratulations! You have just chosen the finest utility vehicle on the market today! Several years of the most advanced development, engineering and field experience known to this industry have gone into the manufacture of your CLUB CAR Tourall Electric utility vehicle. With your choice of the Tourall Electric utility vehicle, you have joined a select group of discriminating owners who look for the very best, and who have shown their concern for safety, durability and long-term lasting value. This owner's manual is designed to instruct you, or anyone you may rent or loan your utility vehicle to, in the safe operation of the CLUB CAR Tourall Electric utility vehicle. In addition, this manual will acquaint you with the normal preventive maintenance required in order to provide you safe, optimum vehicle performance.

If any repairs or service need to be performed, there are certain basic mechanical procedures that should be known and understood. Without such basic knowledge, repairs or service to the Tourall Electric utility vehicle may render the vehicle unsafe which could result in severe personal injury or death. For this reason, we advise that all repairs and service be performed by an authorized Carryall line Dealer or factory representative except as specified in the Periodic Service Schedule. Should you require further information, please contact your nearest Carryall line Dealer who can provide you with the technical advice, service, replacement parts, or any technical literature available. For the name and address of your nearest Carryall line Dealer, contact us at CLUB CAR, INC., P. O. Box 4658, Augusta, Georgia 30917-4658, U.S.A., Telephone: 404/863-3000.

The CLUB CAR Tourall Electric utility vehicle Limited Warranty appears on the inside back cover of this manual, and there are no other warranties expressed or implied contained herein. Your Carryall line Dealer has checked your utility vehicle prior to delivery to you and will provide you with a completed warranty registration card.

CLUB CAR, INC., shall not be liable for errors contained herein or for incidental or consequential damages in connection with the use of this material.

This manual should be considered a permanent part of this vehicle. It should stay with the vehicle when sold to provide the next owner with important operating, safety, and maintenance information.

# Vehicle Feature

## OPERATING INSTRUCTIONS

- Study And Understand Controls. Be Sure Everyone Is Seated.
- Before Driving Car, Read Safety Warnings Located Above Pedals.
- Make Sure Wheels Are Turned In Desired Direction.
- Be Sure Nothing Is In Your Path.
- Turn Key To ON Position.
- Select Direction By Placing Shift Lever In Desired Position:  
F - Forward      N - Neutral      R - Reverse
- Slowly Push Accelerator Pedal To Increase Speed. Park Brake Will Release When Accelerator Pedal Is Pushed.
- To Stop Car, Release Accelerator Pedal and Push Brake Pedal.
- After Stopping Car, Firmly Push Park Brake Until It Locks.
- Remove Key And Place Shift Lever In The Straight Up Neutral Position When Car Is Not In Use.
- For Further Details, Read Owner's Manual.

## OPERATING INSTRUCTIONS DECAL

## ON-OFF KEY SWITCH

## PARKING BRAKE PEDAL

## BRAKE PEDAL

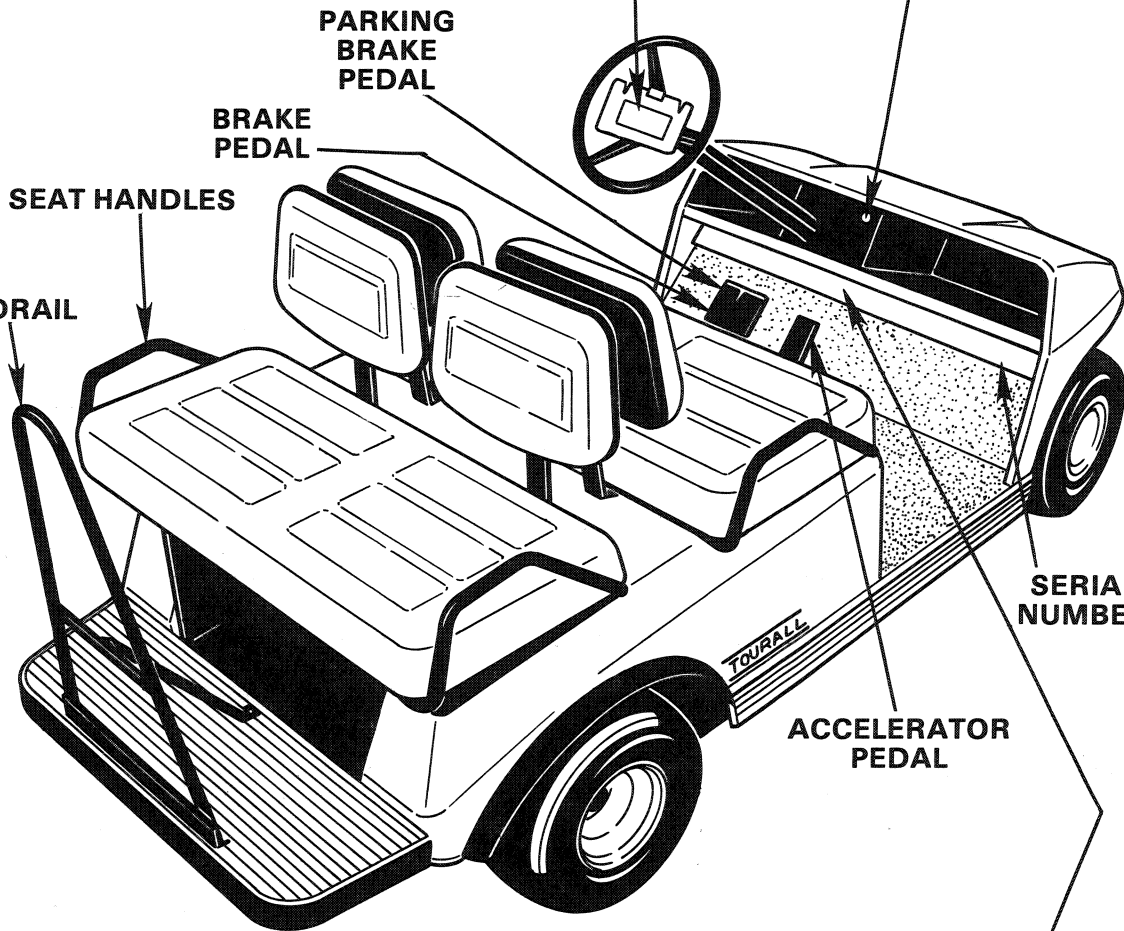
## SEAT HANDLES

## HANDRAIL

## SERIAL NUMBER

## ACCELERATOR PEDAL

## SAFETY WARNING LABEL



**WARNING**  
Failure To Follow These Instructions Can Cause Severe Injury Or Death.

Read Operating Instructions On Steering Wheel Before Using Car.  
Never Stand in Front Of Or Behind Car.  
Car Should Be Driven Only in Specified Areas By Trained Persons.




Do Not Use On Public Roads.  
Only Two Persons Per Seat.  
Operate Car From Drivers Side Only.  
Do Not Start Car Until All People Are Seated.

Remain Seated & Hold On in Moving Car.  
Keep Arms, Legs & Feet Inside Car.  
Stop Car Before Changing Direction.  
Buzzer Will Sound in Reverse.  
Drive Slowly in Turns.

Drive Slowly Straight Up & Down Slopes.  
Set Park Brake Before Leaving Car.  
Remove Key When Car is Not in Use.  
Place Shift Lever in Neutral When Car is Not in Use.

# Identification

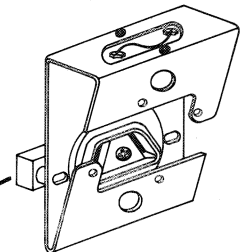
## DANGER LABEL (ON BODY)

Shield Eyes Contains Sulfuric Acid		<b>POISON</b> • <b>DANGER</b>	<ul style="list-style-type: none"> <li>• In event of accident flush with water and call a physician.</li> <li>• CAUSES SEVERE BURNS - Avoid contact with skin, eyes or clothing. KEEP OUT OF REACH OF CHILDREN</li> </ul>
Explosive Gas			<ul style="list-style-type: none"> <li>• Charge in well ventilated areas only. Do not charge, service or adjust battery post connections without proper instruction and training.</li> </ul>
Avoid Spark/Flame			<ul style="list-style-type: none"> <li>• Cigarettes, flames or sparks could cause battery to explode.</li> </ul>

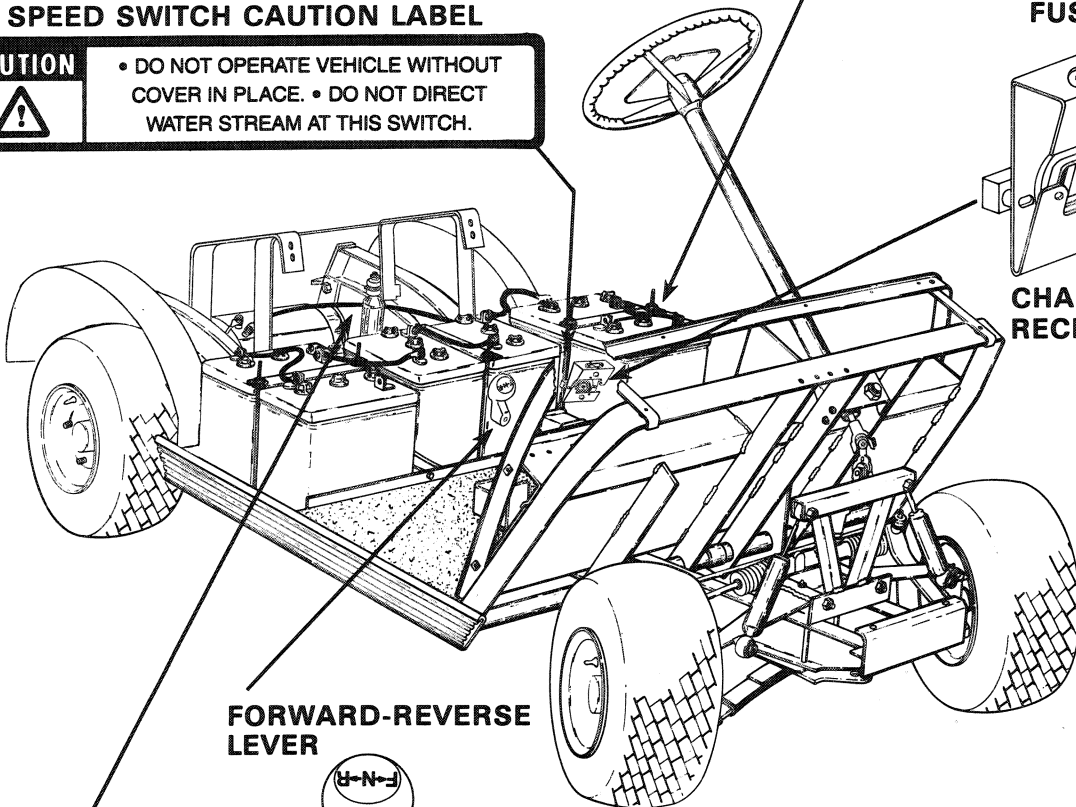
## SPEED SWITCH CAUTION LABEL

<b>CAUTION</b>	<ul style="list-style-type: none"> <li>• DO NOT OPERATE VEHICLE WITHOUT COVER IN PLACE.</li> <li>• DO NOT DIRECT WATER STREAM AT THIS SWITCH.</li> </ul>
----------------	--

## FUSE LINK



## CHARGER RECEPTACLE



## FORWARD-REVERSE LEVER



## RESISTOR WARNING LABEL (ON BODY)

<b>WARNING</b>	<b>HOT RESISTORS CAN CAUSE SEVERE BURNS.</b>
----------------	--

---

## Model Identification:

The serial number of your Tourall is stamped on a data plate mounted on the frame directly under the right dash (Example: G8901-12345).

NOTE: Always mention this number when ordering parts or making inquiries (See Figure 1).

## Pre-Operation Checklist:

Your Tourall has been thoroughly inspected and adjusted by the factory and by your Carryall line Dealer. However, when receiving your new Tourall(s) you should become familiar with its controls and operation and carefully inspect each vehicle to be satisfied with its condition before accepting delivery.

### WARNING:

Only trained people should repair or service this vehicle. All people doing even simple repairs or service should follow the correct procedures and obey the warnings listed in this manual and the maintenance and service manual.

Always wear safety glasses or approved eye protection when servicing the vehicle.



Figure 1

---

### CAUTION:

Do not operate vehicle without speed switch cover in place.

Use this checklist as a guide to inspect your vehicle. Any problems must be corrected only by your Carryall line Dealer or a trained mechanic.

**Visual Inspection** - Look the vehicle over thoroughly for the following:

**General:**

All the parts should be in place and properly installed. Be sure that all nuts, bolts and screws are tight.

**Warning Labels:**

Check that all warning and operation labels are in place (See Pages 2 & 3).

**Tires:**

Check tire pressure. It should be 18 psi.

**Batteries:**

Check the electrolyte level to insure it is at its proper level (See Page 11). Check the battery posts to see that no corrosion has accumulated on them. All wire connectors should be held firmly in place.

**Speed Switch:**

Be sure speed switch cover is in place prior to operating vehicle

---

### CAUTION:

Be sure the plastic has been removed from the bottom of the seat before operating vehicle.

**Performance Inspection** - After you have familiarized yourself with the vehicle's controls (See Page 5) and have read and understood the driving instructions (See Page 6), take the vehicle for a short test drive. Check the following:

**Brakes:**

Be sure that the brakes work properly. Both rear wheels should lock and the pedal should not go more than halfway to the floor. If it does, have brakes adjusted.

**Park Brake:**

The park brake should lock the wheels when latched and should release when the accelerator or brake pedal is pushed.

**Steering:**

The vehicle should be easy to steer and should not have free play in the steering wheel.

**Speed Switch:**

Be sure that as the accelerator pedal is pushed, the vehicle comes smoothly up to full speed. It should run 12-14 mph on a level surface. Vehicle runs half speed in reverse.

**General:**

Listen for any unusual noises such as squeaks or rattles. Check the vehicle's ride and performance. Have a CLUB CAR Distributor/Dealer or trained mechanic investigate anything unusual.

**NOTE:** For vehicles that are new or have been in storage, charge batteries prior to use to avoid damage (See Page 13.)

**WARNING:**

Any modification or change to the vehicle which affects the stability or increases the speed beyond the factory specifications could result in severe personal injury or death.

**Controls:**

**WARNING:**

If renting or loaning this vehicle, make sure that the driver is familiar with all controls and operating instructions before allowing the vehicle to be driven.

**Key Switch** - The key switch is mounted on the dash to the right of the steering column (See Figure 2). It has two (2) positions, "on" and "off" which are clearly labeled. The key is removable in the "off" position only.

**WARNING:**

Turn key switch to "off" and remove key when vehicle is not in use to avoid unintentional starting of the vehicle.

**Forward-Reverse Control** - The forward-reverse shift lever is located below and to the right of the driver's right knee on the seat support panel (See Figure 3). The lever has three (3) distinct positions: F (forward), N (neutral), and R (reverse). Rotate the lever toward the driver (F) to run the vehicle in forward and toward the passenger (R) to run the vehicle in reverse. The vehicle operates at half speed in reverse.

**WARNING:**

Do not shift forward and reverse lever while vehicle is in motion. Always bring vehicle to a full stop before shifting lever to avoid injury to an unsuspecting passenger and damage to the vehicle.

Turn key switch "off" and place shift lever in neutral when leaving vehicle to avoid unintentional starting of the vehicle.

Buzzer will sound when vehicle is in reverse to warn anyone in the area.

**Accelerator Pedal** - The accelerator pedal is the pedal on the right with the word "GO" molded in it (See Figure 4). When the key switch is "on," the shift lever is in either forward or reverse and the accelerator pedal is pushed, the parking brake will be automatically released and the vehicle will begin moving. As the accelerator pedal is pushed further, the speed will increase.

The accelerator pedal differs from that of an automobile in the following way: Depressing the accelerator will release the parking brake if engaged. Depressing the accelerator automatically starts the vehicle moving. Each time the accelerator pedal is released, power to the motor will be cut off.

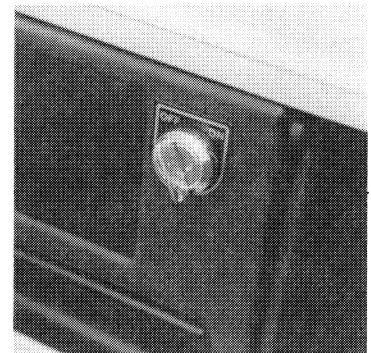


Figure 2



Figure 3

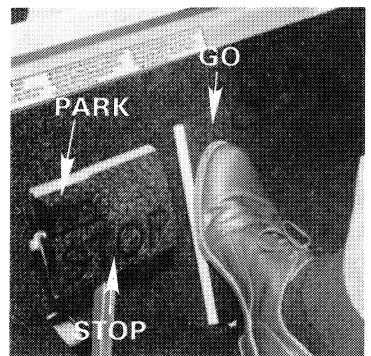


Figure 4



**Brake Pedal** - The brake pedal is the large pedal on the left with the word "STOP" molded in it (See Figure 5). To slow or stop the vehicle, push the brake pedal with your right foot.

**Parking Brake Pedal** - The parking or park brake pedal is the small raised portion in the upper left corner of the brake pedal with the word "PARK" molded in it (See Figure 5). The words "Park Brake" are marked above this pedal. To set the park brake, push the brake pedal and tilt the park brake portion of the pedal forward with right foot. (See Figure 6)

The park brake pedal will release when the accelerator or brake pedal is pushed. The parking brake has many locking teeth so that the brake can be locked in several positions.

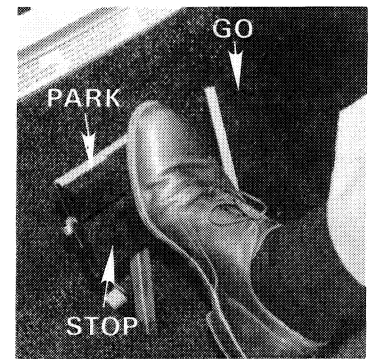


Figure 5

**WARNING:**

Always set the park brake firmly before leaving the vehicle to prevent the vehicle from rolling.

**Driving Instructions:**

No one should drive the vehicle without first being instructed in the proper operation and use of the vehicle's controls. An experienced operator should accompany each first time driver on a short test drive before they operate the vehicle alone. Only licensed drivers should be allowed to drive this vehicle. Do not drive under the influence of alcohol, drugs or medications.

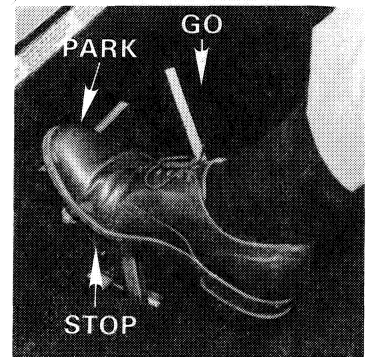


Figure 6

**WARNING:**

If renting or loaning this vehicle, make sure the driver is familiar with all controls and operating procedures before allowing the vehicle to be driven.

This vehicle is not specially equipped for handicapped persons. Be sure all persons can properly operate the vehicle prior to allowing them to drive.

To insure safe operation of the Tourall Electric, follow all of the procedures listed below exactly and in order. Read and understand all instructions prior to driving the vehicle.

**Starting the Vehicle:**

1. Enter the vehicle.
2. Be sure everyone is seated and holding onto seat handles or handrail (Figure 7).
3. Study and understand controls.
4. Read safety warnings located above pedals.
5. Make sure wheels are turned in desired direction.
6. Be sure nothing is in your path.
7. Turn key to "on" position.
8. Select direction by placing shift lever in desired position F = forward or R = reverse.
9. Slowly push accelerator pedal to increase speed. The park brake pedal will release and vehicle will start to move. Depress pedal further to increase speed.

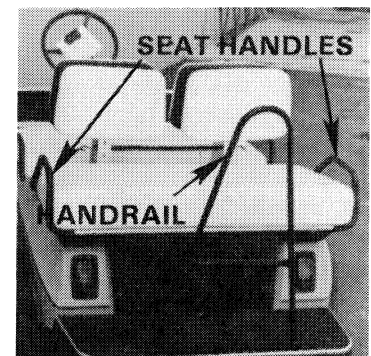


Figure 7

**WARNING:**

No more than four people should be allowed on the vehicle at one time.

Passengers should hold on to seat handles or handrail at all times.

Slower speeds should be observed with four passengers.

A buzzer will sound when the vehicle is in reverse to warn anyone in the area.



---

**WARNING:****When Driving The Vehicle:**

- Operate the vehicle from the driver's seat only.
- Remain seated in moving vehicle and hold on to prevent falls.
- Keep arms, legs, feet and entire body inside vehicle to prevent getting them caught between the vehicle and the ground or other objects.
- Drive slowly in turns and drive slowly straight up and down slopes to prevent turning the vehicle over.
- Do not shift forward and reverse lever while vehicle is in motion. Always bring vehicle to a full stop before shifting lever to avoid injury to an unsuspecting passenger and damage to the vehicle.
- Avoid sudden starts and stops and tight turns to avoid injury to an unsuspecting passenger and damage to the vehicle.
- Reduce speed for poor driving conditions such as wet grass or rough terrain to avoid losing control of the vehicle.
- Do not use on public roads. This vehicle is not designed or intended for street use and should not be licensed for use on public roads.
- Vehicles should be driven only in specified areas by trained people.

**Stopping the Vehicle:**

1. To stop the vehicle, release the accelerator pedal and push the brake pedal with your right foot.

**CAUTION:**

When stopped on a hill, use the brakes to hold your position, not the accelerator pedal.

**WARNING:**

Driving through deep water may affect the brakes. Check their effectiveness by pressing the brake pedal gently. If the vehicle does not slow down at the normal rate, continue to apply the brakes gently until they dry out and normal performance returns.

**Parking and Leaving the Vehicle:**

1. After stopping the vehicle, firmly push park brake pedal until it locks. This will prevent the vehicle from rolling.
2. Turn the key to "off" and place shift lever in the straight up "neutral" position when the vehicle is not in use. This avoids unintentional starting of vehicle. Remove key when vehicle is not in use.

**WARNING:**

Never stand in front of or behind vehicle to avoid being struck by a vehicle.

**Transporting On A Trailer:**

If your Tourall must be transported over long distances or on public highways, it should be done on an approved trailer observing all the following warnings and precautions.

**WARNING:**

For use on public roads the trailer must meet all federal, state and local requirements such as taillights, brake lights, etc.

---

**WARNING:**

Always use an approved trailer that has a load rating of 1200 lbs. per Tourall. (Example: A 2-vehicle trailer should be rated at  $2 \times 1200 = 2400$  lbs.).

The Tourall should be securely tied down to the trailer. The Tourall's key switch should be "off", the shift lever in "neutral" and the park brake firmly applied and locked.

When towing a trailer, normal speeds should be reduced and care should be used when turning a corner due to the added length of the trailer.

Never tow a Tourall behind a passenger vehicle or truck unless it is on an approved trailer.

Remove the windshield before transporting a Tourall on a trailer.

---

**Storage:**

To prepare your Tourall for extended off season storage:

**WARNING:**

Turn key switch off, remove key and place forward and reverse lever in neutral position.

---

1. Fully charge batteries.

**CAUTION:**

Batteries in low state of charge will freeze at low temperatures.

---

**WARNING:**

Do not attempt to charge a battery if it is frozen or the case is bulged. Discard battery. Frozen batteries can explode.

---

2. Wash off any corrosion around the terminals with a solution of baking soda and water. (NOTE: Do not allow this solution to enter the battery.) Rinse. Be sure terminals are tight. Let the terminals dry and then coat them with CLUB CAR battery protector spray, part # 1014305.
3. Store in cool, dry place. This will prevent self discharge of the batteries.
4. Recharge every 6-8 weeks, as necessary (See Page 13).
5. Increase the tire pressure to 20 psi.
6. Grease front suspension and do all quarterly periodic lubrication shown in lubrication chart (See Page 10).

**CAUTION:**

When washing the vehicle, do not direct water stream at speed switch.

---

7. Thoroughly clean body, seats and underside of vehicle.
8. Do not latch the park brake. Block the wheels to prevent the vehicle from rolling.

**To Return Stored Vehicles To Service:**

1. Fully charge batteries (See Page 13).
  2. Readjust tire pressure to 18 psi.
  3. Perform the pre-operation checks (See Page 4) before returning the vehicle to service.
-

---

## Maintenance:

**General Information** - To be sure you have a trouble-free vehicle, it is very important to follow an established preventive maintenance program. This is the least expensive maintenance requirement. Preventive maintenance means regularly scheduled services which include certain maintenance procedures that are performed on the vehicles even though the vehicles are functional. A good preventive maintenance program can prevent more expensive repairs from being required. Any vehicle that is not functioning correctly should be removed from use until it is properly repaired.

Contact your local Carryall line Dealer to perform all repairs and the semi-annual and annual periodic service.

NOTE: If vehicle is constantly hauling heavy loads, the preventive maintenance procedures should be performed more often than recommended in the service schedules and lubrication chart.

## WARNING:

**Only trained people should repair or service this vehicle. All people doing even simple repairs or service should follow the correct procedures and obey the warnings listed in this manual and the maintenance and service manual.**

**Turn key switch off, remove key, and place forward and reverse lever in neutral position prior to servicing.**

**Disconnect batteries as described on inside front cover.**

**Always wear safety glasses or approved eye protection when servicing this vehicle.**

**Do not wear loose clothing and remove jewelry, such as rings, watches, chains, etc. before servicing vehicle.**

**Always use insulated tools when working around batteries or electrical connections.**

---

## Periodic Service Schedule:

Regular Interval	Service
Daily Service by Owner	Check to be sure park brake latches and releases properly Charge batteries after each use Check for smooth acceleration and proper speed Check brake operation Check steering and linkages Check to be sure all warning labels are in place (See Pages 2 & 3) Check charger plug and receptacle for damage and snug fit (See Page 13) Check tires for wear and damage Check accelerator linkage for free movement and return Check reverse warning buzzer for proper operation
Weekly Service by Owner	Check all electrical wires for tightness or damage Check battery electrolyte level Clean battery top and terminals Inspect vehicle for loose hardware and tighten as required Wash underside of vehicle Check all daily items listed above
Monthly Service by Owner	Check brake pedal play Check tire pressure and adjust to 18 psi Check all daily and weekly items listed above
Quarterly Service by Owner	Check resistor assembly for broken coils or loose connections Do quarterly lubrication as shown in lubrication chart on Page 12 Check all daily, weekly and monthly items listed above
Semi-Annual Service by Trained Personnel Only (Every 50 hours of operation)	Check front wheel alignment Check all wire insulation for cracks and worn spots Check, clean and adjust brakes Test batteries Do semi-annual lubrication shown in lubrication chart on Page 12 Check all daily, weekly, monthly and quarterly items listed above

---

**Regular Interval****Service**

Annual Service by Trained Personnel Only (Every 100 hours of operation)

Check motor brushes and commutator  
 Check accelerator switch adjustment  
 Do annual lubrication as shown in lubrication chart  
 Check all items listed above

**WARNING:**

If your periodic service inspection reveals any problems, do not operate until repairs are made. Failure to make necessary repairs could result in fire, severe personal injury or death.

**Periodic Lubrication Schedule and Lubrication Chart:**

Regular Interval	Service	Recommended Lubricant
Quarterly	1. Brake shaft bearing	Dry Graphite Lube CLUB CAR part #1012151
	2. Brake linkage and pivots	Dry Graphite Lube CLUB CAR part #1012151
	3. Accelerator push rod pivots	Dry Graphite Lube CLUB CAR part #1012151
	4. Front suspension (9 fittings)	Chassis Lube
Semi-Annually by Trained Personnel Only	5. Check/fill drive unit to the level plug	80-90 WT. API Class GL-3 or 80-90 WT. AGMA Class 5 EP Gear Lube
Annually by Trained Personnel Only	6. Inspect front wheel bearings and repack as necessary	Chassis Lube

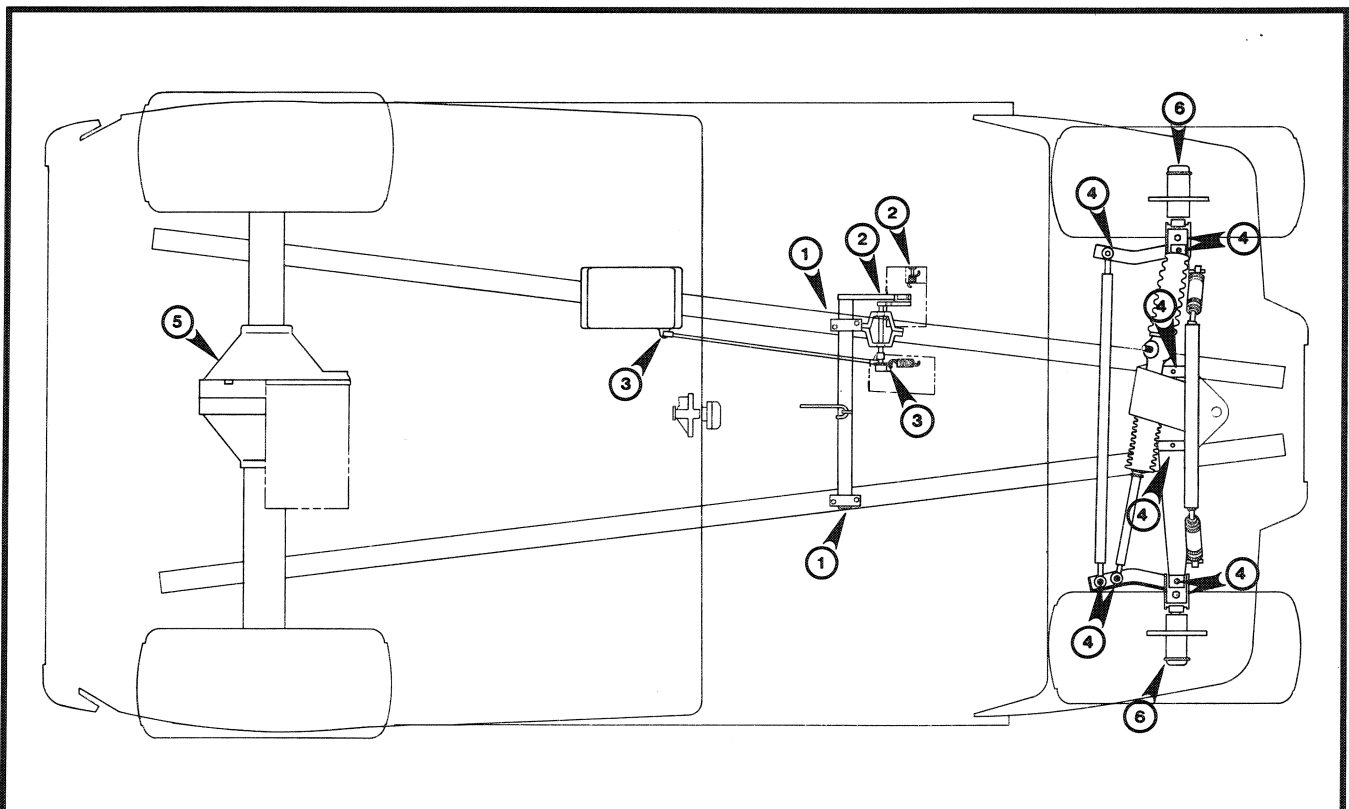


Figure 8

---

## Batteries:

### General

Power is supplied by six batteries of 6 volts each. These batteries are deep cycle batteries, especially built for an electric vehicle application and automotive batteries should never be used. New batteries will not deliver their full range until they have been run and recharged from 20-50 times. Restrict vehicle with new batteries to one (1) hour of use between charges in the first two months of use.

### WARNING:

Always wear safety glasses or approved eye protection when servicing the vehicle.

Always use insulated tools when working around batteries or electrical connections.

### DANGER:

**Battery - Explosive Gases.** Keep sparks, flames, cigarettes away. Tools, wires and metal objects can cause sparks; do not use without proper instructions. Ventilate when charging or using in an enclosed space.

**Poison - Contains acid - Causes severe burns - Avoid contact with skin, eyes or clothing.**

### Antidotes:

**External - Flush with water. Call physician immediately.**

**Internal - Drink large quantity of milk or water, follow with milk of magnesia, vegetable oil or beaten eggs. Call physician immediately.**

**Eyes - Flush with water for 15 minutes. Call physician immediately.**

### Battery Care:

To keep your batteries in good condition, follow this maintenance program on a regular basis:

1. The batteries should be kept clean and free of corrosion. Wash tops and terminals of batteries with a solution of baking soda and water. (NOTE: Do not allow this solution to enter the battery.) Rinse. Be sure terminals are tight. Let the terminals dry and then coat them with CLUB CAR battery protector spray, part #1014305.
2. The water level in the batteries should be checked weekly (See Figure 9 for proper level). Add water only after charging unless the water level is below the top of the plates. In this case, add just enough water to cover the plates, charge and then check the level again. For best battery life, add only distilled water to the batteries.
3. The hold down bars should be tight enough so the batteries do not move while the vehicle is in motion, but not so tight as to crack or buckle the battery case. The terminal connections should be clean and tight, and any worn or frayed wires should be replaced.
4. After use, the batteries should be placed on charge. The batteries should never be left discharged for any length of time.

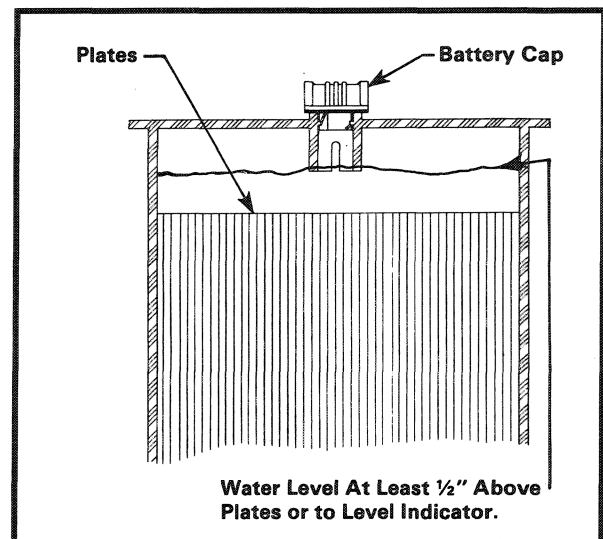


Figure 9

### Battery Charger:

#### General

Each Tourall Electric is supplied with a fully automatic battery charger as standard equipment. The AC line to which the charger is to be connected must be capable of supplying 15 amperes to each charger.

---

**WARNING:**

Each charger should have its own 20 ampere (maximum) branch circuit protection (circuit breaker or fuse), in accordance with the National Electrical Code, ANSI/NFPA 70, and local codes and ordinances.

---

This battery charger must be grounded to reduce the risk of electric shock. This charger is equipped with an AC electric cord having an equipment-grounding conductor and a grounding type plug and is for use on a nominal 115 Volt, 60 Hertz circuit. This plug must be connected to an appropriate receptacle that is properly installed and grounded in accordance with the National Electrical Code, ANSI/NFPA 70, and all local codes and ordinances.

**WARNING:**

Improper connection of the equipment-grounding conductor can result in a risk of an electric shock.

Do not use an adaptor to plug this charger into a two-prong outlet. Extension cord or electrical outlet must have a three-prong outlet.

---

The use of an extension cord with the charger should be avoided. If an extension cord must be used, use a three conductor No. 12 AWG cord with ground in good electrical condition and keep it as short as possible (no more than twelve (12) feet). Locate all cords so that they will not be stepped on, tripped over, or otherwise subject to damage or stress.

**WARNING:**

The use of an improper extension cord could result in a fire or an electric shock. Do not operate this charger if it has received a sharp blow, was dropped or otherwise damaged in any way; contact your nearest Carryall line Dealer. Only trained people should repair or service this charger.

Replace worn, cut or damaged power cords or wires immediately.

Do not disconnect the DC output plug from the battery receptacle when the charger is on. The resulting arcing between the plug and receptacle could cause an explosion. If the charger must be stopped, disconnect the AC supply plug from the wall outlet before disconnecting the charger DC output plug.

---

Provide adequate ventilation for the charger. Keep all charger ventilation openings at least two (2) inches away from walls and other objects.

**CAUTION:**

Do not allow clothing, blankets or other materials to cover the charger.

---

**WARNING:**

Chargers can ignite flammable materials and vapors. Do not use near fuels, grain dust, solvents, thinners or other flammables.

Keep dry - do not expose to rain.

---

## Charging Guidelines

### **DANGER:**

Charge batteries only in a well-ventilated area. The charging process produces explosive gases. Keep sparks, flames and cigarettes away.

### **CAUTION:**

Do not leave DC plug plugged in while unattended for more than two consecutive days.

Ventilating fans should be located at the highest point in the room and must be capable of changing the total volume of air in the room five times per hour. Consult local HVAC engineer.

To charge batteries, insert DC plug into receptacle and the charger will turn on two to five seconds later (See Figure 10). As long as the charger is allowed to shut off by itself, the batteries will be fully charged and overcharging or undercharging should be prevented. Batteries should be put on charge even if only used for 10 minutes. If charger does not seem to be operating properly or the batteries seem weak, contact your nearest Carryall line Dealer.

NOTE: When night air temperatures fall below 65°F, batteries charged in unheated areas should be placed on charge as soon after use as possible. Batteries are warmest immediately after use and cold batteries require more time to fully charge.

### Plug and Receptacle

### **WARNING:**

Be sure all wire connections at the receptacle and fuse link are clean and tight.

To connect the charger plug to the vehicle receptacle, grasp the plug handle and push the plug straight into the receptacle. Do not rock or bend the plug (See Figure 10).

To disconnect the charger plug from the vehicle receptacle, grasp the plug by the handle and pull the plug straight out of the receptacle. Do not pull on the cord (See Figure 11). Do not twist, rock or bend the plug.

Failure to follow these instructions could result in damage to the charger cord, plug or vehicle receptacle.

Do not use this charger if:

- The plug is too loose or does not make a good connection.
- The plug and receptacle feel hotter than normal during charge.
- The plug blades or contacts are bent or corroded.
- The plug, receptacle or cords are cut, worn or have any exposed wires.
- The plug, cords, charger or receptacle are damaged in any way.

Using this charger with any of the above symptoms could result in a fire, property damage or personal injury.

If warning tag has been removed from DC cord, have it replaced.

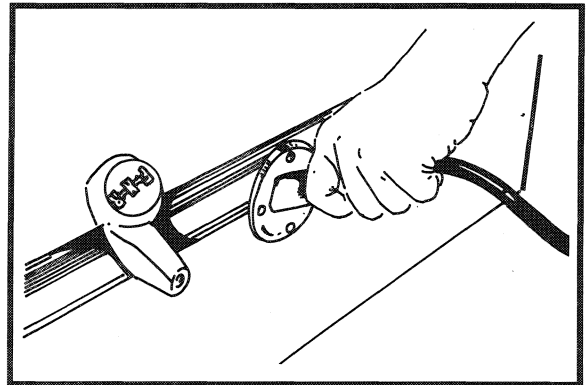


Figure 10

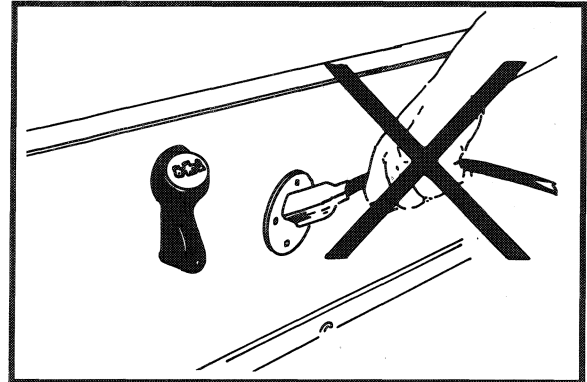


Figure 11



## Fuse Link

As an additional feature to protect the batteries and vehicle charging circuit from an overload, the Tourall Electric is equipped with a fuse link (See Figure 12). If the charger meter does not move when the vehicle is placed on charge, visually inspect the fuse link.

### **WARNING:**

If fuse link is blown, contact your nearest Carryall line Dealer to determine source of the electrical problem and correct it before replacing fuse.

NOTE: On the optional solid state fully automatic charger, the yellow charge-on indicator should light when the vehicle is placed on charge.

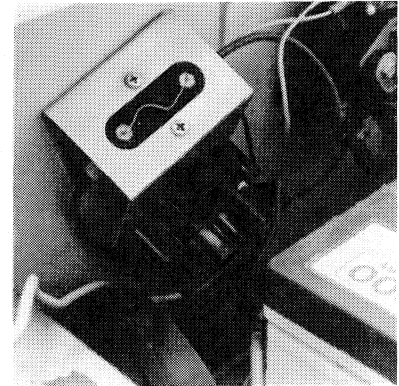


Figure 12

## Optional On-Board Charger:

An optional on-board charger is available for the Tourall Electric; it should be plugged into a properly grounded nominal 115 Volt, 60 Hertz outlet. The AC line to which the charger is connected must be capable of supplying 15 amperes to each charger. The rear seat can be held up with the elastic cord while charging (Figure 13).

**Capacities:** Tire Pressure - 18 psi Drive Unit - 22 oz.

## Cleaning:

The CLUB CAR is equipped with a reaction injection molded plastic cowl and a compression molded fiber reinforced plastic body. Use only mild dishwashing liquid soap with a sponge or soft cloth for normal cleaning.

Minor scratches or blemishes in the body can be buffed out using most commercially available polishing compounds and polishes.

Your Tourall seat will last longer with proper cleaning. Mild soap or detergent with a sponge or soft cloth for normal cleaning is recommended. For stubborn or imbedded dirt, a soft bristle brush may be used.

Do not use any harsh detergents or cleaning solvents on the body, cowl or seat.

Battery acid, fertilizers, tars, asphalt, creosote, paint or chewing gum should be removed immediately to prevent possible stains.

## Storage Compartment:

There is an enclosed storage compartment underneath the rear seat with two (2) cu. ft. of storage area. The rear seat can be lifted and fastened in place with the elastic cord to give access to the storage compartment (Figure 13).

## Subsequent Owner Registration:

In the event that this vehicle has been bought as a used vehicle from another individual or from a dealer, re-registration is necessary. This will enable us to contact you if the need arises. Please send your name, address and serial number(s) of the vehicle(s) to CLUB CAR, INC., P.O. Box 4658, Augusta, GA 30917-4658, ATTN: Vehicle Registration.

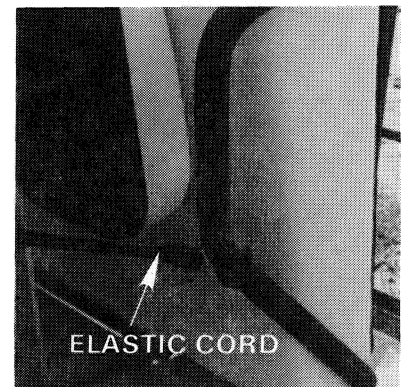


Figure 13

---

# Tourall Electric Specifications

**Body:**

Front: Reaction Injection Molded Plastic  
Rear: Fiber Reinforced Plastic (compression molded)

**Braking:**

Braking Distance: 14' at 12 mph  
Service Brake: Cable operated, mechanical, dual rear wheel drum type  
Parking Brake: Foot operated with automatic release. Self adjusting multi-latch ratchet and pawl system

**Color:**

Front and Rear: Industrial Gray

**Dimensional Specifications:**

Ground Clearance: 4.5"  
Height (without top): 46"  
Height (with optional top): 67.75"  
Floorboard Height: 11.75"  
Length: 100"  
Seat Height: 29.5"  
Weight: 530 without batteries  
Wheel Base: 65.5"  
Wheel Tread:  
Front: 34.5"  
Rear: 38.5"  
Width: 47.25"

**Electrical System:**

Operating: 36 volt D.C., Six, 6 volt Heavy Duty Storage Batteries (105 minute, 220 Amp-Hour). 18 volt reverse  
Accelerator Switch: Seven Speed V-Glide Accelerator System  
Charger: 115 volt A.C., 36 volt D.C., 25 amp fully automatic, line compensating charger.

**Frame:**

Structure: Lightweight aluminum I-Beam construction with fillet welded cross members  
Bumpers: Front, side and rear vinyl system

**Performance:**

Speed:  
Forward: 12-14 mph  
Reverse: 6-7 mph

**Power and Drive Train:**

Drive Train: Direct coupled to drive unit

Drive Unit: 12:28 to 1 ratio double reduction high efficiency automotive helical type

Motor: High efficient 36 volt D.C. series wound; 2 h.p. at 2800 rpm 8.0 h.p. at 1000 rpm. Optional 2.5 h.p. D.C. series wound at 3300 rpm

**Seating:**

Capacity: 4 persons  
Type: Vacuum formed, fabric backed seamless vinyl covers over comfortable foam cushioned seat backs and seat bottom

**Steering:**

Steering Column: Heavy duty construction with self-adjusting, spring loaded bearings  
Steering Unit: Self-adjusting, spring loaded, automotive type rack and pinion

**Suspension:**

Front: Transverse mounted independent monoleaf with dual shock absorbers  
Rear: Two multiple leaf springs with dual shock absorbers

**Tires:**

Rating: 4 ply load range B  
Size: 18.00 x 8.50 x 8.00

**Turning Dimensions:**

Turning Clearance Circle Diameter: 17'6"  
Turning Radius: 8'5" per SAE J695

**Standard Equipment:**

Automatic 25 Amp Charger, High Capacity 2200 Series Batteries, Rack and Pinion Steering, Dual Dash Compartments, Reverse Warning Buzzer, Wear Resistant Floor Mats and Pedals, Two-Way Ignition Key, Automatic Release Park Brake, Front Bumper, Side Rubber Rails, Bold Stripe on Body

**Optional Equipment:**

Lighting Package (High/Low Headlights, Taillights, Brake Lights and Horn), Lighting Package with Turn Signals, Heavy Duty Front Bumper, Hub Caps, Trailer Hitch, Trailer Hitch Ball, Power Rib Tires, Extra Traction Tires, Hour Meter, Canopy Top, Snap-On Tinted Windshield, Fuel Gauge, 2 1/2 HP Motor, Ashtray, Stereo Radio, Beverage Holders (2), Front Cowl Accent Stripe, Rear View Mirror, Weatherproof Enclosure

CLUB CAR, INC., reserves the right to change specifications and designs at any time without notice and without incurring any obligation or liability whatsoever.



---

**CLUB CAR LIMITED WARRANTY**  
**Carryall Vehicles**

CLUB CAR, INC., "Manufacturer," warrants to the original retail purchaser that its new Tourall vehicle, purchased from Manufacturer or an authorized distributor or dealer, is free from defects in materials and workmanship for a period of NINETY (90) DAYS from the date of purchase. The engine assembly (less carburetor, linkages and exhaust system), motor, transmission assembly, drive unit assembly and main frame assembly are warranted to be free of defects in materials and workmanship for a period of ONE (1) YEAR from the date of purchase. All warranties are subject to the terms and provisions contained herein.

This limited warranty covers materials, workmanship and repair labor costs for a period of NINETY (90) DAYS from the date of purchase, or as to those items specifically listed above, ONE (1) YEAR from the date of purchase. Such repair labor shall be performed only by Manufacturer, its authorized distributors or dealers, or a service agency approved by Manufacturer. IF THE WARRANTY REGISTRATION FORM IS NOT COMPLETED AND RETURNED TO CLUB CAR AT THE TIME OF THE ORIGINAL RETAIL SALE, PROOF OF DATE OF PURCHASE MUST BE PROVIDED WITH ANY WARRANTY CLAIM. For further information or to present a warranty claim, contact: Warranty Administrator, CLUB CAR, INC., P. O. Box 4658, Augusta, Georgia 30917-4658 U.S.A., (404) 863-3000. **ANY IMPLIED WARRANTY OF MERCHANTABILITY OR FITNESS FOR A PARTICULAR PURPOSE SHALL BE VOID AND EXCLUDED SUBSEQUENT TO THE EXPIRATION OF THE APPLICABLE LIMITED WARRANTY PERIOD OF TIME FROM THE DATE OF PURCHASE. THE REPLACEMENT OR REPAIR OF THE VEHICLE OR DEFECTIVE COMPONENT THEREOF IS THE EXCLUSIVE REMEDY UNDER THIS WRITTEN WARRANTY OR ANY IMPLIED WARRANTY. MANUFACTURER MAKES NO OTHER REPRESENTATION OR WARRANTY OF ANY KIND, AND NO REPRESENTATIVE, EMPLOYEE, DISTRIBUTOR OR DEALER OF MANUFACTURER HAS THE AUTHORITY TO MAKE OR IMPLY ANY REPRESENTATION, PROMISE OR AGREEMENT WHICH IN ANY WAY VARIES THE TERMS OF THIS LIMITED WARRANTY.**

**LIMITED WARRANTY EXCLUSIONS**

Without limiting the generality of the foregoing in any way, and as part of its limited warranty exclusions, Manufacturer does not warrant that its vehicle is suitable for use on any particular terrain. As in the operation of any vehicle, a prudent driver will read and study the Owner's Manual, learn the proper operation of the controls, obey all warnings, and exercise care and safe driving habits.

THE PROVISIONS OF THIS LIMITED WARRANTY SHALL NOT APPLY TO:

- (a) Normal maintenance services such as brake adjustments, steering and suspension adjustments, linkage adjustments, recommended lubrication, oil changes, and filter replacements;
- (b) All accessory options, battery wires and connectors, body panels and trim pieces, charger plugs and receptacles, decals, drive and generator belts, filters, floor mats, oils and lubricants, pedal pads, seats, spark plugs, fuses, tubes and hoses, and the utility box and tailgate; and
- (c) Tires, batteries and battery chargers (warranted solely through their respective manufacturers).

Any warranty service which includes labor must be performed by Manufacturer, its authorized distributors or dealers, or a service agency approved by Manufacturer.

**THIS VEHICLE IS NOT DESIGNED OR INTENDED FOR USE ON PUBLIC STREETS, ROADS OR HIGHWAY AND ANY SUCH USE RENDERS THE LIMITED WARRANTIES EXPRESSED HEREIN AND ALL IMPLIED WARRANTIES NULL AND VOID AND SAME ARE HEREBY EXCLUDED.**

**ALSO EXCLUDED FROM THIS LIMITED WARRANTY ARE ANY AND ALL INCIDENTAL OR CONSEQUENTIAL DAMAGES INCLUDING, BUT NOT LIMITED TO, LOSS OF USE, LOSS OF REVENUE, LOSS OF TIME, OR INCONVENIENCE.** Some states do not allow limitations on how long an implied warranty lasts or the exclusion or limitation of incidental or consequential damages so the above limitations or exclusions may not apply to you.

**WARRANTY LIMITATIONS**

Manufacturer's liability shall be at its sole option to either replace or repair a defective vehicle or component thereof. Replacement shall mean furnishing a new vehicle or component thereof which is identical or reasonably equivalent to the warranted product at no cost to purchaser during the applicable limited warranty period of time. Repair shall mean remedying a defect in the vehicle or component thereof at no cost to the purchaser during the applicable limited warranty period of time. If Manufacturer elects to repair your vehicle, it may use factory reconditioned parts or components.

Damage to a vehicle or component thereof not resulting from a defect or which occurs due to unreasonable or unintended use, overloading, abuse or neglect (including failure to provide reasonable or necessary maintenance as outlined in the Owner's Manual), accident or alteration, including increasing the speed beyond factory specifications or modifications which affect the stability of the vehicle or the operation thereof, is excluded from the limited warranty.

This warranty gives you specific legal rights, and you may also have other rights which vary from state to state.

---



**Club Car, Inc.**  
P.O. Box 204658  
Augusta, GA 30917-4658  
USA

**Web** [www.clubcar.com](http://www.clubcar.com)  
**Phone** 1.706.863.3000  
1.800.ClubCar  
**Int'l** +1 706.863.3000  
**Fax** 1.706.863.5808