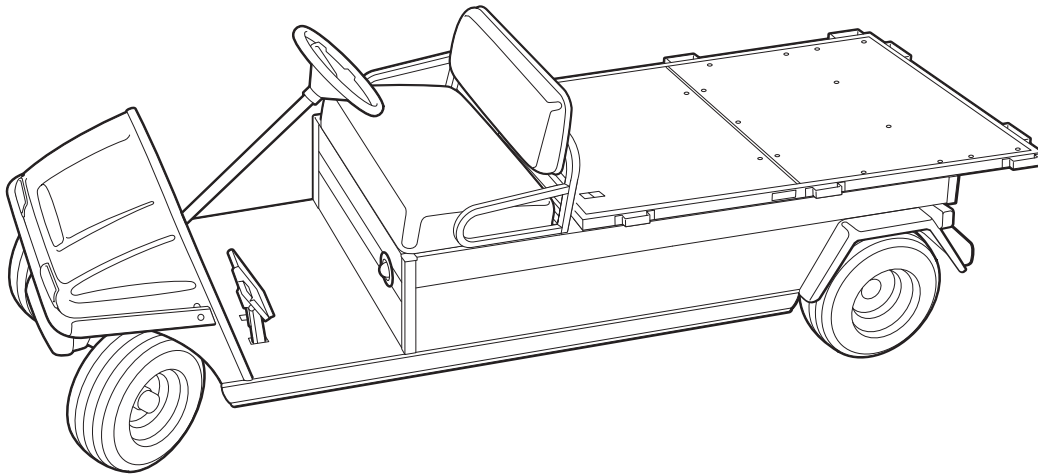




2012
Turf/Carryall 6
Illustrated Parts List



Gasoline and Electric Vehicles

Manual Number 103897310
Edition Code 1015B0616A

USING THE ILLUSTRATED PARTS LIST

⚠ WARNING

- **This manual is to be used only for identification and ordering of service parts. Be sure to read and use the maintenance and service manual before attempting any vehicle repairs.**

This manual covers all Turf/Carryall 6 vehicles built during the 2012 model year.

The manual is divided into sections. Note that there are two or three flags on the outside edge of each page. The first flag contains the section number of which that page is a part. The other flag (or flags) contains the letter G or E, signifying that the page pertains to the electric or gasoline vehicles only.

Use the Table of Contents to find the sections and pages that contain the parts and assemblies you seek. The Table of Contents lists section numbers, and under them, the individual page titles and numbers to be found in that section. The index can be used to find specific parts and assemblies. The index is divided into numerical and alphabetical listings with the page numbers in italic text.

There is a two-page spread for each individual page title in the Table of Contents. On the left-hand page is an illustration showing the parts in their relative positions; the parts are each tagged with an item number in a balloon. The right-hand page is the parts list page, and gives the page title at the top, then the item numbers (corresponding to the numbers on the illustration), part descriptions, and quantity of parts used.

Note that a part description may be indented. This indention corresponds to a parts assembly level indicated by the numbers 1, 2, 3, and 4 at the top left corner of the parts description area of the parts list page. A part that is indented to *level 2* is a component of the *level 1* part (assembly) that it is listed under. A *level 3* part is a component of the *level 2* part that it is listed under, and a *level 4* part is a component of the *level 3* part preceding it. In each case, the part quantity given for a level 2, 3, or 4 part is the quantity used per next higher level assembly of which it is a component. A part that is not indented is a *level 1* part. This means that the quantity given is the quantity used per the portion of the vehicle illustrated on that particular spread.



P. O. Box 204658
Augusta, Georgia 30917-4658 USA
Telephone 706-863-3000
Service Parts Fax 706-855-7413
www.clubcar.com

HOW TO ORDER PARTS

Replacement parts and accessories can be obtained from our network of authorized dealers and distributors. You can obtain the name and phone number of your closest authorized Club Car dealer or distributor by visiting our web site at www.clubcardealer.com, by calling our toll-free Service Parts and Technical Assistance hotline at (800) 872-2246 or (706) 863-3000, extension 3887, or by scanning this Quick Response (QR) code to be taken to the Club Car dealer locator. **Refer to Figure 1.** Download a QR code reader such as RedLaser or Barcode Scanner to your cell phone or tablet.



Figure 1 Dealer Locator QR Code

CUSTOMER SATISFACTION SURVEY

Let your voice be heard!

Please take time to participate in the Technical Publications satisfaction survey. Obtaining feedback from our customers is important to the department's continuous improvement process. The online survey takes less than five minutes and responses will help the department to examine current performance as well as identify areas for future improvement.

Our top priority is to provide timely, accurate, and user friendly manuals.

The online satisfaction survey can be found at: <http://bit.ly/1w9uFMh>



Figure 2 Survey QR Code

NOTE: *This illustrated parts list represents the most current information at the time of publication. Club Car, LLC is continually working to further improve its vehicles and other products. These improvements may affect the parts used to service the vehicle. Any modification and/or significant change in specifications will be forwarded to all Club Car and Carryall distributors/dealers and will, when applicable, appear in future editions of this illustrated parts list.*

Club Car, LLC reserves the right to change specifications and designs at any time without notice and without the obligation of making changes to units previously sold.

Copyright © 2011 Club Car, LLC
Club Car and ArmorFlex
are registered trademarks of Club Car, LLC.
This manual effective August 1, 2011.

CONTENTS

SECTION 1 – BODY AND TRIM

| | |
|--|------|
| Front Body and Trim – Turf/Carryall 2, 2 Plus, and 6 | 1-3 |
| Splash Guard – Gasoline Vehicles Only | 1-5 |
| Dash Pockets and Floormat | 1-7 |
| Beverage Holder | 1-9 |
| Mirror, Rear-View – without Cab | 1-11 |
| Grommets, Chassis | 1-13 |
| Underseat Storage | 1-15 |
| Seat Bottom | 1-17 |
| Seat Back Assembly | 1-19 |
| Windshield, Hinged | 1-21 |
| Windshield, Non-Hinged | 1-23 |
| Canopy Kit, White | 1-25 |
| Canopy Kit, Beige | 1-27 |
| Hip Restraints and Seat Back Mounting | 1-29 |
| Flat Bed – Turf/Carryall 6 | 1-31 |
| Flat Bed Mounting | 1-33 |
| Bed Mat | 1-35 |
| Stake Side Kit | 1-37 |
| Toolboxes | 1-39 |
| Electric Bed Lift – Gasoline Vehicles | 1-41 |
| Electric Bed Lift – Electric Vehicle | 1-43 |
| Trailer Hitch, Heavy-Duty | 1-45 |
| Trailer Hitch, Light-Duty | 1-47 |
| Trailer Hitch Ball | 1-49 |
| Receiver Hitch | 1-51 |
| Rear Body Trim – Turf/Carryall 1, 2, 2 Plus, and 6 | 1-53 |
| Rear Bumper | 1-55 |
| Cab, Curtis – Turf/Carryall 6 and Transporter | 1-57 |
| Mirror, Inside Rear-View – Curtis Cab | 1-59 |
| Mirror, Side-View – Curtis Cab | 1-61 |
| Accessory Switch Panel – Curtis Cab | 1-63 |
| Strobe Light – Curtis Cab | 1-65 |
| Work Lights – Curtis Cab | 1-67 |
| Fan/Defogger – Curtis Cab | 1-69 |
| Cab, CPL – Turf/CA 1, 2, 2 Plus, 6, 252 and XRT 900 | 1-71 |
| Doors – CPL Cab | 1-73 |
| Windshield Wiper – CPL Cab | 1-75 |
| Windshields – CPL Cab | 1-77 |

CONTENTS

| | |
|---|------|
| Seat Belts, Roof, Vent, & Seals – CPL Cab | 1-79 |
| Lights – CPL Cab | 1-81 |
| Fan and Mirror – CPL Cab | 1-83 |
| Van Box | 1-85 |

SECTION 2 – WHEELS AND TIRES

| | |
|---------------------------------|-----|
| Wheels (White) and Tires | 2-3 |
| Wheels (Silver) and Tires | 2-5 |
| Wheel Covers | 2-7 |

SECTION 3 – DECALS

| | |
|--|------|
| Decals – Electric Carryall 6 | 3-3 |
| Decals – Electric Carryall 6, Continued | 3-5 |
| Decals – Gasoline Turf/Carryall 6 | 3-7 |
| Decals – Gasoline Turf/Carryall 6, Continued | 3-9 |
| Badging Decals, Carryall 6 – Electric Vehicles | 3-11 |
| Badging Decals, Carryall 6 – Gasoline Vehicles | 3-13 |
| Badging Decals, Turf 6 – Gasoline Vehicles | 3-15 |

SECTION 4 – LIGHTS, CONTROLS, AND INDICATORS

| | |
|---|------|
| Headlights | 4-3 |
| Lighting System Components – Gasoline Vehicles | 4-5 |
| Lighting System Components – Electric Vehicles | 4-7 |
| Turn Signal Kit – DS and Utility Gasoline and Electric Vehicles | 4-9 |
| Turn Signal (with Horn Button) Kit – DS and Utility Gas and Electric Vehicles | 4-11 |
| Instrument Panel and Electrical Components – Turf 6 Gas | 4-13 |
| Instrument Panel and Electrical Components – Carryall 6 Gas | 4-15 |
| Instrument Panel with Electrical Components – Carryall 6 Electric | 4-17 |
| Indicator, Charger Info – Elec. Vehicles with Maint-Free Batteries and DeltaQ Charger | 4-19 |
| Keys and Keyswitches, SmartKey Kit – Electric Vehicle | 4-21 |
| Keys and Keyswitches, Uncommon – Gas Vehicle | 4-23 |
| DC Converter (Isolated) – Electric Vehicle | 4-25 |
| DC Converter (Isolated) – CE Electric Vehicle | 4-27 |
| Voltage Limiter – Gasoline Vehicle | 4-29 |
| Strobe Light, Post-Mounted – Gasoline Vehicles | 4-31 |
| Strobe Light, Post-Mounted – Electric Vehicles | 4-33 |
| Strobe Light, Canopy-Mounted | 4-35 |
| Horn with Column-Mounted Button | 4-37 |
| Hour Meter – Carryall/Turf 2 IQ Plus Electric Vehicles | 4-39 |

CONTENTS

| | |
|------------------|------|
| Taillights | 4-41 |
|------------------|------|

SECTION 5 – BRAKES, PEDAL, AND CABLE ASSEMBLIES

| | |
|---|------|
| Brake Pedal Assembly | 5-3 |
| Accelerator Pedal Assembly – Electric Vehicles | 5-5 |
| Accelerator Pedal Assembly – Gasoline Vehicles | 5-7 |
| Accelerator Rod – Turf/Carryall 6 Gasoline Vehicles | 5-9 |
| Front Brake Assembly – Vehicles with Four-Wheel Brakes | 5-11 |
| Front Brake Cables and Equalizer – Vehicles with Four-Wheel Brakes | 5-13 |
| Rear Brake Cables and Equalizer – Turf/Carryall 6 | 5-15 |
| Rear Brake Assembly, Manually-Adjusted – Vehicles with 4-Wheel Brakes | 5-17 |

SECTION 6 – STEERING AND SUSPENSIONS

| | |
|--|------|
| Steering Gear Assembly (Wanda) – Maint.-Free Ball Joint | 6-3 |
| Steering Column – Utility | 6-5 |
| Intermediate Steering Shaft (Wanda) – Turf/CA 1/2/6 | 6-7 |
| Steering Wheel | 6-9 |
| Steering Wheel with Clip | 6-11 |
| Front Spindles and Hubs – Vehicles with Four-Wheel Brakes and Maintenance-Free Ball Joints | 6-13 |
| Front Suspension, Upper – All Turf/Carryall 6 with Maintenance-Free Ball Joints | 6-15 |
| Front Suspension, Lower – Standard Gasoline Vehicle with Maintenance-Free Ball Joints | 6-17 |
| Front Suspension, Lower – CA6 Elec & Turf/CA6 Gas with HD Option | 6-19 |
| Rear Suspension – Gasoline Turf/Carryall 2, 2 Plus, and 6 | 6-21 |
| Rear Suspension – Turf/Carryall 2 and 6 IQ Plus Vehicles | 6-23 |
| Stabilizer Bar – Turf/Carryall 2, 6, and Carryall 2 Plus Gasoline Vehicles | 6-25 |

SECTION 7 – ELECTRICAL SYSTEM – GASOLINE VEHICLE

| | |
|--|------|
| Wiring – Turf 6 Gas with AMD Starter Gen | 7-3 |
| Wiring – Carryall 6 Gas with AMD Starter Gen | 7-5 |
| Starter/Generator Assembly (Pedal-Start), Model 114-01-4009A | 7-7 |
| Starter/Generator Assembly (Key-Start), Model 114-04-4001A | 7-9 |
| Starter/Generator Mounting – 114-0x-400xx Models | 7-11 |
| Operation and Maintenance Switch | 7-13 |
| Electrical Component Box – Turf 6 | 7-15 |
| Electrical Component Box – Carryall 6 | 7-17 |
| Forward/Reverse Shifter Switches – Dash Mounted Shifter | 7-19 |
| Battery – Gasoline Utility Vehicles | 7-21 |

CONTENTS

SECTION 8 – ENGINE (S27) W/O ACR, 50-STATE

| | |
|---|------|
| Tune-Up Kit – Kawasaki FE350 | 8-3 |
| FE350 Engine (S27) w/o ACR, Shrouds, and Brackets; 50-State | 8-5 |
| FE350 Engine (S27) – Ignition Components and Flywheel | 8-7 |
| FE350 Engine (S27) – Oil Circulation | 8-9 |
| FE350 Engine (S27) – Cylinder Head | 8-11 |
| FE350 Engine (S27) – Crankcase, Camshaft, and Oil Sensor | 8-13 |
| FE350 Engine (S27) – Crankcase and Crankshaft | 8-15 |
| FE350 Engine (S27) – Mounting | 8-17 |

SECTION 9 – FUEL, INTAKE, AND GOVERNOR SYSTEMS

| | |
|---|------|
| Fuel System, 50-State – To Mid-2012 Model Year | 9-3 |
| Fuel Tank Vent Kit | 9-5 |
| Fuel System, 50-State – From Mid-2012 Model Year | 9-7 |
| Carbon Canister | 9-9 |
| Carburetor Assembly – FE350 S27 | 9-11 |
| Carburetor Mounting, Utility, FE350 S27 | 9-13 |
| Governor and Accelerator Cables | 9-15 |
| Air Intake Duct and Choke Cable – Turf/Carryall 6 | 9-17 |
| Air Filter and Intake Hose | 9-19 |

SECTION 10 – EXHAUST SYSTEM

| | |
|-------------------------------------|------|
| Exhaust System – FE350 Engine | 10-3 |
|-------------------------------------|------|

SECTION 11 – DRIVE BELT AND CLUTCHES

| | |
|---|------|
| Drive Belt | 11-3 |
| Drive Clutch – Turf 6 | 11-5 |
| Drive Clutch – Carryall 6 | 11-7 |
| Driven Clutch – Turf 6 and Carryall 6 | 11-9 |

SECTION 12 – UNITIZED TRANSAXLE AND FNR SHIFTER – GASOLINE VEHICLES

| | |
|--|-------|
| Forward/Reverse Shifter | 12-3 |
| Shifter Cable – Turf/CA 6 | 12-5 |
| Kawasaki Transaxle – Gear Cases and Levers | 12-7 |
| Kawasaki Transaxle – F&R Transmission and Gear Reduction | 12-9 |
| Kawasaki Transaxle – Differential and Axles | 12-11 |
| Graziano Transaxle – Gear Cases and Levers – To Late-2012 Model Year | 12-13 |
| Graziano Transaxle – F&R Transmission and Gear Reduction – To Late-2012 Model Year | 12-15 |

CONTENTS

| | |
|--|-------|
| Graziano Transaxle – Differential and Axles – To Late-2012 Model Year | 12-17 |
| Graziano Transaxle – Gear Cases and Levers – From Late-2012 Model Year | 12-19 |
| Graziano Transaxle – F&R Transmission and Gear Reduction – From Late-2012 Model Year | 12-21 |
| Graziano Transaxle – Differential and Axles – From Late-2012 Model Year | 12-23 |

SECTION 13 – ELECTRICAL SYSTEM, ELECTRIC VEHICLES

| | |
|---|-------|
| Motor Controller Output Regulator (MCOR) | 13-3 |
| Wiring – CA 6 Electric | 13-5 |
| Battery Charger Receptacle | 13-7 |
| Tow/Run Switch and Circuit-Breaker – IQ Plus | 13-9 |
| Batteries, 6-Volt, Standard Duty, JCI | 13-11 |
| Batteries, 6-Volt, Heavy Duty, Crown | 13-13 |
| Batteries, 6-Volt, Standard Duty, Trojan | 13-15 |
| Batteries, 6-Volt, Heavy Duty, Trojan | 13-17 |
| Single Point Watering System, 6V – To Late-2012 Model Year | 13-19 |
| Single Point Watering System, 6V – From Late-2012 Model Year | 13-21 |
| Computer, Controller, and Solenoid – for JCI, Crown, & Trojan Batteries | 13-23 |
| Ferrite Beads, CE | 13-25 |

SECTION 14 – MOTOR (MODEL DA5-4006) – IQ PLUS

| | |
|--|------|
| Motor (Model DA5-4006) – IQ Plus | 14-3 |
|--|------|

SECTION 15 – TRANSAXLE – ELECTRIC VEHICLES

| | |
|--|------|
| Transaxle – Electric Vehicles | 15-3 |
| Differential Guard – Electric Vehicles | 15-5 |

SECTION 16 – BATTERY CHARGERS

| | |
|--|-------|
| IQ Plus Battery Charger (Models 25730-11,-18,-19), Domestic | 16-3 |
| IQ Plus Battery Charger (Models 25880-11 and -18), International | 16-5 |
| Onboard IQ Plus Battery Charger (Model 25260-50), Domestic | 16-7 |
| Onboard IQ Plus Battery Charger (Model 25660-50), International | 16-9 |
| Onboard IQ Plus Charger and Cord Reel Mounting | 16-11 |

SECTION 17 – MAINTENANCE AND SERVICE TOOLS

| | |
|--|------|
| Maintenance and Service Tools | 17-3 |
| Maintenance and Service Tools, Continued | 17-5 |
| Maintenance and Service Tools, Continued | 17-7 |

CONTENTS

SECTION i – INDEX

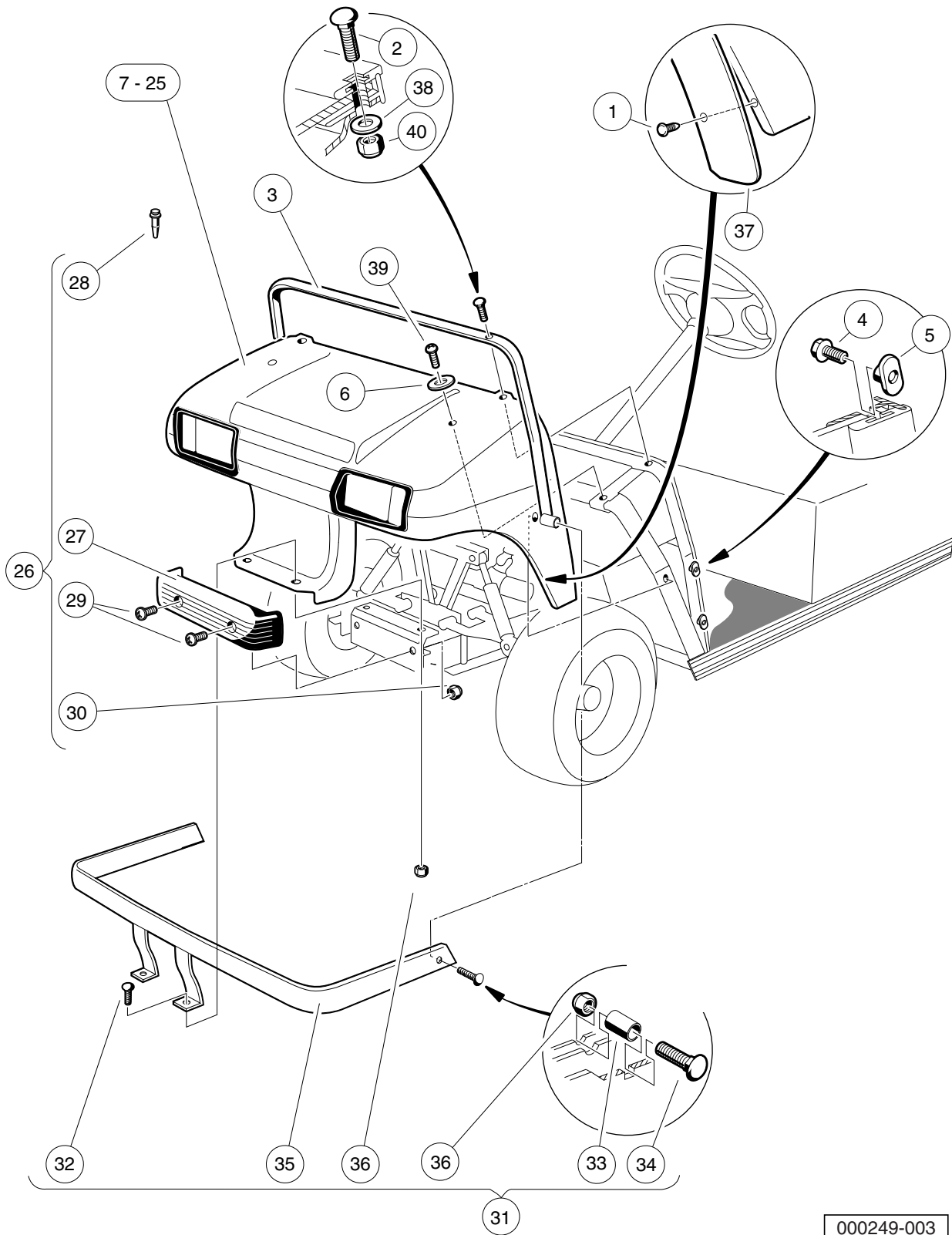
BODY AND TRIM

1

G

E

1
G
E



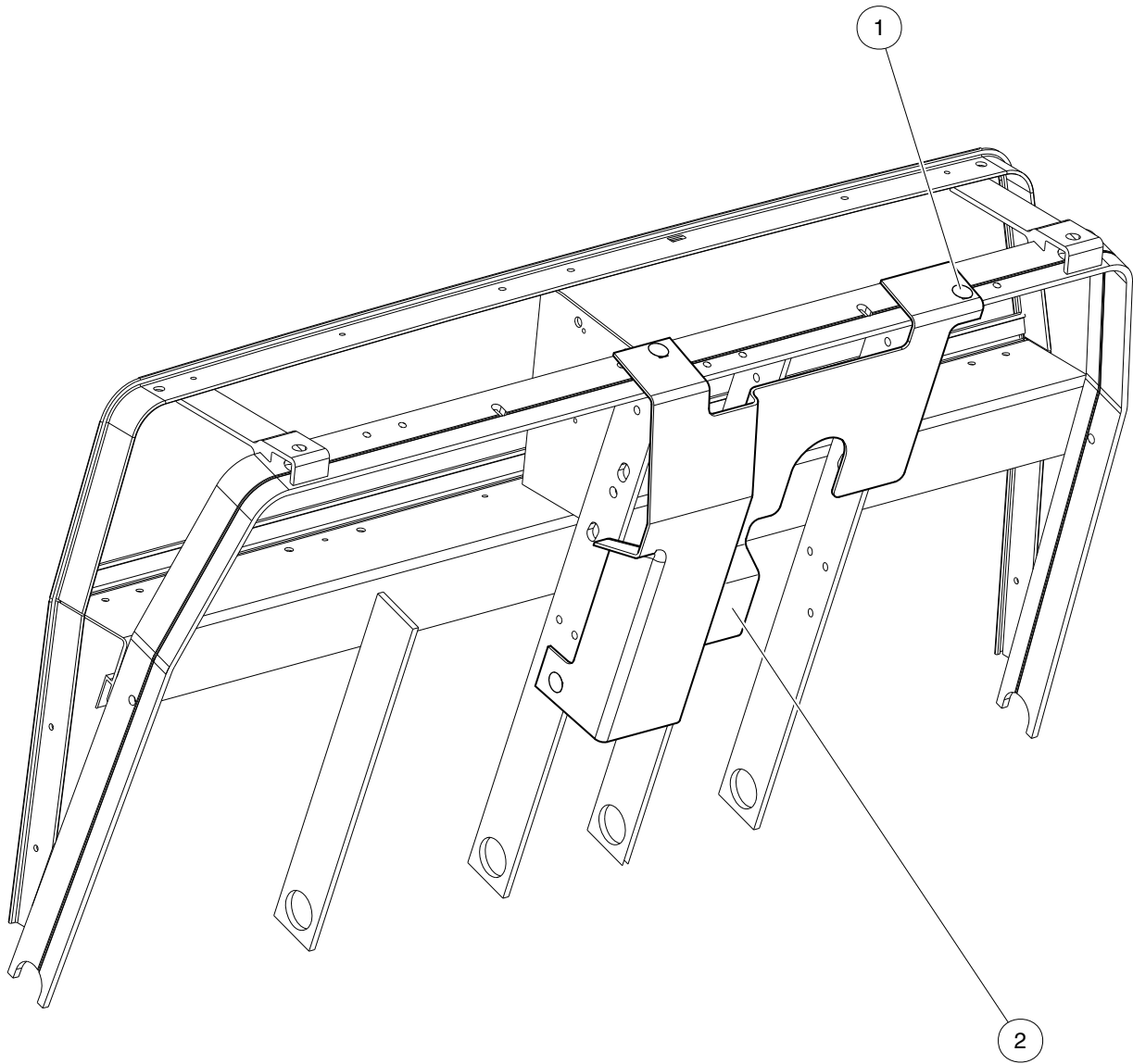
000249-003

FRONT BODY AND TRIM – TURF/CARRYALL 2, 2 PLUS, AND 6

| ITEM | PART NO. | DESCRIPTION | QTY |
|------|-----------|---|-----|
| | | 1 2 3 4 | |
| 1 | 1010434 | Barrel - Plastic | 12 |
| 2 | 1010435 | Bolt, Carriage, 5/16-18 X 1.00 | 2 |
| 3 | 1011014 | Trim, Cowl | 1 |
| 4 | 1011017 | Screw, #8-32 X 0.375 | 6 |
| 5 | 1011394 | T-Nut Package (Set of 4) | 1 |
| 6 | 1015075 | Washer, 5/16 Flat Type A | 2 |
| 7 | 101692501 | Cowl, TPO, Beige | 1 |
| 8 | 101692502 | Cowl, TPO, White | 1 |
| 9 | 101692506 | Cowl, TPO, Red | 1 |
| 10 | 101692509 | Cowl, TPO, Pacific Blue (Royal Blue) | 1 |
| 11 | 101692510 | Cowl, TPO, Dark Green | 1 |
| 12 | 101692511 | Cowl, TPO, Black | 1 |
| 13 | 101692512 | Cowl, TPO, Classic Blue (Navy) | 1 |
| 14 | 101692513 | Cowl, TPO, Burgundy | 1 |
| 15 | 101692514 | Cowl, TPO, Dark Gray | 1 |
| 16 | 101692515 | Cowl, TPO, Safety Yellow | 1 |
| 17 | 101693901 | Cowl with Headlight Opening, TPO, Beige | 1 |
| 18 | 101693902 | Cowl with Headlight Opening, TPO, White | 1 |
| 19 | 101693906 | Cowl with Headlight Opening, TPO, Red | 1 |
| 20 | 101693909 | Cowl with Headlight Opening, TPO, Dark Green | 1 |
| 21 | 101693910 | Cowl with Headlight Opening, TPO, Black | 1 |
| 22 | 101693911 | Cowl with Headlight Opening, TPO, Classic Blue (Navy) | 1 |
| 23 | 101693912 | Cowl with Headlight Opening, TPO, Burgundy | 1 |
| 24 | 101693913 | Cowl with Headlight Opening, TPO, Dark Gray | 1 |
| 25 | 101693914 | Cowl with Headlight Opening, TPO, Safety Yellow | 1 |
| 26 | 1017080 | Kit, Front Bumper (includes items 27 through 30) | 1 |
| 27 | 1016868 | Front Bumper | 1 |
| 28 | 1016967 | Blind Rivet, Push Type | 2 |
| 29 | 7251 | Screw, 5/16-18 x 1.0 Truss-Head | 2 |
| 30 | 7473 | Locknut, 5/16-18 Nylon Insert | 2 |
| 31 | 101734802 | Kit, Heavy-Duty Bumper (includes items 32 through 36) | 1 |
| 32 | 1010435 | Bolt, Carriage, 5/16-18 X 1.00 | 2 |
| 33 | 1010546 | Spacer | 2 |
| 34 | 1015405 | Bolt, Carriage, 5/16-18 X 2.0 | 2 |
| 35 | N/A | Weldment, Heavy Duty Bumper | 1 |
| 36 | 7473 | Locknut, 5/16-18 Nylon Insert | 4 |
| 37 | 101870401 | Fender Extrusion | 2 |
| 38 | 1241 | Washer, 5/16 Type A Flat | 2 |
| 39 | 7251 | Screw, 5/16-18 x 1.0 Truss-Head | 2 |
| 40 | 7473 | Locknut, 5/16-18 Nylon Insert | 2 |

1
G
E

1
G
E



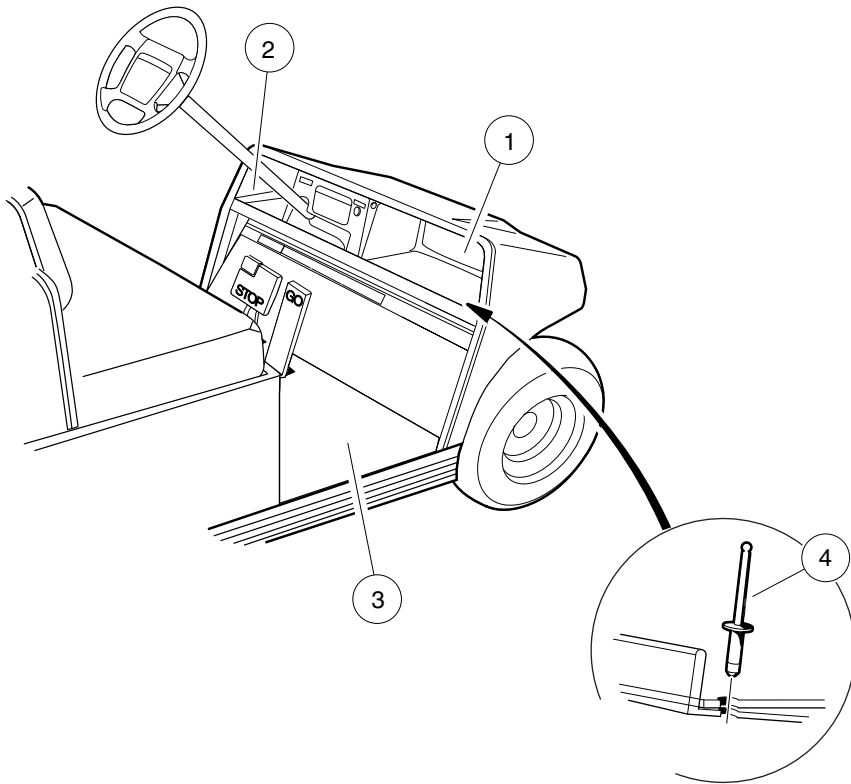
000593-002

SPLASH GUARD – GASOLINE VEHICLES ONLY

| ITEM | PART NO. | DESCRIPTION | QTY |
|------|-----------|-----------------------------------|-----|
| 1 | 1010434 | 1 2 3 4 Barrel - Plastic | 3 |
| 2 | 103174401 | Splash Guard | 1 |

1
G
E

1
G
E



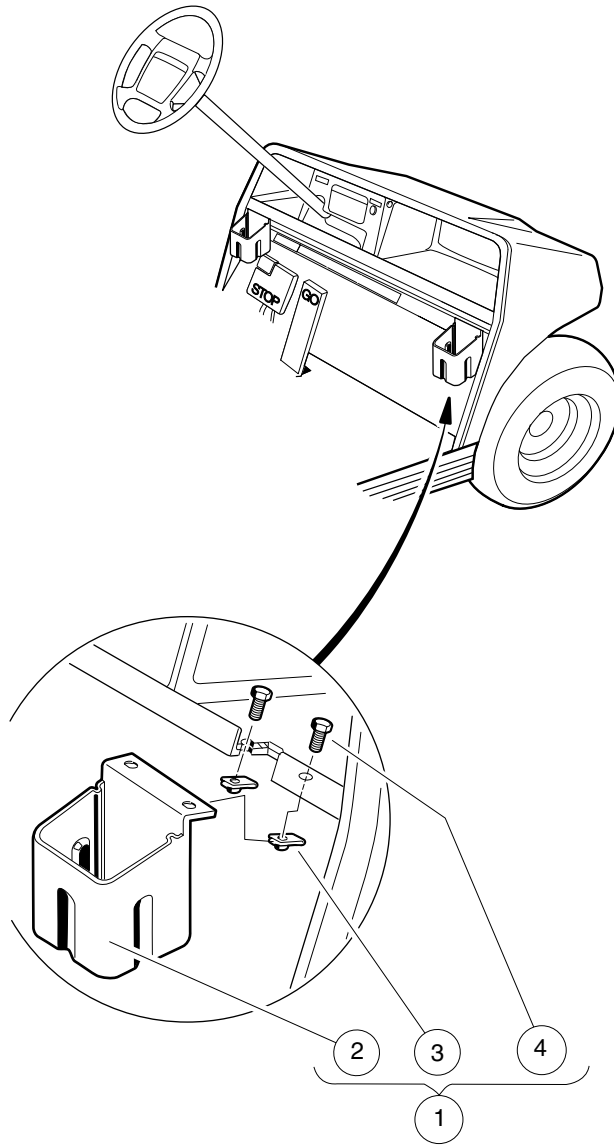
000252-002

DASH POCKETS AND FLOORMAT

| ITEM | PART NO. | DESCRIPTION | QTY |
|------|-----------|---|-----|
| | | 1 2 3 4 | |
| 1 | 1013343 | Dash Component, Passenger-Side, Black | 1 |
| 2 | 1013344 | Dash Component, Driver-Side | 1 |
| 3 | 101503202 | Floormat | 1 |
| 4 | 7973 | Rivet, 3/16 X .400 Blind | 5 |

1
G
E

1
G
E



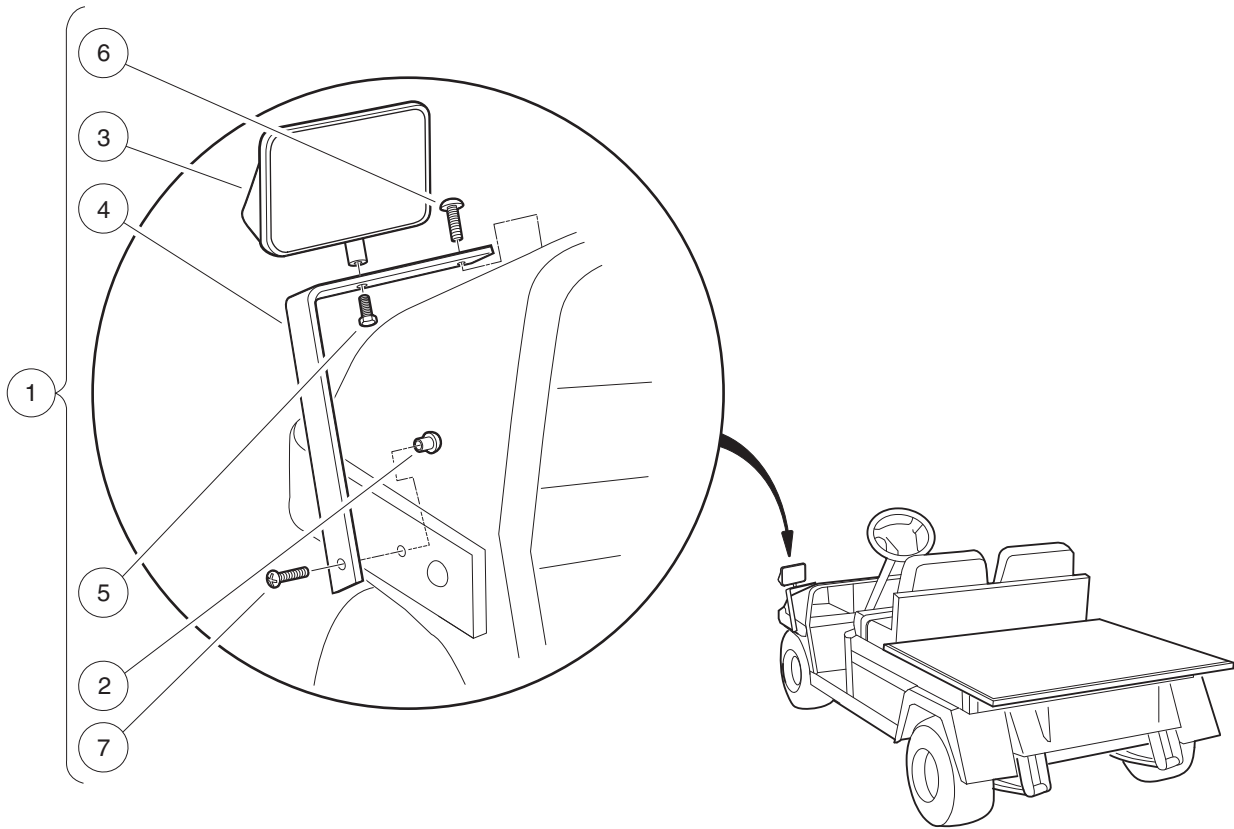
000253-001

BEVERAGE HOLDER

| ITEM | PART NO. | DESCRIPTION | QTY |
|------|----------|---|-----|
| | | 1 2 3 4 | |
| 1 | 1013422 | Cup Holder Kit (includes items 2 through 4) | 2 |
| 2 | 1013420 | Holder, Single Cup | 1 |
| 3 | 1016952 | U-Nut, 1/4-20 | 2 |
| 4 | 7847 | Screw, 1/4-20 X 0.75 Hex-Head Cap | 2 |

1
G
E

1
G
E



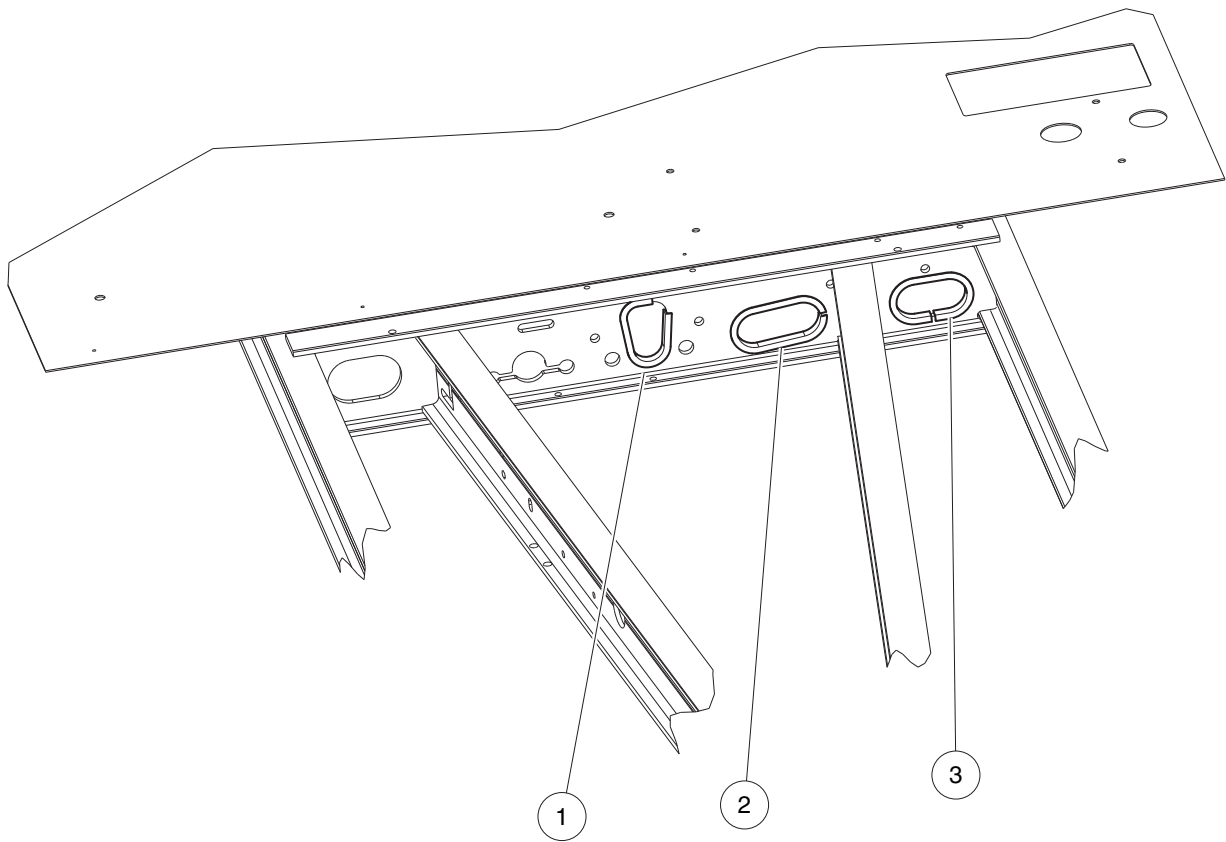
001211-001

MIRROR, REAR-VIEW – WITHOUT CAB

| ITEM | PART NO. | DESCRIPTION | QTY |
|------|----------|---|-----|
| | | 1 2 3 4 | |
| 1 | 1013846 | Kit, Rear Mirror, West Coast (includes items 2 through 7) | 1 |
| 2 | 1011878 | T-nut, 1/4-20 X .310 Capped | 1 |
| 3 | 1013824 | Rear View Mirror | 1 |
| 4 | 1013825 | Mirror Mounting Bracket | 1 |
| 5 | 7173 | Screw, 5/16-18 X 0.75, Hex-Head Cap | 1 |
| 6 | 7251 | Screw, 5/16-18 x 1.0 Truss-Head | 1 |
| 7 | 8248 | Screw, 1/4-20 X 0.75, Truss-Head Machine | 1 |
| | | Note: To install this kit, vehicle must be equipped with a heavy-duty front bumper. | |

1
G
E

1
G
E



001221-001

GROMMETS, CHASSIS

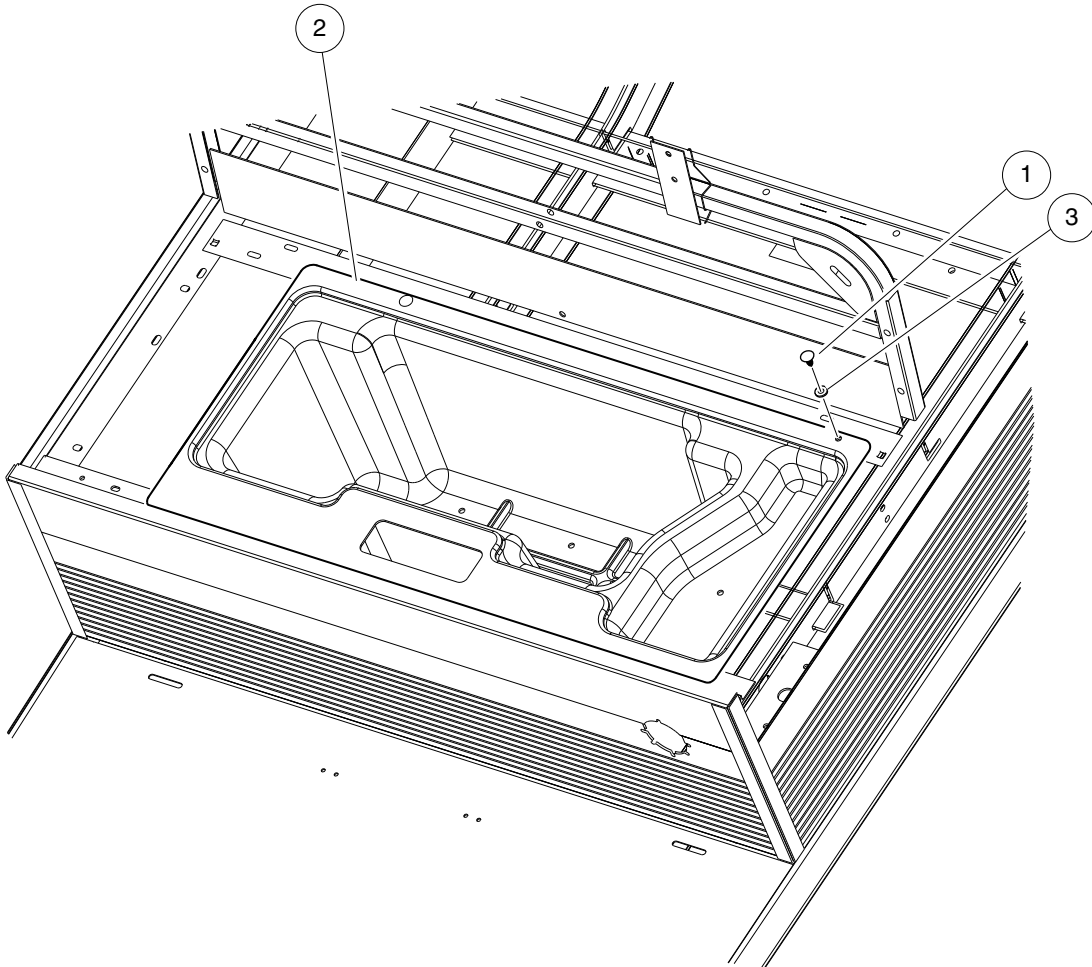
| ITEM | PART NO. | DESCRIPTION | QTY |
|------|-----------|-----------------------------|-----|
| | | 1 2 3 4 | |
| 1 | 101806001 | I-beam Grommet - 5.5 | A/R |
| 2 | 101806002 | I-beam Grommet - 7.5 | A/R |
| 3 | 101806005 | I-beam Grommet - 6.75 | A/R |

1

G

E

1
G
E



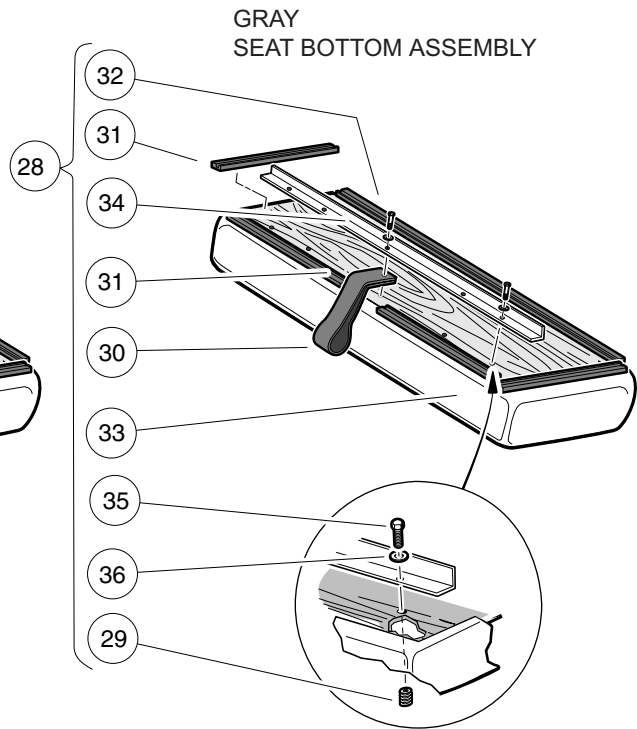
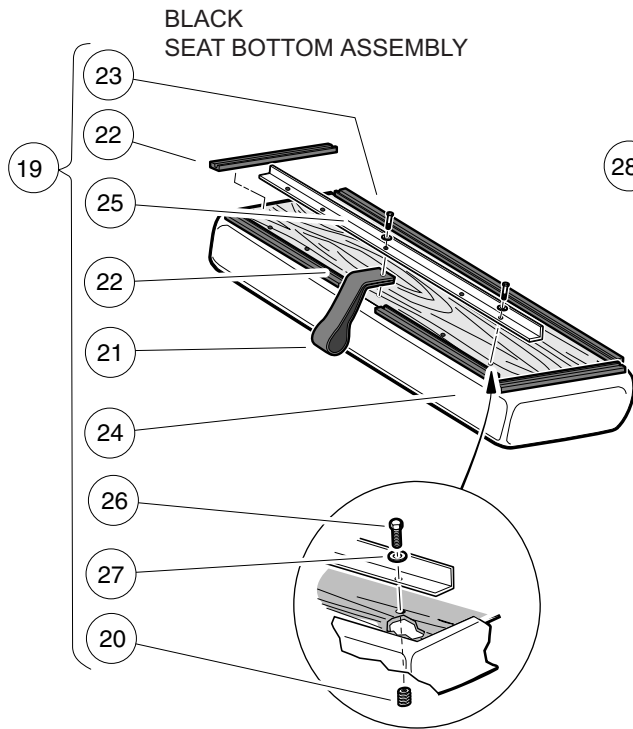
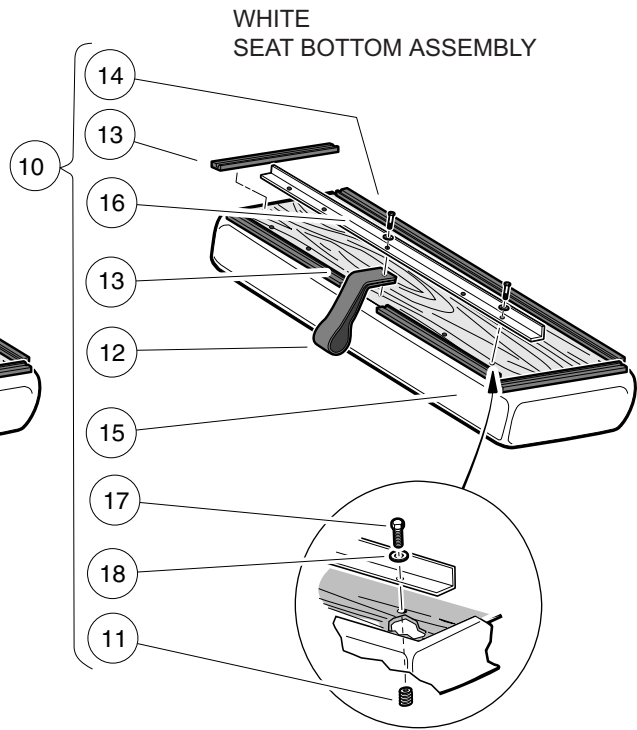
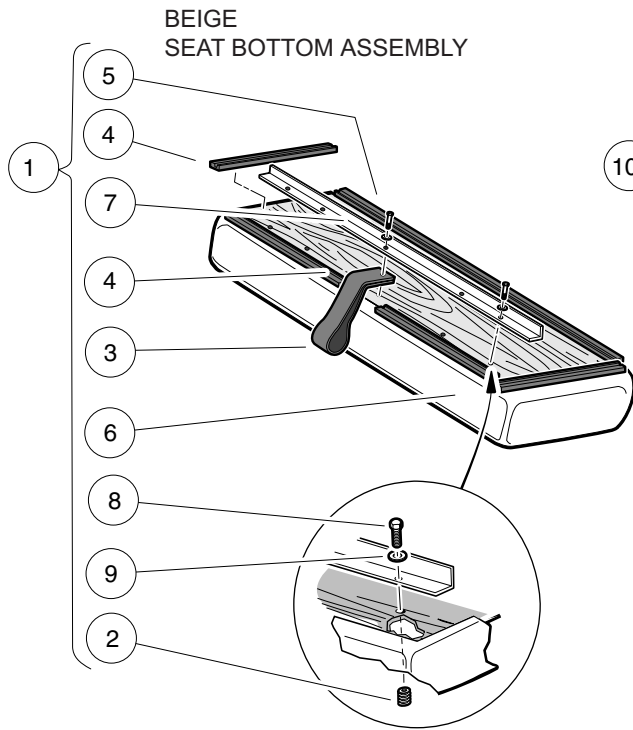
001172-001

UNDERSEAT STORAGE

| ITEM | PART NO. | DESCRIPTION | QTY |
|------|-----------|--------------------------------------|-----|
| 1 | 1010434 | 1 2 3 4 Barrel - Plastic | 2 |
| 2 | 103731001 | Container, Underseat, CA,Gas | 1 |
| 3 | 332 | Washer, 1/4 Type A Narrow Flat | 2 |

1
G
E

1
G
E



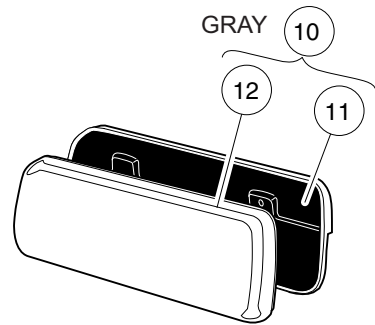
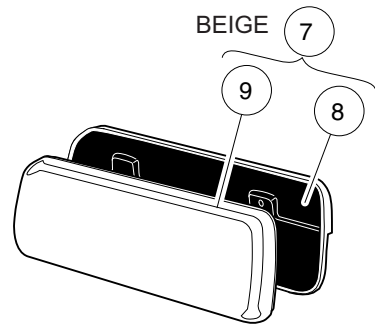
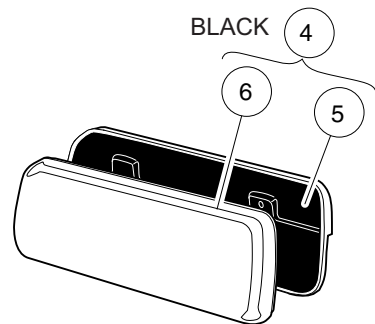
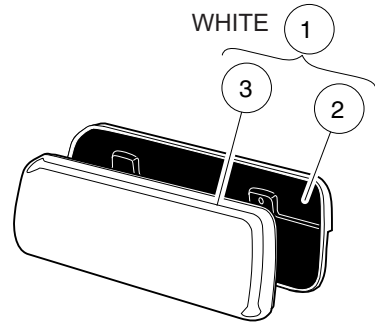
000254-001

SEAT BOTTOM

| ITEM | PART NO. | DESCRIPTION | QTY |
|------|-----------|--|-----|
| | | 1 2 3 4 | |
| 1 | 101564501 | Seat Bottom Assembly, Beige (includes items 2 through 9) | 1 |
| 2 | 1010543 | Insert - Wood | 5 |
| 3 | 1013309 | Strap, Utility Seat | 1 |
| 4 | 1013311 | Bumper, Seat, Short | 4 |
| 5 | 1013312 | Bumper, Seat, Long | 1 |
| 6 | 101562711 | Vinyl Cover, Seat Bottom, Buff | 1 |
| 7 | 101894303 | Stiffener | 1 |
| 8 | 101954301 | Screw, 1/4-20 X 0.75 Hex-Head Cap | 5 |
| 9 | 332 | Washer, 1/4 Type A Narrow Flat | 5 |
| 10 | 101564502 | Seat Bottom Assembly, White (includes items 11 through 18) | 1 |
| 11 | 1010543 | Insert - Wood | 5 |
| 12 | 1013309 | Strap, Utility Seat | 1 |
| 13 | 1013311 | Bumper, Seat, Short | 4 |
| 14 | 1013312 | Bumper, Seat, Long | 1 |
| 15 | 101562712 | Vinyl Cover, Seat Bottom, White | 1 |
| 16 | 101894303 | Stiffener | 1 |
| 17 | 101954301 | Screw, 1/4-20 X 0.75 Hex-Head Cap | 5 |
| 18 | 332 | Washer, 1/4 Type A Narrow Flat | 5 |
| 19 | 101564503 | Seat Bottom Assembly, Black (includes items 20 through 27) | 1 |
| 20 | 1010543 | Insert - Wood | 5 |
| 21 | 1013309 | Strap, Utility Seat | 1 |
| 22 | 1013311 | Bumper, Seat, Short | 4 |
| 23 | 1013312 | Bumper, Seat, Long | 1 |
| 24 | 101562714 | Vinyl Cover, Seat Bottom, Black | 1 |
| 25 | 101894303 | Stiffener | 1 |
| 26 | 101954301 | Screw, 1/4-20 X 0.75 Hex-Head Cap | 5 |
| 27 | 332 | Washer, 1/4 Type A Narrow Flat | 5 |
| 28 | 101564505 | Seat Bottom Assembly, Gray (includes items 29 through 36) | 1 |
| 29 | 1010543 | Insert - Wood | 5 |
| 30 | 1013309 | Strap, Utility Seat | 1 |
| 31 | 1013311 | Bumper, Seat, Short | 4 |
| 32 | 1013312 | Bumper, Seat, Long | 1 |
| 33 | 101562715 | Vinyl Cover, Seat Bottom, Gray | 2 |
| 34 | 101894303 | Stiffener | 1 |
| 35 | 101954301 | Screw, 1/4-20 X 0.75 Hex-Head Cap | 5 |
| 36 | 332 | Washer, 1/4 Type A Narrow Flat | 5 |

1
G
E

1
G
E

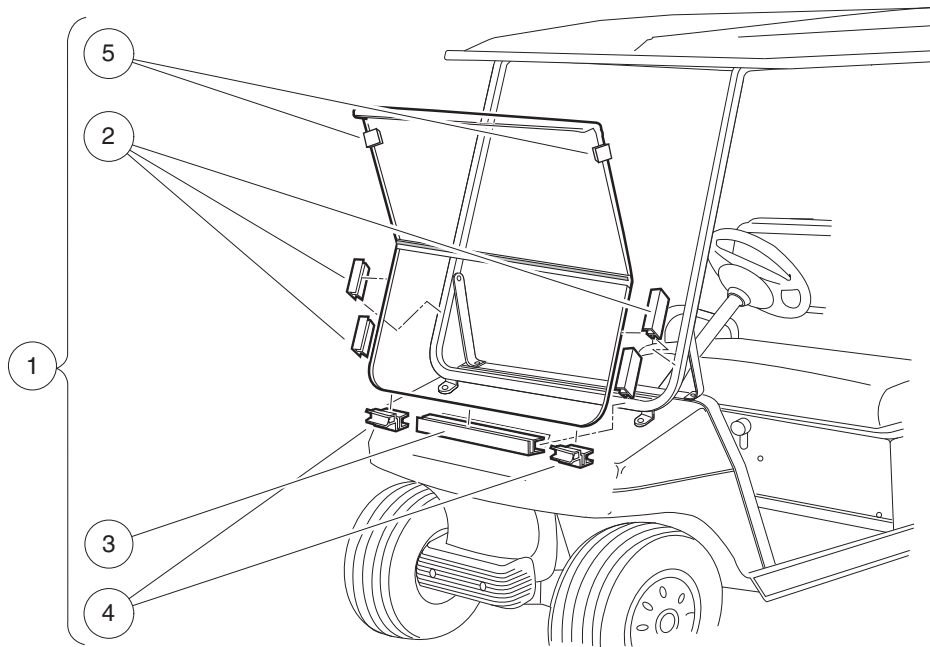


000608-001

SEAT BACK ASSEMBLY

| ITEM | PART NO. | DESCRIPTION | QTY |
|------|-----------|---|-----|
| | | 1 2 3 4 | |
| 1 | 101677701 | Seat Back Assembly, White (includes items 2 and 3) | 1 |
| 2 | 1016751 | Cap, Seat Back | 1 |
| 3 | 101675512 | Vinyl Seat Back, White | 1 |
| 4 | 101677702 | Seat Back Assembly, Black (includes items 5 and 6) | 1 |
| 5 | 1016751 | Cap, Seat Back | 1 |
| 6 | 101675514 | Vinyl Seat Back, Black | 1 |
| 7 | 101677703 | Seat Back Assembly, Beige (includes items 8 and 9) | 1 |
| 8 | 1016751 | Cap, Seat Back | 1 |
| 9 | 101675511 | Vinyl Seat Back, Beige | 1 |
| 10 | 101677705 | Seat Back Assembly, Gray (includes items 11 and 12) | 1 |
| 11 | 1016751 | Cap, Seat Back | 1 |
| 12 | 101675515 | Vinyl Seat Back-nstd Svc | 1 |

1
G
E



001205-001

WINDSHIELD, HINGED

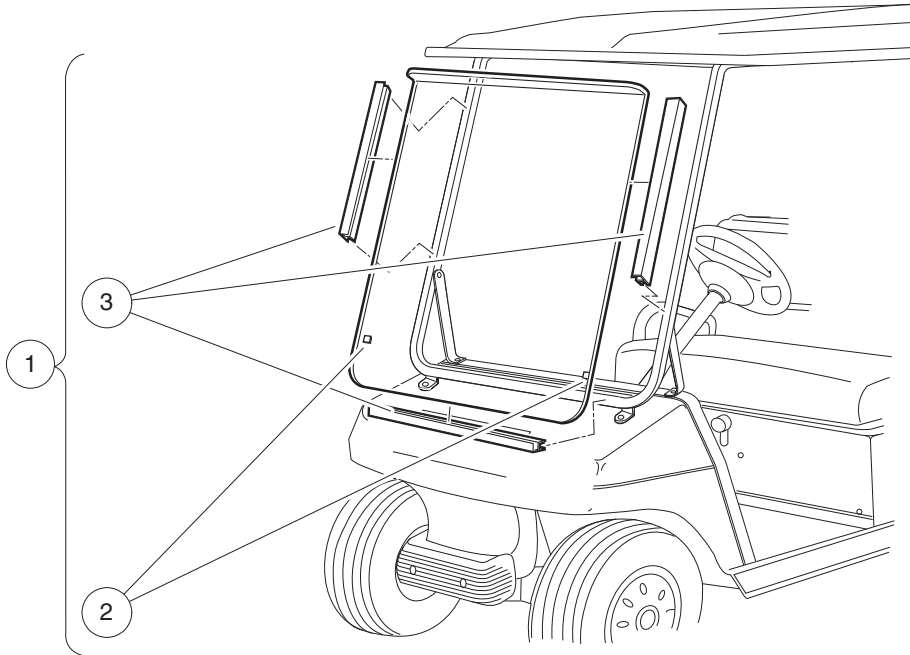
| ITEM | PART NO. | DESCRIPTION | QTY |
|------|-----------|--|-----|
| | | 1 2 3 4 | |
| 1 | 101728602 | Hinged Windshield Kit (includes items 2 through 5) | 1 |
| 2 | 102005701 | 5" Plastic Extrusion | 4 |
| 3 | 102163001 | Windshield Channel | 1 |
| 4 | 102163101 | Channel with Receiver Clip | 2 |
| 5 | N/A | Clip, Release | 2 |

1
G
E

1

G

E

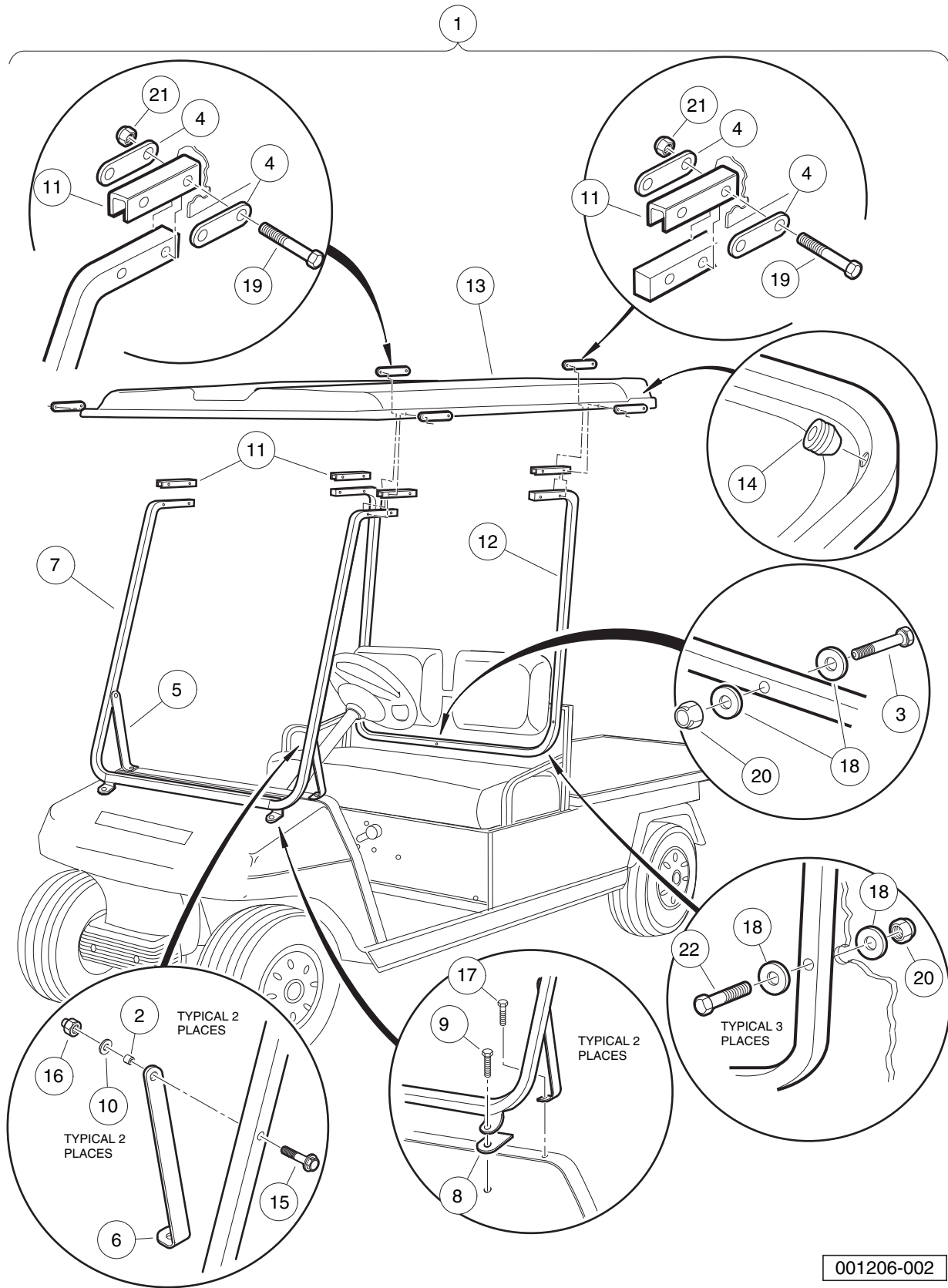


001204-001

WINDSHIELD, NON-HINGED

| ITEM | PART NO. | DESCRIPTION | QTY |
|------|-----------|--|-----|
| | | 1 2 3 4 | |
| 1 | 1014435 | Windshield Tinted One-Piece (includes items 2 and 3) | 1 |
| 2 | 1011897 | Bumper, Protective | 2 |
| 3 | 101444101 | 21" Plastic Extrusion | 3 |

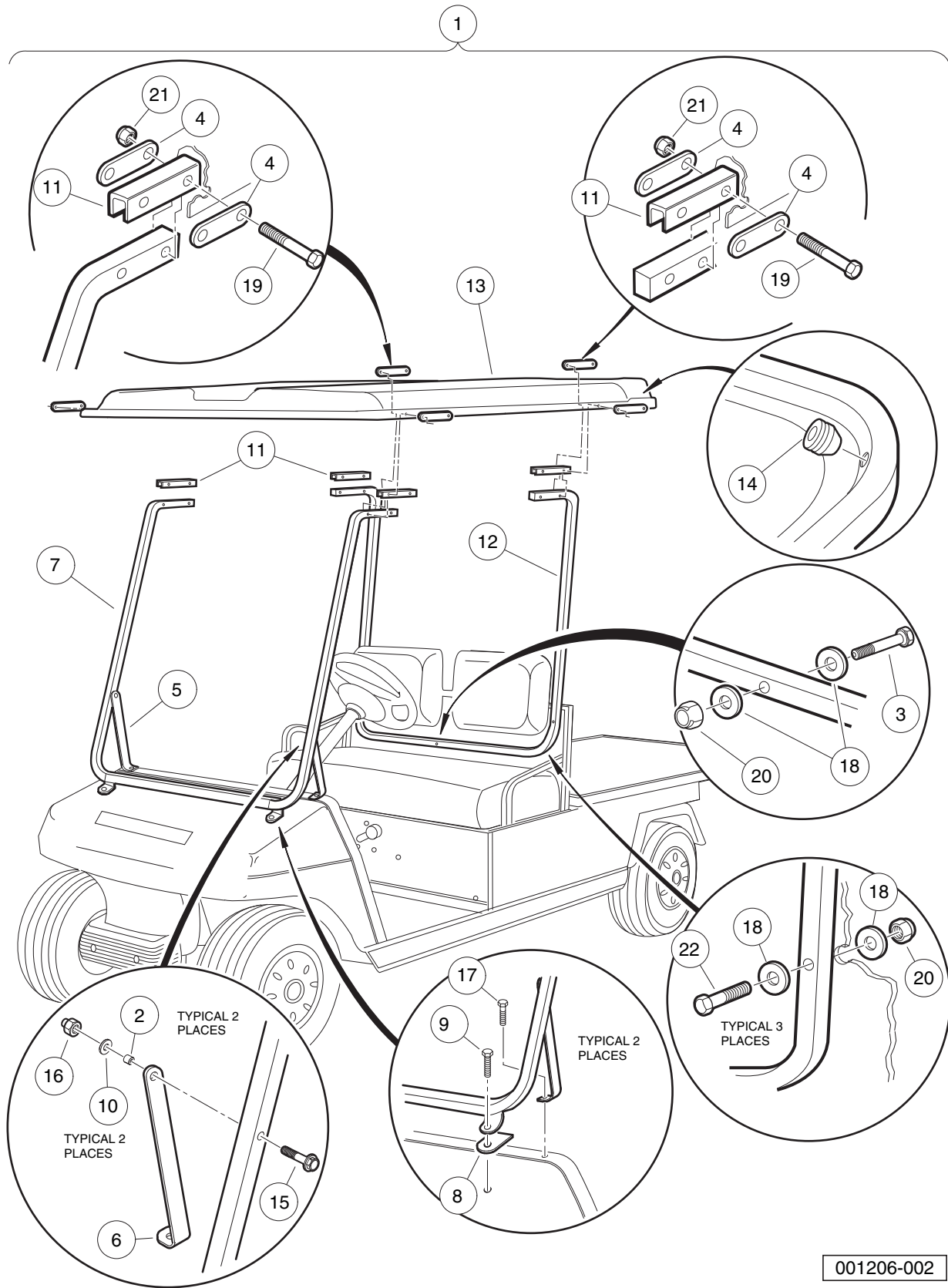
1
G
E



CANOPY KIT, WHITE

| ITEM | PART NO. | DESCRIPTION | QTY |
|------|-----------|--|-----|
| | | 1 2 3 4 | |
| 1 | 1014506 | Kit, Canopy, White (includes items 2 through 22) | 1 |
| 2 | 1010237 | Bushing | 2 |
| 3 | 1010921 | Screw, 5/16-18 X 2.50 Hex Cap | 1 |
| 4 | 1011852 | Plate, Canopy Trim | 8 |
| 5 | 1011862 | Brace, Right-Hand Canopy Mount Knee | 1 |
| 6 | 1011865 | Brace, Left-Hand Canopy Mount Knee | 1 |
| 7 | 1011868 | Weldment, Windshield Frame | 1 |
| 8 | 1011883 | Pad, Windshield Frame Mounting | 2 |
| 9 | 1011937 | Bolt, 5/16-18 X 1.25 Hex Head | 2 |
| 10 | 1011964 | Washer, 1/4 Flat | 2 |
| 11 | 1012008 | Support, Side Canopy | 4 |
| 12 | 1014503 | Brace, Rear Canopy | 1 |
| 13 | 1014509 | Canopy, White (includes item 14) | 1 |
| 14 | 1011942 | Modified Grommet | 2 |
| 15 | 102076702 | 1/4-20 X 1.75 Hex Sems Blk | 2 |
| 16 | 102242401 | Nut - Nylon Insert W/cap | 2 |
| 17 | 1218 | Screw, 5/16-18 X 1.25 Hex-Head Cap | 2 |
| 18 | 1241 | Washer, 5/16 Type A Flat | 6 |
| 19 | 7311 | Screw, 1/4-20 X 2.00 Hex-Head Cap | 8 |
| 20 | 7473 | Locknut, 5/16-18 Nylon Insert | 3 |
| 21 | 8233 | Locknut, 1/4-20, Nylon Insert | 8 |
| 22 | 8963 | Screw, 5/16-18 X 1.75 Hex-Head Cap | 3 |

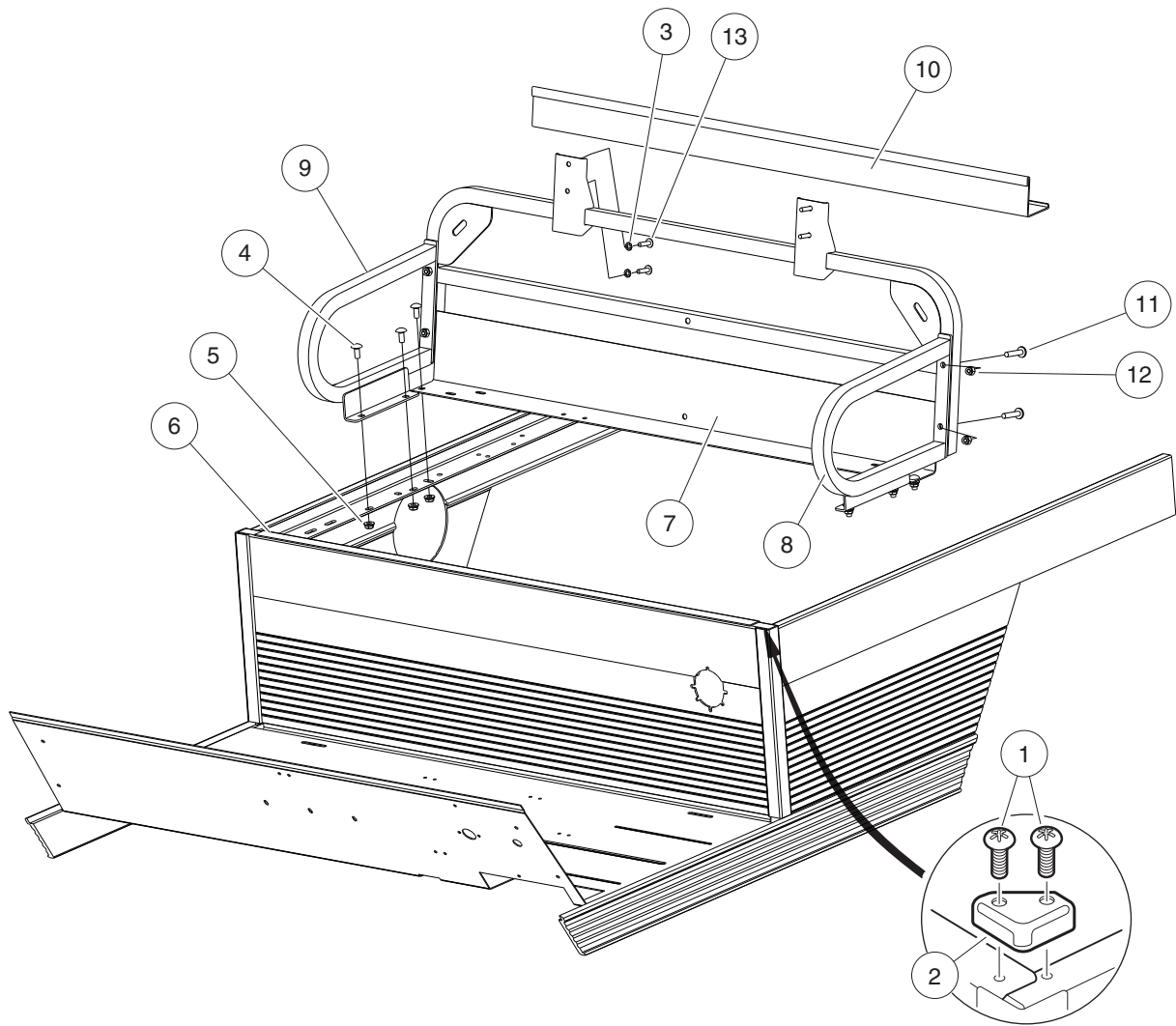
1
G
E



CANOPY KIT, BEIGE

| ITEM | PART NO. | DESCRIPTION | QTY |
|------|-----------|---|-----|
| | | 1 2 3 4 | |
| 1 | 101450698 | Kit, Canopy, Beige, Ca1/2 (includes items 2 through 22) | 1 |
| 2 | 1010237 | Bushing | 2 |
| 3 | 1010921 | Screw, 5/16-18 X 2.50 Hex Cap | 1 |
| 4 | 1011852 | Plate, Canopy Trim | 8 |
| 5 | 1011862 | Brace, Right-Hand Canopy Mount Knee | 1 |
| 6 | 1011865 | Brace, Left-Hand Canopy Mount Knee | 1 |
| 7 | 1011868 | Weldment, Windshield Frame | 1 |
| 8 | 1011883 | Pad, Windshield Frame Mounting | 2 |
| 9 | 1011937 | Bolt, 5/16-18 X 1.25 Hex Head | 2 |
| 10 | 1011964 | Washer, 1/4 Flat | 2 |
| 11 | 1012008 | Support, Side Canopy | 4 |
| 12 | 1014503 | Brace, Rear Canopy | 1 |
| 13 | 101450903 | Asm, Canopy, Beige (includes item 14) | 1 |
| 14 | 1011942 | Modified Grommet | 2 |
| 15 | 102076702 | 1/4-20 X 1.75 Hex Sems Blk | 2 |
| 16 | 102242401 | Nut - Nylon Insert W/cap | 2 |
| 17 | 1218 | Screw, 5/16-18 X 1.25 Hex-Head Cap | 2 |
| 18 | 1241 | Washer, 5/16 Type A Flat | 6 |
| 19 | 7311 | Screw, 1/4-20 X 2.00 Hex-Head Cap | 8 |
| 20 | 7473 | Locknut, 5/16-18 Nylon Insert | 3 |
| 21 | 8233 | Locknut, 1/4-20, Nylon Insert | 8 |
| 22 | 8963 | Screw, 5/16-18 X 1.75 Hex-Head Cap | 3 |

1
G
E

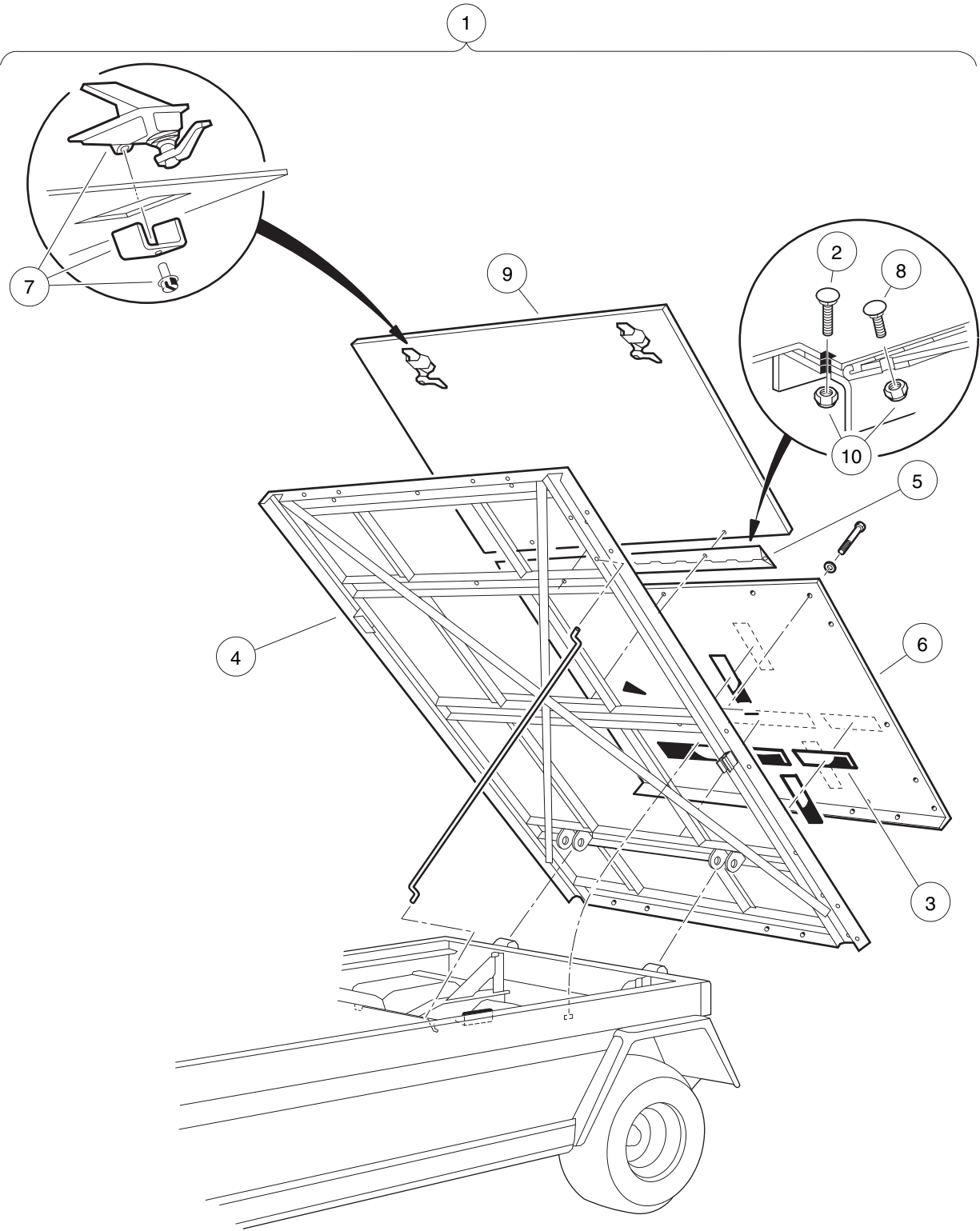


000603-004

HIP RESTRAINTS AND SEAT BACK MOUNTING

| ITEM | PART NO. | DESCRIPTION | QTY |
|------|-----------|--|-----|
| | | 1 2 3 4 | |
| 1 | 1014321 | Screw, #10 Truss-Head Torx | 4 |
| 2 | 1014387 | Cap, Corner | 2 |
| 3 | 101946201 | Washer, Lock, 0.250 External-Tooth | 4 |
| 4 | 101963301 | Bolt, 5/16-18 X 0.75 Round-Head | 6 |
| 5 | 101963401 | Locknut, 5/16-18 Hex Flange | 6 |
| 6 | 101964001 | Trim, Seat Bottom Front | 1 |
| 7 | 102966401 | Seat Back, Tube | 1 |
| 8 | 102966501 | Hip Restraint, Left | 1 |
| 9 | 102966502 | Hip Restraint, Right | 1 |
| 10 | 102989501 | Seal, Bed, 41-Inch | 1 |
| 11 | 103245201 | Screw, 5/16-18 X 1.5, Tr Tx Hd | 4 |
| 12 | 103245301 | Nut, Hex, Cp, Mech Def, 5/16-1 | 4 |
| 13 | 8251 | Screw, 1/4-20 X 1.0 Truss-Head Machine | 4 |

1
G
E



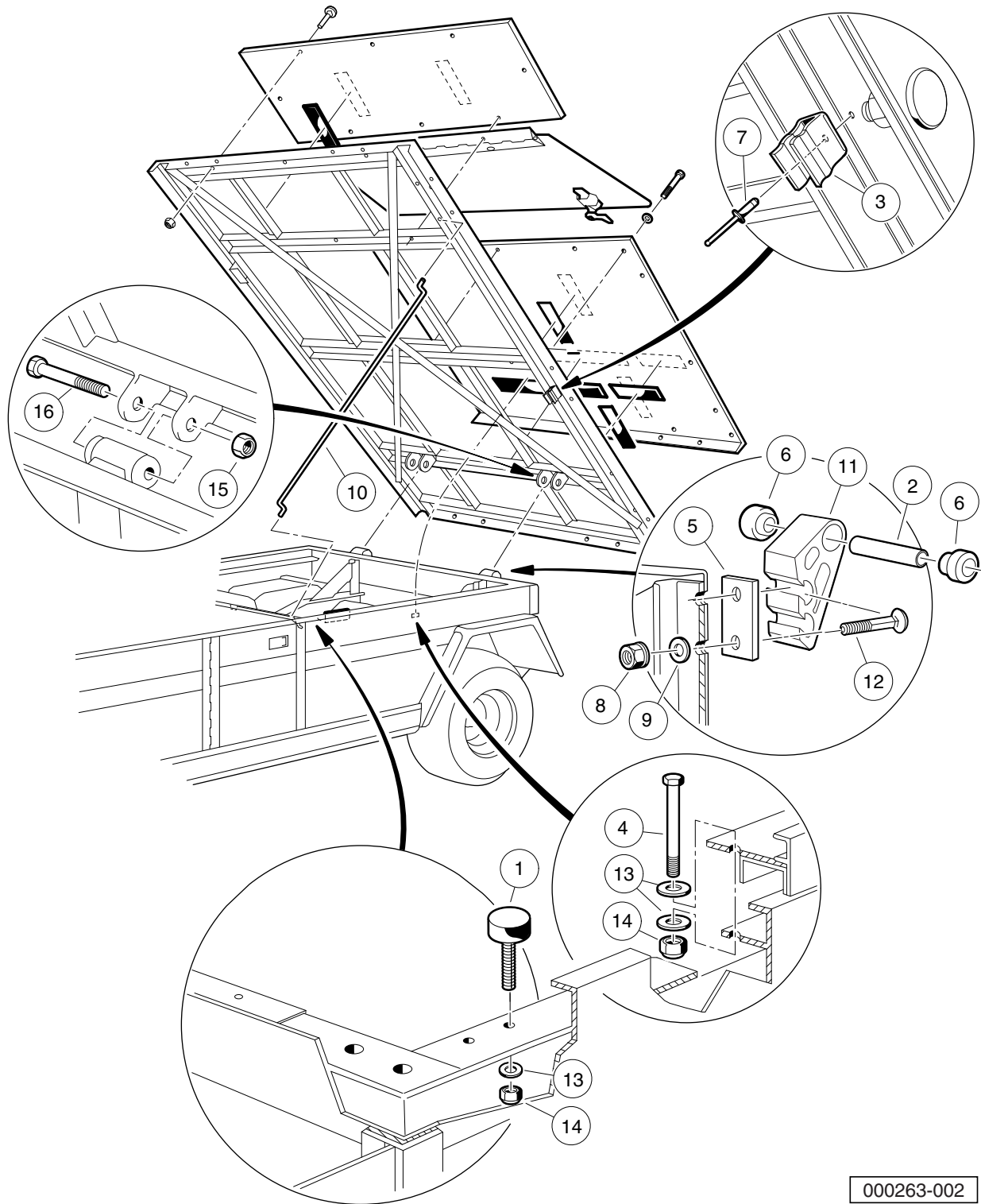
000264-003

FLAT BED – TURF/CARRYALL 6

| ITEM | PART NO. | DESCRIPTION | QTY |
|------|-----------|--|-----|
| | | 1 2 3 4 | |
| 1 | 103509601 | Asm, Long Bed Str Ic, W/o Trim (includes items 2 through 10) | 1 |
| 2 | 1010435 | Bolt, Carriage, 5/16-18 X 1.00 | 13 |
| 3 | 1014471 | Tape, Vinyl Foam 1/8" x 3/4" | 13 |
| 4 | 1016878 | Long Bed Frame Assembly | 1 |
| 5 | 1016881 | Hinge, Access Door | 1 |
| 6 | **** | Plate Floor Rear Long Bed | 1 |
| 7 | 101691401 | Latch, Door | 2 |
| 8 | 1017077 | Bolt, Carriage, 5/16-18 X 0.625 | 2 |
| 9 | 103509401 | Plate Access Door, Ca6, Ic | 1 |
| 10 | 7473 | Locknut, 5/16-18 Nylon Insert | 15 |
| | | **** Special order item available upon request. | |

1
G
E

1
G
E



000263-002

FLAT BED MOUNTING

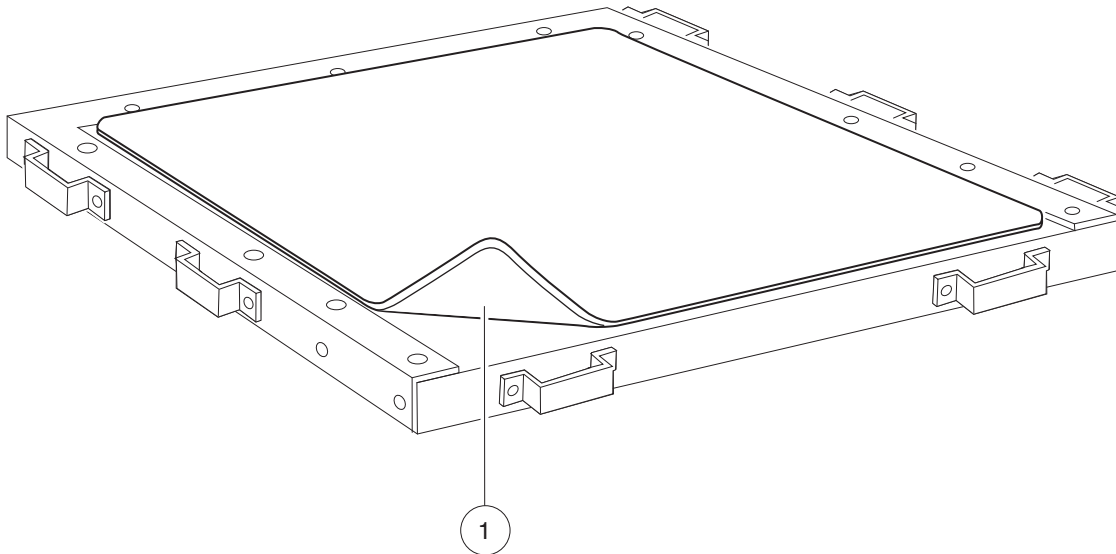
| ITEM | PART NO. | DESCRIPTION | QTY |
|------|-----------|---|-----|
| | | 1 2 3 4 | |
| 1 | 1010878 | Bumper, Rubber | 2 |
| 2 | 1012303 | Bushing, Steel | 2 |
| 3 | 1013413 | Clip, Rod | 1 |
| 4 | 1013872 | Bolt, 1/4-20 X 4.00 Hex Head | 2 |
| 5 | 1015507 | Shim, Tilt Bed Pivot | 1 |
| 6 | 1015583 | Bushing, Urethane | 4 |
| 7 | 1015727 | Rivet, 1/8 | 1 |
| 8 | 102065901 | Locknut, 3/8-16 Flanged Dimple | 4 |
| 9 | 102066001 | Washer, 3/8 Type B Hard Flat | 4 |
| 10 | 102259401 | Prop Rod, Long Bed | 1 |
| 11 | 103538701 | Bracket, Bed Hinge, Extruded | 2 |
| 12 | 103538901 | Bolt, Carriage, 3/8-16 x 3.5" Grade 5 | 4 |
| 13 | 332 | Washer, 1/4 Type A Narrow Flat | 6 |
| 14 | 8233 | Locknut, 1/4-20, Nylon Insert | 4 |
| 15 | 8754 | Locknut, 3/8-16 Hex | 2 |
| 16 | 8755 | Screw, 3/8-16 X 3.375 Hex Cap | 2 |

1
G
E

1

G

E

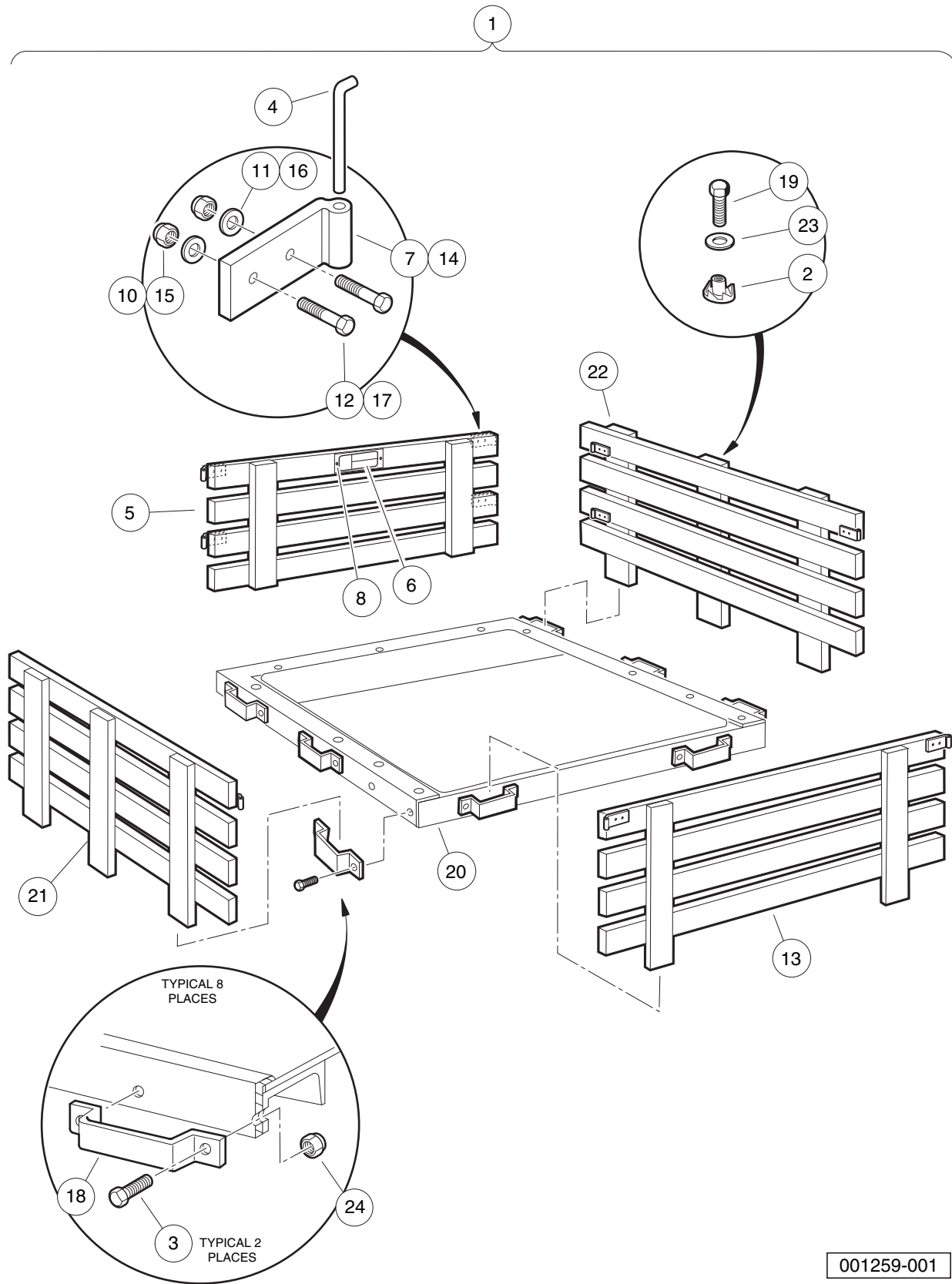


001207-001

BED MAT

| ITEM | PART NO. | DESCRIPTION | QTY |
|------|-----------|---------------------------------------|-----|
| 1 | 101770201 | 1 2 3 4 Bed Mat - Carryall 6 | 1 |

1
G
E

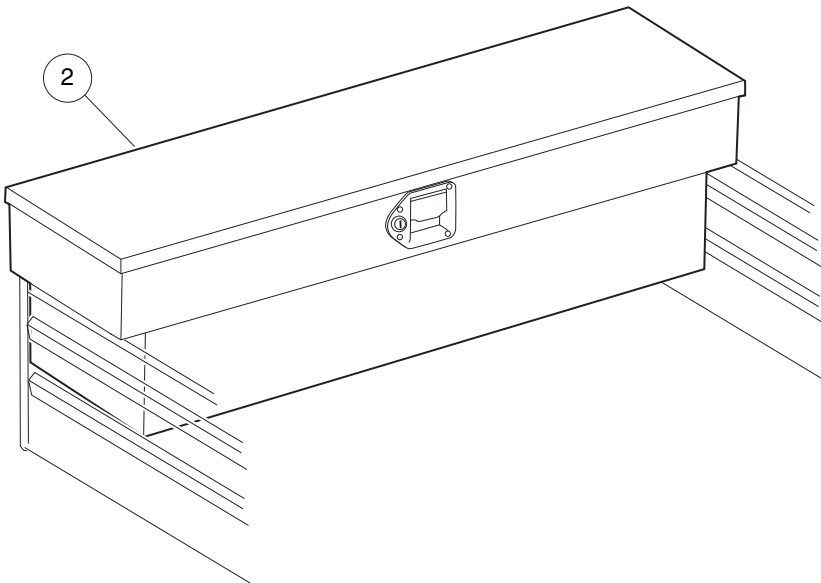
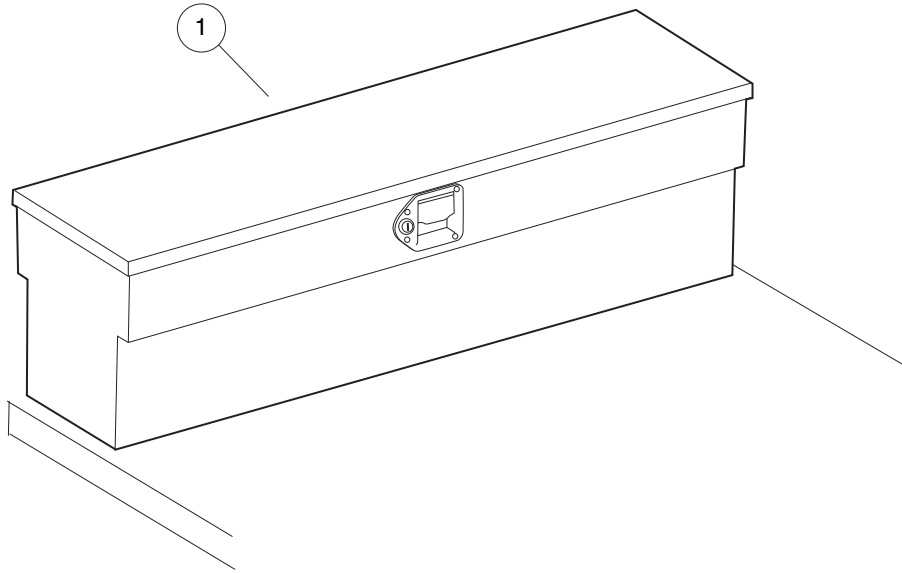


STAKE SIDE KIT

| ITEM | PART NO. | DESCRIPTION | QTY |
|------|-----------|---|-----|
| | | 1 2 3 4 | |
| 1 | 1017117 | Stake Side Kit, 6 (includes items 2 through 24) | 1 |
| 2 | 1010086 | T-Nut | 74 |
| 3 | 1010934 | Screw, 5/16-18 X 1.00 Hex Cap | 14 |
| 4 | 1015656 | Pin, hinge | 6 |
| 5 | 101565703 | Stake Side, Front (includes items 6 through 12) | 1 |
| 6 | 101553901 | Decal, Bed Load Warning | 1 |
| 7 | 1015654 | Stake Side Hinge | 4 |
| 8 | 1016663 | Screw, #12-14 X 0.625 | 2 |
| 9 | N/A | Plate, Bed Load Decal | 1 |
| 10 | 1108 | Locknut, 1/4-20 Dimpled | 8 |
| 11 | 332 | Washer, 1/4 Type A Narrow Flat | 24 |
| 12 | 7479 | Screw, 1/4-20 X 1.25 Hex-Head Cap | 8 |
| 13 | 101565704 | Stake Side, Rear (includes items 14 through 17) | 1 |
| 14 | 1015654 | Stake Side Hinge | 2 |
| 15 | 1108 | Locknut, 1/4-20 Dimpled | 4 |
| 16 | 332 | Washer, 1/4 Type A Narrow Flat | 20 |
| 17 | 7479 | Screw, 1/4-20 X 1.25 Hex-Head Cap | 4 |
| 18 | 1016077 | Bracket, Stake Side | 7 |
| 19 | 1016916 | Screw, 1/4-20 X 1.50 Hex-Head Cap | 74 |
| 20 | N/A | Assembly, Long Bed | 1 |
| 21 | 101711801 | Stake Side Assy C/a Vi L.h. | 1 |
| 22 | 101711802 | Stake Side AssyC/aViR.h.' | 1 |
| 23 | 332 | Washer, 1/4 Type A Narrow Flat | 74 |
| 24 | 7473 | Locknut, 5/16-18 Nylon Insert | 14 |

1
G
E

1
G
E



001157-001

TOOLBOXES

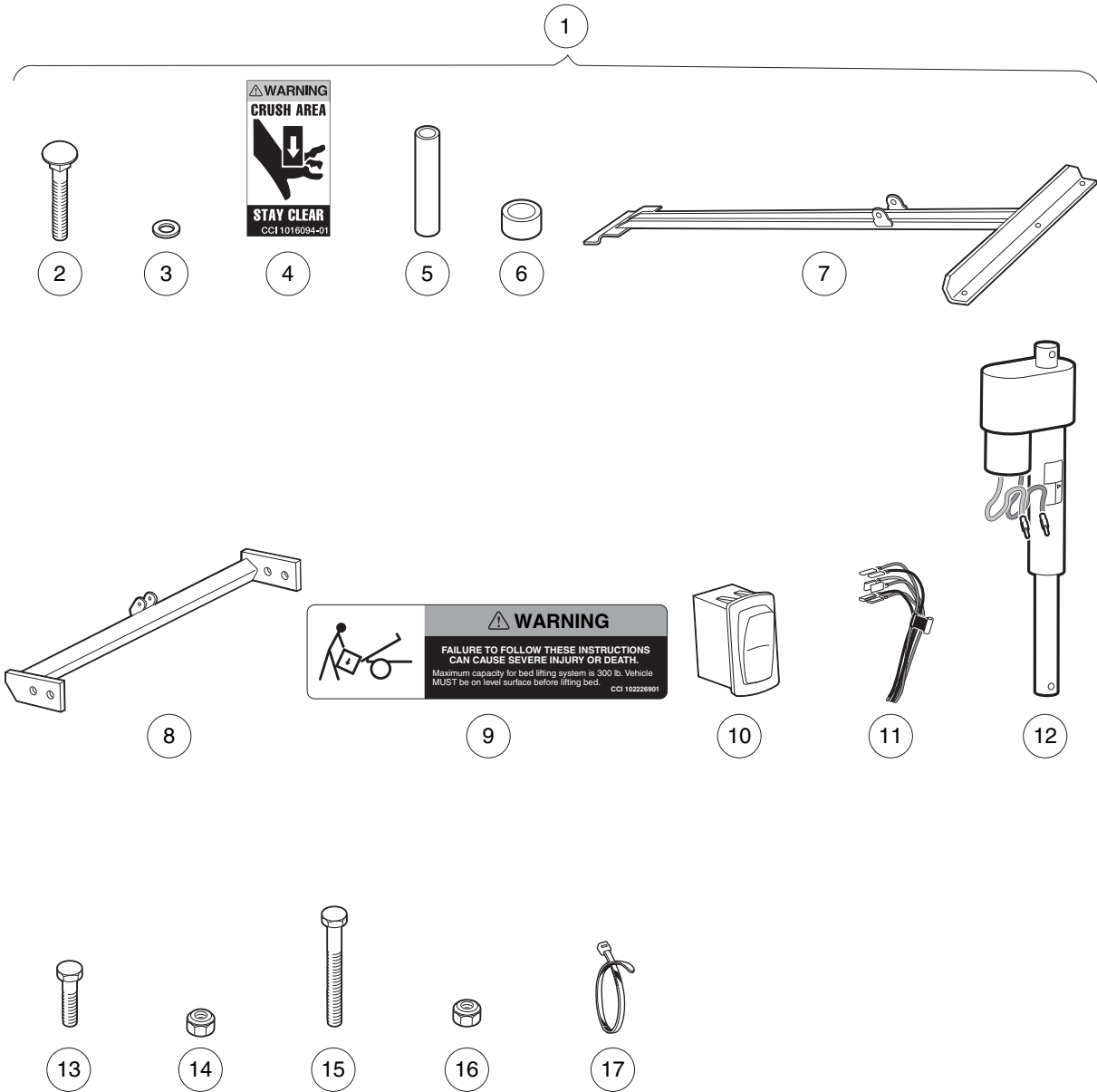
| ITEM | PART NO. | DESCRIPTION | QTY |
|------|-----------|------------------------------------|-----|
| 1 | 101837401 | 1 2 3 4 Toolbox, Flat Bed | 1 |
| 2 | 101837501 | Tool Box, Box Bed | 1 |

1

G

E

1
G
E



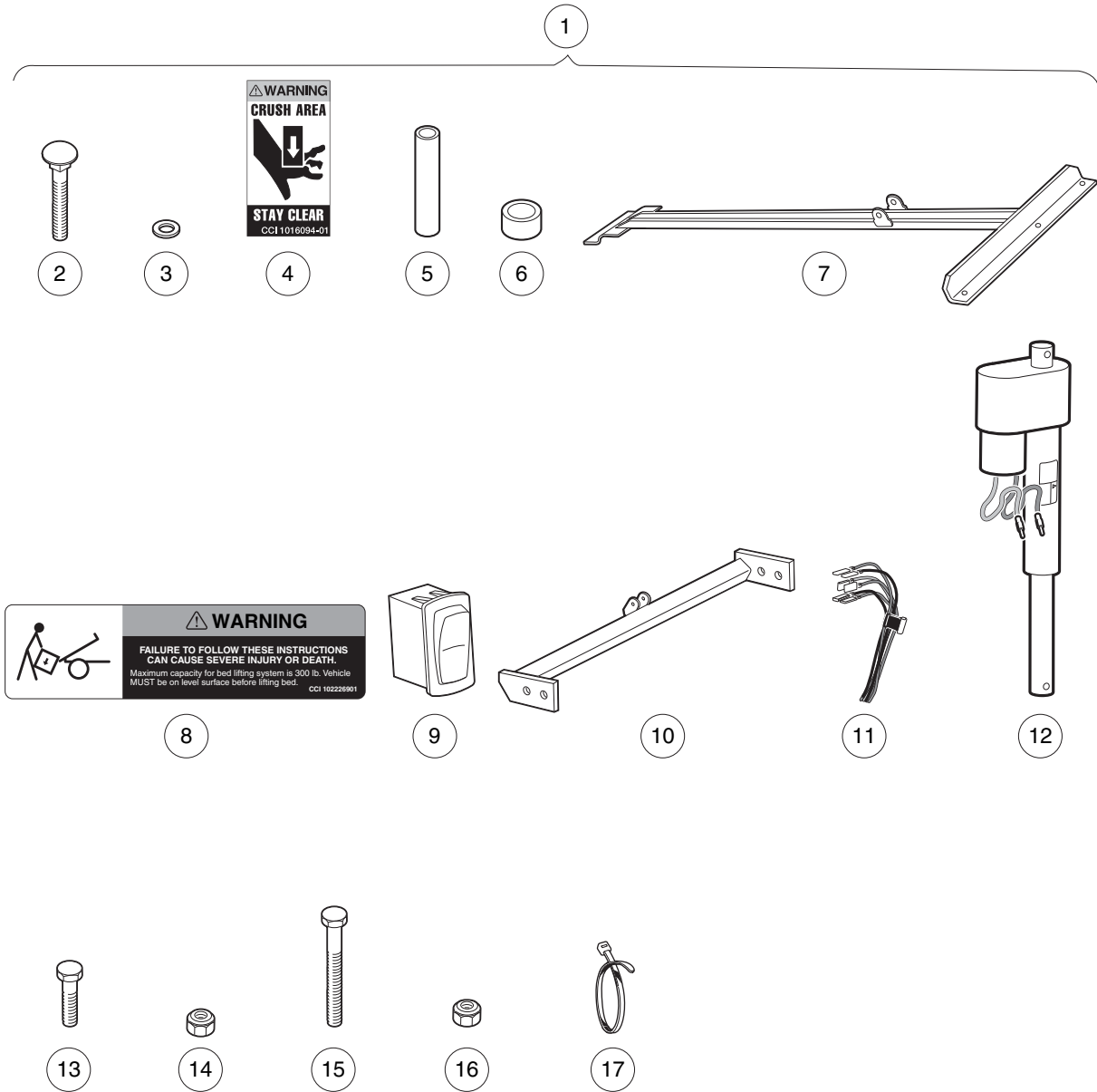
001261-001

ELECTRIC BED LIFT – GASOLINE VEHICLES

| ITEM | PART NO. | DESCRIPTION | QTY |
|------|-----------|---|-----|
| | | 1 2 3 4 | |
| 1 | SVP120402 | Kit, Electric Bed Lift, T/CA6 Gas (includes items 2 through 17) | 1 |
| 2 | 1010435 | Bolt, Carriage, 5/16-18 X 1.00 | 3 |
| 3 | 1011990 | Washer, 3/8 Flat | 8 |
| 4 | 101609401 | Decal, Crush Area Warning | 2 |
| 5 | 1016603 | Bushing, Long | 2 |
| 6 | 1017774 | Body Spacer | 8 |
| 7 | 102154201 | Asm, Actuator Adapter | 1 |
| 8 | 102154801 | 19th Deluxe Actuator Mtg Wld | 1 |
| 9 | 102226901 | Service Only Warning Decal | 1 |
| 10 | 102882501 | Switch, Rocker, Bed Lift | 1 |
| 11 | 103270201 | Wire Harness, Elec Tilt Sys | 1 |
| 12 | 103951801 | Actuator, Bed Lift, Electric | 1 |
| 13 | 705 | Screw, Cap-hex Hd 3/8-16x1.25 | 4 |
| 14 | 7473 | Locknut, 5/16-18 Nylon Insert | 4 |
| 15 | 7561 | Bolt, 3/8-16 X 3.00 Hex Head | 2 |
| 16 | 8754 | Locknut, 3/8-16 Hex | 6 |
| 17 | 8990 | Tie Wrap, 8" Nylon | 8 |

1
G
E

1
G
E



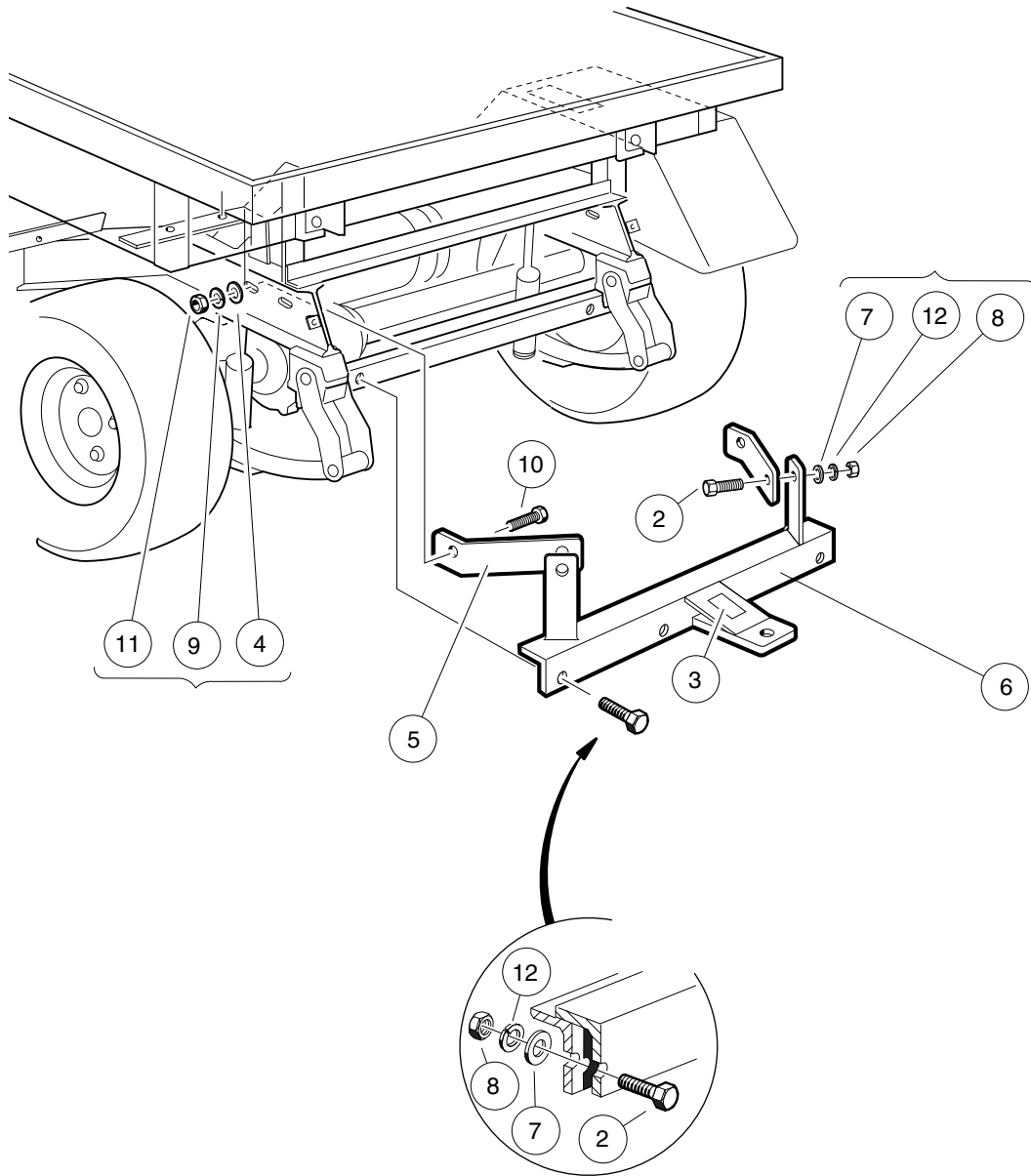
001260-001

ELECTRIC BED LIFT – ELECTRIC VEHICLE

| ITEM | PART NO. | DESCRIPTION | QTY |
|------|-----------|---|-----|
| | | 1 2 3 4 | |
| 1 | SVP183302 | Kit, Electric Bed Lift, T/CA6 IQ Plus (includes items 2 through 17) | 1 |
| 2 | 1010435 | Bolt, Carriage, 5/16-18 X 1.00 | 4 |
| 3 | 1011990 | Washer, 3/8 Flat | 8 |
| 4 | 101609401 | Decal, Crush Area Warning | 2 |
| 5 | 1016603 | Bushing, Long | 2 |
| 6 | 1017774 | Body Spacer | 8 |
| 7 | 102154201 | Asm, Actuator Adapter | 1 |
| 8 | 102226901 | Service Only Warning Decal | 1 |
| 9 | 102882501 | Switch, Rocker, Bed Lift | 1 |
| 10 | 102893601 | Center Bracket, Bed Lift | 1 |
| 11 | 103270201 | Wire Harness, Elec Tilt Sys | 1 |
| 12 | 103951801 | Actuator, Bed Lift, Electric | 1 |
| 13 | 705 | Screw, Cap-hex Hd 3/8-16x1.25 | 4 |
| 14 | 7473 | Locknut, 5/16-18 Nylon Insert | 5 |
| 15 | 7561 | Bolt, 3/8-16 X 3.00 Hex Head | 2 |
| 16 | 8754 | Locknut, 3/8-16 Hex | 6 |
| 17 | 8990 | Tie Wrap, 8" Nylon | 8 |

1
G
E

1
G
E



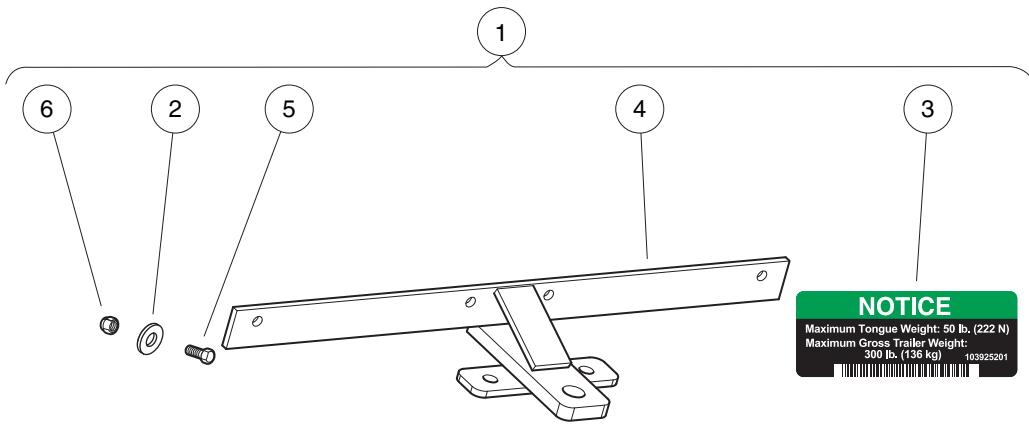
000265-001

TRAILER HITCH, HEAVY-DUTY

| ITEM | PART NO. | DESCRIPTION | QTY |
|------|----------|--|-----|
| | | 1 2 3 4 | |
| 1 | 1015445 | Kit, Trailer Hitch (includes items 2 through 12) | 1 |
| 2 | 1010934 | Screw, 5/16-18 X 1.00 Hex Cap | 4 |
| 3 | 1011553 | Decal, Trailer Hitch | 1 |
| 4 | 1011990 | Washer, 3/8 Flat | 2 |
| 5 | 1013483 | Brace, Trailer Hitch | 2 |
| 6 | N/A | Asm, Trailer Hitch | 1 |
| 7 | 1241 | Washer, 5/16 Type A Flat | 4 |
| 8 | 1242 | Nut, 5/16-18 Hex | 4 |
| 9 | 357 | Lockwasher, 3/8 Split | 2 |
| 10 | 705 | Screw, Cap-hex Hd 3/8-16x1.25 | 2 |
| 11 | 706 | Nut, Hex 3/8-16 | 2 |
| 12 | 7174 | Lockwasher, 5/16 Split | 4 |

1
G
E

1
G
E



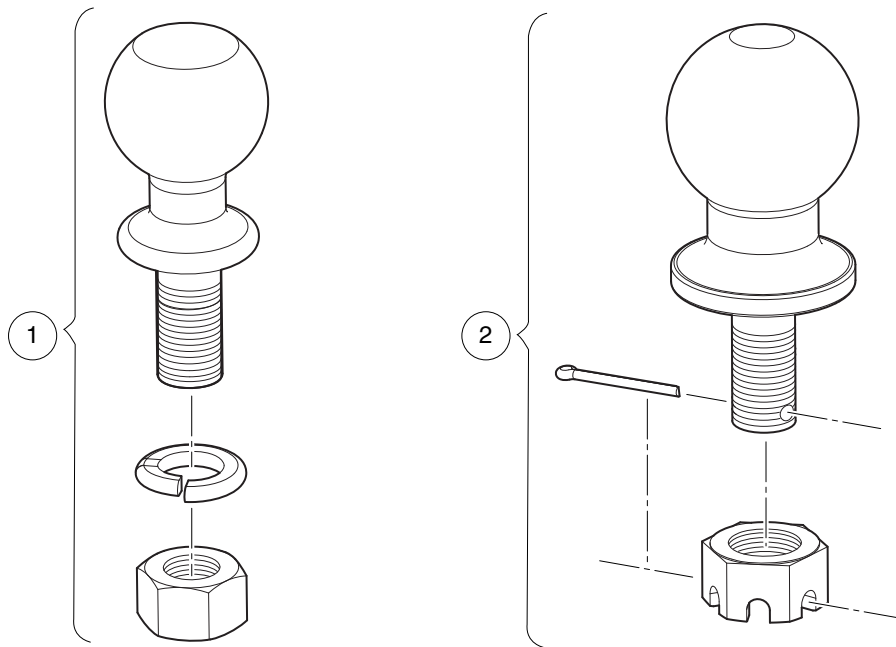
001239-001

TRAILER HITCH, LIGHT-DUTY

| ITEM | PART NO. | DESCRIPTION | QTY |
|------|-----------|---|-----|
| | | 1 2 3 4 | |
| 1 | 103925001 | Kit, Trailer Hitch, Light-Duty (includes items 2 through 6) | 1 |
| 2 | 1012571 | Washer, 5/16 Extra Thick Flat | 8 |
| 3 | 103925201 | Decal, Trailer Htch, 50lb Tng | 1 |
| 4 | 103930001 | Ld Trailer Hitch Weld Assy | 1 |
| 5 | 1218 | Screw, 5/16-18 X 1.25 Hex-Head Cap | 4 |
| 6 | 7473 | Locknut, 5/16-18 Nylon Insert | 4 |

1
G
E

1
G
E



001137-001

TRAILER HITCH BALL

| ITEM | PART NO. | DESCRIPTION | QTY |
|------|-----------|--|-----|
| 1 | 1011546 | 1 2 3 4 Trailer Hitch Ball - 1 7/8" | 1 |
| 2 | AM1264001 | Chrome Hitch Ball, 2" | 1 |

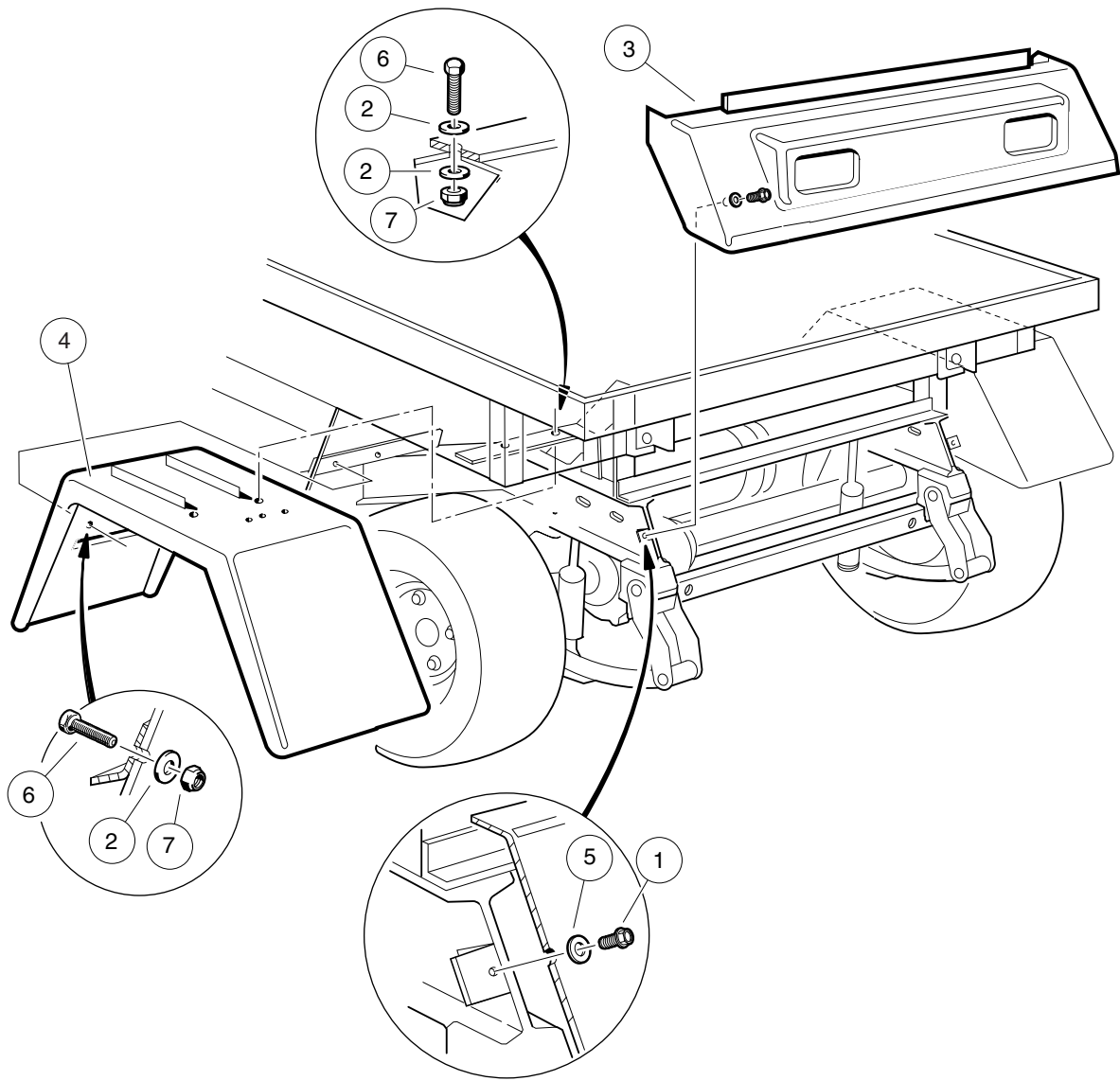
1
G
E

RECEIVER HITCH

| ITEM | PART NO. | DESCRIPTION | QTY |
|------|-----------|---|-----|
| | | 1 2 3 4 | |
| 1 | 102065103 | Kit, Rear Receiver (includes items 2 through 7) | 1 |
| 2 | 1010934 | Screw, 5/16-18 X 1.00 Hex Cap | 6 |
| 3 | 1011553 | Decal, Trailer Hitch | 1 |
| 4 | 102056001 | Rear Receiver Weld Asm | 1 |
| 5 | 1241 | Washer, 5/16 Type A Flat | 6 |
| 6 | 1242 | Nut, 5/16-18 Hex | 6 |
| 7 | 7174 | Lockwasher, 5/16 Split | 6 |

1
G
E

1
G
E

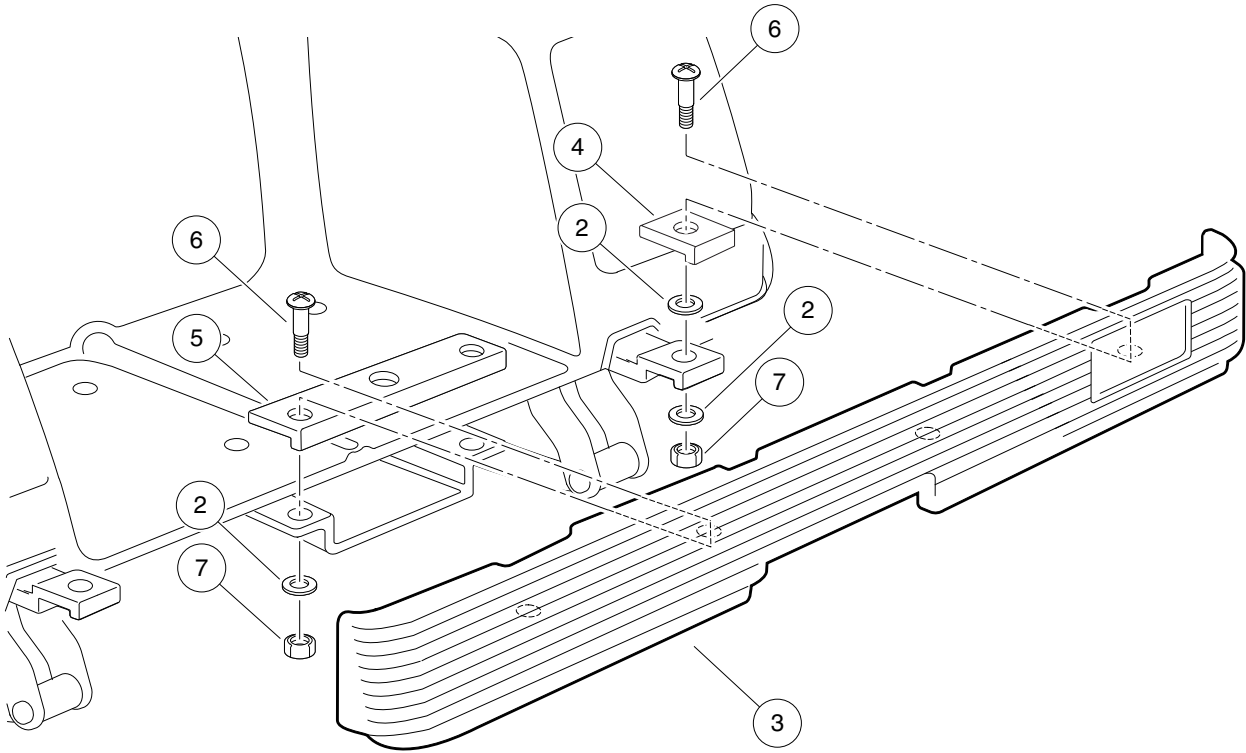


000266-001

REAR BODY TRIM – TURF/CARRYALL 1, 2, 2 PLUS, AND 6

| ITEM | PART NO. | DESCRIPTION | QTY |
|------|----------|---|-----|
| | | 1 2 3 4 | |
| 1 | 1012285 | Screw, 1/4 X 0.625 Hex-Head | 2 |
| 2 | 1014306 | Washer, 1/4" Type B Flat | 12 |
| 3 | 1015530 | Tailskirt | 1 |
| 4 | 1016679 | Rear Fender | 2 |
| 5 | 332 | Washer, 1/4 Type A Narrow Flat | 2 |
| 6 | 7847 | Screw, 1/4-20 X 0.75 Hex-Head Cap | 8 |
| 7 | 8233 | Locknut, 1/4-20, Nylon Insert | 8 |

1
G
E



000666-001

REAR BUMPER

| ITEM | PART NO. | DESCRIPTION | QTY |
|---|----------|---|-----|
| | | 1 2 3 4 | |
| 1 | 1017079 | Kit, Rear Bumper (includes items 2 through 7) | 1 |
| 2 | 1011697 | Washer, 5/16 Flat | 6 |
| 3 | 1016379 | Bumper, Rear | 1 |
| 4 | 1016874 | Plate, Bumper Mounting, Short | 2 |
| 5 | 1016875 | Plate, Bumper Mounting, Long | 1 |
| 6 | 1016876 | Bolt, 3/8 Shoulder | 4 |
| 7 | 7473 | Locknut, 5/16-18 Nylon Insert | 4 |
| <p>Note: Item 4 not used in all applications.</p> | | | |

1
G
E

CAB, CURTIS – TURF/CARRYALL 6 AND TRANSPORTER

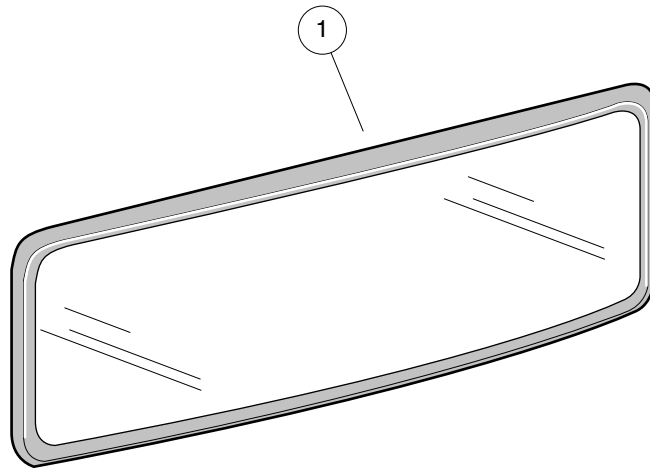
| ITEM | PART NO. | DESCRIPTION | QTY |
|------|-----------|--|-----|
| | | 1 2 3 4 | |
| 1 | 102262901 | Asm, Cab (includes items 2 through 13) | 1 |
| 2 | AM1304001 | CTC-Windshield Assembly | 1 |
| 3 | AM1304101 | CTC-Windshield Latches | A/R |
| 4 | AM1304201 | CTC-Drivers Side Door | 1 |
| 5 | AM1304301 | CTC-Passenger Side Door | 1 |
| 6 | AM1304401 | CTC-Inside Door Latches | 2 |
| 7 | AM1304501 | CTC-Outside Door Latches | 2 |
| 8 | AM1304601 | CTC-Door Hinge Kit | A/R |
| 9 | AM1304801 | CTC-Side Frame Rear Window | 1 |
| 10 | AM1304901 | CTC-Roof (White Plastic) | 1 |
| 11 | AM1305001 | CTC-Wiper Motor | 1 |
| 12 | AM1305101 | CTC-Wiper Arm | 1 |
| 13 | AM1305201 | CTC-Wiper Blade | 1 |
| 14 | 102264501 | Kit, Seat Belt (required for ROPS certification, includes mounting hardware) | 1 |
| 15 | 103306001 | Kit, Adapter, Cab, Ca6 | 1 |

1
G
E

1

G

E



APM-000214-001

MIRROR, INSIDE REAR-VIEW – CURTIS CAB

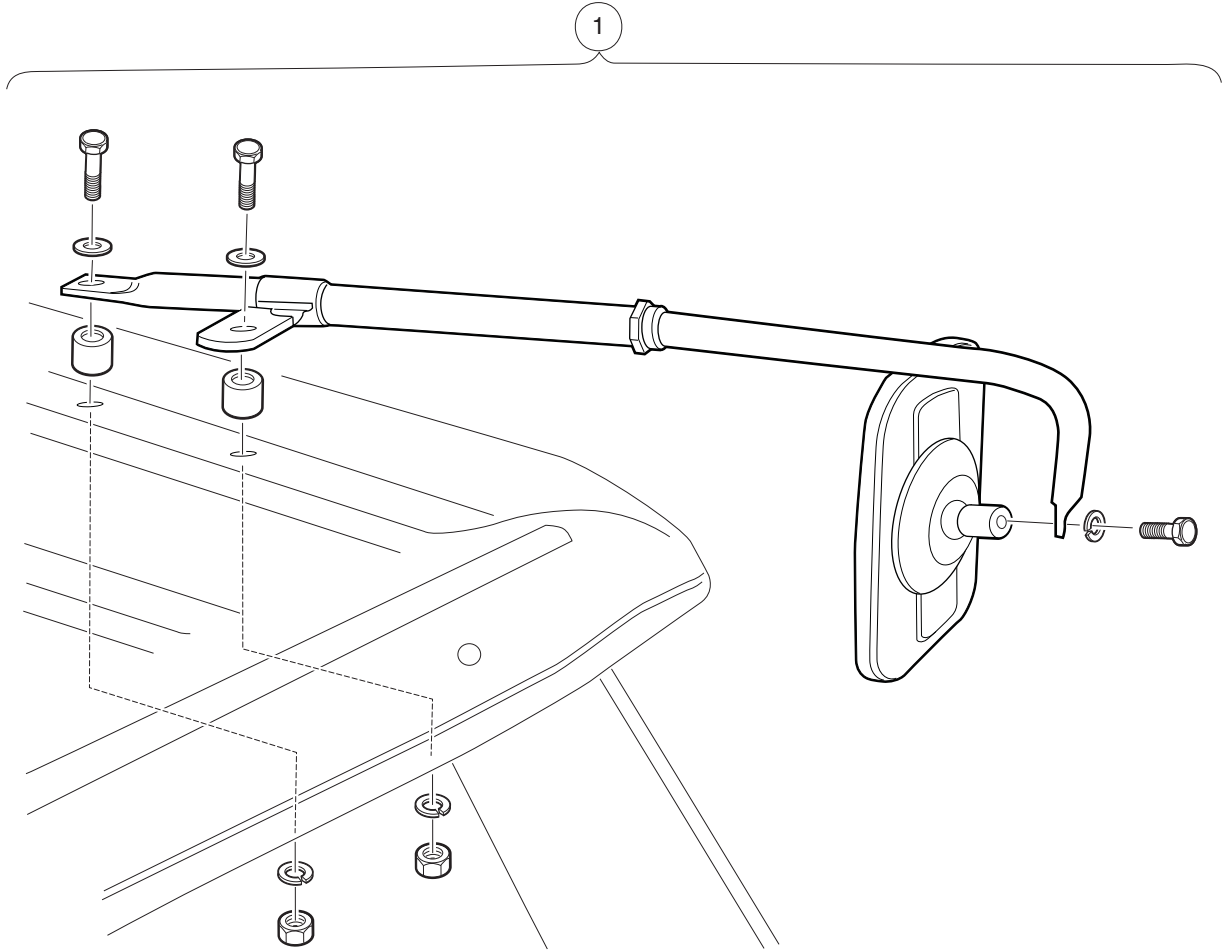
| ITEM | PART NO. | DESCRIPTION | QTY |
|------|-----------|---|-----|
| 1 | 101995101 | <p>1 2 3 4</p> <p>Kit, Rear-View Mirror (includes mounting hardware)</p> <p style="margin-left: 40px;">Note: For installation on vehicles equipped with a Curtis cab.</p> | 1 |

1

G

E

1
G
E



001202-001

MIRROR, SIDE-VIEW – CURTIS CAB

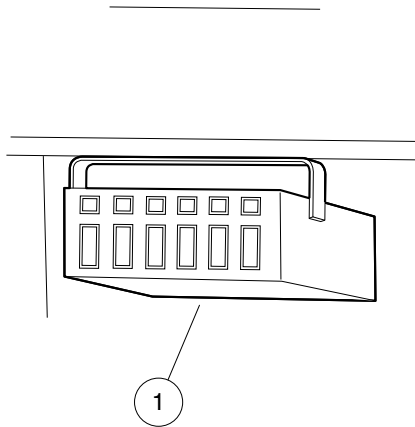
| ITEM | PART NO. | DESCRIPTION | QTY |
|------|-----------|---|-----|
| 1 | 102272601 | <p>1 2 3 4 Kit, Mirror</p> <p>Note: For installation on vehicles equipped with a Curtis cab.</p> | 1 |

1
G
E

1

G

E



APM-000264-002

ACCESSORY SWITCH PANEL – CURTIS CAB

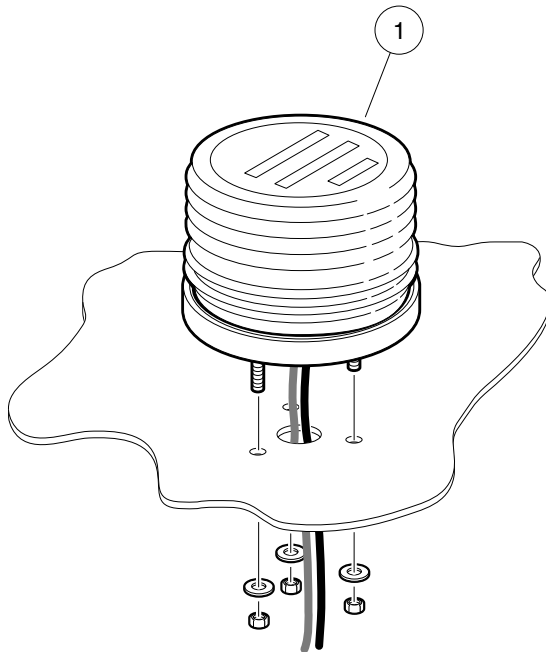
| ITEM | PART NO. | DESCRIPTION | QTY |
|------|-----------|---|-----|
| 1 | 101994601 | <p>1 2 3 4</p> <p>Panel, Accessory Switch</p> <p style="margin-top: 20px;">Note: For installation on vehicles equipped with a Curtis cab.</p> | 1 |

1

G

E

1
G
E



APM-000212-001

STROBE LIGHT – CURTIS CAB

| ITEM | PART NO. | DESCRIPTION | QTY |
|------|-----------|--|-----|
| 1 | 101994301 | <p>1 2 3 4</p> <p>Kit, Strobe Light (includes mounting hardware and wire harness)</p> <p style="margin-left: 40px;">Note: For installation on vehicles equipped with a Curtis cab.</p> | 1 |

1

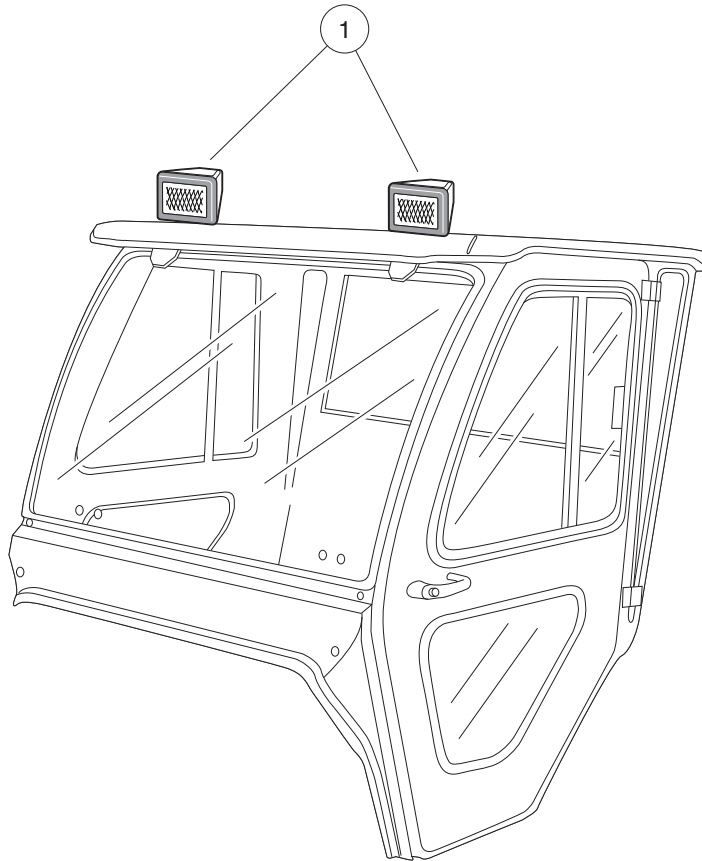
G

E

1

G

E



001201-001

WORK LIGHTS – CURTIS CAB

| ITEM | PART NO. | DESCRIPTION | QTY |
|------|-----------|---|-----|
| 1 | 101994801 | <p>1 2 3 4</p> <p>Kit, Work Light (includes mounting hardware and wire harness)</p> <p style="margin-left: 40px;">Note: For installation on vehicles equipped with a Curtis cab.</p> | 1 |

1

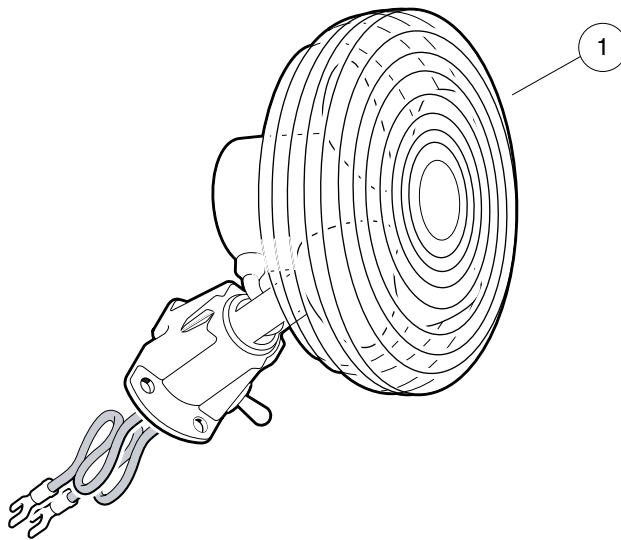
G

E

1

G

E



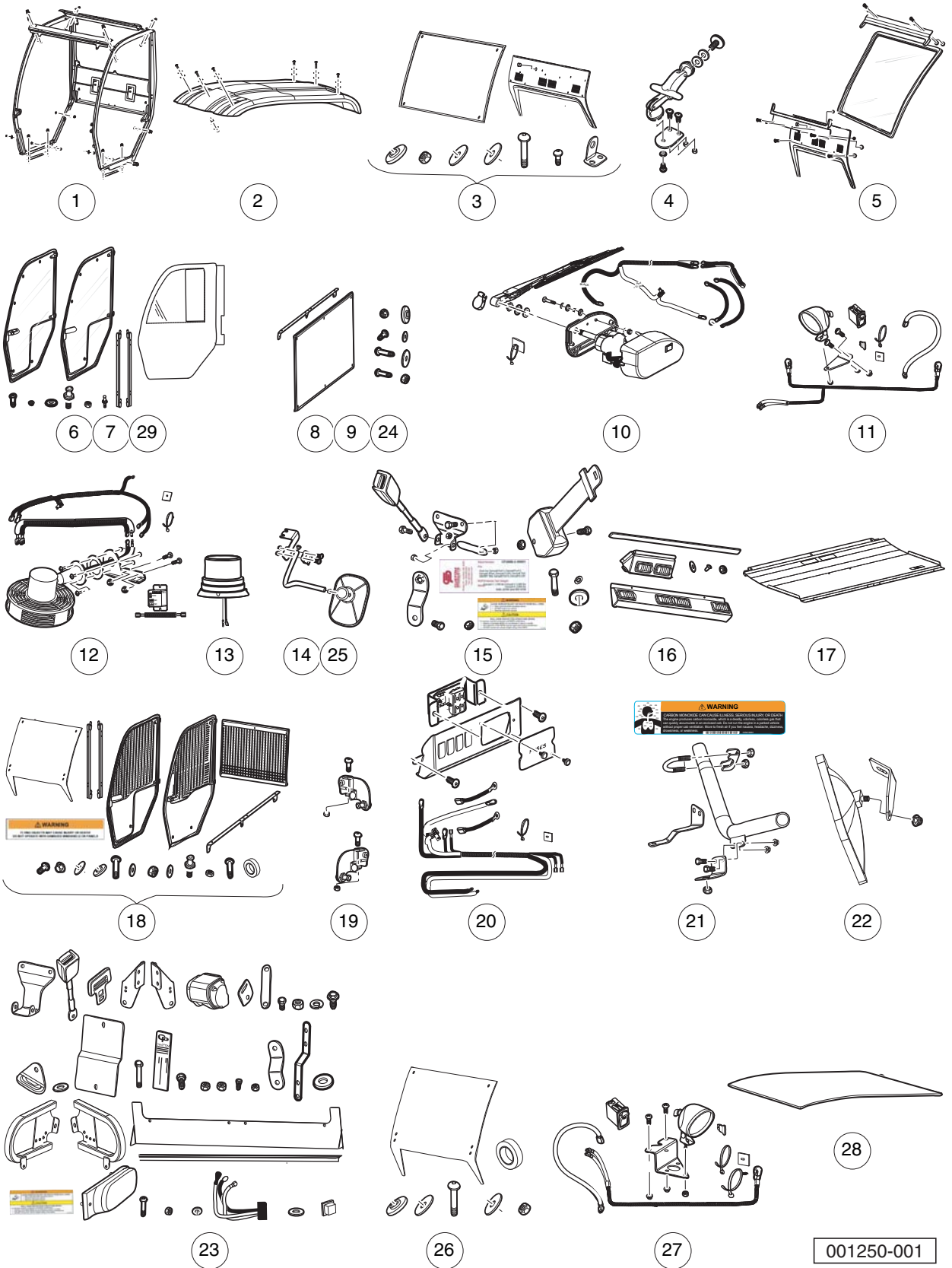
APM-000215-001

FAN/DEFOGGER – CURTIS CAB

| ITEM | PART NO. | DESCRIPTION | QTY |
|------|-----------|---|-----|
| 1 | 101994401 | <p>1 2 3 4</p> <p>Kit, Fan/Defogger (includes mounting hardware and wire harness)</p> <p style="margin-left: 40px;">Note: For installation on vehicles equipped with a Curtis cab.</p> | 1 |

1
G
E

1
G
E



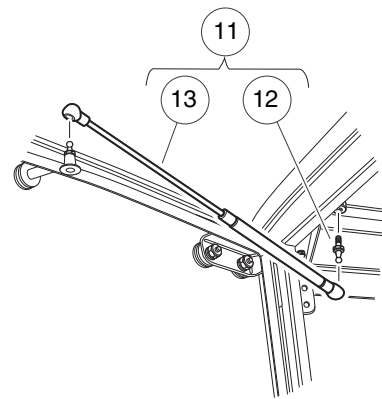
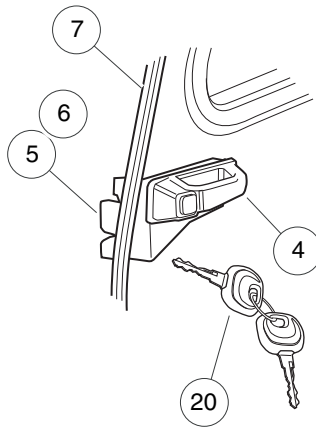
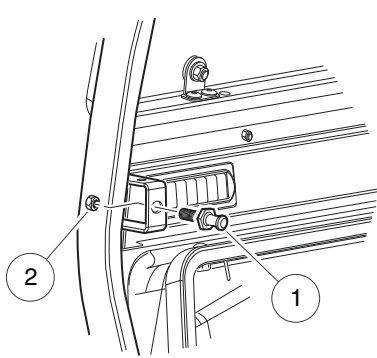
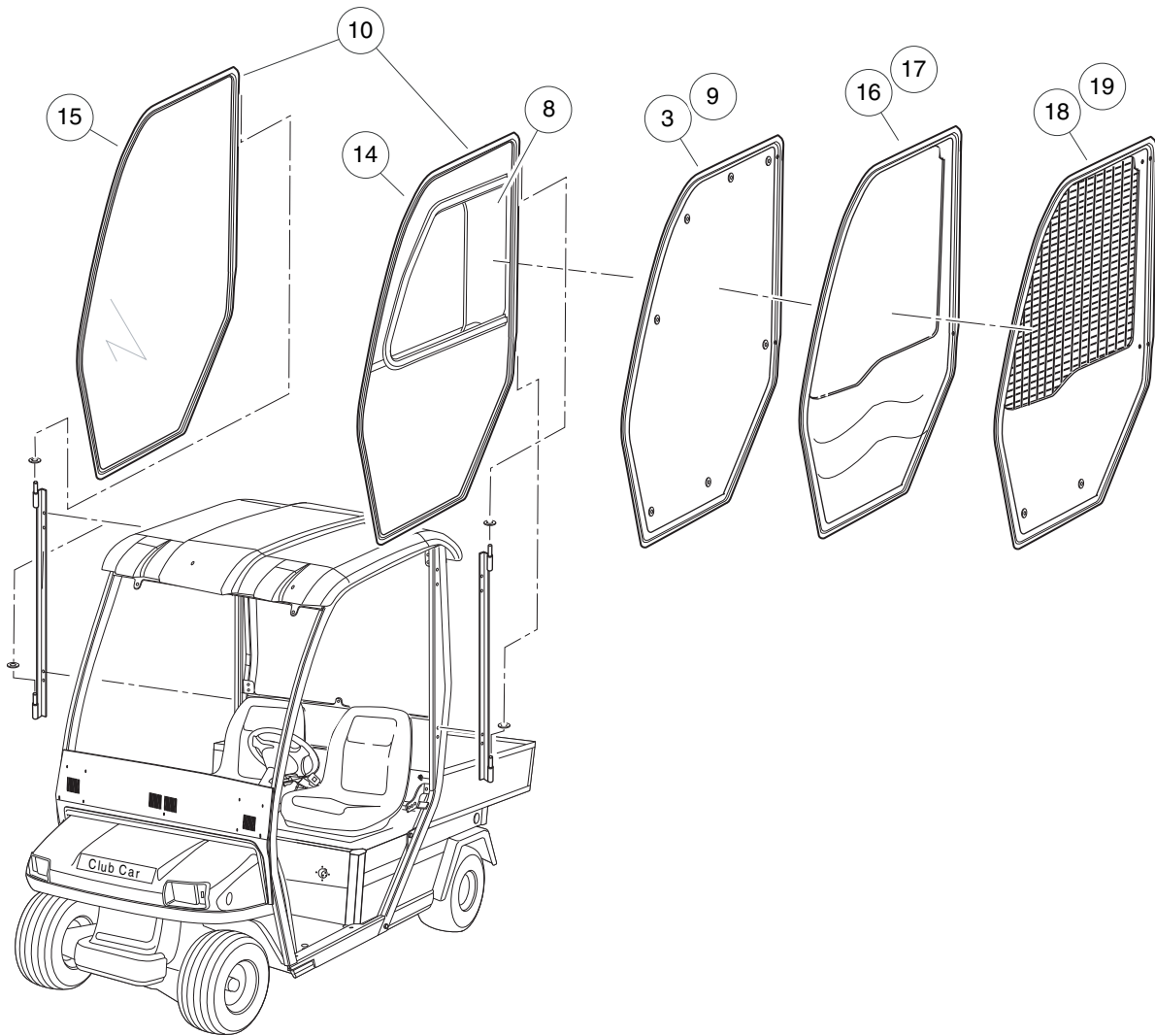
001250-001

CAB, CPL – TURF/CA 1, 2, 2 PLUS, 6, 252 AND XRT 900

| ITEM | PART NO. | DESCRIPTION | QTY |
|------|-----------|--|-----|
| | | 1 2 3 4 | |
| 1 | 103910101 | Kit, Side Frames | 1 |
| 2 | 103910201 | Kit, Roof, White | 1 |
| 3 | 103910301 | Kit, Front Window, Fixed, Tempered | 1 |
| 4 | 103910401 | Kit, Frt Window Tip-out | 1 |
| 5 | 103910501 | Kit, Front Window, Laminated, LSV | 1 |
| 6 | 103910601 | Kit, Doors, Hard-Side, Acrylic | 1 |
| 7 | 103910701 | Kit, Doors, Glass, LH Open | 1 |
| 8 | 103910801 | Kit, Rear Window, Acrylic | 1 |
| 9 | 103910901 | Kit, Rear Window, Sliding | 1 |
| 10 | 103911001 | Kit, Wiper, 12vdc | 1 |
| 11 | 103911101 | Kit, Work Lights, Front | 1 |
| 12 | 103911301 | Kit, Fan, 7-inch, Recirculation | 1 |
| 13 | 103911401 | Kit, Warning Beacon | 1 |
| 14 | 103911501 | Kit, Mirror, Outside, LH | 1 |
| 15 | 103911601 | Kit, ROPS, with 2-Point Seat Belts | 1 |
| 16 | 103911701 | Kit, Vent And Seal | 1 |
| 17 | 103912001 | Kit, FOPS | 1 |
| 18 | 103912101 | Kit, Driving-Range, with Doors | 1 |
| 19 | 103912201 | Kit, Door-Hold, LH and RH | 1 |
| 20 | 103912301 | Kit, Main Switch, Fuse Block | 1 |
| 21 | 103912501 | Kit, Exhaust Extension | 1 |
| 22 | 103912601 | Kit, Mirror, Interior | 1 |
| 23 | 103912701 | Kit, ROPS, with 3-Point Seat Belts | 1 |
| 24 | 103912801 | Kit, Rear Window, Glass | 1 |
| 25 | 103912901 | Kit, Mirror, Outside, RH | 1 |
| 26 | 103913001 | Kit, Front Window, Polycarbonate | 1 |
| 27 | 103913101 | Kit, Work Lights, Rear | 1 |
| 28 | 103913201 | Kit, Roof Liner | 1 |
| 29 | 103913301 | Kit, Doors, Soft, Wire-Frame | 1 |
| | | Note: Use kits above to create a complete cab equipped with desired accessories. | |

1
G
E

1
G
E



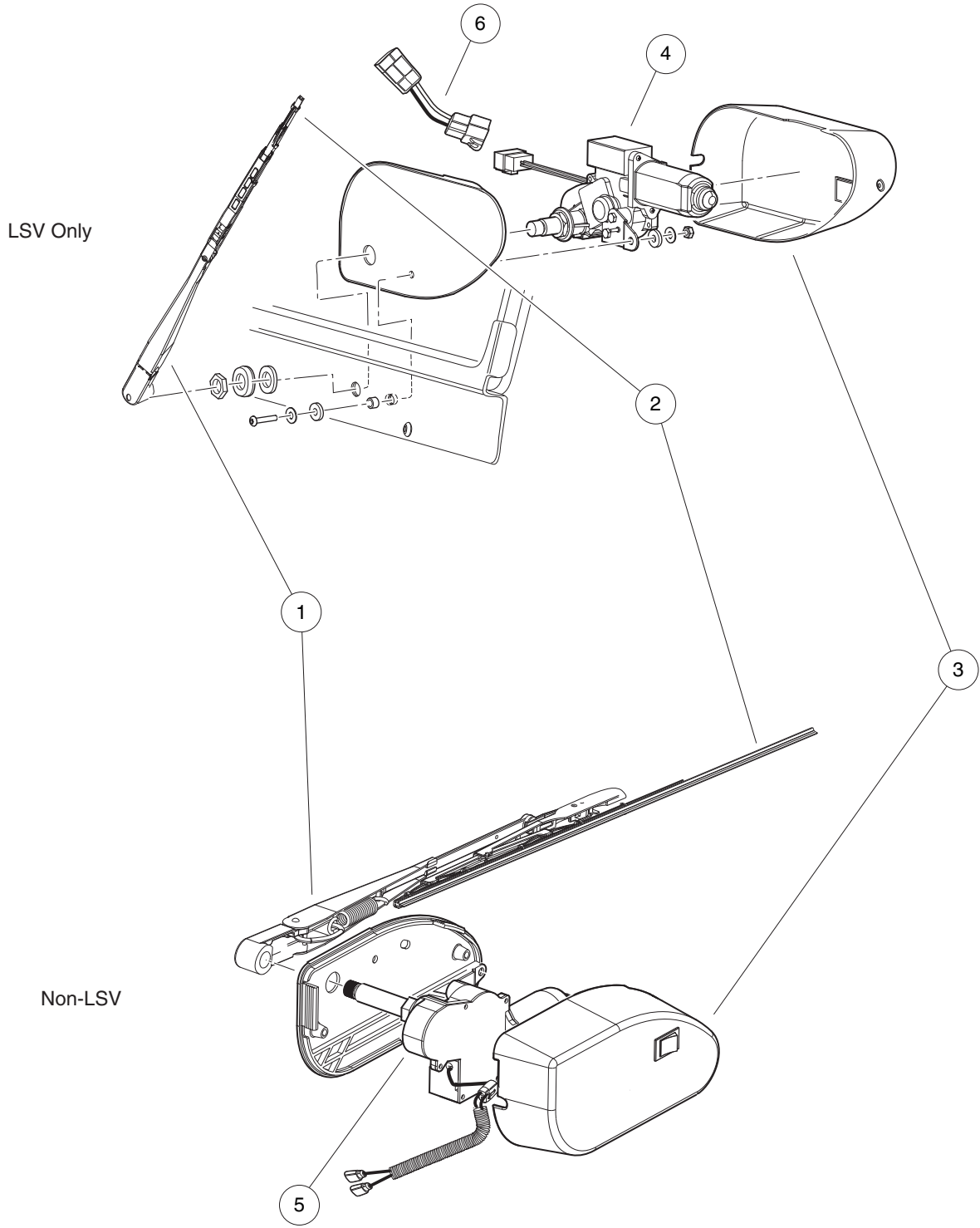
001251-001

DOORS – CPL CAB

| ITEM | PART NO. | DESCRIPTION | QTY |
|------|-----------|---|-----|
| | | 1 2 3 4 | |
| 1 | 104001601 | Striker Stud 10 mm | 2 |
| 2 | 104001701 | Nut, Hex, Jam, M12-1.0 | 2 |
| 3 | 104002701 | Door Panel, Acrylic, T2 | 2 |
| 4 | 104002801 | Grab Handle, Exterior | 2 |
| 5 | 104002901 | Rotary Latch, Interior, Lh | 1 |
| 6 | 104003001 | Rotary Latch, Interior, Rh | 1 |
| 7 | 104003401 | Foam Spacer, Door | 2 |
| 8 | 104004901 | Window, Sliding, LH | 1 |
| 9 | 104014901 | Kit, Cab, Seals, Acrylic Doors | 1 |
| 10 | 104015001 | Kit, Cab, Seals, Glass Doors | 1 |
| 11 | 104015501 | Kit, Cab, Range Dr Gas Springs (includes items 12 and 13) | 1 |
| 12 | 104001101 | Ball Stud | 2 |
| 13 | 104001201 | Gas Spring | 2 |
| 14 | 104027501 | Door, Glass, Lh, Replacement | 1 |
| 15 | 104027601 | Door, Glass, Rh, Replacement | 1 |
| 16 | 104027701 | Door, Soft, Rh, Replacement | 1 |
| 17 | 104027801 | Door, Soft, Lh, Replacement | 1 |
| 18 | 104028001 | Door, Range, Lh | 1 |
| 19 | 104028101 | Door, Range, Rh | 1 |
| 20 | AM1290701 | Key, Set (2), CPL Cab | 1 |

1
G
E

1
G
E



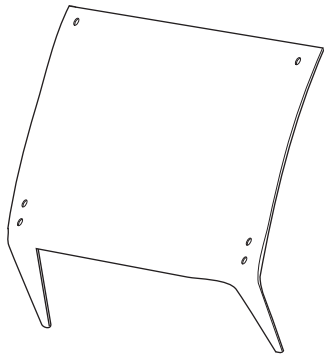
001252-001

WINDSHIELD WIPER – CPL CAB

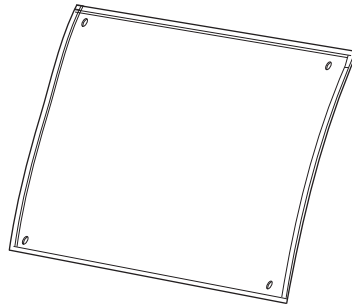
| ITEM | PART NO. | DESCRIPTION | QTY |
|------|-----------|--|-----|
| | | 1 2 3 4 | |
| 1 | 104000901 | Wiper Arm, Modified | 1 |
| 2 | 104001001 | Wiper Blade, Modified | 1 |
| 3 | 104003501 | Cover, Wiper Mtr & Switch Asm | 1 |
| 4 | 104003601 | Wiper Motor, 12v, 2-inch Shaft | 1 |
| 5 | 104004101 | Wiper Motor, 12v, 110deg, 1-inch Shaft | 1 |
| 6 | 104005001 | Wire Harness, Jumper, LSV, Wiper | 1 |

1
G
E

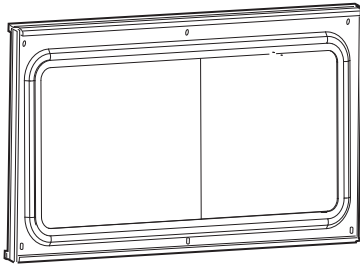
1
G
E



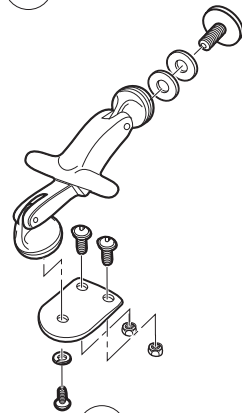
1



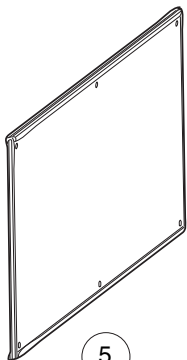
2



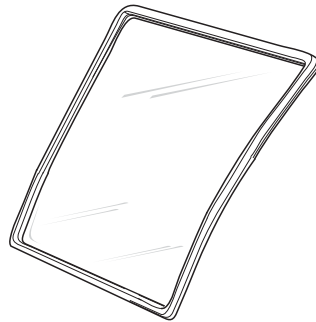
3



4



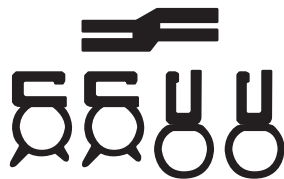
5



9



6



7



8

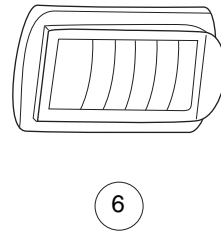
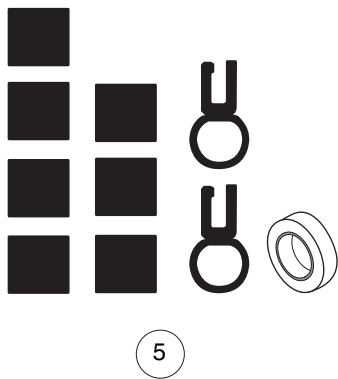
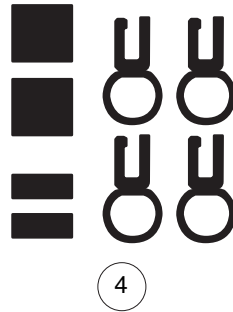
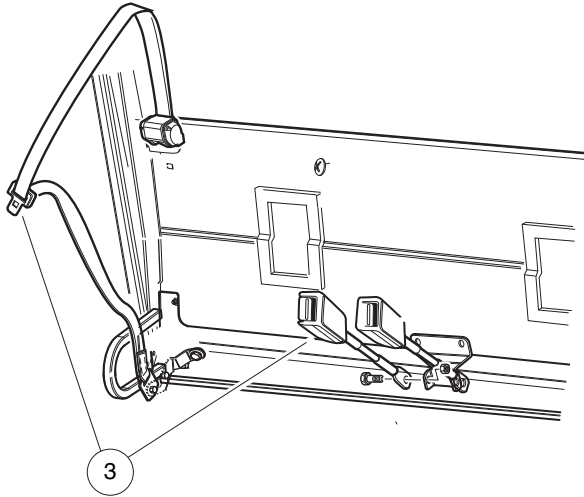
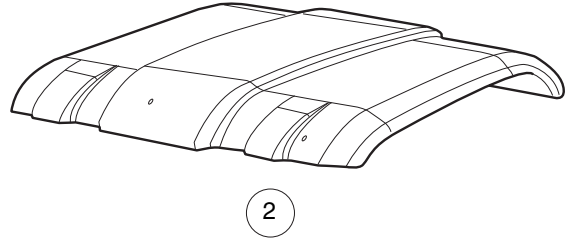
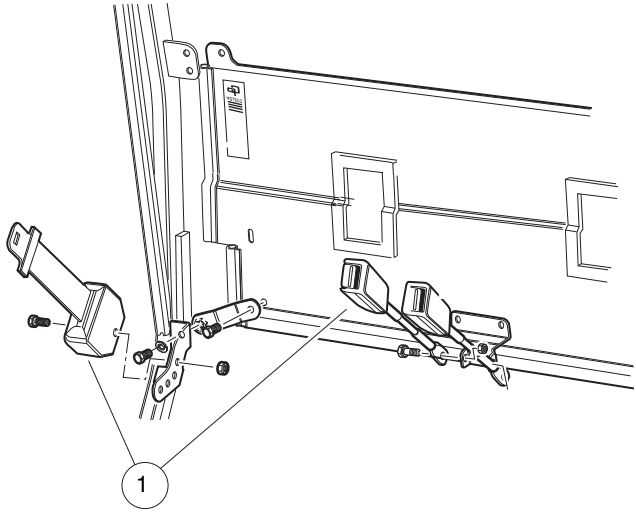
001253-001

WINDSHIELDS – CPL CAB

| ITEM | PART NO. | DESCRIPTION | QTY |
|------|-----------|--|-----|
| | | 1 2 3 4 | |
| 1 | 103913001 | Kit, Front Window, Polycarbonate | 1 |
| 2 | 104002601 | Windshield, Tempered | 1 |
| 3 | 104003101 | Window, Rear Sliding | 1 |
| 4 | 104003901 | Handle, Tee | 2 |
| 5 | 104004801 | Window, Rear | 1 |
| 6 | 104014801 | Kit, Cab, Seals, Windshield | 1 |
| 7 | 104015101 | Kit, Cab, Seals, Rr Slid Wind | 1 |
| 8 | 104015301 | Kit, Cab, Seals, Rr Window | 1 |
| 9 | 105002801 | Windshield, Laminated | 1 |

1
G
E

1
G
E



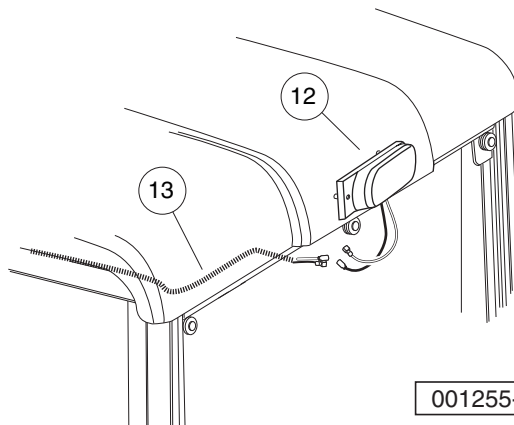
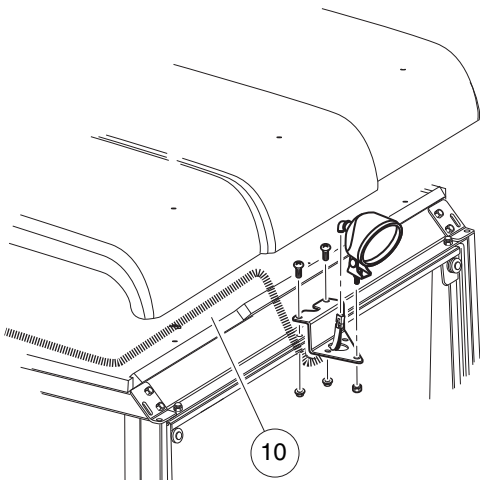
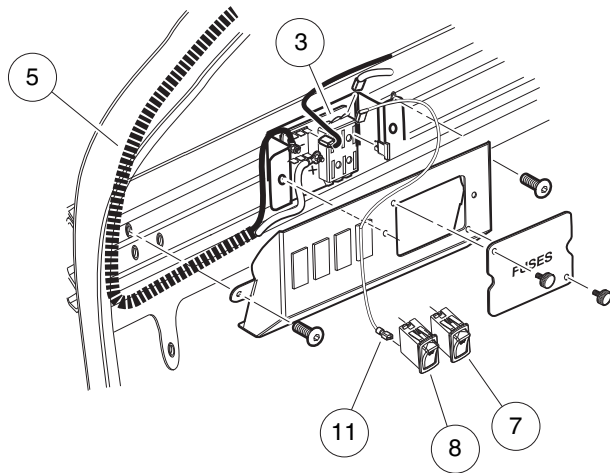
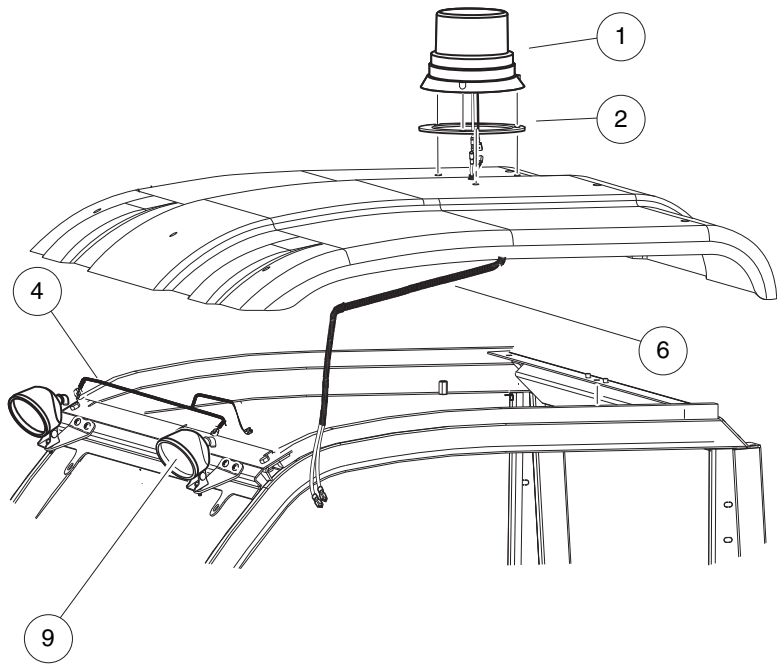
001254-001

SEAT BELTS, ROOF, VENT, & SEALS – CPL CAB

| ITEM | PART NO. | DESCRIPTION | QTY |
|------|-----------|-----------------------------------|-----|
| | | 1 2 3 4 | |
| 1 | 104001901 | Seat Belt, 2 Point | 2 |
| 2 | 104002501 | Roof Panel, White | 1 |
| 3 | 104004001 | Seat Belt, 3 Point | 2 |
| 4 | 104014701 | Kit, Cab, Seals, Side Frame | 1 |
| 5 | 104015201 | Kit, Cab, Seals, Vent | 1 |
| 6 | 104028301 | Vent, Louver | A/R |

1
G
E

1
G
E



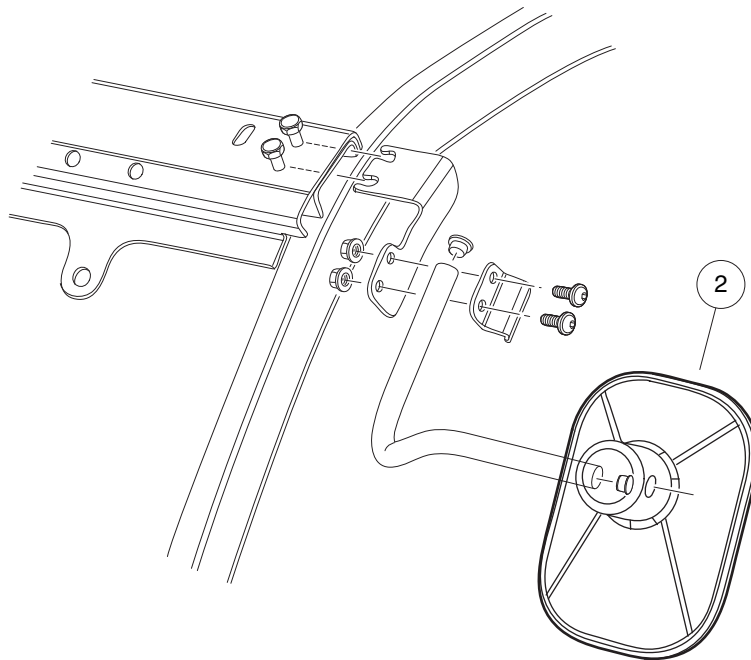
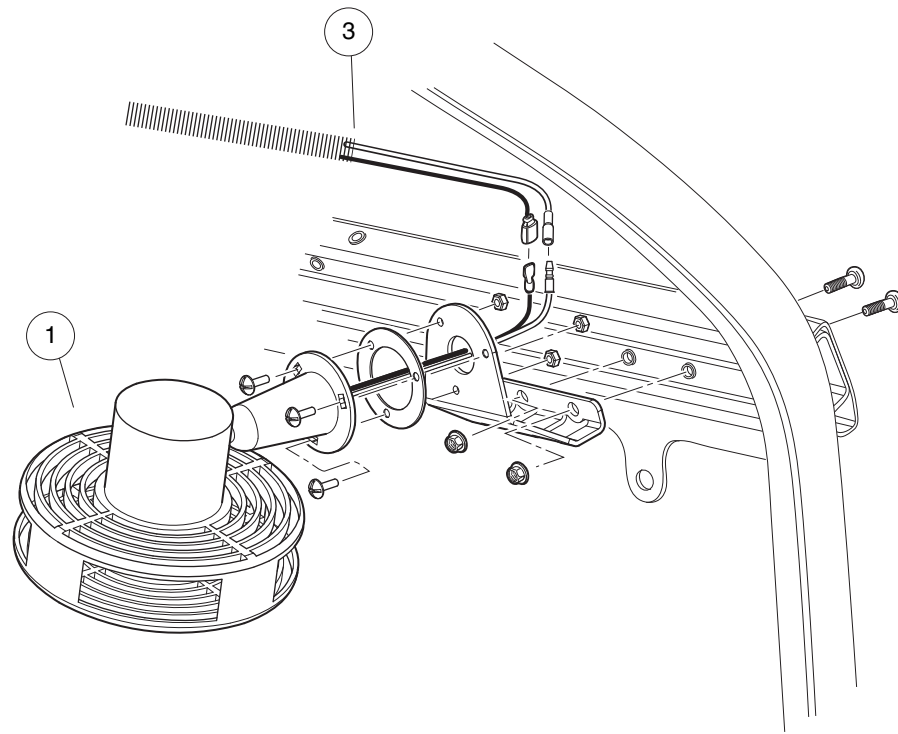
001255-001

LIGHTS – CPL CAB

| ITEM | PART NO. | DESCRIPTION | QTY |
|------|-----------|--|-----|
| | | 1 2 3 4 | |
| 1 | 104002101 | Light, Strobe, Amber | 1 |
| 2 | 104002201 | Seal Gasket, Foam | 1 |
| 3 | 104002301 | Fuse Holder, ATC, 6-Slot | 1 |
| 4 | 104003201 | Wire Harness, Front Work Lights | 1 |
| 5 | 104004201 | Wire Harness, Main, CPL Cab | 1 |
| 6 | 104004401 | Wire Harness, Beacon | 1 |
| 7 | 104004501 | Switch, L Series, Headlight | 1 |
| 8 | 104004601 | Switch, L Series, Strobelight | 1 |
| 9 | 104004701 | Lamp, 700t/862-12v | A/R |
| 10 | 104027901 | Wire Harness, Rear Work Light | 1 |
| 11 | 104028201 | Wire Harness, Fuse Block to Switch | 1 |
| 12 | 105002901 | Light, CHMSL, Red | 1 |
| 13 | 105003001 | Wire Harness, CHMSL Light | 1 |

1
G
E

1
G
E

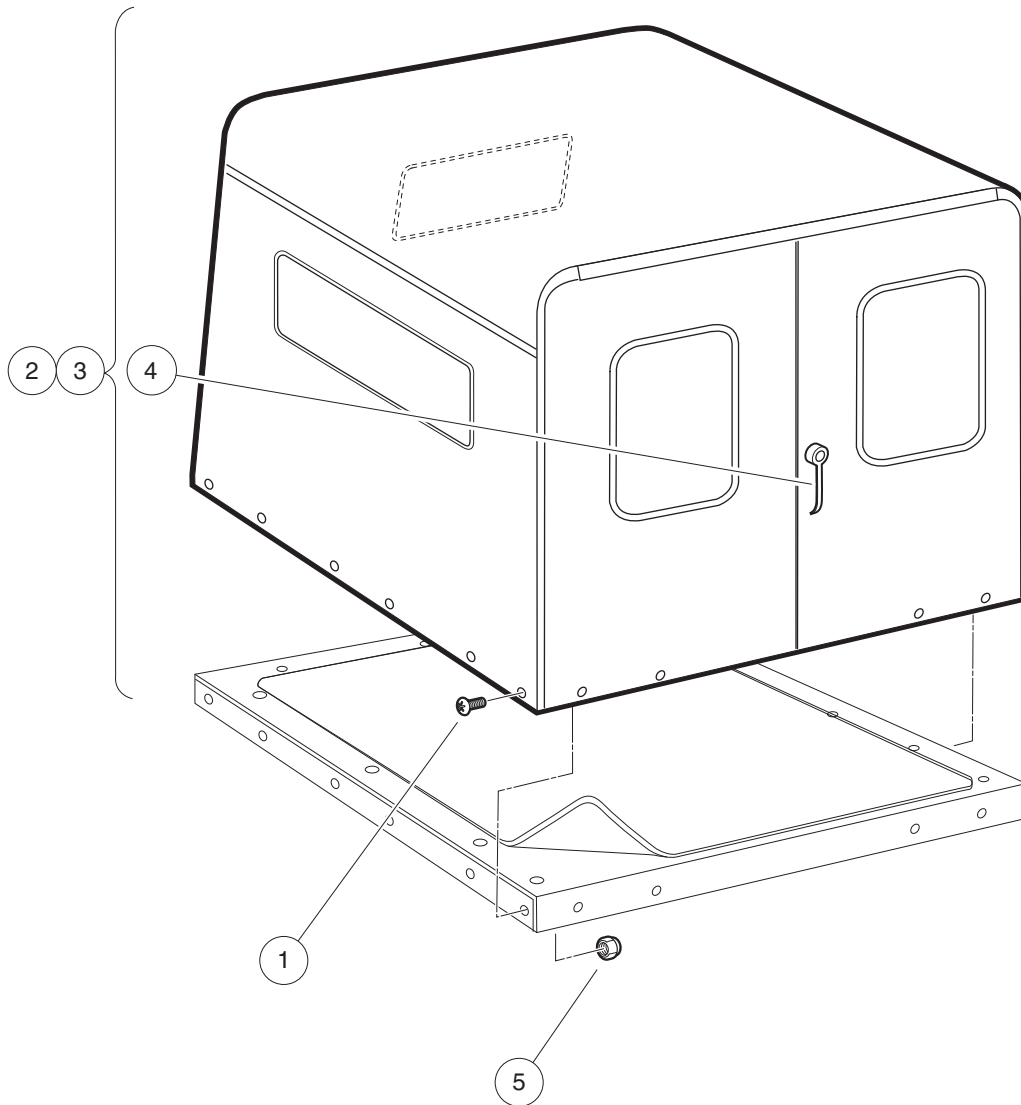


001256-001

FAN AND MIRROR – CPL CAB

| ITEM | PART NO. | DESCRIPTION | QTY |
|------|-----------|--------------------------------------|-----|
| | | 1 2 3 4 | |
| 1 | 104001401 | Fan, 12v, 3 Position | 1 |
| 2 | 104002001 | Mirror, Universal, 5.5" X 7.5" | 1 |
| 3 | 104004301 | Wire Harness, Fan | 1 |

1
G
E



001208-001

VAN BOX

| ITEM | PART NO. | DESCRIPTION | QTY |
|--|-----------|--|-----|
| | | 1 2 3 4 | |
| 1 | 1015399 | Screw, 5/16-18 X 0.88 Torx Truss-Head | 20 |
| 2 | 101754202 | Custom Van Box Gray | 1 |
| 3 | 101754205 | Custom Van Box Kit Ca Vi White (includes item 4) | 1 |
| 4 | 102006201 | Handle, Van Box Door | 1 |
| 5 | 7473 | Locknut, 5/16-18 Nylon Insert | 20 |
| <p>Note: Item 2, Van Box Gray, includes item 4, Door Handle.</p> | | | |

1
G
E

1

G

E

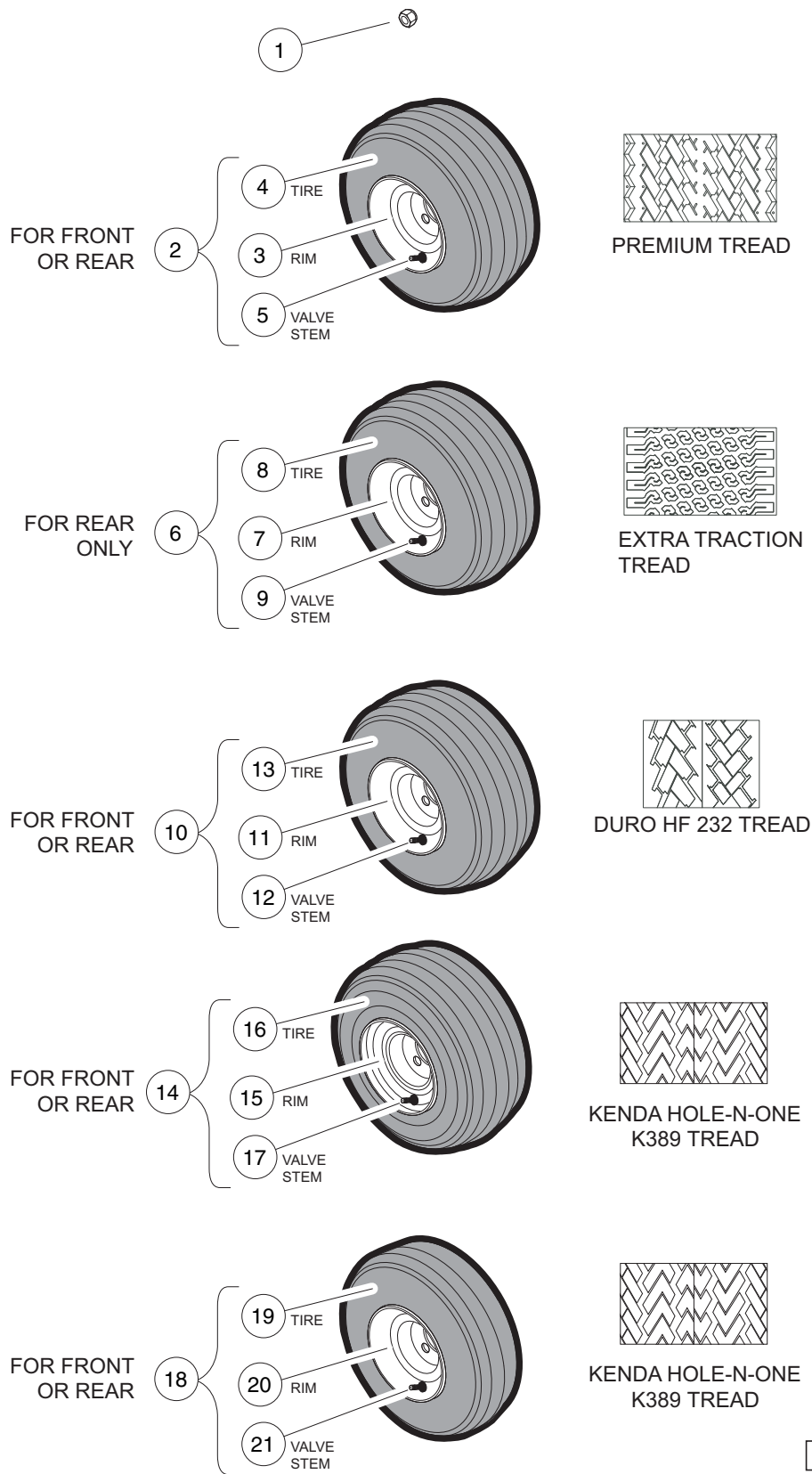
WHEELS AND TIRES

2

G

E

2
G
E



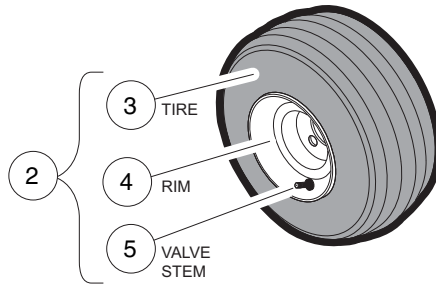
000269-017

WHEELS (WHITE) AND TIRES

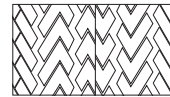
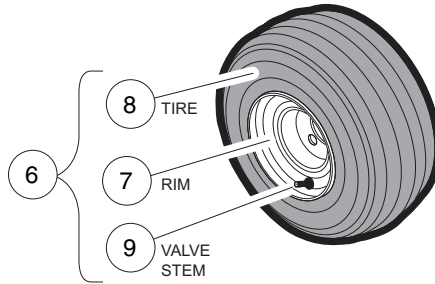
| ITEM | PART NO. | DESCRIPTION | QTY |
|------|-----------|---|-----|
| | | 1 2 3 4 | |
| 1 | 1010984 | .500-20 Unf Lug Nut | 16 |
| 2 | 101651406 | Tire/Wheel Asm, White, Premium Tread, 6-Ply (includes items 3 through 5) | 4 |
| 3 | 1014771 | Wheel Rim, White | 1 |
| 4 | 101737002 | Tire, Unmounted | 1 |
| 5 | 7310 | Valve Stem, Black Plastic | 1 |
| 6 | 101651407 | Tire/Wheel Asm, White, Extra-Traction, 6-Ply (includes items 7 through 9) | 2 |
| 7 | 1014771 | Wheel Rim, White | 1 |
| 8 | 101769302 | Tire, Unmounted Xtrac 18 x 8.50-8 | 1 |
| 9 | 7310 | Valve Stem, Black Plastic | 1 |
| 10 | 101651414 | Tire/Wheel Asm, White, Duro HF 232 (includes items 11 through 13) | 4 |
| 11 | 1014771 | Wheel Rim, White | 1 |
| 12 | 7310 | Valve Stem, Black Plastic | 1 |
| 13 | **** | Tire, Unmounted, 6-Ply Rated (18.5 x 8.5 - 8) (Duro) | 1 |
| 14 | 101651418 | Tire/Wheel Asm, White, Kenda Hole-N-One, 6-Ply (includes items 15 through 17) | 4 |
| 15 | 103459102 | Wheel Rim Asm, 8"x7", White | 1 |
| 16 | 103658701 | Tire, Kenda Hole-N-One, 18x8.5 - 8, Prem, 6-Ply | 1 |
| 17 | 7310 | Valve Stem, Black Plastic | 1 |
| 18 | 101651419 | Tire/Wheel Asm, White, Kenda Hole-N-One, 6-Ply, Narrow (includes items 19 through 21) | 4 |
| 19 | 103722901 | Tire, Kenda Hole-N-One, 18x6.5 - 8, Prem, 6-Ply | 1 |
| 20 | 103723002 | Wheel Rim, 8 X 5.375, White | 1 |
| 21 | 7310 | Valve Stem, Black Plastic | 1 |
| | | **** Special order item available upon request. | |

2
G
E

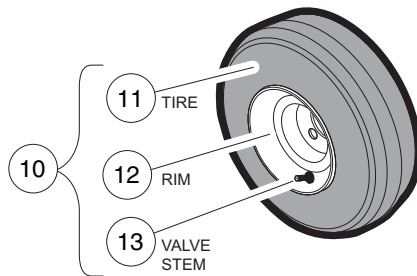
2
G
E



EXTRA TRACTION
TREAD



KENDA HOLE-N-ONE
K389 TREAD



KENDA HOLE-N-ONE
K389 TREAD

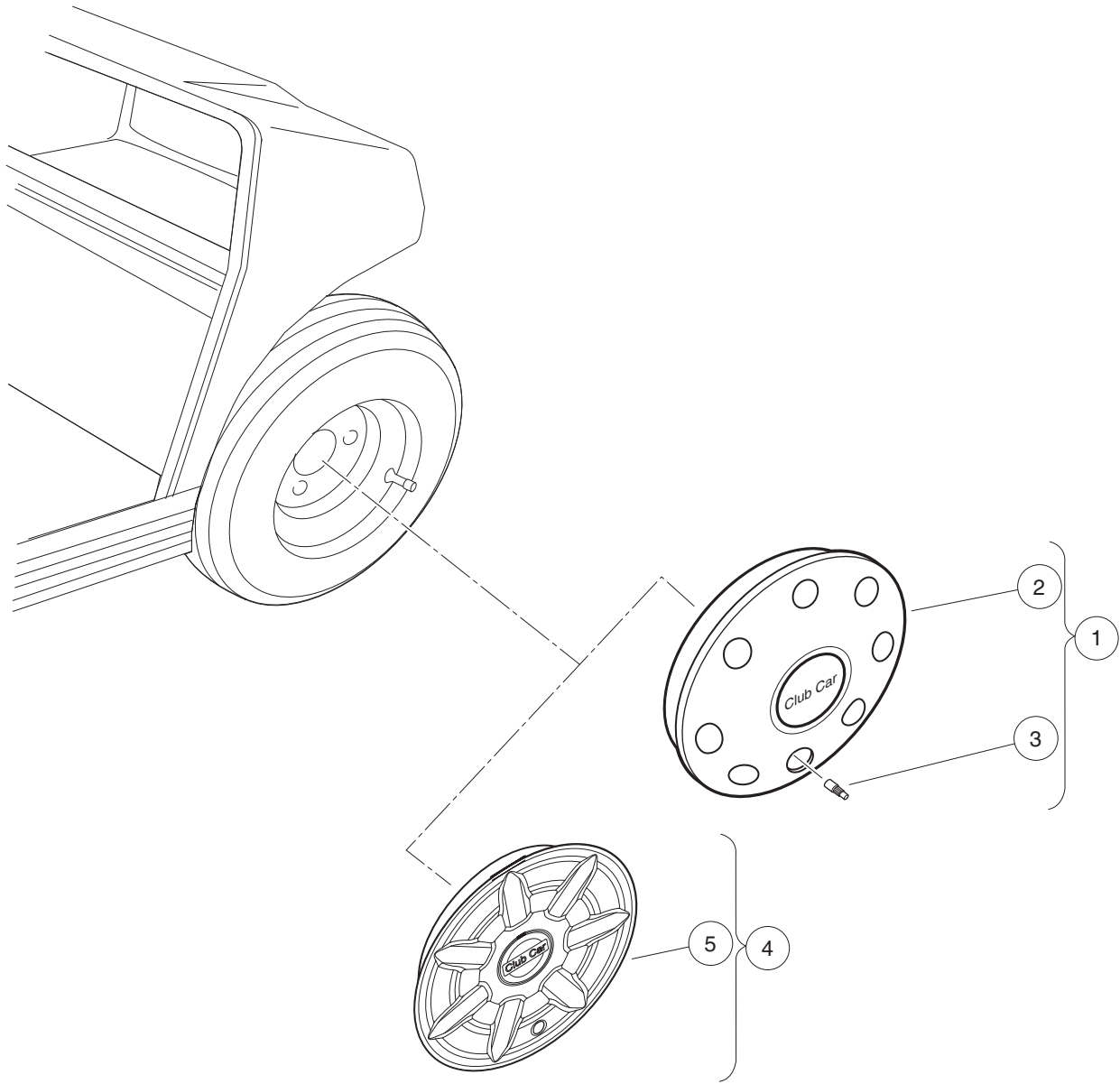
000269-018

WHEELS (SILVER) AND TIRES

| ITEM | PART NO. | DESCRIPTION | QTY |
|------|-----------|---|-----|
| | | 1 2 3 4 | |
| 1 | 1010984 | .500-20 Unf Lug Nut | 16 |
| 2 | 103951002 | Assembly, Silver Wheel Kenda, X/t 6ply (includes items 3 through 5) | A/R |
| 3 | 102569302 | Tire, Kenda, 18x8.5-8, 6-ply Xtr | 1 |
| 4 | 103459104 | Wheel Rim, 8"x7", Silver, Std | 1 |
| 5 | 7310 | Valve Stem, Black Plastic | 1 |
| 6 | 103951003 | Asm,silver Whl Kenda, Hn1 6pl (includes items 7 through 9) | A/R |
| 7 | 103459104 | Wheel Rim, 8"x7", Silver, Std | 1 |
| 8 | 103658601 | Tire, Kenda Hn1, 6pl | 1 |
| 9 | 7310 | Valve Stem, Black Plastic | 1 |
| 10 | 103951004 | Asm,silver Whl Kenda,6.5" 6pl (includes items 11 through 13) | A/R |
| 11 | 103722901 | Tire, Kenda Hole-N-One, 18x6.5 - 8, Prem, 6-Ply | 1 |
| 12 | 103723003 | Wheel Rim, 8 X 5.375, Silver | 1 |
| 13 | 7310 | Valve Stem, Black Plastic | 1 |

2
G
E

2
G
E



001203-001

WHEEL COVERS

| ITEM | PART NO. | DESCRIPTION | QTY |
|------|-----------|---|-----|
| | | 1 2 3 4 | |
| 1 | 1012642 | Sport Wheel Cover Kit (each) (includes items 2 and 3) | 4 |
| 2 | 1012640 | Hubcap | 1 |
| 3 | 1012641 | Valve Extension | 1 |
| 4 | 102559901 | Hub Cap Kit, Prec (includes item 5) | 1 |
| 5 | 103694501 | Hub Cap, 7 Prong | 4 |

2
G
E

2

G

E

DECALS

3

G

E

⚠ WARNING

ROLLOVER OR FALLING OFF MAY CAUSE DEATH.

- Before using vehicle, read operating instructions.
- Remain seated and hold on to seat handle while moving.
- Do not start vehicle until all occupants are seated.
- Two (2) persons per seat maximum.
- Operate from driver side only and not on public roads.
- Keep entire body inside vehicle while moving.
- Drive slowly in turns and straight up and down slopes.
- Do not leave children unattended on vehicle.
- Never operate under the influence of alcohol or drugs.
- Use brakes to reduce speed when coasting downhill.
- Never stand in front of or behind vehicle.

CCI 103205401

⚠ WARNING

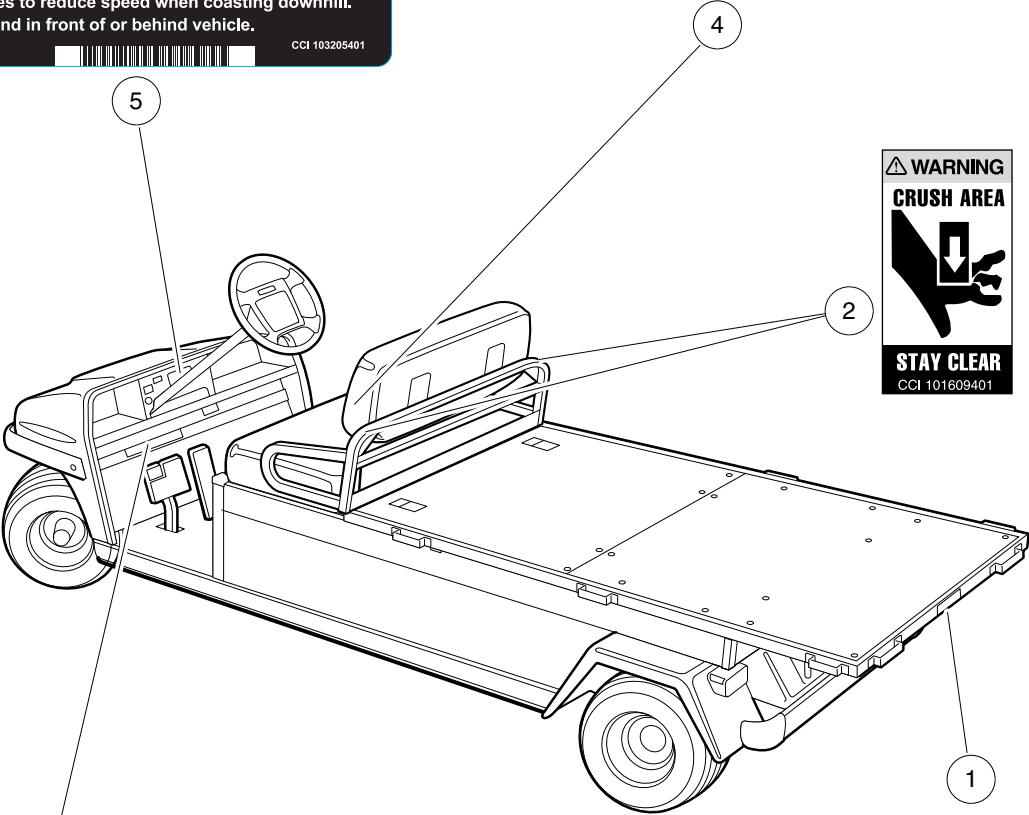
BATTERY EXPLOSION COULD RESULT IN SEVERE PERSONAL INJURY.

- Do not store items in battery compartment.
- Place Run/Tow switch in TOW position before:
 - Disconnecting or connecting battery cables
 - Towing this vehicle
 - Extended storage
 - Servicing the vehicle

NORMAL TRIPPED

TOW RUN

CCI 102845101



⚠ WARNING

CRUSH AREA

STAY CLEAR

CCI 101609401

⚠ WARNING

Riding in cargo bed can cause severe injury or death. Do not ride in cargo bed.

CCI 101555901

VEHICLE LOADING

Read owner's manual and warnings on dash.

- Vehicle rated capacity - 1500 lb on level surface only. Weight to include passengers, cargo bed load, and gross trailer weight. See owner's manual.
- Maximum cargo load CARRYALL 6 or TURF 6 - 1000 lb, TRANSPORTER - 300 lb. Weight to include cargo bed load and gross trailer weight.
- Maximum trailer hitch tongue weight - 150 lbs.

- Cargo should be evenly spread over the floor of the cargo bed as far forward as possible and secured.
 - For vehicle stability, when fully loaded, drive slowly and avoid stopping on or backing down steep hills.
 - Avoid top heavy loads. See owner's manual.
 - When driving on uneven terrain or down steep hills, reduce speed and load.
- CCI 101960001

000632-002

DECALS – ELECTRIC CARRYALL 6

| ITEM | PART NO. | DESCRIPTION | QTY |
|------|-----------|-------------------------------------|-----|
| | | 1 2 3 4 | |
| 1 | 101553901 | Decal, Bed Load Warning | 1 |
| 2 | 101609401 | Decal, Crush Area Warning | 2 |
| 3 | 101960001 | Decal, Vehicle Loading | 1 |
| 4 | 102845101 | Decal, Tow Switch | 1 |
| 5 | 103205401 | Decal, Warning, Rollover, Utl | 1 |

3
G
E

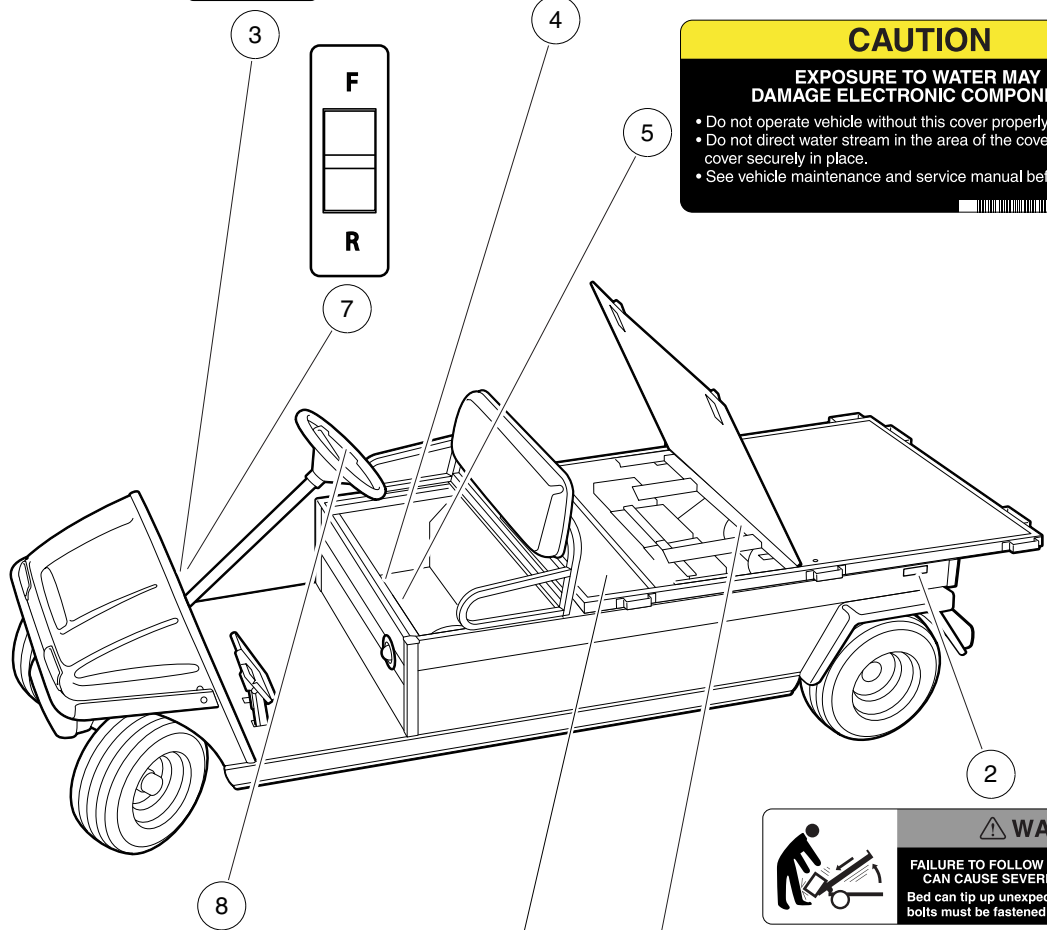
NOTICE DO NOT USE AS GROUND
CCI 101964601

OFF | ON

CAUTION
EXPOSURE TO WATER MAY DAMAGE ELECTRONIC COMPONENTS

- Do not operate vehicle without this cover properly installed.
- Do not direct water stream in the area of the cover without cover securely in place.
- See vehicle maintenance and service manual before servicing.

CCI 102518301



WARNING

FAILURE TO FOLLOW THESE INSTRUCTIONS CAN CAUSE SEVERE INJURY OR DEATH.

Bed can tip up unexpectedly. Bed hold down bolts must be fastened.

CCI 101707801

OPERATING INSTRUCTIONS

Before using vehicle, read owner's manual and vehicle safety warnings. Study and understand controls.

TO OPERATE

- Ensure wheels are turned in desired direction and path is clear.
- Turn key to ON position.
- Select FORWARD or REVERSE only when stopped.
- Release park brake fully.
- Vehicle will start moving when accelerator pedal is pressed.
- Slowly press accelerator pedal to increase speed.
- During operation, beeping alarm indicates reduction in motor braking.
- To stop, release accelerator pedal and press brake pedal.

WARNING

Unintended vehicle movement may cause severe injury or death. Before leaving vehicle:

- Engage park brake to lock wheels.
- Place vehicle in NEUTRAL.
- Turn key to OFF and remove key.

CCI 1023001

WARNING

AVOID FIRE HAZARD

- Replacement battery wires must be 4-gauge (AWG) with low-resistance terminals equivalent to factory-installed wires.
- Ensure that battery connections are clean and properly tightened. See owner's manual.

CCI 102967601

DANGER / POISON

EXPLOSIVE GASES CAN CAUSE BLINDNESS OR INJURY

SHIELD EYES

NO SPARKS, FLAMES, SMOKING

SULFURIC ACID CAN CAUSE BLINDNESS OR SEVERE BURNS

FLUSH EYES IMMEDIATELY WITH WATER

GET MEDICAL HELP FAST

KEEP OUT OF THE REACH OF CHILDREN -- DO NOT TIP -- KEEP VENT CAPS TIGHT AND LEVEL

000633-003

DECALS – ELECTRIC CARRYALL 6, CONTINUED

| ITEM | PART NO. | DESCRIPTION | QTY |
|------|-----------|--|-----|
| | | 1 2 3 4 | |
| 1 | 1013677 | Decal, Battery Danger | A/R |
| 2 | 101707801 | Decal, Bed Hold-Down Bolts | 1 |
| 3 | 101825101 | Decal, Off/On | 1 |
| 4 | 101964601 | Decal, No Ground Warning | 1 |
| 5 | 102518301 | Decal, Caution, Electrical Component Cover | 1 |
| 6 | 102967601 | Decal, Warning, 4 Gauge Wire | 1 |
| 7 | 103210301 | Decal, Forward/Reverse, Electric | 1 |
| 8 | 103783001 | Decal, Op Instr, Ele | 1 |

3
G
E

⚠ WARNING

ROLLOVER OR FALLING OFF MAY CAUSE DEATH.

- Before using vehicle, read operating instructions.
- Remain seated and hold on to seat handle while moving.
- Do not start vehicle until all occupants are seated.
- Two (2) persons per seat maximum.
- Operate from driver side only and not on public roads.
- Keep entire body inside vehicle while moving.
- Drive slowly in turns and straight up and down slopes.
- Do not leave children unattended on vehicle.
- Never operate under the influence of alcohol or drugs.
- Use brakes to reduce speed when coasting downhill.
- Never stand in front of or behind vehicle.

CCI 103205401

⚠ WARNING

CRUSH AREA

STAY CLEAR

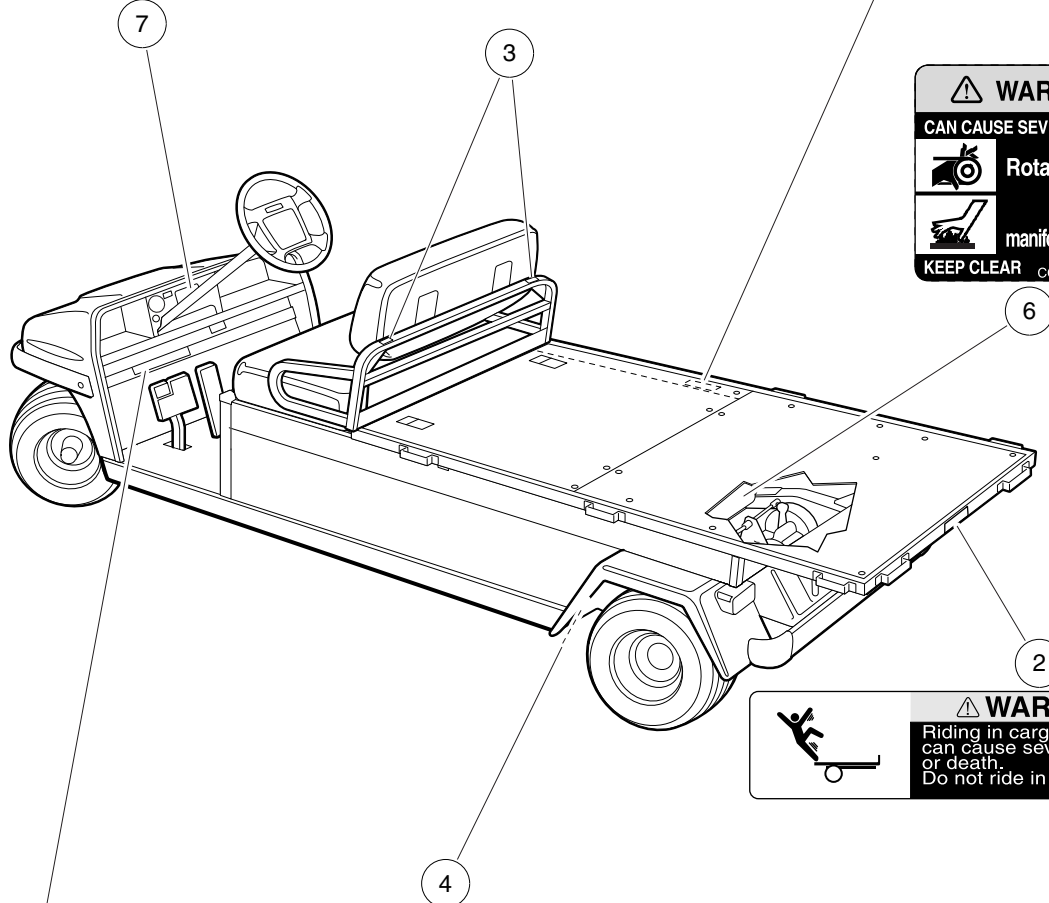
CCI 101609401

⚠ WARNING

GASOLINE EXPLOSION / FIRE.

- Can cause severe injury or death.
- No smoking, sparks, or open flame.
- Stop engine, allow to cool before refueling.
- Turn fuel valve (↔) on during operation.
- (↔) off during storage or transport.

CCI 101547601



⚠ WARNING

CAN CAUSE SEVERE INJURY

Rotating parts

HOT manifold & muffler

KEEP CLEAR

CCI 101960501

⚠ WARNING

Riding in cargo bed can cause severe injury or death. Do not ride in cargo bed.

CCI 101553901

⚠ WARNING

Negative frame ground. Can cause severe injury. Do not contact positive (+) battery post or cable to frame. Disconnect negative battery lead first.

⚠ WARNING

Excessive speed. Can cause severe injury or death. Do not tamper with engine governor adjustment.

CCI 101915201

VEHICLE LOADING

Read owner's manual and warnings on dash.

- Vehicle rated capacity - 1500 lb on level surface only. Weight to include passengers, cargo bed load, and gross trailer weight. See owner's manual.
- Maximum cargo load CARRYALL 6 or TURF 6 - 1000 lb, TRANSPORTER - 300 lb. Weight to include cargo bed load and gross trailer weight.
- Maximum trailer hitch tongue weight - 150 lbs.

- Cargo should be evenly spread over the floor of the cargo bed as far forward as possible and secured.
- For vehicle stability, when fully loaded, drive slowly and avoid stopping on or backing down steep hills.
- Avoid top heavy loads. See owner's manual.
- When driving on uneven terrain or down steep hills, reduce speed and load.

CCI 101960001

000634-002

DECALS – GASOLINE TURF/CARRYALL 6

| ITEM | PART NO. | DESCRIPTION | QTY |
|------|-----------|--|-----|
| | | 1 2 3 4 | |
| 1 | 101547601 | Decal, Gasoline Explosion/Fire Warning | 1 |
| 2 | 101553901 | Decal, Bed Load Warning | 1 |
| 3 | 101609401 | Decal, Crush Area Warning | 2 |
| 4 | 101915201 | Decal, Frame Ground and Governor Warning | 1 |
| 5 | 101960001 | Decal, Vehicle Loading | 1 |
| 6 | 101960501 | Decal, Rotating Parts/Hot Manifold | 1 |
| 7 | 103205401 | Decal, Warning, Rollover, Utl | 1 |

3
G
E

OPERATING INSTRUCTIONS

Before using vehicle, read owner's manual and vehicle safety warnings. Study and understand controls.

TO OPERATE

- Ensure wheels are turned in desired direction and path is clear.
- Place vehicle in NEUTRAL and press brake pedal.
- Turn key to START position and hold until engine starts.
- Select FORWARD or REVERSE only when stopped and engine at idle.
- Release park brake fully.
- Vehicle will start moving when accelerator pedal is pressed.
- Slowly press accelerator pedal to increase speed.
- To stop, release accelerator pedal and press brake pedal.

WARNING

Unintended vehicle movement may cause severe injury or death. Before leaving vehicle:

- Engage park brake to lock wheels.
- Place vehicle in NEUTRAL.
- Turn key to OFF and remove key.

103782003

OPERATING INSTRUCTIONS

Before using vehicle, read owner's manual and vehicle safety warnings. Study and understand controls.

TO OPERATE

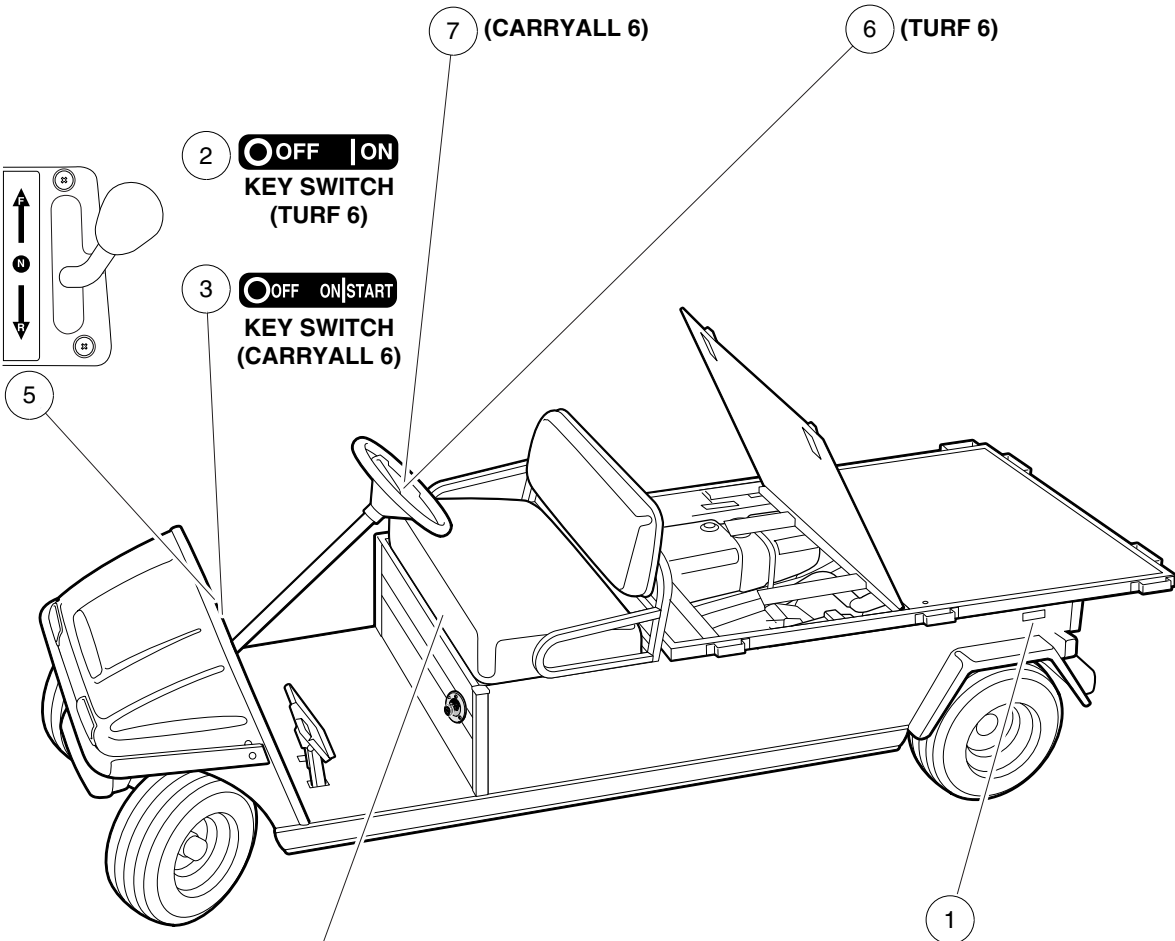
- Ensure wheels are turned in desired direction and path is clear.
- Turn key to ON position.
- Select FORWARD or REVERSE only when stopped.
- Release park brake fully.
- Vehicle will start moving when accelerator pedal is pressed.
- Slowly press accelerator pedal to increase speed.
- To stop, release accelerator pedal and press brake pedal.

WARNING

Unintended vehicle movement may cause severe injury or death. Before leaving vehicle:

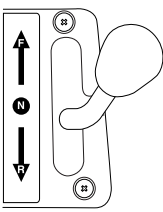
- Engage park brake to lock wheels.
- Place vehicle in NEUTRAL.
- Turn key to OFF and remove key.

103782002



2 **OFF | ON**
KEY SWITCH
(TURF 6)

3 **OFF ON|START**
KEY SWITCH
(CARRYALL 6)



5

4

Maintenance Operate

WARNING

VEHICLE MOVEMENT MAY CAUSE SERIOUS INJURY
When switch is in Maintenance position, chock wheels and firmly set park brake.

CCI 103205501

WARNING

FAILURE TO FOLLOW THESE INSTRUCTIONS CAN CAUSE SEVERE INJURY OR DEATH.
Bed can tip up unexpectedly. Bed hold down bolts must be fastened.

CCI 101707801

000635-003

DECALS – GASOLINE TURF/CARRYALL 6, CONTINUED

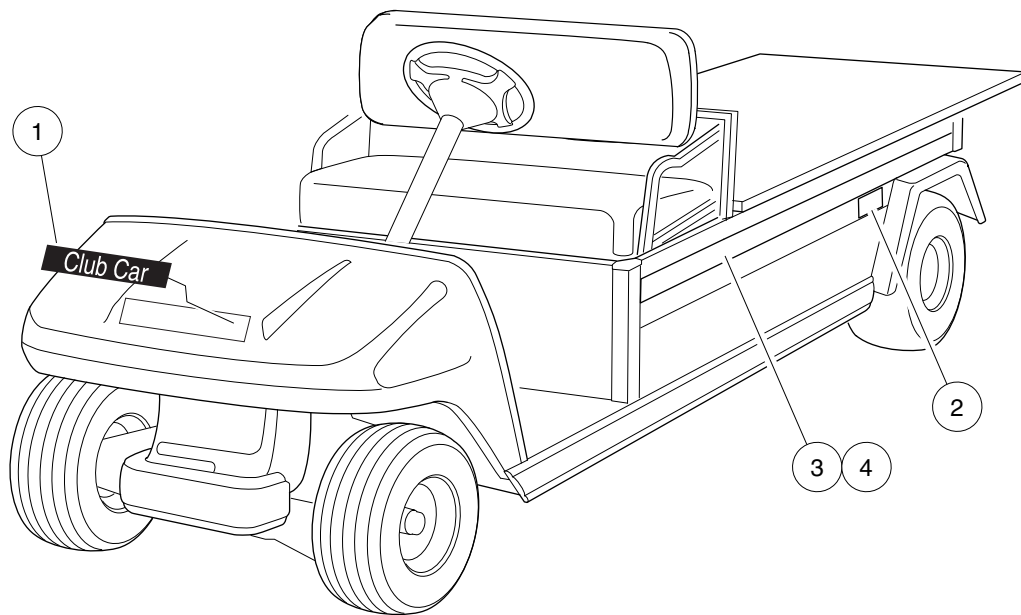
| ITEM | PART NO. | DESCRIPTION | QTY |
|------|-----------|-----------------------------------|-----|
| | | 1 2 3 4 | |
| 1 | 101707801 | Decal, Bed Hold-Down Bolts | 1 |
| 2 | 101825101 | Decal, Off/On | 1 |
| 3 | 101825102 | Decal, Off/On/Start | 1 |
| 4 | 103205501 | Decal, Run/Service Switch | 1 |
| 5 | 103210201 | Decal, Forward/Reverse, Gas | 1 |
| 6 | 103783002 | Decal, Op Instr, Gas Ps | 1 |
| 7 | 103783003 | Decal, Op Instr, Gas Ks | 1 |

3
G
E

3

G

E



000674-008

BADGING DECALS, CARRYALL 6 – ELECTRIC VEHICLES

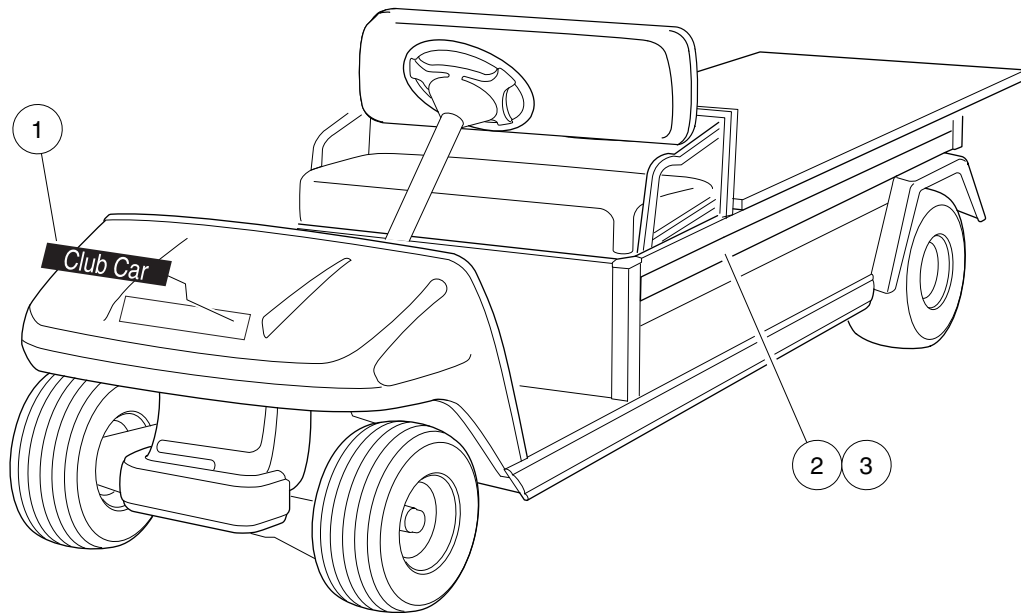
| ITEM | PART NO. | DESCRIPTION | QTY |
|------|-----------|-----------------------------------|-----|
| | | 1 2 3 4 | |
| 1 | 101670201 | Nameplate Kit (silver) | 1 |
| 2 | 103464801 | Decal, Iq Plus, Zev | 2 |
| 3 | 103515601 | Decal, Ca6, Sidepanel, Drv | 1 |
| 4 | 103515701 | Decal, Ca6, Sidepanel, Pass | 1 |

3
G
E

3

G

E



000674-009

BADGING DECALS, CARRYALL 6 – GASOLINE VEHICLES

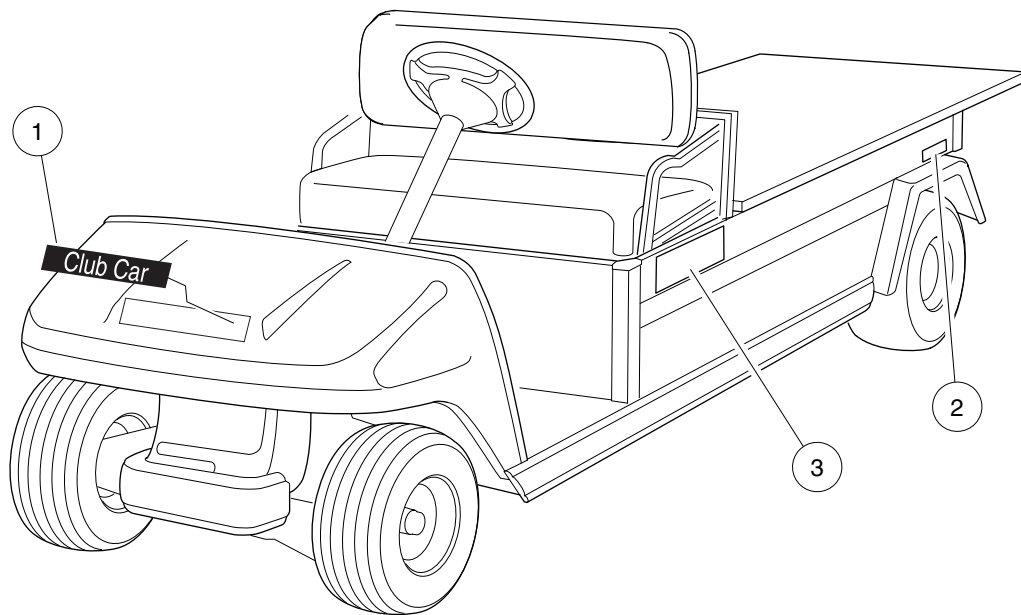
| ITEM | PART NO. | DESCRIPTION | QTY |
|------|-----------|-----------------------------------|-----|
| | | 1 2 3 4 | |
| 1 | 101670201 | Nameplate Kit (silver) | 1 |
| 2 | 103515601 | Decal, Ca6, Sidepanel, Drv | 1 |
| 3 | 103515701 | Decal, Ca6, Sidepanel, Pass | 1 |

3
G
E

3

G

E



000674-010

BADGING DECALS, TURF 6 – GASOLINE VEHICLES

| ITEM | PART NO. | DESCRIPTION | QTY |
|------|-----------|-------------------------------|-----|
| | | 1 2 3 4 | |
| 1 | 101670201 | Nameplate Kit (silver) | 1 |
| 2 | 103234303 | Decal, Badge, Ir Black | 2 |
| 3 | 103260201 | Decal Turf 6 Side Panel | 2 |



3

G

E

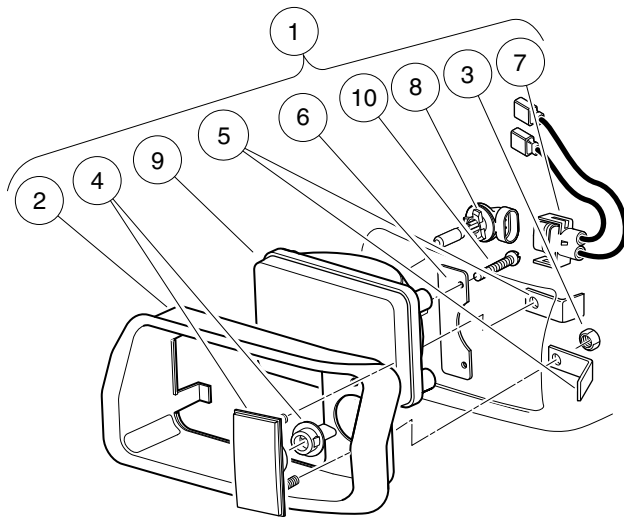
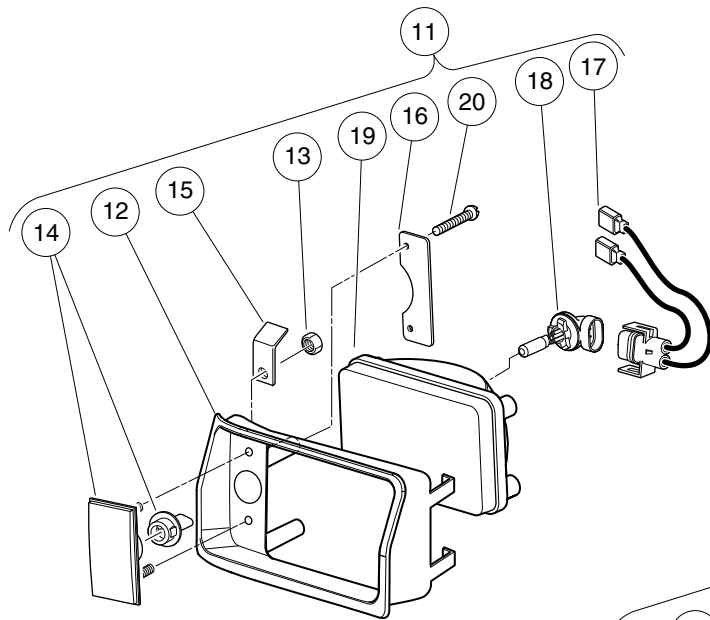
LIGHTS, CONTROLS, AND INDICATORS

4

G

E

4
G
E



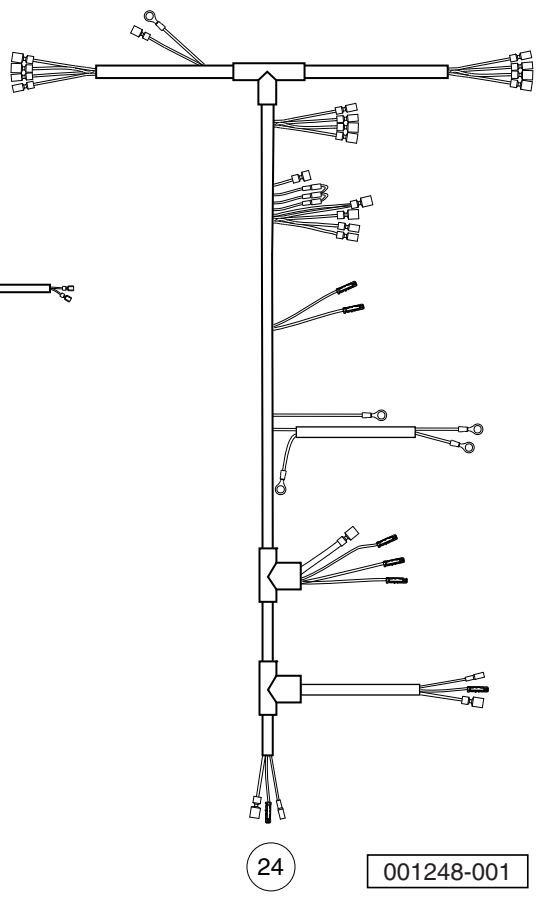
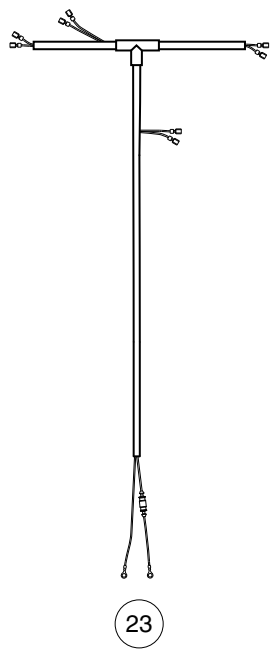
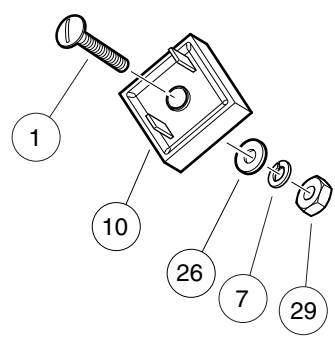
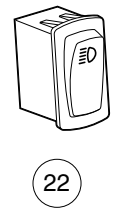
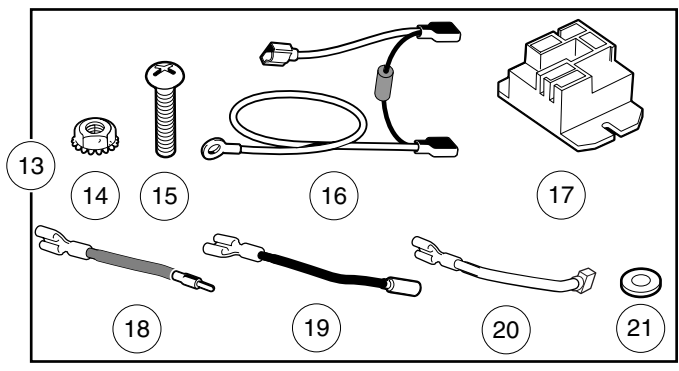
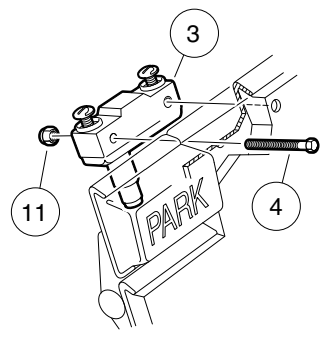
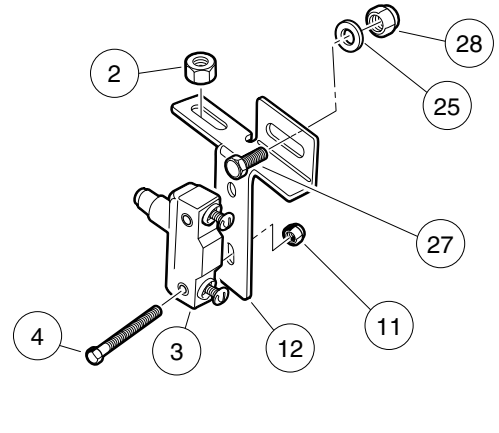
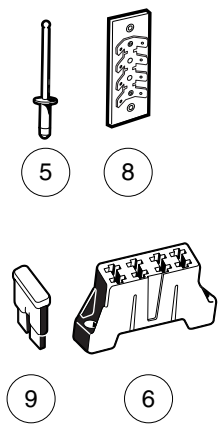
001097-001

HEADLIGHTS

| ITEM | PART NO. | DESCRIPTION | QTY |
|------|-----------|---|-----|
| | | 1 2 3 4 | |
| 1 | 101988001 | Headlight Assembly, Driver-Side Single Beam (includes items 2 through 10) | 1 |
| 2 | 1016880 | Headlight Bezel, Left | 1 |
| 3 | 1017 | Nut, #10-24 Stainless-Steel Hex Machine | 2 |
| 4 | 1017062 | Turn Signal Lens Assy | 1 |
| 5 | 1017064 | Mounting Bracket | 2 |
| 6 | 1017065 | Retainer, Headlight | 1 |
| 7 | 101987901 | Connector, Harness Assembly, Headlight | 1 |
| 8 | 101988101 | Bulb, Headlight | 1 |
| 9 | 101988201 | Lens, Headlight | 1 |
| 10 | 1620 | Screw, #10-16 X 0.75 Pan-Head Tap | 2 |
| 11 | 101988002 | Headlight Assy, Passenger-Side Single Beam (includes items 12 through 20) | 1 |
| 12 | 1016879 | Headlight Bezel, Right | 1 |
| 13 | 1017 | Nut, #10-24 Stainless-Steel Hex Machine | 2 |
| 14 | 1017062 | Turn Signal Lens Assy | 1 |
| 15 | 1017064 | Mounting Bracket | 2 |
| 16 | 1017065 | Retainer, Headlight | 1 |
| 17 | 101987901 | Connector, Harness Assembly, Headlight | 1 |
| 18 | 101988101 | Bulb, Headlight | 1 |
| 19 | 101988201 | Lens, Headlight | 1 |
| 20 | 1620 | Screw, #10-16 X 0.75 Pan-Head Tap | 2 |

4
G
E

4
G
E



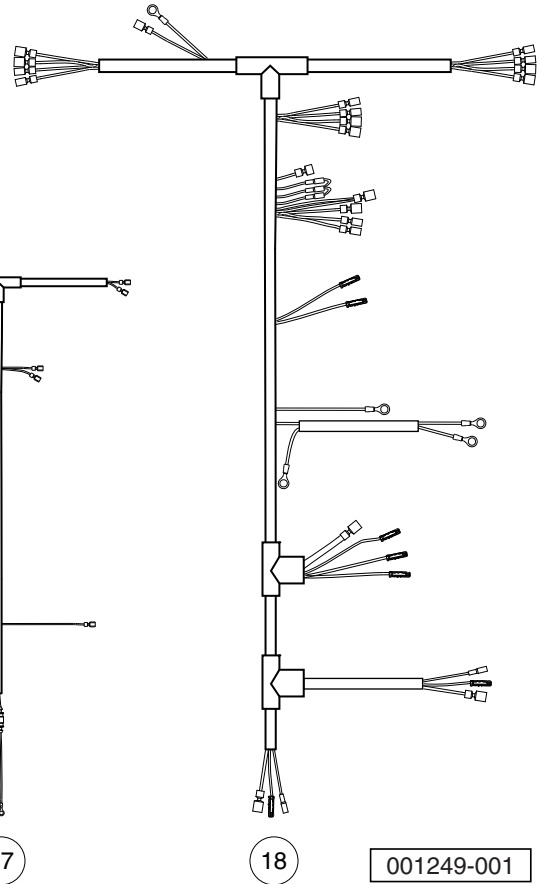
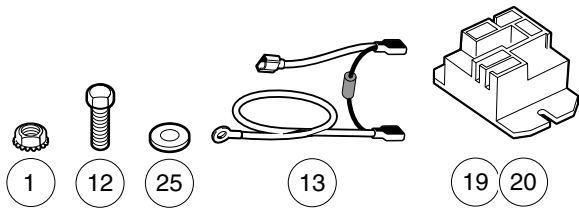
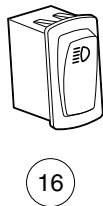
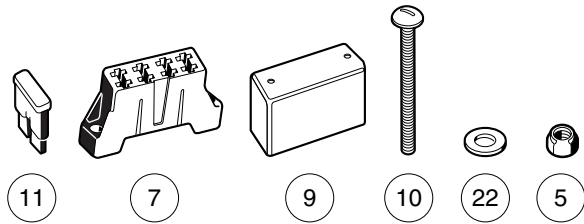
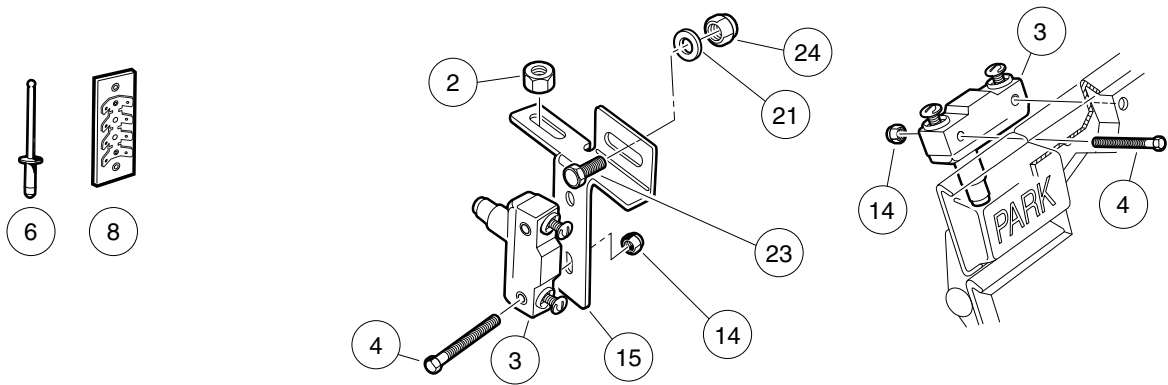
001248-001

LIGHTING SYSTEM COMPONENTS – GASOLINE VEHICLES

| ITEM | PART NO. | DESCRIPTION | QTY |
|------|-----------|--|-----|
| | | 1 2 3 4 | |
| 1 | 1010909 | Screw, #10-32 X 1.25 Rd Hd Mch | 1 |
| 2 | 1011280 | Locknut, 5/16-18 | 1 |
| 3 | 1011439 | Switch, Limit | 2 |
| 4 | 1011557 | Screw, #6-32 X 1.00 Hex-Head Machine | 4 |
| 5 | 1013357 | Rivet, 5/32 Aluminum Pop | 2 |
| 6 | 1015741 | Fuse Block | 1 |
| 7 | 1016 | Lockwasher, #10 Split | 1 |
| 8 | 1016356 | Terminal Block with Insulator | 1 |
| 9 | 1016423 | Fuse, 20-Amp | 3 |
| 10 | 1017721 | Limiter, Voltage | 1 |
| 11 | 101932201 | Locknut, #6-32 Nylon | 4 |
| 12 | 101957101 | Bracket, Brake Light Switch | 1 |
| 13 | 102198701 | Brake Relay Kit - 12v (includes items 14 through 21) | 1 |
| 14 | 1011229 | Locknut, #6-32 Whiz | 2 |
| 15 | 1017853 | Screw, #6-32 X 0.75 Hex-Head Machine | 2 |
| 16 | 101914401 | Assembly, Voltage Suppressor | 1 |
| 17 | 102199001 | Relay, 12-Volt | 1 |
| 18 | 102199201 | Wire Asm #18 Brown | 1 |
| 19 | 102199301 | Wire Asm #18 Black | 1 |
| 20 | 102199401 | Wire Asm #18 Black | 1 |
| 21 | 7591 | Washer, #6, Flat | 2 |
| 22 | 102869401 | Switch, Rocker, Light | 1 |
| 23 | 103255601 | Wire Harness, Headlights-Only, CA, Gas | 1 |
| 24 | 103256801 | Wire Harness, Lighting Package, Stretch, Gas | 1 |
| 25 | 1241 | Washer, 5/16 Type A Flat | 1 |
| 26 | 183 | Washer, #10, Type A, Flat | 1 |
| 27 | 7173 | Screw, 5/16-18 X 0.75, Hex-Head Cap | 1 |
| 28 | 7473 | Locknut, 5/16-18 Nylon Insert | 1 |
| 29 | 7893 | Nut, #10-32 Hex | 1 |
| | | <p>Note: The wire harnesses (item 23 and 24) are for use on the Turf 6 gasoline model. The Carryall 6 gasoline model has wiring for lights built into its harness. NOTE 2: Use item 23 for headlights only. NOTE 3: Use item 24 for headlights and taillights.</p> | |

4
G
E

4
G
E



001249-001

LIGHTING SYSTEM COMPONENTS – ELECTRIC VEHICLES

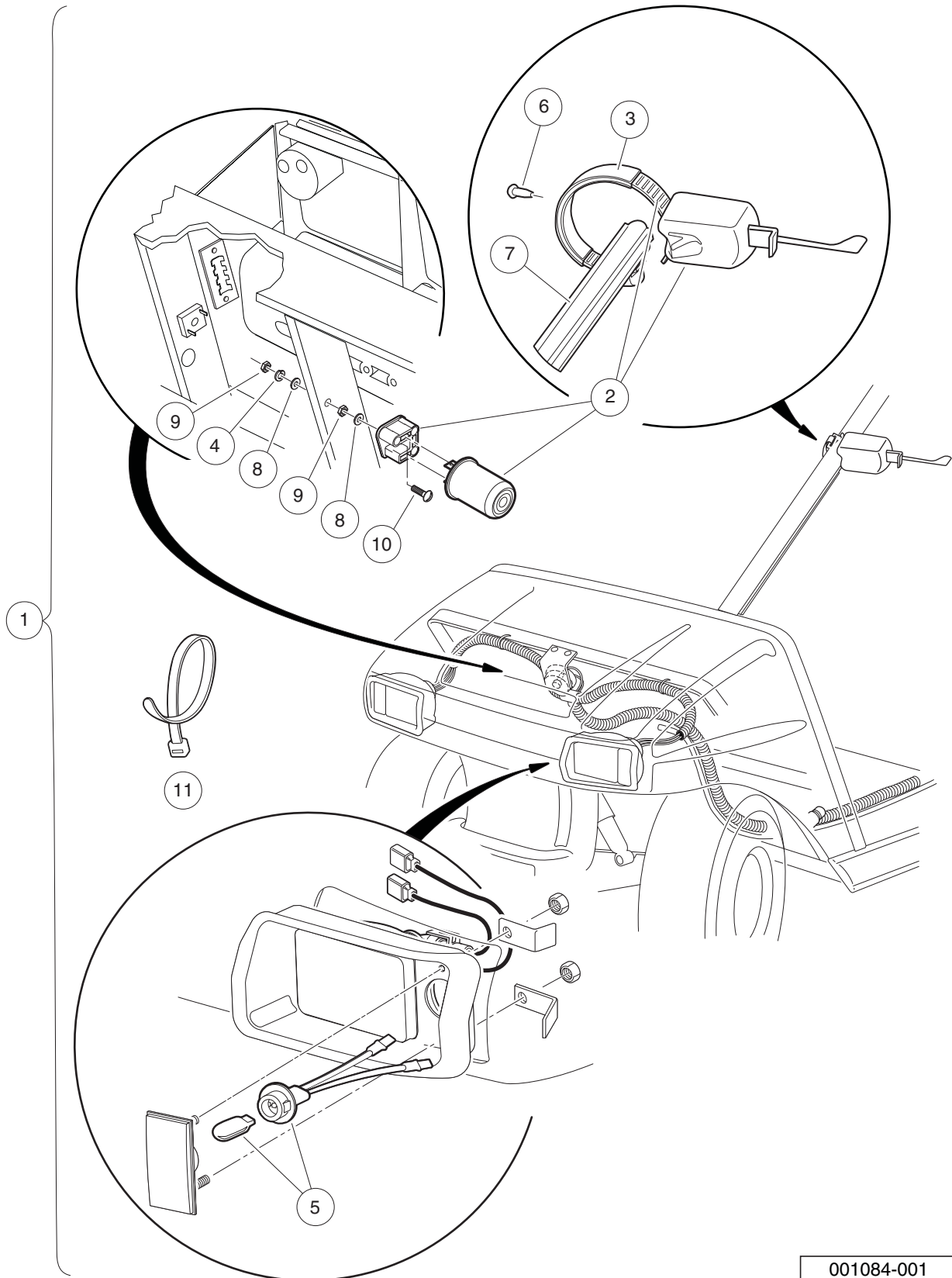
| ITEM | PART NO. | DESCRIPTION | QTY |
|------|-----------|---|-----|
| | | 1 2 3 4 | |
| 1 | 1011229 | Locknut, #6-32 Whiz | 2 |
| 2 | 1011280 | Locknut, 5/16-18 | 1 |
| 3 | 1011439 | Switch, Limit | 2 |
| 4 | 1011557 | Screw, #6-32 X 1.00 Hex-Head Machine | 4 |
| 5 | 1012438 | Locknut, #10-24 Nylon Insert | 2 |
| 6 | 1013357 | Rivet, 5/32 Aluminum Pop | 2 |
| 7 | 1015741 | Fuse Block | 1 |
| 8 | 1016356 | Terminal Block with Insulator | 1 |
| 9 | 1016363 | Fuse Block Cover | 1 |
| 10 | 1016366 | Screw, #10-24 X 3.0 Pan-Head Machine | 2 |
| 11 | 1016423 | Fuse, 20-Amp | 3 |
| 12 | 1017853 | Screw, #6-32 X 0.75 Hex-Head Machine | 2 |
| 13 | 101914401 | Assembly, Voltage Suppressor | 1 |
| 14 | 101932201 | Locknut, #6-32 Nylon | 4 |
| 15 | 102869401 | Switch, Rocker, Light | 1 |
| 16 | 103255701 | Wire Harness, Headlights-Only, CA, Electric | 1 |
| 17 | 103257101 | Wire Harness, Lighting Package, Stretch, Electric | 1 |
| 18 | 103414901 | Kit, Relay, 48v 30a W/instr (includes item 19) | 1 |
| 19 | 103397901 | Relay, Spst No, 48v 30a, Pmt | 1 |
| 20 | 1241 | Washer, 5/16 Type A Flat | 1 |
| 21 | 183 | Washer, #10, Type A, Flat | 4 |
| 22 | 7173 | Screw, 5/16-18 X 0.75, Hex-Head Cap | 1 |
| 23 | 7473 | Locknut, 5/16-18 Nylon Insert | 1 |
| 24 | 7591 | Washer, #6, Flat | 2 |
| | | Note: Use item 16 for headlights only. NOTE 2: Use item 17 for headlights and taillights. | |

4

G

E

4
G
E



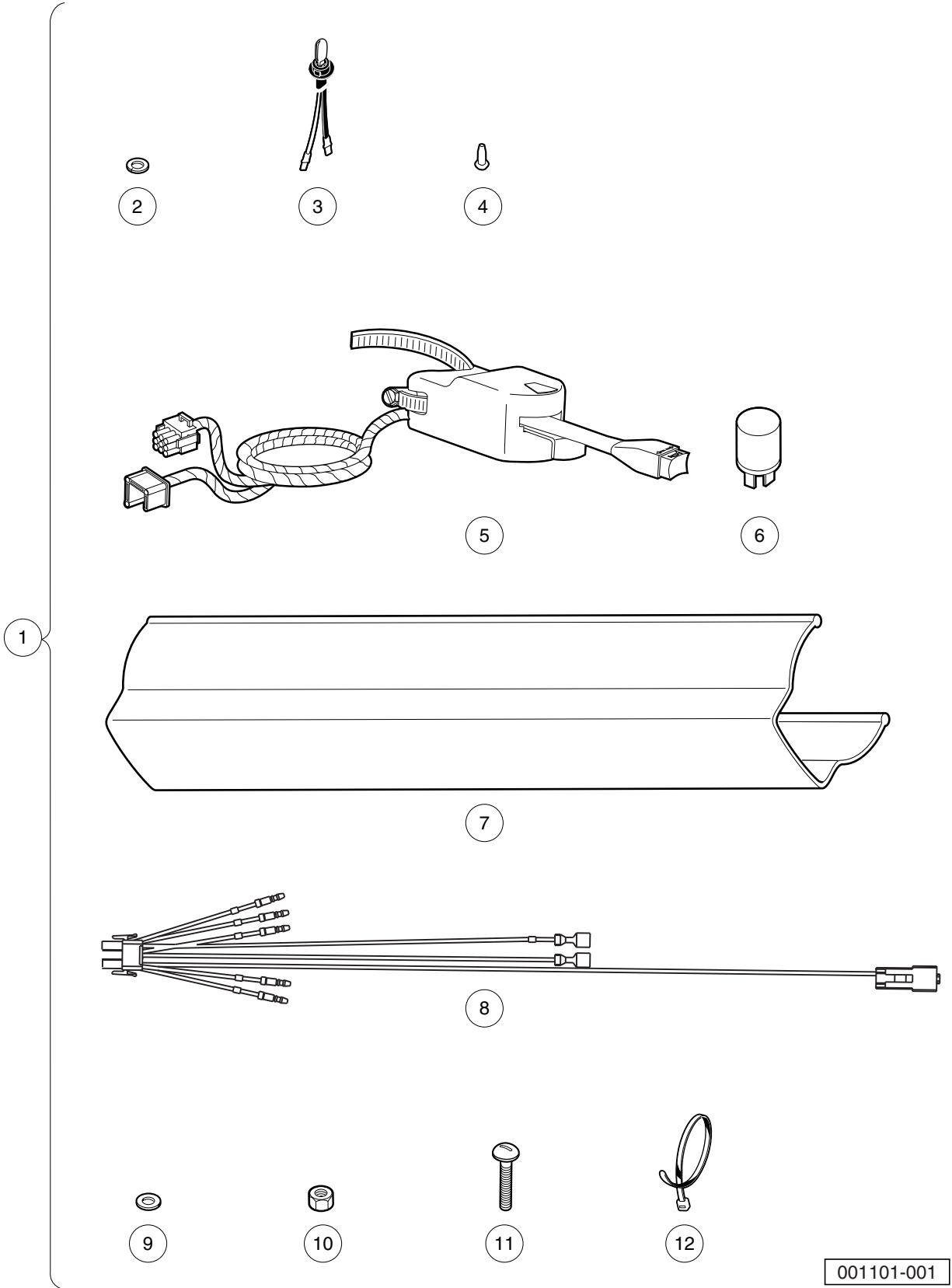
001084-001

TURN SIGNAL KIT – DS AND UTILITY GASOLINE AND ELECTRIC VEHICLES

| ITEM | PART NO. | DESCRIPTION | QTY |
|------|-----------|--|-----|
| | | 1 2 3 4 | |
| 1 | 101707402 | Turn Signal Conversion Kit (includes items 2 through 11) | 1 |
| 2 | 1011590 | Switch Sub-assy, Turn Signal | 1 |
| 3 | N/A | Strap, Extrusion | 1 |
| 4 | 1016 | Lockwasher, #10 Split | 1 |
| 5 | 1017075 | Socket & Lamp Assembly | 2 |
| 6 | 1017724 | Rivet, Plastic | 1 |
| 7 | 102529201 | Wire Cover, Steering Column | 1 |
| 8 | 183 | Washer, #10, Type A, Flat | 2 |
| 9 | 7893 | Nut, #10-32 Hex | 2 |
| 10 | 8104 | Screw, #10-32 X .75 Rd Hd Mach | 1 |
| 11 | 8990 | Tie Wrap, 8" Nylon | 1 |

4
G
E

4
G
E



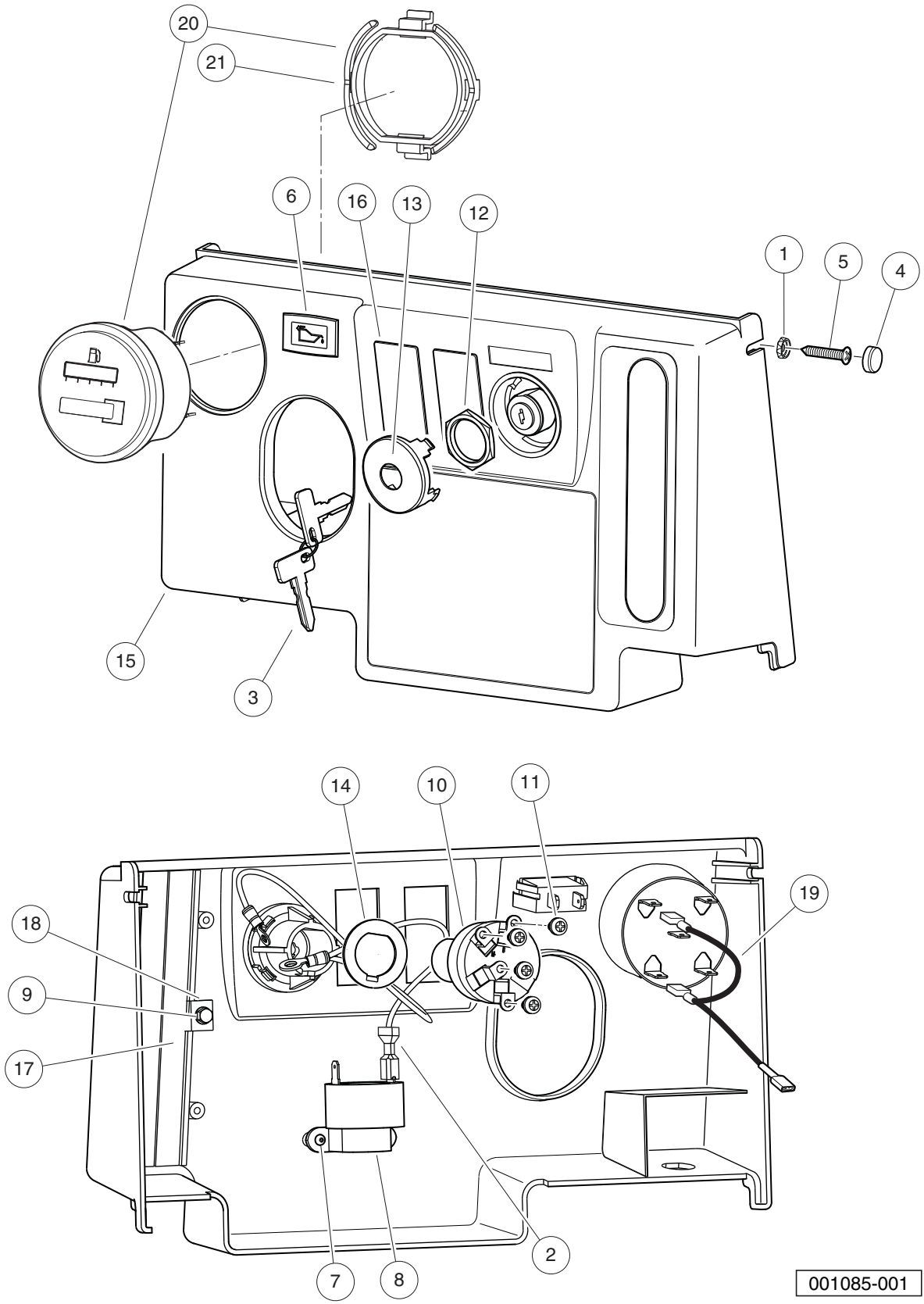
001101-001

TURN SIGNAL (WITH HORN BUTTON) KIT – DS AND UTILITY GAS AND ELECTRIC VEHICLES

| ITEM | PART NO. | DESCRIPTION | QTY |
|------|-----------|---|-----|
| | | 1 2 3 4 | |
| 1 | 101707405 | Kit, Turn Signal-horn (includes items 2 through 12) | 1 |
| 2 | 1016 | Lockwasher, #10 Split | 1 |
| 3 | 1017075 | Socket & Lamp Assembly | 2 |
| 4 | 1017724 | Rivet, Plastic | 1 |
| 5 | 102517501 | Turn Signal Asm (includes item 6) | 1 |
| 6 | 102546401 | Flasher Unit, Prec | 1 |
| 7 | 102529201 | Wire Cover, Steering Column | 1 |
| 8 | 103618001 | Harness, Jumper, Turn Signal | 1 |
| 9 | 183 | Washer, #10, Type A, Flat | 2 |
| 10 | 7893 | Nut, #10-32 Hex | 2 |
| 11 | 8104 | Screw, #10-32 X .75 Rd Hd Mach | 1 |
| 12 | 8990 | Tie Wrap, 8" Nylon | 1 |

4
G
E

4
G
E



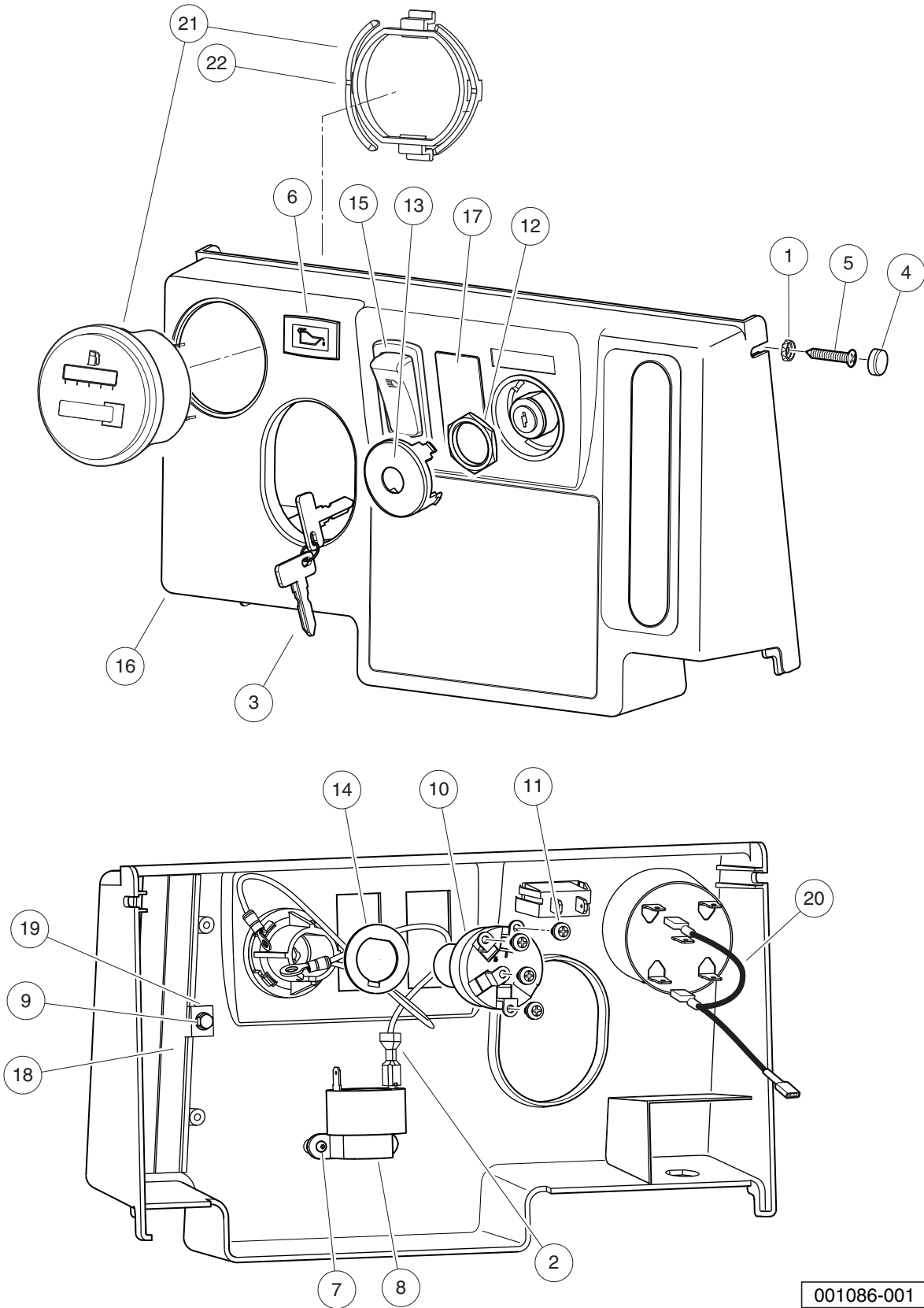
001085-001

INSTRUMENT PANEL AND ELECTRICAL COMPONENTS – TURF 6 GAS

| ITEM | PART NO. | DESCRIPTION | QTY |
|------|-----------|---|-----|
| | | 1 2 3 4 | |
| 1 | 1011382 | Washer, #10 Pan-Head Screw | 2 |
| 2 | 1012396 | Wire Assy #18 Black | 1 |
| 3 | 1012505 | Keys (set of 2) | 1 |
| 4 | 1013494 | Cover, Screw Head | 2 |
| 5 | 1015528 | Screw, #10 x 1-1/4 Phillips Head | 2 |
| 6 | 1016630 | Light, Oil | 1 |
| 7 | 1016849 | Screw, #4-24 X 0.33, Pan-Head, Machine | 2 |
| 8 | 1016851 | Buzzer, Reverse (9-48 VDC) | 1 |
| 9 | 101804301 | Screw, #8 X 0.500, Hex-Head Hi-Lo | 2 |
| 10 | 101826301 | Key Switch, 12-Volt, Off/On | 1 |
| 11 | 101830601 | Screw and Washer Assembly | 4 |
| 12 | 101830701 | Nut, Key Switch | 1 |
| 13 | 101834502 | Cap, Black Key Switch | 1 |
| 14 | 101851101 | Washer, Key Switch | 1 |
| 15 | 102977001 | Panel, Dash, Center, Gas (Instrument Panel) | 1 |
| 16 | 103180101 | Cover, Hole, Switch, Rocker | 2 |
| 17 | 103199001 | Brush, Closeout, FNR | 2 |
| 18 | 103199101 | Washer, Retaining, Brush, FNR | 2 |
| 19 | 103348501 | Asm, Wire Meter, F-h Jumper | 1 |
| 20 | 103348602 | Gauge, Fuel-hour,sep Gnd, Ds (includes item 21) | 1 |
| 21 | 103348204 | Clip, Meter, Round Ds | 1 |

4
G
E

4
G
E



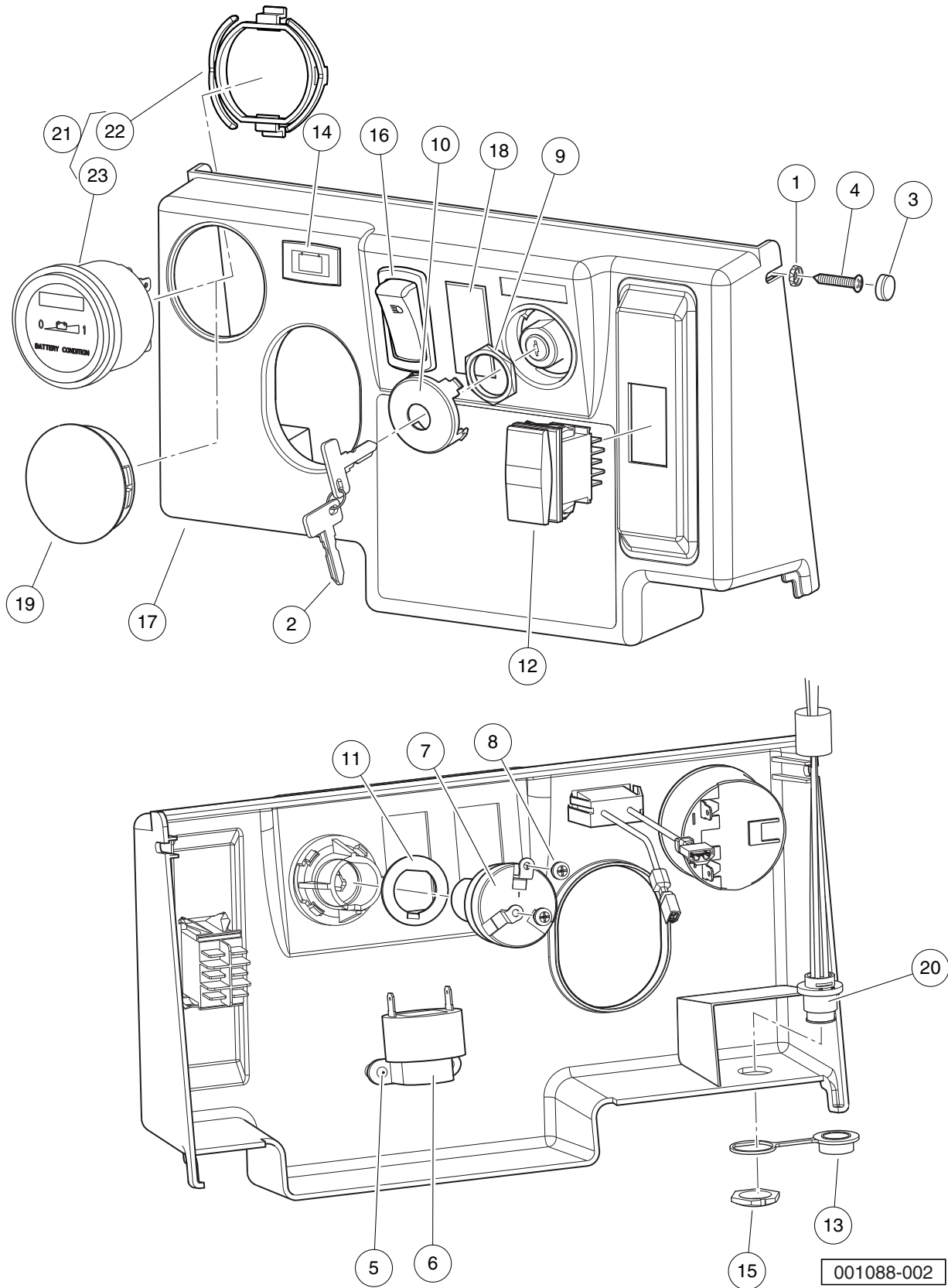
001086-001

INSTRUMENT PANEL AND ELECTRICAL COMPONENTS – CARRYALL 6 GAS

| ITEM | PART NO. | DESCRIPTION | QTY |
|------|-----------|--|-----|
| | | 1 2 3 4 | |
| 1 | 1011382 | Washer, #10 Pan-Head Screw | 2 |
| 2 | 1012396 | Wire Assy #18 Black | 1 |
| 3 | 1012505 | Keys (set of 2) | 1 |
| 4 | 1013494 | Cover, Screw Head | 2 |
| 5 | 1015528 | Screw, #10 x 1-1/4 Phillips Head | 2 |
| 6 | 1016630 | Light, Oil | 1 |
| 7 | 1016849 | Screw, #4-24 X 0.33, Pan-Head, Machine | 2 |
| 8 | 1016851 | Buzzer, Reverse (9-48 VDC) | 1 |
| 9 | 101804301 | Screw, #8 X 0.500, Hex-Head Hi-Lo | 2 |
| 10 | 101826401 | Key Switch, 12-Volt, Off/On/Start | 1 |
| 11 | 101830601 | Screw and Washer Assembly | 5 |
| 12 | 101830701 | Nut, Key Switch | 1 |
| 13 | 101834502 | Cap, Black Key Switch | 1 |
| 14 | 101851101 | Washer, Key Switch | 1 |
| 15 | 102869401 | Switch, Rocker, Light | 1 |
| 16 | 102977001 | Panel, Dash, Center, Gas (Instrument Panel) | 1 |
| 17 | 103180101 | Cover, Hole, Switch, Rocker | 1 |
| 18 | 103199001 | Brush, Closeout, FNR | 2 |
| 19 | 103199101 | Washer, Retaining, Brush, FNR | 2 |
| 20 | 103348501 | Asm, Wire Meter, F-h Jumper | 1 |
| 21 | 103348602 | Gauge, Fuel-hour, sep Gnd, Ds (includes item 22) | 1 |
| 22 | 103348204 | Clip, Meter, Round Ds | 1 |

4
G
E

4
G
E



INSTRUMENT PANEL WITH ELECTRICAL COMPONENTS – CARRYALL 6 ELECTRIC

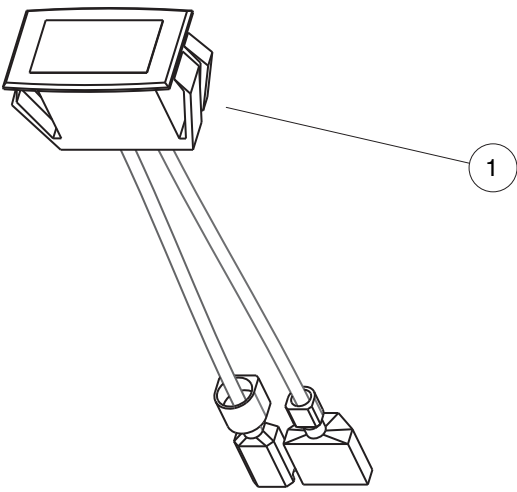
| ITEM | PART NO. | DESCRIPTION | QTY |
|------|-----------|---|-----|
| | | 1 2 3 4 | |
| 1 | 1011382 | Washer, #10 Pan-Head Screw | 2 |
| 2 | 1012505 | Keys (set of 2) | 1 |
| 3 | 1013494 | Cover, Screw Head | 2 |
| 4 | 1015528 | Screw, #10 x 1-1/4 Phillips Head | 2 |
| 5 | 1016849 | Screw, #4-24 X 0.33, Pan-Head, Machine | 2 |
| 6 | 1016851 | Buzzer, Reverse (9-48 VDC) | 1 |
| 7 | 101826201 | Key Switch, On/Off | 1 |
| 8 | 101830601 | Screw and Washer Assembly | 2 |
| 9 | 101830701 | Nut, Key Switch | 1 |
| 10 | 101834502 | Cap, Black Key Switch | 1 |
| 11 | 101851101 | Washer, Key Switch | 1 |
| 12 | 101856002 | Switch, Rocker, Single-Pole | 1 |
| 13 | 102196901 | Dust Cap | 1 |
| 14 | 102508701 | Light, Battery | 1 |
| 15 | 102572401 | Nut, Diagnostic Port, Prec | 1 |
| 16 | 102869401 | Switch, Rocker, Light | 1 |
| 17 | 102977002 | Panel, Dash, Center, Elec (Instrument Panel) | 1 |
| 18 | 103180101 | Cover, Hole, Switch, Rocker | 1 |
| 19 | 103198301 | Plug, Hole, Round, 2.0 In | 1 |
| 20 | 103218601 | Harness, Diagnostic Port | 1 |
| 21 | 103354401 | Gauge, Battery Cond Ind, Rnd (includes item 22) | 1 |
| 22 | 103348202 | Clip, Bci, Round | 1 |

4
G
E

4

G

E



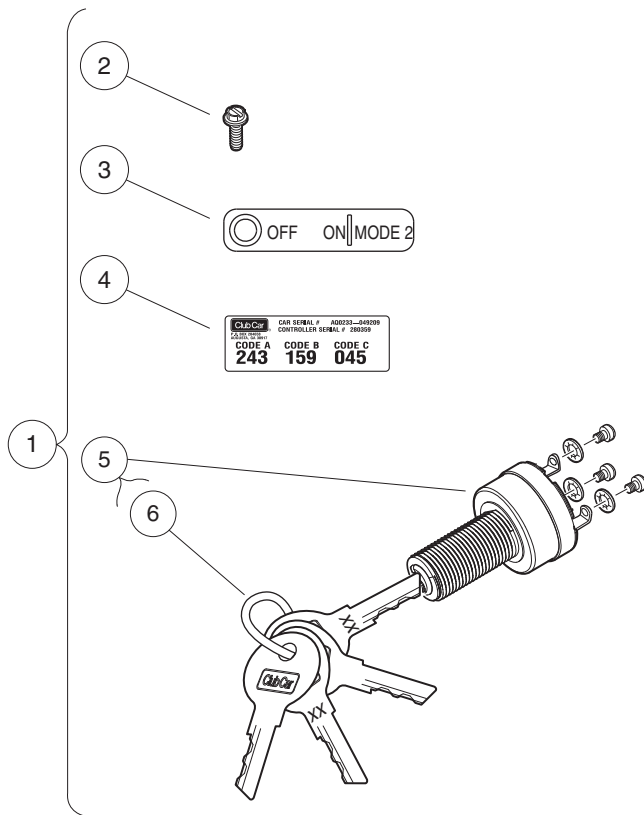
001237-001

INDICATOR, CHARGER INFO – ELEC. VEHICLES WITH MAINT-FREE BATTERIES AND DELTAQ CHARGER

| ITEM | PART NO. | DESCRIPTION | QTY |
|------|-----------|---|-----|
| 1 | 103860501 | <p>1 2 3 4 Indicator, Info, Charger</p> <p>Note: This indictator is only for non-standard vehicles equipped with maintenance-free, absorbed-glass-mat (AGM) batteries and DeltaQ battery charger.</p> | 1 |

4
G
E

4
G
E



001212-001

KEYS AND KEYSWITCHES, SMARTKEY KIT – ELECTRIC VEHICLE

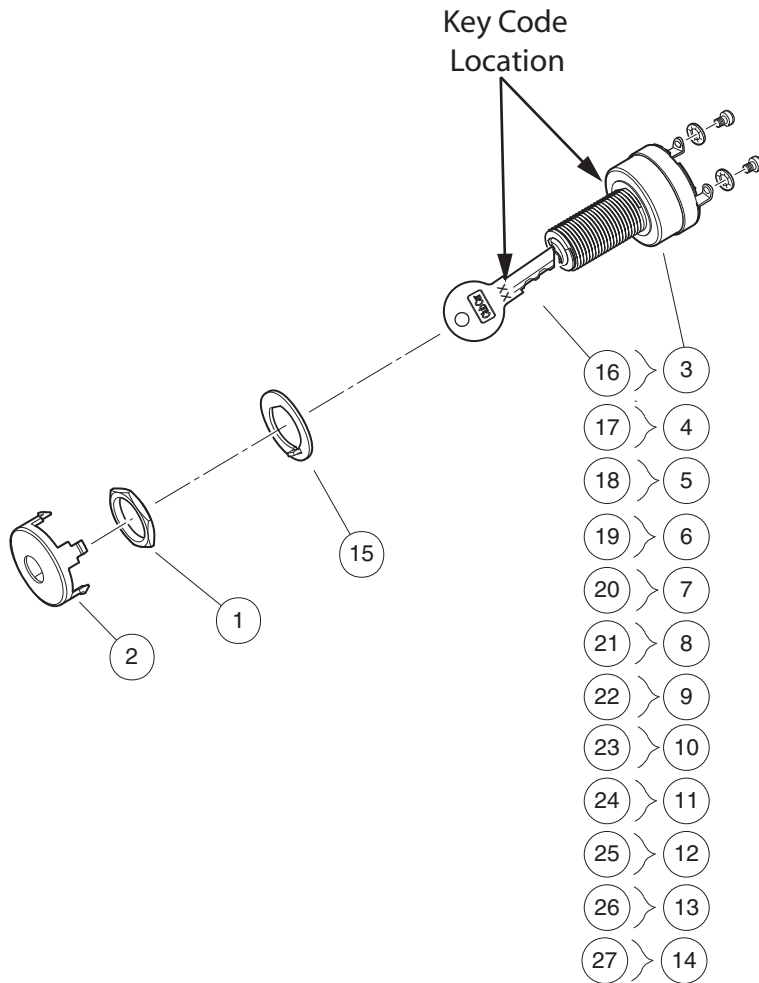
| ITEM | PART NO. | DESCRIPTION | QTY |
|------|-----------|---|-----|
| | | 1 2 3 4 | |
| 1 | 102962602 | Kit, Field, Smartkey (includes items 2 through 5) | 1 |
| 2 | 1011017 | Screw, #8-32 X 0.375 | 1 |
| 3 | 101825103 | Decal, Keyswitch, Iq Plus Mode | 1 |
| 4 | N/A | Decal, Passcode | 1 |
| 5 | 102950301 | Key Switch, Mode B, Iq Plus (includes item 6) | 1 |
| 6 | 102962303 | Keys, Set Of 4, Iq Plus Mode | 1 |
| | | Note: Not available in the EU. | |

4
G
E

4

G

E



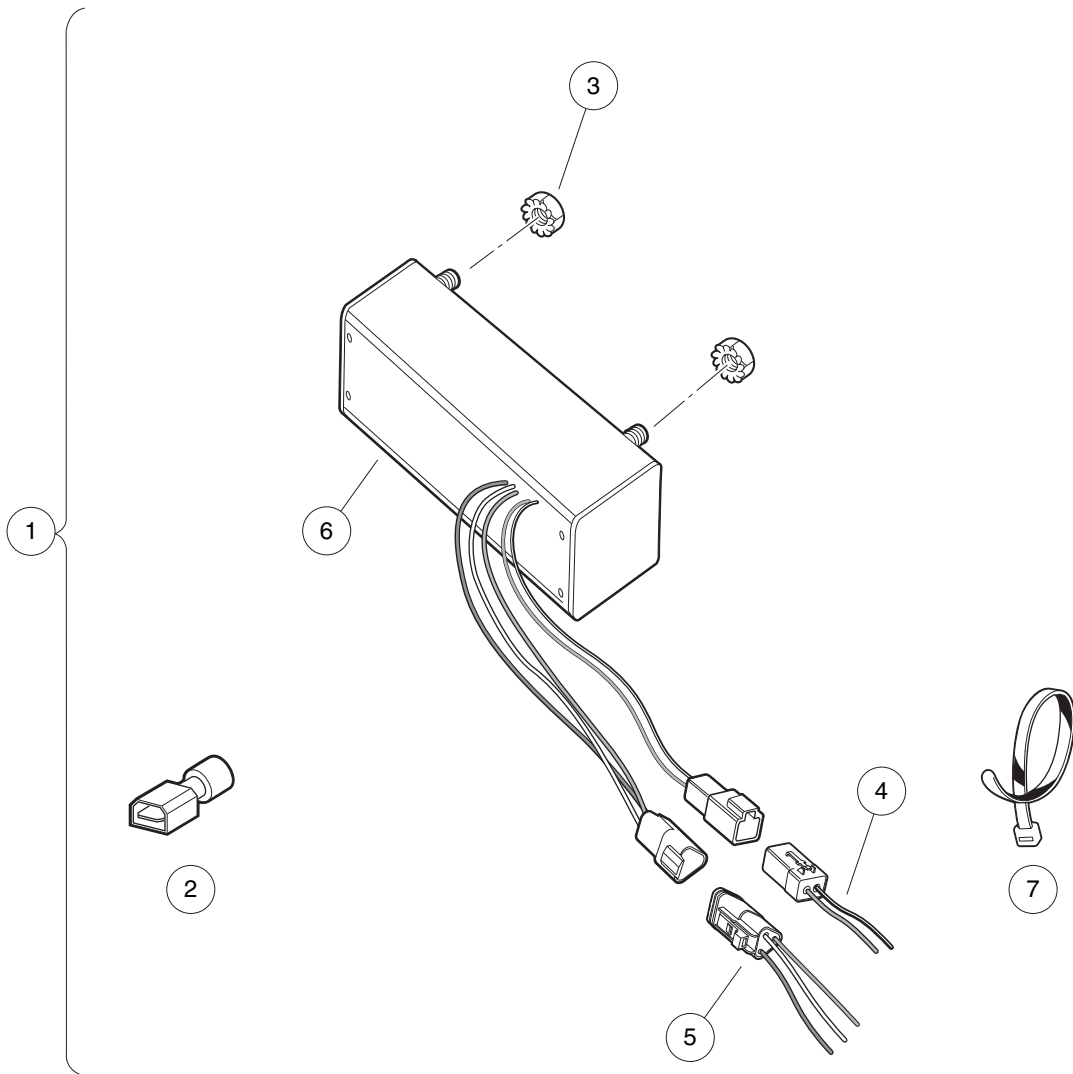
001089-001

KEYS AND KEYSWITCHES, UNCOMMON – GAS VEHICLE

| ITEM | PART NO. | DESCRIPTION | QTY |
|------|-----------|--|-----|
| | | 1 2 3 4 | |
| 1 | 101830701 | Nut, Key Switch | 1 |
| 2 | 101834502 | Cap, Black Key Switch | 1 |
| 3 | 101839801 | Keyswtch Uncom A408 On/off/st | 1 |
| 4 | 101839802 | Keyswtch Uncom B408 On/off/st | 1 |
| 5 | 101839803 | Keyswtch Uncom C408 On/off/st | 1 |
| 6 | 101839804 | Keyswtch Uncom D408 On/off/st | 1 |
| 7 | 101839805 | Keyswtch Uncom 2a408 On/off/st | 1 |
| 8 | 101839806 | Keyswtch Uncom 2b408 On/off/st | 1 |
| 9 | 101839807 | Keyswtch Uncom 2c408 On/off/st | 1 |
| 10 | 101839808 | Keyswtch Uncom 2d408 On/off/st | 1 |
| 11 | 101839809 | Keyswtch Uncom E408 On/off/st | 1 |
| 12 | 101839810 | Keyswtch Uncom F408 On/off/st | 1 |
| 13 | 101839811 | Keyswtch Uncom 2e408 On/off/st | 1 |
| 14 | 101839812 | Keyswtch Uncom 2f408 On/off/st | 1 |
| 15 | 101851101 | Washer, Key Switch | 1 |
| 16 | 101974701 | Key, Uncommon 1a | 1 |
| 17 | 101974702 | Key, Uncommon 1b | 1 |
| 18 | 101974703 | Key, Uncommon 1c | 1 |
| 19 | 101974704 | Key, Uncommon 1d | 1 |
| 20 | 101974705 | Key, Uncommon 2a | 1 |
| 21 | 101974706 | Key, Uncommon 2b | 1 |
| 22 | 101974707 | Key, Uncommon 2c | 1 |
| 23 | 101974708 | Key, Uncommon 2d | 1 |
| 24 | 101974709 | Key, Uncommon 1e | 1 |
| 25 | 101974710 | Key, Uncommon 1f | 1 |
| 26 | 101974711 | Key, Uncommon 2e | 1 |
| 27 | 101974712 | Key, Uncommon 2f | 1 |
| | | Note: Keyswitches 101839801 through 101839812 are for key-start, gasoline vehicles ONLY. | |

4
G
E

4
G
E



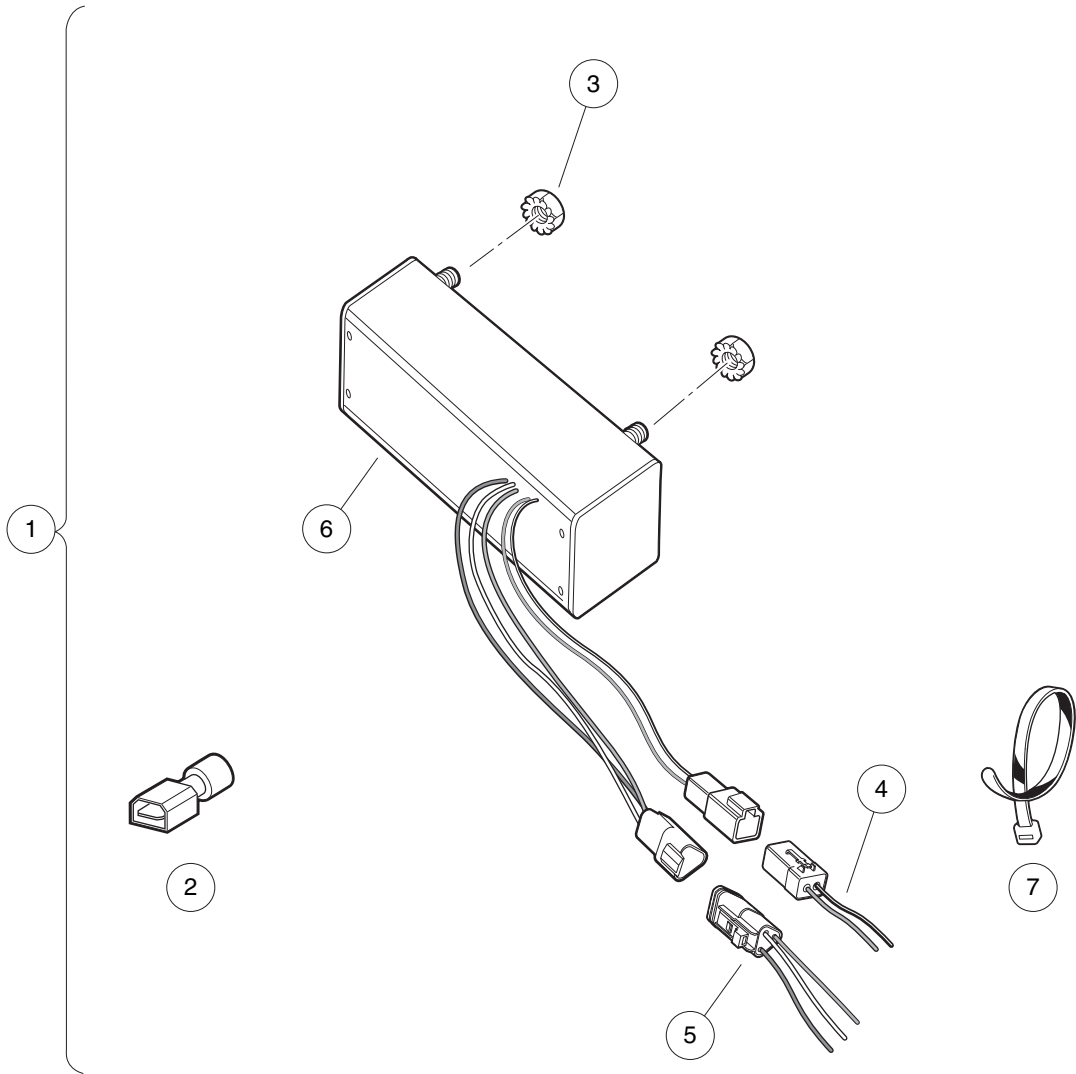
001090-002

DC CONVERTER (ISOLATED) – ELECTRIC VEHICLE

| ITEM | PART NO. | DESCRIPTION | QTY |
|------|-----------|--|-----|
| | | 1 2 3 4 | |
| 1 | 102918701 | Kit, DC/DC Converter, IQ Plus (includes items 2 through 7) | 1 |
| 2 | 1016365 | Terminal, 1/4" Male Quick Disconnect | 1 |
| 3 | 101835601 | Locknut, 1/4-20 Hex Whiz | 2 |
| 4 | 102354901 | Harness, Dc Converter - 12v | 1 |
| 5 | 102890201 | Harness, Dc Converter, 48v | 1 |
| 6 | 103700301 | Converter, Dc/dc, Isoldt | 1 |
| 7 | 8990 | Tie Wrap, 8" Nylon | 10 |

4
G
E

4
G
E



001090-002

DC CONVERTER (ISOLATED) – CE ELECTRIC VEHICLE

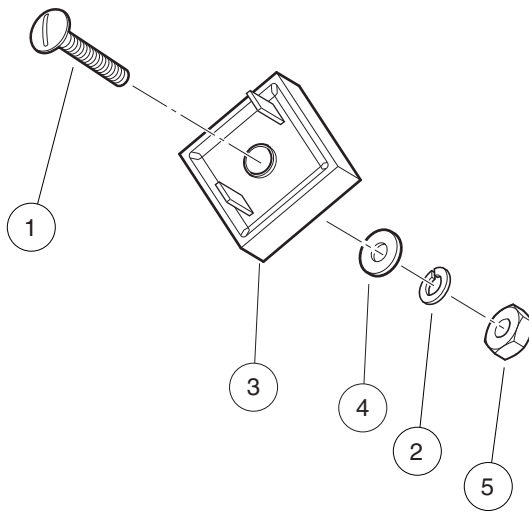
| ITEM | PART NO. | DESCRIPTION | QTY |
|------|-----------|---|-----|
| | | 1 2 3 4 | |
| 1 | 102918702 | Kit, Dc Conv. Iq Plus Ce (includes items 2 through 7) | 1 |
| 2 | 1016365 | Terminal, 1/4" Male Quick Disconnect | 1 |
| 3 | 101835601 | Locknut, 1/4-20 Hex Whiz | 2 |
| 4 | 102354901 | Harness, Dc Converter - 12v | 1 |
| 5 | 102890201 | Harness, Dc Converter, 48v | 1 |
| 6 | 103802401 | Converter, Dc/dc, Ce | 1 |
| 7 | 8990 | Tie Wrap, 8" Nylon | 10 |

4
G
E

4

G

E



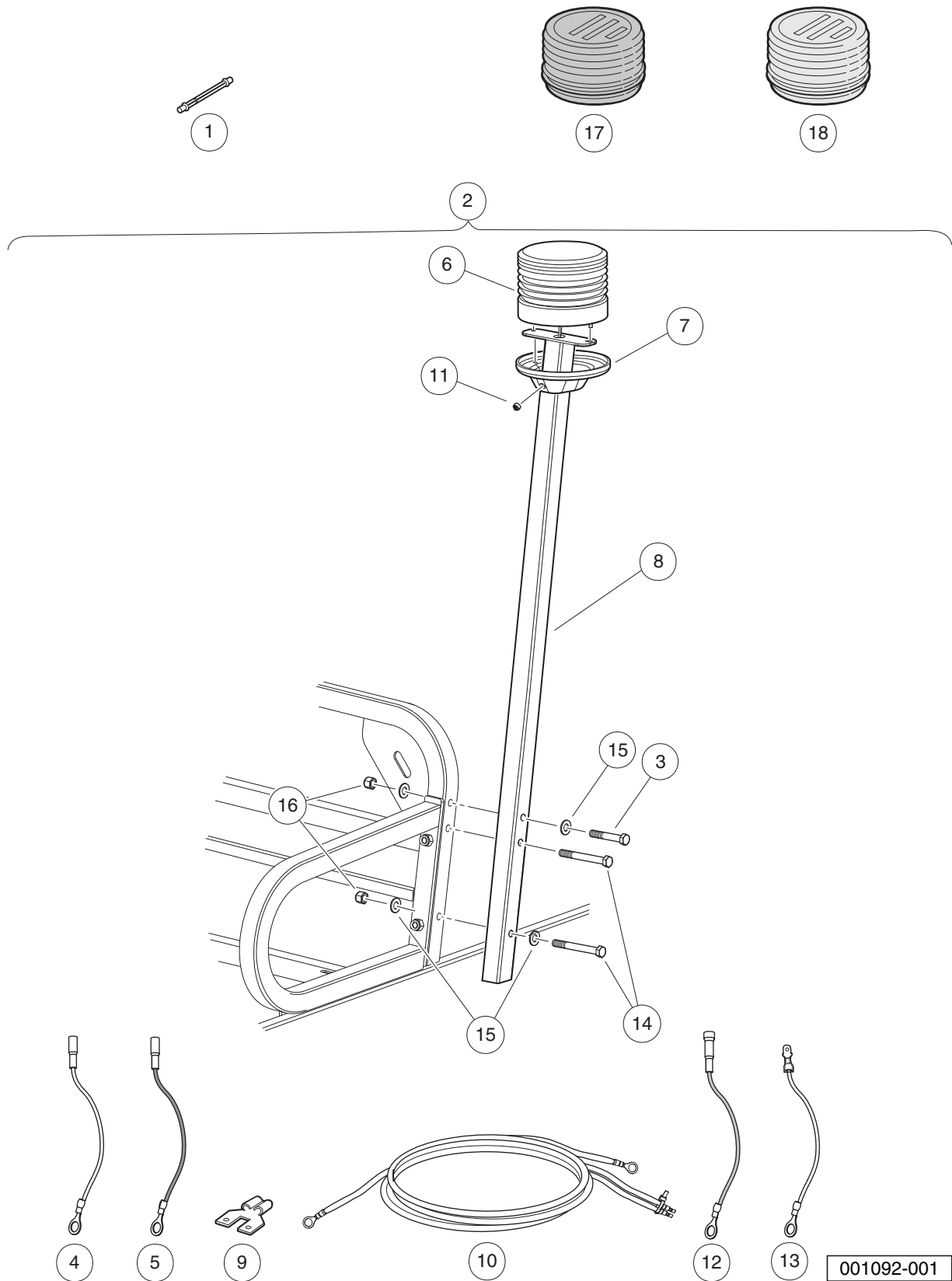
001091-001

VOLTAGE LIMITER – GASOLINE VEHICLE

| ITEM | PART NO. | DESCRIPTION | QTY |
|------|----------|--------------------------------------|-----|
| | | 1 2 3 4 | |
| 1 | 1010909 | Screw, #10-32 X 1.25 Rd Hd Mch | 1 |
| 2 | 1016 | Lockwasher, #10 Split | 1 |
| 3 | 1017721 | Limitter, Voltage | 1 |
| 4 | 183 | Washer, #10, Type A, Flat | 1 |
| 5 | 7893 | Nut, #10-32 Hex | 1 |

4
G
E

4
G
E



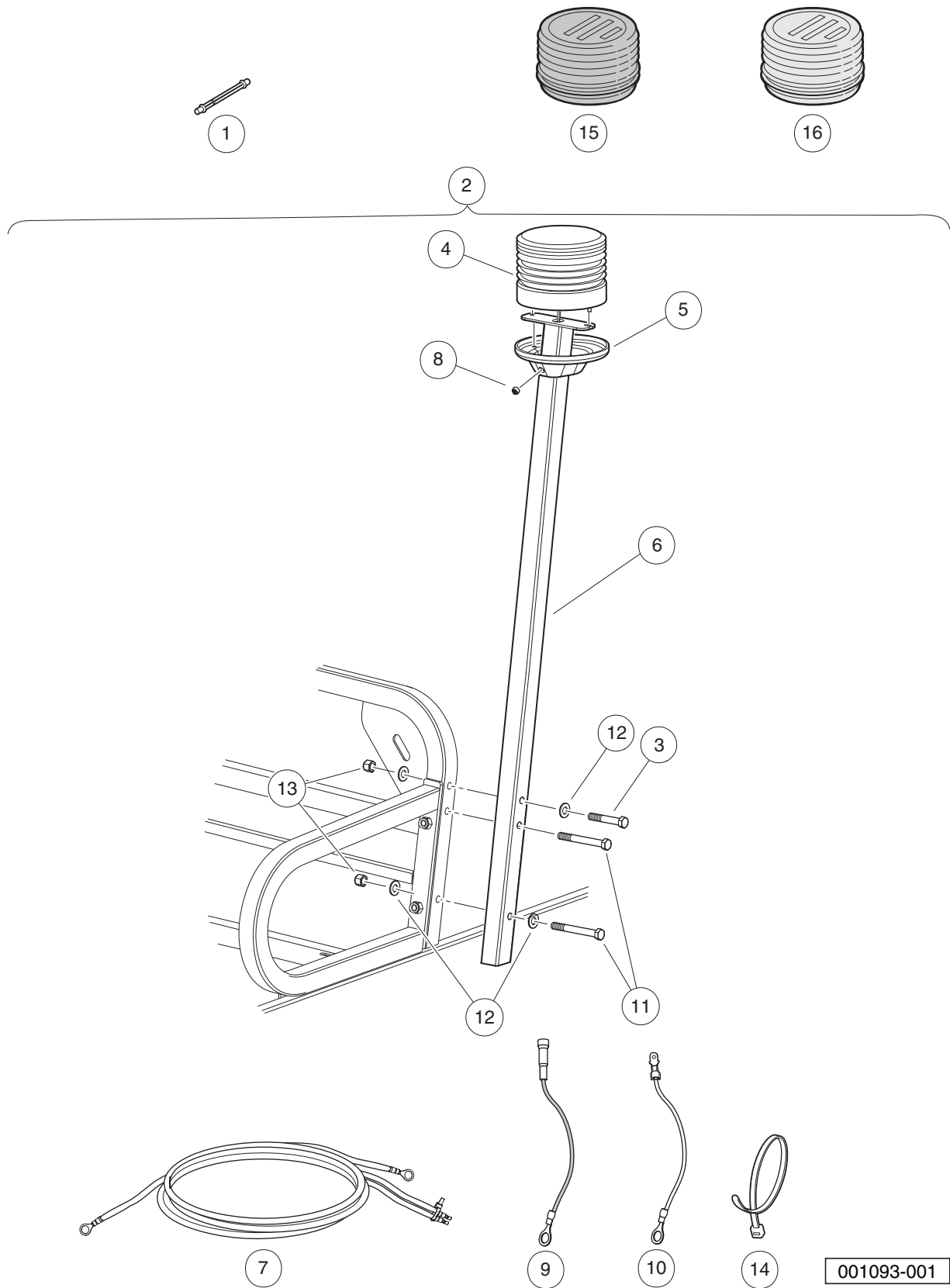
001092-001

STROBE LIGHT, POST-MOUNTED – GASOLINE VEHICLES

| ITEM | PART NO. | DESCRIPTION | QTY |
|------|-----------|--|-----|
| | | 1 2 3 4 | |
| 1 | 1015526 | Bulb, Replacement, for Strobe Light | 1 |
| 2 | 1015765 | Safety Strobe Lht Post Mnt Gas (includes items 3 through 16) | 1 |
| 3 | 1013509 | Screw, 1/4-20 X 1.75 Hx Hd Cap | 2 |
| 4 | 1015153 | Wire Assembly #16 Yellow | 1 |
| 5 | 1015154 | Wire Assembly Blue Ca #16 | 1 |
| 6 | 1015156 | Light Assembly, Strobe | 1 |
| 7 | 1015157 | Cover Plate Switch - Pole Ca | 1 |
| 8 | 1015160 | Pole Weldment Carryall | 1 |
| 9 | 1015162 | 3/16 Tab Adapter Non-insul | 1 |
| 10 | 1015172 | Wire Harness Assy, Strobe Lght | 1 |
| 11 | 1015187 | Switch Assembly | 1 |
| 12 | 1016837 | Wire Assembly Red #18 | 1 |
| 13 | 1016929 | Wire Assembly Black #16 | 1 |
| 14 | 324 | Screw, 1/4-20 X 2.50 Hx Hd Cap | 2 |
| 15 | 332 | Washer, 1/4 Type A Narrow Flat | 4 |
| 16 | 8233 | Locknut, 1/4-20, Nylon Insert | 2 |
| 17 | AM1243701 | Lens, Blue, for Strobe Light | 1 |
| 18 | AM1243801 | Lens, Red, for Strobe Light | 1 |

4
G
E

4
G
E



001093-001

STROBE LIGHT, POST-MOUNTED – ELECTRIC VEHICLES

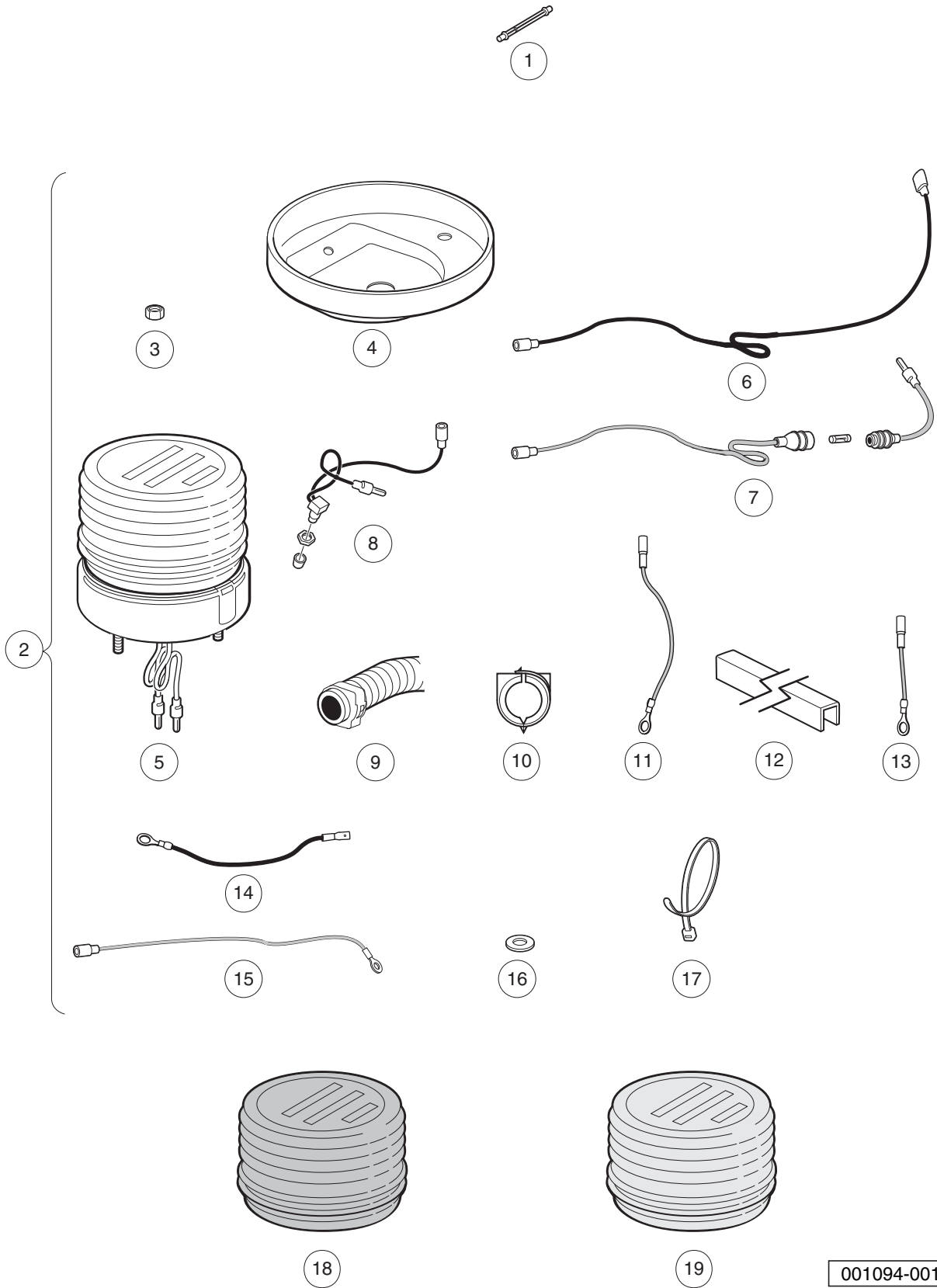
| ITEM | PART NO. | DESCRIPTION | QTY |
|------|-----------|--|-----|
| | | 1 2 3 4 | |
| 1 | 1015526 | Bulb, Replacement, for Strobe Light | 1 |
| 2 | 101814601 | Safety Strobe Lht & Post Mt El (includes items 3 through 14) | 1 |
| 3 | 1013509 | Screw, 1/4-20 X 1.75 Hx Hd Cap | 2 |
| 4 | 1015156 | Light Assembly, Strobe | 1 |
| 5 | 1015157 | Cover Plate Switch - Pole Ca | 1 |
| 6 | 1015160 | Pole Weldment Carryall | 1 |
| 7 | 1015172 | Wire Harness Assy, Strobe Lght | 1 |
| 8 | 1015187 | Switch Assembly | 1 |
| 9 | 1016837 | Wire Assembly Red #18 | 1 |
| 10 | 1016929 | Wire Assembly Black #16 | 1 |
| 11 | 324 | Screw, 1/4-20 X 2.50 Hx Hd Cap | 2 |
| 12 | 332 | Washer, 1/4 Type A Narrow Flat | 4 |
| 13 | 8233 | Locknut, 1/4-20, Nylon Insert | 2 |
| 14 | 8990 | Tie Wrap, 8" Nylon | 4 |
| 15 | AM1243701 | Lens, Blue, for Strobe Light | 1 |
| 16 | AM1243801 | Lens, Red, for Strobe Light | 1 |

4

G

E

4
G
E



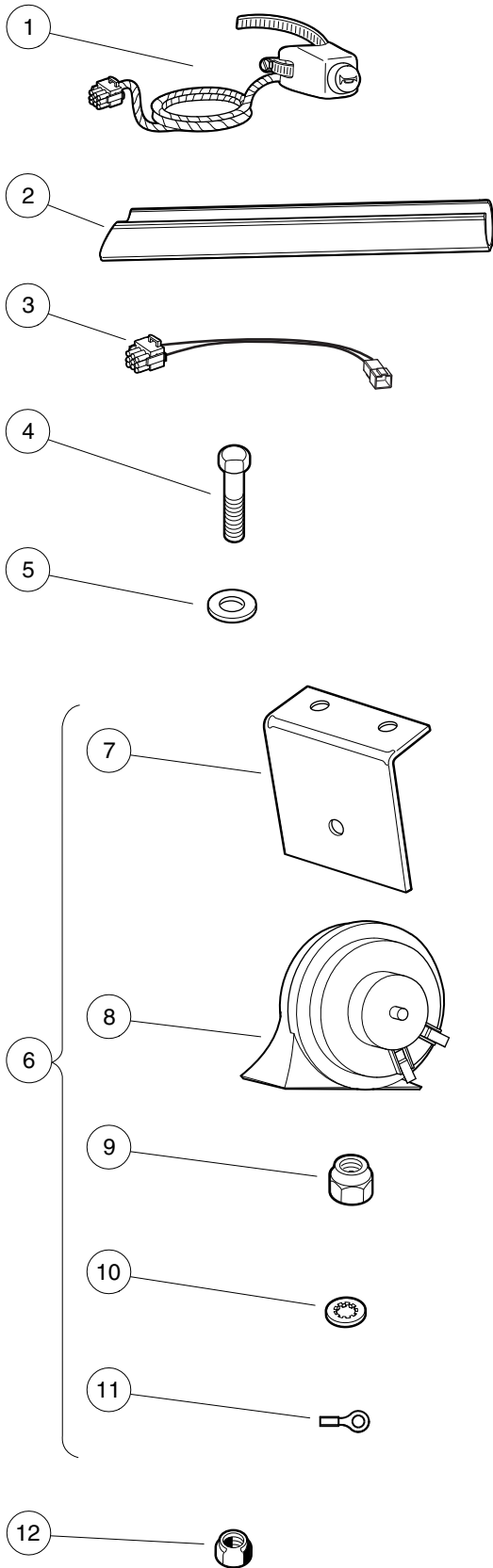
001094-001

STROBE LIGHT, CANOPY-MOUNTED

| ITEM | PART NO. | DESCRIPTION | QTY |
|------|-----------|---|-----|
| | | 1 2 3 4 | |
| 1 | 1015526 | Bulb, Replacement, for Strobe Light | 1 |
| 2 | AM1243501 | Kit, Roof Mounted Strobe Fd (includes items 3 through 17) | A/R |
| 3 | 1012438 | Locknut, #10-24 Nylon Insert | 2 |
| 4 | 1015010 | Cover Plate Switch | 1 |
| 5 | 1015156 | Light Assembly, Strobe | 1 |
| 6 | 1015167 | #16 Black Wire Asm | 1 |
| 7 | 1015170 | Wire Assembly #16 | 1 |
| 8 | 1015187 | Switch Assembly | 1 |
| 9 | 1015768 | Split Convolved Elec Conduit | 11 |
| 10 | 1015770 | Outlet Ring - .5 Diameter | 5 |
| 11 | 1016230 | Wire Asm #16 Red | 1 |
| 12 | 1016267 | Snap On Conduit Vert. | 1 |
| 13 | 1016287 | Wire Asm #16 Red | 1 |
| 14 | 1016929 | Wire Assembly Black #16 | 1 |
| 15 | 101821601 | #18 Red Wire Assembly | 1 |
| 16 | 183 | Washer, #10, Type A, Flat | 2 |
| 17 | 8639 | Tie Wrap, 11" Nylon | 8 |
| 18 | AM1243701 | Lens, Blue, for Strobe Light | A/R |
| 19 | AM1243801 | Lens, Red, for Strobe Light | A/R |

4
G
E

4
G
E



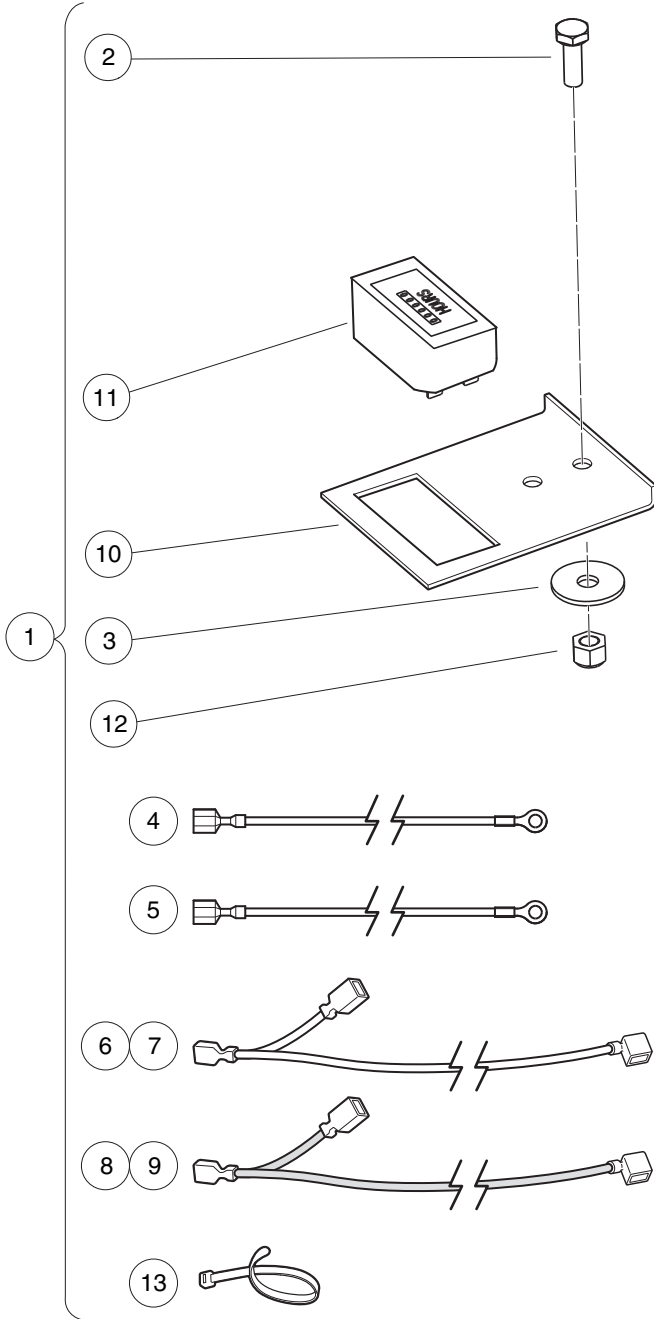
001095-002

HORN WITH COLUMN-MOUNTED BUTTON

| ITEM | PART NO. | DESCRIPTION | QTY |
|------|-----------|--|-----|
| | | 1 2 3 4 | |
| 1 | 102517601 | Subasm, Horn Button Harness | 1 |
| 2 | 102529203 | Wire Cover-steer Column 304 Mm | 1 |
| 3 | 103618101 | Harness, Jumper, Horn | 1 |
| 4 | 304 | Screw, 1/4-20 X 1.0 Hex-Head Cap | 2 |
| 5 | 332 | Washer, 1/4 Type A Narrow Flat | 2 |
| 6 | 4029 | Horn (includes items 7 through 11) | 1 |
| 7 | 1011825 | Horn Bracket | 1 |
| 8 | 1014530 | Horn, 12-VDC | 1 |
| 9 | 101955101 | Nut, M6 Hex | 1 |
| 10 | 7820 | Washer, 5/16 Internal-Tooth | 1 |
| 11 | 8294 | 5/16 Ring Term. | 1 |
| 12 | 8233 | Locknut, 1/4-20, Nylon Insert | 2 |

4
G
E

4
G
E



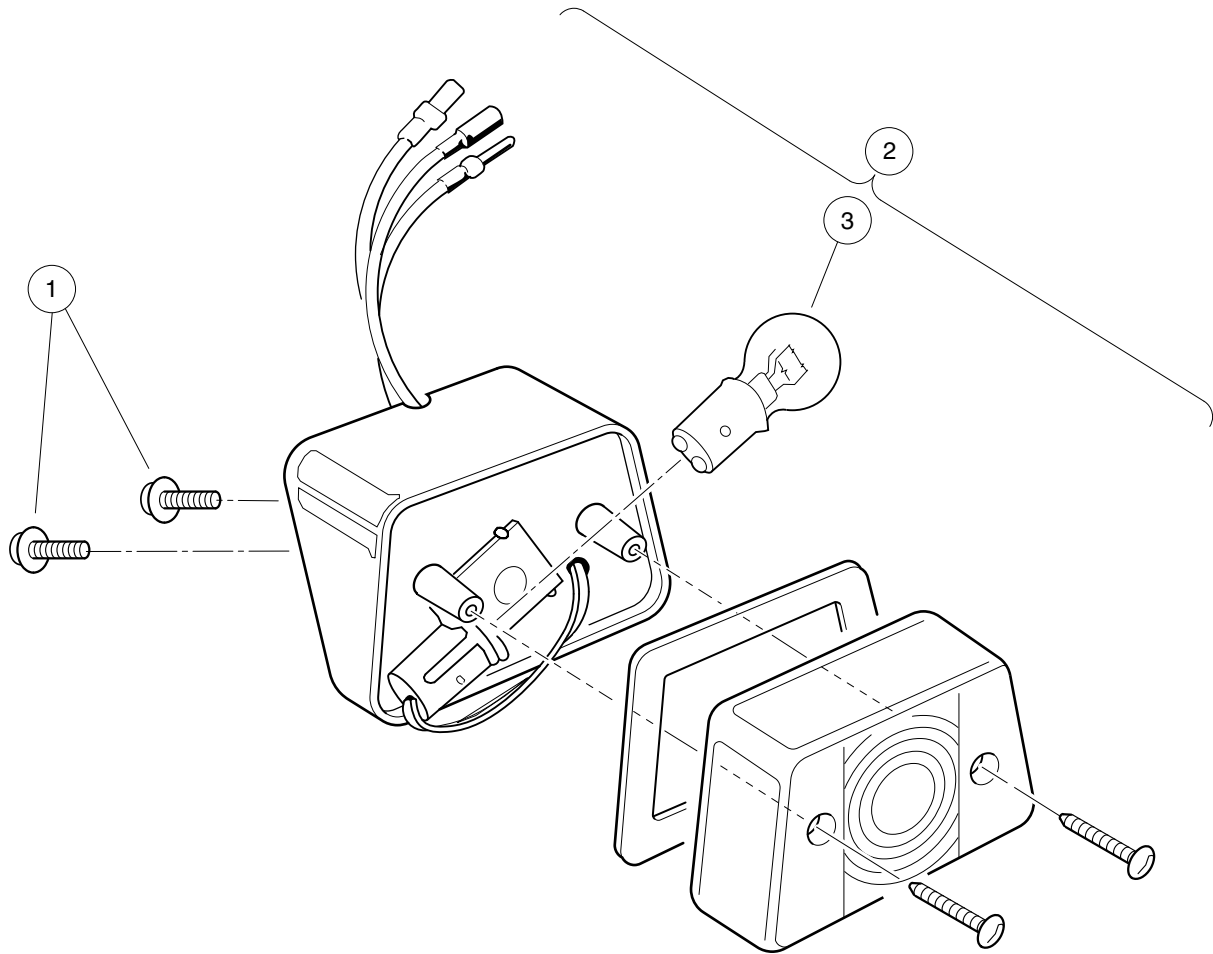
001096-002

HOUR METER – CARRYALL/TURF 2 IQ PLUS ELECTRIC VEHICLES

| ITEM | PART NO. | DESCRIPTION | QTY |
|---|-----------|---|-----|
| | | 1 2 3 4 | |
| 1 | 1013579 | Kit, Hour Meter (includes items 2 through 13) | 1 |
| 2 | 1012285 | Screw, 1/4 X 0.625 Hex-Head | 1 |
| 3 | 1014306 | Washer, 1/4" Type B Flat | 1 |
| 4 | 101881501 | Wire Assembly Black #18 | 1 |
| 5 | 101881601 | Wire Assembly Red #18 | 1 |
| 6 | 101997802 | Wire Assembly #18 Yellow | 1 |
| 7 | 101997803 | Wire Asm #18 Yellow 31" | 1 |
| 8 | 101997902 | Wire Assembly #18 Red | 1 |
| 9 | 101997903 | Wire Asm # 18 Red 31" | 1 |
| 10 | 103510001 | Bracket, Hour Meter | 1 |
| 11 | 103510301 | Meter, Hour | 1 |
| 12 | 8233 | Locknut, 1/4-20, Nylon Insert | 1 |
| 13 | 8990 | Tie Wrap, 8" Nylon | 1 |
| <p>Note: The kit includes components that apply to multiple vehicles. The installation instructions will specify which components are required for a specific model. After installation, discard components not used.</p> | | | |

4
G
E

4
G
E



001247-001

TAILLIGHTS

| ITEM | PART NO. | DESCRIPTION | QTY |
|------|----------|--|-----|
| 1 | 1015752 | 1 2 3 4 Screw, #12-16 X 0.625, Hi-Lo | 4 |
| 2 | 1016717 | Light Assembly, Stop/Taillight (includes item 3) | 2 |
| 3 | 1011582 | Taillight Bulb | 1 |

4
G
E

4

G

E

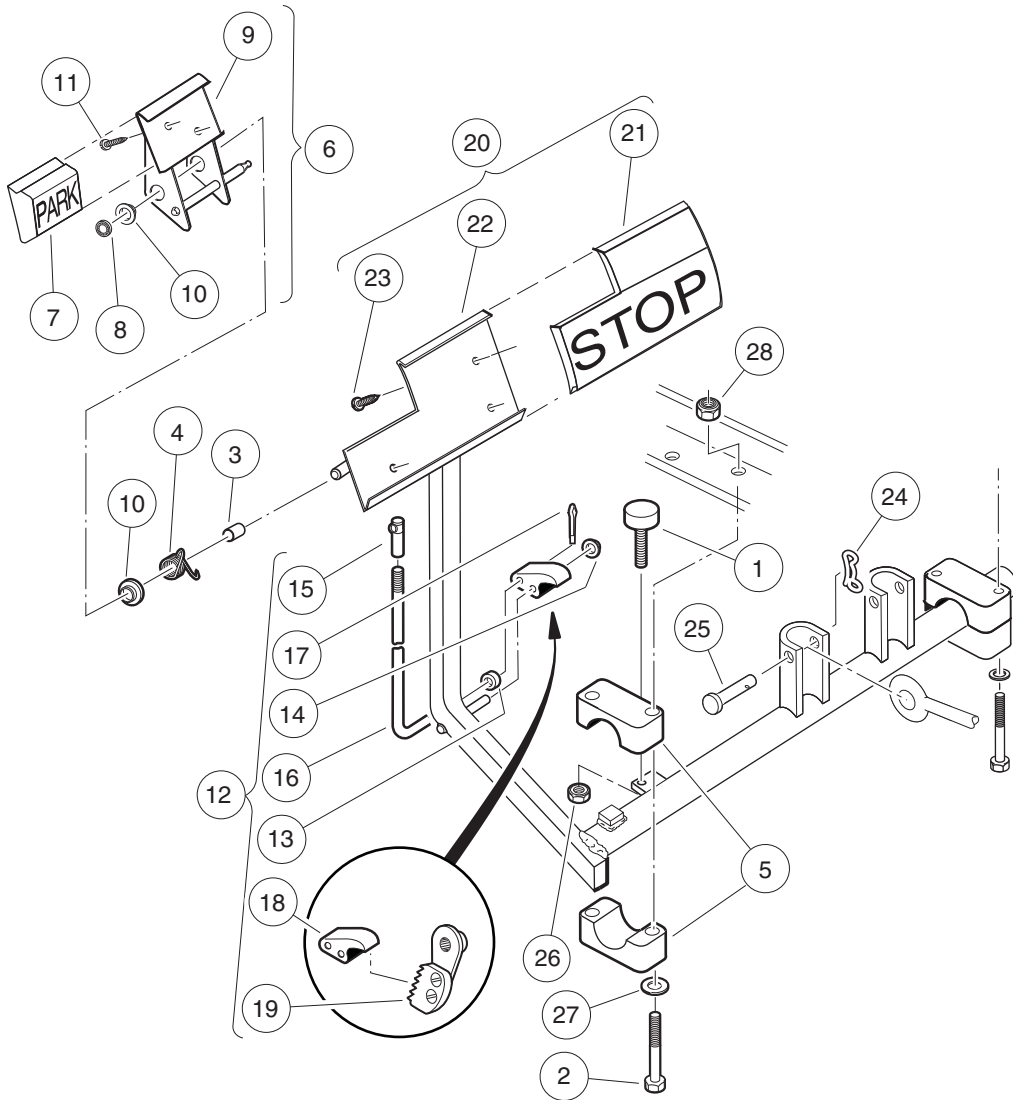
BRAKES, PEDAL, AND CABLE ASSEMBLIES

5

G

E

5
G
E



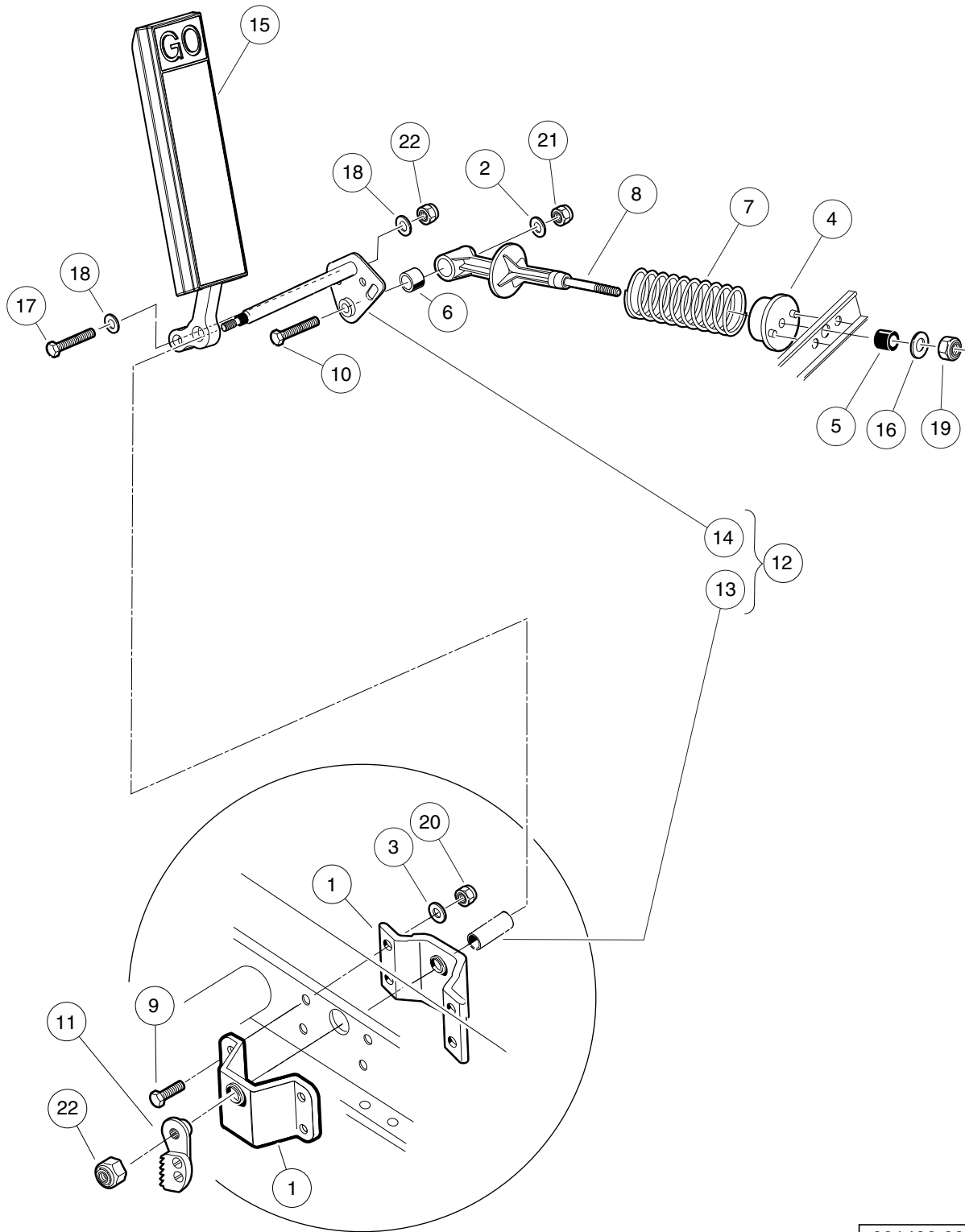
000187-001

BRAKE PEDAL ASSEMBLY

| ITEM | PART NO. | DESCRIPTION | QTY |
|------|-----------|--|-----|
| | | 1 2 3 4 | |
| 1 | 1010878 | Bumper, Rubber | 1 |
| 2 | 1010921 | Screw, 5/16-18 X 2.50 Hex Cap | 4 |
| 3 | 1010927 | Hill Brake Spacer | 1 |
| 4 | 1010933 | Spring, Hill Brake Torsion | 1 |
| 5 | 1011402 | Package, Brake Mounting Block | 1 |
| 6 | 1011418 | Kit, Hill Brake Pedal (includes items 7 through 11) | 1 |
| 7 | 1013870 | Pad, Hill Brake | 1 |
| 8 | 1013876 | Pushnut, 3/8 | 1 |
| 9 | N/A | Hill Brake Weld Assembly | 1 |
| 10 | 1032 | Bushing, Nylon | 2 |
| 11 | 7716 | Screw, #10-16 Type AB, Sheet Metal | 2 |
| 12 | 101187702 | Kit, Hill Brake Latch (includes items 13 through 19) | 1 |
| 13 | 1010805 | Sleeve, Hill Brake Rod | 1 |
| 14 | 1010877 | Pushnut, 3/8 | 1 |
| 15 | 1010932 | Ball Joint, 1/4-28 | 1 |
| 16 | N/A | Rod, Hill Brake | 1 |
| 17 | 1017029 | Pin, Cotter, 7/64 x 1/2 Stainless-Steel | 1 |
| 18 | N/A | Pawl, Hill Brake | 1 |
| 19 | 101918501 | Ratchet Assembly | 1 |
| 20 | 101878201 | Brake Pedal Kit (includes items 21 through 23) | 1 |
| 21 | 1013869 | Pad, Brake Pedal | 1 |
| 22 | N/A | Weldment, Brake Pedal, 2wr Std | 1 |
| 23 | 7716 | Screw, #10-16 Type AB, Sheet Metal | 3 |
| 24 | 102323101 | Pin, Bow Tie Locking | 1 |
| 25 | 102323201 | Pin, 3/8 X 1-5/16 Clevis | 1 |
| 26 | 1028 | Nut, 1/4-20 Hex | 1 |
| 27 | 1241 | Washer, 5/16 Type A Flat | 4 |
| 28 | 7473 | Locknut, 5/16-18 Nylon Insert | 4 |

5
G
E

5
G
E



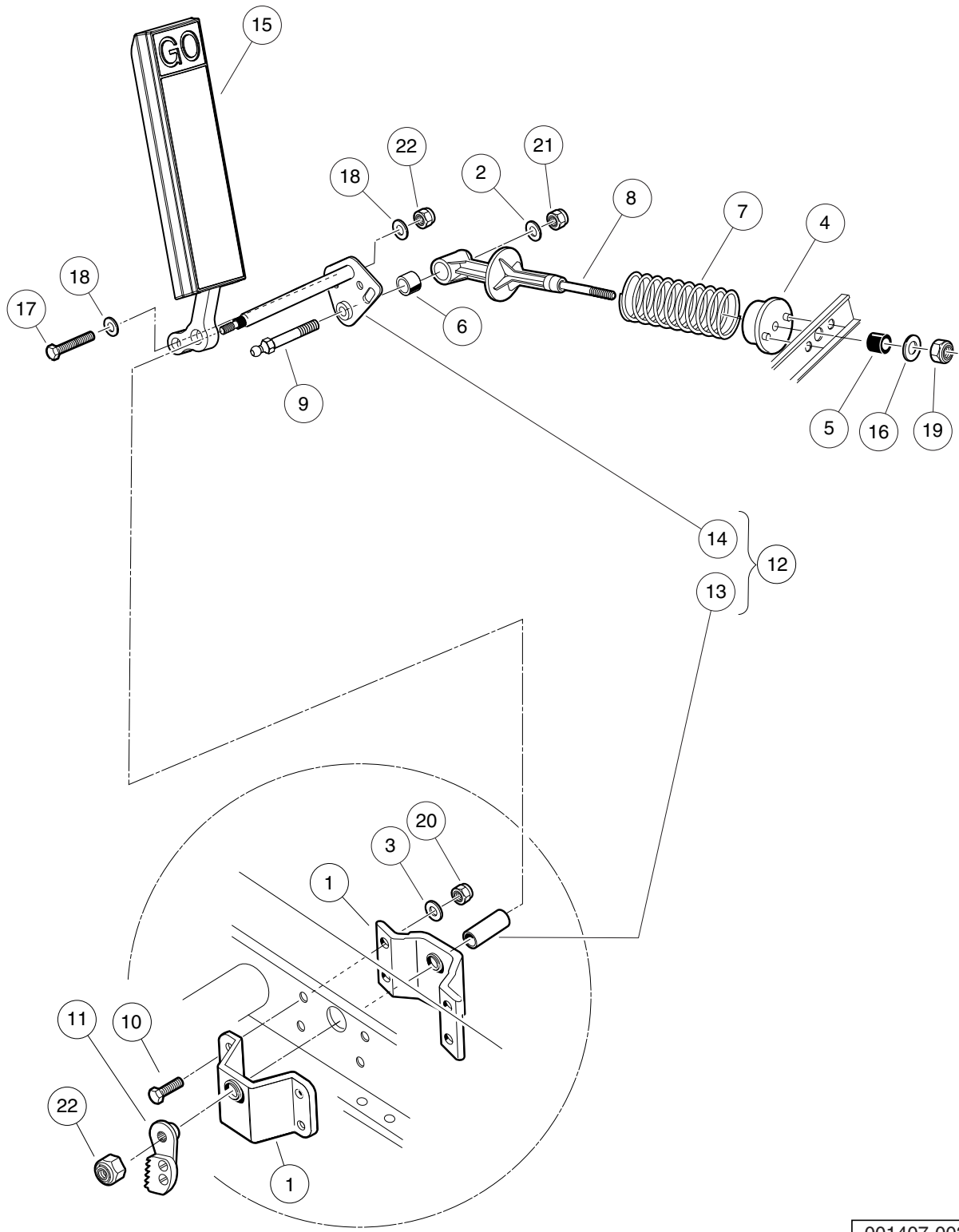
001406-001

ACCELERATOR PEDAL ASSEMBLY – ELECTRIC VEHICLES

| ITEM | PART NO. | DESCRIPTION | QTY |
|------|-----------|--|-----|
| | | 1 2 3 4 | |
| 1 | 1011694 | Accelerator Bracket and Bearing Assembly | 2 |
| 2 | 1011931 | Washer, 1/4 Flat | 1 |
| 3 | 1014007 | Washer, 1/4, Flat | 4 |
| 4 | 1017378 | Cup, Spring | 1 |
| 5 | 1017380 | Bumper, Spring Return | 1 |
| 6 | 1017424 | Bearing, Pivot Support | 1 |
| 7 | 101796201 | Spring, Accelerator Return | 1 |
| 8 | 101817401 | Retainer, Spring | 1 |
| 9 | 101861901 | Screw, 1/4-20 X 1.125 Hex Cap | 4 |
| 10 | 101862001 | Screw, 1/4-20 X 1.500 Flange | 1 |
| 11 | 101918501 | Ratchet Assembly | 1 |
| 12 | 102026001 | Kit, Accelerator Pivot Rod Assembly (includes items 13 and 14) | 1 |
| 13 | 101919801 | Spacer, Accelerator | 1 |
| 14 | 102158901 | Pivot Rod Weldment | 1 |
| 15 | 103865101 | Pedal, Accel, Insert | A/R |
| 16 | 1241 | Washer, 5/16 Type A Flat | 1 |
| 17 | 1624 | Screw, 3/8-16 X 1.50, Hex-Head Cap | 1 |
| 18 | 334 | Washer, 3/8, Type A, Flat | 2 |
| 19 | 7473 | Locknut, 5/16-18 Nylon Insert | 1 |
| 20 | 8233 | Locknut, 1/4-20, Nylon Insert | 4 |
| 21 | 8717 | Locknut, Nylon Insert, 1/4-28 | 1 |
| 22 | 8754 | Locknut, 3/8-16 Hex | 2 |

5
G
E

5
G
E



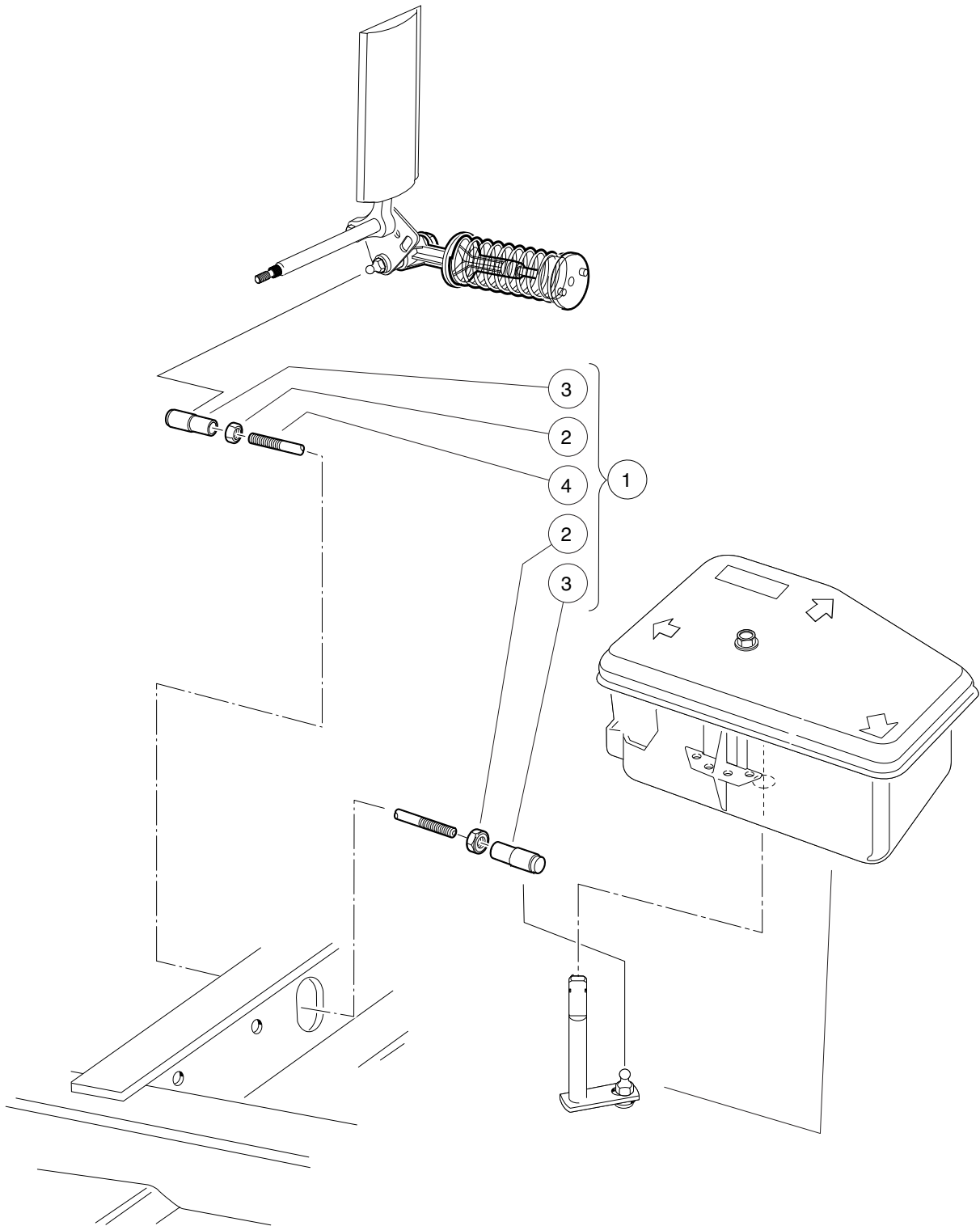
001407-003

ACCELERATOR PEDAL ASSEMBLY – GASOLINE VEHICLES

| ITEM | PART NO. | DESCRIPTION | QTY |
|------|-----------|--|-----|
| | | 1 2 3 4 | |
| 1 | 1011694 | Accelerator Bracket and Bearing Assembly | 2 |
| 2 | 1011931 | Washer, 1/4 Flat | 1 |
| 3 | 1014007 | Washer, 1/4, Flat | 4 |
| 4 | 1017378 | Cup, Spring | 1 |
| 5 | 1017380 | Bumper, Spring Return | 1 |
| 6 | 1017424 | Bearing, Pivot Support | 1 |
| 7 | 101796201 | Spring, Accelerator Return | 1 |
| 8 | 101817401 | Retainer, Spring | 1 |
| 9 | 101818801 | Stud, 1/4-28 X 1.35 Ball | 1 |
| 10 | 101861901 | Screw, 1/4-20 X 1.125 Hex Cap | 4 |
| 11 | 101918501 | Ratchet Assembly | 1 |
| 12 | 102026001 | Kit, Accelerator Pivot Rod Assembly (includes items 13 and 14) | 1 |
| 13 | 101919801 | Spacer, Accelerator | 1 |
| 14 | 102158901 | Pivot Rod Weldment | 1 |
| 15 | 103865101 | Pedal, Accel, Insert | 1 |
| 16 | 1241 | Washer, 5/16 Type A Flat | 1 |
| 17 | 1624 | Screw, 3/8-16 X 1.50, Hex-Head Cap | 1 |
| 18 | 334 | Washer, 3/8, Type A, Flat | 2 |
| 19 | 7473 | Locknut, 5/16-18 Nylon Insert | 1 |
| 20 | 8233 | Locknut, 1/4-20, Nylon Insert | 4 |
| 21 | 8717 | Locknut, Nylon Insert, 1/4-28 | 1 |
| 22 | 8754 | Locknut, 3/8-16 Hex | 2 |

5
G
E

5
G
E



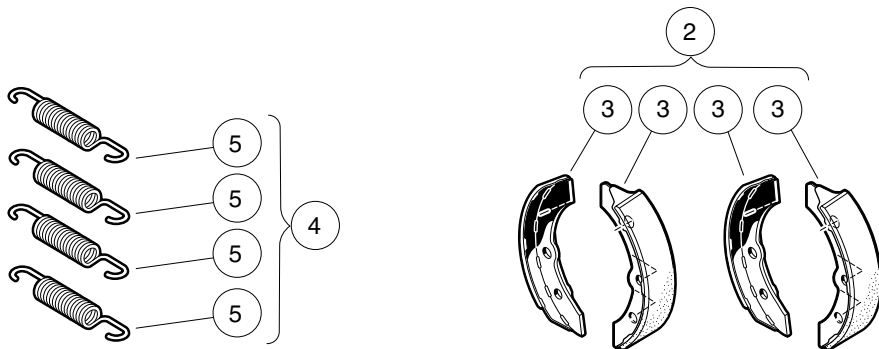
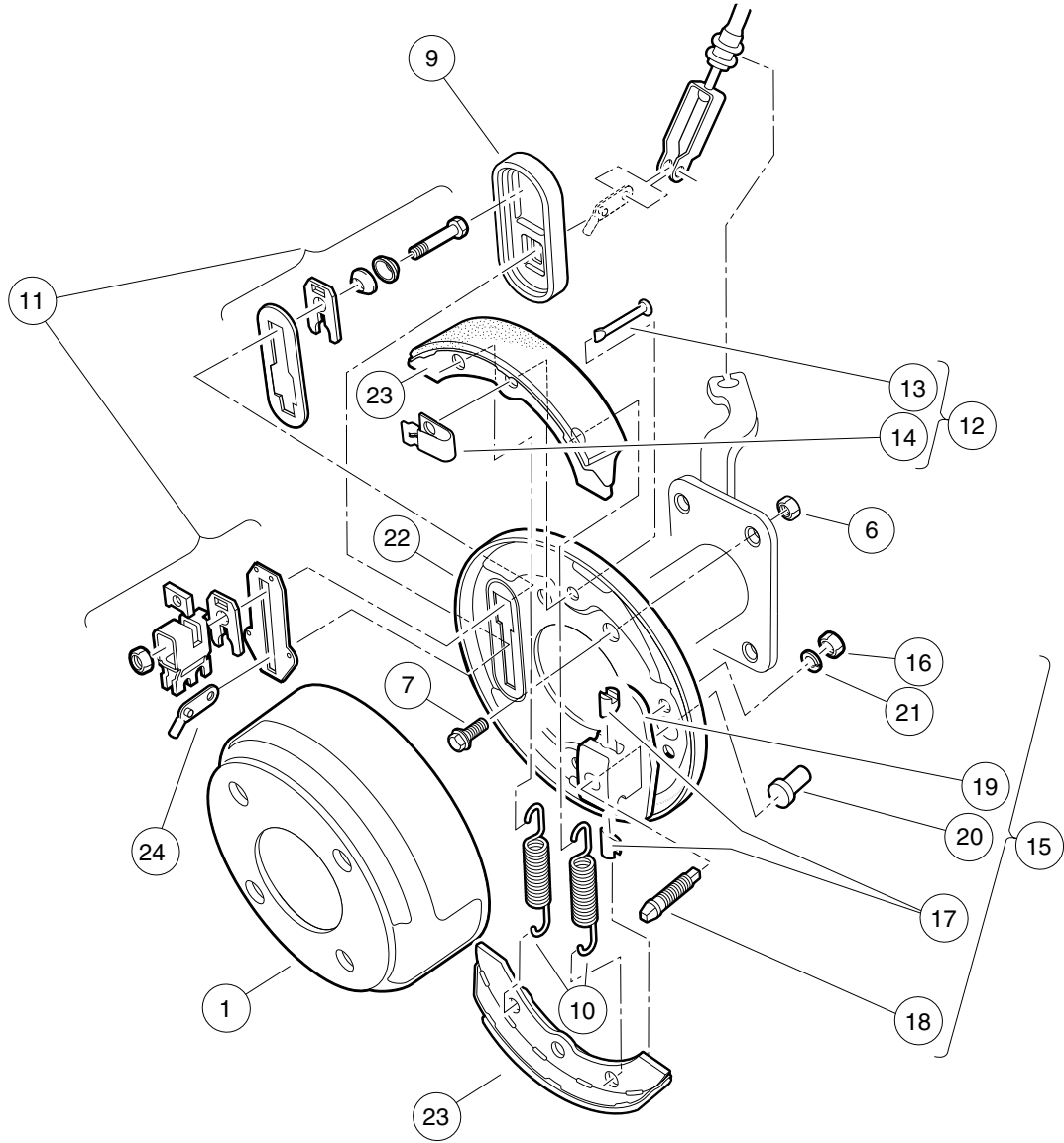
000362-001

ACCELERATOR ROD – TURF/CARRYALL 6 GASOLINE VEHICLES

| ITEM | PART NO. | DESCRIPTION | QTY |
|------|-----------|---|-----|
| | | 1 2 3 4 | |
| 1 | 101674702 | Rod, Accelerator (includes items 2 through 4) | 1 |
| 2 | 1011084 | Nut, 1/4-28 Hex Jam | 2 |
| 3 | 1011734 | Joint, Ball | 2 |
| 4 | N/A | Accelerator Rod Elec Stretch | 1 |

5
G
E

5
G
E



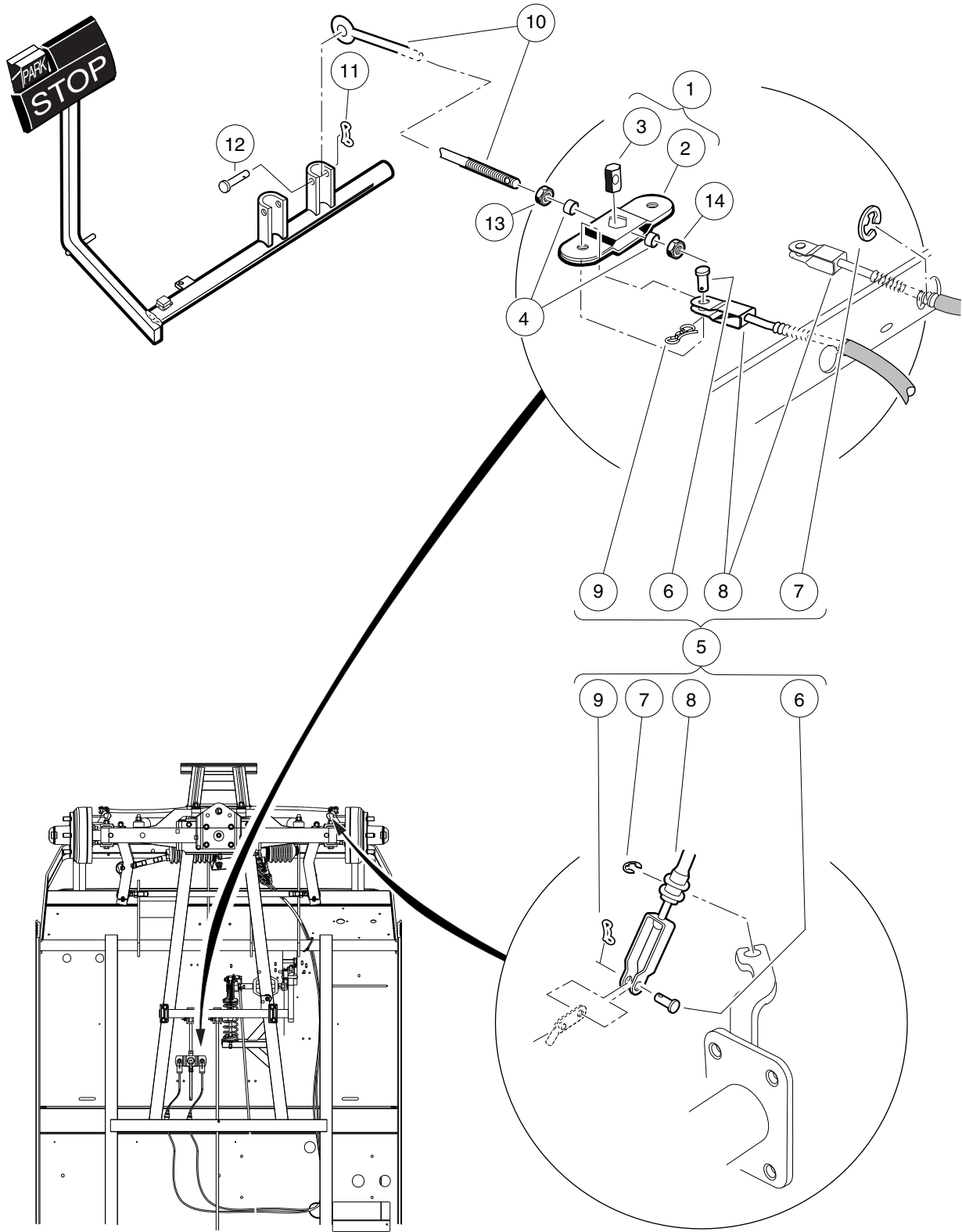
000298-001

FRONT BRAKE ASSEMBLY – VEHICLES WITH FOUR-WHEEL BRAKES

| ITEM | PART NO. | DESCRIPTION | QTY |
|------|-----------|---|-----|
| | | 1 2 3 4 | |
| 1 | 1011137 | Drum, Brake | 2 |
| 2 | 101146302 | Kit, Non-Asbestos Brake Shoe (includes item 3) | 1 |
| 3 | 101880701 | Shoe Brake Manual Adj (Available in Kit, Non-Asbestos Brake Shoe) | 4 |
| 4 | 1011464 | Package, Brake Spring (includes item 5) | 1 |
| 5 | 1011314 | Brake Spring | 4 |
| 6 | 1013924 | Nut, 5/16-24, Hex Head Cone | 8 |
| 7 | 1014153 | Bolt, Brake Cluster Mounting | 8 |
| 8 | 1016557 | Cluster, Brake, Driver-Side (includes items 9 through 24) | 1 |
| 9 | 1010850 | Dust Cover | 1 |
| 10 | 1011314 | Brake Spring | 2 |
| 11 | 1011465 | Kit, Brake Actuator | 1 |
| 12 | 1011466 | Kit, Shoe Retainer (includes items 13 and 14) | 1 |
| 13 | N/A | Pin | 2 |
| 14 | N/A | Shoe Clamp Spring | 2 |
| 15 | 1011467 | Kit, Anchor Body (includes items 16 through 21) | 1 |
| 16 | 1011114 | Nut, M6-1.00 Hex | 2 |
| 17 | 1011298 | Anchor Piston | 2 |
| 18 | N/A | Adjustment Bolt | 1 |
| 19 | N/A | Anchor Body Component | 1 |
| 20 | 1011303 | Adjustment Bolt Cap | 1 |
| 21 | 451 | Lockwasher, 1/4 Split | 2 |
| 22 | 1011494 | Backing Plate, Left-Hand | 1 |
| 23 | 101880701 | Shoe Brake Manual Adj (Available in Kit, Non-Asbestos Brake Shoe) | 2 |
| 24 | N/A | Arm, Brake Lever | 1 |
| 25 | 1016573 | Cluster, Brake, Passenger-Side (includes items 26 through 41) | 1 |
| 26 | 1010850 | Dust Cover | 1 |
| 27 | 1011154 | Backing Plate, Right-Hand | 1 |
| 28 | 1011314 | Brake Spring | 2 |
| 29 | 1011465 | Kit, Brake Actuator | 1 |
| 30 | 1011466 | Kit, Shoe Retainer (includes items 31 and 32) | 1 |
| 31 | N/A | Pin | 2 |
| 32 | N/A | Shoe Clamp Spring | 2 |
| 33 | 1011467 | Kit, Anchor Body (includes items 34 through 39) | 1 |
| 34 | 1011114 | Nut, M6-1.00 Hex | 2 |
| 35 | 1011298 | Anchor Piston | 2 |
| 36 | N/A | Adjustment Bolt | 1 |
| 37 | N/A | Anchor Body Component | 1 |
| 38 | 1011303 | Adjustment Bolt Cap | 1 |
| 39 | 451 | Lockwasher, 1/4 Split | 2 |
| 40 | 101880701 | Shoe Brake Manual Adj (Available in Kit, Non-Asbestos Brake Shoe) | 2 |
| 41 | N/A | Arm, Brake Lever | 1 |
| | | Note: Passenger-side brake cluster not shown. Components have a similar appearance to driver-side brake cluster components. | |

5
G
E

5
G
E



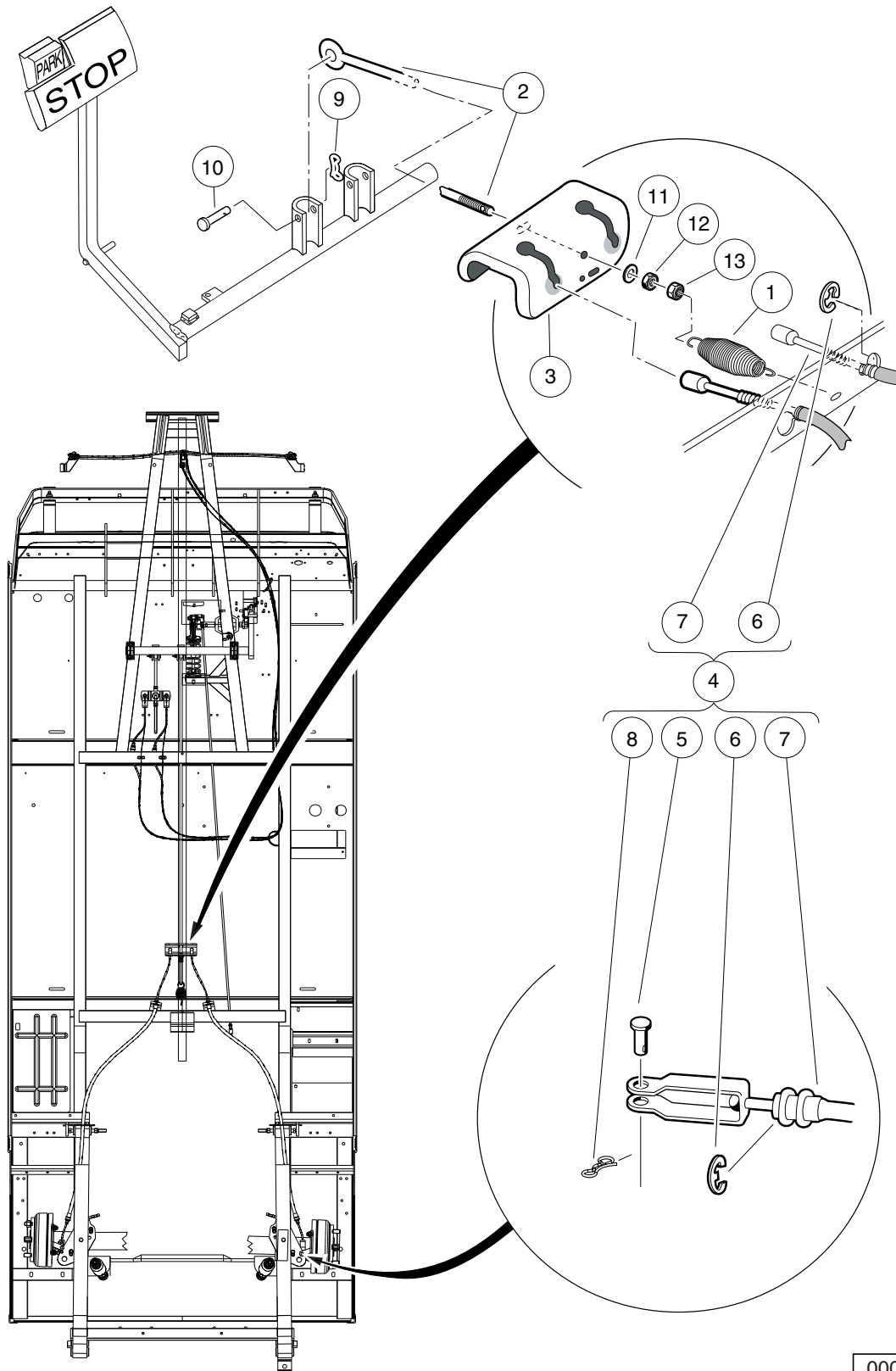
000294-001

FRONT BRAKE CABLES AND EQUALIZER – VEHICLES WITH FOUR-WHEEL BRAKES

| ITEM | PART NO. | DESCRIPTION | QTY |
|------|-----------|---|-----|
| | | 1 2 3 4 | |
| 1 | 1017211 | Kit, Equalizer and Pivot Limiter (includes items 2 and 3) | 1 |
| 2 | 1016319 | Equalizer Weld Assembly | 1 |
| 3 | 1016320 | Equalizer, Pivot Limiter | 1 |
| 4 | 101865301 | Spacer | 2 |
| 5 | 101874601 | Kit, Brake Cable (includes items 6 through 9) | 1 |
| 6 | 1010829 | Pin, Clevis, 5/16 X 3/4 | 4 |
| 7 | 1011779 | E-Clip, 1/2 | 4 |
| 8 | N/A | Brake Cable | 2 |
| 9 | 102292801 | Pin, Bow Tie Locking - .072 | 4 |
| 10 | 101953106 | Rod, Equalizer, 9.75" | 1 |
| 11 | 102323101 | Pin, Bow Tie Locking | 1 |
| 12 | 102323201 | Pin, 3/8 X 1-5/16 Clevis | 1 |
| 13 | 1242 | Nut, 5/16-18 Hex | 1 |
| 14 | 7473 | Locknut, 5/16-18 Nylon Insert | 1 |

5
G
E

5
G
E



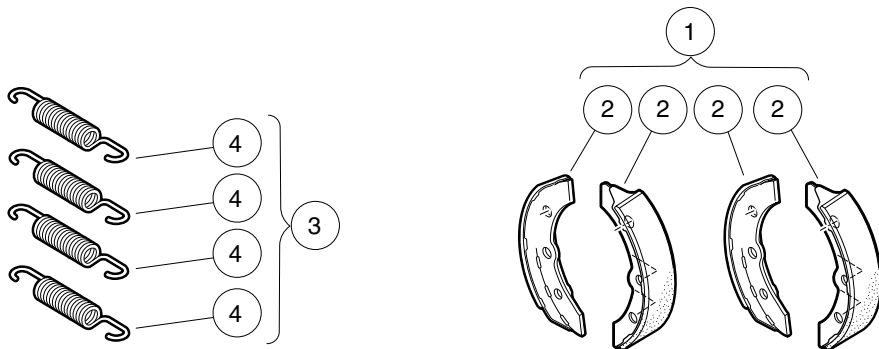
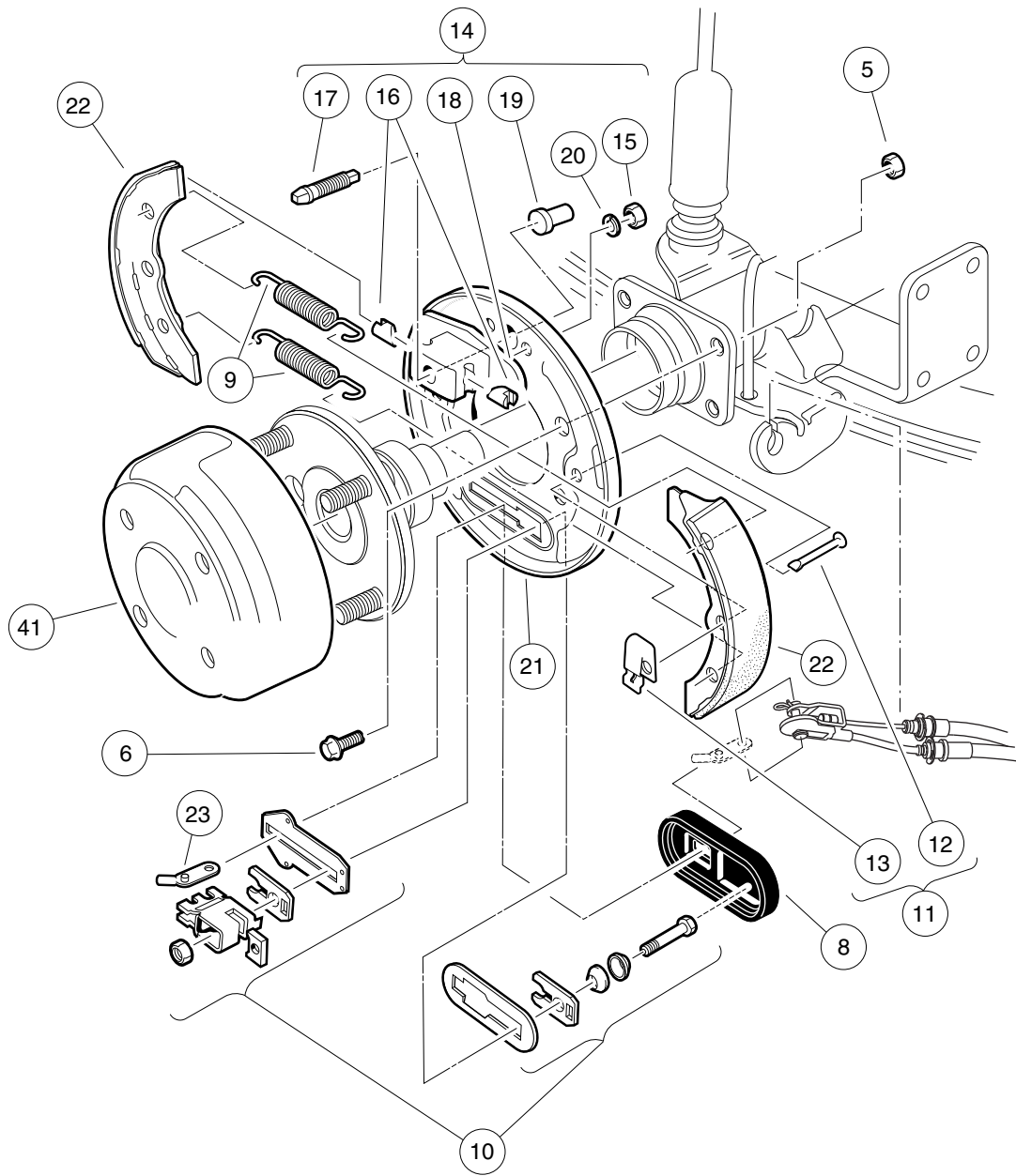
000296-004

REAR BRAKE CABLES AND EQUALIZER – TURF/CARRYALL 6

| ITEM | PART NO. | DESCRIPTION | QTY |
|------|-----------|--|-----|
| | | 1 2 3 4 | |
| 1 | 1013531 | Spring, Brake Return | 1 |
| 2 | 101953103 | Rod, Equalizer, 41.91" | 1 |
| 3 | 101990801 | Equalizer Bracket | 1 |
| 4 | 102166901 | Kit, Brake Cable Rear (includes items 5 through 8) | 1 |
| 5 | 1010829 | Pin, Clevis, 5/16 X 3/4 | 2 |
| 6 | 1011779 | E-Clip, 1/2 | 4 |
| 7 | 102162601 | Cable, Brake | 2 |
| 8 | 102292801 | Pin, Bow Tie Locking - .072 | 2 |
| 9 | 102323101 | Pin, Bow Tie Locking | 1 |
| 10 | 102323201 | Pin, 3/8 X 1-5/16 Clevis | 1 |
| 11 | 1241 | Washer, 5/16 Type A Flat | 1 |
| 12 | 1242 | Nut, 5/16-18 Hex | 1 |
| 13 | 7473 | Locknut, 5/16-18 Nylon Insert | 1 |

5
G
E

5
G
E



000293-002

REAR BRAKE ASSEMBLY, MANUALLY-ADJUSTED – VEHICLES WITH 4-WHEEL BRAKES

| ITEM | PART NO. | DESCRIPTION | QTY |
|------|-----------|---|-----|
| | | 1 2 3 4 | |
| 1 | 101146302 | Kit, Non-Asbestos Brake Shoe (includes item 2) | 1 |
| 2 | 101880701 | Shoe Brake Manual Adj (Available in Kit, Non-Asbestos Brake Shoe) | 4 |
| 3 | 1011464 | Package, Brake Spring (includes item 4) | 1 |
| 4 | 1011314 | Brake Spring | 4 |
| 5 | 1013924 | Nut, 5/16-24, Hex Head Cone | 8 |
| 6 | 1014153 | Bolt, Brake Cluster Mounting | 8 |
| 7 | 1016557 | Cluster, Brake, Driver-Side (includes items 8 through 23) | 1 |
| 8 | 1010850 | Dust Cover | 1 |
| 9 | 1011314 | Brake Spring | 2 |
| 10 | 1011465 | Kit, Brake Actuator | 1 |
| 11 | 1011466 | Kit, Shoe Retainer (includes items 12 and 13) | 1 |
| 12 | N/A | Pin | 2 |
| 13 | N/A | Shoe Clamp Spring | 2 |
| 14 | 1011467 | Kit, Anchor Body (includes items 15 through 20) | 1 |
| 15 | 1011114 | Nut, M6-1.00 Hex | 2 |
| 16 | 1011298 | Anchor Piston | 2 |
| 17 | N/A | Adjustment Bolt | 1 |
| 18 | N/A | Anchor Body Component | 1 |
| 19 | 1011303 | Adjustment Bolt Cap | 1 |
| 20 | 451 | Lockwasher, 1/4 Split | 2 |
| 21 | 1011494 | Backing Plate, Left-Hand | 1 |
| 22 | 101880701 | Shoe Brake Manual Adj (Available in Kit, Non-Asbestos Brake Shoe) | 2 |
| 23 | N/A | Arm, Brake Lever | 1 |
| 24 | 1016573 | Cluster, Brake, Passenger-Side (includes items 25 through 40) | 1 |
| 25 | 1010850 | Dust Cover | 1 |
| 26 | 1011154 | Backing Plate, Right-Hand | 1 |
| 27 | 1011314 | Brake Spring | 2 |
| 28 | 1011465 | Kit, Brake Actuator | 1 |
| 29 | 1011466 | Kit, Shoe Retainer (includes items 30 and 31) | 1 |
| 30 | N/A | Pin | 2 |
| 31 | N/A | Shoe Clamp Spring | 2 |
| 32 | 1011467 | Kit, Anchor Body (includes items 33 through 38) | 1 |
| 33 | 1011114 | Nut, M6-1.00 Hex | 2 |
| 34 | 1011298 | Anchor Piston | 2 |
| 35 | N/A | Adjustment Bolt | 1 |
| 36 | N/A | Anchor Body Component | 1 |
| 37 | 1011303 | Adjustment Bolt Cap | 1 |
| 38 | 451 | Lockwasher, 1/4 Split | 2 |
| 39 | 101880701 | Shoe Brake Manual Adj (Available in Kit, Non-Asbestos Brake Shoe) | 2 |
| 40 | N/A | Arm, Brake Lever | 1 |
| 41 | 101791101 | Drum without Center Hole, Brake | 2 |
| | | Note: Passenger-side brake cluster not shown. Components have a similar appearance to driver-side brake cluster components. | |

5
G
E

5

G

E

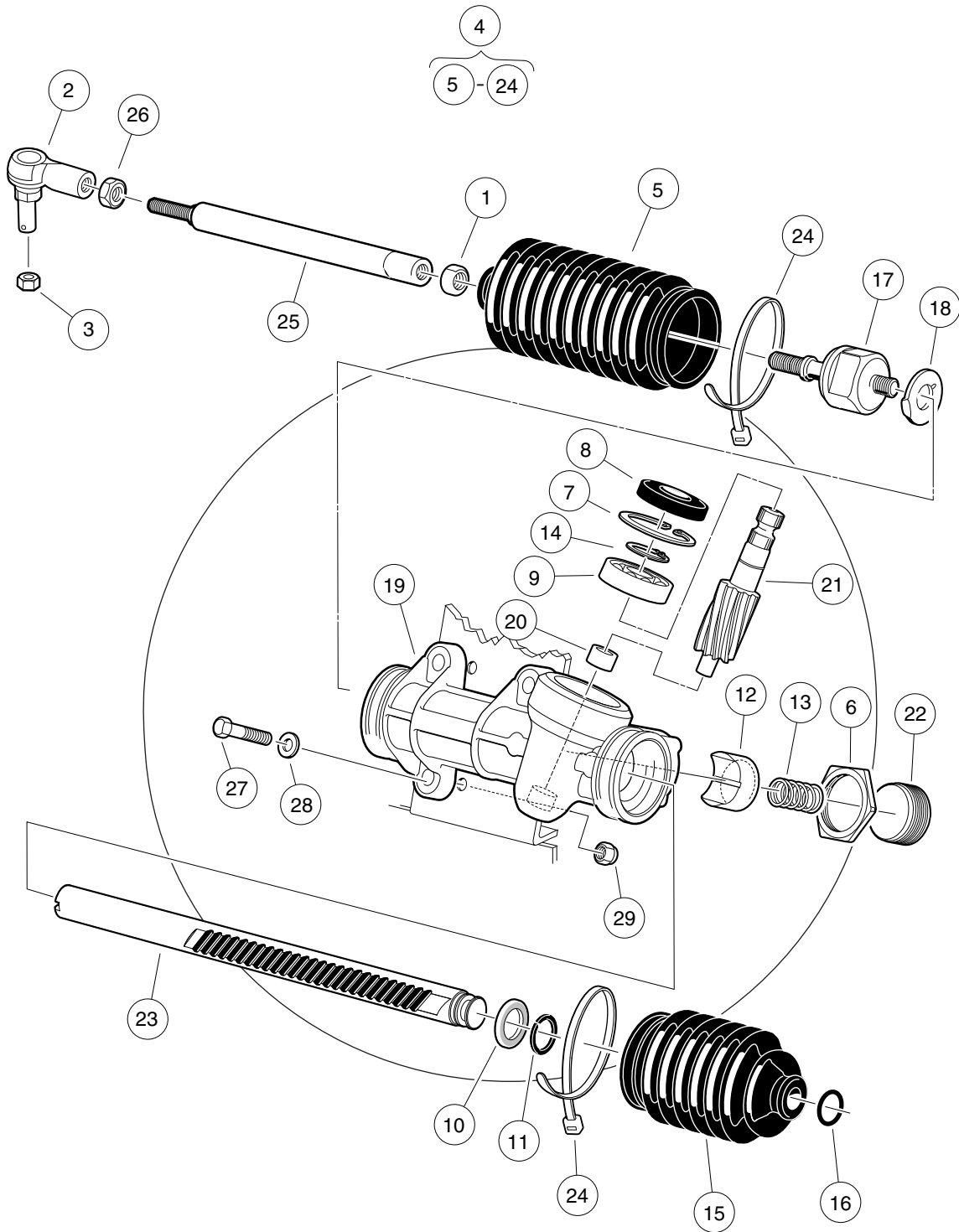
STEERING AND SUSPENSIONS

6

G

E

6
G
E



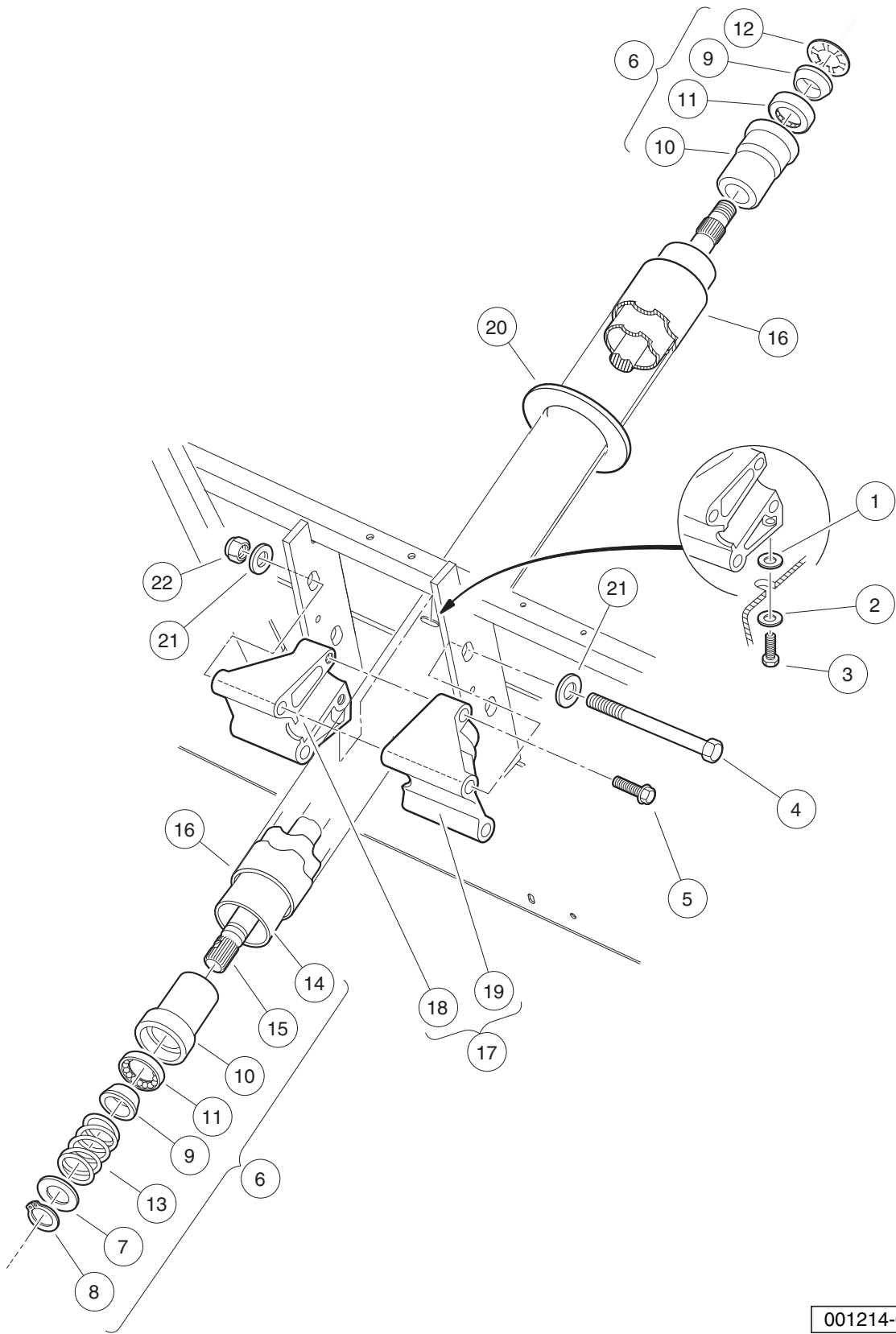
001500-002

STEERING GEAR ASSEMBLY (WANDA) – MAINT.-FREE BALL JOINT

| ITEM | PART NO. | DESCRIPTION | QTY |
|------|-----------|---|-----|
| | | 1 2 3 4 | |
| 1 | 1013042 | Nut, 12mm Hex | 1 |
| 2 | 102022602 | End, Tie Rod, M12 X 1.25, Lh | 1 |
| 3 | 102289201 | Nut - Hex Locking, M12 X 1.25 | 1 |
| 4 | 103601501 | Asm, Steering Rack And Pinion (includes items 5 through 24) | 1 |
| 5 | 1013035 | Bellows, Long | 1 |
| 6 | 1013044 | Rack Screw Locknut | 1 |
| 7 | N/A | Snap Ring | 1 |
| 8 | 1013052 | Seal, Steering Pinion Dust | 1 |
| 9 | 101879401 | Bearing, Ball | 1 |
| 10 | 101879501 | Stop Washer | 1 |
| 11 | 101879601 | Stop Ring, C-Type | 1 |
| 12 | 101879701 | Support Yoke | 1 |
| 13 | 101879801 | Rack Guide Pressure Spring | 1 |
| 14 | 101879901 | Ring, Stop, C-Type | 1 |
| 15 | 101880001 | Bellows, Short | 1 |
| 16 | 101880101 | Dust Seal Retaining Ring | 1 |
| 17 | 101880201 | Inner Ball Joint Asm | 1 |
| 18 | 101880301 | Washer, Tab | 1 |
| 19 | N/A | Box, Steering Gear | 1 |
| 20 | N/A | Bearing, Lower Pinion | 1 |
| 21 | N/A | Pinion, Steering | 1 |
| 22 | N/A | Screw, Rack Guide | 1 |
| 23 | N/A | Rack, Steering | 1 |
| 24 | 8990 | Tie Wrap, 8" Nylon | 2 |
| 25 | 103653401 | Link, Drag, Male Thd | 1 |
| 26 | 103653501 | Nut, Jam, M12-1.25, Lh | 1 |
| 27 | 1624 | Screw, 3/8-16 X 1.50, Hex-Head Cap | 3 |
| 28 | 334 | Washer, 3/8, Type A, Flat | 3 |
| 29 | 8754 | Locknut, 3/8-16 Hex | 3 |

6
G
E

6
G
E



001214-001

STEERING COLUMN – UTILITY

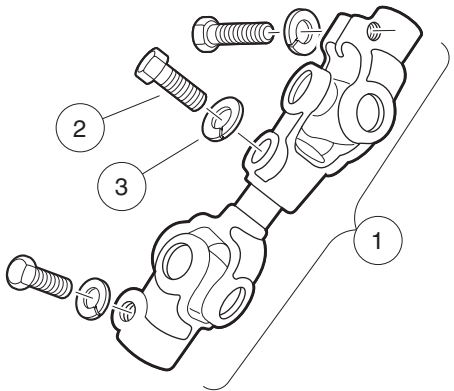
| ITEM | PART NO. | DESCRIPTION | QTY |
|------|-----------|--|-----|
| | | 1 2 3 4 | |
| 1 | 1011578 | Washer, 5/16 Type B Flat | 1 |
| 2 | 1011697 | Washer, 5/16 Flat | 1 |
| 3 | 1014288 | Screw, 5/16-18 X 0.75, Thread-Forming | 1 |
| 4 | 1016183 | Screw, 3/8-16 X 7.00 Hex Cap | 2 |
| 5 | 1016269 | Screw, 5/16-18 Thrd Forming | 2 |
| 6 | 1017313 | Steering Shaft Assembly (includes items 7 through 15) | 1 |
| 7 | 1012604 | Washer, 0.675 ID X 1.19 OD | 1 |
| 8 | 1012605 | Ring, 0.579 Internal Retaining | 1 |
| 9 | 1014125 | Wedge, Molded | 2 |
| 10 | 1014126 | Seat, Plastic Bearing | 2 |
| 11 | 1014213 | Bearing, Ball | 2 |
| 12 | 1014214 | Ring, Retaining | 1 |
| 13 | 1014217 | Spring, Steering Shaft | 1 |
| 14 | 1017314 | Column, Aluminum Steering | 1 |
| 15 | 1017315 | Shaft Steering Column | 1 |
| 16 | 1017317 | Tube Cover, Steering Column | 1 |
| 17 | 101984801 | Kit, Steering Column Mounting Bracket (includes items 18 and 19) | 1 |
| 18 | N/A | Bracket, RH Steering Column Mount | 1 |
| 19 | N/A | Bracket, LH Steering column mount | 1 |
| 20 | 102278001 | Boot, Steering Column Round | 1 |
| 21 | 334 | Washer, 3/8, Type A, Flat | 4 |
| 22 | 8754 | Locknut, 3/8-16 Hex | 2 |

6
G
E

6

G

E



001217-001

INTERMEDIATE STEERING SHAFT (WANDA) – TURF/CA 1/2/6

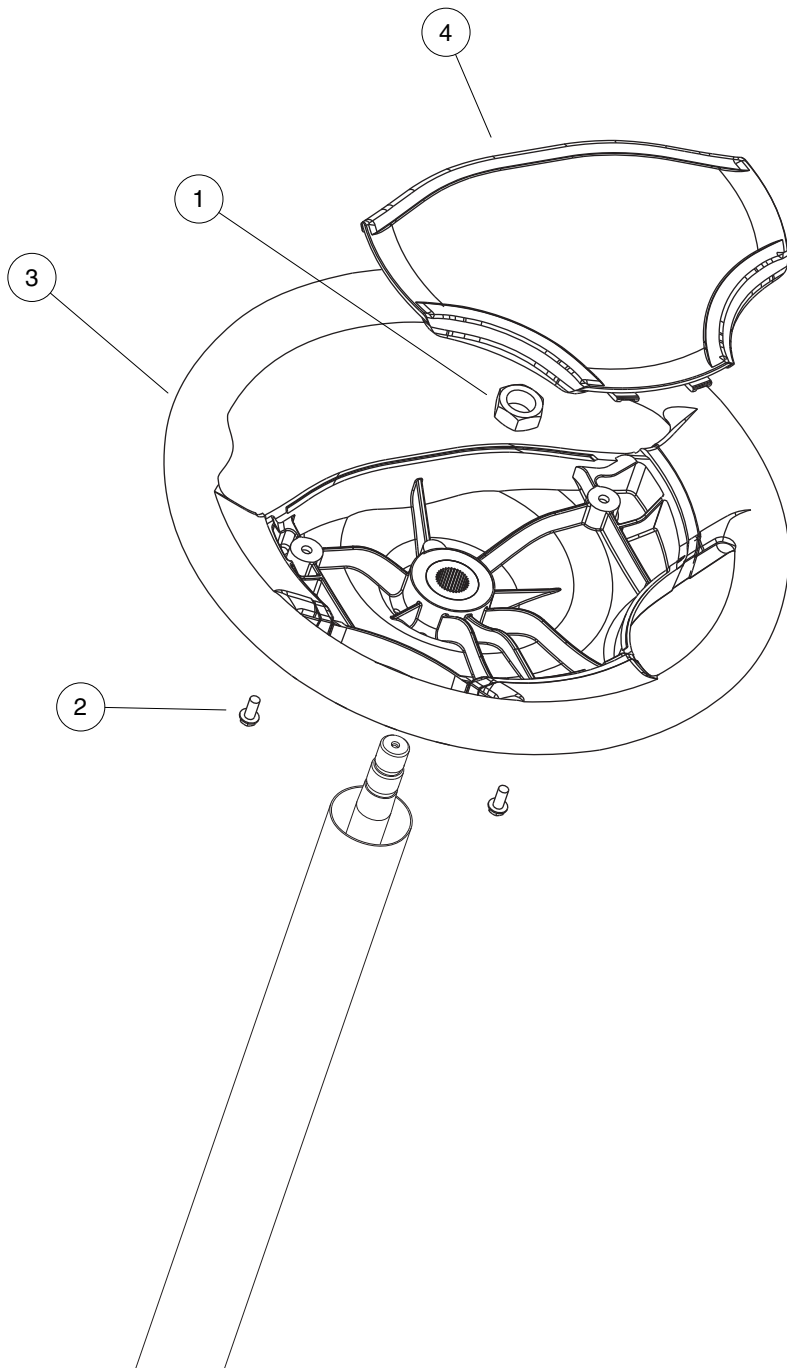
| ITEM | PART NO. | DESCRIPTION | QTY |
|------|-----------|---|-----|
| | | 1 2 3 4 | |
| 1 | 103601601 | Shaft, Intermediate Steering (includes items 2 and 3) | 1 |
| 2 | 1017226 | Bolt, Hex-Head, 8mm X 1.25 - 30 | 3 |
| 3 | 7174 | Lockwasher, 5/16 Split | 3 |

6

G

E

6
G
E



000246-007

STEERING WHEEL

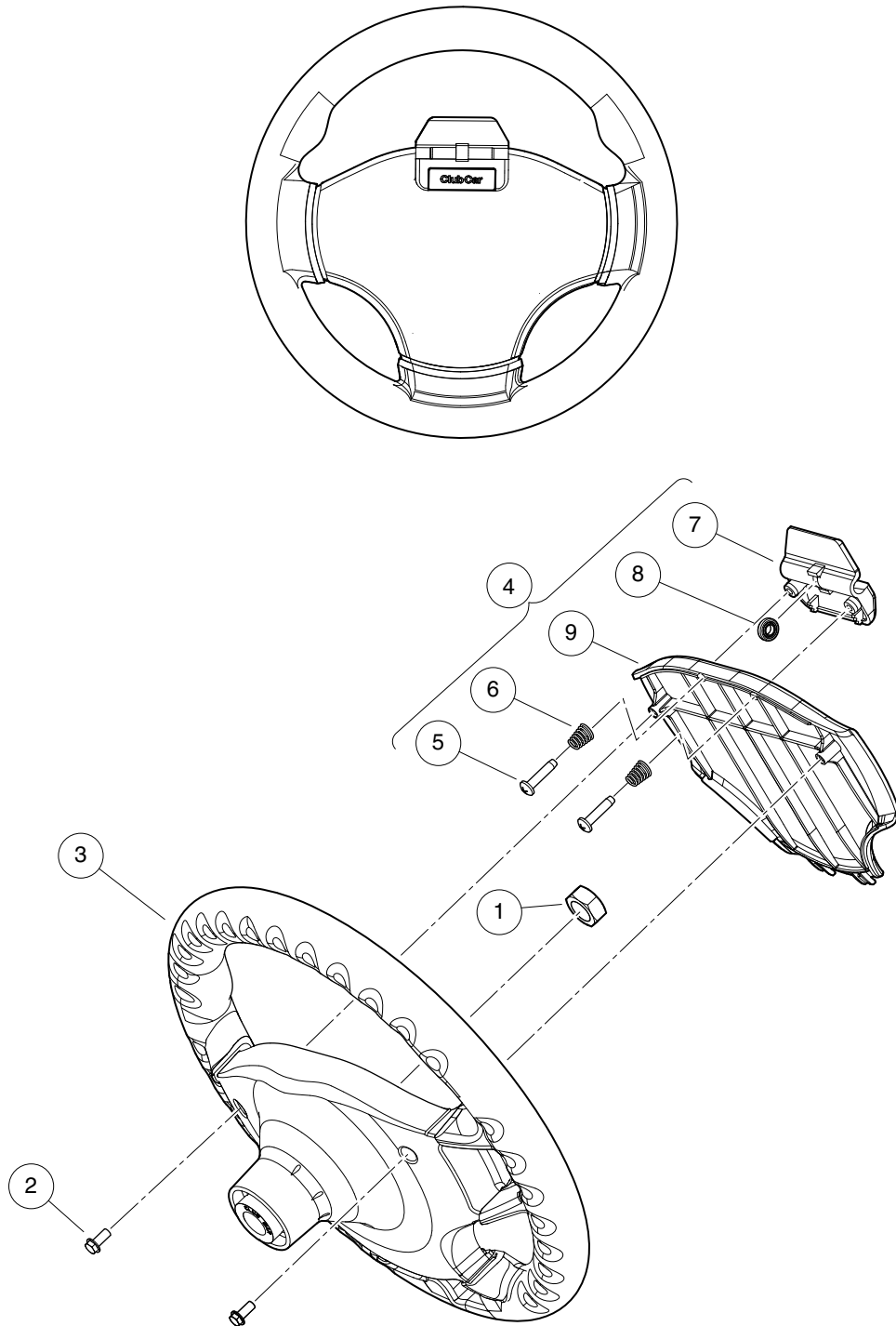
| ITEM | PART NO. | DESCRIPTION | QTY |
|------|-----------|--|-----|
| | | 1 2 3 4 | |
| 1 | 1017273 | Nut, 5/8-18 Nylon Insert Jam | 1 |
| 2 | 101850301 | Screw, #12-16 X 0.50 Washer-Head Hi-Lo | 2 |
| 3 | 103724502 | Wheel, Steering, Splined | 1 |
| 4 | 103724602 | Cover, Steering Wheel, Generic | 1 |

6

G

E

6
G
E



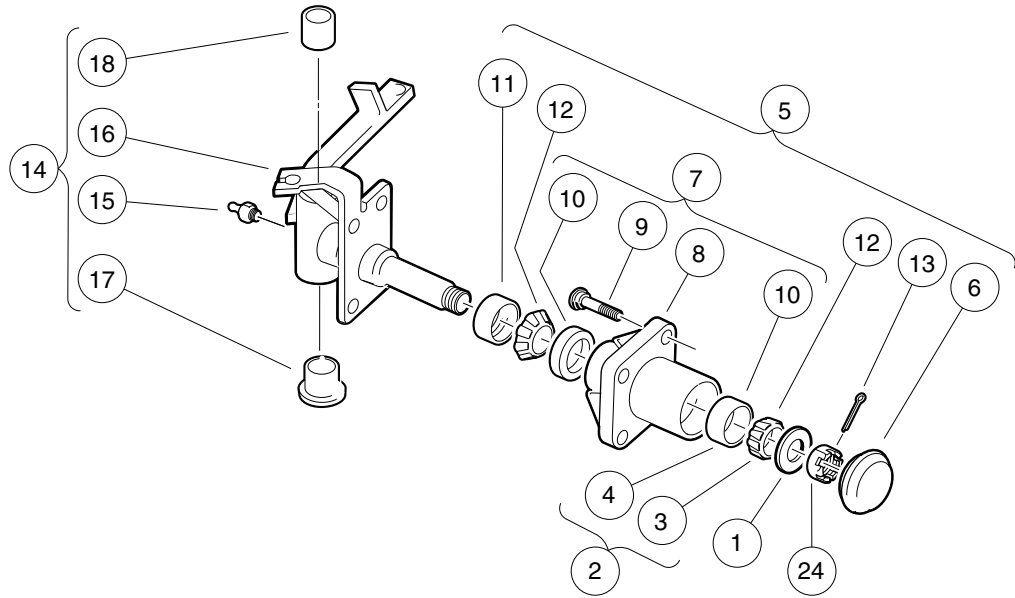
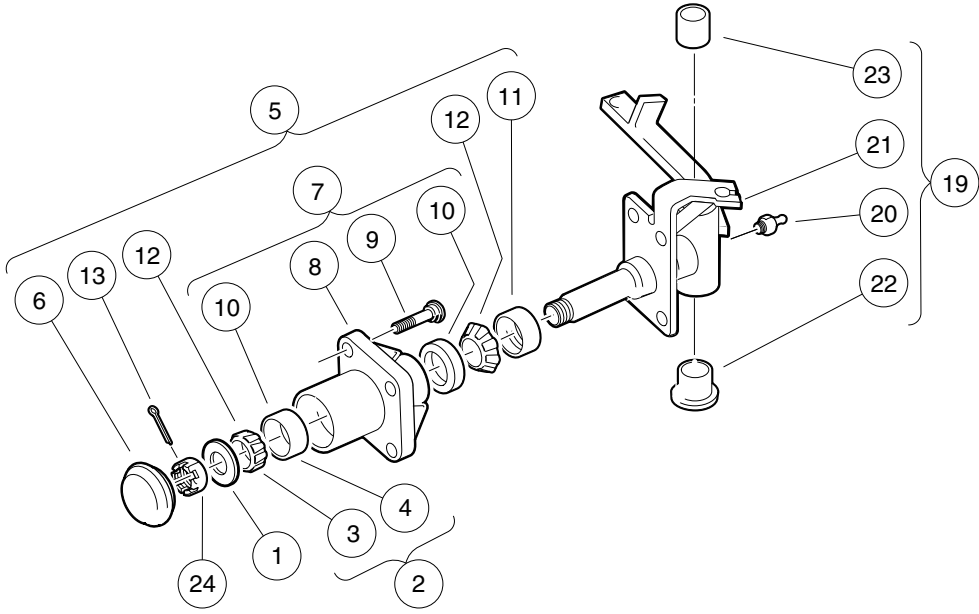
001504-001

STEERING WHEEL WITH CLIP

| ITEM | PART NO. | DESCRIPTION | QTY |
|------|-----------|---|-----|
| | | 1 2 3 4 | |
| 1 | 1017273 | Nut, 5/8-18 Nylon Insert Jam | 1 |
| 2 | 101850301 | Screw, #12-16 X 0.50 Washer-Head Hi-Lo | 2 |
| 3 | 103724502 | Wheel, Steering, Splined | 1 |
| 4 | 103724901 | Asm, Scorecard, Clip (includes items 5 through 9) | 1 |
| 5 | 1012565 | Screw, #12 Phillips Round Head | 2 |
| 6 | 1012566 | Tapered Compression Spring | 2 |
| 7 | 1016154 | Clip, Scorecard | 1 |
| 8 | 1016214 | Pencil Grip | 1 |
| 9 | 103724601 | Cover, Steering Wheel, Clip | 1 |

6
G
E

6
G
E



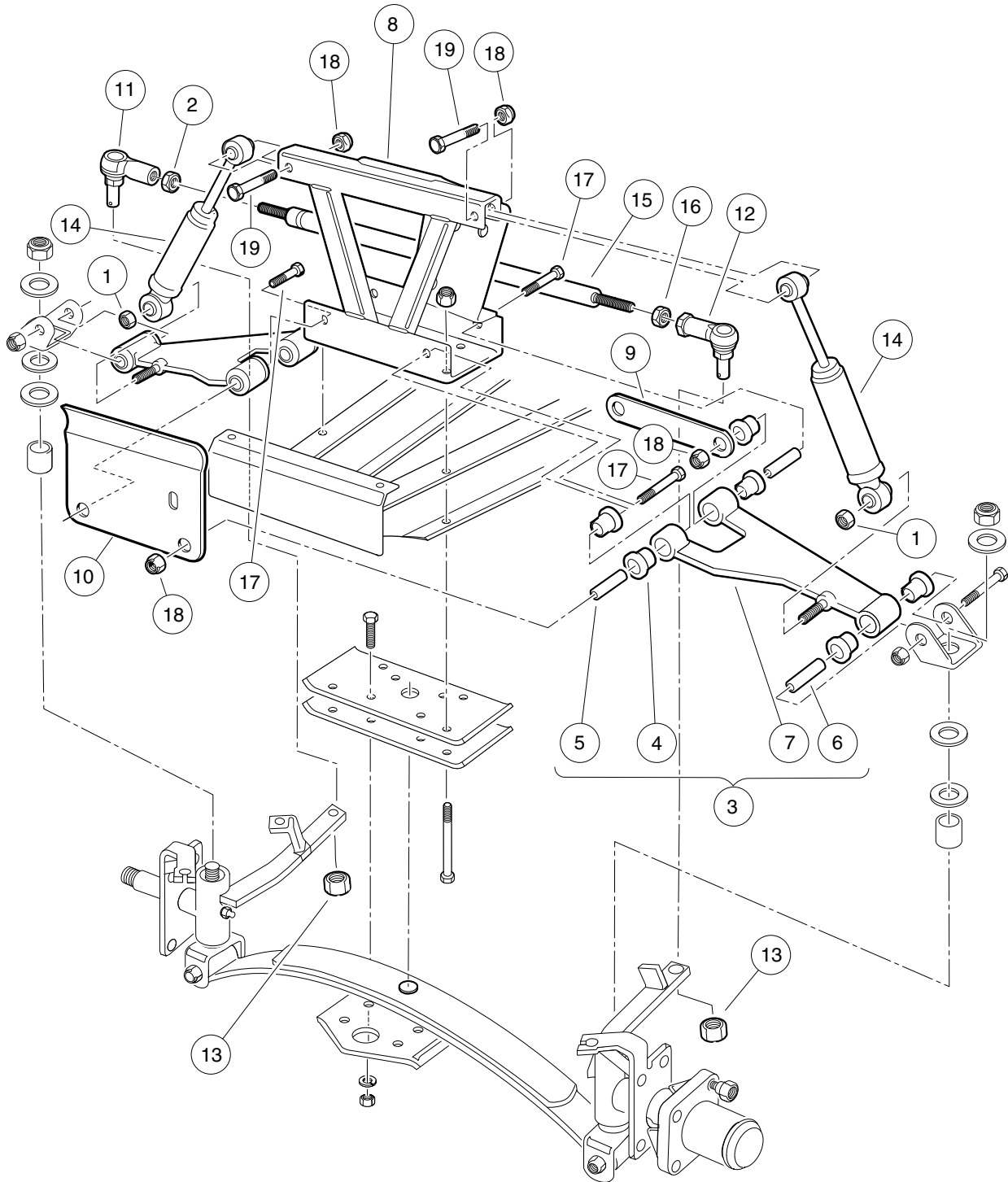
000310-002

FRONT SPINDLES AND HUBS – VEHICLES WITH FOUR-WHEEL BRAKES AND MAINTENANCE-FREE BALL JOINTS

| ITEM | PART NO. | DESCRIPTION | QTY |
|------|-----------|--|-----|
| | | 1 2 3 4 | |
| 1 | 1010005 | Washer, 3/4 Flat | 2 |
| 2 | 1011393 | Hub Bearing Package (includes items 3 and 4) | 4 |
| 3 | 7274 | Bearing, Front Hub Wheel | 1 |
| 4 | 7308 | Race, Front Hub Bearing | 1 |
| 5 | 1011892 | Hub Assembly (includes items 6 through 13) | 2 |
| 6 | 1011887 | Dust Cover | 1 |
| 7 | N/A | Hub (includes items 8 through 10) | 1 |
| 8 | N/A | Front Hub | 1 |
| 9 | 103477901 | Lug Stud, 1/2-20 Unf, 4037 | 4 |
| 10 | 7308 | Race, Front Hub Bearing | 2 |
| 11 | 1013135 | Seal, Double Lip | 1 |
| 12 | 7274 | Bearing, Front Hub Wheel | 2 |
| 13 | 7910 | Pin, 5/32 X 1.00 Cotter | 1 |
| 14 | 103717302 | Asm, Spindle, Lh, 4wb, Sp (includes items 15 through 18) | 1 |
| 15 | 1015597 | Fitting, 1/4-28 Thread-Forming Grease | 1 |
| 16 | N/A | Subasm, Spindle, Lh, 4wb | 1 |
| 17 | 7048 | Bushing, Flanged Bronze | 1 |
| 18 | 8067 | Bushing, Bronze Spindle | 1 |
| 19 | 103717402 | Asm, Spindle, Rh, 4wb, Sp (includes items 20 through 23) | 1 |
| 20 | 1015597 | Fitting, 1/4-28 Thread-Forming Grease | 1 |
| 21 | N/A | Subasm, Spindle, Rh, 4wb | 1 |
| 22 | 7048 | Bushing, Flanged Bronze | 1 |
| 23 | 8067 | Bushing, Bronze Spindle | 1 |
| 24 | 7840 | Nut, 3/4-16 Hex Slotted | 2 |

6
G
E

6
G
E



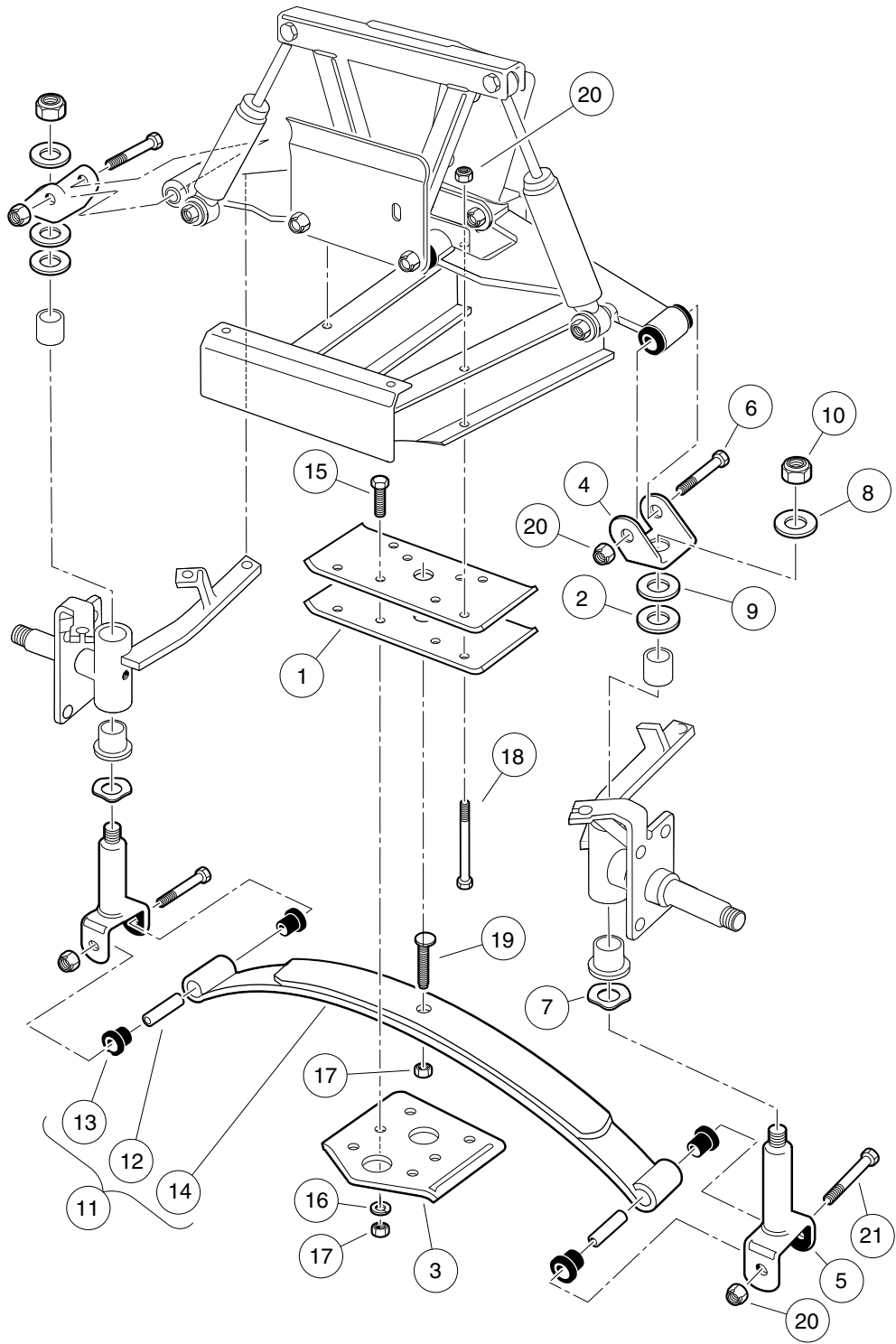
001265-001

FRONT SUSPENSION, UPPER – ALL TURF/ CARRYALL 6 WITH MAINTENANCE-FREE

| ITEM | PART NO. | DESCRIPTION | QTY |
|------|-----------|--|-----|
| | | 1 2 3 4 | |
| 1 | 1010138 | Locknut, 3/8-16 Dimpled | 2 |
| 2 | 1013042 | Nut, 12mm Hex | 1 |
| 3 | 1016353 | Sub-Assembly, Delta A-Plate (includes items 4 through 7) | 2 |
| 4 | 1016346 | Bushing, Urethane | 6 |
| 5 | 1016349 | Sleeve, Delta Inner | 2 |
| 6 | 1016350 | Sleeve, Delta Outer | 1 |
| 7 | 1016351 | Delta A-Plate | 1 |
| 8 | 1016385 | Delta Shock and Gear Support Assembly | 1 |
| 9 | 1017266 | A-Plate Strap | 1 |
| 10 | 101955001 | Brake Cable Guide Bracket | 1 |
| 11 | 102022601 | End, Tie Rod M12 X 1.25 Rh | 1 |
| 12 | 102022602 | End, Tie Rod, M12 X 1.25, Lh | 1 |
| 13 | 102289201 | Nut - Hex Locking, M12 X 1.25 | 3 |
| 14 | 103351001 | Shock Absorber, Front, Common | 2 |
| 15 | 103354701 | Rod, Tie, Male Thd | 1 |
| 16 | 103653501 | Nut, Jam, M12-1.25, Lh | 1 |
| 17 | 2402 | Screw, 3/8-16 X 2.25 Hx Hd Cap | 4 |
| 18 | 8754 | Locknut, 3/8-16 Hex | 13 |
| 19 | 8861 | Bolt, 3/8-16 X 1.75 Hex | 2 |

6
G
E

6
G
E



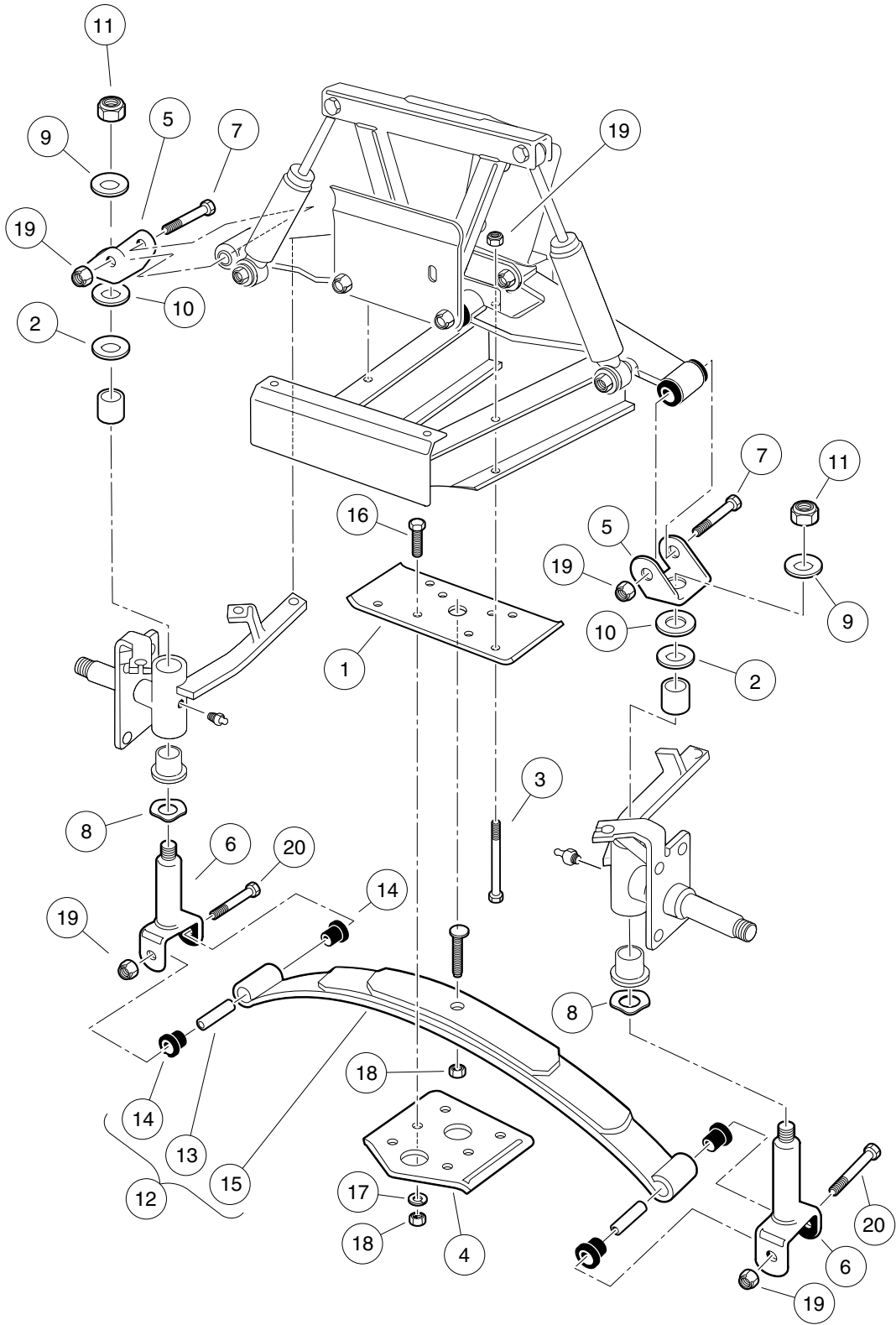
001266-001

FRONT SUSPENSION, LOWER – STANDARD GASOLINE VEHICLE WITH

| ITEM | PART NO. | DESCRIPTION | QTY |
|------|-----------|--|-----|
| | | 1 2 3 4 | |
| 1 | 1010124 | Plate, Spring Mount | 2 |
| 2 | 1010150 | Bearing, Thrust | 2 |
| 3 | 1014276 | Plate, Front Spring Retainer | 1 |
| 4 | 1016384 | Clevis, Delta Upper | 2 |
| 5 | 1016386 | King Pin Assembly | 2 |
| 6 | 1016387 | Screw, 3/8-16 X 2.75 Hx Hd Cap | 2 |
| 7 | 1016389 | Washer, 1.125 Od Wave | 2 |
| 8 | 102564002 | Washer-1/2 Conical, Yellow | 2 |
| 9 | 102684501 | Washer, M12 Hard Regular | 2 |
| 10 | 102766301 | Nut, 1/2-20, Center Lock | 2 |
| 11 | 103628801 | Spring Asm, Front, 2 Leaf (includes items 12 through 14) | 1 |
| 12 | 1012303 | Bushing, Steel | 2 |
| 13 | 1015583 | Bushing, Urethane | 4 |
| 14 | 103502701 | Spring, Front, 2 Leaf | 1 |
| 15 | 2402 | Screw, 3/8-16 X 2.25 Hx Hd Cap | 4 |
| 16 | 357 | Lockwasher, 3/8 Split | 4 |
| 17 | 706 | Nut, Hex 3/8-16 | 5 |
| 18 | 7270 | Bolt, 3/8-16 X 4.50 Hex Head | 4 |
| 19 | 8745 | Screw, Eccentric Adjustment | 1 |
| 20 | 8754 | Locknut, 3/8-16 Hex | 8 |
| 21 | 8755 | Screw, 3/8-16 X 3.375 Hex Cap | 2 |

6
G
E

6
G
E



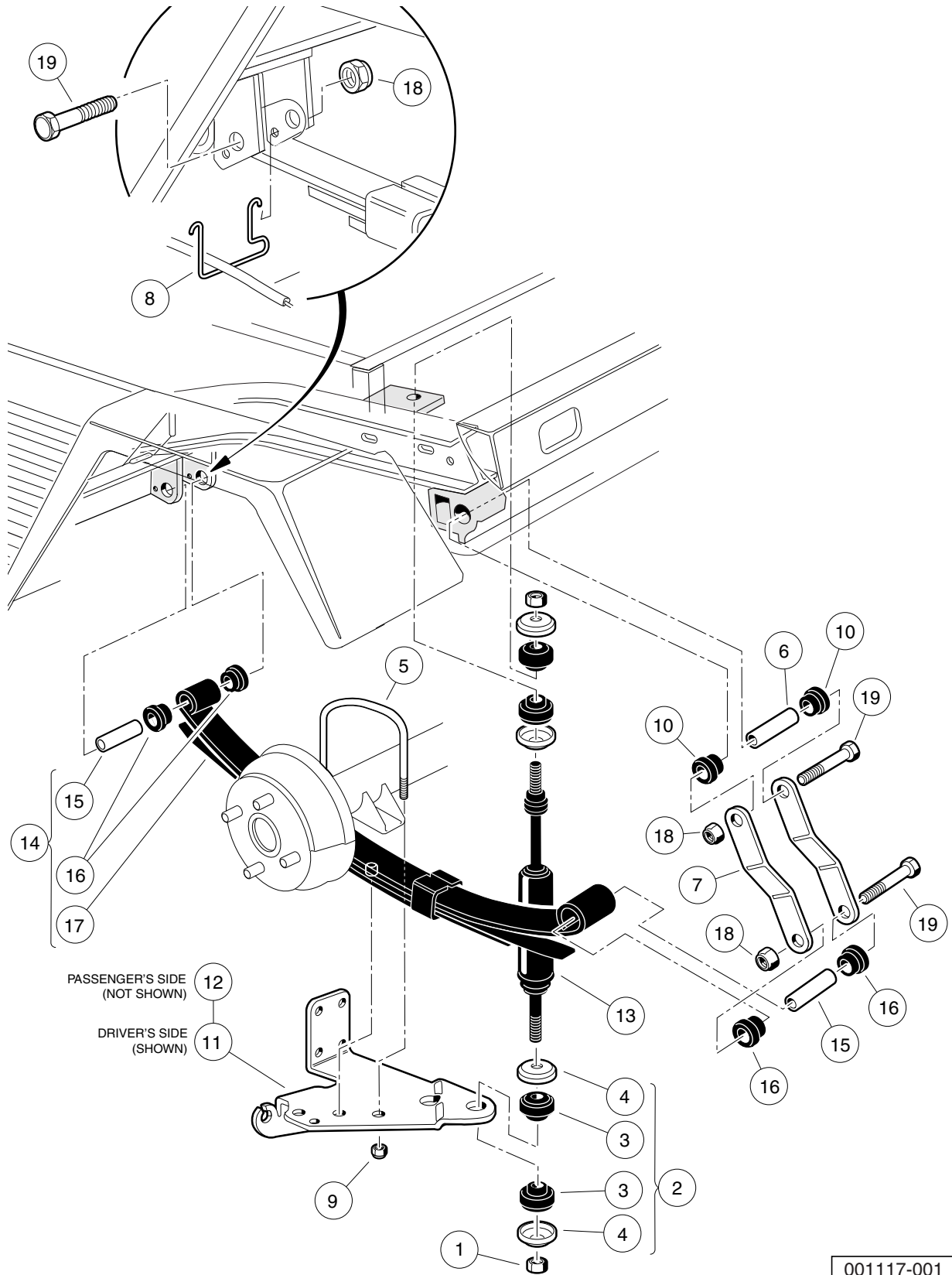
000313-005

FRONT SUSPENSION, LOWER – CA6 ELEC & TURF/CA6 GAS WITH HD OPTION

| ITEM | PART NO. | DESCRIPTION | QTY |
|------|-----------|--|-----|
| | | 1 2 3 4 | |
| 1 | 1010124 | Plate, Spring Mount | 1 |
| 2 | 1010150 | Bearing, Thrust | 2 |
| 3 | 1010200 | Bolt, 3/8-16 X 4.25 Hex Head | 4 |
| 4 | 1014276 | Plate, Front Spring Retainer | 1 |
| 5 | 1016384 | Clevis, Delta Upper | 2 |
| 6 | 1016386 | King Pin Assembly | 2 |
| 7 | 1016387 | Screw, 3/8-16 X 2.75 Hx Hd Cap | 2 |
| 8 | 1016389 | Washer, 1.125 Od Wave | 2 |
| 9 | 102564002 | Washer-1/2 Conical, Yellow | 2 |
| 10 | 102684501 | Washer, M12 Hard Regular | 2 |
| 11 | 102766301 | Nut, 1/2-20, Center Lock | 2 |
| 12 | 103628901 | Spring Asm, Front, 3 Leaf (includes items 13 through 15) | 1 |
| 13 | 1012303 | Bushing, Steel | 2 |
| 14 | 1015583 | Bushing, Urethane | 4 |
| 15 | 103502801 | Spring, Front, 3 Leaf | 1 |
| 16 | 2402 | Screw, 3/8-16 X 2.25 Hx Hd Cap | 4 |
| 17 | 357 | Lockwasher, 3/8 Split | 4 |
| 18 | 706 | Nut, Hex 3/8-16 | 5 |
| 19 | 8754 | Locknut, 3/8-16 Hex | 8 |
| 20 | 8755 | Screw, 3/8-16 X 3.375 Hex Cap | 2 |

6
G
E

6
G
E



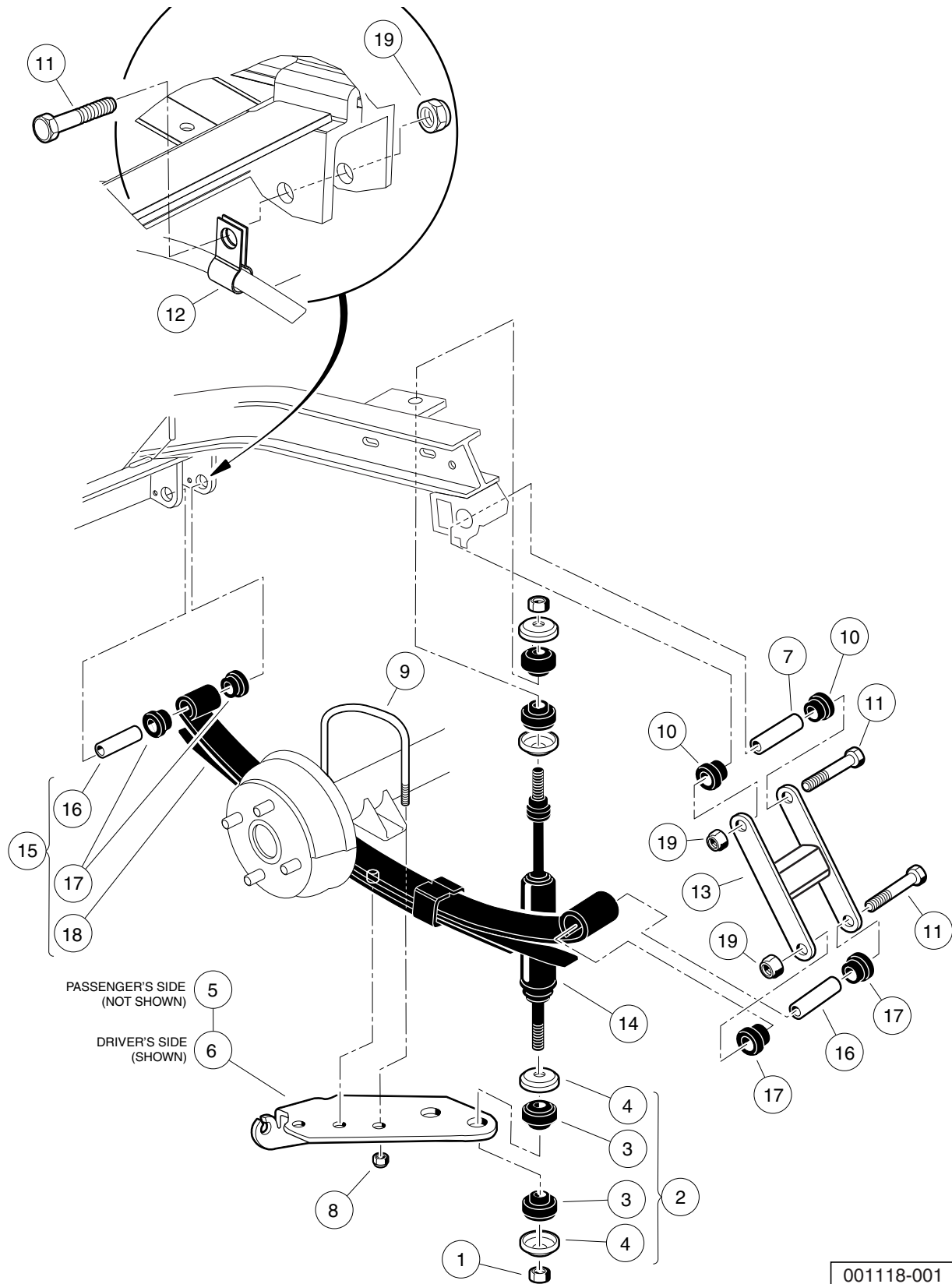
001117-001

REAR SUSPENSION – GASOLINE TURF/CARRYALL 2, 2 PLUS, AND 6

| ITEM | PART NO. | DESCRIPTION | QTY |
|---|-----------|--|-----|
| | | 1 2 3 4 | |
| 1 | 1010145 | Nut, 3/8-24 Hex | 4 |
| 2 | 1011415 | Kit, Shock Absorber Cushion (includes items 3 and 4) | 4 |
| 3 | N/A | Cushion, Shock Absorber | 2 |
| 4 | N/A | Retainer, Shock Absorber Cushion | 2 |
| 5 | 1012180 | U-Bolt | 2 |
| 6 | 1012303 | Bushing, Steel | 2 |
| 7 | 1012304 | Shackle, Rear Spring | 4 |
| 8 | 1013207 | Hanger, Brake Cable | 2 |
| 9 | 1014555 | Locknut, 7/16-14 Nylon Hex | 4 |
| 10 | 101558302 | Bushing, Urethane, Soft | 4 |
| 11 | 101926501 | Bracket, Left-Hand | 1 |
| 12 | 101929401 | Bracket, Right | 1 |
| 13 | 103350901 | Shock Absorber, Rear, Utility | 2 |
| 14 | 103657301 | Asm-rear 3leaf Spring, 600 Lb (includes items 15 through 17) | 2 |
| 15 | 1012303 | Bushing, Steel | 2 |
| 16 | 101558302 | Bushing, Urethane, Soft | 4 |
| 17 | 102871801 | Rear Spring, 3leaf, 600 Lb/in | 1 |
| 18 | 8754 | Locknut, 3/8-16 Hex | 6 |
| 19 | 8755 | Screw, 3/8-16 X 3.375 Hex Cap | 6 |
| <p style="text-align: center;">Note: Only the driver-side rear suspension is shown. Parts for the passenger-side rear suspension are identical except for the leaf spring/shock mounting plate.</p> | | | |

6
G
E

6
G
E



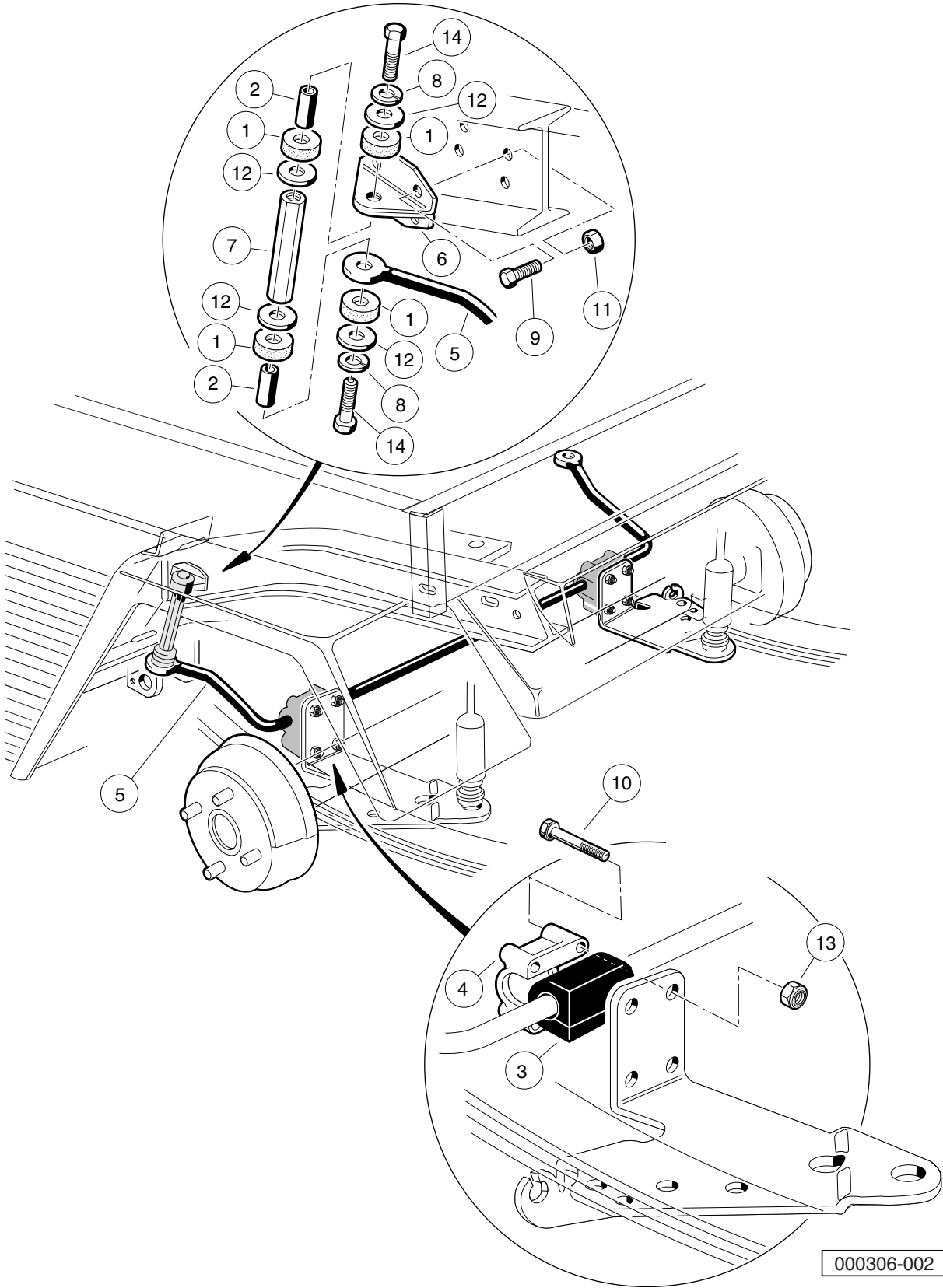
001118-001

REAR SUSPENSION – TURF/CARRYALL 2 AND 6 IQ PLUS VEHICLES

| ITEM | PART NO. | DESCRIPTION | QTY |
|---|-----------|--|-----|
| | | 1 2 3 4 | |
| 1 | 1010145 | Nut, 3/8-24 Hex | 4 |
| 2 | 1011415 | Kit, Shock Absorber Cushion (includes items 3 and 4) | 4 |
| 3 | N/A | Cushion, Shock Absorber | 2 |
| 4 | N/A | Retainer, Shock Absorber Cushion | 2 |
| 5 | 1012181 | Bracket, Shock Mounting, Right (Passenger) | 1 |
| 6 | 1012182 | Bracket, Shock Mounting, Left (Driver) | 1 |
| 7 | 1012303 | Bushing, Steel | 2 |
| 8 | 1014555 | Locknut, 7/16-14 Nylon Hex | 4 |
| 9 | 1014902 | U-Bolt | 2 |
| 10 | 101558302 | Bushing, Urethane, Soft | 4 |
| 11 | 102066201 | Screw, 3/8-16 X 3.50 Hex Cap | 6 |
| 12 | 102891101 | Clamp, Cable, Brake, Sym | 2 |
| 13 | 102917101 | Weldment, Shackle | 2 |
| 14 | 103351101 | Shock, Absorber, Utility | 2 |
| 15 | 103657301 | Asm-rear 3leaf Spring, 600 Lb (includes items 16 through 18) | 2 |
| 16 | 1012303 | Bushing, Steel | 2 |
| 17 | 101558302 | Bushing, Urethane, Soft | 4 |
| 18 | 102871801 | Rear Spring, 3leaf, 600 Lb/in | 1 |
| 19 | 8754 | Locknut, 3/8-16 Hex | 6 |
| <p>Note: Only the driver-side rear suspension is shown. Parts for the passenger-side rear suspension are identical except for the leaf spring/shock mounting plate.</p> | | | |

6
G
E

6
G
E



000306-002

STABILIZER BAR – TURF/CARRYALL 2, 6, AND CARRYALL 2 PLUS GASOLINE VEHICLES

| ITEM | PART NO. | DESCRIPTION | QTY |
|------|----------|---|-----|
| | | 1 2 3 4 | |
| 1 | 1015453 | Compression Mount | 8 |
| 2 | 1015457 | Spacer, 0.720" | 4 |
| 3 | 1015613 | Bushing, Stabilizer Bar | 2 |
| 4 | 1015614 | Support, Bushing | 2 |
| 5 | 1015760 | Stabilizer Bar | 1 |
| 6 | 1016813 | Mounting Bracket, Stabilizer Bar | 2 |
| 7 | 1016814 | Link, Stabilizer Bar | 2 |
| 8 | 357 | Lockwasher, 3/8 Split | 4 |
| 9 | 7173 | Screw, 5/16-18 X 0.75, Hex-Head Cap | 8 |
| 10 | 7311 | Screw, 1/4-20 X 2.00 Hex-Head Cap | 8 |
| 11 | 7473 | Locknut, 5/16-18 Nylon Insert | 8 |
| 12 | 808 | Washer, 3/8 Type B Flat | 8 |
| 13 | 8233 | Locknut, 1/4-20, Nylon Insert | 8 |
| 14 | 8861 | Bolt, 3/8-16 X 1.75 Hex | 4 |

6
G
E

6

G

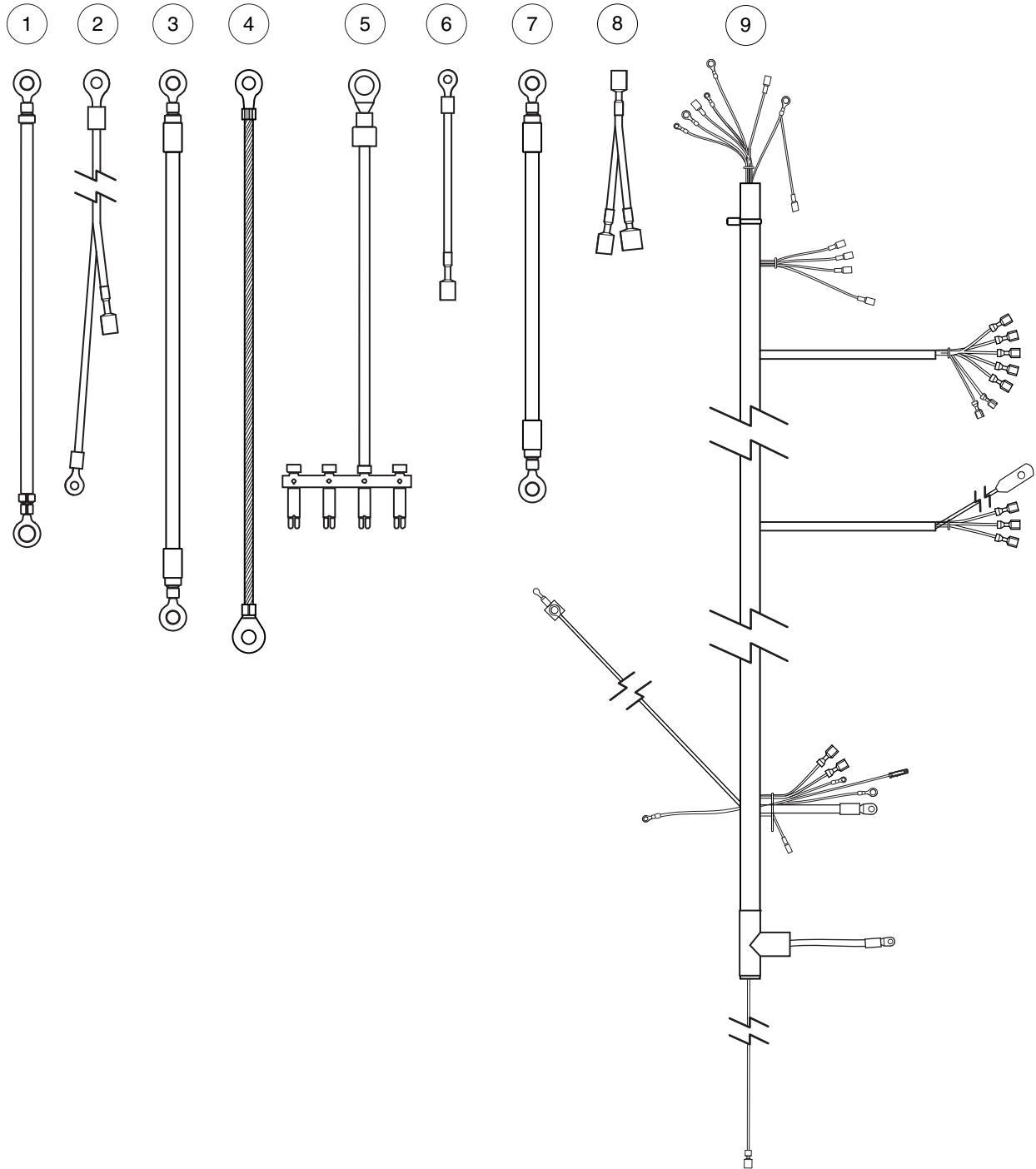
E

ELECTRICAL SYSTEM – GASOLINE VEHICLE

7

G

7
G



000627-003

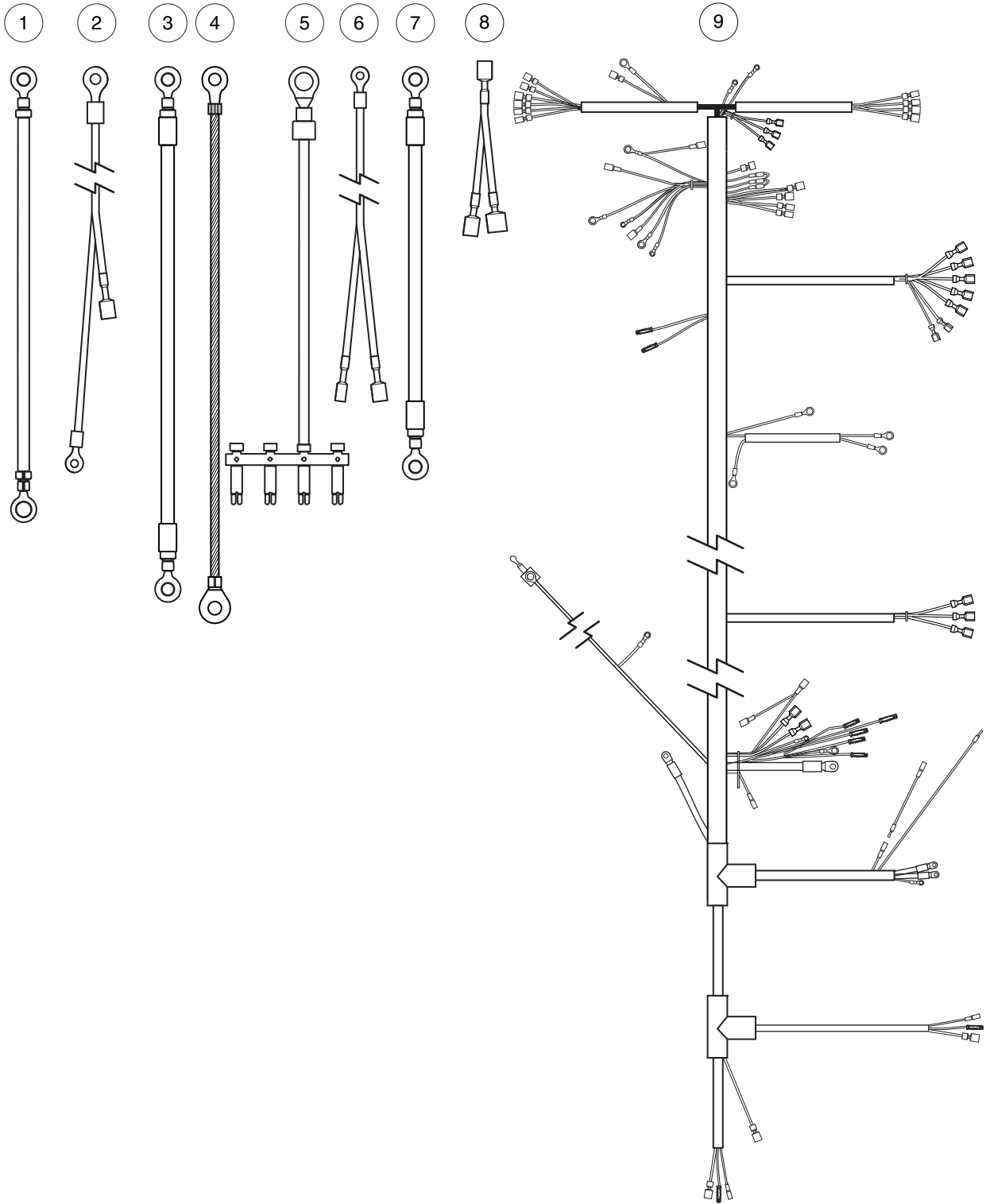
WIRING – TURF 6 GAS WITH AMD STARTER GEN

| ITEM | PART NO. | DESCRIPTION | QTY |
|------|-----------|--------------------------------------|-----|
| | | 1 2 3 4 | |
| 1 | 1012382 | Wire Assy, #6 Black | 1 |
| 2 | 1012396 | Wire Assy #18 Black | 1 |
| 3 | 1014119 | Wire Assembly #6 Red | 1 |
| 4 | 1015332 | Wire, Ground, #10, Uninsulated | 1 |
| 5 | 1015737 | Wire Assy, #10 Red | 1 |
| 6 | 1016401 | Wire Assy, #16 Orange | 1 |
| 7 | 101837301 | Wire Assy, #6 Green | 1 |
| 8 | 103348501 | Asm, Wire Meter, F-h Jumper | 1 |
| 9 | 103764801 | Asm, Harn, Trf6, Gs, Amd S/g | 1 |

7

G

7
G



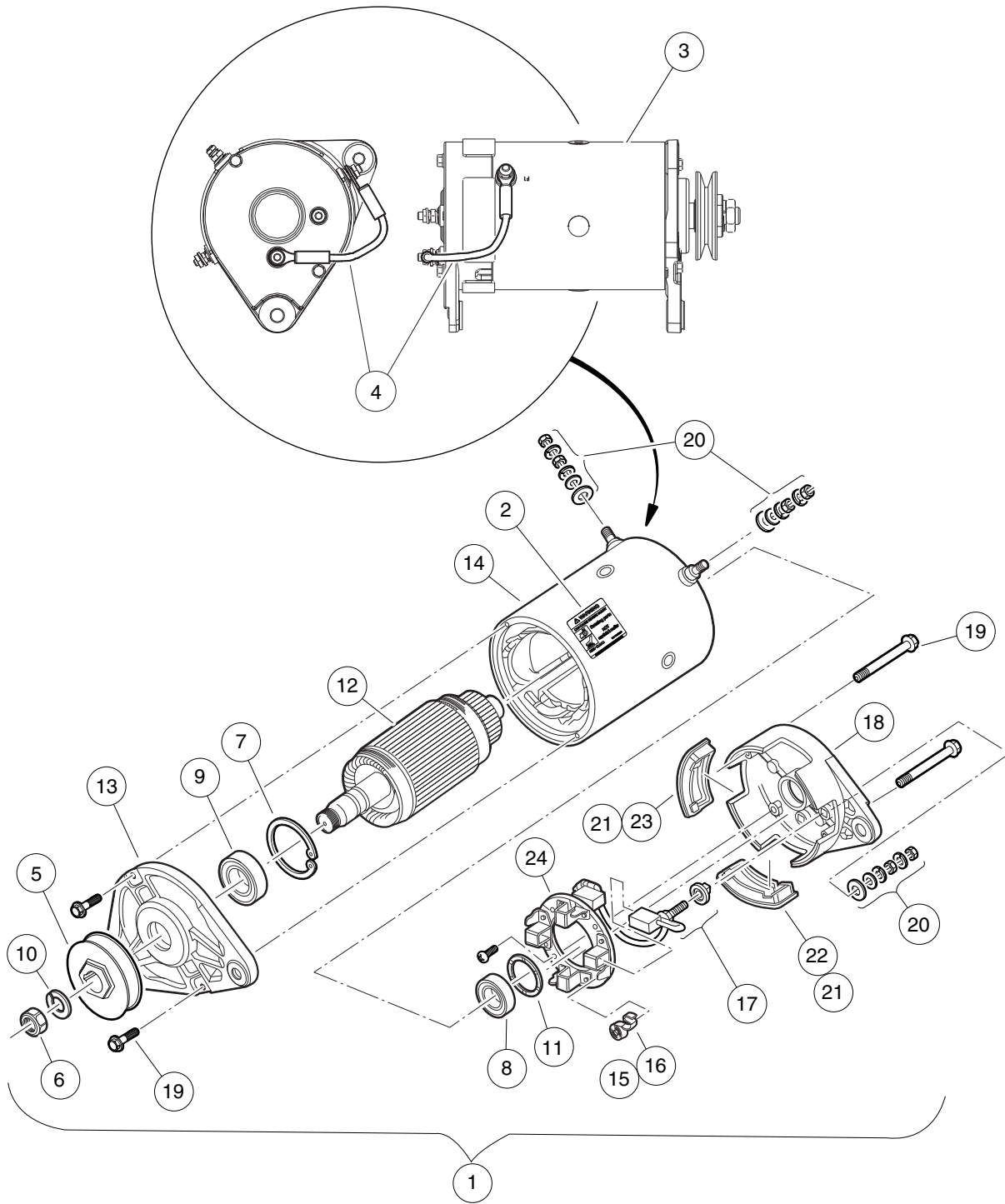
000574-003

WIRING – CARRYALL 6 GAS WITH AMD STARTER GEN

| ITEM | PART NO. | DESCRIPTION | QTY |
|------|-----------|--------------------------------------|-----|
| | | 1 2 3 4 | |
| 1 | 1012382 | Wire Assy, #6 Black | 1 |
| 2 | 1012396 | Wire Assy #18 Black | 1 |
| 3 | 1014119 | Wire Assembly #6 Red | 1 |
| 4 | 1015332 | Wire, Ground, #10, Uninsulated | 1 |
| 5 | 1015737 | Wire Assy, #10 Red | 1 |
| 6 | 1017006 | Wire Assembly Orange #18 | 1 |
| 7 | 101837301 | Wire Assy, #6 Green | 1 |
| 8 | 103348501 | Asm, Wire Meter, F-h Jumper | 1 |
| 9 | 103686501 | Asm, Harn, Str, Gas, Amd S/g | 1 |

7

G

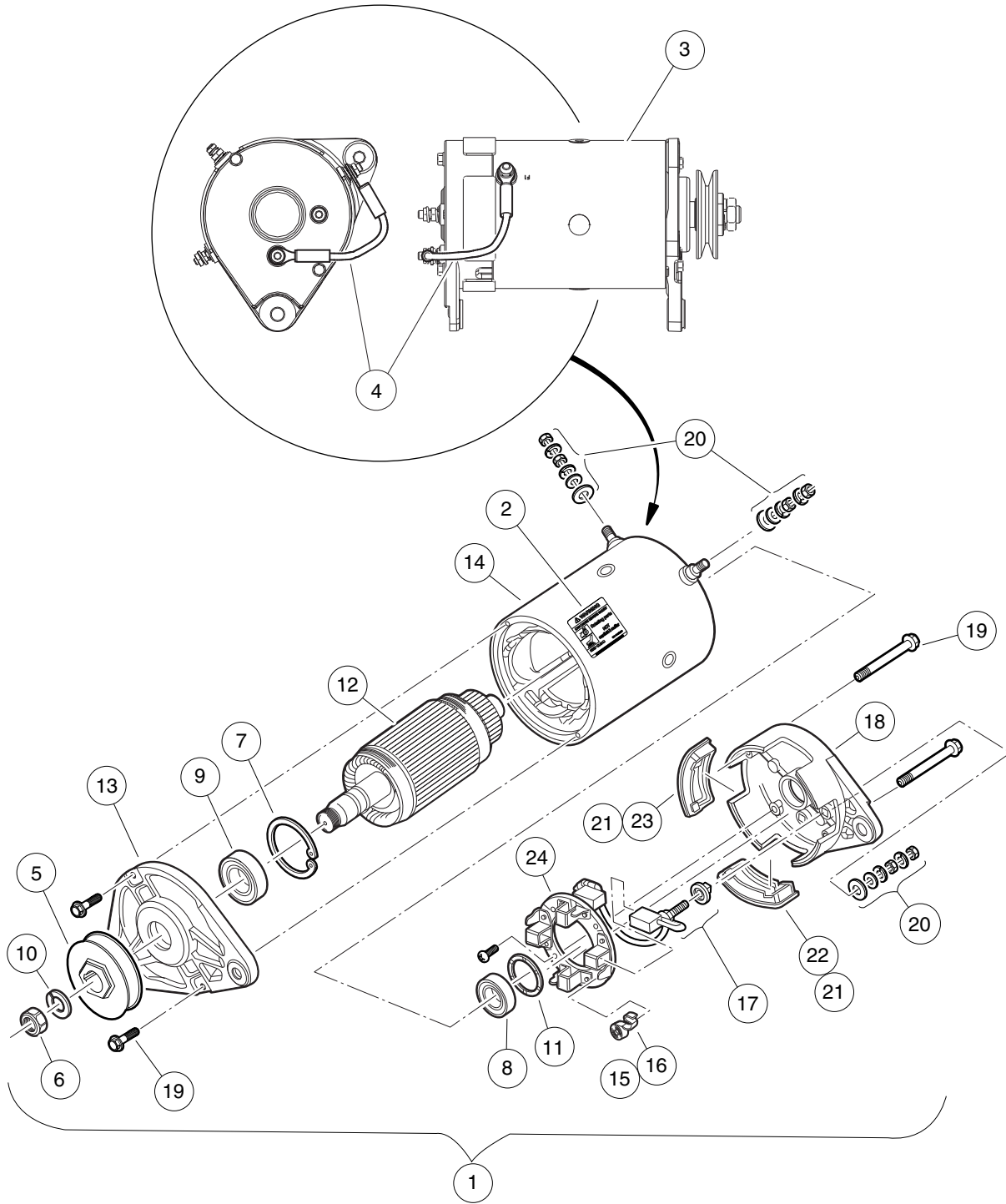


000124-005

STARTER/GENERATOR ASSEMBLY (PEDAL-START), MODEL 114-01-4009A

| ITEM | PART NO. | DESCRIPTION | QTY |
|------|-----------|--|-----|
| | | 1 2 3 4 | |
| 1 | 103678402 | Asm, St/gen, Bi-rot, Ps, Svc (includes items 2 and 3) | 1 |
| 2 | 101960501 | Decal, Rotating Parts/Hot Manifold | 1 |
| 3 | 103718702 | St/gen, Bi-rot, Util,ps W/wire (includes items 4 through 24) | 1 |
| 4 | 101837301 | Wire Assy, #6 Green | 1 |
| 5 | 102711001 | Pulley, V-Belt | 1 |
| 6 | 102838701 | Nut, Hex, M14x2, S/G | 1 |
| 7 | 102838801 | Retainer, Front, S/G | 1 |
| 8 | 102838901 | Bearing, Ball, Rear, S-g | 1 |
| 9 | 102839001 | Bearing, Ball, Front, S-g | 1 |
| 10 | 102839301 | Washer, Lock M14x2, S-g | 1 |
| 11 | 102841101 | Washer, Wave, S-g | 1 |
| 12 | N/A | Asm, Armature, Starter/Generator | 1 |
| 13 | 102844601 | Head, Drive End, S-g | 1 |
| 14 | 102844701 | Asm, Frame and Field, Starter/Generator | 1 |
| 15 | 103347101 | Kit, Spring Brush, Starter/Generator (includes item 16) | 1 |
| 16 | N/A | Spring, Brush, S-g | 4 |
| 17 | 103347301 | Set, Brush Term, S-g | 1 |
| 18 | 103347601 | Head, Comm End, S-g | 1 |
| 19 | 103347701 | Set, Fast, Ceh Deh, S-g | 1 |
| 20 | 103347801 | Set, Term Hardware, S/G | 1 |
| 21 | 103347901 | Kit, Cover, Brush Insp, Starter/Generator (includes items 22 and 23) | 1 |
| 22 | N/A | Plug, Rubber Drain, Start/Generator | 3 |
| 23 | N/A | Cover, Inspection, S-g | 1 |
| 24 | 103953301 | Kit, Brush And Brush Holder | 1 |

7
G



000124-005

STARTER/GENERATOR ASSEMBLY (KEY-START), MODEL 114-04-4001A

| ITEM | PART NO. | DESCRIPTION | QTY |
|------|-----------|--|-----|
| | | 1 2 3 4 | |
| 1 | 103678502 | Asm, St/gen, Bi-rot, Ks, Svc (includes items 2 and 3) | 1 |
| 2 | 101960501 | Decal, Rotating Parts/Hot Manifold | 1 |
| 3 | N/A | St/gen, Bi-rot, Util, Ks (includes items 4 through 24) | 1 |
| 4 | 101837301 | Wire Assy, #6 Green | 1 |
| 5 | 102711001 | Pulley, V-Belt | 1 |
| 6 | 102838701 | Nut, Hex, M14x2, S/G | 1 |
| 7 | 102838801 | Retainer, Front, S/G | 1 |
| 8 | 102838901 | Bearing, Ball, Front, S-g | 1 |
| 9 | 102839001 | Bearing, Ball, Front, S-g | 1 |
| 10 | 102839301 | Washer, Lock M14x2, S-g | 1 |
| 11 | 102841101 | Washer, Wave, S-g | 1 |
| 12 | N/A | Asm, Armature, Starter/Generator | 1 |
| 13 | 102844601 | Head, Drive End, S-g | 1 |
| 14 | 102844701 | Asm, Frame and Field, Starter/Generator | 1 |
| 15 | 103347101 | Kit, Spring Brush, Starter/Generator (includes item 16) | 1 |
| 16 | N/A | Spring, Brush, S-g | 4 |
| 17 | 103347301 | Set, Brush Term, S-g | 1 |
| 18 | 103347601 | Head, Comm End, S-g | 1 |
| 19 | 103347701 | Set, Fastener, Ceh Deh, S-g | 1 |
| 20 | 103347801 | Set, Term Hardware, S/G | 1 |
| 21 | 103347901 | Kit, Cover, Brush Insp, Starter/Generator (includes items 22 and 23) | 1 |
| 22 | N/A | Plug, Rubber Drain, Start/Generator | 3 |
| 23 | N/A | Cover, Inspection, S-g | 1 |
| 24 | 103953301 | Kit, Brush And Brush Holder | 1 |

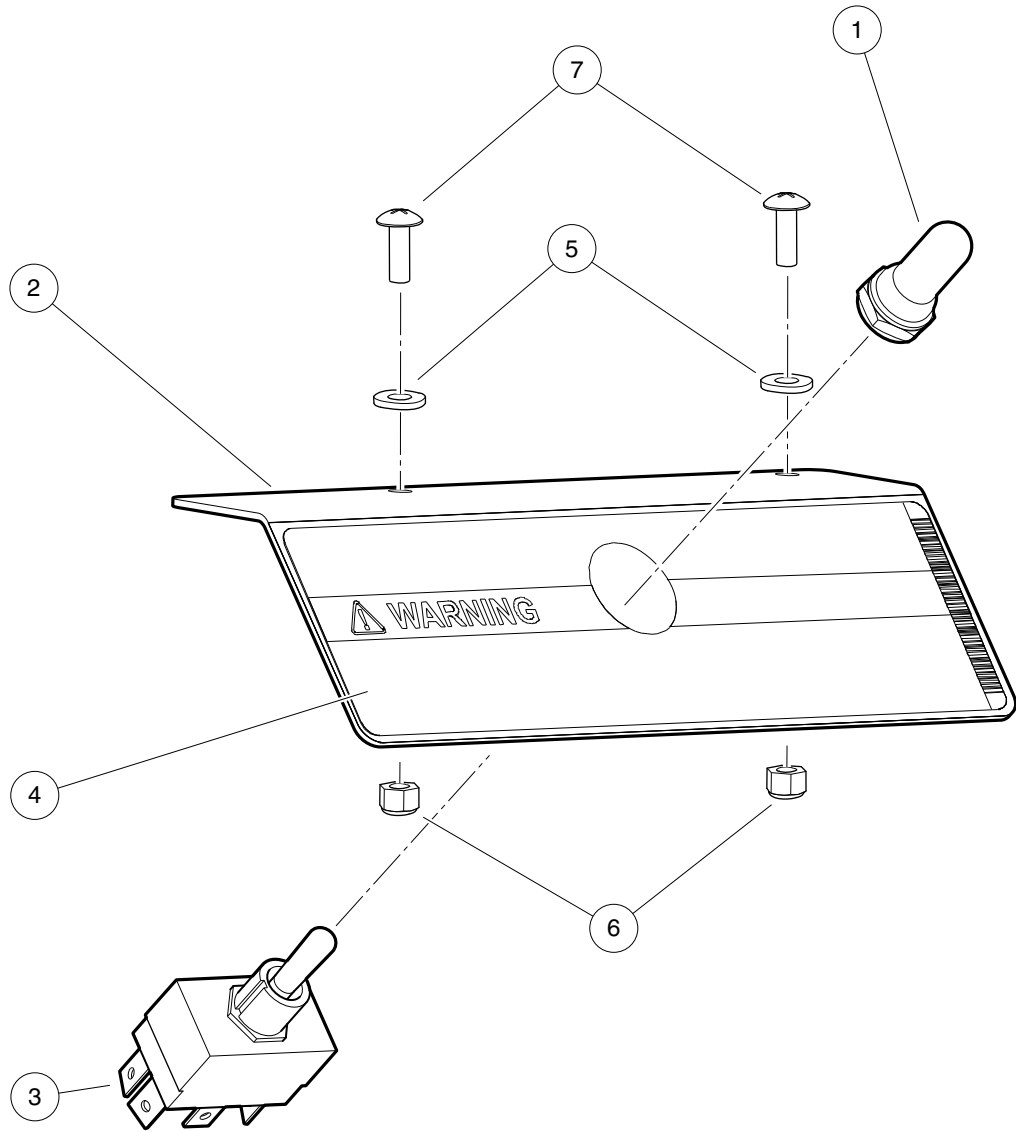
7
G

STARTER/GENERATOR MOUNTING – 114-0X-400XX MODELS

| ITEM | PART NO. | DESCRIPTION | QTY |
|------|-----------|---|-----|
| | | 1 2 3 4 | |
| 1 | 1012830 | Screw, M8-125 X 22 Hex-Head | 2 |
| 2 | 101524002 | Bracket, Starter/Generator Mounting | 1 |
| 3 | 1015932 | Bolt, Carriage, 5/16-18 | 1 |
| 4 | 1016074 | Screw, M8-1.25 X 18mm Torx | 1 |
| 5 | 1016883 | Bracket, Starter/Generator Adjustment | 1 |
| 6 | 101916701 | V-Belt | 1 |
| 7 | 1241 | Washer, 5/16 Type A Flat | 1 |
| 8 | 1242 | Nut, 5/16-18 Hex | 1 |
| 9 | 1624 | Screw, 3/8-16 X 1.50, Hex-Head Cap | 2 |
| 10 | 7174 | Lockwasher, 5/16 Split | 3 |
| 11 | 8754 | Locknut, 3/8-16 Hex | 2 |

7
G

7
G



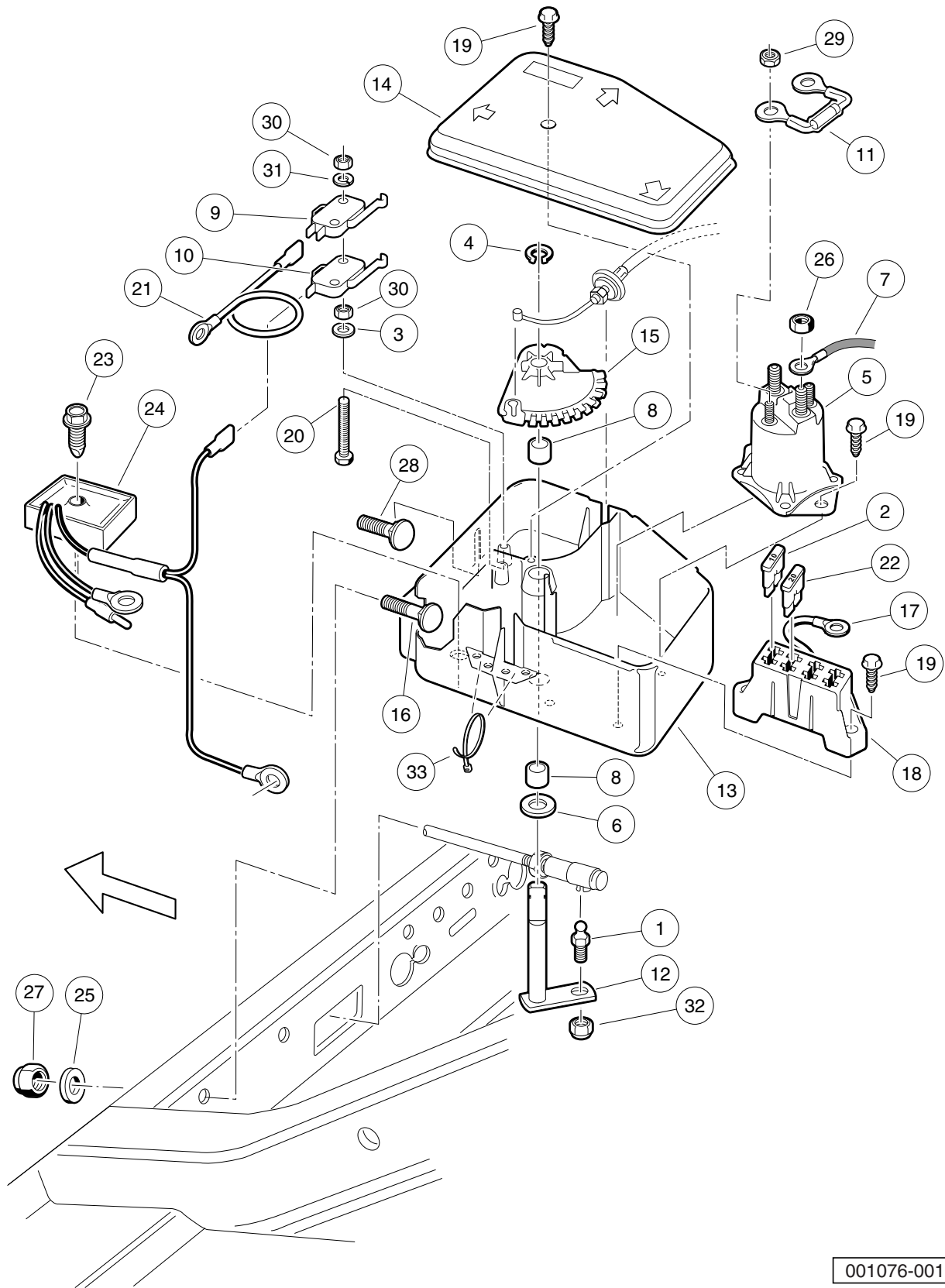
000755-003

OPERATION AND MAINTENANCE SWITCH

| ITEM | PART NO. | DESCRIPTION | QTY |
|------|-----------|--|-----|
| | | 1 2 3 4 | |
| 1 | 101908401 | Boot, Switch | 1 |
| 2 | 101922501 | Bracket, Tow/Run Switch Mounting | 1 |
| 3 | 103198401 | Switch, Toggle, SPDT | 1 |
| 4 | 103205501 | Decal, Run/Service Switch | 1 |
| 5 | 332 | Washer, 1/4 Type A Narrow Flat | 2 |
| 6 | 8233 | Locknut, 1/4-20, Nylon Insert | 2 |
| 7 | 8248 | Screw, 1/4-20 X 0.75, Truss-Head Machine | 2 |

7
G

7
G



001076-001

ELECTRICAL COMPONENT BOX – TURF 6

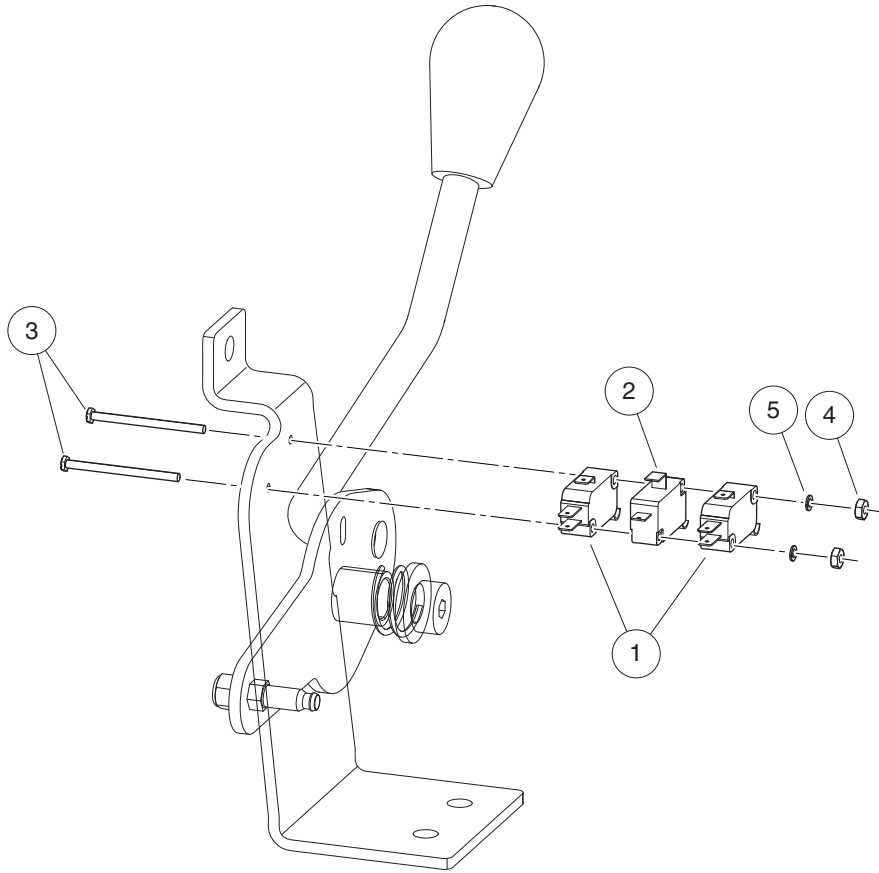
| ITEM | PART NO. | DESCRIPTION | QTY |
|------|-----------|--|-----|
| | | 1 2 3 4 | |
| 1 | 1010954 | Stud, Ball, 1/4-28 X 0.560 | 1 |
| 2 | 1012295 | Fuse, 10-Amp | 1 |
| 3 | 1012431 | Washer, #4 Flat | 2 |
| 4 | 1013589 | Ring, Retaining, 0.338" Internal | 1 |
| 5 | 1013609 | Solenoid, 12-Volt | 1 |
| 6 | 1014065 | Washer, Flat, 0.38" ID, Delrin | 1 |
| 7 | 1014119 | Wire Assembly #6 Red | 1 |
| 8 | 1014145 | Bushing, Secondary Weight, Split | 2 |
| 9 | 1014807 | Switch, Limit | 1 |
| 10 | 1014808 | Switch, Limit | 1 |
| 11 | 1014948 | Diode | 1 |
| 12 | 1015345 | Bell Crank and Shaft Assembly | 1 |
| 13 | 1015371 | Box, Electrical Component | 1 |
| 14 | 1015372 | Cover, Electric Box | 1 |
| 15 | 1015373 | Cam, Electric Box | 1 |
| 16 | 1015405 | Bolt, Carriage, 5/16-18 X 2.0 | 1 |
| 17 | 1015737 | Wire Assy, #10 Red | 1 |
| 18 | 1015741 | Fuse Block | 1 |
| 19 | 1015752 | Screw, #12-16 X 0.625, Hi-Lo | 5 |
| 20 | 1015878 | Screw, #4-40 Hex Head Machine | 2 |
| 21 | 1016401 | Wire Assy, #16 Orange | 1 |
| 22 | 1016423 | Fuse, 20-Amp | 1 |
| 23 | 101856102 | Screw, 1/4-15 X 1.50, Hi-lo, Hex | 1 |
| 24 | 102711201 | Voltage Regulator | 1 |
| 25 | 1241 | Washer, 5/16 Type A Flat | 2 |
| 26 | 1242 | Nut, 5/16-18 Hex | 2 |
| 27 | 7473 | Locknut, 5/16-18 Nylon Insert | 2 |
| 28 | 7818 | Bolt, Carriage, 5/16-18 X 1.5 | 1 |
| 29 | 7893 | Nut, #10-32 Hex | 2 |
| 30 | 8057 | Nut, #4-40 Hex Machine | 4 |
| 31 | 8058 | Lockwasher, #4 Split | 2 |
| 32 | 8717 | Locknut, Nylon Insert, 1/4-28 | 1 |
| 33 | 8990 | Tie Wrap, 8" Nylon | 2 |

7
G

ELECTRICAL COMPONENT BOX – CARRYALL 6

| ITEM | PART NO. | DESCRIPTION | QTY |
|------|-----------|---|-----|
| | | 1 2 3 4 | |
| 1 | 1010954 | Stud, Ball, 1/4-28 X 0.560 | 1 |
| 2 | 1012295 | Fuse, 10-Amp | 1 |
| 3 | 1012431 | Washer, #4 Flat | 2 |
| 4 | 1013589 | Ring, Retaining, 0.338" Internal | 1 |
| 5 | 1013609 | Solenoid, 12-Volt | 1 |
| 6 | 1014065 | Washer, Flat, 0.38" ID, Delrin | 1 |
| 7 | 1014119 | Wire Assembly #6 Red | 1 |
| 8 | 1014145 | Bushing, Secondary Weight, Split | 2 |
| 9 | 1014807 | Switch, Limit | 1 |
| 10 | 1014948 | Diode | 1 |
| 11 | 1015345 | Bell Crank and Shaft Assembly | 1 |
| 12 | 1015372 | Cover, Electric Box | 1 |
| 13 | 1015373 | Cam, Electric Box | 1 |
| 14 | 1015405 | Bolt, Carriage, 5/16-18 X 2.0 | 1 |
| 15 | 1015737 | Wire Assy, #10 Red | 1 |
| 16 | 1015741 | Fuse Block | 1 |
| 17 | 1015752 | Screw, #12-16 X 0.625, Hi-Lo | 5 |
| 18 | 1015878 | Screw, #4-40 Hex Head Machine | 2 |
| 19 | 1016 | Lockwasher, #10 Split | 1 |
| 20 | 1016423 | Fuse, 20-Amp | 1 |
| 21 | 1016997 | Electrical Component Box | 1 |
| 22 | 1017 | Nut, #10-24 Stainless-Steel Hex Machine | 1 |
| 23 | 1017006 | Wire Assembly Orange #18 | 1 |
| 24 | 1017239 | Relay W/mounting Bracket | 1 |
| 25 | 1017243 | Mounting Bracket, Relay | 1 |
| 26 | 101856102 | Screw, 1/4-15 X 1.50, Hi-lo, Hex | 1 |
| 27 | 102803401 | Asm, Voltage Regulator Key Sta | 1 |
| 28 | 1241 | Washer, 5/16 Type A Flat | 2 |
| 29 | 1242 | Nut, 5/16-18 Hex | 2 |
| 30 | 183 | Washer, #10, Type A, Flat | 1 |
| 31 | 7473 | Locknut, 5/16-18 Nylon Insert | 2 |
| 32 | 7818 | Bolt, Carriage, 5/16-18 X 1.5 | 1 |
| 33 | 7893 | Nut, #10-32 Hex | 2 |
| 34 | 8057 | Nut, #4-40 Hex Machine | 4 |
| 35 | 8058 | Lockwasher, #4 Split | 2 |
| 36 | 8450 | Screw, #10-24 X 0.50, Hex-Head | 1 |
| 37 | 8717 | Locknut, Nylon Insert, 1/4-28 | 1 |
| 38 | 8990 | Tie Wrap, 8" Nylon | 3 |

7
G



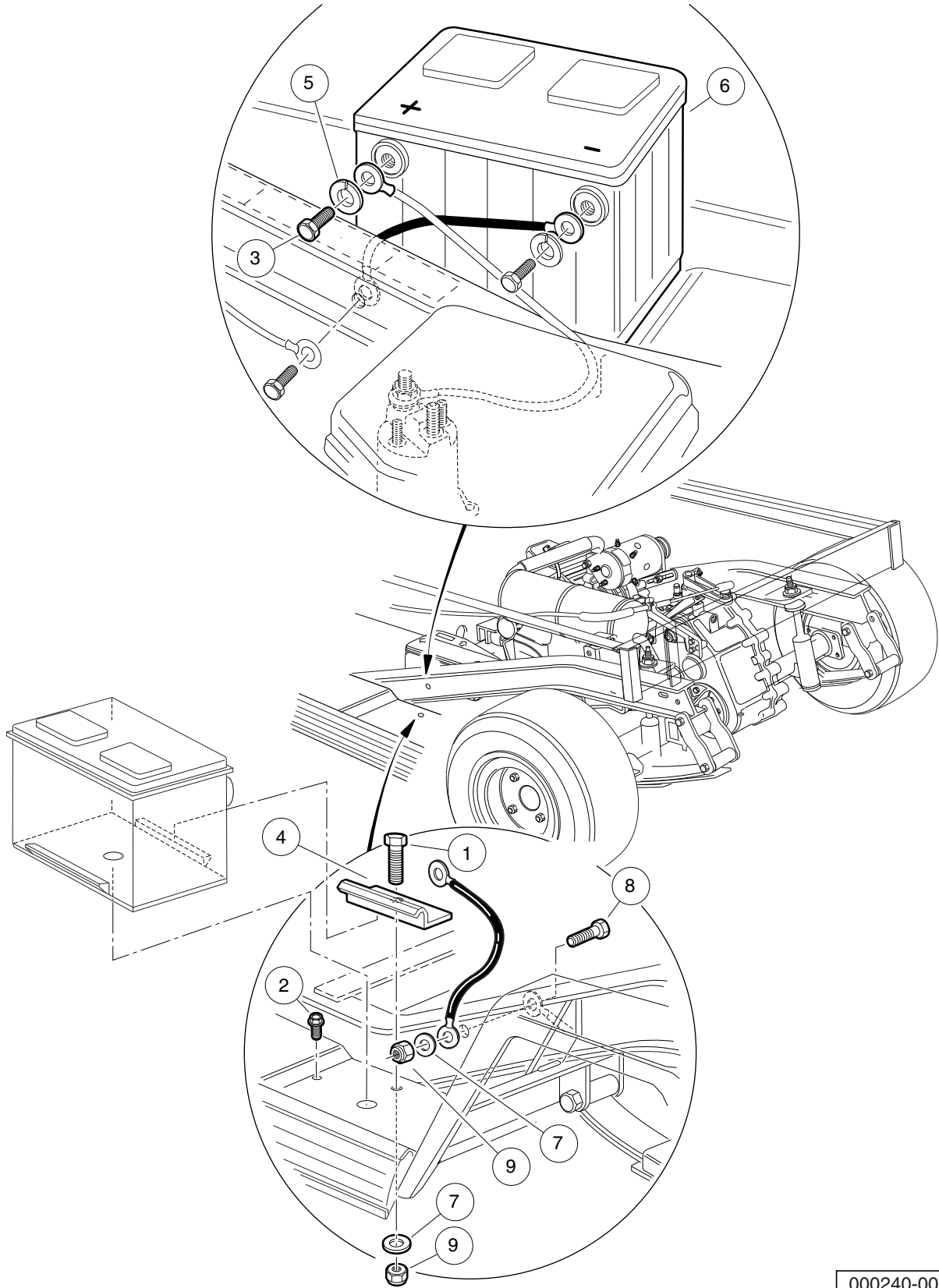
001080-001

FORWARD/REVERSE SHIFTER SWITCHES – DASH MOUNTED SHIFTER

| ITEM | PART NO. | DESCRIPTION | QTY |
|------|----------|-------------------------------------|-----|
| | | 1 2 3 4 | |
| 1 | 1014807 | Switch, Limit | 2 |
| 2 | 1014808 | Switch, Limit | 1 |
| 3 | 1015878 | Screw, #4-40 Hex Head Machine | 2 |
| 4 | 8057 | Nut, #4-40 Hex Machine | 2 |
| 5 | 8058 | Lockwasher, #4 Split | 2 |

7
G

7
G



000240-001

BATTERY – GASOLINE UTILITY VEHICLES

| ITEM | PART NO. | DESCRIPTION | QTY |
|------|-----------|---|-----|
| | | 1 2 3 4 | |
| 1 | 1010934 | Screw, 5/16-18 X 1.00 Hex Cap | 1 |
| 2 | 1014288 | Screw, 5/16-18 X 0.75, Thread-Forming | 1 |
| 3 | 1014375 | Screw, 3/8-16 X 0.50, Stainless Steel, Hex-Head | 2 |
| 4 | 101898001 | Clamp, Battery | 1 |
| 5 | 102355301 | Lockwasher, 3/8 Split Ss | 2 |
| 6 | 103496801 | Battery, Start, 12v | 1 |
| 7 | 1241 | Washer, 5/16 Type A Flat | 2 |
| 8 | 7173 | Screw, 5/16-18 X 0.75, Hex-Head Cap | 1 |
| 9 | 7473 | Locknut, 5/16-18 Nylon Insert | 2 |

7

G

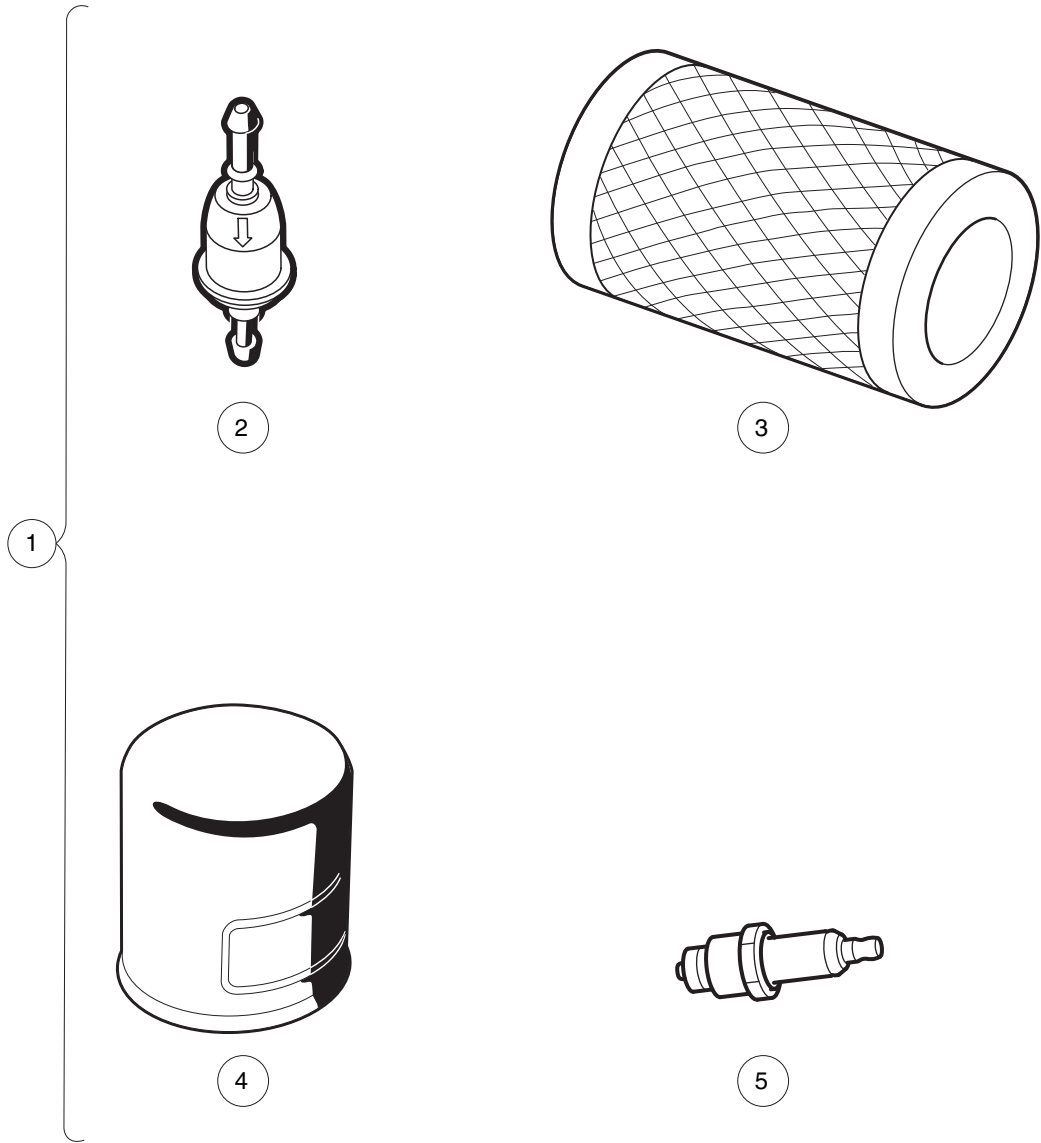
7

G

ENGINE (S27) W/O ACR, 50-STATE

8

G

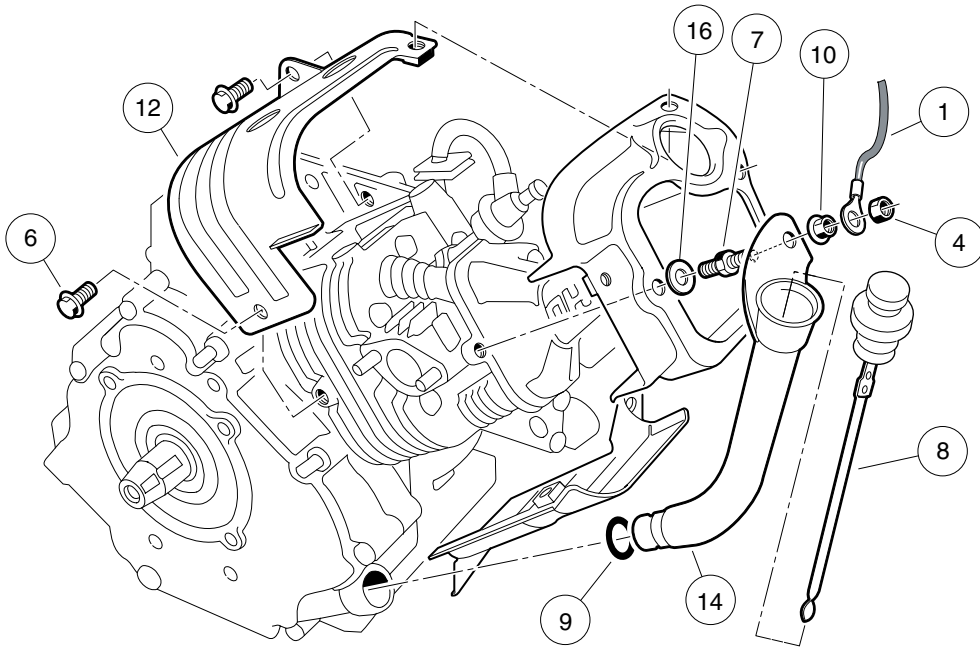
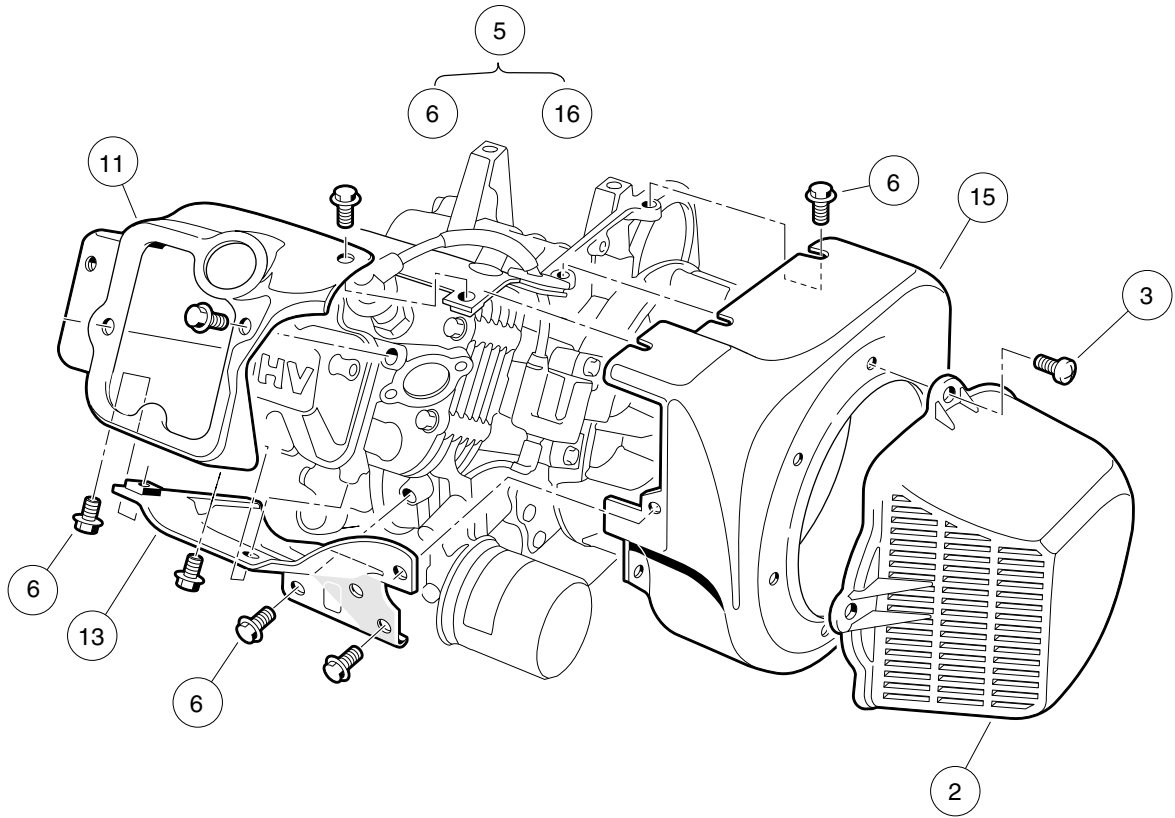


001064-001

TUNE-UP KIT – KAWASAKI FE350

| ITEM | PART NO. | DESCRIPTION | QTY |
|------|-----------|---|-----|
| | | 1 2 3 4 | |
| 1 | AM1220301 | Kit, Tune-Up (For FE290 and FE350 engines) (includes items 2 through 5) | 1 |
| 2 | 102003201 | Filter, Fuel, 30 Micron | 1 |
| 3 | 102558201 | Air Filter, 4 Inch | 1 |
| 4 | 103887901 | Filter, Oil, Kawasaki | 1 |
| 5 | AM1232301 | Spark Plug, BPR2ES | 1 |

8
G



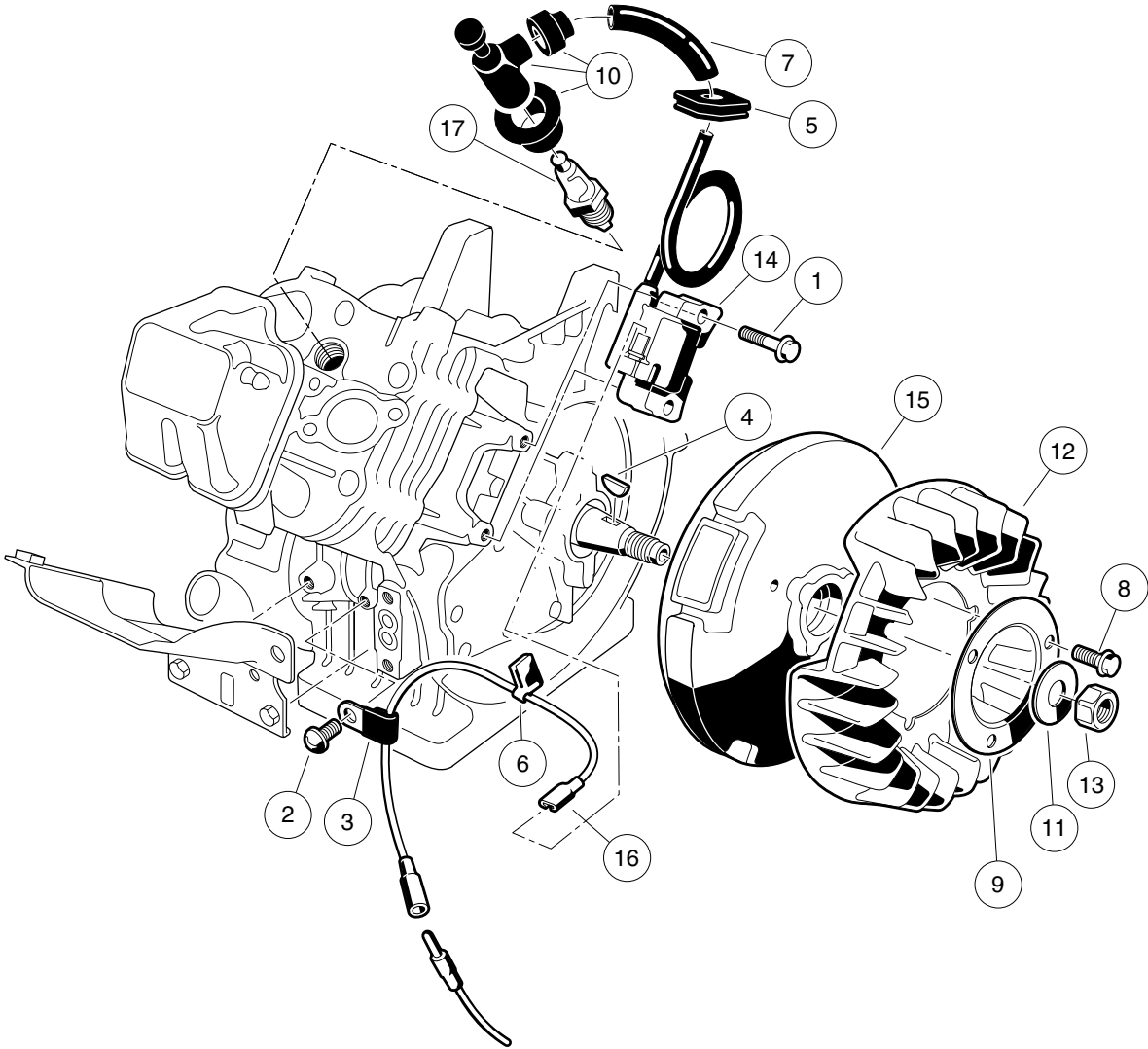
000201-002

FE350 ENGINE (S27) W/O ACR, SHROUDS, AND BRACKETS; 50-STATE

| ITEM | PART NO. | DESCRIPTION | QTY |
|---|-----------|---|-----|
| | | 1 2 3 4 | |
| 1 | 1015332 | Wire, Ground, #10, Uninsulated | 1 |
| 2 | 1015649 | Shroud, Fan | 1 |
| 3 | 1015969 | Screw, M6-1.00 X 10mm, Pan Hd | 4 |
| 4 | 101887601 | Locknut, M6-1.00 Nylon Insert | 1 |
| 5 | 103386202 | Engine, FE350 S27 (includes items 6 through 16) | 1 |
| 6 | 1016456 | Bolt, Flange Head, M6 x 1 x 12 mm | 16 |
| 7 | 1016507 | Bolt, Two-Ended | 1 |
| 8 | 1016531 | Dipstick | 1 |
| 9 | 1016539 | O-Ring | 1 |
| 10 | 1016547 | Nut, M6 Flange | 1 |
| 11 | 1017474 | Shroud, Engine | 1 |
| 12 | 1017475 | Shroud, Engine | 1 |
| 13 | 1017476 | Shroud, Engine | 1 |
| 14 | 1017486 | Tube, Oil Filler | 1 |
| 15 | 101916101 | Housing, FE350 Fan | 1 |
| 16 | N/A | Washer, 6mm Flat | 1 |
| Note: The S27 engine meets emission requirements for all 50 states. | | | |

8

G

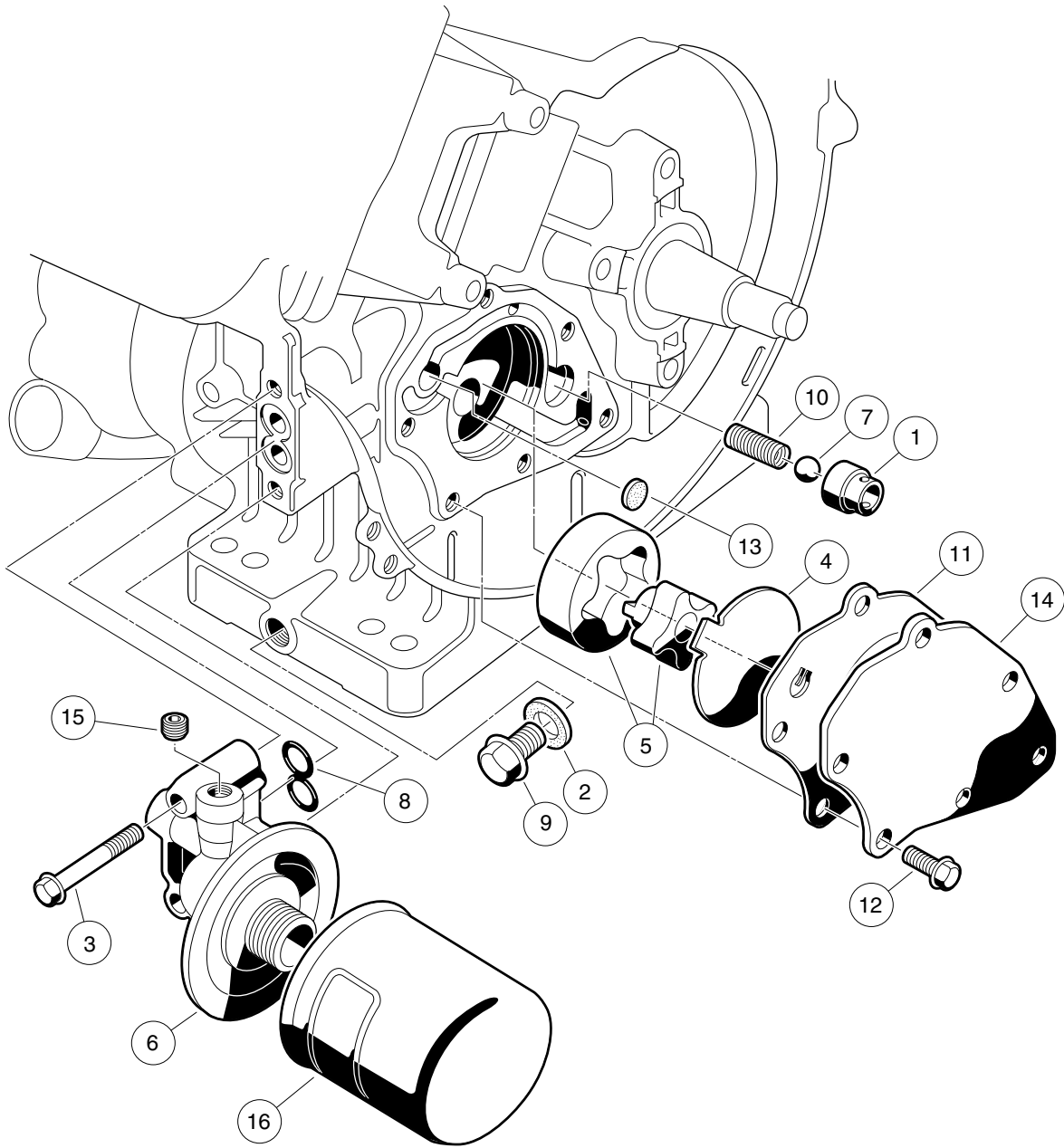


000202-004

FE350 ENGINE (S27) – IGNITION COMPONENTS AND FLYWHEEL

| ITEM | PART NO. | DESCRIPTION | QTY |
|------|-----------|-------------------------------|-----|
| | | 1 2 3 4 | |
| 1 | 1016455 | Bolt, Flange Head | 2 |
| 2 | 1016544 | Screw | 1 |
| 3 | 1016561 | Clamp | 1 |
| 4 | 1016562 | Key | 1 |
| 5 | 1016578 | Grommet, Ignition | 1 |
| 6 | 1016587 | Clamp | 1 |
| 7 | 1016588 | Tube, 7mm X 10mm X 70mm | 1 |
| 8 | 1017448 | Bolt, Flanged | 3 |
| 9 | 1017455 | Plate, Flywheel Fan | 1 |
| 10 | 1017463 | Cap Asm, Plug | 1 |
| 11 | 1017490 | Washer, Flat | 1 |
| 12 | 101916301 | Fan (cw) | 1 |
| 13 | 102838401 | Nut, Hex, 18 mm Fine | 1 |
| 14 | 103616501 | Coil Asm, Ignition | 1 |
| 15 | 103616601 | Flywheel, Complete | 1 |
| 16 | 103616701 | Wire Lead, Ignition | 1 |
| 17 | AM1232301 | Spark Plug, BPR2ES | 1 |

8
G



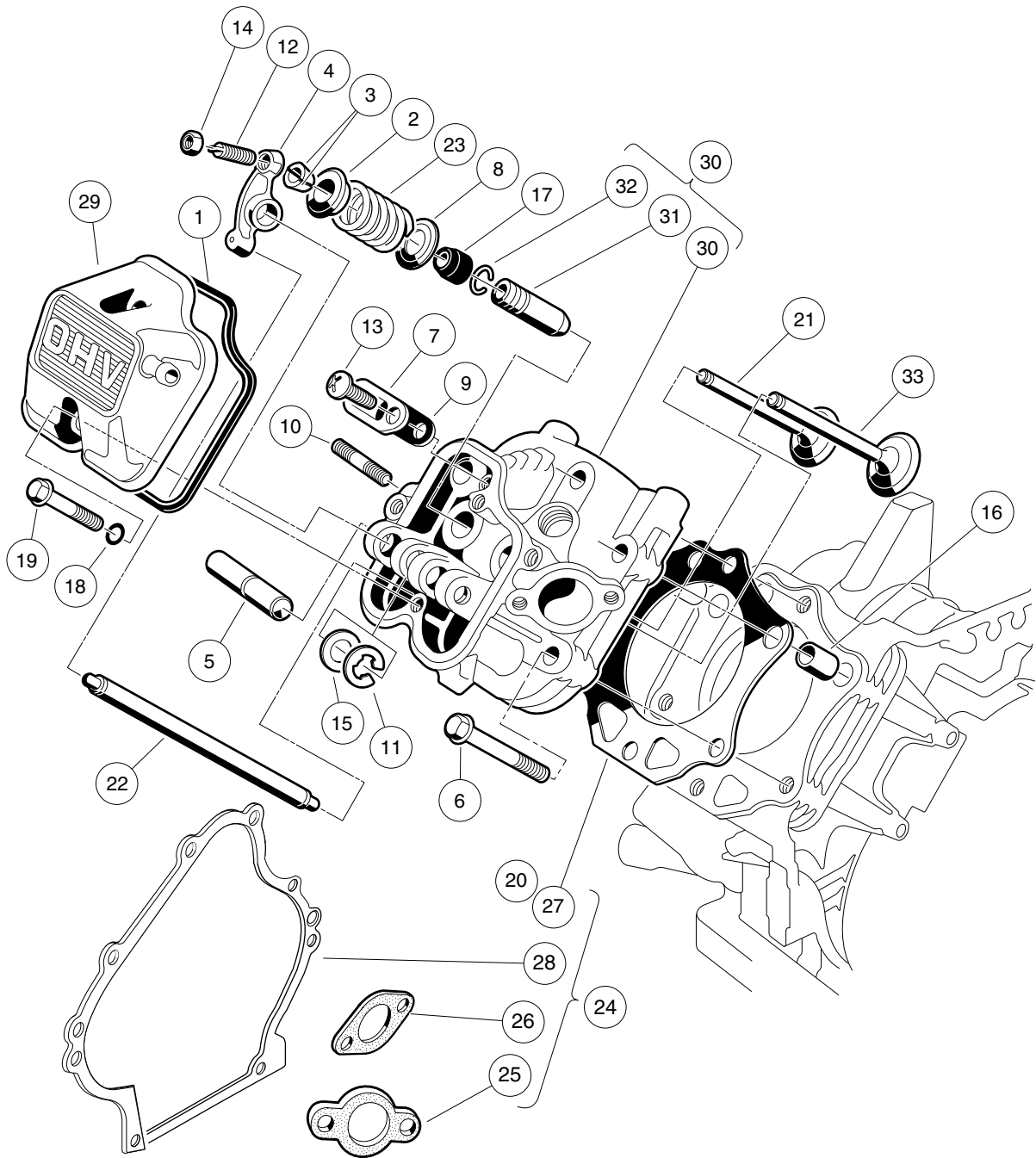
000203-002

FE350 ENGINE (S27) – OIL CIRCULATION

| ITEM | PART NO. | DESCRIPTION | QTY |
|------|-----------|---------------------------------------|-----|
| | | 1 2 3 4 | |
| 1 | 1016429 | Seat, Valve Oil Pressure Relief | 1 |
| 2 | 1016432 | Gasket, Drain Plug | 1 |
| 3 | 1016457 | Bolt, Flange Head | 2 |
| 4 | 1016473 | Plate, Oil Pump | 1 |
| 5 | 101648203 | Oil Pump And Rotor | 1 |
| 6 | 1016502 | Bracket, Oil Filter Mount | 1 |
| 7 | 1016537 | Ball, Steel, Press, Relief | 1 |
| 8 | 1016570 | O-Ring | 1 |
| 9 | 1016576 | Plug, Drain | 1 |
| 10 | 1016581 | Spring | 1 |
| 11 | 1017442 | Gasket | 1 |
| 12 | 1017456 | Bolt, Flanged | 6 |
| 13 | 1017458 | Filter | 1 |
| 14 | 1017460 | Cover, Pump | 1 |
| 15 | 1017507 | Plug | 2 |
| 16 | 103887901 | Filter, Oil, Kawasaki | 1 |

8

G



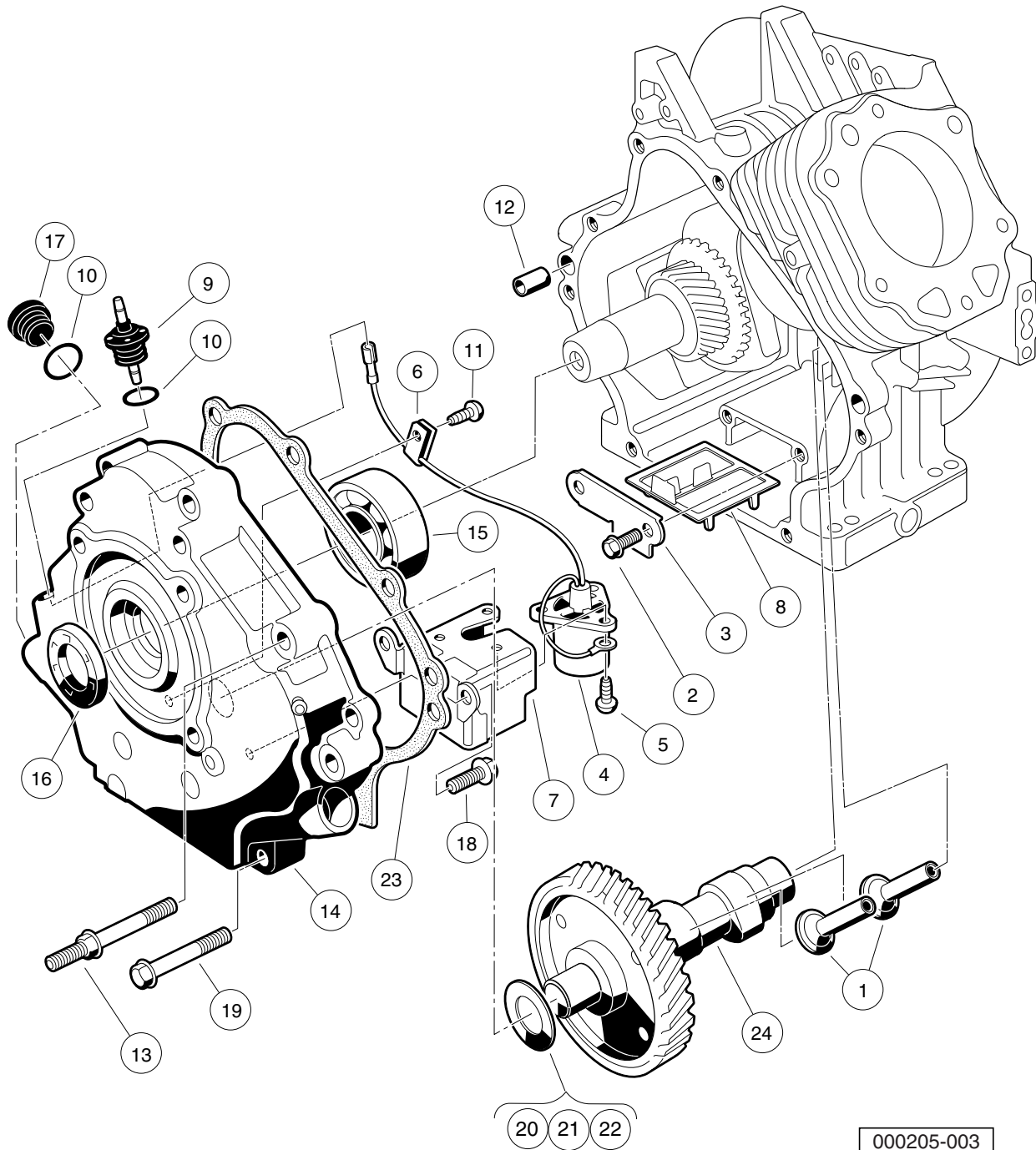
000204-007

FE350 ENGINE (S27) – CYLINDER HEAD

| ITEM | PART NO. | DESCRIPTION | QTY |
|------|-----------|---|-----|
| | | 1 2 3 4 | |
| 1 | 1016436 | Gasket, Rocker Case | 1 |
| 2 | 1016449 | Retainer, Valve Spring | 2 |
| 3 | 1016450 | Collet | 4 |
| 4 | 1016451 | Arm, Rocker | 2 |
| 5 | 1016452 | Shaft, Rocker | 1 |
| 6 | 1016458 | Bolt, Flange Head, M8 x 1.25 x 45 mm | 6 |
| 7 | 1016474 | Plate | 1 |
| 8 | 1016479 | Seat, Spring | 2 |
| 9 | 1016483 | Valve | 1 |
| 10 | 1016489 | Stud, Two-Ended, M8-1.25 | 2 |
| 11 | 1016517 | Circlip, Type-E | 1 |
| 12 | 1016542 | Screw | 2 |
| 13 | 1016544 | Screw | 1 |
| 14 | 1016545 | Nut | 2 |
| 15 | 1016549 | Washer, 12.1x19x1.8 | 1 |
| 16 | 1016563 | Pin | 2 |
| 17 | 1016566 | Seal, Oil | 2 |
| 18 | 1016569 | O-Ring | 2 |
| 19 | 1016583 | Bolt, 6x35 | 2 |
| 20 | 1017434 | Gasket, Head | 1 |
| 21 | 1017445 | Valve, Exhaust | 1 |
| 22 | 1017454 | Rod, Push | 2 |
| 23 | 1017473 | Spring, Engine Valve | 2 |
| 24 | 102304801 | Kit, Gasket, FE350 (includes items 25 through 28) | 1 |
| 25 | 1016440 | Gasket, Engine to Insulator | 1 |
| 26 | 1016904 | Gasket, Exhaust | 1 |
| 27 | 1017434 | Gasket, Head | 1 |
| 28 | 1017443 | Gasket, Crankcase Cover | 1 |
| 29 | 102753401 | Case, Rocker, Fe | 1 |
| 30 | 103615601 | Cylinder Head (includes items 31 and 32) | 1 |
| 31 | 1016519 | Guide, Valve, Intake, Exhaust | 2 |
| 32 | 1016560 | Snap Ring | 2 |
| 33 | 103616301 | Valve, Intake, Hard Tip | 1 |
| | | Note: Item 25 is not a component of the FE350 engine. | |

8

G

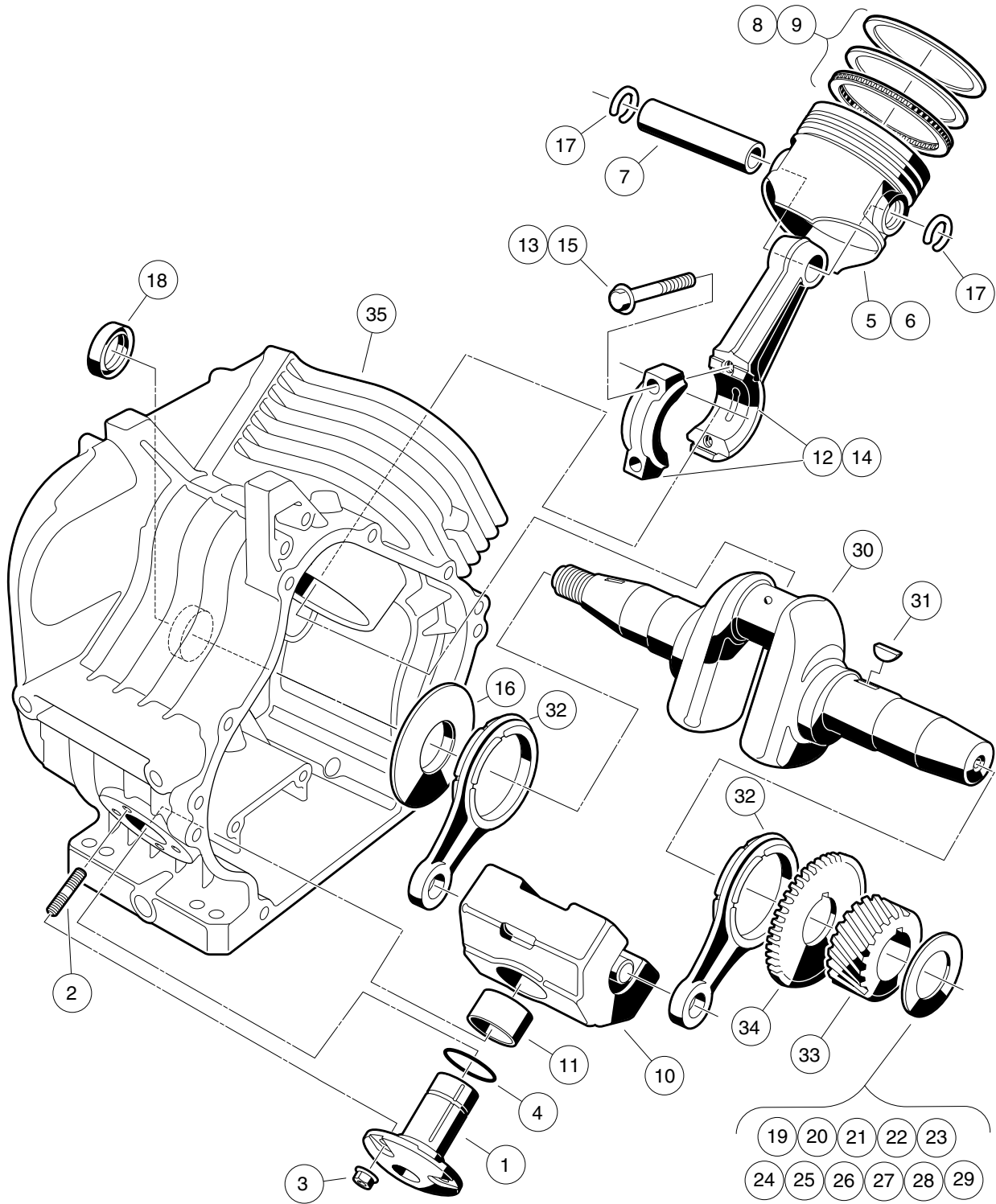


000205-003

FE350 ENGINE (S27) – CRANKCASE, CAMSHAFT, AND OIL SENSOR

| ITEM | PART NO. | DESCRIPTION | QTY |
|------|-----------|--|-----|
| | | 1 2 3 4 | |
| 1 | 1016453 | Tappet | 2 |
| 2 | 1016454 | Bolt, Flange Head, M5 x 0.8 x 8 mm | 2 |
| 3 | 1016472 | Plate, Oil Filter Screen | 1 |
| 4 | 1016494 | Sensor, Oil Level | 1 |
| 5 | 1016496 | Screw, Cross Pan-Head, M4 x 0.7 x 8 mm | 3 |
| 6 | 1016506 | Clamp | 1 |
| 7 | 1016510 | Bracket, Switch, Oil Level | 1 |
| 8 | 1016521 | Screen, Oil Filter | 1 |
| 9 | 1016535 | Connector, Cord | 1 |
| 10 | 1016538 | O-Ring | 2 |
| 11 | 1016544 | Screw | 1 |
| 12 | 1016564 | Pin | 2 |
| 13 | 1016584 | Bolt, Two-Ended, M8 x 1.25 x 69 mm | 2 |
| 14 | 1017472 | Cover Crankcase | 1 |
| 15 | 1017487 | Bearing, Ball | 1 |
| 16 | 1017504 | Seal, Oil | 1 |
| 17 | 1017508 | Plug | 1 |
| 18 | 1017513 | Bolt Switch Bracket | 2 |
| 19 | 1017514 | Screw, M8-1.25 X 45mm Hex | 6 |
| 20 | 101751801 | Shim, 0.3 | 1 |
| 21 | 101751802 | Shim, 0.4 | 1 |
| 22 | 101751803 | Shim, 0.5 | 1 |
| 23 | 103615901 | Gasket, Crankcase Cover | 1 |
| 24 | 103616401 | Camshaft, Complete | 1 |

8
G



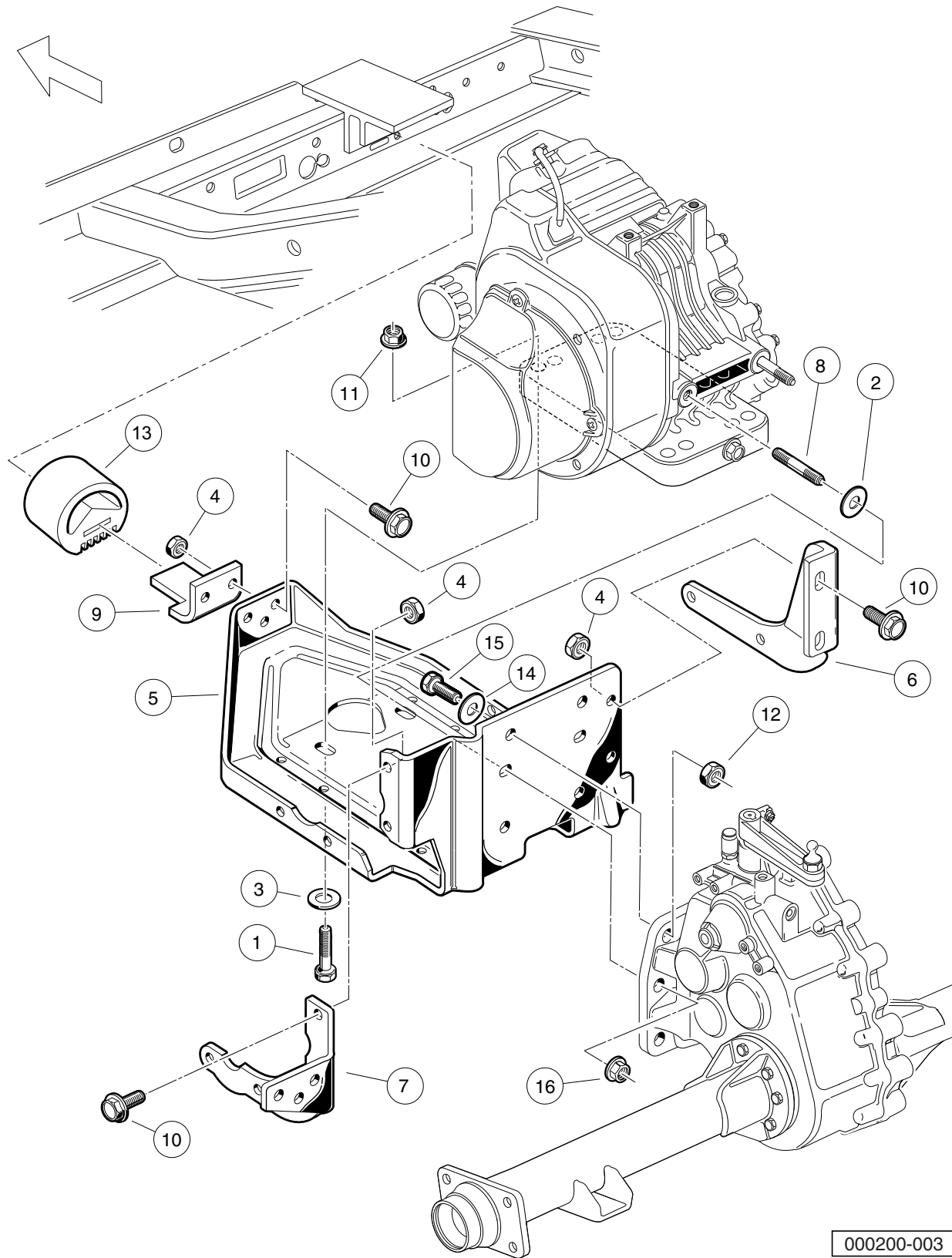
000206-003

FE350 ENGINE (S27) – CRANKCASE AND CRANKSHAFT

| ITEM | PART NO. | DESCRIPTION | QTY |
|------|-----------|--|-----|
| | | 1 2 3 4 | |
| 1 | 1016470 | Shaft, Guide, Counterbalance | 1 |
| 2 | 1016541 | Stud, 6x14 | 4 |
| 3 | 1016547 | Nut, Flanged, M6 X 1.00 | 4 |
| 4 | 1016571 | O-Ring | 1 |
| 5 | 101744901 | Piston, Standard | 1 |
| 6 | 101744902 | Piston, 0.50 mm Oversize | 1 |
| 7 | 1017450 | Pin, Piston | 1 |
| 8 | 101745101 | Ring Set, Standard Piston | 1 |
| 9 | 101745102 | Ring Set, Piston, 0.50 mm Oversize | 1 |
| 10 | 1017453 | Counterbalance Weight (includes item 11) | 1 |
| 11 | 1017510 | Bearing, Plain | 1 |
| 12 | 101745701 | Asm, Con. Rod Std (includes item 13) | 1 |
| 13 | 1017512 | Bolt | 2 |
| 14 | 101745702 | Asm,Con.Rod 0.5mm U/s (includes item 15) | 1 |
| 15 | 1017512 | Bolt | 2 |
| 16 | 1017501 | Spacer | 1 |
| 17 | 1017502 | Snap Ring | 2 |
| 18 | 1017503 | Seal, Oil | 1 |
| 19 | 101773301 | Shim, Crankshaft, 1.18mm | 1 |
| 20 | 101773302 | Shim, Crankshaft, 1.25mm | 1 |
| 21 | 101773303 | Shim, Crankshaft, 1.32mm | 1 |
| 22 | 101773304 | Shim, Crankshaft, 1.39mm | 1 |
| 23 | 101773305 | Shim, Crankshaft, 1.46mm | 1 |
| 24 | 101773306 | Shim, Crankshaft, 1.53mm | 1 |
| 25 | 101773307 | Shim, Crankshaft, 1.60mm | 1 |
| 26 | 101773308 | Shim, Crankshaft, 1.67mm | 1 |
| 27 | 101773309 | Shim, Crankshaft, 1.74mm | 1 |
| 28 | 101773310 | Shim, Crankshaft, 1.11 mm | 1 |
| 29 | 101773311 | Shim, Crankshaft, 1.81mm | 1 |
| 30 | 102430901 | Crankshaft, FE350 Left-Hand, 22-Tooth (includes items 31 through 34) | 1 |
| 31 | 1016562 | Key | 1 |
| 32 | 1017471 | Rod | 2 |
| 33 | N/A | Gear, Helical | 1 |
| 34 | N/A | Gear, Spur | 1 |
| 35 | 103615801 | Crankcase, FE350 | 1 |

8
G

8
G



000200-003

FE350 ENGINE (S27) – MOUNTING

| ITEM | PART NO. | DESCRIPTION | QTY |
|------|-----------|---------------------------------------|-----|
| | | 1 2 3 4 | |
| 1 | 1010577 | Bolt, Hex-Head, 5/16-18 X 1.50 | 4 |
| 2 | 1011697 | Washer, 5/16 Flat | 2 |
| 3 | 1012571 | Washer, 5/16 Extra Thick Flat | 4 |
| 4 | 1013924 | Nut, 5/16-24, Hex Head Cone | 10 |
| 5 | 101827101 | Plate, Engine Mounting | 1 |
| 6 | 101832601 | Stiffener (PTO Side) | 1 |
| 7 | 101832701 | Stiffener (Flywheel Side) | 1 |
| 8 | 101833101 | Stud, M8-1.25 X 50 mm Two-Ended | 2 |
| 9 | 101834601 | Bracket, Snubber | 1 |
| 10 | 101884801 | Screw, 5/16-24 X 0.875, Grade-8 | 10 |
| 11 | 101963401 | Locknut, 5/16-18 Hex Flange | 4 |
| 12 | 102065901 | Locknut, 3/8-16 Flanged Dimple | 4 |
| 13 | 102540301 | Snubber, Inner Frame | 1 |
| 14 | 334 | Washer, 3/8, Type A, Flat | 4 |
| 15 | 705 | Screw, Cap-hex Hd 3/8-16x1.25 | 4 |
| 16 | 96704416 | Nut, Flange, M8 X 1.25 Serrated | 2 |

8

G

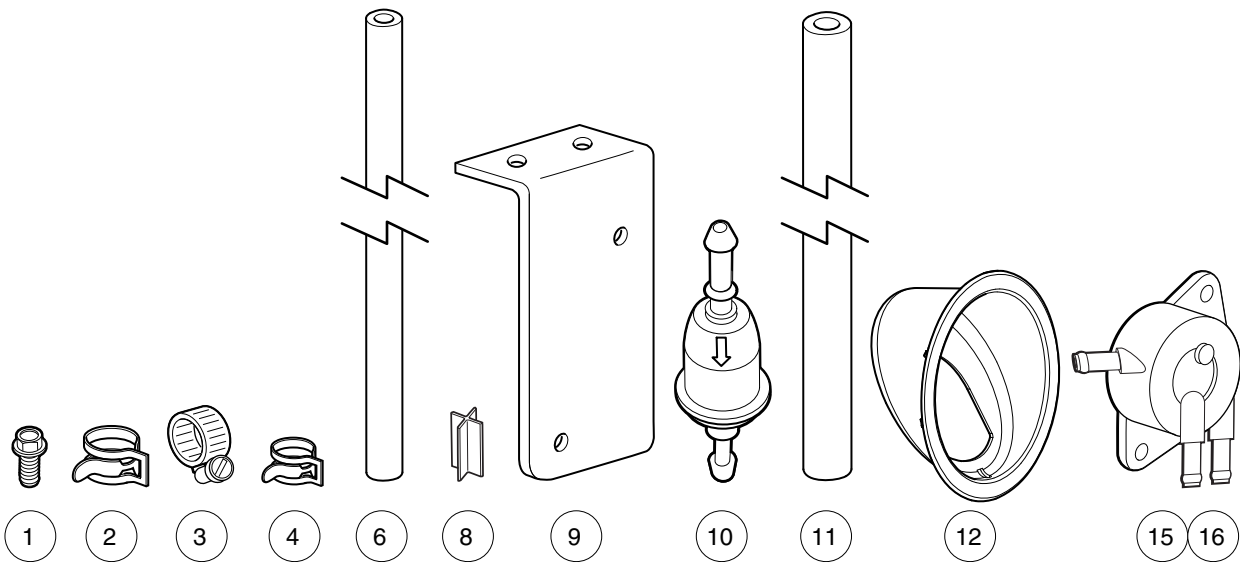
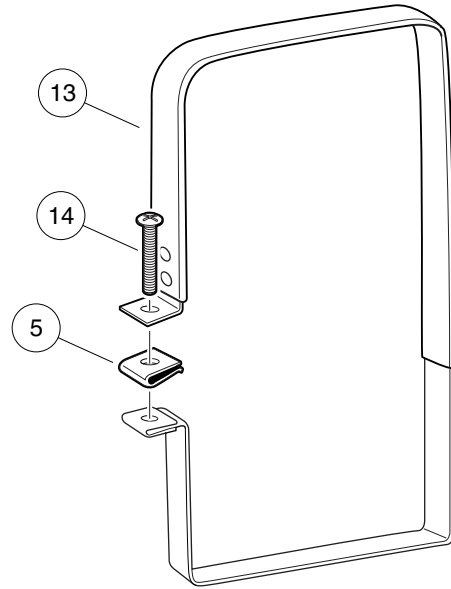
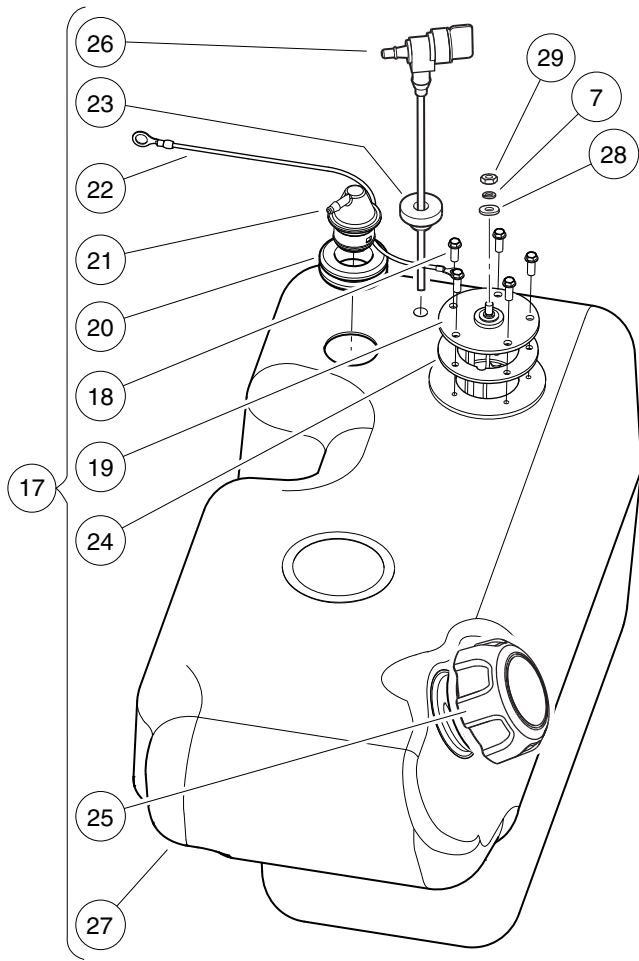
8

G

FUEL, INTAKE, AND GOVERNOR SYSTEMS

9

G

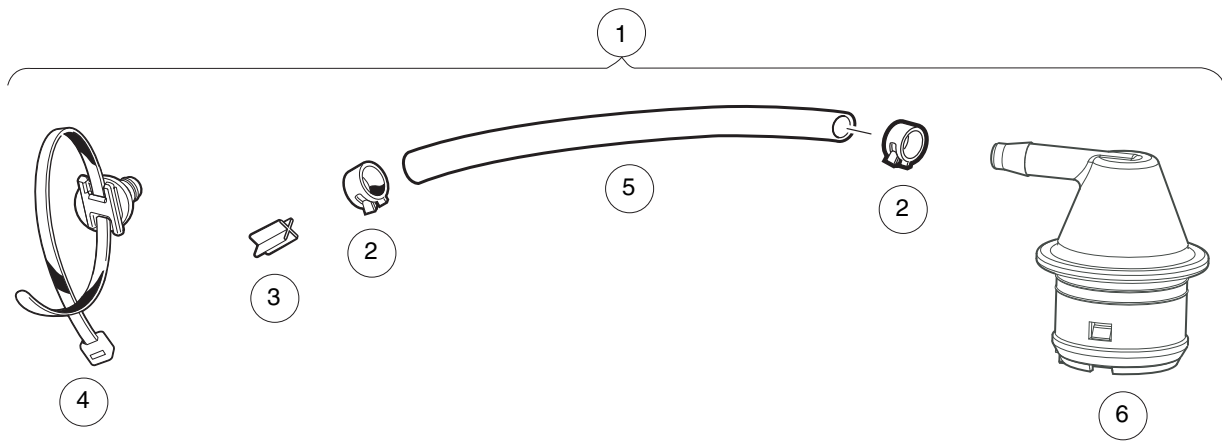


001072-005

FUEL SYSTEM, 50-STATE – TO MID-2012 MODEL YEAR

| ITEM | PART NO. | DESCRIPTION | QTY |
|------|-----------|--|-----|
| | | 1 2 3 4 | |
| 1 | 1012285 | Screw, 1/4 X 0.625 Hex-Head | 4 |
| 2 | 1012649 | Clamp, 0.460 Red Hose | 8 |
| 3 | 1013687 | Clamp, 3/8" Hose (screw type) | 1 |
| 4 | 1013746 | Clamp, 0.301 ID Hose | 2 |
| 5 | 1014116 | Nut, 1/4-20 Speed | 1 |
| 6 | 1015137 | Fuel Line, 3/16 (available by the foot) | A/R |
| 7 | 1016 | Lockwasher, #10 Split | 1 |
| 8 | 101824401 | Vent Barb | 1 |
| 9 | 101929501 | Mount Fuel Pump | 1 |
| 10 | 102003201 | Filter, Fuel, 30 Micron | 2 |
| 11 | 102865101 | Fuel Line, 1/4 (available by the foot) | A/R |
| 12 | 102977901 | Bezel, Fuel Fill, 5.0 Dia | 1 |
| 13 | 102978001 | Strap, Fuel Tank, Side Fill | 1 |
| 14 | 103306301 | Screw, Bhsc, 1/4-20 X 2.0 | 1 |
| 15 | 103781101 | Kit, Fuel Pump Retrofit (includes item 16) | 1 |
| 16 | 103010101 | Pump, Fuel, Impulse, Fh | 1 |
| 17 | 103788101 | Asm, Fuel Tank,side Fill,nano (includes items 18 through 27) | 1 |
| 18 | 1013461 | Screw, #10-16 Hex-Head Hi-Lo | 5 |
| 19 | 1013462 | Sending Unit, Fuel Level * | 1 |
| 20 | 1015139 | Insulation Grommet | 1 |
| 21 | 1015143 | Vent, Fuel Tank | 1 |
| 22 | 1015921 | Wire Assembly #16 Black | 1 |
| 23 | 102406701 | Bushing, Line, Return | 1 |
| 24 | 102522001 | Gasket, Rubber | 1 |
| 25 | 103372101 | Cap, Fuel Tank, Gas, Ratchet | 1 |
| 26 | 103372301 | Valve, Fuel, 259mm | 1 |
| 27 | 103788001 | Tank, Fuel,side Fill,nano | 1 |
| 28 | 183 | Washer, #10, Type A, Flat | 1 |
| 29 | 8797 | Nut, #10-32 Brass Hex | 1 |
| | | * Note: Must replace fuel sending unit gasket when servicing this component. | |

9
G



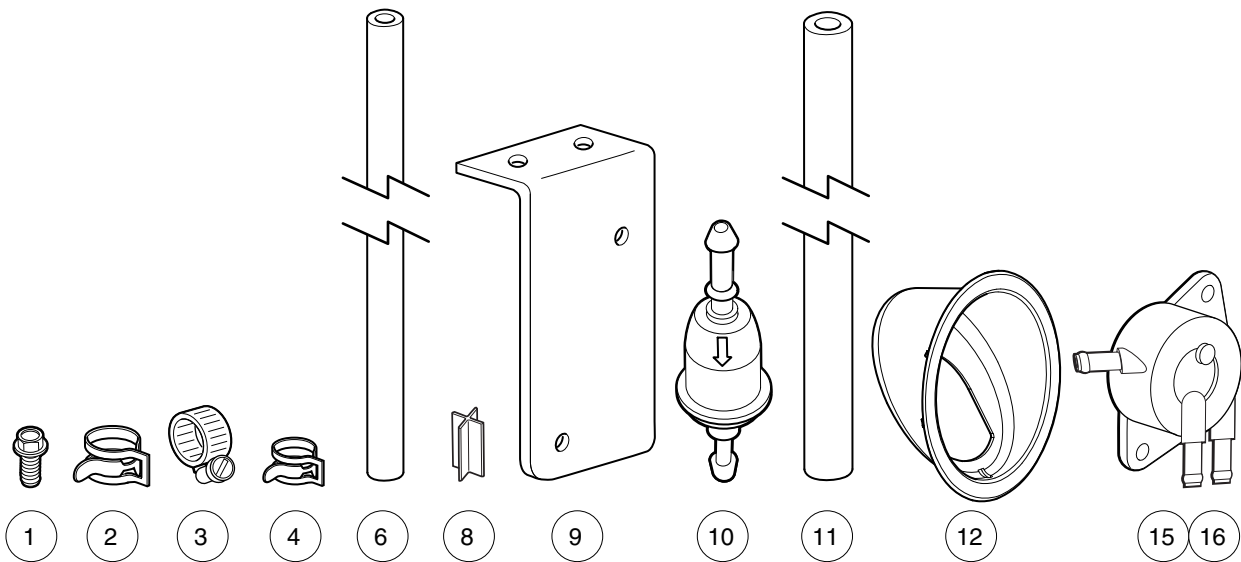
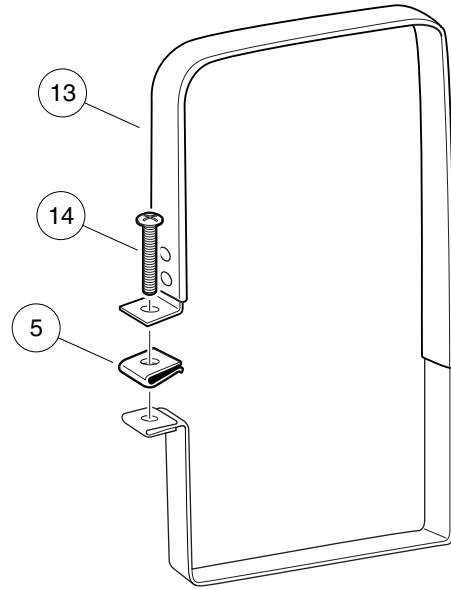
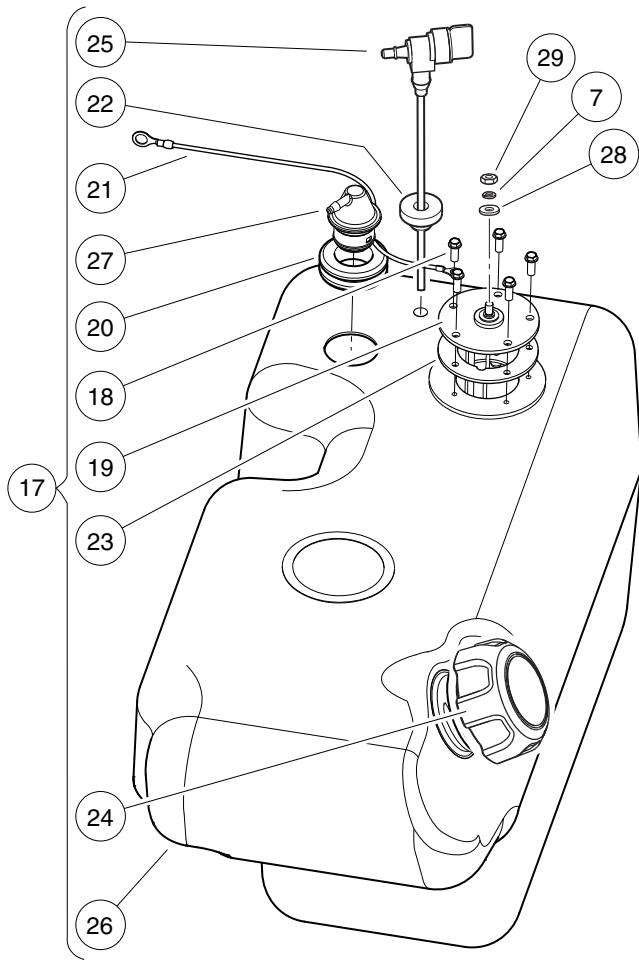
001244-001

FUEL TANK VENT KIT

| ITEM | PART NO. | DESCRIPTION | QTY |
|------|-----------|---|-----|
| | | 1 2 3 4 | |
| 1 | 103923101 | Kit, Fuel Tank Vent, 1/4 In Od (includes items 2 through 6) | 1 |
| 2 | 1012649 | Clamp, 0.460 Red Hose | 2 |
| 3 | 101824401 | Vent Barb | 1 |
| 4 | 102787101 | Mount, Fir Tree, Cable Tie | 1 |
| 5 | 103896603 | Hose, Vent, 1/4 Id, 22 In | 1 |
| 6 | 103905201 | Assembly, Vent, Fuel, 1/4 Inch O.D. | 1 |

9

G



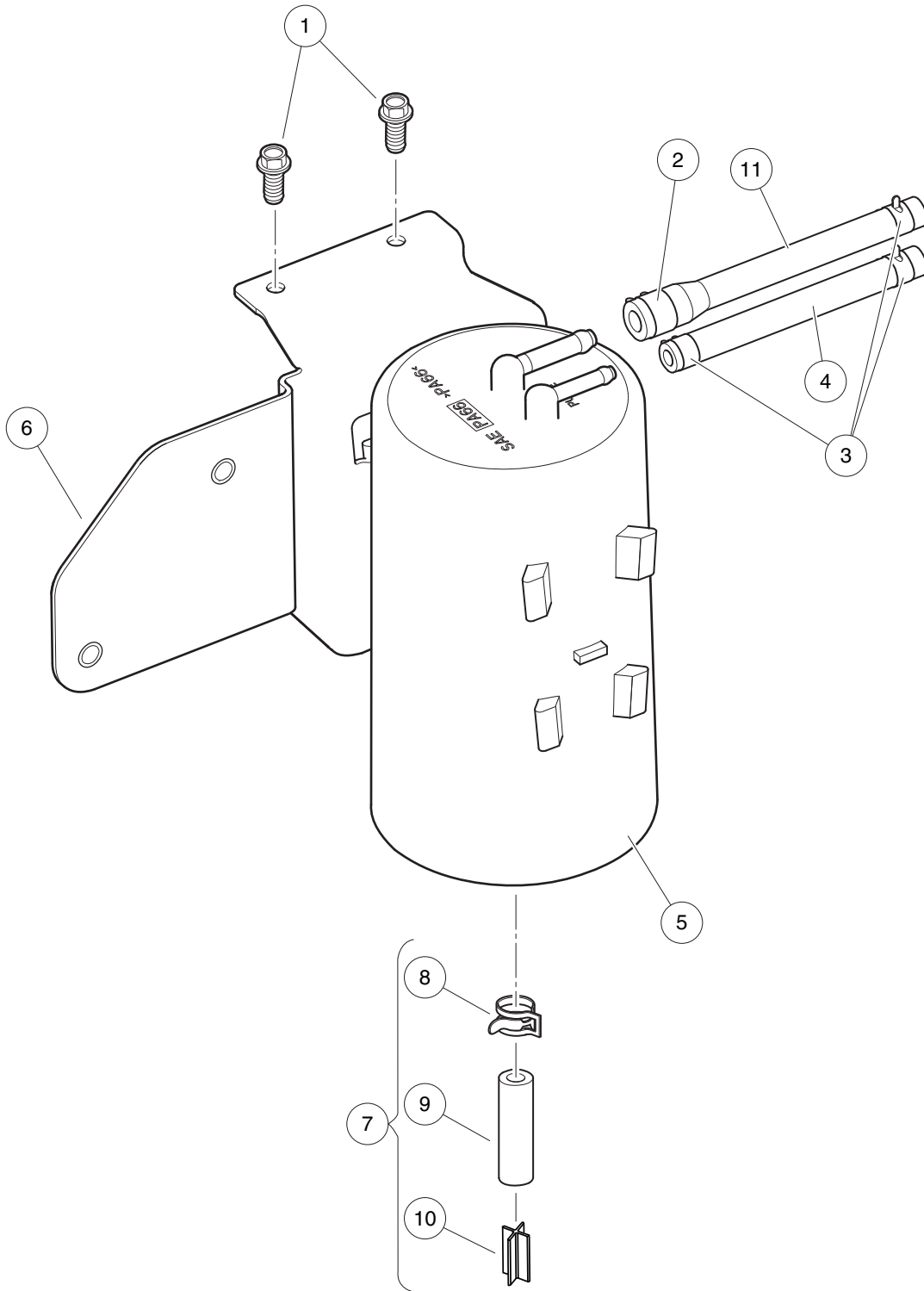
001072-006

FUEL SYSTEM, 50-STATE – FROM MID-2012 MODEL YEAR

| ITEM | PART NO. | DESCRIPTION | QTY |
|------|-----------|--|-----|
| | | 1 2 3 4 | |
| 1 | 1012285 | Screw, 1/4 X 0.625 Hex-Head | 4 |
| 2 | 1012649 | Clamp, 0.460 Red Hose | 8 |
| 3 | 1013687 | Clamp, 3/8" Hose (screw type) | 1 |
| 4 | 1013746 | Clamp, 0.301 ID Hose | 2 |
| 5 | 1014116 | Nut, 1/4-20 Speed | 1 |
| 6 | 1015137 | Fuel Line, 3/16 (available by the foot) | A/R |
| 7 | 1016 | Lockwasher, #10 Split | 1 |
| 8 | 101824401 | Vent Barb | 1 |
| 9 | 101929501 | Mount Fuel Pump | 1 |
| 10 | 102003201 | Filter, Fuel, 30 Micron | 2 |
| 11 | 102865101 | Fuel Line, 1/4 (available by the foot) | A/R |
| 12 | 102977901 | Bezel, Fuel Fill, 5.0 Dia | 1 |
| 13 | 102978001 | Strap, Fuel Tank, Side Fill | 1 |
| 14 | 103306301 | Screw, Bhsc, 1/4-20 X 2.0 | 1 |
| 15 | 103781101 | Kit, Fuel Pump Retrofit (includes item 16) | 1 |
| 16 | 103010101 | Pump, Fuel, Impulse, Fh | 1 |
| 17 | 103788101 | Asm, Fuel Tank,side Fill,nano (includes items 18 through 27) | 1 |
| 18 | 1013461 | Screw, #10-16 Hex-Head Hi-Lo | 5 |
| 19 | 1013462 | Sending Unit, Fuel Level * | 1 |
| 20 | 1015139 | Insulation Grommet | 1 |
| 21 | 1015921 | Wire Assembly #16 Black | 1 |
| 22 | 102406701 | Bushing, Line, Return | 1 |
| 23 | 102522001 | Gasket, Rubber | 1 |
| 24 | 103372101 | Cap, Fuel Tank, Gas, Ratchet | 1 |
| 25 | 103372301 | Valve, Fuel, 259mm | 1 |
| 26 | 103788001 | Tank, Fuel,side Fill,nano | 1 |
| 27 | 103905201 | Assembly, Vent, Fuel, 1/4 Inch O.D. | 1 |
| 28 | 183 | Washer, #10, Type A, Flat | 1 |
| 29 | 8797 | Nut, #10-32 Brass Hex | 1 |
| | | * Note: Must replace fuel sending unit gasket when servicing this component. | |

9

G



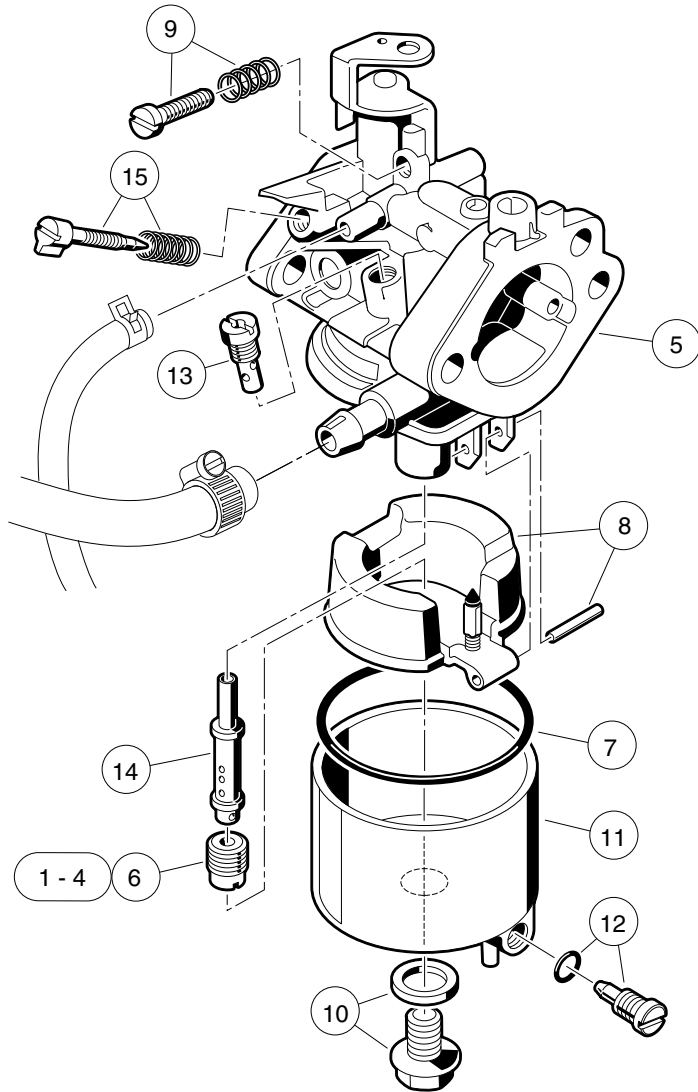
000980-008

CARBON CANISTER

| ITEM | PART NO. | DESCRIPTION | QTY |
|------|-----------|---|-----|
| | | 1 2 3 4 | |
| 1 | 1012285 | Screw, 1/4 X 0.625 Hex-Head | 2 |
| 2 | 101313402 | Clamp, Green Hose | 1 |
| 3 | 1013746 | Clamp, 0.301 ID Hose | 3 |
| 4 | 1015137 | Fuel Line, 3/16 (available by the foot) | A/R |
| 5 | 103372401 | Canister, Carbon | 1 |
| 6 | 103372801 | Bracket, Carbon Canister, Sw | 1 |
| 7 | 103418601 | Asm, Vent Line, Utility (includes items 8 through 10) | 1 |
| 8 | 1012649 | Clamp, 0.460 Red Hose | 1 |
| 9 | N/A | Hose, Vent, 5/16 I.D., Bulk | A/R |
| 10 | N/A | Vent, Barb, 5/16 I.D. Hose | 1 |
| 11 | 103851201 | Hose, Vent Flared, 9.0 Inch | 1 |

9

G



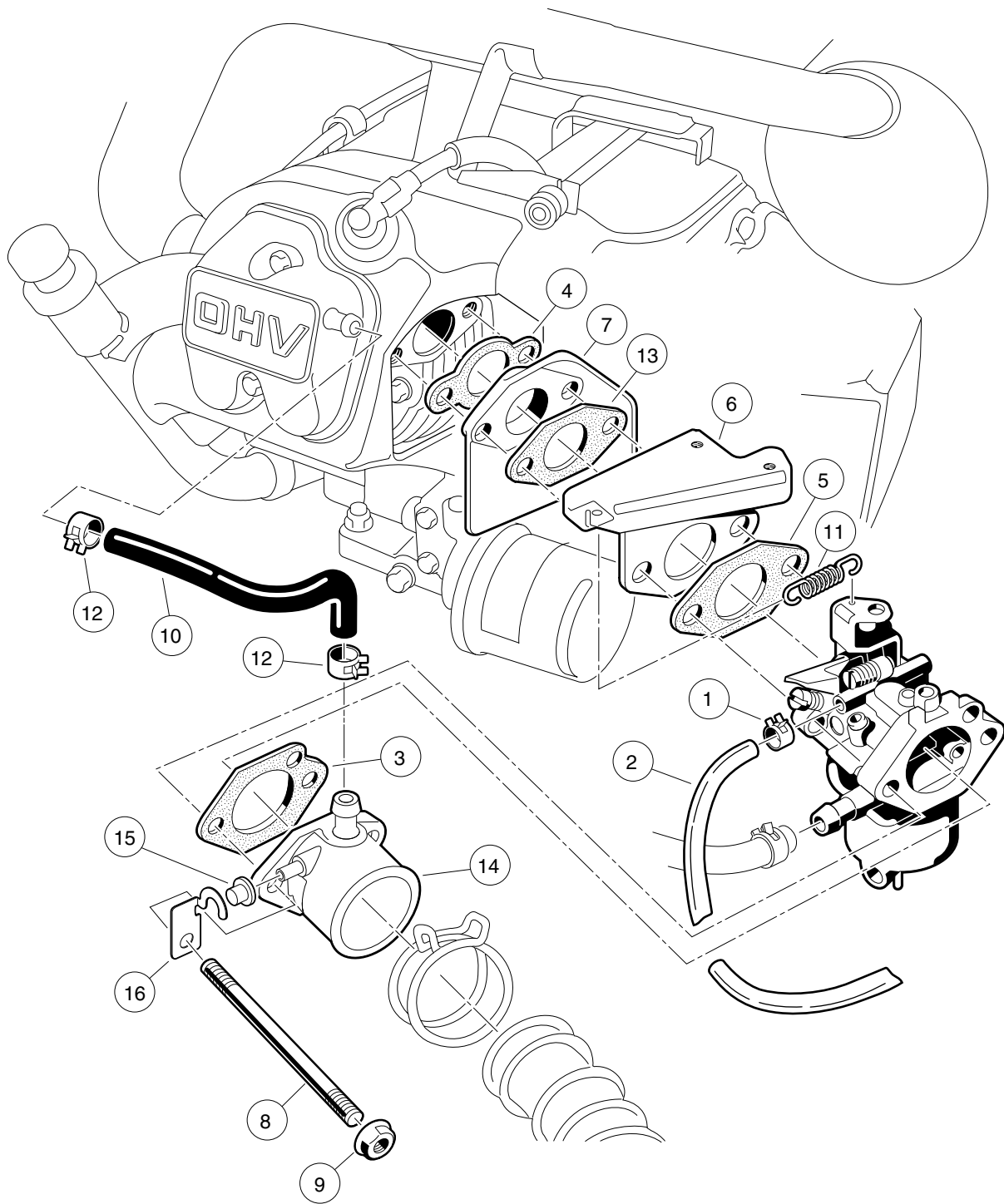
000212-002

CARBURETOR ASSEMBLY – FE350 S27

| ITEM | PART NO. | DESCRIPTION | QTY |
|---|-----------|---|-----|
| | | 1 2 3 4 | |
| 1 | 101642575 | Jet, Altitude, # 75 | 1 |
| 2 | 101642578 | Jet, Altitude, # 78 | 1 |
| 3 | 101642580 | Jet, Altitude, # 80 | 1 |
| 4 | 101642582 | Jet, Altitude, # 82 | 1 |
| 5 | 103617101 | Carburetor, FE350 S27 (includes items 6 through 15) | 1 |
| 6 | 101642585 | Jet, Altitude, # 85 | 1 |
| 7 | 1016437 | Gasket, Carburetor Bowl OHV | 1 |
| 8 | 1016486 | Float Assembly | 1 |
| 9 | 1016501 | Screw Assembly | 1 |
| 10 | 1016585 | Bolt | 1 |
| 11 | 1017461 | Chamber Assembly, Float (includes item 12) | 1 |
| 12 | 1016499 | Screw Assembly | 1 |
| 13 | 101973101 | Jet, #40 Pilot | 1 |
| 14 | 101973301 | Nozzle, Main | 1 |
| 15 | N/A | Assembly, Pilot Air Screw | 1 |
| <p style="text-align: center;">Note: 101642585 for 0 - 3,200 feet; 101642582 for 3,200 - 6,500 feet; 101642580 for 6,500 - 9,800 feet; 101642578 for 9,800 feet and above.</p> | | | |

9

G



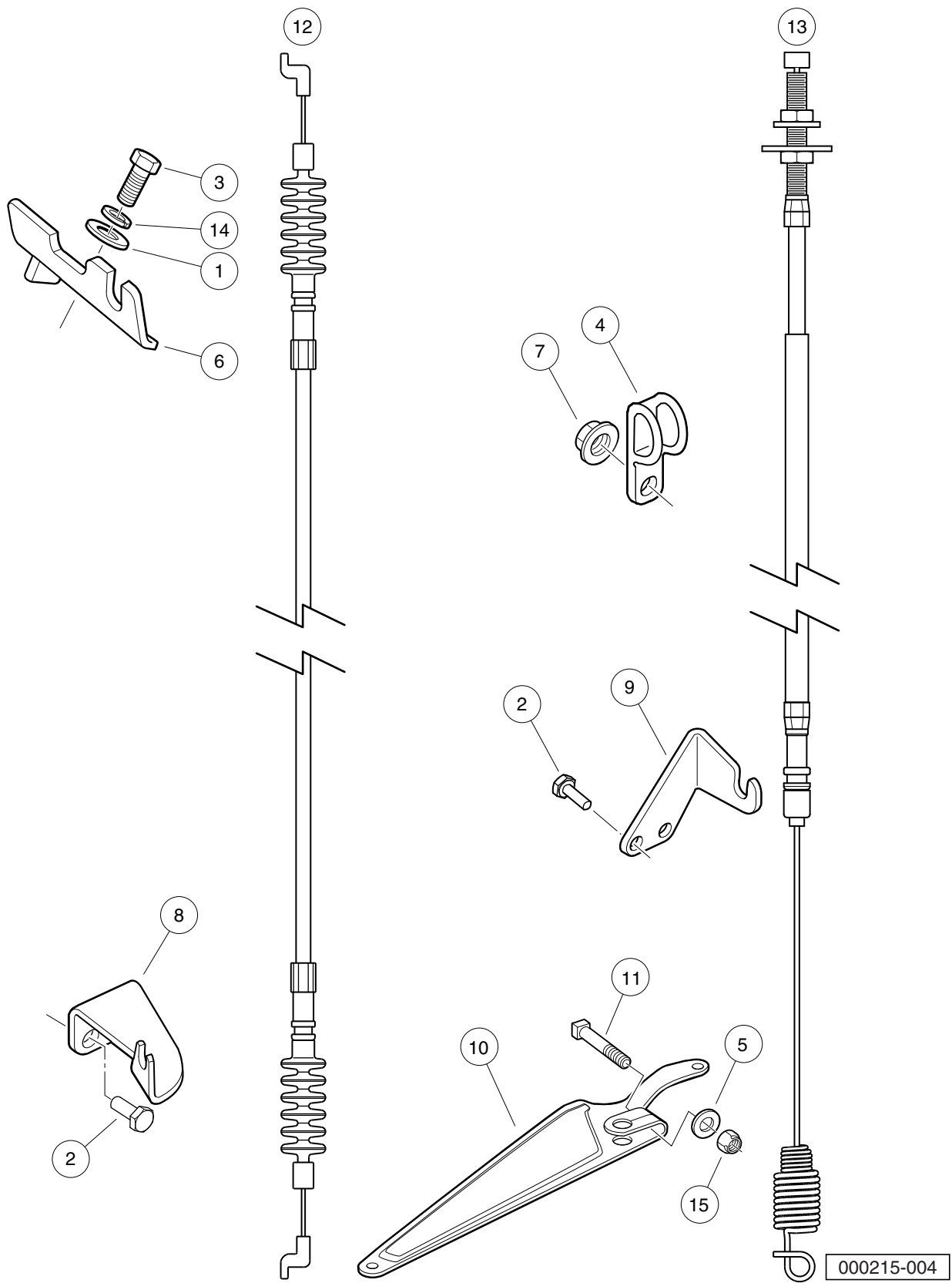
000214-002

CARBURETOR MOUNTING, UTILITY, FE350 S27

| ITEM | PART NO. | DESCRIPTION | QTY |
|------|-----------|---|-----|
| | | 1 2 3 4 | |
| 1 | 1013746 | Clamp, 0.301 ID Hose | 1 |
| 2 | 1015137 | Fuel Line, 3/16 (available by the foot) | 1 |
| 3 | 1016438 | Gasket, Carb To Intake Manifold | 1 |
| 4 | 1016440 | Gasket, Engine to Insulator | 1 |
| 5 | 1016441 | Gasket, Sprg Brkt To Carb OHV | 1 |
| 6 | 1016444 | Bracket, Throttle Spring Return | 1 |
| 7 | 101648102 | Insulator, Carburetor | 1 |
| 8 | 101649002 | Stud, M6-1.00 Two-Ended | 2 |
| 9 | 1016547 | Nut, M6 Flange | 2 |
| 10 | 1016572 | Tube, Crankcase Vent | 1 |
| 11 | 1016582 | Spring, Throttle Return | 1 |
| 12 | 1017466 | Clamp | 2 |
| 13 | 101973401 | Gasket, Insulator To Bracket | 1 |
| 14 | 103507101 | Carburetor Adapter w/ Tap | 1 |
| 15 | 103507201 | Plug, Intake Manifold, Carb | 1 |
| 16 | 103507301 | Bracket, Intake Manifold, Carb | 1 |

9

G



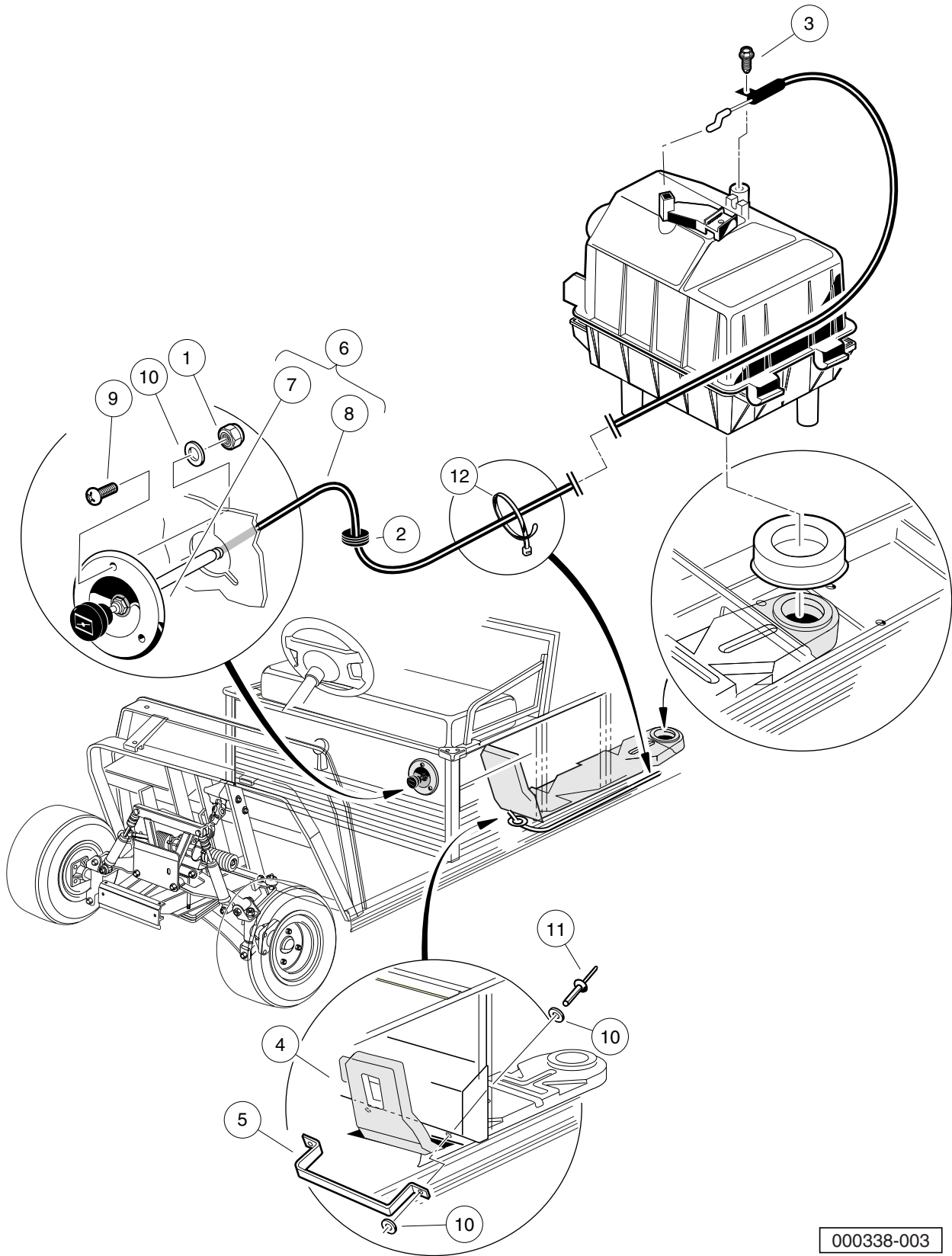
000215-004

GOVERNOR AND ACCELERATOR CABLES

| ITEM | PART NO. | DESCRIPTION | QTY |
|------|-----------|---|-----|
| | | 1 2 3 4 | |
| 1 | 1011697 | Washer, 5/16 Flat | 1 |
| 2 | 1012285 | Screw, 1/4 X 0.625 Hex-Head | 4 |
| 3 | 1012830 | Screw, M8-125 X 22 Hex-Head | 1 |
| 4 | 1013700 | Clamp | 2 |
| 5 | 1014007 | Washer, 1/4, Flat | 1 |
| 6 | 101584502 | Bracket, Governor Cable Snap-In | 1 |
| 7 | 1016546 | Nut | 2 |
| 8 | 101832202 | Bracket, Rear Governor Cable Snap-In | 1 |
| 9 | 101832302 | Bracket, Rear Accelerator Cable Snap-In | 1 |
| 10 | 101834801 | Arm, Governor | 1 |
| 11 | 101886101 | Screw, 1/4-20 X 1.00, Square-Head | 1 |
| 12 | 102336001 | Cable, Governor, Snap-In | 1 |
| 13 | 102336101 | Cable, Accelerator, Snap-In | 1 |
| 14 | 7174 | Lockwasher, 5/16 Split | 1 |
| 15 | 8233 | Locknut, 1/4-20, Nylon Insert | 1 |

9

G



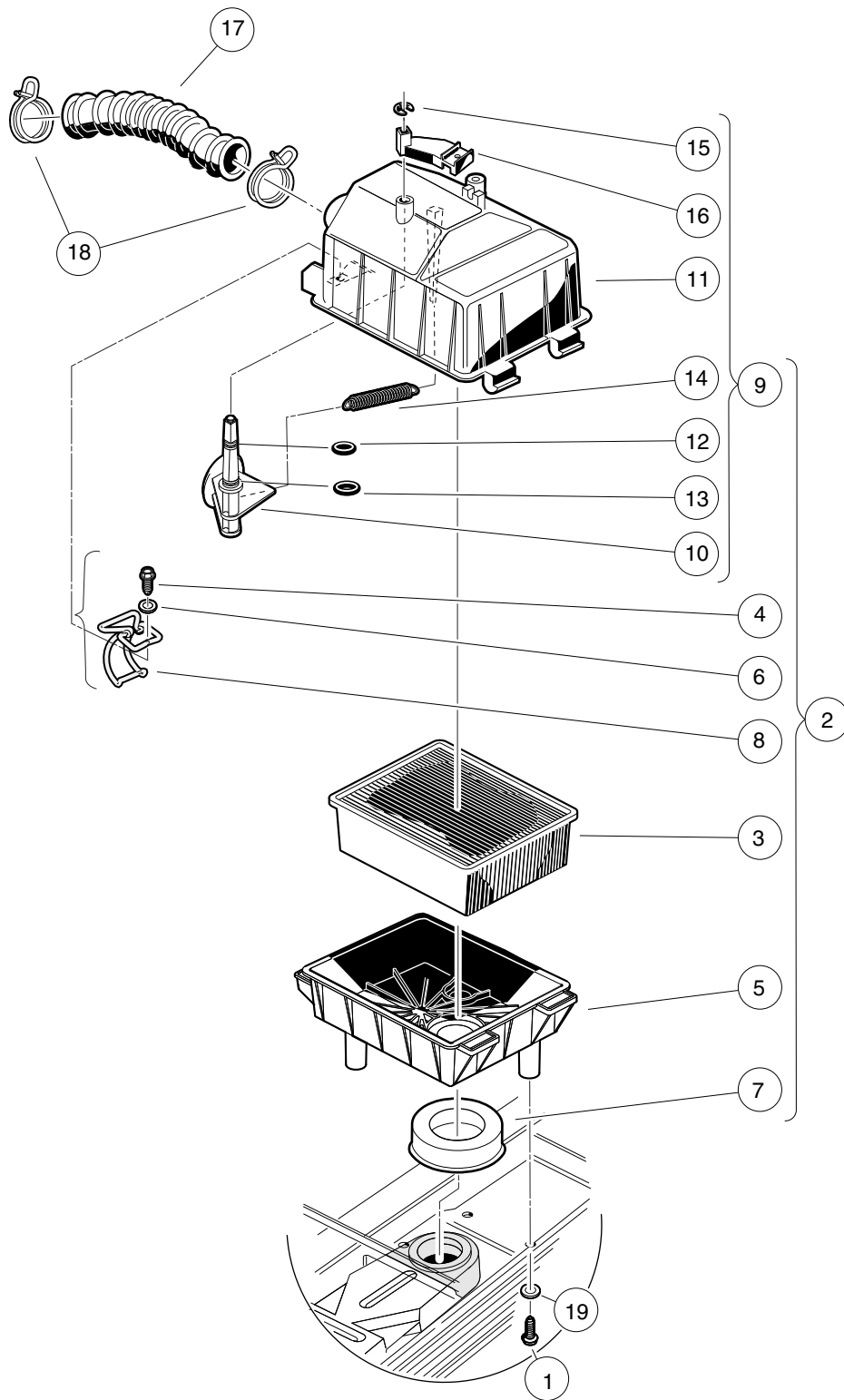
000338-003

AIR INTAKE DUCT AND CHOKE CABLE – TURF/CARRYALL 6

| ITEM | PART NO. | DESCRIPTION | QTY |
|------|-----------|--|-----|
| | | 1 2 3 4 | |
| 1 | 1012438 | Locknut, #10-24 Nylon Insert | 3 |
| 2 | 1015139 | Insulation Grommet | 1 |
| 3 | 101804301 | Screw, #8 X 0.500, Hex-Head Hi-Lo | 1 |
| 4 | 101811301 | Duct, Intake | 1 |
| 5 | 101825701 | Retaining Bracket | 1 |
| 6 | 101926802 | Cable, Choke (includes items 7 and 8) | 1 |
| 7 | 101933701 | Bezel, Choke Cable | 1 |
| 8 | N/A | Choke Cable without Bezel, Long | 1 |
| 9 | 1631 | Screw, #10-24 X 0.75 Phillips Pan-Head | 3 |
| 10 | 183 | Washer, #10, Type A, Flat | 7 |
| 11 | 7973 | Rivet, 3/16 X .400 Blind | 2 |
| 12 | 8639 | Tie Wrap, 11" Nylon | 2 |

9

G



000332-001

AIR FILTER AND INTAKE HOSE

| ITEM | PART NO. | DESCRIPTION | QTY |
|------|-----------|--|-----|
| | | 1 2 3 4 | |
| 1 | 1015752 | Screw, #12-16 X 0.625, Hi-Lo | 3 |
| 2 | 101821501 | Assembly, Air Box (includes items 3 through 9) | 1 |
| 3 | 1015426 | Filter, Air | 1 |
| 4 | 101804301 | Screw, #8 X 0.500, Hex-Head Hi-Lo | 2 |
| 5 | 101811901 | Bottom, Air Box | 1 |
| 6 | 101881701 | Washer, #8 Stainless-Steel Flat | 2 |
| 7 | 101921501 | Seal, Intake | 1 |
| 8 | 101925701 | Latch, Wireform | 2 |
| 9 | 101972801 | Top Assy, Air Box (includes items 10 through 16) | 1 |
| 10 | N/A | Valve, Choke | 1 |
| 11 | N/A | Top, Air Box | 1 |
| 12 | N/A | O-Ring, 5/16 | 1 |
| 13 | N/A | O-Ring, 3/8 | 1 |
| 14 | 101812301 | Spring, Extension Return | 1 |
| 15 | 101813001 | Retaining Ring 0.25, Shaft | 1 |
| 16 | 101917601 | Lever, Choke | 1 |
| 17 | 101837101 | Hose, Air Intake | 1 |
| 18 | 101971301 | Clamp, 1.58" ID Hose | 2 |
| 19 | 332 | Washer, 1/4 Type A Narrow Flat | 3 |

9
G

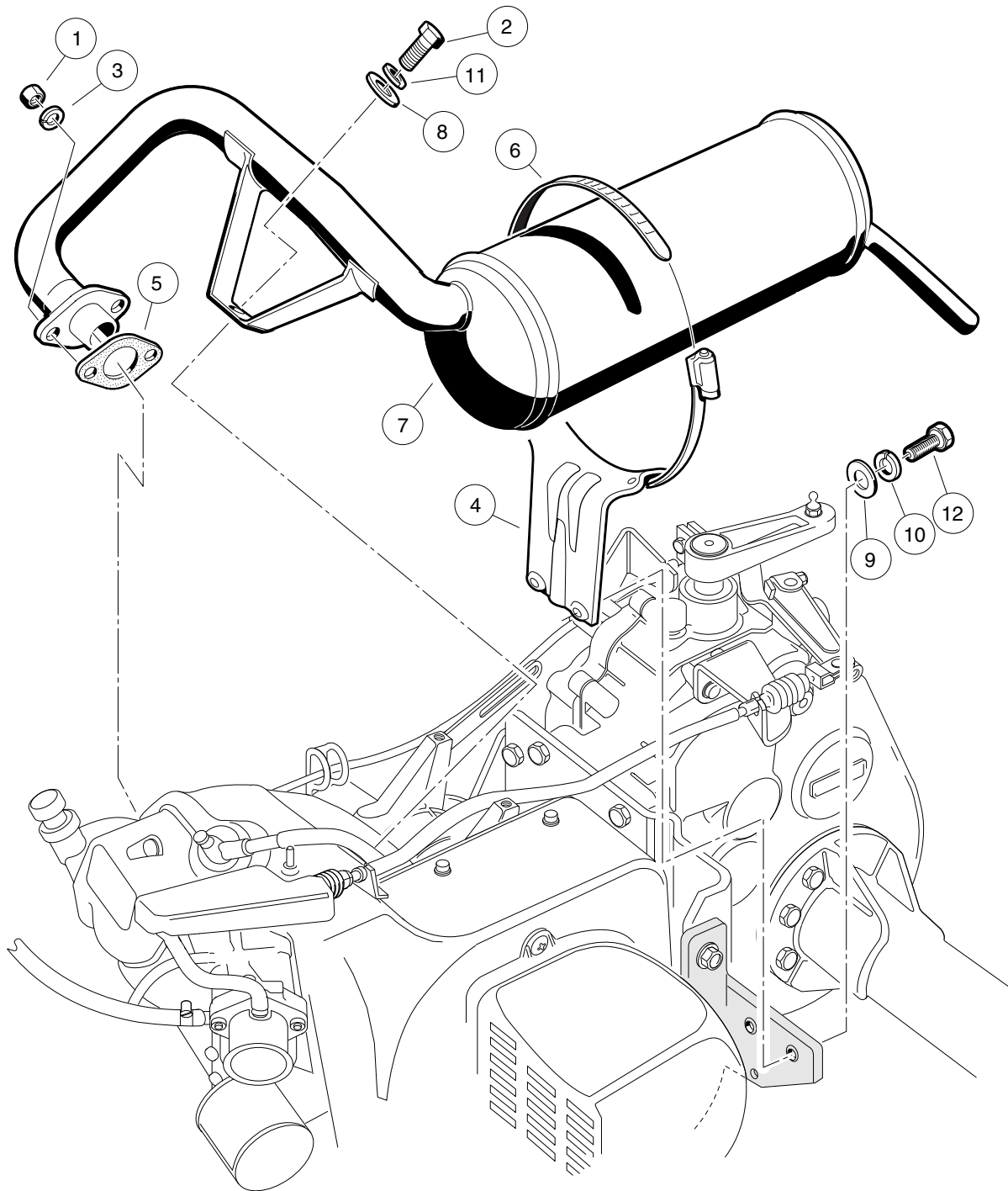
9

G

EXHAUST SYSTEM

10

G



000209-001

EXHAUST SYSTEM – FE350 ENGINE

| ITEM | PART NO. | DESCRIPTION | QTY |
|------|-----------|---|-----|
| | | 1 2 3 4 | |
| 1 | 1012528 | Nut, M8-1.25 Hex | 2 |
| 2 | 1012830 | Screw, M8-125 X 22 Hex-Head | 1 |
| 3 | 1013734 | Lockwasher, 8mm Split | 2 |
| 4 | 1015814 | Bracket, Muffler Mounting | 1 |
| 5 | 1016904 | Gasket, Exhaust | 1 |
| 6 | 1017689 | Clamp, 5" Muffler Hose | 1 |
| 7 | 101859401 | Exhaust System, FE350 | 1 |
| 8 | 1241 | Washer, 5/16 Type A Flat | 1 |
| 9 | 332 | Washer, 1/4 Type A Narrow Flat | 2 |
| 10 | 451 | Lockwasher, 1/4 Split | 2 |
| 11 | 7174 | Lockwasher, 5/16 Split | 1 |
| 12 | 7847 | Screw, 1/4-20 X 0.75 Hex-Head Cap | 2 |

10
G

10

G

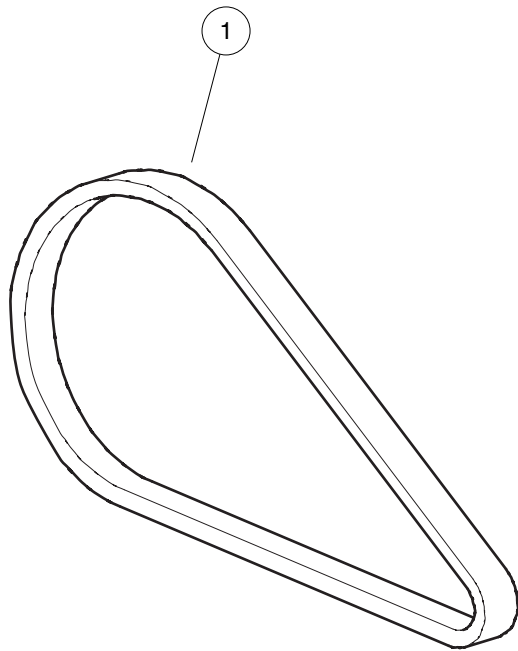
DRIVE BELT AND CLUTCHES

11

G

11

G

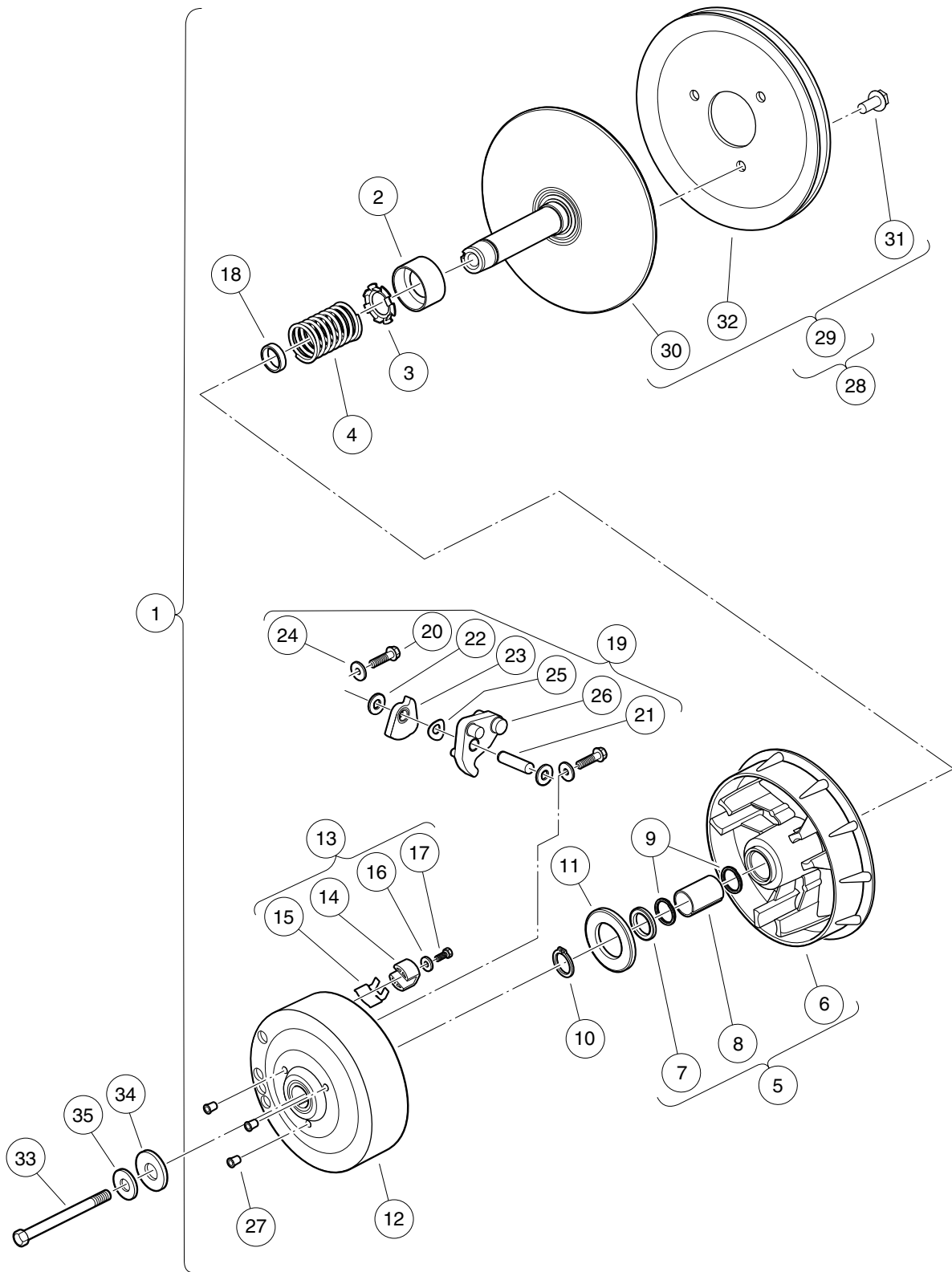


000918-001

DRIVE BELT

| ITEM | PART NO. | DESCRIPTION | QTY |
|------|----------|--------------------------------------|-----|
| 1 | 1017188 | 1 2 3 4 Belt, Drive (FE350) | 1 |

11
G



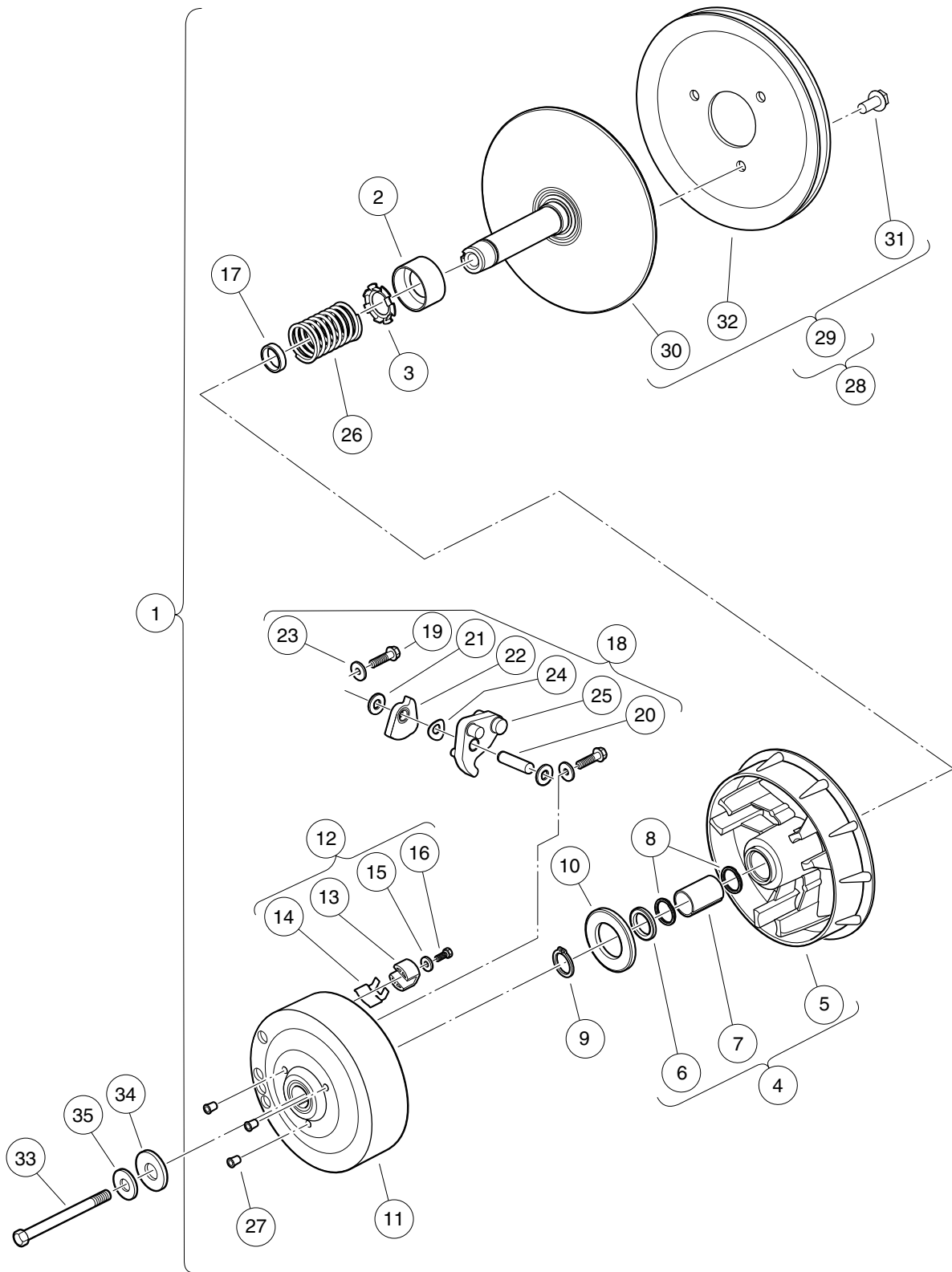
000217-006

DRIVE CLUTCH – TURF 6

| ITEM | PART NO. | DESCRIPTION | QTY |
|------|-----------|---|-----|
| | | 1 2 3 4 | |
| 1 | 101833902 | Clutch, Drive (includes items 2 through 28) | 1 |
| 2 | 1014049 | Bearing, Idler | 1 |
| 3 | 1014050 | Retainer, Spring | 1 |
| 4 | 1014051 | Spring, Drive Clutch | 1 |
| 5 | 1014052 | Movable-Face Assembly (includes items 6 through 8) | 1 |
| 6 | N/A | Drive Clutch Movable Face | 1 |
| 7 | 1014055 | Retainer | 1 |
| 8 | N/A | Bushing, Split, Drive Clutch | 1 |
| 9 | 1014056 | Ring, Spiral Backup | 2 |
| 10 | 1014057 | Ring, 0.810" Internal Retaining | 1 |
| 11 | 1014058 | Thrust Washer | 1 |
| 12 | 1014059 | Drive Hub Assy, Drive Clutch | 1 |
| 13 | 1014453 | Kit, Drive Clutch Button (includes items 14 through 17) | 1 |
| 14 | 1014062 | Driver, Drive Clutch | 3 |
| 15 | 1014287 | Spring, Drive Button | 3 |
| 16 | 183 | Washer, #10, Type A, Flat | 3 |
| 17 | 8450 | Screw, #10-24 X 0.50, Hex-Head | 3 |
| 18 | 1016289 | Spacer, Fixed Face Shaft | 1 |
| 19 | 1016801 | Kit, Drive Clutch Weight (includes items 20 through 26) | 1 |
| 20 | 1014063 | Screw, 1/4-20 X 1.00, Hex Head | 6 |
| 21 | N/A | Pin, Dowel, 0.3752 x 1.50 | 3 |
| 22 | 1014065 | Washer, Flat, 0.38" ID, Delrin | 6 |
| 23 | N/A | Clutch Weight, Secondary | 3 |
| 24 | N/A | Washer | 6 |
| 25 | 1016201 | Washer, Wave | 3 |
| 26 | N/A | Weight, Primary | 3 |
| 27 | 101925601 | Plug, Drive Clutch | 3 |
| 28 | 101929802 | Kit, Fxd Face Dr Asm Fe290/350 (includes item 29) | 1 |
| 29 | N/A | Assembly, Fixed-Face Drive (includes items 30 through 32) | 1 |
| 30 | N/A | Fixed Face Assembly, Drive Clutch | 1 |
| 31 | 1014288 | Screw, 5/16-18 X 0.75, Thread-Forming | 3 |
| 32 | N/A | Pulley, Clutch | 1 |
| 33 | 103345701 | Screw 3/8-24x5.5 Hex Loc Ptch | 1 |
| 34 | 334 | Washer, 3/8, Type A, Flat | 1 |
| 35 | 808 | Washer, 3/8 Type B Flat | 1 |

11

G



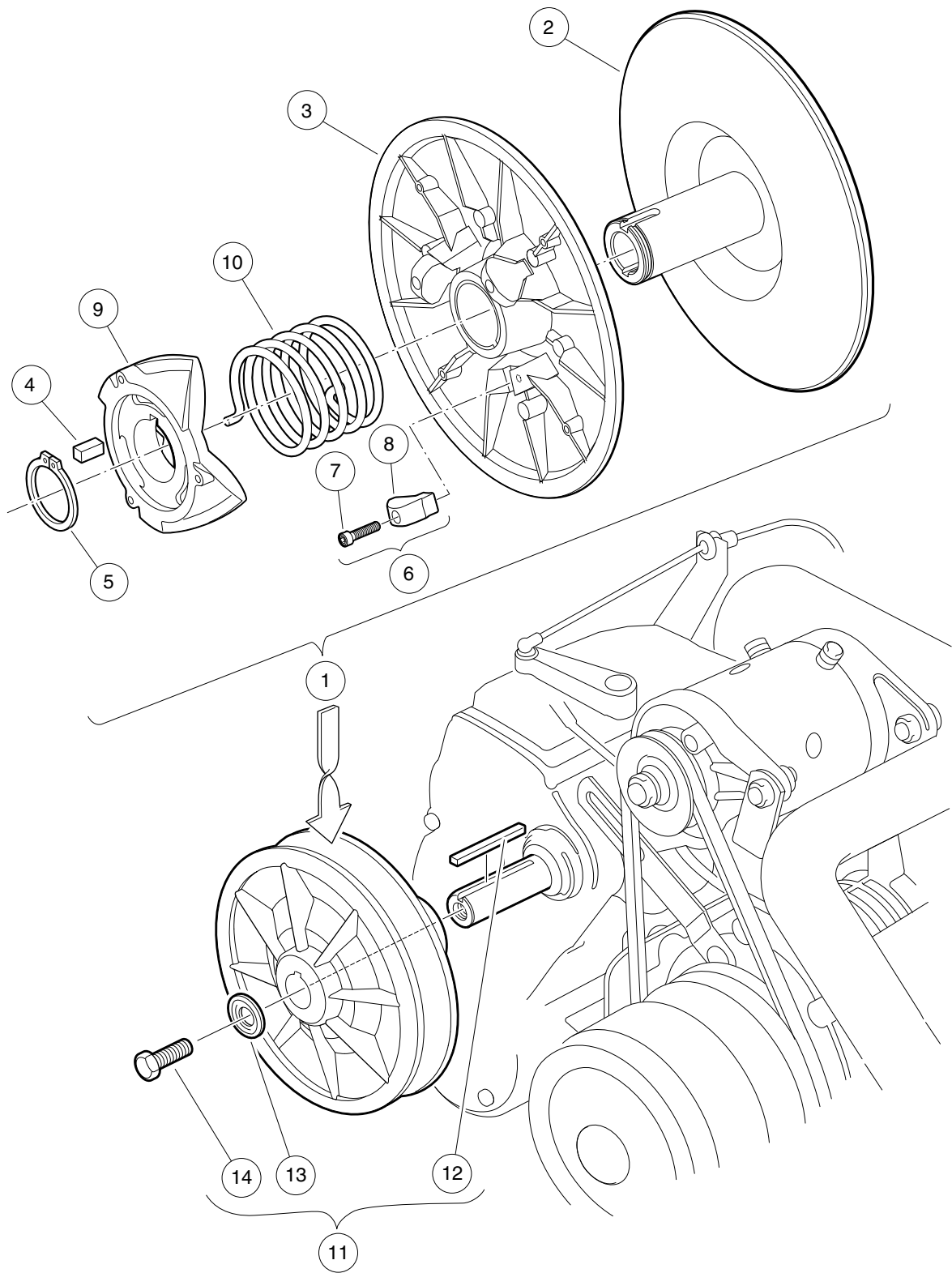
000217-008

DRIVE CLUTCH – CARRYALL 6

| ITEM | PART NO. | DESCRIPTION | QTY |
|------|-----------|---|-----|
| | | 1 2 3 4 | |
| 1 | 101833906 | Drive Clutch Assy. FE 350/272 (includes items 2 through 28) | 1 |
| 2 | 1014049 | Bearing, Idler | 1 |
| 3 | 1014050 | Retainer, Spring | 1 |
| 4 | 1014052 | Movable-Face Assembly (includes items 5 through 7) | 1 |
| 5 | N/A | Drive Clutch Movable Face | 1 |
| 6 | 1014055 | Retainer | 1 |
| 7 | N/A | Bushing, Split, Drive Clutch | 1 |
| 8 | 1014056 | Ring, Spiral Backup | 2 |
| 9 | 1014057 | Ring, 0.810" Internal Retaining | 1 |
| 10 | 1014058 | Thrust Washer | 1 |
| 11 | 1014059 | Drive Hub Assy, Drive Clutch | 1 |
| 12 | 1014453 | Kit, Drive Clutch Button (includes items 13 through 16) | 1 |
| 13 | 1014062 | Driver, Drive Clutch | 3 |
| 14 | 1014287 | Spring, Drive Button | 3 |
| 15 | 183 | Washer, #10, Type A, Flat | 3 |
| 16 | 8450 | Screw, #10-24 X 0.50, Hex-Head | 3 |
| 17 | 1016289 | Spacer, Fixed Face Shaft | 1 |
| 18 | 1016801 | Kit, Drive Clutch Weight (includes items 19 through 25) | 1 |
| 19 | 1014063 | Screw, 1/4-20 X 1.00, Hex Head | 6 |
| 20 | N/A | Pin, Dowel, 0.3752 x 1.50 | 3 |
| 21 | 1014065 | Washer, Flat, 0.38" ID, Delrin | 6 |
| 22 | N/A | Clutch Weight, Secondary | 3 |
| 23 | N/A | Washer | 6 |
| 24 | 1016201 | Washer, Wave | 3 |
| 25 | N/A | Weight, Primary | 3 |
| 26 | 1016901 | Spring, Drive Clutch | 1 |
| 27 | N/A | Cap Plug | 3 |
| 28 | 101929802 | Kit, Fxd Face Dr Asm Fe290/350 (includes item 29) | 1 |
| 29 | N/A | Assembly, Fixed-Face Drive (includes items 30 through 32) | 1 |
| 30 | N/A | Fixed Face Assembly, Drive Clutch | 1 |
| 31 | 1014288 | Screw, 5/16-18 X 0.75, Thread-Forming | 3 |
| 32 | N/A | Pulley, Clutch | 1 |
| 33 | 103345701 | Screw 3/8-24x5.5 Hex Loc Ptch | 1 |
| 34 | 334 | Washer, 3/8, Type A, Flat | 1 |
| 35 | 808 | Washer, 3/8 Type B Flat | 1 |

11

G



000219-001

DRIVEN CLUTCH – TURF 6 AND CARRYALL 6

| ITEM | PART NO. | DESCRIPTION | QTY |
|------|-----------|---|-----|
| | | 1 2 3 4 | |
| 1 | 101834001 | Assembly, Driven Clutch (includes items 2 through 10) | 1 |
| 2 | 1014070 | Fixed Face Assy, Driven Clutch | 1 |
| 3 | 1014072 | Movable-Face Assembly with Bushing | 1 |
| 4 | 1014078 | Key, Driven Clutch | 1 |
| 5 | 1014080 | Ring, Retaining | 1 |
| 6 | 1014454 | Kit, Driven Clutch Button (includes items 7 and 8) | 1 |
| 7 | 1012836 | Screw, #8-32 X 3/4, Socket-Head Cap | 3 |
| 8 | N/A | Button, Drive | 3 |
| 9 | 1017686 | Cam, Driven Clutch | 1 |
| 10 | 101836201 | Spring, Driven Clutch, Reversed | 1 |
| 11 | AM10419 | Kit, Clutch Repair (includes items 12 through 14) | 1 |
| 12 | 101833401 | Key, 3/16 Sq X 1.50" | 1 |
| 13 | 102155801 | Washer, Driven Clutch | 1 |
| 14 | 102242101 | Screw, 5/16-18 X 3/4 Hex-Head with Patch | 1 |

11

G

11

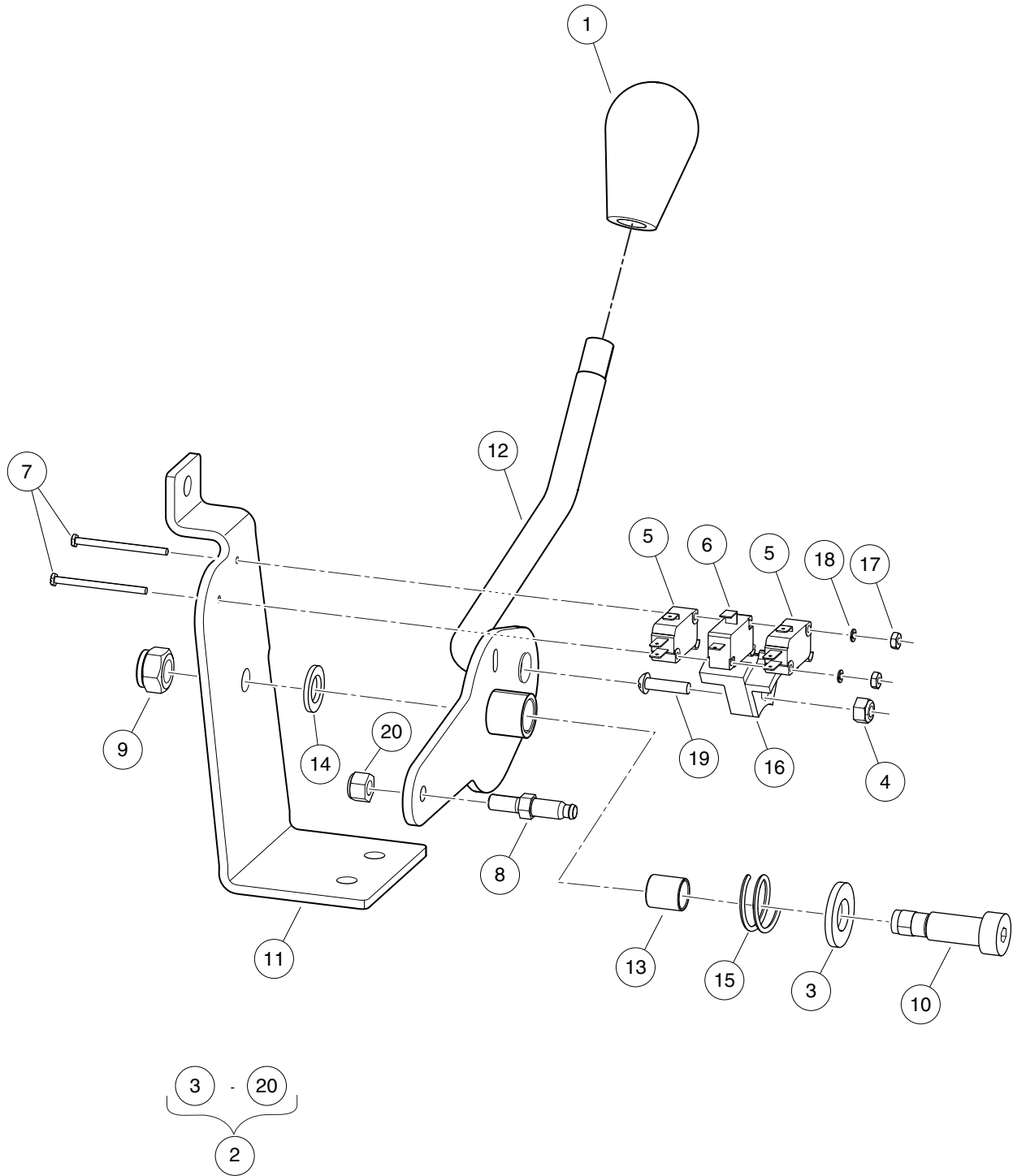
G

UNITIZED TRANSAXLE AND FNR SHIFTER – GASOLINE VEHICLES

12

G

12
G



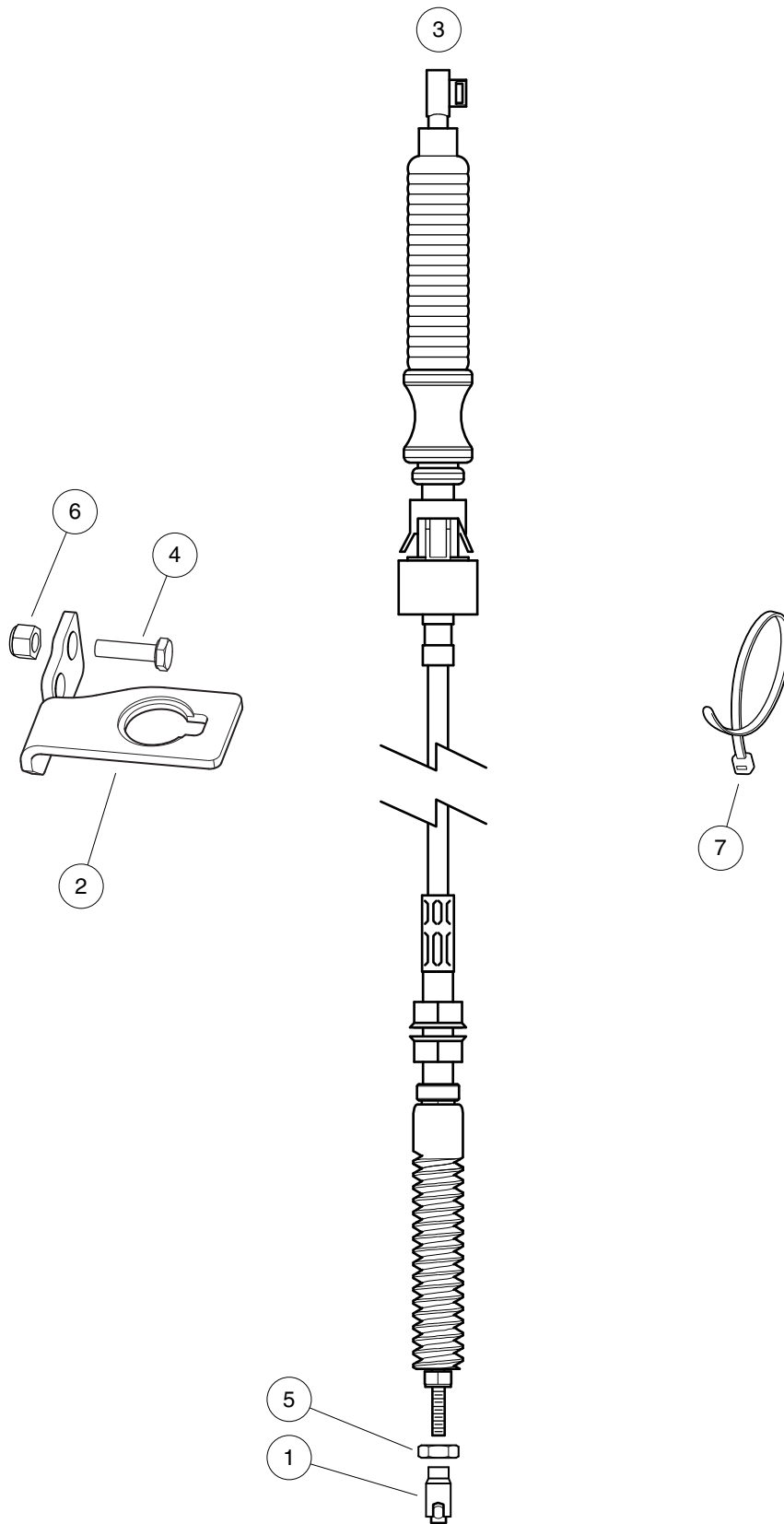
000563-001

FORWARD/REVERSE SHIFTER

| ITEM | PART NO. | DESCRIPTION | QTY |
|------|-----------|---|-----|
| | | 1 2 3 4 | |
| 1 | 102376001 | Knob, FNR, Shifter | 1 |
| 2 | 102969901 | Asm, Shifter, FNR (includes items 3 through 20) | 1 |
| 3 | 1010028 | Washer, 1/2 Type A Flat | 1 |
| 4 | 1013061 | Locknut, #10-32 Nylon Insert | 1 |
| 5 | 1014807 | Switch, Limit | 2 |
| 6 | 1014808 | Switch, Limit | 1 |
| 7 | 1015878 | Screw, #4-40 Hex Head Machine | 2 |
| 8 | 102526201 | Stud, Thread, 1/4-28 | 1 |
| 9 | 102616701 | Locknut, M10x1.5 Nylon Insert | 1 |
| 10 | 102684602 | Shoulder Bolt, M12 X 25.0 | 1 |
| 11 | 102969401 | Bracket, Shifter, FNR | 1 |
| 12 | 102969801 | Weldment, Shift Lever, FNR | 1 |
| 13 | 103173301 | Bushing, Greaseless, 12mm Id | 1 |
| 14 | 103177401 | Washer, Thrust, Shifter, FNR | 1 |
| 15 | 103192701 | Spring, Comp, .97 Od X.75 L | 1 |
| 16 | 103369501 | Cam, Limit Switch, Fnr Shifter | 1 |
| 17 | 8057 | Nut, #4-40 Hex Machine | 2 |
| 18 | 8058 | Lockwasher, #4 Split | 2 |
| 19 | 8104 | Screw, #10-32 X .75 Rd Hd Mach | 1 |
| 20 | 8717 | Locknut, Nylon Insert, 1/4-28 | 1 |

12

G



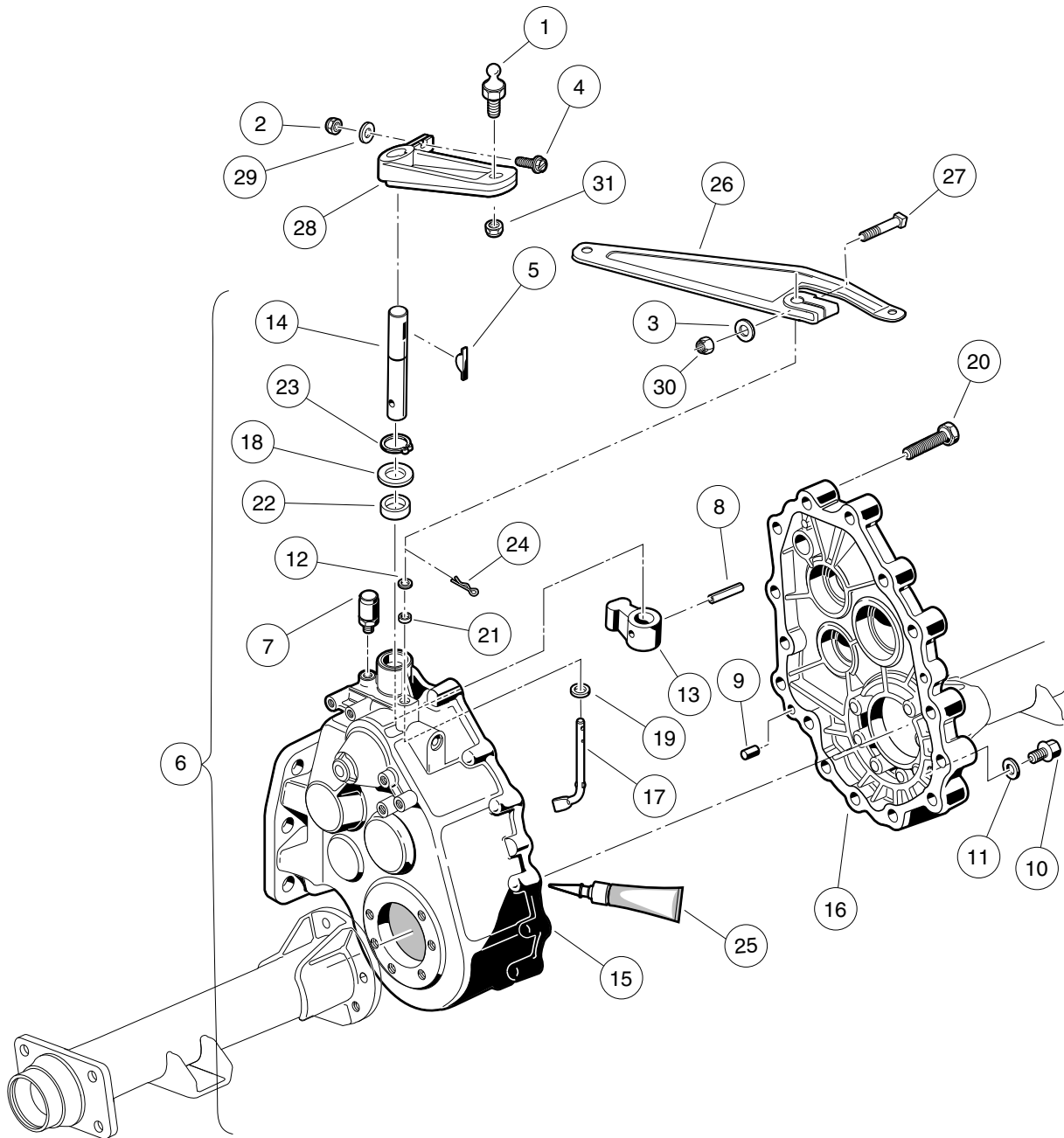
001071-001

SHIFTER CABLE – TURF/CA 6

| ITEM | PART NO. | DESCRIPTION | QTY |
|------|-----------|--|-----|
| | | 1 2 3 4 | |
| 1 | 1012333 | Joint, #10-32 Ball | 1 |
| 2 | 103295101 | Brkt, Spt, Cable End, Fnr | 1 |
| 3 | 103295203 | Cable, Transmission, 2385mm | 1 |
| 4 | 304 | Screw, 1/4-20 X 1.0 Hex-Head Cap | 2 |
| 5 | 7893 | Nut, #10-32 Hex | 1 |
| 6 | 8233 | Locknut, 1/4-20, Nylon Insert | 2 |
| 7 | 8639 | Tie Wrap, 11" Nylon | A/R |

12

G



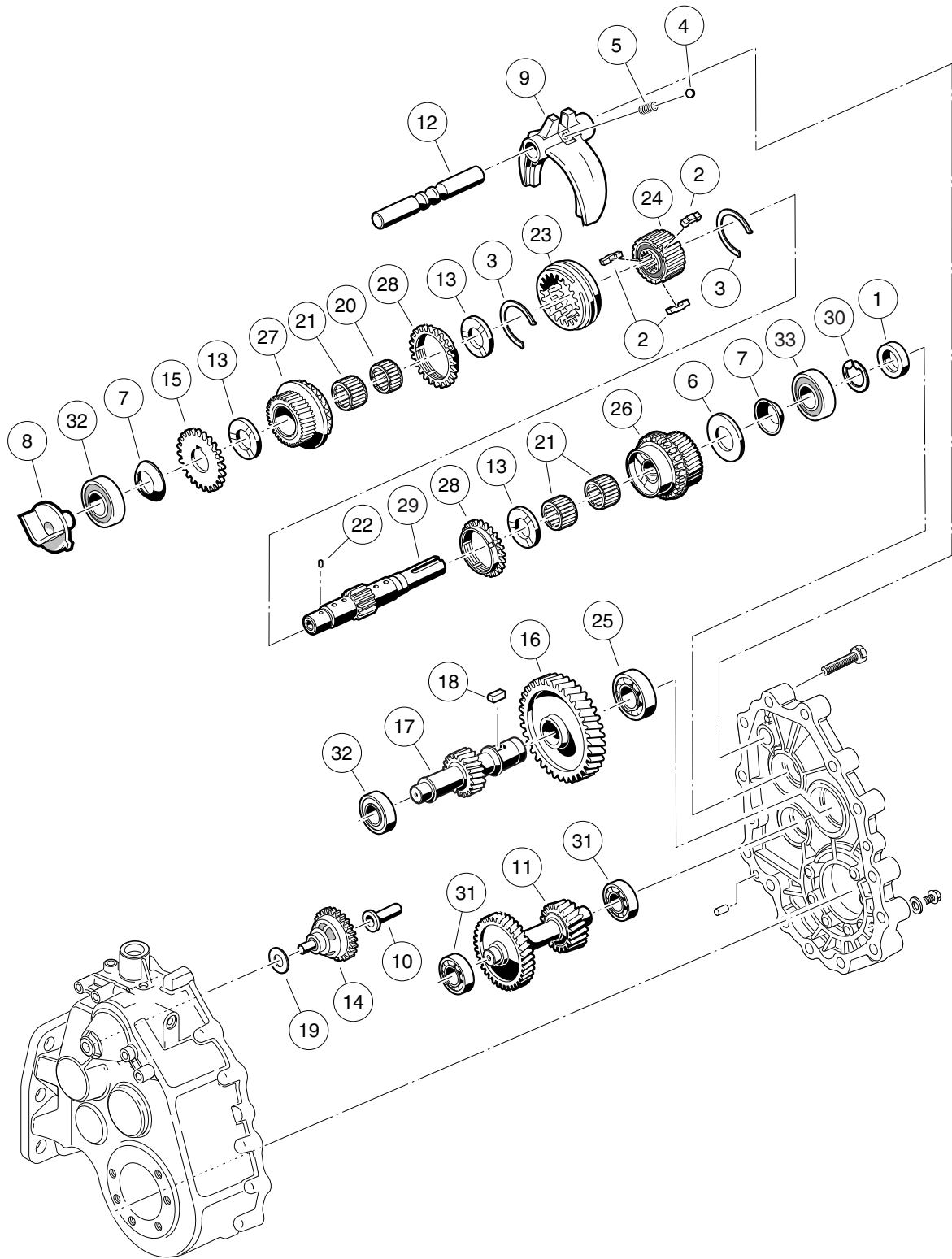
000220-005

KAWASAKI TRANSAXLE – GEAR CASES AND LEVERS

| ITEM | PART NO. | DESCRIPTION | QTY |
|---|-----------|--|-----|
| | | 1 2 3 4 | |
| 1 | 1010954 | Stud, Ball, 1/4-28 X 0.560 | 1 |
| 2 | 1013061 | Locknut, #10-32 Nylon Insert | 1 |
| 3 | 1014007 | Washer, 1/4, Flat | 1 |
| 4 | 1017082 | Screw, #10-32 X 0.75, Hex-Head Machine | 1 |
| 5 | 1017231 | Key, Woodruff | 1 |
| 6 | 101833601 | Transaxle, 11.77 Ratio (includes items 7 through 25) | 1 |
| 7 | 1012711 | Breather | 1 |
| 8 | 1012752 | Roll Pin | 1 |
| 9 | 1012896 | Pin, Dowel | 2 |
| 10 | 1013760 | Fill Plug | 2 |
| 11 | 1016432 | Gasket, Drain Plug | 1 |
| 12 | 1016513 | Washer, M6 Flat | 1 |
| 13 | 101890101 | Lever, Drive Selector | 1 |
| 14 | 101890201 | Shaft, Drive Selector | 1 |
| 15 | 101890501 | Gear Case (driver side) | 1 |
| 16 | 101890601 | Gear Case (passenger side) | 1 |
| 17 | 101891301 | Arm Pivot | 1 |
| 18 | 101892901 | Washer | 1 |
| 19 | 101893801 | Washer | 1 |
| 20 | 101926901 | Screw, M8-1.25 X 40mm Hex-Head | 15 |
| 21 | 101927101 | Seal, Oil | 1 |
| 22 | 101927201 | Seal, Oil | 1 |
| 23 | 101927301 | Snap Ring | 1 |
| 24 | 101928601 | Pin, Cotter | 1 |
| 25 | 101928701 | Liquid Gasket (Transaxle case) | 1 |
| 26 | 101834801 | Arm, Governor | 1 |
| 27 | 101886101 | Screw, 1/4-20 X 1.00, Square-Head | 1 |
| 28 | 102515401 | Lever, Transmission Shift | 1 |
| 29 | 183 | Washer, #10, Type A, Flat | 1 |
| 30 | 8233 | Locknut, 1/4-20, Nylon Insert | 1 |
| 31 | 8717 | Locknut, Nylon Insert, 1/4-28 | 1 |
| Note: Kawasaki transaxle component listings span three pages. | | | |

12

G



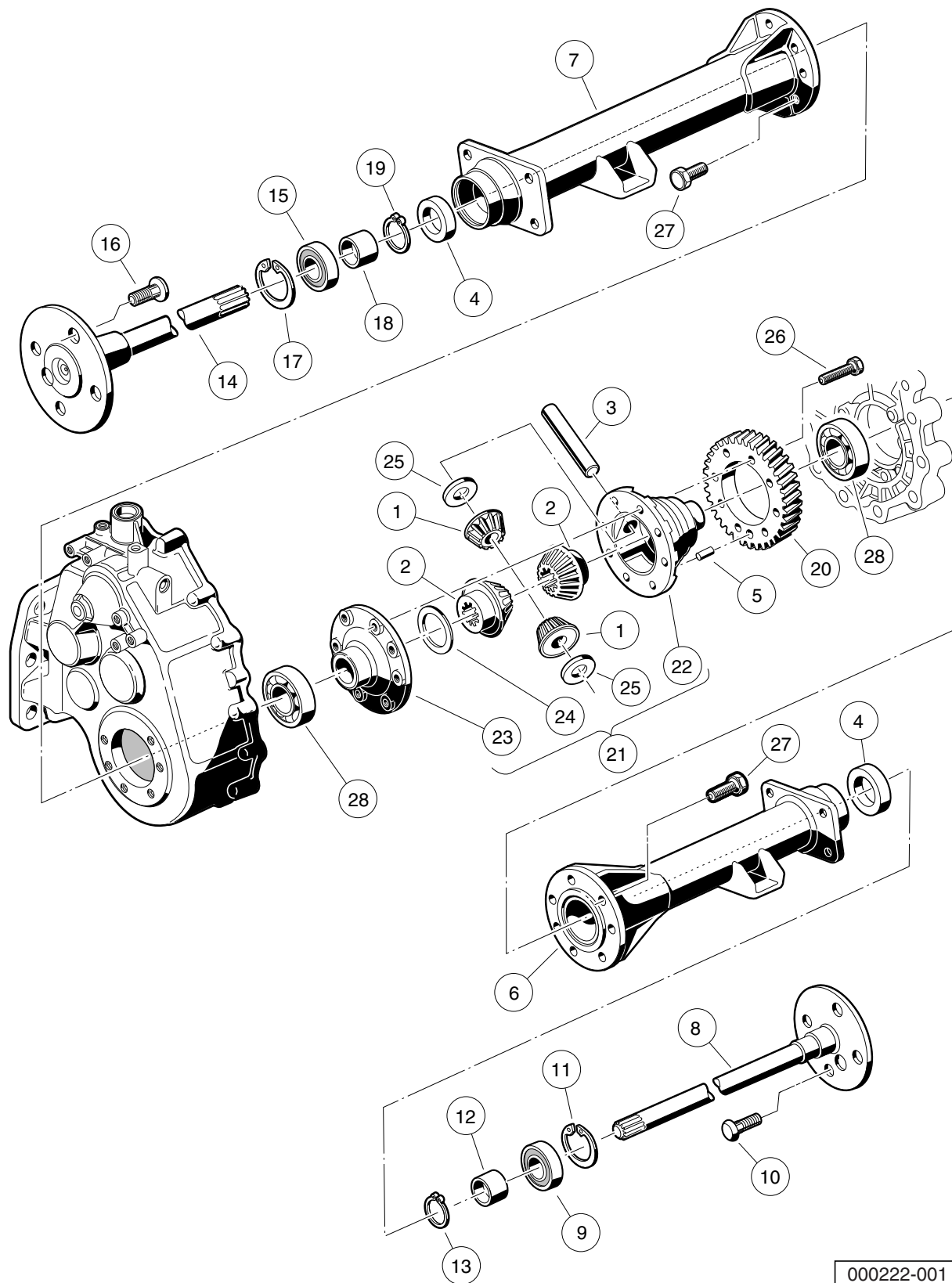
000221-001

KAWASAKI TRANSAXLE – F&R TRANSMISSION AND GEAR REDUCTION

12

G

| ITEM | PART NO. | DESCRIPTION | QTY |
|------|-----------|--|-----|
| | | 1 2 3 4 | |
| 1 | 1012714 | Oil Seal | 1 |
| 2 | 1012740 | Synchro Insert | 3 |
| 3 | 1012741 | Synchro Spring | 2 |
| 4 | 1012747 | Shifter Ball | 1 |
| 5 | 1012748 | Shifter Spring | 1 |
| 6 | 1016337 | Washer, Thrust | 1 |
| 7 | 1016338 | Washer, Spring | 2 |
| 8 | 101889401 | Guide | 1 |
| 9 | 101890001 | Fork - Shift | 1 |
| 10 | 101891601 | Sleeve, Governor | 1 |
| 11 | 101891901 | Gear, Cluster | 1 |
| 12 | 101892001 | Rod, Shift | 1 |
| 13 | 101892201 | Plate, Thrust | 3 |
| 14 | 101892301 | Governor Assembly | 1 |
| 15 | 101892401 | Gear, Spur | 1 |
| 16 | 101892501 | Gear, Helical (61 Tooth) | 1 |
| 17 | 101892601 | Gear, Helical (17 Tooth) | 1 |
| 18 | 101893201 | Key Sunk | 1 |
| 19 | 101893901 | Washer | 1 |
| 20 | 101927501 | Needle Bearing | 1 |
| 21 | 101927601 | Needle Bearing | 3 |
| 22 | 101927701 | Pin, .116" Dia X 0.264 Dowel | 1 |
| 23 | 101927901 | Sleeve, Synchro | 1 |
| 24 | 101928001 | Hub, Synchro Clutch | 1 |
| 25 | 101928101 | Bearing, Ball | 1 |
| 26 | 101980801 | Gear Assembly, 16-Degree Synchro (25 Tooth) | 1 |
| 27 | 101980901 | Gear Assembly, 16-Degree Rear Synchro (28 Tooth) | 1 |
| 28 | 101981001 | Ring, 16-Degree Synchronizer | 2 |
| 29 | 102453001 | Shaft, Trans, with Circlip | 1 |
| 30 | 102453101 | Circlip | 1 |
| 31 | 7335 | Bearing | 2 |
| 32 | AM10080 | Bearing, Ball, Sealed | 2 |
| 33 | AM10081 | Bearing, Ball, Sealed | 1 |



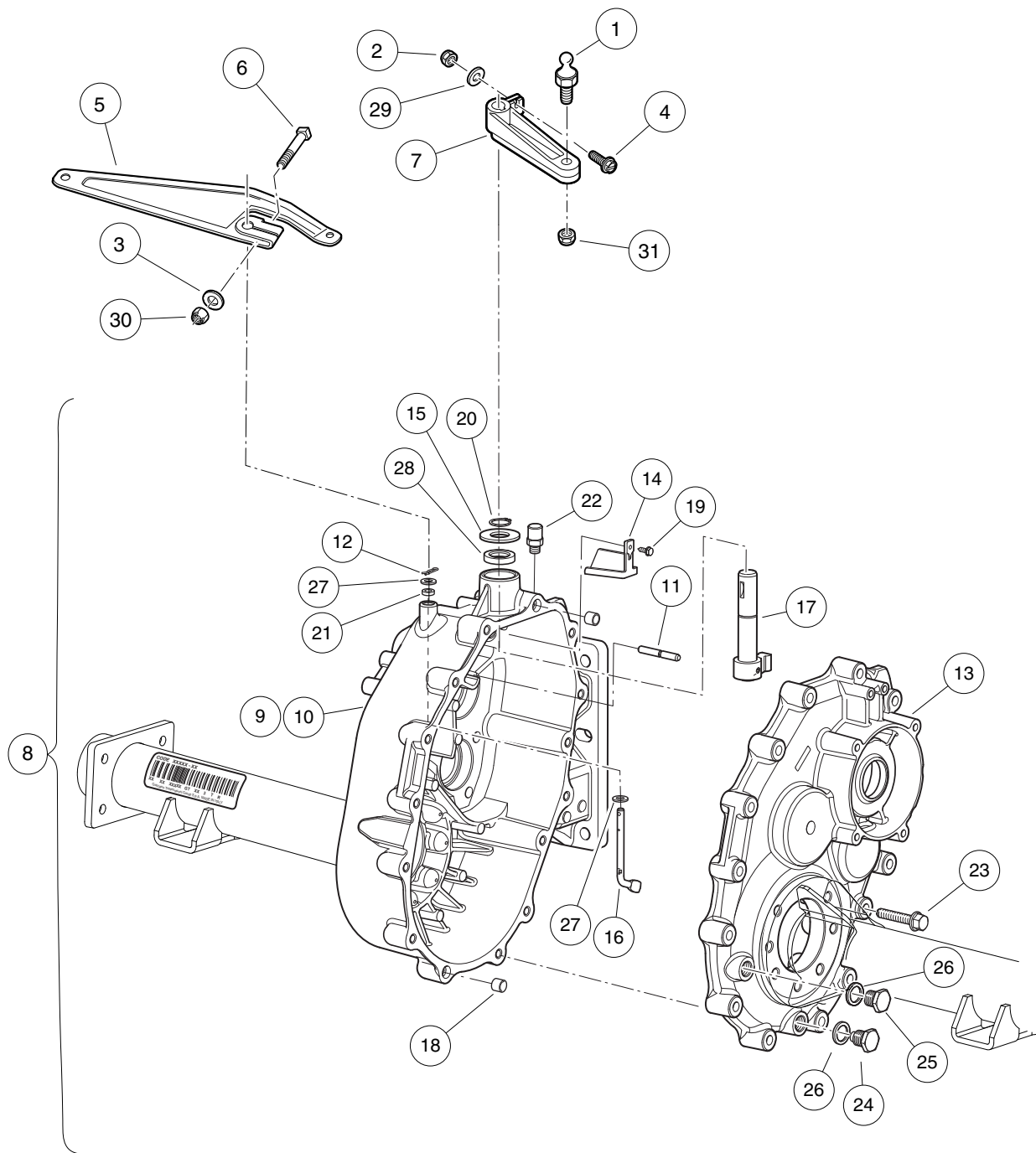
000222-001

KAWASAKI TRANSAXLE – DIFFERENTIAL AND AXLES

| ITEM | PART NO. | DESCRIPTION | QTY |
|------|-----------|---|-----|
| | | 1 2 3 4 | |
| 1 | 1013770 | Differential Idler Gear | 2 |
| 2 | 1013771 | Gear, Differential | 2 |
| 3 | 1013772 | Pin, Differential | 1 |
| 4 | 1013794 | Axle Shaft Oil Seal | 2 |
| 5 | N/A | Dowel Pin | 1 |
| 6 | 101890901 | Axle Tube (Passenger Side) | 1 |
| 7 | 101891001 | Axle Tube (Driver Side) | 1 |
| 8 | 101891401 | Axle Assembly, Passenger Side (includes items 9 through 13) | 1 |
| 9 | 1011291 | Outer Axle, Tube Bearing | 1 |
| 10 | 1013787 | Lug Stud | 4 |
| 11 | 1013792 | Circlip Type C | 1 |
| 12 | 1014207 | Bushing | 1 |
| 13 | 1016672 | Retaining Ring | 1 |
| 14 | 101891501 | Axle Assembly, Driver-Side (includes items 15 through 19) | 1 |
| 15 | 1011291 | Outer Axle, Tube Bearing | 1 |
| 16 | 1013787 | Lug Stud | 4 |
| 17 | 1013792 | Circlip Type C | 1 |
| 18 | 1014207 | Bushing | 1 |
| 19 | 1016672 | Retaining Ring | 1 |
| 20 | 101892701 | Gear, Helical | 1 |
| 21 | 101910501 | Kit, Differential Gear Case (includes items 22 through 25) | 1 |
| 22 | 1013768 | Differential Gear Case, Left-Hand | 1 |
| 23 | 1013769 | Differential Gear Case, Right-Hand | 1 |
| 24 | 1013773 | Plate, Thrust (Differential Gear) | 1 |
| 25 | 1013774 | Plate, Thrust (Idler Gear) | 2 |
| 26 | 101928301 | Screw, M8-1.25 X 35mm Hex Head | 8 |
| 27 | 102031901 | Bolt, M10 X 1.5 X 30mm | 14 |
| 28 | 7330 | Inner Axle Tube Bearing | 2 |

12
G

12
G

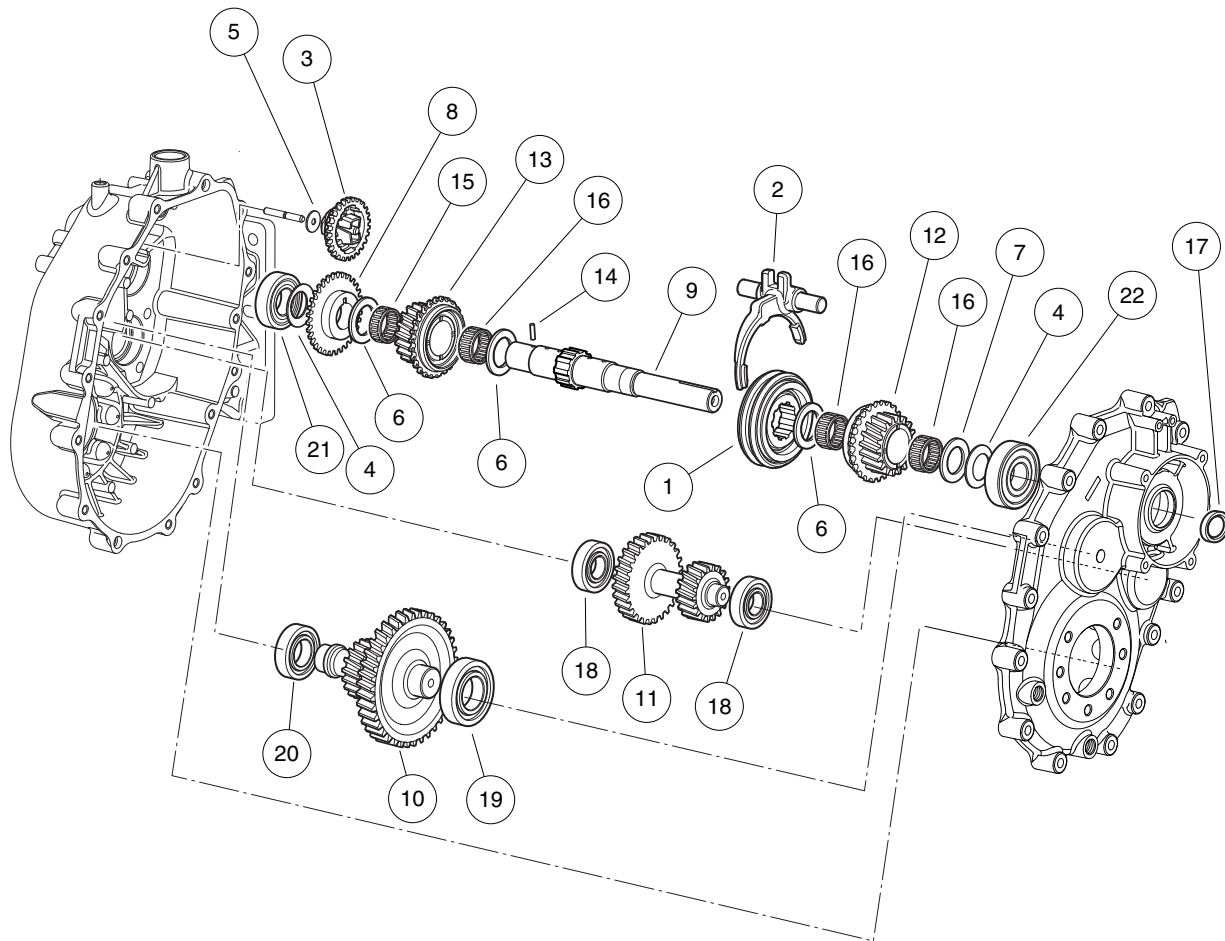


000680-009

GRAZIANO TRANSAXLE – GEAR CASES AND LEVERS – TO LATE-2012 MODEL YEAR

12
G

| ITEM | PART NO. | DESCRIPTION | QTY |
|---|-----------|---|-----|
| | | 1 2 3 4 | |
| 1 | 1010954 | Stud, Ball, 1/4-28 X 0.560 | 1 |
| 2 | 1013061 | Locknut, #10-32 Nylon Insert | 1 |
| 3 | 1014007 | Washer, 1/4, Flat | 1 |
| 4 | 1017082 | Screw, #10-32 X 0.75, Hex-Head Machine | 1 |
| 5 | 101834801 | Arm, Governor | 1 |
| 6 | 101886101 | Screw, 1/4-20 X 1.00, Square-Head | 1 |
| 7 | 102515401 | Lever, Transmission Shift | 1 |
| 8 | 102896801 | Transaxle, Unitized, Graziano (includes items 9 through 28) | 1 |
| 9 | 102896901 | Gear Box (Driver-Side) (includes items 10 and 11) | 1 |
| 10 | N/A | Gear Box | 1 |
| 11 | N/A | Pin, Speed Governor | 1 |
| 12 | 102897401 | Pin, Split | 1 |
| 13 | 102897501 | Cover, Gear Box (Passenger-Side) | 1 |
| 14 | 102897601 | Conveyor, Oil | 1 |
| 15 | 102897801 | Washer, Thrust | 1 |
| 16 | 102897901 | Lever, Speed Governor | 1 |
| 17 | 102898201 | Unit, Drive Selector | 1 |
| 18 | 102899101 | Dowel | 2 |
| 19 | 102899201 | Screw | 1 |
| 20 | 102899401 | Ring, Snap | 1 |
| 21 | 102899701 | Grommet | 1 |
| 22 | 102899801 | Breather | 1 |
| 23 | 102900001 | Screw | 15 |
| 24 | 102900101 | Drain Plug, Magnetic | 1 |
| 25 | 102900201 | Fill Plug | 1 |
| 26 | 102900301 | Seal | 2 |
| 27 | 102900601 | Washer | 2 |
| 28 | 102900901 | Grommet | 1 |
| 29 | 183 | Washer, #10, Type A, Flat | 1 |
| 30 | 8233 | Locknut, 1/4-20, Nylon Insert | 1 |
| 31 | 8717 | Locknut, Nylon Insert, 1/4-28 | 1 |
| <p>Note: Graziano transaxle component listings span three pages. To identify your transaxle, locate the serial number decal on the axle tube.</p> | | | |



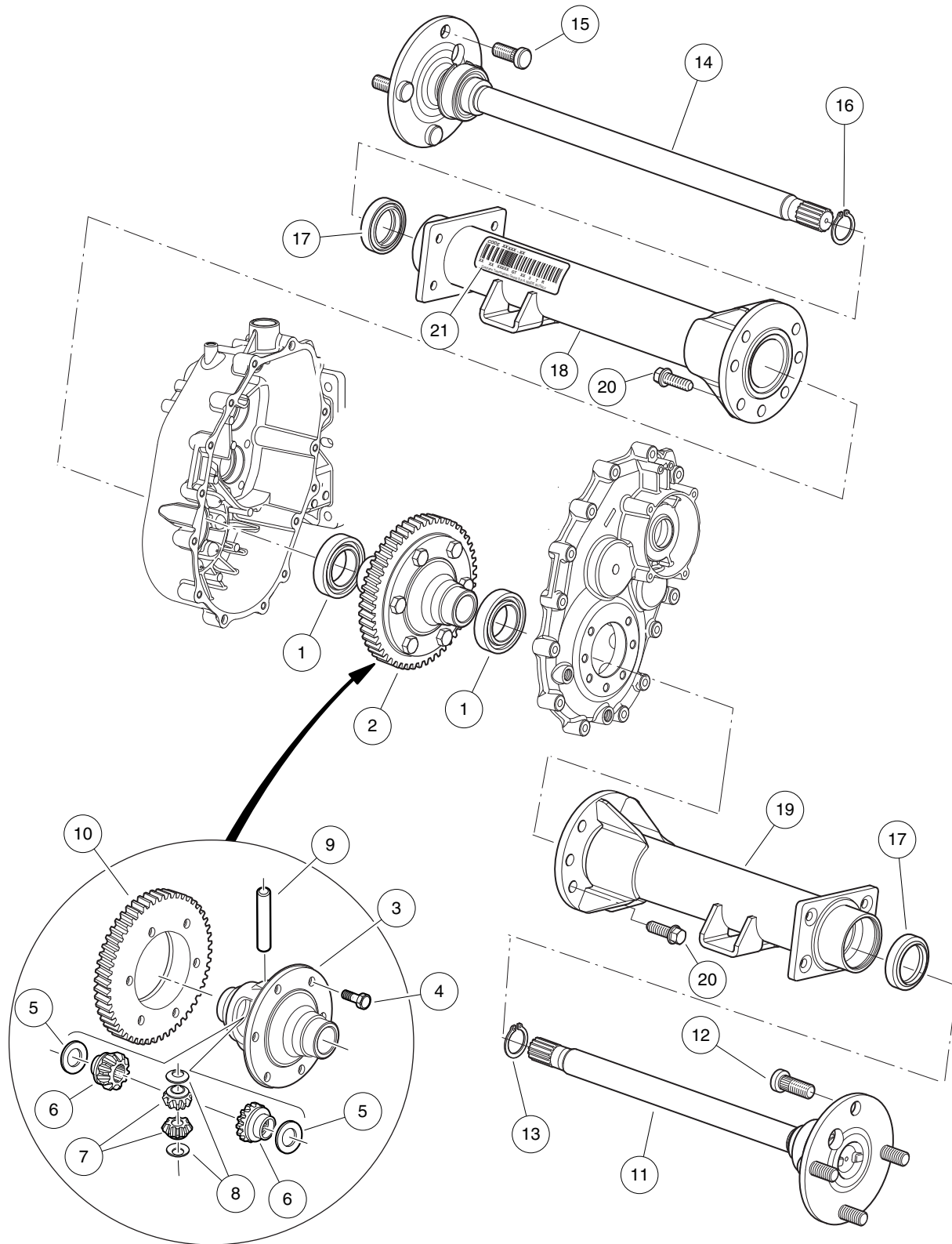
000680-006

GRAZIANO TRANSAXLE – F&R TRANSMISSION AND GEAR REDUCTION – TO LATE-2012 MODEL YEAR

| ITEM | PART NO. | DESCRIPTION | QTY |
|------|-----------|---|-----|
| | | 1 2 3 4 | |
| 1 | 102897201 | Synchronizer, Complete | 1 |
| 2 | 102897301 | Fork, Complete | 1 |
| 3 | 102897701 | Assembly, Speed Governor | 1 |
| 4 | 102898001 | Washer, Belleville | 2 |
| 5 | 102898101 | Bearing, Thrust | 1 |
| 6 | 102898301 | Bearing, Thrust | 3 |
| 7 | 102898401 | Washer, Thrust | 1 |
| 8 | 102898501 | Gear, Speed Governor | 1 |
| 9 | 102898601 | Shaft, Main | 1 |
| 10 | 102898701 | Shaft, Secondary | 1 |
| 11 | 102898801 | Shaft, Reverse Gear | 1 |
| 12 | 102898901 | Gear, Complete, 25t | 1 |
| 13 | 102899001 | Gear, Complete, 28t | 1 |
| 14 | 102899301 | Pin | 1 |
| 15 | 102899501 | Cage, Roller | 1 |
| 16 | 102899601 | Cage, Roller | 3 |
| 17 | 102899901 | Grommet | 1 |
| 18 | 102900401 | Bearing | 2 |
| 19 | 102900501 | Bearing, 62 Od X 30 Id X 16 | 1 |
| 20 | 102900701 | Bearing | 1 |
| 21 | 102901001 | Bearing | 1 |
| 22 | 102901101 | Bearing | 1 |
| | | <p>Note: To identify your transaxle, locate the serial number decal on the axle tube.</p> | |

12

G



000681-002

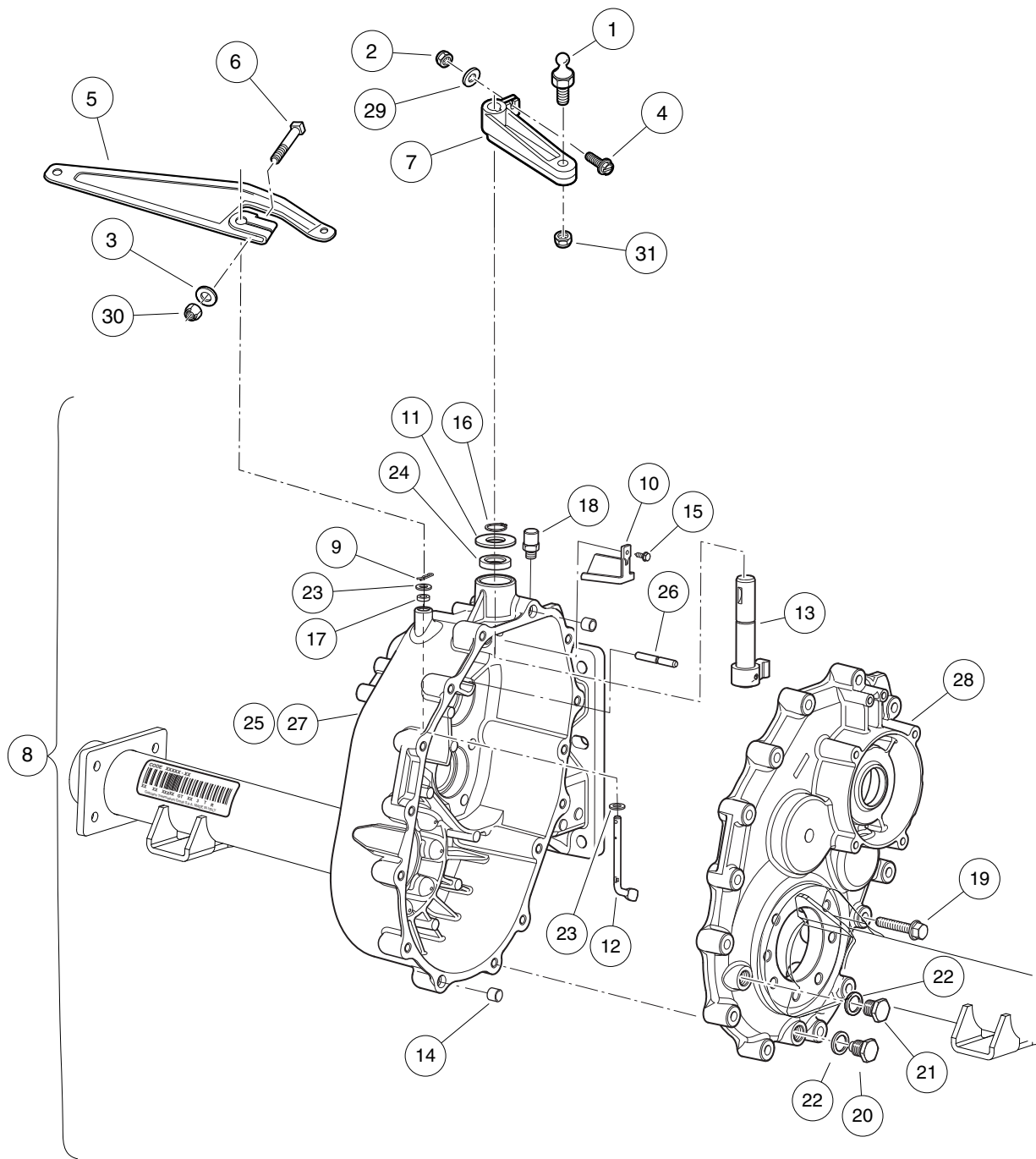
GRAZIANO TRANSAXLE – DIFFERENTIAL AND AXLES – TO LATE- 2012 MODEL YEAR

| ITEM | PART NO. | DESCRIPTION | QTY |
|--|-----------|--|-----|
| | | 1 2 3 4 | |
| 1 | 102900801 | Bearing, 68 Od X 40 Id X 15 | 2 |
| 2 | 102902001 | Assembly, Differential (includes items 3 through 10) | 1 |
| 3 | 102901201 | Box, Differential | 1 |
| 4 | 102901301 | Screw, M10 X 25 | 6 |
| 5 | 102901401 | Ring, Sleeve | 2 |
| 6 | 102901501 | Gear, Sun | 2 |
| 7 | 102901601 | Gear, Planetary | 2 |
| 8 | 102901701 | Ring, Sleeve | 2 |
| 9 | 102901801 | Pin | 1 |
| 10 | 102901901 | Gear | 1 |
| 11 | 102902101 | Shaft, Axle, Short, Complete (Passenger-Side) (includes items 12 and 13) | 1 |
| 12 | 102902301 | Bolt, Stud | 4 |
| 13 | 102902401 | Snap Ring | 1 |
| 14 | 102902201 | Shaft, Axle, Long, Complete (Driver-Side) (includes items 15 and 16) | 1 |
| 15 | 102902301 | Bolt, Stud | 4 |
| 16 | 102902401 | Snap Ring | 1 |
| 17 | 102902501 | Seal, Lip | 2 |
| 18 | 102902601 | Axle Tube, (Driver-Side) | 1 |
| 19 | 102902701 | Axle Tube, (Passenger-Side) | 1 |
| 20 | 102902801 | Screw, M10 X 30 | 14 |
| 21 | N/A | Tag, Serial | 1 |
| <p style="margin-left: 40px;">Note: To identify your transaxle, locate the serial number decal on the axle tube.</p> | | | |

12

G

12
G



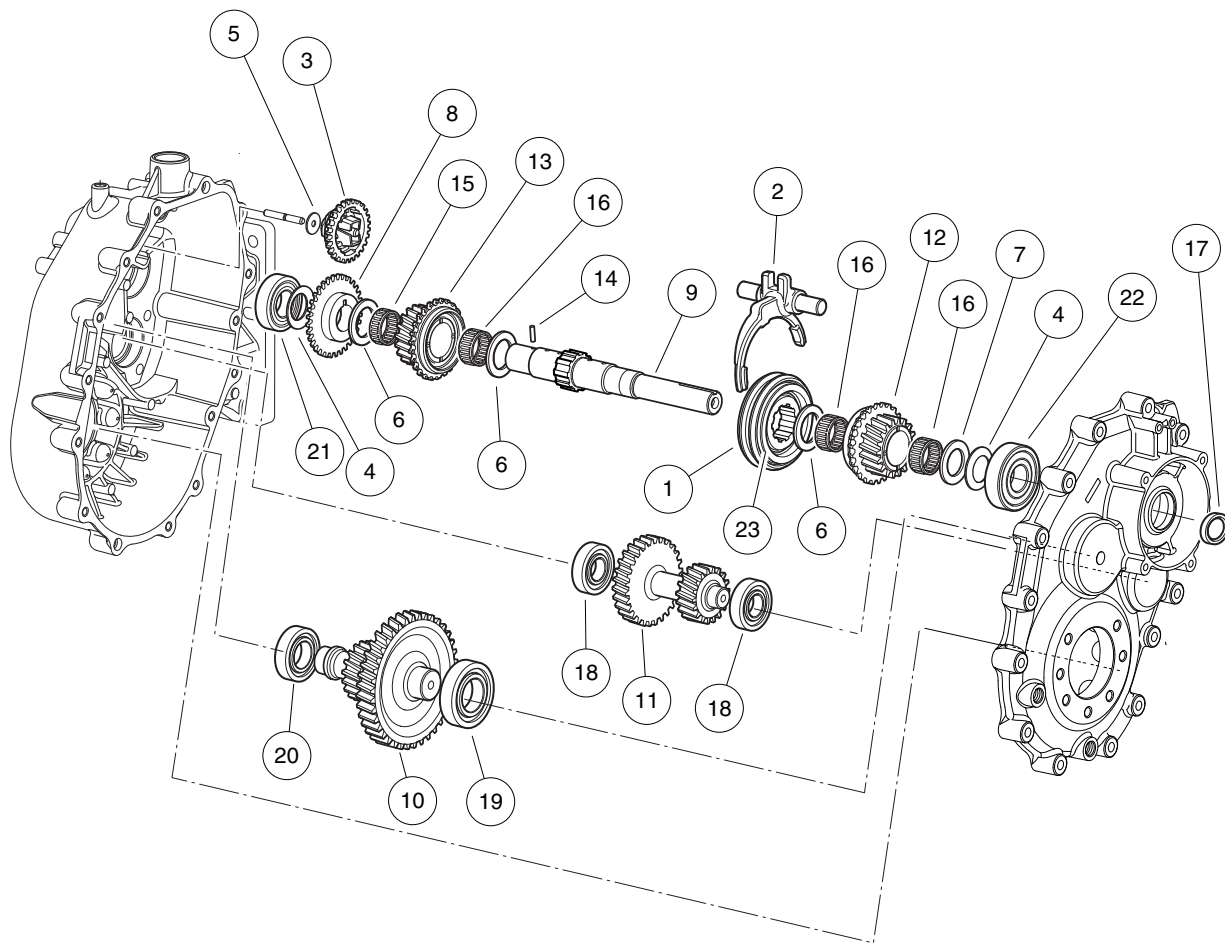
000680-010

GRAZIANO TRANSAXLE – GEAR CASES AND LEVERS – FROM LATE-2012 MODEL YEAR

| ITEM | PART NO. | DESCRIPTION | QTY |
|--|-----------|--|-----|
| | | 1 2 3 4 | |
| 1 | 1010954 | Stud, Ball, 1/4-28 X 0.560 | 1 |
| 2 | 1013061 | Locknut, #10-32 Nylon Insert | 1 |
| 3 | 1014007 | Washer, 1/4, Flat | 1 |
| 4 | 1017082 | Screw, #10-32 X 0.75, Hex-Head Machine | 1 |
| 5 | 101834801 | Arm, Governor | 1 |
| 6 | 101886101 | Screw, 1/4-20 X 1.00, Square-Head | 1 |
| 7 | 102515401 | Lever, Transmission Shift | 1 |
| 8 | 103874201 | Transaxle, Gas, 11.77:1, Gtg (includes items 9 through 28) | 1 |
| 9 | 102897401 | Pin, Split | 1 |
| 10 | 102897601 | Conveyor, Oil | 1 |
| 11 | 102897801 | Washer, Thrust | 1 |
| 12 | 102897901 | Lever, Speed Governor | 1 |
| 13 | 102898201 | Unit, Drive Selector | 1 |
| 14 | 102899101 | Dowel | 2 |
| 15 | 102899201 | Screw | 1 |
| 16 | 102899401 | Ring, Snap | 1 |
| 17 | 102899701 | Grommet | 1 |
| 18 | 102899801 | Breather | 1 |
| 19 | 102900001 | Screw | 15 |
| 20 | 102900101 | Drain Plug, Magnetic | 1 |
| 21 | 102900201 | Fill Plug | 1 |
| 22 | 102900301 | Seal | 2 |
| 23 | 102900601 | Washer | 2 |
| 24 | 102900901 | Grommet | 1 |
| 25 | 103882101 | Case, Transaxle, W/gov Pin (includes items 26 and 27) | 1 |
| 26 | N/A | Pin, Speed Governor | 1 |
| 27 | N/A | Cover, Gear Box (Driver-Side) | 1 |
| 28 | 103882301 | Cover, Gear Box (Passenger-Side) | 1 |
| 29 | 183 | Washer, #10, Type A, Flat | 1 |
| 30 | 8233 | Locknut, 1/4-20, Nylon Insert | 1 |
| 31 | 8717 | Locknut, Nylon Insert, 1/4-28 | 1 |
| <p>Note: Graziano transaxle component listings span three pages. To identify your transaxle, locate the serial number decal on the axle tube. 103874201 is used on vehicles with serial numbers 1235-307250 and greater and is backwards compatible. However, some service parts are not compatible with other transaxles.</p> | | | |

12

G

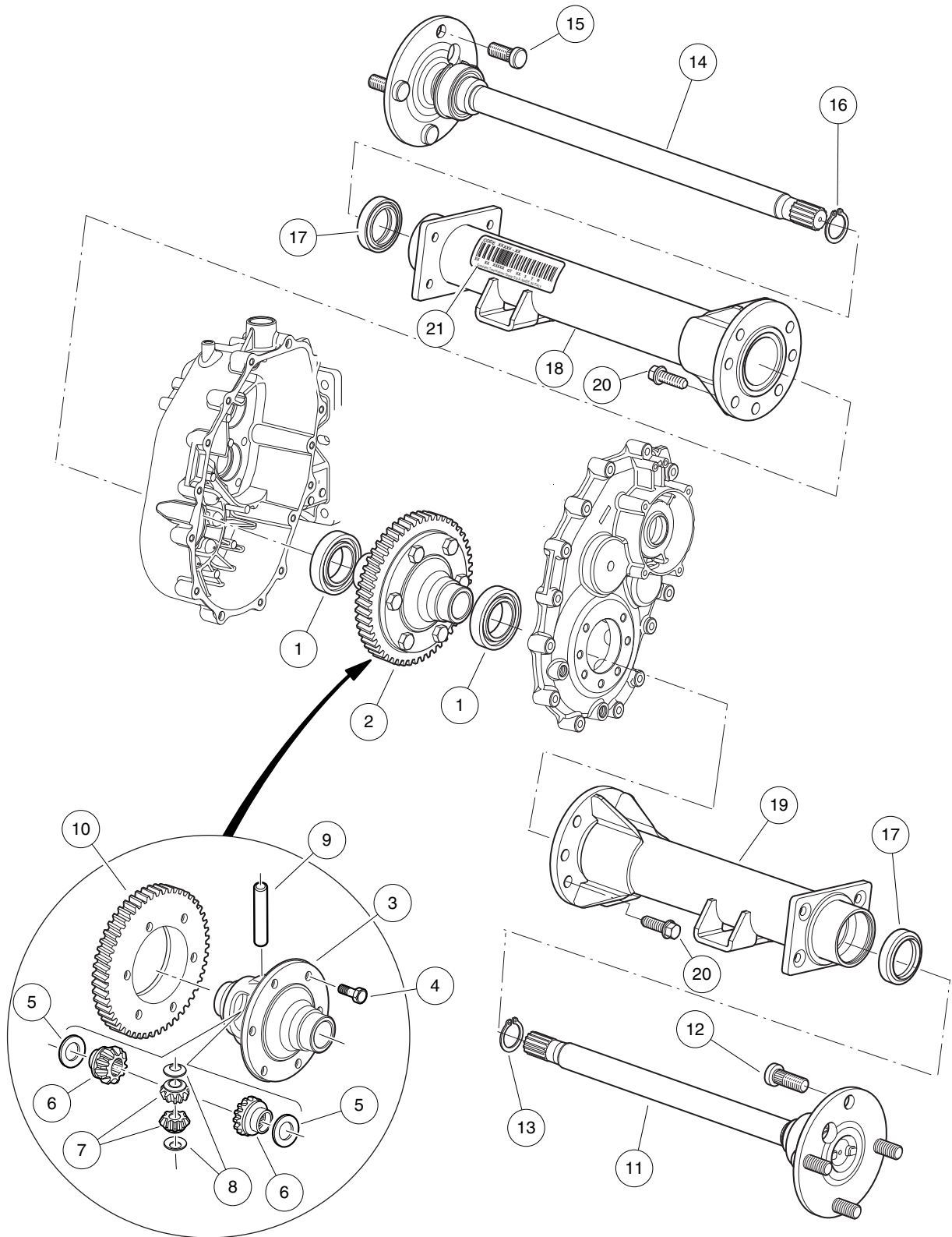


000680-008

GRAZIANO TRANSAXLE – F&R TRANSMISSION AND GEAR REDUCTION – FROM LATE-2012 MODEL YEAR

| ITEM | PART NO. | DESCRIPTION | QTY |
|------|-----------|--|-----|
| | | 1 2 3 4 | |
| 1 | 102897201 | Synchronizer, Complete | 1 |
| 2 | 102897301 | Fork, Complete | 1 |
| 3 | 102897701 | Assembly, Speed Governor | 1 |
| 4 | 102898001 | Washer, Belleville | 2 |
| 5 | 102898101 | Bearing, Thrust | 1 |
| 6 | 102898301 | Bearing, Thrust | 3 |
| 7 | 102898401 | Washer, Thrust | 1 |
| 8 | 102898501 | Gear, Speed Governor | 1 |
| 9 | 102898601 | Shaft, Main | 1 |
| 10 | 102898701 | Shaft, Secondary | 1 |
| 11 | 102898801 | Shaft, Reverse Gear | 1 |
| 12 | 102898901 | Gear, Complete, 25t | 1 |
| 13 | 102899001 | Gear, Complete, 28t | 1 |
| 14 | 102899301 | Pin | 1 |
| 15 | 102899501 | Cage, Roller | 1 |
| 16 | 102899601 | Cage, Roller | 3 |
| 17 | 102899901 | Grommet | 1 |
| 18 | 102900401 | Bearing | 2 |
| 19 | 102900501 | Bearing, 62 Od X 30 Id X 16 | 1 |
| 20 | 102900701 | Bearing | 1 |
| 21 | 102901001 | Bearing | 1 |
| 22 | 102901101 | Bearing | 1 |
| 23 | 103882001 | Washer, Wave, Trans Synchro | 2 |
| | | Note: To identify your transaxle, locate the serial number decal on the axle tube. | |

12
G



000681-002

GRAZIANO TRANSAXLE – DIFFERENTIAL AND AXLES – FROM LATE-2012 MODEL YEAR

| ITEM | PART NO. | DESCRIPTION | QTY |
|------|-----------|--|-----|
| | | 1 2 3 4 | |
| 1 | 102900801 | Bearing, 68 Od X 40 Id X 15 | 2 |
| 2 | 102902001 | Assembly, Differential (includes items 3 through 10) | 1 |
| 3 | 102901201 | Box, Differential | 1 |
| 4 | 102901301 | Screw, M10 X 25 | 6 |
| 5 | 102901401 | Ring, Sleeve | 2 |
| 6 | 102901501 | Gear, Sun | 2 |
| 7 | 102901601 | Gear, Planetary | 2 |
| 8 | 102901701 | Ring, Sleeve | 2 |
| 9 | 102901801 | Pin | 1 |
| 10 | 102901901 | Gear | 1 |
| 11 | 102902101 | Shaft, Axle, Short, Complete (Passenger-Side) (includes items 12 and 13) | 1 |
| 12 | 102902301 | Bolt, Stud | 4 |
| 13 | 102902401 | Snap Ring | 1 |
| 14 | 102902201 | Shaft, Axle, Long, Complete (Driver-Side) (includes items 15 and 16) | 1 |
| 15 | 102902301 | Bolt, Stud | 4 |
| 16 | 102902401 | Snap Ring | 1 |
| 17 | 102902501 | Seal, Lip | 2 |
| 18 | 102902601 | Axle Tube, (Driver-Side) | 1 |
| 19 | 102902701 | Axle Tube, (Passenger-Side) | 1 |
| 20 | 102902801 | Screw, M10 X 30 | 14 |
| 21 | N/A | Tag, Serial | 1 |
| | | Note: To identify your transaxle, locate the serial number decal on the axle tube. | |

12
G

12

G

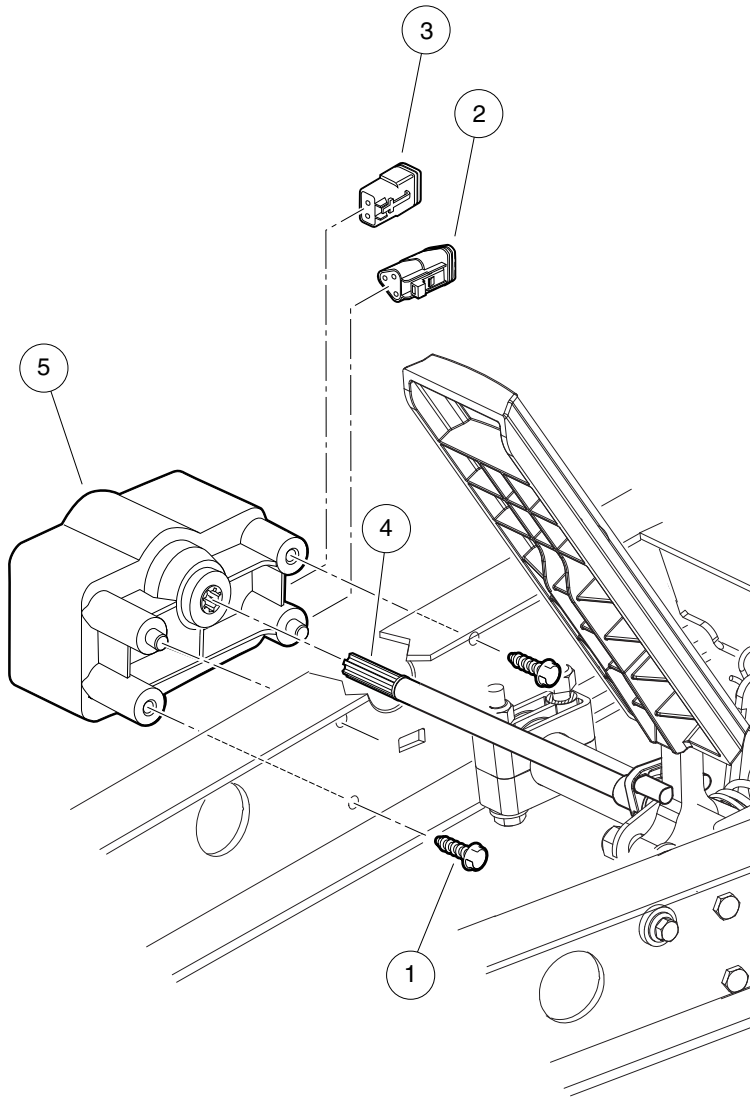
ELECTRICAL SYSTEM, ELECTRIC VEHICLES

13

E

13

E



001070-001

MOTOR CONTROLLER OUTPUT REGULATOR (MCOR)

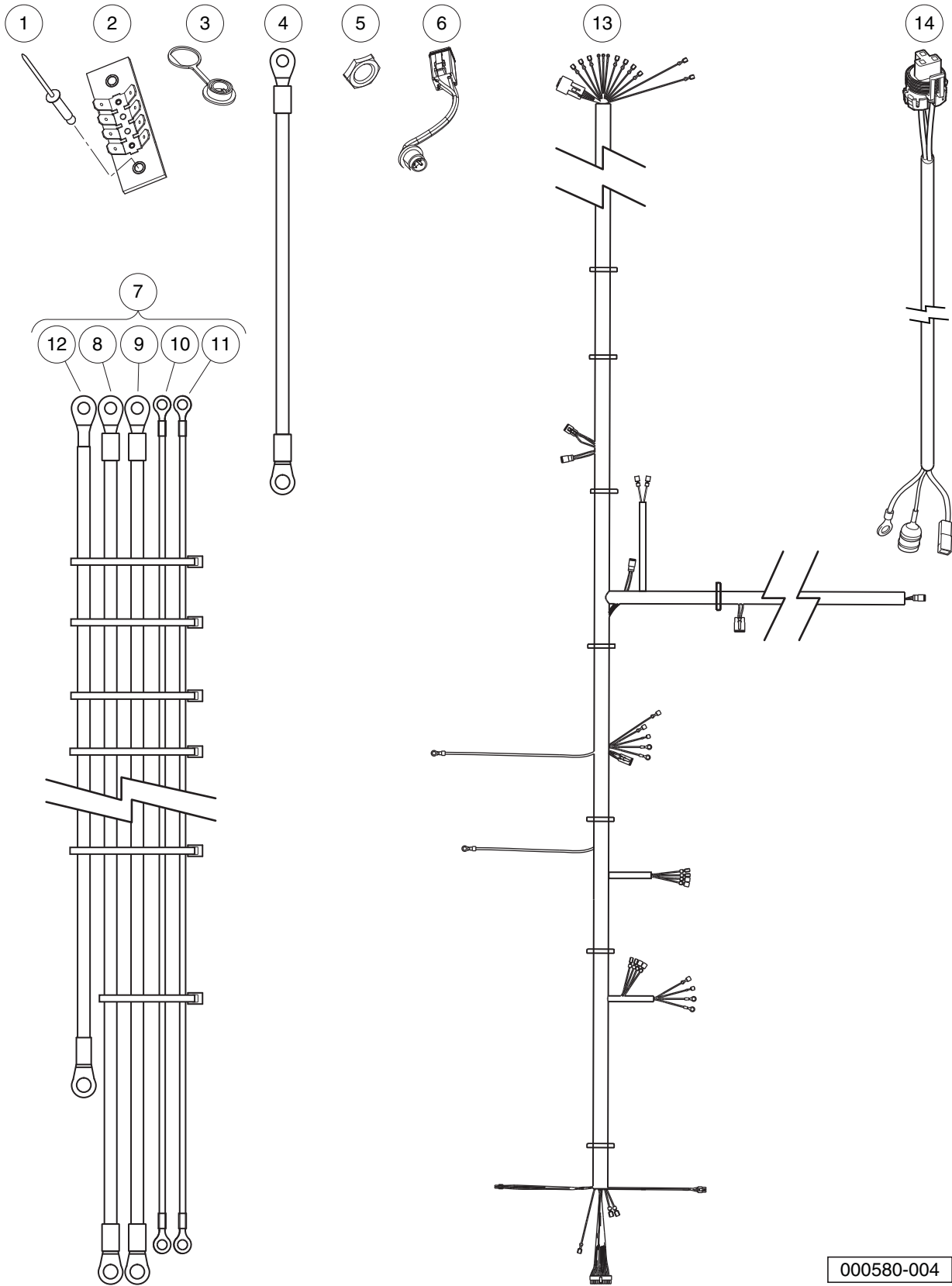
| ITEM | PART NO. | DESCRIPTION | QTY |
|------|-----------|------------------------------------|-----|
| | | 1 2 3 4 | |
| 1 | 1015752 | Screw, #12-16 X 0.625, Hi-Lo | 2 |
| 2 | 101920101 | Kit, 3-Pin Wedge Lock | 1 |
| 3 | 101936801 | Kit, 2-Pin Wedge Lock | 1 |
| 4 | 102101001 | Bar, Drive, Cast | 1 |
| 5 | 102101101 | MCOR | 1 |

13

E

13

E



000580-004

WIRING – CA 6 ELECTRIC

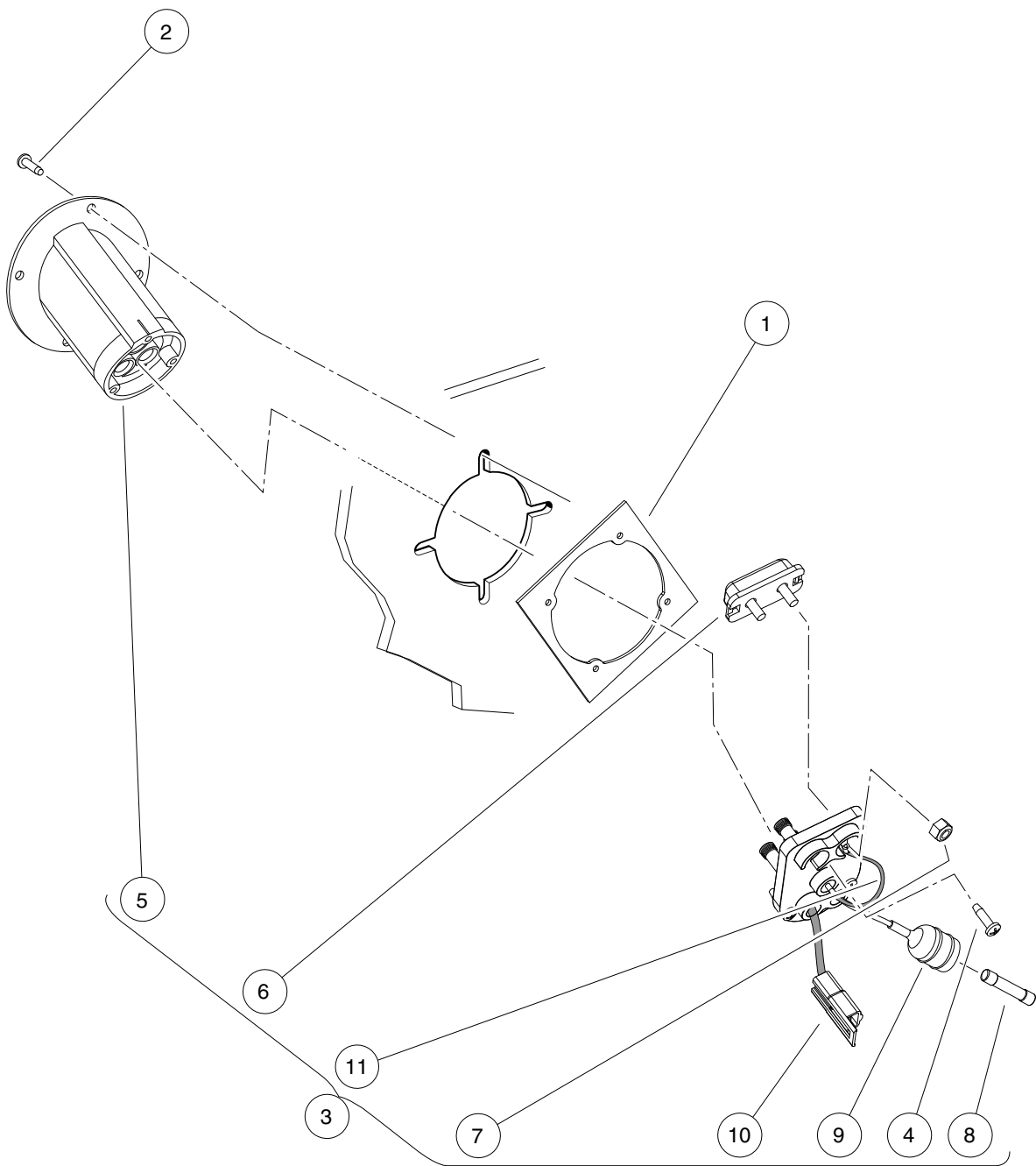
| ITEM | PART NO. | DESCRIPTION | QTY |
|---|-----------|---|-----|
| | | 1 2 3 4 | |
| 1 | 1013357 | Rivet, 5/32 Aluminum Pop | 2 |
| 2 | 1016356 | Terminal Block with Insulator | 1 |
| 3 | 102196901 | Dust Cap | 1 |
| 4 | 102440901 | Wire Asm, #4 Yellow, 13" | 1 |
| 5 | 102572401 | Nut, Diagnostic Port, Prec | 1 |
| 6 | 103218601 | Harness, Diagnostic Port | 1 |
| 7 | 103698601 | Harness, Power, Ca6 Iq Plus (includes items 8 through 12) | 1 |
| 8 | N/A | Asm, #4 Grn Wire, 89" | 1 |
| 9 | N/A | Asm, #4 Wht Wire, 88.5" | 1 |
| 10 | N/A | Asm, #10 Org Wire, 89.5" | 1 |
| 11 | N/A | Asm, #10 Blu Wire, 95.5" | 1 |
| 12 | N/A | Asm, #4 Red Wire, 67.5" | 1 |
| 13 | 103771201 | Asm, Harness, Str, Ele, 480 | 1 |
| 14 | 103772101 | Charg Harness Iqplus,shelf 480 | 1 |
| <p style="text-align: center;">Note: Wire Harness (item 13) is for use with Onboard Computers equipped with the Packard 480 Series connector. NOTE 2: Wire Harness (item 14) is for use with Battery Chargers equipped with the Packard 480 Series connector.</p> | | | |

13

E

13

E



000369-002

BATTERY CHARGER RECEPTACLE

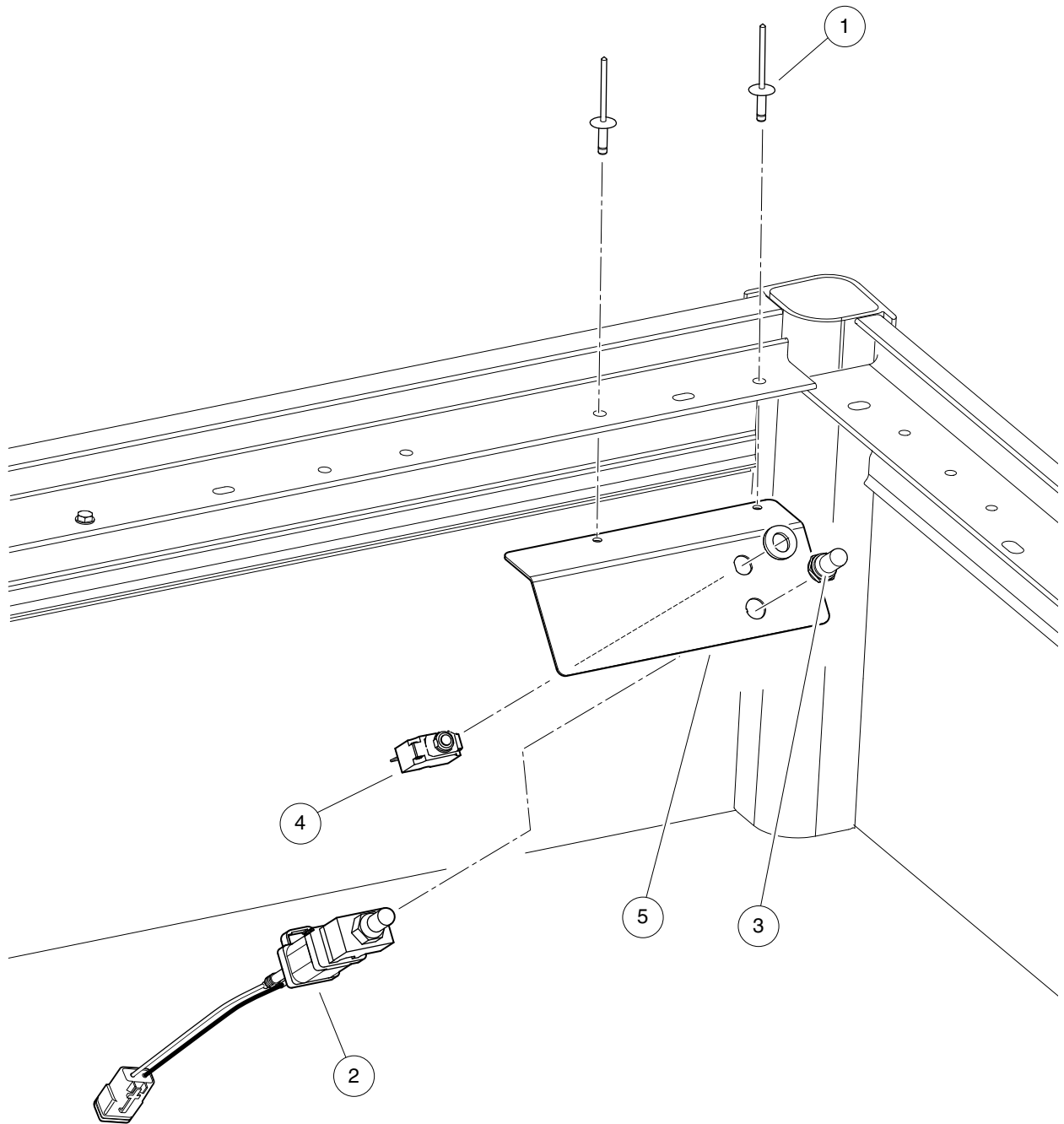
| ITEM | PART NO. | DESCRIPTION | QTY |
|------|-----------|---|-----|
| | | 1 2 3 4 | |
| 1 | 101801001 | Plate, Receptacle Backing | 1 |
| 2 | 101832001 | Screw, #7-19 X 0.625 Phillips Pan-Head Tap | 4 |
| 3 | 103771901 | Asm, Fuse & Receptacle, 480 (includes items 4 through 11) | 1 |
| 4 | 1017705 | Screw, #8 X 5/8 Phillips Pan-Head Type AB | 3 |
| 5 | 101796501 | Receptacle | 1 |
| 6 | 101796801 | Fuse Assembly (includes item 7) | 1 |
| 7 | 1013061 | Locknut, #10-32 Nylon Insert | 2 |
| 8 | 101894901 | Fuse, 3/8-Amp | 1 |
| 9 | N/A | Wire Assembly, Sense Lead, Gray | 1 |
| 10 | N/A | Wire Assembly, #10 Red | 1 |
| 11 | N/A | Wire Assembly, #10 Black | 1 |

13

E

13

E



002520-003

TOW/RUN SWITCH AND CIRCUIT-BREAKER – IQ PLUS

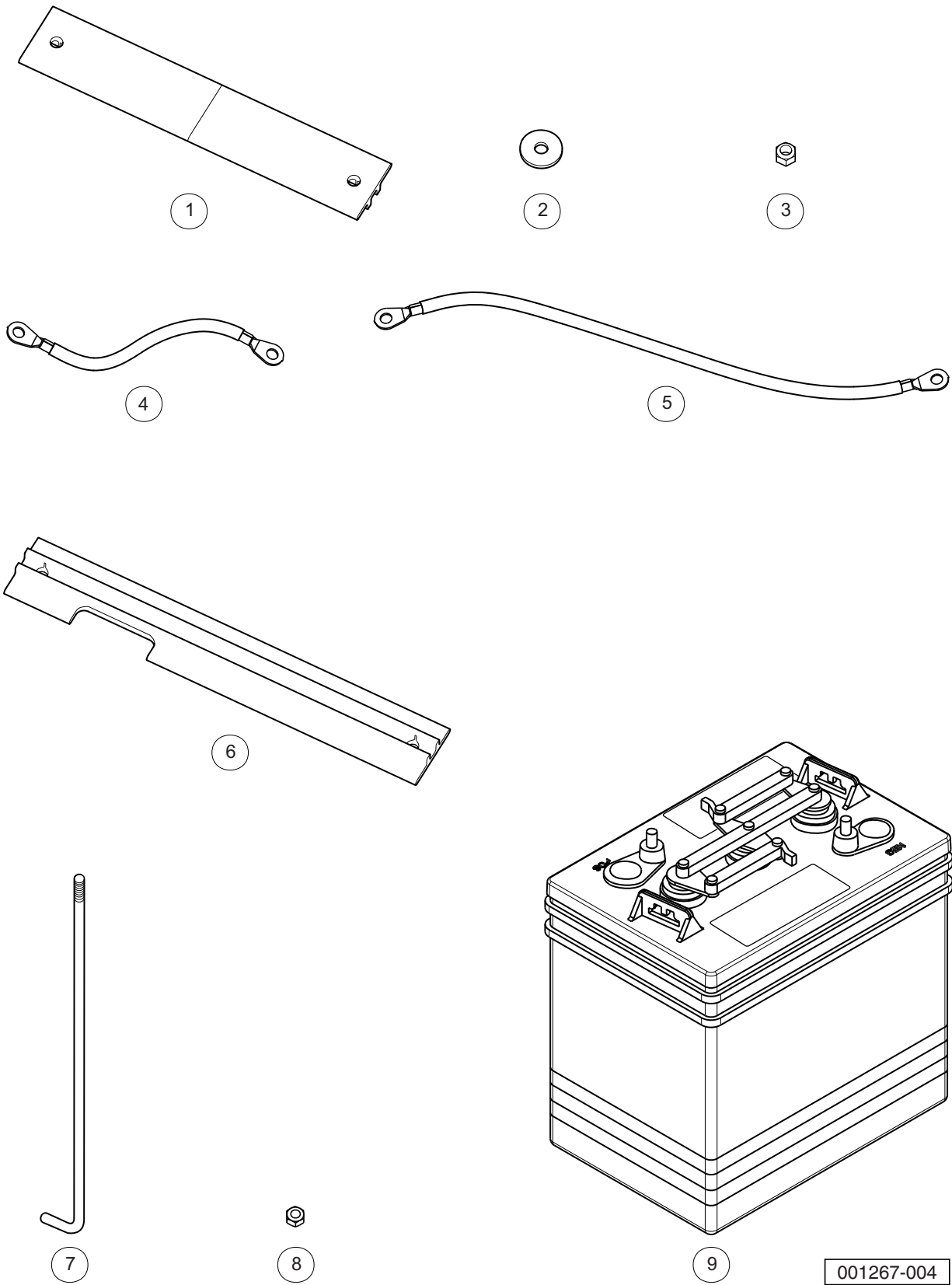
| ITEM | PART NO. | DESCRIPTION | QTY |
|------|-----------|------------------------------------|-----|
| | | 1 2 3 4 | |
| 1 | 1015392 | Rivet, 3/16 Pop | 2 |
| 2 | 101908101 | Switch Assembly, Tow/Run | 1 |
| 3 | 101908401 | Boot, Switch | 1 |
| 4 | 102838101 | Circuit Breaker, 20 Amp | 1 |
| 5 | 102915701 | Plate, Switch, Run Tow, Mode | 1 |

13

E

13

E



001267-004

BATTERIES, 6-VOLT, STANDARD DUTY, JCI

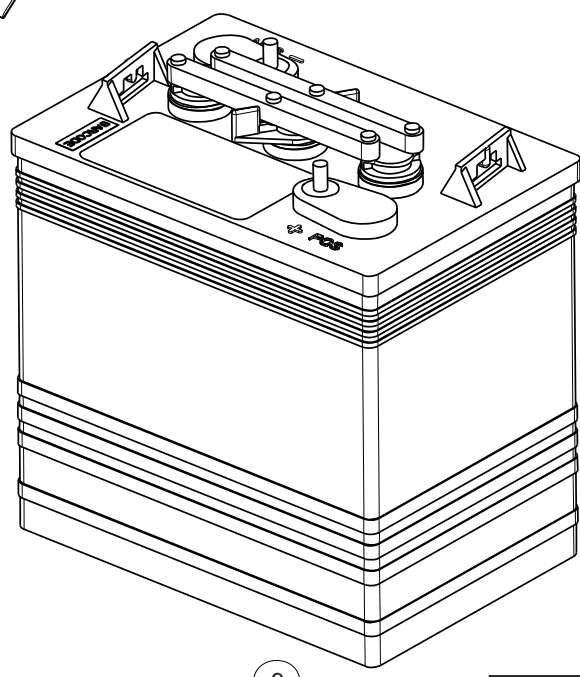
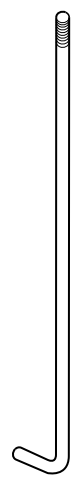
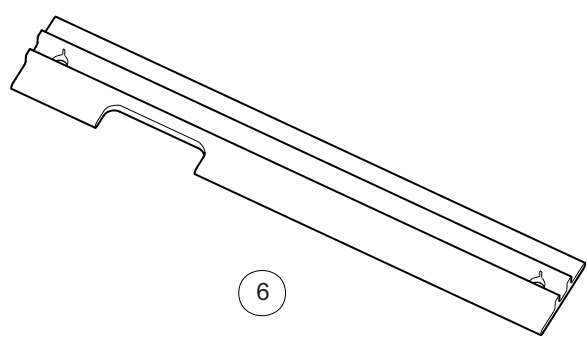
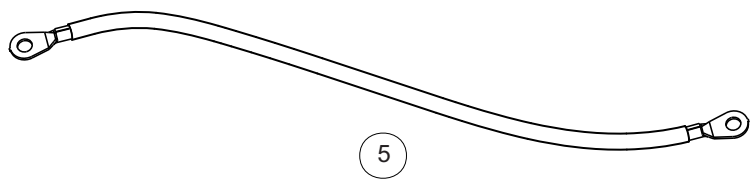
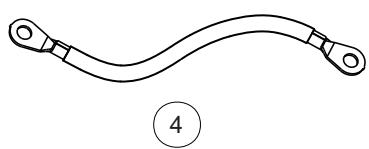
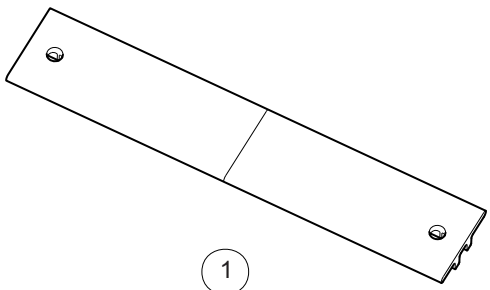
| ITEM | PART NO. | DESCRIPTION | QTY |
|------|-----------|-------------------------------------|-----|
| | | 1 2 3 4 | |
| 1 | 101090801 | Hold-Down, Battery | 4 |
| 2 | 1012571 | Washer, 5/16 Extra Thick Flat | 12 |
| 3 | 1015072 | Locknut, 5/16-18 Nylon Insert | 12 |
| 4 | 102002901 | Wire Assy, #4 Black | 4 |
| 5 | 102764001 | Wire Asm, #4 Black | 3 |
| 6 | 102766201 | Hold Down, Outside | 2 |
| 7 | 102845203 | Rod, Battery Hold Down 10.7" | 12 |
| 8 | 102873401 | 5/16-18 Heavy Hex Nut | 16 |
| 9 | 103793102 | Battery, 6v, Gc2, Dry | 8 |

13

E

13

E



001267-001

BATTERIES, 6-VOLT, HEAVY DUTY, CROWN

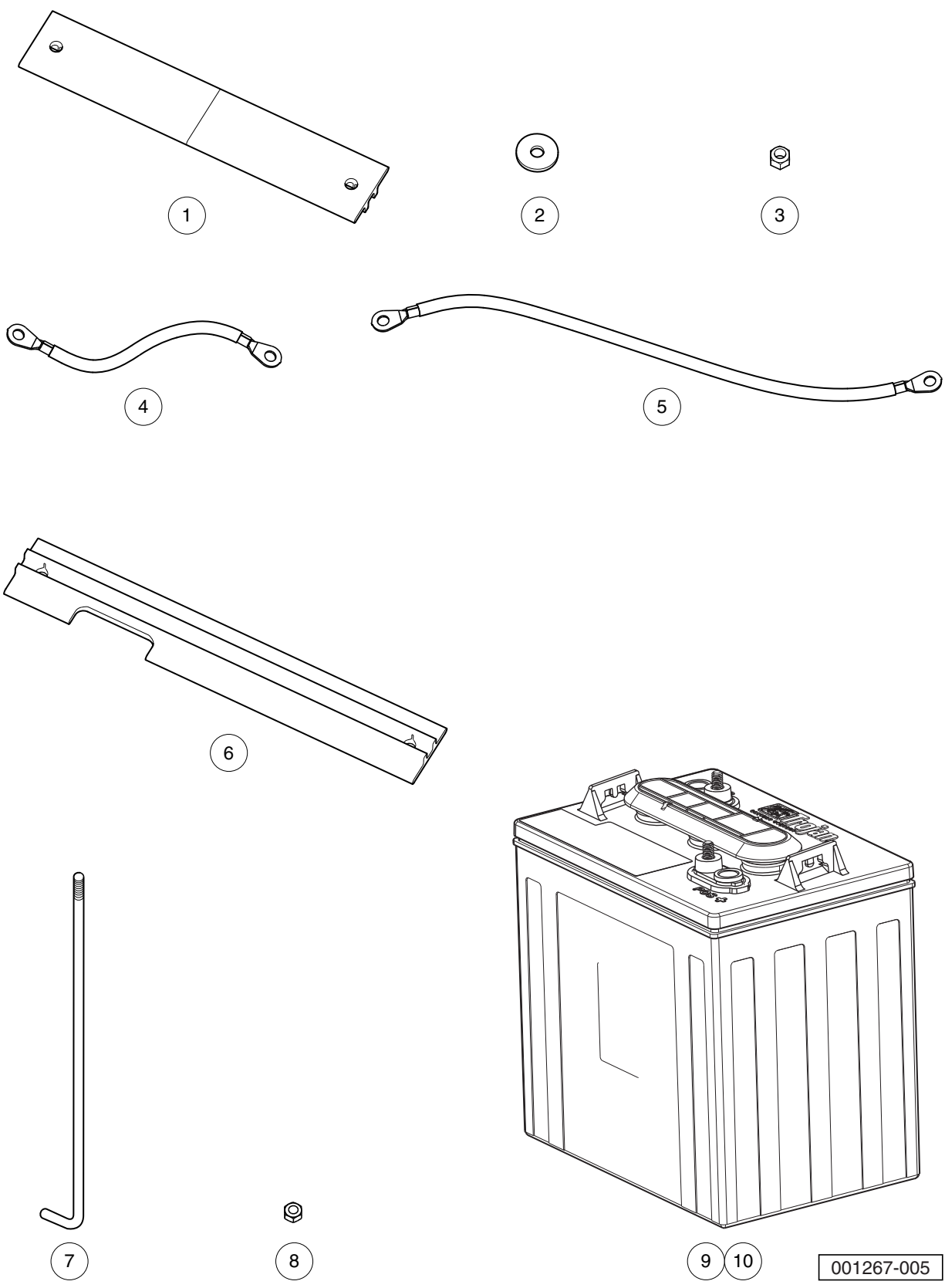
| ITEM | PART NO. | DESCRIPTION | QTY |
|------|-----------|-------------------------------------|-----|
| | | 1 2 3 4 | |
| 1 | 101090801 | Hold-Down, Battery | 4 |
| 2 | 1012571 | Washer, 5/16 Extra Thick Flat | 12 |
| 3 | 1015072 | Locknut, 5/16-18 Nylon Insert | 12 |
| 4 | 102002901 | Wire Assy, #4 Black | 4 |
| 5 | 102764001 | Wire Asm, #4 Black | 3 |
| 6 | 102766201 | Hold Down, Outside | 2 |
| 7 | 102845204 | Rod, Battery Hold Down 12" | 12 |
| 8 | 102873401 | 5/16-18 Heavy Hex Nut | 16 |
| 9 | 103720402 | Battery, 6v, Cr245, Moist | 8 |

13

E

13

E



001267-005

BATTERIES, 6-VOLT, STANDARD DUTY, TROJAN

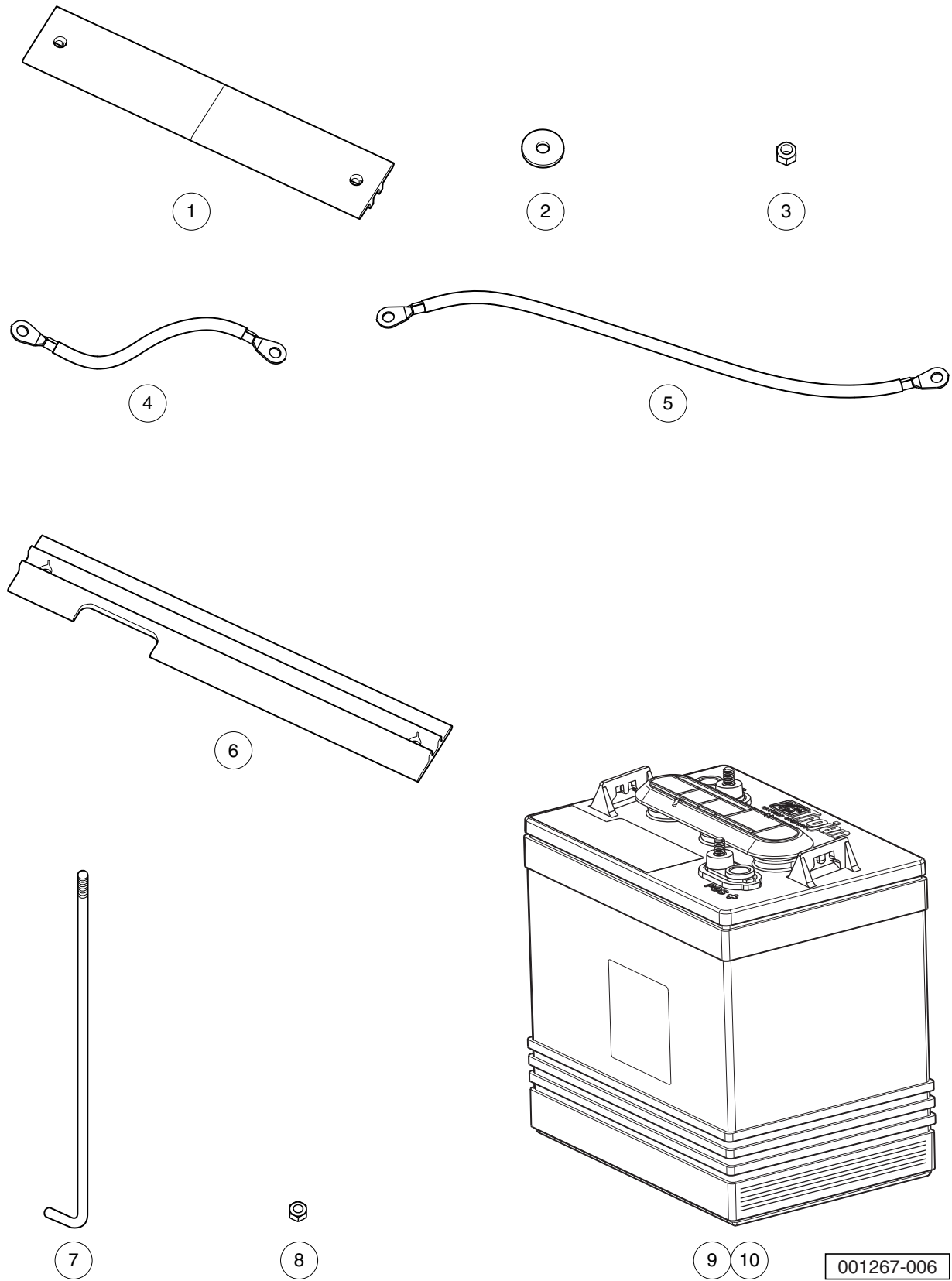
| ITEM | PART NO. | DESCRIPTION | QTY |
|------|-----------|---|-----|
| | | 1 2 3 4 | |
| 1 | 101090801 | Hold-Down, Battery | 4 |
| 2 | 1012571 | Washer, 5/16 Extra Thick Flat | 12 |
| 3 | 1015072 | Locknut, 5/16-18 Nylon Insert | 12 |
| 4 | 102002901 | Wire Assy, #4 Black | 4 |
| 5 | 102764001 | Wire Asm, #4 Black | 3 |
| 6 | 102766201 | Hold Down, Outside | 2 |
| 7 | 102845203 | Rod, Battery Hold Down 10.7" | 12 |
| 8 | 102873401 | 5/16-18 Heavy Hex Nut | 16 |
| 9 | 103969601 | Battery, 6-Volt, Trojan T105 (Wet) (includes item 10) | 8 |
| 10 | 101831401 | Battery Cap 6 Volt | 1 |

13

E

13

E



001267-006

BATTERIES, 6-VOLT, HEAVY DUTY, TROJAN

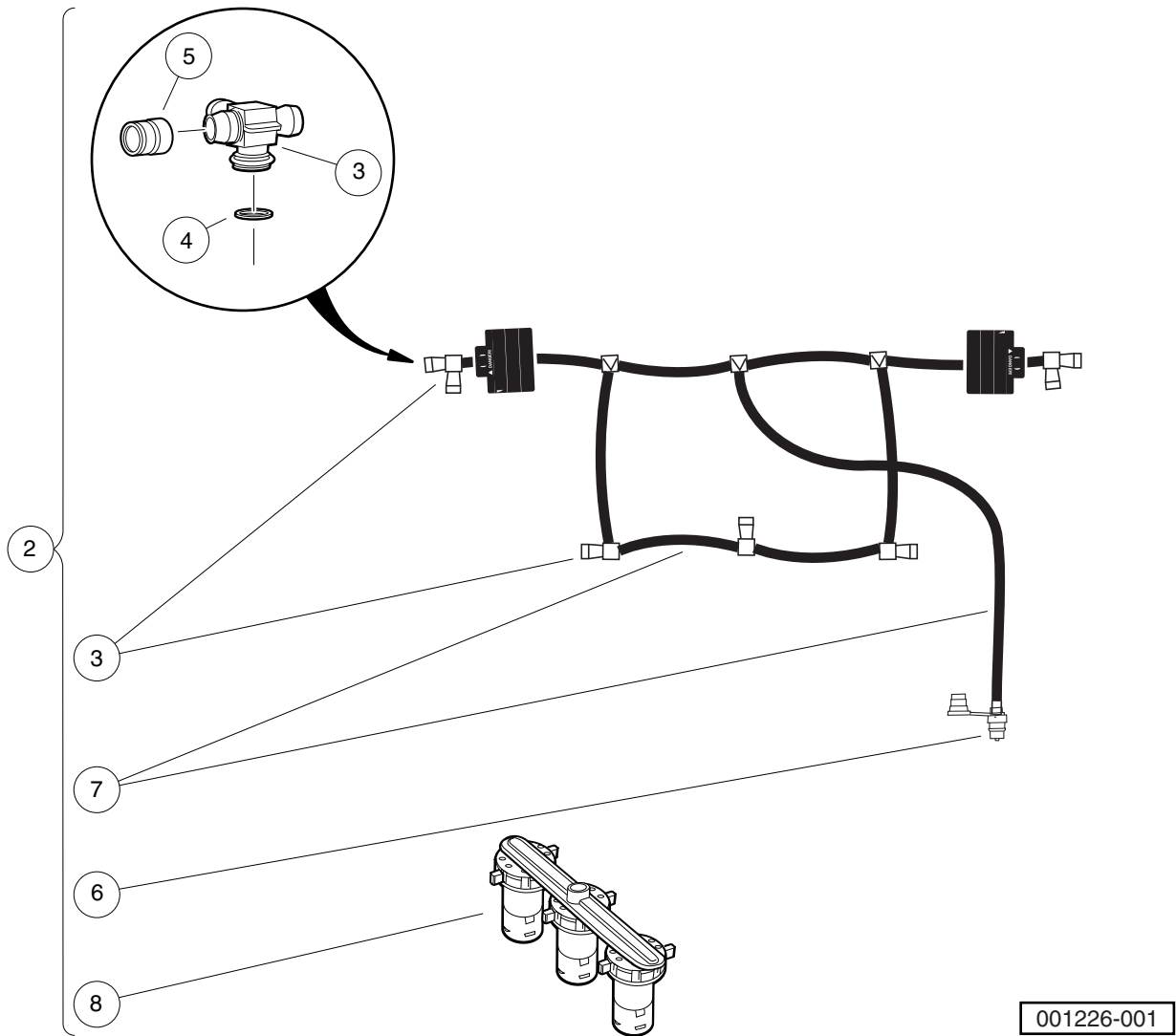
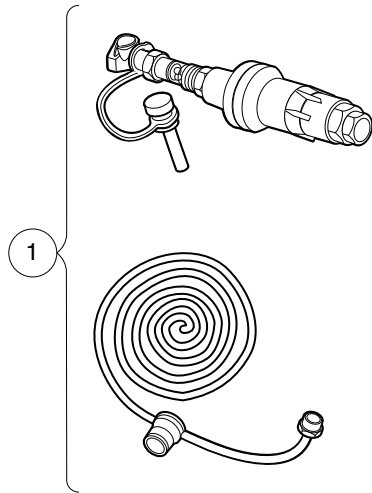
| ITEM | PART NO. | DESCRIPTION | QTY |
|------|-----------|---|-----|
| | | 1 2 3 4 | |
| 1 | 101090801 | Hold-Down, Battery | 4 |
| 2 | 1012571 | Washer, 5/16 Extra Thick Flat | 12 |
| 3 | 1015072 | Locknut, 5/16-18 Nylon Insert | 12 |
| 4 | 102002901 | Wire Assy, #4 Black | 4 |
| 5 | 102764001 | Wire Asm, #4 Black | 3 |
| 6 | 102766201 | Hold Down, Outside | 2 |
| 7 | 102845204 | Rod, Battery Hold Down 12" | 12 |
| 8 | 102873401 | 5/16-18 Heavy Hex Nut | 16 |
| 9 | 103969701 | Battery, 6-Volt, Trojan T145 (Wet) (includes item 10) | 8 |
| 10 | 101831401 | Battery Cap 6 Volt | 1 |

13

E

13

E

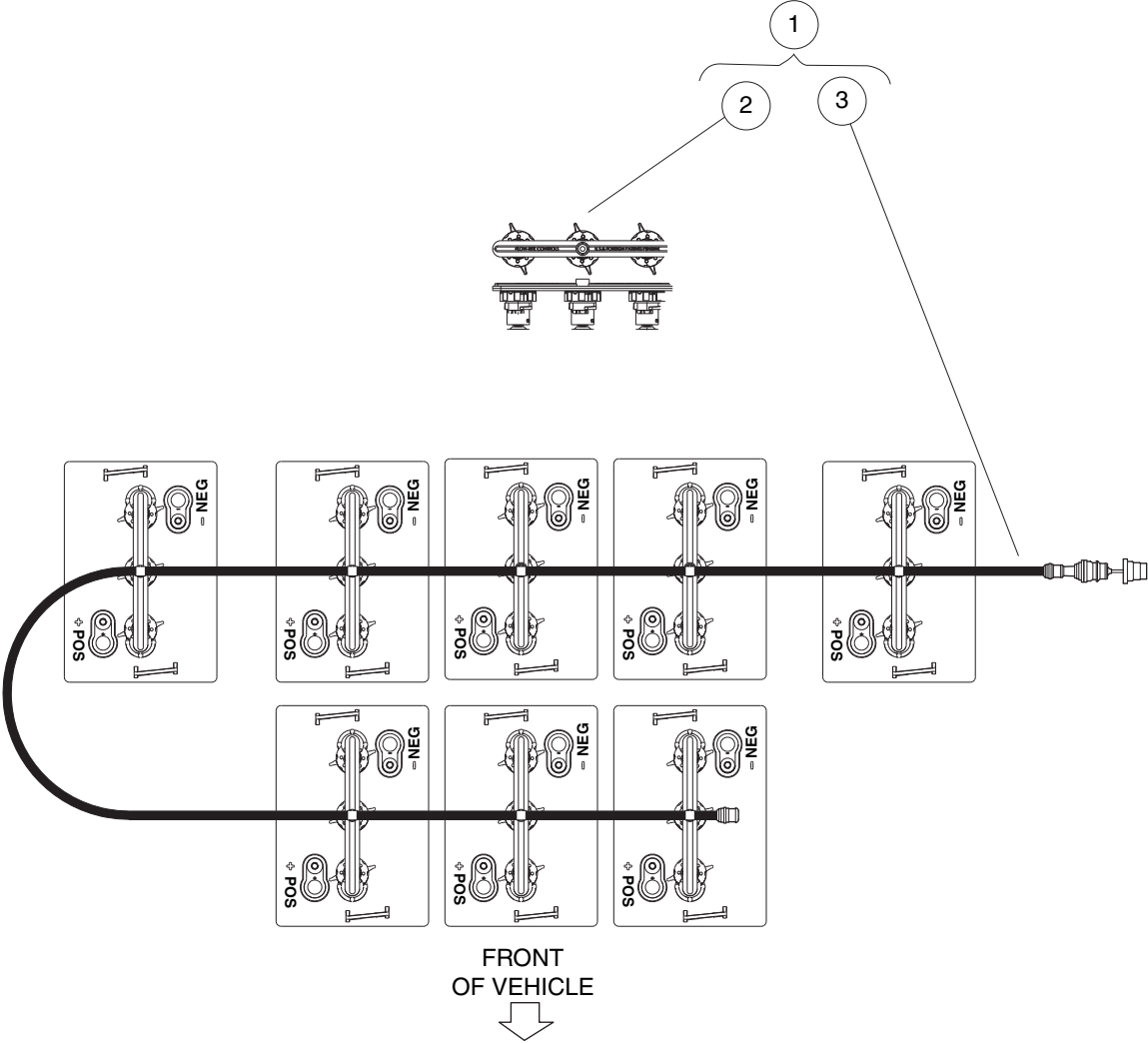


SINGLE POINT WATERING SYSTEM, 6V – TO LATE-2012 MODEL YEAR

| ITEM | PART NO. | DESCRIPTION | QTY |
|------|-----------|--|-----|
| | | 1 2 3 4 | |
| 1 | 102958001 | Kit Regulated Hose Sply Spws | 1 |
| 2 | SVP277402 | Kit, Spws Ca 6 Fd (includes items 3 through 8) | 1 |
| 3 | 103226201 | Fitting Spws Swivel T | 8 |
| 4 | 103226301 | O-ring Spws Swivel T | 8 |
| 5 | 103226401 | Cap Spws Swivel T Red | 7 |
| 6 | 103226601 | Coupler Male Spws Supply | 1 |
| 7 | 103226701 | Tubing Spws | A/R |
| 8 | 103510501 | Manifold, Lpr, 3 Vlve, Spw | 8 |
| | | Note: For 6-Volt batteries only. | |

13

E



002524-001

SINGLE POINT WATERING SYSTEM, 6V – FROM LATE-2012 MODEL YEAR

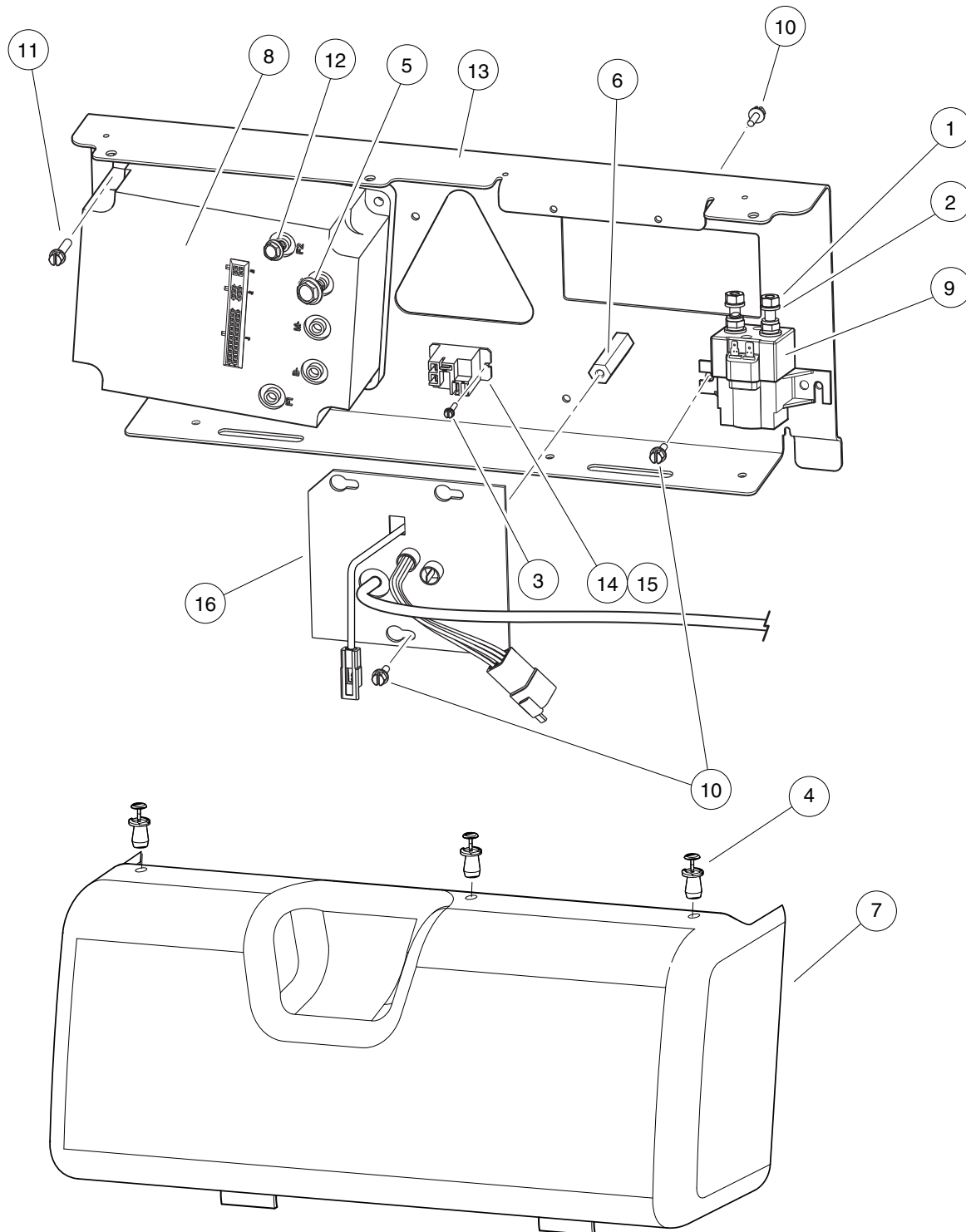
| ITEM | PART NO. | DESCRIPTION | QTY |
|----------------------------------|-----------|--|-----|
| | | 1 2 3 4 | |
| 1 | 103497702 | Kit, Spws, 8x6v (includes items 2 and 3) | 1 |
| 2 | 103510501 | Manifold, Lpr, 3 Vlve, Spw | 8 |
| 3 | 103942601 | Spws, Carryall, 8x6v | 1 |
| Note: For 6-Volt batteries only. | | | |

13

E

13

E



001246-002

COMPUTER, CONTROLLER, AND SOLENOID – FOR JCI, CROWN, & TROJAN BATTERIES

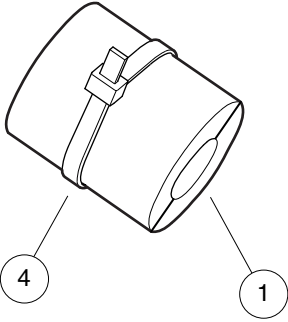
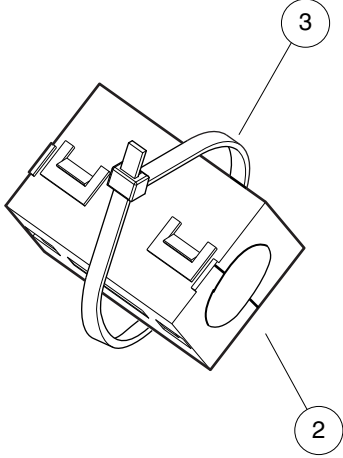
| ITEM | PART NO. | DESCRIPTION | QTY |
|------|-----------|--|-----|
| | | 1 2 3 4 | |
| 1 | 1012528 | Nut, M8-1.25 Hex | 2 |
| 2 | 1013734 | Lockwasher, 8mm Split | 2 |
| 3 | 1015720 | Screw, #6-32 X 1/2 Hex Washer-Head | 2 |
| 4 | 1016967 | Blind Rivet, Push Type | 3 |
| 5 | 102240501 | Bolt, Controller, Terminal | 3 |
| 6 | 102769701 | Spacer, 2", 1/4-20, Hex | 1 |
| 7 | 102772402 | Cover, Electrical Component, Carryall 6 | 1 |
| 8 | 102774501 | Controller, 500 Amp | 1 |
| 9 | 102774701 | Solenoid, 48v | 1 |
| 10 | 102817101 | Screw, 1/4-20 X .50 Hex Wsh Hd | 6 |
| 11 | 102817201 | Screw, 1/4-20 X .88 Hex Wsh Hd | 4 |
| 12 | 102859501 | Screw, M6 X 1 X 20 Ser Hex Flg | 2 |
| 13 | 102912801 | Plate, Component, Front | 1 |
| 14 | 103414901 | Kit, Relay, 48v 30a W/instr (includes item 15) | 1 |
| 15 | 103397901 | Relay, Spst No, 48v 30a, Pmt | 1 |
| 16 | 103709207 | Obc, Iqplus, A1, 116", 480 | 1 |
| | | <p>Note: If JCI or Crown is used to replace U.S. Battery brand of battery, the onboard computer must be changed to match. See Batteries pages. NOTE 2: Onboard Computer (item 16) is equipped with the Packard 480 Series connector.</p> | |

13

E

13

E



001055-001

FERRITE BEADS, CE

13

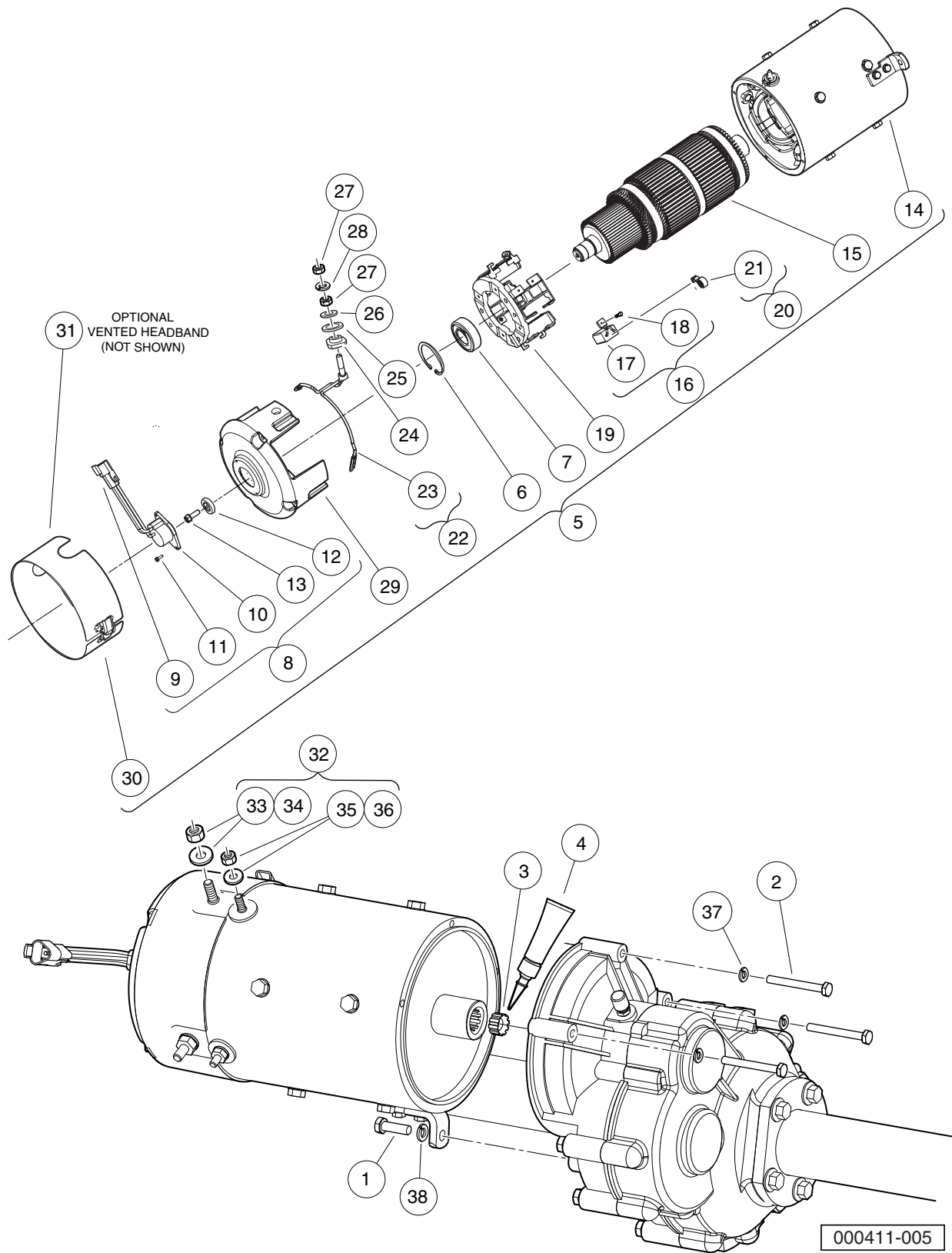
E

| ITEM | PART NO. | DESCRIPTION | QTY |
|------|-----------|--------------------------------|-----|
| | | 1 2 3 4 | |
| 1 | 103449501 | Bead, Ferrite, Tdk | A/R |
| 2 | 103449601 | Bead, Ferrite, Fair-rite | A/R |
| 3 | 8639 | Tie Wrap, 11" Nylon | A/R |
| 4 | 8990 | Tie Wrap, 8" Nylon | A/R |

13

E

MOTOR (MODEL DA5-4006) – IQ PLUS



MOTOR (MODEL DA5-4006) – IQ PLUS

| ITEM | PART NO. | DESCRIPTION | QTY |
|------|-----------|---|-----|
| | | 1 2 3 4 | |
| 1 | 1010934 | Screw, 5/16-18 X 1.00 Hex Cap | 1 |
| 2 | 1014201 | Screw, 1/4-20 X 2.25 Hex Cap | 3 |
| 3 | 102235201 | Bumper, Drive Unit | 1 |
| 4 | 102243403 | Lubricant, Moly-Teflon (Single-Use Tube) | 1 |
| 5 | 102775101 | IQ Plus Electric Motor, 48-VDC 3.7 hp (includes items 6 through 30) | 1 |
| 6 | N/A | Ring, 2.24" Internal Retaining | 1 |
| 7 | 102186401 | Bearing, Ball | 1 |
| 8 | 102704901 | Kit, Speed Sensor (includes items 9 through 13) | 1 |
| 9 | 101942301 | Kit, 3-Pin Wedge Lock | 1 |
| 10 | N/A | Sensor, Motor Speed, ADC | 1 |
| 11 | N/A | Screw, #8-32, Taptite Thread | 2 |
| 12 | N/A | Magnet, ADC Motor | 1 |
| 13 | N/A | Screw, 1/4-20 x 0.5 | 1 |
| 14 | N/A | Asm, Frame And Field, 3.7 Hp | 1 |
| 15 | N/A | Armature (Includes external hardware not shown) | 1 |
| 16 | 102938601 | Kit, Brush, 3.7 Hp (includes items 17 and 18) | 1 |
| 17 | N/A | Brush, Motor | 8 |
| 18 | N/A | Screw, Taptite | 8 |
| 19 | 102938701 | Asm, Brush Box, 3.7 Hp | 1 |
| 20 | 102938801 | Kit, Brush Spring, 3.7 Hp (includes item 21) | 1 |
| 21 | N/A | Brush Spring | 8 |
| 22 | 102938901 | Kit, Brush Lead Asm, 3.7 Hp (includes items 23 through 28) | 1 |
| 23 | N/A | Terminal and Lead Assembly | 2 |
| 24 | N/A | Insulator, Terminal | 2 |
| 25 | N/A | Washer, Insulating | 2 |
| 26 | N/A | Washer, Flat, 5/16, Brass/Bronze | 2 |
| 27 | N/A | Nut, 5/16, Steel | 4 |
| 28 | N/A | Lockwasher, 5/16, Steel | 2 |
| 29 | 102939001 | Commutator End Head, 3.7 Hp | 1 |
| 30 | 102939101 | Sealed Headband, 3.7 Hp | 1 |
| 31 | 102939102 | Vented Headband, 3.7 HP (optional - not shown) | 1 |
| 32 | 102951701 | Pkg, Terminal Hardware, 3.7hp (includes items 33 through 36) | 1 |
| 33 | N/A | Nut, 5/16, Steel | 2 |
| 34 | N/A | Lockwasher, 5/16, Steel | 2 |
| 35 | N/A | Nut, 1/4-20, Steel | 2 |
| 36 | N/A | Lockwasher, 1/4-20, Steel | 2 |
| 37 | 451 | Lockwasher, 1/4 Split | 3 |
| 38 | 7174 | Lockwasher, 5/16 Split | 1 |

14

E

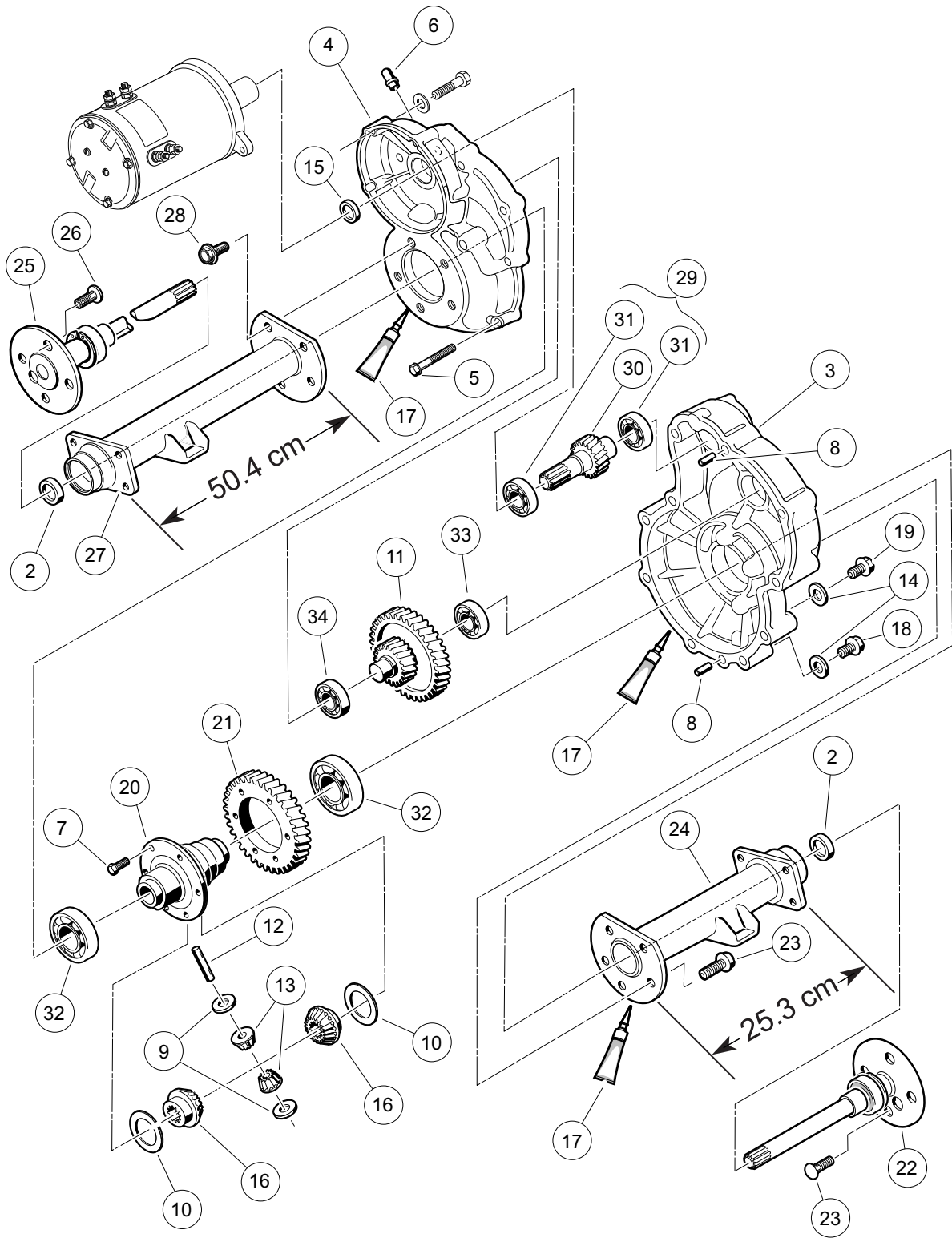
14

E

TRANSAXLE – ELECTRIC VEHICLES

15

E



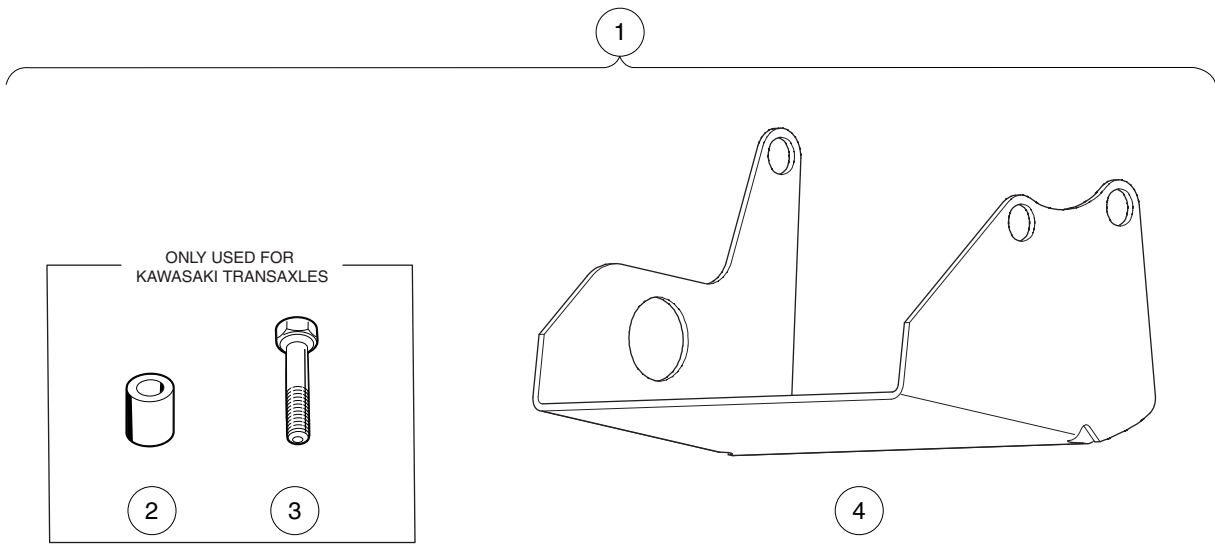
000223-005

TRANSAXLE – ELECTRIC VEHICLES

| ITEM | PART NO. | DESCRIPTION | QTY |
|------|-----------|---|-----|
| | | 1 2 3 4 | |
| 1 | 102771701 | Transaxle, Electric (includes items 2 through 34) | 1 |
| 2 | 1013794 | Axle Shaft Oil Seal | 2 |
| 3 | 101895401 | Gear Case, Driver-Side | 1 |
| 4 | 101895501 | Gear Case, Passenger-Side | 1 |
| 5 | 101897001 | Screw, M8-1.25 X 60mm Hex-Head | 11 |
| 6 | 101897201 | Breather | 1 |
| 7 | 101897401 | Screw, M10-1.25 X 25mm | 6 |
| 8 | 101897601 | Pin, 11mm OD X 8.5mm ID X 10mm | 2 |
| 9 | 101903601 | Washer, Thrust | 2 |
| 10 | 101903701 | Washer, Thrust | 2 |
| 11 | 101906901 | Intermediate Shaft Assembly | 1 |
| 12 | 101922101 | Pin, 15.99mm X 88.7mm Dowel | 1 |
| 13 | 101923001 | Gear, Differential Idler | 2 |
| 14 | 101923201 | Gasket | 2 |
| 15 | 101923501 | Seal, Lip | 1 |
| 16 | 101923901 | Gear, Differential | 2 |
| 17 | 101928701 | Liquid Gasket (Transaxle case) | 1 |
| 18 | 101972101 | Plug, M14-1.5 X 12mm Magnetic | 1 |
| 19 | 101972201 | Plug, M14-1.5 X 12mm Hex | 1 |
| 20 | 102356601 | Housing, Differential, 6 Bolt | 6 |
| 21 | 102356801 | Gear, Differential Output, 6-Bolt | 6 |
| 22 | 102886301 | Axle Assembly, Driver-Side (includes item 23) | 1 |
| 23 | 101922201 | Lug Stud | 4 |
| 24 | 102886401 | Tube, Axle, Driver-Side | 1 |
| 25 | 102886501 | Axle Assembly, Passenger-Side (includes item 26) | 1 |
| 26 | 101922201 | Lug Stud | 4 |
| 27 | 102886601 | Tube, Axle, Passenger-Side | 1 |
| 28 | 102902801 | Screw, M10 X 30 | 10 |
| 29 | 103582801 | Asm, E Trans Shaft/bearing (includes items 30 and 31) | 1 |
| 30 | N/A | Shaft, Input | 1 |
| 31 | 7335 | Bearing | 2 |
| 32 | 7330 | Inner Axle Tube Bearing | 2 |
| 33 | 7335 | Bearing | 1 |
| 34 | 7336 | Bearing | 1 |

15

E



000365-002

DIFFERENTIAL GUARD – ELECTRIC VEHICLES

| ITEM | PART NO. | DESCRIPTION | QTY |
|------|-----------|---|-----|
| | | 1 2 3 4 | |
| 1 | 101611402 | Kit, Differential Guard, Elec Vehicles (includes items 2 through 4) | 1 |
| 2 | 101914001 | Spacer, Steel | 2 |
| 3 | 101936101 | Screw, M10-1.50 X 60mm Hex Cap | 2 |
| 4 | 101978601 | Guard, Differential, Electric Vehicle Transaxle | 1 |

15

E

15

E

BATTERY CHARGERS

16

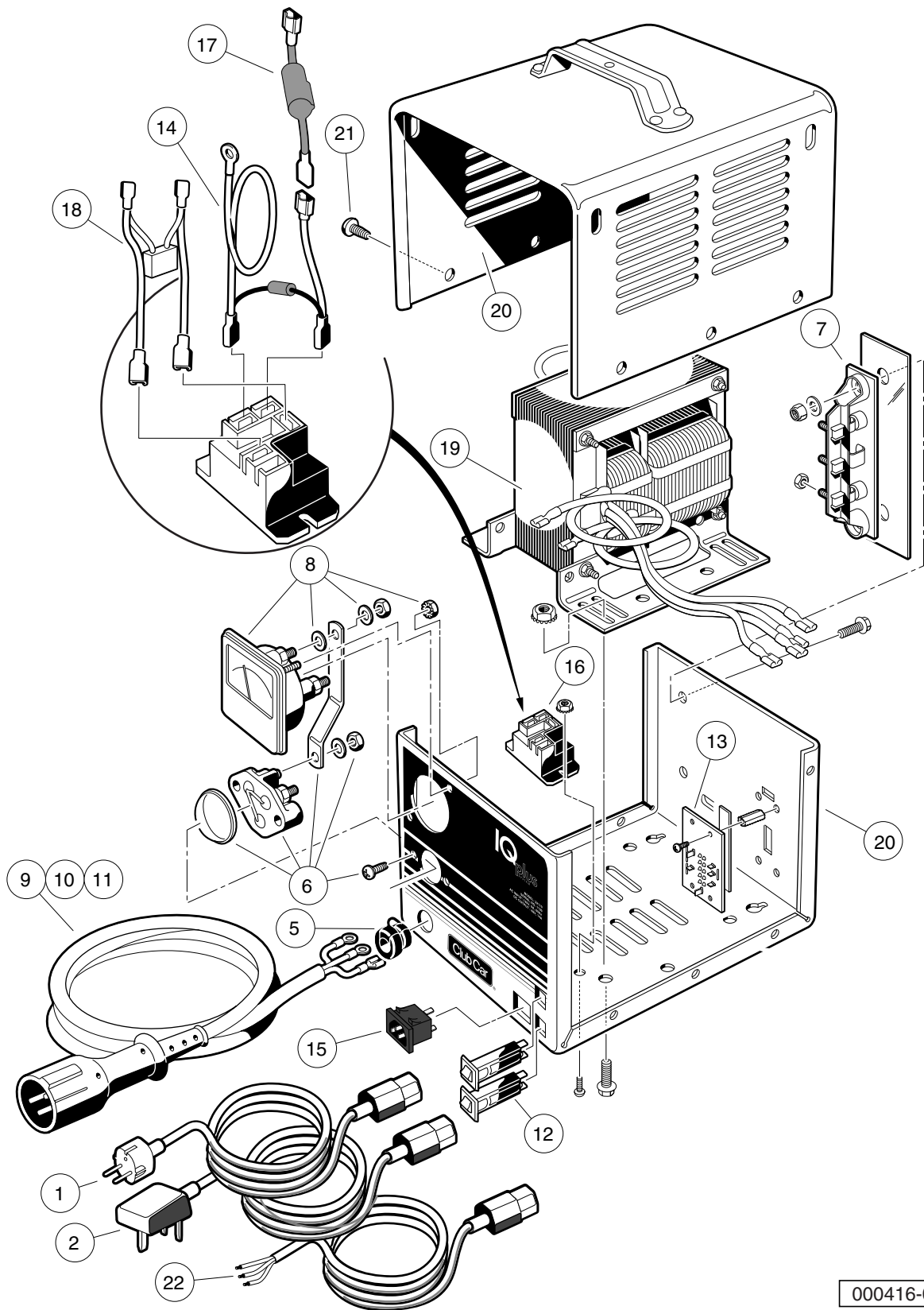
E

IQ PLUS BATTERY CHARGER (MODELS 25730-11,-18,-19), DOMESTIC

| ITEM | PART NO. | DESCRIPTION | QTY |
|------|-----------|--|-----|
| | | 1 2 3 4 | |
| 1 | 102847801 | Charger, IQ Plus, Domestic (9-ft. DC Cord, 6-ft. AC Cord) | 1 |
| 2 | 102847802 | Charger, IQ Plus, Domestic (12-ft. DC Cord, 9-ft. AC Cord) | 1 |
| 3 | 102847803 | Charger, IQ Plus, Domestic (20-ft. DC Cord, 9-ft. AC Cord) (includes items 4 through 20) | 1 |
| 4 | 1012098 | Bushing, DC Cord | 1 |
| 5 | 1012101 | Fuse Assembly | 1 |
| 6 | 1015914 | Rectifier with Heatsink Assembly | 1 |
| 7 | 1015917 | Bushing, AC Cord | 1 |
| 8 | 101828501 | Ammeter | 1 |
| 9 | 101828801 | Cord, AC, 80-Inch (203 cm) | 1 |
| 10 | 101828802 | Cord, AC, 108-Inch (274 cm) | 1 |
| 11 | 101828901 | Cord, DC, 113-Inch (287 cm) | 1 |
| 12 | 101828902 | Cord, DC, 154-Inch (391 cm) | 1 |
| 13 | 101828903 | Cord, DC, 250-Inch (635 cm) | 1 |
| 14 | 101831101 | Wire Assembly Kit | 1 |
| 15 | 101914401 | Assembly, Voltage Suppressor | 1 |
| 16 | 102275401 | Relay, 48-VDC | 1 |
| 17 | 102838101 | Circuit Breaker 250vac-50vdc | 1 |
| 18 | N/A | Transformer, Battery Charger | 1 |
| 19 | N/A | Case, Battery Charger | 1 |
| 20 | 7577 | Screw, #10 X 0.50 Phillips Pan-Head | 10 |

16

E



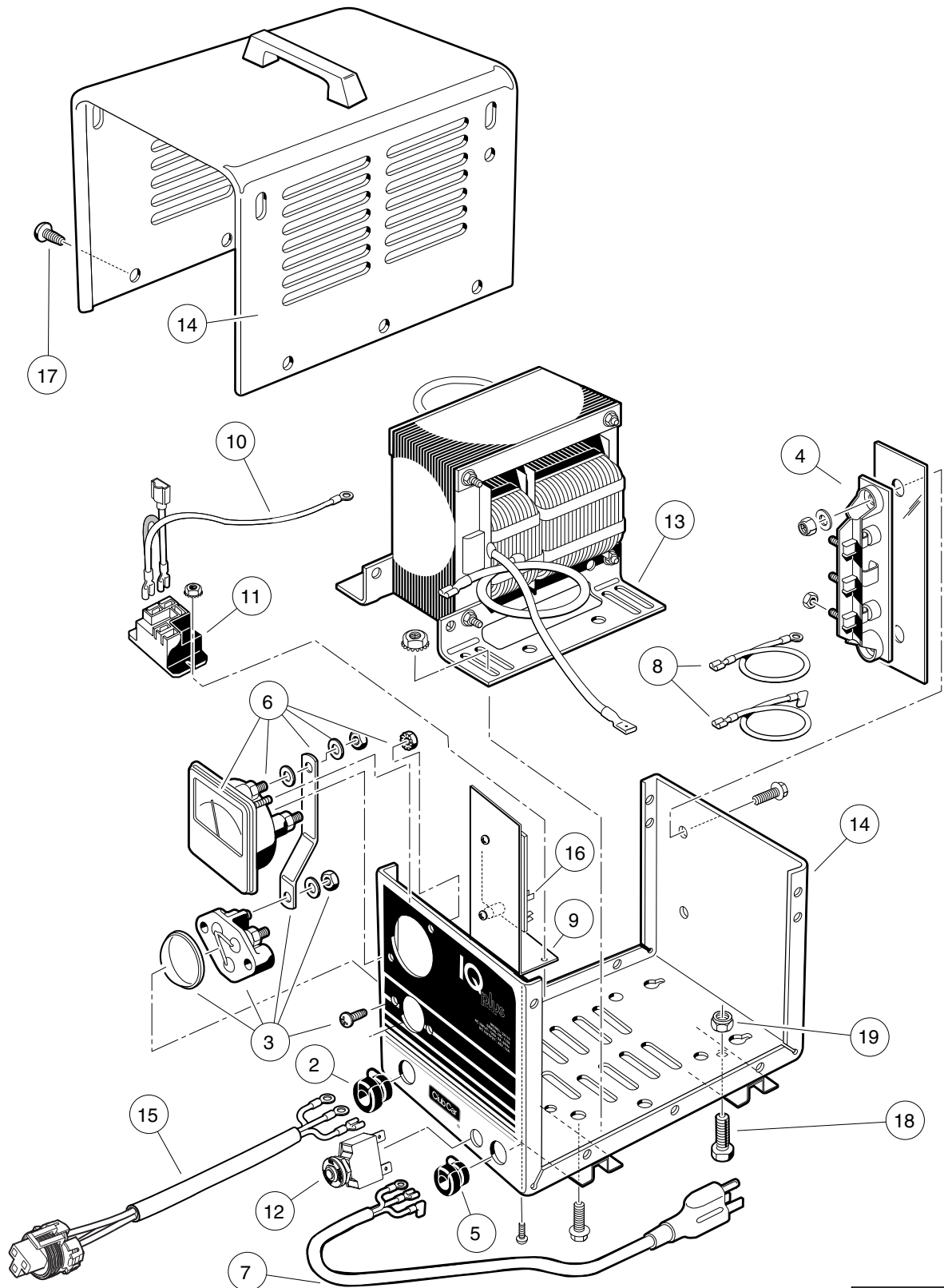
000416-002

IQ PLUS BATTERY CHARGER (MODELS 25880-11 AND -18), INTERNATIONAL

| ITEM | PART NO. | DESCRIPTION | QTY |
|------|-----------|--|-----|
| | | 1 2 3 4 | |
| 1 | 101958201 | Cord, UK, AC, Battery Charger | 1 |
| 2 | 101958301 | Cord, European AC, Battery Charger | 1 |
| 3 | 102892901 | Charger, IQ Plus, International (9-ft. DC Cord) | 1 |
| 4 | 102892902 | Charger, IQ Plus, International (12-ft. DC Cord) (includes items 5 through 21) | 1 |
| 5 | 1012098 | Bushing, DC Cord | 1 |
| 6 | 1012101 | Fuse Assembly | 1 |
| 7 | 1015914 | Rectifier with Heatsink Assembly | 1 |
| 8 | 101828501 | Ammeter | 1 |
| 9 | 101828901 | Cord, DC, 113-Inch (287 cm) | 1 |
| 10 | 101828902 | Cord, DC, 154-Inch (391 cm) | 1 |
| 11 | 101828903 | Cord, DC, 250-Inch (635 cm) | 1 |
| 12 | 101838401 | Circuit Breaker | 2 |
| 13 | 101838601 | Four-Position Switch | 1 |
| 14 | 101914401 | Assembly, Voltage Suppressor | 1 |
| 15 | 101973501 | Receptacle, AC Cord | 1 |
| 16 | 102275401 | Relay, 48-VDC | 1 |
| 17 | N/A | Limiter, Current | 1 |
| 18 | N/A | Wire Assembly, Battery Charger | 1 |
| 19 | N/A | Transformer, Battery Charger | 1 |
| 20 | N/A | Case, Battery Charger | 1 |
| 21 | 7577 | Screw, #10 X 0.50 Phillips Pan-Head | 10 |
| 22 | 102939501 | Cord, European AC, Battery Charger | 1 |

16

E



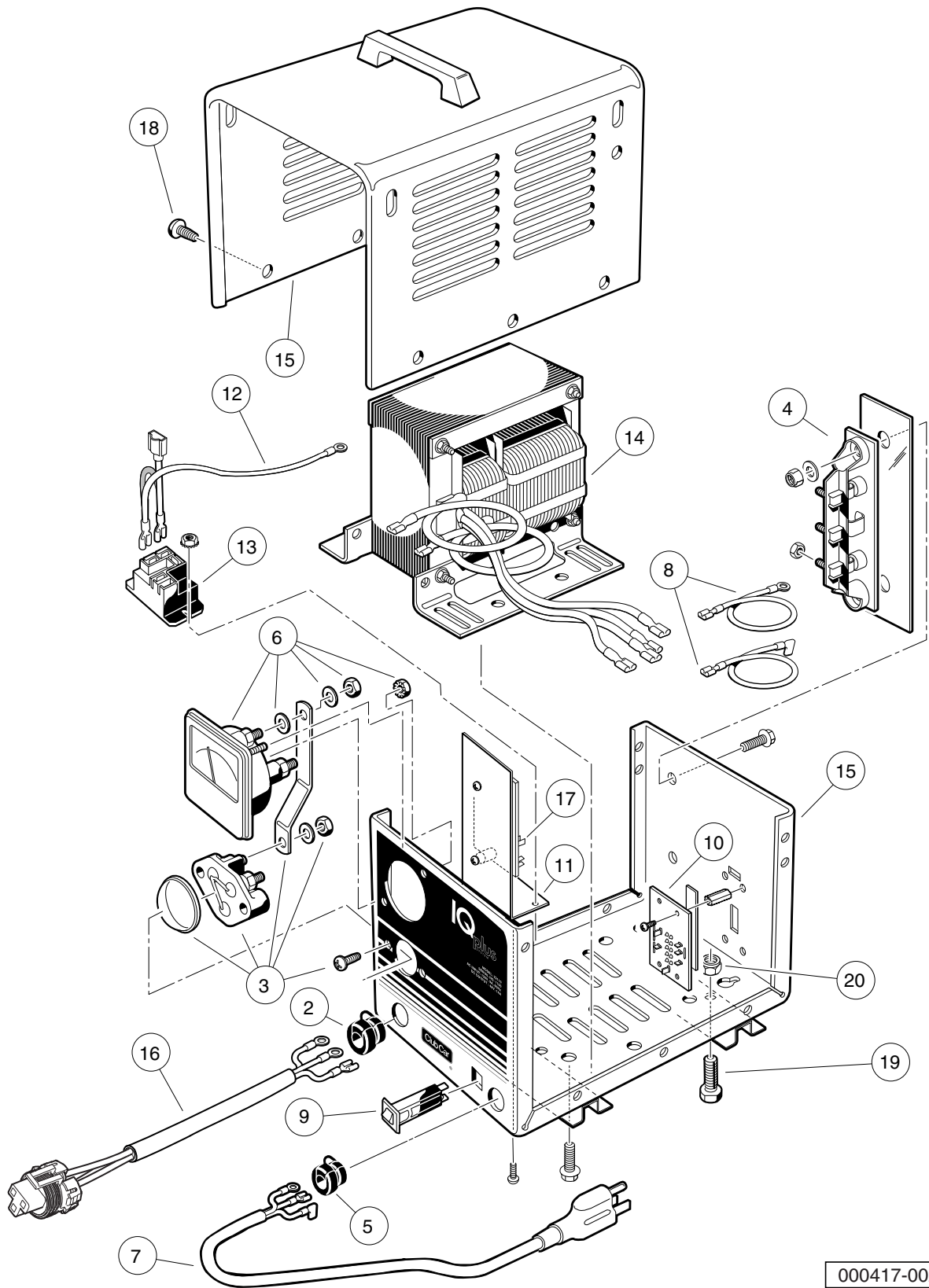
000415-002

ONBOARD IQ PLUS BATTERY CHARGER (MODEL 25260-50), DOMESTIC

| ITEM | PART NO. | DESCRIPTION | QTY |
|--|-----------|---|-----|
| | | 1 2 3 4 | |
| 1 | 103772401 | Charger, IQ Plus, Onboard, Domestic (includes items 2 through 19) | 1 |
| 2 | 1012098 | Bushing, DC Cord | 1 |
| 3 | 1012101 | Fuse Assembly | 1 |
| 4 | 1015914 | Rectifier with Heatsink Assembly | 1 |
| 5 | 1015917 | Bushing, AC Cord | 1 |
| 6 | 101828501 | Ammeter | 1 |
| 7 | 101829001 | Cord, AC, 22-Inch (56 cm) | 1 |
| 8 | 101831101 | Wire Assembly Kit | 1 |
| 9 | 101838701 | Mounting Bracket, Relay | 1 |
| 10 | 101914401 | Assembly, Voltage Suppressor | 1 |
| 11 | 102275401 | Relay, 48-VDC | 1 |
| 12 | 102838101 | Circuit Breaker, 20 Amp | 1 |
| 13 | N/A | Transformer, Battery Charger | 1 |
| 14 | N/A | Case, Battery Charger | 1 |
| 15 | 103832001 | Cord, DC, 20", Charger | 1 |
| 16 | 103869401 | Control Board, Potted | 1 |
| 17 | 7577 | Screw, #10 X 0.50 Phillips Pan-Head | 12 |
| 18 | 7847 | Screw, 1/4-20 X 0.75 Hex-Head Cap | 4 |
| 19 | 8233 | Locknut, 1/4-20, Nylon Insert | 4 |
| <p style="text-align: center;">Note: DC Cord (item 15) uses the Packard 480 Connector.</p> | | | |

16

E



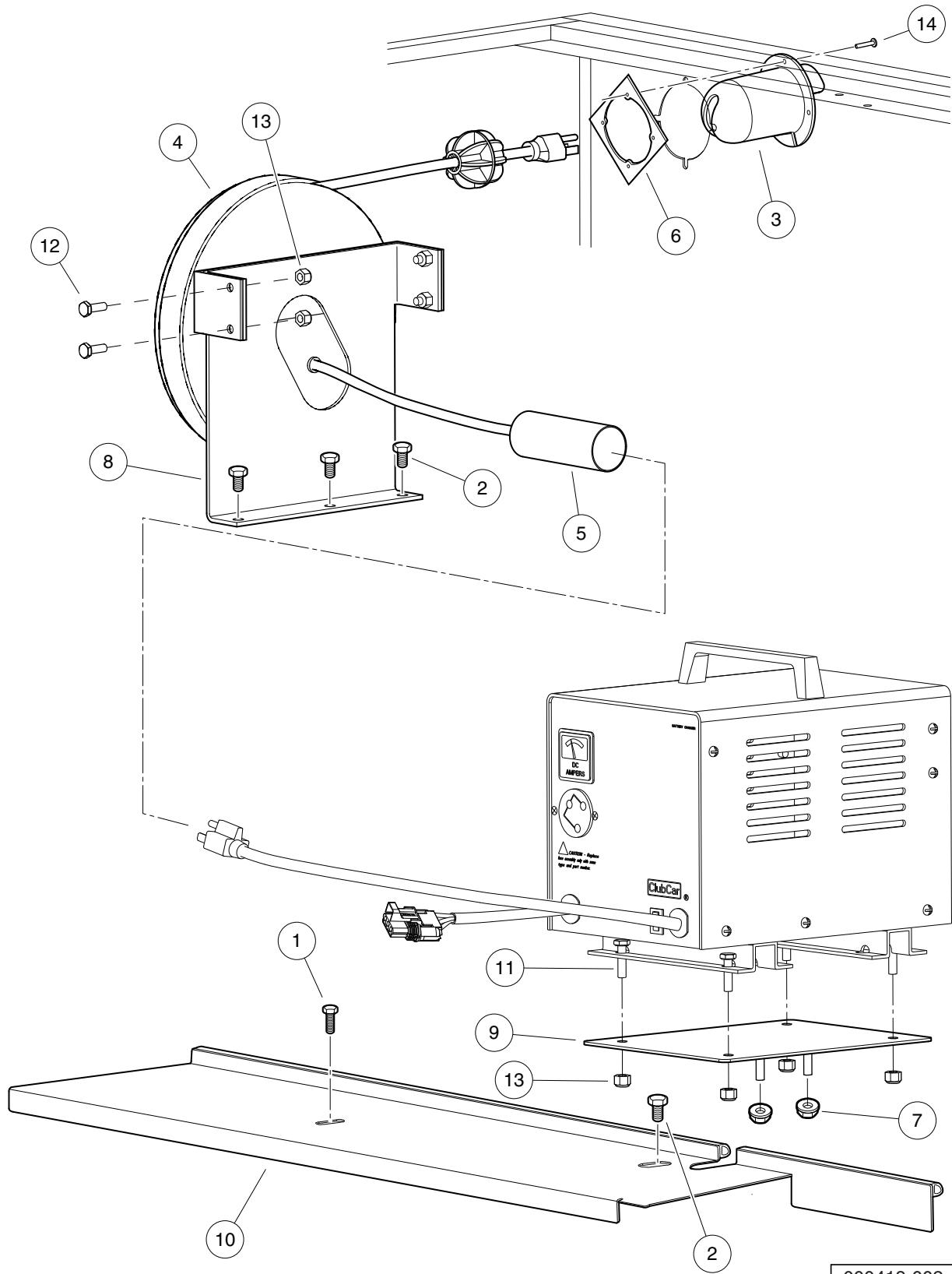
000417-002

ONBOARD IQ PLUS BATTERY CHARGER (MODEL 25660-50), INTERNATIONAL

| ITEM | PART NO. | DESCRIPTION | QTY |
|------|-----------|--|-----|
| | | 1 2 3 4 | |
| 1 | 103771601 | Charger, IQ Plus, Onboard, International (includes items 2 through 20) | 1 |
| 2 | 1012098 | Bushing, DC Cord | 1 |
| 3 | 1012101 | Fuse Assembly | 1 |
| 4 | 1015914 | Rectifier with Heatsink Assembly | 1 |
| 5 | 1015917 | Bushing, AC Cord | 1 |
| 6 | 101828501 | Ammeter | 1 |
| 7 | 101829001 | Cord, AC, 22-Inch (56 cm) | 1 |
| 8 | 101831101 | Wire Assembly Kit | 1 |
| 9 | 101838401 | Circuit Breaker | 1 |
| 10 | 101838601 | Four-Position Switch | 1 |
| 11 | 101838701 | Mounting Bracket, Relay | 1 |
| 12 | 101914401 | Assembly, Voltage Suppressor | 1 |
| 13 | 102275401 | Relay, 48-VDC | 1 |
| 14 | N/A | Transformer, Battery Charger | 1 |
| 15 | N/A | Case, Battery Charger | 1 |
| 16 | 103832001 | Cord, DC, 20", Charger | 1 |
| 17 | 103869401 | Control Board, Potted | 1 |
| 18 | 7577 | Screw, #10 X 0.50 Phillips Pan-Head | 12 |
| 19 | 7847 | Screw, 1/4-20 X 0.75 Hex-Head Cap | 4 |
| 20 | 8233 | Locknut, 1/4-20, Nylon Insert | 4 |
| | | Note: DC Cord (item 16) uses the Packard 480 Connector. | |

16

E



000418-002

ONBOARD IQ PLUS CHARGER AND CORD REEL MOUNTING

| ITEM | PART NO. | DESCRIPTION | QTY |
|------|-----------|---|-----|
| | | 1 2 3 4 | |
| 1 | 1014063 | Screw, 1/4-20 X 1.00, Hex Head | 1 |
| 2 | 1014288 | Screw, 5/16-18 X 0.75, Thread-Forming | 4 |
| 3 | 1016673 | Housing, Cord Reel | 1 |
| 4 | 1017187 | Retractable Cord Reel | 1 |
| 5 | 1017189 | Heat Shrink Tube 1.5" X 3" | 1 |
| 6 | 101801001 | Plate, Receptacle Backing | 1 |
| 7 | 101832901 | Nut, M10-1.25 Hex Flange | 2 |
| 8 | 102770701 | Bracket, Reel, Tabbed | 1 |
| 9 | 102942601 | Asm, Plate, Charger Mounting | 1 |
| 10 | 103352701 | Asm, Shield, Iq Plus Ob Chgr, | 1 |
| 11 | 304 | Screw, 1/4-20 X 1.0 Hex-Head Cap | 4 |
| 12 | 7847 | Screw, 1/4-20 X 0.75 Hex-Head Cap | 4 |
| 13 | 8233 | Locknut, 1/4-20, Nylon Insert | 8 |
| 14 | 8796 | Screw, #7-19 X 0.75 Pan-Head Type AB | 4 |

16

E

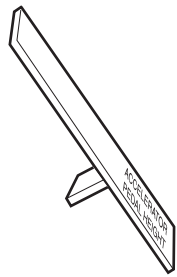
16

E

MAINTENANCE AND SERVICE TOOLS

17
G
E

17
G
E



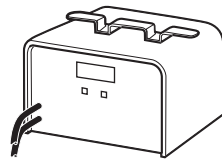
1



2



3



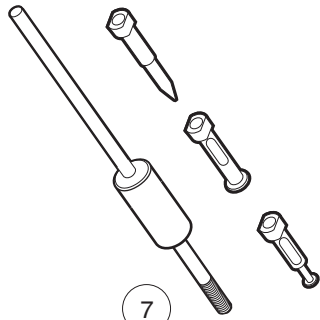
4



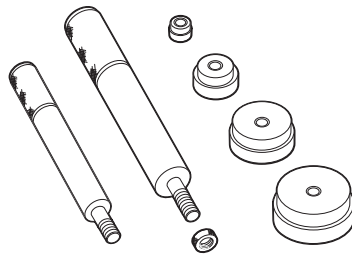
5



6



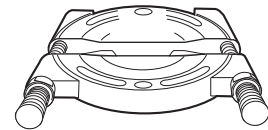
7



8



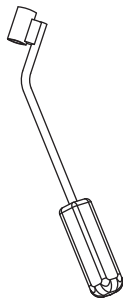
9



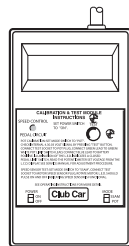
10



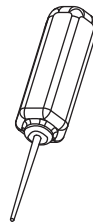
11



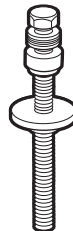
12



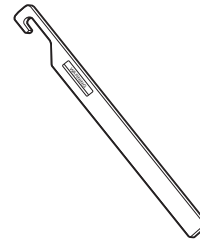
13



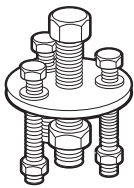
14



15



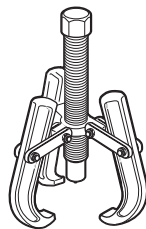
16



17



18



19



20



21

001600-001

MAINTENANCE AND SERVICE TOOLS

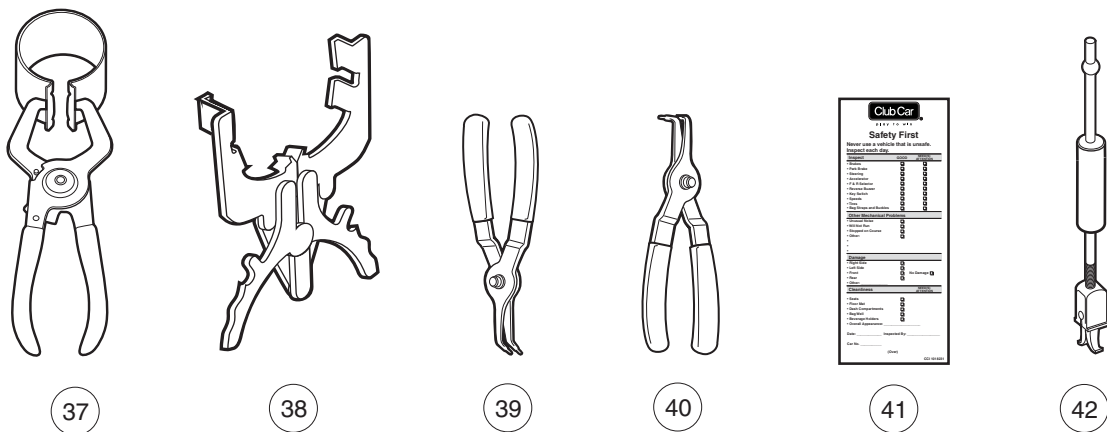
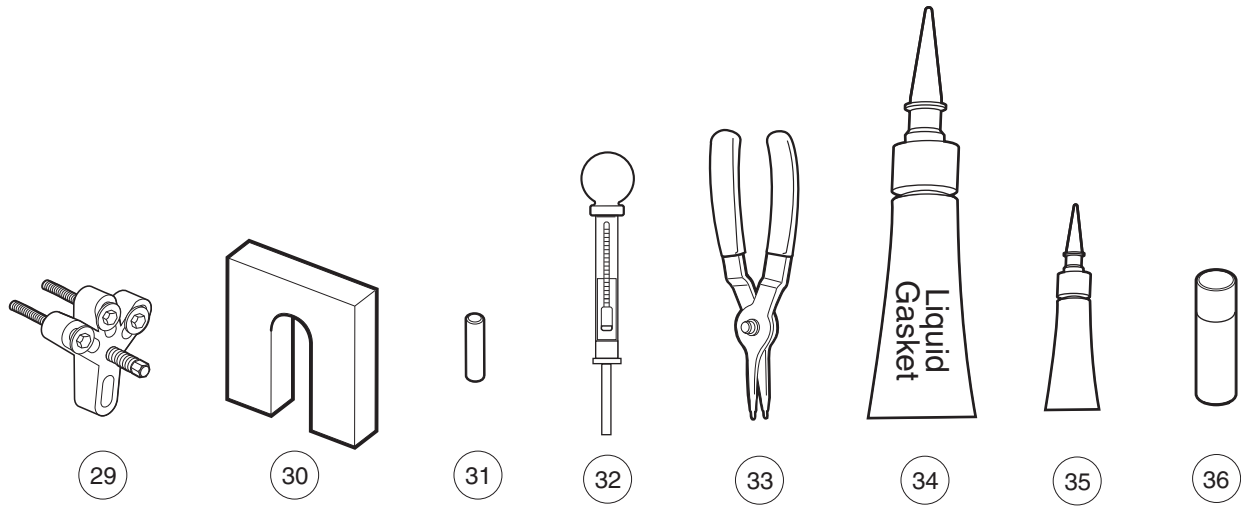
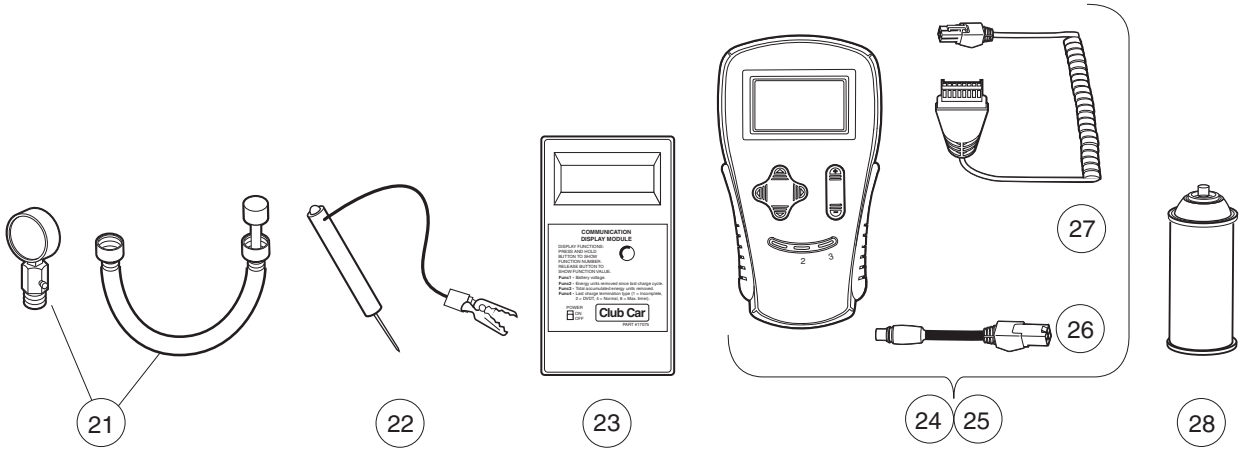
| ITEM | PART NO. | DESCRIPTION | QTY GAS | QTY ELEC |
|------|-----------|--|------------|-------------|
| | | <p>1 2 3 4</p> <p>The following tool list includes all tools available from Club Car to perform maintenance and service procedures on all electric utility vehicles and all gasoline utility vehicles equipped with Kawasaki FE-series engines. Be sure to carefully examine the tool list for applicability to your vehicle before ordering.</p> | | |
| 1 | 101871001 | Accelerator Pedal Adjustment Tool (Utility Vehicles)..... | 1 | 1 |
| 2 | 101813202 | Adhesive, Guide Ring, 3-Gram Tube | | 1 |
| 3 | 101641202 | Arbor | 1 | |
| 4 | 101831901 | Battery Discharge Machine, 36/48 Volt | | 1 |
| 5 | 1014305 | Battery Terminal Protector Spray | 1 | 1 |
| 6 | 1011767 | Battery Thermometer | 1 | 1 |
| 7 | 1016417 | Bearing and Oil Seal Remover Assembly | 1 | 1 |
| 8 | 1016416 | Bearing Driver Set | 1 | 1 |
| 9 | 1012811 | Bearing Puller | 1 | 1 |
| 10 | 1012812 | Bearing Puller Wedge Attachment | 1 | 1 |
| 11 | 1013582 | Brake Adjustment Tool (used only on vehicles with manually adjusted mechanical brakes) | 1 | 1 |
| 12 | 102555501 | Brake Cable Release Tool | 1 | 1 |
| 13 | 101887101 | Calibration Test Module | | 1 |
| 14 | 102562401 | Charger Bezel Tool | | 1 |
| | | Clutch Tools (items 14 - 20) | 1 | |
| 15 | 101808401 | Clutch Cam Installation Tool (for Kawasaki engines) | 1 | |
| 16 | 1015524 | Drive Clutch Holder Tool Assembly (for Kawasaki engines) | 1 | |
| 17 | 1014497 | Drive Clutch Hub Puller (for Kawasaki engines) | 1 | |
| 18 | 1014496 | Drive Clutch Puller (for Kawasaki engines) | 1 | |
| 19 | 1014508 | Driven Clutch Cam Puller (for Kawasaki engines) | 1 | |
| 20 | 1014507 | Driven Clutch Puller Plug (for Kawasaki engines) | 1 | |
| 21 | 101809101 | Press Weldment (for Kawasaki engines) | 1 | |
| | | <p>Please refer to the maintenance and service manual for proper tool application.</p> | | |

17

G

E

17
G
E



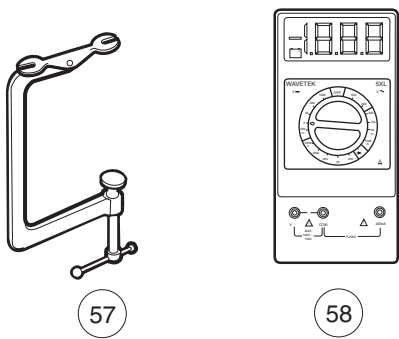
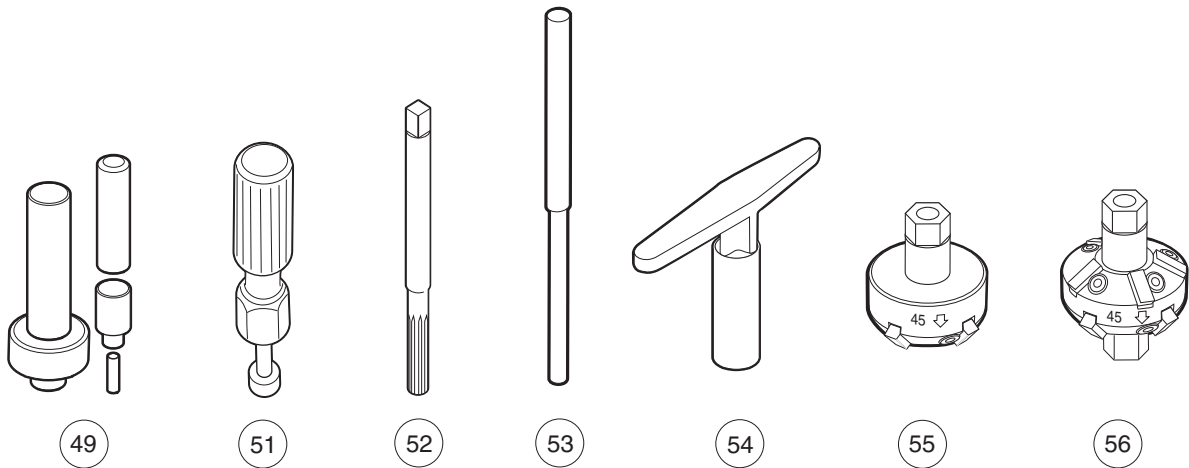
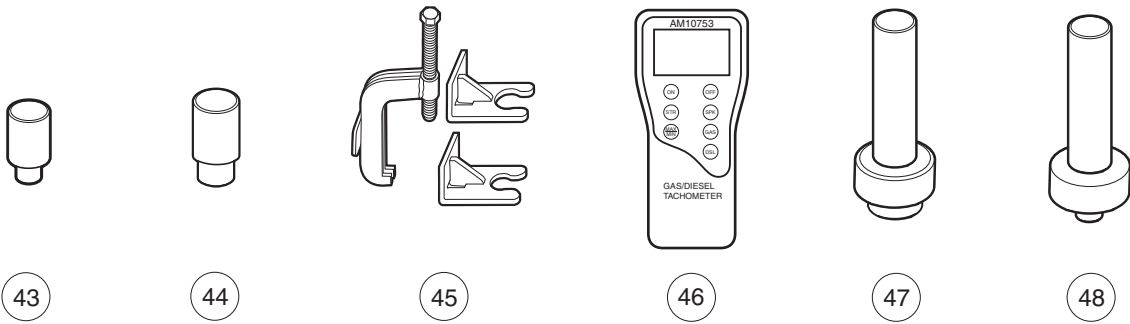
001601-001

MAINTENANCE AND SERVICE TOOLS, CONTINUED

| ITEM | PART NO. | DESCRIPTION | QTY GAS | QTY ELEC |
|------|-----------|--|---------|----------|
| | | 1 2 3 4 | | |
| 21 | 101641002 | Compression Gauge and Adapter | 1 | |
| 22 | 1011273 | Continuity Tester | 1 | 1 |
| 23 | 101831801 | Communication Display Module | | 1 |
| 24 | 102248803 | IQ Display Module (IQDM) Kit (IQ System and IQ Plus vehicles) | | 1 |
| | | (includes items 54 and 55) | | |
| 25 | 102248804 | IQ Display Module (IQDM-P) Kit (IQ System and IQ Plus vehicles) | | 1 |
| | | (includes items 54 and 55) | | |
| 26 | 102251501 | Adaptor, Cable | | 1 |
| 27 | 102241502 | IQDM Series 2 Cable | | 1 |
| 28 | 1012151 | Dry Moly Lubricant | 1 | 1 |
| 29 | 1016627 | Flywheel Puller Kit (for Kawasaki Engines) | 1 | |
| 30 | 1016418 | Gear Yoke | 1 | 1 |
| 31 | 101933101 | Governor Shaft Installation Tool (for Kawasaki Engine Vehicles) | 1 | |
| 32 | 1011478 | Hydrometer | 1 | 1 |
| 33 | 1013593 | Internal Retaining Ring Pliers | 1 | 1 |
| 34 | 101928701 | Liquid Gasket (transaxle case) | 1 | 1 |
| 35 | 102243402 | Moly-Teflon Lubricant (4-oz. (113-gram) tube) | | 1 |
| 36 | 101997201 | Paint, Touch-Up ,Äi Beige* | 1 | 1 |
| 36 | 101997207 | Paint, Touch-Up ,Äi Black* | 1 | 1 |
| 36 | 101997212 | Paint, Touch-Up ,Äi Burgundy* | 1 | 1 |
| 36 | 101997211 | Paint, Touch-Up ,Äi Classic Blue (Navy)* | 1 | 1 |
| 36 | 101997205 | Paint, Touch-Up ,Äi Dark Gray* | 1 | 1 |
| 36 | 101997209 | Paint, Touch-Up ,Äi Dark Green* | 1 | 1 |
| 36 | 101997204 | Paint, Touch-Up ,Äi Gray* | 1 | 1 |
| 36 | 101997203 | Paint, Touch-Up ,Äi Red* | 1 | 1 |
| 36 | 101997206 | Paint, Touch-Up ,Äi Royal Blue (Pacific Blue)* | 1 | 1 |
| 36 | 101997202 | Paint, Touch-Up ,Äi White* | 1 | 1 |
| 37 | 1016414 | Piston Ring Compressor Kit | 1 | |
| 38 | 1016415 | Piston Ring Pliers | 1 | |
| 39 | 1012549 | Retaining Ring Pliers, 45→ External | 1 | 1 |
| 40 | 1012560 | Retaining Ring Pliers, 90→ Internal | 1 | 1 |
| 41 | 101823101 | Safety First Card (50 per pack) | 1 | 1 |
| 42 | 1012809 | Seal Puller | 1 | 1 |
| | | Please refer to the maintenance and service manual for proper tool application. | | |

17
G
E

17
G
E



001602-001

MAINTENANCE AND SERVICE TOOLS, CONTINUED

| ITEM | PART NO. | DESCRIPTION | QTY GAS | QTY ELEC |
|------|-----------|--|------------|-------------|
| | | 1 2 3 4 | | |
| 43 | 1014264 | Steering Column Bearing Press Tool | 1 | 1 |
| 44 | 1014259 | Steering Column Retaining Ring Tool | 1 | 1 |
| 45 | 102061201 | Steering Wheel Puller Tool | 1 | 1 |
| 46 | AM10753 | Tachometer (includes gasoline engine pick up lead only) | 1 | |
| 47 | 1014162 | Transaxle Axle Seal Tool (for electric vehicles) | | 1 |
| 48 | 1014161 | Transaxle Pinion Seal Tool (for electric vehicles) | | 1 |
| 49 | 1014115 | Transmission Tool Kit (for electric vehicles)..... | | 1 |
| 50 | 101611003 | Tune-Up Kit, All OHV (for FE290, FE350, FE400 only) (includes air filter, spark plug, oil filter, fuel filters) (not shown) | 1 | |
| 51 | 1016413 | Valve Clearance Adjuster Screw Holder (for FE290 engines only) | 1 | |
| 52 | 101641201 | Valve Guide Reamer (FE290, FE350, and FE400 only)..... | 1 | |
| 53 | 1016552 | Valve Seat Cutter Guide | 1 | |
| 54 | 1016551 | Valve Seat Cutter T-Wrench | 1 | |
| 55 | 1016553 | Valve Seat Cutter, 45→× (32 mm diameter) (for FE290 engines only) | 1 | |
| 56 | 1016554 | Valve Seat Cutter, 45→×/30→× (35 mm diameter) | 1 | |
| 57 | 101641101 | Valve Spring Compressor | 1 | |
| 58 | 1011480 | Volt Ohm Meter | 1 | 1 |
| | | Please refer to the maintenance and service manual for proper tool application. | | |

17
G
E

INDEX

Part Number and Page

| | | | | | |
|-----------|--|---------|---|-----------|--------------------------------|
| AM10753 | 17-7 | 7251 | 1-3, 1-11 | 1010434 | 1-3, 1-5, 1-15 |
| AM10080 | 12-9 | 7270 | 6-17 | 1010435 | 1-3, 1-31, 1-41, 1-43 |
| AM10081 | 12-9 | 7274 | 6-13 | 1010543 | 1-17 |
| AM10419 | 11-9 | 7308 | 6-13 | 1010546 | 1-3 |
| AM1220301 | 8-3 | 7310 | 2-3, 2-5 | 1010577 | 8-17 |
| AM1232301 | 8-3, 8-7 | 7311 | 1-25, 1-27, 6-25 | 1010805 | 5-3 |
| AM1243501 | 4-35 | 7330 | 12-11, 15-3 | 1010829 | 5-13, 5-15 |
| AM1243701 | 4-31, 4-33, 4-35 | 7335 | 12-9, 15-3 | 1010850 | 5-11, 5-17 |
| AM1243801 | 4-31, 4-33, 4-35 | 7336 | 15-3 | 1010877 | 5-3 |
| AM1264001 | 1-49 | 7473 | 1-3, 1-25, 1-27, 1-31, 1-37, 1-41, 1-43, 1-47, 1-55, 1-85, 4-5, 4-7, 5-3, 5-5, 5-7, 5-13, 5-15, 6-25, 7-15, 7-17, 7-21 | 1010878 | 1-33, 5-3 |
| AM1290701 | 1-73 | 7479 | 1-37 | 101090801 | 13-11, 13-13, 13-15, 13-17 |
| AM1304001 | 1-57 | 7561 | 1-41, 1-43 | 1010909 | 4-5, 4-29 |
| AM1304101 | 1-57 | 7577 | 16-3, 16-5, 16-7, 16-9 | 1010921 | 1-25, 1-27, 5-3 |
| AM1304201 | 1-57 | 7591 | 4-5, 4-7 | 1010927 | 5-3 |
| AM1304301 | 1-57 | 7716 | 5-3 | 1010932 | 5-3 |
| AM1304401 | 1-57 | 7818 | 7-15, 7-17 | 1010933 | 5-3 |
| AM1304501 | 1-57 | 7820 | 4-37 | 1010934 | 1-37, 1-45, 1-51, 7-21, 14-3 |
| AM1304601 | 1-57 | 7840 | 6-13 | 1010954 | 7-15, 7-17, 12-7, 12-13, 12-19 |
| AM1304801 | 1-57 | 7847 | 1-9, 1-53, 10-3, 16-7, 16-9, 16-11 | 1010984 | 2-3, 2-5 |
| AM1304901 | 1-57 | 7893 | 4-5, 4-9, 4-11, 4-29, 7-15, 7-17, 12-5 | 1011014 | 1-3 |
| AM1305001 | 1-57 | 7910 | 6-13 | 1011017 | 1-3, 4-21 |
| AM1305101 | 1-57 | 7973 | 1-7, 9-17 | 1011084 | 5-9 |
| AM1305201 | 1-57 | 8057 | 7-15, 7-17, 7-19, 12-3 | 1011114 | 5-11, 5-17 |
| SVP120402 | 1-41 | 8058 | 7-15, 7-17, 7-19, 12-3 | 1011137 | 5-11 |
| SVP183302 | 1-43 | 8067 | 6-13 | 1011154 | 5-11, 5-17 |
| SVP277402 | 13-19 | 8104 | 4-9, 4-11, 12-3 | 1011229 | 4-5, 4-7 |
| 183 | 4-5, 4-7, 4-9, 4-11, 4-29, 4-35, 7-17, 9-3, 9-7, 9-17, 11-5, 11-7, 12-7, 12-13, 12-19 | 8233 | 1-25, 1-27, 1-33, 1-53, 4-31, 4-33, 4-37, 4-39, 5-5, 5-7, 6-25, 7-13, 9-15, 12-5, 12-7, 12-13, 12-19, 16-7, 16-9, 16-11 | 1011273 | 17-5 |
| 304 | 4-37, 12-5, 16-11 | 8248 | 1-11, 7-13 | 1011280 | 4-5, 4-7 |
| 324 | 4-31, 4-33 | 8251 | 1-29 | 1011291 | 12-11 |
| 332 | 1-15, 1-17, 1-33, 1-37, 1-53, 4-31, 4-33, 4-37, 7-13, 9-19, 10-3 | 8294 | 4-37 | 1011298 | 5-11, 5-17 |
| 334 | 5-5, 5-7, 6-3, 6-5, 8-17, 11-5, 11-7 | 8450 | 7-17, 11-5, 11-7 | 1011303 | 5-11, 5-17 |
| 357 | 1-45, 6-17, 6-19, 6-25 | 8639 | 4-35, 9-17, 12-5, 13-25 | 1011314 | 5-11, 5-17 |
| 451 | 5-11, 5-17, 10-3, 14-3 | 8717 | 5-5, 5-7, 7-15, 7-17, 12-3, 12-7, 12-13, 12-19 | 1011382 | 4-13, 4-15, 4-17 |
| 705 | 1-41, 1-43, 1-45, 8-17 | 8745 | 6-17 | 1011393 | 6-13 |
| 706 | 1-45, 6-17, 6-19 | 8754 | 1-33, 1-41, 1-43, 5-5, 5-7, 6-3, 6-5, 6-15, 6-17, 6-19, 6-21, 6-23, 7-11 | 1011394 | 1-3 |
| 808 | 6-25, 11-5, 11-7 | 8755 | 1-33, 6-17, 6-19, 6-21 | 1011402 | 5-3 |
| 1016 | 4-5, 4-9, 4-11, 4-29, 7-17, 9-3, 9-7 | 8796 | 16-11 | 1011415 | 6-21, 6-23 |
| 1017 | 4-3, 7-17 | 8797 | 9-3, 9-7 | 1011418 | 5-3 |
| 1028 | 5-3 | 8861 | 6-15, 6-25 | 1011439 | 4-5, 4-7 |
| 1032 | 5-3 | 8963 | 1-25, 1-27 | 101146302 | 5-11, 5-17 |
| 1108 | 1-37 | 8990 | 1-41, 1-43, 4-9, 4-11, 4-25, 4-27, 4-33, 4-39, 6-3, 7-15, 7-17, 13-25 | 1011464 | 5-11, 5-17 |
| 1218 | 1-25, 1-27, 1-47 | 1010005 | 6-13 | 1011465 | 5-11, 5-17 |
| 1241 | 1-3, 1-25, 1-27, 1-45, 1-51, 4-5, 4-7, 5-3, 5-5, 5-7, 5-15, 7-11, 7-15, 7-17, 7-21, 10-3 | 1010028 | 12-3 | 1011466 | 5-11, 5-17 |
| 1242 | 1-45, 1-51, 5-13, 5-15, 7-11, 7-15, 7-17 | 1010086 | 1-37 | 1011467 | 5-11, 5-17 |
| 1620 | 4-3 | 1010124 | 6-17, 6-19 | 1011478 | 17-5 |
| 1624 | 5-5, 5-7, 6-3, 7-11 | 1010138 | 6-15 | 1011480 | 17-7 |
| 1631 | 9-17 | 1010145 | 6-21, 6-23 | 1011494 | 5-11, 5-17 |
| 2402 | 6-15, 6-17, 6-19 | 1010150 | 6-17, 6-19 | 1011546 | 1-49 |
| 4029 | 4-37 | 1010200 | 6-19 | 1011553 | 1-45, 1-51 |
| 7048 | 6-13 | 1010237 | 1-25, 1-27 | 1011557 | 4-5, 4-7 |
| 7173 | 1-11, 4-5, 4-7, 6-25, 7-21 | | | 1011578 | 6-5 |
| 7174 | 1-45, 1-51, 6-7, 7-11, 9-15, 10-3, 14-3 | | | 1011582 | 4-41 |
| | | | | 1011590 | 4-9 |
| | | | | 1011694 | 5-5, 5-7 |
| | | | | 1011697 | 1-55, 6-5, 8-17, 9-15 |
| | | | | 1011734 | 5-9 |

INDEX

| | | | | | |
|-----------|--|-----------|--------------------------------|-----------|------------------------------------|
| 1011767 | 17-3 | 1012812 | 17-3 | 1014007 | 5-5, 5-7, 9-15, 12-7, 12-13, 12-19 |
| 1011779 | 5-13, 5-15 | 1012830 | 7-11, 9-15, 10-3 | 1014049 | 11-5, 11-7 |
| 1011825 | 4-37 | 1012836 | 11-9 | 1014050 | 11-5, 11-7 |
| 1011852 | 1-25, 1-27 | 1012896 | 12-7 | 1014051 | 11-5 |
| 1011862 | 1-25, 1-27 | 1013035 | 6-3 | 1014052 | 11-5, 11-7 |
| 1011865 | 1-25, 1-27 | 1013042 | 6-3, 6-15 | 1014055 | 11-5, 11-7 |
| 1011868 | 1-25, 1-27 | 1013044 | 6-3 | 1014056 | 11-5, 11-7 |
| 101187702 | 5-3 | 1013052 | 6-3 | 1014057 | 11-5, 11-7 |
| 1011878 | 1-11 | 1013061 | 12-3, 12-7, 12-13, 12-19, 13-7 | 1014058 | 11-5, 11-7 |
| 1011883 | 1-25, 1-27 | 101313402 | 9-9 | 1014059 | 11-5, 11-7 |
| 1011887 | 6-13 | 1013135 | 6-13 | 1014062 | 11-5, 11-7 |
| 1011892 | 6-13 | 1013207 | 6-21 | 1014063 | 11-5, 11-7, 16-11 |
| 1011897 | 1-23 | 1013309 | 1-17 | 1014065 | 7-15, 7-17, 11-5, 11-7 |
| 1011931 | 5-5, 5-7 | 1013311 | 1-17 | 1014070 | 11-9 |
| 1011937 | 1-25, 1-27 | 1013312 | 1-17 | 1014072 | 11-9 |
| 1011942 | 1-25, 1-27 | 1013343 | 1-7 | 1014078 | 11-9 |
| 1011964 | 1-25, 1-27 | 1013344 | 1-7 | 1014080 | 11-9 |
| 1011990 | 1-41, 1-43, 1-45 | 1013357 | 4-5, 4-7, 13-5 | 1014115 | 17-7 |
| 1012008 | 1-25, 1-27 | 1013413 | 1-33 | 1014116 | 9-3, 9-7 |
| 1012098 | 16-3, 16-5, 16-7, 16-9 | 1013420 | 1-9 | 1014119 | 7-3, 7-5, 7-15, 7-17 |
| 1012101 | 16-3, 16-5, 16-7, 16-9 | 1013422 | 1-9 | 1014125 | 6-5 |
| 1012151 | 17-5 | 1013461 | 9-3, 9-7 | 1014126 | 6-5 |
| 1012180 | 6-21 | 1013462 | 9-3, 9-7 | 1014145 | 7-15, 7-17 |
| 1012181 | 6-23 | 1013483 | 1-45 | 1014153 | 5-11, 5-17 |
| 1012182 | 6-23 | 1013494 | 4-13, 4-15, 4-17 | 1014161 | 17-7 |
| 1012285 | 1-53, 4-39, 9-3, 9-7, 9-9, 9-15 | 1013509 | 4-31, 4-33 | 1014162 | 17-7 |
| 1012295 | 7-15, 7-17 | 1013531 | 5-15 | 1014201 | 14-3 |
| 1012303 | 1-33, 6-17, 6-19, 6-21, 6-23 | 1013579 | 4-39 | 1014207 | 12-11 |
| 1012304 | 6-21 | 1013582 | 17-3 | 1014213 | 6-5 |
| 1012333 | 12-5 | 1013589 | 7-15, 7-17 | 1014214 | 6-5 |
| 1012382 | 7-3, 7-5 | 1013593 | 17-5 | 1014217 | 6-5 |
| 1012396 | 4-13, 4-15, 7-3, 7-5 | 1013609 | 7-15, 7-17 | 1014259 | 17-7 |
| 1012431 | 7-15, 7-17 | 1013677 | 3-5 | 1014264 | 17-7 |
| 1012438 | 4-7, 4-35, 9-17 | 1013687 | 9-3, 9-7 | 1014276 | 6-17, 6-19 |
| 1012505 | 4-13, 4-15, 4-17 | 1013700 | 9-15 | 1014287 | 11-5, 11-7 |
| 1012528 | 10-3, 13-23 | 1013734 | 10-3, 13-23 | 1014288 | 6-5, 7-21, 11-5, 11-7, 16-11 |
| 1012549 | 17-5 | 1013746 | 9-3, 9-7, 9-9, 9-13 | 1014305 | 17-3 |
| 1012560 | 17-5 | 1013760 | 12-7 | 1014306 | 1-53, 4-39 |
| 1012565 | 6-11 | 1013768 | 12-11 | 1014321 | 1-29 |
| 1012566 | 6-11 | 1013769 | 12-11 | 1014375 | 7-21 |
| 1012571 | 1-47, 8-17, 13-11, 13-13, 13-15, 13-17 | 1013770 | 12-11 | 1014387 | 1-29 |
| 1012604 | 6-5 | 1013771 | 12-11 | 1014435 | 1-23 |
| 1012605 | 6-5 | 1013772 | 12-11 | 101444101 | 1-23 |
| 1012640 | 2-7 | 1013773 | 12-11 | 1014453 | 11-5, 11-7 |
| 1012641 | 2-7 | 1013774 | 12-11 | 1014454 | 11-9 |
| 1012642 | 2-7 | 1013787 | 12-11 | 1014471 | 1-31 |
| 1012649 | 9-3, 9-5, 9-7, 9-9 | 1013792 | 12-11 | 1014496 | 17-3 |
| 1012711 | 12-7 | 1013794 | 12-11, 15-3 | 1014497 | 17-3 |
| 1012714 | 12-9 | 1013824 | 1-11 | 1014503 | 1-25, 1-27 |
| 1012740 | 12-9 | 1013825 | 1-11 | 1014506 | 1-25 |
| 1012741 | 12-9 | 1013846 | 1-11 | 101450698 | 1-27 |
| 1012747 | 12-9 | 1013869 | 5-3 | 1014507 | 17-3 |
| 1012748 | 12-9 | 1013870 | 5-3 | 1014508 | 17-3 |
| 1012752 | 12-7 | 1013872 | 1-33 | 1014509 | 1-25 |
| 1012809 | 17-5 | 1013876 | 5-3 | 101450903 | 1-27 |
| 1012811 | 17-3 | 1013924 | 5-11, 5-17, 8-17 | 1014530 | 4-37 |

INDEX

| | | | | | |
|-----------|----------------------------|-----------|------------------------------|-----------|----------------------|
| 1014555 | 6-21, 6-23 | 1015649 | 8-5 | 101641002 | 17-5 |
| 1014771 | 2-3 | 1015654 | 1-37 | 101641101 | 17-7 |
| 1014807 | 7-15, 7-17, 7-19, 12-3 | 1015656 | 1-37 | 101641201 | 17-7 |
| 1014808 | 7-15, 7-19, 12-3 | 101565703 | 1-37 | 101641202 | 17-3 |
| 1014902 | 6-23 | 101565704 | 1-37 | 1016413 | 17-7 |
| 1014948 | 7-15, 7-17 | 1015720 | 13-23 | 1016414 | 17-5 |
| 1015010 | 4-35 | 1015727 | 1-33 | 1016415 | 17-5 |
| 101503202 | 1-7 | 1015737 | 7-3, 7-5, 7-15, 7-17 | 1016416 | 17-3 |
| 1015072 | 13-11, 13-13, 13-15, 13-17 | 1015741 | 4-5, 4-7, 7-15, 7-17 | 1016417 | 17-3 |
| 1015075 | 1-3 | 1015752 | 4-41, 7-15, 7-17, 9-19, 13-3 | 1016418 | 17-5 |
| 1015137 | 9-3, 9-7, 9-9, 9-13 | 1015760 | 6-25 | 1016423 | 4-5, 4-7, 7-15, 7-17 |
| 1015139 | 9-3, 9-7, 9-17 | 1015765 | 4-31 | 101642575 | 9-11 |
| 1015143 | 9-3 | 1015768 | 4-35 | 101642578 | 9-11 |
| 1015153 | 4-31 | 1015770 | 4-35 | 101642580 | 9-11 |
| 1015154 | 4-31 | 1015814 | 10-3 | 101642582 | 9-11 |
| 1015156 | 4-31, 4-33, 4-35 | 101584502 | 9-15 | 101642585 | 9-11 |
| 1015157 | 4-31, 4-33 | 1015878 | 7-15, 7-17, 7-19, 12-3 | 1016429 | 8-9 |
| 1015160 | 4-31, 4-33 | 1015914 | 16-3, 16-5, 16-7, 16-9 | 1016432 | 8-9, 12-7 |
| 1015162 | 4-31 | 1015917 | 16-3, 16-7, 16-9 | 1016436 | 8-11 |
| 1015167 | 4-35 | 1015921 | 9-3, 9-7 | 1016437 | 9-11 |
| 1015170 | 4-35 | 1015932 | 7-11 | 1016438 | 9-13 |
| 1015172 | 4-31, 4-33 | 1015969 | 8-5 | 1016440 | 8-11, 9-13 |
| 1015187 | 4-31, 4-33, 4-35 | 1016074 | 7-11 | 1016441 | 9-13 |
| 101524002 | 7-11 | 1016077 | 1-37 | 1016444 | 9-13 |
| 1015332 | 7-3, 7-5, 8-5 | 101609401 | 1-41, 1-43, 3-3, 3-7 | 1016449 | 8-11 |
| 1015345 | 7-15, 7-17 | 101611003 | 17-7 | 1016450 | 8-11 |
| 1015371 | 7-15 | 101611402 | 15-5 | 1016451 | 8-11 |
| 1015372 | 7-15, 7-17 | 1016154 | 6-11 | 1016452 | 8-11 |
| 1015373 | 7-15, 7-17 | 1016183 | 6-5 | 1016453 | 8-13 |
| 1015392 | 13-9 | 1016201 | 11-5, 11-7 | 1016454 | 8-13 |
| 1015399 | 1-85 | 1016214 | 6-11 | 1016455 | 8-7 |
| 1015405 | 1-3, 7-15, 7-17 | 1016230 | 4-35 | 1016456 | 8-5 |
| 1015426 | 9-19 | 1016267 | 4-35 | 1016457 | 8-9 |
| 1015445 | 1-45 | 1016269 | 6-5 | 1016458 | 8-11 |
| 1015453 | 6-25 | 1016287 | 4-35 | 1016470 | 8-15 |
| 1015457 | 6-25 | 1016289 | 11-5, 11-7 | 1016472 | 8-13 |
| 101547601 | 3-7 | 1016319 | 5-13 | 1016473 | 8-9 |
| 1015507 | 1-33 | 1016320 | 5-13 | 1016474 | 8-11 |
| 1015524 | 17-3 | 1016337 | 12-9 | 1016479 | 8-11 |
| 1015526 | 4-31, 4-33, 4-35 | 1016338 | 12-9 | 101648102 | 9-13 |
| 1015528 | 4-13, 4-15, 4-17 | 1016346 | 6-15 | 101648203 | 8-9 |
| 1015530 | 1-53 | 1016349 | 6-15 | 1016483 | 8-11 |
| 101553901 | 1-37, 3-3, 3-7 | 1016350 | 6-15 | 1016486 | 9-11 |
| 1015583 | 1-33, 6-17, 6-19 | 1016351 | 6-15 | 1016489 | 8-11 |
| 101558302 | 6-21, 6-23 | 1016353 | 6-15 | 101649002 | 9-13 |
| 1015597 | 6-13 | 1016356 | 4-5, 4-7, 13-5 | 1016494 | 8-13 |
| 1015613 | 6-25 | 1016363 | 4-7 | 1016496 | 8-13 |
| 1015614 | 6-25 | 1016365 | 4-25, 4-27 | 1016499 | 9-11 |
| 101562711 | 1-17 | 1016366 | 4-7 | 1016501 | 9-11 |
| 101562712 | 1-17 | 1016379 | 1-55 | 1016502 | 8-9 |
| 101562714 | 1-17 | 1016384 | 6-17, 6-19 | 1016506 | 8-13 |
| 101562715 | 1-17 | 1016385 | 6-15 | 1016507 | 8-5 |
| 101564501 | 1-17 | 1016386 | 6-17, 6-19 | 1016510 | 8-13 |
| 101564502 | 1-17 | 1016387 | 6-17, 6-19 | 1016513 | 12-7 |
| 101564503 | 1-17 | 1016389 | 6-17, 6-19 | 101651406 | 2-3 |
| 101564505 | 1-17 | 1016401 | 7-3, 7-15 | 101651407 | 2-3 |

INDEX

| | | | | | |
|-----------|------------------|-----------|------------------|-----------|--------------------|
| 101651414 | 2-3 | 101675514 | 1-19 | 1017077 | 1-31 |
| 101651418 | 2-3 | 101675515 | 1-19 | 101707801 | 3-5, 3-9 |
| 101651419 | 2-3 | 101677701 | 1-19 | 1017079 | 1-55 |
| 1016517 | 8-11 | 101677702 | 1-19 | 1017080 | 1-3 |
| 1016519 | 8-11 | 101677703 | 1-19 | 1017082 | 12-7, 12-13, 12-19 |
| 1016521 | 8-13 | 101677705 | 1-19 | 1017117 | 1-37 |
| 1016531 | 8-5 | 1016801 | 11-5, 11-7 | 101711801 | 1-37 |
| 1016535 | 8-13 | 1016813 | 6-25 | 101711802 | 1-37 |
| 1016537 | 8-9 | 1016814 | 6-25 | 1017187 | 16-11 |
| 1016538 | 8-13 | 1016837 | 4-31, 4-33 | 1017188 | 11-3 |
| 1016539 | 8-5 | 1016849 | 4-13, 4-15, 4-17 | 1017189 | 16-11 |
| 1016541 | 8-15 | 1016851 | 4-13, 4-15, 4-17 | 1017211 | 5-13 |
| 1016542 | 8-11 | 1016868 | 1-3 | 1017226 | 6-7 |
| 1016544 | 8-7, 8-11, 8-13 | 1016874 | 1-55 | 1017231 | 12-7 |
| 1016545 | 8-11 | 1016875 | 1-55 | 1017239 | 7-17 |
| 1016546 | 9-15 | 1016876 | 1-55 | 1017243 | 7-17 |
| 1016547 | 8-5, 8-15, 9-13 | 1016878 | 1-31 | 1017266 | 6-15 |
| 1016549 | 8-11 | 1016879 | 4-3 | 1017273 | 6-9, 6-11 |
| 1016551 | 17-7 | 1016880 | 4-3 | 101728602 | 1-21 |
| 1016552 | 17-7 | 1016881 | 1-31 | 1017313 | 6-5 |
| 1016553 | 17-7 | 1016883 | 7-11 | 1017314 | 6-5 |
| 1016554 | 17-7 | 1016901 | 11-7 | 1017315 | 6-5 |
| 1016557 | 5-11, 5-17 | 1016904 | 8-11, 10-3 | 1017317 | 6-5 |
| 1016560 | 8-11 | 101691401 | 1-31 | 101734802 | 1-3 |
| 1016561 | 8-7 | 1016916 | 1-37 | 101737002 | 2-3 |
| 1016562 | 8-7, 8-15 | 101692501 | 1-3 | 1017378 | 5-5, 5-7 |
| 1016563 | 8-11 | 101692502 | 1-3 | 1017380 | 5-5, 5-7 |
| 1016564 | 8-13 | 101692506 | 1-3 | 1017424 | 5-5, 5-7 |
| 1016566 | 8-11 | 101692509 | 1-3 | 1017434 | 8-11 |
| 1016569 | 8-11 | 101692510 | 1-3 | 1017442 | 8-9 |
| 1016570 | 8-9 | 101692511 | 1-3 | 1017443 | 8-11 |
| 1016571 | 8-15 | 101692512 | 1-3 | 1017445 | 8-11 |
| 1016572 | 9-13 | 101692513 | 1-3 | 1017448 | 8-7 |
| 1016573 | 5-11, 5-17 | 101692514 | 1-3 | 101744901 | 8-15 |
| 1016576 | 8-9 | 101692515 | 1-3 | 101744902 | 8-15 |
| 1016578 | 8-7 | 1016929 | 4-31, 4-33, 4-35 | 1017450 | 8-15 |
| 1016581 | 8-9 | 101693901 | 1-3 | 101745101 | 8-15 |
| 1016582 | 9-13 | 101693902 | 1-3 | 101745102 | 8-15 |
| 1016583 | 8-11 | 101693906 | 1-3 | 1017453 | 8-15 |
| 1016584 | 8-13 | 101693909 | 1-3 | 1017454 | 8-11 |
| 1016585 | 9-11 | 101693910 | 1-3 | 1017455 | 8-7 |
| 1016587 | 8-7 | 101693911 | 1-3 | 1017456 | 8-9 |
| 1016588 | 8-7 | 101693912 | 1-3 | 101745701 | 8-15 |
| 1016603 | 1-41, 1-43 | 101693913 | 1-3 | 101745702 | 8-15 |
| 1016627 | 17-5 | 101693914 | 1-3 | 1017458 | 8-9 |
| 1016630 | 4-13, 4-15 | 1016952 | 1-9 | 1017460 | 8-9 |
| 1016663 | 1-37 | 1016967 | 1-3, 13-23 | 1017461 | 9-11 |
| 1016672 | 12-11 | 1016997 | 7-17 | 1017463 | 8-7 |
| 1016673 | 16-11 | 1017006 | 7-5, 7-17 | 1017466 | 9-13 |
| 1016679 | 1-53 | 1017029 | 5-3 | 1017471 | 8-15 |
| 101670201 | 3-11, 3-13, 3-15 | 1017062 | 4-3 | 1017472 | 8-13 |
| 1016717 | 4-41 | 1017064 | 4-3 | 1017473 | 8-11 |
| 101674702 | 5-9 | 1017065 | 4-3 | 1017474 | 8-5 |
| 1016751 | 1-19 | 101707402 | 4-9 | 1017475 | 8-5 |
| 101675511 | 1-19 | 101707405 | 4-11 | 1017476 | 8-5 |
| 101675512 | 1-19 | 1017075 | 4-9, 4-11 | 1017486 | 8-5 |

INDEX

| | | | | | |
|-----------|------------------------|-----------|--------------------------|-----------|--------------------------|
| 1017487 | 8-13 | 101821501 | 9-19 | 101839808 | 4-23 |
| 1017490 | 8-7 | 101821601 | 4-35 | 101839809 | 4-23 |
| 1017501 | 8-15 | 101823101 | 17-5 | 101839810 | 4-23 |
| 1017502 | 8-15 | 101824401 | 9-3, 9-5, 9-7 | 101839811 | 4-23 |
| 1017503 | 8-15 | 101825101 | 3-5, 3-9 | 101839812 | 4-23 |
| 1017504 | 8-13 | 101825102 | 3-9 | 101850301 | 6-9, 6-11 |
| 1017507 | 8-9 | 101825103 | 4-21 | 101851101 | 4-13, 4-15, 4-17, 4-23 |
| 1017508 | 8-13 | 101825701 | 9-17 | 101856002 | 4-17 |
| 1017510 | 8-15 | 101826201 | 4-17 | 101856102 | 7-15, 7-17 |
| 1017512 | 8-15 | 101826301 | 4-13 | 101859401 | 10-3 |
| 1017513 | 8-13 | 101826401 | 4-15 | 101861901 | 5-5, 5-7 |
| 1017514 | 8-13 | 101827101 | 8-17 | 101862001 | 5-5 |
| 101751801 | 8-13 | 101828501 | 16-3, 16-5, 16-7, 16-9 | 101865301 | 5-13 |
| 101751802 | 8-13 | 101828801 | 16-3 | 101870401 | 1-3 |
| 101751803 | 8-13 | 101828802 | 16-3 | 101871001 | 17-3 |
| 101754202 | 1-85 | 101828901 | 16-3, 16-5 | 101874601 | 5-13 |
| 101754205 | 1-85 | 101828902 | 16-3, 16-5 | 101878201 | 5-3 |
| 1017686 | 11-9 | 101828903 | 16-3, 16-5 | 101879401 | 6-3 |
| 1017689 | 10-3 | 101829001 | 16-7, 16-9 | 101879501 | 6-3 |
| 101769302 | 2-3 | 101830601 | 4-13, 4-15, 4-17 | 101879601 | 6-3 |
| 101770201 | 1-35 | 101830701 | 4-13, 4-15, 4-17, 4-23 | 101879701 | 6-3 |
| 1017705 | 13-7 | 101831101 | 16-3, 16-7, 16-9 | 101879801 | 6-3 |
| 1017721 | 4-5, 4-29 | 101831401 | 13-15, 13-17 | 101879901 | 6-3 |
| 1017724 | 4-9, 4-11 | 101831801 | 17-5 | 101880001 | 6-3 |
| 101773301 | 8-15 | 101831901 | 17-3 | 101880101 | 6-3 |
| 101773302 | 8-15 | 101832001 | 13-7 | 101880201 | 6-3 |
| 101773303 | 8-15 | 101832202 | 9-15 | 101880301 | 6-3 |
| 101773304 | 8-15 | 101832302 | 9-15 | 101880701 | 5-11, 5-17 |
| 101773305 | 8-15 | 101832601 | 8-17 | 101881501 | 4-39 |
| 101773306 | 8-15 | 101832701 | 8-17 | 101881601 | 4-39 |
| 101773307 | 8-15 | 101832901 | 16-11 | 101881701 | 9-19 |
| 101773308 | 8-15 | 101833101 | 8-17 | 101884801 | 8-17 |
| 101773309 | 8-15 | 101833401 | 11-9 | 101886101 | 9-15, 12-7, 12-13, 12-19 |
| 101773310 | 8-15 | 101833601 | 12-7 | 101887101 | 17-3 |
| 101773311 | 8-15 | 101833902 | 11-5 | 101887601 | 8-5 |
| 1017774 | 1-41, 1-43 | 101833906 | 11-7 | 101889401 | 12-9 |
| 1017853 | 4-5, 4-7 | 101834001 | 11-9 | 101890001 | 12-9 |
| 101791101 | 5-17 | 101834502 | 4-13, 4-15, 4-17, 4-23 | 101890101 | 12-7 |
| 101796201 | 5-5, 5-7 | 101834601 | 8-17 | 101890201 | 12-7 |
| 101796501 | 13-7 | 101834801 | 9-15, 12-7, 12-13, 12-19 | 101890501 | 12-7 |
| 101796801 | 13-7 | 101835601 | 4-25, 4-27 | 101890601 | 12-7 |
| 101801001 | 13-7, 16-11 | 101836201 | 11-9 | 101890901 | 12-11 |
| 101804301 | 4-13, 4-15, 9-17, 9-19 | 101837101 | 9-19 | 101891001 | 12-11 |
| 101806001 | 1-13 | 101837301 | 7-3, 7-5, 7-7, 7-9 | 101891301 | 12-7 |
| 101806002 | 1-13 | 101837401 | 1-39 | 101891401 | 12-11 |
| 101806005 | 1-13 | 101837501 | 1-39 | 101891501 | 12-11 |
| 101808401 | 17-3 | 101838401 | 16-5, 16-9 | 101891601 | 12-9 |
| 101809101 | 17-3 | 101838601 | 16-5, 16-9 | 101891901 | 12-9 |
| 101811301 | 9-17 | 101838701 | 16-7, 16-9 | 101892001 | 12-9 |
| 101811901 | 9-19 | 101839801 | 4-23 | 101892201 | 12-9 |
| 101812301 | 9-19 | 101839802 | 4-23 | 101892301 | 12-9 |
| 101813001 | 9-19 | 101839803 | 4-23 | 101892401 | 12-9 |
| 101813202 | 17-3 | 101839804 | 4-23 | 101892501 | 12-9 |
| 101814601 | 4-33 | 101839805 | 4-23 | 101892601 | 12-9 |
| 101817401 | 5-5, 5-7 | 101839806 | 4-23 | 101892701 | 12-11 |
| 101818801 | 5-7 | 101839807 | 4-23 | 101892901 | 12-7 |

INDEX

| | | | | | |
|-----------|----------------------------------|-----------|---------------|-----------|----------------------------|
| 101893201 | 12-9 | 101932201 | 4-5, 4-7 | 101987901 | 4-3 |
| 101893801 | 12-7 | 101933101 | 17-5 | 101988001 | 4-3 |
| 101893901 | 12-9 | 101933701 | 9-17 | 101988002 | 4-3 |
| 101894303 | 1-17 | 101936101 | 15-5 | 101988101 | 4-3 |
| 101894901 | 13-7 | 101936801 | 13-3 | 101988201 | 4-3 |
| 101895401 | 15-3 | 101942301 | 14-3 | 101990801 | 5-15 |
| 101895501 | 15-3 | 101946201 | 1-29 | 101994301 | 1-65 |
| 101897001 | 15-3 | 101953103 | 5-15 | 101994401 | 1-69 |
| 101897201 | 15-3 | 101953106 | 5-13 | 101994601 | 1-63 |
| 101897401 | 15-3 | 101954301 | 1-17 | 101994801 | 1-67 |
| 101897601 | 15-3 | 101955001 | 6-15 | 101995101 | 1-59 |
| 101898001 | 7-21 | 101955101 | 4-37 | 101997802 | 4-39 |
| 101903601 | 15-3 | 101957101 | 4-5 | 101997803 | 4-39 |
| 101903701 | 15-3 | 101958201 | 16-5 | 101997902 | 4-39 |
| 101906901 | 15-3 | 101958301 | 16-5 | 101997903 | 4-39 |
| 101908101 | 13-9 | 101960001 | 3-3, 3-7 | 102002901 | 13-11, 13-13, 13-15, 13-17 |
| 101908401 | 7-13, 13-9 | 101960501 | 3-7, 7-7, 7-9 | 102003201 | 8-3, 9-3, 9-7 |
| 101910501 | 12-11 | 101963301 | 1-29 | 102005701 | 1-21 |
| 101914001 | 15-5 | 101963401 | 1-29, 8-17 | 102006201 | 1-85 |
| 101914401 | 4-5, 4-7, 16-3, 16-5, 16-7, 16-9 | 101964001 | 1-29 | 102022601 | 6-15 |
| 101915201 | 3-7 | 101964601 | 3-5 | 102022602 | 6-3, 6-15 |
| 101916101 | 8-5 | 101971301 | 9-19 | 102026001 | 5-5, 5-7 |
| 101916301 | 8-7 | 101972001 | 17-5 | 102031901 | 12-11 |
| 101916701 | 7-11 | 101972002 | 17-5 | 102056001 | 1-51 |
| 101917601 | 9-19 | 101972003 | 17-5 | 102061201 | 17-7 |
| 101918501 | 5-3, 5-5, 5-7 | 101972004 | 17-5 | 102065103 | 1-51 |
| 101919801 | 5-5, 5-7 | 101972005 | 17-5 | 102065901 | 1-33, 8-17 |
| 101920101 | 13-3 | 101972006 | 17-5 | 102066001 | 1-33 |
| 101921501 | 9-19 | 101972007 | 17-5 | 102066201 | 6-23 |
| 101922101 | 15-3 | 101972009 | 17-5 | 102076702 | 1-25, 1-27 |
| 101922201 | 15-3 | 101972011 | 17-5 | 102101001 | 13-3 |
| 101922501 | 7-13 | 101972012 | 17-5 | 102101101 | 13-3 |
| 101923001 | 15-3 | 101972101 | 15-3 | 102154201 | 1-41, 1-43 |
| 101923201 | 15-3 | 101972201 | 15-3 | 102154801 | 1-41 |
| 101923501 | 15-3 | 101972801 | 9-19 | 102155801 | 11-9 |
| 101923901 | 15-3 | 101973101 | 9-11 | 102158901 | 5-5, 5-7 |
| 101925601 | 11-5 | 101973301 | 9-11 | 102162601 | 5-15 |
| 101925701 | 9-19 | 101973401 | 9-13 | 102163001 | 1-21 |
| 101926501 | 6-21 | 101973501 | 16-5 | 102163101 | 1-21 |
| 101926802 | 9-17 | 101974701 | 4-23 | 102166901 | 5-15 |
| 101926901 | 12-7 | 101974702 | 4-23 | 102186401 | 14-3 |
| 101927101 | 12-7 | 101974703 | 4-23 | 102196901 | 4-17, 13-5 |
| 101927201 | 12-7 | 101974704 | 4-23 | 102198701 | 4-5 |
| 101927301 | 12-7 | 101974705 | 4-23 | 102199001 | 4-5 |
| 101927501 | 12-9 | 101974706 | 4-23 | 102199201 | 4-5 |
| 101927601 | 12-9 | 101974707 | 4-23 | 102199301 | 4-5 |
| 101927701 | 12-9 | 101974708 | 4-23 | 102199401 | 4-5 |
| 101927901 | 12-9 | 101974709 | 4-23 | 102226901 | 1-41, 1-43 |
| 101928001 | 12-9 | 101974710 | 4-23 | 102235201 | 14-3 |
| 101928101 | 12-9 | 101974711 | 4-23 | 102240501 | 13-23 |
| 101928301 | 12-11 | 101974712 | 4-23 | 102241502 | 17-5 |
| 101928601 | 12-7 | 101978601 | 15-5 | 102242101 | 11-9 |
| 101928701 | 12-7, 15-3, 17-5 | 101980801 | 12-9 | 102242401 | 1-25, 1-27 |
| 101929401 | 6-21 | 101980901 | 12-9 | 102243402 | 17-5 |
| 101929501 | 9-3, 9-7 | 101981001 | 12-9 | 102243403 | 14-3 |
| 101929802 | 11-5, 11-7 | 101984801 | 6-5 | 102248803 | 17-5 |

INDEX

| | | | | | |
|-----------|----------------------------|-----------|----------------------------|-----------|--------------------|
| 102251501 | 17-5 | 102774501 | 13-23 | 102898801 | 12-15, 12-21 |
| 102259401 | 1-33 | 102774701 | 13-23 | 102898901 | 12-15, 12-21 |
| 102262901 | 1-57 | 102775101 | 14-3 | 102899001 | 12-15, 12-21 |
| 102264501 | 1-57 | 102787101 | 9-5 | 102899101 | 12-13, 12-19 |
| 102272601 | 1-61 | 102803401 | 7-17 | 102899201 | 12-13, 12-19 |
| 102275401 | 16-3, 16-5, 16-7, 16-9 | 102817101 | 13-23 | 102899301 | 12-15, 12-21 |
| 102278001 | 6-5 | 102817201 | 13-23 | 102899401 | 12-13, 12-19 |
| 102289201 | 6-3, 6-15 | 102838101 | 13-9, 16-3, 16-7 | 102899501 | 12-15, 12-21 |
| 102292801 | 5-13, 5-15 | 102838401 | 8-7 | 102899601 | 12-15, 12-21 |
| 102304801 | 8-11 | 102838701 | 7-7, 7-9 | 102899701 | 12-13, 12-19 |
| 102323101 | 5-3, 5-13, 5-15 | 102838801 | 7-7, 7-9 | 102899801 | 12-13, 12-19 |
| 102323201 | 5-3, 5-13, 5-15 | 102838901 | 7-7, 7-9 | 102899901 | 12-15, 12-21 |
| 102336001 | 9-15 | 102839001 | 7-7, 7-9 | 102900001 | 12-13, 12-19 |
| 102336101 | 9-15 | 102839301 | 7-7, 7-9 | 102900101 | 12-13, 12-19 |
| 102354901 | 4-25, 4-27 | 102841101 | 7-7, 7-9 | 102900201 | 12-13, 12-19 |
| 102355301 | 7-21 | 102844601 | 7-7, 7-9 | 102900301 | 12-13, 12-19 |
| 102356601 | 15-3 | 102844701 | 7-7, 7-9 | 102900401 | 12-15, 12-21 |
| 102356801 | 15-3 | 102845101 | 3-3 | 102900501 | 12-15, 12-21 |
| 102376001 | 12-3 | 102845203 | 13-11, 13-15 | 102900601 | 12-13, 12-19 |
| 102406701 | 9-3, 9-7 | 102845204 | 13-13, 13-17 | 102900701 | 12-15, 12-21 |
| 102430901 | 8-15 | 102847801 | 16-3 | 102900801 | 12-17, 12-23 |
| 102440901 | 13-5 | 102847802 | 16-3 | 102900901 | 12-13, 12-19 |
| 102453001 | 12-9 | 102847803 | 16-3 | 102901001 | 12-15, 12-21 |
| 102453101 | 12-9 | 102859501 | 13-23 | 102901101 | 12-15, 12-21 |
| 102508701 | 4-17 | 102865101 | 9-3, 9-7 | 102901201 | 12-17, 12-23 |
| 102515401 | 12-7, 12-13, 12-19 | 102869401 | 4-5, 4-7, 4-15, 4-17 | 102901301 | 12-17, 12-23 |
| 102517501 | 4-11 | 102871801 | 6-21, 6-23 | 102901401 | 12-17, 12-23 |
| 102517601 | 4-37 | 102873401 | 13-11, 13-13, 13-15, 13-17 | 102901501 | 12-17, 12-23 |
| 102518301 | 3-5 | 102882501 | 1-41, 1-43 | 102901601 | 12-17, 12-23 |
| 102522001 | 9-3, 9-7 | 102886301 | 15-3 | 102901701 | 12-17, 12-23 |
| 102526201 | 12-3 | 102886401 | 15-3 | 102901801 | 12-17, 12-23 |
| 102529201 | 4-9, 4-11 | 102886501 | 15-3 | 102901901 | 12-17, 12-23 |
| 102529203 | 4-37 | 102886601 | 15-3 | 102902001 | 12-17, 12-23 |
| 102540301 | 8-17 | 102890201 | 4-25, 4-27 | 102902101 | 12-17, 12-23 |
| 102546401 | 4-11 | 102891101 | 6-23 | 102902201 | 12-17, 12-23 |
| 102555501 | 17-3 | 102892901 | 16-5 | 102902301 | 12-17, 12-23 |
| 102558201 | 8-3 | 102892902 | 16-5 | 102902401 | 12-17, 12-23 |
| 102559901 | 2-7 | 102893601 | 1-43 | 102902501 | 12-17, 12-23 |
| 102562401 | 17-3 | 102896801 | 12-13 | 102902601 | 12-17, 12-23 |
| 102564002 | 6-17, 6-19 | 102896901 | 12-13 | 102902701 | 12-17, 12-23 |
| 102569302 | 2-5 | 102897201 | 12-15, 12-21 | 102902801 | 12-17, 12-23, 15-3 |
| 102572401 | 4-17, 13-5 | 102897301 | 12-15, 12-21 | 102912801 | 13-23 |
| 102616701 | 12-3 | 102897401 | 12-13, 12-19 | 102915701 | 13-9 |
| 102684501 | 6-17, 6-19 | 102897501 | 12-13 | 102917101 | 6-23 |
| 102684602 | 12-3 | 102897601 | 12-13, 12-19 | 102918701 | 4-25 |
| 102704901 | 14-3 | 102897701 | 12-15, 12-21 | 102918702 | 4-27 |
| 102711001 | 7-7, 7-9 | 102897801 | 12-13, 12-19 | 102938601 | 14-3 |
| 102711201 | 7-15 | 102897901 | 12-13, 12-19 | 102938701 | 14-3 |
| 102753401 | 8-11 | 102898001 | 12-15, 12-21 | 102938801 | 14-3 |
| 102764001 | 13-11, 13-13, 13-15, 13-17 | 102898101 | 12-15, 12-21 | 102938901 | 14-3 |
| 102766201 | 13-11, 13-13, 13-15, 13-17 | 102898201 | 12-13, 12-19 | 102939001 | 14-3 |
| 102766301 | 6-17, 6-19 | 102898301 | 12-15, 12-21 | 102939101 | 14-3 |
| 102769701 | 13-23 | 102898401 | 12-15, 12-21 | 102939102 | 14-3 |
| 102770701 | 16-11 | 102898501 | 12-15, 12-21 | 102939501 | 16-5 |
| 102771701 | 15-3 | 102898601 | 12-15, 12-21 | 102942601 | 16-11 |
| 102772402 | 13-23 | 102898701 | 12-15, 12-21 | 102950301 | 4-21 |

INDEX

| | | | | | |
|-----------|------------------|-----------|----------------------|-----------|------------|
| 102951701 | 14-3 | 103348202 | 4-17 | 103628901 | 6-19 |
| 102958001 | 13-19 | 103348204 | 4-13, 4-15 | 103653401 | 6-3 |
| 102962303 | 4-21 | 103348501 | 4-13, 4-15, 7-3, 7-5 | 103653501 | 6-3, 6-15 |
| 102962602 | 4-21 | 103348602 | 4-13, 4-15 | 103657301 | 6-21, 6-23 |
| 102966401 | 1-29 | 103350901 | 6-21 | 103658601 | 2-5 |
| 102966501 | 1-29 | 103351001 | 6-15 | 103658701 | 2-3 |
| 102966502 | 1-29 | 103351101 | 6-23 | 103678402 | 7-7 |
| 102967601 | 3-5 | 103352701 | 16-11 | 103678502 | 7-9 |
| 102969401 | 12-3 | 103354401 | 4-17 | 103686501 | 7-5 |
| 102969801 | 12-3 | 103354701 | 6-15 | 103694501 | 2-7 |
| 102969901 | 12-3 | 103369501 | 12-3 | 103698601 | 13-5 |
| 102977001 | 4-13, 4-15 | 103372101 | 9-3, 9-7 | 103700301 | 4-25 |
| 102977002 | 4-17 | 103372301 | 9-3, 9-7 | 103709207 | 13-23 |
| 102977901 | 9-3, 9-7 | 103372401 | 9-9 | 103717302 | 6-13 |
| 102978001 | 9-3, 9-7 | 103372801 | 9-9 | 103717402 | 6-13 |
| 102989501 | 1-29 | 103386202 | 8-5 | 103718702 | 7-7 |
| 103010101 | 9-3, 9-7 | 103397901 | 4-7, 13-23 | 103720402 | 13-13 |
| 103173301 | 12-3 | 103414901 | 4-7, 13-23 | 103722901 | 2-3, 2-5 |
| 103174401 | 1-5 | 103418601 | 9-9 | 103723002 | 2-3 |
| 103177401 | 12-3 | 103449501 | 13-25 | 103723003 | 2-5 |
| 103180101 | 4-13, 4-15, 4-17 | 103449601 | 13-25 | 103724502 | 6-9, 6-11 |
| 103192701 | 12-3 | 103459102 | 2-3 | 103724601 | 6-11 |
| 103198301 | 4-17 | 103459104 | 2-5 | 103724602 | 6-9 |
| 103198401 | 7-13 | 103464801 | 3-11 | 103724901 | 6-11 |
| 103199001 | 4-13, 4-15 | 103477901 | 6-13 | 103731001 | 1-15 |
| 103199101 | 4-13, 4-15 | 103496801 | 7-21 | 103764801 | 7-3 |
| 103205401 | 3-3, 3-7 | 103497702 | 13-21 | 103771201 | 13-5 |
| 103205501 | 3-9, 7-13 | 103502701 | 6-17 | 103771601 | 16-9 |
| 103210201 | 3-9 | 103502801 | 6-19 | 103771901 | 13-7 |
| 103210301 | 3-5 | 103507101 | 9-13 | 103772101 | 13-5 |
| 103218601 | 4-17, 13-5 | 103507201 | 9-13 | 103772401 | 16-7 |
| 103226201 | 13-19 | 103507301 | 9-13 | 103781101 | 9-3, 9-7 |
| 103226301 | 13-19 | 103509401 | 1-31 | 103783001 | 3-5 |
| 103226401 | 13-19 | 103509601 | 1-31 | 103783002 | 3-9 |
| 103226601 | 13-19 | 103510001 | 4-39 | 103783003 | 3-9 |
| 103226701 | 13-19 | 103510301 | 4-39 | 103788001 | 9-3, 9-7 |
| 103234303 | 3-15 | 103510501 | 13-19, 13-21 | 103788101 | 9-3, 9-7 |
| 103245201 | 1-29 | 103515601 | 3-11, 3-13 | 103793102 | 13-11 |
| 103245301 | 1-29 | 103515701 | 3-11, 3-13 | 103802401 | 4-27 |
| 103255601 | 4-5 | 103538701 | 1-33 | 103832001 | 16-7, 16-9 |
| 103255701 | 4-7 | 103538901 | 1-33 | 103851201 | 9-9 |
| 103256801 | 4-5 | 103582801 | 15-3 | 103860501 | 4-19 |
| 103257101 | 4-7 | 103601501 | 6-3 | 103865101 | 5-5, 5-7 |
| 103260201 | 3-15 | 103601601 | 6-7 | 103869401 | 16-7, 16-9 |
| 103270201 | 1-41, 1-43 | 103615601 | 8-11 | 103874201 | 12-19 |
| 103295101 | 12-5 | 103615801 | 8-15 | 103882001 | 12-21 |
| 103295203 | 12-5 | 103615901 | 8-13 | 103882101 | 12-19 |
| 103306001 | 1-57 | 103616301 | 8-11 | 103882301 | 12-19 |
| 103306301 | 9-3, 9-7 | 103616401 | 8-13 | 103887901 | 8-3, 8-9 |
| 103345701 | 11-5, 11-7 | 103616501 | 8-7 | 103896603 | 9-5 |
| 103347101 | 7-7, 7-9 | 103616601 | 8-7 | 103905201 | 9-5, 9-7 |
| 103347301 | 7-7, 7-9 | 103616701 | 8-7 | 103910101 | 1-71 |
| 103347601 | 7-7, 7-9 | 103617101 | 9-11 | 103910201 | 1-71 |
| 103347701 | 7-7, 7-9 | 103618001 | 4-11 | 103910301 | 1-71 |
| 103347801 | 7-7, 7-9 | 103618101 | 4-37 | 103910401 | 1-71 |
| 103347901 | 7-7, 7-9 | 103628801 | 6-17 | 103910501 | 1-71 |

INDEX

- 103910601 1-71
 - 103910701 1-71
 - 103910801 1-71
 - 103910901 1-71
 - 103911001 1-71
 - 103911101 1-71
 - 103911301 1-71
 - 103911401 1-71
 - 103911501 1-71
 - 103911601 1-71
 - 103911701 1-71
 - 103912001 1-71
 - 103912101 1-71
 - 103912201 1-71
 - 103912301 1-71
 - 103912501 1-71
 - 103912601 1-71
 - 103912701 1-71
 - 103912801 1-71
 - 103912901 1-71
 - 103913001 1-71, 1-77
 - 103913101 1-71
 - 103913201 1-71
 - 103913301 1-71
 - 103923101 9-5
 - 103925001 1-47
 - 103925201 1-47
 - 103930001 1-47
 - 103942601 13-21
 - 103951002 2-5
 - 103951003 2-5
 - 103951004 2-5
 - 103951801 1-41, 1-43
 - 103953301 7-7, 7-9
 - 103969601 13-15
 - 103969701 13-17
 - 104000901 1-75
 - 104001001 1-75
 - 104001101 1-73
 - 104001201 1-73
 - 104001401 1-83
 - 104001601 1-73
 - 104001701 1-73
 - 104001901 1-79
 - 104002001 1-83
 - 104002101 1-81
 - 104002201 1-81
 - 104002301 1-81
 - 104002501 1-79
 - 104002601 1-77
 - 104002701 1-73
 - 104002801 1-73
 - 104002901 1-73
 - 104003001 1-73
 - 104003101 1-77
 - 104003201 1-81
 - 104003401 1-73
 - 104003501 1-75
 - 104003601 1-75
 - 104003901 1-77
 - 104004001 1-79
 - 104004101 1-75
 - 104004201 1-81
 - 104004301 1-83
 - 104004401 1-81
 - 104004501 1-81
 - 104004601 1-81
 - 104004701 1-81
 - 104004801 1-77
 - 104004901 1-73
 - 104005001 1-75
 - 104014701 1-79
 - 104014801 1-77
 - 104014901 1-73
 - 104015001 1-73
 - 104015101 1-77
 - 104015201 1-79
 - 104015301 1-77
 - 104015501 1-73
 - 104027501 1-73
 - 104027601 1-73
 - 104027701 1-73
 - 104027801 1-73
 - 104027901 1-81
 - 104028001 1-73
 - 104028101 1-73
 - 104028201 1-81
 - 104028301 1-79
 - 105002801 1-77
 - 105002901 1-81
 - 105003001 1-81
 - 96704416 8-17
- A**
- AC cord 16-3, 16-5, 16-7, 16-9
 - AC cord receptacle 16-5
 - accelerator bracket and bearing assembly 5-5, 5-7
 - accelerator cable 9-15
 - accelerator pedal adjustment tool 17-3
 - accelerator pivot rod 5-5, 5-7
 - accelerator return spring 5-5, 5-7
 - accelerator rod 5-9
 - access door hinge 1-31
 - accessory switch panel 1-63
 - actuator 1-41
 - acutator adapter 1-41, 1-43
 - adapter
 - cable (IQDM) 17-5
 - adapter, actuator 1-41, 1-43
 - adhesive, guide ring 17-3
 - air box 9-19
 - air box top 9-19
 - air filter 8-3, 9-19
 - air intake hose 9-19
 - ammeter 16-3, 16-5, 16-7, 16-9
 - anchor body 5-11, 5-17
 - anchor body kit 5-11, 5-17
 - anchor, piston 5-11, 5-17
 - anti-sway bar 6-25
 - A-plate strap 6-15
 - A-plate, delta 6-15
 - arbor 17-3
 - arm
 - governor 9-15, 12-7, 12-13, 12-19
 - pivot 12-7
 - rocker 8-11
 - wiper 1-57
 - armature 14-3
 - assembly
 - accelerator bracket and bearing 5-5, 5-7
 - accelerator pivot rod 5-5, 5-7
 - air box 9-19
 - air box top 9-19
 - axle 12-11
 - bearing, steering shaft 6-5
 - bell crank and shaft 7-15, 7-17
 - cab 1-57
 - connecting rod 8-15
 - cylinder head 8-11
 - delta A-plate 6-15
 - delta shock and gear support 6-15
 - drive hub 11-5, 11-7
 - driven clutch 11-9
 - driven clutch fixed-face 11-9
 - float 9-11
 - fuel cap 9-3, 9-7
 - fuel pump 9-3, 9-7
 - fuel tank vent 9-3
 - governor 12-9, 12-15, 12-21
 - headlight 4-3
 - headlight harness 4-3
 - idle screw 9-11
 - inner ball joint 6-3
 - kingpin 6-17, 6-19
 - moveable-face 11-5, 11-7, 11-9
 - pilot air screw 9-11
 - plug cap 8-7
 - ratchet 5-3, 5-5, 5-7
 - secondary clutch weight 11-5, 11-7
 - steering shaft 6-5
 - turn signal lens 4-3
 - axle 12-7, 12-11, 12-17, 12-19, 12-23, 15-3
 - axle guard 15-5
 - axle shaft oil seal 12-11, 12-17, 12-23, 15-3
 - axle tube 12-11, 12-17, 12-23, 15-3

INDEX

- B**
- backing plate, brake 5-11, 5-17
 - ball bearing 7-7, 7-9, 8-13
 - ball joint 5-3, 5-9, 12-5
 - ball stud 7-15, 7-17, 12-7, 12-13, 12-19
 - ball, shifter 12-9
 - ball, steel pressure relief 8-9
 - ball, trailer hitch 1-49
 - bar, drive 13-3
 - bar, stabilizer 6-25
 - barb, vent 9-3, 9-5, 9-7
 - barrel, plastic 1-3, 1-5, 1-15
 - battery 13-11, 13-13
 - 12-volt, side-post 7-21
 - battery cap, 6-volt 13-15, 13-17
 - battery charger 16-3, 16-5
 - battery charger case 16-3, 16-5, 16-7, 16-9
 - battery charger receptacle 13-7
 - battery charger shield 16-11
 - battery charger transformer 16-3, 16-5, 16-7, 16-9
 - battery charger wire assembly 16-5
 - battery charger, onboard 16-7, 16-9
 - battery clamp 7-21
 - battery condition indicator 4-17
 - battery discharge machine 17-3
 - battery HD, 6-volt, Trojan T145 13-17
 - battery hold-down 13-11, 13-13, 13-15, 13-17
 - battery hold-down rod 13-11, 13-13, 13-15, 13-17
 - battery light 4-17
 - battery terminal protector spray 17-3
 - battery thermometer 17-3
 - battery, 6-volt, Trojan T105 13-15
 - bead, ferrite 13-25
 - bearing 15-3
 - ball 7-7, 7-9, 8-13
 - ball (motor) 14-3
 - ball (steering pinion) 6-3
 - cage roller 12-15, 12-21
 - front wheel hub 6-13
 - hub 6-13
 - idler 11-5, 11-7
 - inner axle tube 12-11, 15-3
 - lower pinion (steering) 6-3
 - needle 12-9
 - outer axle tube 12-11
 - pivot support 5-5, 5-7
 - steering shaft 6-5
 - thrust 6-17, 6-19
 - bearing and oil seal remover 17-3
 - bearing driver set 17-3
 - bearing puller 17-3
 - bearing puller wedge 17-3
 - bearing seat 6-5
 - bed assembly, long 1-37
 - bed floor plate, rear 1-31
 - bed frame, long 1-31
 - bed lift actuator 1-41, 1-43
 - bed lift, electric 1-41, 1-43
 - bed mat 1-35
 - bed seal 1-29
 - bell crank and shaft 7-15, 7-17
 - bellows 6-3
 - belt, drive 11-3
 - belt, seat 1-57
 - belt, starter/generator 7-11
 - belt, V 7-11
 - bezel, choke cable 9-17
 - bezel, headlight 4-3
 - block, brake-mounting 5-3
 - block, fuse 4-5, 4-7, 7-15, 7-17
 - block, terminal 4-5, 4-7, 13-5
 - body, anchor 5-11, 5-17
 - bolt, U- 6-23
 - boot, steering column 6-5
 - boot, switch 7-13, 13-9
 - bottom, air box 9-19
 - box
 - air 9-19
 - differential 12-17, 12-23
 - electrical component 7-15, 7-17
 - steering gear 6-3
 - tool 1-39
 - box, tool 1-39
 - box, van 1-85
 - brace, trailer hitch 1-45
 - bracket 6-21
 - accelerator cable 9-15
 - adjustable starter/generator 7-11
 - brake cable guide 6-15
 - brake light switch 4-5
 - FNR shifter 12-3
 - governor cable 9-15
 - headlight mounting 4-3
 - horn 4-37
 - muffler mounting 10-3
 - oil filter mount 8-9
 - oil level switch 8-13
 - relay mounting 7-17, 16-7, 16-9
 - retaining 9-17
 - shock mounting, drv 6-23
 - shock mounting, pas 6-23
 - snubber 8-17
 - stabilizer bar mounting 6-25
 - stake side 1-37
 - starter/generator mounting 7-11
 - steering column 6-5
 - steering column mounting 6-5
 - throttle spring return 9-13
 - Tow/Run switch 7-13
 - bracket, carburetor intake manifold 9-13
 - bracket, hinge, bed 1-33
 - bracket, hour meter 4-39
 - brake actuator kit 5-11, 5-17
 - brake adjustment tool 17-3
 - brake backing plate 5-11, 5-17
 - brake cable 5-13, 5-15
 - brake cable equalizer 5-13, 5-15
 - brake cable hanger 6-21
 - brake cable release tool 17-3
 - brake cluster 5-11, 5-17
 - brake drum 5-11, 5-17
 - brake lever arm 5-11, 5-17
 - brake light switch bracket 4-5
 - brake mounting block 5-3
 - brake pedal 5-3
 - brake pedal pad 5-3
 - brake relay kit, 12-volt 4-5
 - brake return spring 5-15
 - brake shoe 5-11, 5-17
 - brake spring 5-11, 5-17
 - breaker, circuit 16-5, 16-9
 - breather 12-7, 12-13, 12-19, 15-3
 - brush box assembly 14-3
 - brush cover kit, starter/generator 7-7, 7-9
 - brush inspection port cover 7-7, 7-9
 - brush kit, motor 14-3
 - brush rigging 14-3
 - brush spring 7-7, 7-9, 14-3
 - brush spring set 7-7, 7-9
 - brush spring, starter/generator 7-7, 7-9
 - brush terminal, starter/generator 7-7, 7-9
 - brush, motor 14-3
 - bulb, headlight 4-3
 - bulb, strobe light 4-31, 4-33, 4-35
 - bulb, tail light 4-41
 - bumper 1-23
 - drive unit (motor) 14-3
 - front 1-3
 - front, heavy duty 1-3
 - front, kit 1-3
 - rear 1-55
 - rubber 1-33, 5-3
 - seal, long 1-17
 - spring return 5-5, 5-7
 - bumper mounting 1-55
 - bumper, heavy-duty 1-3
 - bumper, seat 1-17
 - bushing 1-41, 1-43, 7-15, 7-17, 11-5, 11-7, 12-3
 - bronze 6-13
 - nylon 5-3
 - return line 9-3, 9-7
 - spindle 6-13
 - stabilizer bar 6-25
 - steel 1-33, 6-17, 6-19, 6-21, 6-23
 - urethane 1-33, 6-15, 6-17, 6-19, 6-21, 6-23
 - bushing support 6-25

INDEX

button, drive 11-9
buzzer, reverse 4-13, 4-15, 4-17

C

cab 1-57
 door 1-57
 door hinge 1-57
 door latch 1-57
 fan 1-83
 mirror 1-83
 roof 1-57, 1-71, 1-79
 side rear window 1-57
 vent 1-79
 windshield 1-57
 windshield latches 1-57
 wiper arm 1-57
 wiper blade 1-57
 wiper motor 1-57
cable
 accelerator 9-15
 brake 5-13, 5-15
 choke 9-17
 FNR shifter 12-5
 governor 9-15
calibration test module 17-3
cam
 driven clutch 11-9
 electrical component box 7-15, 7-17
cam, FNR shifter 12-3
camshaft 8-13
camshaft shim 8-13
canister, carbon, fuel tank 9-9
canopy 1-25, 1-27
canopy brace 1-25, 1-27
canopy support 1-25, 1-27
canopy trim plate 1-25, 1-27
cap
 battery, 6-volt 13-15, 13-17
 corner 1-29
 dust 4-17, 13-5
 fuel, gas, ratchet 9-3, 9-7
 key switch 4-13, 4-15, 4-17, 4-23
 plug 8-7
 seat back 1-19
cap, hub, 7 prong 2-7
carbon canister 9-9
carburetor adapter 9-13
carburetor gasket 9-13
carburetor insulator 9-13
carburetor mounting gasket 9-13
carburetor, FE350 S27 9-11
card, safety first 17-5
case
 battery charger 16-3, 16-5, 16-7, 16-9
 differential gear 12-11
 gear 12-7, 12-13, 15-3

 rocker 8-11
CE mark ferrite bead, Fair-rite 13-25
CE mark ferrite bead, TDK 13-25
charger
 wire assembly kit 16-3, 16-7, 16-9
charger bezel tool 17-3
charger info indicator 4-19
charger receptacle 13-7
charger, battery 16-3, 16-5
charger, battery, onboard 16-7, 16-9
charger, battery, shield 16-11
choke cable 9-17
choke cable bezel 9-17
choke valve 9-19
circuit breaker 13-9, 16-3, 16-5, 16-7, 16-9
clamp
 battery 7-21
 cable retaining 9-15
 hose 9-3, 9-5, 9-7, 9-9, 9-13, 9-19
 hose, green 9-9
 muffler hose 10-3
clevis, upper delta 6-17, 6-19
clip, rod 1-33
clip, score card 6-11
cluster idler gear 12-9
cluster, brake 5-11, 5-17
clutch cam installation tool 17-3
clutch pulley 11-5, 11-7
clutch repair kit 11-9
clutch tool kit 17-3
clutch weight 11-5, 11-7
clutch, drive 11-5, 11-7
clutch, driven 11-9
collet 8-11
column, steering 6-5
communication display module 17-5
component box, electrical 7-15, 7-17
component mounting plate 13-23
component mounting plate cover 13-23
compression gauge 17-5
compression mount 6-25
compressor, piston ring 17-5
compressor, valve spring 17-7
conduit 4-35
connecting rod 8-15
continuity tester 17-5
control board, potted 16-7, 16-9
controller, speed 13-23
converter, DC/DC 4-25
cord connector 8-13
cord reel 16-11
cord, AC 16-3, 16-5, 16-7, 16-9
cord, DC 16-3, 16-5, 16-7, 16-9
counterbalance guide shaft 8-15
counterbalance weight 8-15
coupler, SPWS 13-19

cover
 brush inspection port 7-7, 7-9
 crankcase 8-13
 dust 5-11, 5-17, 6-13
 electrical box 7-15, 7-17
 fuse block 4-7
 oil pump 8-9
 rocker switch hole 4-13, 4-15, 4-17
 screw head 4-13, 4-15, 4-17
 steering column 6-5
 wheel 2-7
cover, steering column 4-9, 4-11
cowl 1-3
crankcase 8-15
crankcase cover 8-13
crankcase vent tube 9-13
crankshaft 8-15
crankshaft rod 8-15
crankshaft shim 8-15
C-type stop ring 6-3
cup holder 1-9
cup, spring 5-5, 5-7
current limiter 16-5
cushion, shock absorber 6-21, 6-23
cutter, valve seat 17-7
cylinder head 8-11

D

dash component 1-7
dash panel 4-13, 4-15, 4-17
dc converter, 15A 4-25
dc converter, CE 4-27
DC cord 16-3, 16-5, 16-7, 16-9
DC/DC converter 4-25
decal
 4-gauge wire warning 3-5
 battery danger 3-5
 bed hold-down bolts 3-5, 3-9
 bed load warning 1-37, 3-3, 3-7
 Club Car name plate 3-11, 3-13, 3-15
 crush area warning 1-41, 1-43, 3-3, 3-7
 driver/passenger 3-7
 electrical cover safety 3-5
 FNR 3-5, 3-9
 frame ground 3-7
 key switch 3-9
 no ground warning 3-5
 on/off 3-5, 3-9
 operating instructions 3-5, 3-9
 passcode 4-21
 rollover warning 3-3, 3-7
 rotating parts 3-7, 7-7, 7-9
 run/service switch 3-9, 7-13
 service warning 1-41, 1-43
 Tow/Run switch 3-3
 trailer hitch 1-45, 1-51

INDEX

Turf 6 3-15
vehicle loading 1-37, 3-3, 3-7
defogger fan 1-69
delta A-plate 6-15
delta A-plate sub-assembly 6-15
delta shock and gear support 6-15
diagnostic port 4-17, 13-5
differential drive unit 12-7, 12-19, 15-3
differential gear 12-11, 15-3
differential gear case 12-11, 12-17, 12-23
differential guard 15-5
differential housing 15-3
differential idler gear 12-11
differential pin 12-11
diode 7-15, 7-17
dipstick 8-5
door 1-57, 1-71
door latch 1-31, 1-57
drain plug 8-9, 12-13, 12-19
drain plug gasket 8-9, 12-7, 12-13, 12-19
drain plug, rubber 7-7, 7-9
drive bar 13-3
drive belt 11-3
drive button 11-9
drive clutch 11-5, 11-7
drive clutch button 11-5, 11-7
drive clutch fixed-face 11-5, 11-7
drive clutch holder tool 17-3
drive clutch hub puller 17-3
drive clutch puller 17-3
drive clutch spring 11-5, 11-7
drive clutch weight 11-5, 11-7
drive hub 11-5, 11-7
drive selector shaft 12-7, 12-13, 12-19
drive unit bumper 14-3
drive unit guard 15-5
driven clutch 11-9
driven clutch button 11-9
driven clutch cam 11-9
driven clutch cam puller 17-3
driven clutch fixed-face assembly 11-9
driven clutch puller plug 17-3
driver, drive clutch 11-5, 11-7
drum, brake 5-11, 5-17
dry moly lubricant 17-5
duct, intake 9-17
dust cap 4-17, 13-5
dust cover 5-11, 5-17, 6-13

E

eccentric adjustment screw 6-17
E-clip 5-13, 5-15
electrical box cover 7-15, 7-17
electrical component box 7-15, 7-17
end cap, motor 14-3
end, tie rod 6-15

engine
air filter 8-3
engine mounting plate 8-17
engine shroud 8-5
engine tune-up kit 8-3
engine, FE350 S27 8-5
equalizer pivot 5-13
equalizer rod 5-13, 5-15
equalizer, brake cable 5-13, 5-15
exhaust 1-71
exhaust system 10-3
exhaust valve 8-11
extrusion, fender 1-3
extrusion, plastic 1-23

F

face, moveable 11-5, 11-7, 11-9
fan 1-71, 1-83
fan housing 8-5
fan shroud 8-5
fan, defogger 1-69
fan, flywheel 8-7
fender extrusion 1-3
fender, rear 1-53
ferrite bead (CE), Fair-rite 13-25
ferrite bead (CE), TDK 13-25
field coil housing 7-7, 7-9
fill plug 12-7, 12-13, 12-19
fill plug gasket 12-13, 12-19
filter
air 8-3, 9-19
fuel 8-3, 9-3, 9-7
oil 8-3, 8-9
oil pump 8-9
fitting, thread-forming grease 6-13
fixed-face, drive clutch 11-5, 11-7
fixed-face, driven clutch 11-9
flasher, turn signal, 12-volt 4-11
float 9-11
floor mat 1-7
flywheel 8-7
flywheel fan 8-7
flywheel fan plate 8-7
flywheel puller 17-5
FNR closeout brush 4-13, 4-15
FNR shift lever 12-7, 12-13, 12-19
FNR shifter 12-3
FNR shifter bracket 12-3
FNR shifter cable 12-5
FNR shifter cam 12-3
FOPS 1-71
fork, shift 12-9, 12-15, 12-21
frame and field, motor 14-3
frame and field, starter/generator 7-7, 7-9
front bumper 1-3
front bumper kit 1-3

front spring retainer plate 6-17, 6-19
fuel filter 8-3, 9-3, 9-7
fuel gauge sending unit 9-3, 9-7
fuel line 9-3, 9-7, 9-9, 9-13
fuel pump 9-3, 9-7
fuel pump mount 9-3, 9-7
fuel tank 9-3, 9-7
fuel tank strap 9-3, 9-7
fuel tank vent 9-3
fuse 13-7, 16-3, 16-5, 16-7, 16-9
10-amp 7-15, 7-17
20-amp 4-5, 4-7, 7-15, 7-17
3/8-amp 13-7
fuse block 1-71, 4-5, 4-7, 7-15, 7-17
fuse block cover 4-7
fuse holder 1-81

G

gasket
carburetor 9-13
carburetor mounting 9-11, 9-13
crankcase cover 8-11, 8-13
drain plug 8-9, 12-7
drain plug, fill plug 12-13, 12-19
exhaust 8-11, 10-3
head 8-11
insulator 8-11, 9-13
liquid 12-7, 15-3, 17-5
plug 15-3
rocker case 8-11
sending unit 9-3, 9-7
strobe light 1-81
gasket kit, FE350 8-11
gauge, battery condition 4-17
gauge, compression 17-5
gear
25 tooth 12-15, 12-21
28 tooth 12-15, 12-21
case 12-13
cluster idler 12-9
differential 12-11, 12-17, 12-23, 15-3
differential idler 12-11, 15-3
differential output 15-3
helical 8-15, 12-9, 12-11
planetary 12-17, 12-23
speed governor 12-15, 12-21
spur 8-15, 12-9
sun 12-17, 12-23
synchro 12-9
gear yoke 17-5
gearcase 12-7, 15-3
governor 12-9, 12-15, 12-21
governor arm 9-15, 12-7, 12-13, 12-19
governor cable 9-15
governor cable bracket 9-15
governor shaft installation tool 17-5

INDEX

grip, pencil 6-11
grommet 1-13, 1-25, 1-27, 9-3, 9-7, 9-17
ignition 8-7
guard, differential 15-5
guard, splash 1-5
guide
intake valve 8-11
valve seat cutter 17-7
guide ring adhesive 17-3

H

handle 1-85
handle, tee 1-77
hanger, brake cable 6-21
harness
wire 4-37
harness, headlight 4-5, 4-7
harness, lighting 4-5, 4-7
harness, wire 4-25, 4-27, 4-31, 4-33, 4-37, 7-3, 7-5
head gasket 8-11
head, cylinder 8-11
headband, sealed, motor 14-3
headband, vented, motor 14-3
headlight 4-3
headlight assembly 4-3
headlight bulb 4-3
headlight harness 4-3
headlight retainer 4-3
headlight wire harness 4-5, 4-7
headliner 1-71
heat shrink tube 16-11
heatsink and rectifier 16-3, 16-5, 16-7, 16-9
heavy-duty bumper 1-3
helical gear 8-15, 12-9, 12-11
hill brake rod 5-3
hill brake weld assembly 5-3
hinge kit, door 1-57
hinge pin 1-37
hinge, access door 1-31
hinge, stake side 1-37
hitch, trailer 1-45
hitch, trailer, ball 1-49
hold-down rod, battery 13-11, 13-13, 13-15, 13-17
hold-down, battery 13-11, 13-13, 13-15, 13-17
holder, cup 1-9
hole plug 4-17
horn 4-37
horn bracket 4-37
hose
fuel 9-3, 9-7
SPWS 13-19
vent 9-9
hose clamp, green 9-9
hose, air intake 9-19

hour meter 4-39
hour meter bracket 4-39
hour meter, 36-48 volt 4-39
housing
2-pin 13-3
3-pin 13-3, 14-3
differential 15-3
fan 8-5
field coil 7-7, 7-9
hub 6-13
hub bearing 6-13
hub cap 2-7
hub cap, 7 prong 2-7
hub, synchronizer clutch 12-9
hydrometer 17-5

I

idle screw assembly 9-11
idler bearing 11-5, 11-7
idler gear, differential 15-3
ignition coil 8-7
indicator
charger info 4-19
indicator, battery condition 4-17
inner frame snubber 8-17
input shaft 15-3
insert, synchronizer 12-9
instrument panel 4-13, 4-15, 4-17
insulating washer 14-3
insulator gasket 8-11, 9-13
insulator, carburetor 9-13
insulator, motor terminal 14-3
intake duct 9-17
intake valve 8-11
intermediate shaft 15-3
internal retaining ring pliers 17-5
IQ display module (IQDM) 17-5

J

jet, main 9-11
jet, pilot 9-11
joint
ball 5-3, 5-9, 12-5

K

key
crankshaft 8-7, 8-15
driven clutch 11-9
On/Off 4-13, 4-15, 4-17
square 11-9
woodruff 12-7
key switch 4-13, 4-15
key switch cap 4-13, 4-15, 4-17, 4-23
key switch, On/Off 4-17
key switch, uncommon 4-23

keys 1-73
kingpin 6-17, 6-19
kit
2-pin housing 13-3
3-pin housing 13-3, 14-3
accelerator pivot rod 5-5, 5-7
anchor body 5-11, 5-17
beacon 1-71
bed lift 1-41, 1-43
brake actuator 5-11, 5-17
brake cable 5-13
brake pedal 5-3
brake relay 4-5
brake shoe 5-11, 5-17
brake shoe retainer 5-11, 5-17
canopy 1-25, 1-27
clutch repair 11-9
cup holder 1-9
DC/DC converter 4-25
differential gear case 12-11
door hinge 1-57
door-hold 1-71
doors 1-71
drive clutch button 11-5, 11-7
drive clutch weight 11-5, 11-7
driven clutch button 11-9
driving-range 1-71
equalizer, brake 5-13
exhaust extension 1-71
fan 1-71
fan/defogger 1-69
fixed-face drive 11-5, 11-7
flywheel puller 17-5
FOPS 1-71
front bumper 1-3
front window 1-71, 1-77
front work lights 1-71
fuse block 1-71
gasket, FE350 8-11
heavy-duty front bumper 1-3
hour meter 4-39
hub cap 2-7
IQ display module (IQDM) 17-5
key set 1-73
main switch 1-71
mirror 1-11, 1-71
mirror, inside rear-view 1-59
mirror, side-view 1-61
motor brush 14-3
motor brush lead assembly 14-3
motor brush spring 14-3
motor speed sensor 14-3
name plate 3-11, 3-13, 3-15
park brake latch 5-3
park brake pedal 5-3
piston ring compressor 17-5

INDEX

rear receiver hitch 1-51
rear window 1-71
rear work light 1-71
relay, 48V 4-7, 13-23
roof 1-71
roof liner 1-71
ROPS 1-71
seals 1-73, 1-77, 1-79
seat belt 1-57
seat belts 1-71
shock absorber cushion 6-21, 6-23
shoe retainer 5-11, 5-17
side frames 1-71
smartkey 4-21
steering column mounting bracket 6-5
strobe light 1-65, 4-31, 4-33, 4-35
trailer hitch 1-45, 1-47
transmission tool 17-7
tune up 8-3
tune-up 17-7
turn signal 4-9
vent and seals 1-71
wheel cover 2-7
windshield, hinged 1-21
windshield, one-piece 1-23
wire assembly, charger 16-3, 16-7, 16-9
work light 1-67
knob, forward/reverse 12-3

L

lamp, strobe light 4-31, 4-33, 4-35
lamp, turn signal and socket 4-9, 4-11
latch, air box 9-19
latch, door 1-31
latch, park brake 5-3
leaf spring 6-21, 6-23
lens, headlight 4-3
lens, strobe light 4-31, 4-33, 4-35
lever
choke 9-19
drive selector 12-7
speed governor 12-13, 12-19
transmission shift 12-7, 12-13, 12-19
light
battery 4-17
beacon 1-71
CHMSL 1-81
indicator 4-19
oil 4-13, 4-15
strobe 1-81
tail 4-41
work 1-71
light, strobe 1-65, 4-31, 4-33, 4-35
lighting wire harness 4-5, 4-7
limit switch 4-5, 4-7, 7-15, 7-17, 7-19, 12-3
limiter

current 16-5
voltage 4-5, 4-29
line, fuel 9-3, 9-7, 9-9, 9-13
link, stabilizer bar 6-25
liquid gasket 12-7, 15-3, 17-5
low oil warning light 4-13, 4-15
lubricant, dry moly 17-5
lubricant, moly-teflon 14-3, 17-5
lug nut 2-3, 2-5
lug stud 12-11, 12-17, 12-23, 15-3

M

magnet, speed sensor 14-3
main jet 9-11
mat, bed 1-35
mat, floor 1-7
MCOR 13-3
meter, hour 4-39
meter, volt ohm 17-7
mirror 1-11, 1-71, 1-83
mirror, inside rear-view 1-59
mirror, rear view 1-11
mirror, side-view 1-61
module
calibration test 17-3
communication display 17-5
moly-teflon lubricant 17-5
motor
48-volt IQ Plus 14-3
wiper 1-57, 1-75
motor brush 14-3
motor brush kit 14-3
motor brush lead assembly kit 14-3
motor brush spring 14-3
motor bumper 14-3
motor controller 13-23
motor end cap 14-3
motor frame and field 14-3
motor headband, sealed 14-3
motor headband, vented 14-3
motor magnet, speed sensor 14-3
motor speed sensor 14-3
motor speed sensor kit 14-3
motor terminal and lead assembly 14-3
motor terminal insulator 14-3
mount, compression 6-25
mount, fuel pump 9-3, 9-7
mounting block, brake 5-3
moveable-face 11-5, 11-7, 11-9
muffler hose clamp 10-3

N

name plate 3-11, 3-13, 3-15
needle bearing 12-9
nozzle, main 9-11

nut, lug 2-3, 2-5

O

oil conveyor 12-13, 12-19
oil filler tube 8-5
oil filter 8-3, 8-9
oil filter mount bracket 8-9
oil filter screen 8-13
oil filter screen plate 8-13
oil level sensor 8-13
oil level switch bracket 8-13
oil pump and rotor 8-9
oil pump cover 8-9
oil pump filter 8-9
oil pump plate 8-9
oil seal 8-11, 8-13, 8-15, 12-7, 12-9
oil warning light, low 4-13, 4-15
onboard battery charger 16-7, 16-9
O-ring 8-5, 8-11, 8-13, 8-15, 13-19

P

pad
brake pedal 5-3
park brake 5-3
paint, touch-up 17-5
panel, instrument 4-13, 4-15, 4-17
park brake latch 5-3
park brake pedal 5-3
park brake rod sleeve 5-3
park brake spacer 5-3
park brake torsion spring 5-3
pawl 5-3
pedal, brake 5-3
pedal, park brake 5-3
pencil grip 6-11
pilot air screw assembly 9-11
pilot jet 9-11
pin
bow tie locking 5-13, 5-15
clevis 5-13, 5-15
differential 12-11
piston 8-15
pin, hinge 1-37
pinion, steering 6-3
piston 8-15
piston anchor 5-11, 5-17
piston pin 8-15
piston ring 8-15
piston ring compressor 17-5
piston ring pliers 17-5
piston ring set 8-15
pivot arm 12-7
pivot support bearing 5-5, 5-7
plate
bed floor 1-31

INDEX

- bumper mounting 1-55
 - component mounting 13-23
 - engine mounting 8-17
 - flywheel fan 8-7
 - front spring retainer 6-17, 6-19
 - name 3-11, 3-13, 3-15
 - oil filter screen 8-13
 - oil pump 8-9
 - receptacle backing 13-7, 16-11
 - spring mounting 6-17, 6-19
 - thrust 12-9, 12-11
 - plate, canopy trim 1-25, 1-27
 - plate, Tow/Run switch 13-9
 - pliers
 - internal retaining ring 17-5
 - piston ring 17-5
 - retaining ring 17-5
 - plug
 - drain 8-9, 12-13, 12-19
 - drive clutch 11-5
 - driven clutch puller 17-3
 - fill 12-7, 12-13, 12-19
 - hole 4-17
 - rubber drain 7-7, 7-9
 - spark 8-3, 8-7
 - plug cap 8-7
 - plug, carburetor intake manifold 9-13
 - port, diagnostic 4-17, 13-5
 - press weldment 17-3
 - prop rod 1-33
 - protector spray, battery terminal 17-3
 - puller
 - bearing 17-3
 - drive clutch 17-3
 - drive clutch hub 17-3
 - driven clutch cam 17-3
 - flywheel 17-5
 - seal 17-5
 - pulley
 - clutch 11-5, 11-7
 - starter-generator 7-7, 7-9
 - v-belt 7-7, 7-9
 - pump
 - fuel 9-3, 9-7
 - push rod 8-11
- R**
- race, front hub bearing 6-13
 - rack guide pressure spring 6-3
 - rack, steering 6-3
 - ratchet, park brake 5-3, 5-5, 5-7
 - reamer, valve guide 17-7
 - rear bumper 1-55
 - rear fender 1-53
 - rear spring shackle 6-21
 - rear view mirror 1-11
 - rear-view mirror, inside 1-59
 - receiver hitch 1-51
 - receptacle backing plate 13-7, 16-11
 - receptacle, AC cord 16-5
 - receptacle, battery charger 13-7
 - rectifier with heatsink 16-3, 16-5, 16-7, 16-9
 - reel bracket 16-11
 - reel cord 16-11
 - regulator, voltage 7-15, 7-17
 - relay 4-7, 7-17, 13-23
 - relay mounting bracket 7-17, 16-7, 16-9
 - relay, 12-volt 4-5
 - relay, 48V 4-7, 13-23
 - relay, 48-volt 16-3, 16-5, 16-7, 16-9
 - relay, brake, kit, 12-volt 4-5
 - remover, bearing and oil seal 17-3
 - retainer
 - accelerator pedal spring 5-5, 5-7
 - brake shoe 5-11, 5-17
 - headlight 4-3
 - shock absorber cushion 6-21, 6-23
 - spring (drive clutch) 11-5, 11-7
 - valve spring 8-11
 - retaining bracket 9-17
 - retaining ring 6-5
 - retaining ring pliers 17-5
 - return spring bumper 5-5, 5-7
 - reverse buzzer 4-13, 4-15, 4-17
 - rim (wheel) 2-5
 - rim, wheel, white 2-3
 - ring
 - C-type stop 6-3
 - piston 8-15
 - retaining 6-5, 7-15, 7-17, 11-5, 11-7, 11-9
 - snap 6-3, 8-11, 8-15
 - spiral backup 11-5, 11-7
 - synchronizer 12-9
 - rivet, blind push 1-3, 13-23
 - rock guard 15-5
 - rocker arm 8-11
 - rocker case 8-11
 - rocker case gasket 8-11
 - rocker shaft 8-11
 - rocker switch 1-41, 1-43, 4-17
 - rocker switch (lights) 4-5, 4-7, 4-15, 4-17
 - rod
 - accelerator 5-9
 - accelerator pivot 5-5, 5-7
 - battery hold-down 13-11, 13-13, 13-15, 13-17
 - clip 1-33
 - connecting 8-15
 - crankshaft 8-15
 - equalizer 5-13, 5-15
 - hill brake 5-3
 - prop 1-33
 - push 8-11
 - shift 12-9
- S**
- safety first card 17-5
 - score card clip 6-11
 - score card plate 6-11
 - screen, oil filter 8-13
 - screw, eccentric adjustment 6-17
 - screw, valve clearance adjuster 17-7
 - seal
 - intake 9-19
 - lip 15-3
 - oil 8-11, 8-13, 8-15, 12-7, 12-9, 12-11, 12-17, 12-23, 15-3
 - steering pinion dust 6-3
 - seal puller 17-5
 - seal, bed 1-29
 - sealant 12-7, 15-3
 - seals 1-73
 - seat
 - spring 8-11
 - valve 8-9
 - seat back 1-19
 - seat back assembly 1-19
 - seat back cap 1-19
 - seat back tube 1-29
 - seat back, white 1-19
 - seat belt 1-57
 - seat bottom assembly 1-17
 - seat bumper 1-17
 - seat cover, vinyl 1-17
 - seat strap 1-17
 - seat, bearing 6-5
 - sending unit, fuel gauge 9-3, 9-7
 - sensor, motor speed 14-3
 - sensor, oil level 8-13
 - shackle weldment 6-23
 - shackle, rear spring 6-21
 - shaft
 - counterbalance guide 8-15
 - drive selector 12-7, 12-13, 12-19
 - input 15-3
 - intermediate 15-3
 - rocker 8-11
 - steering column 6-5
 - transmission 12-9, 12-15, 12-21
 - shaft, reverse gear 12-15, 12-21
 - shaft, secondary
 - transmission 12-15, 12-21
 - shield, battery charger 16-11
 - shift fork 12-9, 12-15, 12-21
 - shift lever 12-7, 12-13, 12-19
 - shift rod 12-9

INDEX

- shifter, FNR 12-3
 - shim, camshaft 8-13
 - shim, crankshaft 8-15
 - shim, tilt bed pivot 1-33
 - shock absorber 6-15, 6-21, 6-23
 - shock absorber cushion 6-21, 6-23
 - shock absorber cushion retainer 6-21, 6-23
 - shock mounting bracket, drv 6-23
 - shock mounting bracket, pas 6-23
 - shoe retainer kit 5-11, 5-17
 - shoe, brake 5-11, 5-17
 - shroud 8-5
 - shroud, engine 8-5
 - shroud, fan 8-5
 - side-view mirror 1-61
 - signal, turn 4-9
 - sleeve
 - delta A-plate 6-15
 - governor 12-9
 - park brake rod 5-3
 - synchronizer 12-9
 - smartkey 4-21
 - snap ring 6-3, 8-11, 8-15
 - snubber bracket 8-17
 - snubber, inner frame 8-17
 - solenoid 13-23
 - solenoid, 12-volt 7-15, 7-17
 - spacer
 - accelerator pivot rod 5-5, 5-7
 - park brake 5-3
 - spark plug 8-3, 8-7
 - speed controller 13-23
 - speed sensor 14-3
 - speed sensor magnet 14-3
 - speed sensor, motor 14-3
 - spindle assembly 6-13
 - spiral backup ring 11-5, 11-7
 - splash guard 1-5
 - spray, battery terminal protector 17-3
 - spring
 - accelerator return 5-5, 5-7
 - brake 5-11, 5-17
 - brake return 5-15
 - brush 7-7, 7-9, 14-3
 - compression 6-11
 - drive button 11-5, 11-7
 - drive clutch 11-5, 11-7
 - driven clutch 11-9
 - extension return 9-19
 - leaf 6-21, 6-23
 - park brake torsion 5-3
 - rack guide pressure 6-3
 - shifter 12-9
 - steering shaft compression 6-5
 - synchronizer 12-9
 - throttle return 9-13
 - valve 8-11
 - spring cup 5-5, 5-7
 - spring mounting plate 6-17, 6-19
 - spring, motor brush 14-3
 - spur gear 8-15, 12-9
 - SPWS coupler 13-19
 - SPWS fitting, swivel T 13-19
 - SPWS hose 13-19
 - SPWS manifold 13-19, 13-21
 - SPWS tubing 13-19
 - stabilizer bar 6-25
 - stabilizer bar link 6-25
 - stabilizer bar mounting bracket 6-25
 - stake side 1-37
 - stake side bracket 1-37
 - stake side hinge 1-37
 - stake side kit 1-37
 - starter/generator (bi-rotational) 7-9
 - starter/generator belt 7-11
 - starter/generator brush cover kit 7-7, 7-9
 - starter/generator brush spring 7-7, 7-9
 - starter/generator brush terminal 7-7, 7-9
 - starter/generator frame and field 7-7, 7-9
 - starter/generator pulley 7-7, 7-9
 - steel bushing 1-33, 6-17, 6-19, 6-21, 6-23
 - steel pressure relief ball 8-9
 - steering column 6-5
 - steering column bearing press tool 17-7
 - steering column cover 4-9, 4-11
 - steering column retaining ring tool 17-7
 - steering gear box 6-3
 - steering pinion 6-3
 - steering pinion dust seal 6-3
 - steering rack 6-3
 - steering shaft assembly 6-5
 - steering shaft compression spring 6-5
 - steering wheel 6-9, 6-11
 - steering wheel puller tool 17-7
 - stem, valve 2-3, 2-5
 - stiffener 1-17
 - stiffener, flywheel side 8-17
 - stiffener, PTO side 8-17
 - strap, A-plate 6-15
 - strap, fuel tank 9-3, 9-7
 - strap, seat 1-17
 - strobe light 1-65, 1-81, 4-31, 4-33, 4-35
 - strobe light lens 4-31, 4-33, 4-35
 - stud 8-17
 - lug 12-11, 12-17, 12-23, 15-3
 - stud, ball 7-15, 7-17, 12-7, 12-13, 12-19
 - support yoke (steering) 6-3
 - support, bushing 6-25
 - suppressor, voltage 4-5, 4-7, 16-3, 16-5, 16-7, 16-9
 - switch plate cover 4-31, 4-33, 4-35
 - switch
 - four-position 16-5, 16-9
 - key 4-13, 4-15, 4-17
 - key, uncommon 4-23
 - light rocker 4-5, 4-7, 4-15, 4-17
 - limit 4-5, 4-7, 7-15, 7-17, 7-19, 12-3
 - rocker 1-41, 1-43, 4-17
 - Tow/Run 13-9
 - turn signal 4-9, 4-11
 - switch assembly 4-31, 4-33, 4-35
 - switch panel, accessory 1-63
 - switch rubber boot 7-13, 13-9
 - switch, toggle 7-13
 - synchro gear 12-9
 - synchronizer clutch hub 12-9
 - synchronizer insert 12-9
 - synchronizer sleeve 12-9
 - synchronizer spring 12-9
 - synchronizer, complete 12-15, 12-21
 - system, exhaust 10-3
- ## T
- 12-volt solenoid 7-15, 7-17
 - tachometer 17-7
 - tail light bulb 4-41
 - taillight 4-41
 - tailskirt 1-53
 - tank
 - fuel 9-3, 9-7
 - tape, vinyl foam 1-31
 - tappet 8-13
 - tee handle 1-77
 - terminal block 4-5, 4-7, 13-5
 - tester, continuity 17-5
 - thermometer, battery 17-3
 - thread-forming grease fitting 6-13
 - throttle return spring 9-13
 - throttle spring return bracket 9-13
 - thrust bearing 6-17, 6-19
 - thrust plate 12-9, 12-11
 - tie rod 6-15
 - tie rod end 6-15
 - tie wrap 1-41, 1-43, 4-9, 4-11, 4-25, 4-27, 4-33, 4-35, 4-39, 6-3, 7-15, 7-17, 9-17, 12-5, 13-25
 - tire 2-3, 2-5
 - tire and wheel assembly 2-3
 - toggle switch 7-13
 - tool
 - accelerator pedal adjustment 17-3
 - brake adjustment 17-3
 - brake cable release 17-3
 - charger bezel 17-3
 - clutch cam installation 17-3
 - drive clutch holder 17-3
 - governor shaft installation 17-5
 - steering column bearing press 17-7
 - steering column retaining ring 17-7

INDEX

steering wheel puller 17-7
transaxle axle seal 17-7
transaxle pinion seal 17-7
transmission 17-7
tool box 1-39
tool kit, clutch 17-3
toolbox 1-39
touch-up paint 17-5
Tow/Run switch 13-9
Tow/Run switch bracket 7-13
Tow/Run switch plate 13-9
trailer hitch 1-45
trailer hitch ball 1-49
trailer hitch brace 1-45
trailer hitch kit 1-47
transaxle (Electric Vehicle) 15-3
transaxle axle seal tool 17-7
transaxle Graziano (gasoline vehicle), unitized 12-13
transaxle guard 15-5
transaxle pinion seal tool 17-7
transaxle, Gaziano (Gasoline Vehicle) 12-19
transaxle, Kawasaki (Gasoline Vehicle) 12-7
transformer, battery charger 16-3, 16-5, 16-7, 16-9
transmission secondary shaft 12-15, 12-21
transmission shaft 12-9, 12-15, 12-21
transmission tool 17-7
trim
 cowl 1-3
 seat bottom 1-29
tube
 axle 12-11, 12-17, 12-23, 15-3
 crankcase vent 9-13
 oil filler 8-5
 seat back 1-29
tubing, SPWS 13-19
tune-up kit 8-3, 17-7
turn signal 4-9
turn signal conversion kit 4-9
turn signal lens 4-3
turn signal socket and lamp 4-9, 4-11
turn signal switch 4-11

U

U-bolt 6-21, 6-23
unitized transaxle Graziano 12-13
upper delta clevis 6-17, 6-19
urethane bushing 1-33, 6-15, 6-17, 6-19, 6-21, 6-23

V

valve
 choke 9-19
 exhaust 8-11
 reed 8-11

valve clearance adjuster screw 17-7
valve guide reamer 17-7
valve guide, intake 8-11
valve seat 8-9
valve seat cutter 17-7
valve seat cutter guide 17-7
valve seat t-wrench 17-7
valve spring 8-11
valve spring compressor 17-7
valve spring retainer 8-11
valve stem 2-3, 2-5
valve stem extension 2-7
van box 1-85
v-belt 7-11
vent 1-79
 fuel tank 9-5, 9-7
vent barb 9-3, 9-5, 9-7
vent, barb 9-9
volt ohm meter 17-7
voltage limiter 4-5, 4-29
voltage regulator 7-15, 7-17
voltage suppressor 4-5, 4-7, 16-3, 16-5, 16-7, 16-9

W

warning light, low oil 4-13, 4-15
washer, insulating 14-3
wedge, bearing puller 17-3
weight
 clutch 11-5, 11-7
 counterbalance 8-15
 secondary clutch 11-5, 11-7
weldment
 press 17-3
weldment, receiver hitch 1-51
wheel 2-5
 steering 6-9, 6-11
wheel and tire assembly 2-3
wheel cover 2-7
wheel rim, white 2-3
window 1-57, 1-73
windshield 1-57, 1-71, 1-77
 hinged 1-21
 one-piece 1-23
windshield channel 1-21
windshield frame 1-25, 1-27
windshield frame pad 1-25, 1-27
windshield latches 1-57
wiper 1-75
wiper arm 1-57
wiper blade 1-57
wiper motor 1-57
wire assembly, battery charger 16-5
wire harness 4-25, 4-27, 4-31, 4-33, 4-37, 7-3, 7-5
 beacon 1-81

CHMSL light 1-81
fan 1-83
front work lights 1-81
fuse block to switch 1-81
main, CPL cab 1-81
rear work light 1-81
wiper jumper 1-75
wire harness, headlight 4-5, 4-7
wire harness, lighting 4-5, 4-7
wire lead, ignition 8-7
woodruff key 12-7
work lights, light, work 1-67
wrap, tie 1-41, 1-43, 4-9, 4-11, 4-25, 4-27, 4-33, 4-35, 4-39, 6-3, 7-15, 7-17, 9-17, 12-5, 13-25

Y

yoke, gear 17-5
yoke, support (steering) 6-3



Club Car, Inc.
P.O. Box 204658
Augusta, GA 30917-4658
USA

Web www.clubcar.com
Phone 1.706.863.3000
1.800.ClubCar
Int'l +1 706.863.3000
Fax 1.706.863.5808