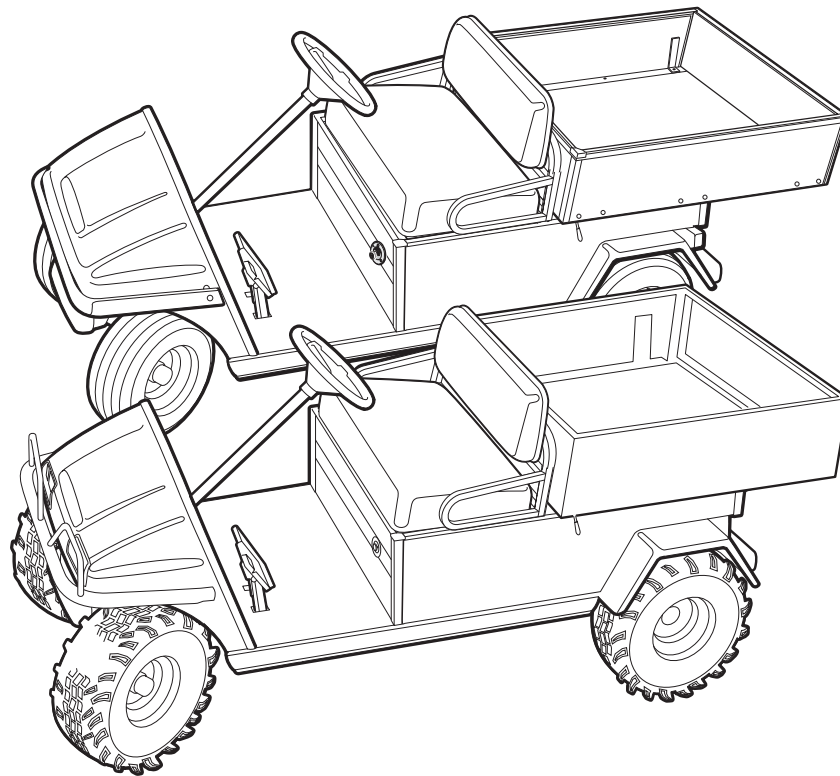




**2010**  
**Turf/Carryall 2, 2 Plus, 252**  
**and XRT 900**  
**Illustrated Parts List**



**Gasoline and Electric Vehicles**

Manual Number 103700509  
Edition Code 0515C0616B



# USING THE ILLUSTRATED PARTS LIST

---

## **WARNING**

- **This manual is to be used only for identification and ordering of service parts. Be sure to read and use the maintenance and service manual before attempting any vehicle repairs.**

This manual covers all Turf/Carryall 2, 2 Plus, 252 and XRT 900 vehicles built during the 2010 model year.

The manual is divided into sections. Note that there are two or three flags on the outside edge of each page. The first flag contains the section number of which that page is a part. The other flag (or flags) contains the letter G or E, signifying that the page pertains to the electric or gasoline vehicles only.

Use the Table of Contents to find the sections and pages that contain the parts and assemblies you seek. The Table of Contents lists section numbers, and under them, the individual page titles and numbers to be found in that section. The index can be used to find specific parts and assemblies. The index is divided into numerical and alphabetical listings with the page numbers in italic text.

There is a two-page spread for each individual page title in the Table of Contents. On the left-hand page is an illustration showing the parts in their relative positions; the parts are each tagged with an item number in a balloon. The right-hand page is the parts list page, and gives the page title at the top, then the item numbers (corresponding to the numbers on the illustration), part descriptions, and quantity of parts used.

Note that a part description may be indented. This indention corresponds to a parts assembly level indicated by the numbers 1, 2, 3, and 4 at the top left corner of the parts description area of the parts list page. A part that is indented to *level 2* is a component of the *level 1* part (assembly) that it is listed under. A *level 3* part is a component of the *level 2* part that it is listed under, and a *level 4* part is a component of the *level 3* part preceding it. In each case, the part quantity given for a level 2, 3, or 4 part is the quantity used per next higher level assembly of which it is a component. A part that is not indented is a *level 1* part. This means that the quantity given is the quantity used per the portion of the vehicle illustrated on that particular spread.



P. O. Box 204658  
Augusta, Georgia 30917-4658 USA  
Telephone 706-863-3000  
Service Parts Fax 706-855-7413  
[www.clubcar.com](http://www.clubcar.com)

## HOW TO ORDER PARTS

Replacement parts and accessories can be obtained from our network of authorized dealers and distributors. You can obtain the name and phone number of your closest authorized Club Car dealer or distributor by visiting our web site at [www.clubcardealer.com](http://www.clubcardealer.com), by calling our toll-free Service Parts and Technical Assistance hotline at (800) 872-2246 or (706) 863-3000, extension 3887, or by scanning this Quick Response (QR) code to be taken to the Club Car dealer locator. **Refer to Figure 1.** Download a QR code reader such as RedLaser or Barcode Scanner to your cell phone or tablet.



Figure 1 Dealer Locator QR Code

## CUSTOMER SATISFACTION SURVEY

Let your voice be heard!

Please take time to participate in the Technical Publications satisfaction survey. Obtaining feedback from our customers is important to the department's continuous improvement process. The online survey takes less than five minutes and responses will help the department to examine current performance as well as identify areas for future improvement.

Our top priority is to provide timely, accurate, and user friendly manuals.

The online satisfaction survey can be found at: <http://bit.ly/1w9uFMh>



Figure 2 Survey QR Code

**NOTE:** *This illustrated parts list represents the most current information at the time of publication. Club Car, Inc. is continually working to further improve its vehicles and other products. These improvements may affect the parts used to service the vehicle. Any modification and/or significant change in specifications will be forwarded to all Club Car and Carryall distributors/dealers and will, when applicable, appear in future editions of this illustrated parts list.*

*Club Car, Inc. reserves the right to change specifications and designs at any time without notice and without the obligation of making changes to units previously sold.*

Copyright © 2009 Club Car, Inc.  
Club Car and ArmorFlex  
are registered trademarks of Club Car, Inc.  
This manual effective August 1, 2009.

# CONTENTS

## SECTION 1 – BODY AND TRIM

Front Body and Trim – Turf/Carryall 2, 2 Plus, and 6 .....	1-3
Front Body and Trim – Turf/Carryall 252 and XRT 900 .....	1-5
Splash Guard – Gasoline Vehicles Only .....	1-7
Dash Pockets and Floormat .....	1-9
Beverage Holder .....	1-11
Mirror, Rear-View – without Cab .....	1-13
Grommets, Chassis .....	1-15
Seat Bottom .....	1-17
Seat Back Assembly .....	1-19
Windshield, Hinged .....	1-21
Windshield, Non-Hinged .....	1-23
Canopy Kit, White – To Mid-2010 Model Year .....	1-25
Canopy Kit, White – From Mid-2010 Model Year .....	1-27
Canopy Kit, Beige – To Mid-2010 Model Year .....	1-29
Canopy Kit, Beige – From Mid-2010 Model Year .....	1-31
Canopy Kit, Black – To Mid-2010 Model Year .....	1-33
Canopy Kit, Black – From Mid-2010 Model Year .....	1-35
Hip Restraints and Seat Back Mounting .....	1-37
Tilt Bed, Extruded Hinge, and Latch .....	1-39
Latch Plate .....	1-41
Prop Rod .....	1-43
Cargo Box (Aluminum) .....	1-45
Cargo Box (Aluminum) Mounting .....	1-47
Cargo Box (Steel) .....	1-49
Bed Mat .....	1-51
Stake Side Kit .....	1-53
Electric Bed Lift – Gasoline Vehicles .....	1-55
Electric Bed Lift – Electric Vehicle .....	1-57
Hydraulic Bed Lift Kit .....	1-59
Portable Refreshment Center .....	1-61
Toolboxes .....	1-63
Trailer Hitch .....	1-65
Trailer Hitch Ball .....	1-67
Receiver Hitch .....	1-69
Rear Body Trim – Turf/Carryall 1, 2, 2 Plus, and 6 .....	1-71
Rear Body Trim – Turf/Carryall 252 and XRT 900 .....	1-73
Cab, Curtis – Turf/Carryall 2, 2 Plus, 252 and XRT 900 .....	1-75
Mirror, Inside Rear-View – Curtis Cab .....	1-77

# CONTENTS

Mirror, Side-View – Curtis Cab .....	1-79
Accessory Switch Panel – Curtis Cab .....	1-81
Strobe Light – Curtis Cab .....	1-83
Work Lights – Curtis Cab .....	1-85
Fan/Defogger – Curtis Cab .....	1-87
Heater – Curtis Cab .....	1-89
Van Box .....	1-91

## SECTION 2 – WHEELS AND TIRES

Wheels and Tires – Turf/Carryall 2 and 2 Plus – To Late 2010 Model Year .....	2-3
Wheels and Tires – Turf/Carryall 2 and 2 Plus – From Late 2010 Model Year .....	2-5
Wheels and Tires, Off-Road Tread – Turf/Carryall 252 and XRT 900 .....	2-7
Wheels and Tires, Turf Tread – Turf/Carryall 252 and XRT 900 .....	2-9
Wheel Covers .....	2-11

## SECTION 3 – DECALS

Decals – Turf/Carryall 2 IQ Plus Electric .....	3-3
Decals – Turf/Carryall 2 IQ Plus Electric, Continued .....	3-5
Decals – Turf/Carryall 252 and XRT 900 IQ Plus Electric .....	3-7
Decals – Turf/Carryall 252 and XRT 900 IQ Plus Electric, Continued .....	3-9
Decals – Turf/Carryall 2 Gasoline Vehicles .....	3-11
Decals – Turf/Carryall 2 Gasoline Vehicles, Continued .....	3-13
Decals – Carryall 2 Plus Gasoline Vehicles .....	3-15
Decals – Carryall 2 Plus Gasoline Vehicles, Continued .....	3-17
Decals – Turf/Carryall 252 Gasoline Vehicles .....	3-19
Decals – Turf/Carryall 252 Gasoline Vehicles, Continued .....	3-21
Decals – XRT 900 Gasoline Vehicles .....	3-23
Decals – XRT 900 Gasoline Vehicles, Continued .....	3-25
Decals, Badging – Turf/Carryall 2 and 2 Plus .....	3-27
Decals, Badging – Turf/Carryall 252 .....	3-29
Decals, Badging – XRT 900 .....	3-31

## SECTION 4 – LIGHTS, CONTROLS, AND INDICATORS

Headlights .....	4-3
Light Kit, Standard – Carryall 2 Gasoline Vehicles .....	4-5
Light Kit, Standard – Carryall 2 IQ Plus Electric Vehicles .....	4-9
Turn Signal Kit – DS and Utility Gasoline and Electric Vehicles .....	4-13
Turn Signal (with Horn Button) Kit – DS and Utility Gas and Electric Vehicles .....	4-15
Instrument Panel and Electrical Components – Turf/Carryall 2 and 252 Gas .....	4-17

# CONTENTS

---

Instrument Panel and Electrical Components – Carryall 2 Plus and XRT 900 Gas .....	4-19
Instrument Panel and Electrical Components – Turf/Carryall 2 Electric .....	4-21
Instrument Panel with Electrical Components – Turf/Carryall 252 and XRT 900 Electric .....	4-23
Keys and Keyswitches, SmartKey Kit – Electric Vehicle .....	4-25
Keys and Keyswitches, Uncommon – Gas Vehicle .....	4-27
DC Converter – IQ Plus Electric Vehicle, to Early-2010 Model Year .....	4-29
DC Converter (Isolated) – IQ Plus Electric Vehicle, from Early-2010 Model Year .....	4-31
Voltage Limiter – Gasoline Vehicle .....	4-33
Strobe Light, Post-Mounted – Gasoline Vehicles .....	4-35
Strobe Light, Post-Mounted – Electric Vehicles .....	4-37
Strobe Light, Canopy-Mounted .....	4-39
Light Bar – Turf/CA 252 and XRT 900 Gas Vehicles .....	4-41
Light Bar – Turf/CA 252 and XRT 900 Electric Vehicles .....	4-43
Horn with Floor-Mounted Button .....	4-45
Horn with Column-Mounted Button .....	4-47
Hour Meter – Carryall/Turf IQ Plus Electric Vehicles .....	4-49
Taillights .....	4-51

## SECTION 5 – BRAKES, PEDAL, AND CABLE ASSEMBLIES

---

Brake Pedal Assembly .....	5-3
Accelerator Pedal Assembly – Electric Vehicles with MCOR .....	5-5
Accelerator Pedal Assembly – Gasoline Vehicles .....	5-7
Accelerator Rod and Pedal Assembly – Gasoline Vehicles .....	5-9
Front Brake Assembly – Vehicles with Four-Wheel Brakes .....	5-11
Front Brake Cables and Equalizer – Vehicles with Four-Wheel Brakes .....	5-13
Rear Brake Cables and Equalizer – Vehicles with 4-Wheel Brakes .....	5-15
Rear Brake Assembly, Manually-Adjusted – Vehicles with 4-Wheel Brakes .....	5-17
Rear Brake Assembly, Self-Adjusting – Vehicle with 2-Wheel Brakes .....	5-19
Rear Brake Cables and Equalizer – Vehicles with Two-Wheel Brakes .....	5-21

## SECTION 6 – STEERING AND SUSPENSIONS (CONV. BALL JOINTS) – TURF/CA 2 & 2 PLUS

---

Steering Gear Assembly (Mando) – Conventional Ball Joint .....	6-3
Steering Column – Utility .....	6-5
Intermediate Steering Shaft (Mando) – Turf/CA 1/2/6 .....	6-7
Steering Wheel .....	6-9
Steering Wheel with Clip .....	6-11
Front Spindles and Hubs – Vehicles with Two-Wheel Brakes and Conventional Ball Joints .....	6-13
Front Suspension, Upper – Vehicles with Two-Wheel Brakes and Conventional Ball Joints .....	6-15
Front Suspension, Lower – Vehicles with Two-Wheel Brakes and Conventional Ball Joints .....	6-17

# CONTENTS

---

Heavy Duty Front Springs .....	6-19
Front Spindles and Hubs – Vehicles with Four-Wheel Brakes and Conventional Ball Joints .....	6-21
Front Suspension, Upper – Vehicles with Four-Wheel Brakes and Conventional Ball Joints .....	6-23
Front Suspension, Lower – Vehicles with Four-Wheel Brakes and Conventional Ball Joints .....	6-25
Rear Suspension – Gasoline Turf/Carryall 2, 2 Plus, and 6 .....	6-27
Rear Suspension – Turf/Carryall 2 and 6 IQ Plus Vehicles .....	6-29
Stabilizer Bar – Turf/Carryall 2, 6, and Carryall 2 Plus Gasoline Vehicles .....	6-31

## **SECTION 7 – STEERING AND SUSPENSIONS (MAINT. FREE BALL JOINTS) – TURF/CA 2 & 2 PLUS**

---

Steering Gear Assembly (Wanda) – Maint.-Free Ball Joint .....	7-3
Steering Column – Utility .....	7-5
Intermediate Steering Shaft (Wanda) – Turf/CA 1/2/6 .....	7-7
Steering Wheel .....	7-9
Steering Wheel with Clip .....	7-11
Front Spindles and Hubs – Vehicles with Two-Wheel Brakes and Maintenance-Free Ball Joints .....	7-13
Front Suspension, Upper – Vehicles with Two-Wheel Brakes and Maintenance-Free Ball Joints .....	7-15
Front Suspension, Lower – Vehicles with Two-Wheel Brakes and Maintenance-Free Ball Joints .....	7-17
Heavy Duty Front Springs .....	7-19
Front Spindles and Hubs – Vehicles with Four-Wheel Brakes and Maintenance-Free Ball Joints .....	7-21
Front Suspension, Upper – Vehicles with Four-Wheel Brakes and Maintenance-Free Ball Joints .....	7-23
Front Suspension, Lower – Vehicles with Four-Wheel Brakes and Maintenance-Free Ball Joints .....	7-25
Rear Suspension – Gasoline Turf/Carryall 2, 2 Plus, and 6 .....	7-27
Rear Suspension – Turf/Carryall 2 and 6 IQ Plus Vehicles .....	7-29
Stabilizer Bar – Turf/Carryall 2, 6, and Carryall 2 Plus Gasoline Vehicles .....	7-31

## **SECTION 8 – STEERING AND SUSPENSIONS (CONV. BALL JOINTS) – 252 AND 900**

---

Front Frame Plate Hardware – Turf/Carryall 252 and XRT 900 .....	8-3
Steering Gear Assembly (Mando) – Conventional Ball Joint .....	8-5
Steering Column – Utility .....	8-7
Intermediate Steering Shaft – Turf/Carryall 252 and XRT 900 Vehicles .....	8-9
Steering Wheel .....	8-11
Steering Wheel with Clip .....	8-13
Front Spindles and Hubs – Vehicles with Four-Wheel Brakes and Conventional Ball Joints .....	8-15
Front Suspension, Upper – Turf/Carryall 252 and XRT 900 with Conventional Ball Joints .....	8-17
Front Suspension, Lower – Turf/Carryall 252 and XRT 900 with Conventional Ball Joints .....	8-19
Rear Suspension – Gasoline Turf/Carryall 252 and XRT 900 .....	8-21
Rear Suspension – Turf/Carryall 252 and XRT 900 IQ Plus .....	8-23
Stabilizer Bar – Turf/Carryall 252 and XRT 900 .....	8-25



# CONTENTS

---

## SECTION 9 – STEERING AND SUSPENSIONS (MAINT. FREE BALL JOINTS) – 252 AND 900

---

Front Frame Plate Hardware – Turf/Carryall 252 and XRT 900 .....	9-3
Steering Gear Assembly (Wanda) – Maint.-Free Ball Joint .....	9-5
Steering Column – Utility .....	9-7
Intermediate Steering Shaft – Turf/Carryall 252 and XRT 900 Vehicles .....	9-9
Steering Wheel .....	9-11
Steering Wheel with Clip .....	9-13
Front Spindles and Hubs – Vehicles with Four-Wheel Brakes and Maintenance-Free Ball Joints .....	9-15
Front Suspension, Upper – Turf/Carryall 252 and XRT 900 with Maintenance-Free Ball Joints .....	9-17
Front Suspension, Lower – Turf/Carryall 252 and XRT 900 with Maintenance-Free Ball Joints .....	9-19
Rear Suspension – Gasoline Turf/Carryall 252 and XRT 900 .....	9-21
Rear Suspension – Turf/Carryall 252 and XRT 900 IQ Plus .....	9-23
Stabilizer Bar – Turf/Carryall 252 and XRT 900 .....	9-25

---

## SECTION 10 – ELECTRICAL SYSTEM – GASOLINE VEHICLE

---

Wiring, Fuses, and Diodes – Turf/Carryall 2 and 252 with G425419 Starter/Gen .....	10-3
Wiring, Fuses, and Diodes – Turf/Carryall 2 and 252 with AMD Starter/Gen .....	10-5
Wiring, Fuses, and Diodes – Carryall 2 Plus with G425419 Starter/Gen .....	10-7
Wiring, Fuses, and Diodes – Carryall 2 Plus with AMD Starter/Gen .....	10-9
Wiring, Fuses, and Diodes – XRT 900 with G425419 Starter/Gen .....	10-11
Wiring, Fuses, and Diodes – XRT 900 with AMD Starter/Gen .....	10-13
Starter/Generator Assembly, Model G425419 .....	10-15
Starter/Generator Mounting – Model G425419 .....	10-17
Starter/Generator Assembly (Pedal-Start), Model 114-01-4009A .....	10-19
Starter/Generator Assembly (Key-Start), Model 114-04-4001A .....	10-21
Starter/Generator Mounting – 114-0x-400xx Models .....	10-23
Operation and Maintenance Switch .....	10-25
Electrical Component Box – Turf/Carryall 2 and 252 .....	10-27
Electrical Component Box – Carryall 2 Plus .....	10-29
Electrical Component Box – XRT 900 .....	10-31
Forward/Reverse Shifter Switches – Dash Mounted Shifter .....	10-33
Charging Diode, Key-Start – XRT Vehicles .....	10-35
Battery – Gasoline Utility Vehicles .....	10-37

---

## SECTION 11 – ENGINE (S27) W/O ACR, 50-STATE

---

FE350 Engine (S27) w/o ACR, Shrouds, and Brackets; 50-State .....	11-3
FE350 Engine (S27) – Ignition Components and Flywheel .....	11-5
FE350 Engine (S27) – Oil Circulation .....	11-7

# CONTENTS

---

FE350 Engine (S27) – Cylinder Head .....	11-9
FE350 Engine (S27) – Crankcase, Camshaft, and Oil Sensor .....	11-11
FE350 Engine (S27) – Crankcase and Crankshaft .....	11-13
FE350 Engine (S27) – Mounting .....	11-15

## SECTION 12 – FUEL, INTAKE, AND GOVERNOR SYSTEMS

---

Fuel System – 49 State, with Metal Fuel Pump .....	12-3
Fuel System – 49 State, with Plastic Fuel Pump .....	12-5
Fuel System – California Only, with Metal Fuel Pump .....	12-7
Fuel System – California Only, with Plastic Fuel Pump .....	12-9
Carbon Canister – California Only .....	12-11
Carburetor Assembly – FE350 S27 .....	12-13
Carburetor Mounting, Utility, FE350 S23 S24 S27 .....	12-15
Governor and Accelerator Cables .....	12-17
Air Filter and Intake System .....	12-19

## SECTION 13 – EXHAUST SYSTEM

---

Exhaust System – FE350 Engine .....	13-3
-------------------------------------	------

## SECTION 14 – DRIVE BELT AND CLUTCHES

---

Drive Belt .....	14-3
Drive Clutch – Turf/Carryall 2 and 252 .....	14-5
Drive Clutch – Carryall 2 Plus with 101953801 & 03 Engines Only .....	14-7
Drive Clutch – XRT 900 with any Engine and Carryall 2 Plus with 103386202 50-State Engine .....	14-9
Driven Clutch – Turf/Carryall 2 and 252 .....	14-11
Driven Clutch – Carryall 2 Plus and XRT 900 .....	14-13

## SECTION 15 – UNITIZED TRANSAXLE – GASOLINE VEHICLES

---

Forward/Reverse Shifter .....	15-3
Shifter Cable – Turf/CA 2/252/2 Plus and XRT900 .....	15-5
Kawasaki Transaxle – Gear Cases and Levers .....	15-7
Kawasaki Transaxle – F&R Transmission and Gear Reduction .....	15-9
Kawasaki Transaxle – Differential and Axles .....	15-11
Graziano Transaxle – Gear Cases and Levers .....	15-13
Graziano Transaxle – F&R Transmission and Gear Reduction .....	15-15
Graziano Transaxle -Differential and Axles .....	15-17

# CONTENTS

---

## SECTION 16 – ELECTRICAL SYSTEM – ELECTRIC VEHICLES

---

Motor Controller Output Regulator (MCOR) .....	16-3
Wiring – Electric Vehicle .....	16-5
Battery Charger Receptacle .....	16-7
Tow/Run Switch and Circuit-Breaker – IQ Plus .....	16-9
Batteries, 6-Volt, Standard Duty, Trojan .....	16-11
Batteries, 6-Volt, Heavy Duty, Trojan .....	16-13
Batteries, 6-Volt, Standard Duty, Crown .....	16-15
Batteries, 6-Volt, Heavy Duty, Crown .....	16-17
Batteries, 6-Volt, Standard Duty, U.S. Battery .....	16-19
Batteries, 6-Volt, Heavy Duty, U.S. Battery .....	16-21
Single Point Watering System, 6V .....	16-23
Computer, Controller, and Solenoid – for Trojan Batteries Only .....	16-25
Computer, Controller, and Solenoid – for Trojan & Crown Batteries .....	16-27
Computer, Controller, and Solenoid – for U.S. Battery Only .....	16-29

---

## SECTION 17 – MOTOR (MODEL DA5-4006) – IQ PLUS

---

Motor (Model DA5-4006) – IQ Plus .....	17-3
--	------

---

## SECTION 18 – TRANSAXLE – ELECTRIC VEHICLES

---

Transaxle – Electric Vehicles .....	18-3
Differential Guard – Electric Vehicles .....	18-5

---

## SECTION 19 – BATTERY CHARGERS

---

IQ Plus Battery Charger (Models 25730-11,-18,-19), Domestic .....	19-3
IQ Plus Battery Charger (Models 25880-11 and -18), International .....	19-5
Onboard IQ Plus Battery Charger (Model 25260-11), Domestic .....	19-7
Onboard IQ Plus Battery Charger (Model 25660-40), International .....	19-9
Onboard IQ Plus Charger and Cord Reel Mounting, Page 1 of 2 .....	19-11
Onboard IQ Plus Charger and Cord Reel Mounting, Page 2 of 2 .....	19-13

---

## SECTION 20 – MAINTENANCE AND SERVICE TOOLS

---

Maintenance and Service Tools .....	20-3
Maintenance and Service Tools, Continued .....	20-5
Maintenance and Service Tools, Continued .....	20-7

---

## SECTION i – INDEX

---



# BODY AND TRIM

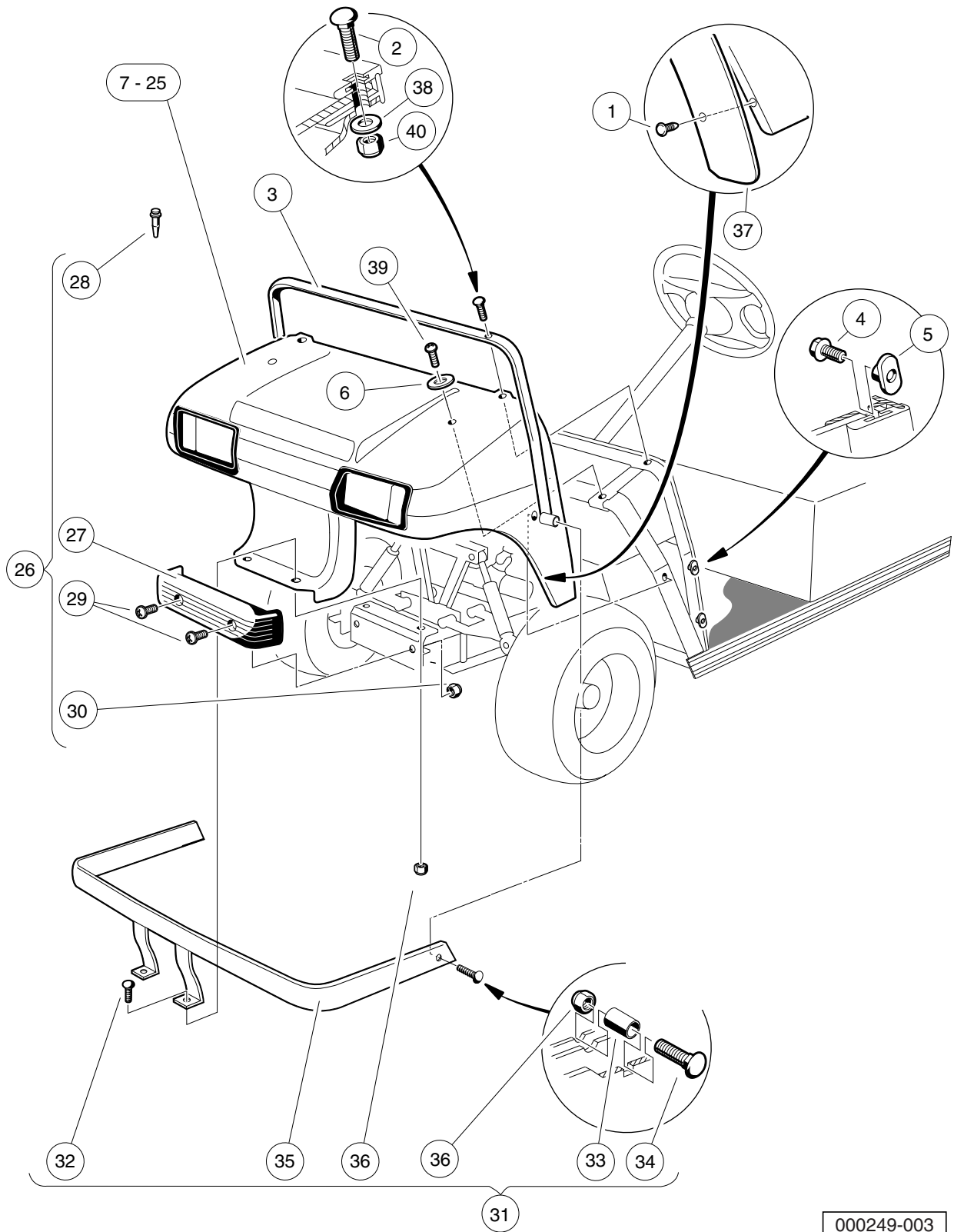
---

1

G

E

**1**  
**G**  
**E**



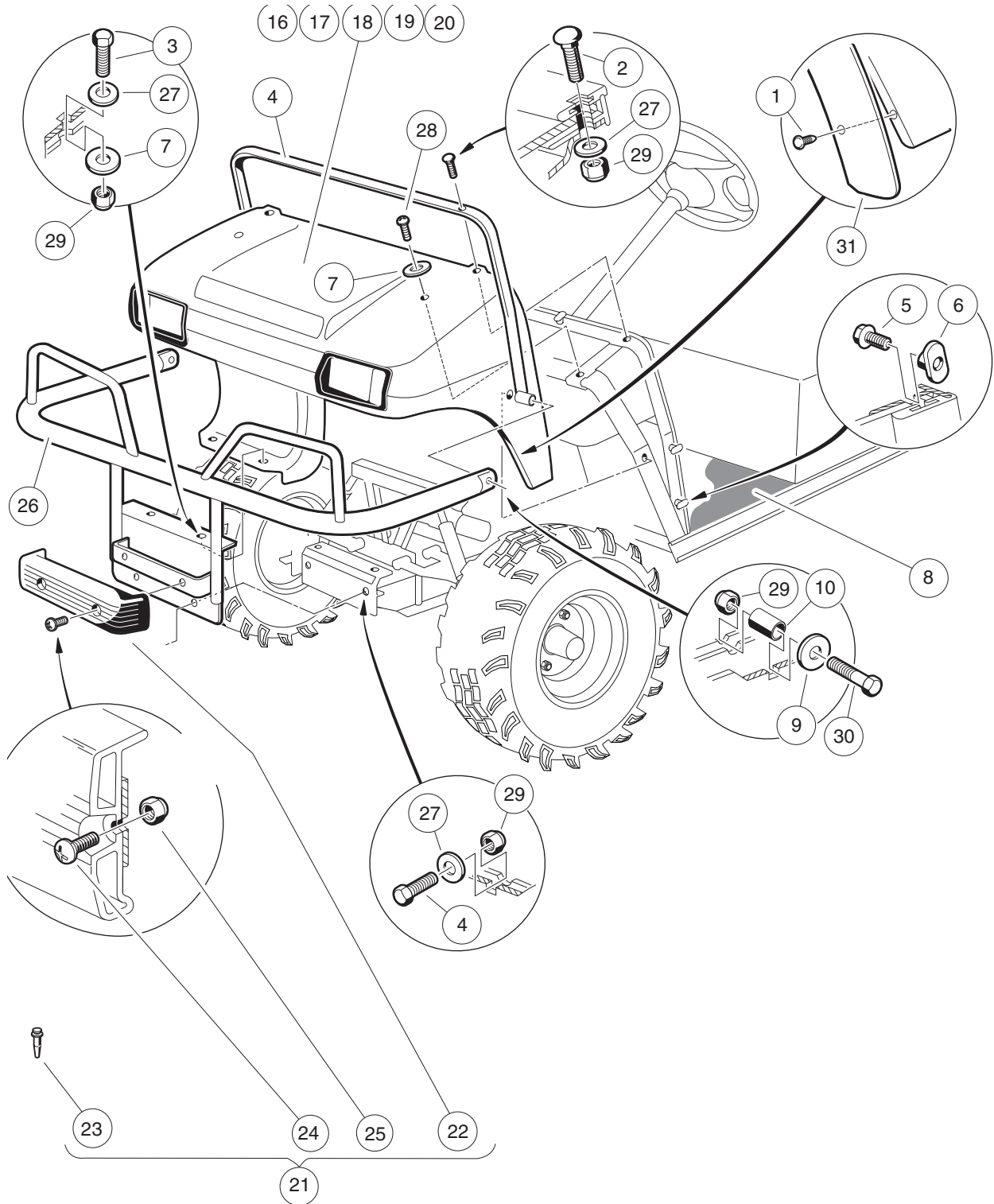
000249-003

# FRONT BODY AND TRIM – TURF/CARRYALL 2, 2 PLUS, AND 6

ITEM	PART NO.	DESCRIPTION	QTY
		<b>1 2 3 4</b>	
1	1010434	Barrel - Plastic .....	12
2	1010435	Bolt, Carriage, 5/16-18 X 1.00 .....	2
3	1011014	Trim, Cowl .....	1
4	1011017	Screw, #8-32 X 0.375 .....	6
5	1011394	T-Nut Package (Set of 4) .....	1
6	1015075	Washer, 5/16 Flat Type A .....	2
7	101692501	Cowl, TPO, Beige .....	1
8	101692502	Cowl, TPO, White .....	1
9	101692506	Cowl, TPO, Red .....	1
10	101692509	Cowl, TPO, Pacific Blue (Royal Blue) .....	1
11	101692510	Cowl, TPO, Dark Green .....	1
12	101692511	Cowl, TPO, Black .....	1
13	101692512	Cowl, TPO, Classic Blue (Navy) .....	1
14	101692513	Cowl, TPO, Burgundy .....	1
15	101692514	Cowl, TPO, Dark Gray .....	1
16	101692515	Cowl, TPO, Safety Yellow .....	1
17	101693901	Cowl with Headlight Opening, TPO, Beige .....	1
18	101693902	Cowl with Headlight Opening, TPO, White .....	1
19	101693906	Cowl with Headlight Opening, TPO, Red .....	1
20	101693909	Cowl with Headlight Opening, TPO, Dark Green .....	1
21	101693910	Cowl with Headlight Opening, TPO, Black .....	1
22	101693911	Cowl with Headlight Opening, TPO, Classic Blue (Navy) .....	1
23	101693912	Cowl with Headlight Opening, TPO, Burgundy .....	1
24	101693913	Cowl with Headlight Opening, TPO, Dark Gray .....	1
25	101693914	Cowl with Headlight Opening, TPO, Safety Yellow .....	1
26	1017080	Kit, Front Bumper (includes items 27 through 30) .....	1
27	1016868	Front Bumper .....	1
28	1016967	Blind Rivet, Push Type .....	2
29	7251	Screw, 5/16-18 x 1.0 Truss-Head .....	2
30	7473	Locknut, 5/16-18 Nylon Insert .....	2
31	101734802	Kit, Heavy-Duty Bumper (includes items 32 through 36) .....	1
32	1010435	Bolt, Carriage, 5/16-18 X 1.00 .....	2
33	1010546	Spacer .....	2
34	1015405	Bolt, Carriage, 5/16-18 X 2.0 .....	2
35	N/A	Weldment, Heavy Duty Bumper .....	1
36	7473	Locknut, 5/16-18 Nylon Insert .....	4
37	101870401	Fender Extrusion .....	2
38	1241	Washer, 5/16 Type A Flat .....	2
39	7251	Screw, 5/16-18 x 1.0 Truss-Head .....	2
40	7473	Locknut, 5/16-18 Nylon Insert .....	2

**1**  
**G**  
**E**

**1**  
**G**  
**E**



000249-004

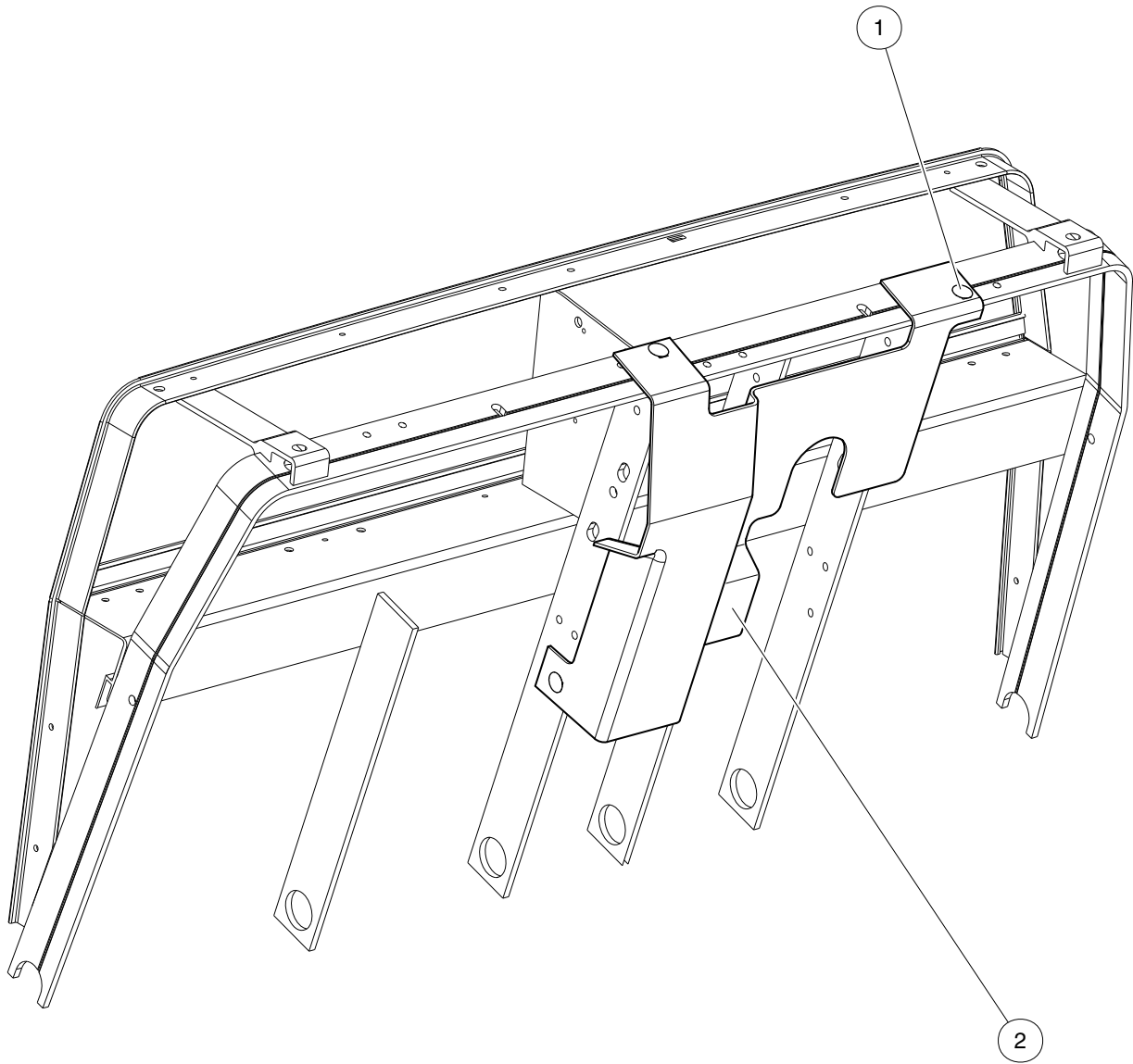


# FRONT BODY AND TRIM – TURF/CARRYALL 252 AND XRT 900

ITEM	PART NO.	DESCRIPTION	QTY
		<b>1 2 3 4</b>	
1	1010434	Barrel - Plastic .....	12
2	1010435	Bolt, Carriage, 5/16-18 X 1.00 .....	2
3	1010934	Screw, 5/16-18 X 1.00 Hex Cap .....	4
4	1011014	Trim, Cowl .....	1
5	1011017	Screw, #8-32 X 0.375 .....	6
6	1011394	T-Nut Package (Set of 4) .....	1
7	1011578	Washer, 5/16 Type B Flat .....	4
8	101503202	Floormat .....	1
9	1015075	Washer, 5/16 Flat Type A .....	2
10	1015608	Tube Spacer, Hydraulic Cylinder .....	2
11	101693901	Cowl with Headlight Opening, TPO, Beige .....	1
12	101693902	Cowl with Headlight Opening, TPO, White .....	1
13	101693906	Cowl with Headlight Opening, TPO, Red .....	1
14	101693908	Cowl with Headlight Opening, TPO, Pacific Blue (Royal Blue) .....	1
15	101693909	Cowl with Headlight Opening, TPO, Dark Green .....	1
16	101693910	Cowl with Headlight Opening, TPO, Black .....	1
17	101693911	Cowl with Headlight Opening, TPO, Classic Blue (Navy) .....	1
18	101693912	Cowl with Headlight Opening, TPO, Burgundy .....	1
19	101693913	Cowl with Headlight Opening, TPO, Dark Gray .....	1
20	101693914	Cowl with Headlight Opening, TPO, Safety Yellow .....	1
21	1017080	Kit, Front Bumper (includes items 22 through 25) .....	1
22	1016868	Front Bumper .....	1
23	1016967	Blind Rivet, Push Type .....	2
24	7251	Screw, 5/16-18 x 1.0 Truss-Head .....	2
25	7473	Locknut, 5/16-18 Nylon Insert .....	2
26	102004301	Brush Guard .....	1
27	1241	Washer, 5/16 Type A Flat .....	6
28	7251	Screw, 5/16-18 x 1.0 Truss-Head .....	2
29	7473	Locknut, 5/16-18 Nylon Insert .....	8
30	8935	Screw, 5/16-18 X 2.25 Hex-Head Cap .....	2
31	AM10808	Front Fender Extrusion - Lynx .....	2

**1**  
**G**  
**E**

**1**  
**G**  
**E**



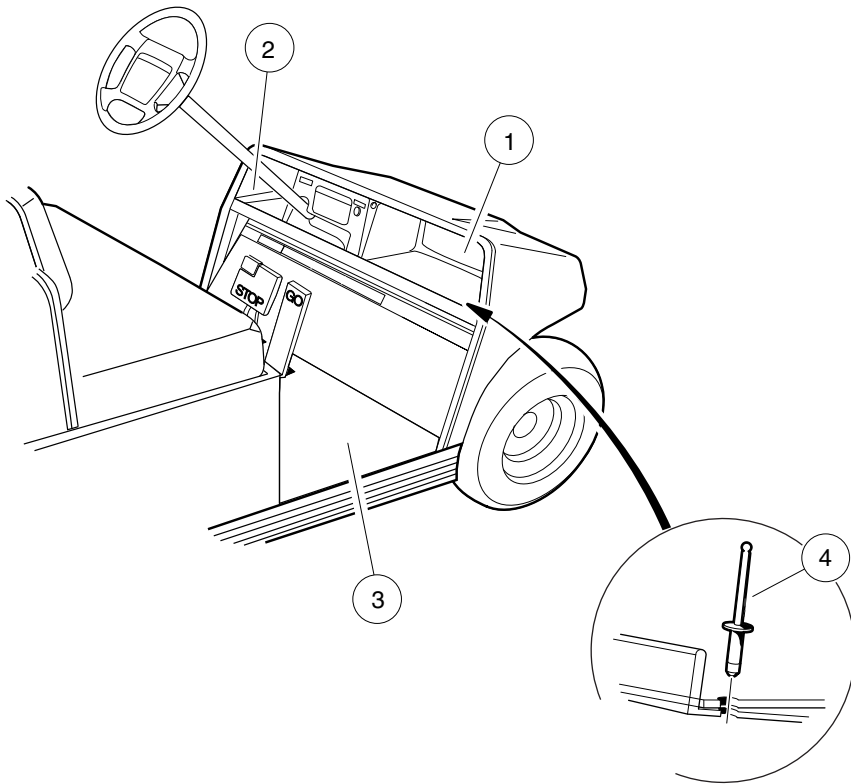
000593-002

## SPLASH GUARD – GASOLINE VEHICLES ONLY

ITEM	PART NO.	DESCRIPTION	QTY
1	1010434	1 2 3 4 Barrel - Plastic .....	3
2	103174401	Splash Guard .....	1

1  
G  
E

**1**  
**G**  
**E**



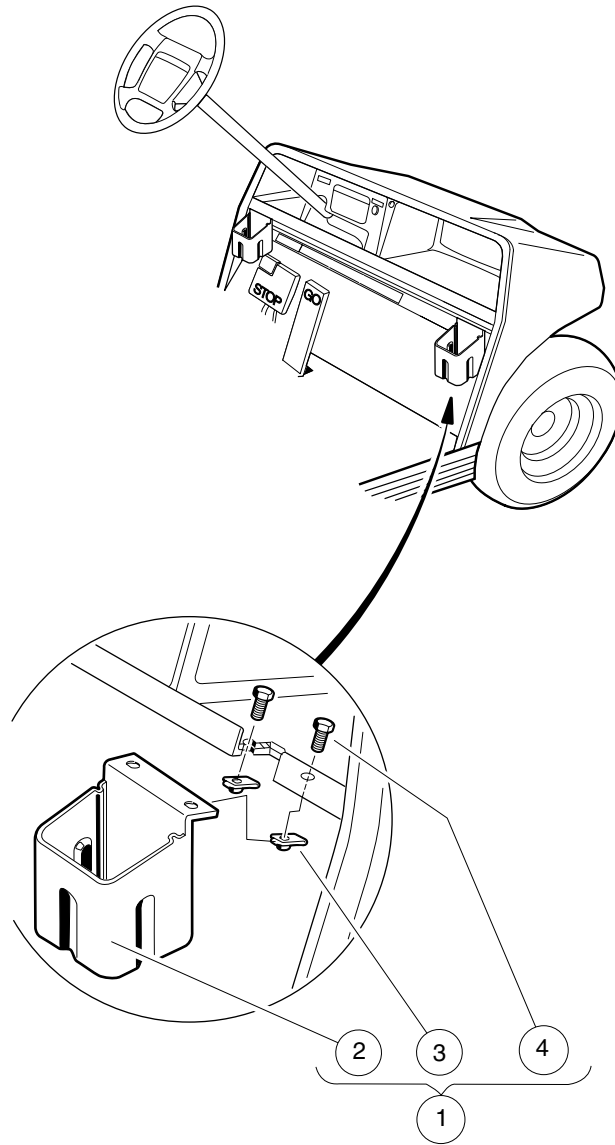
000252-002

# DASH POCKETS AND FLOORMAT

ITEM	PART NO.	DESCRIPTION	QTY
		1 2 3 4	
1	1013343	Dash Component, Passenger-Side, Black .....	1
2	1013344	Dash Component, Driver-Side .....	1
3	101503202	Floormat .....	1
4	7973	Rivet, 3/16 X .400 Blind .....	5

1  
G  
E

**1**  
**G**  
**E**



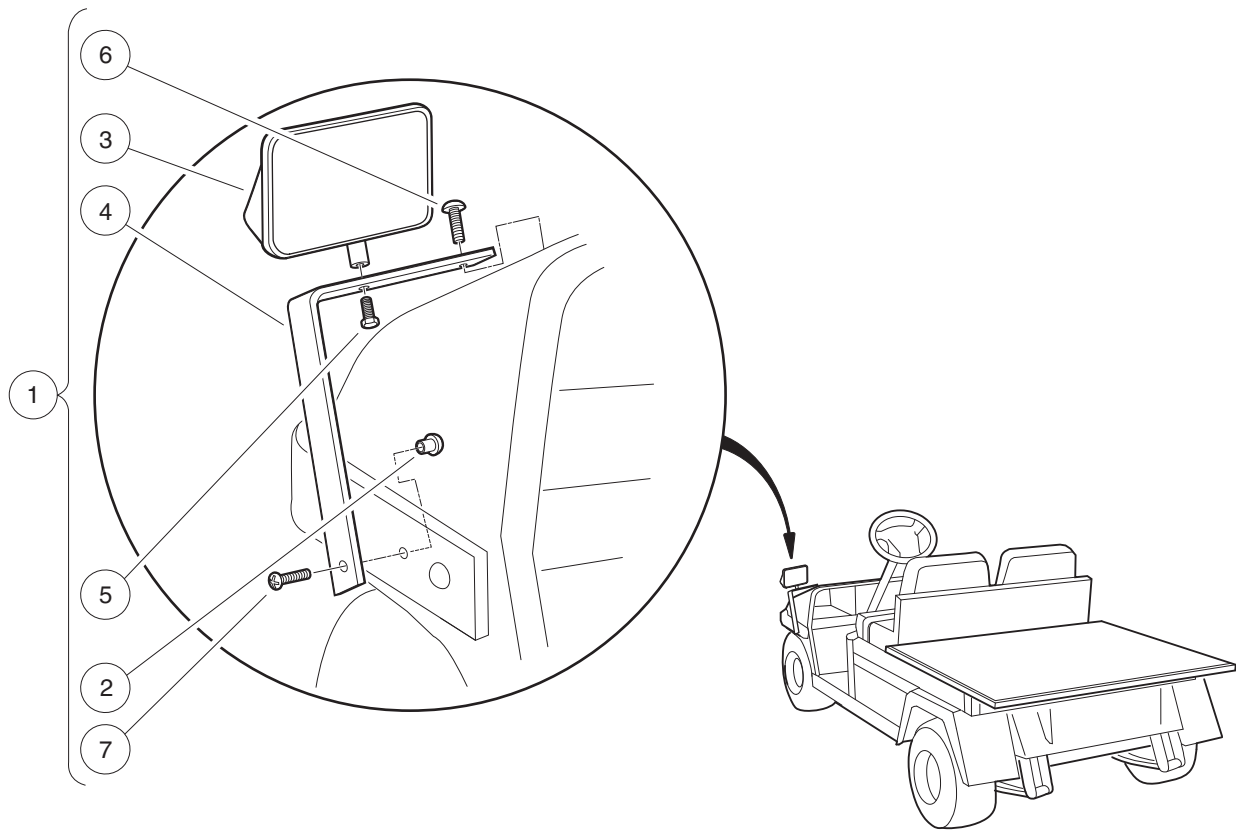
000253-001

# BEVERAGE HOLDER

ITEM	PART NO.	DESCRIPTION	QTY
		<b>1 2 3 4</b>	
1	1013422	Cup Holder Kit (includes items 2 through 4) .....	2
2	1013420	Holder, Single Cup .....	1
3	1016952	U-Nut, 1/4-20 .....	2
4	7847	Screw, 1/4-20 X 0.75 Hex-Head Cap .....	2

1  
G  
E

**1**  
**G**  
**E**



001211-001

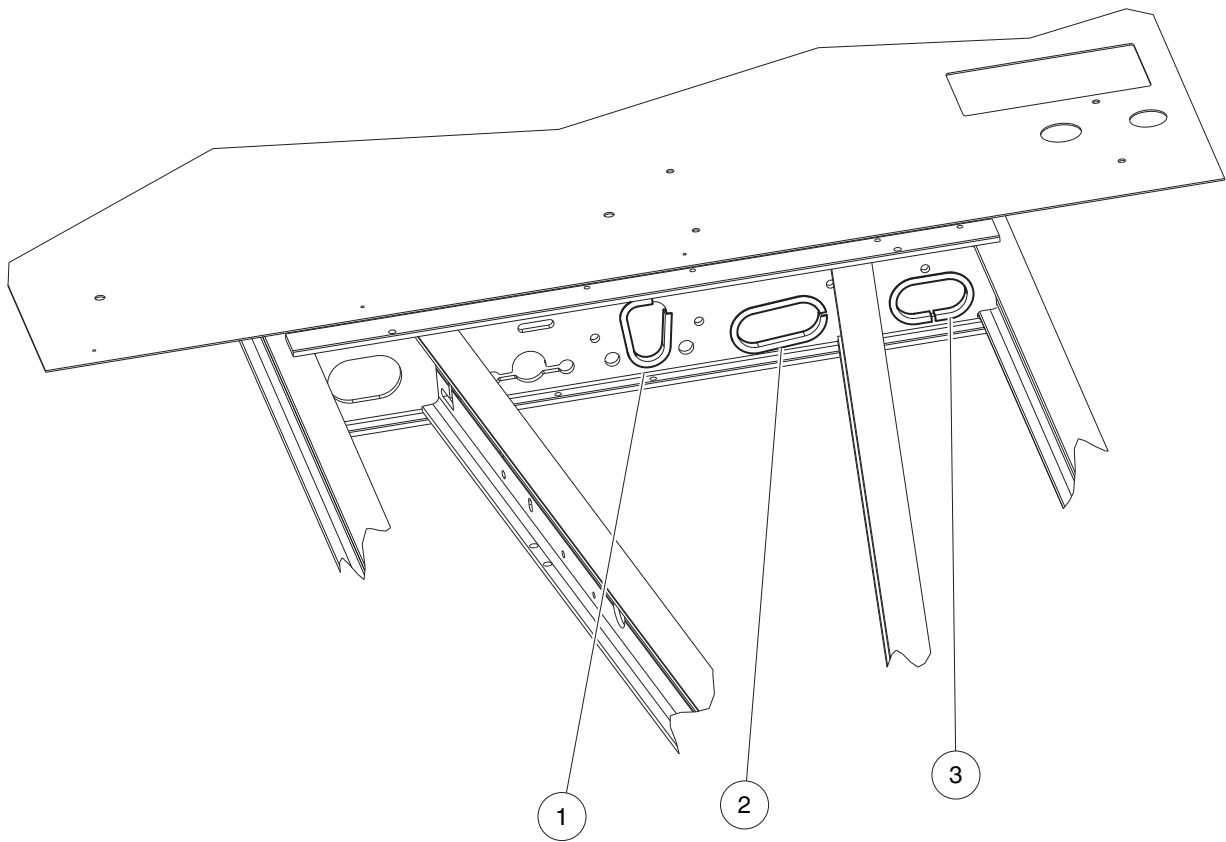


## MIRROR, REAR-VIEW – WITHOUT CAB

ITEM	PART NO.	DESCRIPTION	QTY
		1 2 3 4	
1	1013846	Kit, Rear Mirror, West Coast (includes items 2 through 7) .....	1
2	1011878	T-nut, 1/4-20 X .310 Capped .....	1
3	1013824	Rear View Mirror .....	1
4	1013825	Mirror Mounting Bracket .....	1
5	7173	Screw, 5/16-18 X 0.75, Hex-Head Cap .....	1
6	7251	Screw, 5/16-18 x 1.0 Truss-Head .....	1
7	8248	Screw, 1/4-20 X 0.75, Truss-Head Machine .....	1
<p>Note: To install this kit, vehicle must be equipped with a heavy-duty front bumper.</p>			

1  
G  
E

**1**  
**G**  
**E**

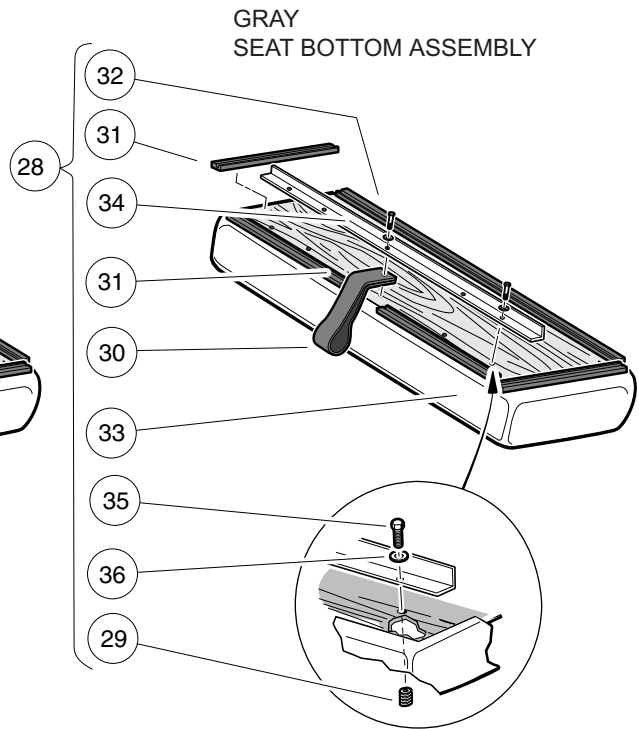
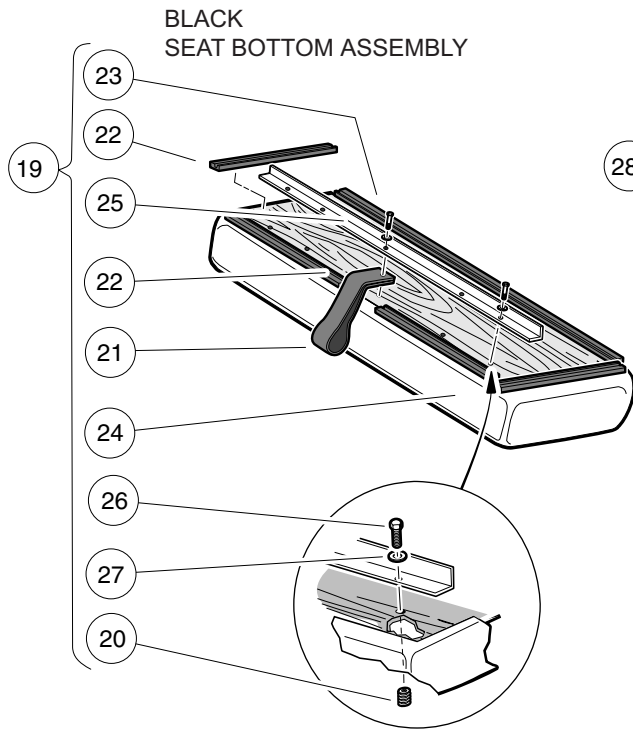
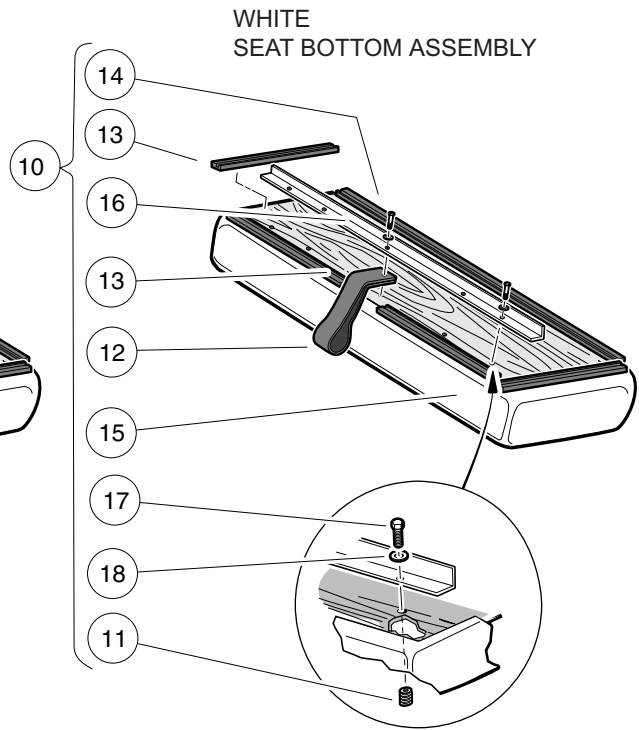
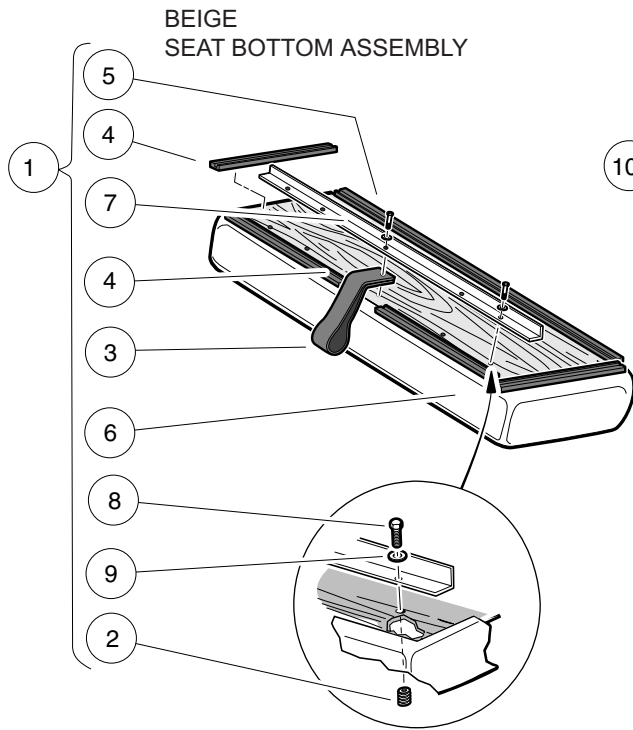


001221-001

# GROMMETS, CHASSIS

ITEM	PART NO.	DESCRIPTION	QTY
		1 2 3 4	
1	101806001	I-beam Grommet - 5.5 .....	A/R
2	101806002	I-beam Grommet - 7.5 .....	A/R
3	101806005	I-beam Grommet - 6.75 .....	A/R

1  
G  
E



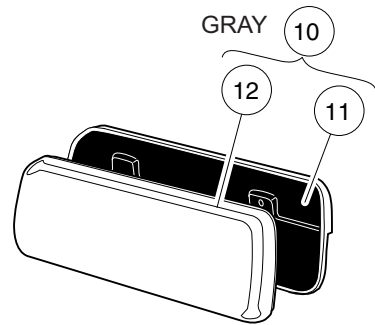
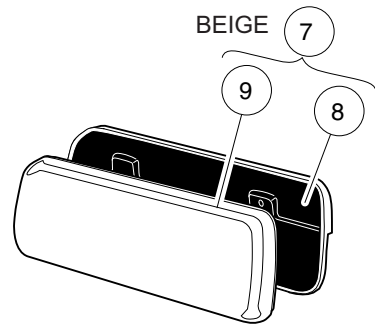
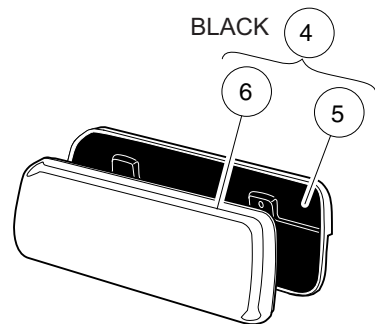
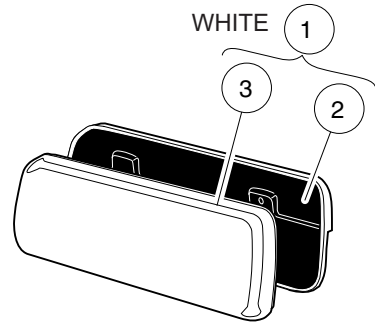
000254-001

# SEAT BOTTOM

ITEM	PART NO.	DESCRIPTION	QTY
		<b>1 2 3 4</b>	
1	101564501	Seat Bottom Assembly, Beige (includes items 2 through 9) .....	1
2	1010543	Insert - Wood .....	5
3	1013309	Strap, Utility Seat .....	1
4	1013311	Bumper, Seat, Short .....	4
5	1013312	Bumper, Seat, Long .....	1
6	101562711	Vinyl Cover, Seat Bottom, Buff .....	1
7	101894303	Stiffener .....	1
8	101954301	Screw, 1/4-20 X 0.75 Hex-Head Cap .....	5
9	332	Washer, 1/4 Type A Narrow Flat .....	5
10	101564502	Seat Bottom Assembly, White (includes items 11 through 18) .....	1
11	1010543	Insert - Wood .....	5
12	1013309	Strap, Utility Seat .....	1
13	1013311	Bumper, Seat, Short .....	4
14	1013312	Bumper, Seat, Long .....	1
15	101562712	Vinyl Cover, Seat Bottom, White .....	1
16	101894303	Stiffener .....	1
17	101954301	Screw, 1/4-20 X 0.75 Hex-Head Cap .....	5
18	332	Washer, 1/4 Type A Narrow Flat .....	5
19	101564503	Seat Bottom Assembly, Black (includes items 20 through 27) .....	1
20	1010543	Insert - Wood .....	5
21	1013309	Strap, Utility Seat .....	1
22	1013311	Bumper, Seat, Short .....	4
23	1013312	Bumper, Seat, Long .....	1
24	101562714	Vinyl Cover, Seat Bottom, Black .....	1
25	101894303	Stiffener .....	1
26	101954301	Screw, 1/4-20 X 0.75 Hex-Head Cap .....	5
27	332	Washer, 1/4 Type A Narrow Flat .....	5
28	101564505	Seat Bottom Assembly, Gray (includes items 29 through 36) .....	1
29	1010543	Insert - Wood .....	5
30	1013309	Strap, Utility Seat .....	1
31	1013311	Bumper, Seat, Short .....	4
32	1013312	Bumper, Seat, Long .....	1
33	101562715	Vinyl Cover, Seat Bottom, Gray .....	2
34	101894303	Stiffener .....	1
35	101954301	Screw, 1/4-20 X 0.75 Hex-Head Cap .....	5
36	332	Washer, 1/4 Type A Narrow Flat .....	5

1  
G  
E

**1**  
**G**  
**E**

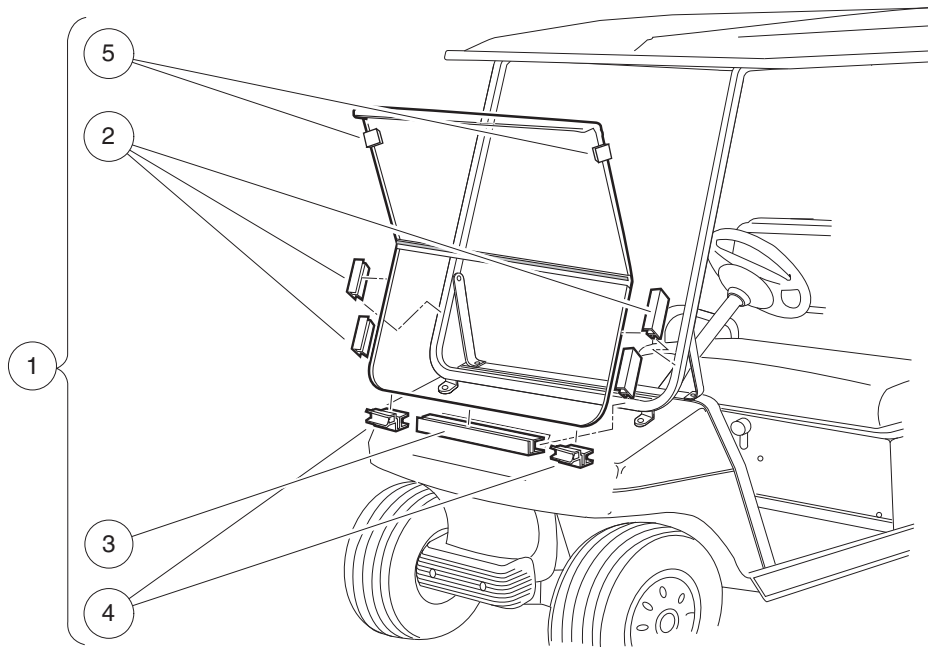


000608-001

# SEAT BACK ASSEMBLY

ITEM	PART NO.	DESCRIPTION	QTY
		<b>1 2 3 4</b>	
1	101677701	Seat Back Assembly, White (includes items 2 and 3) .....	1
2	1016751	Cap, Seat Back .....	1
3	101675512	Vinyl Seat Back, White .....	1
4	101677702	Seat Back Assembly, Black (includes items 5 and 6) .....	1
5	1016751	Cap, Seat Back .....	1
6	101675514	Vinyl Seat Back, Black .....	1
7	101677703	Seat Back Assembly, Beige (includes items 8 and 9) .....	1
8	1016751	Cap, Seat Back .....	1
9	101675511	Vinyl Seat Back, Beige .....	1
10	101677705	Seat Back Assembly, Gray (includes items 11 and 12) .....	1
11	1016751	Cap, Seat Back .....	1
12	101675515	Vinyl Seat Back-nstd Svc .....	1

1  
G  
E



001205-001



# WINDSHIELD, HINGED

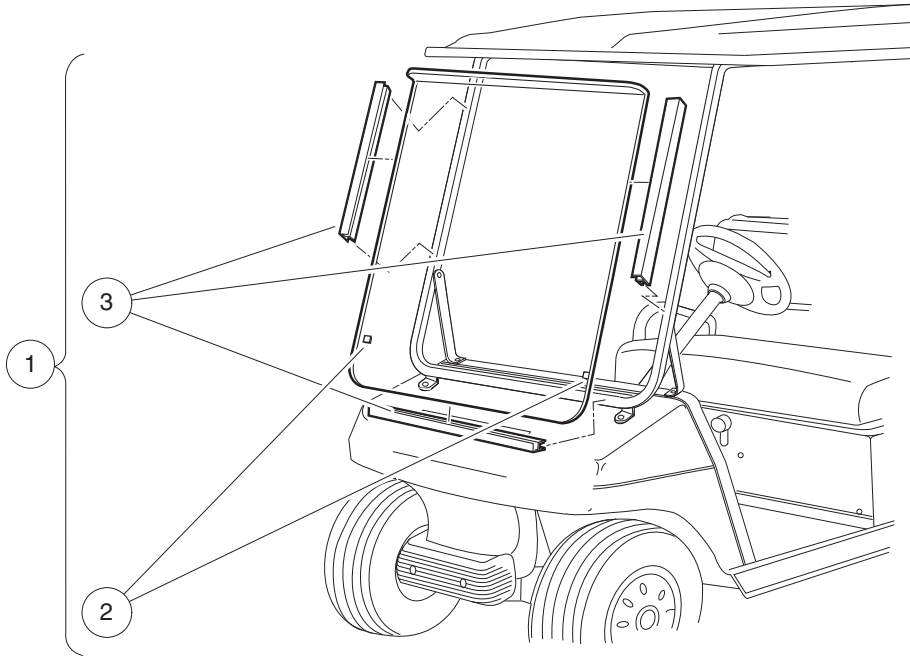
ITEM	PART NO.	DESCRIPTION	QTY
		1 2 3 4	
1	101728602	Hinged Windshield Kit (includes items 2 through 5) .....	1
2	102005701	5" Plastic Extrusion .....	4
3	102163001	Windshield Channel .....	1
4	102163101	Channel with Receiver Clip .....	2
5	N/A	Clip, Release .....	2

1  
G  
E

1

G

E



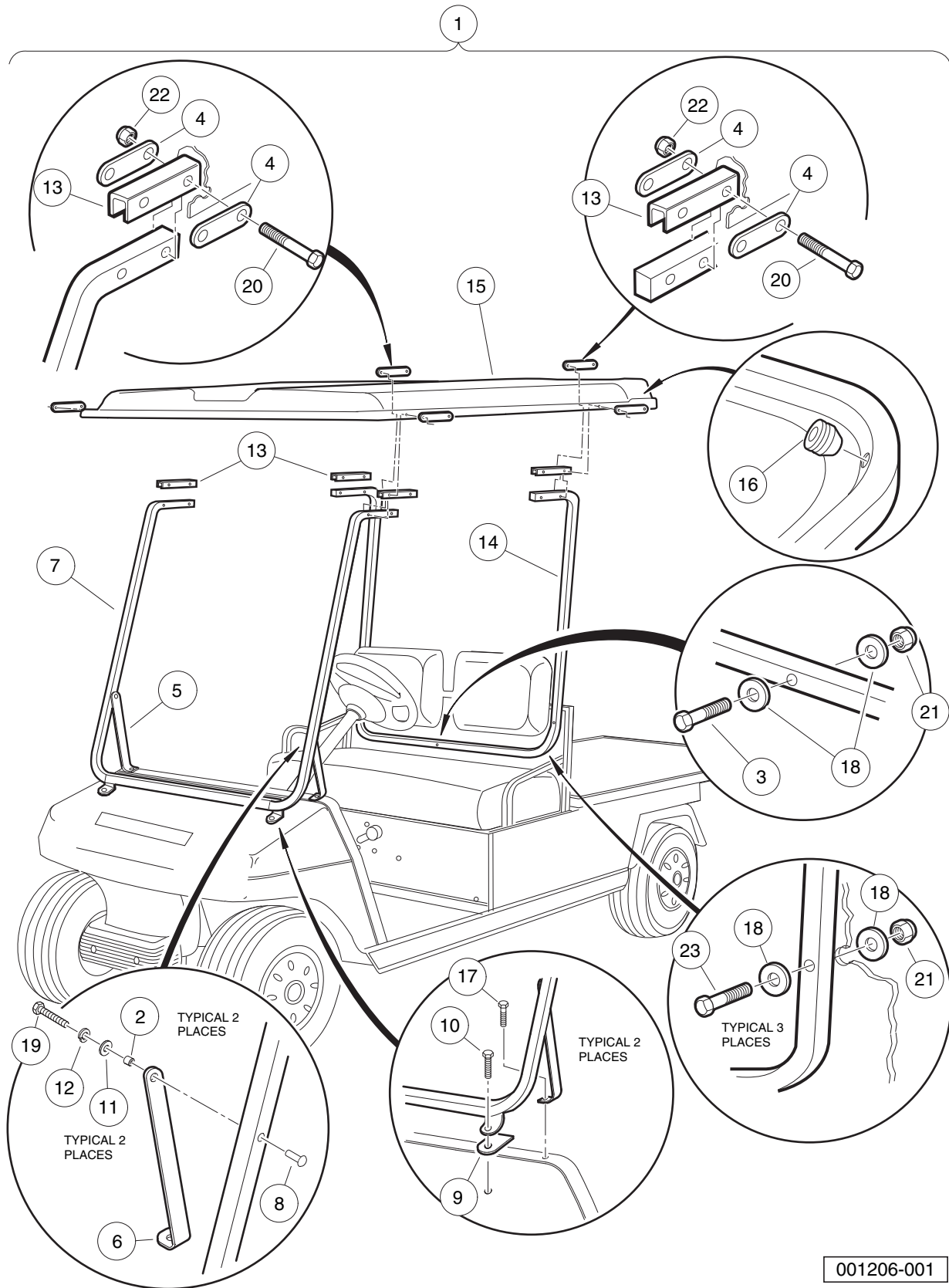
001204-001

# WINDSHIELD, NON-HINGED

ITEM	PART NO.	DESCRIPTION	QTY
		1 2 3 4	
1	1014435	Windshield Tinted One-Piece (includes items 2 and 3) .....	1
2	1011897	Bumper, Protective .....	2
3	101444101	21" Plastic Extrusion .....	3

1  
G  
E

**1**  
**G**  
**E**

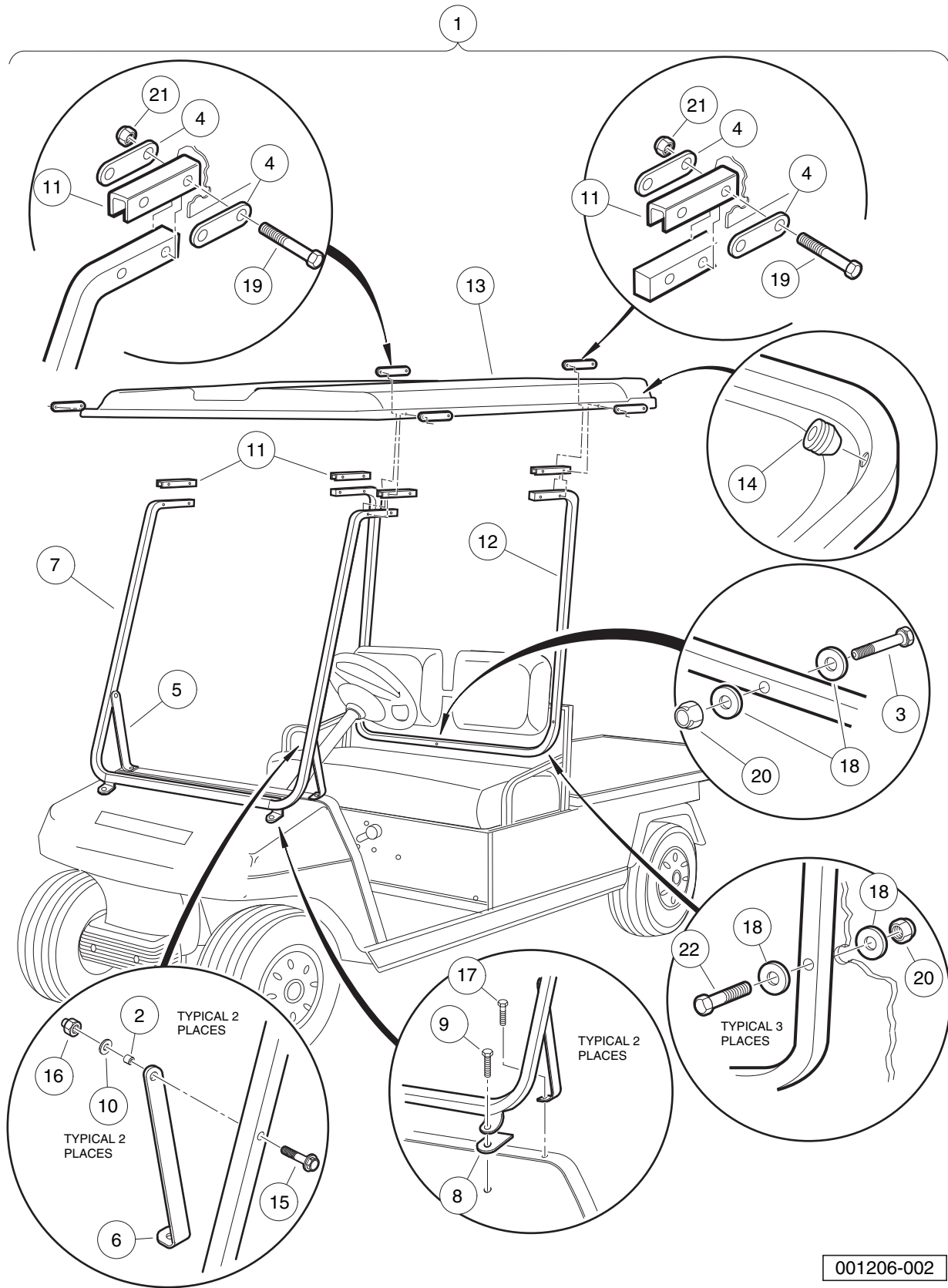


001206-001

## CANOPY KIT, WHITE – TO MID-2010 MODEL YEAR

ITEM	PART NO.	DESCRIPTION	QTY	
		1 2 3 4		<b>1</b>
1	1014506	Kit, Canopy, White (includes items 2 through 23) .....	1	<b>G</b>
2	1010237	Bushing .....	2	<b>E</b>
3	1010921	Screw, 5/16-18 X 2.50 Hex Cap .....	1	
4	1011852	Plate, Canopy Trim .....	8	
5	1011862	Brace, Right-Hand Canopy Mount Knee .....	1	
6	1011865	Brace, Left-Hand Canopy Mount Knee .....	1	
7	1011868	Weldment, Windshield Frame .....	1	
8	1011878	T-nut, 1/4-20 X .310 Capped .....	2	
9	1011883	Pad, Windshield Frame Mounting .....	2	
10	1011937	Bolt, 5/16-18 X 1.25 Hex Head .....	2	
11	1011964	Washer, 1/4 Flat .....	2	
12	1011965	Lockwasher, 1/4 Split Ss .....	2	
13	1012008	Support, Side Canopy .....	4	
14	1014503	Brace, Rear Canopy .....	1	
15	1014509	Canopy, White (includes item 16) .....	1	
16	1011942	Modified Grommet .....	2	
17	1218	Screw, 5/16-18 X 1.25 Hex-Head Cap .....	2	
18	1241	Washer, 5/16 Type A Flat .....	6	
19	1703	Screw, 1/4-20 X 1.50 Hx Hd Cap .....	2	
20	7311	Screw, 1/4-20 X 2.00 Hex-Head Cap .....	8	
21	7473	Locknut, 5/16-18 Nylon Insert .....	3	
22	8233	Locknut, 1/4-20, Nylon Insert .....	8	
23	8963	Screw, 5/16-18 X 1.75 Hex-Head Cap .....	3	

**1**  
**G**  
**E**

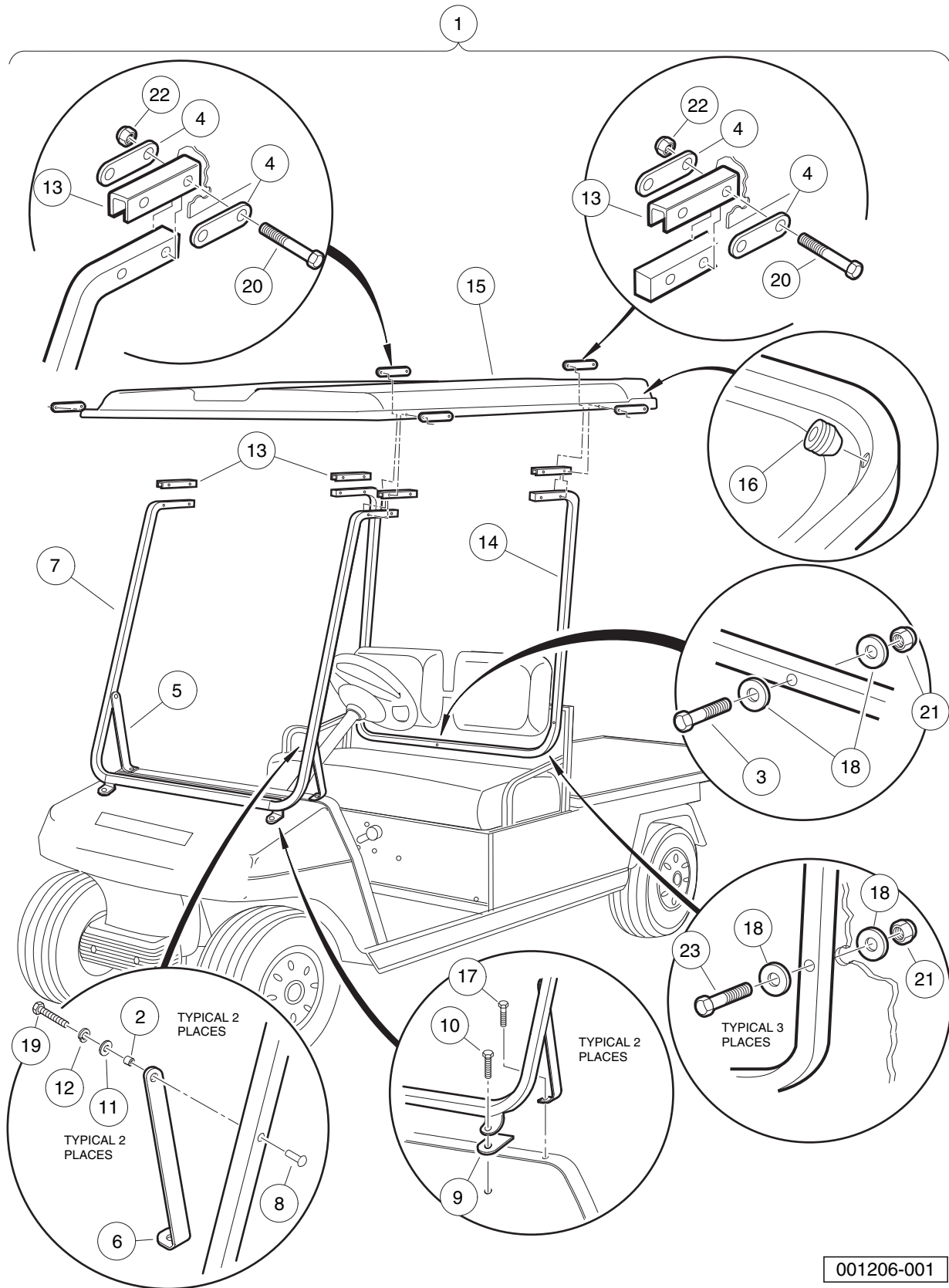


## CANOPY KIT, WHITE – FROM MID-2010 MODEL YEAR

ITEM	PART NO.	DESCRIPTION	QTY
		<b>1 2 3 4</b>	
1	1014506	Kit, Canopy, White (includes items 2 through 22) .....	1
2	1010237	Bushing .....	2
3	1010921	Screw, 5/16-18 X 2.50 Hex Cap .....	1
4	1011852	Plate, Canopy Trim .....	8
5	1011862	Brace, Right-Hand Canopy Mount Knee .....	1
6	1011865	Brace, Left-Hand Canopy Mount Knee .....	1
7	1011868	Weldment, Windshield Frame .....	1
8	1011883	Pad, Windshield Frame Mounting .....	2
9	1011937	Bolt, 5/16-18 X 1.25 Hex Head .....	2
10	1011964	Washer, 1/4 Flat .....	2
11	1012008	Support, Side Canopy .....	4
12	1014503	Brace, Rear Canopy .....	1
13	1014509	Canopy, White (includes item 14) .....	1
14	1011942	Modified Grommet .....	2
15	102076702	1/4-20 X 1.75 Hex Sems Blk .....	2
16	102242401	Nut - Nylon Insert W/cap .....	2
17	1218	Screw, 5/16-18 X 1.25 Hex-Head Cap .....	2
18	1241	Washer, 5/16 Type A Flat .....	6
19	7311	Screw, 1/4-20 X 2.00 Hex-Head Cap .....	8
20	7473	Locknut, 5/16-18 Nylon Insert .....	3
21	8233	Locknut, 1/4-20, Nylon Insert .....	8
22	8963	Screw, 5/16-18 X 1.75 Hex-Head Cap .....	3

**1**  
**G**  
**E**

**1**  
**G**  
**E**



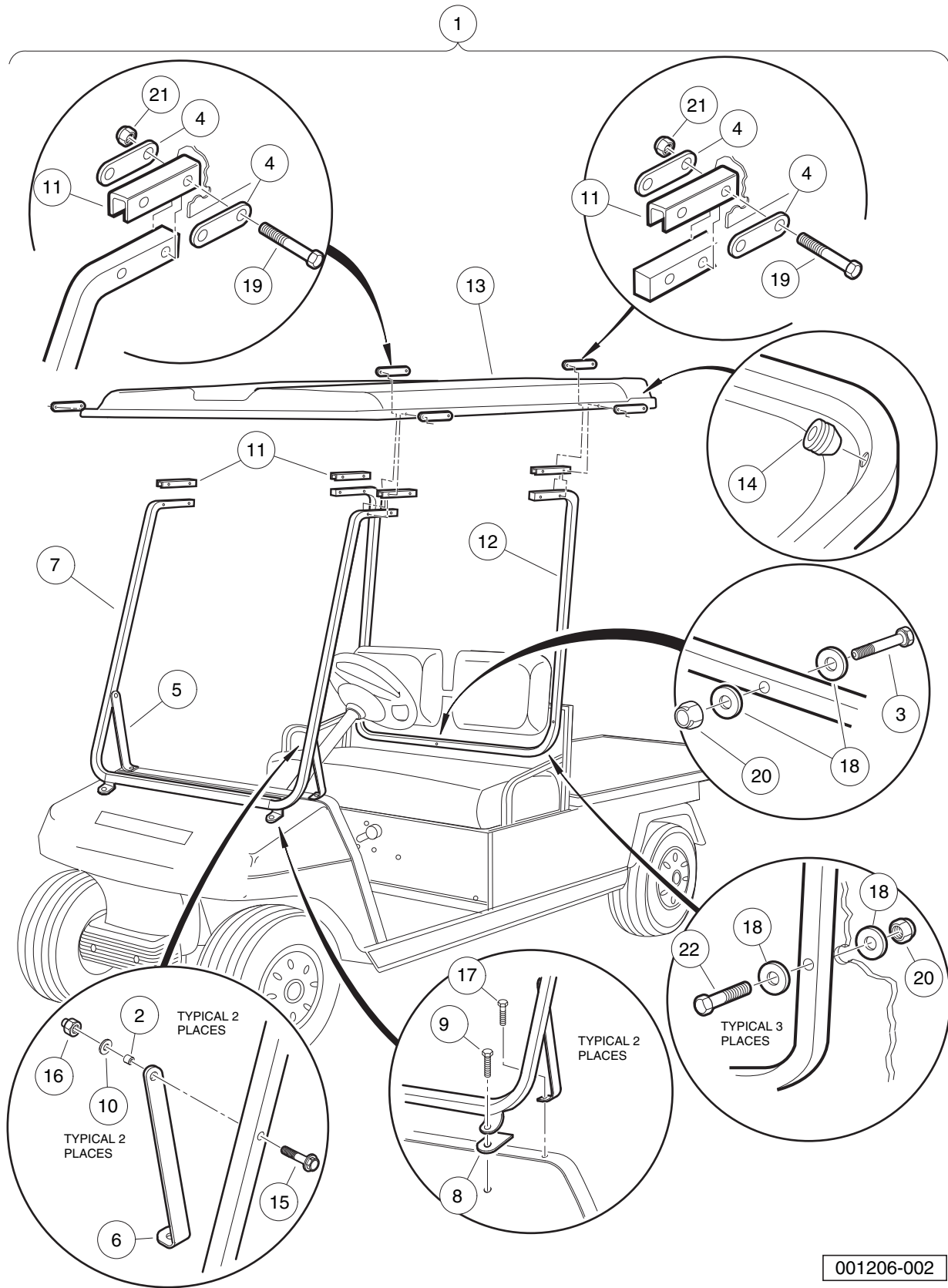
001206-001



## CANOPY KIT, BEIGE – TO MID-2010 MODEL YEAR

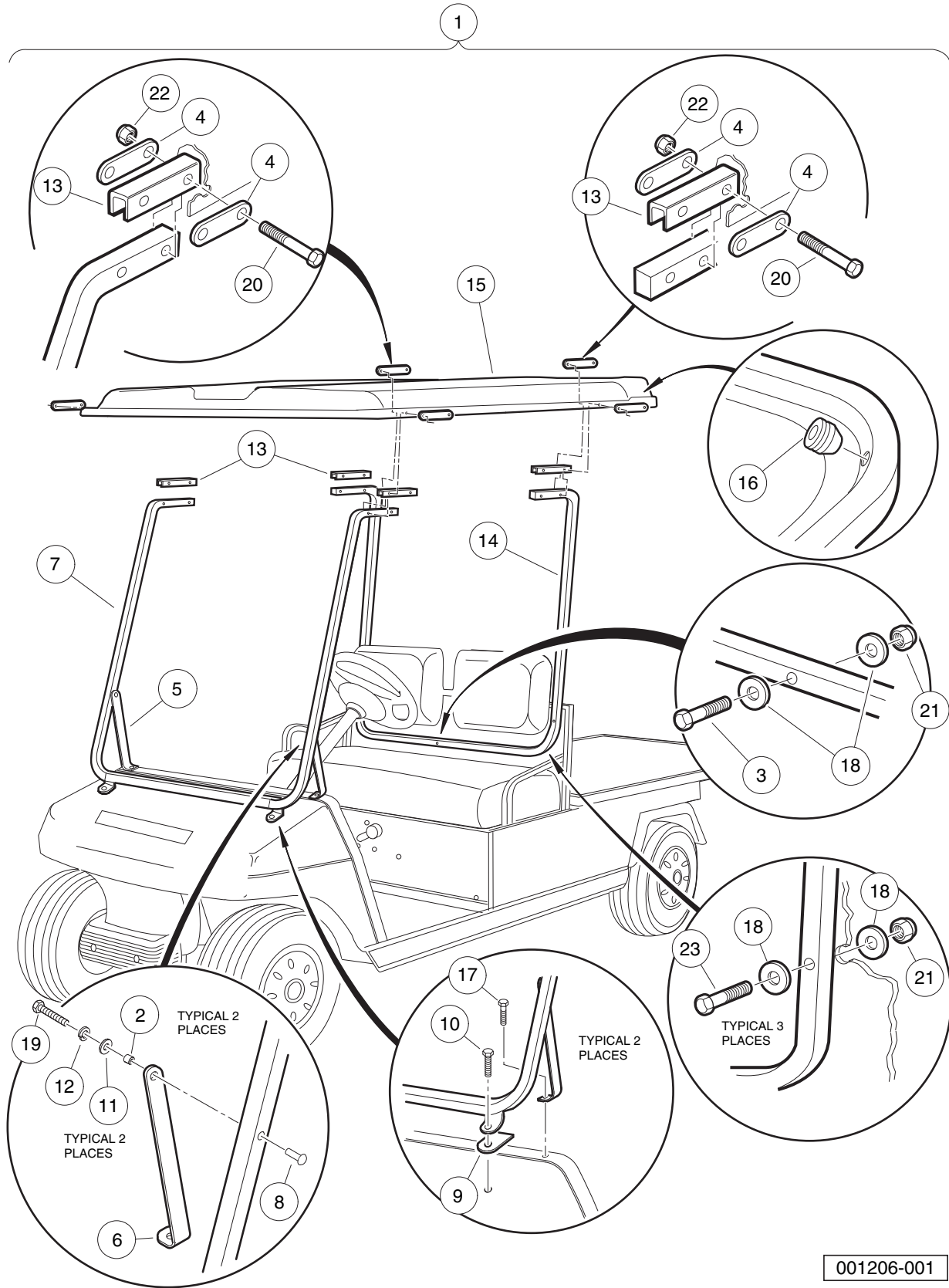
ITEM	PART NO.	DESCRIPTION	QTY
		1 2 3 4	
1	101450698	Kit, Canopy, Beige, Ca1/2 (includes items 2 through 23) .....	1
2	1010237	Bushing .....	2
3	1010921	Screw, 5/16-18 X 2.50 Hex Cap .....	1
4	1011852	Plate, Canopy Trim .....	8
5	1011862	Brace, Right-Hand Canopy Mount Knee .....	1
6	1011865	Brace, Left-Hand Canopy Mount Knee .....	1
7	1011868	Weldment, Windshield Frame .....	1
8	1011878	T-nut, 1/4-20 X .310 Capped .....	2
9	1011883	Pad, Windshield Frame Mounting .....	2
10	1011937	Bolt, 5/16-18 X 1.25 Hex Head .....	2
11	1011964	Washer, 1/4 Flat .....	2
12	1011965	Lockwasher, 1/4 Split Ss .....	2
13	1012008	Support, Side Canopy .....	4
14	1014503	Brace, Rear Canopy .....	1
15	101450903	Asm, Canopy, Beige (includes item 16) .....	1
16	1011942	Modified Grommet .....	2
17	1218	Screw, 5/16-18 X 1.25 Hex-Head Cap .....	2
18	1241	Washer, 5/16 Type A Flat .....	6
19	1703	Screw, 1/4-20 X 1.50 Hx Hd Cap .....	2
20	7311	Screw, 1/4-20 X 2.00 Hex-Head Cap .....	8
21	7473	Locknut, 5/16-18 Nylon Insert .....	3
22	8233	Locknut, 1/4-20, Nylon Insert .....	8
23	8963	Screw, 5/16-18 X 1.75 Hex-Head Cap .....	3

**1**  
**G**  
**E**



## CANOPY KIT, BEIGE – FROM MID-2010 MODEL YEAR

ITEM	PART NO.	DESCRIPTION	QTY	<b>1</b>
		<b>1 2 3 4</b>		
1	101450698	Kit, Canopy, Beige, Ca1/2 (includes items 2 through 22) .....	1	<b>G</b>
2	1010237	Bushing .....	2	<b>E</b>
3	1010921	Screw, 5/16-18 X 2.50 Hex Cap .....	1	
4	1011852	Plate, Canopy Trim .....	8	
5	1011862	Brace, Right-Hand Canopy Mount Knee .....	1	
6	1011865	Brace, Left-Hand Canopy Mount Knee .....	1	
7	1011868	Weldment, Windshield Frame .....	1	
8	1011883	Pad, Windshield Frame Mounting .....	2	
9	1011937	Bolt, 5/16-18 X 1.25 Hex Head .....	2	
10	1011964	Washer, 1/4 Flat .....	2	
11	1012008	Support, Side Canopy .....	4	
12	1014503	Brace, Rear Canopy .....	1	
13	101450903	Asm, Canopy, Beige (includes item 14) .....	1	
14	1011942	Modified Grommet .....	2	
15	102076702	1/4-20 X 1.75 Hex Sems Blk .....	2	
16	102242401	Nut - Nylon Insert W/cap .....	2	
17	1218	Screw, 5/16-18 X 1.25 Hex-Head Cap .....	2	
18	1241	Washer, 5/16 Type A Flat .....	6	
19	7311	Screw, 1/4-20 X 2.00 Hex-Head Cap .....	8	
20	7473	Locknut, 5/16-18 Nylon Insert .....	3	
21	8233	Locknut, 1/4-20, Nylon Insert .....	8	
22	8963	Screw, 5/16-18 X 1.75 Hex-Head Cap .....	3	

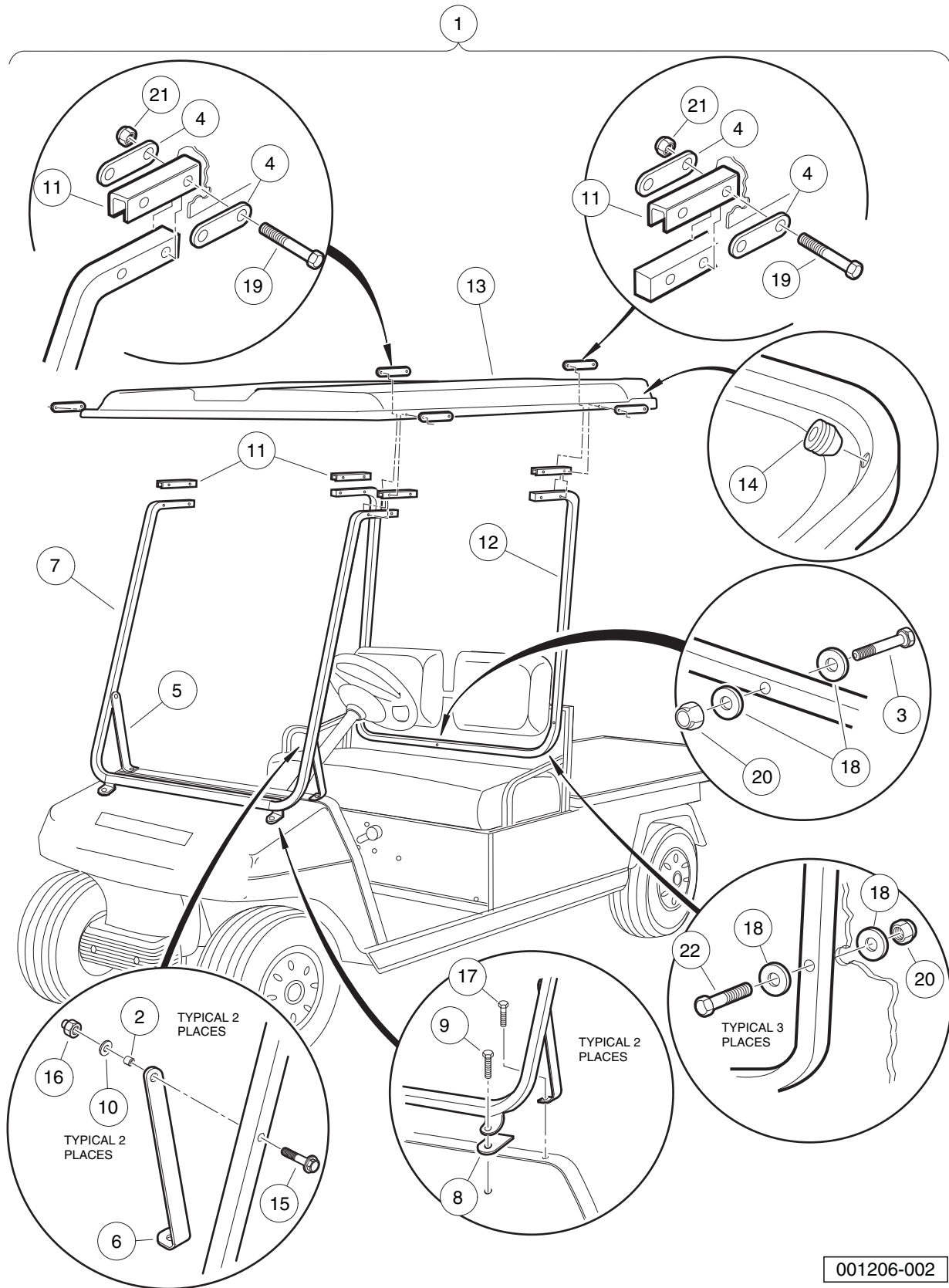


001206-001

## CANOPY KIT, BLACK – TO MID-2010 MODEL YEAR

ITEM	PART NO.	DESCRIPTION	QTY
		1 2 3 4	
1	102198501	Canopy Top Kit, Black (includes items 2 through 23) .....	1
2	1010237	Bushing .....	2
3	1010921	Screw, 5/16-18 X 2.50 Hex Cap .....	1
4	1011852	Plate, Canopy Trim .....	8
5	1011862	Brace, Right-Hand Canopy Mount Knee .....	1
6	1011865	Brace, Left-Hand Canopy Mount Knee .....	1
7	1011868	Weldment, Windshield Frame .....	1
8	1011878	T-nut, 1/4-20 X .310 Capped .....	2
9	1011883	Pad, Windshield Frame Mounting .....	2
10	1011937	Bolt, 5/16-18 X 1.25 Hex Head .....	2
11	1011964	Washer, 1/4 Flat .....	4
12	1011965	Lockwasher, 1/4 Split Ss .....	2
13	1012008	Support, Side Canopy .....	4
14	1014503	Brace, Rear Canopy .....	1
15	101450902	Asm, Canopy, Black (includes item 16) .....	1
16	1011942	Modified Grommet .....	2
17	1218	Screw, 5/16-18 X 1.25 Hex-Head Cap .....	2
18	1241	Washer, 5/16 Type A Flat .....	6
19	1703	Screw, 1/4-20 X 1.50 Hx Hd Cap .....	2
20	7311	Screw, 1/4-20 X 2.00 Hex-Head Cap .....	8
21	7473	Locknut, 5/16-18 Nylon Insert .....	3
22	8233	Locknut, 1/4-20, Nylon Insert .....	8
23	8963	Screw, 5/16-18 X 1.75 Hex-Head Cap .....	3

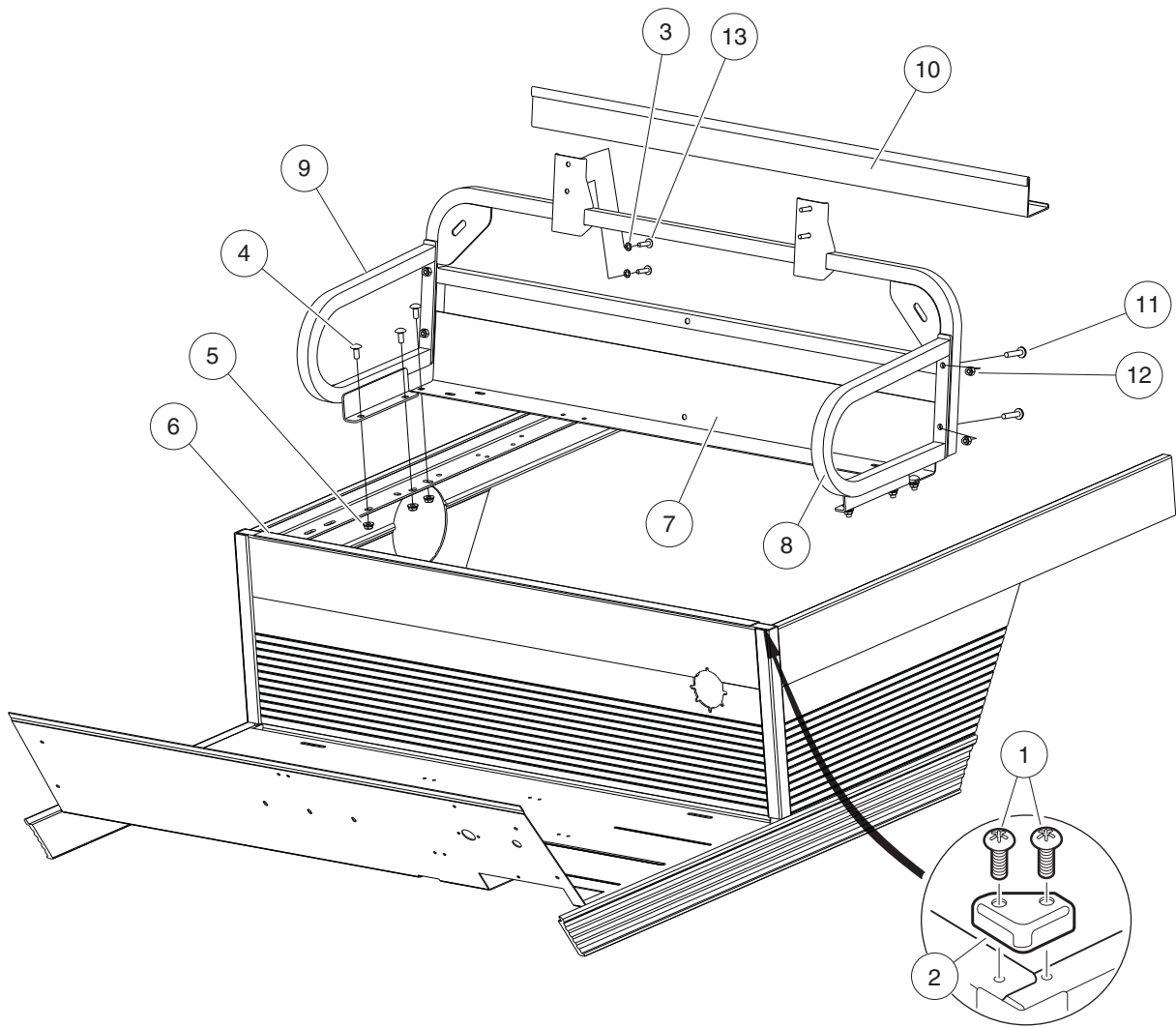
**1**  
**G**  
**E**



## CANOPY KIT, BLACK – FROM MID-2010 MODEL YEAR

ITEM	PART NO.	DESCRIPTION	QTY
		1 2 3 4	
1	102198501	Canopy Top Kit, Black (includes items 2 through 22) .....	1
2	1010237	Bushing .....	2
3	1010921	Screw, 5/16-18 X 2.50 Hex Cap .....	1
4	1011852	Plate, Canopy Trim .....	8
5	1011862	Brace, Right-Hand Canopy Mount Knee .....	1
6	1011865	Brace, Left-Hand Canopy Mount Knee .....	1
7	1011868	Weldment, Windshield Frame .....	1
8	1011883	Pad, Windshield Frame Mounting .....	2
9	1011937	Bolt, 5/16-18 X 1.25 Hex Head .....	2
10	1011964	Washer, 1/4 Flat .....	2
11	1012008	Support, Side Canopy .....	4
12	1014503	Brace, Rear Canopy .....	1
13	101450902	Asm, Canopy, Black (includes item 14) .....	1
14	1011942	Modified Grommet .....	2
15	102076702	1/4-20 X 1.75 Hex Sems Blk .....	2
16	102242401	Nut - Nylon Insert W/cap .....	2
17	1218	Screw, 5/16-18 X 1.25 Hex-Head Cap .....	2
18	1241	Washer, 5/16 Type A Flat .....	6
19	7311	Screw, 1/4-20 X 2.00 Hex-Head Cap .....	8
20	7473	Locknut, 5/16-18 Nylon Insert .....	3
21	8233	Locknut, 1/4-20, Nylon Insert .....	8
22	8963	Screw, 5/16-18 X 1.75 Hex-Head Cap .....	3

**1**  
**G**  
**E**



000603-004

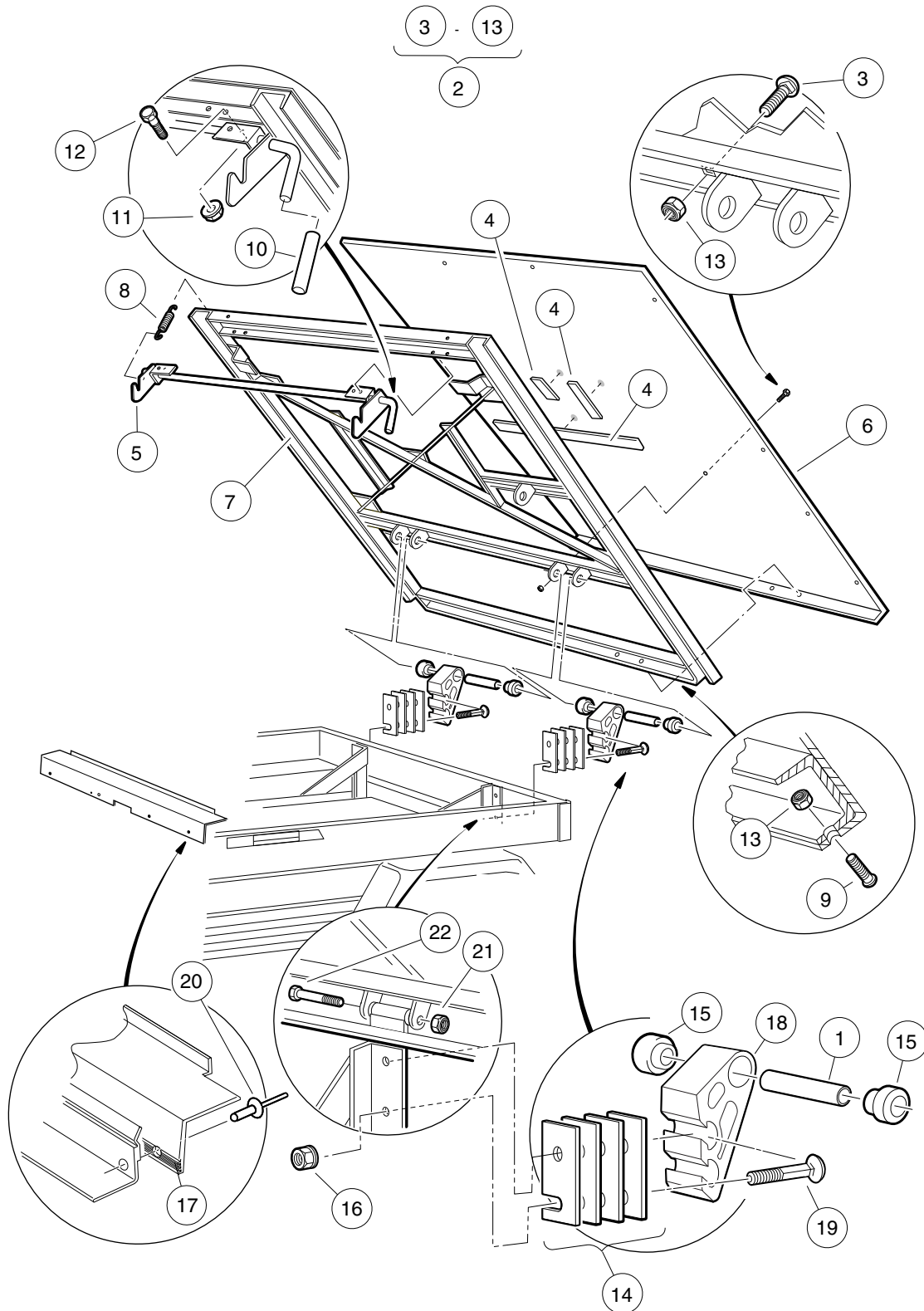


# HIP RESTRAINTS AND SEAT BACK MOUNTING

ITEM	PART NO.	DESCRIPTION	QTY
		1 2 3 4	
1	1014321	Screw, #10 Truss-Head Torx .....	4
2	1014387	Cap, Corner .....	2
3	101946201	Washer, Lock, 0.250 External-Tooth .....	4
4	101963301	Bolt, 5/16-18 X 0.75 Round-Head .....	6
5	101963401	Locknut, 5/16-18 Hex Flange .....	6
6	101964001	Trim, Seat Bottom Front .....	1
7	102966401	Seat Back, Tube .....	1
8	102966501	Hip Restraint, Left .....	1
9	102966502	Hip Restraint, Right .....	1
10	102989501	Seal, Bed, 41-Inch .....	1
11	103245201	Screw, 5/16-18 X 1.5, Tr Tx Hd .....	4
12	103245301	Nut, Hex, Cp, Mech Def, 5/16-1 .....	4
13	8251	Screw, 1/4-20 X 1.0 Truss-Head Machine .....	4

**1**  
**G**  
**E**

**1**  
**G**  
**E**



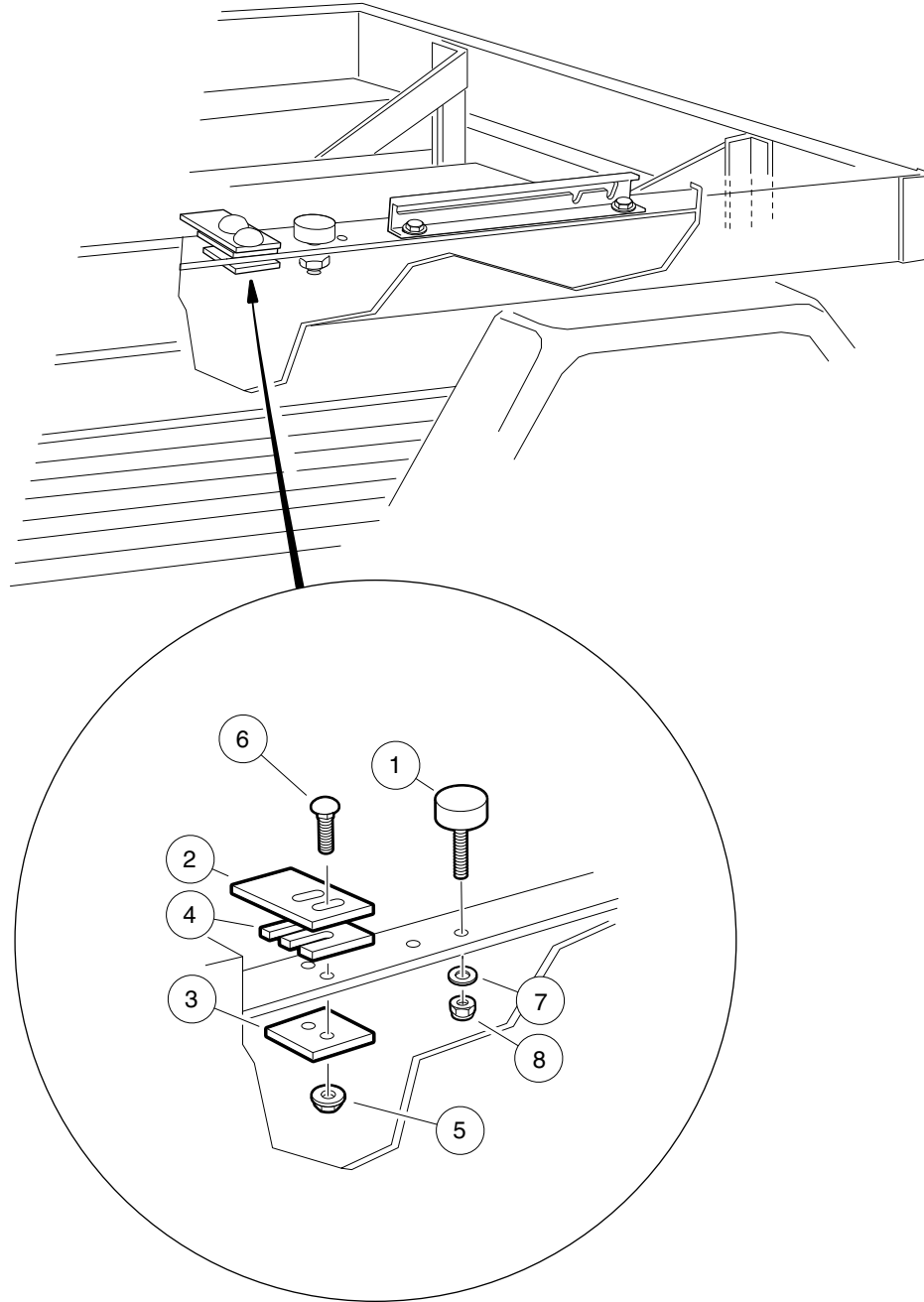
000257-003

# TILT BED, EXTRUDED HINGE, AND LATCH

ITEM	PART NO.	DESCRIPTION	QTY
		<b>1 2 3 4</b>	
1	1012303	Bushing, Steel .....	2
2	101542901	Assembly, Tilt Bed (includes items 3 through 13) .....	1
3	1010435	Bolt, Carriage, 5/16-18 X 1.00 .....	4
4	1014471	Tape, Vinyl Foam 1/8" x 3/4" .....	A/R
5	1015252	Latch Weld Assembly .....	1
6	1015258	Plate, Floor Bed .....	1
7	N/A	Frame Assembly .....	1
8	1015391	Extension, Spring Latch .....	2
9	1015399	Screw, 5/16-18 X 0.88 Torx Truss-Head .....	4
10	1015400	Grip, Tilt Latch Hand .....	1
11	101835601	Locknut, 1/4-20 Hex Whiz .....	4
12	403	Screw, 1/4-20 X 0.625 Hex-Head Cap .....	4
13	7473	Locknut, 5/16-18 Nylon Insert .....	8
14	1015507	Shim, Tilt Bed Pivot .....	1
15	1015583	Bushing, Urethane .....	4
16	102065901	Locknut, 3/8-16 Flanged Dimple .....	4
17	102989501	Seal, Bed, 41-Inch .....	1
18	103538701	Bracket, Bed Hinge, Extruded .....	2
19	103538901	Bolt, Carriage, 3/8-16 x 3.5" Grade 5 .....	4
20	7532	Rivet, 3/16 X 0.3125, Pop .....	1
21	8754	Locknut, 3/8-16 Hex .....	2
22	8755	Screw, 3/8-16 X 3.375 Hex Cap .....	2

**1**  
**G**  
**E**

**1**  
**G**  
**E**



000258-002

# LATCH PLATE

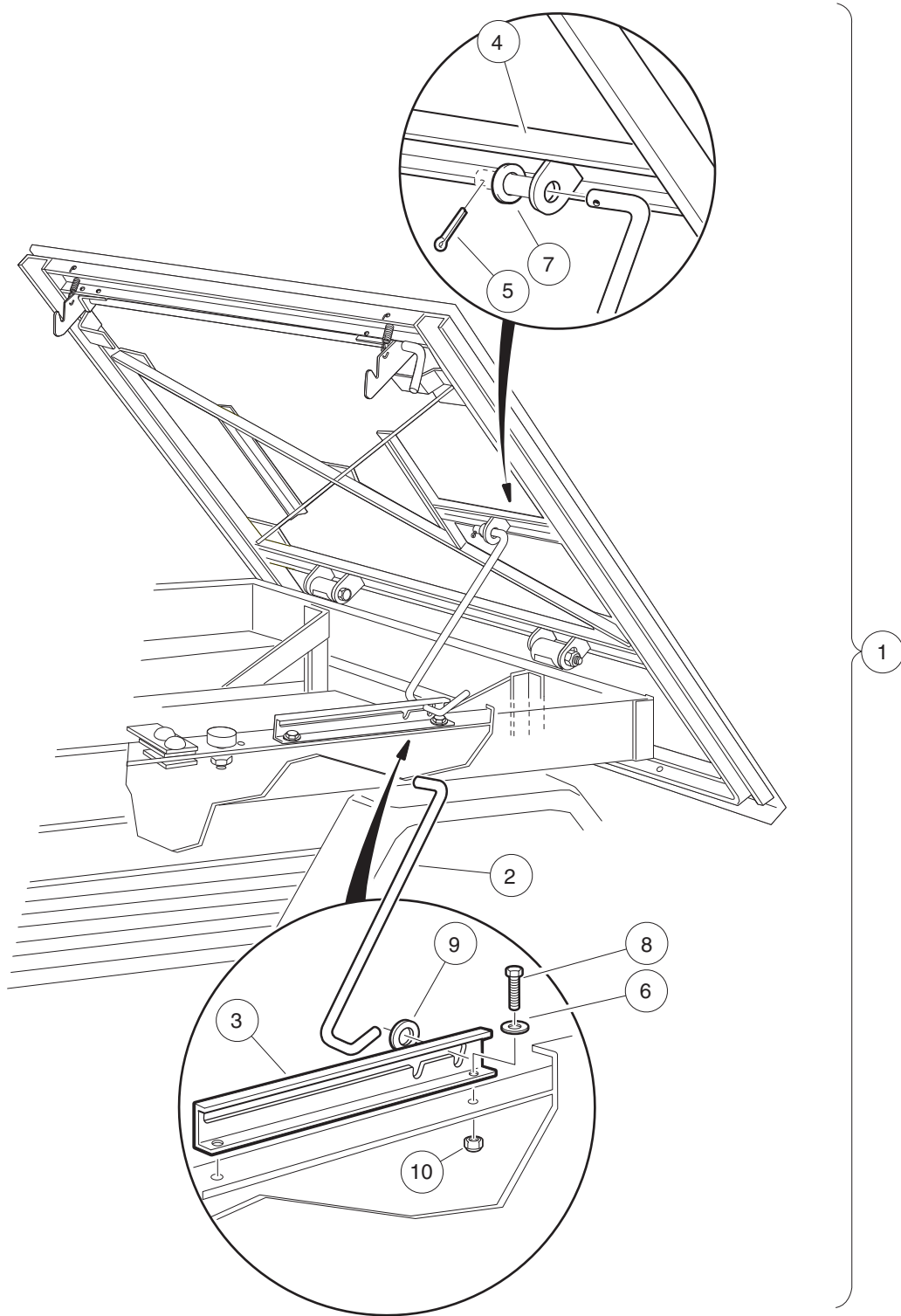
ITEM	PART NO.	DESCRIPTION	QTY
		<b>1 2 3 4</b>	
1	1010878	Bumper, Rubber .....	2
2	1015277	Latch Plate, Tilt Bed .....	2
3	1016060	Plate, Latch Support .....	2
4	1016078	Latch Plate Shim .....	A/R
5	101835601	Locknut, 1/4-20 Hex Whiz .....	4
6	101958601	Carriage Bolt, 1/4-20 X 0.75 .....	4
7	332	Washer, 1/4 Type A Narrow Flat .....	4
8	8233	Locknut, 1/4-20, Nylon Insert .....	4

**1**

**G**

**E**

**1**  
**G**  
**E**



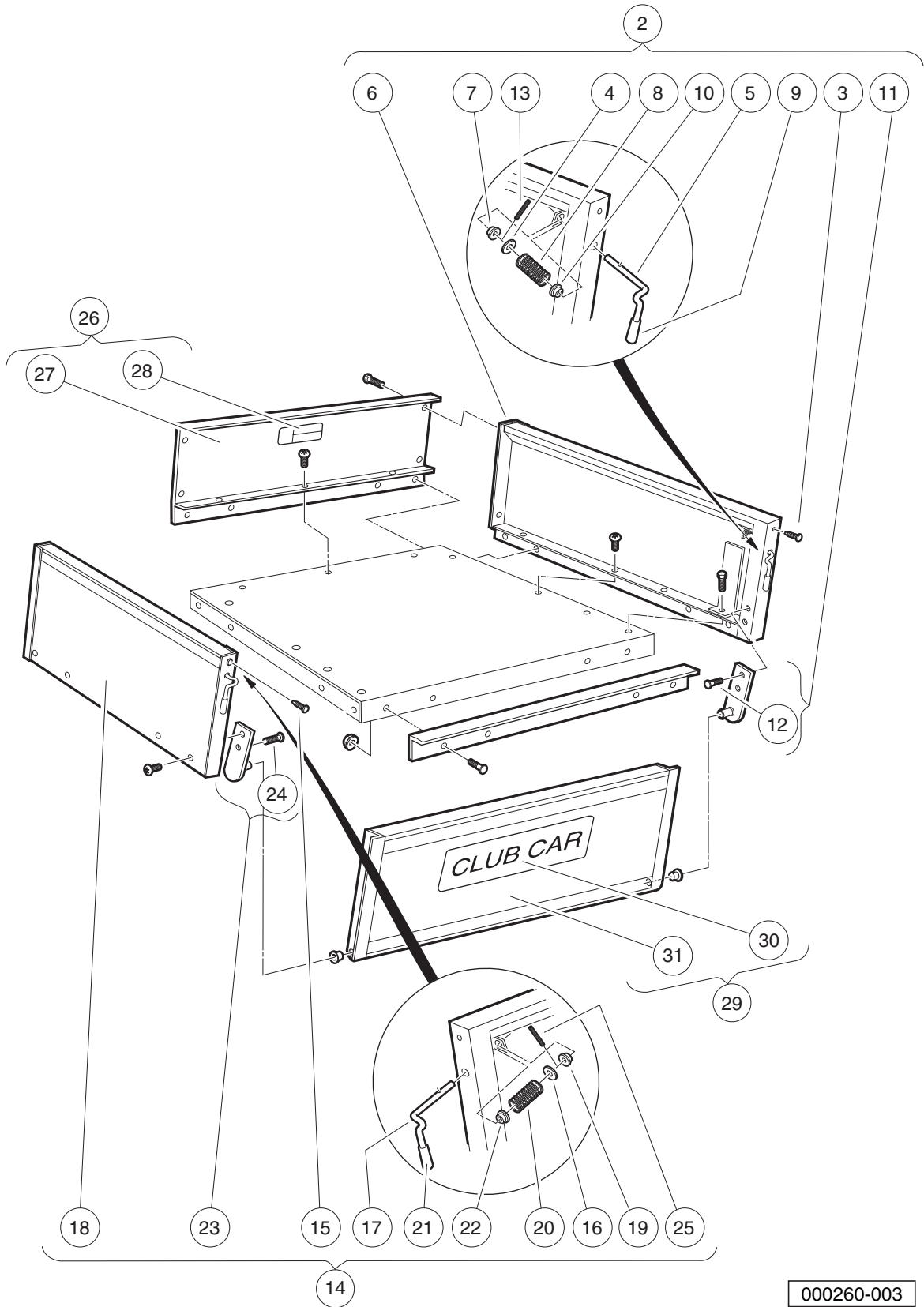
000259-001

# PROP ROD

ITEM	PART NO.	DESCRIPTION	QTY
		<b>1 2 3 4</b>	
1	101922801	Prop Rod Support Instl Kit (includes items 2 through 10) .....	1
2	1015348	Prop Rod Ca li .....	1
3	1015700	Track Prop Rod Ca li .....	1
4	101921601	Weldment, Prop Rod Support .....	1
5	1035	Cotter Pin, 3/32 x 1 .....	2
6	332	Washer, 1/4 Type A Narrow Flat .....	5
7	334	Washer, 3/8, Type A, Flat .....	1
8	7847	Screw, 1/4-20 X 0.75 Hex-Head Cap .....	6
9	808	Washer, 3/8 Type B Flat .....	1
10	8233	Locknut, 1/4-20, Nylon Insert .....	6

**1**  
**G**  
**E**

**1**  
**G**  
**E**



000260-003

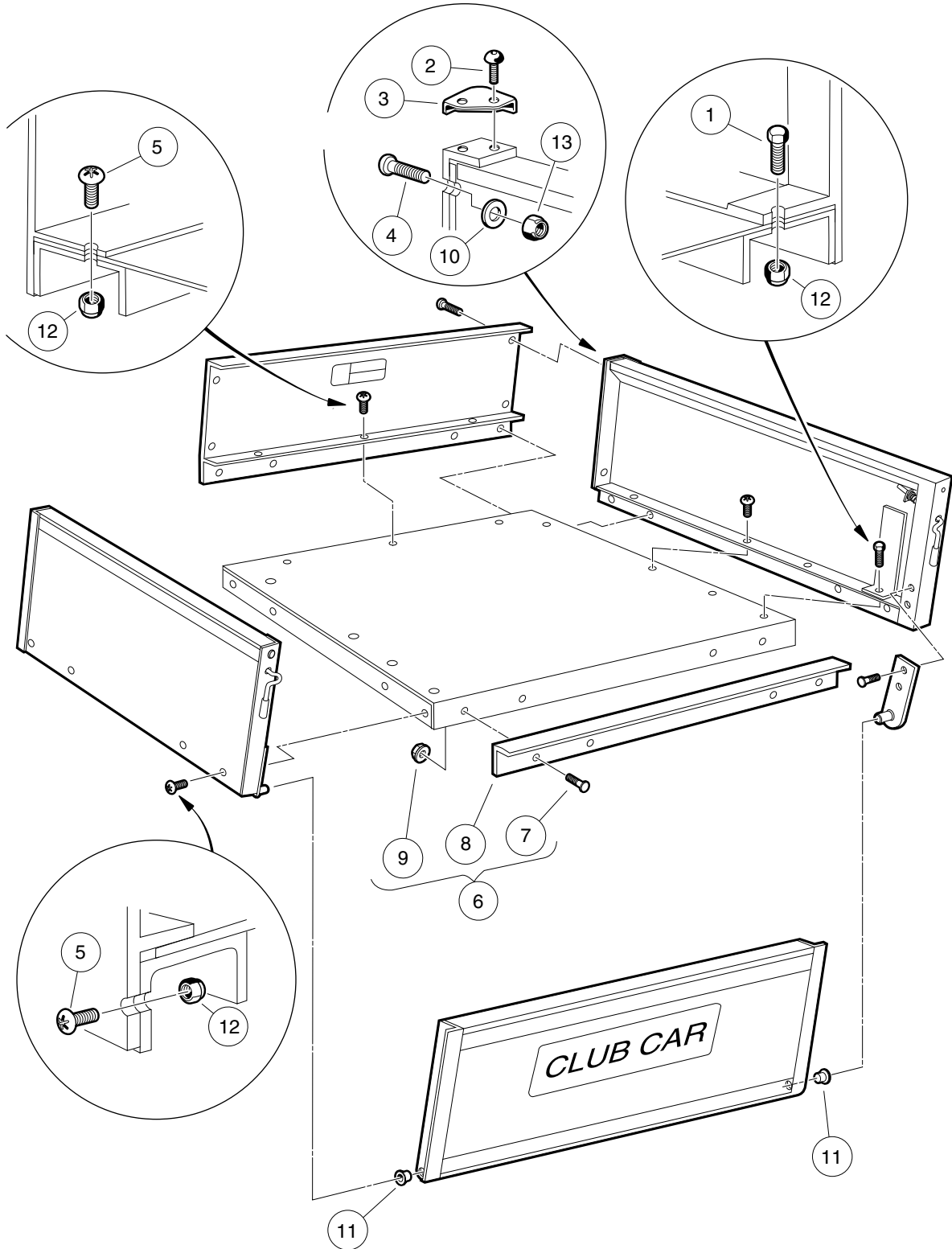


# CARGO BOX (ALUMINUM)

ITEM	PART NO.	DESCRIPTION	QTY
		1 2 3 4	
1	1015607	Cargo Box Set (includes items 2 through 29) .....	1
2	1015366	Side-Panel Assembly, Right-Hand (includes items 3 through 13) .....	1
3	1010434	Barrel - Plastic .....	1
4	1011990	Washer, 3/8 Flat .....	1
5	1015245	Latch, Tailgate, Right-Hand .....	1
6	N/A	Side-Panel Weldment, Right-Hand .....	1
7	1015363	Bushing, Snap-In .....	1
8	1015390	Compression Spring Latch Tilt .....	1
9	1015400	Grip, Tilt Latch Hand .....	1
10	1032	Bushing, Nylon .....	1
11	103406502	Kit, Tailgate Mounting Bracket, CA, RH (includes item 12) .....	1
12	103406601	Stud, 1/4 Self-clnchg Flush .....	2
13	1231	Pin, 1/8 X 1.00 Split Roll .....	1
14	1015368	Side Panel Assembly, Left-Hand (includes items 15 through 25) .....	1
15	1010434	Barrel - Plastic .....	1
16	1011990	Washer, 3/8 Flat .....	1
17	1015313	Latch, Tailgate, Left-Hand .....	1
18	N/A	Side-Panel Weldment, Left-Hand .....	1
19	1015363	Bushing, Snap-In .....	1
20	1015390	Compression Spring Latch Tilt .....	1
21	1015400	Grip, Tilt Latch Hand .....	1
22	1032	Bushing, Nylon .....	1
23	103406501	Kit, Tailgate Mounting Bracket, CA, LH (includes item 24) .....	1
24	103406601	Stud, 1/4 Self-clnchg Flush .....	2
25	1231	Pin, 1/8 X 1.00 Split Roll .....	1
26	1015412	Front Panel Assembly (includes items 27 and 28) .....	1
27	N/A	Front Panel Box .....	1
28	101553901	Decal, Bed Load Warning .....	1
29	1015424	Tailgate Assembly (includes items 30 and 31) .....	1
30	1013317	Decal, Logo, Tailgate .....	1
31	N/A	Tailgate Weldment .....	1
Note: Additional components in kit 1015607 are shown on the following two pages.			

1  
G  
E

**1**  
**G**  
**E**



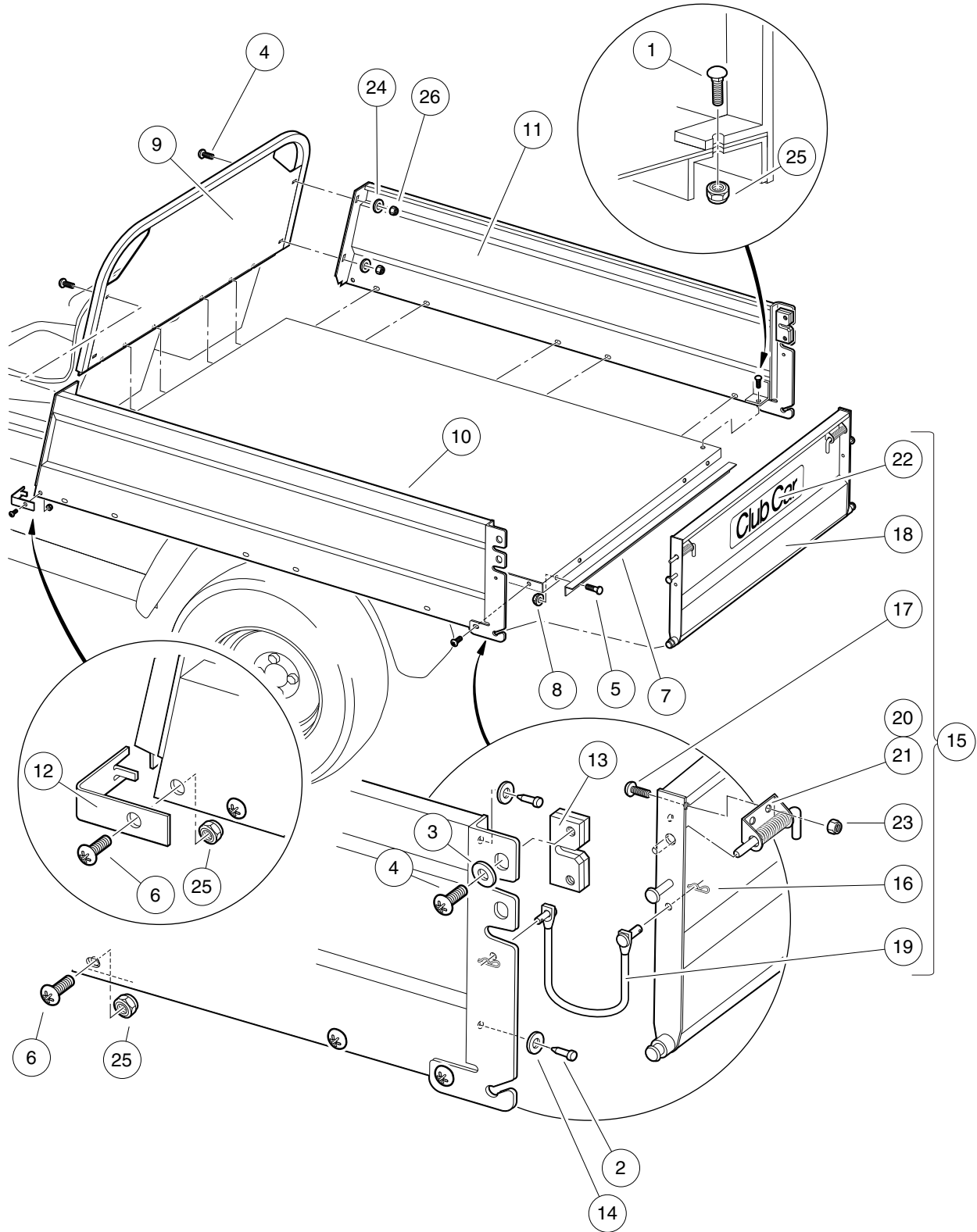
000261-001

## CARGO BOX (ALUMINUM) MOUNTING

ITEM	PART NO.	DESCRIPTION	QTY
		1 2 3 4	
1	1010934	Screw, 5/16-18 X 1.00 Hex Cap .....	2
2	1014321	Screw, #10 Truss-Head Torx .....	4
3	1014387	Cap, Corner .....	2
4	1014415	Screw, 1/4-20 X 0.75 Torx Truss-Head .....	4
5	1015399	Screw, 5/16-18 X 0.88 Torx Truss-Head .....	23
6	101894702	Kit, Tailgate Angle (includes items 7 through 9) .....	1
7	1014537	Stud, Self-Clinching Flush Head .....	4
8	N/A	Box Bed Tailgate Angle .....	1
9	101963401	Locknut, 5/16-18 Hex Flange .....	4
10	332	Washer, 1/4 Type A Narrow Flat .....	4
11	7049	Bushing, Nylon .....	2
12	7473	Locknut, 5/16-18 Nylon Insert .....	25
13	8233	Locknut, 1/4-20, Nylon Insert .....	4
<p>Note: All parts listed on this page are included in kit 1015607.</p>			

1  
G  
E

**1**  
**G**  
**E**



000038-006

## CARGO BOX (STEEL)

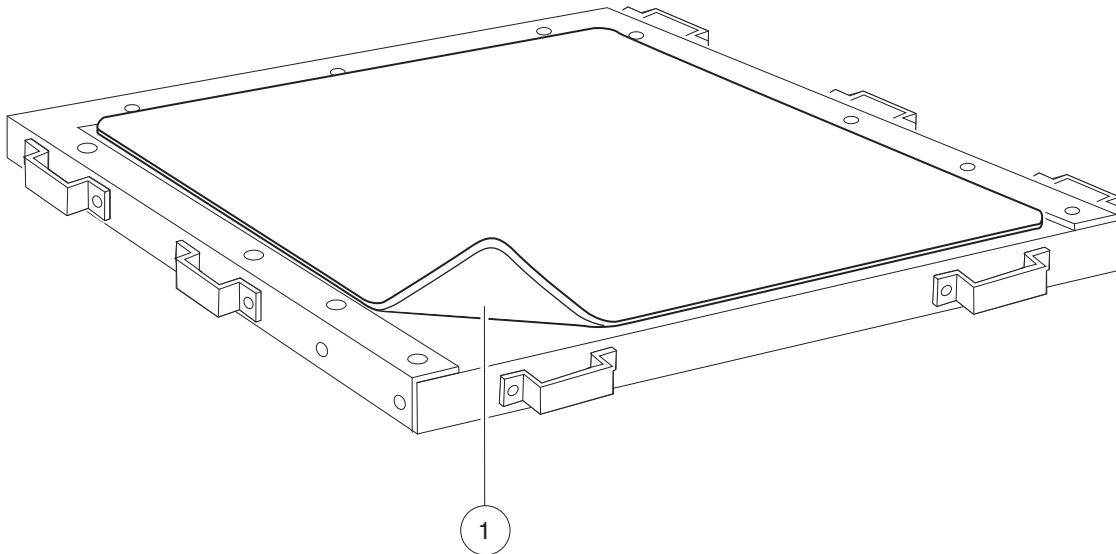
ITEM	PART NO.	DESCRIPTION	QTY
		<b>1 2 3 4</b>	
1	1010435	Bolt, Carriage, 5/16-18 X 1.00 .....	13
2	1010436	Bumper, Rubber .....	4
3	1014306	Washer, 1/4" Type B Flat .....	4
4	1014415	Screw, 1/4-20 X 0.75 Torx Truss-Head .....	8
5	1014537	Stud, Self-Clinching Flush Head .....	4
6	1015399	Screw, 5/16-18 X 0.88 Torx Truss-Head .....	18
7	101894304	Box Bed Tailgate Angle .....	1
8	101963401	Locknut, 5/16-18 Hex Flange .....	4
9	102221301	Front Panel Weldment .....	1
10	102221401	Left Panel Weldment .....	1
11	102221501	Right Panel Weldment .....	1
12	102221701	Front Corner Cap .....	2
13	102222001	Slam Latch .....	2
14	102239901	Washer, Rubber, 3/8 .....	4
15	102614401	Assembly, Tailgate (includes items 16 through 23) .....	1
16	1013366	Hair Pin Clip .....	4
17	1014415	Screw, 1/4-20 X 0.75 Torx Truss-Head .....	4
18	N/A	Tailgate, Weldment .....	1
19	102221801	Tether Assembly .....	2
20	102222101	Spring Latch Right .....	1
21	102222201	Spring Latch Left .....	1
22	102673201	Decal, Club Car Tailgate .....	1
23	8233	Locknut, 1/4-20, Nylon Insert .....	4
24	332	Washer, 1/4 Type A Narrow Flat .....	4
25	7473	Locknut, 5/16-18 Nylon Insert .....	31
26	8233	Locknut, 1/4-20, Nylon Insert .....	4

**1**  
**G**  
**E**

1

G

E



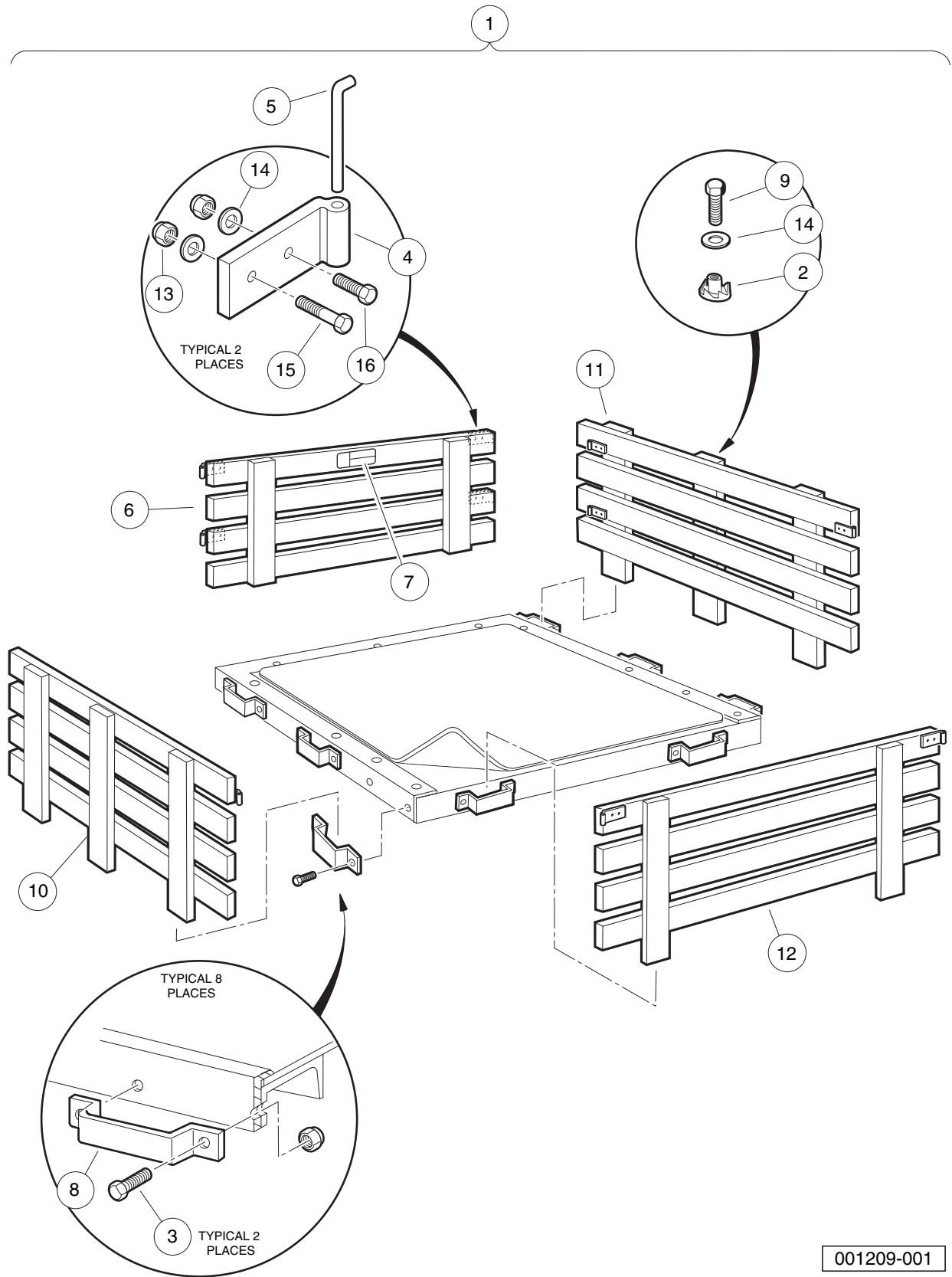
001207-001

# BED MAT

ITEM	PART NO.	DESCRIPTION	QTY
1	101770202	1 2 3 4 Bed Mat .....	1

**1**  
**G**  
**E**

**1**  
**G**  
**E**



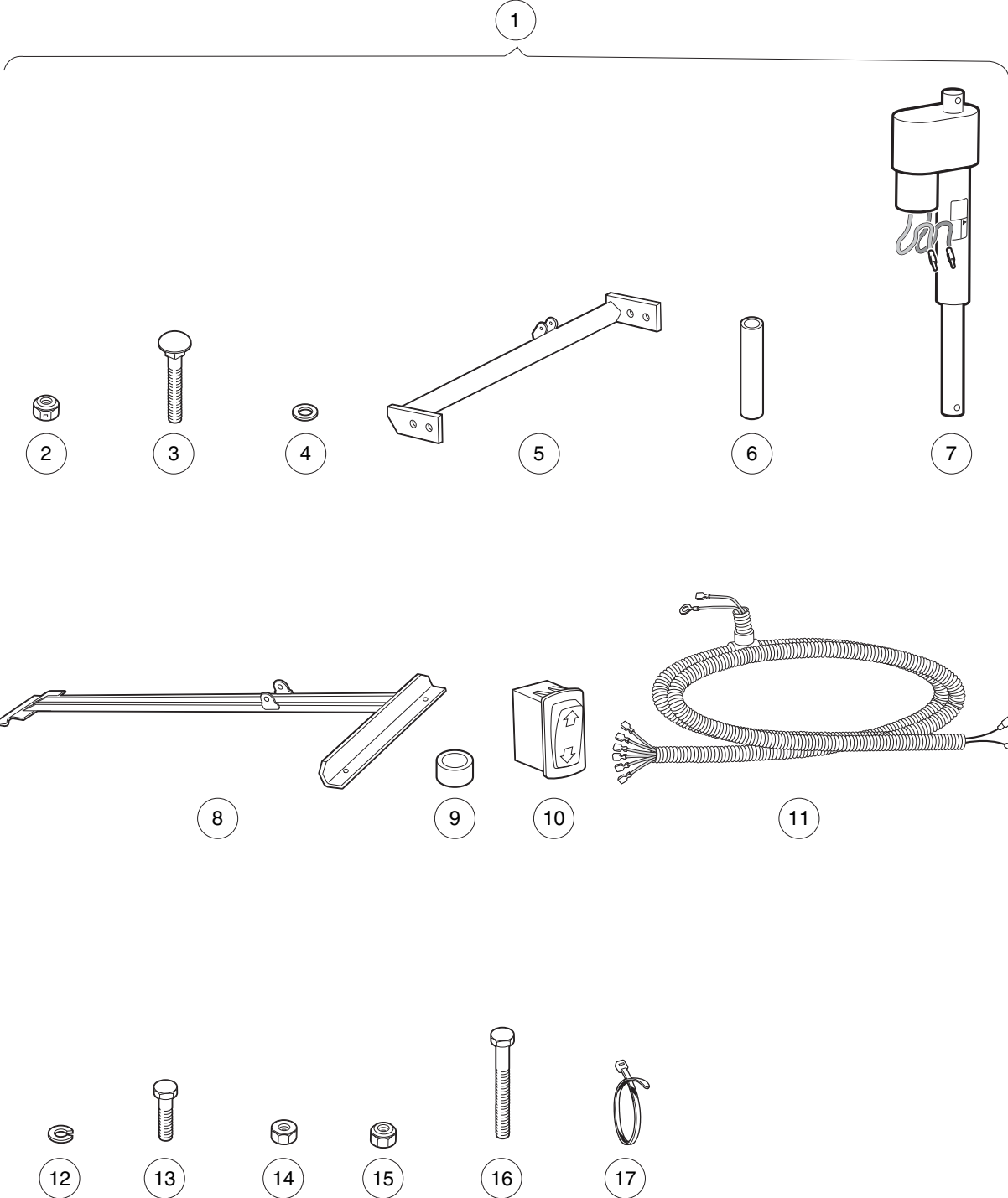


# STAKE SIDE KIT

ITEM	PART NO.	DESCRIPTION	QTY
		<b>1 2 3 4</b>	
1	102847701	Kit, Stake Side, 45-5/8 X 50 (includes items 2 through 16) .....	1
2	1010086	T-Nut .....	74
3	1010934	Screw, 5/16-18 X 1.00 Hex Cap .....	16
4	1015654	Stake Side Hinge .....	12
5	1015656	Pin, hinge .....	6
6	101565803	Stake Side Assembly, Front (includes item 7) .....	1
7	101553901	Decal, Bed Load Warning .....	1
8	1016077	Bracket, Stake Side .....	8
9	1016916	Screw, 1/4-20 X 1.50 Hex-Head Cap .....	74
10	102847601	Asm, Stake Side, 45-5/8 X 19 D .....	1
11	102847602	Asm, Stake Side, 45-5/8 X 19 P .....	1
12	102847603	Asm, Stake Side, 48 X 19 Rear .....	1
13	1108	Locknut, 1/4-20 Dimpled .....	24
14	332	Washer, 1/4 Type A Narrow Flat .....	24
15	7311	Screw, 1/4-20 X 2.00 Hex-Head Cap .....	6
16	7479	Screw, 1/4-20 X 1.25 Hex-Head Cap .....	18

**1**  
**G**  
**E**

**1**  
**G**  
**E**



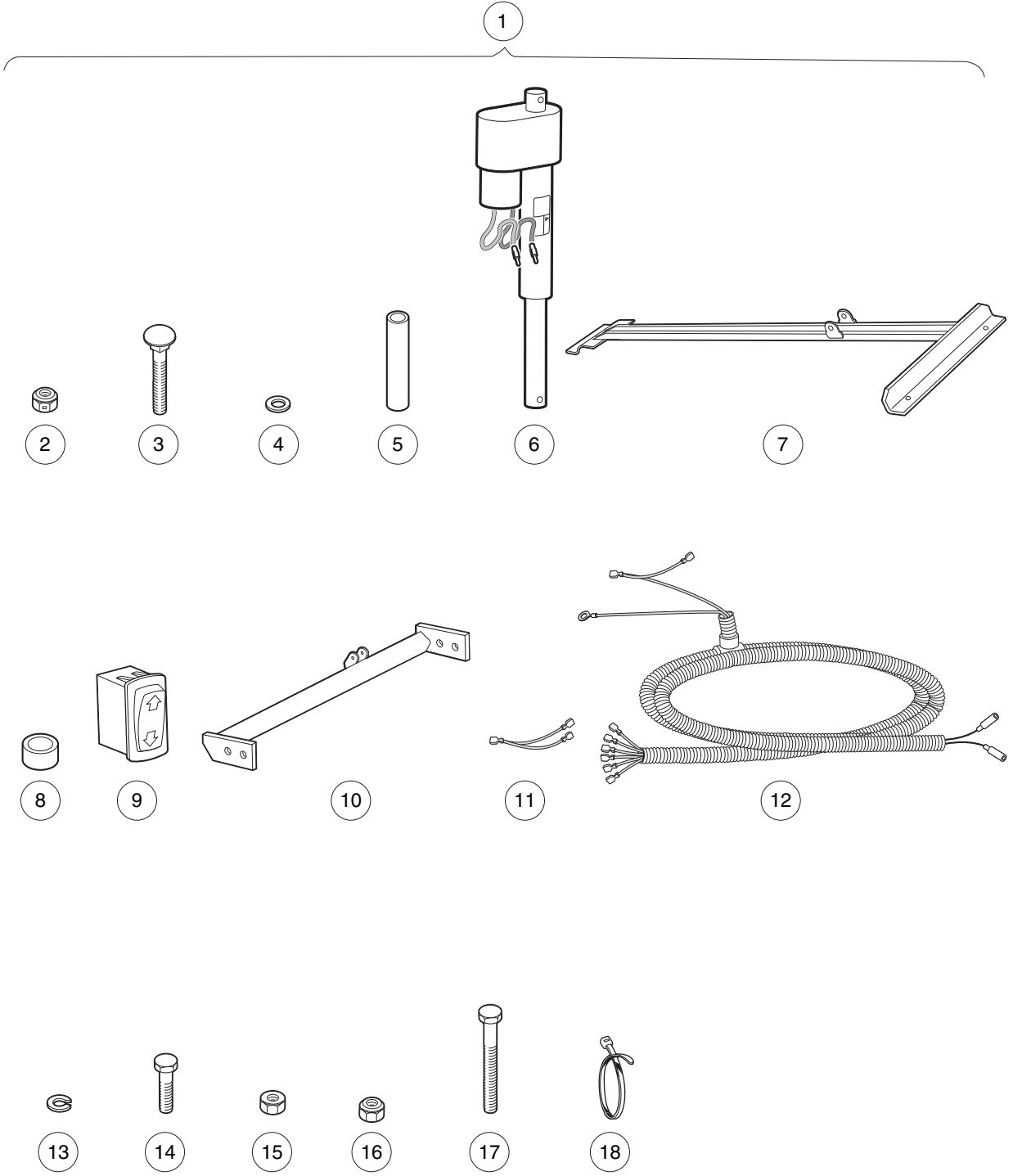
001263-001

# ELECTRIC BED LIFT – GASOLINE VEHICLES

ITEM	PART NO.	DESCRIPTION	QTY
		1 2 3 4	
1	103272801	Kit, Electric Bed Lift, T/CA2/252/900 Gas (includes items 2 through 17) .....	1
2	1010138	Locknut, 3/8-16 Dimpled .....	2
3	1010435	Bolt, Carriage, 5/16-18 X 1.00 .....	3
4	1011990	Washer, 3/8 Flat .....	4
5	1015612	Mounting Bracket, Hydraulic Cylinder .....	1
6	1016603	Bushing Long .....	2
7	1017162	Actuator Assembly, Electric .....	1
8	1017167	Actuator Adapter .....	1
9	1017774	Body Spacer .....	8
10	102882501	Switch, Rocker, Bed Lift .....	1
11	103270201	Wire Harness, Elec Tilt Sys .....	1
12	357	Lockwasher, 3/8 Split .....	4
13	705	Screw, Cap-hex Hd 3/8-16x1.25 .....	4
14	706	Nut, Hex 3/8-16 .....	4
15	7473	Locknut, 5/16-18 Nylon Insert .....	3
16	7561	Bolt, 3/8-16 X 3.00 Hex Head .....	2
17	8990	Tie Wrap, 8" Nylon .....	10

1  
G  
E

**1**  
**G**  
**E**



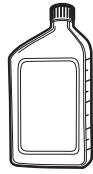
001264-001

# ELECTRIC BED LIFT – ELECTRIC VEHICLE

ITEM	PART NO.	DESCRIPTION	QTY
		<b>1 2 3 4</b>	
1	103274202	Kit, Electric Bed Lift, T/CA2/252/900 IQ Plus (includes items 2 through 18) .....	1
2	1010138	Locknut, 3/8-16 Dimpled .....	2
3	1010435	Bolt, Carriage, 5/16-18 X 1.00 .....	3
4	1011990	Washer, 3/8 Flat .....	4
5	1016603	Bushing Long .....	2
6	1017162	Actuator Assembly, Electric .....	1
7	1017167	Actuator Adapter .....	1
8	1017774	Body Spacer .....	8
9	102882501	Switch, Rocker, Bed Lift .....	1
10	102893601	Center Bracket, Bed Lift .....	1
11	102959601	Iq Plus Acc Jumper, 3 Inch .....	1
12	103270301	Wire Harness, El Tilt, Iq Plus .....	1
13	357	Lockwasher, 3/8 Split .....	4
14	705	Screw, Cap-hex Hd 3/8-16x1.25 .....	4
15	706	Nut, Hex 3/8-16 .....	4
16	7473	Locknut, 5/16-18 Nylon Insert .....	3
17	7561	Bolt, 3/8-16 X 3.00 Hex Head .....	2
18	8990	Tie Wrap, 8" Nylon .....	12

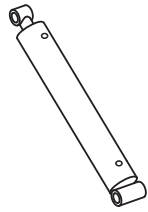
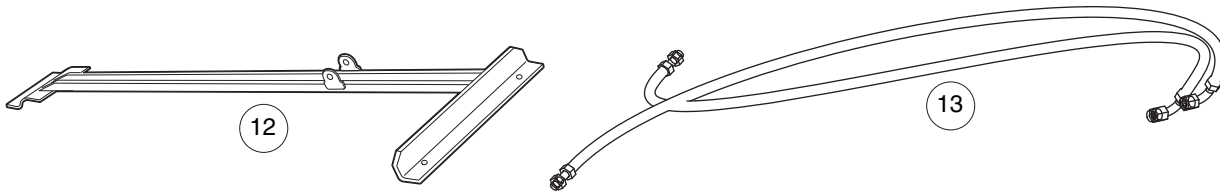
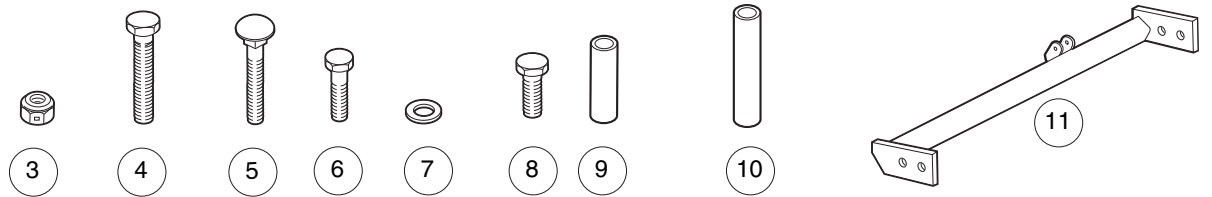
**1**  
**G**  
**E**

**1**  
**G**  
**E**



1

2



14



15



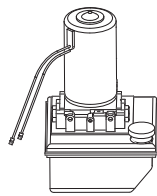
16



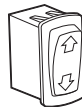
17



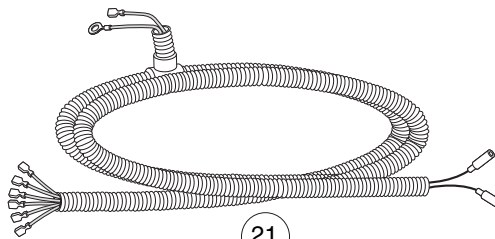
18



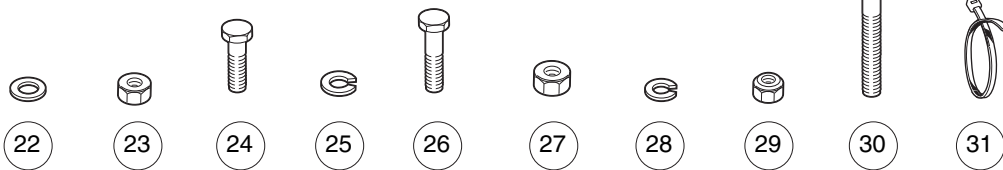
19



20



21

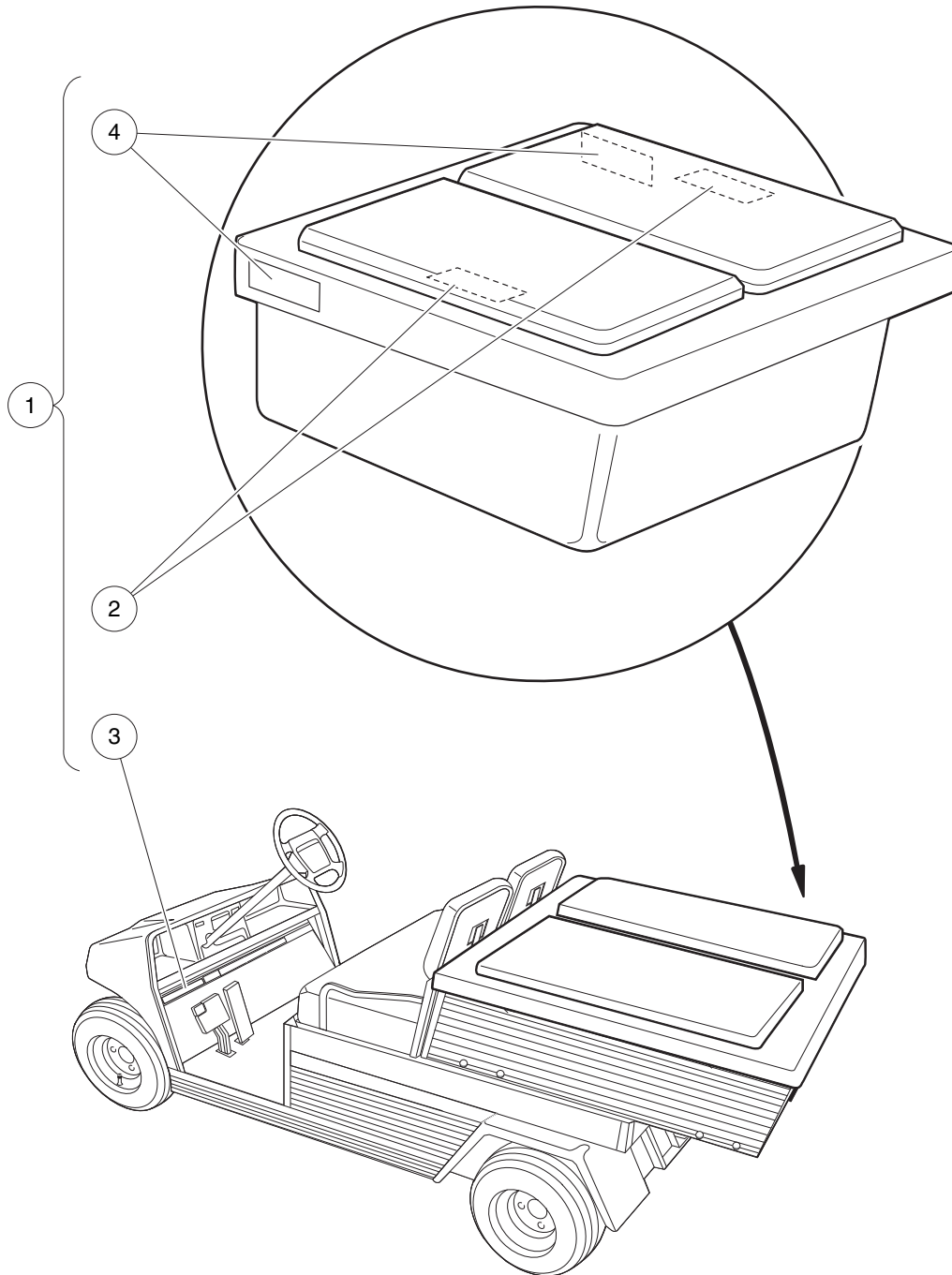


001222-001

# HYDRAULIC BED LIFT KIT

ITEM	PART NO.	DESCRIPTION	QTY
		<b>1 2 3 4</b>	
1	1015820	Hydraulic Fluid .....	A/R
2	103324402	Kit, Hydraulic Bed Lift (includes items 3 through 31) .....	1
3	1010138	Locknut, 3/8-16 Dimpled .....	2
4	1010177	Bolt, 3/8-16 X 2.00 Hex Head .....	1
5	1010435	Bolt, Carriage, 5/16-18 X 1.00 .....	4
6	1010934	Screw, 5/16-18 X 1.00 Hex Cap .....	2
7	1011990	Washer, 3/8 Flat .....	6
8	1012463	Bolt, 3/8-16 X .875 Hex Head .....	2
9	1015608	Tube Spacer, Hydraulic Cylinder .....	1
10	1015610	Tube Spacer Lg Hyd Cyl .....	1
11	1015612	Mounting Bracket, Hydraulic Cylinder .....	1
12	1015615	Cylinder Adapter Weldment .....	1
13	1015616	Hydraulic Hose Asm. Tilt Bed .....	2
14	1015617	Hydraulic Cylinder Cail Tilt .....	1
15	1015621	Mtg Bracket Hydr. Pump .....	1
16	1015623	Straight Thread Adap. W/o-ring .....	2
17	1015624	Straight Thd Elbow W/o-ring Ca .....	2
18	101570401	Decal, Tilt System Warning .....	1
19	1016136	Pump, Hydraulic Tilt Bed .....	1
20	102882501	Switch, Rocker, Bed Lift .....	1
21	103318401	Harness, Hyd Lift, Gas .....	1
22	1241	Washer, 5/16 Type A Flat .....	6
23	1242	Nut, 5/16-18 Hex .....	2
24	320	Screw, 3/8-16 X 1.00 Hex-Head Cap .....	2
25	357	Lockwasher, 3/8 Split .....	6
26	705	Screw, Cap-hex Hd 3/8-16x1.25 .....	2
27	706	Nut, Hex 3/8-16 .....	4
28	7174	Lockwasher, 5/16 Split .....	2
29	7473	Locknut, 5/16-18 Nylon Insert .....	5
30	7561	Bolt, 3/8-16 X 3.00 Hex Head .....	1
31	8990	Tie Wrap, 8" Nylon .....	8

**1**  
**G**  
**E**



001210-001

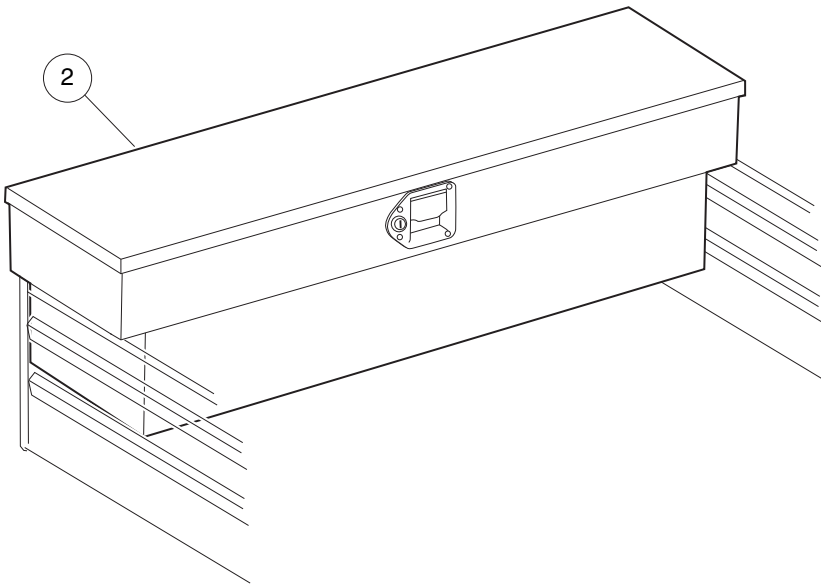
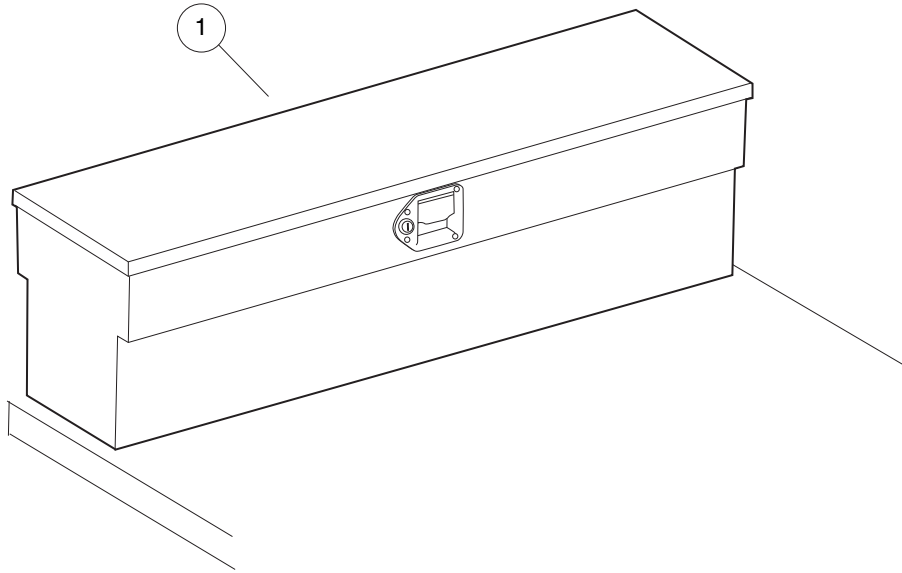


# PORTABLE REFRESHMENT CENTER

ITEM	PART NO.	DESCRIPTION	QTY
		1 2 3 4	
1	101996901	Portable Refreshment Ctr, 2 (includes items 2 through 4) .....	1
2	1011962	Decal, Refreshment Center .....	2
3	102056401	Decal-bev Unit Dash Warning .....	1
4	N/A	Decal, PRC Warning .....	2

**1**  
**G**  
**E**

**1**  
**G**  
**E**



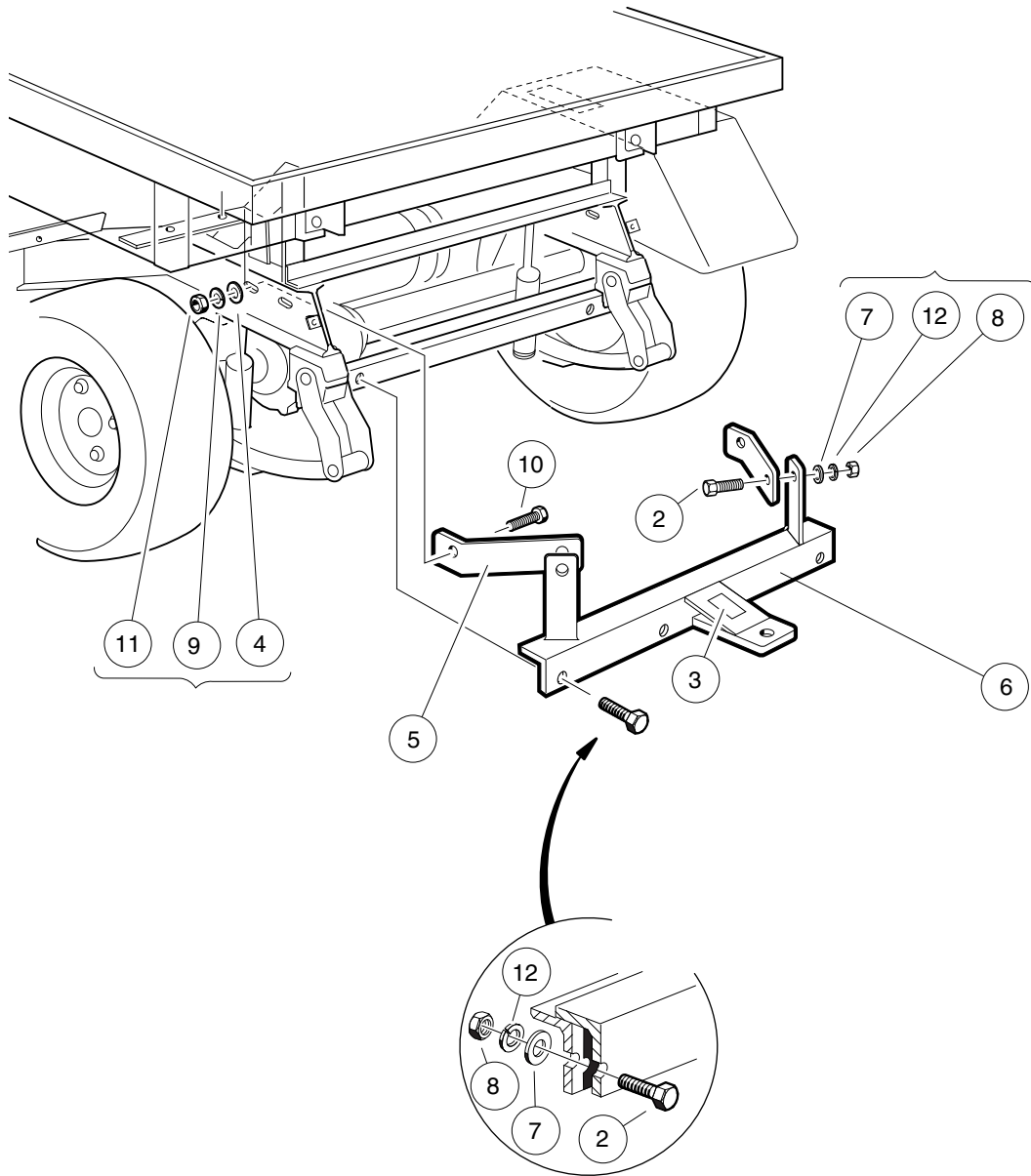
001157-001

# TOOLBOXES

ITEM	PART NO.	DESCRIPTION	QTY
1	101837401	1 2 3 4 Toolbox, Flat Bed .....	1
2	101837502	Toolbox, Box Bed .....	1

**1**  
**G**  
**E**

**1**  
**G**  
**E**



000265-001

# TRAILER HITCH

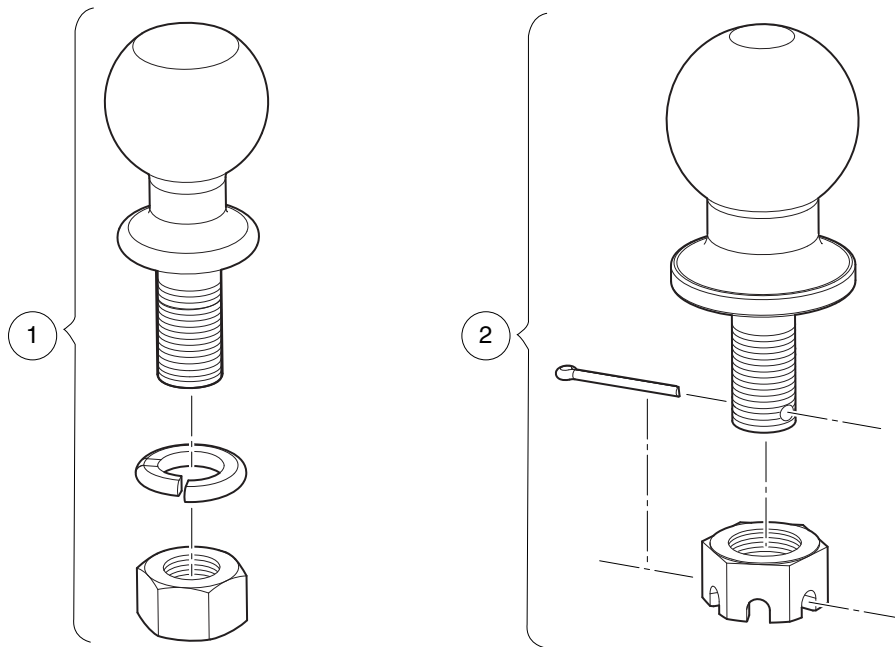
ITEM	PART NO.	DESCRIPTION	QTY
		<b>1 2 3 4</b>	
1	1015445	Kit, Trailer Hitch (includes items 2 through 12) .....	1
2	1010934	Screw, 5/16-18 X 1.00 Hex Cap .....	4
3	1011553	Decal, Trailer Hitch .....	1
4	1011990	Washer, 3/8 Flat .....	2
5	1013483	Brace, Trailer Hitch .....	2
6	N/A	Asm, Trailer Hitch .....	1
7	1241	Washer, 5/16 Type A Flat .....	4
8	1242	Nut, 5/16-18 Hex .....	4
9	357	Lockwasher, 3/8 Split .....	2
10	705	Screw, Cap-hex Hd 3/8-16x1.25 .....	2
11	706	Nut, Hex 3/8-16 .....	2
12	7174	Lockwasher, 5/16 Split .....	4

**1**  
**G**  
**E**

1

G

E



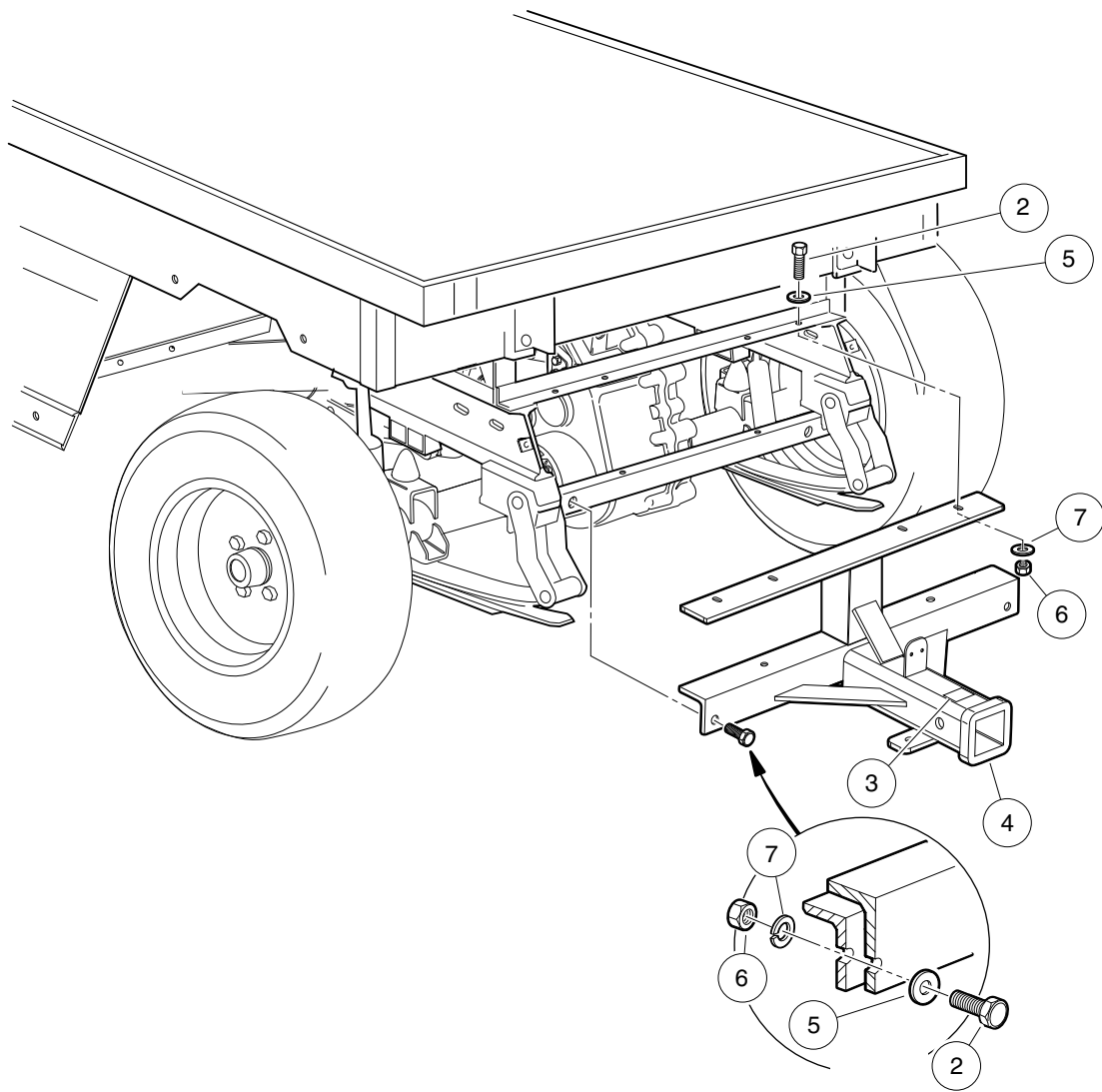
001137-001

# TRAILER HITCH BALL

ITEM	PART NO.	DESCRIPTION	QTY
1	1011546	1 2 3 4 Trailer Hitch Ball - 1 7/8" .....	1
2	AM1264001	Chrome Hitch Ball, 2" .....	1

**1**  
**G**  
**E**

**1**  
**G**  
**E**



000100-002

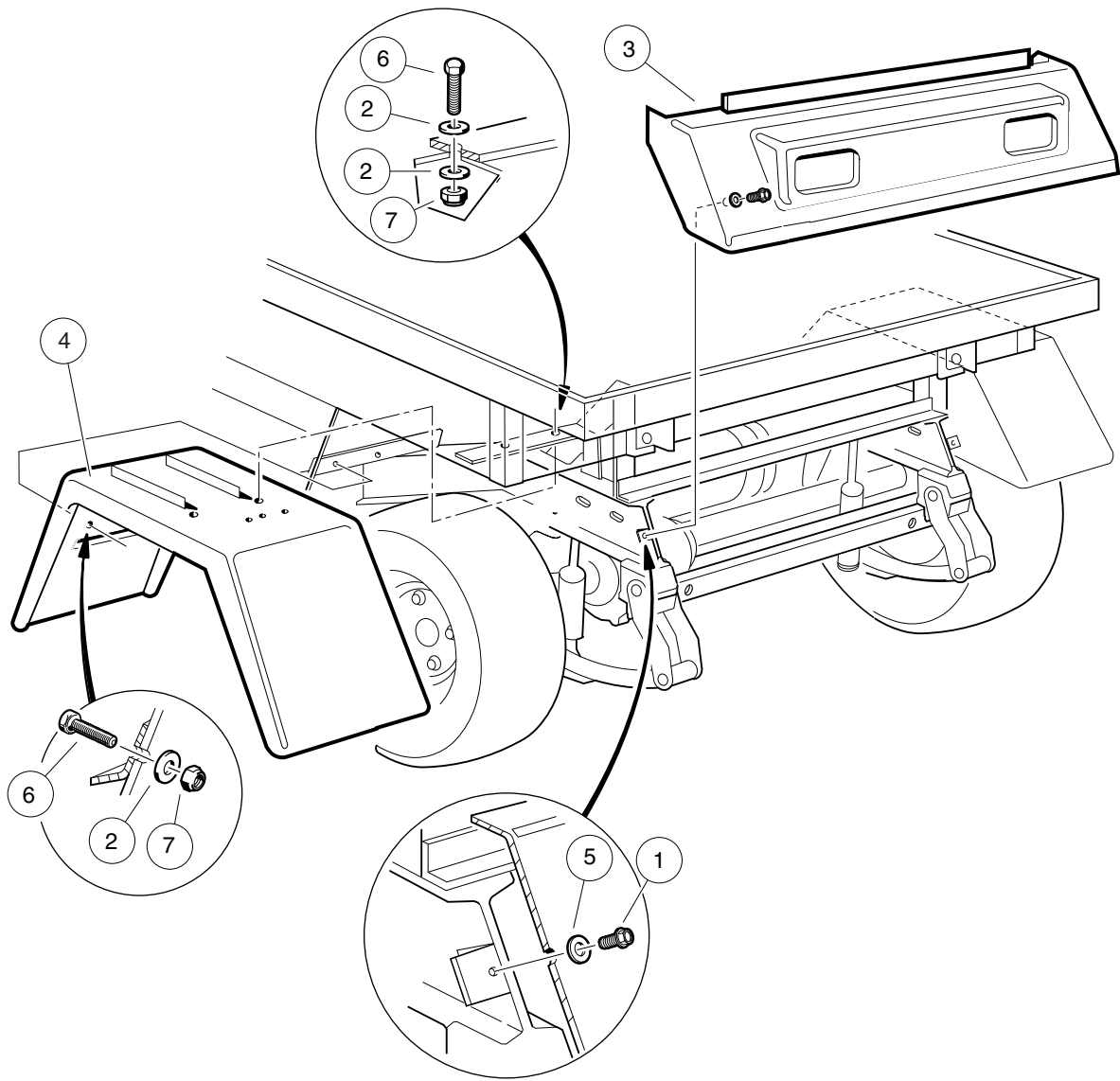


# RECEIVER HITCH

ITEM	PART NO.	DESCRIPTION	QTY
		<b>1 2 3 4</b>	
1	102065103	Kit, Rear Receiver (includes items 2 through 7) .....	1
2	1010934	Screw, 5/16-18 X 1.00 Hex Cap .....	6
3	1011553	Decal, Trailer Hitch .....	1
4	102056001	Rear Receiver Weld Asm .....	1
5	1241	Washer, 5/16 Type A Flat .....	6
6	1242	Nut, 5/16-18 Hex .....	6
7	7174	Lockwasher, 5/16 Split .....	6

**1**  
**G**  
**E**

**1**  
**G**  
**E**



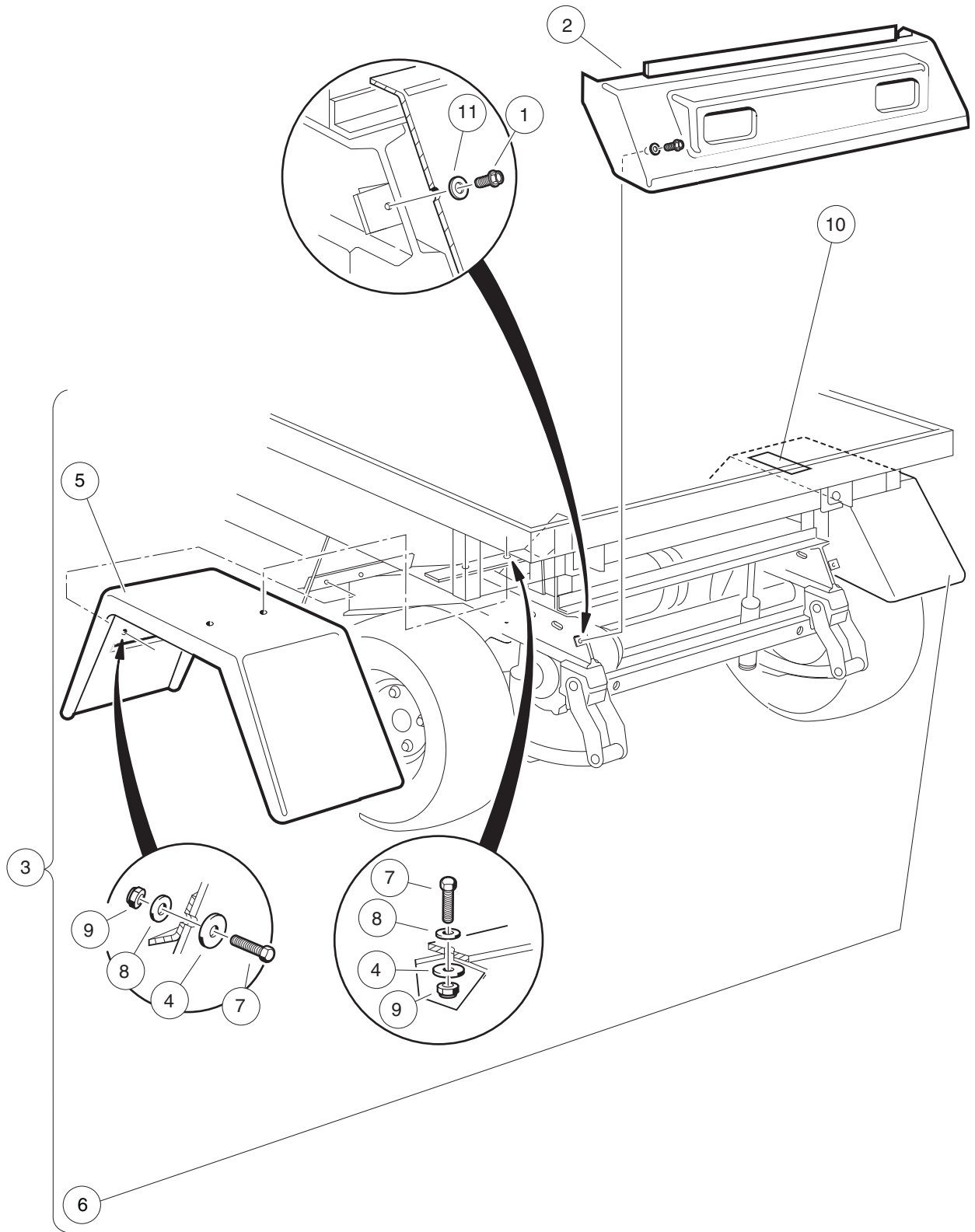
000266-001

## REAR BODY TRIM – TURF/CARRYALL 1, 2, 2 PLUS, AND 6

ITEM	PART NO.	DESCRIPTION	QTY
		1 2 3 4	
1	1012285	Screw, 1/4 X 0.625 Hex-Head .....	2
2	1014306	Washer, 1/4" Type B Flat .....	12
3	1015530	Tailskirt .....	1
4	1016679	Rear Fender .....	2
5	332	Washer, 1/4 Type A Narrow Flat .....	2
6	7847	Screw, 1/4-20 X 0.75 Hex-Head Cap .....	8
7	8233	Locknut, 1/4-20, Nylon Insert .....	8

1  
G  
E

**1**  
**G**  
**E**



000267-001

## REAR BODY TRIM – TURF/CARRYALL 252 AND XRT 900

ITEM	PART NO.	DESCRIPTION	QTY
		<b>1 2 3 4</b>	
1	1012285	Screw, 1/4 X 0.625 Hex-Head .....	2
2	1015530	Tailskirt .....	1
3	102010501	Rear Fender Kit (includes items 4 through 9) .....	1
4	1014306	Washer, 1/4" Type B Flat .....	10
5	102004601	Extended Fender, Rear, Left-Hand .....	1
6	102004602	Extended Fender, Rear, Right-Hand .....	1
7	304	Screw, 1/4-20 X 1.0 Hex-Head Cap .....	8
8	332	Washer, 1/4 Type A Narrow Flat .....	6
9	8233	Locknut, 1/4-20, Nylon Insert .....	8
10	102224001	Decal, Rotating Parts Warning .....	1
11	332	Washer, 1/4 Type A Narrow Flat .....	2

1  
G  
E



# CAB, CURTIS – TURF/CARRYALL 2, 2 PLUS, 252 AND XRT 900

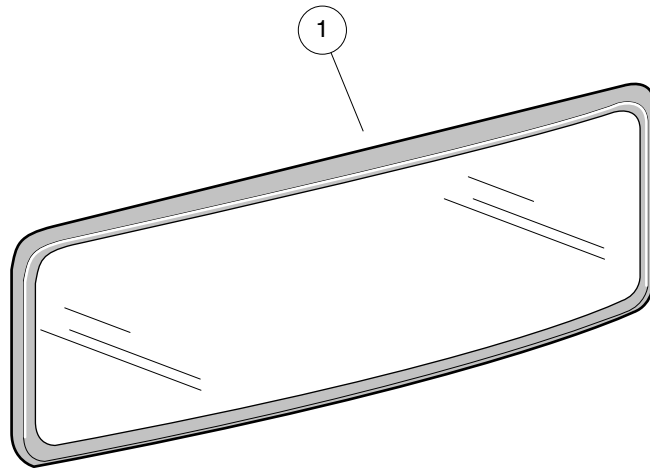
ITEM	PART NO.	DESCRIPTION	QTY
		<b>1 2 3 4</b>	
1	102262901	Asm, Cab (includes items 2 through 13) .....	1
2	AM1304001	CTC-Windshield Assembly .....	1
3	AM1304101	CTC-Windshield Latches .....	A/R
4	AM1304201	CTC-Drivers Side Door .....	1
5	AM1304301	CTC-Passenger Side Door .....	1
6	AM1304401	CTC-Inside Door Latches .....	2
7	AM1304501	CTC-Outside Door Latches .....	2
8	AM1304601	CTC-Door Hinge Kit .....	A/R
9	AM1304801	CTC-Side Frame Rear Window .....	1
10	AM1304901	CTC-Roof (White Plastic) .....	1
11	AM1305001	CTC-Wiper Motor .....	1
12	AM1305101	CTC-Wiper Arm .....	1
13	AM1305201	CTC-Wiper Blade .....	1
14	102264501	Kit, Seat Belt (required for ROPS certification, includes mounting hardware) .....	1
15	103274401	Kit, Adapter, Cab, Carryall (includes item 16) .....	1
16	AM1304701	CTC-Rear Panel .....	1

1  
G  
E

1

G

E



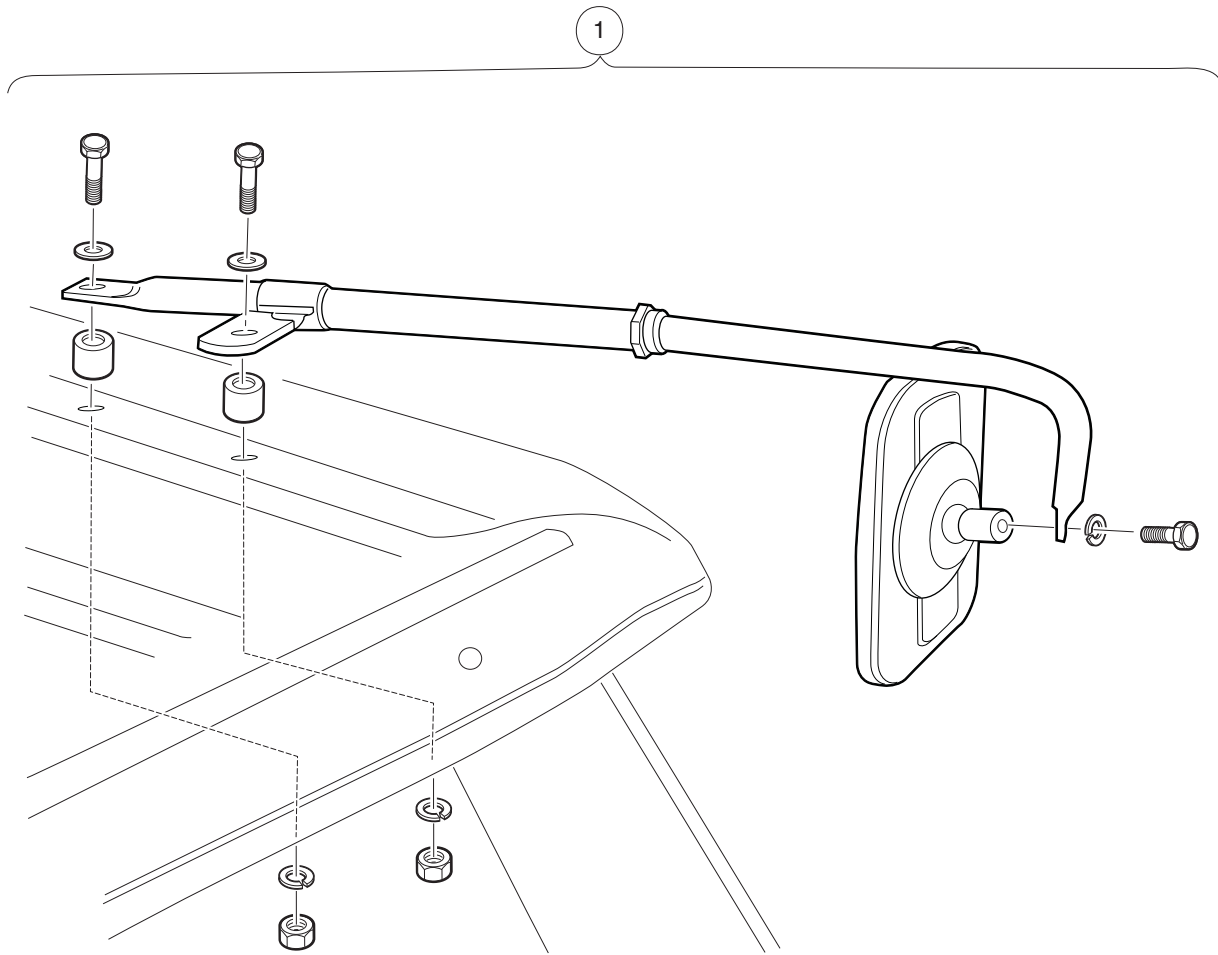
APM-000214-001



## MIRROR, INSIDE REAR-VIEW – CURTIS CAB

ITEM	PART NO.	DESCRIPTION	QTY
1	101995101	<p>1 2 3 4            Kit, Rear-View Mirror (includes mounting hardware) .....</p> <p>Note: For installation on vehicles equipped with a Curtis cab.</p>	1

**1**  
**G**  
**E**



001202-001

# MIRROR, SIDE-VIEW – CURTIS CAB

ITEM	PART NO.	DESCRIPTION	QTY
1	102272601	<p>1 2 3 4</p> <p>Kit, Mirror .....</p> <p style="margin-top: 20px;">Note: For installation on vehicles equipped with a Curtis cab.</p>	1

1

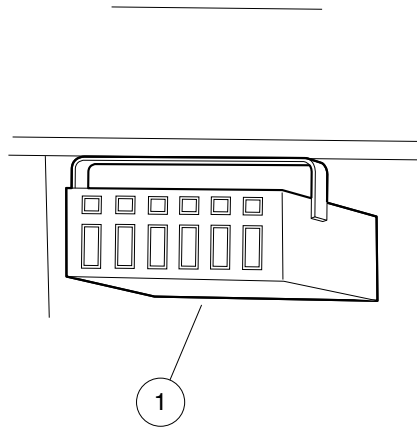
G

E

1

G

E



APM-000264-002

## ACCESSORY SWITCH PANEL – CURTIS CAB

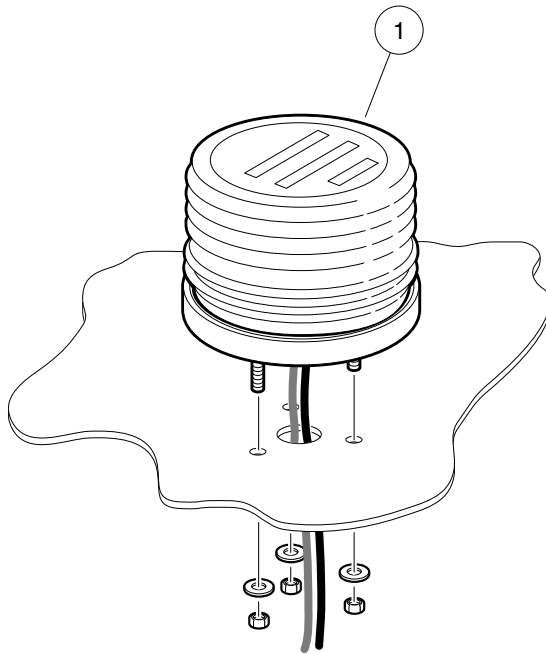
ITEM	PART NO.	DESCRIPTION	QTY
1	101994601	<p>1 2 3 4</p> <p>Panel, Accessory Switch .....</p> <p style="margin-top: 20px;">Note: For installation on vehicles equipped with a Curtis cab.</p>	1

1

G

E

**1**  
**G**  
**E**



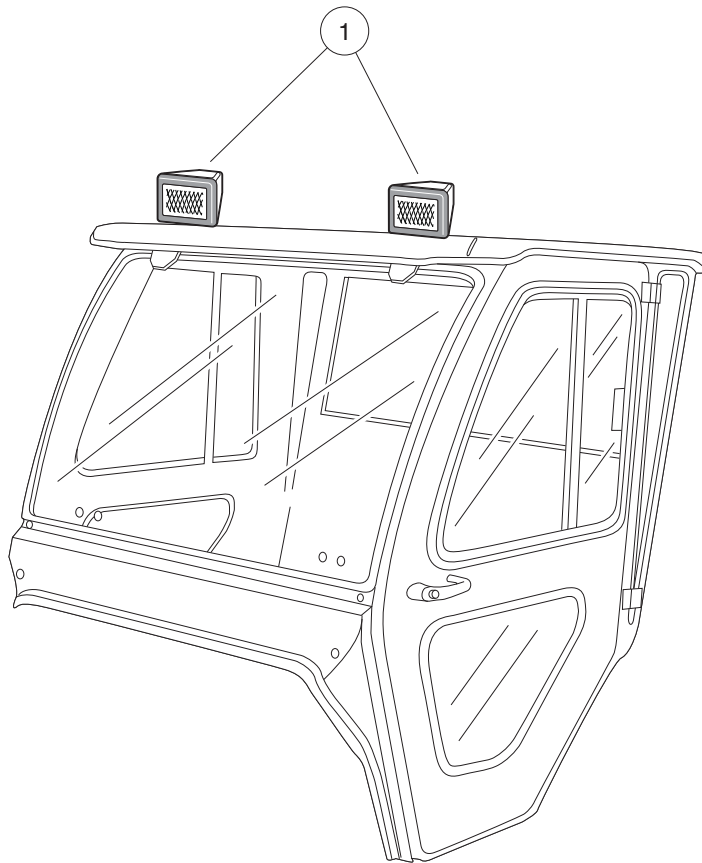
APM-000212-001

## STROBE LIGHT – CURTIS CAB

ITEM	PART NO.	DESCRIPTION	QTY
1	101994301	<p>1 2 3 4            Kit, Strobe Light (includes mounting hardware and wire harness) .....</p> <p style="margin-left: 40px;">Note: For installation on vehicles equipped with a Curtis cab.</p>	1

1  
G  
E

**1**  
**G**  
**E**



001201-001



# WORK LIGHTS – CURTIS CAB

ITEM	PART NO.	DESCRIPTION	QTY
1	101994801	<p><b>1 2 3 4</b></p> <p>Kit, Work Light (includes mounting hardware and wire harness) .....</p> <p style="margin-left: 40px;">Note: For installation on vehicles equipped with a Curtis cab.</p>	1

1

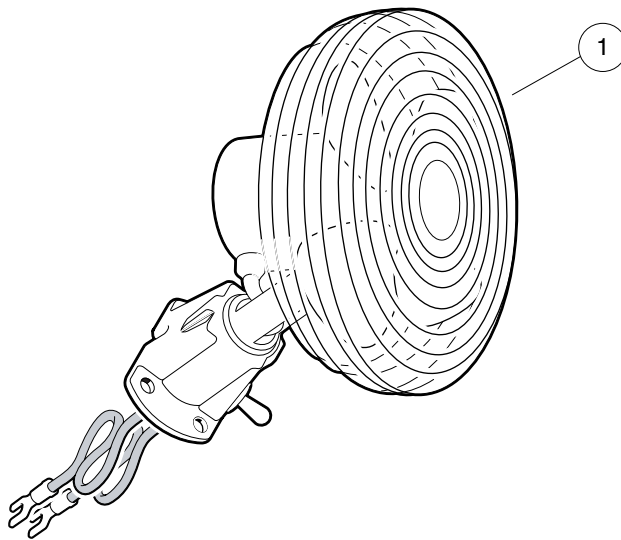
G

E

1

G

E

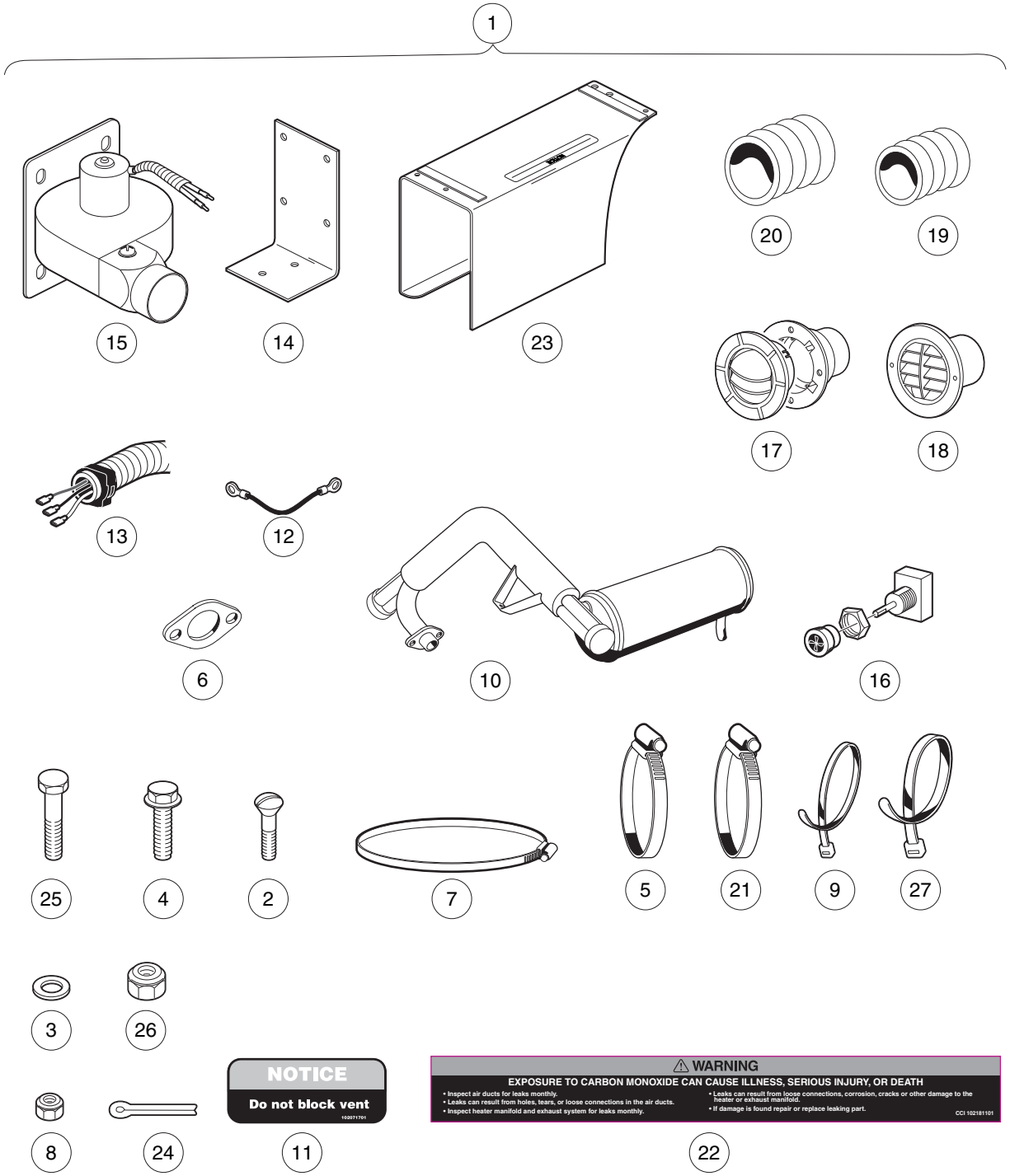


APM-000215-001

## FAN/DEFOGGER – CURTIS CAB

ITEM	PART NO.	DESCRIPTION	QTY	
1	101994401	<p>1 2 3 4</p> <p>Kit, Fan/Defogger (includes mounting hardware and wire harness) .....</p> <p style="margin-left: 40px;">Note: For installation on vehicles equipped with a Curtis cab.</p>	1	<div style="background-color: black; color: white; padding: 2px; margin-bottom: 2px;"><b>1</b></div> <div style="background-color: black; color: white; padding: 2px; margin-bottom: 2px;"><b>G</b></div> <div style="background-color: black; color: white; padding: 2px;"><b>E</b></div>

**1**  
**G**  
**E**



**NOTICE**  
**Do not block vent**  
CG1021101

**WARNING**  
**EXPOSURE TO CARBON MONOXIDE CAN CAUSE ILLNESS, SERIOUS INJURY, OR DEATH**  
 • Inspect air ducts for leaks monthly.  
 • Leaks can result from holes, tears, or loose connections in the air ducts.  
 • Inspect heater manifold and exhaust system for leaks monthly.  
 • Leaks can result from loose connections, corrosion, cracks or other damage to the heater or exhaust manifold.  
 • If damage is found repair or replace leaking part.  
CG1021101

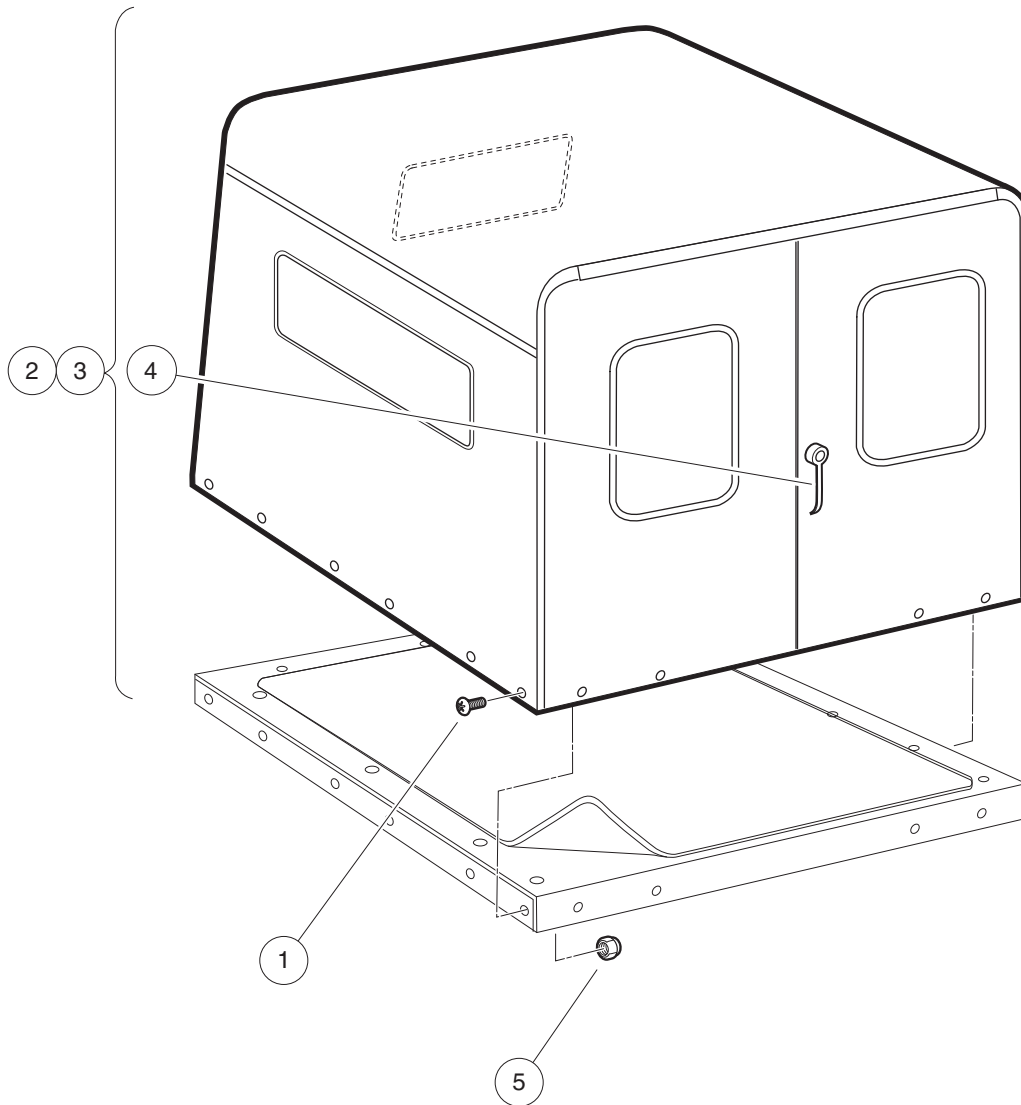
001099-001

# HEATER – CURTIS CAB

ITEM	PART NO.	DESCRIPTION	QTY
		<b>1 2 3 4</b>	
1	102056502	Comfort Cab Heater Kit, Turf/CA2/252 w/FE350 (includes items 2 through 27) .....	1
2	1011226	Screw, #6-32 X .62 Cs Oval Hd .....	4
3	1011964	Washer, 1/4 Flat .....	12
4	1012285	Screw, 1/4 X 0.625 Hex-Head .....	3
5	1012349	Clamp, Air Intake Hose, 2" .....	2
6	1016904	Gasket, Exhaust .....	1
7	1017689	Clamp, 5" Muffler Hose .....	1
8	101932201	Locknut, #6-32 Nylon .....	4
9	102025401	Tie Wrap, Heavy Duty .....	1
10	102070601	Header Heater, FE350 .....	1
11	102071701	Decal - Header Heater Kit .....	2
12	N/A	Wire Asm #16 Black .....	1
13	N/A	Wire Harness, Header Heater .....	1
14	N/A	Mounting Bracket, Blower .....	1
15	102074101	Centrifugal Blower Asm .....	1
16	102074201	Heater Switch .....	1
17	102074501	Outlet Vent .....	1
18	102074601	Inlet Vent .....	1
19	102074701	Duct Hose .....	1
20	102074801	Duct Hose .....	1
21	102074901	Clamp, Air Intake Hose, 2-1/2" .....	4
22	102181101	Decal Inspection Heater .....	1
23	102182101	Cover, Blower .....	1
24	1035	Cotter Pin, 3/32 x 1 .....	2
25	304	Screw, 1/4-20 X 1.0 Hex-Head Cap .....	6
26	8233	Locknut, 1/4-20, Nylon Insert .....	6
27	8639	Tie Wrap, 11" Nylon .....	3
Note: For installation on vehicles equipped with a Curtis cab.			

1  
G  
E

**1**  
**G**  
**E**



001208-001

# VAN BOX

ITEM	PART NO.	DESCRIPTION	QTY
		<b>1 2 3 4</b>	
1	1015399	Screw, 5/16-18 X 0.88 Torx Truss-Head .....	20
2	101754201	Custom Van Box, Gray .....	1
3	101754204	Custom Van Box Kit, White (includes item 4) .....	1
4	102006201	Handle, Van Box Door .....	1
5	7473	Locknut, 5/16-18 Nylon Insert .....	20
<p>Note: Item 2, Van Box Gray, includes item 4, Door Handle.</p>			

**1**  
**G**  
**E**

**1**

**G**

**E**



# WHEELS AND TIRES

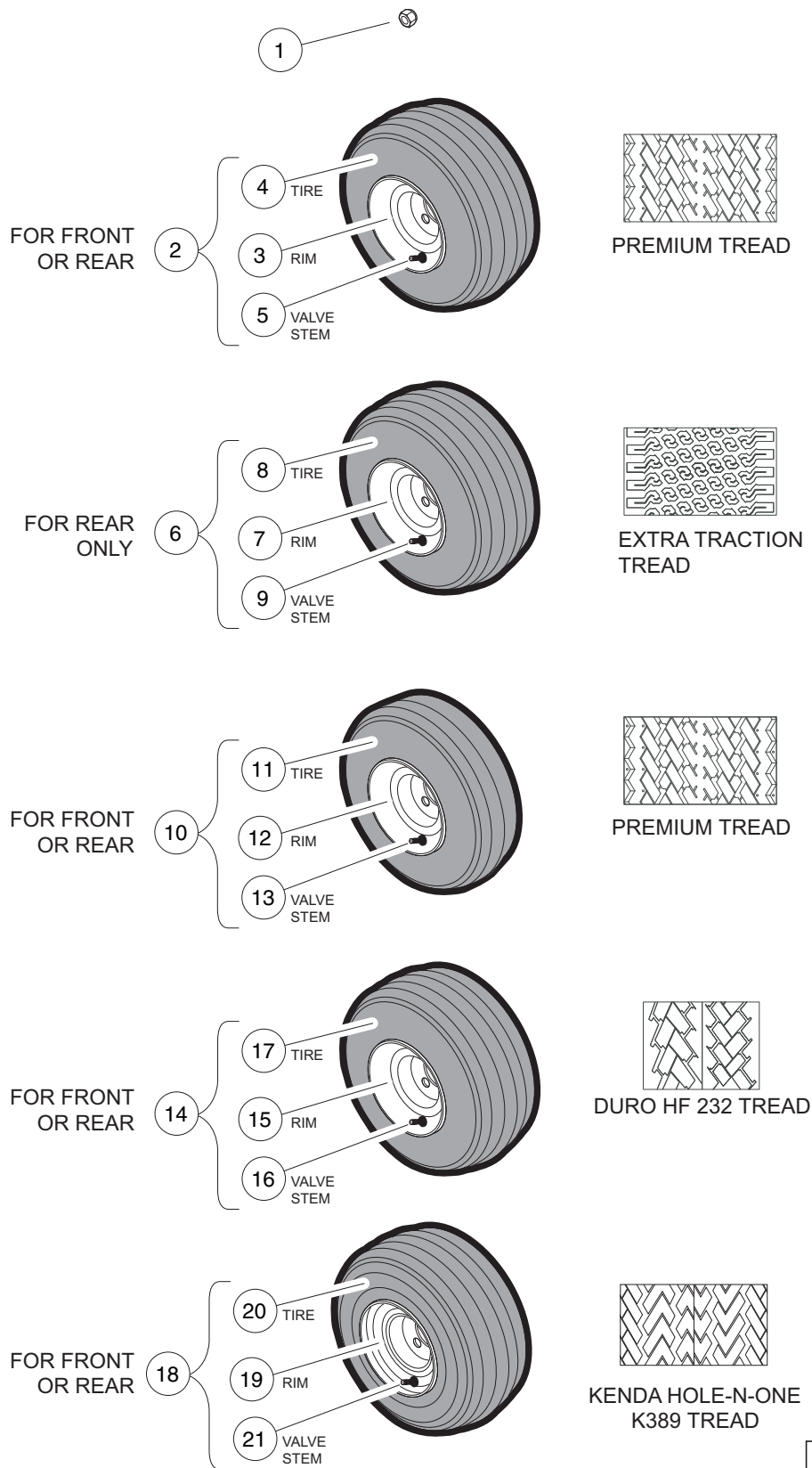
---

2

G

E

**2**  
**G**  
**E**



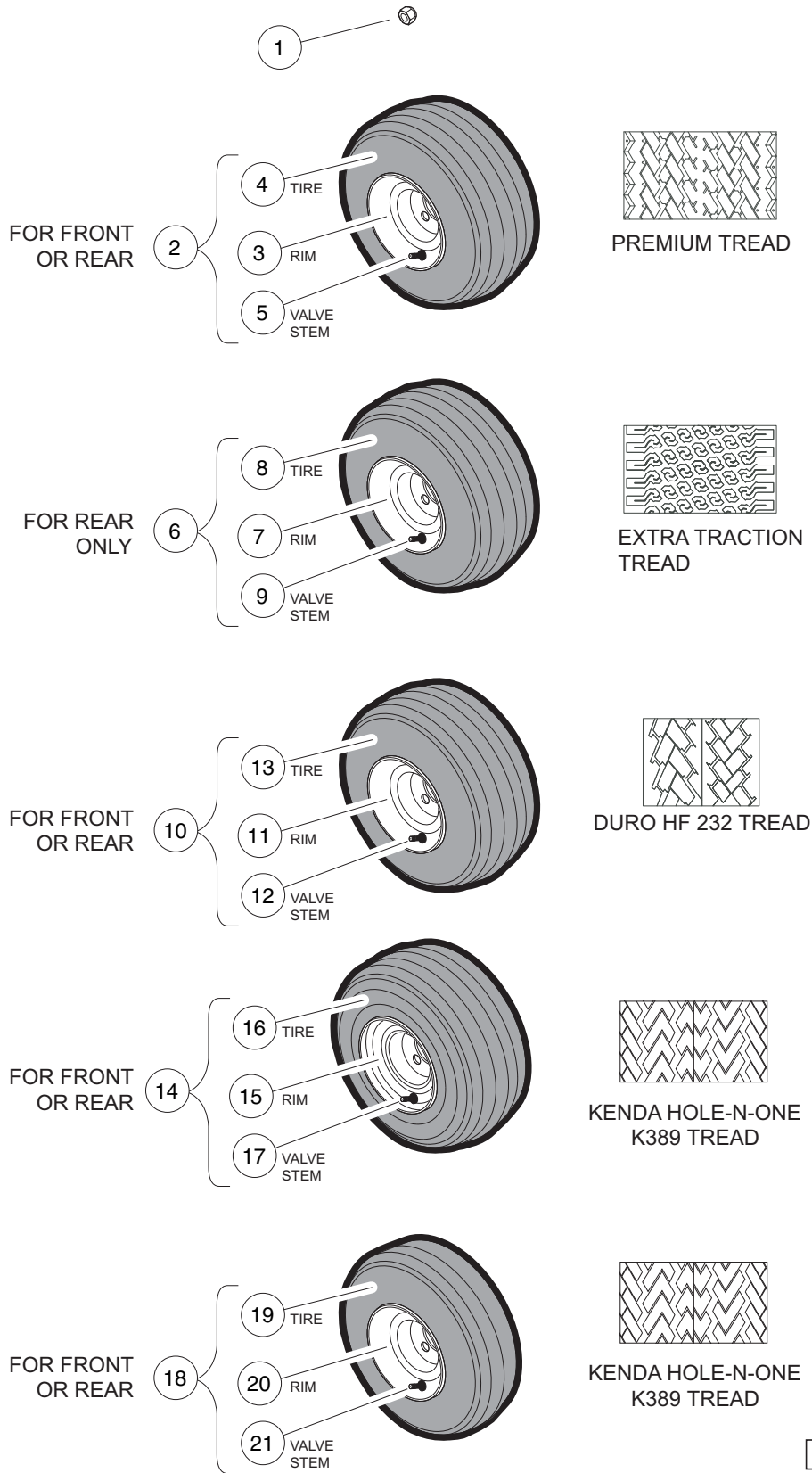
000269-016

# WHEELS AND TIRES – TURF/CARRYALL 2 AND 2 PLUS – TO LATE 2010 MODEL YEAR

ITEM	PART NO.	DESCRIPTION	QTY
		<b>1 2 3 4</b>	
1	1010984	.500-20 Unf Lug Nut .....	16
2	101651406	Tire/Wheel Asm, White, Premium Tread, 6-Ply (includes items 3 through 5) .....	4
3	1014771	Wheel Rim, White .....	1
4	101737002	Tire, Unmounted .....	1
5	7310	Valve Stem, Black Plastic .....	1
6	101651407	Tire/Wheel Asm, White, Extra-Traction, 6-Ply (includes items 7 through 9) .....	2
7	1014771	Wheel Rim, White .....	1
8	101769302	Tire, Unmounted Xtrac 18 x 8.50-8 .....	1
9	7310	Valve Stem, Black Plastic .....	1
10	101651409	Tire/Wheel Asm, White, Premium Tread, 6.5-inch (includes items 11 through 13) .....	4
11	101884901	Tire, Unmounted, Power Rib 18 x 6.50-8 .....	1
12	101918402	Wheel Rim, White .....	1
13	7310	Valve Stem, Black Plastic .....	1
14	101651414	Tire/Wheel Asm, White, Duro HF 232 (includes items 15 through 17) .....	4
15	1014771	Wheel Rim, White .....	1
16	7310	Valve Stem, Black Plastic .....	1
17	****	Tire, Unmounted, 6-Ply Rated (18.5 x 8.5 - 8) (Duro) .....	1
18	101651418	Tire/Wheel Asm, White, Kenda Hole-N-One, 6-Ply (includes items 19 through 21) .....	4
19	103459102	Wheel Rim Asm, 8"x7", White .....	1
20	103658701	Tire, Kenda Hole-N-One, 18x8.5 - 8, Prem, 6-Ply .....	1
21	7310	Valve Stem, Black Plastic .....	1
		**** Special order item available upon request.	

**2**  
**G**  
**E**

**2**  
**G**  
**E**



000269-017

# WHEELS AND TIRES – TURF/CARRYALL 2 AND 2 PLUS – FROM LATE 2010 MODEL YEAR

ITEM	PART NO.	DESCRIPTION	QTY
		<b>1 2 3 4</b>	
1	1010984	.500-20 Unf Lug Nut .....	16
2	101651406	Tire/Wheel Asm, White, Premium Tread, 6-Ply (includes items 3 through 5) .....	4
3	1014771	Wheel Rim, White .....	1
4	101737002	Tire, Unmounted .....	1
5	7310	Valve Stem, Black Plastic .....	1
6	101651407	Tire/Wheel Asm, White, Extra-Traction, 6-Ply (includes items 7 through 9) .....	2
7	1014771	Wheel Rim, White .....	1
8	101769302	Tire, Unmounted Xtrac 18 x 8.50-8 .....	1
9	7310	Valve Stem, Black Plastic .....	1
10	101651414	Tire/Wheel Asm, White, Duro HF 232 (includes items 11 through 13) .....	4
11	1014771	Wheel Rim, White .....	1
12	7310	Valve Stem, Black Plastic .....	1
13	****	Tire, Unmounted, 6-Ply Rated (18.5 x 8.5 - 8) (Duro) .....	1
14	101651418	Tire/Wheel Asm, White, Kenda Hole-N-One, 6-Ply (includes items 15 through 17) .....	4
15	103459102	Wheel Rim Asm, 8"x7", White .....	1
16	103658701	Tire, Kenda Hole-N-One, 18x8.5 - 8, Prem, 6-Ply .....	1
17	7310	Valve Stem, Black Plastic .....	1
18	101651419	Tire/Wheel Asm, White, Kenda Hole-N-One, 6-Ply, Narrow (includes items 19 through 21) .....	4
19	103722901	Tire, Kenda Hole-N-One, 18x6.5 - 8, Prem, 6-Ply .....	1
20	103723002	Wheel Rim, 8 X 5.375, White .....	1
21	7310	Valve Stem, Black Plastic .....	1
		**** Special order item available upon request.	

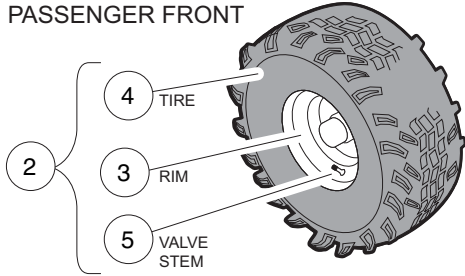
**2**  
**G**  
**E**



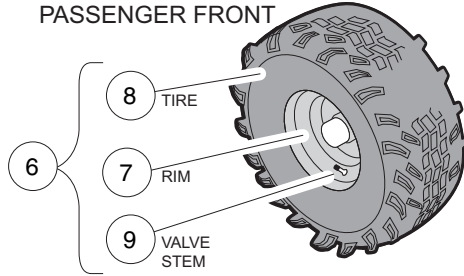
**WHITE RIMS**

**SILVER RIMS**

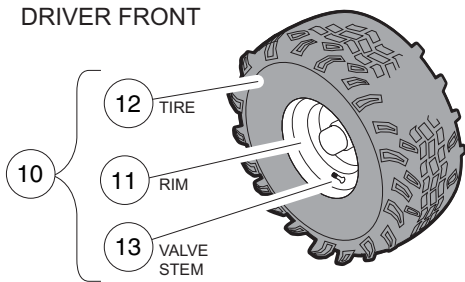
PASSENGER FRONT



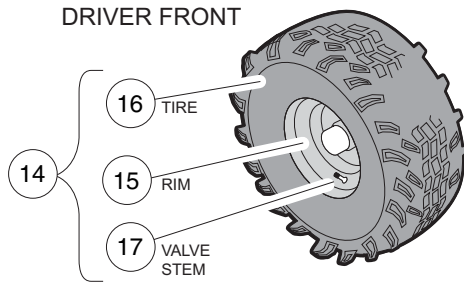
PASSENGER FRONT



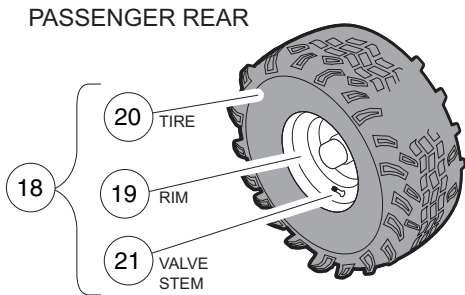
DRIVER FRONT



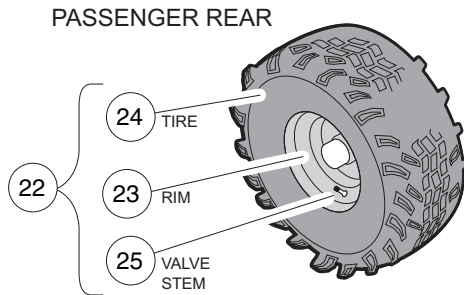
DRIVER FRONT



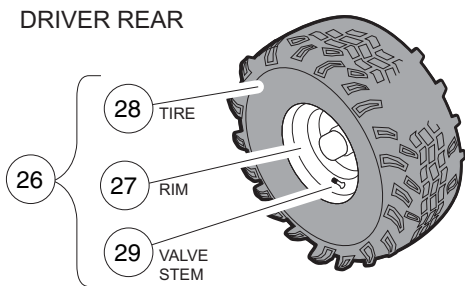
PASSENGER REAR



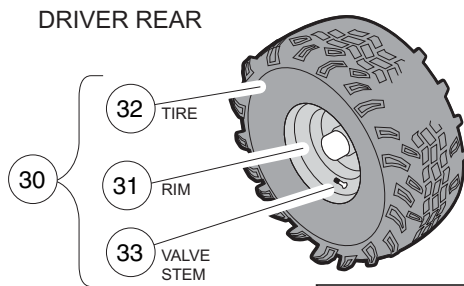
PASSENGER REAR



DRIVER REAR



DRIVER REAR



000269-004

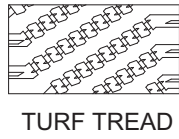
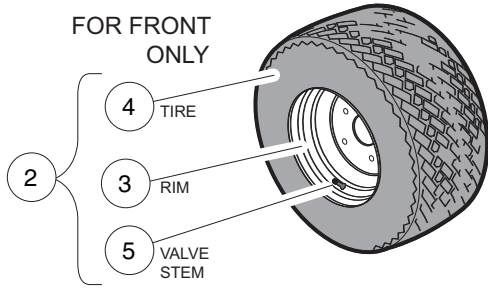
# WHEELS AND TIRES, OFF-ROAD TREAD – TURF/CARRYALL 252 AND XRT 900

ITEM	PART NO.	DESCRIPTION	QTY
		1 2 3 4	
1	1010984	.500-20 Unf Lug Nut .....	16
2	102009201	Off-Road Tire and Wheel Asm, Right, Front (includes items 3 through 5) .....	1
3	N/A	Rim, Wheel, White .....	1
4	N/A	Tire, Unmounted, Duro, Off-Road Tire, 22 x 11-10, 6-Ply Rated .....	1
5	7310	Valve Stem, Black Plastic .....	1
6	102009202	Off-Road Tire and Wheel Asm, Right, Front (includes items 7 through 9) .....	1
7	N/A	Wheel Rim, Silver .....	1
8	N/A	Tire, Unmounted, Duro, Off-Road Tire, 22 x 11-10, 6-Ply Rated .....	1
9	7310	Valve Stem, Black Plastic .....	1
10	102009301	Off-Road Tire and Wheel Asm, Left, Front (includes items 11 through 13) .....	1
11	N/A	Rim, Wheel, White .....	1
12	N/A	Tire, Unmounted, Duro, Off-Road Tire, 22 x 11-10, 6-Ply Rated .....	1
13	7310	Valve Stem, Black Plastic .....	1
14	102009302	Off-Road Tire and Wheel Asm, Left, Front (includes items 15 through 17) .....	1
15	N/A	Wheel Rim, Silver .....	1
16	N/A	Tire, Unmounted, Duro, Off-Road Tire, 22 x 11-10, 6-Ply Rated .....	1
17	7310	Valve Stem, Black Plastic .....	1
18	102009401	Off-Road Tire and Wheel Asm, Right, Rear (includes items 19 through 21) .....	1
19	N/A	Rim, Wheel, White .....	1
20	N/A	Tire, Unmounted, Duro, Off-Road Tire, 22 x 11-10, 6-Ply Rated .....	1
21	7310	Valve Stem, Black Plastic .....	1
22	102009402	Off-Road Tire and Wheel Asm, Right, Rear (includes items 23 through 25) .....	1
23	N/A	Wheel Rim, Silver .....	1
24	N/A	Tire, Unmounted, Duro, Off-Road Tire, 22 x 11-10, 6-Ply Rated .....	1
25	7310	Valve Stem, Black Plastic .....	1
26	102009501	Off-Road Tire and Wheel Asm, Left, Rear (includes items 27 through 29) .....	1
27	N/A	Rim, Wheel, White .....	1
28	N/A	Tire, Unmounted, Duro, Off-Road Tire, 22 x 11-10, 6-Ply Rated .....	1
29	7310	Valve Stem, Black Plastic .....	1
30	102009502	Off-Road Tire and Wheel Asm, Left, Rear (includes items 31 through 33) .....	1
31	N/A	Wheel Rim, Silver .....	1
32	N/A	Tire, Unmounted, Duro, Off-Road Tire, 22 x 11-10, 6-Ply Rated .....	1
33	7310	Valve Stem, Black Plastic .....	1
<p>Note: Front and rear wheels are NOT interchangeable. The rear wheels have a different offset than the front wheels. The rear wheels must be installed with the deeper offset facing out. Off-road tires are directional.</p>			

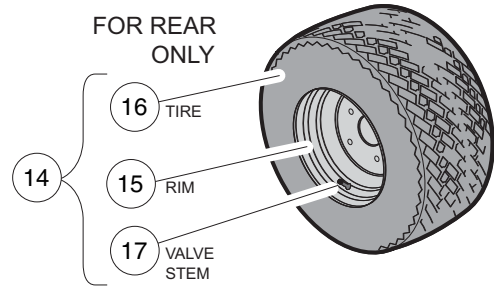
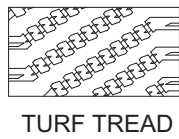
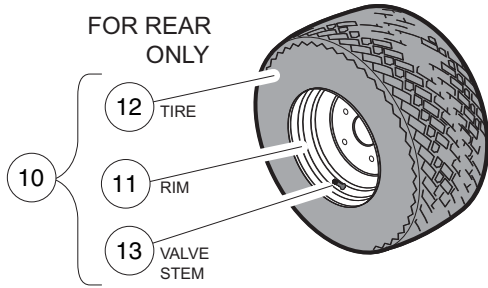
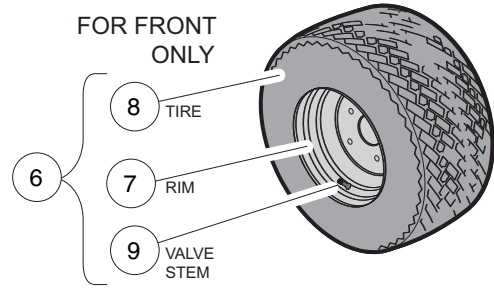
**2**  
**G**  
**E**



**WHITE RIMS**



**SILVER RIMS**



000269-005

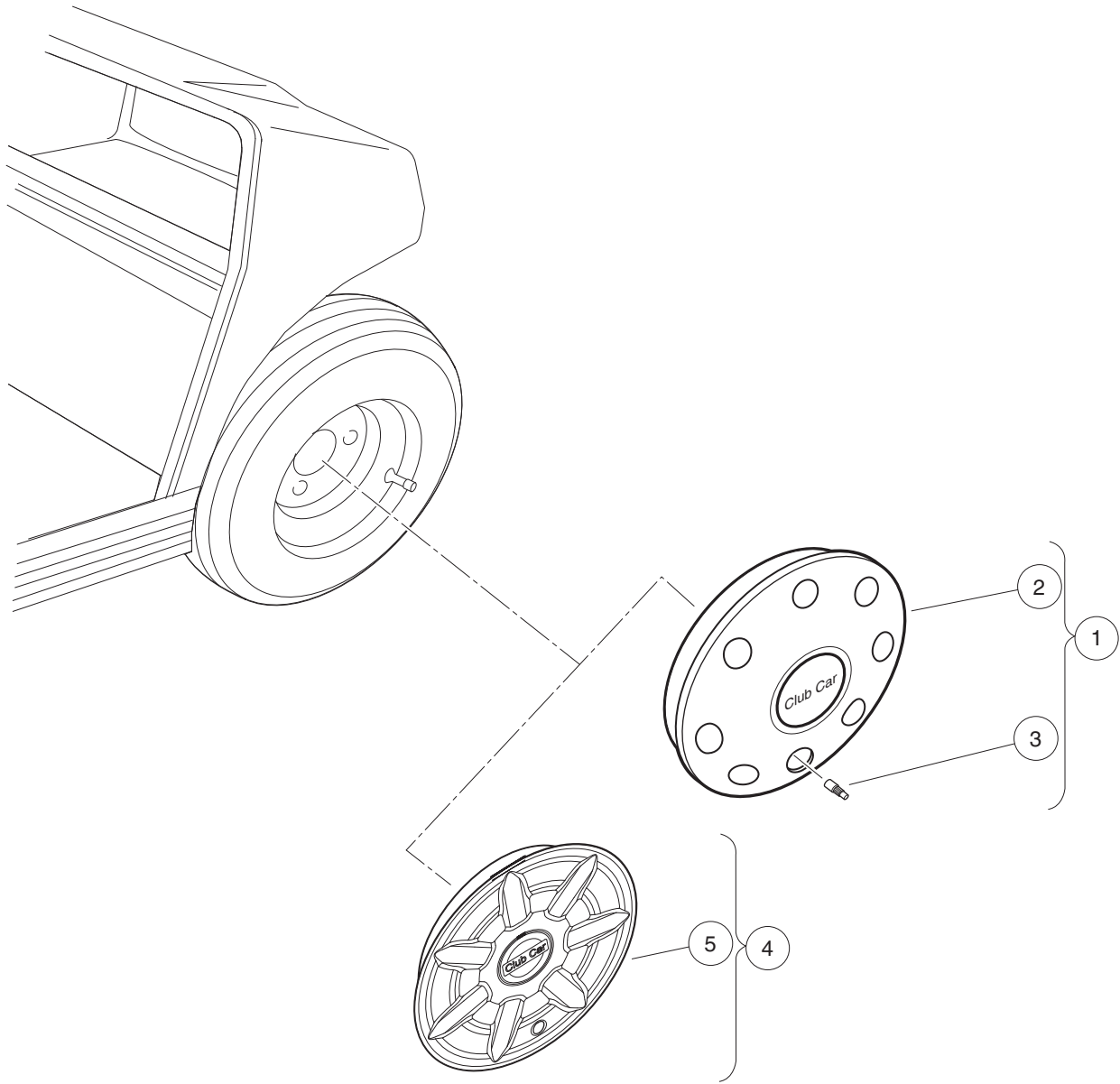


# WHEELS AND TIRES, TURF TREAD – TURF/CARRYALL 252 AND XRT 900

ITEM	PART NO.	DESCRIPTION	QTY
		<b>1 2 3 4</b>	
1	1010984	.500-20 Unf Lug Nut .....	16
2	102009901	Turf Tire and Wheel Asm, Front (includes items 3 through 5) .....	2
3	N/A	Rim, Wheel, White .....	1
4	N/A	Tire, Front, Unmounted, Titan Turf Trac, 23 x 10.5-12, 4-Ply Rated .....	1
5	7310	Valve Stem, Black Plastic .....	1
6	102009902	Turf Tire and Wheel Asm, Front (includes items 7 through 9) .....	2
7	N/A	Wheel Rim, Silver .....	1
8	N/A	Tire, Front, Unmounted, Titan Turf Trac, 23 x 10.5-12, 4-Ply Rated .....	1
9	7310	Valve Stem, Black Plastic .....	1
10	102010001	Turf Tire and Wheel Asm, Rear (includes items 11 through 13) .....	2
11	N/A	Rim, Wheel, White .....	1
12	N/A	Tire, Rear, Unmounted, Titan Turf Trac, 23 x 10.5-12, 4-Ply Rated .....	1
13	7310	Valve Stem, Black Plastic .....	1
14	102010002	Turf Tire and Wheel Asm, Rear (includes items 15 through 17) .....	2
15	N/A	Wheel Rim, Silver .....	1
16	N/A	Tire, Rear, Unmounted, Titan Turf Trac, 23 x 10.5-12, 4-Ply Rated .....	1
17	7310	Valve Stem, Black Plastic .....	1

**2**  
**G**  
**E**

**2**  
**G**  
**E**



001203-001

# WHEEL COVERS

ITEM	PART NO.	DESCRIPTION	QTY
		<b>1 2 3 4</b>	
1	1012642	Sport Wheel Cover Kit (each) (includes items 2 and 3) .....	4
2	1012640	Hubcap .....	1
3	1012641	Valve Extension .....	1
4	102559901	Hub Cap Kit, Prec (includes item 5) .....	1
5	103694501	Hub Cap, 7 Prong .....	4

2  
G  
E

**2**

**G**

**E**

# DECALS

---

3

G

E

**⚠ WARNING**

**ROLLOVER OR FALLING OFF MAY CAUSE DEATH.**

- Before using vehicle, read operating instructions.
- Remain seated and hold on to seat handle while moving.
- Do not start vehicle until all occupants are seated.
- Two (2) persons per seat maximum.
- Operate from driver side only and not on public roads.
- Keep entire body inside vehicle while moving.
- Drive slowly in turns and straight up and down slopes.
- Do not leave children unattended on vehicle.
- Never operate under the influence of alcohol or drugs.
- Use brakes to reduce speed when coasting downhill.
- Never stand in front of or behind vehicle.

CCI 103205401

**OPERATING INSTRUCTIONS**

- Read owner's manual and dash-mounted safety warnings prior to driving.
- Study and understand controls.

**TO OPERATE**

- Turn wheels to desired direction and ensure path is clear.
- Turn key to ON position.
- While stopped, place Forward/Reverse switch in desired position: F=Forward N=Neutral R=Reverse (Buzzer will sound)
- Park brake will release and vehicle will start moving when accelerator pedal is pressed.
- Slowly press accelerator pedal to increase speed.
- To stop, release accelerator pedal and press brake pedal.

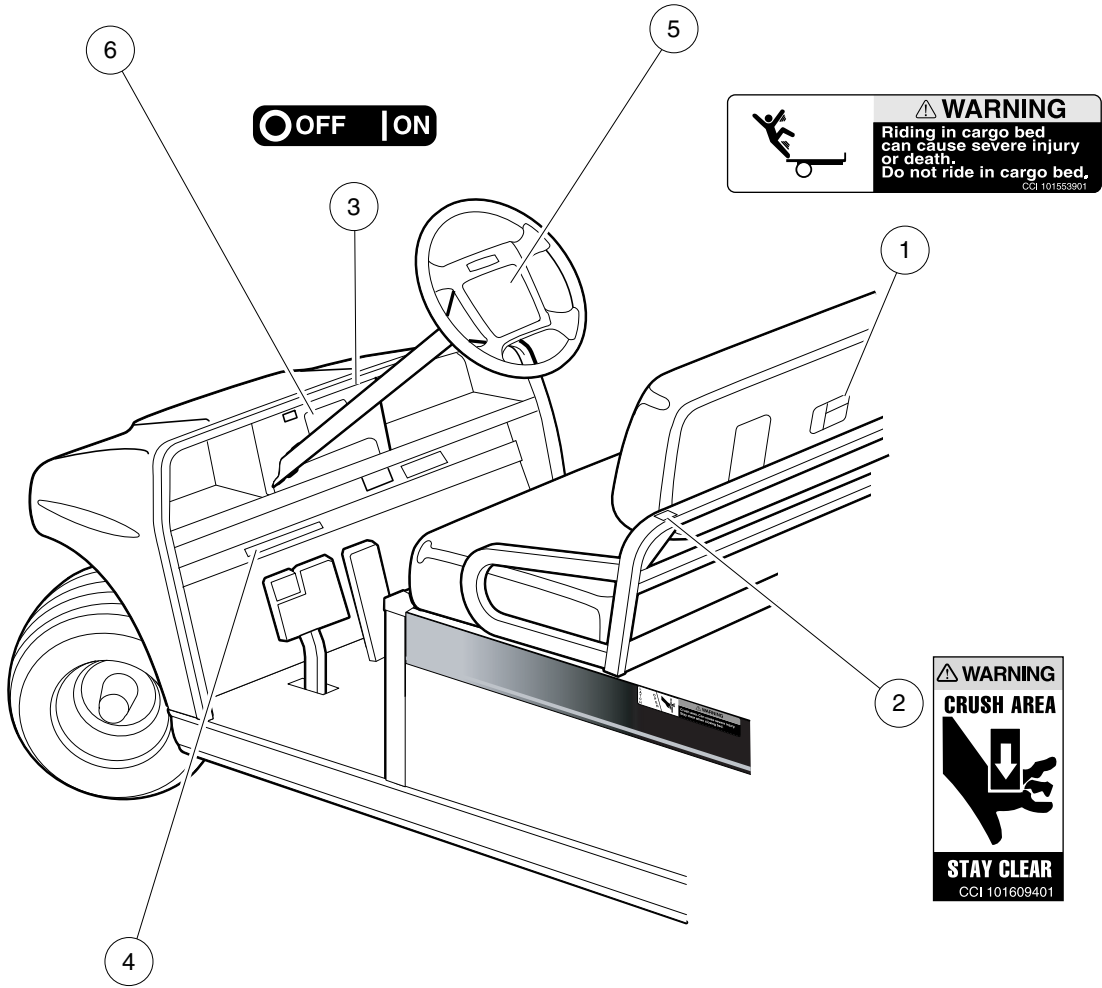
**BEFORE LEAVING**

- Press park brake pedal until it locks and holds vehicle.
- Place Forward/Reverse switch in NEUTRAL position.
- Turn key OFF and remove key when not in use.

**MOTOR BRAKING**

- Electric motor braking provides speed regulation functions.
- For parked vehicle, beeping alarm indicates vehicle roll away.
- In operation, beeping alarm indicates reduction in motor braking.
- Apply brakes to further reduce vehicle speed as required.
- System is activated only when tow switch is in the RUN position.
- When towing this vehicle, tow switch must be in the TOW position.

CCI 102518001



**⚠ WARNING**

Riding in cargo bed can cause severe injury or death. Do not ride in cargo bed.

CCI 101553901

**⚠ WARNING**

**CRUSH AREA**

**STAY CLEAR**

CCI 101609401

**VEHICLE LOADING**

Read Owner's Manual and warnings on dash.

- Vehicle rated capacity - 1200 lbs. on level surface only. Weight to include passengers, cargo bed load, and gross trailer weight. See Owner's Manual.
- Maximum cargo load - 800 lbs. Weight to include cargo bed load and gross trailer weight.
- Maximum trailer hitch tongue weight - 150 lbs.

- Cargo should be evenly spread over the floor of the cargo bed as far forward as possible and secured.
- For vehicle stability, when fully loaded, drive slowly and avoid stopping on or backing down steep hills.
- Avoid top heavy loads. See Owner's Manual.
- When driving on uneven terrain or down steep hills, reduce speed and load.

CCI 101960201

000600-001

## DECALS – TURF/CARRYALL 2 IQ PLUS ELECTRIC

ITEM	PART NO.	DESCRIPTION	QTY
		<b>1 2 3 4</b>	
1	101553901	Decal, Bed Load Warning .....	1
2	101609401	Decal, Crush Area Warning .....	2
3	101825101	Decal, Off/On .....	1
4	101960201	Decal, Vehicle Loading .....	1
5	102518001	Decal, Operating Instr, Elec .....	1
6	103205401	Decal, Warning, Rollover, Utl .....	1

**3**  
**G**  
**E**

**⚠ WARNING**  
**AVOID FIRE HAZARD**

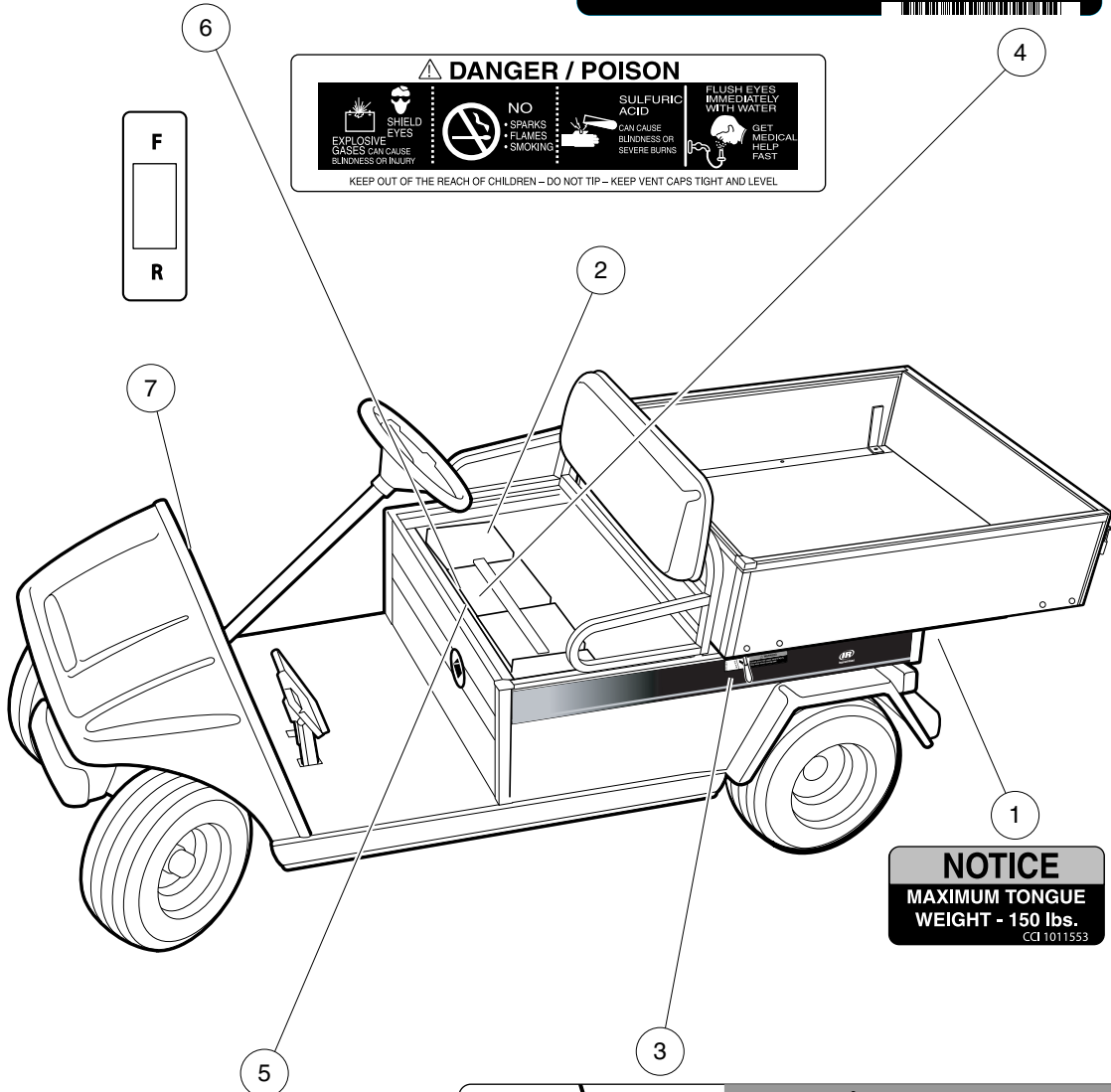
- Replacement battery wires must be 4-gauge (AWG) with low-resistance terminals equivalent to factory-installed wires.
- Ensure that battery connections are clean and properly tightened. See owner's manual.

CCI 102967601

**CAUTION**  
**EXPOSURE TO WATER MAY DAMAGE ELECTRONIC COMPONENTS**

- Do not operate vehicle without this cover properly installed.
- Do not direct water stream in the area of the cover without cover securely in place.
- See vehicle maintenance and service manual before servicing.

CCI 102518301



**⚠ DANGER / POISON**

<p><b>EXPLOSIVE</b> GASES CAN CAUSE BLINDNESS OR INJURY</p> <p>SHIELD EYES</p>	<p><b>NO</b> SPARKS FLAMES SMOKING</p>	<p><b>SULFURIC ACID</b> CAN CAUSE BLINDNESS OR SEVERE BURNS</p>	<p>FLUSH EYES IMMEDIATELY WITH WATER</p> <p>GET MEDICAL HELP FAST</p>
--	--	---	---

KEEP OUT OF THE REACH OF CHILDREN – DO NOT TIP – KEEP VENT CAPS TIGHT AND LEVEL

**NOTICE**  
**MAXIMUM TONGUE WEIGHT - 150 lbs.**

CCI 1011553

**⚠ WARNING**  
**BATTERY EXPLOSION COULD RESULT IN SEVERE PERSONAL INJURY.**

- Do not store items in battery compartment.
- Place Run/Tow switch in TOW position before:
  - Disconnecting or connecting battery cables
  - Towing this vehicle
  - Extended storage
  - Servicing the vehicle

NORMAL      TRIPPED

TOW      RUN

CCI 102845101

**LATCH**      **OPEN**

**⚠ WARNING**  
**Crush area. Can cause severe injury. Stay clear when closing bed.**

000611-001



# DECALS – TURF/CARRYALL 2 IQ PLUS ELECTRIC, CONTINUED

ITEM	PART NO.	DESCRIPTION	QTY
		1 2 3 4	
1	1011553	Decal, Trailer Hitch .....	1
2	1013677	Decal, Battery Danger .....	6
3	102459301	Decal, Bed Crush Area Warning .....	1
4	102518301	Decal, Caution, Electrical Component Cover .....	1
5	102845101	Decal, Tow Switch .....	1
6	102967601	Decal, Warning, 4 Gauge Wire .....	1
7	103210301	Decal, Forward/Reverse, Electric .....	1

3  
G  
E

**WARNING**

**ROLLOVER OR FALLING OFF MAY CAUSE DEATH.**

- Before using vehicle, read operating instructions.
- Remain seated and hold on to seat handle while moving.
- Do not start vehicle until all occupants are seated.
- Two (2) persons per seat maximum.
- Operate from driver side only and not on public roads.
- Keep entire body inside vehicle while moving.
- Drive slowly in turns and straight up and down slopes.
- Do not leave children unattended on vehicle.
- Never operate under the influence of alcohol or drugs.
- Use brakes to reduce speed when coasting downhill.
- Never stand in front of or behind vehicle.

CCI 103205401

**OPERATING INSTRUCTIONS**

- Read owner's manual and dash-mounted safety warnings prior to driving.
- Study and understand controls.

**TO OPERATE**

- Turn wheels to desired direction and ensure path is clear.
- Turn key to ON position.
- While stopped, place Forward/Reverse switch in desired position:  
F—Forward N—Neutral R—Reverse (Buzzer will sound)
- Park brake will release and vehicle will start moving when accelerator pedal is pressed.
- Slowly press accelerator pedal to increase speed.
- To stop, release accelerator pedal and press brake pedal.

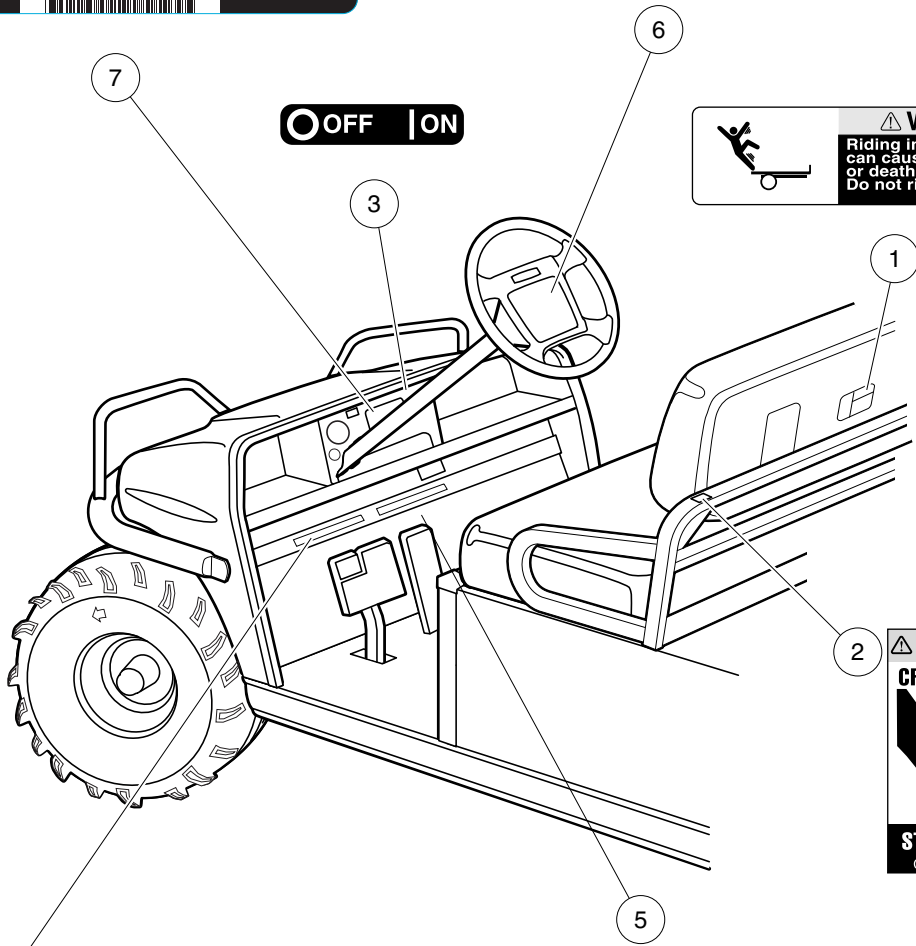
**BEFORE LEAVING**

- Press park brake pedal until it locks and holds vehicle.
- Place Forward/Reverse switch in NEUTRAL position.
- Turn key OFF and remove key when not in use.

**MOTOR BRAKING**

- Electric motor braking provides speed regulation functions.
- For parked vehicle, beeping alarm indicates vehicle roll away.
- In operation, beeping alarm indicates reduction in motor braking.
- Apply brakes to further reduce vehicle speed as required.
- System is activated only when tow switch is in the RUN position.
- When towing this vehicle, tow switch must be in the TOW position.

CCI 102518001



**WARNING**

Riding in cargo bed can cause severe injury or death. Do not ride in cargo bed.

CCI 101553901

**WARNING**

**CRUSH AREA**

**STAY CLEAR**

CCI 101609401

**WARNING**

**YOUNG DRIVERS INCREASE CHANCE OF DEATH**

- Young drivers may not be able to control vehicle.
- No drivers younger than 16 years old.

CCI 102075801

**VEHICLE LOADING**

Read owner's manual and warnings on dash.

- Vehicle rated capacity - 900 lbs. on level surface only. Weight to include passengers, cargo bed load, and gross trailer weight. See Owner's Manual.
- Maximum cargo load - 500 lbs. Weight to include cargo bed load and gross trailer weight.
- Maximum trailer hitch tongue weight - 150 lbs.

- Cargo should be evenly spread over the floor of the cargo bed as far forward as possible and secured.
  - For vehicle stability, when fully loaded, drive slowly and avoid stopping on or backing down steep hills.
  - Avoid top heavy loads. See Owner's Manual.
  - When driving on uneven terrain or down steep hills, reduce speed and load.
- CCI 10206701

000612-001

# DECALS – TURF/CARRYALL 252 AND XRT 900 IQ PLUS ELECTRIC

ITEM	PART NO.	DESCRIPTION	QTY
		<b>1 2 3 4</b>	
1	101553901	Decal, Bed Load Warning .....	1
2	101609401	Decal, Crush Area Warning .....	2
3	101825101	Decal, Off/On .....	1
4	102006701	Decal, Vehicle Loading .....	1
5	102075801	Decal, Young Driver Warning .....	1
6	102518001	Decal, Operating Instr, Elec .....	1
7	103205401	Decal, Warning, Rollover, Utl .....	1

**3**  
**G**  
**E**

**3**  
**G**  
**E**

**⚠ WARNING**  
**AVOID FIRE HAZARD**

- Replacement battery wires must be 4-gauge (AWG) with low-resistance terminals equivalent to factory-installed wires.
- Ensure that battery connections are clean and properly tightened. See owner's manual.

CCI 102967601

**⚠ WARNING**

**WINCH CABLE FRACTURE COULD RESULT IN SERIOUS INJURY OR DEATH.**

- Do not use winch while persons are seated on the vehicle.
- Use remote operation switch for winch control.
- Stand to the side and away from the vehicle to operate winch.
- Read winch operator manual before operating winch.

102231601

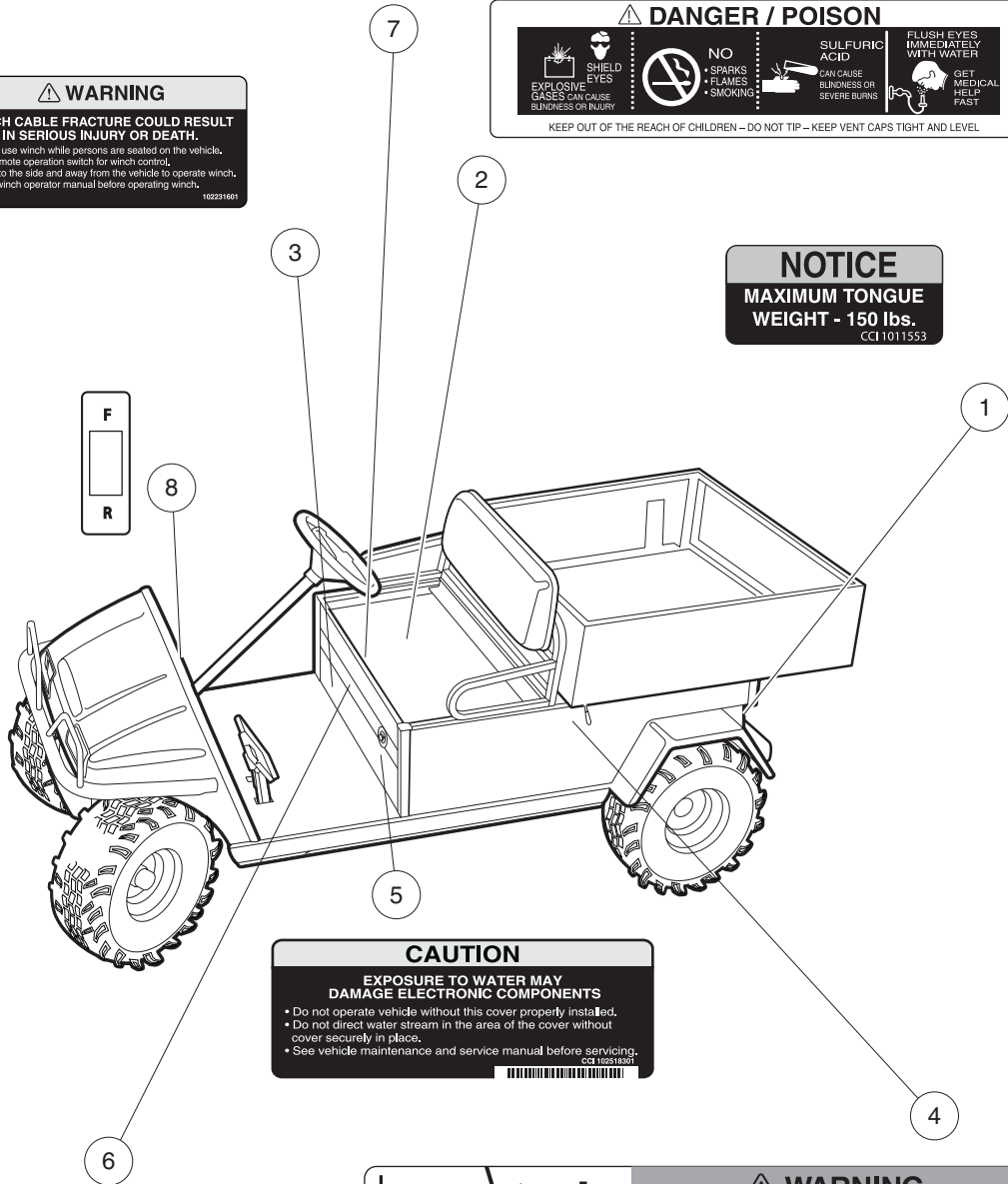
**⚠ DANGER / POISON**

EXPLOSIVE GASES CAN CAUSE BLINDNESS OR INJURY	SHIELD EYES	NO SPARKS, FLAMES, SMOKING	SULFURIC ACID CAN CAUSE BLINDNESS OR SEVERE BURNS	FLUSH EYES IMMEDIATELY WITH WATER. GET MEDICAL HELP FAST.
---	-------------	----------------------------	---	---

KEEP OUT OF THE REACH OF CHILDREN - DO NOT TIP - KEEP VENT CAPS TIGHT AND LEVEL

**NOTICE**  
**MAXIMUM TONGUE WEIGHT - 150 lbs.**

CCI 1011553



**CAUTION**  
**EXPOSURE TO WATER MAY DAMAGE ELECTRONIC COMPONENTS**

- Do not operate vehicle without this cover properly installed.
- Do not direct water stream in the area of the cover without cover securely in place.
- See vehicle maintenance and service manual before servicing.

CCI 102818301

**⚠ WARNING**  
**BATTERY EXPLOSION COULD RESULT IN SEVERE PERSONAL INJURY.**

- Do not store items in battery compartment.
- Place Run/Tow switch in TOW position before:
  - Disconnecting or connecting battery cables
  - Towing this vehicle
  - Extended storage
  - Servicing the vehicle

NORMAL		TRAPPED
TOW		RUN

CCI 102845101

**LATCH** **OPEN**

**⚠ WARNING**  
**Crush area. Can cause severe injury. Stay clear when closing bed.**

000613-001

# DECALS – TURF/CARRYALL 252 AND XRT 900 IQ PLUS ELECTRIC, CONTINUED

ITEM	PART NO.	DESCRIPTION	QTY
		<b>1 2 3 4</b>	
1	1011553	Decal, Trailer Hitch .....	1
2	1013677	Decal, Battery Danger .....	6
3	102231601	Decal, Winch Cable Fracture Warning .....	1
4	102459301	Decal, Bed Crush Area Warning .....	1
5	102518301	Decal, Caution, Electrical Component Cover .....	1
6	102845101	Decal, Tow Switch .....	1
7	102967601	Decal, Warning, 4 Gauge Wire .....	1
8	103210301	Decal, Forward/Reverse, Electric .....	1

**3**  
**G**  
**E**

**⚠ WARNING**

**ROLLOVER OR FALLING OFF MAY CAUSE DEATH.**

- Before using vehicle, read operating instructions.
- Remain seated and hold on to seat handle while moving.
- Do not start vehicle until all occupants are seated.
- Two (2) persons per seat maximum.
- Operate from driver side only and not on public roads.
- Keep entire body inside vehicle while moving.
- Drive slowly in turns and straight up and down slopes.
- Do not leave children unattended on vehicle.
- Never operate under the influence of alcohol or drugs.
- Use brakes to reduce speed when coasting downhill.
- Never stand in front of or behind vehicle.

CCI 103205401

**OPERATING INSTRUCTIONS**

- Read owner's manual and safety warnings located on dash panel prior to driving.
- Study and understand controls.

**TO OPERATE**

- Turn wheels to desired direction and ensure path is clear.
- Turn key to ON position.
- While stopped, place shift lever in desired position:

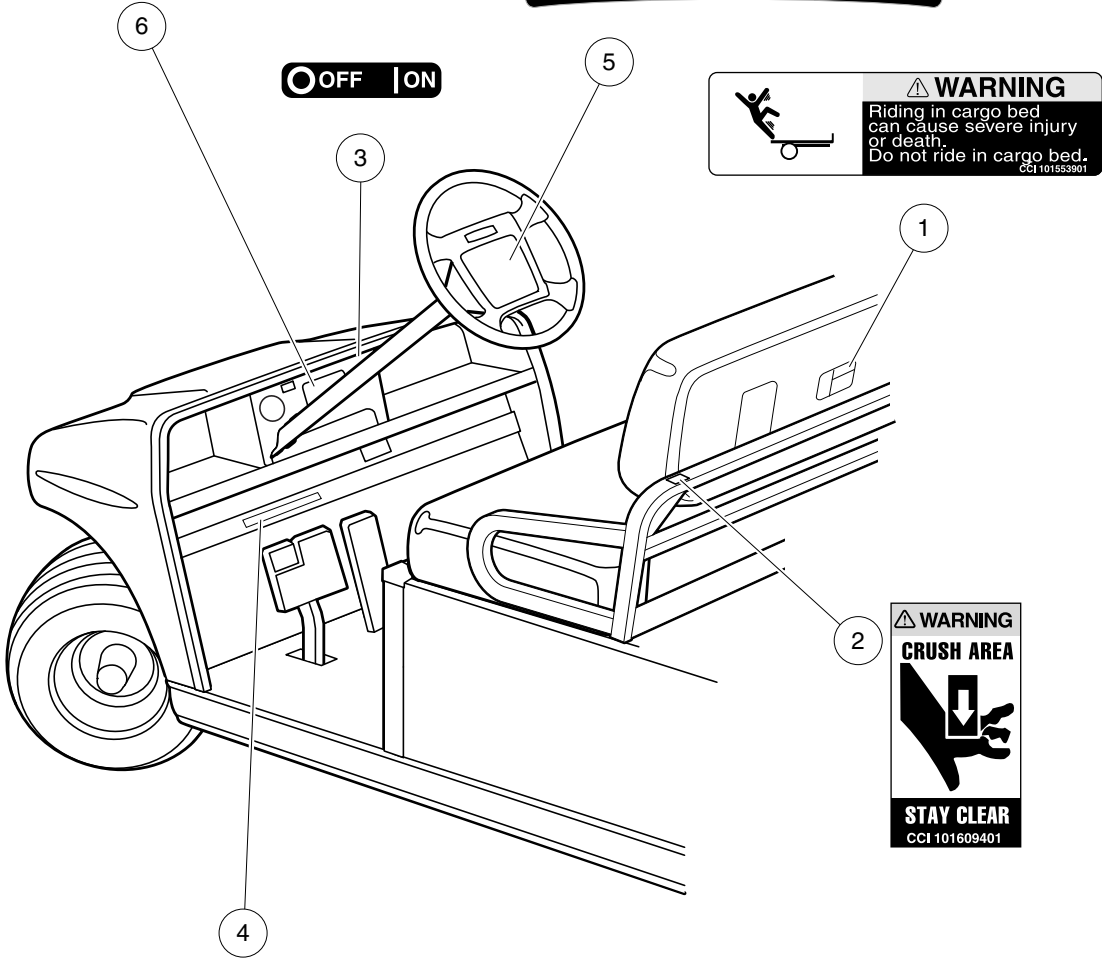
**F**—Forward **N**—Neutral **R**—Reverse (Buzzer will sound)

- Park brake will release and vehicle will start moving when accelerator pedal is pressed.
- Slowly press accelerator pedal to increase speed.
- To stop, release accelerator pedal and press brake pedal.

**BEFORE LEAVING**

- Press park brake pedal until it locks and holds vehicle.
- Place Forward/Reverse switch in NEUTRAL position.
- Turn key OFF and remove key when not in use.

CCI 102519201



**VEHICLE LOADING**

Read Owner's Manual and warnings on dash.

- Vehicle rated capacity - 1200 lbs. on level surface only. Weight to include passengers, cargo bed load, and gross trailer weight. See Owner's Manual.
- Maximum cargo load - 800 lbs. Weight to include cargo bed load and gross trailer weight.
- Maximum trailer hitch tongue weight - 150 lbs.

- Cargo should be evenly spread over the floor of the cargo bed as far forward as possible and secured.
- For vehicle stability, when fully loaded, drive slowly and avoid stopping on or backing down steep hills.
- Avoid top heavy loads. See Owner's Manual.
- When driving on uneven terrain or down steep hills, reduce speed and load.

CCI 101960201

000616-001

## DECALS – TURF/CARRYALL 2 GASOLINE VEHICLES

ITEM	PART NO.	DESCRIPTION	QTY
		1 2 3 4	
1	101553901	Decal, Bed Load Warning .....	1
2	101609401	Decal, Crush Area Warning .....	2
3	101825101	Decal, Off/On .....	1
4	101960201	Decal, Vehicle Loading .....	1
5	102519201	Decal, Operating Instr, Gas .....	1
6	103205401	Decal, Warning, Rollover, Utl .....	1

3  
G  
E

**WARNING**

**GASOLINE EXPLOSION / FIRE.**

- Can cause severe injury or death.
- No smoking, sparks, or open flame.
- Stop engine, allow to cool before refueling.
- Turn fuel valve (←) on during operation. (→) off during storage or transport.

CCI 101547601

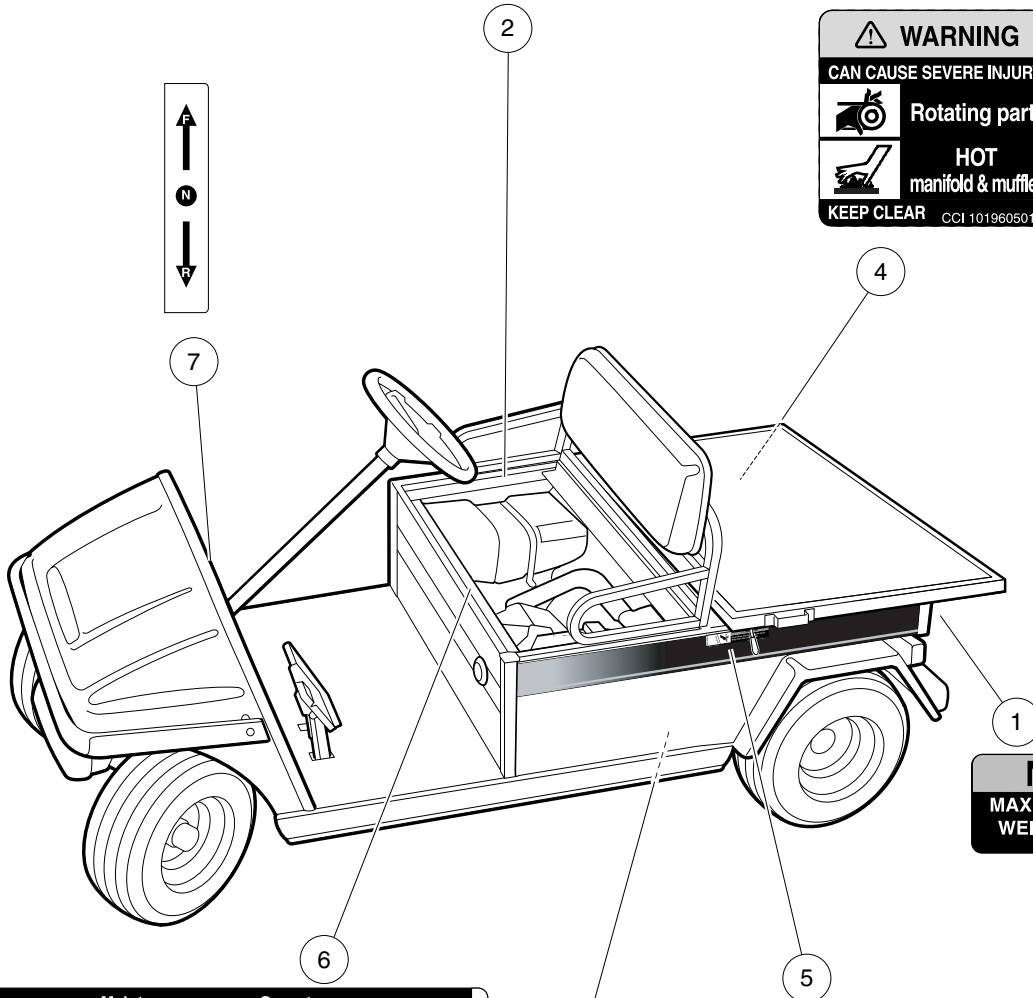
**WARNING**

**CAN CAUSE SEVERE INJURY**

**Rotating parts**

**HOT manifold & muffler**

**KEEP CLEAR** CCI 101960501



**NOTICE**

**MAXIMUM TONGUE WEIGHT - 150 lbs.**

CCI 1011553

Maintenance Operate

**WARNING**

**VEHICLE MOVEMENT MAY CAUSE SERIOUS INJURY**

When switch is in Maintenance position, chock wheels and firmly set park brake.

CCI 103205501

**LATCH** **OPEN**

**WARNING**

**Crush area. Can cause severe injury. Stay clear when closing bed.**

**WARNING**

Negative frame ground. Can cause severe injury. Do not contact positive (+) battery post or cable to frame. Disconnect negative battery lead first.

**WARNING**

Excessive speed. Can cause severe injury or death. Do not tamper with engine governor adjustment.

CCI 101915201

000617-001



# DECALS – TURF/CARRYALL 2 GASOLINE VEHICLES, CONTINUED

ITEM	PART NO.	DESCRIPTION	QTY
		<b>1 2 3 4</b>	
1	1011553	Decal, Trailer Hitch .....	1
2	101547601	Decal, Gasoline Explosion/Fire Warning .....	1
3	101915201	Decal, Frame Ground and Governor Warning .....	1
4	101960501	Decal, Rotating Parts/Hot Manifold .....	1
5	102459301	Decal, Bed Crush Area Warning .....	1
6	103205501	Decal, Run/Service Switch .....	1
7	103210201	Decal, Forward/Reverse, Gas .....	1

**3**  
**G**  
**E**

**⚠ WARNING**

**ROLLOVER OR FALLING OFF MAY CAUSE DEATH.**

- Before using vehicle, read operating instructions.
- Remain seated and hold on to seat handle while moving.
- Do not start vehicle until all occupants are seated.
- Two (2) persons per seat maximum.
- Operate from driver side only and not on public roads.
- Keep entire body inside vehicle while moving.
- Drive slowly in turns and straight up and down slopes.
- Do not leave children unattended on vehicle.
- Never operate under the influence of alcohol or drugs.
- Use brakes to reduce speed when coasting downhill.
- Never stand in front of or behind vehicle.

CCI 103205401

**OPERATING INSTRUCTIONS**

- Read Owner's Manual and safety warnings located on dash panel prior to driving.
- Study and understand controls.

**TO START ENGINE**

- Place shift lever in "N" - Neutral position.
- Depress brake pedal.
- Turn key switch to "START" position and release.

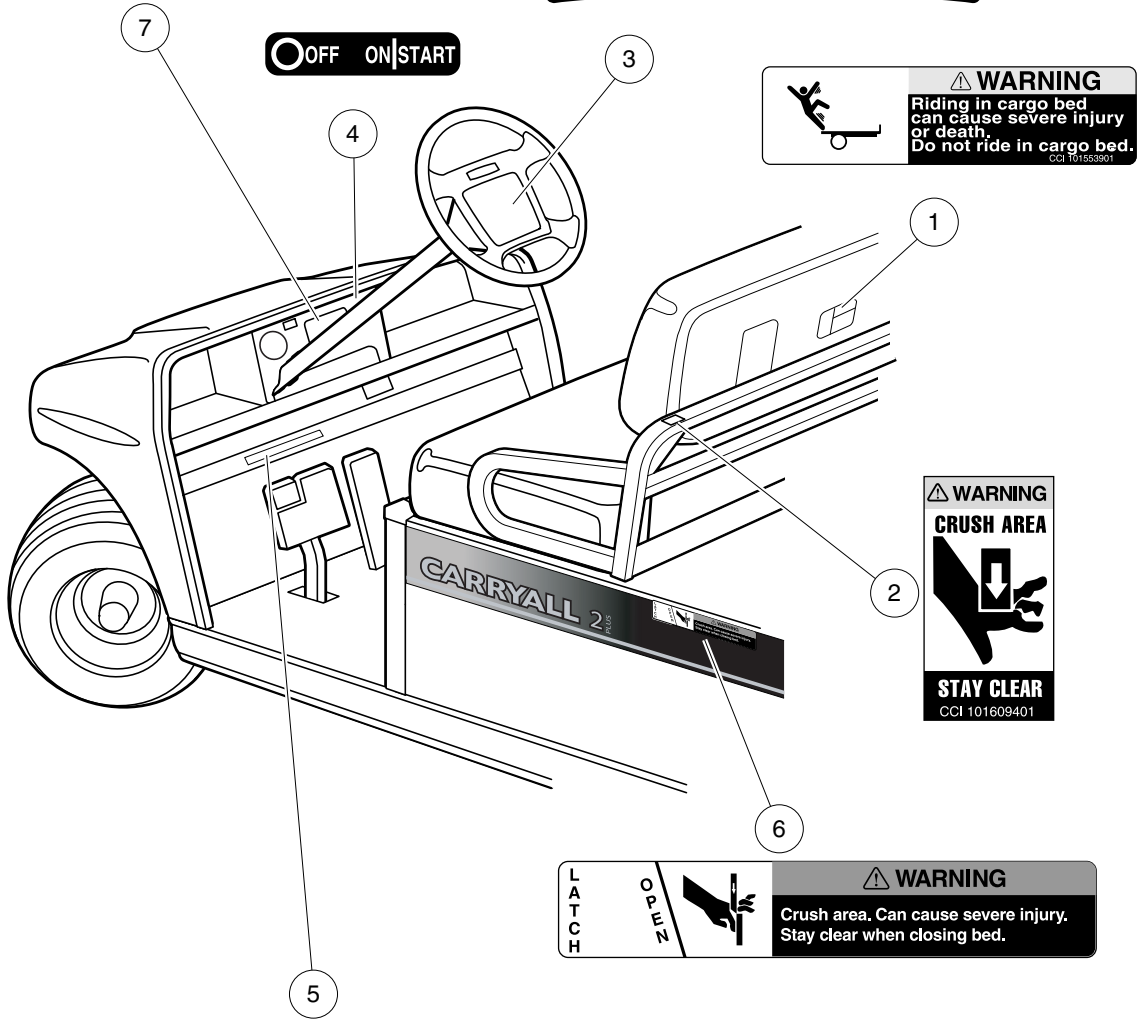
**TO OPERATE VEHICLE**

- Make sure wheels are turned in desired direction.
- Be sure nothing is in your path.
- While vehicle is stopped, and engine is at idle, select vehicle direction by placing shift lever or switch in desired position.
- F - Forward N - Neutral R - Reverse (Buzzer will sound)
- Park brake will release when accelerator pedal is pushed.
- Slowly push accelerator pedal to increase speed.
- Engine must be at idle before moving shift lever.

**TO STOP VEHICLE**

- Release accelerator pedal and push brake pedal.
- After stopping, firmly push park brake until it locks.
- Turn key to "OFF" position, remove key and place shift lever in straight up neutral position when not in use.

CCI 101693201



**VEHICLE LOADING**

Read Owner's Manual and warnings on dash.

- Vehicle rated capacity - 1200 lbs. on level surface only. Weight to include passengers, cargo bed load, and gross trailer weight. See Owner's Manual.
- Maximum cargo load - 800 lbs. Weight to include cargo bed load and gross trailer weight.
- Maximum trailer hitch tongue weight - 150 lbs.

- Cargo should be evenly spread over the floor of the cargo bed as far forward as possible and secured.
- For vehicle stability, when fully loaded, drive slowly and avoid stopping on or backing down steep hills.
- Avoid top heavy loads. See Owner's Manual.
- When driving on uneven terrain or down steep hills, reduce speed and load.

CCI 101960201

000618-001

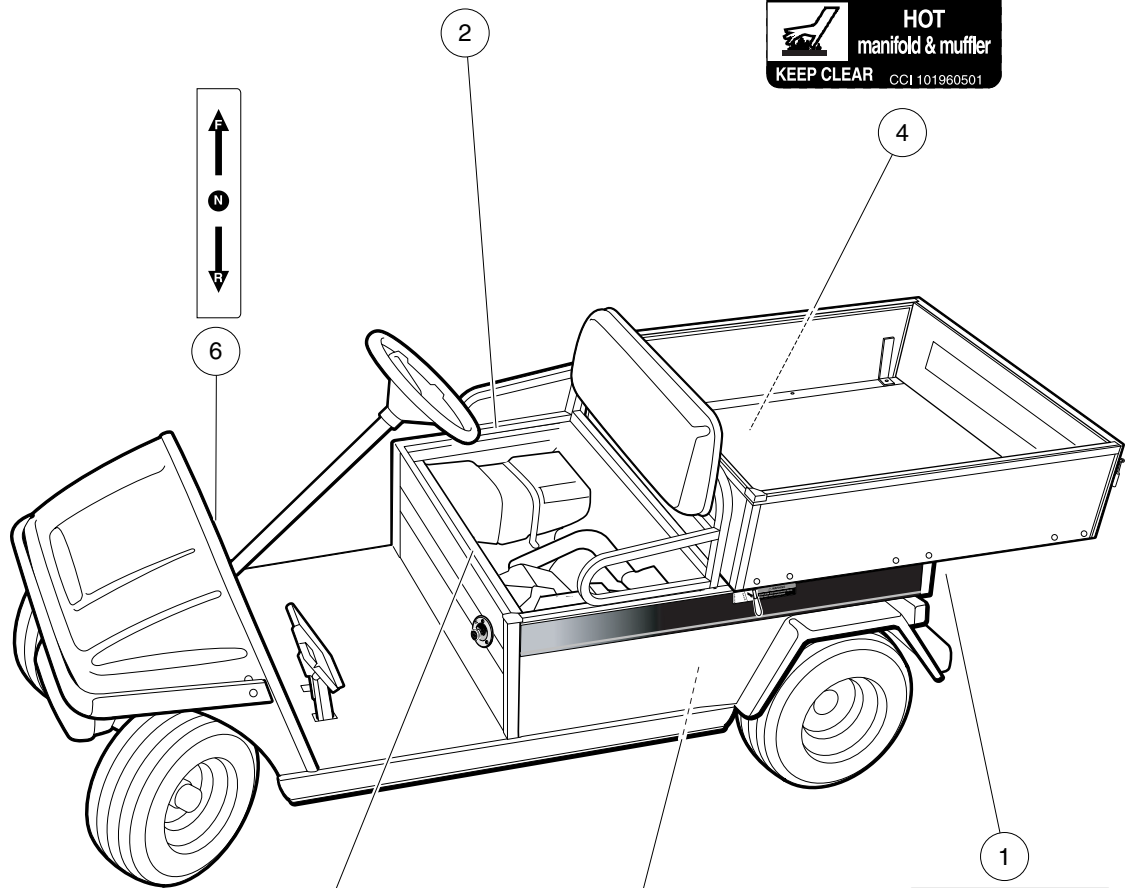
## DECALS – CARRYALL 2 PLUS GASOLINE VEHICLES

ITEM	PART NO.	DESCRIPTION	QTY
		1 2 3 4	
1	101553901	Decal, Bed Load Warning .....	1
2	101609401	Decal, Crush Area Warning .....	2
3	101693201	Decal, Operating Instructions, Key-Start .....	1
4	101825102	Decal, Off/On/Start .....	1
5	101960201	Decal, Vehicle Loading .....	1
6	102459301	Decal, Bed Crush Area Warning .....	1
7	103205401	Decal, Warning, Rollover, Utl .....	1

3  
G  
E

**⚠ WARNING**  
**GASOLINE EXPLOSION / FIRE.**  
 • Can cause severe injury or death.  
 • No smoking, sparks, or open flame.  
 • Stop engine, allow to cool before refueling.  
 • Turn fuel valve (↔) on during operation.  
 (↔) off during storage or transport.  
 CCI 101547601


**⚠ WARNING**  
**CAN CAUSE SEVERE INJURY**  
 **Rotating parts**  
 **HOT manifold & muffler**  
**KEEP CLEAR** CCI 101960501



**NOTICE**  
**MAXIMUM TONGUE WEIGHT - 150 lbs.**  
 CCI 1011553

Maintenance Operate  
**⚠ WARNING**  
**VEHICLE MOVEMENT MAY CAUSE SERIOUS INJURY**  
 When switch is in Maintenance position, chock wheels and firmly set park brake.  
 CCI 103205501

3

	<p><b>⚠ WARNING</b>                  Negative frame ground. Can cause severe injury. Do not contact positive (+) battery post or cable to frame. Disconnect negative battery lead first.</p>		<p><b>⚠ WARNING</b>                  Excessive speed. Can cause severe injury or death. Do not tamper with engine governor adjustment.                  CCI 101915201</p>
---	--	---	---

000619-001

# DECALS – CARRYALL 2 PLUS GASOLINE VEHICLES, CONTINUED

ITEM	PART NO.	DESCRIPTION	QTY
		<b>1 2 3 4</b>	
1	1011553	Decal, Trailer Hitch .....	1
2	101547601	Decal, Gasoline Explosion/Fire Warning .....	1
3	101915201	Decal, Frame Ground and Governor Warning .....	1
4	101960501	Decal, Rotating Parts/Hot Manifold .....	1
5	103205501	Decal, Run/Service Switch .....	1
6	103210201	Decal, Forward/Reverse, Gas .....	1

**3**  
**G**  
**E**

**WARNING**

**ROLLOVER OR FALLING OFF MAY CAUSE DEATH.**

- Before using vehicle, read operating instructions.
- Remain seated and hold on to seat handle while moving.
- Do not start vehicle until all occupants are seated.
- Two (2) persons per seat maximum.
- Operate from driver side only and not on public roads.
- Keep entire body inside vehicle while moving.
- Drive slowly in turns and straight up and down slopes.
- Do not leave children unattended on vehicle.
- Never operate under the influence of alcohol or drugs.
- Use brakes to reduce speed when coasting downhill.
- Never stand in front of or behind vehicle.

CCI 103205401

**OPERATING INSTRUCTIONS**

- Read owner's manual and safety warnings located on dash panel prior to driving.
- Study and understand controls.

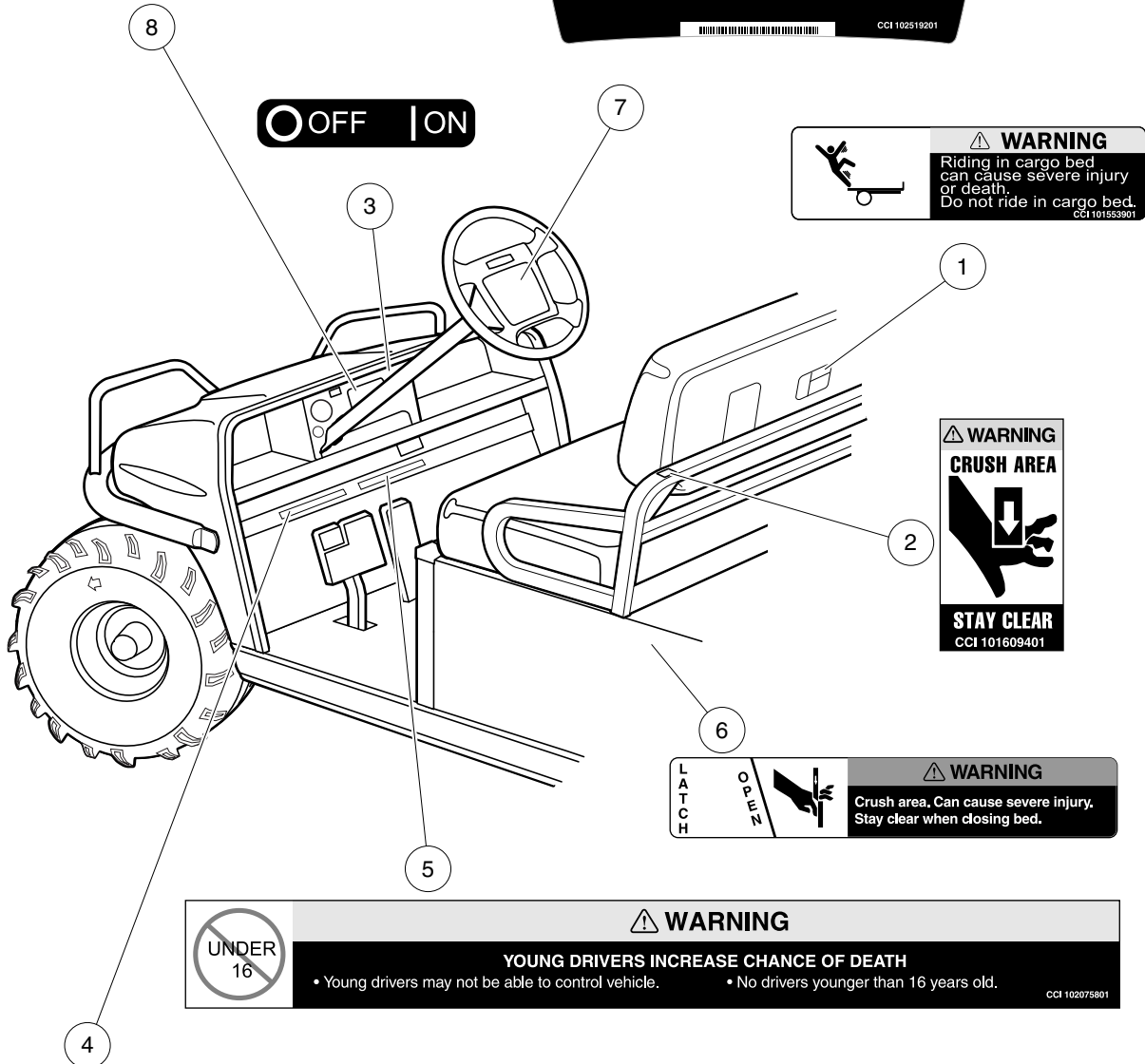
**TO OPERATE**

- Turn wheels to desired direction and ensure path is clear.
- Turn key to ON position.
- While stopped, place shift lever in desired position:  
F—Forward N—Neutral R—Reverse (Buzzer will sound)
- Park brake will release and vehicle will start moving when accelerator pedal is pressed.
- Slowly press accelerator pedal to increase speed.
- To stop, release accelerator pedal and press brake pedal.

**BEFORE LEAVING**

- Press park brake pedal until it locks and holds vehicle.
- Place Forward/Reverse switch in NEUTRAL position.
- Turn key OFF and remove key when not in use.

CCI 102519201



**WARNING**

Riding in cargo bed can cause severe injury or death. Do not ride in cargo bed.

CCI 101553901

**WARNING**

**CRUSH AREA**

**STAY CLEAR**

CCI 101609401

**WARNING**

Crush area. Can cause severe injury. Stay clear when closing bed.

**WARNING**

**YOUNG DRIVERS INCREASE CHANCE OF DEATH**

- Young drivers may not be able to control vehicle.
- No drivers younger than 16 years old.

CCI 102075801

**VEHICLE LOADING**

Read owner's manual and warnings on dash.

- Vehicle rated capacity - 900 lbs. on level surface only. Weight to include passengers, cargo bed load, and gross trailer weight. See Owner's Manual.
- Maximum cargo load - 500 lbs. Weight to include cargo bed load and gross trailer weight.
- Maximum trailer hitch tongue weight - 150 lbs.

- Cargo should be evenly spread over the floor of the cargo bed as far forward as possible and secured.
- For vehicle stability, when fully loaded, drive slowly and avoid stopping on or backing down steep hills.
- Avoid top heavy loads. See Owner's Manual.
- When driving on uneven terrain or down steep hills, reduce speed and load.

CCI 102006701

000620-001

## DECALS – TURF/CARRYALL 252 GASOLINE VEHICLES

ITEM	PART NO.	DESCRIPTION	QTY
		1 2 3 4	
1	101553901	Decal, Bed Load Warning .....	1
2	101609401	Decal, Crush Area Warning .....	2
3	101825101	Decal, Off/On .....	1
4	102006701	Decal, Vehicle Loading .....	1
5	102075801	Decal, Young Driver Warning .....	1
6	102459301	Decal, Bed Crush Area Warning .....	1
7	102519201	Decal, Operating Instr, Gas .....	1
8	103205401	Decal, Warning, Rollover, Utl .....	1

3  
G  
E

**WARNING**

**GASOLINE EXPLOSION / FIRE.**

- Can cause severe injury or death.
- No smoking, sparks, or open flame.
- Stop engine, allow to cool before refueling.
- Turn fuel valve (←) on during operation, (→) off during storage or transport.

CCI 101547601

Maintenance Operate

**WARNING**

**VEHICLE MOVEMENT MAY CAUSE SERIOUS INJURY**

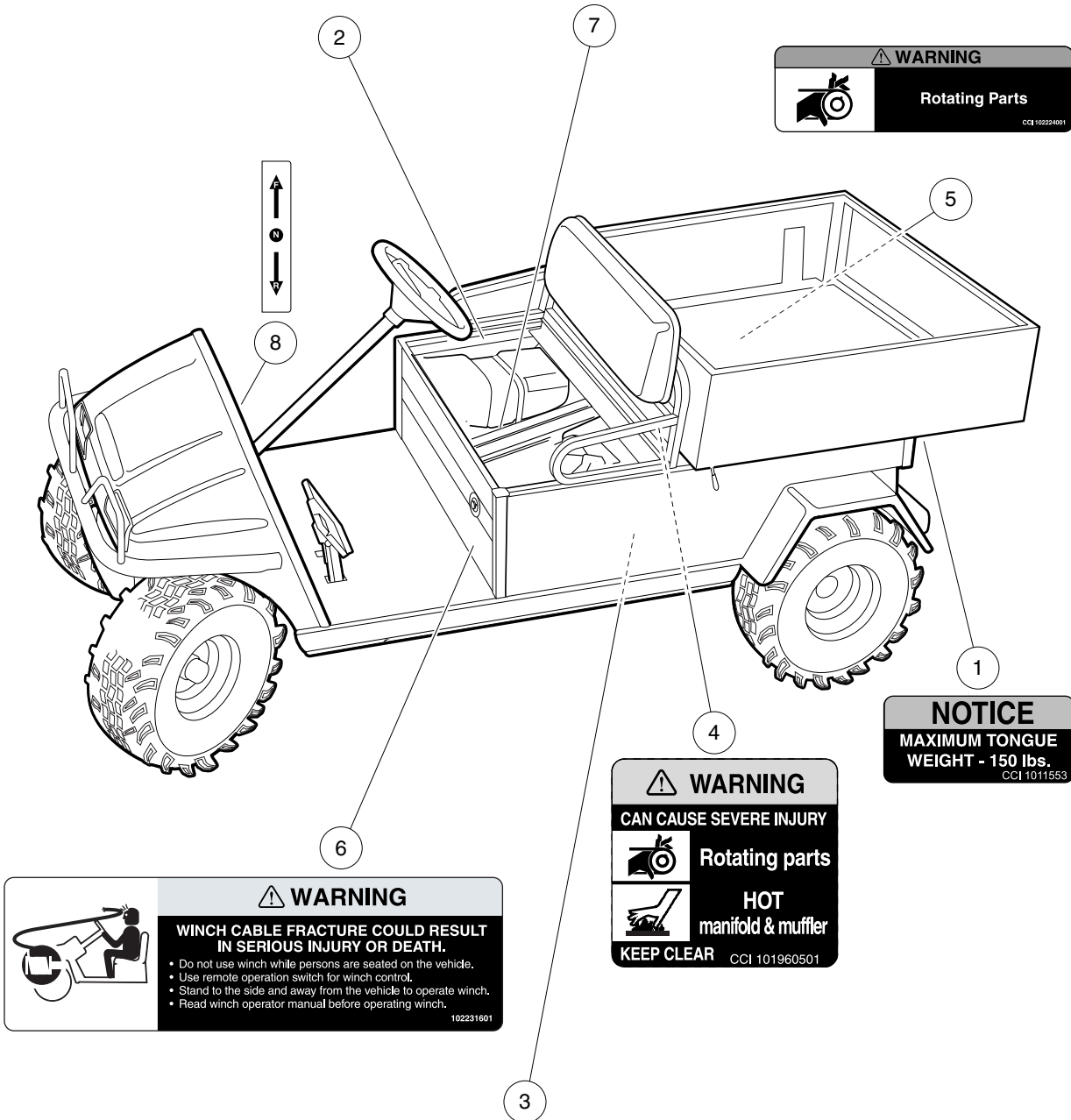
When switch is in Maintenance position, chock wheels and firmly set park brake.

CCI 103205001

**WARNING**

**Rotating Parts**

CCI 10224001



**WARNING**

**WINCH CABLE FRACTURE COULD RESULT IN SERIOUS INJURY OR DEATH.**

- Do not use winch while persons are seated on the vehicle.
- Use remote operation switch for winch control.
- Stand to the side and away from the vehicle to operate winch.
- Read winch operator manual before operating winch.

102231601

**WARNING**

**Negative frame ground. Can cause severe injury. Do not contact positive (+) battery post or cable to frame. Disconnect negative battery cable first.**

CCI 101915201

**WARNING**

**Excessive speed can cause severe injury or death. Do not tamper with engine governor adjustment.**

CCI 101915201

000621-001



# DECALS – TURF/CARRYALL 252 GASOLINE VEHICLES, CONTINUED

ITEM	PART NO.	DESCRIPTION	QTY
		1 2 3 4	
1	1011553	Decal, Trailer Hitch .....	1
2	101547601	Decal, Gasoline Explosion/Fire Warning .....	1
3	101915201	Decal, Frame Ground and Governor Warning .....	1
4	101960501	Decal, Rotating Parts/Hot Manifold .....	1
5	102224001	Decal, Rotating Parts Warning .....	1
6	102231601	Decal, Winch Cable Fracture Warning .....	1
7	103205501	Decal, Run/Service Switch .....	1
8	103210201	Decal, Forward/Reverse, Gas .....	1

**3**  
**G**  
**E**

**⚠ WARNING**  
**ROLLOVER OR FALLING OFF MAY CAUSE DEATH.**

- Before using vehicle, read operating instructions.
- Remain seated and hold on to seat handle while moving.
- Do not start vehicle until all occupants are seated.
- Two (2) persons per seat maximum.
- Operate from driver side only and not on public roads.
- Keep entire body inside vehicle while moving.
- Drive slowly in turns and straight up and down slopes.
- Do not leave children unattended on vehicle.
- Never operate under the influence of alcohol or drugs.
- Use brakes to reduce speed when coasting downhill.
- Never stand in front of or behind vehicle.

CCI 1019606-01

**OPERATING INSTRUCTIONS**

- Read Owner's Manual and safety warnings located on dash panel prior to driving.
- Study and understand controls.

**TO START ENGINE**

- Place shift lever in "N"—Neutral position.
- Depress brake pedal.
- Turn key switch to "START" position and release.

**TO OPERATE VEHICLE**

- Make sure wheels are turned in desired direction.
- Be sure nothing is in your path.

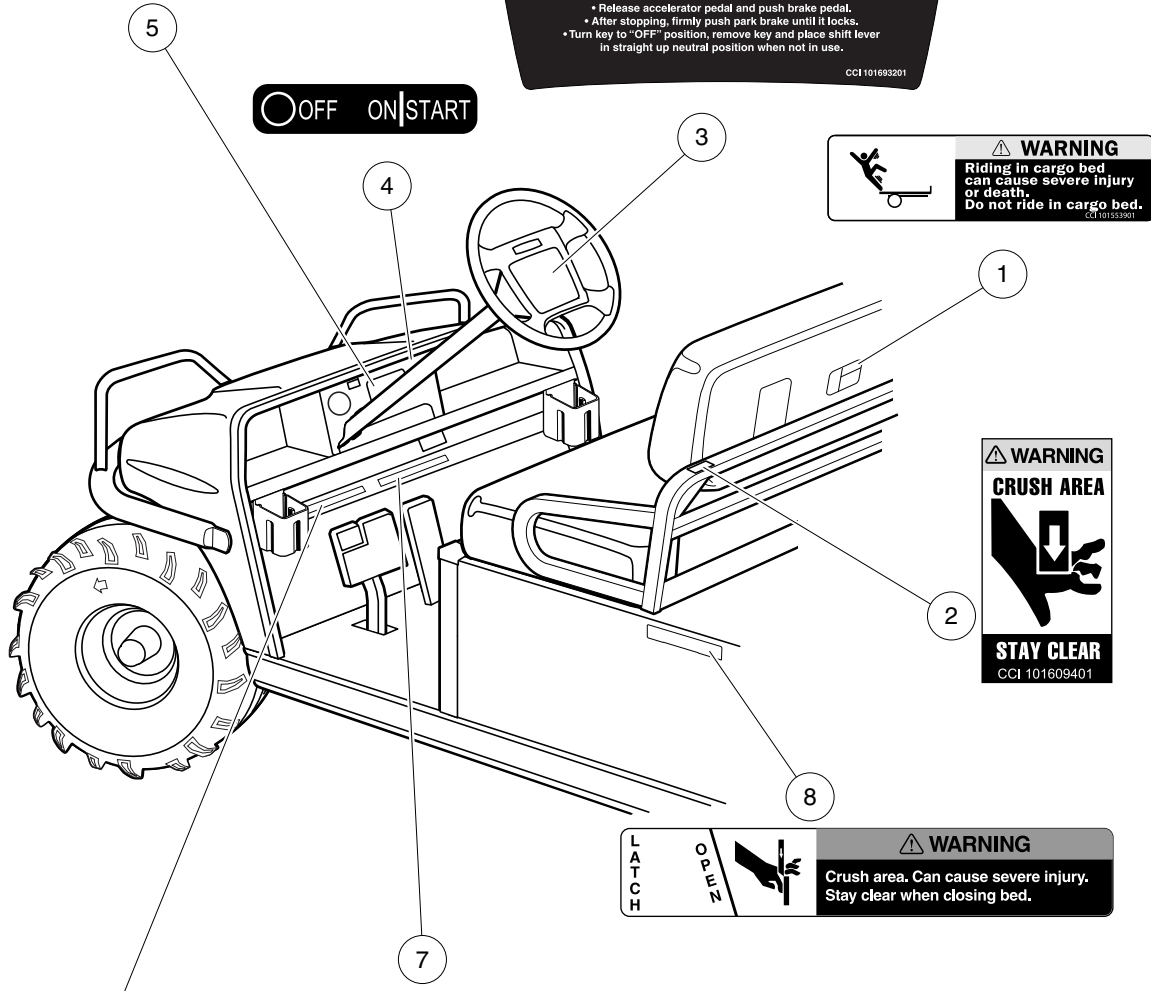
• While vehicle is stopped, and engine is at idle, select vehicle direction by placing shift lever or switch in desired position.  
 F—Forward N—Neutral R—Reverse (Buzzer will sound)

- Park brake will release when accelerator pedal is pushed.
- Slowly push accelerator pedal to increase speed.
- Engine must be at idle before moving shift lever.

**TO STOP VEHICLE**

- Release accelerator pedal and push brake pedal.
- After stopping, firmly push park brake until it locks.
- Turn key to "OFF" position, remove key and place shift lever in straight up neutral position when not in use.

CCI 101693201



**⚠ WARNING**  
 Riding in cargo bed can cause severe injury or death. Do not ride in cargo bed.  
 CCI 101553901

**⚠ WARNING**  
**CRUSH AREA**  
**STAY CLEAR**  
 CCI 101609401

**⚠ WARNING**  
 Crush area. Can cause severe injury. Stay clear when closing bed.

**⚠ WARNING**  
**YOUNG DRIVERS INCREASE CHANCE OF DEATH**

**UNDER 16**

- Young drivers may not be able to control vehicle.
- No drivers younger than 16 years old.

CCI 102075801

**VEHICLE LOADING**  
 Read owner's manual and warnings on dash.

- Vehicle rated capacity - 900 lbs. on level surface only. Weight to include passengers, cargo bed load, and gross trailer weight. See Owner's Manual.
- Maximum cargo load - 500 lbs. Weight to include cargo bed load and gross trailer weight.
- Maximum trailer hitch tongue weight - 150 lbs.
- Cargo should be evenly spread over the floor of the cargo bed as far forward as possible and secured.
- For vehicle stability, when fully loaded, drive slowly and avoid stopping on or backing down steep hills.
- Avoid top heavy loads. See Owner's Manual.
- When driving on uneven terrain or down steep hills, reduce speed and load.

CCI 102006701

000622-001

## DECALS – XRT 900 GASOLINE VEHICLES

ITEM	PART NO.	DESCRIPTION	QTY
		1 2 3 4	
1	101553901	Decal, Bed Load Warning .....	1
2	101609401	Decal, Crush Area Warning .....	1
3	101693201	Decal, Operating Instructions, Key-Start .....	1
4	101825102	Decal, Off/On/Start .....	1
5	101960601	Decal, Dash Warning .....	1
6	102006701	Decal, Vehicle Loading .....	1
7	102075801	Decal, Young Driver Warning .....	1
8	102459301	Decal, Bed Crush Area Warning .....	1

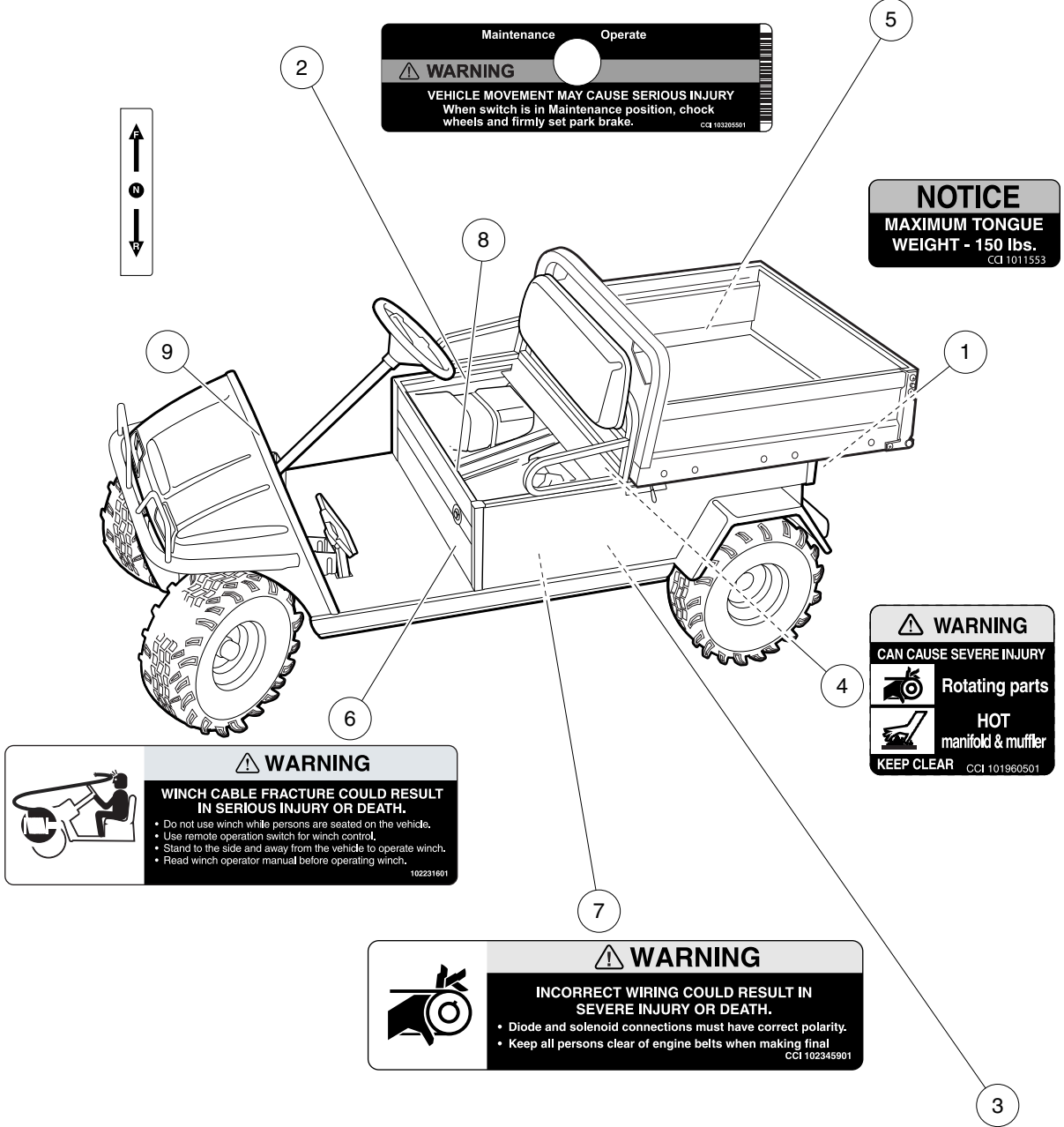
3  
G  
E

**WARNING**  
**GASOLINE EXPLOSION / FIRE.**  
 • Can cause severe injury or death.  
 • No smoking, sparks, or open flame.  
 • Stop engine, allow to cool before refueling.  
 • Turn fuel valve (—) on during operation.  
 (→) off during storage or transport.  
 CCI 101547691

**WARNING**  
**Rotating Parts**  
 CCI 10029001

Maintenance Operate  
**WARNING**  
**VEHICLE MOVEMENT MAY CAUSE SERIOUS INJURY**  
 When switch is in Maintenance position, chock wheels and firmly set park brake.  
 CCI 10205501

**NOTICE**  
**MAXIMUM TONGUE WEIGHT - 150 lbs.**  
 CCI 1011553



**WARNING**  
**WINCH CABLE FRACTURE COULD RESULT IN SERIOUS INJURY OR DEATH.**  
 • Do not use winch while persons are seated on the vehicle.  
 • Use remote operation switch for winch control.  
 • Stand to the side and away from the vehicle to operate winch.  
 • Read winch operator manual before operating winch.  
 102231601

**WARNING**  
**CAN CAUSE SEVERE INJURY**  
**Rotating parts**  
**HOT manifold & muffler**  
**KEEP CLEAR**  
 CCI 101960501

**WARNING**  
**INCORRECT WIRING COULD RESULT IN SEVERE INJURY OR DEATH.**  
 • Diode and solenoid connections must have correct polarity.  
 • Keep all persons clear of engine belts when making final  
 CCI 102345901

**WARNING**  
**Negative frame ground. Can cause severe injury.**  
 Do not contact positive (+) battery post or cable to frame. Disconnect negative battery cable first.

**WARNING**  
**Excessive speed can cause severe injury or death. Do not tamper with engine governor adjustment.**  
 CCI 101915201

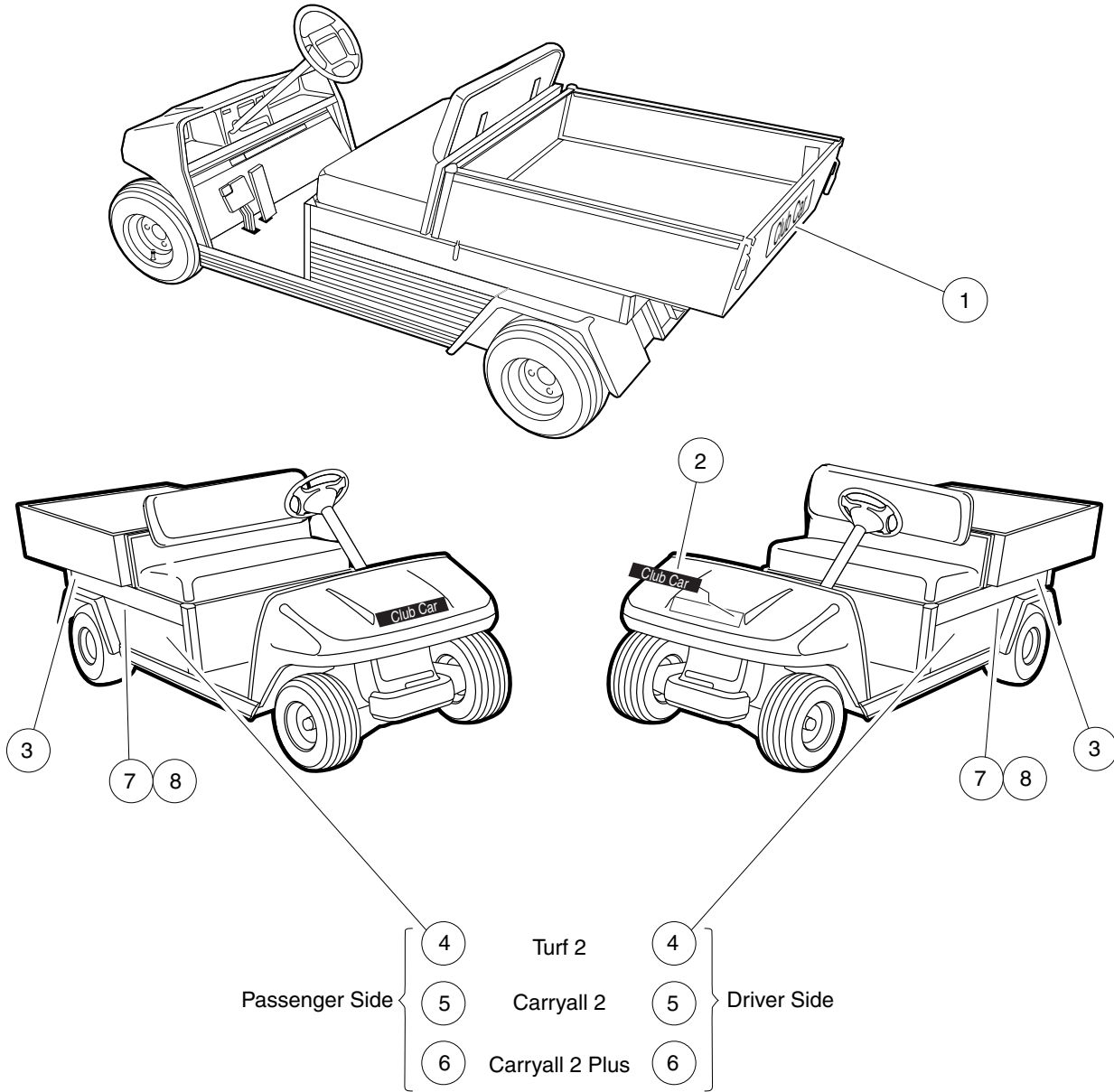
000623-001

## DECALS – XRT 900 GASOLINE VEHICLES, CONTINUED

ITEM	PART NO.	DESCRIPTION	QTY
		1 2 3 4	
1	1011553	Decal, Trailer Hitch .....	1
2	101547601	Decal, Gasoline Explosion/Fire Warning .....	1
3	101915201	Decal, Frame Ground and Governor Warning .....	1
4	101960501	Decal, Rotating Parts/Hot Manifold .....	1
5	102224001	Decal, Rotating Parts Warning .....	1
6	102231601	Decal, Winch Cable Fracture Warning .....	1
7	102345901	Decal, Diode Safety .....	1
8	103205501	Decal, Run/Service Switch .....	1
9	103210201	Decal, Forward/Reverse, Gas .....	1

3  
G  
E

**LOGO DECALS**



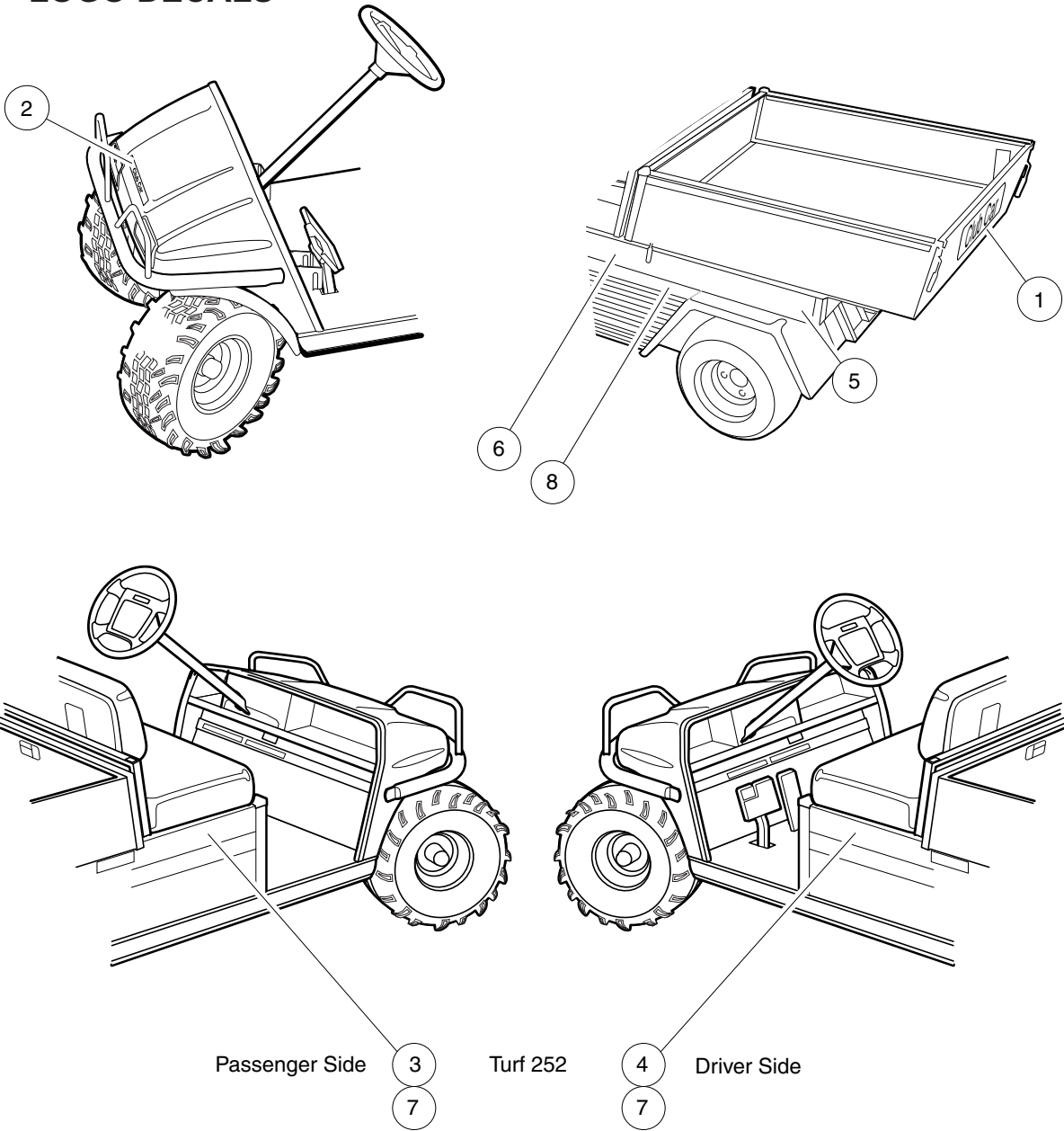
000287-006

## DECALS, BADGING – TURF/CARRYALL 2 AND 2 PLUS

ITEM	PART NO.	DESCRIPTION	QTY
		<b>1 2 3 4</b>	
1	1013317	Decal, Logo, Tailgate .....	1
2	101670201	Nameplate Kit (silver) .....	1
3	103234301	Decal, Badge, IR .....	2
4	103260101	Decal Turf 2 Side Panel .....	2
5	103260801	Decal Ca 2 Side Panel .....	2
6	103260901	Decal Ca 2 Plus Side Panel .....	2
7	103284101	Decal Ca2/ca2p/ca252/ca272 Bar .....	2
8	103464801	Decal, Iq Plus, Zev .....	2

**3**  
**G**  
**E**

**LOGO DECALS**



000289-003

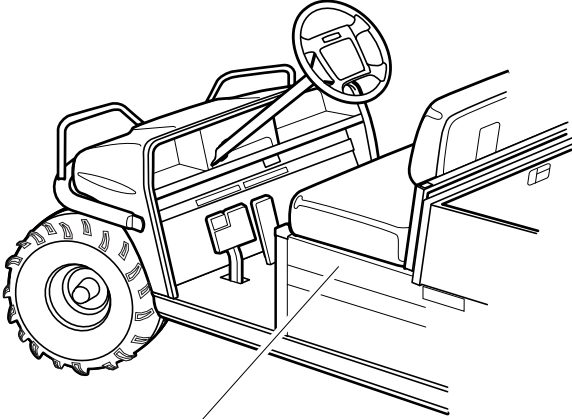
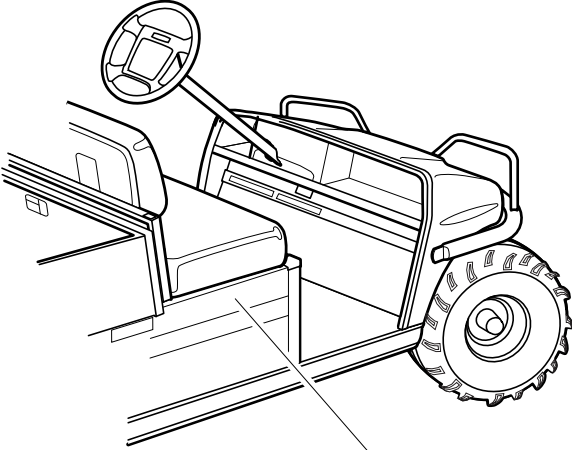
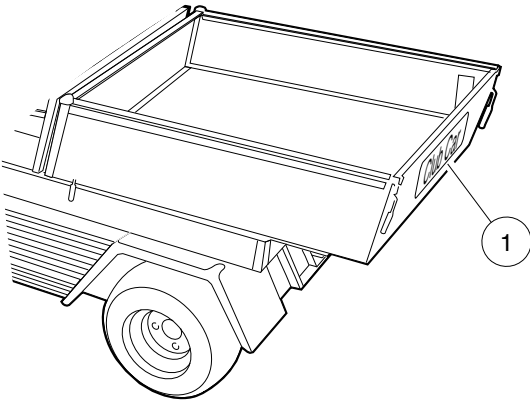
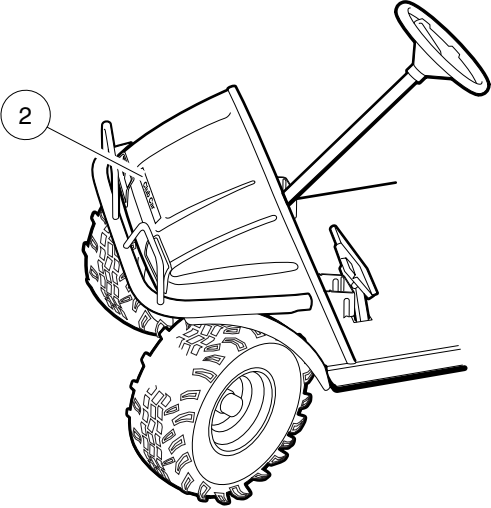


## DECALS, BADGING – TURF/CARRYALL 252

ITEM	PART NO.	DESCRIPTION	QTY
		<b>1 2 3 4</b>	
1	1013317	Decal, Logo, Tailgate .....	1
2	101670201	Nameplate Kit (silver) .....	1
3	102683201	Decal, Turf 252, Passenger-Side .....	1
4	102683301	Decal, Turf 252, Driver-Side .....	1
5	103234301	Decal, Badge, IR .....	2
6	103261301	Decal Ca 252 Side Panel .....	2
7	103284101	Decal Ca2/ca2p/ca252/ca272 Bar .....	2
8	103464801	Decal, Iq Plus, Zev .....	2

**3**  
**G**  
**E**

**LOGO DECALS**



Passenger Side (3)  
(5)

XRT 900

(4) Driver Side  
(5)

000624-001

## DECALS, BADGING – XRT 900

ITEM	PART NO.	DESCRIPTION	QTY
		<b>1 2 3 4</b>	
1	1013317	Decal, Logo, Tailgate .....	1
2	101670201	Nameplate Kit (silver) .....	1
3	102683701	Decal, XRT 900 Passenger-Side .....	1
4	102683801	Decal, XRT 900 Driver-Side .....	1
5	103234301	Decal, Badge, IR .....	2

**3**  
**G**  
**E**

**3**

**G**

**E**

# LIGHTS, CONTROLS, AND INDICATORS

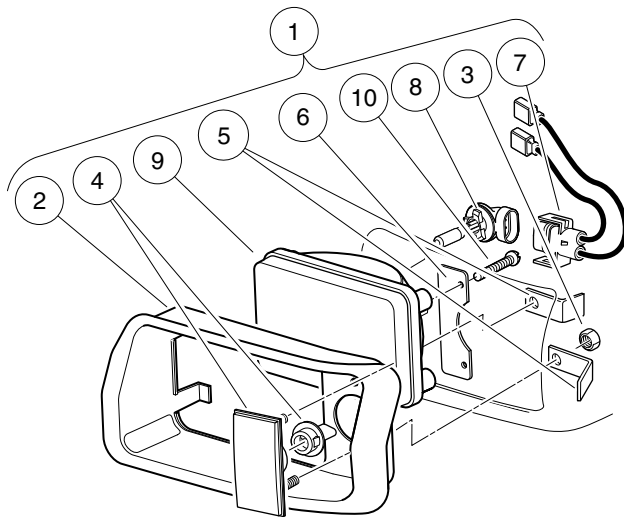
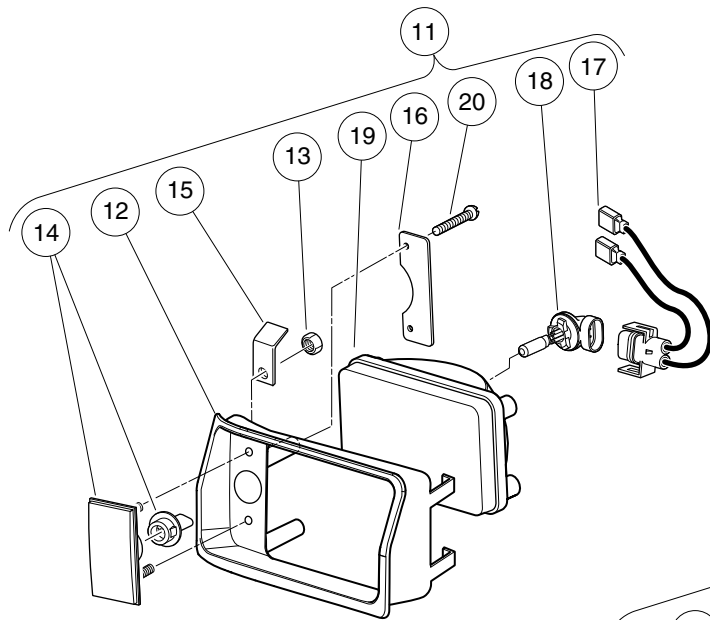
---

4

G

E

**4**  
**G**  
**E**



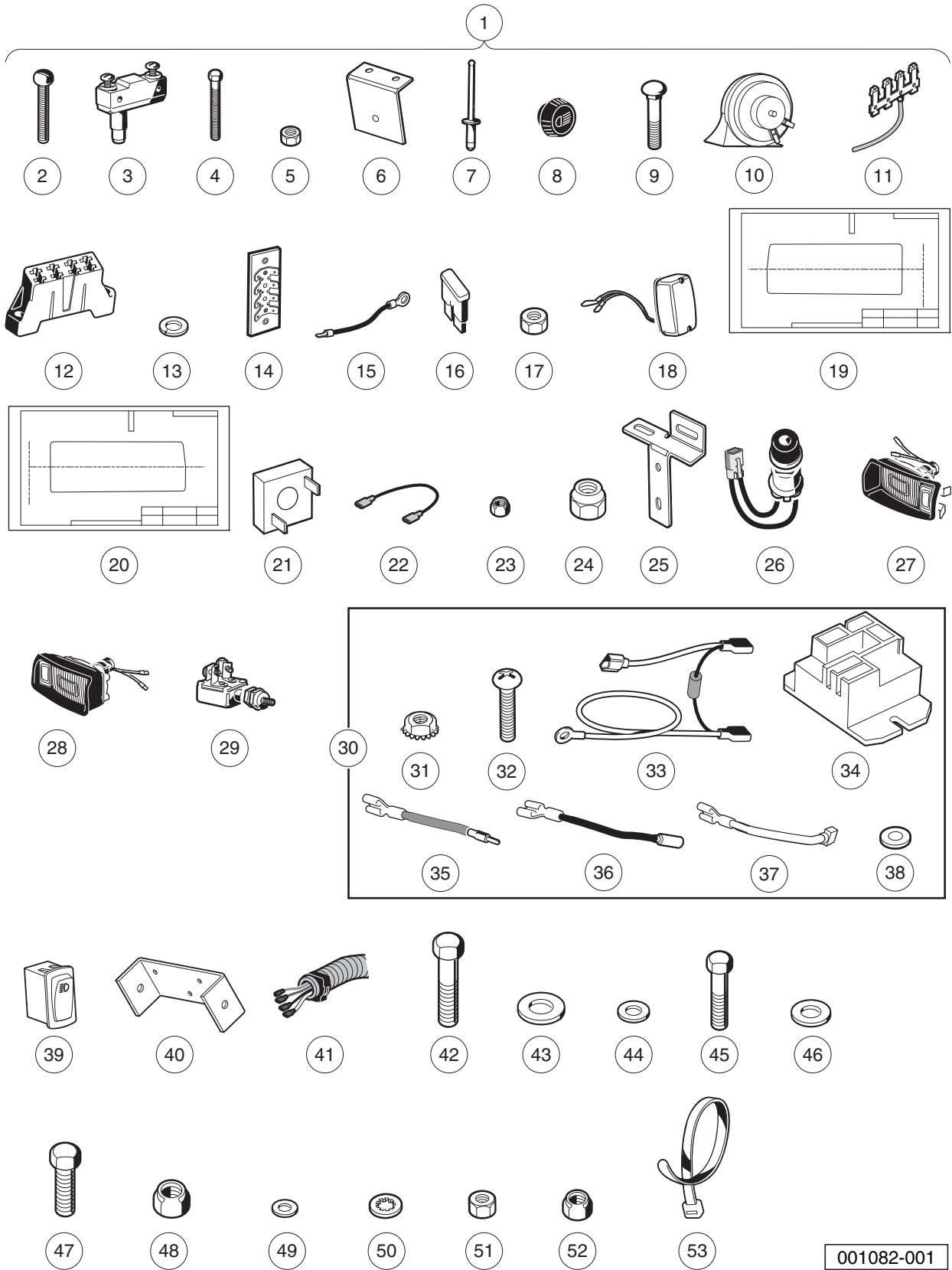
001097-001

# HEADLIGHTS

ITEM	PART NO.	DESCRIPTION	QTY
		<b>1 2 3 4</b>	
1	101988001	Headlight Assembly, Driver-Side Single Beam (includes items 2 through 10) .....	1
2	1016880	Headlight Bezel, Left .....	1
3	1017	Nut, #10-24 Stainless-Steel Hex Machine .....	2
4	1017062	Turn Signal Lens Assy .....	1
5	1017064	Mounting Bracket .....	2
6	1017065	Retainer, Headlight .....	1
7	101987901	Connector, Harness Assembly, Headlight .....	1
8	101988101	Bulb, Headlight .....	1
9	101988201	Lens, Headlight .....	1
10	1620	Screw, #10-16 X 0.75 Pan-Head Tap .....	2
11	101988002	Headlight Assy, Passenger-Side Single Beam (includes items 12 through 20) .....	1
12	1016879	Headlight Bezel, Right .....	1
13	1017	Nut, #10-24 Stainless-Steel Hex Machine .....	2
14	1017062	Turn Signal Lens Assy .....	1
15	1017064	Mounting Bracket .....	2
16	1017065	Retainer, Headlight .....	1
17	101987901	Connector, Harness Assembly, Headlight .....	1
18	101988101	Bulb, Headlight .....	1
19	101988201	Lens, Headlight .....	1
20	1620	Screw, #10-16 X 0.75 Pan-Head Tap .....	2

**4**  
**G**  
**E**

**4**  
**G**  
**E**





# LIGHT KIT, STANDARD – CARRYALL 2 GASOLINE VEHICLES

ITEM	PART NO.	DESCRIPTION	QTY
		1 2 3 4	
1	101705603	Standard Lighting Package (includes items 2 through 53) .....	1
2	1010909	Screw, #10-32 X 1.25 Rd Hd Mch .....	1
3	1011439	Switch, Limit .....	2
4	1011557	Screw, #6-32 X 1.00 Hex-Head Machine .....	8
5	1011558	Nut, #6-32 Hex .....	6
6	1011825	Horn Bracket .....	1
7	1013357	Rivet, 5/32 Aluminum Pop .....	2
8	1013857	Knob, Light Switch .....	1
9	1014109	Bolt, Carriage, #10-24 X 1.0 .....	1
10	1014530	Horn, 12-VDC .....	1
11	1015737	Wire Assy, #10 Red .....	1
12	1015741	Fuse Block .....	1
13	1016	Lockwasher, #10 Split .....	2
14	1016356	Terminal Block with Insulator .....	1
15	1016367	Wire Assy, #10 Black .....	1
16	1016423	Fuse, 20-Amp .....	3
17	1017	Nut, #10-24 Stainless-Steel Hex Machine .....	1
18	1017035	Taillight Assembly .....	2
19	N/A	Headlight Template R.h. ....	1
20	N/A	Headlight Template L.h. ....	1
21	1017721	Limiter, Voltage .....	1
22	1017722	Wire Assy, #16 Black .....	1
23	101932201	Locknut, #6-32 Nylon .....	4
24	101955101	Nut, M6 Hex .....	1
25	101957101	Bracket, Brake Light Switch .....	1
26	101969701	Horn Button and Wire Assembly .....	1
27	101988001	Headlight Assembly, Driver-Side Single Beam .....	1
28	101988002	Headlight Assy, Passenger-Side Single Beam .....	1
29	102051901	Switch, Light .....	1
30	102198701	Brake Relay Kit - 12v (includes items 31 through 38) .....	1
31	1011229	Locknut, #6-32 Whiz .....	2
32	1017853	Screw, #6-32 X 0.75 Hex-Head Machine .....	2
33	101914401	Assembly, Voltage Suppressor .....	1
34	102199001	Relay, 12-Volt .....	1
35	102199201	Wire Asm #18 Brown .....	1
36	102199301	Wire Asm #18 Black .....	1
37	102199401	Wire Asm #18 Black .....	1
38	7591	Washer, #6, Flat .....	2
39	102869401	Switch, Rocker, Light .....	1
40	103254101	Bracket, Mtg, Power Relay .....	1
41	103256901	Wire Harness, Lighting, CA2 .....	1
42	1218	Screw, 5/16-18 X 1.25 Hex-Head Cap .....	1
43	1241	Washer, 5/16 Type A Flat .....	1
44	183	Washer, #10, Type A, Flat .....	1

4  
G  
E



45304

Screw, 1/4-20 X 1.0 Hex-Head Cap 3

46	332	Washer, 1/4 Type A Narrow Flat .....	3
47	7173	Screw, 5/16-18 X 0.75, Hex-Head Cap .....	1

ITEM	PART NO.	DESCRIPTION	QTY
		<b>1 2 3 4</b>	
48	7473	Locknut, 5/16-18 Nylon Insert .....	3
49	7591	Washer, #6, Flat .....	4
50	7820	Washer, 5/16 Internal-Tooth .....	1
51	7893	Nut, #10-32 Hex .....	1
52	8233	Locknut, 1/4-20, Nylon Insert .....	3
53	8990	Tie Wrap, 8" Nylon .....	18

**4**

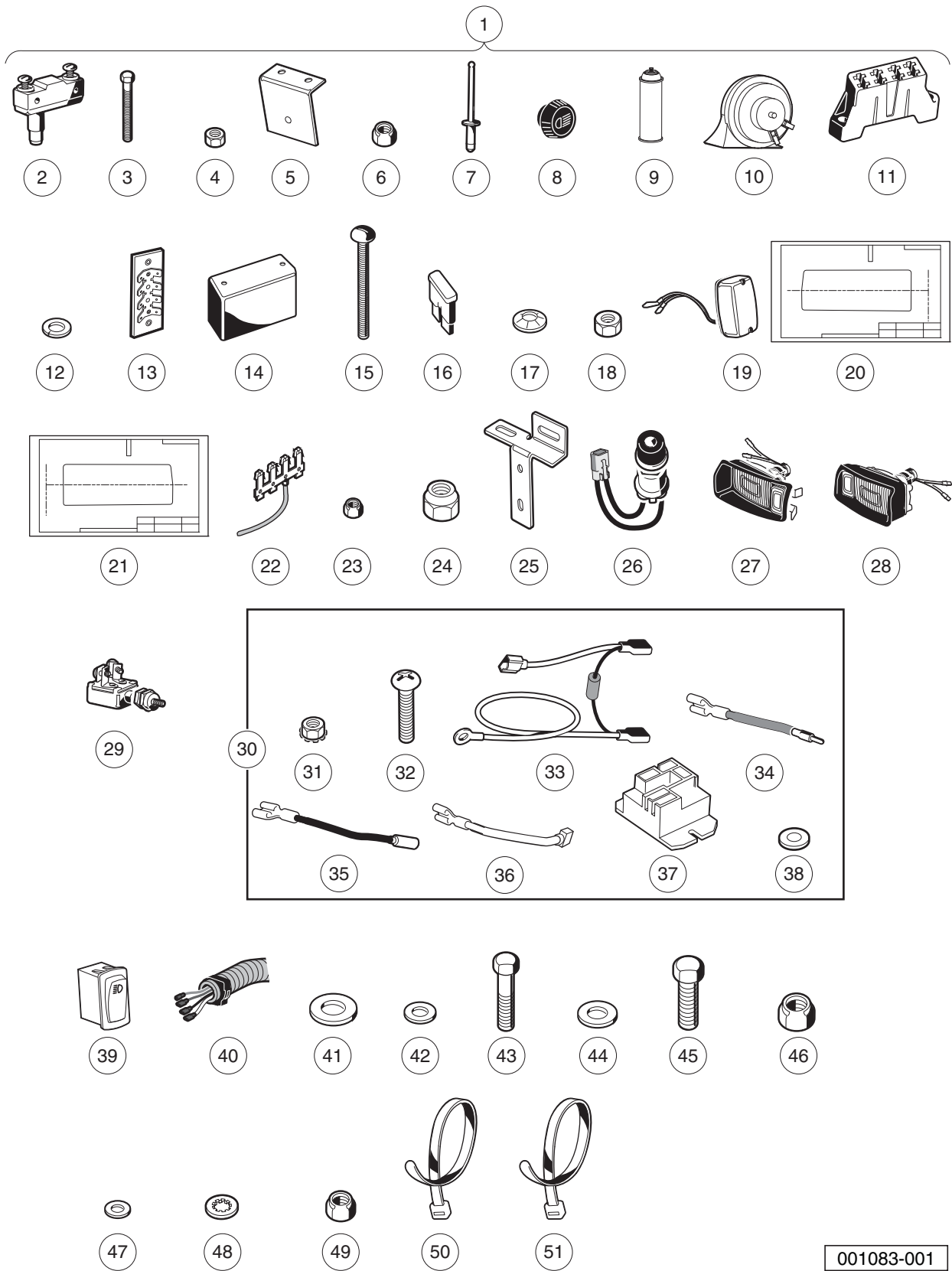
---

**G**

---

**E**

**4**  
**G**  
**E**



001083-001

# LIGHT KIT, STANDARD – CARRYALL 2 IQ PLUS ELECTRIC VEHICLES

ITEM	PART NO.	DESCRIPTION	QTY
		1 2 3 4	
1	102915101	Lgt Pkg Std Iq Plus Elec Field (includes items 2 through 51) .....	1
2	1011439	Switch, Limit .....	2
3	1011557	Screw, #6-32 X 1.00 Hex-Head Machine .....	8
4	1011558	Nut, #6-32 Hex .....	8
5	1011825	Horn Bracket .....	1
6	1012438	Locknut, #10-24 Nylon Insert .....	2
7	1013357	Rivet, 5/32 Aluminum Pop .....	2
8	1013857	Knob, Light Switch .....	1
9	1014307	Bulk Batt Term Protector .....	A/R
10	1014530	Horn, 12-VDC .....	1
11	1015741	Fuse Block .....	1
12	1016	Lockwasher, #10 Split .....	2
13	1016356	Terminal Block with Insulator .....	1
14	1016363	Fuse Block Cover .....	1
15	1016366	Screw, #10-24 X 3.0 Pan-Head Machine .....	2
16	1016423	Fuse, 20-Amp .....	3
17	1016631	Push Nut .....	2
18	1017	Nut, #10-24 Stainless-Steel Hex Machine .....	2
19	1017035	Taillight Assembly .....	2
20	N/A	Headlight Template R.h. ....	1
21	N/A	Headlight Template L.h. ....	1
22	101810601	Wire Assy, #10 Red .....	1
23	101932201	Locknut, #6-32 Nylon .....	4
24	101955101	Nut, M6 Hex .....	1
25	101957101	Bracket, Brake Light Switch .....	1
26	101969701	Horn Button and Wire Assembly .....	1
27	101988001	Headlight Assembly, Driver-Side Single Beam .....	1
28	101988002	Headlight Assy, Passenger-Side Single Beam .....	1
29	102051901	Switch, Light .....	1
30	N/A	Elec Regen Iq Brake Relay Inst (includes items 31 through 38) .....	1
31	1011229	Locknut, #6-32 Whiz .....	2
32	1017853	Screw, #6-32 X 0.75 Hex-Head Machine .....	2
33	101914402	Asm, Pd Volt. Supp. W/o Instr. ....	1
34	102199201	Wire Asm #18 Brown .....	1
35	102199301	Wire Asm #18 Black .....	1
36	102199401	Wire Asm #18 Black .....	1
37	103397901	Relay, Spst No, 48v 30a, Pmt .....	1
38	7591	Washer, #6, Flat .....	2
39	102869401	Switch, Rocker, Light .....	1
40	103256901	Wire Harness, Lighting, CA2 .....	1
41	1241	Washer, 5/16 Type A Flat .....	1
42	183	Washer, #10, Type A, Flat .....	4
43	304	Screw, 1/4-20 X 1.0 Hex-Head Cap .....	2
44	332	Washer, 1/4 Type A Narrow Flat .....	2

**4**  
**G**  
**E**



Screw, 5/16-18 X 0.75, Hex-Head Cap 1

46	7473	Locknut, 5/16-18 Nylon Insert .....	2
47	7591	Washer, #6, Flat .....	4

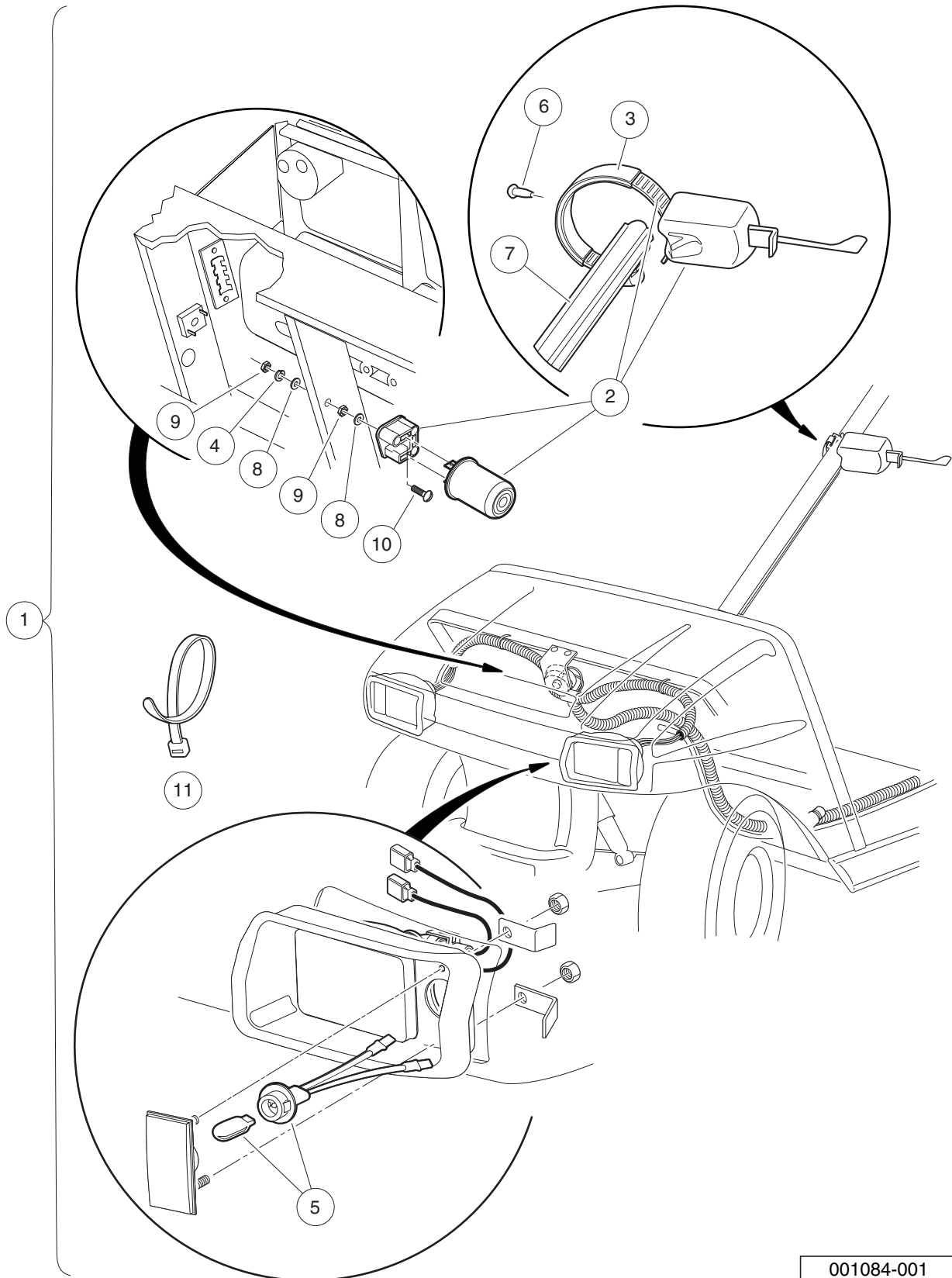
ITEM	PART NO.	DESCRIPTION	QTY
		<b>1 2 3 4</b>	
48	7820	Washer, 5/16 Internal-Tooth .....	1
49	8233	Locknut, 1/4-20, Nylon Insert .....	2
50	8639	Tie Wrap, 11" Nylon .....	10
51	8990	Tie Wrap, 8" Nylon .....	8

**4**

**G**

**E**

**4**  
**G**  
**E**



001084-001

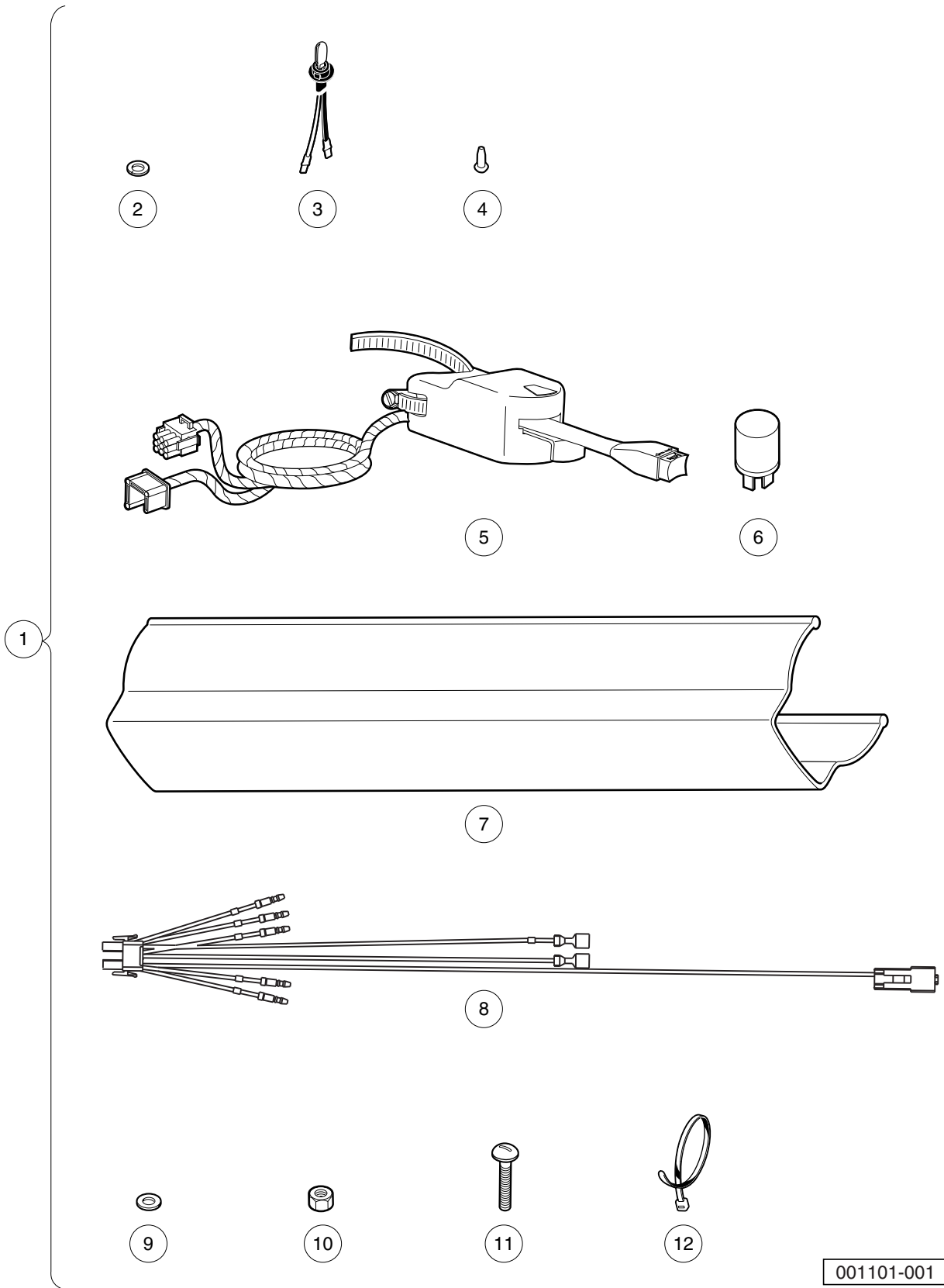


# TURN SIGNAL KIT – DS AND UTILITY GASOLINE AND ELECTRIC VEHICLES

ITEM	PART NO.	DESCRIPTION	QTY
		<b>1 2 3 4</b>	
1	101707402	Turn Signal Conversion Kit (includes items 2 through 11) .....	1
2	1011590	Switch Sub-assy, Turn Signal .....	1
3	N/A	Strap, Extrusion .....	1
4	1016	Lockwasher, #10 Split .....	1
5	1017075	Socket & Lamp Assembly .....	2
6	1017724	Rivet, Plastic .....	1
7	102529201	Wire Cover, Steering Column .....	1
8	183	Washer, #10, Type A, Flat .....	2
9	7893	Nut, #10-32 Hex .....	2
10	8104	Screw, #10-32 X .75 Rd Hd Mach .....	1
11	8990	Tie Wrap, 8" Nylon .....	1

**4**  
**G**  
**E**

**4**  
**G**  
**E**

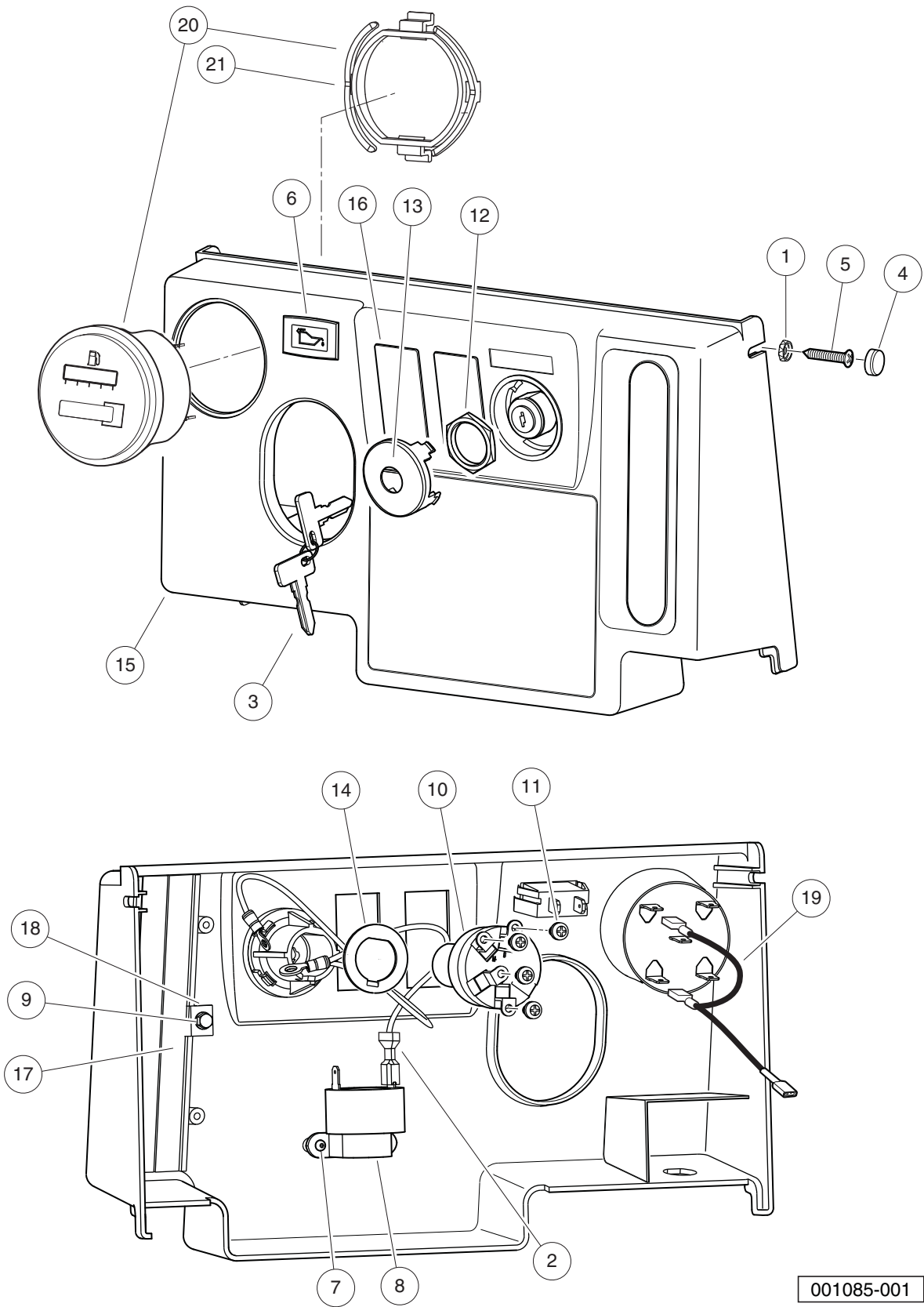


# TURN SIGNAL (WITH HORN BUTTON) KIT – DS AND UTILITY GAS AND ELECTRIC VEHICLES

ITEM	PART NO.	DESCRIPTION	QTY
		<b>1 2 3 4</b>	
1	101707405	Kit, Turn Signal-horn (includes items 2 through 12) .....	1
2	1016	Lockwasher, #10 Split .....	1
3	1017075	Socket & Lamp Assembly .....	2
4	1017724	Rivet, Plastic .....	1
5	102517501	Turn Signal Asm (includes item 6) .....	1
6	102546401	Flasher Unit, Prec .....	1
7	102529201	Wire Cover, Steering Column .....	1
8	103618001	Harness, Jumper, Turn Signal .....	1
9	183	Washer, #10, Type A, Flat .....	2
10	7893	Nut, #10-32 Hex .....	2
11	8104	Screw, #10-32 X .75 Rd Hd Mach .....	1
12	8990	Tie Wrap, 8" Nylon .....	1

4  
G  
E

**4**  
**G**  
**E**



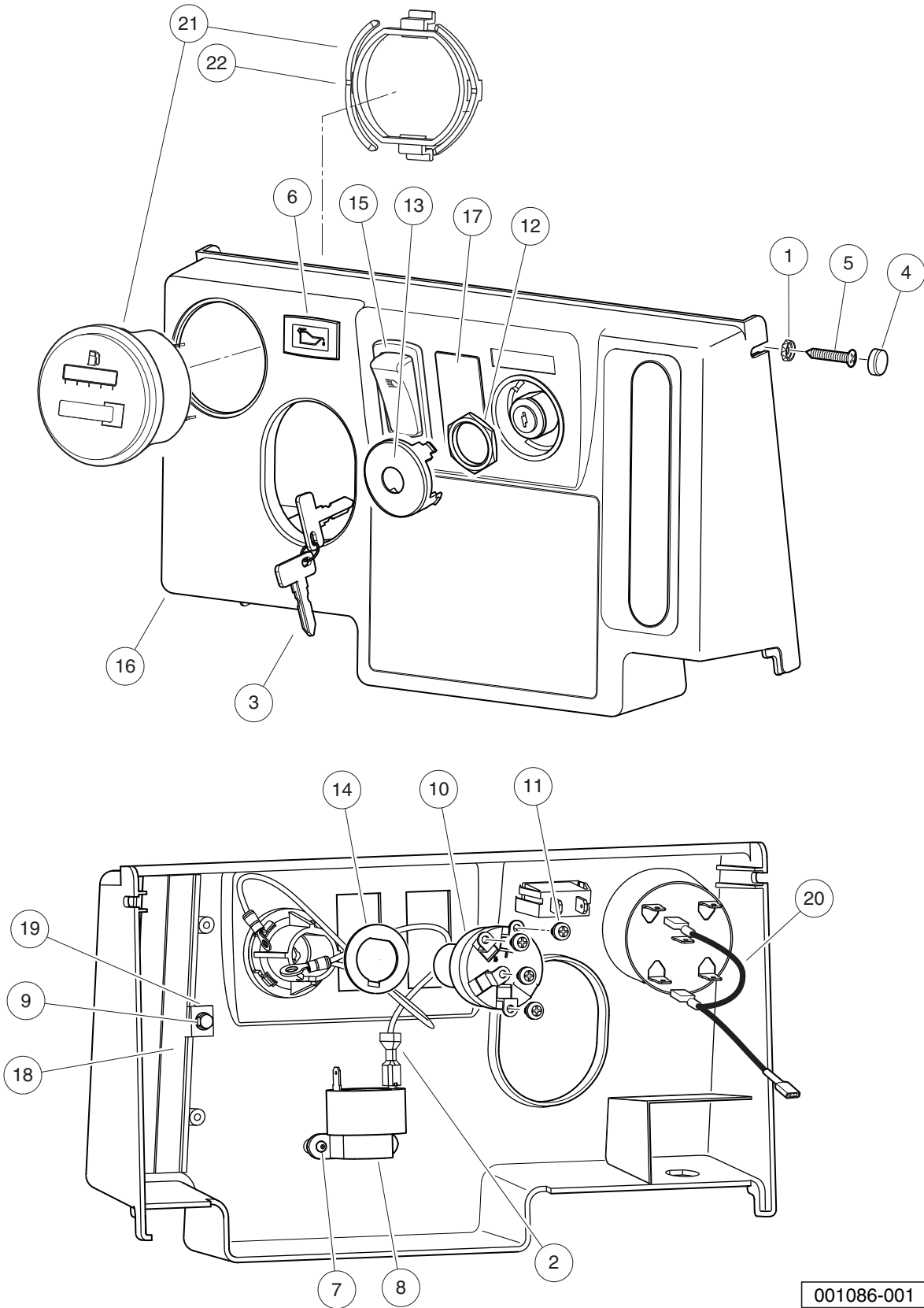
001085-001

# INSTRUMENT PANEL AND ELECTRICAL COMPONENTS – TURF/ CARRYALL 2 AND 252 GAS

ITEM	PART NO.	DESCRIPTION	QTY
		<b>1 2 3 4</b>	
1	1011382	Washer, #10 Pan-Head Screw .....	2
2	1012396	Wire Assy #18 Black .....	1
3	1012505	Keys (set of 2) .....	1
4	1013494	Cover, Screw Head .....	2
5	1015528	Screw, #10 x 1-1/4 Phillips Head .....	2
6	1016630	Light, Oil .....	1
7	1016849	Screw, #4-24 X 0.33, Pan-Head, Machine .....	2
8	1016851	Buzzer, Reverse (9-48 VDC) .....	1
9	101804301	Screw, #8 X 0.500, Hex-Head Hi-Lo .....	2
10	101826301	Key Switch, 12-Volt, Off/On .....	1
11	101830601	Screw and Washer Assembly .....	4
12	101830701	Nut, Key Switch .....	1
13	101834502	Cap, Black Key Switch .....	1
14	101851101	Washer, Key Switch .....	1
15	102977001	Panel, Dash, Center, Gas (Instrument Panel) .....	1
16	103180101	Cover, Hole, Switch, Rocker .....	2
17	103199001	Brush, Closeout, FNR .....	2
18	103199101	Washer, Retaining, Brush, FNR .....	2
19	103348501	Asm, Wire Meter, F-h Jumper .....	1
20	103348602	Gauge, Fuel-hour,sep Gnd, Ds (includes item 21) .....	1
21	103348204	Clip, Meter, Round Ds .....	1

**4**  
**G**  
**E**

**4**  
**G**  
**E**



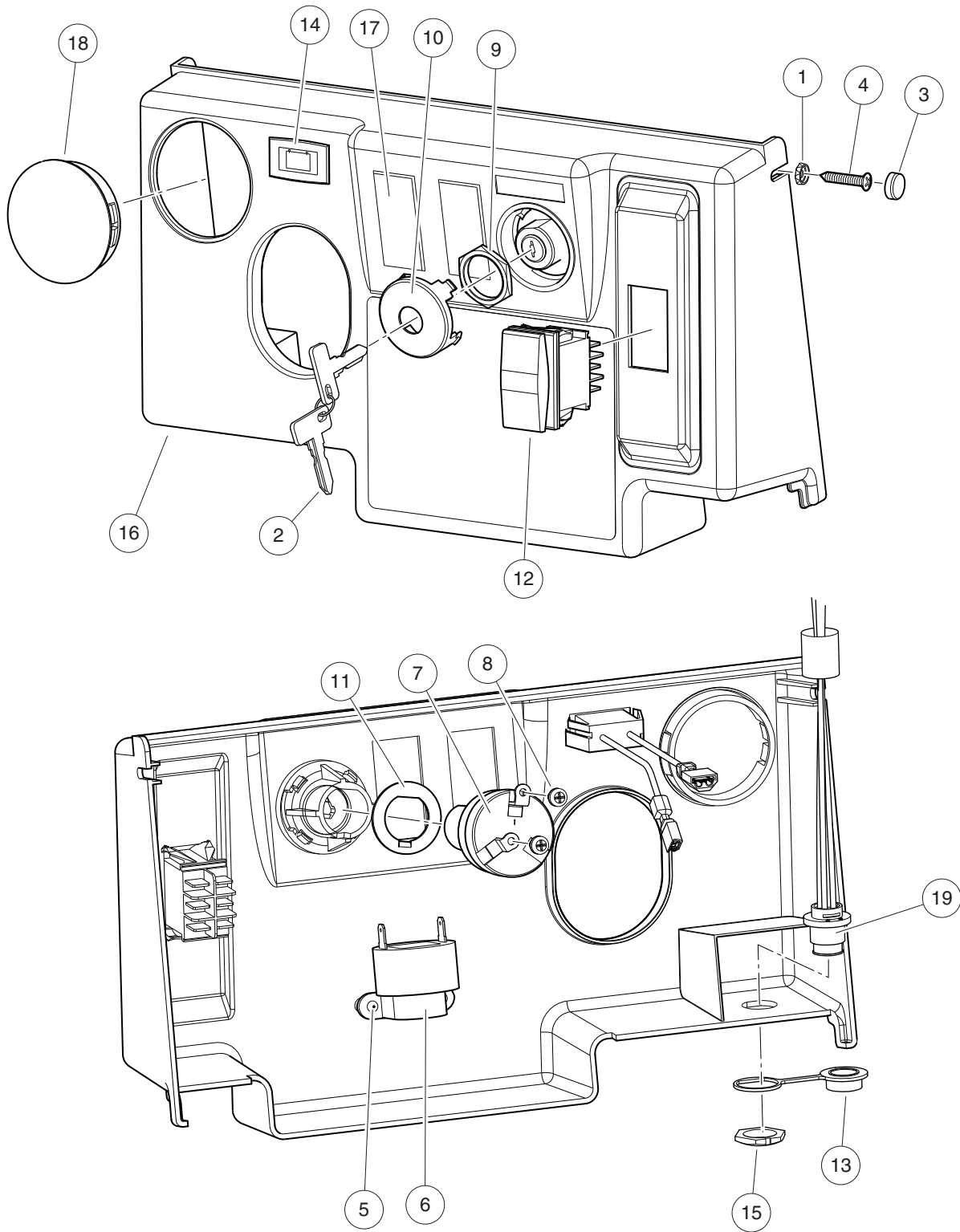
001086-001

# INSTRUMENT PANEL AND ELECTRICAL COMPONENTS – CARRYALL 2 PLUS AND XRT 900 GAS

ITEM	PART NO.	DESCRIPTION	QTY
		<b>1 2 3 4</b>	
1	1011382	Washer, #10 Pan-Head Screw .....	2
2	1012396	Wire Assy #18 Black .....	1
3	1012505	Keys (set of 2) .....	1
4	1013494	Cover, Screw Head .....	2
5	1015528	Screw, #10 x 1-1/4 Phillips Head .....	2
6	1016630	Light, Oil .....	1
7	1016849	Screw, #4-24 X 0.33, Pan-Head, Machine .....	2
8	1016851	Buzzer, Reverse (9-48 VDC) .....	1
9	101804301	Screw, #8 X 0.500, Hex-Head Hi-Lo .....	2
10	101826401	Key Switch, 12-Volt, Off/On/Start .....	1
11	101830601	Screw and Washer Assembly .....	5
12	101830701	Nut, Key Switch .....	1
13	101834502	Cap, Black Key Switch .....	1
14	101851101	Washer, Key Switch .....	1
15	102869401	Switch, Rocker, Light .....	1
16	102977001	Panel, Dash, Center, Gas (Instrument Panel) .....	1
17	103180101	Cover, Hole, Switch, Rocker .....	1
18	103199001	Brush, Closeout, FNR .....	2
19	103199101	Washer, Retaining, Brush, FNR .....	2
20	103348501	Asm, Wire Meter, F-h Jumper .....	1
21	103348602	Gauge, Fuel-hour, sep Gnd, Ds (includes item 22) .....	1
22	103348204	Clip, Meter, Round Ds .....	1

**4**  
**G**  
**E**

**4**  
**G**  
**E**



001087-001

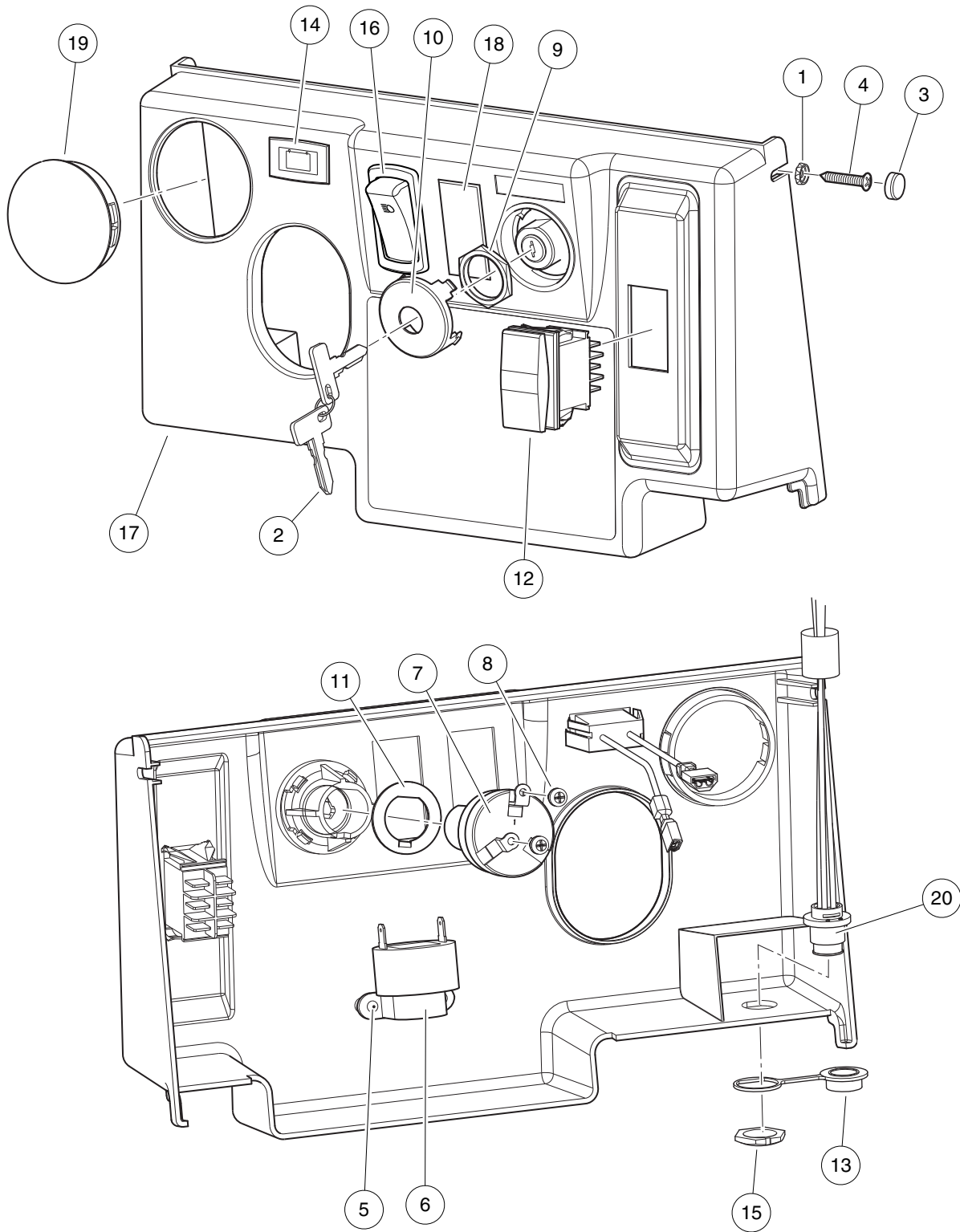


# INSTRUMENT PANEL AND ELECTRICAL COMPONENTS – TURF/ CARRYALL 2 ELECTRIC

ITEM	PART NO.	DESCRIPTION	QTY
		<b>1 2 3 4</b>	
1	1011382	Washer, #10 Pan-Head Screw .....	2
2	1012505	Keys (set of 2) .....	1
3	1013494	Cover, Screw Head .....	2
4	1015528	Screw, #10 x 1-1/4 Phillips Head .....	2
5	1016849	Screw, #4-24 X 0.33, Pan-Head, Machine .....	2
6	1016851	Buzzer, Reverse (9-48 VDC) .....	1
7	101826201	Key Switch, On/Off .....	1
8	101830601	Screw and Washer Assembly .....	2
9	101830701	Nut, Key Switch .....	1
10	101834502	Cap, Black Key Switch .....	1
11	101851101	Washer, Key Switch .....	1
12	101856002	Switch, Rocker, Single-Pole .....	1
13	102196901	Dust Cap .....	1
14	102508701	Light, Battery .....	1
15	102572401	Nut, Diagnostic Port, Prec .....	1
16	102977002	Panel, Dash, Center, Elec (Instrument Panel) .....	1
17	103180101	Cover, Hole, Switch, Rocker .....	2
18	103198301	Plug, Hole, Round, 2.0 In .....	1
19	103218601	Harness, Diagnostic Port .....	1

**4**  
**G**  
**E**

**4**  
**G**  
**E**



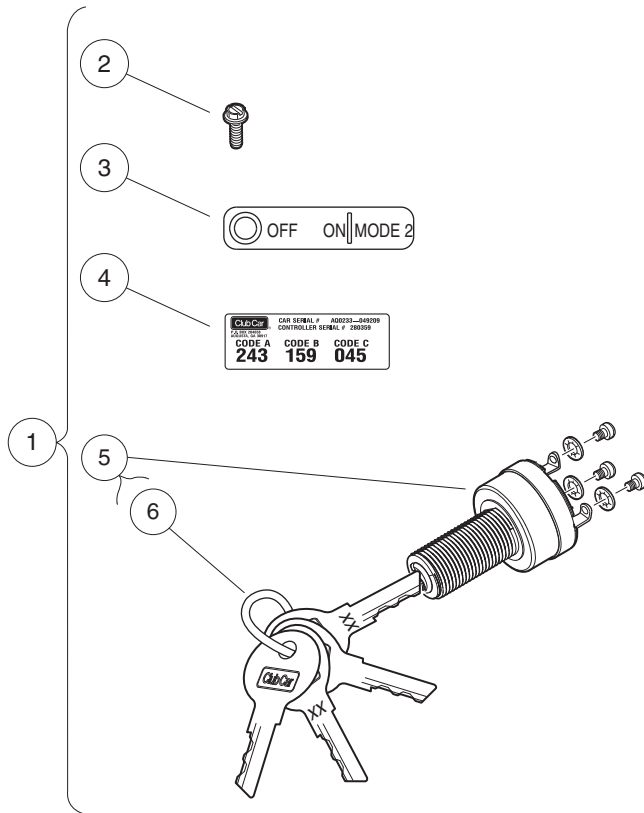
001088-001

# INSTRUMENT PANEL WITH ELECTRICAL COMPONENTS – TURF/ CARRYALL 252 AND XRT 900 ELECTRIC

ITEM	PART NO.	DESCRIPTION	QTY
		<b>1 2 3 4</b>	
1	1011382	Washer, #10 Pan-Head Screw .....	2
2	1012505	Keys (set of 2) .....	1
3	1013494	Cover, Screw Head .....	2
4	1015528	Screw, #10 x 1-1/4 Phillips Head .....	2
5	1016849	Screw, #4-24 X 0.33, Pan-Head, Machine .....	2
6	1016851	Buzzer, Reverse (9-48 VDC) .....	1
7	101826201	Key Switch, On/Off .....	1
8	101830601	Screw and Washer Assembly .....	2
9	101830701	Nut, Key Switch .....	1
10	101834502	Cap, Black Key Switch .....	1
11	101851101	Washer, Key Switch .....	1
12	101856002	Switch, Rocker, Single-Pole .....	1
13	102196901	Dust Cap .....	1
14	102508701	Light, Battery .....	1
15	102572401	Nut, Diagnostic Port, Prec .....	1
16	102869401	Switch, Rocker, Light .....	1
17	102977002	Panel, Dash, Center, Elec (Instrument Panel) .....	1
18	103180101	Cover, Hole, Switch, Rocker .....	1
19	103198301	Plug, Hole, Round, 2.0 In .....	1
20	103218601	Harness, Diagnostic Port .....	1

**4**  
**G**  
**E**

**4**  
**G**  
**E**



001212-001

# KEYS AND KEYSWITCHES, SMARTKEY KIT – ELECTRIC VEHICLE

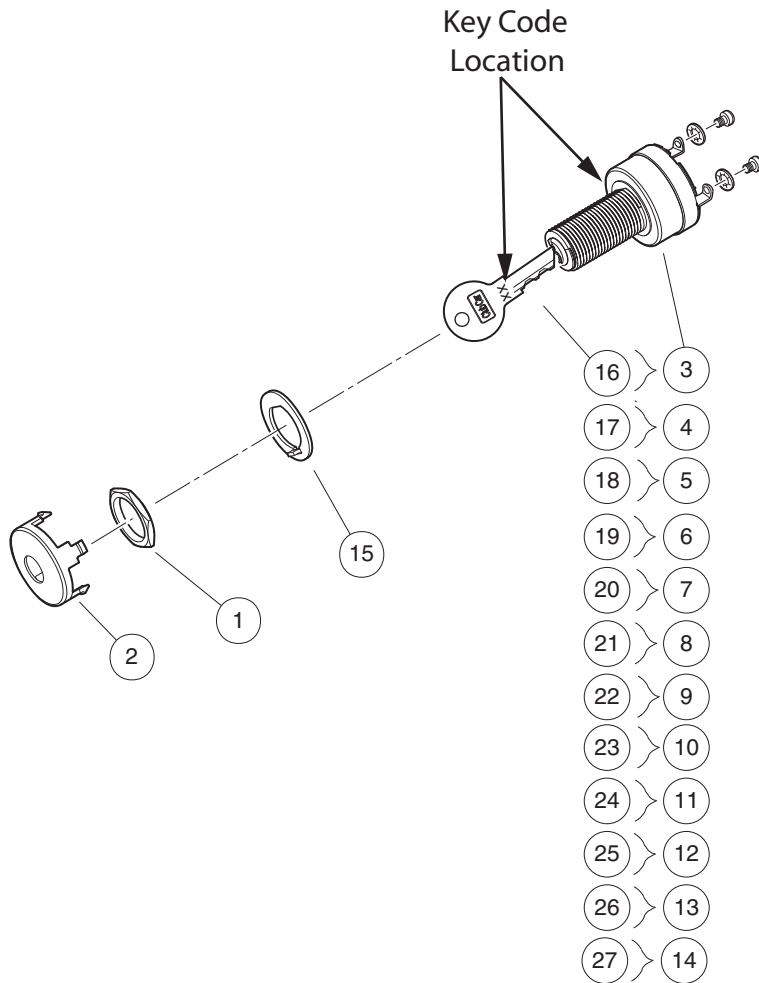
ITEM	PART NO.	DESCRIPTION	QTY
		<b>1 2 3 4</b>	
1	102962602	Kit, Field, Smartkey (includes items 2 through 5) .....	1
2	1011017	Screw, #8-32 X 0.375 .....	1
3	101825103	Decal, Keyswitch, Iq Plus Mode .....	1
4	N/A	Decal, Passcode .....	1
5	102950301	Key Switch, Mode B, Iq Plus (includes item 6) .....	1
6	102962303	Keys, Set Of 4, Iq Plus Mode .....	1
		 Note: Not available in the EU.	

**4**  
**G**  
**E**

4

G

E



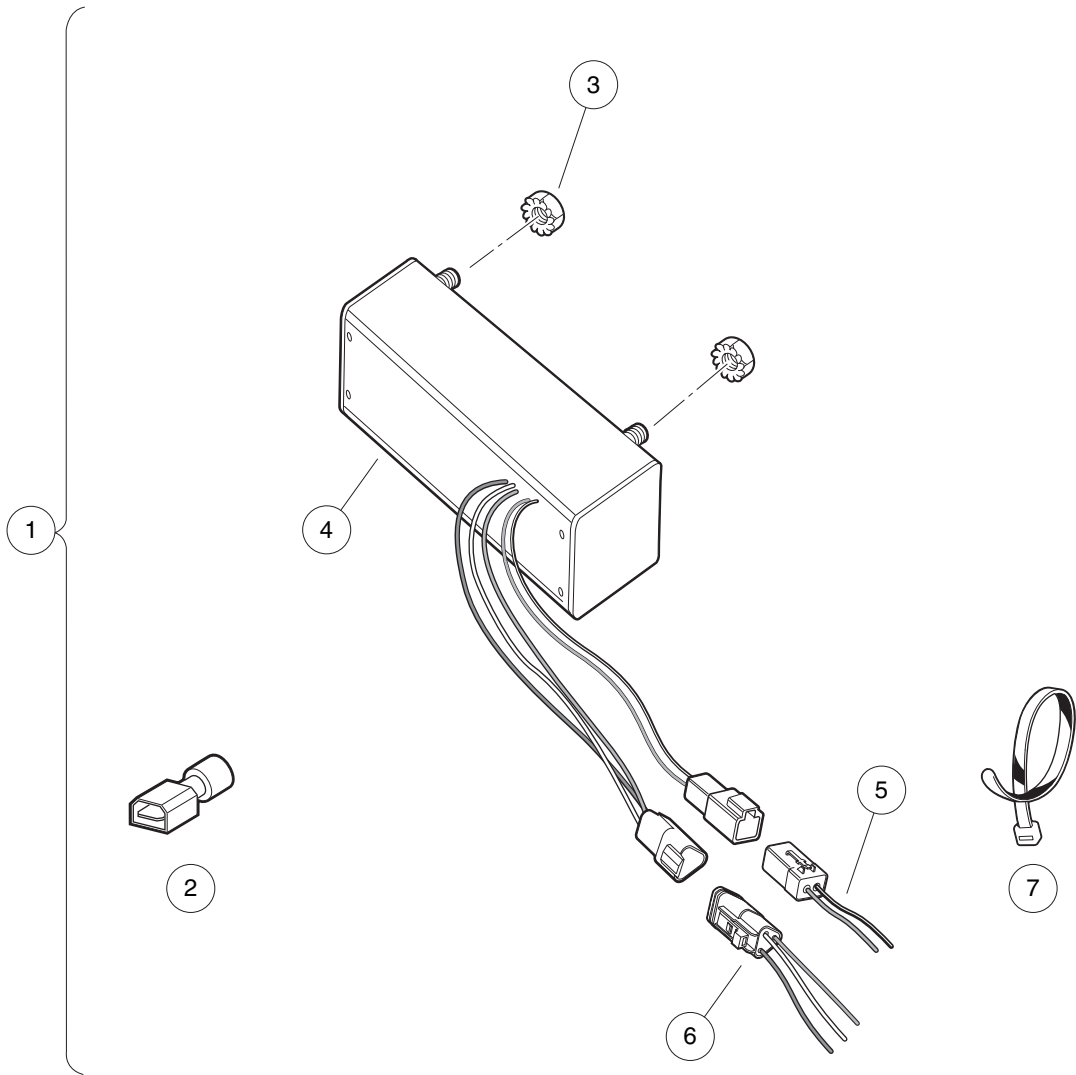
001089-001

## KEYS AND KEYSWITCHES, UNCOMMON – GAS VEHICLE

ITEM	PART NO.	DESCRIPTION	QTY
		1 2 3 4	
1	101830701	Nut, Key Switch .....	1
2	101834502	Cap, Black Key Switch .....	1
3	101839801	Keyswtch Uncom A408 On/off/st .....	1
4	101839802	Keyswtch Uncom B408 On/off/st .....	1
5	101839803	Keyswtch Uncom C408 On/off/st .....	1
6	101839804	Keyswtch Uncom D408 On/off/st .....	1
7	101839805	Keyswtch Uncom 2a408 On/off/st .....	1
8	101839806	Keyswtch Uncom 2b408 On/off/st .....	1
9	101839807	Keyswtch Uncom 2c408 On/off/st .....	1
10	101839808	Keyswtch Uncom 2d408 On/off/st .....	1
11	101839809	Keyswtch Uncom E408 On/off/st .....	1
12	101839810	Keyswtch Uncom F408 On/off/st .....	1
13	101839811	Keyswtch Uncom 2e408 On/off/st .....	1
14	101839812	Keyswtch Uncom 2f408 On/off/st .....	1
15	101851101	Washer, Key Switch .....	1
16	101974701	Key, Uncommon 1a .....	1
17	101974702	Key, Uncommon 1b .....	1
18	101974703	Key, Uncommon 1c .....	1
19	101974704	Key, Uncommon 1d .....	1
20	101974705	Key, Uncommon 2a .....	1
21	101974706	Key, Uncommon 2b .....	1
22	101974707	Key, Uncommon 2c .....	1
23	101974708	Key, Uncommon 2d .....	1
24	101974709	Key, Uncommon 1e .....	1
25	101974710	Key, Uncommon 1f .....	1
26	101974711	Key, Uncommon 2e .....	1
27	101974712	Key, Uncommon 2f .....	1
		Note: Keyswitches 101839801 through 101839812 are for key-start, gasoline vehicles ONLY.	

**4**  
**G**  
**E**

**4**  
**G**  
**E**



001090-001

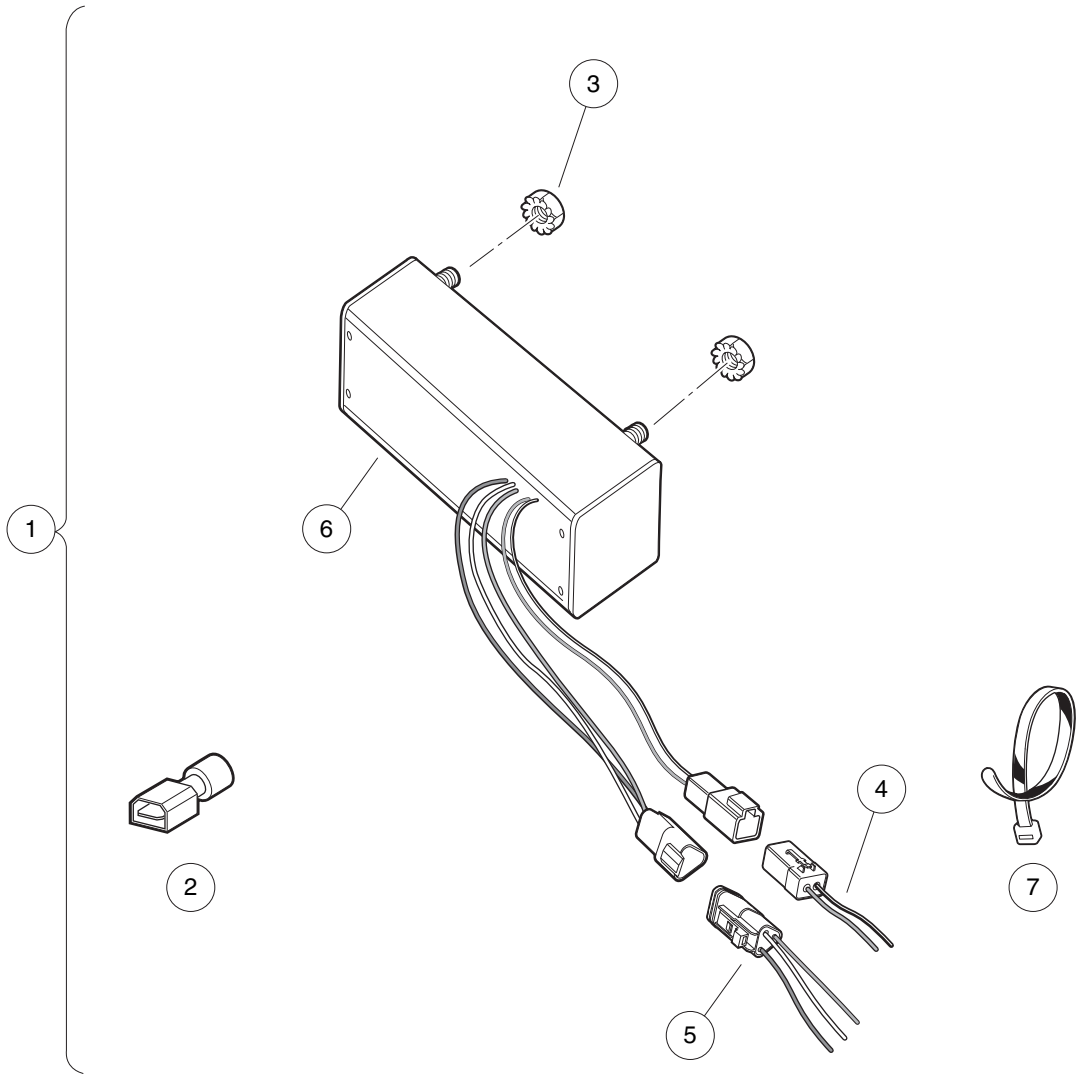


# DC CONVERTER – IQ PLUS ELECTRIC VEHICLE, TO EARLY-2010 MODEL YEAR

ITEM	PART NO.	DESCRIPTION	QTY
		1 2 3 4	
1	102918701	Kit, DC/DC Converter, IQ Plus (includes items 2 through 7) .....	1
2	1016365	Terminal, 1/4" Male Quick Disconnect .....	1
3	101835601	Locknut, 1/4-20 Hex Whiz .....	2
4	102352201	Converter , Dc -non Isolated .....	1
5	102354901	Harness, Dc Converter - 12v .....	1
6	102890201	Harness, Dc Converter, 48v .....	1
7	8990	Tie Wrap, 8" Nylon .....	10

**4**  
**G**  
**E**

**4**  
**G**  
**E**



001090-002

## DC CONVERTER (ISOLATED) – IQ PLUS ELECTRIC VEHICLE, FROM EARLY-2010 MODEL YEAR

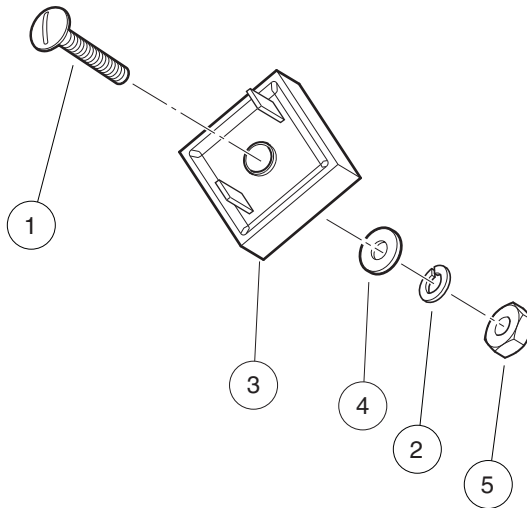
ITEM	PART NO.	DESCRIPTION	QTY
		1 2 3 4	
1	102918701	Kit, DC/DC Converter, IQ Plus (includes items 2 through 7) .....	1
2	1016365	Terminal, 1/4" Male Quick Disconnect .....	1
3	101835601	Locknut, 1/4-20 Hex Whiz .....	2
4	102354901	Harness, Dc Converter - 12v .....	1
5	102890201	Harness, Dc Converter, 48v .....	1
6	103700301	Converter, Dc/dc, Isoltd .....	1
7	8990	Tie Wrap, 8" Nylon .....	10

**4**  
**G**  
**E**

4

G

E



001091-001

## VOLTAGE LIMITER – GASOLINE VEHICLE

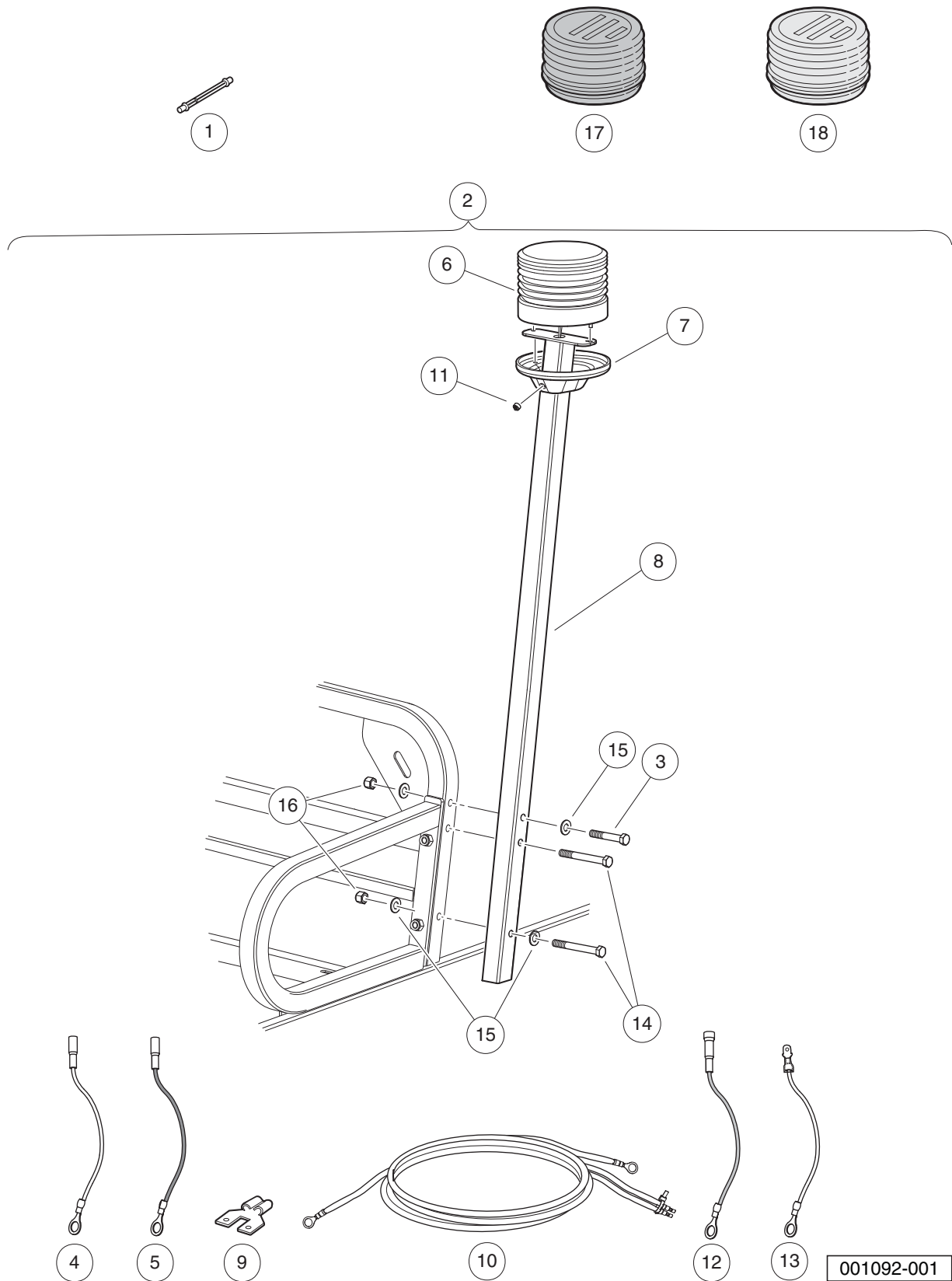
ITEM	PART NO.	DESCRIPTION	QTY
		1 2 3 4	
1	1010909	Screw, #10-32 X 1.25 Rd Hd Mch .....	1
2	1016	Lockwasher, #10 Split .....	1
3	1017721	Limitter, Voltage .....	1
4	183	Washer, #10, Type A, Flat .....	1
5	7893	Nut, #10-32 Hex .....	1

4

G

E

**4**  
**G**  
**E**



001092-001

# STROBE LIGHT, POST-MOUNTED – GASOLINE VEHICLES

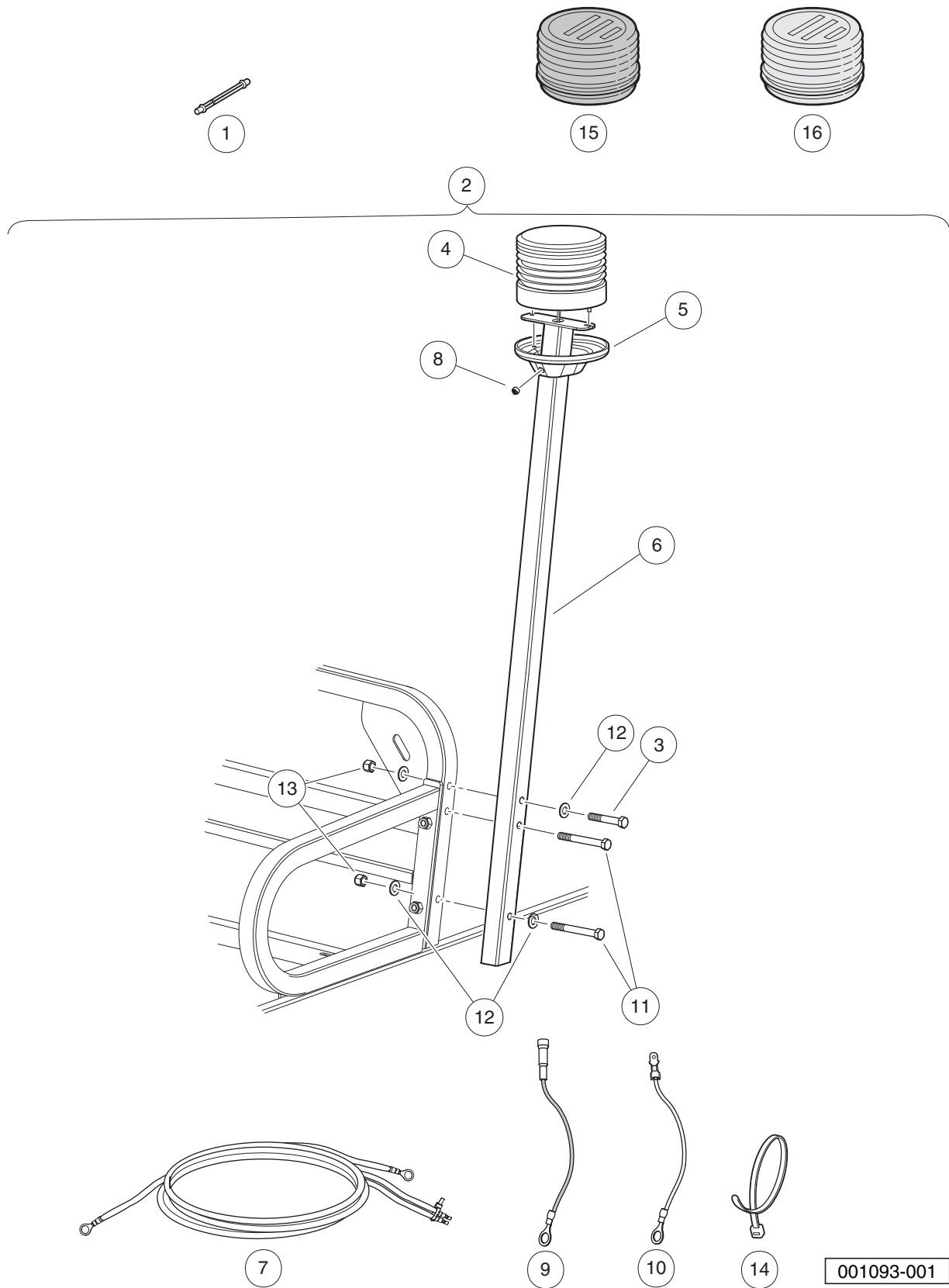
ITEM	PART NO.	DESCRIPTION	QTY
		1 2 3 4	
1	1015526	Bulb, Replacement, for Strobe Light .....	1
2	1015765	Safety Strobe Lht Post Mnt Gas (includes items 3 through 16) .....	1
3	1013509	Screw, 1/4-20 X 1.75 Hx Hd Cap .....	2
4	1015153	Wire Assembly #16 Yellow .....	1
5	1015154	Wire Assembly Blue Ca #16 .....	1
6	1015156	Light Assembly, Strobe .....	1
7	1015157	Cover Plate Switch - Pole Ca .....	1
8	1015160	Pole Weldment Carryall .....	1
9	1015162	3/16 Tab Adapter Non-insul .....	1
10	1015172	Wire Harness Assy, Strobe Lght .....	1
11	1015187	Switch Assembly .....	1
12	1016837	Wire Assembly Red #18 .....	1
13	1016929	Wire Assembly Black #16 .....	1
14	324	Screw, 1/4-20 X 2.50 Hx Hd Cap .....	2
15	332	Washer, 1/4 Type A Narrow Flat .....	4
16	8233	Locknut, 1/4-20, Nylon Insert .....	2
17	AM1243701	Lens, Blue, for Strobe Light .....	1
18	AM1243801	Lens, Red, for Strobe Light .....	1

4

G

E

**4**  
**G**  
**E**



001093-001

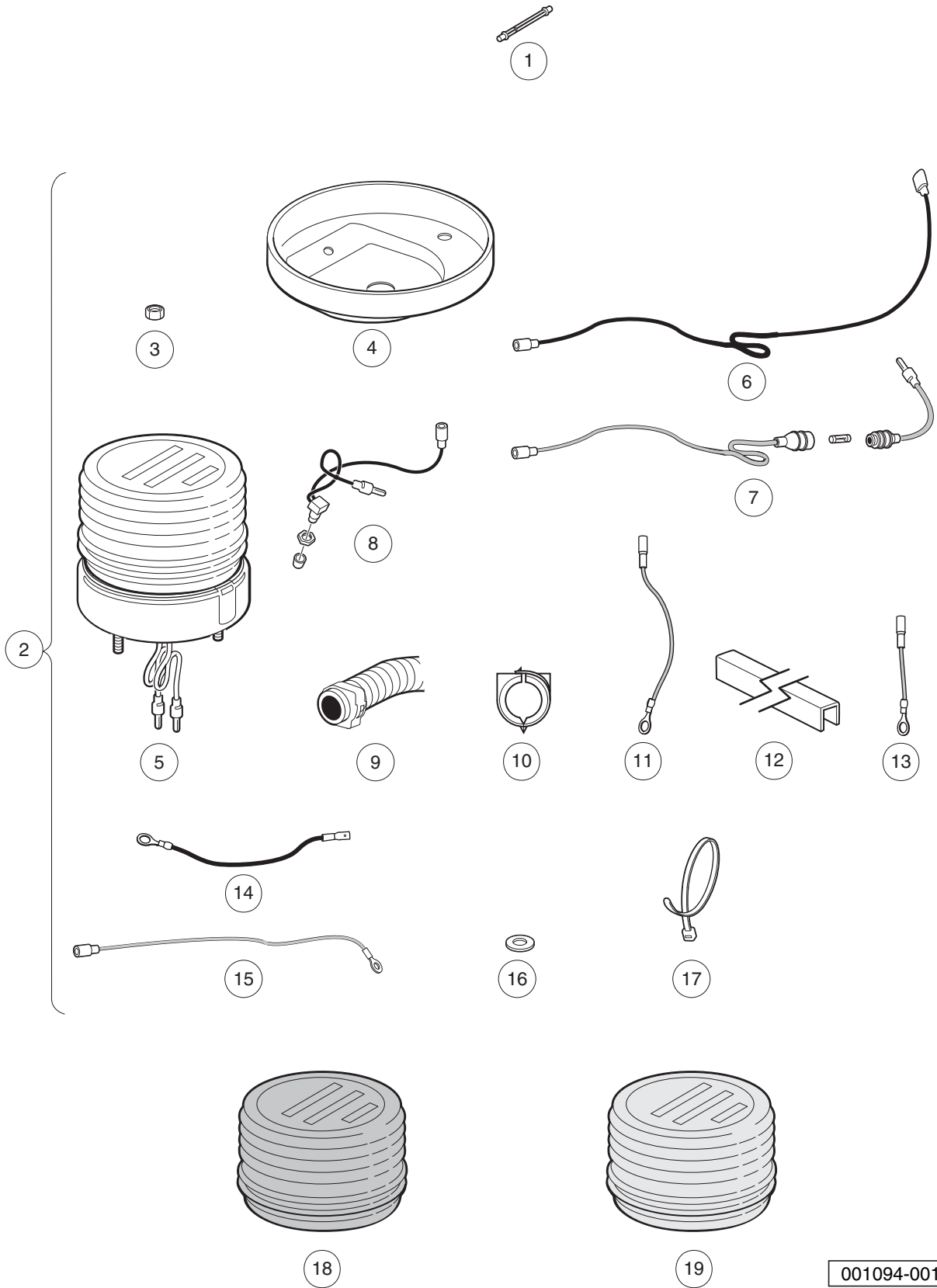


## STROBE LIGHT, POST-MOUNTED – ELECTRIC VEHICLES

ITEM	PART NO.	DESCRIPTION	QTY
		1 2 3 4	
1	1015526	Bulb, Replacement, for Strobe Light .....	1
2	101814601	Safety Strobe Lht & Post Mt El (includes items 3 through 14) .....	1
3	1013509	Screw, 1/4-20 X 1.75 Hx Hd Cap .....	2
4	1015156	Light Assembly, Strobe .....	1
5	1015157	Cover Plate Switch - Pole Ca .....	1
6	1015160	Pole Weldment Carryall .....	1
7	1015172	Wire Harness Assy, Strobe Lght .....	1
8	1015187	Switch Assembly .....	1
9	1016837	Wire Assembly Red #18 .....	1
10	1016929	Wire Assembly Black #16 .....	1
11	324	Screw, 1/4-20 X 2.50 Hx Hd Cap .....	2
12	332	Washer, 1/4 Type A Narrow Flat .....	4
13	8233	Locknut, 1/4-20, Nylon Insert .....	2
14	8990	Tie Wrap, 8" Nylon .....	4
15	AM1243701	Lens, Blue, for Strobe Light .....	1
16	AM1243801	Lens, Red, for Strobe Light .....	1

**4**  
**G**  
**E**

**4**  
**G**  
**E**



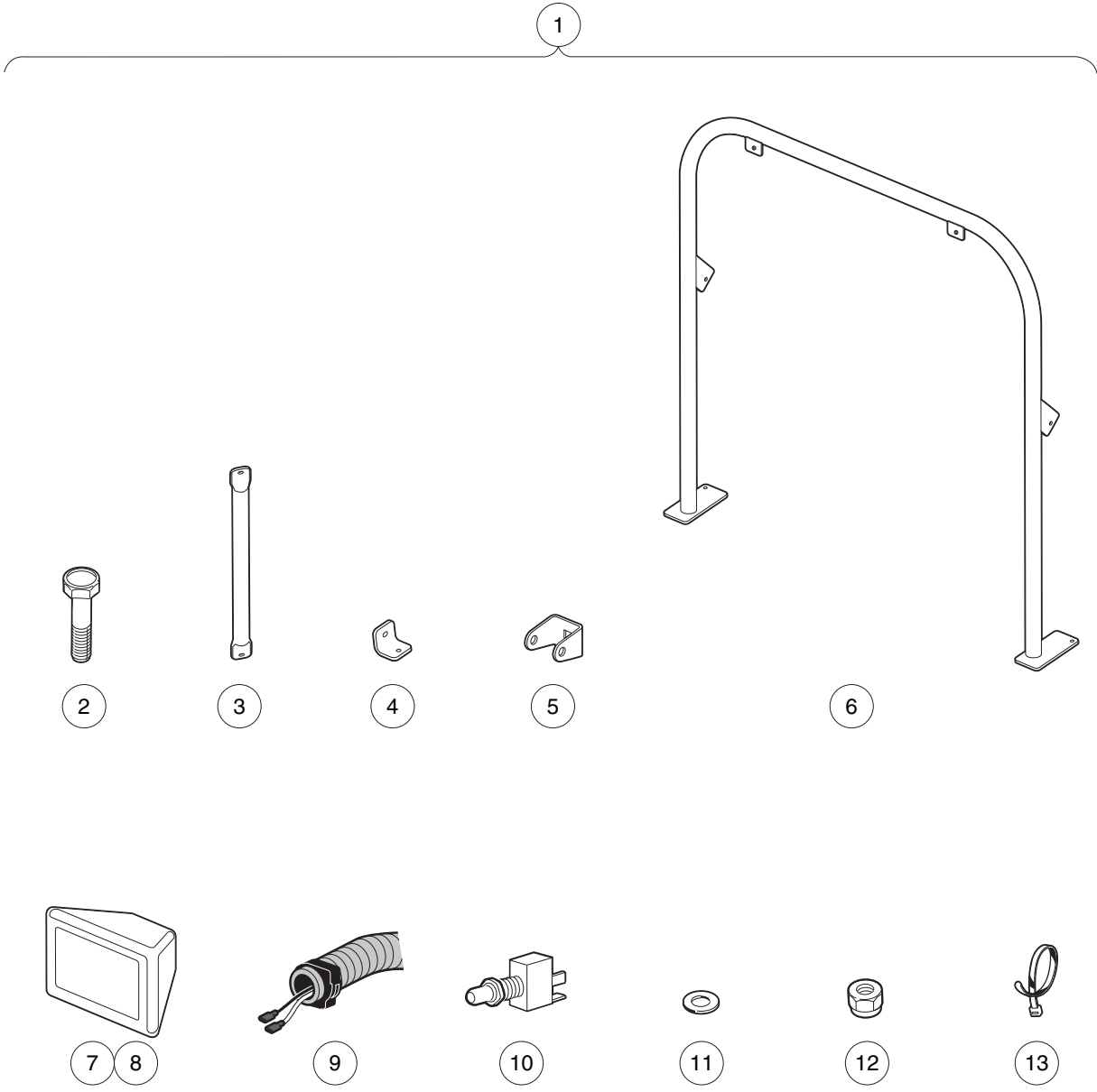
001094-001

## STROBE LIGHT, CANOPY-MOUNTED

ITEM	PART NO.	DESCRIPTION	QTY
		<b>1 2 3 4</b>	
1	1015526	Bulb, Replacement, for Strobe Light .....	1
2	AM1243501	Kit, Roof Mounted Strobe Fd (includes items 3 through 17) .....	A/R
3	1012438	Locknut, #10-24 Nylon Insert .....	2
4	1015010	Cover Plate Switch .....	1
5	1015156	Light Assembly, Strobe .....	1
6	1015167	#16 Black Wire Asm .....	1
7	1015170	Wire Assembly #16 .....	1
8	1015187	Switch Assembly .....	1
9	1015768	Split Convoluted Elec Conduit .....	11
10	1015770	Outlet Ring - .5 Diameter .....	5
11	1016230	Wire Asm #16 Red .....	1
12	1016267	Snap On Conduit Vert. ....	1
13	1016287	Wire Asm #16 Red .....	1
14	1016929	Wire Assembly Black #16 .....	1
15	101821601	#18 Red Wire Assembly .....	1
16	183	Washer, #10, Type A, Flat .....	2
17	8639	Tie Wrap, 11" Nylon .....	8
18	AM1243701	Lens, Blue, for Strobe Light .....	A/R
19	AM1243801	Lens, Red, for Strobe Light .....	A/R

**4**  
**G**  
**E**

**4**  
**G**  
**E**



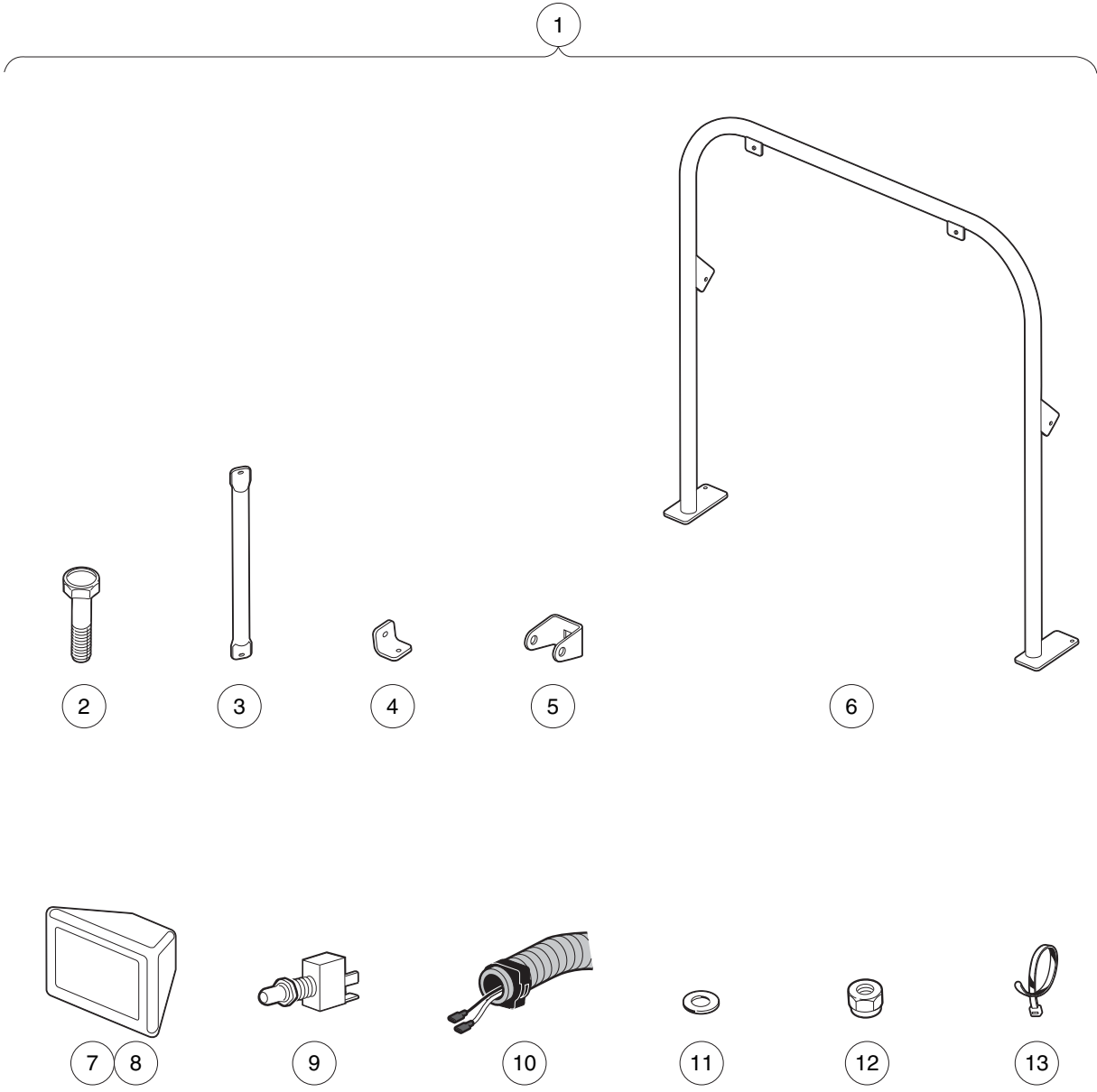
001223-001

## LIGHT BAR – TURF/CA 252 AND XRT 900 GAS VEHICLES

ITEM	PART NO.	DESCRIPTION	QTY
		1 2 3 4	
1	102054501	Kit, Light Bar, Gas (includes items 2 through 13) .....	1
2	1010934	Screw, 5/16-18 X 1.00 Hex Cap .....	8
3	102077601	Brace, Light Bar .....	2
4	102077701	Bracket, Brace Mtg .....	2
5	102077801	Bracket, Light Mtg .....	2
6	102077901	Light Bar .....	1
7	102078001	Light, Light Bar (includes item 8) .....	2
8	AM10015	37.5 Watt Light Bar Bulb .....	2
9	102155701	Wire Harness, Light Bar .....	1
10	102159601	Switch .....	1
11	1241	Washer, 5/16 Type A Flat .....	12
12	7473	Locknut, 5/16-18 Nylon Insert .....	8
13	8990	Tie Wrap, 8" Nylon .....	4

4  
G  
E

**4**  
**G**  
**E**



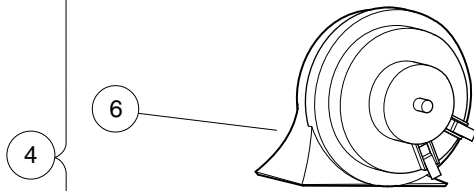
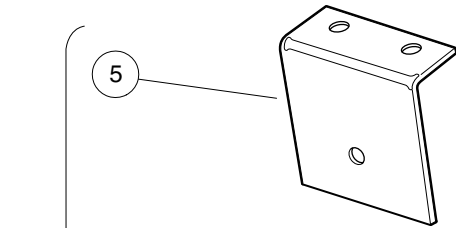
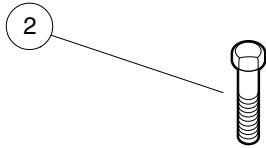
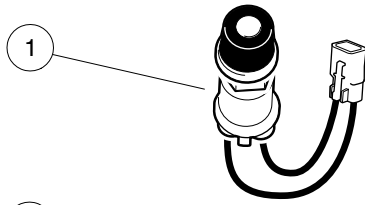
001224-001

# LIGHT BAR – TURF/CA 252 AND XRT 900 ELECTRIC VEHICLES

ITEM	PART NO.	DESCRIPTION	QTY
		1 2 3 4	
1	102054502	Kit, Light Bar, Elec (includes items 2 through 13) .....	1
2	1010934	Screw, 5/16-18 X 1.00 Hex Cap .....	8
3	102077601	Brace, Light Bar .....	2
4	102077701	Bracket, Brace Mtg .....	2
5	102077801	Bracket, Light Mtg .....	2
6	102077901	Light Bar .....	1
7	102078001	Light, Light Bar (includes item 8) .....	2
8	AM10015	37.5 Watt Light Bar Bulb .....	2
9	102159601	Switch .....	1
10	103350001	Harness, Light Bar, 252 .....	1
11	1241	Washer, 5/16 Type A Flat .....	12
12	7473	Locknut, 5/16-18 Nylon Insert .....	8
13	8990	Tie Wrap, 8" Nylon .....	4

4  
G  
E

**4**  
**G**  
**E**



001095-001



# HORN WITH FLOOR-MOUNTED BUTTON

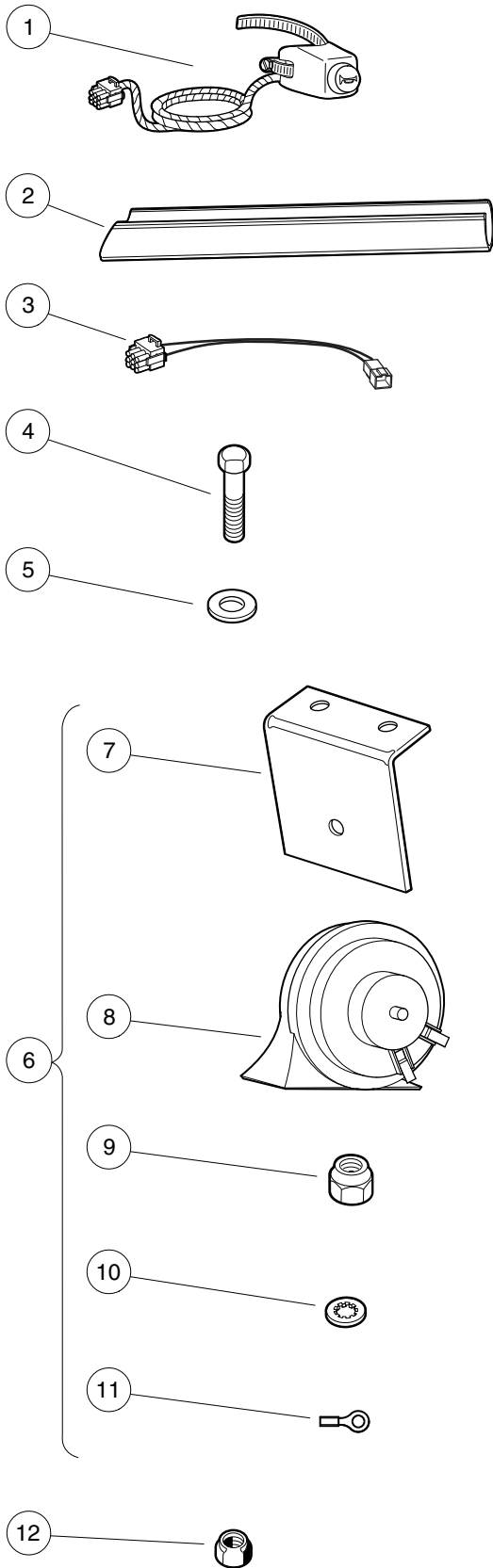
ITEM	PART NO.	DESCRIPTION	QTY
		1 2 3 4	
1	101969701	Horn Button and Wire Assembly .....	1
2	304	Screw, 1/4-20 X 1.0 Hex-Head Cap .....	2
3	332	Washer, 1/4 Type A Narrow Flat .....	2
4	4029	Horn (includes items 5 through 9) .....	1
5	1011825	Horn Bracket .....	1
6	1014530	Horn, 12-VDC .....	1
7	101955101	Nut, M6 Hex .....	1
8	7820	Washer, 5/16 Internal-Tooth .....	1
9	8294	5/16 Ring Term. ....	1
10	8233	Locknut, 1/4-20, Nylon Insert .....	2

4

G

E

**4**  
**G**  
**E**



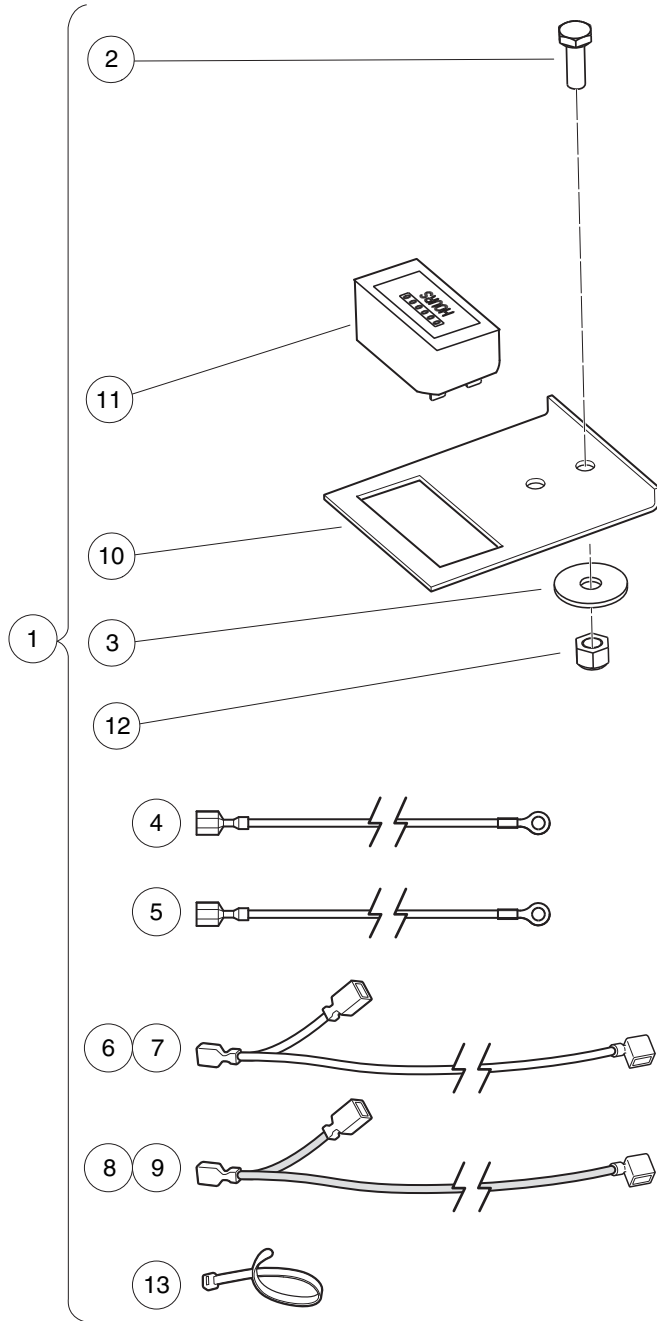
001095-002

## HORN WITH COLUMN-MOUNTED BUTTON

ITEM	PART NO.	DESCRIPTION	QTY
		1 2 3 4	
1	102517601	Subasm, Horn Button Harness .....	1
2	102529203	Wire Cover-steer Column 304 Mm .....	1
3	103618101	Harness, Jumper, Horn .....	1
4	304	Screw, 1/4-20 X 1.0 Hex-Head Cap .....	2
5	332	Washer, 1/4 Type A Narrow Flat .....	2
6	4029	Horn (includes items 7 through 11) .....	1
7	1011825	Horn Bracket .....	1
8	1014530	Horn, 12-VDC .....	1
9	101955101	Nut, M6 Hex .....	1
10	7820	Washer, 5/16 Internal-Tooth .....	1
11	8294	5/16 Ring Term. ....	1
12	8233	Locknut, 1/4-20, Nylon Insert .....	2

4  
G  
E

**4**  
**G**  
**E**



001096-002

# HOUR METER – CARRYALL/TURF IQ PLUS ELECTRIC VEHICLES

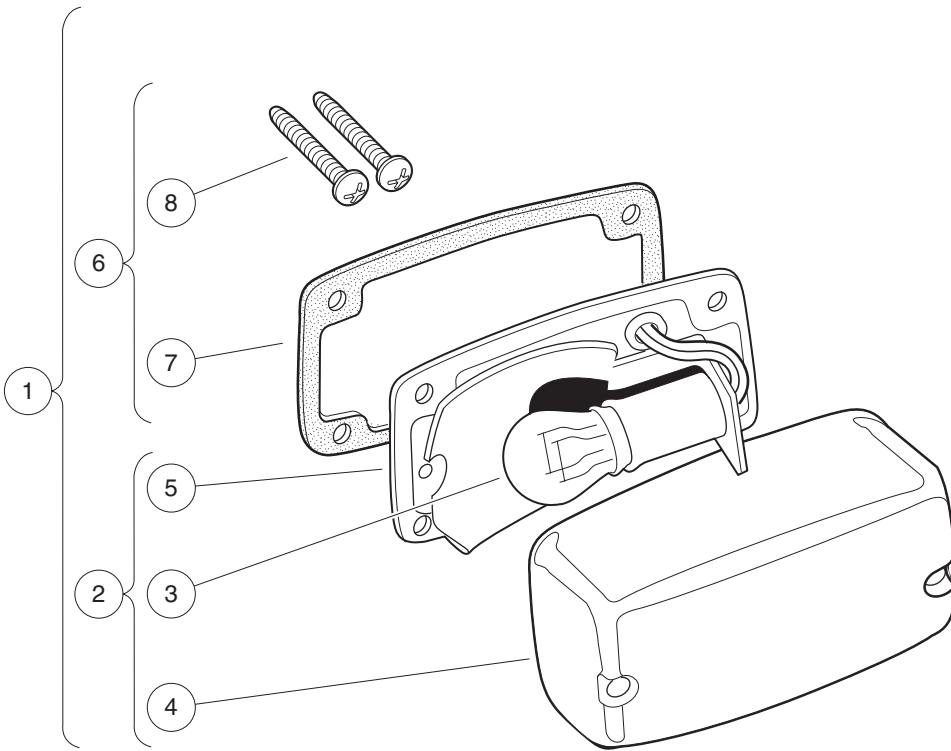
ITEM	PART NO.	DESCRIPTION	QTY
		<b>1 2 3 4</b>	
1	1013579	Kit, Hour Meter (includes items 2 through 13) .....	1
2	1012285	Screw, 1/4 X 0.625 Hex-Head .....	1
3	1014306	Washer, 1/4" Type B Flat .....	1
4	101881501	Wire Assembly Black #18 .....	1
5	101881601	Wire Assembly Red #18 .....	1
6	101997802	Wire Assembly #18 Yellow .....	1
7	101997803	Wire Asm #18 Yellow 31" .....	1
8	101997902	Wire Assembly #18 Red .....	1
9	101997903	Wire Asm # 18 Red 31" .....	1
10	103510001	Bracket, Hour Meter .....	1
11	103510301	Meter, Hour .....	1
12	8233	Locknut, 1/4-20, Nylon Insert .....	1
13	8990	Tie Wrap, 8" Nylon .....	1
<p>Note: The kit includes components that apply to multiple vehicles. The installation instructions will specify which components are required for a specific model. After installation, discard components not used.</p>			

**4**  
**G**  
**E**

4

G

E



001081-001

# TAILLIGHTS

ITEM	PART NO.	DESCRIPTION	QTY
		<b>1 2 3 4</b>	
1	1017035	Taillight Assembly (includes items 2 through 6) .....	2
2	N/A	Light, Tail (includes items 3 through 5) .....	1
3	1011582	Taillight Bulb .....	1
4	1011843	Taillight Lens .....	1
5	N/A	Base, Taillight .....	1
6	1017699	Hardware Kit, Tail Light (includes items 7 and 8) .....	1
7	N/A	Gasket .....	1
8	N/A	Screw, Tapered .....	2

**4**  
**G**  
**E**

**4**

**G**

**E**



# BRAKES, PEDAL, AND CABLE ASSEMBLIES

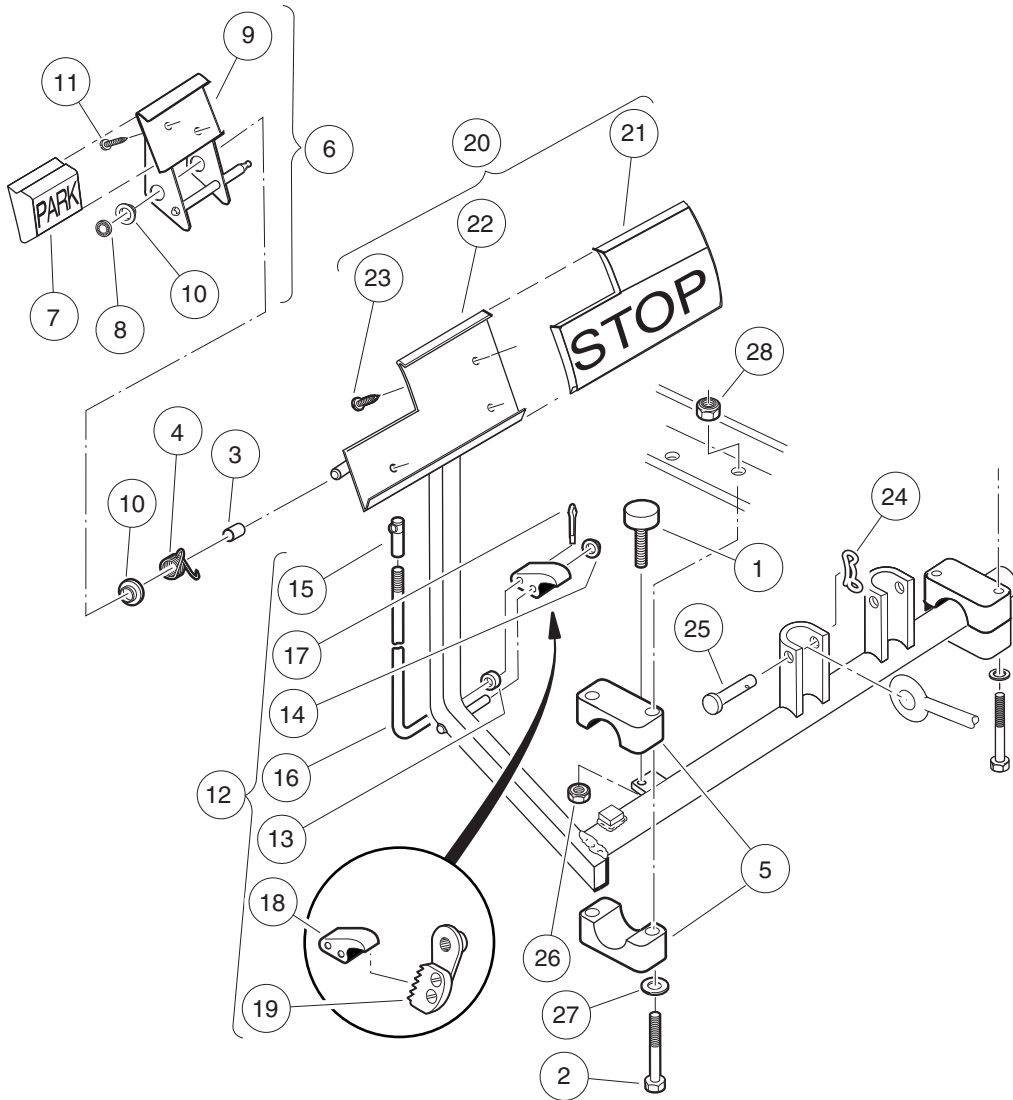
---

**5**

**G**

**E**

**5**  
**G**  
**E**

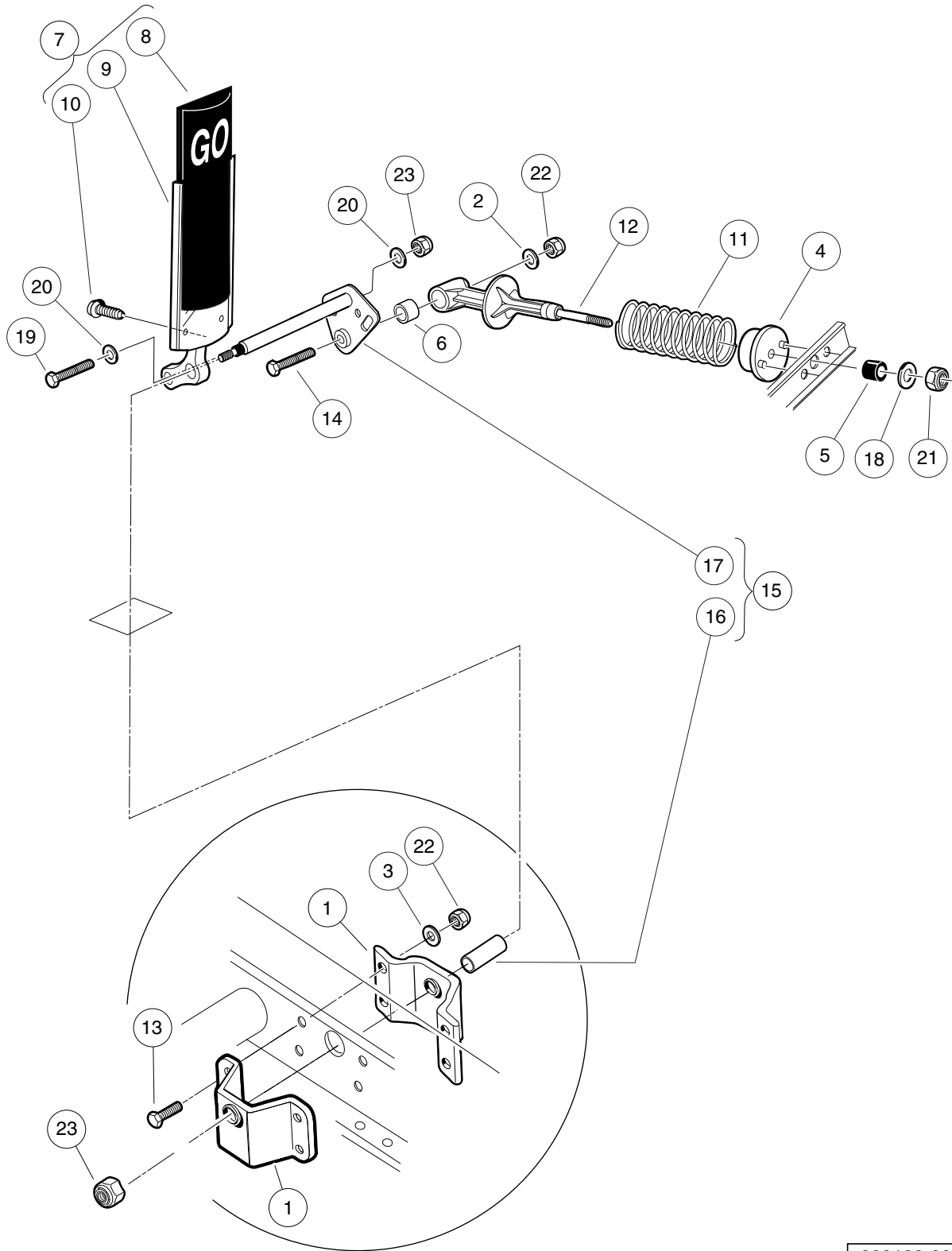


000187-001

## BRAKE PEDAL ASSEMBLY

ITEM	PART NO.	DESCRIPTION	QTY	
		<b>1 2 3 4</b>		5
1	1010878	Bumper, Rubber .....	1	G
2	1010921	Screw, 5/16-18 X 2.50 Hex Cap .....	4	E
3	1010927	Hill Brake Spacer .....	1	
4	1010933	Spring, Hill Brake Torsion .....	1	
5	1011402	Package, Brake Mounting Block .....	1	
6	1011418	Kit, Hill Brake Pedal (includes items 7 through 11) .....	1	
7	1013870	Pad, Hill Brake .....	1	
8	1013876	Pushnut, 3/8 .....	1	
9	N/A	Hill Brake Weld Assembly .....	1	
10	1032	Bushing, Nylon .....	2	
11	7716	Screw, #10-16 Type AB, Sheet Metal .....	2	
12	101187702	Kit, Hill Brake Latch (includes items 13 through 19) .....	1	
13	1010805	Sleeve, Hill Brake Rod .....	1	
14	1010877	Pushnut, 3/8 .....	1	
15	1010932	Ball Joint, 1/4-28 .....	1	
16	N/A	Rod, Hill Brake .....	1	
17	1017029	Pin, Cotter, 7/64 x 1/2 Stainless-Steel .....	1	
18	N/A	Pawl, Hill Brake .....	1	
19	101918501	Ratchet Assembly .....	1	
20	101878201	Brake Pedal Kit (includes items 21 through 23) .....	1	
21	1013869	Pad, Brake Pedal .....	1	
22	N/A	Weldment, Brake Pedal, 2wr Std .....	1	
23	7716	Screw, #10-16 Type AB, Sheet Metal .....	3	
24	102323101	Pin, Bow Tie Locking .....	1	
25	102323201	Pin, 3/8 X 1-5/16 Clevis .....	1	
26	1028	Nut, 1/4-20 Hex .....	1	
27	1241	Washer, 5/16 Type A Flat .....	4	
28	7473	Locknut, 5/16-18 Nylon Insert .....	4	

**5**  
**G**  
**E**



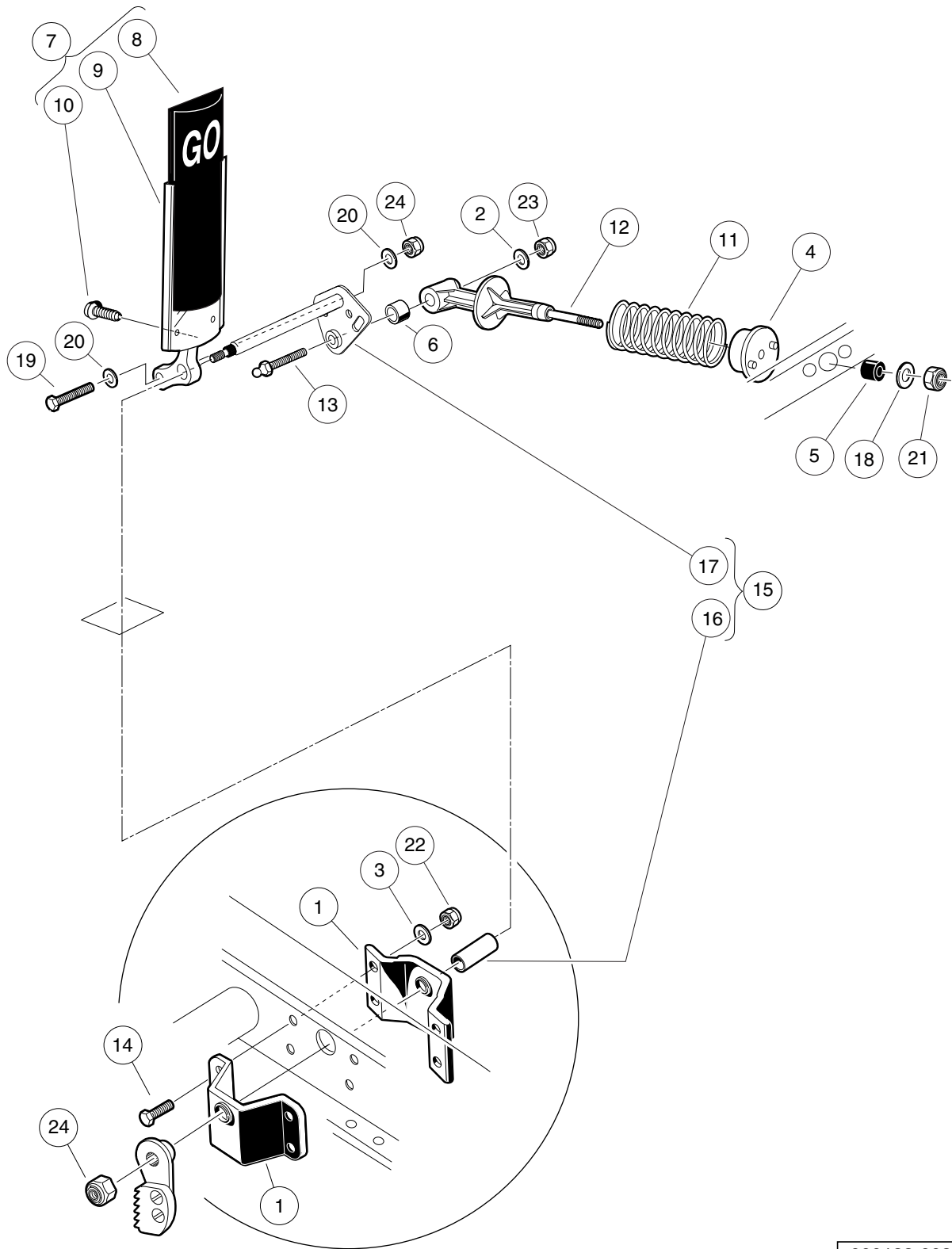
000188-007

# ACCELERATOR PEDAL ASSEMBLY – ELECTRIC VEHICLES WITH MCOR

ITEM	PART NO.	DESCRIPTION	QTY
		1 2 3 4	
1	1011694	Accelerator Bracket and Bearing Assembly .....	2
2	1011931	Washer, 1/4 Flat .....	1
3	1014007	Washer, 1/4, Flat .....	4
4	1017378	Cup, Spring .....	1
5	1017380	Bumper, Spring Return .....	1
6	1017424	Bearing, Pivot Support .....	1
7	1017696	Sub Asm, Accelerator Pedal (includes items 8 through 10) .....	1
8	1013871	Pad, Accelerator Pedal .....	1
9	N/A	Accelerator Pedal Weldment .....	1
10	7716	Screw, #10-16 Type AB, Sheet Metal .....	4
11	101796201	Spring, Accelerator Return .....	1
12	101817401	Retainer, Spring .....	1
13	101861901	Screw, 1/4-20 X 1.125 Hex Cap .....	4
14	101862001	Screw, 1/4-20 X 1.500 Flange .....	1
15	102026001	Kit, Accelerator Pivot Rod Assembly (includes items 16 and 17) .....	1
16	101919801	Spacer, Accelerator .....	1
17	102158901	Pivot Rod Weldment .....	1
18	1241	Washer, 5/16 Type A Flat .....	1
19	1624	Screw, 3/8-16 X 1.50, Hex-Head Cap .....	1
20	334	Washer, 3/8, Type A, Flat .....	2
21	7473	Locknut, 5/16-18 Nylon Insert .....	1
22	8233	Locknut, 1/4-20, Nylon Insert .....	5
23	8754	Locknut, 3/8-16 Hex .....	2

5  
G  
E

**5**  
**G**  
**E**



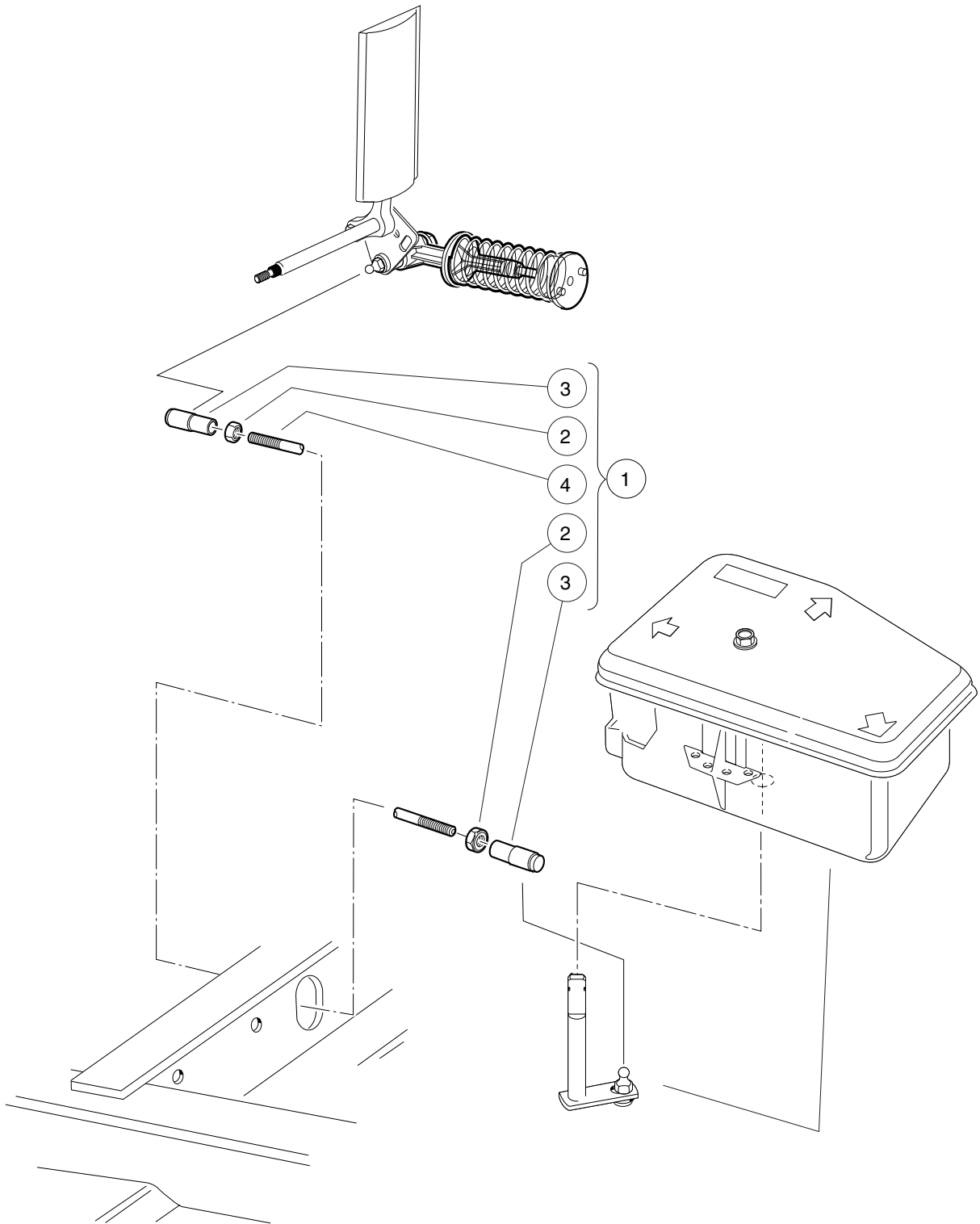
000188-008

# ACCELERATOR PEDAL ASSEMBLY – GASOLINE VEHICLES

ITEM	PART NO.	DESCRIPTION	QTY
		1 2 3 4	
1	1011694	Accelerator Bracket and Bearing Assembly .....	2
2	1011931	Washer, 1/4 Flat .....	1
3	1014007	Washer, 1/4, Flat .....	4
4	1017378	Cup, Spring .....	1
5	1017380	Bumper, Spring Return .....	1
6	1017424	Bearing, Pivot Support .....	1
7	1017696	Sub Asm, Accelerator Pedal (includes items 8 through 10) .....	1
8	1013871	Pad, Accelerator Pedal .....	1
9	N/A	Accelerator Pedal Weldment .....	1
10	7716	Screw, #10-16 Type AB, Sheet Metal .....	4
11	101796201	Spring, Accelerator Return .....	1
12	101817401	Retainer, Spring .....	1
13	101818801	Stud, 1/4-28 X 1.35 Ball .....	1
14	101861901	Screw, 1/4-20 X 1.125 Hex Cap .....	4
15	102026001	Kit, Accelerator Pivot Rod Assembly (includes items 16 and 17) .....	1
16	101919801	Spacer, Accelerator .....	1
17	102158901	Pivot Rod Weldment .....	1
18	1241	Washer, 5/16 Type A Flat .....	1
19	1624	Screw, 3/8-16 X 1.50, Hex-Head Cap .....	1
20	334	Washer, 3/8, Type A, Flat .....	2
21	7473	Locknut, 5/16-18 Nylon Insert .....	1
22	8233	Locknut, 1/4-20, Nylon Insert .....	4
23	8717	Locknut, Nylon Insert, 1/4-28 .....	1
24	8754	Locknut, 3/8-16 Hex .....	2

5  
G  
E

**5**  
**G**  
**E**



000362-001

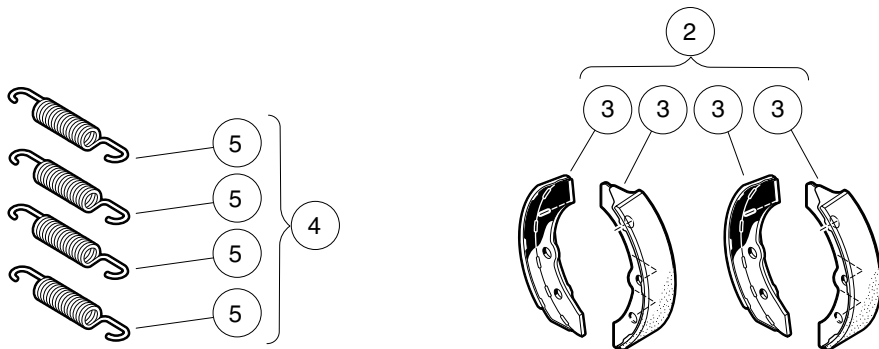
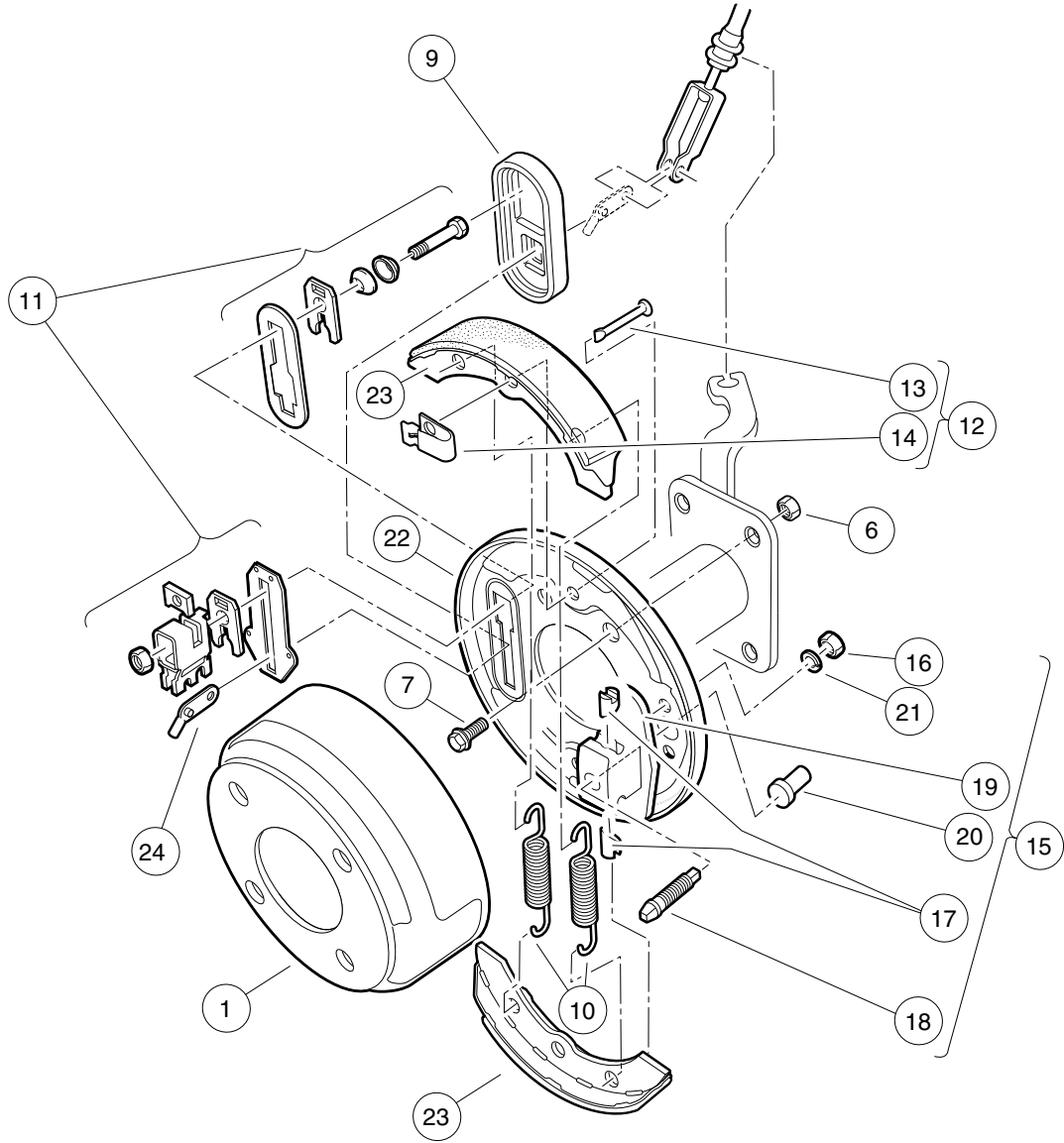


# ACCELERATOR ROD AND PEDAL ASSEMBLY – GASOLINE VEHICLES

ITEM	PART NO.	DESCRIPTION	QTY
		1 2 3 4	
1	101822001	Rod, Accelerator (includes items 2 through 4) .....	1
2	1011084	Nut, 1/4-28 Hex Jam .....	2
3	1011734	Joint, Ball .....	2
4	N/A	Accelerator Rod .....	1

5  
G  
E

**5**  
**G**  
**E**



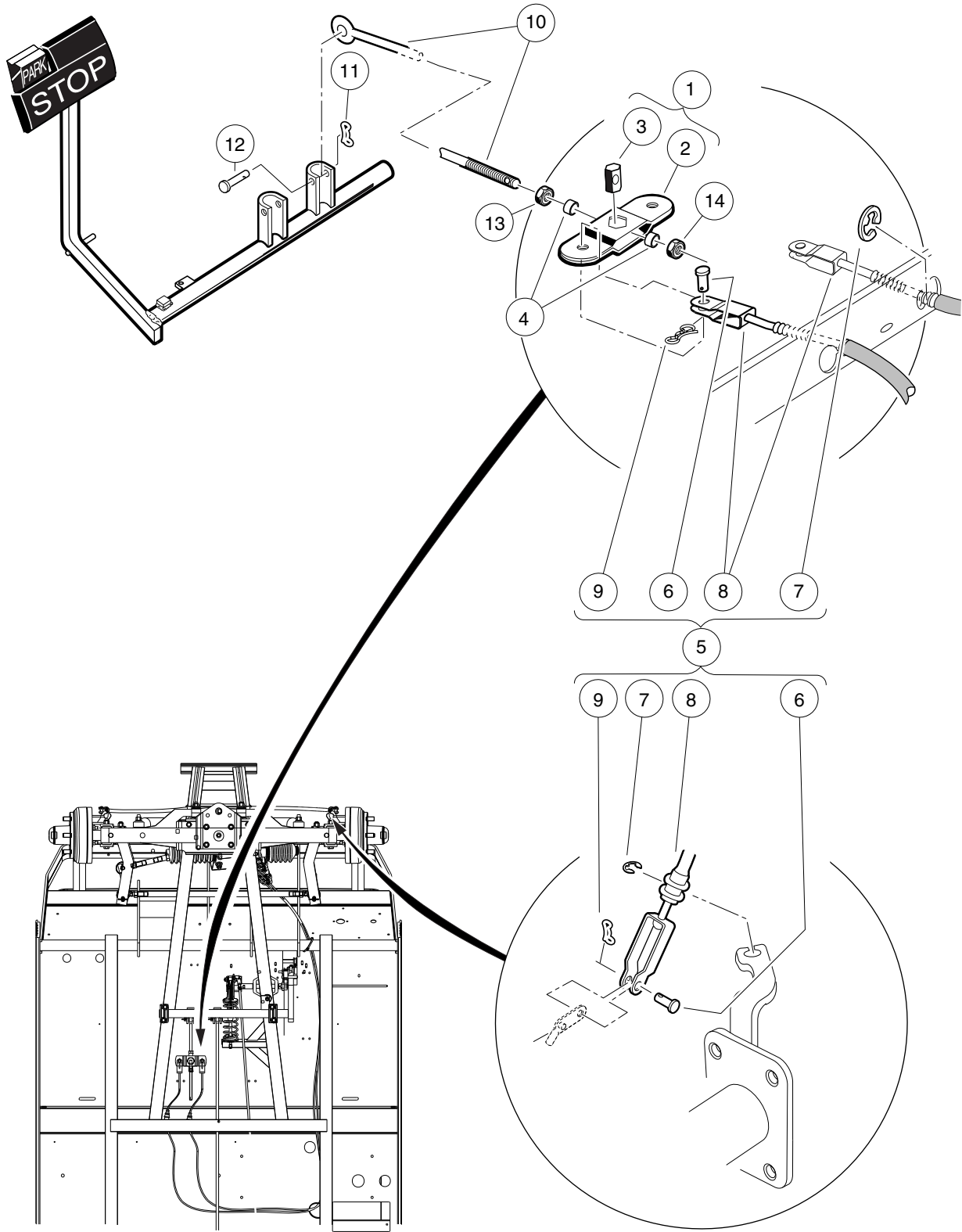
000298-001

# FRONT BRAKE ASSEMBLY – VEHICLES WITH FOUR-WHEEL BRAKES

ITEM	PART NO.	DESCRIPTION	QTY
		1 2 3 4	
1	1011137	Drum, Brake .....	2
2	101146302	Kit, Non-Asbestos Brake Shoe (includes item 3) .....	1
3	101880701	Shoe Brake Manual Adj (Available in Kit, Non-Asbestos Brake Shoe) .....	4
4	1011464	Package, Brake Spring (includes item 5) .....	1
5	1011314	Brake Spring .....	4
6	1013924	Nut, 5/16-24, Hex Head Cone .....	8
7	1014153	Bolt, Brake Cluster Mounting .....	8
8	1016557	Cluster, Brake, Driver-Side (includes items 9 through 24) .....	1
9	1010850	Dust Cover .....	1
10	1011314	Brake Spring .....	2
11	1011465	Kit, Brake Actuator .....	1
12	1011466	Kit, Shoe Retainer (includes items 13 and 14) .....	1
13	N/A	Pin .....	2
14	N/A	Shoe Clamp Spring .....	2
15	1011467	Kit, Anchor Body (includes items 16 through 21) .....	1
16	1011114	Nut, M6-1.00 Hex .....	2
17	1011298	Anchor Piston .....	2
18	N/A	Adjustment Bolt .....	1
19	N/A	Anchor Body Component .....	1
20	1011303	Adjustment Bolt Cap .....	1
21	451	Lockwasher, 1/4 Split .....	2
22	1011494	Backing Plate, Left-Hand .....	1
23	101880701	Shoe Brake Manual Adj (Available in Kit, Non-Asbestos Brake Shoe) .....	2
24	N/A	Arm, Brake Lever .....	1
25	1016573	Cluster, Brake, Passenger-Side (includes items 26 through 41) .....	1
26	1010850	Dust Cover .....	1
27	1011154	Backing Plate, Right-Hand .....	1
28	1011314	Brake Spring .....	2
29	1011465	Kit, Brake Actuator .....	1
30	1011466	Kit, Shoe Retainer (includes items 31 and 32) .....	1
31	N/A	Pin .....	2
32	N/A	Shoe Clamp Spring .....	2
33	1011467	Kit, Anchor Body (includes items 34 through 39) .....	1
34	1011114	Nut, M6-1.00 Hex .....	2
35	1011298	Anchor Piston .....	2
36	N/A	Adjustment Bolt .....	1
37	N/A	Anchor Body Component .....	1
38	1011303	Adjustment Bolt Cap .....	1
39	451	Lockwasher, 1/4 Split .....	2
40	101880701	Shoe Brake Manual Adj (Available in Kit, Non-Asbestos Brake Shoe) .....	2
41	N/A	Arm, Brake Lever .....	1
Note: Passenger-side brake cluster not shown. Components have a similar appearance to driver-side brake cluster components.			

**5**  
**G**  
**E**

**5**  
**G**  
**E**



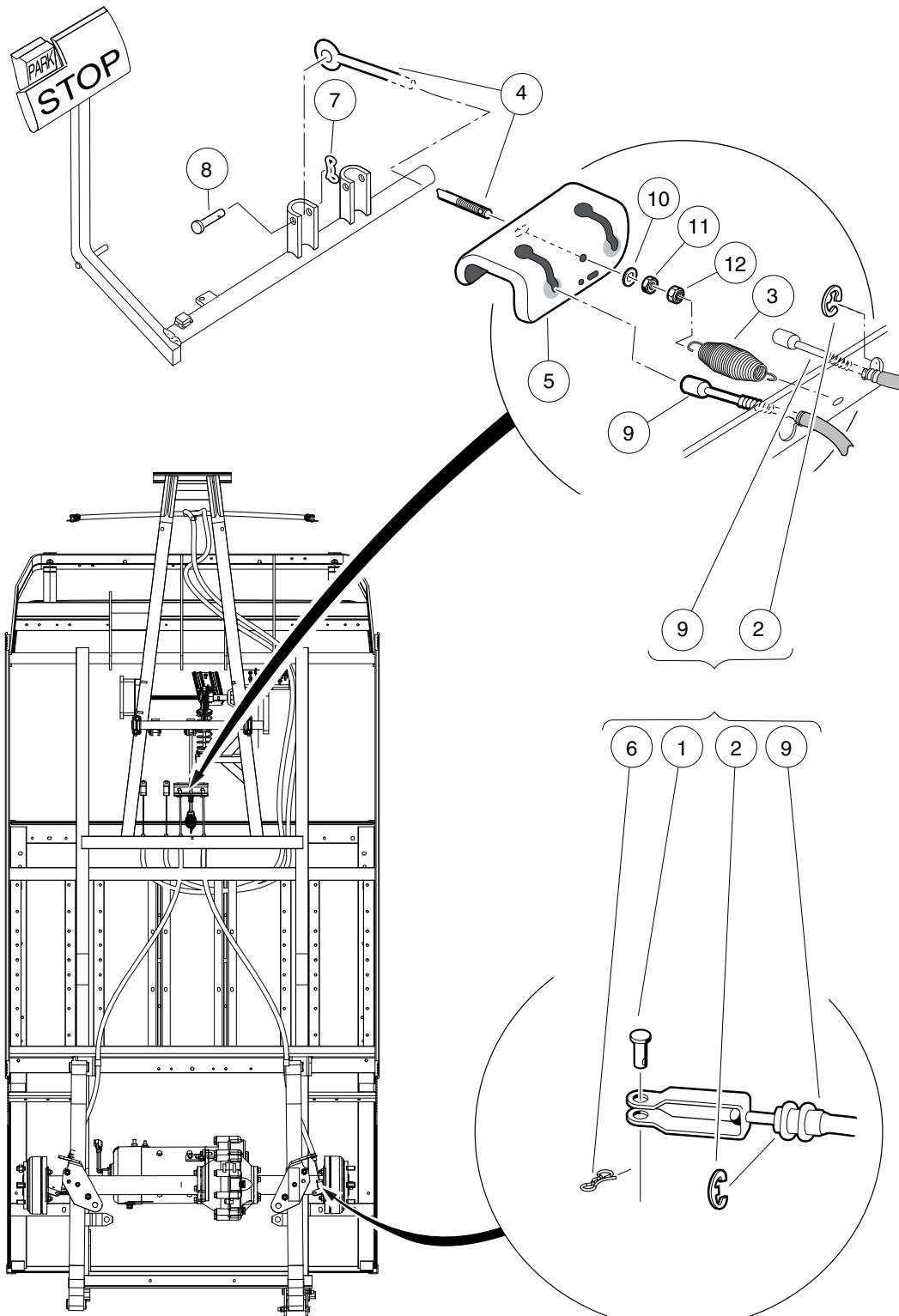
000294-001

# FRONT BRAKE CABLES AND EQUALIZER – VEHICLES WITH FOUR-WHEEL BRAKES

ITEM	PART NO.	DESCRIPTION	QTY
		<b>1 2 3 4</b>	
1	1017211	Kit, Equalizer and Pivot Limiter (includes items 2 and 3) .....	1
2	1016319	Equalizer Weld Assembly .....	1
3	1016320	Equalizer, Pivot Limiter .....	1
4	101865301	Spacer .....	2
5	101874601	Kit, Brake Cable (includes items 6 through 9) .....	1
6	1010829	Pin, Clevis, 5/16 X 3/4 .....	4
7	1011779	E-Clip, 1/2 .....	4
8	N/A	Brake Cable .....	2
9	102292801	Pin, Bow Tie Locking - .072 .....	4
10	101953106	Rod, Equalizer, 9.75" .....	1
11	102323101	Pin, Bow Tie Locking .....	1
12	102323201	Pin, 3/8 X 1-5/16 Clevis .....	1
13	1242	Nut, 5/16-18 Hex .....	1
14	7473	Locknut, 5/16-18 Nylon Insert .....	1

**5**  
**G**  
**E**

**5**  
**G**  
**E**



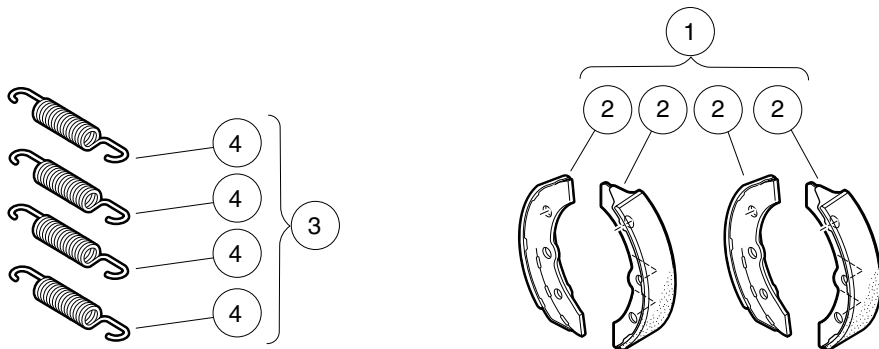
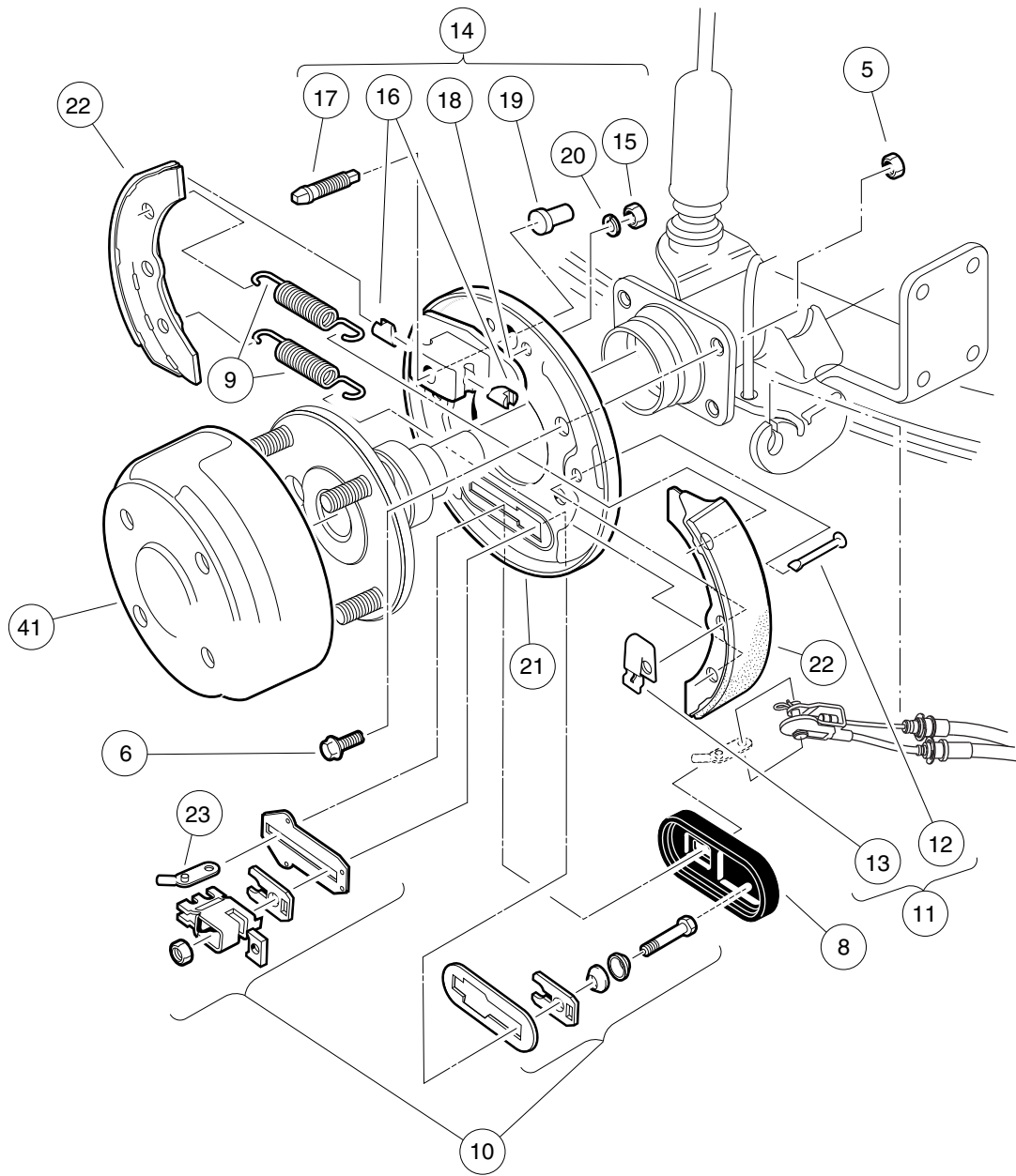
000295-002

# REAR BRAKE CABLES AND EQUALIZER – VEHICLES WITH 4-WHEEL BRAKES

ITEM	PART NO.	DESCRIPTION	QTY
		<b>1 2 3 4</b>	
1	1010829	Pin, Clevis, 5/16 X 3/4 .....	2
2	1011779	E-Clip, 1/2 .....	4
3	1013531	Spring, Brake Return .....	1
4	101953106	Rod, Equalizer, 9.75" .....	1
5	101990801	Equalizer Bracket .....	1
6	102292801	Pin, Bow Tie Locking - .072 .....	2
7	102323101	Pin, Bow Tie Locking .....	1
8	102323201	Pin, 3/8 X 1-5/16 Clevis .....	1
9	102852101	Cable, Brake, 51-inch, Right .....	2
10	1241	Washer, 5/16 Type A Flat .....	1
11	1242	Nut, 5/16-18 Hex .....	1
12	7473	Locknut, 5/16-18 Nylon Insert .....	1

**5**  
**G**  
**E**

**5**  
**G**  
**E**



000293-002

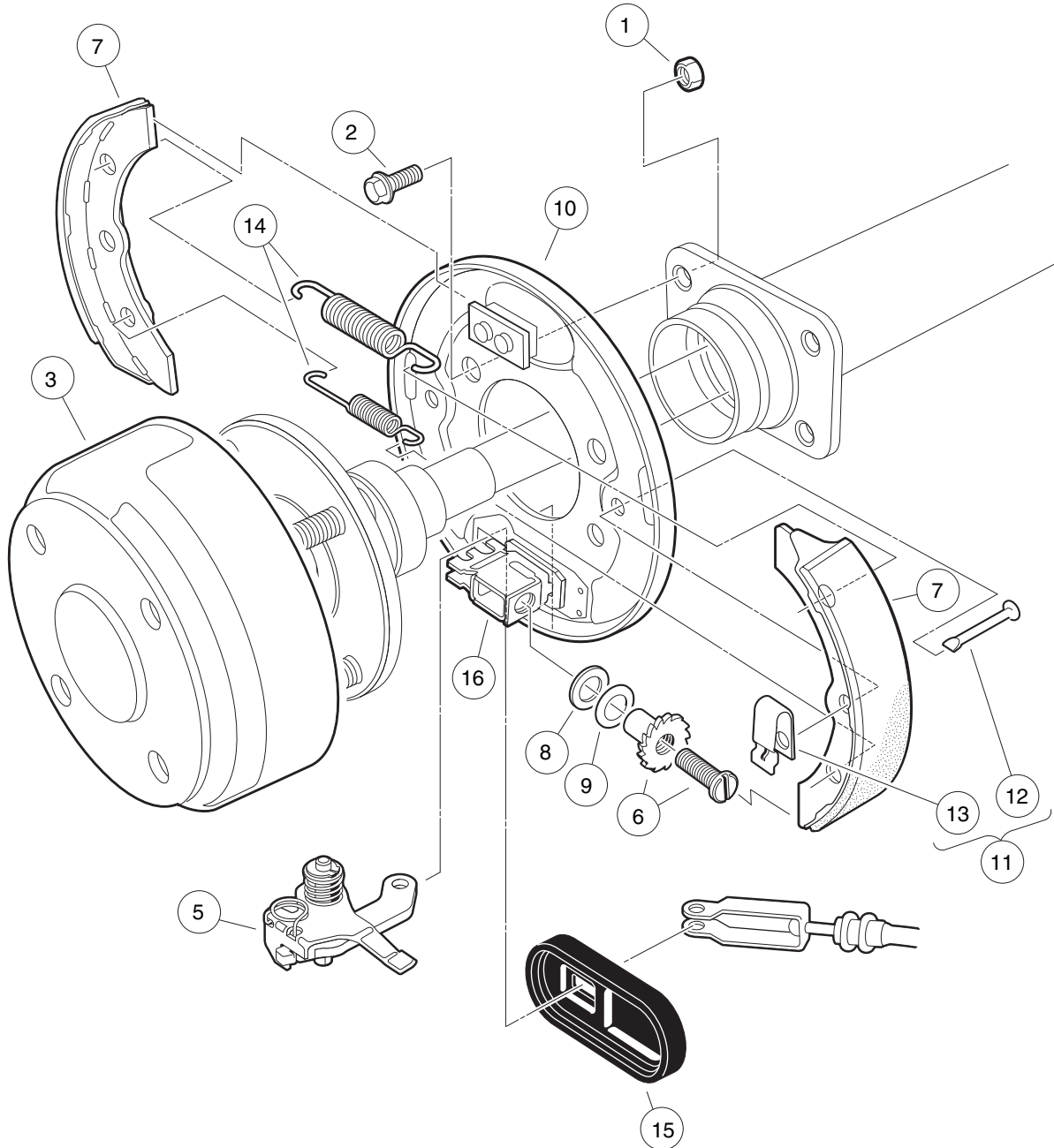


# REAR BRAKE ASSEMBLY, MANUALLY-ADJUSTED – VEHICLES WITH 4-WHEEL BRAKES

ITEM	PART NO.	DESCRIPTION	QTY
		<b>1 2 3 4</b>	
1	101146302	Kit, Non-Asbestos Brake Shoe (includes item 2) .....	1
2	101880701	Shoe Brake Manual Adj (Available in Kit, Non-Asbestos Brake Shoe) .....	4
3	1011464	Package, Brake Spring (includes item 4) .....	1
4	1011314	Brake Spring .....	4
5	1013924	Nut, 5/16-24, Hex Head Cone .....	8
6	1014153	Bolt, Brake Cluster Mounting .....	8
7	1016557	Cluster, Brake, Driver-Side (includes items 8 through 23) .....	1
8	1010850	Dust Cover .....	1
9	1011314	Brake Spring .....	2
10	1011465	Kit, Brake Actuator .....	1
11	1011466	Kit, Shoe Retainer (includes items 12 and 13) .....	1
12	N/A	Pin .....	2
13	N/A	Shoe Clamp Spring .....	2
14	1011467	Kit, Anchor Body (includes items 15 through 20) .....	1
15	1011114	Nut, M6-1.00 Hex .....	2
16	1011298	Anchor Piston .....	2
17	N/A	Adjustment Bolt .....	1
18	N/A	Anchor Body Component .....	1
19	1011303	Adjustment Bolt Cap .....	1
20	451	Lockwasher, 1/4 Split .....	2
21	1011494	Backing Plate, Left-Hand .....	1
22	101880701	Shoe Brake Manual Adj (Available in Kit, Non-Asbestos Brake Shoe) .....	2
23	N/A	Arm, Brake Lever .....	1
24	1016573	Cluster, Brake, Passenger-Side (includes items 25 through 40) .....	1
25	1010850	Dust Cover .....	1
26	1011154	Backing Plate, Right-Hand .....	1
27	1011314	Brake Spring .....	2
28	1011465	Kit, Brake Actuator .....	1
29	1011466	Kit, Shoe Retainer (includes items 30 and 31) .....	1
30	N/A	Pin .....	2
31	N/A	Shoe Clamp Spring .....	2
32	1011467	Kit, Anchor Body (includes items 33 through 38) .....	1
33	1011114	Nut, M6-1.00 Hex .....	2
34	1011298	Anchor Piston .....	2
35	N/A	Adjustment Bolt .....	1
36	N/A	Anchor Body Component .....	1
37	1011303	Adjustment Bolt Cap .....	1
38	451	Lockwasher, 1/4 Split .....	2
39	101880701	Shoe Brake Manual Adj (Available in Kit, Non-Asbestos Brake Shoe) .....	2
40	N/A	Arm, Brake Lever .....	1
41	101791101	Drum without Center Hole, Brake .....	2
		Note: Passenger-side brake cluster not shown. Components have a similar appearance to driver-side brake cluster components.	

**5**  
**G**  
**E**

**5**  
**G**  
**E**



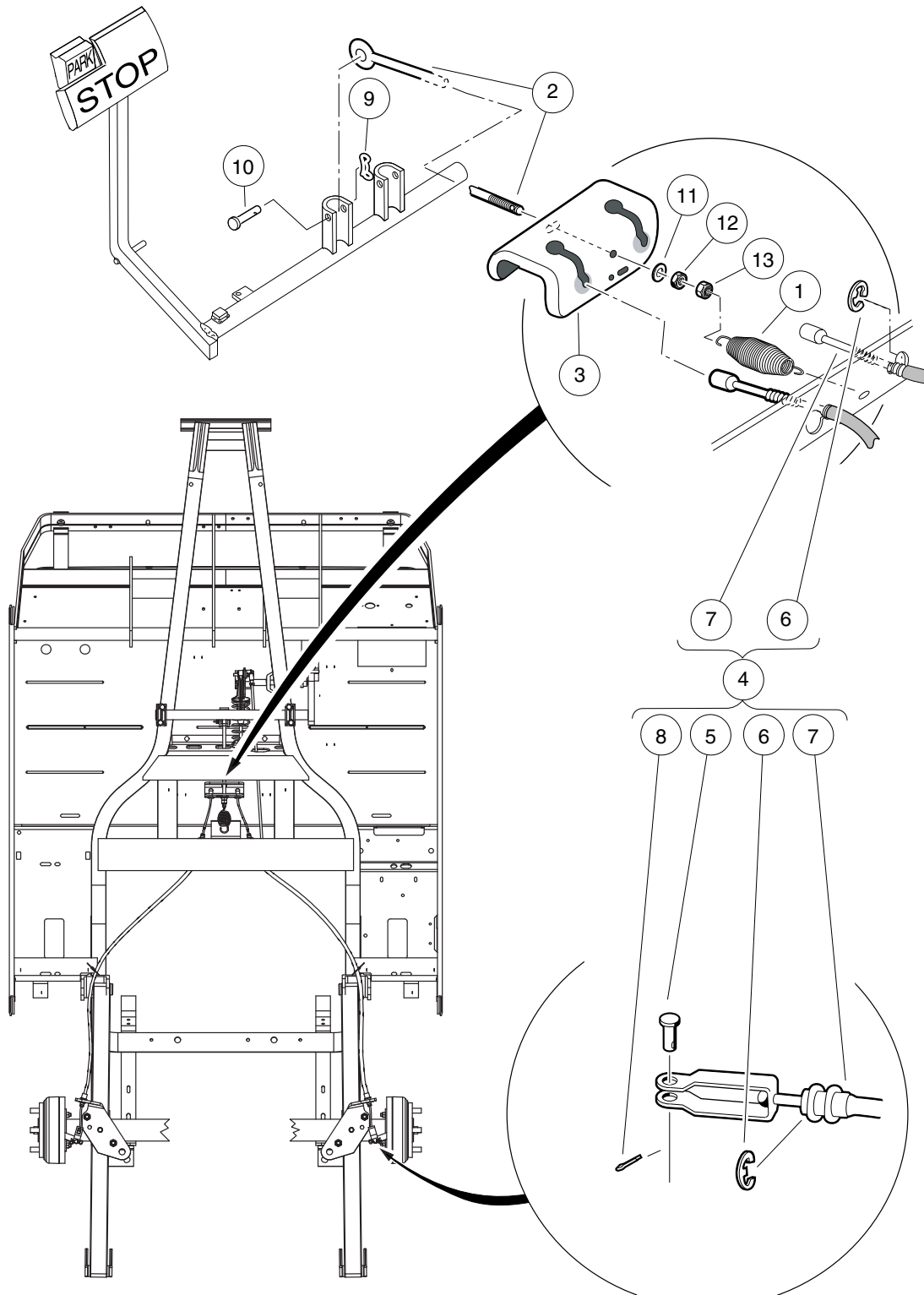
000186-003

# REAR BRAKE ASSEMBLY, SELF-ADJUSTING – VEHICLE WITH 2-WHEEL BRAKES

ITEM	PART NO.	DESCRIPTION	QTY
		<b>1 2 3 4</b>	
1	1013924	Nut, 5/16-24, Hex Head Cone .....	8
2	1014153	Bolt, Brake Cluster Mounting .....	8
3	101791101	Drum without Center Hole, Brake .....	2
4	103380201	Asm, Brake Cluster, Mech, Drvr (includes items 5 through 16) .....	1
5	101815502	Lever Assembly, Self-Adjusting Brake, Left .....	1
6	101816502	Adjusting Mechanism, Self-Adjusting Brake, Left .....	1
7	101823201	Package, Brake Shoe, Self-Adjusting .....	1
8	101823801	Plate, Washer, Brake, Self-Adjusting .....	1
9	101823901	Washer, Brake, Self-Adjusting .....	1
10	103483102	Back Plate, Lh .....	1
11	103483201	Kit, Shoe Retainer (includes items 12 and 13) .....	1
12	N/A	Pin .....	2
13	N/A	Spring, Shoe, Clamp .....	2
14	103483401	Package Brake Spring Self Adj .....	1
15	103483601	Cover, Dust .....	1
16	103483701	Brake Block .....	1
17	103380202	Asm, Brake Cluster, Mech, Pass (includes items 18 through 29) .....	1
18	101815501	Lever Assembly, Self-Adjusting Brake, Right (Passenger) .....	1
19	101816501	Adj Mechanism, S.A. Brakes, Right (Passenger) .....	1
20	101823201	Package, Brake Shoe, Self-Adjusting .....	1
21	101823801	Plate, Washer, Brake, Self-Adjusting .....	1
22	101823901	Washer, Brake, Self-Adjusting .....	1
23	103483101	Back Plate, Rh .....	1
24	103483201	Kit, Shoe Retainer (includes items 25 and 26) .....	1
25	N/A	Pin .....	2
26	N/A	Spring, Shoe, Clamp .....	2
27	103483401	Package Brake Spring Self Adj .....	1
28	103483601	Cover, Dust .....	1
29	103483701	Brake Block .....	1
<p>Note: Passenger-side brake cluster not shown. Components have a similar appearance to driver-side brake cluster components. 1033802 brake cluster assemblies are backward compatible but individual parts that do not share part numbers with 1018233 are not.</p>			

5  
G  
E

**5**  
**G**  
**E**



000296-001

# REAR BRAKE CABLES AND EQUALIZER – VEHICLES WITH TWO-WHEEL BRAKES

ITEM	PART NO.	DESCRIPTION	QTY
		1 2 3 4	
1	1013531	Spring, Brake Return .....	1
2	101953102	Rod, Equalizer, 20.91 inch .....	1
3	101990801	Equalizer Bracket .....	1
4	102022101	Brake Cable Kit (includes items 5 through 8) .....	2
5	1010829	Pin, Clevis, 5/16 X 3/4 .....	1
6	1011779	E-Clip, 1/2 .....	2
7	N/A	Cable, Brake, 41" .....	1
8	102292801	Pin, Bow Tie Locking - .072 .....	1
9	102323101	Pin, Bow Tie Locking .....	1
10	102323201	Pin, 3/8 X 1-5/16 Clevis .....	1
11	1241	Washer, 5/16 Type A Flat .....	1
12	1242	Nut, 5/16-18 Hex .....	1
13	7473	Locknut, 5/16-18 Nylon Insert .....	1

**5**  
**G**  
**E**

**5**

**G**

**E**

# **STEERING AND SUSPENSIONS (CONV. BALL JOINTS) – TURF/CA 2 & 2 PLUS**

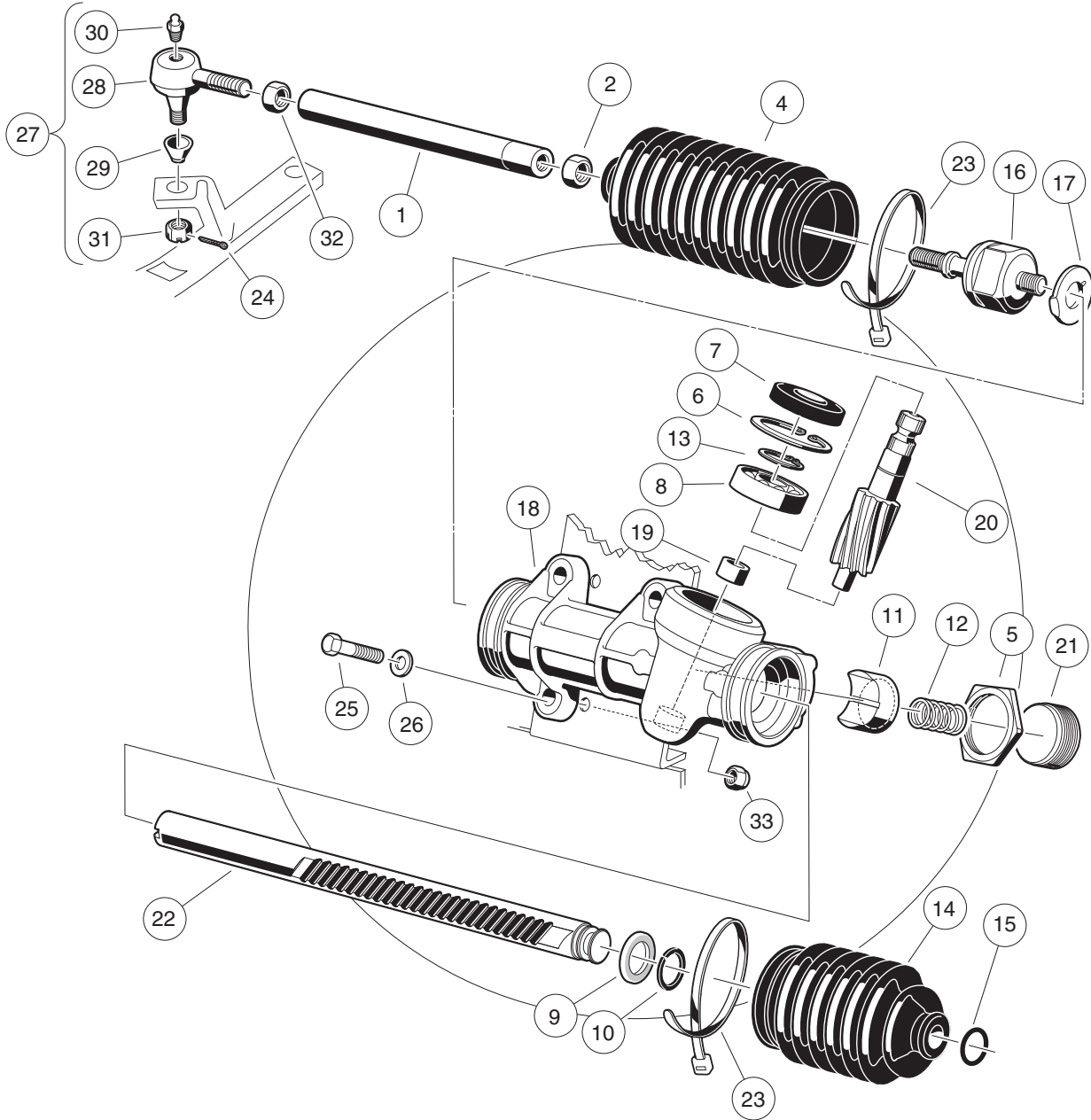
---

**6**

**G**

**E**

**6**  
**G**  
**E**



001213-001

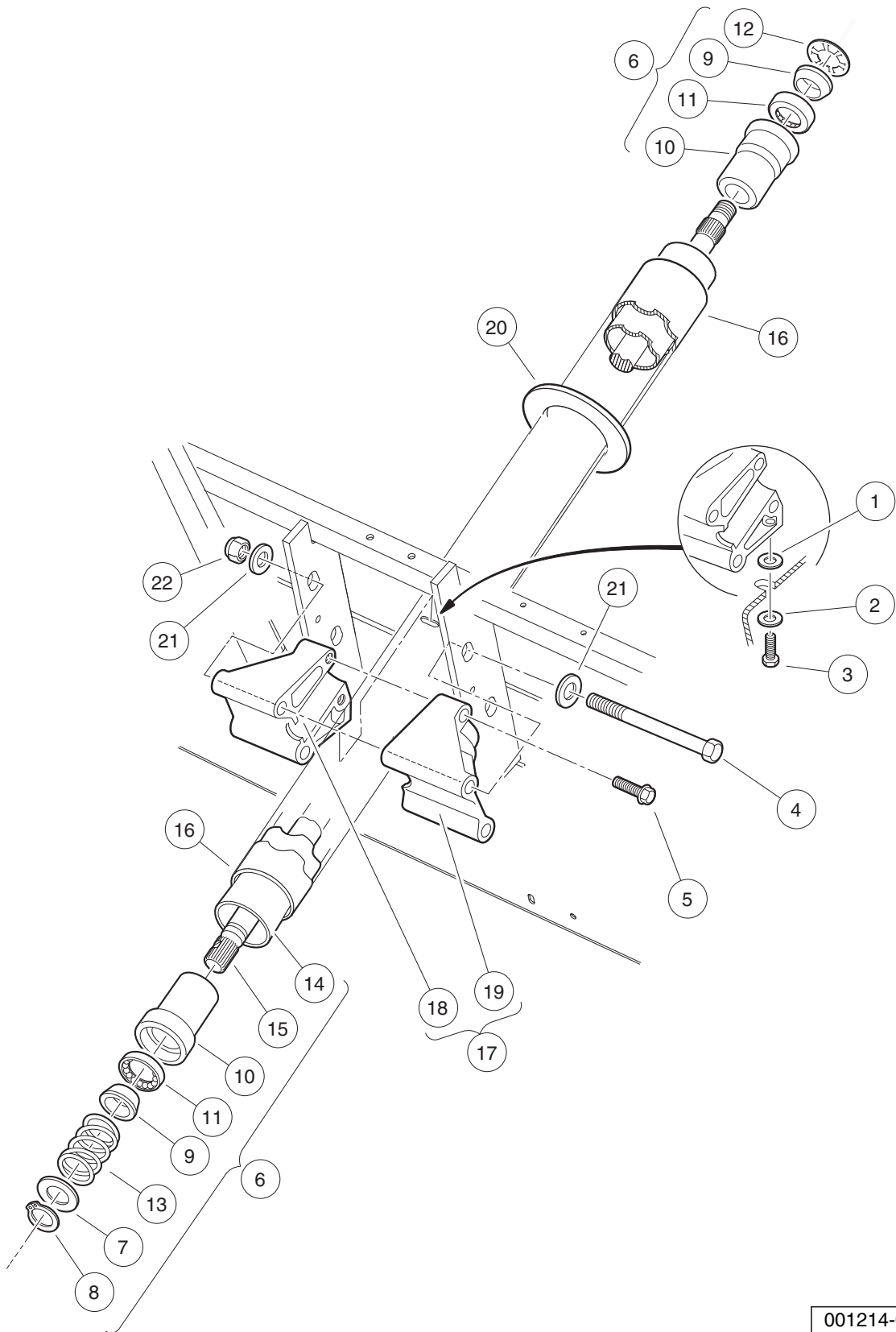


# STEERING GEAR ASSEMBLY (MANDO) – CONVENTIONAL BALL JOINT

ITEM	PART NO.	DESCRIPTION	QTY
		<b>1 2 3 4</b>	
1	1012467	Link, Rack and Pinion Drag .....	1
2	1013042	Nut, 12mm Hex .....	1
3	101878302	Steering Gear Assembly (without yoke) (includes items 4 through 23) .....	1
4	1013035	Bellows, Long .....	1
5	1013044	Rack Screw Locknut .....	1
6	N/A	Snap Ring .....	1
7	1013052	Seal, Steering Pinion Dust .....	1
8	101879401	Bearing, Ball .....	1
9	101879501	Stop Washer .....	1
10	101879601	Stop Ring, C-Type .....	1
11	101879701	Support Yoke .....	1
12	101879801	Rack Guide Pressure Spring .....	1
13	101879901	Ring, Stop, C-Type .....	1
14	101880001	Bellows, Short .....	1
15	101880101	Dust Seal Retaining Ring .....	1
16	101880201	Inner Ball Joint Asm .....	1
17	101880301	Washer, Tab .....	1
18	N/A	Box, Steering Gear .....	1
19	N/A	Bearing, Lower Pinion .....	1
20	N/A	Pinion, Steering .....	1
21	N/A	Screw, Rack Guide .....	1
22	N/A	Rack, Steering .....	1
23	8990	Tie Wrap, 8" Nylon .....	2
24	1035	Cotter Pin, 3/32 x 1 .....	1
25	1624	Screw, 3/8-16 X 1.50, Hex-Head Cap .....	3
26	334	Washer, 3/8, Type A, Flat .....	3
27	7540	Ball Joint, Left (includes items 28 through 31) .....	1
28	1011895	Socket, LH Vertical .....	1
29	1011930	Seal, Vertical Socket Dust .....	1
30	1015597	Fitting, 1/4-28 Thread-Forming Grease .....	1
31	7602	Nut, 3/8-24 UNF Hex .....	1
32	7555	Nut, 1/2-20 Hex, Left-Hand Thread .....	1
33	8754	Locknut, 3/8-16 Hex .....	3

**6**  
**G**  
**E**

**6**  
**G**  
**E**



001214-001

## STEERING COLUMN – UTILITY

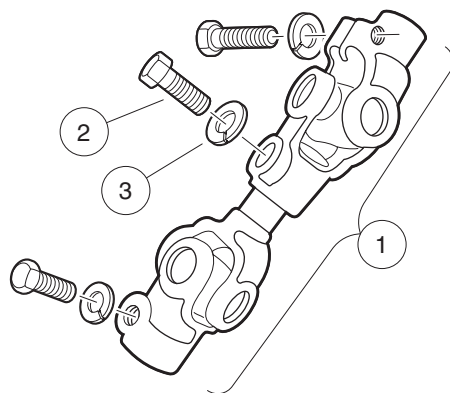
ITEM	PART NO.	DESCRIPTION	QTY
		1 2 3 4	
1	1011578	Washer, 5/16 Type B Flat .....	1
2	1011697	Washer, 5/16 Flat .....	1
3	1014288	Screw, 5/16-18 X 0.75, Thread-Forming .....	1
4	1016183	Screw, 3/8-16 X 7.00 Hex Cap .....	2
5	1016269	Screw, 5/16-18 Thrd Forming .....	2
6	1017313	Steering Shaft Assembly (includes items 7 through 15) .....	1
7	1012604	Washer, 0.675 ID X 1.19 OD .....	1
8	1012605	Ring, 0.579 Internal Retaining .....	1
9	1014125	Wedge, Molded .....	2
10	1014126	Seat, Plastic Bearing .....	2
11	1014213	Bearing, Ball .....	2
12	1014214	Ring, Retaining .....	1
13	1014217	Spring, Steering Shaft .....	1
14	1017314	Column, Aluminum Steering .....	1
15	1017315	Shaft Steering Column .....	1
16	1017317	Tube Cover, Steering Column .....	1
17	101984801	Kit, Steering Column Mounting Bracket (includes items 18 and 19) .....	1
18	N/A	Bracket, RH Steering Column Mount .....	1
19	N/A	Bracket, LH Steering column mount .....	1
20	102278001	Boot, Steering Column Round .....	1
21	334	Washer, 3/8, Type A, Flat .....	4
22	8754	Locknut, 3/8-16 Hex .....	2

**6**  
**G**  
**E**

6

G

E



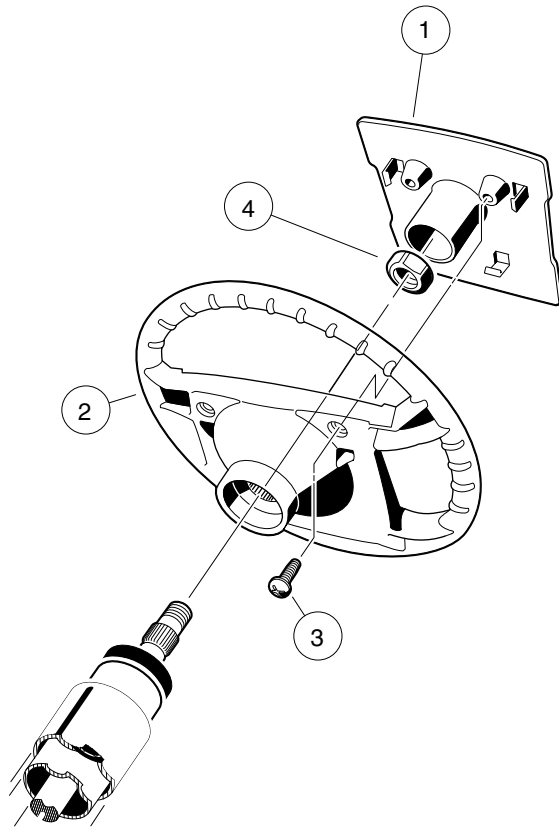
001217-001

# INTERMEDIATE STEERING SHAFT (MANDO) – TURF/CA 1/2/6

ITEM	PART NO.	DESCRIPTION	QTY
		<b>1 2 3 4</b>	
1	1013861	Intermediate Steering Shaft (includes items 2 and 3) .....	1
2	1017226	Bolt, Hex-Head, 8mm X 1.25 - 30 .....	3
3	7174	Lockwasher, 5/16 Split .....	3

6  
G  
E

**6**  
**G**  
**E**



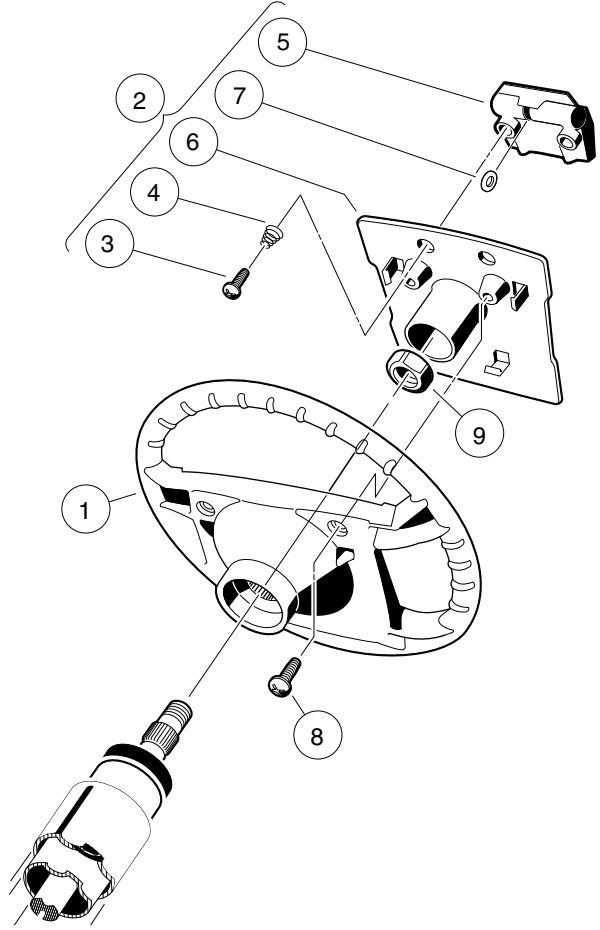
000246-003

# STEERING WHEEL

ITEM	PART NO.	DESCRIPTION	QTY
		1 2 3 4	
1	101615504	Plate, Scorecard .....	1
2	1016156	Wheel, Steering .....	1
3	1016663	Screw, #12-14 X 0.625 .....	2
4	1017273	Nut, 5/8-18 Nylon Insert Jam .....	1

6  
G  
E

**6**  
**G**  
**E**



000246-002

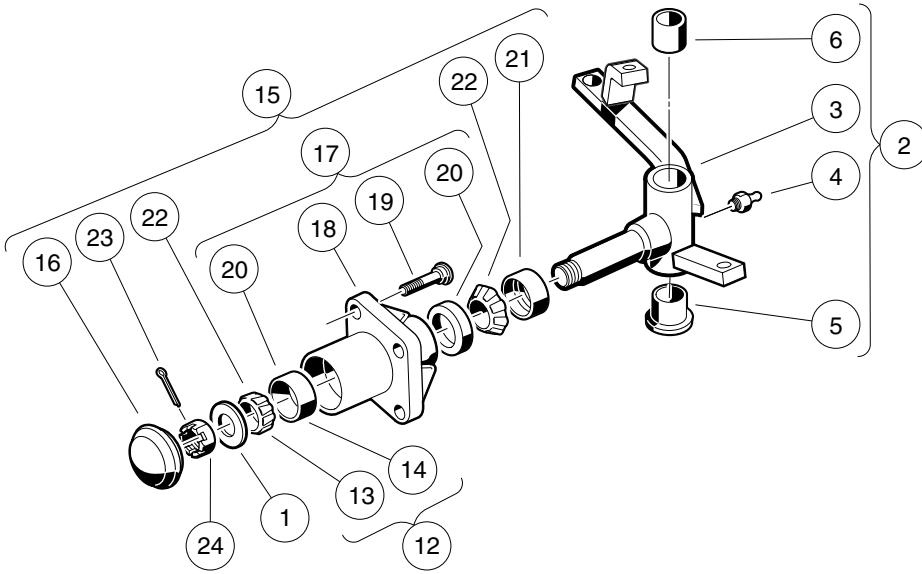


# STEERING WHEEL WITH CLIP

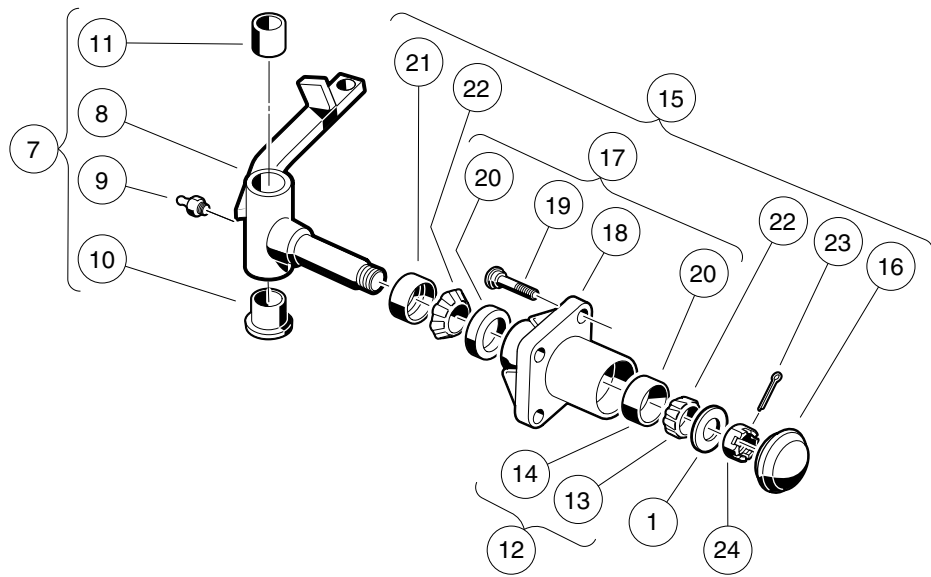
ITEM	PART NO.	DESCRIPTION	QTY
		<b>1 2 3 4</b>	
1	1016156	Wheel, Steering .....	1
2	1016219	Plate, Scorecard (includes items 3 through 7) .....	1
3	1012565	Screw, #12 Phillips Round Head .....	2
4	1012566	Tapered Compression Spring .....	2
5	1016154	Clip, Scorecard .....	1
6	N/A	Plate, Score Card .....	1
7	1016214	Pencil Grip .....	1
8	1016663	Screw, #12-14 X 0.625 .....	2
9	1017273	Nut, 5/8-18 Nylon Insert Jam .....	1

**6**  
**G**  
**E**

PASSENGER SIDE



DRIVER SIDE



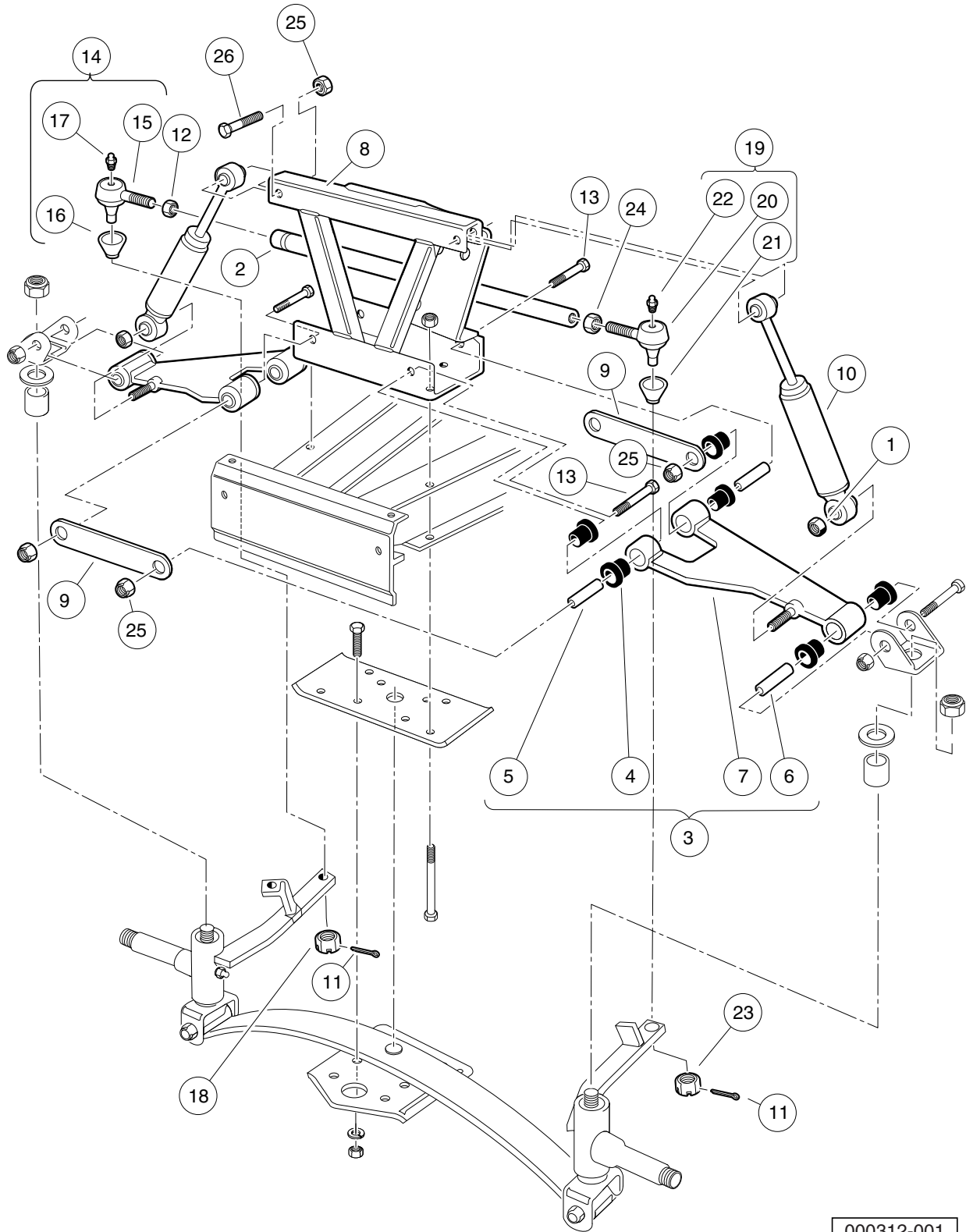
000310-001

# FRONT SPINDLES AND HUBS – VEHICLES WITH TWO-WHEEL BRAKES AND CONVENTIONAL BALL JOINTS

ITEM	PART NO.	DESCRIPTION	QTY
		<b>1 2 3 4</b>	
1	1010005	Washer, 3/4 Flat .....	2
2	1010347	Spindle Assembly, Right (includes items 3 through 6) .....	1
3	1010344	Spindle Sub-Assembly, Right-Hand .....	1
4	1015597	Fitting, 1/4-28 Thread-Forming Grease .....	1
5	7048	Bushing, Flanged Bronze .....	1
6	8067	Bushing, Bronze Spindle .....	1
7	1010348	Spindle Assembly, Left (includes items 8 through 11) .....	1
8	1010342	Spindle Sub-Assembly, Left-Hand .....	1
9	1015597	Fitting, 1/4-28 Thread-Forming Grease .....	1
10	7048	Bushing, Flanged Bronze .....	1
11	8067	Bushing, Bronze Spindle .....	1
12	1011393	Hub Bearing Package (includes items 13 and 14) .....	4
13	7274	Bearing, Front Hub Wheel .....	1
14	7308	Race, Front Hub Bearing .....	1
15	1011892	Hub Assembly (includes items 16 through 23) .....	2
16	1011887	Dust Cover .....	1
17	N/A	Hub (includes items 18 through 20) .....	1
18	N/A	Front Hub .....	1
19	103477901	Lug Stud, 1/2-20 Unf, 4037 .....	4
20	7308	Race, Front Hub Bearing .....	2
21	1013135	Seal, Double Lip .....	1
22	7274	Bearing, Front Hub Wheel .....	2
23	7910	Pin, 5/32 X 1.00 Cotter .....	1
24	7840	Nut, 3/4-16 Hex Slotted .....	2

**6**  
**G**  
**E**

**6**  
**G**  
**E**



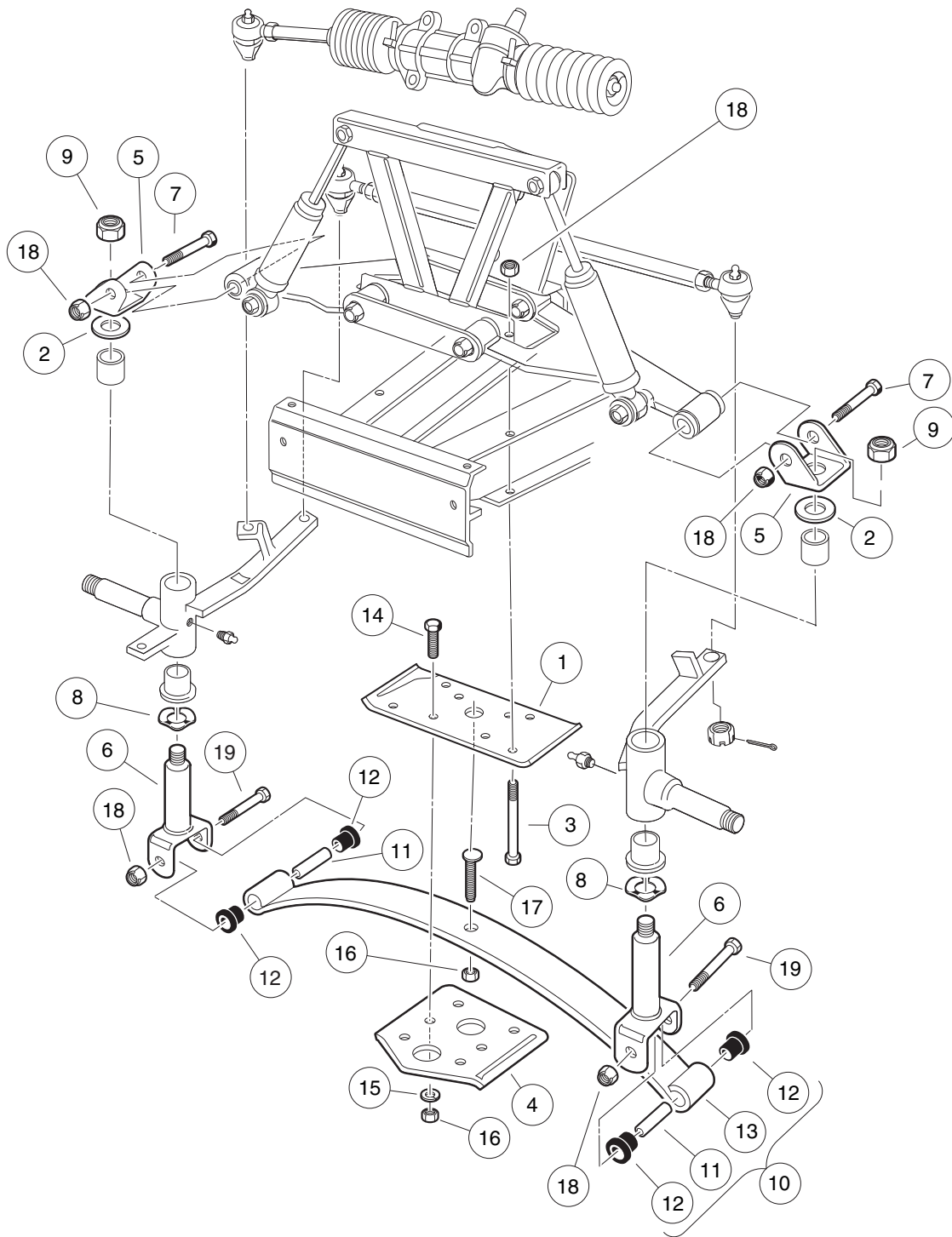
000312-001

# FRONT SUSPENSION, UPPER – VEHICLES WITH TWO-WHEEL BRAKES AND CONVENTIONAL BALL JOINTS

ITEM	PART NO.	DESCRIPTION	QTY
		<b>1 2 3 4</b>	
1	1010138	Locknut, 3/8-16 Dimpled .....	2
2	1010219	Tie Rod .....	1
3	1016353	Sub-Assembly, Delta A-Plate (includes items 4 through 7) .....	2
4	1016346	Bushing, Urethane .....	6
5	1016349	Sleeve, Delta Inner .....	2
6	1016350	Sleeve, Delta Outer .....	1
7	1016351	Delta A-Plate .....	1
8	1016385	Delta Shock and Gear Support Assembly .....	1
9	1017266	A-Plate Strap .....	2
10	103351001	Shock Absorber, Front, Common .....	2
11	1035	Cotter Pin, 3/32 x 1 .....	2
12	1308	Nut, 1/2-20 Hex .....	1
13	2402	Screw, 3/8-16 X 2.25 Hx Hd Cap .....	4
14	7539	Ball Joint, Right-Hand (includes items 15 through 18) .....	1
15	1011893	Socket, RH Vertical .....	1
16	1011930	Seal, Vertical Socket Dust .....	1
17	1015597	Fitting, 1/4-28 Thread-Forming Grease .....	1
18	7602	Nut, 3/8-24 UNF Hex .....	1
19	7540	Ball Joint, Left (includes items 20 through 23) .....	1
20	1011895	Socket, LH Vertical .....	1
21	1011930	Seal, Vertical Socket Dust .....	1
22	1015597	Fitting, 1/4-28 Thread-Forming Grease .....	1
23	7602	Nut, 3/8-24 UNF Hex .....	1
24	7555	Nut, 1/2-20 Hex, Left-Hand Thread .....	1
25	8754	Locknut, 3/8-16 Hex .....	6
26	8861	Bolt, 3/8-16 X 1.75 Hex .....	2

**6**  
**G**  
**E**

**6**  
**G**  
**E**



001102-001

# FRONT SUSPENSION, LOWER – VEHICLES WITH TWO-WHEEL BRAKES AND CONVENTIONAL BALL JOINTS

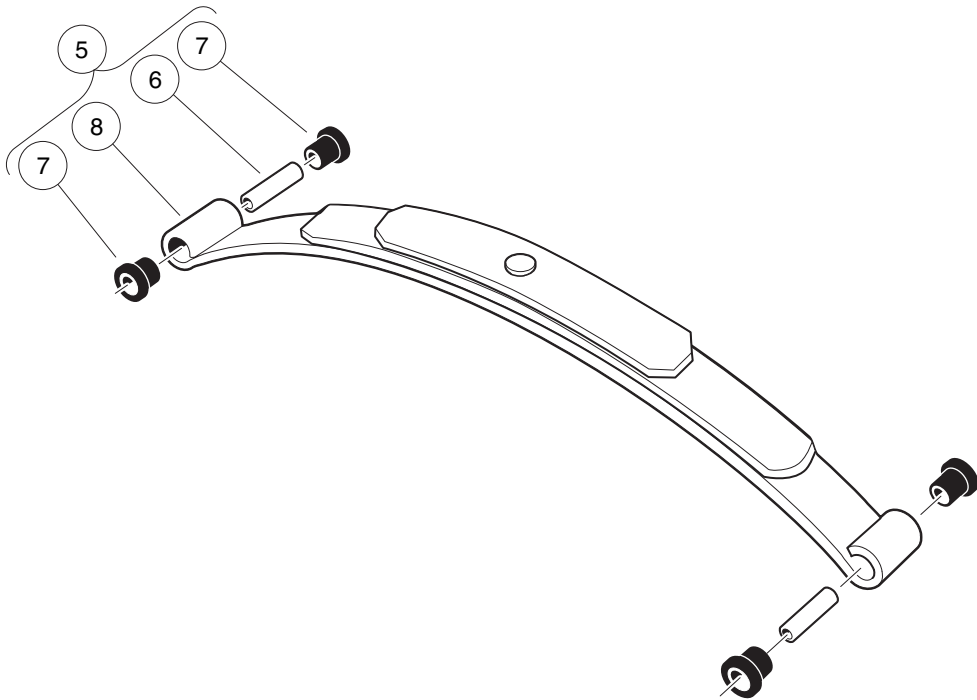
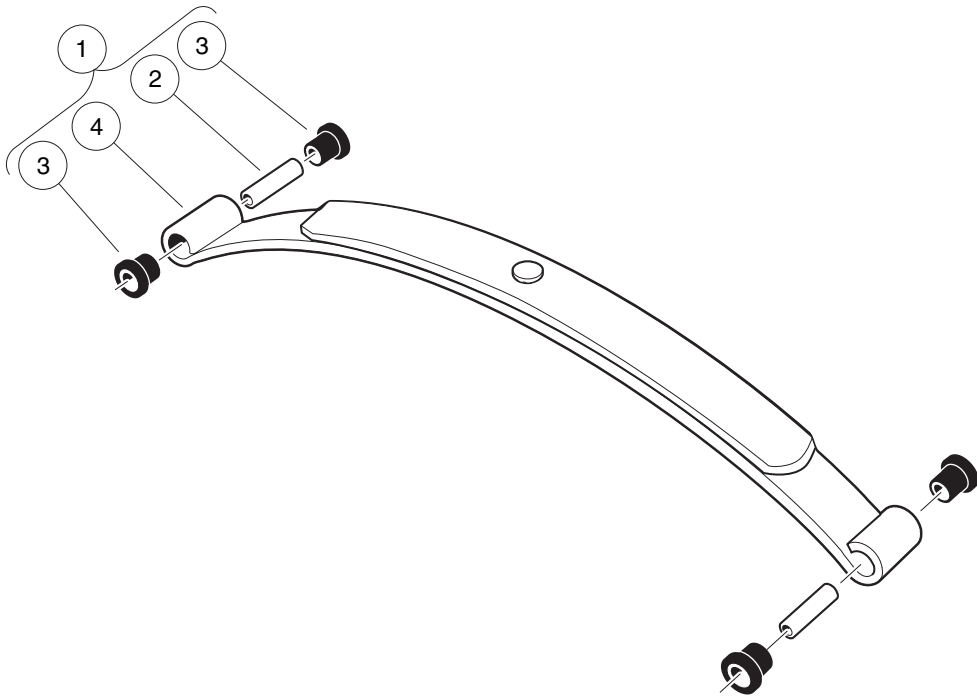
ITEM	PART NO.	DESCRIPTION	QTY
		<b>1 2 3 4</b>	
1	1010124	Plate, Spring Mount .....	1
2	1010150	Bearing, Thrust .....	2
3	1010200	Bolt, 3/8-16 X 4.25 Hex Head .....	4
4	1014276	Plate, Front Spring Retainer .....	1
5	1016384	Clevis, Delta Upper .....	2
6	1016386	King Pin Assembly .....	2
7	1016387	Screw, 3/8-16 X 2.75 Hx Hd Cap .....	2
8	1016389	Washer, 1.125 Od Wave .....	2
9	101903101	Locknut, 1/2-20 Nylon Insert .....	2
10	103628701	Spring Asm, Front, 1 Leaf (includes items 11 through 13) .....	1
11	1012303	Bushing, Steel .....	2
12	101558302	Bushing, Urethane, Soft .....	4
13	103502601	Spring, Front, 1 Leaf .....	1
14	1624	Screw, 3/8-16 X 1.50, Hex-Head Cap .....	4
15	357	Lockwasher, 3/8 Split .....	4
16	706	Nut, Hex 3/8-16 .....	5
17	8745	Screw, Eccentric Adjustment .....	1
18	8754	Locknut, 3/8-16 Hex .....	8
19	8755	Screw, 3/8-16 X 3.375 Hex Cap .....	2

**6**  
**G**  
**E**

6

G

E



001225-001

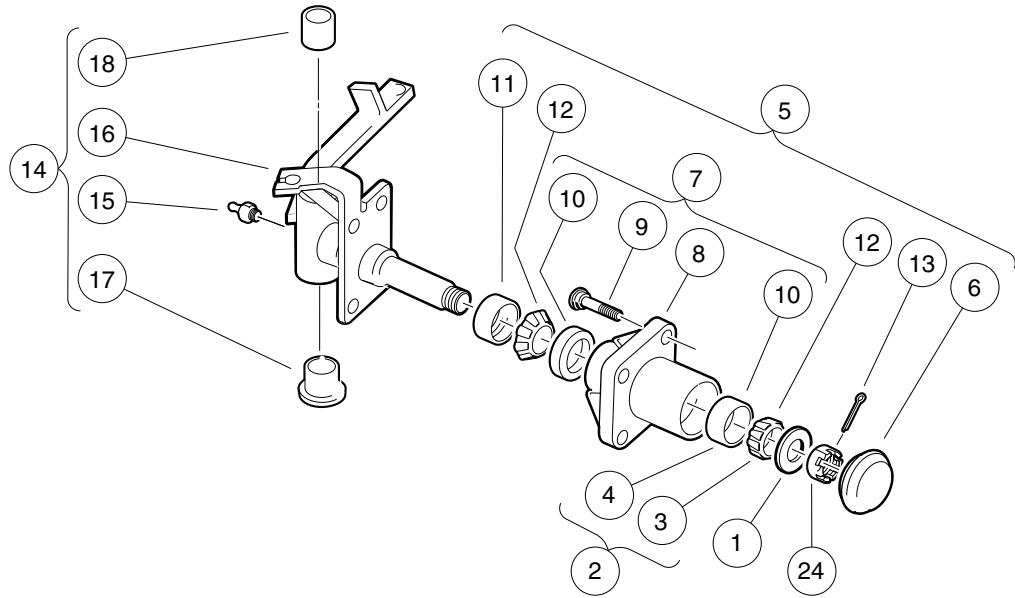
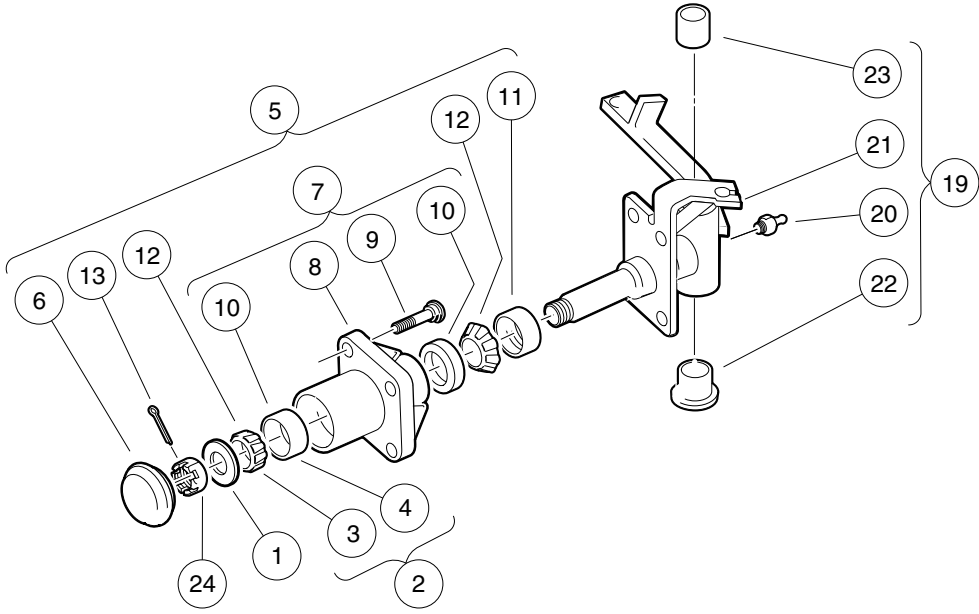


# HEAVY DUTY FRONT SPRINGS

ITEM	PART NO.	DESCRIPTION	QTY
		<b>1 2 3 4</b>	
1	103628801	Spring Asm, Front, 2 Leaf (includes items 2 through 4) .....	1
2	1012303	Bushing, Steel .....	2
3	1015583	Bushing, Urethane .....	4
4	103502701	Spring, Front, 2 Leaf .....	1
5	103628901	Spring Asm, Front, 3 Leaf (includes items 6 through 8) .....	1
6	1012303	Bushing, Steel .....	2
7	1015583	Bushing, Urethane .....	4
8	103502801	Spring, Front, 3 Leaf .....	1

**6**  
**G**  
**E**

**6**  
**G**  
**E**



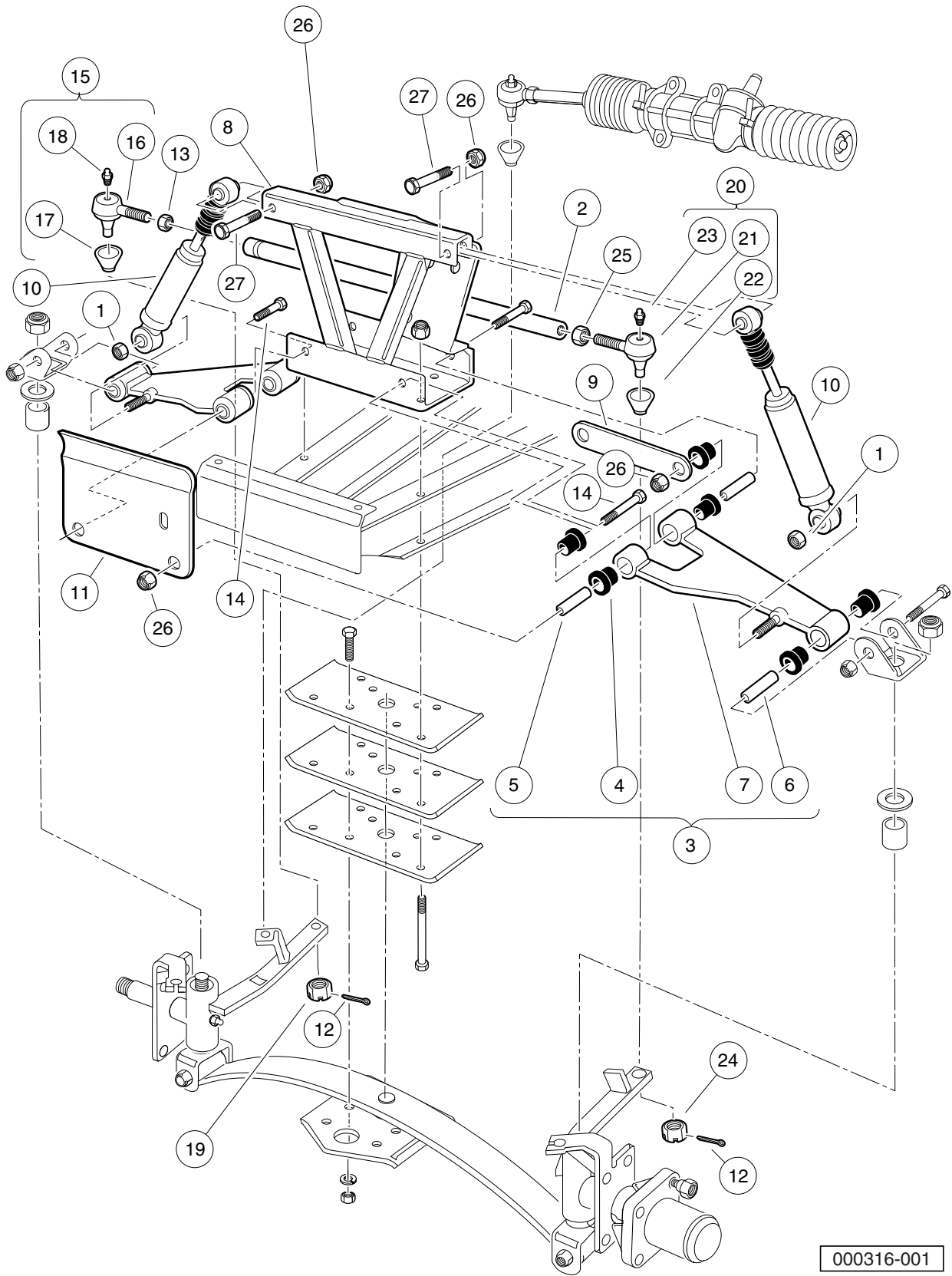
000310-002

# FRONT SPINDLES AND HUBS – VEHICLES WITH FOUR-WHEEL BRAKES AND CONVENTIONAL BALL JOINTS

ITEM	PART NO.	DESCRIPTION	QTY
		<b>1 2 3 4</b>	
1	1010005	Washer, 3/4 Flat .....	2
2	1011393	Hub Bearing Package (includes items 3 and 4) .....	4
3	7274	Bearing, Front Hub Wheel .....	1
4	7308	Race, Front Hub Bearing .....	1
5	1011892	Hub Assembly (includes items 6 through 13) .....	2
6	1011887	Dust Cover .....	1
7	N/A	Hub (includes items 8 through 10) .....	1
8	N/A	Front Hub .....	1
9	103477901	Lug Stud, 1/2-20 Unf, 4037 .....	4
10	7308	Race, Front Hub Bearing .....	2
11	1013135	Seal, Double Lip .....	1
12	7274	Bearing, Front Hub Wheel .....	2
13	7910	Pin, 5/32 X 1.00 Cotter .....	1
14	101876901	Spindle Assy, Driver Side (includes items 15 through 18) .....	1
15	1015597	Fitting, 1/4-28 Thread-Forming Grease .....	1
16	N/A	Spindle Assembly, Left .....	1
17	7048	Bushing, Flanged Bronze .....	1
18	8067	Bushing, Bronze Spindle .....	1
19	101877001	Spindle Assy, Passenger Side (includes items 20 through 23) .....	1
20	1015597	Fitting, 1/4-28 Thread-Forming Grease .....	1
21	N/A	Spindle Assembly, Right .....	1
22	7048	Bushing, Flanged Bronze .....	1
23	8067	Bushing, Bronze Spindle .....	1
24	7840	Nut, 3/4-16 Hex Slotted .....	2

**6**  
**G**  
**E**

**6**  
**G**  
**E**



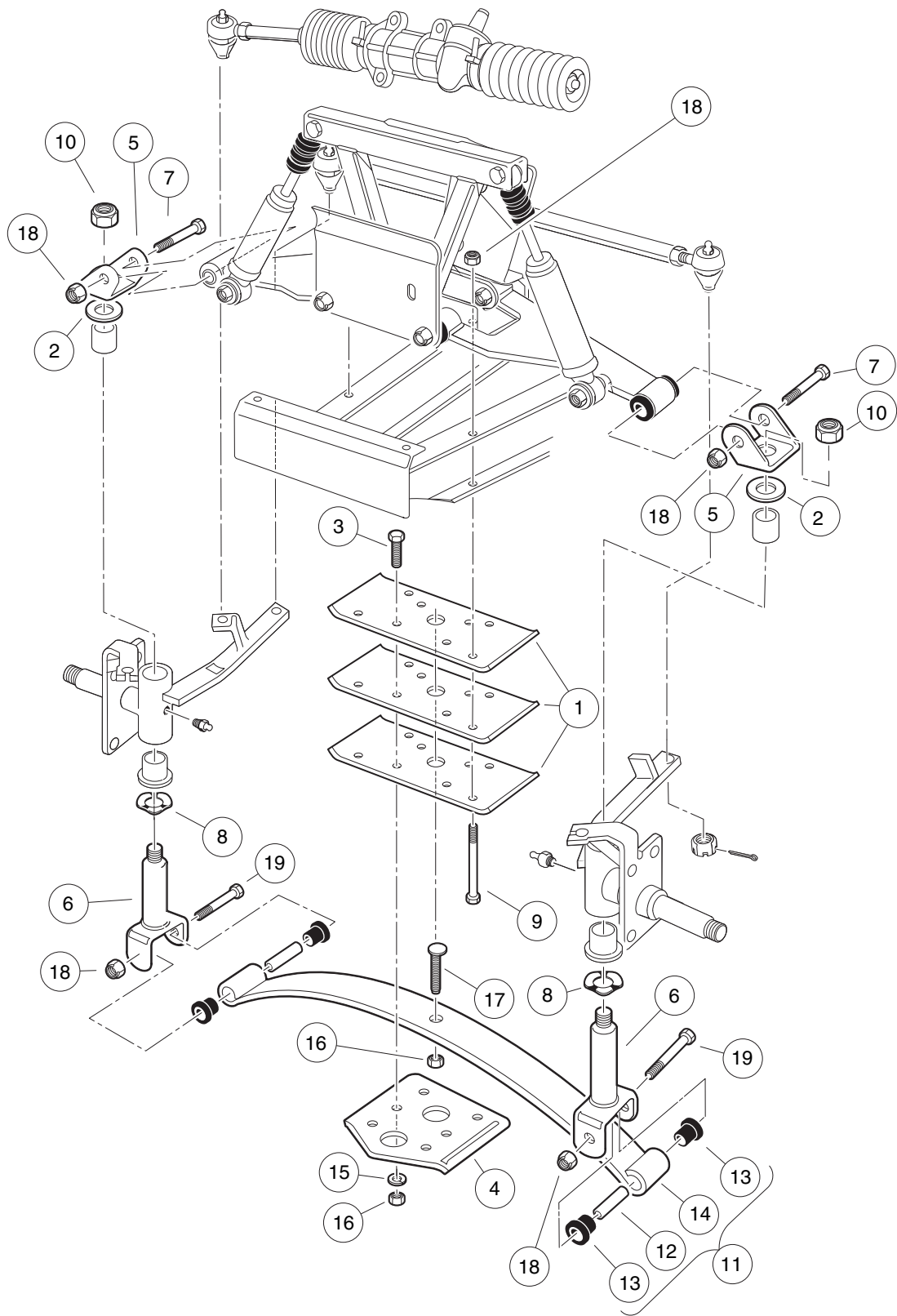
000316-001

# FRONT SUSPENSION, UPPER – VEHICLES WITH FOUR-WHEEL BRAKES AND CONVENTIONAL BALL JOINTS

ITEM	PART NO.	DESCRIPTION	QTY
		<b>1 2 3 4</b>	
1	1010138	Locknut, 3/8-16 Dimpled .....	2
2	1010219	Tie Rod .....	1
3	1016353	Sub-Assembly, Delta A-Plate (includes items 4 through 7) .....	2
4	1016346	Bushing, Urethane .....	6
5	1016349	Sleeve, Delta Inner .....	2
6	1016350	Sleeve, Delta Outer .....	1
7	1016351	Delta A-Plate .....	1
8	1016385	Delta Shock and Gear Support Assembly .....	1
9	1017266	A-Plate Strap .....	1
10	101870601	Shock Absorber, Front Utility .....	2
11	101955001	Brake Cable Guide Bracket .....	1
12	1035	Cotter Pin, 3/32 x 1 .....	2
13	1308	Nut, 1/2-20 Hex .....	1
14	2402	Screw, 3/8-16 X 2.25 Hx Hd Cap .....	4
15	7539	Ball Joint, Right-Hand (includes items 16 through 19) .....	1
16	1011893	Socket, RH Vertical .....	1
17	1011930	Seal, Vertical Socket Dust .....	1
18	1015597	Fitting, 1/4-28 Thread-Forming Grease .....	1
19	7602	Nut, 3/8-24 UNF Hex .....	1
20	7540	Ball Joint, Left (includes items 21 through 24) .....	1
21	1011895	Socket, LH Vertical .....	1
22	1011930	Seal, Vertical Socket Dust .....	1
23	1015597	Fitting, 1/4-28 Thread-Forming Grease .....	1
24	7602	Nut, 3/8-24 UNF Hex .....	1
25	7555	Nut, 1/2-20 Hex, Left-Hand Thread .....	1
26	8754	Locknut, 3/8-16 Hex .....	6
27	8861	Bolt, 3/8-16 X 1.75 Hex .....	2

**6**  
**G**  
**E**

**6**  
**G**  
**E**



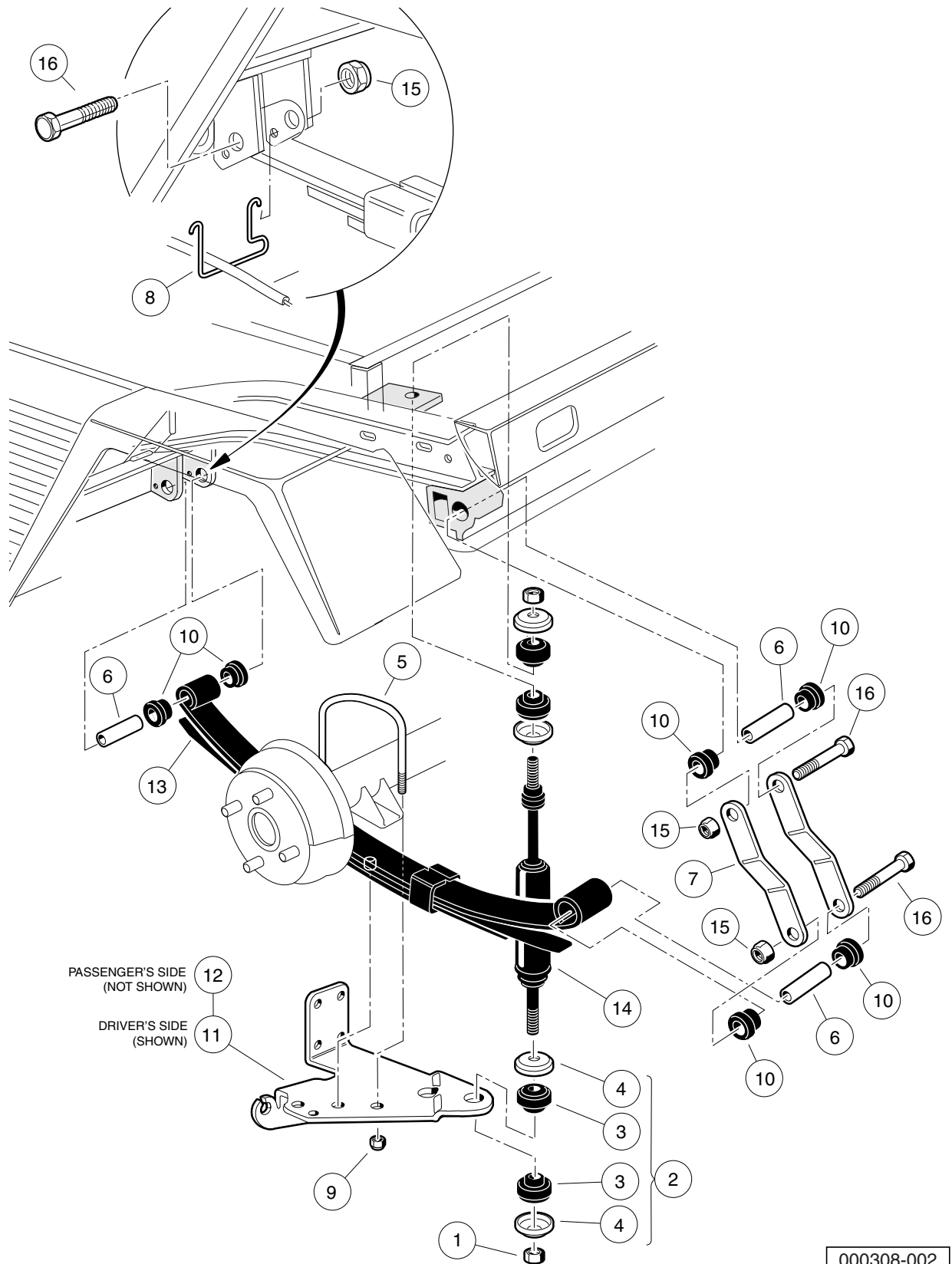
001103-001

# FRONT SUSPENSION, LOWER – VEHICLES WITH FOUR-WHEEL BRAKES AND CONVENTIONAL BALL JOINTS

ITEM	PART NO.	DESCRIPTION	QTY
		<b>1 2 3 4</b>	
1	1010124	Plate, Spring Mount .....	3
2	1010150	Bearing, Thrust .....	2
3	1010177	Bolt, 3/8-16 X 2.00 Hex Head .....	4
4	1014276	Plate, Front Spring Retainer .....	1
5	1016384	Clevis, Delta Upper .....	2
6	1016386	King Pin Assembly .....	2
7	1016387	Screw, 3/8-16 X 2.75 Hx Hd Cap .....	2
8	1016389	Washer, 1.125 Od Wave .....	2
9	101870501	Screw, 3/8-16 X 4.75 Hx Hd Cap .....	4
10	101903101	Locknut, 1/2-20 Nylon Insert .....	2
11	103628701	Spring Asm, Front, 1 Leaf (includes items 12 through 14) .....	1
12	1012303	Bushing, Steel .....	2
13	101558302	Bushing, Urethane, Soft .....	4
14	103502601	Spring, Front, 1 Leaf .....	1
15	357	Lockwasher, 3/8 Split .....	4
16	706	Nut, Hex 3/8-16 .....	5
17	8745	Screw, Eccentric Adjustment .....	1
18	8754	Locknut, 3/8-16 Hex .....	8
19	8755	Screw, 3/8-16 X 3.375 Hex Cap .....	2

**6**  
**G**  
**E**

**6**  
**G**  
**E**



000308-002

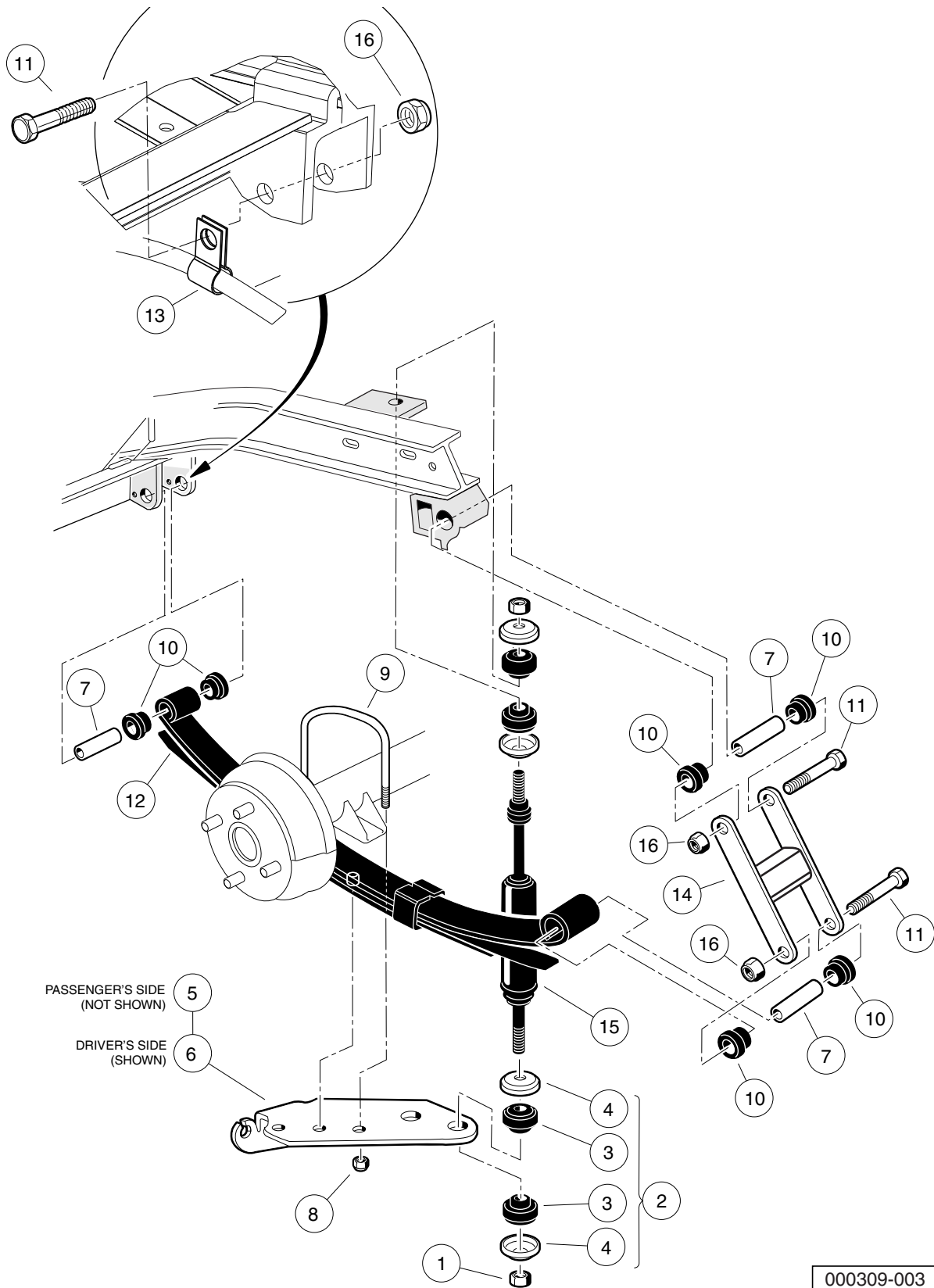


# REAR SUSPENSION – GASOLINE TURF/CARRYALL 2, 2 PLUS, AND 6

ITEM	PART NO.	DESCRIPTION	QTY
		1 2 3 4	
1	1010145	Nut, 3/8-24 Hex .....	4
2	1011415	Kit, Shock Absorber Cushion (includes items 3 and 4) .....	4
3	N/A	Cushion, Shock Absorber .....	2
4	N/A	Retainer, Shock Absorber Cushion .....	2
5	1012180	U-Bolt .....	2
6	1012303	Bushing, Steel .....	6
7	1012304	Shackle, Rear Spring .....	4
8	1013207	Hanger, Brake Cable .....	2
9	1014555	Locknut, 7/16-14 Nylon Hex .....	4
10	1015583	Bushing, Urethane .....	12
11	101926501	Bracket, Left-Hand .....	1
12	101929401	Bracket, Right .....	1
13	102871801	Rear Spring, 3leaf, 600 Lb/in .....	2
14	103350901	Shock Absorber, Rear, Utility .....	2
15	8754	Locknut, 3/8-16 Hex .....	6
16	8755	Screw, 3/8-16 X 3.375 Hex Cap .....	6
<p>Note: Only the driver-side rear suspension is shown. Parts for the passenger-side rear suspension are identical except for the leaf spring/shock mounting plate.</p>			

6  
G  
E

**6**  
**G**  
**E**



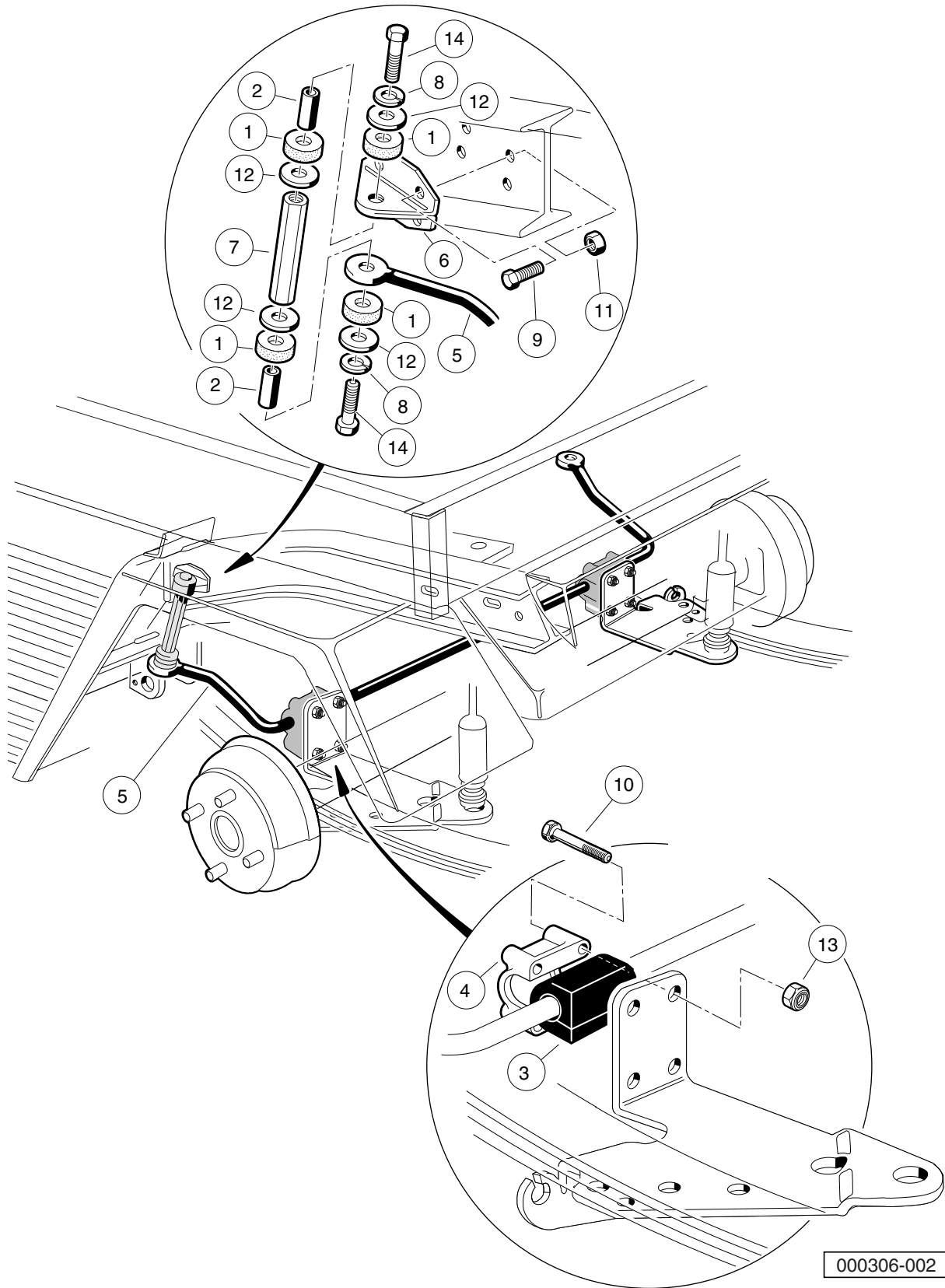
000309-003

# REAR SUSPENSION – TURF/CARRYALL 2 AND 6 IQ PLUS VEHICLES

ITEM	PART NO.	DESCRIPTION	QTY
		1 2 3 4	
1	1010145	Nut, 3/8-24 Hex .....	4
2	1011415	Kit, Shock Absorber Cushion (includes items 3 and 4) .....	4
3	N/A	Cushion, Shock Absorber .....	2
4	N/A	Retainer, Shock Absorber Cushion .....	2
5	1012181	Bracket, Shock Mounting, Right (Passenger) .....	1
6	1012182	Bracket, Shock Mounting, Left (Driver) .....	1
7	1012303	Bushing, Steel .....	6
8	1014555	Locknut, 7/16-14 Nylon Hex .....	4
9	1014902	U-Bolt .....	2
10	1015583	Bushing, Urethane .....	12
11	102066201	Screw, 3/8-16 X 3.50 Hex Cap .....	6
12	102871801	Rear Spring, 3leaf, 600 Lb/in .....	2
13	102891101	Clamp, Cable, Brake, Sym .....	2
14	102917101	Weldment, Shackle .....	2
15	103351101	Shock, Absorber, Utility .....	2
16	8754	Locknut, 3/8-16 Hex .....	6
<p>Note: Only the driver-side rear suspension is shown. Parts for the passenger-side rear suspension are identical except for the leaf spring/shock mounting plate.</p>			

6  
G  
E

**6**  
**G**  
**E**



000306-002

# STABILIZER BAR – TURF/CARRYALL 2, 6, AND CARRYALL 2 PLUS GASOLINE VEHICLES

ITEM	PART NO.	DESCRIPTION	QTY
		1 2 3 4	
1	1015453	Compression Mount .....	8
2	1015457	Spacer, 0.720" .....	4
3	1015613	Bushing, Stabilizer Bar .....	2
4	1015614	Support, Bushing .....	2
5	1015760	Stabilizer Bar .....	1
6	1016813	Mounting Bracket, Stabilizer Bar .....	2
7	1016814	Link, Stabilizer Bar .....	2
8	357	Lockwasher, 3/8 Split .....	4
9	7173	Screw, 5/16-18 X 0.75, Hex-Head Cap .....	8
10	7311	Screw, 1/4-20 X 2.00 Hex-Head Cap .....	8
11	7473	Locknut, 5/16-18 Nylon Insert .....	8
12	808	Washer, 3/8 Type B Flat .....	8
13	8233	Locknut, 1/4-20, Nylon Insert .....	8
14	8861	Bolt, 3/8-16 X 1.75 Hex .....	4

6  
G  
E

**6**

**G**

**E**

# **STEERING AND SUSPENSIONS (MAINT. FREE BALL JOINTS) – TURF/**

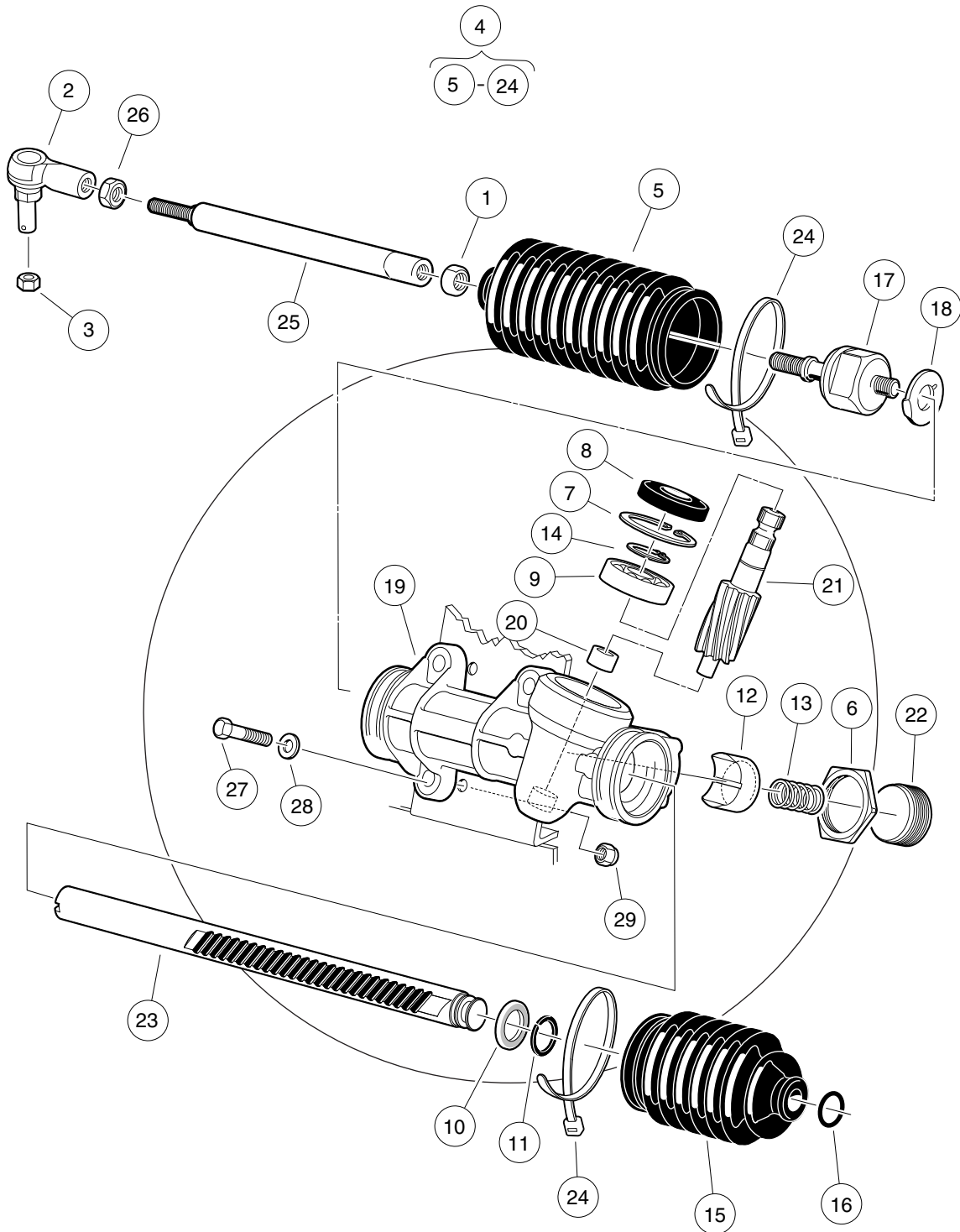
---

**7**

**G**

**E**

**7**  
**G**  
**E**



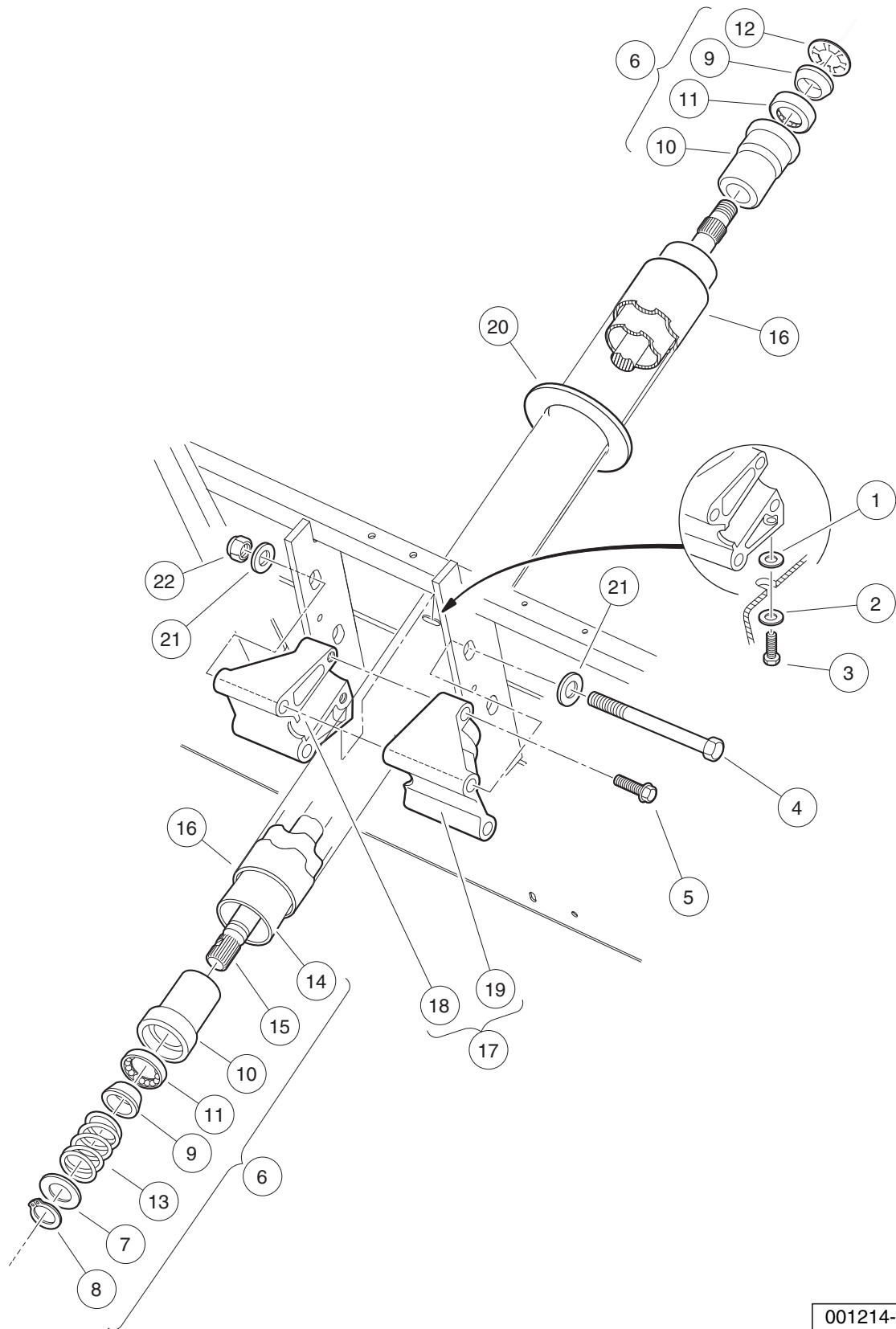
001500-002



# STEERING GEAR ASSEMBLY (WANDA) – MAINT.-FREE BALL JOINT

ITEM	PART NO.	DESCRIPTION	QTY
		<b>1 2 3 4</b>	
1	1013042	Nut, 12mm Hex .....	1
2	102022602	End, Tie Rod, M12 X 1.25, Lh .....	1
3	102289201	Nut - Hex Locking, M12 X 1.25 .....	1
4	103601501	Asm, Steering Rack And Pinion (includes items 5 through 24) .....	1
5	1013035	Bellows, Long .....	1
6	1013044	Rack Screw Locknut .....	1
7	N/A	Snap Ring .....	1
8	1013052	Seal, Steering Pinion Dust .....	1
9	101879401	Bearing, Ball .....	1
10	101879501	Stop Washer .....	1
11	101879601	Stop Ring, C-Type .....	1
12	101879701	Support Yoke .....	1
13	101879801	Rack Guide Pressure Spring .....	1
14	101879901	Ring, Stop, C-Type .....	1
15	101880001	Bellows, Short .....	1
16	101880101	Dust Seal Retaining Ring .....	1
17	101880201	Inner Ball Joint Asm .....	1
18	101880301	Washer, Tab .....	1
19	N/A	Box, Steering Gear .....	1
20	N/A	Bearing, Lower Pinion .....	1
21	N/A	Pinion, Steering .....	1
22	N/A	Screw, Rack Guide .....	1
23	N/A	Rack, Steering .....	1
24	8990	Tie Wrap, 8" Nylon .....	2
25	103653401	Link, Drag, Male Thd .....	1
26	103653501	Nut, Jam, M12-1.25, Lh .....	1
27	1624	Screw, 3/8-16 X 1.50, Hex-Head Cap .....	3
28	334	Washer, 3/8, Type A, Flat .....	3
29	8754	Locknut, 3/8-16 Hex .....	3

**7**  
**G**  
**E**

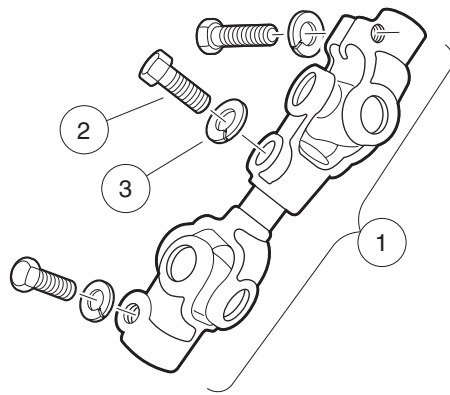


001214-001

## STEERING COLUMN – UTILITY

ITEM	PART NO.	DESCRIPTION	QTY
		<b>1 2 3 4</b>	
1	1011578	Washer, 5/16 Type B Flat .....	1
2	1011697	Washer, 5/16 Flat .....	1
3	1014288	Screw, 5/16-18 X 0.75, Thread-Forming .....	1
4	1016183	Screw, 3/8-16 X 7.00 Hex Cap .....	2
5	1016269	Screw, 5/16-18 Thrd Forming .....	2
6	1017313	Steering Shaft Assembly (includes items 7 through 15) .....	1
7	1012604	Washer, 0.675 ID X 1.19 OD .....	1
8	1012605	Ring, 0.579 Internal Retaining .....	1
9	1014125	Wedge, Molded .....	2
10	1014126	Seat, Plastic Bearing .....	2
11	1014213	Bearing, Ball .....	2
12	1014214	Ring, Retaining .....	1
13	1014217	Spring, Steering Shaft .....	1
14	1017314	Column, Aluminum Steering .....	1
15	1017315	Shaft Steering Column .....	1
16	1017317	Tube Cover, Steering Column .....	1
17	101984801	Kit, Steering Column Mounting Bracket (includes items 18 and 19) .....	1
18	N/A	Bracket, RH Steering Column Mount .....	1
19	N/A	Bracket, LH Steering column mount .....	1
20	102278001	Boot, Steering Column Round .....	1
21	334	Washer, 3/8, Type A, Flat .....	4
22	8754	Locknut, 3/8-16 Hex .....	2

**7**  
**G**  
**E**



001217-001

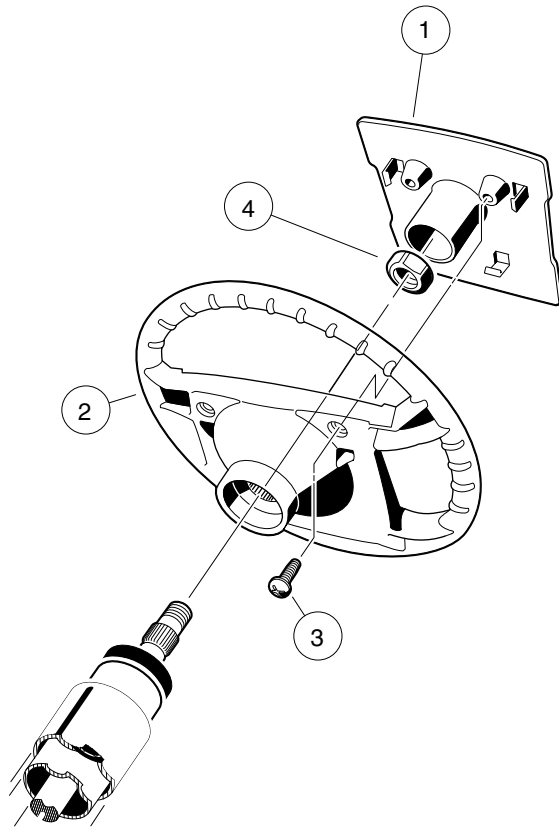
# INTERMEDIATE STEERING SHAFT (WANDA) – TURF/CA 1/2/6

ITEM	PART NO.	DESCRIPTION	QTY
		1 2 3 4	
1	103601601	Shaft, Intermediate Steering (includes items 2 and 3) .....	1
2	1017226	Bolt, Hex-Head, 8mm X 1.25 - 30 .....	3
3	7174	Lockwasher, 5/16 Split .....	3

7

G

E



000246-003

# STEERING WHEEL

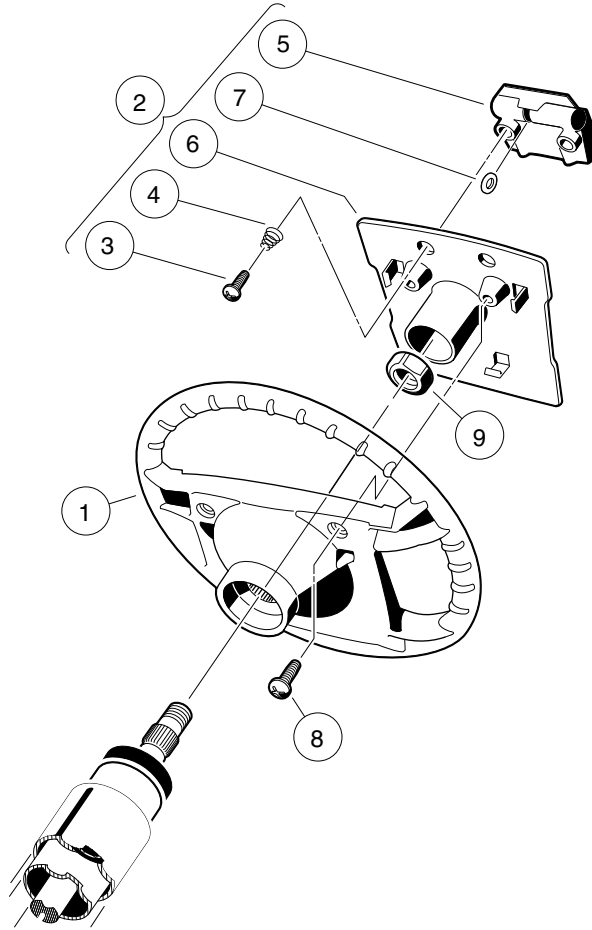
ITEM	PART NO.	DESCRIPTION	QTY
		1 2 3 4	
1	101615504	Plate, Scorecard .....	1
2	1016156	Wheel, Steering .....	1
3	1016663	Screw, #12-14 X 0.625 .....	2
4	1017273	Nut, 5/8-18 Nylon Insert Jam .....	1

7

G

E

**7**  
**G**  
**E**



000246-002

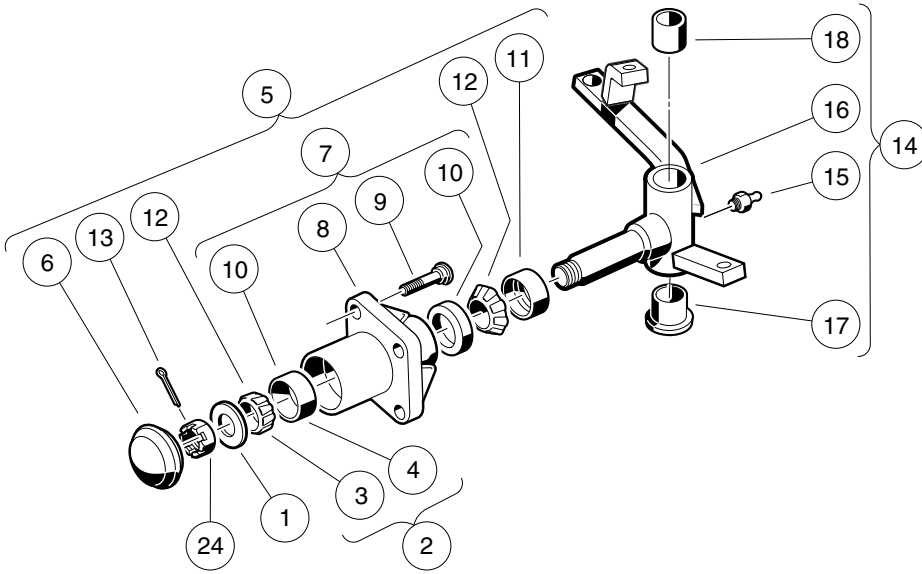


# STEERING WHEEL WITH CLIP

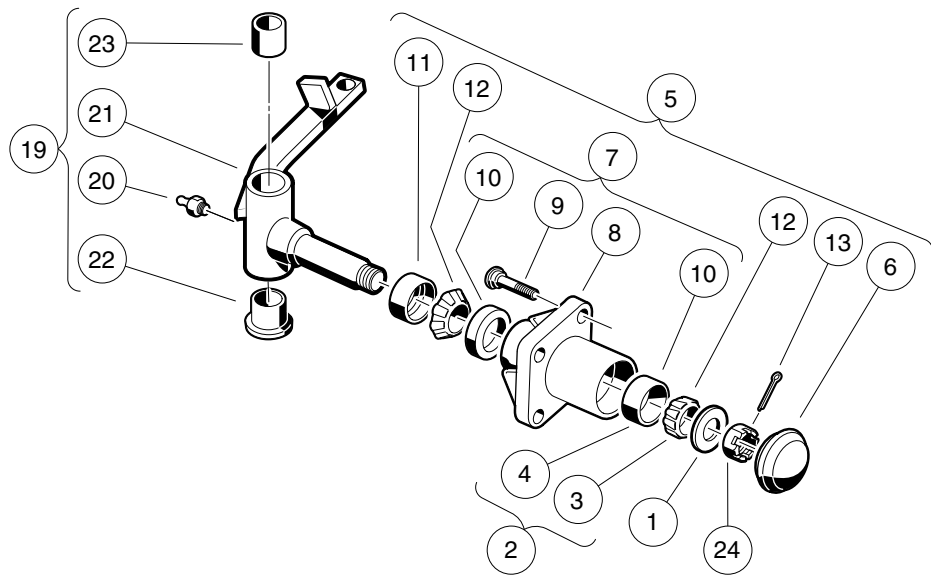
ITEM	PART NO.	DESCRIPTION	QTY
		<b>1 2 3 4</b>	
1	1016156	Wheel, Steering .....	1
2	1016219	Plate, Scorecard (includes items 3 through 7) .....	1
3	1012565	Screw, #12 Phillips Round Head .....	2
4	1012566	Tapered Compression Spring .....	2
5	1016154	Clip, Scorecard .....	1
6	N/A	Plate, Score Card .....	1
7	1016214	Pencil Grip .....	1
8	1016663	Screw, #12-14 X 0.625 .....	2
9	1017273	Nut, 5/8-18 Nylon Insert Jam .....	1

**7**  
**G**  
**E**

PASSENGER SIDE



DRIVER SIDE



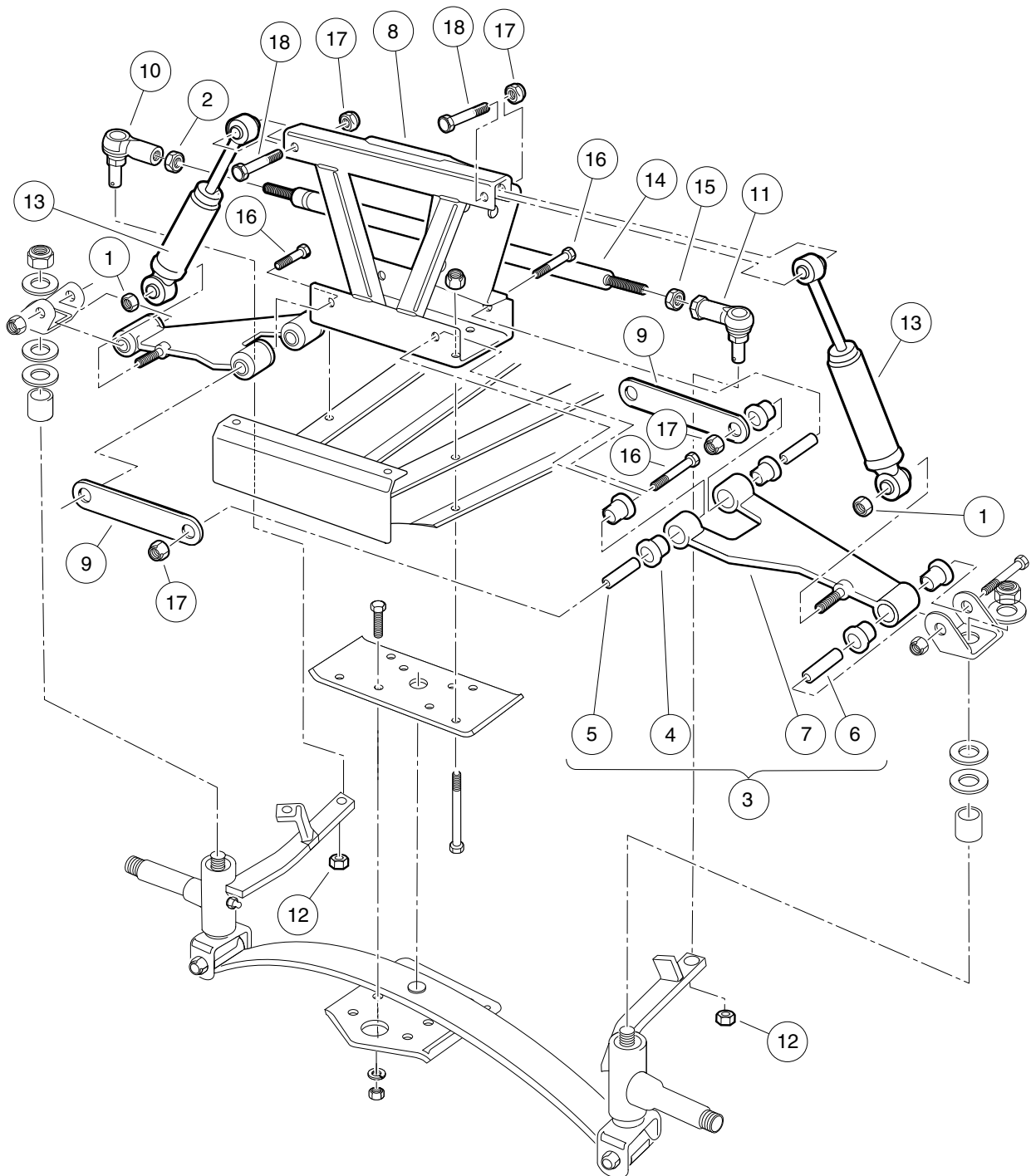
001104-001

# FRONT SPINDLES AND HUBS – VEHICLES WITH TWO-WHEEL BRAKES AND MAINTENANCE-FREE BALL JOINTS

ITEM	PART NO.	DESCRIPTION	QTY
		<b>1 2 3 4</b>	
1	1010005	Washer, 3/4 Flat .....	2
2	1011393	Hub Bearing Package (includes items 3 and 4) .....	4
3	7274	Bearing, Front Hub Wheel .....	1
4	7308	Race, Front Hub Bearing .....	1
5	1011892	Hub Assembly (includes items 6 through 13) .....	2
6	1011887	Dust Cover .....	1
7	N/A	Hub (includes items 8 through 10) .....	1
8	N/A	Front Hub .....	1
9	103477901	Lug Stud, 1/2-20 Unf, 4037 .....	4
10	7308	Race, Front Hub Bearing .....	2
11	1013135	Seal, Double Lip .....	1
12	7274	Bearing, Front Hub Wheel .....	2
13	7910	Pin, 5/32 X 1.00 Cotter .....	1
14	103665902	Asm, Spindle, Rh, 2wb, Sp (includes items 15 through 18) .....	1
15	1015597	Fitting, 1/4-28 Thread-Forming Grease .....	1
16	N/A	Subasm, Spndle, Rh, 2wb .....	1
17	7048	Bushing, Flanged Bronze .....	1
18	8067	Bushing, Bronze Spindle .....	1
19	103666002	Asm, Spindle, Lh, 2wb, Sp (includes items 20 through 23) .....	1
20	1015597	Fitting, 1/4-28 Thread-Forming Grease .....	1
21	N/A	Subasm, Spndle, Lh, 2wb .....	1
22	7048	Bushing, Flanged Bronze .....	1
23	8067	Bushing, Bronze Spindle .....	1
24	7840	Nut, 3/4-16 Hex Slotted .....	2

**7**  
**G**  
**E**

**7**  
**G**  
**E**



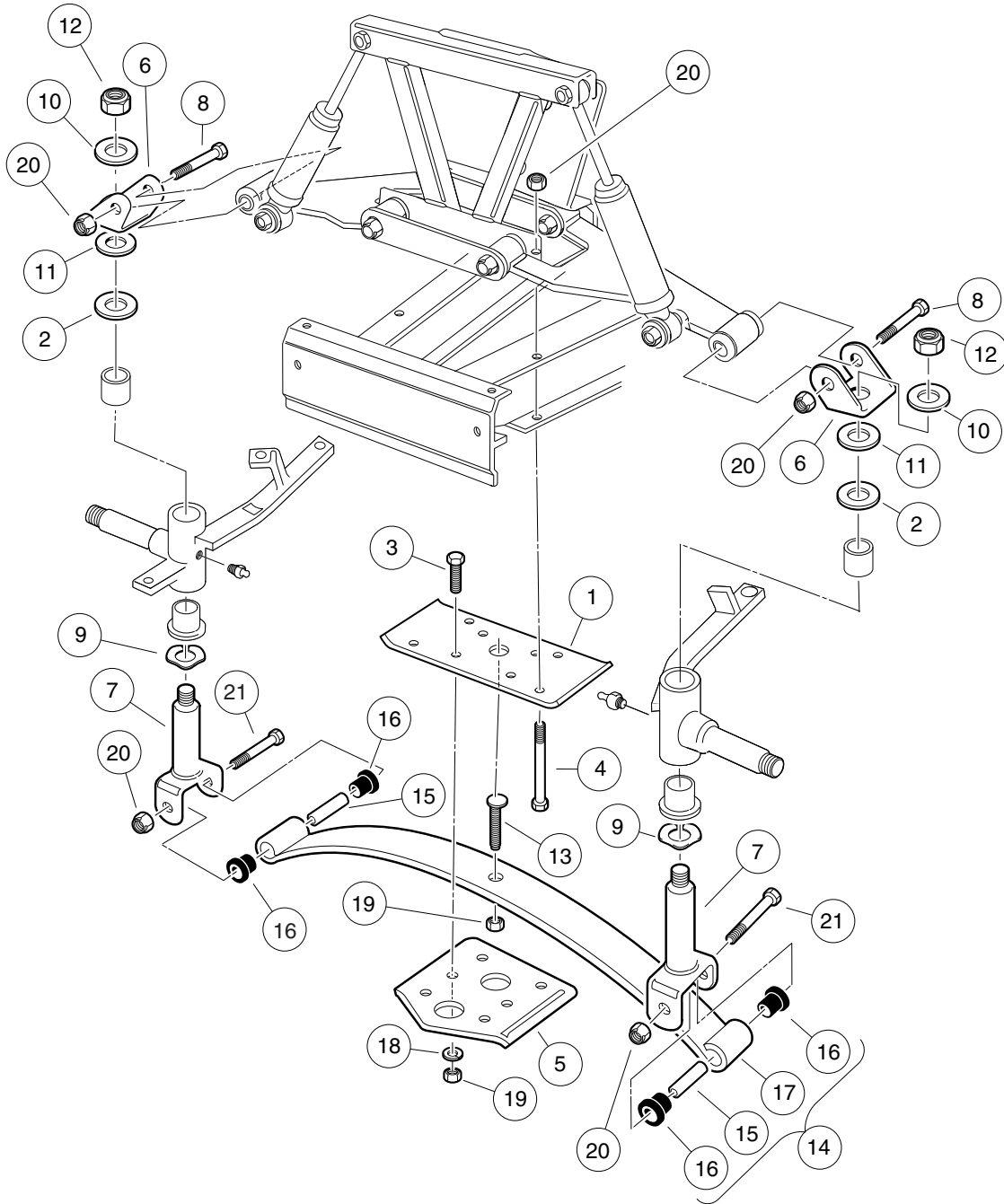
001105-001

# FRONT SUSPENSION, UPPER – VEHICLES WITH TWO-WHEEL BRAKES AND MAINTENANCE-FREE BALL JOINTS

ITEM	PART NO.	DESCRIPTION	QTY
		<b>1 2 3 4</b>	
1	1010138	Locknut, 3/8-16 Dimpled .....	2
2	1013042	Nut, 12mm Hex .....	1
3	1016353	Sub-Assembly, Delta A-Plate (includes items 4 through 7) .....	2
4	1016346	Bushing, Urethane .....	6
5	1016349	Sleeve, Delta Inner .....	2
6	1016350	Sleeve, Delta Outer .....	1
7	1016351	Delta A-Plate .....	1
8	1016385	Delta Shock and Gear Support Assembly .....	1
9	1017266	A-Plate Strap .....	2
10	102022601	End, Tie Rod M12 X 1.25 Rh .....	1
11	102022602	End, Tie Rod, M12 X 1.25, Lh .....	1
12	102289201	Nut - Hex Locking, M12 X 1.25 .....	2
13	103351001	Shock Absorber, Front, Common .....	2
14	103354701	Rod, Tie, Male Thd .....	1
15	103653501	Nut, Jam, M12-1.25, Lh .....	1
16	2402	Screw, 3/8-16 X 2.25 Hx Hd Cap .....	4
17	8754	Locknut, 3/8-16 Hex .....	6
18	8861	Bolt, 3/8-16 X 1.75 Hex .....	2

**7**  
**G**  
**E**

**7**  
**G**  
**E**



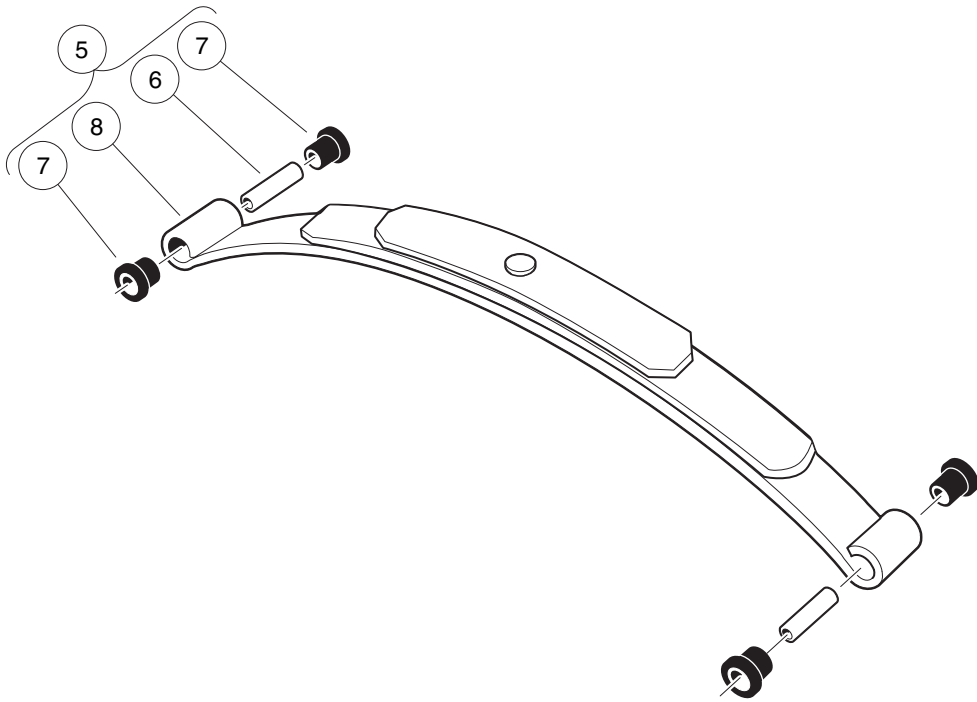
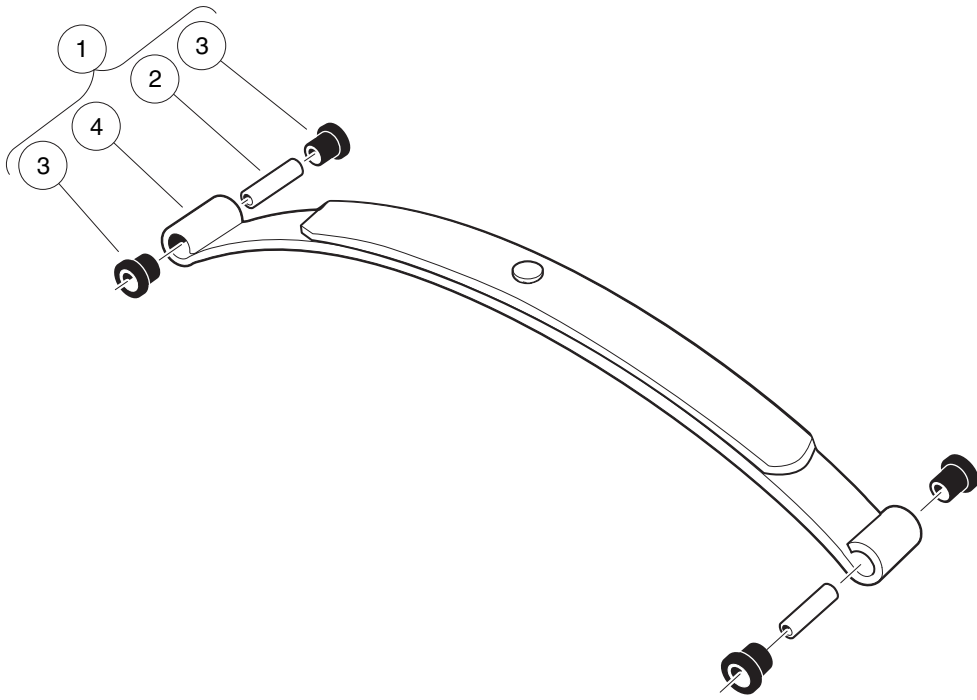
001106-001

# FRONT SUSPENSION, LOWER – VEHICLES WITH TWO-WHEEL BRAKES AND MAINTENANCE-FREE BALL JOINTS

ITEM	PART NO.	DESCRIPTION	QTY
		<b>1 2 3 4</b>	
1	1010124	Plate, Spring Mount .....	1
2	1010150	Bearing, Thrust .....	2
3	1010177	Bolt, 3/8-16 X 2.00 Hex Head .....	4
4	1010200	Bolt, 3/8-16 X 4.25 Hex Head .....	4
5	1014276	Plate, Front Spring Retainer .....	1
6	1016384	Clevis, Delta Upper .....	2
7	1016386	King Pin Assembly .....	2
8	1016387	Screw, 3/8-16 X 2.75 Hx Hd Cap .....	2
9	1016389	Washer, 1.125 Od Wave .....	2
10	102564002	Washer-1/2 Conical, Yellow .....	2
11	102684501	Washer, M12 Hard Regular .....	2
12	102766301	Nut, 1/2-20, Center Lock .....	2
13	103507001	Eccentric Bolt Common .....	1
14	103628701	Spring Asm, Front, 1 Leaf (includes items 15 through 17) .....	1
15	1012303	Bushing, Steel .....	2
16	101558302	Bushing, Urethane, Soft .....	4
17	103502601	Spring, Front, 1 Leaf .....	1
18	357	Lockwasher, 3/8 Split .....	4
19	706	Nut, Hex 3/8-16 .....	5
20	8754	Locknut, 3/8-16 Hex .....	8
21	8755	Screw, 3/8-16 X 3.375 Hex Cap .....	2

**7**  
**G**  
**E**

**7**  
**G**  
**E**



001225-001

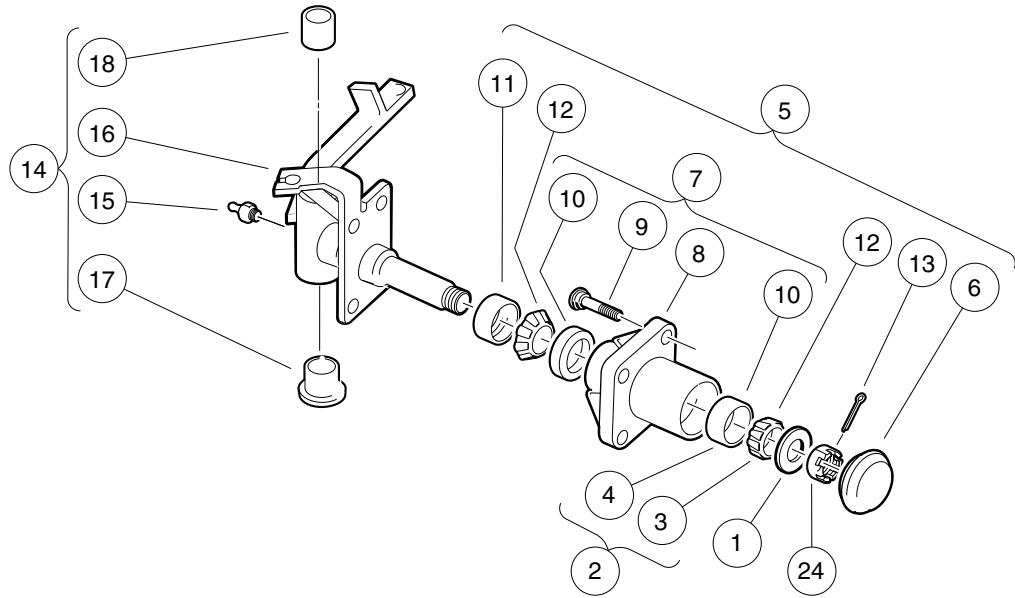
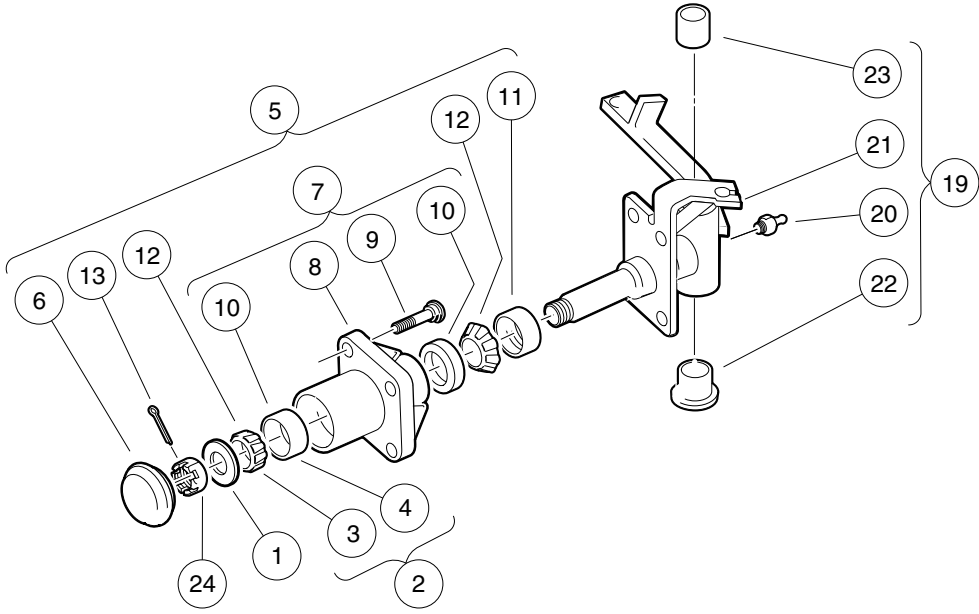


# HEAVY DUTY FRONT SPRINGS

ITEM	PART NO.	DESCRIPTION	QTY
		<b>1 2 3 4</b>	
1	103628801	Spring Asm, Front, 2 Leaf (includes items 2 through 4) .....	1
2	1012303	Bushing, Steel .....	2
3	1015583	Bushing, Urethane .....	4
4	103502701	Spring, Front, 2 Leaf .....	1
5	103628901	Spring Asm, Front, 3 Leaf (includes items 6 through 8) .....	1
6	1012303	Bushing, Steel .....	2
7	1015583	Bushing, Urethane .....	4
8	103502801	Spring, Front, 3 Leaf .....	1

**7**  
**G**  
**E**

**7**  
**G**  
**E**



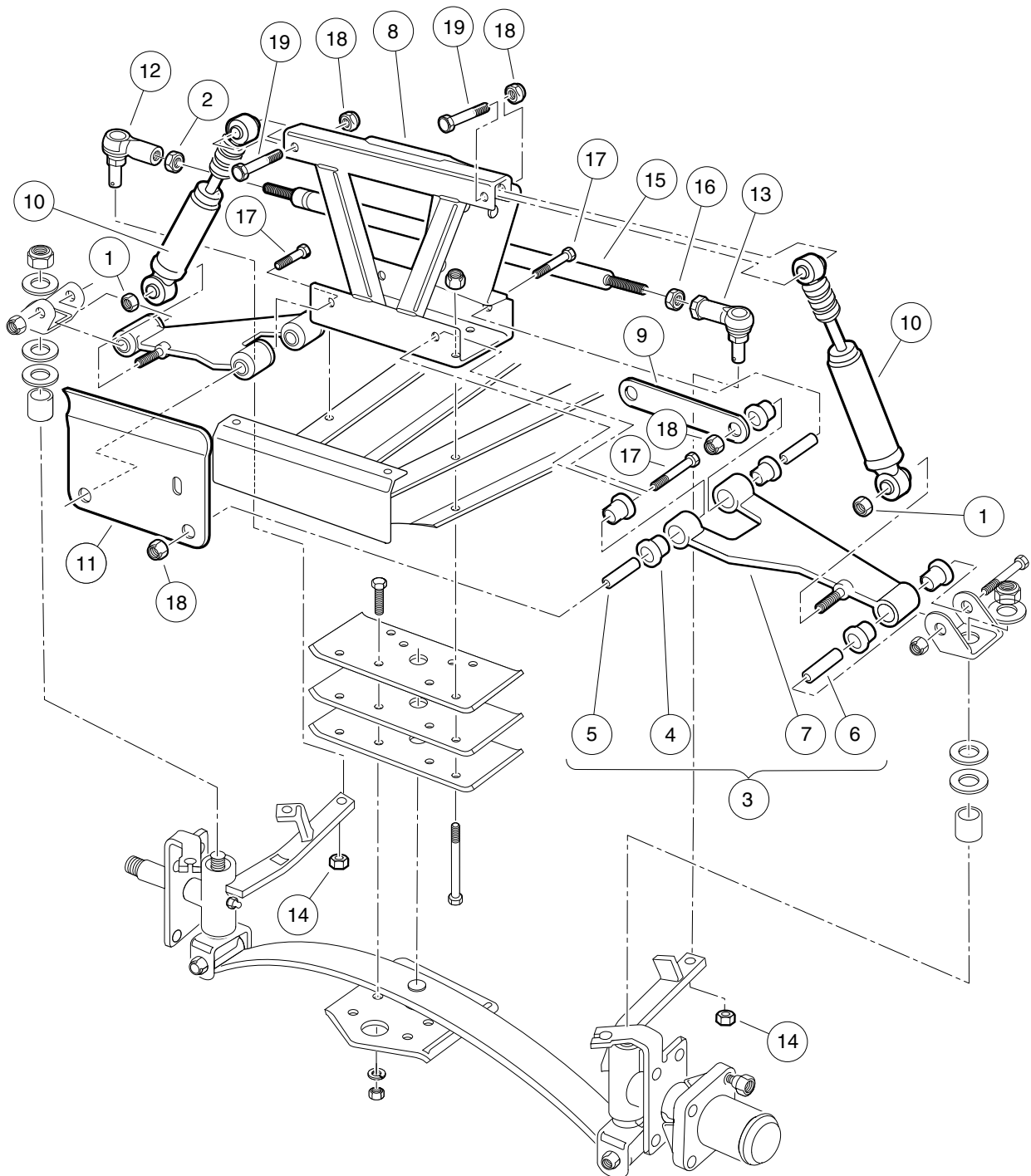
000310-002

# FRONT SPINDLES AND HUBS – VEHICLES WITH FOUR-WHEEL BRAKES AND MAINTENANCE-FREE BALL JOINTS

ITEM	PART NO.	DESCRIPTION	QTY
		<b>1 2 3 4</b>	
1	1010005	Washer, 3/4 Flat .....	2
2	1011393	Hub Bearing Package (includes items 3 and 4) .....	4
3	7274	Bearing, Front Hub Wheel .....	1
4	7308	Race, Front Hub Bearing .....	1
5	1011892	Hub Assembly (includes items 6 through 13) .....	2
6	1011887	Dust Cover .....	1
7	N/A	Hub (includes items 8 through 10) .....	1
8	N/A	Front Hub .....	1
9	103477901	Lug Stud, 1/2-20 Unf, 4037 .....	4
10	7308	Race, Front Hub Bearing .....	2
11	1013135	Seal, Double Lip .....	1
12	7274	Bearing, Front Hub Wheel .....	2
13	7910	Pin, 5/32 X 1.00 Cotter .....	1
14	103717302	Asm, Spindle, Lh, 4wb, Sp (includes items 15 through 18) .....	1
15	1015597	Fitting, 1/4-28 Thread-Forming Grease .....	1
16	N/A	Subasm, Spindle, Lh, 4wb .....	1
17	7048	Bushing, Flanged Bronze .....	1
18	8067	Bushing, Bronze Spindle .....	1
19	103717402	Asm, Spindle, Rh, 4wb, Sp (includes items 20 through 23) .....	1
20	1015597	Fitting, 1/4-28 Thread-Forming Grease .....	1
21	N/A	Subasm, Spindle, Rh, 4wb .....	1
22	7048	Bushing, Flanged Bronze .....	1
23	8067	Bushing, Bronze Spindle .....	1
24	7840	Nut, 3/4-16 Hex Slotted .....	2

**7**  
**G**  
**E**

**7**  
**G**  
**E**



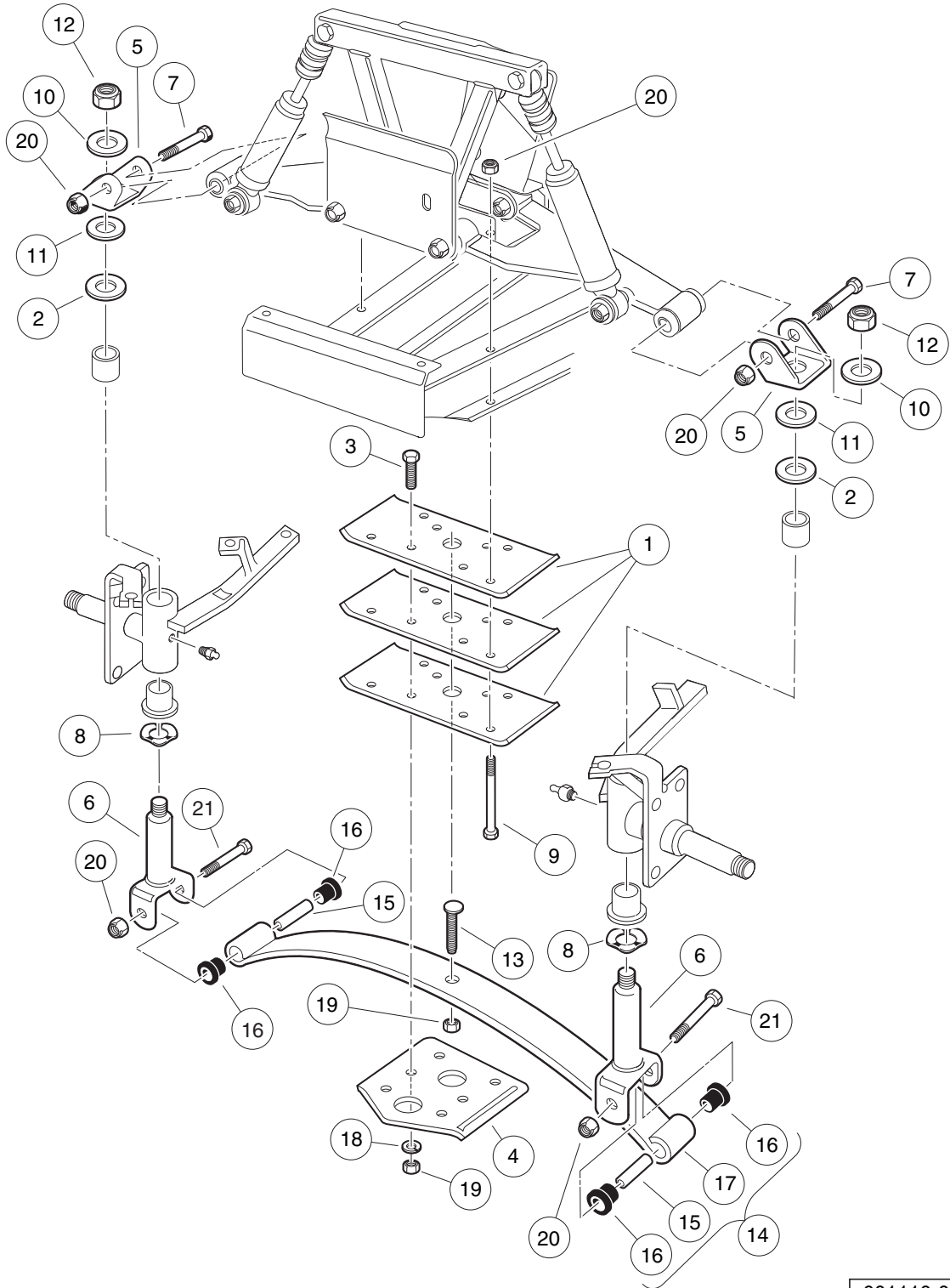
001109-001

# FRONT SUSPENSION, UPPER – VEHICLES WITH FOUR-WHEEL BRAKES AND MAINTENANCE-FREE BALL JOINTS

ITEM	PART NO.	DESCRIPTION	QTY
		<b>1 2 3 4</b>	
1	1010138	Locknut, 3/8-16 Dimpled .....	2
2	1013042	Nut, 12mm Hex .....	1
3	1016353	Sub-Assembly, Delta A-Plate (includes items 4 through 7) .....	2
4	1016346	Bushing, Urethane .....	6
5	1016349	Sleeve, Delta Inner .....	2
6	1016350	Sleeve, Delta Outer .....	1
7	1016351	Delta A-Plate .....	1
8	1016385	Delta Shock and Gear Support Assembly .....	1
9	1017266	A-Plate Strap .....	1
10	101870601	Shock Absorber, Front Utility .....	2
11	101955001	Brake Cable Guide Bracket .....	1
12	102022601	End, Tie Rod M12 X 1.25 Rh .....	1
13	102022602	End, Tie Rod, M12 X 1.25, Lh .....	1
14	102289201	Nut - Hex Locking, M12 X 1.25 .....	2
15	103354701	Rod, Tie, Male Thd .....	1
16	103653501	Nut, Jam, M12-1.25, Lh .....	1
17	2402	Screw, 3/8-16 X 2.25 Hx Hd Cap .....	4
18	8754	Locknut, 3/8-16 Hex .....	6
19	8861	Bolt, 3/8-16 X 1.75 Hex .....	2

**7**  
**G**  
**E**

**7**  
**G**  
**E**

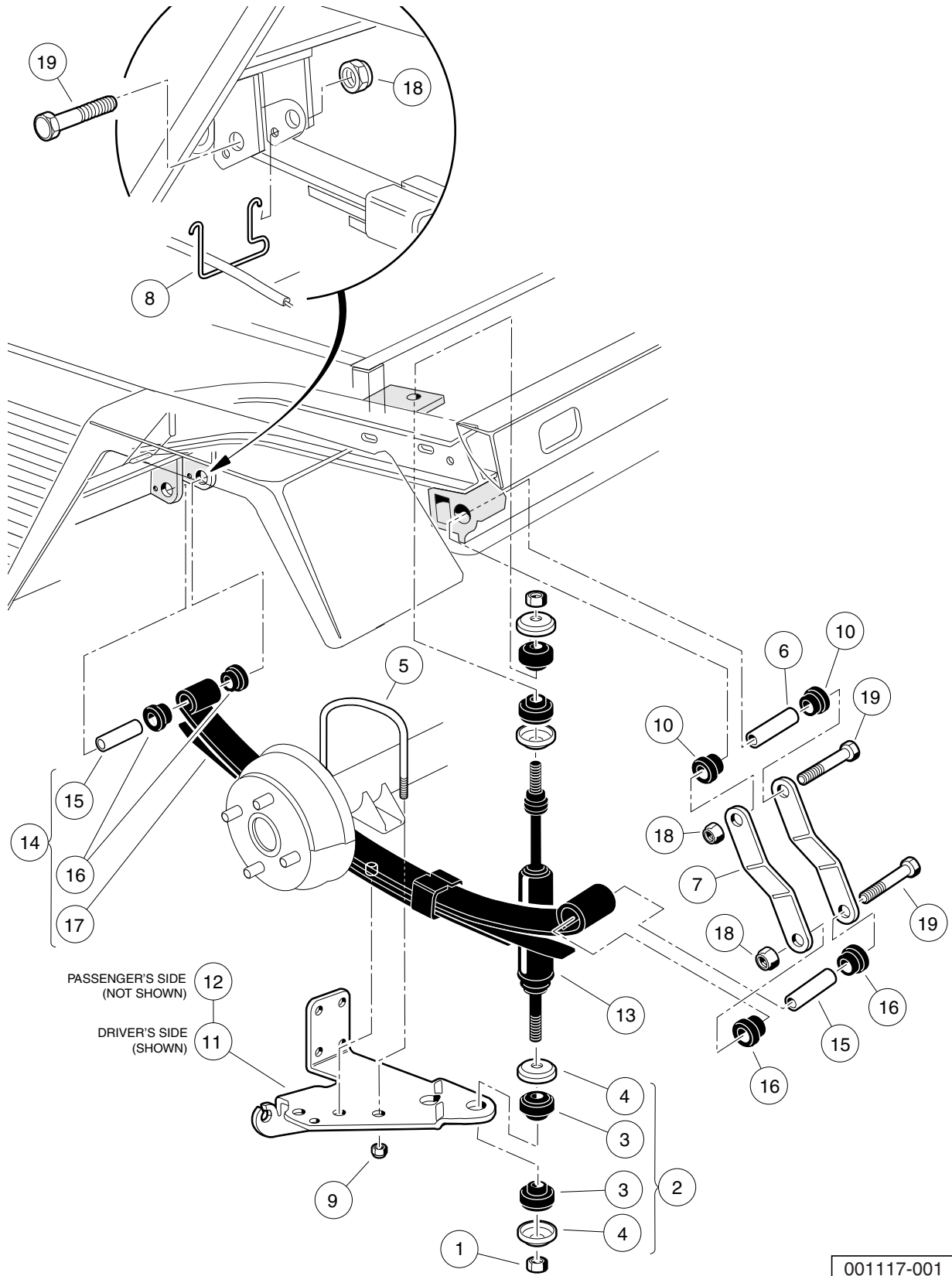


001110-001

# FRONT SUSPENSION, LOWER – VEHICLES WITH FOUR-WHEEL BRAKES AND MAINTENANCE-FREE BALL JOINTS

ITEM	PART NO.	DESCRIPTION	QTY
		<b>1 2 3 4</b>	
1	1010124	Plate, Spring Mount .....	3
2	1010150	Bearing, Thrust .....	2
3	1010177	Bolt, 3/8-16 X 2.00 Hex Head .....	4
4	1014276	Plate, Front Spring Retainer .....	1
5	1016384	Clevis, Delta Upper .....	2
6	1016386	King Pin Assembly .....	2
7	1016387	Screw, 3/8-16 X 2.75 Hx Hd Cap .....	2
8	1016389	Washer, 1.125 Od Wave .....	2
9	101870501	Screw, 3/8-16 X 4.75 Hx Hd Cap .....	4
10	102564002	Washer-1/2 Conical, Yellow .....	2
11	102684501	Washer, M12 Hard Regular .....	2
12	102766301	Nut, 1/2-20, Center Lock .....	2
13	103507001	Eccentric Bolt Common .....	1
14	103628701	Spring Asm, Front, 1 Leaf (includes items 15 through 17) .....	1
15	1012303	Bushing, Steel .....	2
16	101558302	Bushing, Urethane, Soft .....	4
17	103502601	Spring, Front, 1 Leaf .....	1
18	357	Lockwasher, 3/8 Split .....	4
19	706	Nut, Hex 3/8-16 .....	5
20	8754	Locknut, 3/8-16 Hex .....	8
21	8755	Screw, 3/8-16 X 3.375 Hex Cap .....	2

**7**  
**G**  
**E**



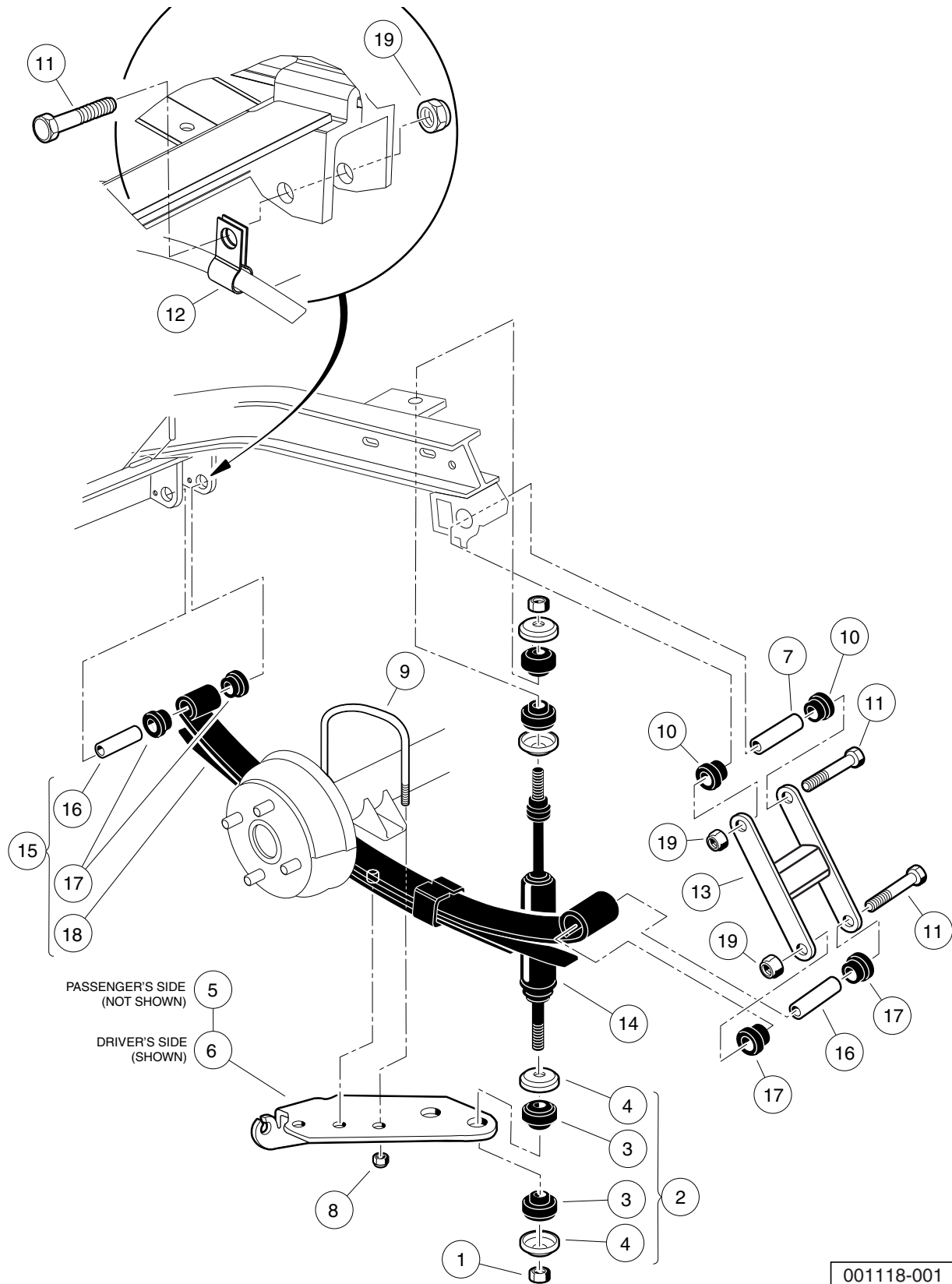


# REAR SUSPENSION – GASOLINE TURF/CARRYALL 2, 2 PLUS, AND 6

ITEM	PART NO.	DESCRIPTION	QTY
		1 2 3 4	
1	1010145	Nut, 3/8-24 Hex .....	4
2	1011415	Kit, Shock Absorber Cushion (includes items 3 and 4) .....	4
3	N/A	Cushion, Shock Absorber .....	2
4	N/A	Retainer, Shock Absorber Cushion .....	2
5	1012180	U-Bolt .....	2
6	1012303	Bushing, Steel .....	2
7	1012304	Shackle, Rear Spring .....	4
8	1013207	Hanger, Brake Cable .....	2
9	1014555	Locknut, 7/16-14 Nylon Hex .....	4
10	101558302	Bushing, Urethane, Soft .....	4
11	101926501	Bracket, Left-Hand .....	1
12	101929401	Bracket, Right .....	1
13	103350901	Shock Absorber, Rear, Utility .....	2
14	103657301	Asm-rear 3leaf Spring, 600 Lb (includes items 15 through 17) .....	2
15	1012303	Bushing, Steel .....	2
16	101558302	Bushing, Urethane, Soft .....	4
17	102871801	Rear Spring, 3leaf, 600 Lb/in .....	1
18	8754	Locknut, 3/8-16 Hex .....	6
19	8755	Screw, 3/8-16 X 3.375 Hex Cap .....	6
<p>Note: Only the driver-side rear suspension is shown. Parts for the passenger-side rear suspension are identical except for the leaf spring/shock mounting plate.</p>			

7  
G  
E

**7**  
**G**  
**E**



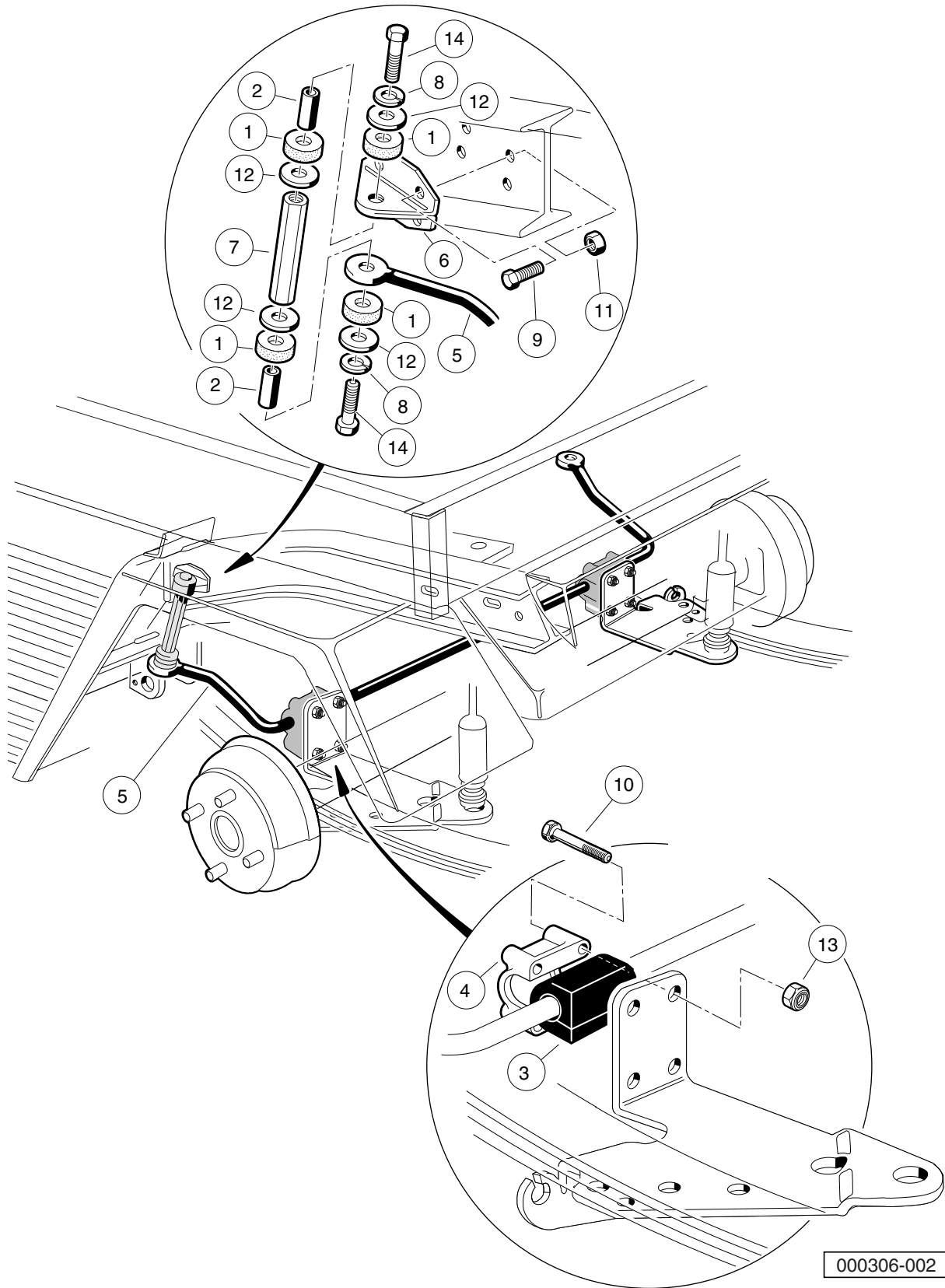
001118-001

# REAR SUSPENSION – TURF/CARRYALL 2 AND 6 IQ PLUS VEHICLES

ITEM	PART NO.	DESCRIPTION	QTY
		1 2 3 4	
1	1010145	Nut, 3/8-24 Hex .....	4
2	1011415	Kit, Shock Absorber Cushion (includes items 3 and 4) .....	4
3	N/A	Cushion, Shock Absorber .....	2
4	N/A	Retainer, Shock Absorber Cushion .....	2
5	1012181	Bracket, Shock Mounting, Right (Passenger) .....	1
6	1012182	Bracket, Shock Mounting, Left (Driver) .....	1
7	1012303	Bushing, Steel .....	2
8	1014555	Locknut, 7/16-14 Nylon Hex .....	4
9	1014902	U-Bolt .....	2
10	101558302	Bushing, Urethane, Soft .....	4
11	102066201	Screw, 3/8-16 X 3.50 Hex Cap .....	6
12	102891101	Clamp, Cable, Brake, Sym .....	2
13	102917101	Weldment, Shackle .....	2
14	103351101	Shock, Absorber, Utility .....	2
15	103657301	Asm-rear 3leaf Spring, 600 Lb (includes items 16 through 18) .....	2
16	1012303	Bushing, Steel .....	2
17	101558302	Bushing, Urethane, Soft .....	4
18	102871801	Rear Spring, 3leaf, 600 Lb/in .....	1
19	8754	Locknut, 3/8-16 Hex .....	6
<p>Note: Only the driver-side rear suspension is shown. Parts for the passenger-side rear suspension are identical except for the leaf spring/shock mounting plate.</p>			

7  
G  
E

**7**  
**G**  
**E**



000306-002

# STABILIZER BAR – TURF/CARRYALL 2, 6, AND CARRYALL 2 PLUS GASOLINE VEHICLES

ITEM	PART NO.	DESCRIPTION	QTY
		<b>1 2 3 4</b>	
1	1015453	Compression Mount .....	8
2	1015457	Spacer, 0.720" .....	4
3	1015613	Bushing, Stabilizer Bar .....	2
4	1015614	Support, Bushing .....	2
5	1015760	Stabilizer Bar .....	1
6	1016813	Mounting Bracket, Stabilizer Bar .....	2
7	1016814	Link, Stabilizer Bar .....	2
8	357	Lockwasher, 3/8 Split .....	4
9	7173	Screw, 5/16-18 X 0.75, Hex-Head Cap .....	8
10	7311	Screw, 1/4-20 X 2.00 Hex-Head Cap .....	8
11	7473	Locknut, 5/16-18 Nylon Insert .....	8
12	808	Washer, 3/8 Type B Flat .....	8
13	8233	Locknut, 1/4-20, Nylon Insert .....	8
14	8861	Bolt, 3/8-16 X 1.75 Hex .....	4

**7**  
**G**  
**E**

**7**

**G**

**E**

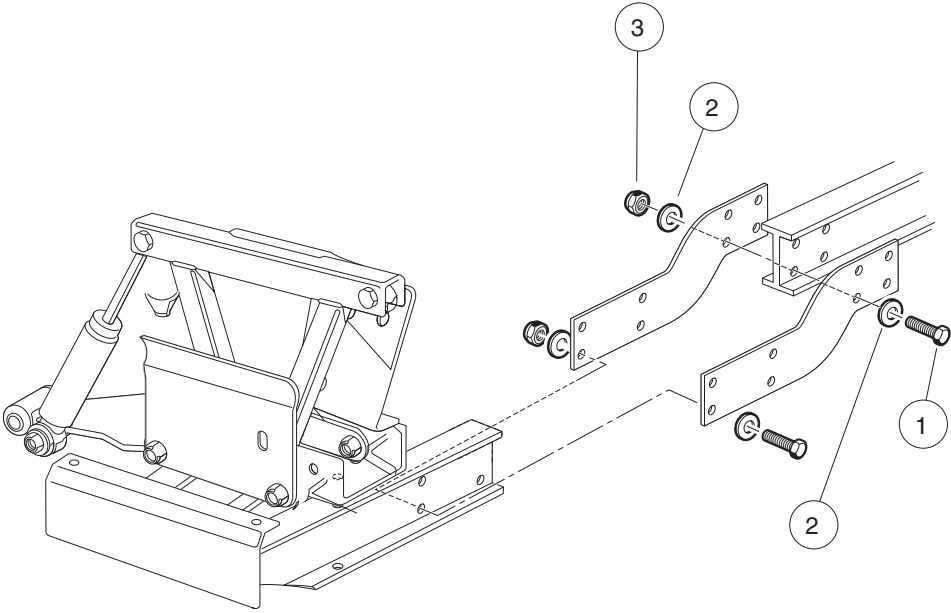
# STEERING AND SUSPENSIONS (CONV. BALL JOINTS) – 252 AND 900

---

8

G

E



000304-002

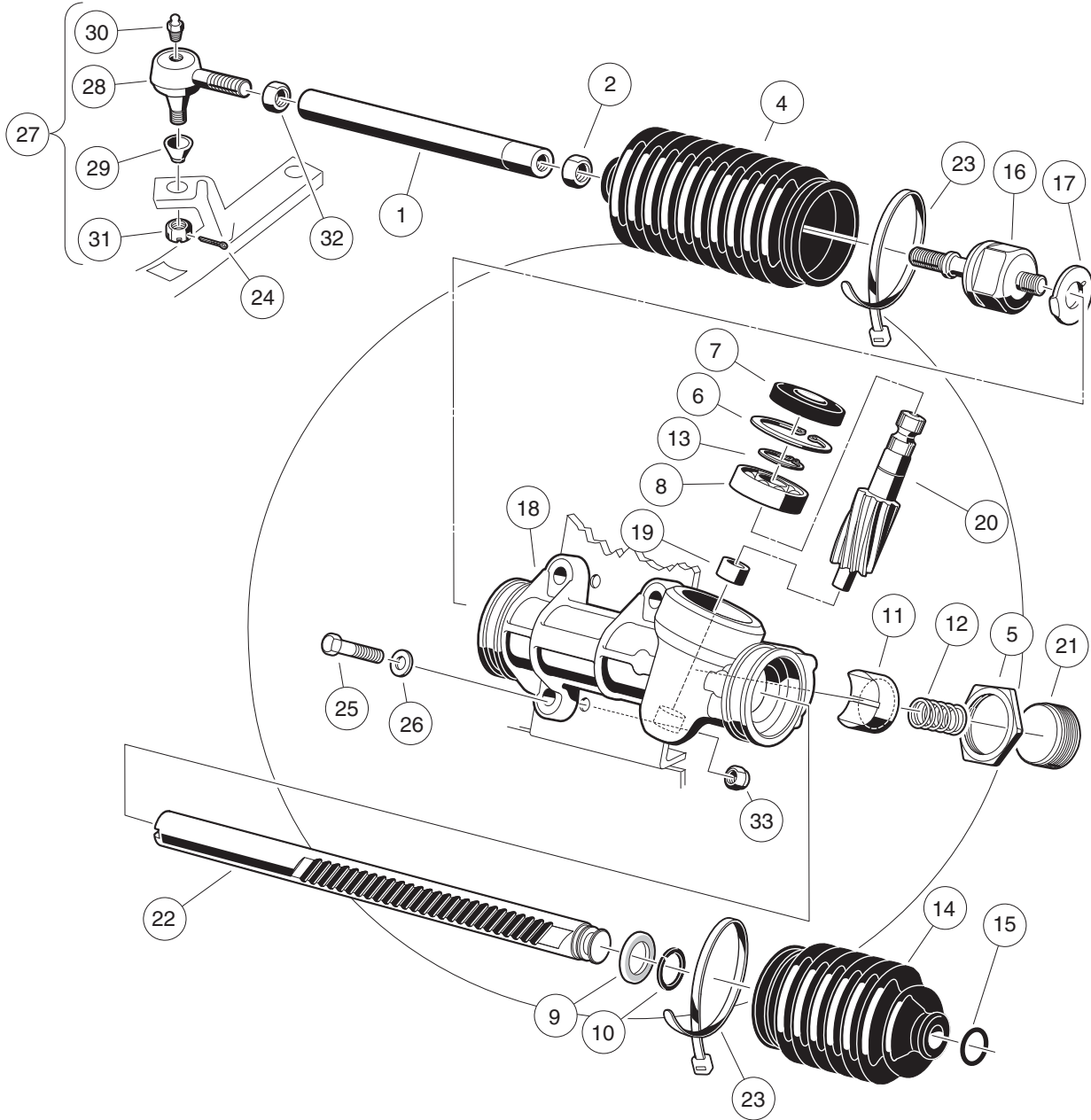


# FRONT FRAME PLATE HARDWARE – TURF/CARRYALL 252 AND XRT 900

ITEM	PART NO.	DESCRIPTION	QTY
		<b>1 2 3 4</b>	
1	1218	Screw, 5/16-18 X 1.25 Hex-Head Cap .....	16
2	1241	Washer, 5/16 Type A Flat .....	32
3	7473	Locknut, 5/16-18 Nylon Insert .....	16

**8**  
**G**  
**E**

**8**  
**G**  
**E**



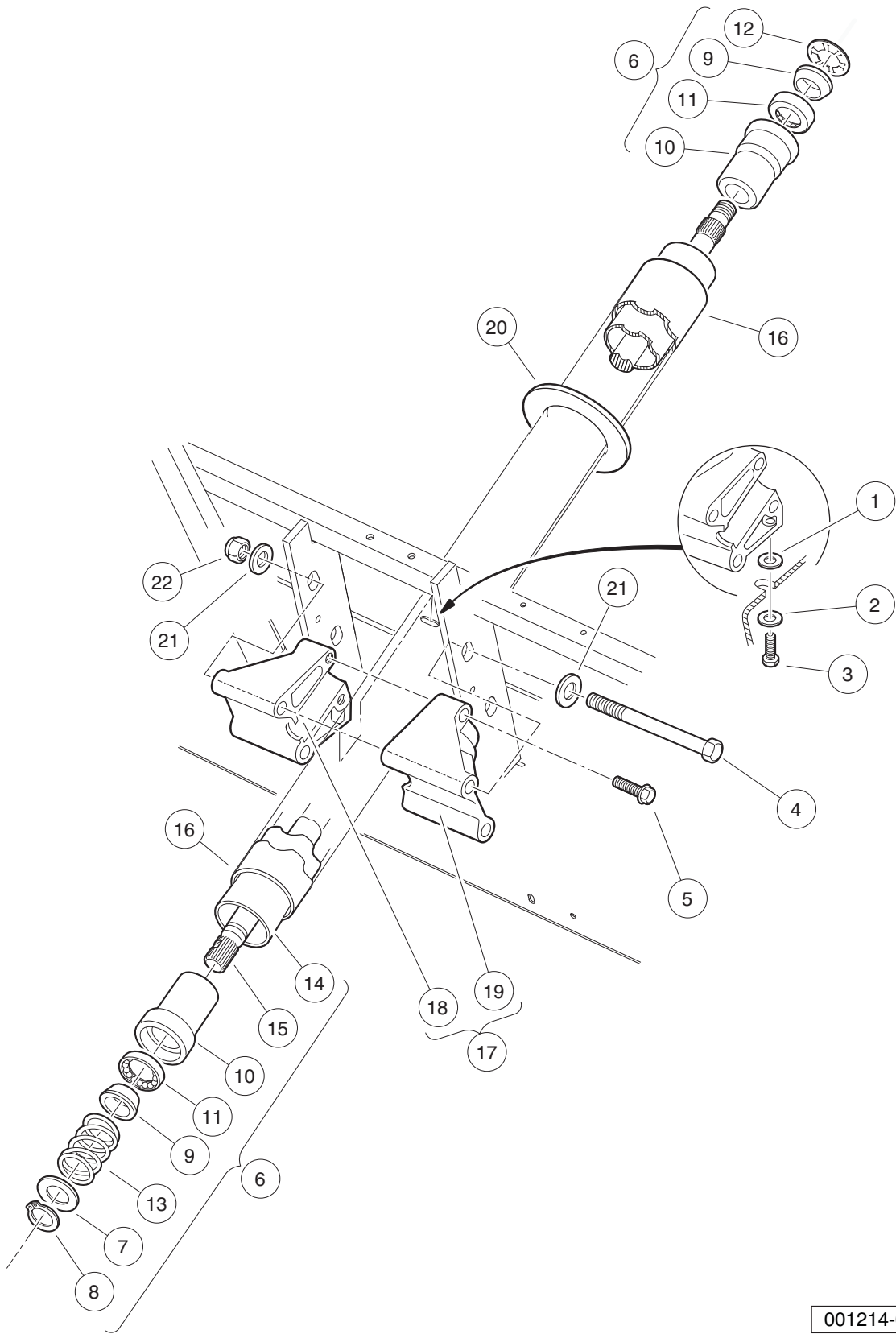
001213-001

# STEERING GEAR ASSEMBLY (MANDO) – CONVENTIONAL BALL JOINT

ITEM	PART NO.	DESCRIPTION	QTY
		<b>1 2 3 4</b>	
1	1012467	Link, Rack and Pinion Drag .....	1
2	1013042	Nut, 12mm Hex .....	1
3	101878302	Steering Gear Assembly (without yoke) (includes items 4 through 23) .....	1
4	1013035	Bellows, Long .....	1
5	1013044	Rack Screw Locknut .....	1
6	N/A	Snap Ring .....	1
7	1013052	Seal, Steering Pinion Dust .....	1
8	101879401	Bearing, Ball .....	1
9	101879501	Stop Washer .....	1
10	101879601	Stop Ring, C-Type .....	1
11	101879701	Support Yoke .....	1
12	101879801	Rack Guide Pressure Spring .....	1
13	101879901	Ring, Stop, C-Type .....	1
14	101880001	Bellows, Short .....	1
15	101880101	Dust Seal Retaining Ring .....	1
16	101880201	Inner Ball Joint Asm .....	1
17	101880301	Washer, Tab .....	1
18	N/A	Box, Steering Gear .....	1
19	N/A	Bearing, Lower Pinion .....	1
20	N/A	Pinion, Steering .....	1
21	N/A	Screw, Rack Guide .....	1
22	N/A	Rack, Steering .....	1
23	8990	Tie Wrap, 8" Nylon .....	2
24	1035	Cotter Pin, 3/32 x 1 .....	1
25	1624	Screw, 3/8-16 X 1.50, Hex-Head Cap .....	3
26	334	Washer, 3/8, Type A, Flat .....	3
27	7540	Ball Joint, Left (includes items 28 through 31) .....	1
28	1011895	Socket, LH Vertical .....	1
29	1011930	Seal, Vertical Socket Dust .....	1
30	1015597	Fitting, 1/4-28 Thread-Forming Grease .....	1
31	7602	Nut, 3/8-24 UNF Hex .....	1
32	7555	Nut, 1/2-20 Hex, Left-Hand Thread .....	1
33	8754	Locknut, 3/8-16 Hex .....	3

**8**  
**G**  
**E**

**8**  
**G**  
**E**



001214-001

## STEERING COLUMN – UTILITY

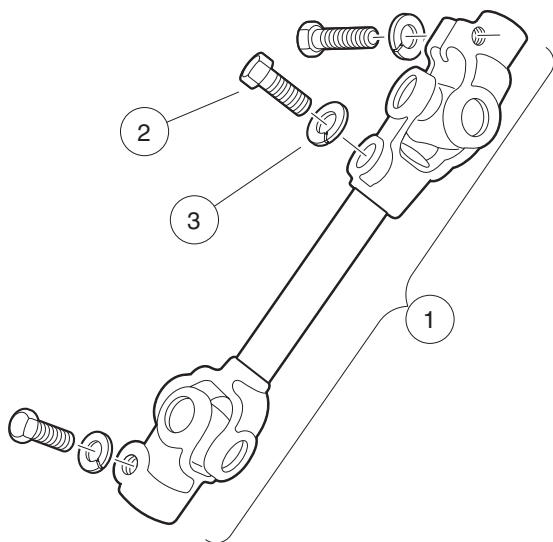
ITEM	PART NO.	DESCRIPTION	QTY
		1 2 3 4	
1	1011578	Washer, 5/16 Type B Flat .....	1
2	1011697	Washer, 5/16 Flat .....	1
3	1014288	Screw, 5/16-18 X 0.75, Thread-Forming .....	1
4	1016183	Screw, 3/8-16 X 7.00 Hex Cap .....	2
5	1016269	Screw, 5/16-18 Thrd Forming .....	2
6	1017313	Steering Shaft Assembly (includes items 7 through 15) .....	1
7	1012604	Washer, 0.675 ID X 1.19 OD .....	1
8	1012605	Ring, 0.579 Internal Retaining .....	1
9	1014125	Wedge, Molded .....	2
10	1014126	Seat, Plastic Bearing .....	2
11	1014213	Bearing, Ball .....	2
12	1014214	Ring, Retaining .....	1
13	1014217	Spring, Steering Shaft .....	1
14	1017314	Column, Aluminum Steering .....	1
15	1017315	Shaft Steering Column .....	1
16	1017317	Tube Cover, Steering Column .....	1
17	101984801	Kit, Steering Column Mounting Bracket (includes items 18 and 19) .....	1
18	N/A	Bracket, RH Steering Column Mount .....	1
19	N/A	Bracket, LH Steering column mount .....	1
20	102278001	Boot, Steering Column Round .....	1
21	334	Washer, 3/8, Type A, Flat .....	4
22	8754	Locknut, 3/8-16 Hex .....	2

**8**  
**G**  
**E**

8

G

E



001218-001

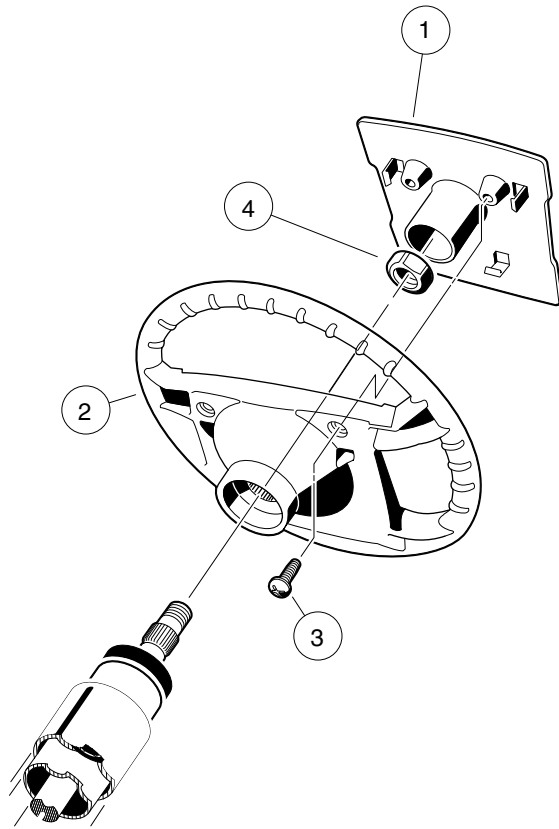
# INTERMEDIATE STEERING SHAFT – TURF/CARRYALL 252 AND XRT 900 VEHICLES

ITEM	PART NO.	DESCRIPTION	QTY
		<b>1 2 3 4</b>	
1	102004101	Joint, Steering (includes items 2 and 3) .....	1
2	1017226	Bolt, Hex-Head, 8mm X 1.25 - 30 .....	3
3	7174	Lockwasher, 5/16 Split .....	3

8

G

E



000246-003



# STEERING WHEEL

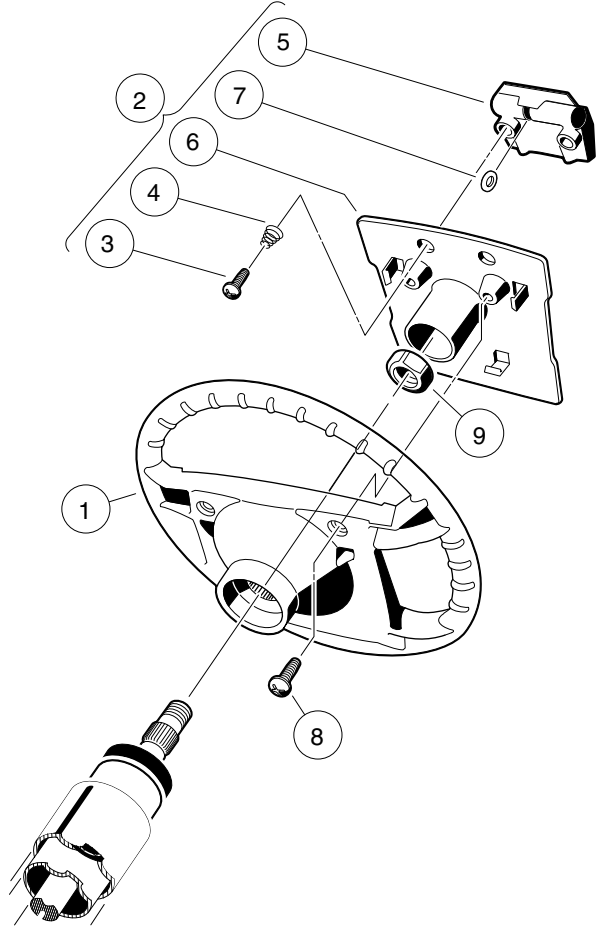
ITEM	PART NO.	DESCRIPTION	QTY
		1 2 3 4	
1	101615504	Plate, Scorecard .....	1
2	1016156	Wheel, Steering .....	1
3	1016663	Screw, #12-14 X 0.625 .....	2
4	1017273	Nut, 5/8-18 Nylon Insert Jam .....	1

8

G

E

**8**  
**G**  
**E**



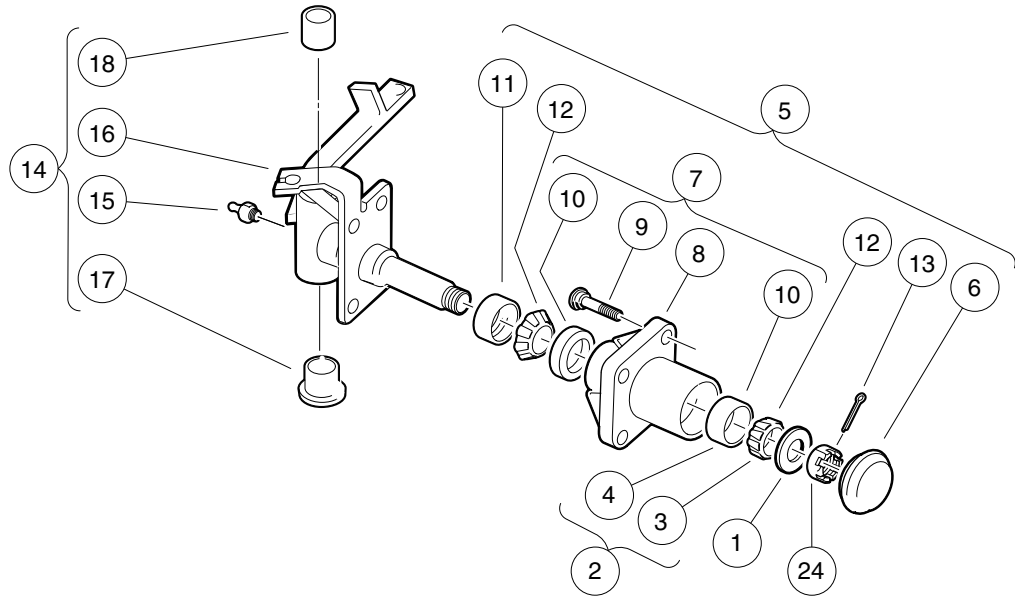
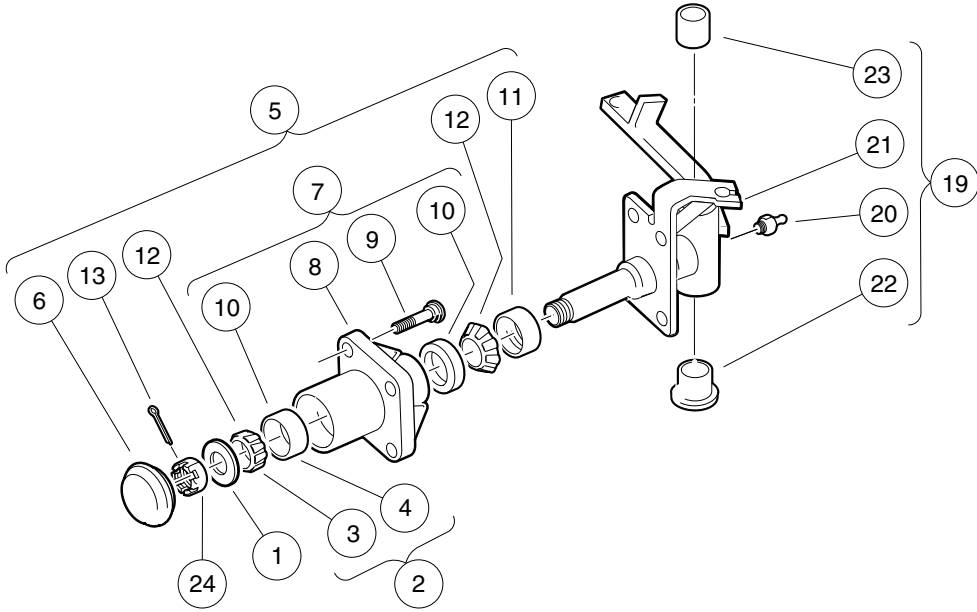
000246-002

# STEERING WHEEL WITH CLIP

ITEM	PART NO.	DESCRIPTION	QTY
		<b>1 2 3 4</b>	
1	1016156	Wheel, Steering .....	1
2	1016219	Plate, Scorecard (includes items 3 through 7) .....	1
3	1012565	Screw, #12 Phillips Round Head .....	2
4	1012566	Tapered Compression Spring .....	2
5	1016154	Clip, Scorecard .....	1
6	N/A	Plate, Score Card .....	1
7	1016214	Pencil Grip .....	1
8	1016663	Screw, #12-14 X 0.625 .....	2
9	1017273	Nut, 5/8-18 Nylon Insert Jam .....	1

**8**  
**G**  
**E**

**8**  
**G**  
**E**



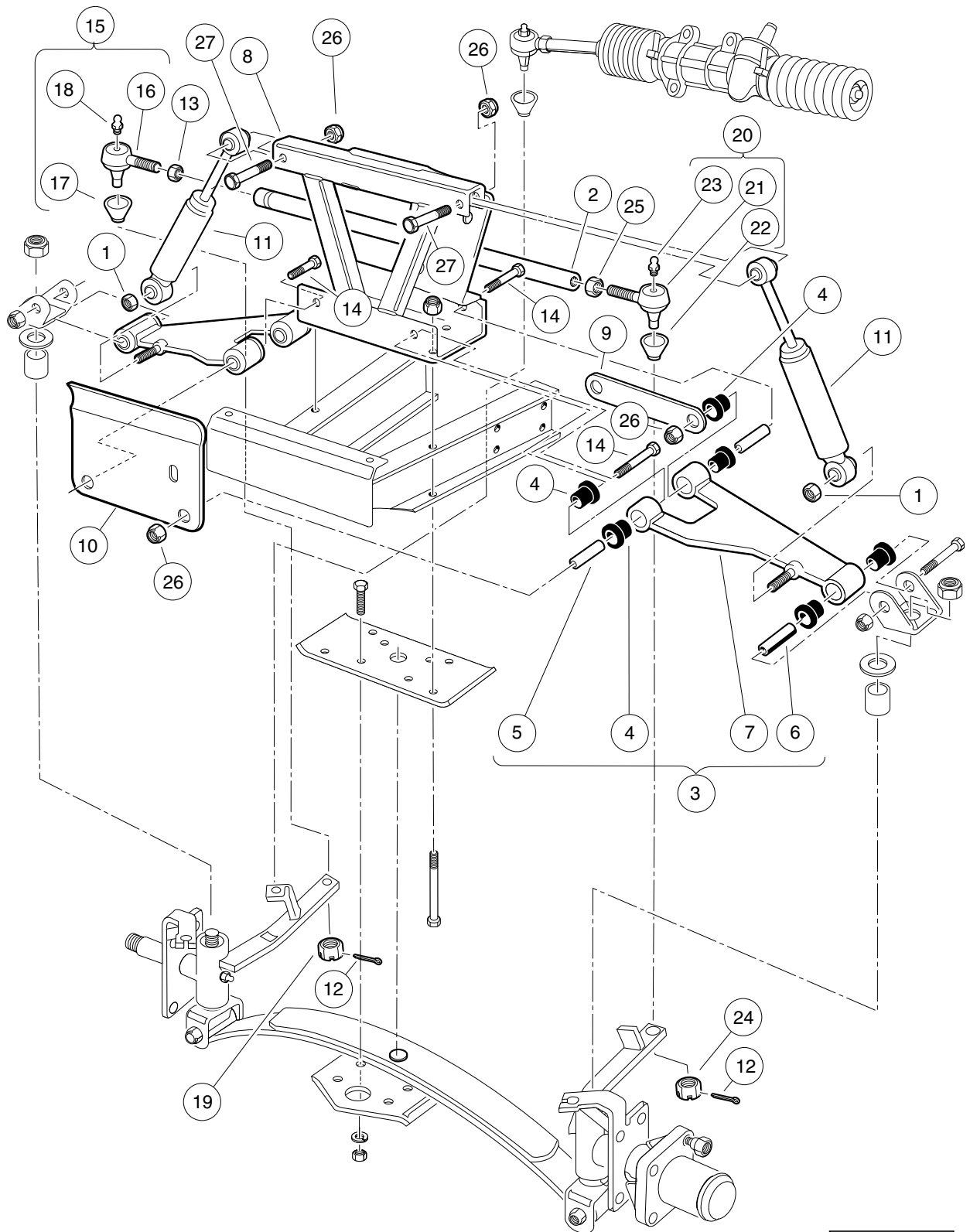
000310-002

# FRONT SPINDLES AND HUBS – VEHICLES WITH FOUR-WHEEL BRAKES AND CONVENTIONAL BALL JOINTS

ITEM	PART NO.	DESCRIPTION	QTY
		<b>1 2 3 4</b>	
1	1010005	Washer, 3/4 Flat .....	2
2	1011393	Hub Bearing Package (includes items 3 and 4) .....	4
3	7274	Bearing, Front Hub Wheel .....	1
4	7308	Race, Front Hub Bearing .....	1
5	1011892	Hub Assembly (includes items 6 through 13) .....	2
6	1011887	Dust Cover .....	1
7	N/A	Hub (includes items 8 through 10) .....	1
8	N/A	Front Hub .....	1
9	103477901	Lug Stud, 1/2-20 Unf, 4037 .....	4
10	7308	Race, Front Hub Bearing .....	2
11	1013135	Seal, Double Lip .....	1
12	7274	Bearing, Front Hub Wheel .....	2
13	7910	Pin, 5/32 X 1.00 Cotter .....	1
14	101876901	Spindle Assy, Driver Side (includes items 15 through 18) .....	1
15	1015597	Fitting, 1/4-28 Thread-Forming Grease .....	1
16	N/A	Spindle Assembly, Left .....	1
17	7048	Bushing, Flanged Bronze .....	1
18	8067	Bushing, Bronze Spindle .....	1
19	101877001	Spindle Assy, Passenger Side (includes items 20 through 23) .....	1
20	1015597	Fitting, 1/4-28 Thread-Forming Grease .....	1
21	N/A	Spindle Assembly, Right .....	1
22	7048	Bushing, Flanged Bronze .....	1
23	8067	Bushing, Bronze Spindle .....	1
24	7840	Nut, 3/4-16 Hex Slotted .....	2

**8**  
**G**  
**E**

**8**  
**G**  
**E**



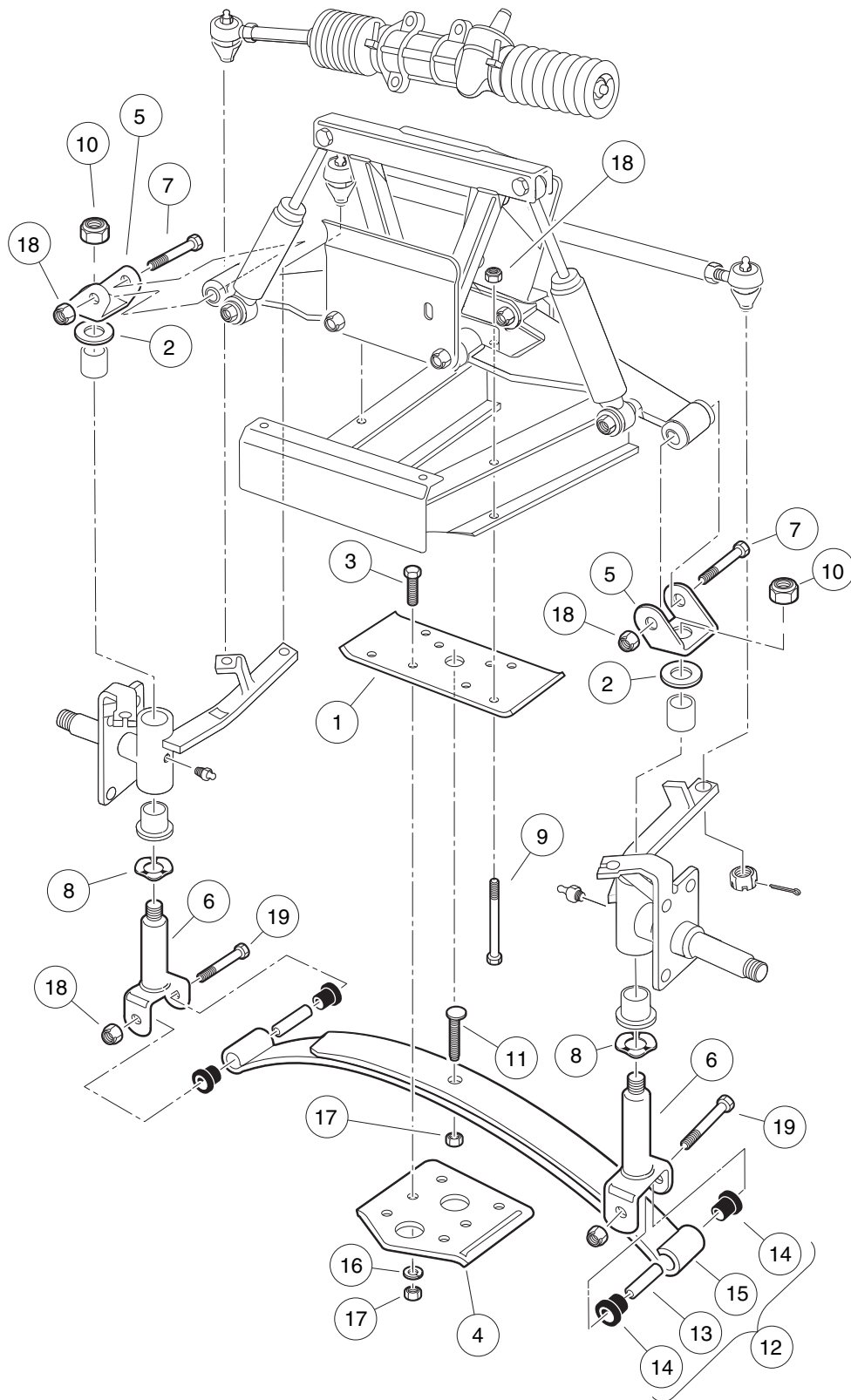
000314-001

# FRONT SUSPENSION, UPPER – TURF/CARRYALL 252 AND XRT 900 WITH CONVENTIONAL BALL JOINTS

ITEM	PART NO.	DESCRIPTION	QTY
		<b>1 2 3 4</b>	
1	1010138	Locknut, 3/8-16 Dimpled .....	2
2	1010219	Tie Rod .....	1
3	1016353	Sub-Assembly, Delta A-Plate (includes items 4 through 7) .....	2
4	1016346	Bushing, Urethane .....	6
5	1016349	Sleeve, Delta Inner .....	2
6	1016350	Sleeve, Delta Outer .....	1
7	1016351	Delta A-Plate .....	1
8	1016385	Delta Shock and Gear Support Assembly .....	1
9	1017266	A-Plate Strap .....	1
10	101955001	Brake Cable Guide Bracket .....	1
11	103351001	Shock Absorber, Front, Common .....	2
12	1035	Cotter Pin, 3/32 x 1 .....	2
13	1308	Nut, 1/2-20 Hex .....	1
14	2402	Screw, 3/8-16 X 2.25 Hx Hd Cap .....	4
15	7539	Ball Joint, Right-Hand (includes items 16 through 19) .....	1
16	1011893	Socket, RH Vertical .....	1
17	1011930	Seal, Vertical Socket Dust .....	1
18	1015597	Fitting, 1/4-28 Thread-Forming Grease .....	1
19	7602	Nut, 3/8-24 UNF Hex .....	1
20	7540	Ball Joint, Left (includes items 21 through 24) .....	1
21	1011895	Socket, LH Vertical .....	1
22	1011930	Seal, Vertical Socket Dust .....	1
23	1015597	Fitting, 1/4-28 Thread-Forming Grease .....	1
24	7602	Nut, 3/8-24 UNF Hex .....	1
25	7555	Nut, 1/2-20 Hex, Left-Hand Thread .....	1
26	8754	Locknut, 3/8-16 Hex .....	6
27	8861	Bolt, 3/8-16 X 1.75 Hex .....	2

**8**  
**G**  
**E**

**8**  
**G**  
**E**



001111-001

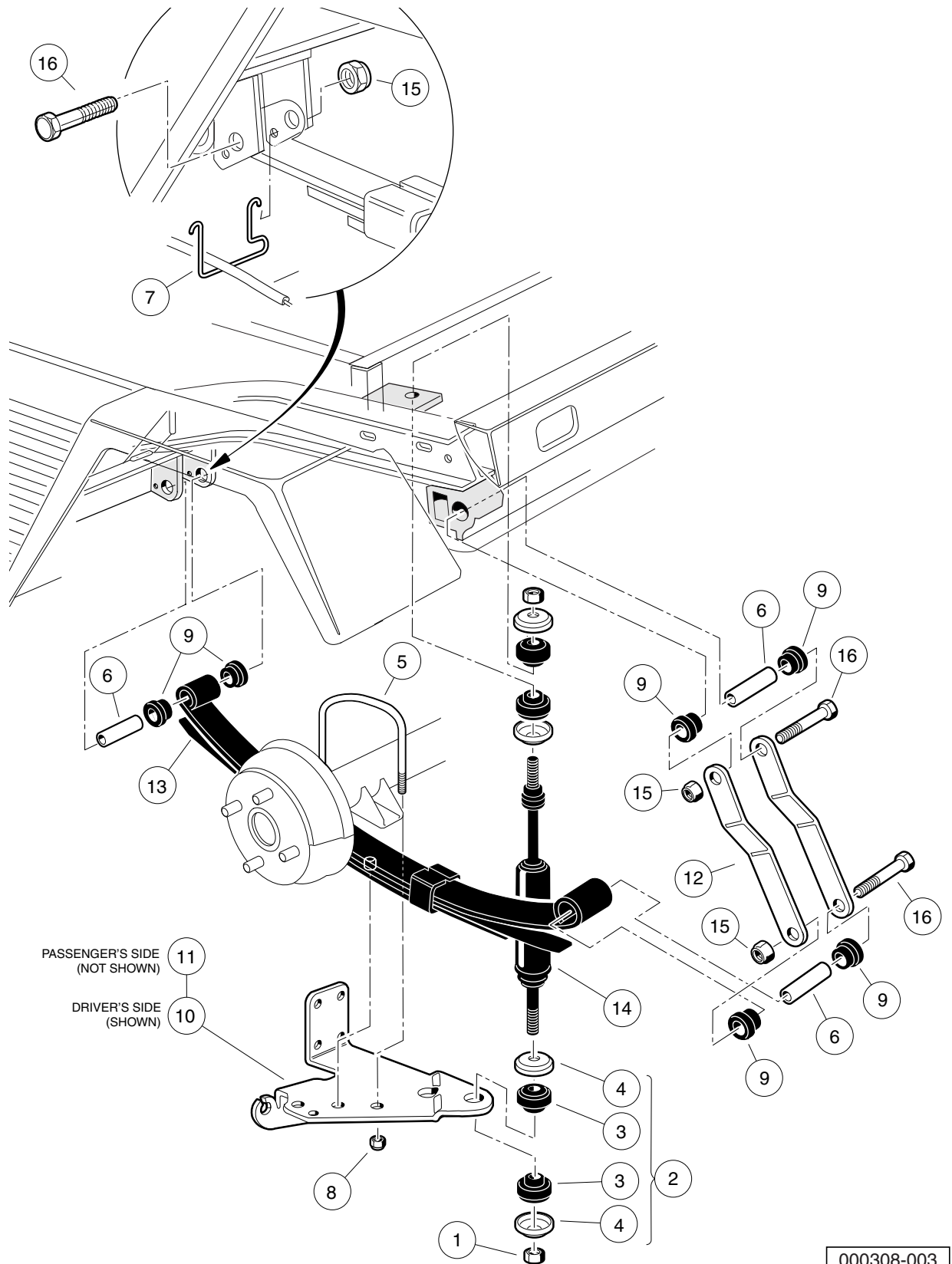


# FRONT SUSPENSION, LOWER – TURF/CARRYALL 252 AND XRT 900 WITH CONVENTIONAL BALL JOINTS

ITEM	PART NO.	DESCRIPTION	QTY
		1 2 3 4	
1	1010124	Plate, Spring Mount .....	1
2	1010150	Bearing, Thrust .....	2
3	1010177	Bolt, 3/8-16 X 2.00 Hex Head .....	4
4	1014276	Plate, Front Spring Retainer .....	1
5	1016384	Clevis, Delta Upper .....	2
6	1016386	King Pin Assembly .....	2
7	1016387	Screw, 3/8-16 X 2.75 Hx Hd Cap .....	2
8	1016389	Washer, 1.125 Od Wave .....	2
9	101870501	Screw, 3/8-16 X 4.75 Hx Hd Cap .....	4
10	101903101	Locknut, 1/2-20 Nylon Insert .....	2
11	103507001	Eccentric Bolt Common .....	1
12	103628801	Spring Asm, Front, 2 Leaf (includes items 13 through 15) .....	1
13	1012303	Bushing, Steel .....	2
14	1015583	Bushing, Urethane .....	4
15	103502701	Spring, Front, 2 Leaf .....	1
16	357	Lockwasher, 3/8 Split .....	4
17	706	Nut, Hex 3/8-16 .....	5
18	8754	Locknut, 3/8-16 Hex .....	8
19	8755	Screw, 3/8-16 X 3.375 Hex Cap .....	2

**8**  
**G**  
**E**

**8**  
**G**  
**E**

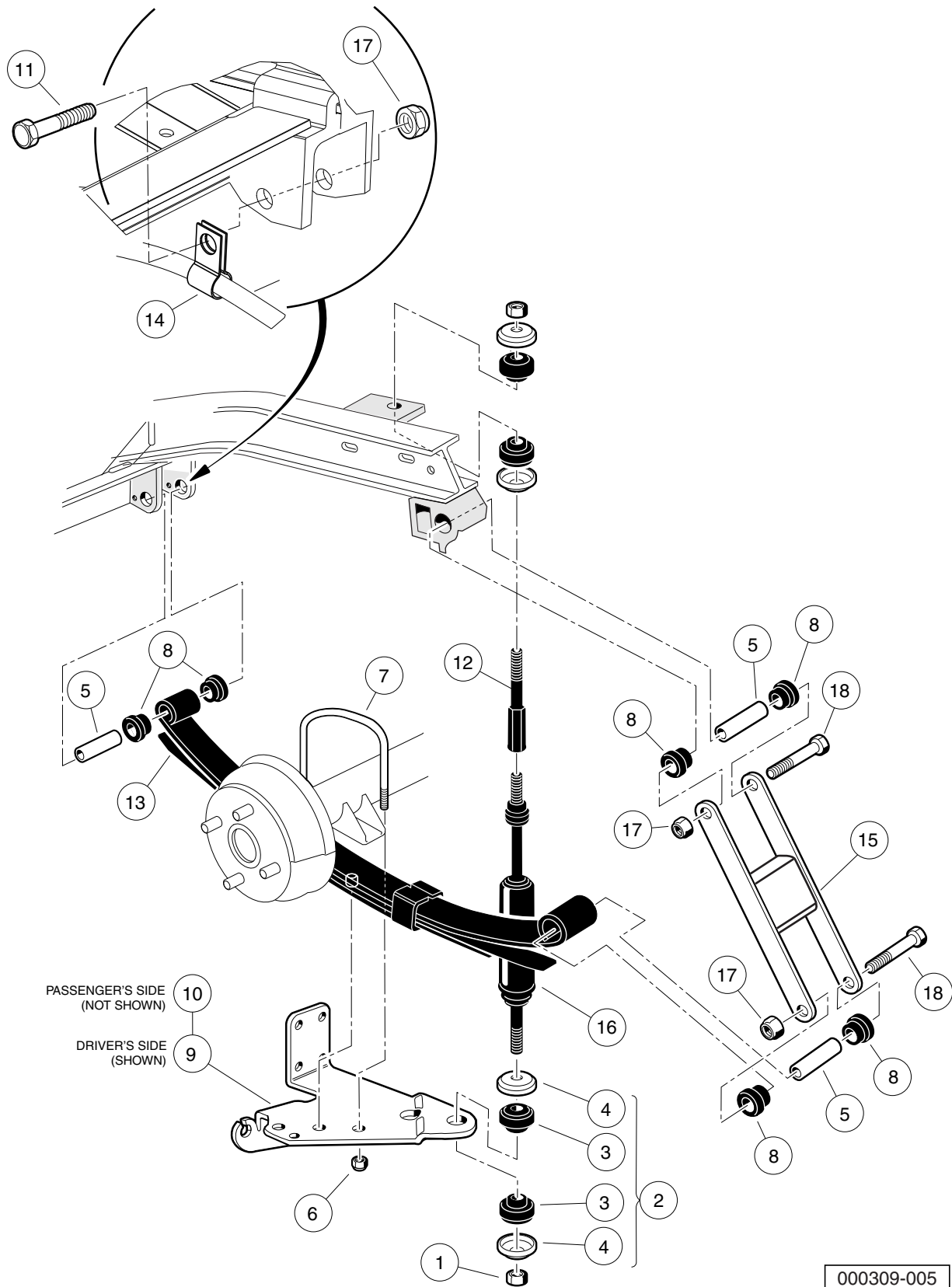


# REAR SUSPENSION – GASOLINE TURF/CARRYALL 252 AND XRT 900

ITEM	PART NO.	DESCRIPTION	QTY
		1 2 3 4	
1	1010145	Nut, 3/8-24 Hex .....	4
2	1011415	Kit, Shock Absorber Cushion (includes items 3 and 4) .....	4
3	N/A	Cushion, Shock Absorber .....	2
4	N/A	Retainer, Shock Absorber Cushion .....	2
5	1012180	U-Bolt .....	2
6	1012303	Bushing, Steel .....	6
7	1013207	Hanger, Brake Cable .....	2
8	1014555	Locknut, 7/16-14 Nylon Hex .....	4
9	1015583	Bushing, Urethane .....	12
10	101926501	Bracket, Left-Hand .....	1
11	101929401	Bracket, Right .....	1
12	102004201	Rear Spring Shackle .....	4
13	102871801	Rear Spring, 3leaf, 600 Lb/in .....	2
14	103351101	Shock, Absorber, Utility .....	2
15	8754	Locknut, 3/8-16 Hex .....	6
16	8755	Screw, 3/8-16 X 3.375 Hex Cap .....	6
<p>Note: Only the driver-side rear suspension is shown. Parts for the passenger-side rear suspension are identical except for the leaf spring/shock mounting plate.</p>			

8  
G  
E

**8**  
**G**  
**E**



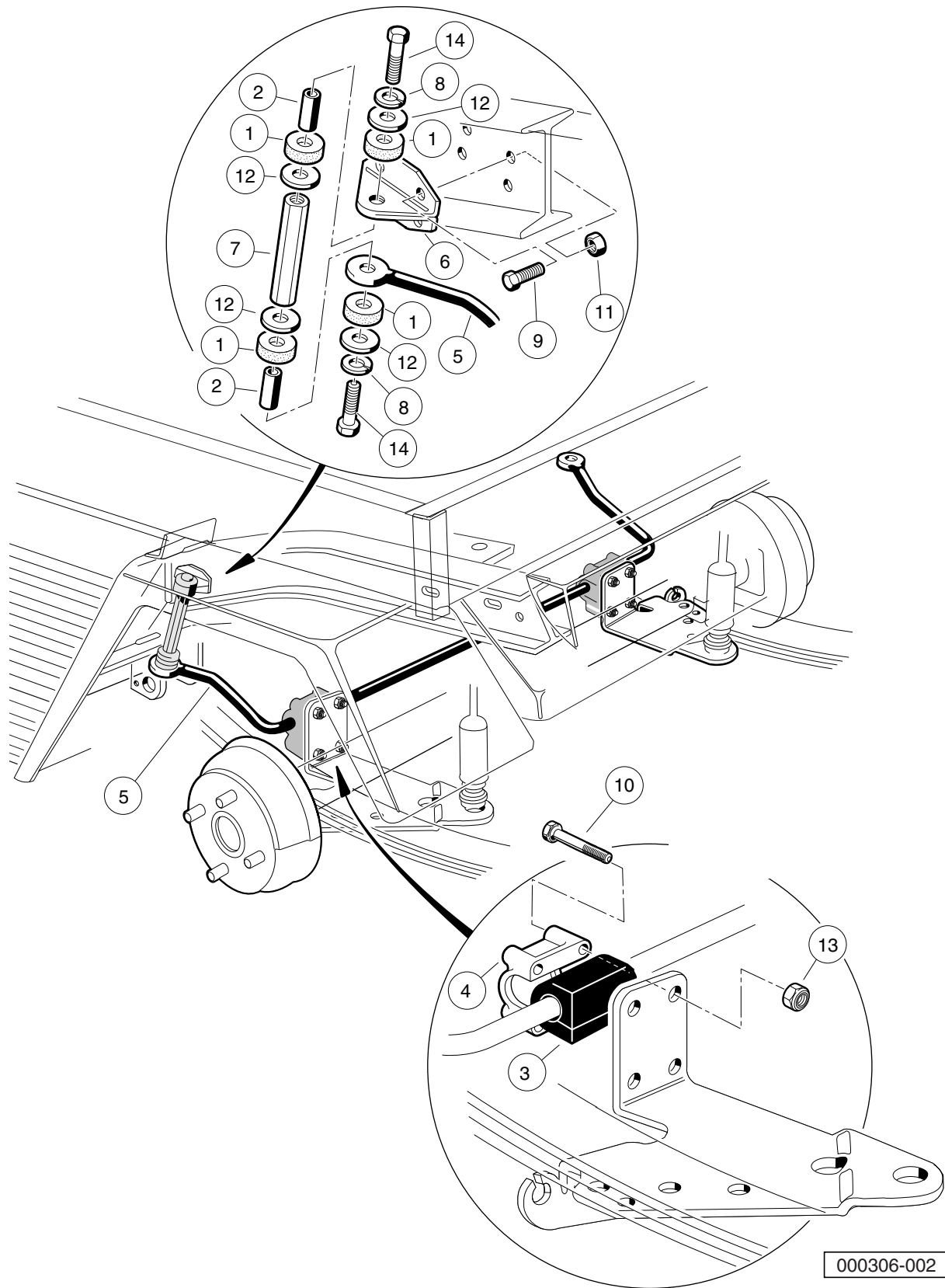
000309-005

# REAR SUSPENSION – TURF/CARRYALL 252 AND XRT 900 IQ PLUS

ITEM	PART NO.	DESCRIPTION	QTY
		1 2 3 4	
1	1010145	Nut, 3/8-24 Hex .....	4
2	1011415	Kit, Shock Absorber Cushion (includes items 3 and 4) .....	4
3	N/A	Cushion, Shock Absorber .....	2
4	N/A	Retainer, Shock Absorber Cushion .....	2
5	1012303	Bushing, Steel .....	6
6	1014555	Locknut, 7/16-14 Nylon Hex .....	4
7	1014902	U-Bolt .....	2
8	1015583	Bushing, Urethane .....	12
9	101926501	Bracket, Left-Hand .....	1
10	101929401	Bracket, Right .....	1
11	102066201	Screw, 3/8-16 X 3.50 Hex Cap .....	2
12	102399001	Shock Extension .....	2
13	102871801	Rear Spring, 3leaf, 600 Lb/in .....	2
14	102891101	Clamp, Cable, Brake, Sym .....	2
15	103324801	Weldment, Shackle, 10.0 .....	2
16	103351101	Shock, Absorber, Utility .....	2
17	8754	Locknut, 3/8-16 Hex .....	6
18	8755	Screw, 3/8-16 X 3.375 Hex Cap .....	4
<p>Note: Only the driver-side rear suspension is shown. Parts for the passenger-side rear suspension are identical except for the leaf spring/shock mounting plate.</p>			

8  
G  
E

**8**  
**G**  
**E**



000306-002

## STABILIZER BAR – TURF/CARRYALL 252 AND XRT 900

ITEM	PART NO.	DESCRIPTION	QTY
		1 2 3 4	
1	1015453	Compression Mount .....	8
2	1015457	Spacer, 0.720" .....	4
3	1015613	Bushing, Stabilizer Bar .....	2
4	1015614	Support, Bushing .....	2
5	1015760	Stabilizer Bar .....	1
6	1016813	Mounting Bracket, Stabilizer Bar .....	2
7	102004901	Link, Stabilizer Bar .....	2
8	357	Lockwasher, 3/8 Split .....	4
9	7173	Screw, 5/16-18 X 0.75, Hex-Head Cap .....	8
10	7311	Screw, 1/4-20 X 2.00 Hex-Head Cap .....	8
11	7473	Locknut, 5/16-18 Nylon Insert .....	8
12	808	Washer, 3/8 Type B Flat .....	8
13	8233	Locknut, 1/4-20, Nylon Insert .....	8
14	8861	Bolt, 3/8-16 X 1.75 Hex .....	4

8  
G  
E

**8**

**G**

**E**



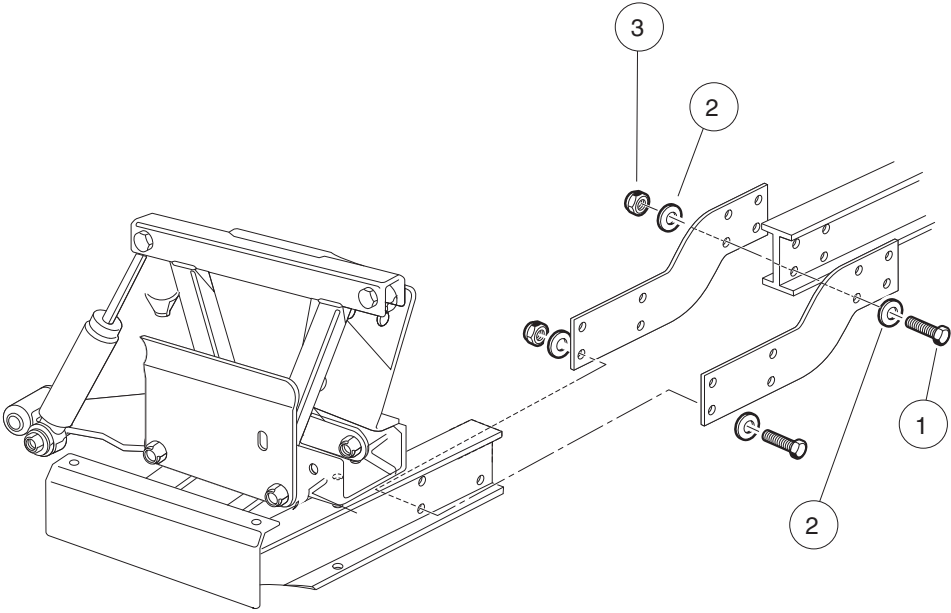
# **STEERING AND SUSPENSIONS (MAINT. FREE BALL JOINTS) – 252**

---

**9**

**G**

**E**



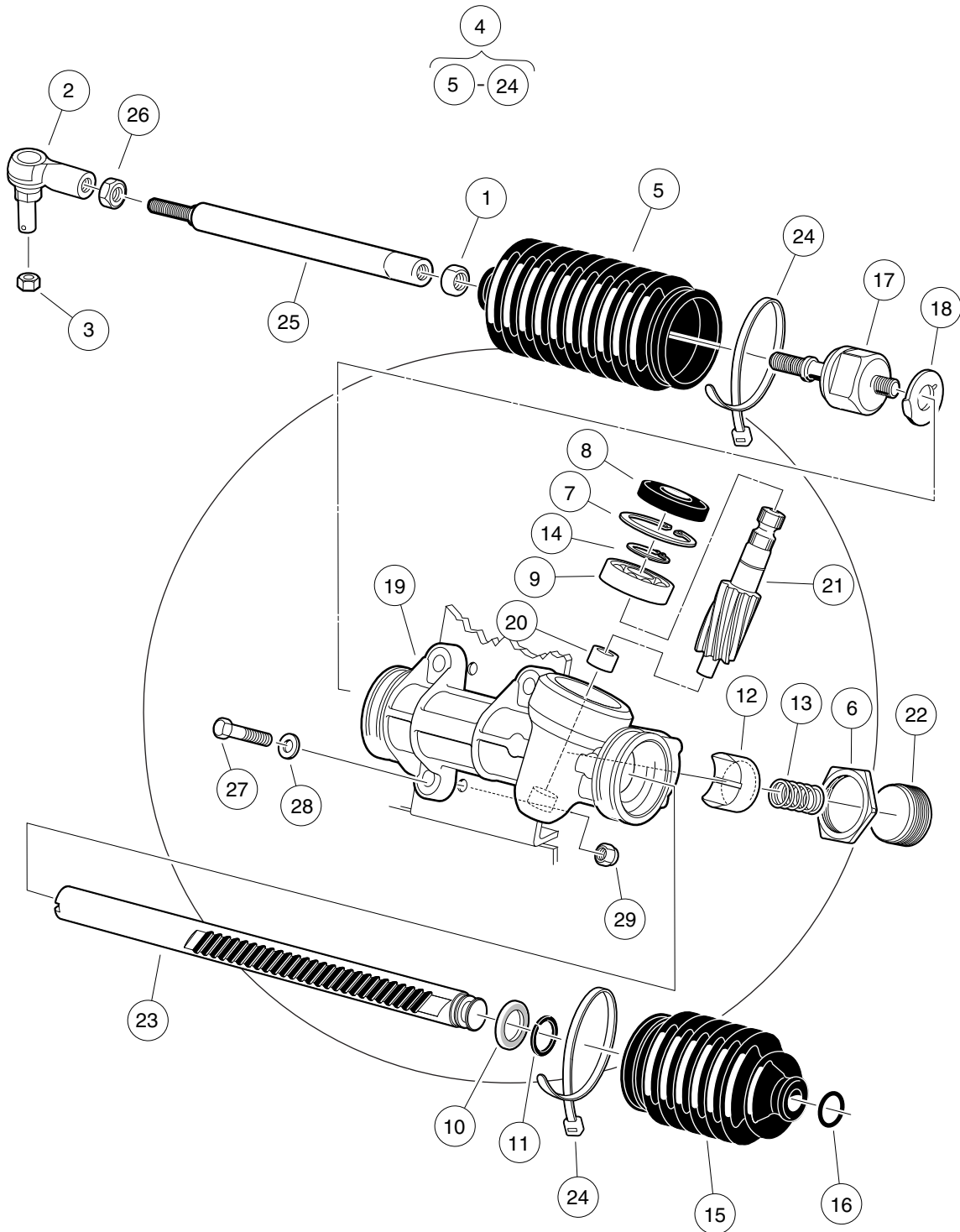
000304-002

# FRONT FRAME PLATE HARDWARE – TURF/CARRYALL 252 AND XRT 900

ITEM	PART NO.	DESCRIPTION	QTY
		1 2 3 4	
1	1218	Screw, 5/16-18 X 1.25 Hex-Head Cap .....	16
2	1241	Washer, 5/16 Type A Flat .....	32
3	7473	Locknut, 5/16-18 Nylon Insert .....	16

9  
G  
E

**9**  
**G**  
**E**

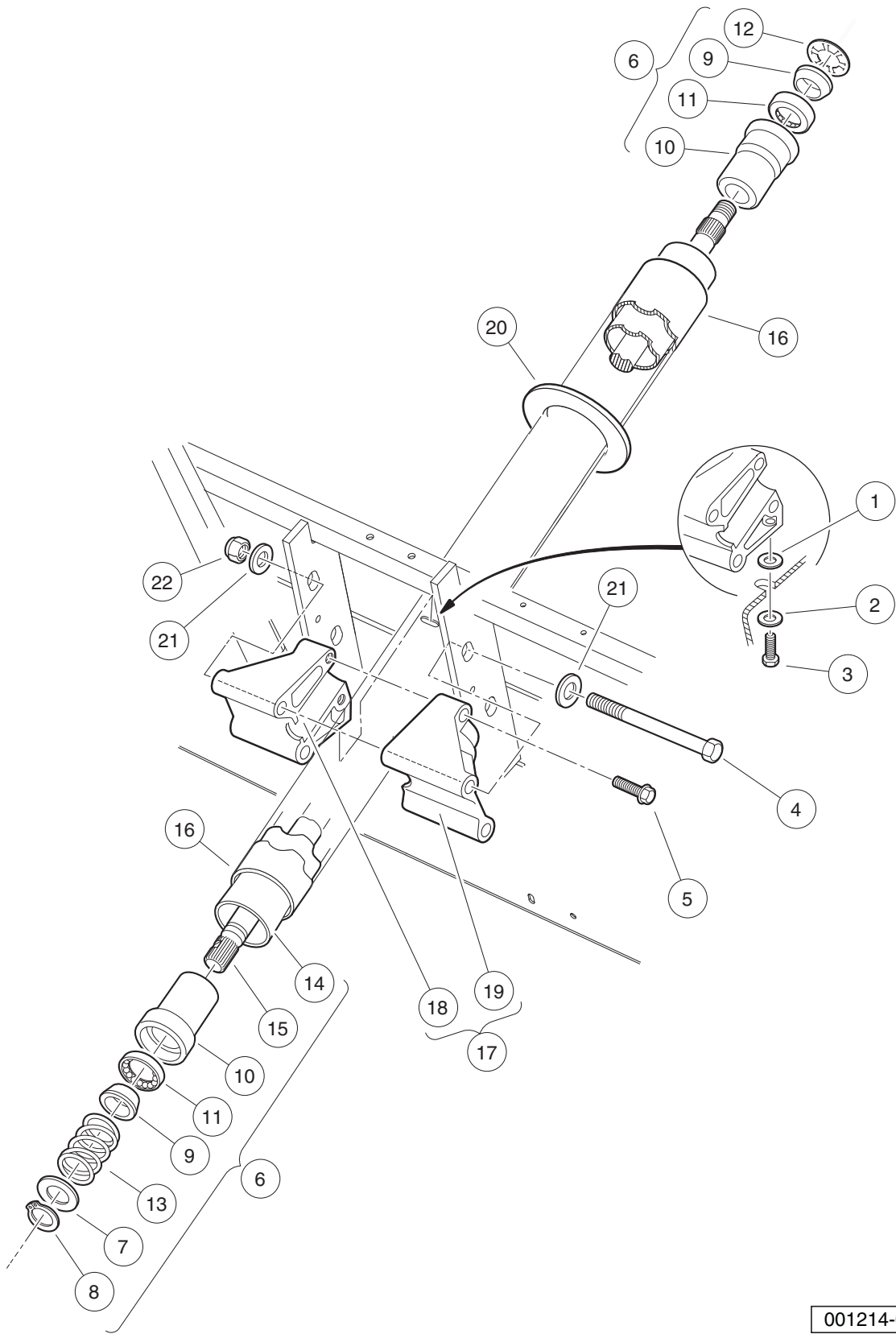


001500-002

# STEERING GEAR ASSEMBLY (WANDA) – MAINT.-FREE BALL JOINT

ITEM	PART NO.	DESCRIPTION	QTY
		<b>1 2 3 4</b>	
1	1013042	Nut, 12mm Hex .....	1
2	102022602	End, Tie Rod, M12 X 1.25, Lh .....	1
3	102289201	Nut - Hex Locking, M12 X 1.25 .....	1
4	103601501	Asm, Steering Rack And Pinion (includes items 5 through 24) .....	1
5	1013035	Bellows, Long .....	1
6	1013044	Rack Screw Locknut .....	1
7	N/A	Snap Ring .....	1
8	1013052	Seal, Steering Pinion Dust .....	1
9	101879401	Bearing, Ball .....	1
10	101879501	Stop Washer .....	1
11	101879601	Stop Ring, C-Type .....	1
12	101879701	Support Yoke .....	1
13	101879801	Rack Guide Pressure Spring .....	1
14	101879901	Ring, Stop, C-Type .....	1
15	101880001	Bellows, Short .....	1
16	101880101	Dust Seal Retaining Ring .....	1
17	101880201	Inner Ball Joint Asm .....	1
18	101880301	Washer, Tab .....	1
19	N/A	Box, Steering Gear .....	1
20	N/A	Bearing, Lower Pinion .....	1
21	N/A	Pinion, Steering .....	1
22	N/A	Screw, Rack Guide .....	1
23	N/A	Rack, Steering .....	1
24	8990	Tie Wrap, 8" Nylon .....	2
25	103653401	Link, Drag, Male Thd .....	1
26	103653501	Nut, Jam, M12-1.25, Lh .....	1
27	1624	Screw, 3/8-16 X 1.50, Hex-Head Cap .....	3
28	334	Washer, 3/8, Type A, Flat .....	3
29	8754	Locknut, 3/8-16 Hex .....	3

**9**  
**G**  
**E**

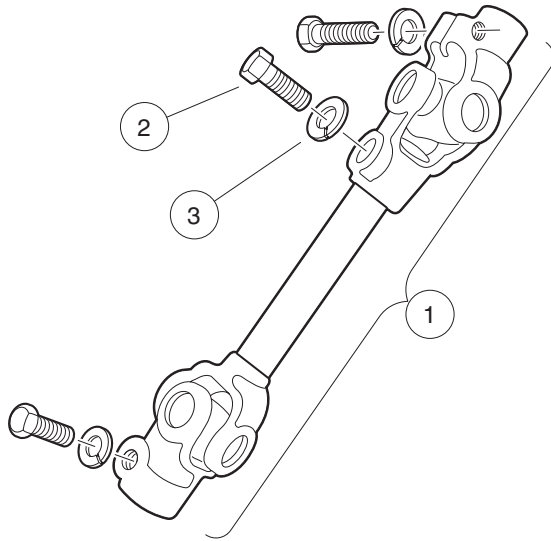


001214-001

## STEERING COLUMN – UTILITY

ITEM	PART NO.	DESCRIPTION	QTY
		1 2 3 4	
1	1011578	Washer, 5/16 Type B Flat .....	1
2	1011697	Washer, 5/16 Flat .....	1
3	1014288	Screw, 5/16-18 X 0.75, Thread-Forming .....	1
4	1016183	Screw, 3/8-16 X 7.00 Hex Cap .....	2
5	1016269	Screw, 5/16-18 Thrd Forming .....	2
6	1017313	Steering Shaft Assembly (includes items 7 through 15) .....	1
7	1012604	Washer, 0.675 ID X 1.19 OD .....	1
8	1012605	Ring, 0.579 Internal Retaining .....	1
9	1014125	Wedge, Molded .....	2
10	1014126	Seat, Plastic Bearing .....	2
11	1014213	Bearing, Ball .....	2
12	1014214	Ring, Retaining .....	1
13	1014217	Spring, Steering Shaft .....	1
14	1017314	Column, Aluminum Steering .....	1
15	1017315	Shaft Steering Column .....	1
16	1017317	Tube Cover, Steering Column .....	1
17	101984801	Kit, Steering Column Mounting Bracket (includes items 18 and 19) .....	1
18	N/A	Bracket, RH Steering Column Mount .....	1
19	N/A	Bracket, LH Steering column mount .....	1
20	102278001	Boot, Steering Column Round .....	1
21	334	Washer, 3/8, Type A, Flat .....	4
22	8754	Locknut, 3/8-16 Hex .....	2

**9**  
**G**  
**E**



001218-001



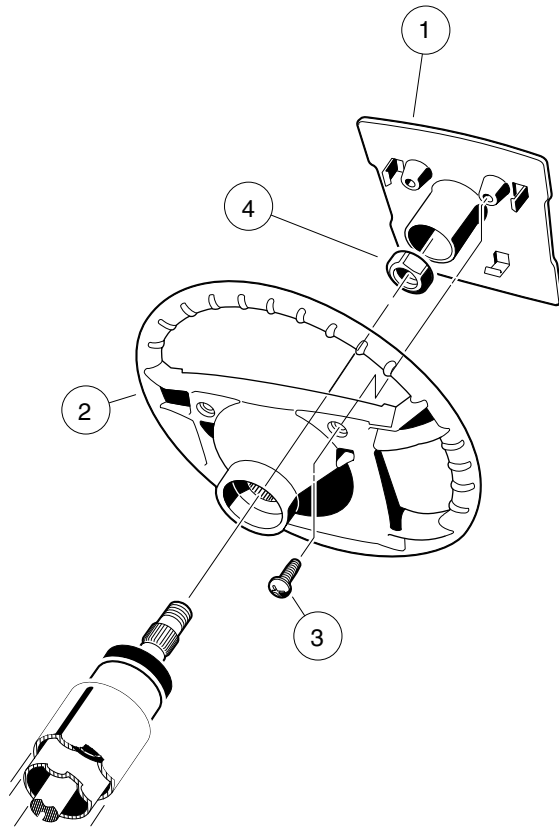
# INTERMEDIATE STEERING SHAFT – TURF/CARRYALL 252 AND XRT 900 VEHICLES

ITEM	PART NO.	DESCRIPTION	QTY
1	102004101	<div style="text-align: left; margin-left: 20px;"> <b>1 2 3 4</b>            Joint, Steering (includes items 2 and 3) .....         </div>	1
2	1017226	<div style="text-align: left; margin-left: 20px;">           Bolt, Hex-Head, 8mm X 1.25 - 30 .....         </div>	3
3	7174	<div style="text-align: left; margin-left: 20px;">           Lockwasher, 5/16 Split .....         </div>	3

**9**

**G**

**E**



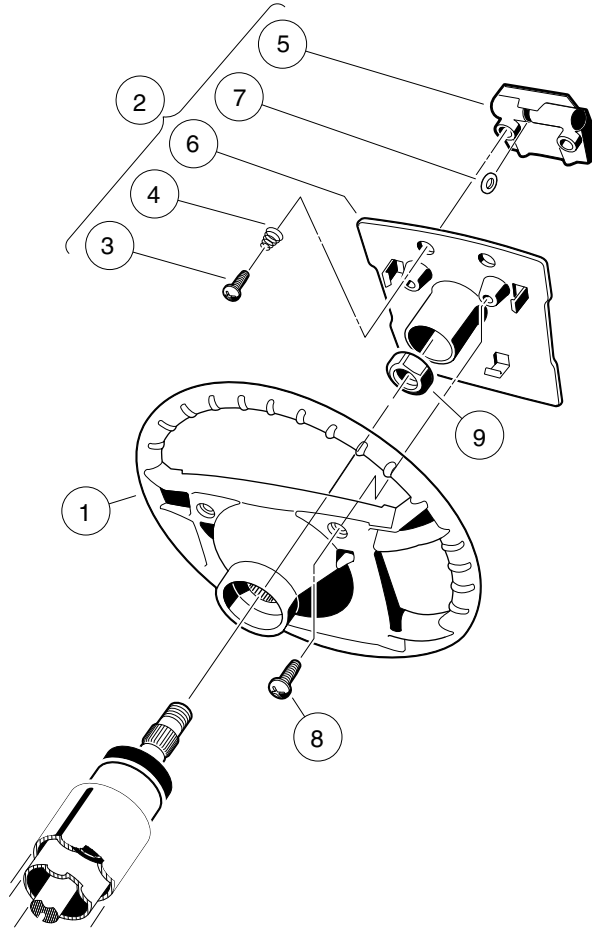
000246-003

# STEERING WHEEL

ITEM	PART NO.	DESCRIPTION	QTY
		1 2 3 4	
1	101615504	Plate, Scorecard .....	1
2	1016156	Wheel, Steering .....	1
3	1016663	Screw, #12-14 X 0.625 .....	2
4	1017273	Nut, 5/8-18 Nylon Insert Jam .....	1

9  
G  
E

**9**  
**G**  
**E**



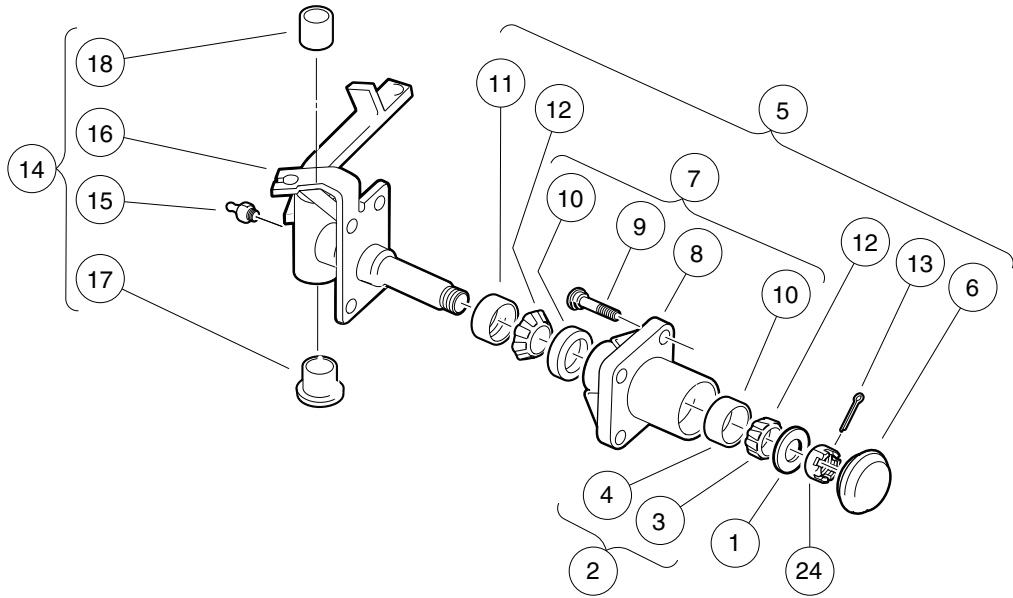
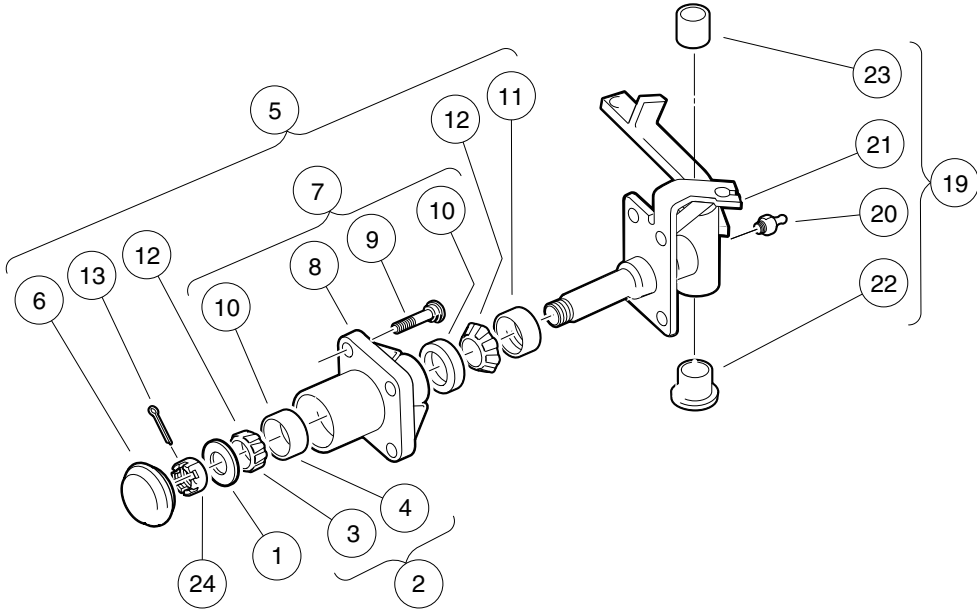
000246-002

# STEERING WHEEL WITH CLIP

ITEM	PART NO.	DESCRIPTION	QTY
		1 2 3 4	
1	1016156	Wheel, Steering .....	1
2	1016219	Plate, Scorecard (includes items 3 through 7) .....	1
3	1012565	Screw, #12 Phillips Round Head .....	2
4	1012566	Tapered Compression Spring .....	2
5	1016154	Clip, Scorecard .....	1
6	N/A	Plate, Score Card .....	1
7	1016214	Pencil Grip .....	1
8	1016663	Screw, #12-14 X 0.625 .....	2
9	1017273	Nut, 5/8-18 Nylon Insert Jam .....	1

9  
G  
E

**9**  
**G**  
**E**



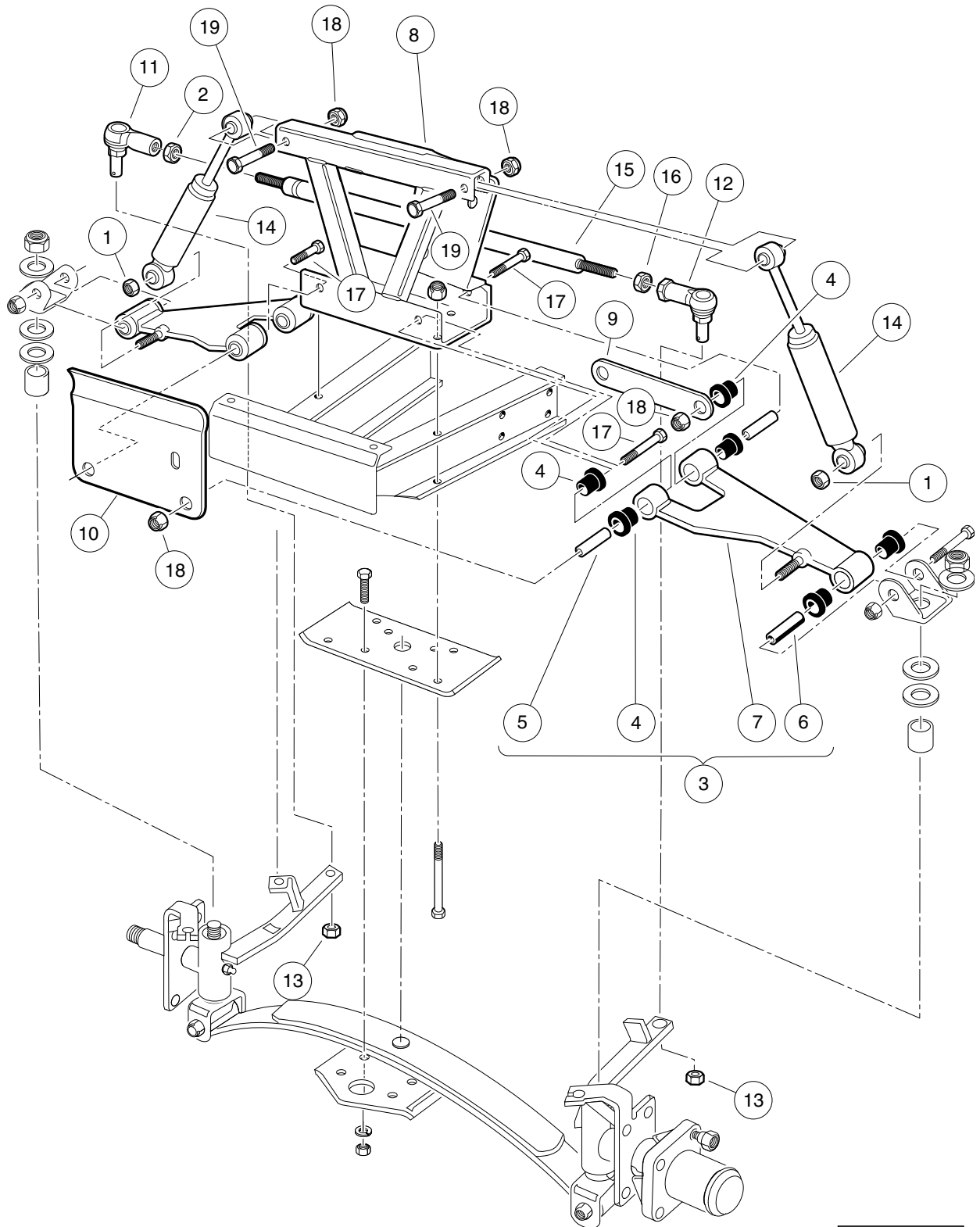
000310-002

# FRONT SPINDLES AND HUBS – VEHICLES WITH FOUR-WHEEL BRAKES AND MAINTENANCE-FREE BALL JOINTS

ITEM	PART NO.	DESCRIPTION	QTY
		<b>1 2 3 4</b>	
1	1010005	Washer, 3/4 Flat .....	2
2	1011393	Hub Bearing Package (includes items 3 and 4) .....	4
3	7274	Bearing, Front Hub Wheel .....	1
4	7308	Race, Front Hub Bearing .....	1
5	1011892	Hub Assembly (includes items 6 through 13) .....	2
6	1011887	Dust Cover .....	1
7	N/A	Hub (includes items 8 through 10) .....	1
8	N/A	Front Hub .....	1
9	103477901	Lug Stud, 1/2-20 Unf, 4037 .....	4
10	7308	Race, Front Hub Bearing .....	2
11	1013135	Seal, Double Lip .....	1
12	7274	Bearing, Front Hub Wheel .....	2
13	7910	Pin, 5/32 X 1.00 Cotter .....	1
14	103717302	Asm, Spindle, Lh, 4wb, Sp (includes items 15 through 18) .....	1
15	1015597	Fitting, 1/4-28 Thread-Forming Grease .....	1
16	N/A	Subasm, Spindle, Lh, 4wb .....	1
17	7048	Bushing, Flanged Bronze .....	1
18	8067	Bushing, Bronze Spindle .....	1
19	103717402	Asm, Spindle, Rh, 4wb, Sp (includes items 20 through 23) .....	1
20	1015597	Fitting, 1/4-28 Thread-Forming Grease .....	1
21	N/A	Subasm, Spindle, Rh, 4wb .....	1
22	7048	Bushing, Flanged Bronze .....	1
23	8067	Bushing, Bronze Spindle .....	1
24	7840	Nut, 3/4-16 Hex Slotted .....	2

**9**  
**G**  
**E**

**9**  
**G**  
**E**



001112-001

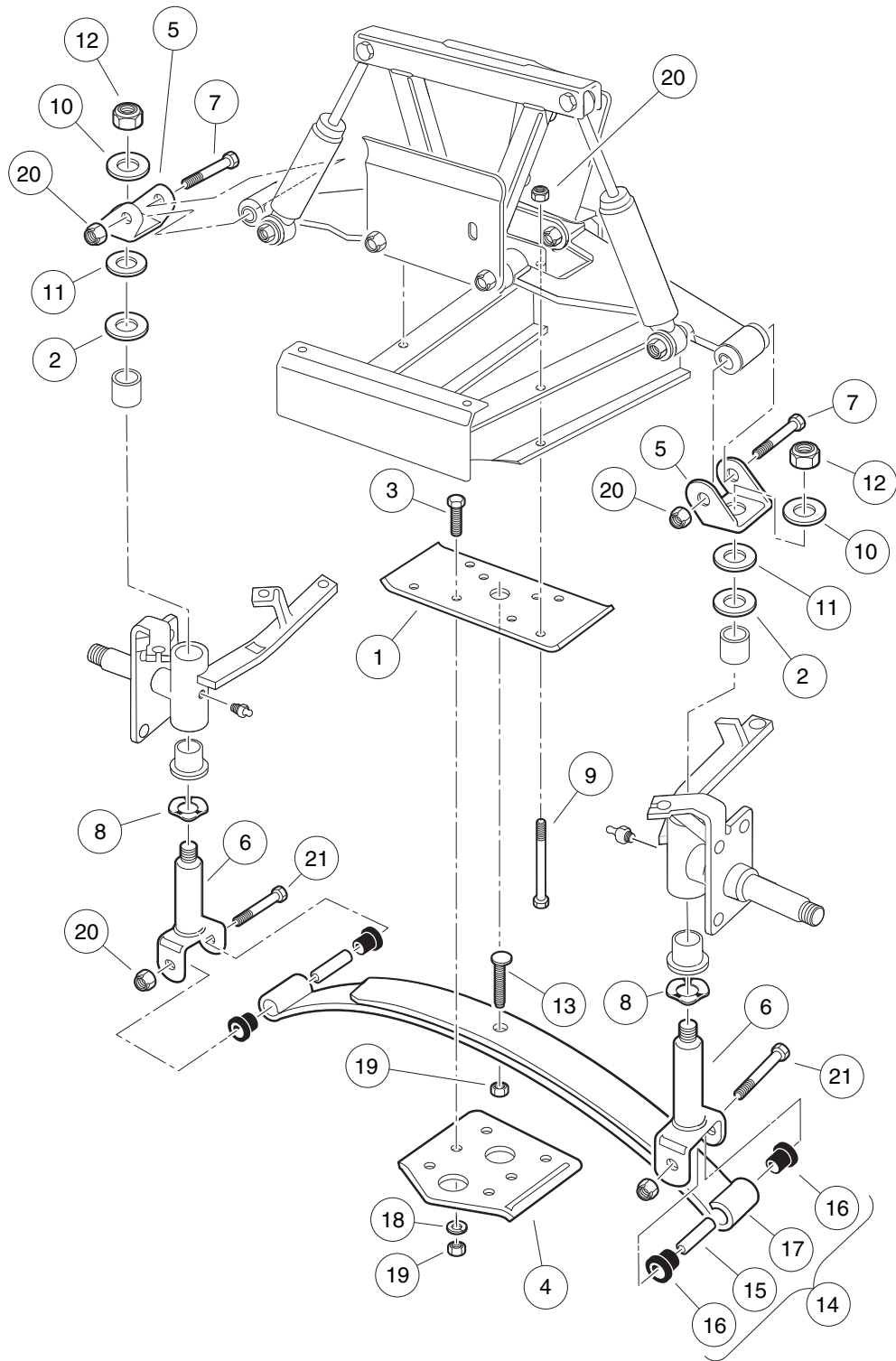


# FRONT SUSPENSION, UPPER – TURF/CARRYALL 252 AND XRT 900 WITH MAINTENANCE-FREE BALL JOINTS

ITEM	PART NO.	DESCRIPTION	QTY
		<b>1 2 3 4</b>	
1	1010138	Locknut, 3/8-16 Dimpled .....	2
2	1013042	Nut, 12mm Hex .....	1
3	1016353	Sub-Assembly, Delta A-Plate (includes items 4 through 7) .....	2
4	1016346	Bushing, Urethane .....	6
5	1016349	Sleeve, Delta Inner .....	2
6	1016350	Sleeve, Delta Outer .....	1
7	1016351	Delta A-Plate .....	1
8	1016385	Delta Shock and Gear Support Assembly .....	1
9	1017266	A-Plate Strap .....	1
10	101955001	Brake Cable Guide Bracket .....	1
11	102022601	End, Tie Rod M12 X 1.25 Rh .....	1
12	102022602	End, Tie Rod, M12 X 1.25, Lh .....	1
13	102289201	Nut - Hex Locking, M12 X 1.25 .....	2
14	103351001	Shock Absorber, Front, Common .....	2
15	103354701	Rod, Tie, Male Thd .....	1
16	103653501	Nut, Jam, M12-1.25, Lh .....	1
17	2402	Screw, 3/8-16 X 2.25 Hx Hd Cap .....	4
18	8754	Locknut, 3/8-16 Hex .....	6
19	8861	Bolt, 3/8-16 X 1.75 Hex .....	2

**9**  
**G**  
**E**

**9**  
**G**  
**E**



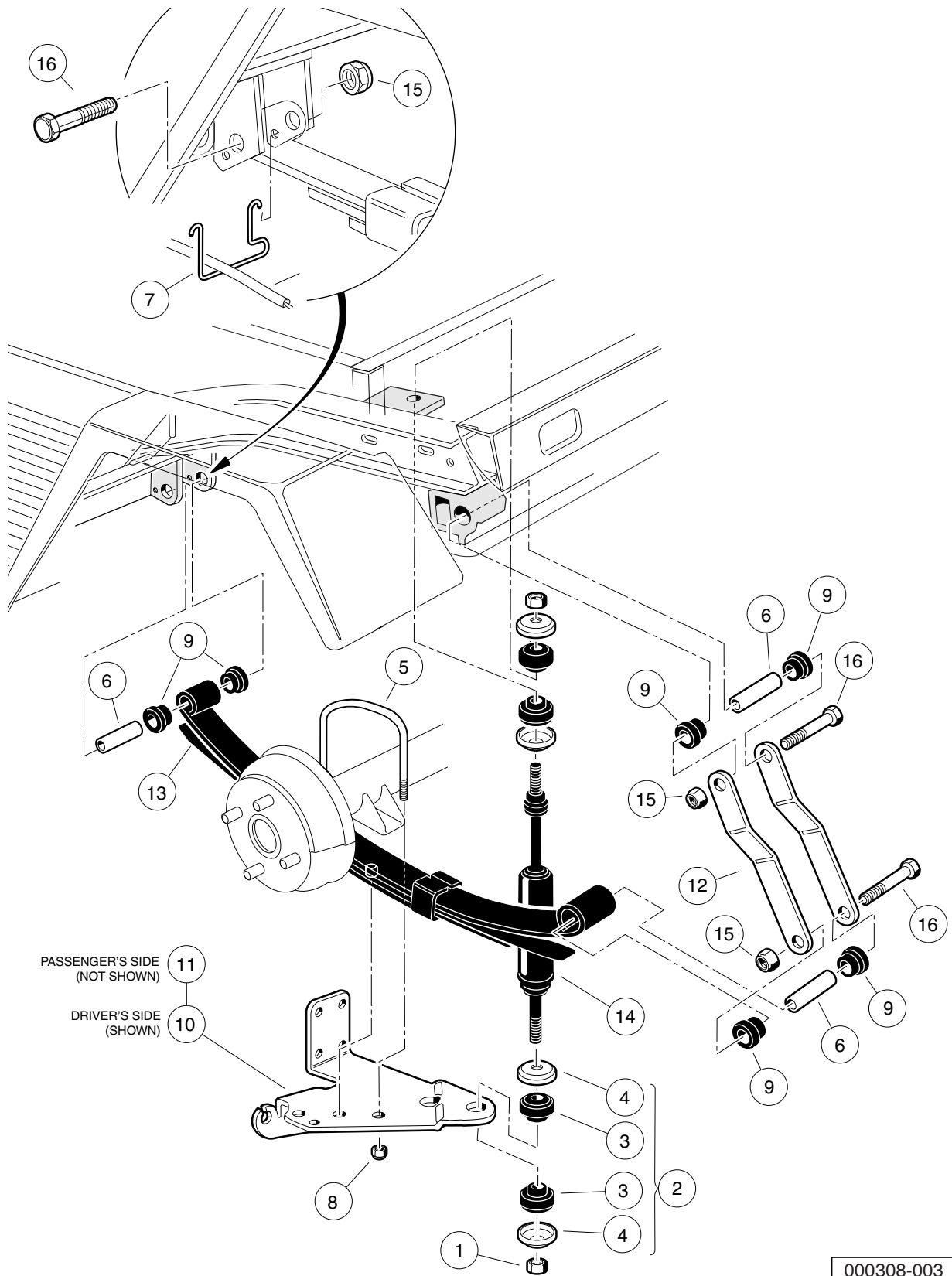
001113-001

# FRONT SUSPENSION, LOWER – TURF/CARRYALL 252 AND XRT 900 WITH MAINTENANCE-FREE BALL JOINTS

ITEM	PART NO.	DESCRIPTION	QTY
		<b>1 2 3 4</b>	
1	1010124	Plate, Spring Mount .....	1
2	1010150	Bearing, Thrust .....	2
3	1010177	Bolt, 3/8-16 X 2.00 Hex Head .....	4
4	1014276	Plate, Front Spring Retainer .....	1
5	1016384	Clevis, Delta Upper .....	2
6	1016386	King Pin Assembly .....	2
7	1016387	Screw, 3/8-16 X 2.75 Hx Hd Cap .....	2
8	1016389	Washer, 1.125 Od Wave .....	2
9	101870501	Screw, 3/8-16 X 4.75 Hx Hd Cap .....	4
10	102564002	Washer-1/2 Conical, Yellow .....	2
11	102684501	Washer, M12 Hard Regular .....	2
12	102766301	Nut, 1/2-20, Center Lock .....	2
13	103507001	Eccentric Bolt Common .....	1
14	103628801	Spring Asm, Front, 2 Leaf (includes items 15 through 17) .....	1
15	1012303	Bushing, Steel .....	2
16	1015583	Bushing, Urethane .....	4
17	103502701	Spring, Front, 2 Leaf .....	1
18	357	Lockwasher, 3/8 Split .....	4
19	706	Nut, Hex 3/8-16 .....	5
20	8754	Locknut, 3/8-16 Hex .....	8
21	8755	Screw, 3/8-16 X 3.375 Hex Cap .....	2

**9**  
**G**  
**E**

**9**  
**G**  
**E**



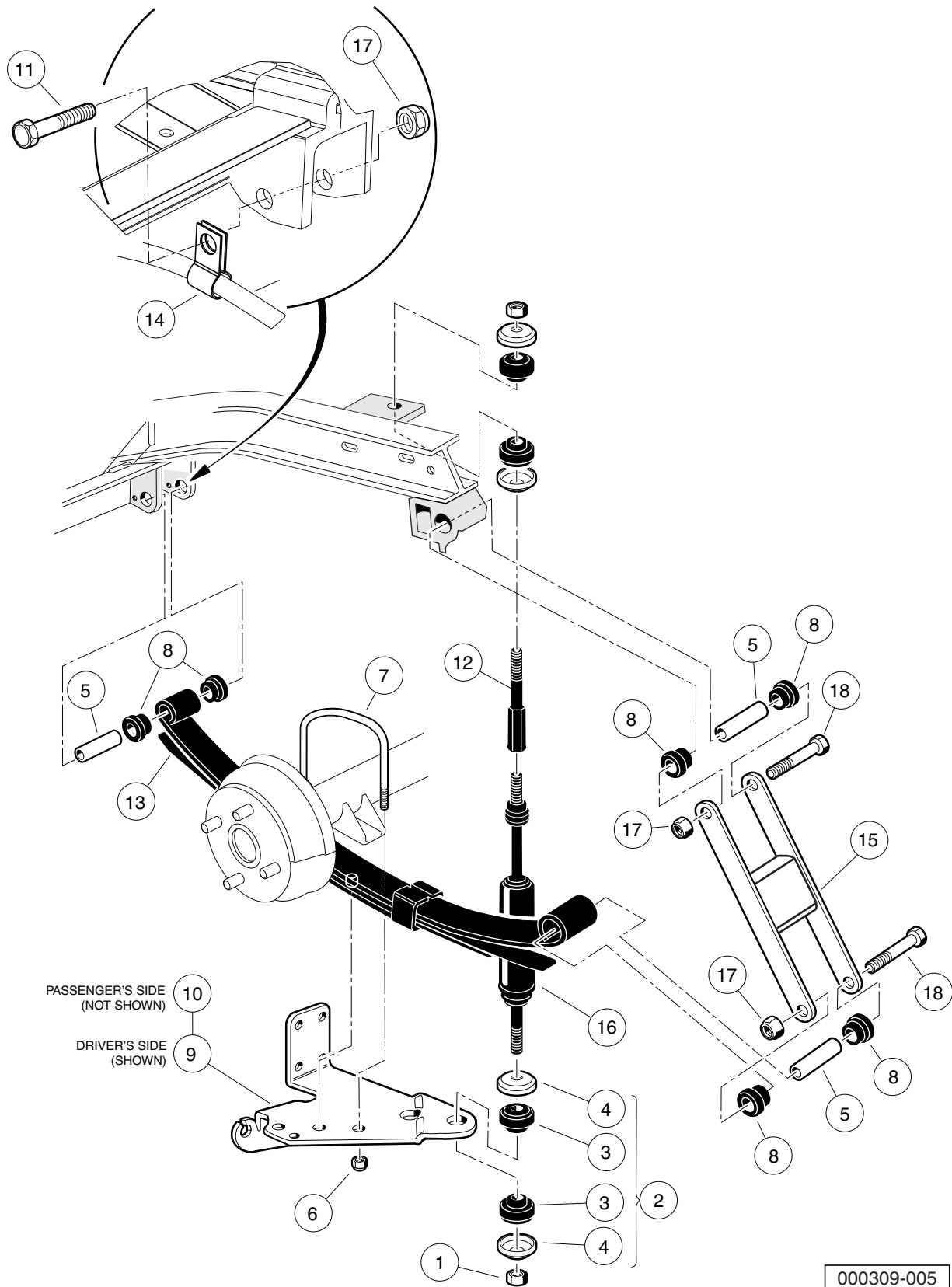
000308-003

# REAR SUSPENSION – GASOLINE TURF/CARRYALL 252 AND XRT 900

ITEM	PART NO.	DESCRIPTION	QTY
		1 2 3 4	
1	1010145	Nut, 3/8-24 Hex .....	4
2	1011415	Kit, Shock Absorber Cushion (includes items 3 and 4) .....	4
3	N/A	Cushion, Shock Absorber .....	2
4	N/A	Retainer, Shock Absorber Cushion .....	2
5	1012180	U-Bolt .....	2
6	1012303	Bushing, Steel .....	6
7	1013207	Hanger, Brake Cable .....	2
8	1014555	Locknut, 7/16-14 Nylon Hex .....	4
9	1015583	Bushing, Urethane .....	12
10	101926501	Bracket, Left-Hand .....	1
11	101929401	Bracket, Right .....	1
12	102004201	Rear Spring Shackle .....	4
13	102871801	Rear Spring, 3leaf, 600 Lb/in .....	2
14	103351101	Shock, Absorber, Utility .....	2
15	8754	Locknut, 3/8-16 Hex .....	6
16	8755	Screw, 3/8-16 X 3.375 Hex Cap .....	6
<p>Note: Only the driver-side rear suspension is shown. Parts for the passenger-side rear suspension are identical except for the leaf spring/shock mounting plate.</p>			

9  
G  
E

**9**  
**G**  
**E**



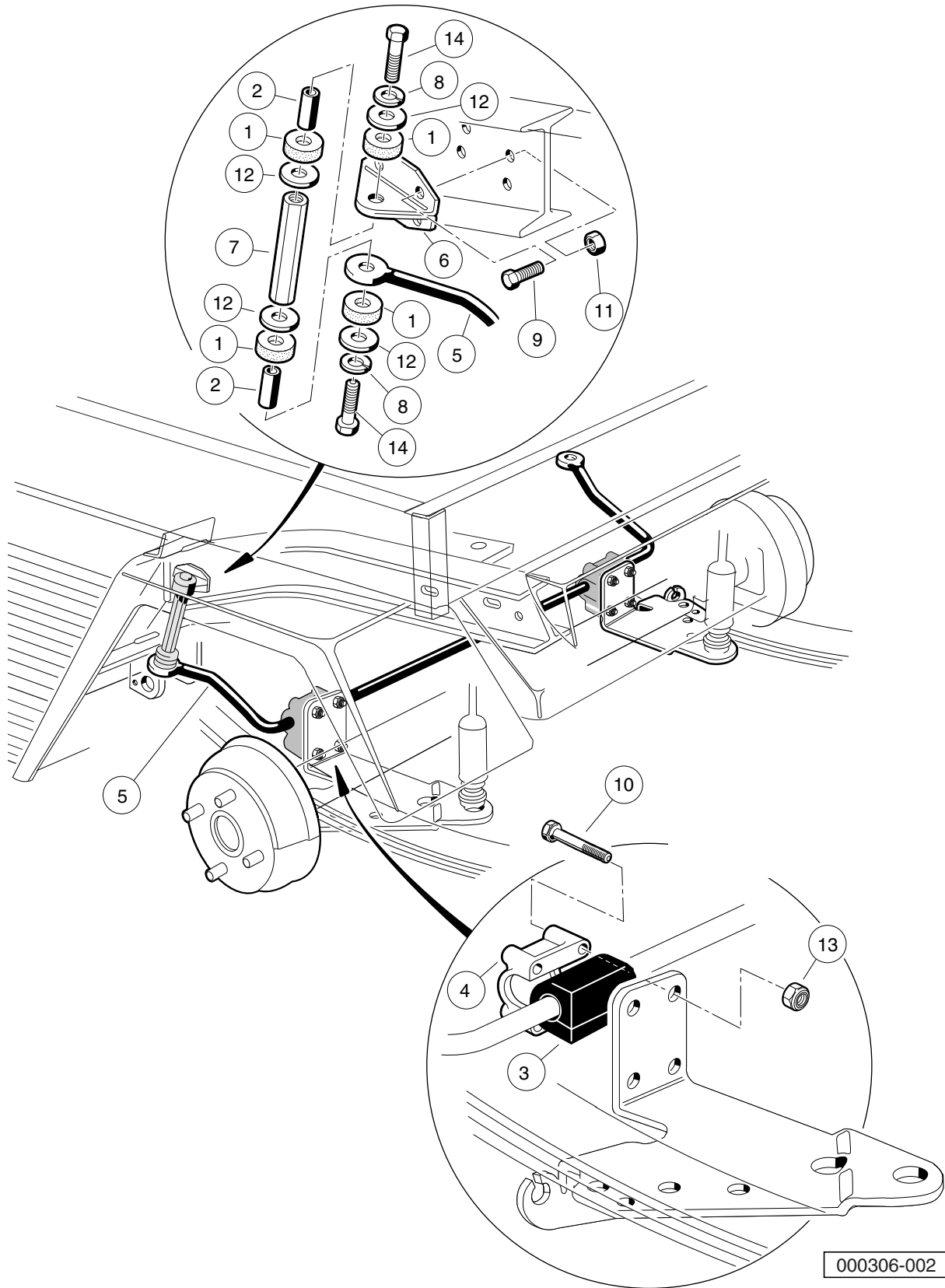
000309-005

# REAR SUSPENSION – TURF/CARRYALL 252 AND XRT 900 IQ PLUS

ITEM	PART NO.	DESCRIPTION	QTY
		1 2 3 4	
1	1010145	Nut, 3/8-24 Hex .....	4
2	1011415	Kit, Shock Absorber Cushion (includes items 3 and 4) .....	4
3	N/A	Cushion, Shock Absorber .....	2
4	N/A	Retainer, Shock Absorber Cushion .....	2
5	1012303	Bushing, Steel .....	6
6	1014555	Locknut, 7/16-14 Nylon Hex .....	4
7	1014902	U-Bolt .....	2
8	1015583	Bushing, Urethane .....	12
9	101926501	Bracket, Left-Hand .....	1
10	101929401	Bracket, Right .....	1
11	102066201	Screw, 3/8-16 X 3.50 Hex Cap .....	2
12	102399001	Shock Extension .....	2
13	102871801	Rear Spring, 3leaf, 600 Lb/in .....	2
14	102891101	Clamp, Cable, Brake, Sym .....	2
15	103324801	Weldment, Shackle, 10.0 .....	2
16	103351101	Shock, Absorber, Utility .....	2
17	8754	Locknut, 3/8-16 Hex .....	6
18	8755	Screw, 3/8-16 X 3.375 Hex Cap .....	4
<p>Note: Only the driver-side rear suspension is shown. Parts for the passenger-side rear suspension are identical except for the leaf spring/shock mounting plate.</p>			

9  
G  
E

**9**  
**G**  
**E**



000306-002



## STABILIZER BAR – TURF/CARRYALL 252 AND XRT 900

ITEM	PART NO.	DESCRIPTION	QTY
		1 2 3 4	
1	1015453	Compression Mount .....	8
2	1015457	Spacer, 0.720" .....	4
3	1015613	Bushing, Stabilizer Bar .....	2
4	1015614	Support, Bushing .....	2
5	1015760	Stabilizer Bar .....	1
6	1016813	Mounting Bracket, Stabilizer Bar .....	2
7	102004901	Link, Stabilizer Bar .....	2
8	357	Lockwasher, 3/8 Split .....	4
9	7173	Screw, 5/16-18 X 0.75, Hex-Head Cap .....	8
10	7311	Screw, 1/4-20 X 2.00 Hex-Head Cap .....	8
11	7473	Locknut, 5/16-18 Nylon Insert .....	8
12	808	Washer, 3/8 Type B Flat .....	8
13	8233	Locknut, 1/4-20, Nylon Insert .....	8
14	8861	Bolt, 3/8-16 X 1.75 Hex .....	4

**9**  
**G**  
**E**

**9**

**G**

**E**

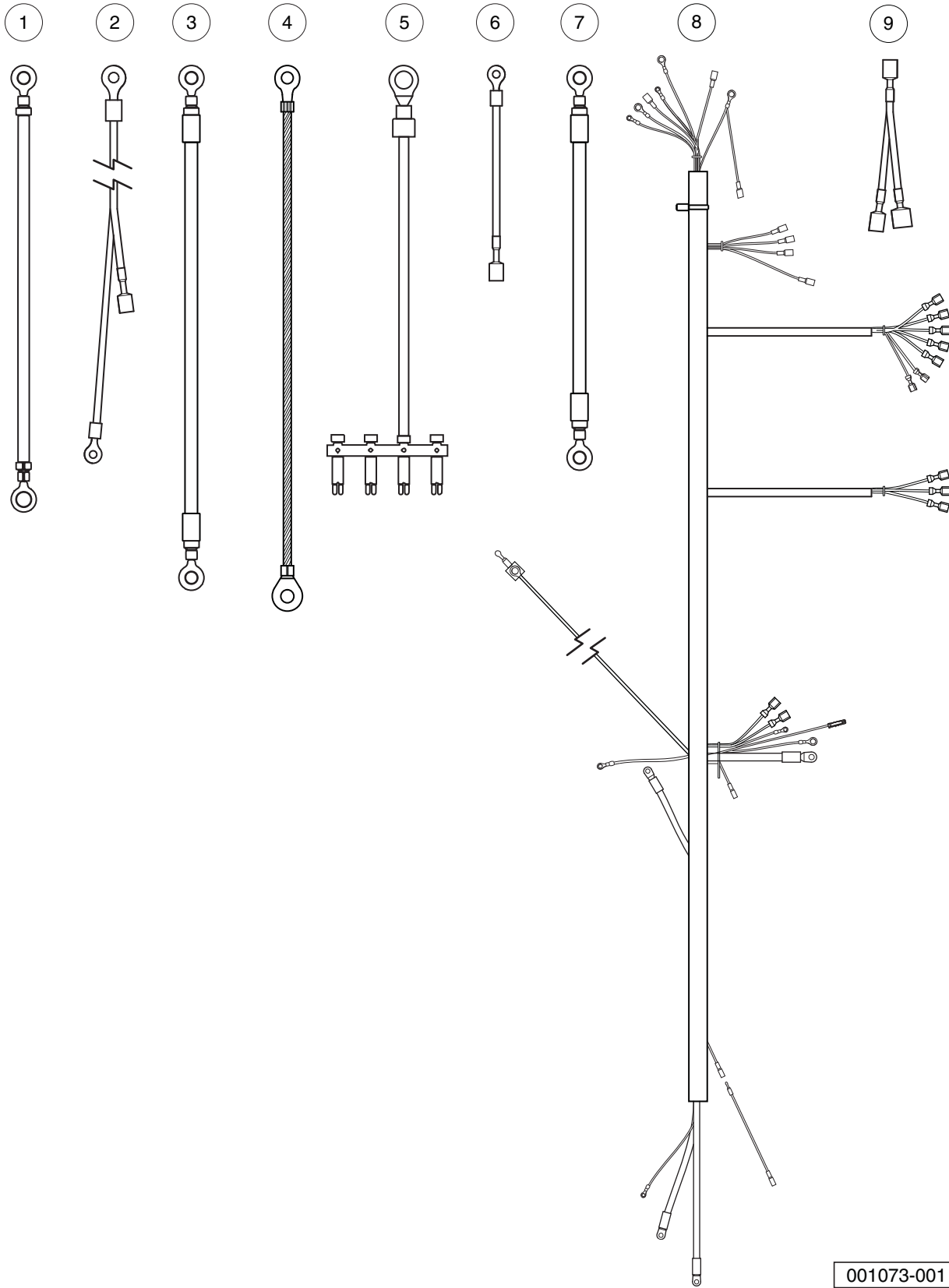
# ELECTRICAL SYSTEM – GASOLINE VEHICLE

---

*10*

*G*

**10**  
**G**



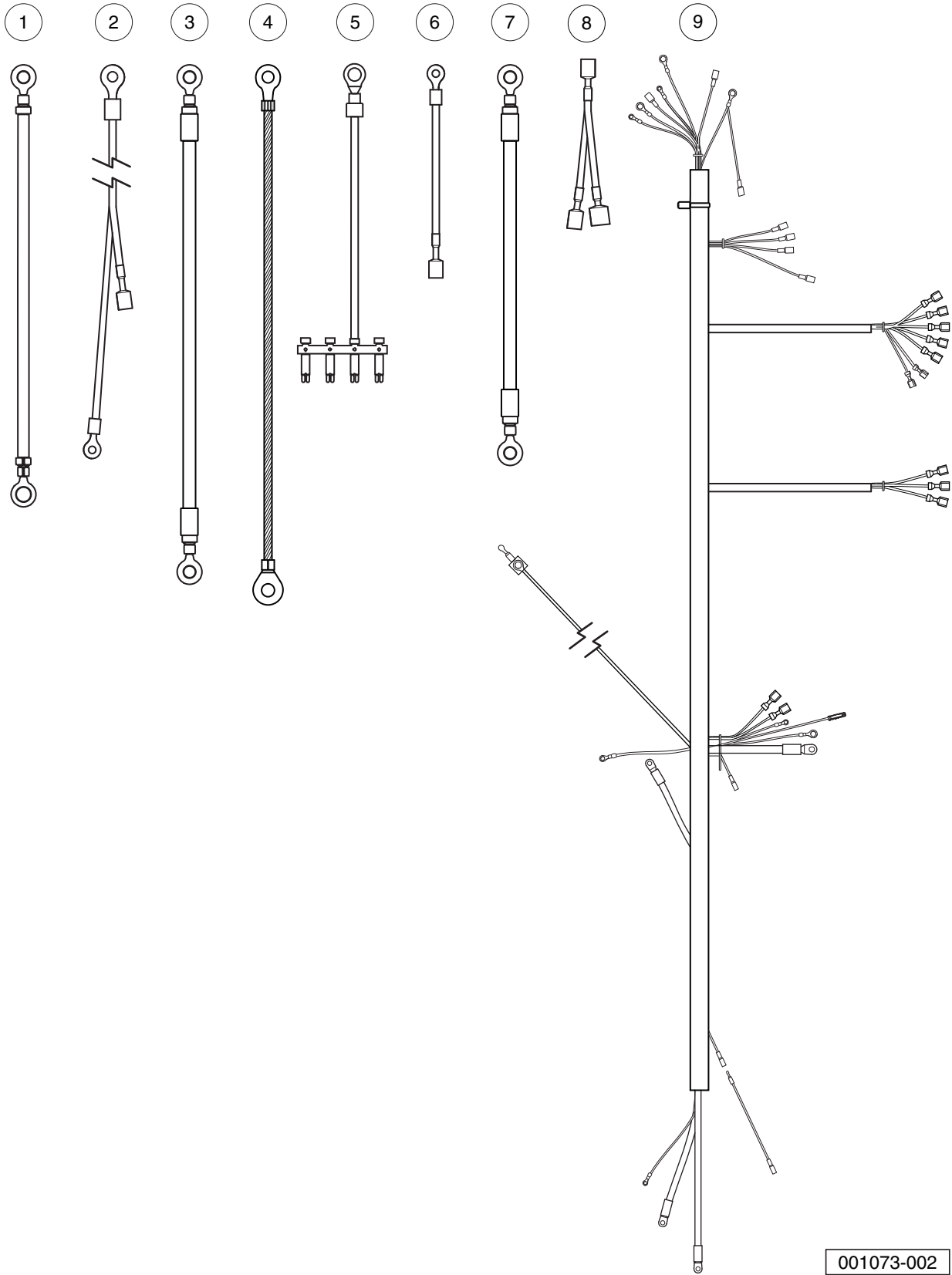
001073-001

# WIRING, FUSES, AND DIODES – TURF/CARRYALL 2 AND 252 WITH G425419 STARTER/GEN

ITEM	PART NO.	DESCRIPTION	QTY
		1 2 3 4	
1	1012382	Wire Assy, #6 Black .....	1
2	1012396	Wire Assy #18 Black .....	1
3	1014119	Wire Assembly #6 Red .....	1
4	1015332	Wire, Ground, #10, Uninsulated .....	1
5	1015737	Wire Assy, #10 Red .....	1
6	1016401	Wire Assy, #16 Orange .....	1
7	101837301	Wire Assy, #6 Green .....	1
8	103197101	Asm, Wire Harness, Carryall 2, Gas .....	1
9	103348501	Asm, Wire Meter, F-h Jumper .....	1

**10**  
**G**

**10**  
**G**

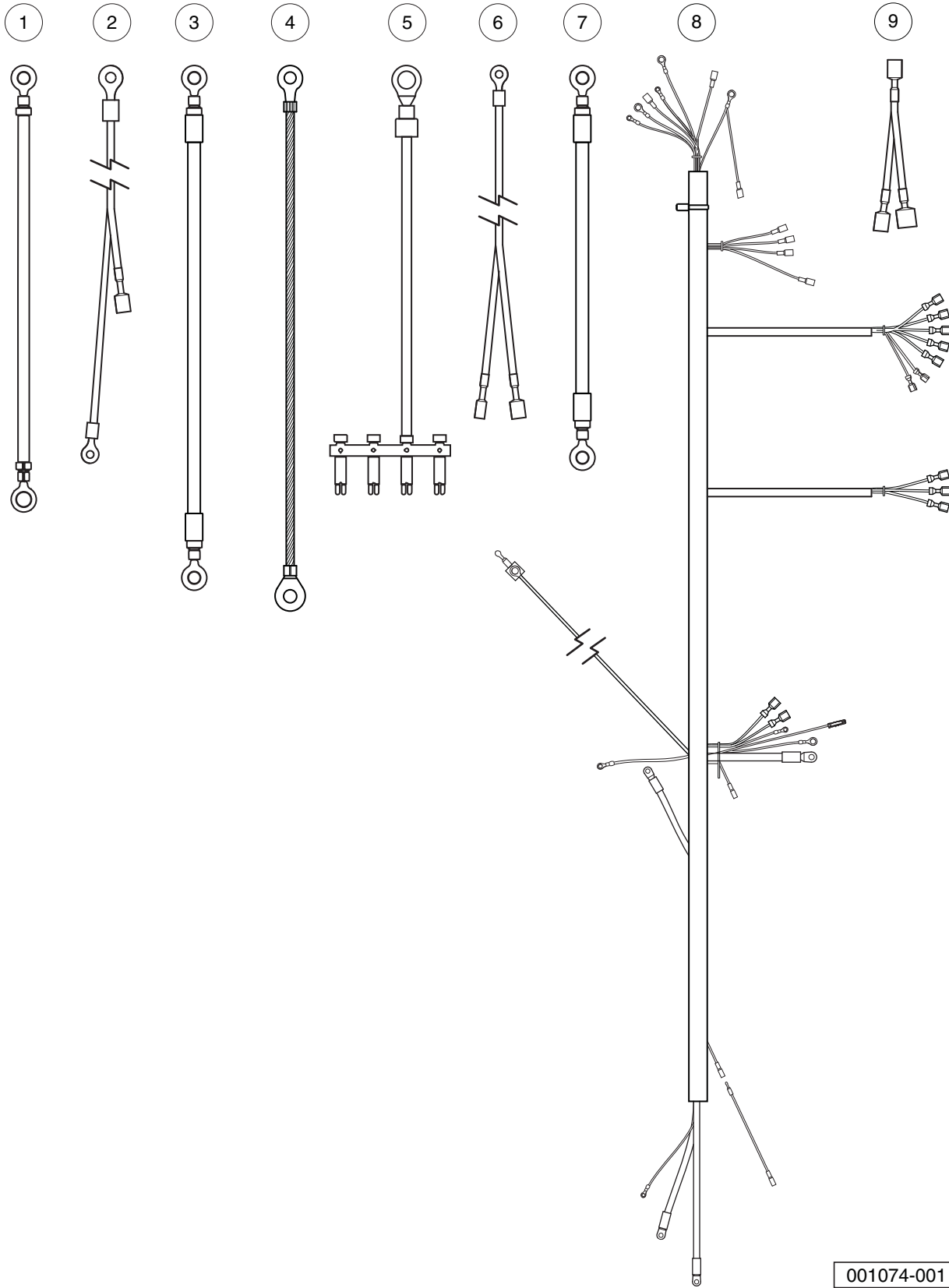


# WIRING, FUSES, AND DIODES – TURF/CARRYALL 2 AND 252 WITH AMD STARTER/GEN

ITEM	PART NO.	DESCRIPTION	QTY
		1 2 3 4	
1	1012382	Wire Assy, #6 Black .....	1
2	1012396	Wire Assy #18 Black .....	1
3	1014119	Wire Assembly #6 Red .....	1
4	1015332	Wire, Ground, #10, Uninsulated .....	1
5	1015737	Wire Assy, #10 Red .....	1
6	1016401	Wire Assy, #16 Orange .....	1
7	101837301	Wire Assy, #6 Green .....	1
8	103348501	Asm, Wire Meter, F-h Jumper .....	1
9	103687101	Asm, Wire Harness, Carryall 2, Gas, AMD S/G .....	1

**10**  
**G**

**10**  
**G**



001074-001

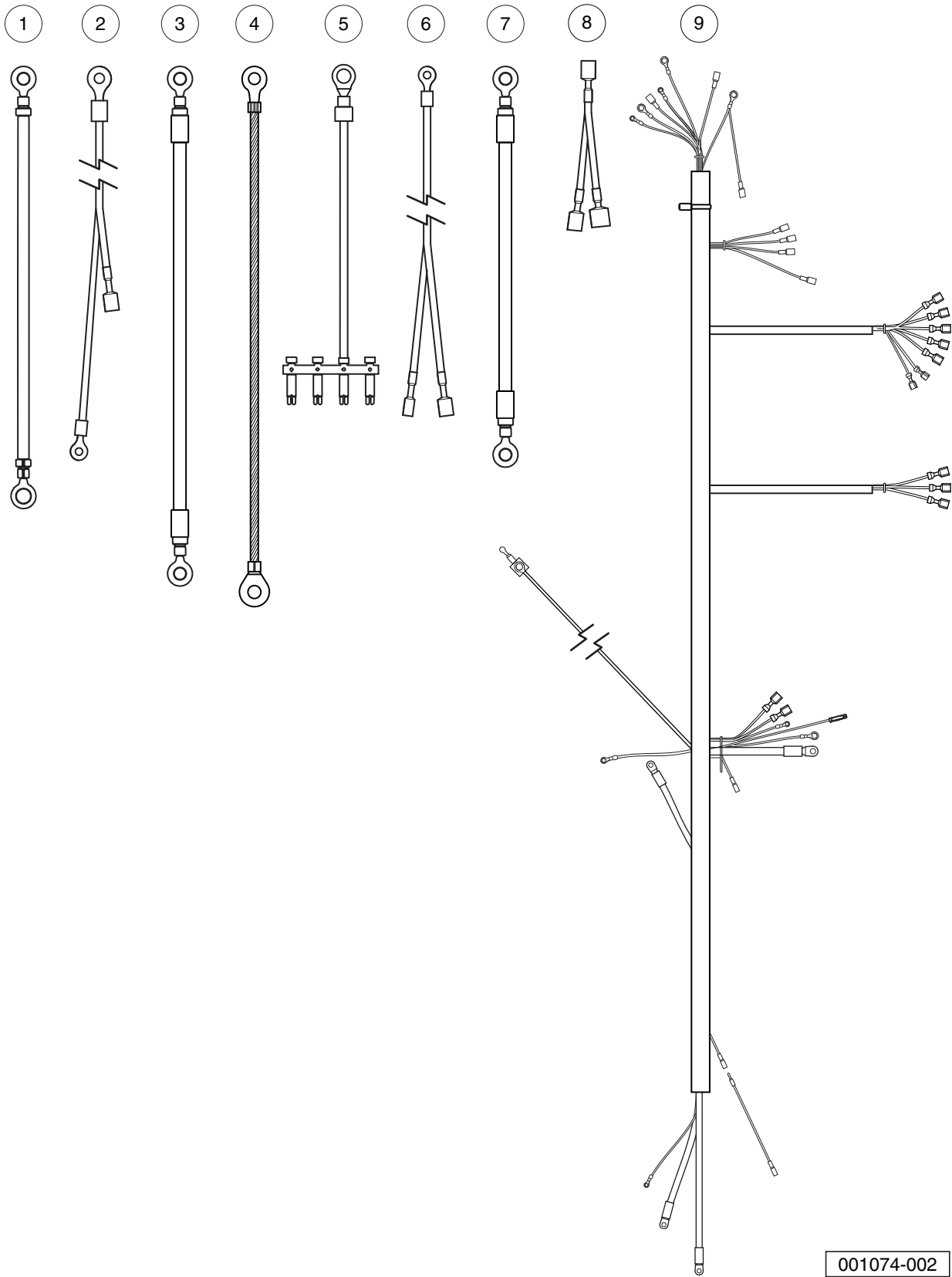


# WIRING, FUSES, AND DIODES – CARRYALL 2 PLUS WITH G425419 STARTER/GEN

ITEM	PART NO.	DESCRIPTION	QTY
		1 2 3 4	
1	1012382	Wire Assy, #6 Black .....	1
2	1012396	Wire Assy #18 Black .....	1
3	1014119	Wire Assembly #6 Red .....	1
4	1015332	Wire, Ground, #10, Uninsulated .....	1
5	1015737	Wire Assy, #10 Red .....	1
6	1017006	Wire Assembly Orange #18 .....	1
7	101837301	Wire Assy, #6 Green .....	1
8	103198001	Asm, Wire Harness, Carryall 2 Plus .....	1
9	103348501	Asm, Wire Meter, F-h Jumper .....	1

**10**  
**G**

**10**  
**G**



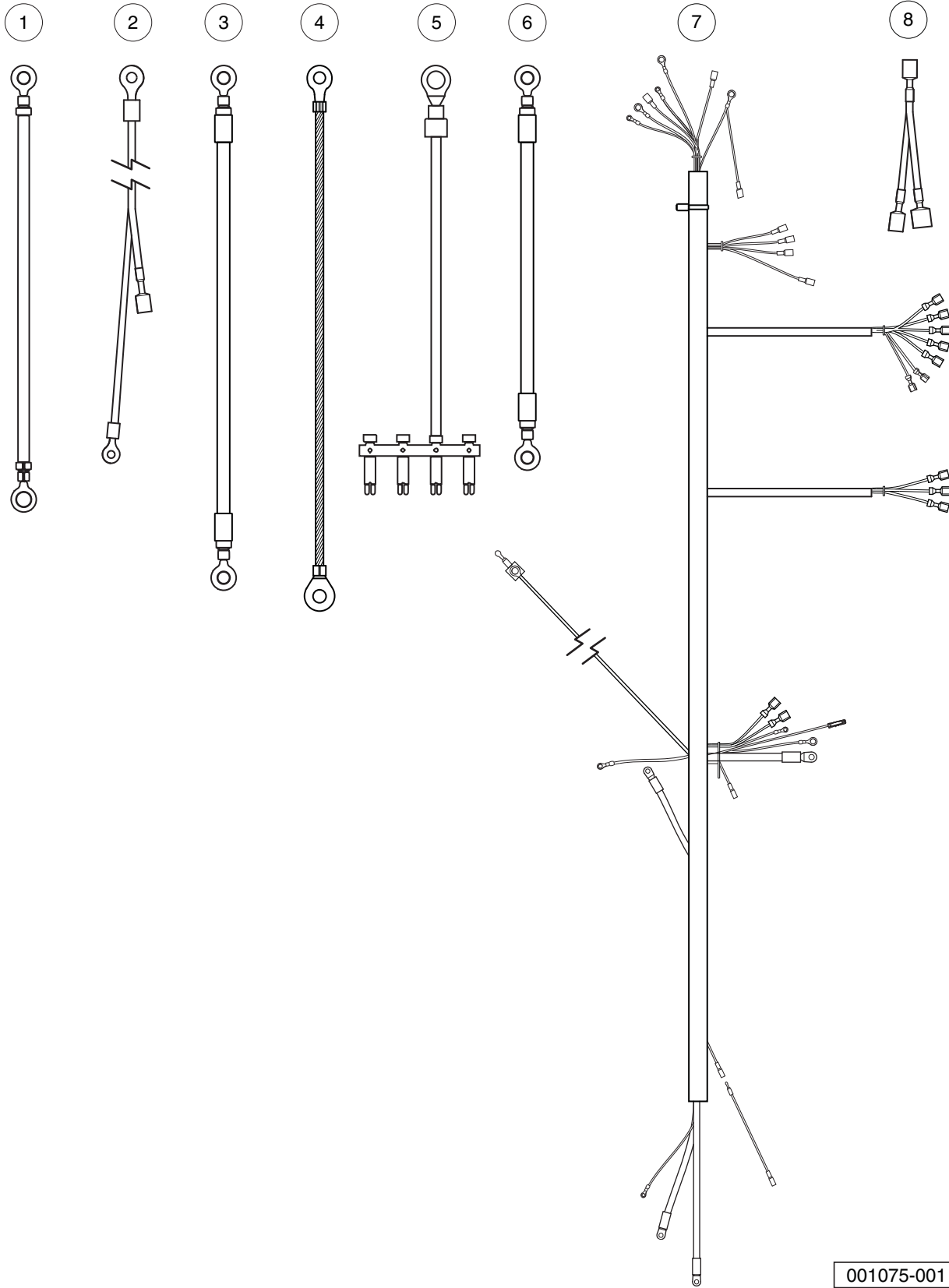
001074-002

# WIRING, FUSES, AND DIODES – CARRYALL 2 PLUS WITH AMD STARTER/GEN

ITEM	PART NO.	DESCRIPTION	QTY
		1 2 3 4	
1	1012382	Wire Assy, #6 Black .....	1
2	1012396	Wire Assy #18 Black .....	1
3	1014119	Wire Assembly #6 Red .....	1
4	1015332	Wire, Ground, #10, Uninsulated .....	1
5	1015737	Wire Assy, #10 Red .....	1
6	1017006	Wire Assembly Orange #18 .....	1
7	101837301	Wire Assy, #6 Green .....	1
8	103348501	Asm, Wire Meter, F-h Jumper .....	1
9	103686401	Asm, Wire Harness, Carryall 2 Plus, Gas, AMD S/G .....	1

**10**  
**G**

**10**  
**G**



001075-001

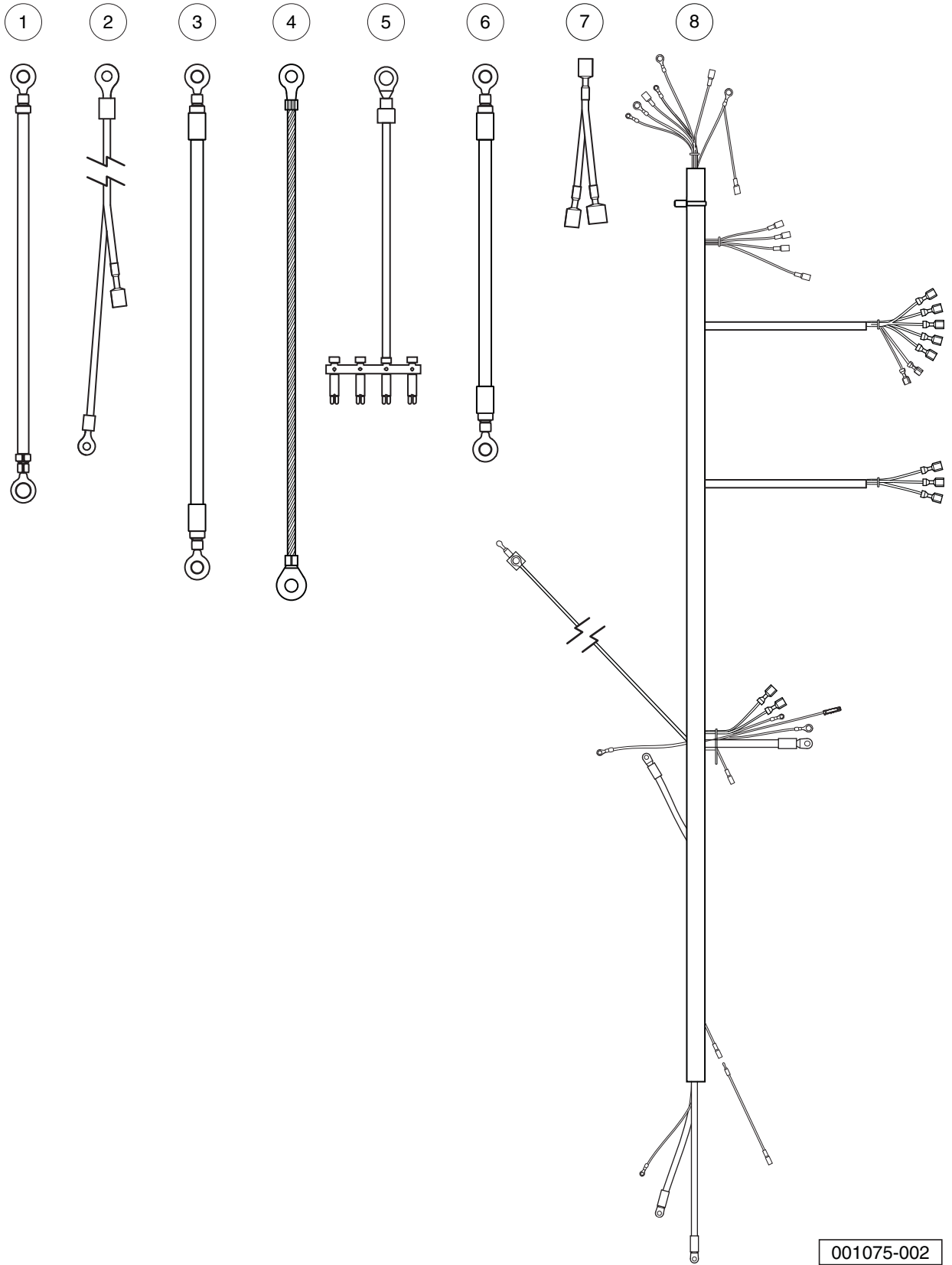
# WIRING, FUSES, AND DIODES – XRT 900 WITH G425419 STARTER/GEN

ITEM	PART NO.	DESCRIPTION	QTY
		1 2 3 4	
1	1012382	Wire Assy, #6 Black .....	1
2	1012396	Wire Assy #18 Black .....	1
3	1014119	Wire Assembly #6 Red .....	1
4	1015332	Wire, Ground, #10, Uninsulated .....	1
5	1015737	Wire Assy, #10 Red .....	1
6	101837301	Wire Assy, #6 Green .....	1
7	103198101	Asm, Wire Harness, CA XRT .....	1
8	103348501	Asm, Wire Meter, F-h Jumper .....	1

10

G

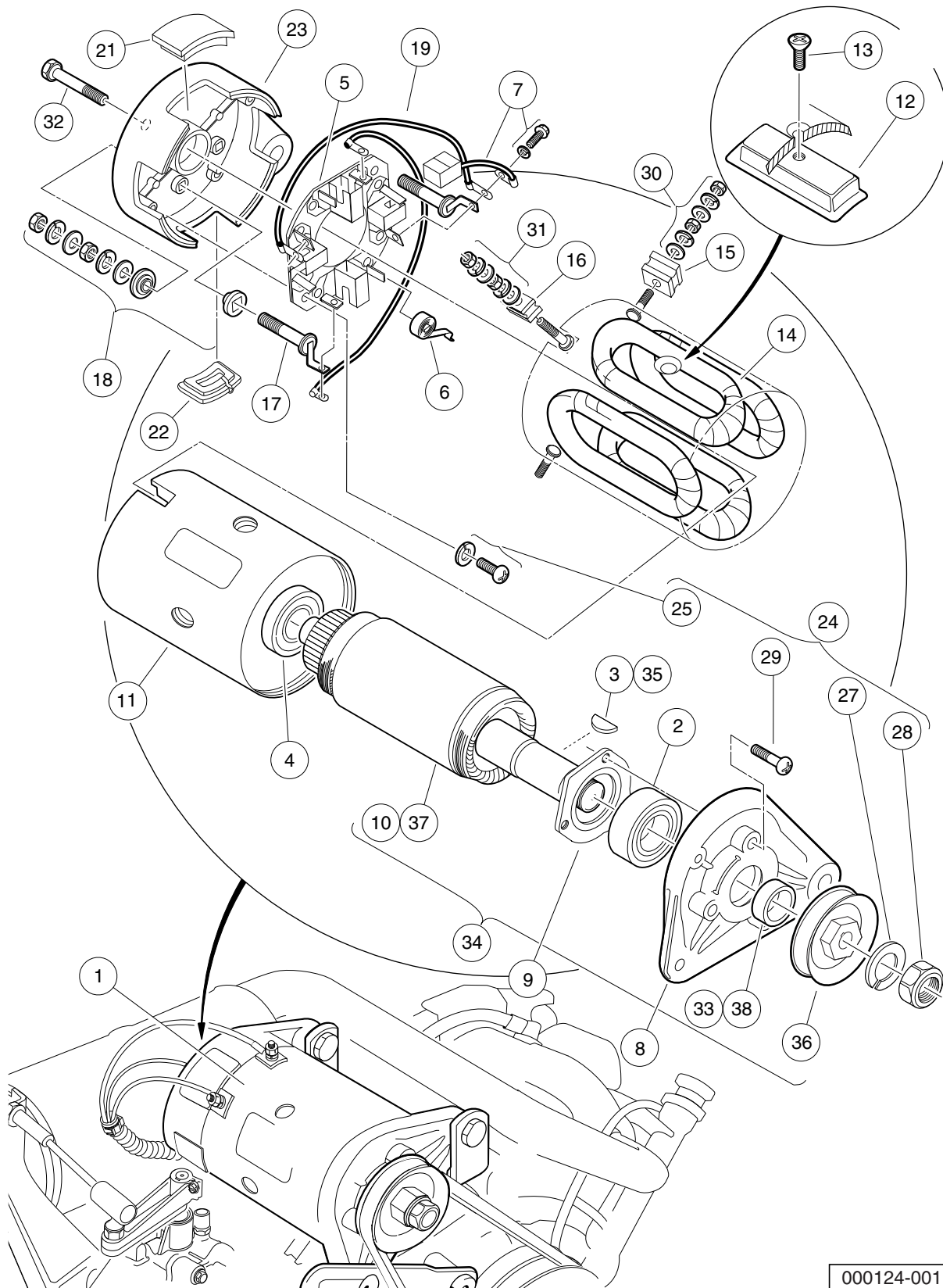
**10**  
**G**



# WIRING, FUSES, AND DIODES – XRT 900 WITH AMD STARTER/ GEN

ITEM	PART NO.	DESCRIPTION	QTY
		1 2 3 4	
1	1012382	Wire Assy, #6 Black .....	1
2	1012396	Wire Assy #18 Black .....	1
3	1014119	Wire Assembly #6 Red .....	1
4	1015332	Wire, Ground, #10, Uninsulated .....	1
5	1015737	Wire Assy, #10 Red .....	1
6	101837301	Wire Assy, #6 Green .....	1
7	103348501	Asm, Wire Meter, F-h Jumper .....	1
8	103687201	Asm, Wire Harness, XRT 900, Gas, AMD S/G .....	1

**10**  
**G**



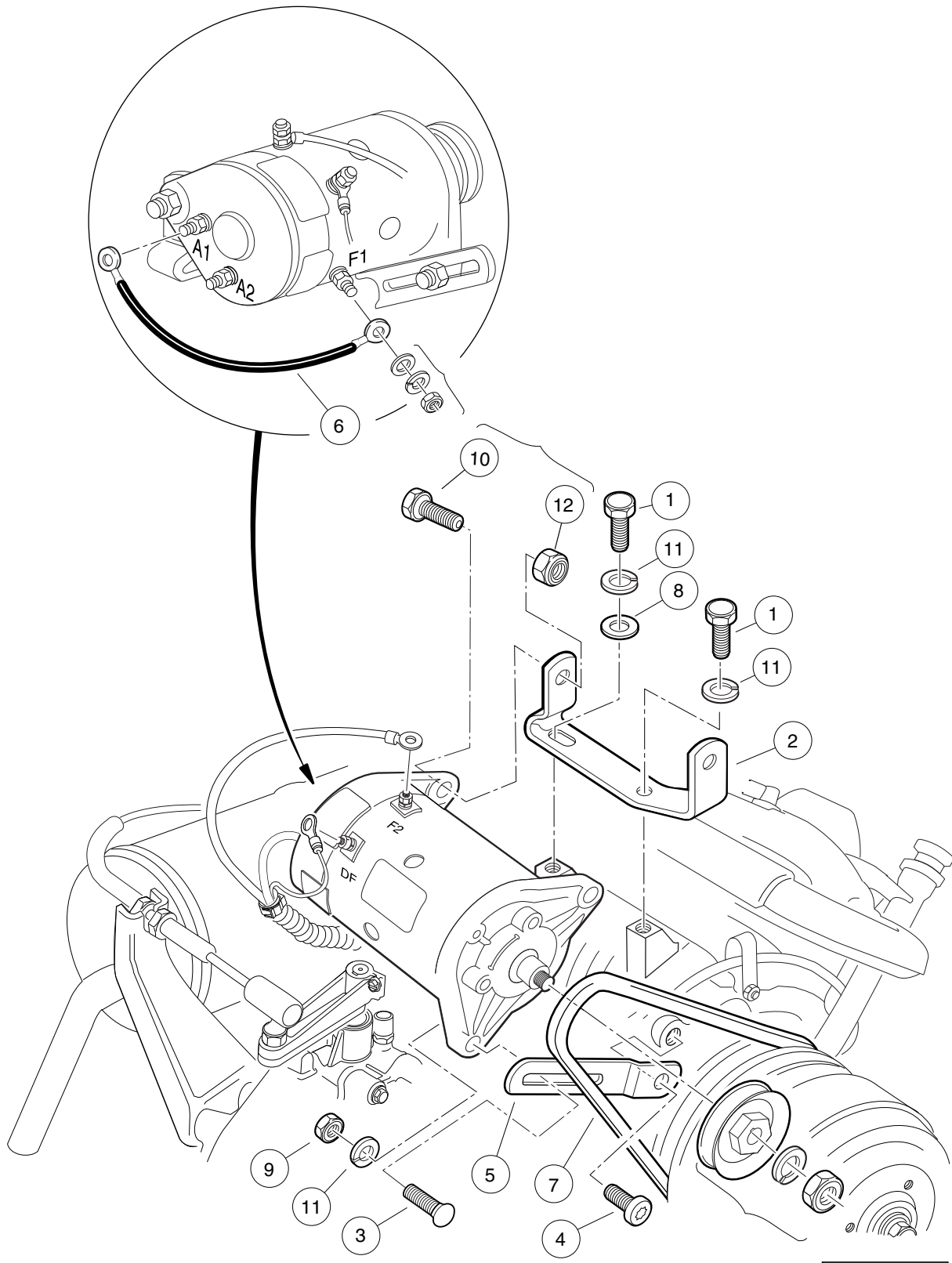
000124-001



# STARTER/GENERATOR ASSEMBLY, MODEL G425419

ITEM	PART NO.	DESCRIPTION	QTY
		1 2 3 4	
1	101833701	Starter/Generator (cw) (includes items 2 through 33) .....	1
2	1013001	Bearing, Output Shaft Ball .....	1
3	1013003	Key, Starter/Generator .....	1
4	1013005	Bearing, Ball .....	1
5	101301102	Brush Holder Assembly (cw) (includes item 6) .....	1
6	101878101	Brush Spring Set .....	4
7	101869302	Brush and Screw Set (cw) .....	1
8	101874901	Front Bracket .....	1
9	101875001	Retainer .....	1
10	101875101	Armature .....	1
11	101875201	Field Coil Housing .....	1
12	101875301	Pole Set .....	1
13	101875401	Screw Set .....	1
14	101875501	Field Stator Coil Assembly .....	1
15	101875601	F Insulator Set .....	2
16	101875701	DF Insulator .....	1
17	101875802	A Connector (cw) .....	1
18	101876001	Screw and Mold Assembly .....	2
19	101876202	Brush Connector Assembly (cw) .....	2
20	101876301	Cover Set (includes items 21 and 22) .....	1
21	N/A	Brush Inspection Port Cover .....	3
22	1017653	Brush Port Cover w/Drain .....	1
23	101876402	End Bell, Commutator, Rear Bracket (cw) .....	1
24	101876501	Nut and Screw Set (includes items 25 through 29) .....	1
25	101896501	Brush Holder Asm Screw .....	2
26	N/A	Washer, M5 Flat .....	1
27	N/A	Washer, M14 Lock .....	1
28	N/A	Nut, Hex, M14 x 2 .....	1
29	N/A	Screw, M5 x 0.8 x 18mm .....	3
30	101877601	Nut and Washer Set .....	2
31	101877701	Nut and Washer Set .....	1
32	101879001	Through Bolt Set .....	2
33	101939901	Spacer .....	1
34	101875102	Armature Asm Conversion Kit (includes items 35 through 38) .....	1
35	1013003	Key, Starter/Generator .....	1
36	1014289	Pulley, Starter/Generator .....	1
37	101875101	Armature .....	1
38	101939901	Spacer .....	1
		Note: Item 36 will ONLY fit Model G425419 Starter/Generator.	

**10**  
**G**



000239-001

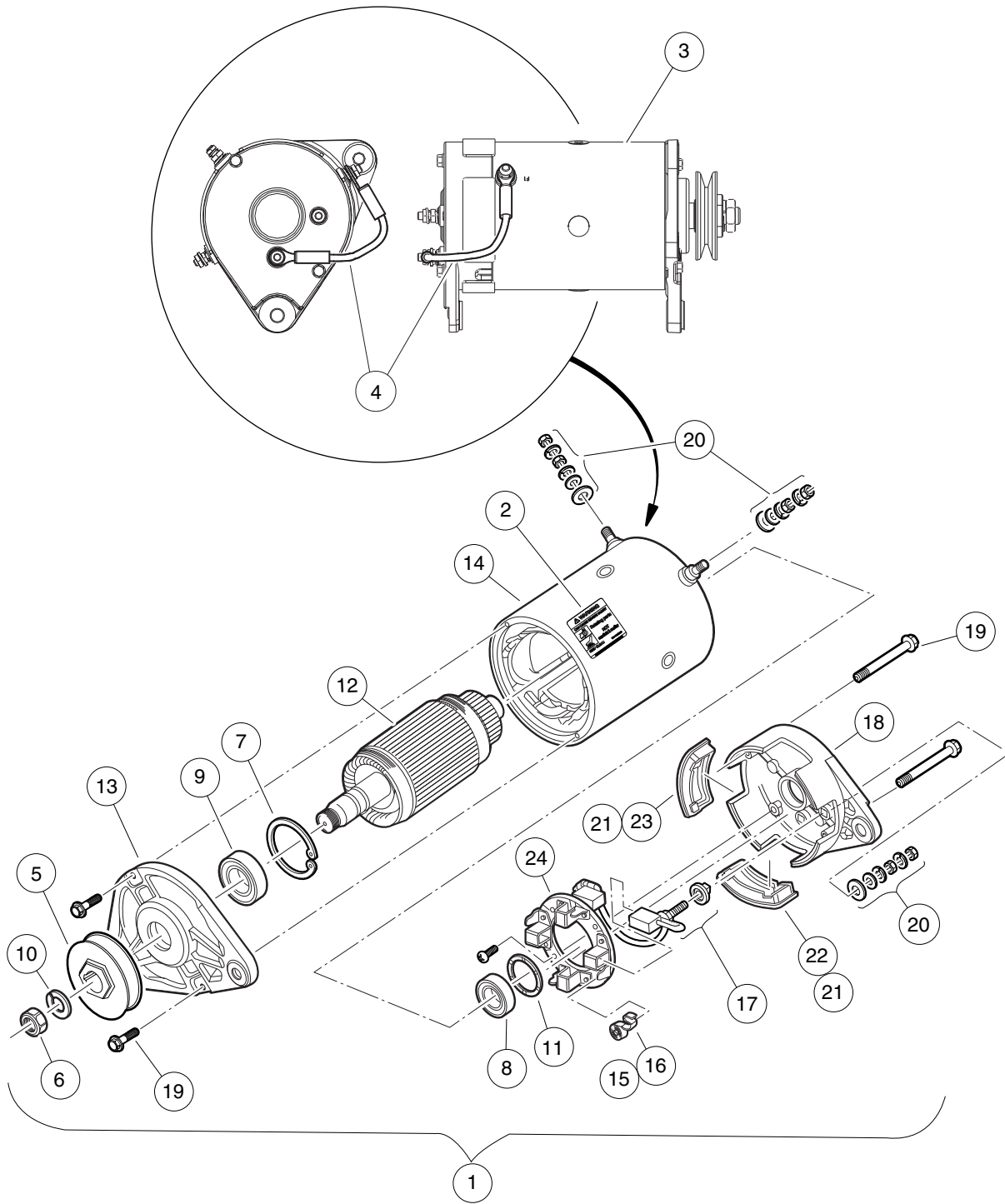
## STARTER/GENERATOR MOUNTING – MODEL G425419

ITEM	PART NO.	DESCRIPTION	QTY
		1 2 3 4	
1	1012830	Screw, M8-125 X 22 Hex-Head .....	2
2	101524002	Bracket, Starter/Generator Mounting .....	1
3	1015932	Bolt, Carriage, 5/16-18 .....	1
4	1016074	Screw, M8-1.25 X 18mm Torx .....	1
5	1016883	Bracket, Starter/Generator Adjustment .....	1
6	101837301	Wire Assy, #6 Green .....	1
7	101916701	V-Belt .....	1
8	1241	Washer, 5/16 Type A Flat .....	1
9	1242	Nut, 5/16-18 Hex .....	1
10	705	Screw, Cap-hex Hd 3/8-16x1.25 .....	2
11	7174	Lockwasher, 5/16 Split .....	3
12	8754	Locknut, 3/8-16 Hex .....	2

10

G

**10**  
**G**

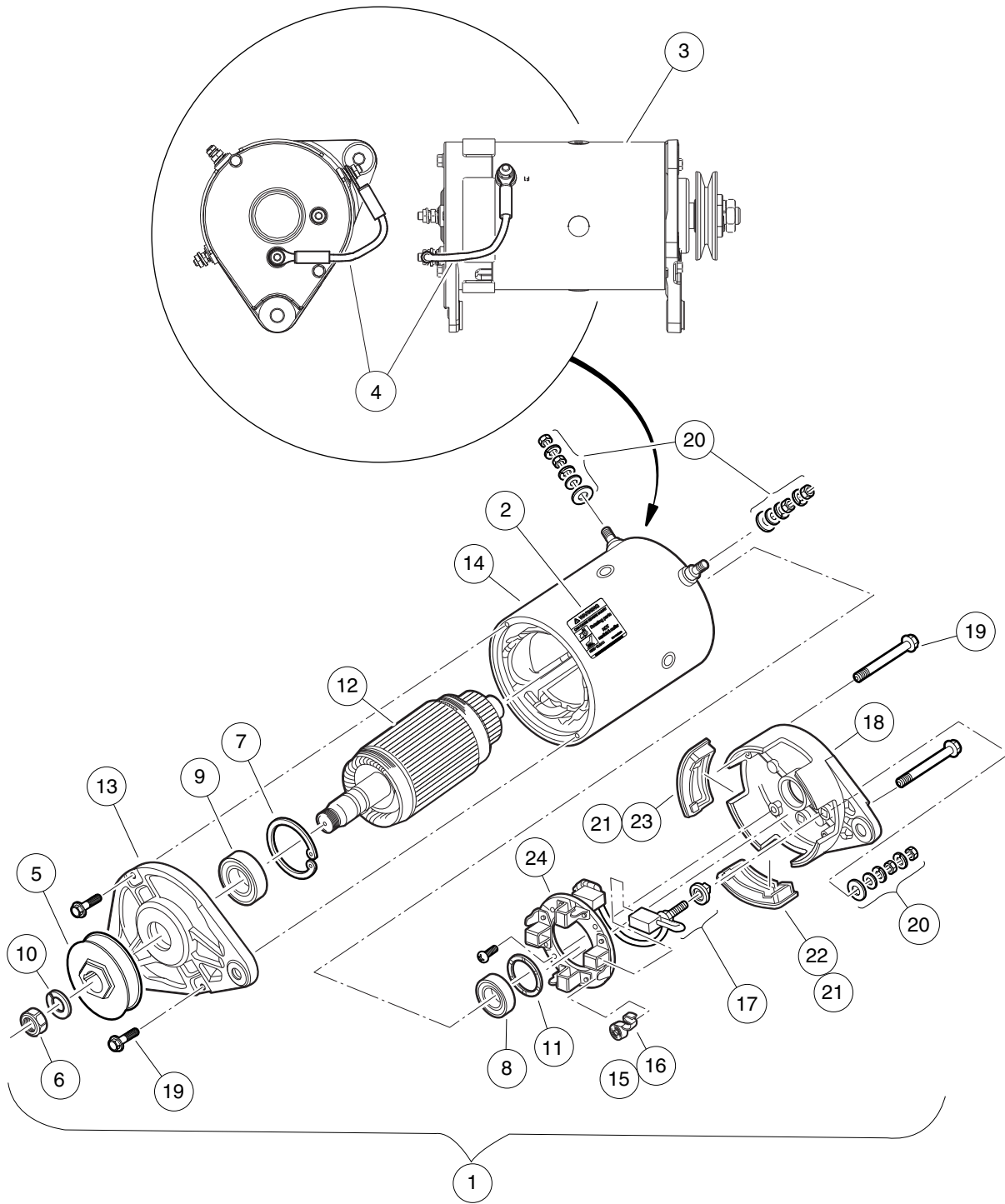


000124-005

# STARTER/GENERATOR ASSEMBLY (PEDAL-START), MODEL 114-01-4009A

ITEM	PART NO.	DESCRIPTION	QTY
		<b>1 2 3 4</b>	
1	103678402	Asm, St/gen, Bi-rot, Ps, Svc (includes items 2 and 3) .....	1
2	101960501	Decal, Rotating Parts/Hot Manifold .....	1
3	103718702	St/gen, Bi-rot, Util,ps W/wire (includes items 4 through 24) .....	1
4	101837301	Wire Assy, #6 Green .....	1
5	102711001	Pulley, V-Belt .....	1
6	102838701	Nut, Hex, M14x2, S/G .....	1
7	102838801	Retainer, Front, S/G .....	1
8	102838901	Bearing, Ball, Rear, S-g .....	1
9	102839001	Bearing, Ball, Front, S-g .....	1
10	102839301	Washer, Lock M14x2, S-g .....	1
11	102841101	Washer, Wave, S-g .....	1
12	N/A	Asm, Armature, Starter/Generator .....	1
13	102844601	Head, Drive End, S-g .....	1
14	102844701	Asm, Frame and Field, Starter/Generator .....	1
15	103347101	Kit, Spring Brush, Starter/Generator (includes item 16) .....	1
16	N/A	Spring, Brush, S-g .....	4
17	103347301	Set, Brush Term, S-g .....	1
18	103347601	Head, Comm End, S-g .....	1
19	103347701	Set, Fast, Ceh Deh, S-g .....	1
20	103347801	Set, Term Hardware, S/G .....	1
21	103347901	Kit, Cover, Brush Insp, Starter/Generator (includes items 22 and 23) .....	1
22	N/A	Plug, Rubber Drain, Start/Generator .....	3
23	N/A	Cover, Inspection, S-g .....	1
24	103953301	Kit, Brush And Brush Holder .....	1

**10**  
**G**

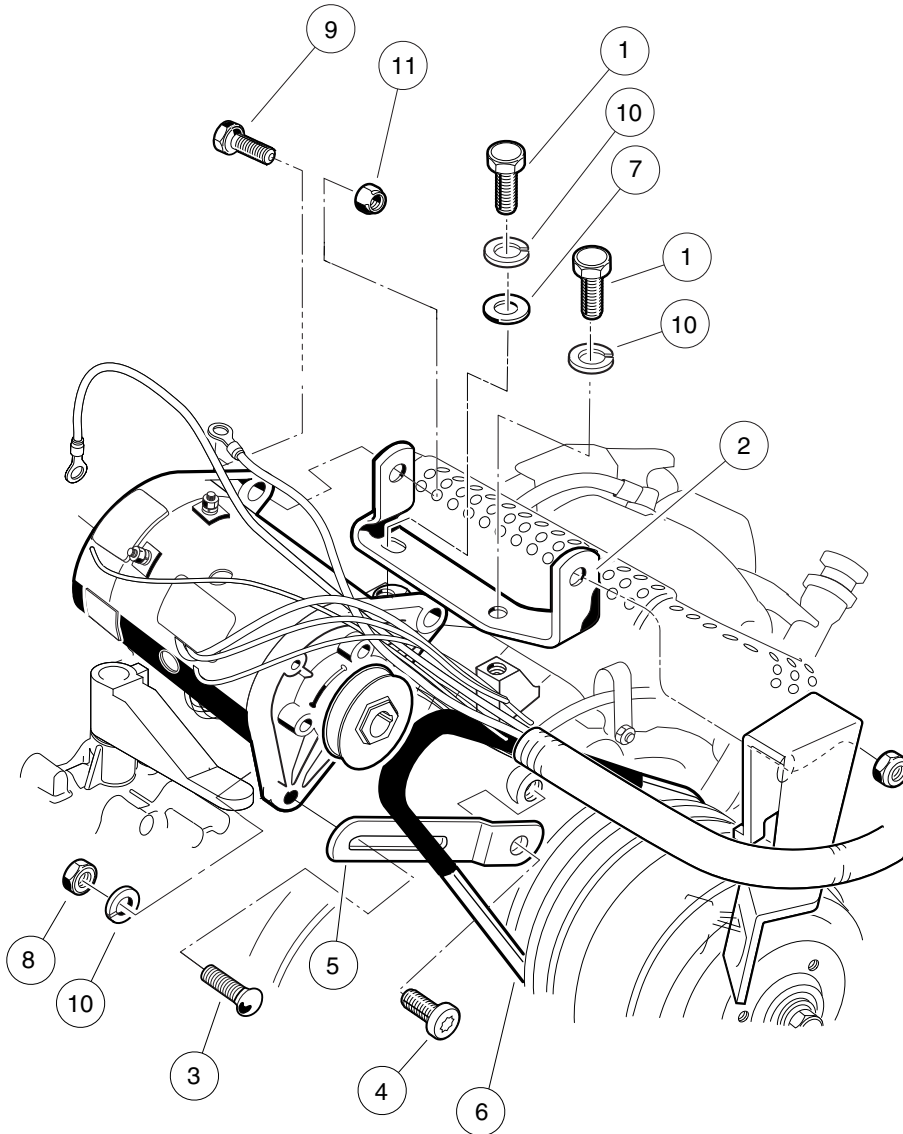


000124-005

# STARTER/GENERATOR ASSEMBLY (KEY-START), MODEL 114-04-4001A

ITEM	PART NO.	DESCRIPTION	QTY
		<b>1 2 3 4</b>	
1	103678502	Asm, St/gen, Bi-rot, Ks, Svc (includes items 2 and 3) .....	1
2	101960501	Decal, Rotating Parts/Hot Manifold .....	1
3	N/A	St/gen, Bi-rot, Util, Ks (includes items 4 through 24) .....	1
4	101837301	Wire Assy, #6 Green .....	1
5	102711001	Pulley, V-Belt .....	1
6	102838701	Nut, Hex, M14x2, S/G .....	1
7	102838801	Retainer, Front, S/G .....	1
8	102838901	Bearing, Ball, Front, S-g .....	1
9	102839001	Bearing, Ball, Front, S-g .....	1
10	102839301	Washer, Lock M14x2, S-g .....	1
11	102841101	Washer, Wave, S-g .....	1
12	N/A	Asm, Armature, Starter/Generator .....	1
13	102844601	Head, Drive End, S-g .....	1
14	102844701	Asm, Frame and Field, Starter/Generator .....	1
15	103347101	Kit, Spring Brush, Starter/Generator (includes item 16) .....	1
16	N/A	Spring, Brush, S-g .....	4
17	103347301	Set, Brush Term, S-g .....	1
18	103347601	Head, Comm End, S-g .....	1
19	103347701	Set, Fastener, Ceh Deh, S-g .....	1
20	103347801	Set, Term Hardware, S/G .....	1
21	103347901	Kit, Cover, Brush Insp, Starter/Generator (includes items 22 and 23) .....	1
22	N/A	Plug, Rubber Drain, Start/Generator .....	3
23	N/A	Cover, Inspection, S-g .....	1
24	103953301	Kit, Brush And Brush Holder .....	1

**10**  
**G**



000238-005

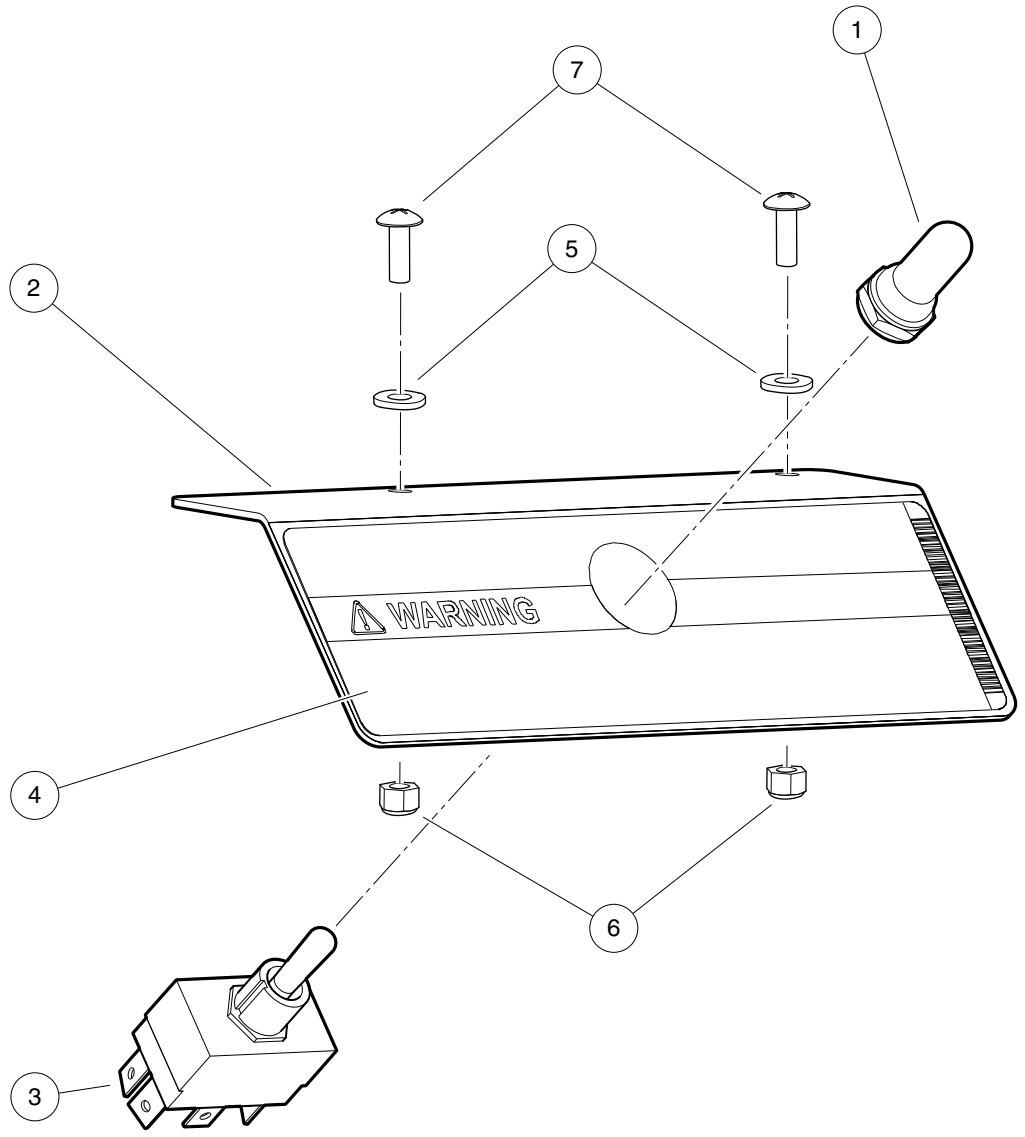


# STARTER/GENERATOR MOUNTING – 114-0X-400XX MODELS

ITEM	PART NO.	DESCRIPTION	QTY
		1 2 3 4	
1	1012830	Screw, M8-1.25 X 22 Hex-Head .....	2
2	101524002	Bracket, Starter/Generator Mounting .....	1
3	1015932	Bolt, Carriage, 5/16-18 .....	1
4	1016074	Screw, M8-1.25 X 18mm Torx .....	1
5	1016883	Bracket, Starter/Generator Adjustment .....	1
6	101916701	V-Belt .....	1
7	1241	Washer, 5/16 Type A Flat .....	1
8	1242	Nut, 5/16-18 Hex .....	1
9	1624	Screw, 3/8-16 X 1.50, Hex-Head Cap .....	2
10	7174	Lockwasher, 5/16 Split .....	3
11	8754	Locknut, 3/8-16 Hex .....	2

10

G

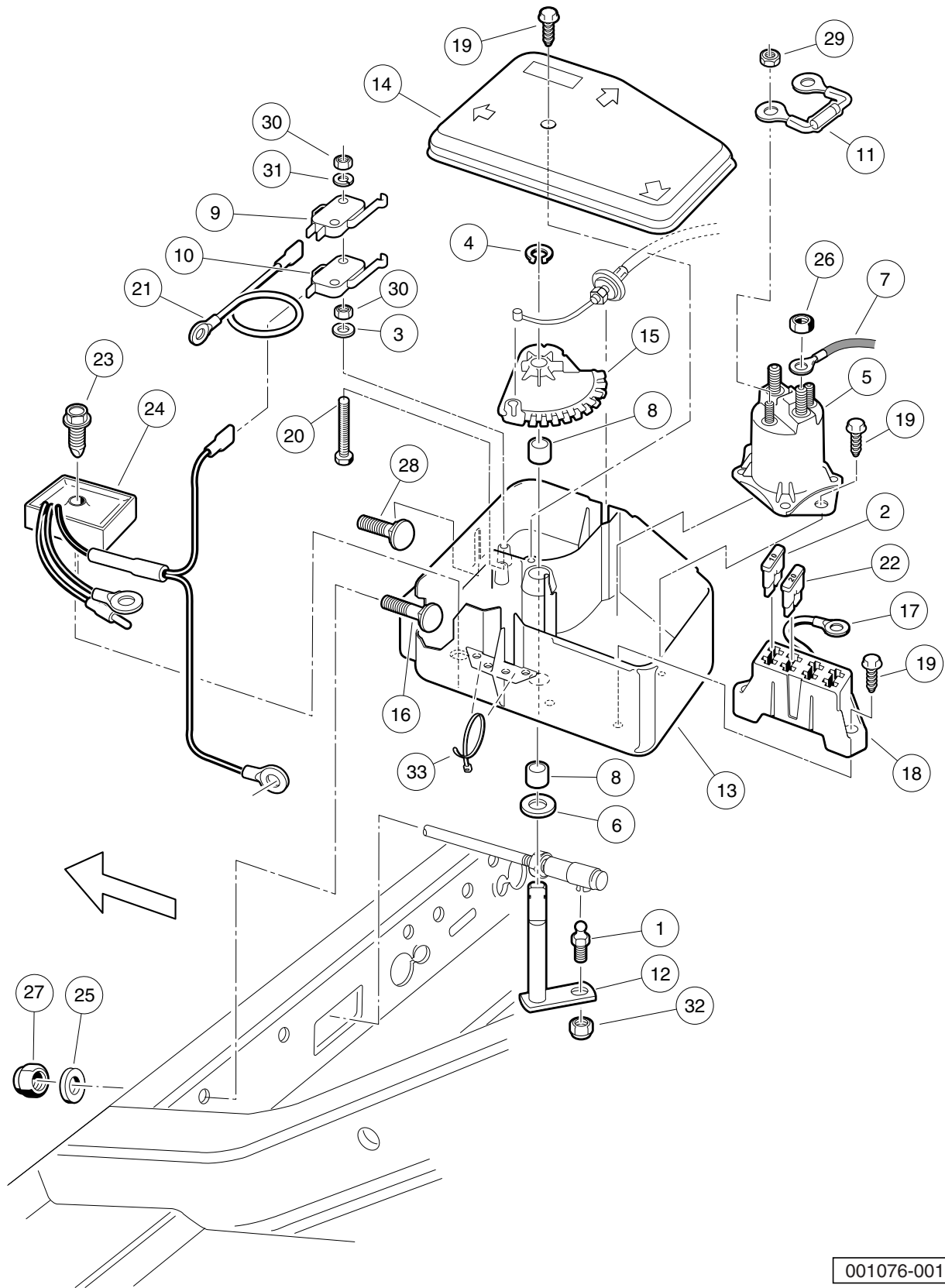


000755-003

# OPERATION AND MAINTENANCE SWITCH

ITEM	PART NO.	DESCRIPTION	QTY
		1 2 3 4	
1	101908401	Boot, Switch .....	1
2	101922501	Bracket, Tow/Run Switch Mounting .....	1
3	103198401	Switch, Toggle, SPDT .....	1
4	103205501	Decal, Run/Service Switch .....	1
5	332	Washer, 1/4 Type A Narrow Flat .....	2
6	8233	Locknut, 1/4-20, Nylon Insert .....	2
7	8248	Screw, 1/4-20 X 0.75, Truss-Head Machine .....	2

**10**  
**G**

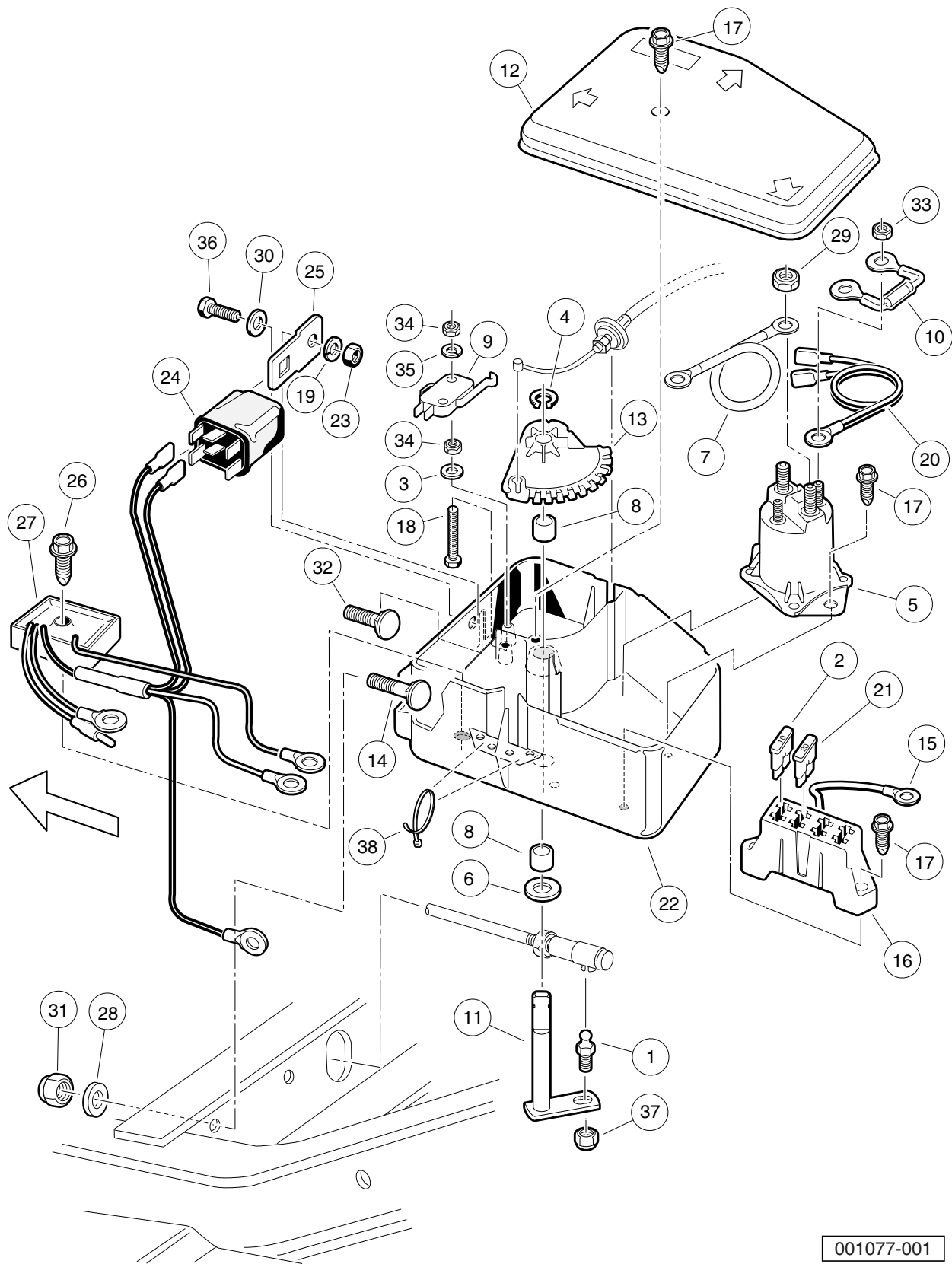


# ELECTRICAL COMPONENT BOX – TURF/CARRYALL 2 AND 252

ITEM	PART NO.	DESCRIPTION	QTY
		1 2 3 4	
1	1010954	Stud, Ball, 1/4-28 X 0.560 .....	1
2	1012295	Fuse, 10-Amp .....	1
3	1012431	Washer, #4 Flat .....	2
4	1013589	Ring, Retaining, 0.338" Internal .....	1
5	1013609	Solenoid, 12-Volt .....	1
6	1014065	Washer, Flat, 0.38" ID, Delrin .....	1
7	1014119	Wire Assembly #6 Red .....	1
8	1014145	Bushing, Secondary Weight, Split .....	2
9	1014807	Switch, Limit .....	1
10	1014808	Switch, Limit .....	1
11	1014948	Diode .....	1
12	1015345	Bell Crank and Shaft Assembly .....	1
13	1015371	Box, Electrical Component .....	1
14	1015372	Cover, Electric Box .....	1
15	1015373	Cam, Electric Box .....	1
16	1015405	Bolt, Carriage, 5/16-18 X 2.0 .....	1
17	1015737	Wire Assy, #10 Red .....	1
18	1015741	Fuse Block .....	1
19	1015752	Screw, #12-16 X 0.625, Hi-Lo .....	5
20	1015878	Screw, #4-40 Hex Head Machine .....	2
21	1016401	Wire Assy, #16 Orange .....	1
22	1016423	Fuse, 20-Amp .....	1
23	101856102	Screw, 1/4-15 X 1.50, Hi-lo, Hex .....	1
24	102711201	Voltage Regulator .....	1
25	1241	Washer, 5/16 Type A Flat .....	2
26	1242	Nut, 5/16-18 Hex .....	2
27	7473	Locknut, 5/16-18 Nylon Insert .....	2
28	7818	Bolt, Carriage, 5/16-18 X 1.5 .....	1
29	7893	Nut, #10-32 Hex .....	2
30	8057	Nut, #4-40 Hex Machine .....	4
31	8058	Lockwasher, #4 Split .....	2
32	8717	Locknut, Nylon Insert, 1/4-28 .....	1
33	8990	Tie Wrap, 8" Nylon .....	2

10

G



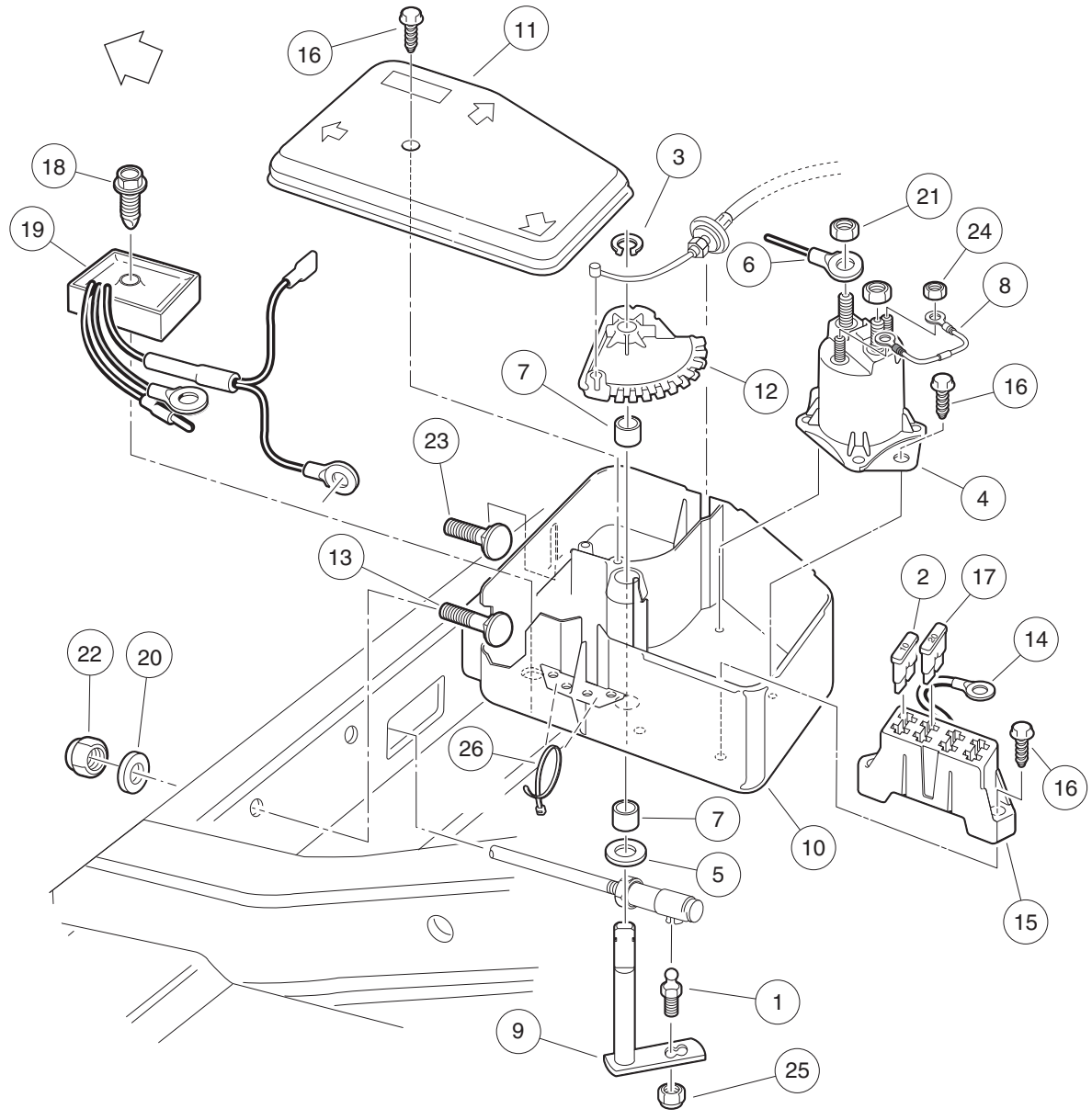
001077-001

# ELECTRICAL COMPONENT BOX – CARRYALL 2 PLUS

ITEM	PART NO.	DESCRIPTION	QTY
		1 2 3 4	
1	1010954	Stud, Ball, 1/4-28 X 0.560 .....	1
2	1012295	Fuse, 10-Amp .....	1
3	1012431	Washer, #4 Flat .....	2
4	1013589	Ring, Retaining, 0.338" Internal .....	1
5	1013609	Solenoid, 12-Volt .....	1
6	1014065	Washer, Flat, 0.38" ID, Delrin .....	1
7	1014119	Wire Assembly #6 Red .....	1
8	1014145	Bushing, Secondary Weight, Split .....	2
9	1014807	Switch, Limit .....	1
10	1014948	Diode .....	1
11	1015345	Bell Crank and Shaft Assembly .....	1
12	1015372	Cover, Electric Box .....	1
13	1015373	Cam, Electric Box .....	1
14	1015405	Bolt, Carriage, 5/16-18 X 2.0 .....	1
15	1015737	Wire Assy, #10 Red .....	1
16	1015741	Fuse Block .....	1
17	1015752	Screw, #12-16 X 0.625, Hi-Lo .....	5
18	1015878	Screw, #4-40 Hex Head Machine .....	2
19	1016	Lockwasher, #10 Split .....	1
20	1016401	Wire Assy, #16 Orange .....	1
21	1016423	Fuse, 20-Amp .....	1
22	1016997	Electrical Component Box .....	1
23	1017	Nut, #10-24 Stainless-Steel Hex Machine .....	1
24	1017239	Relay W/mounting Bracket .....	1
25	1017243	Mounting Bracket, Relay .....	1
26	101856102	Screw, 1/4-15 X 1.50, Hi-lo, Hex .....	1
27	102803401	Asm, Voltage Regulator Key Sta .....	1
28	1241	Washer, 5/16 Type A Flat .....	2
29	1242	Nut, 5/16-18 Hex .....	2
30	183	Washer, #10, Type A, Flat .....	1
31	7473	Locknut, 5/16-18 Nylon Insert .....	2
32	7818	Bolt, Carriage, 5/16-18 X 1.5 .....	1
33	7893	Nut, #10-32 Hex .....	2
34	8057	Nut, #4-40 Hex Machine .....	4
35	8058	Lockwasher, #4 Split .....	2
36	8450	Screw, #10-24 X 0.50, Hex-Head .....	1
37	8717	Locknut, Nylon Insert, 1/4-28 .....	1
38	8990	Tie Wrap, 8" Nylon .....	3

10

G



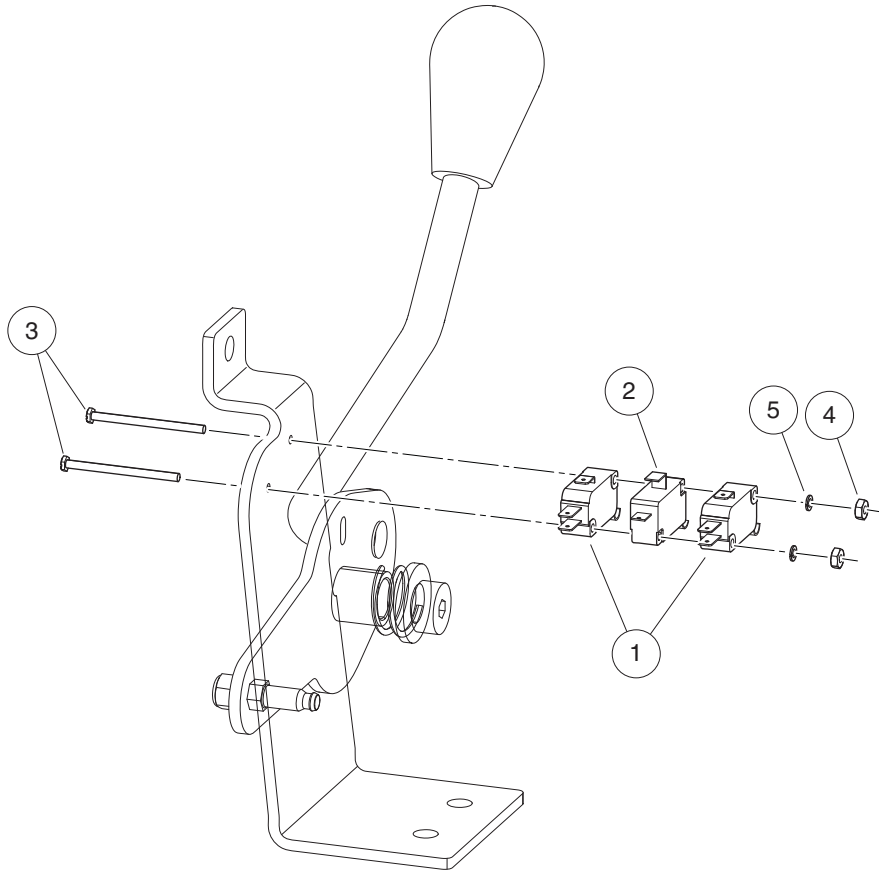
001078-001



# ELECTRICAL COMPONENT BOX – XRT 900

ITEM	PART NO.	DESCRIPTION	QTY
		1 2 3 4	
1	1010954	Stud, Ball, 1/4-28 X 0.560 .....	1
2	1012295	Fuse, 10-Amp .....	1
3	1013589	Ring, Retaining, 0.338" Internal .....	1
4	1013609	Solenoid, 12-Volt .....	1
5	1014065	Washer, Flat, 0.38" ID, Delrin .....	1
6	1014119	Wire Assembly #6 Red .....	1
7	1014145	Bushing, Secondary Weight, Split .....	2
8	1014948	Diode .....	1
9	1015345	Bell Crank and Shaft Assembly .....	1
10	1015371	Box, Electrical Component .....	1
11	1015372	Cover, Electric Box .....	1
12	1015373	Cam, Electric Box .....	1
13	1015405	Bolt, Carriage, 5/16-18 X 2.0 .....	1
14	1015737	Wire Assy, #10 Red .....	1
15	1015741	Fuse Block .....	1
16	1015752	Screw, #12-16 X 0.625, Hi-Lo .....	5
17	1016423	Fuse, 20-Amp .....	1
18	101856102	Screw, 1/4-15 X 1.50, Hi-lo, Hex .....	1
19	102711201	Voltage Regulator .....	1
20	1241	Washer, 5/16 Type A Flat .....	2
21	1242	Nut, 5/16-18 Hex .....	2
22	7473	Locknut, 5/16-18 Nylon Insert .....	2
23	7818	Bolt, Carriage, 5/16-18 X 1.5 .....	1
24	7893	Nut, #10-32 Hex .....	2
25	8717	Locknut, Nylon Insert, 1/4-28 .....	1
26	8990	Tie Wrap, 8" Nylon .....	2

**10**  
**G**



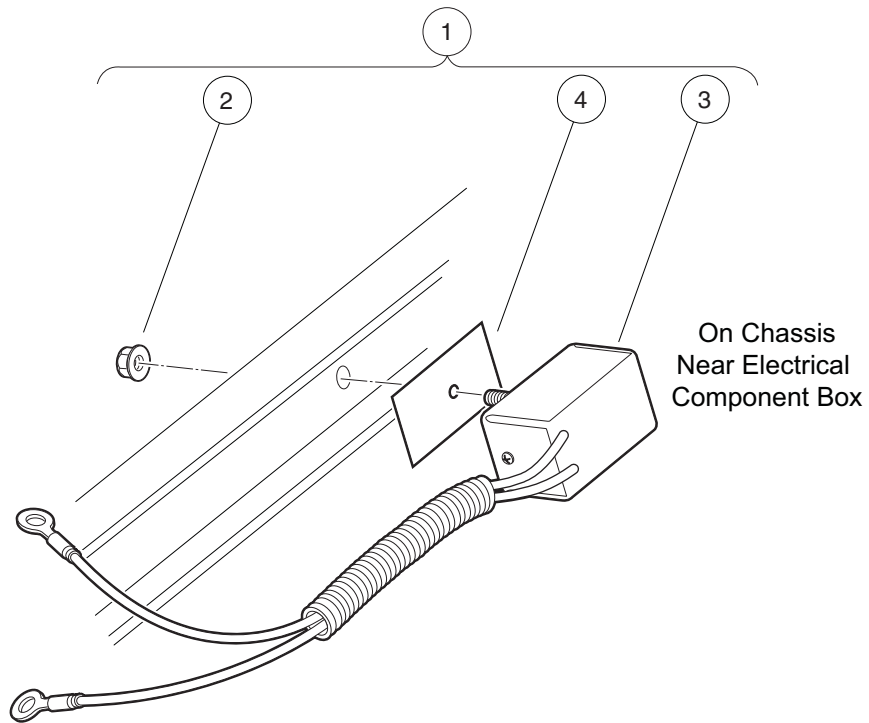
001080-001

# FORWARD/REVERSE SHIFTER SWITCHES – DASH MOUNTED SHIFTER

ITEM	PART NO.	DESCRIPTION	QTY
		1 2 3 4	
1	1014807	Switch, Limit .....	2
2	1014808	Switch, Limit .....	1
3	1015878	Screw, #4-40 Hex Head Machine .....	2
4	8057	Nut, #4-40 Hex Machine .....	2
5	8058	Lockwasher, #4 Split .....	2

10

G



001079-001

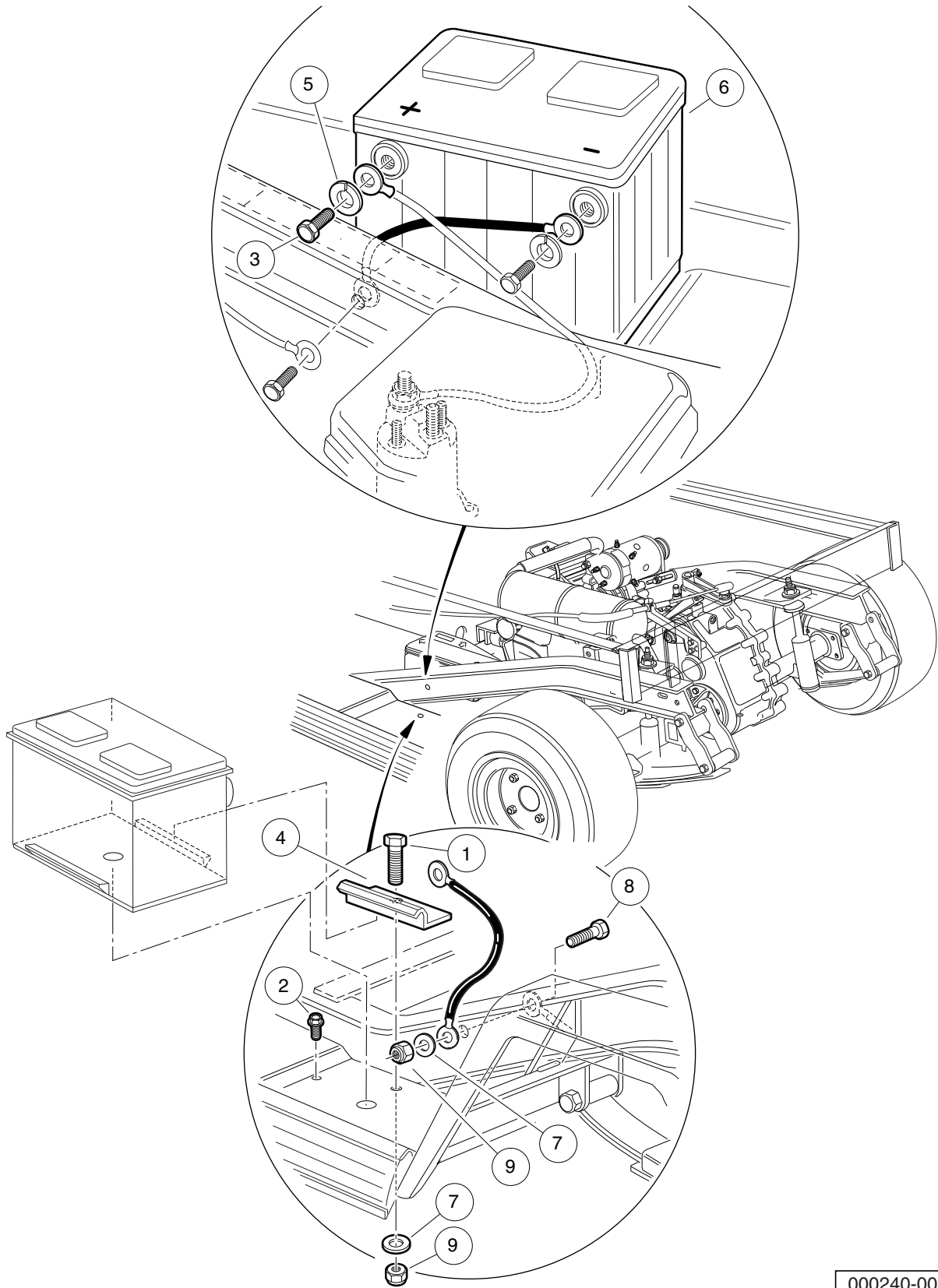
## CHARGING DIODE, KEY-START – XRT VEHICLES

ITEM	PART NO.	DESCRIPTION	QTY
		1 2 3 4	
1	102272501	Kit, Diode (includes items 2 through 4) .....	1
2	101963401	Locknut, 5/16-18 Hex Flange .....	1
3	102264001	Diode Assembly .....	1
4	102269701	Thermal Pad .....	1

10

G

**10**  
**G**



000240-001

## BATTERY – GASOLINE UTILITY VEHICLES

ITEM	PART NO.	DESCRIPTION	QTY
		<b>1 2 3 4</b>	
1	1010934	Screw, 5/16-18 X 1.00 Hex Cap .....	1
2	1014288	Screw, 5/16-18 X 0.75, Thread-Forming .....	1
3	1014375	Screw, 3/8-16 X 0.50, Stainless Steel, Hex-Head .....	2
4	101898001	Clamp, Battery .....	1
5	102355301	Lockwasher, 3/8 Split Ss .....	2
6	103496801	Battery, Start, 12v .....	1
7	1241	Washer, 5/16 Type A Flat .....	2
8	7173	Screw, 5/16-18 X 0.75, Hex-Head Cap .....	1
9	7473	Locknut, 5/16-18 Nylon Insert .....	2

10

G

**10**

**G**

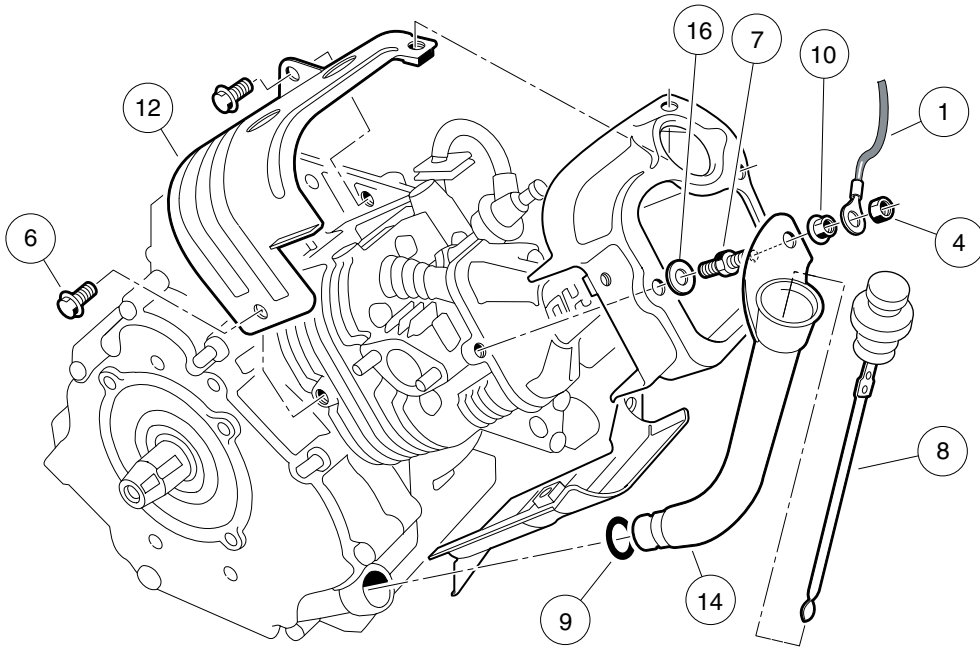
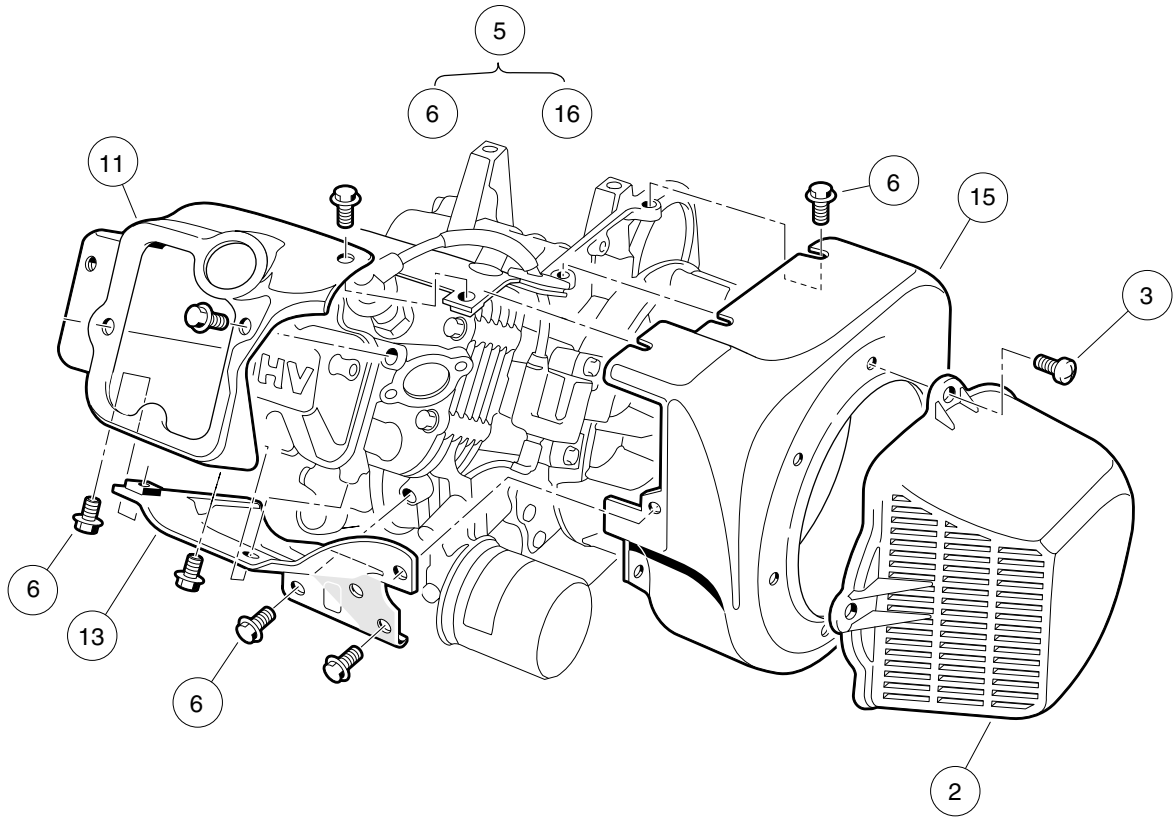


# ENGINE (S27) W/O ACR, 50-STATE

---

11

G



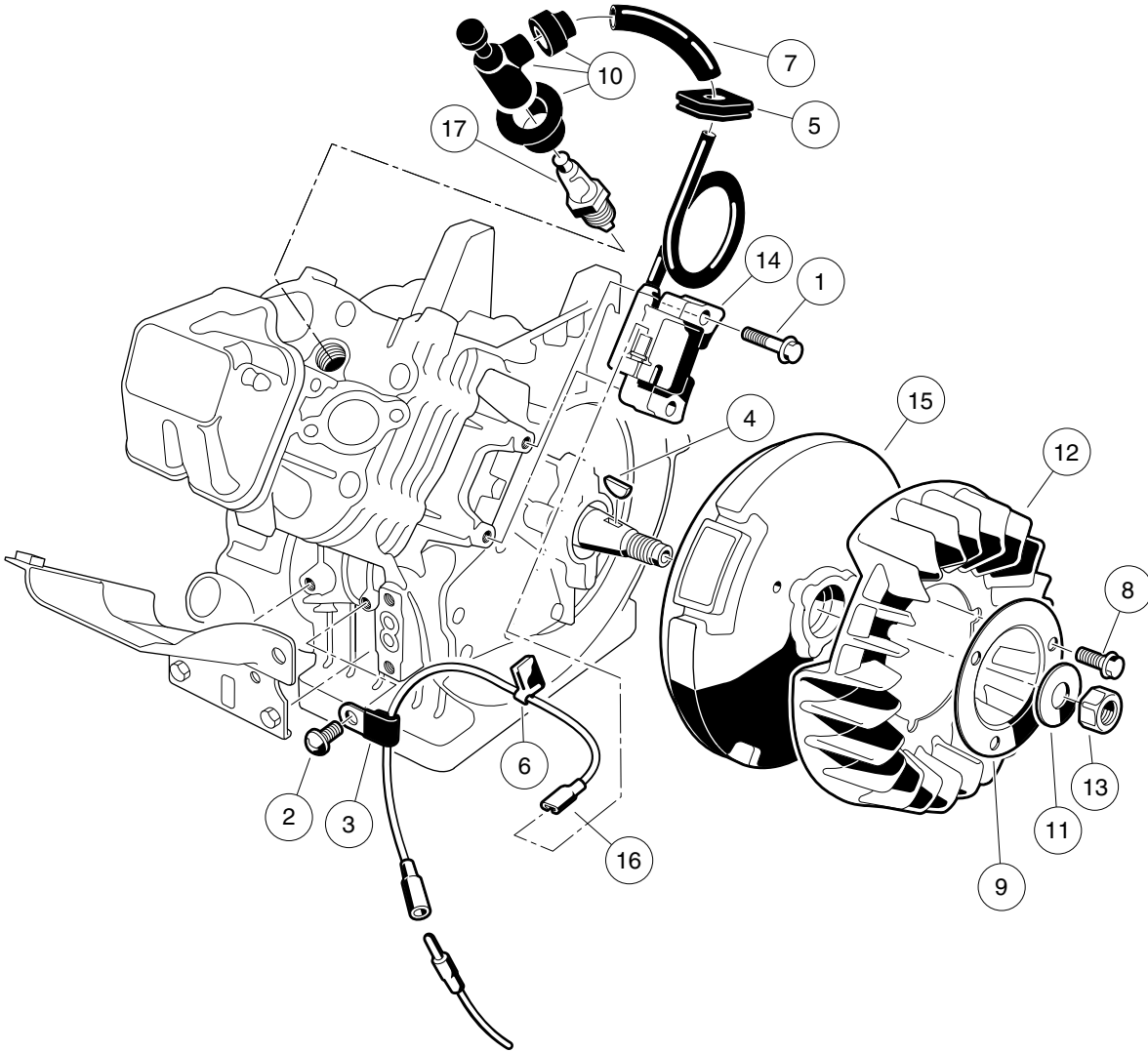
000201-002

# FE350 ENGINE (S27) W/O ACR, SHROUDS, AND BRACKETS; 50-STATE

ITEM	PART NO.	DESCRIPTION	QTY
		1 2 3 4	
1	1015332	Wire, Ground, #10, Uninsulated .....	1
2	1015649	Shroud, Fan .....	1
3	1015969	Screw, M6-1.00 X 10mm, Pan Hd .....	4
4	101887601	Locknut, M6-1.00 Nylon Insert .....	1
5	103386202	Engine, FE350 S27 (includes items 6 through 16) .....	1
6	1016456	Bolt, Flange Head, M6 x 1 x 12 mm .....	16
7	1016507	Bolt, Two-Ended .....	1
8	1016531	Dipstick .....	1
9	1016539	O-Ring .....	1
10	1016547	Nut, M6 Flange .....	1
11	1017474	Shroud, Engine .....	1
12	1017475	Shroud, Engine .....	1
13	1017476	Shroud, Engine .....	1
14	1017486	Tube, Oil Filler .....	1
15	101916101	Housing, FE350 Fan .....	1
16	N/A	Washer, 6mm Flat .....	1
Note: The S27 engine meets emission requirements for all 50 states.			

11

G

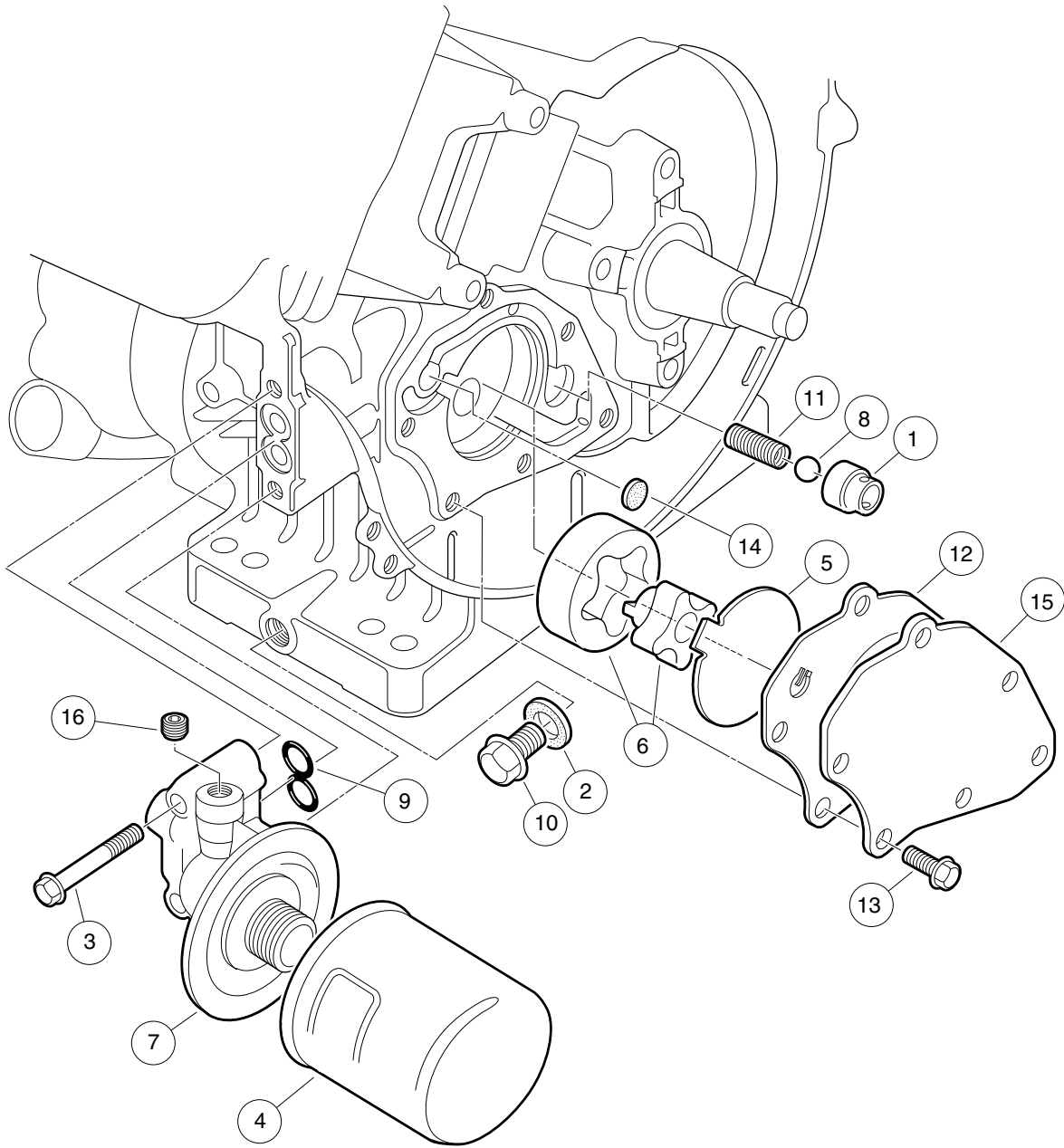


000202-004

# FE350 ENGINE (S27) – IGNITION COMPONENTS AND FLYWHEEL

ITEM	PART NO.	DESCRIPTION	QTY
		1 2 3 4	
1	1016455	Bolt, Flange Head .....	2
2	1016544	Screw .....	1
3	1016561	Clamp .....	1
4	1016562	Key .....	1
5	1016578	Grommet, Ignition .....	1
6	1016587	Clamp .....	1
7	1016588	Tube, 7mm X 10mm X 70mm .....	1
8	1017448	Bolt, Flanged .....	3
9	1017455	Plate, Flywheel Fan .....	1
10	1017463	Cap Asm, Plug .....	1
11	1017490	Washer, Flat .....	1
12	101916301	Fan (cw) .....	1
13	102838401	Nut, Hex, 18 mm Fine .....	1
14	103616501	Coil Asm, Ignition .....	1
15	103616601	Flywheel, Complete .....	1
16	103616701	Wire Lead, Ignition .....	1
17	AM1232301	Spark Plug, BPR2ES .....	1

**11**  
**G**



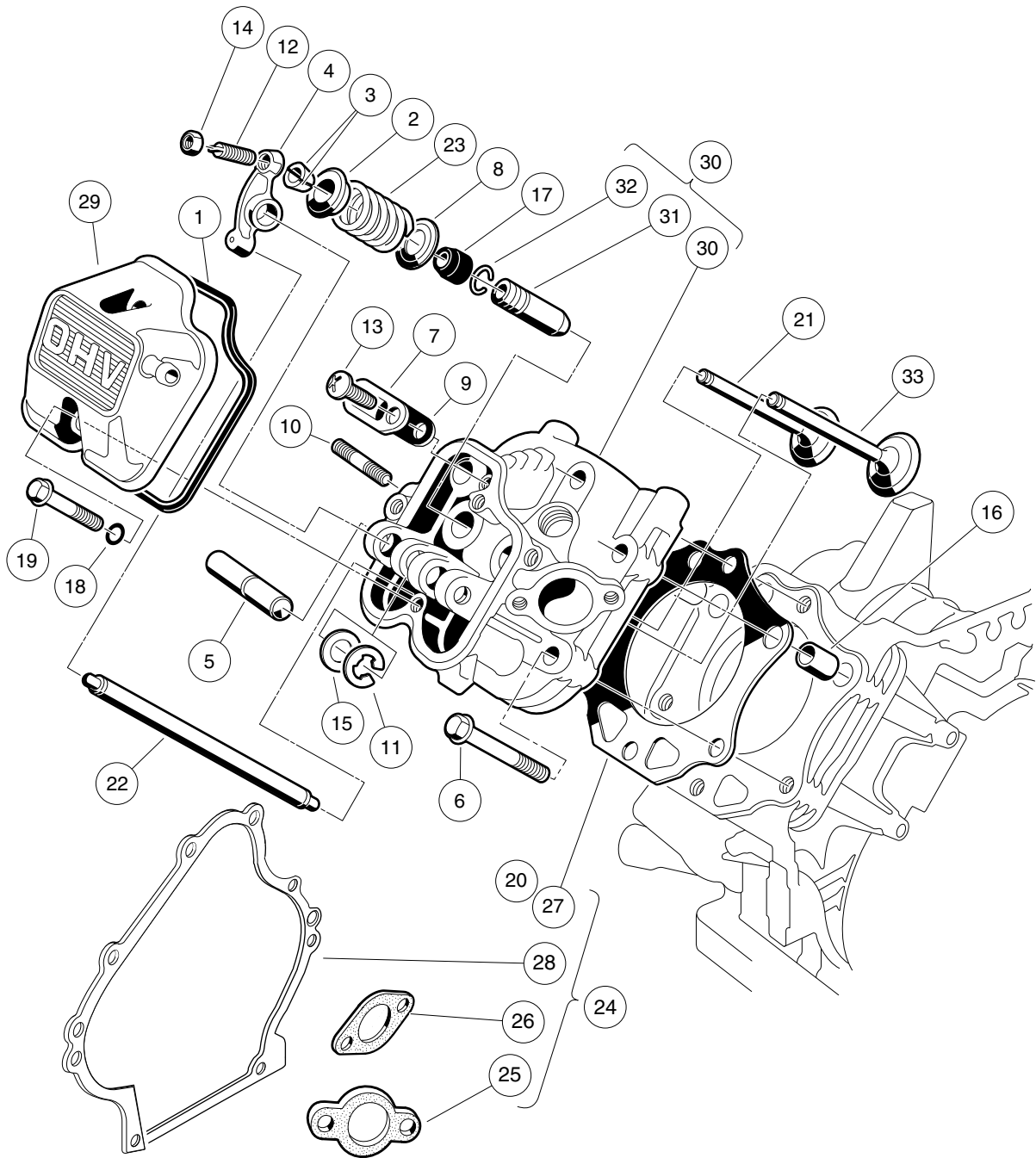
000203-001

## FE350 ENGINE (S27) – OIL CIRCULATION

ITEM	PART NO.	DESCRIPTION	QTY
		1 2 3 4	
1	1016429	Seat, Valve Oil Pressure Relief .....	1
2	1016432	Gasket, Drain Plug .....	1
3	1016457	Bolt, Flange Head .....	2
4	1016467	Filter, Oil .....	1
5	1016473	Plate, Oil Pump .....	1
6	101648203	Oil Pump And Rotor .....	1
7	1016502	Bracket, Oil Filter Mount .....	1
8	1016537	Ball, Steel, Press, Relief .....	1
9	1016570	O-Ring .....	1
10	1016576	Plug, Drain .....	1
11	1016581	Spring .....	1
12	1017442	Gasket .....	1
13	1017456	Bolt, Flanged .....	6
14	1017458	Filter .....	1
15	1017460	Cover, Pump .....	1
16	1017507	Plug .....	2

11

G



000204-007

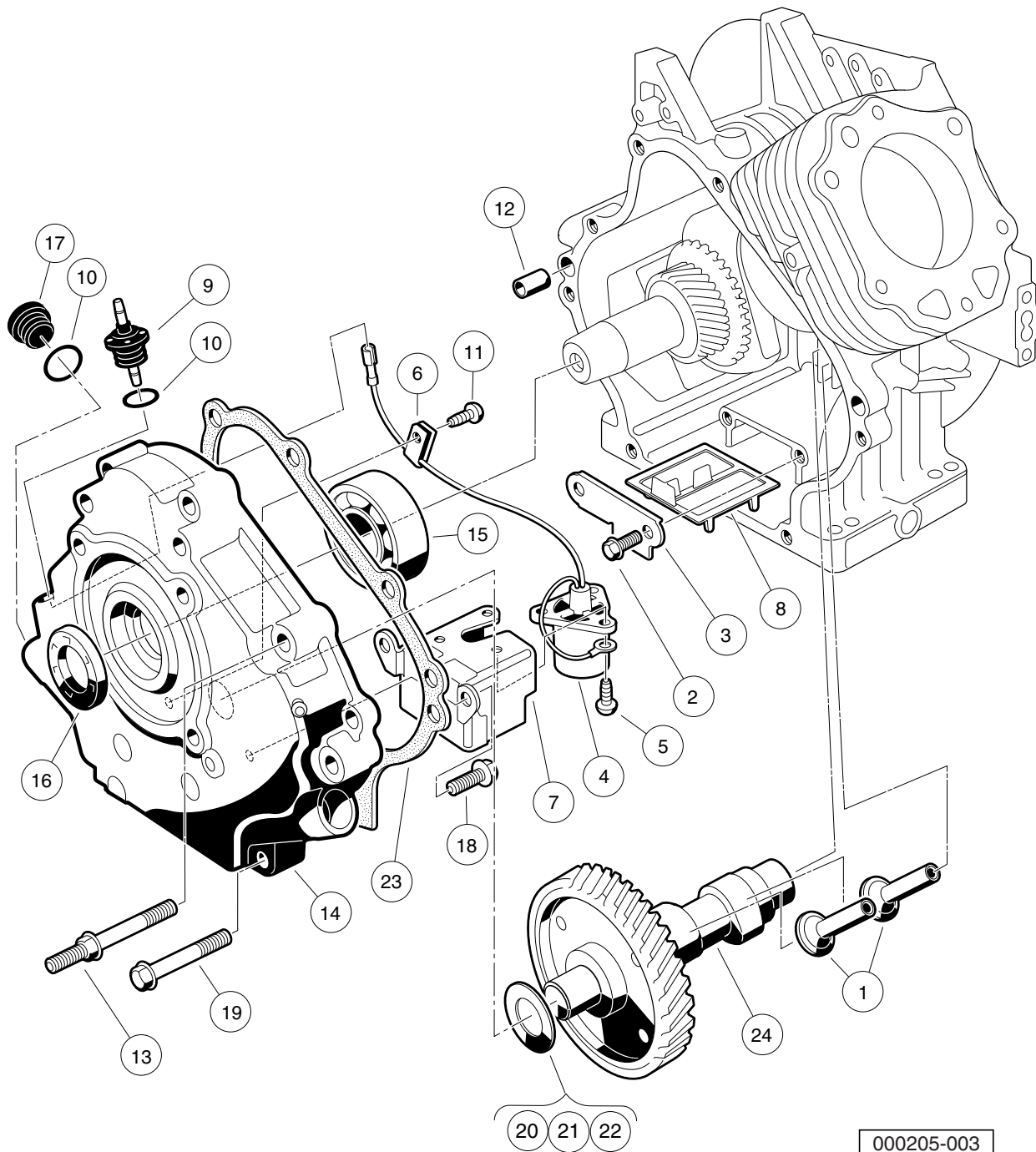


## FE350 ENGINE (S27) – CYLINDER HEAD

ITEM	PART NO.	DESCRIPTION	QTY
		1 2 3 4	
1	1016436	Gasket, Rocker Case .....	1
2	1016449	Retainer, Valve Spring .....	2
3	1016450	Collet .....	4
4	1016451	Arm, Rocker .....	2
5	1016452	Shaft, Rocker .....	1
6	1016458	Bolt, Flange Head, M8 x 1.25 x 45 mm .....	6
7	1016474	Plate .....	1
8	1016479	Seat, Spring .....	2
9	1016483	Valve .....	1
10	1016489	Stud, Two-Ended, M8-1.25 .....	2
11	1016517	Circlip, Type-E .....	1
12	1016542	Screw .....	2
13	1016544	Screw .....	1
14	1016545	Nut .....	2
15	1016549	Washer, 12.1x19x1.8 .....	1
16	1016563	Pin .....	2
17	1016566	Seal, Oil .....	2
18	1016569	O-Ring .....	2
19	1016583	Bolt, 6x35 .....	2
20	1017434	Gasket, Head .....	1
21	1017445	Valve, Exhaust .....	1
22	1017454	Rod, Push .....	2
23	1017473	Spring, Engine Valve .....	2
24	102304801	Kit, Gasket, FE350 (includes items 25 through 28) .....	1
25	1016440	Gasket, Engine to Insulator .....	1
26	1016904	Gasket, Exhaust .....	1
27	1017434	Gasket, Head .....	1
28	1017443	Gasket, Crankcase Cover .....	1
29	102753401	Case, Rocker, Fe .....	1
30	103615601	Cylinder Head (includes items 31 and 32) .....	1
31	1016519	Guide, Valve, Intake, Exhaust .....	2
32	1016560	Snap Ring .....	2
33	103616301	Valve, Intake, Hard Tip .....	1
		Note: Item 25 is not a component of the FE350 engine.	

**11**

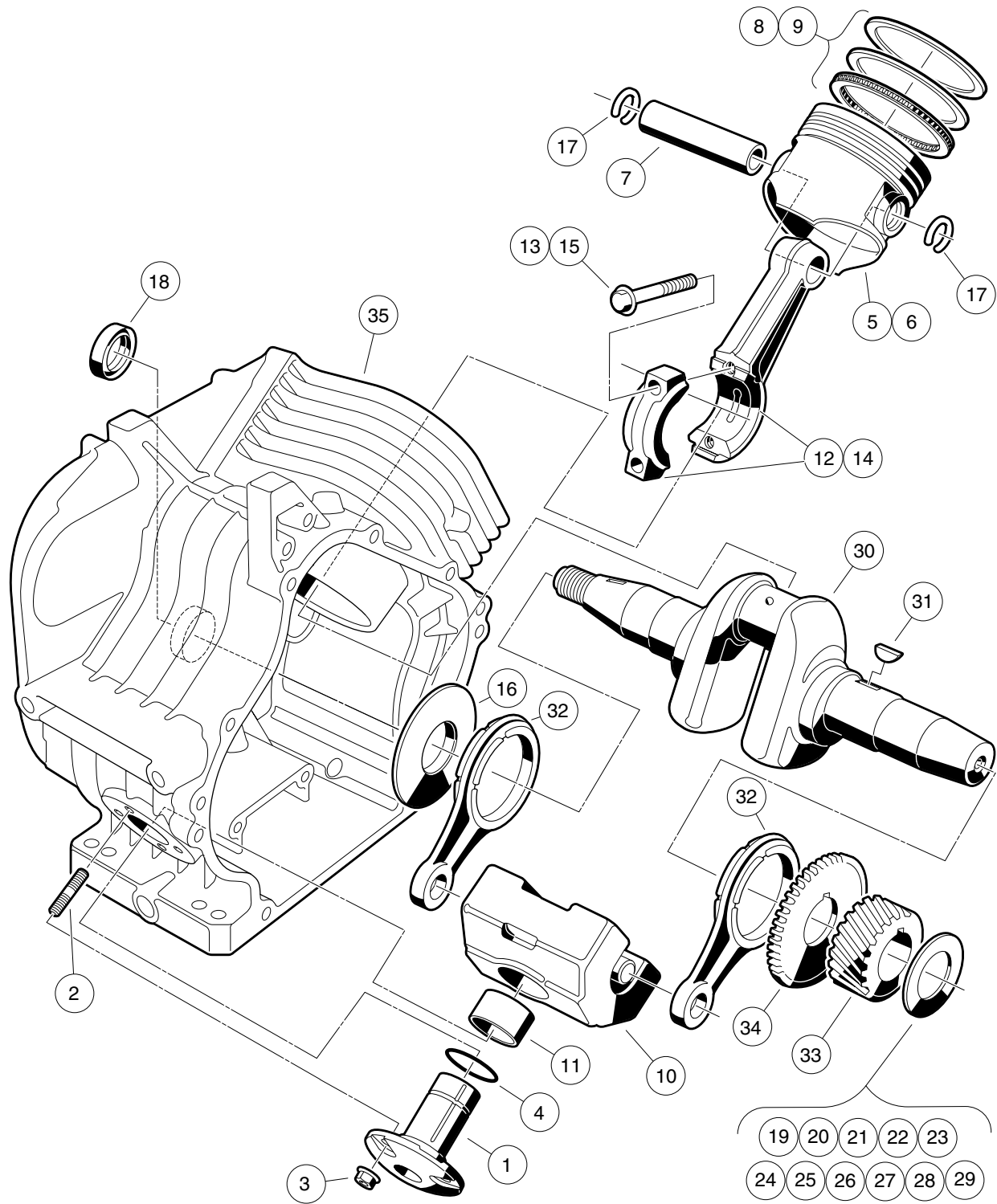
**G**



# FE350 ENGINE (S27) – CRANKCASE, CAMSHAFT, AND OIL SENSOR

ITEM	PART NO.	DESCRIPTION	QTY
		1 2 3 4	
1	1016453	Tapet .....	2
2	1016454	Bolt, Flange Head, M5 x 0.8 x 8 mm .....	2
3	1016472	Plate, Oil Filter Screen .....	1
4	1016494	Sensor, Oil Level .....	1
5	1016496	Screw, Cross Pan-Head, M4 x 0.7 x 8 mm .....	3
6	1016506	Clamp .....	1
7	1016510	Bracket, Switch, Oil Level .....	1
8	1016521	Screen, Oil Filter .....	1
9	1016535	Connector, Cord .....	1
10	1016538	O-Ring .....	2
11	1016544	Screw .....	1
12	1016564	Pin .....	2
13	1016584	Bolt, Two-Ended, M8 x 1.25 x 69 mm .....	2
14	1017472	Cover Crankcase .....	1
15	1017487	Bearing, Ball .....	1
16	1017504	Seal, Oil .....	1
17	1017508	Plug .....	1
18	1017513	Bolt Switch Bracket .....	2
19	1017514	Screw, M8-1.25 X 45mm Hex .....	6
20	101751801	Shim, 0.3 .....	1
21	101751802	Shim, 0.4 .....	1
22	101751803	Shim, 0.5 .....	1
23	103615901	Gasket, Crankcase Cover .....	1
24	103616401	Camshaft, Complete .....	1

**11**  
**G**



- 19
- 20
- 21
- 22
- 23
- 24
- 25
- 26
- 27
- 28
- 29

000206-003

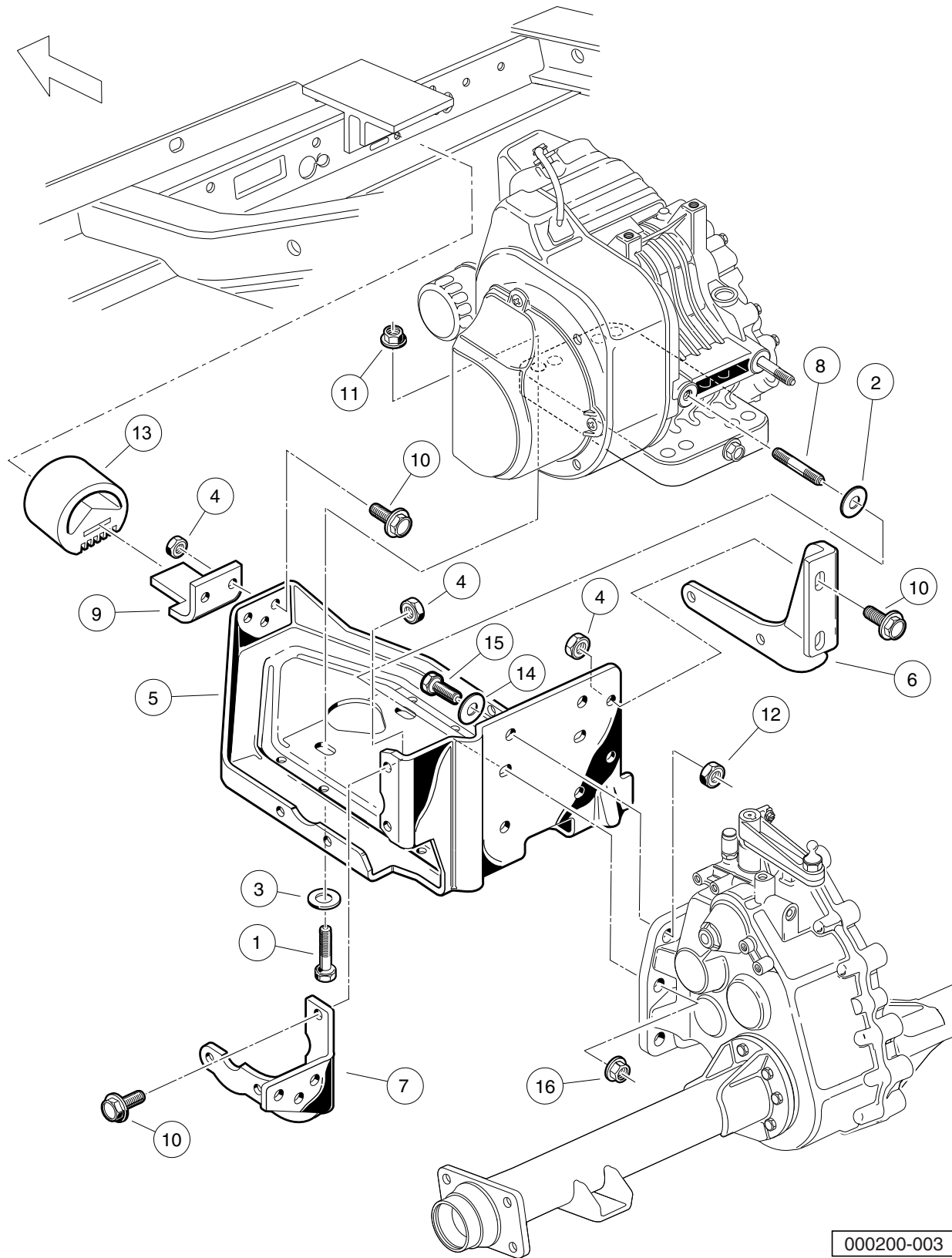
# FE350 ENGINE (S27) – CRANKCASE AND CRANKSHAFT

ITEM	PART NO.	DESCRIPTION	QTY
		1 2 3 4	
1	1016470	Shaft, Guide, Counterbalance .....	1
2	1016541	Stud, 6x14 .....	4
3	1016547	Nut, Flanged, M6 X 1.00 .....	4
4	1016571	O-Ring .....	1
5	101744901	Piston, Standard .....	1
6	101744902	Piston, 0.50 mm Oversize .....	1
7	1017450	Pin, Piston .....	1
8	101745101	Ring Set, Standard Piston .....	1
9	101745102	Ring Set, Piston, 0.50 mm Oversize .....	1
10	1017453	Counterbalance Weight (includes item 11) .....	1
11	1017510	Bearing, Plain .....	1
12	101745701	Asm, Con. Rod Std (includes item 13) .....	1
13	1017512	Bolt .....	2
14	101745702	Asm, Con. Rod 0.5mm U/s (includes item 15) .....	1
15	1017512	Bolt .....	2
16	1017501	Spacer .....	1
17	1017502	Snap Ring .....	2
18	1017503	Seal, Oil .....	1
19	101773301	Shim, Crankshaft, 1.18mm .....	1
20	101773302	Shim, Crankshaft, 1.25mm .....	1
21	101773303	Shim, Crankshaft, 1.32mm .....	1
22	101773304	Shim, Crankshaft, 1.39mm .....	1
23	101773305	Shim, Crankshaft, 1.46mm .....	1
24	101773306	Shim, Crankshaft, 1.53mm .....	1
25	101773307	Shim, Crankshaft, 1.60mm .....	1
26	101773308	Shim, Crankshaft, 1.67mm .....	1
27	101773309	Shim, Crankshaft, 1.74mm .....	1
28	101773310	Shim, Crankshaft, 1.11 mm .....	1
29	101773311	Shim, Crankshaft, 1.81mm .....	1
30	102430901	Crankshaft, FE350 Left-Hand, 22-Tooth (includes items 31 through 34) .....	1
31	1016562	Key .....	1
32	1017471	Rod .....	2
33	N/A	Gear, Helical .....	1
34	N/A	Gear, Spur .....	1
35	103615801	Crankcase, FE350 .....	1

**11**  
**G**

11

G



000200-003

## FE350 ENGINE (S27) – MOUNTING

ITEM	PART NO.	DESCRIPTION	QTY
		1 2 3 4	
1	1010577	Bolt, Hex-Head, 5/16-18 X 1.50 .....	4
2	1011697	Washer, 5/16 Flat .....	2
3	1012571	Washer, 5/16 Extra Thick Flat .....	4
4	1013924	Nut, 5/16-24, Hex Head Cone .....	10
5	101827101	Plate, Engine Mounting .....	1
6	101832601	Stiffener (PTO Side) .....	1
7	101832701	Stiffener (Flywheel Side) .....	1
8	101833101	Stud, M8-1.25 X 50 mm Two-Ended .....	2
9	101834601	Bracket, Snubber .....	1
10	101884801	Screw, 5/16-24 X 0.875, Grade-8 .....	10
11	101963401	Locknut, 5/16-18 Hex Flange .....	4
12	102065901	Locknut, 3/8-16 Flanged Dimple .....	4
13	102540301	Snubber, Inner Frame .....	1
14	334	Washer, 3/8, Type A, Flat .....	4
15	705	Screw, Cap-hex Hd 3/8-16x1.25 .....	4
16	96704416	Nut, Flange, M8 X 1.25 Serrated .....	2

11

G

11

G



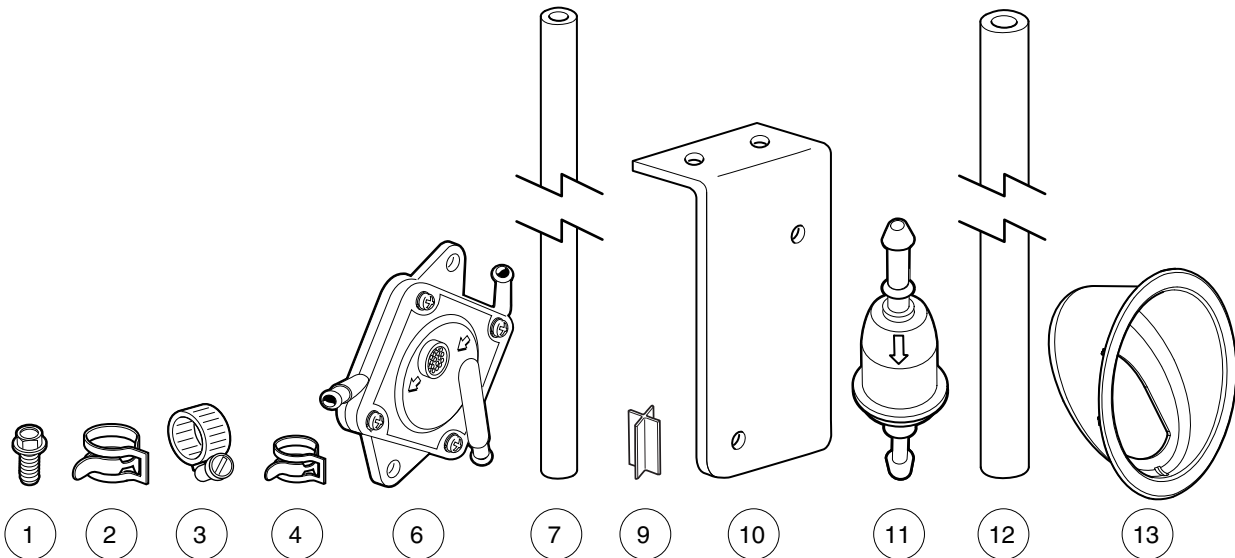
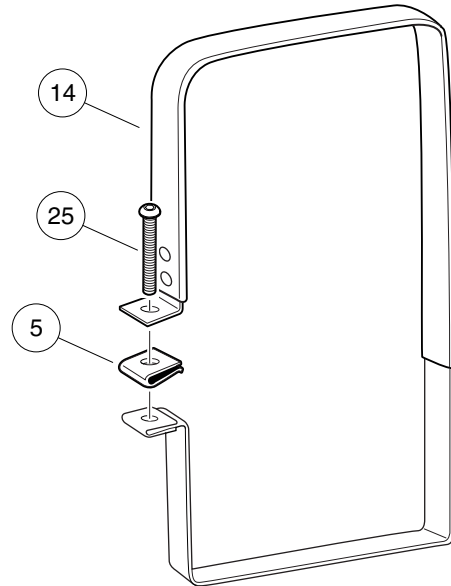
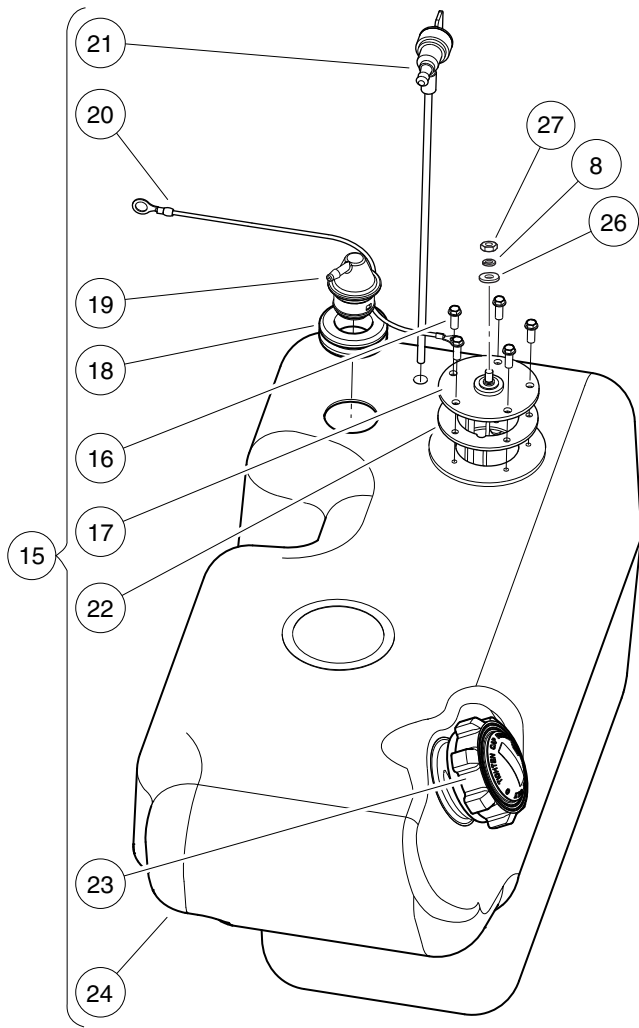
# FUEL, INTAKE, AND GOVERNOR SYSTEMS

---

12

G

**12**  
**G**



001072-001

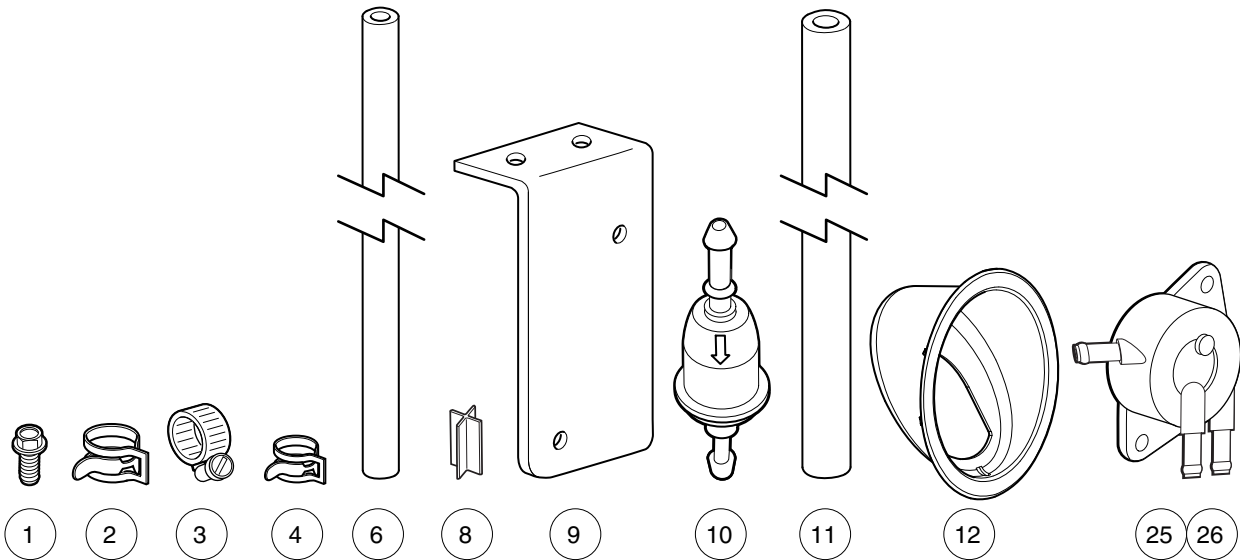
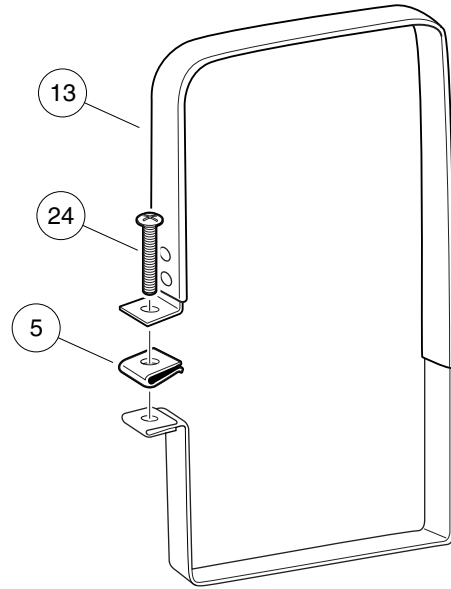
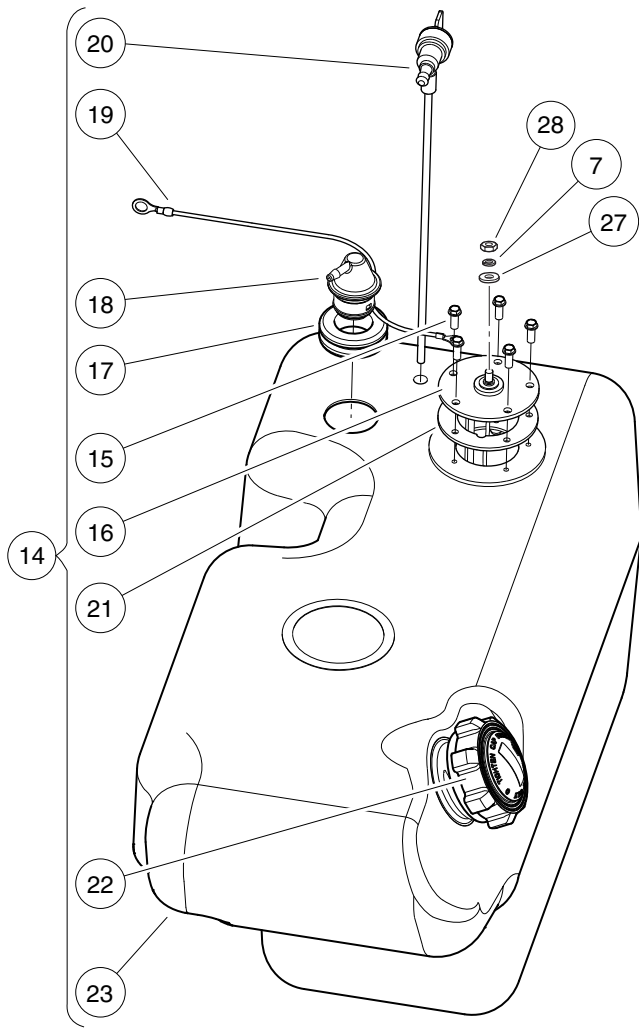
## FUEL SYSTEM – 49 STATE, WITH METAL FUEL PUMP

ITEM	PART NO.	DESCRIPTION	QTY
		1 2 3 4	
1	1012285	Screw, 1/4 X 0.625 Hex-Head .....	4
2	1012649	Clamp, 0.460 Red Hose .....	8
3	1013687	Clamp, 3/8" Hose (screw type) .....	1
4	1013746	Clamp, 0.301 ID Hose .....	2
5	1014116	Nut, 1/4-20 Speed .....	1
6	1014523	Pump, Impulse Fuel .....	1
7	1015137	Fuel Line, 3/16 (available by the foot) .....	A/R
8	1016	Lockwasher, #10 Split .....	1
9	101824401	Vent Barb .....	1
10	101929501	Mount Fuel Pump .....	1
11	102003201	Filter, Fuel, 30 Micron .....	2
12	102865101	Fuel Line, 1/4 (available by the foot) .....	A/R
13	102977901	Bezel, Fuel Fill, 5.0 Dia .....	1
14	102978001	Strap, Fuel Tank, Side Fill .....	1
15	103187601	Asm, Fuel Tank, Side Fill, Su (includes items 16 through 24) .....	1
16	1013461	Screw, #10-16 Hex-Head Hi-Lo .....	5
17	1013462	Sending Unit, Fuel Level * .....	1
18	1015139	Insulation Grommet .....	1
19	1015143	Vent, Fuel Tank .....	1
20	1015921	Wire Assembly #16 Black .....	1
21	102513701	Valve - Fuel Pickup Tube .....	1
22	102522001	Gasket, Rubber .....	1
23	102751601	Cap, Fuel Tank, Gasoline .....	1
24	102974201	Tank, Fuel, Side Fill .....	1
25	103306301	Screw, Bhsc, 1/4-20 X 2.0 .....	1
26	183	Washer, #10, Type A, Flat .....	1
27	8797	Nut, #10-32 Brass Hex .....	1
		* Note: Must replace fuel sending unit gasket when servicing this component.	

12

G

**12**  
**G**



001072-003

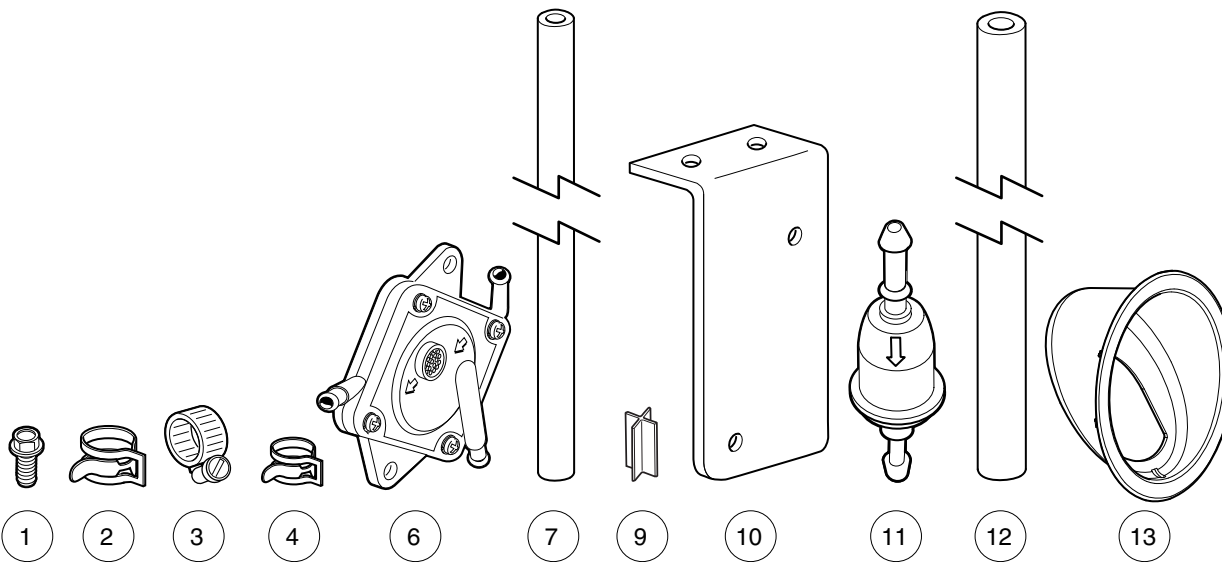
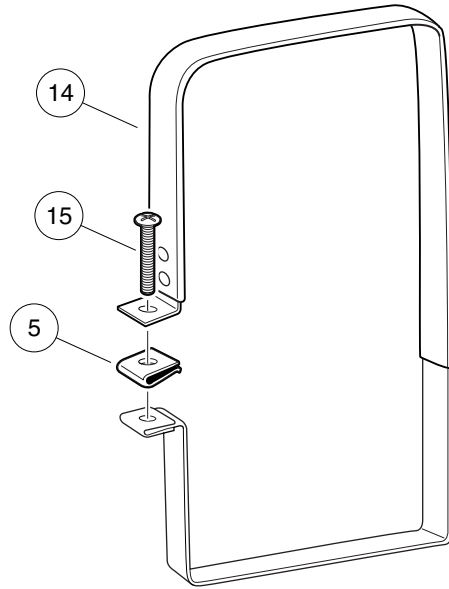
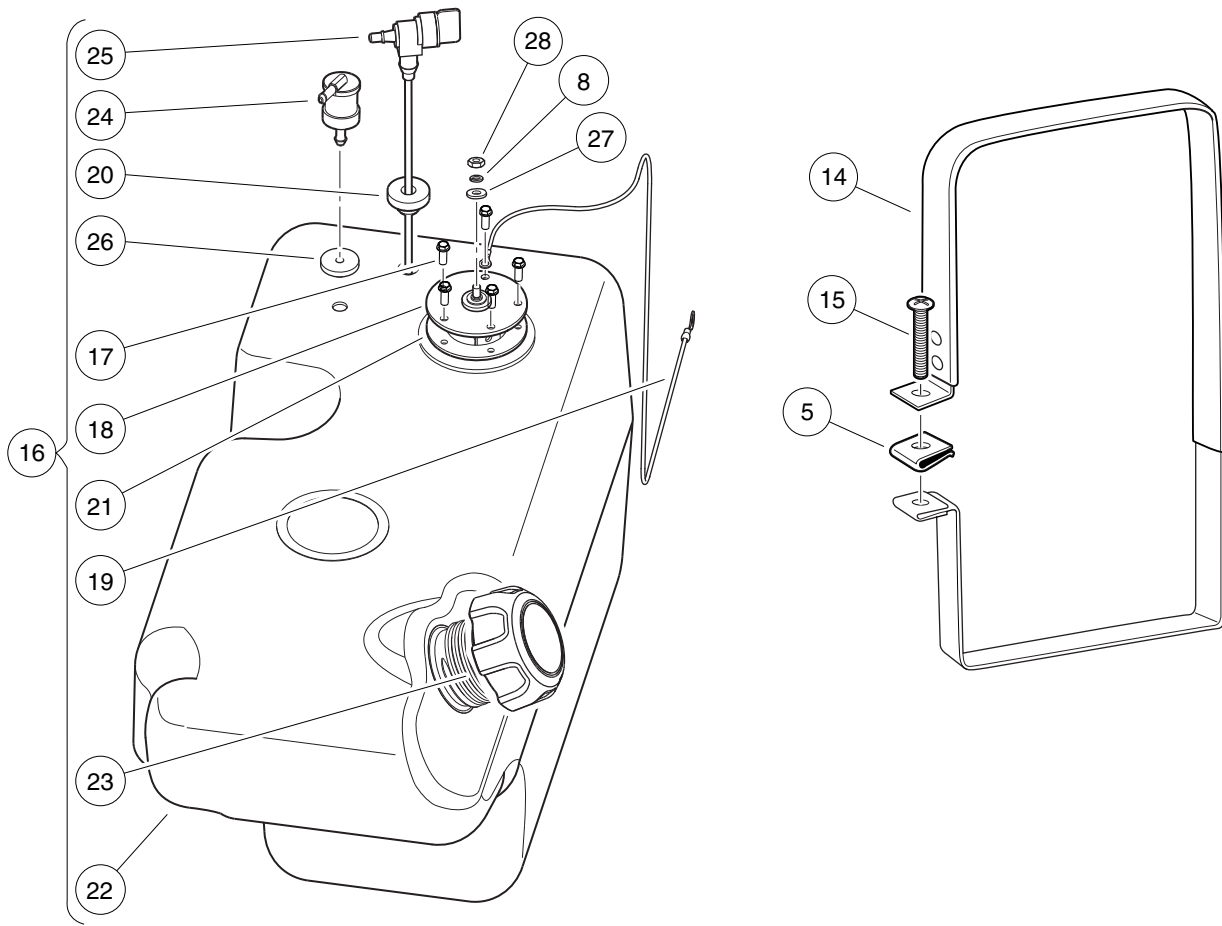
## FUEL SYSTEM – 49 STATE, WITH PLASTIC FUEL PUMP

ITEM	PART NO.	DESCRIPTION	QTY
		1 2 3 4	
1	1012285	Screw, 1/4 X 0.625 Hex-Head .....	4
2	1012649	Clamp, 0.460 Red Hose .....	8
3	1013687	Clamp, 3/8" Hose (screw type) .....	1
4	1013746	Clamp, 0.301 ID Hose .....	2
5	1014116	Nut, 1/4-20 Speed .....	1
6	1015137	Fuel Line, 3/16 (available by the foot) .....	A/R
7	1016	Lockwasher, #10 Split .....	1
8	101824401	Vent Barb .....	1
9	101929501	Mount Fuel Pump .....	1
10	102003201	Filter, Fuel, 30 Micron .....	2
11	102865101	Fuel Line, 1/4 (available by the foot) .....	A/R
12	102977901	Bezel, Fuel Fill, 5.0 Dia .....	1
13	102978001	Strap, Fuel Tank, Side Fill .....	1
14	103187601	Asm, Fuel Tank, Side Fill, Su (includes items 15 through 23) .....	1
15	1013461	Screw, #10-16 Hex-Head Hi-Lo .....	5
16	1013462	Sending Unit, Fuel Level * .....	1
17	1015139	Insulation Grommet .....	1
18	1015143	Vent, Fuel Tank .....	1
19	1015921	Wire Assembly #16 Black .....	1
20	102513701	Valve - Fuel Pickup Tube .....	1
21	102522001	Gasket, Rubber .....	1
22	102751601	Cap, Fuel Tank, Gasoline .....	1
23	102974201	Tank, Fuel, Side Fill .....	1
24	103306301	Screw, Bhsc, 1/4-20 X 2.0 .....	1
25	103781101	Kit, Fuel Pump Retrofit (includes item 26) .....	1
26	103010101	Pump, Fuel, Impulse, Fh .....	1
27	183	Washer, #10, Type A, Flat .....	1
28	8797	Nut, #10-32 Brass Hex .....	1
		* Note: Must replace fuel sending unit gasket when servicing this component.	

**12**

**G**

**12**  
**G**



001072-002

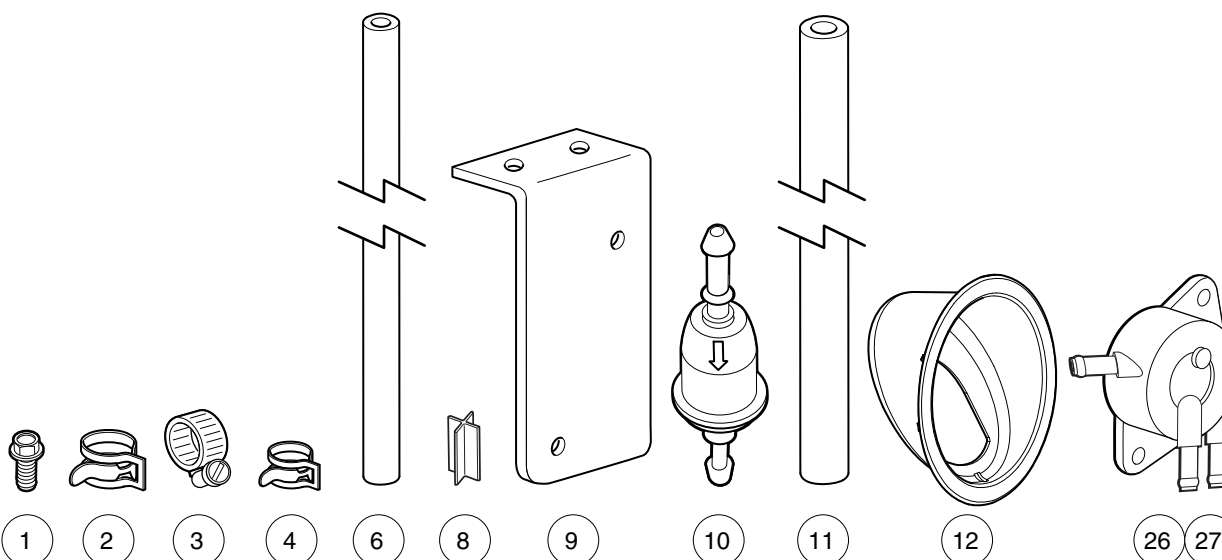
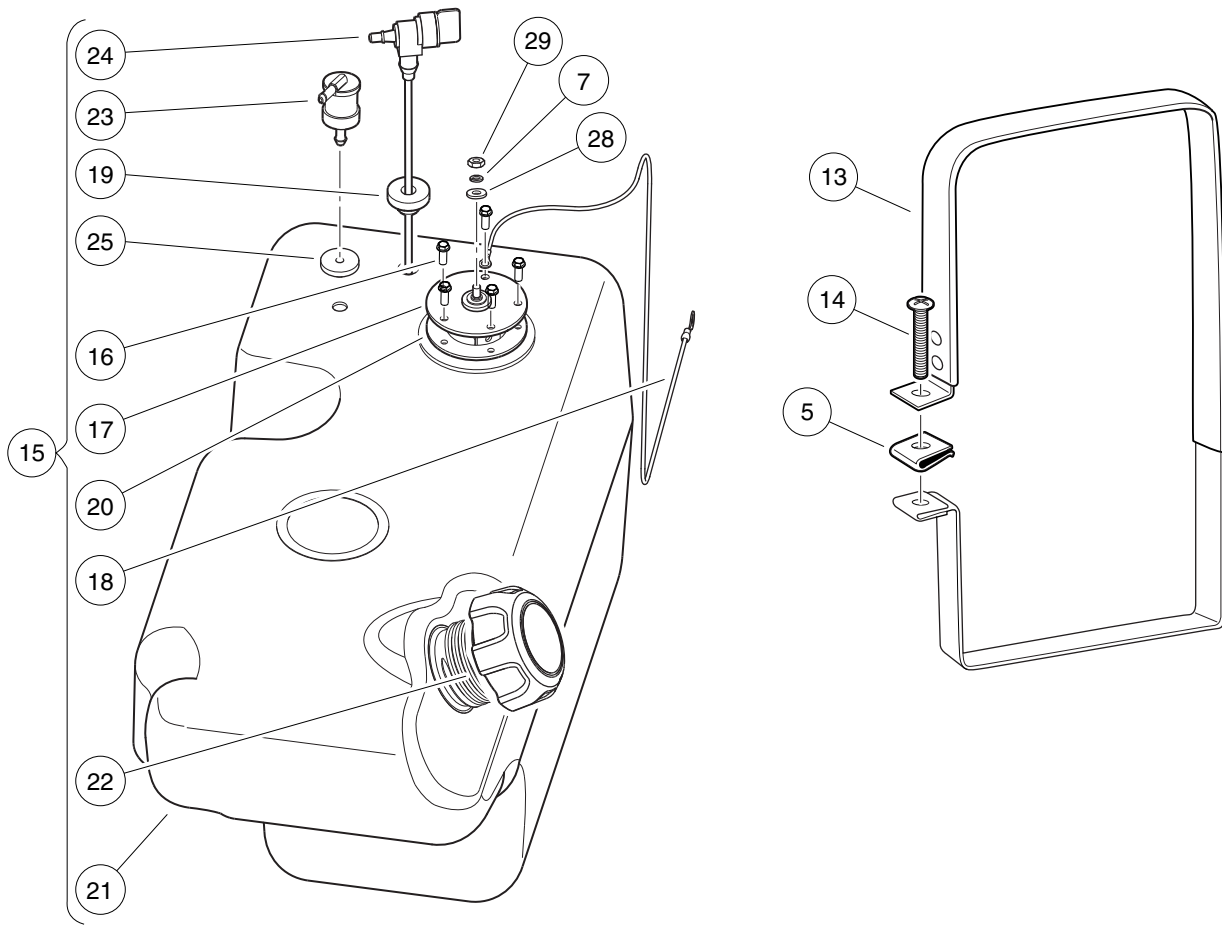
# FUEL SYSTEM – CALIFORNIA ONLY, WITH METAL FUEL PUMP

ITEM	PART NO.	DESCRIPTION	QTY
		1 2 3 4	
1	1012285	Screw, 1/4 X 0.625 Hex-Head .....	4
2	1012649	Clamp, 0.460 Red Hose .....	8
3	1013687	Clamp, 3/8" Hose (screw type) .....	1
4	1013746	Clamp, 0.301 ID Hose .....	2
5	1014116	Nut, 1/4-20 Speed .....	1
6	1014523	Pump, Impulse Fuel .....	1
7	1015137	Fuel Line, 3/16 (available by the foot) .....	A/R
8	1016	Lockwasher, #10 Split .....	1
9	101824401	Vent Barb .....	1
10	101929501	Mount Fuel Pump .....	1
11	102003201	Filter, Fuel, 30 Micron .....	2
12	102865101	Fuel Line, 1/4 (available by the foot) .....	A/R
13	102977901	Bezel, Fuel Fill, 5.0 Dia .....	1
14	102978001	Strap, Fuel Tank, Side Fill .....	1
15	103306301	Screw, Bhsc, 1/4-20 X 2.0 .....	1
16	103369101	Asm, Fuel Tank,side Fill,nano (includes items 17 through 26) .....	1
17	1013461	Screw, #10-16 Hex-Head Hi-Lo .....	5
18	1013462	Sending Unit, Fuel Level * .....	1
19	1015921	Wire Assembly #16 Black .....	1
20	102406701	Bushing, Line, Return .....	1
21	102522001	Gasket, Rubber .....	1
22	N/A	Tank, Fuel,side Fill,nano .....	1
23	103372101	Cap, Fuel Tank, Gas, Ratchet .....	1
24	103372201	Vent, Fuel Tank, W/ Valve .....	1
25	103372301	Valve, Fuel, 259mm .....	1
26	103374701	Grommet, Fuel Tank Vent .....	1
27	183	Washer, #10, Type A, Flat .....	1
28	8797	Nut, #10-32 Brass Hex .....	1
		* Note: Must replace fuel sending unit gasket when servicing this component.	

12

G

**12**  
**G**



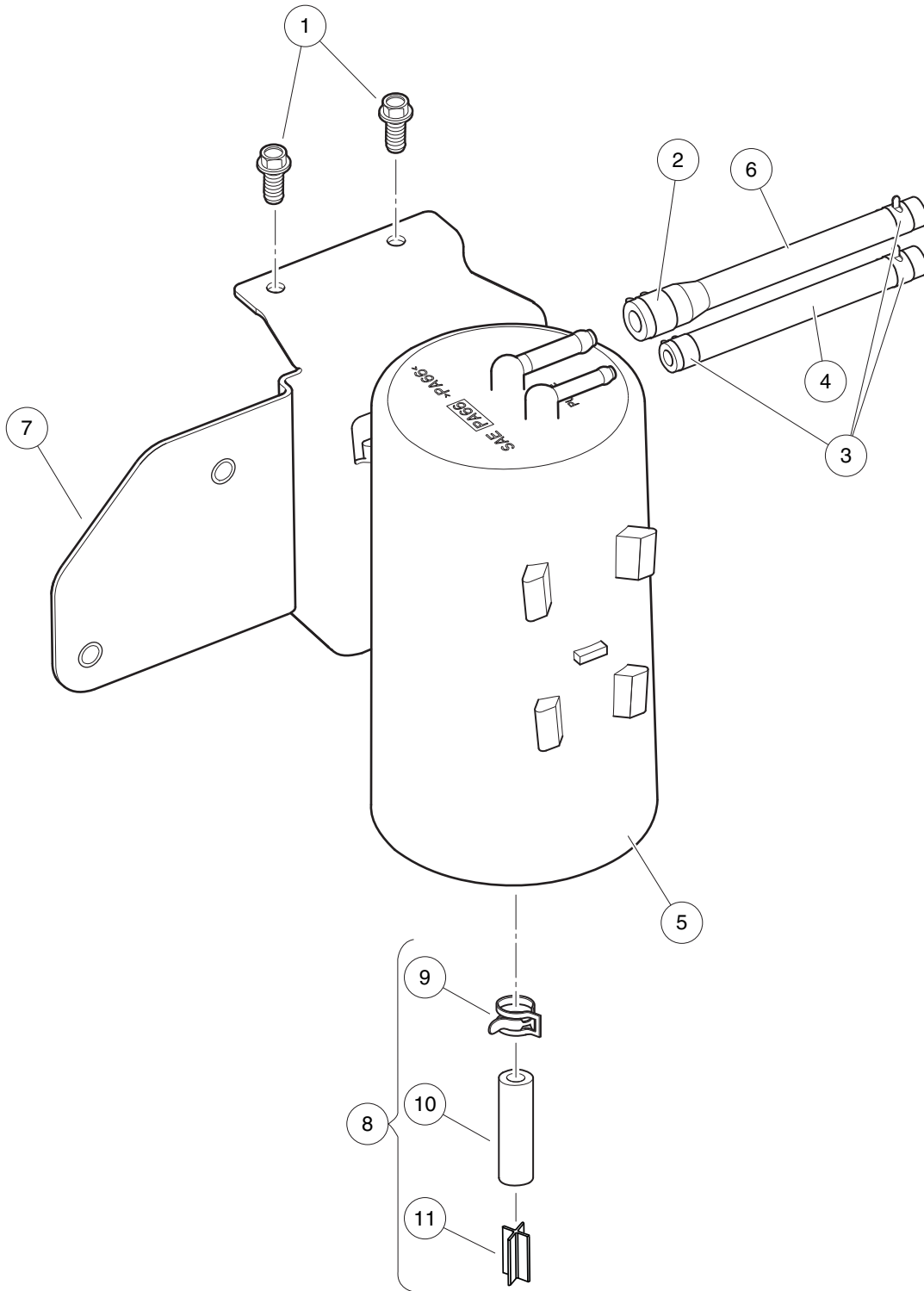
001072-004



# FUEL SYSTEM – CALIFORNIA ONLY, WITH PLASTIC FUEL PUMP

**12**  
**G**

ITEM	PART NO.	DESCRIPTION	QTY
		<b>1 2 3 4</b>	
1	1012285	Screw, 1/4 X 0.625 Hex-Head .....	4
2	1012649	Clamp, 0.460 Red Hose .....	8
3	1013687	Clamp, 3/8" Hose (screw type) .....	1
4	1013746	Clamp, 0.301 ID Hose .....	2
5	1014116	Nut, 1/4-20 Speed .....	1
6	1015137	Fuel Line, 3/16 (available by the foot) .....	A/R
7	1016	Lockwasher, #10 Split .....	1
8	101824401	Vent Barb .....	1
9	101929501	Mount Fuel Pump .....	1
10	102003201	Filter, Fuel, 30 Micron .....	2
11	102865101	Fuel Line, 1/4 (available by the foot) .....	A/R
12	102977901	Bezel, Fuel Fill, 5.0 Dia .....	1
13	102978001	Strap, Fuel Tank, Side Fill .....	1
14	103306301	Screw, Bhsc, 1/4-20 X 2.0 .....	1
15	103369101	Asm, Fuel Tank,side Fill,nano (includes items 16 through 25) .....	1
16	1013461	Screw, #10-16 Hex-Head Hi-Lo .....	5
17	1013462	Sending Unit, Fuel Level * .....	1
18	1015921	Wire Assembly #16 Black .....	1
19	102406701	Bushing, Line, Return .....	1
20	102522001	Gasket, Rubber .....	1
21	N/A	Tank, Fuel,side Fill,nano .....	1
22	103372101	Cap, Fuel Tank, Gas, Ratchet .....	1
23	103372201	Vent, Fuel Tank, W/ Valve .....	1
24	103372301	Valve, Fuel, 259mm .....	1
25	103374701	Grommet, Fuel Tank Vent .....	1
26	103781101	Kit, Fuel Pump Retrofit (includes item 27) .....	1
27	103010101	Pump, Fuel, Impulse, Fh .....	1
28	183	Washer, #10, Type A, Flat .....	1
29	8797	Nut, #10-32 Brass Hex .....	1
		* Note: Must replace fuel sending unit gasket when servicing this component.	



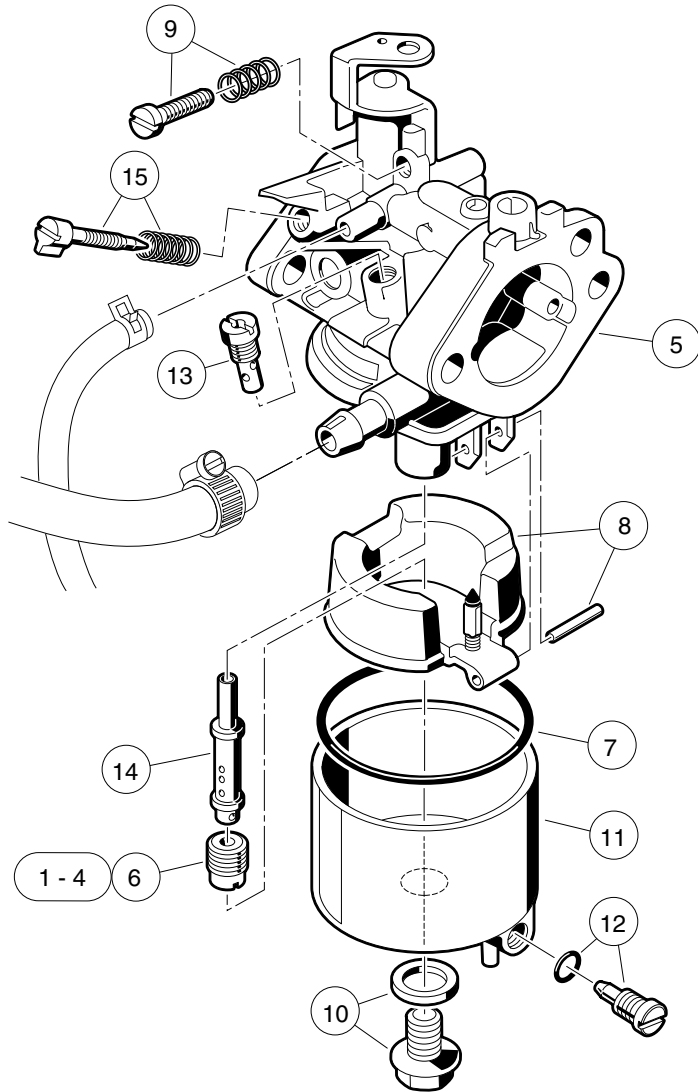
000980-007

## CARBON CANISTER – CALIFORNIA ONLY

ITEM	PART NO.	DESCRIPTION	QTY
		1 2 3 4	
1	1012285	Screw, 1/4 X 0.625 Hex-Head .....	2
2	101313402	Clamp, Green Hose .....	1
3	1013746	Clamp, 0.301 ID Hose .....	3
4	1015137	Fuel Line, 3/16 (available by the foot) .....	A/R
5	103372401	Canister, Carbon .....	1
6	103372504	Hose, Vent, Flare, 9" .....	1
7	103372801	Bracket, Carbon Canister, Sw .....	1
8	103418601	Asm, Vent Line, Utility (includes items 9 through 11) .....	1
9	1012649	Clamp, 0.460 Red Hose .....	1
10	N/A	Hose, Vent, 5/16 I.D., Bulk .....	A/R
11	N/A	Vent, Barb, 5/16 I.D. Hose .....	1

**12**  
**G**

12  
G



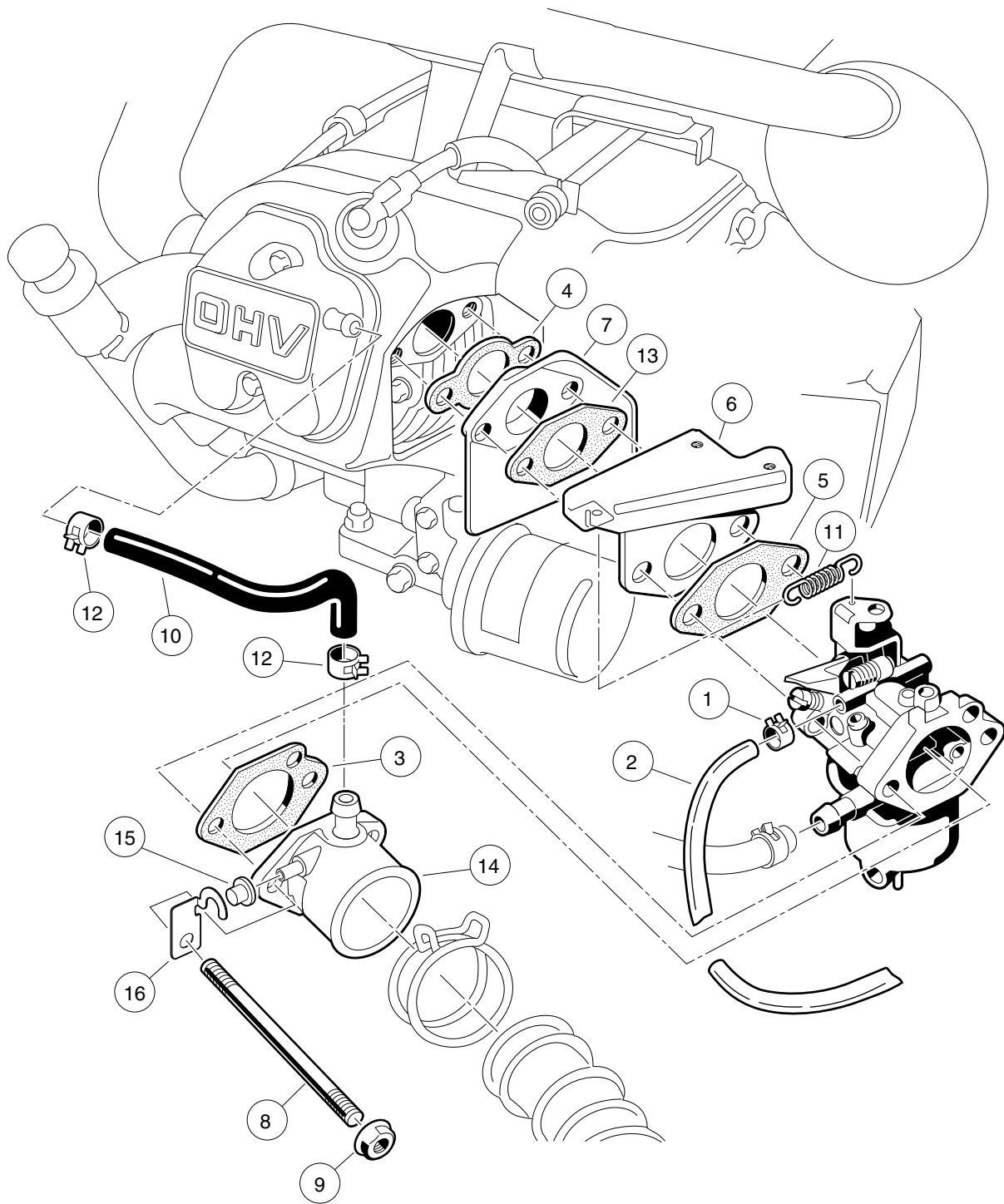
000212-002

## CARBURETOR ASSEMBLY – FE350 S27

ITEM	PART NO.	DESCRIPTION	QTY
		1 2 3 4	
1	101642575	Jet, Altitude, # 75 .....	1
2	101642578	Jet, Altitude, # 78 .....	1
3	101642580	Jet, Altitude, # 80 .....	1
4	101642582	Jet, Altitude, # 82 .....	1
5	103617101	Carburetor, FE350 S27 (includes items 6 through 15) .....	1
6	101642585	Jet, Altitude, # 85 .....	1
7	1016437	Gasket, Carburetor Bowl OHV .....	1
8	1016486	Float Assembly .....	1
9	1016501	Screw Assembly .....	1
10	1016585	Bolt .....	1
11	1017461	Chamber Assembly, Float (includes item 12) .....	1
12	1016499	Screw Assembly .....	1
13	101973101	Jet, #40 Pilot .....	1
14	101973301	Nozzle, Main .....	1
15	N/A	Assembly, Pilot Air Screw .....	1
<p style="text-align: center;">Note: 101642585 for 0 - 3,200 feet; 101642582 for 3,200 - 6,500 feet;            101642580 for 6,500 - 9,800 feet; 101642578 for 9,800 feet and above.</p>			

12

G



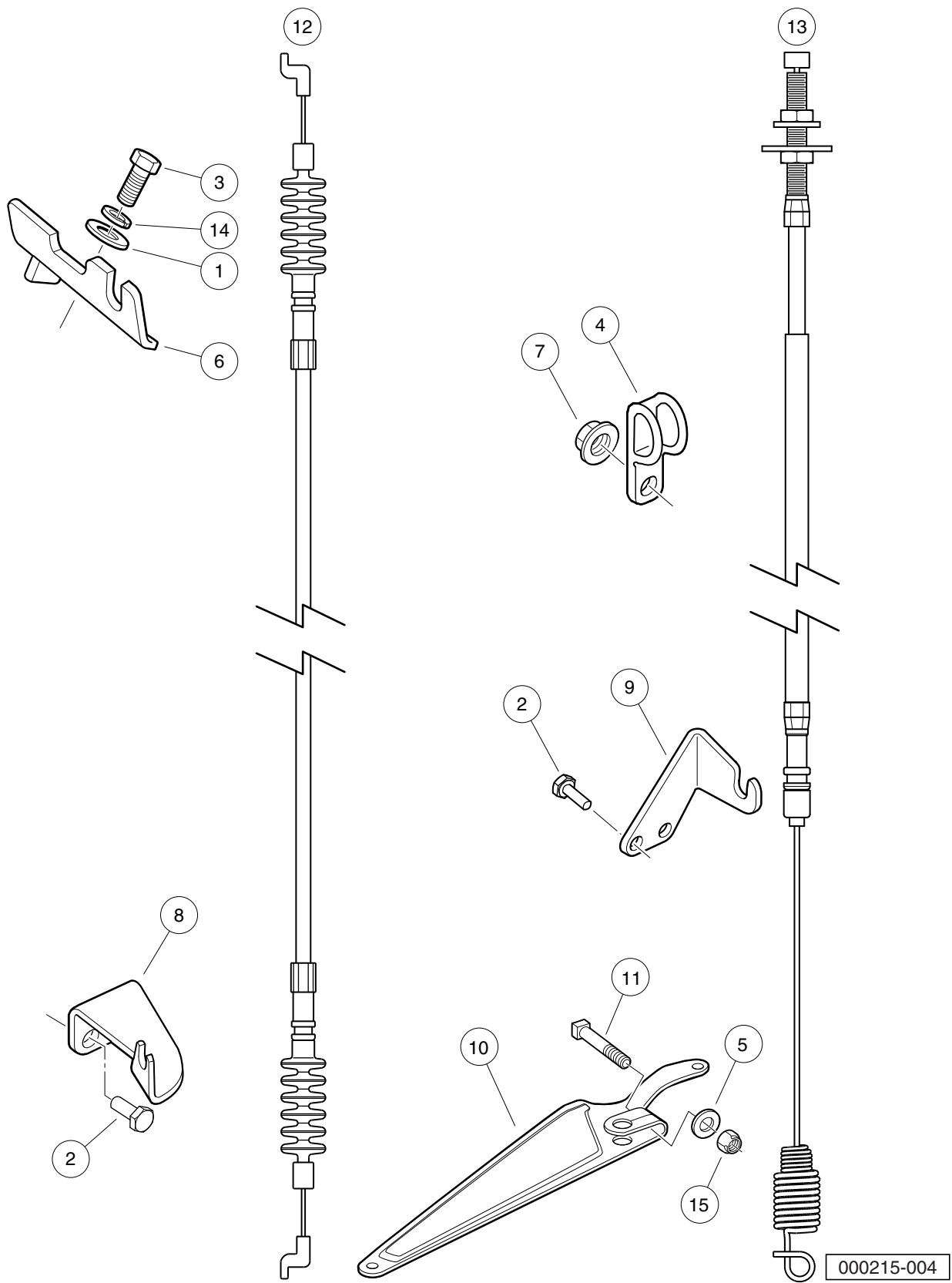
000214-002

## CARBURETOR MOUNTING, UTILITY, FE350 S23 S24 S27

ITEM	PART NO.	DESCRIPTION	QTY
		1 2 3 4	
1	1013746	Clamp, 0.301 ID Hose .....	1
2	1015137	Fuel Line, 3/16 (available by the foot) .....	1
3	1016438	Gasket, Carb To Intake Manifold .....	1
4	1016440	Gasket, Engine to Insulator .....	1
5	1016441	Gasket, Sprg Brkt To Carb OHV .....	1
6	1016444	Bracket, Throttle Spring Return .....	1
7	101648102	Insulator, Carburetor .....	1
8	101649002	Stud, M6-1.00 Two-Ended .....	2
9	1016547	Nut, M6 Flange .....	2
10	1016572	Tube, Crankcase Vent .....	1
11	1016582	Spring, Throttle Return .....	1
12	1017466	Clamp .....	2
13	101973401	Gasket, Insulator To Bracket .....	1
14	103507101	Carburetor Adapter w/ Tap .....	1
15	103507201	Plug, Intake Manifold, Carb .....	1
16	103507301	Bracket, Intake Manifold, Carb .....	1

**12**  
**G**

**12**  
**G**



000215-004

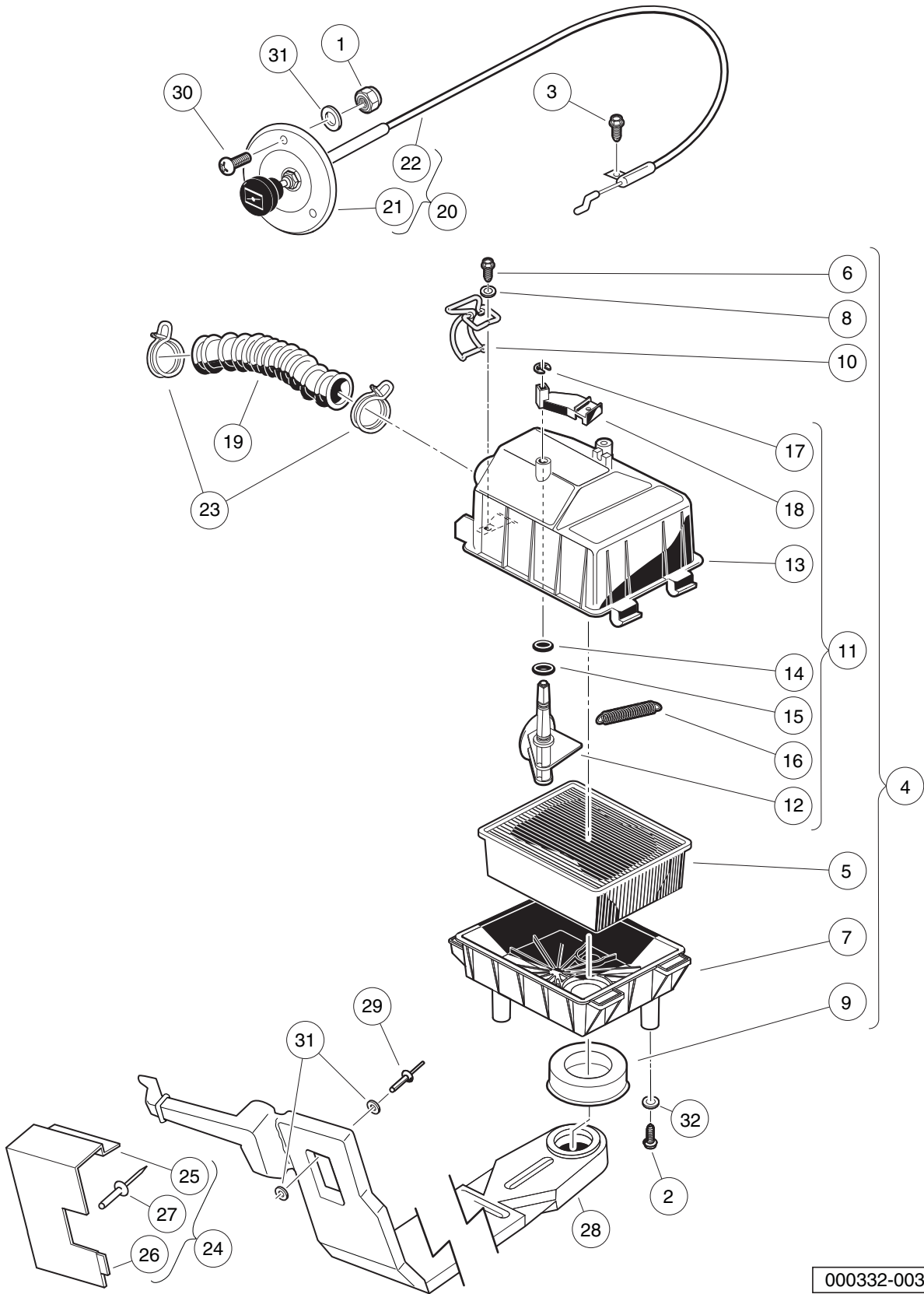


## GOVERNOR AND ACCELERATOR CABLES

ITEM	PART NO.	DESCRIPTION	QTY
		<b>1 2 3 4</b>	
1	1011697	Washer, 5/16 Flat .....	1
2	1012285	Screw, 1/4 X 0.625 Hex-Head .....	4
3	1012830	Screw, M8-125 X 22 Hex-Head .....	1
4	1013700	Clamp .....	2
5	1014007	Washer, 1/4, Flat .....	1
6	101584502	Bracket, Governor Cable Snap-In .....	1
7	1016546	Nut .....	2
8	101832202	Bracket, Rear Governor Cable Snap-In .....	1
9	101832302	Bracket, Rear Accelerator Cable Snap-In .....	1
10	101834801	Arm, Governor .....	1
11	101886101	Screw, 1/4-20 X 1.00, Square-Head .....	1
12	102336001	Cable, Governor, Snap-In .....	1
13	102336101	Cable, Accelerator, Snap-In .....	1
14	7174	Lockwasher, 5/16 Split .....	1
15	8233	Locknut, 1/4-20, Nylon Insert .....	1

**12**

**G**



000332-003

# AIR FILTER AND INTAKE SYSTEM

ITEM	PART NO.	DESCRIPTION	QTY
		<b>1 2 3 4</b>	
1	1012438	Locknut, #10-24 Nylon Insert .....	3
2	1015752	Screw, #12-16 X 0.625, Hi-Lo .....	3
3	101804301	Screw, #8 X 0.500, Hex-Head Hi-Lo .....	1
4	101821501	Assembly, Air Box (includes items 5 through 11) .....	1
5	1015426	Filter, Air .....	1
6	101804301	Screw, #8 X 0.500, Hex-Head Hi-Lo .....	2
7	101811901	Bottom, Air Box .....	1
8	101881701	Washer, #8 Stainless-Steel Flat .....	2
9	101921501	Seal, Intake .....	1
10	101925701	Latch, Wireform .....	2
11	101972801	Top Assy, Air Box (includes items 12 through 18) .....	1
12	N/A	Valve, Choke .....	1
13	N/A	Top, Air Box .....	1
14	N/A	O-Ring, 5/16 .....	1
15	N/A	O-Ring, 3/8 .....	1
16	101812301	Spring, Extension Return .....	1
17	101813001	Retaining Ring 0.25, Shaft .....	1
18	101917601	Lever, Choke .....	1
19	101837101	Hose, Air Intake .....	1
20	101926801	Cable, Choke (includes items 21 and 22) .....	1
21	101933701	Bezel, Choke Cable .....	1
22	N/A	Choke Cable without Bezel, Short .....	1
23	101971301	Clamp, 1.58" ID Hose .....	2
24	102190702	Kit, Air Duct Shield (includes items 25 through 27) .....	1
25	102185401	Tape, 3M VHB 4950 .....	1
26	N/A	Shield, Air Duct .....	1
27	7973	Rivet, 3/16 X .400 Blind .....	1
28	103520401	Duct, Air Intake, Ca li .....	1
29	1606	Rivet, 3/16 X .500 Alum Pop .....	2
30	1631	Screw, #10-24 X 0.75 Phillips Pan-Head .....	3
31	183	Washer, #10, Type A, Flat .....	7
32	332	Washer, 1/4 Type A Narrow Flat .....	3

12

G

12

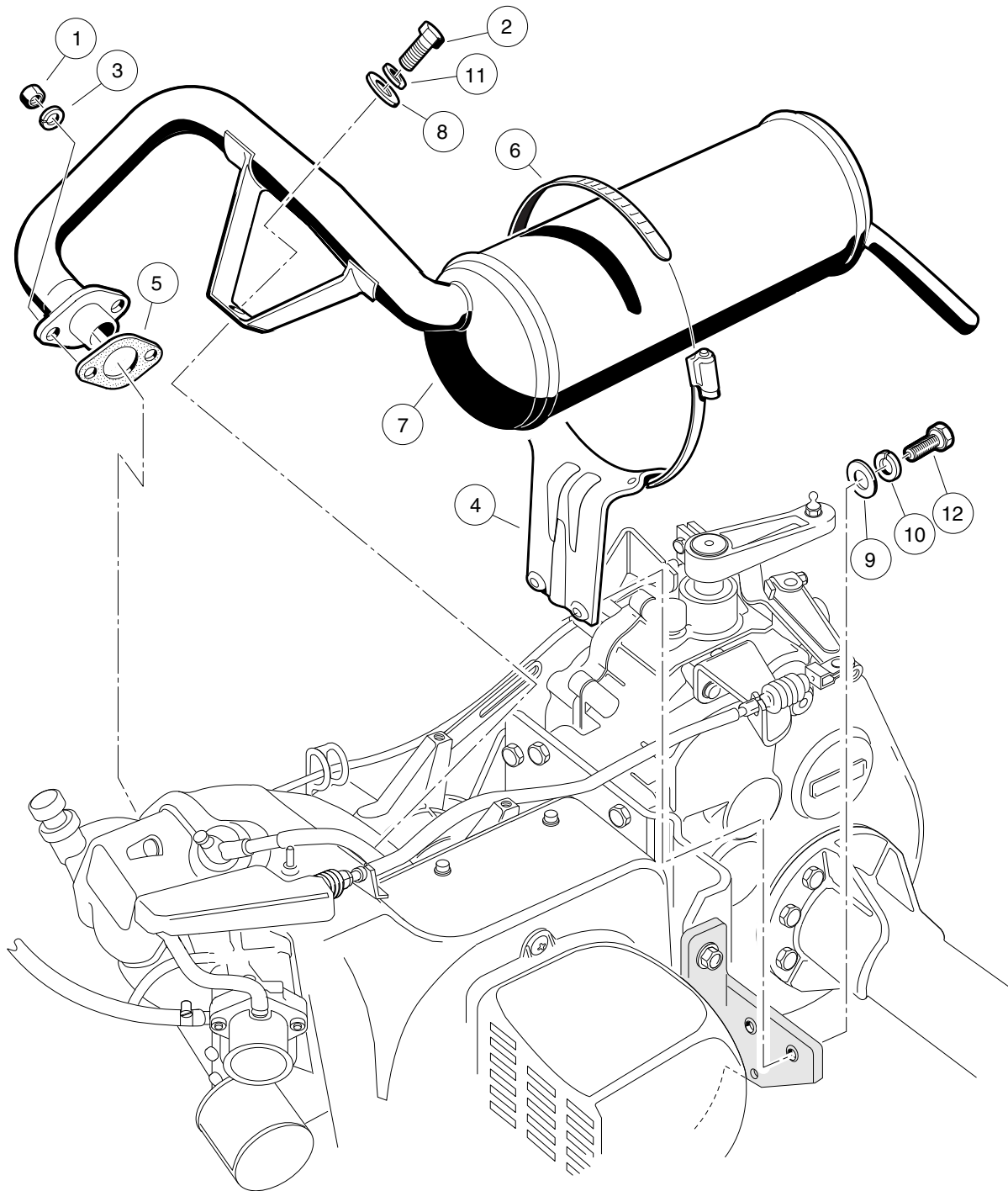
G

# EXHAUST SYSTEM

---

13

G



000209-001

## EXHAUST SYSTEM – FE350 ENGINE

ITEM	PART NO.	DESCRIPTION	QTY
		1 2 3 4	
1	1012528	Nut, M8-1.25 Hex .....	2
2	1012830	Screw, M8-125 X 22 Hex-Head .....	1
3	1013734	Lockwasher, 8mm Split .....	2
4	1015814	Bracket, Muffler Mounting .....	1
5	1016904	Gasket, Exhaust .....	1
6	1017689	Clamp, 5" Muffler Hose .....	1
7	101859401	Exhaust System, FE350 .....	1
8	1241	Washer, 5/16 Type A Flat .....	1
9	332	Washer, 1/4 Type A Narrow Flat .....	2
10	451	Lockwasher, 1/4 Split .....	2
11	7174	Lockwasher, 5/16 Split .....	1
12	7847	Screw, 1/4-20 X 0.75 Hex-Head Cap .....	2

**13**  
**G**

13

G

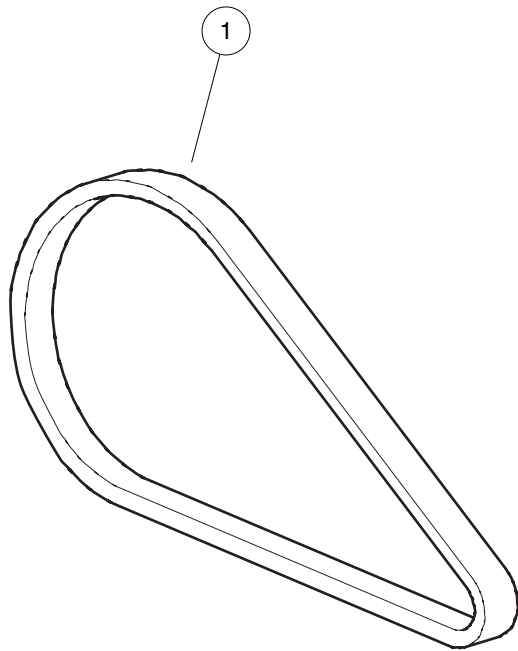


# DRIVE BELT AND CLUTCHES

---

14

G

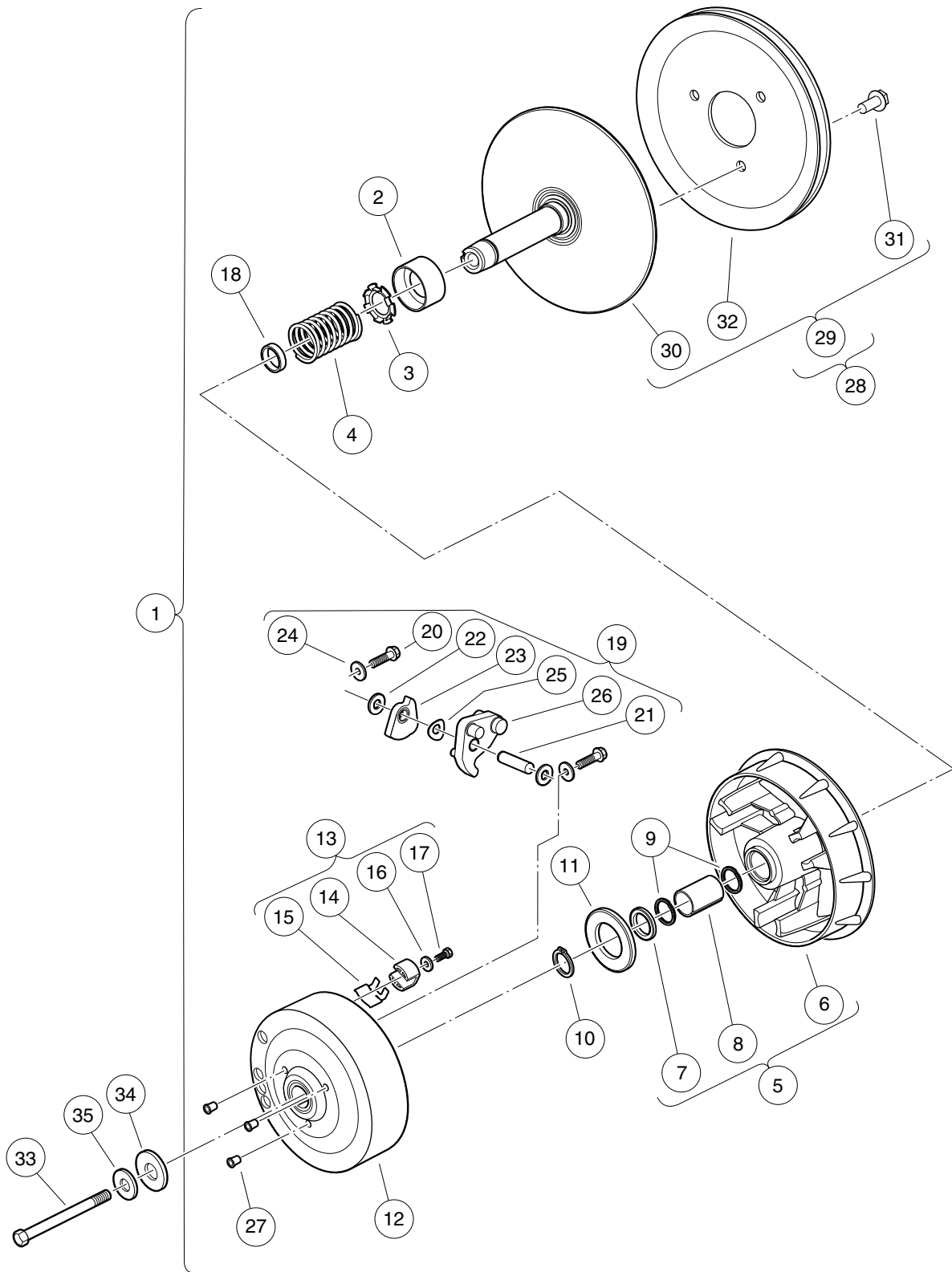


000918-001

# DRIVE BELT

ITEM	PART NO.	DESCRIPTION	QTY
1	1017188	1 2 3 4 Belt, Drive (FE350) .....	1

**14**  
**G**

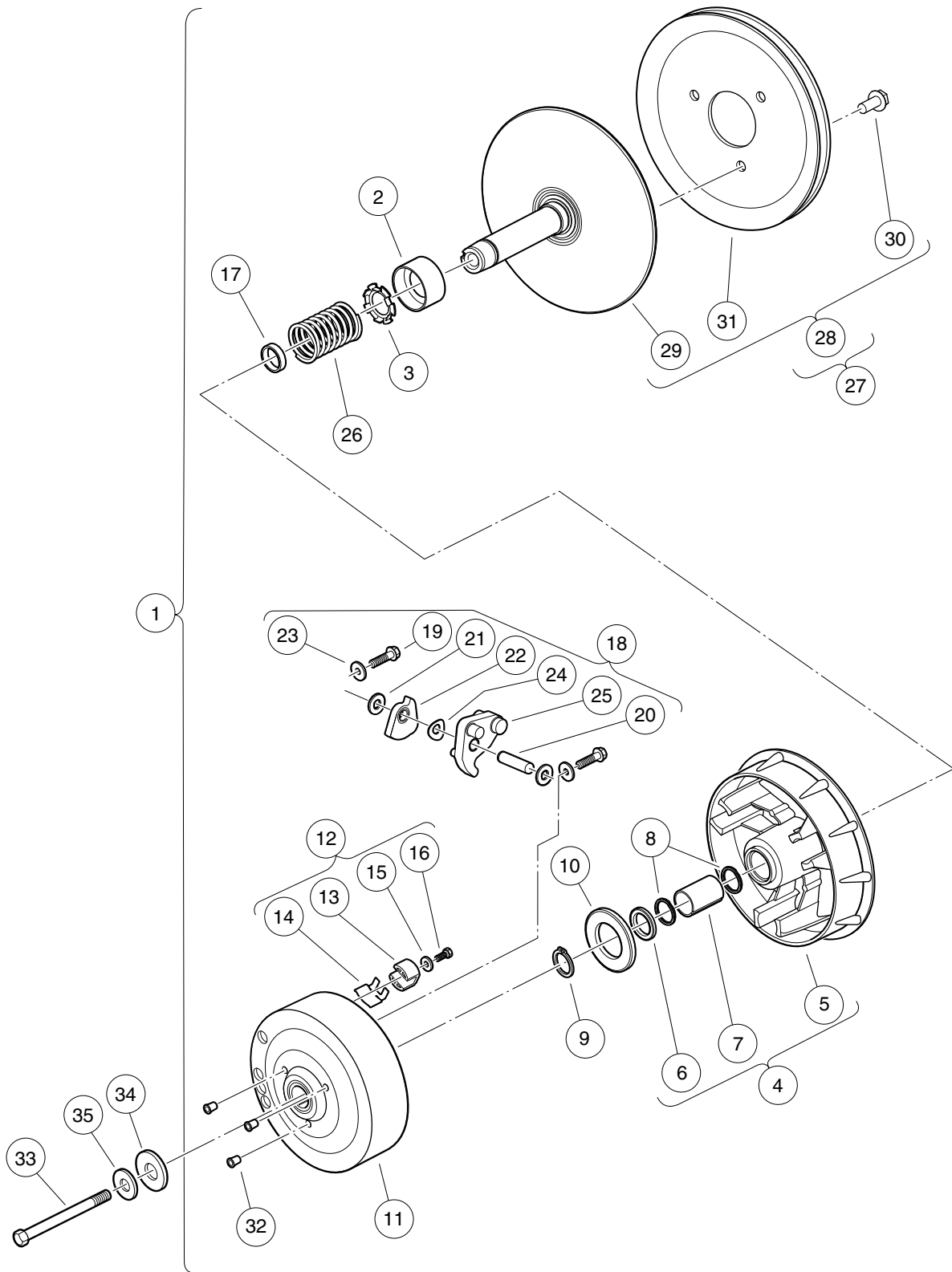


000217-006

## DRIVE CLUTCH – TURF/CARRYALL 2 AND 252

ITEM	PART NO.	DESCRIPTION	QTY
		1 2 3 4	
1	101833902	Clutch, Drive (includes items 2 through 28) .....	1
2	1014049	Bearing, Idler .....	1
3	1014050	Retainer, Spring .....	1
4	1014051	Spring, Drive Clutch .....	1
5	1014052	Movable-Face Assembly (includes items 6 through 8) .....	1
6	N/A	Drive Clutch Movable Face .....	1
7	1014055	Retainer .....	1
8	N/A	Bushing, Split, Drive Clutch .....	1
9	1014056	Ring, Spiral Backup .....	2
10	1014057	Ring, 0.810" Internal Retaining .....	1
11	1014058	Thrust Washer .....	1
12	1014059	Drive Hub Assy, Drive Clutch .....	1
13	1014453	Kit, Drive Clutch Button (includes items 14 through 17) .....	1
14	1014062	Driver, Drive Clutch .....	3
15	1014287	Spring, Drive Button .....	3
16	183	Washer, #10, Type A, Flat .....	3
17	8450	Screw, #10-24 X 0.50, Hex-Head .....	3
18	1016289	Spacer, Fixed Face Shaft .....	1
19	1016801	Kit, Drive Clutch Weight (includes items 20 through 26) .....	1
20	1014063	Screw, 1/4-20 X 1.00, Hex Head .....	6
21	N/A	Pin, Dowel, 0.3752 x 1.50 .....	3
22	1014065	Washer, Flat, 0.38" ID, Delrin .....	6
23	N/A	Clutch Weight, Secondary .....	3
24	N/A	Washer .....	6
25	1016201	Washer, Wave .....	3
26	N/A	Weight, Primary .....	3
27	101925601	Plug, Drive Clutch .....	3
28	101929802	Kit, Fxd Face Dr Asm Fe290/350 (includes item 29) .....	1
29	N/A	Assembly, Fixed-Face Drive (includes items 30 through 32) .....	1
30	N/A	Fixed Face Assembly, Drive Clutch .....	1
31	1014288	Screw, 5/16-18 X 0.75, Thread-Forming .....	3
32	N/A	Pulley, Clutch .....	1
33	103345701	Screw 3/8-24x5.5 Hex Loc Ptch .....	1
34	334	Washer, 3/8, Type A, Flat .....	1
35	808	Washer, 3/8 Type B Flat .....	1

**14**  
**G**



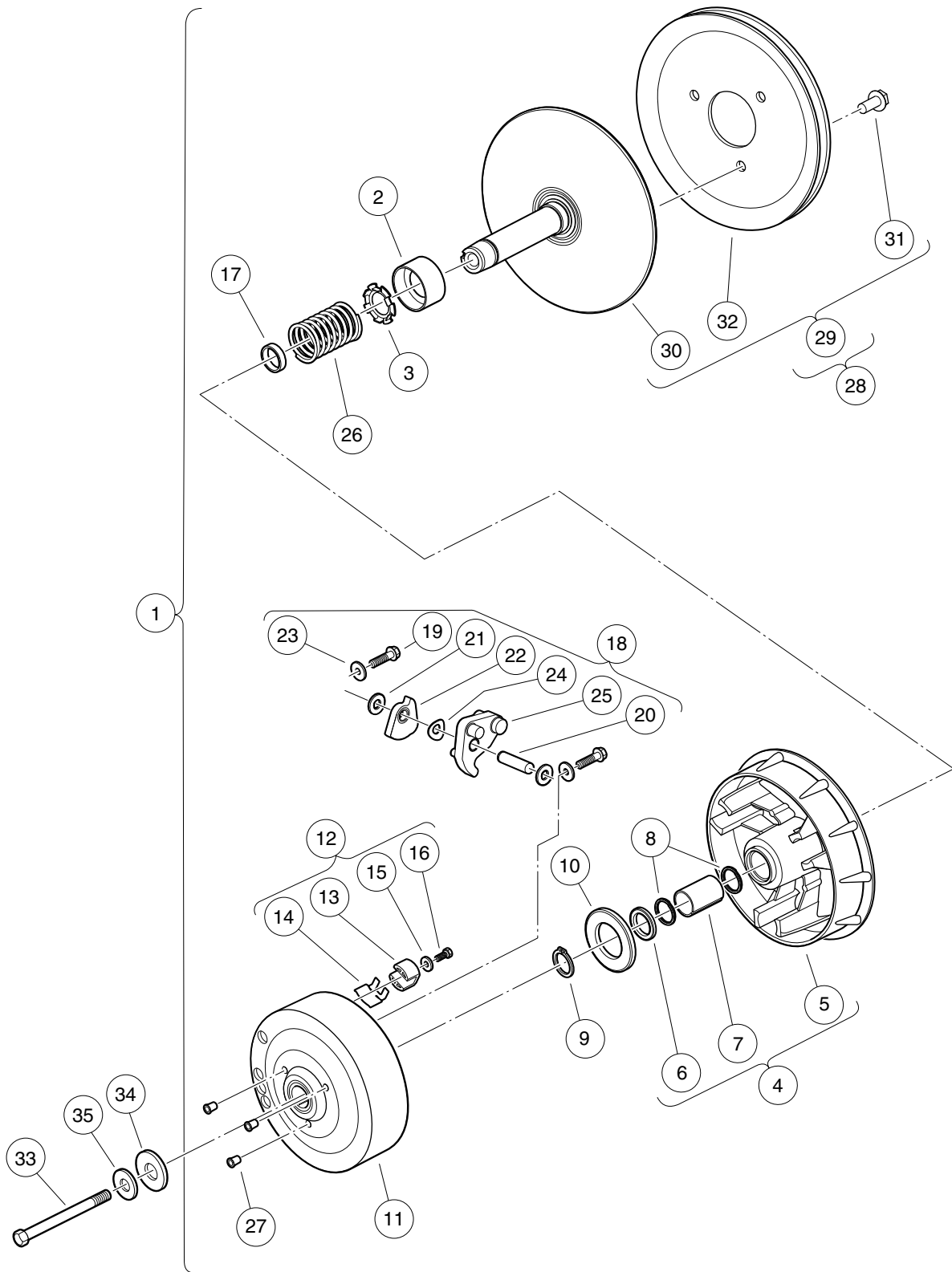
000217-007

# DRIVE CLUTCH – CARRYALL 2 PLUS WITH 101953801 & 03 ENGINES ONLY

14

G

ITEM	PART NO.	DESCRIPTION	QTY
		1 2 3 4	
1	101833904	Assembly, Drive Clutch (includes items 2 through 32) .....	1
2	1014049	Bearing, Idler .....	1
3	1014050	Retainer, Spring .....	1
4	1014052	Movable-Face Assembly (includes items 5 through 7) .....	1
5	N/A	Drive Clutch Movable Face .....	1
6	1014055	Retainer .....	1
7	N/A	Bushing, Split, Drive Clutch .....	1
8	1014056	Ring, Spiral Backup .....	2
9	1014057	Ring, 0.810" Internal Retaining .....	1
10	1014058	Thrust Washer .....	1
11	1014059	Drive Hub Assy, Drive Clutch .....	1
12	1014453	Kit, Drive Clutch Button (includes items 13 through 16) .....	1
13	1014062	Driver, Drive Clutch .....	3
14	1014287	Spring, Drive Button .....	3
15	183	Washer, #10, Type A, Flat .....	3
16	8450	Screw, #10-24 X 0.50, Hex-Head .....	3
17	1016289	Spacer, Fixed Face Shaft .....	1
18	1016801	Kit, Drive Clutch Weight (includes items 19 through 25) .....	1
19	1014063	Screw, 1/4-20 X 1.00, Hex Head .....	6
20	N/A	Pin, Dowel, 0.3752 x 1.50 .....	3
21	1014065	Washer, Flat, 0.38" ID, Delrin .....	6
22	N/A	Clutch Weight, Secondary .....	3
23	N/A	Washer .....	6
24	1016201	Washer, Wave .....	3
25	N/A	Weight, Primary .....	3
26	1016901	Spring, Drive Clutch .....	1
27	101738302	Kit, Fixed Face - Drive (includes item 28) .....	1
28	101738301	Fixed Face Drive (includes items 29 through 31) .....	1
29	N/A	Fixed Face Assembly, Drive Clutch .....	1
30	1014288	Screw, 5/16-18 X 0.75, Thread-Forming .....	3
31	1016011	Pulley, Drive Clutch .....	1
32	N/A	Cap Plug .....	3
33	103345701	Screw 3/8-24x5.5 Hex Loc Ptch .....	1
34	334	Washer, 3/8, Type A, Flat .....	1
35	808	Washer, 3/8 Type B Flat .....	1



000217-008

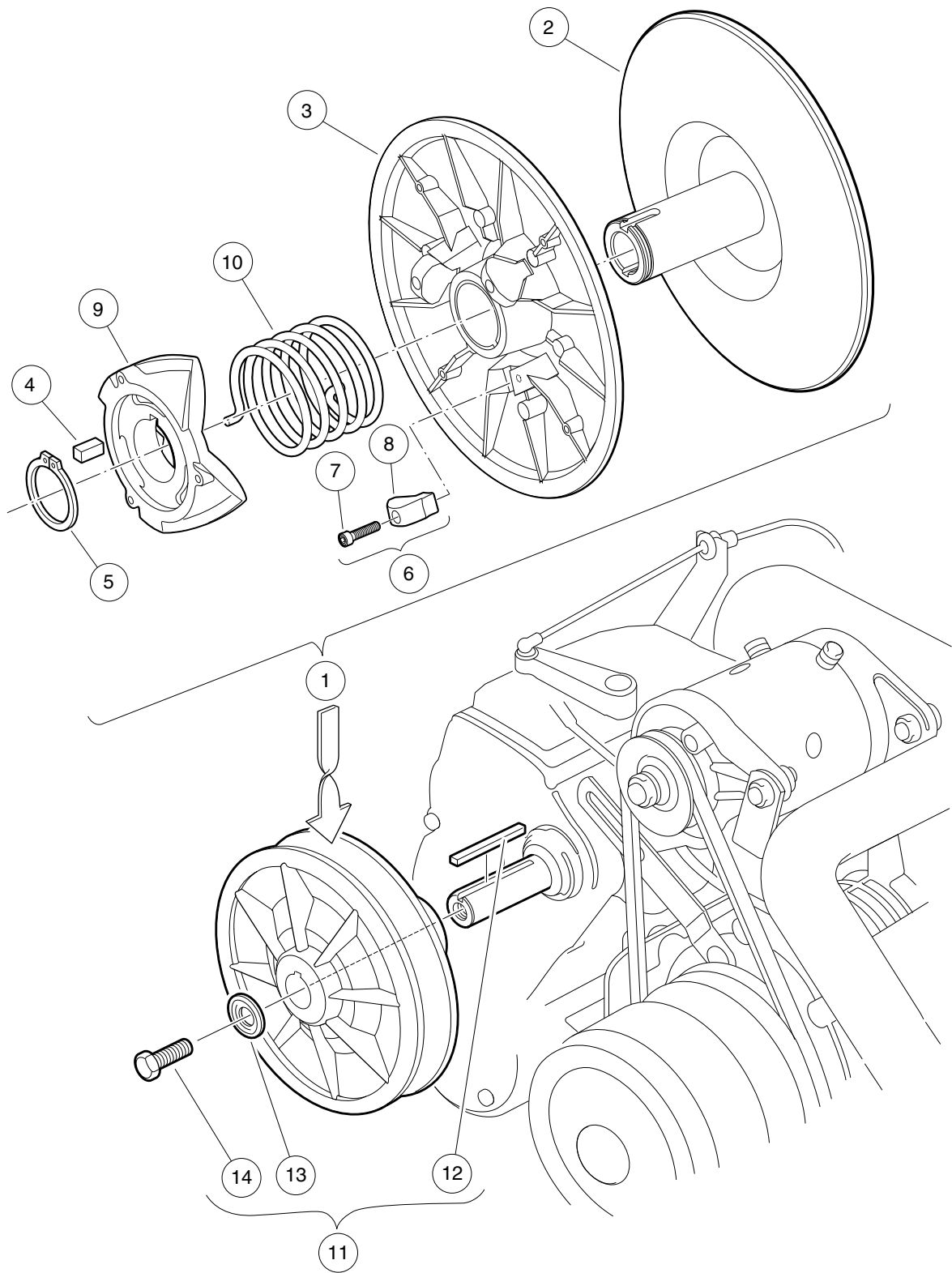


# DRIVE CLUTCH – XRT 900 WITH ANY ENGINE AND CARRYALL 2 PLUS WITH 103386202 50-STATE ENGINE

ITEM	PART NO.	DESCRIPTION	QTY
		<b>1 2 3 4</b>	
1	101833906	Drive Clutch Assy. FE 350/272 (includes items 2 through 28) .....	1
2	1014049	Bearing, Idler .....	1
3	1014050	Retainer, Spring .....	1
4	1014052	Movable-Face Assembly (includes items 5 through 7) .....	1
5	N/A	Drive Clutch Movable Face .....	1
6	1014055	Retainer .....	1
7	N/A	Bushing, Split, Drive Clutch .....	1
8	1014056	Ring, Spiral Backup .....	2
9	1014057	Ring, 0.810" Internal Retaining .....	1
10	1014058	Thrust Washer .....	1
11	1014059	Drive Hub Assy, Drive Clutch .....	1
12	1014453	Kit, Drive Clutch Button (includes items 13 through 16) .....	1
13	1014062	Driver, Drive Clutch .....	3
14	1014287	Spring, Drive Button .....	3
15	183	Washer, #10, Type A, Flat .....	3
16	8450	Screw, #10-24 X 0.50, Hex-Head .....	3
17	1016289	Spacer, Fixed Face Shaft .....	1
18	1016801	Kit, Drive Clutch Weight (includes items 19 through 25) .....	1
19	1014063	Screw, 1/4-20 X 1.00, Hex Head .....	6
20	N/A	Pin, Dowel, 0.3752 x 1.50 .....	3
21	1014065	Washer, Flat, 0.38" ID, Delrin .....	6
22	N/A	Clutch Weight, Secondary .....	3
23	N/A	Washer .....	6
24	1016201	Washer, Wave .....	3
25	N/A	Weight, Primary .....	3
26	1016901	Spring, Drive Clutch .....	1
27	N/A	Cap Plug .....	3
28	101929802	Kit, Fxd Face Dr Asm Fe290/350 (includes item 29) .....	1
29	N/A	Assembly, Fixed-Face Drive (includes items 30 through 32) .....	1
30	N/A	Fixed Face Assembly, Drive Clutch .....	1
31	1014288	Screw, 5/16-18 X 0.75, Thread-Forming .....	3
32	N/A	Pulley, Clutch .....	1
33	103345701	Screw 3/8-24x5.5 Hex Loc Ptch .....	1
34	334	Washer, 3/8, Type A, Flat .....	1
35	808	Washer, 3/8 Type B Flat .....	1

14

G



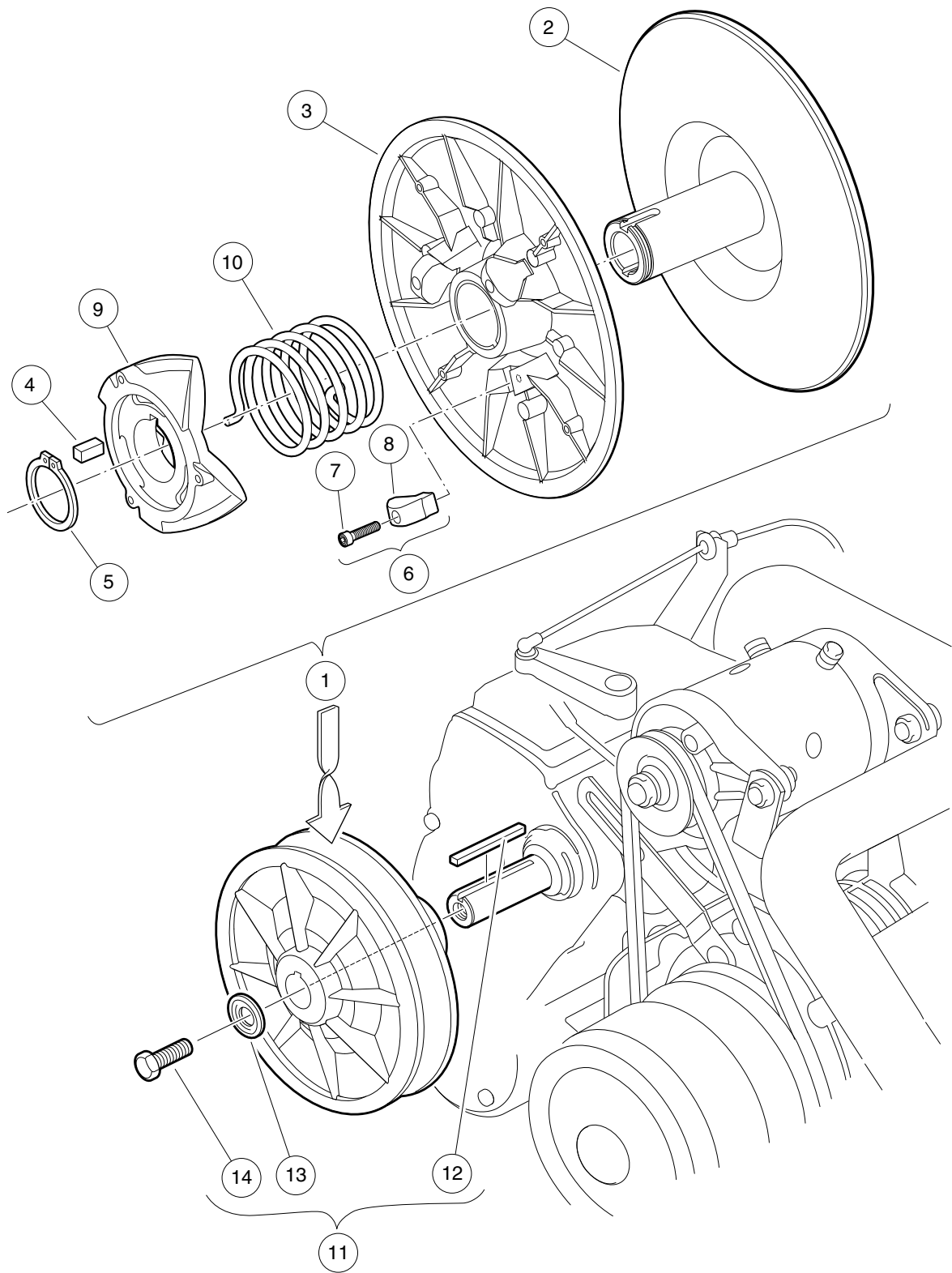
000219-001

## DRIVEN CLUTCH – TURF/CARRYALL 2 AND 252

ITEM	PART NO.	DESCRIPTION	QTY
		1 2 3 4	
1	101834001	Assembly, Driven Clutch (includes items 2 through 10) .....	1
2	1014070	Fixed Face Assy, Driven Clutch .....	1
3	1014072	Movable-Face Assembly with Bushing .....	1
4	1014078	Key, Driven Clutch .....	1
5	1014080	Ring, Retaining .....	1
6	1014454	Kit, Driven Clutch Button (includes items 7 and 8) .....	1
7	1012836	Screw, #8-32 X 3/4, Socket-Head Cap .....	3
8	N/A	Button, Drive .....	3
9	1017686	Cam, Driven Clutch .....	1
10	101836201	Spring, Driven Clutch, Reversed .....	1
11	AM10419	Kit, Clutch Repair (includes items 12 through 14) .....	1
12	101833401	Key, 3/16 Sq X 1.50" .....	1
13	102155801	Washer, Driven Clutch .....	1
14	102242101	Screw, 5/16-18 X 3/4 Hex-Head with Patch .....	1

14

G



000219-001

## DRIVEN CLUTCH – CARRYALL 2 PLUS AND XRT 900

ITEM	PART NO.	DESCRIPTION	QTY
		1 2 3 4	
1	101834003	Clutch, Driven (includes items 2 through 10) .....	1
2	1014070	Fixed Face Assy, Driven Clutch .....	1
3	1014072	Movable-Face Assembly with Bushing .....	1
4	1014078	Key, Driven Clutch .....	1
5	1014080	Ring, Retaining .....	1
6	1014454	Kit, Driven Clutch Button (includes items 7 and 8) .....	1
7	1012836	Screw, #8-32 X 3/4, Socket-Head Cap .....	3
8	N/A	Button, Drive .....	3
9	1017686	Cam, Driven Clutch .....	1
10	101836202	Spring, Driven Clutch, Reversed .....	1
11	AM10419	Kit, Clutch Repair (includes items 12 through 14) .....	1
12	101833401	Key, 3/16 Sq X 1.50" .....	1
13	102155801	Washer, Driven Clutch .....	1
14	102242101	Screw, 5/16-18 X 3/4 Hex-Head with Patch .....	1

14

G

14

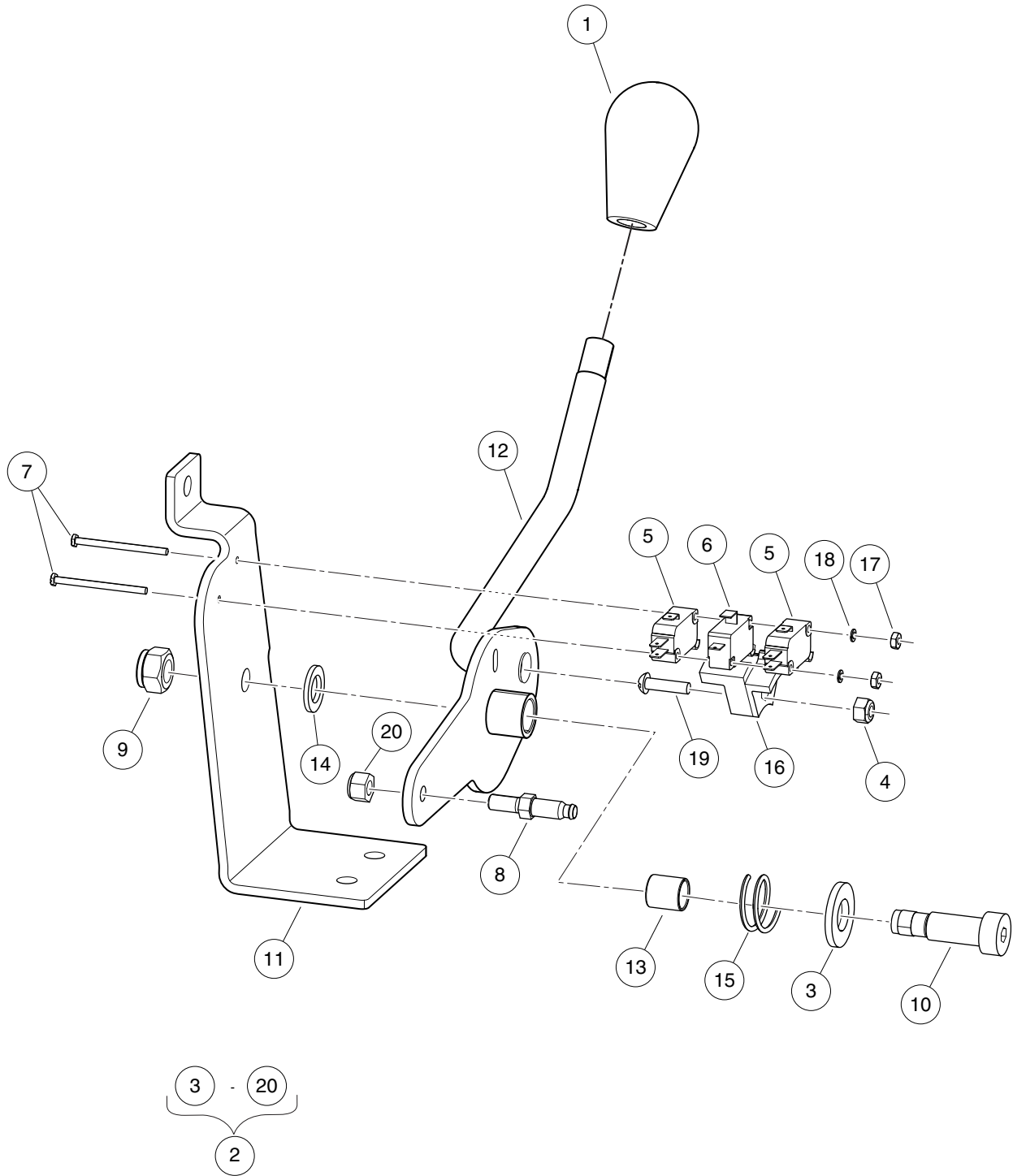
G

# UNITIZED TRANSAXLE – GASOLINE VEHICLES

---

15

G



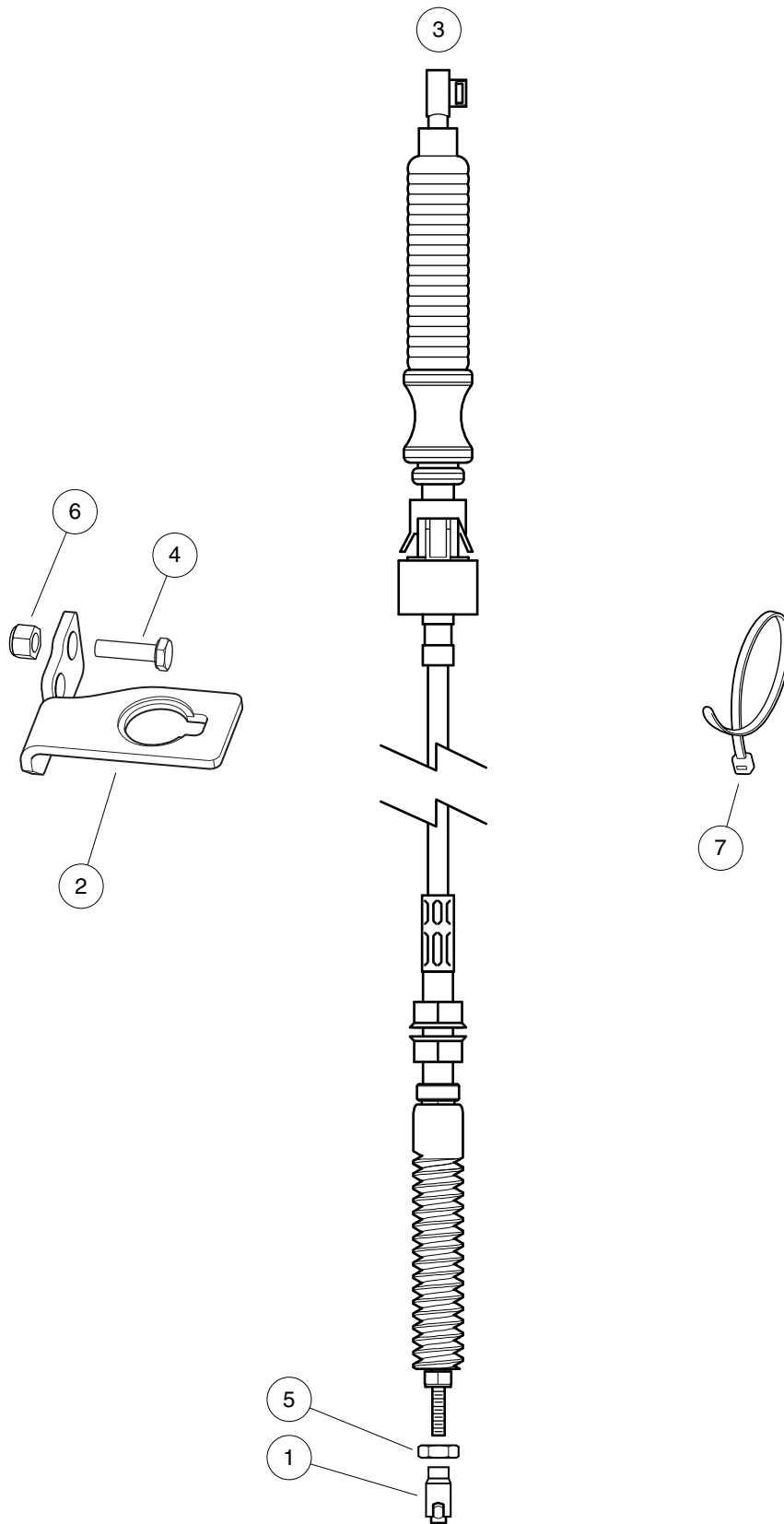
000563-001



# FORWARD/REVERSE SHIFTER

ITEM	PART NO.	DESCRIPTION	QTY
		<b>1 2 3 4</b>	
1	102376001	Knob, FNR, Shifter .....	1
2	102969901	Asm, Shifter, FNR (includes items 3 through 20) .....	1
3	1010028	Washer, 1/2 Type A Flat .....	1
4	1013061	Locknut, #10-32 Nylon Insert .....	1
5	1014807	Switch, Limit .....	2
6	1014808	Switch, Limit .....	1
7	1015878	Screw, #4-40 Hex Head Machine .....	2
8	102526201	Stud, Thread, 1/4-28 .....	1
9	102616701	Locknut, M10x1.5 Nylon Insert .....	1
10	102684602	Shoulder Bolt, M12 X 25.0 .....	1
11	102969401	Bracket, Shifter, FNR .....	1
12	102969801	Weldment, Shift Lever, FNR .....	1
13	103173301	Bushing, Greaseless, 12mm Id .....	1
14	103177401	Washer, Thrust, Shifter, FNR .....	1
15	103192701	Spring, Comp, .97 Od X.75 L .....	1
16	103369501	Cam, Limit Switch, Fnr Shifter .....	1
17	8057	Nut, #4-40 Hex Machine .....	2
18	8058	Lockwasher, #4 Split .....	2
19	8104	Screw, #10-32 X .75 Rd Hd Mach .....	1
20	8717	Locknut, Nylon Insert, 1/4-28 .....	1

**15**  
**G**



001071-001

## SHIFTER CABLE – TURF/CA 2/252/2 PLUS AND XRT900

ITEM	PART NO.	DESCRIPTION	QTY
		1 2 3 4	
1	1012333	Joint, #10-32 Ball .....	1
2	103295101	Brkt, Spt, Cable End, Fnr .....	1
3	103295202	Cable, Trans, Ball End, 1855mm .....	1
4	304	Screw, 1/4-20 X 1.0 Hex-Head Cap .....	2
5	7893	Nut, #10-32 Hex .....	1
6	8233	Locknut, 1/4-20, Nylon Insert .....	2
7	8639	Tie Wrap, 11" Nylon .....	A/R

15

G

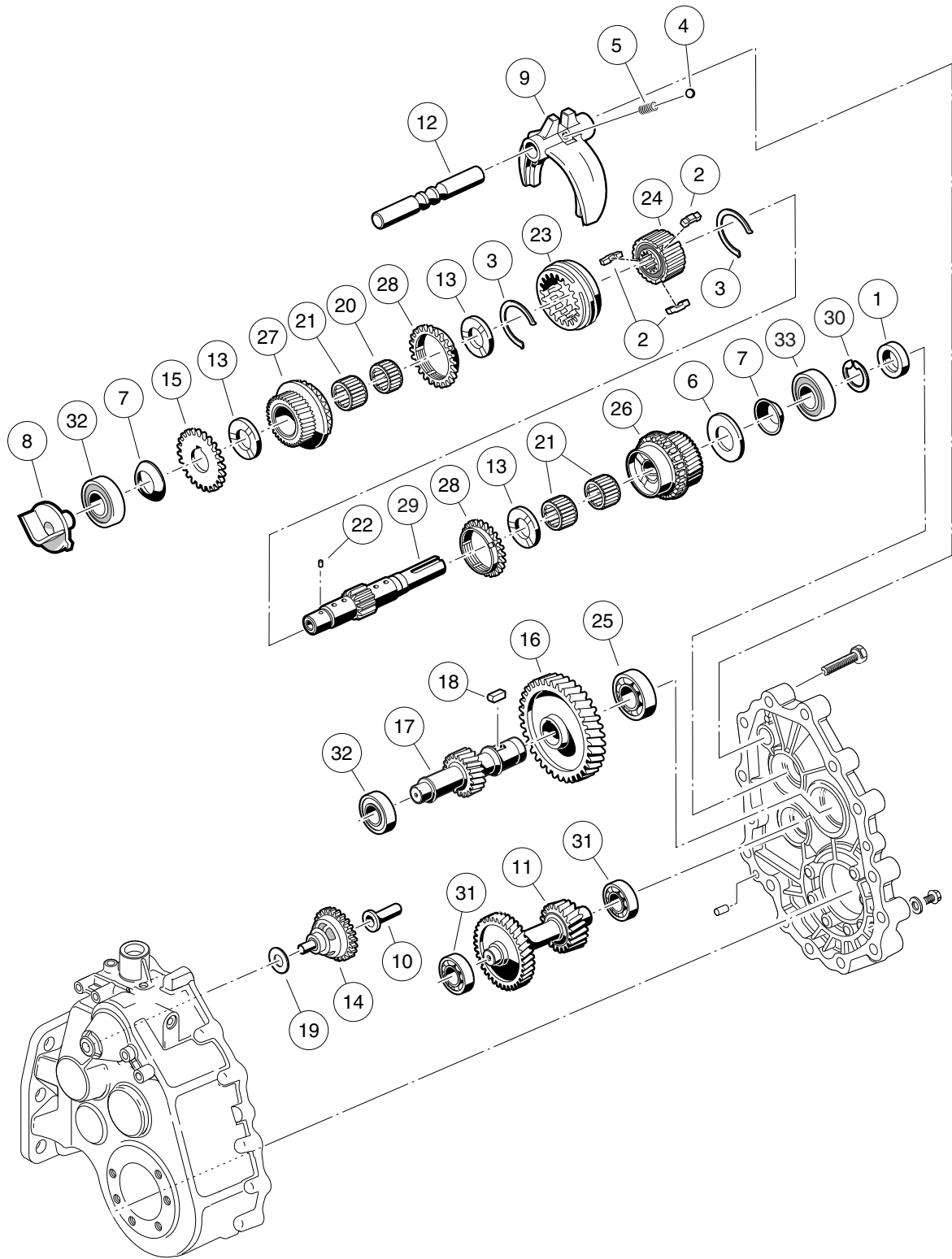


# KAWASAKI TRANSAXLE – GEAR CASES AND LEVERS

ITEM	PART NO.	DESCRIPTION	QTY
		<b>1 2 3 4</b>	
1	1010954	Stud, Ball, 1/4-28 X 0.560 .....	1
2	1013061	Locknut, #10-32 Nylon Insert .....	1
3	1014007	Washer, 1/4, Flat .....	1
4	1017082	Screw, #10-32 X 0.75, Hex-Head Machine .....	1
5	1017231	Key, Woodruff .....	1
6	101833601	Transaxle, 11.77 Ratio (includes items 7 through 25) .....	1
7	1012711	Breather .....	1
8	1012752	Roll Pin .....	1
9	1012896	Pin, Dowel .....	2
10	1013760	Fill Plug .....	2
11	1016432	Gasket, Drain Plug .....	1
12	1016513	Washer, M6 Flat .....	1
13	101890101	Lever, Drive Selector .....	1
14	101890201	Shaft, Drive Selector .....	1
15	101890501	Gear Case (driver side) .....	1
16	101890601	Gear Case (passenger side) .....	1
17	101891301	Arm Pivot .....	1
18	101892901	Washer .....	1
19	101893801	Washer .....	1
20	101926901	Screw, M8-1.25 X 40mm Hex-Head .....	15
21	101927101	Seal, Oil .....	1
22	101927201	Seal, Oil .....	1
23	101927301	Snap Ring .....	1
24	101928601	Pin, Cotter .....	1
25	101928701	Liquid Gasket (Transaxle case) .....	1
26	101834801	Arm, Governor .....	1
27	101886101	Screw, 1/4-20 X 1.00, Square-Head .....	1
28	102515401	Lever, Transmission Shift .....	1
29	183	Washer, #10, Type A, Flat .....	1
30	8233	Locknut, 1/4-20, Nylon Insert .....	1
31	8717	Locknut, Nylon Insert, 1/4-28 .....	1
Note: Kawasaki transaxle component listings span three pages.			

15

G

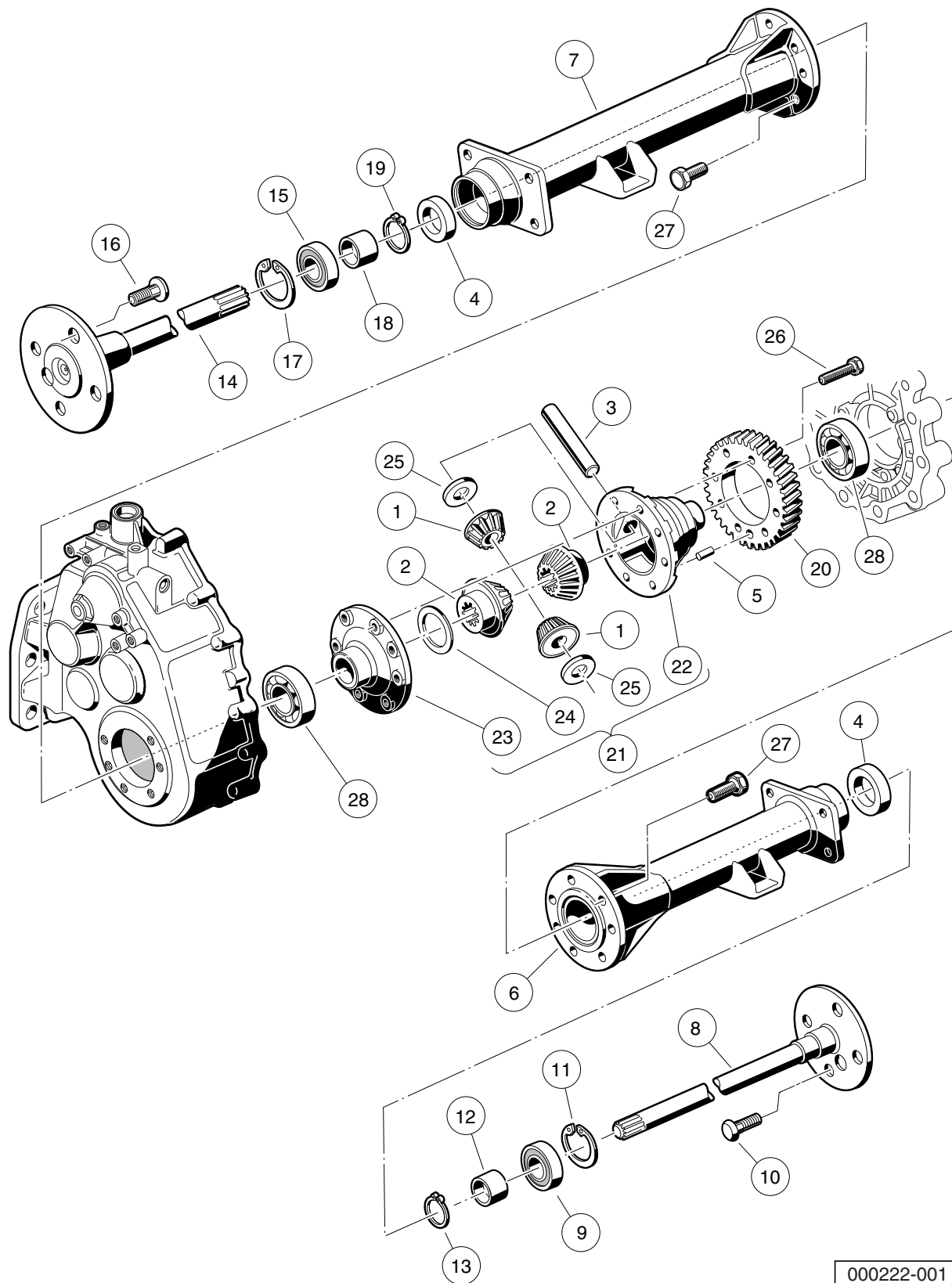


000221-001

# KAWASAKI TRANSAXLE – F&R TRANSMISSION AND GEAR REDUCTION

15  
G

ITEM	PART NO.	DESCRIPTION	QTY
		1 2 3 4	
1	1012714	Oil Seal .....	1
2	1012740	Synchro Insert .....	3
3	1012741	Synchro Spring .....	2
4	1012747	Shifter Ball .....	1
5	1012748	Shifter Spring .....	1
6	1016337	Washer, Thrust .....	1
7	1016338	Washer, Spring .....	2
8	101889401	Guide .....	1
9	101890001	Fork - Shift .....	1
10	101891601	Sleeve, Governor .....	1
11	101891901	Gear, Cluster .....	1
12	101892001	Rod, Shift .....	1
13	101892201	Plate, Thrust .....	3
14	101892301	Governor Assembly .....	1
15	101892401	Gear, Spur .....	1
16	101892501	Gear, Helical (61 Tooth) .....	1
17	101892601	Gear, Helical (17 Tooth) .....	1
18	101893201	Key Sunk .....	1
19	101893901	Washer .....	1
20	101927501	Needle Bearing .....	1
21	101927601	Needle Bearing .....	3
22	101927701	Pin, .116" Dia X 0.264 Dowel .....	1
23	101927901	Sleeve, Synchro .....	1
24	101928001	Hub, Synchro Clutch .....	1
25	101928101	Bearing, Ball .....	1
26	101980801	Gear Assembly, 16-Degree Synchro (25 Tooth) .....	1
27	101980901	Gear Assembly, 16-Degree Rear Synchro (28 Tooth) .....	1
28	101981001	Ring, 16-Degree Synchronizer .....	2
29	102453001	Shaft, Trans, with Circlip .....	1
30	102453101	Circlip .....	1
31	7335	Bearing .....	2
32	AM10080	Bearing, Ball, Sealed .....	2
33	AM10081	Bearing, Ball, Sealed .....	1



000222-001



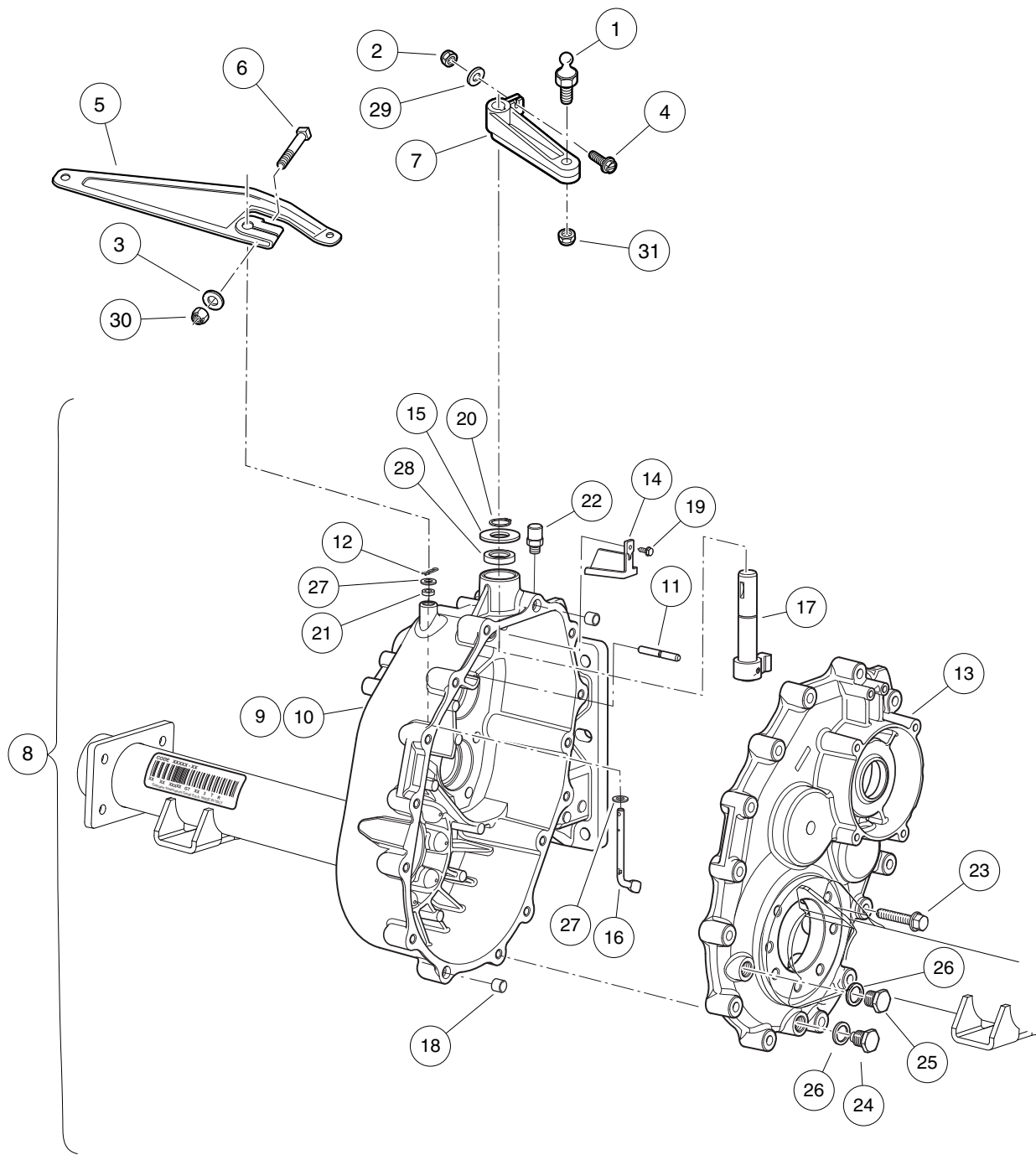
# KAWASAKI TRANSAXLE – DIFFERENTIAL AND AXLES

ITEM	PART NO.	DESCRIPTION	QTY
		1 2 3 4	
1	1013770	Differential Idler Gear .....	2
2	1013771	Gear, Differential .....	2
3	1013772	Pin, Differential .....	1
4	1013794	Axle Shaft Oil Seal .....	2
5	N/A	Dowel Pin .....	1
6	101890901	Axle Tube (Passenger Side) .....	1
7	101891001	Axle Tube (Driver Side) .....	1
8	101891401	Axle Assembly, Passenger Side (includes items 9 through 13) .....	1
9	1011291	Outer Axle, Tube Bearing .....	1
10	1013787	Lug Stud .....	4
11	1013792	Circlip Type C .....	1
12	1014207	Bushing .....	1
13	1016672	Retaining Ring .....	1
14	101891501	Axle Assembly, Driver-Side (includes items 15 through 19) .....	1
15	1011291	Outer Axle, Tube Bearing .....	1
16	1013787	Lug Stud .....	4
17	1013792	Circlip Type C .....	1
18	1014207	Bushing .....	1
19	1016672	Retaining Ring .....	1
20	101892701	Gear, Helical .....	1
21	101910501	Kit, Differential Gear Case (includes items 22 through 25) .....	1
22	1013768	Differential Gear Case, Left-Hand .....	1
23	1013769	Differential Gear Case, Right-Hand .....	1
24	1013773	Plate, Thrust (Differential Gear) .....	1
25	1013774	Plate, Thrust (Idler Gear) .....	2
26	101928301	Screw, M8-1.25 X 35mm Hex Head .....	8
27	102031901	Bolt, M10 X 1.5 X 30mm .....	14
28	7330	Inner Axle Tube Bearing .....	2

15

G

**15**  
**G**



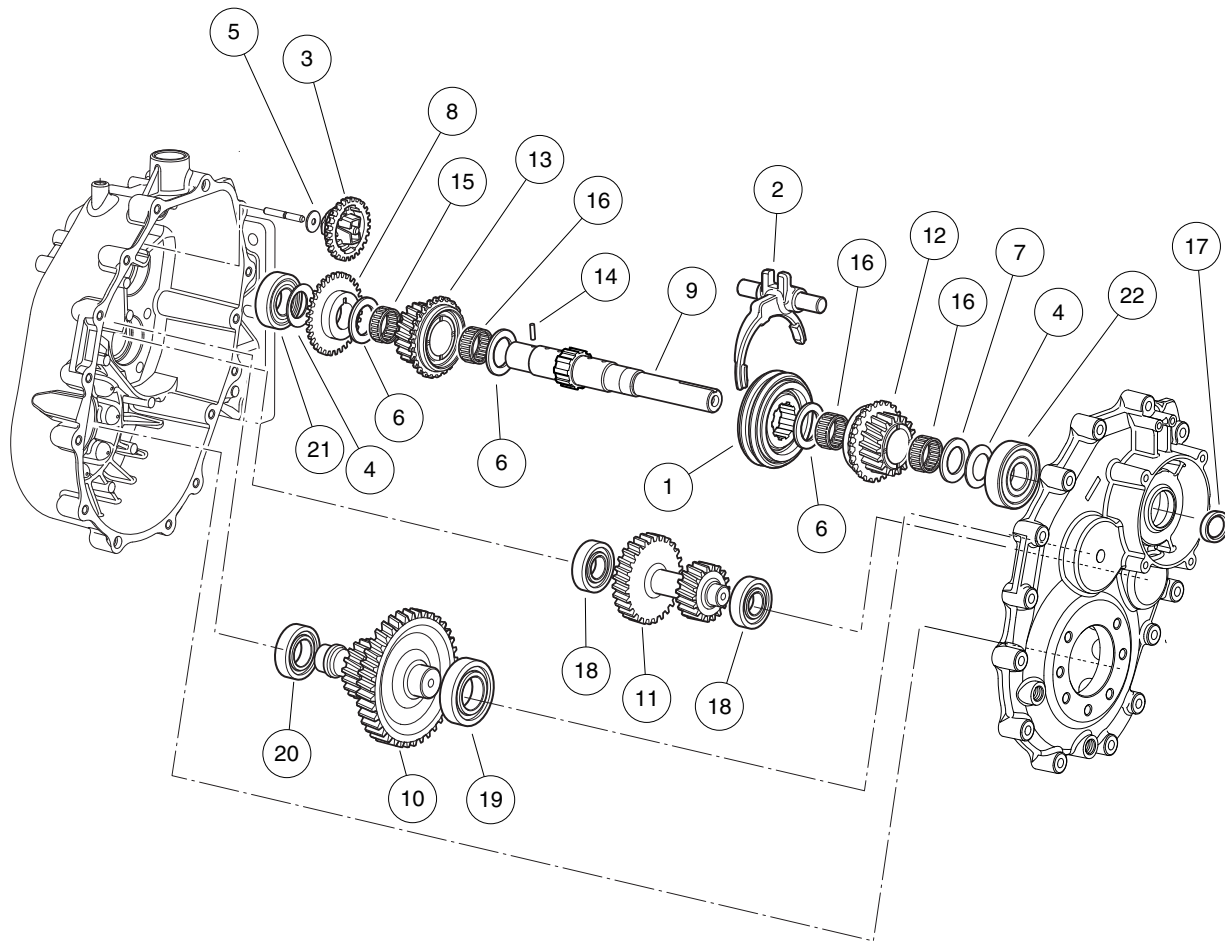
000680-009

## GRAZIANO TRANSAXLE – GEAR CASES AND LEVERS

ITEM	PART NO.	DESCRIPTION	QTY
		<b>1 2 3 4</b>	
1	1010954	Stud, Ball, 1/4-28 X 0.560 .....	1
2	1013061	Locknut, #10-32 Nylon Insert .....	1
3	1014007	Washer, 1/4, Flat .....	1
4	1017082	Screw, #10-32 X 0.75, Hex-Head Machine .....	1
5	101834801	Arm, Governor .....	1
6	101886101	Screw, 1/4-20 X 1.00, Square-Head .....	1
7	102515401	Lever, Transmission Shift .....	1
8	102896801	Transaxle, Unitized, Graziano (includes items 9 through 28) .....	1
9	102896901	Gear Box (Driver-Side) (includes items 10 and 11) .....	1
10	N/A	Gear Box .....	1
11	N/A	Pin, Speed Governor .....	1
12	102897401	Pin, Split .....	1
13	102897501	Cover, Gear Box (Passenger-Side) .....	1
14	102897601	Conveyor, Oil .....	1
15	102897801	Washer, Thrust .....	1
16	102897901	Lever, Speed Governor .....	1
17	102898201	Unit, Drive Selector .....	1
18	102899101	Dowel .....	2
19	102899201	Screw .....	1
20	102899401	Ring, Snap .....	1
21	102899701	Grommet .....	1
22	102899801	Breather .....	1
23	102900001	Screw .....	15
24	102900101	Drain Plug, Magnetic .....	1
25	102900201	Fill Plug .....	1
26	102900301	Seal .....	2
27	102900601	Washer .....	2
28	102900901	Grommet .....	1
29	183	Washer, #10, Type A, Flat .....	1
30	8233	Locknut, 1/4-20, Nylon Insert .....	1
31	8717	Locknut, Nylon Insert, 1/4-28 .....	1
<p>Note: Graziano transaxle component listings span three pages. To identify your transaxle, locate the serial number decal on the axle tube.</p>			

15

G



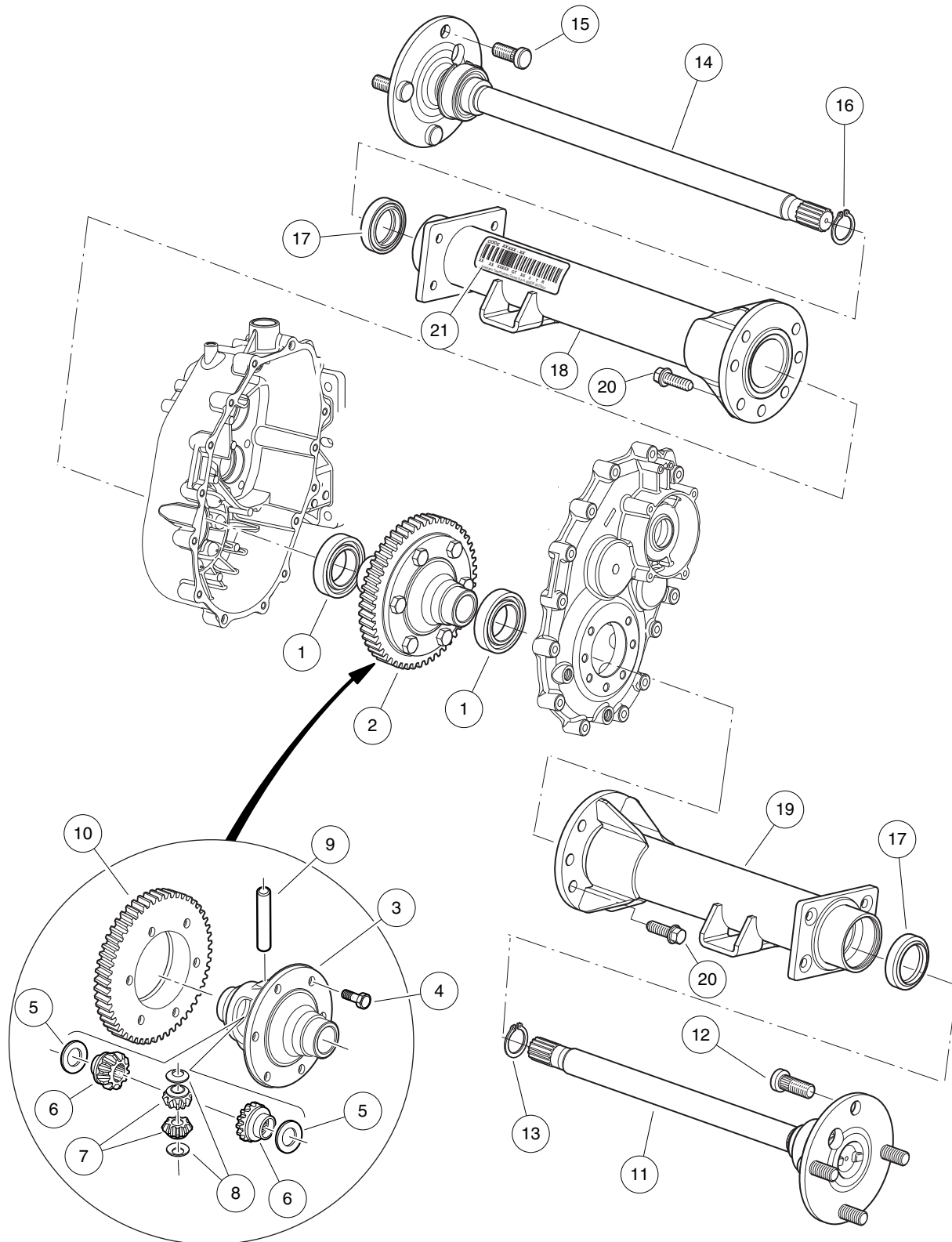
000680-006

# GRAZIANO TRANSAXLE – F&R TRANSMISSION AND GEAR REDUCTION

15

G

ITEM	PART NO.	DESCRIPTION	QTY
		1 2 3 4	
1	102897201	Synchronizer, Complete .....	1
2	102897301	Fork, Complete .....	1
3	102897701	Assembly, Speed Governor .....	1
4	102898001	Washer, Belleville .....	2
5	102898101	Bearing, Thrust .....	1
6	102898301	Bearing, Thrust .....	3
7	102898401	Washer, Thrust .....	1
8	102898501	Gear, Speed Governor .....	1
9	102898601	Shaft, Main .....	1
10	102898701	Shaft, Secondary .....	1
11	102898801	Shaft, Reverse Gear .....	1
12	102898901	Gear, Complete, 25t .....	1
13	102899001	Gear, Complete, 28t .....	1
14	102899301	Pin .....	1
15	102899501	Cage, Roller .....	1
16	102899601	Cage, Roller .....	3
17	102899901	Grommet .....	1
18	102900401	Bearing .....	2
19	102900501	Bearing, 62 Od X 30 Id X 16 .....	1
20	102900701	Bearing .....	1
21	102901001	Bearing .....	1
22	102901101	Bearing .....	1
<p>Note: To identify your transaxle, locate the serial number decal on the axle tube.</p>			



000681-002

# GRAZIANO TRANSAXLE -DIFFERENTIAL AND AXLES

ITEM	PART NO.	DESCRIPTION	QTY
		1 2 3 4	
1	102900801	Bearing, 68 Od X 40 Id X 15 .....	2
2	102902001	Assembly, Differential (includes items 3 through 10) .....	1
3	102901201	Box, Differential .....	1
4	102901301	Screw, M10 X 25 .....	6
5	102901401	Ring, Sleeve .....	2
6	102901501	Gear, Sun .....	2
7	102901601	Gear, Planetary .....	2
8	102901701	Ring, Sleeve .....	2
9	102901801	Pin .....	1
10	102901901	Gear .....	1
11	102902101	Shaft, Axle, Short, Complete (Passenger-Side) (includes items 12 and 13) .....	1
12	102902301	Bolt, Stud .....	4
13	102902401	Snap Ring .....	1
14	102902201	Shaft, Axle, Long, Complete (Driver-Side) (includes items 15 and 16) .....	1
15	102902301	Bolt, Stud .....	4
16	102902401	Snap Ring .....	1
17	102902501	Seal, Lip .....	2
18	102902601	Axle Tube, (Driver-Side) .....	1
19	102902701	Axle Tube, (Passenger-Side) .....	1
20	102902801	Screw, M10 X 30 .....	14
21	N/A	Tag, Serial .....	1
<p style="margin-left: 40px;">Note: To identify your transaxle, locate the serial number decal on the axle tube.</p>			

15

G

**15**

**G**

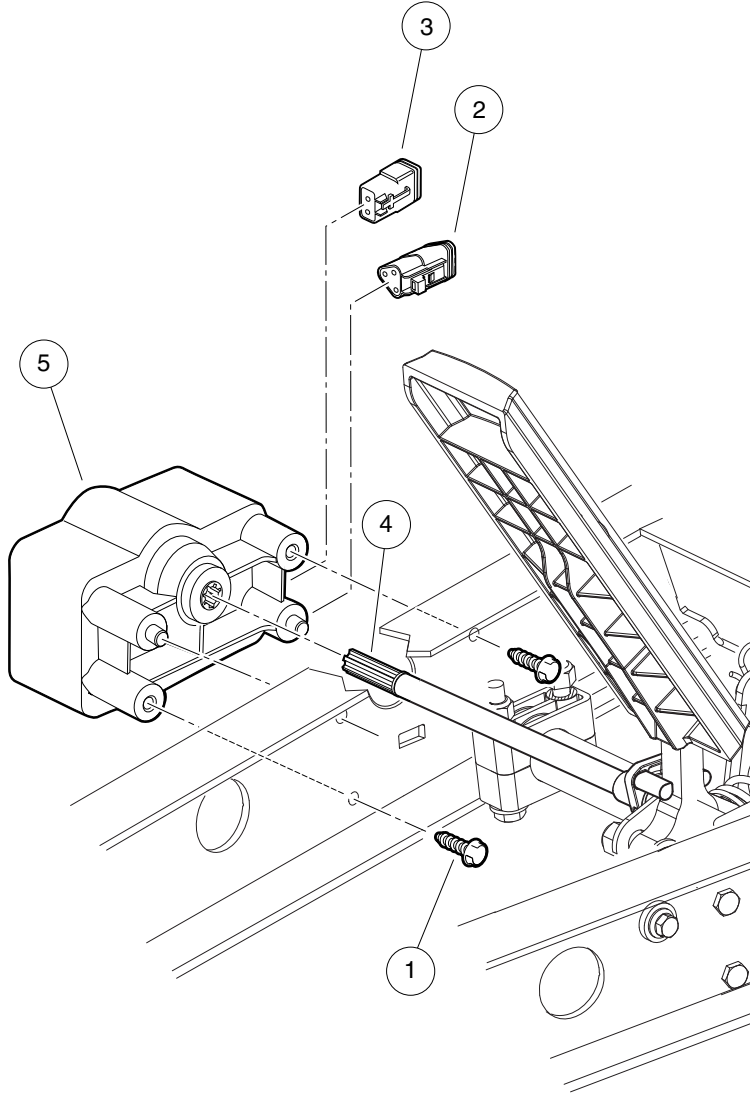


# ELECTRICAL SYSTEM – ELECTRIC VEHICLES

---

16

*E*



001070-001

# MOTOR CONTROLLER OUTPUT REGULATOR (MCOR)

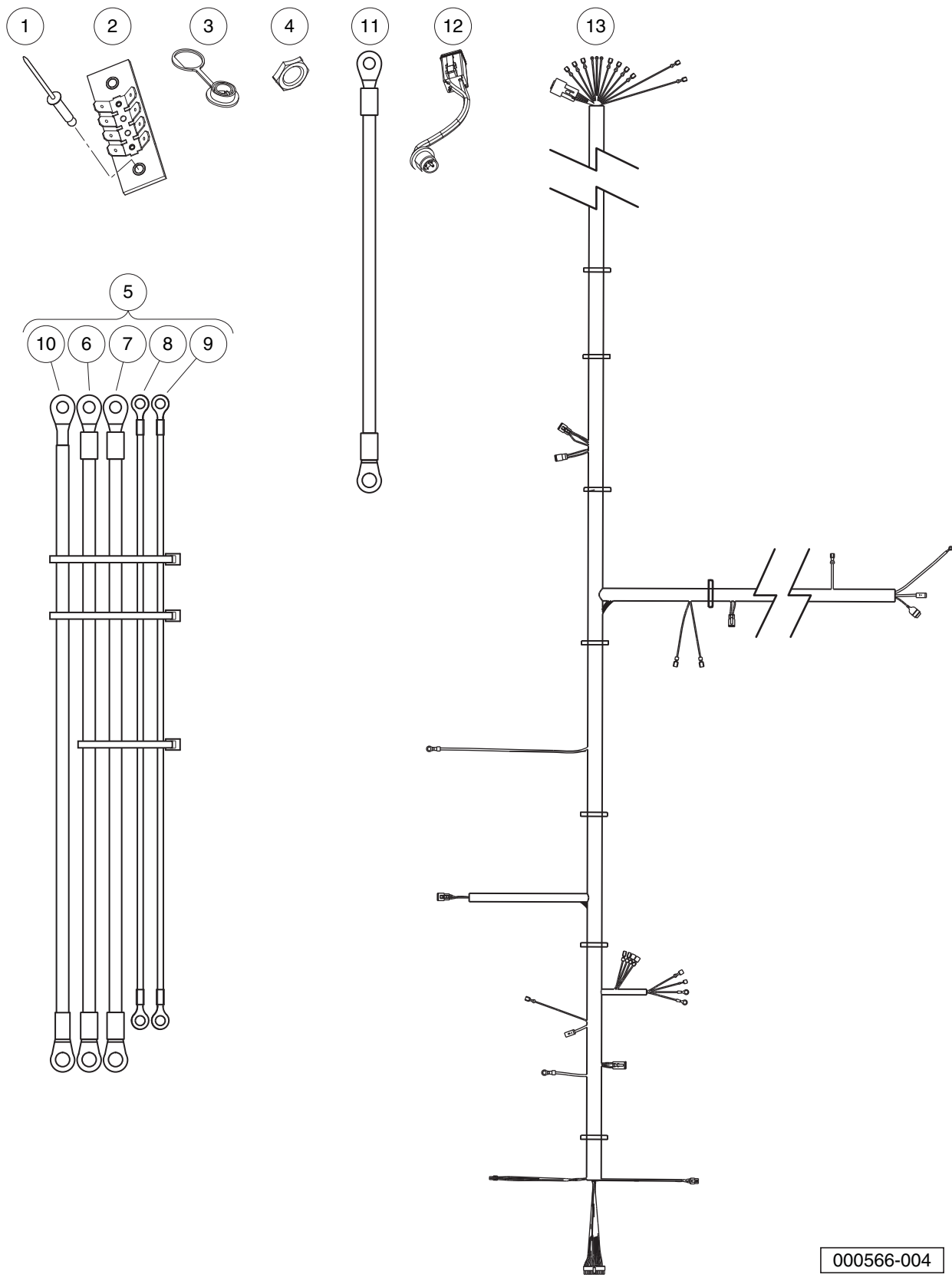
ITEM	PART NO.	DESCRIPTION	QTY
		1 2 3 4	
1	1015752	Screw, #12-16 X 0.625, Hi-Lo .....	2
2	101920101	Kit, 3-Pin Wedge Lock .....	1
3	101936801	Kit, 2-Pin Wedge Lock .....	1
4	102101001	Bar, Drive, Cast .....	1
5	102101101	MCOR .....	1

16

E

16

E



000566-004

# WIRING – ELECTRIC VEHICLE

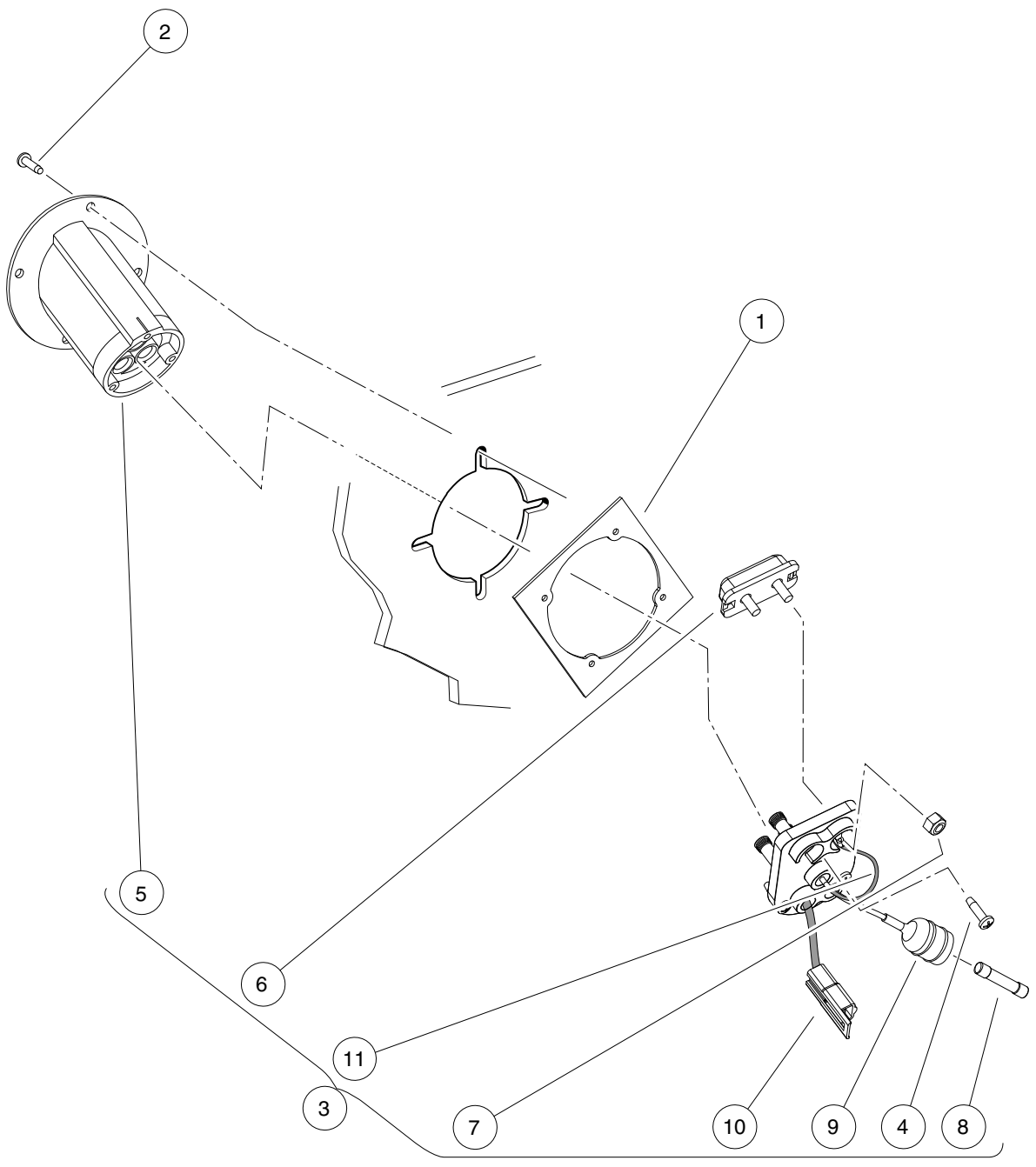
**16**

**E**

ITEM	PART NO.	DESCRIPTION	QTY
		<b>1 2 3 4</b>	
1	1013357	Rivet, 5/32 Aluminum Pop .....	2
2	1016356	Terminal Block with Insulator .....	1
3	102196901	Dust Cap .....	1
4	102572401	Nut, Diagnostic Port, Prec .....	1
5	102845401	Wire Harness, Power, IQ Plus (includes items 6 through 10) .....	1
6	N/A	Asm, #4 Grn Wire, 37" .....	1
7	N/A	Asm, #4 Wht Wire, 36.5" .....	1
8	N/A	Asm, #10 Org Wire, 39" .....	1
9	N/A	Asm, #10 Blu Wire, 46" .....	1
10	102846402	Asm, #4 Red Wire, 33" .....	1
11	102863801	Wire Asm, #4 Yellow, 12.5" .....	1
12	103218601	Harness, Diagnostic Port .....	1
13	103221901	Asm, Wire Harness, Carryall 2, Elec .....	1

**16**

**E**



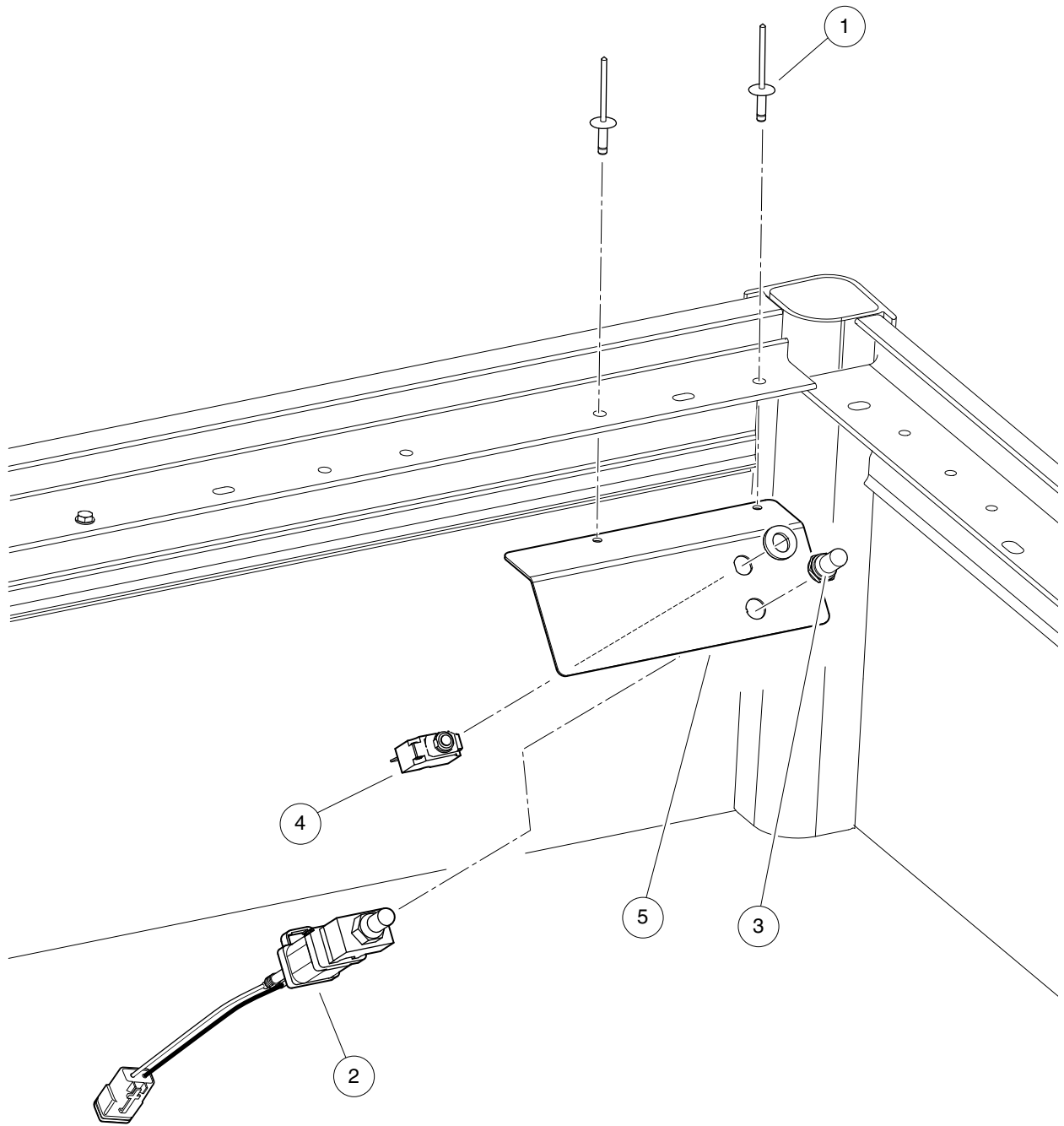
000369-002

# BATTERY CHARGER RECEPTACLE

ITEM	PART NO.	DESCRIPTION	QTY
		<b>1 2 3 4</b>	
1	101801001	Plate, Receptacle Backing .....	1
2	101832001	Screw, #7-19 X 0.625 Phillips Pan-Head Tap .....	4
3	102848701	Fuse and Receptacle Assembly (includes items 4 through 11) .....	1
4	1017705	Screw, #8 X 5/8 Phillips Pan-Head Type AB .....	3
5	101796501	Receptacle .....	1
6	101796801	Fuse Assembly (includes item 7) .....	1
7	1013061	Locknut, #10-32 Nylon Insert .....	2
8	101894901	Fuse, 3/8-Amp .....	1
9	N/A	Wire Assembly, Sense Lead, Gray .....	1
10	N/A	Wire Assembly, #10 Red .....	1
11	N/A	Wire Assembly, #10 Black .....	1

16

E



002520-003

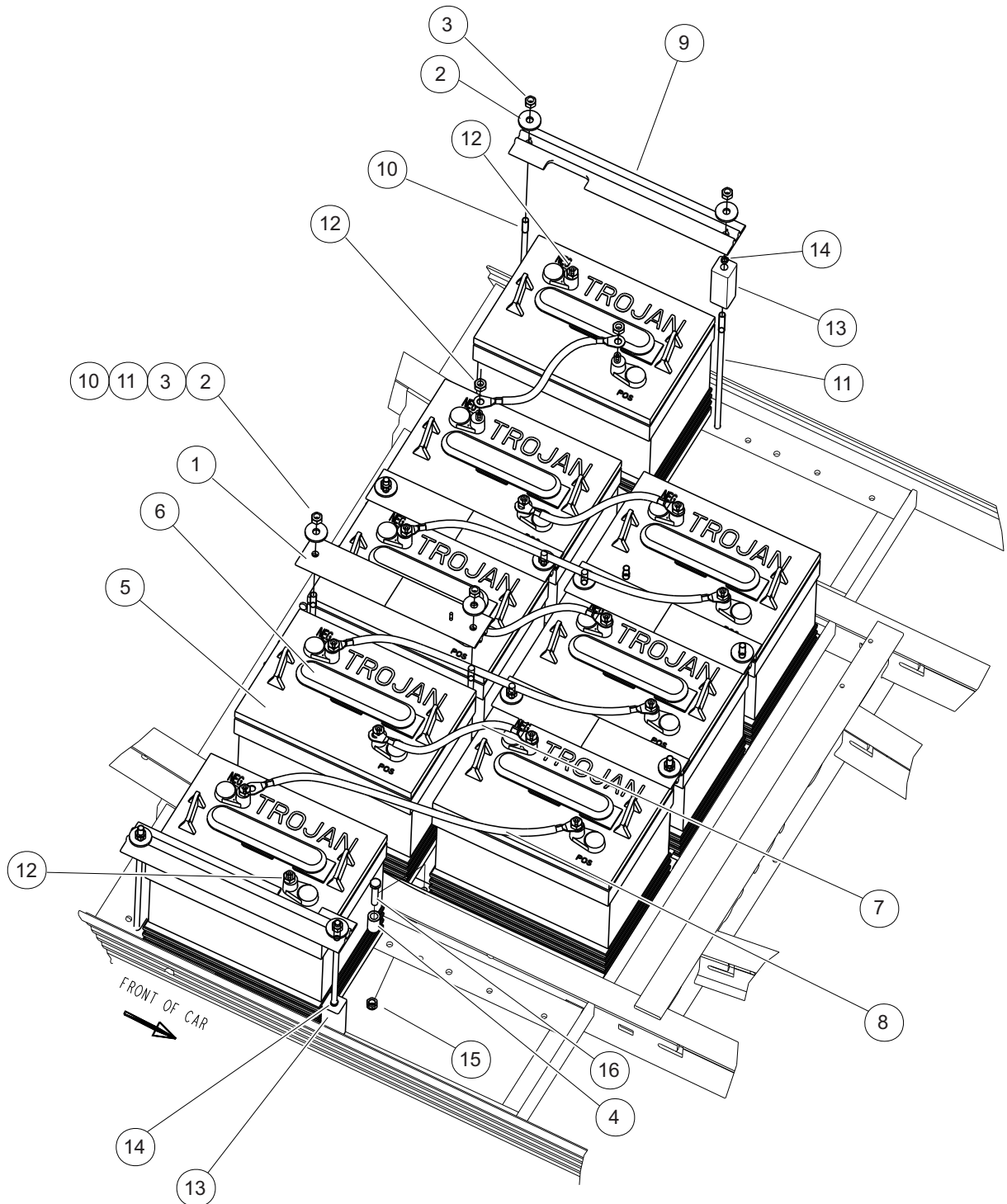


# TOW/RUN SWITCH AND CIRCUIT-BREAKER – IQ PLUS

ITEM	PART NO.	DESCRIPTION	QTY
		<b>1 2 3 4</b>	
1	1015392	Rivet, 3/16 Pop .....	2
2	101908101	Switch Assembly, Tow/Run .....	1
3	101908401	Boot, Switch .....	1
4	102838101	Circuit Breaker, 20 Amp .....	1
5	102915701	Plate, Switch, Run Tow, Mode .....	1

16

E



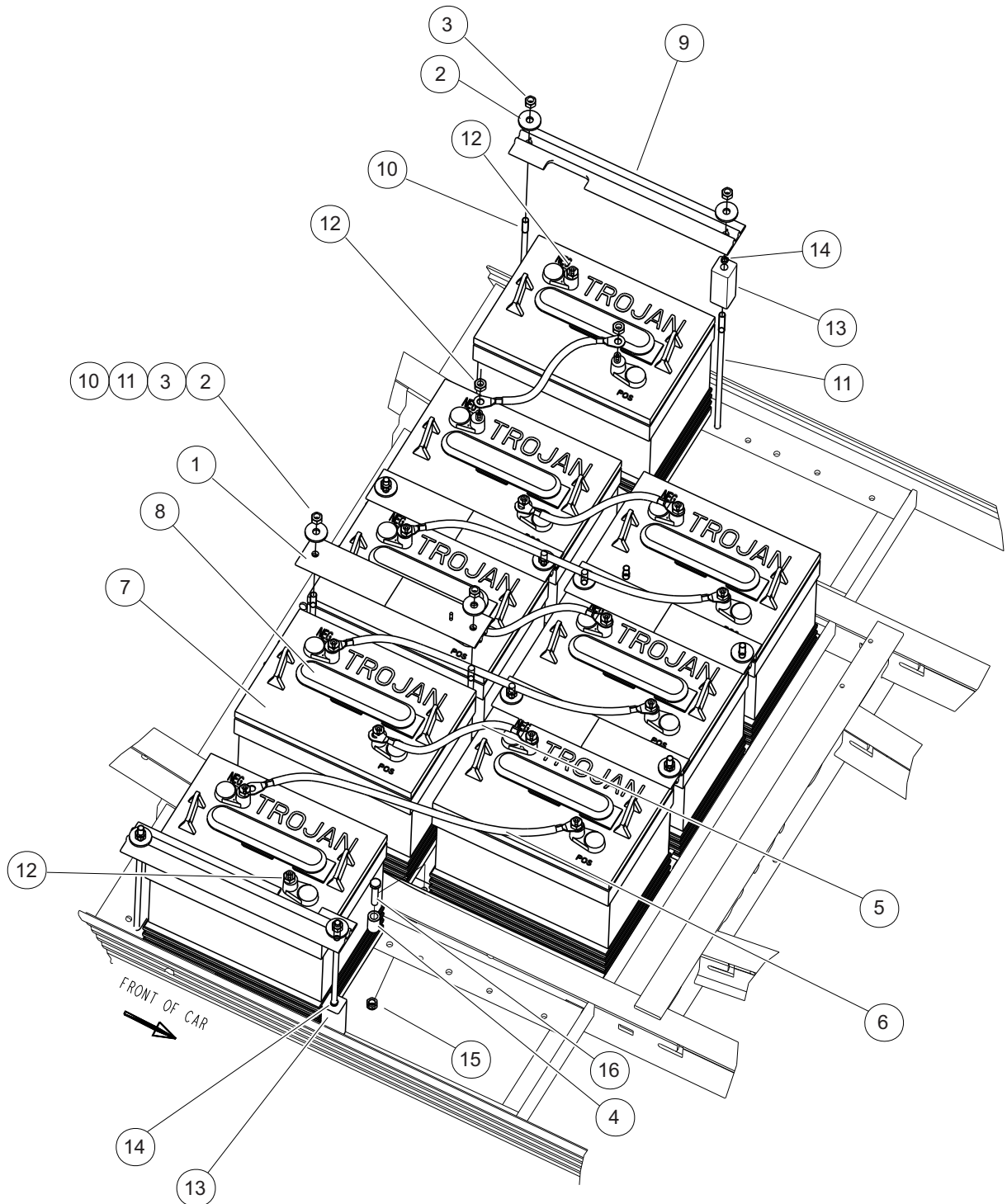
000409-003

## BATTERIES, 6-VOLT, STANDARD DUTY, TROJAN

ITEM	PART NO.	DESCRIPTION	QTY
		1 2 3 4	
1	101090801	Hold-Down, Battery .....	4
2	1012571	Washer, 5/16 Extra Thick Flat .....	12
3	1015072	Locknut, 5/16-18 Nylon Insert .....	12
4	1015608	Tube Spacer, Hydraulic Cylinder .....	2
5	101661601	Battery, 6-Volt, Trojan T105 (Wet) (includes item 6) .....	8
6	101831401	Battery Cap 6 Volt .....	1
7	102002901	Wire Assy, #4 Black .....	4
8	102764001	Wire Asm, #4 Black .....	3
9	102766201	Hold Down, Outside .....	2
10	102845201	Rod, Battery Hold Down 9.7" .....	10
11	102845203	Rod, Battery Hold Down 10.7" .....	2
12	102873401	5/16-18 Heavy Hex Nut .....	16
13	102980801	Extr, Plastic, 1 X 1 X 3 .....	2
14	102980901	Clamp, Hose, Nylon, .25 .....	2
15	7473	Locknut, 5/16-18 Nylon Insert .....	2
16	8963	Screw, 5/16-18 X 1.75 Hex-Head Cap .....	2

16

E



000409-004

## BATTERIES, 6-VOLT, HEAVY DUTY, TROJAN

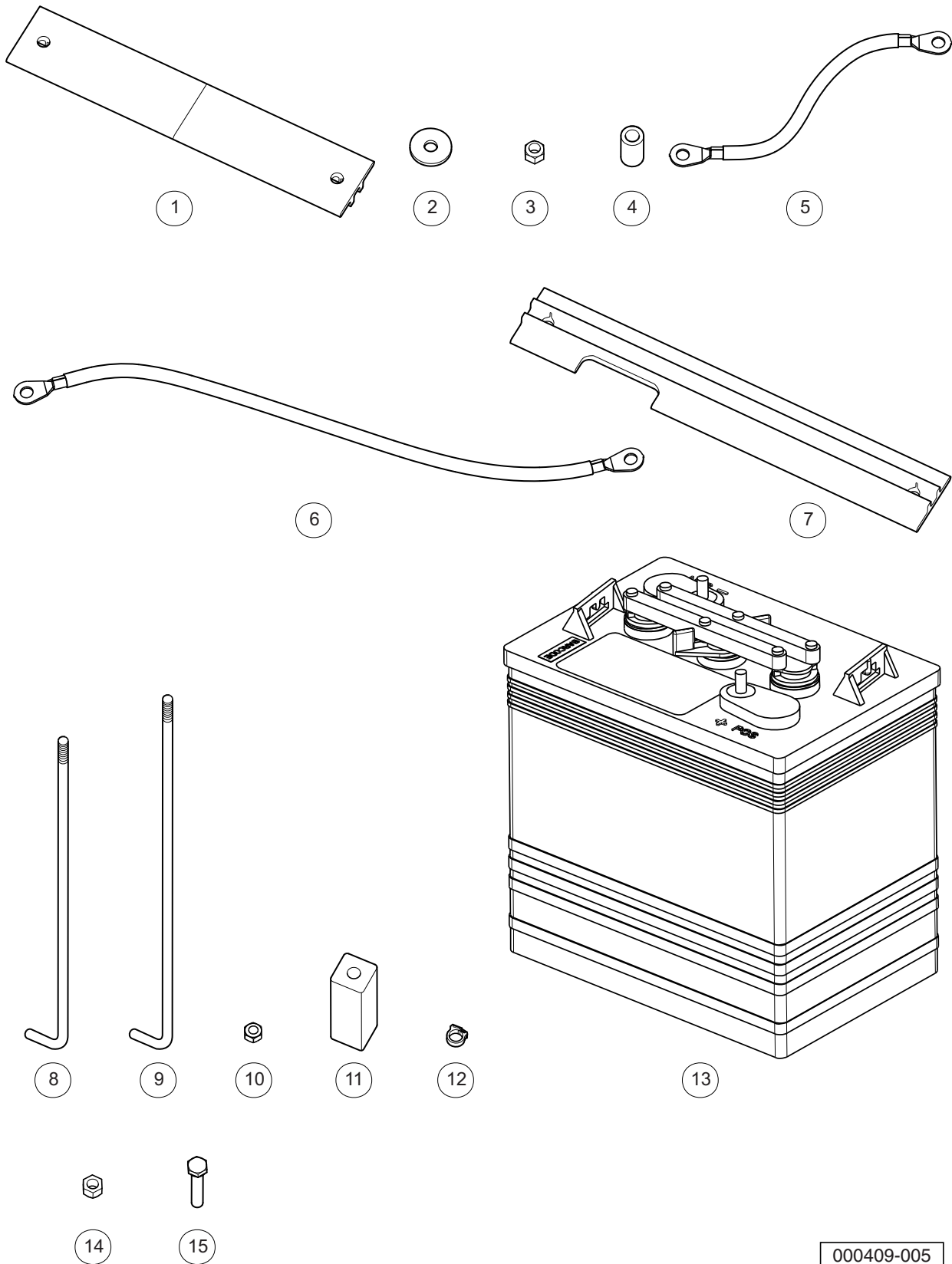
ITEM	PART NO.	DESCRIPTION	QTY
		1 2 3 4	
1	101090801	Hold-Down, Battery .....	4
2	1012571	Washer, 5/16 Extra Thick Flat .....	12
3	1015072	Locknut, 5/16-18 Nylon Insert .....	12
4	1015608	Tube Spacer, Hydraulic Cylinder .....	2
5	102002901	Wire Assy, #4 Black .....	4
6	102764001	Wire Asm, #4 Black .....	3
7	102764401	Battery, 6v Trojan T145 (Wet) (includes item 8) .....	8
8	101831401	Battery Cap 6 Volt .....	1
9	102766201	Hold Down, Outside .....	2
10	102845203	Rod, Battery Hold Down 10.7" .....	10
11	102845204	Rod, Battery Hold Down 12" .....	2
12	102873401	5/16-18 Heavy Hex Nut .....	16
13	102980801	Extr, Plastic, 1 X 1 X 3 .....	2
14	102980901	Clamp, Hose, Nylon, .25 .....	2
15	7473	Locknut, 5/16-18 Nylon Insert .....	2
16	8963	Screw, 5/16-18 X 1.75 Hex-Head Cap .....	2

16

E

16

E



000409-005

## BATTERIES, 6-VOLT, STANDARD DUTY, CROWN

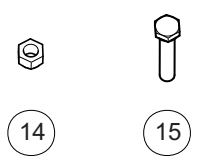
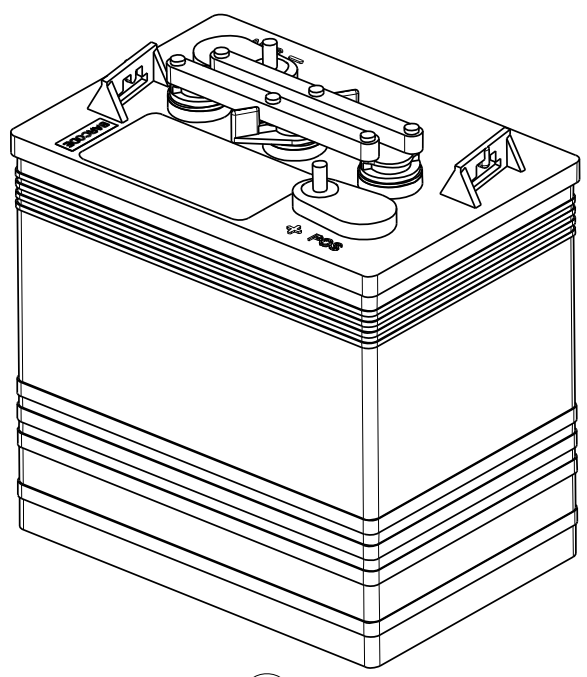
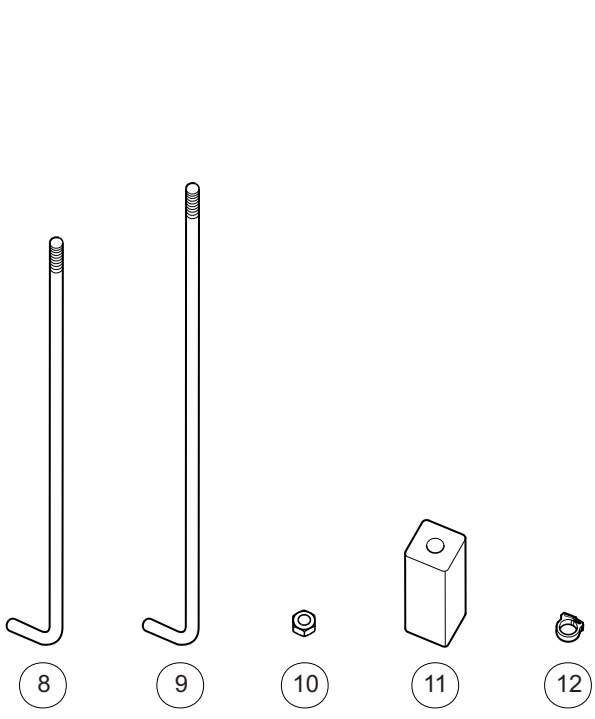
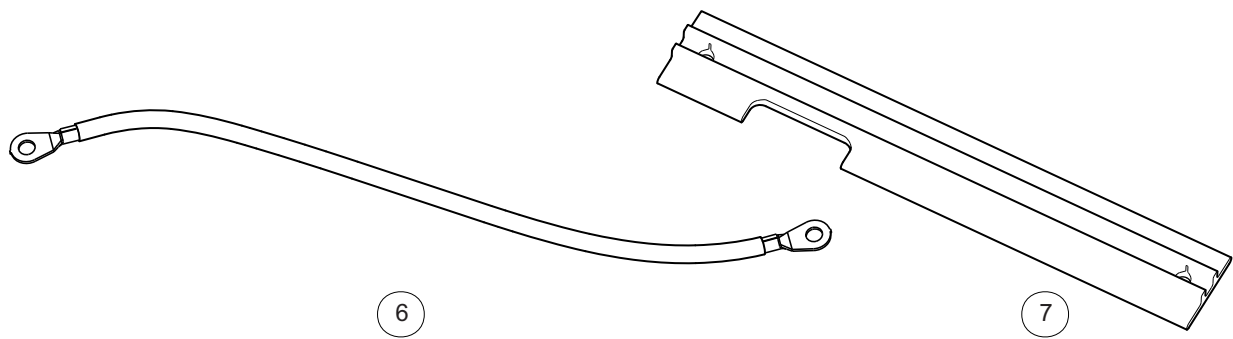
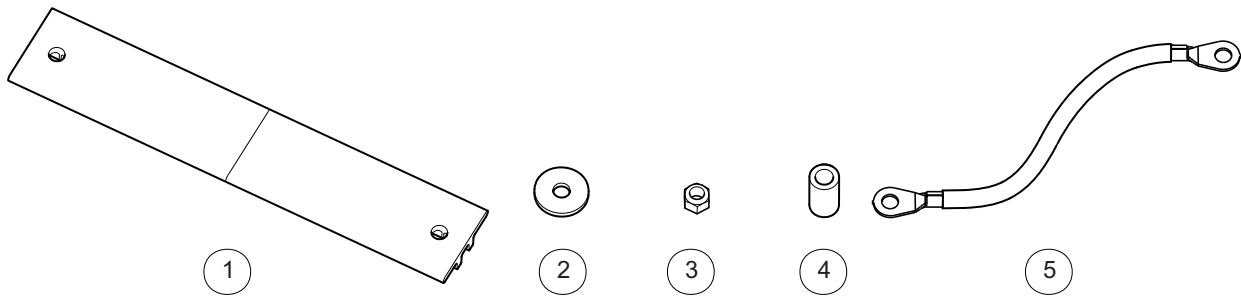
ITEM	PART NO.	DESCRIPTION	QTY
		1 2 3 4	
1	101090801	Hold-Down, Battery .....	4
2	1012571	Washer, 5/16 Extra Thick Flat .....	12
3	1015072	Locknut, 5/16-18 Nylon Insert .....	12
4	1015608	Tube Spacer, Hydraulic Cylinder .....	2
5	102002901	Wire Assy, #4 Black .....	4
6	102764001	Wire Asm, #4 Black .....	3
7	102766201	Hold Down, Outside .....	2
8	102845201	Rod, Battery Hold Down 9.7" .....	10
9	102845203	Rod, Battery Hold Down 10.7" .....	2
10	102873401	5/16-18 Heavy Hex Nut .....	16
11	102980801	Extr, Plastic, 1 X 1 X 3 .....	2
12	102980901	Clamp, Hose, Nylon, .25 .....	2
13	103720302	Battery, 6v, Cr225, Moist .....	8
14	7473	Locknut, 5/16-18 Nylon Insert .....	2
15	8963	Screw, 5/16-18 X 1.75 Hex-Head Cap .....	2

16

E

16

E



000409-005



## BATTERIES, 6-VOLT, HEAVY DUTY, CROWN

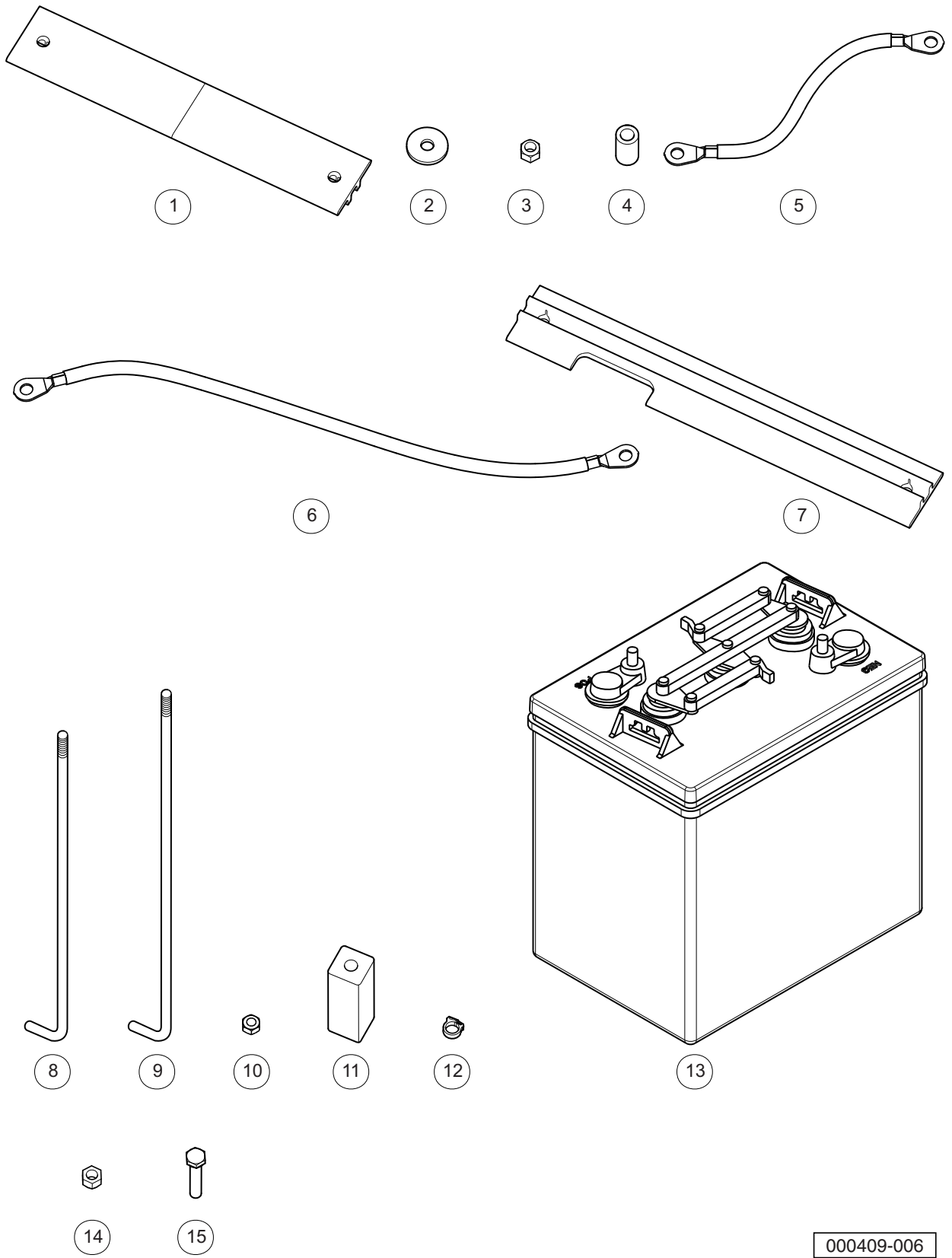
ITEM	PART NO.	DESCRIPTION	QTY
		1 2 3 4	
1	101090801	Hold-Down, Battery .....	4
2	1012571	Washer, 5/16 Extra Thick Flat .....	12
3	1015072	Locknut, 5/16-18 Nylon Insert .....	12
4	1015608	Tube Spacer, Hydraulic Cylinder .....	2
5	102002901	Wire Assy, #4 Black .....	4
6	102764001	Wire Asm, #4 Black .....	3
7	102766201	Hold Down, Outside .....	2
8	102845203	Rod, Battery Hold Down 10.7" .....	10
9	102845204	Rod, Battery Hold Down 12" .....	2
10	102873401	5/16-18 Heavy Hex Nut .....	16
11	102980801	Extr, Plastic, 1 X 1 X 3 .....	2
12	102980901	Clamp, Hose, Nylon, .25 .....	2
13	103720402	Battery, 6v, Cr245, Moist .....	8
14	7473	Locknut, 5/16-18 Nylon Insert .....	2
15	8963	Screw, 5/16-18 X 1.75 Hex-Head Cap .....	2

16

E

16

E



000409-006

## BATTERIES, 6-VOLT, STANDARD DUTY, U.S. BATTERY

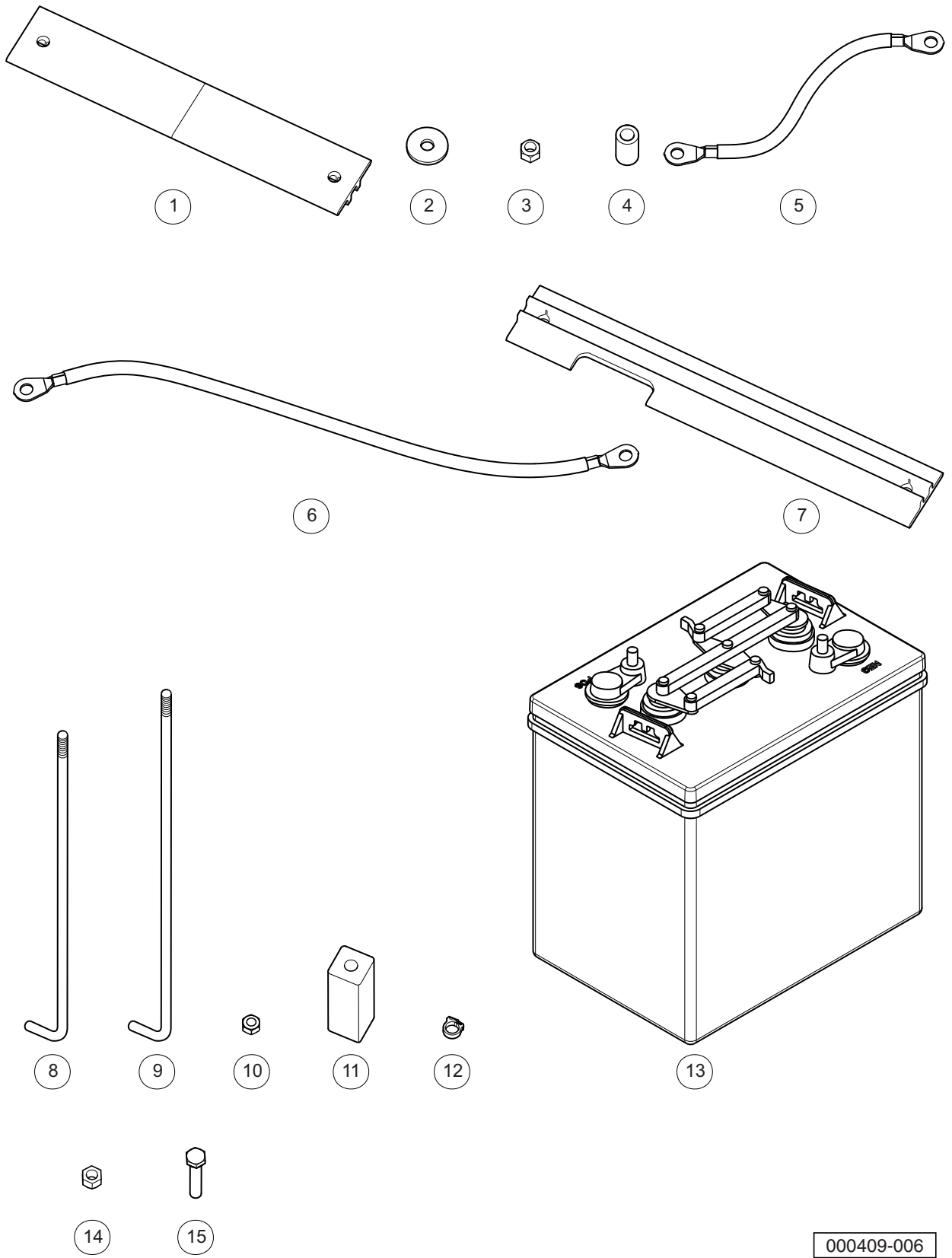
ITEM	PART NO.	DESCRIPTION	QTY
		1 2 3 4	
1	101090801	Hold-Down, Battery .....	4
2	1012571	Washer, 5/16 Extra Thick Flat .....	12
3	1015072	Locknut, 5/16-18 Nylon Insert .....	12
4	1015608	Tube Spacer, Hydraulic Cylinder .....	2
5	102002901	Wire Assy, #4 Black .....	4
6	102764001	Wire Asm, #4 Black .....	3
7	102766201	Hold Down, Outside .....	2
8	102845201	Rod, Battery Hold Down 9.7" .....	10
9	102845203	Rod, Battery Hold Down 10.7" .....	2
10	102873401	5/16-18 Heavy Hex Nut .....	16
11	102980801	Extr, Plastic, 1 X 1 X 3 .....	2
12	102980901	Clamp, Hose, Nylon, .25 .....	2
13	103695502	Battery, 6v, 2000xc, Dry .....	8
14	7473	Locknut, 5/16-18 Nylon Insert .....	2
15	8963	Screw, 5/16-18 X 1.75 Hex-Head Cap .....	2
<p>Note: If U.S. Battery is used to replace any other brand of battery, the onboard computer must be changed to match. See Computer, Controller, and Solenoid pages.</p>			

16

E

16

E



000409-006

## BATTERIES, 6-VOLT, HEAVY DUTY, U.S. BATTERY

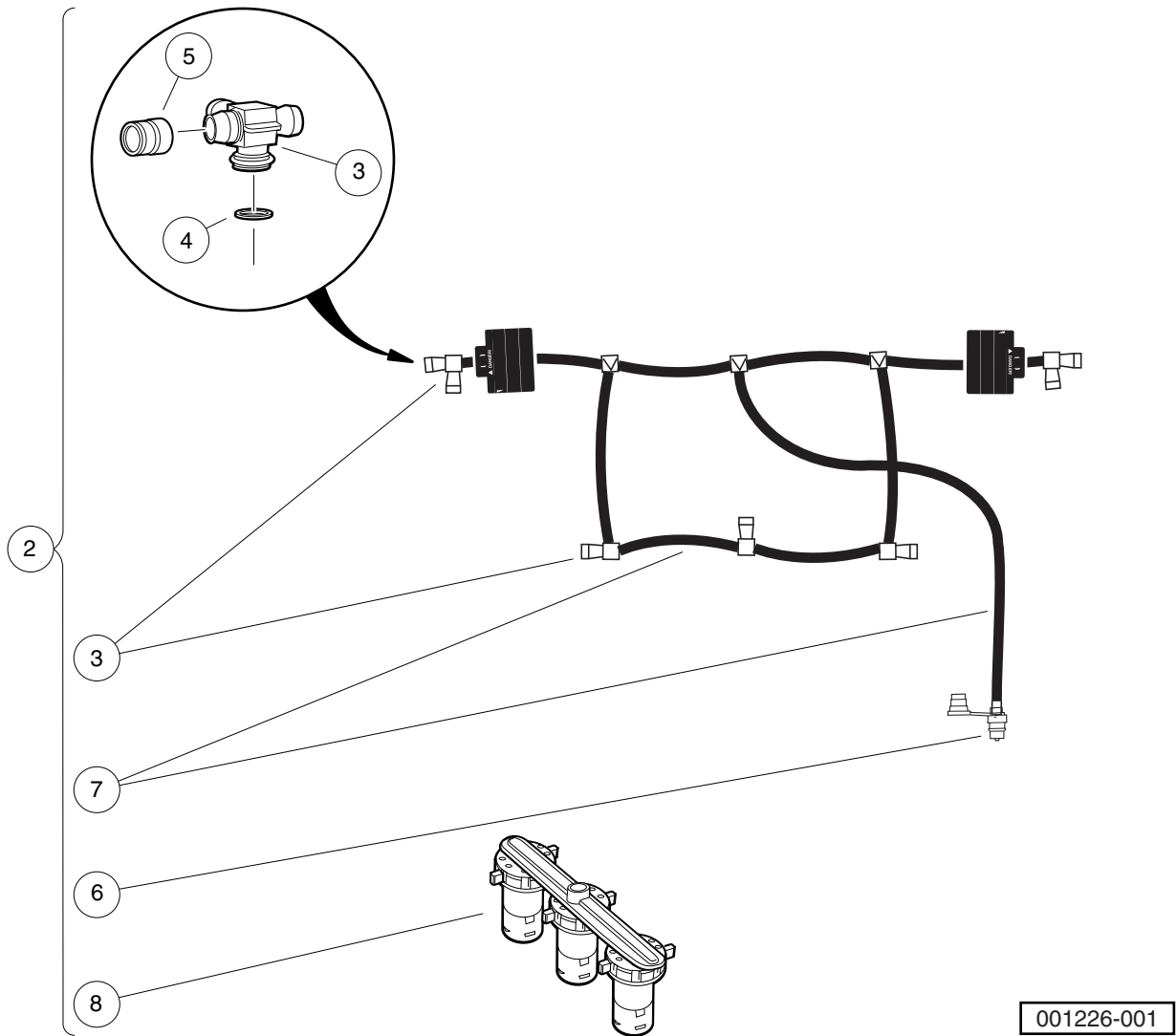
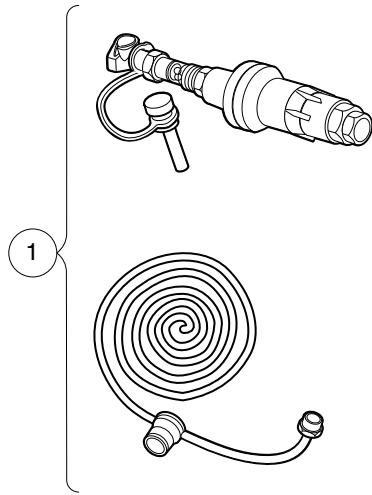
ITEM	PART NO.	DESCRIPTION	QTY
		1 2 3 4	
1	101090801	Hold-Down, Battery .....	4
2	1012571	Washer, 5/16 Extra Thick Flat .....	12
3	1015072	Locknut, 5/16-18 Nylon Insert .....	12
4	1015608	Tube Spacer, Hydraulic Cylinder .....	2
5	102002901	Wire Assy, #4 Black .....	4
6	102764001	Wire Asm, #4 Black .....	3
7	102766201	Hold Down, Outside .....	2
8	102845203	Rod, Battery Hold Down 10.7" .....	10
9	102845204	Rod, Battery Hold Down 12" .....	2
10	102873401	5/16-18 Heavy Hex Nut .....	16
11	102980801	Extr, Plastic, 1 X 1 X 3 .....	2
12	102980901	Clamp, Hose, Nylon, .25 .....	2
13	103695702	Battery, 6v, 145xc, Dry .....	8
14	7473	Locknut, 5/16-18 Nylon Insert .....	2
15	8963	Screw, 5/16-18 X 1.75 Hex-Head Cap .....	2
<p>Note: If U.S. Battery is used to replace any other brand of battery, the onboard computer must be changed to match. See Computer, Controller, and Solenoid pages.</p>			

16

E

16

E



001226-001

## SINGLE POINT WATERING SYSTEM, 6V

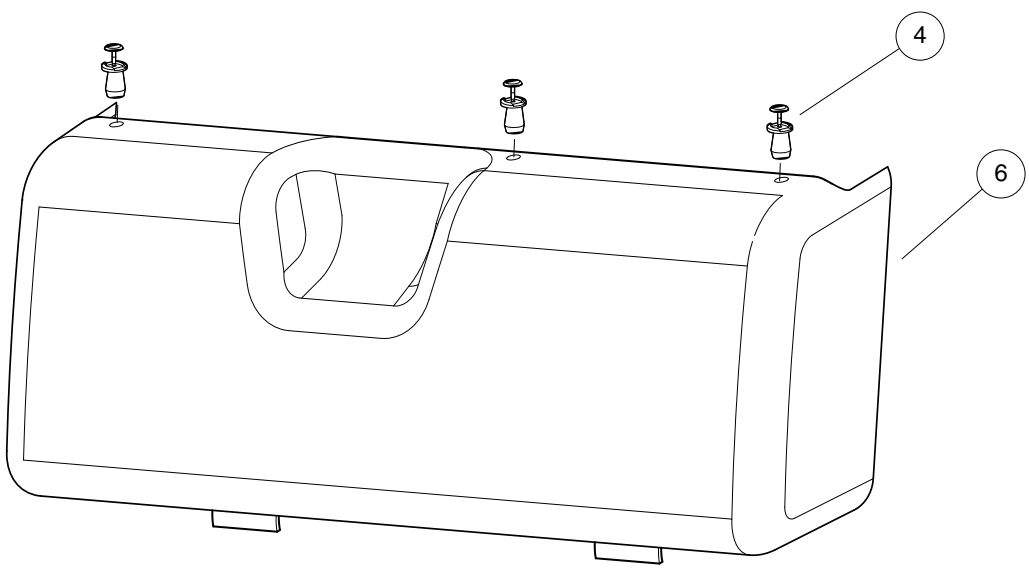
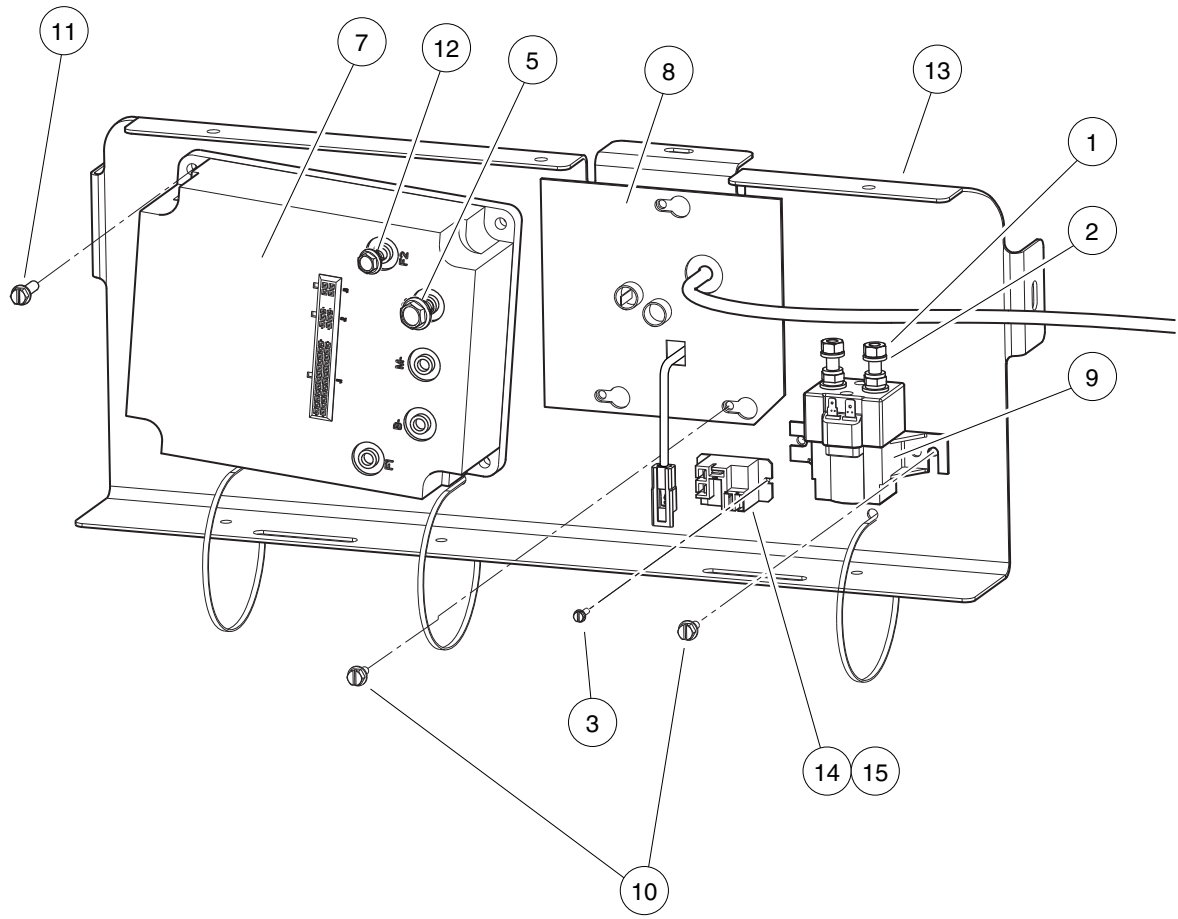
ITEM	PART NO.	DESCRIPTION	QTY
		<b>1 2 3 4</b>	
1	102958001	Kit Regulated Hose Sply Spws .....	1
2	103510801	Kit, Spws, 8x6v, Opt 2 (includes items 3 through 8) .....	1
3	103226201	Fitting Spws Swivel T .....	8
4	103226301	O-ring Spws Swivel T .....	8
5	103226401	Cap Spws Swivel T Red .....	7
6	103226601	Coupler Male Spws Supply .....	1
7	103226701	Tubing Spws .....	A/R
8	103510501	Manifold, Lpr, 3 Vlve, Spw .....	8
		Note: For 6-Volt batteries only.	

16

E

16

E



000597-002



# COMPUTER, CONTROLLER, AND SOLENOID – FOR TROJAN BATTERIES ONLY

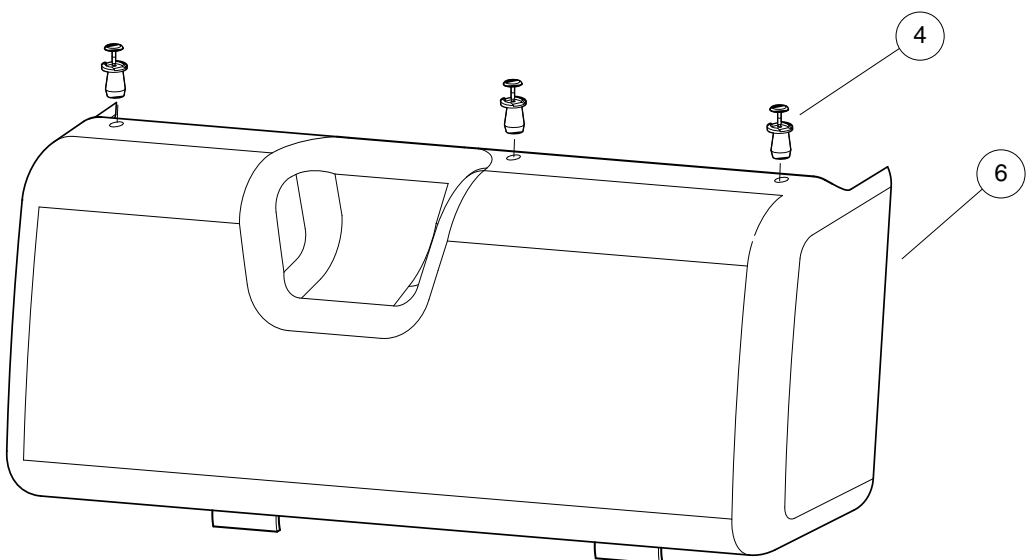
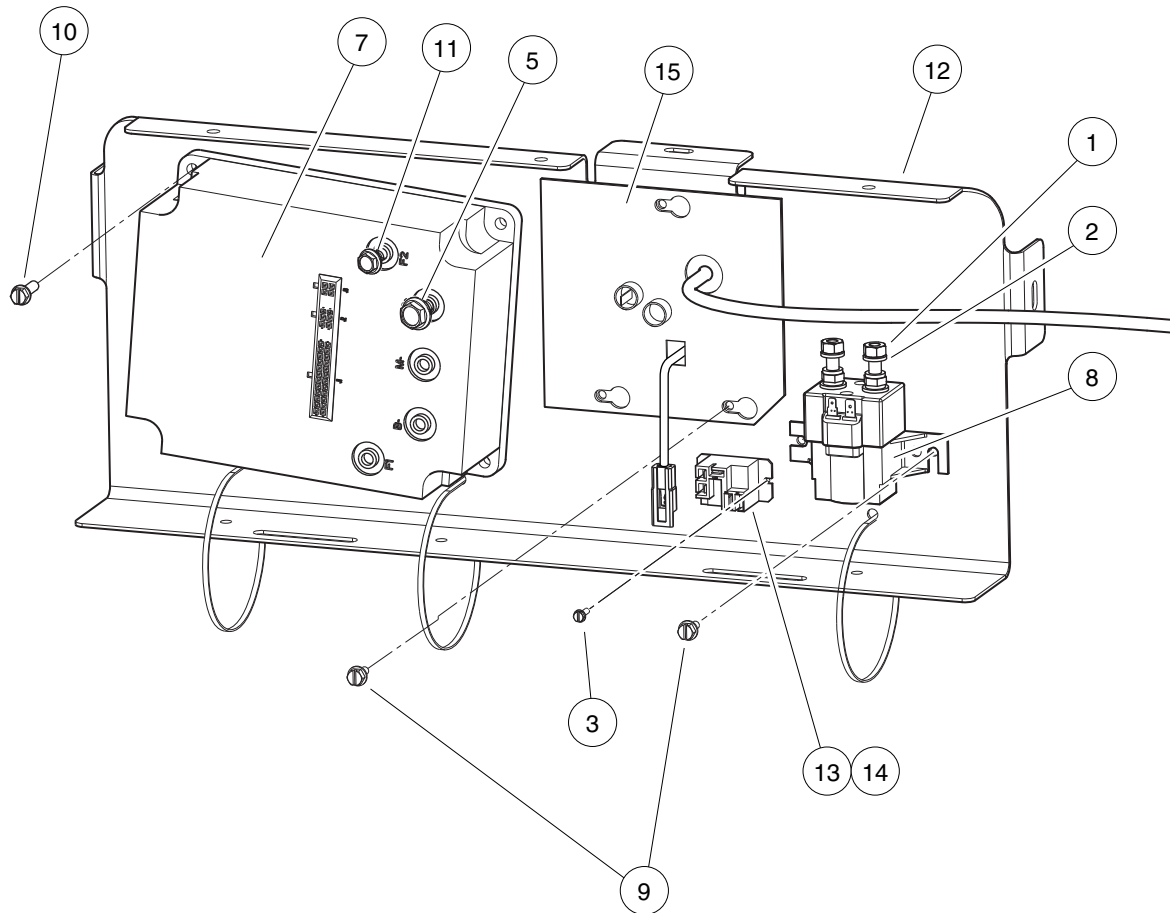
ITEM	PART NO.	DESCRIPTION	QTY
		1 2 3 4	
1	1012528	Nut, M8-1.25 Hex .....	2
2	1013734	Lockwasher, 8mm Split .....	2
3	1015720	Screw, #6-32 X 1/2 Hex Washer-Head .....	2
4	1016967	Blind Rivet, Push Type .....	3
5	102240501	Bolt, Controller, Terminal .....	3
6	102772401	Cover, Component, Elec, Rear .....	1
7	102774501	Controller, 500 Amp .....	1
8	102774602	Computer, Onbrd, 8x 6v, 38" .....	1
9	102774701	Solenoid, 48v .....	1
10	102817101	Screw, 1/4-20 X .50 Hex Wsh Hd .....	5
11	102817201	Screw, 1/4-20 X .88 Hex Wsh Hd .....	4
12	102859501	Screw, M6 X 1 X 20 Ser Hex Flg .....	2
13	102931101	Plate, Component, Rear .....	1
14	103414901	Kit, Relay, 48v 30a W/instr (includes item 15) .....	1
15	103397901	Relay, Spst No, 48v 30a, Pmt .....	1

16

E

16

E



000597-003

# COMPUTER, CONTROLLER, AND SOLENOID – FOR TROJAN & CROWN BATTERIES

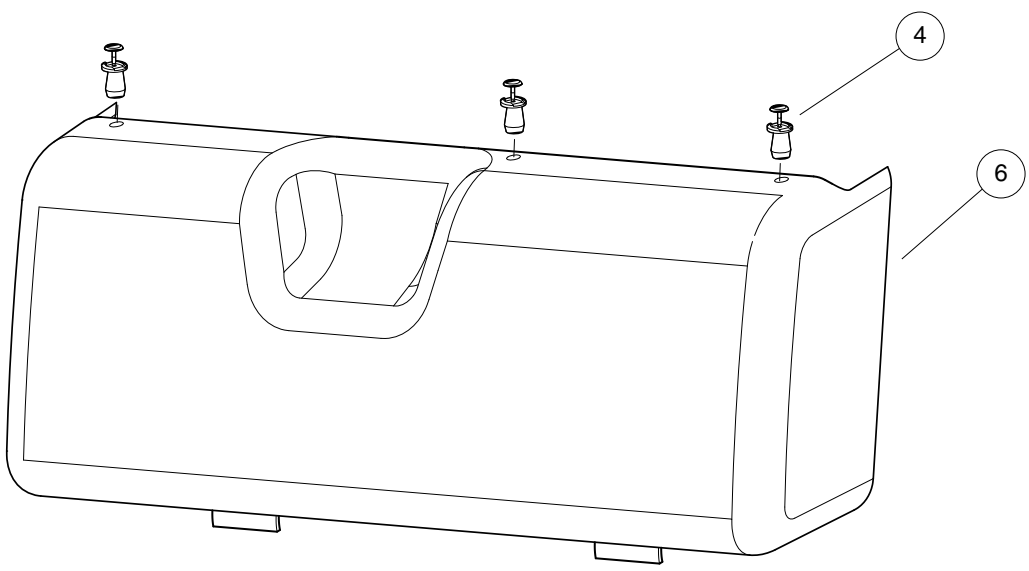
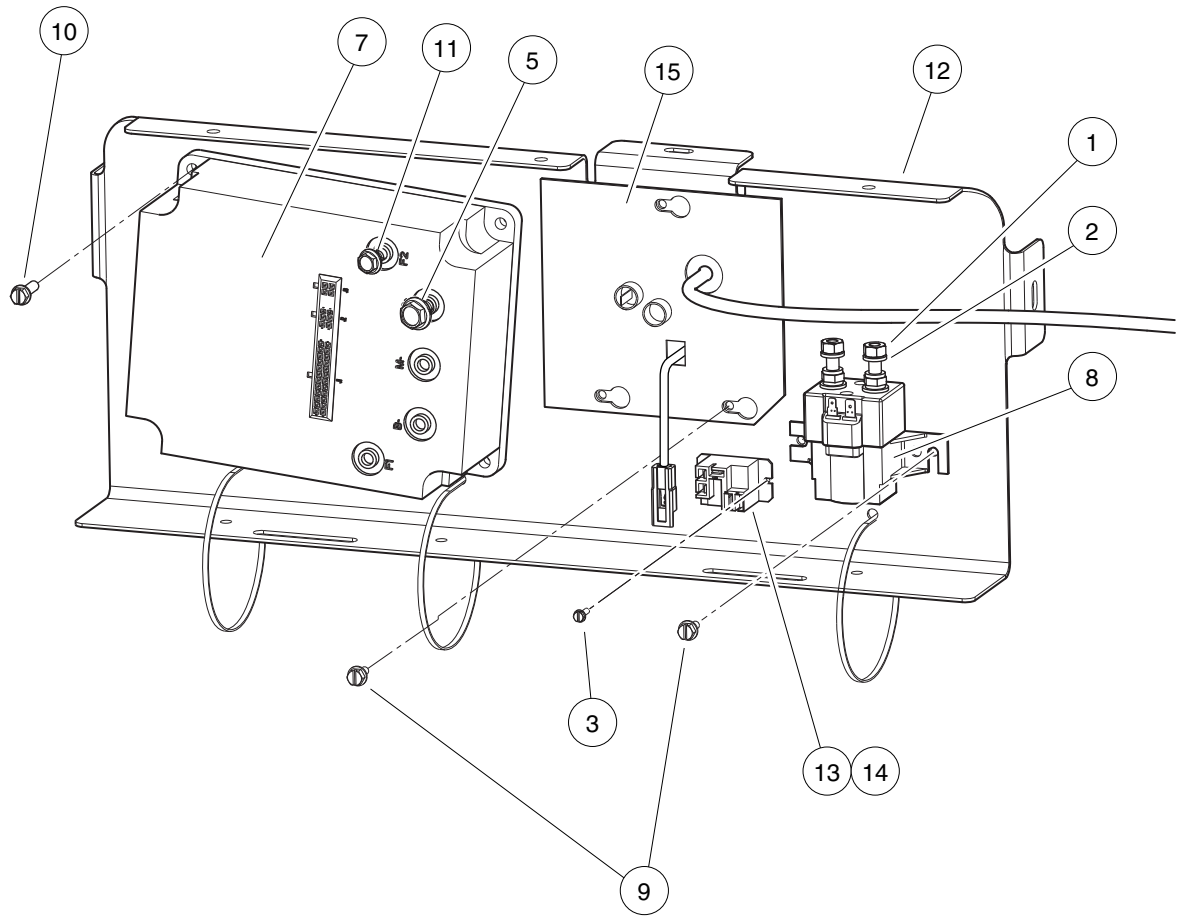
ITEM	PART NO.	DESCRIPTION	QTY
		1 2 3 4	
1	1012528	Nut, M8-1.25 Hex .....	2
2	1013734	Lockwasher, 8mm Split .....	2
3	1015720	Screw, #6-32 X 1/2 Hex Washer-Head .....	2
4	1016967	Blind Rivet, Push Type .....	3
5	102240501	Bolt, Controller, Terminal .....	3
6	102772401	Cover, Component, Elec, Rear .....	1
7	102774501	Controller, 500 Amp .....	1
8	102774701	Solenoid, 48v .....	1
9	102817101	Screw, 1/4-20 X .50 Hex Wsh Hd .....	5
10	102817201	Screw, 1/4-20 X .88 Hex Wsh Hd .....	4
11	102859501	Screw, M6 X 1 X 20 Ser Hex Flg .....	2
12	102931101	Plate, Component, Rear .....	1
13	103414901	Kit, Relay, 48v 30a W/instr (includes item 14) .....	1
14	103397901	Relay, Spst No, 48v 30a, Pmt .....	1
15	103697102	Obc, Iqplus, A1, 38" .....	1

16

E

16

E



000597-003

# COMPUTER, CONTROLLER, AND SOLENOID – FOR U.S. BATTERY ONLY

ITEM	PART NO.	DESCRIPTION	QTY
		1 2 3 4	
1	1012528	Nut, M8-1.25 Hex .....	2
2	1013734	Lockwasher, 8mm Split .....	2
3	1015720	Screw, #6-32 X 1/2 Hex Washer-Head .....	2
4	1016967	Blind Rivet, Push Type .....	3
5	102240501	Bolt, Controller, Terminal .....	3
6	102772401	Cover, Component, Elec, Rear .....	1
7	102774501	Controller, 500 Amp .....	1
8	102774701	Solenoid, 48v .....	1
9	102817101	Screw, 1/4-20 X .50 Hex Wsh Hd .....	5
10	102817201	Screw, 1/4-20 X .88 Hex Wsh Hd .....	4
11	102859501	Screw, M6 X 1 X 20 Ser Hex Flg .....	2
12	102931101	Plate, Component, Rear .....	1
13	103414901	Kit, Relay, 48v 30a W/instr (includes item 14) .....	1
14	103397901	Relay, Spst No, 48v 30a, Pmt .....	1
15	103697105	Obc, Iqplus, A2, 38" .....	1
<p>Note: If U.S. Battery is used to replace any other brand of battery, the onboard computer must be changed to match. See Batteries pages.</p>			

16

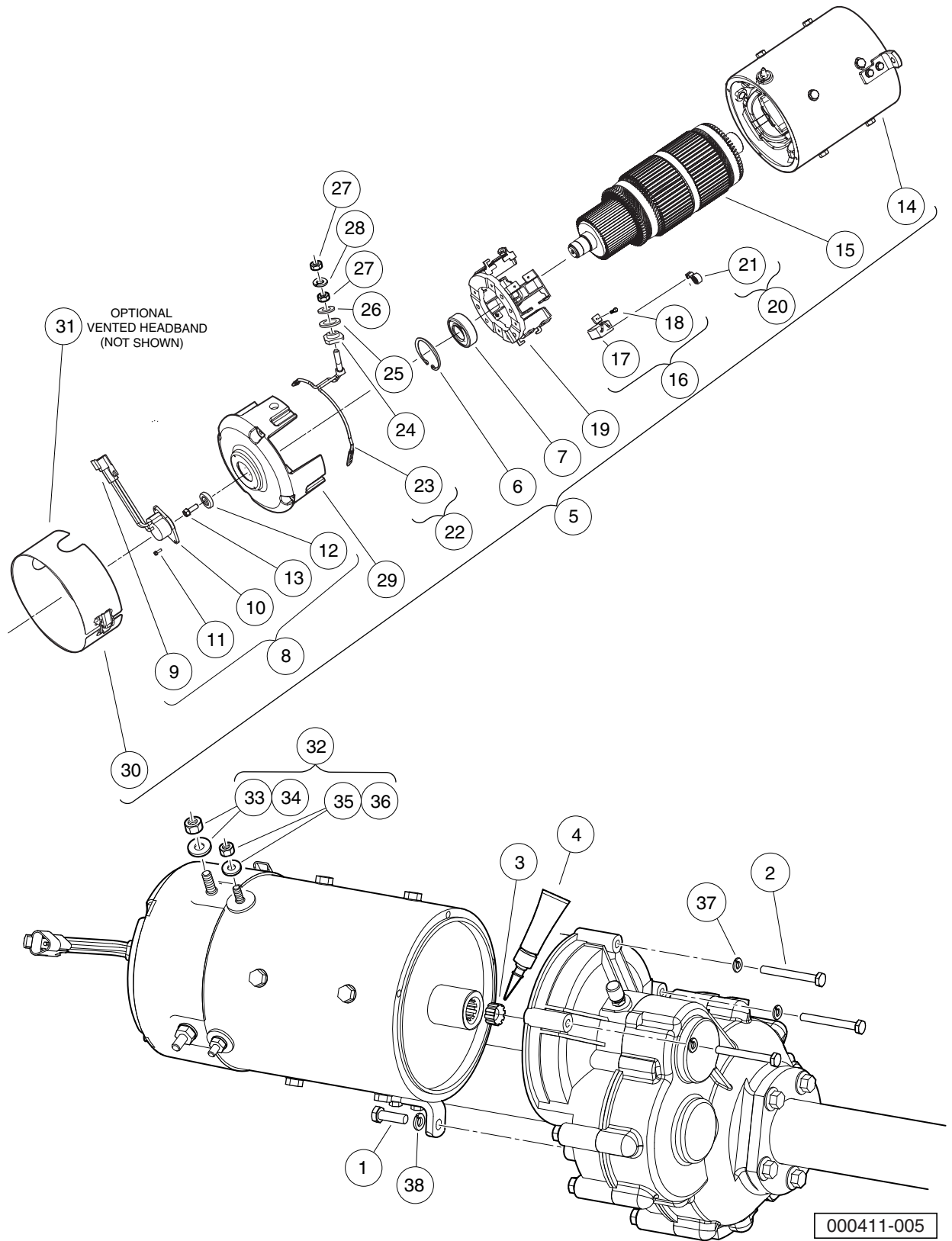
E

**16**

***E***

# MOTOR (MODEL DA5-4006) – IQ PLUS

---





# MOTOR (MODEL DA5-4006) – IQ PLUS

ITEM	PART NO.	DESCRIPTION	QTY
		<b>1 2 3 4</b>	
1	1010934	Screw, 5/16-18 X 1.00 Hex Cap .....	1
2	1014201	Screw, 1/4-20 X 2.25 Hex Cap .....	3
3	102235201	Bumper, Drive Unit .....	1
4	102243403	Lubricant, Moly-Teflon (Single-Use Tube) .....	1
5	102775101	IQ Plus Electric Motor, 48-VDC 3.7 hp (includes items 6 through 30) .....	1
6	N/A	Ring, 2.24" Internal Retaining .....	1
7	102186401	Bearing, Ball .....	1
8	102704901	Kit, Speed Sensor (includes items 9 through 13) .....	1
9	101942301	Kit, 3-Pin Wedge Lock .....	1
10	N/A	Sensor, Motor Speed, ADC .....	1
11	N/A	Screw, #8-32, Taptite Thread .....	2
12	N/A	Magnet, ADC Motor .....	1
13	N/A	Screw, 1/4-20 x 0.5 .....	1
14	N/A	Asm, Frame And Field, 3.7 Hp .....	1
15	N/A	Armature (Includes external hardware not shown) .....	1
16	102938601	Kit, Brush, 3.7 Hp (includes items 17 and 18) .....	1
17	N/A	Brush, Motor .....	8
18	N/A	Screw, Taptite .....	8
19	102938701	Asm, Brush Box, 3.7 Hp .....	1
20	102938801	Kit, Brush Spring, 3.7 Hp (includes item 21) .....	1
21	N/A	Brush Spring .....	8
22	102938901	Kit, Brush Lead Asm, 3.7 Hp (includes items 23 through 28) .....	1
23	N/A	Terminal and Lead Assembly .....	2
24	N/A	Insulator, Terminal .....	2
25	N/A	Washer, Insulating .....	2
26	N/A	Washer, Flat, 5/16, Brass/Bronze .....	2
27	N/A	Nut, 5/16, Steel .....	4
28	N/A	Lockwasher, 5/16, Steel .....	2
29	102939001	Commutator End Head, 3.7 Hp .....	1
30	102939101	Sealed Headband, 3.7 Hp .....	1
31	102939102	Vented Headband, 3.7 HP (optional - not shown) .....	1
32	102951701	Pkg, Terminal Hardware, 3.7hp (includes items 33 through 36) .....	1
33	N/A	Nut, 5/16, Steel .....	2
34	N/A	Lockwasher, 5/16, Steel .....	2
35	N/A	Nut, 1/4-20, Steel .....	2
36	N/A	Lockwasher, 1/4-20, Steel .....	2
37	451	Lockwasher, 1/4 Split .....	3
38	7174	Lockwasher, 5/16 Split .....	1

**17**

**E**

17

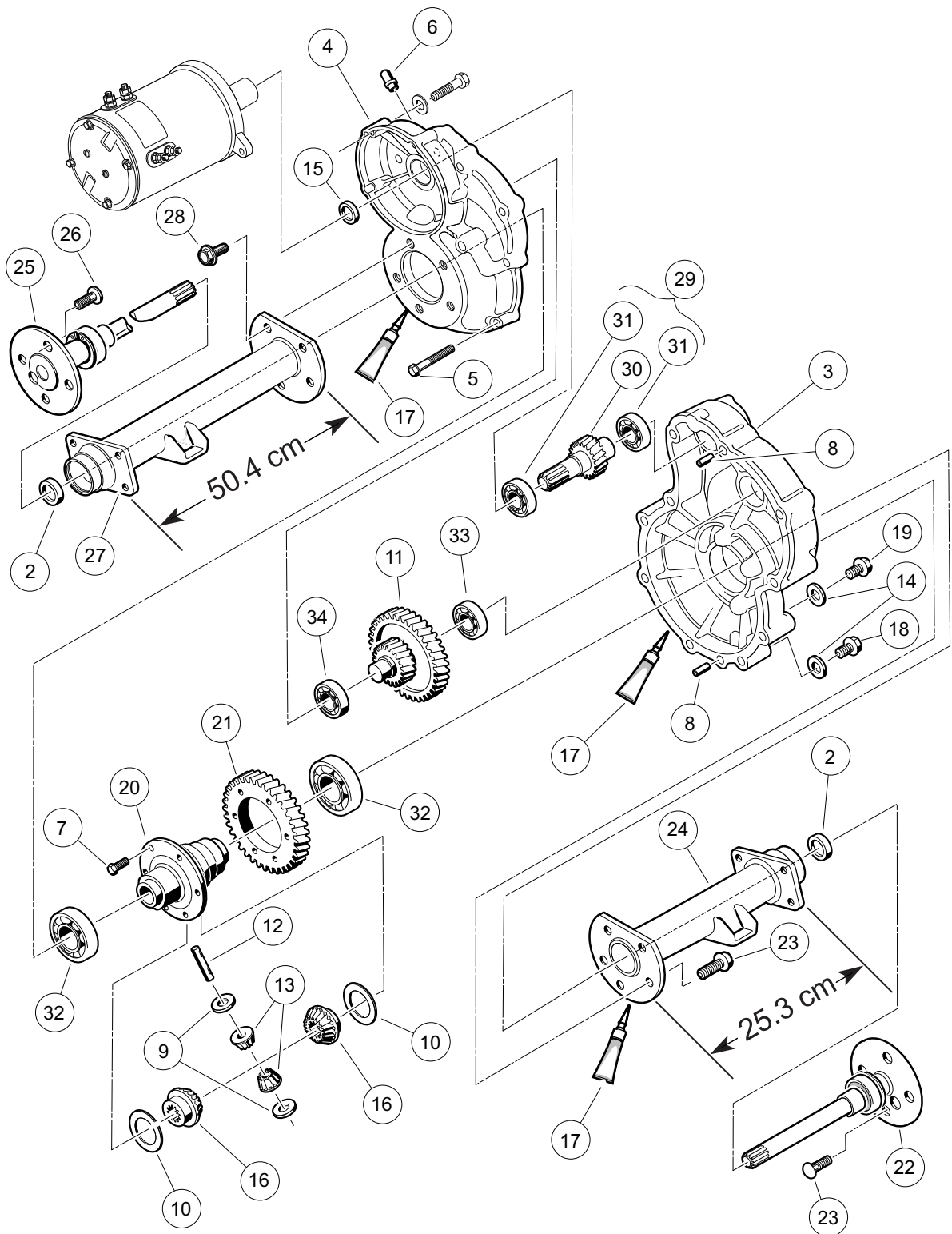
*E*

# TRANSAXLE – ELECTRIC VEHICLES

---

18

E



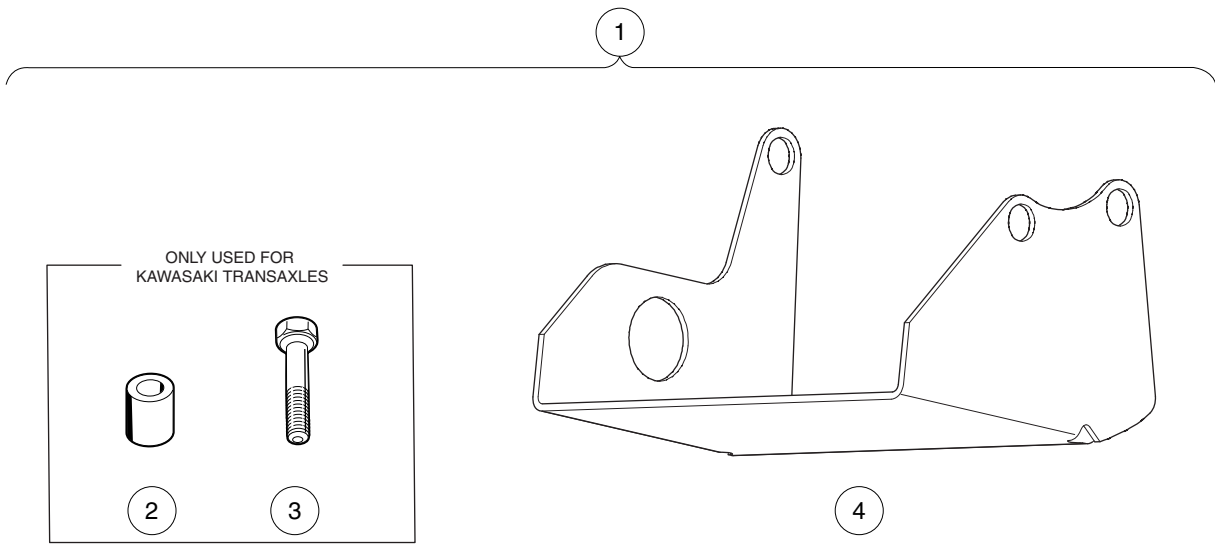
000223-005

# TRANSAXLE – ELECTRIC VEHICLES

ITEM	PART NO.	DESCRIPTION	QTY
		<b>1 2 3 4</b>	
1	102771701	Transaxle, Electric (includes items 2 through 34) .....	1
2	1013794	Axle Shaft Oil Seal .....	2
3	101895401	Gear Case, Driver-Side .....	1
4	101895501	Gear Case, Passenger-Side .....	1
5	101897001	Screw, M8-1.25 X 60mm Hex-Head .....	11
6	101897201	Breather .....	1
7	101897401	Screw, M10-1.25 X 25mm .....	6
8	101897601	Pin, 11mm OD X 8.5mm ID X 10mm .....	2
9	101903601	Washer, Thrust .....	2
10	101903701	Washer, Thrust .....	2
11	101906901	Intermediate Shaft Assembly .....	1
12	101922101	Pin, 15.99mm X 88.7mm Dowel .....	1
13	101923001	Gear, Differential Idler .....	2
14	101923201	Gasket .....	2
15	101923501	Seal, Lip .....	1
16	101923901	Gear, Differential .....	2
17	101928701	Liquid Gasket (Transaxle case) .....	1
18	101972101	Plug, M14-1.5 X 12mm Magnetic .....	1
19	101972201	Plug, M14-1.5 X 12mm Hex .....	1
20	102356601	Housing, Differential, 6 Bolt .....	6
21	102356801	Gear, Differential Output, 6-Bolt .....	6
22	102886301	Axle Assembly, Driver-Side (includes item 23) .....	1
23	101922201	Lug Stud .....	4
24	102886401	Tube, Axle, Driver-Side .....	1
25	102886501	Axle Assembly, Passenger-Side (includes item 26) .....	1
26	101922201	Lug Stud .....	4
27	102886601	Tube, Axle, Passenger-Side .....	1
28	102902801	Screw, M10 X 30 .....	10
29	103582801	Asm, E Trans Shaft/bearing (includes items 30 and 31) .....	1
30	N/A	Shaft, Input .....	1
31	7335	Bearing .....	2
32	7330	Inner Axle Tube Bearing .....	2
33	7335	Bearing .....	1
34	7336	Bearing .....	1

18

E



000365-002

## DIFFERENTIAL GUARD – ELECTRIC VEHICLES

ITEM	PART NO.	DESCRIPTION	QTY
		1 2 3 4	
1	101611402	Kit, Differential Guard, Elec Vehicles (includes items 2 through 4) .....	1
2	101914001	Spacer, Steel .....	2
3	101936101	Screw, M10-1.50 X 60mm Hex Cap .....	2
4	101978601	Guard, Differential, Electric Vehicle Transaxle .....	1

18

E



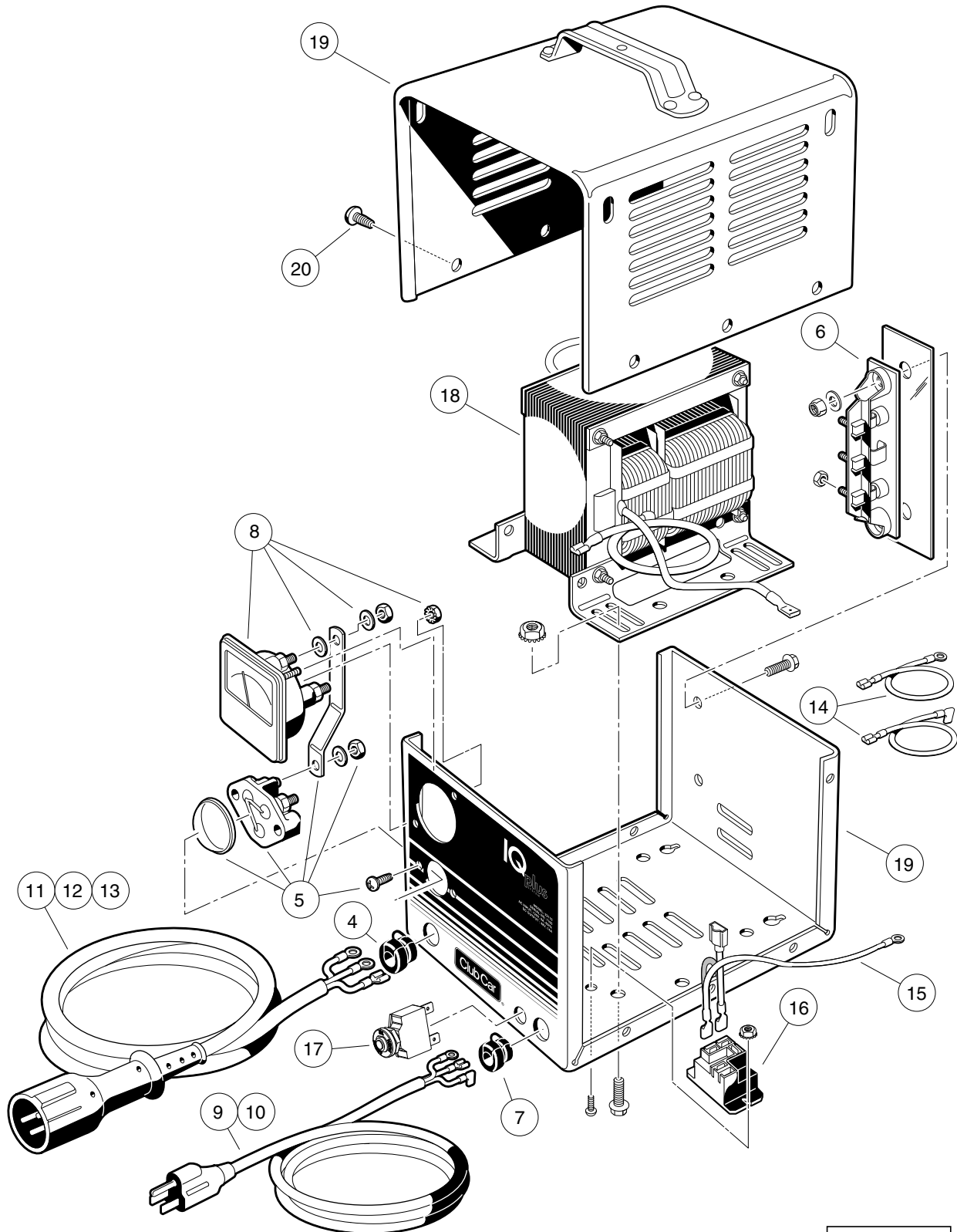


# BATTERY CHARGERS

---

19

*E*



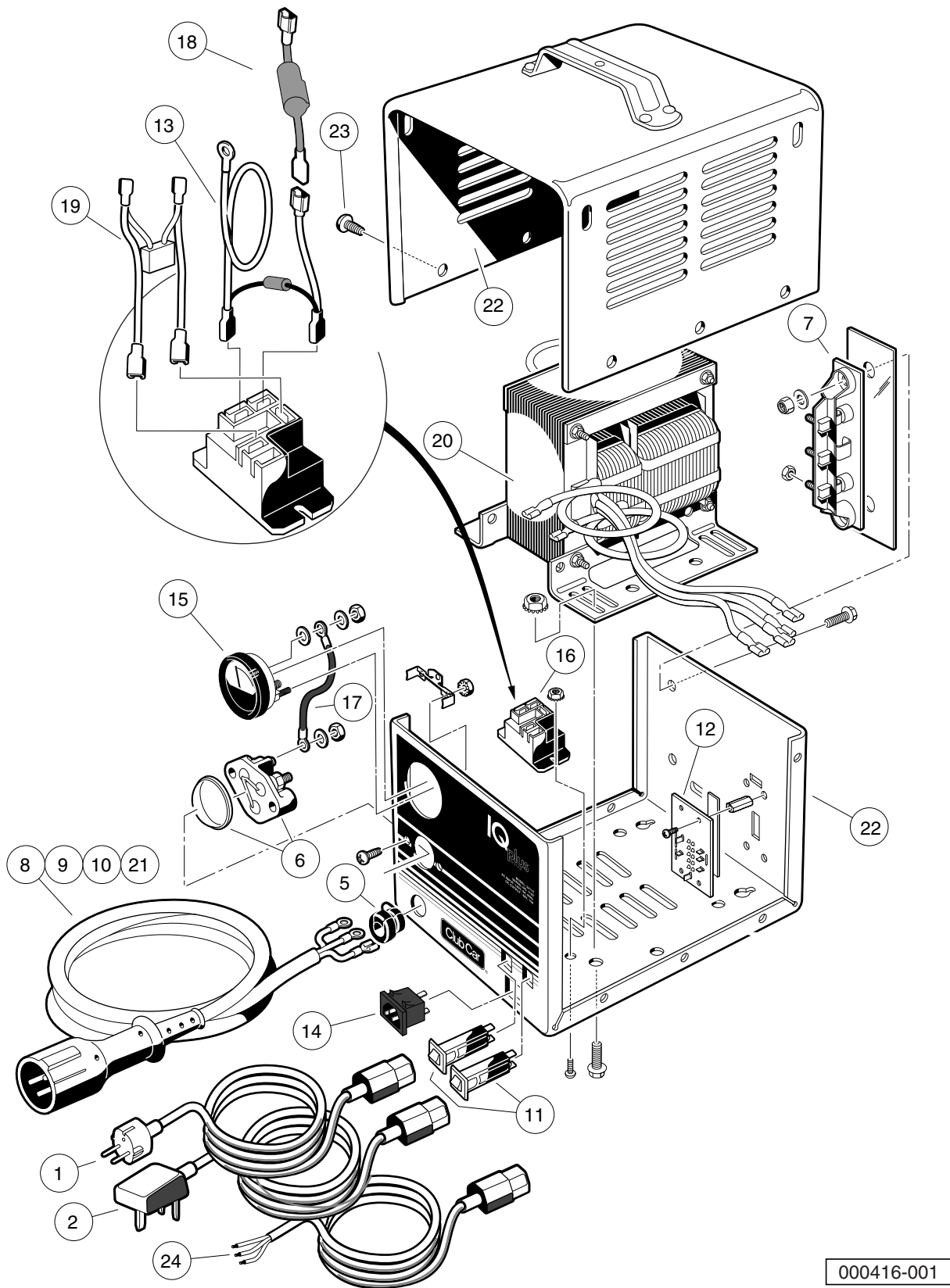
000414-001

# IQ PLUS BATTERY CHARGER (MODELS 25730-11,-18,-19), DOMESTIC

ITEM	PART NO.	DESCRIPTION	QTY
		1 2 3 4	
1	102847801	Charger, IQ Plus, Domestic (9-ft. DC Cord, 6-ft. AC Cord) .....	1
2	102847802	Charger, IQ Plus, Domestic (12-ft. DC Cord, 9-ft. AC Cord) .....	1
3	102847803	Charger, IQ Plus, Domestic (20-ft. DC Cord, 9-ft. AC Cord) (includes items 4 through 20)	1
4	1012098	Bushing, DC Cord .....	1
5	1012101	Fuse Assembly .....	1
6	1015914	Rectifier with Heatsink Assembly .....	1
7	1015917	Bushing, AC Cord .....	1
8	101828501	Ammeter .....	1
9	101828801	Cord, AC, 80-Inch (203 cm) .....	1
10	101828802	Cord, AC, 108-Inch (274 cm) .....	1
11	101828901	Cord, DC, 113-Inch (287 cm) .....	1
12	101828902	Cord, DC, 154-Inch (391 cm) .....	1
13	101828903	Cord, DC, 250-Inch (635 cm) .....	1
14	101831101	Wire Assembly Kit .....	1
15	101914401	Assembly, Voltage Suppressor .....	1
16	102275401	Relay, 48-VDC .....	1
17	102838101	Circuit Breaker 250vac-50vdc .....	1
18	N/A	Transformer, Battery Charger .....	1
19	N/A	Case, Battery Charger .....	1
20	7577	Screw, #10 X 0.50 Phillips Pan-Head .....	10

19

E



000416-001

# IQ PLUS BATTERY CHARGER (MODELS 25880-11 AND -18), INTERNATIONAL

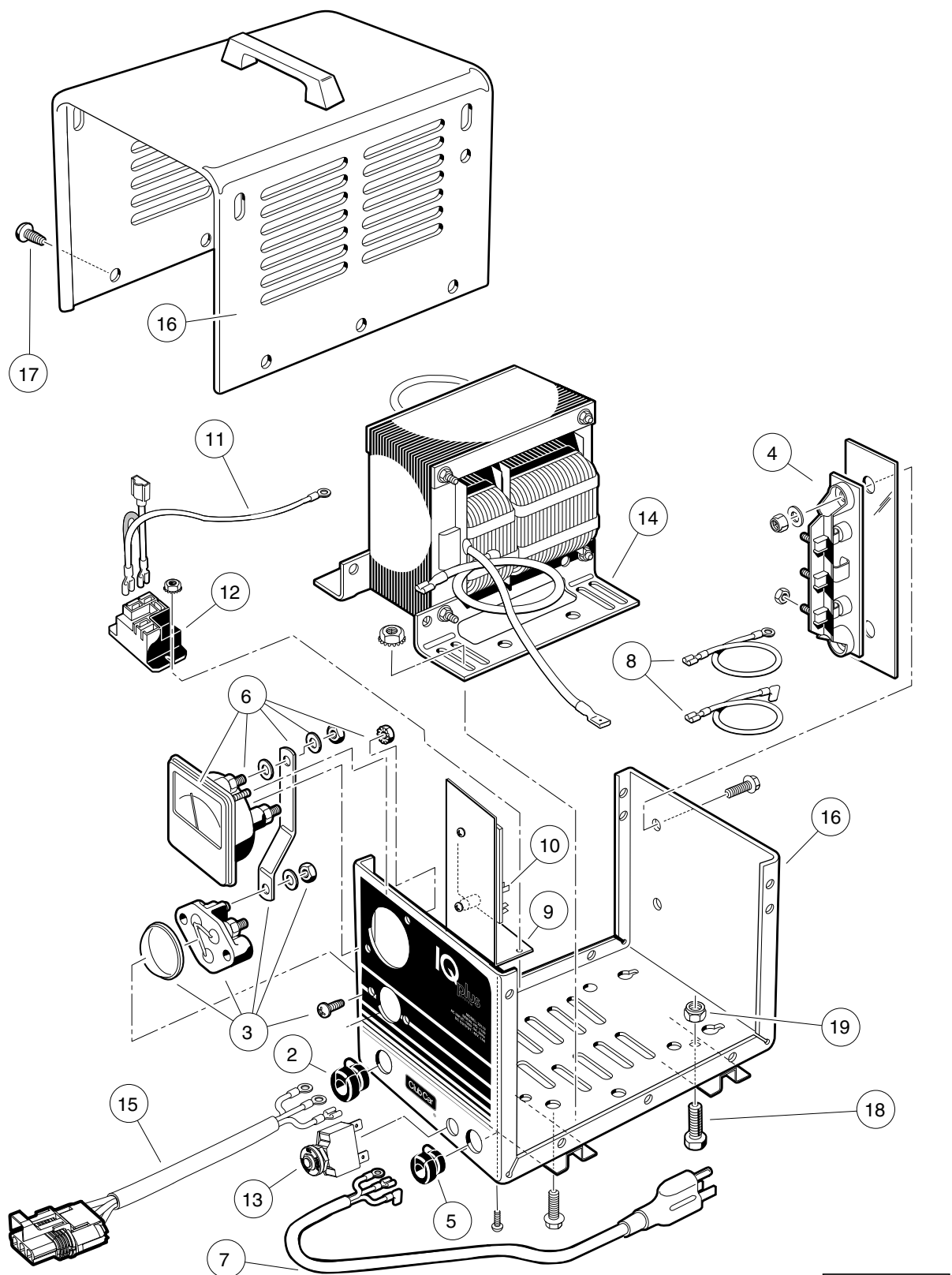
ITEM	PART NO.	DESCRIPTION	QTY
		<b>1 2 3 4</b>	
1	101958201	Cord, UK, AC, Battery Charger .....	1
2	101958301	Cord, European AC, Battery Charger .....	1
3	102892901	Charger, IQ Plus, International (9-ft. DC Cord) .....	1
4	102892902	Charger, IQ Plus, International (12-ft. DC Cord) (includes items 5 through 23) .....	1
5	1012098	Bushing, DC Cord .....	1
6	1012101	Fuse Assembly .....	1
7	1015914	Rectifier with Heatsink Assembly .....	1
8	101828901	Cord, DC, 113-Inch (287 cm) .....	1
9	101828902	Cord, DC, 154-Inch (391 cm) .....	1
10	101828903	Cord, DC, 250-Inch (635 cm) .....	1
11	101838401	Circuit Breaker .....	2
12	101838601	Four-Position Switch .....	1
13	101914401	Assembly, Voltage Suppressor .....	1
14	101973501	Receptacle, AC Cord .....	1
15	101976601	Ammeter with Mounting Bracket .....	1
16	102275401	Relay, 48-VDC .....	1
17	N/A	Wire, Jumper .....	1
18	N/A	Limiters, Current .....	1
19	N/A	Wire Assembly, Battery Charger .....	1
20	N/A	Transformer, Battery Charger .....	1
21	102940801	Cord, Dc .....	1
22	N/A	Case, Battery Charger .....	1
23	7577	Screw, #10 X 0.50 Phillips Pan-Head .....	10
24	102939501	Cord, European AC, Battery Charger .....	1

19

E

19

E



000415-001

# ONBOARD IQ PLUS BATTERY CHARGER (MODEL 25260-11), DOMESTIC

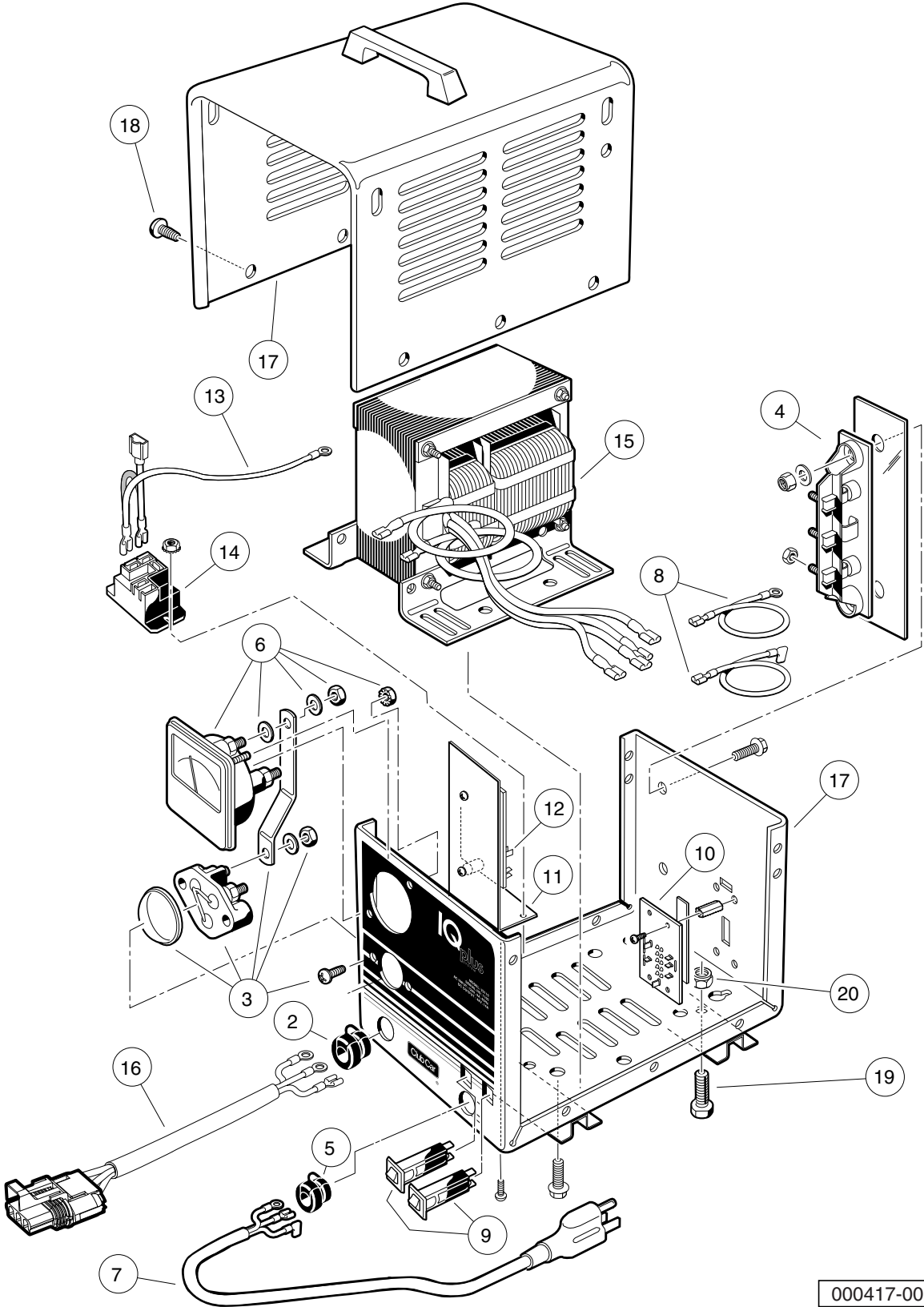
ITEM	PART NO.	DESCRIPTION	QTY
		1 2 3 4	
1	102837001	Battery Charger, Onboard, 120-VAC, 48-VDC (includes items 2 through 19) .....	1
2	1012098	Bushing, DC Cord .....	1
3	1012101	Fuse Assembly .....	1
4	1015914	Rectifier with Heatsink Assembly .....	1
5	1015917	Bushing, AC Cord .....	1
6	101828501	Ammeter .....	1
7	101829001	Cord, AC, 22-Inch (56 cm) .....	1
8	101831101	Wire Assembly Kit .....	1
9	101838701	Mounting Bracket, Relay .....	1
10	101841901	Control Board .....	1
11	101914401	Assembly, Voltage Suppressor .....	1
12	102275401	Relay, 48-VDC .....	1
13	102838101	Circuit Breaker 250vac-50vdc .....	1
14	N/A	Transformer, Battery Charger .....	1
15	102940801	Cord, Dc .....	1
16	N/A	Case, Battery Charger .....	1
17	7577	Screw, #10 X 0.50 Phillips Pan-Head .....	12
18	7847	Screw, 1/4-20 X 0.75 Hex-Head Cap .....	4
19	8233	Locknut, 1/4-20, Nylon Insert .....	4

19

E

19

E



000417-001

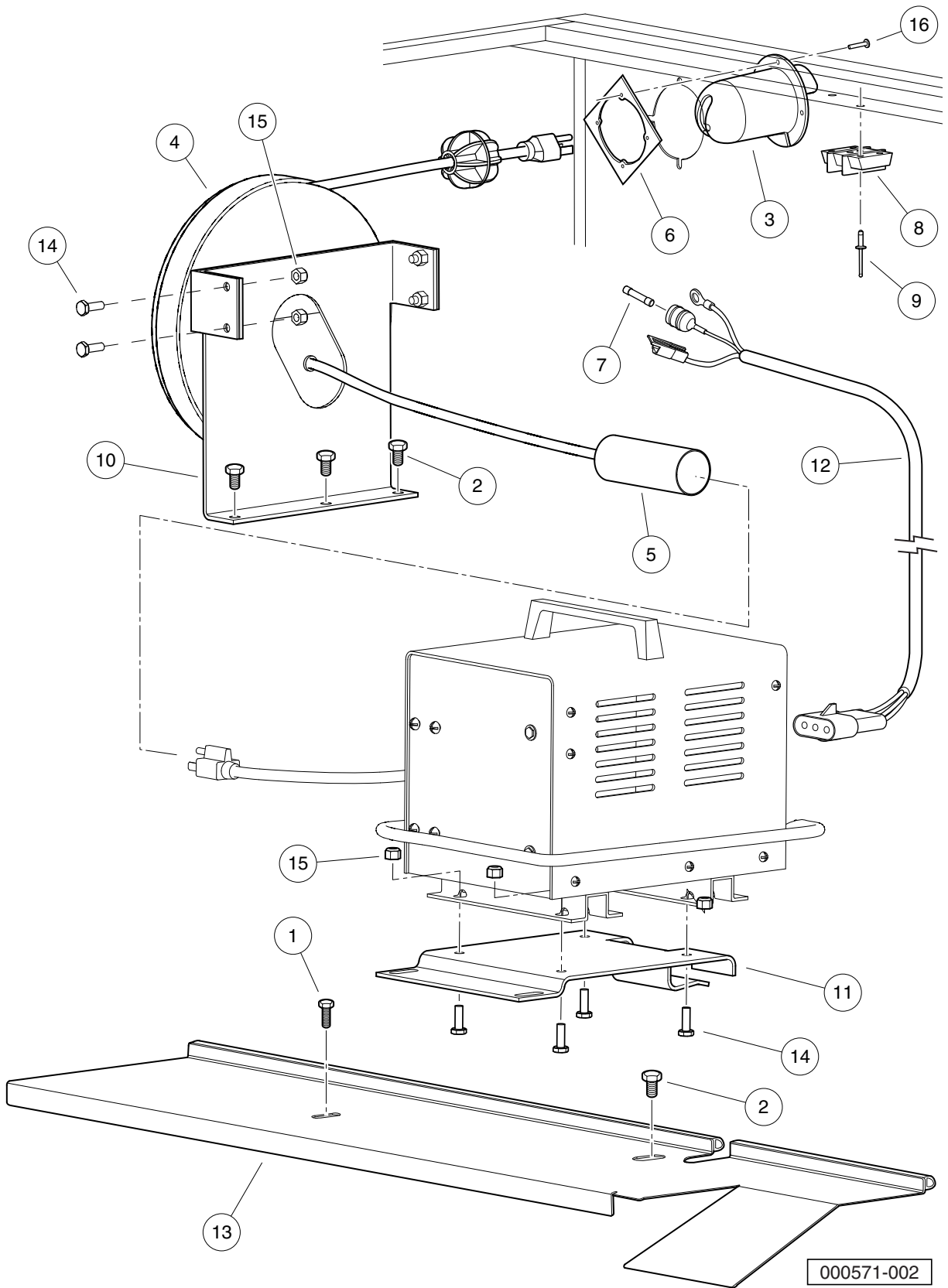


# ONBOARD IQ PLUS BATTERY CHARGER (MODEL 25660-40), INTERNATIONAL

ITEM	PART NO.	DESCRIPTION	QTY
		1 2 3 4	
1	102893001	Battery Charger, Onboard, International, IQ Plus (includes items 2 through 20) .....	1
2	1012098	Bushing, DC Cord .....	1
3	1012101	Fuse Assembly .....	1
4	1015914	Rectifier with Heatsink Assembly .....	1
5	1015917	Bushing, AC Cord .....	1
6	101828501	Ammeter .....	1
7	101829001	Cord, AC, 22-Inch (56 cm) .....	1
8	101831101	Wire Assembly Kit .....	1
9	101838401	Circuit Breaker .....	2
10	101838601	Four-Position Switch .....	1
11	101838701	Mounting Bracket, Relay .....	1
12	101841901	Control Board .....	1
13	101914401	Assembly, Voltage Suppressor .....	1
14	102275401	Relay, 48-VDC .....	1
15	N/A	Transformer, Battery Charger .....	1
16	102940801	Cord, Dc .....	1
17	N/A	Case, Battery Charger .....	1
18	7577	Screw, #10 X 0.50 Phillips Pan-Head .....	12
19	7847	Screw, 1/4-20 X 0.75 Hex-Head Cap .....	4
20	8233	Locknut, 1/4-20, Nylon Insert .....	4

19

E



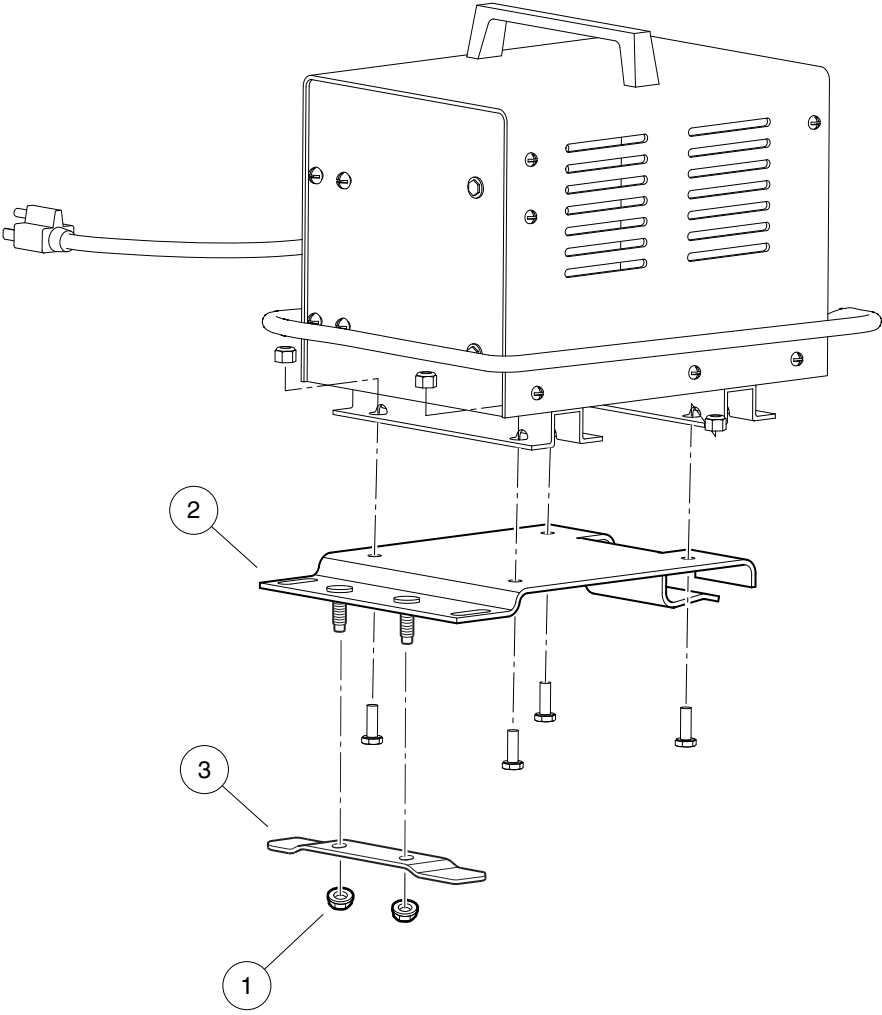
000571-002

# ONBOARD IQ PLUS CHARGER AND CORD REEL MOUNTING, PAGE 1 OF 2

ITEM	PART NO.	DESCRIPTION	QTY
		<b>1 2 3 4</b>	
1	1014063	Screw, 1/4-20 X 1.00, Hex Head .....	1
2	1014288	Screw, 5/16-18 X 0.75, Thread-Forming .....	4
3	1016673	Housing, Cord Reel .....	1
4	1017187	Retractable Cord Reel .....	1
5	1017189	Heat Shrink Tube 1.5" X 3" .....	1
6	101801001	Plate, Receptacle Backing .....	1
7	101894901	Fuse, 3/8-Amp .....	1
8	101966801	Block, Terminal .....	1
9	101968801	Rivet, 3/16", Pop .....	2
10	102770701	Bracket, Reel, Tabbed .....	1
11	102844001	Plate, Charger Mounting .....	1
12	102881401	Charger Harness, IQ Plus, 55" .....	1
13	103353501	Shield .....	1
14	7847	Screw, 1/4-20 X 0.75 Hex-Head Cap .....	8
15	8233	Locknut, 1/4-20, Nylon Insert .....	8
16	8796	Screw, #7-19 X 0.75 Pan-Head Type AB .....	4
17	8990	Tie Wrap, 8" Nylon .....	4
		Note: Item 17 not shown. NOTE 2: See following page for parts specific to the international onboard charger.	

19

E



000572-003

# ONBOARD IQ PLUS CHARGER AND CORD REEL MOUNTING, PAGE 2 OF 2

ITEM	PART NO.	DESCRIPTION	QTY
		1 2 3 4	
1	101832901	Nut, M10-1.25 Hex Flange .....	2
2	102844002	Plate, Charger Mounting, with Studs, International .....	1
3	103189101	Retainer, Charger Assembly .....	1
		<p>Note: Items on this page are used only for the International Onboard IQ Plus Battery Charger.</p>	

19

E

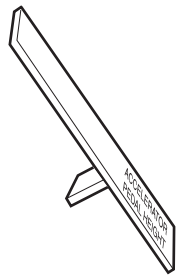


# MAINTENANCE AND SERVICE TOOLS

---

20  
G  
E

**20**  
**G**  
**E**



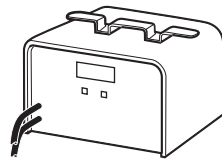
1



2



3



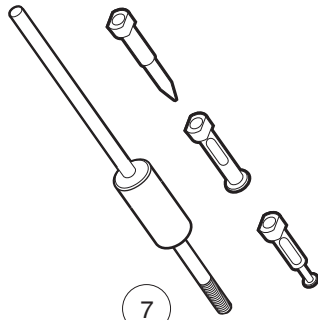
4



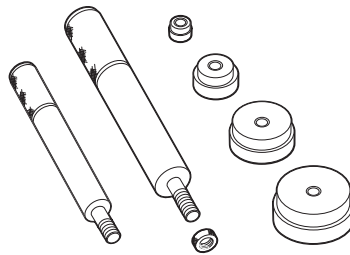
5



6



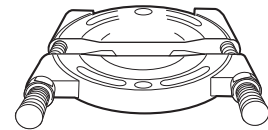
7



8



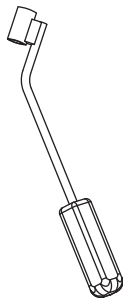
9



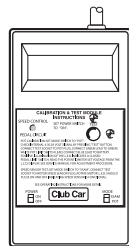
10



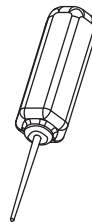
11



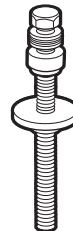
12



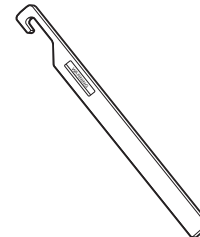
13



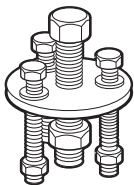
14



15



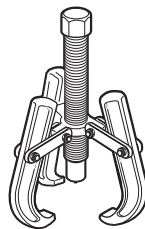
16



17



18



19



20



21

001600-001



# MAINTENANCE AND SERVICE TOOLS

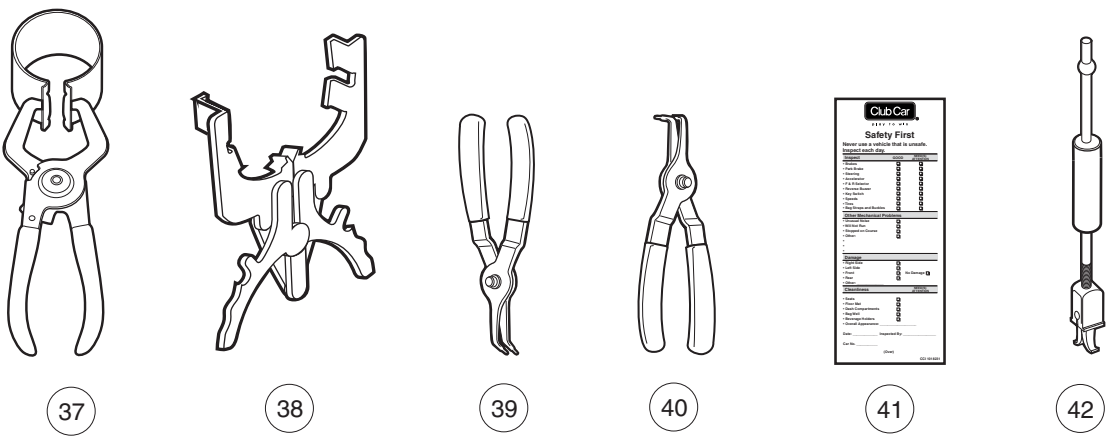
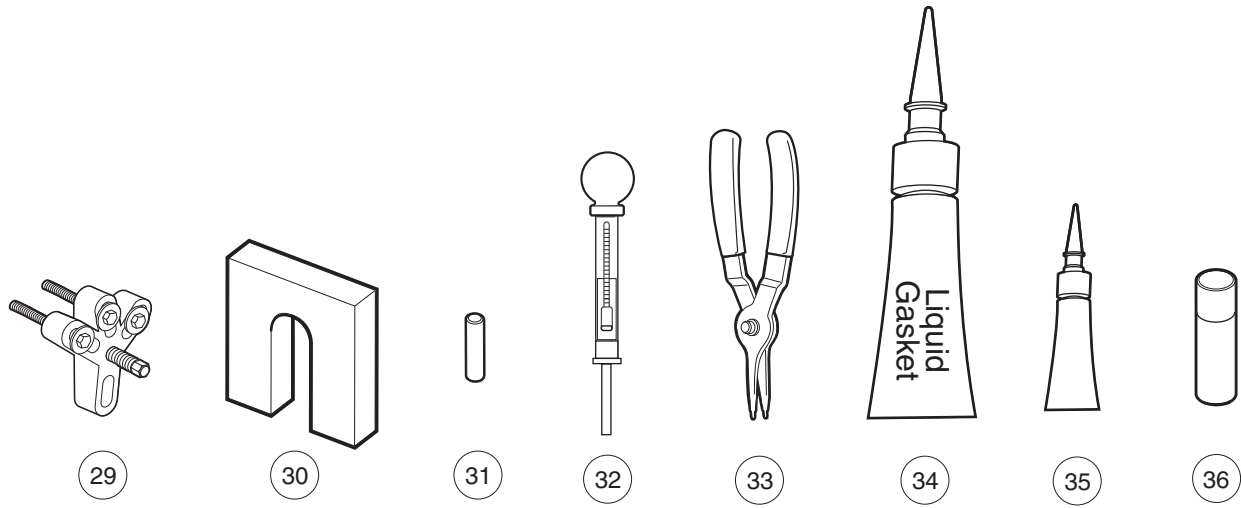
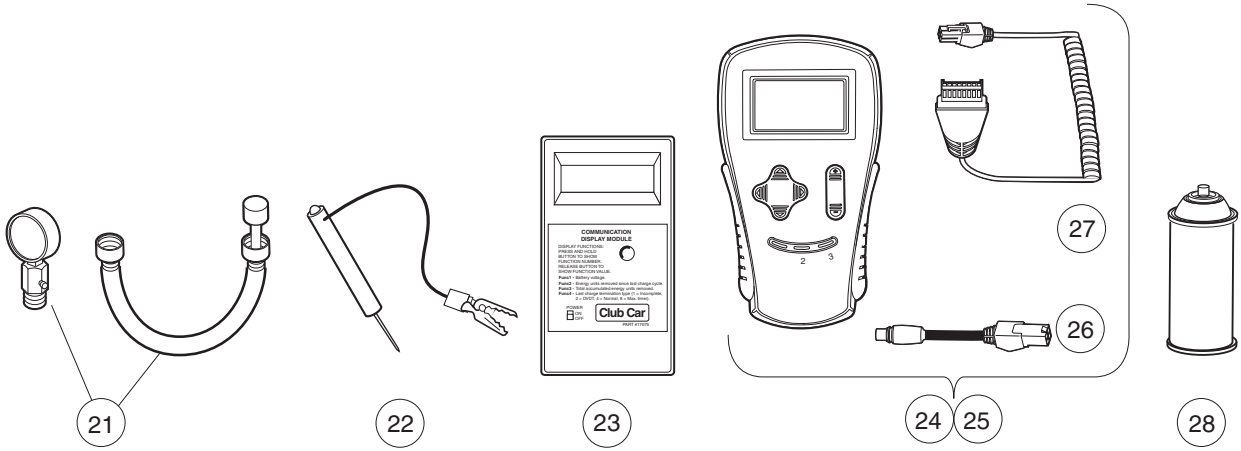
ITEM	PART NO.	DESCRIPTION	QTY GAS	QTY ELEC
		<p><b>1 2 3 4</b></p> <p>The following tool list includes all tools available from Club Car to perform maintenance and service procedures on all electric utility vehicles and all gasoline utility vehicles equipped with Kawasaki FE-series engines. Be sure to carefully examine the tool list for applicability to your vehicle before ordering.</p>		
1	101871001	Accelerator Pedal Adjustment Tool (Utility Vehicles).....	1	1
2	101813202	Adhesive, Guide Ring, 3-Gram Tube .....		1
3	101641202	Arbor .....	1	
4	101831901	Battery Discharge Machine, 36/48 Volt .....		1
5	1014305	Battery Terminal Protector Spray .....	1	1
6	1011767	Battery Thermometer .....	1	1
7	1016417	Bearing and Oil Seal Remover Assembly .....	1	1
8	1016416	Bearing Driver Set .....	1	1
9	1012811	Bearing Puller .....	1	1
10	1012812	Bearing Puller Wedge Attachment .....	1	1
11	1013582	Brake Adjustment Tool (used only on vehicles with manually adjusted mechanical brakes) .....	1	1
12	102555501	Brake Cable Release Tool .....	1	1
13	101887101	Calibration Test Module .....		1
14	102562401	Charger Bezel Tool .....		1
		Clutch Tools (items 14 - 20) .....	1	
15	101808401	Clutch Cam Installation Tool (for Kawasaki engines) .....	1	
16	1015524	Drive Clutch Holder Tool Assembly (for Kawasaki engines) .....	1	
17	1014497	Drive Clutch Hub Puller (for Kawasaki engines) .....	1	
18	1014496	Drive Clutch Puller (for Kawasaki engines) .....	1	
19	1014508	Driven Clutch Cam Puller (for Kawasaki engines) .....	1	
20	1014507	Driven Clutch Puller Plug (for Kawasaki engines) .....	1	
21	101809101	Press Weldment (for Kawasaki engines) .....	1	
		<p>Please refer to the maintenance and service manual for proper tool application.</p>		

**20**

**G**

**E**

**20**  
**G**  
**E**



001601-001

## MAINTENANCE AND SERVICE TOOLS, CONTINUED

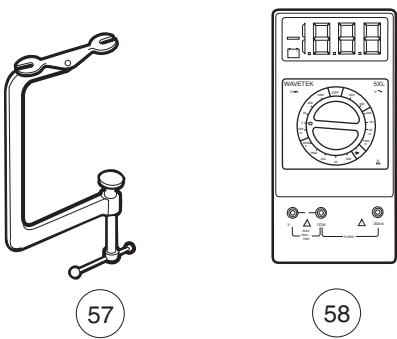
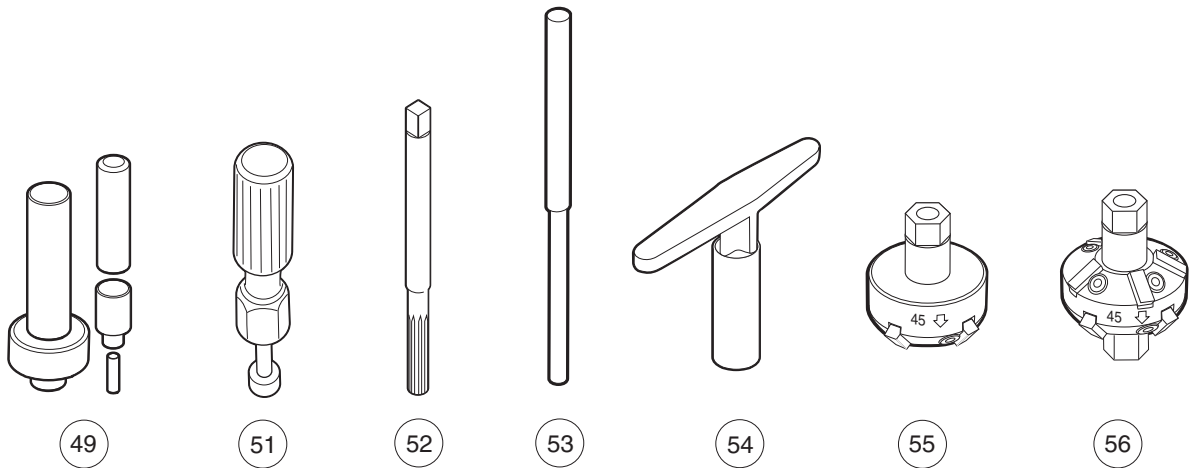
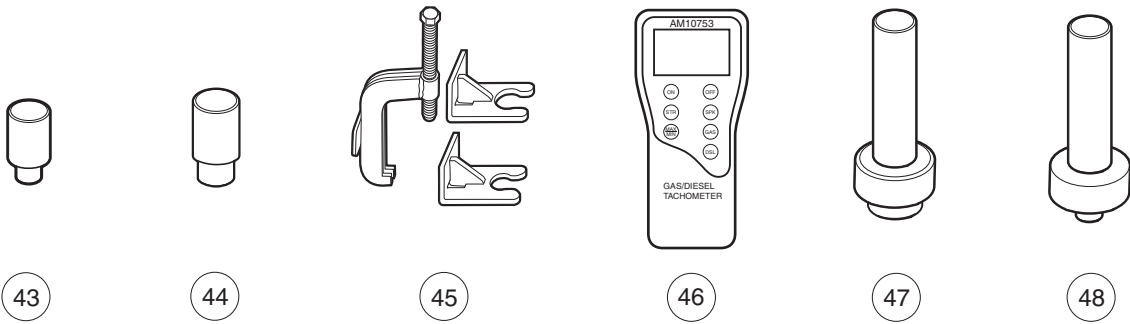
ITEM	PART NO.	DESCRIPTION	QTY GAS	QTY ELEC
		1 2 3 4		
21	101641002	Compression Gauge and Adapter .....	1	
22	1011273	Continuity Tester .....	1	1
23	101831801	Communication Display Module .....		1
24	102248803	IQ Display Module (IQDM) Kit (IQ System and IQ Plus vehicles) ..... (includes items 54 and 55)		1
25	102248804	IQ Display Module (IQDM-P) Kit (IQ System and IQ Plus vehicles) ..... (includes items 54 and 55)		1
26	102251501	Adaptor, Cable .....		1
27	102241502	IQDM Series 2 Cable .....		1
28	1012151	Dry Moly Lubricant .....	1	1
29	1016627	Flywheel Puller Kit (for Kawasaki Engines) .....	1	
30	1016418	Gear Yoke .....	1	1
31	101933101	Governor Shaft Installation Tool (for Kawasaki Engine Vehicles) .....	1	
32	1011478	Hydrometer .....	1	1
33	1013593	Internal Retaining Ring Pliers .....	1	1
34	101928701	Liquid Gasket (transaxle case) .....	1	1
35	102243402	Moly-Teflon Lubricant (4-oz. (113-gram) tube) .....		1
36	101997201	Paint, Touch-Up ,Äi Beige* .....	1	1
36	101997207	Paint, Touch-Up ,Äi Black* .....	1	1
36	101997212	Paint, Touch-Up ,Äi Burgundy* .....	1	1
36	101997211	Paint, Touch-Up ,Äi Classic Blue (Navy)* .....	1	1
36	101997205	Paint, Touch-Up ,Äi Dark Gray* .....	1	1
36	101997209	Paint, Touch-Up ,Äi Dark Green* .....	1	1
36	101997204	Paint, Touch-Up ,Äi Gray* .....	1	1
36	101997203	Paint, Touch-Up ,Äi Red* .....	1	1
36	101997206	Paint, Touch-Up ,Äi Royal Blue (Pacific Blue)* .....	1	1
36	101997202	Paint, Touch-Up ,Äi White* .....	1	1
37	1016414	Piston Ring Compressor Kit .....	1	
38	1016415	Piston Ring Pliers .....	1	
39	1012549	Retaining Ring Pliers, 45→ External .....	1	1
40	1012560	Retaining Ring Pliers, 90→ Internal .....	1	1
41	101823101	Safety First Card (50 per pack) .....	1	1
42	1012809	Seal Puller .....	1	1
		Please refer to the maintenance and service manual for proper tool application.		

20

G

E

**20**  
**G**  
**E**



001602-001

## MAINTENANCE AND SERVICE TOOLS, CONTINUED

ITEM	PART NO.	DESCRIPTION	QTY GAS	QTY ELEC	
		1 2 3 4			<b>20</b>
43	1014264	Steering Column Bearing Press Tool .....	1	1	<b>G</b>
44	1014259	Steering Column Retaining Ring Tool .....	1	1	<b>E</b>
45	102061201	Steering Wheel Puller Tool .....	1	1	
46	AM10753	Tachometer (includes gasoline engine pick up lead only) .....	1		
47	1014162	Transaxle Axle Seal Tool (for electric vehicles) .....		1	
48	1014161	Transaxle Pinion Seal Tool (for electric vehicles) .....		1	
49	1014115	Transmission Tool Kit (for electric vehicles).....		1	
50	101611003	Tune-Up Kit, All OHV (for FE290, FE350, FE400 only) (includes air filter, spark plug, oil filter, fuel filters) (not shown) .....	1		
51	1016413	Valve Clearance Adjuster Screw Holder (for FE290 engines only) .....	1		
52	101641201	Valve Guide Reamer (FE290, FE350, and FE400 only).....	1		
53	1016552	Valve Seat Cutter Guide .....	1		
54	1016551	Valve Seat Cutter T-Wrench .....	1		
55	1016553	Valve Seat Cutter, 45→× (32 mm diameter) (for FE290 engines only) .....	1		
56	1016554	Valve Seat Cutter, 45→×/30→× (35 mm diameter) .....	1		
57	101641101	Valve Spring Compressor .....	1		
58	1011480	Volt Ohm Meter .....	1	1	
		Please refer to the maintenance and service manual for proper tool application.			



# INDEX

## Part Number and Page

AM10753	20-7	10-29, 10-31, 10-37, 13-3	15-13, 19-7, 19-9, 19-11
AM10015	4-41, 4-43	1242	1-13, 10-25
AM10080	15-9		8251
AM10081	15-9	1308	1-37
AM10419	14-11, 14-13	1606	8294
AM10808	1-5	1620	4-45, 4-47
AM1232301	11-5	1624	8450
AM1243501	4-39	1631	10-29, 14-5, 14-7, 14-9
AM1243701	4-35, 4-37, 4-39	1703	8639
AM1243801	4-35, 4-37, 4-39	2402	1-89, 4-11, 4-39, 15-5
AM1264001	1-67	4029	8717
AM1304001	1-75	7048	5-7, 10-27, 10-29, 10-31, 15-3, 15-7, 15-13
AM1304101	1-75	7049	8745
AM1304201	1-75	7173	6-17, 6-25
AM1304301	1-75	7174	8754
AM1304401	1-75	7251	1-39, 5-5, 5-7, 6-3, 6-5, 6-15, 6-17, 6-23,
AM1304501	1-75	7274	6-25, 6-27, 6-29, 7-3, 7-5, 7-15, 7-17, 7-23,
AM1304601	1-75	7308	7-25, 7-27, 7-29, 8-5, 8-7, 8-17, 8-19, 8-21,
AM1304701	1-75	7310	8-23, 9-5, 9-7, 9-17, 9-19, 9-21, 9-23, 10-17,
AM1304801	1-75	7311	10-23
AM1304901	1-75	7330	8755
AM1305001	1-75	7335	1-39, 6-17, 6-25, 6-27, 7-17, 7-25, 7-27,
AM1305101	1-75	7336	8-19, 8-21, 8-23, 9-19, 9-21, 9-23
AM1305201	1-75	7473	8796
183	4-5, 4-9, 4-13, 4-15, 4-33, 4-39, 10-29, 12-3,		8797
	12-5, 12-7, 12-9, 12-19, 14-5, 14-7, 14-9, 15-7,		12-3, 12-5, 12-7, 12-9
	15-13		8861
304	1-73, 1-89, 4-6, 4-9, 4-45, 4-47, 15-5		6-15, 6-23, 6-31, 7-15, 7-23, 7-31, 8-17,
320	1-59		8-25, 9-17, 9-25
324	4-35, 4-37		8935
332	1-17, 1-41, 1-43, 1-47, 1-49, 1-53, 1-71,		1-5
	1-73, 4-7, 4-9, 4-35, 4-37, 4-45, 4-47, 10-25,		8963
	12-19, 13-3		1-25, 1-27, 1-29, 1-31, 1-33, 1-35, 16-11,
334	1-43, 5-5, 5-7, 6-3, 6-5, 7-3, 7-5, 8-5, 8-7, 9-5,		16-13, 16-15, 16-17, 16-19, 16-21
	9-7, 11-15, 14-5, 14-7, 14-9		8990
357	1-55, 1-57, 1-59, 1-65, 6-17, 6-25, 6-31,		1-55, 1-57, 1-59, 4-7, 4-11, 4-13, 4-15,
	7-17, 7-25, 7-31, 8-19, 8-25, 9-19, 9-25		4-29, 4-31, 4-37, 4-41, 4-43, 4-49, 6-3, 7-3, 8-5,
403	1-39		9-5, 10-27, 10-29, 10-31, 19-11
451	5-11, 5-17, 13-3, 17-3		1010005
705	1-55, 1-57, 1-59, 1-65, 10-17, 11-15		6-13, 6-21, 7-13, 7-21, 8-15, 9-15
706	1-55, 1-57, 1-59, 1-65, 6-17, 6-25, 7-17,		1010028
	7-25, 8-19, 9-19		15-3
808	1-43, 6-31, 7-31, 8-25, 9-25, 14-5, 14-7, 14-9		1010086
1016	4-5, 4-9, 4-13, 4-15, 4-33, 10-29, 12-3,		1-53
	12-5, 12-7, 12-9		1010124
1017	4-3, 4-5, 4-9, 10-29		6-17, 6-25, 7-17, 7-25, 8-19, 9-19
1028	5-3		1010138
1032	1-45, 5-3		1-55, 1-57, 1-59, 6-15, 6-23, 7-15, 7-23,
1035	1-43, 1-89, 6-3, 6-15, 6-23, 8-5, 8-17		8-17, 9-17
1108	1-53		1010145
1218	1-25, 1-27, 1-29, 1-31, 1-33, 1-35, 4-5, 8-3,		6-27, 6-29, 7-27, 7-29, 8-21, 8-23, 9-21,
	9-3		9-23
1231	1-45		1010150
1241	1-3, 1-5, 1-25, 1-27, 1-29, 1-31, 1-33, 1-35,		6-17, 6-25, 7-17, 7-25, 8-19, 9-19
	1-59, 1-65, 1-69, 4-5, 4-9, 4-41, 4-43, 5-3, 5-5,		1010177
	5-7, 5-15, 5-21, 8-3, 9-3, 10-17, 10-23, 10-27,		1-59, 6-25, 7-17, 7-25, 8-19, 9-19
			1010200
			6-17, 7-17
			1010219
			6-15, 6-23, 8-17
			1010237
			1-25, 1-27, 1-29, 1-31, 1-33, 1-35
			1010342
			6-13
			1010344
			6-13
			1010347
			6-13
			1010348
			6-13
			1010434
			1-3, 1-5, 1-7, 1-45
			1010435
			1-3, 1-5, 1-39, 1-49, 1-55, 1-57, 1-59
			1010436
			1-49
			1010543
			1-17
			1010546
			1-3
			1010577
			11-15
			1010805
			5-3
			1010829
			5-13, 5-15, 5-21
			1010850
			5-11, 5-17
			1010877
			5-3
			1010878
			1-41, 5-3
			101090801
			16-11, 16-13, 16-15, 16-17, 16-19,
			16-21
			1010909
			4-5, 4-33
			1010921
			1-25, 1-27, 1-29, 1-31, 1-33, 1-35, 5-3
			1010927
			5-3

# INDEX

1010932	5-3	1011883	1-25, 1-27, 1-29, 1-31, 1-33, 1-35	1012752	15-7
1010933	5-3	1011887	6-13, 6-21, 7-13, 7-21, 8-15, 9-15	1012809	20-5
1010934	1-5, 1-47, 1-53, 1-59, 1-65, 1-69, 4-41, 4-43, 10-37, 17-3	1011892	6-13, 6-21, 7-13, 7-21, 8-15, 9-15	1012811	20-3
1010954	10-27, 10-29, 10-31, 15-7, 15-13	1011893	6-15, 6-23, 8-17	1012812	20-3
1010984	2-3, 2-5, 2-7, 2-9	1011895	6-3, 6-15, 6-23, 8-5, 8-17	1012830	10-17, 10-23, 12-17, 13-3
1011014	1-3, 1-5	1011897	1-23	1012836	14-11, 14-13
1011017	1-3, 1-5, 4-25	1011930	6-3, 6-15, 6-23, 8-5, 8-17	1012896	15-7
1011084	5-9	1011931	5-5, 5-7	1013001	10-15
1011114	5-11, 5-17	1011937	1-25, 1-27, 1-29, 1-31, 1-33, 1-35	1013003	10-15
1011137	5-11	1011942	1-25, 1-27, 1-29, 1-31, 1-33, 1-35	1013005	10-15
1011154	5-11, 5-17	1011962	1-61	101301102	10-15
1011226	1-89	1011964	1-25, 1-27, 1-29, 1-31, 1-33, 1-35, 1-89	1013035	6-3, 7-3, 8-5, 9-5
1011229	4-5, 4-9	1011965	1-25, 1-29, 1-33	1013042	6-3, 7-3, 7-15, 7-23, 8-5, 9-5, 9-17
1011273	20-5	1011990	1-45, 1-55, 1-57, 1-59, 1-65	1013044	6-3, 7-3, 8-5, 9-5
1011291	15-11	1012008	1-25, 1-27, 1-29, 1-31, 1-33, 1-35	1013052	6-3, 7-3, 8-5, 9-5
1011298	5-11, 5-17	1012098	19-3, 19-5, 19-7, 19-9	1013061	15-3, 15-7, 15-13, 16-7
1011303	5-11, 5-17	1012101	19-3, 19-5, 19-7, 19-9	101313402	12-11
1011314	5-11, 5-17	1012151	20-5	1013135	6-13, 6-21, 7-13, 7-21, 8-15, 9-15
1011382	4-17, 4-19, 4-21, 4-23	1012180	6-27, 7-27, 8-21, 9-21	1013207	6-27, 7-27, 8-21, 9-21
1011393	6-13, 6-21, 7-13, 7-21, 8-15, 9-15	1012181	6-29, 7-29	1013309	1-17
1011394	1-3, 1-5	1012182	6-29, 7-29	1013311	1-17
1011402	5-3	1012285	1-71, 1-73, 1-89, 4-49, 12-3, 12-5, 12-7, 12-9, 12-11, 12-17	1013312	1-17
1011415	6-27, 6-29, 7-27, 7-29, 8-21, 8-23, 9-21, 9-23	1012295	10-27, 10-29, 10-31	1013317	1-45, 3-27, 3-29, 3-31
1011418	5-3	1012303	1-39, 6-17, 6-19, 6-25, 6-27, 6-29, 7-17, 7-19, 7-25, 7-27, 7-29, 8-19, 8-21, 8-23, 9-19, 9-21, 9-23	1013343	1-9
1011439	4-5, 4-9	1012304	6-27, 7-27	1013344	1-9
101146302	5-11, 5-17	1012333	15-5	1013357	4-5, 4-9, 16-5
1011464	5-11, 5-17	1012349	1-89	1013366	1-49
1011465	5-11, 5-17	1012382	10-3, 10-5, 10-7, 10-9, 10-11, 10-13	1013420	1-11
1011466	5-11, 5-17	1012396	4-17, 4-19, 10-3, 10-5, 10-7, 10-9, 10-11, 10-13	1013422	1-11
1011467	5-11, 5-17	1012431	10-27, 10-29	1013461	12-3, 12-5, 12-7, 12-9
1011478	20-5	1012438	4-9, 4-39, 12-19	1013462	12-3, 12-5, 12-7, 12-9
1011480	20-7	1012463	1-59	1013483	1-65
1011494	5-11, 5-17	1012467	6-3, 8-5	1013494	4-17, 4-19, 4-21, 4-23
1011546	1-67	1012505	4-17, 4-19, 4-21, 4-23	1013509	4-35, 4-37
1011553	1-65, 1-69, 3-5, 3-9, 3-13, 3-17, 3-21, 3-25	1012528	13-3, 16-25, 16-27, 16-29	1013531	5-15, 5-21
1011557	4-5, 4-9	1012549	20-5	1013579	4-49
1011558	4-5, 4-9	1012560	20-5	1013582	20-3
1011578	1-5, 6-5, 7-5, 8-7, 9-7	1012565	6-11, 7-11, 8-13, 9-13	1013589	10-27, 10-29, 10-31
1011582	4-51	1012566	6-11, 7-11, 8-13, 9-13	1013593	20-5
1011590	4-13	1012571	11-15, 16-11, 16-13, 16-15, 16-17, 16-19, 16-21	1013609	10-27, 10-29, 10-31
1011694	5-5, 5-7	1012604	6-5, 7-5, 8-7, 9-7	1013677	3-5, 3-9
1011697	6-5, 7-5, 8-7, 9-7, 11-15, 12-17	1012605	6-5, 7-5, 8-7, 9-7	1013687	12-3, 12-5, 12-7, 12-9
1011734	5-9	1012640	2-11	1013700	12-17
1011767	20-3	1012641	2-11	1013734	13-3, 16-25, 16-27, 16-29
1011779	5-13, 5-15, 5-21	1012642	2-11	1013746	12-3, 12-5, 12-7, 12-9, 12-11, 12-15
1011825	4-5, 4-9, 4-45, 4-47	1012649	12-3, 12-5, 12-7, 12-9, 12-11	1013760	15-7
1011843	4-51	1012711	15-7	1013768	15-11
1011852	1-25, 1-27, 1-29, 1-31, 1-33, 1-35	1012714	15-9	1013769	15-11
1011862	1-25, 1-27, 1-29, 1-31, 1-33, 1-35	1012740	15-9	1013770	15-11
1011865	1-25, 1-27, 1-29, 1-31, 1-33, 1-35	1012741	15-9	1013771	15-11
1011868	1-25, 1-27, 1-29, 1-31, 1-33, 1-35	1012747	15-9	1013772	15-11
101187702	5-3	1012748	15-9	1013773	15-11
1011878	1-13, 1-25, 1-29, 1-33			1013774	15-11
				1013787	15-11
				1013792	15-11
				1013794	15-11, 18-3



# INDEX

1013824	1-13	1014415	1-47, 1-49	1015368	1-45
1013825	1-13	1014435	1-23	1015371	10-27, 10-31
1013846	1-13	101444101	1-23	1015372	10-27, 10-29, 10-31
1013857	4-5, 4-9	1014453	14-5, 14-7, 14-9	1015373	10-27, 10-29, 10-31
1013861	6-7	1014454	14-11, 14-13	1015390	1-45
1013869	5-3	1014471	1-39	1015391	1-39
1013870	5-3	1014496	20-3	1015392	16-9
1013871	5-5, 5-7	1014497	20-3	1015399	1-39, 1-47, 1-49, 1-91
1013876	5-3	1014503	1-25, 1-27, 1-29, 1-31, 1-33, 1-35	1015400	1-39, 1-45
1013924	5-11, 5-17, 5-19, 11-15	1014506	1-25, 1-27	1015405	1-3, 10-27, 10-29, 10-31
1014007	5-5, 5-7, 12-17, 15-7, 15-13	101450698	1-29, 1-31	1015412	1-45
1014049	14-5, 14-7, 14-9	1014507	20-3	1015424	1-45
1014050	14-5, 14-7, 14-9	1014508	20-3	1015426	12-19
1014051	14-5	1014509	1-25, 1-27	101542901	1-39
1014052	14-5, 14-7, 14-9	101450902	1-33, 1-35	1015445	1-65
1014055	14-5, 14-7, 14-9	101450903	1-29, 1-31	1015453	6-31, 7-31, 8-25, 9-25
1014056	14-5, 14-7, 14-9	1014523	12-3, 12-7	1015457	6-31, 7-31, 8-25, 9-25
1014057	14-5, 14-7, 14-9	1014530	4-5, 4-9, 4-45, 4-47	101547601	3-13, 3-17, 3-21, 3-25
1014058	14-5, 14-7, 14-9	1014537	1-47, 1-49	1015507	1-39
1014059	14-5, 14-7, 14-9	1014555	6-27, 6-29, 7-27, 7-29, 8-21, 8-23, 9-21, 9-23	1015524	20-3
1014062	14-5, 14-7, 14-9	1014771	2-3, 2-5	1015526	4-35, 4-37, 4-39
1014063	14-5, 14-7, 14-9, 19-11	1014807	10-27, 10-29, 10-33, 15-3	1015528	4-17, 4-19, 4-21, 4-23
1014065	10-27, 10-29, 10-31, 14-5, 14-7, 14-9	1014808	10-27, 10-33, 15-3	1015530	1-71, 1-73
1014070	14-11, 14-13	1014902	6-29, 7-29, 8-23, 9-23	101553901	1-45, 1-53, 3-3, 3-7, 3-11, 3-15, 3-19, 3-23
1014072	14-11, 14-13	1014948	10-27, 10-29, 10-31	1015583	1-39, 6-19, 6-27, 6-29, 7-19, 8-19, 8-21, 8-23, 9-19, 9-21, 9-23
1014078	14-11, 14-13	1015010	4-39	101558302	6-17, 6-25, 7-17, 7-25, 7-27, 7-29
1014080	14-11, 14-13	101503202	1-5, 1-9	1015597	6-3, 6-13, 6-15, 6-21, 6-23, 7-13, 7-21, 8-5, 8-15, 8-17, 9-15
1014109	4-5	1015072	16-11, 16-13, 16-15, 16-17, 16-19, 16-21	1015607	1-45
1014115	20-7	1015075	1-3, 1-5	1015608	1-5, 1-59, 16-11, 16-13, 16-15, 16-17, 16-19, 16-21
1014116	12-3, 12-5, 12-7, 12-9	1015137	12-3, 12-5, 12-7, 12-9, 12-11, 12-15	1015610	1-59
1014119	10-3, 10-5, 10-7, 10-9, 10-11, 10-13, 10-27, 10-29, 10-31	1015139	12-3, 12-5	1015612	1-55, 1-59
1014125	6-5, 7-5, 8-7, 9-7	1015143	12-3, 12-5	1015613	6-31, 7-31, 8-25, 9-25
1014126	6-5, 7-5, 8-7, 9-7	1015153	4-35	1015614	6-31, 7-31, 8-25, 9-25
1014145	10-27, 10-29, 10-31	1015154	4-35	1015615	1-59
1014153	5-11, 5-17, 5-19	1015156	4-35, 4-37, 4-39	1015616	1-59
1014161	20-7	1015157	4-35, 4-37	1015617	1-59
1014162	20-7	1015160	4-35, 4-37	1015621	1-59
1014201	17-3	1015162	4-35	1015623	1-59
1014207	15-11	1015167	4-39	1015624	1-59
1014213	6-5, 7-5, 8-7, 9-7	1015170	4-39	101562711	1-17
1014214	6-5, 7-5, 8-7, 9-7	1015172	4-35, 4-37	101562712	1-17
1014217	6-5, 7-5, 8-7, 9-7	1015187	4-35, 4-37, 4-39	101562714	1-17
1014259	20-7	101524002	10-17, 10-23	101562715	1-17
1014264	20-7	1015245	1-45	101564501	1-17
1014276	6-17, 6-25, 7-17, 7-25, 8-19, 9-19	1015252	1-39	101564502	1-17
1014287	14-5, 14-7, 14-9	1015258	1-39	101564503	1-17
1014288	6-5, 7-5, 8-7, 9-7, 10-37, 14-5, 14-7, 14-9, 19-11	1015277	1-41	101564505	1-17
1014289	10-15	1015313	1-45	1015649	11-3
1014305	20-3	1015332	10-3, 10-5, 10-7, 10-9, 10-11, 10-13, 11-3	1015654	1-53
1014306	1-49, 1-71, 1-73, 4-49	1015345	10-27, 10-29, 10-31	1015656	1-53
1014307	4-9	1015348	1-43	101565803	1-53
1014321	1-37, 1-47	1015363	1-45	1015700	1-43
1014375	10-37	1015366	1-45		
1014387	1-37, 1-47				

# INDEX

101570401	1-59	1016385	6-15, 6-23, 7-15, 7-23, 8-17, 9-17	1016506	11-11
1015720	16-25, 16-27, 16-29	1016386	6-17, 6-25, 7-17, 7-25, 8-19, 9-19	1016507	11-3
1015737	4-5, 10-3, 10-5, 10-7, 10-9, 10-11, 10-13, 10-27, 10-29, 10-31	1016387	6-17, 6-25, 7-17, 7-25, 8-19, 9-19	1016510	11-11
1015741	4-5, 4-9, 10-27, 10-29, 10-31	1016389	6-17, 6-25, 7-17, 7-25, 8-19, 9-19	1016513	15-7
1015752	10-27, 10-29, 10-31, 12-19, 16-3	1016401	10-3, 10-5, 10-27, 10-29	101651406	2-3, 2-5
1015760	6-31, 7-31, 8-25, 9-25	101641002	20-5	101651407	2-3, 2-5
1015765	4-35	101641101	20-7	101651409	2-3
1015768	4-39	101641201	20-7	101651414	2-3, 2-5
1015770	4-39	101641202	20-3	101651418	2-3, 2-5
1015814	13-3	1016413	20-7	101651419	2-5
1015820	1-59	1016414	20-5	1016517	11-9
101584502	12-17	1016415	20-5	1016519	11-9
1015878	10-27, 10-29, 10-33, 15-3	1016416	20-3	1016521	11-11
1015914	19-3, 19-5, 19-7, 19-9	1016417	20-3	1016531	11-3
1015917	19-3, 19-7, 19-9	1016418	20-5	1016535	11-11
1015921	12-3, 12-5, 12-7, 12-9	1016423	4-5, 4-9, 10-27, 10-29, 10-31	1016537	11-7
1015932	10-17, 10-23	101642575	12-13	1016538	11-11
1015969	11-3	101642578	12-13	1016539	11-3
1016011	14-7	101642580	12-13	1016541	11-13
1016060	1-41	101642582	12-13	1016542	11-9
1016074	10-17, 10-23	101642585	12-13	1016544	11-5, 11-9, 11-11
1016077	1-53	1016429	11-7	1016545	11-9
1016078	1-41	1016432	11-7, 15-7	1016546	12-17
101609401	3-3, 3-7, 3-11, 3-15, 3-19, 3-23	1016436	11-9	1016547	11-3, 11-13, 12-15
101611003	20-7	1016437	12-13	1016549	11-9
101611402	18-5	1016438	12-15	1016551	20-7
1016136	1-59	1016440	11-9, 12-15	1016552	20-7
1016154	6-11, 7-11, 8-13, 9-13	1016441	12-15	1016553	20-7
101615504	6-9, 7-9, 8-11, 9-11	1016444	12-15	1016554	20-7
1016156	6-9, 6-11, 7-9, 7-11, 8-11, 8-13, 9-11, 9-13	1016449	11-9	1016557	5-11, 5-17
1016183	6-5, 7-5, 8-7, 9-7	1016450	11-9	1016560	11-9
1016201	14-5, 14-7, 14-9	1016451	11-9	1016561	11-5
1016214	6-11, 7-11, 8-13, 9-13	1016452	11-9	1016562	11-5, 11-13
1016219	6-11, 7-11, 8-13, 9-13	1016453	11-11	1016563	11-9
1016230	4-39	1016454	11-11	1016564	11-11
1016267	4-39	1016455	11-5	1016566	11-9
1016269	6-5, 7-5, 8-7, 9-7	1016456	11-3	1016569	11-9
1016287	4-39	1016457	11-7	1016570	11-7
1016289	14-5, 14-7, 14-9	1016458	11-9	1016571	11-13
1016319	5-13	1016467	11-7	1016572	12-15
1016320	5-13	1016470	11-13	1016573	5-11, 5-17
1016337	15-9	1016472	11-11	1016576	11-7
1016338	15-9	1016473	11-7	1016578	11-5
1016346	6-15, 6-23, 7-15, 7-23, 8-17, 9-17	1016474	11-9	1016581	11-7
1016349	6-15, 6-23, 7-15, 7-23, 8-17, 9-17	1016479	11-9	1016582	12-15
1016350	6-15, 6-23, 7-15, 7-23, 8-17, 9-17	101648102	12-15	1016583	11-9
1016351	6-15, 6-23, 7-15, 7-23, 8-17, 9-17	101648203	11-7	1016584	11-11
1016353	6-15, 6-23, 7-15, 7-23, 8-17, 9-17	1016483	11-9	1016585	12-13
1016356	4-5, 4-9, 16-5	1016486	12-13	1016587	11-5
1016363	4-9	1016489	11-9	1016588	11-5
1016365	4-29, 4-31	101649002	12-15	1016603	1-55, 1-57
1016366	4-9	1016494	11-11	101661601	16-11
1016367	4-5	1016496	11-11	1016627	20-5
1016384	6-17, 6-25, 7-17, 7-25, 8-19, 9-19	1016499	12-13	1016630	4-17, 4-19
		1016501	12-13	1016631	4-9
		1016502	11-7	1016663	6-9, 6-11, 7-9, 7-11, 8-11, 8-13, 9-11,

# INDEX

9-13		
1016672	15-11	
1016673	19-11	
1016679	1-71	
101670201	3-27, 3-29, 3-31	
1016751	1-19	
101675511	1-19	
101675512	1-19	
101675514	1-19	
101675515	1-19	
101677701	1-19	
101677702	1-19	
101677703	1-19	
101677705	1-19	
1016801	14-5, 14-7, 14-9	
1016813	6-31, 7-31, 8-25, 9-25	
1016814	6-31, 7-31	
1016837	4-35, 4-37	
1016849	4-17, 4-19, 4-21, 4-23	
1016851	4-17, 4-19, 4-21, 4-23	
1016868	1-3, 1-5	
1016879	4-3	
1016880	4-3	
1016883	10-17, 10-23	
1016901	14-7, 14-9	
1016904	1-89, 11-9, 13-3	
1016916	1-53	
101692501	1-3	
101692502	1-3	
101692506	1-3	
101692509	1-3	
101692510	1-3	
101692511	1-3	
101692512	1-3	
101692513	1-3	
101692514	1-3	
101692515	1-3	
1016929	4-35, 4-37, 4-39	
101693201	3-15, 3-23	
101693901	1-3, 1-5	
101693902	1-3, 1-5	
101693906	1-3, 1-5	
101693908	1-5	
101693909	1-3, 1-5	
101693910	1-3, 1-5	
101693911	1-3, 1-5	
101693912	1-3, 1-5	
101693913	1-3, 1-5	
101693914	1-3, 1-5	
1016952	1-11	
1016967	1-3, 1-5, 16-25, 16-27, 16-29	
1016997	10-29	
1017006	10-7, 10-9	
1017029	5-3	
1017035	4-5, 4-9, 4-51	
101705603	4-5	
1017062	4-3	
1017064	4-3	
1017065	4-3	
101707402	4-13	
101707405	4-15	
1017075	4-13, 4-15	
1017080	1-3, 1-5	
1017082	15-7, 15-13	
1017162	1-55, 1-57	
1017167	1-55, 1-57	
1017187	19-11	
1017188	14-3	
1017189	19-11	
1017211	5-13	
1017226	6-7, 7-7, 8-9, 9-9	
1017231	15-7	
1017239	10-29	
1017243	10-29	
1017266	6-15, 6-23, 7-15, 7-23, 8-17, 9-17	
1017273	6-9, 6-11, 7-9, 7-11, 8-11, 8-13, 9-11, 9-13	
101728602	1-21	
1017313	6-5, 7-5, 8-7, 9-7	
1017314	6-5, 7-5, 8-7, 9-7	
1017315	6-5, 7-5, 8-7, 9-7	
1017317	6-5, 7-5, 8-7, 9-7	
101734802	1-3	
101737002	2-3, 2-5	
1017378	5-5, 5-7	
1017380	5-5, 5-7	
101738301	14-7	
101738302	14-7	
1017424	5-5, 5-7	
1017434	11-9	
1017442	11-7	
1017443	11-9	
1017445	11-9	
1017448	11-5	
101744901	11-13	
101744902	11-13	
1017450	11-13	
101745101	11-13	
101745102	11-13	
1017453	11-13	
1017454	11-9	
1017455	11-5	
1017456	11-7	
101745701	11-13	
101745702	11-13	
1017458	11-7	
1017460	11-7	
1017461	12-13	
1017463	11-5	
1017466	12-15	
1017471	11-13	
1017472	11-11	
1017473	11-9	
1017474	11-3	
1017475	11-3	
1017476	11-3	
1017486	11-3	
1017487	11-11	
1017490	11-5	
1017501	11-13	
1017502	11-13	
1017503	11-13	
1017504	11-11	
1017507	11-7	
1017508	11-11	
1017510	11-13	
1017512	11-13	
1017513	11-11	
1017514	11-11	
101751801	11-11	
101751802	11-11	
101751803	11-11	
101754201	1-91	
101754204	1-91	
1017653	10-15	
1017686	14-11, 14-13	
1017689	1-89, 13-3	
101769302	2-3, 2-5	
1017696	5-5, 5-7	
1017699	4-51	
101770202	1-51	
1017705	16-7	
1017721	4-5, 4-33	
1017722	4-5	
1017724	4-13, 4-15	
101773301	11-13	
101773302	11-13	
101773303	11-13	
101773304	11-13	
101773305	11-13	
101773306	11-13	
101773307	11-13	
101773308	11-13	
101773309	11-13	
101773310	11-13	
101773311	11-13	
1017774	1-55, 1-57	
1017853	4-5, 4-9	
101791101	5-17, 5-19	
101796201	5-5, 5-7	
101796501	16-7	
101796801	16-7	
101801001	16-7, 19-11	
101804301	4-17, 4-19, 12-19	
101806001	1-15	
101806002	1-15	
101806005	1-15	
101808401	20-3	

# INDEX

101809101	20-3	101834502	4-17, 4-19, 4-21, 4-23, 4-27	101876901	6-21, 8-15
101810601	4-9	101834601	11-15	101877001	6-21, 8-15
101811901	12-19	101834801	12-17, 15-7, 15-13	101877601	10-15
101812301	12-19	101835601	1-39, 1-41, 4-29, 4-31	101877701	10-15
101813001	12-19	101836201	14-11	101878101	10-15
101813202	20-3	101836202	14-13	101878201	5-3
101814601	4-37	101837101	12-19	101878302	6-3, 8-5
101815501	5-19	101837301	10-3, 10-5, 10-7, 10-9, 10-11, 10-13, 10-17, 10-19, 10-21	101879001	10-15
101815502	5-19	101837401	1-63	101879401	6-3, 7-3, 8-5, 9-5
101816501	5-19	101837502	1-63	101879501	6-3, 7-3, 8-5, 9-5
101816502	5-19	101838401	19-5, 19-9	101879601	6-3, 7-3, 8-5, 9-5
101817401	5-5, 5-7	101838601	19-5, 19-9	101879701	6-3, 7-3, 8-5, 9-5
101818801	5-7	101838701	19-7, 19-9	101879801	6-3, 7-3, 8-5, 9-5
101821501	12-19	101839801	4-27	101879901	6-3, 7-3, 8-5, 9-5
101821601	4-39	101839802	4-27	101880001	6-3, 7-3, 8-5, 9-5
101822001	5-9	101839803	4-27	101880101	6-3, 7-3, 8-5, 9-5
101823101	20-5	101839804	4-27	101880201	6-3, 7-3, 8-5, 9-5
101823201	5-19	101839805	4-27	101880301	6-3, 7-3, 8-5, 9-5
101823801	5-19	101839806	4-27	101880701	5-11, 5-17
101823901	5-19	101839807	4-27	101881501	4-49
101824401	12-3, 12-5, 12-7, 12-9	101839808	4-27	101881601	4-49
101825101	3-3, 3-7, 3-11, 3-19	101839809	4-27	101881701	12-19
101825102	3-15, 3-23	101839809	4-27	101884801	11-15
101825103	4-25	101839810	4-27	101884901	2-3
101826201	4-21, 4-23	101839811	4-27	101886101	12-17, 15-7, 15-13
101826301	4-17	101839812	4-27	101887101	20-3
101826401	4-19	101841901	19-7, 19-9	101887601	11-3
101827101	11-15	101851101	4-17, 4-19, 4-21, 4-23, 4-27	101889401	15-9
101828501	19-3, 19-7, 19-9	101856002	4-21, 4-23	101890001	15-9
101828801	19-3	101856102	10-27, 10-29, 10-31	101890101	15-7
101828802	19-3	101859401	13-3	101890201	15-7
101828901	19-3, 19-5	101861901	5-5, 5-7	101890501	15-7
101828902	19-3, 19-5	101862001	5-5	101890601	15-7
101828903	19-3, 19-5	101865301	5-13	101890901	15-11
101829001	19-7, 19-9	101869302	10-15	101891001	15-11
101830601	4-17, 4-19, 4-21, 4-23	101870401	1-3	101891301	15-7
101830701	4-17, 4-19, 4-21, 4-23, 4-27	101870501	6-25, 7-25, 8-19, 9-19	101891401	15-11
101831101	19-3, 19-7, 19-9	101870601	6-23, 7-23	101891501	15-11
101831401	16-11, 16-13	101871001	20-3	101891601	15-9
101831801	20-5	101874601	5-13	101891901	15-9
101831901	20-3	101874901	10-15	101892001	15-9
101832001	16-7	101875001	10-15	101892201	15-9
101832202	12-17	101875101	10-15	101892301	15-9
101832302	12-17	101875102	10-15	101892401	15-9
101832601	11-15	101875201	10-15	101892501	15-9
101832701	11-15	101875301	10-15	101892601	15-9
101832901	19-13	101875401	10-15	101892701	15-11
101833101	11-15	101875501	10-15	101892901	15-7
101833401	14-11, 14-13	101875601	10-15	101893201	15-9
101833601	15-7	101875701	10-15	101893801	15-7
101833701	10-15	101875802	10-15	101893901	15-9
101833902	14-5	101876001	10-15	101894303	1-17
101833904	14-7	101876202	10-15	101894304	1-49
101833906	14-9	101876301	10-15	101894702	1-47
101834001	14-11	101876402	10-15	101894901	16-7, 19-11
101834003	14-13	101876501	10-15	101895401	18-3

# INDEX

101895501	18-3	101932201	1-89, 4-5, 4-9	101976601	19-5
101896501	10-15	101933101	20-5	101978601	18-5
101897001	18-3	101933701	12-19	101980801	15-9
101897201	18-3	101936101	18-5	101980901	15-9
101897401	18-3	101936801	16-3	101981001	15-9
101897601	18-3	101939901	10-15	101984801	6-5, 7-5, 8-7, 9-7
101898001	10-37	101942301	17-3	101987901	4-3
101903101	6-17, 6-25, 8-19	101946201	1-37	101988001	4-3, 4-5, 4-9
101903601	18-3	101953102	5-21	101988002	4-3, 4-5, 4-9
101903701	18-3	101953106	5-13, 5-15	101988101	4-3
101906901	18-3	101954301	1-17	101988201	4-3
101908101	16-9	101955001	6-23, 7-23, 8-17, 9-17	101990801	5-15, 5-21
101908401	10-25, 16-9	101955101	4-5, 4-9, 4-45, 4-47	101994301	1-83
101910501	15-11	101957101	4-5, 4-9	101994401	1-87
101914001	18-5	101958201	19-5	101994601	1-81
101914401	4-5, 19-3, 19-5, 19-7, 19-9	101958301	19-5	101994801	1-85
101914402	4-9	101958601	1-41	101995101	1-77
101915201	3-13, 3-17, 3-21, 3-25	101960201	3-3, 3-11, 3-15	101996901	1-61
101916101	11-3	101960501	3-13, 3-17, 3-21, 3-25, 10-19, 10-21	101997802	4-49
101916301	11-5	101960601	3-23	101997803	4-49
101916701	10-17, 10-23	101963301	1-37	101997902	4-49
101917601	12-19	101963401	1-37, 1-47, 1-49, 10-35, 11-15	101997903	4-49
101918402	2-3	101964001	1-37	102002901	16-11, 16-13, 16-15, 16-17, 16-19, 16-21
101918501	5-3	101966801	19-11	102003201	12-3, 12-5, 12-7, 12-9
101919801	5-5, 5-7	101968801	19-11	102004101	8-9, 9-9
101920101	16-3	101969701	4-5, 4-9, 4-45	102004201	8-21, 9-21
101921501	12-19	101971301	12-19	102004301	1-5
101921601	1-43	101972001	20-5	102004601	1-73
101922101	18-3	101972002	20-5	102004602	1-73
101922201	18-3	101972003	20-5	102004901	8-25, 9-25
101922501	10-25	101972004	20-5	102005701	1-21
101922801	1-43	101972005	20-5	102006201	1-91
101923001	18-3	101972006	20-5	102006701	3-7, 3-19, 3-23
101923201	18-3	101972007	20-5	102009201	2-7
101923501	18-3	101972009	20-5	102009202	2-7
101923901	18-3	101972011	20-5	102009301	2-7
101925601	14-5	101972012	20-5	102009302	2-7
101925701	12-19	101972101	18-3	102009401	2-7
101926501	6-27, 7-27, 8-21, 8-23, 9-21, 9-23	101972201	18-3	102009402	2-7
101926801	12-19	101972801	12-19	102009501	2-7
101926901	15-7	101973101	12-13	102009502	2-7
101927101	15-7	101973301	12-13	102009901	2-9
101927201	15-7	101973401	12-15	102009902	2-9
101927301	15-7	101973501	19-5	102010001	2-9
101927501	15-9	101974701	4-27	102010002	2-9
101927601	15-9	101974702	4-27	102010501	1-73
101927701	15-9	101974703	4-27	102022101	5-21
101927901	15-9	101974704	4-27	102022601	7-15, 7-23, 9-17
101928001	15-9	101974705	4-27	102022602	7-3, 7-15, 7-23, 9-5, 9-17
101928101	15-9	101974706	4-27	102025401	1-89
101928301	15-11	101974707	4-27	102026001	5-5, 5-7
101928601	15-7	101974708	4-27	102031901	15-11
101928701	15-7, 18-3, 20-5	101974709	4-27	102051901	4-5, 4-9
101929401	6-27, 7-27, 8-21, 8-23, 9-21, 9-23	101974710	4-27	102054501	4-41
101929501	12-3, 12-5, 12-7, 12-9	101974711	4-27	102054502	4-43
101929802	14-5, 14-9	101974712	4-27		

# INDEX

102056001	1-69	102241502	20-5	102673201	1-49
102056401	1-61	102242101	14-11, 14-13	102683201	3-29
102056502	1-89	102242401	1-27, 1-31, 1-35	102683301	3-29
102061201	20-7	102243402	20-5	102683701	3-31
102065103	1-69	102243403	17-3	102683801	3-31
102065901	1-39, 11-15	102248803	20-5	102684501	7-17, 7-25, 9-19
102066201	6-29, 7-29, 8-23, 9-23	102251501	20-5	102684602	15-3
102070601	1-89	102262901	1-75	102704901	17-3
102071701	1-89	102264001	10-35	102711001	10-19, 10-21
102074101	1-89	102264501	1-75	102711201	10-27, 10-31
102074201	1-89	102269701	10-35	102751601	12-3, 12-5
102074501	1-89	102272501	10-35	102753401	11-9
102074601	1-89	102272601	1-79	102764001	16-11, 16-13, 16-15, 16-17, 16-19, 16-21
102074701	1-89	102275401	19-3, 19-5, 19-7, 19-9	102764401	16-13
102074801	1-89	102278001	6-5, 7-5, 8-7, 9-7	102766201	16-11, 16-13, 16-15, 16-17, 16-19, 16-21
102074901	1-89	102289201	7-3, 7-15, 7-23, 9-5, 9-17	102766301	7-17, 7-25, 9-19
102075801	3-7, 3-19, 3-23	102292801	5-13, 5-15, 5-21	102770701	19-11
102076702	1-27, 1-31, 1-35	102304801	11-9	102771701	18-3
102077601	4-41, 4-43	102323101	5-3, 5-13, 5-15, 5-21	102772401	16-25, 16-27, 16-29
102077701	4-41, 4-43	102323201	5-3, 5-13, 5-15, 5-21	102774501	16-25, 16-27, 16-29
102077801	4-41, 4-43	102336001	12-17	102774602	16-25
102077901	4-41, 4-43	102336101	12-17	102774701	16-25, 16-27, 16-29
102078001	4-41, 4-43	102345901	3-25	102775101	17-3
102101001	16-3	102352201	4-29	102803401	10-29
102101101	16-3	102354901	4-29, 4-31	102817101	16-25, 16-27, 16-29
102155701	4-41	102355301	10-37	102817201	16-25, 16-27, 16-29
102155801	14-11, 14-13	102356601	18-3	102837001	19-7
102158901	5-5, 5-7	102356801	18-3	102838101	16-9, 19-3, 19-7
102159601	4-41, 4-43	102376001	15-3	102838401	11-5
102163001	1-21	102399001	8-23, 9-23	102838701	10-19, 10-21
102163101	1-21	102406701	12-7, 12-9	102838801	10-19, 10-21
102181101	1-89	102430901	11-13	102838901	10-19, 10-21
102182101	1-89	102453001	15-9	102839001	10-19, 10-21
102185401	12-19	102453101	15-9	102839301	10-19, 10-21
102186401	17-3	102459301	3-5, 3-9, 3-13, 3-15, 3-19, 3-23	102841101	10-19, 10-21
102190702	12-19	102508701	4-21, 4-23	102844001	19-11
102196901	4-21, 4-23, 16-5	102513701	12-3, 12-5	102844002	19-13
102198501	1-33, 1-35	102515401	15-7, 15-13	102844601	10-19, 10-21
102198701	4-5	102517501	4-15	102844701	10-19, 10-21
102199001	4-5	102517601	4-47	102845101	3-5, 3-9
102199201	4-5, 4-9	102518001	3-3, 3-7	102845201	16-11, 16-15, 16-19
102199301	4-5, 4-9	102518301	3-5, 3-9	102845203	16-11, 16-13, 16-15, 16-17, 16-19, 16-21
102199401	4-5, 4-9	102519201	3-11, 3-19	102845204	16-13, 16-17, 16-21
102221301	1-49	102522001	12-3, 12-5, 12-7, 12-9	102845401	16-5
102221401	1-49	102526201	15-3	102846402	16-5
102221501	1-49	102529201	4-13, 4-15	102847601	1-53
102221701	1-49	102529203	4-47	102847602	1-53
102221801	1-49	102540301	11-15	102847603	1-53
102222001	1-49	102546401	4-15	102847701	1-53
102222101	1-49	102555501	20-3	102847801	19-3
102222201	1-49	102559901	2-11	102847802	19-3
102224001	1-73, 3-21, 3-25	102562401	20-3	102847803	19-3
102231601	3-9, 3-21, 3-25	102564002	7-17, 7-25, 9-19	102848701	16-7
102235201	17-3	102572401	4-21, 4-23, 16-5		
102239901	1-49	102614401	1-49		
102240501	16-25, 16-27, 16-29	102616701	15-3		

# INDEX

102852101	5-15	102900501	15-15	102980801	16-11, 16-13, 16-15, 16-17, 16-19, 16-21
102859501	16-25, 16-27, 16-29	102900601	15-13	102980901	16-11, 16-13, 16-15, 16-17, 16-19, 16-21
102863801	16-5	102900701	15-15	102989501	1-37, 1-39
102865101	12-3, 12-5, 12-7, 12-9	102900801	15-17	103010101	12-5, 12-9
102869401	4-5, 4-9, 4-19, 4-23	102900901	15-13	103173301	15-3
102871801	6-27, 6-29, 7-27, 7-29, 8-21, 8-23, 9-21, 9-23	102901001	15-15	103174401	1-7
102873401	16-11, 16-13, 16-15, 16-17, 16-19, 16-21	102901101	15-15	103177401	15-3
102881401	19-11	102901201	15-17	103180101	4-17, 4-19, 4-21, 4-23
102882501	1-55, 1-57, 1-59	102901301	15-17	103187601	12-3, 12-5
102886301	18-3	102901401	15-17	103189101	19-13
102886401	18-3	102901501	15-17	103192701	15-3
102886501	18-3	102901601	15-17	103197101	10-3
102886601	18-3	102901701	15-17	103198001	10-7
102890201	4-29, 4-31	102901801	15-17	103198101	10-11
102891101	6-29, 7-29, 8-23, 9-23	102901901	15-17	103198301	4-21, 4-23
102892901	19-5	102902001	15-17	103198401	10-25
102892902	19-5	102902101	15-17	103199001	4-17, 4-19
102893001	19-9	102902201	15-17	103199101	4-17, 4-19
102893601	1-57	102902301	15-17	103205401	3-3, 3-7, 3-11, 3-15, 3-19
102896801	15-13	102902401	15-17	103205501	3-13, 3-17, 3-21, 3-25, 10-25
102896901	15-13	102902501	15-17	103210201	3-13, 3-17, 3-21, 3-25
102897201	15-15	102902601	15-17	103210301	3-5, 3-9
102897301	15-15	102902701	15-17	103218601	4-21, 4-23, 16-5
102897401	15-13	102902801	15-17, 18-3	103221901	16-5
102897501	15-13	102915101	4-9	103226201	16-23
102897601	15-13	102915701	16-9	103226301	16-23
102897701	15-15	102917101	6-29, 7-29	103226401	16-23
102897801	15-13	102918701	4-29, 4-31	103226601	16-23
102897901	15-13	102931101	16-25, 16-27, 16-29	103226701	16-23
102898001	15-15	102938601	17-3	103234301	3-27, 3-29, 3-31
102898101	15-15	102938701	17-3	103245201	1-37
102898201	15-13	102938801	17-3	103245301	1-37
102898301	15-15	102938901	17-3	103254101	4-5
102898401	15-15	102939001	17-3	103256901	4-5, 4-9
102898501	15-15	102939101	17-3	103260101	3-27
102898601	15-15	102939102	17-3	103260801	3-27
102898701	15-15	102939501	19-5	103260901	3-27
102898801	15-15	102940801	19-5, 19-7, 19-9	103261301	3-29
102898901	15-15	102950301	4-25	103270201	1-55
102899001	15-15	102951701	17-3	103270301	1-57
102899101	15-13	102958001	16-23	103272801	1-55
102899201	15-13	102959601	1-57	103274202	1-57
102899301	15-15	102962303	4-25	103274401	1-75
102899401	15-13	102962602	4-25	103284101	3-27, 3-29
102899501	15-15	102966401	1-37	103295101	15-5
102899601	15-15	102966501	1-37	103295202	15-5
102899701	15-13	102966502	1-37	103306301	12-3, 12-5, 12-7, 12-9
102899801	15-13	102967601	3-5, 3-9	103318401	1-59
102899901	15-15	102969401	15-3	103324402	1-59
102900001	15-13	102969801	15-3	103324801	8-23, 9-23
102900101	15-13	102969901	15-3	103345701	14-5, 14-7, 14-9
102900201	15-13	102974201	12-3, 12-5	103347101	10-19, 10-21
102900301	15-13	102977001	4-17, 4-19	103347301	10-19, 10-21
102900401	15-15	102977002	4-21, 4-23	103347601	10-19, 10-21
		102977901	12-3, 12-5, 12-7, 12-9		
		102978001	12-3, 12-5, 12-7, 12-9		

# INDEX

- 103347701 10-19, 10-21  
103347801 10-19, 10-21  
103347901 10-19, 10-21  
103348204 4-17, 4-19  
103348501 4-17, 4-19, 10-3, 10-5, 10-7, 10-9, 10-11, 10-13  
103348602 4-17, 4-19  
103350001 4-43  
103350901 6-27, 7-27  
103351001 6-15, 7-15, 8-17, 9-17  
103351101 6-29, 7-29, 8-21, 8-23, 9-21, 9-23  
103353501 19-11  
103354701 7-15, 7-23, 9-17  
103369101 12-7, 12-9  
103369501 15-3  
103372101 12-7, 12-9  
103372201 12-7, 12-9  
103372301 12-7, 12-9  
103372401 12-11  
103372504 12-11  
103372801 12-11  
103374701 12-7, 12-9  
103380201 5-19  
103380202 5-19  
103386202 11-3  
103397901 4-9, 16-25, 16-27, 16-29  
103406501 1-45  
103406502 1-45  
103406601 1-45  
103414901 16-25, 16-27, 16-29  
103418601 12-11  
103459102 2-3, 2-5  
103464801 3-27, 3-29  
103477901 6-13, 6-21, 7-13, 7-21, 8-15, 9-15  
103483101 5-19  
103483102 5-19  
103483201 5-19  
103483401 5-19  
103483601 5-19  
103483701 5-19  
103496801 10-37  
103502601 6-17, 6-25, 7-17, 7-25  
103502701 6-19, 7-19, 8-19, 9-19  
103502801 6-19, 7-19  
103507001 7-17, 7-25, 8-19, 9-19  
103507101 12-15  
103507201 12-15  
103507301 12-15  
103510001 4-49  
103510301 4-49  
103510501 16-23  
103510801 16-23  
103520401 12-19  
103538701 1-39  
103538901 1-39  
103582801 18-3
- 103601501 7-3, 9-5  
103601601 7-7  
103615601 11-9  
103615801 11-13  
103615901 11-11  
103616301 11-9  
103616401 11-11  
103616501 11-5  
103616601 11-5  
103616701 11-5  
103617101 12-13  
103618001 4-15  
103618101 4-47  
103628701 6-17, 6-25, 7-17, 7-25  
103628801 6-19, 7-19, 8-19, 9-19  
103628901 6-19, 7-19  
103653401 7-3, 9-5  
103653501 7-3, 7-15, 7-23, 9-5, 9-17  
103657301 7-27, 7-29  
103658701 2-3, 2-5  
103665902 7-13  
103666002 7-13  
103678402 10-19  
103678502 10-21  
103686401 10-9  
103687101 10-5  
103687201 10-13  
103694501 2-11  
103695502 16-19  
103695702 16-21  
103697102 16-27  
103697105 16-29  
103700301 4-31  
103717302 7-21, 9-15  
103717402 7-21, 9-15  
103718702 10-19  
103720302 16-15  
103720402 16-17  
103722901 2-5  
103723002 2-5  
103781101 12-5, 12-9  
103953301 10-19, 10-21  
96704416 11-15
- A**  
absorber, shock 6-23, 7-23  
AC cord 19-3, 19-5, 19-7, 19-9  
AC cord receptacle 19-5  
accelerator bracket and bearing assembly 5-5, 5-7  
accelerator cable 12-17  
accelerator pedal 5-5, 5-7  
accelerator pedal adjustment tool 20-3  
accelerator pivot rod 5-5, 5-7  
accelerator return spring 5-5, 5-7  
accelerator rod 5-9
- accessory switch panel 1-81  
actuator 1-55, 1-57  
adapter  
    actuator 1-55, 1-57  
    cable (IQDM) 20-5  
adhesive, guide ring 20-3  
air box 12-19  
air box top 12-19  
air duct shield 12-19  
air filter 12-19  
air intake hose 12-19  
ammeter 19-3, 19-5, 19-7, 19-9  
anchor body 5-11, 5-17  
anchor body kit 5-11, 5-17  
anchor, piston 5-11, 5-17  
anti-sway bar 6-31, 7-31, 8-25, 9-25  
A-plate strap 6-15, 6-23, 7-15, 7-23, 8-17, 9-17  
A-plate, delta 6-15, 6-23, 7-15, 7-23, 8-17, 9-17  
arbor 20-3  
arm  
    governor 12-17, 15-7, 15-13  
    pivot 15-7  
    rocker 11-9  
    wiper 1-75  
armature 10-15, 17-3  
armature conversion kit 10-15  
assembly  
    accelerator bracket and bearing 5-5, 5-7  
    accelerator pivot rod 5-5, 5-7  
    air box 12-19  
    air box top 12-19  
    armature 10-15  
    axle 15-11  
    bearing, steering shaft 6-5, 7-5, 8-7, 9-7  
    bell crank and shaft 10-27, 10-29, 10-31  
    brake lever 5-19  
    brush connector 10-15  
    brush holder 10-15  
    cab 1-75  
    choke cable 12-19  
    connecting rod 11-13  
    cylinder head 11-9  
    delta A-plate 6-15, 6-23, 7-15, 7-23, 8-17, 9-17  
    delta shock and gear support 6-15, 6-23, 7-15, 7-23, 8-17, 9-17  
    drive clutch 14-7  
    drive hub 14-5, 14-7, 14-9  
    driven clutch 14-11  
    driven clutch fixed-face 14-11, 14-13  
    field coil 10-15  
    float 12-13  
    fuel cap 12-7, 12-9  
    fuel pump 12-5, 12-9  
    fuel tank vent 12-3, 12-5  
    governor 15-9, 15-15



# INDEX

- headlight 4-3, 4-5, 4-9
  - headlight harness 4-3
  - idle screw 12-13
  - inner ball joint 6-3, 7-3, 8-5, 9-5
  - kingpin 6-17, 6-25, 7-17, 7-25, 8-19, 9-19
  - latch weld 1-39
  - moveable-face 14-5, 14-7, 14-9, 14-11, 14-13
  - pilot air screw 12-13
  - plug cap 11-5
  - prop rod support 1-43
  - ratchet 5-3
  - score card plate 6-11, 7-11, 8-13, 9-13
  - secondary clutch weight 14-5, 14-7, 14-9
  - steering shaft 6-5, 7-5, 8-7, 9-7
  - steering wheel 6-9, 6-11, 7-9, 7-11, 8-11, 8-13, 9-11, 9-13
  - tailgate 1-49
  - tether 1-49
  - tilt bed 1-39
  - turn signal lens 4-3
  - axle 15-7, 15-11, 15-17, 18-3
  - axle guard 18-5
  - axle shaft oil seal 15-11, 15-17, 18-3
  - axle tube 15-11, 15-17, 18-3
- B**
- backing plate, brake 5-11, 5-17, 5-19
  - ball bearing 10-19, 10-21, 11-11
  - ball joint 5-3, 5-9, 6-3, 6-15, 6-23, 8-5, 8-17, 15-5
  - ball joint, left-hand thread 6-3, 6-15, 6-23, 8-5, 8-17
  - ball stud 10-27, 10-29, 10-31, 15-7, 15-13
  - ball, shifter 15-9
  - ball, steel pressure relief 11-7
  - ball, trailer hitch 1-67
  - bar, drive 16-3
  - bar, light 4-41, 4-43
  - bar, stabilizer 6-31, 7-31, 8-25, 9-25
  - barb, vent 12-3, 12-5, 12-7, 12-9
  - barrel, plastic 1-3, 1-5, 1-7, 1-45
  - battery 16-17, 16-19, 16-21
    - 12-volt, side-post 10-37
  - battery cap, 6-volt 16-11, 16-13
  - battery charger 19-3, 19-5
  - battery charger case 19-3, 19-5, 19-7, 19-9
  - battery charger harness 19-11
  - battery charger mounting plate 19-11
  - battery charger receptacle 16-7
  - battery charger retainer 19-13
  - battery charger shield 19-11
  - battery charger transformer 19-3, 19-5, 19-7, 19-9
  - battery charger wire assembly 19-5
  - battery charger, onboard 19-7, 19-9
  - battery clamp 10-37
  - battery discharge machine 20-3
  - battery hold-down 16-11, 16-13, 16-15, 16-17, 16-19, 16-21
  - battery hold-down rod 16-11, 16-13, 16-15, 16-17, 16-19, 16-21
  - battery light 4-21, 4-23
  - battery terminal protector spray 4-9, 20-3
  - battery thermometer 20-3
  - battery, 6-volt, Trojan T105 16-11
  - battery, 6-volt, Trojan T145 16-13
  - bearing 18-3
    - ball 10-19, 10-21, 11-11
    - ball (motor) 17-3
    - ball (steering pinion) 6-3, 7-3, 8-5, 9-5
    - cage roller 15-15
    - front wheel hub 6-13, 6-21, 7-13, 7-21, 8-15, 9-15
    - hub 6-13, 6-21, 7-13, 7-21, 8-15, 9-15
    - idler 14-5, 14-7, 14-9
    - inner axle tube 15-11, 18-3
    - lower pinion (steering) 6-3, 7-3, 8-5, 9-5
    - needle 15-9
    - outer axle tube 15-11
    - pivot support 5-5, 5-7
    - steering shaft 6-5, 7-5, 8-7, 9-7
    - thrust 6-17, 6-25, 7-17, 7-25, 8-19, 9-19
  - bearing and oil seal remover 20-3
  - bearing driver set 20-3
  - bearing puller 20-3
  - bearing puller wedge 20-3
  - bearing seat 6-5, 7-5, 8-7, 9-7
  - bed floor plate 1-39
  - bed latch 1-45
  - bed latch spring 1-45
  - bed lift
    - hydraulic 1-59
  - bed mat 1-51
  - bed seal 1-37, 1-39
  - bed, tilt 1-39
  - bell crank and shaft 10-27, 10-29, 10-31
  - bellows 6-3, 7-3, 8-5, 9-5
  - belt, drive 14-3
  - belt, seat 1-75
  - belt, starter/generator 10-17, 10-23
  - belt, V 10-17, 10-23
  - bezel, choke cable 12-19
  - bezel, headlight 4-3
  - block, brake-mounting 5-3
  - block, fuse 4-5, 4-9, 10-27, 10-29, 10-31
  - block, terminal 4-5, 4-9, 16-5
  - blower cover 1-89
  - blower mounting bracket 1-89
  - blower, centrifugal 1-89
  - body, anchor 5-11, 5-17
  - bolt, U- 6-29, 7-29, 8-23, 9-23
  - boot, steering column 6-5, 7-5, 8-7, 9-7
  - boot, switch 10-25, 16-9
  - bottom, air box 12-19
  - box
    - air 12-19
    - cargo 1-45
    - differential 15-17
    - electrical component 10-27, 10-29, 10-31
    - steering gear 6-3, 7-3, 8-5, 9-5
    - tool 1-63
    - van 1-91
  - brace, light bar 4-41, 4-43
  - brace, trailer hitch 1-65
  - bracket 6-27, 7-27, 8-21, 8-23, 9-21, 9-23
    - accelerator cable 12-17
    - adjustable starter/generator 10-17, 10-23
    - brace mounting 4-41, 4-43
    - brake cable guide 6-23, 7-23, 8-17, 9-17
    - brake light switch 4-5, 4-9
    - FNR shifter 15-3
    - governor cable 12-17
    - headlight mounting 4-3
    - horn 4-5, 4-9, 4-45, 4-47
    - light mounting 4-41, 4-43
    - muffler mounting 13-3
    - oil filter mount 11-7
    - oil level switch 11-11
    - relay mounting 10-29, 19-7, 19-9
    - shock mounting, drv 6-29, 7-29
    - shock mounting, pas 6-29, 7-29
    - snubber 11-15
    - stabilizer bar mounting 6-31, 7-31, 8-25, 9-25
    - stake side 1-53
    - starter/generator mounting 10-17, 10-23
    - steering column 6-5, 7-5, 8-7, 9-7
    - steering column mounting 6-5, 7-5, 8-7, 9-7
    - throttle spring return 12-15
    - Tow/Run switch 10-25
  - bracket, carburetor intake manifold 12-15
  - bracket, hinge, bed 1-39
  - bracket, hour meter 4-49
  - brake actuator kit 5-11, 5-17
  - brake adjusting mechanism 5-19
  - brake adjustment tool 20-3
  - brake backing plate 5-11, 5-17, 5-19
  - brake cable 5-13, 5-15, 5-21
  - brake cable equalizer 5-13, 5-15, 5-21
  - brake cable hanger 6-27, 7-27, 8-21, 9-21
  - brake cable release tool 20-3
  - brake cluster 5-11, 5-17, 5-19
  - brake drum 5-11, 5-17, 5-19
  - brake lever 5-19
  - brake lever arm 5-11, 5-17
  - brake light switch bracket 4-5, 4-9
  - brake mounting block 5-3

# INDEX

- brake pedal 5-3
  - brake pedal pad 5-3
  - brake relay kit, 12-volt 4-5
  - brake return spring 5-15, 5-21
  - brake self-adjusting mechanism 5-19
  - brake shoe 5-11, 5-17, 5-19
  - brake spring 5-11, 5-17, 5-19
  - breaker, circuit 19-5, 19-9
  - breather 15-7, 15-13, 18-3
  - brush and screw set 10-15
  - brush box assembly 17-3
  - brush connector 10-15
  - brush cover kit, starter/generator 10-15, 10-19, 10-21
  - brush guard 1-5
  - brush holder 10-15
  - brush inspection port cover 10-15, 10-19, 10-21
  - brush kit, motor 17-3
  - brush plate
    - starter/generator 10-15
  - brush port cover 10-15
  - brush rigging 17-3
  - brush spring 10-19, 10-21, 17-3
  - brush spring set 10-15, 10-19, 10-21
  - brush spring, starter/generator 10-15, 10-19, 10-21
  - brush terminal, starter/generator 10-15, 10-19, 10-21
  - brush, motor 17-3
  - bulb, headlight 4-3
  - bulb, light bar 4-41, 4-43
  - bulb, strobe light 4-35, 4-37, 4-39
  - bulb, tail light 4-51
  - bumper 1-23
    - drive unit (motor) 17-3
    - front 1-3, 1-5
    - front, heavy duty 1-3
    - front, kit 1-3, 1-5
    - rubber 1-41, 1-49, 5-3
    - seal, long 1-17
    - spring return 5-5, 5-7
  - bumper, heavy-duty 1-3
  - bumper, seat 1-17
  - bushing 1-55, 1-57, 10-27, 10-29, 10-31, 14-5, 14-7, 14-9, 15-3
    - bronze 6-13, 6-21, 7-13, 7-21, 8-15, 9-15
    - nylon 1-45, 1-47, 5-3
    - return line 12-7, 12-9
    - snap-in 1-45
    - spindle 6-13, 6-21, 7-13, 7-21, 8-15, 9-15
  - stabilizer bar 6-31, 7-31, 8-25, 9-25
  - steel 1-39, 6-17, 6-19, 6-25, 6-27, 6-29, 7-17, 7-19, 7-25, 7-27, 7-29, 8-19, 8-21, 8-23, 9-19, 9-21, 9-23
  - urethane 1-39, 6-15, 6-17, 6-19, 6-23, 6-25, 6-27, 6-29, 7-15, 7-17, 7-19, 7-23, 7-25, 7-27, 7-29, 8-17, 8-19, 8-21, 8-23, 9-17, 9-19, 9-21, 9-23
  - bushing support 6-31, 7-31, 8-25, 9-25
  - button, drive 14-11, 14-13
  - buzzer, reverse 4-17, 4-19, 4-21, 4-23
- ## C
- cab 1-75
    - door 1-75
    - door hinge 1-75
    - door latch 1-75
    - heater 1-89
    - roof 1-75
    - side rear window 1-75
    - windshield 1-75
    - windshield latches 1-75
    - wiper arm 1-75
    - wiper blade 1-75
    - wiper motor 1-75
  - cable
    - accelerator 12-17
    - brake 5-13, 5-15, 5-21
    - choke 12-19
    - FNR shifter 15-5
    - governor 12-17
  - calibration test module 20-3
  - cam
    - driven clutch 14-11, 14-13
    - electrical component box 10-27, 10-29, 10-31
  - cam, FNR shifter 15-3
  - camshaft 11-11
  - camshaft shim 11-11
  - canister, carbon, fuel tank 12-11
  - canopy 1-25, 1-27, 1-29, 1-31, 1-33, 1-35
  - canopy brace 1-25, 1-27, 1-29, 1-31, 1-33, 1-35
  - canopy support 1-25, 1-27, 1-29, 1-31, 1-33, 1-35
  - canopy trim plate 1-25, 1-27, 1-29, 1-31, 1-33, 1-35
  - cap
    - battery, 6-volt 16-11, 16-13
    - corner 1-37, 1-47
    - dust 4-21, 4-23, 16-5
    - front corner 1-49
    - fuel tank 12-3, 12-5
    - fuel, gas, ratchet 12-7, 12-9
    - key switch 4-17, 4-19, 4-21, 4-23, 4-27
    - plug 11-5
    - seat back 1-19
  - cap, hub, 7 prong 2-11
  - carbon canister 12-11
  - carburetor adapter 12-15
  - carburetor gasket 12-15
  - carburetor insulator 12-15
  - carburetor mounting gasket 12-15
  - carburetor, FE350 S27 12-13
  - card, safety first 20-5
  - cargo bed, side panel 1-45
  - cargo box 1-45
  - case
    - battery charger 19-3, 19-5, 19-7, 19-9
    - differential gear 15-11
    - gear 15-7, 15-13, 18-3
    - rocker 11-9
  - centrifugal blower 1-89
  - charger
    - wire assembly kit 19-3, 19-7, 19-9
  - charger bezel tool 20-3
  - charger receptacle 16-7
  - charger, battery 19-3, 19-5
  - charger, battery, onboard 19-7, 19-9
  - charger, battery, shield 19-11
  - choke cable 12-19
  - choke cable bezel 12-19
  - choke valve 12-19
  - circuit breaker 16-9, 19-3, 19-5, 19-7, 19-9
  - clamp
    - battery 10-37
    - cable retaining 12-17
    - hose 12-3, 12-5, 12-7, 12-9, 12-11, 12-15, 12-19
    - hose, green 12-11
    - muffler hose 1-89, 13-3
  - clevis, upper delta 6-17, 6-25, 7-17, 7-25, 8-19, 9-19
  - clip
    - hair pin 1-49
  - clip, score card 6-11, 7-11, 8-13, 9-13
  - cluster idler gear 15-9
  - cluster, brake 5-11, 5-17, 5-19
  - clutch cam installation tool 20-3
  - clutch pulley 14-5, 14-9
  - clutch repair kit 14-11, 14-13
  - clutch tool kit 20-3
  - clutch weight 14-5, 14-7, 14-9
  - clutch, drive 14-5, 14-9
  - clutch, driven 14-11, 14-13
  - coil, field 10-15
  - collet 11-9
  - column, steering 6-5, 7-5, 8-7, 9-7
  - communication display module 20-5
  - component box, electrical 10-27, 10-29, 10-31
  - component mounting plate 16-25, 16-27, 16-29
  - compression gauge 20-5
  - compression mount 6-31, 7-31, 8-25, 9-25
  - compressor, piston ring 20-5
  - compressor, valve spring 20-7
  - computer
    - onboard 16-27, 16-29
  - computer, onboard 16-25

# INDEX

- conduit 4-39
- connecting rod 11-13
- connector, a- 10-15
- continuity tester 20-5
- control board 19-7, 19-9
- controller, speed 16-25, 16-27, 16-29
- converter, DC/DC 4-29, 4-31
- cord connector 11-11
- cord reel 19-11
- cord, AC 19-3, 19-5, 19-7, 19-9
- cord, DC 19-3, 19-5, 19-7, 19-9
- corner cap 1-49
- counterbalance guide shaft 11-13
- counterbalance weight 11-13
- coupler, SPWS 16-23
- cover
  - brush inspection port 10-15, 10-19, 10-21
  - brush port 10-15
  - crankcase 11-11
  - dust 5-11, 5-17, 5-19, 6-13, 6-21, 7-13, 7-21, 8-15, 9-15
  - electrical box 10-27, 10-29, 10-31
  - electrical component 16-25, 16-27, 16-29
  - fuse block 4-9
  - oil pump 11-7
  - rocker switch hole 4-17, 4-19, 4-21, 4-23
  - screw head 4-17, 4-19, 4-21, 4-23
  - steering column 6-5, 7-5, 8-7, 9-7
  - wheel 2-11
- cover, steering column 4-13, 4-15
- cowl 1-3, 1-5
- crankcase 11-13
- crankcase cover 11-11
- crankcase vent tube 12-15
- crankshaft 11-13
- crankshaft rod 11-13
- crankshaft shim 11-13
- C-type stop ring 6-3, 7-3, 8-5, 9-5
- cup holder 1-11
- cup, spring 5-5, 5-7
- current limiter 19-5
- cushion, shock absorber 6-27, 6-29, 7-27, 7-29, 8-21, 8-23, 9-21, 9-23
- cutter, valve seat 20-7
- cylinder adapter 1-59
- cylinder head 11-9
- D**
  - dash component 1-9
  - dash panel 4-17, 4-19, 4-21, 4-23
  - dc converter, 15A 4-31
  - DC cord 19-3, 19-5, 19-7, 19-9
  - DC/DC converter 4-29, 4-31
  - decal
    - 4-gauge wire warning 3-5, 3-9
    - battery danger 3-5, 3-9
  - bed load warning 1-45, 1-53, 3-3, 3-7, 3-11, 3-15, 3-19, 3-23
  - Carryall 3-27, 3-29
  - Carryall 2 3-27
  - Carryall 2 Plus 3-27
  - Carryall 252 3-29
  - Club Car name plate 3-27, 3-29, 3-31
  - Club Car tailgate 1-49
  - crush area warning 3-3, 3-5, 3-7, 3-9, 3-11, 3-13, 3-15, 3-19, 3-23
  - dash warning 3-23
  - dash, beverage unit warning 1-61
  - diode safety 3-25
  - driver/passenger 3-13, 3-17, 3-21, 3-25
  - electrical cover safety 3-5, 3-9
  - FNR 3-5, 3-9, 3-13, 3-17, 3-21, 3-25
  - frame ground 3-13, 3-17, 3-21, 3-25
  - header heater 1-89
  - heater inspection 1-89
  - IR 3-27, 3-29, 3-31
  - key switch 3-15, 3-23
  - on/off 3-3, 3-7, 3-11, 3-19
  - operating instructions 3-15, 3-23
  - operating instructions (electric) 3-3, 3-7
  - operating instructions (gas) 3-11, 3-19
  - passcode 4-25
  - refreshment center 1-61
  - refreshment center warning 1-61
  - rollover warning 3-3, 3-7, 3-11, 3-15, 3-19
  - rotating parts 1-73, 3-13, 3-17, 3-21, 3-25, 10-19, 10-21
  - run/service switch 3-13, 3-17, 3-21, 3-25, 10-25
  - tailgate 1-45, 3-27, 3-29, 3-31
  - tilt system warning 1-59
  - Tow/Run switch 3-5, 3-9
  - trailer hitch 1-65, 1-69, 3-5, 3-9, 3-13, 3-17, 3-21, 3-25
  - Turf 2 3-27
  - Turf 252 3-29
  - vehicle loading 3-3, 3-7, 3-11, 3-15, 3-19, 3-23
  - winch cable warning 3-9, 3-21, 3-25
  - XRT 900 3-31
  - young driver warning 3-7, 3-19, 3-23
- defogger fan 1-87
- delta A-plate 6-15, 6-23, 7-15, 7-23, 8-17, 9-17
- delta A-plate sub-assembly 6-15, 6-23, 7-15, 7-23, 8-17, 9-17
- delta shock and gear support 6-15, 6-23, 7-15, 7-23, 8-17, 9-17
- DF-terminal insulator 10-15
- diagnostic port 4-21, 4-23, 16-5
- differential drive unit 15-7, 18-3
- differential gear 15-11, 18-3
- differential gear case 15-11, 15-17
- differential guard 18-5
- differential housing 18-3
- differential idler gear 15-11
- differential pin 15-11
- diode 10-27, 10-29, 10-31, 10-35
- diode, charging 10-35
- dipstick 11-3
- door 1-75
- door latch 1-75
- drain plug 11-7, 15-13
- drain plug gasket 11-7, 15-7, 15-13
- drain plug, rubber 10-19, 10-21
- drive bar 16-3
- drive belt 14-3
- drive button 14-11, 14-13
- drive clutch 14-5, 14-9
- drive clutch assembly 14-7
- drive clutch button 14-5, 14-7, 14-9
- drive clutch fixed-face 14-5, 14-7, 14-9
- drive clutch holder tool 20-3
- drive clutch hub puller 20-3
- drive clutch puller 20-3
- drive clutch pulley 14-7
- drive clutch spring 14-5, 14-7, 14-9
- drive clutch weight 14-5, 14-7, 14-9
- drive hub 14-5, 14-7, 14-9
- drive selector shaft 15-7, 15-13
- drive unit bumper 17-3
- drive unit guard 18-5
- driven clutch 14-11, 14-13
- driven clutch button 14-11, 14-13
- driven clutch cam 14-11, 14-13
- driven clutch cam puller 20-3
- driven clutch fixed-face assembly 14-11, 14-13
- driven clutch puller plug 20-3
- driver, drive clutch 14-5, 14-7, 14-9
- drum, brake 5-11, 5-17, 5-19
- dry moly lubricant 20-5
- duct hose 1-89
- dust cap 4-21, 4-23, 16-5
- dust cover 5-11, 5-17, 5-19, 6-13, 6-21, 7-13, 7-21, 8-15, 9-15
- E**
  - eccentric adjustment screw 6-17, 6-25
  - eccentric bolt 7-17, 7-25, 8-19, 9-19
  - E-clip 5-13, 5-15, 5-21
  - electrical box cover 10-27, 10-29, 10-31
  - electrical component box 10-27, 10-29, 10-31
  - electrical component cover 16-25, 16-27, 16-29
  - end bell, commutator 10-15
  - end bell, output shaft 10-15
  - end cap, motor 17-3
  - end, tie rod 7-15, 7-23, 9-17
  - engine mounting plate 11-15
  - engine shroud 11-3

# INDEX

- engine, FE350 S27 11-3
  - equalizer pivot 5-13
  - equalizer rod 5-13, 5-15, 5-21
  - equalizer, brake cable 5-13, 5-15, 5-21
  - exhaust system 13-3
  - exhaust valve 11-9
  - extension, spring latch 1-39
  - extrusion, fender 1-3
  - extrusion, plastic 1-23
- F**
- face, moveable 14-5, 14-7, 14-9, 14-11, 14-13
  - fan housing 11-3
  - fan shroud 11-3
  - fan, defogger 1-87
  - fan, flywheel 11-5
  - fender 1-73
  - fender extrusion 1-3
  - fender kit 1-73
  - fender, rear 1-71, 1-73
  - field coil 10-15
  - field coil housing 10-15, 10-19, 10-21
  - fill plug 15-7, 15-13
  - fill plug gasket 15-13
  - filter
    - air 12-19
    - fuel 12-3, 12-5, 12-7, 12-9
    - oil 11-7
    - oil pump 11-7
  - fitting, thread-forming grease 6-3, 6-13, 6-15, 6-21, 6-23, 7-13, 7-21, 8-5, 8-15, 8-17, 9-15
  - fixed-face, drive clutch 14-5, 14-7, 14-9
  - fixed-face, driven clutch 14-11, 14-13
  - flasher, turn signal, 12-volt 4-15
  - float 12-13
  - floor mat 1-5, 1-9
  - floor plate, bed 1-39
  - fluid, hydraulic 1-59
  - flywheel 11-5
  - flywheel fan 11-5
  - flywheel fan plate 11-5
  - flywheel puller 20-5
  - FNR closeout brush 4-17, 4-19
  - FNR shift lever 15-7, 15-13
  - FNR shifter 15-3
  - FNR shifter bracket 15-3
  - FNR shifter cable 15-5
  - FNR shifter cam 15-3
  - fork, shift 15-9, 15-15
  - frame and field, motor 17-3
  - frame and field, starter/generator 10-15, 10-19, 10-21
  - frame, tilt bed 1-39
  - front bumper 1-3, 1-5
  - front bumper kit 1-3, 1-5
  - front spring retainer plate 6-17, 6-25, 7-17, 7-25, 8-19, 9-19
- F**
- F-terminal hardware 10-15
  - f-terminal insulator 10-15
  - fuel filter 12-3, 12-5, 12-7, 12-9
  - fuel gauge sending unit 12-3, 12-5, 12-7, 12-9
  - fuel line 12-3, 12-5, 12-7, 12-9, 12-11, 12-15
  - fuel pickup tube 12-3, 12-5
  - fuel pump 12-5, 12-9
  - fuel pump mount 12-3, 12-5, 12-7, 12-9
  - fuel pump, impulse 12-3, 12-7
  - fuel tank 12-3, 12-5
  - fuel tank cap 12-3, 12-5
  - fuel tank strap 12-3, 12-5, 12-7, 12-9
  - fuel tank vent 12-3, 12-5
  - fuel tank vent grommet 12-7, 12-9
  - fuse 16-7, 19-3, 19-5, 19-7, 19-9
    - 10-amp 10-27, 10-29, 10-31
    - 20-amp 4-5, 4-9, 10-27, 10-29, 10-31
    - 3/8-amp 16-7, 19-11
  - fuse and receptacle 16-7
  - fuse block 4-5, 4-9, 10-27, 10-29, 10-31
  - fuse block cover 4-9
- G**
- gasket
    - carburetor 12-15
    - carburetor mounting 12-13, 12-15
    - crankcase cover 11-9, 11-11
    - drain plug 11-7, 15-7
    - drain plug, fill plug 15-13
    - exhaust 1-89, 11-9, 13-3
    - head 11-9
    - insulator 11-9, 12-15
    - liquid 15-7, 18-3, 20-5
    - plug 18-3
    - rocker case 11-9
    - sending unit 12-3, 12-5, 12-7, 12-9
    - taillight 4-51
  - gasket kit, FE350 11-9
  - gauge, compression 20-5
  - gear
    - 25 tooth 15-15
    - 28 tooth 15-15
    - case 15-13
    - cluster idler 15-9
    - differential 15-11, 15-17, 18-3
    - differential idler 15-11, 18-3
    - differential output 18-3
    - helical 11-13, 15-9, 15-11
    - planetary 15-17
    - speed governor 15-15
    - spur 11-13, 15-9
    - sun 15-17
    - synchro 15-9
  - gear yoke 20-5
  - gearcase 15-7, 18-3
- G**
- governor 15-9, 15-15
  - governor arm 12-17, 15-7, 15-13
  - governor cable 12-17
  - governor cable bracket 12-17
  - governor shaft installation tool 20-5
  - grip, pencil 6-11, 7-11, 8-13, 9-13
  - grip, tilt latch hand 1-39, 1-45
  - grommet 1-15, 1-25, 1-27, 1-29, 1-31, 1-33, 1-35, 12-3, 12-5
    - fuel tank vent 12-7, 12-9
    - ignition 11-5
  - guard, brush 1-5
  - guard, differential 18-5
  - guard, splash 1-7
  - guide
    - intake valve 11-9
    - valve seat cutter 20-7
  - guide ring adhesive 20-3
- H**
- hair pin clip 1-49
  - handle 1-91
  - hanger, brake cable 6-27, 7-27, 8-21, 9-21
  - hardware, F-terminal 10-15
  - harness
    - wire 4-47
  - harness, battery charger 19-11
  - harness, wire 1-89, 4-29, 4-31, 4-35, 4-37, 4-47, 10-3, 10-5, 10-7, 10-9, 10-11, 10-13, 16-5
  - head gasket 11-9
  - head, cylinder 11-9
  - headband, sealed, motor 17-3
  - headband, vented, motor 17-3
  - headlamp template 4-5, 4-9
  - headlight 4-3
  - headlight assembly 4-3, 4-5, 4-9
  - headlight bulb 4-3
  - headlight harness 4-3
  - headlight retainer 4-3
  - heat shrink tube 19-11
  - heater 1-89
  - heatsink and rectifier 19-3, 19-5, 19-7, 19-9
  - heavy-duty bumper 1-3
  - helical gear 11-13, 15-9, 15-11
  - hill brake rod 5-3
  - hill brake weld assembly 5-3
  - hinge kit, door 1-75
  - hinge pin 1-53
  - hinge, stake side 1-53
  - hitch, trailer 1-65
  - hitch, trailer, ball 1-67
  - hold-down rod, battery 16-11, 16-13, 16-15, 16-17, 16-19, 16-21
  - hold-down, battery 16-11, 16-13, 16-15, 16-17, 16-19, 16-21
  - holder, cup 1-11

# INDEX

hole plug 4-21, 4-23  
horn 4-5, 4-9, 4-45, 4-47  
horn bracket 4-5, 4-9, 4-45, 4-47  
horn button and wire assembly 4-5, 4-9, 4-45  
hose 1-59  
    fuel 12-3, 12-5, 12-7, 12-9  
    SPWS 16-23  
    vent 12-11  
    vent flare 12-11

hose clamp, green 12-11  
hose, air intake 12-19  
hose, duct 1-89  
hour meter 4-49  
hour meter bracket 4-49  
hour meter, 36-48 volt 4-49

housing  
    2-pin 16-3  
    3-pin 16-3, 17-3  
    differential 18-3  
    fan 11-3  
    field coil 10-15, 10-19, 10-21  
hub 6-13, 6-21, 7-13, 7-21, 8-15, 9-15  
hub bearing 6-13, 6-21, 7-13, 7-21, 8-15, 9-15  
hub cap 2-11  
hub cap, 7 prong 2-11  
hub, synchronizer clutch 15-9  
hydraulic bed lift 1-59  
hydraulic bed lift harness 1-59  
hydraulic fluid 1-59  
hydraulic tilt bed pump 1-59  
hydraulic tilt cylinder 1-59  
hydrometer 20-5

## I

idle screw assembly 12-13  
idler bearing 14-5, 14-7, 14-9  
idler gear, differential 18-3  
ignition coil 11-5  
inlet valve 1-89  
inner frame snubber 11-15  
input shaft 18-3  
insert, synchronizer 15-9  
instrument panel 4-17, 4-19, 4-21, 4-23  
insulating washer 17-3  
insulator gasket 11-9, 12-15  
insulator, carburetor 12-15  
insulator, motor terminal 17-3  
intake valve 11-9  
intermediate shaft 18-3  
intermediate steering shaft 6-7  
internal retaining ring pliers 20-5  
IQ display module (IQDM) 20-5

## J

jet, main 12-13

jet, pilot 12-13  
joint  
    ball 5-3, 5-9, 6-15, 6-23, 8-17, 15-5  
    left-hand thread ball 6-3, 6-15, 6-23, 8-5, 8-17  
    steering 8-9, 9-9

## K

key  
    crankshaft 11-5, 11-13  
    driven clutch 14-11, 14-13  
    On/Off 4-17, 4-19, 4-21, 4-23  
    square 14-11, 14-13  
    starter/generator 10-15  
    woodruff 15-7  
key switch 4-17, 4-19  
key switch cap 4-17, 4-19, 4-21, 4-23, 4-27  
key switch, On/Off 4-21, 4-23  
key switch, uncommon 4-27  
kingpin 6-17, 6-25, 7-17, 7-25, 8-19, 9-19  
kit  
    2-pin housing 16-3  
    3-pin housing 16-3, 17-3  
    accelerator pivot rod 5-5, 5-7  
    air duct shield 12-19  
    anchor body 5-11, 5-17  
    armature conversion 10-15  
    bed lift 1-55, 1-57  
    brake actuator 5-11, 5-17  
    brake cable 5-13, 5-21  
    brake pedal 5-3  
    brake relay 4-5  
    brake shoe 5-11, 5-17  
    brake shoe retainer 5-11, 5-17, 5-19  
    cab adapter 1-75  
    canopy 1-25, 1-27, 1-29, 1-31, 1-33, 1-35  
    clutch repair 14-11, 14-13  
    cup holder 1-11  
    DC/DC converter 4-29, 4-31  
    differential gear case 15-11  
    diode 10-35  
    door hinge 1-75  
    drive clutch button 14-5, 14-7, 14-9  
    drive clutch weight 14-5, 14-7, 14-9  
    driven clutch button 14-11, 14-13  
    equalizer, brake 5-13  
    fan/defogger 1-87  
    fixed-face drive 14-5, 14-7, 14-9  
    flywheel puller 20-5  
    front bumper 1-3, 1-5  
    gasket, FE350 11-9  
    heater, cab 1-89  
    heavy-duty front bumper 1-3  
    hour meter 4-49  
    hub cap 2-11  
    hydraulic bed lift 1-59

IQ display module (IQDM) 20-5  
light 4-5, 4-9  
mirror 1-13  
mirror, inside rear-view 1-77  
mirror, side-view 1-79  
motor brush 17-3  
motor brush lead assembly 17-3  
motor brush spring 17-3  
motor speed sensor 17-3  
name plate 3-27, 3-29, 3-31  
park brake latch 5-3  
park brake pedal 5-3  
piston ring compressor 20-5  
prop rod 1-43  
rear fender 1-73  
rear receiver hitch 1-69  
relay, 48V 16-25, 16-27, 16-29  
seat belt 1-75  
shock absorber cushion 6-27, 6-29, 7-27, 7-29, 8-21, 8-23, 9-21, 9-23  
shoe retainer 5-11, 5-17, 5-19  
smartkey 4-25  
SPWS 16-23  
stake side 1-53  
steering column mounting bracket 6-5, 7-5, 8-7, 9-7  
strobe light 1-83, 4-35, 4-37, 4-39  
tailgate angle 1-47  
tailgate mounting 1-45  
taillight hardware 4-51  
trailer hitch 1-65  
transmission tool 20-7  
tune-up 20-7  
turn signal 4-13  
wheel cover 2-11  
windshield, hinged 1-21  
windshield, one-piece 1-23  
wire assembly, charger 19-3, 19-7, 19-9  
work light 1-85  
knob, forward/reverse 15-3  
knob, light switch 4-5, 4-9

## L

lamp, strobe light 4-35, 4-37, 4-39  
lamp, turn signal and socket 4-13, 4-15  
latch plate, tilt bed 1-41  
latch weld 1-39  
latch, air box 12-19  
latch, bed 1-45  
latch, park brake 5-3  
latch, slam 1-49  
latch, spring 1-49  
leaf spring 6-27, 6-29, 7-27, 7-29, 8-21, 8-23, 9-21, 9-23  
lens, headlight 4-3  
lens, strobe light 4-35, 4-37, 4-39

# INDEX

lens, taillight 4-51  
lever  
  choke 12-19  
  drive selector 15-7  
  speed governor 15-13  
  transmission shift 15-7, 15-13  
light  
  battery 4-21, 4-23  
  oil 4-17, 4-19  
light bar 4-41, 4-43  
light switch 4-5, 4-9  
light switch knob 4-5, 4-9  
light, strobe 1-83, 4-35, 4-37, 4-39  
lighting package 4-5, 4-9  
limit switch 4-5, 4-9, 10-27, 10-29, 10-33, 15-3  
limiter  
  current 19-5  
  voltage 4-5, 4-33  
line, fuel 12-3, 12-5, 12-7, 12-9, 12-11, 12-15  
link, rack and pinion drag 6-3, 8-5  
link, stabilizer bar 6-31, 7-31, 8-25, 9-25  
liquid gasket 15-7, 18-3, 20-5  
low oil warning light 4-17, 4-19  
lubricant, dry moly 20-5  
lubricant, moly-teflon 17-3, 20-5  
lug nut 2-3, 2-5, 2-7, 2-9  
lug stud 15-11, 15-17, 18-3

## M

magnet, speed sensor 17-3  
main jet 12-13  
mat, bed 1-51  
mat, floor 1-5, 1-9  
MCOR 16-3  
mechanism, brake adjusting 5-19  
meter, hour 4-49  
meter, volt ohm 20-7  
mirror 1-13  
mirror, inside rear-view 1-77  
mirror, rear view 1-13  
mirror, side-view 1-79  
module  
  calibration test 20-3  
  communication display 20-5  
moly-teflon lubricant 20-5  
motor  
  48-volt IQ Plus 17-3  
  wiper 1-75  
motor brush 17-3  
motor brush kit 17-3  
motor brush lead assembly kit 17-3  
motor brush spring 17-3  
motor bumper 17-3  
motor controller 16-25, 16-27, 16-29  
motor end cap 17-3  
motor frame and field 17-3

motor headband, sealed 17-3  
motor headband, vented 17-3  
motor magnet, speed sensor 17-3  
motor speed sensor 17-3  
motor speed sensor kit 17-3  
motor terminal and lead assembly 17-3  
motor terminal insulator 17-3  
mount, compression 6-31, 7-31, 8-25, 9-25  
mount, fuel pump 12-3, 12-5, 12-7, 12-9  
mounting block, brake 5-3  
moveable-face 14-5, 14-7, 14-9, 14-11, 14-13  
muffler hose clamp 1-89, 13-3

## N

name plate 3-27, 3-29, 3-31  
needle bearing 15-9  
nozzle, main 12-13  
nut, lug 2-3, 2-5, 2-7, 2-9

## O

OBC 16-25  
oil conveyor 15-13  
oil filler tube 11-3  
oil filter 11-7  
oil filter mount bracket 11-7  
oil filter screen 11-11  
oil filter screen plate 11-11  
oil level sensor 11-11  
oil level switch bracket 11-11  
oil pump and rotor 11-7  
oil pump cover 11-7  
oil pump filter 11-7  
oil pump plate 11-7  
oil seal 11-9, 11-11, 11-13, 15-7, 15-9  
oil warning light, low 4-17, 4-19  
onboard battery charger 19-7, 19-9  
onboard computer 16-25  
onboard computer (OBC) 16-27, 16-29  
O-ring 11-3, 11-9, 11-11, 11-13, 16-23

## P

pad  
  accelerator pedal 5-5, 5-7  
  brake pedal 5-3  
  park brake 5-3  
  thermal 10-35  
paint, touch-up 20-5  
panel  
  front 1-49  
  left 1-49  
  right 1-49  
panel box 1-45  
panel, front 1-45  
panel, instrument 4-17, 4-19, 4-21, 4-23  
park brake latch 5-3

park brake pedal 5-3  
park brake rod sleeve 5-3  
park brake spacer 5-3  
park brake torsion spring 5-3  
pawl 5-3  
pedal, accelerator 5-5, 5-7  
pedal, brake 5-3  
pedal, park brake 5-3  
pencil grip 6-11, 7-11, 8-13, 9-13  
pilot air screw assembly 12-13  
pilot jet 12-13  
pin  
  bow tie locking 5-13, 5-15, 5-21  
  clevis 5-13, 5-15, 5-21  
  differential 15-11  
  piston 11-13  
pin, hinge 1-53  
pinion, steering 6-3, 7-3, 8-5, 9-5  
piston 11-13  
piston anchor 5-11, 5-17  
piston pin 11-13  
piston ring 11-13  
piston ring compressor 20-5  
piston ring pliers 20-5  
piston ring set 11-13  
pivot arm 15-7  
pivot support bearing 5-5, 5-7  
plate  
  backing (brake) 5-19  
  component mounting 16-25, 16-27, 16-29  
  engine mounting 11-15  
  flywheel fan 11-5  
  front spring retainer 6-17, 6-25, 7-17, 7-25, 8-19, 9-19  
  latch 1-41  
  name 3-27, 3-29, 3-31  
  oil filter screen 11-11  
  oil pump 11-7  
  receptacle backing 16-7, 19-11  
  score card 6-9, 6-11, 7-9, 7-11, 8-11, 8-13, 9-11, 9-13  
  spring mounting 6-17, 6-25, 7-17, 7-25, 8-19, 9-19  
  steering wheel 6-9, 7-9, 8-11, 9-11  
  thrust 15-9, 15-11  
plate, canopy trim 1-25, 1-27, 1-29, 1-31, 1-33, 1-35  
plate, Tow/Run switch 16-9  
pliers  
  internal retaining ring 20-5  
  piston ring 20-5  
  retaining ring 20-5  
plug  
  drain 11-7, 15-13  
  drive clutch 14-5  
  driven clutch puller 20-3

# INDEX

fill 15-7, 15-13  
hole 4-21, 4-23  
rubber drain 10-19, 10-21  
spark 11-5  
plug cap 11-5  
plug, carburetor intake manifold 12-15  
pole set 10-15  
port, diagnostic 4-21, 4-23, 16-5  
portable refreshment center 1-61  
PRC 1-61  
press weldment 20-3  
prop rod 1-43  
prop rod track 1-43  
protector spray, battery terminal 20-3  
puller  
bearing 20-3  
drive clutch 20-3  
drive clutch hub 20-3  
driven clutch cam 20-3  
flywheel 20-5  
seal 20-5  
pulley  
clutch 14-5, 14-9  
drive clutch 14-7  
starter-generator 10-15, 10-19, 10-21  
v-belt 10-15, 10-19, 10-21  
pump  
fuel 12-5, 12-9  
pump assembly, hydraulic tilt bed 1-59  
pump, impulse fuel 12-3, 12-7  
push rod 11-9

**R**

race, front hub bearing 6-13, 6-21, 7-13, 7-21, 8-15, 9-15  
rack and pinion drag link 6-3, 8-5  
rack guide pressure spring 6-3, 7-3, 8-5, 9-5  
rack, steering 6-3, 7-3, 8-5, 9-5  
ratchet, park brake 5-3  
reamer, valve guide 20-7  
rear fender 1-71  
rear spring shackle 6-27, 7-27, 8-21, 9-21  
rear view mirror 1-13  
rear-view mirror, inside 1-77  
receiver hitch 1-69  
receptacle and fuse 16-7  
receptacle backing plate 16-7, 19-11  
receptacle, AC cord 19-5  
receptacle, battery charger 16-7  
rectifier with heatsink 19-3, 19-5, 19-7, 19-9  
reel bracket 19-11  
reel cord 19-11  
refreshment center, portable 1-61  
regulator, voltage 10-27, 10-29, 10-31  
relay 4-9, 10-29, 16-25, 16-27, 16-29  
relay mounting bracket 10-29, 19-7, 19-9

relay, 12-volt 4-5  
relay, 48V 16-25, 16-27, 16-29  
relay, 48-volt 19-3, 19-5, 19-7, 19-9  
relay, brake, kit, 12-volt 4-5  
remover, bearing and oil seal 20-3  
retainer  
accelerator pedal spring 5-5, 5-7  
brake shoe 5-11, 5-17, 5-19  
headlight 4-3  
shock absorber cushion 6-27, 6-29, 7-27, 7-29, 8-21, 8-23, 9-21, 9-23  
spring (drive clutch) 14-5, 14-7, 14-9  
valve spring 11-9  
retainer, battery charger 19-13  
retaining ring 6-5, 7-5, 8-7, 9-7  
retaining ring pliers 20-5  
return spring bumper 5-5, 5-7  
reverse buzzer 4-17, 4-19, 4-21, 4-23  
rim, wheel 2-7, 2-9  
rim, wheel, silver 2-7, 2-9  
rim, wheel, white 2-3, 2-5  
ring  
C-type stop 6-3, 7-3, 8-5, 9-5  
piston 11-13  
retaining 6-5, 7-5, 8-7, 9-7, 10-27, 10-29, 10-31, 14-5, 14-7, 14-9, 14-11, 14-13  
snap 6-3, 7-3, 8-5, 9-5, 11-9, 11-13  
spiral backup 14-5, 14-7, 14-9  
synchronizer 15-9  
rivet, blind push 1-3, 1-5, 16-25, 16-27, 16-29  
rock guard 18-5  
rocker arm 11-9  
rocker case 11-9  
rocker case gasket 11-9  
rocker shaft 11-9  
rocker switch 1-55, 1-57, 1-59, 4-21, 4-23  
rocker switch (lights) 4-5, 4-9, 4-19, 4-23  
rod  
accelerator 5-9  
accelerator pivot 5-5, 5-7  
battery hold-down 16-11, 16-13, 16-15, 16-17, 16-19, 16-21  
connecting 11-13  
crankshaft 11-13  
equalizer 5-13, 5-15, 5-21  
hill brake 5-3  
prop 1-43  
push 11-9  
shift 15-9  
tie 6-15, 6-23, 8-17  
roof 1-75  
rubber bumper 1-49

## S

safety first card 20-5  
score card clip 6-11, 7-11, 8-13, 9-13

score card plate 6-11, 7-11, 8-13, 9-13  
screen, oil filter 11-11  
screw, eccentric adjustment 6-17, 6-25  
screw, valve clearance adjuster 20-7  
seal  
intake 12-19  
lip 18-3  
oil 11-9, 11-11, 11-13, 15-7, 15-9, 15-11, 15-17, 18-3  
steering pinion dust 6-3, 7-3, 8-5, 9-5  
vertical socket dust 6-3, 6-15, 6-23, 8-5, 8-17  
seal puller 20-5  
seal, bed 1-37, 1-39  
sealant 15-7, 18-3  
seat  
spring 11-9  
valve 11-7  
seat back 1-19  
seat back assembly 1-19  
seat back cap 1-19  
seat back tube 1-37  
seat back, white 1-19  
seat belt 1-75  
seat bottom assembly 1-17  
seat bumper 1-17  
seat cover, vinyl 1-17  
seat strap 1-17  
seat, bearing 6-5, 7-5, 8-7, 9-7  
sending unit, fuel gauge 12-3, 12-5, 12-7, 12-9  
sensor, motor speed 17-3  
sensor, oil level 11-11  
set, brush and screw 10-15  
set, pole 10-15  
shackle weldment 6-29, 7-29  
shackle, rear spring 6-27, 7-27, 8-21, 9-21  
shaft  
counterbalance guide 11-13  
drive selector 15-7, 15-13  
input 18-3  
intermediate 18-3  
intermediate steering 6-7  
rocker 11-9  
steering column 6-5, 7-5, 8-7, 9-7  
transmission 15-9, 15-15  
shaft, reverse gear 15-15  
shaft, secondary  
transmission 15-15  
shield, air duct 12-19  
shield, battery charger 19-11  
shift fork 15-9, 15-15  
shift lever 15-7, 15-13  
shift rod 15-9  
shifter, FNR 15-3  
shim, camshaft 11-11  
shim, crankshaft 11-13

# INDEX

- shim, latch plate 1-41
- shim, tilt bed pivot 1-39
- shock absorber 6-15, 6-23, 6-27, 6-29, 7-15, 7-23, 7-27, 7-29, 8-17, 8-21, 8-23, 9-17, 9-21, 9-23
- shock absorber cushion 6-27, 6-29, 7-27, 7-29, 8-21, 8-23, 9-21, 9-23
- shock absorber cushion retainer 6-27, 6-29, 7-27, 7-29, 8-21, 8-23, 9-21, 9-23
- shock extension 8-23, 9-23
- shock mounting bracket, drv 6-29, 7-29
- shock mounting bracket, pas 6-29, 7-29
- shoe retainer kit 5-11, 5-17, 5-19
- shoe, brake 5-11, 5-17, 5-19
- shroud 11-3
- shroud, engine 11-3
- shroud, fan 11-3
- side-view mirror 1-79
- signal, turn 4-13
- single-point watering system 16-23
- slam latch 1-49
- sleeve
  - delta A-plate 6-15, 6-23, 7-15, 7-23, 8-17, 9-17
  - governor 15-9
  - park brake rod 5-3
  - synchronizer 15-9
- smartkey 4-25
- snap ring 6-3, 7-3, 8-5, 9-5, 11-9, 11-13
- snubber bracket 11-15
- snubber, inner frame 11-15
- socket 6-3, 6-15, 6-23, 8-5, 8-17
- solenoid 16-25, 16-27, 16-29
- solenoid, 12-volt 10-27, 10-29, 10-31
- spacer 1-5, 1-59, 16-11, 16-13, 16-15, 16-17, 16-19, 16-21
  - accelerator pivot rod 5-5, 5-7
  - park brake 5-3
- spark plug 11-5
- speed controller 16-25, 16-27, 16-29
- speed sensor 17-3
- speed sensor magnet 17-3
- speed sensor, motor 17-3
- spindle 6-13, 6-21, 7-13, 8-15
- spindle assembly 7-21, 9-15
- spiral backup ring 14-5, 14-7, 14-9
- splash guard 1-7
- spray, battery terminal protector 4-9, 20-3
- spring
  - accelerator return 5-5, 5-7
  - brake 5-11, 5-17, 5-19
  - brake return 5-15, 5-21
  - brush 10-15, 10-19, 10-21, 17-3
  - compression 6-11, 7-11, 8-13, 9-13
  - drive button 14-5, 14-7, 14-9
  - drive clutch 14-5, 14-7, 14-9
  - driven clutch 14-11
  - extension 1-39
  - extension return 12-19
  - latch tilt 1-45
  - leaf 6-27, 6-29, 7-27, 7-29, 8-21, 8-23, 9-21, 9-23
  - park brake torsion 5-3
  - rack guide pressure 6-3, 7-3, 8-5, 9-5
  - shifter 15-9
  - steering shaft compression 6-5, 7-5, 8-7, 9-7
  - synchronizer 15-9
  - throttle return 12-15
  - valve 11-9
- spring cup 5-5, 5-7
- spring latch 1-49
- spring mounting plate 6-17, 6-25, 7-17, 7-25, 8-19, 9-19
- spring, motor brush 17-3
- spring, leaf 6-17, 6-25, 7-17, 7-25
- spur gear 11-13, 15-9
- SPWS coupler 16-23
- SPWS fitting, swivel T 16-23
- SPWS hose 16-23
- SPWS manifold 16-23
- SPWS tubing 16-23
- stabilizer bar 6-31, 7-31, 8-25, 9-25
- stabilizer bar link 6-31, 7-31, 8-25, 9-25
- stabilizer bar mounting bracket 6-31, 7-31, 8-25, 9-25
- stake side 1-53
- stake side bracket 1-53
- stake side hinge 1-53
- stake side kit 1-53
- starter/generator (bi-rotational) 10-21
- starter/generator (cw) (model G425419) 10-15
- starter/generator belt 10-17, 10-23
- starter/generator brush cover kit 10-15, 10-19, 10-21
- starter/generator brush plate 10-15
- starter/generator brush spring 10-15, 10-19, 10-21
- starter/generator brush terminal 10-15, 10-19, 10-21
- starter/generator frame and field 10-15, 10-19, 10-21
- starter/generator pulley 10-15, 10-19, 10-21
- steel bushing 1-39, 6-17, 6-19, 6-25, 6-27, 6-29, 7-17, 7-19, 7-25, 7-27, 7-29, 8-19, 8-21, 8-23, 9-19, 9-21, 9-23
- steel pressure relief ball 11-7
- steering column 6-5, 7-5, 8-7, 9-7
- steering column bearing press tool 20-7
- steering column cover 4-13, 4-15
- steering column retaining ring tool 20-7
- steering gear box 6-3, 7-3, 8-5, 9-5
- steering joint 8-9, 9-9
- steering pinion 6-3, 7-3, 8-5, 9-5
- steering pinion dust seal 6-3, 7-3, 8-5, 9-5
- steering rack 6-3, 7-3, 8-5, 9-5
- steering shaft assembly 6-5, 7-5, 8-7, 9-7
- steering shaft compression spring 6-5, 7-5, 8-7, 9-7
- steering wheel 6-9, 6-11, 7-9, 7-11, 8-11, 8-13, 9-11, 9-13
- steering wheel plate 6-9, 7-9, 8-11, 9-11
- steering wheel puller tool 20-7
- stem, valve 2-3, 2-5, 2-7, 2-9
- stiffener 1-17
- stiffener, flywheel side 11-15
- stiffener, PTO side 11-15
- strap, A-plate 6-15, 6-23, 7-15, 7-23, 8-17, 9-17
- strap, fuel tank 12-3, 12-5, 12-7, 12-9
- strap, seat 1-17
- strobe light 1-83, 4-35, 4-37, 4-39
- strobe light lens 4-35, 4-37, 4-39
- stud 11-15
  - lug 15-11, 15-17, 18-3
  - self-clinching 1-47, 1-49
- stud, ball 10-27, 10-29, 10-31, 15-7, 15-13
- support yoke (steering) 6-3, 7-3, 8-5, 9-5
- support, bushing 6-31, 7-31, 8-25, 9-25
- suppressor, voltage 4-5, 19-3, 19-5, 19-7, 19-9
- switch plate cover 4-35, 4-37, 4-39
- switch 1-89
  - four-position 19-5, 19-9
  - key 4-17, 4-19, 4-21, 4-23
  - key, uncommon 4-27
  - light 4-5, 4-9
  - light rocker 4-5, 4-9, 4-19, 4-23
  - limit 4-5, 4-9, 10-27, 10-29, 10-33, 15-3
  - rocker 1-55, 1-57, 1-59, 4-21, 4-23
  - toggle 4-41, 4-43
  - Tow/Run 16-9
  - turn signal 4-13, 4-15
- switch assembly 4-35, 4-37, 4-39
- switch panel, accessory 1-81
- switch rubber boot 10-25, 16-9
- switch, toggle 10-25
- synchro gear 15-9
- synchronizer clutch hub 15-9
- synchronizer insert 15-9
- synchronizer sleeve 15-9
- synchronizer spring 15-9
- synchronizer, complete 15-15
- system, exhaust 13-3

## T

- 12-volt solenoid 10-27, 10-29, 10-31
- tachometer 20-7
- tail light bulb 4-51
- tailgate 1-45, 1-49
- tailgate angle 1-47, 1-49
- tailgate mounting kit 1-45



# INDEX

- taillight 4-51  
taillight assembly 4-5, 4-9, 4-51  
taillight base 4-51  
taillight gasket 4-51  
taillight hardware kit 4-51  
taillight lens 4-51  
taillskirt 1-71, 1-73  
tank, fuel 12-3, 12-5  
tape 12-19  
tape, vinyl foam 1-39  
tappet 11-11  
terminal block 4-5, 4-9, 16-5, 19-11  
tester, continuity 20-5  
tether 1-49  
thermal pad 10-35  
thermometer, battery 20-3  
thread-forming grease fitting 6-3, 6-13, 6-15, 6-21, 6-23, 7-13, 7-21, 8-5, 8-15, 8-17, 9-15  
throttle return spring 12-15  
throttle spring return bracket 12-15  
thrust bearing 6-17, 6-25, 7-17, 7-25, 8-19, 9-19  
thrust plate 15-9, 15-11  
tie rod 6-15, 6-23, 7-15, 7-23, 8-17, 9-17  
tie rod end 7-15, 7-23, 9-17  
tie wrap 1-55, 1-57, 1-59, 1-89, 4-7, 4-11, 4-13, 4-15, 4-29, 4-31, 4-37, 4-39, 4-41, 4-43, 4-49, 6-3, 7-3, 8-5, 9-5, 10-27, 10-29, 10-31, 15-5, 19-11  
tilt bed 1-39  
tilt bed frame 1-39  
tilt latch hand grip 1-39, 1-45  
tilt, hydraulic, cylinder 1-59  
tire 2-3, 2-5, 2-7, 2-9  
tire and wheel assembly 2-3, 2-5  
toggle switch 4-41, 4-43, 10-25  
tool  
    accelerator pedal adjustment 20-3  
    brake adjustment 20-3  
    brake cable release 20-3  
    charger bezel 20-3  
    clutch cam installation 20-3  
    drive clutch holder 20-3  
    governor shaft installation 20-5  
    steering column bearing press 20-7  
    steering column retaining ring 20-7  
    steering wheel puller 20-7  
    transaxle axle seal 20-7  
    transaxle pinion seal 20-7  
    transmission 20-7  
tool kit, clutch 20-3  
toolbox 1-63  
touch-up paint 20-5  
Tow/Run switch 16-9  
Tow/Run switch bracket 10-25  
Tow/Run switch plate 16-9  
track, prop rod 1-43  
trailer hitch 1-65  
trailer hitch ball 1-67  
trailer hitch brace 1-65  
transaxle (Electric Vehicle) 18-3  
transaxle axle seal tool 20-7  
transaxle Graziano (gasoline vehicle), unitized 15-13  
transaxle guard 18-5  
transaxle pinion seal tool 20-7  
transaxle, Kawasaki (Gasoline Vehicle) 15-7  
transformer, battery charger 19-3, 19-5, 19-7, 19-9  
transmission secondary shaft 15-15  
transmission shaft 15-9, 15-15  
transmission tool 20-7  
trim  
    cowl 1-3, 1-5  
    seat bottom 1-37  
tube  
    axle 15-11, 15-17, 18-3  
    crankcase vent 12-15  
    fuel pickup 12-3, 12-5  
    oil filler 11-3  
    seat back 1-37  
tubing, SPWS 16-23  
tune-up kit 20-7  
turn signal 4-13  
turn signal conversion kit 4-13  
turn signal lens 4-3  
turn signal socket and lamp 4-13, 4-15  
turn signal switch 4-15
- U**  
U-bolt 6-27, 6-29, 7-27, 7-29, 8-21, 8-23, 9-21, 9-23  
unitized transaxle Graziano 15-13  
upper delta clevis 6-17, 6-25, 7-17, 7-25, 8-19, 9-19  
urethane bushing 1-39, 6-15, 6-17, 6-19, 6-23, 6-25, 6-27, 6-29, 7-15, 7-17, 7-19, 7-23, 7-25, 7-27, 7-29, 8-17, 8-19, 8-21, 8-23, 9-17, 9-19, 9-21, 9-23
- V**  
valve  
    choke 12-19  
    exhaust 11-9  
    reed 11-9  
valve clearance adjuster screw 20-7  
valve guide reamer 20-7  
valve guide, intake 11-9  
valve seat 11-7  
valve seat cutter 20-7  
valve seat cutter guide 20-7  
valve seat t-wrench 20-7  
valve spring 11-9  
valve spring compressor 20-7  
valve spring retainer 11-9  
valve stem 2-3, 2-5, 2-7, 2-9  
valve stem extension 2-11  
valve, inlet 1-89  
van box 1-91  
v-belt 10-17, 10-23  
vent barb 12-3, 12-5, 12-7, 12-9  
vent, barb 12-11  
vent, fuel tank, w/ valve 12-7, 12-9  
vertical socket dust seal 6-3, 6-15, 6-23, 8-5, 8-17  
volt ohm meter 20-7  
voltage limiter 4-5, 4-33  
voltage regulator 10-27, 10-29, 10-31  
voltage suppressor 4-5, 19-3, 19-5, 19-7, 19-9
- W**  
warning light, low oil 4-17, 4-19  
washer, insulating 17-3  
wedge, bearing puller 20-3  
weight  
    clutch 14-5, 14-7, 14-9  
    counterbalance 11-13  
    secondary clutch 14-5, 14-7, 14-9  
weldment  
    press 20-3  
    tilt bed frame 1-39  
weldment, receiver hitch 1-69  
wheel 2-3  
wheel and tire assembly 2-3, 2-5  
wheel cover 2-11  
wheel rim 2-7, 2-9  
wheel rim, silver 2-7, 2-9  
wheel rim, white 2-3, 2-5  
wheel, steering 6-9, 6-11, 7-9, 7-11, 8-11, 8-13, 9-11, 9-13  
window 1-75  
windshield 1-75  
    hinged 1-21  
    one-piece 1-23  
windshield channel 1-21  
windshield frame 1-25, 1-27, 1-29, 1-31, 1-33, 1-35  
windshield frame pad 1-25, 1-27, 1-29, 1-31, 1-33, 1-35  
windshield latches 1-75  
wiper arm 1-75  
wiper blade 1-75  
wiper motor 1-75  
wire assembly, battery charger 19-5  
wire harness 1-59, 1-89, 4-29, 4-31, 4-35, 4-37, 4-47, 10-3, 10-5, 10-7, 10-9, 10-11, 10-13, 16-5  
wire harness, light bar 4-41  
wire lead, ignition 11-5  
woodruff key 15-7

# INDEX

work lights, light, work 1-85

wrap, tie 1-55, 1-57, 1-59, 1-89, 4-7, 4-11, 4-13,  
4-15, 4-29, 4-31, 4-37, 4-39, 4-41, 4-43, 4-49,  
6-3, 7-3, 8-5, 9-5, 10-27, 10-29, 10-31, 15-5,  
19-11

## Y

yoke, gear 20-5

yoke, support (steering) 6-3, 7-3, 8-5, 9-5





**Club Car, Inc.**  
P.O. Box 204658  
Augusta, GA 30917-4658  
USA

**Web** [www.clubcar.com](http://www.clubcar.com)  
**Phone** 1.706.863.3000  
1.800.ClubCar  
**Int'l** +1 706.863.3000  
**Fax** 1.706.863.5808