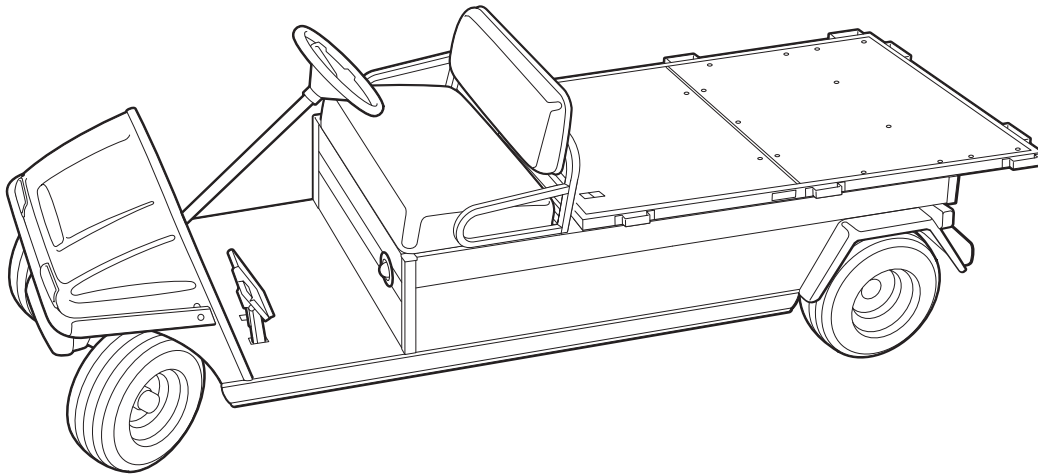




**2010
Turf/Carryall 6 Vehicles
Illustrated Parts List**



Gasoline and Electric Vehicles

Manual Number 103700510
Edition Code 0915B0616A

USING THE ILLUSTRATED PARTS LIST

⚠ WARNING

- **This manual is to be used only for identification and ordering of service parts. Be sure to read and use the maintenance and service manual before attempting any vehicle repairs.**

This manual covers all Turf/Carryall 6 vehicles built during the 2010 model year.

The manual is divided into sections. Note that there are two or three flags on the outside edge of each page. The first flag contains the section number of which that page is a part. The other flag (or flags) contains the letter G or E, signifying that the page pertains to the electric or gasoline vehicles only.

Use the Table of Contents to find the sections and pages that contain the parts and assemblies you seek. The Table of Contents lists section numbers, and under them, the individual page titles and numbers to be found in that section. The index can be used to find specific parts and assemblies. The index is divided into numerical and alphabetical listings with the page numbers in italic text.

There is a two-page spread for each individual page title in the Table of Contents. On the left-hand page is an illustration showing the parts in their relative positions; the parts are each tagged with an item number in a balloon. The right-hand page is the parts list page, and gives the page title at the top, then the item numbers (corresponding to the numbers on the illustration), part descriptions, and quantity of parts used.

Note that a part description may be indented. This indentation corresponds to a parts assembly level indicated by the numbers 1, 2, 3, and 4 at the top left corner of the parts description area of the parts list page. A part that is indented to *level 2* is a component of the *level 1* part (assembly) that it is listed under. A *level 3* part is a component of the *level 2* part that it is listed under, and a *level 4* part is a component of the *level 3* part preceding it. In each case, the part quantity given for a level 2, 3, or 4 part is the quantity used per next higher level assembly of which it is a component. A part that is not indented is a *level 1* part. This means that the quantity given is the quantity used per the portion of the vehicle illustrated on that particular spread.



P. O. Box 204658
Augusta, Georgia 30917-4658 USA
Telephone 706-863-3000
Service Parts Fax 706-855-7413
www.clubcar.com

HOW TO ORDER PARTS

Replacement parts and accessories can be obtained from our network of authorized dealers and distributors. You can obtain the name and phone number of your closest authorized Club Car dealer or distributor by visiting our web site at www.clubcardealer.com, by calling our toll-free Service Parts and Technical Assistance hotline at (800) 872-2246 or (706) 863-3000, extension 3887, or by scanning this Quick Response (QR) code to be taken to the Club Car dealer locator. **Refer to Figure 1.** Download a QR code reader such as RedLaser or Barcode Scanner to your cell phone or tablet.



Figure 1 Dealer Locator QR Code

CUSTOMER SATISFACTION SURVEY

Let your voice be heard!

Please take time to participate in the Technical Publications satisfaction survey. Obtaining feedback from our customers is important to the department's continuous improvement process. The online survey takes less than five minutes and responses will help the department to examine current performance as well as identify areas for future improvement.

Our top priority is to provide timely, accurate, and user friendly manuals.

The online satisfaction survey can be found at: <http://bit.ly/1w9uFMh>



Figure 2 Survey QR Code

NOTE: *This illustrated parts list represents the most current information at the time of publication. Club Car, Inc. is continually working to further improve its vehicles and other products. These improvements may affect the parts used to service the vehicle. Any modification and/or significant change in specifications will be forwarded to all Club Car and Carryall distributors/dealers and will, when applicable, appear in future editions of this illustrated parts list.*

Club Car, Inc. reserves the right to change specifications and designs at any time without notice and without the obligation of making changes to units previously sold.

Copyright © 2009 Club Car, Inc.
Club Car and ArmorFlex
are registered trademarks of Club Car, Inc.
This manual effective August 1, 2009.

CONTENTS

SECTION 1 – BODY AND TRIM

Front Body and Trim – Turf/Carryall 2, 2 Plus, and 6	1-3
Splash Guard – Gasoline Vehicles Only	1-5
Dash Pockets and Floormat	1-7
Beverage Holder	1-9
Mirror, Rear-View – without Cab	1-11
Grommets, Chassis	1-13
Underseat Storage	1-15
Seat Bottom	1-17
Seat Back Assembly	1-19
Windshield, Hinged	1-21
Windshield, Non-Hinged	1-23
Canopy Kit, White – To Mid-2010 Model Year	1-25
Canopy Kit, White – From Mid-2010 Model Year	1-27
Canopy Kit, Beige – To Mid-2010 Model Year	1-29
Canopy Kit, Beige – From Mid-2010 Model Year	1-31
Hip Restraints and Seat Back Mounting	1-33
Flat Bed – Turf/Carryall 6	1-35
Flat Bed Mounting	1-37
Bed Mat	1-39
Stake Side Kit	1-41
Toolboxes	1-43
Electric Bed Lift – Gasoline Vehicles	1-45
Electric Bed Lift – Electric Vehicle	1-47
Trailer Hitch	1-49
Trailer Hitch Ball	1-51
Receiver Hitch	1-53
Rear Body Trim – Turf/Carryall 1, 2, 2 Plus, and 6	1-55
Rear Bumper	1-57
Cab, Curtis – Turf/Carryall 6 and Transporter	1-59
Mirror, Inside Rear-View – Curtis Cab	1-61
Mirror, Side-View – Curtis Cab	1-63
Accessory Switch Panel – Curtis Cab	1-65
Strobe Light – Curtis Cab	1-67
Work Lights – Curtis Cab	1-69
Fan/Defogger – Curtis Cab	1-71
Van Box	1-73

CONTENTS

SECTION 2 – WHEELS AND TIRES

Wheels and Tires – To Late 2010 Model Year	2-3
Wheels and Tires – From Late 2010 Model Year	2-5
Wheel Covers	2-7

SECTION 3 – DECALS

Decals – Electric Carryall 6	3-3
Decals – Electric Carryall 6, Continued	3-5
Decals – Gasoline Turf/Carryall 6	3-7
Decals – Gasoline Turf/Carryall 6, Continued	3-9
Badging Decals, Carryall 6 – Electric Vehicles	3-11
Badging Decals, Carryall 6 – Gasoline Vehicles	3-13
Badging Decals, Turf 6 – Gasoline Vehicles	3-15

SECTION 4 – LIGHTS, CONTROLS, AND INDICATORS

Headlights	4-3
Lighting System Components – Gasoline Vehicles	4-5
Lighting System Components – Electric Vehicles	4-7
Turn Signal Kit – DS and Utility Gasoline and Electric Vehicles	4-9
Turn Signal (with Horn Button) Kit – DS and Utility Gas and Electric Vehicles	4-11
Instrument Panel and Electrical Components – Turf 6 Gas	4-13
Instrument Panel and Electrical Components – Carryall 6 Gas	4-15
Instrument Panel with Electrical Components – Carryall 6 Electric	4-17
Keys and Keyswitches, SmartKey Kit – Electric Vehicle	4-19
Keys and Keyswitches, Uncommon – Gas Vehicle	4-21
DC Converter – IQ Plus Electric Vehicle, to Early-2010 Model Year	4-23
DC Converter (Isolated) – IQ Plus Electric Vehicle, from Early-2010 Model Year	4-25
Voltage Limiter – Gasoline Vehicle	4-27
Strobe Light, Post-Mounted – Gasoline Vehicles	4-29
Strobe Light, Post-Mounted – Electric Vehicles	4-31
Strobe Light, Canopy-Mounted	4-33
Horn with Floor-Mounted Button	4-35
Horn with Column-Mounted Button	4-37
Hour Meter – Carryall/Turf IQ Plus Electric Vehicles	4-39
Taillights	4-41

SECTION 5 – BRAKES, PEDAL, AND CABLE ASSEMBLIES

Brake Pedal Assembly	5-3
----------------------------	-----

CONTENTS

Accelerator Pedal Assembly – Electric Vehicles with MCOR	5-5
Accelerator Pedal Assembly – Gasoline Vehicles	5-7
Accelerator Rod – Turf/Carryall 6 Gasoline Vehicles	5-9
Front Brake Assembly – Vehicles with Four-Wheel Brakes	5-11
Front Brake Cables and Equalizer – Vehicles with Four-Wheel Brakes	5-13
Rear Brake Cables and Equalizer – Turf/Carryall 6	5-15
Rear Brake Assembly, Manually-Adjusted – Vehicles with 4-Wheel Brakes	5-17

SECTION 6 – STEERING AND SUSPENSIONS – CONVENTIONAL BALL JOINTS

Steering Gear Assembly (Mando) – Conventional Ball Joint	6-3
Steering Column – Utility	6-5
Intermediate Steering Shaft (Mando) – Turf/CA 1/2/6	6-7
Steering Wheel	6-9
Steering Wheel with Clip	6-11
Front Spindles and Hubs – Vehicles with Four-Wheel Brakes and Conventional Ball Joints	6-13
Front Suspension, Upper – All Turf/Carryall 6 with Conventional Ball Joints	6-15
Front Suspension, Lower – Standard Gasoline Vehicle with Conventional Ball Joints	6-17
Front Suspension, Lower – CA6 Elec & Turf/CA6 Gas w/HD Option with Conventional Ball Joints	6-19
Rear Suspension – Gasoline Turf/Carryall 2, 2 Plus, and 6	6-21
Rear Suspension – Turf/Carryall 2 and 6 IQ Plus Vehicles	6-23
Stabilizer Bar – Turf/Carryall 2, 6, and Carryall 2 Plus Gasoline Vehicles	6-25

SECTION 7 – STEERING AND SUSPENSIONS – MAINT. FREE BALL JOINTS

Steering Gear Assembly (Wanda) – Maint.-Free Ball Joint	7-3
Steering Column – Utility	7-5
Intermediate Steering Shaft (Wanda) – Turf/CA 1/2/6	7-7
Steering Wheel	7-9
Steering Wheel with Clip	7-11
Front Spindles and Hubs – Vehicles with Four-Wheel Brakes and Maintenance-Free Ball Joints	7-13
Front Suspension, Upper – All Turf/Carryall 6 with Maintenance-Free Ball Joints	7-15
Front Suspension, Lower – Standard Gasoline Vehicle with Maintenance-Free Ball Joints	7-17
Front Suspension, Lower – CA6 Elec & Turf/CA6 Gas w/HD Option	7-19
Rear Suspension – Gasoline Turf/Carryall 2, 2 Plus, and 6	7-21
Rear Suspension – Turf/Carryall 2 and 6 IQ Plus Vehicles	7-23
Stabilizer Bar – Turf/Carryall 2, 6, and Carryall 2 Plus Gasoline Vehicles	7-25

SECTION 8 – ELECTRICAL SYSTEM – GASOLINE VEHICLE

Wiring – Turf 6 Gas with G425419 Starter Gen	8-3
Wiring – Turf 6 Gas with AMD Starter Gen	8-5

CONTENTS

Wiring – Carryall 6 Gas with G425419 Starter Gen	8-7
Wiring – Carryall 6 Gas with AMD Starter Gen	8-9
Starter/Generator Assembly, Model G425419	8-11
Starter/Generator Mounting – Model G425419	8-13
Starter/Generator Assembly (Pedal-Start), Model 114-01-4009A	8-15
Starter/Generator Assembly (Key-Start), Model 114-04-4001A	8-17
Starter/Generator Mounting – 114-0x-400xx Models	8-19
Operation and Maintenance Switch	8-21
Electrical Component Box – Turf 6	8-23
Electrical Component Box – Carryall 6	8-25
Forward/Reverse Shifter Switches – Dash Mounted Shifter	8-27
Battery – Gasoline Utility Vehicles	8-29

SECTION 9 – ENGINE (S27) W/O ACR, 50-STATE

FE350 Engine (S27) w/o ACR, Shrouds, and Brackets; 50-State	9-3
FE350 Engine (S27) – Ignition Components and Flywheel	9-5
FE350 Engine (S27) – Oil Circulation	9-7
FE350 Engine (S27) – Cylinder Head	9-9
FE350 Engine (S27) – Crankcase, Camshaft, and Oil Sensor	9-11
FE350 Engine (S27) – Crankcase and Crankshaft	9-13
FE350 Engine (S27) – Mounting	9-15

SECTION 10 – FUEL, INTAKE, AND GOVERNOR SYSTEMS

Fuel System – 49 State, with Metal Fuel Pump	10-3
Fuel System – 49 State, with Plastic Fuel Pump	10-5
Fuel System – California Only, with Metal Fuel Pump	10-7
Fuel System – California Only, with Plastic Fuel Pump	10-9
Carbon Canister – California Only	10-11
Carburetor Assembly – FE350 S27	10-13
Carburetor Mounting, Utility, FE350 S23 S24 S27	10-15
Governor and Accelerator Cables	10-17
Air Intake Duct and Choke Cable – Turf/Carryall 6	10-19
Air Filter and Intake Hose	10-21

SECTION 11 – EXHAUST SYSTEM

Exhaust System – FE350 Engine	11-3
-------------------------------------	------

CONTENTS

SECTION 12 – DRIVE BELT AND CLUTCHES

Drive Belt	12-3
Drive Clutch – Turf 6	12-5
Drive Clutch – Carryall 6	12-7
Driven Clutch – Turf 6 and Carryall 6	12-9

SECTION 13 – UNITIZED TRANSAXLE AND FNR SHIFTER - GASOLINE VEHICLES

Forward/Reverse Shifter	13-3
Shifter Cable – Turf/CA 6	13-5
Kawasaki Transaxle – Gear Cases and Levers	13-7
Kawasaki Transaxle – F&R Transmission and Gear Reduction	13-9
Kawasaki Transaxle – Differential and Axles	13-11
Graziano Transaxle – Gear Cases and Levers	13-13
Graziano Transaxle – F&R Transmission and Gear Reduction	13-15
Graziano Transaxle -Differential and Axles	13-17

SECTION 14 – ELECTRICAL SYSTEM – ELECTRIC VEHICLES

Motor Controller Output Regulator (MCOR)	14-3
Wiring – CA 6 Electric	14-5
Battery Charger Receptacle	14-7
Tow/Run Switch and Circuit-Breaker – IQ Plus	14-9
Batteries, 6-Volt, Standard Duty, Trojan	14-11
Batteries, 6-Volt, Heavy Duty, Trojan	14-13
Batteries, 6-Volt, Standard Duty, Crown	14-15
Batteries, 6-Volt, Heavy Duty, Crown	14-17
Batteries, 6-Volt, Standard Duty, U.S. Battery	14-19
Batteries, 6-Volt, Heavy Duty, U.S. Battery	14-21
Computer, Controller, and Solenoid – for Trojan & Crown Batteries	14-23
Computer, Controller, and Solenoid – for U.S. Battery Only	14-25

SECTION 15 – MOTOR (MODEL DA5-4006) – IQ PLUS

Motor (Model DA5-4006) – IQ Plus	15-3
--	------

SECTION 16 – TRANSAXLE – ELECTRIC VEHICLES

Transaxle – Electric Vehicles	16-3
Differential Guard – Electric Vehicles	16-5

CONTENTS

SECTION 17 – BATTERY CHARGERS

IQ Plus Battery Charger (Models 25730-11,-18,-19), Domestic	17-3
IQ Plus Battery Charger (Models 25880-11 and -18), International	17-5
Onboard IQ Plus Battery Charger (Model 25260-11), Domestic	17-7
Onboard IQ Plus Battery Charger (Model 25660-40), International	17-9
Onboard IQ Plus Charger and Cord Reel Mounting	17-11

SECTION 18 – MAINTENANCE AND SERVICE TOOLS

Maintenance and Service Tools	18-3
Maintenance and Service Tools, Continued	18-5
Maintenance and Service Tools, Continued	18-7

SECTION i – INDEX

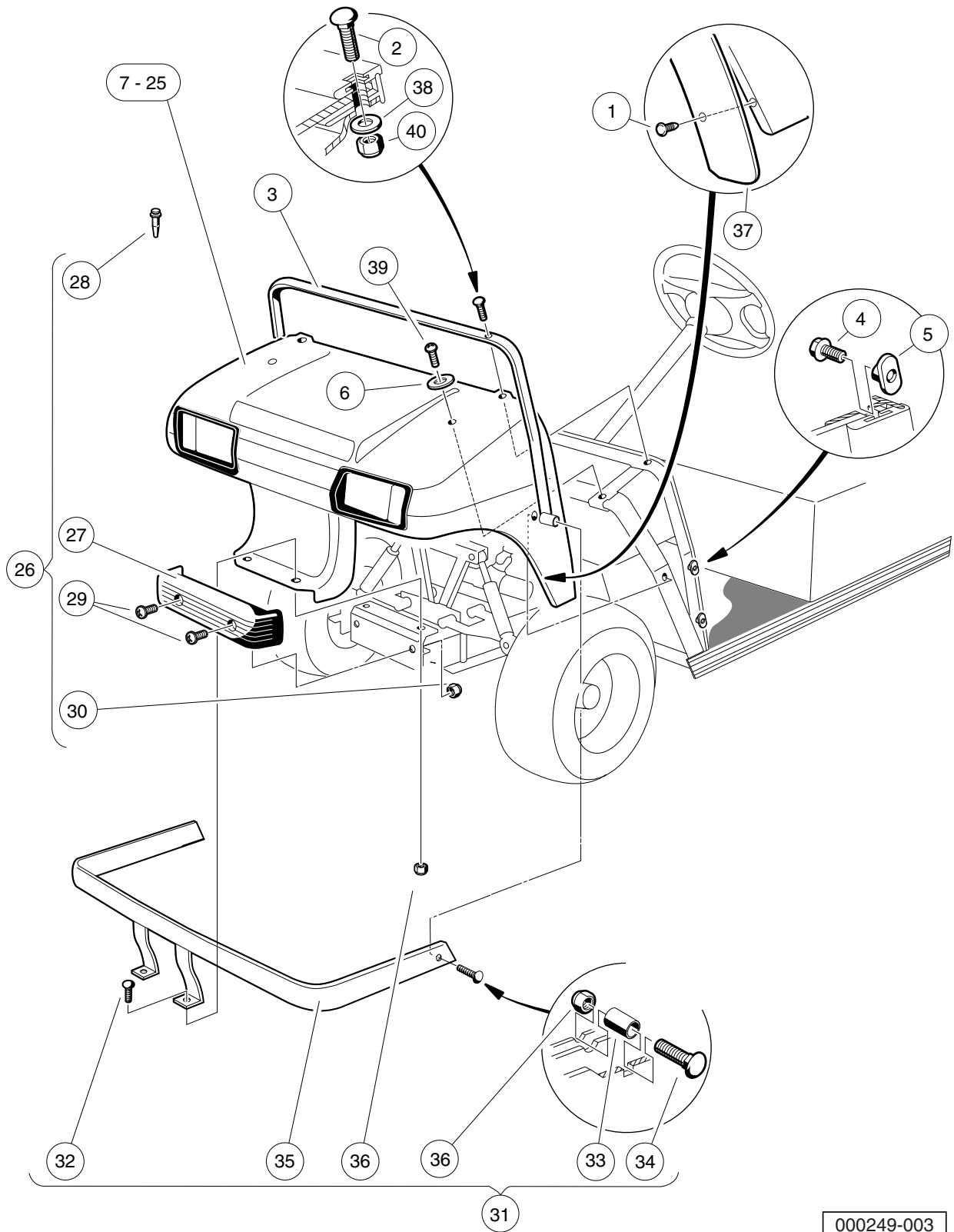
BODY AND TRIM

1

G

E

1
G
E



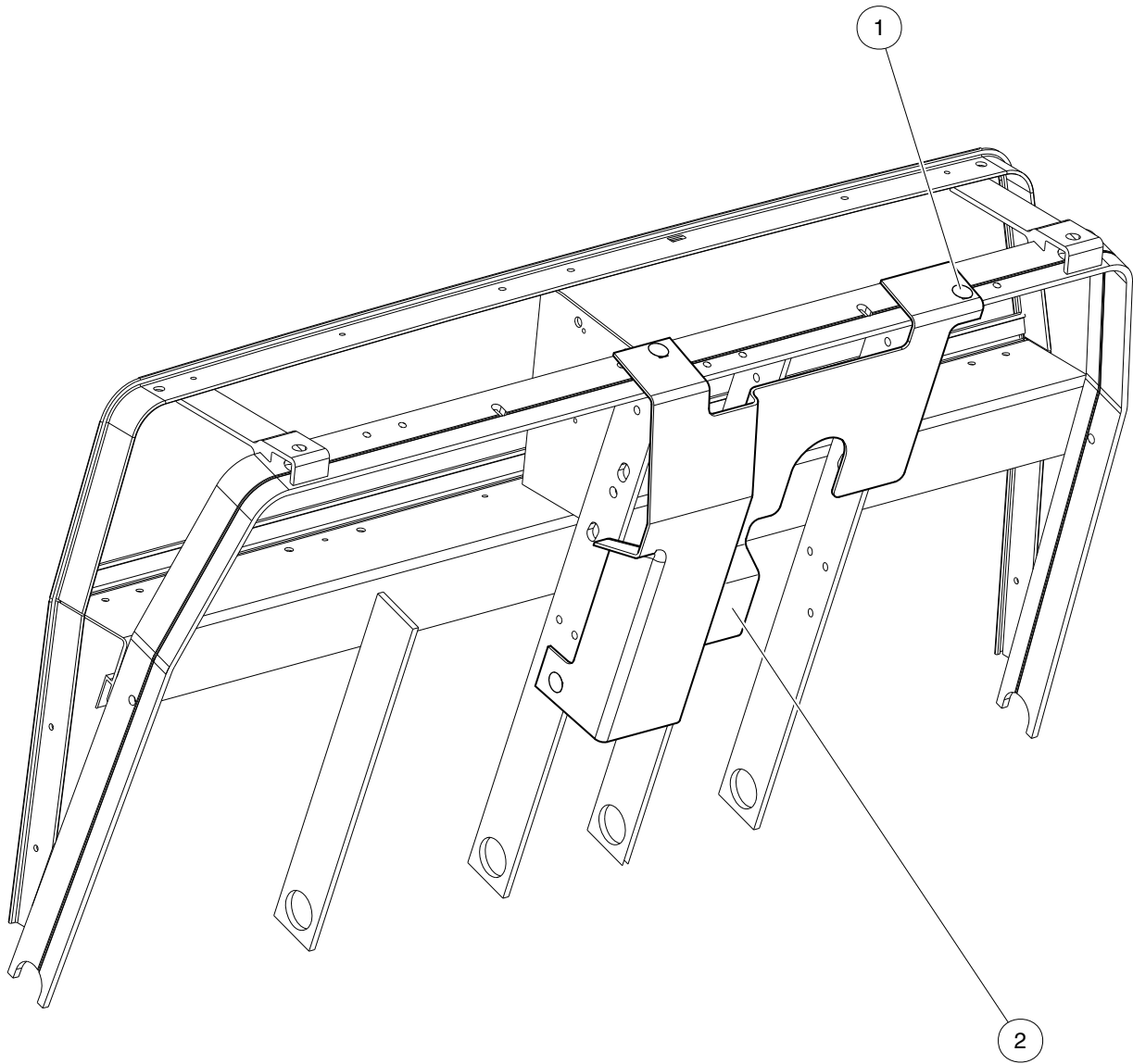
000249-003

FRONT BODY AND TRIM – TURF/CARRYALL 2, 2 PLUS, AND 6

ITEM	PART NO.	DESCRIPTION	QTY
		1 2 3 4	
1	1010434	Barrel - Plastic	12
2	1010435	Bolt, Carriage, 5/16-18 X 1.00	2
3	1011014	Trim, Cowl	1
4	1011017	Screw, #8-32 X 0.375	6
5	1011394	T-Nut Package (Set of 4)	1
6	1015075	Washer, 5/16 Flat Type A	2
7	101692501	Cowl, TPO, Beige	1
8	101692502	Cowl, TPO, White	1
9	101692506	Cowl, TPO, Red	1
10	101692509	Cowl, TPO, Pacific Blue (Royal Blue)	1
11	101692510	Cowl, TPO, Dark Green	1
12	101692511	Cowl, TPO, Black	1
13	101692512	Cowl, TPO, Classic Blue (Navy)	1
14	101692513	Cowl, TPO, Burgundy	1
15	101692514	Cowl, TPO, Dark Gray	1
16	101692515	Cowl, TPO, Safety Yellow	1
17	101693901	Cowl with Headlight Opening, TPO, Beige	1
18	101693902	Cowl with Headlight Opening, TPO, White	1
19	101693906	Cowl with Headlight Opening, TPO, Red	1
20	101693909	Cowl with Headlight Opening, TPO, Dark Green	1
21	101693910	Cowl with Headlight Opening, TPO, Black	1
22	101693911	Cowl with Headlight Opening, TPO, Classic Blue (Navy)	1
23	101693912	Cowl with Headlight Opening, TPO, Burgundy	1
24	101693913	Cowl with Headlight Opening, TPO, Dark Gray	1
25	101693914	Cowl with Headlight Opening, TPO, Safety Yellow	1
26	1017080	Kit, Front Bumper (includes items 27 through 30)	1
27	1016868	Front Bumper	1
28	1016967	Blind Rivet, Push Type	2
29	7251	Screw, 5/16-18 x 1.0 Truss-Head	2
30	7473	Locknut, 5/16-18 Nylon Insert	2
31	101734802	Kit, Heavy-Duty Bumper (includes items 32 through 36)	1
32	1010435	Bolt, Carriage, 5/16-18 X 1.00	2
33	1010546	Spacer	2
34	1015405	Bolt, Carriage, 5/16-18 X 2.0	2
35	N/A	Weldment, Heavy Duty Bumper	1
36	7473	Locknut, 5/16-18 Nylon Insert	4
37	101870401	Fender Extrusion	2
38	1241	Washer, 5/16 Type A Flat	2
39	7251	Screw, 5/16-18 x 1.0 Truss-Head	2
40	7473	Locknut, 5/16-18 Nylon Insert	2

1
G
E

1
G
E



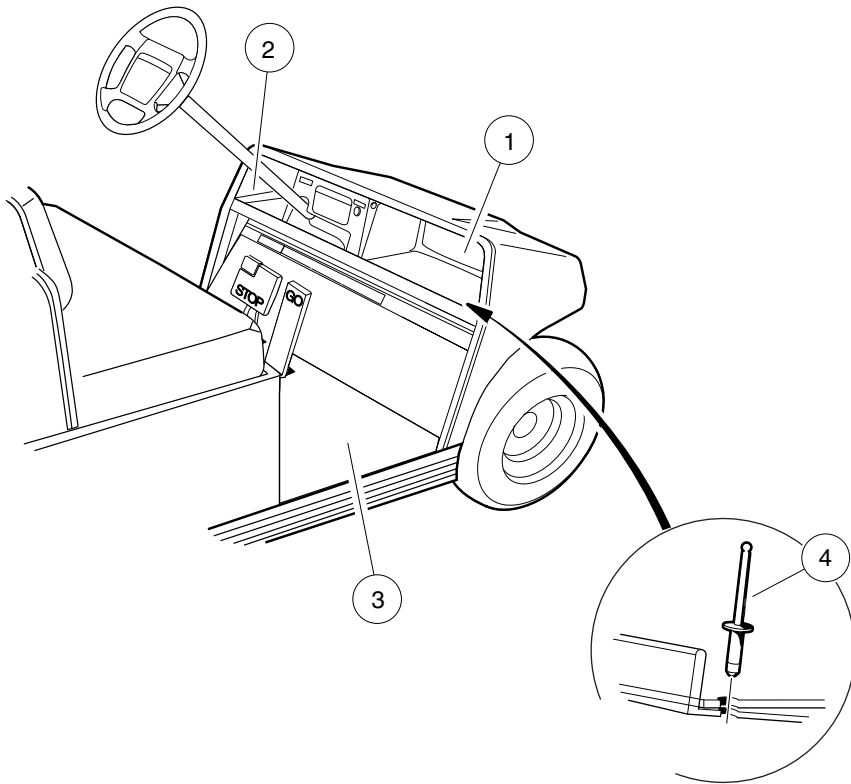
000593-002

SPLASH GUARD – GASOLINE VEHICLES ONLY

ITEM	PART NO.	DESCRIPTION	QTY
1	1010434	1 2 3 4 Barrel - Plastic	3
2	103174401	Splash Guard	1

1
G
E

1
G
E



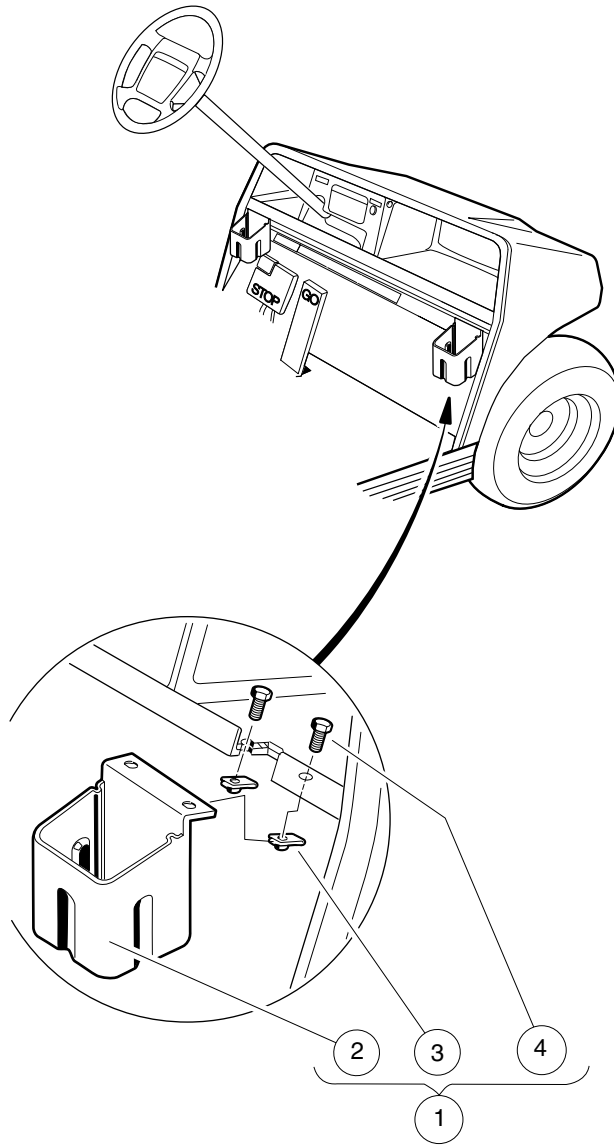
000252-002

DASH POCKETS AND FLOORMAT

ITEM	PART NO.	DESCRIPTION	QTY
		1 2 3 4	
1	1013343	Dash Component, Passenger-Side, Black	1
2	1013344	Dash Component, Driver-Side	1
3	101503202	Floormat	1
4	7973	Rivet, 3/16 X .400 Blind	5

1
G
E

1
G
E



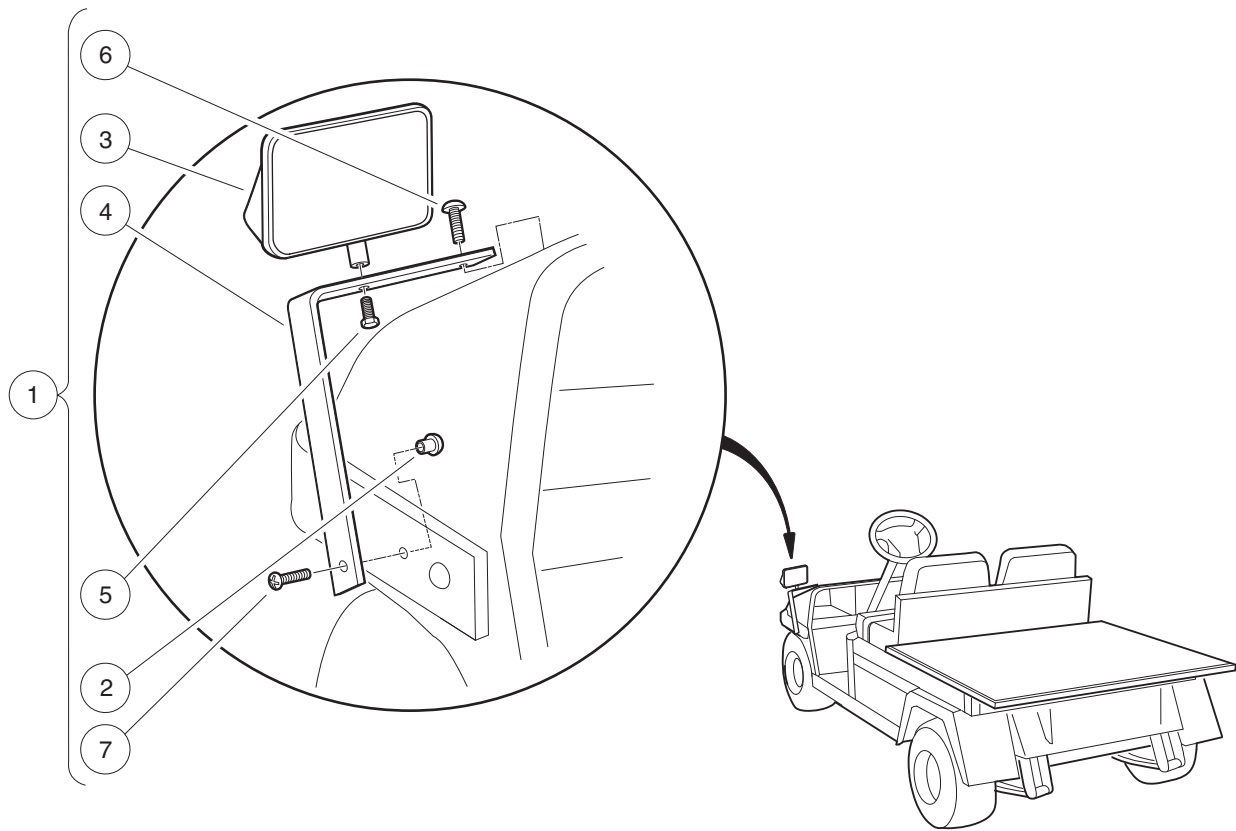
000253-001

BEVERAGE HOLDER

ITEM	PART NO.	DESCRIPTION	QTY
		1 2 3 4	
1	1013422	Cup Holder Kit (includes items 2 through 4)	2
2	1013420	Holder, Single Cup	1
3	1016952	U-Nut, 1/4-20	2
4	7847	Screw, 1/4-20 X 0.75 Hex-Head Cap	2

1
G
E

1
G
E



001211-001

MIRROR, REAR-VIEW – WITHOUT CAB

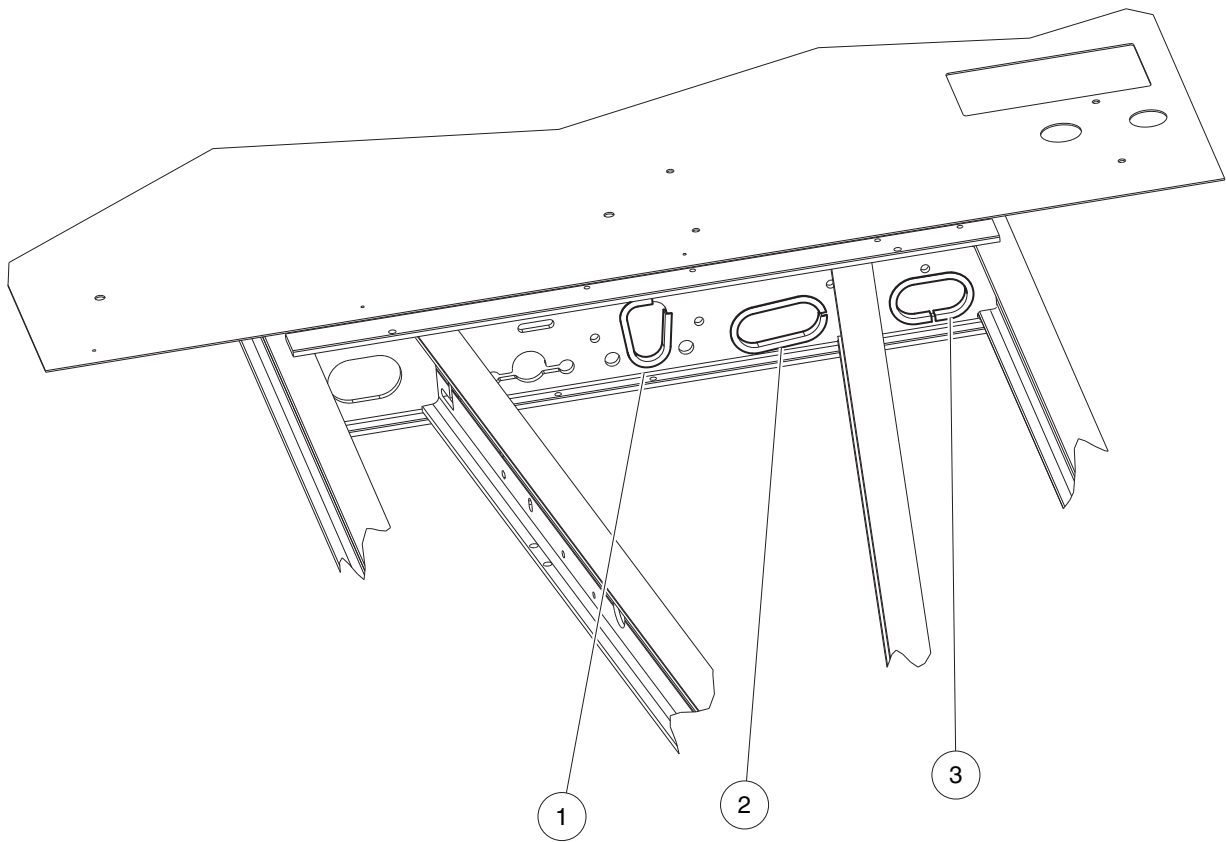
ITEM	PART NO.	DESCRIPTION	QTY
		1 2 3 4	
1	1013846	Kit, Rear Mirror, West Coast (includes items 2 through 7)	1
2	1011878	T-nut, 1/4-20 X .310 Capped	1
3	1013824	Rear View Mirror	1
4	1013825	Mirror Mounting Bracket	1
5	7173	Screw, 5/16-18 X 0.75, Hex-Head Cap	1
6	7251	Screw, 5/16-18 x 1.0 Truss-Head	1
7	8248	Screw, 1/4-20 X 0.75, Truss-Head Machine	1
		Note: To install this kit, vehicle must be equipped with a heavy-duty front bumper.	

1
G
E

1

G

E



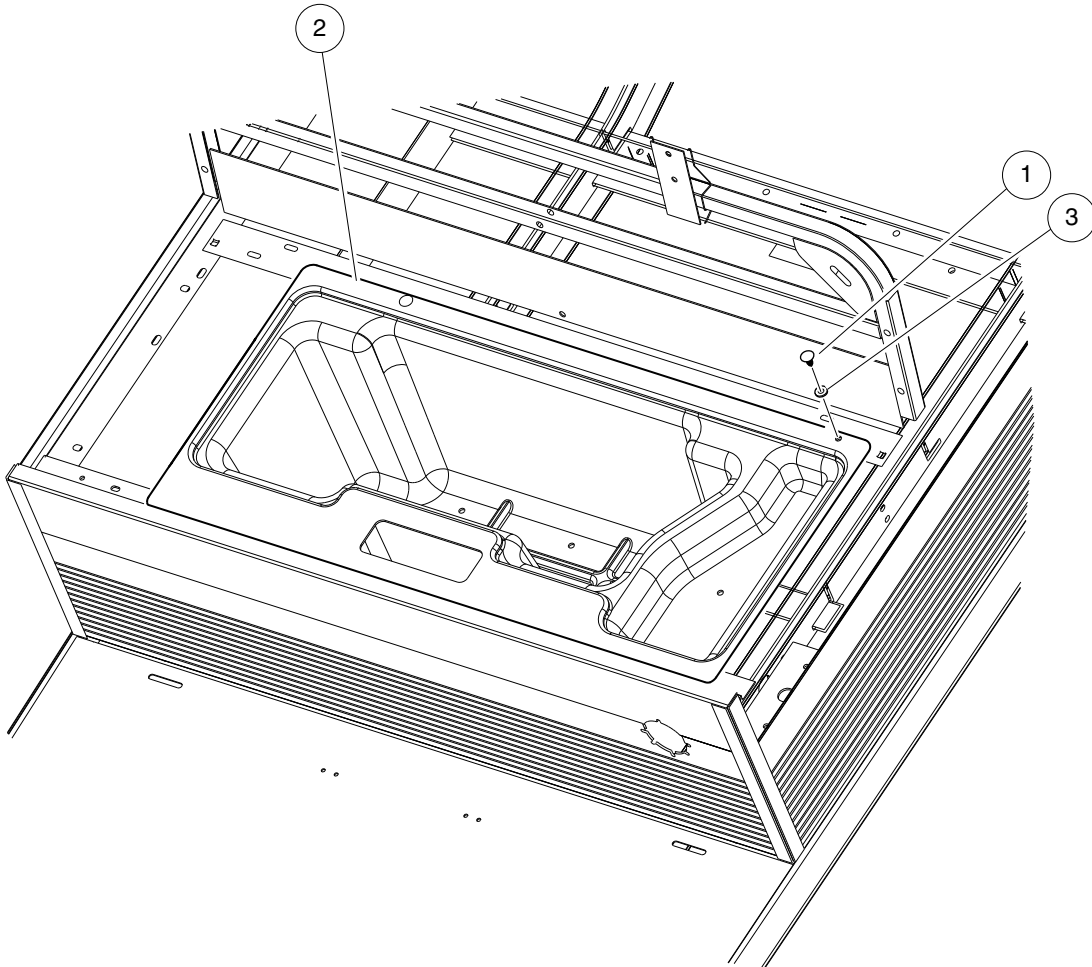
001221-001

GROMMETS, CHASSIS

ITEM	PART NO.	DESCRIPTION	QTY
		1 2 3 4	
1	101806001	I-beam Grommet - 5.5	A/R
2	101806002	I-beam Grommet - 7.5	A/R
3	101806005	I-beam Grommet - 6.75	A/R

1
G
E

1
G
E

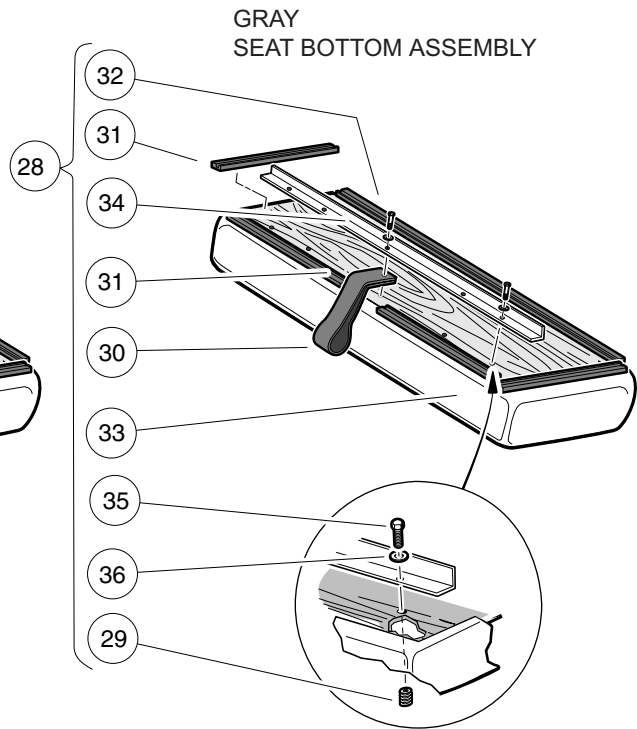
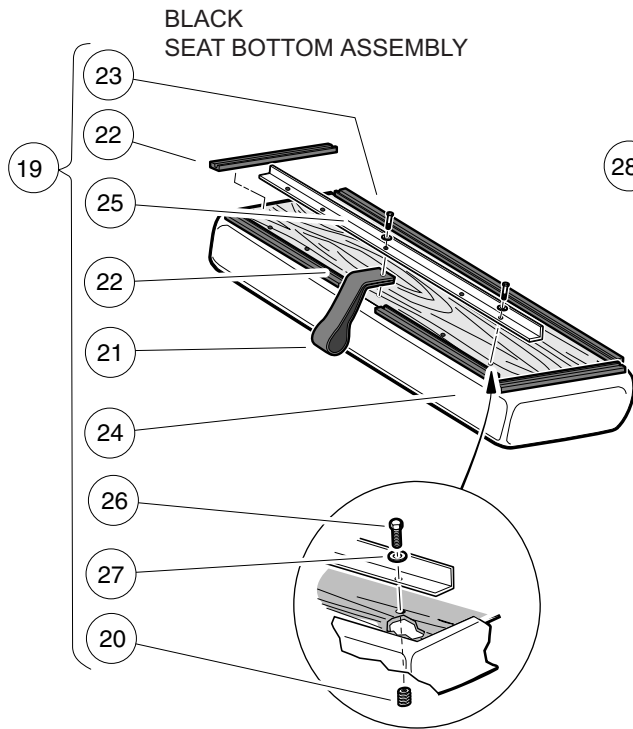
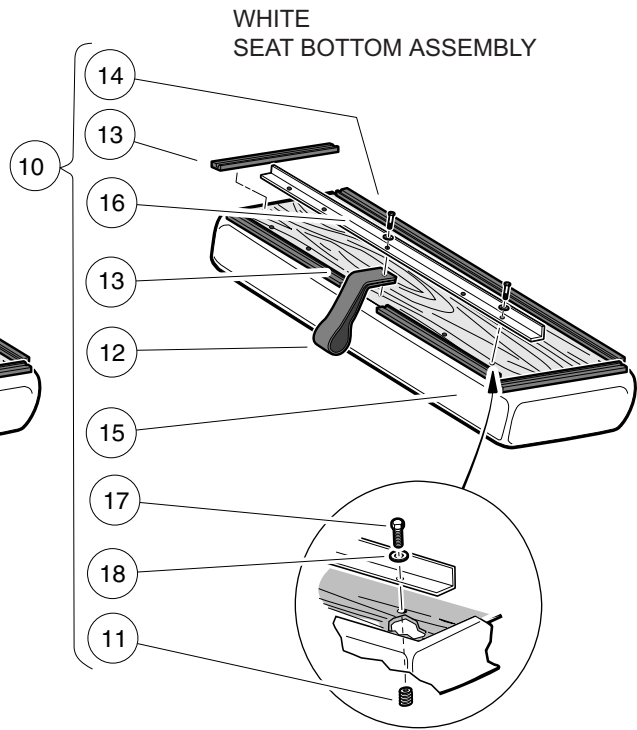
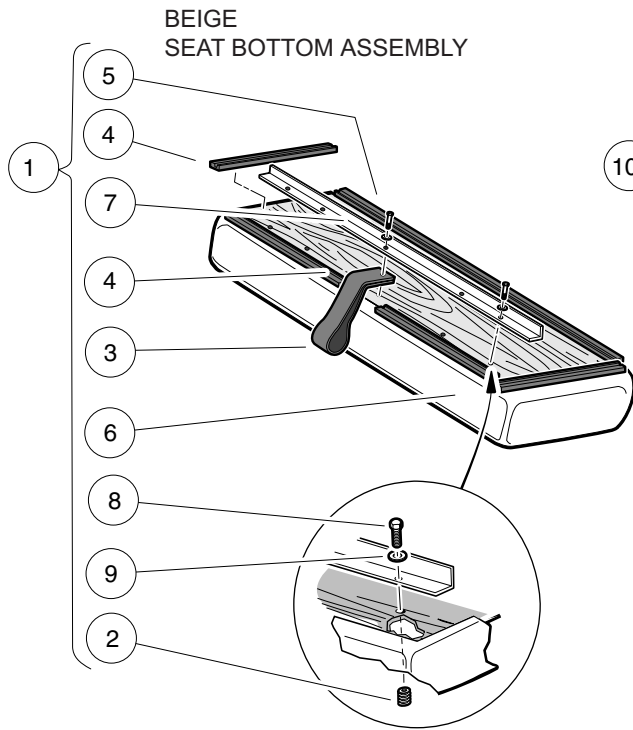


001172-001

UNDERSEAT STORAGE

ITEM	PART NO.	DESCRIPTION	QTY
		1 2 3 4	
1	1010434	Barrel - Plastic	2
2	103731001	Container, Underseat, CA,Gas	1
3	332	Washer, 1/4 Type A Narrow Flat	2

1
G
E



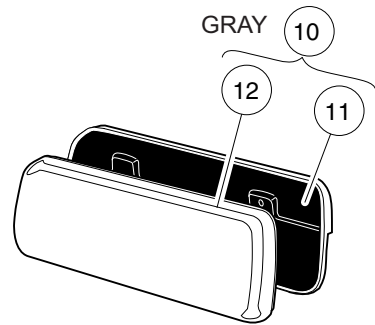
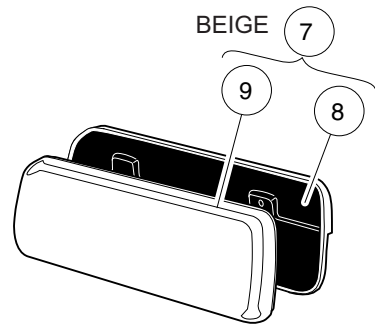
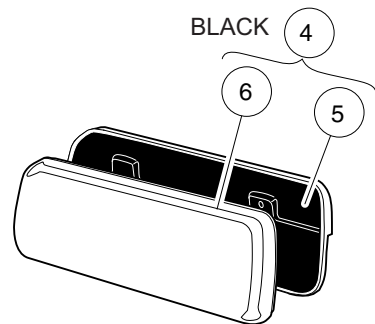
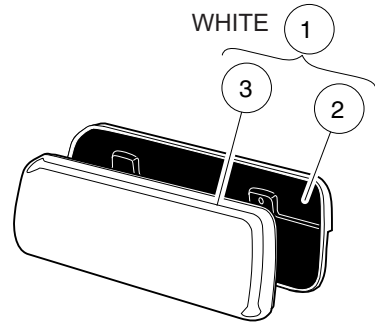
000254-001

SEAT BOTTOM

ITEM	PART NO.	DESCRIPTION	QTY
		1 2 3 4	
1	101564501	Seat Bottom Assembly, Beige (includes items 2 through 9)	1
2	1010543	Insert - Wood	5
3	1013309	Strap, Utility Seat	1
4	1013311	Bumper, Seat, Short	4
5	1013312	Bumper, Seat, Long	1
6	101562711	Vinyl Cover, Seat Bottom, Buff	1
7	101894303	Stiffener	1
8	101954301	Screw, 1/4-20 X 0.75 Hex-Head Cap	5
9	332	Washer, 1/4 Type A Narrow Flat	5
10	101564502	Seat Bottom Assembly, White (includes items 11 through 18)	1
11	1010543	Insert - Wood	5
12	1013309	Strap, Utility Seat	1
13	1013311	Bumper, Seat, Short	4
14	1013312	Bumper, Seat, Long	1
15	101562712	Vinyl Cover, Seat Bottom, White	1
16	101894303	Stiffener	1
17	101954301	Screw, 1/4-20 X 0.75 Hex-Head Cap	5
18	332	Washer, 1/4 Type A Narrow Flat	5
19	101564503	Seat Bottom Assembly, Black (includes items 20 through 27)	1
20	1010543	Insert - Wood	5
21	1013309	Strap, Utility Seat	1
22	1013311	Bumper, Seat, Short	4
23	1013312	Bumper, Seat, Long	1
24	101562714	Vinyl Cover, Seat Bottom, Black	1
25	101894303	Stiffener	1
26	101954301	Screw, 1/4-20 X 0.75 Hex-Head Cap	5
27	332	Washer, 1/4 Type A Narrow Flat	5
28	101564505	Seat Bottom Assembly, Gray (includes items 29 through 36)	1
29	1010543	Insert - Wood	5
30	1013309	Strap, Utility Seat	1
31	1013311	Bumper, Seat, Short	4
32	1013312	Bumper, Seat, Long	1
33	101562715	Vinyl Cover, Seat Bottom, Gray	2
34	101894303	Stiffener	1
35	101954301	Screw, 1/4-20 X 0.75 Hex-Head Cap	5
36	332	Washer, 1/4 Type A Narrow Flat	5

1
G
E

1
G
E

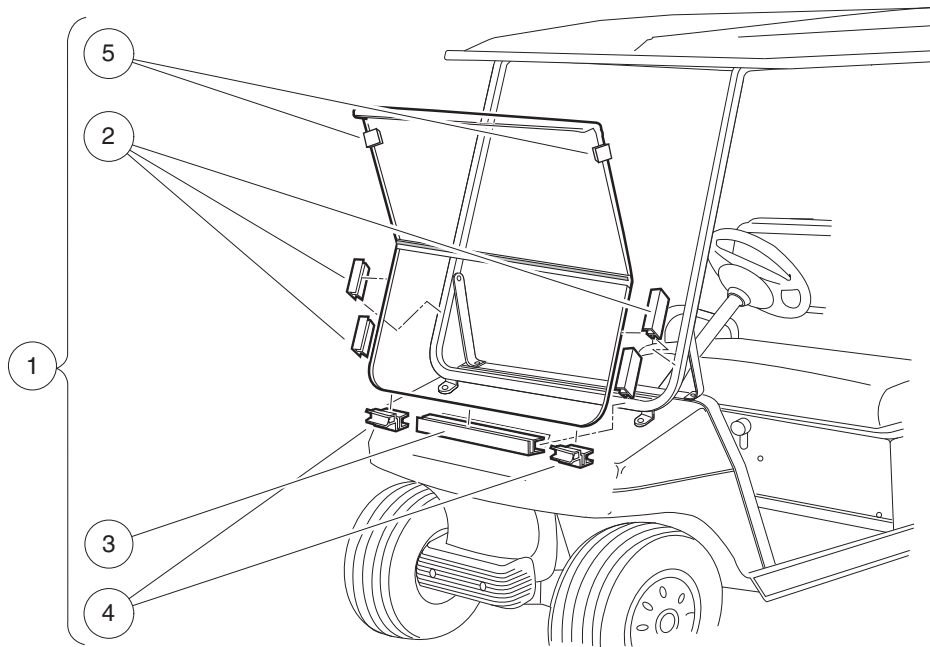


000608-001

SEAT BACK ASSEMBLY

ITEM	PART NO.	DESCRIPTION	QTY
		1 2 3 4	
1	101677701	Seat Back Assembly, White (includes items 2 and 3)	1
2	1016751	Cap, Seat Back	1
3	101675512	Vinyl Seat Back, White	1
4	101677702	Seat Back Assembly, Black (includes items 5 and 6)	1
5	1016751	Cap, Seat Back	1
6	101675514	Vinyl Seat Back, Black	1
7	101677703	Seat Back Assembly, Beige (includes items 8 and 9)	1
8	1016751	Cap, Seat Back	1
9	101675511	Vinyl Seat Back, Beige	1
10	101677705	Seat Back Assembly, Gray (includes items 11 and 12)	1
11	1016751	Cap, Seat Back	1
12	101675515	Vinyl Seat Back-nstd Svc	1

1
G
E



001205-001

WINDSHIELD, HINGED

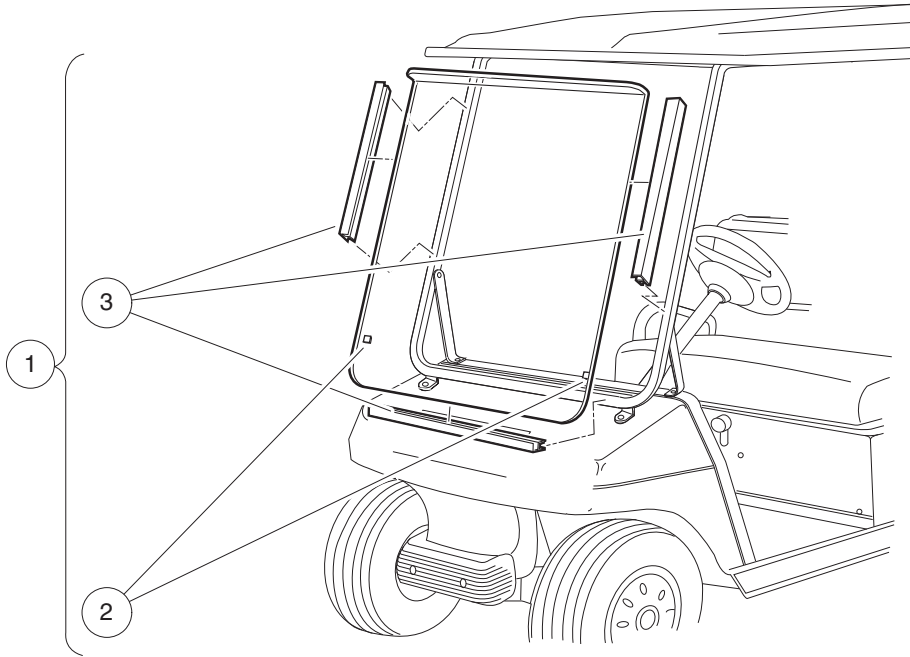
ITEM	PART NO.	DESCRIPTION	QTY
		1 2 3 4	
1	101728602	Hinged Windshield Kit (includes items 2 through 5)	1
2	102005701	5" Plastic Extrusion	4
3	102163001	Windshield Channel	1
4	102163101	Channel with Receiver Clip	2
5	N/A	Clip, Release	2

1
G
E

1

G

E



001204-001

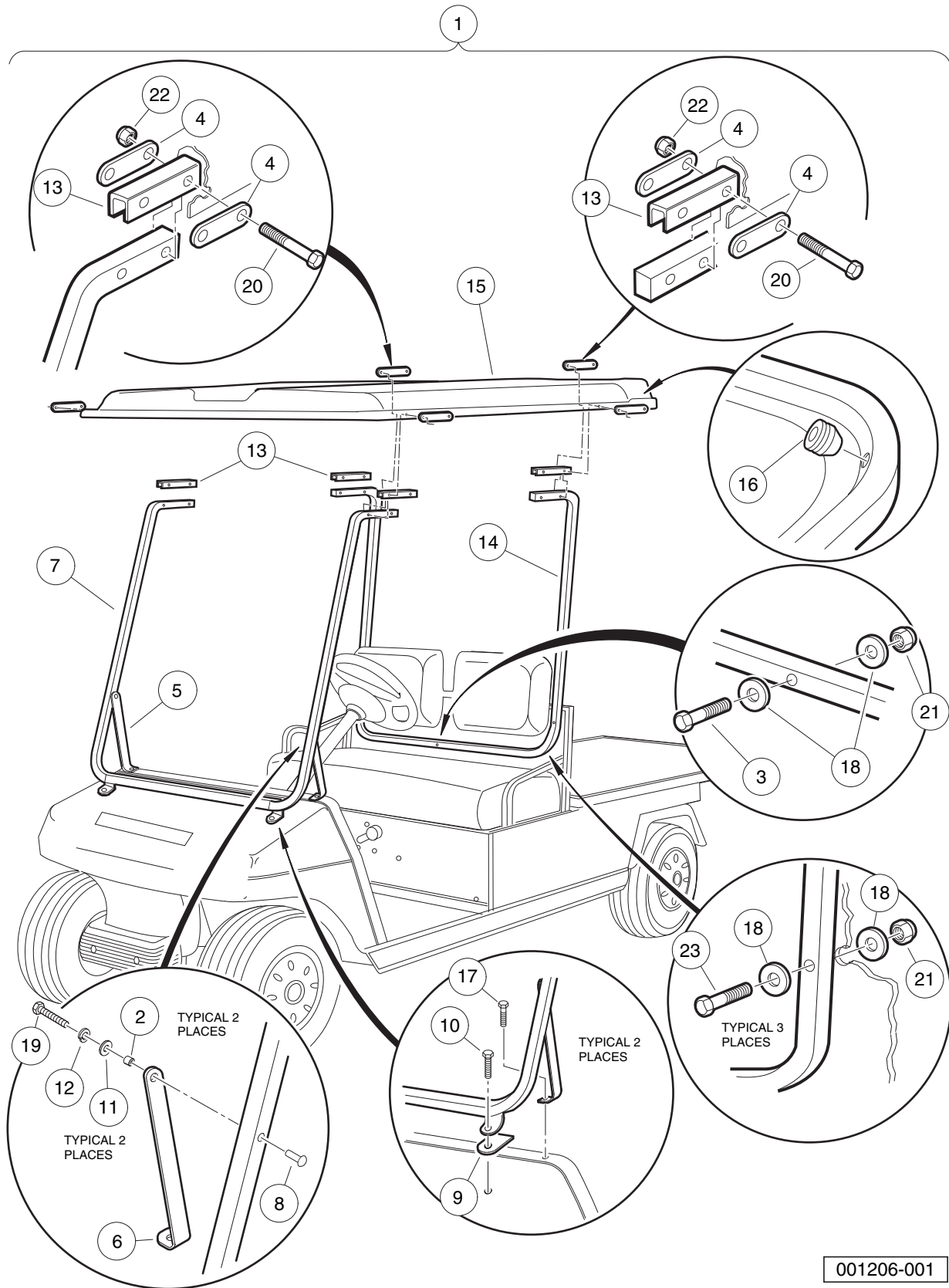
WINDSHIELD, NON-HINGED

ITEM	PART NO.	DESCRIPTION	QTY
		1 2 3 4	
1	1014435	Windshield Tinted One-Piece (includes items 2 and 3)	1
2	1011897	Bumper, Protective	2
3	101444101	21" Plastic Extrusion	3

1

G

E

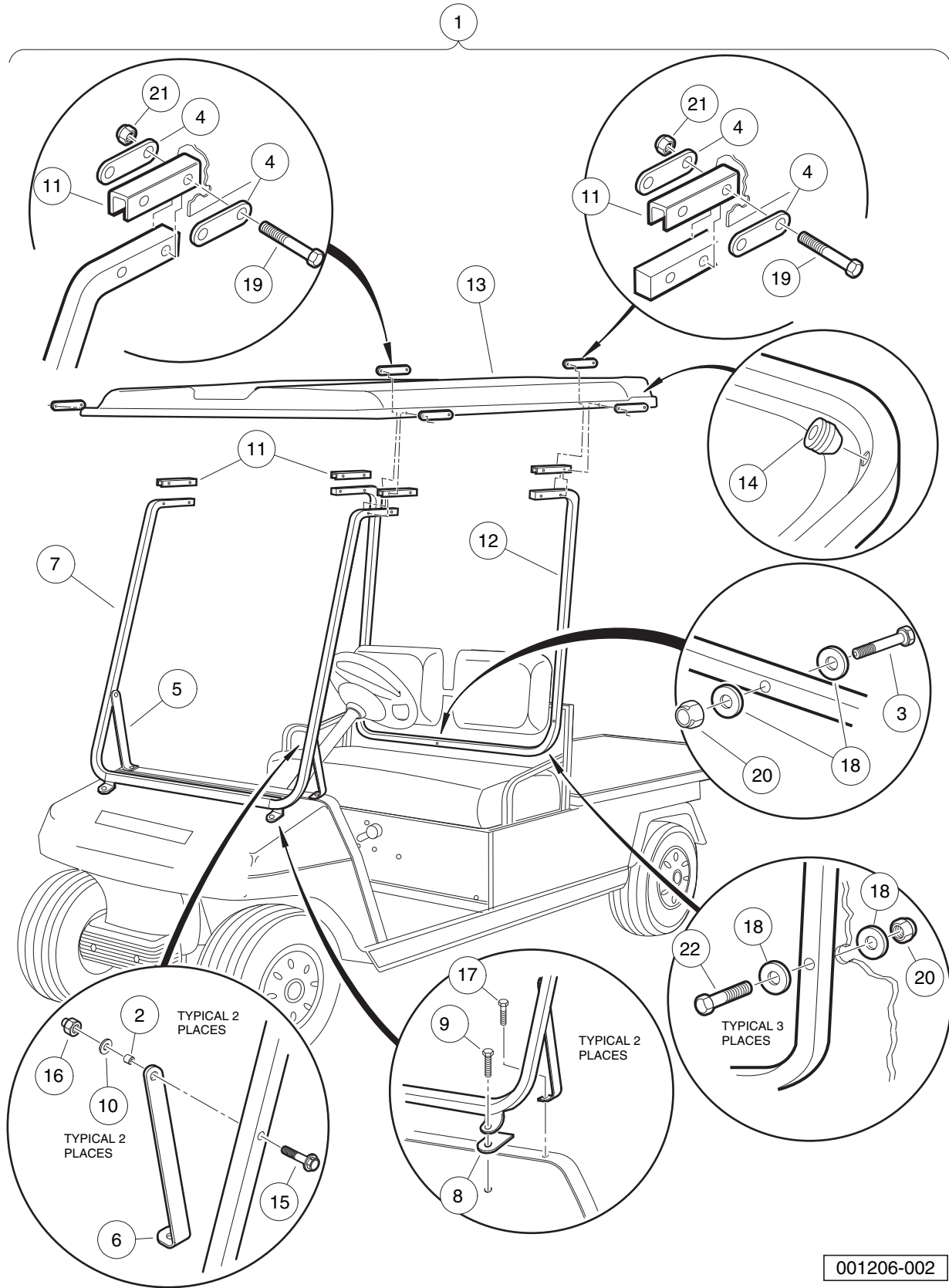


001206-001

CANOPY KIT, WHITE – TO MID-2010 MODEL YEAR

ITEM	PART NO.	DESCRIPTION	QTY
		1 2 3 4	
1	1014506	Kit, Canopy, White (includes items 2 through 23)	1
2	1010237	Bushing	2
3	1010921	Screw, 5/16-18 X 2.50 Hex Cap	1
4	1011852	Plate, Canopy Trim	8
5	1011862	Brace, Right-Hand Canopy Mount Knee	1
6	1011865	Brace, Left-Hand Canopy Mount Knee	1
7	1011868	Weldment, Windshield Frame	1
8	1011878	T-nut, 1/4-20 X .310 Capped	2
9	1011883	Pad, Windshield Frame Mounting	2
10	1011937	Bolt, 5/16-18 X 1.25 Hex Head	2
11	1011964	Washer, 1/4 Flat	2
12	1011965	Lockwasher, 1/4 Split Ss	2
13	1012008	Support, Side Canopy	4
14	1014503	Brace, Rear Canopy	1
15	1014509	Canopy, White (includes item 16)	1
16	1011942	Modified Grommet	2
17	1218	Screw, 5/16-18 X 1.25 Hex-Head Cap	2
18	1241	Washer, 5/16 Type A Flat	6
19	1703	Screw, 1/4-20 X 1.50 Hx Hd Cap	2
20	7311	Screw, 1/4-20 X 2.00 Hex-Head Cap	8
21	7473	Locknut, 5/16-18 Nylon Insert	3
22	8233	Locknut, 1/4-20, Nylon Insert	8
23	8963	Screw, 5/16-18 X 1.75 Hex-Head Cap	3

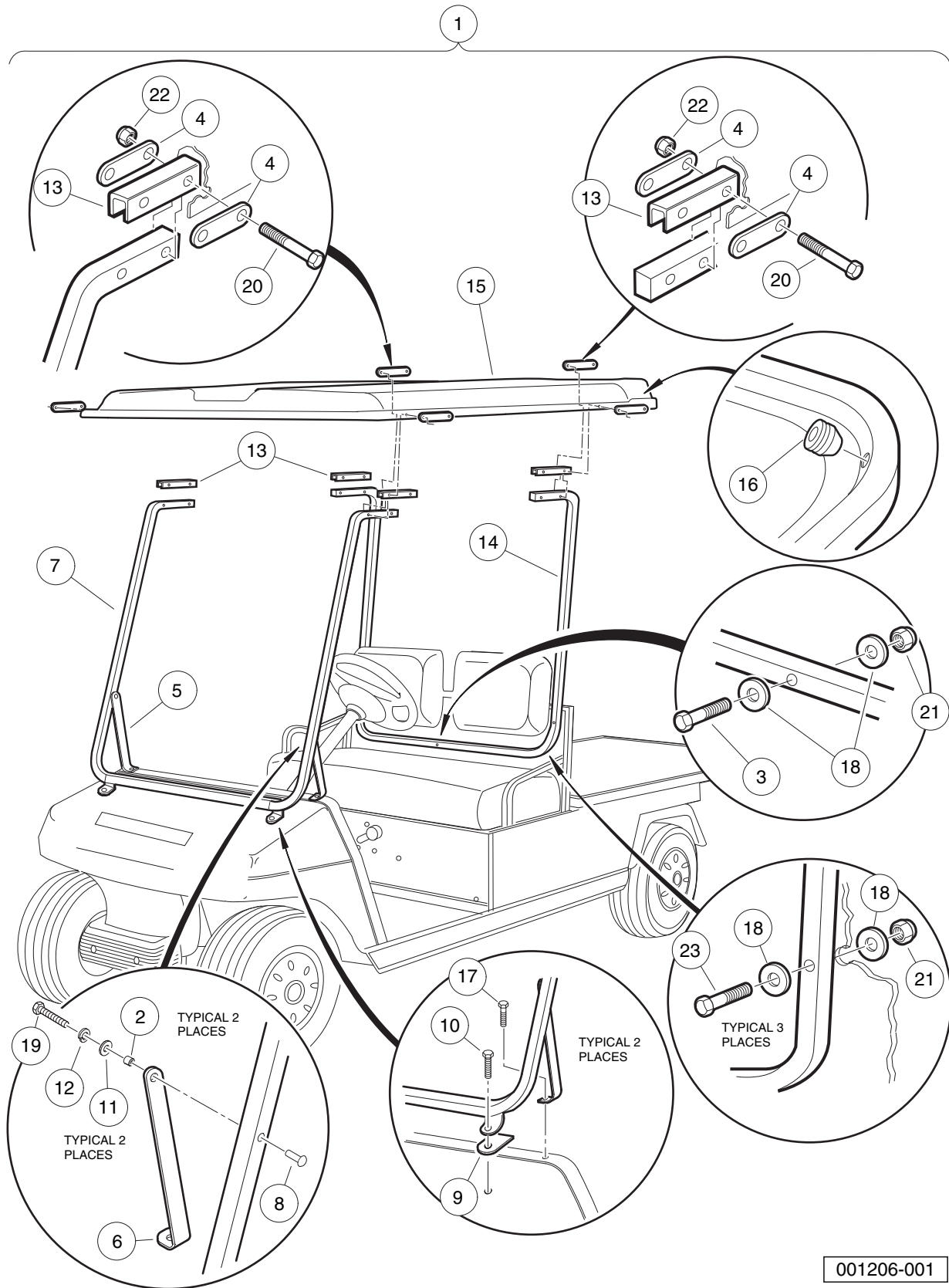
1
G
E



CANOPY KIT, WHITE – FROM MID-2010 MODEL YEAR

ITEM	PART NO.	DESCRIPTION	QTY
		1 2 3 4	
1	1014506	Kit, Canopy, White (includes items 2 through 22)	1
2	1010237	Bushing	2
3	1010921	Screw, 5/16-18 X 2.50 Hex Cap	1
4	1011852	Plate, Canopy Trim	8
5	1011862	Brace, Right-Hand Canopy Mount Knee	1
6	1011865	Brace, Left-Hand Canopy Mount Knee	1
7	1011868	Weldment, Windshield Frame	1
8	1011883	Pad, Windshield Frame Mounting	2
9	1011937	Bolt, 5/16-18 X 1.25 Hex Head	2
10	1011964	Washer, 1/4 Flat	2
11	1012008	Support, Side Canopy	4
12	1014503	Brace, Rear Canopy	1
13	1014509	Canopy, White (includes item 14)	1
14	1011942	Modified Grommet	2
15	102076702	1/4-20 X 1.75 Hex Sems Blk	2
16	102242401	Nut - Nylon Insert W/cap	2
17	1218	Screw, 5/16-18 X 1.25 Hex-Head Cap	2
18	1241	Washer, 5/16 Type A Flat	6
19	7311	Screw, 1/4-20 X 2.00 Hex-Head Cap	8
20	7473	Locknut, 5/16-18 Nylon Insert	3
21	8233	Locknut, 1/4-20, Nylon Insert	8
22	8963	Screw, 5/16-18 X 1.75 Hex-Head Cap	3

1
G
E

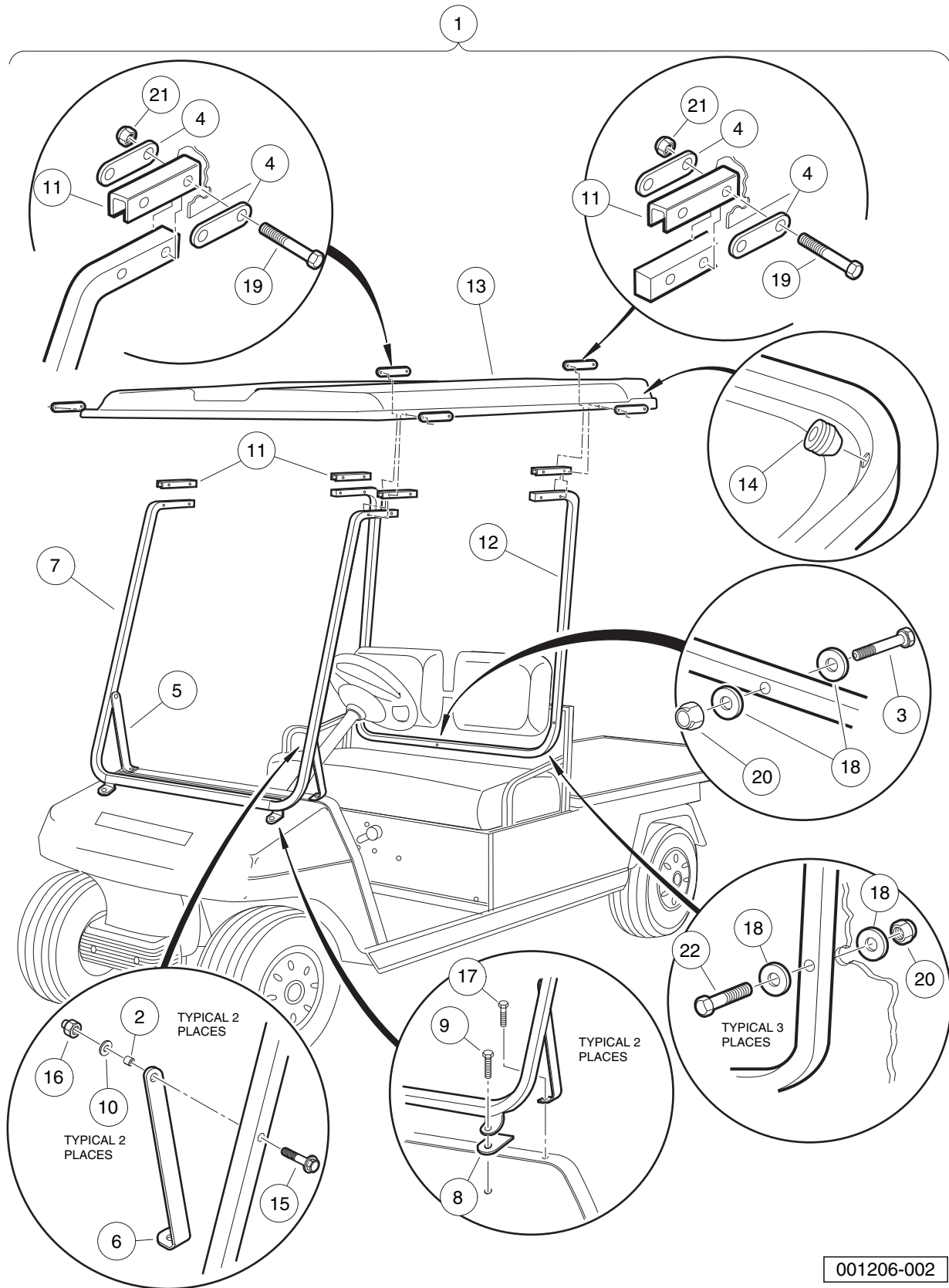


001206-001

CANOPY KIT, BEIGE – TO MID-2010 MODEL YEAR

ITEM	PART NO.	DESCRIPTION	QTY
		1 2 3 4	
1	101450698	Kit, Canopy, Beige, Ca1/2 (includes items 2 through 23)	1
2	1010237	Bushing	2
3	1010921	Screw, 5/16-18 X 2.50 Hex Cap	1
4	1011852	Plate, Canopy Trim	8
5	1011862	Brace, Right-Hand Canopy Mount Knee	1
6	1011865	Brace, Left-Hand Canopy Mount Knee	1
7	1011868	Weldment, Windshield Frame	1
8	1011878	T-nut, 1/4-20 X .310 Capped	2
9	1011883	Pad, Windshield Frame Mounting	2
10	1011937	Bolt, 5/16-18 X 1.25 Hex Head	2
11	1011964	Washer, 1/4 Flat	2
12	1011965	Lockwasher, 1/4 Split Ss	2
13	1012008	Support, Side Canopy	4
14	1014503	Brace, Rear Canopy	1
15	101450903	Asm, Canopy, Beige (includes item 16)	1
16	1011942	Modified Grommet	2
17	1218	Screw, 5/16-18 X 1.25 Hex-Head Cap	2
18	1241	Washer, 5/16 Type A Flat	6
19	1703	Screw, 1/4-20 X 1.50 Hx Hd Cap	2
20	7311	Screw, 1/4-20 X 2.00 Hex-Head Cap	8
21	7473	Locknut, 5/16-18 Nylon Insert	3
22	8233	Locknut, 1/4-20, Nylon Insert	8
23	8963	Screw, 5/16-18 X 1.75 Hex-Head Cap	3

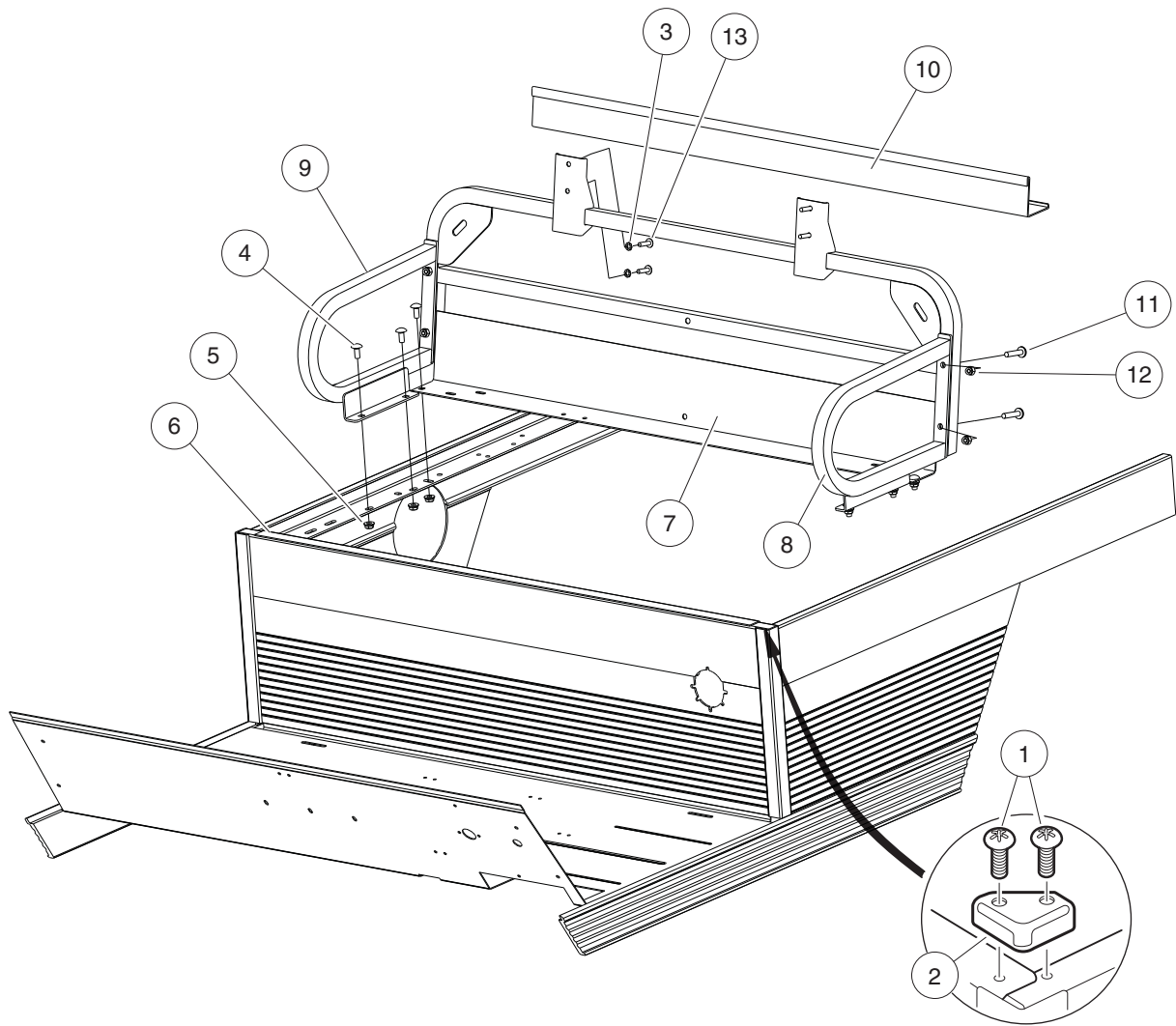
1
G
E



CANOPY KIT, BEIGE – FROM MID-2010 MODEL YEAR

ITEM	PART NO.	DESCRIPTION	QTY	
		1 2 3 4		1
1	101450698	Kit, Canopy, Beige, Ca1/2 (includes items 2 through 22)	1	G
2	1010237	Bushing	2	E
3	1010921	Screw, 5/16-18 X 2.50 Hex Cap	1	
4	1011852	Plate, Canopy Trim	8	
5	1011862	Brace, Right-Hand Canopy Mount Knee	1	
6	1011865	Brace, Left-Hand Canopy Mount Knee	1	
7	1011868	Weldment, Windshield Frame	1	
8	1011883	Pad, Windshield Frame Mounting	2	
9	1011937	Bolt, 5/16-18 X 1.25 Hex Head	2	
10	1011964	Washer, 1/4 Flat	2	
11	1012008	Support, Side Canopy	4	
12	1014503	Brace, Rear Canopy	1	
13	101450903	Asm, Canopy, Beige (includes item 14)	1	
14	1011942	Modified Grommet	2	
15	102076702	1/4-20 X 1.75 Hex Sems Blk	2	
16	102242401	Nut - Nylon Insert W/cap	2	
17	1218	Screw, 5/16-18 X 1.25 Hex-Head Cap	2	
18	1241	Washer, 5/16 Type A Flat	6	
19	7311	Screw, 1/4-20 X 2.00 Hex-Head Cap	8	
20	7473	Locknut, 5/16-18 Nylon Insert	3	
21	8233	Locknut, 1/4-20, Nylon Insert	8	
22	8963	Screw, 5/16-18 X 1.75 Hex-Head Cap	3	

1
G
E

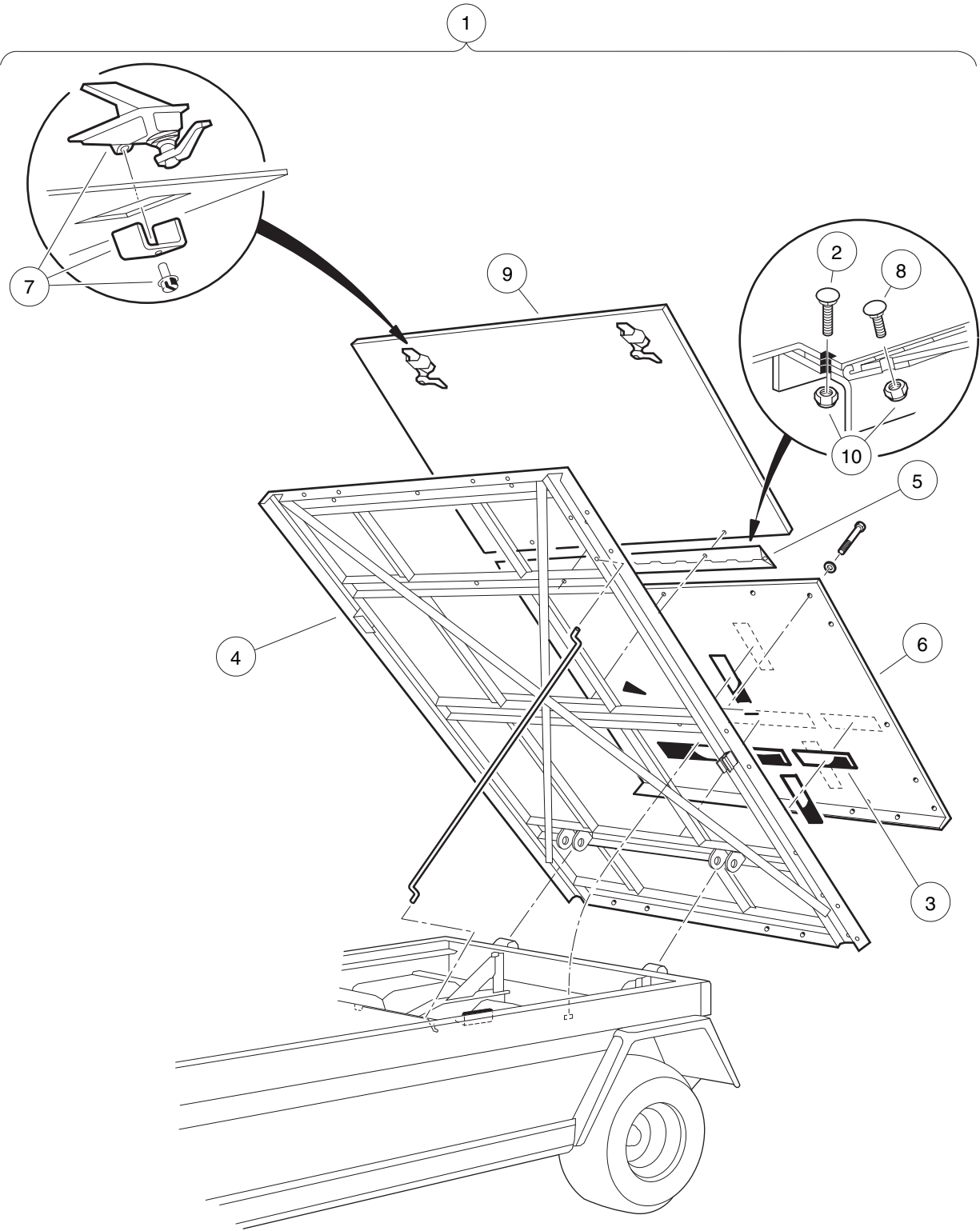


000603-004

HIP RESTRAINTS AND SEAT BACK MOUNTING

ITEM	PART NO.	DESCRIPTION	QTY
		1 2 3 4	
1	1014321	Screw, #10 Truss-Head Torx	4
2	1014387	Cap, Corner	2
3	101946201	Washer, Lock, 0.250 External-Tooth	4
4	101963301	Bolt, 5/16-18 X 0.75 Round-Head	6
5	101963401	Locknut, 5/16-18 Hex Flange	6
6	101964001	Trim, Seat Bottom Front	1
7	102966401	Seat Back, Tube	1
8	102966501	Hip Restraint, Left	1
9	102966502	Hip Restraint, Right	1
10	102989501	Seal, Bed, 41-Inch	1
11	103245201	Screw, 5/16-18 X 1.5, Tr Tx Hd	4
12	103245301	Nut, Hex, Cp, Mech Def, 5/16-1	4
13	8251	Screw, 1/4-20 X 1.0 Truss-Head Machine	4

1
G
E



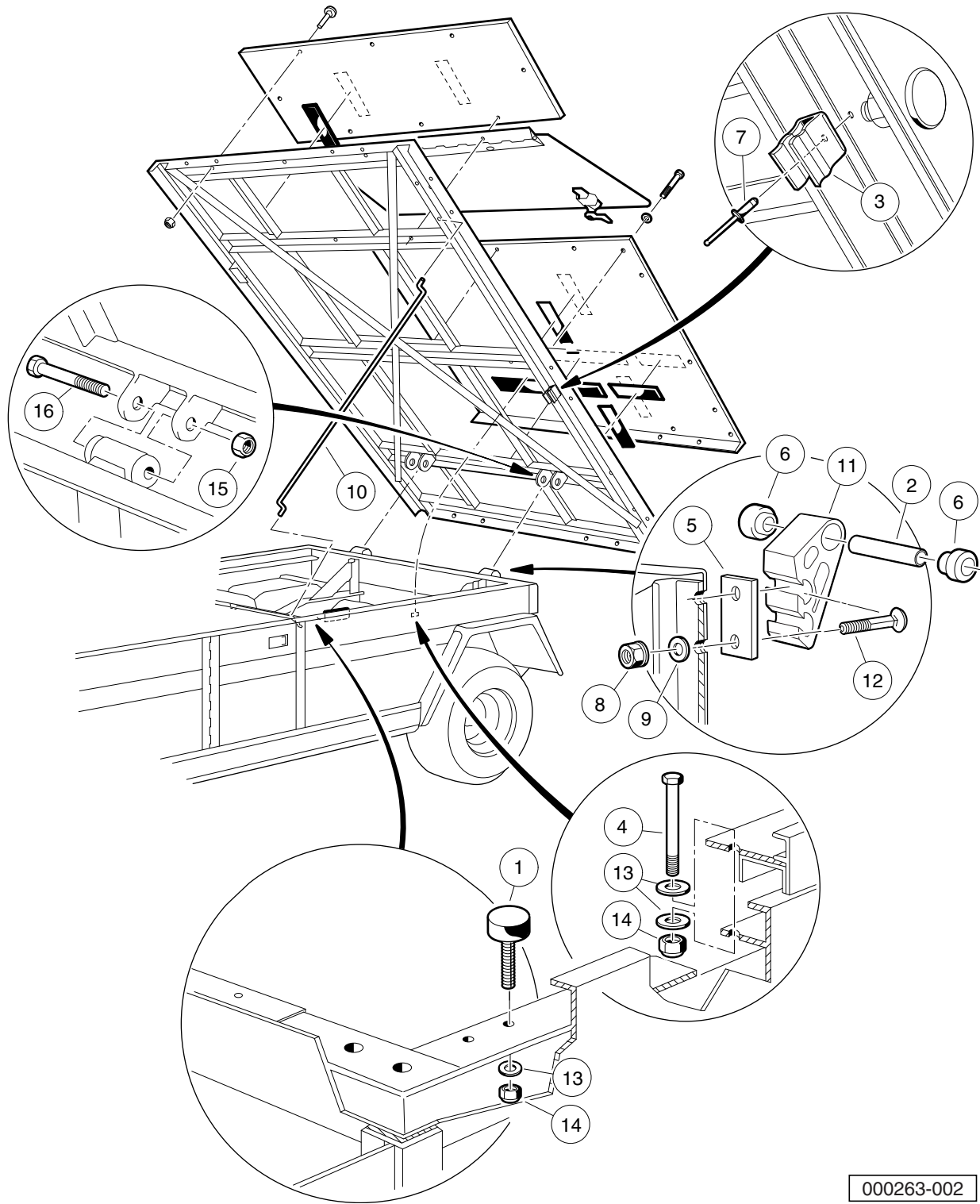
000264-003

FLAT BED – TURF/CARRYALL 6

ITEM	PART NO.	DESCRIPTION	QTY
		1 2 3 4	
1	103509601	Asm, Long Bed Str Ic, W/o Trim (includes items 2 through 10)	1
2	1010435	Bolt, Carriage, 5/16-18 X 1.00	13
3	1014471	Tape, Vinyl Foam 1/8" x 3/4"	13
4	1016878	Long Bed Frame Assembly	1
5	1016881	Hinge, Access Door	1
6	****	Plate Floor Rear Long Bed	1
7	101691401	Latch, Door	2
8	1017077	Bolt, Carriage, 5/16-18 X 0.625	2
9	103509401	Plate Access Door, Ca6, Ic	1
10	7473	Locknut, 5/16-18 Nylon Insert	15
		**** Special order item available upon request.	

1
G
E

1
G
E



000263-002

FLAT BED MOUNTING

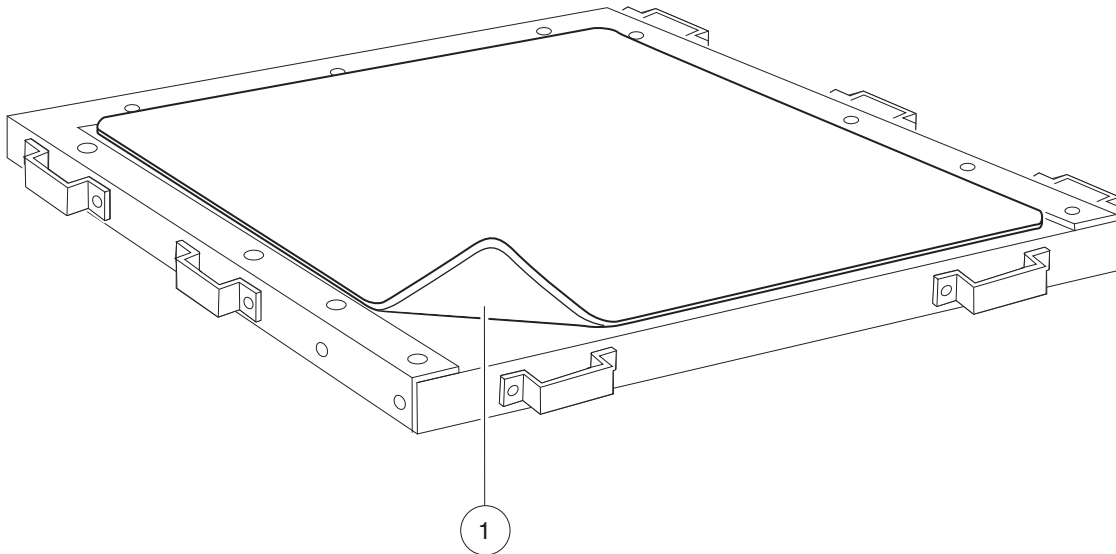
ITEM	PART NO.	DESCRIPTION	QTY
		1 2 3 4	
1	1010878	Bumper, Rubber	2
2	1012303	Bushing, Steel	2
3	1013413	Clip, Rod	1
4	1013872	Bolt, 1/4-20 X 4.00 Hex Head	2
5	1015507	Shim, Tilt Bed Pivot	1
6	1015583	Bushing, Urethane	4
7	1015727	Rivet, 1/8	1
8	102065901	Locknut, 3/8-16 Flanged Dimple	4
9	102066001	Washer, 3/8 Type B Hard Flat	4
10	102259401	Prop Rod, Long Bed	1
11	103538701	Bracket, Bed Hinge, Extruded	2
12	103538901	Bolt, Carriage, 3/8-16 x 3.5" Grade 5	4
13	332	Washer, 1/4 Type A Narrow Flat	6
14	8233	Locknut, 1/4-20, Nylon Insert	4
15	8754	Locknut, 3/8-16 Hex	2
16	8755	Screw, 3/8-16 X 3.375 Hex Cap	2

1
G
E

1

G

E

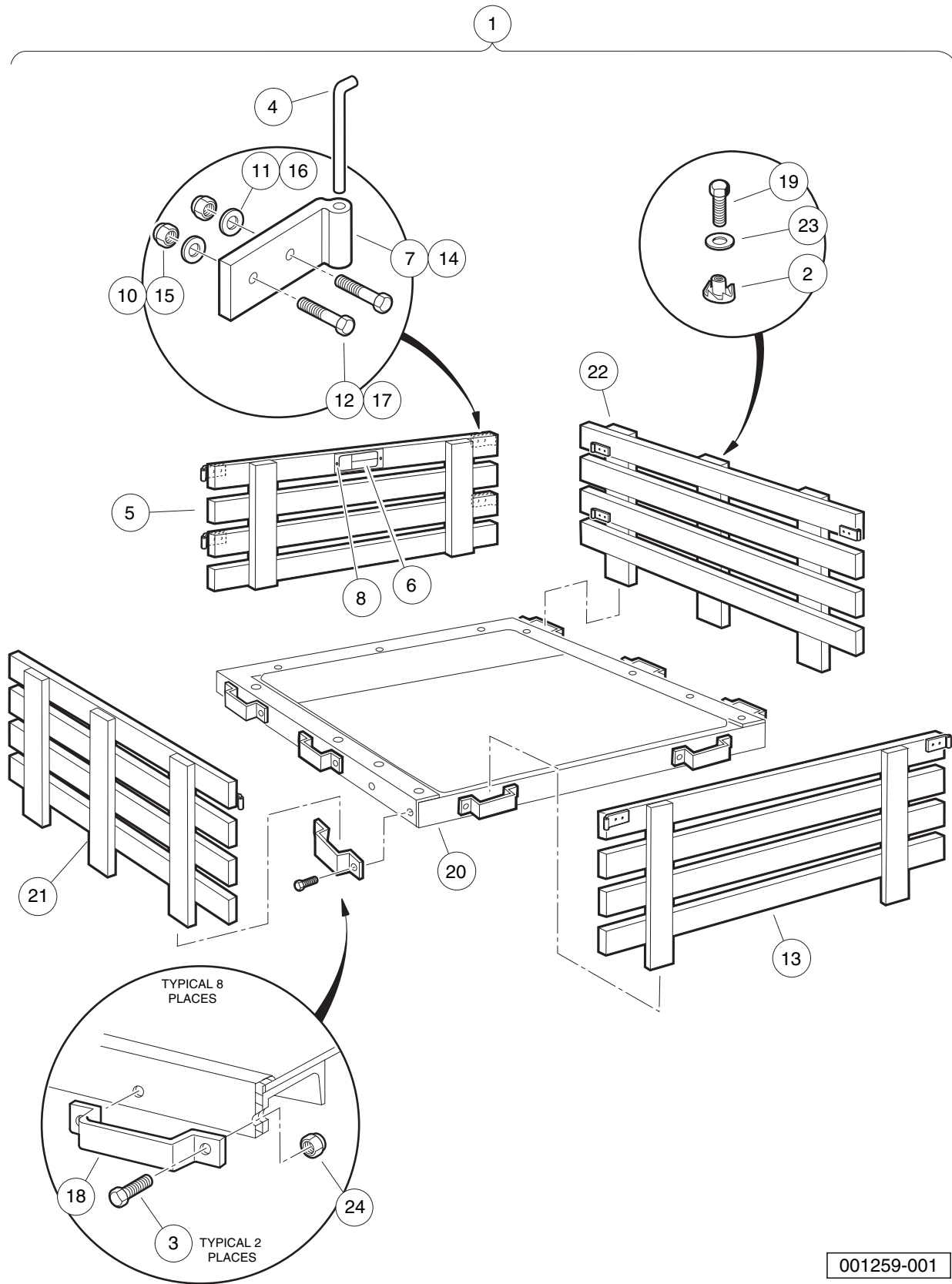


001207-001

BED MAT

ITEM	PART NO.	DESCRIPTION	QTY
1	101770201	1 2 3 4 Bed Mat - Carryall 6	1

1
G
E

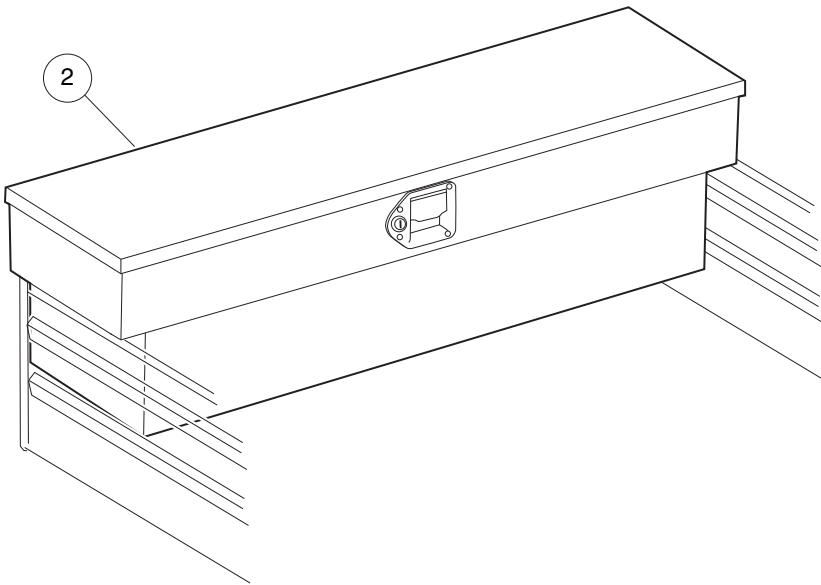
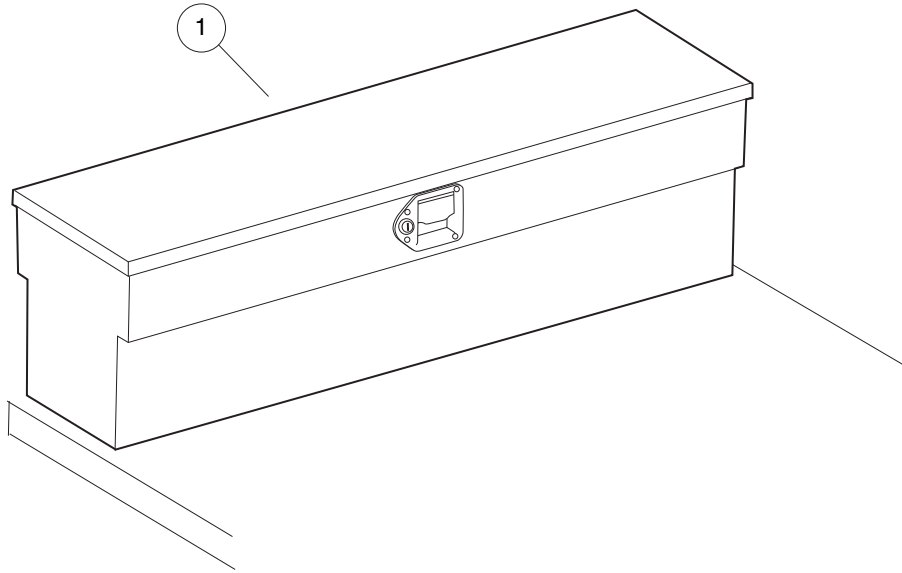


STAKE SIDE KIT

ITEM	PART NO.	DESCRIPTION	QTY
		1 2 3 4	
1	1017117	Stake Side Kit, 6 (includes items 2 through 24)	1
2	1010086	T-Nut	74
3	1010934	Screw, 5/16-18 X 1.00 Hex Cap	14
4	1015656	Pin, hinge	6
5	101565703	Stake Side, Front (includes items 6 through 12)	1
6	101553901	Decal, Bed Load Warning	1
7	1015654	Stake Side Hinge	4
8	1016663	Screw, #12-14 X 0.625	2
9	N/A	Plate, Bed Load Decal	1
10	1108	Locknut, 1/4-20 Dimpled	8
11	332	Washer, 1/4 Type A Narrow Flat	24
12	7479	Screw, 1/4-20 X 1.25 Hex-Head Cap	8
13	101565704	Stake Side, Rear (includes items 14 through 17)	1
14	1015654	Stake Side Hinge	2
15	1108	Locknut, 1/4-20 Dimpled	4
16	332	Washer, 1/4 Type A Narrow Flat	20
17	7479	Screw, 1/4-20 X 1.25 Hex-Head Cap	4
18	1016077	Bracket, Stake Side	7
19	1016916	Screw, 1/4-20 X 1.50 Hex-Head Cap	74
20	N/A	Assembly, Long Bed	1
21	101711801	Stake Side Assy C/a Vi L.h.	1
22	101711802	Stake Side AssyC/aViR.h.'	1
23	332	Washer, 1/4 Type A Narrow Flat	74
24	7473	Locknut, 5/16-18 Nylon Insert	14

1
G
E

1
G
E



001157-001

TOOLBOXES

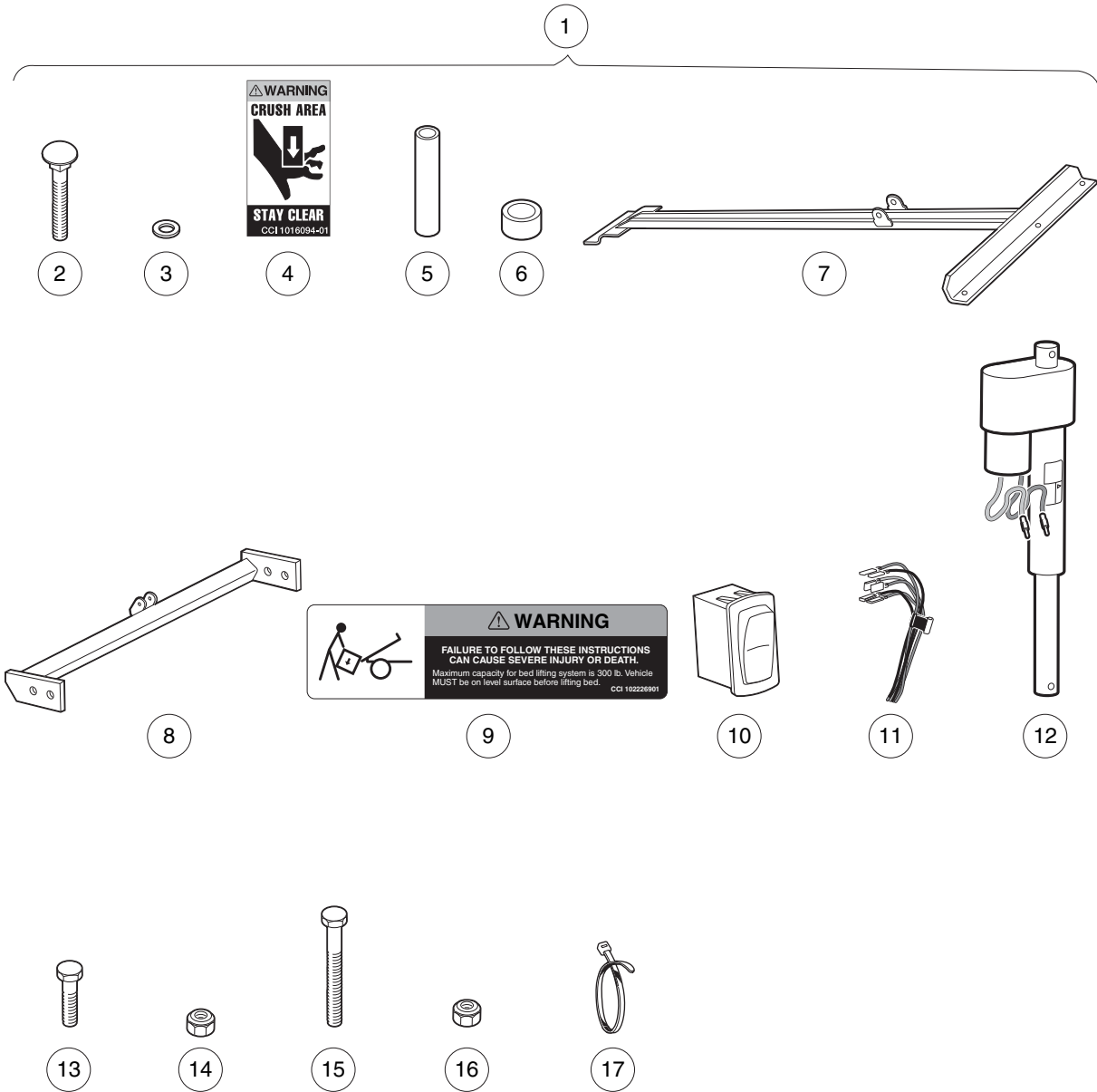
ITEM	PART NO.	DESCRIPTION	QTY
1	101837401	1 2 3 4 Toolbox, Flat Bed	1
2	101837501	Tool Box, Box Bed	1

1

G

E

1
G
E



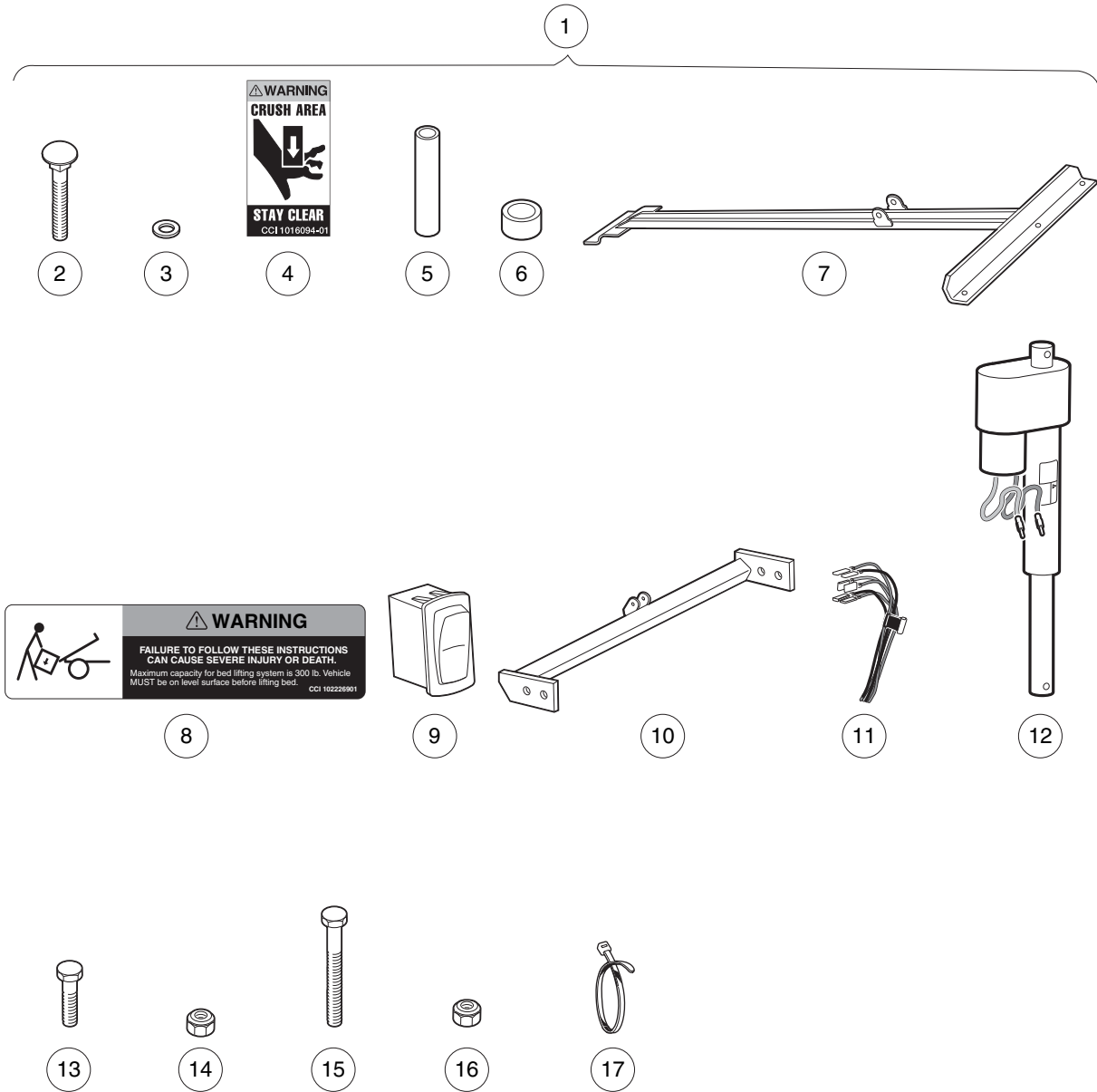
001261-001

ELECTRIC BED LIFT – GASOLINE VEHICLES

ITEM	PART NO.	DESCRIPTION	QTY
		1 2 3 4	
1	SVP120402	Kit, Electric Bed Lift, T/CA6 Gas (includes items 2 through 17)	1
2	1010435	Bolt, Carriage, 5/16-18 X 1.00	3
3	1011990	Washer, 3/8 Flat	8
4	101609401	Decal, Crush Area Warning	2
5	1016603	Bushing, Long	2
6	1017774	Body Spacer	8
7	102154201	Asm, Actuator Adapter	1
8	102154801	19th Deluxe Actuator Mtg Wld	1
9	102226901	Service Only Warning Decal	1
10	102882501	Switch, Rocker, Bed Lift	1
11	103270201	Wire Harness, Elec Tilt Sys	1
12	103951801	Actuator, Bed Lift, Electric	1
13	705	Screw, Cap-hex Hd 3/8-16x1.25	4
14	7473	Locknut, 5/16-18 Nylon Insert	4
15	7561	Bolt, 3/8-16 X 3.00 Hex Head	2
16	8754	Locknut, 3/8-16 Hex	6
17	8990	Tie Wrap, 8" Nylon	8

1
G
E

1
G
E



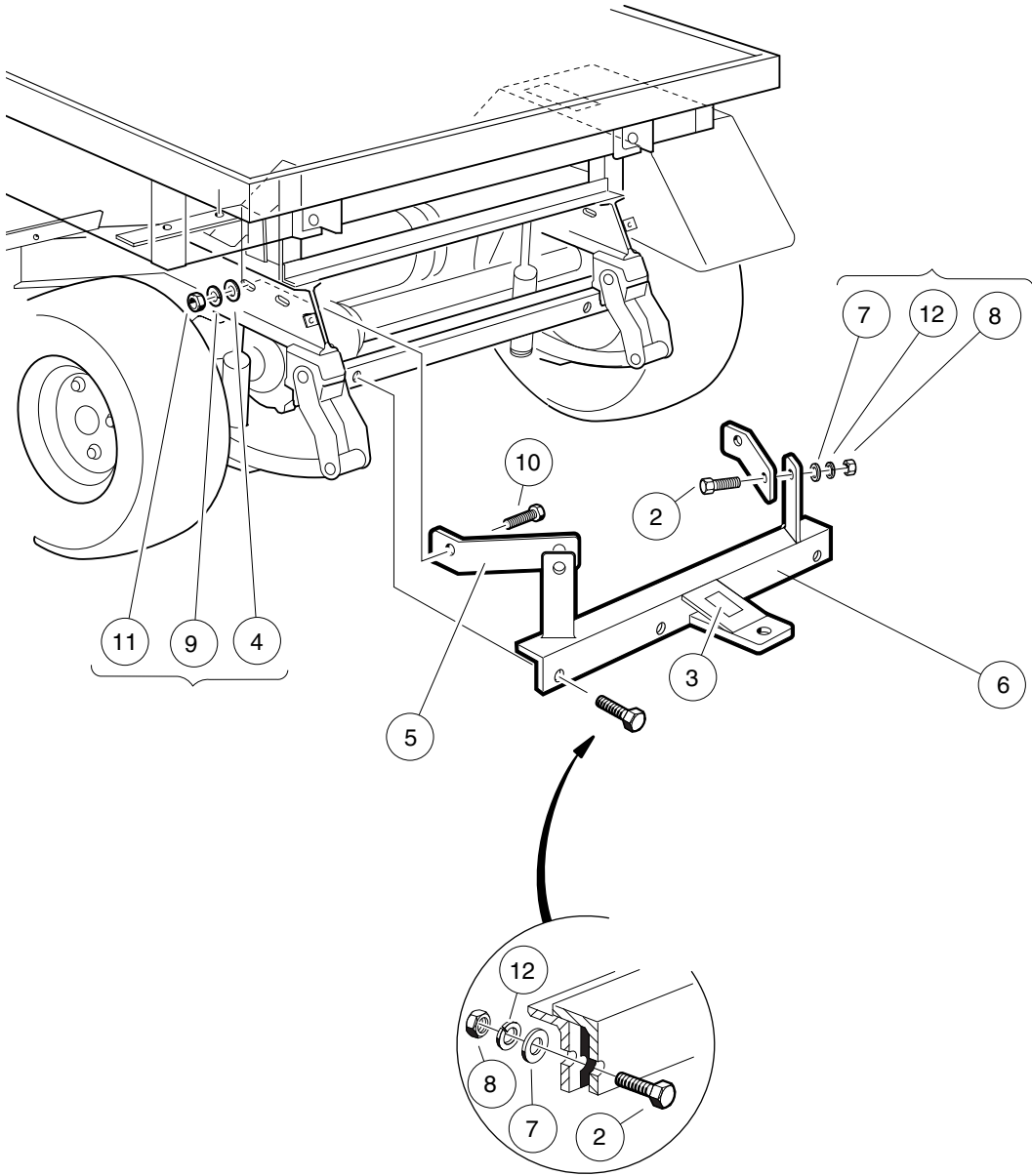
001260-001

ELECTRIC BED LIFT – ELECTRIC VEHICLE

ITEM	PART NO.	DESCRIPTION	QTY
		1 2 3 4	
1	SVP183302	Kit, Electric Bed Lift, T/CA6 IQ Plus (includes items 2 through 17)	1
2	1010435	Bolt, Carriage, 5/16-18 X 1.00	4
3	1011990	Washer, 3/8 Flat	8
4	101609401	Decal, Crush Area Warning	2
5	1016603	Bushing, Long	2
6	1017774	Body Spacer	8
7	102154201	Asm, Actuator Adapter	1
8	102226901	Service Only Warning Decal	1
9	102882501	Switch, Rocker, Bed Lift	1
10	102893601	Center Bracket, Bed Lift	1
11	103270201	Wire Harness, Elec Tilt Sys	1
12	103951801	Actuator, Bed Lift, Electric	1
13	705	Screw, Cap-hex Hd 3/8-16x1.25	4
14	7473	Locknut, 5/16-18 Nylon Insert	5
15	7561	Bolt, 3/8-16 X 3.00 Hex Head	2
16	8754	Locknut, 3/8-16 Hex	6
17	8990	Tie Wrap, 8" Nylon	8

1
G
E

1
G
E



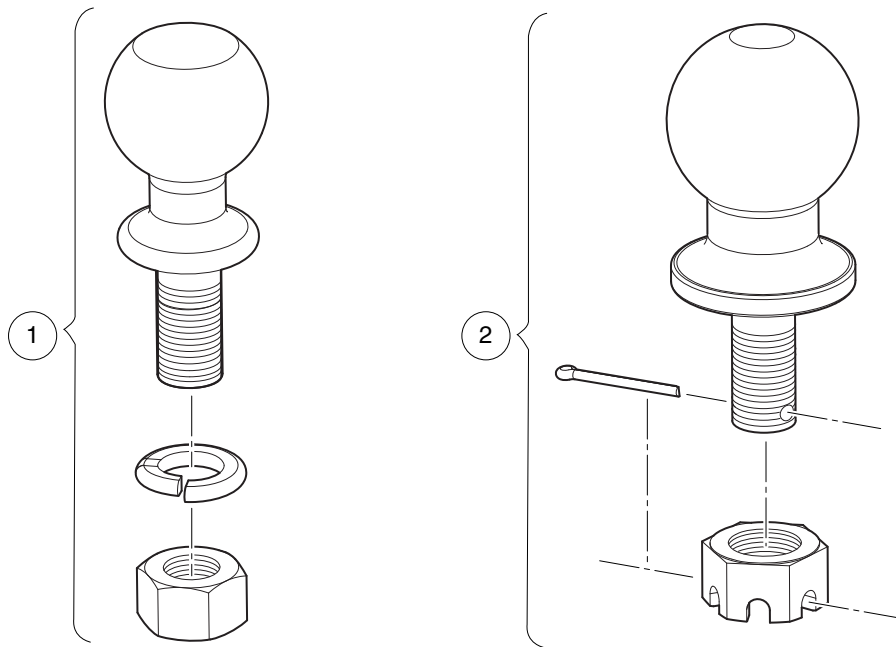
000265-001

TRAILER HITCH

ITEM	PART NO.	DESCRIPTION	QTY
		1 2 3 4	
1	1015445	Kit, Trailer Hitch (includes items 2 through 12)	1
2	1010934	Screw, 5/16-18 X 1.00 Hex Cap	4
3	1011553	Decal, Trailer Hitch	1
4	1011990	Washer, 3/8 Flat	2
5	1013483	Brace, Trailer Hitch	2
6	N/A	Asm, Trailer Hitch	1
7	1241	Washer, 5/16 Type A Flat	4
8	1242	Nut, 5/16-18 Hex	4
9	357	Lockwasher, 3/8 Split	2
10	705	Screw, Cap-hex Hd 3/8-16x1.25	2
11	706	Nut, Hex 3/8-16	2
12	7174	Lockwasher, 5/16 Split	4

1
G
E

1
G
E

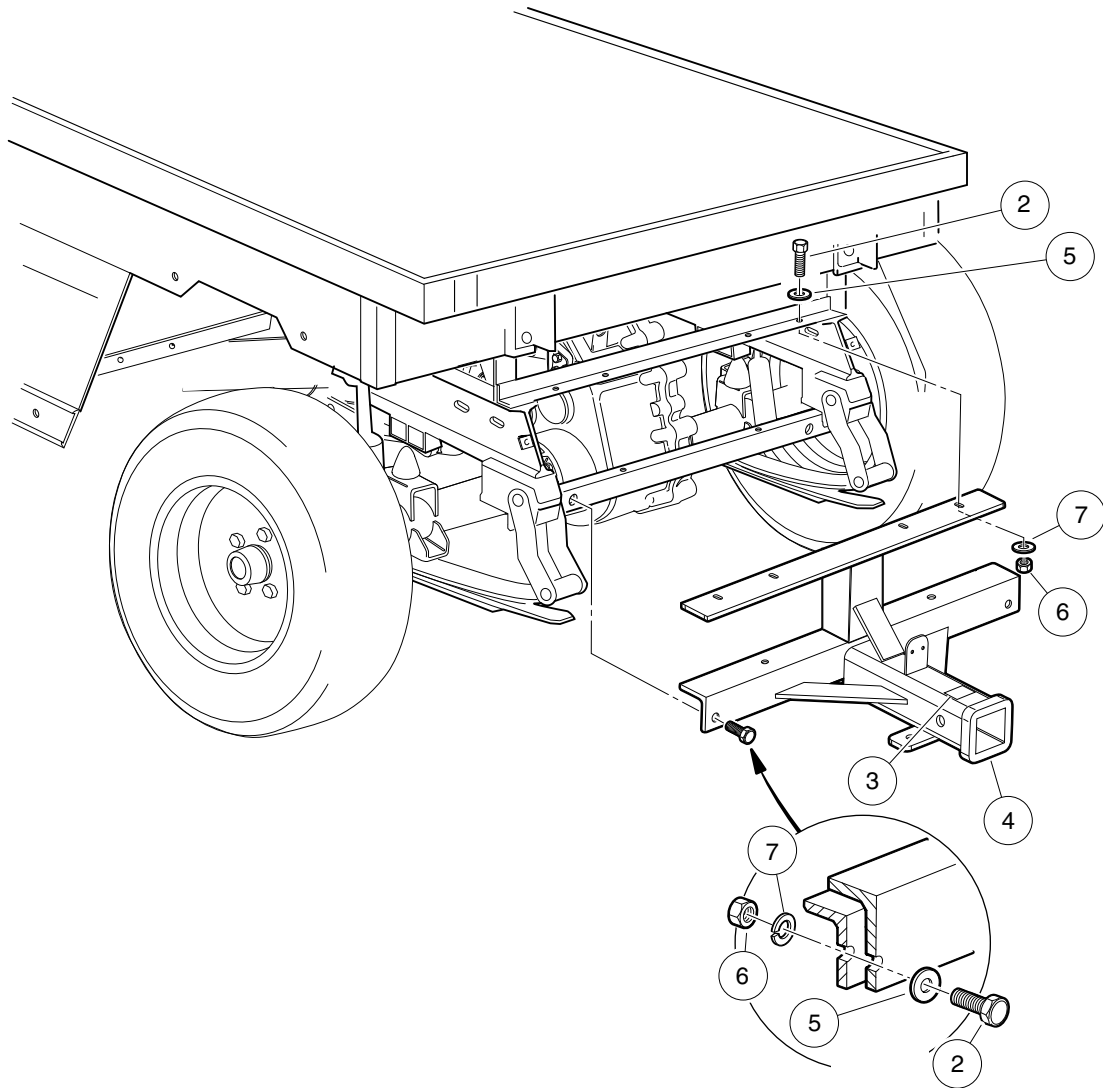


001137-001

TRAILER HITCH BALL

ITEM	PART NO.	DESCRIPTION	QTY
1	1011546	1 2 3 4 Trailer Hitch Ball - 1 7/8"	1
2	AM1264001	Chrome Hitch Ball, 2"	1

1
G
E



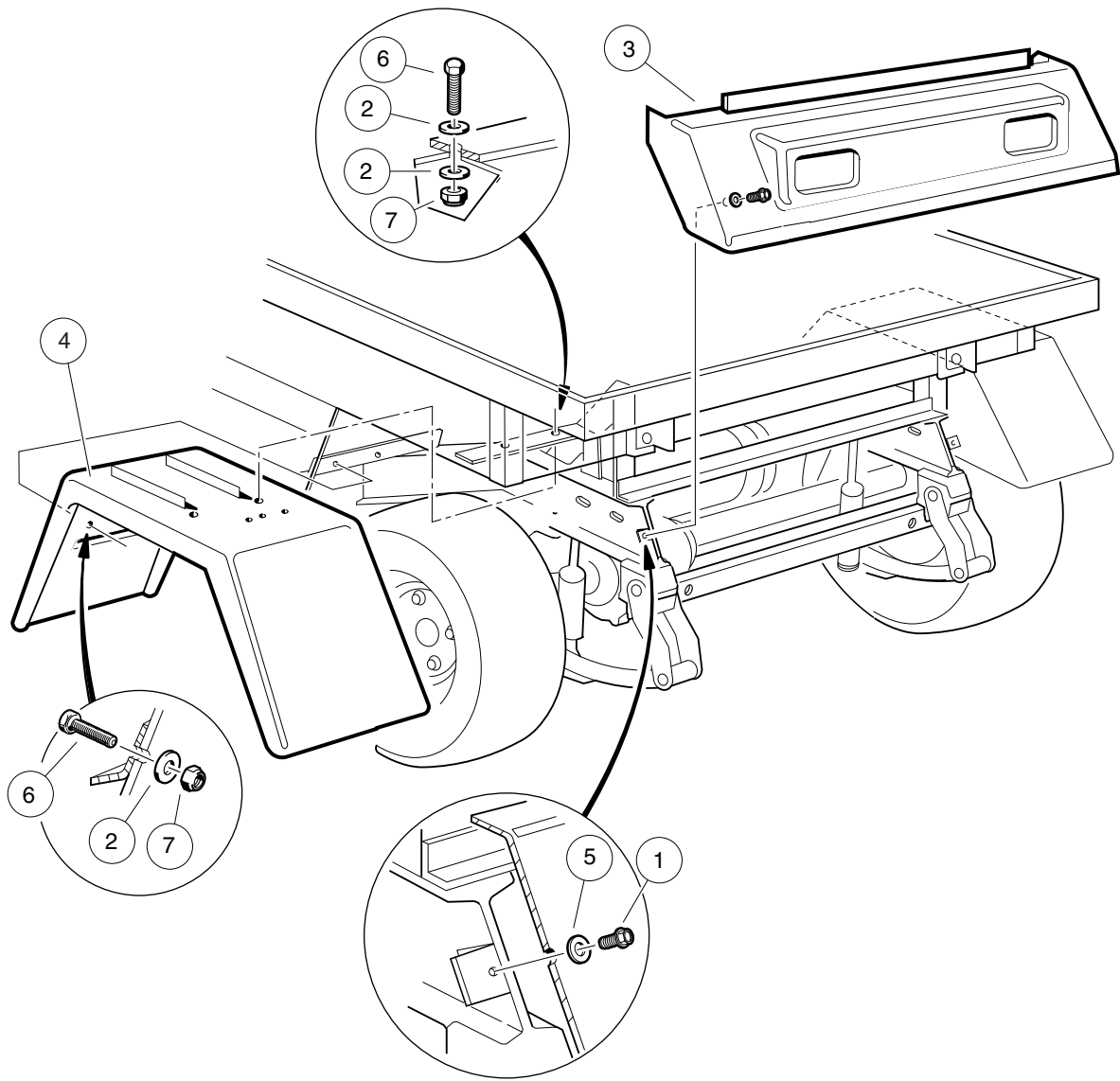
000100-002

RECEIVER HITCH

ITEM	PART NO.	DESCRIPTION	QTY
		1 2 3 4	
1	102065103	Kit, Rear Receiver (includes items 2 through 7)	1
2	1010934	Screw, 5/16-18 X 1.00 Hex Cap	6
3	1011553	Decal, Trailer Hitch	1
4	102056001	Rear Receiver Weld Asm	1
5	1241	Washer, 5/16 Type A Flat	6
6	1242	Nut, 5/16-18 Hex	6
7	7174	Lockwasher, 5/16 Split	6

1
G
E

1
G
E

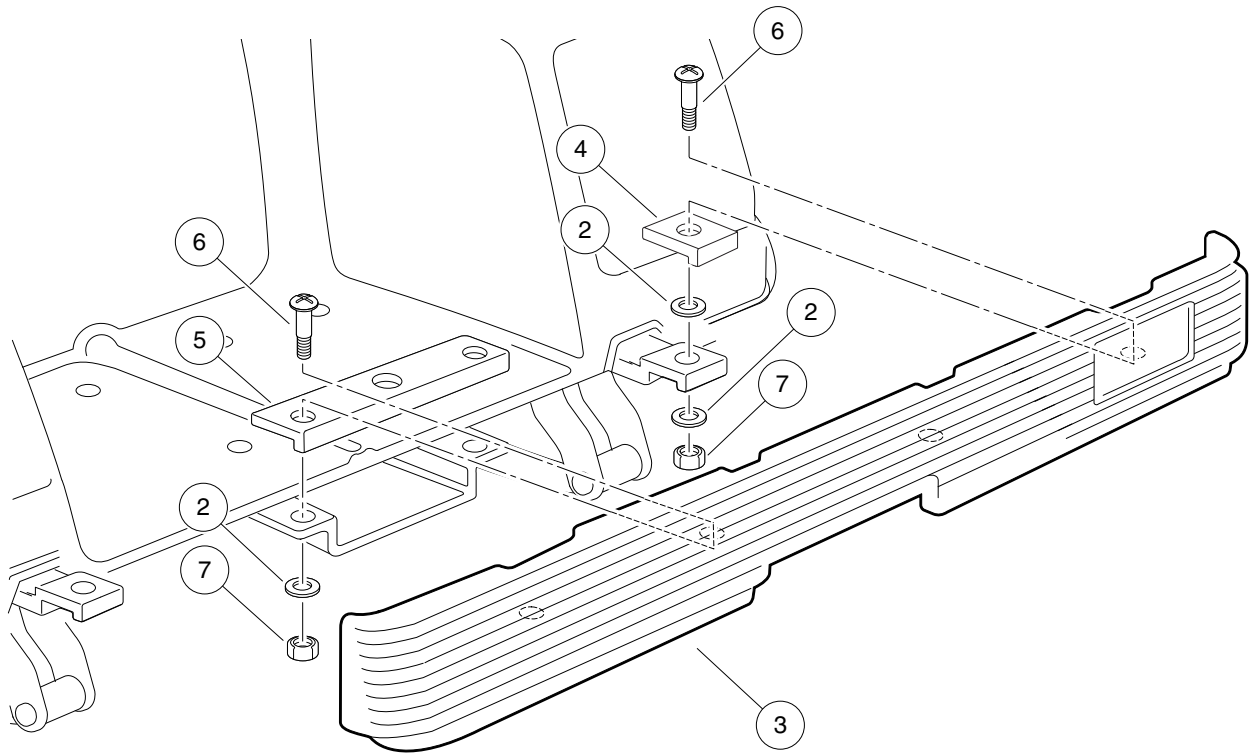


000266-001

REAR BODY TRIM – TURF/CARRYALL 1, 2, 2 PLUS, AND 6

ITEM	PART NO.	DESCRIPTION	QTY
		1 2 3 4	
1	1012285	Screw, 1/4 X 0.625 Hex-Head	2
2	1014306	Washer, 1/4" Type B Flat	12
3	1015530	Tailskirt	1
4	1016679	Rear Fender	2
5	332	Washer, 1/4 Type A Narrow Flat	2
6	7847	Screw, 1/4-20 X 0.75 Hex-Head Cap	8
7	8233	Locknut, 1/4-20, Nylon Insert	8

1
G
E



000666-001

REAR BUMPER

ITEM	PART NO.	DESCRIPTION	QTY
		1 2 3 4	
1	1017079	Kit, Rear Bumper (includes items 2 through 7)	1
2	1011697	Washer, 5/16 Flat	6
3	1016379	Bumper, Rear	1
4	1016874	Plate, Bumper Mounting, Short	2
5	1016875	Plate, Bumper Mounting, Long	1
6	1016876	Bolt, 3/8 Shoulder	4
7	7473	Locknut, 5/16-18 Nylon Insert	4
<p style="margin-left: 40px;">Note: Item 4 not used in all applications.</p>			

1

G

E

CAB, CURTIS – TURF/CARRYALL 6 AND TRANSPORTER

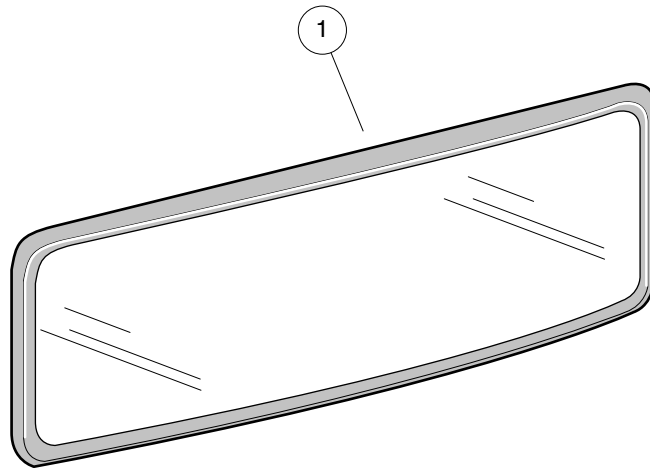
ITEM	PART NO.	DESCRIPTION	QTY
		1 2 3 4	
1	102262901	Asm, Cab (includes items 2 through 13)	1
2	AM1304001	CTC-Windshield Assembly	1
3	AM1304101	CTC-Windshield Latches	A/R
4	AM1304201	CTC-Drivers Side Door	1
5	AM1304301	CTC-Passenger Side Door	1
6	AM1304401	CTC-Inside Door Latches	2
7	AM1304501	CTC-Outside Door Latches	2
8	AM1304601	CTC-Door Hinge Kit	A/R
9	AM1304801	CTC-Side Frame Rear Window	1
10	AM1304901	CTC-Roof (White Plastic)	1
11	AM1305001	CTC-Wiper Motor	1
12	AM1305101	CTC-Wiper Arm	1
13	AM1305201	CTC-Wiper Blade	1
14	102264501	Kit, Seat Belt (required for ROPS certification, includes mounting hardware)	1
15	103306001	Kit, Adapter, Cab, Ca6	1

1
G
E

1

G

E



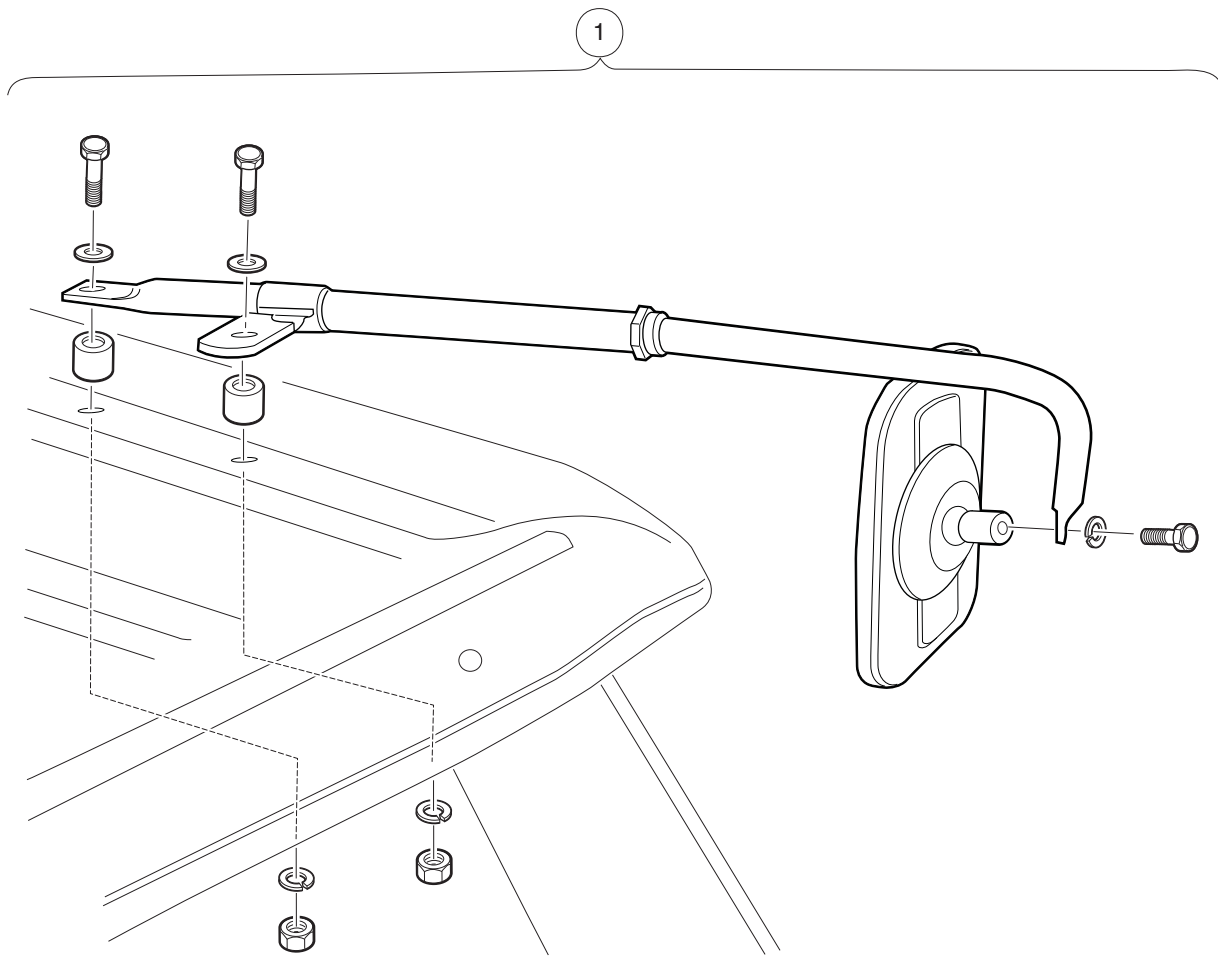
APM-000214-001

MIRROR, INSIDE REAR-VIEW – CURTIS CAB

ITEM	PART NO.	DESCRIPTION	QTY
1	101995101	<p>1 2 3 4 Kit, Rear-View Mirror (includes mounting hardware)</p> <p>Note: For installation on vehicles equipped with a Curtis cab.</p>	1

1
G
E

1
G
E



001202-001

MIRROR, SIDE-VIEW – CURTIS CAB

ITEM	PART NO.	DESCRIPTION	QTY
1	102272601	<p>1 2 3 4</p> <p>Kit, Mirror</p> <p style="margin-top: 20px;">Note: For installation on vehicles equipped with a Curtis cab.</p>	1

1

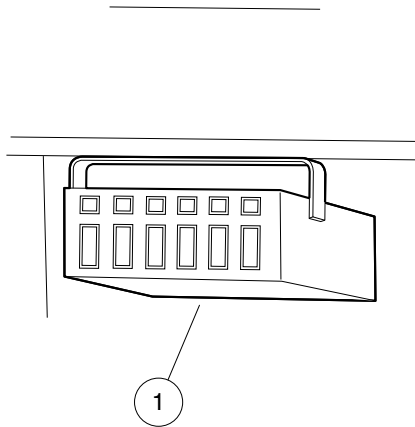
G

E

1

G

E



APM-000264-002

ACCESSORY SWITCH PANEL – CURTIS CAB

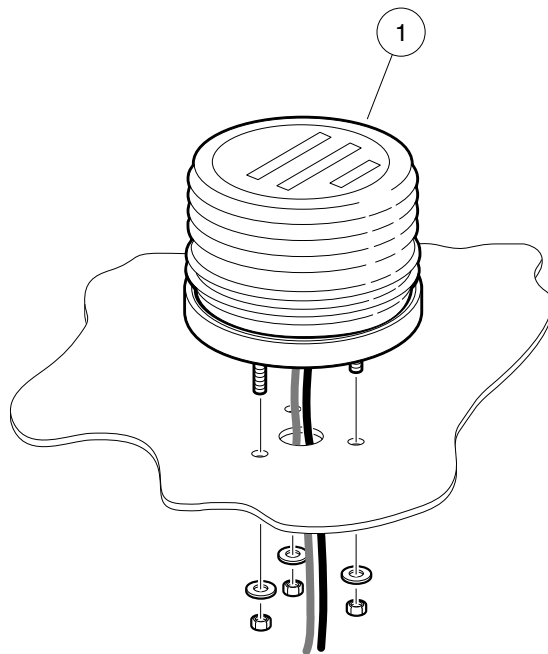
ITEM	PART NO.	DESCRIPTION	QTY
1	101994601	<p>1 2 3 4</p> <p>Panel, Accessory Switch</p> <p style="margin-top: 20px;">Note: For installation on vehicles equipped with a Curtis cab.</p>	1

1

G

E

1
G
E



APM-000212-001

STROBE LIGHT – CURTIS CAB

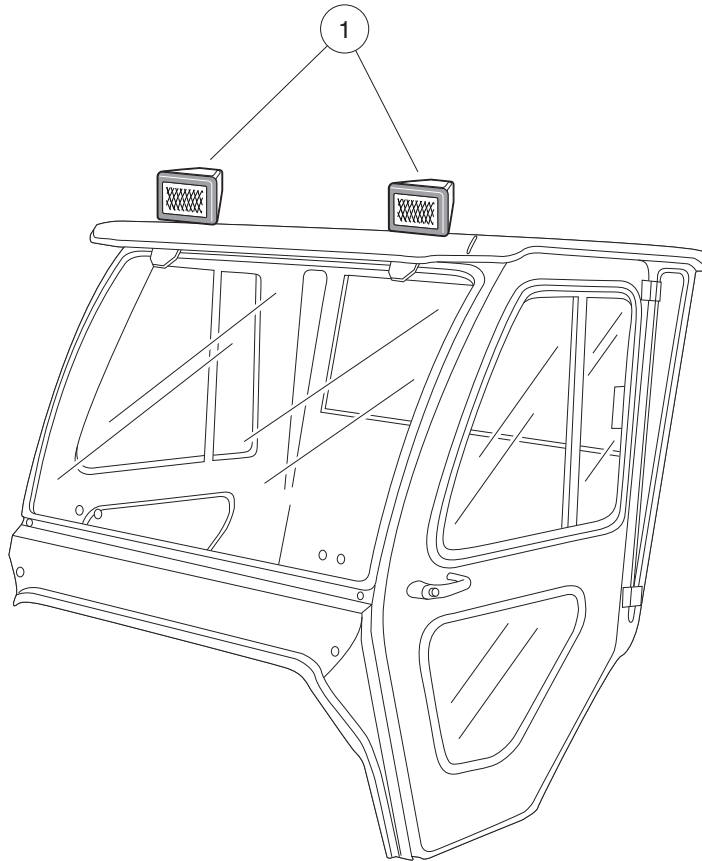
ITEM	PART NO.	DESCRIPTION	QTY
1	101994301	<p>1 2 3 4 Kit, Strobe Light (includes mounting hardware and wire harness)</p> <p>Note: For installation on vehicles equipped with a Curtis cab.</p>	1

1
G
E

1

G

E



001201-001

WORK LIGHTS – CURTIS CAB

ITEM	PART NO.	DESCRIPTION	QTY
1	101994801	<p>1 2 3 4</p> <p>Kit, Work Light (includes mounting hardware and wire harness)</p> <p style="margin-left: 40px;">Note: For installation on vehicles equipped with a Curtis cab.</p>	1

1

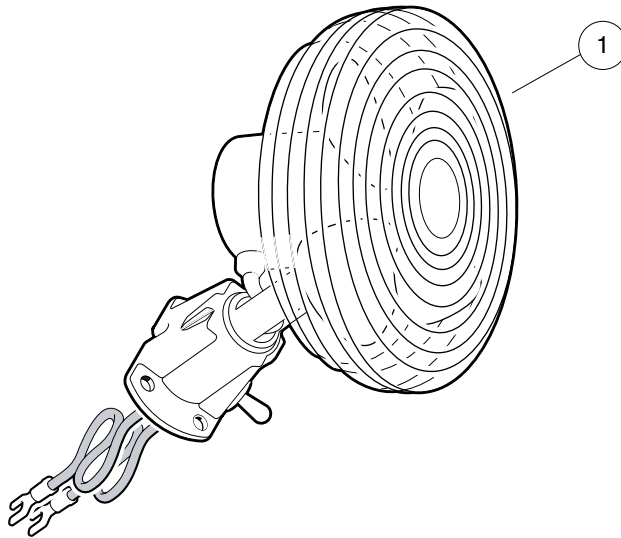
G

E

1

G

E

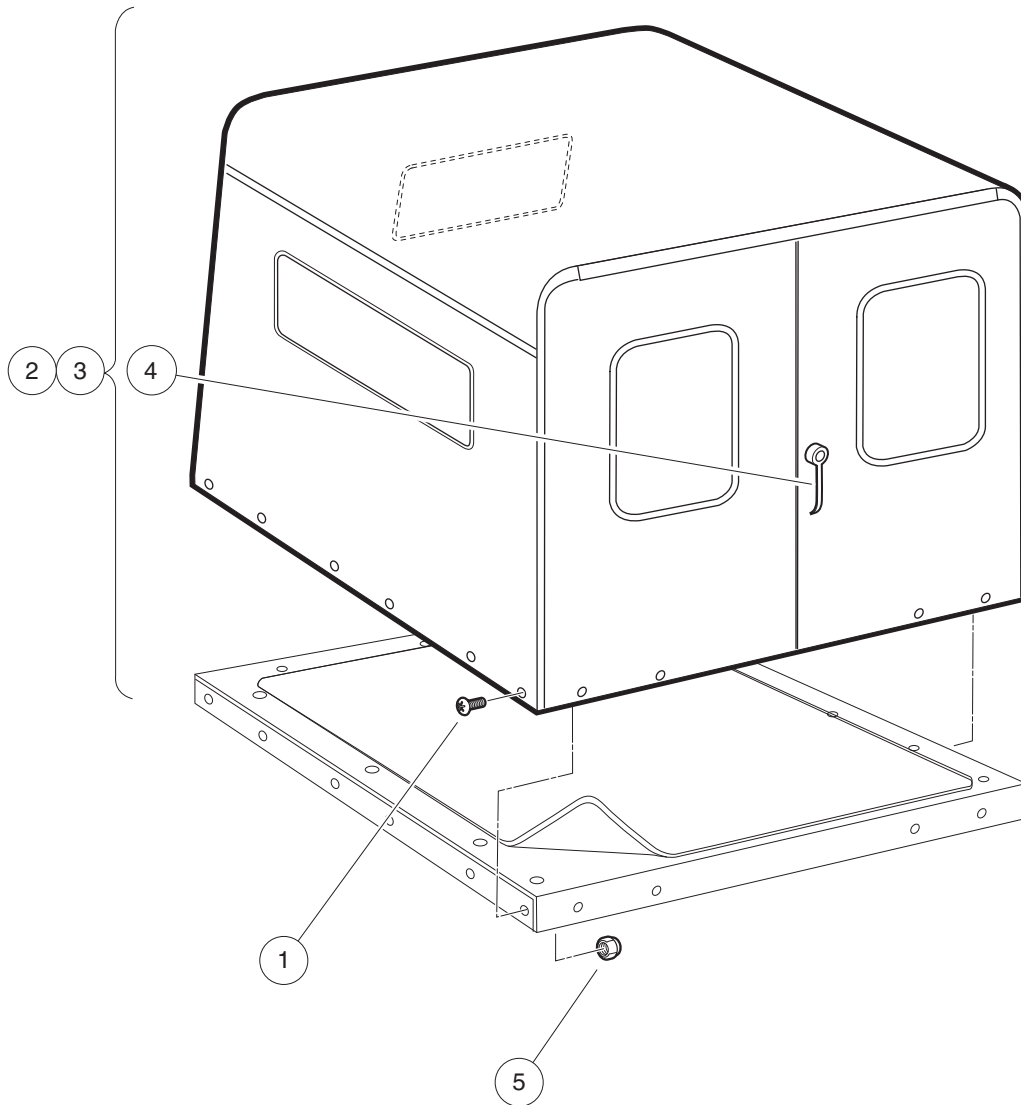


APM-000215-001

FAN/DEFOGGER – CURTIS CAB

ITEM	PART NO.	DESCRIPTION	QTY
1	101994401	<p>1 2 3 4 Kit, Fan/Defogger (includes mounting hardware and wire harness)</p> <p style="margin-left: 40px;">Note: For installation on vehicles equipped with a Curtis cab.</p>	1

1
G
E



001208-001

VAN BOX

ITEM	PART NO.	DESCRIPTION	QTY
		1 2 3 4	
1	1015399	Screw, 5/16-18 X 0.88 Torx Truss-Head	20
2	101754202	Custom Van Box Gray	1
3	101754205	Custom Van Box Kit Ca Vi White (includes item 4)	1
4	102006201	Handle, Van Box Door	1
5	7473	Locknut, 5/16-18 Nylon Insert	20
<p>Note: Item 2, Van Box Gray, includes item 4, Door Handle.</p>			

1
G
E

1

G

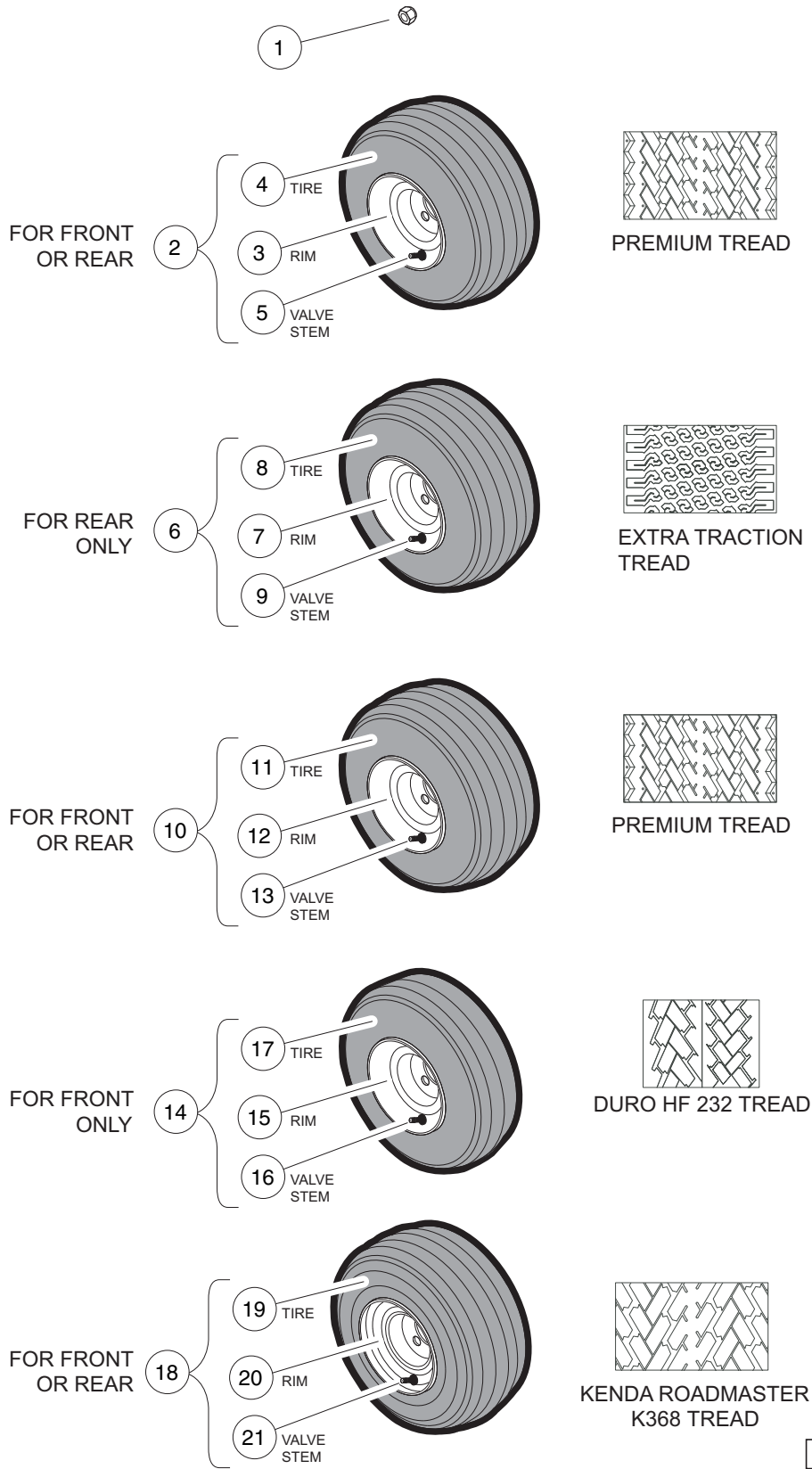
E

WHEELS AND TIRES

2

G

E



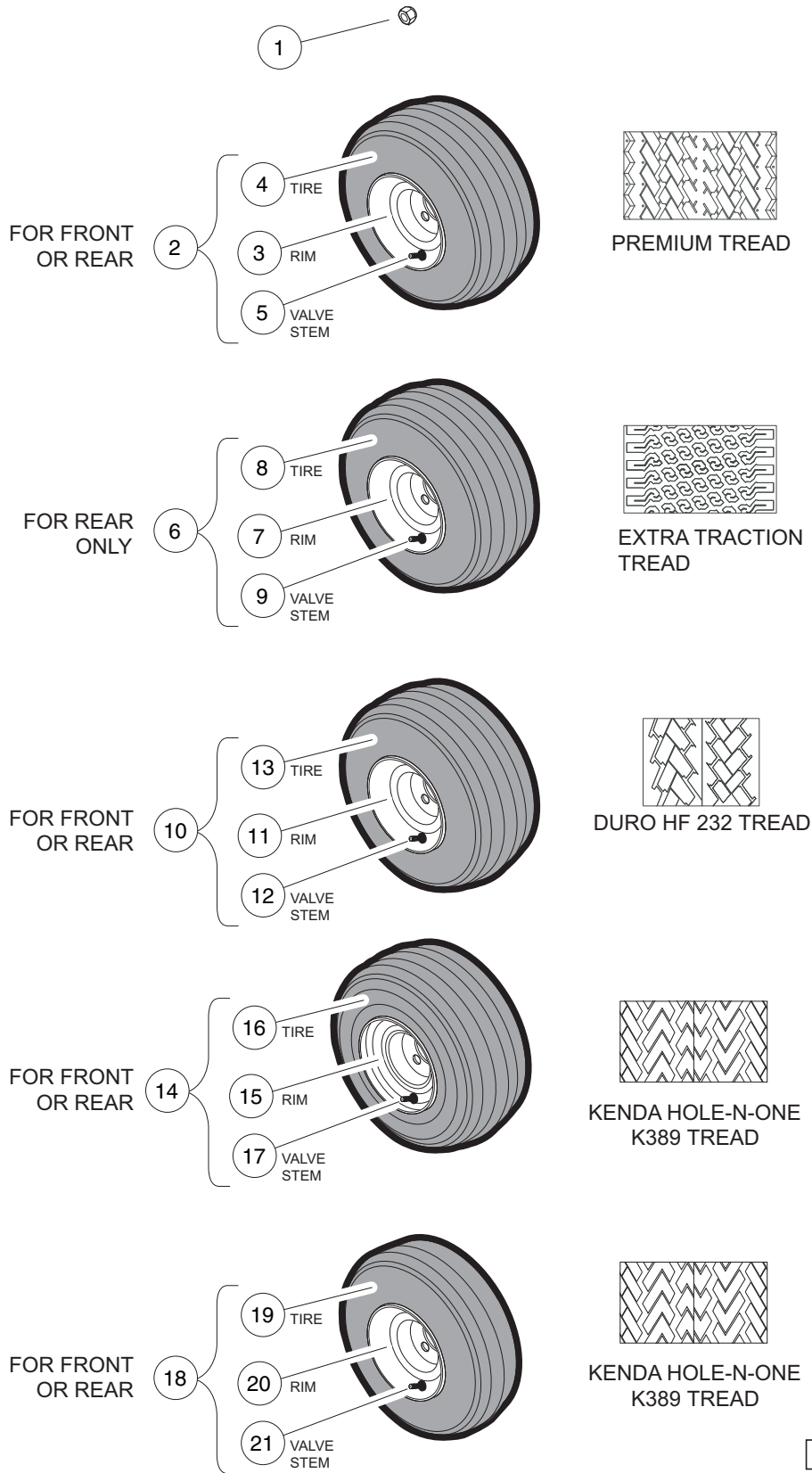
000269-015

WHEELS AND TIRES – TO LATE 2010 MODEL YEAR

ITEM	PART NO.	DESCRIPTION	QTY
		1 2 3 4	
1	1010984	.500-20 Unf Lug Nut	16
2	101651406	Tire/Wheel Asm, White, Premium Tread, 6-Ply (includes items 3 through 5)	4
3	1014771	Wheel Rim, White	1
4	101737002	Tire, Unmounted	1
5	7310	Valve Stem, Black Plastic	1
6	101651407	Tire/Wheel Asm, White, Extra-Traction, 6-Ply (includes items 7 through 9)	2
7	1014771	Wheel Rim, White	1
8	101769302	Tire, Unmounted Xtrac 18 x 8.50-8	1
9	7310	Valve Stem, Black Plastic	1
10	101651409	Tire/Wheel Asm, White, Premium Tread, 6.5-inch (includes items 11 through 13)	4
11	101884901	Tire, Unmounted, Power Rib 18 x 6.50-8	1
12	101918402	Wheel Rim, White	1
13	7310	Valve Stem, Black Plastic	1
14	101651414	Tire/Wheel Asm, White, Duro HF 232 (includes items 15 through 17)	4
15	1014771	Wheel Rim, White	1
16	7310	Valve Stem, Black Plastic	1
17	****	Tire, Unmounted, 6-Ply Rated (18.5 x 8.5 - 8) (Duro)	1
18	101651416	Tire/Wheel Asm, White, Kenda Premium Tread, 6-Ply (includes items 19 through 21) ...	4
19	N/A	Tire, Unmounted Kenda Premium Tread 6-Ply, Roadmaster K368	1
20	103459102	Wheel Rim Asm, 8"x7", White	1
21	7310	Valve Stem, Black Plastic	1
		**** Special order item available upon request.	

2
G
E

2
G
E



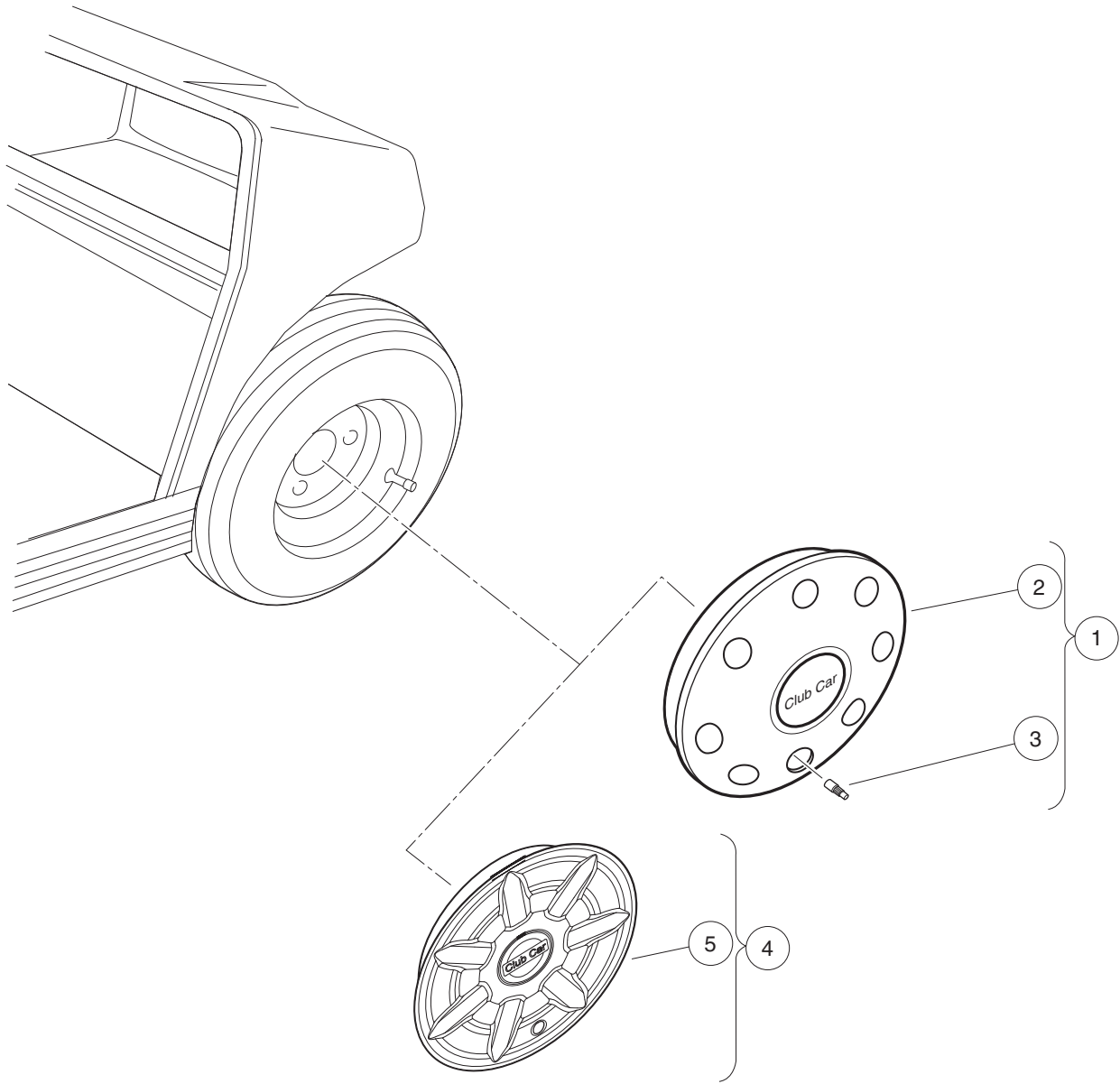
000269-017

WHEELS AND TIRES – FROM LATE 2010 MODEL YEAR

ITEM	PART NO.	DESCRIPTION	QTY
		1 2 3 4	
1	1010984	.500-20 Unf Lug Nut	16
2	101651406	Tire/Wheel Asm, White, Premium Tread, 6-Ply (includes items 3 through 5)	4
3	1014771	Wheel Rim, White	1
4	101737002	Tire, Unmounted	1
5	7310	Valve Stem, Black Plastic	1
6	101651407	Tire/Wheel Asm, White, Extra-Traction, 6-Ply (includes items 7 through 9)	2
7	1014771	Wheel Rim, White	1
8	101769302	Tire, Unmounted Xtrac 18 x 8.50-8	1
9	7310	Valve Stem, Black Plastic	1
10	101651414	Tire/Wheel Asm, White, Duro HF 232 (includes items 11 through 13)	4
11	1014771	Wheel Rim, White	1
12	7310	Valve Stem, Black Plastic	1
13	****	Tire, Unmounted, 6-Ply Rated (18.5 x 8.5 - 8) (Duro)	1
14	101651418	Tire/Wheel Asm, White, Kenda Hole-N-One, 6-Ply (includes items 15 through 17)	4
15	103459102	Wheel Rim Asm, 8"x7", White	1
16	103658701	Tire, Kenda Hole-N-One, 18x8.5 - 8, Prem, 6-Ply	1
17	7310	Valve Stem, Black Plastic	1
18	101651419	Tire/Wheel Asm, White, Kenda Hole-N-One, 6-Ply, Narrow (includes items 19 through 21)	4
19	103722901	Tire, Kenda Hole-N-One, 18x6.5 - 8, Prem, 6-Ply	1
20	103723002	Wheel Rim, 8 X 5.375, White	1
21	7310	Valve Stem, Black Plastic	1
		**** Special order item available upon request.	

2
G
E

2
G
E



001203-001

WHEEL COVERS

ITEM	PART NO.	DESCRIPTION	QTY
		1 2 3 4	
1	1012642	Sport Wheel Cover Kit (each) (includes items 2 and 3)	4
2	1012640	Hubcap	1
3	1012641	Valve Extension	1
4	102559901	Hub Cap Kit, Prec (includes item 5)	1
5	103694501	Hub Cap, 7 Prong	4

2
G
E

2

G

E

DECALS

3

G

E

⚠ WARNING

ROLLOVER OR FALLING OFF MAY CAUSE DEATH.

- Before using vehicle, read operating instructions.
- Remain seated and hold on to seat handle while moving.
- Do not start vehicle until all occupants are seated.
- Two (2) persons per seat maximum.
- Operate from driver side only and not on public roads.
- Keep entire body inside vehicle while moving.
- Drive slowly in turns and straight up and down slopes.
- Do not leave children unattended on vehicle.
- Never operate under the influence of alcohol or drugs.
- Use brakes to reduce speed when coasting downhill.
- Never stand in front of or behind vehicle.

CCI 103205401

⚠ WARNING

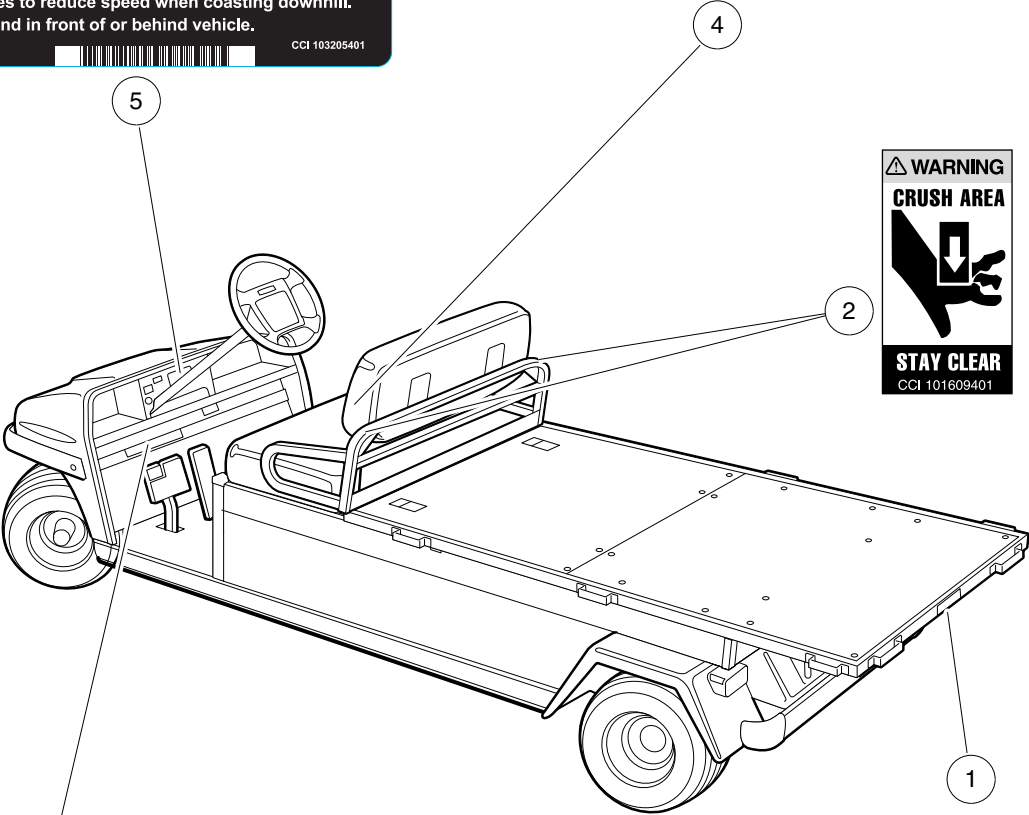
BATTERY EXPLOSION COULD RESULT IN SEVERE PERSONAL INJURY.

- Do not store items in battery compartment.
- Place Run/Tow switch in TOW position before:
 - Disconnecting or connecting battery cables
 - Towing this vehicle
 - Extended storage
 - Servicing the vehicle

NORMAL TRIPPED

TOW RUN

CCI 102845101



⚠ WARNING

CRUSH AREA

STAY CLEAR

CCI 101609401

⚠ WARNING

Riding in cargo bed can cause severe injury or death. Do not ride in cargo bed.

CCI 101555901

VEHICLE LOADING

Read owner's manual and warnings on dash.

- Vehicle rated capacity - 1500 lb on level surface only. Weight to include passengers, cargo bed load, and gross trailer weight. See owner's manual.
- Maximum cargo load CARRYALL 6 or TURF 6 - 1000 lb, TRANSPORTER - 300 lb. Weight to include cargo bed load and gross trailer weight.
- Maximum trailer hitch tongue weight - 150 lbs.

- Cargo should be evenly spread over the floor of the cargo bed as far forward as possible and secured.
- For vehicle stability, when fully loaded, drive slowly and avoid stopping on or backing down steep hills.
- Avoid top heavy loads. See owner's manual.
- When driving on uneven terrain or down steep hills, reduce speed and load.

CCI 101960001

000632-002

DECALS – ELECTRIC CARRYALL 6

ITEM	PART NO.	DESCRIPTION	QTY
		1 2 3 4	
1	101553901	Decal, Bed Load Warning	1
2	101609401	Decal, Crush Area Warning	2
3	101960001	Decal, Vehicle Loading	1
4	102845101	Decal, Tow Switch	1
5	103205401	Decal, Warning, Rollover, Utl	1

3
G
E

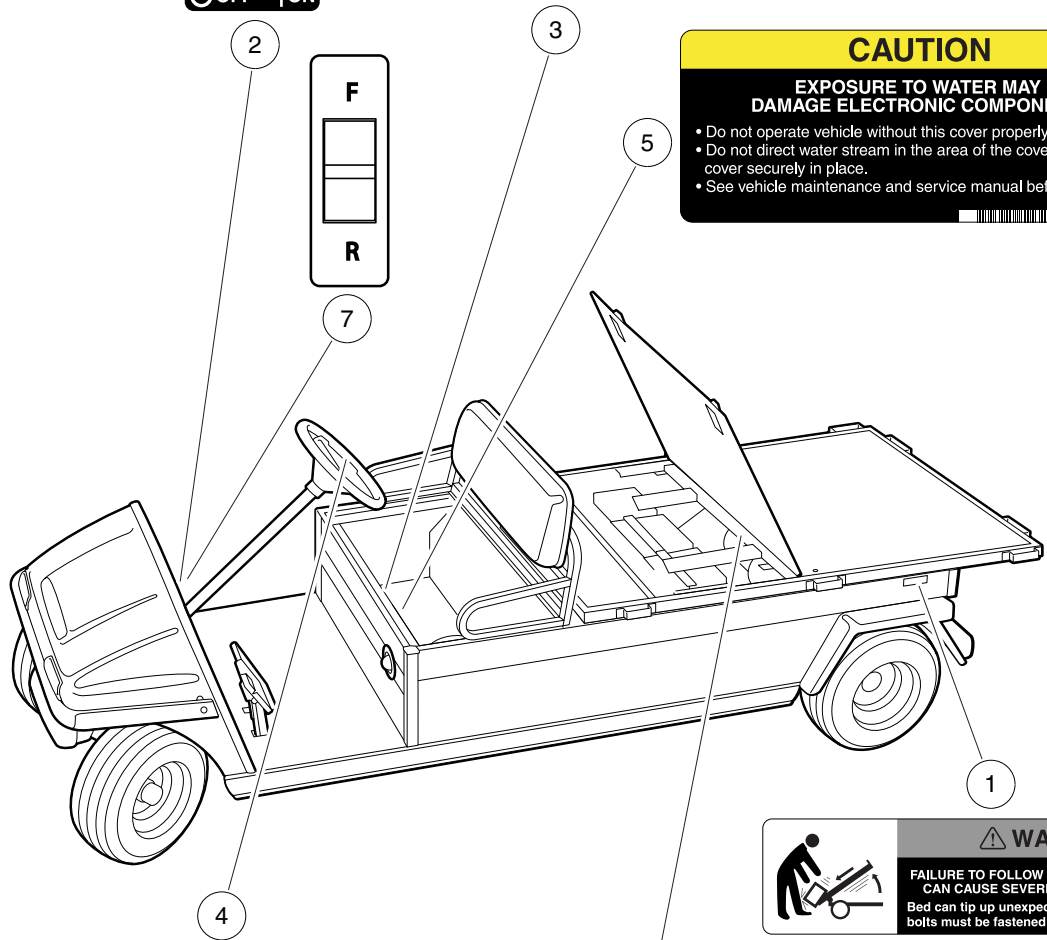
NOTICE DO NOT USE AS GROUND
CCI 101964601

OFF | ON

CAUTION
EXPOSURE TO WATER MAY DAMAGE ELECTRONIC COMPONENTS

- Do not operate vehicle without this cover properly installed.
- Do not direct water stream in the area of the cover without cover securely in place.
- See vehicle maintenance and service manual before servicing.

CCI 102518301



WARNING

FAILURE TO FOLLOW THESE INSTRUCTIONS CAN CAUSE SEVERE INJURY OR DEATH. Bed can tip up unexpectedly. Bed hold down bolts must be fastened.

CCI 101707801

OPERATING INSTRUCTIONS

- Read owner's manual and dash-mounted safety warnings prior to driving.
- Study and understand controls.

TO OPERATE

- Turn wheels to desired direction and ensure path is clear.
- Turn key to ON position.
- While stopped, place Forward/Reverse switch in desired position: F=Forward N=Neutral R=Reverse (Buzzer will sound)
- Park brake will release and vehicle will start moving when accelerator pedal is pressed.
- Slowly press accelerator pedal to increase speed.
- To stop, release accelerator pedal and press brake pedal.

BEFORE LEAVING

- Press park brake pedal until it locks and holds vehicle.
- Place Forward/Reverse switch in NEUTRAL position.
- Turn key OFF and remove key when not in use.

MOTOR BRAKING

- Electric motor braking provides speed regulation functions.
- For parked vehicle, beeping alarm indicates vehicle roll away.
- In operation, beeping alarm indicates reduction in motor braking.
- Apply brakes to further reduce vehicle speed as required.
- System is activated only when tow switch is in the RUN position.
- When towing this vehicle, tow switch must be in the TOW position.

CCI 102918001

WARNING

AVOID FIRE HAZARD

- Replacement battery wires must be 4-gauge (AWG) with low-resistance terminals equivalent to factory-installed wires.
- Ensure that battery connections are clean and properly tightened. See owner's manual.

CCI 102967601

000633-002

DECALS – ELECTRIC CARRYALL 6, CONTINUED

ITEM	PART NO.	DESCRIPTION	QTY
		1 2 3 4	
1	101707801	Decal, Bed Hold-Down Bolts	1
2	101825101	Decal, Off/On	1
3	101964601	Decal, No Ground Warning	1
4	102518001	Decal, Operating Instr, Elec	1
5	102518301	Decal, Caution, Electrical Component Cover	1
6	102967601	Decal, Warning, 4 Gauge Wire	1
7	103210301	Decal, Forward/Reverse, Electric	1

3
G
E

⚠ WARNING

ROLLOVER OR FALLING OFF MAY CAUSE DEATH.

- Before using vehicle, read operating instructions.
- Remain seated and hold on to seat handle while moving.
- Do not start vehicle until all occupants are seated.
- Two (2) persons per seat maximum.
- Operate from driver side only and not on public roads.
- Keep entire body inside vehicle while moving.
- Drive slowly in turns and straight up and down slopes.
- Do not leave children unattended on vehicle.
- Never operate under the influence of alcohol or drugs.
- Use brakes to reduce speed when coasting downhill.
- Never stand in front of or behind vehicle.

CCI 103205401

⚠ WARNING

CRUSH AREA

STAY CLEAR

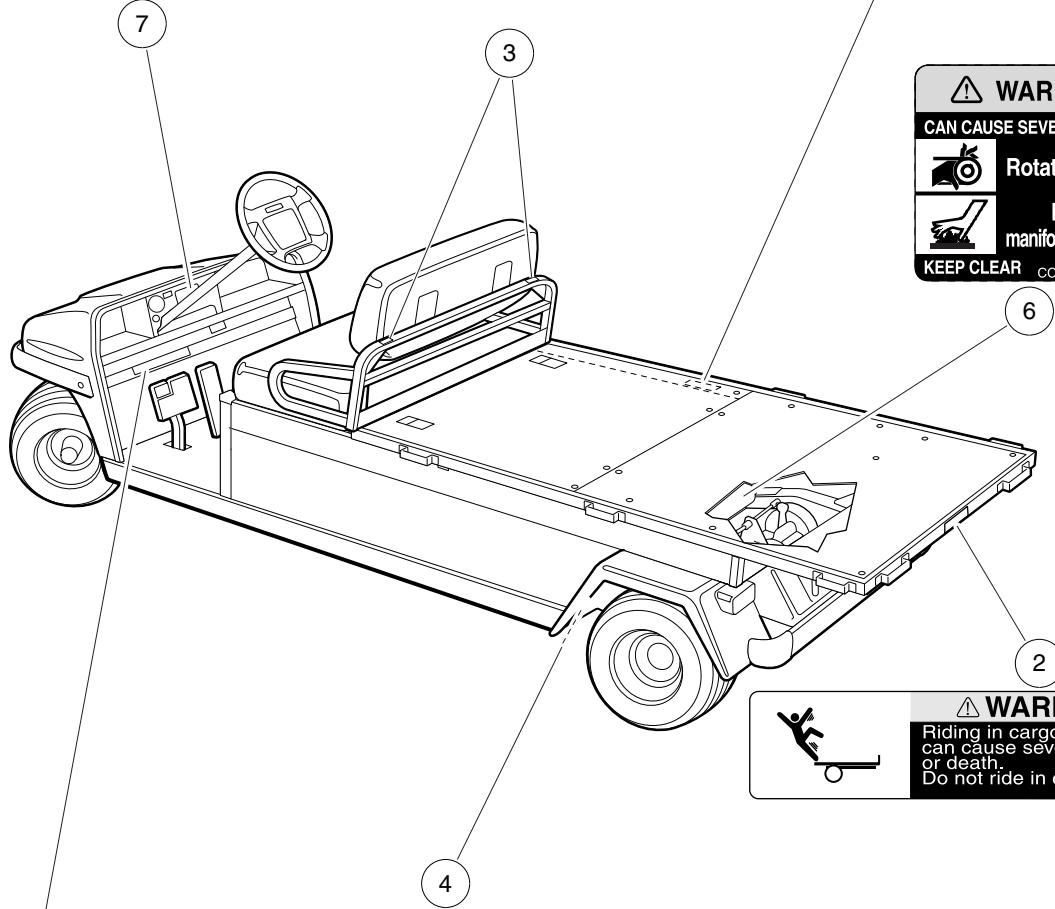
CCI 101609401

⚠ WARNING

GASOLINE EXPLOSION / FIRE.

- Can cause severe injury or death.
- No smoking, sparks, or open flame.
- Stop engine, allow to cool before refueling.
- Turn fuel valve (↔) on during operation.
- (↔) off during storage or transport.

CCI 101547601



⚠ WARNING

CAN CAUSE SEVERE INJURY

Rotating parts

HOT manifold & muffler

KEEP CLEAR

CCI 101960501

⚠ WARNING

Riding in cargo bed can cause severe injury or death. Do not ride in cargo bed.

CCI 101553901

⚠ WARNING

Negative frame ground. Can cause severe injury. Do not contact positive (+) battery post or cable to frame. Disconnect negative battery lead first.

⚠ WARNING

Excessive speed. Can cause severe injury or death. Do not tamper with engine governor adjustment.

CCI 101915201

VEHICLE LOADING

Read owner's manual and warnings on dash.

- Vehicle rated capacity - 1500 lb on level surface only. Weight to include passengers, cargo bed load, and gross trailer weight. See owner's manual.
- Maximum cargo load CARRYALL 6 or TURF 6 - 1000 lb, TRANSPORTER - 300 lb. Weight to include cargo bed load and gross trailer weight.
- Maximum trailer hitch tongue weight - 150 lbs.

- Cargo should be evenly spread over the floor of the cargo bed as far forward as possible and secured.
- For vehicle stability, when fully loaded, drive slowly and avoid stopping on or backing down steep hills.
- Avoid top heavy loads. See owner's manual.
- When driving on uneven terrain or down steep hills, reduce speed and load.

CCI 101960001

000634-002

DECALS – GASOLINE TURF/CARRYALL 6

ITEM	PART NO.	DESCRIPTION	QTY
		1 2 3 4	
1	101547601	Decal, Gasoline Explosion/Fire Warning	1
2	101553901	Decal, Bed Load Warning	1
3	101609401	Decal, Crush Area Warning	2
4	101915201	Decal, Frame Ground and Governor Warning	1
5	101960001	Decal, Vehicle Loading	1
6	101960501	Decal, Rotating Parts/Hot Manifold	1
7	103205401	Decal, Warning, Rollover, Utl	1

3
G
E

OPERATING INSTRUCTIONS

- Read Owner's Manual and safety warnings located on dash panel prior to driving.
- Study and understand controls.

TO START ENGINE

- Place shift lever in "N" - Neutral position.
- Depress brake pedal.
- Turn key switch to "START" position and release.

TO OPERATE VEHICLE

- Make sure wheels are turned in desired direction.
- Be sure nothing is in your path.
- While vehicle is stopped, and engine is at idle, select vehicle direction by placing shift lever or switch in desired position.
F - Forward N - Neutral R - Reverse (Buzzer will sound)
- Park brake will release when accelerator pedal is pushed.
- Slowly push accelerator pedal to increase speed.
- Engine must be at idle before moving shift lever.

TO STOP VEHICLE

- Release accelerator pedal and push brake pedal.
- After stopping, firmly push park brake until it locks.
- Turn key to "OFF" position, remove key and place shift lever in straight up neutral position when not in use.

CCI 101693201

OPERATING INSTRUCTIONS

- Read owner's manual and safety warnings located on dash panel prior to driving.
- Study and understand controls.

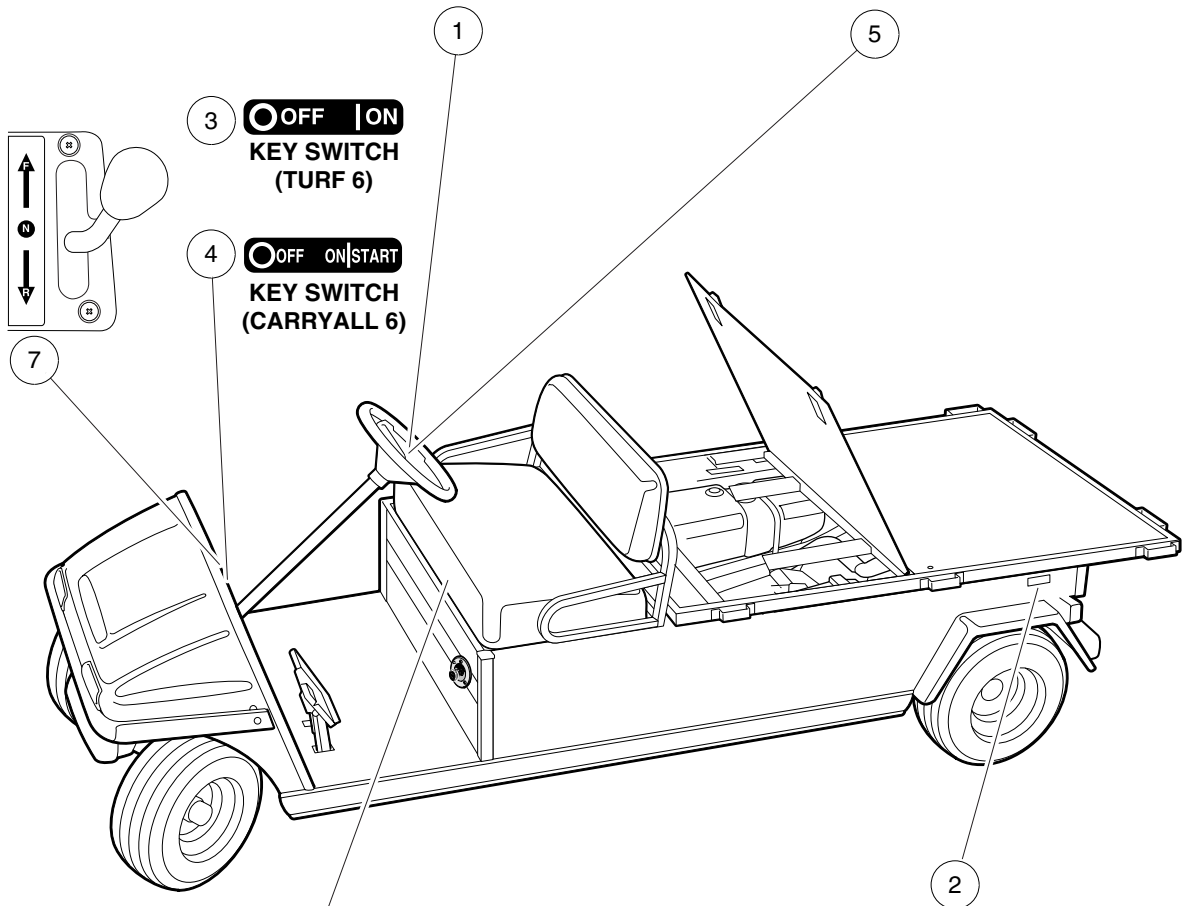
TO OPERATE

- Turn wheels to desired direction and ensure path is clear.
- Turn key to ON position.
- While stopped, place shift lever in desired position:
F - Forward N - Neutral R - Reverse (Buzzer will sound)
- Park brake will release and vehicle will start moving when accelerator pedal is pressed.
- Slowly press accelerator pedal to increase speed.
- To stop, release accelerator pedal and press brake pedal.

BEFORE LEAVING

- Press park brake pedal until it locks and holds vehicle.
- Place Forward/Reverse switch in NEUTRAL position.
- Turn key OFF and remove key when not in use.

CCI 102519201



3 **OFF | ON**
KEY SWITCH
(TURF 6)

4 **OFF | ON | START**
KEY SWITCH
(CARRYALL 6)

Maintenance
Operate

WARNING

VEHICLE MOVEMENT MAY CAUSE SERIOUS INJURY
When switch is in Maintenance position, chock wheels and firmly set park brake.

CCI 103205501

WARNING

FAILURE TO FOLLOW THESE INSTRUCTIONS CAN CAUSE SEVERE INJURY OR DEATH.
Bed can tip up unexpectedly. Bed hold down bolts must be fastened.

CCI 101707801

000635-002

DECALS – GASOLINE TURF/CARRYALL 6, CONTINUED

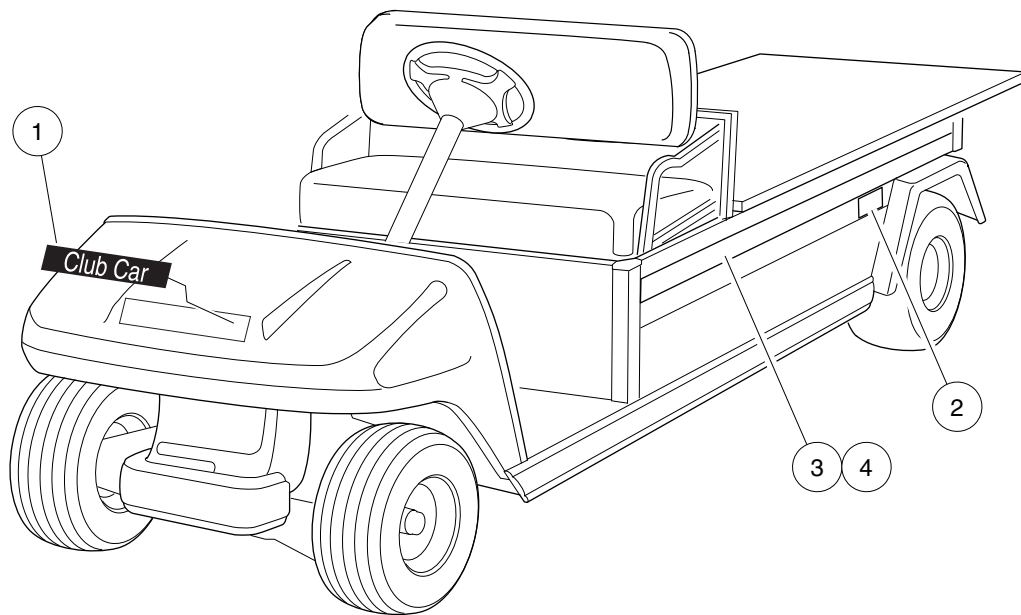
ITEM	PART NO.	DESCRIPTION	QTY
		1 2 3 4	
1	101693201	Decal, Operating Instructions, Key-Start	1
2	101707801	Decal, Bed Hold-Down Bolts	1
3	101825101	Decal, Off/On	1
4	101825102	Decal, Off/On/Start	1
5	102519201	Decal, Operating Instr, Gas	1
6	103205501	Decal, Run/Service Switch	1
7	103210201	Decal, Forward/Reverse, Gas	1

3
G
E

3

G

E



000674-008

BADGING DECALS, CARRYALL 6 – ELECTRIC VEHICLES

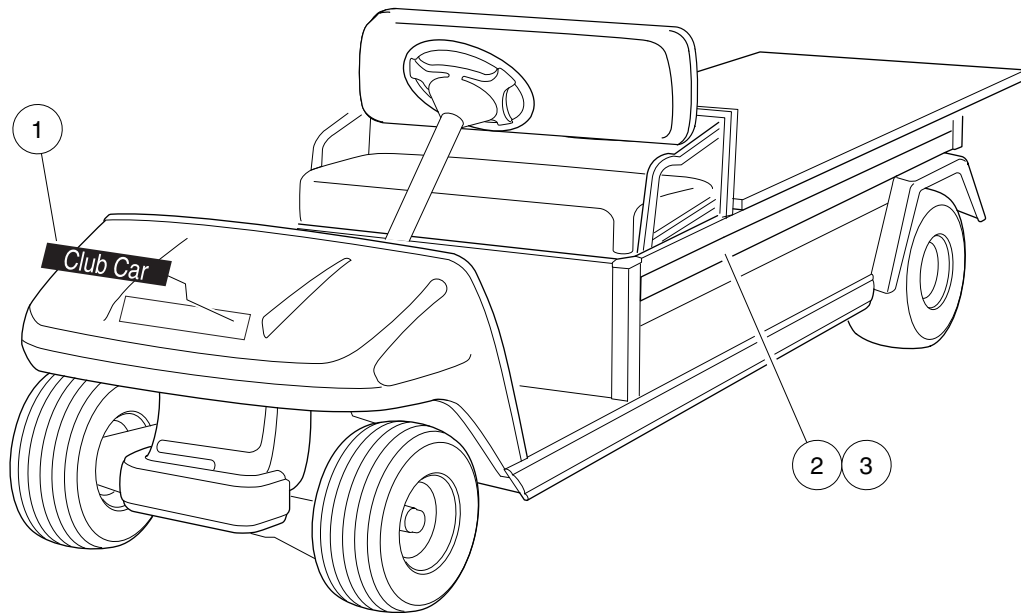
ITEM	PART NO.	DESCRIPTION	QTY
		1 2 3 4	
1	101670201	Nameplate Kit (silver)	1
2	103464801	Decal, Iq Plus, Zev	2
3	103515601	Decal, Ca6, Sidepanel, Drv	1
4	103515701	Decal, Ca6, Sidepanel, Pass	1

3
G
E

3

G

E



000674-009

BADGING DECALS, CARRYALL 6 – GASOLINE VEHICLES

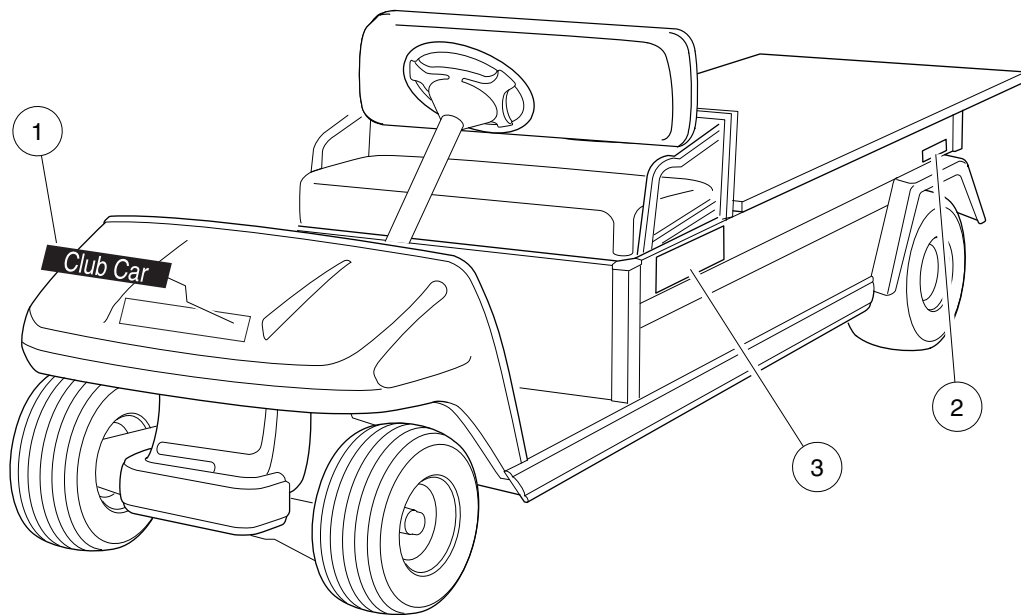
ITEM	PART NO.	DESCRIPTION	QTY
		1 2 3 4	
1	101670201	Nameplate Kit (silver)	1
2	103515601	Decal, Ca6, Sidepanel, Drv	1
3	103515701	Decal, Ca6, Sidepanel, Pass	1

3
G
E

3

G

E



000674-010

BADGING DECALS, TURF 6 – GASOLINE VEHICLES

ITEM	PART NO.	DESCRIPTION	QTY
		1 2 3 4	
1	101670201	Nameplate Kit (silver)	1
2	103234301	Decal, Badge, IR	2
3	103260201	Decal Turf 6 Side Panel	2

3
G
E

3

G

E

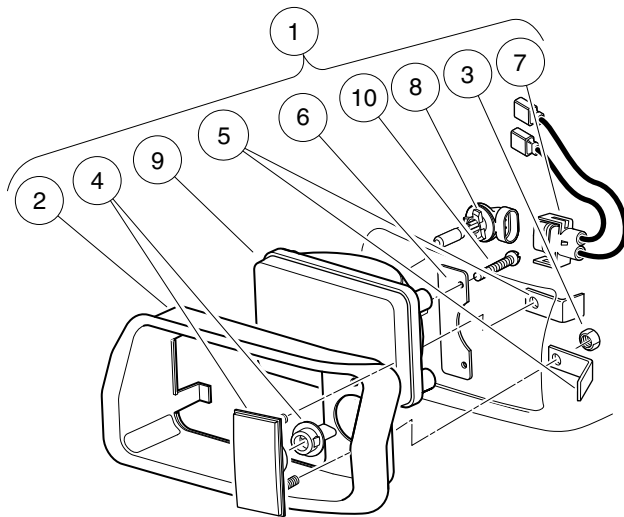
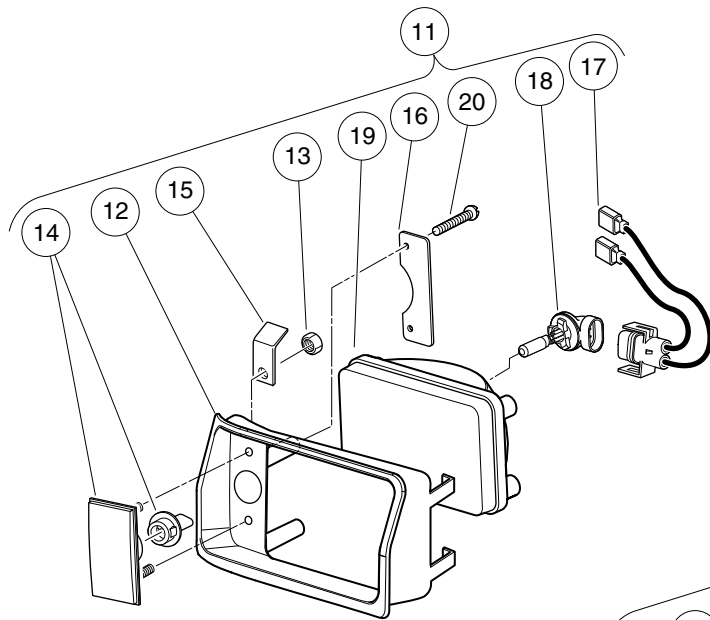
LIGHTS, CONTROLS, AND INDICATORS

4

G

E

4
G
E



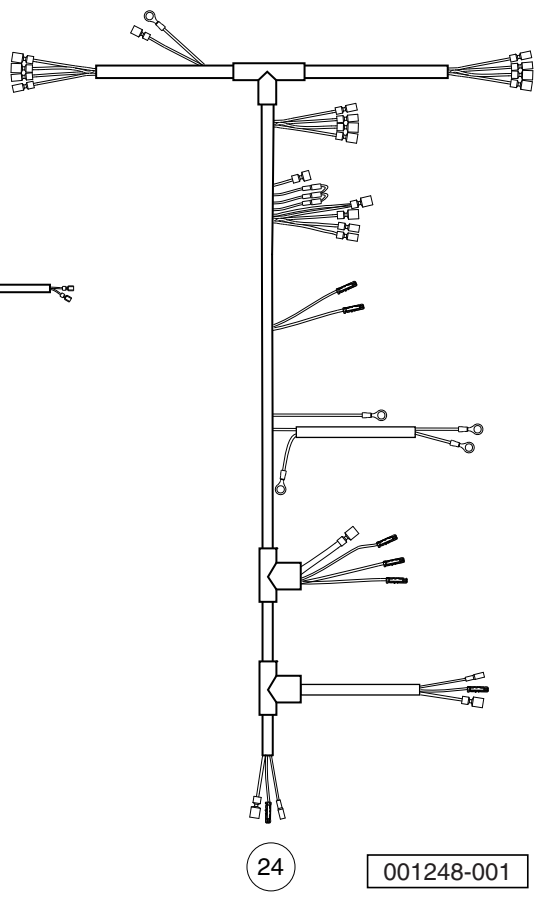
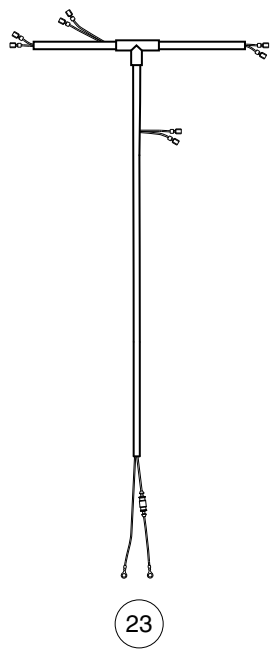
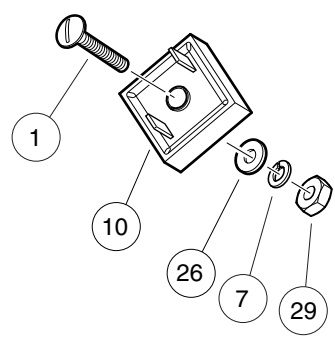
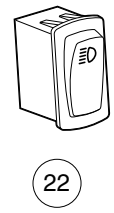
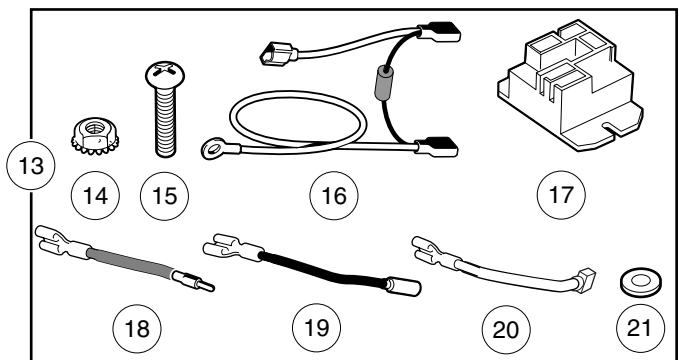
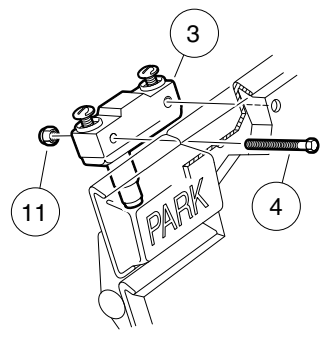
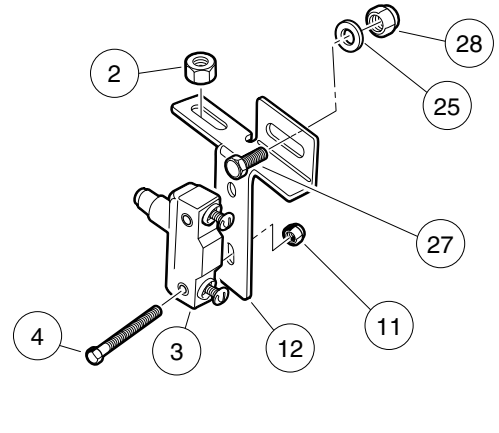
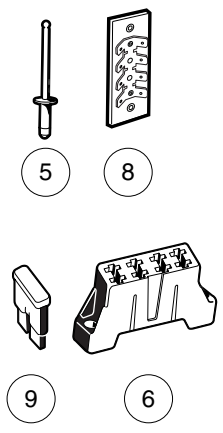
001097-001

HEADLIGHTS

ITEM	PART NO.	DESCRIPTION	QTY
		1 2 3 4	
1	101988001	Headlight Assembly, Driver-Side Single Beam (includes items 2 through 10)	1
2	1016880	Headlight Bezel, Left	1
3	1017	Nut, #10-24 Stainless-Steel Hex Machine	2
4	1017062	Turn Signal Lens Assy	1
5	1017064	Mounting Bracket	2
6	1017065	Retainer, Headlight	1
7	101987901	Connector, Harness Assembly, Headlight	1
8	101988101	Bulb, Headlight	1
9	101988201	Lens, Headlight	1
10	1620	Screw, #10-16 X 0.75 Pan-Head Tap	2
11	101988002	Headlight Assy, Passenger-Side Single Beam (includes items 12 through 20)	1
12	1016879	Headlight Bezel, Right	1
13	1017	Nut, #10-24 Stainless-Steel Hex Machine	2
14	1017062	Turn Signal Lens Assy	1
15	1017064	Mounting Bracket	2
16	1017065	Retainer, Headlight	1
17	101987901	Connector, Harness Assembly, Headlight	1
18	101988101	Bulb, Headlight	1
19	101988201	Lens, Headlight	1
20	1620	Screw, #10-16 X 0.75 Pan-Head Tap	2

4
G
E

4
G
E



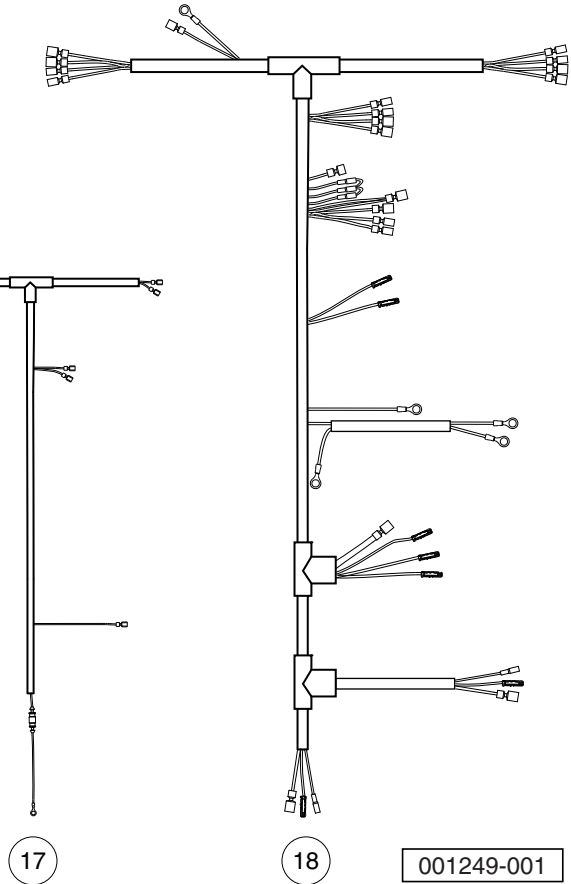
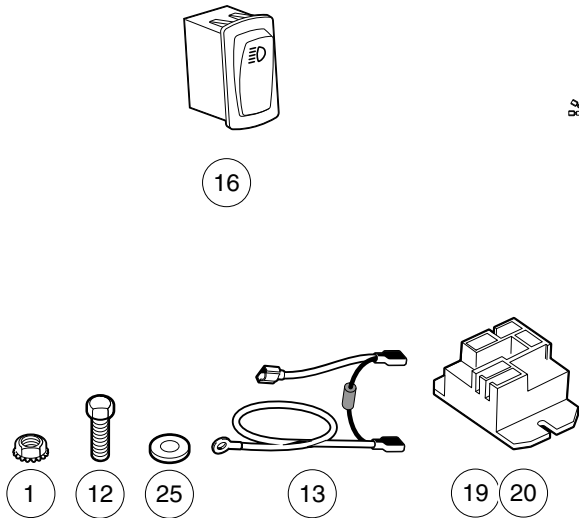
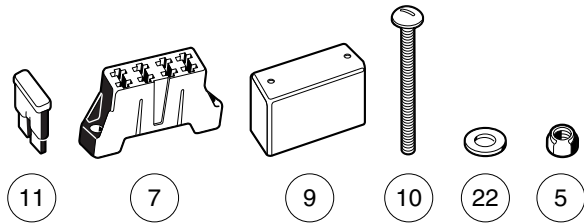
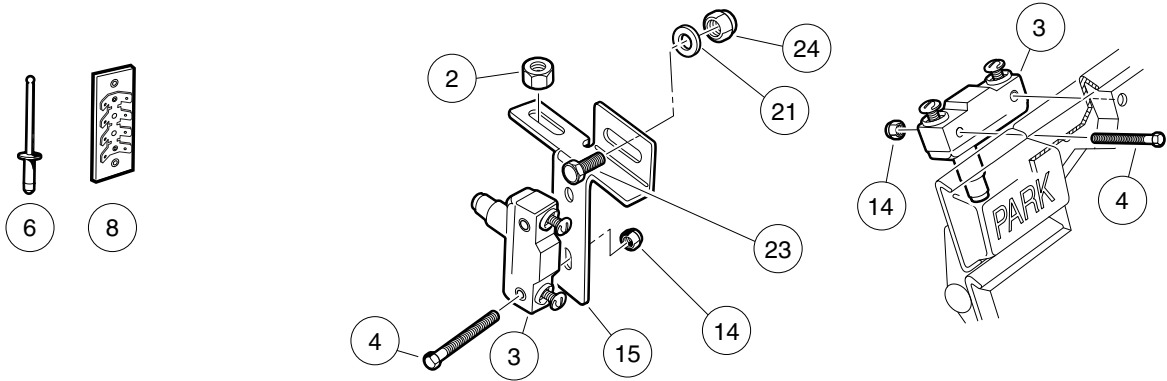
001248-001

LIGHTING SYSTEM COMPONENTS – GASOLINE VEHICLES

ITEM	PART NO.	DESCRIPTION	QTY
		1 2 3 4	
1	1010909	Screw, #10-32 X 1.25 Rd Hd Mch	1
2	1011280	Locknut, 5/16-18	1
3	1011439	Switch, Limit	2
4	1011557	Screw, #6-32 X 1.00 Hex-Head Machine	4
5	1013357	Rivet, 5/32 Aluminum Pop	2
6	1015741	Fuse Block	1
7	1016	Lockwasher, #10 Split	1
8	1016356	Terminal Block with Insulator	1
9	1016423	Fuse, 20-Amp	3
10	1017721	Limiter, Voltage	1
11	101932201	Locknut, #6-32 Nylon	4
12	101957101	Bracket, Brake Light Switch	1
13	102198701	Brake Relay Kit - 12v (includes items 14 through 21)	1
14	1011229	Locknut, #6-32 Whiz	2
15	1017853	Screw, #6-32 X 0.75 Hex-Head Machine	2
16	101914401	Assembly, Voltage Suppressor	1
17	102199001	Relay, 12-Volt	1
18	102199201	Wire Asm #18 Brown	1
19	102199301	Wire Asm #18 Black	1
20	102199401	Wire Asm #18 Black	1
21	7591	Washer, #6, Flat	2
22	102869401	Switch, Rocker, Light	1
23	103255601	Wire Harness, Headlights-Only, CA, Gas	1
24	103256801	Wire Harness, Lighting Package, Stretch, Gas	1
25	1241	Washer, 5/16 Type A Flat	1
26	183	Washer, #10, Type A, Flat	1
27	7173	Screw, 5/16-18 X 0.75, Hex-Head Cap	1
28	7473	Locknut, 5/16-18 Nylon Insert	1
29	7893	Nut, #10-32 Hex	1
		<p>Note: The wire harnesses (item 23 and 24) are for use on the Turf 6 gasoline model. The Carryall 6 gasoline model has wiring for lights built into its harness. NOTE 2: Use item 23 for headlights only. NOTE 3: Use item 24 for headlights and taillights.</p>	

4
G
E

4
G
E



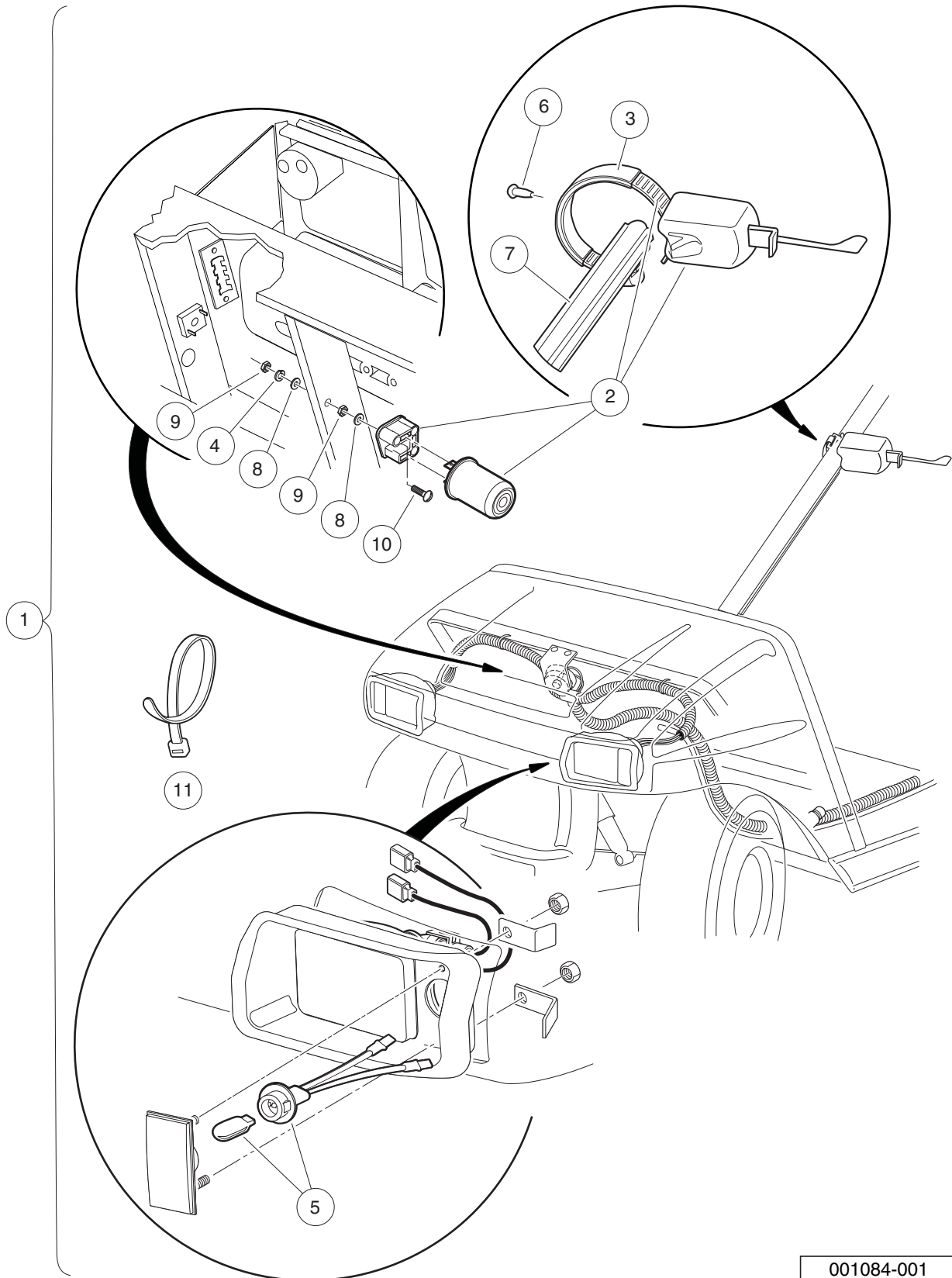
001249-001

LIGHTING SYSTEM COMPONENTS – ELECTRIC VEHICLES

ITEM	PART NO.	DESCRIPTION	QTY
		1 2 3 4	
1	1011229	Locknut, #6-32 Whiz	2
2	1011280	Locknut, 5/16-18	1
3	1011439	Switch, Limit	2
4	1011557	Screw, #6-32 X 1.00 Hex-Head Machine	4
5	1012438	Locknut, #10-24 Nylon Insert	2
6	1013357	Rivet, 5/32 Aluminum Pop	2
7	1015741	Fuse Block	1
8	1016356	Terminal Block with Insulator	1
9	1016363	Fuse Block Cover	1
10	1016366	Screw, #10-24 X 3.0 Pan-Head Machine	2
11	1016423	Fuse, 20-Amp	3
12	1017853	Screw, #6-32 X 0.75 Hex-Head Machine	2
13	101914401	Assembly, Voltage Suppressor	1
14	101932201	Locknut, #6-32 Nylon	4
15	102869401	Switch, Rocker, Light	1
16	103255701	Wire Harness, Headlights-Only, CA, Electric	1
17	103257101	Wire Harness, Lighting Package, Stretch, Electric	1
18	103414901	Kit, Relay, 48v 30a W/instr (includes item 19)	1
19	103397901	Relay, Spst No, 48v 30a, Pmt	1
20	1241	Washer, 5/16 Type A Flat	1
21	183	Washer, #10, Type A, Flat	4
22	7173	Screw, 5/16-18 X 0.75, Hex-Head Cap	1
23	7473	Locknut, 5/16-18 Nylon Insert	1
24	7591	Washer, #6, Flat	2
		Note: Use item 16 for headlights only. NOTE 2: Use item 17 for headlights and taillights.	

4
G
E

4
G
E



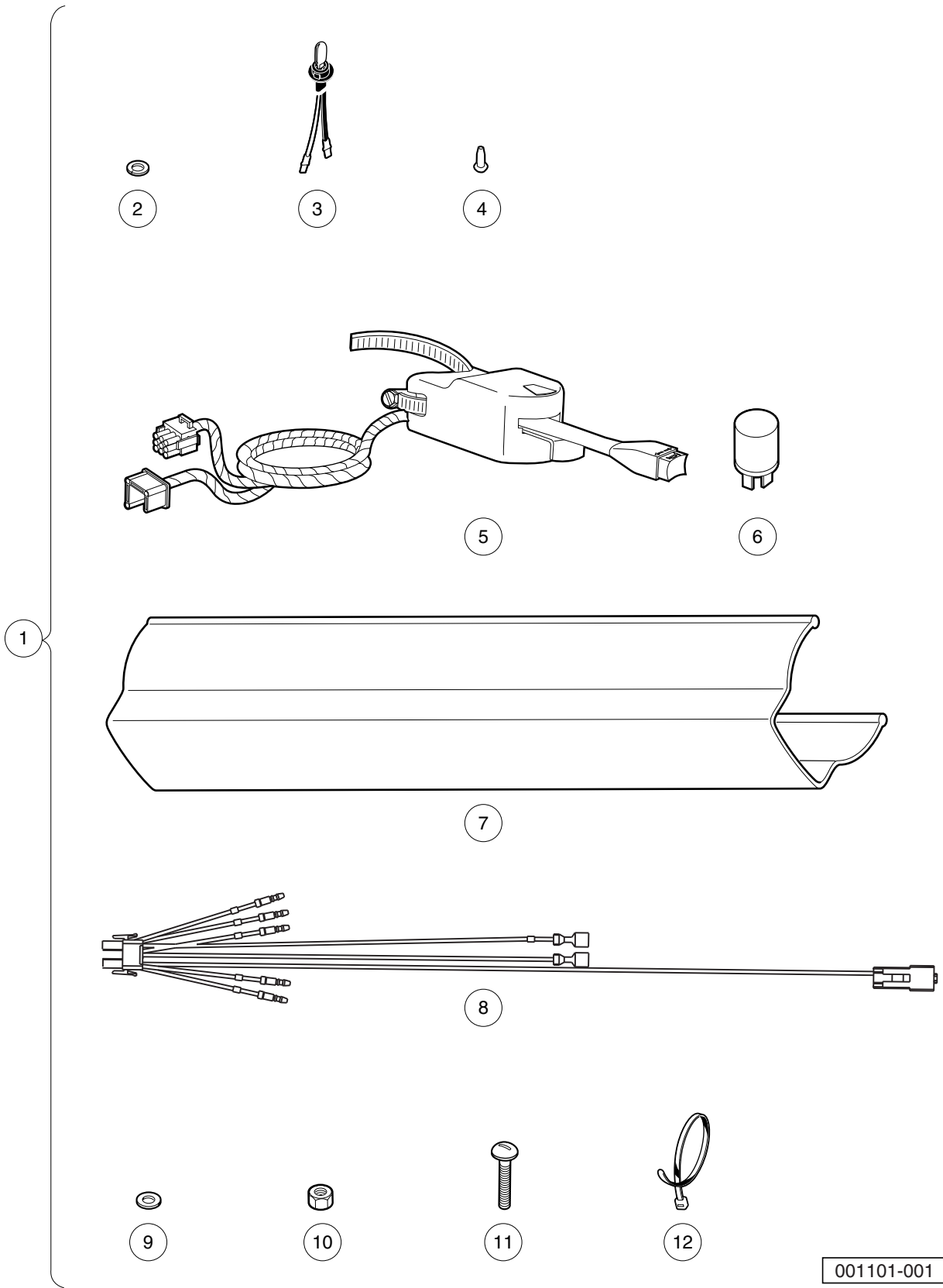
001084-001

TURN SIGNAL KIT – DS AND UTILITY GASOLINE AND ELECTRIC VEHICLES

ITEM	PART NO.	DESCRIPTION	QTY
		1 2 3 4	
1	101707402	Turn Signal Conversion Kit (includes items 2 through 11)	1
2	1011590	Switch Sub-assy, Turn Signal	1
3	N/A	Strap, Extrusion	1
4	1016	Lockwasher, #10 Split	1
5	1017075	Socket & Lamp Assembly	2
6	1017724	Rivet, Plastic	1
7	102529201	Wire Cover, Steering Column	1
8	183	Washer, #10, Type A, Flat	2
9	7893	Nut, #10-32 Hex	2
10	8104	Screw, #10-32 X .75 Rd Hd Mach	1
11	8990	Tie Wrap, 8" Nylon	1

4
G
E

4
G
E



001101-001

TURN SIGNAL (WITH HORN BUTTON) KIT – DS AND UTILITY GAS AND ELECTRIC VEHICLES

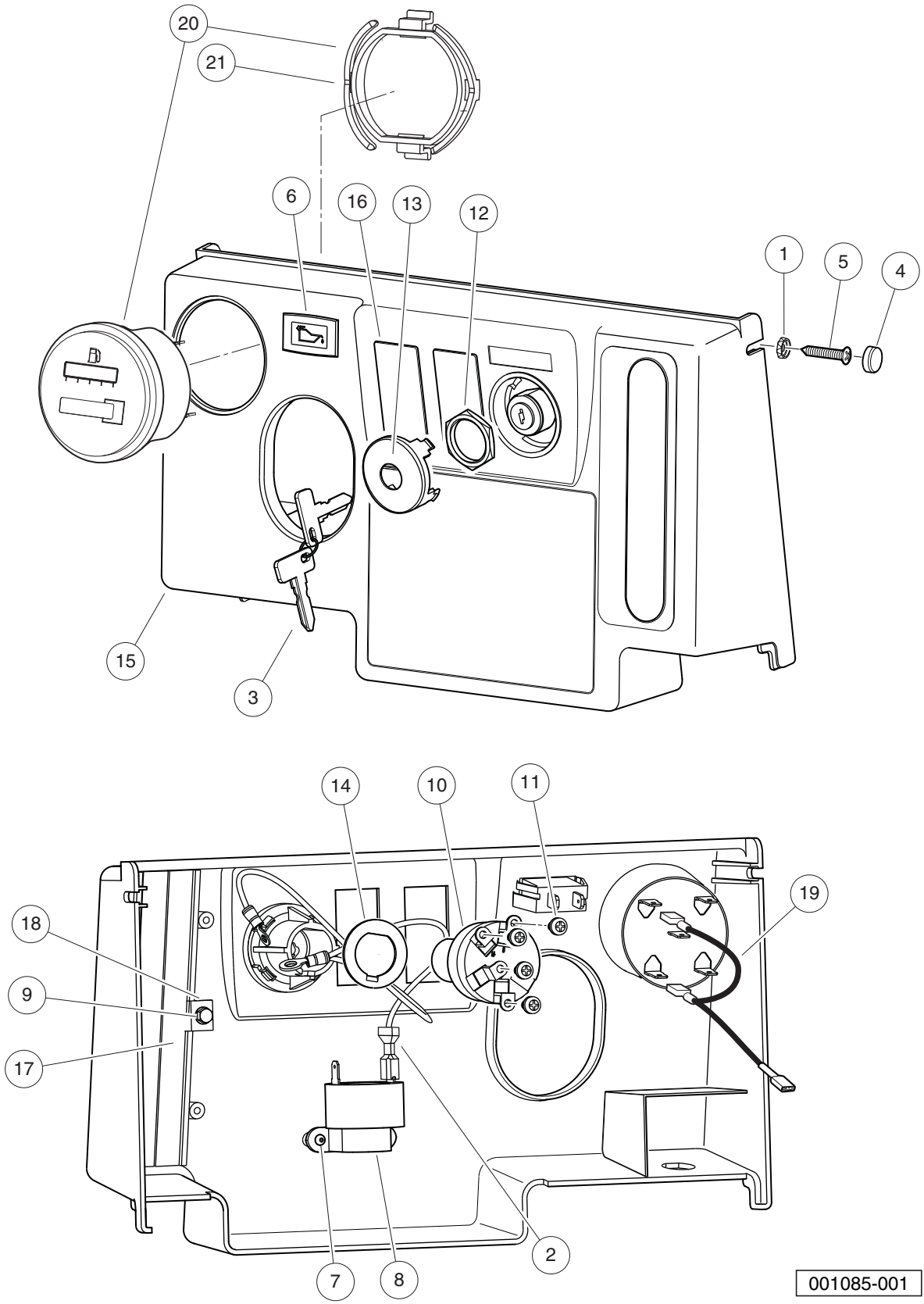
ITEM	PART NO.	DESCRIPTION	QTY
		1 2 3 4	
1	101707405	Kit, Turn Signal-horn (includes items 2 through 12)	1
2	1016	Lockwasher, #10 Split	1
3	1017075	Socket & Lamp Assembly	2
4	1017724	Rivet, Plastic	1
5	102517501	Turn Signal Asm (includes item 6)	1
6	102546401	Flasher Unit, Prec	1
7	102529201	Wire Cover, Steering Column	1
8	103618001	Harness, Jumper, Turn Signal	1
9	183	Washer, #10, Type A, Flat	2
10	7893	Nut, #10-32 Hex	2
11	8104	Screw, #10-32 X .75 Rd Hd Mach	1
12	8990	Tie Wrap, 8" Nylon	1

4

G

E

4
G
E



001085-001

INSTRUMENT PANEL AND ELECTRICAL COMPONENTS – TURF 6 GAS

ITEM	PART NO.	DESCRIPTION	QTY
		1 2 3 4	
1	1011382	Washer, #10 Pan-Head Screw	2
2	1012396	Wire Assy #18 Black	1
3	1012505	Keys (set of 2)	1
4	1013494	Cover, Screw Head	2
5	1015528	Screw, #10 x 1-1/4 Phillips Head	2
6	1016630	Light, Oil	1
7	1016849	Screw, #4-24 X 0.33, Pan-Head, Machine	2
8	1016851	Buzzer, Reverse (9-48 VDC)	1
9	101804301	Screw, #8 X 0.500, Hex-Head Hi-Lo	2
10	101826301	Key Switch, 12-Volt, Off/On	1
11	101830601	Screw and Washer Assembly	4
12	101830701	Nut, Key Switch	1
13	101834502	Cap, Black Key Switch	1
14	101851101	Washer, Key Switch	1
15	102977001	Panel, Dash, Center, Gas (Instrument Panel)	1
16	103180101	Cover, Hole, Switch, Rocker	2
17	103199001	Brush, Closeout, FNR	2
18	103199101	Washer, Retaining, Brush, FNR	2
19	103348501	Asm, Wire Meter, F-h Jumper	1
20	103348602	Gauge, Fuel-hour, sep Gnd, Ds (includes item 21)	1
21	103348204	Clip, Meter, Round Ds	1

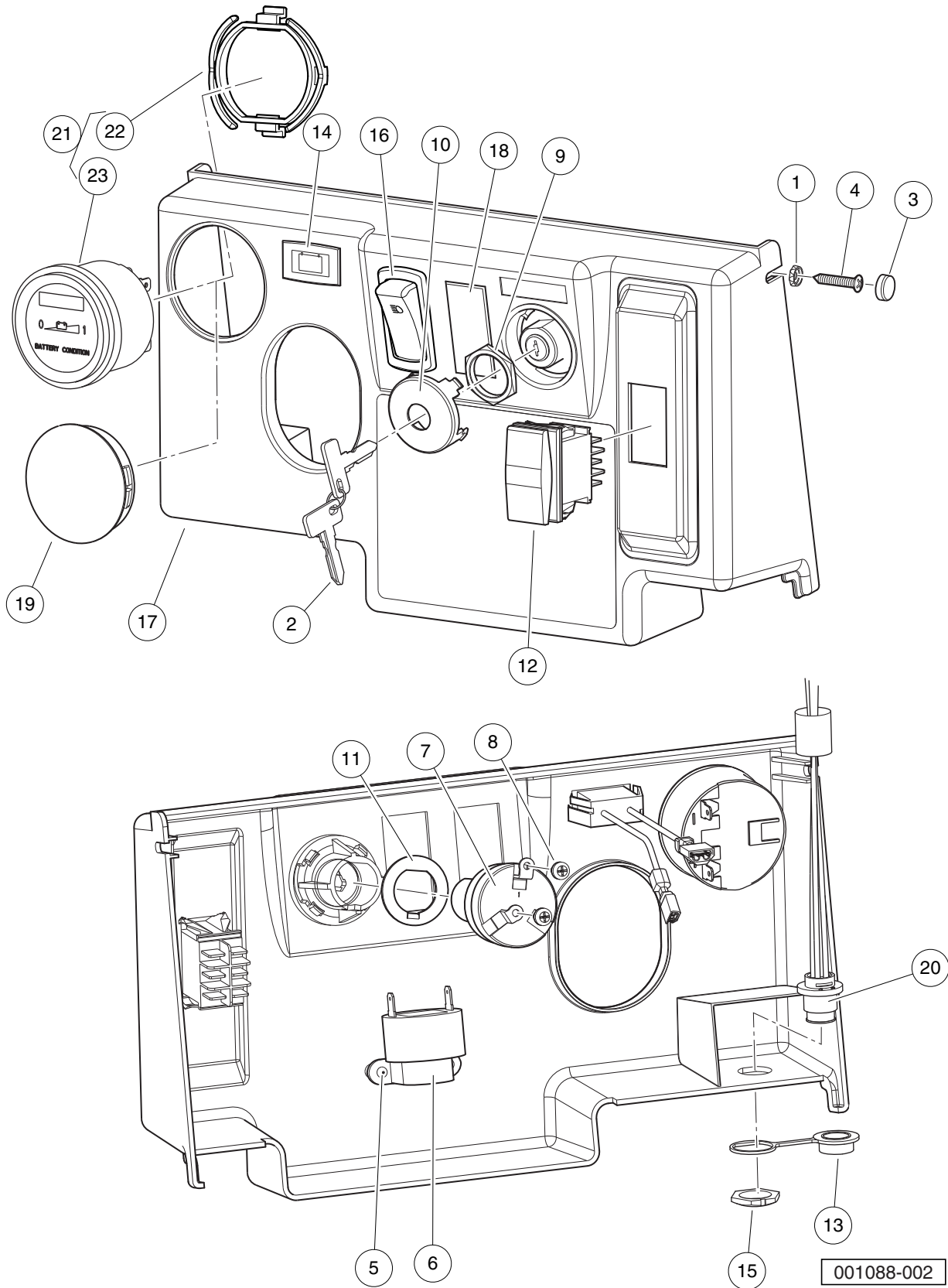
4
G
E

INSTRUMENT PANEL AND ELECTRICAL COMPONENTS – CARRYALL 6 GAS

ITEM	PART NO.	DESCRIPTION	QTY
		1 2 3 4	
1	1011382	Washer, #10 Pan-Head Screw	2
2	1012396	Wire Assy #18 Black	1
3	1012505	Keys (set of 2)	1
4	1013494	Cover, Screw Head	2
5	1015528	Screw, #10 x 1-1/4 Phillips Head	2
6	1016630	Light, Oil	1
7	1016849	Screw, #4-24 X 0.33, Pan-Head, Machine	2
8	1016851	Buzzer, Reverse (9-48 VDC)	1
9	101804301	Screw, #8 X 0.500, Hex-Head Hi-Lo	2
10	101826401	Key Switch, 12-Volt, Off/On/Start	1
11	101830601	Screw and Washer Assembly	5
12	101830701	Nut, Key Switch	1
13	101834502	Cap, Black Key Switch	1
14	101851101	Washer, Key Switch	1
15	102869401	Switch, Rocker, Light	1
16	102977001	Panel, Dash, Center, Gas (Instrument Panel)	1
17	103180101	Cover, Hole, Switch, Rocker	1
18	103199001	Brush, Closeout, FNR	2
19	103199101	Washer, Retaining, Brush, FNR	2
20	103348501	Asm, Wire Meter, F-h Jumper	1
21	103348602	Gauge, Fuel-hour, sep Gnd, Ds (includes item 22)	1
22	103348204	Clip, Meter, Round Ds	1

4
G
E

4
G
E

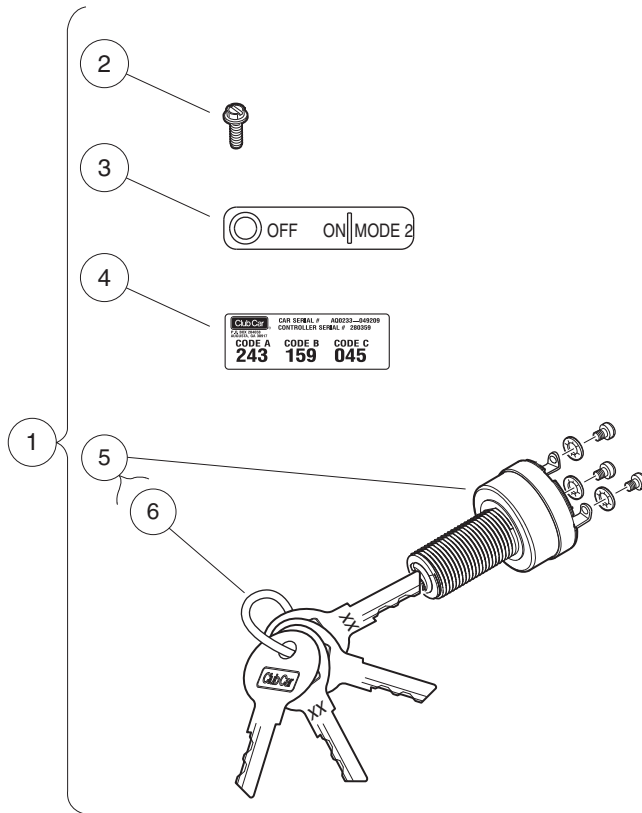


INSTRUMENT PANEL WITH ELECTRICAL COMPONENTS – CARRYALL 6 ELECTRIC

ITEM	PART NO.	DESCRIPTION	QTY
		1 2 3 4	
1	1011382	Washer, #10 Pan-Head Screw	2
2	1012505	Keys (set of 2)	1
3	1013494	Cover, Screw Head	2
4	1015528	Screw, #10 x 1-1/4 Phillips Head	2
5	1016849	Screw, #4-24 X 0.33, Pan-Head, Machine	2
6	1016851	Buzzer, Reverse (9-48 VDC)	1
7	101826201	Key Switch, On/Off	1
8	101830601	Screw and Washer Assembly	2
9	101830701	Nut, Key Switch	1
10	101834502	Cap, Black Key Switch	1
11	101851101	Washer, Key Switch	1
12	101856002	Switch, Rocker, Single-Pole	1
13	102196901	Dust Cap	1
14	102508701	Light, Battery	1
15	102572401	Nut, Diagnostic Port, Prec	1
16	102869401	Switch, Rocker, Light	1
17	102977002	Panel, Dash, Center, Elec (Instrument Panel)	1
18	103180101	Cover, Hole, Switch, Rocker	1
19	103198301	Plug, Hole, Round, 2.0 In	1
20	103218601	Harness, Diagnostic Port	1
21	103354401	Gauge, Battery Cond Ind, Rnd (includes item 22)	1
22	103348202	Clip, Bci, Round	1

4
G
E

4
G
E



001212-001

KEYS AND KEYSWITCHES, SMARTKEY KIT – ELECTRIC VEHICLE

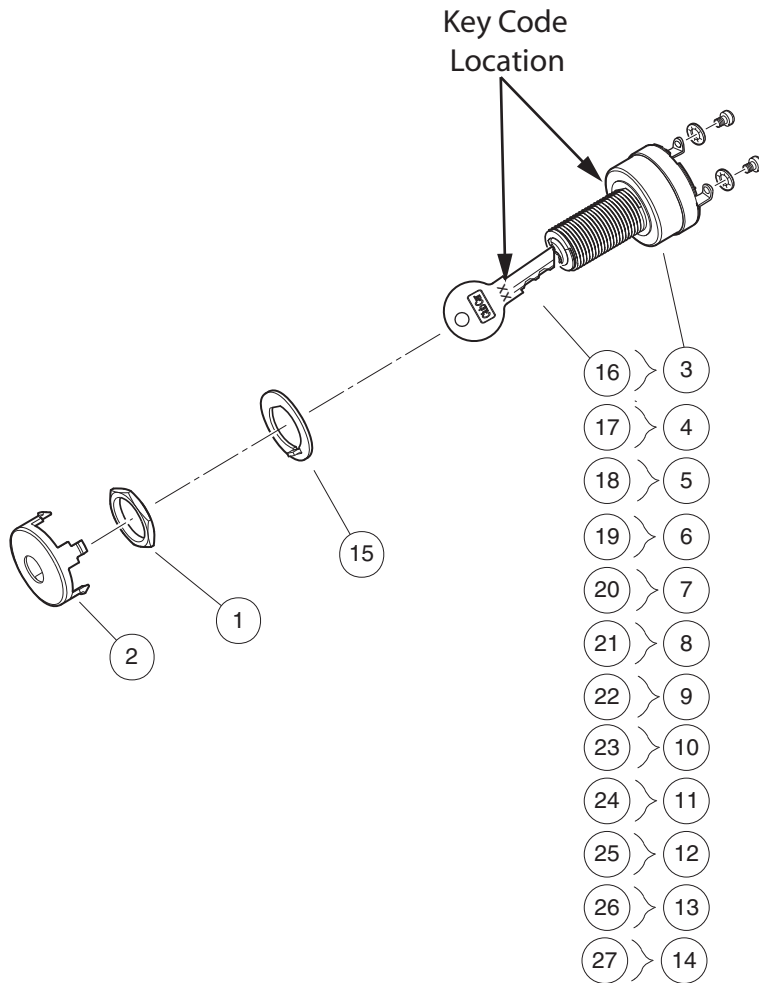
ITEM	PART NO.	DESCRIPTION	QTY
		1 2 3 4	
1	102962602	Kit, Field, Smartkey (includes items 2 through 5)	1
2	1011017	Screw, #8-32 X 0.375	1
3	101825103	Decal, Keyswitch, Iq Plus Mode	1
4	N/A	Decal, Passcode	1
5	102950301	Key Switch, Mode B, Iq Plus (includes item 6)	1
6	102962303	Keys, Set Of 4, Iq Plus Mode	1
		 Note: Not available in the EU.	

4
G
E

4

G

E



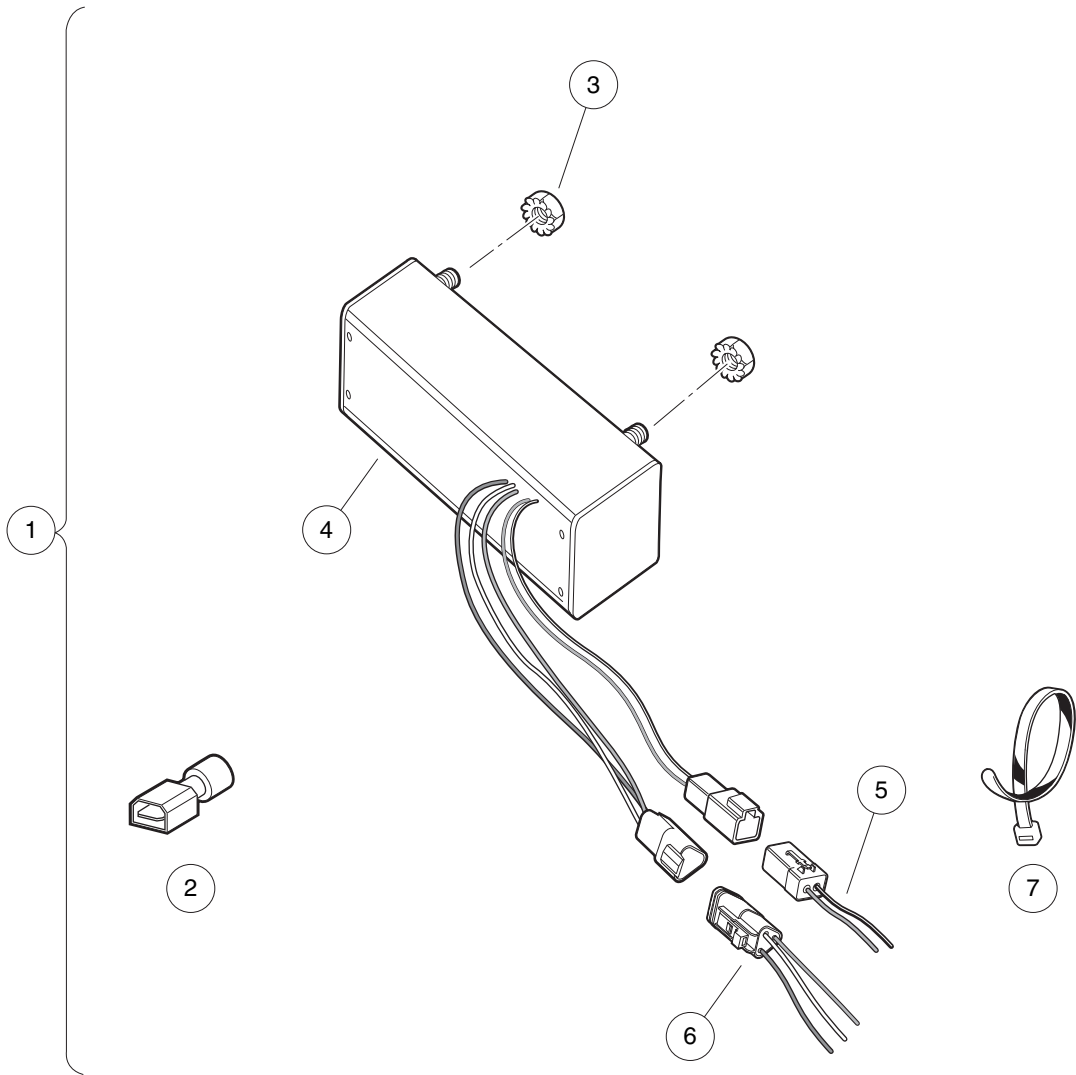
001089-001

KEYS AND KEYSWITCHES, UNCOMMON – GAS VEHICLE

ITEM	PART NO.	DESCRIPTION	QTY
		1 2 3 4	
1	101830701	Nut, Key Switch	1
2	101834502	Cap, Black Key Switch	1
3	101839801	Keyswtch Uncom A408 On/off/st	1
4	101839802	Keyswtch Uncom B408 On/off/st	1
5	101839803	Keyswtch Uncom C408 On/off/st	1
6	101839804	Keyswtch Uncom D408 On/off/st	1
7	101839805	Keyswtch Uncom 2a408 On/off/st	1
8	101839806	Keyswtch Uncom 2b408 On/off/st	1
9	101839807	Keyswtch Uncom 2c408 On/off/st	1
10	101839808	Keyswtch Uncom 2d408 On/off/st	1
11	101839809	Keyswtch Uncom E408 On/off/st	1
12	101839810	Keyswtch Uncom F408 On/off/st	1
13	101839811	Keyswtch Uncom 2e408 On/off/st	1
14	101839812	Keyswtch Uncom 2f408 On/off/st	1
15	101851101	Washer, Key Switch	1
16	101974701	Key, Uncommon 1a	1
17	101974702	Key, Uncommon 1b	1
18	101974703	Key, Uncommon 1c	1
19	101974704	Key, Uncommon 1d	1
20	101974705	Key, Uncommon 2a	1
21	101974706	Key, Uncommon 2b	1
22	101974707	Key, Uncommon 2c	1
23	101974708	Key, Uncommon 2d	1
24	101974709	Key, Uncommon 1e	1
25	101974710	Key, Uncommon 1f	1
26	101974711	Key, Uncommon 2e	1
27	101974712	Key, Uncommon 2f	1
		Note: Keyswitches 101839801 through 101839812 are for key-start, gasoline vehicles ONLY.	

4
G
E

4
G
E



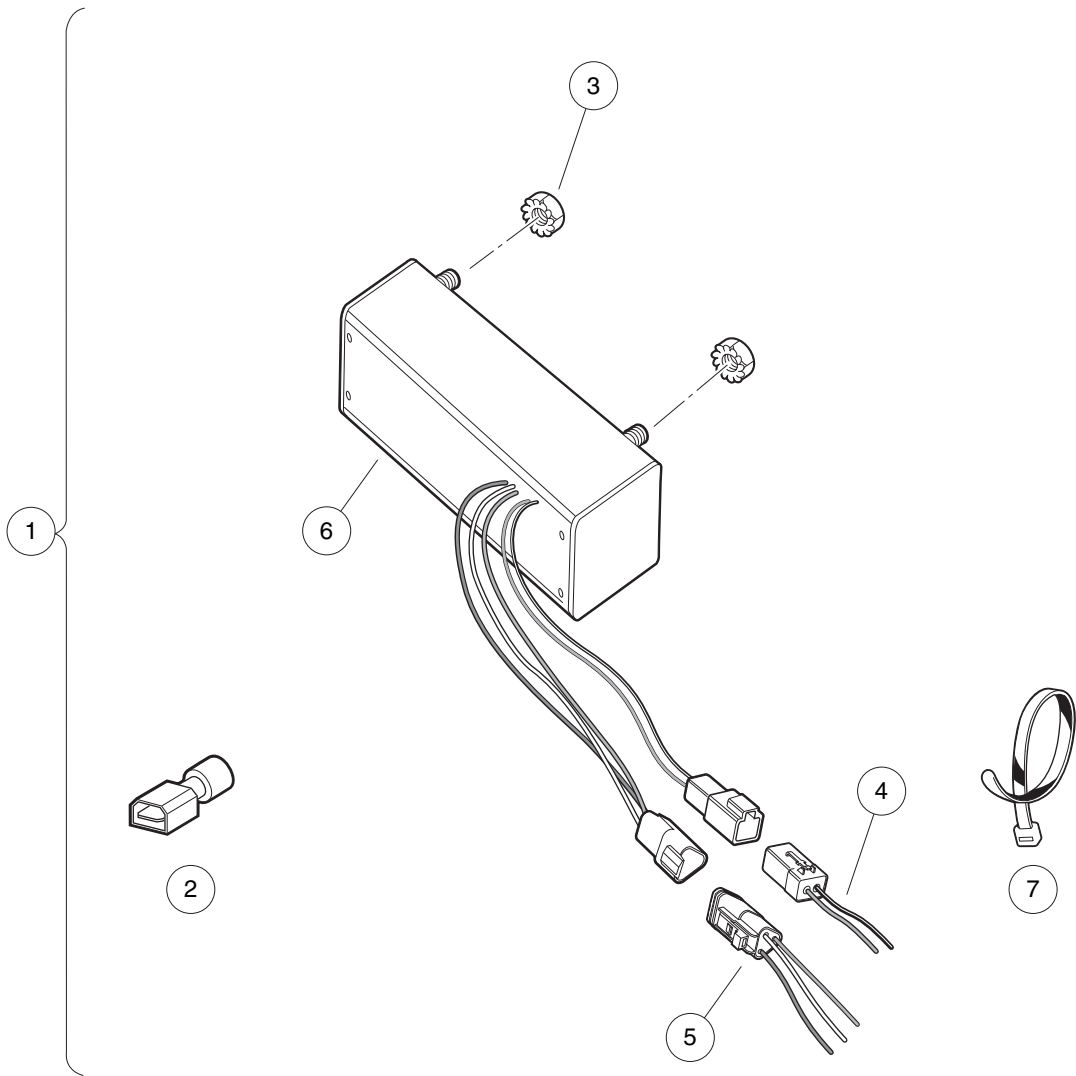
001090-001

DC CONVERTER – IQ PLUS ELECTRIC VEHICLE, TO EARLY-2010 MODEL YEAR

ITEM	PART NO.	DESCRIPTION	QTY
		1 2 3 4	
1	102918701	Kit, DC/DC Converter, IQ Plus (includes items 2 through 7)	1
2	1016365	Terminal, 1/4" Male Quick Disconnect	1
3	101835601	Locknut, 1/4-20 Hex Whiz	2
4	102352201	Converter , Dc -non Isolated	1
5	102354901	Harness, Dc Converter - 12v	1
6	102890201	Harness, Dc Converter, 48v	1
7	8990	Tie Wrap, 8" Nylon	10

4
G
E

4
G
E



001090-002

DC CONVERTER (ISOLATED) – IQ PLUS ELECTRIC VEHICLE, FROM EARLY-2010 MODEL YEAR

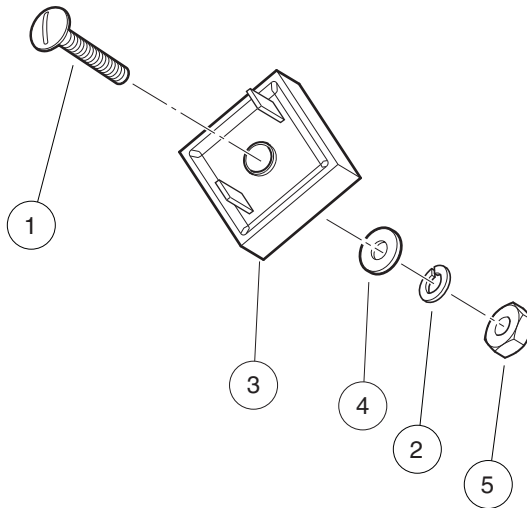
ITEM	PART NO.	DESCRIPTION	QTY
		1 2 3 4	
1	102918701	Kit, DC/DC Converter, IQ Plus (includes items 2 through 7)	1
2	1016365	Terminal, 1/4" Male Quick Disconnect	1
3	101835601	Locknut, 1/4-20 Hex Whiz	2
4	102354901	Harness, Dc Converter - 12v	1
5	102890201	Harness, Dc Converter, 48v	1
6	103700301	Converter, Dc/dc, Isold	1
7	8990	Tie Wrap, 8" Nylon	10

4
G
E

4

G

E



001091-001

VOLTAGE LIMITER – GASOLINE VEHICLE

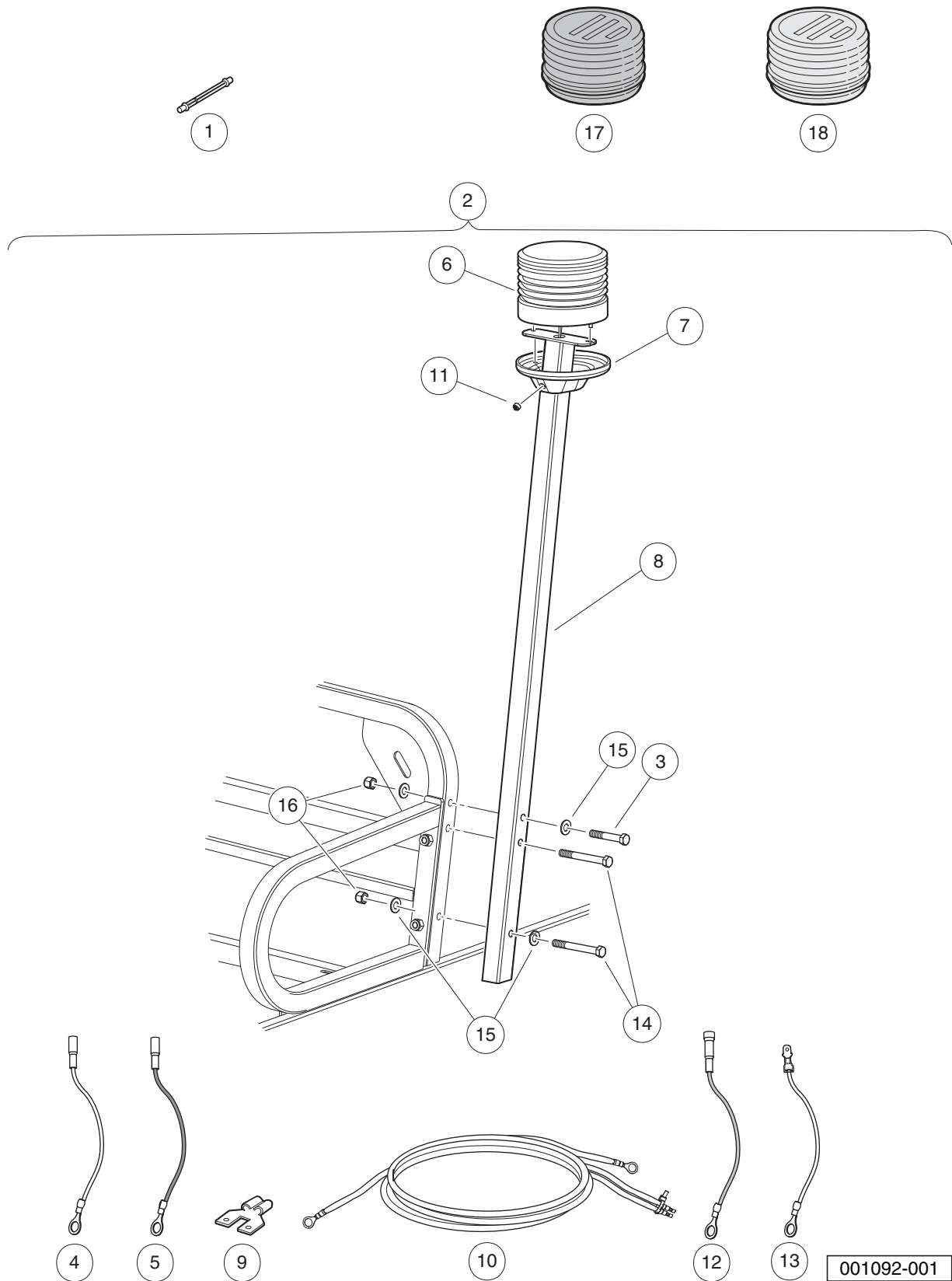
ITEM	PART NO.	DESCRIPTION	QTY
		1 2 3 4	
1	1010909	Screw, #10-32 X 1.25 Rd Hd Mch	1
2	1016	Lockwasher, #10 Split	1
3	1017721	Limitter, Voltage	1
4	183	Washer, #10, Type A, Flat	1
5	7893	Nut, #10-32 Hex	1

4

G

E

4
G
E

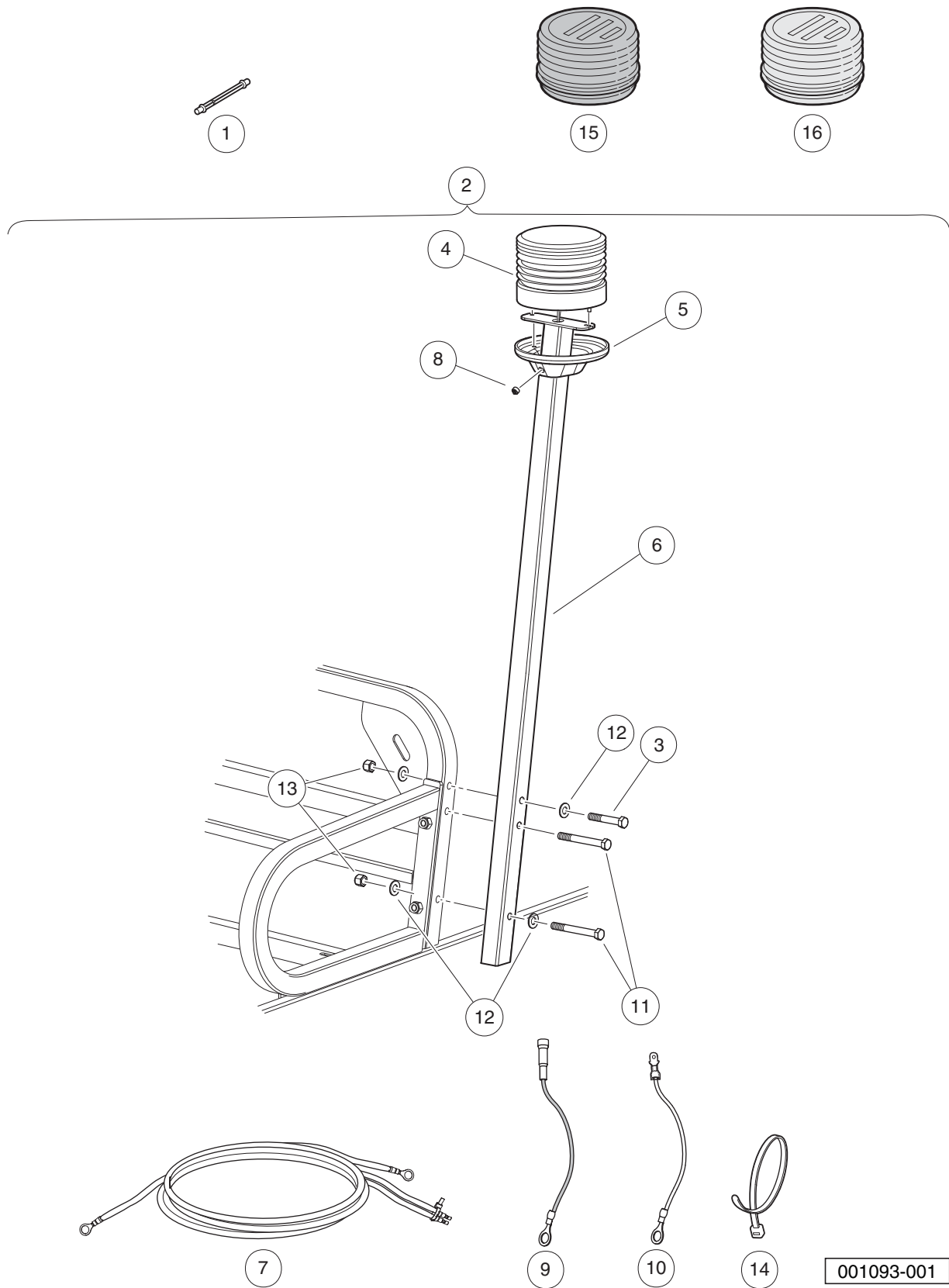


STROBE LIGHT, POST-MOUNTED – GASOLINE VEHICLES

ITEM	PART NO.	DESCRIPTION	QTY
		1 2 3 4	
1	1015526	Bulb, Replacement, for Strobe Light	1
2	1015765	Safety Strobe Lht Post Mnt Gas (includes items 3 through 16)	1
3	1013509	Screw, 1/4-20 X 1.75 Hx Hd Cap	2
4	1015153	Wire Assembly #16 Yellow	1
5	1015154	Wire Assembly Blue Ca #16	1
6	1015156	Light Assembly, Strobe	1
7	1015157	Cover Plate Switch - Pole Ca	1
8	1015160	Pole Weldment Carryall	1
9	1015162	3/16 Tab Adapter Non-insul	1
10	1015172	Wire Harness Assy, Strobe Lght	1
11	1015187	Switch Assembly	1
12	1016837	Wire Assembly Red #18	1
13	1016929	Wire Assembly Black #16	1
14	324	Screw, 1/4-20 X 2.50 Hx Hd Cap	2
15	332	Washer, 1/4 Type A Narrow Flat	4
16	8233	Locknut, 1/4-20, Nylon Insert	2
17	AM1243701	Lens, Blue, for Strobe Light	1
18	AM1243801	Lens, Red, for Strobe Light	1

4
G
E

4
G
E



001093-001

STROBE LIGHT, POST-MOUNTED – ELECTRIC VEHICLES

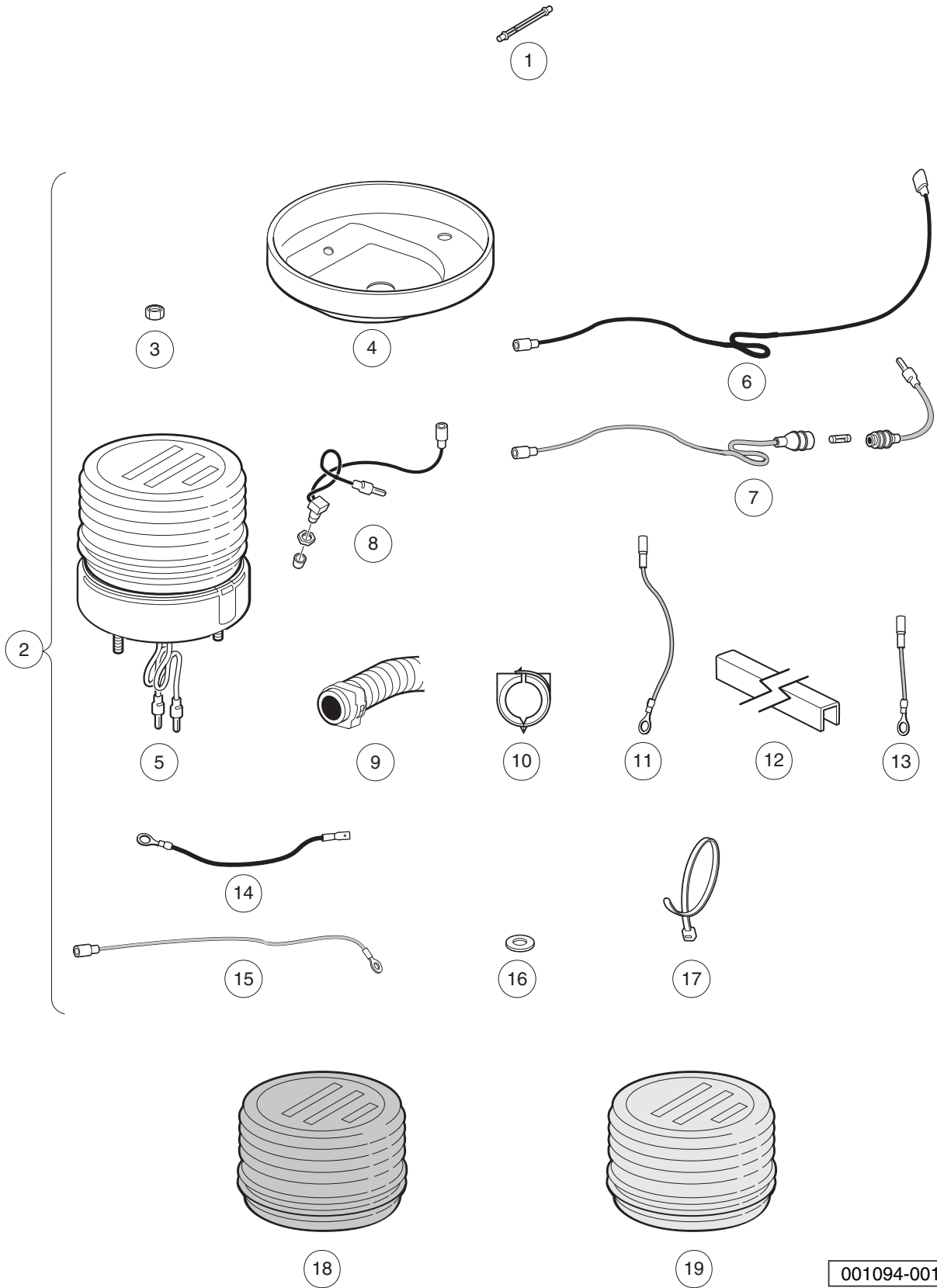
ITEM	PART NO.	DESCRIPTION	QTY
		1 2 3 4	
1	1015526	Bulb, Replacement, for Strobe Light	1
2	101814601	Safety Strobe Lht & Post Mt El (includes items 3 through 14)	1
3	1013509	Screw, 1/4-20 X 1.75 Hx Hd Cap	2
4	1015156	Light Assembly, Strobe	1
5	1015157	Cover Plate Switch - Pole Ca	1
6	1015160	Pole Weldment Carryall	1
7	1015172	Wire Harness Assy, Strobe Lght	1
8	1015187	Switch Assembly	1
9	1016837	Wire Assembly Red #18	1
10	1016929	Wire Assembly Black #16	1
11	324	Screw, 1/4-20 X 2.50 Hx Hd Cap	2
12	332	Washer, 1/4 Type A Narrow Flat	4
13	8233	Locknut, 1/4-20, Nylon Insert	2
14	8990	Tie Wrap, 8" Nylon	4
15	AM1243701	Lens, Blue, for Strobe Light	1
16	AM1243801	Lens, Red, for Strobe Light	1

4

G

E

4
G
E



001094-001

STROBE LIGHT, CANOPY-MOUNTED

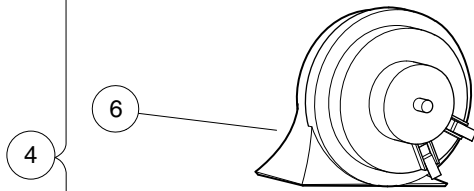
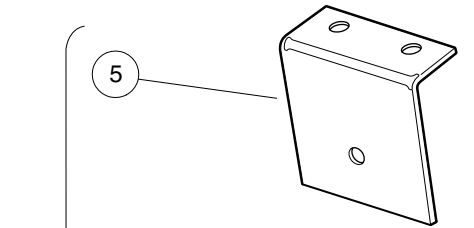
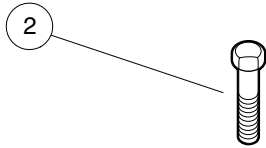
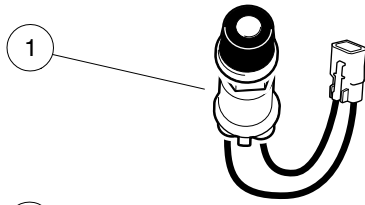
ITEM	PART NO.	DESCRIPTION	QTY
		1 2 3 4	
1	1015526	Bulb, Replacement, for Strobe Light	1
2	AM1243501	Kit, Roof Mounted Strobe Fd (includes items 3 through 17)	A/R
3	1012438	Locknut, #10-24 Nylon Insert	2
4	1015010	Cover Plate Switch	1
5	1015156	Light Assembly, Strobe	1
6	1015167	#16 Black Wire Asm	1
7	1015170	Wire Assembly #16	1
8	1015187	Switch Assembly	1
9	1015768	Split Convolved Elec Conduit	11
10	1015770	Outlet Ring - .5 Diameter	5
11	1016230	Wire Asm #16 Red	1
12	1016267	Snap On Conduit Vert.	1
13	1016287	Wire Asm #16 Red	1
14	1016929	Wire Assembly Black #16	1
15	101821601	#18 Red Wire Assembly	1
16	183	Washer, #10, Type A, Flat	2
17	8639	Tie Wrap, 11" Nylon	8
18	AM1243701	Lens, Blue, for Strobe Light	A/R
19	AM1243801	Lens, Red, for Strobe Light	A/R

4
G
E

4

G

E



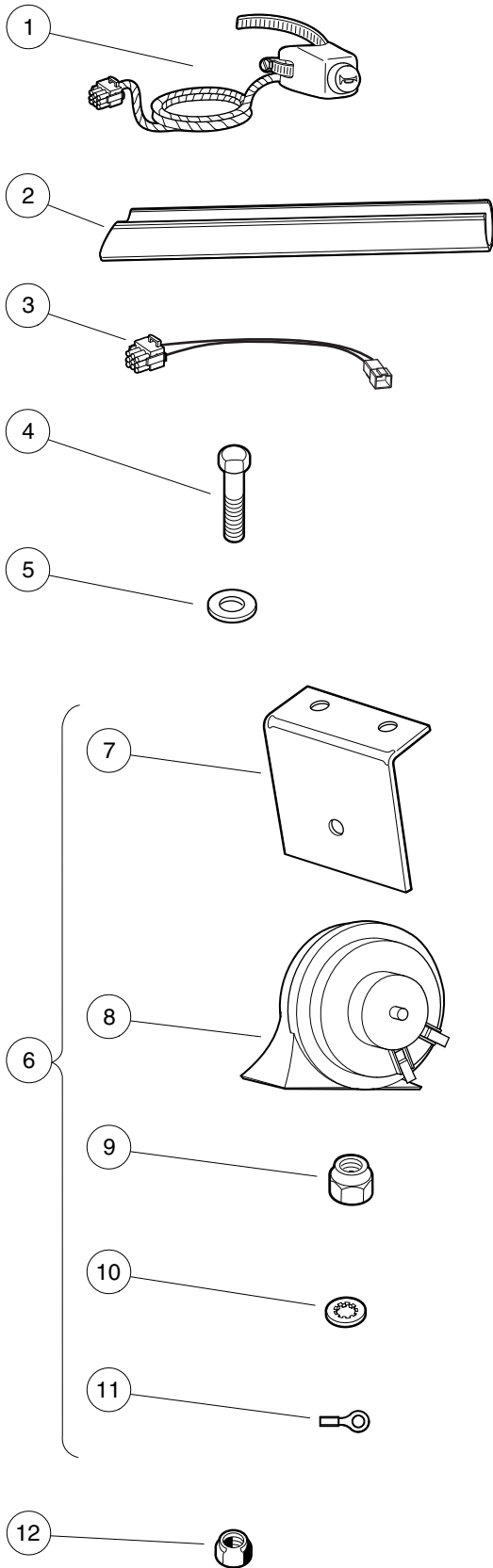
001095-001

HORN WITH FLOOR-MOUNTED BUTTON

ITEM	PART NO.	DESCRIPTION	QTY
		1 2 3 4	
1	101969701	Horn Button and Wire Assembly	1
2	304	Screw, 1/4-20 X 1.0 Hex-Head Cap	2
3	332	Washer, 1/4 Type A Narrow Flat	2
4	4029	Horn (includes items 5 through 9)	1
5	1011825	Horn Bracket	1
6	1014530	Horn, 12-VDC	1
7	101955101	Nut, M6 Hex	1
8	7820	Washer, 5/16 Internal-Tooth	1
9	8294	5/16 Ring Term.	1
10	8233	Locknut, 1/4-20, Nylon Insert	2

4
G
E

4
G
E

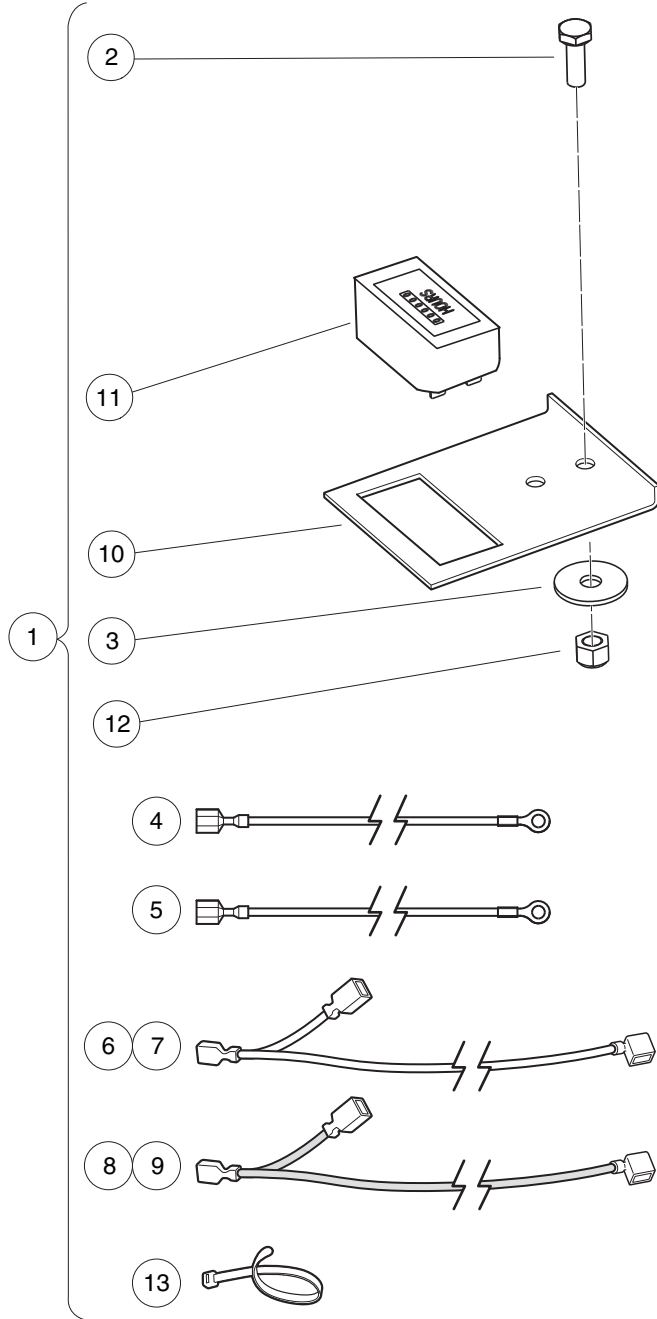


001095-002

HORN WITH COLUMN-MOUNTED BUTTON

ITEM	PART NO.	DESCRIPTION	QTY	4
		1 2 3 4		G
1	102517601	Subasm, Horn Button Harness	1	E
2	102529203	Wire Cover-steer Column 304 Mm	1	
3	103618101	Harness, Jumper, Horn	1	
4	304	Screw, 1/4-20 X 1.0 Hex-Head Cap	2	
5	332	Washer, 1/4 Type A Narrow Flat	2	
6	4029	Horn (includes items 7 through 11)	1	
7	1011825	Horn Bracket	1	
8	1014530	Horn, 12-VDC	1	
9	101955101	Nut, M6 Hex	1	
10	7820	Washer, 5/16 Internal-Tooth	1	
11	8294	5/16 Ring Term.	1	
12	8233	Locknut, 1/4-20, Nylon Insert	2	

4
G
E



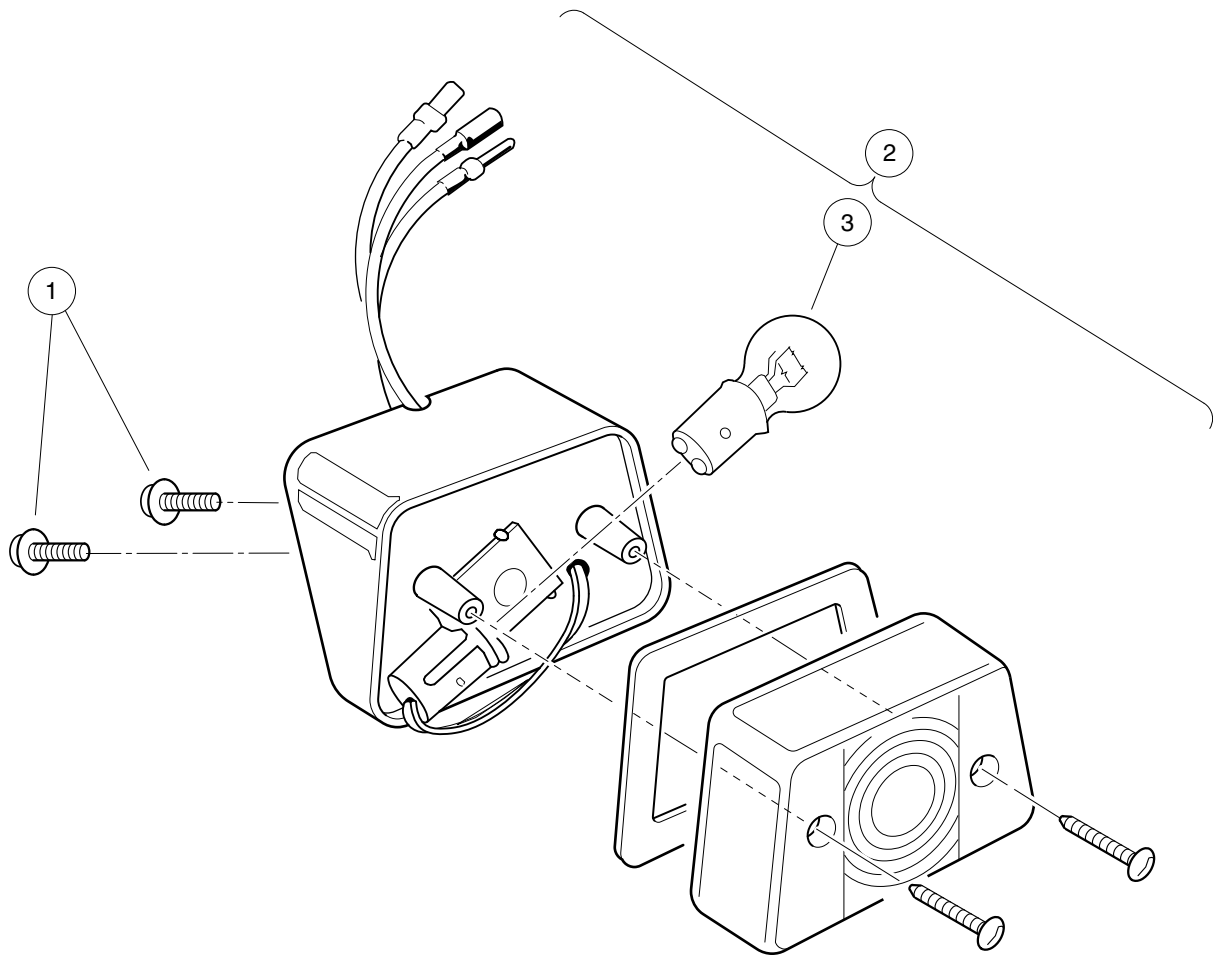
001096-002

HOUR METER – CARRYALL/TURF IQ PLUS ELECTRIC VEHICLES

ITEM	PART NO.	DESCRIPTION	QTY
		1 2 3 4	
1	1013579	Kit, Hour Meter (includes items 2 through 13)	1
2	1012285	Screw, 1/4 X 0.625 Hex-Head	1
3	1014306	Washer, 1/4" Type B Flat	1
4	101881501	Wire Assembly Black #18	1
5	101881601	Wire Assembly Red #18	1
6	101997802	Wire Assembly #18 Yellow	1
7	101997803	Wire Asm #18 Yellow 31"	1
8	101997902	Wire Assembly #18 Red	1
9	101997903	Wire Asm # 18 Red 31"	1
10	103510001	Bracket, Hour Meter	1
11	103510301	Meter, Hour	1
12	8233	Locknut, 1/4-20, Nylon Insert	1
13	8990	Tie Wrap, 8" Nylon	1
<p>Note: The kit includes components that apply to multiple vehicles. The installation instructions will specify which components are required for a specific model. After installation, discard components not used.</p>			

4
G
E

4
G
E



001247-001

TAILLIGHTS

ITEM	PART NO.	DESCRIPTION	QTY
		1 2 3 4	
1	1015752	Screw, #12-16 X 0.625, Hi-Lo	4
2	1016717	Light Assembly, Stop/Taillight (includes item 3)	2
3	1011582	Taillight Bulb	1

4
G
E

4

G

E

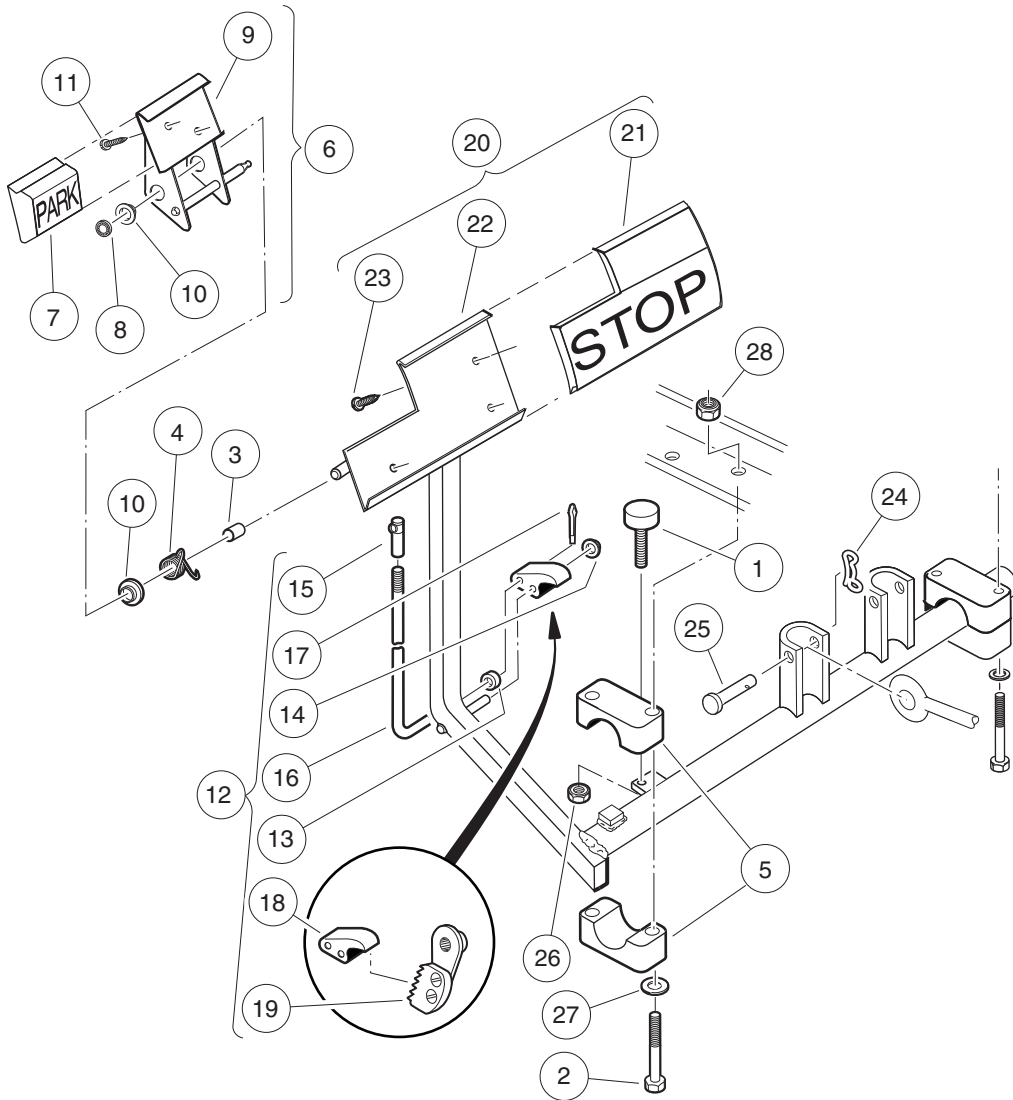
BRAKES, PEDAL, AND CABLE ASSEMBLIES

5

G

E

5
G
E



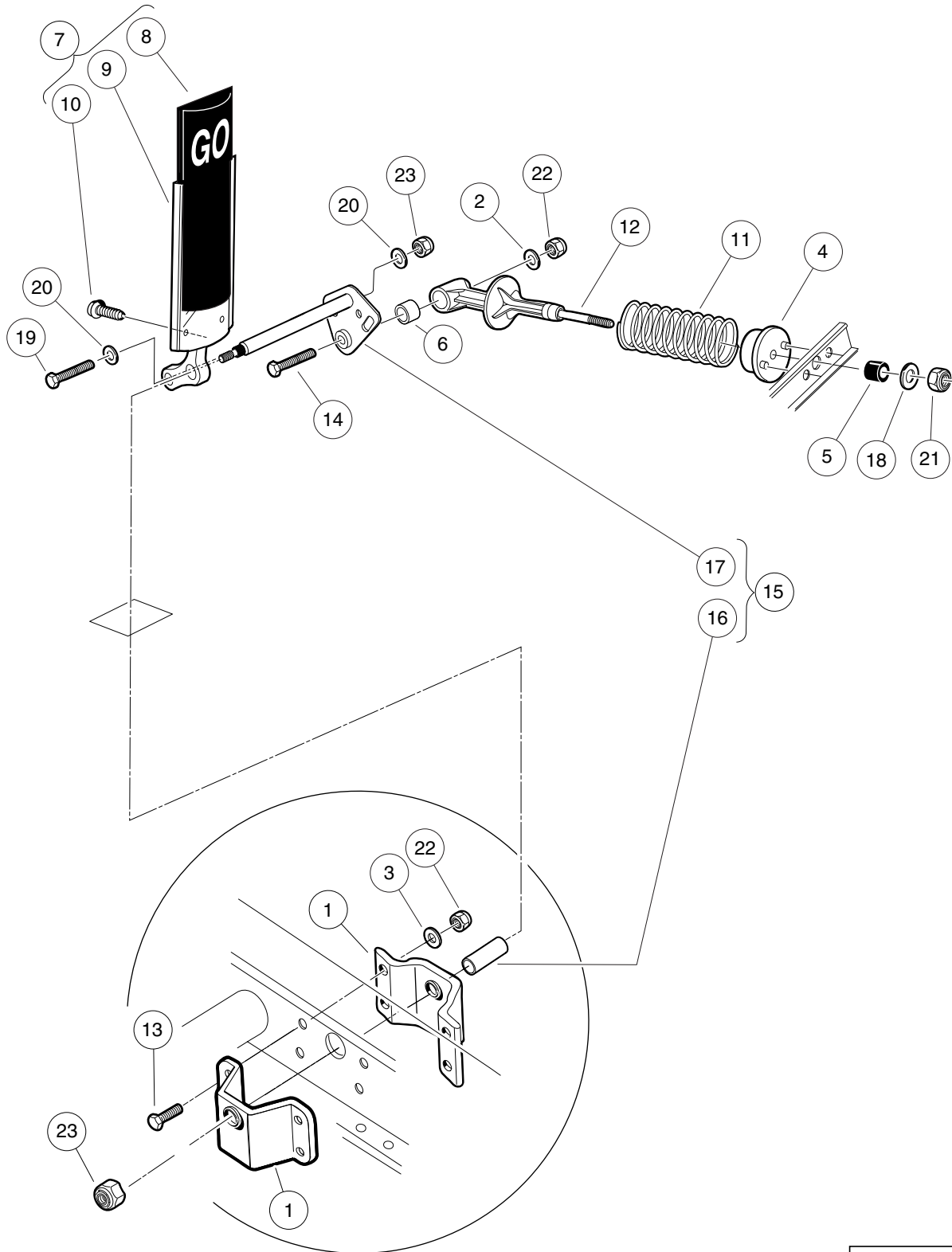
000187-001

BRAKE PEDAL ASSEMBLY

ITEM	PART NO.	DESCRIPTION	QTY
		1 2 3 4	
1	1010878	Bumper, Rubber	1
2	1010921	Screw, 5/16-18 X 2.50 Hex Cap	4
3	1010927	Hill Brake Spacer	1
4	1010933	Spring, Hill Brake Torsion	1
5	1011402	Package, Brake Mounting Block	1
6	1011418	Kit, Hill Brake Pedal (includes items 7 through 11)	1
7	1013870	Pad, Hill Brake	1
8	1013876	Pushnut, 3/8	1
9	N/A	Hill Brake Weld Assembly	1
10	1032	Bushing, Nylon	2
11	7716	Screw, #10-16 Type AB, Sheet Metal	2
12	101187702	Kit, Hill Brake Latch (includes items 13 through 19)	1
13	1010805	Sleeve, Hill Brake Rod	1
14	1010877	Pushnut, 3/8	1
15	1010932	Ball Joint, 1/4-28	1
16	N/A	Rod, Hill Brake	1
17	1017029	Pin, Cotter, 7/64 x 1/2 Stainless-Steel	1
18	N/A	Pawl, Hill Brake	1
19	101918501	Ratchet Assembly	1
20	101878201	Brake Pedal Kit (includes items 21 through 23)	1
21	1013869	Pad, Brake Pedal	1
22	N/A	Weldment, Brake Pedal, 2wr Std	1
23	7716	Screw, #10-16 Type AB, Sheet Metal	3
24	102323101	Pin, Bow Tie Locking	1
25	102323201	Pin, 3/8 X 1-5/16 Clevis	1
26	1028	Nut, 1/4-20 Hex	1
27	1241	Washer, 5/16 Type A Flat	4
28	7473	Locknut, 5/16-18 Nylon Insert	4

5
G
E

5
G
E



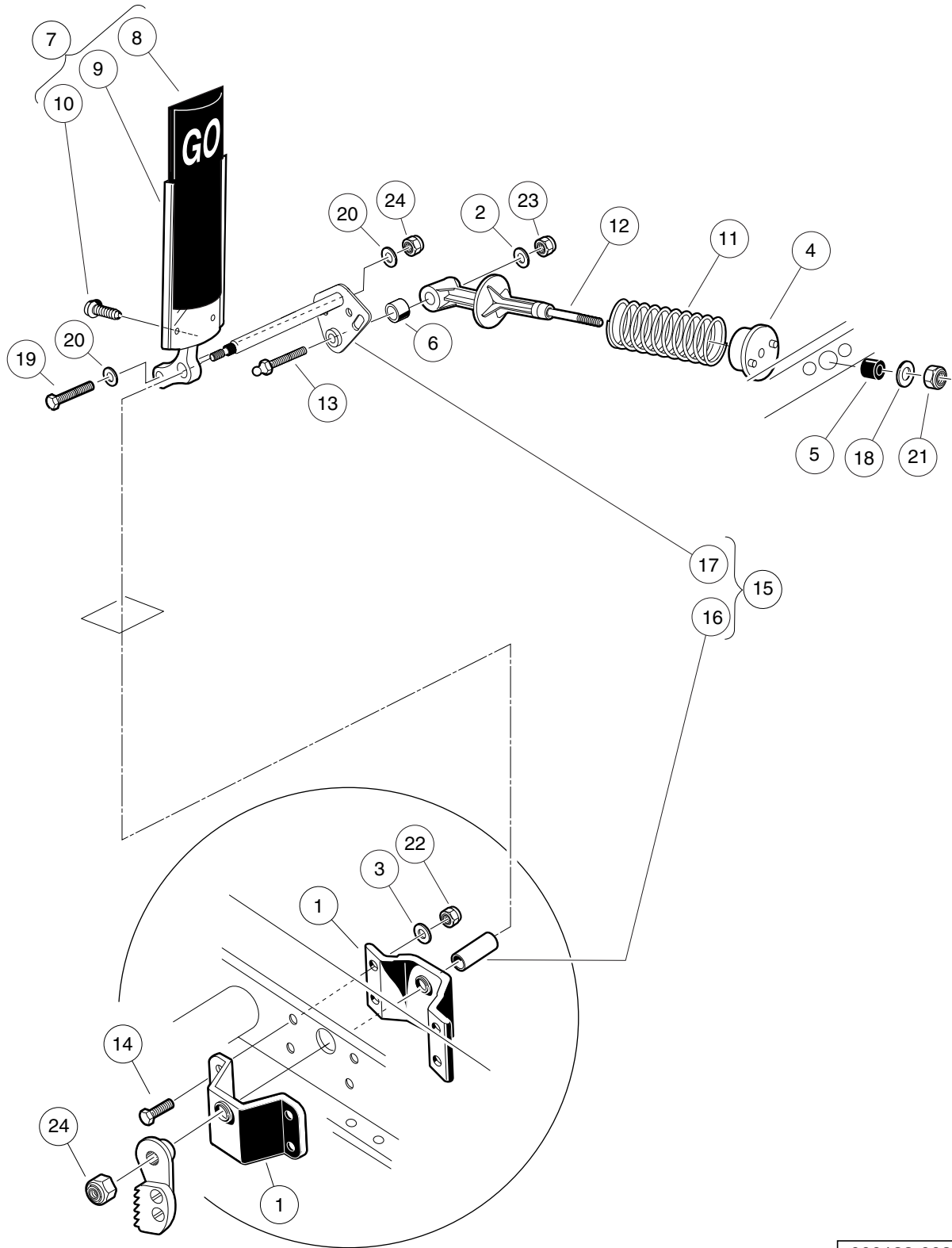
000188-007

ACCELERATOR PEDAL ASSEMBLY – ELECTRIC VEHICLES WITH MCOR

ITEM	PART NO.	DESCRIPTION	QTY
		1 2 3 4	
1	1011694	Accelerator Bracket and Bearing Assembly	2
2	1011931	Washer, 1/4 Flat	1
3	1014007	Washer, 1/4, Flat	4
4	1017378	Cup, Spring	1
5	1017380	Bumper, Spring Return	1
6	1017424	Bearing, Pivot Support	1
7	1017696	Sub Asm, Accelerator Pedal (includes items 8 through 10)	1
8	1013871	Pad, Accelerator Pedal	1
9	N/A	Accelerator Pedal Weldment	1
10	7716	Screw, #10-16 Type AB, Sheet Metal	4
11	101796201	Spring, Accelerator Return	1
12	101817401	Retainer, Spring	1
13	101861901	Screw, 1/4-20 X 1.125 Hex Cap	4
14	101862001	Screw, 1/4-20 X 1.500 Flange	1
15	102026001	Kit, Accelerator Pivot Rod Assembly (includes items 16 and 17)	1
16	101919801	Spacer, Accelerator	1
17	102158901	Pivot Rod Weldment	1
18	1241	Washer, 5/16 Type A Flat	1
19	1624	Screw, 3/8-16 X 1.50, Hex-Head Cap	1
20	334	Washer, 3/8, Type A, Flat	2
21	7473	Locknut, 5/16-18 Nylon Insert	1
22	8233	Locknut, 1/4-20, Nylon Insert	5
23	8754	Locknut, 3/8-16 Hex	2

5
G
E

5
G
E



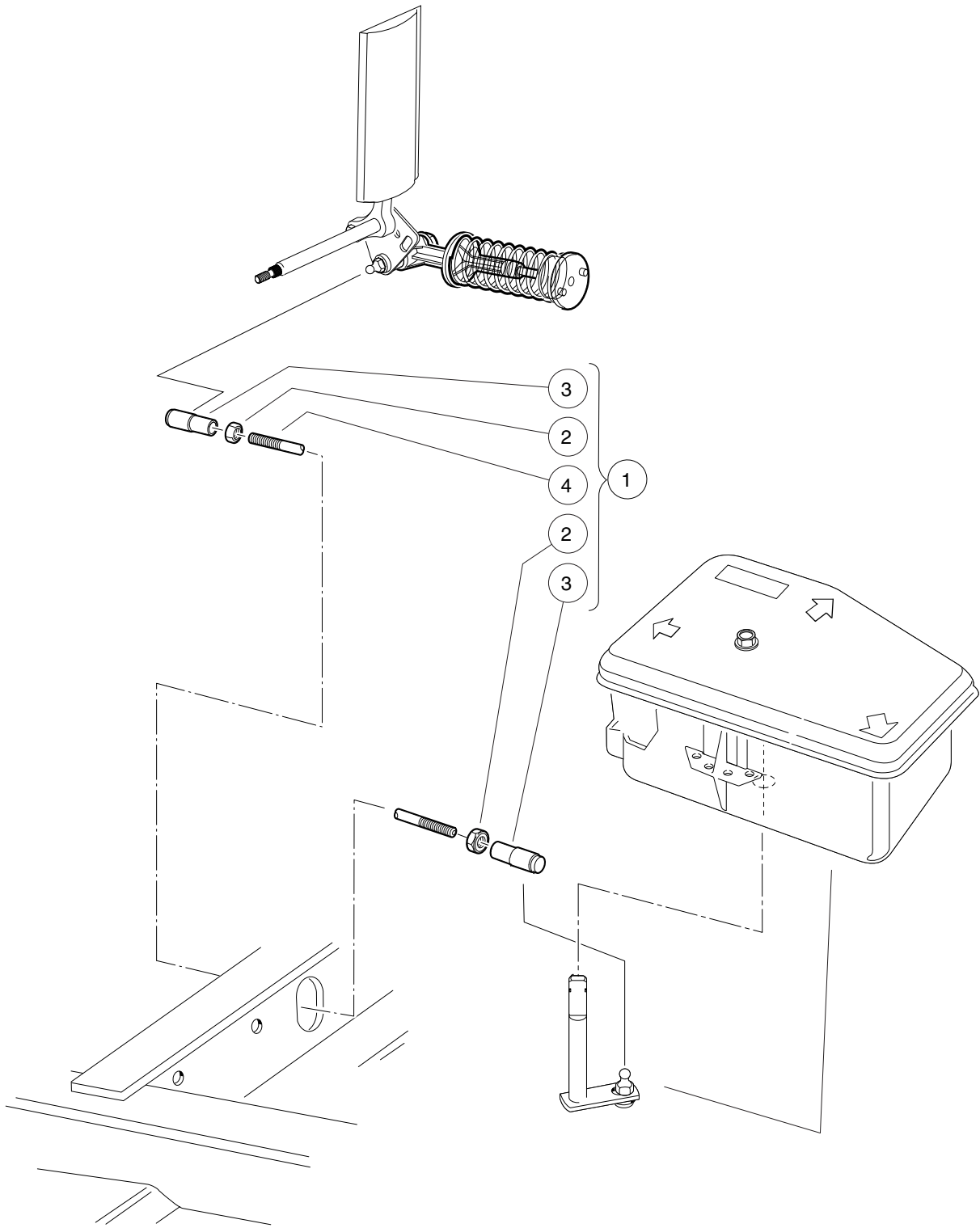
000188-008

ACCELERATOR PEDAL ASSEMBLY – GASOLINE VEHICLES

ITEM	PART NO.	DESCRIPTION	QTY
		1 2 3 4	
1	1011694	Accelerator Bracket and Bearing Assembly	2
2	1011931	Washer, 1/4 Flat	1
3	1014007	Washer, 1/4, Flat	4
4	1017378	Cup, Spring	1
5	1017380	Bumper, Spring Return	1
6	1017424	Bearing, Pivot Support	1
7	1017696	Sub Asm, Accelerator Pedal (includes items 8 through 10)	1
8	1013871	Pad, Accelerator Pedal	1
9	N/A	Accelerator Pedal Weldment	1
10	7716	Screw, #10-16 Type AB, Sheet Metal	4
11	101796201	Spring, Accelerator Return	1
12	101817401	Retainer, Spring	1
13	101818801	Stud, 1/4-28 X 1.35 Ball	1
14	101861901	Screw, 1/4-20 X 1.125 Hex Cap	4
15	102026001	Kit, Accelerator Pivot Rod Assembly (includes items 16 and 17)	1
16	101919801	Spacer, Accelerator	1
17	102158901	Pivot Rod Weldment	1
18	1241	Washer, 5/16 Type A Flat	1
19	1624	Screw, 3/8-16 X 1.50, Hex-Head Cap	1
20	334	Washer, 3/8, Type A, Flat	2
21	7473	Locknut, 5/16-18 Nylon Insert	1
22	8233	Locknut, 1/4-20, Nylon Insert	4
23	8717	Locknut, Nylon Insert, 1/4-28	1
24	8754	Locknut, 3/8-16 Hex	2

5
G
E

5
G
E



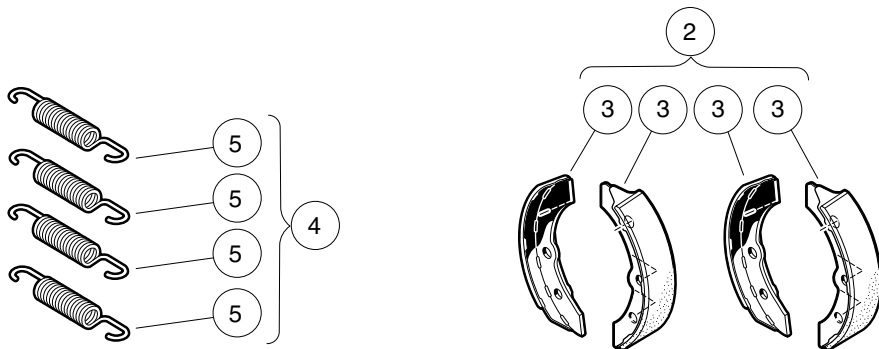
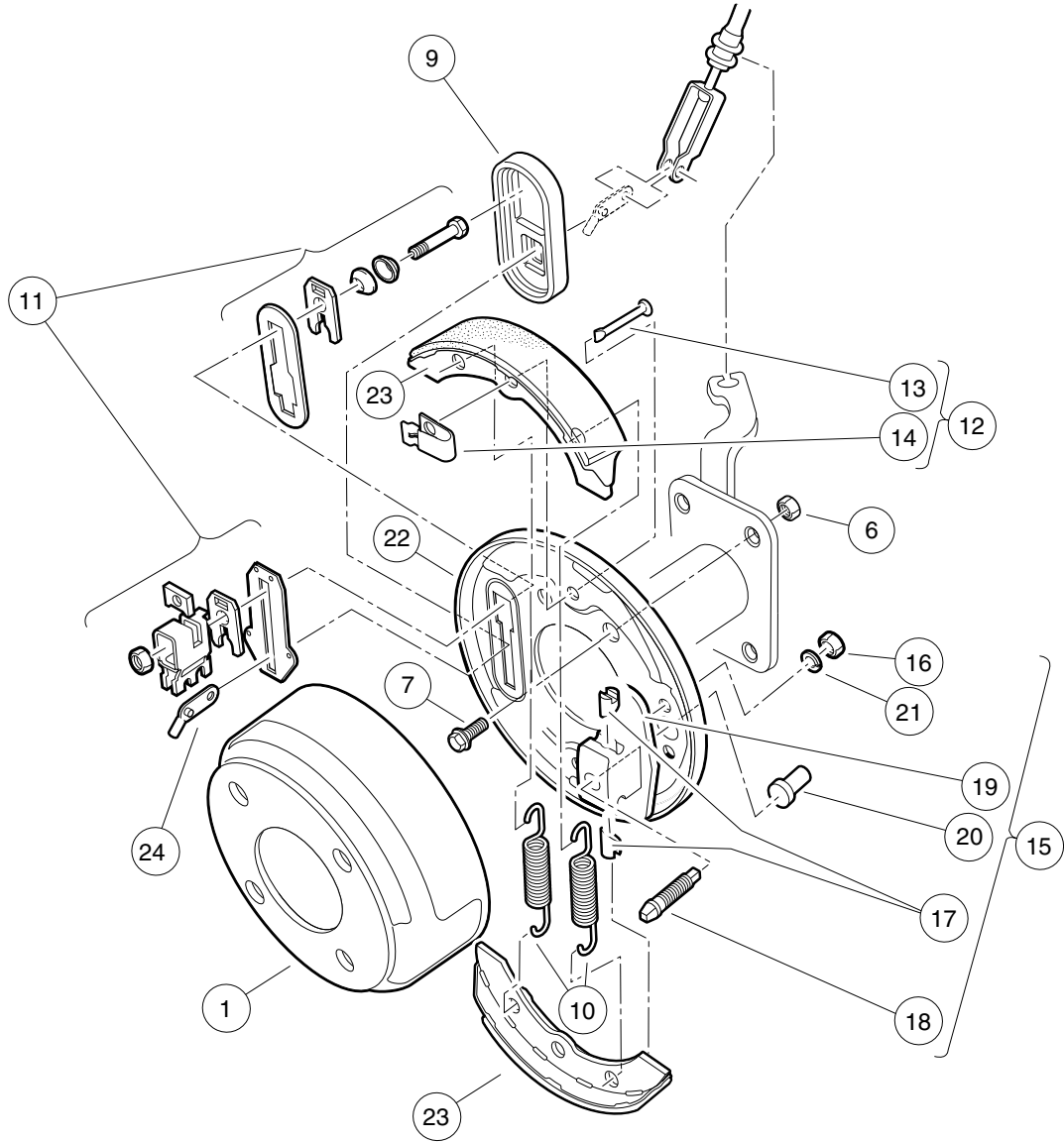
000362-001

ACCELERATOR ROD – TURF/CARRYALL 6 GASOLINE VEHICLES

ITEM	PART NO.	DESCRIPTION	QTY
		1 2 3 4	
1	101674702	Rod, Accelerator (includes items 2 through 4)	1
2	1011084	Nut, 1/4-28 Hex Jam	2
3	1011734	Joint, Ball	2
4	N/A	Accelerator Rod Elec Stretch	1

5
G
E

5
G
E



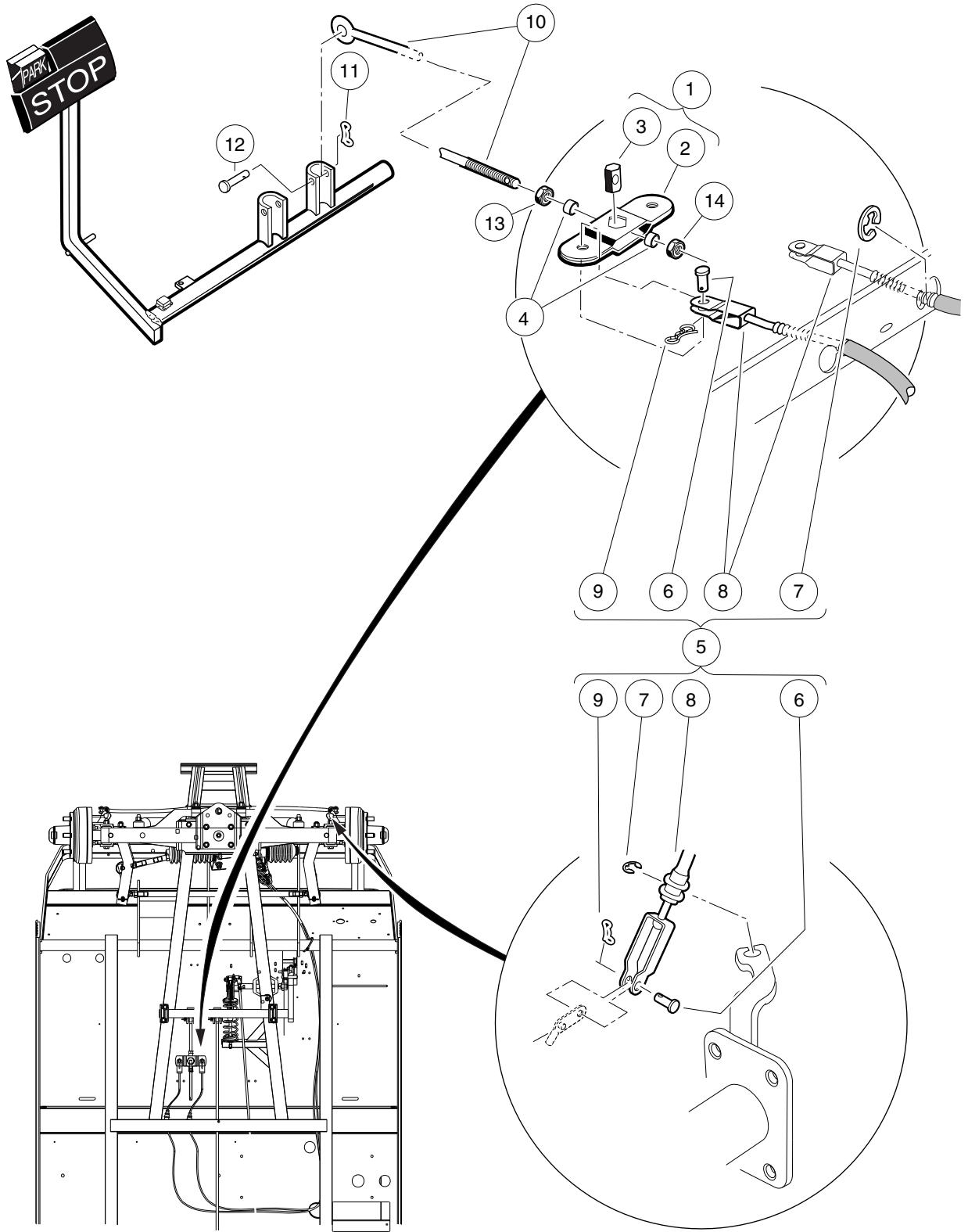
000298-001

FRONT BRAKE ASSEMBLY – VEHICLES WITH FOUR-WHEEL BRAKES

ITEM	PART NO.	DESCRIPTION	QTY
		1 2 3 4	
1	1011137	Drum, Brake	2
2	101146302	Kit, Non-Asbestos Brake Shoe (includes item 3)	1
3	101880701	Shoe Brake Manual Adj (Available in Kit, Non-Asbestos Brake Shoe)	4
4	1011464	Package, Brake Spring (includes item 5)	1
5	1011314	Brake Spring	4
6	1013924	Nut, 5/16-24, Hex Head Cone	8
7	1014153	Bolt, Brake Cluster Mounting	8
8	1016557	Cluster, Brake, Driver-Side (includes items 9 through 24)	1
9	1010850	Dust Cover	1
10	1011314	Brake Spring	2
11	1011465	Kit, Brake Actuator	1
12	1011466	Kit, Shoe Retainer (includes items 13 and 14)	1
13	N/A	Pin	2
14	N/A	Shoe Clamp Spring	2
15	1011467	Kit, Anchor Body (includes items 16 through 21)	1
16	1011114	Nut, M6-1.00 Hex	2
17	1011298	Anchor Piston	2
18	N/A	Adjustment Bolt	1
19	N/A	Anchor Body Component	1
20	1011303	Adjustment Bolt Cap	1
21	451	Lockwasher, 1/4 Split	2
22	1011494	Backing Plate, Left-Hand	1
23	101880701	Shoe Brake Manual Adj (Available in Kit, Non-Asbestos Brake Shoe)	2
24	N/A	Arm, Brake Lever	1
25	1016573	Cluster, Brake, Passenger-Side (includes items 26 through 41)	1
26	1010850	Dust Cover	1
27	1011154	Backing Plate, Right-Hand	1
28	1011314	Brake Spring	2
29	1011465	Kit, Brake Actuator	1
30	1011466	Kit, Shoe Retainer (includes items 31 and 32)	1
31	N/A	Pin	2
32	N/A	Shoe Clamp Spring	2
33	1011467	Kit, Anchor Body (includes items 34 through 39)	1
34	1011114	Nut, M6-1.00 Hex	2
35	1011298	Anchor Piston	2
36	N/A	Adjustment Bolt	1
37	N/A	Anchor Body Component	1
38	1011303	Adjustment Bolt Cap	1
39	451	Lockwasher, 1/4 Split	2
40	101880701	Shoe Brake Manual Adj (Available in Kit, Non-Asbestos Brake Shoe)	2
41	N/A	Arm, Brake Lever	1
		Note: Passenger-side brake cluster not shown. Components have a similar appearance to driver-side brake cluster components.	

5
G
E

5
G
E



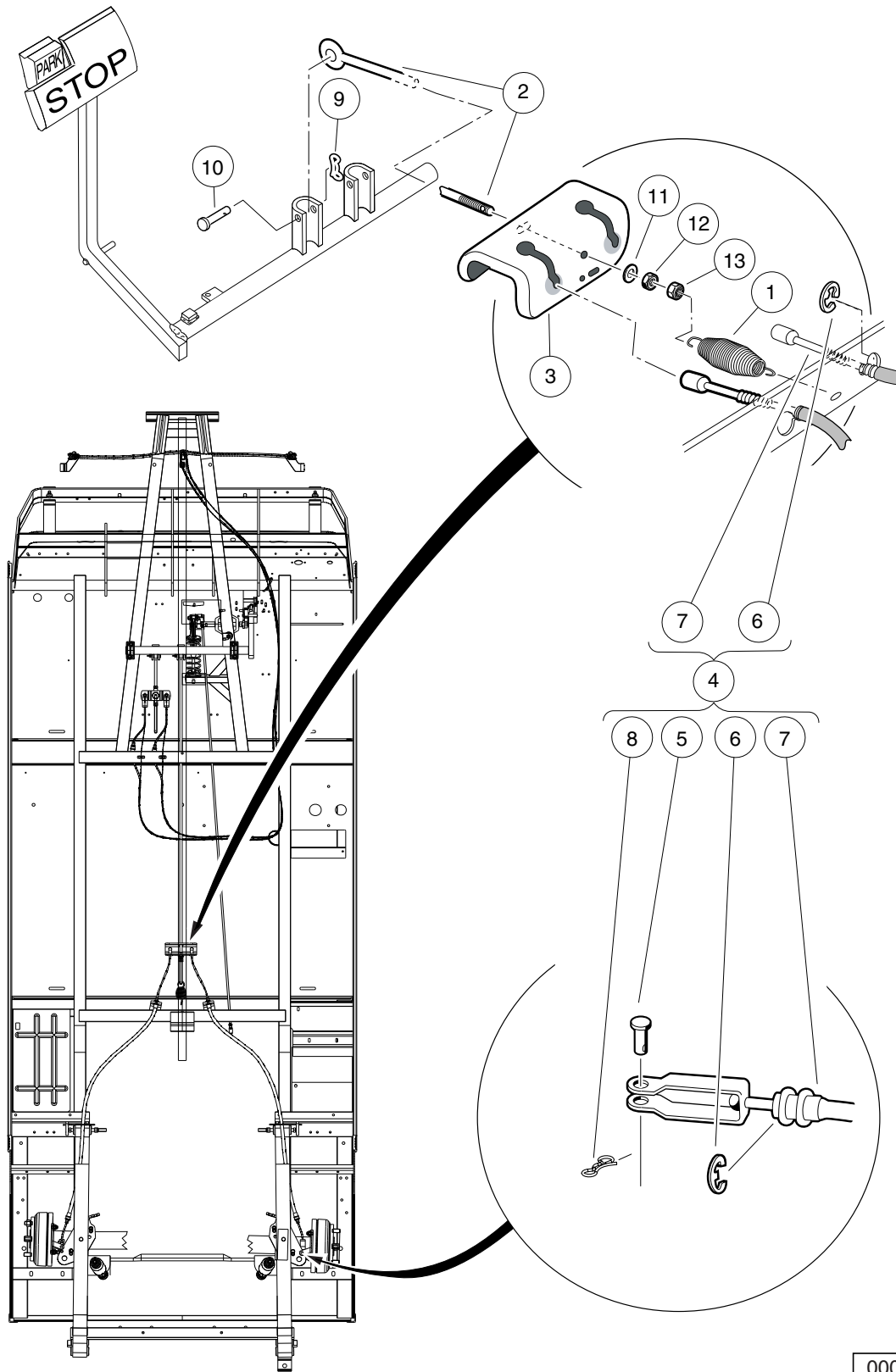
000294-001

FRONT BRAKE CABLES AND EQUALIZER – VEHICLES WITH FOUR-WHEEL BRAKES

ITEM	PART NO.	DESCRIPTION	QTY
		1 2 3 4	
1	1017211	Kit, Equalizer and Pivot Limiter (includes items 2 and 3)	1
2	1016319	Equalizer Weld Assembly	1
3	1016320	Equalizer, Pivot Limiter	1
4	101865301	Spacer	2
5	101874601	Kit, Brake Cable (includes items 6 through 9)	1
6	1010829	Pin, Clevis, 5/16 X 3/4	4
7	1011779	E-Clip, 1/2	4
8	N/A	Brake Cable	2
9	102292801	Pin, Bow Tie Locking - .072	4
10	101953106	Rod, Equalizer, 9.75"	1
11	102323101	Pin, Bow Tie Locking	1
12	102323201	Pin, 3/8 X 1-5/16 Clevis	1
13	1242	Nut, 5/16-18 Hex	1
14	7473	Locknut, 5/16-18 Nylon Insert	1

5
G
E

5
G
E



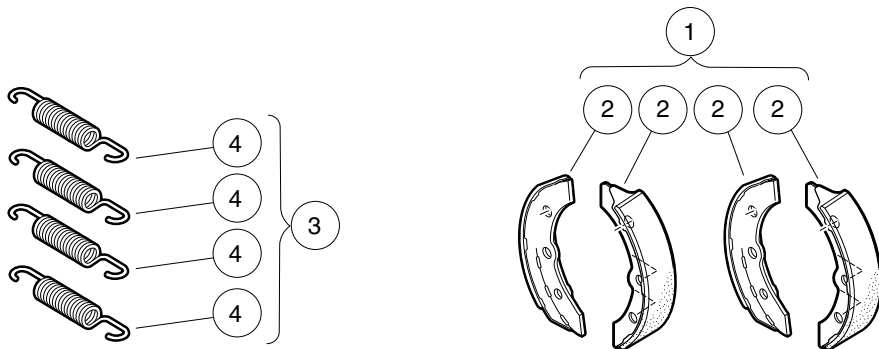
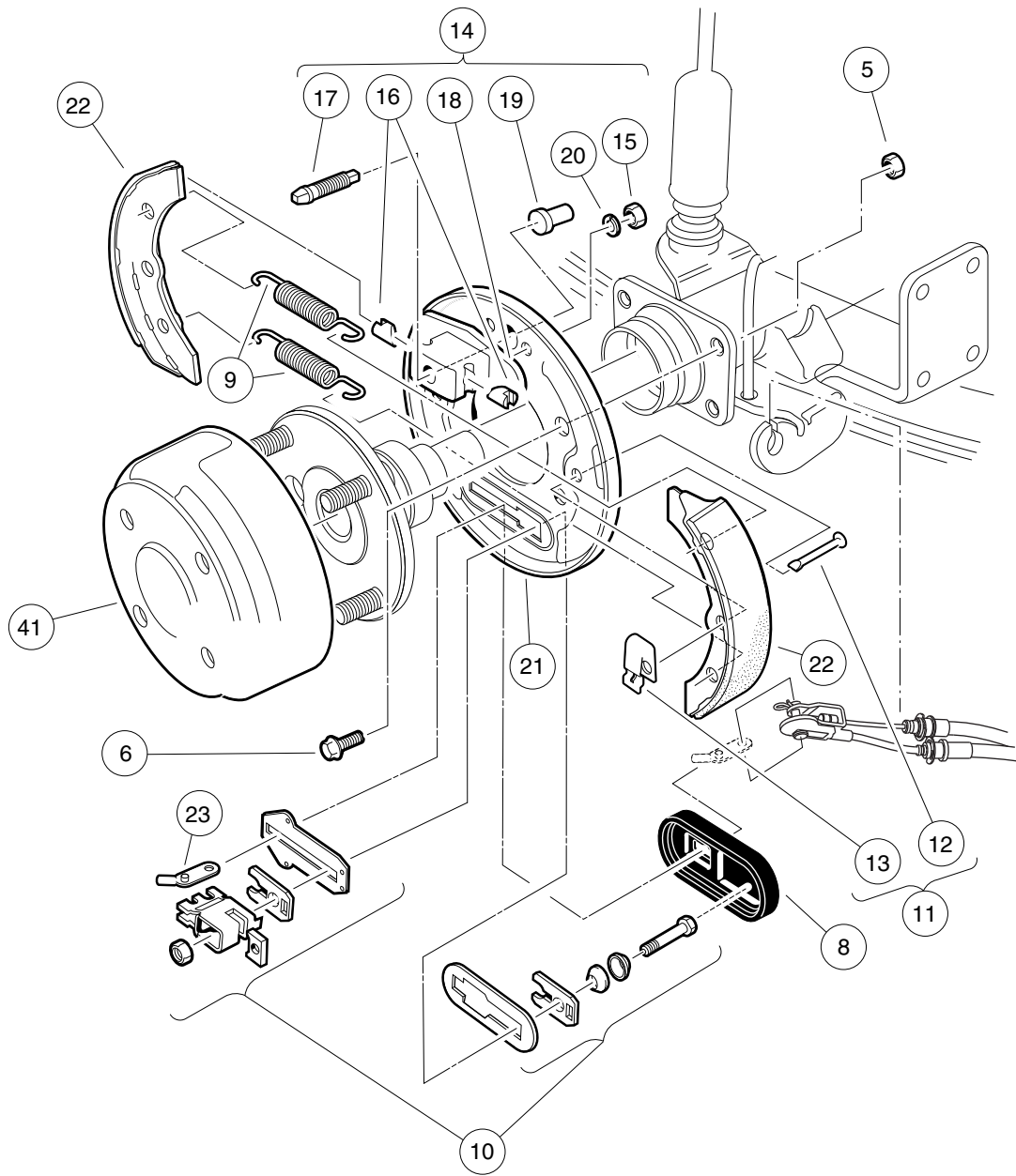
000296-004

REAR BRAKE CABLES AND EQUALIZER – TURF/CARRYALL 6

ITEM	PART NO.	DESCRIPTION	QTY
		1 2 3 4	
1	1013531	Spring, Brake Return	1
2	101953103	Rod, Equalizer, 41.91"	1
3	101990801	Equalizer Bracket	1
4	102166901	Kit, Brake Cable Rear (includes items 5 through 8)	1
5	1010829	Pin, Clevis, 5/16 X 3/4	2
6	1011779	E-Clip, 1/2	4
7	102162601	Cable, Brake	2
8	102292801	Pin, Bow Tie Locking - .072	2
9	102323101	Pin, Bow Tie Locking	1
10	102323201	Pin, 3/8 X 1-5/16 Clevis	1
11	1241	Washer, 5/16 Type A Flat	1
12	1242	Nut, 5/16-18 Hex	1
13	7473	Locknut, 5/16-18 Nylon Insert	1

5
G
E

5
G
E



000293-002

REAR BRAKE ASSEMBLY, MANUALLY-ADJUSTED – VEHICLES WITH 4-WHEEL BRAKES

ITEM	PART NO.	DESCRIPTION	QTY
		1 2 3 4	
1	101146302	Kit, Non-Asbestos Brake Shoe (includes item 2)	1
2	101880701	Shoe Brake Manual Adj (Available in Kit, Non-Asbestos Brake Shoe)	4
3	1011464	Package, Brake Spring (includes item 4)	1
4	1011314	Brake Spring	4
5	1013924	Nut, 5/16-24, Hex Head Cone	8
6	1014153	Bolt, Brake Cluster Mounting	8
7	1016557	Cluster, Brake, Driver-Side (includes items 8 through 23)	1
8	1010850	Dust Cover	1
9	1011314	Brake Spring	2
10	1011465	Kit, Brake Actuator	1
11	1011466	Kit, Shoe Retainer (includes items 12 and 13)	1
12	N/A	Pin	2
13	N/A	Shoe Clamp Spring	2
14	1011467	Kit, Anchor Body (includes items 15 through 20)	1
15	1011114	Nut, M6-1.00 Hex	2
16	1011298	Anchor Piston	2
17	N/A	Adjustment Bolt	1
18	N/A	Anchor Body Component	1
19	1011303	Adjustment Bolt Cap	1
20	451	Lockwasher, 1/4 Split	2
21	1011494	Backing Plate, Left-Hand	1
22	101880701	Shoe Brake Manual Adj (Available in Kit, Non-Asbestos Brake Shoe)	2
23	N/A	Arm, Brake Lever	1
24	1016573	Cluster, Brake, Passenger-Side (includes items 25 through 40)	1
25	1010850	Dust Cover	1
26	1011154	Backing Plate, Right-Hand	1
27	1011314	Brake Spring	2
28	1011465	Kit, Brake Actuator	1
29	1011466	Kit, Shoe Retainer (includes items 30 and 31)	1
30	N/A	Pin	2
31	N/A	Shoe Clamp Spring	2
32	1011467	Kit, Anchor Body (includes items 33 through 38)	1
33	1011114	Nut, M6-1.00 Hex	2
34	1011298	Anchor Piston	2
35	N/A	Adjustment Bolt	1
36	N/A	Anchor Body Component	1
37	1011303	Adjustment Bolt Cap	1
38	451	Lockwasher, 1/4 Split	2
39	101880701	Shoe Brake Manual Adj (Available in Kit, Non-Asbestos Brake Shoe)	2
40	N/A	Arm, Brake Lever	1
41	101791101	Drum without Center Hole, Brake	2
		Note: Passenger-side brake cluster not shown. Components have a similar appearance to driver-side brake cluster components.	

5
G
E

5

G

E

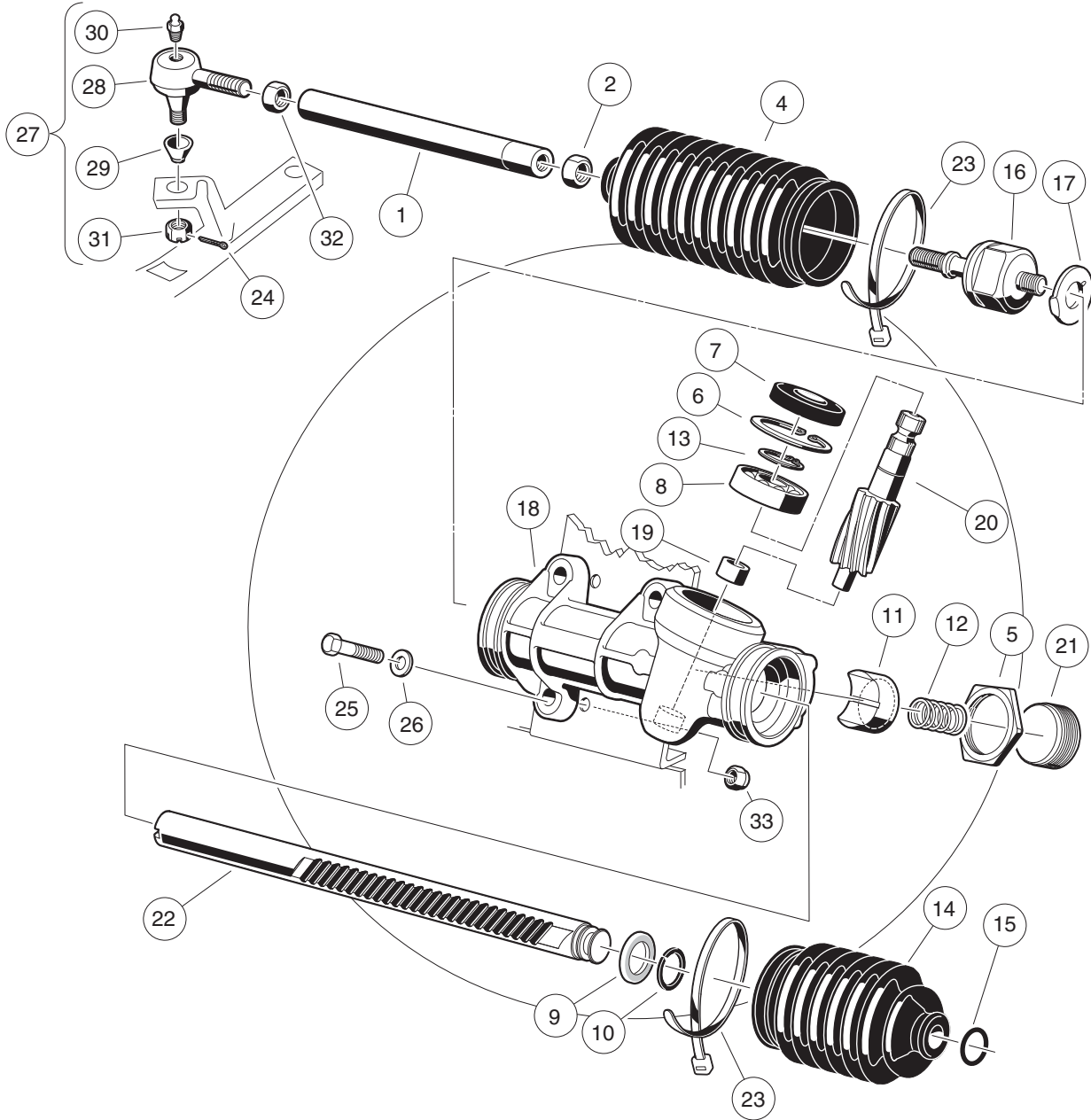
STEERING AND SUSPENSIONS – CONVENTIONAL BALL JOINTS

6

G

E

6
G
E



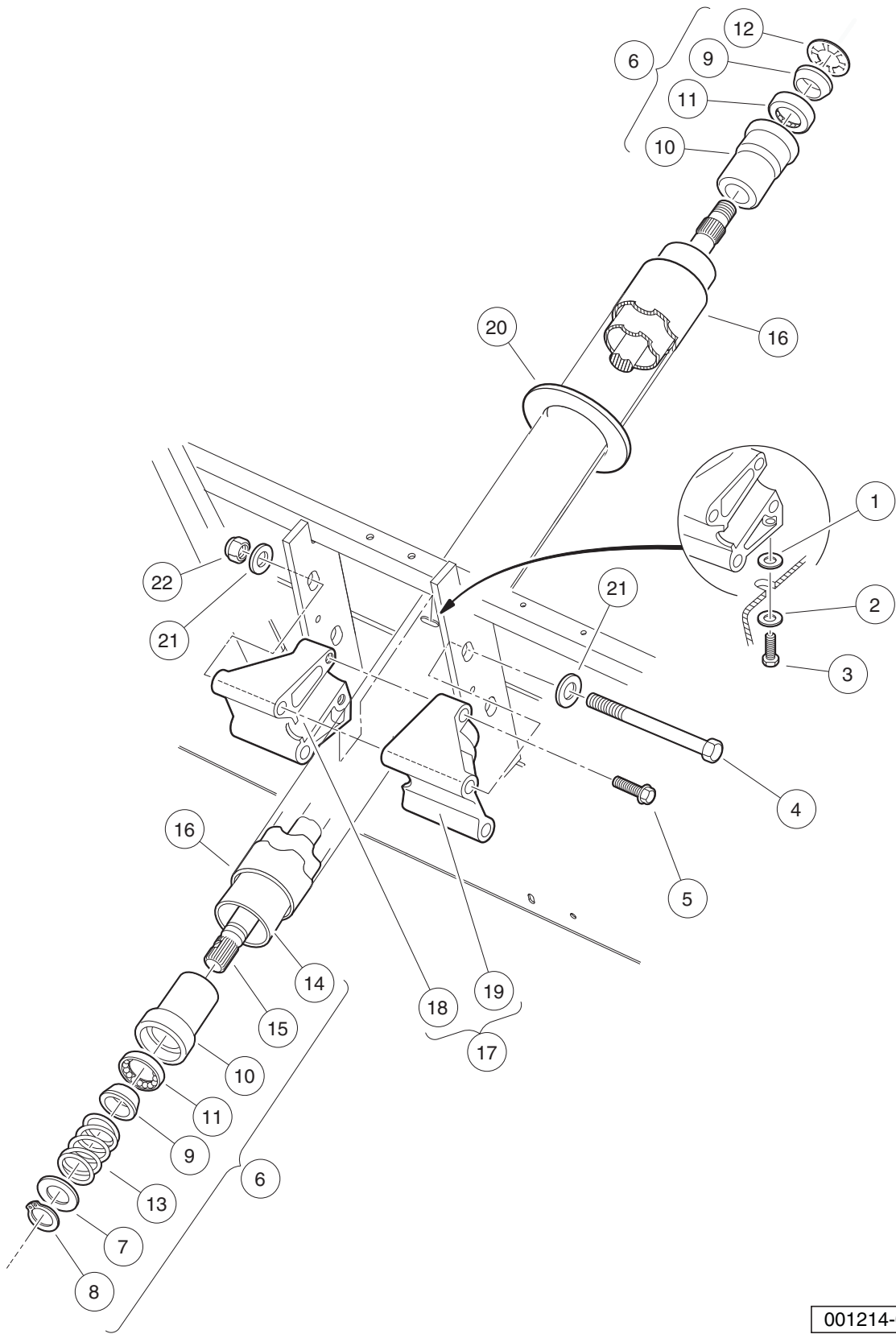
001213-001

STEERING GEAR ASSEMBLY (MANDO) – CONVENTIONAL BALL JOINT

ITEM	PART NO.	DESCRIPTION	QTY
		1 2 3 4	
1	1012467	Link, Rack and Pinion Drag	1
2	1013042	Nut, 12mm Hex	1
3	101878302	Steering Gear Assembly (without yoke) (includes items 4 through 23)	1
4	1013035	Bellows, Long	1
5	1013044	Rack Screw Locknut	1
6	N/A	Snap Ring	1
7	1013052	Seal, Steering Pinion Dust	1
8	101879401	Bearing, Ball	1
9	101879501	Stop Washer	1
10	101879601	Stop Ring, C-Type	1
11	101879701	Support Yoke	1
12	101879801	Rack Guide Pressure Spring	1
13	101879901	Ring, Stop, C-Type	1
14	101880001	Bellows, Short	1
15	101880101	Dust Seal Retaining Ring	1
16	101880201	Inner Ball Joint Asm	1
17	101880301	Washer, Tab	1
18	N/A	Box, Steering Gear	1
19	N/A	Bearing, Lower Pinion	1
20	N/A	Pinion, Steering	1
21	N/A	Screw, Rack Guide	1
22	N/A	Rack, Steering	1
23	8990	Tie Wrap, 8" Nylon	2
24	1035	Cotter Pin, 3/32 x 1	1
25	1624	Screw, 3/8-16 X 1.50, Hex-Head Cap	3
26	334	Washer, 3/8, Type A, Flat	3
27	7540	Ball Joint, Left (includes items 28 through 31)	1
28	1011895	Socket, LH Vertical	1
29	1011930	Seal, Vertical Socket Dust	1
30	1015597	Fitting, 1/4-28 Thread-Forming Grease	1
31	7602	Nut, 3/8-24 UNF Hex	1
32	7555	Nut, 1/2-20 Hex, Left-Hand Thread	1
33	8754	Locknut, 3/8-16 Hex	3

6
G
E

6
G
E



001214-001

STEERING COLUMN – UTILITY

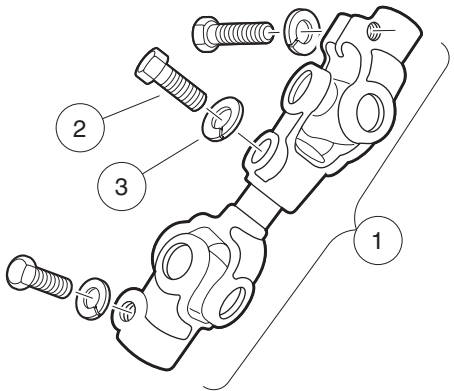
ITEM	PART NO.	DESCRIPTION	QTY
		1 2 3 4	
1	1011578	Washer, 5/16 Type B Flat	1
2	1011697	Washer, 5/16 Flat	1
3	1014288	Screw, 5/16-18 X 0.75, Thread-Forming	1
4	1016183	Screw, 3/8-16 X 7.00 Hex Cap	2
5	1016269	Screw, 5/16-18 Thrd Forming	2
6	1017313	Steering Shaft Assembly (includes items 7 through 15)	1
7	1012604	Washer, 0.675 ID X 1.19 OD	1
8	1012605	Ring, 0.579 Internal Retaining	1
9	1014125	Wedge, Molded	2
10	1014126	Seat, Plastic Bearing	2
11	1014213	Bearing, Ball	2
12	1014214	Ring, Retaining	1
13	1014217	Spring, Steering Shaft	1
14	1017314	Column, Aluminum Steering	1
15	1017315	Shaft Steering Column	1
16	1017317	Tube Cover, Steering Column	1
17	101984801	Kit, Steering Column Mounting Bracket (includes items 18 and 19)	1
18	N/A	Bracket, RH Steering Column Mount	1
19	N/A	Bracket, LH Steering column mount	1
20	102278001	Boot, Steering Column Round	1
21	334	Washer, 3/8, Type A, Flat	4
22	8754	Locknut, 3/8-16 Hex	2

6
G
E

6

G

E



001217-001

INTERMEDIATE STEERING SHAFT (MANDO) – TURF/CA 1/2/6

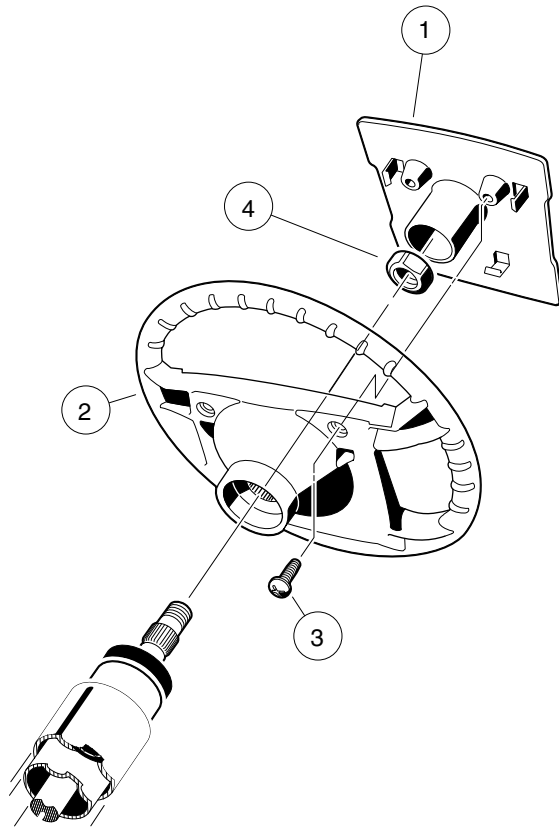
ITEM	PART NO.	DESCRIPTION	QTY
		1 2 3 4	
1	1013861	Intermediate Steering Shaft (includes items 2 and 3)	1
2	1017226	Bolt, Hex-Head, 8mm X 1.25 - 30	3
3	7174	Lockwasher, 5/16 Split	3

6

G

E

6
G
E



000246-003

STEERING WHEEL

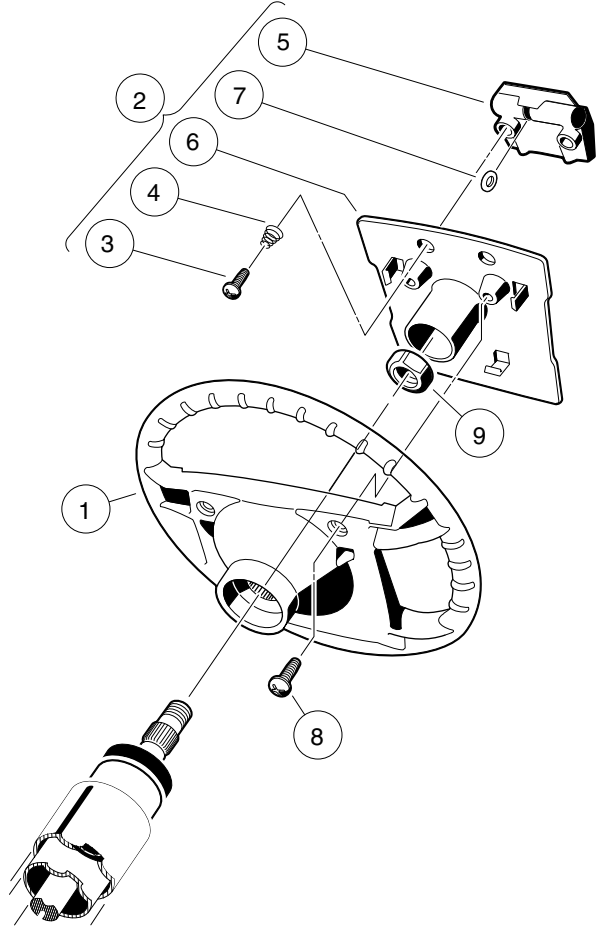
ITEM	PART NO.	DESCRIPTION	QTY
		1 2 3 4	
1	101615504	Plate, Scorecard	1
2	1016156	Wheel, Steering	1
3	1016663	Screw, #12-14 X 0.625	2
4	1017273	Nut, 5/8-18 Nylon Insert Jam	1

6

G

E

6
G
E



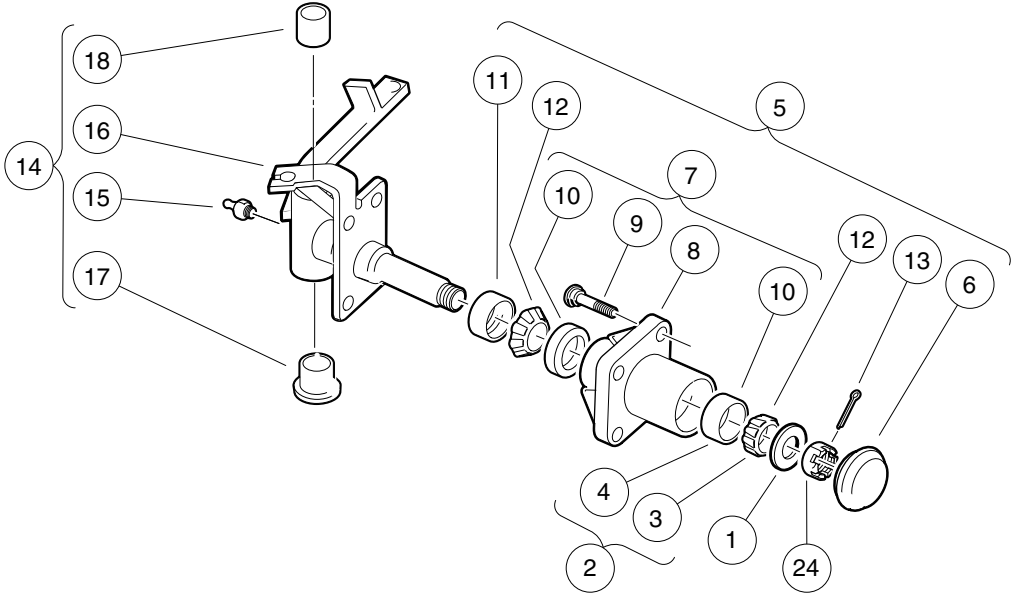
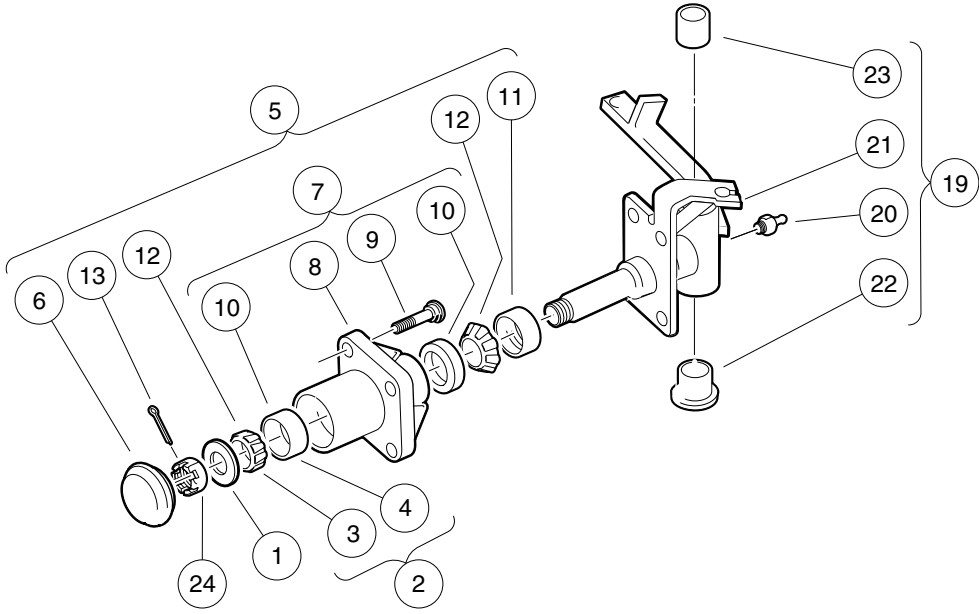
000246-002

STEERING WHEEL WITH CLIP

ITEM	PART NO.	DESCRIPTION	QTY
		1 2 3 4	
1	1016156	Wheel, Steering	1
2	1016219	Plate, Scorecard (includes items 3 through 7)	1
3	1012565	Screw, #12 Phillips Round Head	2
4	1012566	Tapered Compression Spring	2
5	1016154	Clip, Scorecard	1
6	N/A	Plate, Score Card	1
7	1016214	Pencil Grip	1
8	1016663	Screw, #12-14 X 0.625	2
9	1017273	Nut, 5/8-18 Nylon Insert Jam	1

6
G
E

6
G
E



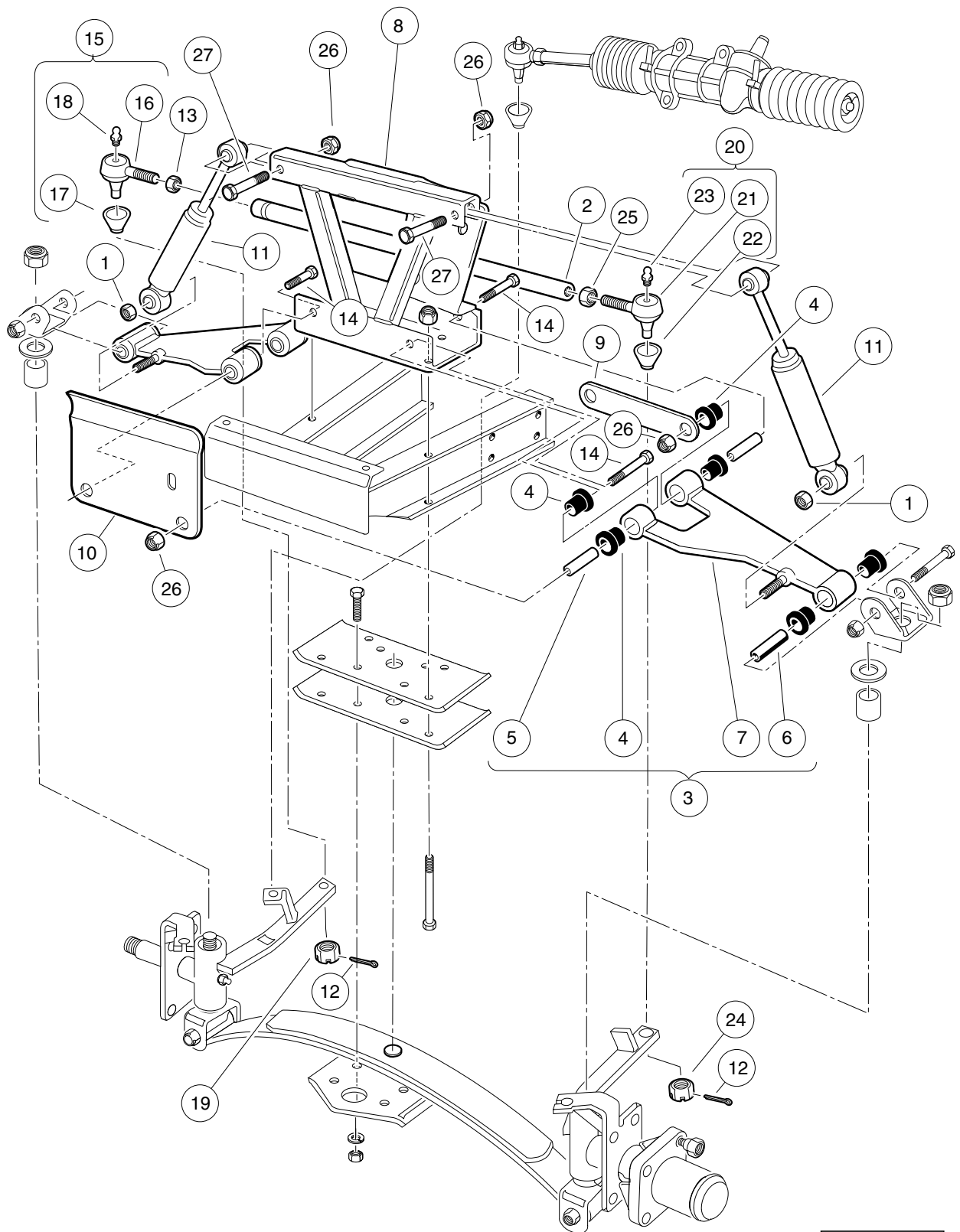
000310-002

FRONT SPINDLES AND HUBS – VEHICLES WITH FOUR-WHEEL BRAKES AND CONVENTIONAL BALL JOINTS

ITEM	PART NO.	DESCRIPTION	QTY
		1 2 3 4	
1	1010005	Washer, 3/4 Flat	2
2	1011393	Hub Bearing Package (includes items 3 and 4)	4
3	7274	Bearing, Front Hub Wheel	1
4	7308	Race, Front Hub Bearing	1
5	1011892	Hub Assembly (includes items 6 through 13)	2
6	1011887	Dust Cover	1
7	N/A	Hub (includes items 8 through 10)	1
8	N/A	Front Hub	1
9	103477901	Lug Stud, 1/2-20 Unf, 4037	4
10	7308	Race, Front Hub Bearing	2
11	1013135	Seal, Double Lip	1
12	7274	Bearing, Front Hub Wheel	2
13	7910	Pin, 5/32 X 1.00 Cotter	1
14	101876901	Spindle Assy, Driver Side (includes items 15 through 18)	1
15	1015597	Fitting, 1/4-28 Thread-Forming Grease	1
16	N/A	Spindle Assembly, Left	1
17	7048	Bushing, Flanged Bronze	1
18	8067	Bushing, Bronze Spindle	1
19	101877001	Spindle Assy, Passenger Side (includes items 20 through 23)	1
20	1015597	Fitting, 1/4-28 Thread-Forming Grease	1
21	N/A	Spindle Assembly, Right	1
22	7048	Bushing, Flanged Bronze	1
23	8067	Bushing, Bronze Spindle	1
24	7840	Nut, 3/4-16 Hex Slotted	2

6
G
E

6
G
E



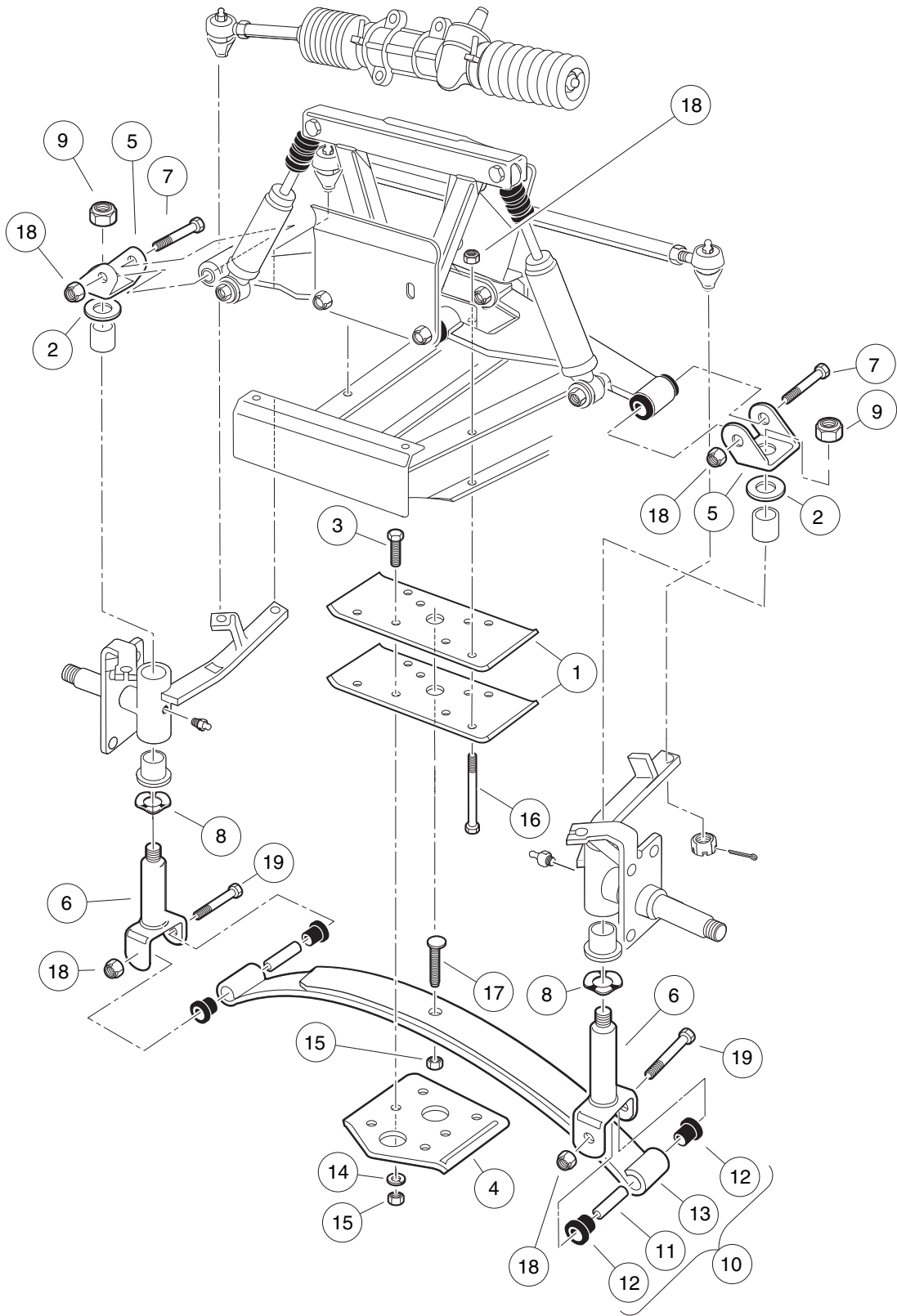
001122-001

FRONT SUSPENSION, UPPER – ALL TURF/ CARRYALL 6 WITH CONVENTIONAL BALL

ITEM	PART NO.	DESCRIPTION	QTY
		1 2 3 4	
1	1010138	Locknut, 3/8-16 Dimpled	2
2	1010219	Tie Rod	1
3	1016353	Sub-Assembly, Delta A-Plate (includes items 4 through 7)	2
4	1016346	Bushing, Urethane	6
5	1016349	Sleeve, Delta Inner	2
6	1016350	Sleeve, Delta Outer	1
7	1016351	Delta A-Plate	1
8	1016385	Delta Shock and Gear Support Assembly	1
9	1017266	A-Plate Strap	1
10	101955001	Brake Cable Guide Bracket	1
11	103351001	Shock Absorber, Front, Common	2
12	1035	Cotter Pin, 3/32 x 1	2
13	1308	Nut, 1/2-20 Hex	1
14	2402	Screw, 3/8-16 X 2.25 Hx Hd Cap	4
15	7539	Ball Joint, Right-Hand (includes items 16 through 19)	1
16	1011893	Socket, RH Vertical	1
17	1011930	Seal, Vertical Socket Dust	1
18	1015597	Fitting, 1/4-28 Thread-Forming Grease	1
19	7602	Nut, 3/8-24 UNF Hex	1
20	7540	Ball Joint, Left (includes items 21 through 24)	1
21	1011895	Socket, LH Vertical	1
22	1011930	Seal, Vertical Socket Dust	1
23	1015597	Fitting, 1/4-28 Thread-Forming Grease	1
24	7602	Nut, 3/8-24 UNF Hex	1
25	7555	Nut, 1/2-20 Hex, Left-Hand Thread	1
26	8754	Locknut, 3/8-16 Hex	6
27	8861	Bolt, 3/8-16 X 1.75 Hex	2

6
G
E

6
G
E



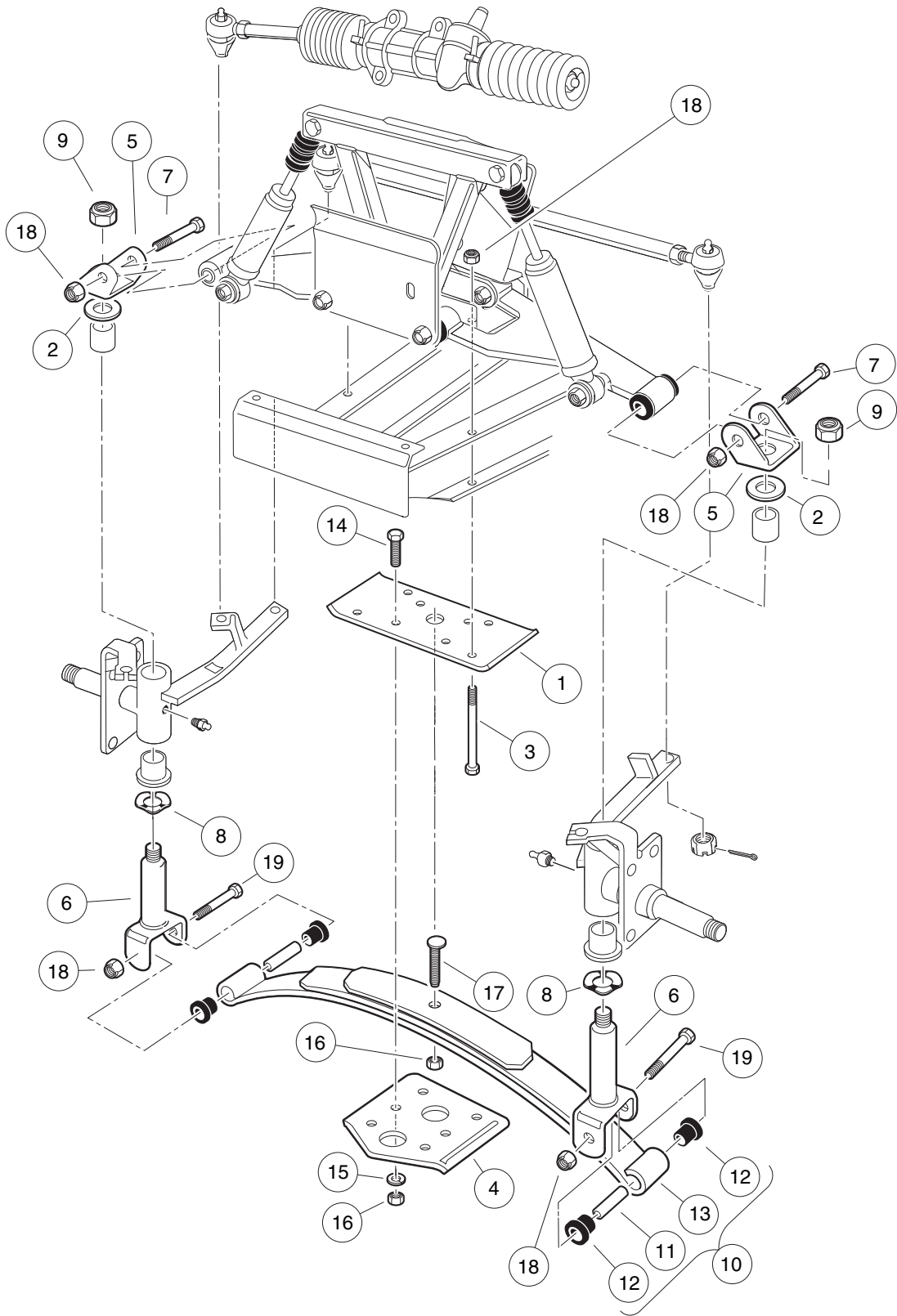
001135-001

FRONT SUSPENSION, LOWER – STANDARD GASOLINE VEHICLE WITH

ITEM	PART NO.	DESCRIPTION	QTY
		1 2 3 4	
1	1010124	Plate, Spring Mount	2
2	1010150	Bearing, Thrust	2
3	1010177	Bolt, 3/8-16 X 2.00 Hex Head	4
4	1014276	Plate, Front Spring Retainer	1
5	1016384	Clevis, Delta Upper	2
6	1016386	King Pin Assembly	2
7	1016387	Screw, 3/8-16 X 2.75 Hx Hd Cap	2
8	1016389	Washer, 1.125 Od Wave	2
9	101903101	Locknut, 1/2-20 Nylon Insert	2
10	103628801	Spring Asm, Front, 2 Leaf (includes items 11 through 13)	1
11	1012303	Bushing, Steel	2
12	1015583	Bushing, Urethane	4
13	103502701	Spring, Front, 2 Leaf	1
14	357	Lockwasher, 3/8 Split	4
15	706	Nut, Hex 3/8-16	5
16	7270	Bolt, 3/8-16 X 4.50 Hex Head	4
17	8745	Screw, Eccentric Adjustment	1
18	8754	Locknut, 3/8-16 Hex	8
19	8755	Screw, 3/8-16 X 3.375 Hex Cap	2

6
G
E

6
G
E



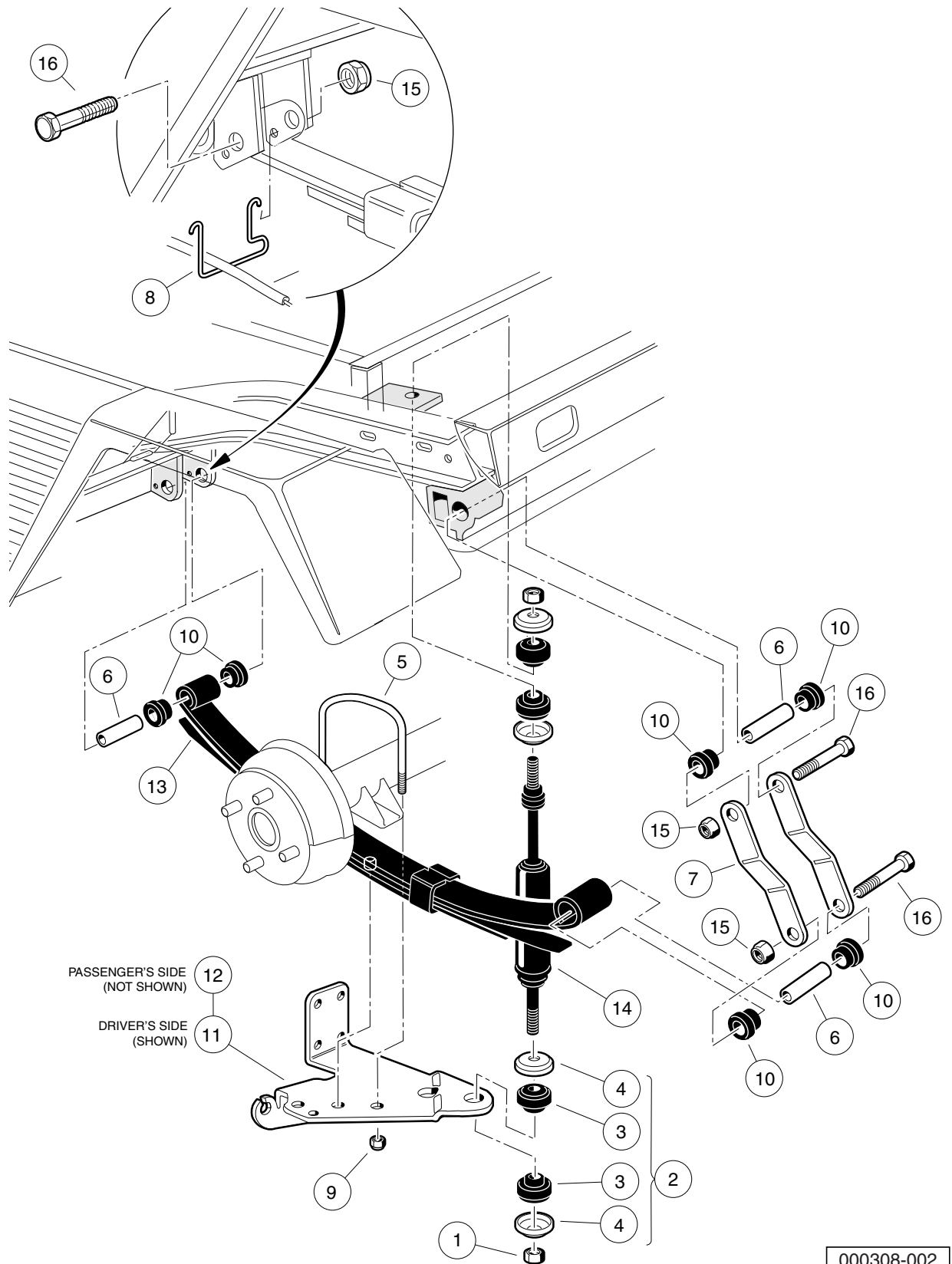
001116-001

FRONT SUSPENSION, LOWER – CA6 ELEC & TURF/CA6 GAS W/ HD OPTION WITH CONVENTIONAL BALL JOINTS

ITEM	PART NO.	DESCRIPTION	QTY
		1 2 3 4	
1	1010124	Plate, Spring Mount	1
2	1010150	Bearing, Thrust	2
3	1010200	Bolt, 3/8-16 X 4.25 Hex Head	4
4	1014276	Plate, Front Spring Retainer	1
5	1016384	Clevis, Delta Upper	2
6	1016386	King Pin Assembly	2
7	1016387	Screw, 3/8-16 X 2.75 Hx Hd Cap	2
8	1016389	Washer, 1.125 Od Wave	2
9	101903101	Locknut, 1/2-20 Nylon Insert	2
10	103628901	Spring Asm, Front, 3 Leaf (includes items 11 through 13)	1
11	1012303	Bushing, Steel	2
12	1015583	Bushing, Urethane	4
13	103502801	Spring, Front, 3 Leaf	1
14	2402	Screw, 3/8-16 X 2.25 Hx Hd Cap	4
15	357	Lockwasher, 3/8 Split	4
16	706	Nut, Hex 3/8-16	5
17	8745	Screw, Eccentric Adjustment	1
18	8754	Locknut, 3/8-16 Hex	8
19	8755	Screw, 3/8-16 X 3.375 Hex Cap	2

6
G
E

6
G
E



000308-002

REAR SUSPENSION – GASOLINE TURF/CARRYALL 2, 2 PLUS, AND 6

ITEM	PART NO.	DESCRIPTION	QTY
		1 2 3 4	
1	1010145	Nut, 3/8-24 Hex	4
2	1011415	Kit, Shock Absorber Cushion (includes items 3 and 4)	4
3	N/A	Cushion, Shock Absorber	2
4	N/A	Retainer, Shock Absorber Cushion	2
5	1012180	U-Bolt	2
6	1012303	Bushing, Steel	6
7	1012304	Shackle, Rear Spring	4
8	1013207	Hanger, Brake Cable	2
9	1014555	Locknut, 7/16-14 Nylon Hex	4
10	1015583	Bushing, Urethane	12
11	101926501	Bracket, Left-Hand	1
12	101929401	Bracket, Right	1
13	102871801	Rear Spring, 3leaf, 600 Lb/in	2
14	103350901	Shock Absorber, Rear, Utility	2
15	8754	Locknut, 3/8-16 Hex	6
16	8755	Screw, 3/8-16 X 3.375 Hex Cap	6
<p>Note: Only the driver-side rear suspension is shown. Parts for the passenger-side rear suspension are identical except for the leaf spring/shock mounting plate.</p>			

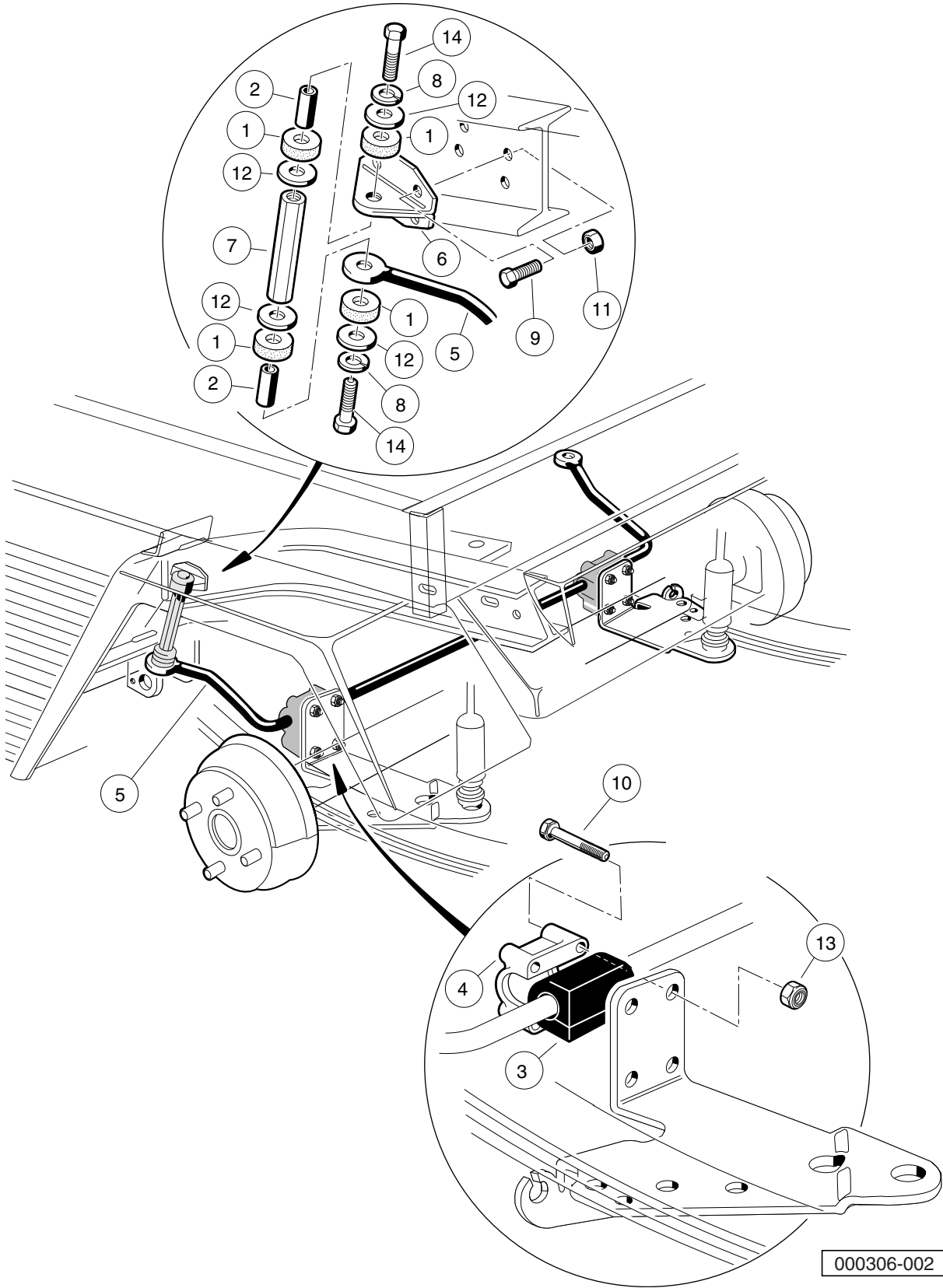
6
G
E

REAR SUSPENSION – TURF/CARRYALL 2 AND 6 IQ PLUS VEHICLES

ITEM	PART NO.	DESCRIPTION	QTY
		1 2 3 4	
1	1010145	Nut, 3/8-24 Hex	4
2	1011415	Kit, Shock Absorber Cushion (includes items 3 and 4)	4
3	N/A	Cushion, Shock Absorber	2
4	N/A	Retainer, Shock Absorber Cushion	2
5	1012181	Bracket, Shock Mounting, Right (Passenger)	1
6	1012182	Bracket, Shock Mounting, Left (Driver)	1
7	1012303	Bushing, Steel	6
8	1014555	Locknut, 7/16-14 Nylon Hex	4
9	1014902	U-Bolt	2
10	1015583	Bushing, Urethane	12
11	102066201	Screw, 3/8-16 X 3.50 Hex Cap	6
12	102871801	Rear Spring, 3leaf, 600 Lb/in	2
13	102891101	Clamp, Cable, Brake, Sym	2
14	102917101	Weldment, Shackle	2
15	103351101	Shock, Absorber, Utility	2
16	8754	Locknut, 3/8-16 Hex	6
<p>Note: Only the driver-side rear suspension is shown. Parts for the passenger-side rear suspension are identical except for the leaf spring/shock mounting plate.</p>			

6
G
E

6
G
E



000306-002

STABILIZER BAR – TURF/CARRYALL 2, 6, AND CARRYALL 2 PLUS GASOLINE VEHICLES

ITEM	PART NO.	DESCRIPTION	QTY
		1 2 3 4	
1	1015453	Compression Mount	8
2	1015457	Spacer, 0.720"	4
3	1015613	Bushing, Stabilizer Bar	2
4	1015614	Support, Bushing	2
5	1015760	Stabilizer Bar	1
6	1016813	Mounting Bracket, Stabilizer Bar	2
7	1016814	Link, Stabilizer Bar	2
8	357	Lockwasher, 3/8 Split	4
9	7173	Screw, 5/16-18 X 0.75, Hex-Head Cap	8
10	7311	Screw, 1/4-20 X 2.00 Hex-Head Cap	8
11	7473	Locknut, 5/16-18 Nylon Insert	8
12	808	Washer, 3/8 Type B Flat	8
13	8233	Locknut, 1/4-20, Nylon Insert	8
14	8861	Bolt, 3/8-16 X 1.75 Hex	4

6
G
E

6

G

E

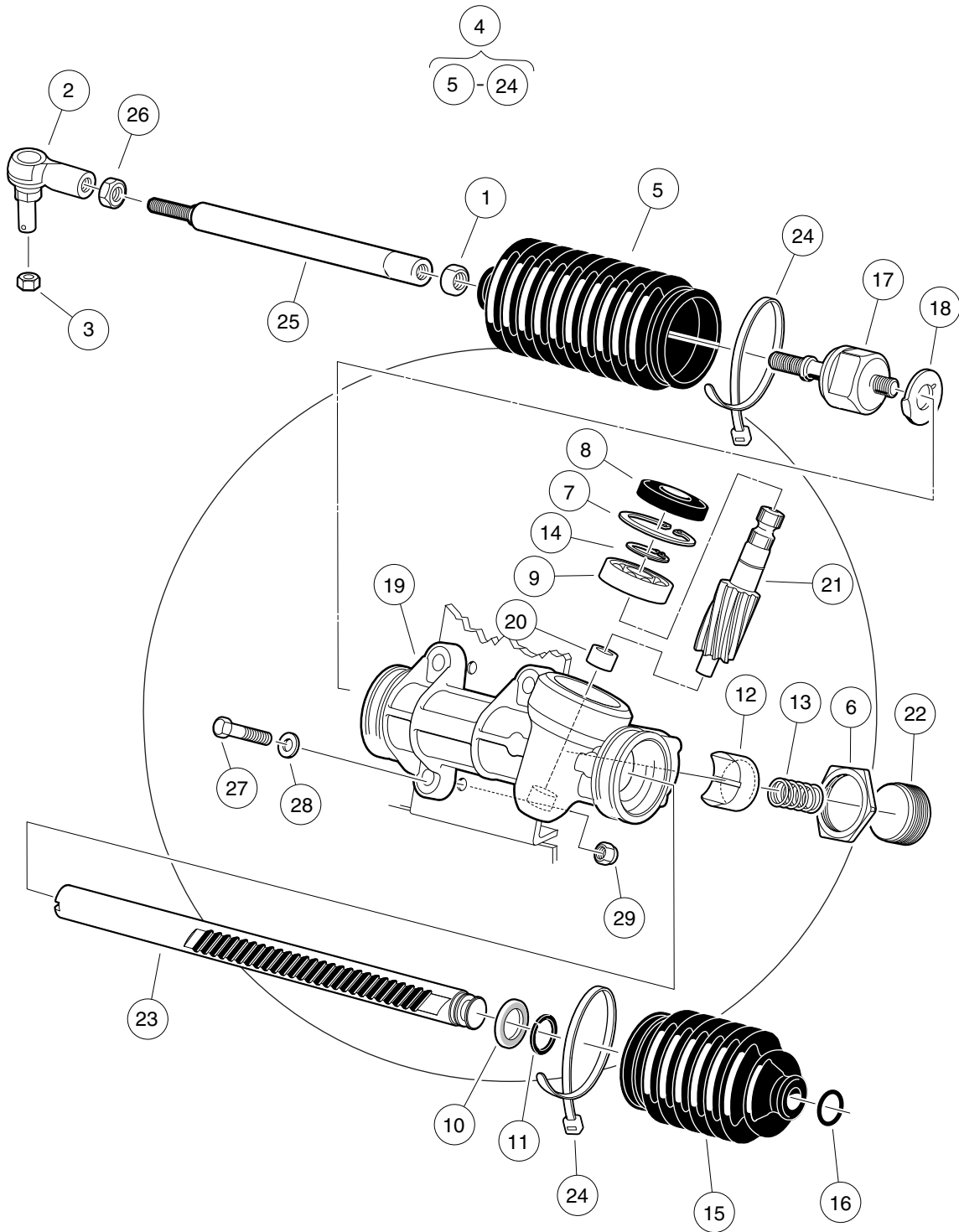
STEERING AND SUSPENSIONS – MAINT. FREE BALL JOINTS

7

G

E

7
G
E



001500-002

STEERING GEAR ASSEMBLY (WANDA) – MAINT.-FREE BALL JOINT

ITEM	PART NO.	DESCRIPTION	QTY
		1 2 3 4	
1	1013042	Nut, 12mm Hex	1
2	102022602	End, Tie Rod, M12 X 1.25, Lh	1
3	102289201	Nut - Hex Locking, M12 X 1.25	1
4	103601501	Asm, Steering Rack And Pinion (includes items 5 through 24)	1
5	1013035	Bellows, Long	1
6	1013044	Rack Screw Locknut	1
7	N/A	Snap Ring	1
8	1013052	Seal, Steering Pinion Dust	1
9	101879401	Bearing, Ball	1
10	101879501	Stop Washer	1
11	101879601	Stop Ring, C-Type	1
12	101879701	Support Yoke	1
13	101879801	Rack Guide Pressure Spring	1
14	101879901	Ring, Stop, C-Type	1
15	101880001	Bellows, Short	1
16	101880101	Dust Seal Retaining Ring	1
17	101880201	Inner Ball Joint Asm	1
18	101880301	Washer, Tab	1
19	N/A	Box, Steering Gear	1
20	N/A	Bearing, Lower Pinion	1
21	N/A	Pinion, Steering	1
22	N/A	Screw, Rack Guide	1
23	N/A	Rack, Steering	1
24	8990	Tie Wrap, 8" Nylon	2
25	103653401	Link, Drag, Male Thd	1
26	103653501	Nut, Jam, M12-1.25, Lh	1
27	1624	Screw, 3/8-16 X 1.50, Hex-Head Cap	3
28	334	Washer, 3/8, Type A, Flat	3
29	8754	Locknut, 3/8-16 Hex	3

7
G
E

STEERING COLUMN – UTILITY

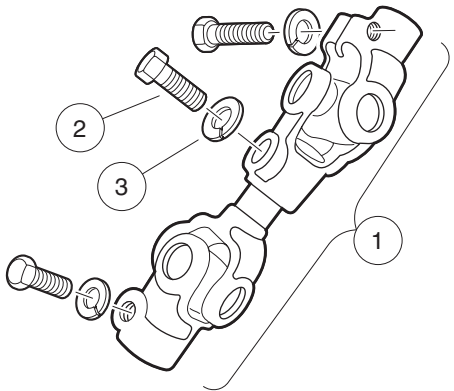
ITEM	PART NO.	DESCRIPTION	QTY
		1 2 3 4	
1	1011578	Washer, 5/16 Type B Flat	1
2	1011697	Washer, 5/16 Flat	1
3	1014288	Screw, 5/16-18 X 0.75, Thread-Forming	1
4	1016183	Screw, 3/8-16 X 7.00 Hex Cap	2
5	1016269	Screw, 5/16-18 Thrd Forming	2
6	1017313	Steering Shaft Assembly (includes items 7 through 15)	1
7	1012604	Washer, 0.675 ID X 1.19 OD	1
8	1012605	Ring, 0.579 Internal Retaining	1
9	1014125	Wedge, Molded	2
10	1014126	Seat, Plastic Bearing	2
11	1014213	Bearing, Ball	2
12	1014214	Ring, Retaining	1
13	1014217	Spring, Steering Shaft	1
14	1017314	Column, Aluminum Steering	1
15	1017315	Shaft Steering Column	1
16	1017317	Tube Cover, Steering Column	1
17	101984801	Kit, Steering Column Mounting Bracket (includes items 18 and 19)	1
18	N/A	Bracket, RH Steering Column Mount	1
19	N/A	Bracket, LH Steering column mount	1
20	102278001	Boot, Steering Column Round	1
21	334	Washer, 3/8, Type A, Flat	4
22	8754	Locknut, 3/8-16 Hex	2

7
G
E

7

G

E



001217-001

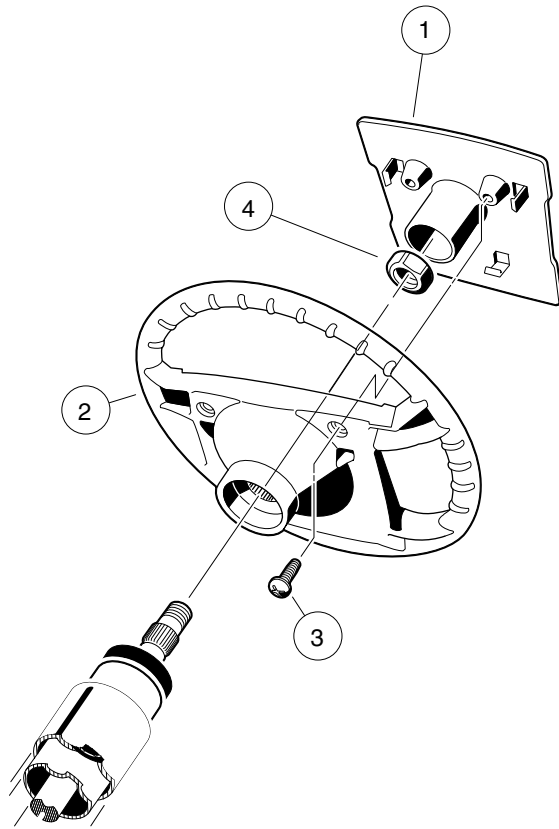
INTERMEDIATE STEERING SHAFT (WANDA) – TURF/CA 1/2/6

ITEM	PART NO.	DESCRIPTION	QTY
		1 2 3 4	
1	103601601	Shaft, Intermediate Steering (includes items 2 and 3)	1
2	1017226	Bolt, Hex-Head, 8mm X 1.25 - 30	3
3	7174	Lockwasher, 5/16 Split	3

7

G

E



000246-003

STEERING WHEEL

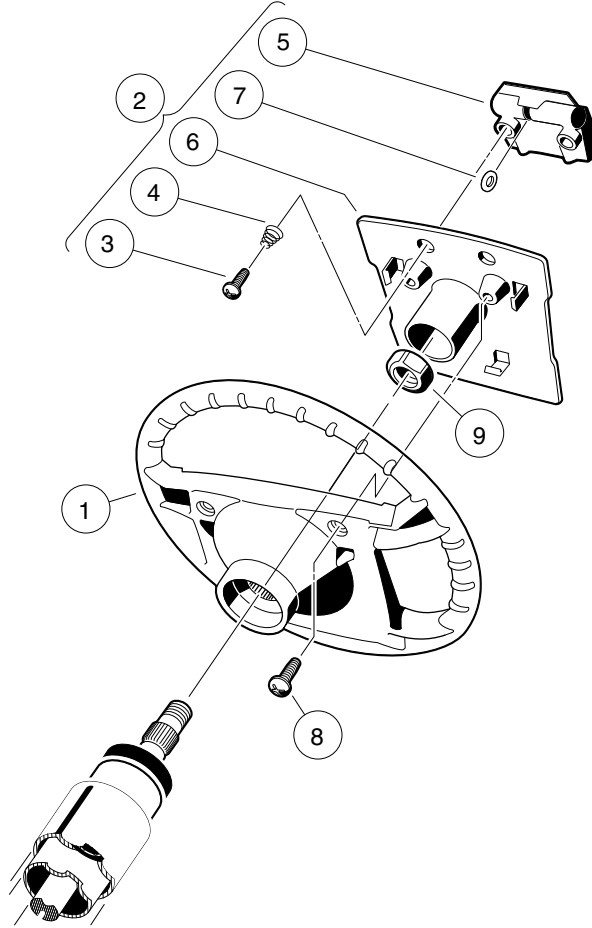
ITEM	PART NO.	DESCRIPTION	QTY
		1 2 3 4	
1	101615504	Plate, Scorecard	1
2	1016156	Wheel, Steering	1
3	1016663	Screw, #12-14 X 0.625	2
4	1017273	Nut, 5/8-18 Nylon Insert Jam	1

7

G

E

7
G
E



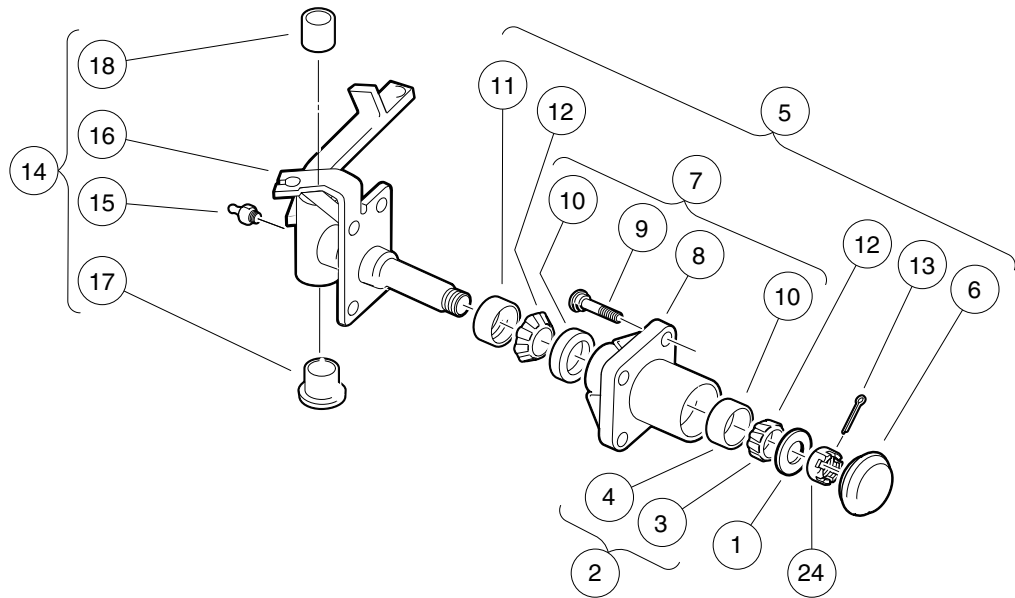
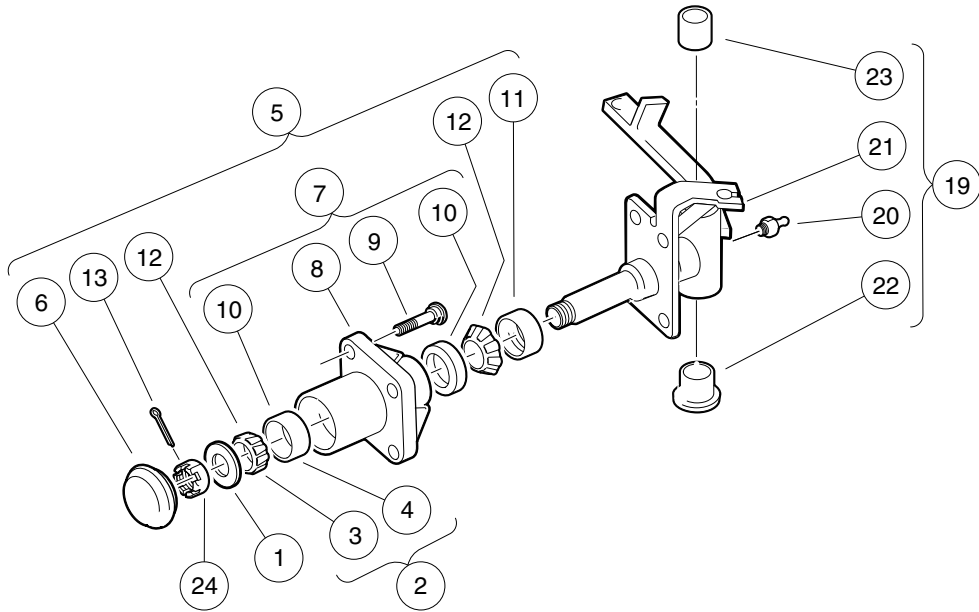
000246-002

STEERING WHEEL WITH CLIP

ITEM	PART NO.	DESCRIPTION	QTY
		1 2 3 4	
1	1016156	Wheel, Steering	1
2	1016219	Plate, Scorecard (includes items 3 through 7)	1
3	1012565	Screw, #12 Phillips Round Head	2
4	1012566	Tapered Compression Spring	2
5	1016154	Clip, Scorecard	1
6	N/A	Plate, Score Card	1
7	1016214	Pencil Grip	1
8	1016663	Screw, #12-14 X 0.625	2
9	1017273	Nut, 5/8-18 Nylon Insert Jam	1

7
G
E

7
G
E



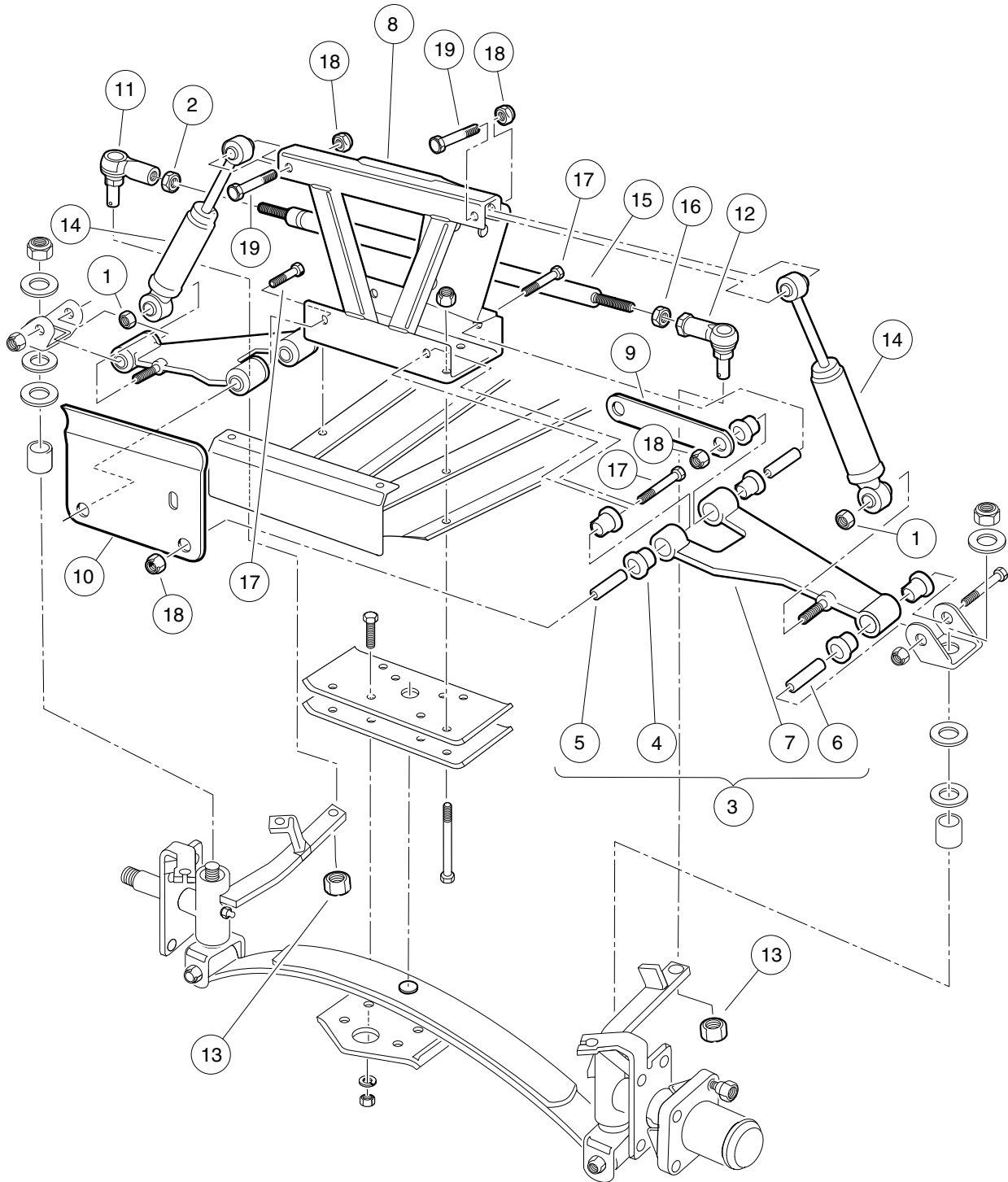
000310-002

FRONT SPINDLES AND HUBS – VEHICLES WITH FOUR-WHEEL BRAKES AND MAINTENANCE-FREE BALL JOINTS

ITEM	PART NO.	DESCRIPTION	QTY
		1 2 3 4	
1	1010005	Washer, 3/4 Flat	2
2	1011393	Hub Bearing Package (includes items 3 and 4)	4
3	7274	Bearing, Front Hub Wheel	1
4	7308	Race, Front Hub Bearing	1
5	1011892	Hub Assembly (includes items 6 through 13)	2
6	1011887	Dust Cover	1
7	N/A	Hub (includes items 8 through 10)	1
8	N/A	Front Hub	1
9	103477901	Lug Stud, 1/2-20 Unf, 4037	4
10	7308	Race, Front Hub Bearing	2
11	1013135	Seal, Double Lip	1
12	7274	Bearing, Front Hub Wheel	2
13	7910	Pin, 5/32 X 1.00 Cotter	1
14	103717302	Asm, Spindle, Lh, 4wb, Sp (includes items 15 through 18)	1
15	1015597	Fitting, 1/4-28 Thread-Forming Grease	1
16	N/A	Subasm, Spindle, Lh, 4wb	1
17	7048	Bushing, Flanged Bronze	1
18	8067	Bushing, Bronze Spindle	1
19	103717402	Asm, Spindle, Rh, 4wb, Sp (includes items 20 through 23)	1
20	1015597	Fitting, 1/4-28 Thread-Forming Grease	1
21	N/A	Subasm, Spindle, Rh, 4wb	1
22	7048	Bushing, Flanged Bronze	1
23	8067	Bushing, Bronze Spindle	1
24	7840	Nut, 3/4-16 Hex Slotted	2

7
G
E

7
G
E



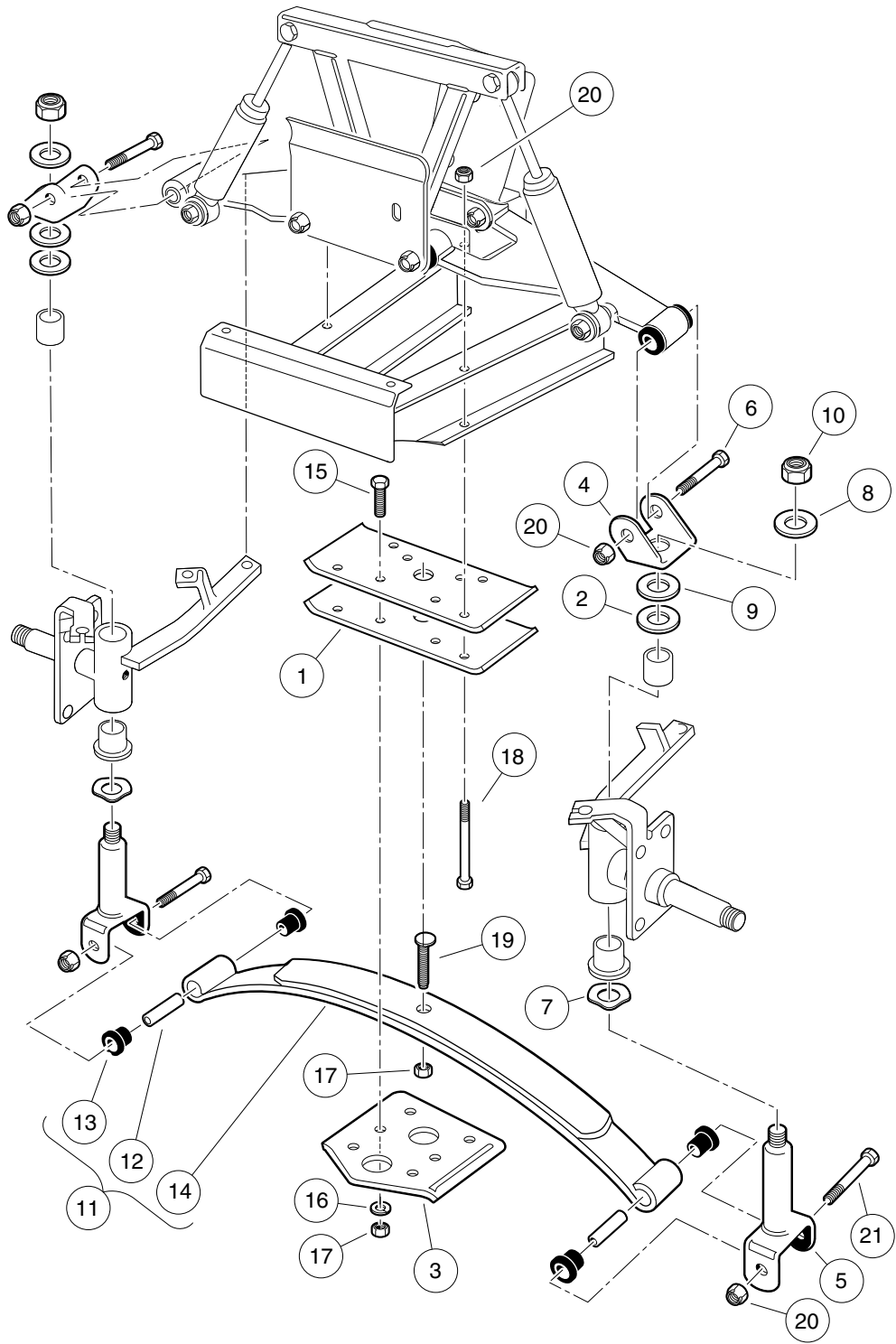
001265-001

FRONT SUSPENSION, UPPER – ALL TURF/ CARRYALL 6 WITH MAINTENANCE-FREE

ITEM	PART NO.	DESCRIPTION	QTY
		1 2 3 4	
1	1010138	Locknut, 3/8-16 Dimpled	2
2	1013042	Nut, 12mm Hex	1
3	1016353	Sub-Assembly, Delta A-Plate (includes items 4 through 7)	2
4	1016346	Bushing, Urethane	6
5	1016349	Sleeve, Delta Inner	2
6	1016350	Sleeve, Delta Outer	1
7	1016351	Delta A-Plate	1
8	1016385	Delta Shock and Gear Support Assembly	1
9	1017266	A-Plate Strap	1
10	101955001	Brake Cable Guide Bracket	1
11	102022601	End, Tie Rod M12 X 1.25 Rh	1
12	102022602	End, Tie Rod, M12 X 1.25, Lh	1
13	102289201	Nut - Hex Locking, M12 X 1.25	3
14	103351001	Shock Absorber, Front, Common	2
15	103354701	Rod, Tie, Male Thd	1
16	103653501	Nut, Jam, M12-1.25, Lh	1
17	2402	Screw, 3/8-16 X 2.25 Hx Hd Cap	4
18	8754	Locknut, 3/8-16 Hex	13
19	8861	Bolt, 3/8-16 X 1.75 Hex	2

7
G
E

7
G
E



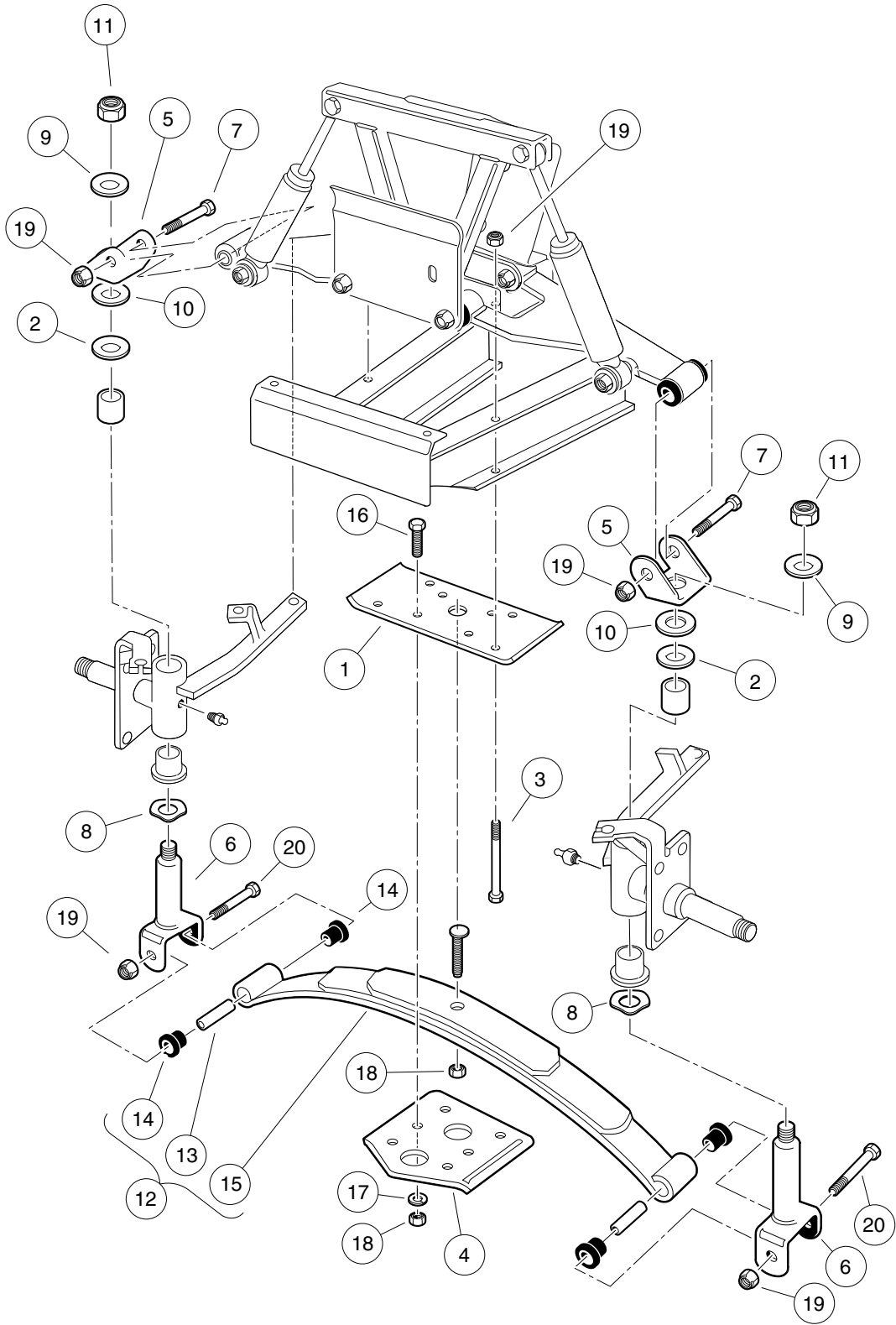
001266-001

FRONT SUSPENSION, LOWER – STANDARD GASOLINE VEHICLE WITH

ITEM	PART NO.	DESCRIPTION	QTY
		1 2 3 4	
1	1010124	Plate, Spring Mount	2
2	1010150	Bearing, Thrust	2
3	1014276	Plate, Front Spring Retainer	1
4	1016384	Clevis, Delta Upper	2
5	1016386	King Pin Assembly	2
6	1016387	Screw, 3/8-16 X 2.75 Hx Hd Cap	2
7	1016389	Washer, 1.125 Od Wave	2
8	102564002	Washer-1/2 Conical, Yellow	2
9	102684501	Washer, M12 Hard Regular	2
10	102766301	Nut, 1/2-20, Center Lock	2
11	103628801	Spring Asm, Front, 2 Leaf (includes items 12 through 14)	1
12	1012303	Bushing, Steel	2
13	1015583	Bushing, Urethane	4
14	103502701	Spring, Front, 2 Leaf	1
15	2402	Screw, 3/8-16 X 2.25 Hx Hd Cap	4
16	357	Lockwasher, 3/8 Split	4
17	706	Nut, Hex 3/8-16	5
18	7270	Bolt, 3/8-16 X 4.50 Hex Head	4
19	8745	Screw, Eccentric Adjustment	1
20	8754	Locknut, 3/8-16 Hex	8
21	8755	Screw, 3/8-16 X 3.375 Hex Cap	2

7
G
E

7
G
E



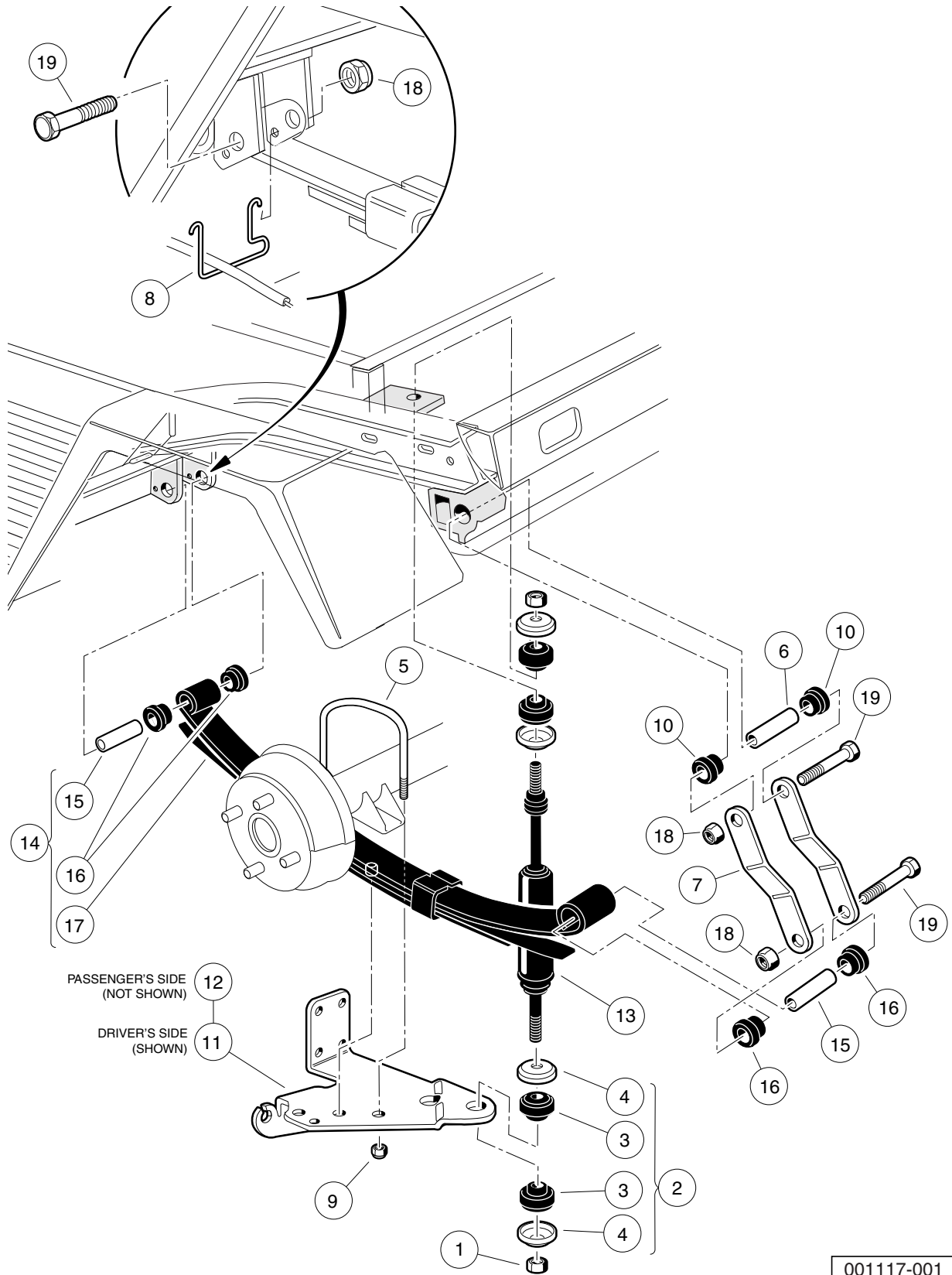
000313-005

FRONT SUSPENSION, LOWER – CA6 ELEC & TURF/CA6 GAS W/ HD OPTION

ITEM	PART NO.	DESCRIPTION	QTY
		1 2 3 4	
1	1010124	Plate, Spring Mount	1
2	1010150	Bearing, Thrust	2
3	1010200	Bolt, 3/8-16 X 4.25 Hex Head	4
4	1014276	Plate, Front Spring Retainer	1
5	1016384	Clevis, Delta Upper	2
6	1016386	King Pin Assembly	2
7	1016387	Screw, 3/8-16 X 2.75 Hx Hd Cap	2
8	1016389	Washer, 1.125 Od Wave	2
9	102564002	Washer-1/2 Conical, Yellow	2
10	102684501	Washer, M12 Hard Regular	2
11	102766301	Nut, 1/2-20, Center Lock	2
12	103628901	Spring Asm, Front, 3 Leaf (includes items 13 through 15)	1
13	1012303	Bushing, Steel	2
14	1015583	Bushing, Urethane	4
15	103502801	Spring, Front, 3 Leaf	1
16	2402	Screw, 3/8-16 X 2.25 Hx Hd Cap	4
17	357	Lockwasher, 3/8 Split	4
18	706	Nut, Hex 3/8-16	5
19	8754	Locknut, 3/8-16 Hex	8
20	8755	Screw, 3/8-16 X 3.375 Hex Cap	2

7
G
E

7
G
E



001117-001

REAR SUSPENSION – GASOLINE TURF/CARRYALL 2, 2 PLUS, AND 6

ITEM	PART NO.	DESCRIPTION	QTY
		1 2 3 4	
1	1010145	Nut, 3/8-24 Hex	4
2	1011415	Kit, Shock Absorber Cushion (includes items 3 and 4)	4
3	N/A	Cushion, Shock Absorber	2
4	N/A	Retainer, Shock Absorber Cushion	2
5	1012180	U-Bolt	2
6	1012303	Bushing, Steel	2
7	1012304	Shackle, Rear Spring	4
8	1013207	Hanger, Brake Cable	2
9	1014555	Locknut, 7/16-14 Nylon Hex	4
10	101558302	Bushing, Urethane, Soft	4
11	101926501	Bracket, Left-Hand	1
12	101929401	Bracket, Right	1
13	103350901	Shock Absorber, Rear, Utility	2
14	103657301	Asm-rear 3leaf Spring, 600 Lb (includes items 15 through 17)	2
15	1012303	Bushing, Steel	2
16	101558302	Bushing, Urethane, Soft	4
17	102871801	Rear Spring, 3leaf, 600 Lb/in	1
18	8754	Locknut, 3/8-16 Hex	6
19	8755	Screw, 3/8-16 X 3.375 Hex Cap	6
<p>Note: Only the driver-side rear suspension is shown. Parts for the passenger-side rear suspension are identical except for the leaf spring/shock mounting plate.</p>			

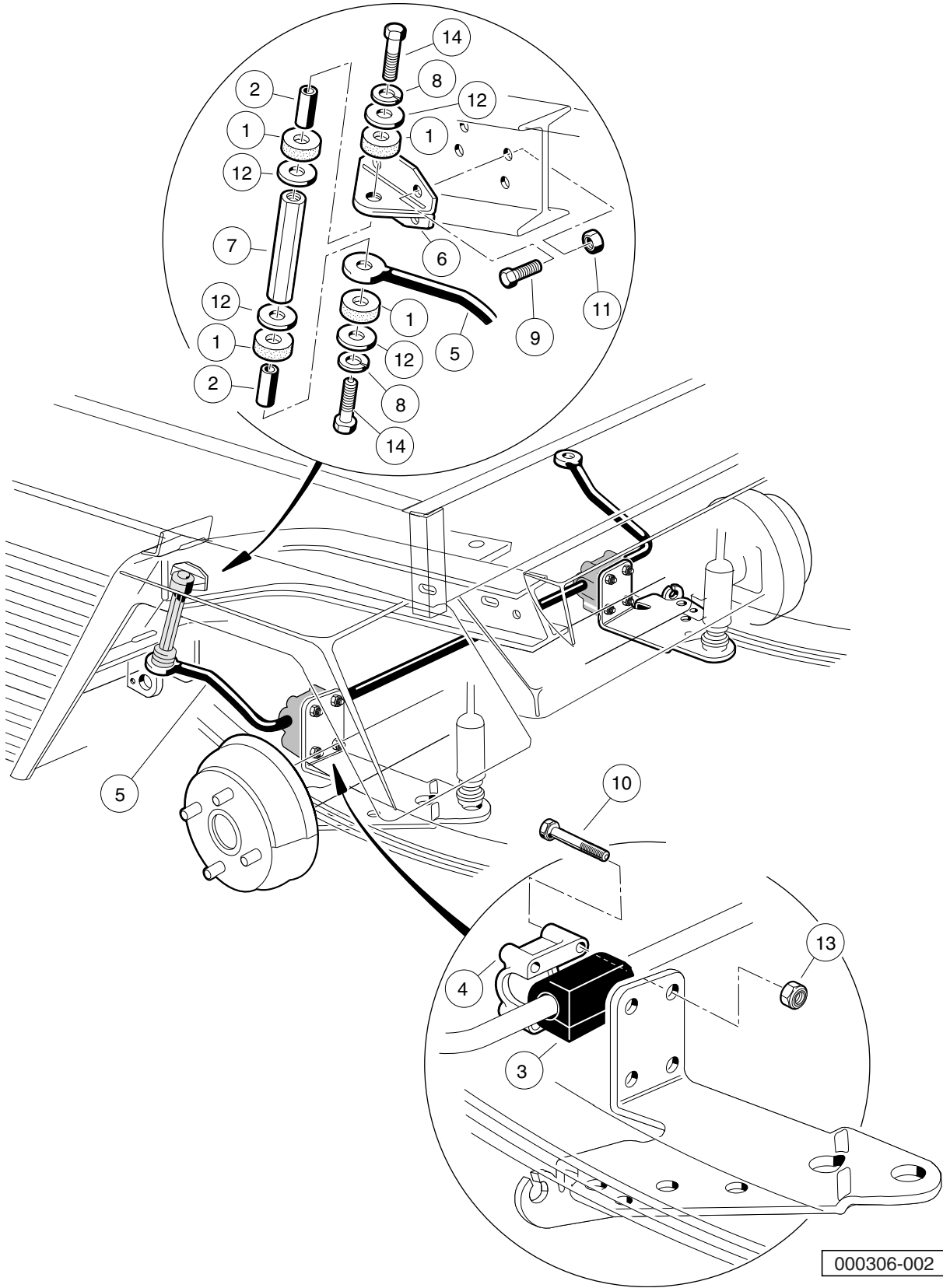
7
G
E

REAR SUSPENSION – TURF/CARRYALL 2 AND 6 IQ PLUS VEHICLES

ITEM	PART NO.	DESCRIPTION	QTY
		1 2 3 4	
1	1010145	Nut, 3/8-24 Hex	4
2	1011415	Kit, Shock Absorber Cushion (includes items 3 and 4)	4
3	N/A	Cushion, Shock Absorber	2
4	N/A	Retainer, Shock Absorber Cushion	2
5	1012181	Bracket, Shock Mounting, Right (Passenger)	1
6	1012182	Bracket, Shock Mounting, Left (Driver)	1
7	1012303	Bushing, Steel	2
8	1014555	Locknut, 7/16-14 Nylon Hex	4
9	1014902	U-Bolt	2
10	101558302	Bushing, Urethane, Soft	4
11	102066201	Screw, 3/8-16 X 3.50 Hex Cap	6
12	102891101	Clamp, Cable, Brake, Sym	2
13	102917101	Weldment, Shackle	2
14	103351101	Shock, Absorber, Utility	2
15	103657301	Asm-rear 3leaf Spring, 600 Lb (includes items 16 through 18)	2
16	1012303	Bushing, Steel	2
17	101558302	Bushing, Urethane, Soft	4
18	102871801	Rear Spring, 3leaf, 600 Lb/in	1
19	8754	Locknut, 3/8-16 Hex	6
<p>Note: Only the driver-side rear suspension is shown. Parts for the passenger-side rear suspension are identical except for the leaf spring/shock mounting plate.</p>			

7
G
E

7
G
E



000306-002

STABILIZER BAR – TURF/CARRYALL 2, 6, AND CARRYALL 2 PLUS GASOLINE VEHICLES

ITEM	PART NO.	DESCRIPTION	QTY
		1 2 3 4	
1	1015453	Compression Mount	8
2	1015457	Spacer, 0.720"	4
3	1015613	Bushing, Stabilizer Bar	2
4	1015614	Support, Bushing	2
5	1015760	Stabilizer Bar	1
6	1016813	Mounting Bracket, Stabilizer Bar	2
7	1016814	Link, Stabilizer Bar	2
8	357	Lockwasher, 3/8 Split	4
9	7173	Screw, 5/16-18 X 0.75, Hex-Head Cap	8
10	7311	Screw, 1/4-20 X 2.00 Hex-Head Cap	8
11	7473	Locknut, 5/16-18 Nylon Insert	8
12	808	Washer, 3/8 Type B Flat	8
13	8233	Locknut, 1/4-20, Nylon Insert	8
14	8861	Bolt, 3/8-16 X 1.75 Hex	4

7
G
E

7

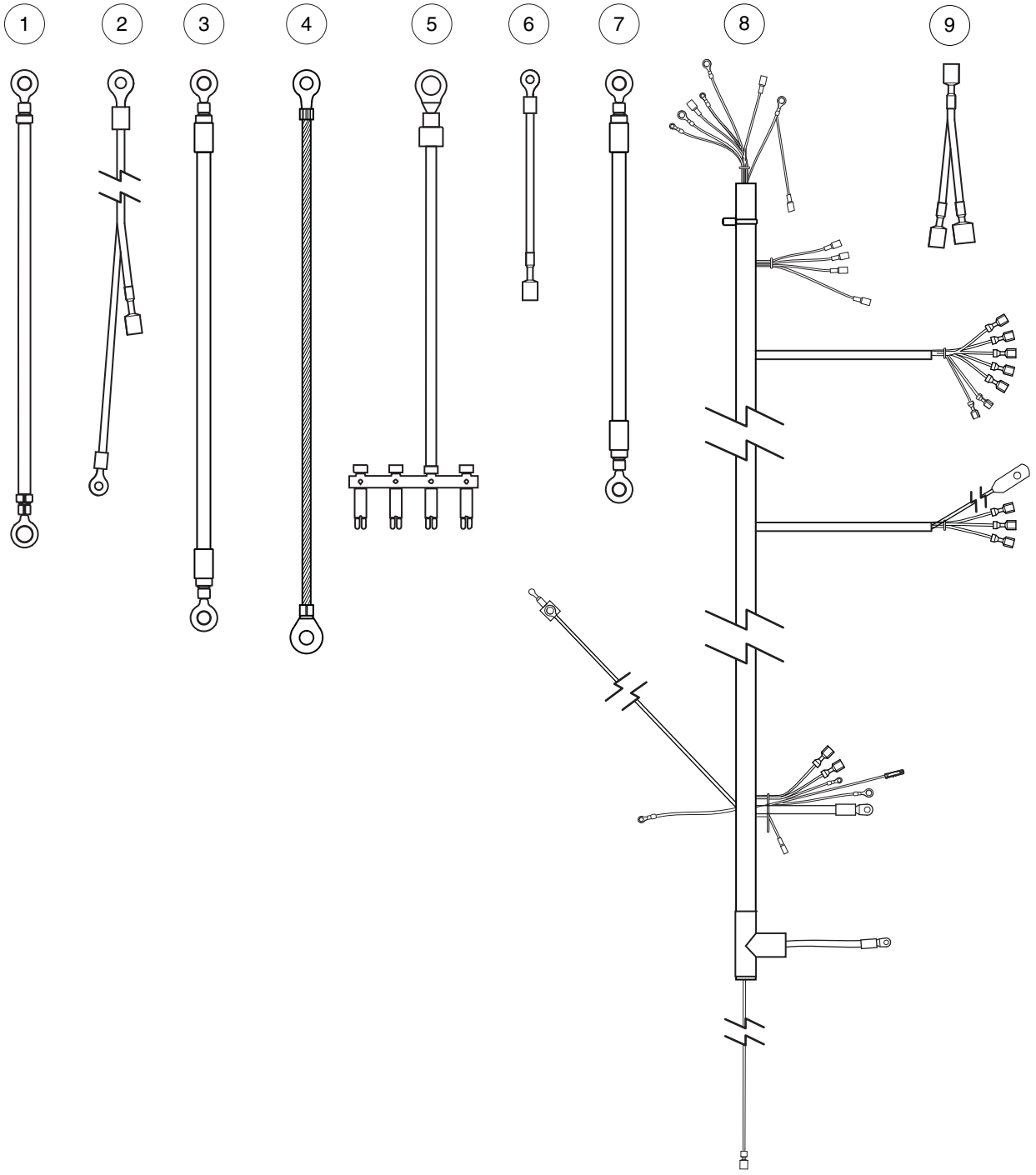
G

E

ELECTRICAL SYSTEM – GASOLINE VEHICLE

8

G



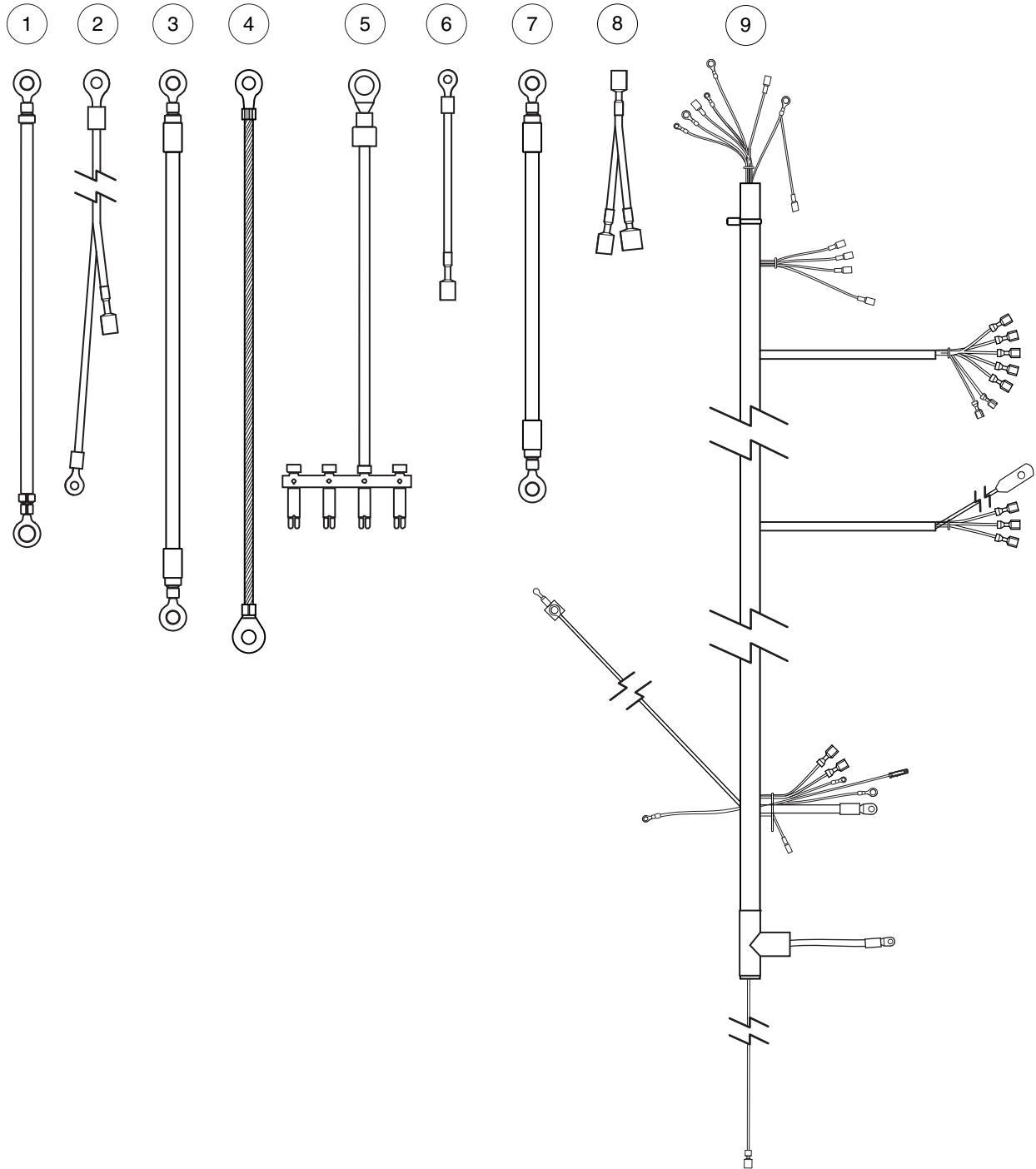
000627-002

WIRING – TURF 6 GAS WITH G425419 STARTER GEN

ITEM	PART NO.	DESCRIPTION	QTY
		1 2 3 4	
1	1012382	Wire Assy, #6 Black	1
2	1012396	Wire Assy #18 Black	1
3	1014119	Wire Assembly #6 Red	1
4	1015332	Wire, Ground, #10, Uninsulated	1
5	1015737	Wire Assy, #10 Red	1
6	1016401	Wire Assy, #16 Orange	1
7	101837301	Wire Assy, #6 Green	1
8	103222201	Asm, Wire Harness	1
9	103348501	Asm, Wire Meter, F-h Jumper	1

8

G



000627-003

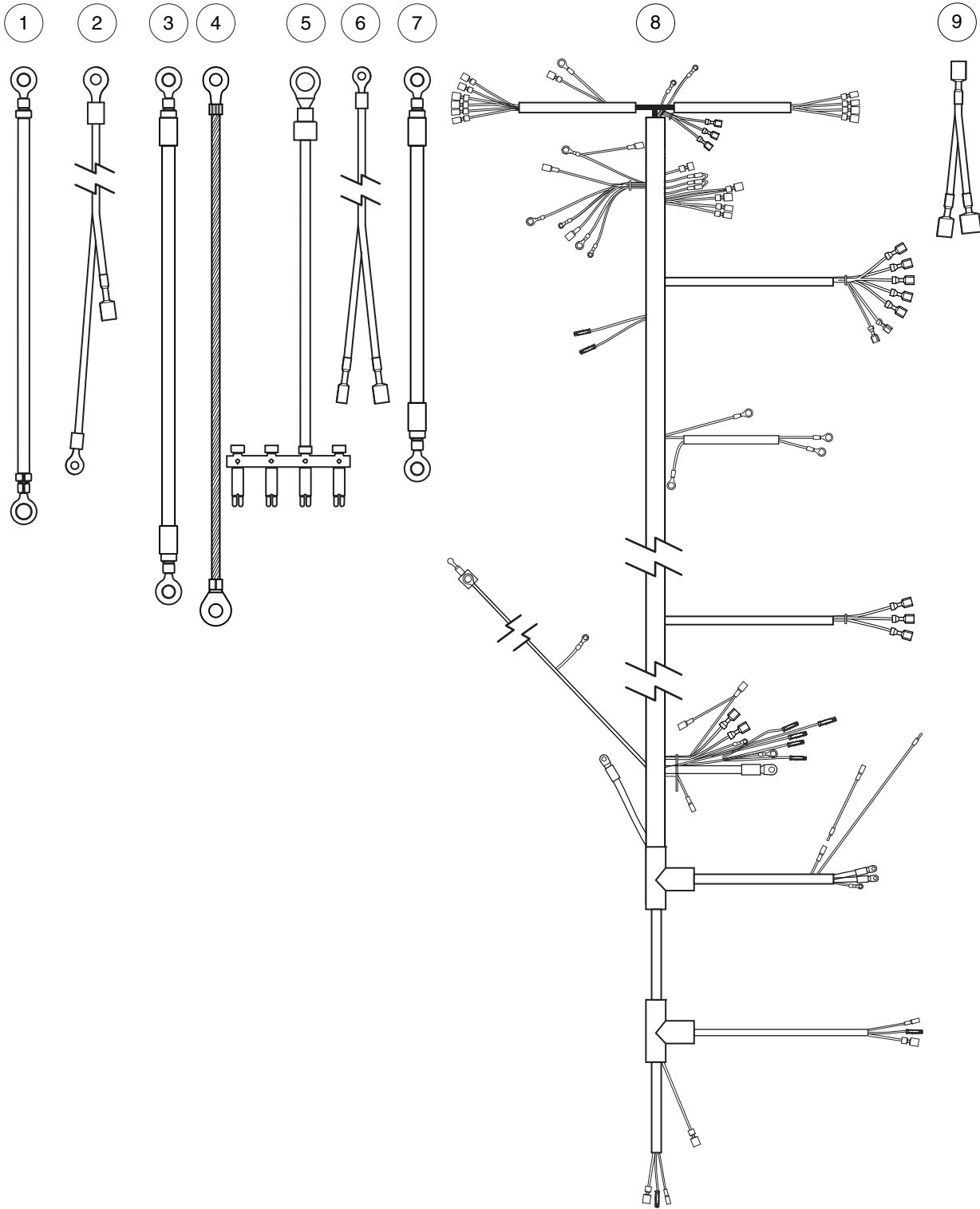
WIRING – TURF 6 GAS WITH AMD STARTER GEN

ITEM	PART NO.	DESCRIPTION	QTY
		1 2 3 4	
1	1012382	Wire Assy, #6 Black	1
2	1012396	Wire Assy #18 Black	1
3	1014119	Wire Assembly #6 Red	1
4	1015332	Wire, Ground, #10, Uninsulated	1
5	1015737	Wire Assy, #10 Red	1
6	1016401	Wire Assy, #16 Orange	1
7	101837301	Wire Assy, #6 Green	1
8	103348501	Asm, Wire Meter, F-h Jumper	1
9	103764801	Asm, Harn, Trf6, Gs, Amd S/g	1

8

G

8
G



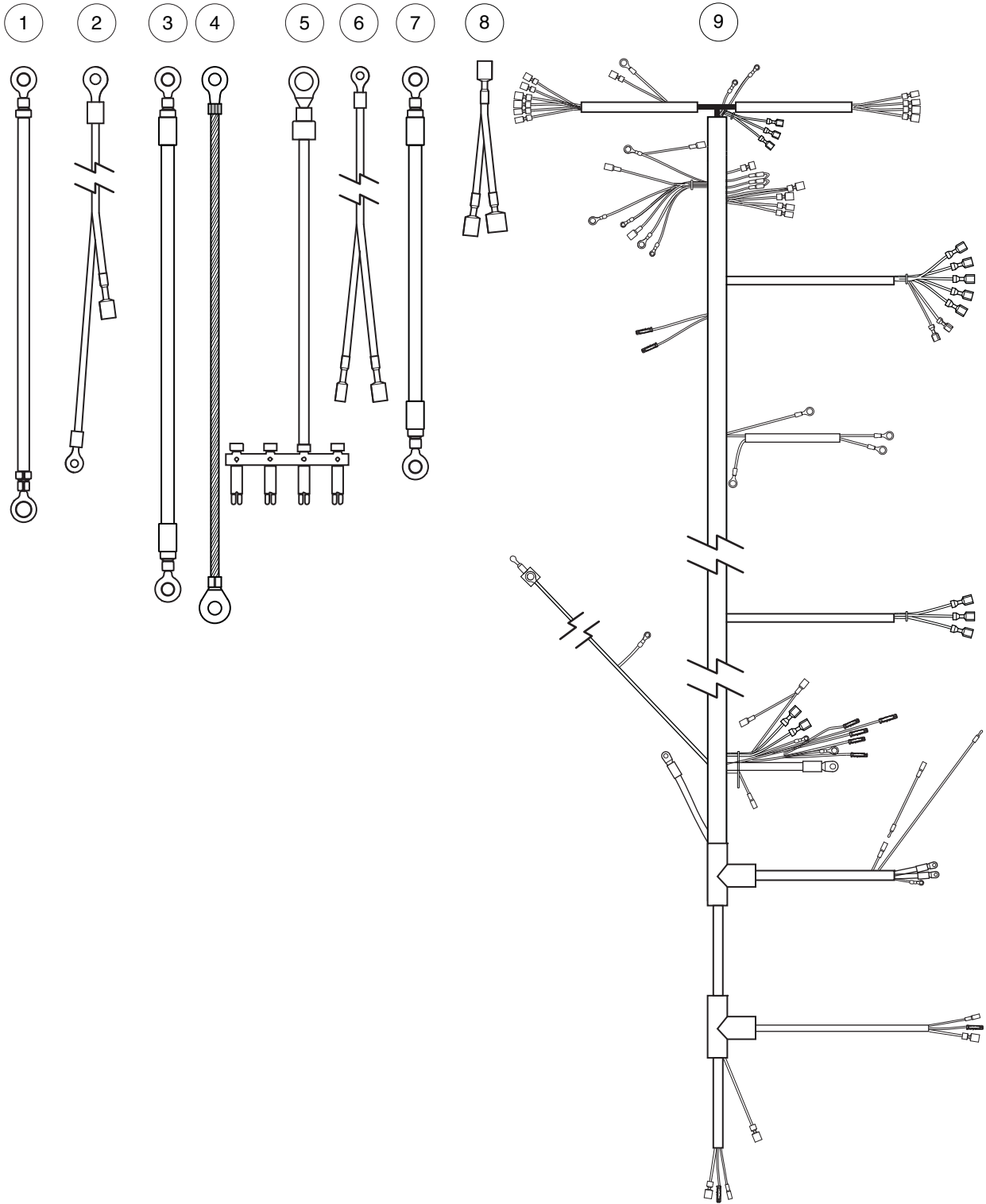
000574-002

WIRING – CARRYALL 6 GAS WITH G425419 STARTER GEN

ITEM	PART NO.	DESCRIPTION	QTY
		1 2 3 4	
1	1012382	Wire Assy, #6 Black	1
2	1012396	Wire Assy #18 Black	1
3	1014119	Wire Assembly #6 Red	1
4	1015332	Wire, Ground, #10, Uninsulated	1
5	1015737	Wire Assy, #10 Red	1
6	1017006	Wire Assembly Orange #18	1
7	101837301	Wire Assy, #6 Green	1
8	103197301	Asm, Wire Harness, Stretch, Gas	1
9	103348501	Asm, Wire Meter, F-h Jumper	1

8

G

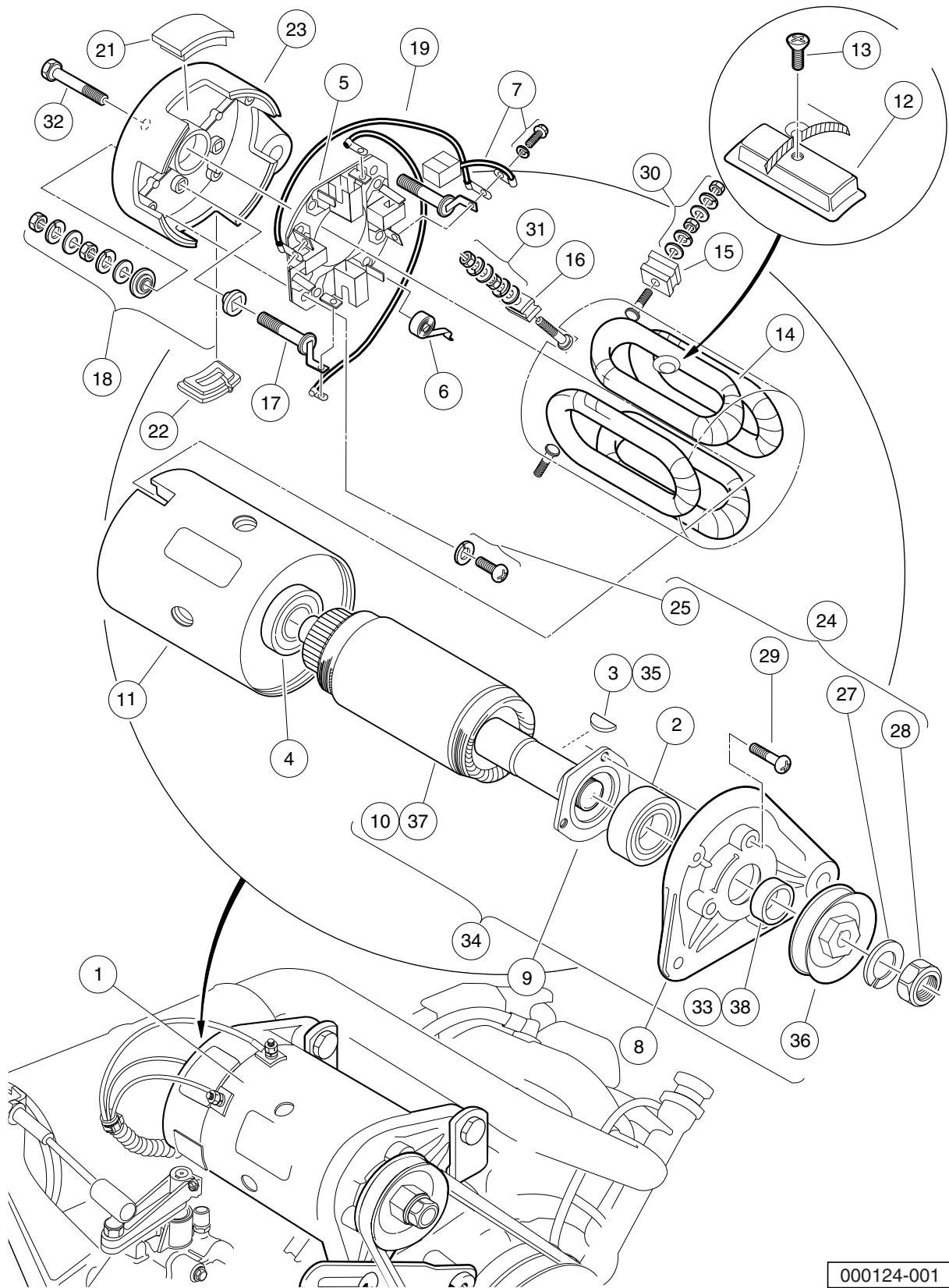


000574-003

WIRING – CARRYALL 6 GAS WITH AMD STARTER GEN

ITEM	PART NO.	DESCRIPTION	QTY
		1 2 3 4	
1	1012382	Wire Assy, #6 Black	1
2	1012396	Wire Assy #18 Black	1
3	1014119	Wire Assembly #6 Red	1
4	1015332	Wire, Ground, #10, Uninsulated	1
5	1015737	Wire Assy, #10 Red	1
6	1017006	Wire Assembly Orange #18	1
7	101837301	Wire Assy, #6 Green	1
8	103348501	Asm, Wire Meter, F-h Jumper	1
9	103686501	Asm, Harn, Str, Gas, Amd S/g	1

8
G

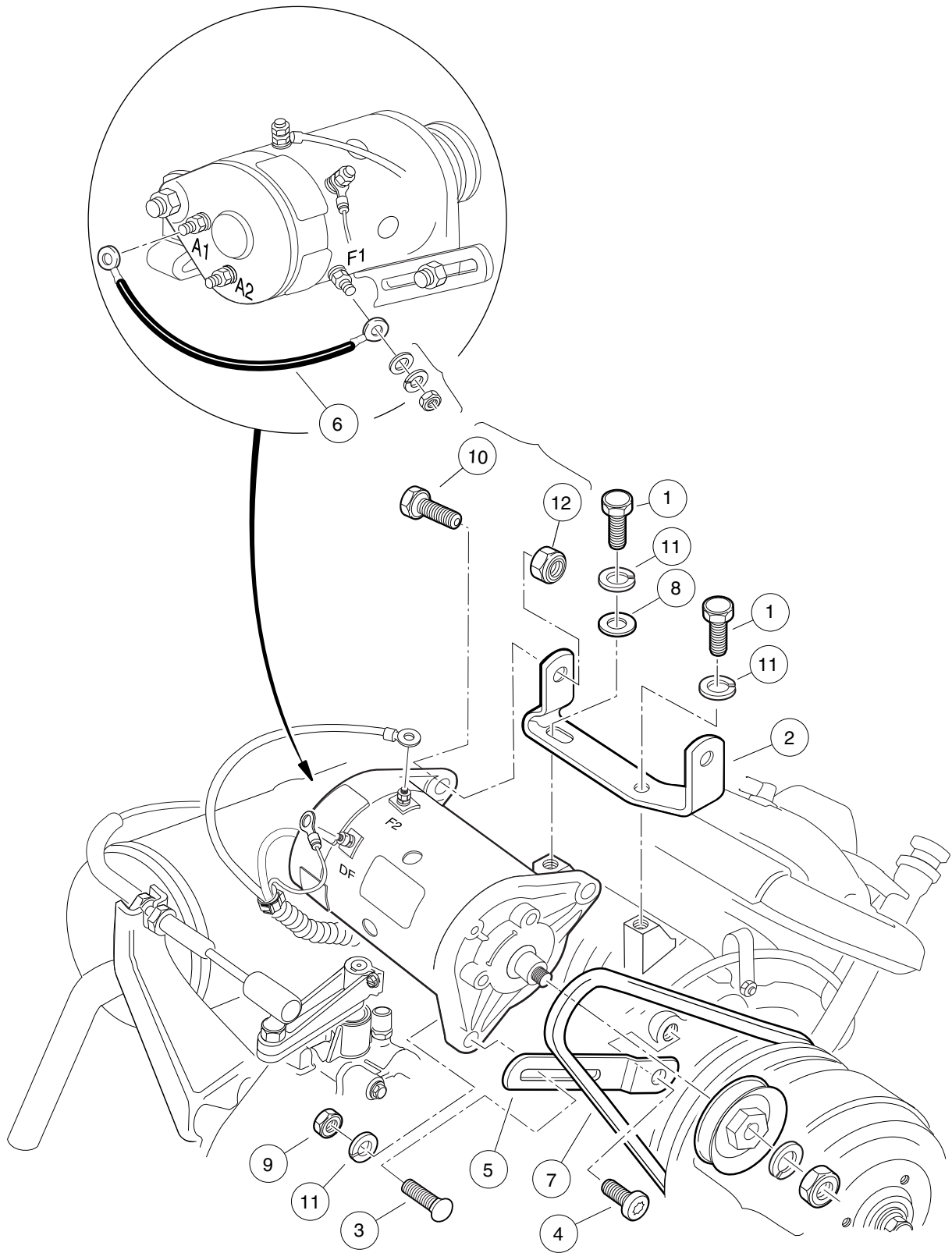


000124-001

STARTER/GENERATOR ASSEMBLY, MODEL G425419

ITEM	PART NO.	DESCRIPTION	QTY
		1 2 3 4	
1	101833701	Starter/Generator (cw) (includes items 2 through 33)	1
2	1013001	Bearing, Output Shaft Ball	1
3	1013003	Key, Starter/Generator	1
4	1013005	Bearing, Ball	1
5	101301102	Brush Holder Assembly (cw) (includes item 6)	1
6	101878101	Brush Spring Set	4
7	101869302	Brush and Screw Set (cw)	1
8	101874901	Front Bracket	1
9	101875001	Retainer	1
10	101875101	Armature	1
11	101875201	Field Coil Housing	1
12	101875301	Pole Set	1
13	101875401	Screw Set	1
14	101875501	Field Stator Coil Assembly	1
15	101875601	F Insulator Set	2
16	101875701	DF Insulator	1
17	101875802	A Connector (cw)	1
18	101876001	Screw and Mold Assembly	2
19	101876202	Brush Connector Assembly (cw)	2
20	101876301	Cover Set (includes items 21 and 22)	1
21	N/A	Brush Inspection Port Cover	3
22	1017653	Brush Port Cover w/Drain	1
23	101876402	End Bell, Commutator, Rear Bracket (cw)	1
24	101876501	Nut and Screw Set (includes items 25 through 29)	1
25	101896501	Brush Holder Asm Screw	2
26	N/A	Washer, M5 Flat	1
27	N/A	Washer, M14 Lock	1
28	N/A	Nut, Hex, M14 x 2	1
29	N/A	Screw, M5 x 0.8 x 18mm	3
30	101877601	Nut and Washer Set	2
31	101877701	Nut and Washer Set	1
32	101879001	Through Bolt Set	2
33	101939901	Spacer	1
34	101875102	Armature Asm Conversion Kit (includes items 35 through 38)	1
35	1013003	Key, Starter/Generator	1
36	1014289	Pulley, Starter/Generator	1
37	101875101	Armature	1
38	101939901	Spacer	1
		Note: Item 36 will ONLY fit Model G425419 Starter/Generator.	

8
G

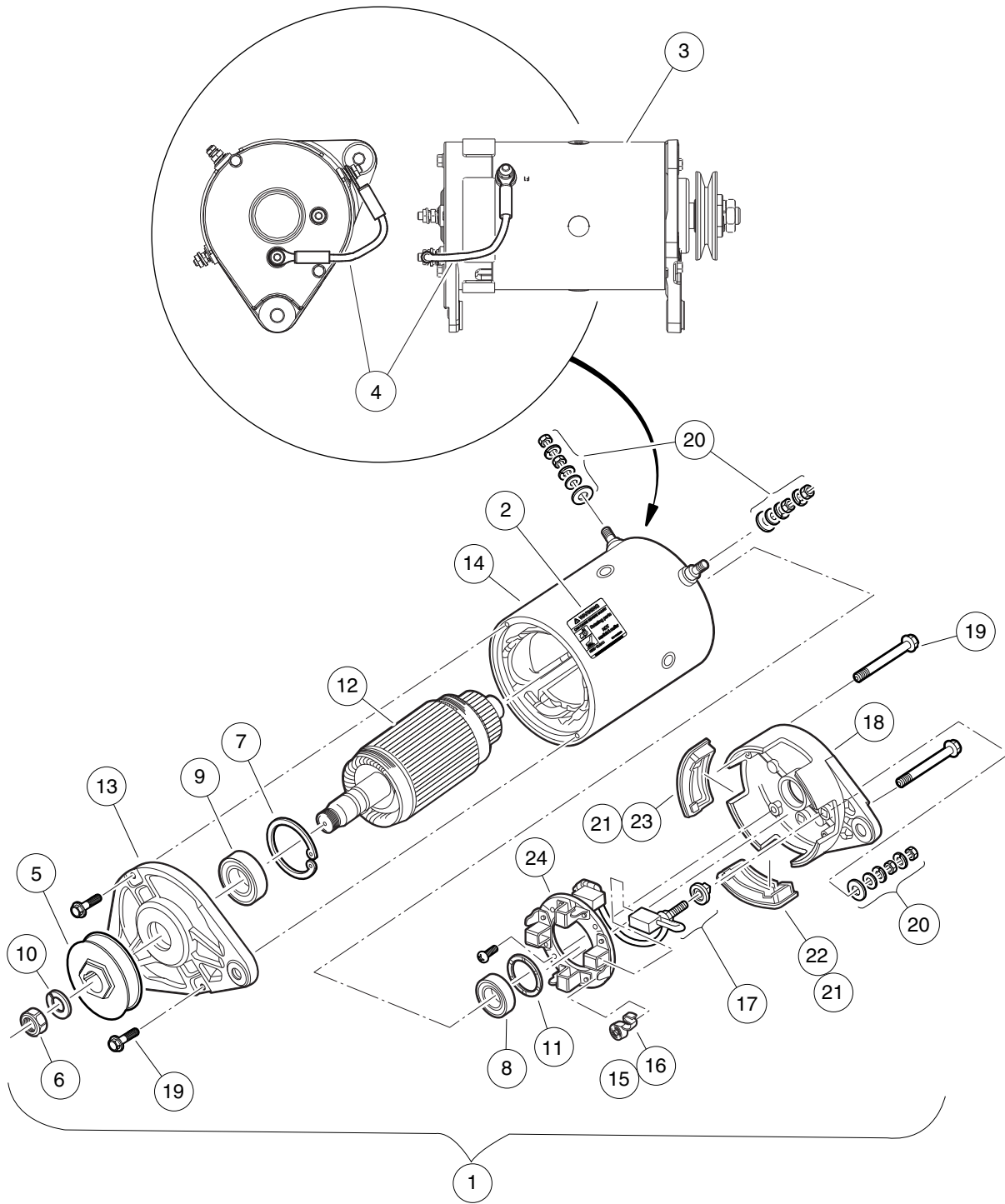


000239-001

STARTER/GENERATOR MOUNTING – MODEL G425419

ITEM	PART NO.	DESCRIPTION	QTY
		1 2 3 4	
1	1012830	Screw, M8-125 X 22 Hex-Head	2
2	101524002	Bracket, Starter/Generator Mounting	1
3	1015932	Bolt, Carriage, 5/16-18	1
4	1016074	Screw, M8-1.25 X 18mm Torx	1
5	1016883	Bracket, Starter/Generator Adjustment	1
6	101837301	Wire Assy, #6 Green	1
7	101916701	V-Belt	1
8	1241	Washer, 5/16 Type A Flat	1
9	1242	Nut, 5/16-18 Hex	1
10	705	Screw, Cap-hex Hd 3/8-16x1.25	2
11	7174	Lockwasher, 5/16 Split	3
12	8754	Locknut, 3/8-16 Hex	2

8
G



000124-005

STARTER/GENERATOR ASSEMBLY (PEDAL-START), MODEL 114-01-4009A

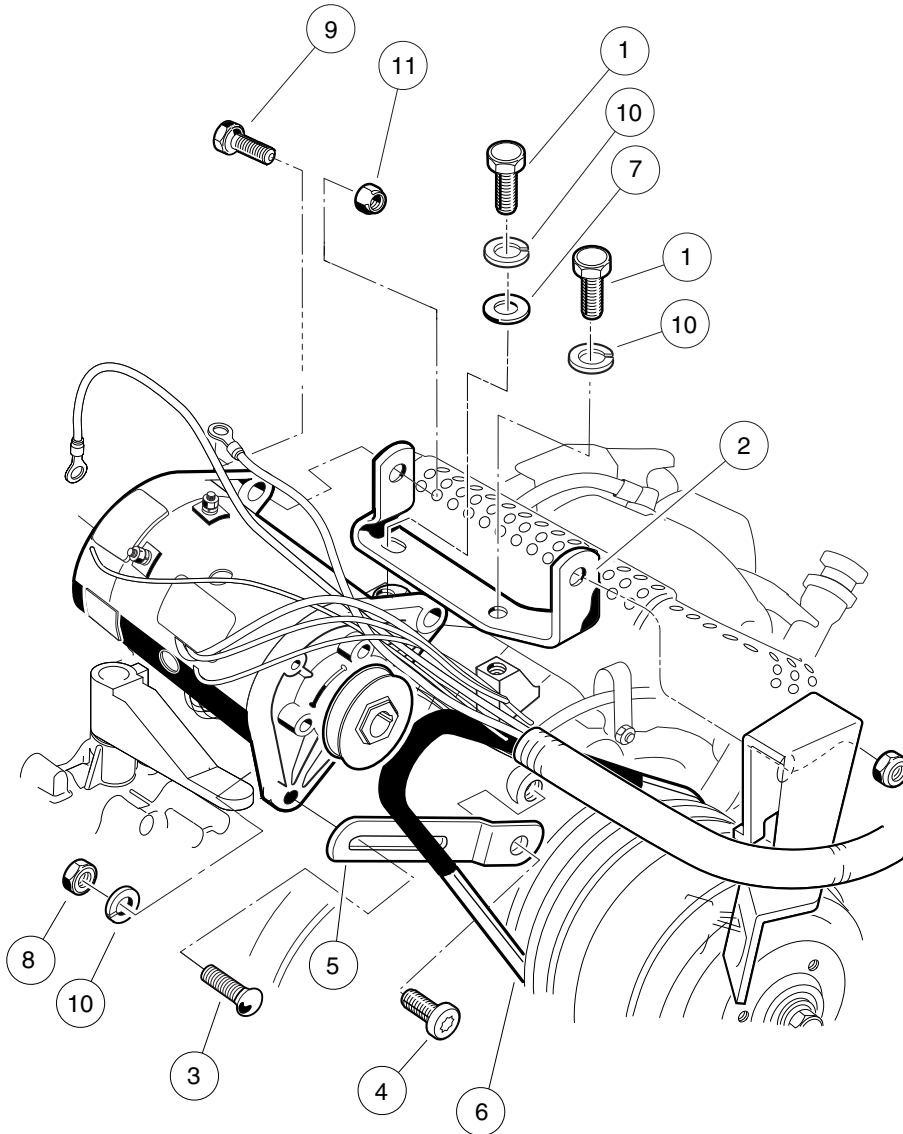
ITEM	PART NO.	DESCRIPTION	QTY
		1 2 3 4	
1	103678402	Asm, St/gen, Bi-rot, Ps, Svc (includes items 2 and 3)	1
2	101960501	Decal, Rotating Parts/Hot Manifold	1
3	103718702	St/gen, Bi-rot, Util,ps W/wire (includes items 4 through 24)	1
4	101837301	Wire Assy, #6 Green	1
5	102711001	Pulley, V-Belt	1
6	102838701	Nut, Hex, M14x2, S/G	1
7	102838801	Retainer, Front, S/G	1
8	102838901	Bearing, Ball, Rear, S-g	1
9	102839001	Bearing, Ball, Front, S-g	1
10	102839301	Washer, Lock M14x2, S-g	1
11	102841101	Washer, Wave, S-g	1
12	N/A	Asm, Armature, Starter/Generator	1
13	102844601	Head, Drive End, S-g	1
14	102844701	Asm, Frame and Field, Starter/Generator	1
15	103347101	Kit, Spring Brush, Starter/Generator (includes item 16)	1
16	N/A	Spring, Brush, S-g	4
17	103347301	Set, Brush Term, S-g	1
18	103347601	Head, Comm End, S-g	1
19	103347701	Set, Fast, Ceh Deh, S-g	1
20	103347801	Set, Term Hardware, S/G	1
21	103347901	Kit, Cover, Brush Insp, Starter/Generator (includes items 22 and 23)	1
22	N/A	Plug, Rubber Drain, Start/Generator	3
23	N/A	Cover, Inspection, S-g	1
24	103953301	Kit, Brush And Brush Holder	1

8
G

STARTER/GENERATOR ASSEMBLY (KEY-START), MODEL 114-04-4001A

ITEM	PART NO.	DESCRIPTION	QTY
		1 2 3 4	
1	103678502	Asm, St/gen, Bi-rot, Ks, Svc (includes items 2 and 3)	1
2	101960501	Decal, Rotating Parts/Hot Manifold	1
3	N/A	St/gen, Bi-rot, Util, Ks (includes items 4 through 24)	1
4	101837301	Wire Assy, #6 Green	1
5	102711001	Pulley, V-Belt	1
6	102838701	Nut, Hex, M14x2, S/G	1
7	102838801	Retainer, Front, S/G	1
8	102838901	Bearing, Ball, Front, S-g	1
9	102839001	Bearing, Ball, Front, S-g	1
10	102839301	Washer, Lock M14x2, S-g	1
11	102841101	Washer, Wave, S-g	1
12	N/A	Asm, Armature, Starter/Generator	1
13	102844601	Head, Drive End, S-g	1
14	102844701	Asm, Frame and Field, Starter/Generator	1
15	103347101	Kit, Spring Brush, Starter/Generator (includes item 16)	1
16	N/A	Spring, Brush, S-g	4
17	103347301	Set, Brush Term, S-g	1
18	103347601	Head, Comm End, S-g	1
19	103347701	Set, Fastener, Ceh Deh, S-g	1
20	103347801	Set, Term Hardware, S/G	1
21	103347901	Kit, Cover, Brush Insp, Starter/Generator (includes items 22 and 23)	1
22	N/A	Plug, Rubber Drain, Start/Generator	3
23	N/A	Cover, Inspection, S-g	1
24	103953301	Kit, Brush And Brush Holder	1

8
G

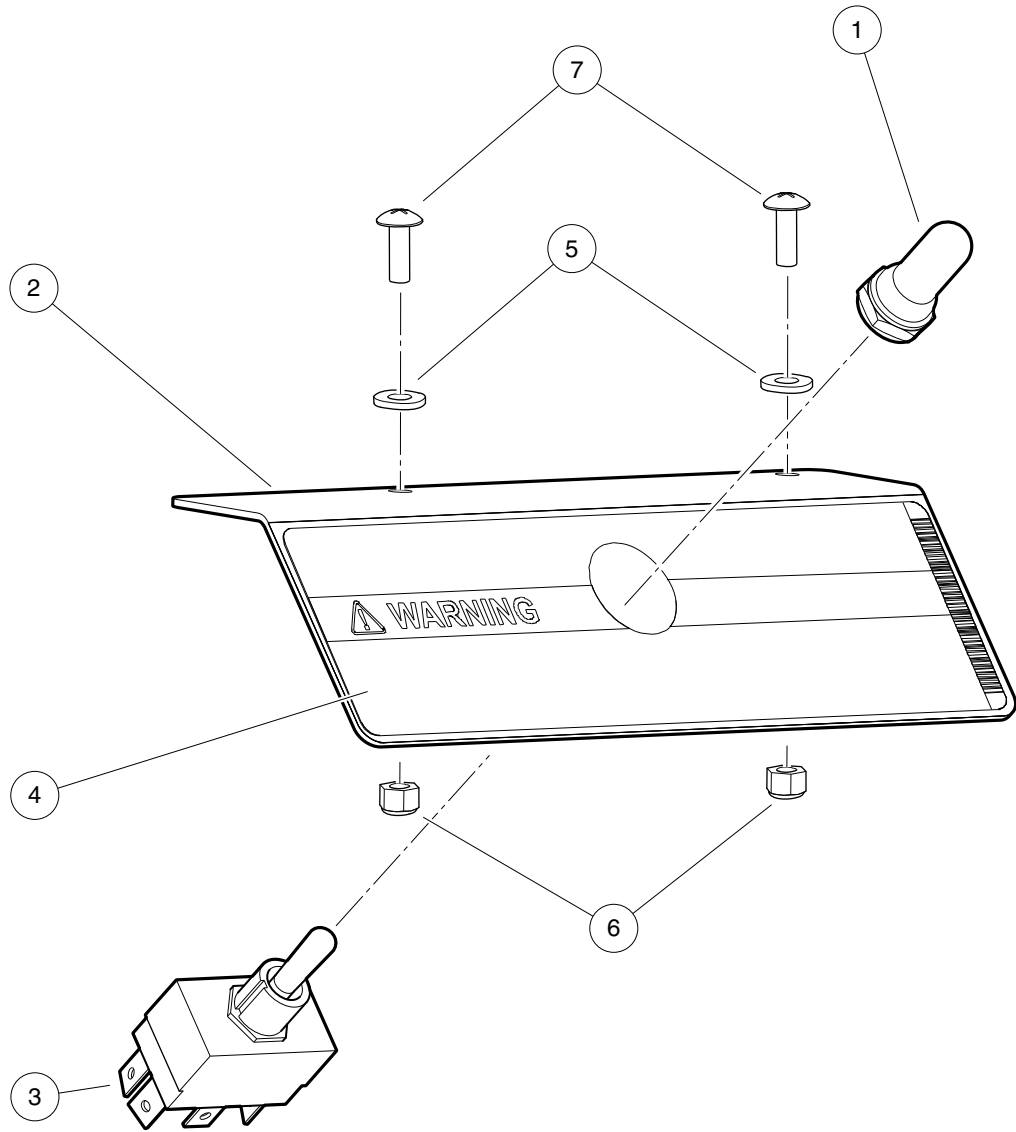


000238-005

STARTER/GENERATOR MOUNTING – 114-0X-400XX MODELS

ITEM	PART NO.	DESCRIPTION	QTY
		1 2 3 4	
1	1012830	Screw, M8-125 X 22 Hex-Head	2
2	101524002	Bracket, Starter/Generator Mounting	1
3	1015932	Bolt, Carriage, 5/16-18	1
4	1016074	Screw, M8-1.25 X 18mm Torx	1
5	1016883	Bracket, Starter/Generator Adjustment	1
6	101916701	V-Belt	1
7	1241	Washer, 5/16 Type A Flat	1
8	1242	Nut, 5/16-18 Hex	1
9	1624	Screw, 3/8-16 X 1.50, Hex-Head Cap	2
10	7174	Lockwasher, 5/16 Split	3
11	8754	Locknut, 3/8-16 Hex	2

8
G

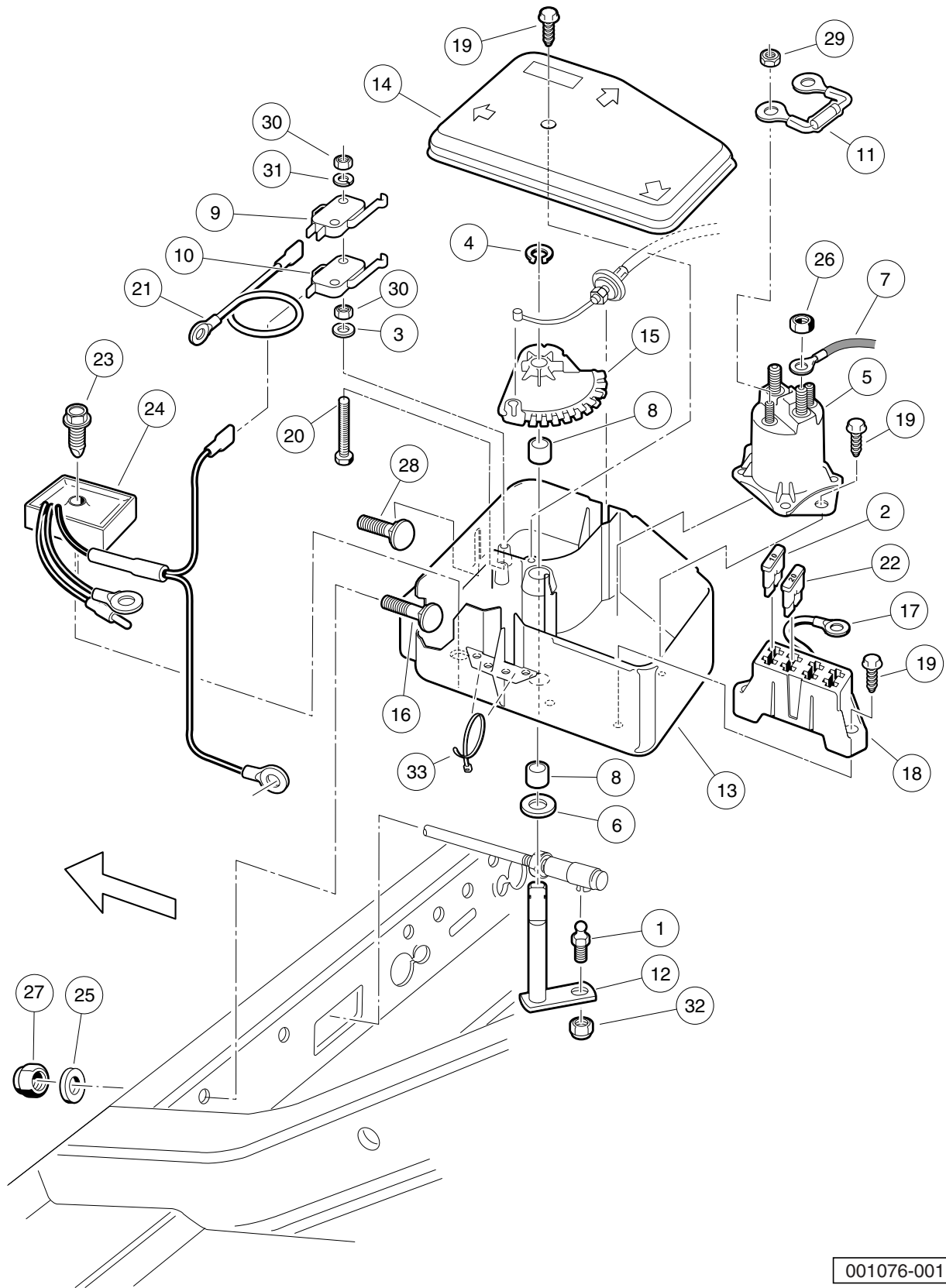


000755-003

OPERATION AND MAINTENANCE SWITCH

ITEM	PART NO.	DESCRIPTION	QTY
		1 2 3 4	
1	101908401	Boot, Switch	1
2	101922501	Bracket, Tow/Run Switch Mounting	1
3	103198401	Switch, Toggle, SPDT	1
4	103205501	Decal, Run/Service Switch	1
5	332	Washer, 1/4 Type A Narrow Flat	2
6	8233	Locknut, 1/4-20, Nylon Insert	2
7	8248	Screw, 1/4-20 X 0.75, Truss-Head Machine	2

8
G

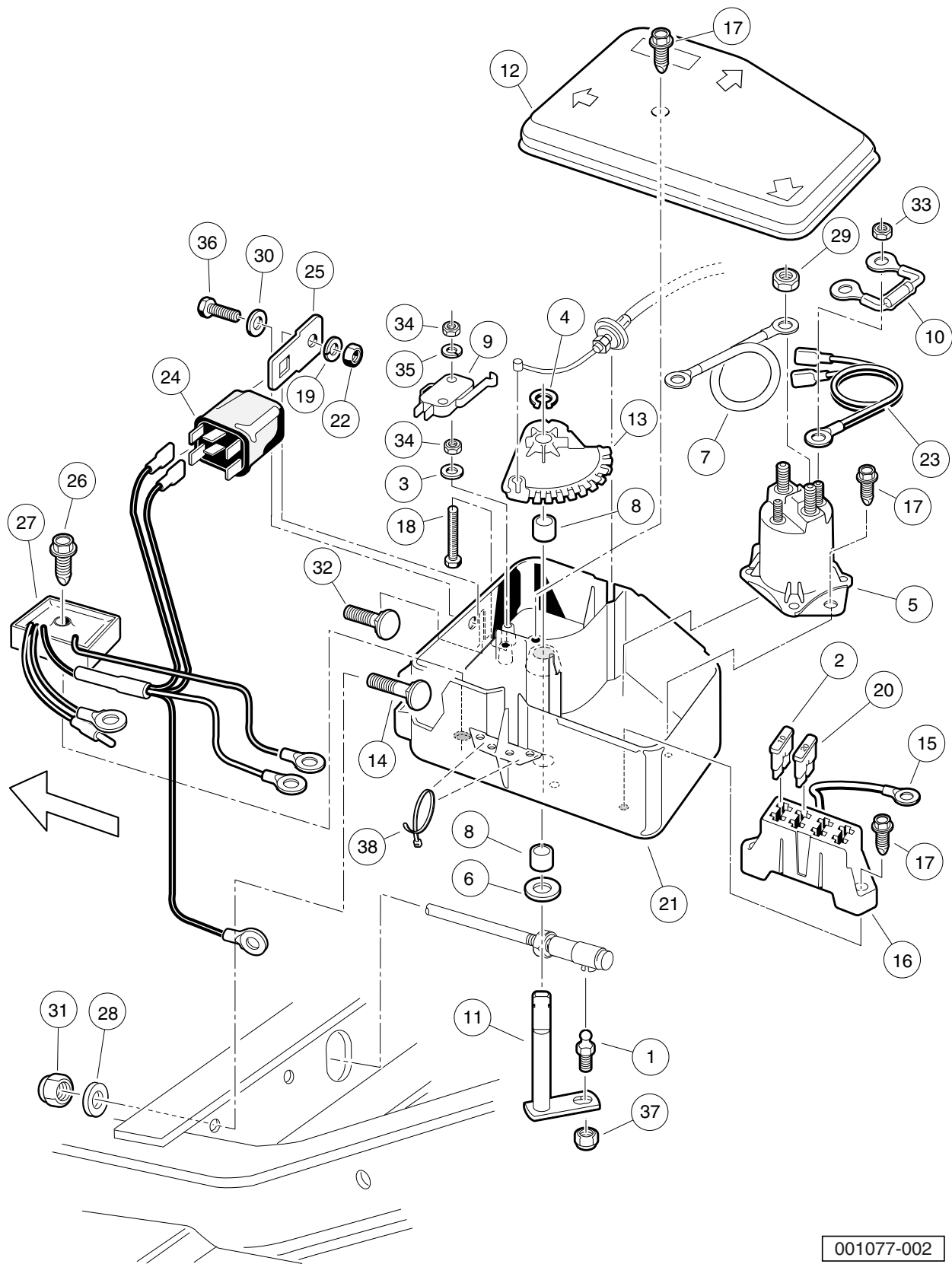


001076-001

ELECTRICAL COMPONENT BOX – TURF 6

ITEM	PART NO.	DESCRIPTION	QTY
		1 2 3 4	
1	1010954	Stud, Ball, 1/4-28 X 0.560	1
2	1012295	Fuse, 10-Amp	1
3	1012431	Washer, #4 Flat	2
4	1013589	Ring, Retaining, 0.338" Internal	1
5	1013609	Solenoid, 12-Volt	1
6	1014065	Washer, Flat, 0.38" ID, Delrin	1
7	1014119	Wire Assembly #6 Red	1
8	1014145	Bushing, Secondary Weight, Split	2
9	1014807	Switch, Limit	1
10	1014808	Switch, Limit	1
11	1014948	Diode	1
12	1015345	Bell Crank and Shaft Assembly	1
13	1015371	Box, Electrical Component	1
14	1015372	Cover, Electric Box	1
15	1015373	Cam, Electric Box	1
16	1015405	Bolt, Carriage, 5/16-18 X 2.0	1
17	1015737	Wire Assy, #10 Red	1
18	1015741	Fuse Block	1
19	1015752	Screw, #12-16 X 0.625, Hi-Lo	5
20	1015878	Screw, #4-40 Hex Head Machine	2
21	1016401	Wire Assy, #16 Orange	1
22	1016423	Fuse, 20-Amp	1
23	101856102	Screw, 1/4-15 X 1.50, Hi-lo, Hex	1
24	102711201	Voltage Regulator	1
25	1241	Washer, 5/16 Type A Flat	2
26	1242	Nut, 5/16-18 Hex	2
27	7473	Locknut, 5/16-18 Nylon Insert	2
28	7818	Bolt, Carriage, 5/16-18 X 1.5	1
29	7893	Nut, #10-32 Hex	2
30	8057	Nut, #4-40 Hex Machine	4
31	8058	Lockwasher, #4 Split	2
32	8717	Locknut, Nylon Insert, 1/4-28	1
33	8990	Tie Wrap, 8" Nylon	2

8
G



001077-002

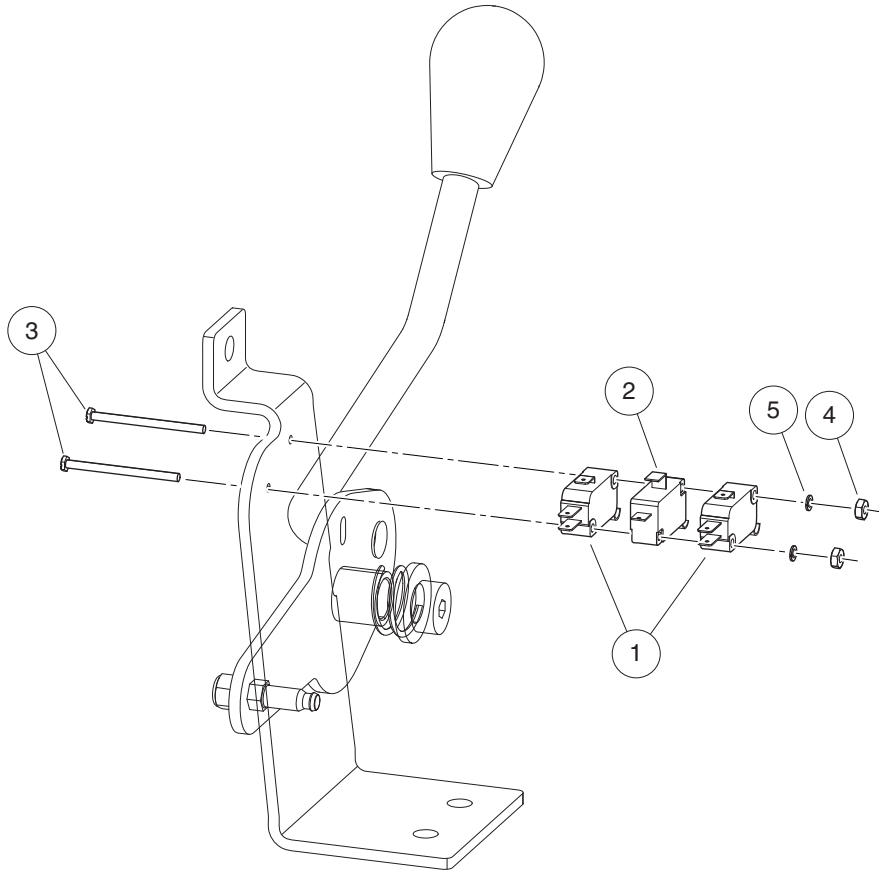
ELECTRICAL COMPONENT BOX – CARRYALL 6

ITEM	PART NO.	DESCRIPTION	QTY
		1 2 3 4	
1	1010954	Stud, Ball, 1/4-28 X 0.560	1
2	1012295	Fuse, 10-Amp	1
3	1012431	Washer, #4 Flat	2
4	1013589	Ring, Retaining, 0.338" Internal	1
5	1013609	Solenoid, 12-Volt	1
6	1014065	Washer, Flat, 0.38" ID, Delrin	1
7	1014119	Wire Assembly #6 Red	1
8	1014145	Bushing, Secondary Weight, Split	2
9	1014807	Switch, Limit	1
10	1014948	Diode	1
11	1015345	Bell Crank and Shaft Assembly	1
12	1015372	Cover, Electric Box	1
13	1015373	Cam, Electric Box	1
14	1015405	Bolt, Carriage, 5/16-18 X 2.0	1
15	1015737	Wire Assy, #10 Red	1
16	1015741	Fuse Block	1
17	1015752	Screw, #12-16 X 0.625, Hi-Lo	5
18	1015878	Screw, #4-40 Hex Head Machine	2
19	1016	Lockwasher, #10 Split	1
20	1016423	Fuse, 20-Amp	1
21	1016997	Electrical Component Box	1
22	1017	Nut, #10-24 Stainless-Steel Hex Machine	1
23	1017006	Wire Assembly Orange #18	1
24	1017239	Relay W/mounting Bracket	1
25	1017243	Mounting Bracket, Relay	1
26	101856102	Screw, 1/4-15 X 1.50, Hi-lo, Hex	1
27	102803401	Asm, Voltage Regulator Key Sta	1
28	1241	Washer, 5/16 Type A Flat	2
29	1242	Nut, 5/16-18 Hex	2
30	183	Washer, #10, Type A, Flat	1
31	7473	Locknut, 5/16-18 Nylon Insert	2
32	7818	Bolt, Carriage, 5/16-18 X 1.5	1
33	7893	Nut, #10-32 Hex	2
34	8057	Nut, #4-40 Hex Machine	4
35	8058	Lockwasher, #4 Split	2
36	8450	Screw, #10-24 X 0.50, Hex-Head	1
37	8717	Locknut, Nylon Insert, 1/4-28	1
38	8990	Tie Wrap, 8" Nylon	3

8
G

8

G

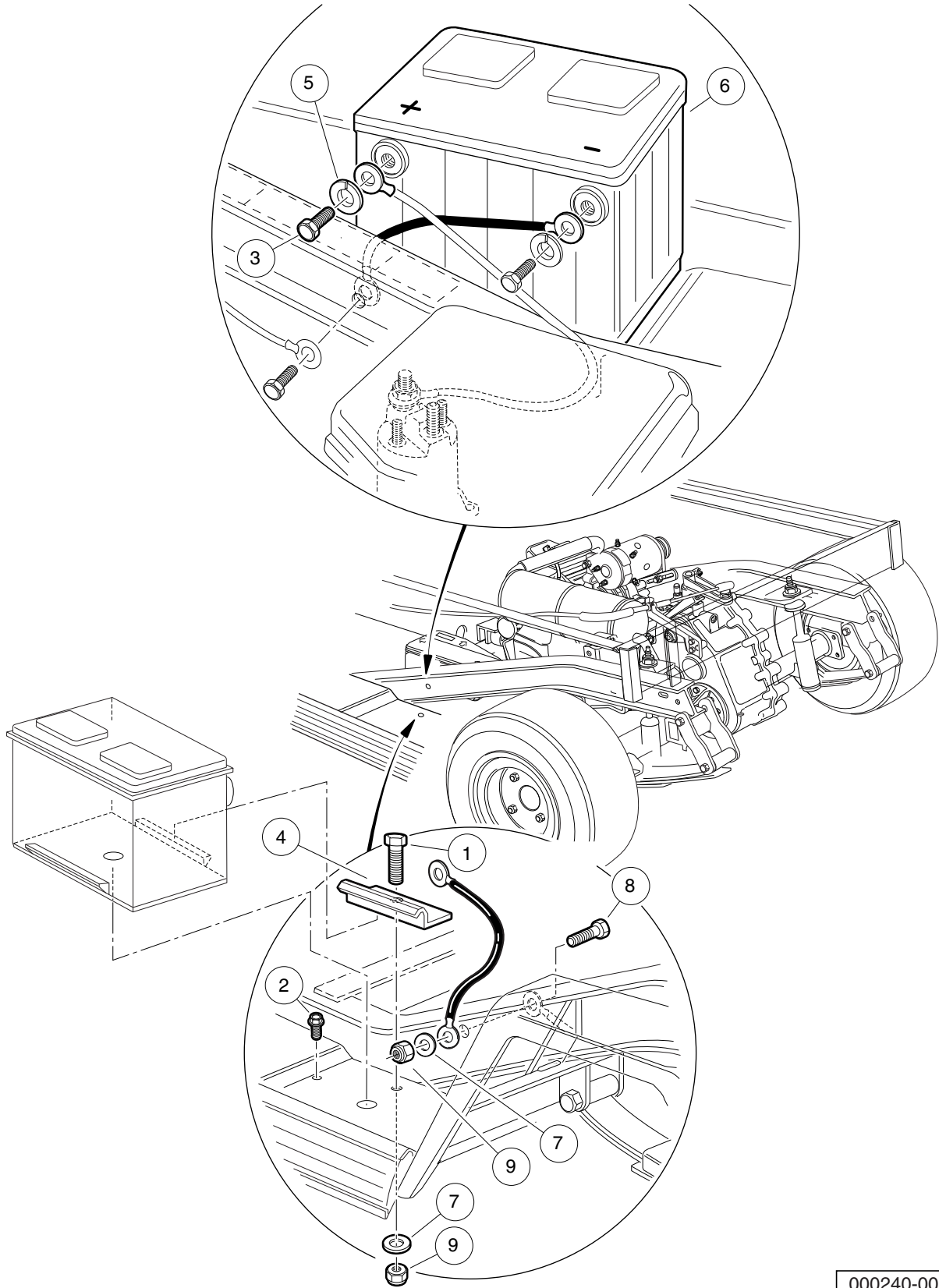


001080-001

FORWARD/REVERSE SHIFTER SWITCHES – DASH MOUNTED SHIFTER

ITEM	PART NO.	DESCRIPTION	QTY
		1 2 3 4	
1	1014807	Switch, Limit	2
2	1014808	Switch, Limit	1
3	1015878	Screw, #4-40 Hex Head Machine	2
4	8057	Nut, #4-40 Hex Machine	2
5	8058	Lockwasher, #4 Split	2

8
G



000240-001

BATTERY – GASOLINE UTILITY VEHICLES

ITEM	PART NO.	DESCRIPTION	QTY
		1 2 3 4	
1	1010934	Screw, 5/16-18 X 1.00 Hex Cap	1
2	1014288	Screw, 5/16-18 X 0.75, Thread-Forming	1
3	1014375	Screw, 3/8-16 X 0.50, Stainless Steel, Hex-Head	2
4	101898001	Clamp, Battery	1
5	102355301	Lockwasher, 3/8 Split Ss	2
6	103496801	Battery, Start, 12v	1
7	1241	Washer, 5/16 Type A Flat	2
8	7173	Screw, 5/16-18 X 0.75, Hex-Head Cap	1
9	7473	Locknut, 5/16-18 Nylon Insert	2

8
G

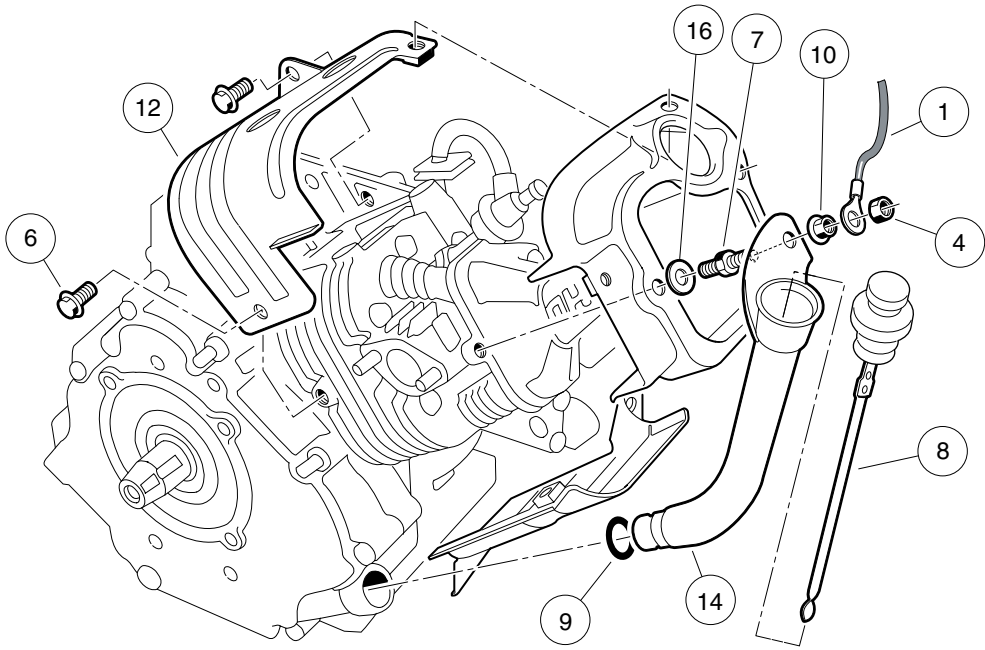
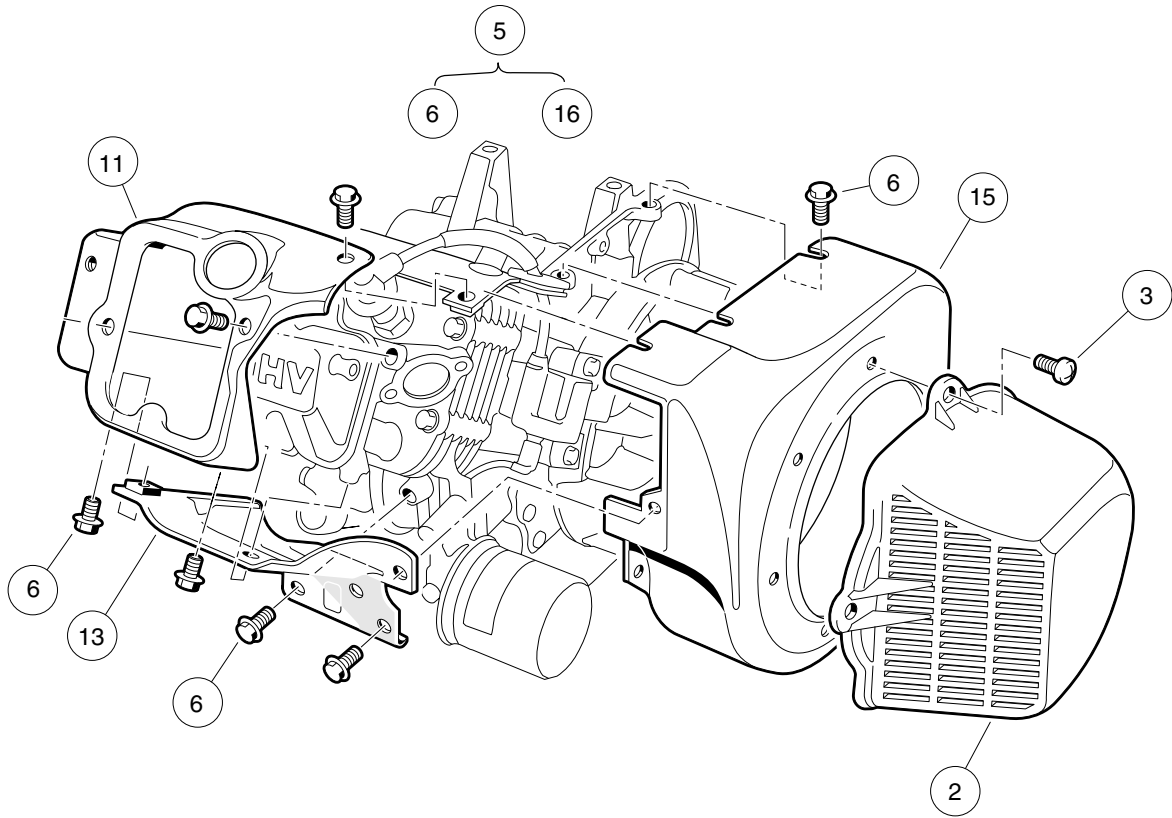
8

G

ENGINE (S27) W/O ACR, 50-STATE

9

G



000201-002

FE350 ENGINE (S27) W/O ACR, SHROUDS, AND BRACKETS; 50-STATE

ITEM	PART NO.	DESCRIPTION	QTY
		1 2 3 4	
1	1015332	Wire, Ground, #10, Uninsulated	1
2	1015649	Shroud, Fan	1
3	1015969	Screw, M6-1.00 X 10mm, Pan Hd	4
4	101887601	Locknut, M6-1.00 Nylon Insert	1
5	103386202	Engine, FE350 S27 (includes items 6 through 16)	1
6	1016456	Bolt, Flange Head, M6 x 1 x 12 mm	16
7	1016507	Bolt, Two-Ended	1
8	1016531	Dipstick	1
9	1016539	O-Ring	1
10	1016547	Nut, M6 Flange	1
11	1017474	Shroud, Engine	1
12	1017475	Shroud, Engine	1
13	1017476	Shroud, Engine	1
14	1017486	Tube, Oil Filler	1
15	101916101	Housing, FE350 Fan	1
16	N/A	Washer, 6mm Flat	1
Note: The S27 engine meets emission requirements for all 50 states.			

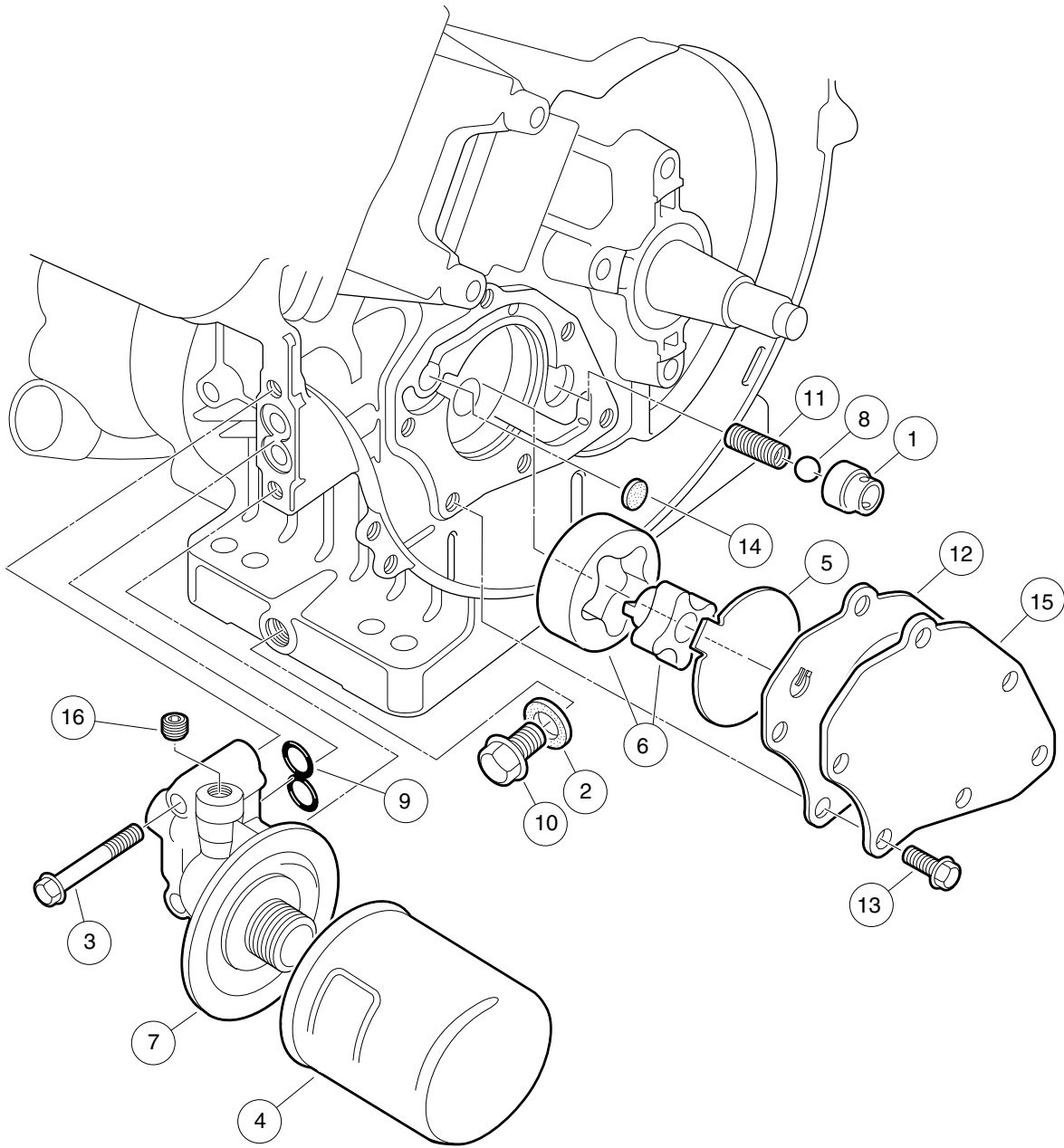
9

G

FE350 ENGINE (S27) – IGNITION COMPONENTS AND FLYWHEEL

ITEM	PART NO.	DESCRIPTION	QTY
		1 2 3 4	
1	1016455	Bolt, Flange Head	2
2	1016544	Screw	1
3	1016561	Clamp	1
4	1016562	Key	1
5	1016578	Grommet, Ignition	1
6	1016587	Clamp	1
7	1016588	Tube, 7mm X 10mm X 70mm	1
8	1017448	Bolt, Flanged	3
9	1017455	Plate, Flywheel Fan	1
10	1017463	Cap Asm, Plug	1
11	1017490	Washer, Flat	1
12	101916301	Fan (cw)	1
13	102838401	Nut, Hex, 18 mm Fine	1
14	103616501	Coil Asm, Ignition	1
15	103616601	Flywheel, Complete	1
16	103616701	Wire Lead, Ignition	1
17	AM1232301	Spark Plug, BPR2ES	1

9
G



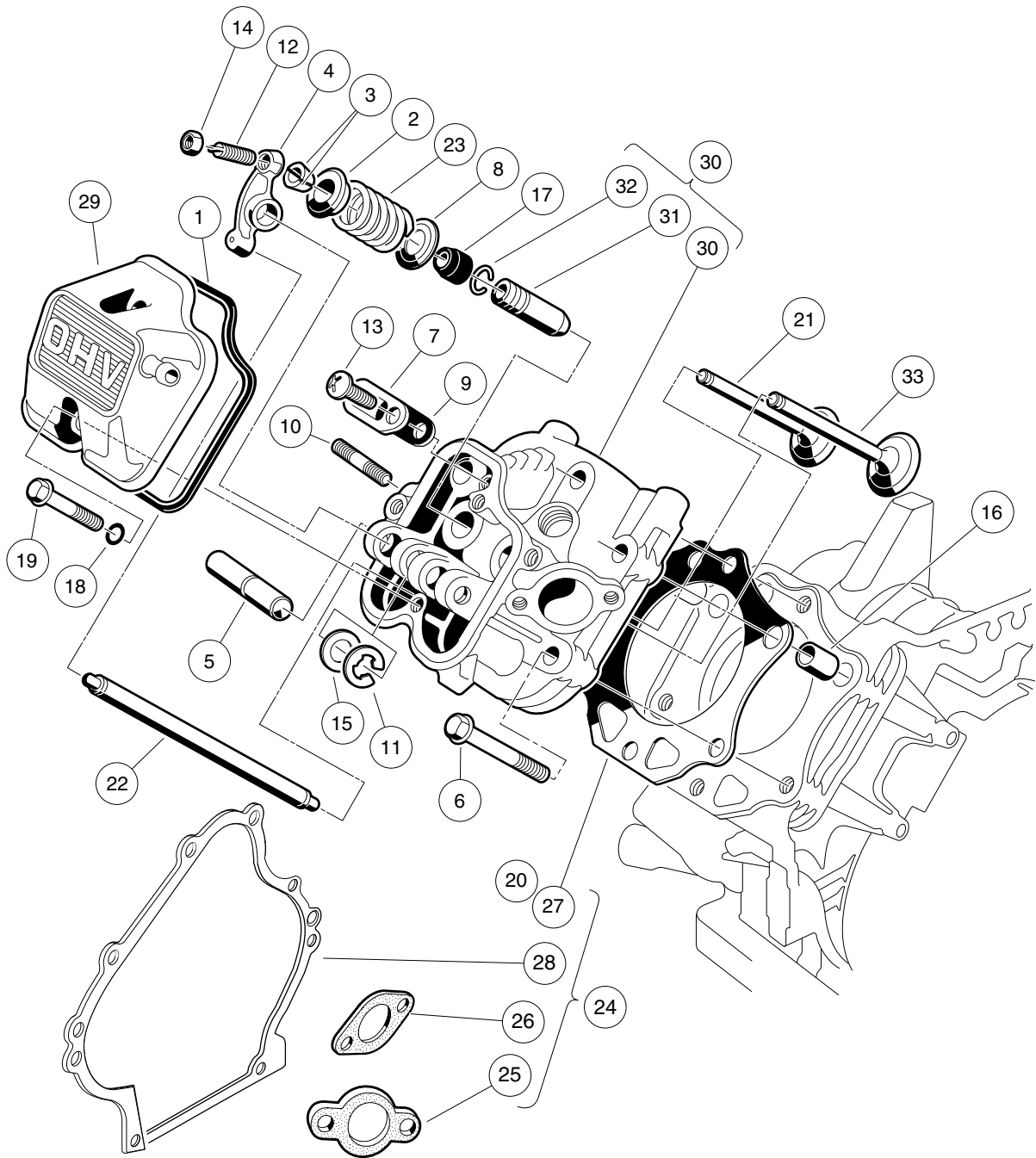
000203-001

FE350 ENGINE (S27) – OIL CIRCULATION

ITEM	PART NO.	DESCRIPTION	QTY
		1 2 3 4	
1	1016429	Seat, Valve Oil Pressure Relief	1
2	1016432	Gasket, Drain Plug	1
3	1016457	Bolt, Flange Head	2
4	1016467	Filter, Oil	1
5	1016473	Plate, Oil Pump	1
6	101648203	Oil Pump And Rotor	1
7	1016502	Bracket, Oil Filter Mount	1
8	1016537	Ball, Steel, Press, Relief	1
9	1016570	O-Ring	1
10	1016576	Plug, Drain	1
11	1016581	Spring	1
12	1017442	Gasket	1
13	1017456	Bolt, Flanged	6
14	1017458	Filter	1
15	1017460	Cover, Pump	1
16	1017507	Plug	2

9

G



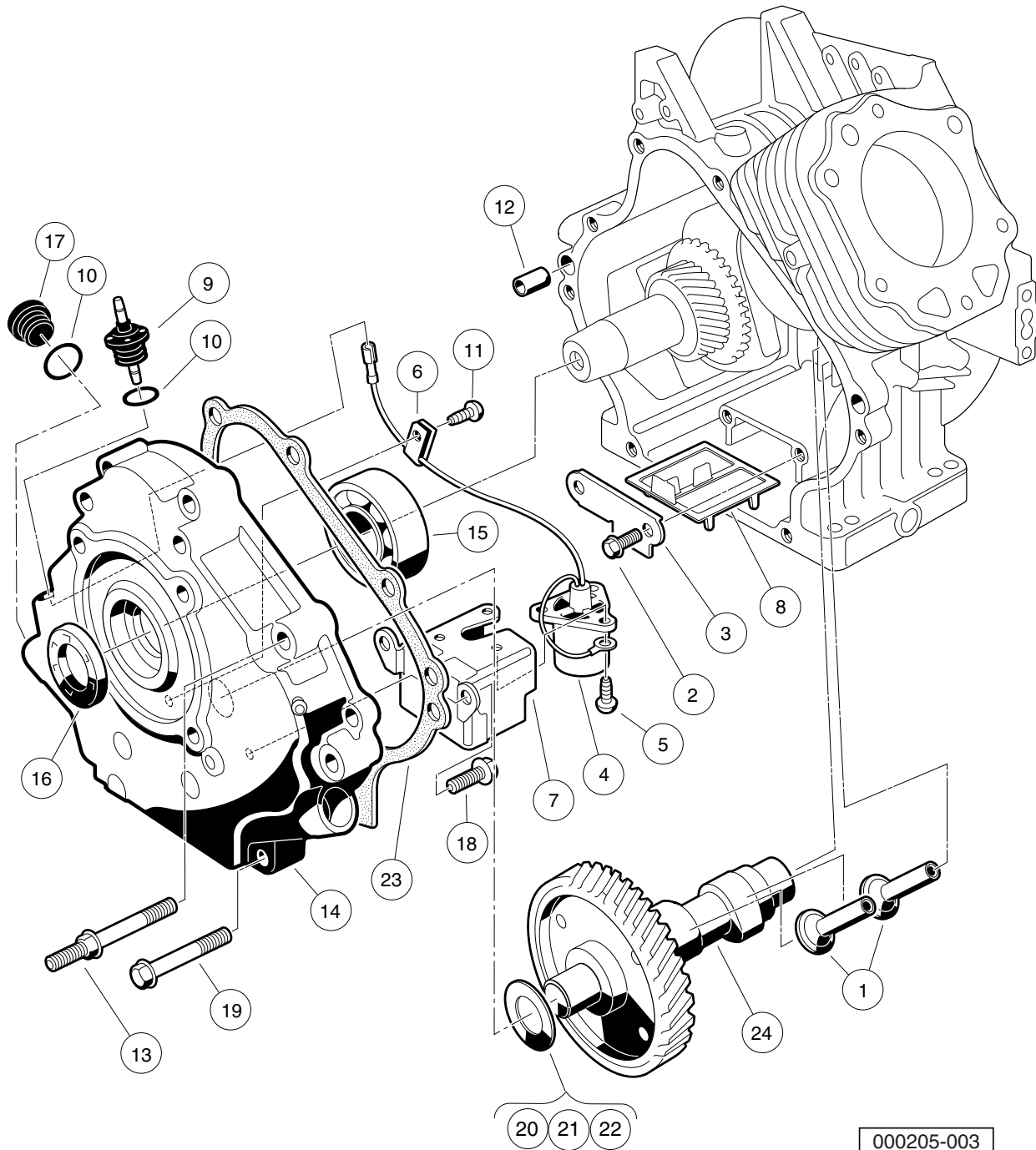
000204-007

FE350 ENGINE (S27) – CYLINDER HEAD

ITEM	PART NO.	DESCRIPTION	QTY
		1 2 3 4	
1	1016436	Gasket, Rocker Case	1
2	1016449	Retainer, Valve Spring	2
3	1016450	Collet	4
4	1016451	Arm, Rocker	2
5	1016452	Shaft, Rocker	1
6	1016458	Bolt, Flange Head, M8 x 1.25 x 45 mm	6
7	1016474	Plate	1
8	1016479	Seat, Spring	2
9	1016483	Valve	1
10	1016489	Stud, Two-Ended, M8-1.25	2
11	1016517	Circlip, Type-E	1
12	1016542	Screw	2
13	1016544	Screw	1
14	1016545	Nut	2
15	1016549	Washer, 12.1x19x1.8	1
16	1016563	Pin	2
17	1016566	Seal, Oil	2
18	1016569	O-Ring	2
19	1016583	Bolt, 6x35	2
20	1017434	Gasket, Head	1
21	1017445	Valve, Exhaust	1
22	1017454	Rod, Push	2
23	1017473	Spring, Engine Valve	2
24	102304801	Kit, Gasket, FE350 (includes items 25 through 28)	1
25	1016440	Gasket, Engine to Insulator	1
26	1016904	Gasket, Exhaust	1
27	1017434	Gasket, Head	1
28	1017443	Gasket, Crankcase Cover	1
29	102753401	Case, Rocker, Fe	1
30	103615601	Cylinder Head (includes items 31 and 32)	1
31	1016519	Guide, Valve, Intake, Exhaust	2
32	1016560	Snap Ring	2
33	103616301	Valve, Intake, Hard Tip	1
		Note: Item 25 is not a component of the FE350 engine.	

9

G

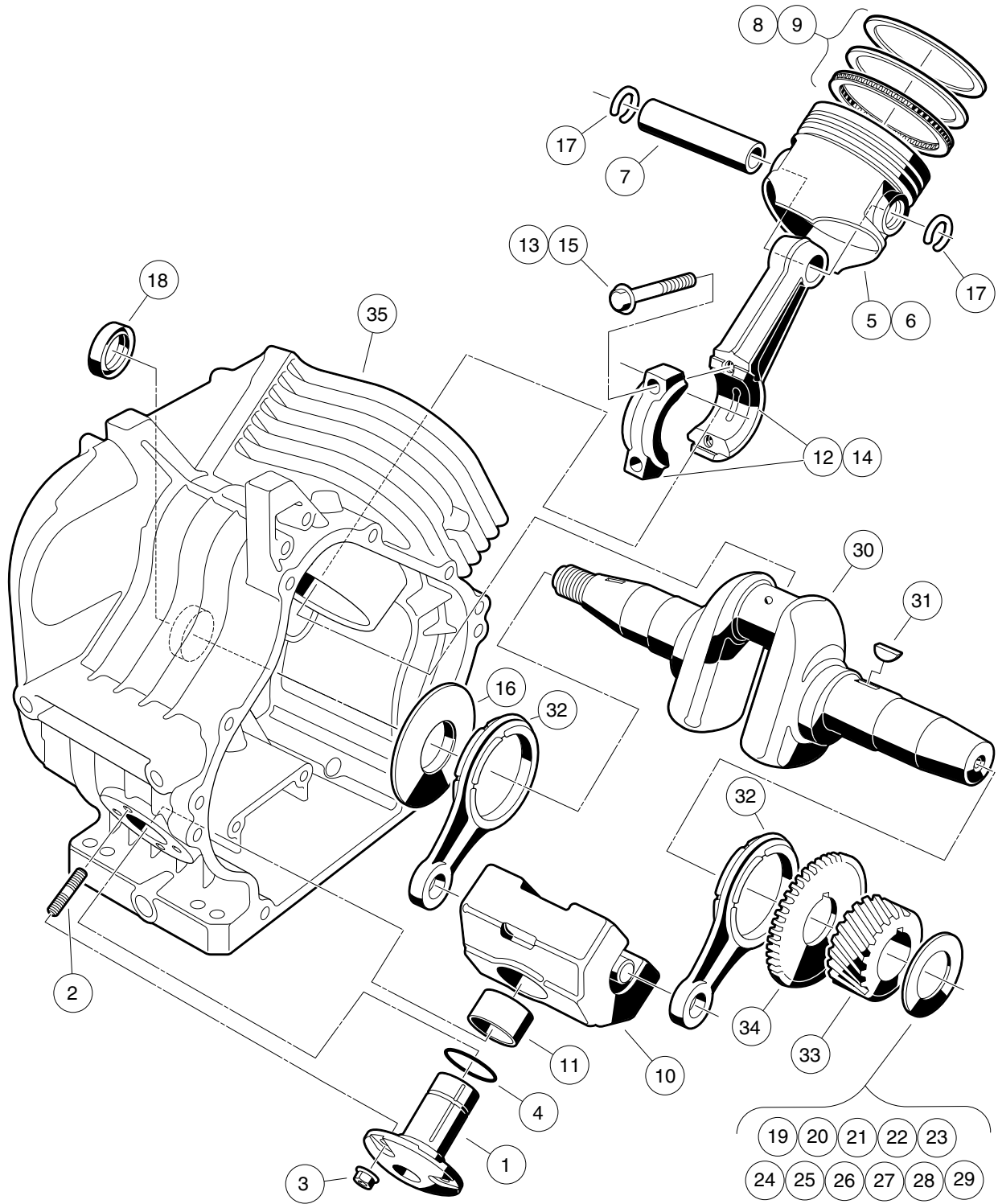


000205-003

FE350 ENGINE (S27) – CRANKCASE, CAMSHAFT, AND OIL SENSOR

ITEM	PART NO.	DESCRIPTION	QTY
		1 2 3 4	
1	1016453	Tappet	2
2	1016454	Bolt, Flange Head, M5 x 0.8 x 8 mm	2
3	1016472	Plate, Oil Filter Screen	1
4	1016494	Sensor, Oil Level	1
5	1016496	Screw, Cross Pan-Head, M4 x 0.7 x 8 mm	3
6	1016506	Clamp	1
7	1016510	Bracket, Switch, Oil Level	1
8	1016521	Screen, Oil Filter	1
9	1016535	Connector, Cord	1
10	1016538	O-Ring	2
11	1016544	Screw	1
12	1016564	Pin	2
13	1016584	Bolt, Two-Ended, M8 x 1.25 x 69 mm	2
14	1017472	Cover Crankcase	1
15	1017487	Bearing, Ball	1
16	1017504	Seal, Oil	1
17	1017508	Plug	1
18	1017513	Bolt Switch Bracket	2
19	1017514	Screw, M8-1.25 X 45mm Hex	6
20	101751801	Shim, 0.3	1
21	101751802	Shim, 0.4	1
22	101751803	Shim, 0.5	1
23	103615901	Gasket, Crankcase Cover	1
24	103616401	Camshaft, Complete	1

9
G



000206-003

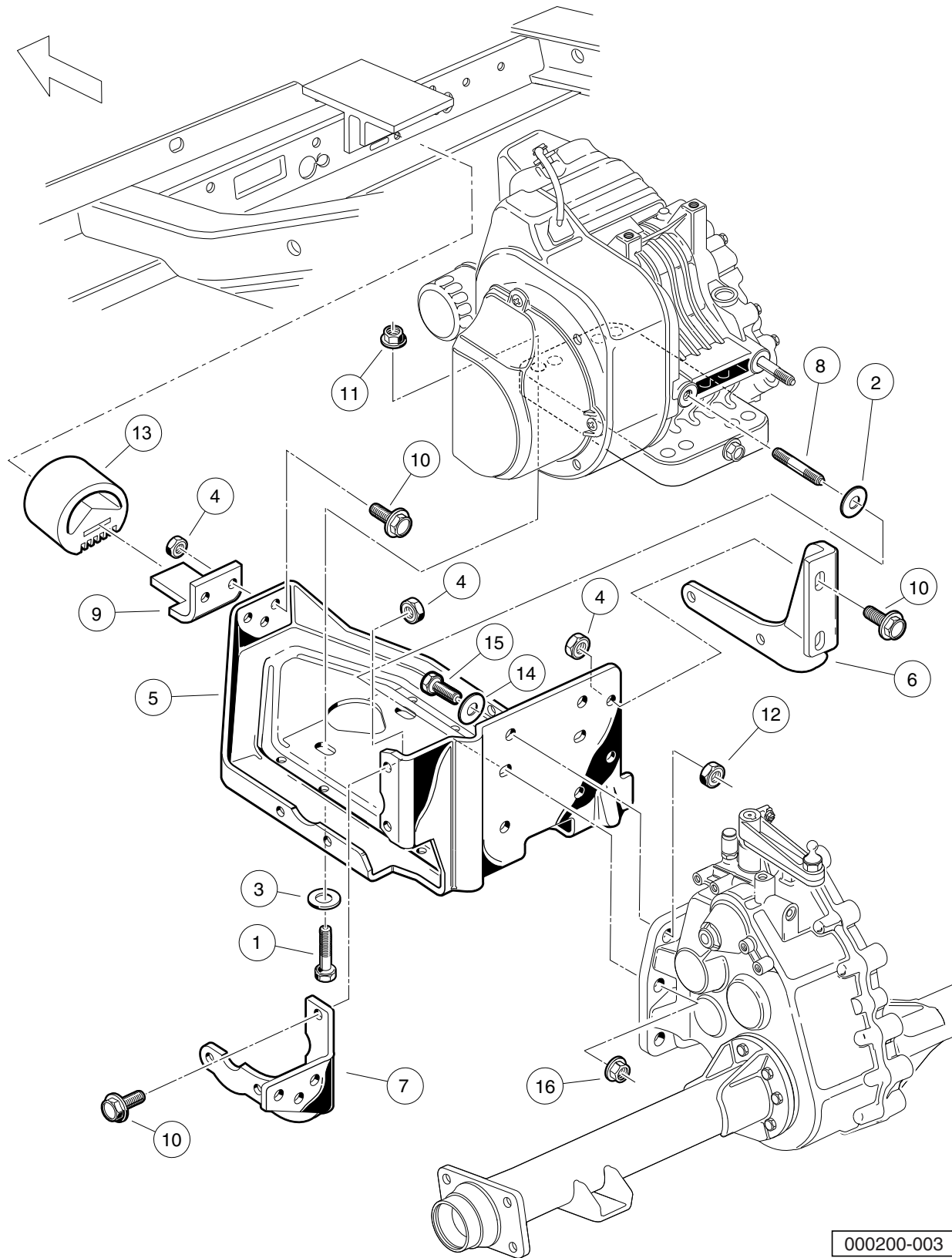
FE350 ENGINE (S27) – CRANKCASE AND CRANKSHAFT

ITEM	PART NO.	DESCRIPTION	QTY
		1 2 3 4	
1	1016470	Shaft, Guide, Counterbalance	1
2	1016541	Stud, 6x14	4
3	1016547	Nut, Flanged, M6 X 1.00	4
4	1016571	O-Ring	1
5	101744901	Piston, Standard	1
6	101744902	Piston, 0.50 mm Oversize	1
7	1017450	Pin, Piston	1
8	101745101	Ring Set, Standard Piston	1
9	101745102	Ring Set, Piston, 0.50 mm Oversize	1
10	1017453	Counterbalance Weight (includes item 11)	1
11	1017510	Bearing, Plain	1
12	101745701	Asm, Con. Rod Std (includes item 13)	1
13	1017512	Bolt	2
14	101745702	Asm,Con.Rod 0.5mm U/s (includes item 15)	1
15	1017512	Bolt	2
16	1017501	Spacer	1
17	1017502	Snap Ring	2
18	1017503	Seal, Oil	1
19	101773301	Shim, Crankshaft, 1.18mm	1
20	101773302	Shim, Crankshaft, 1.25mm	1
21	101773303	Shim, Crankshaft, 1.32mm	1
22	101773304	Shim, Crankshaft, 1.39mm	1
23	101773305	Shim, Crankshaft, 1.46mm	1
24	101773306	Shim, Crankshaft, 1.53mm	1
25	101773307	Shim, Crankshaft, 1.60mm	1
26	101773308	Shim, Crankshaft, 1.67mm	1
27	101773309	Shim, Crankshaft, 1.74mm	1
28	101773310	Shim, Crankshaft, 1.11 mm	1
29	101773311	Shim, Crankshaft, 1.81mm	1
30	102430901	Crankshaft, FE350 Left-Hand, 22-Tooth (includes items 31 through 34)	1
31	1016562	Key	1
32	1017471	Rod	2
33	N/A	Gear, Helical	1
34	N/A	Gear, Spur	1
35	103615801	Crankcase, FE350	1

9

G

9
G



000200-003

FE350 ENGINE (S27) – MOUNTING

ITEM	PART NO.	DESCRIPTION	QTY
		1 2 3 4	
1	1010577	Bolt, Hex-Head, 5/16-18 X 1.50	4
2	1011697	Washer, 5/16 Flat	2
3	1012571	Washer, 5/16 Extra Thick Flat	4
4	1013924	Nut, 5/16-24, Hex Head Cone	10
5	101827101	Plate, Engine Mounting	1
6	101832601	Stiffener (PTO Side)	1
7	101832701	Stiffener (Flywheel Side)	1
8	101833101	Stud, M8-1.25 X 50 mm Two-Ended	2
9	101834601	Bracket, Snubber	1
10	101884801	Screw, 5/16-24 X 0.875, Grade-8	10
11	101963401	Locknut, 5/16-18 Hex Flange	4
12	102065901	Locknut, 3/8-16 Flanged Dimple	4
13	102540301	Snubber, Inner Frame	1
14	334	Washer, 3/8, Type A, Flat	4
15	705	Screw, Cap-hex Hd 3/8-16x1.25	4
16	96704416	Nut, Flange, M8 X 1.25 Serrated	2

9

G

9

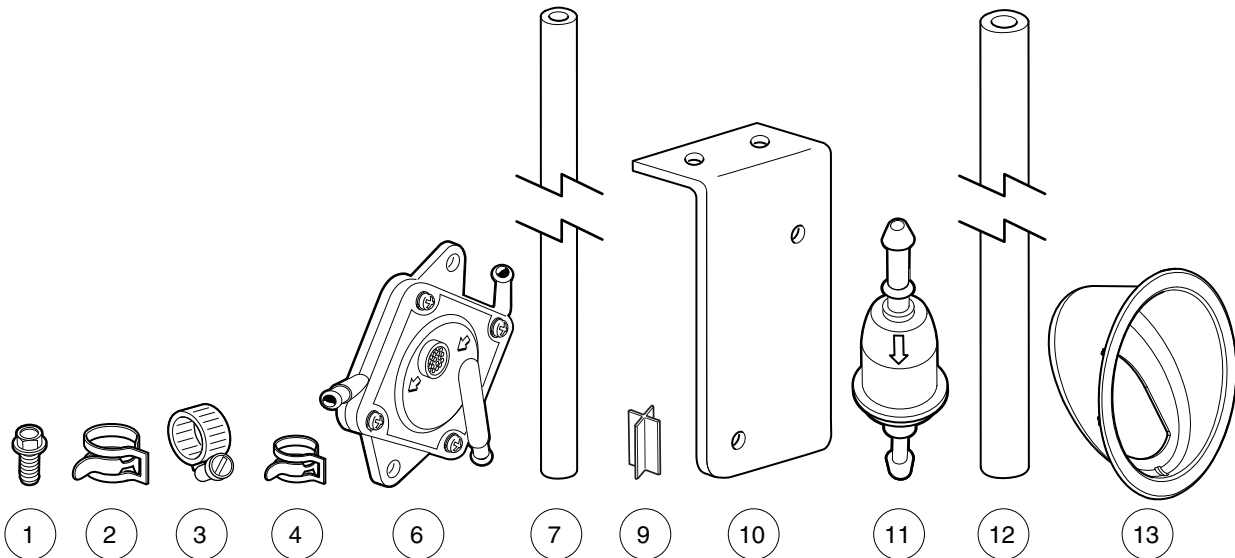
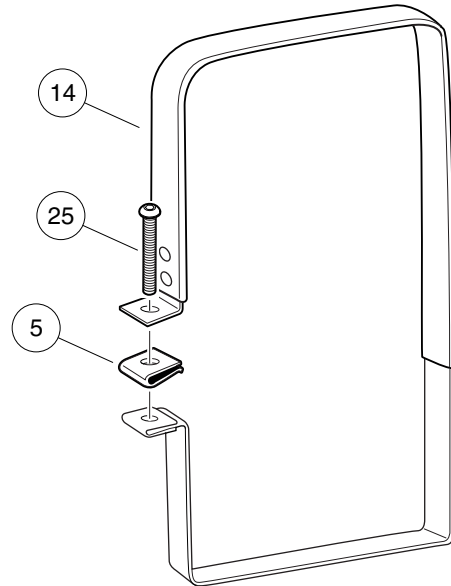
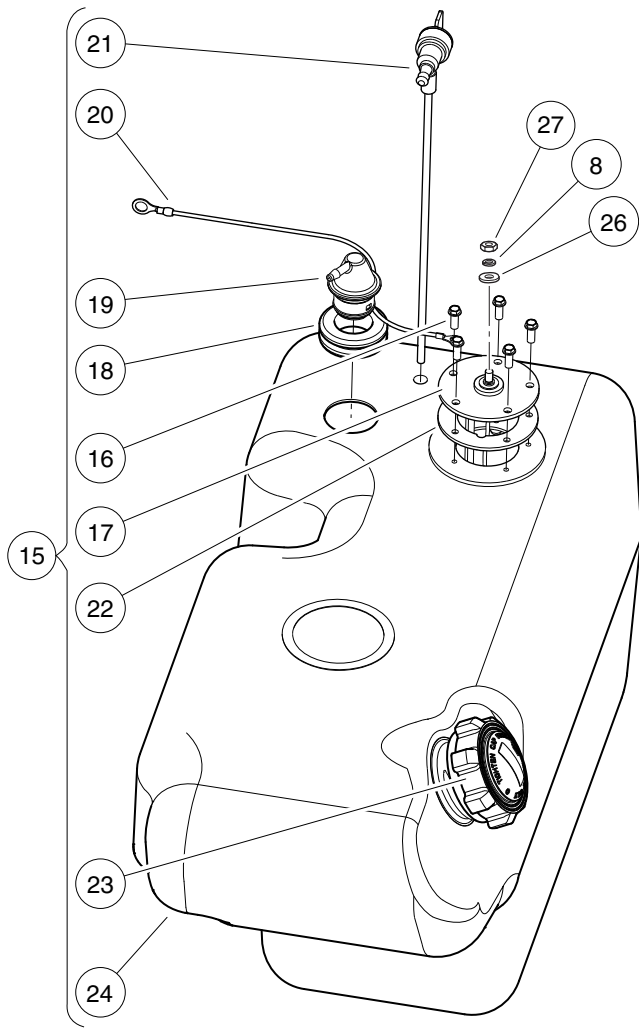
G

FUEL, INTAKE, AND GOVERNOR SYSTEMS

10

G

10
G



001072-001

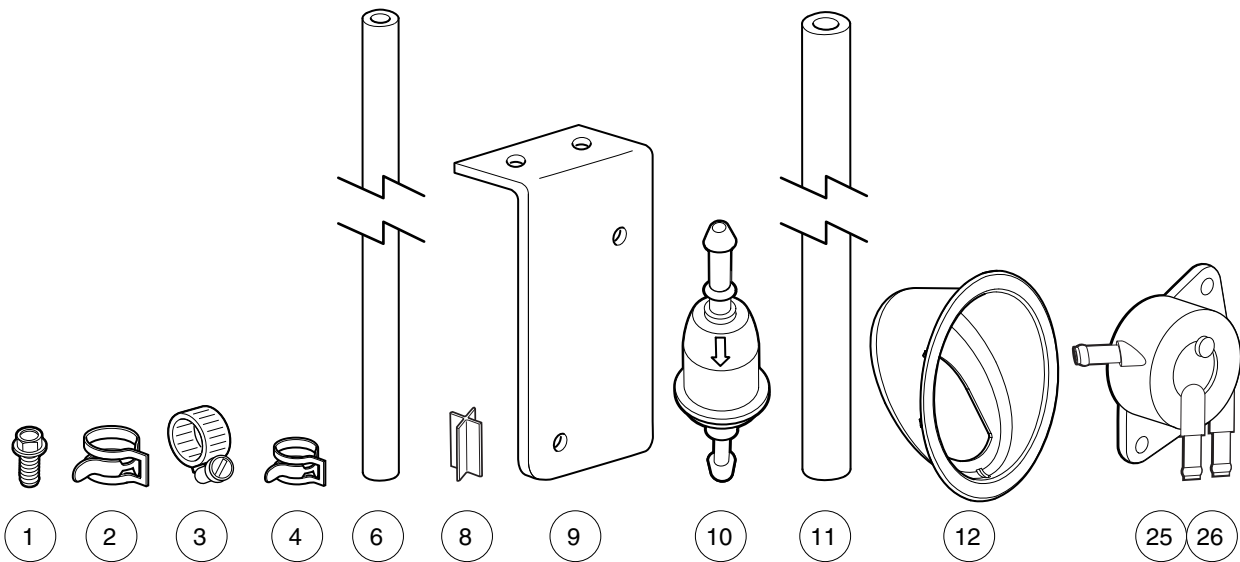
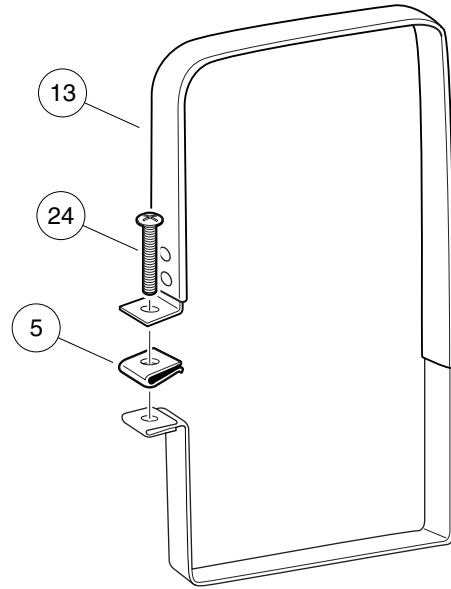
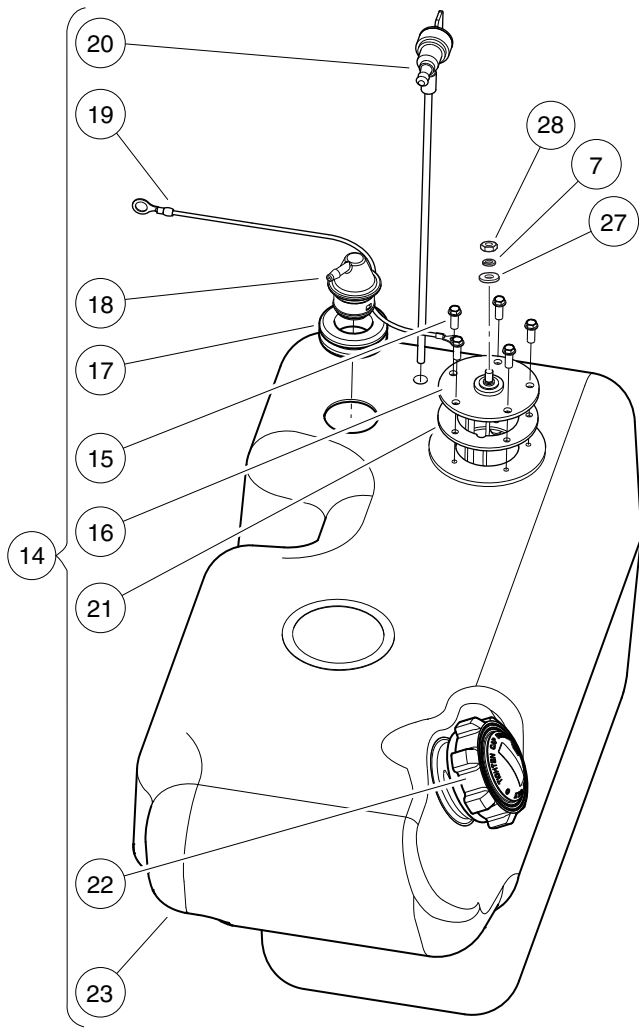
FUEL SYSTEM – 49 STATE, WITH METAL FUEL PUMP

ITEM	PART NO.	DESCRIPTION	QTY
		1 2 3 4	
1	1012285	Screw, 1/4 X 0.625 Hex-Head	4
2	1012649	Clamp, 0.460 Red Hose	8
3	1013687	Clamp, 3/8" Hose (screw type)	1
4	1013746	Clamp, 0.301 ID Hose	2
5	1014116	Nut, 1/4-20 Speed	1
6	1014523	Pump, Impulse Fuel	1
7	1015137	Fuel Line, 3/16 (available by the foot)	A/R
8	1016	Lockwasher, #10 Split	1
9	101824401	Vent Barb	1
10	101929501	Mount Fuel Pump	1
11	102003201	Filter, Fuel, 30 Micron	2
12	102865101	Fuel Line, 1/4 (available by the foot)	A/R
13	102977901	Bezel, Fuel Fill, 5.0 Dia	1
14	102978001	Strap, Fuel Tank, Side Fill	1
15	103187601	Asm, Fuel Tank, Side Fill, Su (includes items 16 through 24)	1
16	1013461	Screw, #10-16 Hex-Head Hi-Lo	5
17	1013462	Sending Unit, Fuel Level *	1
18	1015139	Insulation Grommet	1
19	1015143	Vent, Fuel Tank	1
20	1015921	Wire Assembly #16 Black	1
21	102513701	Valve - Fuel Pickup Tube	1
22	102522001	Gasket, Rubber	1
23	102751601	Cap, Fuel Tank, Gasoline	1
24	102974201	Tank, Fuel, Side Fill	1
25	103306301	Screw, Bhsc, 1/4-20 X 2.0	1
26	183	Washer, #10, Type A, Flat	1
27	8797	Nut, #10-32 Brass Hex	1
		* Note: Must replace fuel sending unit gasket when servicing this component.	

10

G

10
G



001072-003

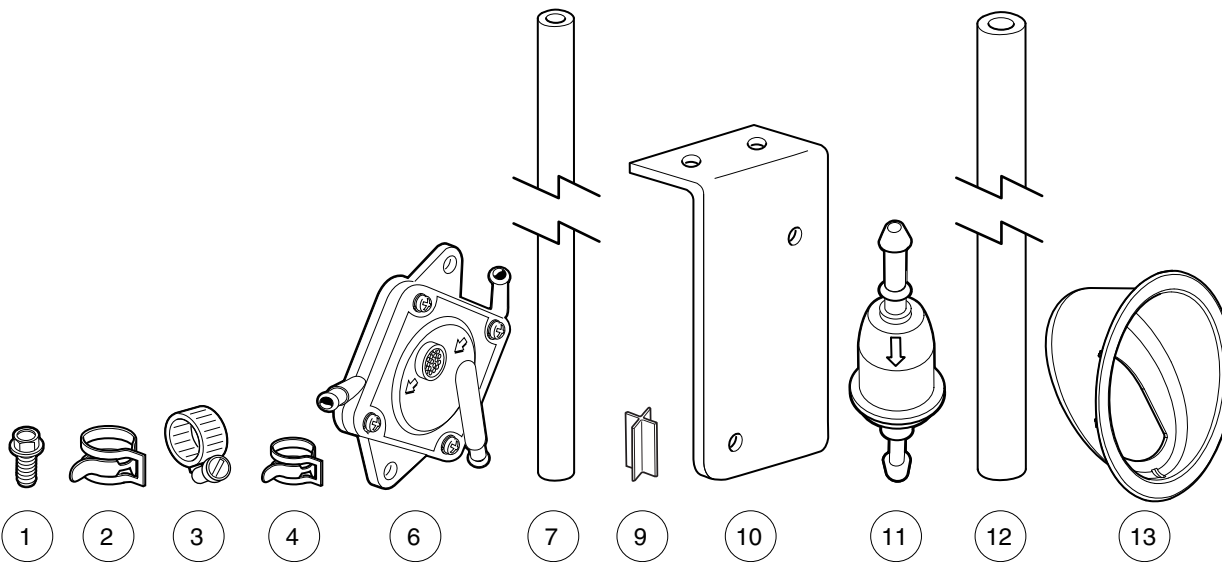
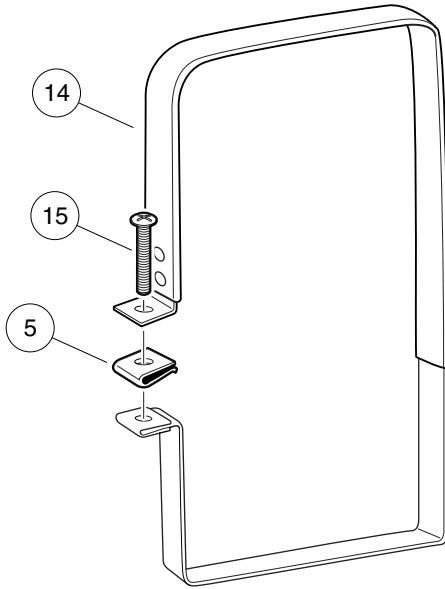
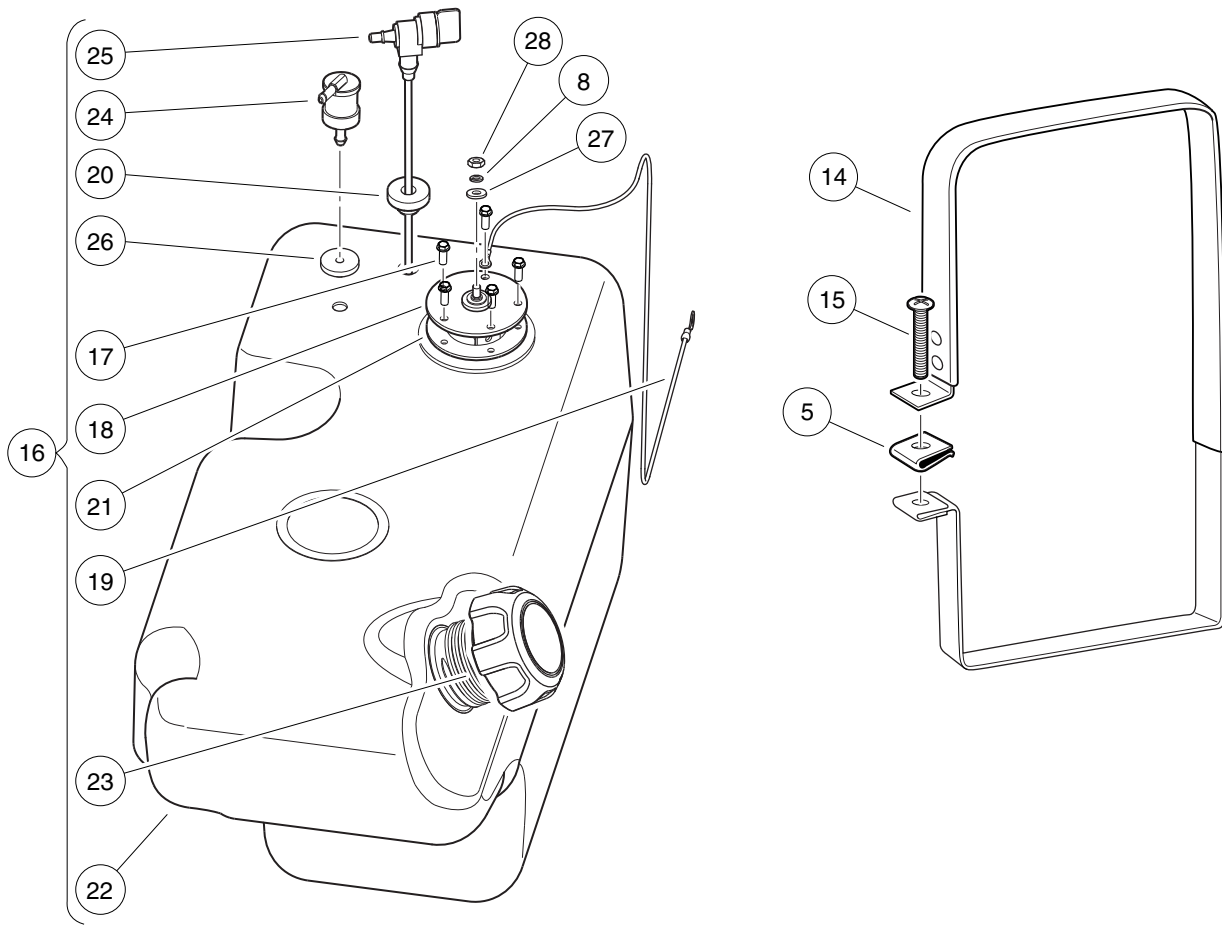
FUEL SYSTEM – 49 STATE, WITH PLASTIC FUEL PUMP

ITEM	PART NO.	DESCRIPTION	QTY
		1 2 3 4	
1	1012285	Screw, 1/4 X 0.625 Hex-Head	4
2	1012649	Clamp, 0.460 Red Hose	8
3	1013687	Clamp, 3/8" Hose (screw type)	1
4	1013746	Clamp, 0.301 ID Hose	2
5	1014116	Nut, 1/4-20 Speed	1
6	1015137	Fuel Line, 3/16 (available by the foot)	A/R
7	1016	Lockwasher, #10 Split	1
8	101824401	Vent Barb	1
9	101929501	Mount Fuel Pump	1
10	102003201	Filter, Fuel, 30 Micron	2
11	102865101	Fuel Line, 1/4 (available by the foot)	A/R
12	102977901	Bezel, Fuel Fill, 5.0 Dia	1
13	102978001	Strap, Fuel Tank, Side Fill	1
14	103187601	Asm, Fuel Tank, Side Fill, Su (includes items 15 through 23)	1
15	1013461	Screw, #10-16 Hex-Head Hi-Lo	5
16	1013462	Sending Unit, Fuel Level *	1
17	1015139	Insulation Grommet	1
18	1015143	Vent, Fuel Tank	1
19	1015921	Wire Assembly #16 Black	1
20	102513701	Valve - Fuel Pickup Tube	1
21	102522001	Gasket, Rubber	1
22	102751601	Cap, Fuel Tank, Gasoline	1
23	102974201	Tank, Fuel, Side Fill	1
24	103306301	Screw, Bhsc, 1/4-20 X 2.0	1
25	103781101	Kit, Fuel Pump Retrofit (includes item 26)	1
26	103010101	Pump, Fuel, Impulse, Fh	1
27	183	Washer, #10, Type A, Flat	1
28	8797	Nut, #10-32 Brass Hex	1
		* Note: Must replace fuel sending unit gasket when servicing this component.	

10

G

10
G



001072-002

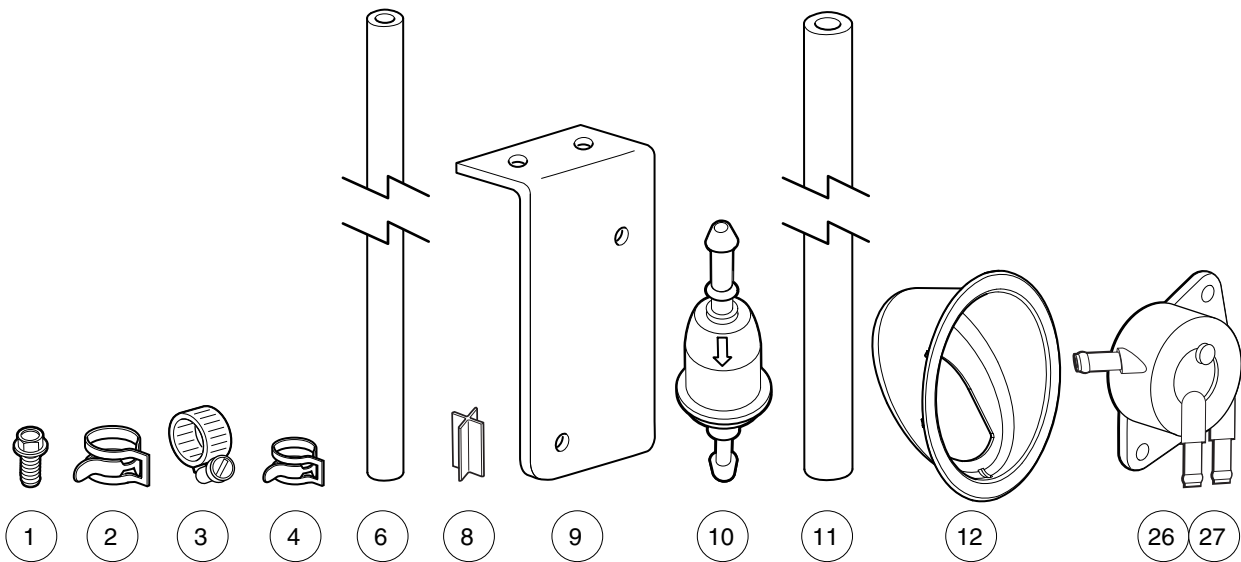
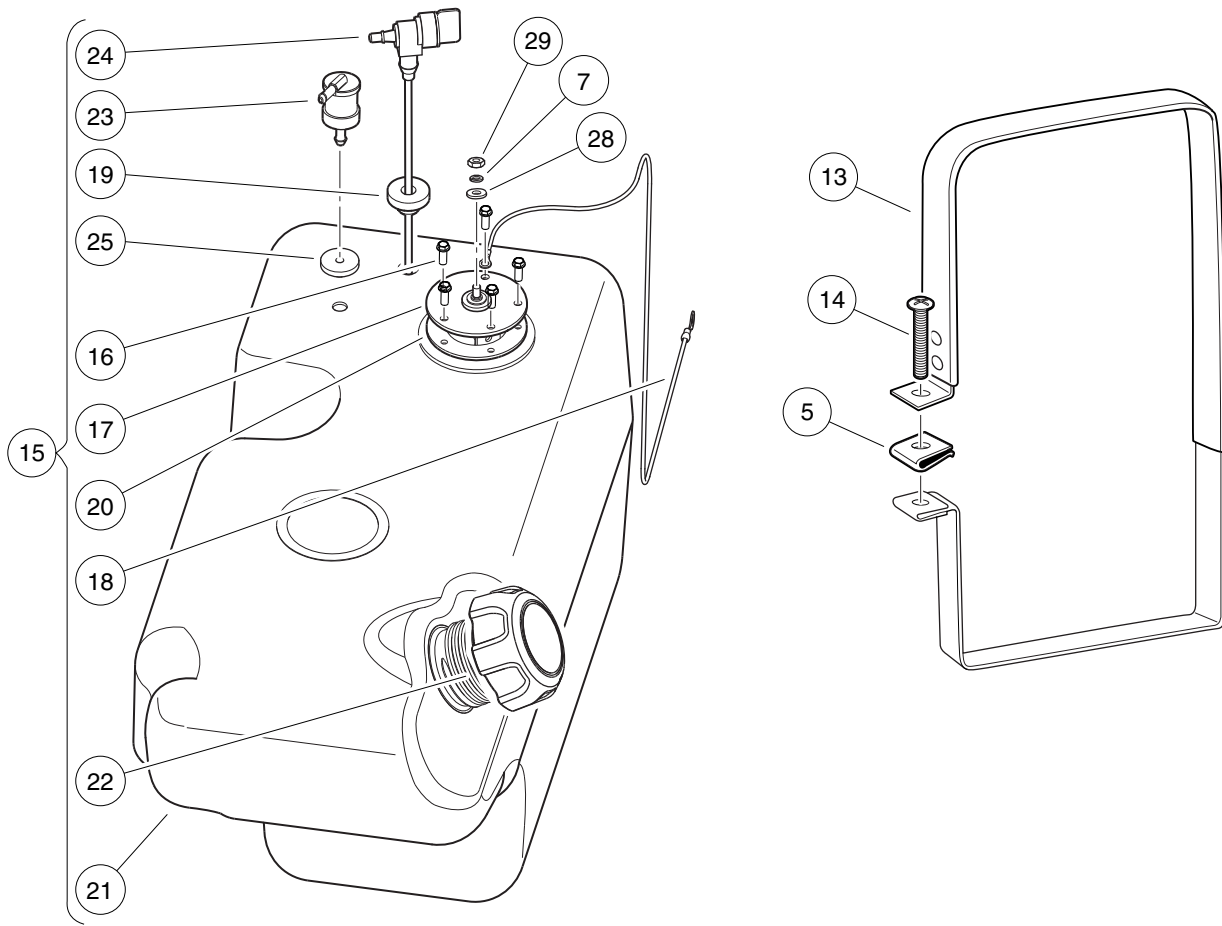
FUEL SYSTEM – CALIFORNIA ONLY, WITH METAL FUEL PUMP

ITEM	PART NO.	DESCRIPTION	QTY
		1 2 3 4	
1	1012285	Screw, 1/4 X 0.625 Hex-Head	4
2	1012649	Clamp, 0.460 Red Hose	8
3	1013687	Clamp, 3/8" Hose (screw type)	1
4	1013746	Clamp, 0.301 ID Hose	2
5	1014116	Nut, 1/4-20 Speed	1
6	1014523	Pump, Impulse Fuel	1
7	1015137	Fuel Line, 3/16 (available by the foot)	A/R
8	1016	Lockwasher, #10 Split	1
9	101824401	Vent Barb	1
10	101929501	Mount Fuel Pump	1
11	102003201	Filter, Fuel, 30 Micron	2
12	102865101	Fuel Line, 1/4 (available by the foot)	A/R
13	102977901	Bezel, Fuel Fill, 5.0 Dia	1
14	102978001	Strap, Fuel Tank, Side Fill	1
15	103306301	Screw, Bhsc, 1/4-20 X 2.0	1
16	103369101	Asm, Fuel Tank,side Fill,nano (includes items 17 through 26)	1
17	1013461	Screw, #10-16 Hex-Head Hi-Lo	5
18	1013462	Sending Unit, Fuel Level *	1
19	1015921	Wire Assembly #16 Black	1
20	102406701	Bushing, Line, Return	1
21	102522001	Gasket, Rubber	1
22	N/A	Tank, Fuel,side Fill,nano	1
23	103372101	Cap, Fuel Tank, Gas, Ratchet	1
24	103372201	Vent, Fuel Tank, W/ Valve	1
25	103372301	Valve, Fuel, 259mm	1
26	103374701	Grommet, Fuel Tank Vent	1
27	183	Washer, #10, Type A, Flat	1
28	8797	Nut, #10-32 Brass Hex	1
* Note: Must replace fuel sending unit gasket when servicing this component.			

10

G

10
G

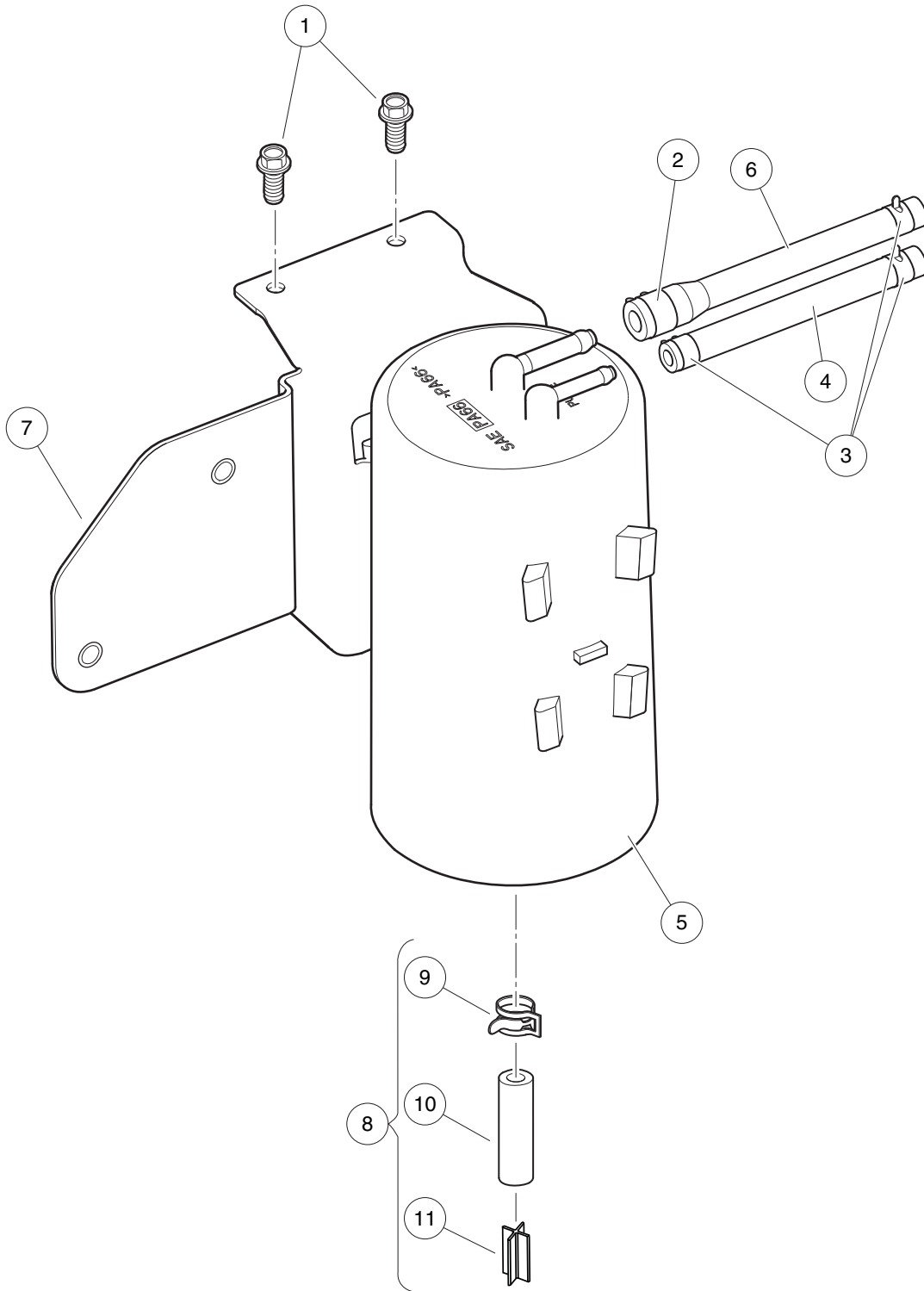


001072-004

FUEL SYSTEM – CALIFORNIA ONLY, WITH PLASTIC FUEL PUMP

ITEM	PART NO.	DESCRIPTION	QTY
		1 2 3 4	
1	1012285	Screw, 1/4 X 0.625 Hex-Head	4
2	1012649	Clamp, 0.460 Red Hose	8
3	1013687	Clamp, 3/8" Hose (screw type)	1
4	1013746	Clamp, 0.301 ID Hose	2
5	1014116	Nut, 1/4-20 Speed	1
6	1015137	Fuel Line, 3/16 (available by the foot)	A/R
7	1016	Lockwasher, #10 Split	1
8	101824401	Vent Barb	1
9	101929501	Mount Fuel Pump	1
10	102003201	Filter, Fuel, 30 Micron	2
11	102865101	Fuel Line, 1/4 (available by the foot)	A/R
12	102977901	Bezel, Fuel Fill, 5.0 Dia	1
13	102978001	Strap, Fuel Tank, Side Fill	1
14	103306301	Screw, Bhsc, 1/4-20 X 2.0	1
15	103369101	Asm, Fuel Tank,side Fill,nano (includes items 16 through 25)	1
16	1013461	Screw, #10-16 Hex-Head Hi-Lo	5
17	1013462	Sending Unit, Fuel Level *	1
18	1015921	Wire Assembly #16 Black	1
19	102406701	Bushing, Line, Return	1
20	102522001	Gasket, Rubber	1
21	N/A	Tank, Fuel,side Fill,nano	1
22	103372101	Cap, Fuel Tank, Gas, Ratchet	1
23	103372201	Vent, Fuel Tank, W/ Valve	1
24	103372301	Valve, Fuel, 259mm	1
25	103374701	Grommet, Fuel Tank Vent	1
26	103781101	Kit, Fuel Pump Retrofit (includes item 27)	1
27	103010101	Pump, Fuel, Impulse, Fh	1
28	183	Washer, #10, Type A, Flat	1
29	8797	Nut, #10-32 Brass Hex	1
		* Note: Must replace fuel sending unit gasket when servicing this component.	

10
G

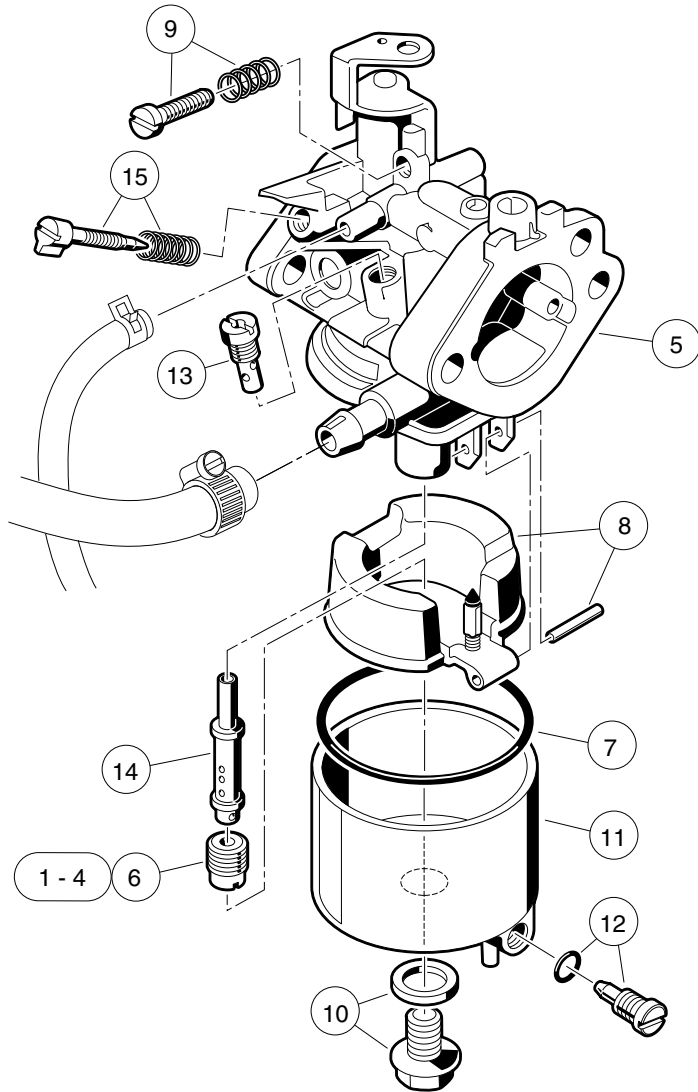


000980-007

CARBON CANISTER – CALIFORNIA ONLY

ITEM	PART NO.	DESCRIPTION	QTY
		1 2 3 4	
1	1012285	Screw, 1/4 X 0.625 Hex-Head	2
2	101313402	Clamp, Green Hose	1
3	1013746	Clamp, 0.301 ID Hose	3
4	1015137	Fuel Line, 3/16 (available by the foot)	A/R
5	103372401	Canister, Carbon	1
6	103372504	Hose, Vent, Flare, 9"	1
7	103372801	Bracket, Carbon Canister, Sw	1
8	103418601	Asm, Vent Line, Utility (includes items 9 through 11)	1
9	1012649	Clamp, 0.460 Red Hose	1
10	N/A	Hose, Vent, 5/16 I.D., Bulk	A/R
11	N/A	Vent, Barb, 5/16 I.D. Hose	1

10
G



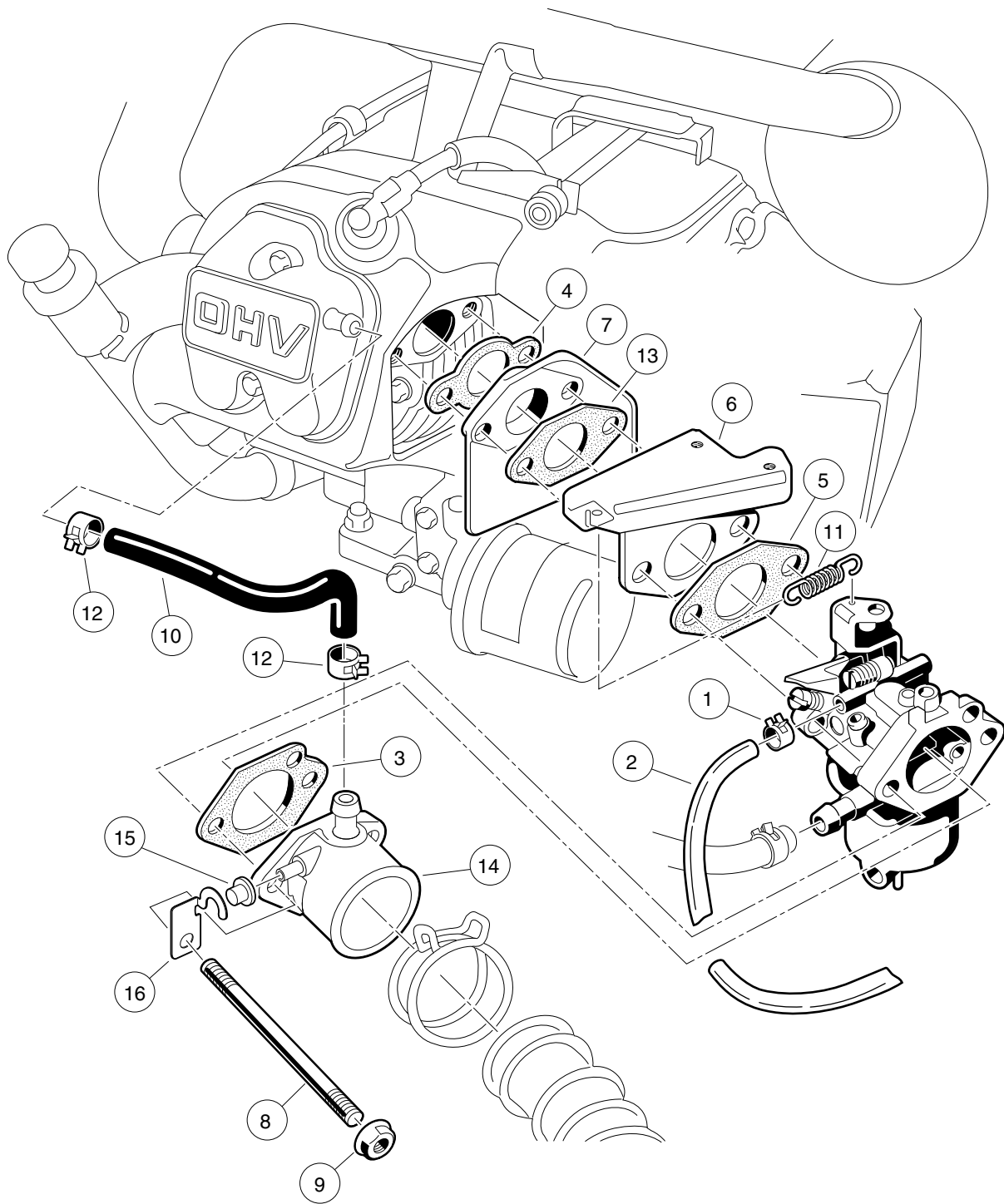
000212-002

CARBURETOR ASSEMBLY – FE350 S27

ITEM	PART NO.	DESCRIPTION	QTY
		1 2 3 4	
1	101642575	Jet, Altitude, # 75	1
2	101642578	Jet, Altitude, # 78	1
3	101642580	Jet, Altitude, # 80	1
4	101642582	Jet, Altitude, # 82	1
5	103617101	Carburetor, FE350 S27 (includes items 6 through 15)	1
6	101642585	Jet, Altitude, # 85	1
7	1016437	Gasket, Carburetor Bowl OHV	1
8	1016486	Float Assembly	1
9	1016501	Screw Assembly	1
10	1016585	Bolt	1
11	1017461	Chamber Assembly, Float (includes item 12)	1
12	1016499	Screw Assembly	1
13	101973101	Jet, #40 Pilot	1
14	101973301	Nozzle, Main	1
15	N/A	Assembly, Pilot Air Screw	1
<p style="text-align: center;">Note: 101642585 for 0 - 3,200 feet; 101642582 for 3,200 - 6,500 feet; 101642580 for 6,500 - 9,800 feet; 101642578 for 9,800 feet and above.</p>			

10

G



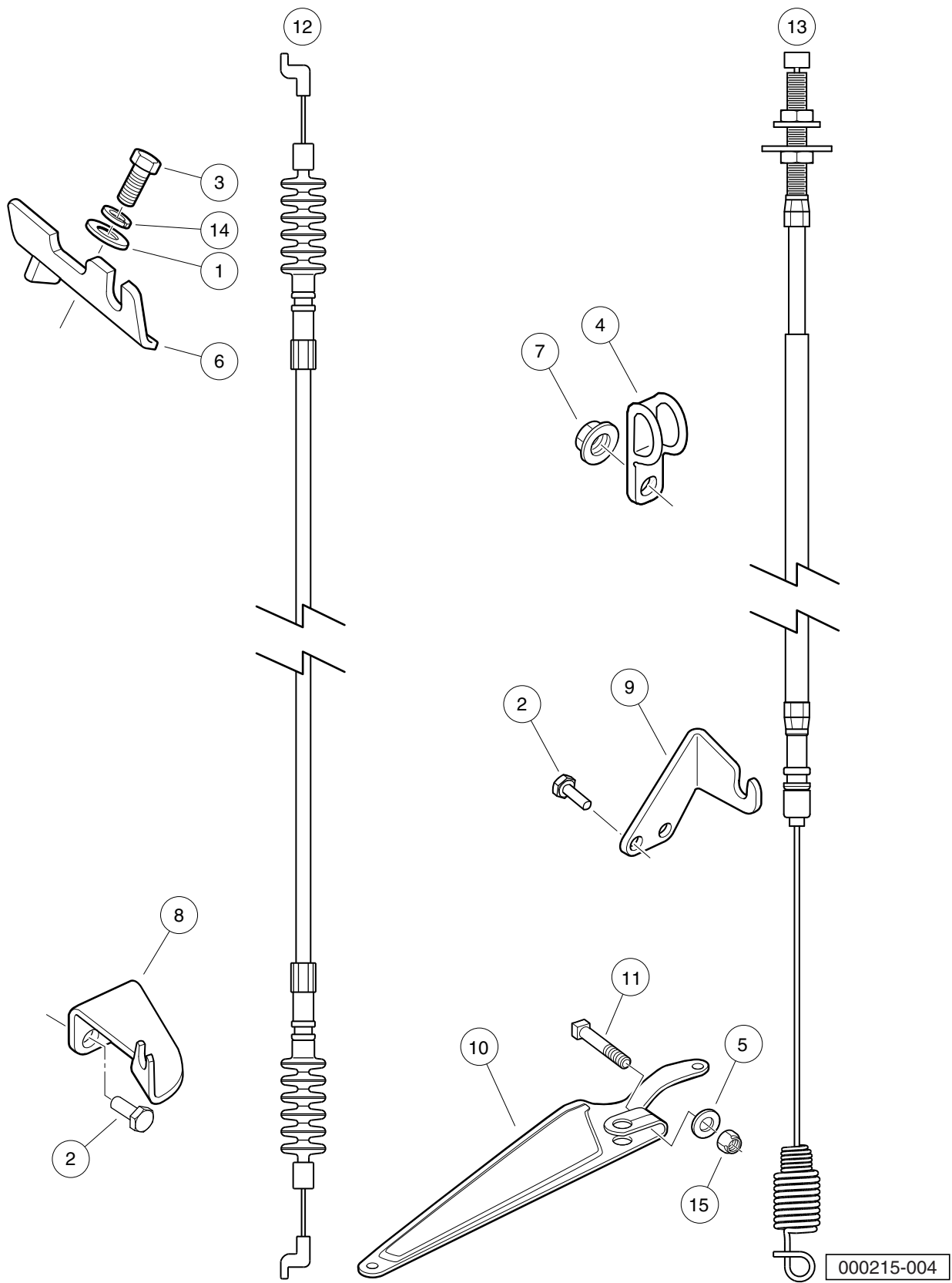
000214-002

CARBURETOR MOUNTING, UTILITY, FE350 S23 S24 S27

ITEM	PART NO.	DESCRIPTION	QTY
		1 2 3 4	
1	1013746	Clamp, 0.301 ID Hose	1
2	1015137	Fuel Line, 3/16 (available by the foot)	1
3	1016438	Gasket, Carb To Intake Manifold	1
4	1016440	Gasket, Engine to Insulator	1
5	1016441	Gasket, Sprg Brkt To Carb OHV	1
6	1016444	Bracket, Throttle Spring Return	1
7	101648102	Insulator, Carburetor	1
8	101649002	Stud, M6-1.00 Two-Ended	2
9	1016547	Nut, M6 Flange	2
10	1016572	Tube, Crankcase Vent	1
11	1016582	Spring, Throttle Return	1
12	1017466	Clamp	2
13	101973401	Gasket, Insulator To Bracket	1
14	103507101	Carburetor Adapter w/ Tap	1
15	103507201	Plug, Intake Manifold, Carb	1
16	103507301	Bracket, Intake Manifold, Carb	1

10
G

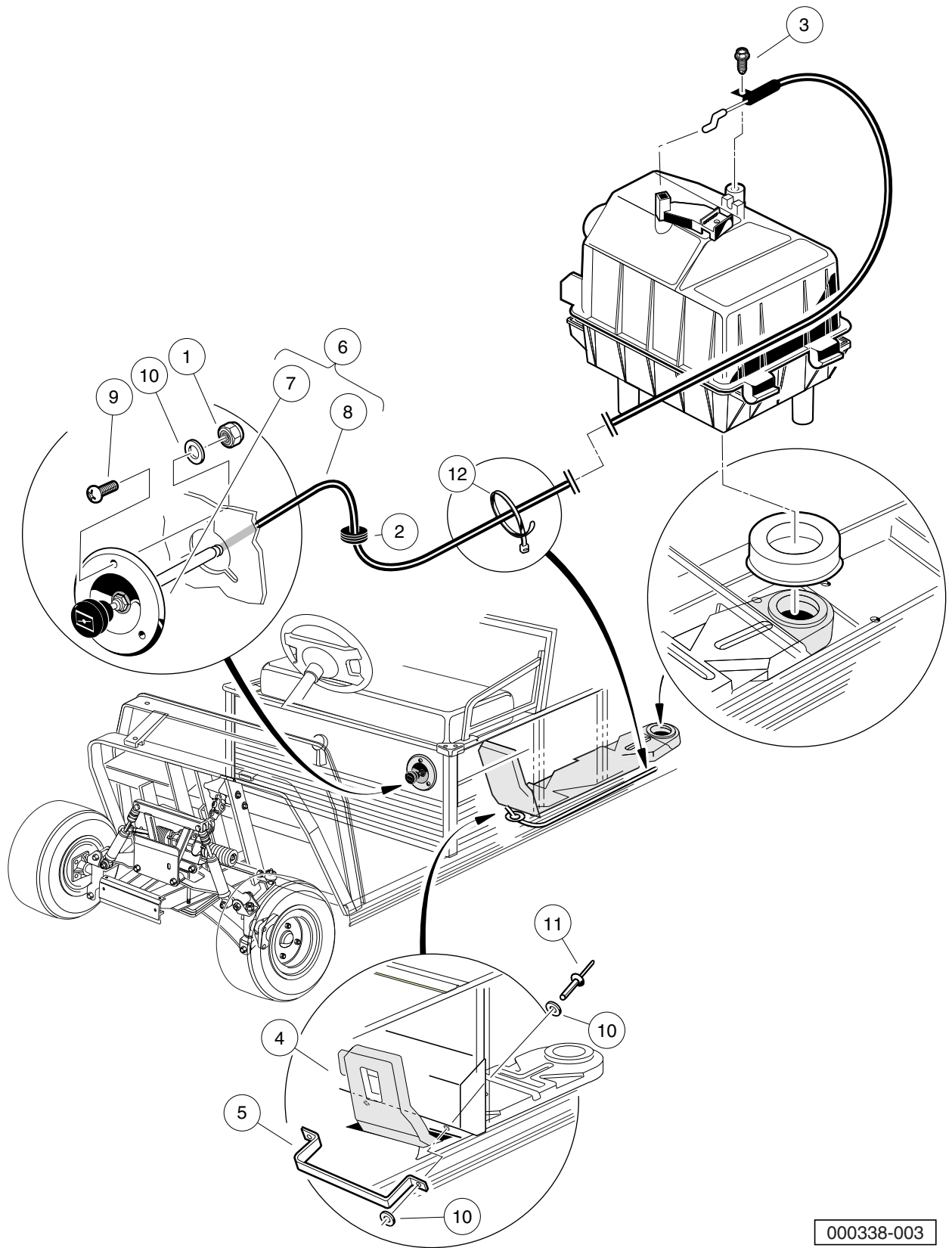
10
G



GOVERNOR AND ACCELERATOR CABLES

ITEM	PART NO.	DESCRIPTION	QTY
		1 2 3 4	
1	1011697	Washer, 5/16 Flat	1
2	1012285	Screw, 1/4 X 0.625 Hex-Head	4
3	1012830	Screw, M8-125 X 22 Hex-Head	1
4	1013700	Clamp	2
5	1014007	Washer, 1/4, Flat	1
6	101584502	Bracket, Governor Cable Snap-In	1
7	1016546	Nut	2
8	101832202	Bracket, Rear Governor Cable Snap-In	1
9	101832302	Bracket, Rear Accelerator Cable Snap-In	1
10	101834801	Arm, Governor	1
11	101886101	Screw, 1/4-20 X 1.00, Square-Head	1
12	102336001	Cable, Governor, Snap-In	1
13	102336101	Cable, Accelerator, Snap-In	1
14	7174	Lockwasher, 5/16 Split	1
15	8233	Locknut, 1/4-20, Nylon Insert	1

10
G



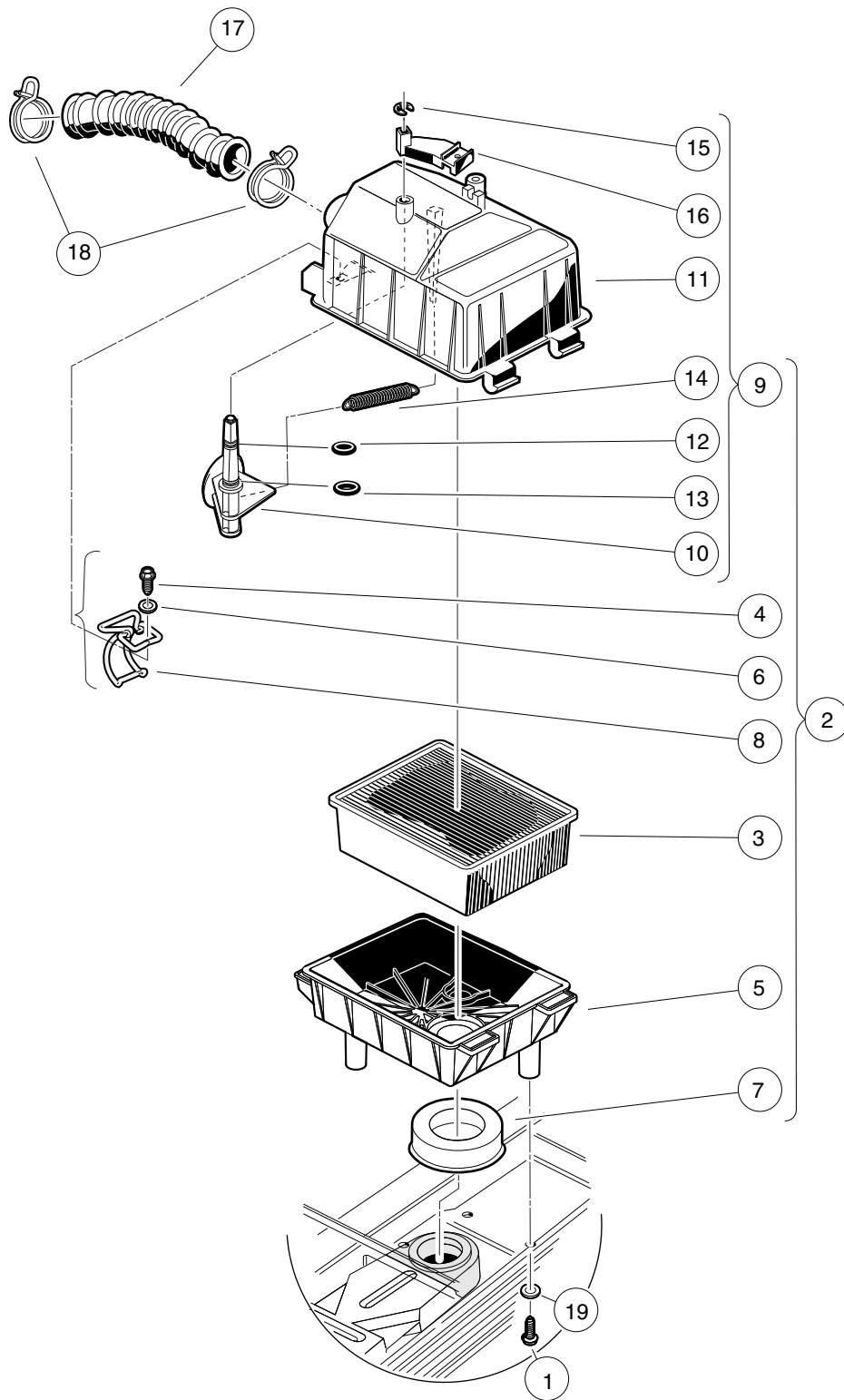
000338-003

AIR INTAKE DUCT AND CHOKE CABLE – TURF/CARRYALL 6

ITEM	PART NO.	DESCRIPTION	QTY
		1 2 3 4	
1	1012438	Locknut, #10-24 Nylon Insert	3
2	1015139	Insulation Grommet	1
3	101804301	Screw, #8 X 0.500, Hex-Head Hi-Lo	1
4	101811301	Duct, Intake	1
5	101825701	Retaining Bracket	1
6	101926802	Cable, Choke (includes items 7 and 8)	1
7	101933701	Bezel, Choke Cable	1
8	N/A	Choke Cable without Bezel, Long	1
9	1631	Screw, #10-24 X 0.75 Phillips Pan-Head	3
10	183	Washer, #10, Type A, Flat	7
11	7973	Rivet, 3/16 X .400 Blind	2
12	8639	Tie Wrap, 11" Nylon	2

10

G



000332-001

AIR FILTER AND INTAKE HOSE

ITEM	PART NO.	DESCRIPTION	QTY
		1 2 3 4	
1	1015752	Screw, #12-16 X 0.625, Hi-Lo	3
2	101821501	Assembly, Air Box (includes items 3 through 9)	1
3	1015426	Filter, Air	1
4	101804301	Screw, #8 X 0.500, Hex-Head Hi-Lo	2
5	101811901	Bottom, Air Box	1
6	101881701	Washer, #8 Stainless-Steel Flat	2
7	101921501	Seal, Intake	1
8	101925701	Latch, Wireform	2
9	101972801	Top Assy, Air Box (includes items 10 through 16)	1
10	N/A	Valve, Choke	1
11	N/A	Top, Air Box	1
12	N/A	O-Ring, 5/16	1
13	N/A	O-Ring, 3/8	1
14	101812301	Spring, Extension Return	1
15	101813001	Retaining Ring 0.25, Shaft	1
16	101917601	Lever, Choke	1
17	101837101	Hose, Air Intake	1
18	101971301	Clamp, 1.58" ID Hose	2
19	332	Washer, 1/4 Type A Narrow Flat	3

10

G

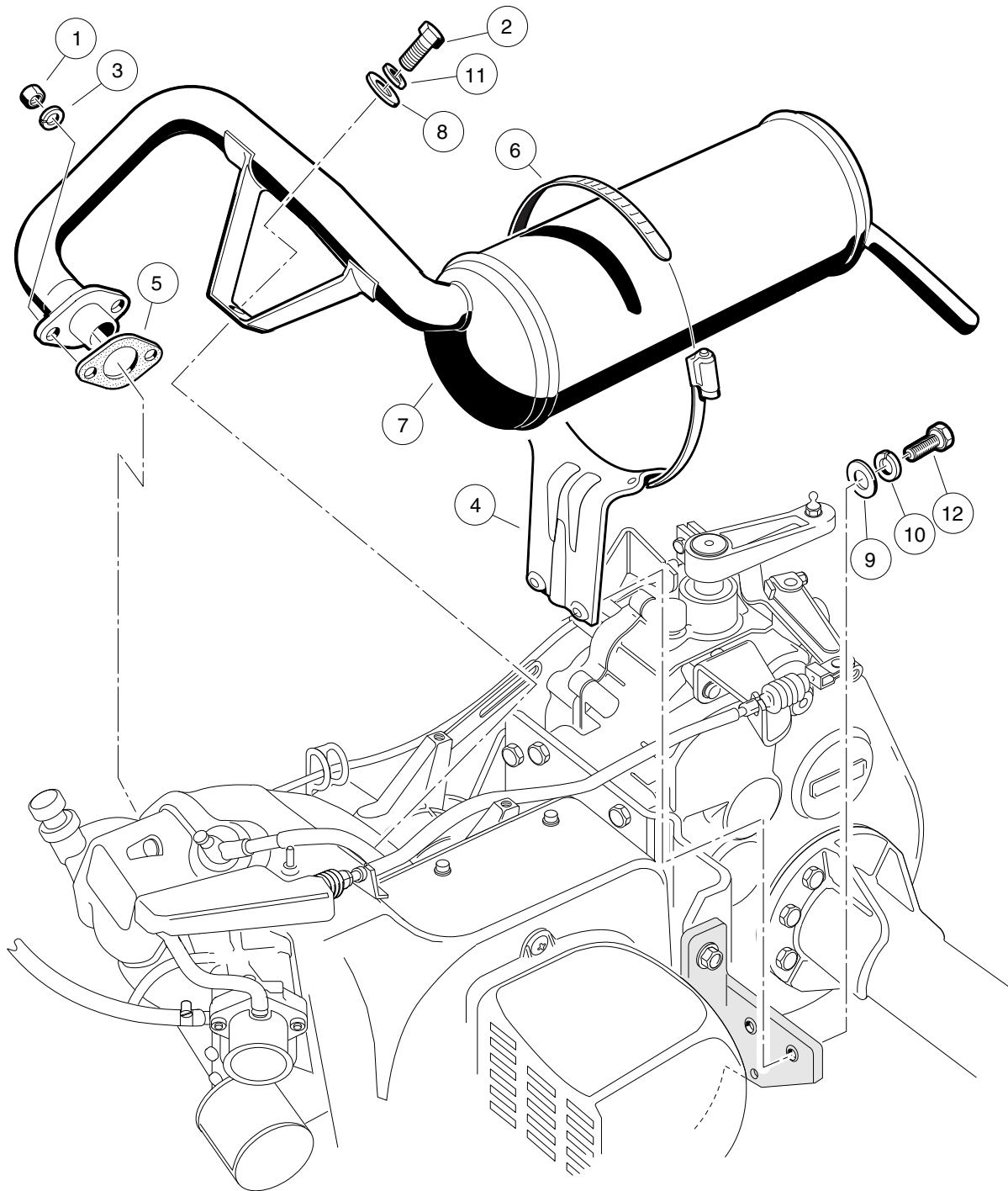
10

G

EXHAUST SYSTEM

11

G



000209-001

EXHAUST SYSTEM – FE350 ENGINE

ITEM	PART NO.	DESCRIPTION	QTY
		1 2 3 4	
1	1012528	Nut, M8-1.25 Hex	2
2	1012830	Screw, M8-125 X 22 Hex-Head	1
3	1013734	Lockwasher, 8mm Split	2
4	1015814	Bracket, Muffler Mounting	1
5	1016904	Gasket, Exhaust	1
6	1017689	Clamp, 5" Muffler Hose	1
7	101859401	Exhaust System, FE350	1
8	1241	Washer, 5/16 Type A Flat	1
9	332	Washer, 1/4 Type A Narrow Flat	2
10	451	Lockwasher, 1/4 Split	2
11	7174	Lockwasher, 5/16 Split	1
12	7847	Screw, 1/4-20 X 0.75 Hex-Head Cap	2

11
G

11

G

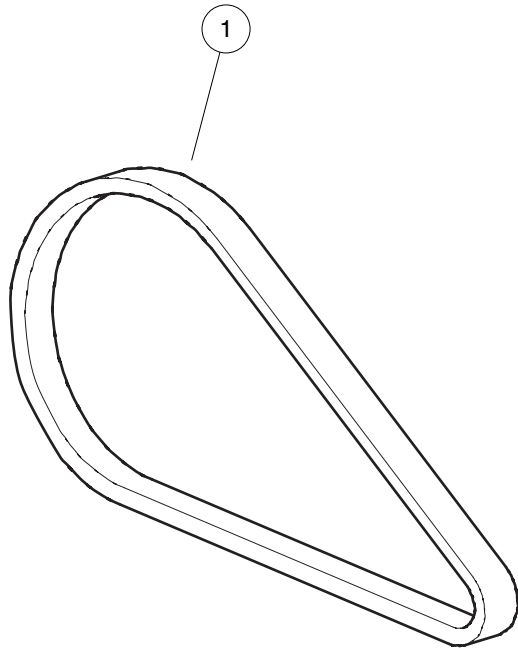
DRIVE BELT AND CLUTCHES

12

G

12

G

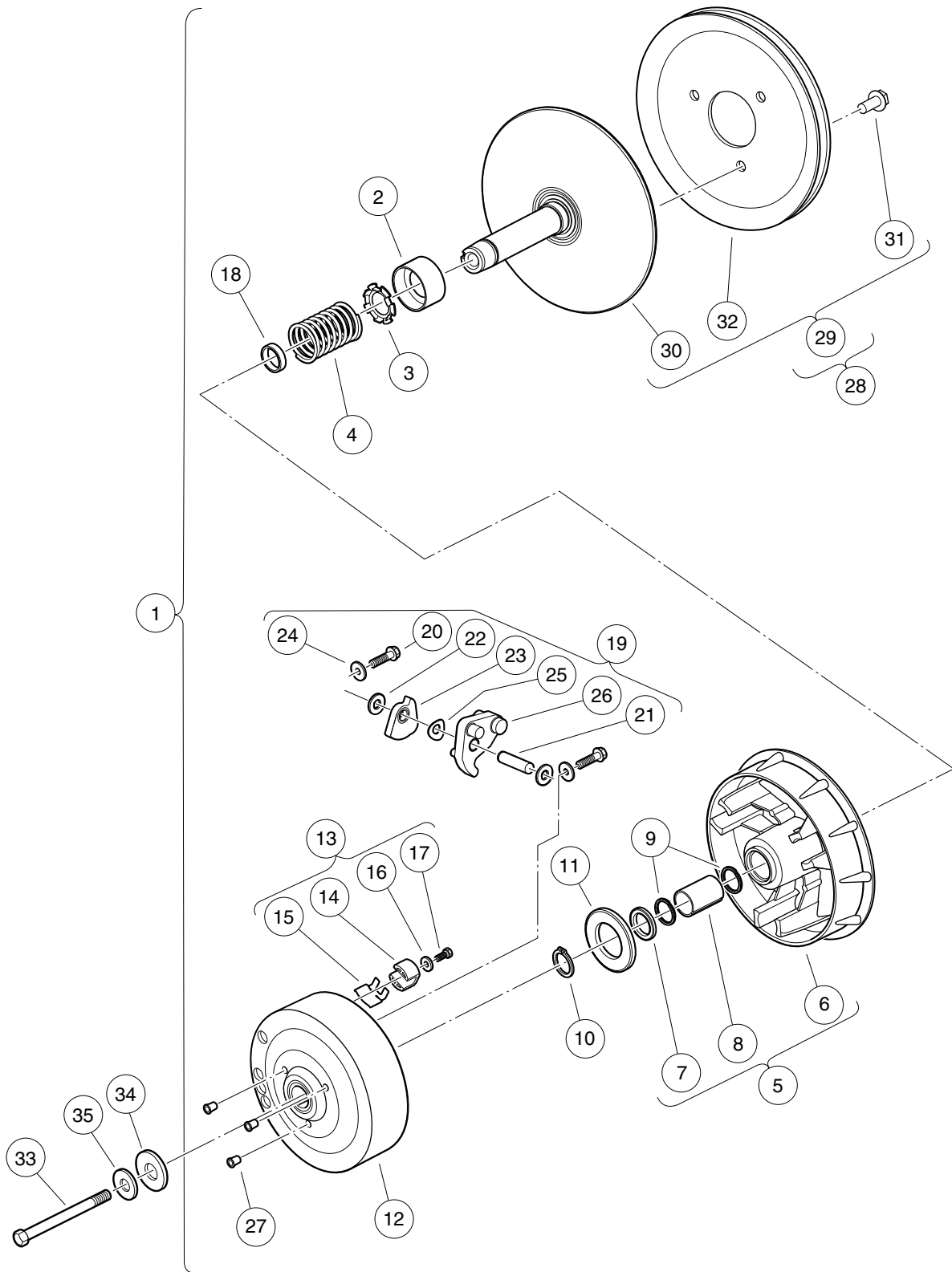


000918-001

DRIVE BELT

ITEM	PART NO.	DESCRIPTION	QTY
1	1017188	1 2 3 4 Belt, Drive (FE350)	1

12
G



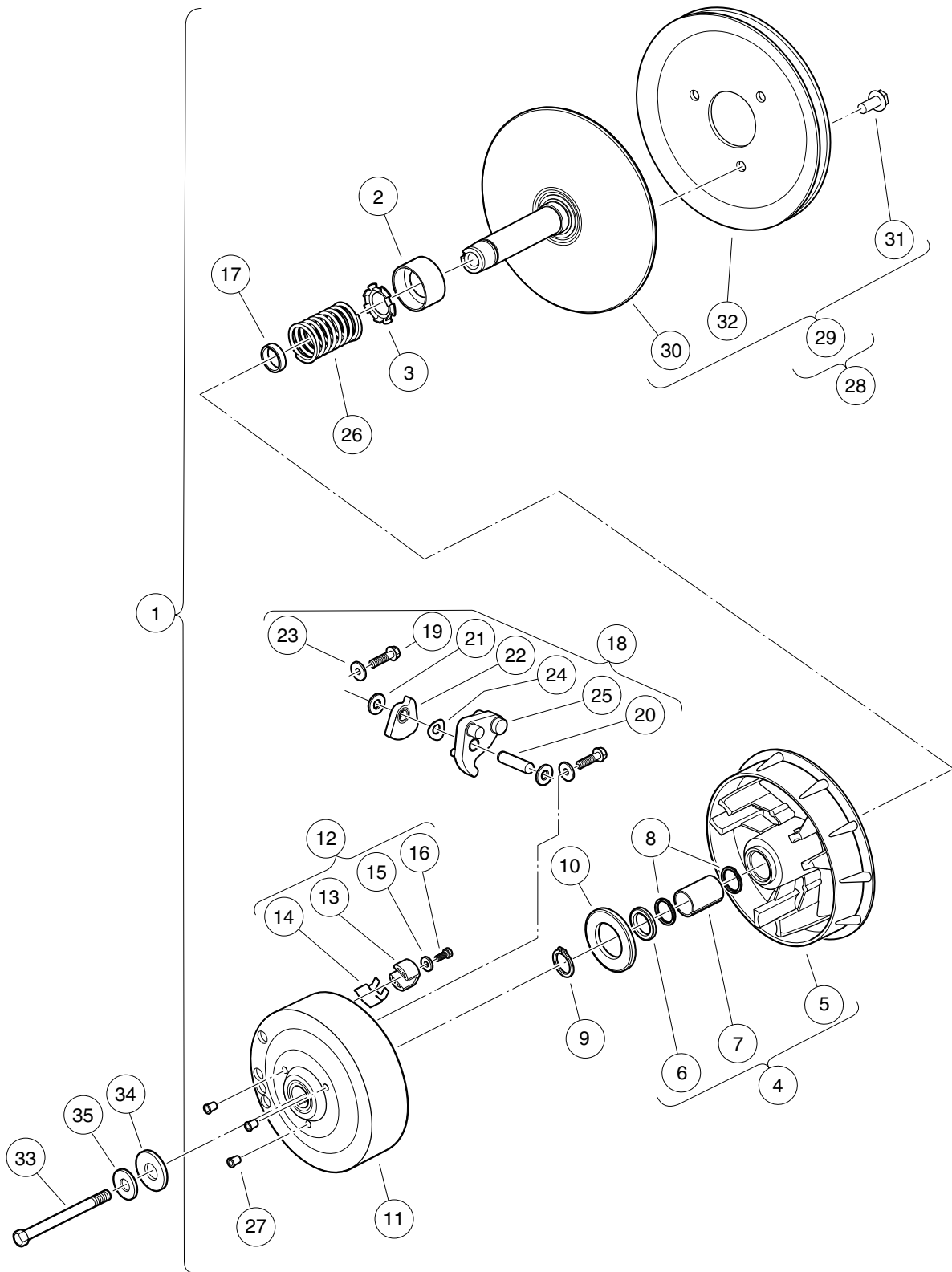
000217-006

DRIVE CLUTCH – TURF 6

ITEM	PART NO.	DESCRIPTION	QTY
		1 2 3 4	
1	101833902	Clutch, Drive (includes items 2 through 28)	1
2	1014049	Bearing, Idler	1
3	1014050	Retainer, Spring	1
4	1014051	Spring, Drive Clutch	1
5	1014052	Movable-Face Assembly (includes items 6 through 8)	1
6	N/A	Drive Clutch Movable Face	1
7	1014055	Retainer	1
8	N/A	Bushing, Split, Drive Clutch	1
9	1014056	Ring, Spiral Backup	2
10	1014057	Ring, 0.810" Internal Retaining	1
11	1014058	Thrust Washer	1
12	1014059	Drive Hub Assy, Drive Clutch	1
13	1014453	Kit, Drive Clutch Button (includes items 14 through 17)	1
14	1014062	Driver, Drive Clutch	3
15	1014287	Spring, Drive Button	3
16	183	Washer, #10, Type A, Flat	3
17	8450	Screw, #10-24 X 0.50, Hex-Head	3
18	1016289	Spacer, Fixed Face Shaft	1
19	1016801	Kit, Drive Clutch Weight (includes items 20 through 26)	1
20	1014063	Screw, 1/4-20 X 1.00, Hex Head	6
21	N/A	Pin, Dowel, 0.3752 x 1.50	3
22	1014065	Washer, Flat, 0.38" ID, Delrin	6
23	N/A	Clutch Weight, Secondary	3
24	N/A	Washer	6
25	1016201	Washer, Wave	3
26	N/A	Weight, Primary	3
27	101925601	Plug, Drive Clutch	3
28	101929802	Kit, Fxd Face Dr Asm Fe290/350 (includes item 29)	1
29	N/A	Assembly, Fixed-Face Drive (includes items 30 through 32)	1
30	N/A	Fixed Face Assembly, Drive Clutch	1
31	1014288	Screw, 5/16-18 X 0.75, Thread-Forming	3
32	N/A	Pulley, Clutch	1
33	103345701	Screw 3/8-24x5.5 Hex Loc Ptch	1
34	334	Washer, 3/8, Type A, Flat	1
35	808	Washer, 3/8 Type B Flat	1

12

G

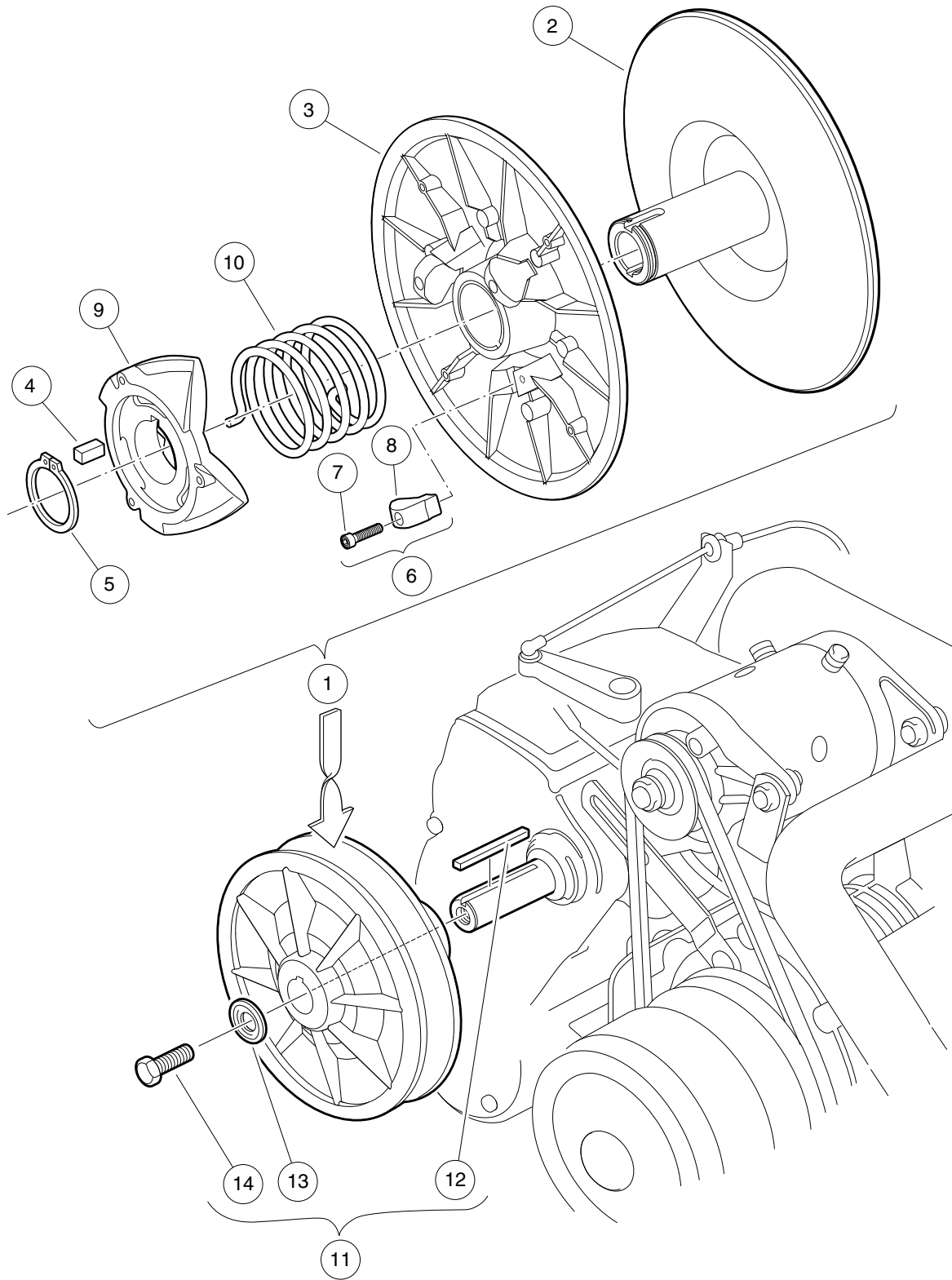


000217-008

DRIVE CLUTCH – CARRYALL 6

ITEM	PART NO.	DESCRIPTION	QTY
		1 2 3 4	
1	101833906	Drive Clutch Assy. FE 350/272 (includes items 2 through 28)	1
2	1014049	Bearing, Idler	1
3	1014050	Retainer, Spring	1
4	1014052	Movable-Face Assembly (includes items 5 through 7)	1
5	N/A	Drive Clutch Movable Face	1
6	1014055	Retainer	1
7	N/A	Bushing, Split, Drive Clutch	1
8	1014056	Ring, Spiral Backup	2
9	1014057	Ring, 0.810" Internal Retaining	1
10	1014058	Thrust Washer	1
11	1014059	Drive Hub Assy, Drive Clutch	1
12	1014453	Kit, Drive Clutch Button (includes items 13 through 16)	1
13	1014062	Driver, Drive Clutch	3
14	1014287	Spring, Drive Button	3
15	183	Washer, #10, Type A, Flat	3
16	8450	Screw, #10-24 X 0.50, Hex-Head	3
17	1016289	Spacer, Fixed Face Shaft	1
18	1016801	Kit, Drive Clutch Weight (includes items 19 through 25)	1
19	1014063	Screw, 1/4-20 X 1.00, Hex Head	6
20	N/A	Pin, Dowel, 0.3752 x 1.50	3
21	1014065	Washer, Flat, 0.38" ID, Delrin	6
22	N/A	Clutch Weight, Secondary	3
23	N/A	Washer	6
24	1016201	Washer, Wave	3
25	N/A	Weight, Primary	3
26	1016901	Spring, Drive Clutch	1
27	N/A	Cap Plug	3
28	101929802	Kit, Fxd Face Dr Asm Fe290/350 (includes item 29)	1
29	N/A	Assembly, Fixed-Face Drive (includes items 30 through 32)	1
30	N/A	Fixed Face Assembly, Drive Clutch	1
31	1014288	Screw, 5/16-18 X 0.75, Thread-Forming	3
32	N/A	Pulley, Clutch	1
33	103345701	Screw 3/8-24x5.5 Hex Loc Ptch	1
34	334	Washer, 3/8, Type A, Flat	1
35	808	Washer, 3/8 Type B Flat	1

12
G



000219-001

DRIVEN CLUTCH – TURF 6 AND CARRYALL 6

ITEM	PART NO.	DESCRIPTION	QTY
		1 2 3 4	
1	101834001	Assembly, Driven Clutch (includes items 2 through 10)	1
2	1014070	Fixed Face Assy, Driven Clutch	1
3	1014072	Movable-Face Assembly with Bushing	1
4	1014078	Key, Driven Clutch	1
5	1014080	Ring, Retaining	1
6	1014454	Kit, Driven Clutch Button (includes items 7 and 8)	1
7	1012836	Screw, #8-32 X 3/4, Socket-Head Cap	3
8	N/A	Button, Drive	3
9	1017686	Cam, Driven Clutch	1
10	101836201	Spring, Driven Clutch, Reversed	1
11	AM10419	Kit, Clutch Repair (includes items 12 through 14)	1
12	101833401	Key, 3/16 Sq X 1.50"	1
13	102155801	Washer, Driven Clutch	1
14	102242101	Screw, 5/16-18 X 3/4 Hex-Head with Patch	1

12
G

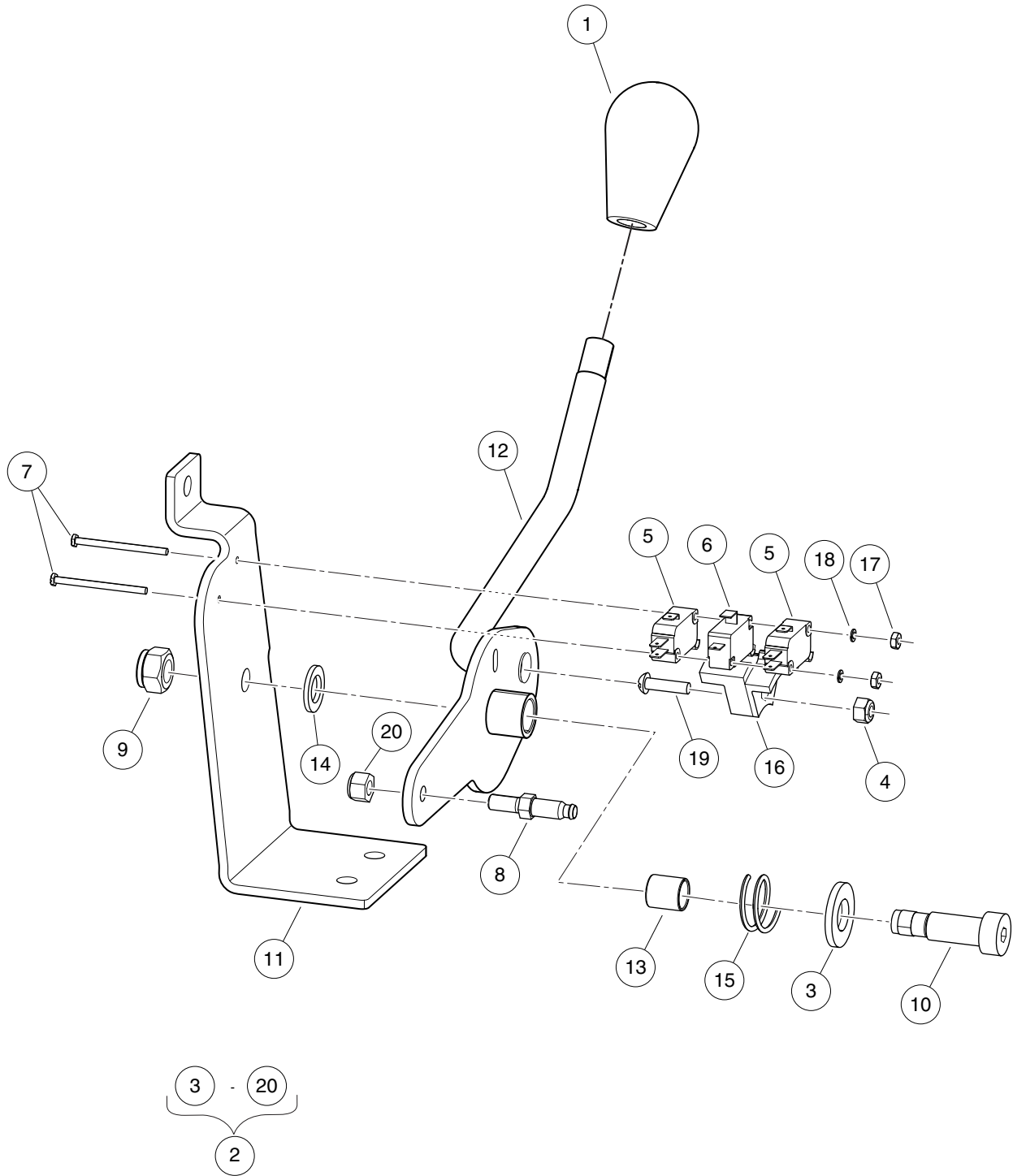
12

G

UNITIZED TRANSAXLE AND FNR SHIFTER - GASOLINE VEHICLES

13

G



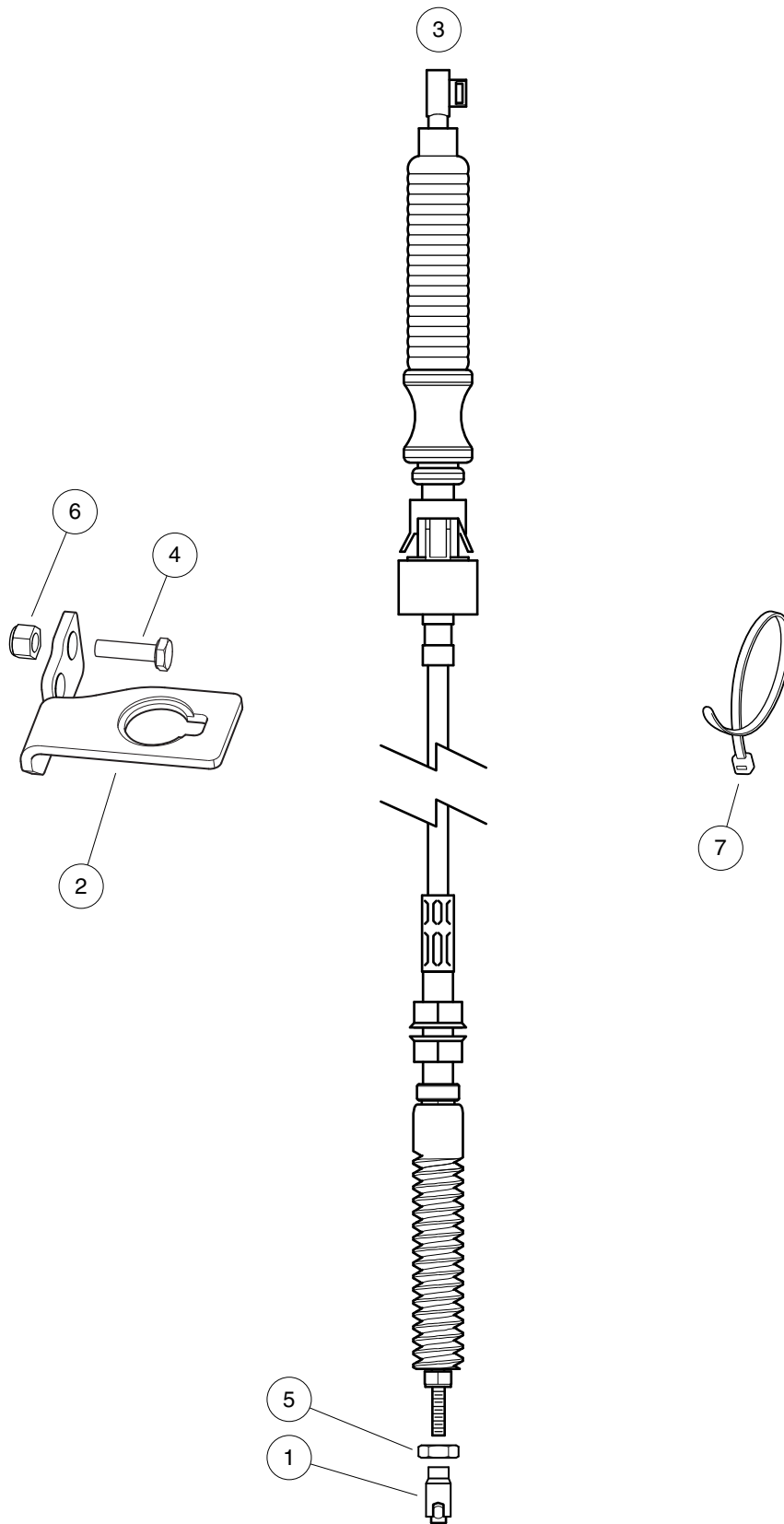
000563-001

FORWARD/REVERSE SHIFTER

ITEM	PART NO.	DESCRIPTION	QTY
		1 2 3 4	
1	102376001	Knob, FNR, Shifter	1
2	102969901	Asm, Shifter, FNR (includes items 3 through 20)	1
3	1010028	Washer, 1/2 Type A Flat	1
4	1013061	Locknut, #10-32 Nylon Insert	1
5	1014807	Switch, Limit	2
6	1014808	Switch, Limit	1
7	1015878	Screw, #4-40 Hex Head Machine	2
8	102526201	Stud, Thread, 1/4-28	1
9	102616701	Locknut, M10x1.5 Nylon Insert	1
10	102684602	Shoulder Bolt, M12 X 25.0	1
11	102969401	Bracket, Shifter, FNR	1
12	102969801	Weldment, Shift Lever, FNR	1
13	103173301	Bushing, Greaseless, 12mm Id	1
14	103177401	Washer, Thrust, Shifter, FNR	1
15	103192701	Spring, Comp, .97 Od X.75 L	1
16	103369501	Cam, Limit Switch, Fnr Shifter	1
17	8057	Nut, #4-40 Hex Machine	2
18	8058	Lockwasher, #4 Split	2
19	8104	Screw, #10-32 X .75 Rd Hd Mach	1
20	8717	Locknut, Nylon Insert, 1/4-28	1

13

G



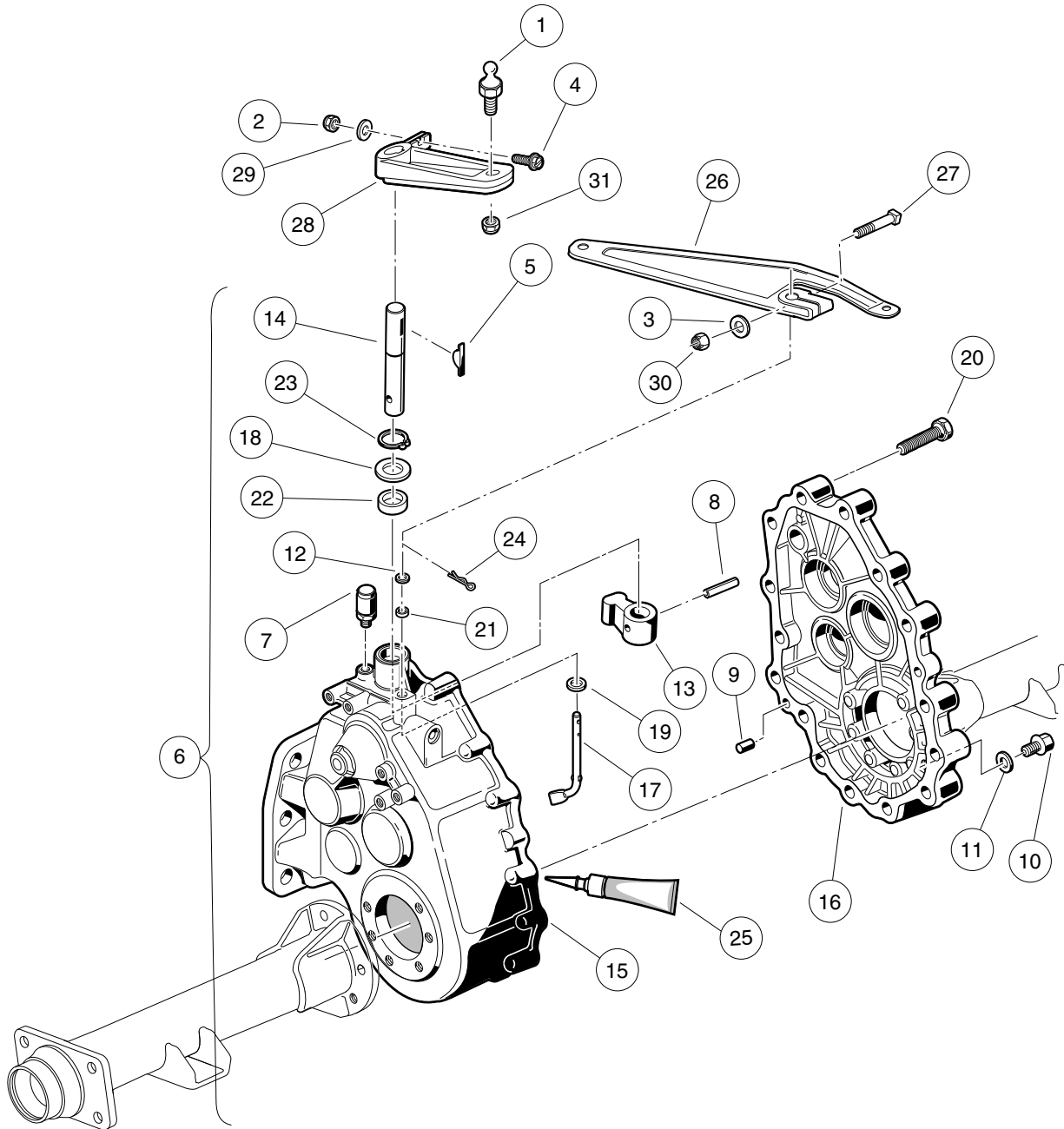
001071-001

SHIFTER CABLE – TURF/CA 6

ITEM	PART NO.	DESCRIPTION	QTY
		1 2 3 4	
1	1012333	Joint, #10-32 Ball	1
2	103295101	Brkt, Spt, Cable End, Fnr	1
3	103295203	Cable, Transmission, 2385mm	1
4	304	Screw, 1/4-20 X 1.0 Hex-Head Cap	2
5	7893	Nut, #10-32 Hex	1
6	8233	Locknut, 1/4-20, Nylon Insert	2
7	8639	Tie Wrap, 11" Nylon	A/R

13

G



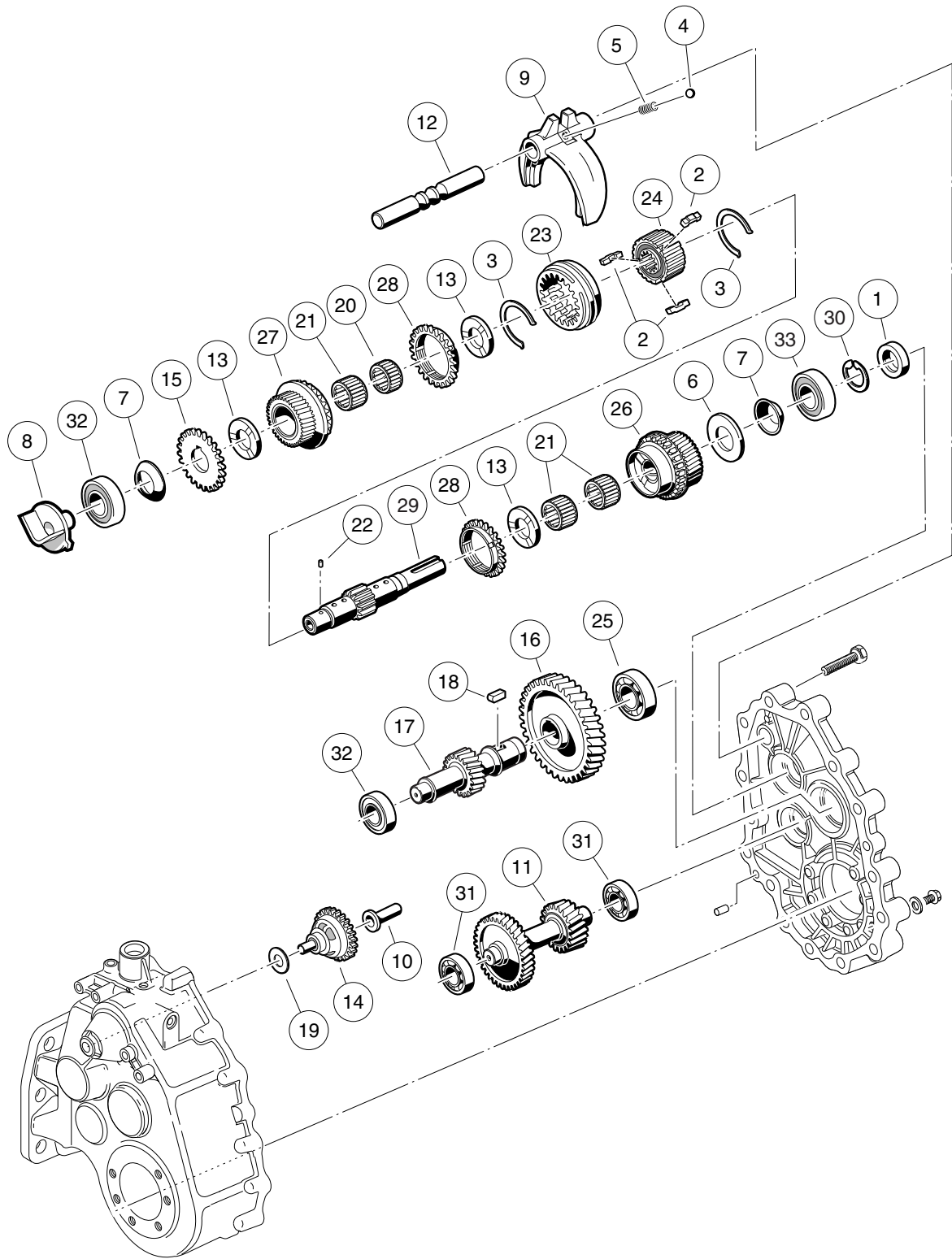
000220-005

KAWASAKI TRANSAXLE – GEAR CASES AND LEVERS

ITEM	PART NO.	DESCRIPTION	QTY
		1 2 3 4	
1	1010954	Stud, Ball, 1/4-28 X 0.560	1
2	1013061	Locknut, #10-32 Nylon Insert	1
3	1014007	Washer, 1/4, Flat	1
4	1017082	Screw, #10-32 X 0.75, Hex-Head Machine	1
5	1017231	Key, Woodruff	1
6	101833601	Transaxle, 11.77 Ratio (includes items 7 through 25)	1
7	1012711	Breather	1
8	1012752	Roll Pin	1
9	1012896	Pin, Dowel	2
10	1013760	Fill Plug	2
11	1016432	Gasket, Drain Plug	1
12	1016513	Washer, M6 Flat	1
13	101890101	Lever, Drive Selector	1
14	101890201	Shaft, Drive Selector	1
15	101890501	Gear Case (driver side)	1
16	101890601	Gear Case (passenger side)	1
17	101891301	Arm Pivot	1
18	101892901	Washer	1
19	101893801	Washer	1
20	101926901	Screw, M8-1.25 X 40mm Hex-Head	15
21	101927101	Seal, Oil	1
22	101927201	Seal, Oil	1
23	101927301	Snap Ring	1
24	101928601	Pin, Cotter	1
25	101928701	Liquid Gasket (Transaxle case)	1
26	101834801	Arm, Governor	1
27	101886101	Screw, 1/4-20 X 1.00, Square-Head	1
28	102515401	Lever, Transmission Shift	1
29	183	Washer, #10, Type A, Flat	1
30	8233	Locknut, 1/4-20, Nylon Insert	1
31	8717	Locknut, Nylon Insert, 1/4-28	1
Note: Kawasaki transaxle component listings span three pages.			

13

G



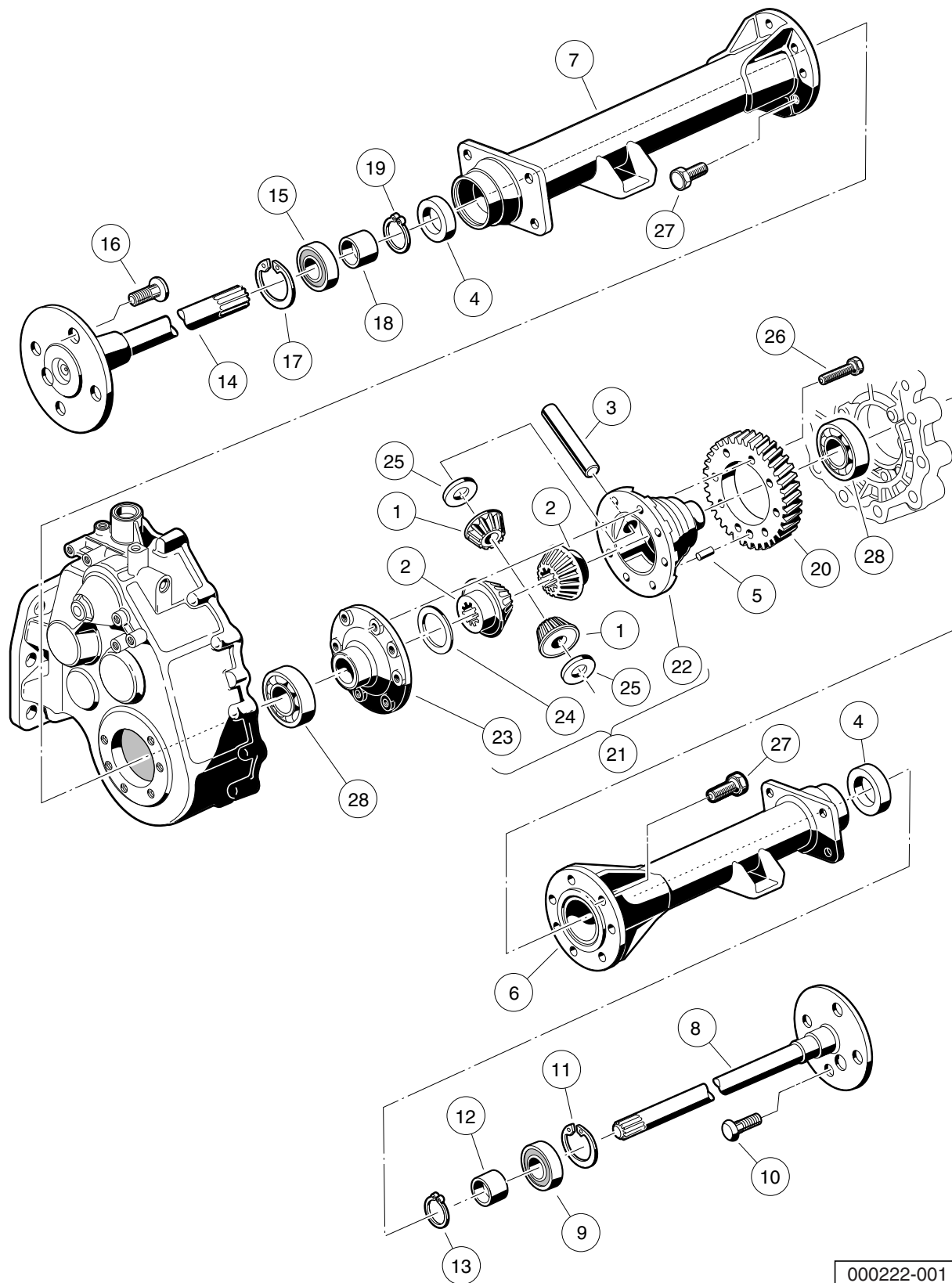
000221-001

KAWASAKI TRANSAXLE – F&R TRANSMISSION AND GEAR REDUCTION

13

G

ITEM	PART NO.	DESCRIPTION	QTY
		1 2 3 4	
1	1012714	Oil Seal	1
2	1012740	Synchro Insert	3
3	1012741	Synchro Spring	2
4	1012747	Shifter Ball	1
5	1012748	Shifter Spring	1
6	1016337	Washer, Thrust	1
7	1016338	Washer, Spring	2
8	101889401	Guide	1
9	101890001	Fork - Shift	1
10	101891601	Sleeve, Governor	1
11	101891901	Gear, Cluster	1
12	101892001	Rod, Shift	1
13	101892201	Plate, Thrust	3
14	101892301	Governor Assembly	1
15	101892401	Gear, Spur	1
16	101892501	Gear, Helical (61 Tooth)	1
17	101892601	Gear, Helical (17 Tooth)	1
18	101893201	Key Sunk	1
19	101893901	Washer	1
20	101927501	Needle Bearing	1
21	101927601	Needle Bearing	3
22	101927701	Pin, .116" Dia X 0.264 Dowel	1
23	101927901	Sleeve, Synchro	1
24	101928001	Hub, Synchro Clutch	1
25	101928101	Bearing, Ball	1
26	101980801	Gear Assembly, 16-Degree Synchro (25 Tooth)	1
27	101980901	Gear Assembly, 16-Degree Rear Synchro (28 Tooth)	1
28	101981001	Ring, 16-Degree Synchronizer	2
29	102453001	Shaft, Trans, with Circlip	1
30	102453101	Circlip	1
31	7335	Bearing	2
32	AM10080	Bearing, Ball, Sealed	2
33	AM10081	Bearing, Ball, Sealed	1



000222-001

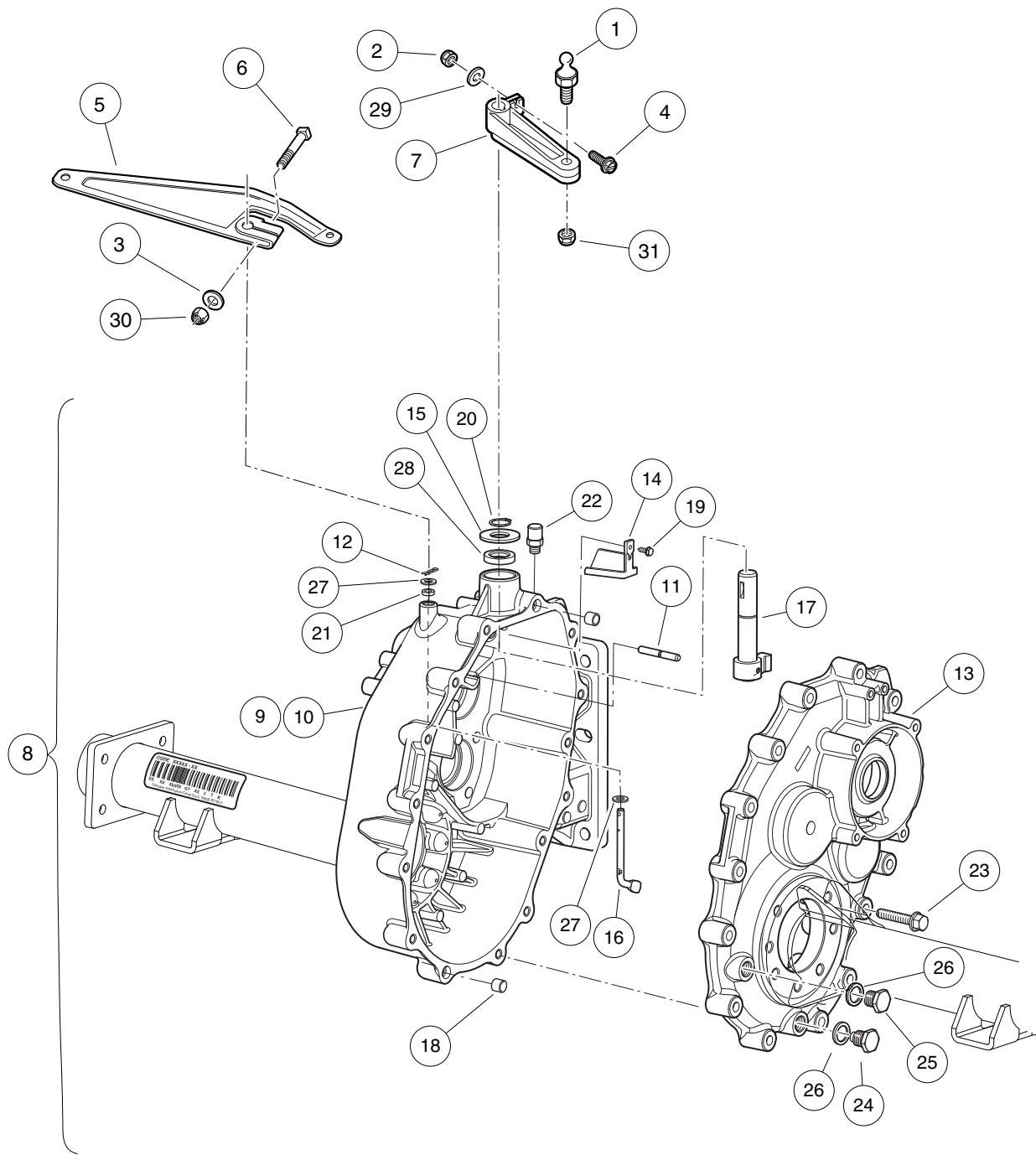
KAWASAKI TRANSAXLE – DIFFERENTIAL AND AXLES

ITEM	PART NO.	DESCRIPTION	QTY
		1 2 3 4	
1	1013770	Differential Idler Gear	2
2	1013771	Gear, Differential	2
3	1013772	Pin, Differential	1
4	1013794	Axle Shaft Oil Seal	2
5	N/A	Dowel Pin	1
6	101890901	Axle Tube (Passenger Side)	1
7	101891001	Axle Tube (Driver Side)	1
8	101891401	Axle Assembly, Passenger Side (includes items 9 through 13)	1
9	1011291	Outer Axle, Tube Bearing	1
10	1013787	Lug Stud	4
11	1013792	Circlip Type C	1
12	1014207	Bushing	1
13	1016672	Retaining Ring	1
14	101891501	Axle Assembly, Driver-Side (includes items 15 through 19)	1
15	1011291	Outer Axle, Tube Bearing	1
16	1013787	Lug Stud	4
17	1013792	Circlip Type C	1
18	1014207	Bushing	1
19	1016672	Retaining Ring	1
20	101892701	Gear, Helical	1
21	101910501	Kit, Differential Gear Case (includes items 22 through 25)	1
22	1013768	Differential Gear Case, Left-Hand	1
23	1013769	Differential Gear Case, Right-Hand	1
24	1013773	Plate, Thrust (Differential Gear)	1
25	1013774	Plate, Thrust (Idler Gear)	2
26	101928301	Screw, M8-1.25 X 35mm Hex Head	8
27	102031901	Bolt, M10 X 1.5 X 30mm	14
28	7330	Inner Axle Tube Bearing	2

13

G

13
G



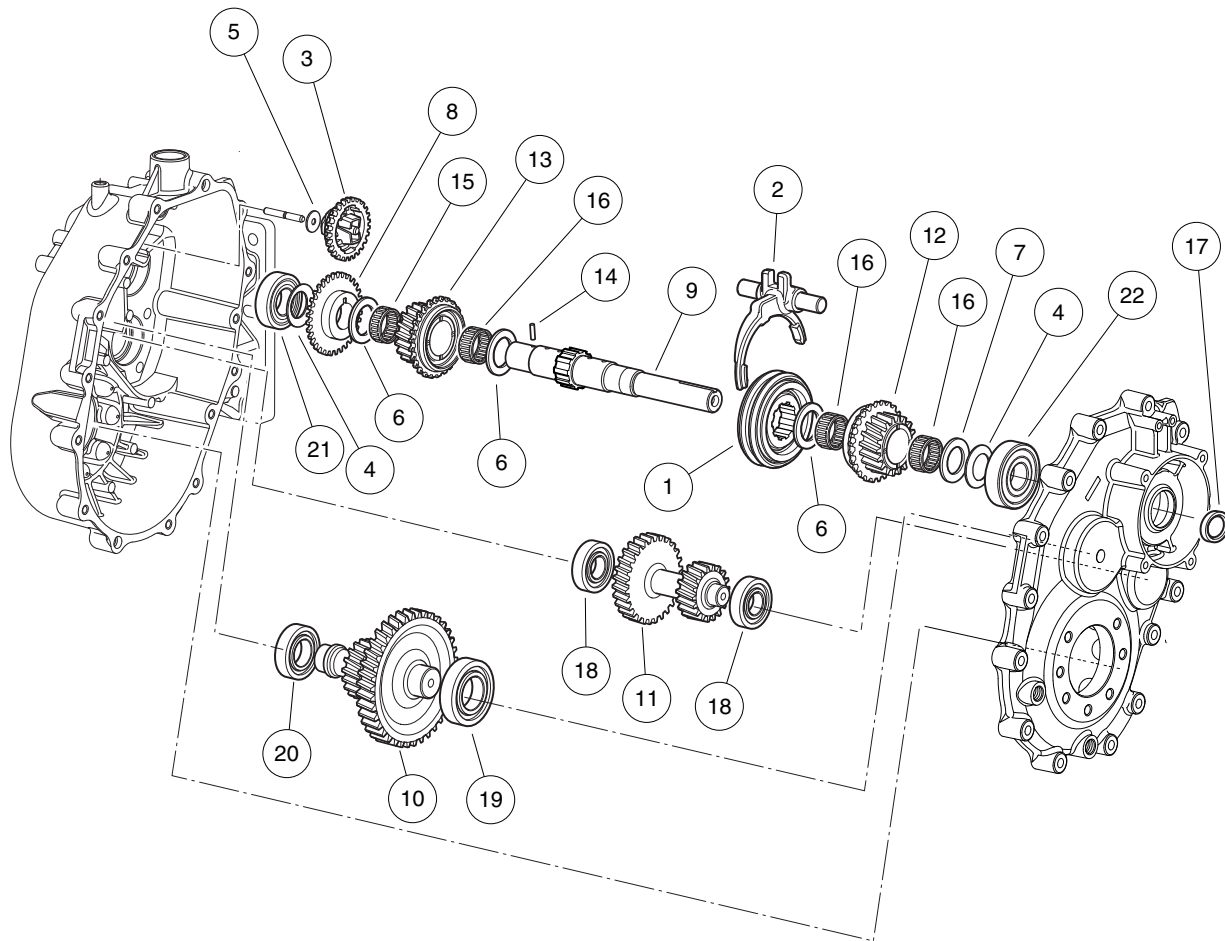
000680-009

GRAZIANO TRANSAXLE – GEAR CASES AND LEVERS

ITEM	PART NO.	DESCRIPTION	QTY
		1 2 3 4	
1	1010954	Stud, Ball, 1/4-28 X 0.560	1
2	1013061	Locknut, #10-32 Nylon Insert	1
3	1014007	Washer, 1/4, Flat	1
4	1017082	Screw, #10-32 X 0.75, Hex-Head Machine	1
5	101834801	Arm, Governor	1
6	101886101	Screw, 1/4-20 X 1.00, Square-Head	1
7	102515401	Lever, Transmission Shift	1
8	102896801	Transaxle, Unitized, Graziano (includes items 9 through 28)	1
9	102896901	Gear Box (Driver-Side) (includes items 10 and 11)	1
10	N/A	Gear Box	1
11	N/A	Pin, Speed Governor	1
12	102897401	Pin, Split	1
13	102897501	Cover, Gear Box (Passenger-Side)	1
14	102897601	Conveyor, Oil	1
15	102897801	Washer, Thrust	1
16	102897901	Lever, Speed Governor	1
17	102898201	Unit, Drive Selector	1
18	102899101	Dowel	2
19	102899201	Screw	1
20	102899401	Ring, Snap	1
21	102899701	Grommet	1
22	102899801	Breather	1
23	102900001	Screw	15
24	102900101	Drain Plug, Magnetic	1
25	102900201	Fill Plug	1
26	102900301	Seal	2
27	102900601	Washer	2
28	102900901	Grommet	1
29	183	Washer, #10, Type A, Flat	1
30	8233	Locknut, 1/4-20, Nylon Insert	1
31	8717	Locknut, Nylon Insert, 1/4-28	1
		<p>Note: Graziano transaxle component listings span three pages. To identify your transaxle, locate the serial number decal on the axle tube.</p>	

13

G



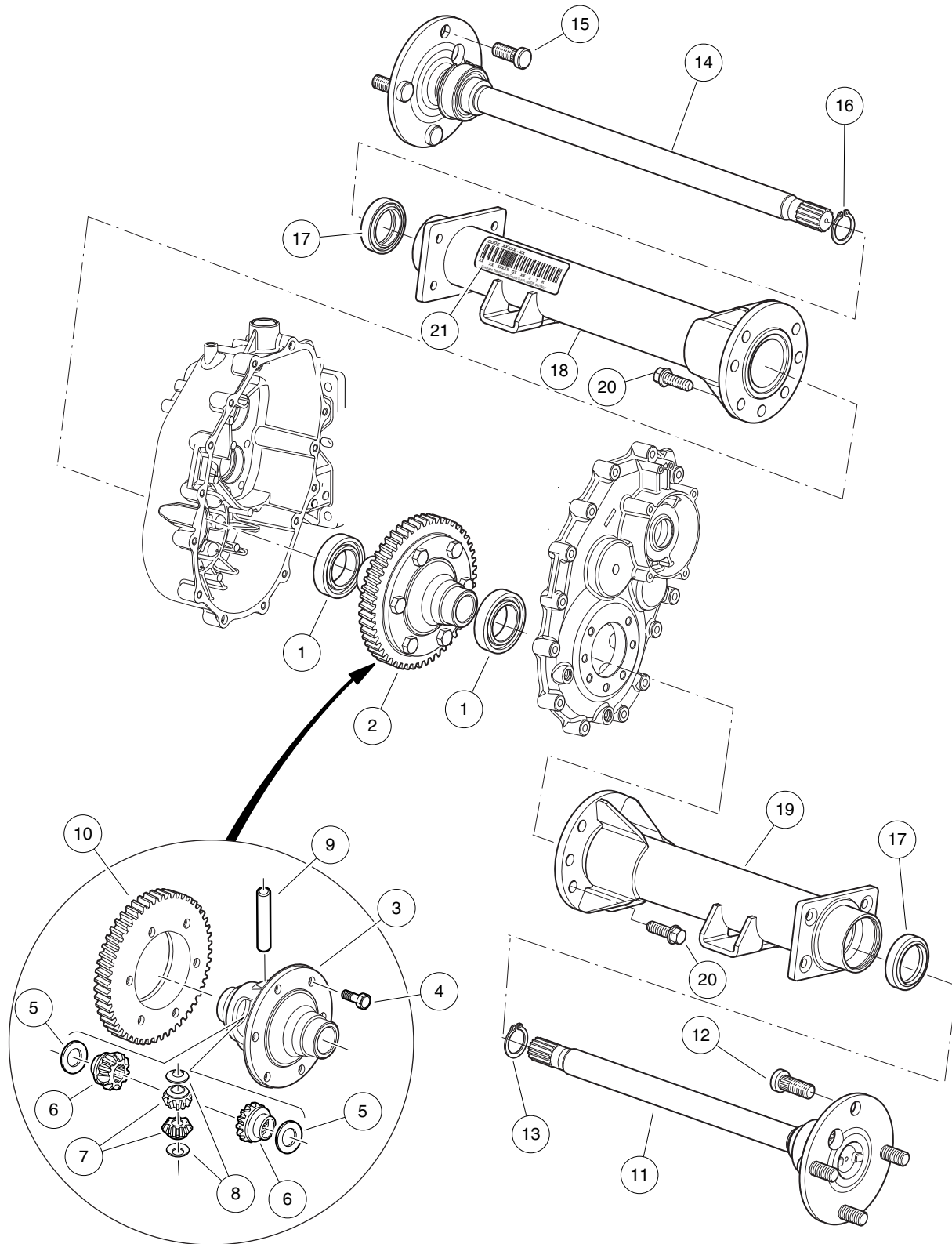
000680-006

GRAZIANO TRANSAXLE – F&R TRANSMISSION AND GEAR REDUCTION

13

G

ITEM	PART NO.	DESCRIPTION	QTY
		1 2 3 4	
1	102897201	Synchronizer, Complete	1
2	102897301	Fork, Complete	1
3	102897701	Assembly, Speed Governor	1
4	102898001	Washer, Belleville	2
5	102898101	Bearing, Thrust	1
6	102898301	Bearing, Thrust	3
7	102898401	Washer, Thrust	1
8	102898501	Gear, Speed Governor	1
9	102898601	Shaft, Main	1
10	102898701	Shaft, Secondary	1
11	102898801	Shaft, Reverse Gear	1
12	102898901	Gear, Complete, 25t	1
13	102899001	Gear, Complete, 28t	1
14	102899301	Pin	1
15	102899501	Cage, Roller	1
16	102899601	Cage, Roller	3
17	102899901	Grommet	1
18	102900401	Bearing	2
19	102900501	Bearing, 62 Od X 30 Id X 16	1
20	102900701	Bearing	1
21	102901001	Bearing	1
22	102901101	Bearing	1
		Note: To identify your transaxle, locate the serial number decal on the axle tube.	



000681-002

GRAZIANO TRANSAXLE -DIFFERENTIAL AND AXLES

ITEM	PART NO.	DESCRIPTION	QTY
		1 2 3 4	
1	102900801	Bearing, 68 Od X 40 Id X 15	2
2	102902001	Assembly, Differential (includes items 3 through 10)	1
3	102901201	Box, Differential	1
4	102901301	Screw, M10 X 25	6
5	102901401	Ring, Sleeve	2
6	102901501	Gear, Sun	2
7	102901601	Gear, Planetary	2
8	102901701	Ring, Sleeve	2
9	102901801	Pin	1
10	102901901	Gear	1
11	102902101	Shaft, Axle, Short, Complete (Passenger-Side) (includes items 12 and 13)	1
12	102902301	Bolt, Stud	4
13	102902401	Snap Ring	1
14	102902201	Shaft, Axle, Long, Complete (Driver-Side) (includes items 15 and 16)	1
15	102902301	Bolt, Stud	4
16	102902401	Snap Ring	1
17	102902501	Seal, Lip	2
18	102902601	Axle Tube, (Driver-Side)	1
19	102902701	Axle Tube, (Passenger-Side)	1
20	102902801	Screw, M10 X 30	14
21	N/A	Tag, Serial	1
<p style="margin-left: 40px;">Note: To identify your transaxle, locate the serial number decal on the axle tube.</p>			

13

G

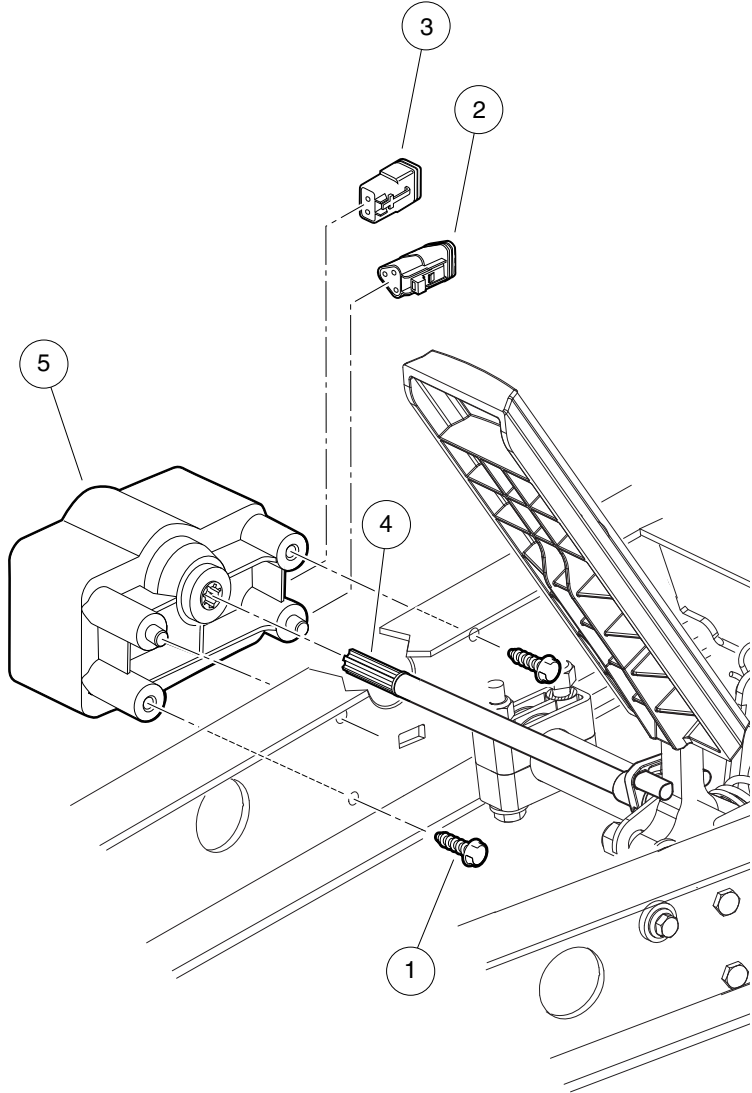
13

G

ELECTRICAL SYSTEM – ELECTRIC VEHICLES

14

E



001070-001

MOTOR CONTROLLER OUTPUT REGULATOR (MCOR)

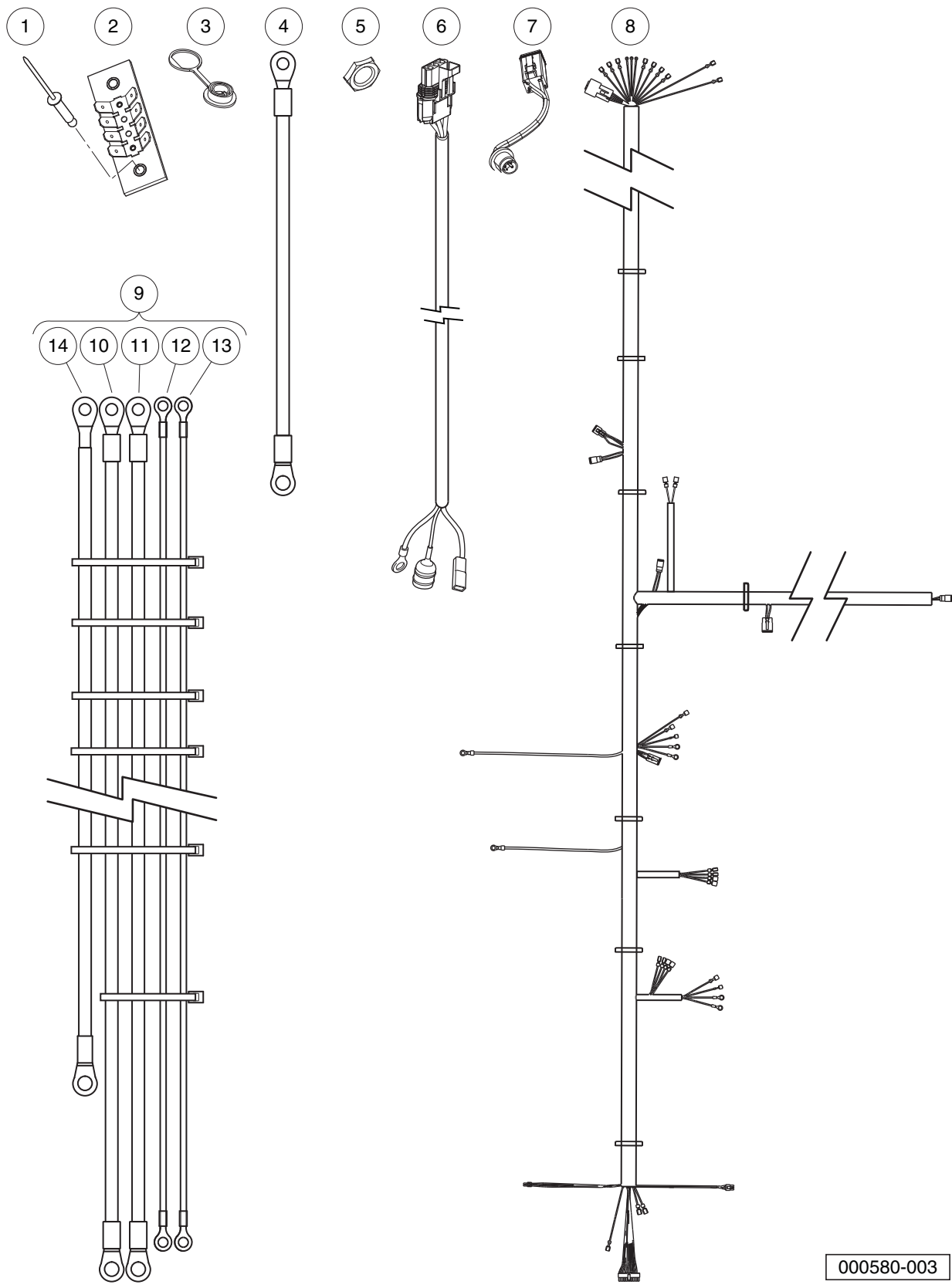
ITEM	PART NO.	DESCRIPTION	QTY
		1 2 3 4	
1	1015752	Screw, #12-16 X 0.625, Hi-Lo	2
2	101920101	Kit, 3-Pin Wedge Lock	1
3	101936801	Kit, 2-Pin Wedge Lock	1
4	102101001	Bar, Drive, Cast	1
5	102101101	MCOR	1

14

E

14

E



000580-003

WIRING – CA 6 ELECTRIC

ITEM	PART NO.	DESCRIPTION	QTY
		1 2 3 4	
1	1013357	Rivet, 5/32 Aluminum Pop	2
2	1016356	Terminal Block with Insulator	1
3	102196901	Dust Cap	1
4	102440901	Wire Asm, #4 Yellow, 13"	1
5	102572401	Nut, Diagnostic Port, Prec	1
6	102938301	Chrgr Harness, Iq Plus, Shelf	1
7	103218601	Harness, Diagnostic Port	1
8	103222001	Asm, Wire Harness, Stretch, Electric	1
9	103698601	Harness, Power, Ca6 Iq Plus (includes items 10 through 14)	1
10	N/A	Asm, #4 Grn Wire, 89"	1
11	N/A	Asm, #4 Wht Wire, 88.5"	1
12	N/A	Asm, #10 Org Wire, 89.5"	1
13	N/A	Asm, #10 Blu Wire, 95.5"	1
14	N/A	Asm, #4 Red Wire, 67.5"	1

14

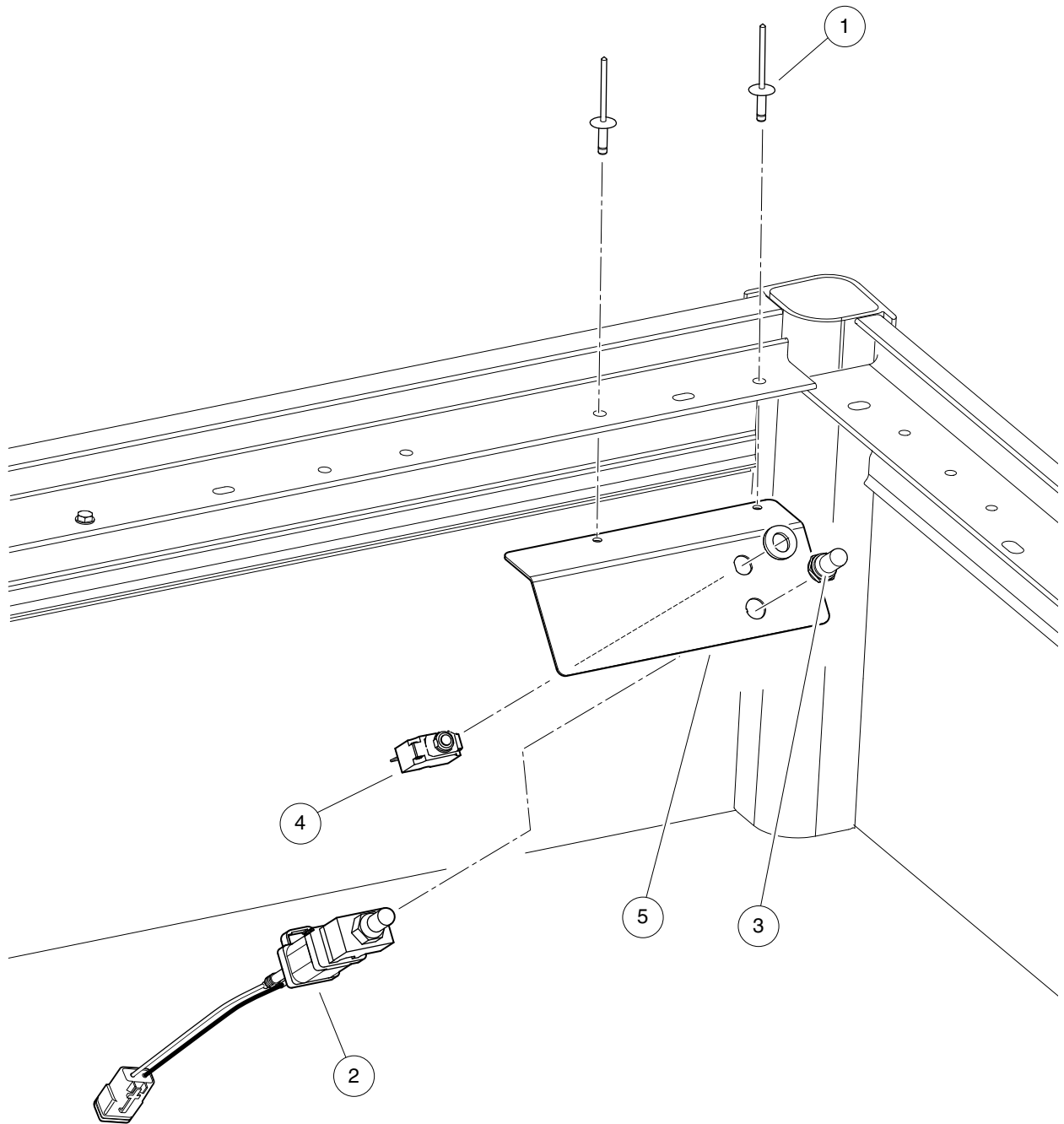
E

BATTERY CHARGER RECEPTACLE

ITEM	PART NO.	DESCRIPTION	QTY
		1 2 3 4	
1	101801001	Plate, Receptacle Backing	1
2	101832001	Screw, #7-19 X 0.625 Phillips Pan-Head Tap	4
3	102848701	Fuse and Receptacle Assembly (includes items 4 through 11)	1
4	1017705	Screw, #8 X 5/8 Phillips Pan-Head Type AB	3
5	101796501	Receptacle	1
6	101796801	Fuse Assembly (includes item 7)	1
7	1013061	Locknut, #10-32 Nylon Insert	2
8	101894901	Fuse, 3/8-Amp	1
9	N/A	Wire Assembly, Sense Lead, Gray	1
10	N/A	Wire Assembly, #10 Red	1
11	N/A	Wire Assembly, #10 Black	1

14

E



002520-003

TOW/RUN SWITCH AND CIRCUIT-BREAKER – IQ PLUS

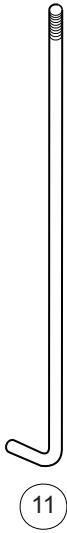
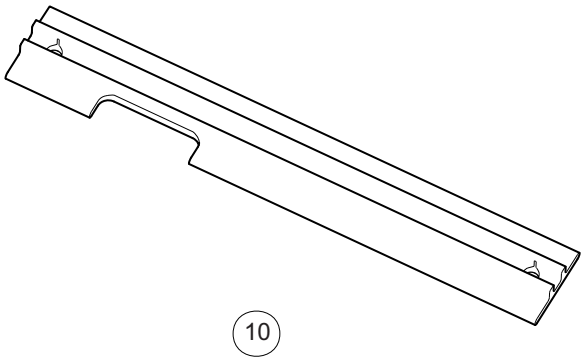
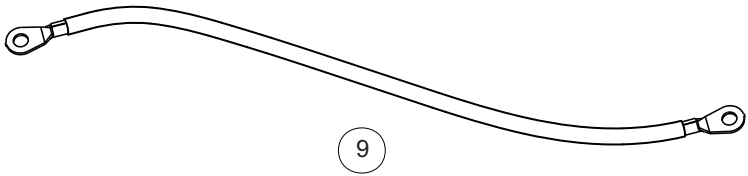
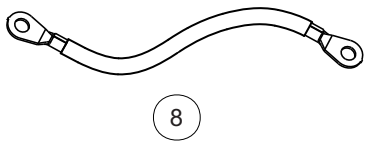
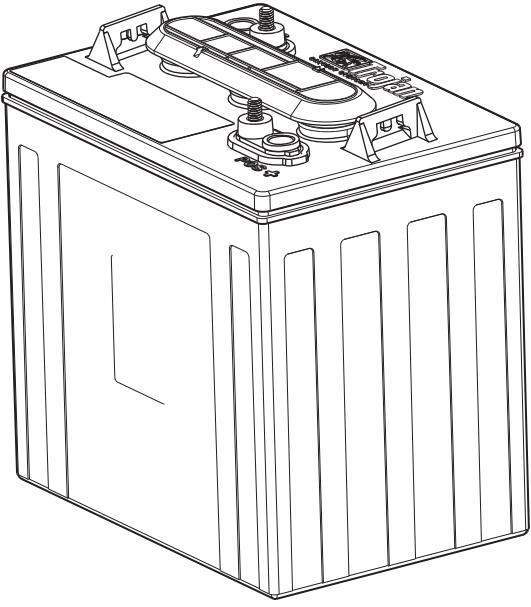
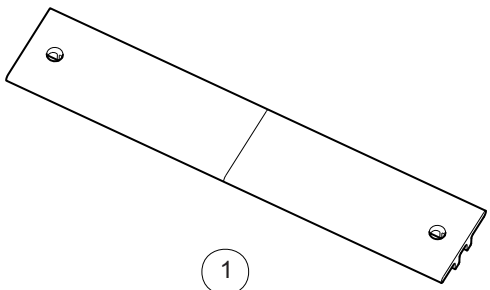
ITEM	PART NO.	DESCRIPTION	QTY
		1 2 3 4	
1	1015392	Rivet, 3/16 Pop	2
2	101908101	Switch Assembly, Tow/Run	1
3	101908401	Boot, Switch	1
4	102838101	Circuit Breaker, 20 Amp	1
5	102915701	Plate, Switch, Run Tow, Mode	1

14

E

14

E



001245-003

BATTERIES, 6-VOLT, STANDARD DUTY, TROJAN

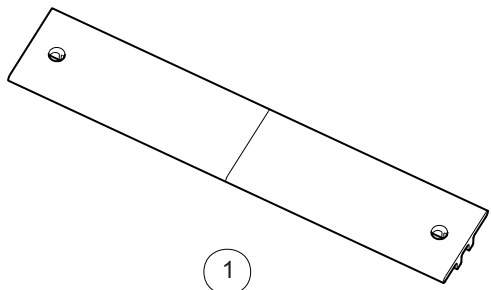
ITEM	PART NO.	DESCRIPTION	QTY
		1 2 3 4	
1	101090801	Hold-Down, Battery	4
2	1012571	Washer, 5/16 Extra Thick Flat	12
3	1015072	Locknut, 5/16-18 Nylon Insert	12
4	101661601	Battery, 6-Volt, Trojan T105 (Wet) (includes item 5)	8
5	101831401	Battery Cap 6 Volt	1
6	101661602	Battery, 6v Trojan T105 (Dry, also known as moist) (includes item 7)	8
7	101831401	Battery Cap 6 Volt	1
8	102002901	Wire Assy, #4 Black	4
9	102764001	Wire Asm, #4 Black	3
10	102766201	Hold Down, Outside	2
11	102845203	Rod, Battery Hold Down 10.7"	12
12	102873401	5/16-18 Heavy Hex Nut	16

14

E

14

E



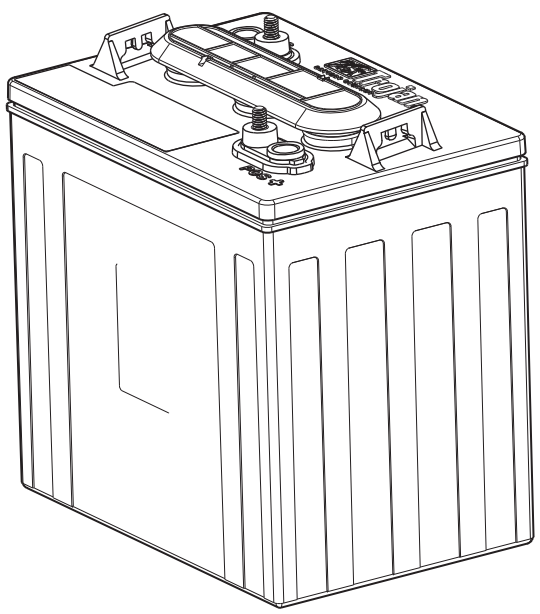
1



2



3

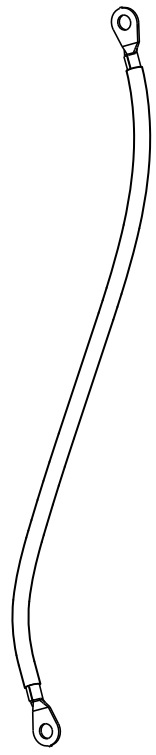


6 7

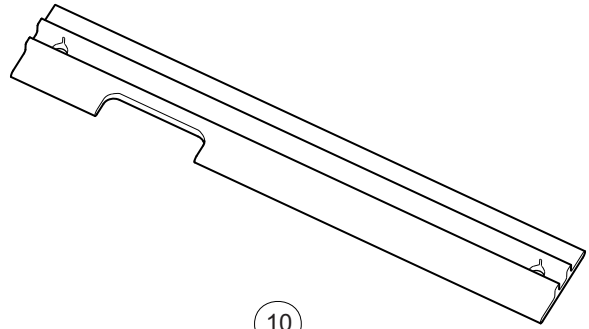
8 9



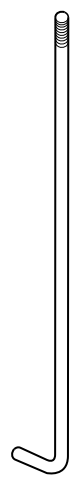
4



5



10



11



12

001245-004

BATTERIES, 6-VOLT, HEAVY DUTY, TROJAN

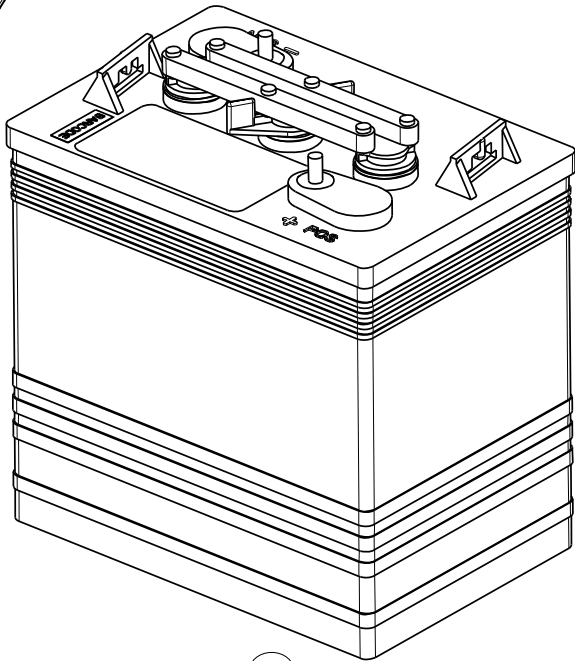
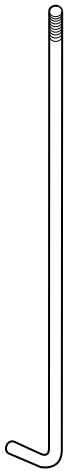
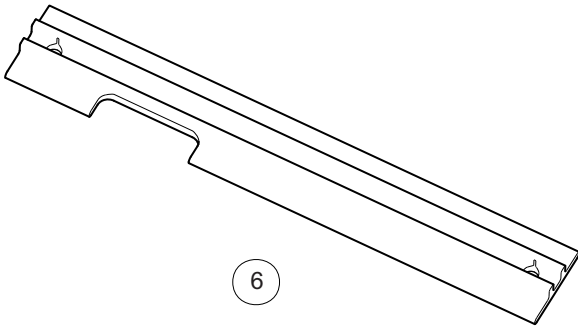
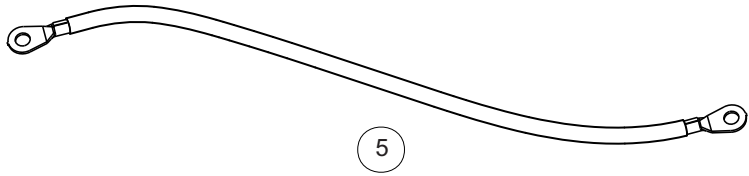
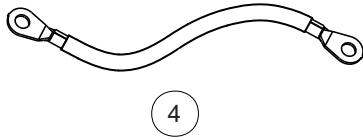
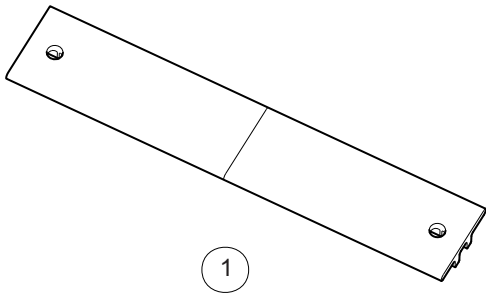
ITEM	PART NO.	DESCRIPTION	QTY
		1 2 3 4	
1	101090801	Hold-Down, Battery	4
2	1012571	Washer, 5/16 Extra Thick Flat	12
3	1015072	Locknut, 5/16-18 Nylon Insert	12
4	102002901	Wire Assy, #4 Black	4
5	102764001	Wire Asm, #4 Black	3
6	102764401	Battery, 6v Trojan T145 (Wet) (includes item 7)	8
7	101831401	Battery Cap 6 Volt	1
8	102764402	Battery, 6v Trojan T145 (Dry, also known as moist) (includes item 9)	8
9	101831401	Battery Cap 6 Volt	1
10	102766201	Hold Down, Outside	2
11	102845204	Rod, Battery Hold Down 12"	12
12	102873401	5/16-18 Heavy Hex Nut	16

14

E

14

E



001267-001

BATTERIES, 6-VOLT, STANDARD DUTY, CROWN

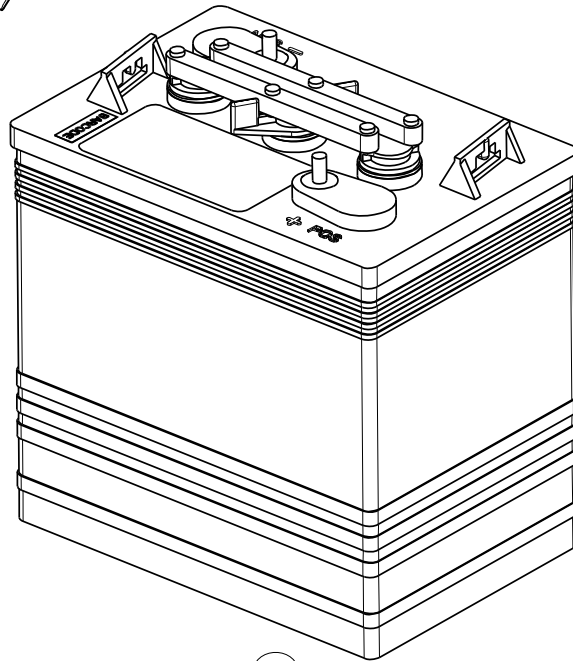
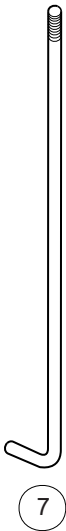
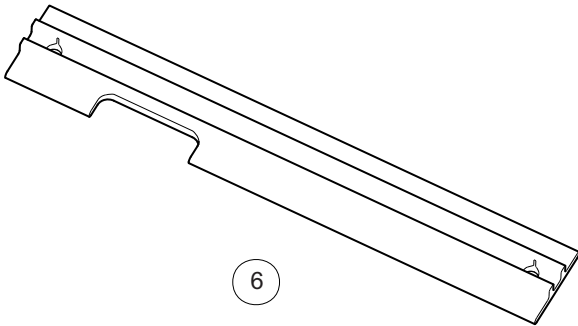
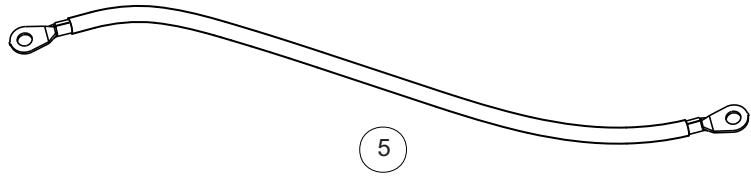
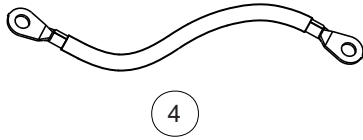
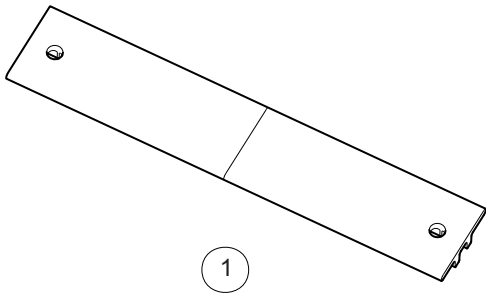
ITEM	PART NO.	DESCRIPTION	QTY
		1 2 3 4	
1	101090801	Hold-Down, Battery	4
2	1012571	Washer, 5/16 Extra Thick Flat	12
3	1015072	Locknut, 5/16-18 Nylon Insert	12
4	102002901	Wire Assy, #4 Black	4
5	102764001	Wire Asm, #4 Black	3
6	102766201	Hold Down, Outside	2
7	102845203	Rod, Battery Hold Down 10.7"	12
8	102873401	5/16-18 Heavy Hex Nut	16
9	103720302	Battery, 6v, Cr225, Moist	8

14

E

14

E



001267-001

BATTERIES, 6-VOLT, HEAVY DUTY, CROWN

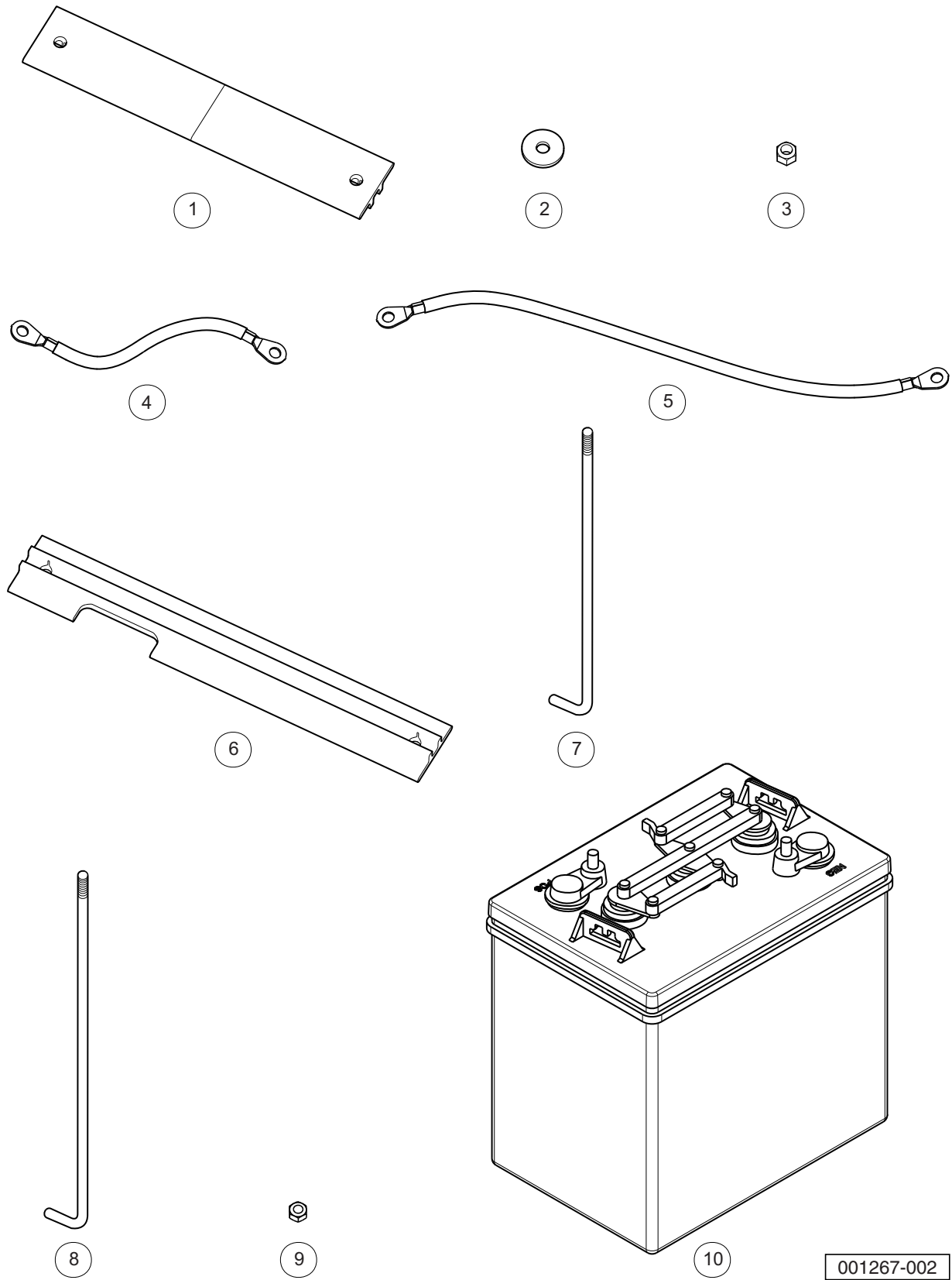
ITEM	PART NO.	DESCRIPTION	QTY
		1 2 3 4	
1	101090801	Hold-Down, Battery	4
2	1012571	Washer, 5/16 Extra Thick Flat	12
3	1015072	Locknut, 5/16-18 Nylon Insert	12
4	102002901	Wire Assy, #4 Black	4
5	102764001	Wire Asm, #4 Black	3
6	102766201	Hold Down, Outside	2
7	102845204	Rod, Battery Hold Down 12"	12
8	102873401	5/16-18 Heavy Hex Nut	16
9	103720402	Battery, 6v, Cr245, Moist	8

14

E

14

E



001267-002

BATTERIES, 6-VOLT, STANDARD DUTY, U.S. BATTERY

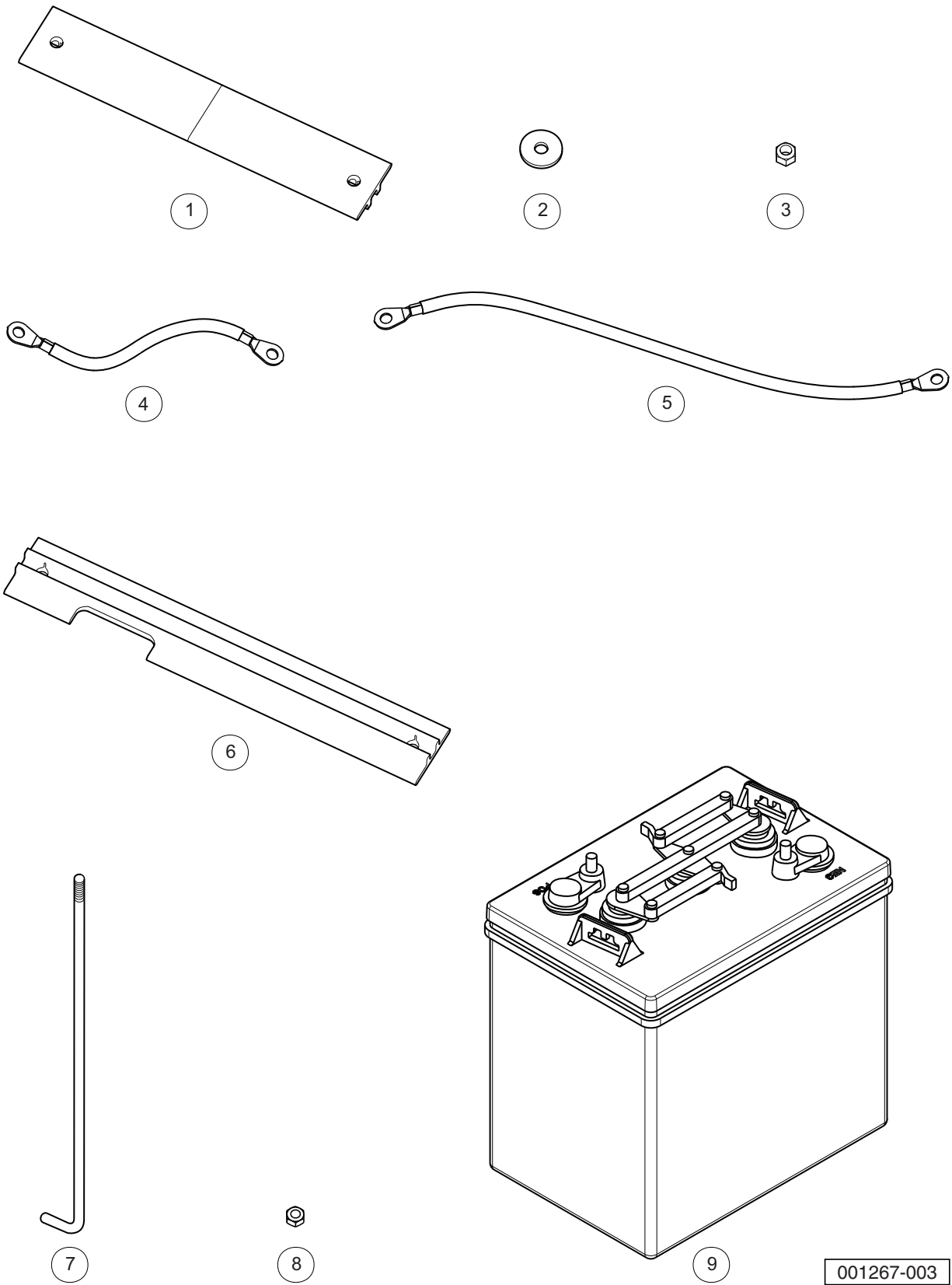
ITEM	PART NO.	DESCRIPTION	QTY
		1 2 3 4	
1	101090801	Hold-Down, Battery	4
2	1012571	Washer, 5/16 Extra Thick Flat	12
3	1015072	Locknut, 5/16-18 Nylon Insert	12
4	102002901	Wire Assy, #4 Black	4
5	102764001	Wire Asm, #4 Black	3
6	102766201	Hold Down, Outside	2
7	102845203	Rod, Battery Hold Down 10.7"	8
8	102845204	Rod, Battery Hold Down 12"	4
9	102873401	5/16-18 Heavy Hex Nut	16
10	103695502	Battery, 6v, 2000xc, Dry	8
		<p>Note: If U.S. Battery is used to replace any other brand of battery, the onboard computer must be changed to match. See Computer, Controller, and Solenoid pages.</p>	

14

E

14

E



001267-003

BATTERIES, 6-VOLT, HEAVY DUTY, U.S. BATTERY

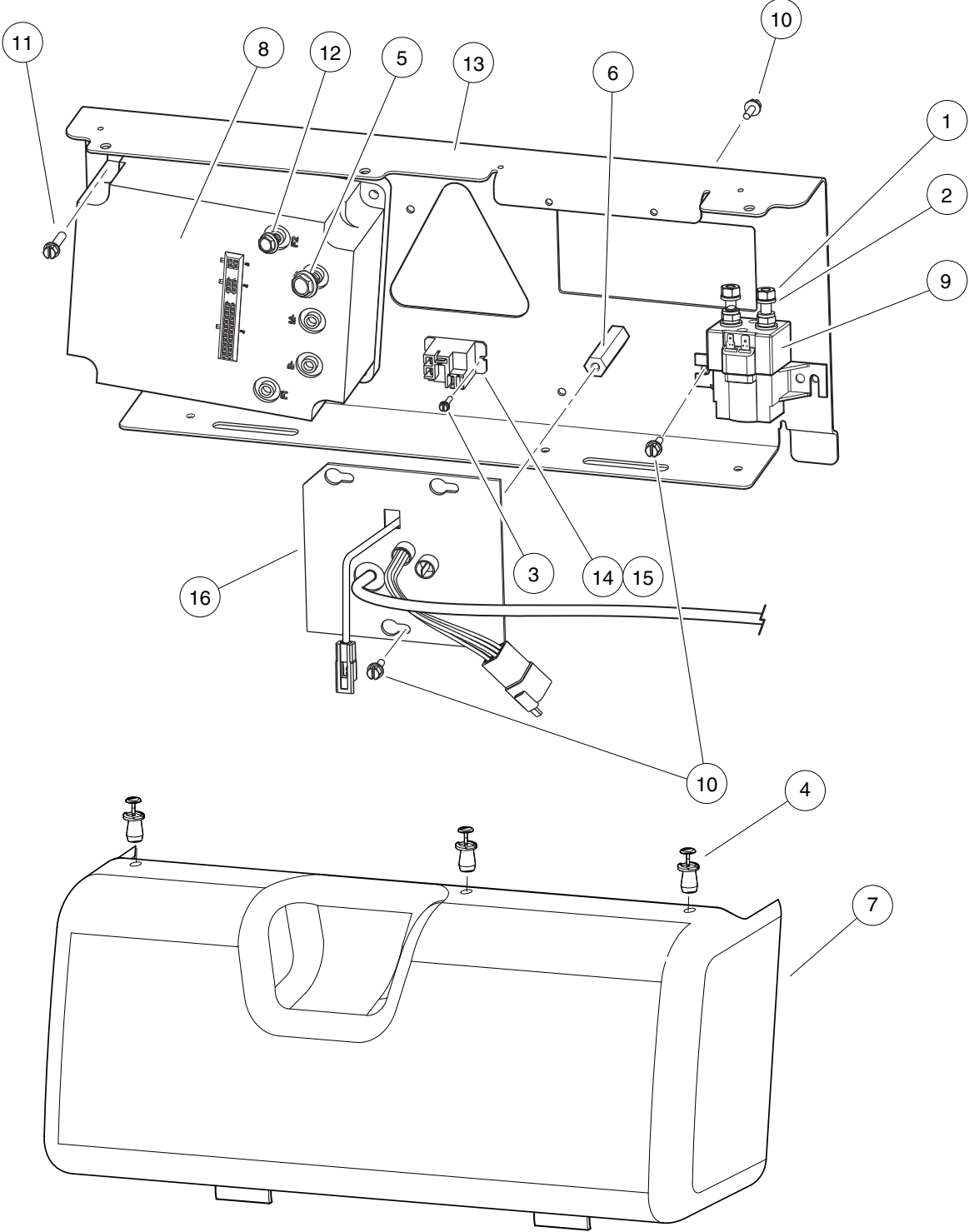
ITEM	PART NO.	DESCRIPTION	QTY
		1 2 3 4	
1	101090801	Hold-Down, Battery	4
2	1012571	Washer, 5/16 Extra Thick Flat	12
3	1015072	Locknut, 5/16-18 Nylon Insert	12
4	102002901	Wire Assy, #4 Black	4
5	102764001	Wire Asm, #4 Black	3
6	102766201	Hold Down, Outside	2
7	102845204	Rod, Battery Hold Down 12"	12
8	102873401	5/16-18 Heavy Hex Nut	16
9	103695702	Battery, 6v, 145xc, Dry	8
		<p>Note: If U.S. Battery is used to replace any other brand of battery, the onboard computer must be changed to match. See Computer, Controller, and Solenoid pages.</p>	

14

E

14

E



001246-002

COMPUTER, CONTROLLER, AND SOLENOID – FOR TROJAN & CROWN BATTERIES

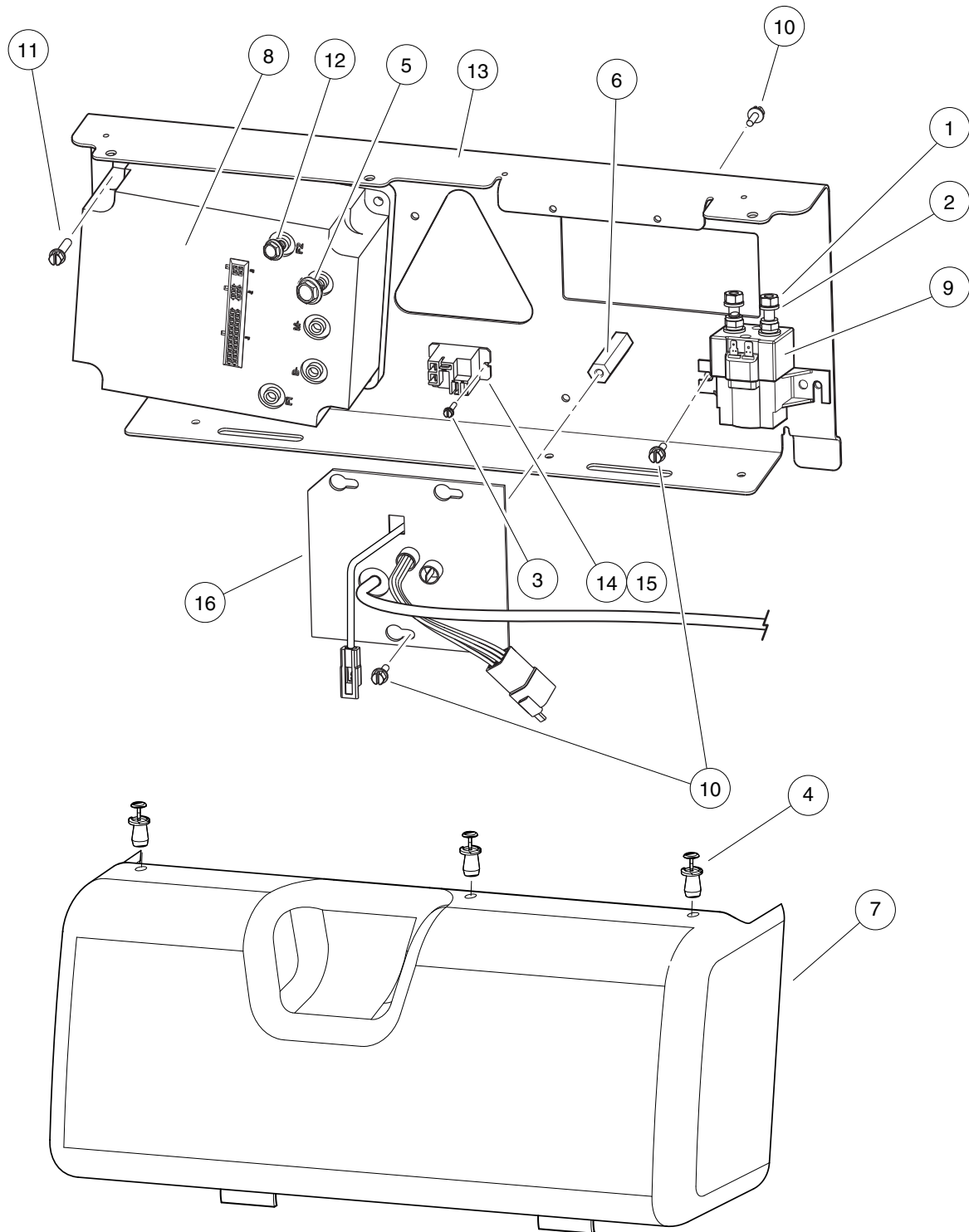
ITEM	PART NO.	DESCRIPTION	QTY
		1 2 3 4	
1	1012528	Nut, M8-1.25 Hex	2
2	1013734	Lockwasher, 8mm Split	2
3	1015720	Screw, #6-32 X 1/2 Hex Washer-Head	2
4	1016967	Blind Rivet, Push Type	3
5	102240501	Bolt, Controller, Terminal	3
6	102769701	Spacer, 2", 1/4-20, Hex	1
7	102772402	Cover, Electrical Component, Carryall 6	1
8	102774501	Controller, 500 Amp	1
9	102774701	Solenoid, 48v	1
10	102817101	Screw, 1/4-20 X .50 Hex Wsh Hd	6
11	102817201	Screw, 1/4-20 X .88 Hex Wsh Hd	4
12	102859501	Screw, M6 X 1 X 20 Ser Hex Flg	2
13	102912801	Plate, Component, Front	1
14	103414901	Kit, Relay, 48v 30a W/instr (includes item 15)	1
15	103397901	Relay, Spst No, 48v 30a, Pmt	1
16	103697107	Obc, Iqplus, A1, 116"	1

14

E

14

E



001246-002

COMPUTER, CONTROLLER, AND SOLENOID – FOR U.S. BATTERY ONLY

ITEM	PART NO.	DESCRIPTION	QTY
		1 2 3 4	
1	1012528	Nut, M8-1.25 Hex	2
2	1013734	Lockwasher, 8mm Split	2
3	1015720	Screw, #6-32 X 1/2 Hex Washer-Head	2
4	1016967	Blind Rivet, Push Type	3
5	102240501	Bolt, Controller, Terminal	3
6	102769701	Spacer, 2", 1/4-20, Hex	1
7	102772402	Cover, Electrical Component, Carryall 6	1
8	102774501	Controller, 500 Amp	1
9	102774701	Solenoid, 48v	1
10	102817101	Screw, 1/4-20 X .50 Hex Wsh Hd	6
11	102817201	Screw, 1/4-20 X .88 Hex Wsh Hd	4
12	102859501	Screw, M6 X 1 X 20 Ser Hex Flg	2
13	102912801	Plate, Component, Front	1
14	103414901	Kit, Relay, 48v 30a W/instr (includes item 15)	1
15	103397901	Relay, Spst No, 48v 30a, Pmt	1
16	103697108	Obc, Iqplus, A2, 116"	1
<p>Note: If U.S. Battery is used to replace any other brand of battery, the onboard computer must be changed to match. See Batteries pages.</p>			

14

E

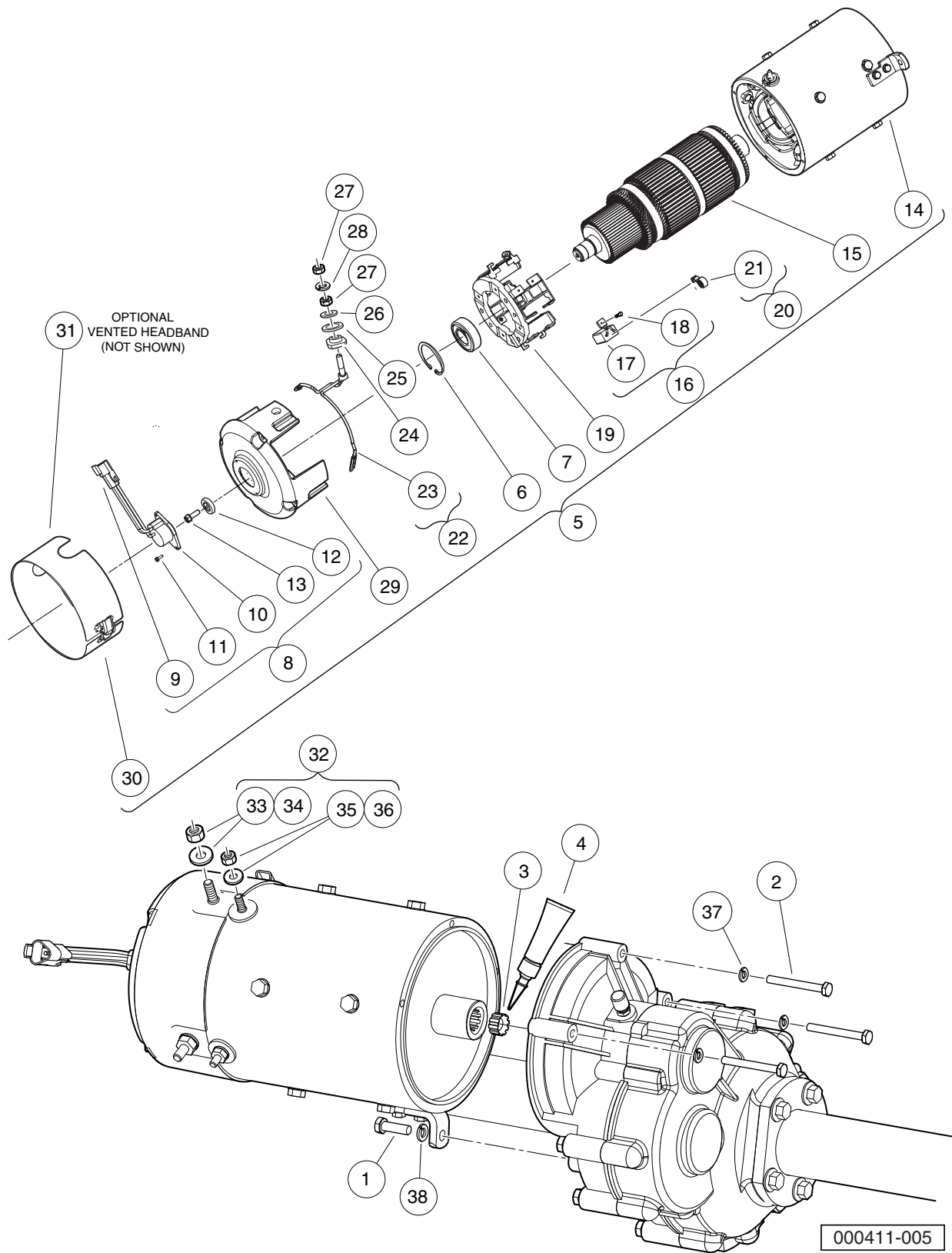
14

E

MOTOR (MODEL DA5-4006) – IQ PLUS

15

E



MOTOR (MODEL DA5-4006) – IQ PLUS

ITEM	PART NO.	DESCRIPTION	QTY
		1 2 3 4	
1	1010934	Screw, 5/16-18 X 1.00 Hex Cap	1
2	1014201	Screw, 1/4-20 X 2.25 Hex Cap	3
3	102235201	Bumper, Drive Unit	1
4	102243403	Lubricant, Moly-Teflon (Single-Use Tube)	1
5	102775101	IQ Plus Electric Motor, 48-VDC 3.7 hp (includes items 6 through 30)	1
6	N/A	Ring, 2.24" Internal Retaining	1
7	102186401	Bearing, Ball	1
8	102704901	Kit, Speed Sensor (includes items 9 through 13)	1
9	101942301	Kit, 3-Pin Wedge Lock	1
10	N/A	Sensor, Motor Speed, ADC	1
11	N/A	Screw, #8-32, Taptite Thread	2
12	N/A	Magnet, ADC Motor	1
13	N/A	Screw, 1/4-20 x 0.5	1
14	N/A	Asm, Frame And Field, 3.7 Hp	1
15	N/A	Armature (Includes external hardware not shown)	1
16	102938601	Kit, Brush, 3.7 Hp (includes items 17 and 18)	1
17	N/A	Brush, Motor	8
18	N/A	Screw, Taptite	8
19	102938701	Asm, Brush Box, 3.7 Hp	1
20	102938801	Kit, Brush Spring, 3.7 Hp (includes item 21)	1
21	N/A	Brush Spring	8
22	102938901	Kit, Brush Lead Asm, 3.7 Hp (includes items 23 through 28)	1
23	N/A	Terminal and Lead Assembly	2
24	N/A	Insulator, Terminal	2
25	N/A	Washer, Insulating	2
26	N/A	Washer, Flat, 5/16, Brass/Bronze	2
27	N/A	Nut, 5/16, Steel	4
28	N/A	Lockwasher, 5/16, Steel	2
29	102939001	Commutator End Head, 3.7 Hp	1
30	102939101	Sealed Headband, 3.7 Hp	1
31	102939102	Vented Headband, 3.7 HP (optional - not shown)	1
32	102951701	Pkg, Terminal Hardware, 3.7hp (includes items 33 through 36)	1
33	N/A	Nut, 5/16, Steel	2
34	N/A	Lockwasher, 5/16, Steel	2
35	N/A	Nut, 1/4-20, Steel	2
36	N/A	Lockwasher, 1/4-20, Steel	2
37	451	Lockwasher, 1/4 Split	3
38	7174	Lockwasher, 5/16 Split	1

15

E

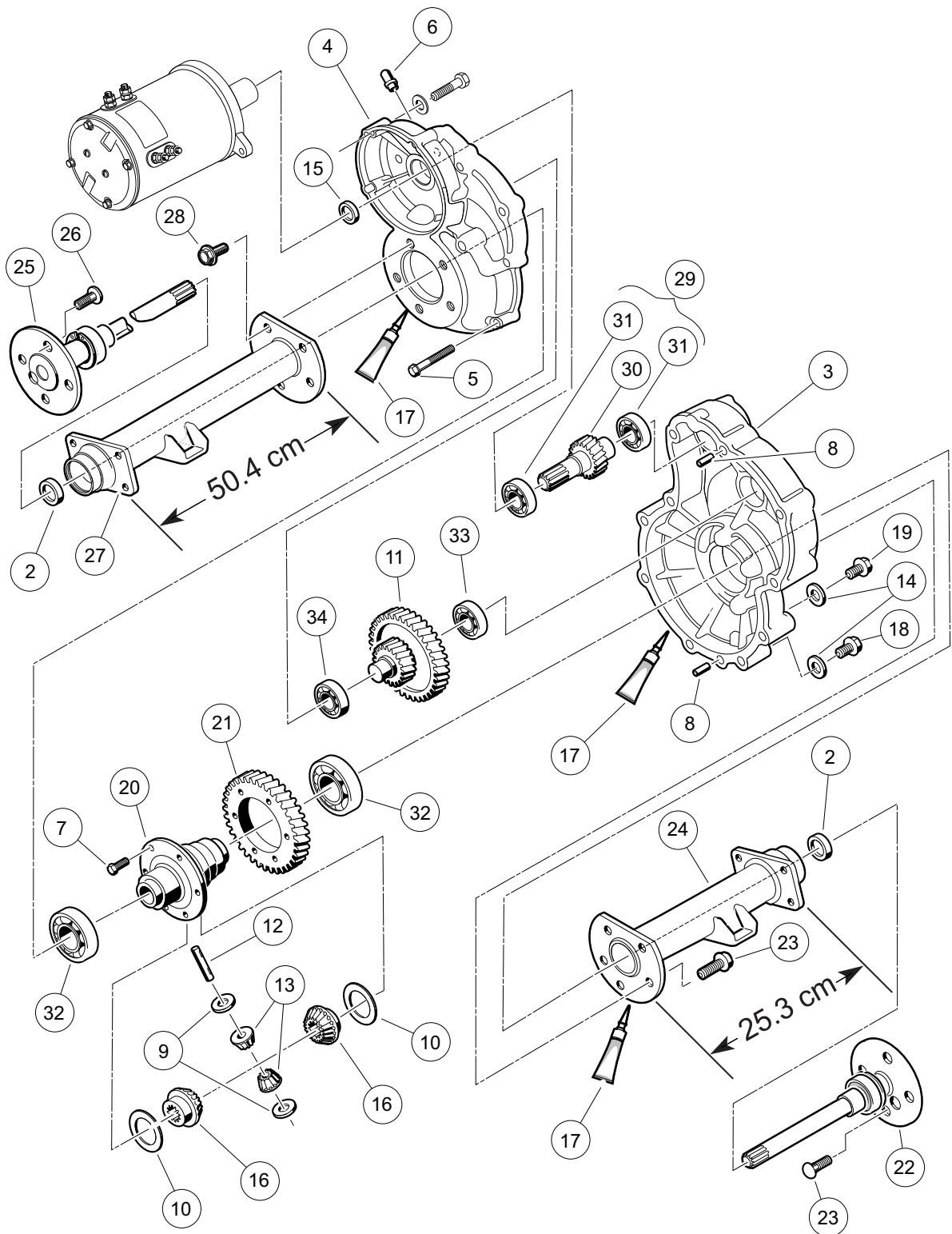
15

E

TRANSAXLE – ELECTRIC VEHICLES

16

E



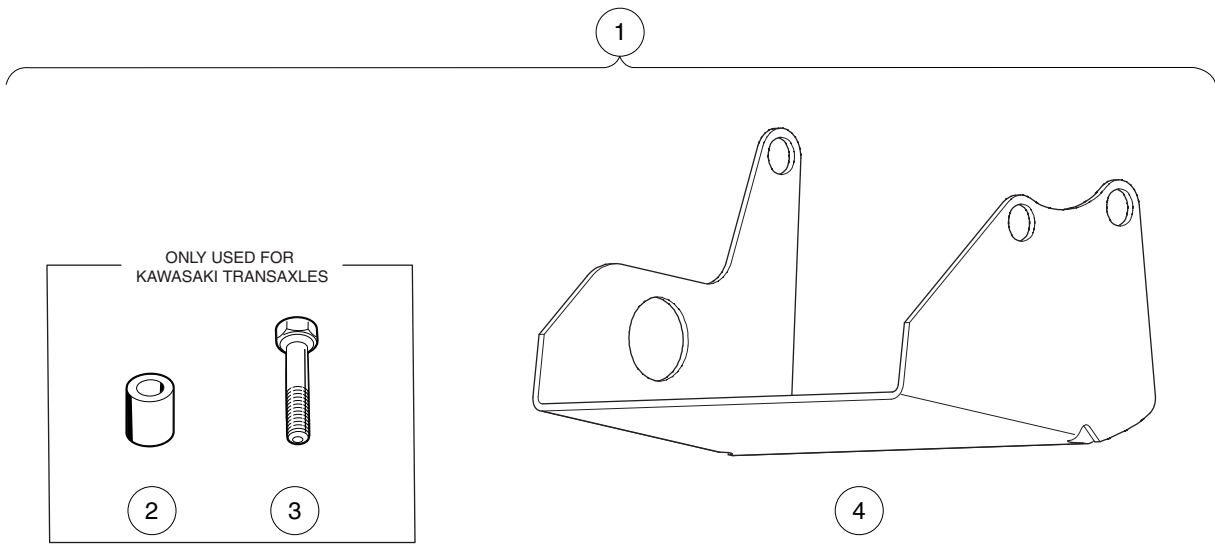
000223-005

TRANSAXLE – ELECTRIC VEHICLES

ITEM	PART NO.	DESCRIPTION	QTY
		1 2 3 4	
1	102771701	Transaxle, Electric (includes items 2 through 34)	1
2	1013794	Axle Shaft Oil Seal	2
3	101895401	Gear Case, Driver-Side	1
4	101895501	Gear Case, Passenger-Side	1
5	101897001	Screw, M8-1.25 X 60mm Hex-Head	11
6	101897201	Breather	1
7	101897401	Screw, M10-1.25 X 25mm	6
8	101897601	Pin, 11mm OD X 8.5mm ID X 10mm	2
9	101903601	Washer, Thrust	2
10	101903701	Washer, Thrust	2
11	101906901	Intermediate Shaft Assembly	1
12	101922101	Pin, 15.99mm X 88.7mm Dowel	1
13	101923001	Gear, Differential Idler	2
14	101923201	Gasket	2
15	101923501	Seal, Lip	1
16	101923901	Gear, Differential	2
17	101928701	Liquid Gasket (Transaxle case)	1
18	101972101	Plug, M14-1.5 X 12mm Magnetic	1
19	101972201	Plug, M14-1.5 X 12mm Hex	1
20	102356601	Housing, Differential, 6 Bolt	6
21	102356801	Gear, Differential Output, 6-Bolt	6
22	102886301	Axle Assembly, Driver-Side (includes item 23)	1
23	101922201	Lug Stud	4
24	102886401	Tube, Axle, Driver-Side	1
25	102886501	Axle Assembly, Passenger-Side (includes item 26)	1
26	101922201	Lug Stud	4
27	102886601	Tube, Axle, Passenger-Side	1
28	102902801	Screw, M10 X 30	10
29	103582801	Asm, E Trans Shaft/bearing (includes items 30 and 31)	1
30	N/A	Shaft, Input	1
31	7335	Bearing	2
32	7330	Inner Axle Tube Bearing	2
33	7335	Bearing	1
34	7336	Bearing	1

16

E



000365-002

DIFFERENTIAL GUARD – ELECTRIC VEHICLES

ITEM	PART NO.	DESCRIPTION	QTY
		1 2 3 4	
1	101611402	Kit, Differential Guard, Elec Vehicles (includes items 2 through 4)	1
2	101914001	Spacer, Steel	2
3	101936101	Screw, M10-1.50 X 60mm Hex Cap	2
4	101978601	Guard, Differential, Electric Vehicle Transaxle	1

16

E

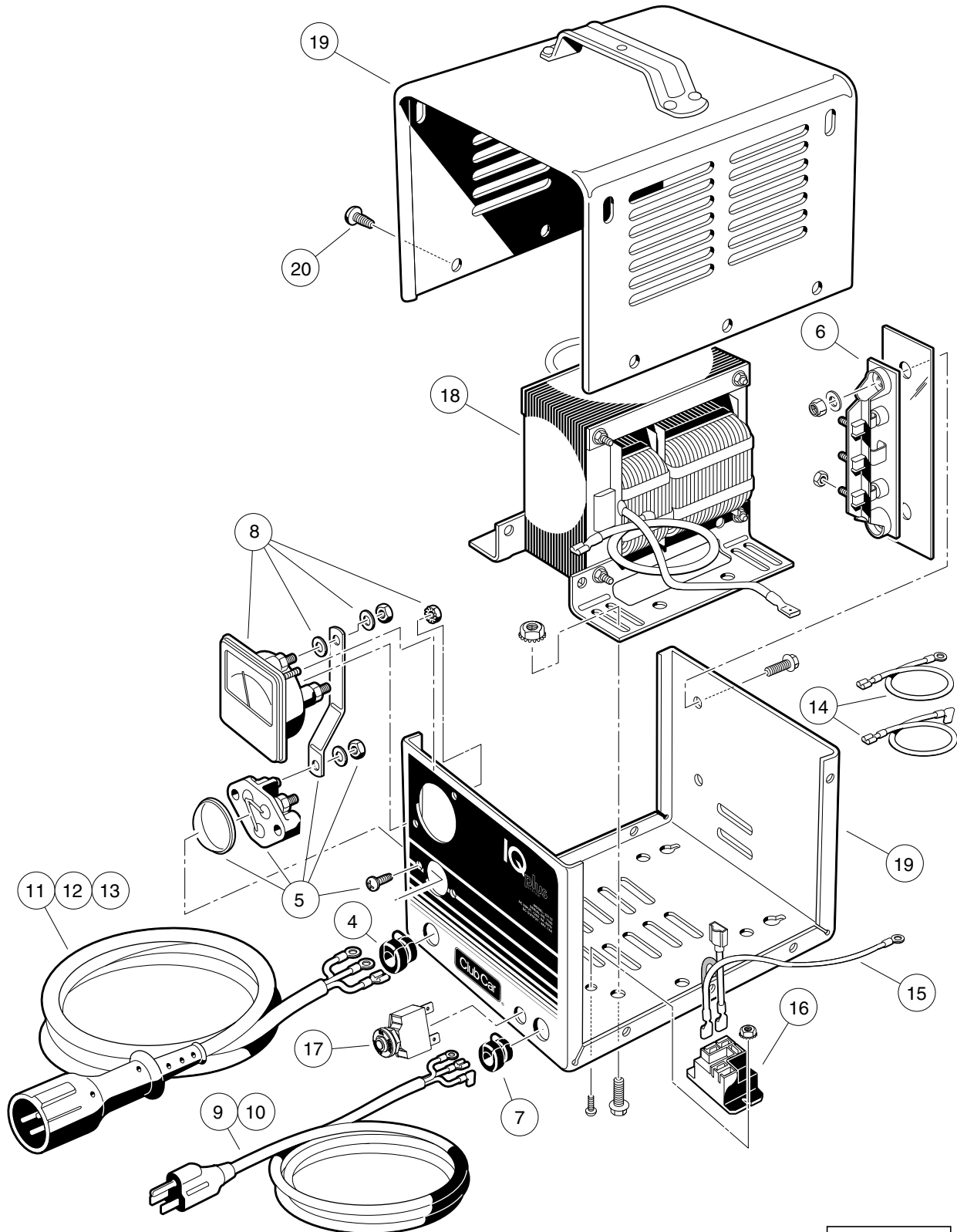
16

E

BATTERY CHARGERS

17

E



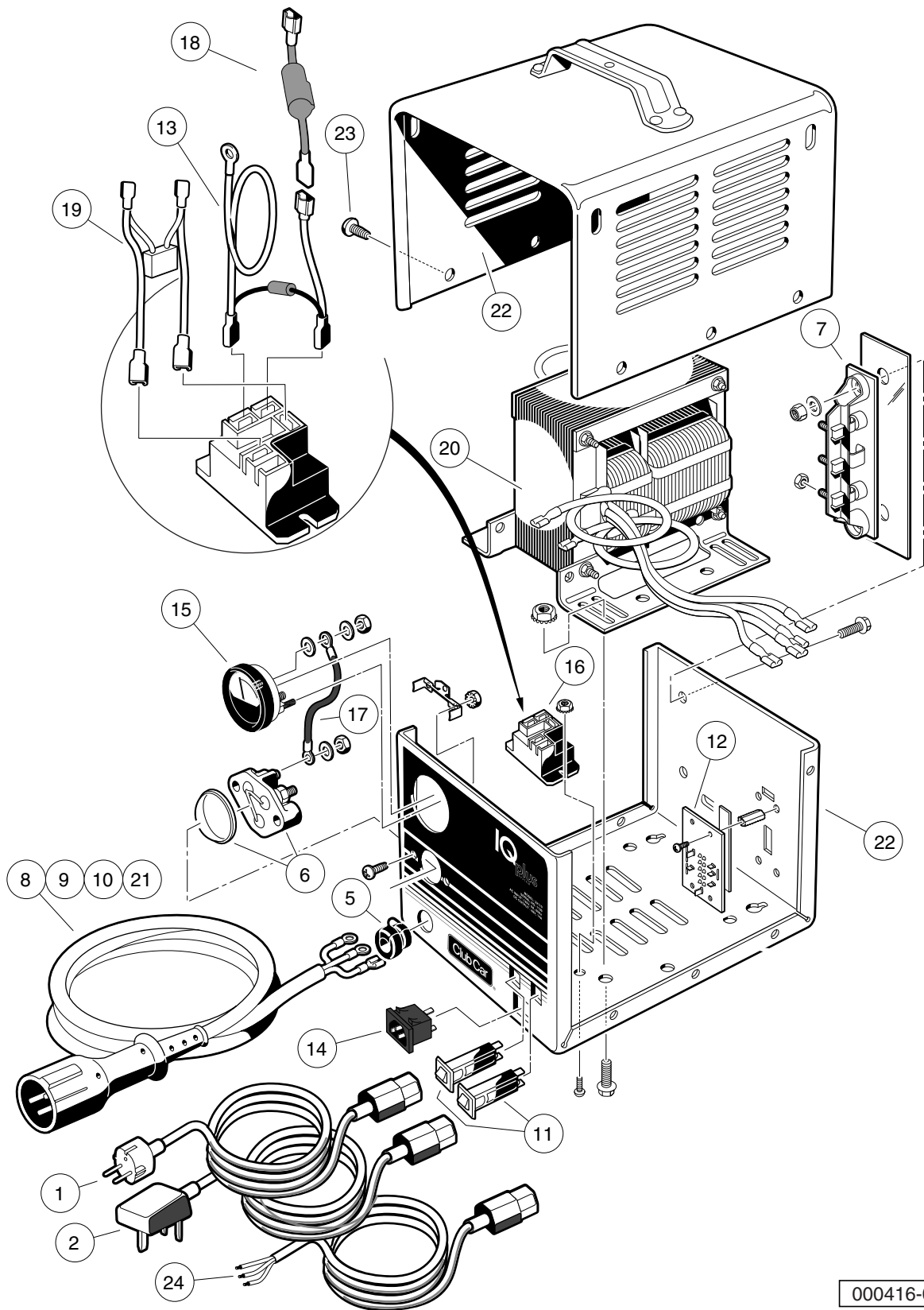
000414-001

IQ PLUS BATTERY CHARGER (MODELS 25730-11,-18,-19), DOMESTIC

ITEM	PART NO.	DESCRIPTION	QTY
		1 2 3 4	
1	102847801	Charger, IQ Plus, Domestic (9-ft. DC Cord, 6-ft. AC Cord)	1
2	102847802	Charger, IQ Plus, Domestic (12-ft. DC Cord, 9-ft. AC Cord)	1
3	102847803	Charger, IQ Plus, Domestic (20-ft. DC Cord, 9-ft. AC Cord) (includes items 4 through 20)	1
4	1012098	Bushing, DC Cord	1
5	1012101	Fuse Assembly	1
6	1015914	Rectifier with Heatsink Assembly	1
7	1015917	Bushing, AC Cord	1
8	101828501	Ammeter	1
9	101828801	Cord, AC, 80-Inch (203 cm)	1
10	101828802	Cord, AC, 108-Inch (274 cm)	1
11	101828901	Cord, DC, 113-Inch (287 cm)	1
12	101828902	Cord, DC, 154-Inch (391 cm)	1
13	101828903	Cord, DC, 250-Inch (635 cm)	1
14	101831101	Wire Assembly Kit	1
15	101914401	Assembly, Voltage Suppressor	1
16	102275401	Relay, 48-VDC	1
17	102838101	Circuit Breaker 250vac-50vdc	1
18	N/A	Transformer, Battery Charger	1
19	N/A	Case, Battery Charger	1
20	7577	Screw, #10 X 0.50 Phillips Pan-Head	10

17

E



000416-001

IQ PLUS BATTERY CHARGER (MODELS 25880-11 AND -18), INTERNATIONAL

ITEM	PART NO.	DESCRIPTION	QTY
		1 2 3 4	
1	101958201	Cord, UK, AC, Battery Charger	1
2	101958301	Cord, European AC, Battery Charger	1
3	102892901	Charger, IQ Plus, International (9-ft. DC Cord)	1
4	102892902	Charger, IQ Plus, International (12-ft. DC Cord) (includes items 5 through 23)	1
5	1012098	Bushing, DC Cord	1
6	1012101	Fuse Assembly	1
7	1015914	Rectifier with Heatsink Assembly	1
8	101828901	Cord, DC, 113-Inch (287 cm)	1
9	101828902	Cord, DC, 154-Inch (391 cm)	1
10	101828903	Cord, DC, 250-Inch (635 cm)	1
11	101838401	Circuit Breaker	2
12	101838601	Four-Position Switch	1
13	101914401	Assembly, Voltage Suppressor	1
14	101973501	Receptacle, AC Cord	1
15	101976601	Ammeter with Mounting Bracket	1
16	102275401	Relay, 48-VDC	1
17	N/A	Wire, Jumper	1
18	N/A	Limiter, Current	1
19	N/A	Wire Assembly, Battery Charger	1
20	N/A	Transformer, Battery Charger	1
21	102940801	Cord, Dc	1
22	N/A	Case, Battery Charger	1
23	7577	Screw, #10 X 0.50 Phillips Pan-Head	10
24	102939501	Cord, European AC, Battery Charger	1

17

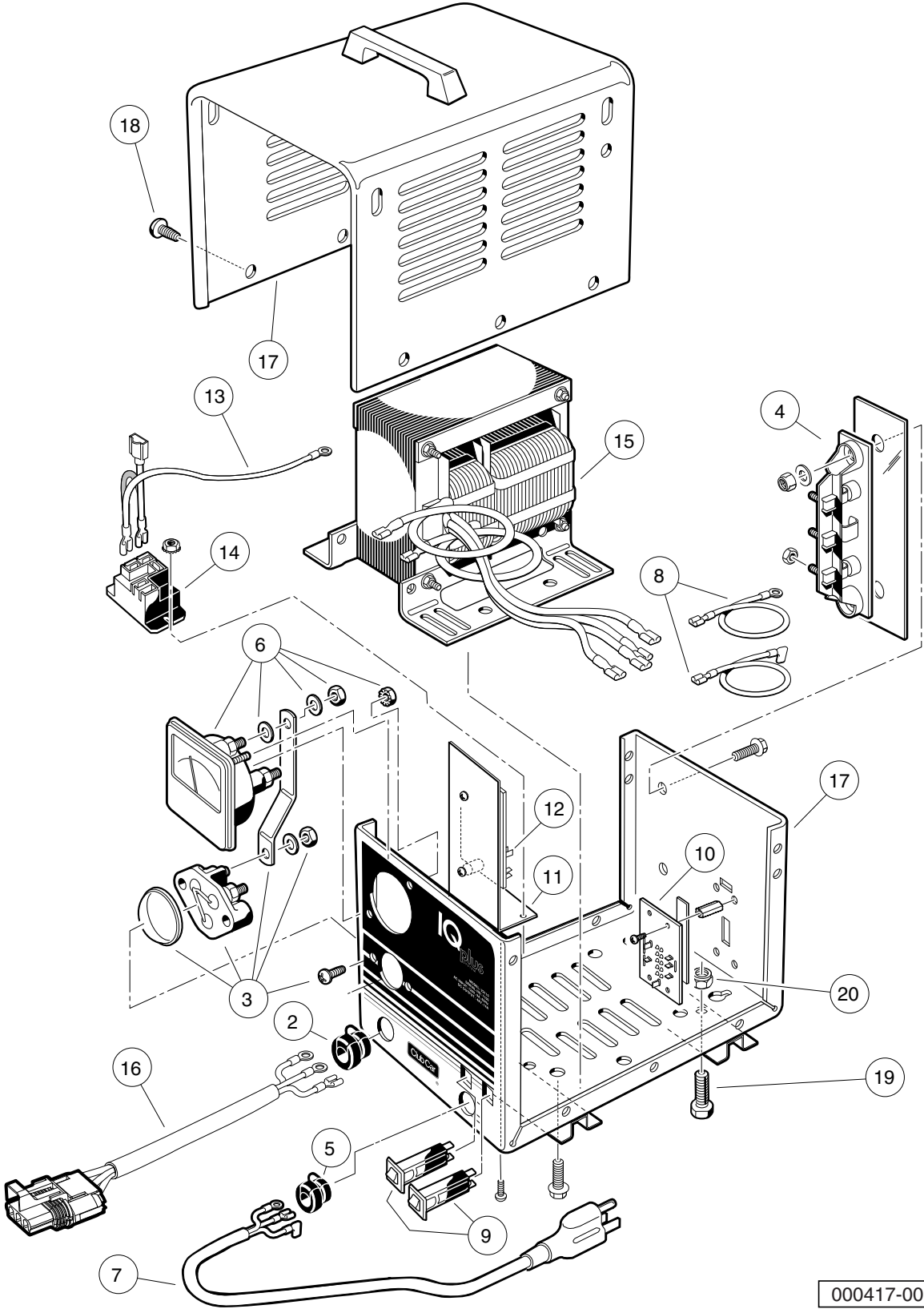
E

ONBOARD IQ PLUS BATTERY CHARGER (MODEL 25260-11), DOMESTIC

ITEM	PART NO.	DESCRIPTION	QTY
		1 2 3 4	
1	102837001	Battery Charger, Onboard, 120-VAC, 48-VDC (includes items 2 through 19)	1
2	1012098	Bushing, DC Cord	1
3	1012101	Fuse Assembly	1
4	1015914	Rectifier with Heatsink Assembly	1
5	1015917	Bushing, AC Cord	1
6	101828501	Ammeter	1
7	101829001	Cord, AC, 22-Inch (56 cm)	1
8	101831101	Wire Assembly Kit	1
9	101838701	Mounting Bracket, Relay	1
10	101841901	Control Board	1
11	101914401	Assembly, Voltage Suppressor	1
12	102275401	Relay, 48-VDC	1
13	102838101	Circuit Breaker 250vac-50vdc	1
14	N/A	Transformer, Battery Charger	1
15	102940801	Cord, Dc	1
16	N/A	Case, Battery Charger	1
17	7577	Screw, #10 X 0.50 Phillips Pan-Head	12
18	7847	Screw, 1/4-20 X 0.75 Hex-Head Cap	4
19	8233	Locknut, 1/4-20, Nylon Insert	4

17

E



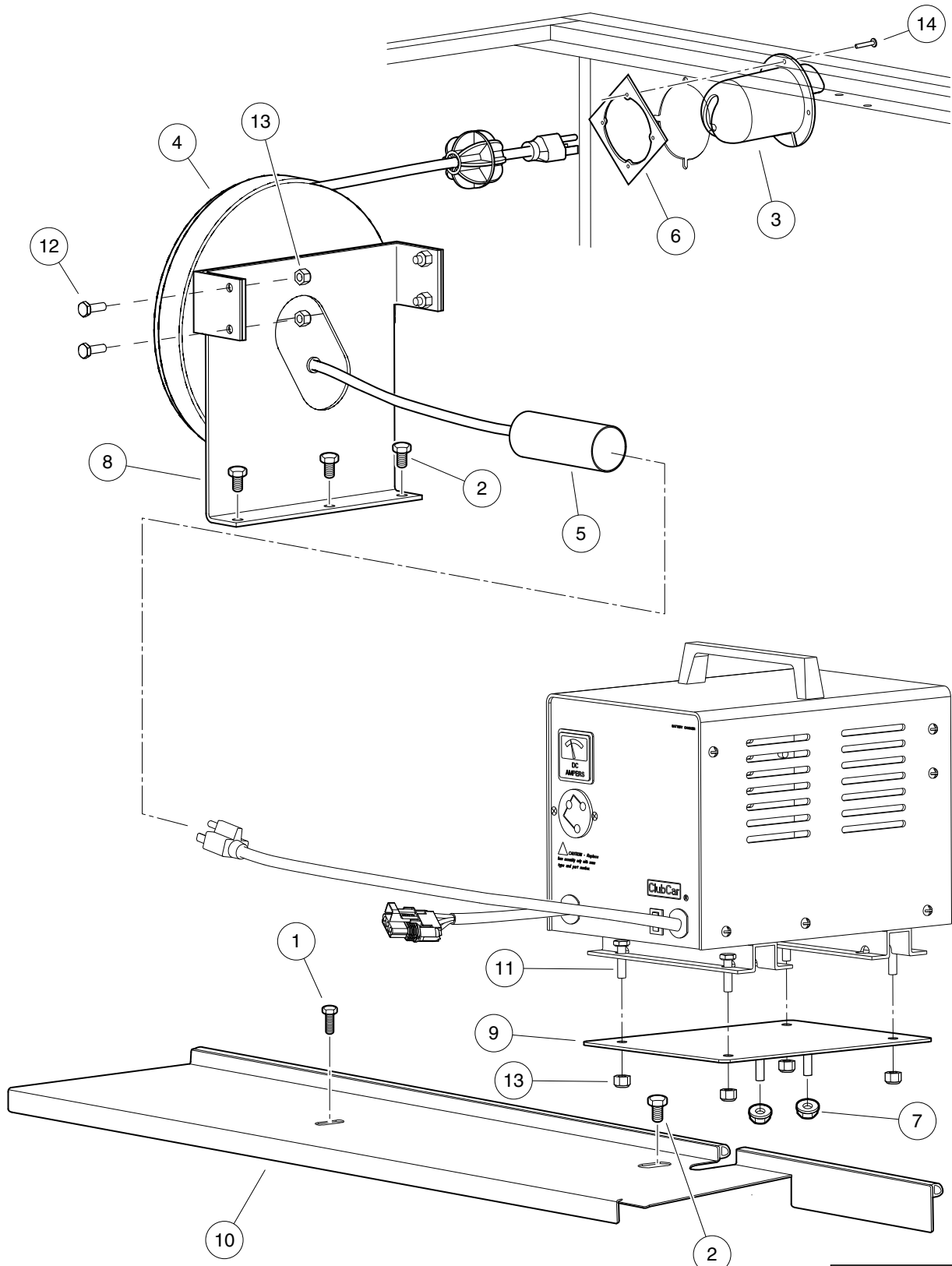
000417-001

ONBOARD IQ PLUS BATTERY CHARGER (MODEL 25660-40), INTERNATIONAL

ITEM	PART NO.	DESCRIPTION	QTY
		1 2 3 4	
1	102893001	Battery Charger, Onboard, International, IQ Plus (includes items 2 through 20)	1
2	1012098	Bushing, DC Cord	1
3	1012101	Fuse Assembly	1
4	1015914	Rectifier with Heatsink Assembly	1
5	1015917	Bushing, AC Cord	1
6	101828501	Ammeter	1
7	101829001	Cord, AC, 22-Inch (56 cm)	1
8	101831101	Wire Assembly Kit	1
9	101838401	Circuit Breaker	2
10	101838601	Four-Position Switch	1
11	101838701	Mounting Bracket, Relay	1
12	101841901	Control Board	1
13	101914401	Assembly, Voltage Suppressor	1
14	102275401	Relay, 48-VDC	1
15	N/A	Transformer, Battery Charger	1
16	102940801	Cord, Dc	1
17	N/A	Case, Battery Charger	1
18	7577	Screw, #10 X 0.50 Phillips Pan-Head	12
19	7847	Screw, 1/4-20 X 0.75 Hex-Head Cap	4
20	8233	Locknut, 1/4-20, Nylon Insert	4

17

E



000418-002

ONBOARD IQ PLUS CHARGER AND CORD REEL MOUNTING

ITEM	PART NO.	DESCRIPTION	QTY
		1 2 3 4	
1	1014063	Screw, 1/4-20 X 1.00, Hex Head	1
2	1014288	Screw, 5/16-18 X 0.75, Thread-Forming	4
3	1016673	Housing, Cord Reel	1
4	1017187	Retractable Cord Reel	1
5	1017189	Heat Shrink Tube 1.5" X 3"	1
6	101801001	Plate, Receptacle Backing	1
7	101832901	Nut, M10-1.25 Hex Flange	2
8	102770701	Bracket, Reel, Tabbed	1
9	102942601	Asm, Plate, Charger Mounting	1
10	103352701	Asm, Shield, Iq Plus Ob Chgr,	1
11	304	Screw, 1/4-20 X 1.0 Hex-Head Cap	4
12	7847	Screw, 1/4-20 X 0.75 Hex-Head Cap	4
13	8233	Locknut, 1/4-20, Nylon Insert	8
14	8796	Screw, #7-19 X 0.75 Pan-Head Type AB	4

17

E

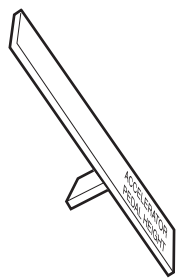
MAINTENANCE AND SERVICE TOOLS

18

G

E

18
G
E



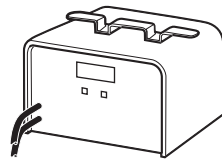
1



2



3



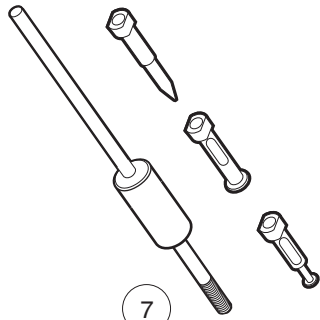
4



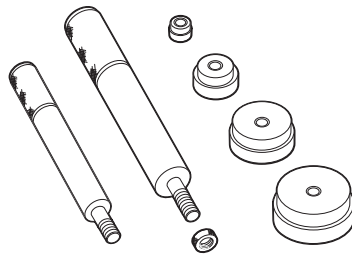
5



6



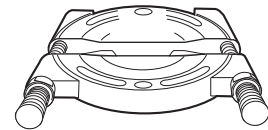
7



8



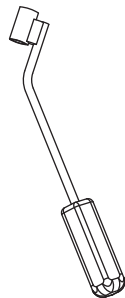
9



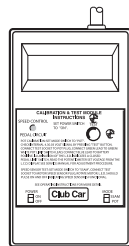
10



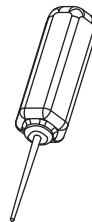
11



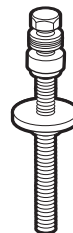
12



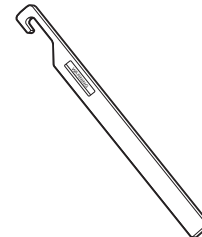
13



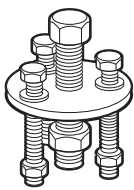
14



15



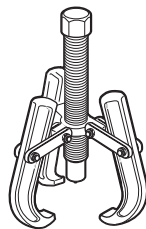
16



17



18



19



20



21

001600-001

MAINTENANCE AND SERVICE TOOLS

ITEM	PART NO.	DESCRIPTION	QTY GAS	QTY ELEC
		<p>1 2 3 4</p> <p>The following tool list includes all tools available from Club Car to perform maintenance and service procedures on all electric utility vehicles and all gasoline utility vehicles equipped with Kawasaki FE-series engines. Be sure to carefully examine the tool list for applicability to your vehicle before ordering.</p>		
1	101871001	Accelerator Pedal Adjustment Tool (Utility Vehicles).....	1	1
2	101813202	Adhesive, Guide Ring, 3-Gram Tube		1
3	101641202	Arbor	1	
4	101831901	Battery Discharge Machine, 36/48 Volt		1
5	1014305	Battery Terminal Protector Spray	1	1
6	1011767	Battery Thermometer	1	1
7	1016417	Bearing and Oil Seal Remover Assembly	1	1
8	1016416	Bearing Driver Set	1	1
9	1012811	Bearing Puller	1	1
10	1012812	Bearing Puller Wedge Attachment	1	1
11	1013582	Brake Adjustment Tool (used only on vehicles with manually adjusted mechanical brakes)	1	1
12	102555501	Brake Cable Release Tool	1	1
13	101887101	Calibration Test Module		1
14	102562401	Charger Bezel Tool		1
		Clutch Tools (items 14 - 20)	1	
15	101808401	Clutch Cam Installation Tool (for Kawasaki engines)	1	
16	1015524	Drive Clutch Holder Tool Assembly (for Kawasaki engines)	1	
17	1014497	Drive Clutch Hub Puller (for Kawasaki engines)	1	
18	1014496	Drive Clutch Puller (for Kawasaki engines)	1	
19	1014508	Driven Clutch Cam Puller (for Kawasaki engines)	1	
20	1014507	Driven Clutch Puller Plug (for Kawasaki engines)	1	
21	101809101	Press Weldment (for Kawasaki engines)	1	
		<p>Please refer to the maintenance and service manual for proper tool application.</p>		

18

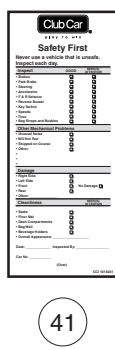
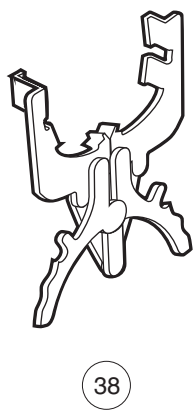
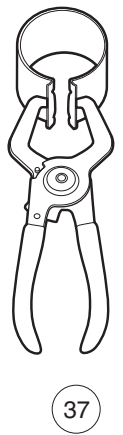
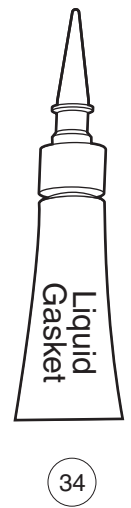
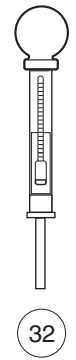
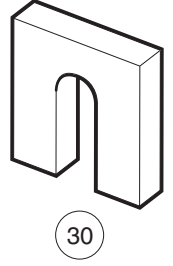
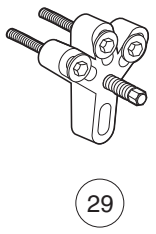
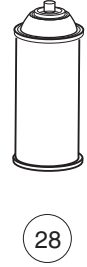
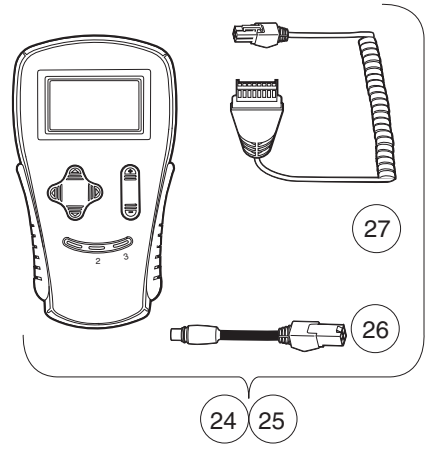
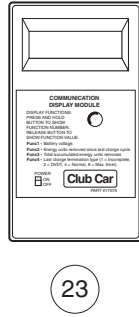
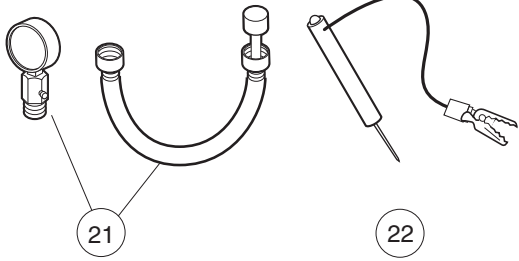
G

E

18

G

E



001601-001

MAINTENANCE AND SERVICE TOOLS, CONTINUED

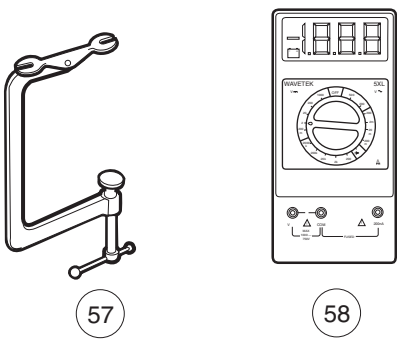
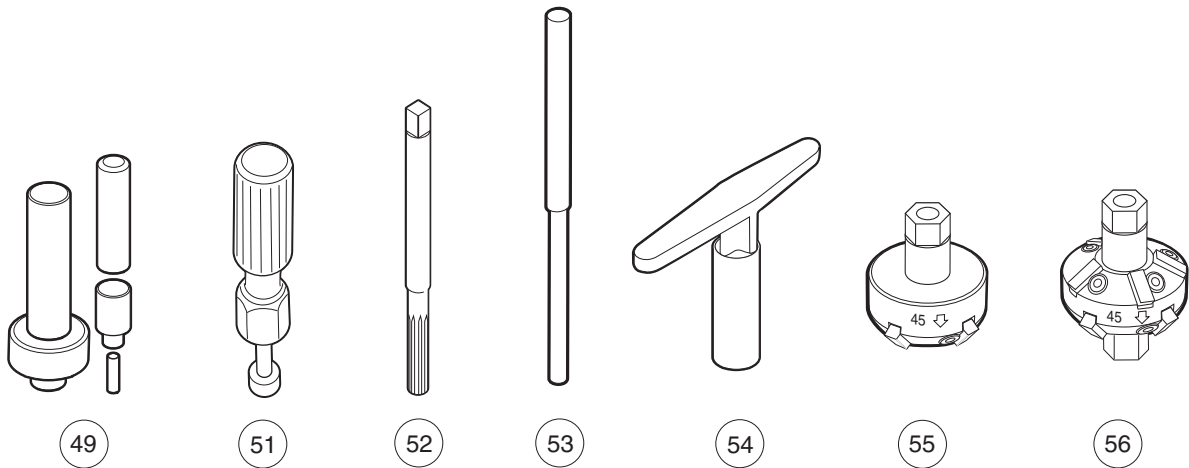
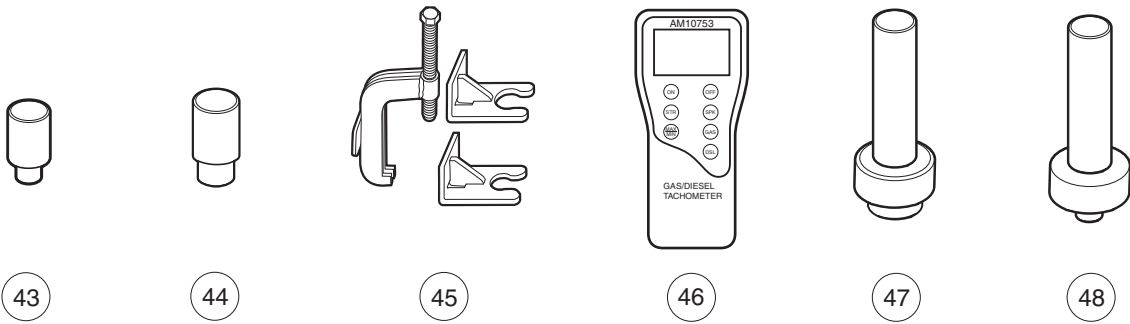
ITEM	PART NO.	DESCRIPTION	QTY GAS	QTY ELEC
		1 2 3 4		
21	101641002	Compression Gauge and Adapter	1	
22	1011273	Continuity Tester	1	1
23	101831801	Communication Display Module		1
24	102248803	IQ Display Module (IQDM) Kit (IQ System and IQ Plus vehicles) (includes items 54 and 55)		1
25	102248804	IQ Display Module (IQDM-P) Kit (IQ System and IQ Plus vehicles) (includes items 54 and 55)		1
26	102251501	Adaptor, Cable		1
27	102241502	IQDM Series 2 Cable		1
28	1012151	Dry Moly Lubricant	1	1
29	1016627	Flywheel Puller Kit (for Kawasaki Engines)	1	
30	1016418	Gear Yoke	1	1
31	101933101	Governor Shaft Installation Tool (for Kawasaki Engine Vehicles)	1	
32	1011478	Hydrometer	1	1
33	1013593	Internal Retaining Ring Pliers	1	1
34	101928701	Liquid Gasket (transaxle case)	1	1
35	102243402	Moly-Teflon Lubricant (4-oz. (113-gram) tube)		1
36	101997201	Paint, Touch-Up ,Äi Beige*	1	1
36	101997207	Paint, Touch-Up ,Äi Black*	1	1
36	101997212	Paint, Touch-Up ,Äi Burgundy*	1	1
36	101997211	Paint, Touch-Up ,Äi Classic Blue (Navy)*	1	1
36	101997205	Paint, Touch-Up ,Äi Dark Gray*	1	1
36	101997209	Paint, Touch-Up ,Äi Dark Green*	1	1
36	101997204	Paint, Touch-Up ,Äi Gray*	1	1
36	101997203	Paint, Touch-Up ,Äi Red*	1	1
36	101997206	Paint, Touch-Up ,Äi Royal Blue (Pacific Blue)*	1	1
36	101997202	Paint, Touch-Up ,Äi White*	1	1
37	1016414	Piston Ring Compressor Kit	1	
38	1016415	Piston Ring Pliers	1	
39	1012549	Retaining Ring Pliers, 45→ External	1	1
40	1012560	Retaining Ring Pliers, 90→ Internal	1	1
41	101823101	Safety First Card (50 per pack)	1	1
42	1012809	Seal Puller	1	1
		Please refer to the maintenance and service manual for proper tool application.		

18

G

E

18
G
E



001602-001

MAINTENANCE AND SERVICE TOOLS, CONTINUED

ITEM	PART NO.	DESCRIPTION	QTY GAS	QTY ELEC
		1 2 3 4		
43	1014264	Steering Column Bearing Press Tool	1	1
44	1014259	Steering Column Retaining Ring Tool	1	1
45	102061201	Steering Wheel Puller Tool	1	1
46	AM10753	Tachometer (includes gasoline engine pick up lead only)	1	
47	1014162	Transaxle Axle Seal Tool (for electric vehicles)		1
48	1014161	Transaxle Pinion Seal Tool (for electric vehicles)		1
49	1014115	Transmission Tool Kit (for electric vehicles).....		1
50	101611003	Tune-Up Kit, All OHV (for FE290, FE350, FE400 only) (includes air filter, spark plug, oil filter, fuel filters) (not shown)	1	
51	1016413	Valve Clearance Adjuster Screw Holder (for FE290 engines only)	1	
52	101641201	Valve Guide Reamer (FE290, FE350, and FE400 only).....	1	
53	1016552	Valve Seat Cutter Guide	1	
54	1016551	Valve Seat Cutter T-Wrench	1	
55	1016553	Valve Seat Cutter, 45→× (32 mm diameter) (for FE290 engines only)	1	
56	1016554	Valve Seat Cutter, 45→×/30→× (35 mm diameter)	1	
57	101641101	Valve Spring Compressor	1	
58	1011480	Volt Ohm Meter	1	1
		Please refer to the maintenance and service manual for proper tool application.		

18
G
E

INDEX

Part Number and Page

AM10753	18-7	7048	6-13, 7-13	1010005	6-13, 7-13
AM10080	13-9	7173	1-11, 4-5, 4-7, 6-25, 7-25, 8-29	1010028	13-3
AM10081	13-9	7174	1-49, 1-53, 6-7, 7-7, 8-13, 8-19, 10-17, 11-3, 15-3	1010086	1-41
AM10419	12-9	7251	1-3, 1-11	1010124	6-17, 6-19, 7-17, 7-19
AM1232301	9-5	7270	6-17, 7-17	1010138	6-15, 7-15
AM1243501	4-33	7274	6-13, 7-13	1010145	6-21, 6-23, 7-21, 7-23
AM1243701	4-29, 4-31, 4-33	7308	6-13, 7-13	1010150	6-17, 6-19, 7-17, 7-19
AM1243801	4-29, 4-31, 4-33	7310	2-3, 2-5	1010177	6-17
AM1264001	1-51	7311	1-25, 1-27, 1-29, 1-31, 6-25, 7-25	1010200	6-19, 7-19
AM1304001	1-59	7330	13-11, 16-3	1010219	6-15
AM1304101	1-59	7335	13-9, 16-3	1010237	1-25, 1-27, 1-29, 1-31
AM1304201	1-59	7336	16-3	1010434	1-3, 1-5, 1-15
AM1304301	1-59	7473	1-3, 1-25, 1-27, 1-29, 1-31, 1-35, 1-41, 1-45, 1-47, 1-57, 1-73, 4-5, 4-7, 5-3, 5-5, 5-7, 5-13, 5-15, 6-25, 7-25, 8-23, 8-25, 8-29	1010435	1-3, 1-35, 1-45, 1-47
AM1304401	1-59	7479	1-41	1010543	1-17
AM1304501	1-59	7539	6-15	1010546	1-3
AM1304601	1-59	7540	6-3, 6-15	1010577	9-15
AM1304801	1-59	7555	6-3, 6-15	1010805	5-3
AM1304901	1-59	7561	1-45, 1-47	1010829	5-13, 5-15
AM1305001	1-59	7577	17-3, 17-5, 17-7, 17-9	1010850	5-11, 5-17
AM1305101	1-59	7591	4-5, 4-7	1010877	5-3
AM1305201	1-59	7602	6-3, 6-15	1010878	1-37, 5-3
SVP120402	1-45	7716	5-3, 5-5, 5-7	101090801	14-11, 14-13, 14-15, 14-17, 14-19, 14-21
SVP183302	1-47	7818	8-23, 8-25	1010909	4-5, 4-27
183	4-5, 4-7, 4-9, 4-11, 4-27, 4-33, 8-25, 10-3, 10-5, 10-7, 10-9, 10-19, 12-5, 12-7, 13-7, 13-13	7820	4-35, 4-37	1010921	1-25, 1-27, 1-29, 1-31, 5-3
304	4-35, 4-37, 13-5, 17-11	7840	6-13, 7-13	1010927	5-3
324	4-29, 4-31	7847	1-9, 1-55, 11-3, 17-7, 17-9, 17-11	1010932	5-3
332	1-15, 1-17, 1-37, 1-41, 1-55, 4-29, 4-31, 4-35, 4-37, 8-21, 10-21, 11-3	7893	4-5, 4-9, 4-11, 4-27, 8-23, 8-25, 13-5	1010933	5-3
334	5-5, 5-7, 6-3, 6-5, 7-3, 7-5, 9-15, 12-5, 12-7	7910	6-13, 7-13	1010934	1-41, 1-49, 1-53, 8-29, 15-3
357	1-49, 6-17, 6-19, 6-25, 7-17, 7-19, 7-25	7973	1-7, 10-19	1010954	8-23, 8-25, 13-7, 13-13
451	5-11, 5-17, 11-3, 15-3	8057	8-23, 8-25, 8-27, 13-3	1010984	2-3, 2-5
705	1-45, 1-47, 1-49, 8-13, 9-15	8058	8-23, 8-25, 8-27, 13-3	1011014	1-3
706	1-49, 6-17, 6-19, 7-17, 7-19	8067	6-13, 7-13	1011017	1-3, 4-19
808	6-25, 7-25, 12-5, 12-7	8104	4-9, 4-11, 13-3	1011084	5-9
1016	4-5, 4-9, 4-11, 4-27, 8-25, 10-3, 10-5, 10-7, 10-9	8233	1-25, 1-27, 1-29, 1-31, 1-37, 1-55, 4-29, 4-31, 4-35, 4-37, 4-39, 5-5, 5-7, 6-25, 7-25, 8-21, 10-17, 13-5, 13-7, 13-13, 17-7, 17-9, 17-11	1011114	5-11, 5-17
1017	4-3, 8-25	8248	1-11, 8-21	1011137	5-11
1028	5-3	8251	1-33	1011154	5-11, 5-17
1032	5-3	8294	4-35, 4-37	1011229	4-5, 4-7
1035	6-3, 6-15	8450	8-25, 12-5, 12-7	1011273	18-5
1108	1-41	8639	4-33, 10-19, 13-5	1011280	4-5, 4-7
1218	1-25, 1-27, 1-29, 1-31	8717	5-7, 8-23, 8-25, 13-3, 13-7, 13-13	1011291	13-11
1241	1-3, 1-25, 1-27, 1-29, 1-31, 1-49, 1-53, 4-5, 4-7, 5-3, 5-5, 5-7, 5-15, 8-13, 8-19, 8-23, 8-25, 8-29, 11-3	8745	6-17, 6-19, 7-17	1011298	5-11, 5-17
1242	1-49, 1-53, 5-13, 5-15, 8-13, 8-19, 8-23, 8-25	8754	1-37, 1-45, 1-47, 5-5, 5-7, 6-3, 6-5, 6-15, 6-17, 6-19, 6-21, 6-23, 7-3, 7-5, 7-15, 7-17, 7-19, 7-21, 7-23, 8-13, 8-19	1011303	5-11, 5-17
1308	6-15	8755	1-37, 6-17, 6-19, 6-21, 7-17, 7-19, 7-21	1011314	5-11, 5-17
1620	4-3	8796	17-11	1011382	4-13, 4-15, 4-17
1624	5-5, 5-7, 6-3, 7-3, 8-19	8797	10-3, 10-5, 10-7, 10-9	1011393	6-13, 7-13
1631	10-19	8861	6-15, 6-25, 7-15, 7-25	1011394	1-3
1703	1-25, 1-29	8963	1-25, 1-27, 1-29, 1-31	1011402	5-3
2402	6-15, 6-19, 7-15, 7-17, 7-19	8990	1-45, 1-47, 4-9, 4-11, 4-23, 4-25, 4-31, 4-39, 6-3, 7-3, 8-23, 8-25	1011415	6-21, 6-23, 7-21, 7-23
4029	4-35, 4-37			1011418	5-3
				1011439	4-5, 4-7
				101146302	5-11, 5-17
				1011464	5-11, 5-17
				1011465	5-11, 5-17
				1011466	5-11, 5-17
				1011467	5-11, 5-17

INDEX

1011478	18-5	1012560	18-5	1013687	10-3, 10-5, 10-7, 10-9
1011480	18-7	1012565	6-11, 7-11	1013700	10-17
1011494	5-11, 5-17	1012566	6-11, 7-11	1013734	11-3, 14-23, 14-25
1011546	1-51	1012571	9-15, 14-11, 14-13, 14-15, 14-17, 14-19, 14-21	1013746	10-3, 10-5, 10-7, 10-9, 10-11, 10-15
1011553	1-49, 1-53	1012604	6-5, 7-5	1013760	13-7
1011557	4-5, 4-7	1012605	6-5, 7-5	1013768	13-11
1011578	6-5, 7-5	1012640	2-7	1013769	13-11
1011582	4-41	1012641	2-7	1013770	13-11
1011590	4-9	1012642	2-7	1013771	13-11
1011694	5-5, 5-7	1012649	10-3, 10-5, 10-7, 10-9, 10-11	1013772	13-11
1011697	1-57, 6-5, 7-5, 9-15, 10-17	1012711	13-7	1013773	13-11
1011734	5-9	1012714	13-9	1013774	13-11
1011767	18-3	1012740	13-9	1013787	13-11
1011779	5-13, 5-15	1012741	13-9	1013792	13-11
1011825	4-35, 4-37	1012747	13-9	1013794	13-11, 16-3
1011852	1-25, 1-27, 1-29, 1-31	1012748	13-9	1013824	1-11
1011862	1-25, 1-27, 1-29, 1-31	1012752	13-7	1013825	1-11
1011865	1-25, 1-27, 1-29, 1-31	1012809	18-5	1013846	1-11
1011868	1-25, 1-27, 1-29, 1-31	1012811	18-3	1013861	6-7
101187702	5-3	1012812	18-3	1013869	5-3
1011878	1-11, 1-25, 1-29	1012830	8-13, 8-19, 10-17, 11-3	1013870	5-3
1011883	1-25, 1-27, 1-29, 1-31	1012836	12-9	1013871	5-5, 5-7
1011887	6-13, 7-13	1012896	13-7	1013872	1-37
1011892	6-13, 7-13	1013001	8-11	1013876	5-3
1011893	6-15	1013003	8-11	1013924	5-11, 5-17, 9-15
1011895	6-3, 6-15	1013005	8-11	1014007	5-5, 5-7, 10-17, 13-7, 13-13
1011897	1-23	101301102	8-11	1014049	12-5, 12-7
1011930	6-3, 6-15	1013035	6-3, 7-3	1014050	12-5, 12-7
1011931	5-5, 5-7	1013042	6-3, 7-3, 7-15	1014051	12-5
1011937	1-25, 1-27, 1-29, 1-31	1013044	6-3, 7-3	1014052	12-5, 12-7
1011942	1-25, 1-27, 1-29, 1-31	1013052	6-3, 7-3	1014055	12-5, 12-7
1011964	1-25, 1-27, 1-29, 1-31	1013061	13-3, 13-7, 13-13, 14-7	1014056	12-5, 12-7
1011965	1-25, 1-29	101313402	10-11	1014057	12-5, 12-7
1011990	1-45, 1-47, 1-49	1013135	6-13, 7-13	1014058	12-5, 12-7
1012008	1-25, 1-27, 1-29, 1-31	1013207	6-21, 7-21	1014059	12-5, 12-7
1012098	17-3, 17-5, 17-7, 17-9	1013309	1-17	1014062	12-5, 12-7
1012101	17-3, 17-5, 17-7, 17-9	1013311	1-17	1014063	12-5, 12-7, 17-11
1012151	18-5	1013312	1-17	1014065	8-23, 8-25, 12-5, 12-7
1012180	6-21, 7-21	1013343	1-7	1014070	12-9
1012181	6-23, 7-23	1013344	1-7	1014072	12-9
1012182	6-23, 7-23	1013357	4-5, 4-7, 14-5	1014078	12-9
1012285	1-55, 4-39, 10-3, 10-5, 10-7, 10-9, 10-11, 10-17	1013413	1-37	1014080	12-9
1012295	8-23, 8-25	1013420	1-9	1014115	18-7
1012303	1-37, 6-17, 6-19, 6-21, 6-23, 7-17, 7-19, 7-21, 7-23	1013422	1-9	1014116	10-3, 10-5, 10-7, 10-9
1012304	6-21, 7-21	1013461	10-3, 10-5, 10-7, 10-9	1014119	8-3, 8-5, 8-7, 8-9, 8-23, 8-25
1012333	13-5	1013462	10-3, 10-5, 10-7, 10-9	1014125	6-5, 7-5
1012382	8-3, 8-5, 8-7, 8-9	1013483	1-49	1014126	6-5, 7-5
1012396	4-13, 4-15, 8-3, 8-5, 8-7, 8-9	1013494	4-13, 4-15, 4-17	1014145	8-23, 8-25
1012431	8-23, 8-25	1013509	4-29, 4-31	1014153	5-11, 5-17
1012438	4-7, 4-33, 10-19	1013531	5-15	1014161	18-7
1012467	6-3	1013579	4-39	1014162	18-7
1012505	4-13, 4-15, 4-17	1013582	18-3	1014201	15-3
1012528	11-3, 14-23, 14-25	1013589	8-23, 8-25	1014207	13-11
1012549	18-5	1013593	18-5	1014213	6-5, 7-5
		1013609	8-23, 8-25	1014214	6-5, 7-5
				1014217	6-5, 7-5

INDEX

1014259	18-7	1015373	8-23, 8-25	101615504	6-9, 7-9
1014264	18-7	1015392	14-9	1016156	6-9, 6-11, 7-9, 7-11
1014276	6-17, 6-19, 7-17, 7-19	1015399	1-73	1016183	6-5, 7-5
1014287	12-5, 12-7	1015405	1-3, 8-23, 8-25	1016201	12-5, 12-7
1014288	6-5, 7-5, 8-29, 12-5, 12-7, 17-11	1015426	10-21	1016214	6-11, 7-11
1014289	8-11	1015445	1-49	1016219	6-11, 7-11
1014305	18-3	1015453	6-25, 7-25	1016230	4-33
1014306	1-55, 4-39	1015457	6-25, 7-25	1016267	4-33
1014321	1-33	101547601	3-7	1016269	6-5, 7-5
1014375	8-29	1015507	1-37	1016287	4-33
1014387	1-33	1015524	18-3	1016289	12-5, 12-7
1014435	1-23	1015526	4-29, 4-31, 4-33	1016319	5-13
101444101	1-23	1015528	4-13, 4-15, 4-17	1016320	5-13
1014453	12-5, 12-7	1015530	1-55	1016337	13-9
1014454	12-9	101553901	1-41, 3-3, 3-7	1016338	13-9
1014471	1-35	1015583	1-37, 6-17, 6-19, 6-21, 6-23, 7-17, 7-19	1016346	6-15, 7-15
1014496	18-3	101558302	7-21, 7-23	1016349	6-15, 7-15
1014497	18-3	1015597	6-3, 6-13, 6-15, 7-13	1016350	6-15, 7-15
1014503	1-25, 1-27, 1-29, 1-31	1015613	6-25, 7-25	1016351	6-15, 7-15
1014506	1-25, 1-27	1015614	6-25, 7-25	1016353	6-15, 7-15
101450698	1-29, 1-31	101562711	1-17	1016356	4-5, 4-7, 14-5
1014507	18-3	101562712	1-17	1016363	4-7
1014508	18-3	101562714	1-17	1016365	4-23, 4-25
1014509	1-25, 1-27	101562715	1-17	1016366	4-7
101450903	1-29, 1-31	101564501	1-17	1016379	1-57
1014523	10-3, 10-7	101564502	1-17	1016384	6-17, 6-19, 7-17, 7-19
1014530	4-35, 4-37	101564503	1-17	1016385	6-15, 7-15
1014555	6-21, 6-23, 7-21, 7-23	101564505	1-17	1016386	6-17, 6-19, 7-17, 7-19
1014771	2-3, 2-5	1015649	9-3	1016387	6-17, 6-19, 7-17, 7-19
1014807	8-23, 8-25, 8-27, 13-3	1015654	1-41	1016389	6-17, 6-19, 7-17, 7-19
1014808	8-23, 8-27, 13-3	1015656	1-41	1016401	8-3, 8-5, 8-23
1014902	6-23, 7-23	101565703	1-41	101641002	18-5
1014948	8-23, 8-25	101565704	1-41	101641101	18-7
1015010	4-33	1015720	14-23, 14-25	101641201	18-7
101503202	1-7	1015727	1-37	101641202	18-3
1015072	14-11, 14-13, 14-15, 14-17, 14-19, 14-21	1015737	8-3, 8-5, 8-7, 8-9, 8-23, 8-25	1016413	18-7
1015075	1-3	1015741	4-5, 4-7, 8-23, 8-25	1016414	18-5
1015137	10-3, 10-5, 10-7, 10-9, 10-11, 10-15	1015752	4-41, 8-23, 8-25, 10-21, 14-3	1016415	18-5
1015139	10-3, 10-5, 10-19	1015760	6-25, 7-25	1016416	18-3
1015143	10-3, 10-5	1015765	4-29	1016417	18-3
1015153	4-29	1015768	4-33	1016418	18-5
1015154	4-29	1015770	4-33	1016423	4-5, 4-7, 8-23, 8-25
1015156	4-29, 4-31, 4-33	1015814	11-3	101642575	10-13
1015157	4-29, 4-31	101584502	10-17	101642578	10-13
1015160	4-29, 4-31	1015878	8-23, 8-25, 8-27, 13-3	101642580	10-13
1015162	4-29	1015914	17-3, 17-5, 17-7, 17-9	101642582	10-13
1015167	4-33	1015917	17-3, 17-7, 17-9	101642585	10-13
1015170	4-33	1015921	10-3, 10-5, 10-7, 10-9	1016429	9-7
1015172	4-29, 4-31	1015932	8-13, 8-19	1016432	9-7, 13-7
1015187	4-29, 4-31, 4-33	1015969	9-3	1016436	9-9
101524002	8-13, 8-19	1016074	8-13, 8-19	1016437	10-13
1015332	8-3, 8-5, 8-7, 8-9, 9-3	1016077	1-41	1016438	10-15
1015345	8-23, 8-25	101609401	1-45, 1-47, 3-3, 3-7	1016440	9-9, 10-15
1015371	8-23	101611003	18-7	1016441	10-15
1015372	8-23, 8-25	101611402	16-5	1016444	10-15
		1016154	6-11, 7-11	1016449	9-9

INDEX

1016450	9-9	1016557	5-11, 5-17	1016883	8-13, 8-19
1016451	9-9	1016560	9-9	1016901	12-7
1016452	9-9	1016561	9-5	1016904	9-9, 11-3
1016453	9-11	1016562	9-5, 9-13	101691401	1-35
1016454	9-11	1016563	9-9	1016916	1-41
1016455	9-5	1016564	9-11	101692501	1-3
1016456	9-3	1016566	9-9	101692502	1-3
1016457	9-7	1016569	9-9	101692506	1-3
1016458	9-9	1016570	9-7	101692509	1-3
1016467	9-7	1016571	9-13	101692510	1-3
1016470	9-13	1016572	10-15	101692511	1-3
1016472	9-11	1016573	5-11, 5-17	101692512	1-3
1016473	9-7	1016576	9-7	101692513	1-3
1016474	9-9	1016578	9-5	101692514	1-3
1016479	9-9	1016581	9-7	101692515	1-3
101648102	10-15	1016582	10-15	1016929	4-29, 4-31, 4-33
101648203	9-7	1016583	9-9	101693201	3-9
1016483	9-9	1016584	9-11	101693901	1-3
1016486	10-13	1016585	10-13	101693902	1-3
1016489	9-9	1016587	9-5	101693906	1-3
101649002	10-15	1016588	9-5	101693909	1-3
1016494	9-11	1016603	1-45, 1-47	101693910	1-3
1016496	9-11	101661601	14-11	101693911	1-3
1016499	10-13	101661602	14-11	101693912	1-3
1016501	10-13	1016627	18-5	101693913	1-3
1016502	9-7	1016630	4-13, 4-15	101693914	1-3
1016506	9-11	1016663	1-41, 6-9, 6-11, 7-9, 7-11	1016952	1-9
1016507	9-3	1016672	13-11	1016967	1-3, 14-23, 14-25
1016510	9-11	1016673	17-11	1016997	8-25
1016513	13-7	1016679	1-55	1017006	8-7, 8-9, 8-25
101651406	2-3, 2-5	101670201	3-11, 3-13, 3-15	1017029	5-3
101651407	2-3, 2-5	1016717	4-41	1017062	4-3
101651409	2-3	101674702	5-9	1017064	4-3
101651414	2-3, 2-5	1016751	1-19	1017065	4-3
101651416	2-3	101675511	1-19	101707402	4-9
101651418	2-5	101675512	1-19	101707405	4-11
101651419	2-5	101675514	1-19	1017075	4-9, 4-11
1016517	9-9	101675515	1-19	1017077	1-35
1016519	9-9	101677701	1-19	101707801	3-5, 3-9
1016521	9-11	101677702	1-19	1017079	1-57
1016531	9-3	101677703	1-19	1017080	1-3
1016535	9-11	101677705	1-19	1017082	13-7, 13-13
1016537	9-7	1016801	12-5, 12-7	1017117	1-41
1016538	9-11	1016813	6-25, 7-25	101711801	1-41
1016539	9-3	1016814	6-25, 7-25	101711802	1-41
1016541	9-13	1016837	4-29, 4-31	1017187	17-11
1016542	9-9	1016849	4-13, 4-15, 4-17	1017188	12-3
1016544	9-5, 9-9, 9-11	1016851	4-13, 4-15, 4-17	1017189	17-11
1016545	9-9	1016868	1-3	1017211	5-13
1016546	10-17	1016874	1-57	1017226	6-7, 7-7
1016547	9-3, 9-13, 10-15	1016875	1-57	1017231	13-7
1016549	9-9	1016876	1-57	1017239	8-25
1016551	18-7	1016878	1-35	1017243	8-25
1016552	18-7	1016879	4-3	1017266	6-15, 7-15
1016553	18-7	1016880	4-3	1017273	6-9, 6-11, 7-9, 7-11
1016554	18-7	1016881	1-35	101728602	1-21

INDEX

1017313	6-5, 7-5	1017689	11-3	101828903	17-3, 17-5
1017314	6-5, 7-5	101769302	2-3, 2-5	101829001	17-7, 17-9
1017315	6-5, 7-5	1017696	5-5, 5-7	101830601	4-13, 4-15, 4-17
1017317	6-5, 7-5	101770201	1-39	101830701	4-13, 4-15, 4-17, 4-21
101734802	1-3	1017705	14-7	101831101	17-3, 17-7, 17-9
101737002	2-3, 2-5	1017721	4-5, 4-27	101831401	14-11, 14-13
1017378	5-5, 5-7	1017724	4-9, 4-11	101831801	18-5
1017380	5-5, 5-7	101773301	9-13	101831901	18-3
1017424	5-5, 5-7	101773302	9-13	101832001	14-7
1017434	9-9	101773303	9-13	101832202	10-17
1017442	9-7	101773304	9-13	101832302	10-17
1017443	9-9	101773305	9-13	101832601	9-15
1017445	9-9	101773306	9-13	101832701	9-15
1017448	9-5	101773307	9-13	101832901	17-11
101744901	9-13	101773308	9-13	101833101	9-15
101744902	9-13	101773309	9-13	101833401	12-9
1017450	9-13	101773310	9-13	101833601	13-7
101745101	9-13	101773311	9-13	101833701	8-11
101745102	9-13	1017774	1-45, 1-47	101833902	12-5
1017453	9-13	1017853	4-5, 4-7	101833906	12-7
1017454	9-9	101791101	5-17	101834001	12-9
1017455	9-5	101796201	5-5, 5-7	101834502	4-13, 4-15, 4-17, 4-21
1017456	9-7	101796501	14-7	101834601	9-15
101745701	9-13	101796801	14-7	101834801	10-17, 13-7, 13-13
101745702	9-13	101801001	14-7, 17-11	101835601	4-23, 4-25
1017458	9-7	101804301	4-13, 4-15, 10-19, 10-21	101836201	12-9
1017460	9-7	101806001	1-13	101837101	10-21
1017461	10-13	101806002	1-13	101837301	8-3, 8-5, 8-7, 8-9, 8-13, 8-15, 8-17
1017463	9-5	101806005	1-13	101837401	1-43
1017466	10-15	101808401	18-3	101837501	1-43
1017471	9-13	101809101	18-3	101838401	17-5, 17-9
1017472	9-11	101811301	10-19	101838601	17-5, 17-9
1017473	9-9	101811901	10-21	101838701	17-7, 17-9
1017474	9-3	101812301	10-21	101839801	4-21
1017475	9-3	101813001	10-21	101839802	4-21
1017476	9-3	101813202	18-3	101839803	4-21
1017486	9-3	101814601	4-31	101839804	4-21
1017487	9-11	101817401	5-5, 5-7	101839805	4-21
1017490	9-5	101818801	5-7	101839806	4-21
1017501	9-13	101821501	10-21	101839807	4-21
1017502	9-13	101821601	4-33	101839808	4-21
1017503	9-13	101823101	18-5	101839809	4-21
1017504	9-11	101824401	10-3, 10-5, 10-7, 10-9	101839810	4-21
1017507	9-7	101825101	3-5, 3-9	101839811	4-21
1017508	9-11	101825102	3-9	101839812	4-21
1017510	9-13	101825103	4-19	101841901	17-7, 17-9
1017512	9-13	101825701	10-19	101851101	4-13, 4-15, 4-17, 4-21
1017513	9-11	101826201	4-17	101856002	4-17
1017514	9-11	101826301	4-13	101856102	8-23, 8-25
101751801	9-11	101826401	4-15	101859401	11-3
101751802	9-11	101827101	9-15	101861901	5-5, 5-7
101751803	9-11	101828501	17-3, 17-7, 17-9	101862001	5-5
101754202	1-73	101828801	17-3	101865301	5-13
101754205	1-73	101828802	17-3	101869302	8-11
1017653	8-11	101828901	17-3, 17-5	101870401	1-3
1017686	12-9	101828902	17-3, 17-5	101871001	18-3

INDEX

101874601	5-13	101891901	13-9	101927501	13-9
101874901	8-11	101892001	13-9	101927601	13-9
101875001	8-11	101892201	13-9	101927701	13-9
101875101	8-11	101892301	13-9	101927901	13-9
101875102	8-11	101892401	13-9	101928001	13-9
101875201	8-11	101892501	13-9	101928101	13-9
101875301	8-11	101892601	13-9	101928301	13-11
101875401	8-11	101892701	13-11	101928601	13-7
101875501	8-11	101892901	13-7	101928701	13-7, 16-3, 18-5
101875601	8-11	101893201	13-9	101929401	6-21, 7-21
101875701	8-11	101893801	13-7	101929501	10-3, 10-5, 10-7, 10-9
101875802	8-11	101893901	13-9	101929802	12-5, 12-7
101876001	8-11	101894303	1-17	101932201	4-5, 4-7
101876202	8-11	101894901	14-7	101933101	18-5
101876301	8-11	101895401	16-3	101933701	10-19
101876402	8-11	101895501	16-3	101936101	16-5
101876501	8-11	101896501	8-11	101936801	14-3
101876901	6-13	101897001	16-3	101939901	8-11
101877001	6-13	101897201	16-3	101942301	15-3
101877601	8-11	101897401	16-3	101946201	1-33
101877701	8-11	101897601	16-3	101953103	5-15
101878101	8-11	101898001	8-29	101953106	5-13
101878201	5-3	101903101	6-17, 6-19	101954301	1-17
101878302	6-3	101903601	16-3	101955001	6-15, 7-15
101879001	8-11	101903701	16-3	101955101	4-35, 4-37
101879401	6-3, 7-3	101906901	16-3	101957101	4-5
101879501	6-3, 7-3	101908101	14-9	101958201	17-5
101879601	6-3, 7-3	101908401	8-21, 14-9	101958301	17-5
101879701	6-3, 7-3	101910501	13-11	101960001	3-3, 3-7
101879801	6-3, 7-3	101914001	16-5	101960501	3-7, 8-15, 8-17
101879901	6-3, 7-3	101914401	4-5, 4-7, 17-3, 17-5, 17-7, 17-9	101963301	1-33
101880001	6-3, 7-3	101915201	3-7	101963401	1-33, 9-15
101880101	6-3, 7-3	101916101	9-3	101964001	1-33
101880201	6-3, 7-3	101916301	9-5	101964601	3-5
101880301	6-3, 7-3	101916701	8-13, 8-19	101969701	4-35
101880701	5-11, 5-17	101917601	10-21	101971301	10-21
101881501	4-39	101918402	2-3	101972001	18-5
101881601	4-39	101918501	5-3	101972002	18-5
101881701	10-21	101919801	5-5, 5-7	101972003	18-5
101884801	9-15	101920101	14-3	101972004	18-5
101884901	2-3	101921501	10-21	101972005	18-5
101886101	10-17, 13-7, 13-13	101922101	16-3	101972006	18-5
101887101	18-3	101922201	16-3	101972007	18-5
101887601	9-3	101922501	8-21	101972009	18-5
101889401	13-9	101923001	16-3	101972011	18-5
101890001	13-9	101923201	16-3	101972012	18-5
101890101	13-7	101923501	16-3	101972101	16-3
101890201	13-7	101923901	16-3	101972201	16-3
101890501	13-7	101925601	12-5	101972801	10-21
101890601	13-7	101925701	10-21	101973101	10-13
101890901	13-11	101926501	6-21, 7-21	101973301	10-13
101891001	13-11	101926802	10-19	101973401	10-15
101891301	13-7	101926901	13-7	101973501	17-5
101891401	13-11	101927101	13-7	101974701	4-21
101891501	13-11	101927201	13-7	101974702	4-21
101891601	13-9	101927301	13-7	101974703	4-21

INDEX

101974704	4-21	102186401	15-3	102559901	2-7
101974705	4-21	102196901	4-17, 14-5	102562401	18-3
101974706	4-21	102198701	4-5	102564002	7-17, 7-19
101974707	4-21	102199001	4-5	102572401	4-17, 14-5
101974708	4-21	102199201	4-5	102616701	13-3
101974709	4-21	102199301	4-5	102684501	7-17, 7-19
101974710	4-21	102199401	4-5	102684602	13-3
101974711	4-21	102226901	1-45, 1-47	102704901	15-3
101974712	4-21	102235201	15-3	102711001	8-15, 8-17
101976601	17-5	102240501	14-23, 14-25	102711201	8-23
101978601	16-5	102241502	18-5	102751601	10-3, 10-5
101980801	13-9	102242101	12-9	102753401	9-9
101980901	13-9	102242401	1-27, 1-31	102764001	14-11, 14-13, 14-15, 14-17, 14-19, 14-21
101981001	13-9	102243402	18-5	102764401	14-13
101984801	6-5, 7-5	102243403	15-3	102764402	14-13
101987901	4-3	102248803	18-5	102766201	14-11, 14-13, 14-15, 14-17, 14-19, 14-21
101988001	4-3	102251501	18-5	102766301	7-17, 7-19
101988002	4-3	102259401	1-37	102769701	14-23, 14-25
101988101	4-3	102262901	1-59	102770701	17-11
101988201	4-3	102264501	1-59	102771701	16-3
101990801	5-15	102272601	1-63	102772402	14-23, 14-25
101994301	1-67	102275401	17-3, 17-5, 17-7, 17-9	102774501	14-23, 14-25
101994401	1-71	102278001	6-5, 7-5	102774701	14-23, 14-25
101994601	1-65	102289201	7-3, 7-15	102775101	15-3
101994801	1-69	102292801	5-13, 5-15	102803401	8-25
101995101	1-61	102304801	9-9	102817101	14-23, 14-25
101997802	4-39	102323101	5-3, 5-13, 5-15	102817201	14-23, 14-25
101997803	4-39	102323201	5-3, 5-13, 5-15	102837001	17-7
101997902	4-39	102336001	10-17	102838101	14-9, 17-3, 17-7
101997903	4-39	102336101	10-17	102838401	9-5
102002901	14-11, 14-13, 14-15, 14-17, 14-19, 14-21	102352201	4-23	102838701	8-15, 8-17
102003201	10-3, 10-5, 10-7, 10-9	102354901	4-23, 4-25	102838801	8-15, 8-17
102005701	1-21	102355301	8-29	102838901	8-15, 8-17
102006201	1-73	102356601	16-3	102839001	8-15, 8-17
102022601	7-15	102356801	16-3	102839001	8-15, 8-17
102022602	7-3, 7-15	102376001	13-3	102839301	8-15, 8-17
102026001	5-5, 5-7	102406701	10-7, 10-9	102841101	8-15, 8-17
102031901	13-11	102430901	9-13	102844601	8-15, 8-17
102056001	1-53	102440901	14-5	102844701	8-15, 8-17
102061201	18-7	102453001	13-9	102845101	3-3
102065103	1-53	102453101	13-9	102845203	14-11, 14-15, 14-19
102065901	1-37, 9-15	102508701	4-17	102845204	14-13, 14-17, 14-19, 14-21
102066001	1-37	102513701	10-3, 10-5	102847801	17-3
102066201	6-23, 7-23	102515401	13-7, 13-13	102847802	17-3
102076702	1-27, 1-31	102517501	4-11	102847803	17-3
102101001	14-3	102517601	4-37	102848701	14-7
102101101	14-3	102518001	3-5	102859501	14-23, 14-25
102154201	1-45, 1-47	102518301	3-5	102865101	10-3, 10-5, 10-7, 10-9
102154801	1-45	102519201	3-9	102869401	4-5, 4-7, 4-15, 4-17
102155801	12-9	102522001	10-3, 10-5, 10-7, 10-9	102871801	6-21, 6-23, 7-21, 7-23
102158901	5-5, 5-7	102526201	13-3	102873401	14-11, 14-13, 14-15, 14-17, 14-19, 14-21
102162601	5-15	102529201	4-9, 4-11	102882501	1-45, 1-47
102163001	1-21	102529203	4-37	102886301	16-3
102163101	1-21	102540301	9-15	102886401	16-3
102166901	5-15	102546401	4-11		
		102555501	18-3		

INDEX

102886501	16-3	102901801	13-17	103205501	3-9, 8-21
102886601	16-3	102901901	13-17	103210201	3-9
102890201	4-23, 4-25	102902001	13-17	103210301	3-5
102891101	6-23, 7-23	102902101	13-17	103218601	4-17, 14-5
102892901	17-5	102902201	13-17	103222001	14-5
102892902	17-5	102902301	13-17	103222201	8-3
102893001	17-9	102902401	13-17	103234301	3-15
102893601	1-47	102902501	13-17	103245201	1-33
102896801	13-13	102902601	13-17	103245301	1-33
102896901	13-13	102902701	13-17	103255601	4-5
102897201	13-15	102902801	13-17, 16-3	103255701	4-7
102897301	13-15	102912801	14-23, 14-25	103256801	4-5
102897401	13-13	102915701	14-9	103257101	4-7
102897501	13-13	102917101	6-23, 7-23	103260201	3-15
102897601	13-13	102918701	4-23, 4-25	103270201	1-45, 1-47
102897701	13-15	102938301	14-5	103295101	13-5
102897801	13-13	102938601	15-3	103295203	13-5
102897901	13-13	102938701	15-3	103306001	1-59
102898001	13-15	102938801	15-3	103306301	10-3, 10-5, 10-7, 10-9
102898101	13-15	102938901	15-3	103345701	12-5, 12-7
102898201	13-13	102939001	15-3	103347101	8-15, 8-17
102898301	13-15	102939101	15-3	103347301	8-15, 8-17
102898401	13-15	102939102	15-3	103347601	8-15, 8-17
102898501	13-15	102939501	17-5	103347701	8-15, 8-17
102898601	13-15	102940801	17-5, 17-7, 17-9	103347801	8-15, 8-17
102898701	13-15	102942601	17-11	103347901	8-15, 8-17
102898801	13-15	102950301	4-19	103348202	4-17
102898901	13-15	102951701	15-3	103348204	4-13, 4-15
102899001	13-15	102962303	4-19	103348501	4-13, 4-15, 8-3, 8-5, 8-7, 8-9
102899101	13-13	102962602	4-19	103348602	4-13, 4-15
102899201	13-13	102966401	1-33	103350901	6-21, 7-21
102899301	13-15	102966501	1-33	103351001	6-15, 7-15
102899401	13-13	102966502	1-33	103351101	6-23, 7-23
102899501	13-15	102967601	3-5	103352701	17-11
102899601	13-15	102969401	13-3	103354401	4-17
102899701	13-13	102969801	13-3	103354701	7-15
102899801	13-13	102969901	13-3	103369101	10-7, 10-9
102899901	13-15	102974201	10-3, 10-5	103369501	13-3
102900001	13-13	102977001	4-13, 4-15	103372101	10-7, 10-9
102900101	13-13	102977002	4-17	103372201	10-7, 10-9
102900201	13-13	102977901	10-3, 10-5, 10-7, 10-9	103372301	10-7, 10-9
102900301	13-13	102978001	10-3, 10-5, 10-7, 10-9	103372401	10-11
102900401	13-15	102989501	1-33	103372504	10-11
102900501	13-15	103010101	10-5, 10-9	103372801	10-11
102900601	13-13	103173301	13-3	103374701	10-7, 10-9
102900701	13-15	103174401	1-5	103386202	9-3
102900801	13-17	103177401	13-3	103397901	4-7, 14-23, 14-25
102900901	13-13	103180101	4-13, 4-15, 4-17	103414901	4-7, 14-23, 14-25
102901001	13-15	103187601	10-3, 10-5	103418601	10-11
102901101	13-15	103192701	13-3	103459102	2-3, 2-5
102901201	13-17	103197301	8-7	103464801	3-11
102901301	13-17	103198301	4-17	103477901	6-13, 7-13
102901401	13-17	103198401	8-21	103496801	8-29
102901501	13-17	103199001	4-13, 4-15	103502701	6-17, 7-17
102901601	13-17	103199101	4-13, 4-15	103502801	6-19, 7-19
102901701	13-17	103205401	3-3, 3-7	103507101	10-15

INDEX

103507201 10-15
103507301 10-15
103509401 1-35
103509601 1-35
103510001 4-39
103510301 4-39
103515601 3-11, 3-13
103515701 3-11, 3-13
103538701 1-37
103538901 1-37
103582801 16-3
103601501 7-3
103601601 7-7
103615601 9-9
103615801 9-13
103615901 9-11
103616301 9-9
103616401 9-11
103616501 9-5
103616601 9-5
103616701 9-5
103617101 10-13
103618001 4-11
103618101 4-37
103628801 6-17, 7-17
103628901 6-19, 7-19
103653401 7-3
103653501 7-3, 7-15
103657301 7-21, 7-23
103658701 2-5
103678402 8-15
103678502 8-17
103686501 8-9
103694501 2-7
103695502 14-19
103695702 14-21
103697107 14-23
103697108 14-25
103698601 14-5
103700301 4-25
103717302 7-13
103717402 7-13
103718702 8-15
103720302 14-15
103720402 14-17
103722901 2-5
103723002 2-5
103731001 1-15
103764801 8-5
103781101 10-5, 10-9
103951801 1-45, 1-47
103953301 8-15, 8-17
96704416 9-15

A
AC cord 17-3, 17-5, 17-7, 17-9

AC cord receptacle 17-5
accelerator bracket and bearing assembly 5-5, 5-7
accelerator cable 10-17
accelerator pedal 5-5, 5-7
accelerator pedal adjustment tool 18-3
accelerator pivot rod 5-5, 5-7
accelerator return spring 5-5, 5-7
accelerator rod 5-9
access door hinge 1-35
accessory switch panel 1-65
actuator 1-45
acutator adapter 1-45, 1-47
adapter
 cable (IQDM) 18-5
adapter, actuator 1-45, 1-47
adhesive, guide ring 18-3
air box 10-21
air box top 10-21
air filter 10-21
air intake hose 10-21
ammeter 17-3, 17-5, 17-7, 17-9
anchor body 5-11, 5-17
anchor body kit 5-11, 5-17
anchor, piston 5-11, 5-17
anti-sway bar 6-25, 7-25
A-plate strap 6-15, 7-15
A-plate, delta 6-15, 7-15
arbor 18-3
arm
 governor 10-17, 13-7, 13-13
 pivot 13-7
 rocker 9-9
 wiper 1-59
armature 8-11, 15-3
armature conversion kit 8-11
assembly
 accelerator bracket and bearing 5-5, 5-7
 accelerator pivot rod 5-5, 5-7
 air box 10-21
 air box top 10-21
 armature 8-11
 axle 13-11
 bearing, steering shaft 6-5, 7-5
 bell crank and shaft 8-23, 8-25
 brush connector 8-11
 brush holder 8-11
 cab 1-59
 connecting rod 9-13
 cylinder head 9-9
 delta A-plate 6-15, 7-15
 delta shock and gear support 6-15, 7-15
 drive hub 12-5, 12-7
 driven clutch 12-9
 driven clutch fixed-face 12-9
 field coil 8-11

float 10-13
fuel cap 10-7, 10-9
fuel pump 10-5, 10-9
fuel tank vent 10-3, 10-5
governor 13-9, 13-15
headlight 4-3
headlight harness 4-3
idle screw 10-13
inner ball joint 6-3, 7-3
kingpin 6-17, 6-19, 7-17, 7-19
moveable-face 12-5, 12-7, 12-9
pilot air screw 10-13
plug cap 9-5
ratchet 5-3
score card plate 6-11, 7-11
secondary clutch weight 12-5, 12-7
steering shaft 6-5, 7-5
steering wheel 6-9, 6-11, 7-9, 7-11
turn signal lens 4-3
axle 13-7, 13-11, 13-17, 16-3
axle guard 16-5
axle shaft oil seal 13-11, 13-17, 16-3
axle tube 13-11, 13-17, 16-3

B
backing plate, brake 5-11, 5-17
ball bearing 8-15, 8-17, 9-11
ball joint 5-3, 5-9, 6-3, 6-15, 13-5
ball joint, left-hand thread 6-3, 6-15
ball stud 8-23, 8-25, 13-7, 13-13
ball, shifter 13-9
ball, steel pressure relief 9-7
ball, trailer hitch 1-51
bar, drive 14-3
bar, stabilizer 6-25, 7-25
barb, vent 10-3, 10-5, 10-7, 10-9
barrel, plastic 1-3, 1-5, 1-15
battery 14-17, 14-19, 14-21
 12-volt, side-post 8-29
battery cap, 6-volt 14-11, 14-13
battery charger 17-3, 17-5
battery charger case 17-3, 17-5, 17-7, 17-9
battery charger harness 14-5
battery charger receptacle 14-7
battery charger shield 17-11
battery charger transformer 17-3, 17-5, 17-7, 17-9
battery charger wire assembly 17-5
battery charger, onboard 17-7, 17-9
battery clamp 8-29
battery condition indicator 4-17
battery discharge machine 18-3
battery hold-down 14-11, 14-13, 14-15, 14-17, 14-19, 14-21
battery hold-down rod 14-11, 14-13, 14-15, 14-17, 14-19, 14-21

INDEX

- battery light 4-17
 - battery terminal protector spray 18-3
 - battery thermometer 18-3
 - battery, 6-volt, Trojan T105 14-11
 - battery, 6-volt, Trojan T105, moist 14-11
 - battery, 6-volt, Trojan T145 14-13
 - battery, 6-volt, Trojan T145, moist 14-13
 - bearing 16-3
 - ball 8-15, 8-17, 9-11
 - ball (motor) 15-3
 - ball (steering pinion) 6-3, 7-3
 - cage roller 13-15
 - front wheel hub 6-13, 7-13
 - hub 6-13, 7-13
 - idler 12-5, 12-7
 - inner axle tube 13-11, 16-3
 - lower pinion (steering) 6-3, 7-3
 - needle 13-9
 - outer axle tube 13-11
 - pivot support 5-5, 5-7
 - steering shaft 6-5, 7-5
 - thrust 6-17, 6-19, 7-17, 7-19
 - bearing and oil seal remover 18-3
 - bearing driver set 18-3
 - bearing puller 18-3
 - bearing puller wedge 18-3
 - bearing seat 6-5, 7-5
 - bed assembly, long 1-41
 - bed floor plate, rear 1-35
 - bed frame, long 1-35
 - bed lift actuator 1-45, 1-47
 - bed lift, electric 1-45, 1-47
 - bed mat 1-39
 - bed seal 1-33
 - bell crank and shaft 8-23, 8-25
 - bellows 6-3, 7-3
 - belt, drive 12-3
 - belt, seat 1-59
 - belt, starter/generator 8-13, 8-19
 - belt, V 8-13, 8-19
 - bezel, choke cable 10-19
 - bezel, headlight 4-3
 - block, brake-mounting 5-3
 - block, fuse 4-5, 4-7, 8-23, 8-25
 - block, terminal 4-5, 4-7, 14-5
 - body, anchor 5-11, 5-17
 - bolt, U- 6-23, 7-23
 - boot, steering column 6-5, 7-5
 - boot, switch 8-21, 14-9
 - bottom, air box 10-21
 - box
 - air 10-21
 - differential 13-17
 - electrical component 8-23, 8-25
 - steering gear 6-3, 7-3
 - tool 1-43
 - box, tool 1-43
 - box, van 1-73
 - brace, trailer hitch 1-49
 - bracket 6-21, 7-21
 - accelerator cable 10-17
 - adjustable starter/generator 8-13, 8-19
 - brake cable guide 6-15, 7-15
 - brake light switch 4-5
 - FNR shifter 13-3
 - governor cable 10-17
 - headlight mounting 4-3
 - horn 4-35, 4-37
 - muffler mounting 11-3
 - oil filter mount 9-7
 - oil level switch 9-11
 - relay mounting 8-25, 17-7, 17-9
 - retaining 10-19
 - shock mounting, drv 6-23, 7-23
 - shock mounting, pas 6-23, 7-23
 - snubber 9-15
 - stabilizer bar mounting 6-25, 7-25
 - stake side 1-41
 - starter/generator mounting 8-13, 8-19
 - steering column 6-5, 7-5
 - steering column mounting 6-5, 7-5
 - throttle spring return 10-15
 - Tow/Run switch 8-21
 - bracket, carburetor intake manifold 10-15
 - bracket, hinge, bed 1-37
 - bracket, hour meter 4-39
 - brake actuator kit 5-11, 5-17
 - brake adjustment tool 18-3
 - brake backing plate 5-11, 5-17
 - brake cable 5-13, 5-15
 - brake cable equalizer 5-13, 5-15
 - brake cable hanger 6-21, 7-21
 - brake cable release tool 18-3
 - brake cluster 5-11, 5-17
 - brake drum 5-11, 5-17
 - brake lever arm 5-11, 5-17
 - brake light switch bracket 4-5
 - brake mounting block 5-3
 - brake pedal 5-3
 - brake pedal pad 5-3
 - brake relay kit, 12-volt 4-5
 - brake return spring 5-15
 - brake shoe 5-11, 5-17
 - brake spring 5-11, 5-17
 - breaker, circuit 17-5, 17-9
 - breather 13-7, 13-13, 16-3
 - brush and screw set 8-11
 - brush box assembly 15-3
 - brush connector 8-11
 - brush cover kit, starter/generator 8-11, 8-15, 8-17
 - brush holder 8-11
 - brush inspection port cover 8-11, 8-15, 8-17
 - brush kit, motor 15-3
 - brush plate
 - starter/generator 8-11
 - brush port cover 8-11
 - brush rigging 15-3
 - brush spring 8-15, 8-17, 15-3
 - brush spring set 8-11, 8-15, 8-17
 - brush spring, starter/generator 8-11, 8-15, 8-17
 - brush terminal, starter/generator 8-11, 8-15, 8-17
 - brush, motor 15-3
 - bulb, headlight 4-3
 - bulb, strobe light 4-29, 4-31, 4-33
 - bulb, tail light 4-41
 - bumper 1-23
 - drive unit (motor) 15-3
 - front 1-3
 - front, heavy duty 1-3
 - front, kit 1-3
 - rear 1-57
 - rubber 1-37, 5-3
 - seal, long 1-17
 - spring return 5-5, 5-7
 - bumper mounting 1-57
 - bumper, heavy-duty 1-3
 - bumper, seat 1-17
 - bushing 1-45, 1-47, 8-23, 8-25, 12-5, 12-7, 13-3
 - bronze 6-13, 7-13
 - nylon 5-3
 - return line 10-7, 10-9
 - spindle 6-13, 7-13
 - stabilizer bar 6-25, 7-25
 - steel 1-37, 6-17, 6-19, 6-21, 6-23, 7-17, 7-19, 7-21, 7-23
 - urethane 1-37, 6-15, 6-17, 6-19, 6-21, 6-23, 7-15, 7-17, 7-19, 7-21, 7-23
 - bushing support 6-25, 7-25
 - button, drive 12-9
 - buzzer, reverse 4-13, 4-15, 4-17
- ## C
- cab 1-59
 - door 1-59
 - door hinge 1-59
 - door latch 1-59
 - roof 1-59
 - side rear window 1-59
 - windshield 1-59
 - windshield latches 1-59
 - wiper arm 1-59
 - wiper blade 1-59
 - wiper motor 1-59
 - cable
 - accelerator 10-17

INDEX

- brake 5-13, 5-15
 - choke 10-19
 - FNR shifter 13-5
 - governor 10-17
 - calibration test module 18-3
 - cam
 - driven clutch 12-9
 - electrical component box 8-23, 8-25
 - cam, FNR shifter 13-3
 - camshaft 9-11
 - camshaft shim 9-11
 - canister, carbon, fuel tank 10-11
 - canopy 1-25, 1-27, 1-29, 1-31
 - canopy brace 1-25, 1-27, 1-29, 1-31
 - canopy support 1-25, 1-27, 1-29, 1-31
 - canopy trim plate 1-25, 1-27, 1-29, 1-31
 - cap
 - battery, 6-volt 14-11, 14-13
 - corner 1-33
 - dust 4-17, 14-5
 - fuel tank 10-3, 10-5
 - fuel, gas, ratchet 10-7, 10-9
 - key switch 4-13, 4-15, 4-17, 4-21
 - plug 9-5
 - seat back 1-19
 - cap, hub, 7 prong 2-7
 - carbon canister 10-11
 - carburetor adapter 10-15
 - carburetor gasket 10-15
 - carburetor insulator 10-15
 - carburetor mounting gasket 10-15
 - carburetor, FE350 S27 10-13
 - card, safety first 18-5
 - case
 - battery charger 17-3, 17-5, 17-7, 17-9
 - differential gear 13-11
 - gear 13-7, 13-13, 16-3
 - rocker 9-9
 - charger
 - wire assembly kit 17-3, 17-7, 17-9
 - charger bezel tool 18-3
 - charger harness 14-5
 - charger receptacle 14-7
 - charger, battery 17-3, 17-5
 - charger, battery, onboard 17-7, 17-9
 - charger, battery, shield 17-11
 - choke cable 10-19
 - choke cable bezel 10-19
 - choke valve 10-21
 - circuit breaker 14-9, 17-3, 17-5, 17-7, 17-9
 - clamp
 - battery 8-29
 - cable retaining 10-17
 - hose 10-3, 10-5, 10-7, 10-9, 10-11, 10-15, 10-21
 - hose, green 10-11
 - muffler hose 11-3
 - clevis, upper delta 6-17, 6-19, 7-17, 7-19
 - clip, rod 1-37
 - clip, score card 6-11, 7-11
 - cluster idler gear 13-9
 - cluster, brake 5-11, 5-17
 - clutch cam installation tool 18-3
 - clutch pulley 12-5, 12-7
 - clutch repair kit 12-9
 - clutch tool kit 18-3
 - clutch weight 12-5, 12-7
 - clutch, drive 12-5, 12-7
 - clutch, driven 12-9
 - coil, field 8-11
 - collet 9-9
 - column, steering 6-5, 7-5
 - communication display module 18-5
 - component box, electrical 8-23, 8-25
 - component mounting plate 14-23, 14-25
 - component mounting plate cover 14-23, 14-25
 - compression gauge 18-5
 - compression mount 6-25, 7-25
 - compressor, piston ring 18-5
 - compressor, valve spring 18-7
 - conduit 4-33
 - connecting rod 9-13
 - connector, a- 8-11
 - continuity tester 18-5
 - control board 17-7, 17-9
 - controller, speed 14-23, 14-25
 - converter, DC/DC 4-23, 4-25
 - cord connector 9-11
 - cord reel 17-11
 - cord, AC 17-3, 17-5, 17-7, 17-9
 - cord, DC 17-3, 17-5, 17-7, 17-9
 - counterbalance guide shaft 9-13
 - counterbalance weight 9-13
 - cover
 - brush inspection port 8-11, 8-15, 8-17
 - brush port 8-11
 - crankcase 9-11
 - dust 5-11, 5-17, 6-13, 7-13
 - electrical box 8-23, 8-25
 - fuse block 4-7
 - oil pump 9-7
 - rocker switch hole 4-13, 4-15, 4-17
 - screw head 4-13, 4-15, 4-17
 - steering column 6-5, 7-5
 - wheel 2-7
 - cover, steering column 4-9, 4-11
 - cowl 1-3
 - crankcase 9-13
 - crankcase cover 9-11
 - crankcase vent tube 10-15
 - crankshaft 9-13
 - crankshaft rod 9-13
 - crankshaft shim 9-13
 - C-type stop ring 6-3, 7-3
 - cup holder 1-9
 - cup, spring 5-5, 5-7
 - current limiter 17-5
 - cushion, shock absorber 6-21, 6-23, 7-21, 7-23
 - cutter, valve seat 18-7
 - cylinder head 9-9
- ## D
- dash component 1-7
 - dash panel 4-13, 4-15, 4-17
 - dc converter, 15A 4-25
 - DC cord 17-3, 17-5, 17-7, 17-9
 - DC/DC converter 4-23, 4-25
 - decal
 - 4-gauge wire warning 3-5
 - bed hold-down bolts 3-5, 3-9
 - bed load warning 1-41, 3-3, 3-7
 - Club Car name plate 3-11, 3-13, 3-15
 - crush area warning 1-45, 1-47, 3-3, 3-7
 - driver/passenger 3-7
 - electrical cover safety 3-5
 - FNR 3-5, 3-9
 - frame ground 3-7
 - IR 3-15
 - key switch 3-9
 - no ground warning 3-5
 - on/off 3-5, 3-9
 - operating instructions 3-9
 - operating instructions (electric) 3-5
 - operating instructions (gas) 3-9
 - passcode 4-19
 - rollover warning 3-3, 3-7
 - rotating parts 3-7, 8-15, 8-17
 - run/service switch 3-9, 8-21
 - service warning 1-45, 1-47
 - Tow/Run switch 3-3
 - trailer hitch 1-49, 1-53
 - Turf 6 3-15
 - vehicle loading 1-41, 3-3, 3-7
 - defogger fan 1-71
 - delta A-plate 6-15, 7-15
 - delta A-plate sub-assembly 6-15, 7-15
 - delta shock and gear support 6-15, 7-15
 - DF-terminal insulator 8-11
 - diagnostic port 4-17, 14-5
 - differential drive unit 13-7, 16-3
 - differential gear 13-11, 16-3
 - differential gear case 13-11, 13-17
 - differential guard 16-5
 - differential housing 16-3
 - differential idler gear 13-11
 - differential pin 13-11
 - diode 8-23, 8-25

INDEX

dipstick 9-3
door 1-59
door latch 1-35, 1-59
drain plug 9-7, 13-13
drain plug gasket 9-7, 13-7, 13-13
drain plug, rubber 8-15, 8-17
drive bar 14-3
drive belt 12-3
drive button 12-9
drive clutch 12-5, 12-7
drive clutch button 12-5, 12-7
drive clutch fixed-face 12-5, 12-7
drive clutch holder tool 18-3
drive clutch hub puller 18-3
drive clutch puller 18-3
drive clutch spring 12-5, 12-7
drive clutch weight 12-5, 12-7
drive hub 12-5, 12-7
drive selector shaft 13-7, 13-13
drive unit bumper 15-3
drive unit guard 16-5
driven clutch 12-9
driven clutch button 12-9
driven clutch cam 12-9
driven clutch cam puller 18-3
driven clutch fixed-face assembly 12-9
driven clutch puller plug 18-3
driver, drive clutch 12-5, 12-7
drum, brake 5-11, 5-17
dry moly lubricant 18-5
duct, intake 10-19
dust cap 4-17, 14-5
dust cover 5-11, 5-17, 6-13, 7-13

E

eccentric adjustment screw 6-17, 6-19, 7-17
E-clip 5-13, 5-15
electrical box cover 8-23, 8-25
electrical component box 8-23, 8-25
end bell, commutator 8-11
end bell, output shaft 8-11
end cap, motor 15-3
end, tie rod 7-15
engine mounting plate 9-15
engine shroud 9-3
engine, FE350 S27 9-3
equalizer pivot 5-13
equalizer rod 5-13, 5-15
equalizer, brake cable 5-13, 5-15
exhaust system 11-3
exhaust valve 9-9
extrusion, fender 1-3
extrusion, plastic 1-23

F

face, moveable 12-5, 12-7, 12-9
fan housing 9-3
fan shroud 9-3
fan, defogger 1-71
fan, flywheel 9-5
fender extrusion 1-3
fender, rear 1-55
field coil 8-11
field coil housing 8-11, 8-15, 8-17
fill plug 13-7, 13-13
fill plug gasket 13-13
filter
 air 10-21
 fuel 10-3, 10-5, 10-7, 10-9
 oil 9-7
 oil pump 9-7
fitting, thread-forming grease 6-3, 6-13, 6-15, 7-13
fixed-face, drive clutch 12-5, 12-7
fixed-face, driven clutch 12-9
flasher, turn signal, 12-volt 4-11
float 10-13
floor mat 1-7
flywheel 9-5
flywheel fan 9-5
flywheel fan plate 9-5
flywheel puller 18-5
FNR closeout brush 4-13, 4-15
FNR shift lever 13-7, 13-13
FNR shifter 13-3
FNR shifter bracket 13-3
FNR shifter cable 13-5
FNR shifter cam 13-3
fork, shift 13-9, 13-15
frame and field, motor 15-3
frame and field, starter/generator 8-11, 8-15, 8-17
front bumper 1-3
front bumper kit 1-3
front spring retainer plate 6-17, 6-19, 7-17, 7-19
F-terminal hardware 8-11
f-terminal insulator 8-11
fuel filter 10-3, 10-5, 10-7, 10-9
fuel gauge sending unit 10-3, 10-5, 10-7, 10-9
fuel line 10-3, 10-5, 10-7, 10-9, 10-11, 10-15
fuel pickup tube 10-3, 10-5
fuel pump 10-5, 10-9
fuel pump mount 10-3, 10-5, 10-7, 10-9
fuel pump, impulse 10-3, 10-7
fuel tank 10-3, 10-5
fuel tank cap 10-3, 10-5
fuel tank strap 10-3, 10-5, 10-7, 10-9
fuel tank vent 10-3, 10-5
fuel tank vent grommet 10-7, 10-9

fuse 14-7, 17-3, 17-5, 17-7, 17-9
 10-amp 8-23, 8-25
 20-amp 4-5, 4-7, 8-23, 8-25
 3/8-amp 14-7
fuse and receptacle 14-7
fuse block 4-5, 4-7, 8-23, 8-25
fuse block cover 4-7

G

gasket
 carburetor 10-15
 carburetor mounting 10-13, 10-15
 crankcase cover 9-9, 9-11
 drain plug 9-7, 13-7
 drain plug, fill plug 13-13
 exhaust 9-9, 11-3
 head 9-9
 insulator 9-9, 10-15
 liquid 13-7, 16-3, 18-5
 plug 16-3
 rocker case 9-9
 sending unit 10-3, 10-5, 10-7, 10-9
gasket kit, FE350 9-9
gauge, battery condition 4-17
gauge, compression 18-5
gear
 25 tooth 13-15
 28 tooth 13-15
 case 13-13
 cluster idler 13-9
 differential 13-11, 13-17, 16-3
 differential idler 13-11, 16-3
 differential output 16-3
 helical 9-13, 13-9, 13-11
 planetary 13-17
 speed governor 13-15
 spur 9-13, 13-9
 sun 13-17
 synchro 13-9
gear yoke 18-5
gearcase 13-7, 16-3
governor 13-9, 13-15
governor arm 10-17, 13-7, 13-13
governor cable 10-17
governor cable bracket 10-17
governor shaft installation tool 18-5
grip, pencil 6-11, 7-11
grommet 1-13, 1-25, 1-27, 1-29, 1-31, 10-3, 10-5, 10-19
 fuel tank vent 10-7, 10-9
 ignition 9-5
guard, differential 16-5
guard, splash 1-5
guide
 intake valve 9-9
 valve seat cutter 18-7

INDEX

guide ring adhesive 18-3

H

handle 1-73
hanger, brake cable 6-21, 7-21
hardware, F-terminal 8-11
harness
 wire 4-37
harness, battery charger 14-5
harness, headlight 4-5, 4-7
harness, lighting 4-5, 4-7
harness, wire 4-23, 4-25, 4-29, 4-31, 4-37, 8-3,
 8-5, 8-7, 8-9, 14-5
head gasket 9-9
head, cylinder 9-9
headband, sealed, motor 15-3
headband, vented, motor 15-3
headlight 4-3
headlight assembly 4-3
headlight bulb 4-3
headlight harness 4-3
headlight retainer 4-3
headlight wire harness 4-5, 4-7
heat shrink tube 17-11
heatsink and rectifier 17-3, 17-5, 17-7, 17-9
heavy-duty bumper 1-3
helical gear 9-13, 13-9, 13-11
hill brake rod 5-3
hill brake weld assembly 5-3
hinge kit, door 1-59
hinge pin 1-41
hinge, access door 1-35
hinge, stake side 1-41
hitch, trailer 1-49
hitch, trailer, ball 1-51
hold-down rod, battery 14-11, 14-13, 14-15,
 14-17, 14-19, 14-21
hold-down, battery 14-11, 14-13, 14-15, 14-17,
 14-19, 14-21
holder, cup 1-9
hole plug 4-17
horn 4-35, 4-37
horn bracket 4-35, 4-37
horn button and wire assembly 4-35
hose
 fuel 10-3, 10-5, 10-7, 10-9
 vent 10-11
 vent flare 10-11
hose clamp, green 10-11
hose, air intake 10-21
hour meter 4-39
hour meter bracket 4-39
hour meter, 36-48 volt 4-39
housing
 2-pin 14-3
 3-pin 14-3, 15-3

differential 16-3
fan 9-3
field coil 8-11, 8-15, 8-17
hub 6-13, 7-13
hub bearing 6-13, 7-13
hub cap 2-7
hub cap, 7 prong 2-7
hub, synchronizer clutch 13-9
hydrometer 18-5

I

idle screw assembly 10-13
idler bearing 12-5, 12-7
idler gear, differential 16-3
ignition coil 9-5
indicator, battery condition 4-17
inner frame snubber 9-15
input shaft 16-3
insert, synchronizer 13-9
instrument panel 4-13, 4-15, 4-17
insulating washer 15-3
insulator gasket 9-9, 10-15
insulator, carburetor 10-15
insulator, motor terminal 15-3
intake duct 10-19
intake valve 9-9
intermediate shaft 16-3
intermediate steering shaft 6-7
internal retaining ring pliers 18-5
IQ display module (IQDM) 18-5

J

jet, main 10-13
jet, pilot 10-13
joint
 ball 5-3, 5-9, 6-15, 13-5
 left-hand thread ball 6-3, 6-15

K

key
 crankshaft 9-5, 9-13
 driven clutch 12-9
 On/Off 4-13, 4-15, 4-17
 square 12-9
 starter/generator 8-11
 woodruff 13-7
key switch 4-13, 4-15
key switch cap 4-13, 4-15, 4-17, 4-21
key switch, On/Off 4-17
key switch, uncommon 4-21
kingpin 6-17, 6-19, 7-17, 7-19
kit
 2-pin housing 14-3
 3-pin housing 14-3, 15-3
 accelerator pivot rod 5-5, 5-7

anchor body 5-11, 5-17
armature conversion 8-11
bed lift 1-45, 1-47
brake actuator 5-11, 5-17
brake cable 5-13
brake pedal 5-3
brake relay 4-5
brake shoe 5-11, 5-17
brake shoe retainer 5-11, 5-17
canopy 1-25, 1-27, 1-29, 1-31
clutch repair 12-9
cup holder 1-9
DC/DC converter 4-23, 4-25
differential gear case 13-11
door hinge 1-59
drive clutch button 12-5, 12-7
drive clutch weight 12-5, 12-7
driven clutch button 12-9
equalizer, brake 5-13
fan/defogger 1-71
fixed-face drive 12-5, 12-7
flywheel puller 18-5
front bumper 1-3
gasket, FE350 9-9
heavy-duty front bumper 1-3
hour meter 4-39
hub cap 2-7
IQ display module (IQDM) 18-5
mirror 1-11
mirror, inside rear-view 1-61
mirror, side-view 1-63
motor brush 15-3
motor brush lead assembly 15-3
motor brush spring 15-3
motor speed sensor 15-3
name plate 3-11, 3-13, 3-15
park brake latch 5-3
park brake pedal 5-3
piston ring compressor 18-5
rear receiver hitch 1-53
relay, 48V 4-7, 14-23, 14-25
seat belt 1-59
shock absorber cushion 6-21, 6-23, 7-21,
 7-23
shoe retainer 5-11, 5-17
smartkey 4-19
steering column mounting bracket 6-5,
 7-5
strobe light 1-67, 4-29, 4-31, 4-33
trailer hitch 1-49
transmission tool 18-7
tune-up 18-7
turn signal 4-9
wheel cover 2-7
windshield, hinged 1-21
windshield, one-piece 1-23

INDEX

wire assembly, charger 17-3, 17-7, 17-9
work light 1-69
knob, forward/reverse 13-3

L

lamp, strobe light 4-29, 4-31, 4-33
lamp, turn signal and socket 4-9, 4-11
latch, air box 10-21
latch, door 1-35
latch, park brake 5-3
leaf spring 6-21, 6-23, 7-21, 7-23
lens, headlight 4-3
lens, strobe light 4-29, 4-31, 4-33
lever
choke 10-21
drive selector 13-7
speed governor 13-13
transmission shift 13-7, 13-13
light
battery 4-17
oil 4-13, 4-15
tail 4-41
light, strobe 1-67, 4-29, 4-31, 4-33
lighting wire harness 4-5, 4-7
limit switch 4-5, 4-7, 8-23, 8-25, 8-27, 13-3
limiter
current 17-5
voltage 4-5, 4-27
line, fuel 10-3, 10-5, 10-7, 10-9, 10-11, 10-15
link, rack and pinion drag 6-3
link, stabilizer bar 6-25, 7-25
liquid gasket 13-7, 16-3, 18-5
low oil warning light 4-13, 4-15
lubricant, dry moly 18-5
lubricant, moly-teflon 15-3, 18-5
lug nut 2-3, 2-5
lug stud 13-11, 13-17, 16-3

M

magnet, speed sensor 15-3
main jet 10-13
mat, bed 1-39
mat, floor 1-7
MCOR 14-3
meter, hour 4-39
meter, volt ohm 18-7
mirror 1-11
mirror, inside rear-view 1-61
mirror, rear view 1-11
mirror, side-view 1-63
module
calibration test 18-3
communication display 18-5
moly-teflon lubricant 18-5
motor

48-volt IQ Plus 15-3
wiper 1-59
motor brush 15-3
motor brush kit 15-3
motor brush lead assembly kit 15-3
motor brush spring 15-3
motor bumper 15-3
motor controller 14-23, 14-25
motor end cap 15-3
motor frame and field 15-3
motor headband, sealed 15-3
motor headband, vented 15-3
motor magnet, speed sensor 15-3
motor speed sensor 15-3
motor speed sensor kit 15-3
motor terminal and lead assembly 15-3
motor terminal insulator 15-3
mount, compression 6-25, 7-25
mount, fuel pump 10-3, 10-5, 10-7, 10-9
mounting block, brake 5-3
moveable-face 12-5, 12-7, 12-9
muffler hose clamp 11-3

N

name plate 3-11, 3-13, 3-15
needle bearing 13-9
nozzle, main 10-13
nut, lug 2-3, 2-5

O

oil conveyor 13-13
oil filler tube 9-3
oil filter 9-7
oil filter mount bracket 9-7
oil filter screen 9-11
oil filter screen plate 9-11
oil level sensor 9-11
oil level switch bracket 9-11
oil pump and rotor 9-7
oil pump cover 9-7
oil pump filter 9-7
oil pump plate 9-7
oil seal 9-9, 9-11, 9-13, 13-7, 13-9
oil warning light, low 4-13, 4-15
onboard battery charger 17-7, 17-9
O-ring 9-3, 9-9, 9-11, 9-13

P

pad
accelerator pedal 5-5, 5-7
brake pedal 5-3
park brake 5-3
paint, touch-up 18-5
panel, instrument 4-13, 4-15, 4-17
park brake latch 5-3

park brake pedal 5-3
park brake rod sleeve 5-3
park brake spacer 5-3
park brake torsion spring 5-3
pawl 5-3
pedal, accelerator 5-5, 5-7
pedal, brake 5-3
pedal, park brake 5-3
pencil grip 6-11, 7-11
pilot air screw assembly 10-13
pilot jet 10-13
pin
bow tie locking 5-13, 5-15
clevis 5-13, 5-15
differential 13-11
piston 9-13
pin, hinge 1-41
pinion, steering 6-3, 7-3
piston 9-13
piston anchor 5-11, 5-17
piston pin 9-13
piston ring 9-13
piston ring compressor 18-5
piston ring pliers 18-5
piston ring set 9-13
pivot arm 13-7
pivot support bearing 5-5, 5-7
plate
bed floor 1-35
bumper mounting 1-57
component mounting 14-23, 14-25
engine mounting 9-15
flywheel fan 9-5
front spring retainer 6-17, 6-19, 7-17, 7-19
name 3-11, 3-13, 3-15
oil filter screen 9-11
oil pump 9-7
receptacle backing 14-7, 17-11
score card 6-9, 6-11, 7-9, 7-11
spring mounting 6-17, 6-19, 7-17, 7-19
steering wheel 6-9, 7-9
thrust 13-9, 13-11
plate, canopy trim 1-25, 1-27, 1-29, 1-31
plate, Tow/Run switch 14-9
pliers
internal retaining ring 18-5
piston ring 18-5
retaining ring 18-5
plug
drain 9-7, 13-13
drive clutch 12-5
driven clutch puller 18-3
fill 13-7, 13-13
hole 4-17
rubber drain 8-15, 8-17
spark 9-5

INDEX

- plug cap 9-5
 - plug, carburetor intake manifold 10-15
 - pole set 8-11
 - port, diagnostic 4-17, 14-5
 - press weldment 18-3
 - prop rod 1-37
 - protector spray, battery terminal 18-3
 - puller
 - bearing 18-3
 - drive clutch 18-3
 - drive clutch hub 18-3
 - driven clutch cam 18-3
 - flywheel 18-5
 - seal 18-5
 - pulley
 - clutch 12-5, 12-7
 - starter-generator 8-11, 8-15, 8-17
 - v-belt 8-11, 8-15, 8-17
 - pump
 - fuel 10-5, 10-9
 - pump, impulse fuel 10-3, 10-7
 - push rod 9-9
- R**
- race, front hub bearing 6-13, 7-13
 - rack and pinion drag link 6-3
 - rack guide pressure spring 6-3, 7-3
 - rack, steering 6-3, 7-3
 - ratchet, park brake 5-3
 - reamer, valve guide 18-7
 - rear bumper 1-57
 - rear fender 1-55
 - rear spring shackle 6-21, 7-21
 - rear view mirror 1-11
 - rear-view mirror, inside 1-61
 - receiver hitch 1-53
 - receptacle and fuse 14-7
 - receptacle backing plate 14-7, 17-11
 - receptacle, AC cord 17-5
 - receptacle, battery charger 14-7
 - rectifier with heatsink 17-3, 17-5, 17-7, 17-9
 - reel bracket 17-11
 - reel cord 17-11
 - regulator, voltage 8-23, 8-25
 - relay 4-7, 8-25, 14-23, 14-25
 - relay mounting bracket 8-25, 17-7, 17-9
 - relay, 12-volt 4-5
 - relay, 48V 4-7, 14-23, 14-25
 - relay, 48-volt 17-3, 17-5, 17-7, 17-9
 - relay, brake, kit, 12-volt 4-5
 - remover, bearing and oil seal 18-3
 - retainer
 - accelerator pedal spring 5-5, 5-7
 - brake shoe 5-11, 5-17
 - headlight 4-3
 - shock absorber cushion 6-21, 6-23, 7-21,
- 7-23
 - spring (drive clutch) 12-5, 12-7
 - valve spring 9-9
- retaining bracket 10-19
 - retaining ring 6-5, 7-5
 - retaining ring pliers 18-5
 - return spring bumper 5-5, 5-7
 - reverse buzzer 4-13, 4-15, 4-17
 - rim, wheel, white 2-3, 2-5
 - ring
 - C-type stop 6-3, 7-3
 - piston 9-13
 - retaining 6-5, 7-5, 8-23, 8-25, 12-5, 12-7, 12-9
 - snap 6-3, 7-3, 9-9, 9-13
 - spiral backup 12-5, 12-7
 - synchronizer 13-9
 - rivet, blind push 1-3, 14-23, 14-25
 - rock guard 16-5
 - rocker arm 9-9
 - rocker case 9-9
 - rocker case gasket 9-9
 - rocker shaft 9-9
 - rocker switch 1-45, 1-47, 4-17
 - rocker switch (lights) 4-5, 4-7, 4-15, 4-17
 - rod
 - accelerator 5-9
 - accelerator pivot 5-5, 5-7
 - battery hold-down 14-11, 14-13, 14-15, 14-17, 14-19, 14-21
 - clip 1-37
 - connecting 9-13
 - crankshaft 9-13
 - equalizer 5-13, 5-15
 - hill brake 5-3
 - prop 1-37
 - push 9-9
 - shift 13-9
 - tie 6-15
 - roof 1-59
- S**
- safety first card 18-5
 - score card clip 6-11, 7-11
 - score card plate 6-11, 7-11
 - screen, oil filter 9-11
 - screw, eccentric adjustment 6-17, 6-19, 7-17
 - screw, valve clearance adjuster 18-7
 - seal
 - intake 10-21
 - lip 16-3
 - oil 9-9, 9-11, 9-13, 13-7, 13-9, 13-11, 13-17, 16-3
 - steering pinion dust 6-3, 7-3
 - vertical socket dust 6-3, 6-15
 - seal puller 18-5
 - seal, bed 1-33
 - sealant 13-7, 16-3
 - seat
 - spring 9-9
 - valve 9-7
 - seat back 1-19
 - seat back assembly 1-19
 - seat back cap 1-19
 - seat back tube 1-33
 - seat back, white 1-19
 - seat belt 1-59
 - seat bottom assembly 1-17
 - seat bumper 1-17
 - seat cover, vinyl 1-17
 - seat strap 1-17
 - seat, bearing 6-5, 7-5
 - sending unit, fuel gauge 10-3, 10-5, 10-7, 10-9
 - sensor, motor speed 15-3
 - sensor, oil level 9-11
 - set, brush and screw 8-11
 - set, pole 8-11
 - shackle weldment 6-23, 7-23
 - shackle, rear spring 6-21, 7-21
 - shaft
 - counterbalance guide 9-13
 - drive selector 13-7, 13-13
 - input 16-3
 - intermediate 16-3
 - intermediate steering 6-7
 - rocker 9-9
 - steering column 6-5, 7-5
 - transmission 13-9, 13-15
 - shaft, reverse gear 13-15
 - shaft, secondary
 - transmission 13-15
 - shield, battery charger 17-11
 - shift fork 13-9, 13-15
 - shift lever 13-7, 13-13
 - shift rod 13-9
 - shifter, FNR 13-3
 - shim, camshaft 9-11
 - shim, crankshaft 9-13
 - shim, tilt bed pivot 1-37
 - shock absorber 6-15, 6-21, 6-23, 7-15, 7-21, 7-23
 - shock absorber cushion 6-21, 6-23, 7-21, 7-23
 - shock absorber cushion retainer 6-21, 6-23, 7-21, 7-23
 - shock mounting bracket, drv 6-23, 7-23
 - shock mounting bracket, pas 6-23, 7-23
 - shoe retainer kit 5-11, 5-17
 - shoe, brake 5-11, 5-17
 - shroud 9-3
 - shroud, engine 9-3
 - shroud, fan 9-3
 - side-view mirror 1-63

INDEX

- signal, turn 4-9
 - sleeve
 - delta A-plate 6-15, 7-15
 - governor 13-9
 - park brake rod 5-3
 - synchronizer 13-9
 - smartkey 4-19
 - snap ring 6-3, 7-3, 9-9, 9-13
 - snubber bracket 9-15
 - snubber, inner frame 9-15
 - socket 6-3, 6-15
 - solenoid 14-23, 14-25
 - solenoid, 12-volt 8-23, 8-25
 - spacer
 - accelerator pivot rod 5-5, 5-7
 - park brake 5-3
 - spark plug 9-5
 - speed controller 14-23, 14-25
 - speed sensor 15-3
 - speed sensor magnet 15-3
 - speed sensor, motor 15-3
 - spindle 6-13
 - spindle assembly 7-13
 - spiral backup ring 12-5, 12-7
 - splash guard 1-5
 - spray, battery terminal protector 18-3
 - spring
 - accelerator return 5-5, 5-7
 - brake 5-11, 5-17
 - brake return 5-15
 - brush 8-11, 8-15, 8-17, 15-3
 - compression 6-11, 7-11
 - drive button 12-5, 12-7
 - drive clutch 12-5, 12-7
 - driven clutch 12-9
 - extension return 10-21
 - leaf 6-21, 6-23, 7-21, 7-23
 - park brake torsion 5-3
 - rack guide pressure 6-3, 7-3
 - shifter 13-9
 - steering shaft compression 6-5, 7-5
 - synchronizer 13-9
 - throttle return 10-15
 - valve 9-9
 - spring cup 5-5, 5-7
 - spring mounting plate 6-17, 6-19, 7-17, 7-19
 - spring, motor brush 15-3
 - spur gear 9-13, 13-9
 - stabilizer bar 6-25, 7-25
 - stabilizer bar link 6-25, 7-25
 - stabilizer bar mounting bracket 6-25, 7-25
 - stake side 1-41
 - stake side bracket 1-41
 - stake side hinge 1-41
 - stake side kit 1-41
 - starter/generator (bi-rotational) 8-17
 - starter/generator (cw) (model G425419) 8-11
 - starter/generator belt 8-13, 8-19
 - starter/generator brush cover kit 8-11, 8-15, 8-17
 - starter/generator brush plate 8-11
 - starter/generator brush spring 8-11, 8-15, 8-17
 - starter/generator brush terminal 8-11, 8-15, 8-17
 - starter/generator frame and field 8-11, 8-15, 8-17
 - starter/generator pulley 8-11, 8-15, 8-17
 - steel bushing 1-37, 6-17, 6-19, 6-21, 6-23, 7-17, 7-19, 7-21, 7-23
 - steel pressure relief ball 9-7
 - steering column 6-5, 7-5
 - steering column bearing press tool 18-7
 - steering column cover 4-9, 4-11
 - steering column retaining ring tool 18-7
 - steering gear box 6-3, 7-3
 - steering pinion 6-3, 7-3
 - steering pinion dust seal 6-3, 7-3
 - steering rack 6-3, 7-3
 - steering shaft assembly 6-5, 7-5
 - steering shaft compression spring 6-5, 7-5
 - steering wheel 6-9, 6-11, 7-9, 7-11
 - steering wheel plate 6-9, 7-9
 - steering wheel puller tool 18-7
 - stem, valve 2-3, 2-5
 - stiffener 1-17
 - stiffener, flywheel side 9-15
 - stiffener, PTO side 9-15
 - strap, A-plate 6-15, 7-15
 - strap, fuel tank 10-3, 10-5, 10-7, 10-9
 - strap, seat 1-17
 - strobe light 1-67, 4-29, 4-31, 4-33
 - strobe light lens 4-29, 4-31, 4-33
 - stud 9-15
 - lug 13-11, 13-17, 16-3
 - stud, ball 8-23, 8-25, 13-7, 13-13
 - support yoke (steering) 6-3, 7-3
 - support, bushing 6-25, 7-25
 - suppressor, voltage 4-5, 4-7, 17-3, 17-5, 17-7, 17-9
 - switch plate cover 4-29, 4-31, 4-33
 - switch
 - four-position 17-5, 17-9
 - key 4-13, 4-15, 4-17
 - key, uncommon 4-21
 - light rocker 4-5, 4-7, 4-15, 4-17
 - limit 4-5, 4-7, 8-23, 8-25, 8-27, 13-3
 - rocker 1-45, 1-47, 4-17
 - Tow/Run 14-9
 - turn signal 4-9, 4-11
 - switch assembly 4-29, 4-31, 4-33
 - switch panel, accessory 1-65
 - switch rubber boot 8-21, 14-9
 - switch, toggle 8-21
 - synchro gear 13-9
 - synchronizer clutch hub 13-9
 - synchronizer insert 13-9
 - synchronizer sleeve 13-9
 - synchronizer spring 13-9
 - synchronizer, complete 13-15
 - system, exhaust 11-3
- ## T
- 12-volt solenoid 8-23, 8-25
 - tachometer 18-7
 - tail light bulb 4-41
 - taillight 4-41
 - tailskirt 1-55
 - tank, fuel 10-3, 10-5
 - tape, vinyl foam 1-35
 - tappet 9-11
 - terminal block 4-5, 4-7, 14-5
 - tester, continuity 18-5
 - thermometer, battery 18-3
 - thread-forming grease fitting 6-3, 6-13, 6-15, 7-13
 - throttle return spring 10-15
 - throttle spring return bracket 10-15
 - thrust bearing 6-17, 6-19, 7-17, 7-19
 - thrust plate 13-9, 13-11
 - tie rod 6-15, 7-15
 - tie rod end 7-15
 - tie wrap 1-45, 1-47, 4-9, 4-11, 4-23, 4-25, 4-31, 4-33, 4-39, 6-3, 7-3, 8-23, 8-25, 10-19, 13-5
 - tire 2-3, 2-5
 - tire and wheel assembly 2-3, 2-5
 - toggle switch 8-21
 - tool
 - accelerator pedal adjustment 18-3
 - brake adjustment 18-3
 - brake cable release 18-3
 - charger bezel 18-3
 - clutch cam installation 18-3
 - drive clutch holder 18-3
 - governor shaft installation 18-5
 - steering column bearing press 18-7
 - steering column retaining ring 18-7
 - steering wheel puller 18-7
 - transaxle axle seal 18-7
 - transaxle pinion seal 18-7
 - transmission 18-7
 - tool box 1-43
 - tool kit, clutch 18-3
 - toolbox 1-43
 - touch-up paint 18-5
 - Tow/Run switch 14-9
 - Tow/Run switch bracket 8-21
 - Tow/Run switch plate 14-9
 - trailer hitch 1-49
 - trailer hitch ball 1-51

INDEX

trailer hitch brace 1-49
transaxle (Electric Vehicle) 16-3
transaxle axle seal tool 18-7
transaxle Graziano (gasoline vehicle), unitized 13-13
transaxle guard 16-5
transaxle pinion seal tool 18-7
transaxle, Kawasaki (Gasoline Vehicle) 13-7
transformer, battery charger 17-3, 17-5, 17-7, 17-9
transmission secondary shaft 13-15
transmission shaft 13-9, 13-15
transmission tool 18-7
trim
 cowl 1-3
 seat bottom 1-33
tube
 axle 13-11, 13-17, 16-3
 crankcase vent 10-15
 fuel pickup 10-3, 10-5
 oil filler 9-3
 seat back 1-33
tune-up kit 18-7
turn signal 4-9
turn signal conversion kit 4-9
turn signal lens 4-3
turn signal socket and lamp 4-9, 4-11
turn signal switch 4-11

U

U-bolt 6-21, 6-23, 7-21, 7-23
unitized transaxle Graziano 13-13
upper delta clevis 6-17, 6-19, 7-17, 7-19
urethane bushing 1-37, 6-15, 6-17, 6-19, 6-21, 6-23, 7-15, 7-17, 7-19, 7-21, 7-23

V

valve
 choke 10-21
 exhaust 9-9
 reed 9-9
valve clearance adjuster screw 18-7
valve guide reamer 18-7
valve guide, intake 9-9
valve seat 9-7
valve seat cutter 18-7
valve seat cutter guide 18-7
valve seat t-wrench 18-7
valve spring 9-9
valve spring compressor 18-7
valve spring retainer 9-9
valve stem 2-3, 2-5
valve stem extension 2-7
van box 1-73
v-belt 8-13, 8-19
vent barb 10-3, 10-5, 10-7, 10-9

vent, barb 10-11
vent, fuel tank, w/ valve 10-7, 10-9
vertical socket dust seal 6-3, 6-15
volt ohm meter 18-7
voltage limiter 4-5, 4-27
voltage regulator 8-23, 8-25
voltage suppressor 4-5, 4-7, 17-3, 17-5, 17-7, 17-9

W

warning light, low oil 4-13, 4-15
washer, insulating 15-3
wedge, bearing puller 18-3
weight
 clutch 12-5, 12-7
 counterbalance 9-13
 secondary clutch 12-5, 12-7
weldment
 press 18-3
weldment, receiver hitch 1-53
wheel 2-3
wheel and tire assembly 2-3, 2-5
wheel cover 2-7
wheel rim, white 2-3, 2-5
wheel, steering 6-9, 6-11, 7-9, 7-11
window 1-59
windshield 1-59
 hinged 1-21
 one-piece 1-23
windshield channel 1-21
windshield frame 1-25, 1-27, 1-29, 1-31
windshield frame pad 1-25, 1-27, 1-29, 1-31
windshield latches 1-59
wiper arm 1-59
wiper blade 1-59
wiper motor 1-59
wire assembly, battery charger 17-5
wire harness 4-23, 4-25, 4-29, 4-31, 4-37, 8-3, 8-5, 8-7, 8-9, 14-5
wire harness, headlight 4-5, 4-7
wire harness, lighting 4-5, 4-7
wire lead, ignition 9-5
woodruff key 13-7
work lights, light, work 1-69
wrap, tie 1-45, 1-47, 4-9, 4-11, 4-23, 4-25, 4-31, 4-33, 4-39, 6-3, 7-3, 8-23, 8-25, 10-19, 13-5

Y

yoke, gear 18-5
yoke, support (steering) 6-3, 7-3



Club Car, Inc.
P.O. Box 204658
Augusta, GA 30917-4658
USA

Web www.clubcar.com
Phone 1.706.863.3000
1.800.ClubCar
Int'l +1 706.863.3000
Fax 1.706.863.5808