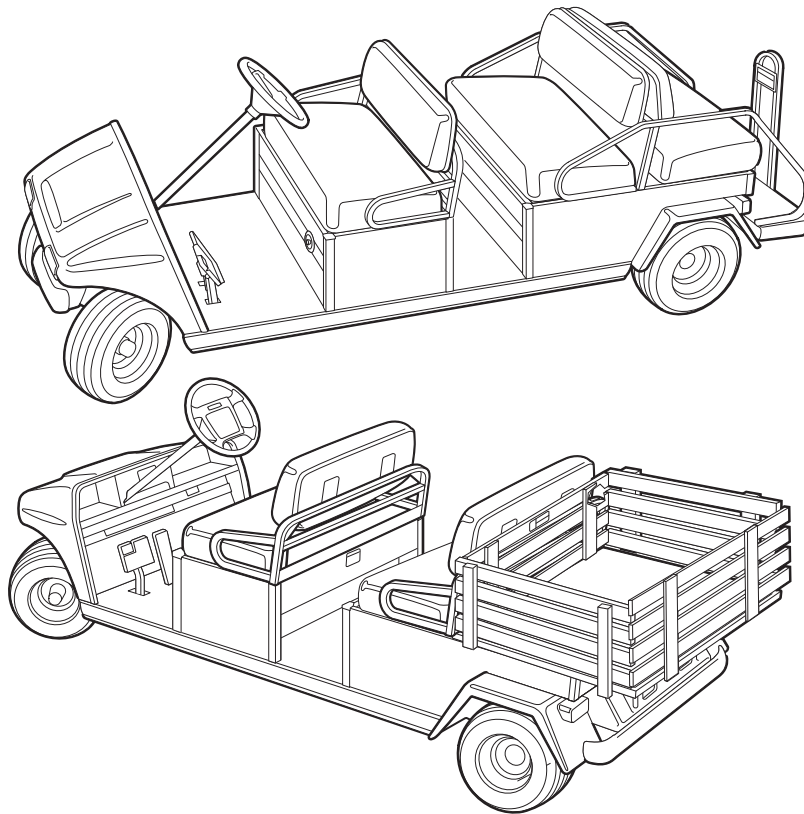




# 2009-2011 Transporter 4 and 6 Illustrated Parts List



## Transporter 4 and 6 Gasoline and Electric Vehicles

Manual Number 103472603  
Edition Code 0508J0112H



# USING THE ILLUSTRATED PARTS LIST

---

## **⚠ WARNING**

- **This manual is to be used only for identification and ordering of service parts. Be sure to read and use the maintenance and service manual before attempting any vehicle repairs.**

This manual covers all TransPorter 4 and 6 vehicles built during the 2009-2011 model years.

The manual is divided into sections. Note that there are two or three flags on the outside edge of each page. The first flag contains the section number of which that page is a part. The other flag (or flags) contains the letter G or E, signifying that the page pertains to the electric or gasoline vehicles only.

Use the Table of Contents to find the sections and pages that contain the parts and assemblies you seek. The Table of Contents lists section numbers, and under them, the individual page titles and numbers to be found in that section. The index can be used to find specific parts and assemblies. The index is divided into numerical and alphabetical listings with the page numbers in italic text.

There is a two-page spread for each individual page title in the Table of Contents. On the left-hand page is an illustration showing the parts in their relative positions; the parts are each tagged with an item number in a balloon. The right-hand page is the parts list page, and gives the page title at the top, then the item numbers (corresponding to the numbers on the illustration), part descriptions, and quantity of parts used.

Note that a part description may be indented. This indention corresponds to a parts assembly level indicated by the numbers 1, 2, 3, and 4 at the top left corner of the parts description area of the parts list page. A part that is indented to *level 2* is a component of the *level 1* part (assembly) that it is listed under. A *level 3* part is a component of the *level 2* part that it is listed under, and a *level 4* part is a component of the *level 3* part preceding it. In each case, the part quantity given for a level 2, 3, or 4 part is the *quantity used per next higher level assembly of which it is a component*. A part that is not indented is a *level 1* part. This means that the quantity given is the quantity used per the portion of the vehicle illustrated on that particular spread.

## **HOW TO ORDER PARTS**

Replacement parts and accessories can be obtained from our network of authorized dealers and distributors. You can obtain the name and phone number of your closest authorized Club Car dealer or distributor by visiting our web site at [www.clubcar.com](http://www.clubcar.com) and clicking on the "Distributor Search" link or by calling our toll-free Service Parts and Technical Assistance hotline at (800) 872-2246 or (706) 863-3000, extension 3887.



**P. O. Box 204658**  
**Augusta, Georgia 30917-4658 USA**  
**Telephone 706-863-3000**  
**Service Parts Fax 706-855-7413**  
**[www.clubcar.com](http://www.clubcar.com)**

**NOTE:** *This illustrated parts list represents the most current information at the time of publication. Club Car, LLC. is continually working to further improve its vehicles and other products. These improvements may affect the parts used to service the vehicle. Any modification and/or significant change in specifications will be forwarded to all Club Car and Carryall distributors/dealers and will, when applicable, appear in future editions of this illustrated parts list.*

*Club Car, LLC. reserves the right to change specifications and designs at any time without notice and without the obligation of making changes to units previously sold.*

Copyright © 2010 Club Car, LLC.  
*Club Car* and *ArmorFlex*  
are registered trademarks of Club Car, LLC.  
This manual effective October 1, 2010.

*2009-2011 Transporter 4 and 6 Gasoline and Electric Vehicle Illustrated Parts List*

# CONTENTS

---

## SECTION 1 – BODY AND TRIM

---

|   |      |
|---|------|
| Front Body and Trim .....   | 1-3  |
| Dash Pockets and Floormat .....                                   | 1-5  |
| Seat Bottom .....   | 1-7  |
| Seat Back Assembly .....  | 1-9  |
| Hip Restraints and Seat Back Mounting (Front) .....               | 1-11 |
| Hip Restraints and Seat Back Mounting (Rear) .....                | 1-13 |
| Rear-Facing Seat Bottom – TransPorter 6 .....                     | 1-15 |
| Rear-Facing Seat Bottom – TransPorter 6, Continued .....          | 1-17 |
| Rear-Facing Seat Back and Support Structure – TransPorter 6 ..... | 1-19 |
| Rear Body Trim .....  | 1-21 |
| Battery Insulator – Electric TransPorter Vehicles .....           | 1-23 |
| Rear Cargo Bed – TransPorter 4 .....                              | 1-25 |
| Stake Side – TransPorter 4 .....                                  | 1-27 |
| Rear Footrest and Handrails – TransPorter 6 .....                 | 1-29 |

---

## SECTION 2 – WHEELS AND TIRES

---

|                        |     |
|------------------------|-----|
| Wheels and Tires ..... | 2-3 |
|------------------------|-----|

---

## SECTION 3 – DECALS

---

|  |      |
|--|------|
| Decals – Electric TransPorter .....            | 3-3  |
| Decals – Electric TransPorter, Continued ..... | 3-5  |
| Decals – Gasoline TransPorter .....            | 3-7  |
| Decals – Gasoline TransPorter, Continued ..... | 3-9  |
| Logo Decals .....                              | 3-11 |

---

## SECTION 4 – BRAKES, PEDAL, AND CABLES

---

|   |      |
|---|------|
| Rear Brake Assembly, Manually-Adjusted – Vehicles with 4-Wheel Brakes ..... | 4-3  |
| Brake Pedal Assembly – Gasoline Vehicles .....                              | 4-5  |
| Brake Pedal Assembly – IQ Plus Vehicles .....                               | 4-7  |
| Front Brake Assembly – Vehicles with Four-Wheel Brakes .....                | 4-9  |
| Front Brake Cables and Equalizer – Vehicles with Four-Wheel Brakes .....    | 4-11 |
| Front Brake Cable Clips and Hardware – Gasoline Vehicles .....              | 4-13 |
| Front Brake Cable Clips – IQ Plus Vehicles .....                            | 4-15 |
| Rear Brake Cables and Equalizer .....                                       | 4-17 |
| Accelerator Pedal Assembly – Gasoline Vehicles .....                        | 4-19 |
| Accelerator Pedal Assembly – Electric Vehicles with MCOR .....              | 4-21 |
| Accelerator Rod – Gasoline Villager 6, and TransPorter 4 and 6 .....        | 4-23 |

# CONTENTS

---

## SECTION 5 – STEERING, FRONT AND REAR SUSPENSION

---

|   |      |
|---|------|
| Steering Column .....   | 5-3  |
| Steering Wheel .....  | 5-5  |
| Steering Gear Assembly .....                                    | 5-7  |
| Front Suspension, Upper .....                                   | 5-9  |
| Front Suspension, Lower (Style A) .....                         | 5-11 |
| Front Suspension, Lower (Style B) .....                         | 5-13 |
| Front Spindles and Hubs – Vehicles with Four-Wheel Brakes ..... | 5-15 |
| Steering Gear Assembly .....                                    | 5-17 |
| Rear Suspension – Gasoline Vehicles .....                       | 5-19 |
| Rear Suspension – IQ Plus Vehicles .....                        | 5-21 |
| Stabilizer Bar – Gasoline Vehicles .....                        | 5-23 |

---

## SECTION 6 – ELECTRICAL SYSTEM – GASOLINE VEHICLES

---

|  |      |
|--|------|
| Wiring – Gasoline Vehicles .....                                   | 6-5  |
| Headlight and Horn Electrical Components .....                     | 6-7  |
| Headlights .....   | 6-9  |
| Electrical Component Box .....                                     | 6-11 |
| Instrument Panel and Electrical Components .....                   | 6-13 |
| Horn and Brake Switches .....                                      | 6-15 |
| Starter/Generator Assembly Model G425419 – Gasoline Vehicles ..... | 6-17 |
| FE350 Starter/Generator Mounting – Gasoline Vehicles .....         | 6-19 |
| Battery – Gasoline Vehicle .....                                   | 6-21 |
| Electrical Components, Rear Body .....                             | 6-23 |
| Operation and Maintenance Switch .....                             | 6-25 |

---

## SECTION 7 – FE350 ENGINE – S27

---

|   |      |
|---|------|
| FE350 Engine – Oil Circulation .....  | 7-3  |
| FE350 Engine without ACR (Automatic Compression Release) – Shrouds and Brackets ..... | 7-5  |
| AS26 FE350 Engine – Ignition Components and Flywheel .....                            | 7-7  |
| AS26 FE350 Engine – Cylinder Head .....   | 7-9  |
| AS26 FE350 Engine – Crankcase and Crankshaft Oil Sensor .....                         | 7-11 |
| AS26 FE350 Engine – Crankcase and Crankshaft .....                                    | 7-13 |
| FE350 Engine Mounting .....   | 7-15 |

---

## SECTION 8 – FE350 ENGINE WITH ACR

---

|  |     |
|--|-----|
| FE350 Engine with ACR (Automatic Compression Release) – Shrouds and Brackets ..... | 8-3 |
| AS11 FE350 Engine – Ignition Components and Flywheel .....                         | 8-5 |

# CONTENTS

---

|   |      |
|---|------|
| FE350 Engine – Oil Circulation .....                              | 8-7  |
| AS11 FE350 Engine – Cylinder Head .....                           | 8-9  |
| FE350 Engine with ACR – Crankcase, Camshaft, and Oil Sensor ..... | 8-11 |
| AS11 FE350 Engine – Crankcase and Crankshaft .....                | 8-13 |
| FE350 Engine Mounting .....                                       | 8-15 |

## SECTION 9 – FUEL, INTAKE, AND GOVERNOR SYSTEMS

---

|  |      |
|--|------|
| Splash Guard .....                                 | 9-3  |
| Fuel Tank (Non-California) with Sending Unit ..... | 9-5  |
| Fuel System .....                                  | 9-7  |
| Carburetor Assembly – FE350 .....                  | 9-9  |
| Carburetor Installation – FE350 .....              | 9-11 |
| Governor and Accelerator Cables .....              | 9-13 |
| Air Box and Intake Hose .....                      | 9-15 |
| Intake System .....                                | 9-17 |
| Fuel System .....                                  | 9-19 |
| Fuel Tank (California) with Sending Unit .....     | 9-21 |
| Carburetor Assembly – FE350 S27 .....              | 9-23 |
| Carburetor Installation – FE350 S27 .....          | 9-25 |

## SECTION 10 – EXHAUST SYSTEM

---

|                                     |      |
|-------------------------------------|------|
| Exhaust System – FE350 Engine ..... | 10-3 |
|-------------------------------------|------|

## SECTION 11 – TORQUE CONVERTER

---

|                          |      |
|--------------------------|------|
| Drive Clutch .....       | 11-3 |
| Drive Belt – FE350 ..... | 11-5 |
| Driven Clutch .....      | 11-7 |

## SECTION 12 – UNITIZED TRANSAXLE AND FORWARD/REVERSE SHIFTER

---

|  |      |
|--|------|
| Unitized Transaxle – Gear Cases and Brackets .....                   | 12-3 |
| Transaxle – Gasoline Vehicles, Transmission and Gear Reduction ..... | 12-5 |
| Transaxle – Gasoline Vehicles, Differential and Axles .....          | 12-7 |
| Forward/Reverse Shifter .....  | 12-9 |

## SECTION 13 – ELECTRICAL SYSTEM – ELECTRIC VEHICLES

---

|  |      |
|--|------|
| Headlight and Horn Electrical Components ..... | 13-3 |
| Wiring – IQ Plus Electric Vehicles .....       | 13-7 |
| Headlights .....                               | 13-9 |

# CONTENTS

---

|   |       |
|---|-------|
| Instrument Panel with Electrical Components ..... | 13-11 |
| Horn and Brake Switches .....                     | 13-13 |
| Motor Controller Output Regulator (MCOR) .....    | 13-15 |
| Electrical Components – IQ Plus Vehicles .....    | 13-17 |
| Electrical Installation .....                     | 13-19 |
| Taillights .....                                  | 13-21 |
| Rear Reverse Buzzer .....                         | 13-23 |
| IQ Plus Vehicle with T-105 Batteries .....        | 13-25 |
| IQ Plus Vehicle with T-145 Batteries .....        | 13-27 |

## **SECTION 14 – ELECTRIC MOTOR**

---

|  |      |
|--|------|
| Motor (Model DA5-4006) – IQ Plus ..... | 14-3 |
|--|------|

## **SECTION 15 – TRANSAXLE – ELECTRIC VEHICLES**

---

|                                     |      |
|-------------------------------------|------|
| Transaxle – Electric Vehicles ..... | 15-3 |
|-------------------------------------|------|

## **SECTION 16 – BATTERY CHARGER**

---

|  |       |
|--|-------|
| Onboard PowerDrive Battery Charger (Model 17935), Domestic ..... | 16-3  |
| Onboard PowerDrive Battery Charger (Model 17790), Export .....   | 16-5  |
| IQ Plus Domestic Battery Charger (Model 25730) .....             | 16-7  |
| IQ Plus Onboard Battery Charger (Model 25260) .....              | 16-9  |
| Onboard Charger (Models 25260 and 25660) and Reel Mounting ..... | 16-11 |
| IQ Plus Onboard Charger (Model 25260) Mounting .....             | 16-13 |
| IQ Plus Battery Charger (Model 25880), Export and European ..... | 16-15 |
| IQ Plus Onboard Battery Charger (Model 25660), Export .....      | 16-17 |

## **SECTION 17 – MAINTENANCE AND SERVICE TOOLS**

---

|  |       |
|--|-------|
| Maintenance and Service Tools .....            | 17-3  |
| Maintenance and Service Tools, Continued ..... | 17-5  |
| Maintenance and Service Tools, Continued ..... | 17-7  |
| Maintenance and Service Tools, Continued ..... | 17-9  |
| Maintenance and Service Tools, Continued ..... | 17-11 |

## **SECTION i – INDEX**

---



# BODY AND TRIM

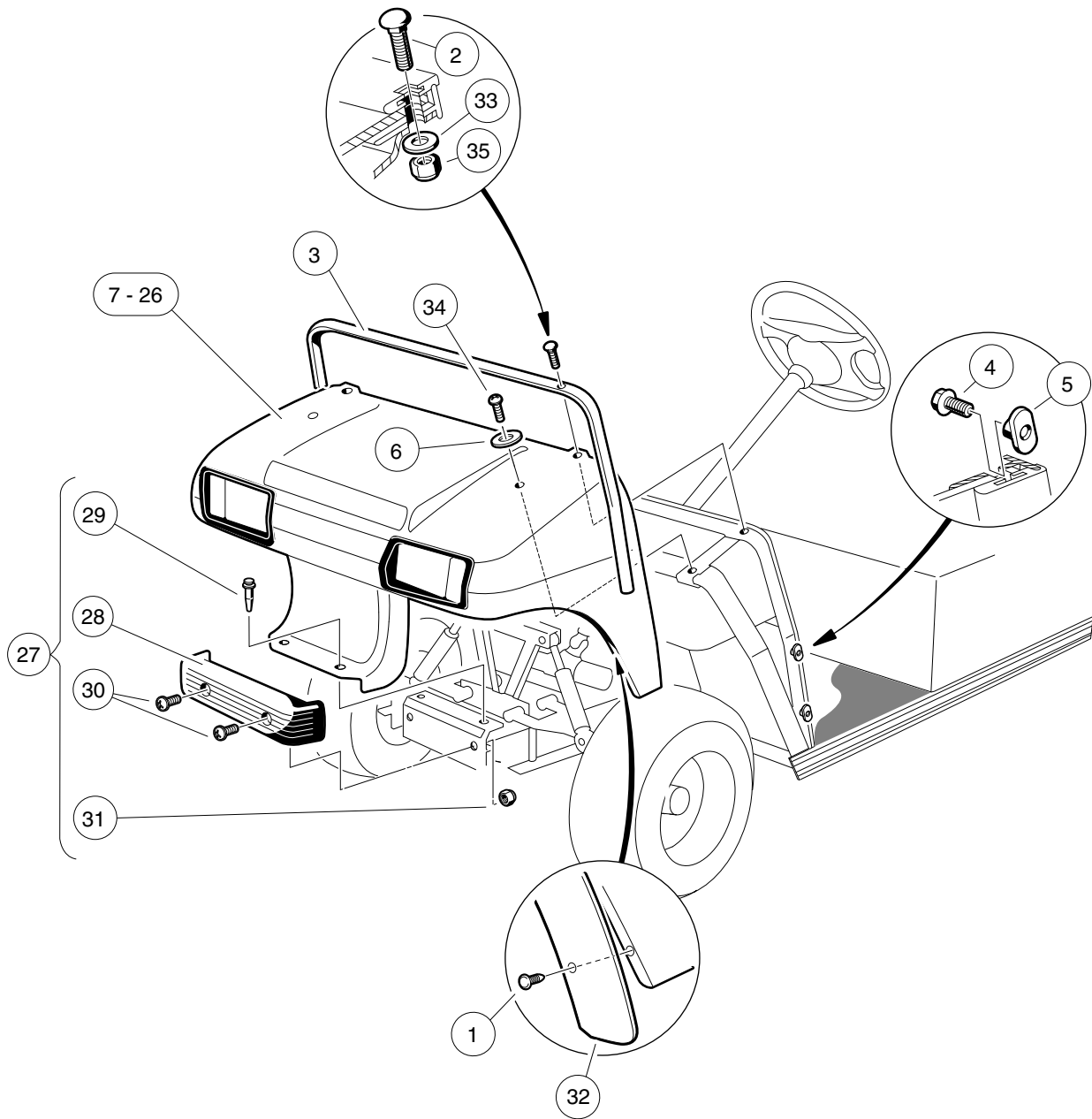
---

1

G

E

**1**  
**G**  
**E**



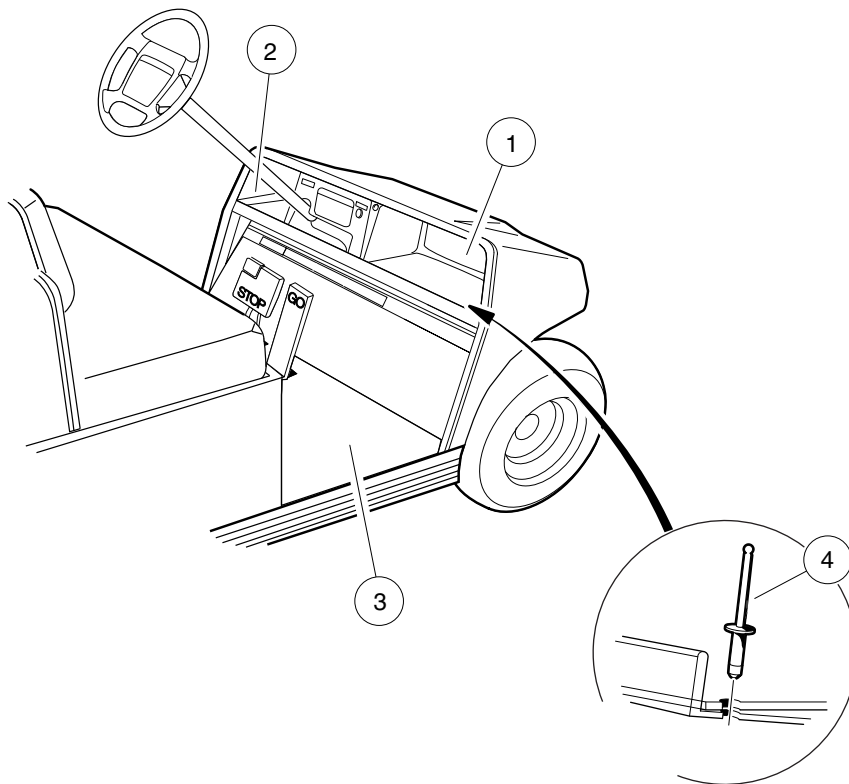
000249-005

# FRONT BODY AND TRIM

| ITEM | PART NO.  | DESCRIPTION   | QTY |
|------|-----------|---|-----|
|      |           | 1 2 3 4   |     |
| 1    | 1010434   | Barrel - Plastic .....  | 12  |
| 2    | 1010435   | Bolt, Carriage, 5/16-18 X 1.00 .....                              | 2   |
| 3    | 1011014   | Trim, Cowl .....  | 1   |
| 4    | 1011017   | Screw, #8-32 X 0.375 .....  | 6   |
| 5    | 1011394   | T-Nut Package (Set of 4) .....                                    | 1   |
| 6    | 1015075   | Washer, 5/16 Flat Type A .....                                    | 2   |
| 7    | 101692501 | Cowl, TPO, Beige .....  | 1   |
| 8    | 101692502 | Cowl, TPO, White .....  | 1   |
| 9    | 101692506 | Cowl, TPO, Red .....  | 1   |
| 10   | 101692509 | Cowl, TPO, Pacific Blue (Royal Blue) .....                        | 1   |
| 11   | 101692510 | Cowl, TPO, Dark Green .....                                       | 1   |
| 12   | 101692511 | Cowl, TPO, Black .....  | 1   |
| 13   | 101692512 | Cowl, TPO, Classic Blue (Navy) .....                              | 1   |
| 14   | 101692513 | Cowl, TPO, Burgundy .....   | 1   |
| 15   | 101692514 | Cowl, TPO, Dark Gray .....  | 1   |
| 16   | 101692515 | Cowl, TPO, Safety Yellow .....                                    | 1   |
| 17   | 101693901 | Cowl with Headlight Opening, TPO, Beige .....                     | 1   |
| 18   | 101693902 | Cowl with Headlight Opening, TPO, White .....                     | 1   |
| 19   | 101693906 | Cowl with Headlight Opening, TPO, Red .....                       | 1   |
| 20   | 101693908 | Cowl with Headlight Opening, TPO, Pacific Blue (Royal Blue) ..... | 1   |
| 21   | 101693909 | Cowl with Headlight Opening, TPO, Dark Green .....                | 1   |
| 22   | 101693910 | Cowl with Headlight Opening, TPO, Black .....                     | 1   |
| 23   | 101693911 | Cowl with Headlight Opening, TPO, Classic Blue (Navy) .....       | 1   |
| 24   | 101693912 | Cowl with Headlight Opening, TPO, Burgundy .....                  | 1   |
| 25   | 101693913 | Cowl with Headlight Opening, TPO, Dark Gray .....                 | 1   |
| 26   | 101693914 | Cowl with Headlight Opening, TPO, Safety Yellow .....             | 1   |
| 27   | 1017080   | Kit, Front Bumper (includes items 28 through 31) .....            | 1   |
| 28   | 1016868   | Front Bumper .....  | 1   |
| 29   | 1016967   | Blind Rivet, Push Type .....                                      | 2   |
| 30   | 7251      | Screw, 5/16-18 x 1.0 Truss-Head .....                             | 2   |
| 31   | 7473      | Locknut, 5/16-18 Nylon Insert .....                               | 2   |
| 32   | 101870401 | Fender Extrusion .....  | 2   |
| 33   | 1241      | Washer, 5/16 Type A Flat .....                                    | 2   |
| 34   | 7251      | Screw, 5/16-18 x 1.0 Truss-Head .....                             | 2   |
| 35   | 7473      | Locknut, 5/16-18 Nylon Insert .....                               | 2   |

1  
G  
E

**1**  
**G**  
**E**

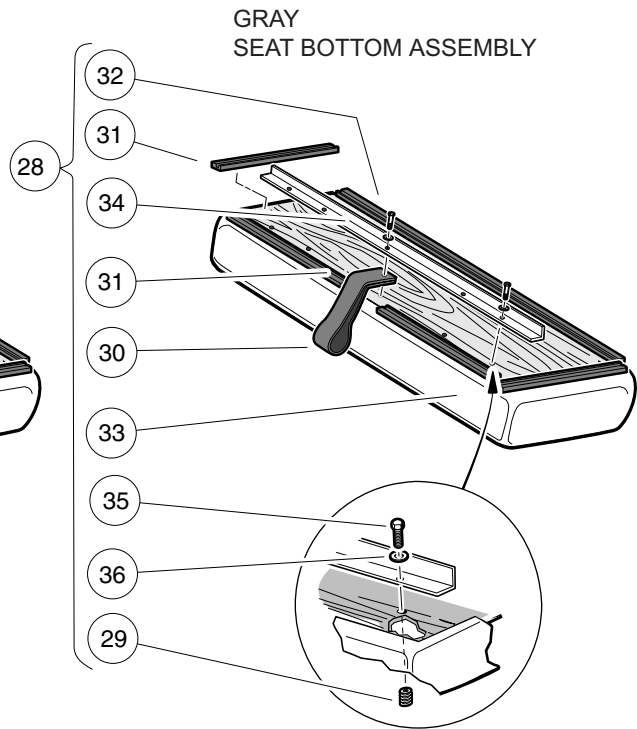
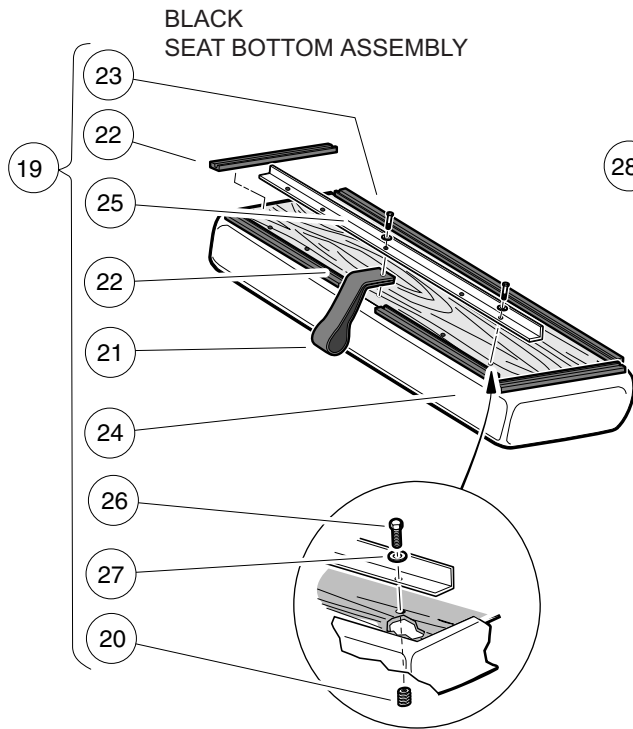
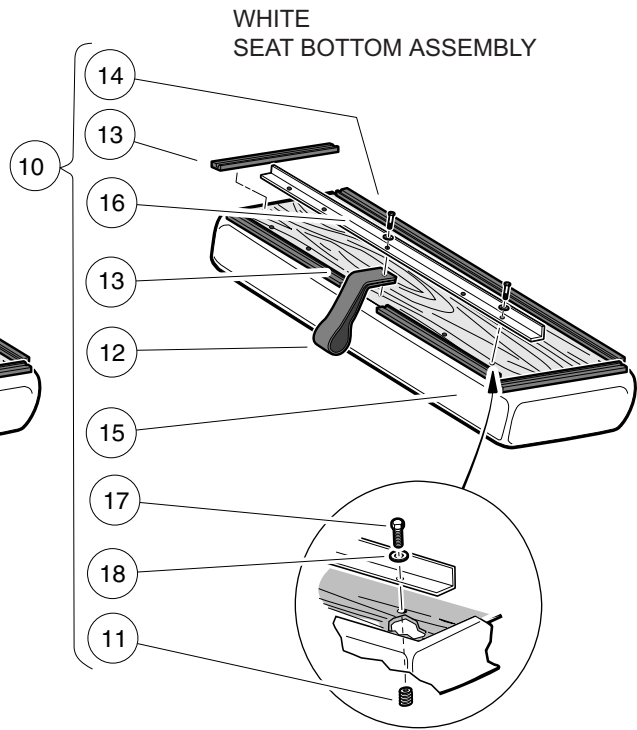
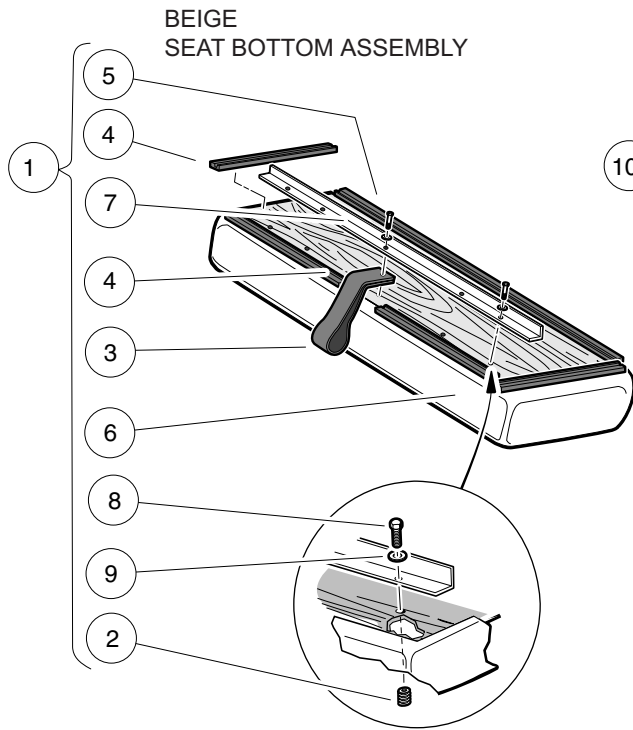


000252-002

# DASH POCKETS AND FLOORMAT

| ITEM | PART NO.  | DESCRIPTION                                 | QTY |
|------|-----------|---|-----|
|      |           | 1 2 3 4                                     |     |
| 1    | 1013343   | Dash Component, Passenger-Side, Black ..... | 1   |
| 2    | 1013344   | Dash Component, Driver-Side .....           | 1   |
| 3    | 101503202 | Floormat .....                              | 1   |
| 4    | 7973      | Rivet, 3/16 X .400 Blind .....              | 5   |

1  
G  
E



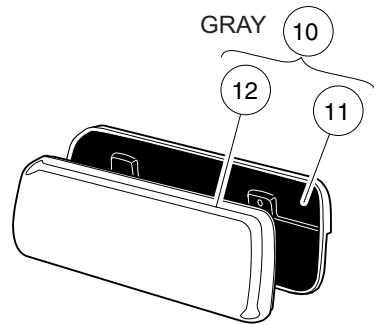
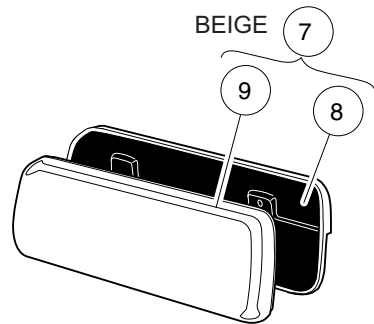
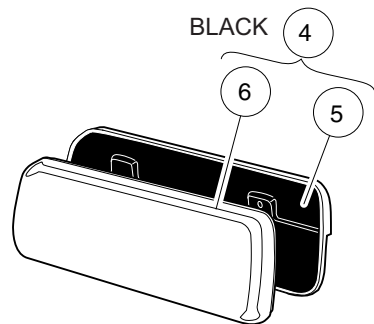
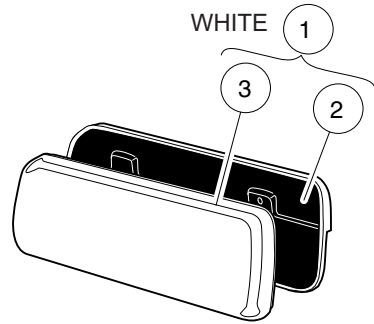
000254-001

# SEAT BOTTOM

| ITEM | PART NO.  | DESCRIPTION  | QTY |
|------|-----------|--|-----|
|      |           | <b>1 2 3 4</b>   |     |
| 1    | 101564501 | Seat Bottom Assembly, Beige (includes items 2 through 9) .....   | 1   |
| 2    | 1010543   | Insert - Wood .....  | 5   |
| 3    | 1013309   | Strap, Utility Seat .....  | 1   |
| 4    | 1013311   | Bumper, Seat, Short .....  | 4   |
| 5    | 1013312   | Bumper, Seat, Long .....   | 1   |
| 6    | 101562711 | Vinyl Cover, Seat Bottom, Buff .....                             | 1   |
| 7    | 101894303 | Stiffener .....  | 1   |
| 8    | 101954301 | Screw, 1/4-20 X 0.75 Hex-Head Cap .....                          | 5   |
| 9    | 332       | Washer, 1/4 Type A Narrow Flat .....                             | 5   |
| 10   | 101564502 | Seat Bottom Assembly, White (includes items 11 through 18) ..... | 1   |
| 11   | 1010543   | Insert - Wood .....  | 5   |
| 12   | 1013309   | Strap, Utility Seat .....  | 1   |
| 13   | 1013311   | Bumper, Seat, Short .....  | 4   |
| 14   | 1013312   | Bumper, Seat, Long .....   | 1   |
| 15   | 101562712 | Vinyl Cover, Seat Bottom, White .....                            | 1   |
| 16   | 101894303 | Stiffener .....  | 1   |
| 17   | 101954301 | Screw, 1/4-20 X 0.75 Hex-Head Cap .....                          | 5   |
| 18   | 332       | Washer, 1/4 Type A Narrow Flat .....                             | 5   |
| 19   | 101564503 | Seat Bottom Assembly, Black (includes items 20 through 27) ..... | 1   |
| 20   | 1010543   | Insert - Wood .....  | 5   |
| 21   | 1013309   | Strap, Utility Seat .....  | 1   |
| 22   | 1013311   | Bumper, Seat, Short .....  | 4   |
| 23   | 1013312   | Bumper, Seat, Long .....   | 1   |
| 24   | 101562714 | Vinyl Cover, Seat Bottom, Black .....                            | 1   |
| 25   | 101894303 | Stiffener .....  | 1   |
| 26   | 101954301 | Screw, 1/4-20 X 0.75 Hex-Head Cap .....                          | 5   |
| 27   | 332       | Washer, 1/4 Type A Narrow Flat .....                             | 5   |
| 28   | 101564505 | Seat Bottom Assembly, Gray (includes items 29 through 36) .....  | 1   |
| 29   | 1010543   | Insert - Wood .....  | 5   |
| 30   | 1013309   | Strap, Utility Seat .....  | 1   |
| 31   | 1013311   | Bumper, Seat, Short .....  | 4   |
| 32   | 1013312   | Bumper, Seat, Long .....   | 1   |
| 33   | 101562715 | Vinyl Cover, Seat Bottom, Gray .....                             | 2   |
| 34   | 101894303 | Stiffener .....  | 1   |
| 35   | 101954301 | Screw, 1/4-20 X 0.75 Hex-Head Cap .....                          | 5   |
| 36   | 332       | Washer, 1/4 Type A Narrow Flat .....                             | 5   |

1  
G  
E

**1**  
**G**  
**E**



000608-001

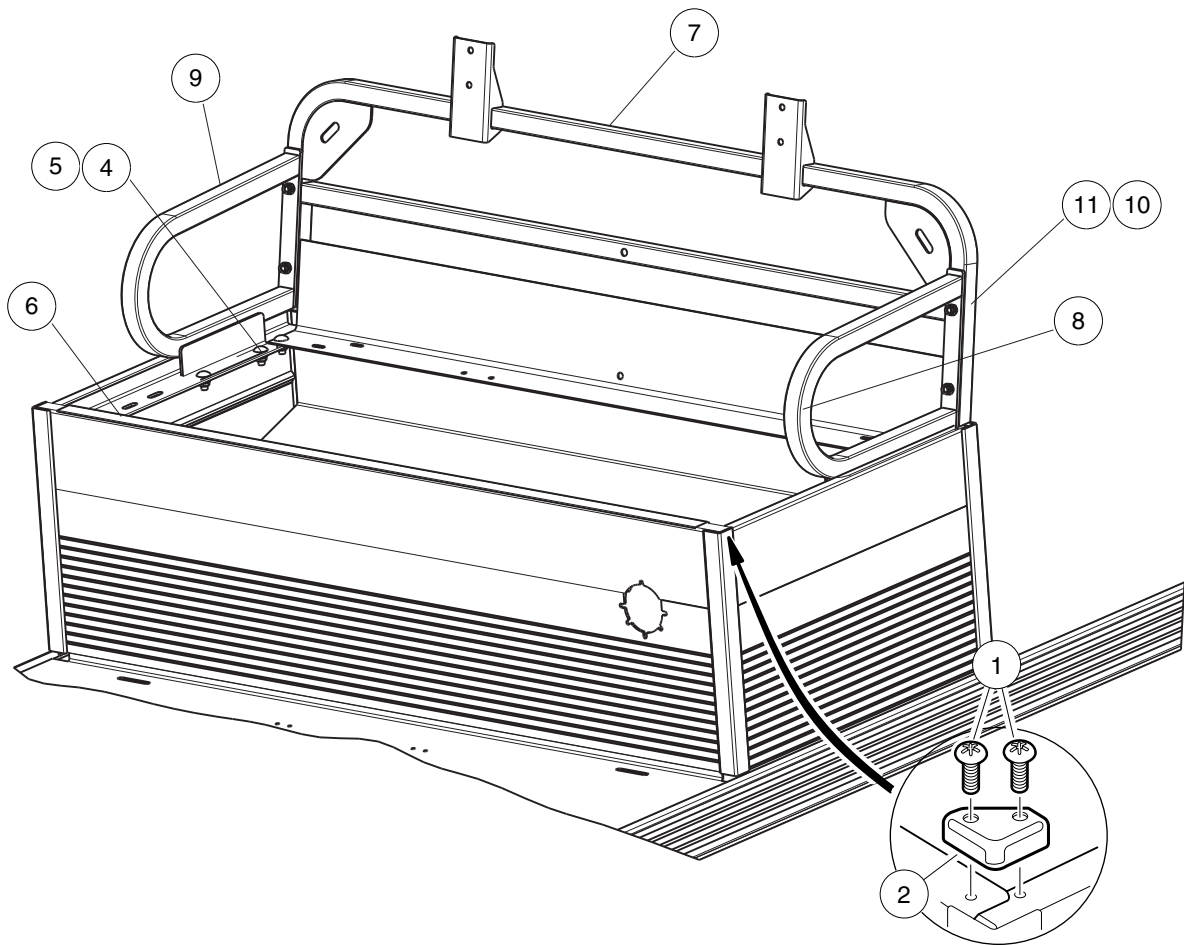


# SEAT BACK ASSEMBLY

| ITEM | PART NO.  | DESCRIPTION   | QTY |
|------|-----------|---|-----|
|      |           | <b>1 2 3 4</b>  |     |
| 1    | 101677701 | Seat Back Assembly, White (includes items 2 and 3) .....  | 1   |
| 2    | 1016751   | Cap, Seat Back .....                                      | 1   |
| 3    | 101675512 | Vinyl Seat Back, White .....                              | 1   |
| 4    | 101677702 | Seat Back Assembly, Black (includes items 5 and 6) .....  | 1   |
| 5    | 1016751   | Cap, Seat Back .....                                      | 1   |
| 6    | 101675514 | Vinyl Seat Back, Black .....                              | 1   |
| 7    | 101677703 | Seat Back Assembly, Beige (includes items 8 and 9) .....  | 1   |
| 8    | 1016751   | Cap, Seat Back .....                                      | 1   |
| 9    | 101675511 | Vinyl Seat Back, Beige .....                              | 1   |
| 10   | 101677705 | Seat Back Assembly, Gray (includes items 11 and 12) ..... | 1   |
| 11   | 1016751   | Cap, Seat Back .....                                      | 1   |
| 12   | 101675515 | Vinyl Seat Back-nstd Svc .....                            | 1   |

1  
G  
E

**1**  
**G**  
**E**



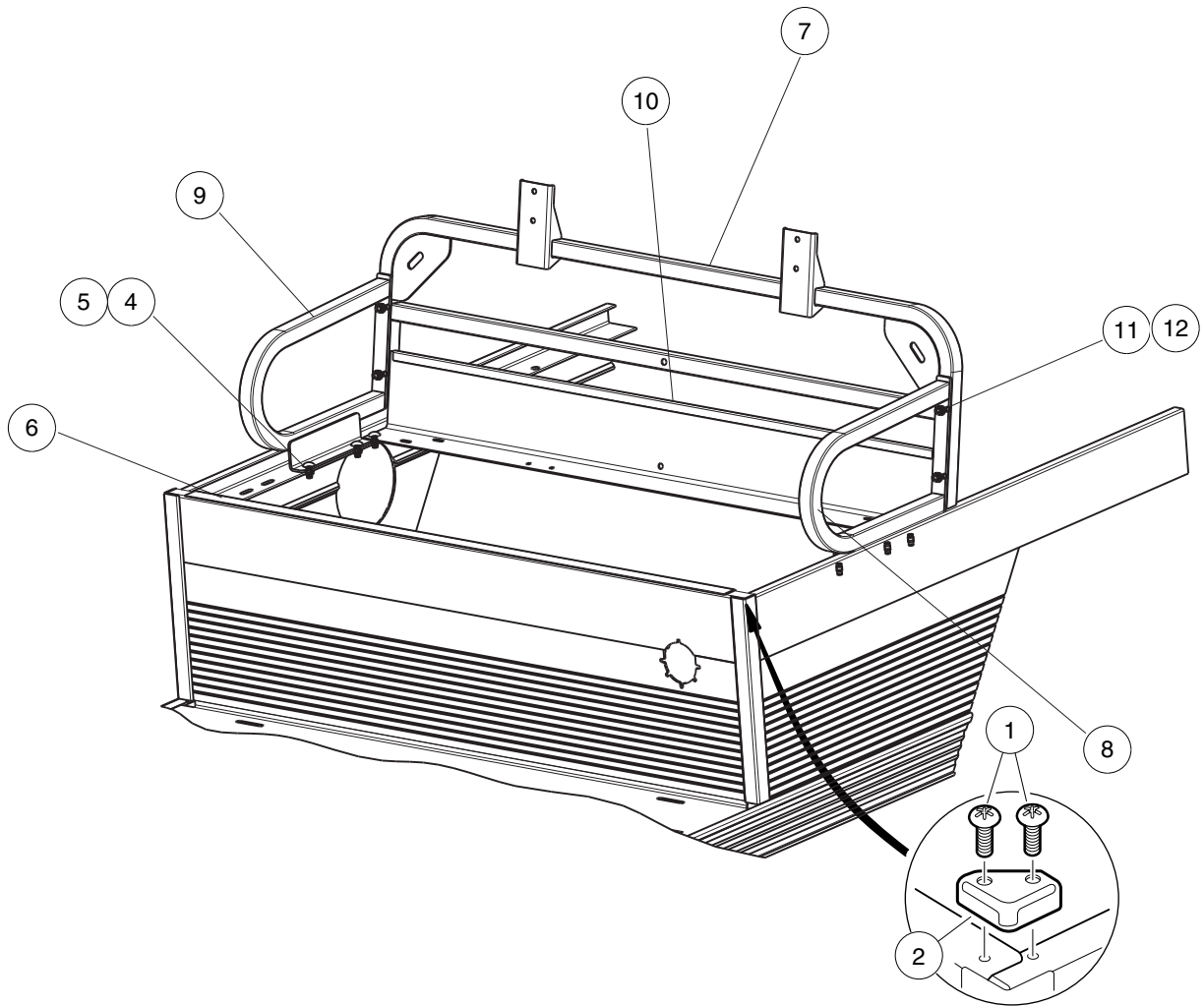
000603-003

## HIP RESTRAINTS AND SEAT BACK MOUNTING (FRONT)

| ITEM | PART NO.  | DESCRIPTION  | QTY |
|------|-----------|--|-----|
|      |           | <b>1 2 3 4</b>   |     |
| 1    | 1014321   | Screw, #10 Truss-Head Torx .....                                   | 4   |
| 2    | 1014387   | Cap, Corner .....  | 2   |
| 3    | N/A       | Instl, Seat Bk, Hip Restr, Ca4 (includes items 4 through 11) ..... | 1   |
| 4    | 101963301 | Bolt, 5/16-18 X 0.75 Round-Head .....                              | 6   |
| 5    | 101963401 | Locknut, 5/16-18 Hex Flange .....                                  | 6   |
| 6    | 101964001 | Trim, Seat Bottom Front .....                                      | 1   |
| 7    | 102966401 | Seat Back, Tube .....  | 1   |
| 8    | 102966501 | Hip Restraint, Left .....  | 1   |
| 9    | 102966502 | Hip Restraint, Right .....   | 1   |
| 10   | 103245201 | Screw, 5/16-18 X 1.5, Tr Tx Hd .....                               | 4   |
| 11   | 103245301 | Nut, Hex, Cp, Mech Def, 5/16-1 .....                               | 4   |

**1**  
**G**  
**E**

**1**  
**G**  
**E**



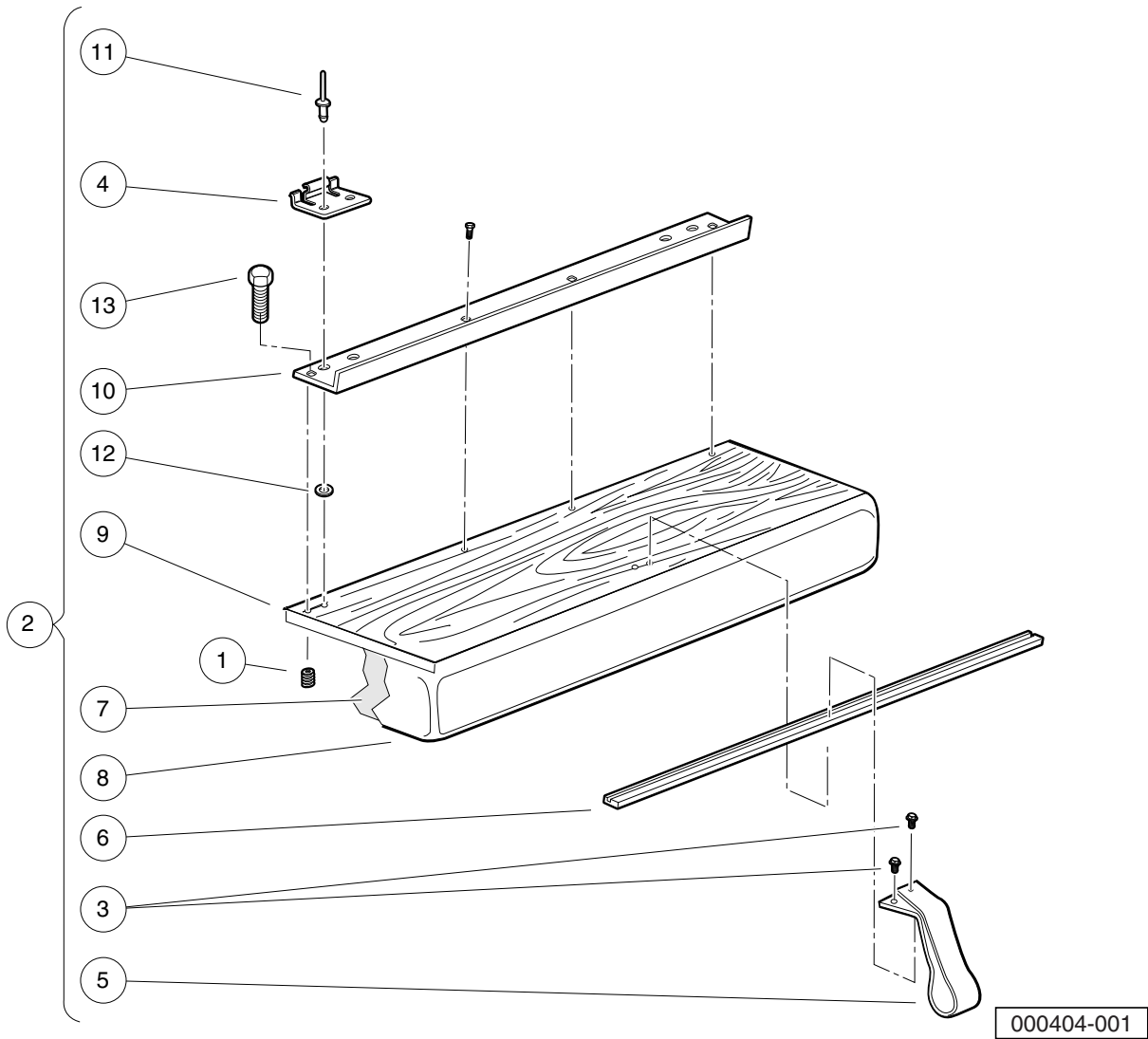
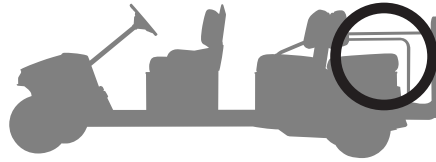
000603-002

## HIP RESTRAINTS AND SEAT BACK MOUNTING (REAR)

| ITEM | PART NO.  | DESCRIPTION  | QTY |
|------|-----------|--|-----|
|      |           | <b>1 2 3 4</b>   |     |
| 1    | 1014321   | Screw, #10 Truss-Head Torx .....                                   | 4   |
| 2    | 1014387   | Cap, Corner .....  | 2   |
| 3    | N/A       | Instl, Seat Bk, Hip Restr, Ca6 (includes items 4 through 12) ..... | 1   |
| 4    | 101963301 | Bolt, 5/16-18 X 0.75 Round-Head .....                              | 6   |
| 5    | 101963401 | Locknut, 5/16-18 Hex Flange .....                                  | 6   |
| 6    | 101964001 | Trim, Seat Bottom Front .....                                      | 1   |
| 7    | 102966401 | Seat Back, Tube .....  | 1   |
| 8    | 102966501 | Hip Restraint, Left .....  | 1   |
| 9    | 102966502 | Hip Restraint, Right .....   | 1   |
| 10   | 102989501 | Seal, Bed, 41-Inch .....   | 1   |
| 11   | 103245201 | Screw, 5/16-18 X 1.5, Tr Tx Hd .....                               | 4   |
| 12   | 103245301 | Nut, Hex, Cp, Mech Def, 5/16-1 .....                               | 4   |

**1**  
**G**  
**E**

TRANSPORTER 6

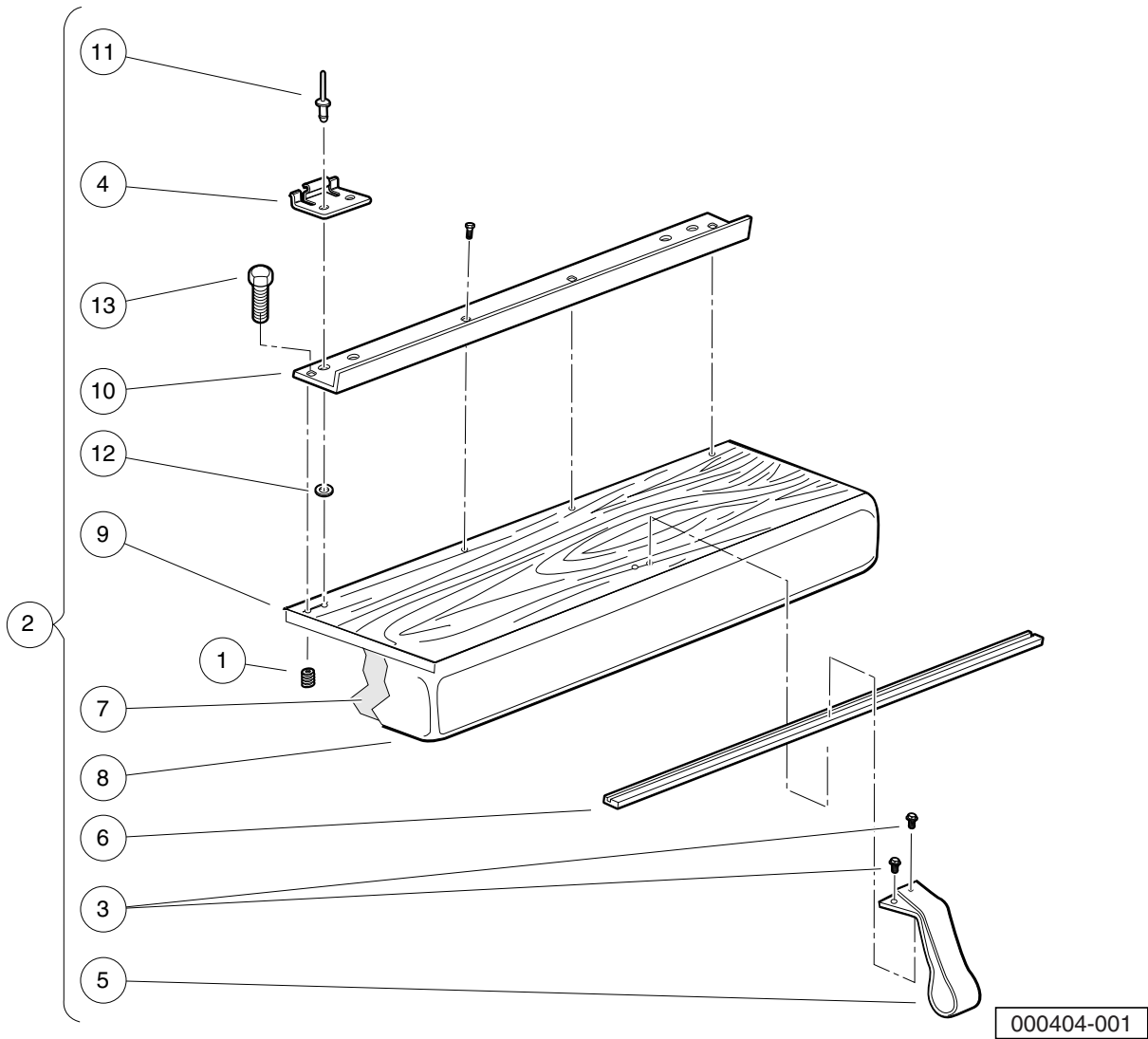
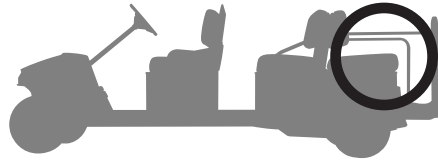


## REAR-FACING SEAT BOTTOM – TRANSPORTER 6

| ITEM  | PART NO.  | DESCRIPTION  | QTY |
|---|-----------|--|-----|
|   |           | 1 2 3 4  |     |
| 1   | 1010543   | Insert - Wood .....  | 4   |
| 2   | 101684102 | Seat Bottom Assembly, Rear, White (includes items 3 through 13) .....  | 1   |
| 3   | 1010545   | Screw, Hex Washer Head 1/4-14 X .75 .....                              | 2   |
| 4   | 1011652   | Hinge Plate .....  | 2   |
| 5   | 1013309   | Strap, Utility Seat .....  | 1   |
| 6   | 1013312   | Bumper, Seat, Long .....   | 1   |
| 7   | N/A       | Foam, Seat .....   | 1   |
| 8   | 101562712 | Vinyl Cover, Seat Bottom, White .....                                  | 1   |
| 9   | N/A       | Plywood Assy .....   | 1   |
| 10  | 1016824   | Angle Seat Hinge .....   | 1   |
| 11  | 101880901 | Rivet, 3/16, Stainless-Steel, Pop .....                                | 4   |
| 12  | 101881701 | Washer, #8 Stainless-Steel Flat .....                                  | 4   |
| 13  | 101954301 | Screw, 1/4-20 X 0.75 Hex-Head Cap .....                                | 4   |
| 14  | 101684103 | Seat Bottom Assembly, Rear, Black (includes items 15 through 25) ..... | 1   |
| 15  | 1010545   | Screw, Hex Washer Head 1/4-14 X .75 .....                              | 2   |
| 16  | 1011652   | Hinge Plate .....  | 2   |
| 17  | 1013309   | Strap, Utility Seat .....  | 1   |
| 18  | 1013312   | Bumper, Seat, Long .....   | 1   |
| 19  | N/A       | Foam, Seat .....   | 1   |
| 20  | 101562714 | Vinyl Cover, Seat Bottom, Black .....                                  | 1   |
| 21  | N/A       | Plywood Assy .....   | 1   |
| 22  | 1016824   | Angle Seat Hinge .....   | 1   |
| 23  | 101880901 | Rivet, 3/16, Stainless-Steel, Pop .....                                | 4   |
| 24  | 101881701 | Washer, #8 Stainless-Steel Flat .....                                  | 4   |
| 25  | 101954301 | Screw, 1/4-20 X 0.75 Hex-Head Cap .....                                | 4   |
| Note: Sub-components contained in item 14 are the same as those shown<br>for item 2, except for the vinyl seat cover. |           |  |     |

1  
G  
E

TRANSPORTER 6



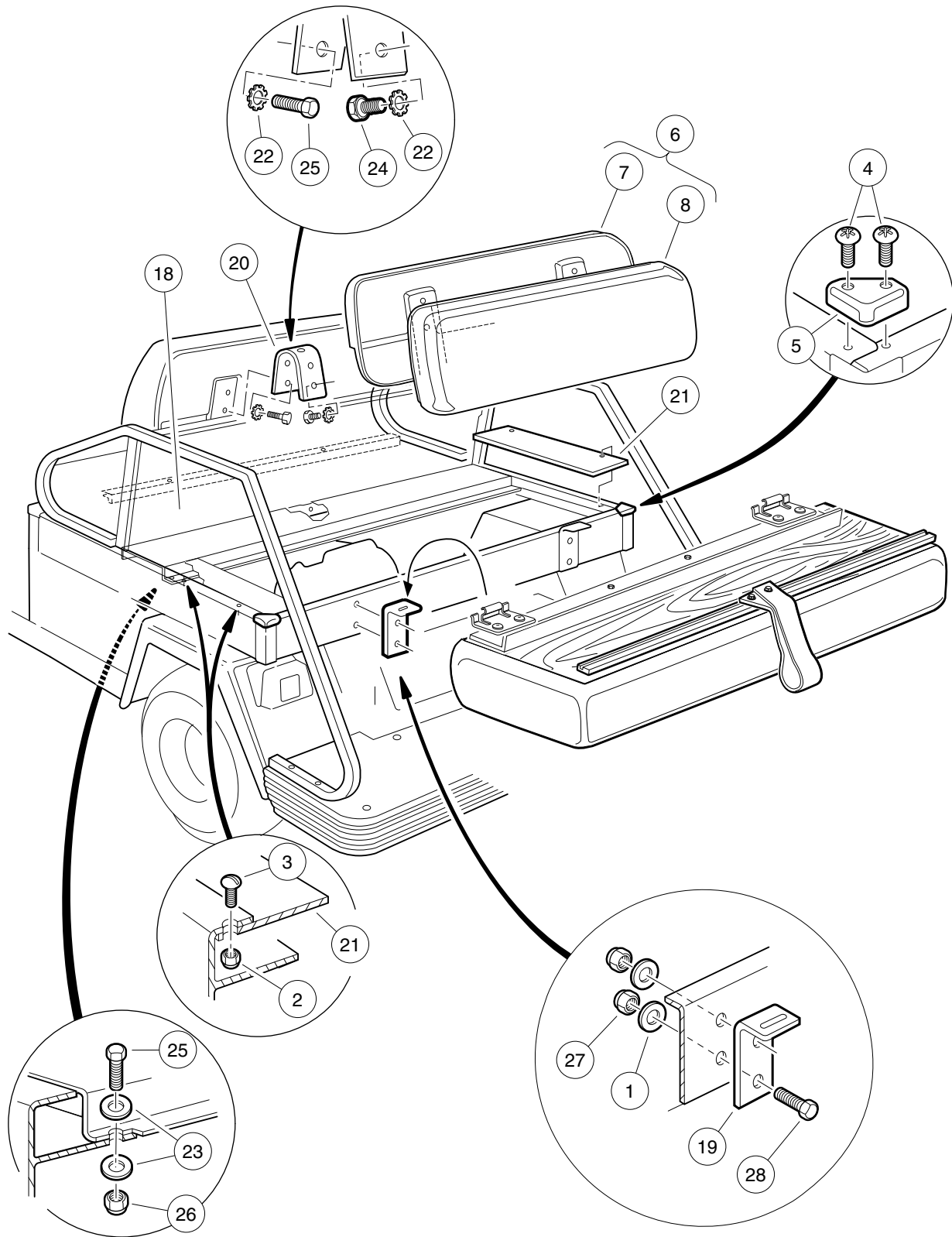


# REAR-FACING SEAT BOTTOM – TRANSPORTER 6, CONTINUED

| ITEM   | PART NO.  | DESCRIPTION  | QTY |
|--|-----------|--|-----|
|  |           | 1 2 3 4  |     |
| 1  | 1010543   | Insert - Wood .....  | 4   |
| 2  | 101684105 | Seat Bottom Assembly, Rear, Gray (includes items 3 through 13) .....   | 1   |
| 3  | 1010545   | Screw, Hex Washer Head 1/4-14 X .75 .....                              | 2   |
| 4  | 1011652   | Hinge Plate .....  | 2   |
| 5  | 1013309   | Strap, Utility Seat .....  | 1   |
| 6  | 1013312   | Bumper, Seat, Long .....   | 1   |
| 7  | N/A       | Foam, Seat .....   | 1   |
| 8  | 101562715 | Vinyl Cover, Seat Bottom, Gray .....                                   | 1   |
| 9  | N/A       | Plywood Assy .....   | 1   |
| 10   | 1016824   | Angle Seat Hinge .....   | 1   |
| 11   | 101880901 | Rivet, 3/16, Stainless-Steel, Pop .....                                | 4   |
| 12   | 101881701 | Washer, #8 Stainless-Steel Flat .....                                  | 4   |
| 13   | 101954301 | Screw, 1/4-20 X 0.75 Hex-Head Cap .....                                | 4   |
| 14   | ****      | Seat Bottom Assembly, Rear, Beige (includes items 15 through 25) ..... | 1   |
| 15   | 1010545   | Screw, Hex Washer Head 1/4-14 X .75 .....                              | 2   |
| 16   | 1011652   | Hinge Plate .....  | 2   |
| 17   | 1013309   | Strap, Utility Seat .....  | 1   |
| 18   | 1013312   | Bumper, Seat, Long .....   | 1   |
| 19   | N/A       | Foam, Seat .....   | 1   |
| 20   | 101562711 | Vinyl Cover, Seat Bottom, Buff .....                                   | 1   |
| 21   | N/A       | Plywood Assy .....   | 1   |
| 22   | 1016824   | Angle Seat Hinge .....   | 1   |
| 23   | 101880901 | Rivet, 3/16, Stainless-Steel, Pop .....                                | 4   |
| 24   | 101881701 | Washer, #8 Stainless-Steel Flat .....                                  | 4   |
| 25   | 101954301 | Screw, 1/4-20 X 0.75 Hex-Head Cap .....                                | 4   |
| <p style="text-align: center;">**** Special order item available upon request.</p> <p style="text-align: center;">Note: Sub-components contained in item 14 are the same as those shown for item 2, except for the vinyl seat cover.</p> |           |  |     |



**1**  
**G**  
**E**



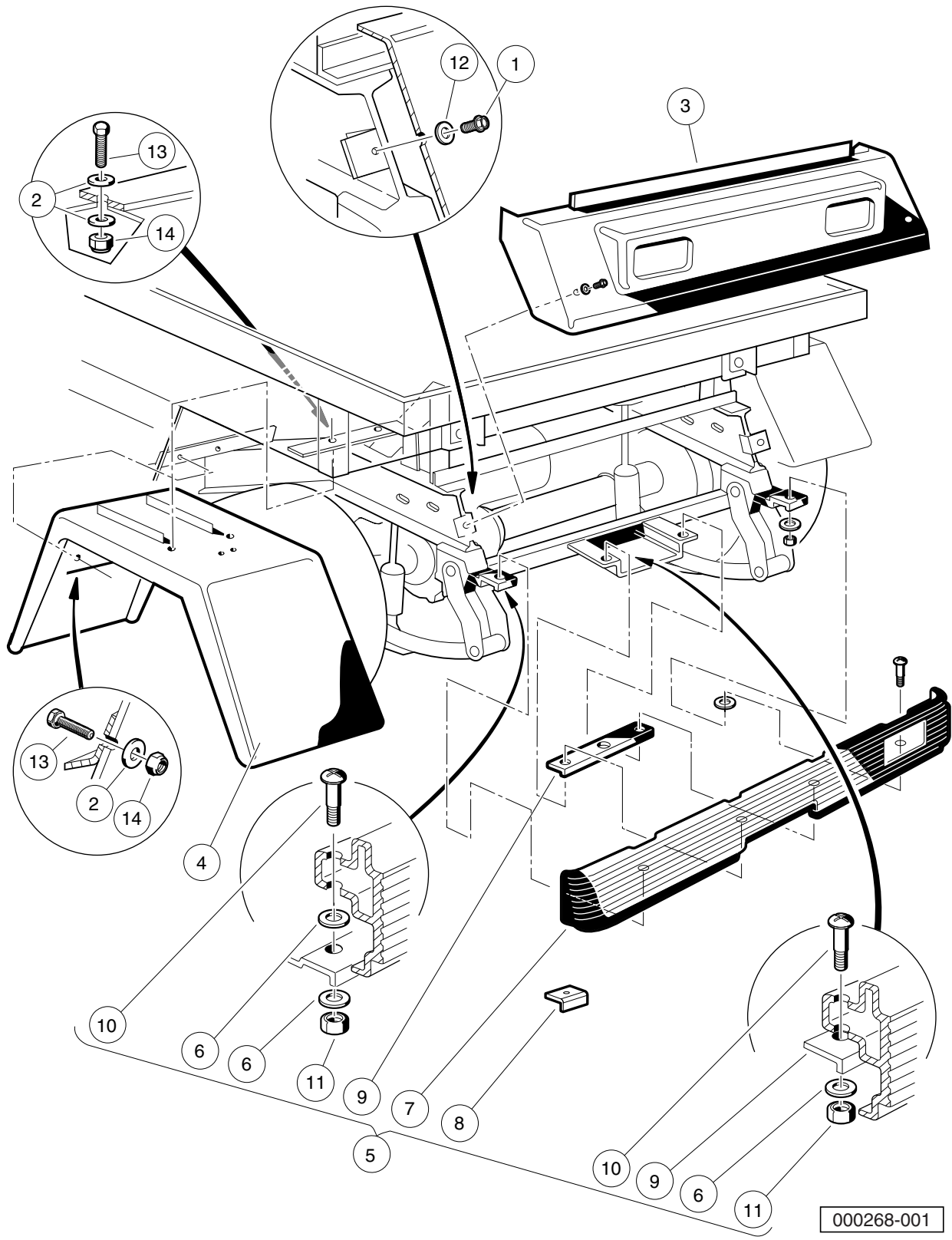
000406-001

# REAR-FACING SEAT BACK AND SUPPORT STRUCTURE – TRANSPORTER 6

| ITEM   | PART NO.  | DESCRIPTION  | QTY |
|--|-----------|--|-----|
|  |           | <b>1 2 3 4</b>   |     |
| 1  | 1011990   | Washer, 3/8 Flat .....                                     | 4   |
| 2  | 1013061   | Locknut, #10-32 Nylon Insert .....                         | 4   |
| 3  | 1013169   | Screw, #10-32 X 0.5 Round-Head .....                       | 4   |
| 4  | 1014321   | Screw, #10 Truss-Head Torx .....                           | 4   |
| 5  | 1014387   | Cap, Corner .....  | 2   |
| 6  | 101677701 | Seat Back Assembly, White (includes items 7 and 8) .....   | 1   |
| 7  | 1016751   | Cap, Seat Back .....                                       | 1   |
| 8  | 101675512 | Vinyl Seat Back, White .....                               | 1   |
| 9  | 101677702 | Seat Back Assembly, Black (includes items 10 and 11) ..... | 1   |
| 10   | 1016751   | Cap, Seat Back .....                                       | 1   |
| 11   | 101675514 | Vinyl Seat Back, Black .....                               | 1   |
| 12   | 101677703 | Seat Back Assembly, Beige (includes items 13 and 14) ..... | 1   |
| 13   | 1016751   | Cap, Seat Back .....                                       | 1   |
| 14   | 101675511 | Vinyl Seat Back, Beige .....                               | 1   |
| 15   | 101677705 | Seat Back Assembly, Gray (includes items 16 and 17) .....  | 1   |
| 16   | 1016751   | Cap, Seat Back .....                                       | 1   |
| 17   | 101675515 | Vinyl Seat Back-nstd Svc .....                             | 1   |
| 18   | 1016816   | Support Rear Seat .....                                    | 1   |
| 19   | 1016819   | Seat Hinge Body .....                                      | 2   |
| 20   | 1016839   | Bracket Seat Back Mount .....                              | 2   |
| 21   | 1016930   | Frame Panel Rear Seat .....                                | 2   |
| 22   | 101946201 | Washer, Lock, 0.250 External-Tooth .....                   | 8   |
| 23   | 332       | Washer, 1/4 Type A Narrow Flat .....                       | 6   |
| 24   | 7479      | Screw, 1/4-20 X 1.25 Hex-Head Cap .....                    | 4   |
| 25   | 7847      | Screw, 1/4-20 X 0.75 Hex-Head Cap .....                    | 7   |
| 26   | 8233      | Locknut, 1/4-20 Nylon Insert .....                         | 3   |
| 27   | 8754      | Locknut, 3/8-16 Hex .....                                  | 4   |
| 28   | 8861      | Bolt, 3/8-16 X 1.75 Hex .....                              | 4   |
| <p>Note: Sub-components contained in items 9, 12, and 15 are the same as those shown for item 6, except for the vinyl seat covers.</p> |           |  |     |

**1**  
**G**  
**E**

**1**  
**G**  
**E**



# REAR BODY TRIM

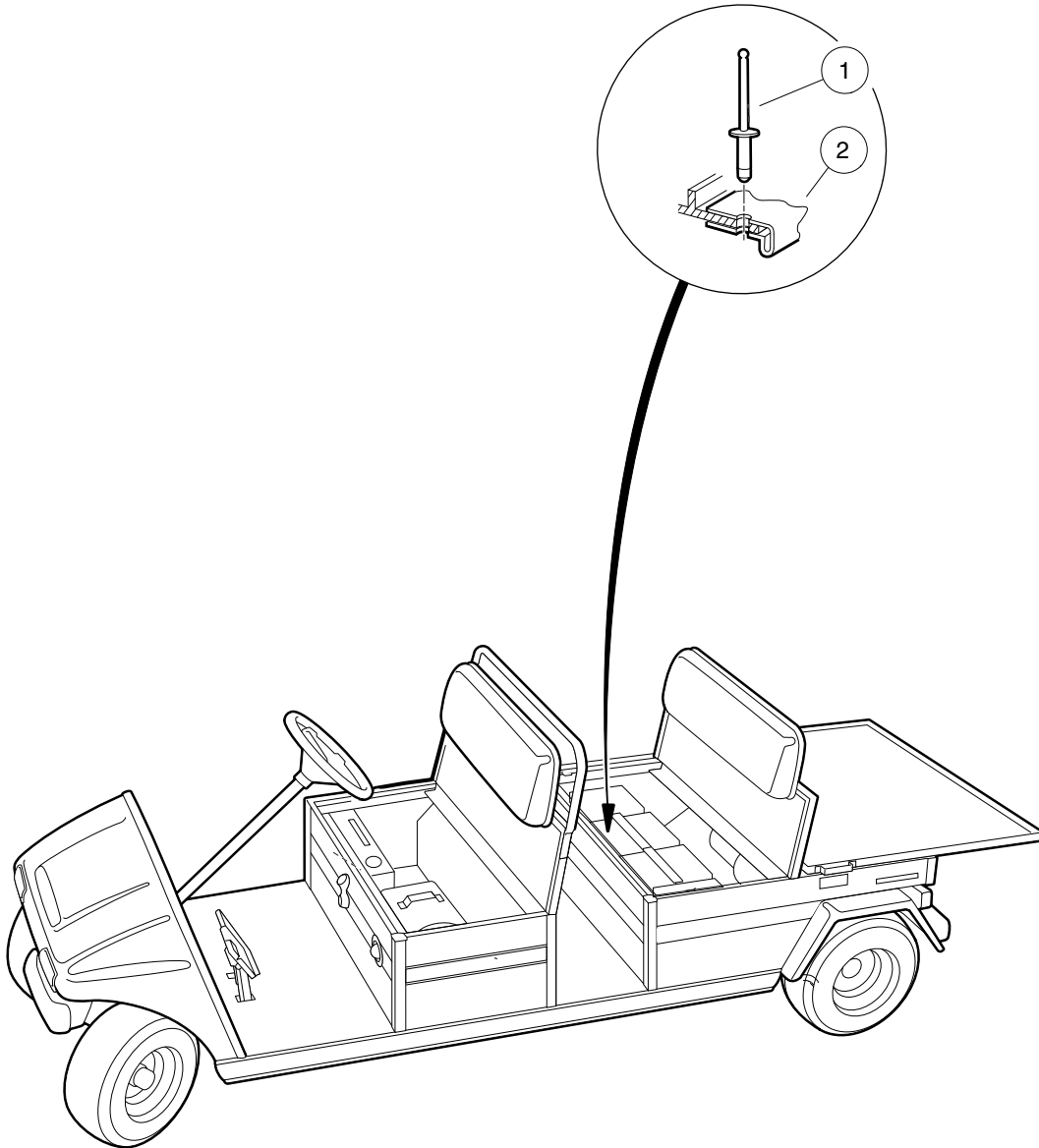
| ITEM | PART NO. | DESCRIPTION  | QTY |
|------|----------|--|-----|
|      |          | <b>1 2 3 4</b>                                       |     |
| 1    | 1012285  | Screw, 1/4 X 0.625 Hex-Head .....                    | 2   |
| 2    | 1014306  | Washer, 1/4" Type B Flat .....                       | 12  |
| 3    | 1015530  | Tailskirt .....                                      | 1   |
| 4    | 1016679  | Rear Fender .....                                    | 2   |
| 5    | 1017079  | Kit, Rear Bumper (includes items 6 through 11) ..... | 1   |
| 6    | 1011697  | Washer, 5/16 Flat .....                              | 6   |
| 7    | 1016379  | Bumper, Rear .....                                   | 1   |
| 8    | 1016874  | Plate, Bumper Mounting, Short .....                  | 2   |
| 9    | 1016875  | Plate, Bumper Mounting, Long .....                   | 1   |
| 10   | 1016876  | Bolt, 3/8 Shoulder .....                             | 4   |
| 11   | 7473     | Locknut, 5/16-18 Nylon Insert .....                  | 4   |
| 12   | 332      | Washer, 1/4 Type A Narrow Flat .....                 | 2   |
| 13   | 7847     | Screw, 1/4-20 X 0.75 Hex-Head Cap .....              | 8   |
| 14   | 8233     | Locknut, 1/4-20 Nylon Insert .....                   | 8   |

**1**  
**G**  
**E**

1

G

E



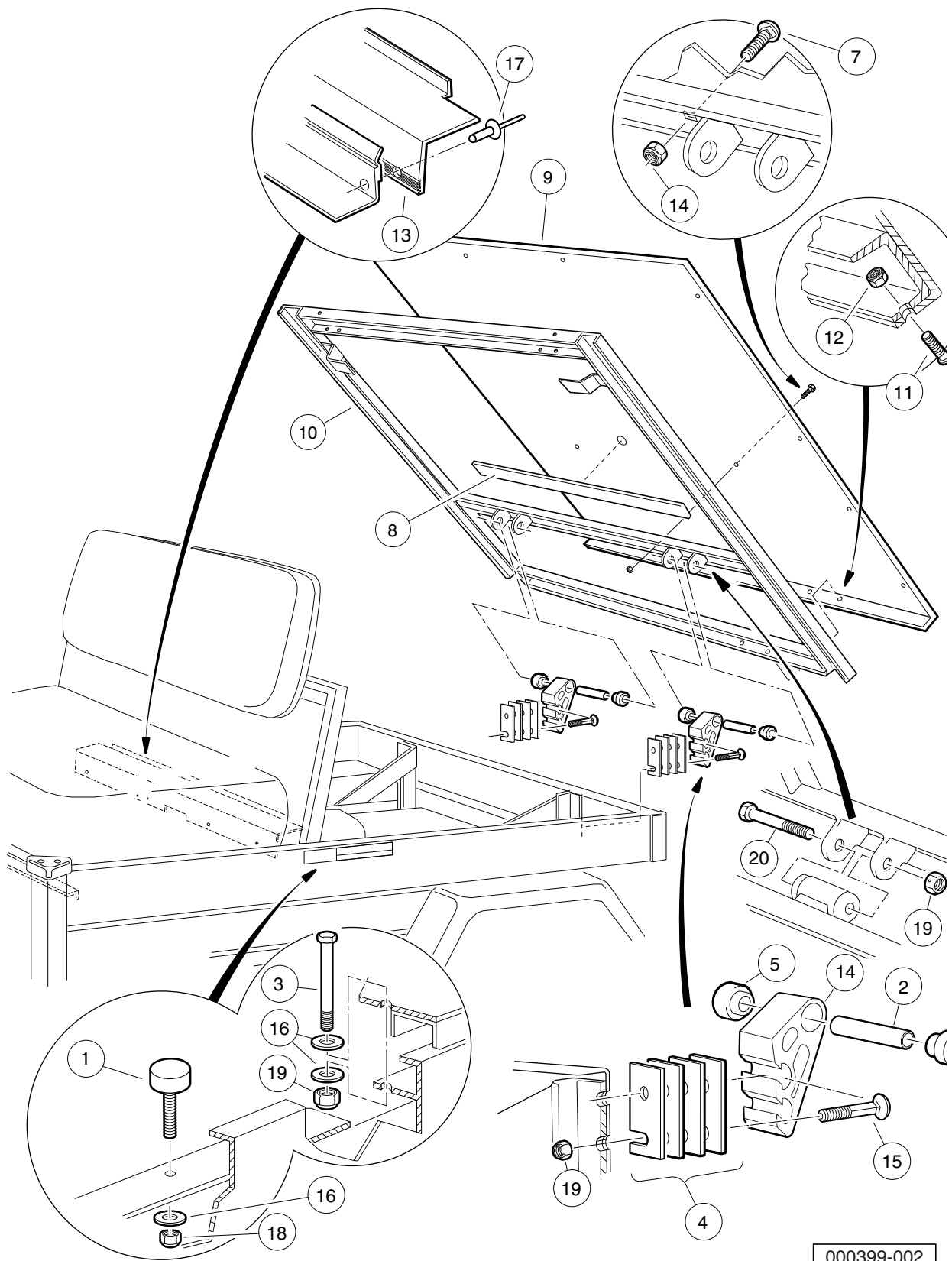
000400-001

# BATTERY INSULATOR – ELECTRIC TRANSPORTER VEHICLES

| ITEM | PART NO.  | DESCRIPTION                               | QTY |
|------|-----------|---|-----|
| 1    | 1013357   | 1 2 3 4<br>Rivet, 5/32 Aluminum Pop ..... | 2   |
| 2    | 101837001 | Battery Insulator .....                   | 1   |

**1**  
**G**  
**E**

**1**  
**G**  
**E**



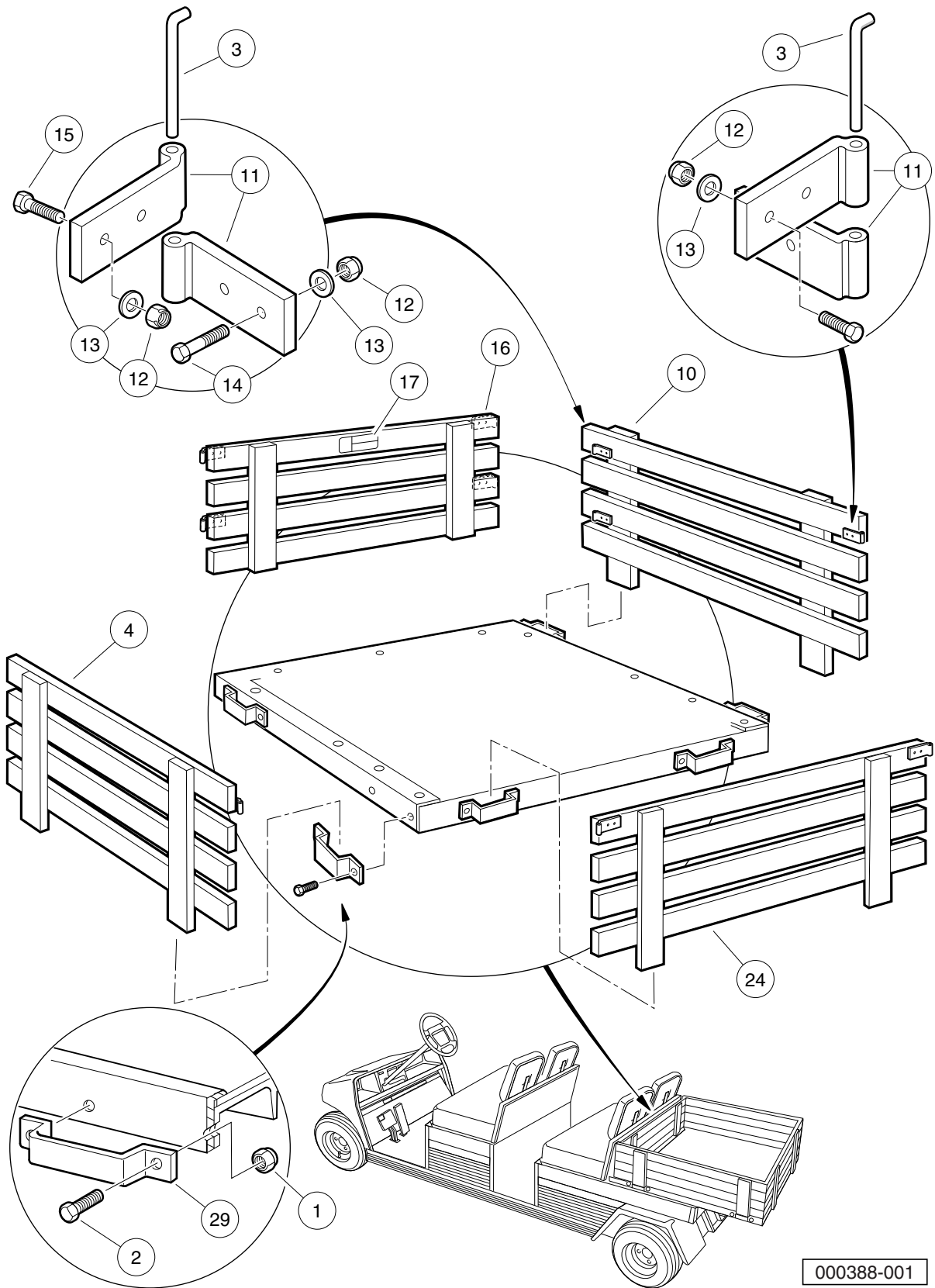
000399-002



## REAR CARGO BED – TRANSPORTER 4

| ITEM | PART NO.  | DESCRIPTION   | QTY |          |
|------|-----------|---|-----|----------|
|      |           | 1 2 3 4   |     | <b>1</b> |
| 1    | 1010878   | Bumper, Rubber .....                                  | 2   | <b>G</b> |
| 2    | 1012303   | Bushing, Steel .....                                  | 2   | <b>E</b> |
| 3    | 1013872   | Bolt, 1/4-20 X 4.00 Hex Head .....                    | 2   |          |
| 4    | 1015507   | Shim, Tilt Bed Pivot .....                            | 1   |          |
| 5    | 1015583   | Bushing, Urethane .....                               | 4   |          |
| 6    | 1016724   | Flat Bed Assembly (includes items 7 through 12) ..... | 1   |          |
| 7    | 1010435   | Bolt, Carriage, 5/16-18 X 1.00 .....                  | 2   |          |
| 8    | 1014471   | Tape, Vinyl Foam 1/8" x 3/4" * .....                  | 1   |          |
| 9    | N/A       | Plate, Floor, Carryall 1 Flat bed .....               | 1   |          |
| 10   | N/A       | Frame Assembly, Tilt Bed .....                        | 1   |          |
| 11   | 1015399   | Screw, 5/16-18 X 0.88 Torx Truss-Head .....           | 4   |          |
| 12   | 7473      | Locknut, 5/16-18 Nylon Insert .....                   | 6   |          |
| 13   | 1017976   | Bed Seal .....  | 1   |          |
| 14   | 103538701 | Extra, Bracket, Hinge, Bed .....                      | 2   |          |
| 15   | 103538901 | 3/8-16 X 3.5 Carr Blt Gr5 Zn .....                    | 4   |          |
| 16   | 332       | Washer, 1/4 Type A Narrow Flat .....                  | 6   |          |
| 17   | 7532      | Rivet, 3/16 X 0.3125, Pop .....                       | 4   |          |
| 18   | 8233      | Locknut, 1/4-20 Nylon Insert .....                    | 4   |          |
| 19   | 8754      | Locknut, 3/8-16 Hex .....                             | 6   |          |
| 20   | 8755      | Screw, 3/8-16 X 3.375 Hex Cap .....                   | 2   |          |
|      |           | * Note: Item not shown.                               |     |          |

**1**  
**G**  
**E**



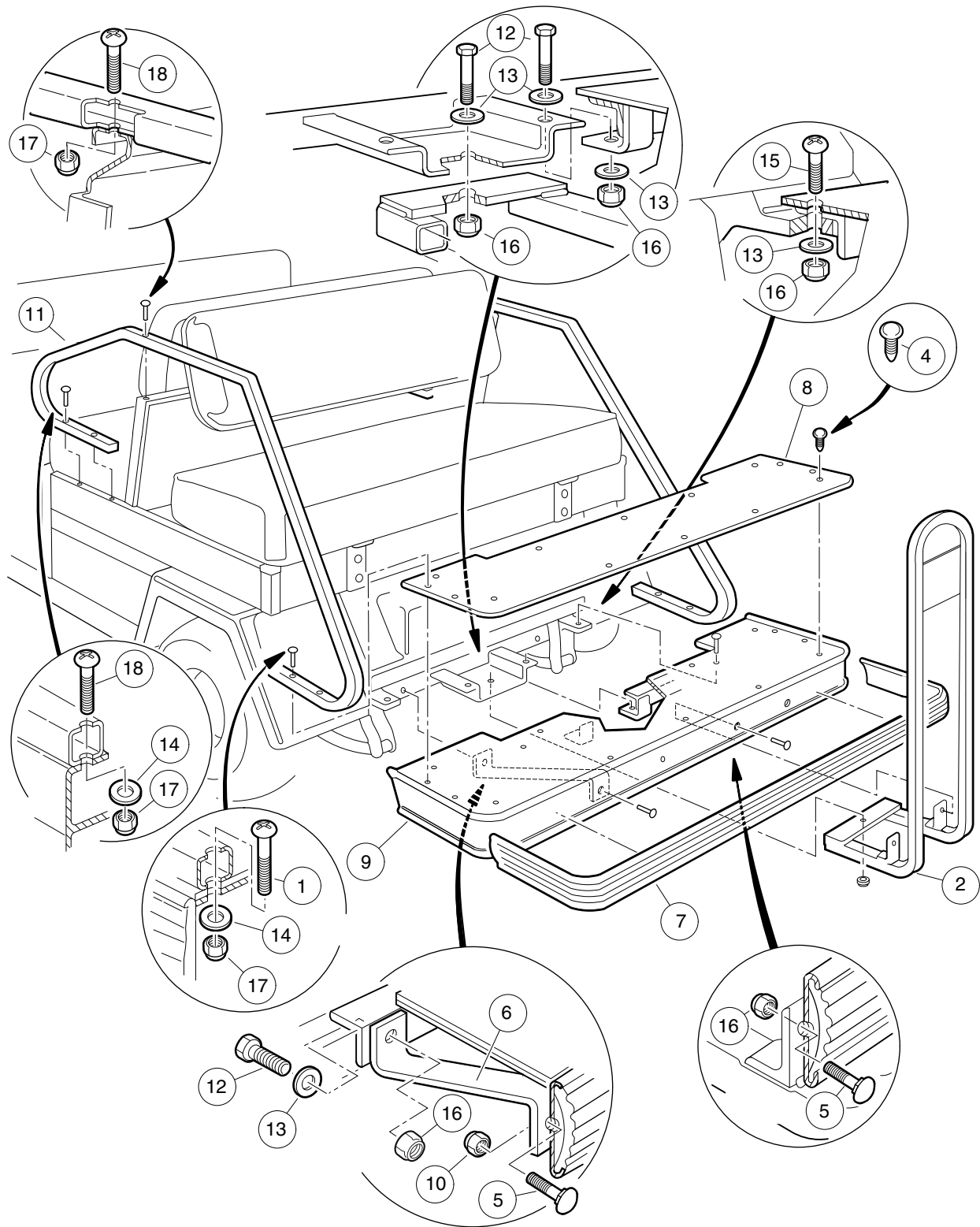
000388-001

## STAKE SIDE – TRANSPORTER 4

| ITEM                                 | PART NO.  | DESCRIPTION   | QTY |
|--------------------------------------|-----------|---|-----|
|                                      |           | <b>1 2 3 4</b>  |     |
| 1                                    | 1015660   | Stake Side Kit (includes items 2 through 29) .....              | 1   |
| 2                                    | 1010934   | Screw, 5/16-18 X 1.00 Hex Cap .....                             | 12  |
| 3                                    | 1015656   | Pin, hinge .....  | 6   |
| 4                                    | 101565701 | Stake Side, Driver-Side (includes items 5 through 9) .....      | 1   |
| 5                                    | 1015654   | Stake Side Hinge .....  | 3   |
| 6                                    | 1108      | Locknut, 1/4-20 Dimpled .....                                   | 6   |
| 7                                    | 332       | Washer, 1/4 Type A Narrow Flat .....                            | 19  |
| 8                                    | 7311      | Screw, 1/4-20 X 2.00 Hex-Head Cap .....                         | 3   |
| 9                                    | 7479      | Screw, 1/4-20 X 1.25 Hex-Head Cap .....                         | 3   |
| 10                                   | 101565702 | Stake Side, Passenger-Side (includes items 11 through 15) ..... | 1   |
| 11                                   | 1015654   | Stake Side Hinge .....  | 3   |
| 12                                   | 1108      | Locknut, 1/4-20 Dimpled .....                                   | 6   |
| 13                                   | 332       | Washer, 1/4 Type A Narrow Flat .....                            | 19  |
| 14                                   | 7311      | Screw, 1/4-20 X 2.00 Hex-Head Cap .....                         | 3   |
| 15                                   | 7479      | Screw, 1/4-20 X 1.25 Hex-Head Cap .....                         | 3   |
| 16                                   | 101565703 | Stake Side, Front (includes items 17 through 23) .....          | 1   |
| 17                                   | 101553901 | Decal, Bed Load Warning .....                                   | 1   |
| 18                                   | 1015654   | Stake Side Hinge .....  | 4   |
| 19                                   | 1016663   | Screw, #12-14 X 0.625 .....                                     | 2   |
| 20                                   | N/A       | Plate, Bed Load Decal .....                                     | 1   |
| 21                                   | 1108      | Locknut, 1/4-20 Dimpled .....                                   | 8   |
| 22                                   | 332       | Washer, 1/4 Type A Narrow Flat .....                            | 24  |
| 23                                   | 7479      | Screw, 1/4-20 X 1.25 Hex-Head Cap .....                         | 8   |
| 24                                   | 101565704 | Stake Side, Rear (includes items 25 through 28) .....           | 1   |
| 25                                   | 1015654   | Stake Side Hinge .....  | 2   |
| 26                                   | 1108      | Locknut, 1/4-20 Dimpled .....                                   | 4   |
| 27                                   | 332       | Washer, 1/4 Type A Narrow Flat .....                            | 20  |
| 28                                   | 7479      | Screw, 1/4-20 X 1.25 Hex-Head Cap .....                         | 4   |
| 29                                   | 1016077   | Bracket, Stake Side .....                                       | 6   |
| Note: Items 19 and 20 are not shown. |           |   |     |

1  
G  
E

**1**  
**G**  
**E**



000405-001

## REAR FOOTREST AND HANDRAILS – TRANSPORTER 6

| ITEM | PART NO.  | DESCRIPTION  | QTY |
|------|-----------|--|-----|
|      |           | 1 2 3 4  |     |
| 1    | 1011988   | Screw, 1/4-20 X 2.00 Phillips Truss-Head .....             | 4   |
| 2    | 1016842   | Rear Seat Handrail Weldment .....                          | 1   |
| 3    | 1016843   | Rear Footrest Assembly (includes items 4 through 10) ..... | 1   |
| 4    | 1010434   | Barrel - Plastic .....                                     | 10  |
| 5    | 1010435   | Bolt, Carriage, 5/16-18 X 1.00 .....                       | 4   |
| 6    | 1016668   | Connecting Bar .....                                       | 2   |
| 7    | 1016835   | Bumper, Side Trim .....                                    | 1   |
| 8    | ****      | Foot Rest Mat .....  | 1   |
| 9    | N/A       | Rear Footrest Weldment .....                               | 1   |
| 10   | 7473      | Locknut, 5/16-18 Nylon Insert .....                        | 2   |
| 11   | 101846301 | Rear Seat Armrest/Hip Restraint .....                      | 2   |
| 12   | 1218      | Screw, 5/16-18 X 1.25 Hex-Head Cap .....                   | 5   |
| 13   | 1241      | Washer, 5/16 Type A Flat .....                             | 9   |
| 14   | 332       | Washer, 1/4 Type A Narrow Flat .....                       | 8   |
| 15   | 7410      | Screw, 5/16-18 X 1.25 Truss Hd .....                       | 2   |
| 16   | 7473      | Locknut, 5/16-18 Nylon Insert .....                        | 8   |
| 17   | 8233      | Locknut, 1/4-20 Nylon Insert .....                         | 9   |
| 18   | 8418      | Screw, 1/4-20 X 1.50 Phillips Truss-Head .....             | 6   |
|      |           | **** Special order item available upon request.            |     |

**1**  
**G**  
**E**

**1**

**G**

**E**

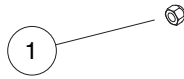
# WHEELS AND TIRES

---

2

G

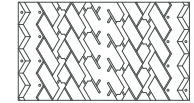
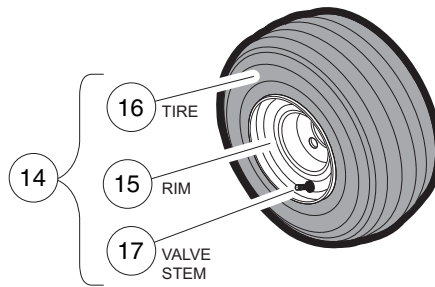
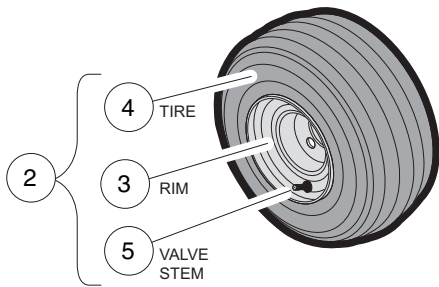
E



**FOR FRONT OR REAR**

BEIGE RIMS

WHITE RIMS

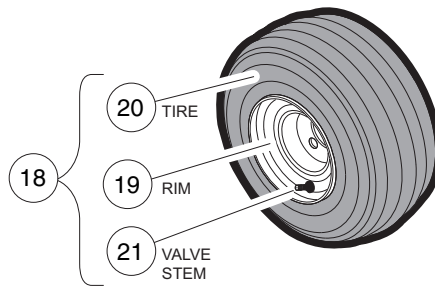
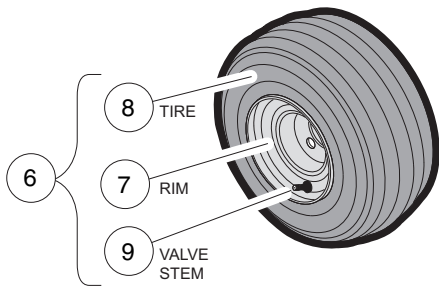


PREMIUM TREAD

**FOR REAR ONLY**

BEIGE RIMS

WHITE RIMS

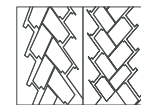
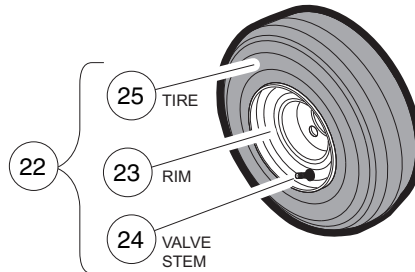
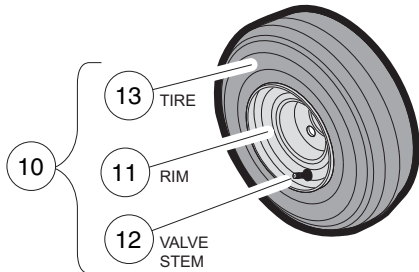


EXTRA TRACTION TREAD

**FOR FRONT ONLY**

BEIGE RIMS

WHITE RIMS



DURO HF 232 TREAD

000269-003



# WHEELS AND TIRES

| ITEM  | PART NO.  | DESCRIPTION   | QTY |
|---|-----------|---|-----|
|   |           | <b>1 2 3 4</b>  |     |
| 1   | 1010984   | .500-20 Unf Lug Nut .....   | 16  |
| 2   | 101570506 | Tire/Wheel Asm, Beige, Premium Tread, 6-ply (includes items 3 through 5) .....    | 4   |
| 3   | 1015707   | Wheel Rim, Beige .....  | 1   |
| 4   | 101737002 | Tire, Unmounted .....   | 1   |
| 5   | 7310      | Valve Stem .....  | 1   |
| 6   | 101570507 | Tire/Wheel Asm, Beige, Xtrac Tread, 6-ply (includes items 7 through 9) .....      | 2   |
| 7   | 1015707   | Wheel Rim, Beige .....  | 1   |
| 8   | N/A       | Tire, Unmounted Xtrac 18 x 8.50-8 .....   | 1   |
| 9   | 7310      | Valve Stem .....  | 1   |
| 10  | 101570514 | Tire/Wheel Asm, Beige, Duro HF 232 Tread (includes items 11 through 13) .....     | 2   |
| 11  | 1015707   | Wheel Rim, Beige .....  | 1   |
| 12  | 7310      | Valve Stem .....  | 1   |
| 13  | ****      | Tire, Unmounted, 6-Ply Rated (18.5 x 8.5 - 8) (Duro) .....                        | 1   |
| 14  | 101651406 | Tire/Wheel Asm, White, Premium Tread, 6-Ply (includes items 15 through 17) .....  | 4   |
| 15  | 1014771   | Wheel Rim, White .....  | 1   |
| 16  | 101737002 | Tire, Unmounted .....   | 1   |
| 17  | 7310      | Valve Stem .....  | 1   |
| 18  | 101651407 | Tire/Wheel Asm, White, Extra-Traction, 6-Ply (includes items 19 through 21) ..... | 2   |
| 19  | 1014771   | Wheel Rim, White .....  | 1   |
| 20  | N/A       | Tire, Unmounted Xtrac 18 x 8.50-8 .....   | 1   |
| 21  | 7310      | Valve Stem .....  | 1   |
| 22  | 101651414 | Tire/Wheel Asm, White, Duro HF 232 (includes items 23 through 25) .....           | 2   |
| 23  | 101918402 | Wheel Rim, White .....  | 1   |
| 24  | 7310      | Valve Stem .....  | 1   |
| 25  | ****      | Tire, Unmounted, 6-Ply Rated (18.5 x 8.5 - 8) (Duro) .....                        | 1   |
| **** Special order item available upon request. |           |   |     |

2

G

E

**2**

**G**

**E**

# DECALS

---

3

G

E

**⚠ WARNING**

**ROLLOVER OR FALLING OFF MAY CAUSE DEATH.**

- Before using vehicle, read operating instructions.
- Remain seated and hold on to seat handle while moving.
- Do not start vehicle until all occupants are seated.
- Two (2) persons per seat maximum.
- Operate from driver side only and not on public roads.
- Keep entire body inside vehicle while moving.
- Drive slowly in turns and straight up and down slopes.
- Do not leave children unattended on vehicle.
- Never operate under the influence of alcohol or drugs.
- Use brakes to reduce speed when coasting downhill.
- Never stand in front of or behind vehicle.

CCI 103205401

**OPERATING INSTRUCTIONS**

- Read owner's manual and dash-mounted safety warnings prior to driving.
- Study and understand controls.

**TO OPERATE**

- Turn wheels to desired direction and ensure path is clear.
- Turn key to ON position.
- While stopped, place Forward/Reverse switch in desired position:  
F—Forward N—Neutral R—Reverse (Buzzer will sound)
- Park brake will release and vehicle will start moving when accelerator pedal is pressed.
- Slowly press accelerator pedal to increase speed.
- To stop, release accelerator pedal and press brake pedal.

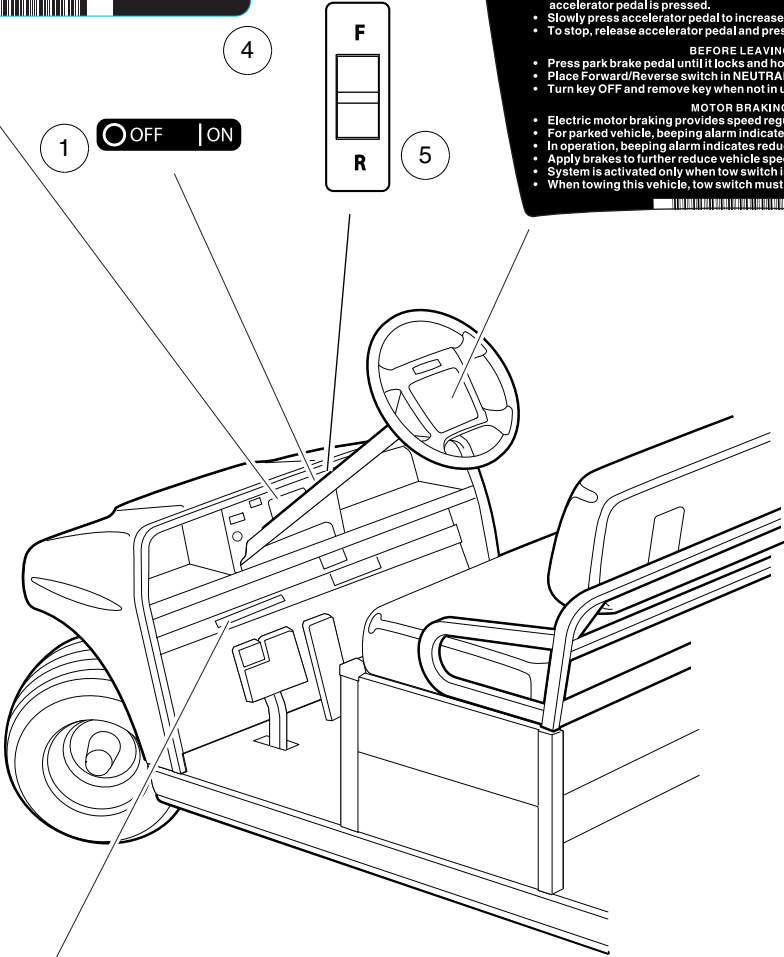
**BEFORE LEAVING**

- Press park brake pedal until it locks and holds vehicle.
- Place Forward/Reverse switch in NEUTRAL position.
- Turn key OFF and remove key when not in use.

**MOTOR BRAKING**

- Electric motor braking provides speed regulation functions.
- For parked vehicle, beeping alarm indicates vehicle roll away.
- In operation, beeping alarm indicates reduction in motor braking.
- Apply brakes to further reduce vehicle speed as required.
- System is activated only when tow switch is in the RUN position.
- When towing this vehicle, tow switch must be in the TOW position.

CCI 102519001



**VEHICLE LOADING**

Read Owner's Manual and warnings on dash.

- Vehicle rated capacity - 1500 lbs. on level surface only. Weight to include passengers, cargo bed load, and gross trailer weight. See Owner's Manual.
- Maximum cargo load CARRYALL 6 and TURF 6 - 1000 lbs., TRANSPORTER - 300 LBS. Weight to include cargo bed load and gross trailer weight.
- Maximum trailer hitch tongue weight - 150 lbs.

- Cargo should be evenly spread over the floor of the cargo bed as far forward as possible and secured.
- For vehicle stability, when fully loaded, drive slowly and avoid stopping on or backing down steep hills.
- Avoid top heavy loads. See Owner's Manual.
- When driving on uneven terrain or down steep hills, reduce speed and load.

CCI 101960001

2

000628-001

## DECALS – ELECTRIC TRANSPORTER

| ITEM | PART NO.  | DESCRIPTION                            | QTY |
|------|-----------|--|-----|
|      |           | 1 2 3 4                                |     |
| 1    | 101825101 | Decal, Off/On .....                    | 1   |
| 2    | 101960001 | Decal, Vehicle Loading .....           | 1   |
| 3    | 102518001 | Decal, Operating Instr, Elec .....     | 1   |
| 4    | 103205401 | Decal, Warning, Rollover, Utl .....    | 1   |
| 5    | 103210301 | Decal, Forward/Reverse, Electric ..... | 1   |

3  
G  
E

**WARNING**

**BATTERY EXPLOSION COULD RESULT IN SEVERE PERSONAL INJURY.**

- Do not store items in battery compartment.
- Place Run/Tow switch in TOW position before:
  - Disconnecting or connecting battery cables
  - Towing this vehicle
  - Extended storage
  - Servicing the vehicle.

NORMAL      TRIPPED

TOW      RUN

CCI 102845101

**NOTICE**

Do not operate vehicle without this cover properly installed. Do not direct water stream in this area, will cause damage to components. See vehicle maintenance and service manual before servicing.

CCI 101931501

7

6

**NOTICE** DO NOT USE AS GROUND

CCI 1019646-01

**DANGER / POISON**

EXPLOSIVE GASES CAN CAUSE BLINDNESS OR INJURY

SHIELD EYES

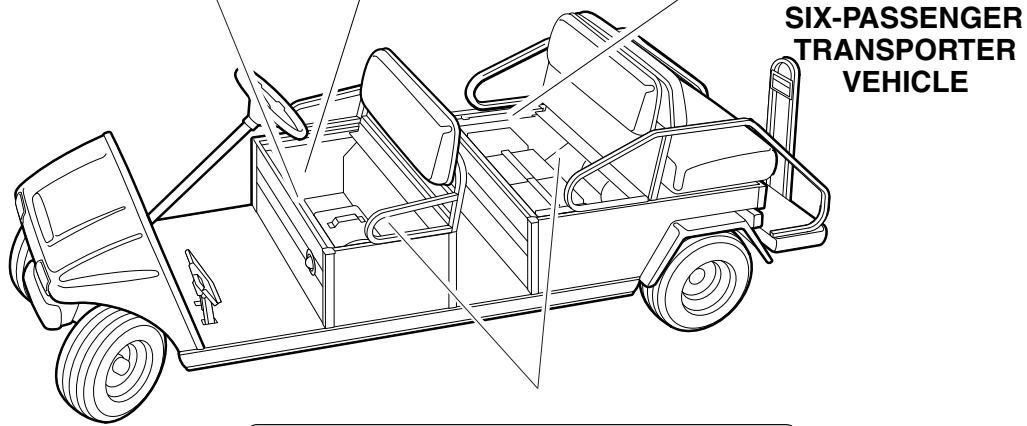
NO SPARKS, FLAMES, SMOKING

SULFURIC ACID CAN CAUSE BLINDNESS OR SEVERE BURNING

FLUSH EYES IMMEDIATELY WITH WATER

GET MEDICAL HELP FAST

KEEP OUT OF THE REACH OF CHILDREN - DO NOT TIP - KEEP VENT CAPS TIGHT AND LEVEL



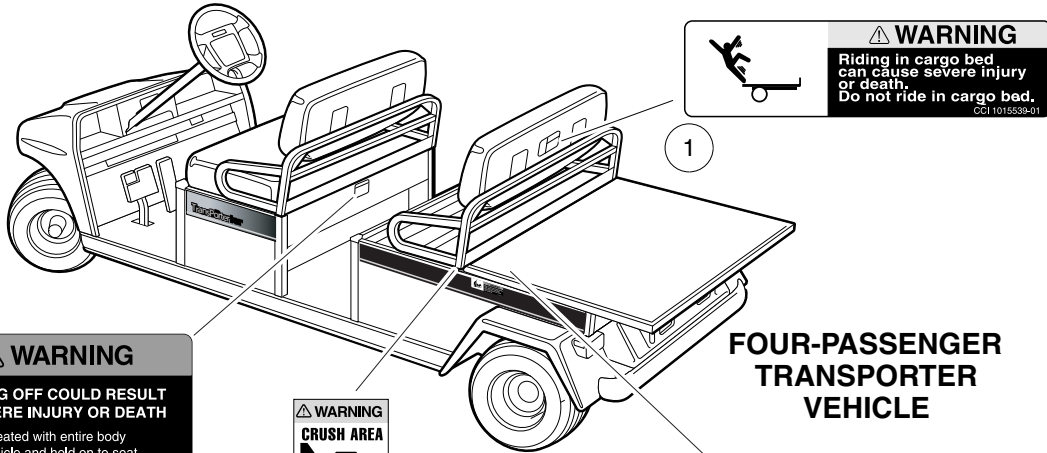
**WARNING**

**AVOID FIRE HAZARD**

- Replacement battery wires must be 4-gauge (AWG) with low-resistance terminals equivalent to factory-installed wires.
- Ensure that battery connections are clean and properly tightened. See owner's manual.

CCI 102967601

8



**WARNING**

**FALLING OFF COULD RESULT IN SEVERE INJURY OR DEATH**

- Remain seated with entire body inside vehicle and hold on to seat handle or handrail at all times.
- Two (2) persons per bench seat maximum.
- One (1) person per bucket seat maximum.
- Do not leave children unattended on vehicle at anytime.
- Never stand in front of or behind vehicle.

CCI 101705701

3

**WARNING**

**CRUSH AREA**

**STAY CLEAR**

CCI 1016209401

2

**WARNING**

**FAILURE TO FOLLOW THESE INSTRUCTIONS CAN CAUSE SEVERE INJURY OR DEATH.**

Bed can tip up unexpectedly. Bed hold down bolts must be fastened.

CCI 101707801

4

000629-001

## DECALS – ELECTRIC TRANSPORTER, CONTINUED

| ITEM | PART NO.  | DESCRIPTION                        | QTY |
|------|-----------|------------------------------------|-----|
|      |           | 1 2 3 4                            |     |
| 1    | 101553901 | Decal, Bed Load Warning .....      | 1   |
| 2    | 101609401 | Decal, Crush Area Warning .....    | 2   |
| 3    | 101705701 | Decal, Warning .....               | 1   |
| 4    | 101707801 | Decal, Bed Hold-Down Bolts .....   | 1   |
| 5    | 101931501 | Decal, Component Cover .....       | 1   |
| 6    | 101964601 | Decal, No Ground Warning .....     | 1   |
| 7    | 102845101 | Decal, Tow Switch .....            | 1   |
| 8    | 102967601 | Decal, Warning, 4 Gauge Wire ..... | 1   |

3  
G  
E

**⚠ WARNING**

**ROLLOVER OR FALLING OFF MAY CAUSE DEATH.**

- Before using vehicle, read operating instructions.
- Remain seated and hold on to seat handle while moving.
- Do not start vehicle until all occupants are seated.
- Two (2) persons per seat maximum.
- Operate from driver side only and not on public roads.
- Keep entire body inside vehicle while moving.
- Drive slowly in turns and straight up and down slopes.
- Do not leave children unattended on vehicle.
- Never operate under the influence of alcohol or drugs.
- Use brakes to reduce speed when coasting downhill.
- Never stand in front of or behind vehicle.

CCI 103205401

4

**OPERATING INSTRUCTIONS**

- Read Owner's Manual and safety warnings located on dash panel prior to driving.
- Study and understand controls.

**TO START ENGINE**

- Place shift lever in "N" – Neutral position.
- Depress brake pedal.
- Turn key switch to "START" position and release.

**TO OPERATE VEHICLE**

- Make sure wheels are turned in desired direction.
- Be sure nothing is in your path.
- While vehicle is stopped, and engine is at idle, select vehicle direction by placing shift lever or switch in desired position.

F – Forward    N – Neutral    R – Reverse (Buzzer will sound)

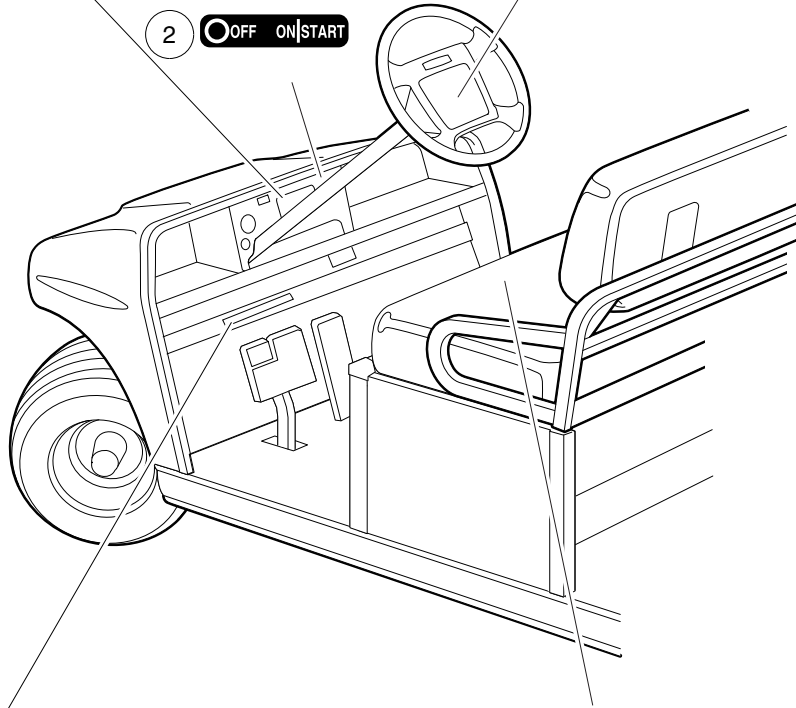
- Park brake will release when accelerator pedal is pushed.
- Slowly push accelerator pedal to increase speed.
- Engine must be at idle before moving shift lever.

**TO STOP VEHICLE**

- Release accelerator pedal and push brake pedal.
- After stopping, firmly push park brake until it locks.
- Turn key to "OFF" position, remove key and place shift lever in straight up neutral position when not in use.

CCI 101693201

1



2 OFF ON|START

Maintenance Operate

**⚠ WARNING**

**VEHICLE MOVEMENT MAY CAUSE SERIOUS INJURY**

When switch is in Maintenance position, chock wheels and firmly set park brake.

CCI 103205501

5

**VEHICLE LOADING**

Read Owner's Manual and warnings on dash.

- Vehicle rated capacity - 1500 lbs. on level surface only. Weight to include passengers, cargo bed load, and gross trailer weight. See Owner's Manual.
- Maximum cargo load CARRYALL 6 and TURF 6 - 1000 lbs., TRANSPORTER - 300 LBS. Weight to include cargo bed load and gross trailer weight.
- Maximum trailer hitch tongue weight - 150 lbs.

- Cargo should be evenly spread over the floor of the cargo bed as far forward as possible and secured.
- For vehicle stability, when fully loaded, drive slowly and avoid stopping on or backing down steep hills.
- Avoid top heavy loads. See Owner's Manual.
- When driving on uneven terrain or down steep hills, reduce speed and load.

CCI 101960001

3

000630-001



## DECALS – GASOLINE TRANSPORTER

| ITEM | PART NO.  | DESCRIPTION                                    | QTY |
|------|-----------|--|-----|
|      |           | 1 2 3 4  |     |
| 1    | 101693201 | Decal, Operating Instructions, Key-Start ..... | 1   |
| 2    | 101825102 | Decal, Off/On/Start .....                      | 1   |
| 3    | 101960001 | Decal, Vehicle Loading .....                   | 1   |
| 4    | 103205401 | Decal, Warning, Rollover, Utl .....            | 1   |
| 5    | 103205501 | Decal, Run/Service Switch .....                | 1   |

3  
G  
E

**⚠ WARNING**  
**GASOLINE EXPLOSION / FIRE.**

- Can cause severe injury or death.
- No smoking, sparks, or open flame.
- Stop engine, allow to cool before refueling.
- Turn fuel valve (←) on during operation, (→) off during storage or transport.

CCI 101547601

**⚠ WARNING**  
**CAN CAUSE SEVERE INJURY**

**Rotating parts**

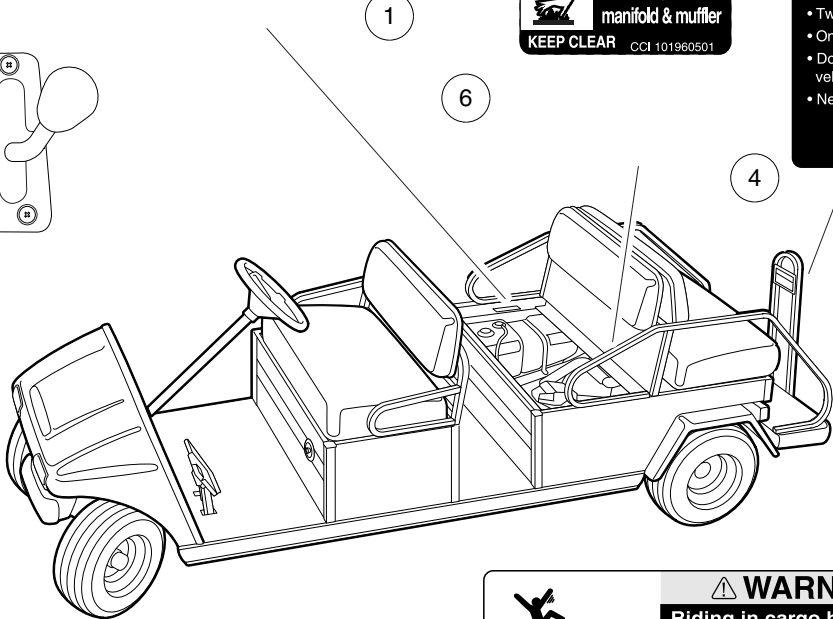
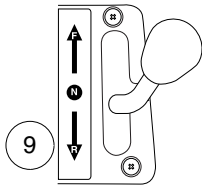
**HOT manifold & muffler**

**KEEP CLEAR** CCI 101960501

**⚠ WARNING**  
**FALLING OFF COULD RESULT IN SEVERE INJURY OR DEATH**

- Remain seated with entire body inside vehicle and hold on to seat handle or handrail at all times.
- Two (2) persons per bench seat maximum.
- One (1) person per bucket seat maximum.
- Do not leave children unattended on vehicle at anytime.
- Never stand in front of or behind vehicle.

CCI 101705701



**SIX-PASSENGER TRANSPORTER VEHICLE**

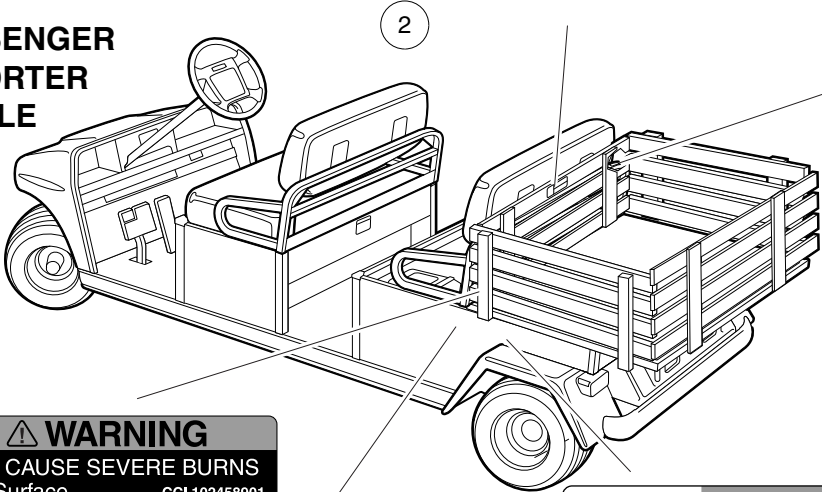
**⚠ WARNING**  
**Riding in cargo bed can cause severe injury or death. Do not ride in cargo bed.**

CCI 1015539-01

**⚠ WARNING**  
**CRUSH AREA**

**STAY CLEAR**  
CCI 101609401

**FOUR-PASSENGER TRANSPORTER VEHICLE**



**⚠ WARNING**  
**CAN CAUSE SEVERE BURNS**  
Hot Surface

CCI 102458901

**⚠ WARNING**  
**FAILURE TO FOLLOW THESE INSTRUCTIONS CAN CAUSE SEVERE INJURY OR DEATH.**  
Bed can tip up unexpectedly. Bed hold down bolts must be fastened.

CCI 101707801

**⚠ WARNING**  
Negative frame ground. Can cause severe injury. Do not contact positive (+) battery post or cable to frame. Disconnect negative battery lead first.

**⚠ WARNING**  
Excessive speed. Can cause severe injury or death. Do not tamper with engine governor/adjustment.

CCI 1019152-01

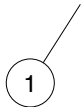
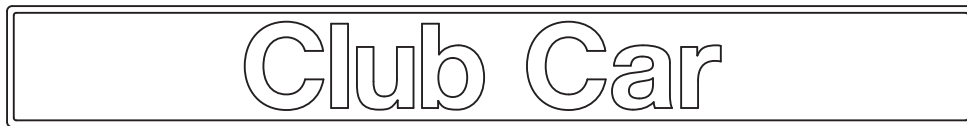
6

000631-001

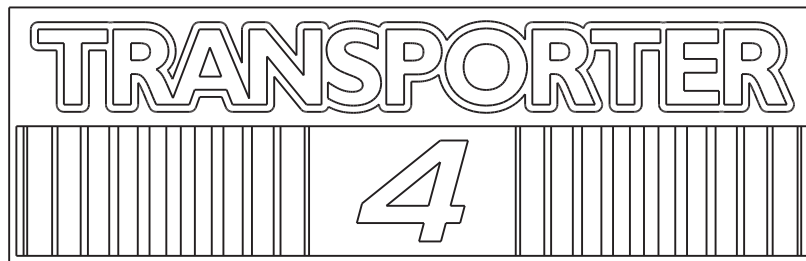
## DECALS – GASOLINE TRANSPORTER, CONTINUED

| ITEM | PART NO.  | DESCRIPTION                                    | QTY |
|------|-----------|--|-----|
|      |           | 1 2 3 4  |     |
| 1    | 101547601 | Decal, Gasoline Explosion/Fire Warning .....   | 1   |
| 2    | 101553901 | Decal, Bed Load Warning .....                  | 1   |
| 3    | 101609401 | Decal, Crush Area Warning .....                | 2   |
| 4    | 101705701 | Decal, Warning .....                           | 1   |
| 5    | 101707801 | Decal, Bed Hold-Down Bolts .....               | 1   |
| 6    | 101915201 | Decal, Frame Ground and Governor Warning ..... | 1   |
| 7    | 101960501 | Decal, Rotating Parts/Hot Manifold .....       | 2   |
| 8    | 102458901 | Decal, Hot Surface Warning .....               | 2   |
| 9    | 103210201 | Decal, Forward/Reverse, Gas .....              | 1   |

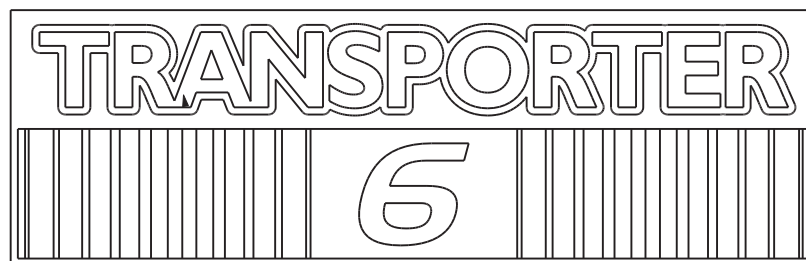
3  
G  
E



(ON FRONT OF COWL)



(ON SIDE PANELS)



(ON SIDE PANELS)

000384-002

# LOGO DECALS

| ITEM | PART NO.  | DESCRIPTION                    | QTY |
|------|-----------|--------------------------------|-----|
|      |           | 1 2 3 4                        |     |
| 1    | 101670201 | Nameplate Kit (silver) .....   | 1   |
| 2    | 103261701 | Decal Trans 4 Side Panel ..... | 2   |
| 3    | 103261801 | Decal Trans 6 Side Panel ..... | 2   |
| 4    | 103284201 | Decal Ca6/tp4/tp6 Bar .....    | 2   |

**3**

**G**

**E**

**3**

**G**

**E**

# BRAKES, PEDAL, AND CABLES

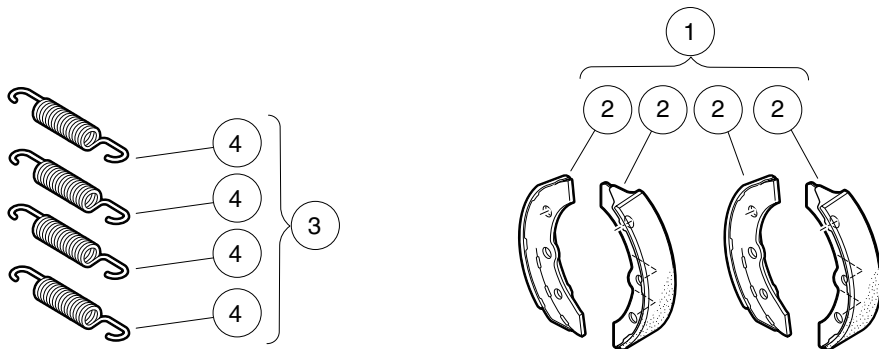
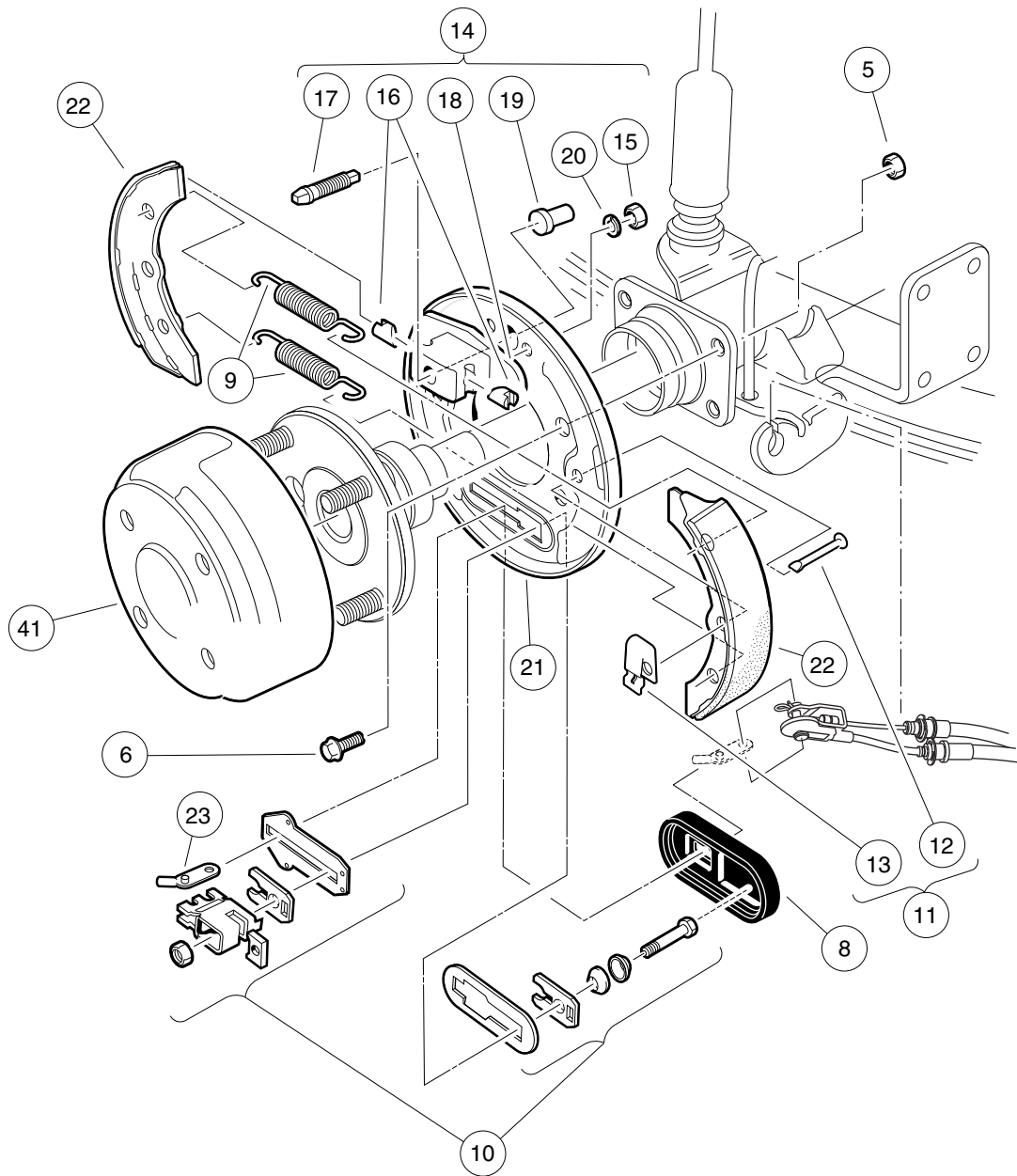
---

4

G

E

**4**  
**G**  
**E**



000293-002

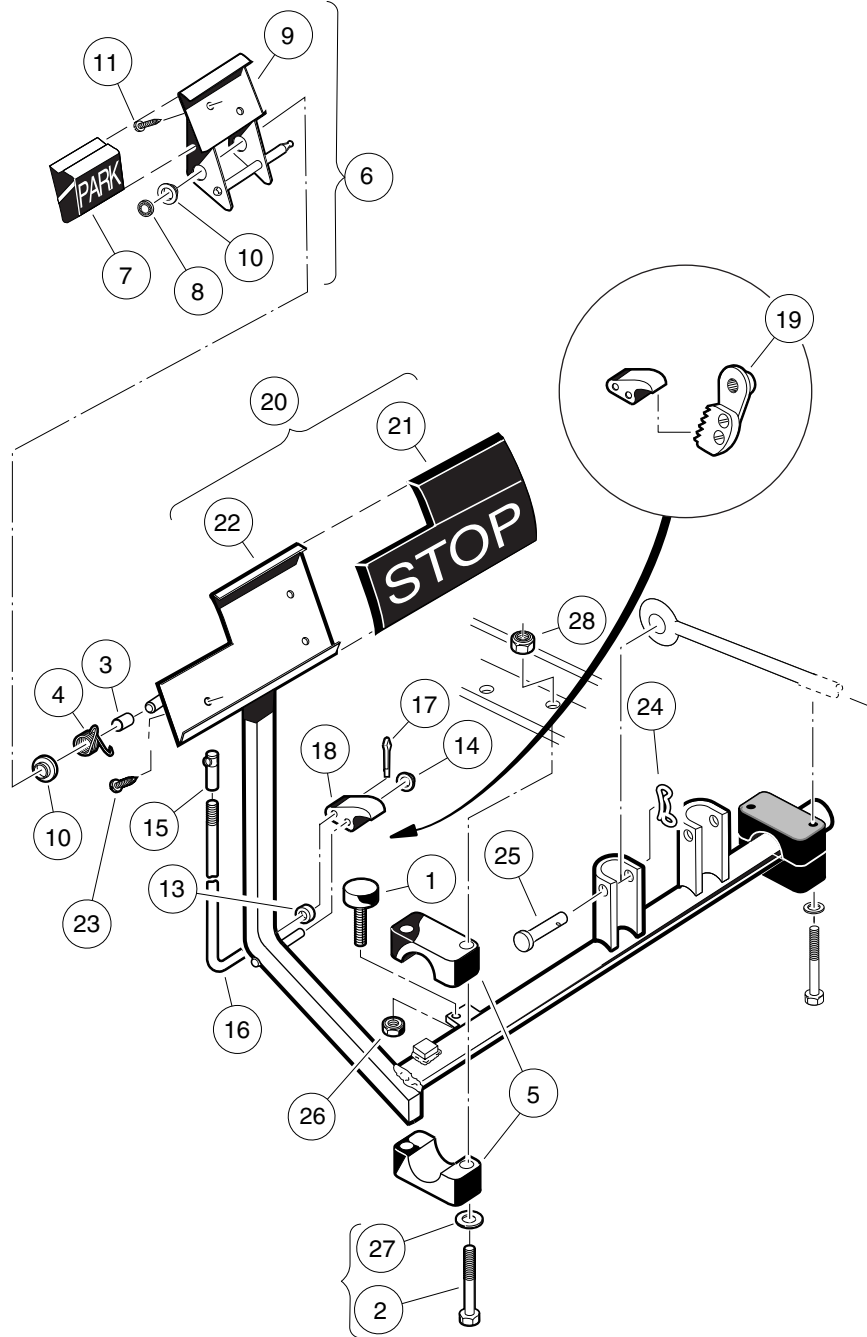


## REAR BRAKE ASSEMBLY, MANUALLY-ADJUSTED – VEHICLES WITH 4-WHEEL BRAKES

| ITEM | PART NO.  | DESCRIPTION   | QTY |
|------|-----------|---|-----|
|      |           | <b>1 2 3 4</b>  |     |
| 1    | 101146302 | Kit, Non-Asbestos Brake Shoe (includes item 2) .....  | 1   |
| 2    | 101880701 | Shoe Brake Manual Adj (Available in Kit, Non-Asbestos Brake Shoe) .....   | 4   |
| 3    | 1011464   | Package, Brake Spring (includes item 4) .....   | 1   |
| 4    | 1011314   | Brake Spring .....  | 4   |
| 5    | 1013924   | Nut, 5/16-24 Hex Head Cone .....  | 8   |
| 6    | 1014153   | Bolt, Brake Cluster Mounting .....  | 8   |
| 7    | 1016557   | Cluster, Brake, Driver-Side (includes items 8 through 23) .....   | 1   |
| 8    | 1010850   | Dust Cover .....  | 1   |
| 9    | 1011314   | Brake Spring .....  | 2   |
| 10   | 1011465   | Kit, Brake Actuator .....   | 1   |
| 11   | 1011466   | Kit, Shoe Retainer (includes items 12 and 13) .....   | 1   |
| 12   | 1010953   | Pin .....   | 2   |
| 13   | 1011301   | Shoe Clamp Spring .....   | 2   |
| 14   | 1011467   | Kit, Anchor Body (includes items 15 through 20) .....   | 1   |
| 15   | 1011114   | Nut, M6-1.00 Hex .....  | 2   |
| 16   | 1011298   | Anchor Piston .....   | 2   |
| 17   | N/A       | Adjustment Bolt .....   | 1   |
| 18   | N/A       | Anchor Body Component .....   | 1   |
| 19   | 1011303   | Adjustment Bolt Cap .....   | 1   |
| 20   | 451       | Lockwasher, 1/4 Split .....   | 2   |
| 21   | 1011494   | Backing Plate, Left-Hand .....  | 1   |
| 22   | 101880701 | Shoe Brake Manual Adj (Available in Kit, Non-Asbestos Brake Shoe) .....   | 2   |
| 23   | N/A       | Arm, Brake Lever .....  | 1   |
| 24   | 1016573   | Cluster, Brake, Passenger-Side (includes items 25 through 40) .....   | 1   |
| 25   | 1010850   | Dust Cover .....  | 1   |
| 26   | 1011154   | Backing Plate, Right-Hand .....   | 1   |
| 27   | 1011314   | Brake Spring .....  | 2   |
| 28   | 1011465   | Kit, Brake Actuator .....   | 1   |
| 29   | 1011466   | Kit, Shoe Retainer (includes items 30 and 31) .....   | 1   |
| 30   | 1010953   | Pin .....   | 2   |
| 31   | 1011301   | Shoe Clamp Spring .....   | 2   |
| 32   | 1011467   | Kit, Anchor Body (includes items 33 through 38) .....   | 1   |
| 33   | 1011114   | Nut, M6-1.00 Hex .....  | 2   |
| 34   | 1011298   | Anchor Piston .....   | 2   |
| 35   | N/A       | Adjustment Bolt .....   | 1   |
| 36   | N/A       | Anchor Body Component .....   | 1   |
| 37   | 1011303   | Adjustment Bolt Cap .....   | 1   |
| 38   | 451       | Lockwasher, 1/4 Split .....   | 2   |
| 39   | 101880701 | Shoe Brake Manual Adj (Available in Kit, Non-Asbestos Brake Shoe) .....   | 2   |
| 40   | N/A       | Arm, Brake Lever .....  | 1   |
| 41   | 101791101 | Drum without Center Hole, Brake .....   | 2   |
|      |           | Note: Passenger-side brake cluster not shown. Components have a similar appearance to driver-side brake cluster components. |     |

**4**  
**G**  
**E**

**4**  
**G**  
**E**



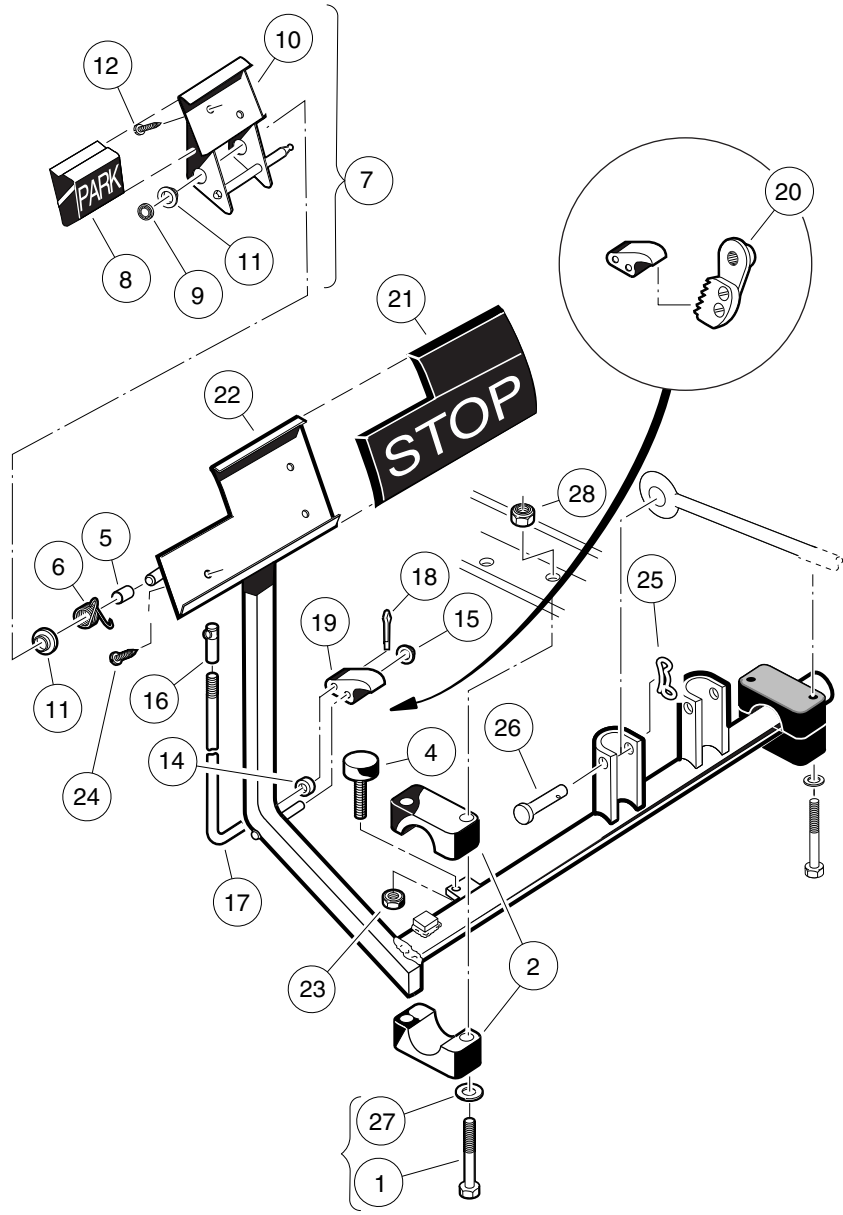
000187-003

## BRAKE PEDAL ASSEMBLY – GASOLINE VEHICLES

| ITEM | PART NO.  | DESCRIPTION  | QTY |
|------|-----------|--|-----|
|      |           | <b>1 2 3 4</b>   |     |
| 1    | 1010878   | Bumper, Rubber .....                                       | 1   |
| 2    | 1010921   | Screw, 5/16-18 X 2.50 Hex Cap .....                        | 4   |
| 3    | 1010927   | Hill Brake Spacer .....                                    | 1   |
| 4    | 1010933   | Spring, Hill Brake Torsion .....                           | 1   |
| 5    | 1011402   | Package, Brake Mounting Block .....                        | 1   |
| 6    | 1011418   | Kit, Hill Brake Pedal (includes items 7 through 11) .....  | 1   |
| 7    | 1013870   | Pad, Hill Brake .....                                      | 1   |
| 8    | 1013876   | Pushnut, 3/8 .....   | 1   |
| 9    | N/A       | Hill Brake Weld Assembly .....                             | 1   |
| 10   | 1032      | Bushing, Nylon .....                                       | 2   |
| 11   | 7716      | Screw, #10-16 Type AB, Sheet Metal .....                   | 2   |
| 12   | 101187702 | Kit, Hill Brake Latch (includes items 13 through 19) ..... | 1   |
| 13   | 1010805   | Sleeve, Hill Brake Rod .....                               | 1   |
| 14   | 1010877   | Pushnut, 3/8 .....   | 1   |
| 15   | 1010932   | Ball Joint, 1/4-28 .....                                   | 1   |
| 16   | N/A       | Rod, Hill Brake .....                                      | 1   |
| 17   | 1017029   | Pin, Cotter, 7/64 x 1/2 Stainless-Steel .....              | 1   |
| 18   | N/A       | Pawl, Hill Brake .....                                     | 1   |
| 19   | 101918501 | Ratchet Assembly .....                                     | 1   |
| 20   | 101878201 | Brake Pedal Kit (includes items 21 through 23) .....       | 1   |
| 21   | 1013869   | Pad, Brake Pedal .....                                     | 1   |
| 22   | N/A       | Weldment, Brake Pedal 4wb Std .....                        | 1   |
| 23   | 7716      | Screw, #10-16 Type AB, Sheet Metal .....                   | 3   |
| 24   | 102323101 | Pin, Bow Tie Locking .....                                 | 2   |
| 25   | 102323201 | Pin, 3/8 X 1-5/16 Clevis .....                             | 2   |
| 26   | 1028      | Nut, 1/4-20 Hex .....                                      | 1   |
| 27   | 1241      | Washer, 5/16 Type A Flat .....                             | 4   |
| 28   | 7473      | Locknut, 5/16-18 Nylon Insert .....                        | 4   |

**4**  
**G**  
**E**

**4**  
**G**  
**E**



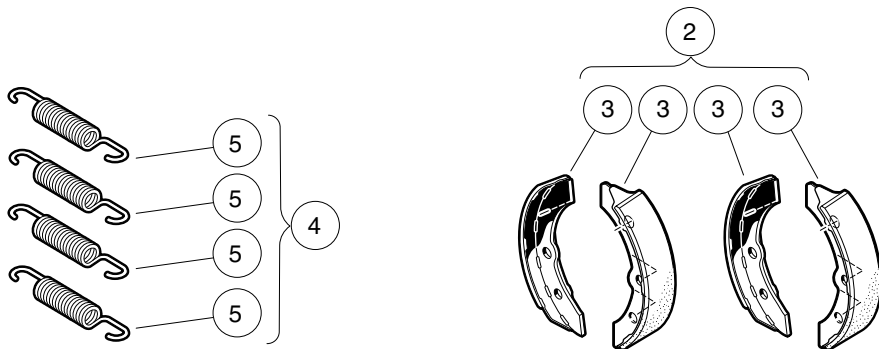
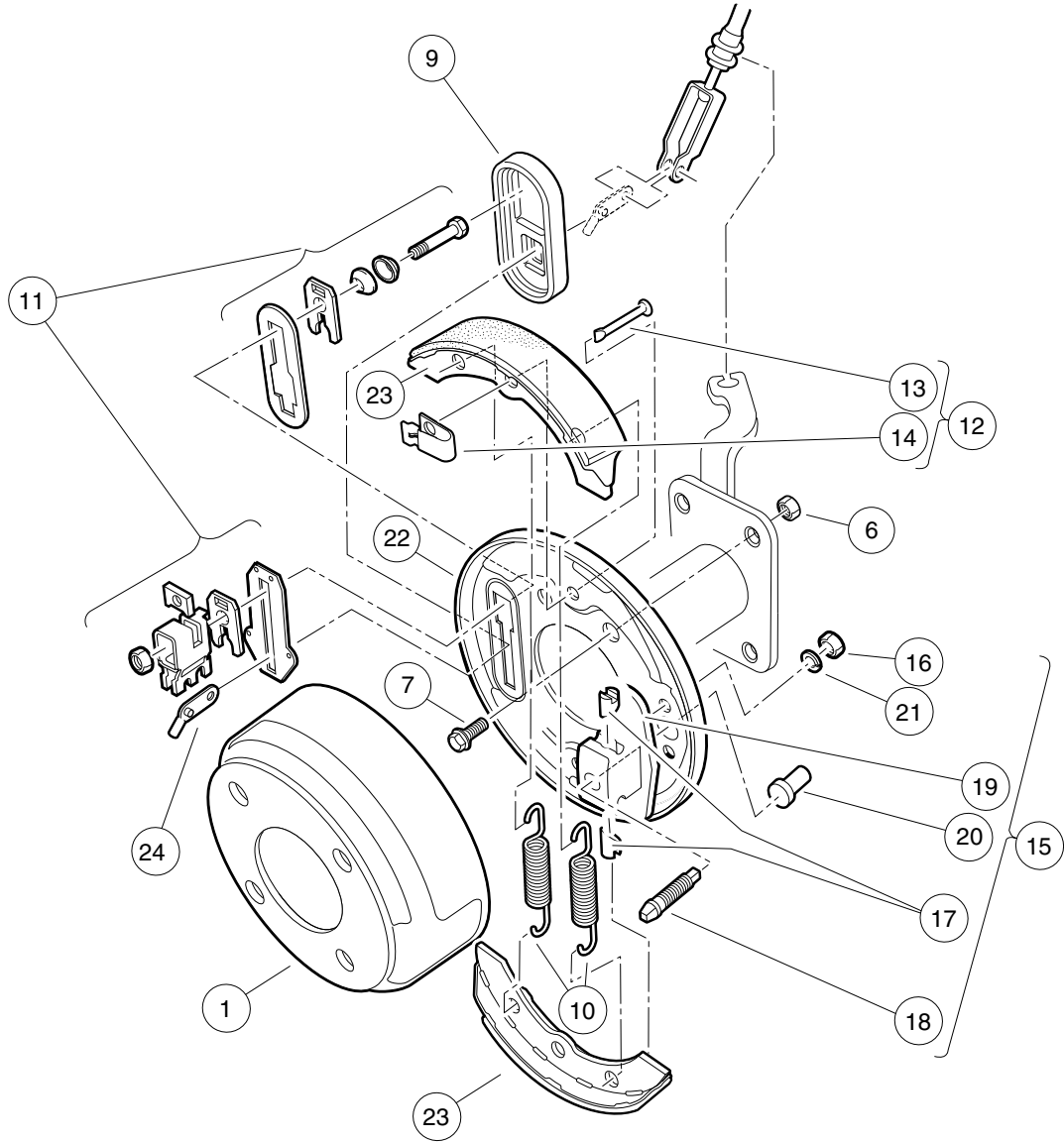
000187-002

## BRAKE PEDAL ASSEMBLY – IQ PLUS VEHICLES

| ITEM | PART NO.  | DESCRIPTION  | QTY |
|------|-----------|--|-----|
|      |           | <b>1 2 3 4</b>   |     |
| 1    | 1010921   | Screw, 5/16-18 X 2.50 Hex Cap .....                                    | 4   |
| 2    | 1011402   | Package, Brake Mounting Block .....                                    | 1   |
| 3    | N/A       | Subasm, Pedal Group, 4-Wheel Brake (includes items 4 through 24) ..... | 1   |
| 4    | 1010878   | Bumper, Rubber .....   | 1   |
| 5    | 1010927   | Hill Brake Spacer .....  | 1   |
| 6    | 1010933   | Spring, Hill Brake Torsion .....                                       | 1   |
| 7    | 1011418   | Kit, Hill Brake Pedal (includes items 8 through 12) .....              | 1   |
| 8    | 1013870   | Pad, Hill Brake .....  | 1   |
| 9    | 1013876   | Pushnut, 3/8 .....   | 1   |
| 10   | N/A       | Hill Brake Weld Assembly .....   | 1   |
| 11   | 1032      | Bushing, Nylon .....   | 2   |
| 12   | 7716      | Screw, #10-16 Type AB, Sheet Metal .....                               | 2   |
| 13   | 101187702 | Kit, Hill Brake Latch (includes items 14 through 20) .....             | 1   |
| 14   | 1010805   | Sleeve, Hill Brake Rod .....   | 1   |
| 15   | 1010877   | Pushnut, 3/8 .....   | 1   |
| 16   | 1010932   | Ball Joint, 1/4-28 .....   | 1   |
| 17   | N/A       | Rod, Hill Brake .....  | 1   |
| 18   | 1017029   | Pin, Cotter, 7/64 x 1/2 Stainless-Steel .....                          | 1   |
| 19   | N/A       | Pawl, Hill Brake .....   | 1   |
| 20   | 101918501 | Ratchet Assembly .....   | 1   |
| 21   | 1013869   | Pad, Brake Pedal .....   | 1   |
| 22   | N/A       | Brake Pedal Weldment .....   | 1   |
| 23   | 1028      | Nut, 1/4-20 Hex .....  | 1   |
| 24   | 7716      | Screw, #10-16 Type AB, Sheet Metal .....                               | 3   |
| 25   | 102323101 | Pin, Bow Tie Locking .....   | 2   |
| 26   | 102323201 | Pin, 3/8 X 1-5/16 Clevis .....   | 2   |
| 27   | 1241      | Washer, 5/16 Type A Flat .....   | 4   |
| 28   | 7473      | Locknut, 5/16-18 Nylon Insert .....                                    | 4   |

**4**  
**G**  
**E**

**4**  
**G**  
**E**



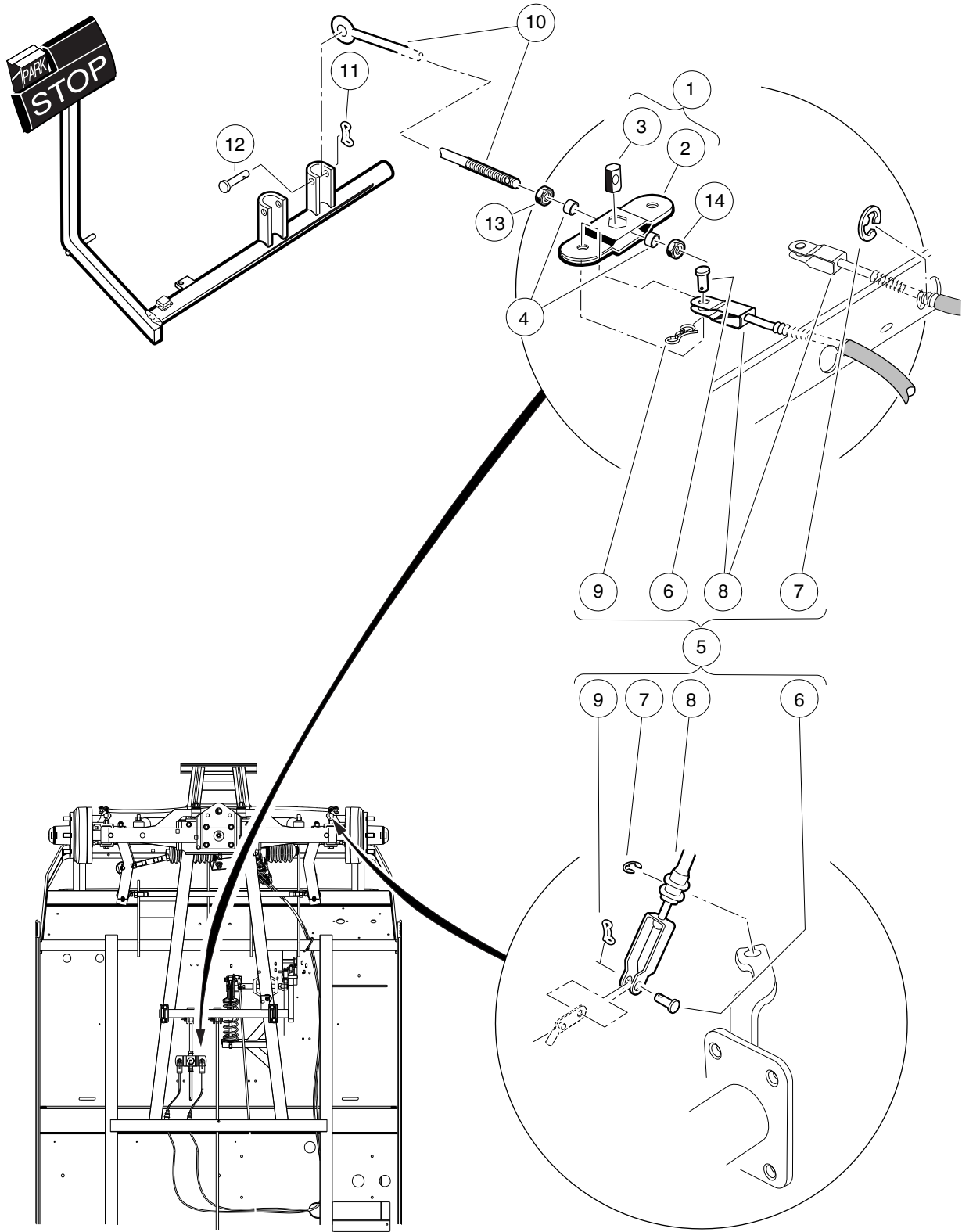
000298-001

# FRONT BRAKE ASSEMBLY – VEHICLES WITH FOUR-WHEEL BRAKES

| ITEM | PART NO.  | DESCRIPTION   | QTY |
|------|-----------|---|-----|
|      |           | <b>1 2 3 4</b>  |     |
| 1    | 1011137   | Drum, Brake .....   | 2   |
| 2    | 101146302 | Kit, Non-Asbestos Brake Shoe (includes item 3) .....  | 1   |
| 3    | 101880701 | Shoe Brake Manual Adj (Available in Kit, Non-Asbestos Brake Shoe) .....   | 4   |
| 4    | 1011464   | Package, Brake Spring (includes item 5) .....   | 1   |
| 5    | 1011314   | Brake Spring .....  | 4   |
| 6    | 1013924   | Nut, 5/16-24 Hex Head Cone .....  | 8   |
| 7    | 1014153   | Bolt, Brake Cluster Mounting .....  | 8   |
| 8    | 1016557   | Cluster, Brake, Driver-Side (includes items 9 through 24) .....   | 1   |
| 9    | 1010850   | Dust Cover .....  | 1   |
| 10   | 1011314   | Brake Spring .....  | 2   |
| 11   | 1011465   | Kit, Brake Actuator .....   | 1   |
| 12   | 1011466   | Kit, Shoe Retainer (includes items 13 and 14) .....   | 1   |
| 13   | 1010953   | Pin .....   | 2   |
| 14   | 1011301   | Shoe Clamp Spring .....   | 2   |
| 15   | 1011467   | Kit, Anchor Body (includes items 16 through 21) .....   | 1   |
| 16   | 1011114   | Nut, M6-1.00 Hex .....  | 2   |
| 17   | 1011298   | Anchor Piston .....   | 2   |
| 18   | N/A       | Adjustment Bolt .....   | 1   |
| 19   | N/A       | Anchor Body Component .....   | 1   |
| 20   | 1011303   | Adjustment Bolt Cap .....   | 1   |
| 21   | 451       | Lockwasher, 1/4 Split .....   | 2   |
| 22   | 1011494   | Backing Plate, Left-Hand .....  | 1   |
| 23   | 101880701 | Shoe Brake Manual Adj (Available in Kit, Non-Asbestos Brake Shoe) .....   | 2   |
| 24   | N/A       | Arm, Brake Lever .....  | 1   |
| 25   | 1016573   | Cluster, Brake, Passenger-Side (includes items 26 through 41) .....   | 1   |
| 26   | 1010850   | Dust Cover .....  | 1   |
| 27   | 1011154   | Backing Plate, Right-Hand .....   | 1   |
| 28   | 1011314   | Brake Spring .....  | 2   |
| 29   | 1011465   | Kit, Brake Actuator .....   | 1   |
| 30   | 1011466   | Kit, Shoe Retainer (includes items 31 and 32) .....   | 1   |
| 31   | 1010953   | Pin .....   | 2   |
| 32   | 1011301   | Shoe Clamp Spring .....   | 2   |
| 33   | 1011467   | Kit, Anchor Body (includes items 34 through 39) .....   | 1   |
| 34   | 1011114   | Nut, M6-1.00 Hex .....  | 2   |
| 35   | 1011298   | Anchor Piston .....   | 2   |
| 36   | N/A       | Adjustment Bolt .....   | 1   |
| 37   | N/A       | Anchor Body Component .....   | 1   |
| 38   | 1011303   | Adjustment Bolt Cap .....   | 1   |
| 39   | 451       | Lockwasher, 1/4 Split .....   | 2   |
| 40   | 101880701 | Shoe Brake Manual Adj (Available in Kit, Non-Asbestos Brake Shoe) .....   | 2   |
| 41   | N/A       | Arm, Brake Lever .....  | 1   |
|      |           | Note: Passenger-side brake cluster not shown. Components have a similar appearance to driver-side brake cluster components. |     |

**4**  
**G**  
**E**

**4**  
**G**  
**E**



000294-001



# FRONT BRAKE CABLES AND EQUALIZER – VEHICLES WITH FOUR-WHEEL BRAKES

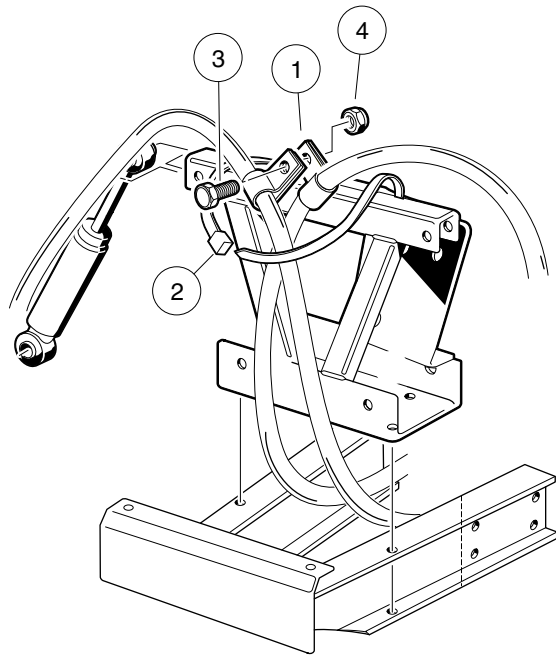
| ITEM | PART NO.  | DESCRIPTION   | QTY |
|------|-----------|---|-----|
|      |           | <b>1 2 3 4</b>  |     |
| 1    | 1017211   | Kit, Equalizer and Pivot Limiter (includes items 2 and 3) ..... | 1   |
| 2    | 1016319   | Equalizer Weld Assembly .....                                   | 1   |
| 3    | 1016320   | Equalizer, Pivot Limiter .....                                  | 1   |
| 4    | 101865301 | Spacer .....  | 2   |
| 5    | 101874601 | Kit, Brake Cable (includes items 6 through 9) .....             | 1   |
| 6    | 1010829   | Pin, Clevis, 5/16 X 3/4 .....                                   | 4   |
| 7    | 1011779   | E-Clip, 1/2 .....   | 4   |
| 8    | N/A       | Brake Cable .....   | 2   |
| 9    | 102292801 | Pin, Bow Tie Locking - .072 .....                               | 4   |
| 10   | 101953106 | Rod, Equalizer, 9.75" .....                                     | 1   |
| 11   | 102323101 | Pin, Bow Tie Locking .....                                      | 1   |
| 12   | 102323201 | Pin, 3/8 X 1-5/16 Clevis .....                                  | 1   |
| 13   | 1242      | Nut, 5/16-18 Hex .....  | 1   |
| 14   | 7473      | Locknut, 5/16-18 Nylon Insert .....                             | 1   |

**4**  
**G**  
**E**

4

G

E



000305-001

# FRONT BRAKE CABLE CLIPS AND HARDWARE – GASOLINE VEHICLES

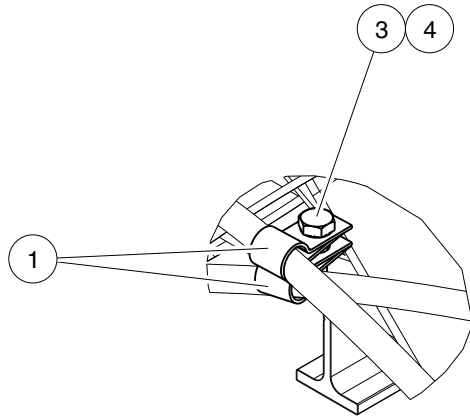
| ITEM | PART NO.  | DESCRIPTION                             | QTY |
|------|-----------|---|-----|
|      |           | 1 2 3 4                                 |     |
| 1    | 101935301 | Clamp, Brake Cable .....                | 2   |
| 2    | 102025401 | Tie Wrap, Heavy Duty .....              | 1   |
| 3    | 320       | Screw, 3/8-16 X 1.00 Hex-Head Cap ..... | 1   |
| 4    | 8754      | Locknut, 3/8-16 Hex .....               | 1   |

4

G

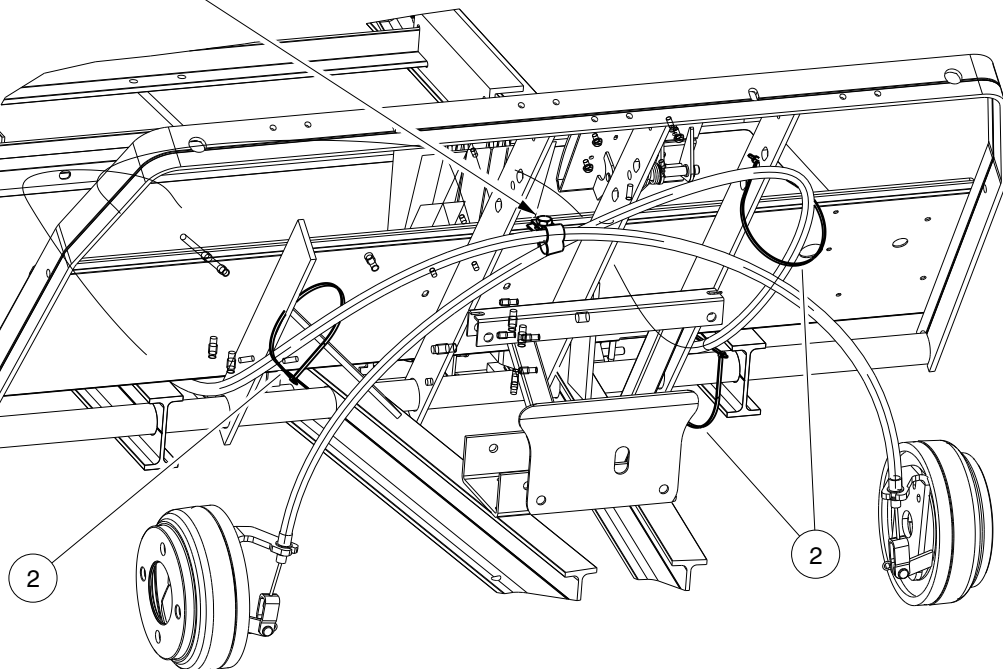
E

**4**  
**G**  
**E**



**DETAIL G**

**See Detail G**



000305-002

## FRONT BRAKE CABLE CLIPS – IQ PLUS VEHICLES

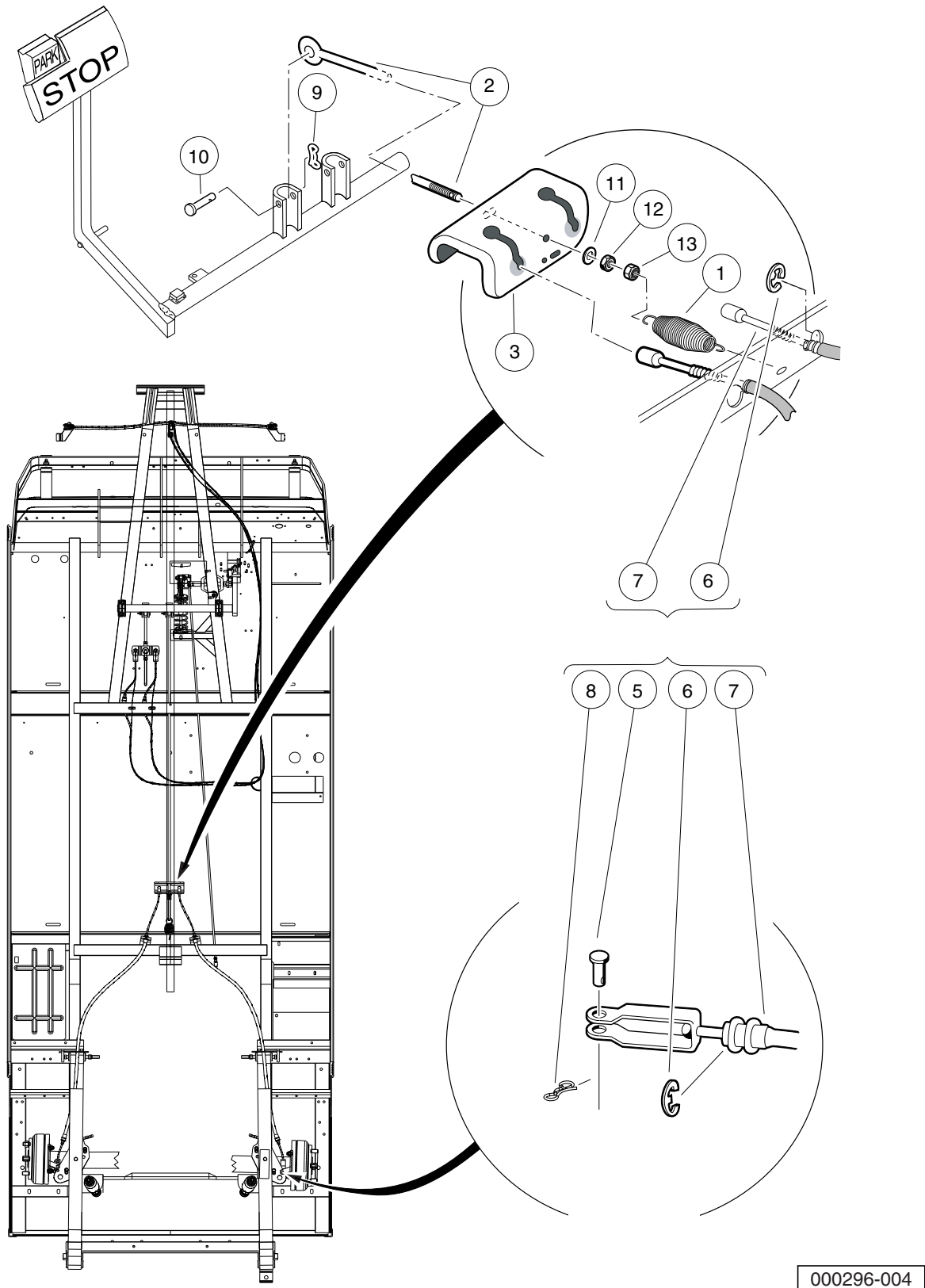
| ITEM | PART NO.  | DESCRIPTION                             | QTY |
|------|-----------|---|-----|
|      |           | 1 2 3 4                                 |     |
| 1    | 101935301 | Clamp, Brake Cable .....                | 2   |
| 2    | 102025401 | Tie Wrap, Heavy Duty .....              | 3   |
| 3    | 320       | Screw, 3/8-16 X 1.00 Hex-Head Cap ..... | 1   |
| 4    | 8754      | Locknut, 3/8-16 Hex .....               | 1   |

4

G

E

**4**  
**G**  
**E**



000296-004

## REAR BRAKE CABLES AND EQUALIZER

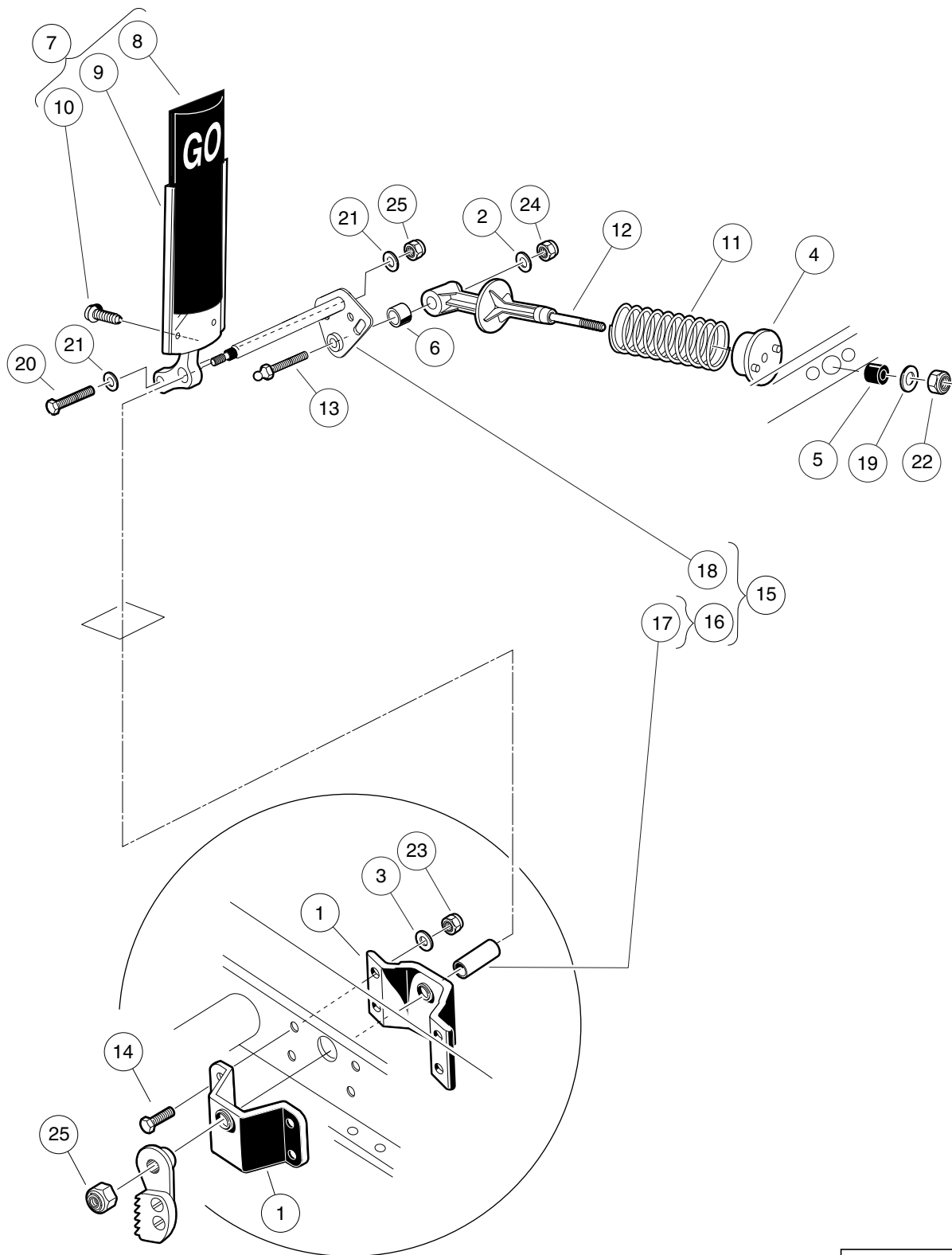
| ITEM | PART NO.  | DESCRIPTION  | QTY |
|------|-----------|--|-----|
|      |           | <b>1 2 3 4</b>   |     |
| 1    | 1013531   | Spring, Brake Return .....                               | 1   |
| 2    | 101953103 | Rod, Equalizer .....                                     | 1   |
| 3    | 101990801 | Equalizer Bracket .....                                  | 1   |
| 4    | 102166901 | Kit, Brake Cable Rear (includes items 5 through 8) ..... | 1   |
| 5    | 1010829   | Pin, Clevis, 5/16 X 3/4 .....                            | 2   |
| 6    | 1011779   | E-Clip, 1/2 .....  | 4   |
| 7    | 102162601 | Cable, Brake .....                                       | 2   |
| 8    | 102292801 | Pin, Bow Tie Locking - .072 .....                        | 2   |
| 9    | 102323101 | Pin, Bow Tie Locking .....                               | 1   |
| 10   | 102323201 | Pin, 3/8 X 1-5/16 Clevis .....                           | 1   |
| 11   | 1241      | Washer, 5/16 Type A Flat .....                           | 1   |
| 12   | 1242      | Nut, 5/16-18 Hex .....                                   | 1   |
| 13   | 7473      | Locknut, 5/16-18 Nylon Insert .....                      | 1   |

**4**  
**G**  
**E**

**4**

**G**

**E**



000188-003

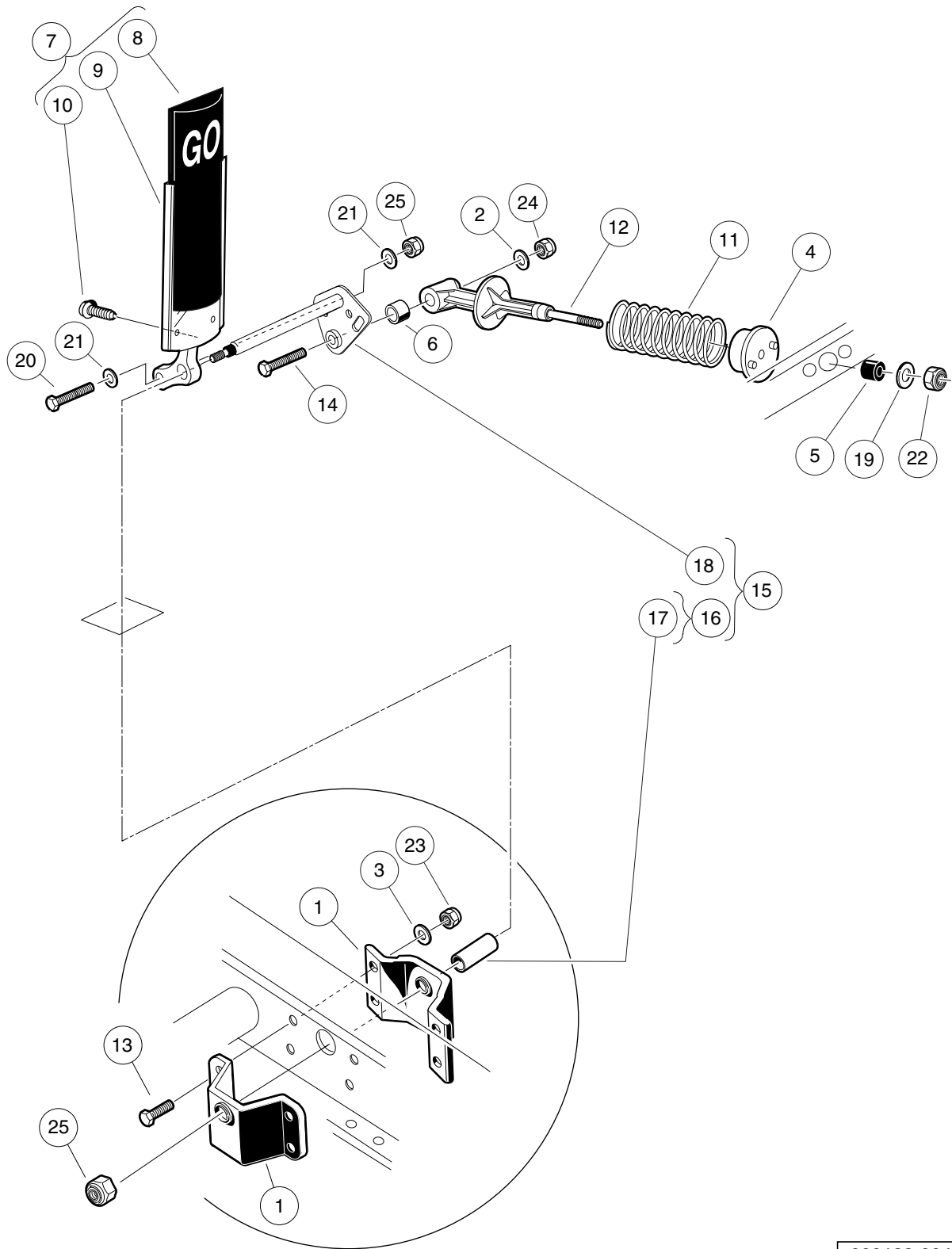


# ACCELERATOR PEDAL ASSEMBLY – GASOLINE VEHICLES

| ITEM | PART NO.  | DESCRIPTION  | QTY |
|------|-----------|--|-----|
|      |           | 1 2 3 4  |     |
| 1    | 1011694   | Accelerator Bracket and Bearing Assembly .....                           | 2   |
| 2    | 1011931   | Washer, 1/4 Flat .....   | 1   |
| 3    | 1014007   | Washer, 1/4 Flat .....   | 4   |
| 4    | 1017378   | Cup, Spring .....  | 1   |
| 5    | 1017380   | Bumper, Spring Return .....  | 1   |
| 6    | 1017424   | Bearing, Pivot Support .....   | 1   |
| 7    | 1017696   | Sub Asm, Accelerator Pedal (includes items 8 through 10) .....           | 1   |
| 8    | 1013871   | Pad, Accelerator Pedal .....   | 1   |
| 9    | N/A       | Accelerator Pedal Weldment .....   | 1   |
| 10   | 7716      | Screw, #10-16 Type AB, Sheet Metal .....                                 | 4   |
| 11   | 101796201 | Spring, Accelerator Return .....   | 1   |
| 12   | 101817401 | Retainer, Spring .....   | 1   |
| 13   | 101818801 | Stud, 1/4-28 X 1.35 Ball .....   | 1   |
| 14   | 101861901 | Screw, 1/4-20 X 1.125 Hex Cap .....                                      | 4   |
| 15   | 102026001 | Kit, Accelerator Pivot Rod Assembly (includes items 16 through 18) ..... | 1   |
| 16   | 1011700   | Spacer Assembly (includes item 17) .....                                 | 1   |
| 17   | 101919801 | Spacer, Accelerator .....  | 1   |
| 18   | N/A       | Pivot Rod Weldment .....   | 1   |
| 19   | 1241      | Washer, 5/16 Type A Flat .....   | 1   |
| 20   | 1624      | Screw, 3/8-16 X 1.50 Hex-Head Cap .....                                  | 1   |
| 21   | 334       | Washer, 3/8 Type A Flat .....  | 2   |
| 22   | 7473      | Locknut, 5/16-18 Nylon Insert .....                                      | 1   |
| 23   | 8233      | Locknut, 1/4-20 Nylon Insert .....                                       | 4   |
| 24   | 8717      | Locknut, 1/4-28 Nylon Insert .....                                       | 1   |
| 25   | 8754      | Locknut, 3/8-16 Hex .....  | 2   |

4  
G  
E

**4**  
**G**  
**E**



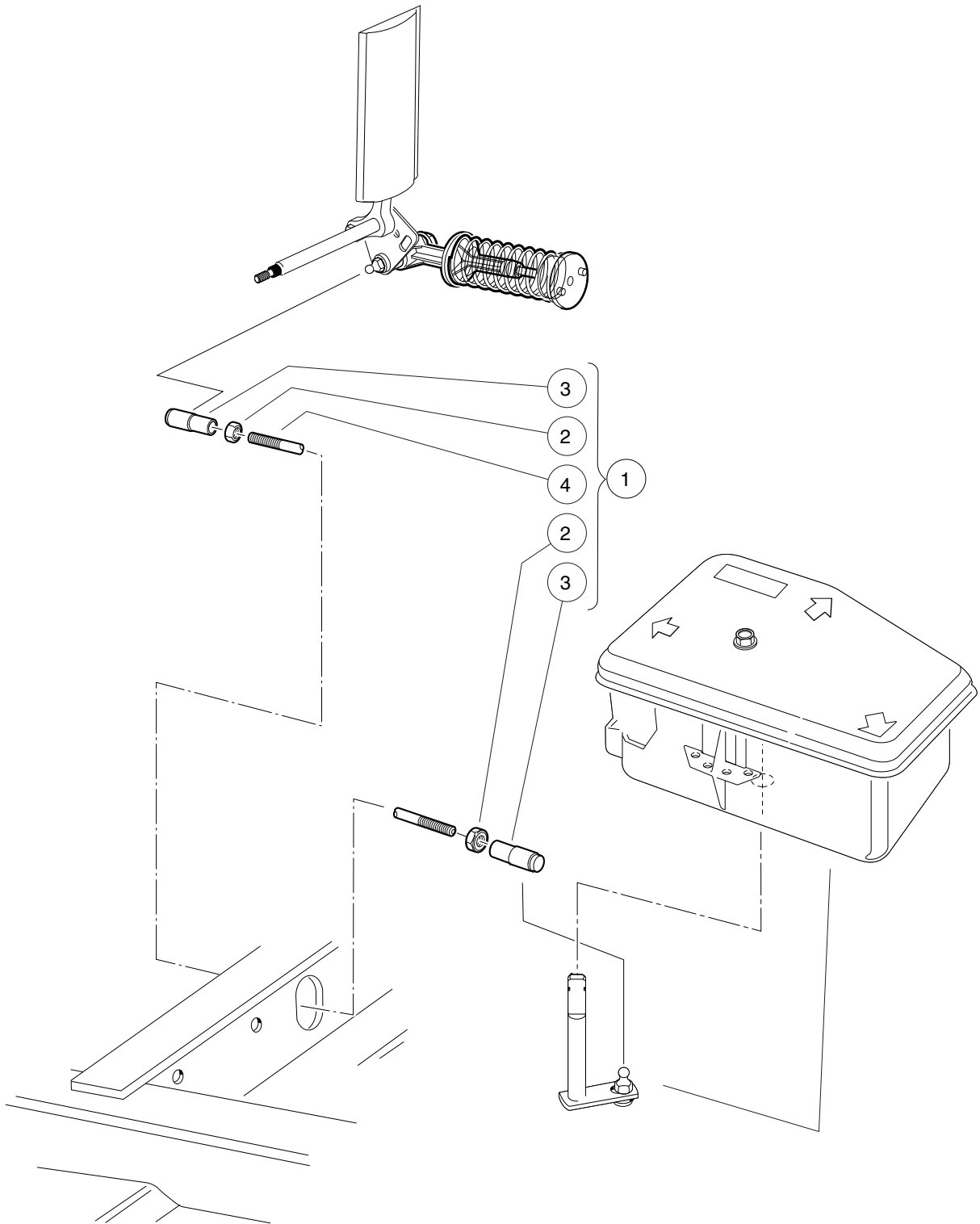
000188-004

## ACCELERATOR PEDAL ASSEMBLY – ELECTRIC VEHICLES WITH MCOR

| ITEM | PART NO.  | DESCRIPTION  | QTY |
|------|-----------|--|-----|
|      |           | <b>1 2 3 4</b>   |     |
| 1    | 1011694   | Accelerator Bracket and Bearing Assembly .....                           | 2   |
| 2    | 1011931   | Washer, 1/4 Flat .....   | 1   |
| 3    | 1014007   | Washer, 1/4 Flat .....   | 4   |
| 4    | 1017378   | Cup, Spring .....  | 1   |
| 5    | 1017380   | Bumper, Spring Return .....  | 1   |
| 6    | 1017424   | Bearing, Pivot Support .....   | 1   |
| 7    | 1017696   | Sub Asm, Accelerator Pedal (includes items 8 through 10) .....           | 1   |
| 8    | 1013871   | Pad, Accelerator Pedal .....   | 1   |
| 9    | N/A       | Accelerator Pedal Weldment .....   | 1   |
| 10   | 7716      | Screw, #10-16 Type AB, Sheet Metal .....                                 | 4   |
| 11   | 101796201 | Spring, Accelerator Return .....   | 1   |
| 12   | 101817401 | Retainer, Spring .....   | 1   |
| 13   | 101861901 | Screw, 1/4-20 X 1.125 Hex Cap .....                                      | 4   |
| 14   | 101862001 | Screw, 1/4-20 X 1.500 Flange .....                                       | 1   |
| 15   | 102026001 | Kit, Accelerator Pivot Rod Assembly (includes items 16 through 18) ..... | 1   |
| 16   | 1011700   | Spacer Assembly (includes item 17) .....                                 | 1   |
| 17   | 101919801 | Spacer, Accelerator .....  | 1   |
| 18   | N/A       | Pivot Rod Weldment .....   | 1   |
| 19   | 1241      | Washer, 5/16 Type A Flat .....   | 1   |
| 20   | 1624      | Screw, 3/8-16 X 1.50 Hex-Head Cap .....                                  | 1   |
| 21   | 334       | Washer, 3/8 Type A Flat .....  | 2   |
| 22   | 7473      | Locknut, 5/16-18 Nylon Insert .....                                      | 1   |
| 23   | 8233      | Locknut, 1/4-20 Nylon Insert .....                                       | 4   |
| 24   | 8717      | Locknut, 1/4-28 Nylon Insert .....                                       | 1   |
| 25   | 8754      | Locknut, 3/8-16 Hex .....  | 2   |

**4**  
**G**  
**E**

**4**  
**G**  
**E**



000362-001

# ACCELERATOR ROD – GASOLINE VILLAGER 6, AND TRANSPORTER 4 AND 6

| ITEM | PART NO.  | DESCRIPTION   | QTY |
|------|-----------|---|-----|
|      |           | <b>1 2 3 4</b>                                      |     |
| 1    | 101674702 | Rod, Accelerator (includes items 2 through 4) ..... | 1   |
| 2    | 1011084   | Nut, 1/4-28 Hex Jam .....                           | 2   |
| 3    | 1011734   | Joint, Ball .....                                   | 2   |
| 4    | N/A       | Accelerator Rod Elec Stretch .....                  | 1   |

**4**

**G**

**E**

**4**

**G**

**E**

# STEERING, FRONT AND REAR SUSPENSION

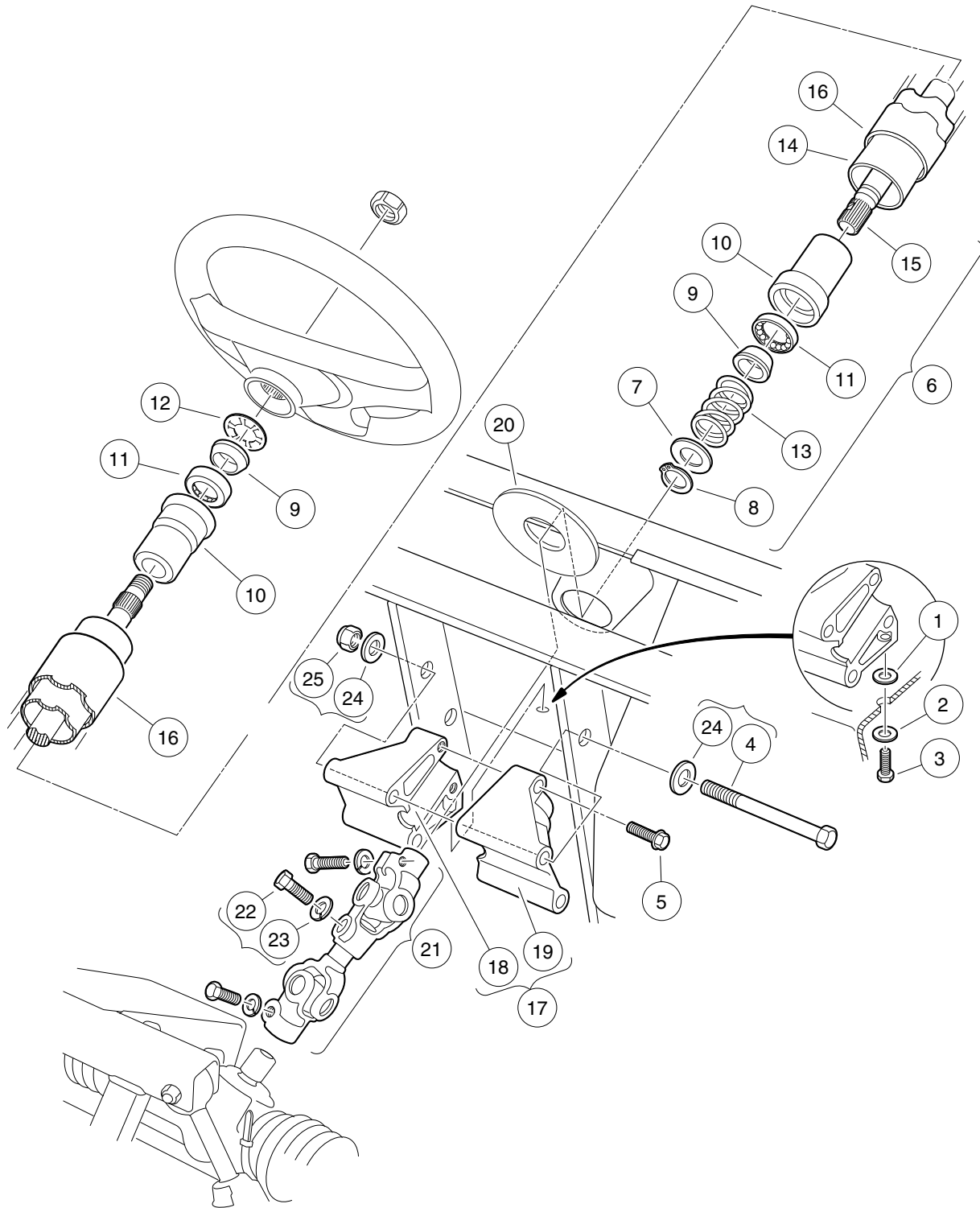
---

5

G

E

**5**  
**G**  
**E**



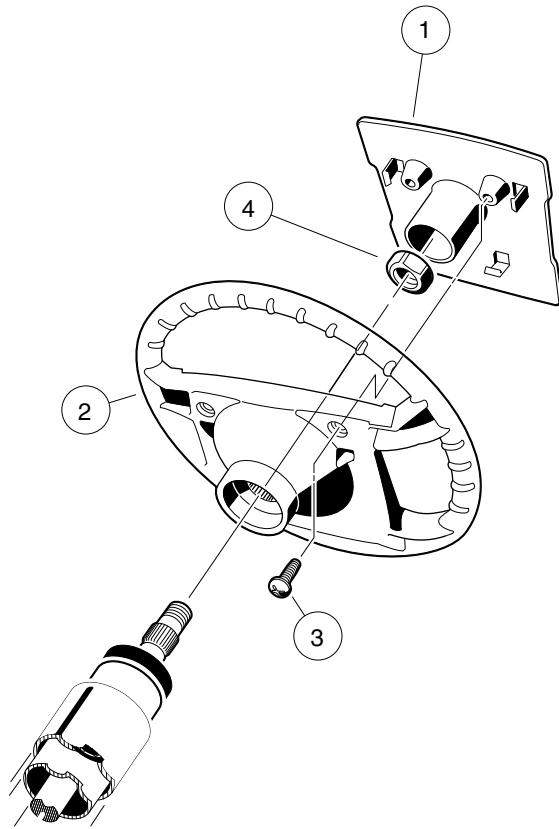
000247-001



# STEERING COLUMN

| ITEM | PART NO.  | DESCRIPTION  | QTY |
|------|-----------|--|-----|
|      |           | <b>1 2 3 4</b>   |     |
| 1    | 1011578   | Washer, 5/16 Type B Flat .....   | 1   |
| 2    | 1011697   | Washer, 5/16 Flat .....  | 1   |
| 3    | 1014288   | Screw, 5/16-18 X 0.75 Thread-Forming .....                             | 1   |
| 4    | 1016183   | Screw, 3/8-16 X 7.00 Hex Cap .....                                     | 2   |
| 5    | 1016269   | Screw, 5/16-18 Thrd Forming .....                                      | 2   |
| 6    | 1017313   | Steering Shaft Assembly (includes items 7 through 15) .....            | 1   |
| 7    | 1012604   | Washer, 0.675 ID X 1.19 OD .....                                       | 1   |
| 8    | 1012605   | Ring, 0.579 Internal Retaining .....                                   | 1   |
| 9    | 1014125   | Wedge, Molded .....  | 2   |
| 10   | 1014126   | Seat, Plastic Bearing .....  | 2   |
| 11   | 1014213   | Bearing, Ball .....  | 2   |
| 12   | 1014214   | Ring, Retaining .....  | 1   |
| 13   | 1014217   | Spring, Steering Shaft .....   | 1   |
| 14   | 1017314   | Column, Aluminum Steering .....  | 1   |
| 15   | 1017315   | Shaft Steering Column .....  | 1   |
| 16   | 1017317   | Tube Cover, Steering Column .....                                      | 1   |
| 17   | 101984801 | Kit, Steering Column Mounting Bracket (includes items 18 and 19) ..... | 1   |
| 18   | N/A       | Bracket, RH Steering Column Mount .....                                | 1   |
| 19   | N/A       | Bracket, LH Steering column mount .....                                | 1   |
| 20   | 102278001 | Boot, Steering Column Round .....                                      | 1   |
| 21   | 103601601 | Shaft, Intermediate Steering (includes items 22 and 23) .....          | 1   |
| 22   | 1017226   | Bolt, Hex-Head, 8mm X 1.25 - 30 .....                                  | 3   |
| 23   | 7174      | Lockwasher, 5/16 Split .....   | 3   |
| 24   | 334       | Washer, 3/8 Type A Flat .....  | 4   |
| 25   | 8754      | Locknut, 3/8-16 Hex .....  | 2   |

**5**  
**G**  
**E**



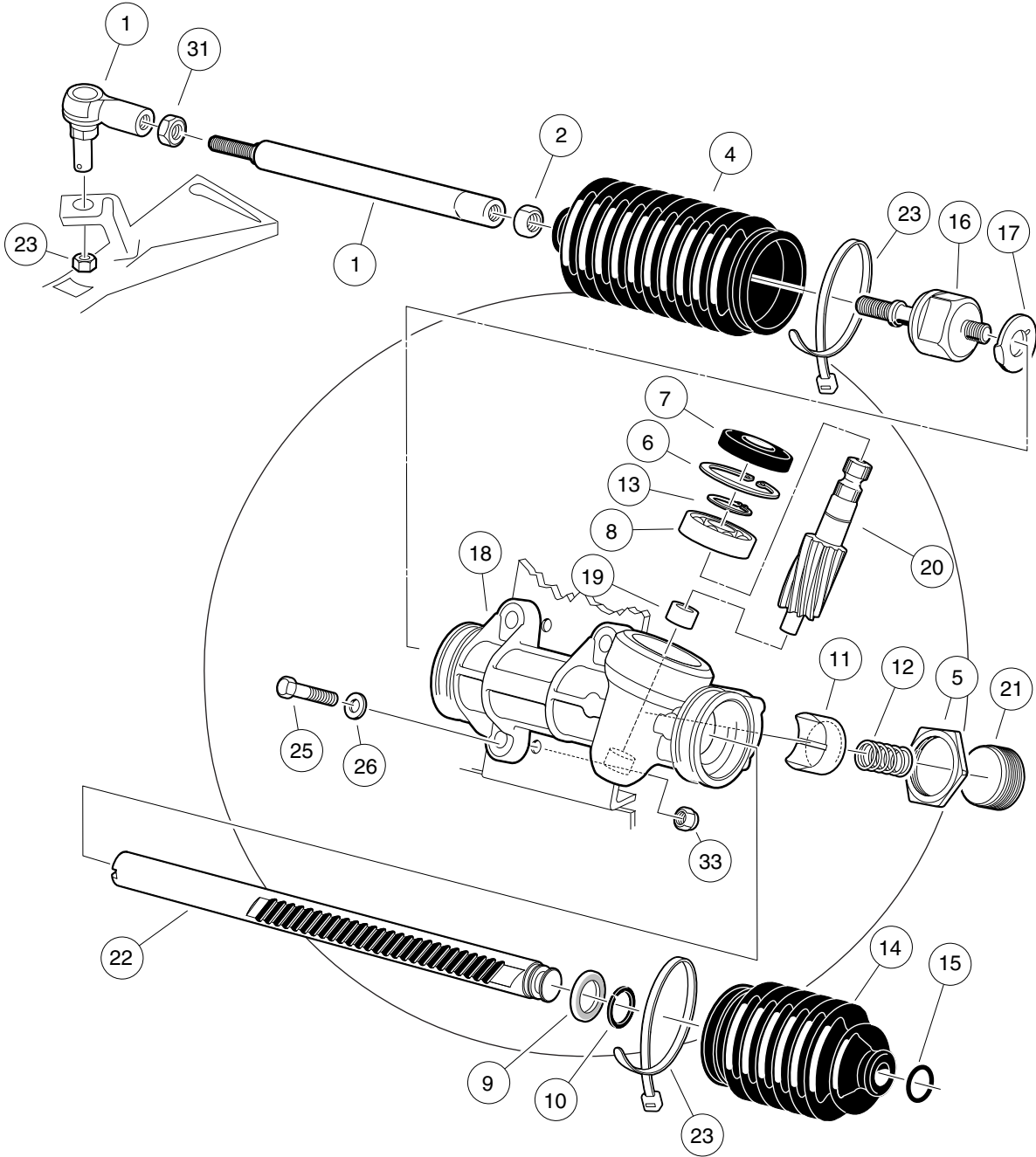
000246-003

# STEERING WHEEL

| ITEM | PART NO.  | DESCRIPTION                        | QTY |
|------|-----------|------------------------------------|-----|
|      |           | <b>1 2 3 4</b>                     |     |
| 1    | 101615504 | Plate, Scorecard .....             | 1   |
| 2    | 1016156   | Wheel, Steering .....              | 1   |
| 3    | 1016663   | Screw, #12-14 X 0.625 .....        | 2   |
| 4    | 1017273   | Nut, 5/8-18 Nylon Insert Jam ..... | 1   |

**5**  
**G**  
**E**

**5**  
**G**  
**E**

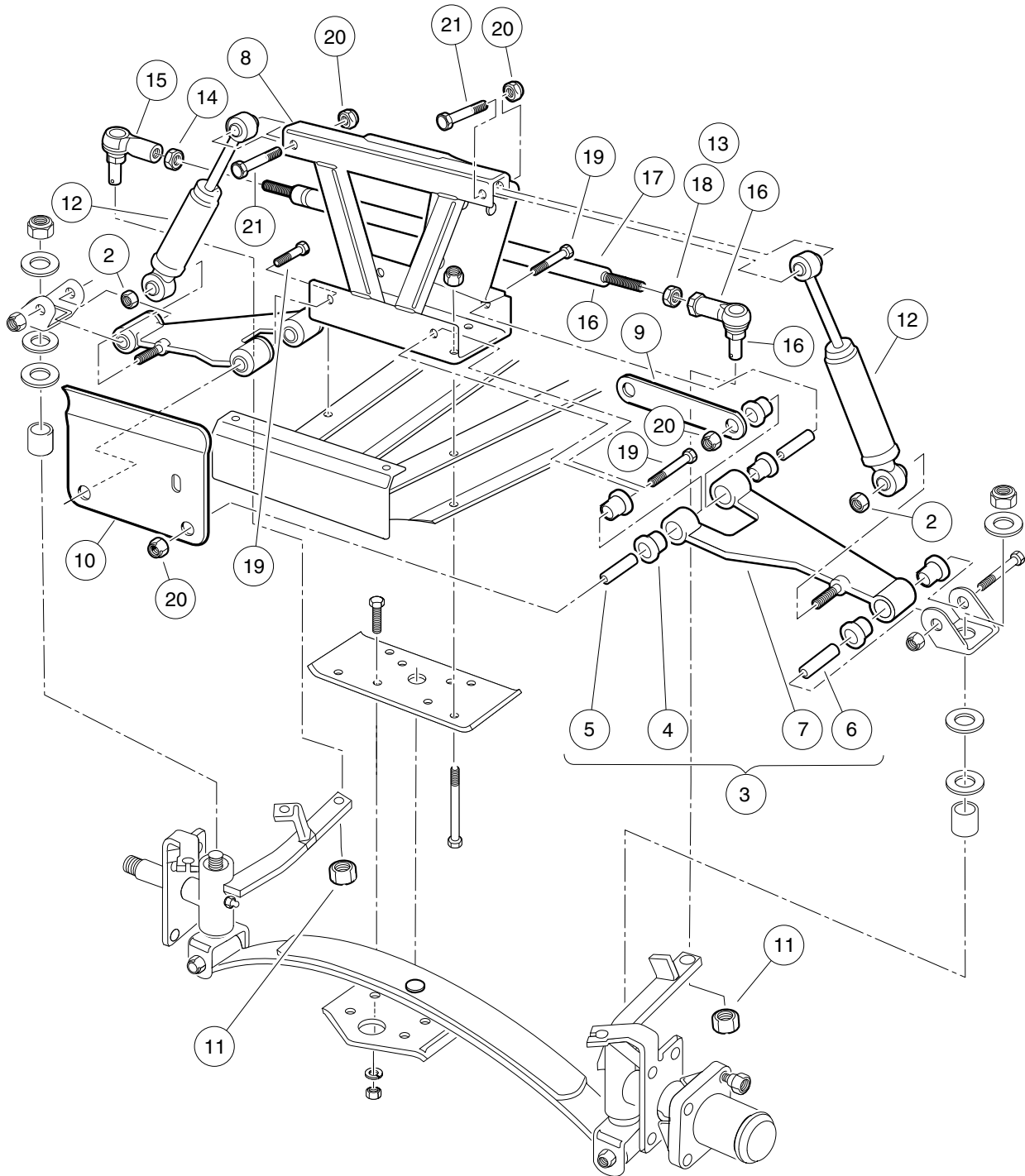


000189-001

# STEERING GEAR ASSEMBLY

| ITEM | PART NO.  | DESCRIPTION   | QTY | 5 |
|------|-----------|---|-----|---|
|      |           | <b>1 2 3 4</b>  |     | G |
| 1    | 1012467   | Link, Rack and Pinion Drag .....  | 1   | E |
| 2    | 1013042   | Nut, 12mm Hex .....   | 1   |   |
| 3    | 101878302 | Steering Gear Assembly (without yoke) (includes items 4 through 23) ..... | 1   |   |
| 4    | 1013035   | Bellows, Long .....   | 1   |   |
| 5    | 1013044   | Rack Screw Locknut .....  | 1   |   |
| 6    | 1013051   | Snap Ring .....   | 1   |   |
| 7    | 1013052   | Seal, Steering Pinion Dust .....  | 1   |   |
| 8    | 101879401 | Bearing, Ball .....   | 1   |   |
| 9    | 101879501 | Stop Washer .....   | 1   |   |
| 10   | 101879601 | Stop Ring, C-Type .....   | 1   |   |
| 11   | 101879701 | Support Yoke .....  | 1   |   |
| 12   | 101879801 | Rack Guide Pressure Spring .....  | 1   |   |
| 13   | 101879901 | Ring, Stop, C-Type .....  | 1   |   |
| 14   | 101880001 | Bellows, Short .....  | 1   |   |
| 15   | 101880101 | Dust Seal Retaining Ring .....  | 1   |   |
| 16   | 101880201 | Inner Ball Joint Asm .....  | 1   |   |
| 17   | 101880301 | Washer, Tab .....   | 1   |   |
| 18   | N/A       | Box, Steering Gear .....  | 1   |   |
| 19   | N/A       | Bearing, Lower Pinion .....   | 1   |   |
| 20   | N/A       | Pinion, Steering .....  | 1   |   |
| 21   | N/A       | Screw, Rack Guide .....   | 1   |   |
| 22   | N/A       | Rack, Steering .....  | 1   |   |
| 23   | 8990      | Tie Wrap, 8" Nylon .....  | 2   |   |
| 24   | 1035      | Cotter Pin, 3/32 x 1 .....  | 1   |   |
| 25   | 1624      | Screw, 3/8-16 X 1.50 Hex-Head Cap .....                                   | 3   |   |
| 26   | 334       | Washer, 3/8 Type A Flat .....   | 3   |   |
| 27   | 7540      | Ball Joint, Left (includes items 28 through 31) .....                     | 1   |   |
| 28   | 1011895   | Socket, LH Vertical .....   | 1   |   |
| 29   | 1011930   | Seal, Vertical Socket Dust .....  | 1   |   |
| 30   | 1015597   | Fitting, 1/4-28 Thread-Forming Grease .....                               | 1   |   |
| 31   | 7602      | Nut, 3/8-24 UNF Hex .....   | 1   |   |
| 32   | 7555      | Nut, 1/2-20 Hex, Left-Hand Thread .....                                   | 1   |   |
| 33   | 8754      | Locknut, 3/8-16 Hex .....   | 3   |   |

**5**  
**G**  
**E**



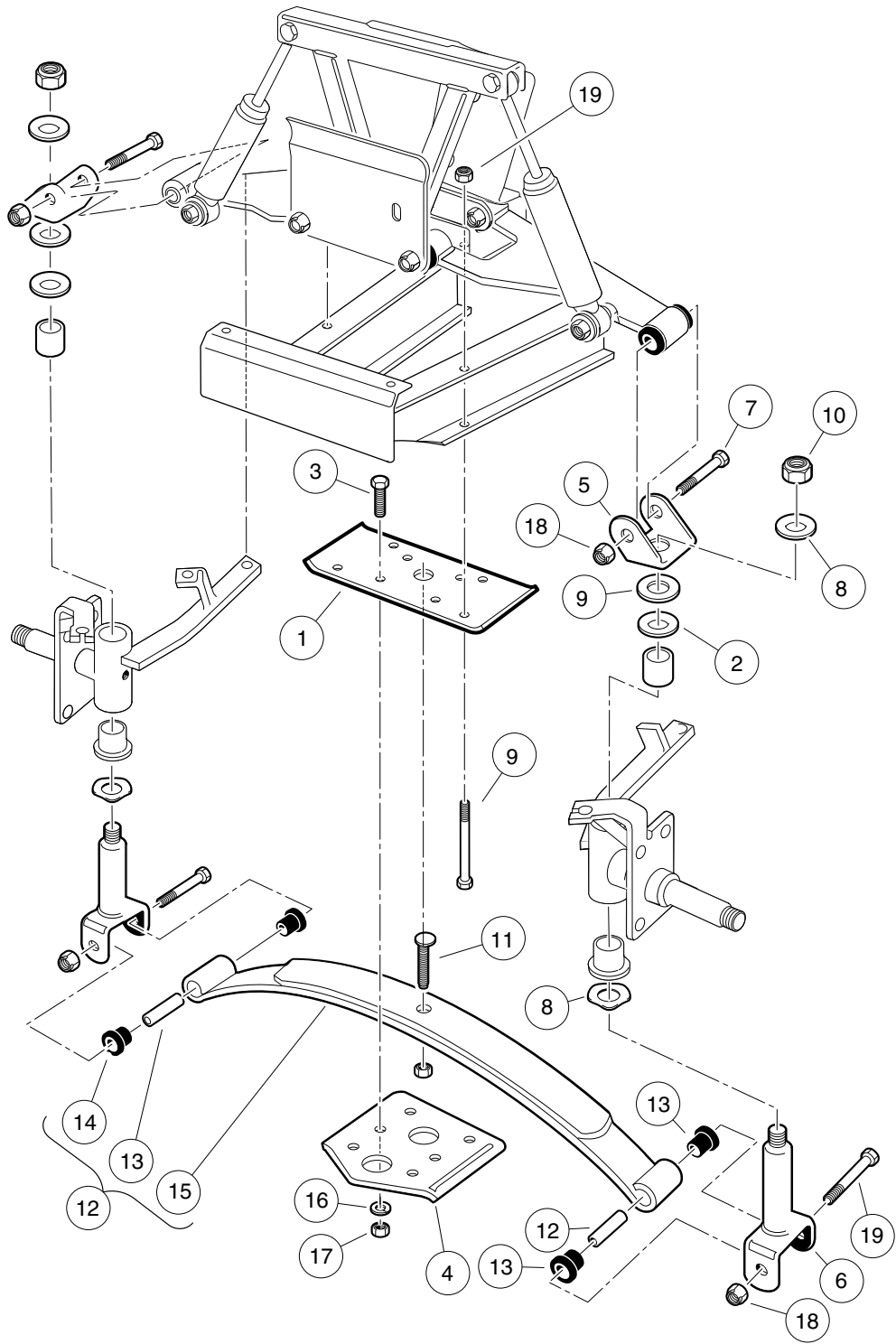
000314-004

## FRONT SUSPENSION, UPPER

| ITEM | PART NO.  | DESCRIPTION  | QTY |
|------|-----------|--|-----|
|      |           | 1 2 3 4  |     |
| 1    | N/A       | Sub-Assembly, Front Suspension (includes items 2 through 20) ..... | 1   |
| 2    | 1010138   | Locknut, 3/8-16 Dimpled .....                                      | 2   |
| 3    | 1016353   | Sub-Assembly, Delta A-Plate (includes items 4 through 7) .....     | 2   |
| 4    | 1016346   | Bushing, Urethane .....  | 6   |
| 5    | 1016349   | Sleeve, Delta Inner .....  | 2   |
| 6    | 1016350   | Sleeve, Delta Outer .....  | 1   |
| 7    | 1016351   | Delta A-Plate .....  | 1   |
| 8    | 1016385   | Delta Shock and Gear Support Assembly .....                        | 1   |
| 9    | 1017266   | A-Plate Strap .....  | 1   |
| 10   | 101955001 | Brake Cable Guide Bracket .....                                    | 1   |
| 11   | 102289201 | Nut - Hex Locking, M12 X 1.25 .....                                | 3   |
| 12   | 103351001 | Shock Absorber, Front, Common .....                                | 2   |
| 13   | N/A       | Asm, Tie Rod (includes items 14 through 18) .....                  | 1   |
| 14   | 1013042   | Nut, 12mm Hex .....  | 1   |
| 15   | 102022601 | End, Tie Rod M12 X 1.25 Rh .....                                   | 1   |
| 16   | 102022602 | End, Tie Rod, M12 X 1.25, Lh .....                                 | 1   |
| 17   | 103354701 | Rod, Tie, Male Thd .....   | 1   |
| 18   | 103653501 | Nut, Jam, M12-1.25, Lh .....                                       | 1   |
| 19   | 2402      | Screw, 3/8-16 X 2.25 Hx Hd Cap .....                               | 4   |
| 20   | 8754      | Locknut, 3/8-16 Hex .....  | 13  |

5  
G  
E

**5**  
**G**  
**E**



000313-001

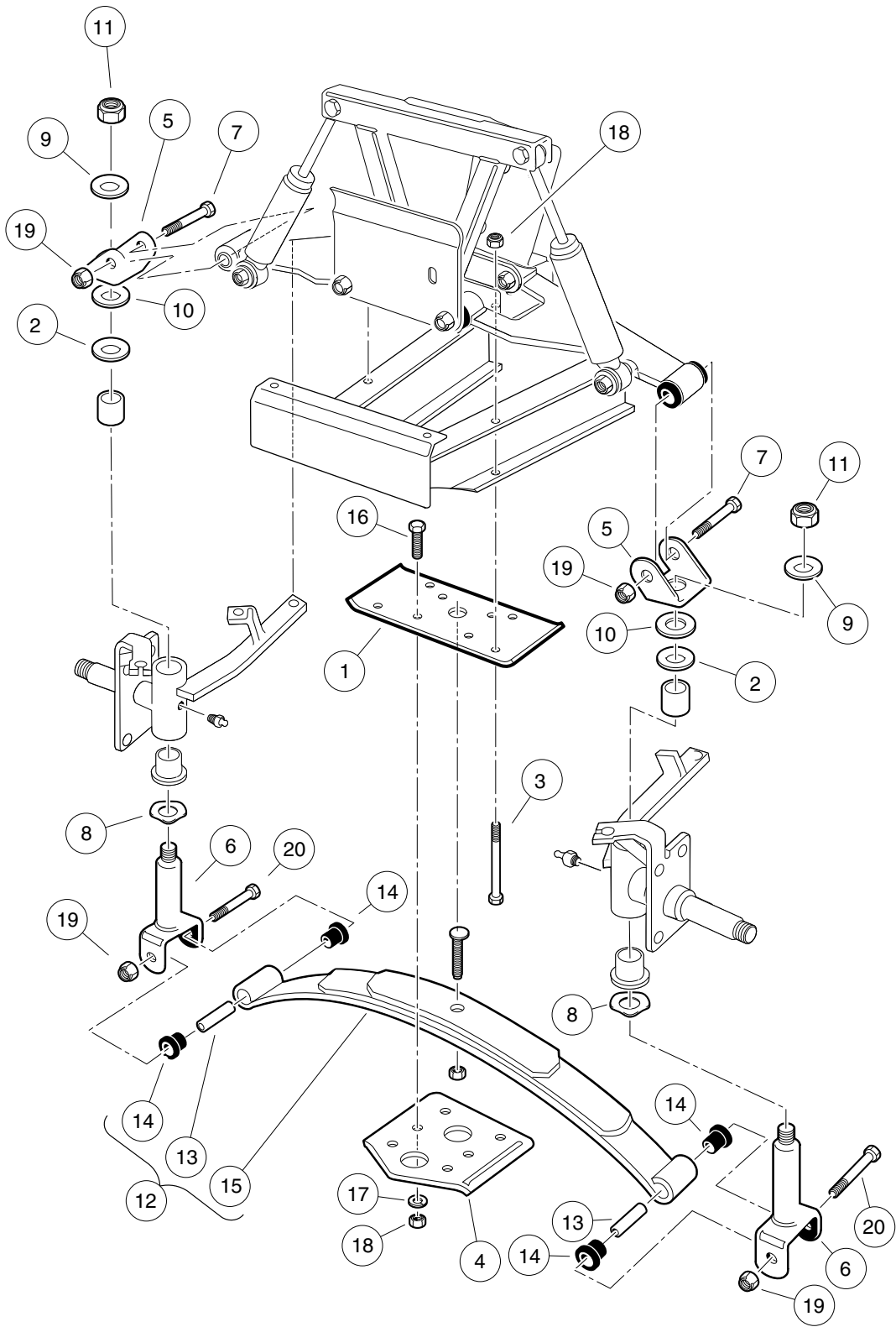


## FRONT SUSPENSION, LOWER (STYLE A)

| ITEM | PART NO.  | DESCRIPTION  | QTY |
|------|-----------|--|-----|
|      |           | 1 2 3 4  |     |
| 1    | 1010124   | Plate, Spring Mount .....                                      | 1   |
| 2    | 1010150   | Bearing, Thrust .....  | 2   |
| 3    | 1014276   | Plate, Front Spring Retainer .....                             | 1   |
| 4    | 1016384   | Clevis, Delta Upper .....                                      | 2   |
| 5    | 1016386   | King Pin Assembly .....  | 2   |
| 6    | 1016387   | Screw, 3/8-16 X 2.75 Hx Hd Cap .....                           | 2   |
| 7    | 1016389   | Washer, 1.125 Od Wave .....                                    | 2   |
| 8    | 102564002 | Washer-1/2 Conical, Yellow .....                               | 2   |
| 9    | 102684501 | Washer, M12 Hard Regular .....                                 | 2   |
| 10   | 102766301 | Nut, 1/2-20, Center Lock .....                                 | 2   |
| 11   | 103628801 | Spring Asm, Front, 2 Leaf (includes items 12 through 14) ..... | 1   |
| 12   | 1012303   | Bushing, Steel .....   | 2   |
| 13   | 1015583   | Bushing, Urethane .....  | 4   |
| 14   | 103502701 | Spring, Front, 2 Leaf .....                                    | 1   |
| 15   | 2402      | Screw, 3/8-16 X 2.25 Hx Hd Cap .....                           | 4   |
| 16   | 357       | Lockwasher, 3/8 Split .....                                    | 4   |
| 17   | 706       | Nut, Hex 3/8-16 .....  | 4   |
| 18   | 7270      | Bolt, 3/8-16 X 4.50 Hex Head .....                             | 4   |
| 19   | 8754      | Locknut, 3/8-16 Hex .....                                      | 8   |
| 20   | 8755      | Screw, 3/8-16 X 3.375 Hex Cap .....                            | 2   |

**5**  
**G**  
**E**

**5**  
**G**  
**E**



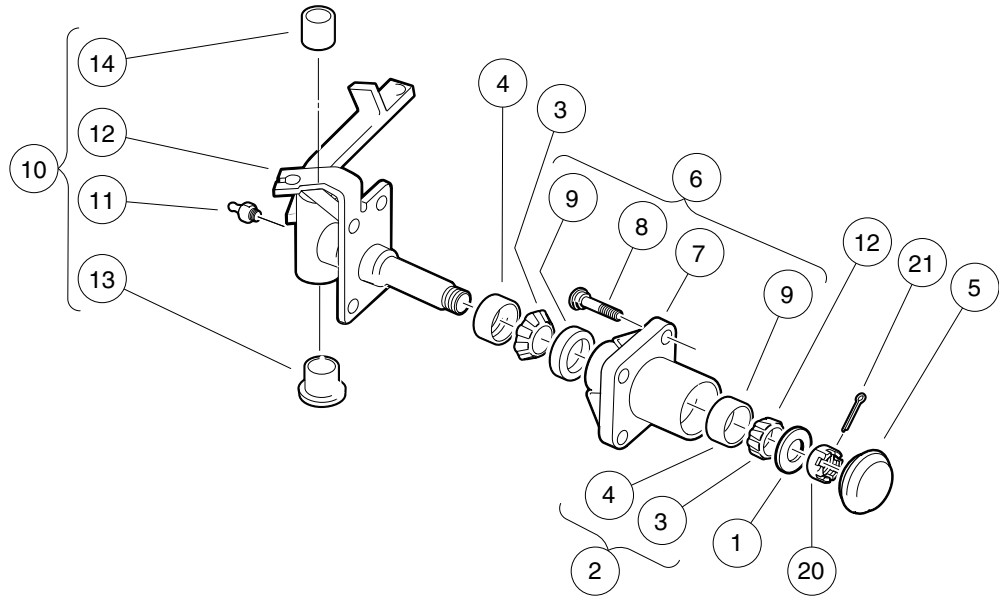
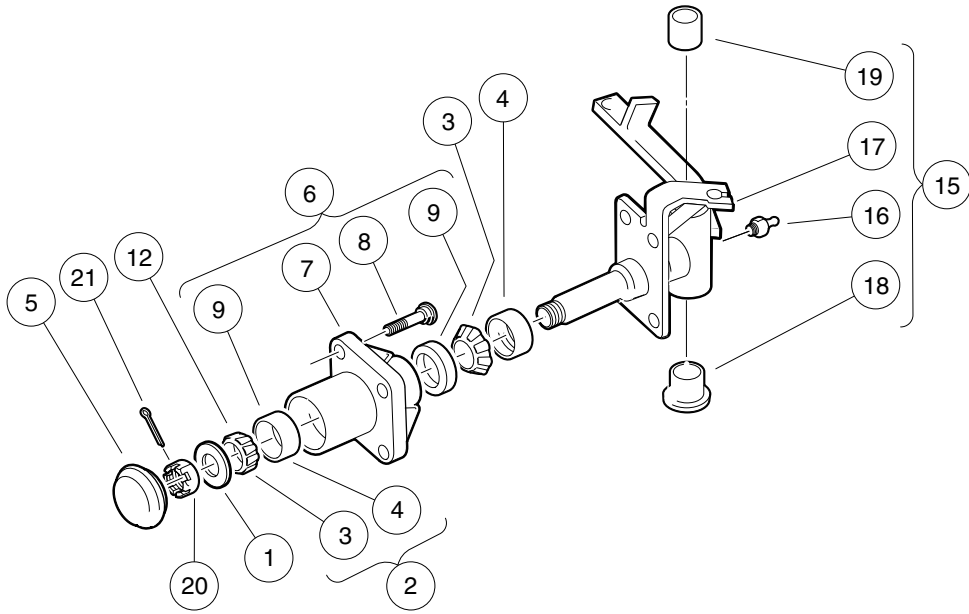
000313-002

## FRONT SUSPENSION, LOWER (STYLE B)

| ITEM | PART NO.  | DESCRIPTION  | QTY |
|------|-----------|--|-----|
|      |           | <b>1 2 3 4</b>   |     |
| 1    | 1010124   | Plate, Spring Mount .....                                      | 1   |
| 2    | 1010150   | Bearing, Thrust .....  | 2   |
| 3    | 1010200   | Bolt, 3/8-16 X 4.25 Hex Head .....                             | 4   |
| 4    | 1014276   | Plate, Front Spring Retainer .....                             | 1   |
| 5    | 1016384   | Clevis, Delta Upper .....                                      | 2   |
| 6    | 1016386   | King Pin Assembly .....  | 2   |
| 7    | 1016387   | Screw, 3/8-16 X 2.75 Hx Hd Cap .....                           | 2   |
| 8    | 1016389   | Washer, 1.125 Od Wave .....                                    | 2   |
| 9    | 102564002 | Washer-1/2 Conical, Yellow .....                               | 2   |
| 10   | 102684501 | Washer, M12 Hard Regular .....                                 | 2   |
| 11   | 102766301 | Nut, 1/2-20, Center Lock .....                                 | 2   |
| 12   | 103628901 | Spring Asm, Front, 3 Leaf (includes items 13 through 15) ..... | 1   |
| 13   | 1012303   | Bushing, Steel .....   | 2   |
| 14   | 1015583   | Bushing, Urethane .....  | 4   |
| 15   | 103502801 | Spring, Front, 3 Leaf .....                                    | 1   |
| 16   | 2402      | Screw, 3/8-16 X 2.25 Hx Hd Cap .....                           | 4   |
| 17   | 357       | Lockwasher, 3/8 Split .....                                    | 4   |
| 18   | 706       | Nut, Hex 3/8-16 .....  | 4   |
| 19   | 8754      | Locknut, 3/8-16 Hex .....                                      | 8   |
| 20   | 8755      | Screw, 3/8-16 X 3.375 Hex Cap .....                            | 2   |

5  
G  
E

**5**  
**G**  
**E**



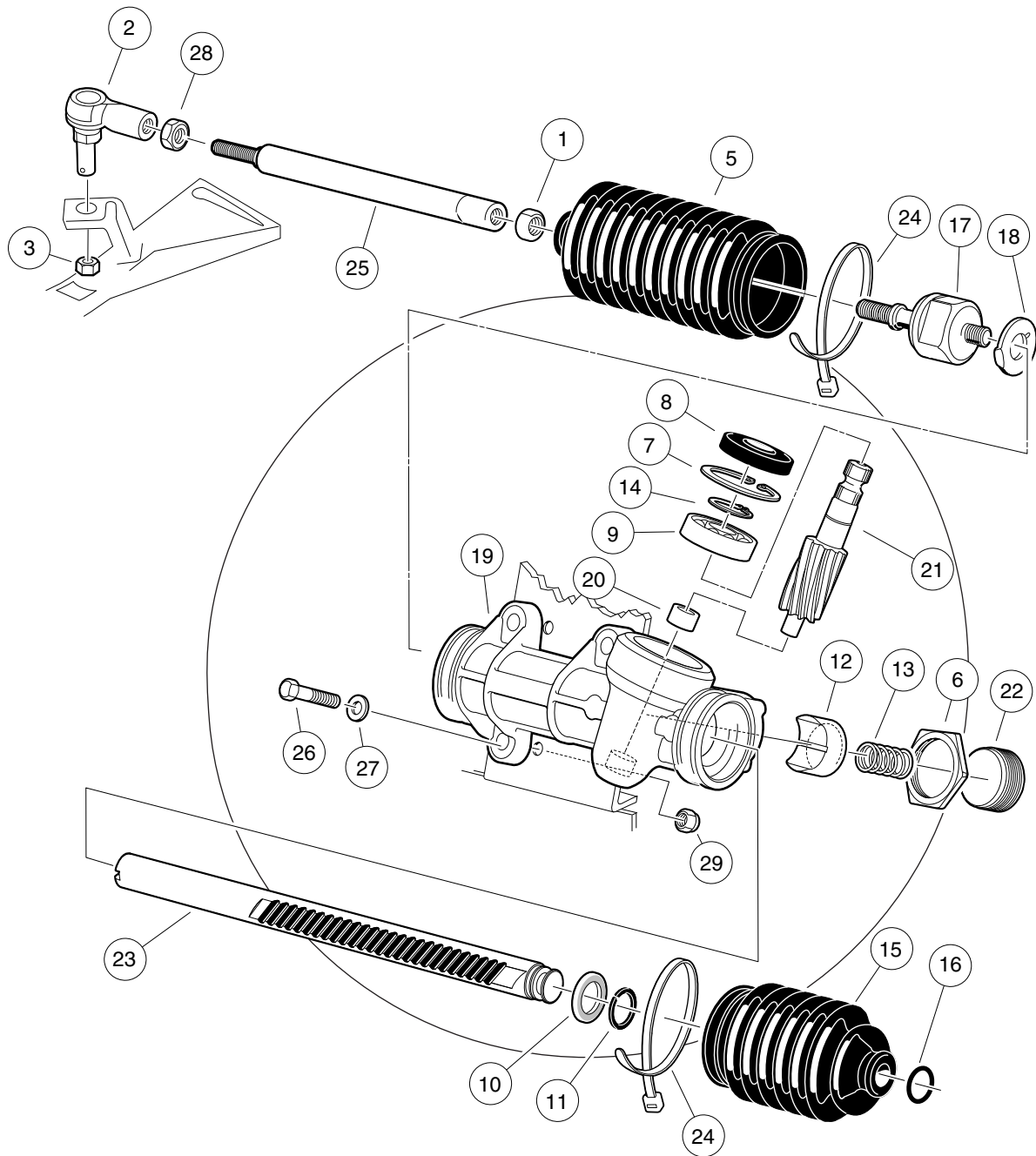
000310-002

## FRONT SPINDLES AND HUBS – VEHICLES WITH FOUR-WHEEL BRAKES

| ITEM | PART NO.  | DESCRIPTION  | QTY |
|------|-----------|--|-----|
|      |           | <b>1 2 3 4</b>   |     |
| 1    | 1010005   | Washer, 3/4 Flat .....   | 2   |
| 2    | 1011393   | Hub Bearing Package (includes items 3 and 4) .....             | 4   |
| 3    | 7274      | Bearing, Front Hub Wheel .....                                 | 1   |
| 4    | 7308      | Race, Front Hub Bearing .....                                  | 1   |
| 5    | 1011887   | Dust Cover .....   | 2   |
| 6    | 1011889   | Hub (includes items 7 through 9) .....                         | 2   |
| 7    | 1011153   | Front Hub .....  | 1   |
| 8    | 103477901 | Lug Stud, 1/2-20 Unf, 4037 .....                               | 4   |
| 9    | 7308      | Race, Front Hub Bearing .....                                  | 2   |
| 10   | 103717302 | Asm, Spindle, Lh, 4wb, Sp (includes items 11 through 14) ..... | 1   |
| 11   | 1015597   | Fitting, 1/4-28 Thread-Forming Grease .....                    | 1   |
| 12   | N/A       | Subasm, Spindle, Lh, 4wb .....                                 | 1   |
| 13   | 7048      | Bushing, Flanged Bronze .....                                  | 1   |
| 14   | 8067      | Bushing, Bronze Spindle .....                                  | 1   |
| 15   | 103717402 | Asm, Spindle, Rh, 4wb, Sp (includes items 16 through 19) ..... | 1   |
| 16   | 1015597   | Fitting, 1/4-28 Thread-Forming Grease .....                    | 1   |
| 17   | N/A       | Subasm, Spindle, Rh, 4wb .....                                 | 1   |
| 18   | 7048      | Bushing, Flanged Bronze .....                                  | 1   |
| 19   | 8067      | Bushing, Bronze Spindle .....                                  | 1   |
| 20   | 7840      | Nut, 3/4-16 Hex Slotted .....                                  | 2   |
| 21   | 7910      | Pin, 5/32 X 1.00 Cotter .....                                  | 2   |

**5**  
**G**  
**E**

**5**  
**G**  
**E**

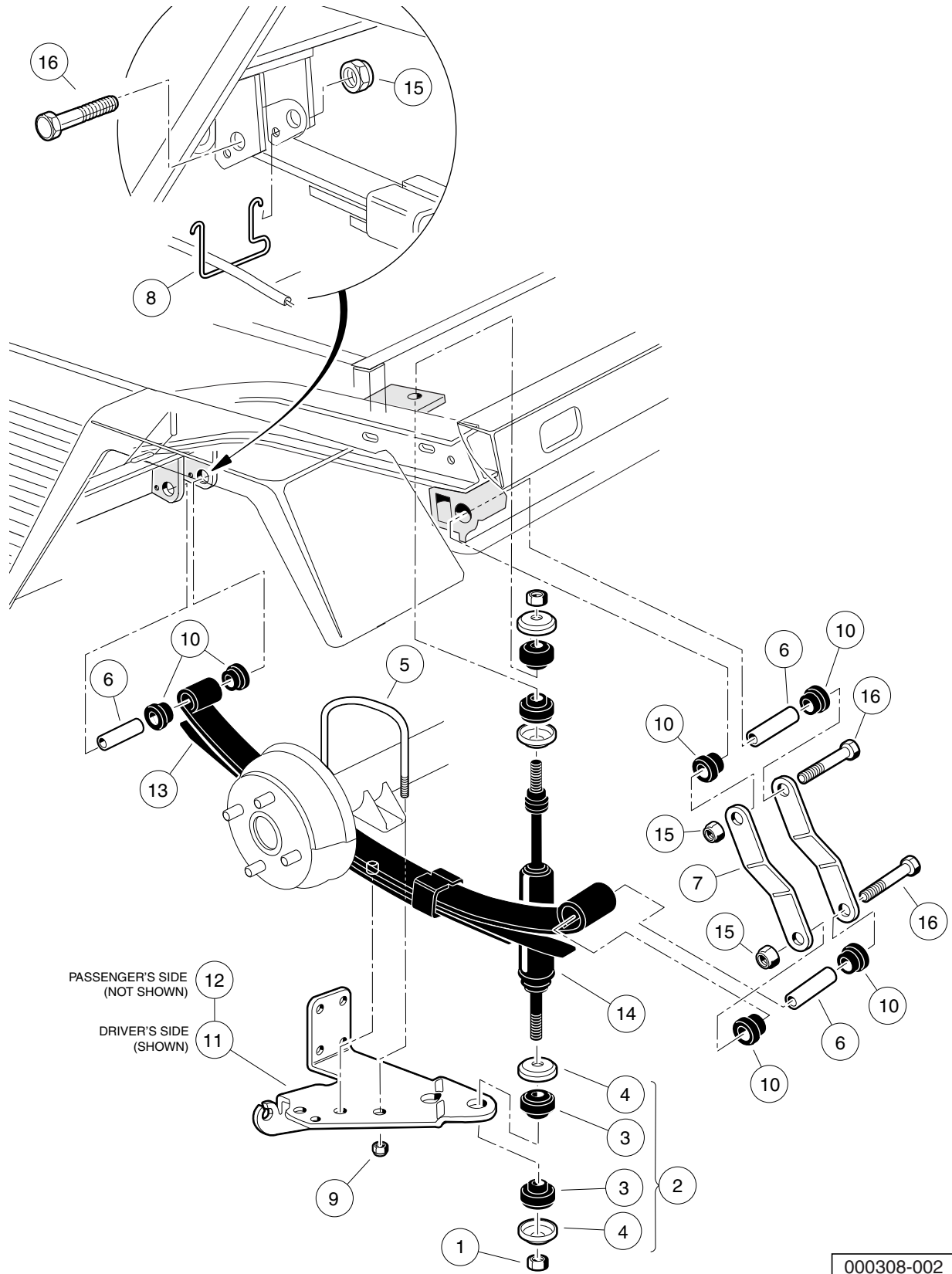


000960-001

## STEERING GEAR ASSEMBLY

| ITEM | PART NO.  | DESCRIPTION   | QTY | <b>5</b> |
|------|-----------|---|-----|----------|
|      |           | <b>1 2 3 4</b>  |     |          |
| 1    | 1013042   | Nut, 12mm Hex .....   | 1   | <b>G</b> |
| 2    | 102022602 | End, Tie Rod, M12 X 1.25, Lh .....                                | 1   | <b>E</b> |
| 3    | 102289201 | Nut - Hex Locking, M12 X 1.25 .....                               | 3   |          |
| 4    | 103601501 | Asm, Steering Rack And Pinion (includes items 5 through 24) ..... | 1   |          |
| 5    | 1013035   | Bellows, Long .....   | 1   |          |
| 6    | 1013044   | Rack Screw Locknut .....  | 1   |          |
| 7    | 1013051   | Snap Ring .....   | 1   |          |
| 8    | 1013052   | Seal, Steering Pinion Dust .....                                  | 1   |          |
| 9    | 101879401 | Bearing, Ball .....   | 1   |          |
| 10   | 101879501 | Stop Washer .....   | 1   |          |
| 11   | 101879601 | Stop Ring, C-Type .....   | 1   |          |
| 12   | 101879701 | Support Yoke .....  | 1   |          |
| 13   | 101879801 | Rack Guide Pressure Spring .....                                  | 1   |          |
| 14   | 101879901 | Ring, Stop, C-Type .....  | 1   |          |
| 15   | 101880001 | Bellows, Short .....  | 1   |          |
| 16   | 101880101 | Dust Seal Retaining Ring .....                                    | 1   |          |
| 17   | 101880201 | Inner Ball Joint Asm .....  | 1   |          |
| 18   | 101880301 | Washer, Tab .....   | 1   |          |
| 19   | N/A       | Box, Steering Gear .....  | 1   |          |
| 20   | N/A       | Bearing, Lower Pinion .....                                       | 1   |          |
| 21   | N/A       | Pinion, Steering .....  | 1   |          |
| 22   | N/A       | Screw, Rack Guide .....   | 1   |          |
| 23   | N/A       | Rack, Steering .....  | 1   |          |
| 24   | 8990      | Tie Wrap, 8" Nylon .....  | 2   |          |
| 25   | 103653401 | Link, Drag, Male Thd .....  | 1   |          |
| 26   | 1624      | Screw, 3/8-16 X 1.50 Hex-Head Cap .....                           | 3   |          |
| 27   | 334       | Washer, 3/8 Type A Flat .....                                     | 3   |          |
| 28   | 7555      | Nut, 1/2-20 Hex, Left-Hand Thread .....                           | 1   |          |
| 29   | 8754      | Locknut, 3/8-16 Hex .....   | 3   |          |

**5**  
**G**  
**E**



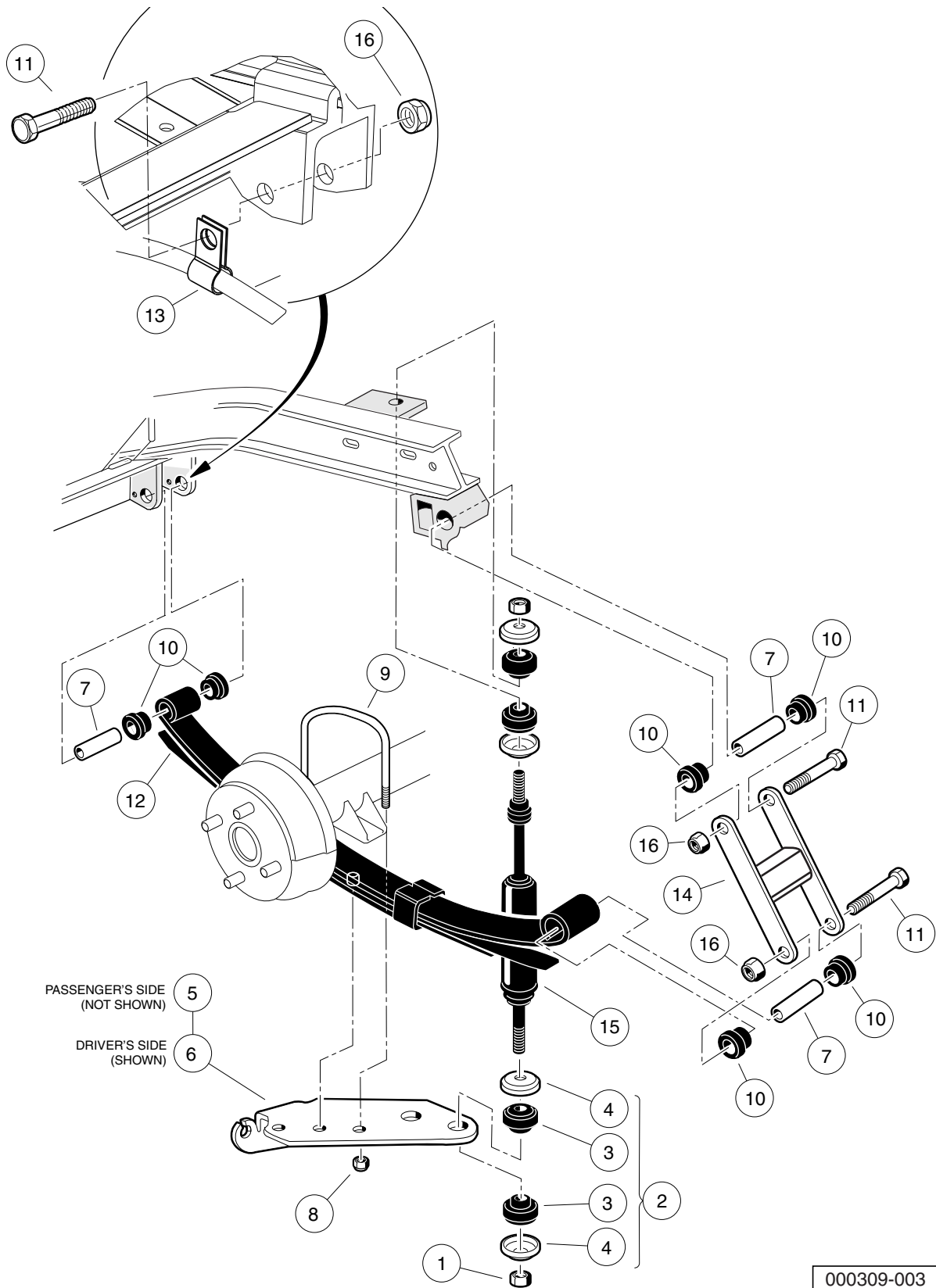


## REAR SUSPENSION – GASOLINE VEHICLES

| ITEM  | PART NO.  | DESCRIPTION  | QTY |
|---|-----------|--|-----|
|   |           | 1 2 3 4  |     |
| 1   | 1010145   | Nut, 3/8-24 Hex .....                                      | 4   |
| 2   | 1011415   | Kit, Shock Absorber Cushion (includes items 3 and 4) ..... | 4   |
| 3   | 1010142   | Cushion, Shock Absorber .....                              | 2   |
| 4   | 1010144   | Retainer, Shock Absorber Cushion .....                     | 2   |
| 5   | 1012180   | U-Bolt .....   | 2   |
| 6   | 1012303   | Bushing, Steel .....                                       | 6   |
| 7   | 1012304   | Shackle, Rear Spring .....                                 | 4   |
| 8   | 1013207   | Hanger, Brake Cable .....                                  | 2   |
| 9   | 1014555   | Locknut, 7/16-14 Nylon Hex .....                           | 4   |
| 10  | 1015583   | Bushing, Urethane .....                                    | 12  |
| 11  | 101926501 | Bracket, Left-Hand .....                                   | 1   |
| 12  | 101929401 | Bracket, Right .....                                       | 1   |
| 13  | 102871801 | Spring, Multi Leaf .....                                   | 2   |
| 14  | 103350901 | Shock Absorber, Rear, Utility .....                        | 2   |
| 15  | 8754      | Locknut, 3/8-16 Hex .....                                  | 6   |
| 16  | 8755      | Screw, 3/8-16 X 3.375 Hex Cap .....                        | 6   |
| <p>Note: Only the driver-side rear suspension is shown. Parts for the passenger-side rear suspension are identical except for the leaf spring/shock mounting plate.</p> |           |  |     |

5  
G  
E

**5**  
**G**  
**E**



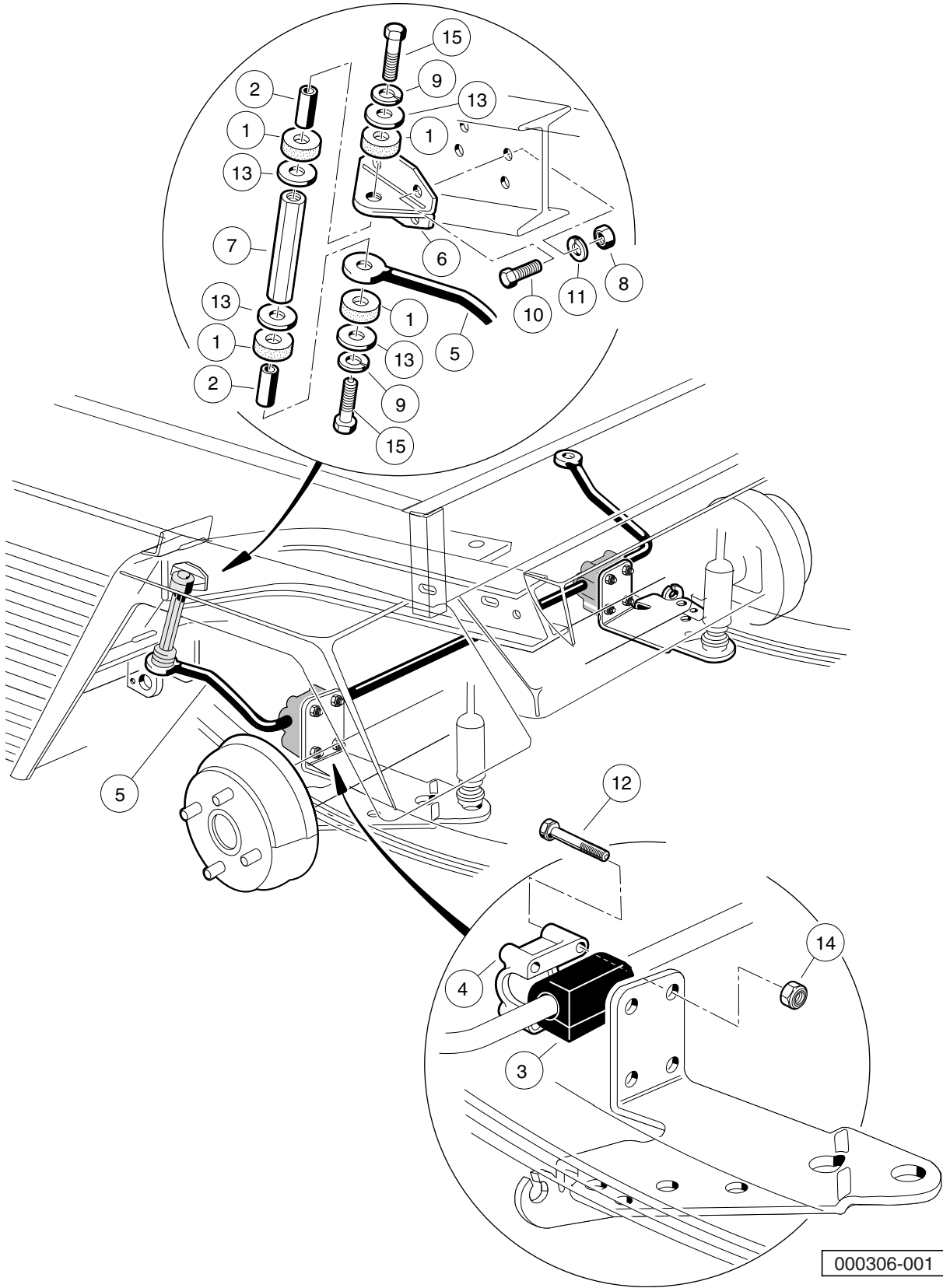
000309-003

## REAR SUSPENSION – IQ PLUS VEHICLES

| ITEM  | PART NO.  | DESCRIPTION  | QTY |
|---|-----------|--|-----|
|   |           | 1 2 3 4  |     |
| 1   | 1010145   | Nut, 3/8-24 Hex .....                                      | 4   |
| 2   | 1011415   | Kit, Shock Absorber Cushion (includes items 3 and 4) ..... | 4   |
| 3   | 1010142   | Cushion, Shock Absorber .....                              | 2   |
| 4   | 1010144   | Retainer, Shock Absorber Cushion .....                     | 2   |
| 5   | 1012181   | Bracket, Shock Mounting, Right (Passenger) .....           | 1   |
| 6   | 1012182   | Bracket, Shock Mounting, Left (Driver) .....               | 1   |
| 7   | 1012303   | Bushing, Steel .....                                       | 6   |
| 8   | 1014555   | Locknut, 7/16-14 Nylon Hex .....                           | 4   |
| 9   | 1014902   | U-Bolt .....   | 2   |
| 10  | 1015583   | Bushing, Urethane .....                                    | 12  |
| 11  | 102066201 | Screw, 3/8-16 X 3.50 Hex Cap .....                         | 6   |
| 12  | 102871801 | Spring, Multi Leaf .....                                   | 2   |
| 13  | 102891101 | Clamp, Cable, Brake, Sym .....                             | 2   |
| 14  | 102917101 | Weldment, Shackle .....                                    | 2   |
| 15  | 103351101 | Shock, Absorber, Utility .....                             | 2   |
| 16  | 8754      | Locknut, 3/8-16 Hex .....                                  | 6   |
| <p>Note: Only the driver-side rear suspension is shown. Parts for the passenger-side rear suspension are identical except for the leaf spring/shock mounting plate.</p> |           |  |     |

5  
G  
E

**5**  
**G**  
**E**



000306-001

## STABILIZER BAR – GASOLINE VEHICLES

| ITEM  | PART NO. | DESCRIPTION                              | QTY |
|---|----------|--|-----|
|   |          | 1 2 3 4                                  |     |
| 1   | 1015453  | Compression Mount .....                  | 8   |
| 2   | 1015457  | Spacer, 0.720" .....                     | 4   |
| 3   | 1015613  | Bushing, Stabilizer Bar .....            | 2   |
| 4   | 1015614  | Support, Bushing .....                   | 2   |
| 5   | 1015760  | Stabilizer Bar .....                     | 1   |
| 6   | 1016813  | Mounting Bracket, Stabilizer Bar .....   | 2   |
| 7   | 1016814  | Link, Stabilizer Bar .....               | 2   |
| 8   | 1242     | Nut, 5/16-18 Hex .....                   | 8   |
| 9   | 357      | Lockwasher, 3/8 Split .....              | 4   |
| 10  | 7173     | Screw, 5/16-18 X 0.75 Hex-Head Cap ..... | 8   |
| 11  | 7174     | Lockwasher, 5/16 Split .....             | 8   |
| 12  | 7311     | Screw, 1/4-20 X 2.00 Hex-Head Cap .....  | 8   |
| 13  | 808      | Washer, 3/8 Type B Flat .....            | 8   |
| 14  | 8233     | Locknut, 1/4-20 Nylon Insert .....       | 8   |
| 15  | 8861     | Bolt, 3/8-16 X 1.75 Hex .....            | 4   |
| <p>Note: Only the driver side of the stabilizer bar is shown. Parts for the passenger side of the stabilizer bar are identical.</p> |          |  |     |

5  
G  
E

**5**

**G**

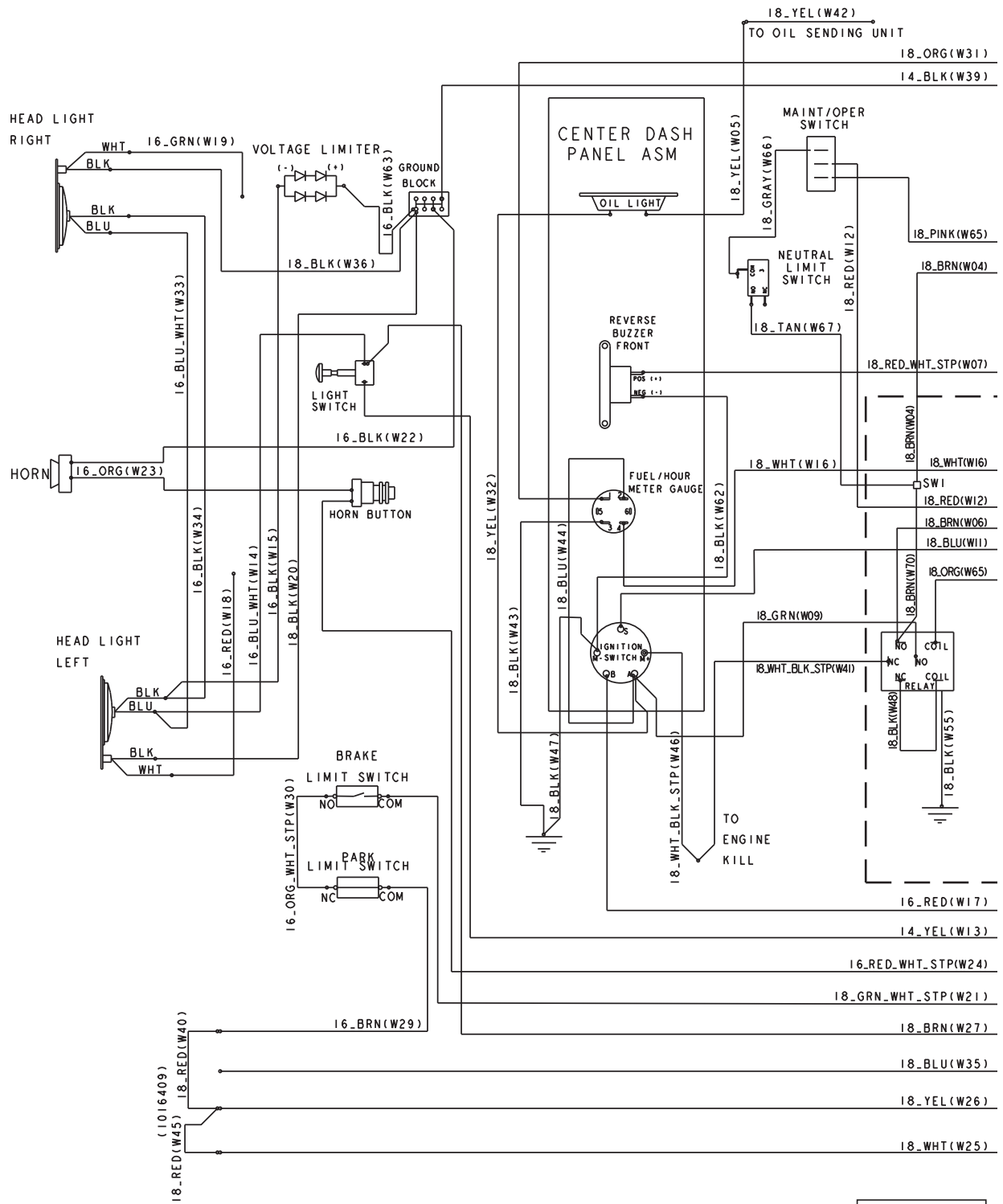
**E**

# ELECTRICAL SYSTEM – GASOLINE VEHICLES

---

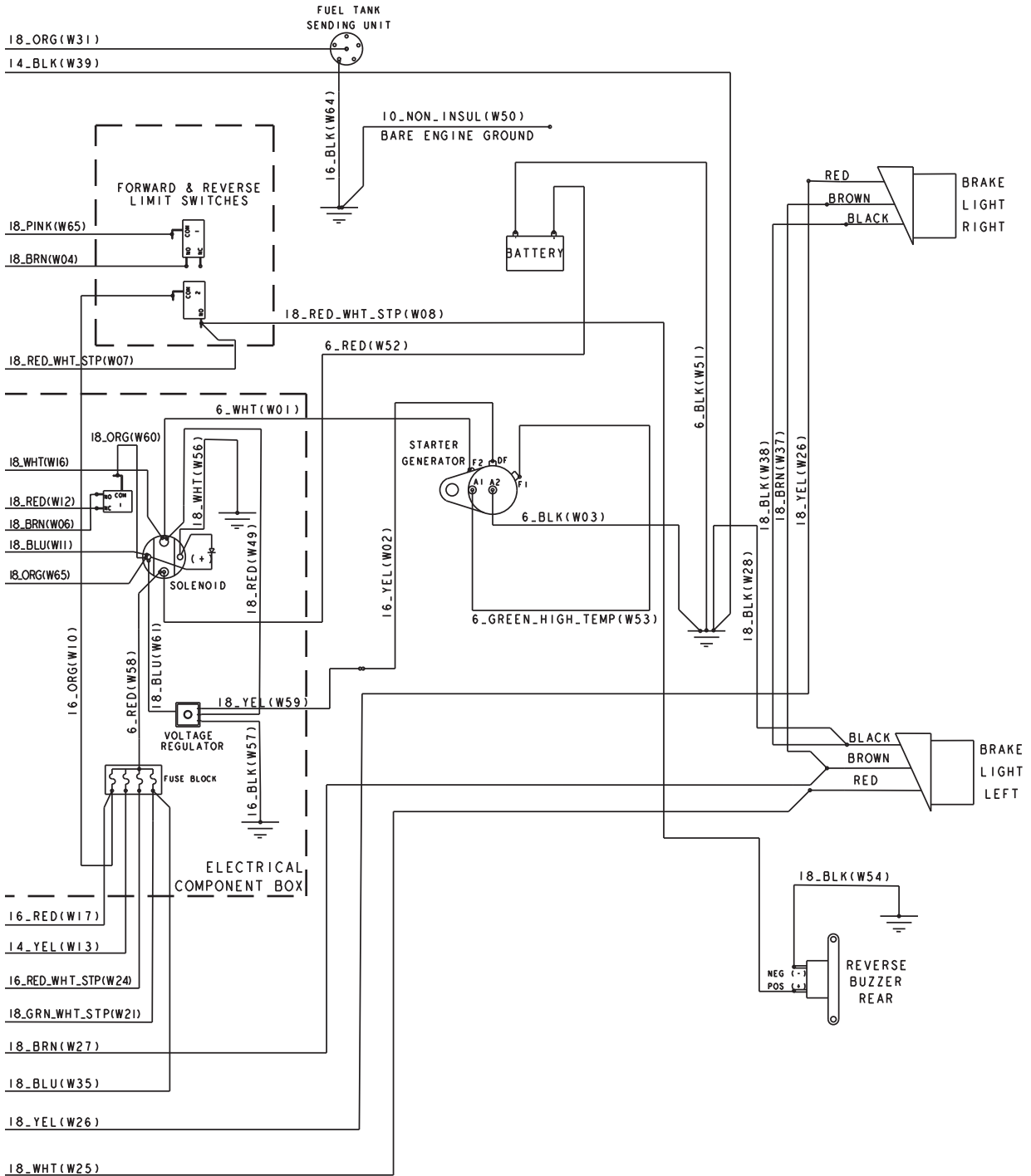
6

G



000574-001





000574-001

**6**

**G**

See previous two pages for illustration.

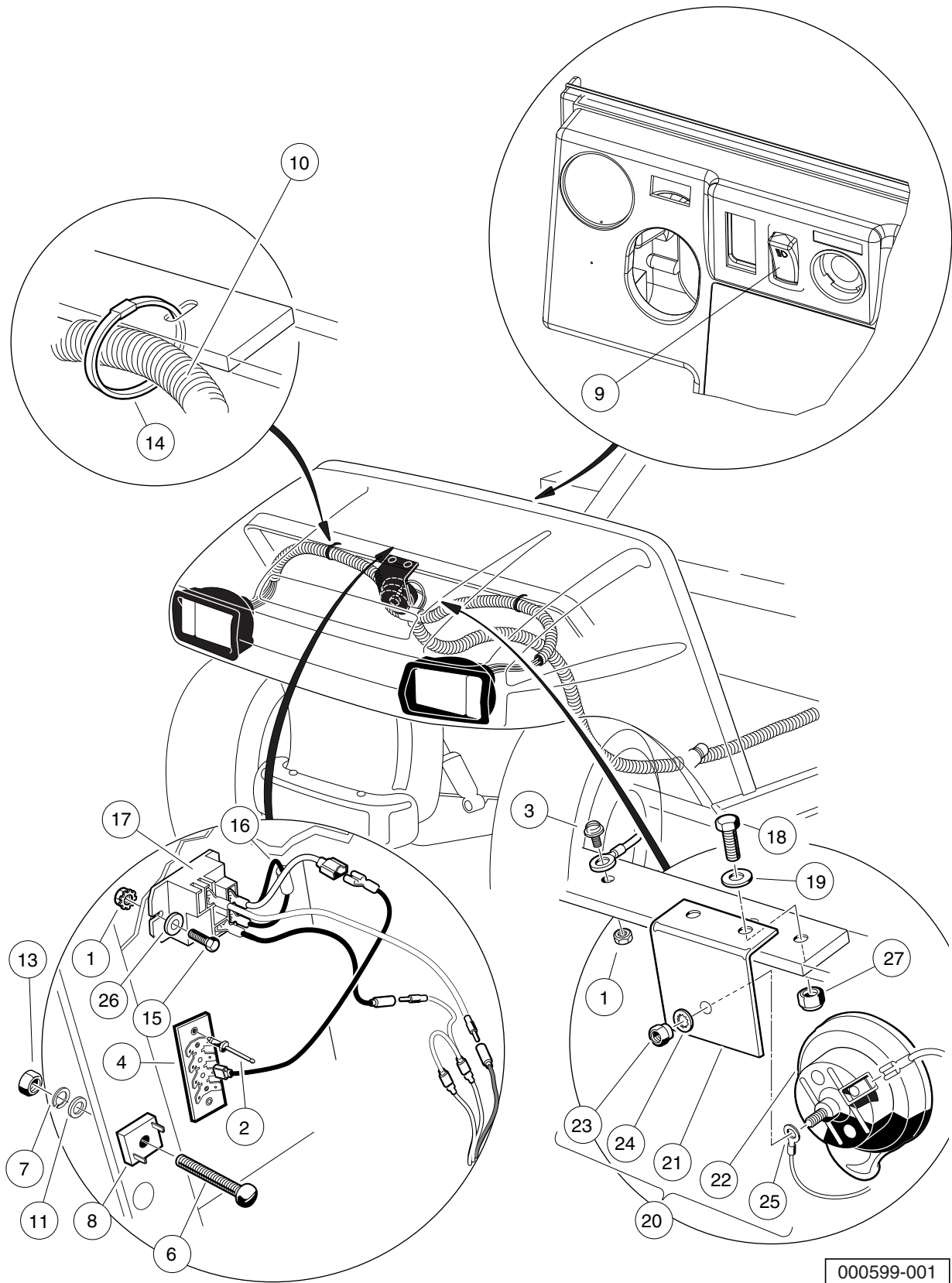
# WIRING – GASOLINE VEHICLES

| ITEM | PART NO.  | DESCRIPTION                                      | QTY |
|------|-----------|--|-----|
| 1    | 103197301 | 1 2 3 4<br>Asm, Wire Harness, Stretch, Gas ..... | 1   |
| 2    | N/A       | Wire Harness, Hd Lght, Ca, Gas .....             | 1   |

6

G

**6**  
**G**

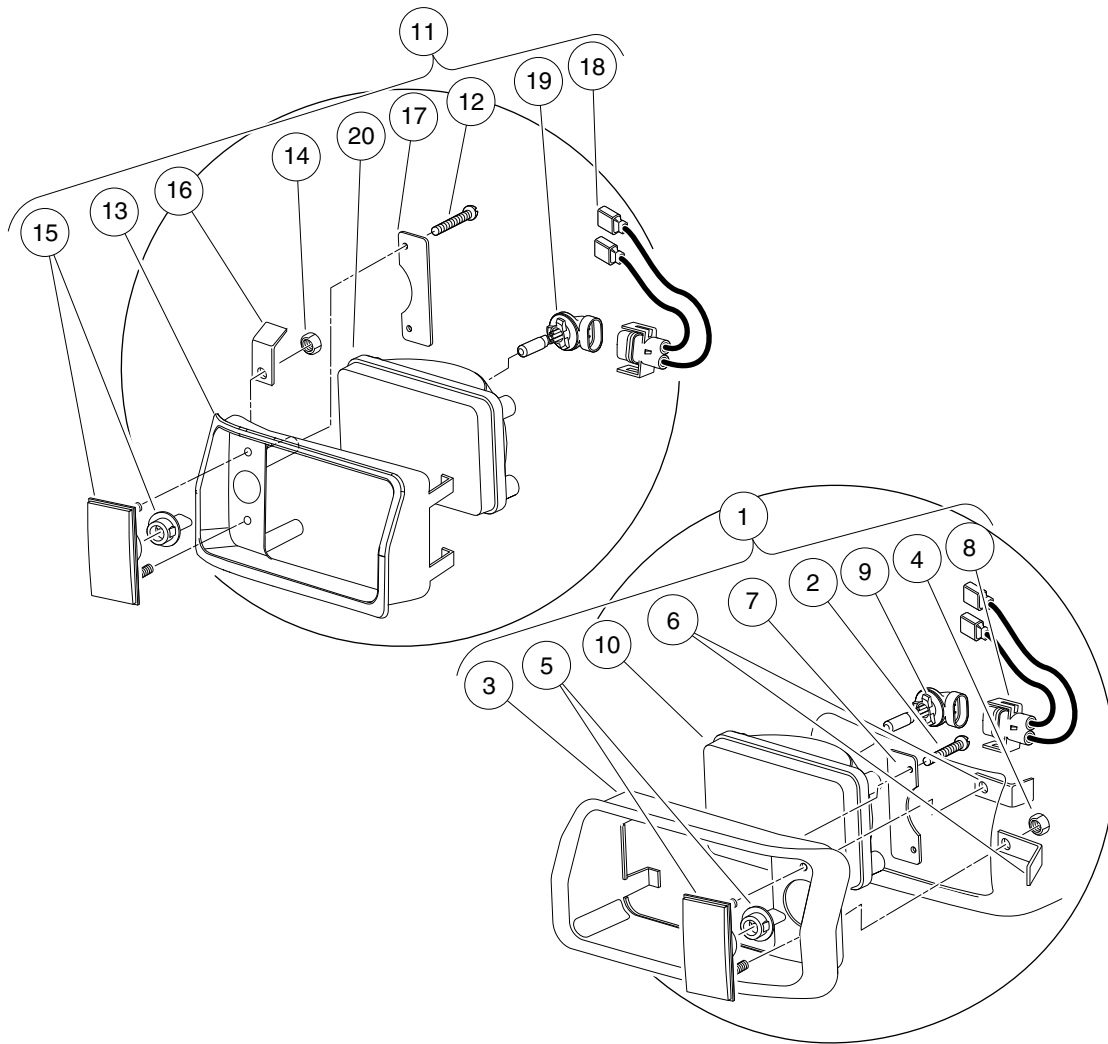


000599-001

## HEADLIGHT AND HORN ELECTRICAL COMPONENTS

| ITEM | PART NO.  | DESCRIPTION  | QTY |
|------|-----------|--|-----|
|      |           | 1 2 3 4  |     |
| 1    | 1011229   | Locknut, #6-32 Whiz .....                                    | 3   |
| 2    | 1013357   | Rivet, 5/32 Aluminum Pop .....                               | 2   |
| 3    | 1015720   | Screw, #6-32 X 1/2 Hex Washer-Head .....                     | 1   |
| 4    | 1016356   | Terminal Block with Insulator .....                          | 1   |
| 5    | N/A       | Headlight Instl-gas Golf (includes items 6 through 14) ..... | 1   |
| 6    | 1010909   | Screw, #10-32 X 1.25 Rd Hd Mch .....                         | 1   |
| 7    | 1016      | Lockwasher, #10 Split .....                                  | 1   |
| 8    | 1017721   | Limiter, Voltage .....                                       | 1   |
| 9    | 102869401 | Switch, Rocker, Light .....                                  | 1   |
| 10   | N/A       | Wire Harness, Hd Lght, Ca, Gas .....                         | 1   |
| 11   | 183       | Washer, #10 Type A Flat .....                                | 1   |
| 12   | 7473      | Locknut, 5/16-18 Nylon Insert .....                          | 1   |
| 13   | 7893      | Nut, #10-32 Hex .....  | 1   |
| 14   | 8990      | Tie Wrap, 8" Nylon .....                                     | 12  |
| 15   | 1017853   | Screw, #6-32 X 0.75 Hex-Head Machine .....                   | 2   |
| 16   | 101914401 | Assembly, Voltage Suppressor .....                           | 1   |
| 17   | 102199001 | Relay, 12-Volt .....   | 1   |
| 18   | 304       | Screw, 1/4-20 X 1.0 Hex-Head Cap .....                       | 2   |
| 19   | 332       | Washer, 1/4 Type A Narrow Flat .....                         | 2   |
| 20   | 4029      | Horn (includes items 21 through 25) .....                    | 1   |
| 21   | 1011825   | Horn Bracket .....   | 1   |
| 22   | 1014530   | Horn, 12-VDC .....   | 1   |
| 23   | 101955101 | Nut, M6 Hex .....  | 1   |
| 24   | 7820      | Washer, 5/16 Internal-Tooth .....                            | 1   |
| 25   | N/A       | 5/16 Ring Term. ....   | 1   |
| 26   | 7591      | Washer, #6 Flat .....  | 2   |
| 27   | 8233      | Locknut, 1/4-20 Nylon Insert .....                           | 2   |

**6**  
**G**

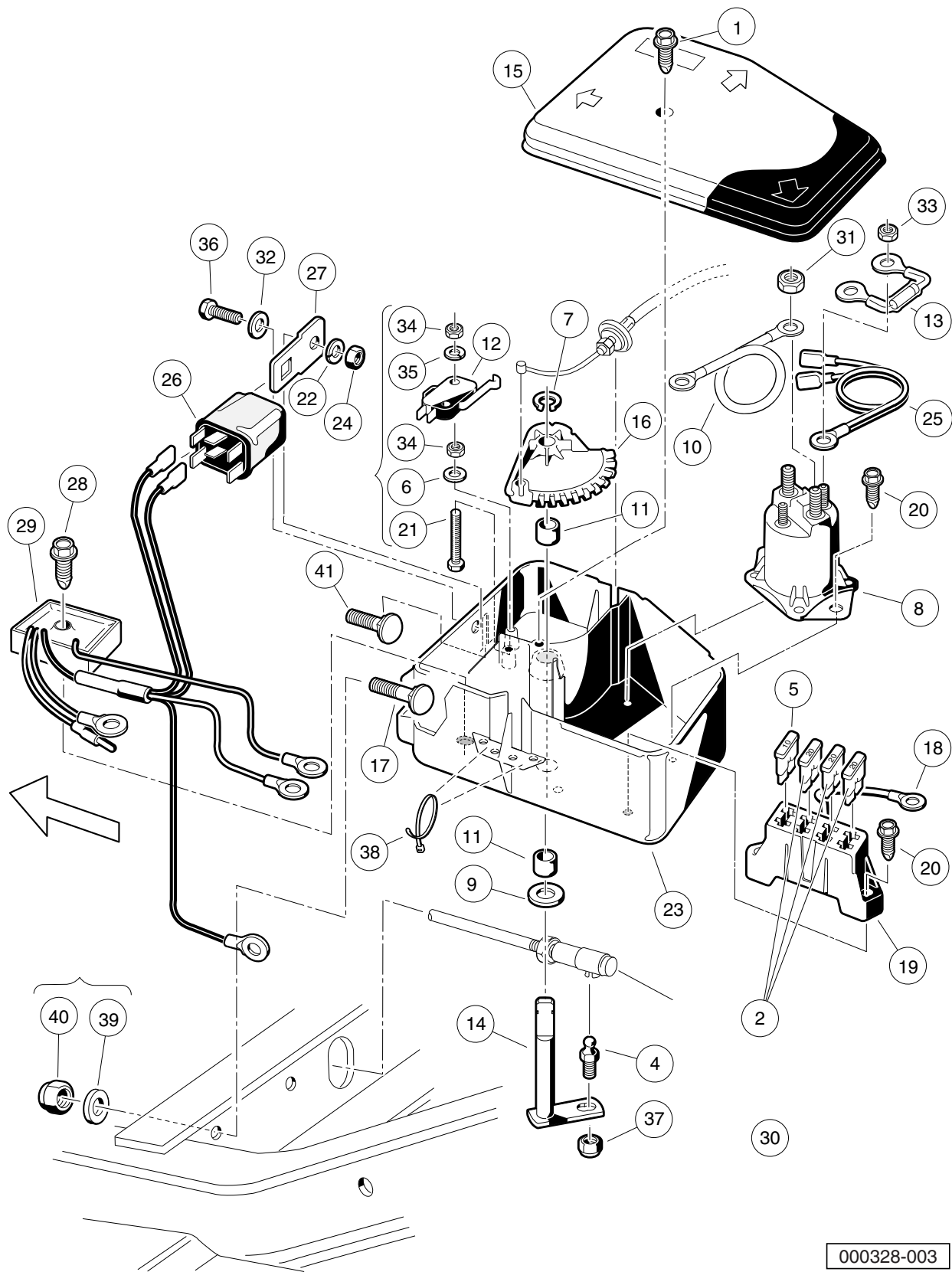


000073-001

# HEADLIGHTS

| ITEM | PART NO.  | DESCRIPTION   | QTY |
|------|-----------|---|-----|
|      |           | <b>1 2 3 4</b>  |     |
| 1    | 101988001 | Headlight Assembly, Driver-Side Single Beam (includes items 2 through 10) ..... | 1   |
| 2    | 1013461   | Screw, #10-16 Hex-Head Hi-Lo .....  | 2   |
| 3    | 1016880   | Headlight Bezel, Left .....   | 1   |
| 4    | 1017      | Nut, #10-24 Stainless-Steel Hex Machine .....                                   | 2   |
| 5    | 1017062   | Turn Signal Lens Assy .....   | 1   |
| 6    | 1017064   | Mounting Bracket .....  | 2   |
| 7    | 1017065   | Retainer, Headlight .....   | 1   |
| 8    | 101987901 | Connector Harness Assembly, Headlight .....                                     | 1   |
| 9    | 101988101 | Bulb, Headlight .....   | 1   |
| 10   | 101988201 | Lens, Headlight .....   | 1   |
| 11   | 101988002 | Headlight Assy, Passenger-Side Single Beam (includes items 12 through 20) ..... | 1   |
| 12   | 1013461   | Screw, #10-16 Hex-Head Hi-Lo .....  | 2   |
| 13   | 1016879   | Headlight Bezel, Right .....  | 1   |
| 14   | 1017      | Nut, #10-24 Stainless-Steel Hex Machine .....                                   | 2   |
| 15   | 1017062   | Turn Signal Lens Assy .....   | 1   |
| 16   | 1017064   | Mounting Bracket .....  | 2   |
| 17   | 1017065   | Retainer, Headlight .....   | 1   |
| 18   | 101987901 | Connector Harness Assembly, Headlight .....                                     | 1   |
| 19   | 101988101 | Bulb, Headlight .....   | 1   |
| 20   | 101988201 | Lens, Headlight .....   | 1   |

**6**  
**G**



000328-003

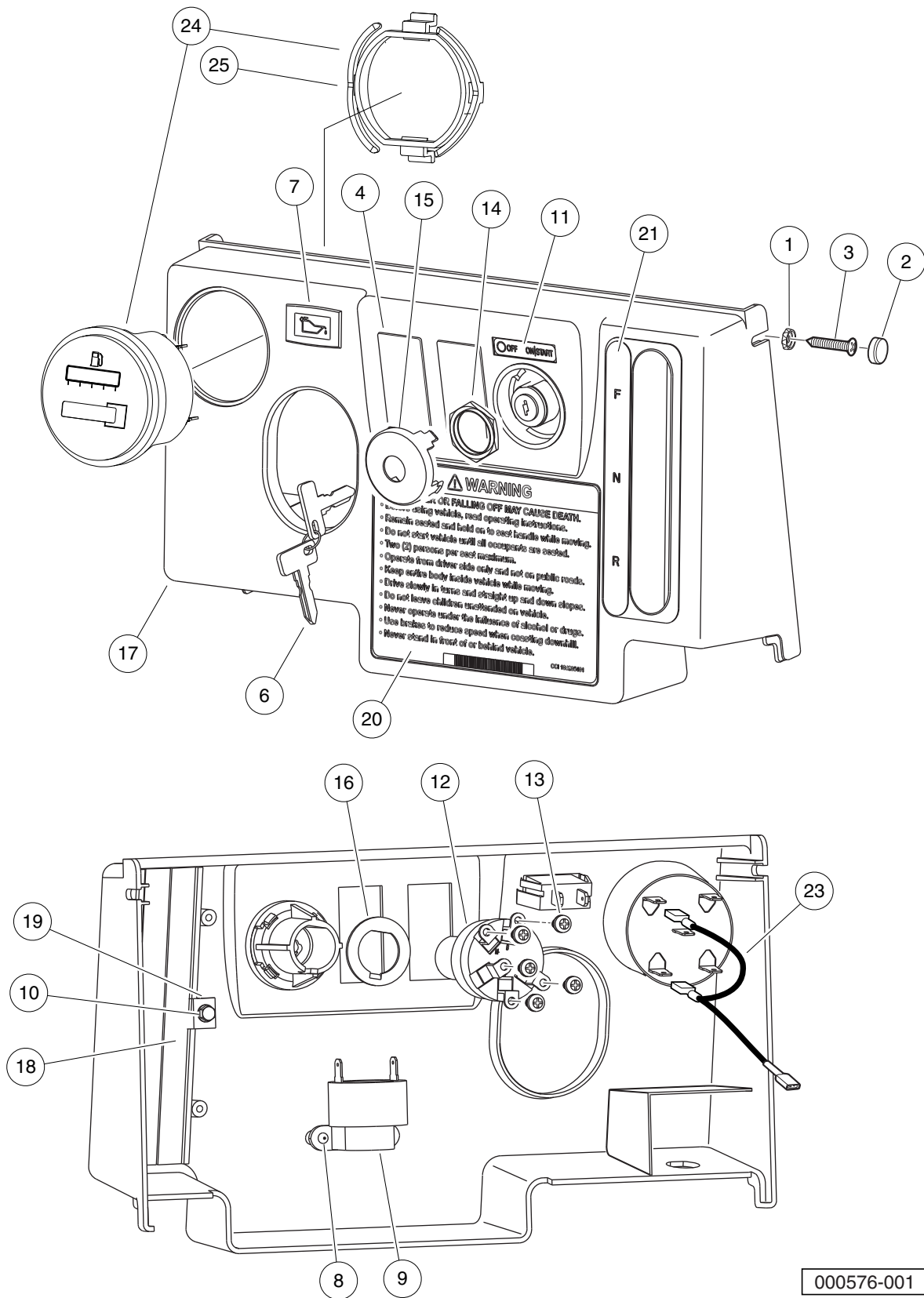


# ELECTRICAL COMPONENT BOX

| ITEM | PART NO.  | DESCRIPTION   | QTY |
|------|-----------|---|-----|
|      |           | <b>1 2 3 4</b>  |     |
| 1    | 1015752   | Screw, #12-16 X 0.625 Hi-Lo .....                                 | 1   |
| 2    | 1016423   | Fuse, 20-Amp .....  | 3   |
| 3    | N/A       | Asm, Electrical Component Box (includes items 4 through 38) ..... | 1   |
| 4    | 1010954   | Stud, 1/4-28 X 0.560 Ball .....                                   | 1   |
| 5    | 1012295   | Fuse, 10-Amp .....  | 1   |
| 6    | 1012431   | Washer, #4 Flat .....   | 2   |
| 7    | 1013589   | Ring, 0.338" Internal Retaining .....                             | 1   |
| 8    | 1013609   | Solenoid, 12-Volt .....   | 1   |
| 9    | 1014065   | Washer, 0.38" ID Delrin Flat .....                                | 1   |
| 10   | 1014119   | Wire Assembly #6 Red .....  | 1   |
| 11   | 1014145   | Bushing, Secondary Weight, Split .....                            | 2   |
| 12   | 1014807   | Switch, Limit .....   | 1   |
| 13   | 1014948   | Diode .....   | 1   |
| 14   | 1015345   | Bell Crank and Shaft Assembly .....                               | 1   |
| 15   | 1015372   | Cover, Electric Box .....   | 1   |
| 16   | 1015373   | Cam, Electric Box .....   | 1   |
| 17   | 1015405   | Bolt, Carriage, 5/16-18 X 2.0 .....                               | 1   |
| 18   | 1015737   | Wire Assy, #10 Red .....  | 1   |
| 19   | 1015741   | Fuse Block .....  | 1   |
| 20   | 1015752   | Screw, #12-16 X 0.625 Hi-Lo .....                                 | 4   |
| 21   | 1015878   | Screw, #4-40 Hex Head Machine .....                               | 2   |
| 22   | 1016      | Lockwasher, #10 Split .....                                       | 1   |
| 23   | 1016997   | Electrical Component Box .....                                    | 1   |
| 24   | 1017      | Nut, #10-24 Stainless-Steel Hex Machine .....                     | 1   |
| 25   | 1017006   | Wire Assembly Orange #18 .....                                    | 1   |
| 26   | 1017239   | Relay .....   | 1   |
| 27   | 1017243   | Mounting Bracket, Relay .....                                     | 1   |
| 28   | 101856102 | Screw, 1/4-15 X 1.50 Hi-lo Hex .....                              | 1   |
| 29   | N/A       | Asm, Voltage Regulator Key Sta .....                              | 1   |
| 30   | 103197301 | Asm, Wire Harness, Stretch, Gas .....                             | 1   |
| 31   | 1242      | Nut, 5/16-18 Hex .....  | 2   |
| 32   | 183       | Washer, #10 Type A Flat .....                                     | 1   |
| 33   | 7893      | Nut, #10-32 Hex .....   | 2   |
| 34   | 8057      | Nut, #4-40 Hex Machine .....                                      | 4   |
| 35   | 8058      | Lockwasher, #4 Split .....  | 2   |
| 36   | 8450      | Screw, #10-24 X 0.50 Hex-Head .....                               | 1   |
| 37   | 8717      | Locknut, 1/4-28 Nylon Insert .....                                | 1   |
| 38   | 8990      | Tie Wrap, 8" Nylon .....  | 3   |
| 39   | 1241      | Washer, 5/16 Type A Flat .....                                    | 2   |
| 40   | 7473      | Locknut, 5/16-18 Nylon Insert .....                               | 2   |
| 41   | 7818      | Bolt, Carriage, 5/16-18 X 1.5 .....                               | 1   |

**6**

**G**



000576-001

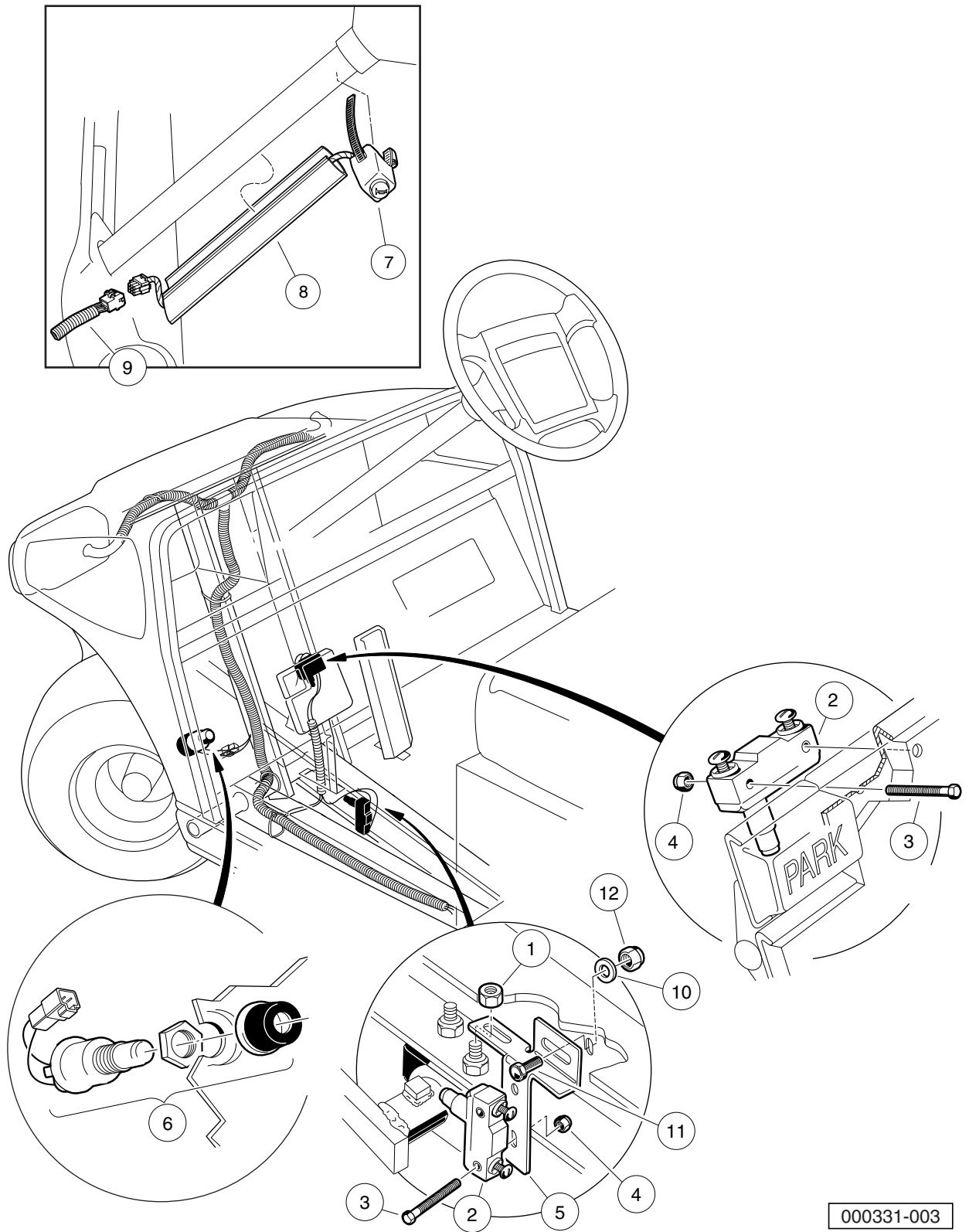
# INSTRUMENT PANEL AND ELECTRICAL COMPONENTS

| ITEM | PART NO.  | DESCRIPTION  | QTY |
|------|-----------|--|-----|
|      |           | 1 2 3 4  |     |
| 1    | 1011382   | Washer, #10 Pan-Head Screw .....   | 2   |
| 2    | 1013494   | Cover, Screw Head .....  | 2   |
| 3    | 1015528   | Screw, #10 x 1-1/4 Phillips Head .....   | 2   |
| 4    | 103180101 | Cover, Hole, Switch, Rocker .....  | 2   |
| 5    | N/A       | Asm, Dash, Gas, Key Start (Instrument Panel) (includes items 6 through 22) ..... | 1   |
| 6    | 1012505   | Keys (set of 2) .....  | 1   |
| 7    | 1016630   | Light, Oil .....   | 1   |
| 8    | 1016849   | Screw, #4-24 X 0.33 Pan-Head Machine .....                                       | 2   |
| 9    | 1016851   | Buzzer, Reverse (9-48 VDC) .....   | 1   |
| 10   | 101804301 | Screw, #8 X 0.500, Hex-Head Hi-Lo .....  | 2   |
| 11   | 101825102 | Decal, Off/On/Start .....  | 1   |
| 12   | 101826401 | Key Switch, 12-Volt, Off/On/Start .....  | 1   |
| 13   | 101830601 | Screw and Washer Assembly .....  | 5   |
| 14   | 101830701 | Nut, Key Switch .....  | 1   |
| 15   | 101834502 | Cap, Black Key Switch .....  | 1   |
| 16   | 101851101 | Washer, Key Switch .....   | 1   |
| 17   | 102977001 | Panel, Dash, Center, Gas (Instrument Panel) .....                                | 1   |
| 18   | 103199001 | Brush, Closeout, FNR .....   | 2   |
| 19   | 103199101 | Washer, Retaining, Brush, FNR .....  | 2   |
| 20   | 103205401 | Decal, Warning, Rollover, Utl .....  | 1   |
| 21   | 103210201 | Decal, Forward/Reverse, Gas .....  | 1   |
| 22   | 103390801 | Kit, F-h Replmnt Utl Pre2007 (includes items 23 through 26) .....                | 1   |
| 23   | 103348501 | Asm Wire Meter F-h Jumper .....  | 1   |
| 24   | 103348601 | Gauge, Fuel-hour,sep Gnd,utl (includes item 25) .....                            | 1   |
| 25   | 103348201 | Clip, Meter, Round .....   | 1   |
| 26   | N/A       | Instr, F-h Replmnt Pre2007 .....   | 1   |

**6**

**G**

**6**  
**G**



000331-003

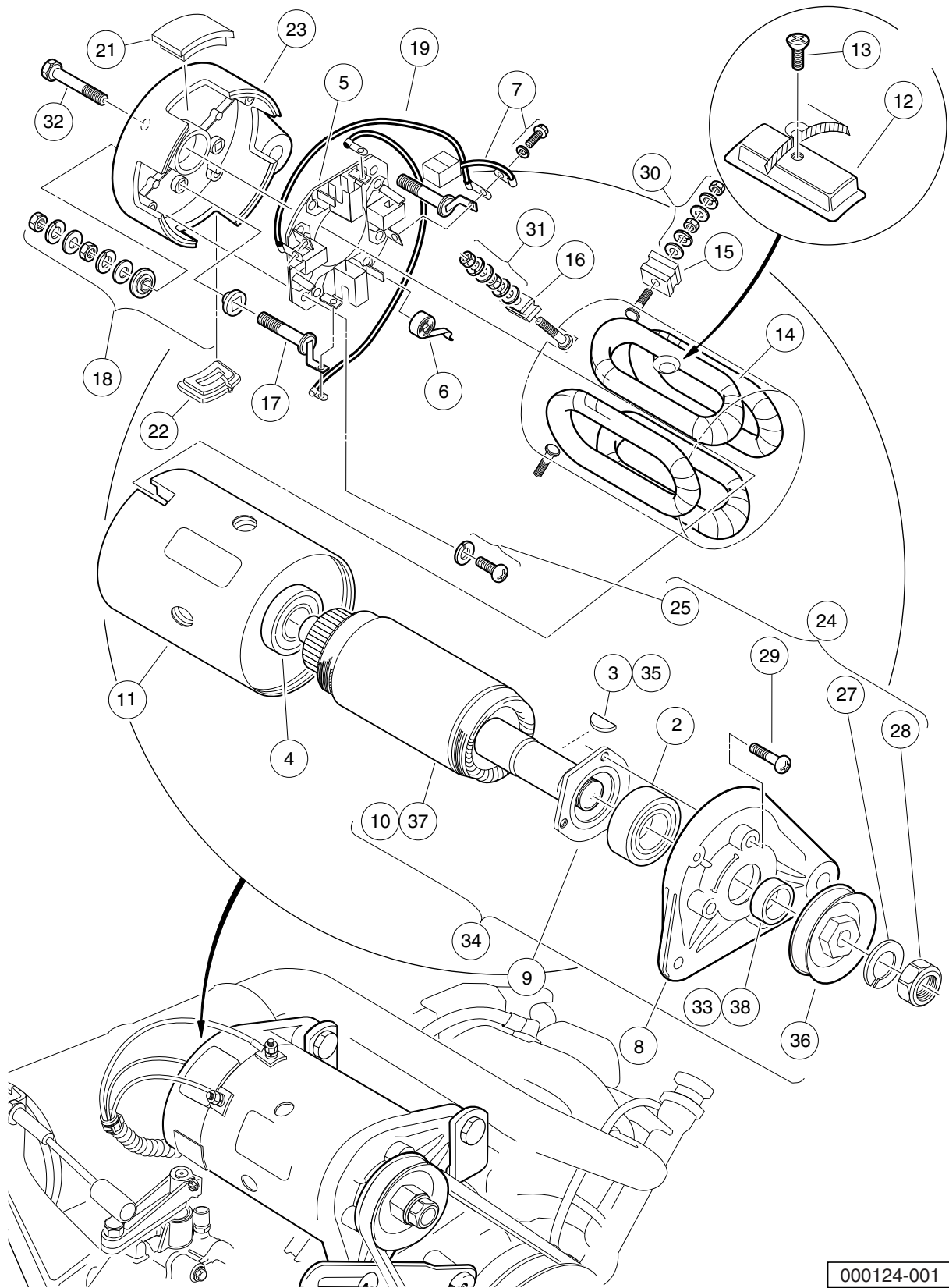
# HORN AND BRAKE SWITCHES

| ITEM | PART NO.  | DESCRIPTION                                | QTY |
|------|-----------|--|-----|
|      |           | 1 2 3 4                                    |     |
| 1    | 1011280   | Locknut, 5/16-18 .....                     | 1   |
| 2    | 1011439   | Switch, Limit .....                        | 2   |
| 3    | 1011557   | Screw, #6-32 X 1.00 Hex-Head Machine ..... | 4   |
| 4    | 101932201 | Locknut, #6-32 Nylon .....                 | 4   |
| 5    | 101957101 | Bracket, Brake Light Switch .....          | 1   |
| 6    | 101969701 | Horn Button and Wire Assembly .....        | 1   |
| 7    | 102517601 | Subasm, Horn Button Harness .....          | 1   |
| 8    | 102529201 | Wire Cover, Steering Column .....          | 1   |
| 9    | 103618101 | Harness, Jumper, Horn .....                | 1   |
| 10   | 1241      | Washer, 5/16 Type A Flat .....             | 1   |
| 11   | 7173      | Screw, 5/16-18 X 0.75 Hex-Head Cap .....   | 1   |
| 12   | 7473      | Locknut, 5/16-18 Nylon Insert .....        | 1   |

**6**

**G**

**6**  
**G**



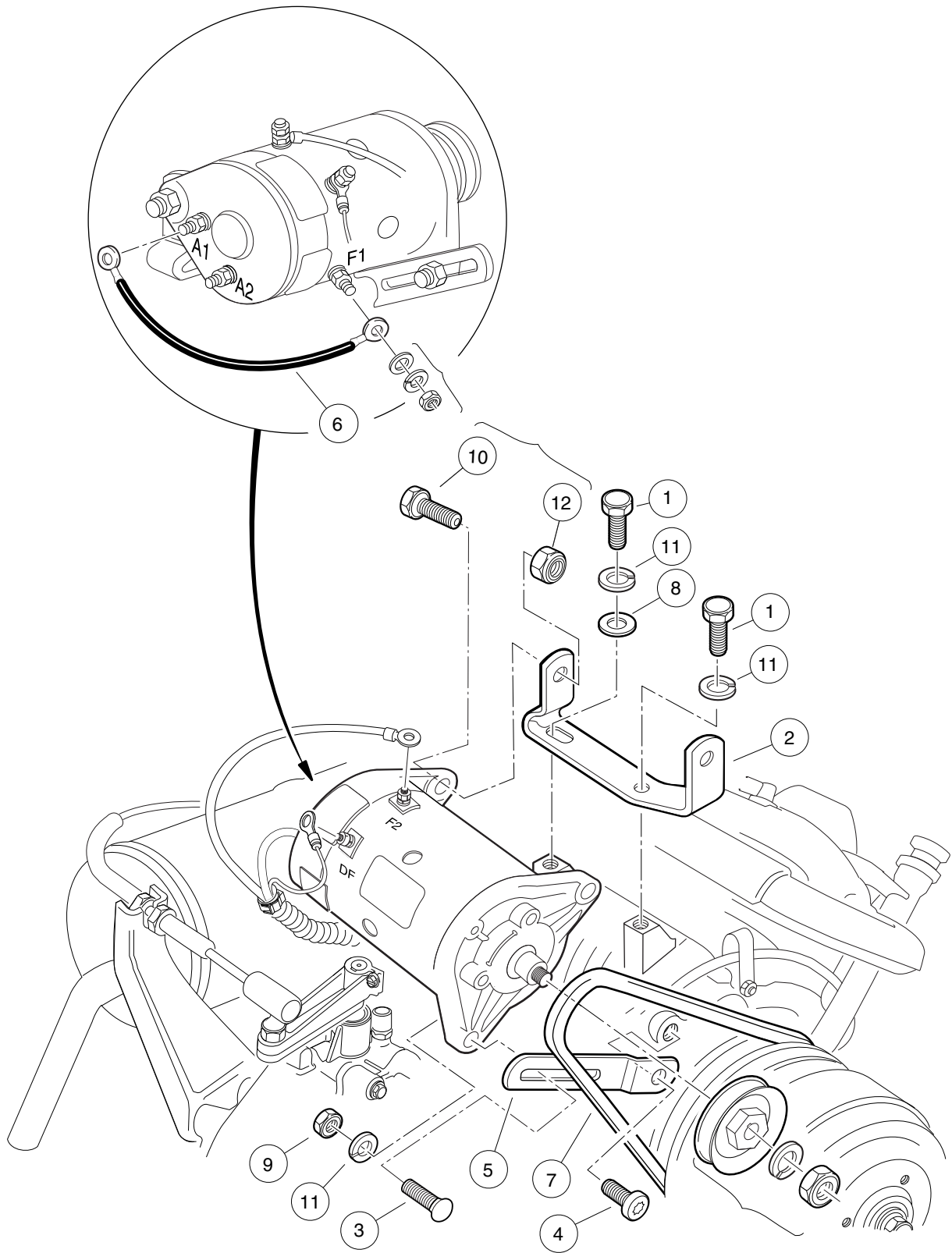
000124-001

# STARTER/GENERATOR ASSEMBLY MODEL G425419 – GASOLINE VEHICLES

| ITEM | PART NO.  | DESCRIPTION  | QTY |
|------|-----------|--|-----|
|      |           | <b>1 2 3 4</b>   |     |
| 1    | 101833701 | Starter/Generator (cw) (includes items 2 through 33) .....       | 1   |
| 2    | 1013001   | Bearing, Output Shaft Ball .....                                 | 1   |
| 3    | 1013003   | Key, Starter/Generator .....                                     | 1   |
| 4    | 1013005   | Bearing, Ball .....  | 1   |
| 5    | 101301102 | Brush Holder Assembly (cw) (includes item 6) .....               | 1   |
| 6    | 101878101 | Brush Spring Set .....   | 4   |
| 7    | 101869302 | Brush and Screw Set (cw) .....                                   | 1   |
| 8    | 101874901 | Front Bracket .....  | 1   |
| 9    | 101875001 | Retainer .....   | 1   |
| 10   | 101875101 | Armature .....   | 1   |
| 11   | 101875201 | Field Coil Housing .....   | 1   |
| 12   | 101875301 | Pole Set .....   | 1   |
| 13   | 101875401 | Screw Set .....  | 1   |
| 14   | 101875501 | Field Stator Coil Assembly .....                                 | 1   |
| 15   | 101875601 | F Insulator Set .....  | 2   |
| 16   | 101875701 | DF Insulator .....   | 1   |
| 17   | 101875802 | A Connector (cw) .....   | 1   |
| 18   | 101876001 | Screw and Mold Assembly .....                                    | 2   |
| 19   | 101876202 | Brush Connector Assembly (cw) .....                              | 2   |
| 20   | 101876301 | Cover Set (includes items 21 and 22) .....                       | 1   |
| 21   | 1012991   | Brush Inspection Port Cover .....                                | 3   |
| 22   | 1017653   | Brush Port Cover w/Drain .....                                   | 1   |
| 23   | 101876402 | Rear Bracket (cw) .....  | 1   |
| 24   | 101876501 | Nut and Screw Set (includes items 25 through 29) .....           | 1   |
| 25   | 101896501 | Brush Holder Asm Screw .....                                     | 2   |
| 26   | N/A       | Washer, M5 Flat .....  | 1   |
| 27   | N/A       | Washer, M14 Lock .....   | 1   |
| 28   | N/A       | Nut, Hex, M14 x 2 .....  | 1   |
| 29   | N/A       | Screw, M5 x 0.8 x 18mm .....                                     | 3   |
| 30   | 101877601 | Nut and Washer Set .....   | 2   |
| 31   | 101877701 | Nut and Washer Set .....   | 1   |
| 32   | 101879001 | Through Bolt Set .....   | 2   |
| 33   | 101939901 | Spacer .....   | 1   |
| 34   | 101875102 | Armature Asm Conversion Kit (includes items 35 through 38) ..... | 1   |
| 35   | 1013003   | Key, Starter/Generator .....                                     | 1   |
| 36   | 1014289   | Pulley, Starter/Generator .....                                  | 1   |
| 37   | 101875101 | Armature .....   | 1   |
| 38   | 101939901 | Spacer .....   | 1   |
|      |           | Note: Item 36 will ONLY fit Model G425419 Starter/Generator.     |     |

**6**  
**G**

**6**  
**G**



000239-001

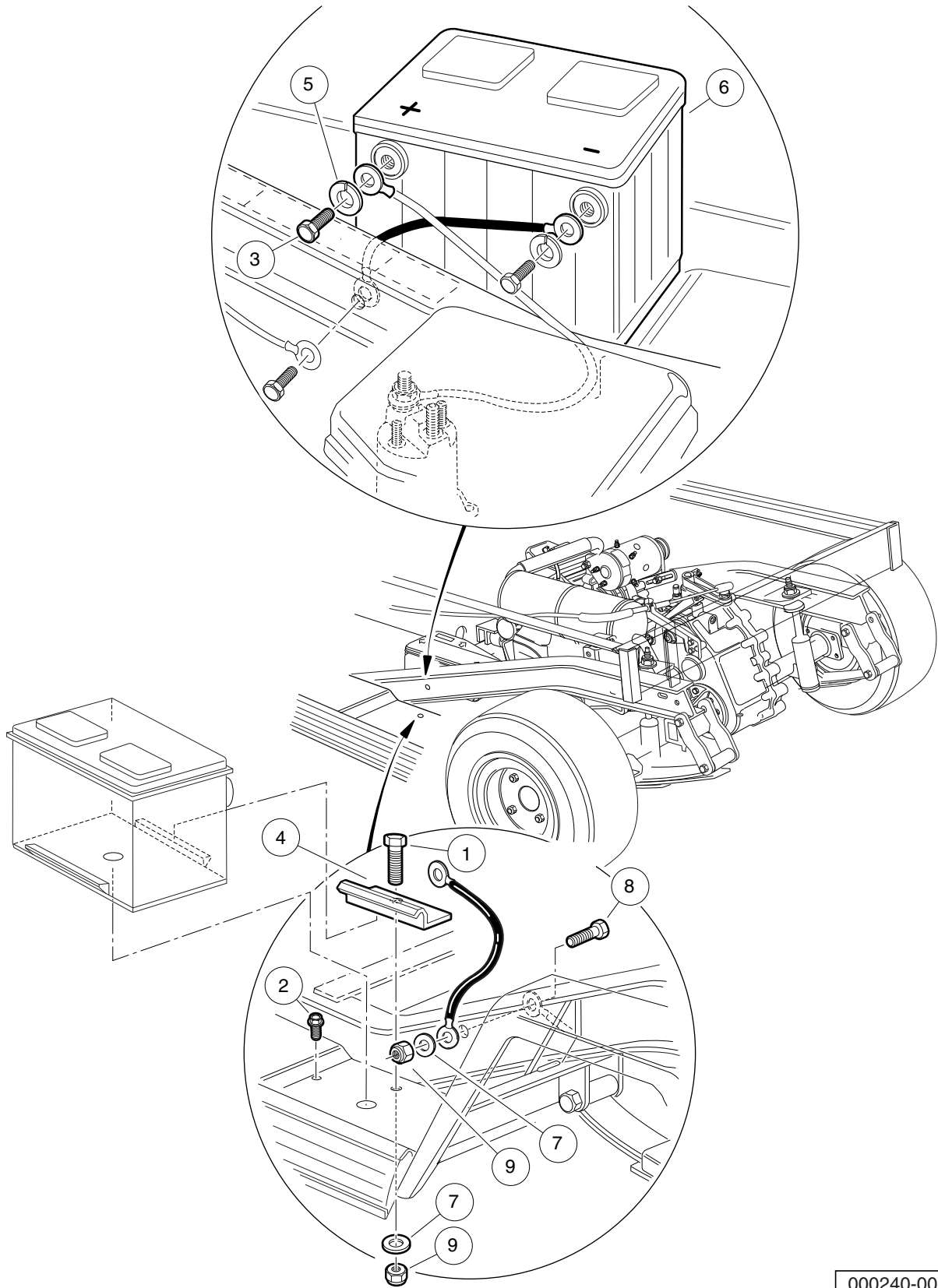


# FE350 STARTER/GENERATOR MOUNTING – GASOLINE VEHICLES

| ITEM | PART NO.  | DESCRIPTION                                 | QTY |
|------|-----------|---|-----|
|      |           | 1 2 3 4                                     |     |
| 1    | 1012830   | Screw, M8-125 X 22 Hex-Head .....           | 2   |
| 2    | 101524002 | Bracket, Starter/Generator Mounting .....   | 1   |
| 3    | 1015932   | Bolt, Carriage, 5/16-18 .....               | 1   |
| 4    | 1016074   | Screw, M8-1.25 X 18mm Torx .....            | 1   |
| 5    | 1016883   | Bracket, Starter/Generator Adjustment ..... | 1   |
| 6    | 101837301 | Wire Assy, #6 Green .....                   | 1   |
| 7    | 101916701 | V-Belt .....                                | 1   |
| 8    | 1241      | Washer, 5/16 Type A Flat .....              | 1   |
| 9    | 1242      | Nut, 5/16-18 Hex .....                      | 1   |
| 10   | 705       | Screw, Cap-hex Hd 3/8-16x1.25 .....         | 2   |
| 11   | 7174      | Lockwasher, 5/16 Split .....                | 3   |
| 12   | 8754      | Locknut, 3/8-16 Hex .....                   | 2   |

**6**  
**G**

**6**  
**G**



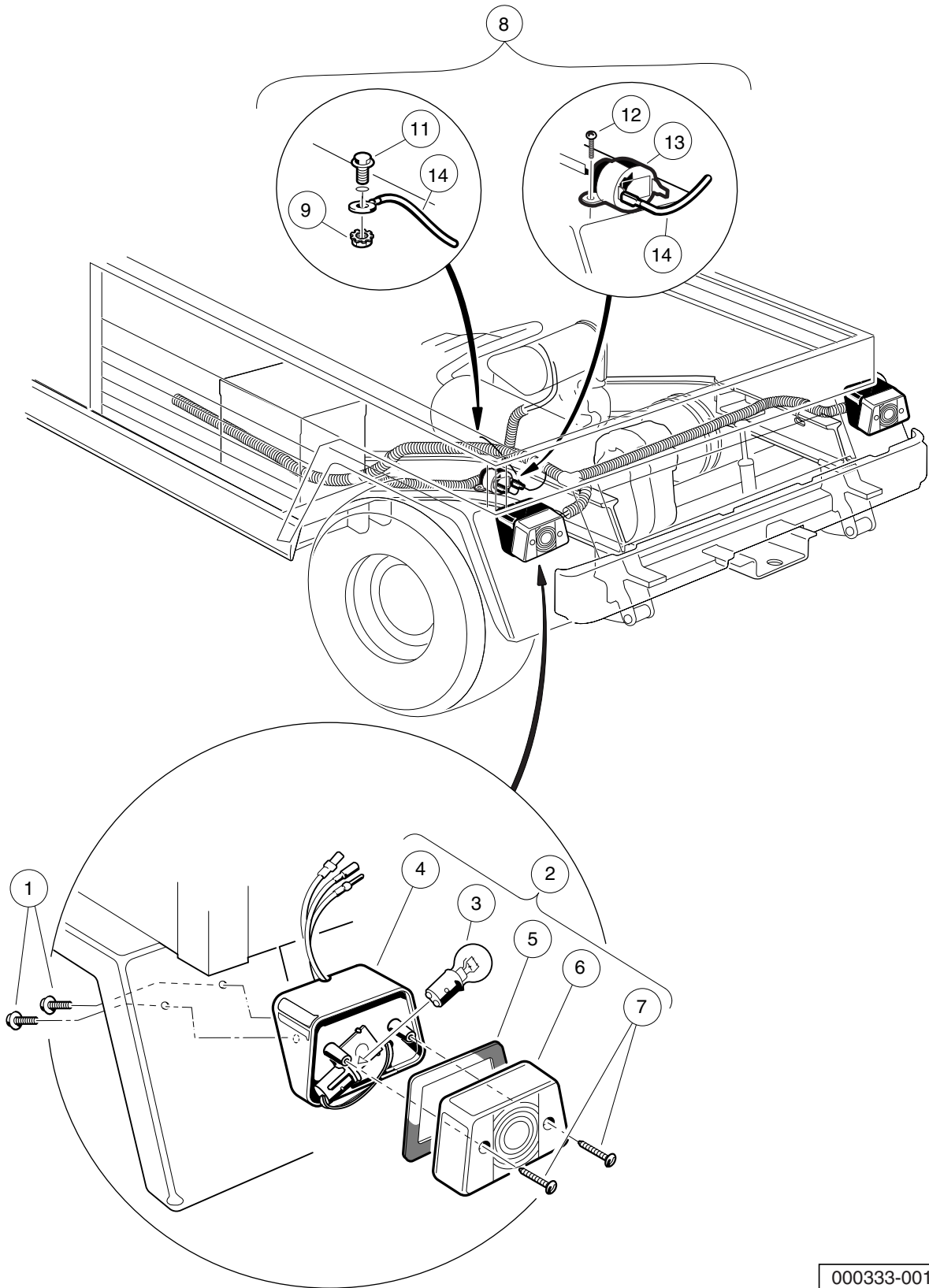
000240-001

## BATTERY – GASOLINE VEHICLE

| ITEM | PART NO.  | DESCRIPTION   | QTY |
|------|-----------|---|-----|
|      |           | 1 2 3 4   |     |
| 1    | 1010934   | Screw, 5/16-18 X 1.00 Hex Cap .....                 | 1   |
| 2    | 1014288   | Screw, 5/16-18 X 0.75 Thread-Forming .....          | 1   |
| 3    | 1014375   | Screw, 3/8-16 X 0.50 Stainless Steel Hex-Head ..... | 2   |
| 4    | 101898001 | Clamp, Battery .....                                | 1   |
| 5    | 102355301 | Lockwasher, #10 Split Ss .....                      | 2   |
| 6    | N/A       | Battery, Start, 12v .....                           | 1   |
| 7    | 1241      | Washer, 5/16 Type A Flat .....                      | 2   |
| 8    | 7173      | Screw, 5/16-18 X 0.75 Hex-Head Cap .....            | 1   |
| 9    | 7473      | Locknut, 5/16-18 Nylon Insert .....                 | 2   |

**6**  
**G**

**6**  
**G**



000333-001

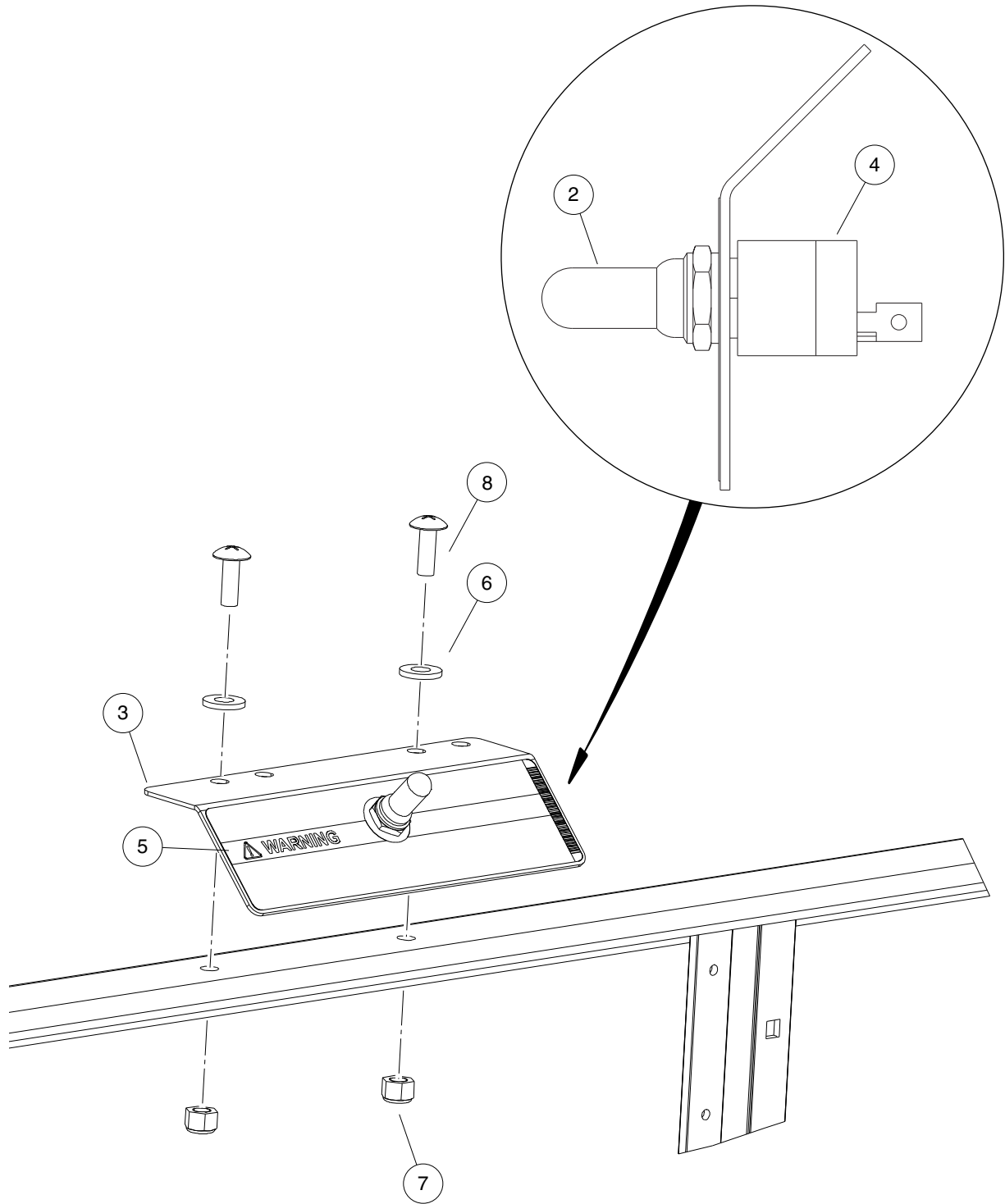
## ELECTRICAL COMPONENTS, REAR BODY

| ITEM   | PART NO. | DESCRIPTION   | QTY |
|--|----------|---|-----|
|  |          | 1 2 3 4   |     |
| 1  | 1015752  | Screw, #12-16 X 0.625 Hi-Lo .....                                 | 4   |
| 2  | 1016717  | Light Assembly, Stop/Taillight (includes items 3 through 7) ..... | 2   |
| 3  | 1011582  | Taillight Bulb .....  | 1   |
| 4  | N/A      | Housing, Taillight .....  | 1   |
| 5  | N/A      | Gasket, Taillight .....   | 1   |
| 6  | N/A      | Lens, Taillight .....   | 1   |
| 7  | N/A      | Screw, Taillight Lens .....                                       | 2   |
| 8  | 1016859  | Kit, Reverse Buzzer (includes items 9 through 17) .....           | 1   |
| 9  | 1011229  | Locknut, #6-32 Whiz .....   | 1   |
| 10   | 1012431  | Washer, #4 Flat .....   | 2   |
| 11   | 1015720  | Screw, #6-32 X 1/2 Hex Washer-Head .....                          | 1   |
| 12   | 1016849  | Screw, #4-24 X 0.33 Pan-Head Machine .....                        | 2   |
| 13   | 1016851  | Buzzer, Reverse (9-48 VDC) .....                                  | 1   |
| 14   | 1016857  | Wire Assembly Black #18 .....                                     | 1   |
| 15   | 8056     | Screw, #4-40 X 0.75 Round-Head Machine .....                      | 2   |
| 16   | 8057     | Nut, #4-40 Hex Machine .....                                      | 2   |
| 17   | 8058     | Lockwasher, #4 Split .....  | 2   |
| <p>Note: Items 10, and 15 through 17 are included in the reverse buzzer kit, but are not used in this application.</p> |          |   |     |

6

G

**6**  
**G**



000755-001

# OPERATION AND MAINTENANCE SWITCH

| ITEM | PART NO.  | DESCRIPTION  | QTY |
|------|-----------|--|-----|
|      |           | 1 2 3 4  |     |
| 1    | N/A       | Switch, Operation/Maintenance (includes items 2 through 5) ..... | 1   |
| 2    | 101908401 | Boot, Switch .....   | 1   |
| 3    | 101922501 | Bracket, Tow/Run Switch Mounting .....                           | 1   |
| 4    | 103198401 | Switch, Toggle, SPDT .....                                       | 1   |
| 5    | 103205501 | Decal, Run/Service Switch .....                                  | 1   |
| 6    | 332       | Washer, 1/4 Type A Narrow Flat .....                             | 2   |
| 7    | 8233      | Locknut, 1/4-20 Nylon Insert .....                               | 2   |
| 8    | 8248      | Screw, 1/4-20 X 0.75 Truss-Head Machine .....                    | 2   |

**6**

**G**

6

G

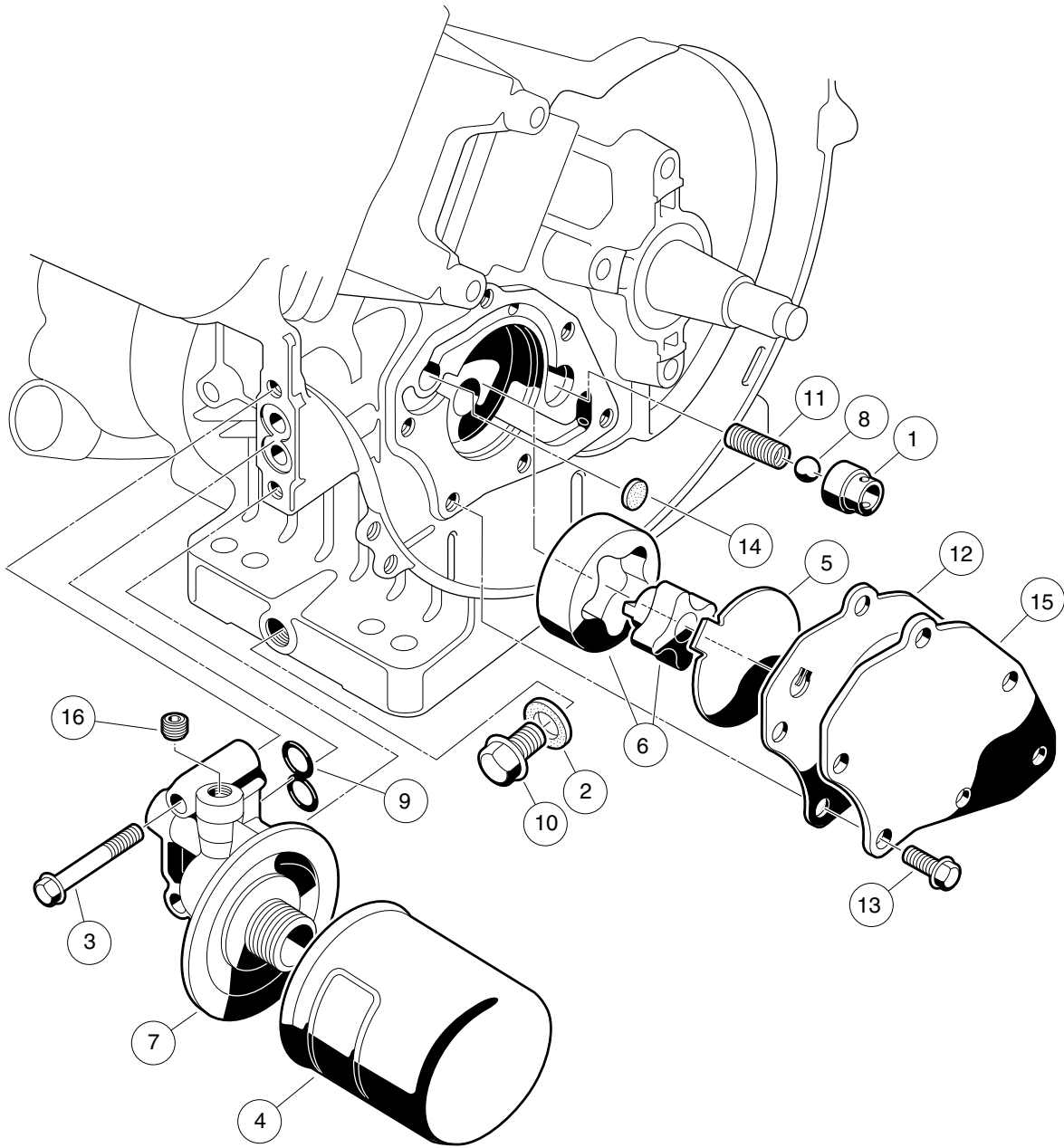


# FE350 ENGINE – S27

---

7

G



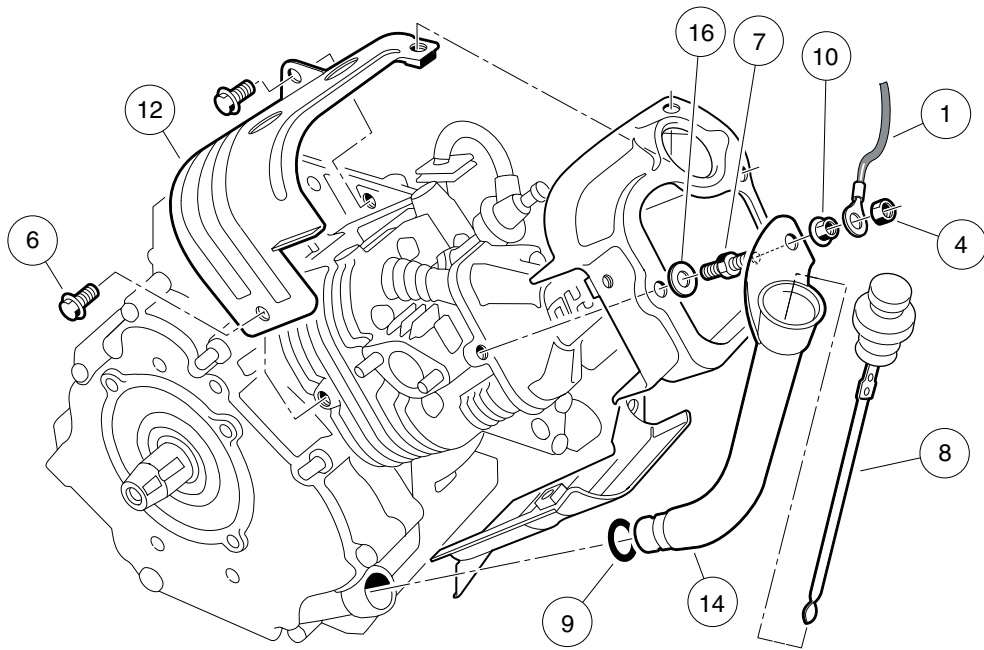
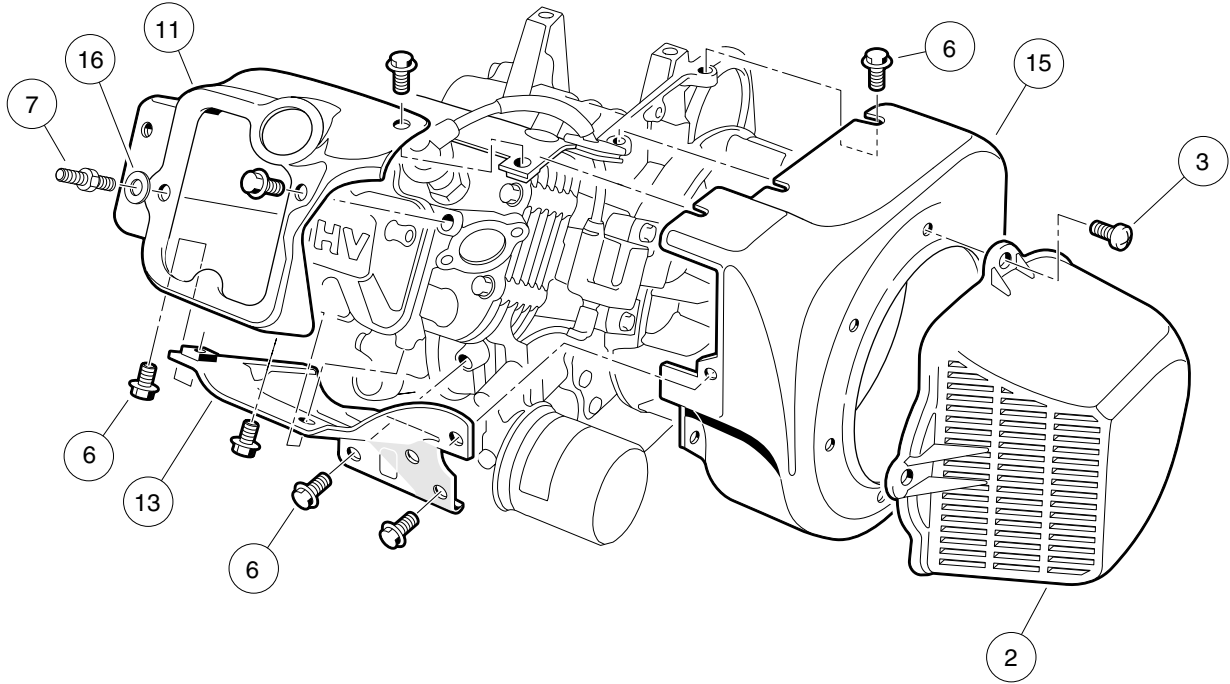
000203-001

## FE350 ENGINE – OIL CIRCULATION

| ITEM | PART NO.  | DESCRIPTION                        | QTY |
|------|-----------|------------------------------------|-----|
|      |           | 1 2 3 4                            |     |
| 1    | 1016429   | Seat, Value Oil Press Relief ..... | 1   |
| 2    | 1016432   | Gasket, Drain Plug .....           | 1   |
| 3    | 1016457   | Bolt, Flange Head .....            | 2   |
| 4    | 1016467   | Filter, Oil .....                  | 1   |
| 5    | 1016473   | Plate, Oil Pump .....              | 1   |
| 6    | 101648203 | Oil Pump And Rotor .....           | 1   |
| 7    | 1016502   | Bracket, Oil Filter Mount .....    | 1   |
| 8    | 1016537   | Ball, Steel, Press, Relief .....   | 1   |
| 9    | 1016570   | O-Ring .....                       | 1   |
| 10   | 1016576   | Plug, Drain .....                  | 1   |
| 11   | 1016581   | Spring .....                       | 1   |
| 12   | 1017442   | Gasket .....                       | 1   |
| 13   | 1017456   | Bolt, Flanged .....                | 6   |
| 14   | 1017458   | Filter .....                       | 1   |
| 15   | 1017460   | Cover, Pump .....                  | 1   |
| 16   | 1017507   | Plug .....                         | 2   |

**7**  
**G**

**7**  
**G**

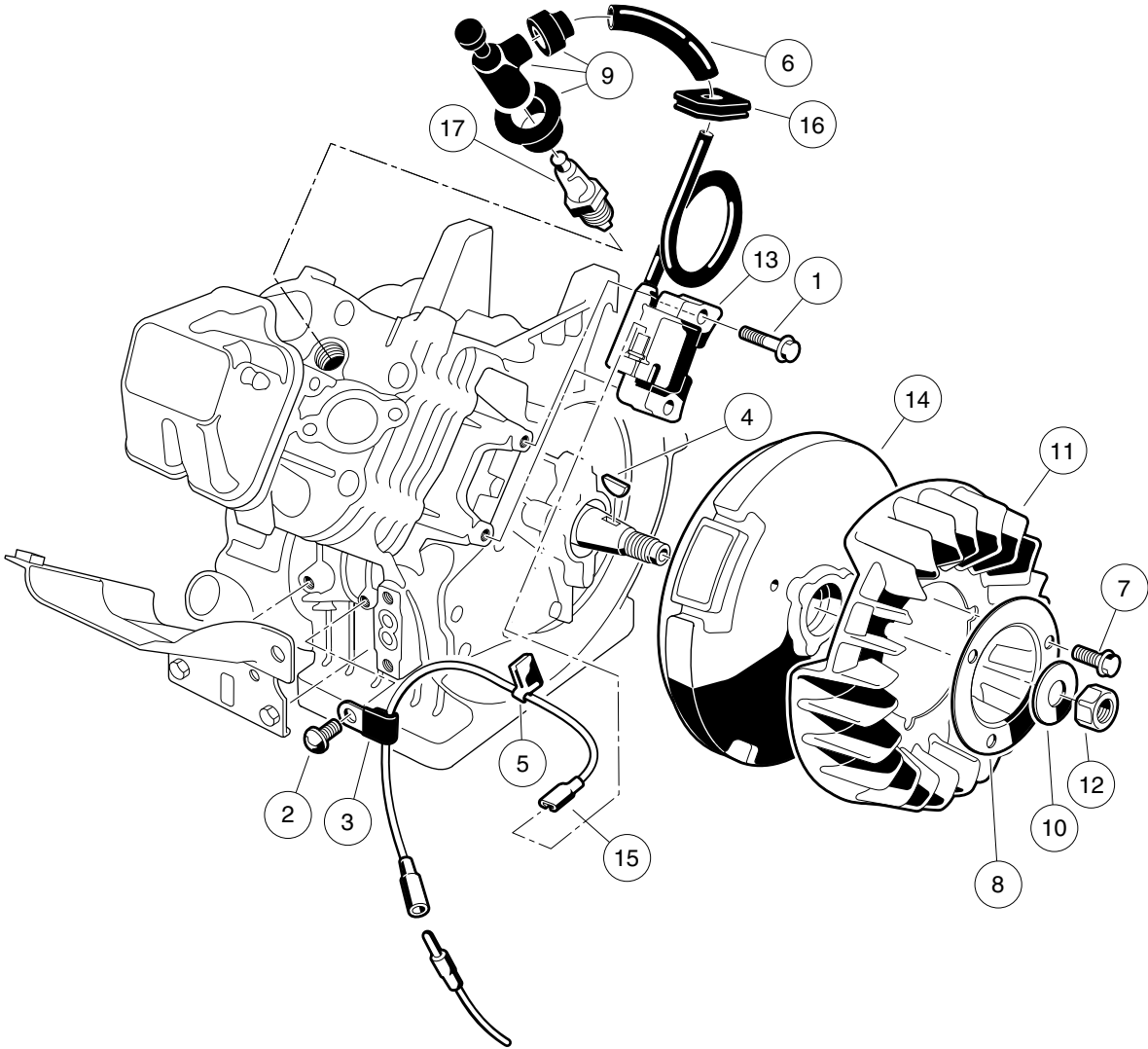


000201-002

# FE350 ENGINE WITHOUT ACR (AUTOMATIC COMPRESSION RELEASE) – SHROUDS AND BRACKETS

| ITEM | PART NO.  | DESCRIPTION   | QTY |
|------|-----------|---|-----|
|      |           | 1 2 3 4   |     |
| 1    | 1015332   | Wire Assembly, #10, Uninsulated .....                 | 1   |
| 2    | 1015649   | Shroud, Fan .....                                     | 1   |
| 3    | 1015969   | Screw, M6-1.00 X 10mm Pan Hd .....                    | 4   |
| 4    | 101887601 | Locknut, M6-1.00 Nylon Insert .....                   | 1   |
| 5    | 103386202 | Engine, FE350 S27 (includes items 6 through 16) ..... | 1   |
| 6    | 1016456   | Bolt, Flange Head, M6 x 1 x 12 mm .....               | 16  |
| 7    | 1016507   | Bolt, Two-Ended .....                                 | 1   |
| 8    | 1016531   | Dipstick .....  | 1   |
| 9    | 1016539   | O-Ring .....  | 1   |
| 10   | 1016547   | Nut, M6 Flange .....                                  | 1   |
| 11   | 1017474   | Shroud, Engine .....                                  | 1   |
| 12   | 1017475   | Shroud, Engine .....                                  | 1   |
| 13   | 1017476   | Shroud, Engine .....                                  | 1   |
| 14   | 1017486   | Tube, Oil Filler .....                                | 1   |
| 15   | 101916101 | Housing, FE350 Fan .....                              | 1   |
| 16   | N/A       | Washer, 6mm Flat .....                                | 1   |

**7**  
**G**

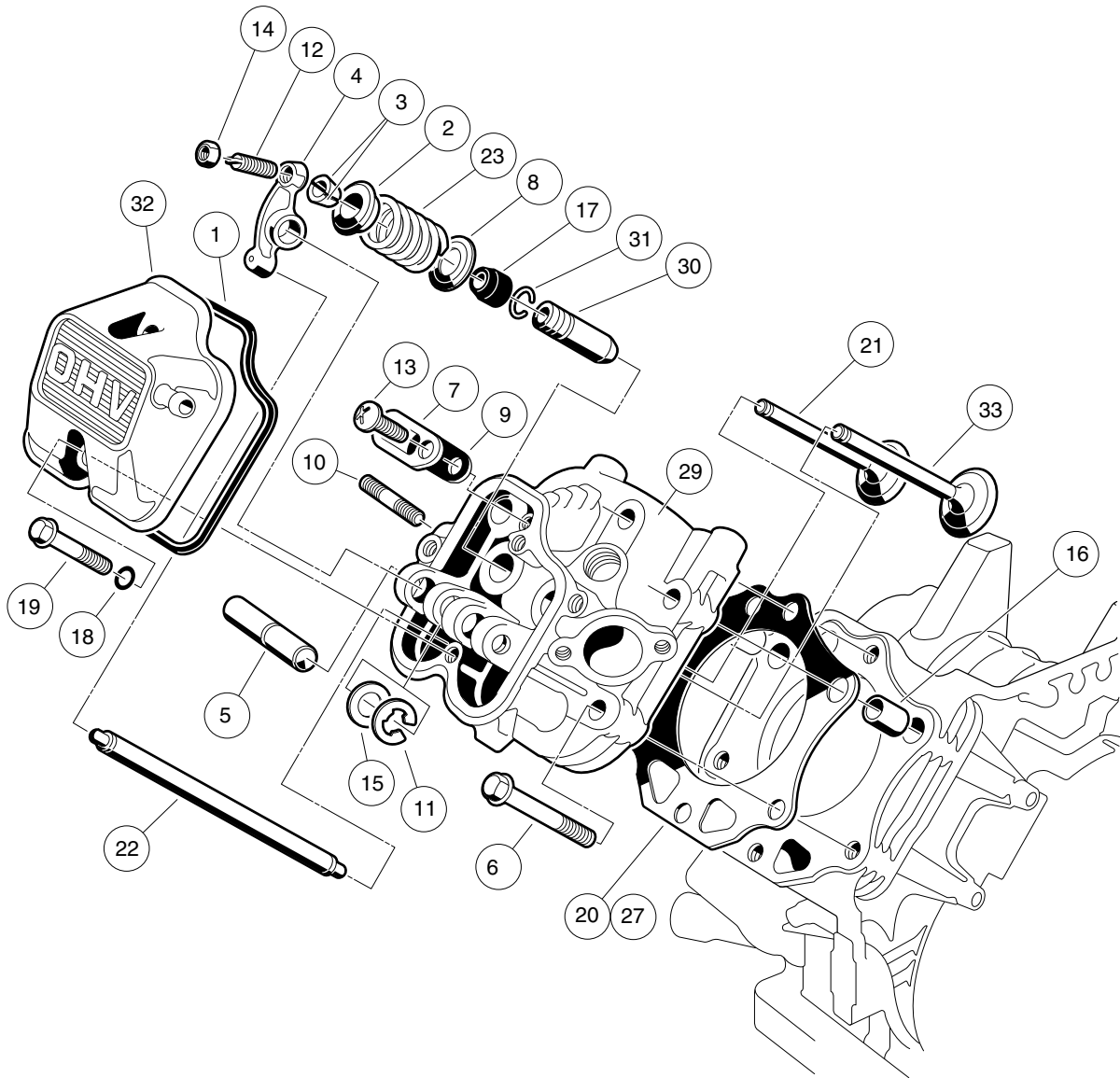


000202-002

# AS26 FE350 ENGINE – IGNITION COMPONENTS AND FLYWHEEL

| ITEM | PART NO.  | DESCRIPTION                   | QTY |
|------|-----------|-------------------------------|-----|
|      |           | 1 2 3 4                       |     |
| 1    | 1016455   | Bolt, Flange Head .....       | 2   |
| 2    | 1016544   | Screw .....                   | 1   |
| 3    | 1016561   | Clamp .....                   | 1   |
| 4    | 1016562   | Key .....                     | 1   |
| 5    | 1016587   | Clamp .....                   | 1   |
| 6    | 1016588   | Tube, 7mm X 10mm X 70mm ..... | 1   |
| 7    | 1017448   | Bolt, Flanged .....           | 3   |
| 8    | 1017455   | Plate, Flywheel Fan .....     | 1   |
| 9    | 1017463   | Cap Asm Plug .....            | 1   |
| 10   | 1017490   | Washer, Flat .....            | 1   |
| 11   | 101916301 | Fan (cw) .....                | 1   |
| 12   | N/A       | Nut, Hex, 18 mm Fine .....    | 1   |
| 13   | 103616501 | Ignition, Coil Asm .....      | 1   |
| 14   | 103616601 | Flywheel Comp .....           | 1   |
| 15   | 103616701 | Ignition, Wire Lead .....     | 1   |
| 16   | 103616801 | Ignition, Grommet .....       | 1   |
| 17   | AM1232301 | Spark Plug, BPR2ES .....      | 1   |

**7**  
**G**



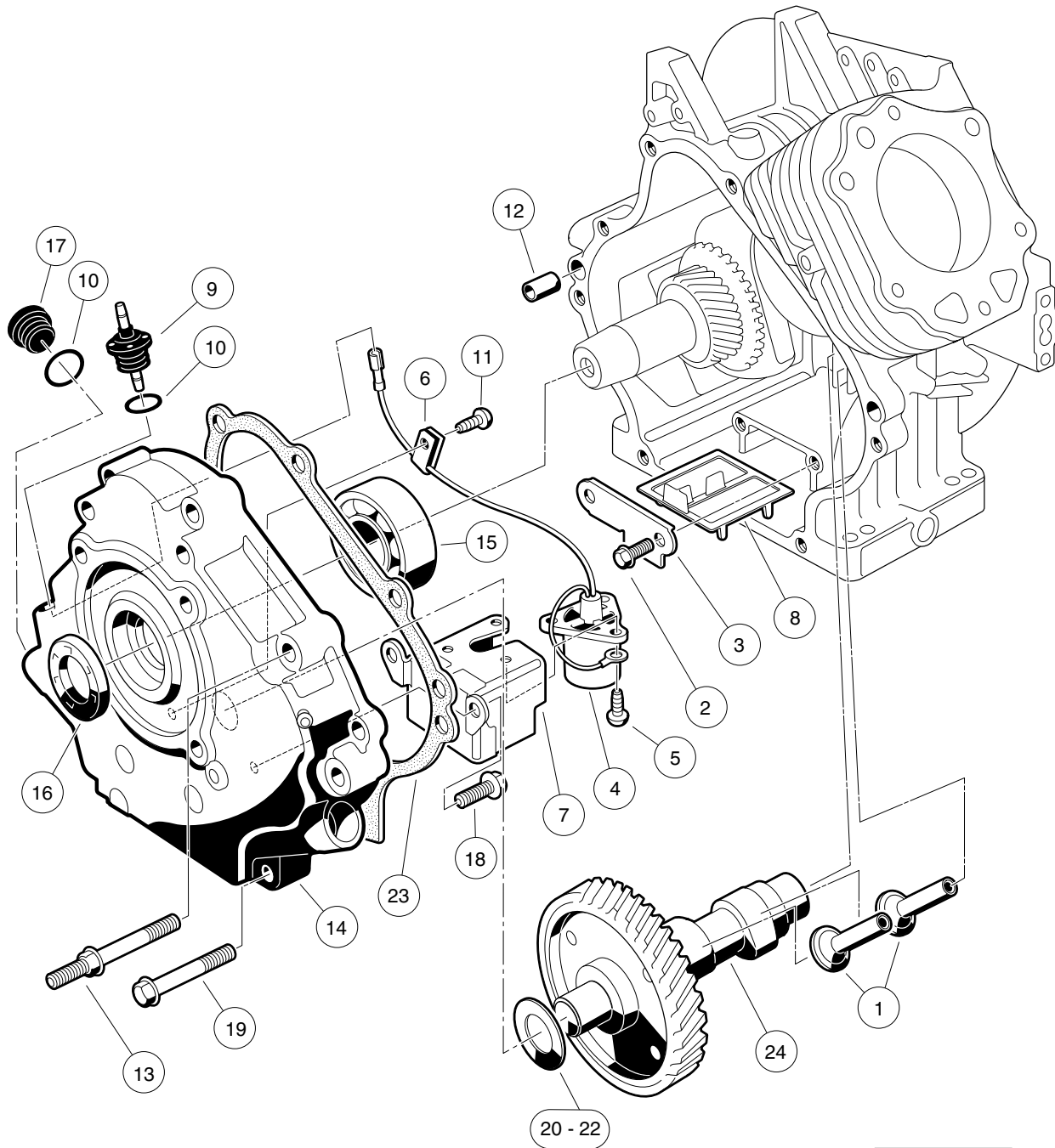
000204-002



## AS26 FE350 ENGINE – CYLINDER HEAD

| ITEM | PART NO.  | DESCRIPTION   | QTY |
|------|-----------|---|-----|
|      |           | 1 2 3 4   |     |
| 1    | 1016436   | Gasket, Rocker Case .....                               | 1   |
| 2    | 1016449   | Retainer, Valve Spring .....                            | 2   |
| 3    | 1016450   | Collet .....  | 4   |
| 4    | 1016451   | Arm, Rocker .....                                       | 2   |
| 5    | 1016452   | Shaft, Rocker .....                                     | 1   |
| 6    | 1016458   | Bolt, Flange Head, M8 x 1.25 x 45 mm .....              | 6   |
| 7    | 1016474   | Plate .....   | 1   |
| 8    | 1016479   | Seat, Spring .....                                      | 2   |
| 9    | 1016483   | Valve .....   | 1   |
| 10   | 1016489   | Stud, Two-Ended, M8-1.25 .....                          | 2   |
| 11   | 1016517   | Circlip, Type-E .....                                   | 1   |
| 12   | 1016542   | Screw .....   | 2   |
| 13   | 1016544   | Screw .....   | 1   |
| 14   | 1016545   | Nut .....   | 2   |
| 15   | 1016549   | Washer, 12.1x19x1.8 .....                               | 1   |
| 16   | 1016563   | Pin .....   | 2   |
| 17   | 1016566   | Seal, Oil .....   | 2   |
| 18   | 1016569   | O-Ring .....  | 2   |
| 19   | 1016583   | Bolt, 6x35 .....  | 2   |
| 20   | 1017434   | Gasket, Head .....                                      | 1   |
| 21   | 1017445   | Valve, Exhaust .....                                    | 1   |
| 22   | 1017454   | Rod, Push .....   | 2   |
| 23   | 1017473   | Spring, Engine Valve .....                              | 2   |
| 24   | 102304801 | Kit, Gasket, FE350 (includes items 25 through 28) ..... | 1   |
| 25   | 1016440   | Gasket, Engine to Insulator .....                       | 1   |
| 26   | 1016904   | Gasket, Exhaust .....                                   | 1   |
| 27   | 1017434   | Gasket, Head .....                                      | 1   |
| 28   | 1017443   | Gasket, Crankcase Cover .....                           | 1   |
| 29   | 103615601 | Cylinder Head, Fe350 S26, S27 .....                     | 1   |
| 30   | 103615701 | Case, Rocker, Fe350 S26 S27 .....                       | 1   |
| 31   | 103616301 | Valve, Intake, Hard Tip .....                           | 1   |
|      |           | Note: Item 24 is not a component of the FE350 engine.   |     |

7  
G

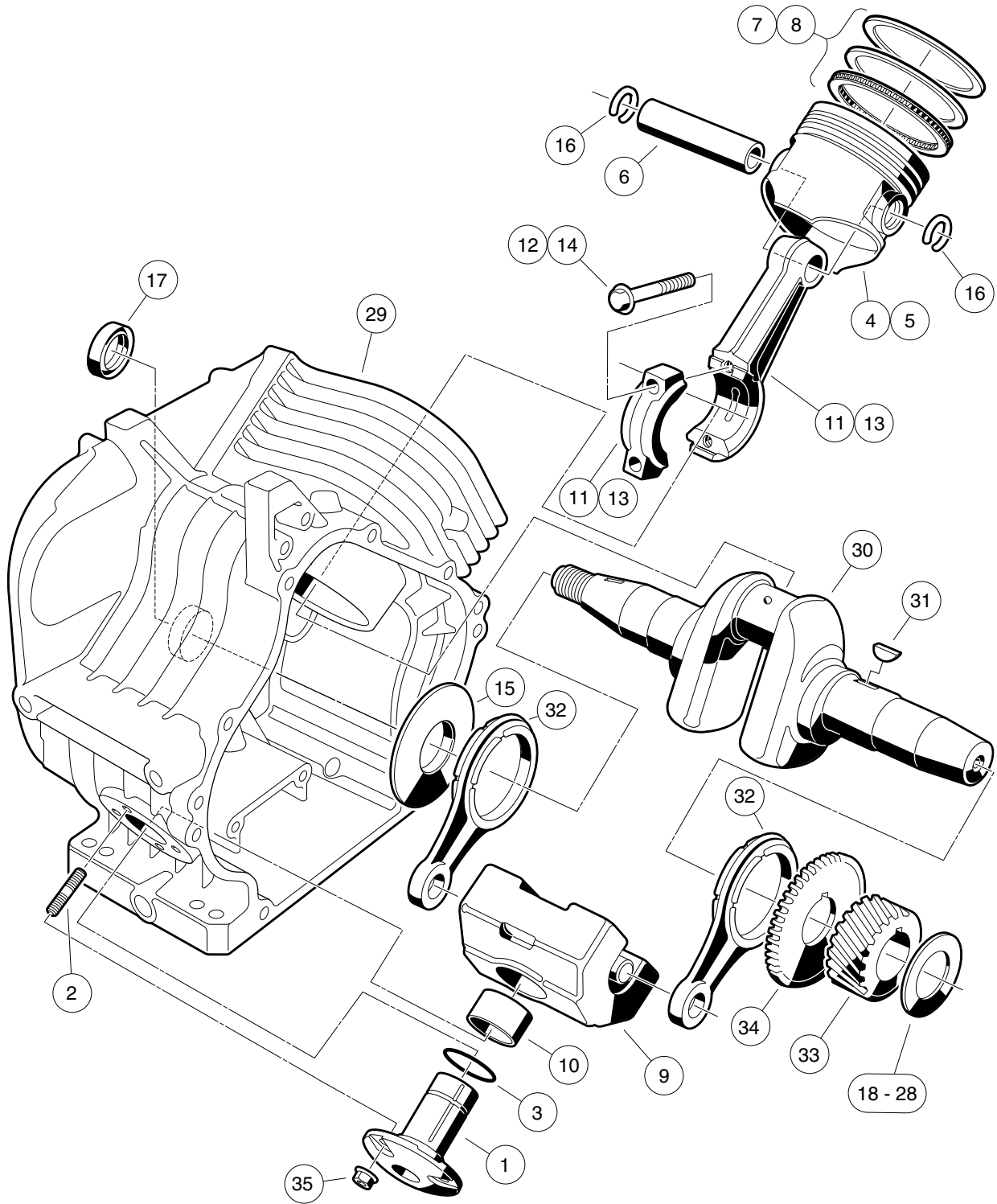


000205-003

# AS26 FE350 ENGINE – CRANKCASE AND CRANKSHAFT OIL SENSOR

| ITEM | PART NO.  | DESCRIPTION                                  | QTY |
|------|-----------|--|-----|
|      |           | 1 2 3 4                                      |     |
| 1    | 1016453   | Tappet .....                                 | 2   |
| 2    | 1016454   | Bolt, Flange Head, M5 x 0.8 x 8 mm .....     | 2   |
| 3    | 1016472   | Plate, Oil Filter Screen .....               | 1   |
| 4    | 1016494   | Sensor, Oil Level .....                      | 1   |
| 5    | 1016496   | Screw, Cross Pan-Head, M4 x 0.7 x 8 mm ..... | 3   |
| 6    | 1016506   | Clamp .....                                  | 1   |
| 7    | 1016510   | Bracket, Switch, Oil Level .....             | 1   |
| 8    | 1016521   | Screen, Oil Filter .....                     | 1   |
| 9    | 1016535   | Connector, Cord .....                        | 1   |
| 10   | 1016538   | O-Ring .....                                 | 2   |
| 11   | 1016544   | Screw .....                                  | 1   |
| 12   | 1016564   | Pin .....                                    | 2   |
| 13   | 1016584   | Bolt, Two-Ended, M8 x 1.25 x 69 mm .....     | 2   |
| 14   | 1017472   | Cover Crankcase .....                        | 1   |
| 15   | 1017487   | Bearing, Ball .....                          | 1   |
| 16   | 1017504   | Seal, Oil .....                              | 1   |
| 17   | 1017508   | Plug .....                                   | 1   |
| 18   | 1017513   | Bolt Switch Bracket .....                    | 2   |
| 19   | 1017514   | Screw, M8-1.25 X 45mm Hex .....              | 6   |
| 20   | 101751801 | Shim, 0.3 .....                              | 1   |
| 21   | 101751802 | Shim, 0.4 .....                              | 1   |
| 22   | 101751803 | Shim, 0.5 .....                              | 1   |
| 23   | 103615901 | Gasket, Crankcase Cover .....                | 1   |
| 24   | 103616401 | Camshaft Comp .....                          | 1   |

**7**  
**G**



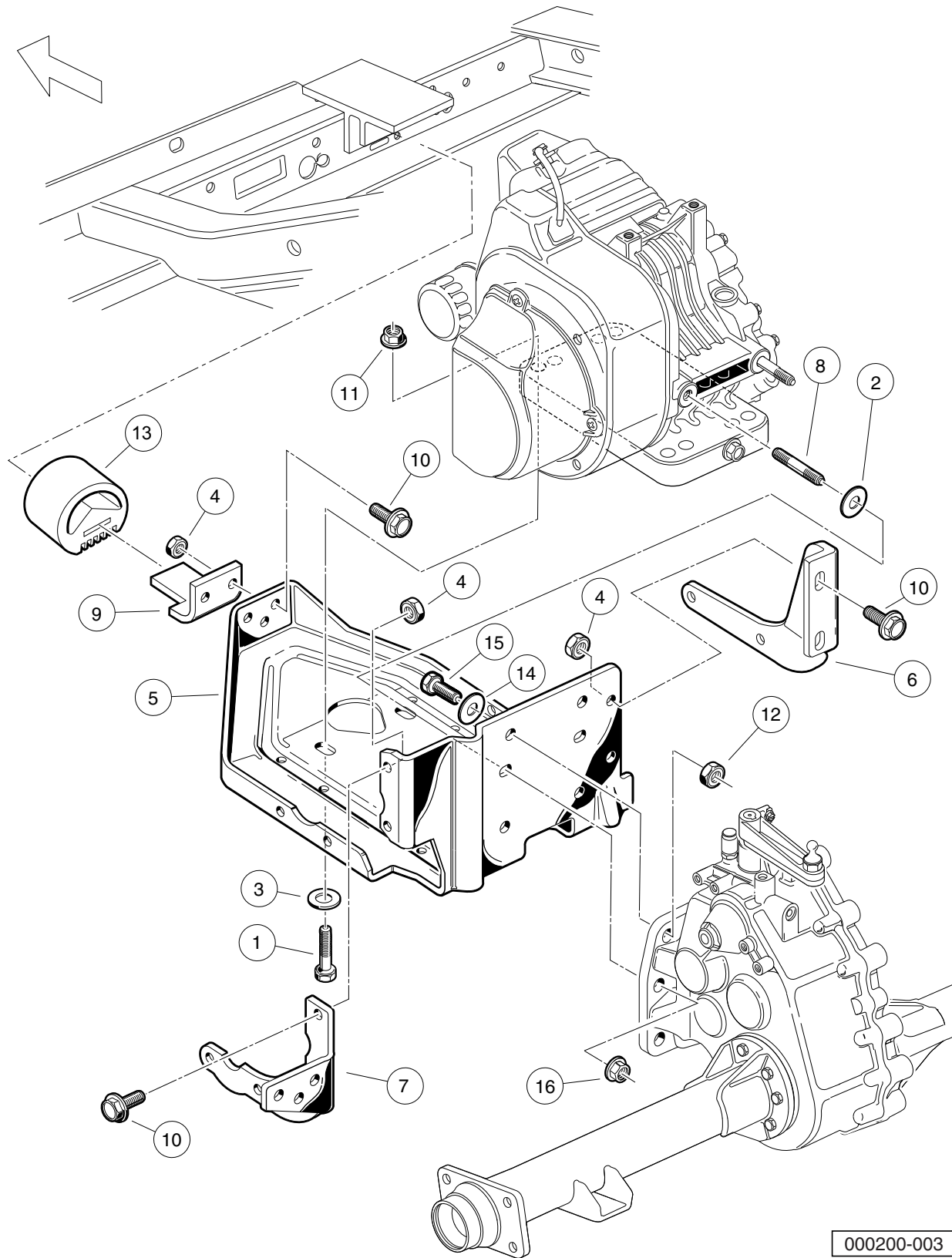
000206-001

## AS26 FE350 ENGINE – CRANKCASE AND CRANKSHAFT

| ITEM | PART NO.  | DESCRIPTION  | QTY |
|------|-----------|--|-----|
|      |           | 1 2 3 4  |     |
| 1    | 1016470   | Shaft, Guide, Counterbalance .....                         | 1   |
| 2    | 1016541   | Stud, 6x14 .....   | 4   |
| 3    | 1016571   | O-Ring .....   | 1   |
| 4    | 101744901 | Piston, Standard .....                                     | 1   |
| 5    | 101744902 | Piston, 0.50 mm Oversize .....                             | 1   |
| 6    | 1017450   | Pin, Piston .....  | 1   |
| 7    | 101745101 | Ring Set, Standard Piston .....                            | 1   |
| 8    | 101745102 | Ring Set, Piston, 0.50 mm Oversize .....                   | 1   |
| 9    | 1017453   | Fe400 Counterbalance Weight (includes item 10) .....       | 1   |
| 10   | 1017510   | Bearing, Plain .....                                       | 1   |
| 11   | 101745701 | Asm, Con. Rod Std (includes item 12) .....                 | 1   |
| 12   | 1017512   | Bolt .....   | 2   |
| 13   | 101745702 | Rod Assembly Connecting Rod 0.5mm (includes item 14) ..... | 1   |
| 14   | 1017512   | Bolt .....   | 2   |
| 15   | 1017501   | Spacer .....   | 1   |
| 16   | 1017502   | Snap Ring .....  | 2   |
| 17   | 1017503   | Seal, Oil .....  | 1   |
| 18   | 101773301 | Shim, Crankshaft, 1.18mm .....                             | 1   |
| 19   | 101773302 | Shim, Crankshaft, 1.25mm .....                             | 1   |
| 20   | 101773303 | Shim, Crankshaft, 1.32mm .....                             | 1   |
| 21   | 101773304 | Shim, Crankshaft, 1.39mm .....                             | 1   |
| 22   | 101773305 | Shim, Crankshaft, 1.46mm .....                             | 1   |
| 23   | 101773306 | Shim, Crankshaft, 1.53mm .....                             | 1   |
| 24   | 101773307 | Shim, Crankshaft, 1.60mm .....                             | 1   |
| 25   | 101773308 | Shim, Crankshaft, 1.67mm .....                             | 1   |
| 26   | 101773309 | Shim, Crankshaft, 1.74mm .....                             | 1   |
| 27   | 101773310 | Shim, Crankshaft, 1.11mm .....                             | 1   |
| 28   | 101773311 | Shim, Crankshaft, 1.81mm .....                             | 1   |
| 29   | 103615801 | Crankcase, Fe350 S26 S27 .....                             | 1   |
| 30   | N/A       | Crankshaft, Complete (includes items 31 through 34) .....  | 1   |
| 31   | 1016562   | Key .....  | 1   |
| 32   | 1017471   | Rod .....  | 2   |
| 33   | N/A       | Gear, Helical .....  | 1   |
| 34   | N/A       | Gear, Spur .....   | 1   |
| 35   | 103616201 | Nut, M6 Flange .....                                       | 4   |

7  
G

**7**  
**G**



000200-003

# FE350 ENGINE MOUNTING

| ITEM | PART NO.  | DESCRIPTION                           | QTY |
|------|-----------|---------------------------------------|-----|
|      |           | <b>1 2 3 4</b>                        |     |
| 1    | 1010577   | Bolt, Hex-Head, 5/16-18 X 1.50 .....  | 4   |
| 2    | 1011697   | Washer, 5/16 Flat .....               | 2   |
| 3    | 1012571   | Washer, 5/16 Extra Thick Flat .....   | 4   |
| 4    | 1013924   | Nut, 5/16-24 Hex Head Cone .....      | 10  |
| 5    | 101827101 | Plate, Engine Mounting .....          | 1   |
| 6    | 101832601 | Stiffener (PTO Side) .....            | 1   |
| 7    | 101832701 | Stiffener (Flywheel Side) .....       | 1   |
| 8    | 101833101 | Stud, M8-1.25 X 50 mm Two-Ended ..... | 2   |
| 9    | 101834601 | Snubber Bracket .....                 | 1   |
| 10   | 101884801 | Screw, 5/16-24 X 0.875 Grade-8 .....  | 10  |
| 11   | 101963401 | Locknut, 5/16-18 Hex Flange .....     | 4   |
| 12   | 102065901 | Locknut, 3/8-16 Flanged Dimple .....  | 4   |
| 13   | 102540301 | Inner Frame Snubber .....             | 1   |
| 14   | 334       | Washer, 3/8 Type A Flat .....         | 4   |
| 15   | 705       | Screw, Cap-hex Hd 3/8-16x1.25 .....   | 4   |
| 16   | 96704416  | Nut Flg, M8 X 1.25 Serrated .....     | 2   |

7

G

7

G

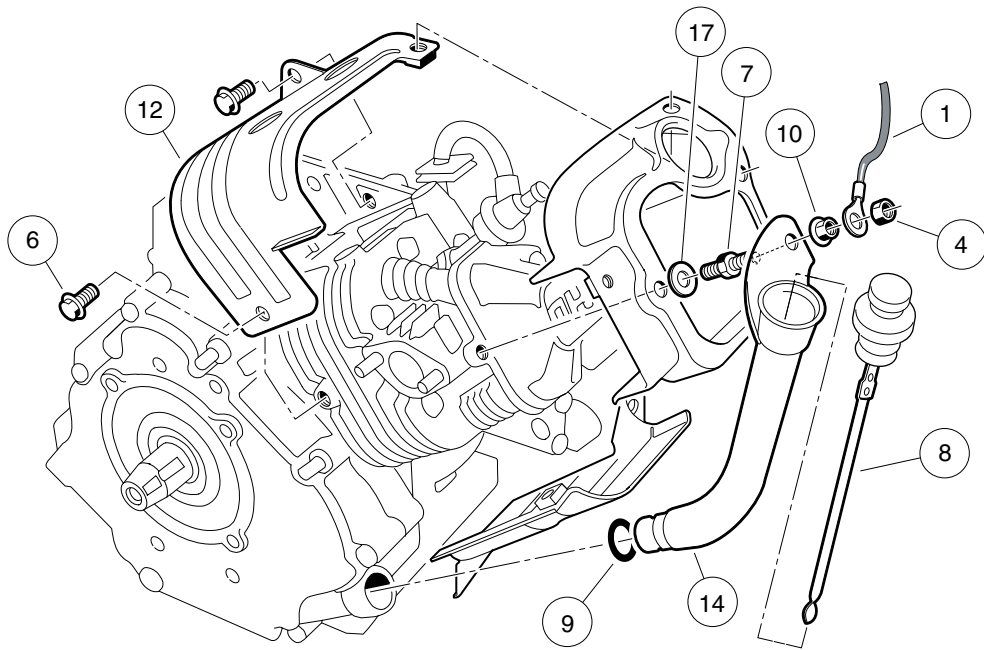
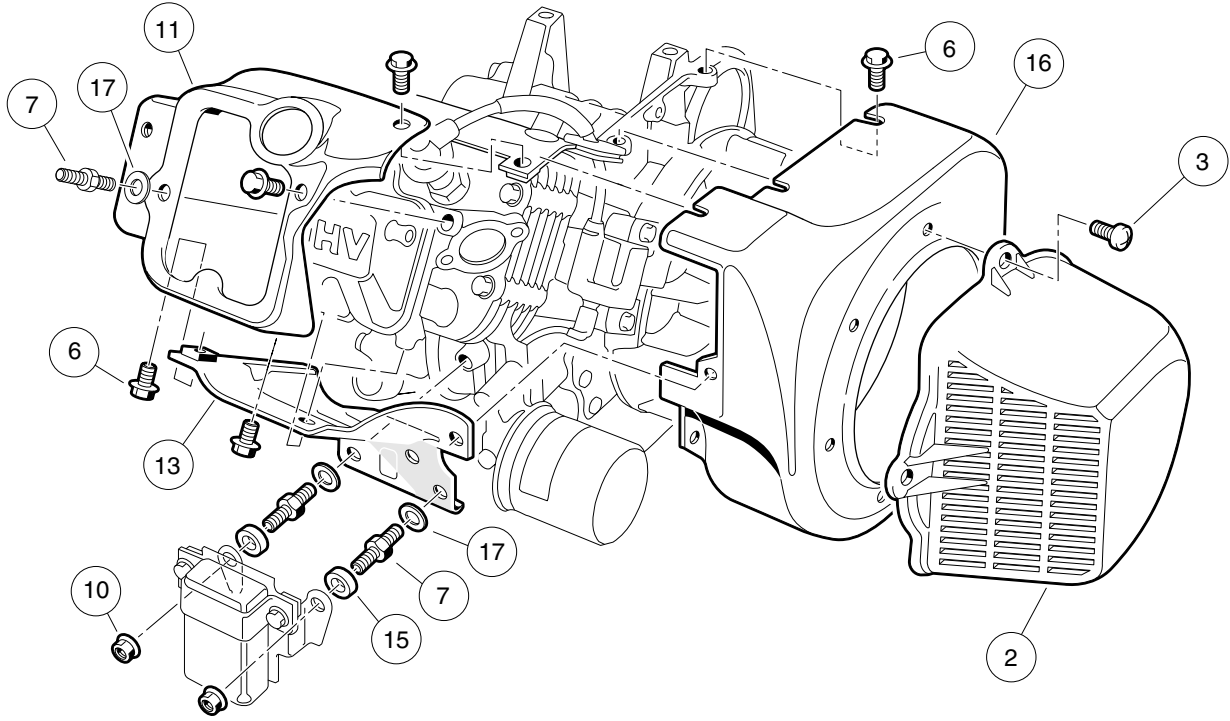


# FE350 ENGINE WITH ACR

---

8

G

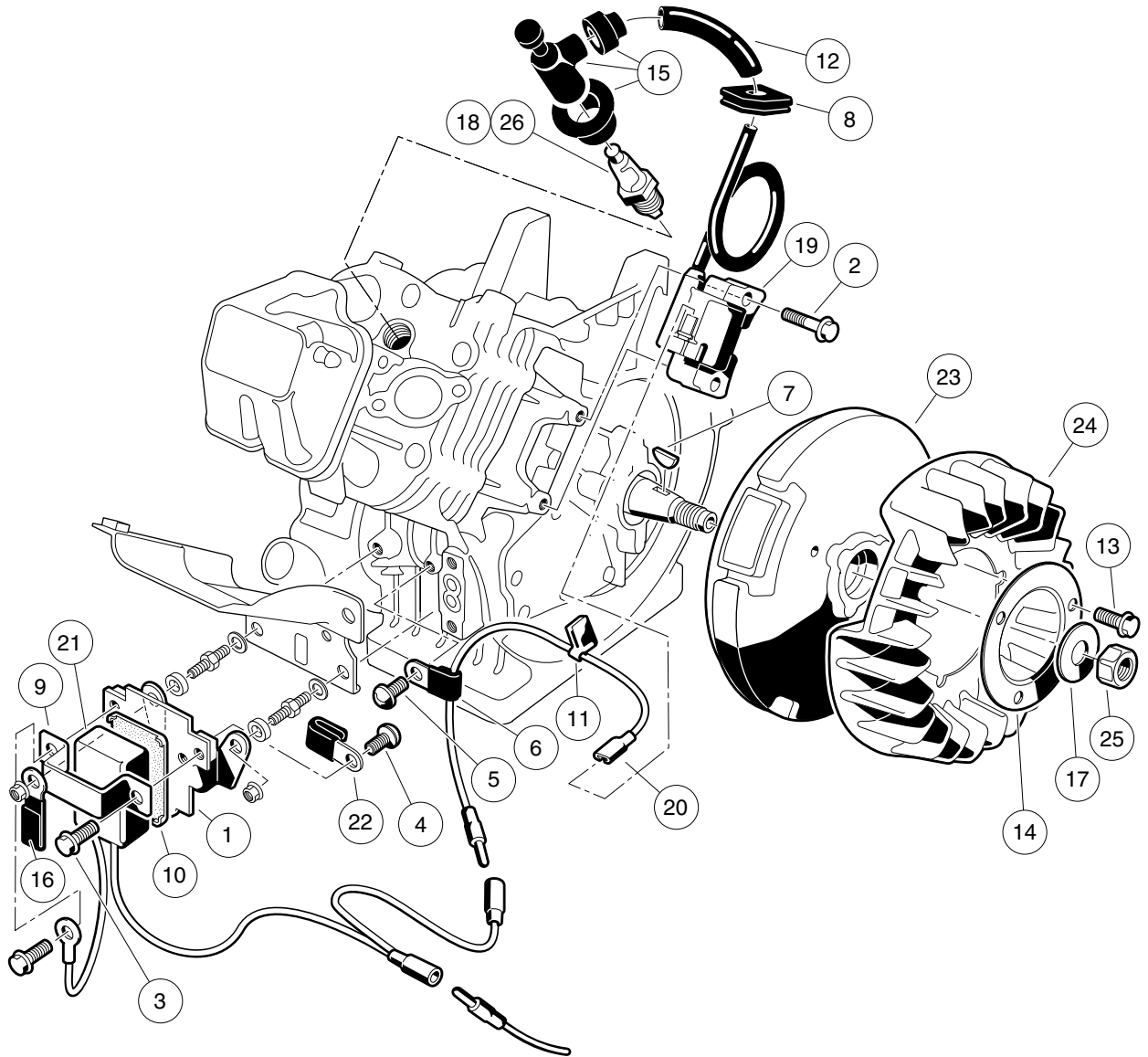


000201-001

# FE350 ENGINE WITH ACR (AUTOMATIC COMPRESSION RELEASE) – SHROUDS AND BRACKETS

| ITEM  | PART NO.  | DESCRIPTION   | QTY |
|---|-----------|---|-----|
|   |           | 1 2 3 4   |     |
| 1   | 1015332   | Wire Assembly, #10, Uninsulated .....                             | 1   |
| 2   | 1015649   | Shroud, Fan .....   | 1   |
| 3   | 1015969   | Screw, M6-1.00 X 10mm Pan Hd .....                                | 4   |
| 4   | 101887601 | Locknut, M6-1.00 Nylon Insert .....                               | 1   |
| 5   | 101953801 | Engine, FE350 (cw) with ACR * (includes items 6 through 17) ..... | 1   |
| 6   | 1016456   | Bolt, Flange Head, M6 x 1 x 12 mm .....                           | 14  |
| 7   | 1016507   | Bolt, Two-Ended .....   | 3   |
| 8   | 1016531   | Dipstick .....  | 1   |
| 9   | 1016539   | O-Ring .....  | 1   |
| 10  | 1016547   | Nut, M6 Flange .....  | 3   |
| 11  | 1017474   | Shroud, Engine .....  | 1   |
| 12  | 1017475   | Shroud, Engine .....  | 1   |
| 13  | 1017476   | Shroud, Engine .....  | 1   |
| 14  | 1017486   | Tube, Oil Filler .....  | 1   |
| 15  | 1017500   | Spacer 6.50 X 12 X 5.5 .....                                      | 2   |
| 16  | 101916101 | Housing, FE350 Fan .....  | 1   |
| 17  | N/A       | Washer, 6mm Flat .....  | 3   |
| * Note: FE350 engine component listings span several pages. |           |   |     |

**8**  
**G**

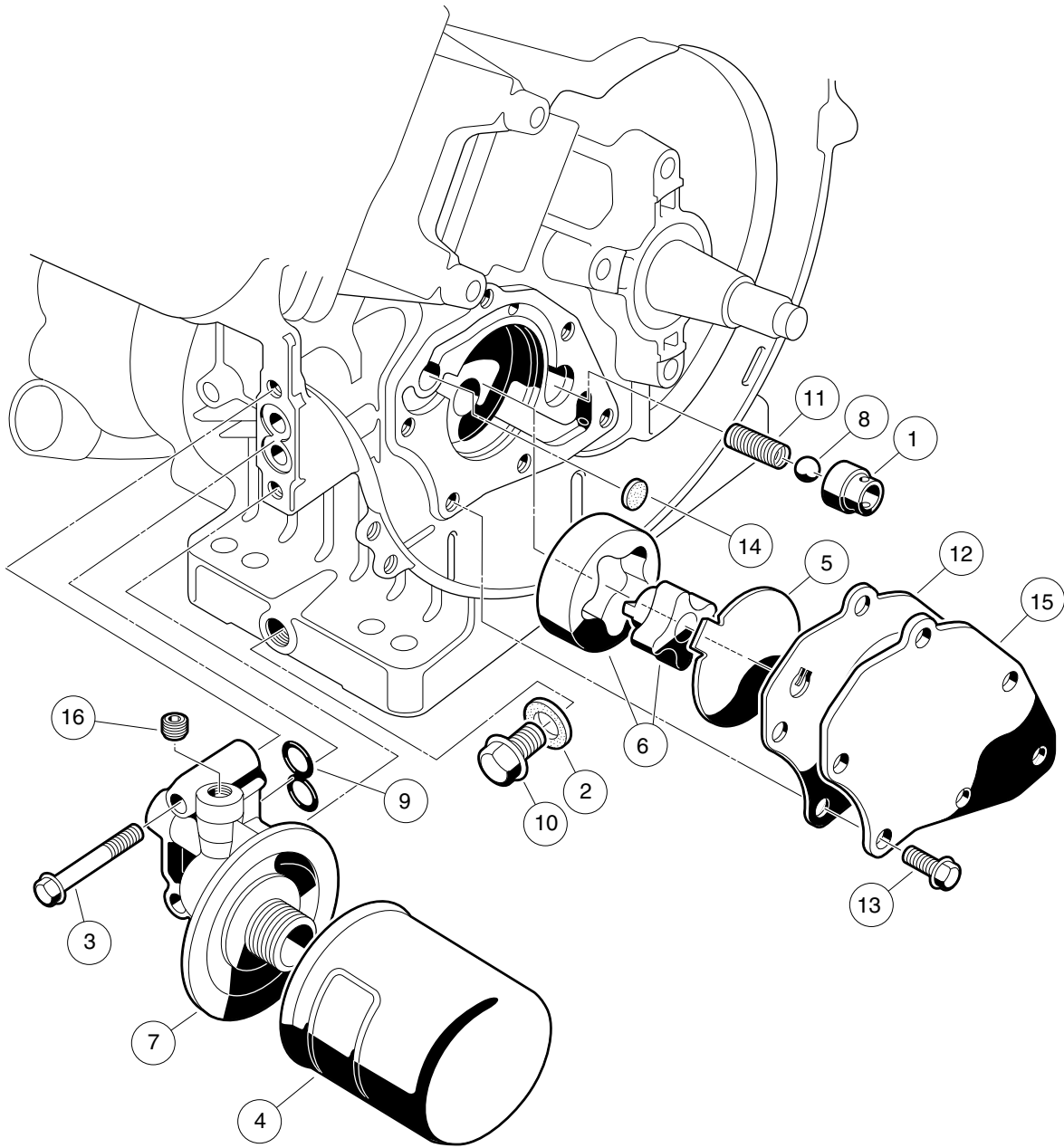


000202-001

# AS11 FE350 ENGINE – IGNITION COMPONENTS AND FLYWHEEL

| ITEM | PART NO.  | DESCRIPTION                             | QTY |
|------|-----------|---|-----|
|      |           | <b>1 2 3 4</b>                          |     |
| 1    | 1016445   | Bracket, RPM Limiter .....              | 1   |
| 2    | 1016455   | Bolt, Flange Head .....                 | 2   |
| 3    | 1016456   | Bolt, Flange Head, M6 x 1 x 12 mm ..... | 2   |
| 4    | 1016497   | Screw, Pan WP Cross .....               | 1   |
| 5    | 1016544   | Screw .....                             | 1   |
| 6    | 1016561   | Clamp .....                             | 1   |
| 7    | 1016562   | Key .....                               | 1   |
| 8    | 1016578   | Ignition, Grommet .....                 | 1   |
| 9    | 1016579   | Band, RPM Limiter Mount .....           | 1   |
| 10   | 1016586   | Damper, RPM Limiter .....               | 1   |
| 11   | 1016587   | Clamp .....                             | 1   |
| 12   | 1016588   | Tube, 7mm X 10mm X 70mm .....           | 1   |
| 13   | 1017448   | Bolt, Flanged .....                     | 3   |
| 14   | 1017455   | Plate, Flywheel Fan .....               | 1   |
| 15   | 1017463   | Cap Asm Plug .....                      | 1   |
| 16   | 1017468   | Clamp .....                             | 1   |
| 17   | 1017490   | Washer, Flat .....                      | 1   |
| 18   | 101881101 | Spark Plug, OHV (Autolite) .....        | 1   |
| 19   | 101909201 | Coil, Ignition .....                    | 1   |
| 20   | 101909301 | Lead Wire Assy .....                    | 1   |
| 21   | 101909401 | Limiter, RPM .....                      | 1   |
| 22   | 101909501 | Clamp, Steel .....                      | 1   |
| 23   | 101916201 | Flywheel .....                          | 1   |
| 24   | 101916301 | Fan (cw) .....                          | 1   |
| 25   | N/A       | Nut, Hex, 18 mm Fine .....              | 1   |
| 26   | AM10724   | Spark Plug, OHV (NGK) .....             | 1   |

**8**  
**G**



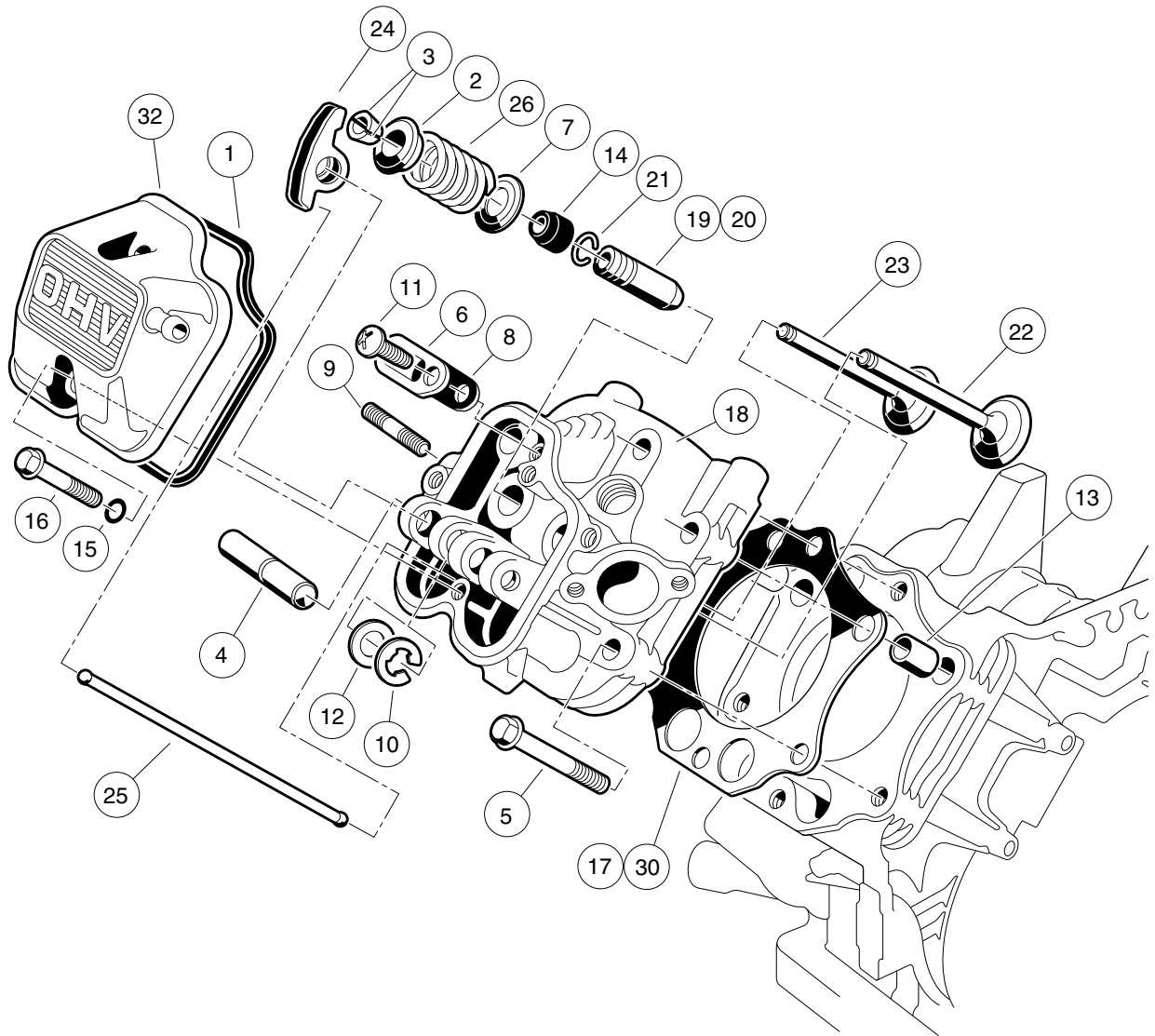
000203-001

## FE350 ENGINE – OIL CIRCULATION

| ITEM | PART NO.  | DESCRIPTION                        | QTY |
|------|-----------|------------------------------------|-----|
|      |           | 1 2 3 4                            |     |
| 1    | 1016429   | Seat, Value Oil Press Relief ..... | 1   |
| 2    | 1016432   | Gasket, Drain Plug .....           | 1   |
| 3    | 1016457   | Bolt, Flange Head .....            | 2   |
| 4    | 1016467   | Filter, Oil .....                  | 1   |
| 5    | 1016473   | Plate, Oil Pump .....              | 1   |
| 6    | 101648203 | Oil Pump And Rotor .....           | 1   |
| 7    | 1016502   | Bracket, Oil Filter Mount .....    | 1   |
| 8    | 1016537   | Ball, Steel, Press, Relief .....   | 1   |
| 9    | 1016570   | O-Ring .....                       | 1   |
| 10   | 1016576   | Plug, Drain .....                  | 1   |
| 11   | 1016581   | Spring .....                       | 1   |
| 12   | 1017442   | Gasket .....                       | 1   |
| 13   | 1017456   | Bolt, Flanged .....                | 6   |
| 14   | 1017458   | Filter .....                       | 1   |
| 15   | 1017460   | Cover, Pump .....                  | 1   |
| 16   | 1017507   | Plug .....                         | 2   |

**8**

**G**



000204-001

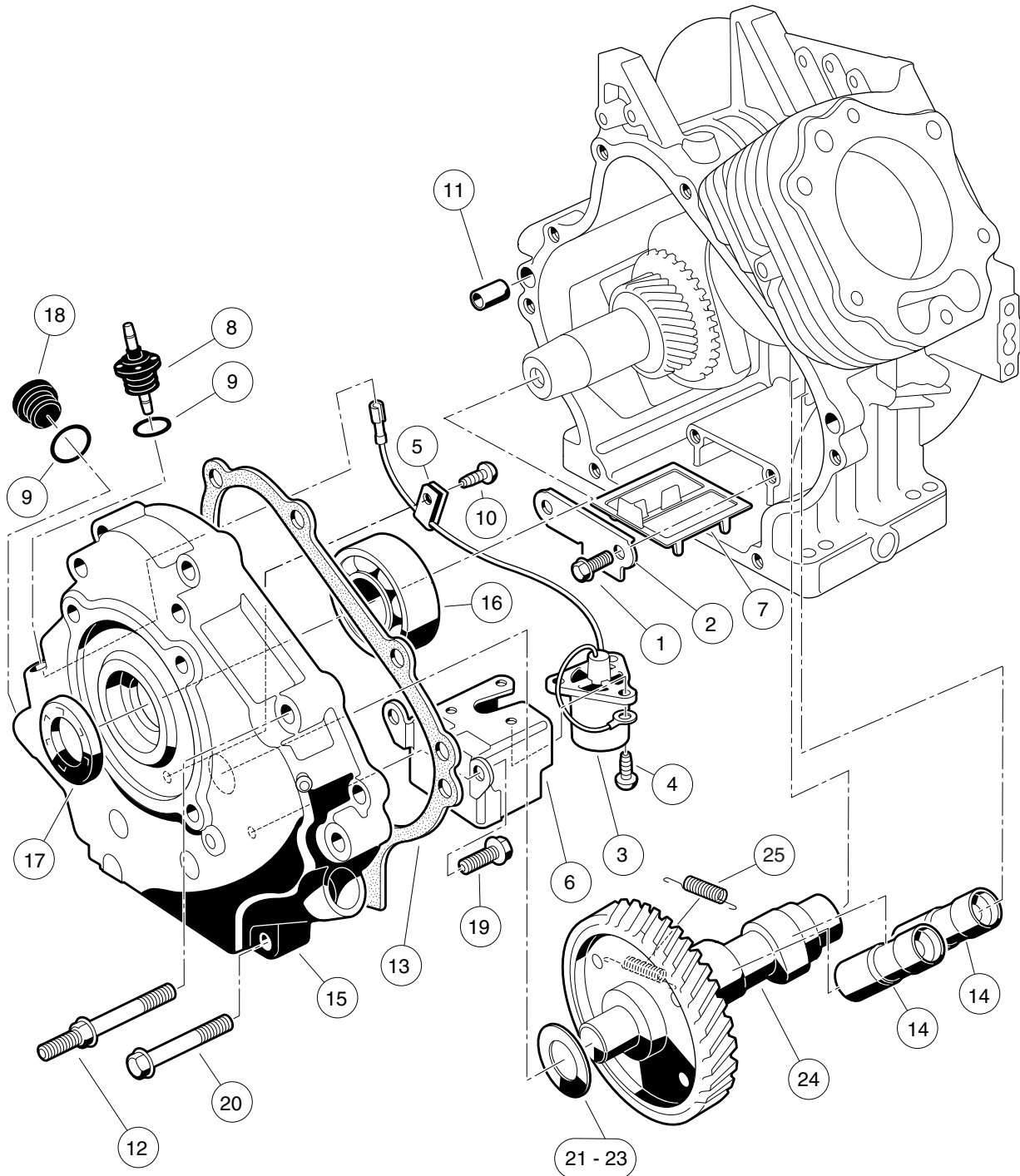


# AS11 FE350 ENGINE – CYLINDER HEAD

| ITEM | PART NO.  | DESCRIPTION   | QTY |
|------|-----------|---|-----|
|      |           | 1 2 3 4   |     |
| 1    | 1016436   | Gasket, Rocker Case .....   | 1   |
| 2    | 1016449   | Retainer, Valve Spring .....  | 2   |
| 3    | 1016450   | Collet .....  | 4   |
| 4    | 1016452   | Shaft, Rocker .....   | 1   |
| 5    | 1016458   | Bolt, Flange Head, M8 x 1.25 x 45 mm .....                          | 6   |
| 6    | 1016474   | Plate .....   | 1   |
| 7    | 1016479   | Seat, Spring .....  | 2   |
| 8    | 1016483   | Valve .....   | 1   |
| 9    | 1016489   | Stud, Two-Ended, M8-1.25 .....                                      | 2   |
| 10   | 1016517   | Circlip, Type-E .....   | 1   |
| 11   | 1016544   | Screw .....   | 1   |
| 12   | 1016549   | Washer, 12.1x19x1.8 .....   | 1   |
| 13   | 1016563   | Pin .....   | 2   |
| 14   | 1016566   | Seal, Oil .....   | 2   |
| 15   | 1016569   | O-Ring .....  | 2   |
| 16   | 1016583   | Bolt, 6x35 .....  | 2   |
| 17   | 1017434   | Gasket, Head .....  | 1   |
| 18   | 1017435   | Assembly, Cylinder Head, FE350 (includes items 19 through 21) ..... | 1   |
| 19   | 1016518   | Guide, Valve, Exhaust .....   | 1   |
| 20   | 1016519   | Guide, Valve .....  | 1   |
| 21   | 1016560   | Snap Ring .....   | 2   |
| 22   | 1017444   | Valve, Intake .....   | 1   |
| 23   | 1017445   | Valve, Exhaust .....  | 1   |
| 24   | 1017446   | Arm, Rocker .....   | 2   |
| 25   | 1017454   | Rod, Push .....   | 2   |
| 26   | 1017473   | Spring, Engine Valve .....  | 2   |
| 27   | 102304801 | Kit, Gasket, FE350 (includes items 28 through 31) .....             | 1   |
| 28   | 1016440   | Gasket, Engine to Insulator .....                                   | 1   |
| 29   | 1016904   | Gasket, Exhaust .....   | 1   |
| 30   | 1017434   | Gasket, Head .....  | 1   |
| 31   | 1017443   | Gasket, Crankcase Cover .....                                       | 1   |
| 32   | 102753401 | Case, Rocker .....  | 1   |
|      |           | Note: Item 28 is not a component of the FE350 engine.               |     |

**8**

**G**

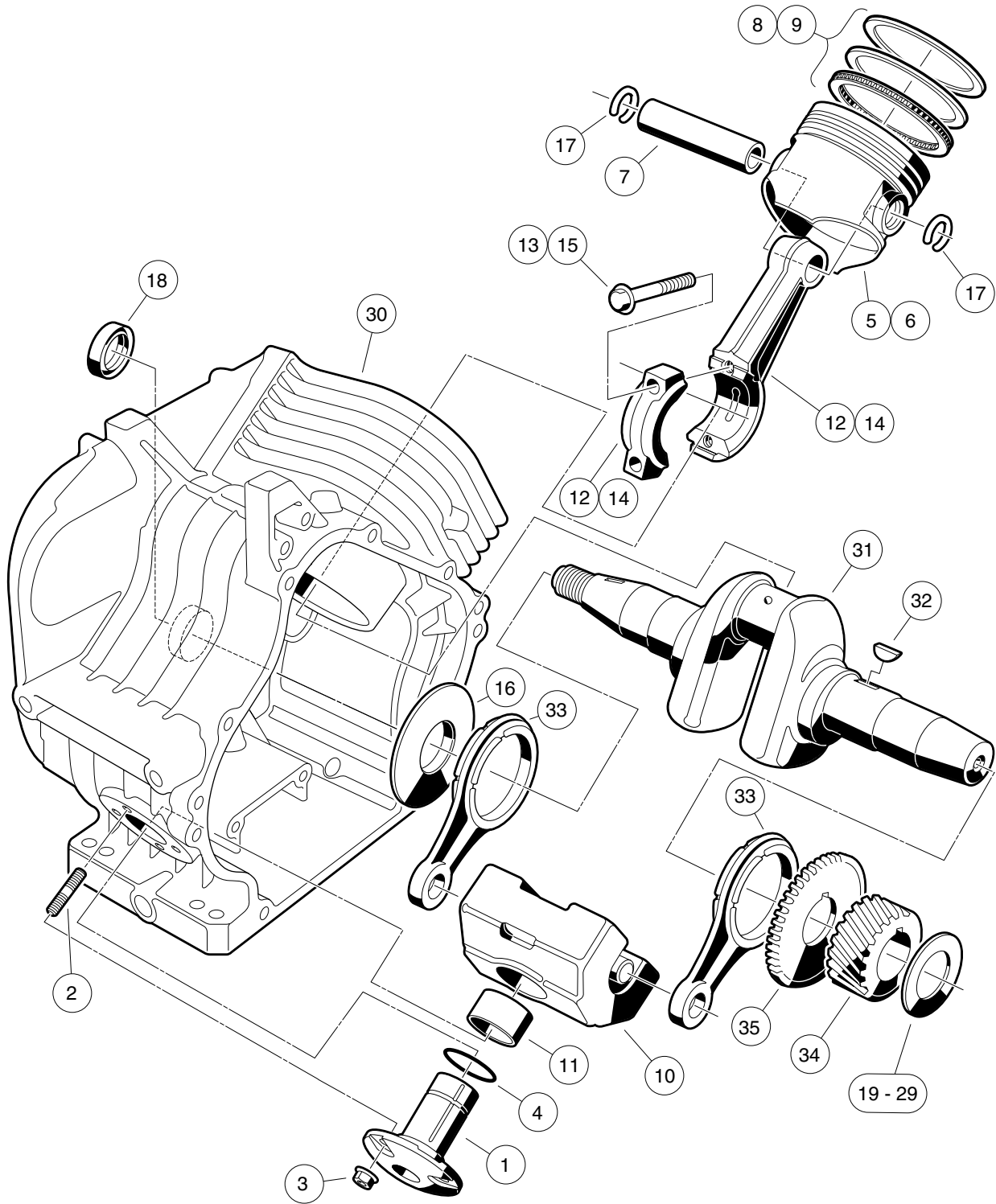


000205-001

# FE350 ENGINE WITH ACR – CRANKCASE, CAMSHAFT, AND OIL SENSOR

| ITEM | PART NO.  | DESCRIPTION   | QTY |
|------|-----------|---|-----|
|      |           | 1 2 3 4   |     |
| 1    | 1016454   | Bolt, Flange Head, M5 x 0.8 x 8 mm .....                          | 2   |
| 2    | 1016472   | Plate, Oil Filter Screen .....                                    | 1   |
| 3    | 1016494   | Sensor, Oil Level .....   | 1   |
| 4    | 1016496   | Screw, Cross Pan-Head, M4 x 0.7 x 8 mm .....                      | 3   |
| 5    | 1016506   | Clamp .....   | 1   |
| 6    | 1016510   | Bracket, Switch, Oil Level .....                                  | 1   |
| 7    | 1016521   | Screen, Oil Filter .....  | 1   |
| 8    | 1016535   | Connector, Cord .....   | 1   |
| 9    | 1016538   | O-Ring .....  | 2   |
| 10   | 1016544   | Screw .....   | 1   |
| 11   | 1016564   | Pin .....   | 2   |
| 12   | 1016584   | Bolt, Two-Ended, M8 x 1.25 x 69 mm .....                          | 2   |
| 13   | 1017443   | Gasket, Crankcase Cover .....                                     | 1   |
| 14   | 1017447   | Adjuster, Lash .....  | 2   |
| 15   | 1017472   | Cover Crankcase .....   | 1   |
| 16   | 1017487   | Bearing, Ball .....   | 1   |
| 17   | 1017504   | Seal, Oil .....   | 1   |
| 18   | 1017508   | Plug .....  | 1   |
| 19   | 1017513   | Bolt Switch Bracket .....   | 2   |
| 20   | 1017514   | Screw, M8-1.25 X 45mm Hex .....                                   | 6   |
| 21   | 101751801 | Shim, 0.3 .....   | 1   |
| 22   | 101751802 | Shim, 0.4 .....   | 1   |
| 23   | 101751803 | Shim, 0.5 .....   | 1   |
| 24   | 102271601 | Camshaft, FE350/FE400 with ACR, 44-tooth (includes item 25) ..... | 1   |
| 25   | 1017511   | Spring .....  | 1   |

**8**  
**G**



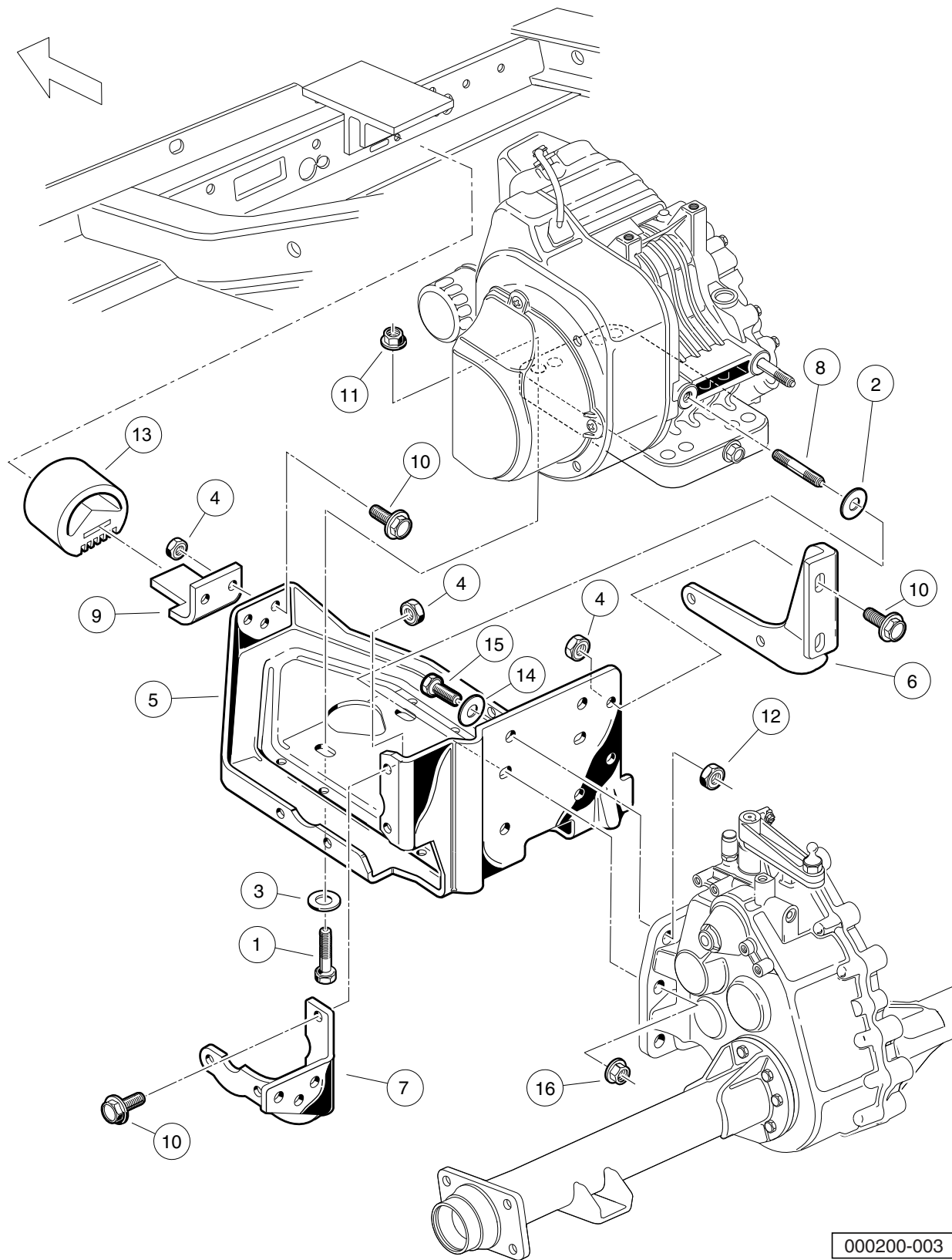
000206-001

# AS11 FE350 ENGINE – CRANKCASE AND CRANKSHAFT

| ITEM | PART NO.  | DESCRIPTION  | QTY |
|------|-----------|--|-----|
|      |           | <b>1 2 3 4</b>   |     |
| 1    | 1016470   | Shaft, Guide, Counterbalance .....   | 1   |
| 2    | 1016541   | Stud, 6x14 .....   | 4   |
| 3    | 1016547   | Nut, M6 Flange .....   | 4   |
| 4    | 1016571   | O-Ring .....   | 1   |
| 5    | 101744901 | Piston, Standard .....   | 1   |
| 6    | 101744902 | Piston, 0.50 mm Oversize .....   | 1   |
| 7    | 1017450   | Pin, Piston .....  | 1   |
| 8    | 101745101 | Ring Set, Standard Piston .....  | 1   |
| 9    | 101745102 | Ring Set, Piston, 0.50 mm Oversize .....                                   | 1   |
| 10   | 1017453   | Fe400 Counterbalance Weight (includes item 11) .....                       | 1   |
| 11   | 1017510   | Bearing, Plain .....   | 1   |
| 12   | 101745701 | Asm, Con. Rod Std (includes item 13) .....                                 | 1   |
| 13   | 1017512   | Bolt .....   | 2   |
| 14   | 101745702 | Rod Assembly Connecting Rod 0.5mm (includes item 15) .....                 | 1   |
| 15   | 1017512   | Bolt .....   | 2   |
| 16   | 1017501   | Spacer .....   | 1   |
| 17   | 1017502   | Snap Ring .....  | 2   |
| 18   | 1017503   | Seal, Oil .....  | 1   |
| 19   | 101773301 | Shim, Crankshaft, 1.18mm .....   | 1   |
| 20   | 101773302 | Shim, Crankshaft, 1.25mm .....   | 1   |
| 21   | 101773303 | Shim, Crankshaft, 1.32mm .....   | 1   |
| 22   | 101773304 | Shim, Crankshaft, 1.39mm .....   | 1   |
| 23   | 101773305 | Shim, Crankshaft, 1.46mm .....   | 1   |
| 24   | 101773306 | Shim, Crankshaft, 1.53mm .....   | 1   |
| 25   | 101773307 | Shim, Crankshaft, 1.60mm .....   | 1   |
| 26   | 101773308 | Shim, Crankshaft, 1.67mm .....   | 1   |
| 27   | 101773309 | Shim, Crankshaft, 1.74mm .....   | 1   |
| 28   | 101773310 | Shim, Crankshaft, 1.11 mm .....  | 1   |
| 29   | 101773311 | Shim, Crankshaft, 1.81mm .....   | 1   |
| 30   | 101916001 | Crankcase Complete, FE350 (cw) .....                                       | 1   |
| 31   | 102430901 | Crankshaft, FE350 Left-Hand, 22-Tooth (includes items 32 through 35) ..... | 1   |
| 32   | 1016562   | Key .....  | 1   |
| 33   | 1017471   | Rod .....  | 2   |
| 34   | N/A       | Gear, Helical .....  | 1   |
| 35   | N/A       | Gear, Spur .....   | 1   |

**8**  
**G**

8  
G



000200-003

# FE350 ENGINE MOUNTING

| ITEM | PART NO.  | DESCRIPTION                           | QTY |
|------|-----------|---------------------------------------|-----|
|      |           | 1 2 3 4                               |     |
| 1    | 1010577   | Bolt, Hex-Head, 5/16-18 X 1.50 .....  | 4   |
| 2    | 1011697   | Washer, 5/16 Flat .....               | 2   |
| 3    | 1012571   | Washer, 5/16 Extra Thick Flat .....   | 4   |
| 4    | 1013924   | Nut, 5/16-24 Hex Head Cone .....      | 10  |
| 5    | 101827101 | Plate, Engine Mounting .....          | 1   |
| 6    | 101832601 | Stiffener (PTO Side) .....            | 1   |
| 7    | 101832701 | Stiffener (Flywheel Side) .....       | 1   |
| 8    | 101833101 | Stud, M8-1.25 X 50 mm Two-Ended ..... | 2   |
| 9    | 101834601 | Snubber Bracket .....                 | 1   |
| 10   | 101884801 | Screw, 5/16-24 X 0.875 Grade-8 .....  | 10  |
| 11   | 101963401 | Locknut, 5/16-18 Hex Flange .....     | 4   |
| 12   | 102065901 | Locknut, 3/8-16 Flanged Dimple .....  | 4   |
| 13   | 102540301 | Inner Frame Snubber .....             | 1   |
| 14   | 334       | Washer, 3/8 Type A Flat .....         | 4   |
| 15   | 705       | Screw, Cap-hex Hd 3/8-16x1.25 .....   | 4   |
| 16   | 96704416  | Nut Flg, M8 X 1.25 Serrated .....     | 2   |

**8**

**G**

8

G

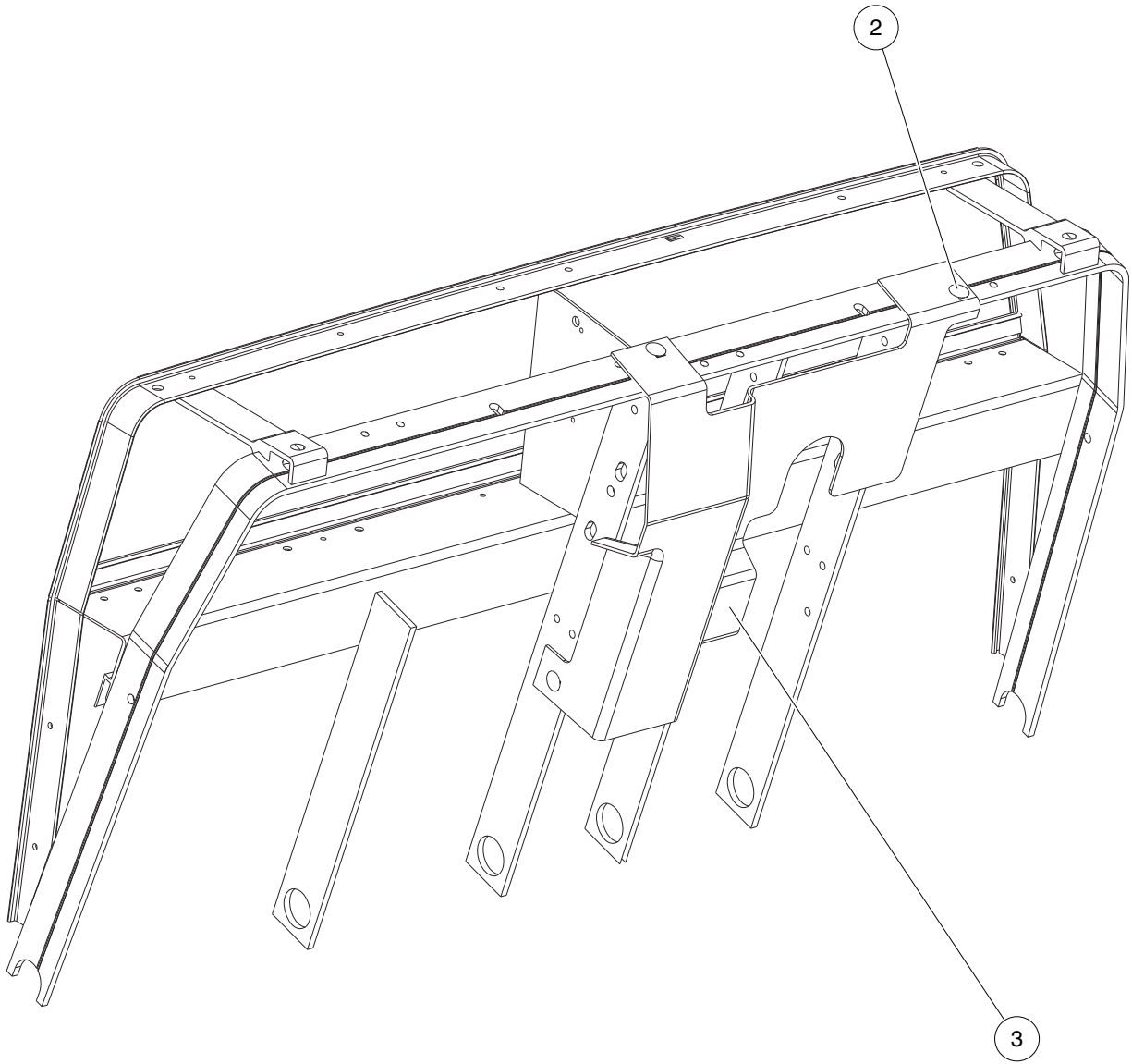


# FUEL, INTAKE, AND GOVERNOR SYSTEMS

---

9

G



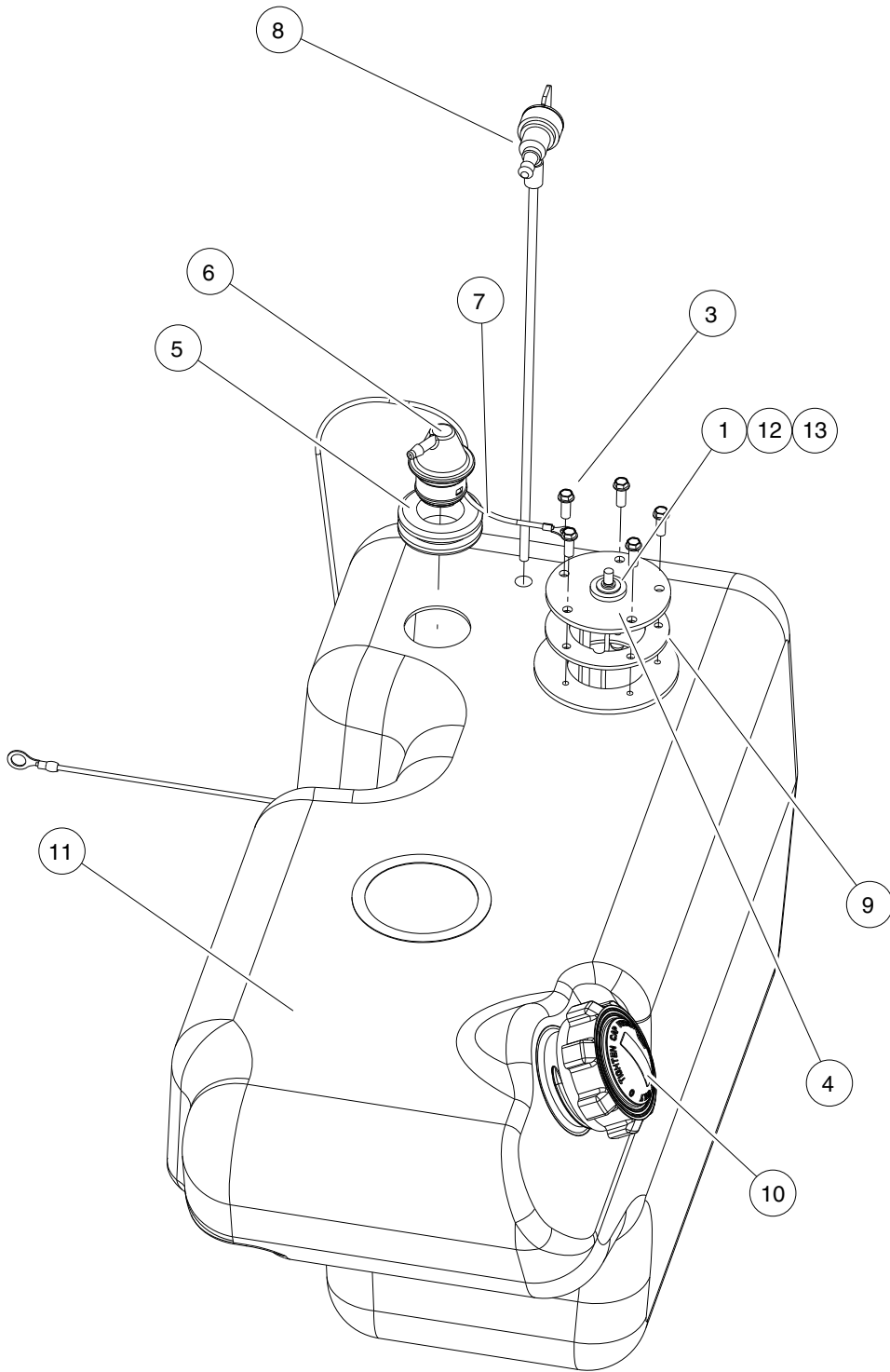
000593-001

# SPLASH GUARD

| ITEM | PART NO.  | DESCRIPTION   | QTY |
|------|-----------|---|-----|
|      |           | 1 2 3 4   |     |
| 1    | N/A       | Instl, Splashguard, Ca (includes items 2 and 3) ..... | 1   |
| 2    | 1010434   | Barrel - Plastic .....                                | 3   |
| 3    | 103174401 | Splash Guard .....                                    | 1   |

9

G



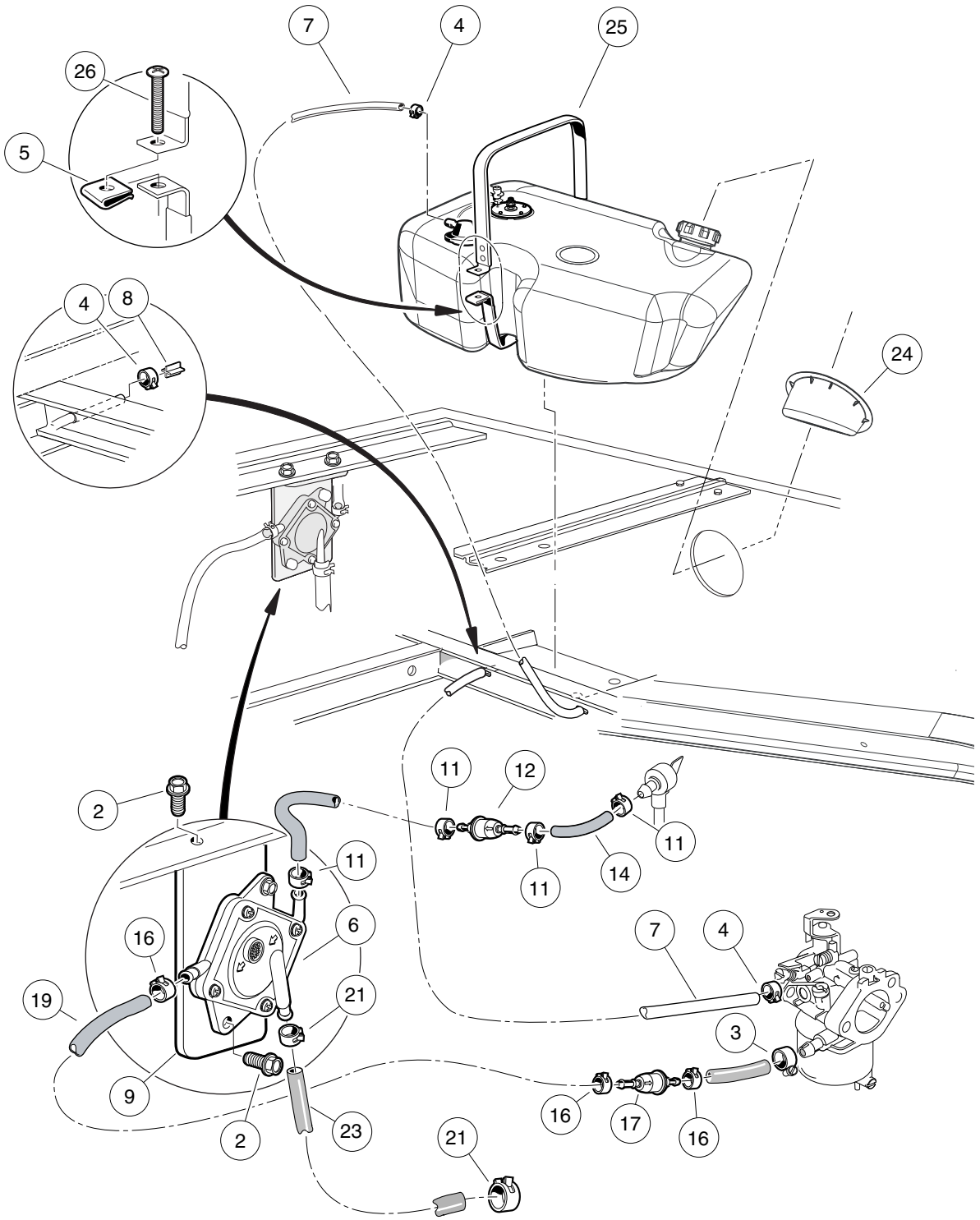
000609-001

## FUEL TANK (NON-CLIFORNIA) WITH SENDING UNIT

| ITEM  | PART NO.  | DESCRIPTION   | QTY |
|---|-----------|---|-----|
|   |           | 1 2 3 4   |     |
| 1   | 1016      | Lockwasher, #10 Split .....                                       | 1   |
| 2   | 103187601 | Asm, Fuel Tank, Side Fill, Su (includes items 3 through 11) ..... | 1   |
| 3   | 1013461   | Screw, #10-16 Hex-Head Hi-Lo .....                                | 5   |
| 4   | 1013462   | Sending Unit, Fuel Level * .....                                  | 1   |
| 5   | 1015139   | Insulation Grommet .....  | 1   |
| 6   | 1015143   | Vent, Fuel Tank .....   | 1   |
| 7   | 1015921   | Wire Assembly #16 Black .....                                     | 1   |
| 8   | 102513701 | Valve - Fuel Pickup Tube .....                                    | 1   |
| 9   | 102522001 | Gasket, Rubber .....  | 1   |
| 10  | 102751601 | Cap, Fuel Tank, Gasoline .....                                    | 1   |
| 11  | 102974201 | Tank, Fuel, Side Fill .....                                       | 1   |
| 12  | 183       | Washer, #10 Type A Flat .....                                     | 1   |
| 13  | 8797      | Nut, #10-32 Brass Hex .....                                       | 1   |
| <p style="text-align: center;">* Note: Must replace fuel sending unit gasket when servicing this component.</p> |           |   |     |

9

G



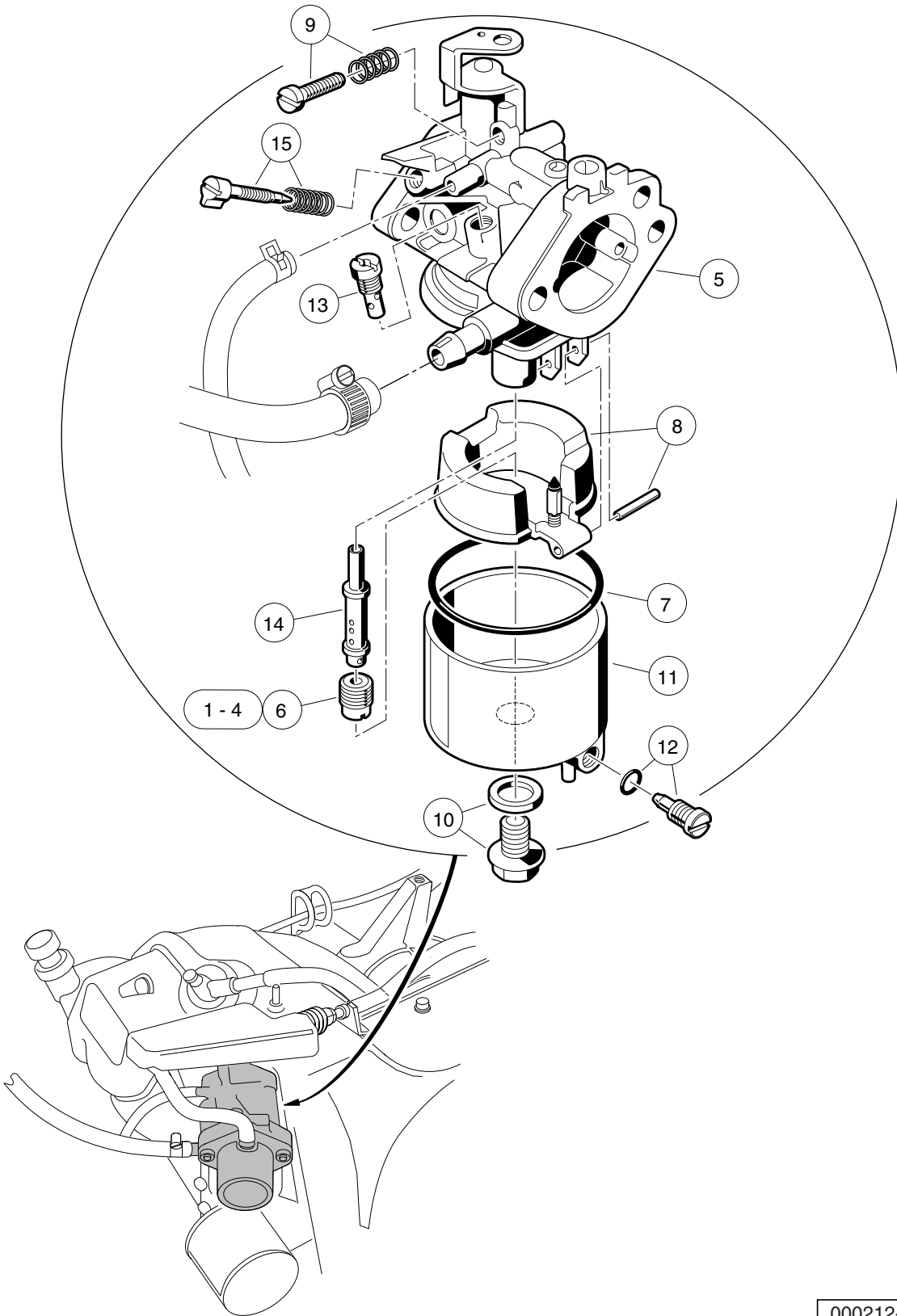
000602-001

# FUEL SYSTEM

9

G

| ITEM | PART NO.  | DESCRIPTION  | QTY |
|------|-----------|--|-----|
|      |           | <b>1 2 3 4</b>   |     |
| 1    | N/A       | Instl, Fuel Sys, Side Fill,ca1 (includes items 2 through 26) ..... | 1   |
| 2    | 1012285   | Screw, 1/4 X 0.625 Hex-Head .....                                  | 4   |
| 3    | 1013687   | Clamp, 3/8" Hose (screw type) .....                                | 1   |
| 4    | 1013746   | Clamp, 0.301 ID Hose .....   | 3   |
| 5    | 1014116   | Nut, 1/4-20 Speed .....  | 1   |
| 6    | 1015137   | Fuel Line (available by the foot) .....                            | 1   |
| 7    | 101824401 | Vent Barb .....  | 1   |
| 8    | 101929501 | Mount Fuel Pump .....  | 1   |
| 9    | N/A       | Asm, Fuel Filter 14.93" J1737 (includes items 10 through 13) ..... | 1   |
| 10   | 1012649   | Clamp, 0.460 Red Hose .....  | 4   |
| 11   | 102003201 | Filter, Fuel, 30 Micron .....                                      | 1   |
| 12   | N/A       | Cap, Plug, Plastic .....   | 2   |
| 13   | 102865101 | Fuel Line .....  | 1   |
| 14   | N/A       | Asm, Fuel Filter 16.93" J1737 (includes items 15 through 18) ..... | 1   |
| 15   | 1012649   | Clamp, 0.460 Red Hose .....  | 3   |
| 16   | 102003201 | Filter, Fuel, 30 Micron .....                                      | 1   |
| 17   | N/A       | Cap, Plug, Plastic .....   | 2   |
| 18   | 102865101 | Fuel Line .....  | 1   |
| 19   | N/A       | Asm, Fuel Line 16" J1737 (includes items 20 through 22) .....      | 1   |
| 20   | 1012649   | Clamp, 0.460 Red Hose .....  | 2   |
| 21   | N/A       | Cap, Plug, Plastic .....   | 2   |
| 22   | 102865101 | Fuel Line .....  | 1   |
| 23   | 102977901 | Bezel, Fuel Fill, 5.0 Dia .....                                    | 1   |
| 24   | 102978001 | Strap, Fuel Tank, Side Fill .....                                  | 1   |
| 25   | 103306301 | Screw, Bhsc, 1/4-20 X 2.0 .....                                    | 1   |
| 26   | 103781101 | Kit, Fuel Pump Retrofit (includes items 27 and 28) .....           | 1   |
| 27   | 103010101 | Pump, Fuel, Impulse, Fh .....                                      | 1   |
| 28   | 103781201 | Instr, Fuel Pump Retrofit .....                                    | 1   |



000212-001

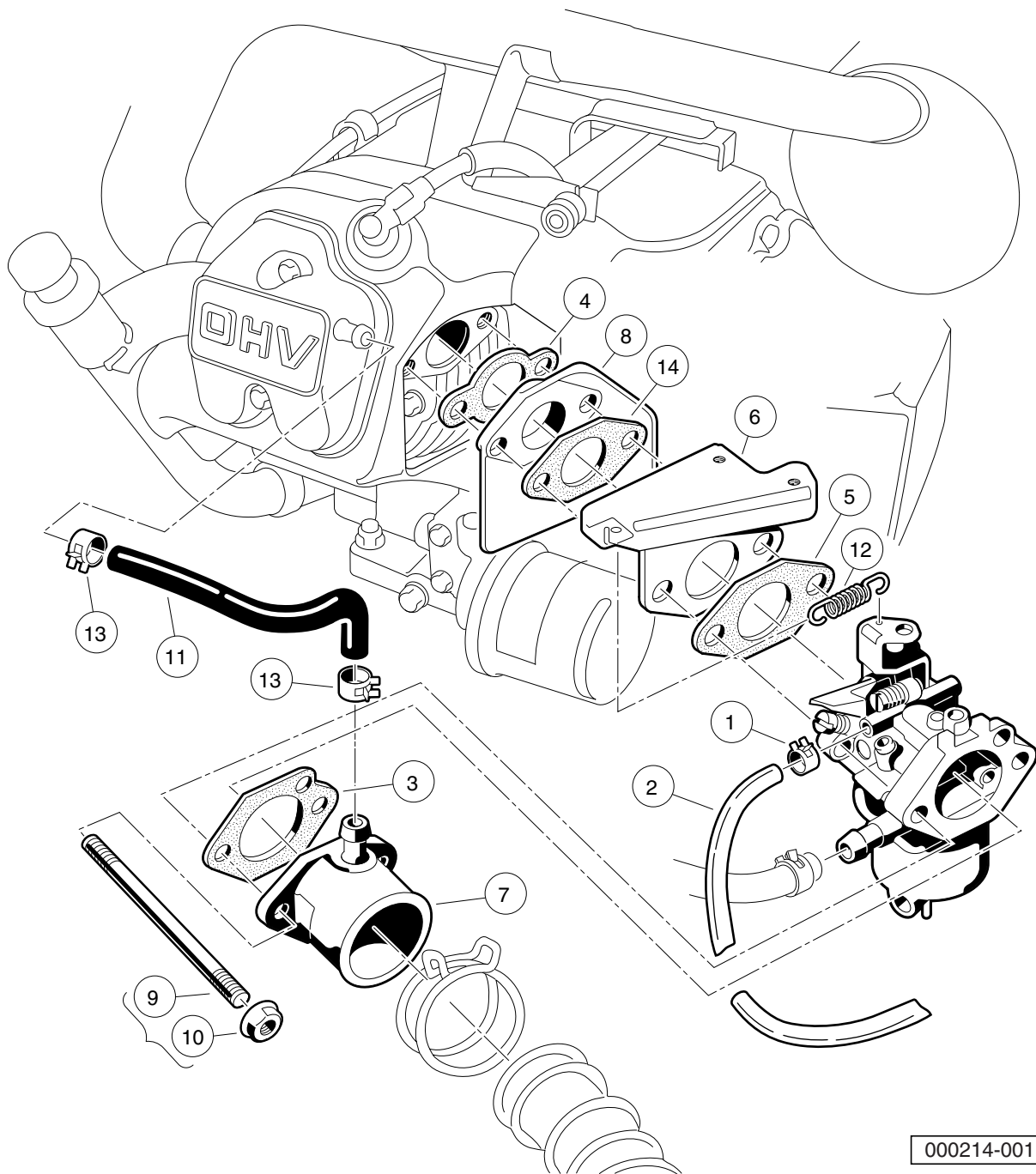


## CARBURETOR ASSEMBLY – FE350

| ITEM   | PART NO.  | DESCRIPTION  | QTY |
|--|-----------|--|-----|
|  |           | 1 2 3 4  |     |
| 1  | 101642575 | Jet, Altitude, # 75 .....                              | 1   |
| 2  | 101642578 | Jet, Altitude, # 78 .....                              | 1   |
| 3  | 101642580 | Jet, Altitude, # 80 .....                              | 1   |
| 4  | 101642582 | Jet, Altitude, # 82 .....                              | 1   |
| 5  | 101905901 | Carburetor, FE350D (includes items 6 through 15) ..... | 1   |
| 6  | 101642585 | Jet, Altitude, # 85 .....                              | 1   |
| 7  | 1016437   | Gasket, Carburetor Bowl OHV .....                      | 1   |
| 8  | 1016486   | Float Assembly .....                                   | 1   |
| 9  | 1016501   | Screw Assembly .....                                   | 1   |
| 10   | 1016585   | Bolt .....   | 1   |
| 11   | 1017461   | Chamber Assembly, Float (includes item 12) .....       | 1   |
| 12   | 1016499   | Screw Assembly .....                                   | 1   |
| 13   | 101973101 | Jet, #40 Pilot .....                                   | 1   |
| 14   | 101973301 | Nozzle, Main .....                                     | 1   |
| 15   | N/A       | Assembly, Pilot Air Screw .....                        | 1   |
| <p style="margin-left: 40px;">Note: 101642585 for 0 - 3,000 feet; 101642582 for 3,000 - 5,000 feet;<br/>           101642580 for 5,000 - 8,000 feet; 101642578 for 8,000 - 10,000 feet;<br/>           101642575 for 10,000 feet and higher.</p> |           |  |     |

9

G



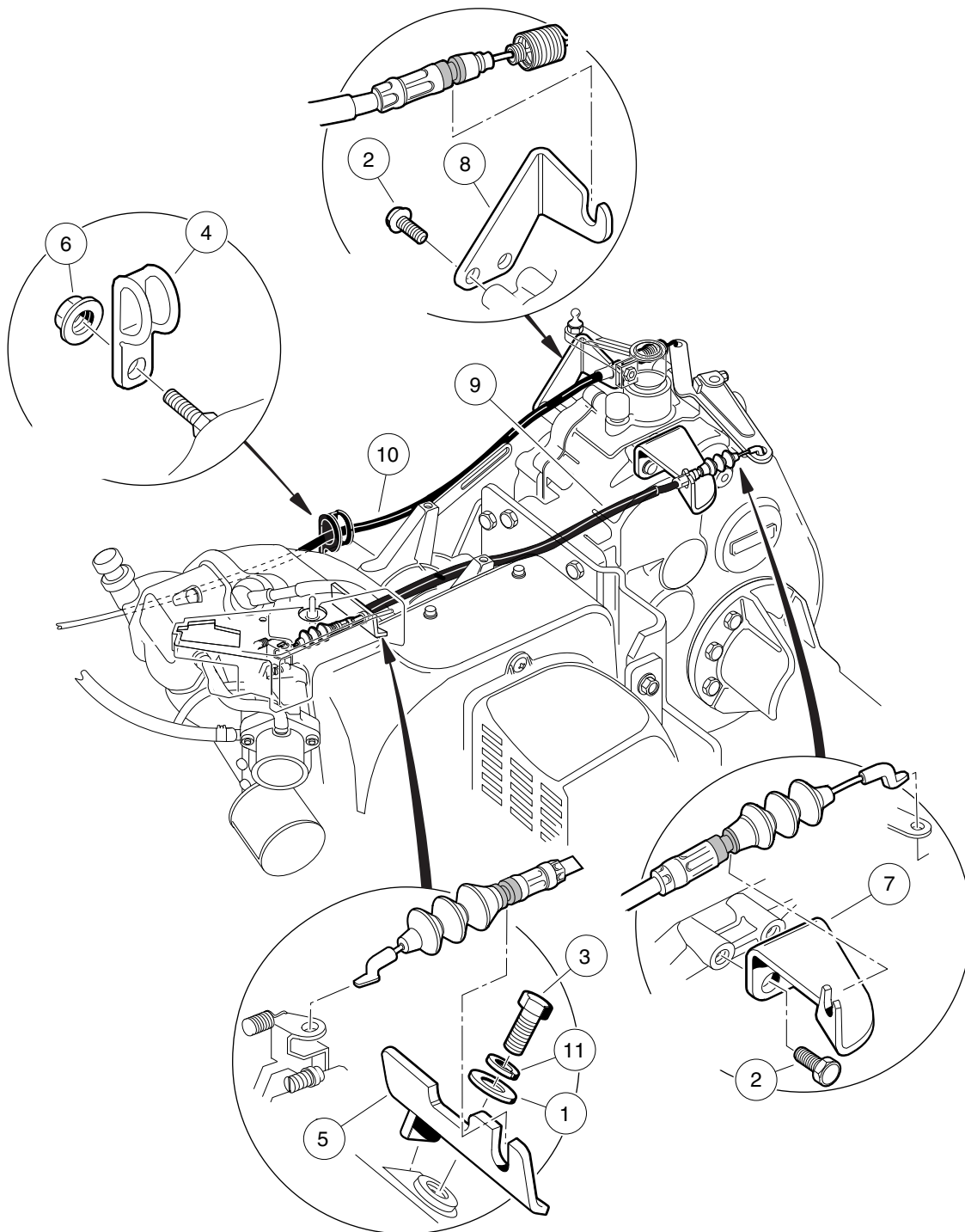
000214-001

## CARBURETOR INSTALLATION – FE350

| ITEM | PART NO.  | DESCRIPTION                             | QTY |
|------|-----------|---|-----|
|      |           | <b>1 2 3 4</b>                          |     |
| 1    | 1013746   | Clamp, 0.301 ID Hose .....              | 1   |
| 2    | 1015137   | Fuel Line (available by the foot) ..... | 1   |
| 3    | 1016438   | Gasket, Carb To Intake Manifold .....   | 1   |
| 4    | 1016440   | Gasket, Engine to Insulator .....       | 1   |
| 5    | 1016441   | Gasket, Sprg Brkt To Carb OHV .....     | 1   |
| 6    | 1016444   | Bracket, Throttle Spring Return .....   | 1   |
| 7    | 1016480   | Pipe, Intake Manifold .....             | 1   |
| 8    | 101648102 | Insulator, Carburetor .....             | 1   |
| 9    | 101649002 | Stud, M6-1.00 Two-Ended .....           | 2   |
| 10   | 1016547   | Nut, M6 Flange .....                    | 2   |
| 11   | 1016572   | Tube, Crankcase Vent .....              | 1   |
| 12   | 1016582   | Spring, Throttle Return .....           | 1   |
| 13   | 1017466   | Clamp .....                             | 2   |
| 14   | 101973401 | Gasket, Insulator To Bracket .....      | 1   |

9

G

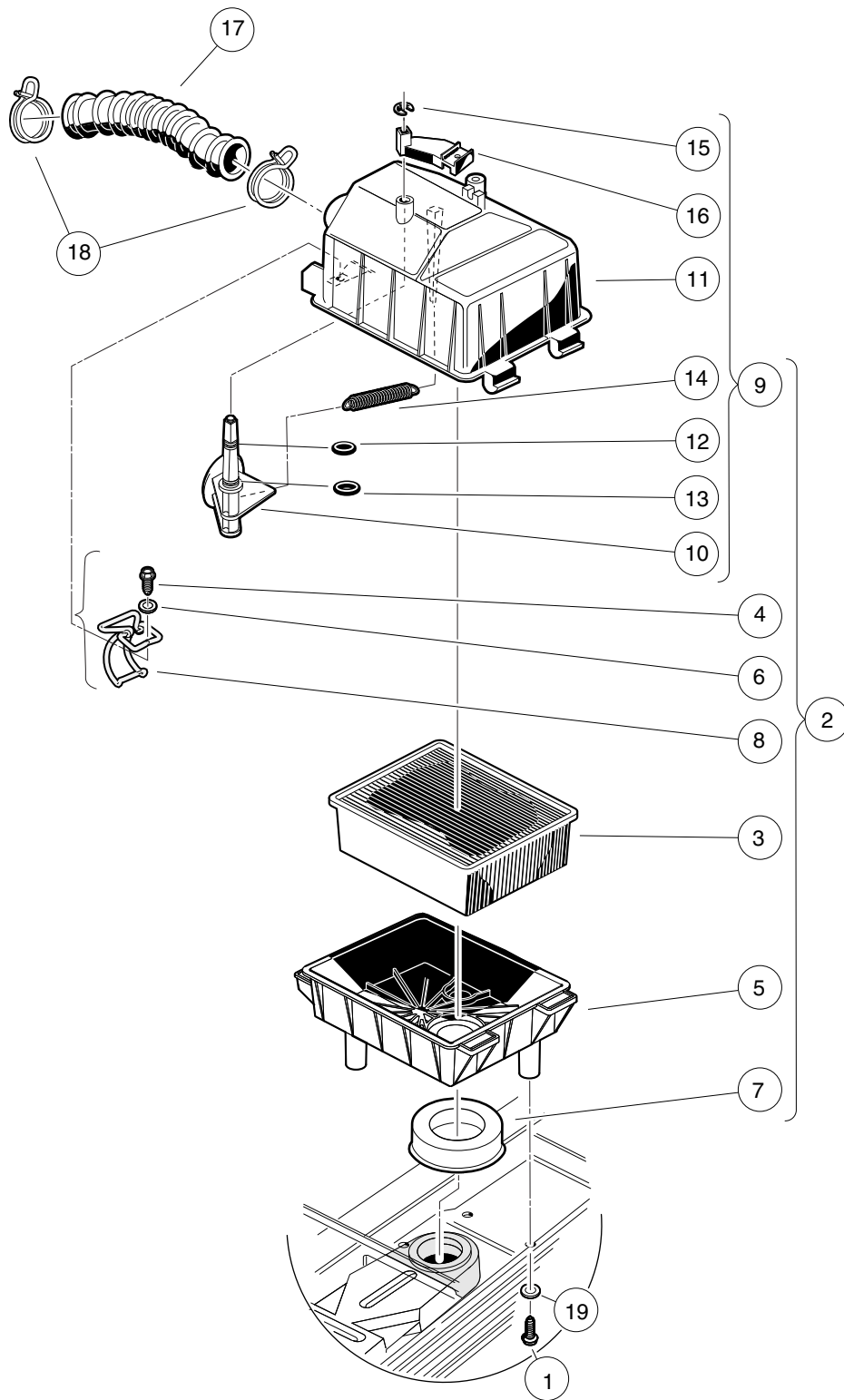


000215-001

## GOVERNOR AND ACCELERATOR CABLES

| ITEM | PART NO.  | DESCRIPTION                                   | QTY |
|------|-----------|---|-----|
|      |           | 1 2 3 4                                       |     |
| 1    | 1011697   | Washer, 5/16 Flat .....                       | 1   |
| 2    | 1012285   | Screw, 1/4 X 0.625 Hex-Head .....             | 4   |
| 3    | 1012830   | Screw, M8-125 X 22 Hex-Head .....             | 1   |
| 4    | 1013700   | Clamp .....                                   | 2   |
| 5    | 101584502 | Bracket, Governor Cable Snap-In .....         | 1   |
| 6    | 1016546   | Nut .....                                     | 2   |
| 7    | 101832202 | Bracket, Rear Governor Cable Snap-In .....    | 1   |
| 8    | 101832302 | Bracket, Rear Accelerator Cable Snap-In ..... | 1   |
| 9    | 102336001 | Cable, Governor, Snap-In .....                | 1   |
| 10   | 102336101 | Cable, Accelerator, Snap-In .....             | 1   |
| 11   | 7174      | Lockwasher, 5/16 Split .....                  | 1   |

9  
G

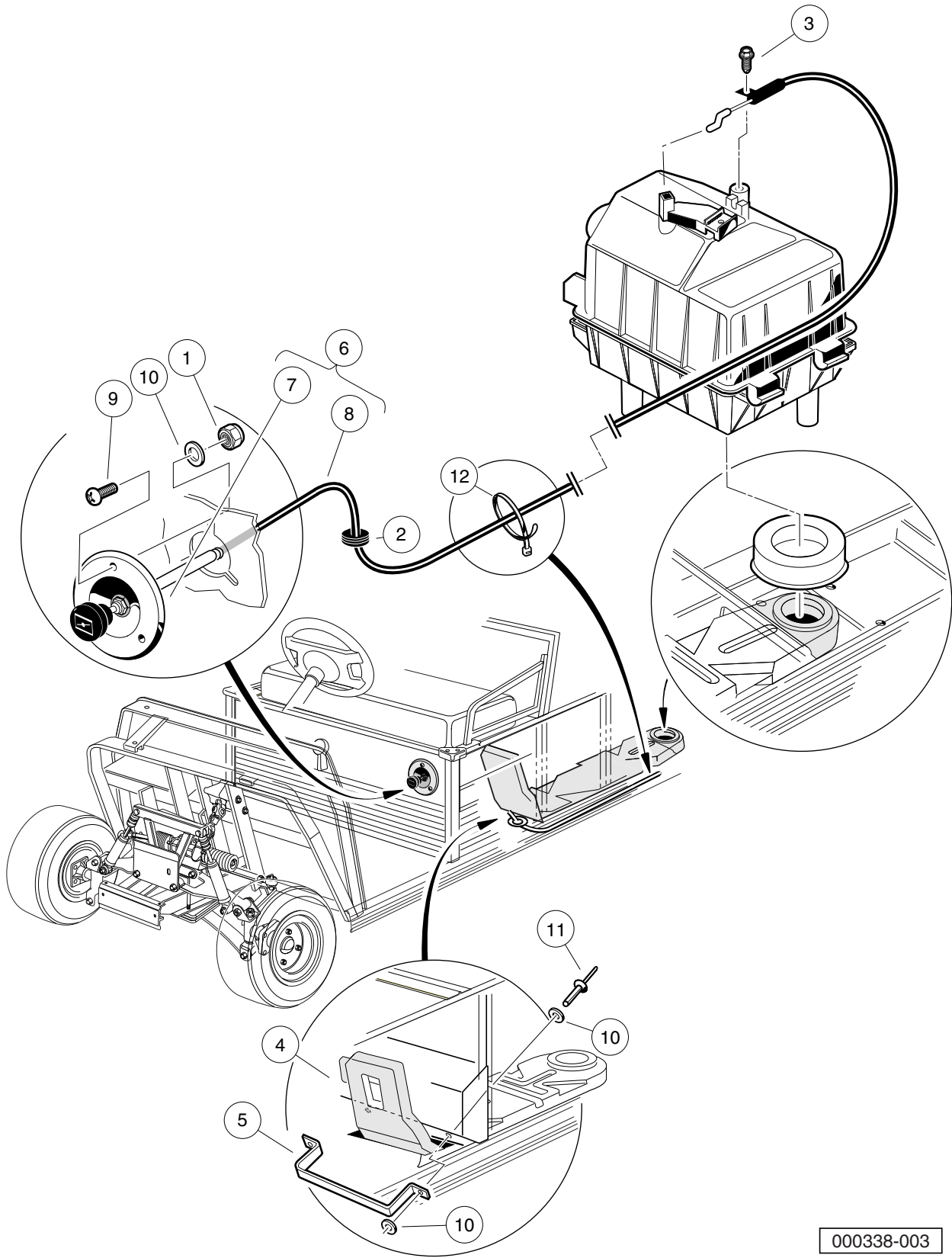


000332-001

# AIR BOX AND INTAKE HOSE

| ITEM | PART NO.  | DESCRIPTION  | QTY |
|------|-----------|--|-----|
|      |           | 1 2 3 4  |     |
| 1    | 1015752   | Screw, #12-16 X 0.625 Hi-Lo .....                      | 3   |
| 2    | 101821501 | Assembly, Air Box (includes items 3 through 9) .....   | 1   |
| 3    | 1015426   | Filter, Air .....                                      | 1   |
| 4    | 101804301 | Screw, #8 X 0.500, Hex-Head Hi-Lo .....                | 2   |
| 5    | 101811901 | Bottom, Air Box .....                                  | 1   |
| 6    | 101881701 | Washer, #8 Stainless-Steel Flat .....                  | 2   |
| 7    | 101921501 | Seal, Intake .....                                     | 1   |
| 8    | 101925701 | Latch, Wireform .....                                  | 2   |
| 9    | 101972801 | Top Assy, Air Box (includes items 10 through 16) ..... | 1   |
| 10   | N/A       | Valve, Choke .....                                     | 1   |
| 11   | 101811801 | Top, Air Box .....                                     | 1   |
| 12   | N/A       | O-Ring, 5/16 .....                                     | 1   |
| 13   | N/A       | O-Ring, 3/8 .....                                      | 1   |
| 14   | 101812301 | Spring, Extension Return .....                         | 1   |
| 15   | 101813001 | Retaining Ring 0.25, Shaft .....                       | 1   |
| 16   | 101917601 | Lever, Choke .....                                     | 1   |
| 17   | 101837101 | Hose, Air Intake .....                                 | 1   |
| 18   | 101971301 | Clamp, 1.58" ID Hose .....                             | 2   |
| 19   | 332       | Washer, 1/4 Type A Narrow Flat .....                   | 3   |

9  
G



000338-003

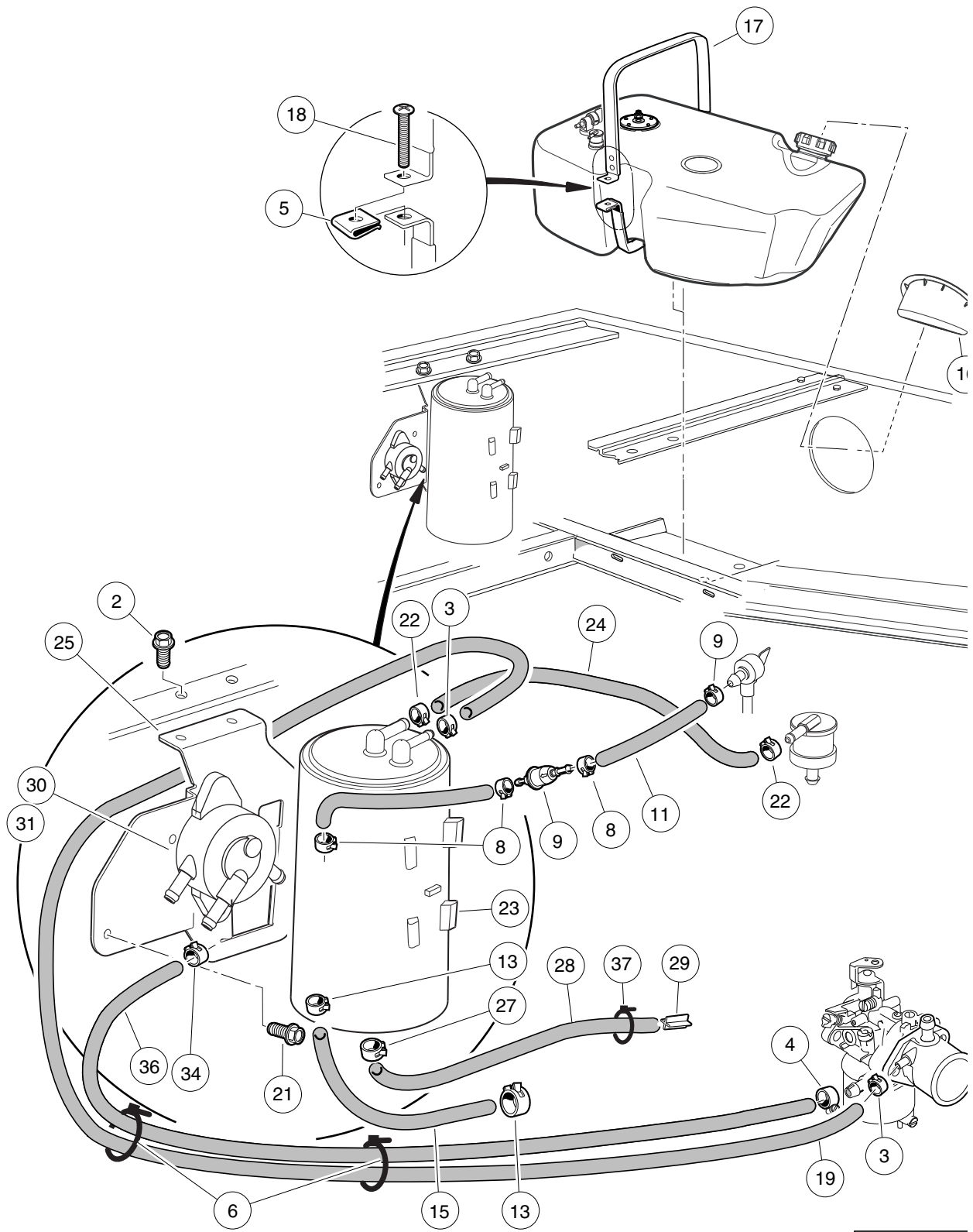


# INTAKE SYSTEM

| ITEM | PART NO.  | DESCRIPTION                                  | QTY |
|------|-----------|--|-----|
|      |           | <b>1 2 3 4</b>                               |     |
| 1    | 1012438   | Locknut, #10-24 Nylon Insert .....           | 3   |
| 2    | 1015139   | Insulation Grommet .....                     | 1   |
| 3    | 101804301 | Screw, #8 X 0.500, Hex-Head Hi-Lo .....      | 1   |
| 4    | 101811301 | Duct, Intake .....                           | 1   |
| 5    | 101825701 | Retaining Bracket .....                      | 1   |
| 6    | 101926802 | Cable, Choke (includes items 7 and 8) .....  | 1   |
| 7    | 101933701 | Bezel, Choke Cable .....                     | 1   |
| 8    | N/A       | Choke Cable without Bezel, Long .....        | 1   |
| 9    | 1631      | Screw, #10-24 X 0.75 Phillips Pan-Head ..... | 3   |
| 10   | 183       | Washer, #10 Type A Flat .....                | 7   |
| 11   | 7973      | Rivet, 3/16 X .400 Blind .....               | 2   |
| 12   | 8639      | Tie Wrap, 11" Nylon .....                    | 2   |

**9**

**G**



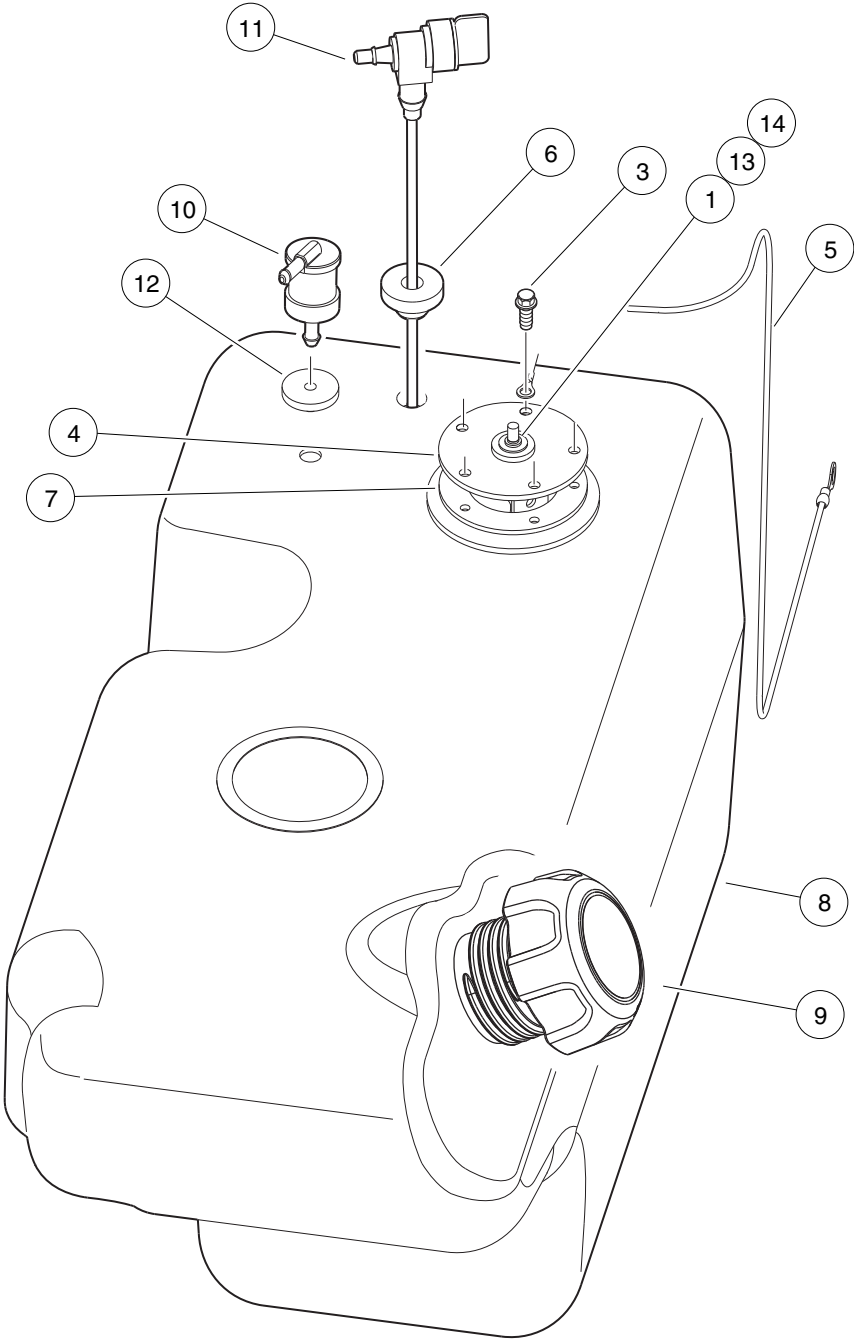
000917-001

# FUEL SYSTEM

9

G

| ITEM | PART NO.  | DESCRIPTION   | QTY |
|------|-----------|---|-----|
|      |           | <b>1 2 3 4</b>  |     |
| 1    | N/A       | Instl, Fuel Sys, Ca1, Carb (includes items 2 through 34) .....    | 1   |
| 2    | 1012285   | Screw, 1/4 X 0.625 Hex-Head .....                                 | 2   |
| 3    | 101313402 | Clamp, Green Hose .....   | 2   |
| 4    | 1013687   | Clamp, 3/8" Hose (screw type) .....                               | 1   |
| 5    | 1014116   | Nut, 1/4-20 Speed .....   | 1   |
| 6    | 101987701 | Clamp, Plastic Tie .....  | 2   |
| 7    | N/A       | Asm, Fuel Filter 14.93" J1737 (includes items 8 through 11) ..... | 1   |
| 8    | 1012649   | Clamp, 0.460 Red Hose .....                                       | 4   |
| 9    | 102003201 | Filter, Fuel, 30 Micron .....                                     | 1   |
| 10   | N/A       | Cap, Plug, Plastic .....  | 2   |
| 11   | 102865101 | Fuel Line .....   | 1   |
| 12   | N/A       | Asm, Fuel Line 16" J1737 (includes items 13 through 15) .....     | 1   |
| 13   | 1012649   | Clamp, 0.460 Red Hose .....                                       | 2   |
| 14   | N/A       | Cap, Plug, Plastic .....  | 2   |
| 15   | 102865101 | Fuel Line .....   | 1   |
| 16   | 102977901 | Bezel, Fuel Fill, 5.0 Dia .....                                   | 1   |
| 17   | 102978001 | Strap, Fuel Tank, Side Fill .....                                 | 1   |
| 18   | 103306301 | Screw, Bhsc, 1/4-20 X 2.0 .....                                   | 1   |
| 19   | 103372601 | Hose, Vent, 3/16" X 28" .....                                     | 1   |
| 20   | N/A       | Asm, Fuel Line 17" J1737 (includes items 21 through 23) .....     | 1   |
| 21   | 1012649   | Clamp, 0.460 Red Hose .....                                       | 1   |
| 22   | N/A       | Cap, Plug, Plastic .....  | 2   |
| 23   | 102865101 | Fuel Line .....   | 1   |
| 24   | 103721101 | Asm, Carbon Canister, Ca6 (includes items 25 through 31) .....    | 1   |
| 25   | 101313402 | Clamp, Green Hose .....   | 1   |
| 26   | 1013746   | Clamp, 0.301 ID Hose .....  | 2   |
| 27   | 101587702 | Hose, Fuel, Vent, 40" Long .....                                  | 1   |
| 28   | 103372401 | Canister, Carbon, Fuel Tank .....                                 | 1   |
| 29   | 103452002 | Brkt, Mtg, Carb Can, Style B .....                                | 1   |
| 30   | 103452101 | Hose, Vent, Carbon Canister .....                                 | 1   |
| 31   | 103756401 | Asm, Vent Line, Evap Canister (includes items 32 and 33) .....    | 1   |
| 32   | 103428101 | Hose, Vent, 5/16 Id Bulk .....                                    | 1   |
| 33   | 103439701 | Vent, Barb, 5/16 Dia Hose .....                                   | 1   |
| 34   | 8639      | Tie Wrap, 11" Nylon .....   | 1   |
|      |           | Note: Total fuel line length: 47 inches (119.4 cm)                |     |



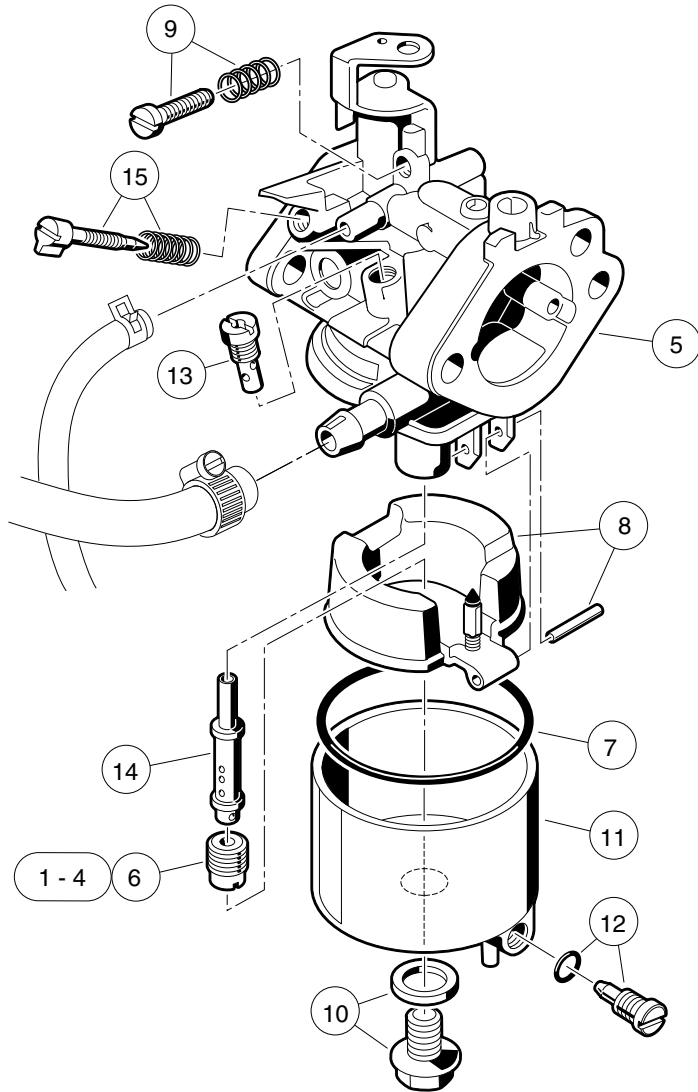
000609-002

## FUEL TANK (CALIFORNIA) WITH SENDING UNIT

| ITEM   | PART NO.  | DESCRIPTION   | QTY |
|--|-----------|---|-----|
|  |           | 1 2 3 4   |     |
| 1  | 1016      | Lockwasher, #10 Split .....                                       | 1   |
| 2  | 103369101 | Asm, Fuel Tank,side Fill,nano (includes items 3 through 12) ..... | 1   |
| 3  | 1013461   | Screw, #10-16 Hex-Head Hi-Lo .....                                | 5   |
| 4  | 1013462   | Sending Unit, Fuel Level * .....                                  | 1   |
| 5  | 1015921   | Wire Assembly #16 Black .....                                     | 1   |
| 6  | 102406701 | Bushing, Line, Return .....                                       | 1   |
| 7  | 102522001 | Gasket, Rubber .....  | 1   |
| 8  | N/A       | Tank, Fuel,side Fill,nano .....                                   | 1   |
| 9  | 103372101 | Cap, Fuel Tank, Gas, Ratchet .....                                | 1   |
| 10   | 103372201 | Vent, Fuel Tank, W/ Valve .....                                   | 1   |
| 11   | 103372301 | Valve, Fuel, 259mm .....  | 1   |
| 12   | 103374701 | Grommet, Fuel Tank Vent .....                                     | 1   |
| 13   | 183       | Washer, #10 Type A Flat .....                                     | 1   |
| 14   | 8797      | Nut, #10-32 Brass Hex .....                                       | 1   |
| <p style="margin-left: 40px;">* Note: Must replace fuel sending unit gasket when servicing this component.</p> |           |   |     |

9

G



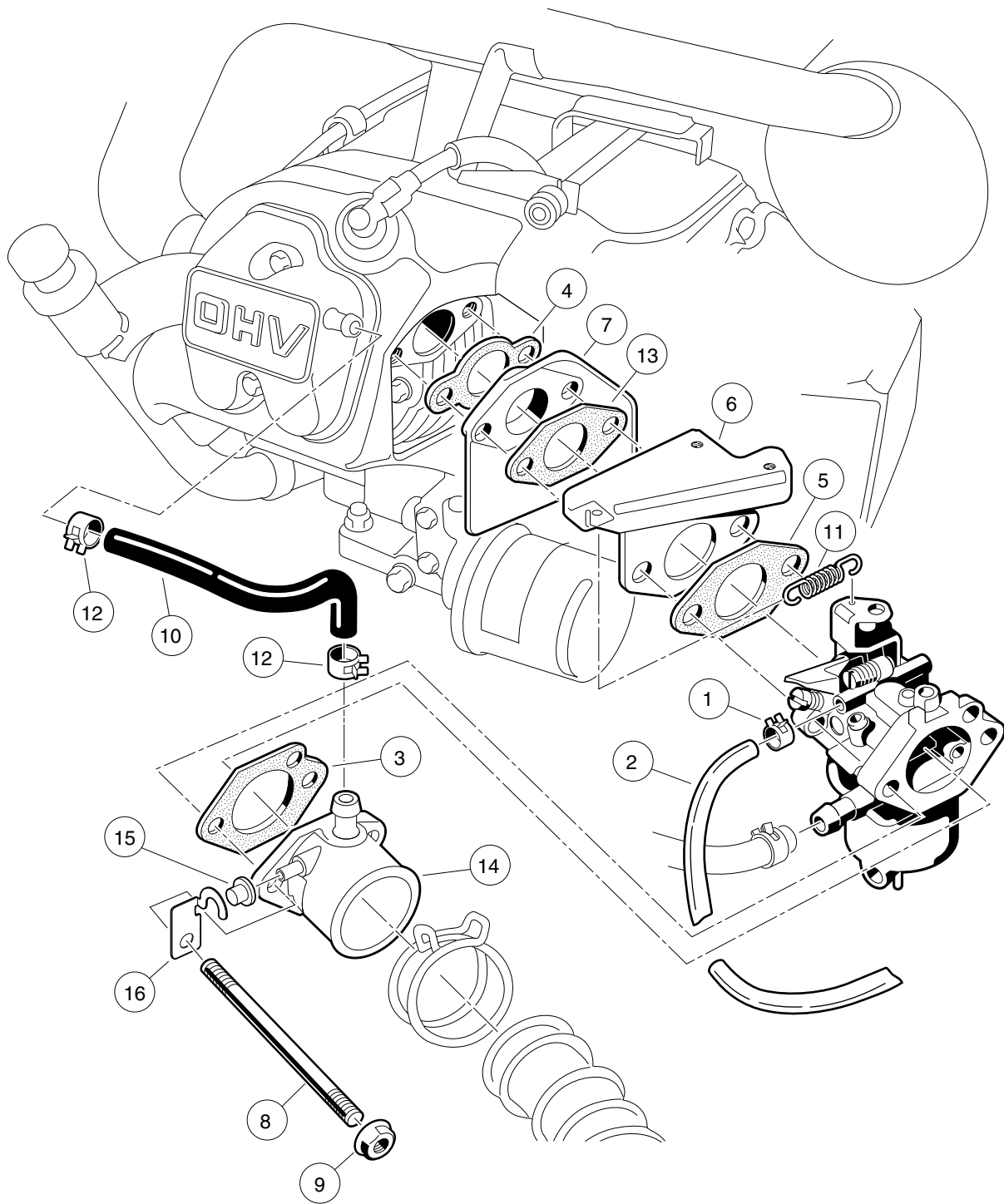
000212-002

## CARBURETOR ASSEMBLY – FE350 S27

| ITEM  | PART NO.  | DESCRIPTION   | QTY |
|---|-----------|---|-----|
|   |           | 1 2 3 4   |     |
| 1   | 101642575 | Jet, Altitude, # 75 .....                                 | 1   |
| 2   | 101642578 | Jet, Altitude, # 78 .....                                 | 1   |
| 3   | 101642580 | Jet, Altitude, # 80 .....                                 | 1   |
| 4   | 101642582 | Jet, Altitude, # 82 .....                                 | 1   |
| 5   | N/A       | Carburetor, FE350 S27 (includes items 6 through 15) ..... | 1   |
| 6   | 101642585 | Jet, Altitude, # 85 .....                                 | 1   |
| 7   | 1016437   | Gasket, Carburetor Bowl OHV .....                         | 1   |
| 8   | 1016486   | Float Assembly .....                                      | 1   |
| 9   | 1016501   | Screw Assembly .....                                      | 1   |
| 10  | 1016585   | Bolt .....  | 1   |
| 11  | 1017461   | Chamber Assembly, Float (includes item 12) .....          | 1   |
| 12  | 1016499   | Screw Assembly .....                                      | 1   |
| 13  | 101973101 | Jet, #40 Pilot .....                                      | 1   |
| 14  | 101973301 | Nozzle, Main .....  | 1   |
| 15  | N/A       | Assembly, Pilot Air Screw .....                           | 1   |
| <p style="text-align: center;">Note: 101642585 for 0 - 3,200 feet; 101642582 for 3,200 - 6,500 feet;<br/>                     101642580 for 6,500 - 9,800 feet; 101642578 for 9,800 feet and above.</p> |           |   |     |

9

G



000214-002



## CARBURETOR INSTALLATION – FE350 S27

| ITEM | PART NO.  | DESCRIPTION                             | QTY |
|------|-----------|---|-----|
|      |           | 1 2 3 4                                 |     |
| 1    | 1013746   | Clamp, 0.301 ID Hose .....              | 1   |
| 2    | 1015137   | Fuel Line (available by the foot) ..... | 1   |
| 3    | 1016438   | Gasket, Carb To Intake Manifold .....   | 1   |
| 4    | 1016440   | Gasket, Engine to Insulator .....       | 1   |
| 5    | 1016441   | Gasket, Sprg Brkt To Carb OHV .....     | 1   |
| 6    | 1016444   | Bracket, Throttle Spring Return .....   | 1   |
| 7    | 101648102 | Insulator, Carburetor .....             | 1   |
| 8    | 101649002 | Stud, M6-1.00 Two-Ended .....           | 2   |
| 9    | 1016547   | Nut, M6 Flange .....                    | 2   |
| 10   | 1016572   | Tube, Crankcase Vent .....              | 1   |
| 11   | 1016582   | Spring, Throttle Return .....           | 1   |
| 12   | 1017466   | Clamp .....                             | 2   |
| 13   | 101973401 | Gasket, Insulator To Bracket .....      | 1   |
| 14   | 103507101 | Carburetor Adapter w/ Tap .....         | 1   |
| 15   | 103507201 | Plug, Intake Manifold, Carb .....       | 1   |
| 16   | 103507301 | Bracket, Intake Manifold, Carb .....    | 1   |

9

G

9

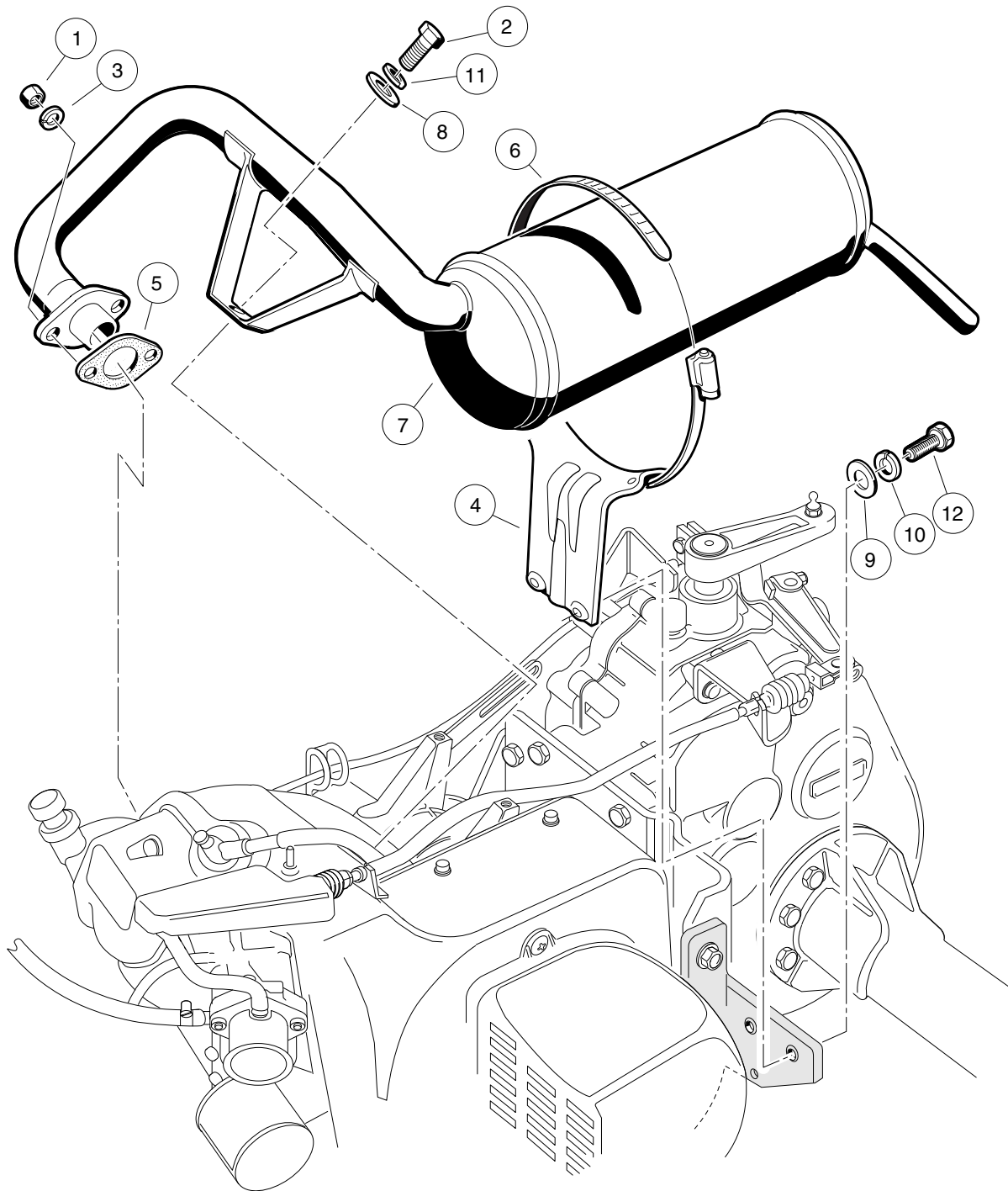
G

# EXHAUST SYSTEM

---

10

G



000209-001

## EXHAUST SYSTEM – FE350 ENGINE

| ITEM | PART NO.  | DESCRIPTION                             | QTY |
|------|-----------|---|-----|
|      |           | <b>1 2 3 4</b>                          |     |
| 1    | 1012528   | Nut, M8-1.25 Hex .....                  | 2   |
| 2    | 1012830   | Screw, M8-125 X 22 Hex-Head .....       | 1   |
| 3    | 1013734   | Lockwasher, 8mm Split .....             | 2   |
| 4    | 1015814   | Bracket, Muffler Mounting .....         | 1   |
| 5    | 1016904   | Gasket, Exhaust .....                   | 1   |
| 6    | 1017689   | Clamp, 5" Muffler Hose .....            | 1   |
| 7    | 101859401 | Exhaust System, FE350 .....             | 1   |
| 8    | 1241      | Washer, 5/16 Type A Flat .....          | 1   |
| 9    | 332       | Washer, 1/4 Type A Narrow Flat .....    | 2   |
| 10   | 451       | Lockwasher, 1/4 Split .....             | 2   |
| 11   | 7174      | Lockwasher, 5/16 Split .....            | 1   |
| 12   | 7847      | Screw, 1/4-20 X 0.75 Hex-Head Cap ..... | 2   |

10

G

**10**

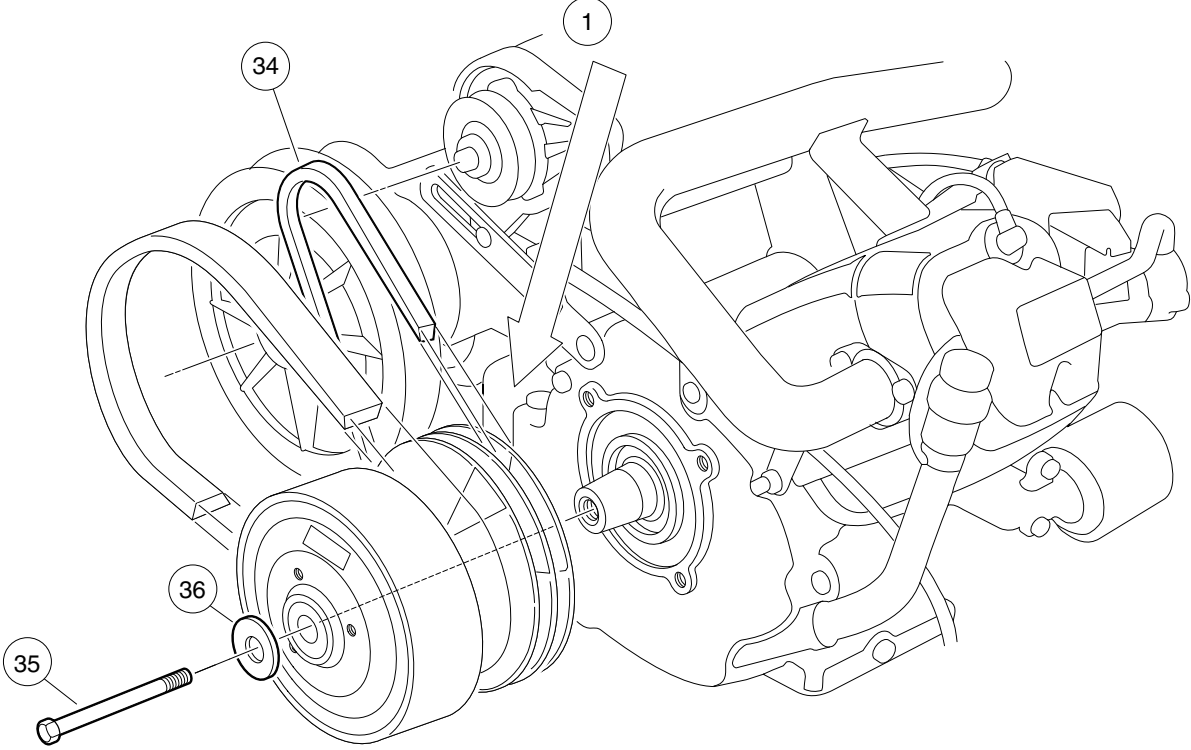
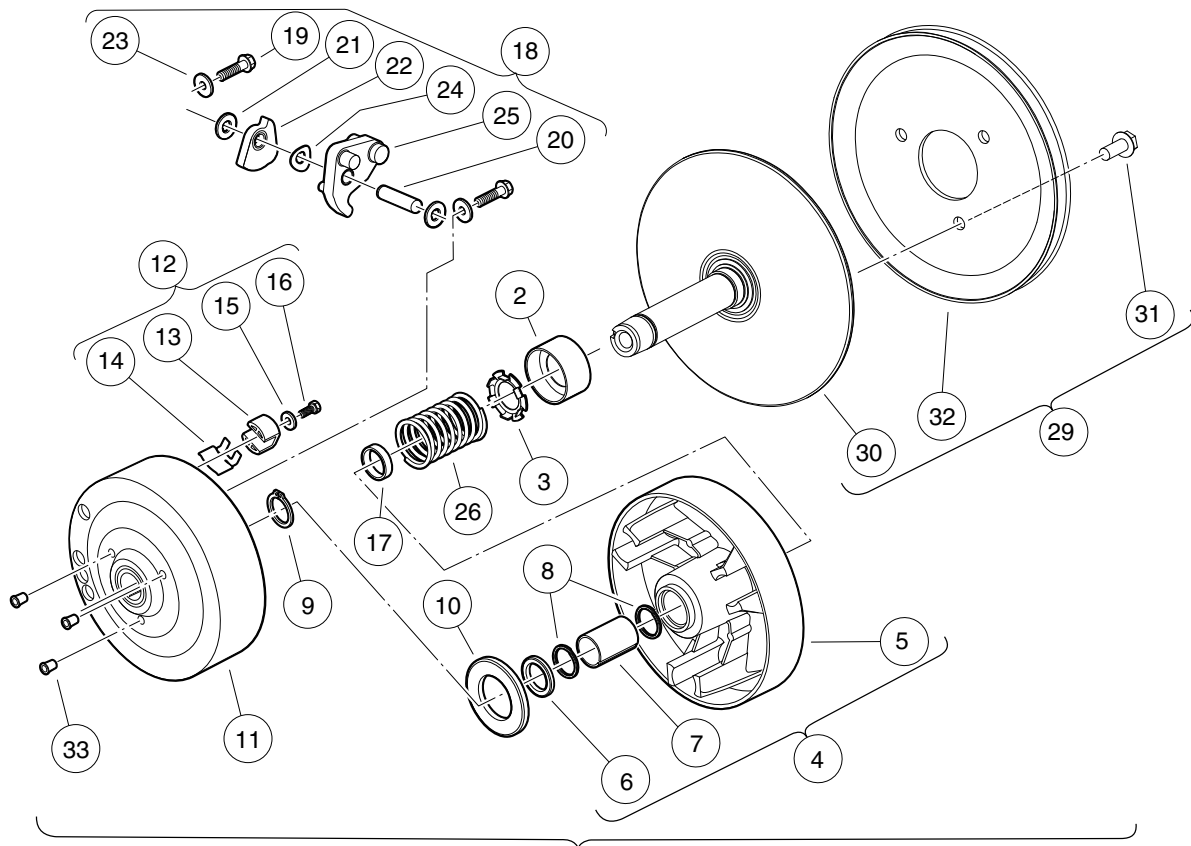
**G**

# TORQUE CONVERTER

---

11

G



000217-002

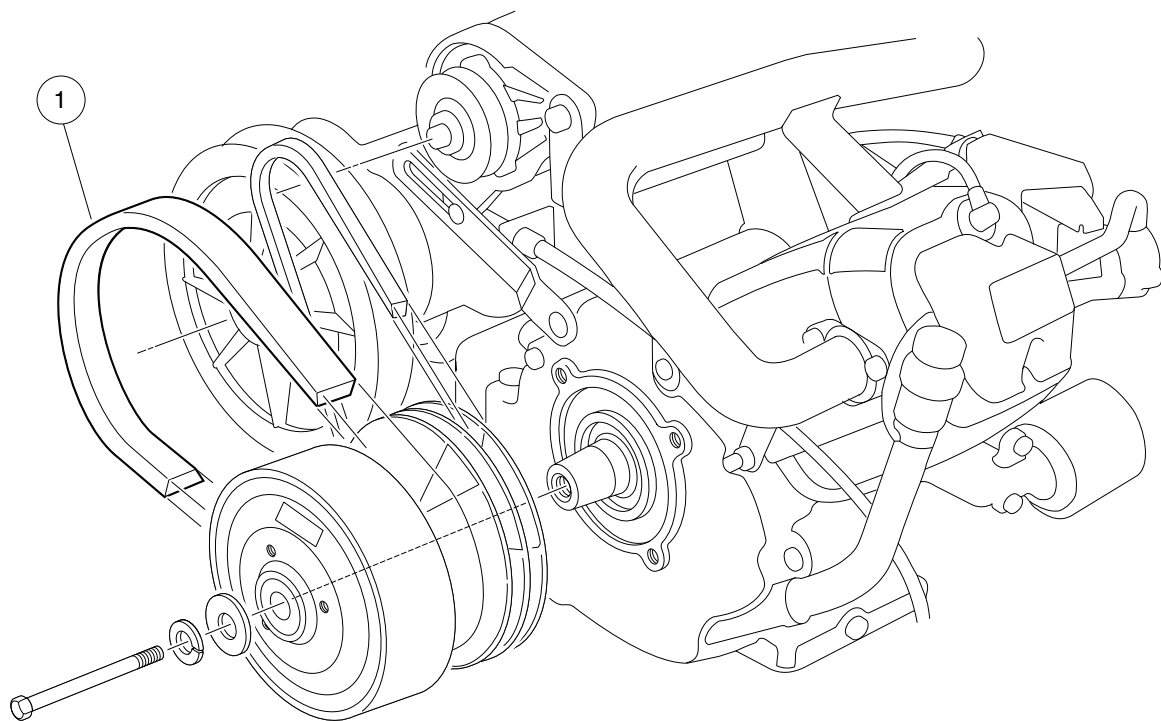


# DRIVE CLUTCH

**11**

**G**

| ITEM | PART NO.  | DESCRIPTION   | QTY |
|------|-----------|---|-----|
|      |           | <b>1 2 3 4</b>  |     |
| 1    | 101833904 | Assembly, Drive Clutch (includes items 2 through 33) .....    | 1   |
| 2    | 1014049   | Bearing, Idler .....  | 1   |
| 3    | 1014050   | Retainer, Spring .....  | 1   |
| 4    | 1014052   | Movable-Face Assembly (includes items 5 through 7) .....      | 1   |
| 5    | N/A       | Drive Clutch Movable Face .....                               | 1   |
| 6    | 1014055   | Retainer .....  | 1   |
| 7    | N/A       | Bushing, Split, Drive Clutch .....                            | 1   |
| 8    | 1014056   | Ring, Spiral Backup .....                                     | 2   |
| 9    | 1014057   | Ring, 0.810" Internal Retaining .....                         | 1   |
| 10   | 1014058   | Thrust Washer .....   | 1   |
| 11   | 1014059   | Drive Hub Assy, Drive Clutch .....                            | 1   |
| 12   | 1014453   | Kit, Drive Clutch Button (includes items 13 through 16) ..... | 1   |
| 13   | 1014062   | Driver, Drive Clutch .....                                    | 3   |
| 14   | 1014287   | Spring, Drive Button .....                                    | 3   |
| 15   | 183       | Washer, #10 Type A Flat .....                                 | 3   |
| 16   | 8450      | Screw, #10-24 X 0.50 Hex-Head .....                           | 3   |
| 17   | 1016289   | Spacer, Fixed Face Shaft .....                                | 1   |
| 18   | 1016801   | Kit, Drive Clutch Weight (includes items 19 through 25) ..... | 1   |
| 19   | 1014063   | Screw, 1/4-20 X 1.00 Hex Head .....                           | 6   |
| 20   | N/A       | Pin, 0.3752 X 1.50 Dowel .....                                | 3   |
| 21   | 1014065   | Washer, 0.38" ID Delrin Flat .....                            | 6   |
| 22   | N/A       | Clutch Weight, Secondary .....                                | 3   |
| 23   | N/A       | Washer .....  | 6   |
| 24   | 1016201   | Washer, Wave .....  | 3   |
| 25   | N/A       | Weight, Primary .....   | 3   |
| 26   | 1016901   | Spring, Drive Clutch .....                                    | 1   |
| 27   | 101738302 | Kit, Fixed Face - Drive (includes items 28 and 29) .....      | 1   |
| 28   | N/A       | Desiccant Bag (Not Shown) .....                               | 1   |
| 29   | 101738301 | Fixed Face Drive (includes items 30 through 32) .....         | 1   |
| 30   | N/A       | Fixed Face Assembly, Drive Clutch .....                       | 1   |
| 31   | 1014288   | Screw, 5/16-18 X 0.75 Thread-Forming .....                    | 3   |
| 32   | 1016011   | Pulley, Drive Clutch .....                                    | 1   |
| 33   | N/A       | Cap Plug .....  | 3   |
| 34   | 101916701 | V-Belt .....  | 1   |
| 35   | 103345701 | Screw 3/8-24x5.5 Hex Loc Ptch .....                           | 1   |
| 36   | 808       | Washer, 3/8 Type B Flat .....                                 | 1   |
|      |           | Note: Item 28 not shown.                                      |     |



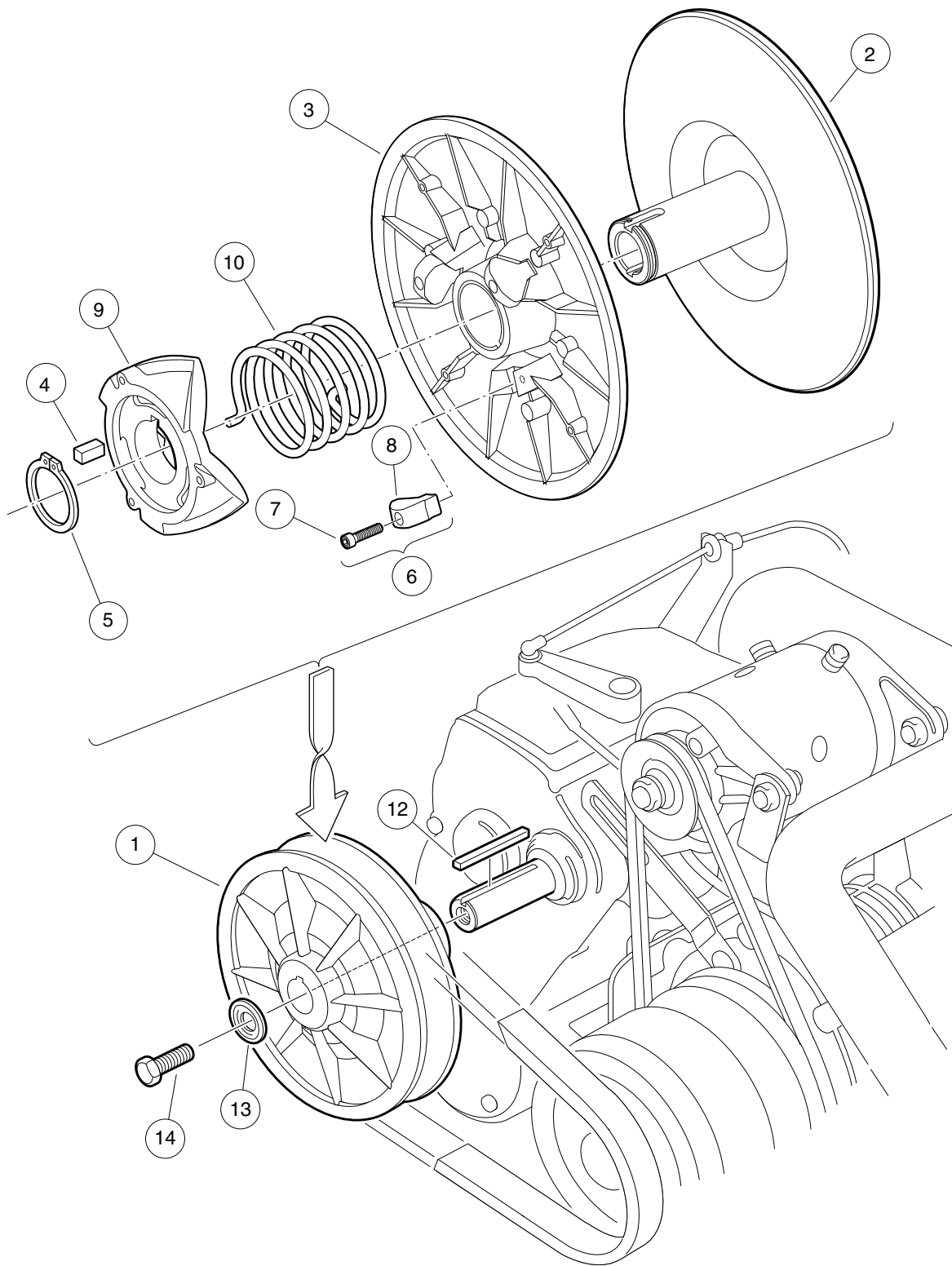
000218-001

# DRIVE BELT – FE350

| ITEM | PART NO. | DESCRIPTION   | QTY |
|------|----------|---|-----|
| 1    | 1017188  | <div style="display: flex; justify-content: space-between; margin-bottom: 5px;"> <span>1</span> <span>2</span> <span>3</span> <span>4</span> </div> Belt, Drive (FE350) ..... | 1   |

11

G



000219-001

# DRIVEN CLUTCH

| ITEM | PART NO.  | DESCRIPTION   | QTY |
|------|-----------|---|-----|
|      |           | <b>1 2 3 4</b>  |     |
| 1    | 101834001 | Assembly, Driven Clutch (includes items 2 through 10) ..... | 1   |
| 2    | 1014070   | Fixed Face Assy, Driven Clutch .....                        | 1   |
| 3    | 1014072   | Movable-Face Assembly with Bushing .....                    | 1   |
| 4    | 1014078   | Key, Driven Clutch .....                                    | 1   |
| 5    | 1014080   | Ring, Retaining .....                                       | 1   |
| 6    | 1014454   | Kit, Driven Clutch Button (includes items 7 and 8) .....    | 1   |
| 7    | 1012836   | Screw, #8-32 X 3/4 Socket-Head Cap .....                    | 3   |
| 8    | 1014076   | Button, Drive .....   | 3   |
| 9    | 1017686   | Cam, Driven Clutch .....                                    | 1   |
| 10   | 101836201 | Spring, Driven Clutch, Reversed .....                       | 1   |
| 11   | AM10419   | Kit, Clutch Repair (includes items 12 through 14) .....     | 1   |
| 12   | 101833401 | Key, 3/16 Sq X 1.50" .....                                  | 1   |
| 13   | 102155801 | Washer, Driven Clutch .....                                 | 1   |
| 14   | 102242101 | Screw, 5/16-18 X 3/4 Hex-Head with Patch .....              | 1   |

**11**  
**G**

11

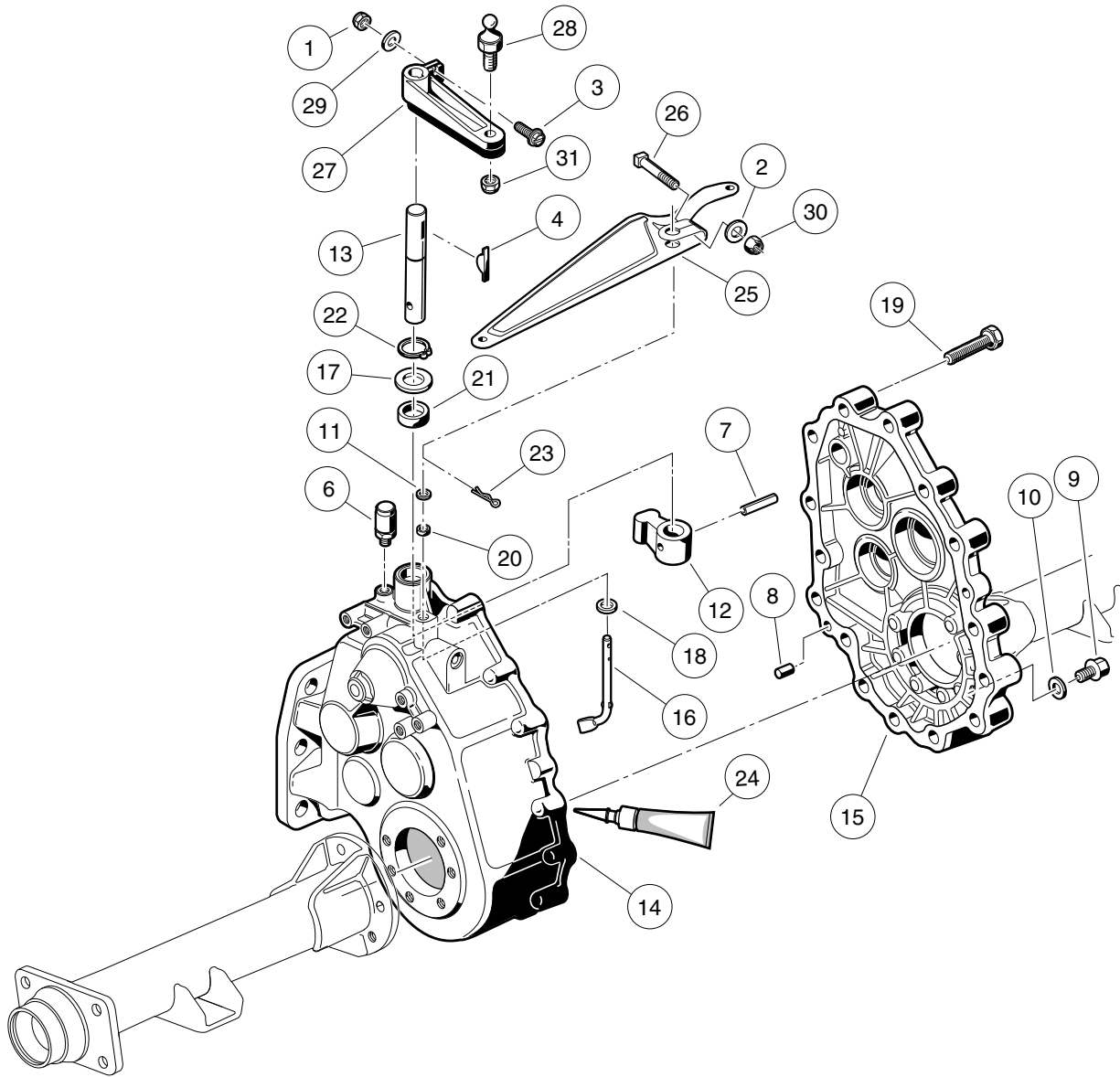
G

# UNITIZED TRANSAXLE AND FORWARD/REVERSE SHIFTER

---

12

G



000220-002

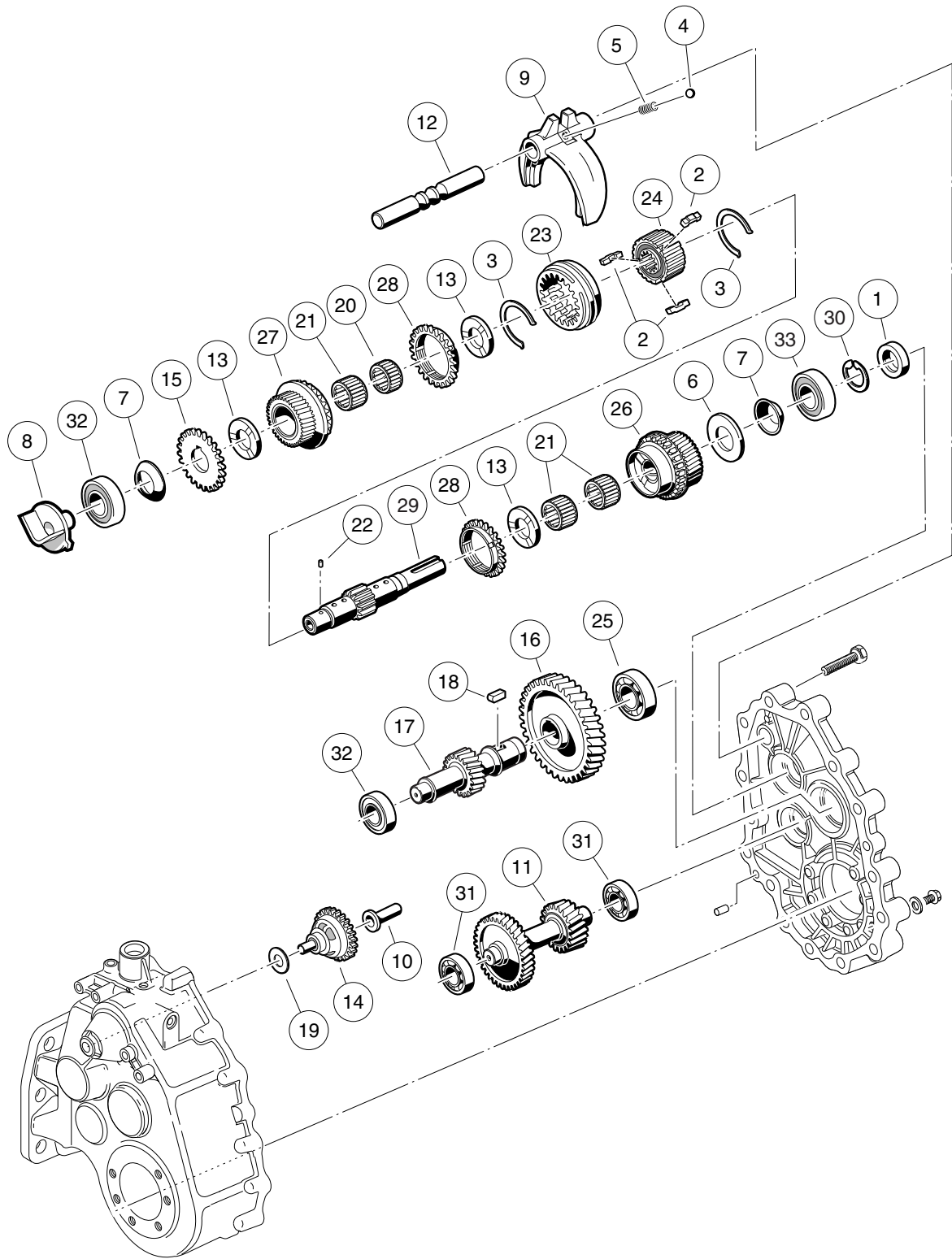


# UNITIZED TRANSAXLE – GEAR CASES AND BRACKETS

| ITEM  | PART NO.  | DESCRIPTION  | QTY |
|---|-----------|--|-----|
|   |           | 1 2 3 4  |     |
| 1   | 1013061   | Locknut, #10-32 Nylon Insert .....                         | 1   |
| 2   | 1014007   | Washer, 1/4 Flat .....                                     | 1   |
| 3   | 1017082   | Screw, #10-32 X 0.75, Hex-Head Machine .....               | 1   |
| 4   | 1017231   | Key, Woodruff .....  | 1   |
| 5   | 101833601 | Transaxle, 11.77 Ratio (includes items 6 through 24) ..... | 1   |
| 6   | 1012711   | Breather .....   | 1   |
| 7   | 1012752   | Roll Pin .....   | 1   |
| 8   | 1012896   | Pin, Dowel .....   | 2   |
| 9   | 1013760   | Fill Plug .....  | 2   |
| 10  | 1016432   | Gasket, Drain Plug .....                                   | 1   |
| 11  | 1016513   | Washer, M6 Flat .....                                      | 1   |
| 12  | 101890101 | Lever, Change .....  | 1   |
| 13  | 101890201 | Shaft - Change .....                                       | 1   |
| 14  | 101890501 | Gear Case (driver side) .....                              | 1   |
| 15  | 101890601 | Gear Case (passenger side) .....                           | 1   |
| 16  | 101891301 | Arm Pivot .....  | 1   |
| 17  | 101892901 | Washer .....   | 1   |
| 18  | 101893801 | Washer .....   | 1   |
| 19  | 101926901 | Screw, M8-1.25 X 40mm Hex-Head .....                       | 15  |
| 20  | 101927101 | Seal, Oil .....  | 1   |
| 21  | 101927201 | Seal, Oil .....  | 1   |
| 22  | 101927301 | Snap Ring .....  | 1   |
| 23  | 101928601 | Pin, Cotter .....  | 1   |
| 24  | 101928701 | Liquid Gasket (Transaxle case) .....                       | 1   |
| 25  | 101834801 | Arm, Governor .....  | 1   |
| 26  | 101886101 | Screw, 1/4-20 X 1.00 Square-Head .....                     | 1   |
| 27  | 102515401 | Lever, Transmission Shift .....                            | 1   |
| 28  | 102526201 | Stud, Thread, 1/4-28 .....                                 | 1   |
| 29  | 183       | Washer, #10 Type A Flat .....                              | 1   |
| 30  | 8233      | Locknut, 1/4-20 Nylon Insert .....                         | 1   |
| 31  | 8717      | Locknut, 1/4-28 Nylon Insert .....                         | 1   |
| Note: Unitized transaxle component listings span several pages. |           |  |     |

12

G



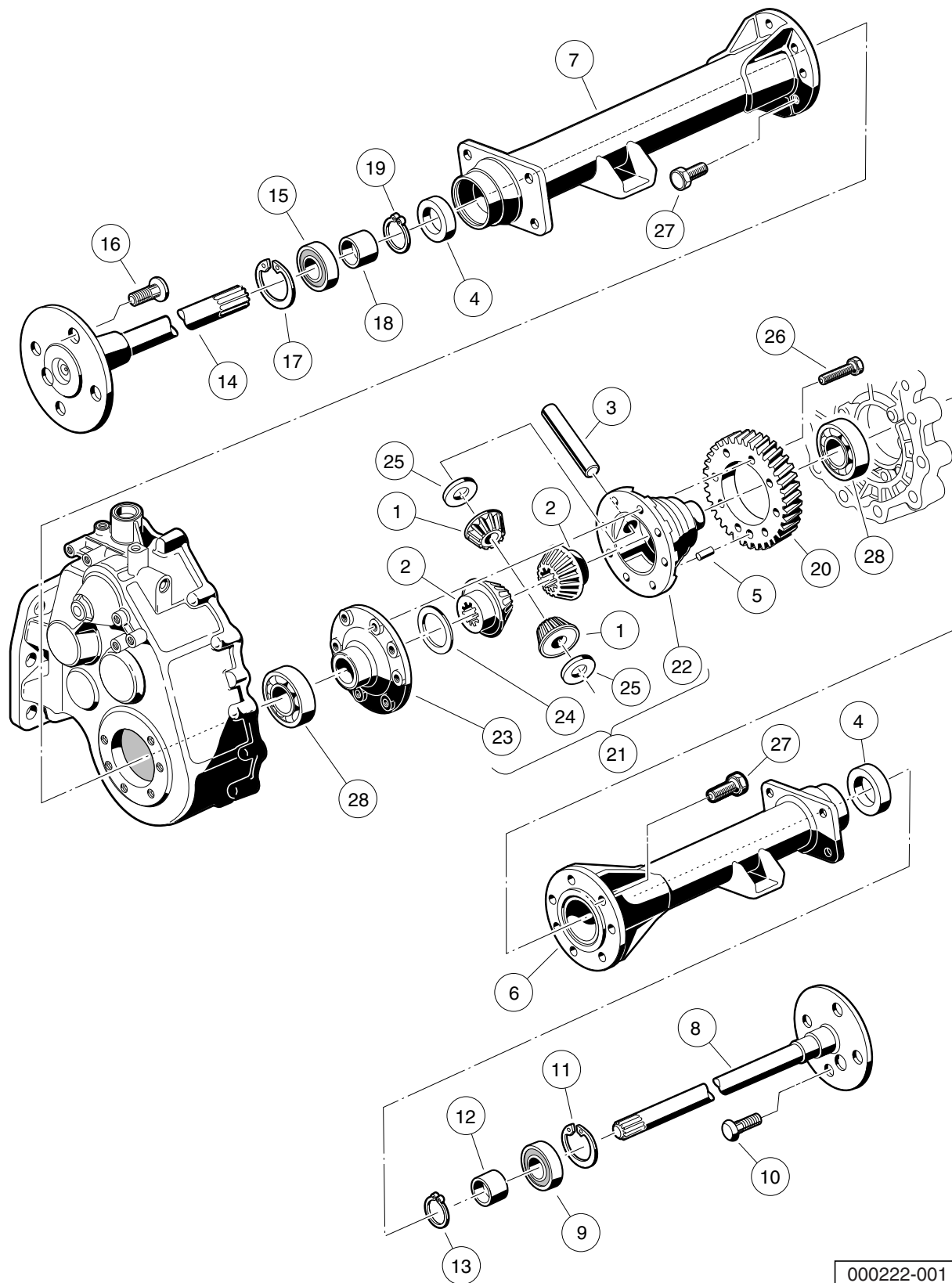
000221-001

# TRANSAXLE – GASOLINE VEHICLES, TRANSMISSION AND GEAR REDUCTION

12

G

| ITEM   | PART NO.  | DESCRIPTION  | QTY |
|--|-----------|--|-----|
|  |           | 1 2 3 4  |     |
| 1  | 1012714   | Oil Seal .....   | 1   |
| 2  | 1012740   | Synchro Insert .....                                   | 3   |
| 3  | 1012741   | Synchro Spring .....                                   | 2   |
| 4  | 1012747   | Shifter Ball .....                                     | 1   |
| 5  | 1012748   | Shifter Spring .....                                   | 1   |
| 6  | 1016337   | Washer, Thrust .....                                   | 1   |
| 7  | 1016338   | Washer, Spring .....                                   | 2   |
| 8  | 101889401 | Guide .....  | 1   |
| 9  | 101890001 | Fork - Shift .....                                     | 1   |
| 10   | 101891601 | Sleeve, Governor .....                                 | 1   |
| 11   | 101891901 | Gear, Cluster .....                                    | 1   |
| 12   | 101892001 | Rod, Shift .....                                       | 1   |
| 13   | 101892201 | Plate, Thrust .....                                    | 3   |
| 14   | 101892301 | Governor Assembly .....                                | 1   |
| 15   | 101892401 | Gear, Spur .....                                       | 1   |
| 16   | 101892501 | Gear, Helical (61 Tooth) .....                         | 1   |
| 17   | 101892601 | Gear, Helical (17 Tooth) .....                         | 1   |
| 18   | 101893201 | Key Sunk .....   | 1   |
| 19   | 101893901 | Washer .....   | 1   |
| 20   | 101927501 | Needle Bearing .....                                   | 1   |
| 21   | 101927601 | Needle Bearing .....                                   | 3   |
| 22   | 101927701 | Pin, .116" Dia X 0.264 Dowel .....                     | 1   |
| 23   | 101927901 | Sleeve, Synchro .....                                  | 1   |
| 24   | 101928001 | Hub, Synchro Clutch .....                              | 1   |
| 25   | 101928101 | Bearing, Ball .....                                    | 1   |
| 26   | 101980801 | Gear Assembly, 16-Degree Synchro (25 Tooth) .....      | 1   |
| 27   | 101980901 | Gear Assembly, 16-Degree Rear Synchro (28 Tooth) ..... | 1   |
| 28   | 101981001 | Ring, 16-Degree Synchronizer .....                     | 2   |
| 29   | 102453001 | Shaft, Trans, with Circlip .....                       | 1   |
| 30   | 102453101 | Circlip .....  | 1   |
| 31   | 7335      | Bearing .....  | 2   |
| 32   | AM10080   | Bearing, Ball, Sealed .....                            | 2   |
| 33   | AM10081   | Bearing, Ball, Sealed .....                            | 1   |
| <p>Note: Items listed on this page are components of the unitized transaxle.</p> |           |  |     |

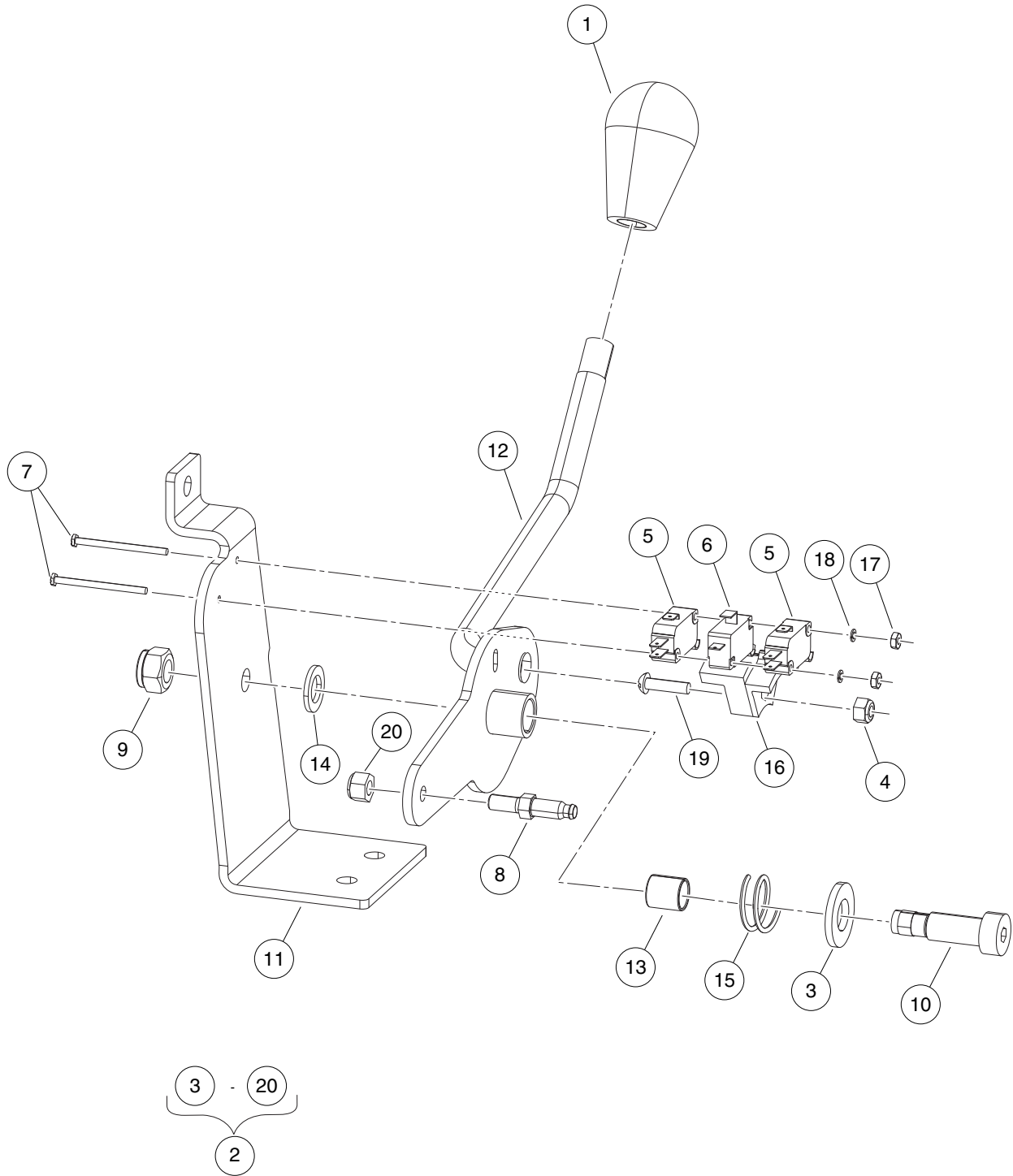


000222-001

# TRANSAXLE – GASOLINE VEHICLES, DIFFERENTIAL AND AXLES

| ITEM | PART NO.  | DESCRIPTION   | QTY |
|------|-----------|---|-----|
|      |           | <b>1 2 3 4</b>  |     |
| 1    | 1013770   | Differential Idler Gear .....                                     | 2   |
| 2    | 1013771   | Gear, Differential .....  | 2   |
| 3    | 1013772   | Pin, Differential .....   | 1   |
| 4    | 1013794   | Axle Shaft Oil Seal .....   | 2   |
| 5    | 1014193   | Dowel Pin .....   | 1   |
| 6    | 101890901 | Pipe .....  | 1   |
| 7    | 101891001 | Pipe .....  | 1   |
| 8    | 101891401 | Axle Assembly, Passenger Side (includes items 9 through 13) ..... | 1   |
| 9    | 1011291   | Outer Axle, Tube Bearing .....                                    | 1   |
| 10   | 1013787   | Lug Stud .....  | 4   |
| 11   | 1013792   | Circlip Type C .....  | 1   |
| 12   | 1014207   | Bushing .....   | 1   |
| 13   | 1016672   | Retaining Ring .....  | 1   |
| 14   | 101891501 | Axle Assembly, Driver-Side (includes items 15 through 19) .....   | 1   |
| 15   | 1011291   | Outer Axle, Tube Bearing .....                                    | 1   |
| 16   | 1013787   | Lug Stud .....  | 4   |
| 17   | 1013792   | Circlip Type C .....  | 1   |
| 18   | 1014207   | Bushing .....   | 1   |
| 19   | 1016672   | Retaining Ring .....  | 1   |
| 20   | 101892701 | Gear, Helical .....   | 1   |
| 21   | 101910501 | Kit, Differential Gear Case (includes items 22 through 25) .....  | 1   |
| 22   | 1013768   | Differential Gear Case, Left-Hand .....                           | 1   |
| 23   | 1013769   | Differential Gear Case, Right-Hand .....                          | 1   |
| 24   | 1013773   | Plate, Thrust (Differential Gear) .....                           | 1   |
| 25   | 1013774   | Plate, Thrust (Idler Gear) .....                                  | 2   |
| 26   | 101928301 | Screw, M8-1.25 X 35mm Hex Head .....                              | 8   |
| 27   | 102031901 | Bolt, M10 X 1.5 X 30mm .....                                      | 14  |
| 28   | 7330      | Inner Axle Tube Bearing .....                                     | 2   |

**12**  
**G**



000563-001

# FORWARD/REVERSE SHIFTER

| ITEM | PART NO.  | DESCRIPTION   | QTY |
|------|-----------|---|-----|
|      |           | <b>1 2 3 4</b>  |     |
| 1    | 102376001 | Knob, Fnr .....                                       | 1   |
| 2    | 102969901 | Asm, Shifter, FNR (includes items 3 through 20) ..... | 1   |
| 3    | 1010028   | Washer, 1/2 Type A Flat .....                         | 1   |
| 4    | 1013061   | Locknut, #10-32 Nylon Insert .....                    | 1   |
| 5    | 1014807   | Switch, Limit .....                                   | 2   |
| 6    | 1014808   | Switch, Limit .....                                   | 1   |
| 7    | 1015878   | Screw, #4-40 Hex Head Machine .....                   | 2   |
| 8    | 102526201 | Stud, Thread, 1/4-28 .....                            | 1   |
| 9    | 102616701 | Locknut, M10x1.5 Nylon Insert .....                   | 1   |
| 10   | 102684602 | Shoulder Bolt, M12 X 25.0 .....                       | 1   |
| 11   | 102969401 | Bracket, Shifter, FNR .....                           | 1   |
| 12   | 102969801 | Weldment, Shift Lever, FNR .....                      | 1   |
| 13   | 103173301 | Bushing, Greaseless, 12mm Id .....                    | 1   |
| 14   | 103177401 | Washer, Thrust, Shifter, FNR .....                    | 1   |
| 15   | 103192701 | Spring, Comp, .97 Od X.75 L .....                     | 1   |
| 16   | 103369501 | Cam, Limit Switch, Fnr Shifter .....                  | 1   |
| 17   | 8057      | Nut, #4-40 Hex Machine .....                          | 2   |
| 18   | 8058      | Lockwasher, #4 Split .....                            | 2   |
| 19   | 8104      | Screw, #10-32 X .75 Rd Hd Mach .....                  | 1   |
| 20   | 8717      | Locknut, 1/4-28 Nylon Insert .....                    | 1   |

**12**  
**G**

12

G



# ELECTRICAL SYSTEM – ELECTRIC VEHICLES

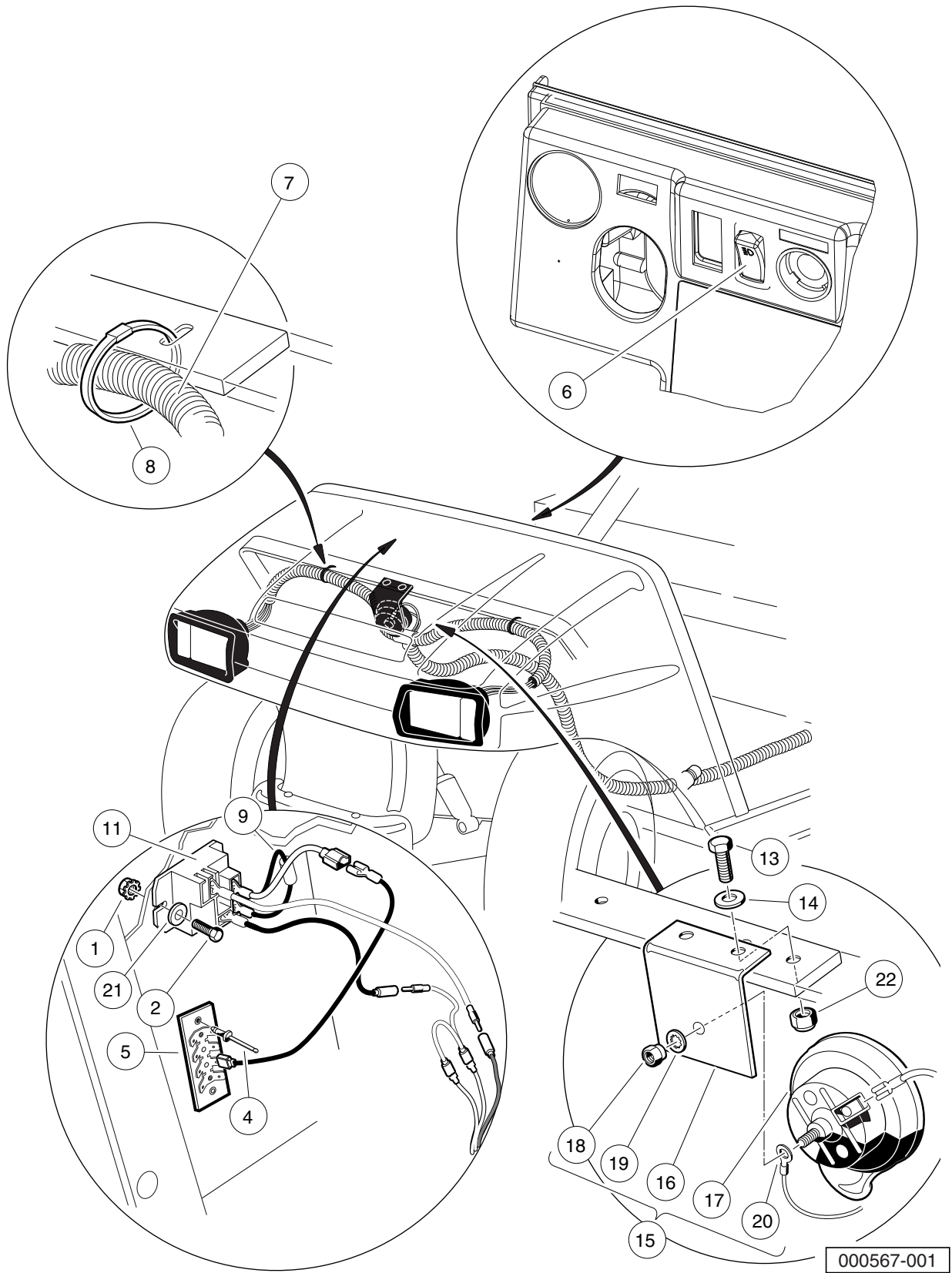
---

13

*E*

13

E



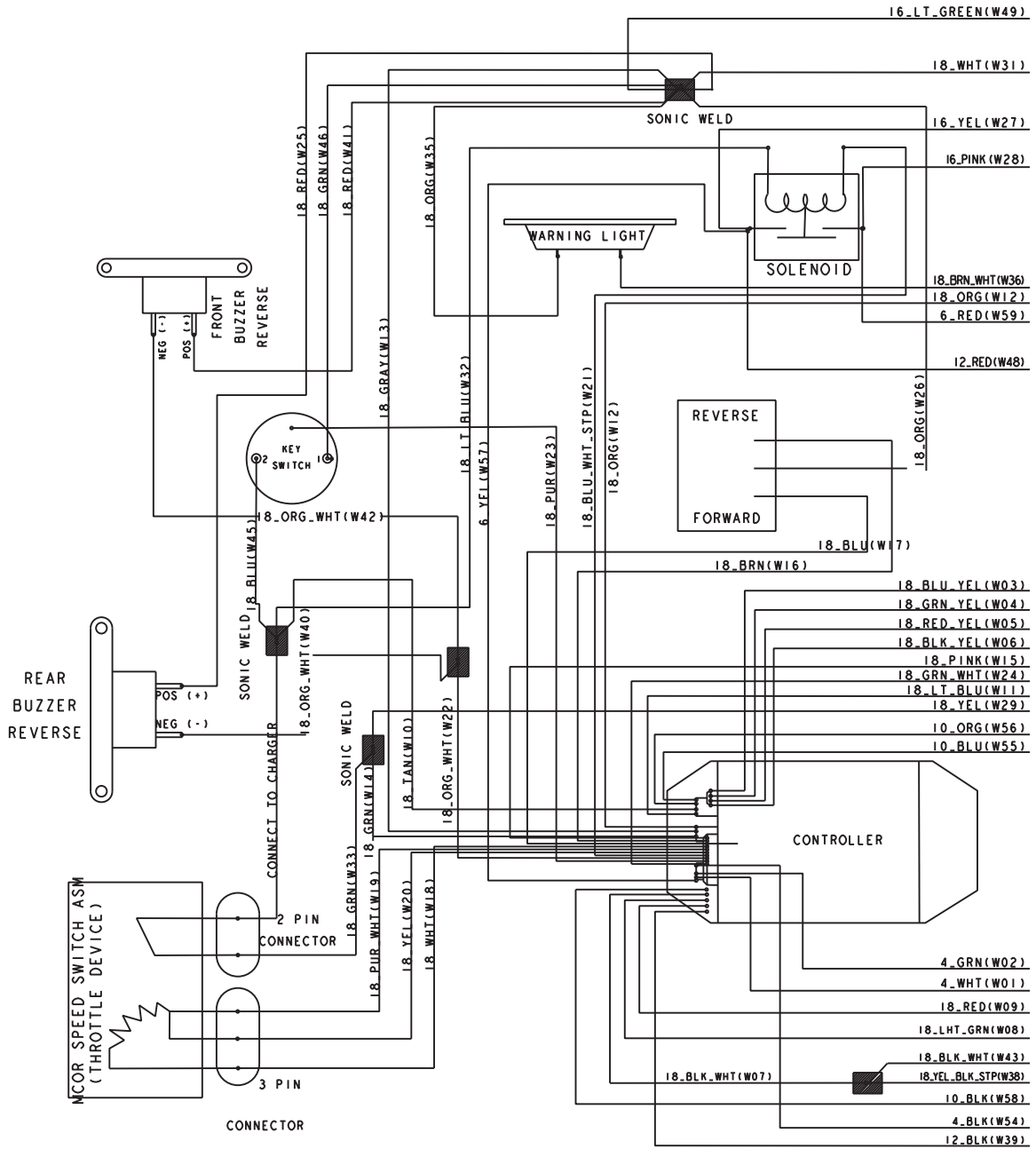
000567-001

# HEADLIGHT AND HORN ELECTRICAL COMPONENTS

| ITEM | PART NO.  | DESCRIPTION  | QTY |
|------|-----------|--|-----|
|      |           | 1 2 3 4  |     |
| 1    | 1011229   | Locknut, #6-32 Whiz .....                                    | 2   |
| 2    | 1017853   | Screw, #6-32 X 0.75 Hex-Head Machine .....                   | 2   |
| 3    | N/A       | Headlight Only, IQ Plus (includes items 4 through 8) .....   | 1   |
| 4    | 1013357   | Rivet, 5/32 Aluminum Pop .....                               | 2   |
| 5    | 1016356   | Terminal Block with Insulator .....                          | 1   |
| 6    | 102869401 | Switch, Rocker, Light .....                                  | 1   |
| 7    | 103255701 | Wire Harness, Hd Lght, Ca, Ele .....                         | 1   |
| 8    | 8990      | Tie Wrap, 8" Nylon .....                                     | 8   |
| 9    | 101914401 | Assembly, Voltage Suppressor .....                           | 1   |
| 10   | 103414901 | Kit, Relay, 48v 30a W/instr (includes items 11 and 12) ..... | 1   |
| 11   | 103397901 | Relay, Spst No, 48v 30a, Pmt .....                           | 1   |
| 12   | N/A       | Kit, Relay, 48v 30a Instrns .....                            | 1   |
| 13   | 304       | Screw, 1/4-20 X 1.0 Hex-Head Cap .....                       | 2   |
| 14   | 332       | Washer, 1/4 Type A Narrow Flat .....                         | 2   |
| 15   | 4029      | Horn (includes items 16 through 20) .....                    | 1   |
| 16   | 1011825   | Horn Bracket .....   | 1   |
| 17   | 1014530   | Horn, 12-VDC .....   | 1   |
| 18   | 101955101 | Nut, M6 Hex .....  | 1   |
| 19   | 7820      | Washer, 5/16 Internal-Tooth .....                            | 1   |
| 20   | N/A       | 5/16 Ring Term. ....   | 1   |
| 21   | 7591      | Washer, #6 Flat .....  | 2   |
| 22   | 8233      | Locknut, 1/4-20 Nylon Insert .....                           | 2   |

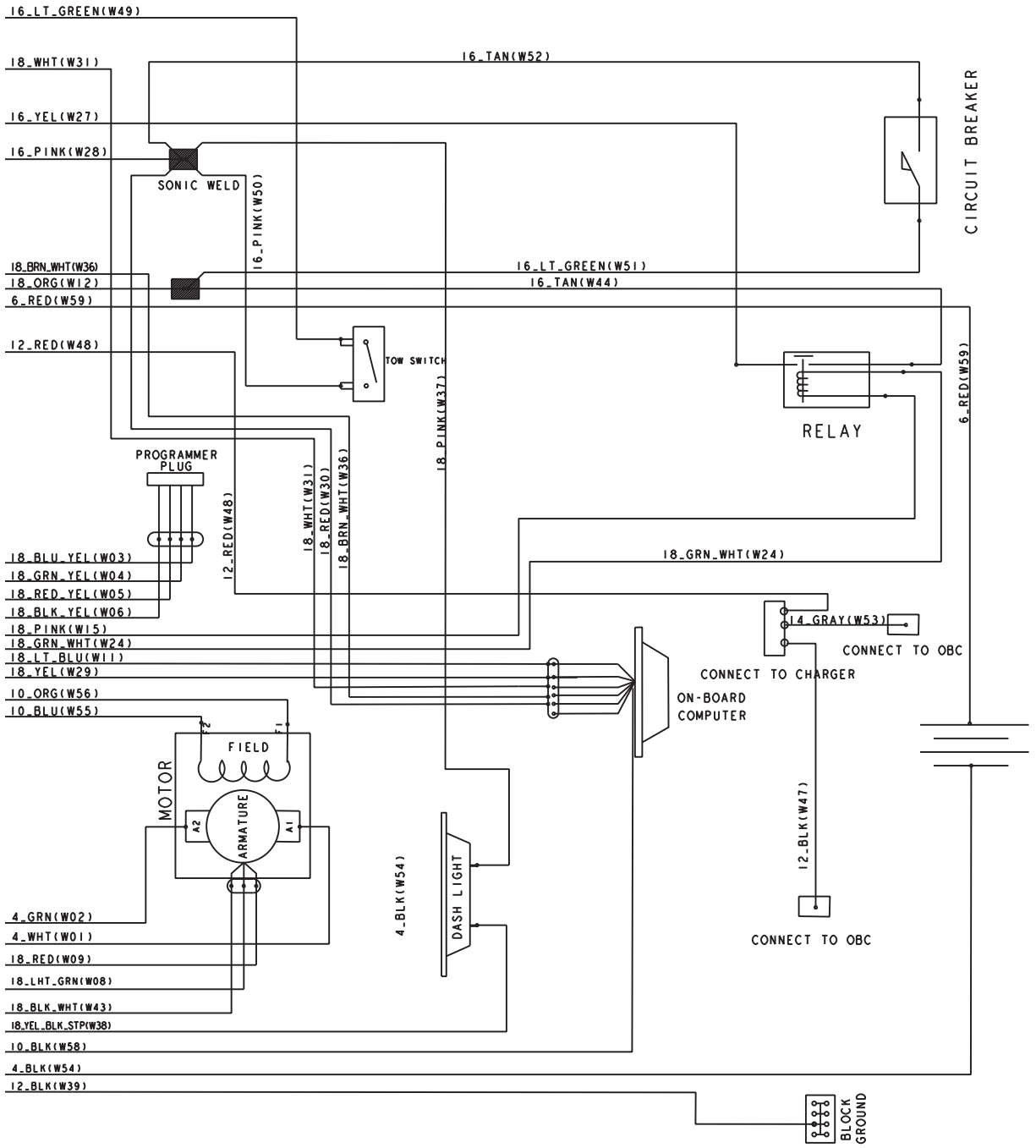
13

E



- (PIN 20) PURPLE: TO MODE SWITCH
- (PIN 23) GRN/WHT: TO RELAY COIL B-
- (PIN 19) ORG/WHT: TO REVERSE BUZZER B-
- (PIN 17) BLU/WHT: SOLENOID COIL B-
- (PIN 15) YELLOW: TO MCOR SLIDER
- (PIN 14) PUR/WHT: TO MCOR B-
- (PIN 13) WHITE: MCOR B+
- (PIN 11) BLUE: TO FNR SWITCH "REV"
- (PIN 10) BROWN: TO FNR SWITCH "FOR"
- (PIN 9) PINK: TO WALKAWAY RELAY COIL
- (PIN 8) GREEN: TO MCOR LIMIT SWITCH
- (PIN 1) TAN: TO KEY SWITCH
- (PIN 2) LT BLUE: TO OBC
- (PIN 3) ORANGE: TO WALK AWAY BREAKER
- (PIN 4) GRAY: TO RUN/TOW SWITCH

000580-001



000580-001

**13**

***E***

See previous two pages for illustration.

## WIRING – IQ PLUS ELECTRIC VEHICLES

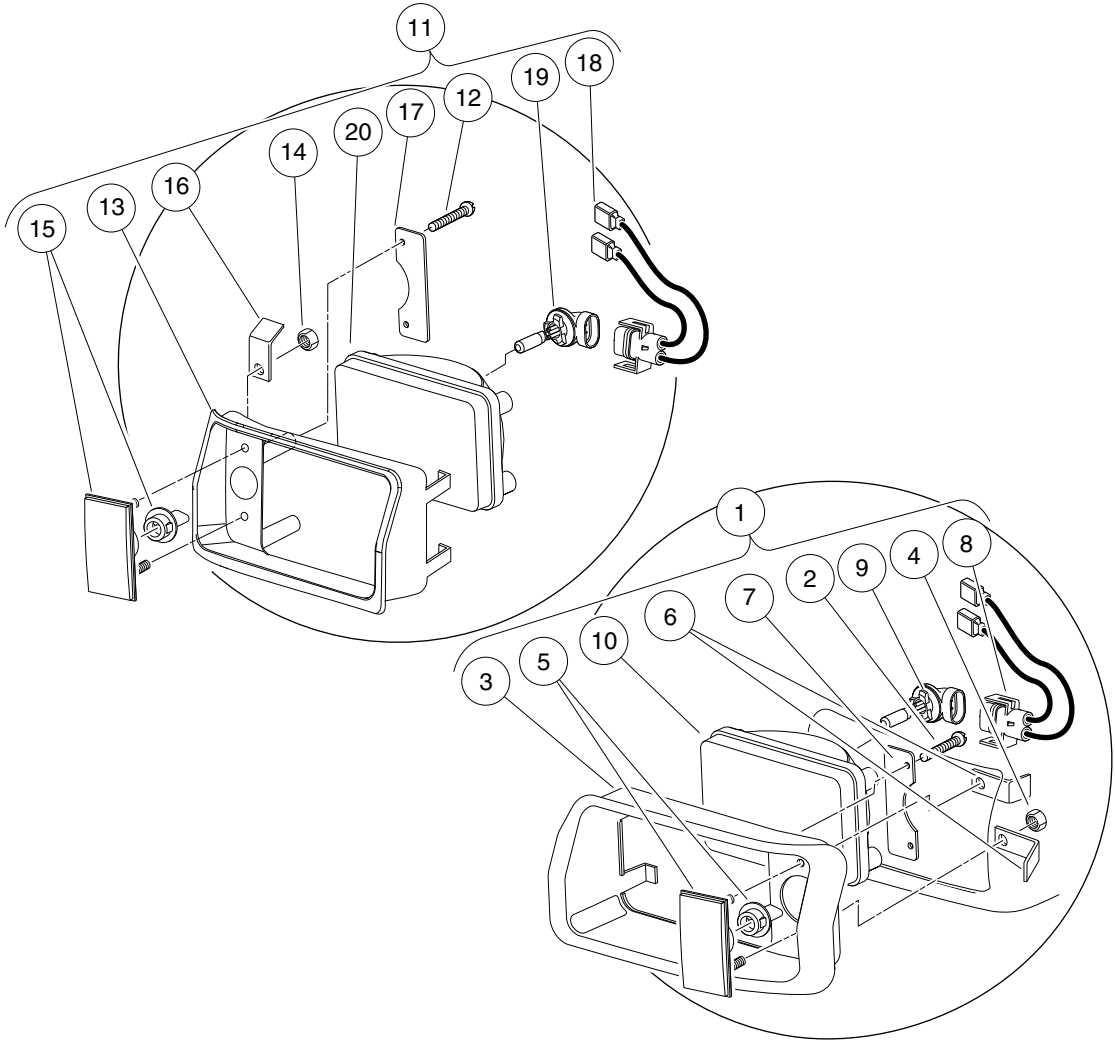
| ITEM | PART NO.  | DESCRIPTION  | QTY |
|------|-----------|--|-----|
|      |           | 1 2 3 4  |     |
| 1    | 101889801 | Shaft Governor Gear .....  | 1   |
| 2    | 102845501 | Harness, Power, Stretch IQ Plus (includes items 3 through 9) ..... | 1   |
| 3    | N/A       | Asm, #4 Grn Wire, 89" .....  | 1   |
| 4    | N/A       | Asm, #4 Wht Wire, 88.5" .....                                      | 1   |
| 5    | N/A       | Asm, #10 Org Wire, 89.5" .....                                     | 1   |
| 6    | N/A       | Asm, #10 Blu Wire, 95.5" .....                                     | 1   |
| 7    | N/A       | Asm, #4 Red Wire, 67.5" .....                                      | 1   |
| 8    | N/A       | Asm, #4 Blk Wire, 57.5" .....                                      | 1   |
| 9    | 8639      | Tie Wrap, 11" Nylon .....  | 6   |
| 10   | 102938301 | Chrgr Harness, Iq Plus, Shelf .....                                | 1   |
| 11   | 103222001 | Asm, Wire Harness, Stretch, Electric .....                         | 1   |
|      |           | Note: Item 1 and 10 not shown.                                     |     |

13

E

13

E



000073-001

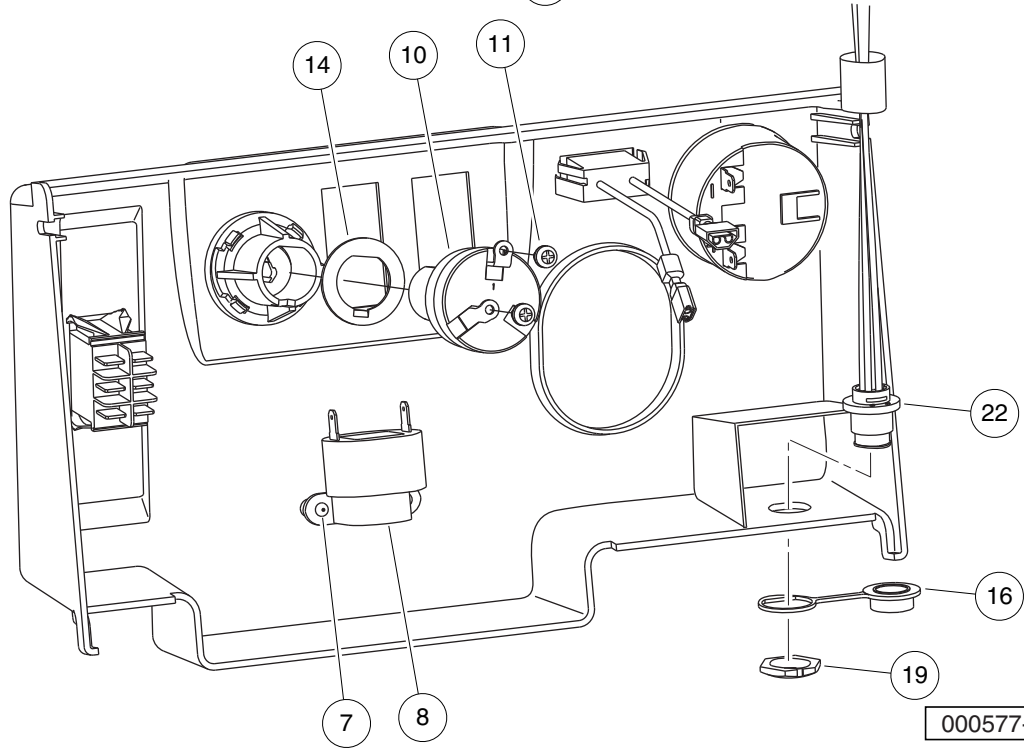
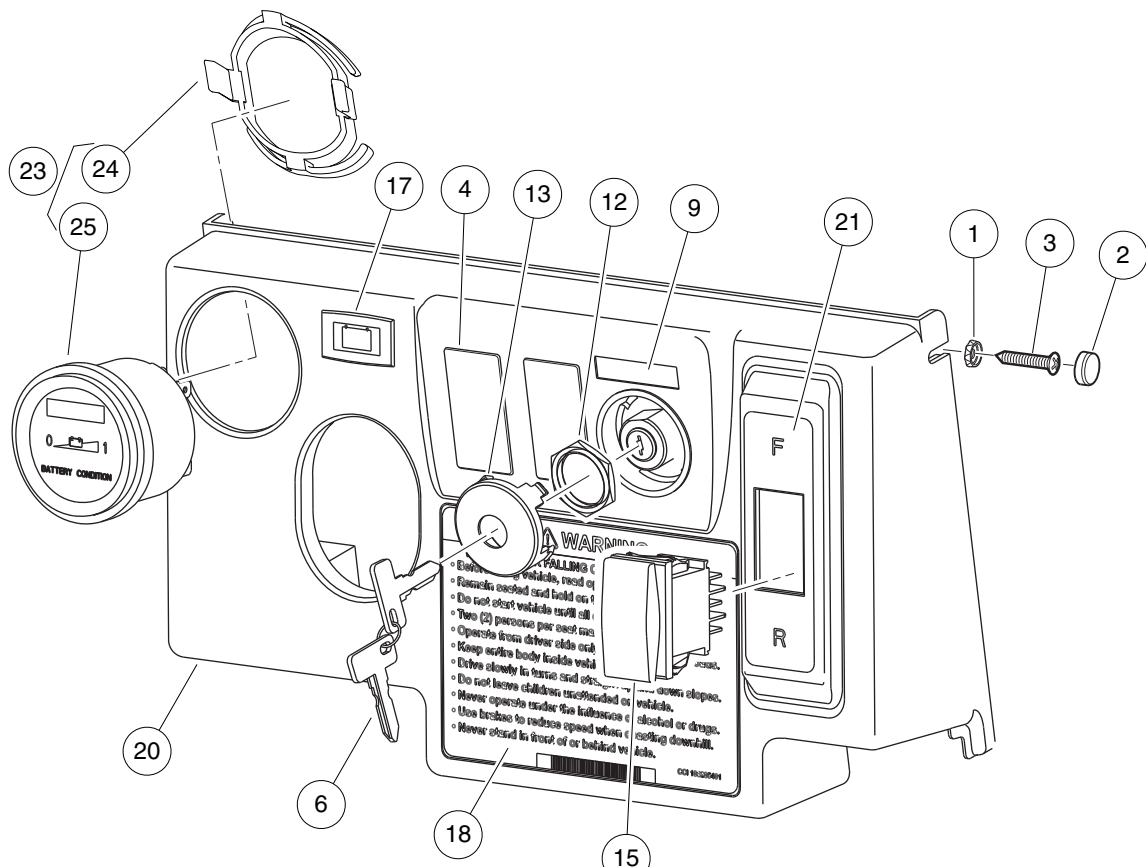


# HEADLIGHTS

**13**

**E**

| ITEM | PART NO.  | DESCRIPTION   | QTY |
|------|-----------|---|-----|
|      |           | <b>1 2 3 4</b>  |     |
| 1    | 101988001 | Headlight Assembly, Driver-Side Single Beam (includes items 2 through 10) ..... | 1   |
| 2    | 1013461   | Screw, #10-16 Hex-Head Hi-Lo .....  | 2   |
| 3    | 1016880   | Headlight Bezel, Left .....   | 1   |
| 4    | 1017      | Nut, #10-24 Stainless-Steel Hex Machine .....                                   | 2   |
| 5    | 1017062   | Turn Signal Lens Assy .....   | 1   |
| 6    | 1017064   | Mounting Bracket .....  | 2   |
| 7    | 1017065   | Retainer, Headlight .....   | 1   |
| 8    | 101987901 | Connector Harness Assembly, Headlight .....                                     | 1   |
| 9    | 101988101 | Bulb, Headlight .....   | 1   |
| 10   | 101988201 | Lens, Headlight .....   | 1   |
| 11   | 101988002 | Headlight Assy, Passenger-Side Single Beam (includes items 12 through 20) ..... | 1   |
| 12   | 1013461   | Screw, #10-16 Hex-Head Hi-Lo .....  | 2   |
| 13   | 1016879   | Headlight Bezel, Right .....  | 1   |
| 14   | 1017      | Nut, #10-24 Stainless-Steel Hex Machine .....                                   | 2   |
| 15   | 1017062   | Turn Signal Lens Assy .....   | 1   |
| 16   | 1017064   | Mounting Bracket .....  | 2   |
| 17   | 1017065   | Retainer, Headlight .....   | 1   |
| 18   | 101987901 | Connector Harness Assembly, Headlight .....                                     | 1   |
| 19   | 101988101 | Bulb, Headlight .....   | 1   |
| 20   | 101988201 | Lens, Headlight .....   | 1   |



000577-001

# INSTRUMENT PANEL WITH ELECTRICAL COMPONENTS

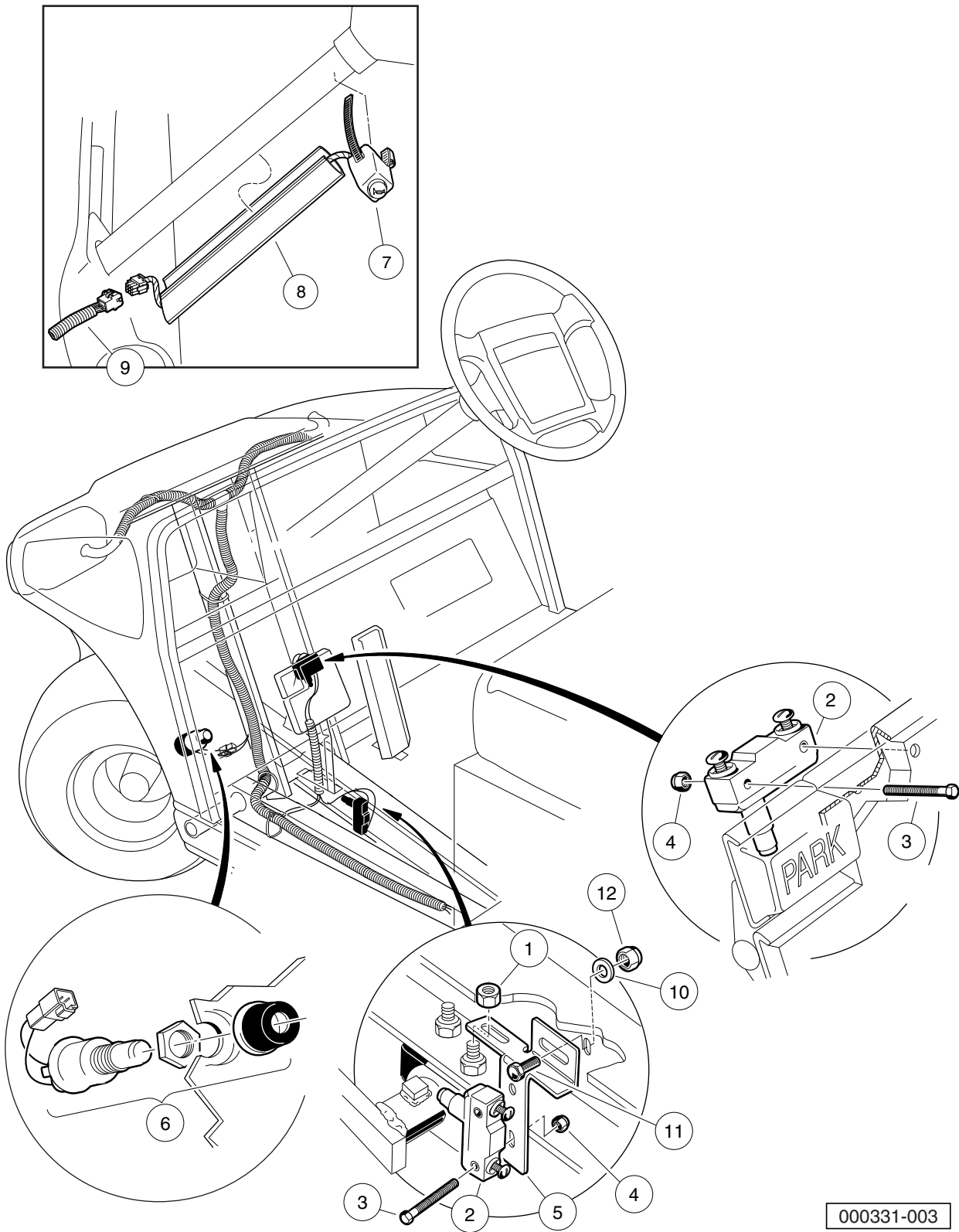
| ITEM | PART NO.  | DESCRIPTION   | QTY |
|------|-----------|---|-----|
|      |           | 1 2 3 4   |     |
| 1    | 1011382   | Washer, #10 Pan-Head Screw .....  | 2   |
| 2    | 1013494   | Cover, Screw Head .....   | 2   |
| 3    | 1015528   | Screw, #10 x 1-1/4 Phillips Head .....                                      | 2   |
| 4    | 103180101 | Cover, Hole, Switch, Rocker .....   | 2   |
| 5    | N/A       | Asm, Dash, Elec, BCI (Instrument Panel) (includes items 6 through 23) ..... | 1   |
| 6    | 1012505   | Keys (set of 2) .....   | 1   |
| 7    | 1016849   | Screw, #4-24 X 0.33 Pan-Head Machine .....                                  | 2   |
| 8    | 1016851   | Buzzer, Reverse (9-48 VDC) .....  | 1   |
| 9    | 101825101 | Decal, Off/On .....   | 1   |
| 10   | 101826201 | Key Switch, On/Off .....  | 1   |
| 11   | 101830601 | Screw and Washer Assembly .....   | 5   |
| 12   | 101830701 | Nut, Key Switch .....   | 1   |
| 13   | 101834502 | Cap, Black Key Switch .....   | 1   |
| 14   | 101851101 | Washer, Key Switch .....  | 1   |
| 15   | 101856002 | Switch, Rocker, Single-Pole .....   | 1   |
| 16   | 102196901 | Dust Cap .....  | 1   |
| 17   | 102508701 | Light, Battery .....  | 1   |
| 18   | 102518001 | Decal, Operating Instr, Elec .....  | 1   |
| 19   | 102572401 | Nut, Diagnostic Port, Prec .....  | 1   |
| 20   | 102977002 | Panel, Dash, Center, Gas (Instrument Panel) .....                           | 1   |
| 21   | 103210301 | Decal, Forward/Reverse, Electric .....                                      | 1   |
| 22   | 103218601 | Harness, Diagnostic Port .....  | 1   |
| 23   | 103354401 | Gauge, Battery Cond Ind, Rnd (includes items 24 and 25) .....               | 1   |
| 24   | 103348202 | Clip, Bci, Round .....  | 1   |
| 25   | N/A       | Battery Condition Indicator Gauge .....                                     | 1   |

13

E

13

E



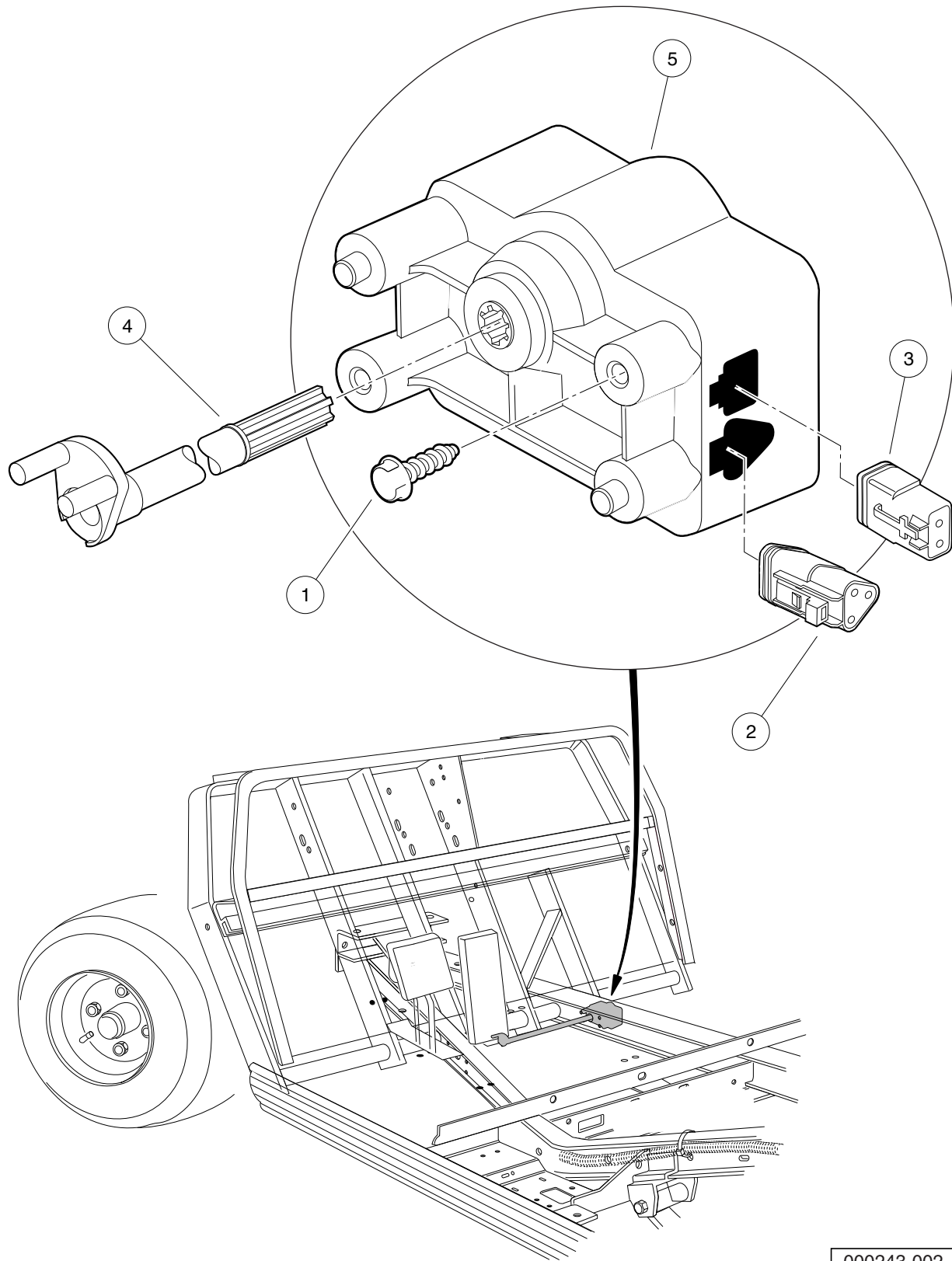
000331-003

# HORN AND BRAKE SWITCHES

| ITEM | PART NO.  | DESCRIPTION                                | QTY |
|------|-----------|--|-----|
|      |           | <b>1 2 3 4</b>                             |     |
| 1    | 1011280   | Locknut, 5/16-18 .....                     | 1   |
| 2    | 1011439   | Switch, Limit .....                        | 2   |
| 3    | 1011557   | Screw, #6-32 X 1.00 Hex-Head Machine ..... | 4   |
| 4    | 101932201 | Locknut, #6-32 Nylon .....                 | 4   |
| 5    | 101957101 | Bracket, Brake Light Switch .....          | 1   |
| 6    | 101969701 | Horn Button and Wire Assembly .....        | 1   |
| 7    | 102517601 | Subasm, Horn Button Harness .....          | 1   |
| 8    | 102529201 | Wire Cover, Steering Column .....          | 1   |
| 9    | 103618101 | Harness, Jumper, Horn .....                | 1   |
| 10   | 1241      | Washer, 5/16 Type A Flat .....             | 1   |
| 11   | 7173      | Screw, 5/16-18 X 0.75 Hex-Head Cap .....   | 1   |
| 12   | 7473      | Locknut, 5/16-18 Nylon Insert .....        | 1   |

13

E



000243-002

# MOTOR CONTROLLER OUTPUT REGULATOR (MCOR)

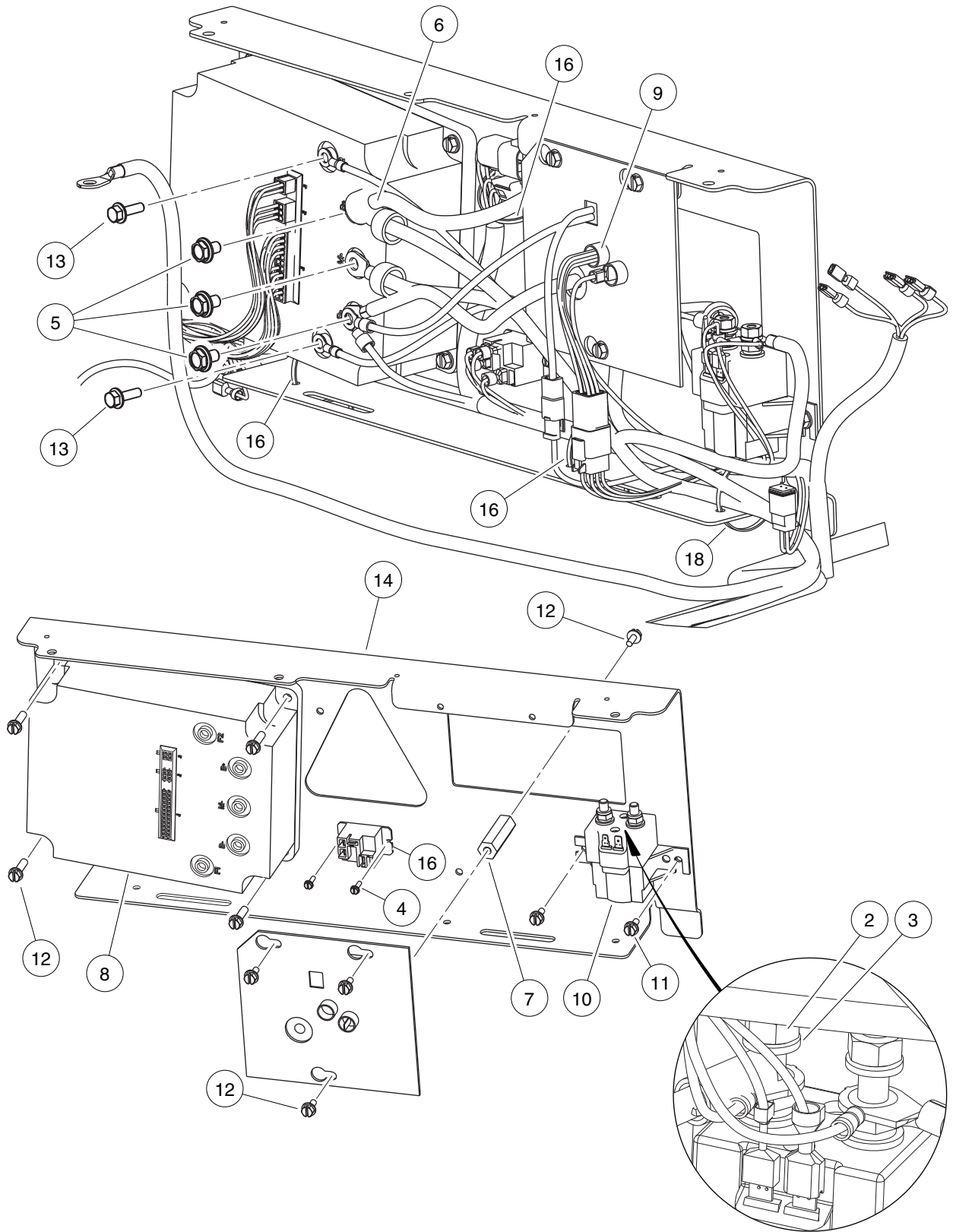
| ITEM | PART NO.  | DESCRIPTION                       | QTY |
|------|-----------|-----------------------------------|-----|
|      |           | 1 2 3 4                           |     |
| 1    | 1015752   | Screw, #12-16 X 0.625 Hi-Lo ..... | 2   |
| 2    | 101920101 | Kit, 3-Pin Wedge Lock .....       | 1   |
| 3    | 101936801 | Kit, 2-Pin Wedge Lock .....       | 1   |
| 4    | 102101001 | Bar, Drive, Cast .....            | 1   |
| 5    | 102101101 | MCOR .....                        | 1   |

13

E

13

E



000589-001



# ELECTRICAL COMPONENTS – IQ PLUS VEHICLES

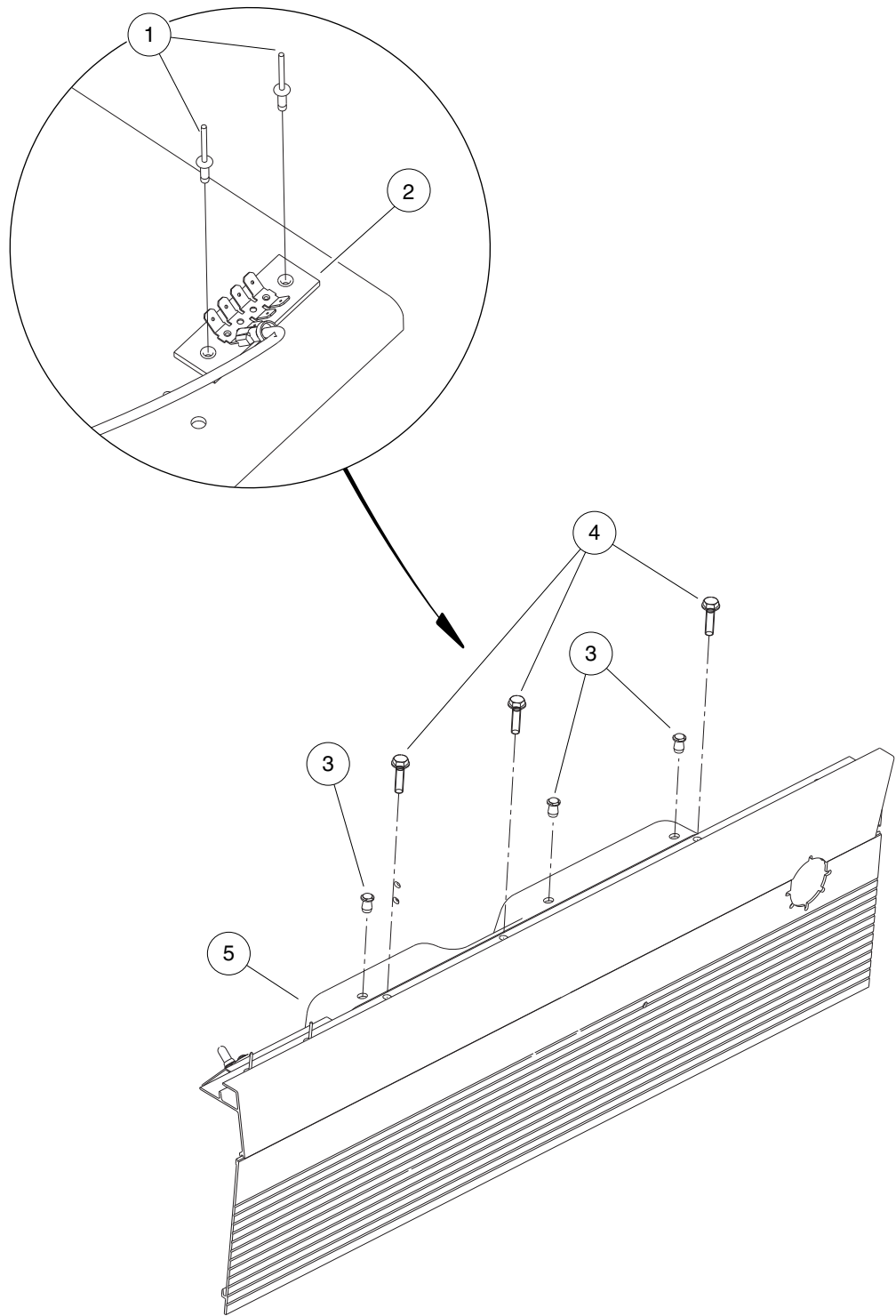
| ITEM | PART NO.  | DESCRIPTION   | QTY |
|------|-----------|---|-----|
|      |           | <b>1 2 3 4</b>  |     |
| 1    | N/A       | Asm, Electrical Component Box (includes items 2 through 18) ..... | 1   |
| 2    | 1012528   | Nut, M8-1.25 Hex .....  | 2   |
| 3    | 1013734   | Lockwasher, 8mm Split .....                                       | 2   |
| 4    | 1015720   | Screw, #6-32 X 1/2 Hex Washer-Head .....                          | 2   |
| 5    | 102240501 | Bolt, Controller, Terminal .....                                  | 3   |
| 6    | 102440901 | Wire Asm, #4 Yellow, 13" .....                                    | 1   |
| 7    | 102769701 | Spacer, 2", 1/4-20, Hex .....                                     | 1   |
| 8    | 102774501 | Controller, 500 Amp .....   | 1   |
| 9    | 102774601 | Computer, Onbrd, 8x 6v, 64" .....                                 | 1   |
| 10   | 102774701 | Solenoid, 48v .....   | 1   |
| 11   | 102817101 | Screw, 1/4-20 X .50 Hex Wsh Hd .....                              | 6   |
| 12   | 102817201 | Screw, 1/4-20 X .88 Hex Wsh Hd .....                              | 4   |
| 13   | 102859501 | Screw, M6 X 1 X 20 Ser Hex Flg .....                              | 2   |
| 14   | 102912801 | Plate, Component, Front .....                                     | 1   |
| 15   | 103414901 | Kit, Relay, 48v 30a W/instr (includes items 16 and 17) .....      | 1   |
| 16   | 103397901 | Relay, Spst No, 48v 30a, Pmt .....                                | 1   |
| 17   | N/A       | Kit, Relay, 48v 30a Instrns .....                                 | 1   |
| 18   | 8990      | Tie Wrap, 8" Nylon .....  | 5   |

13

E

13

E



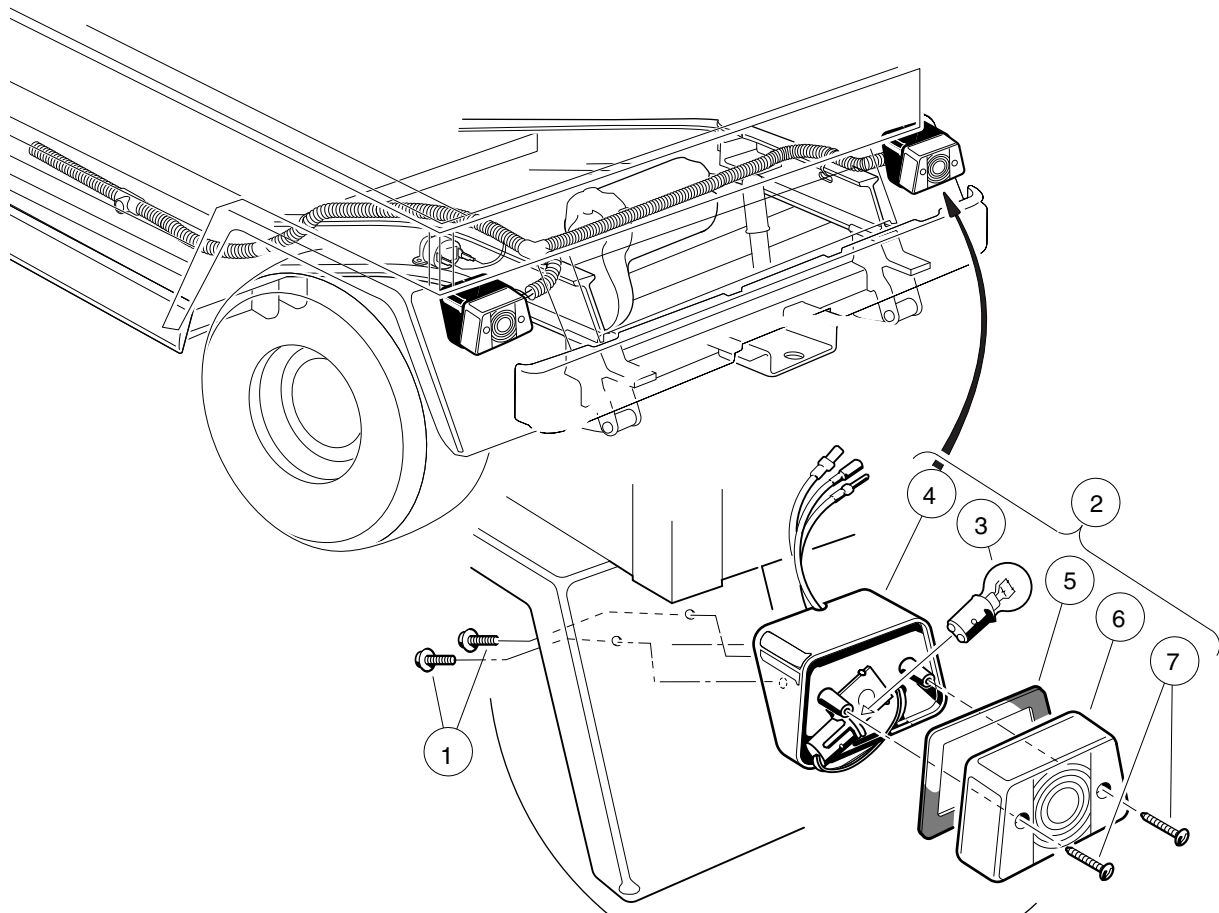
000598-001

# ELECTRICAL INSTALLATION

| ITEM | PART NO.  | DESCRIPTION                                   | QTY |
|------|-----------|---|-----|
|      |           | <b>1 2 3 4</b>                                |     |
| 1    | 1013357   | Rivet, 5/32 Aluminum Pop .....                | 2   |
| 2    | 1016356   | Terminal Block with Insulator .....           | 1   |
| 3    | 1016967   | Blind Rivet, Push Type .....                  | 3   |
| 4    | 102238001 | #10-24 Taptite Screw .....                    | 3   |
| 5    | 102772402 | Cover, Electrical Component, Carryall 6 ..... | 1   |
| 6    | 8990      | Tie Wrap, 8" Nylon .....                      | 11  |

13

E



000348-005

# TAILLIGHTS

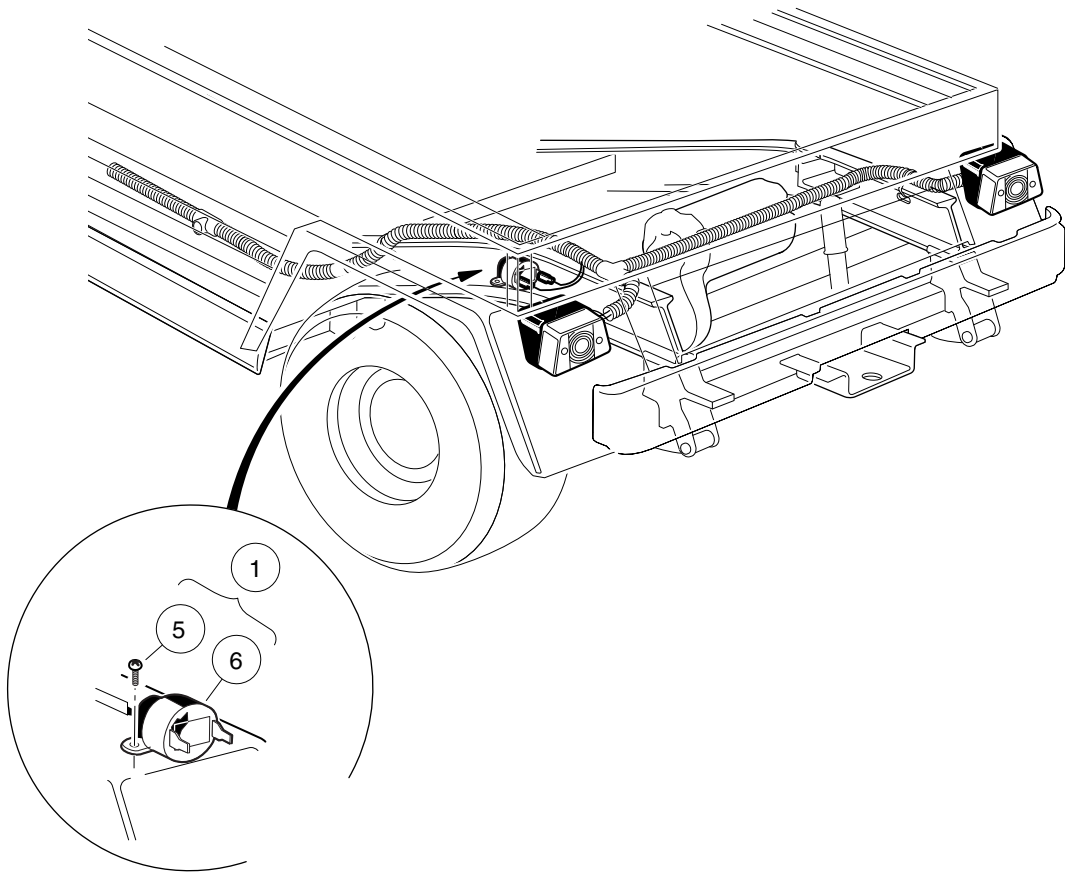
| ITEM | PART NO. | DESCRIPTION   | QTY |
|------|----------|---|-----|
|      |          | <b>1 2 3 4</b>  |     |
| 1    | 1015752  | Screw, #12-16 X 0.625 Hi-Lo .....                                 | 4   |
| 2    | 1016717  | Light Assembly, Stop/Taillight (includes items 3 through 7) ..... | 2   |
| 3    | 1011582  | Taillight Bulb .....  | 1   |
| 4    | N/A      | Housing, Taillight .....  | 1   |
| 5    | N/A      | Gasket, Taillight .....   | 1   |
| 6    | N/A      | Lens, Taillight .....   | 1   |
| 7    | N/A      | Screw, Taillight Lens .....                                       | 2   |

**13**

**E**

13

E



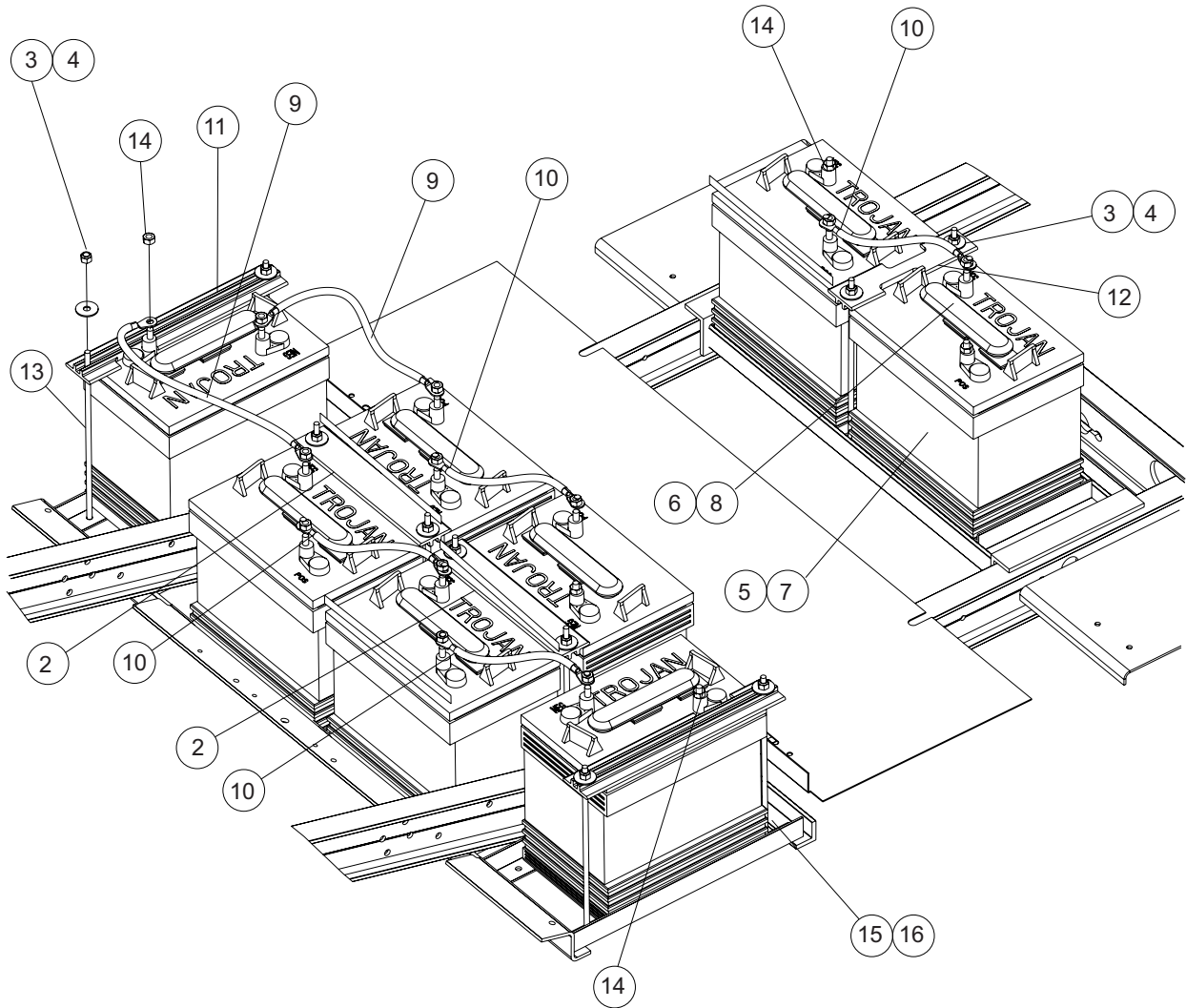
000432-001

## REAR REVERSE BUZZER

| ITEM   | PART NO. | DESCRIPTION   | QTY |
|--|----------|---|-----|
|  |          | <b>1 2 3 4</b>  |     |
| 1  | 1016859  | Kit, Reverse Buzzer (includes items 2 through 10) ..... | 1   |
| 2  | 1011229  | Locknut, #6-32 Whiz .....                               | 1   |
| 3  | 1012431  | Washer, #4 Flat .....                                   | 2   |
| 4  | 1015720  | Screw, #6-32 X 1/2 Hex Washer-Head .....                | 1   |
| 5  | 1016849  | Screw, #4-24 X 0.33 Pan-Head Machine .....              | 2   |
| 6  | 1016851  | Buzzer, Reverse (9-48 VDC) .....                        | 1   |
| 7  | 1016857  | Wire Assembly Black #18 .....                           | 1   |
| 8  | 8056     | Screw, #4-40 X 0.75 Round-Head Machine .....            | 2   |
| 9  | 8057     | Nut, #4-40 Hex Machine .....                            | 2   |
| 10   | 8058     | Lockwasher, #4 Split .....                              | 2   |
| <p style="text-align: center;">Note: Note: Items 2 through 4 and 7 through 10 are included in the kit, but are not used in this application.</p> |          |   |     |

13

E



000410-001



## IQ PLUS VEHICLE WITH T-105 BATTERIES

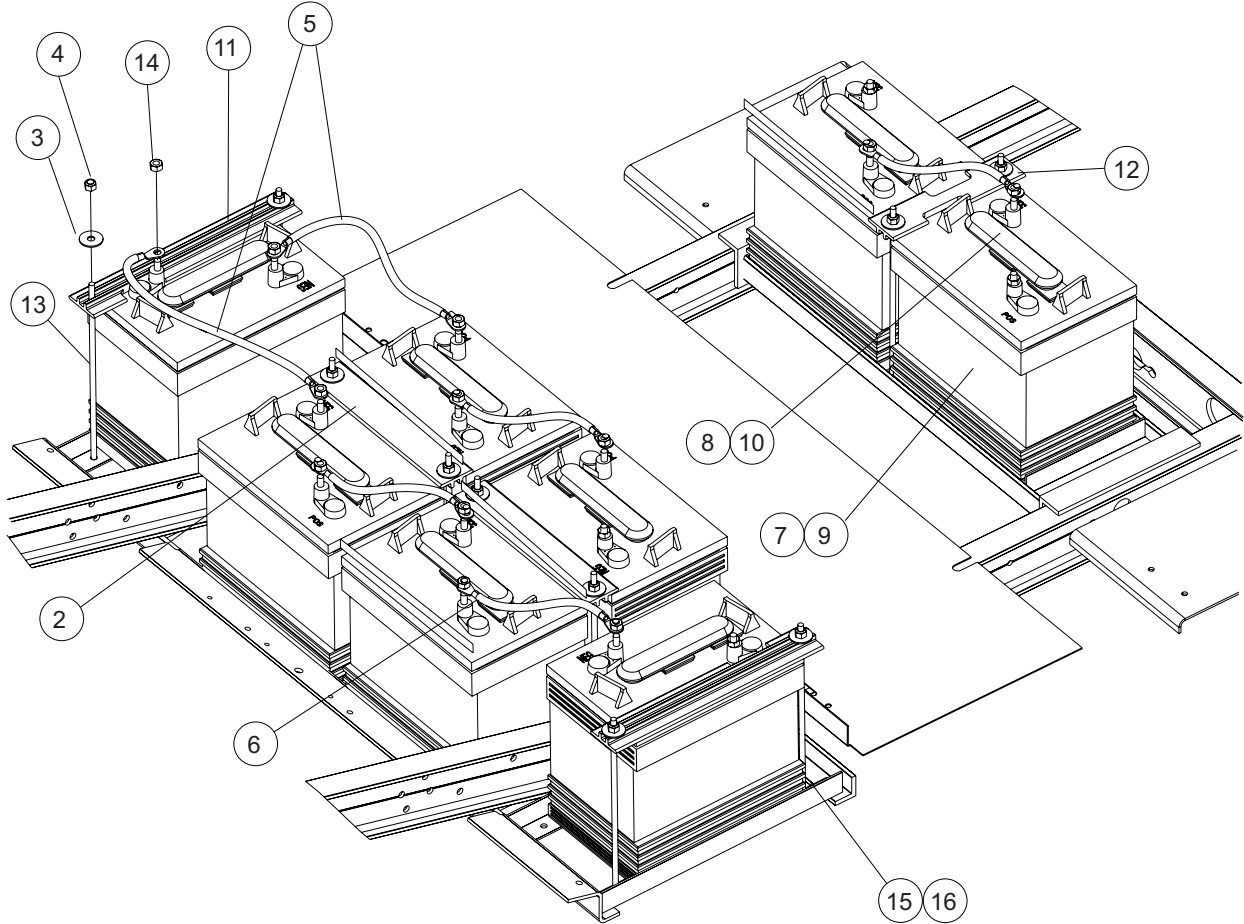
| ITEM | PART NO.  | DESCRIPTION  | QTY |
|------|-----------|--|-----|
|      |           | 1 2 3 4  |     |
| 1    | N/A       | Battery Install, Stretch IQ Plus w/T-105 Batteries (includes items 2 through 16) ..... | 1   |
| 2    | 101090801 | Hold-Down, Battery .....   | 2   |
| 3    | 1012571   | Washer, 5/16 Extra Thick Flat .....  | 10  |
| 4    | 1015072   | Locknut, 5/16-18 Nylon Insert .....  | 10  |
| 5    | 101661601 | Battery, 6v Trojan T105 (Wet) (includes item 6) .....                                  | 8   |
| 6    | 101831401 | Battery Cap 6 Volt .....   | 1   |
| 7    | 101661602 | Battery, 6v Trojan T105 (Dry, also known as moist) (includes item 8) .....             | 8   |
| 8    | 101831401 | Battery Cap 6 Volt .....   | 1   |
| 9    | 102002801 | Wire Assy, #4 Black .....  | 2   |
| 10   | 102002901 | Wire Assy, #4 Black .....  | 4   |
| 11   | 102766201 | Hold Down, Outside .....   | 2   |
| 12   | 102830301 | Hold Down, Front Center .....  | 1   |
| 13   | 102845203 | Rod, Battery Hold Down 10.7" .....   | 10  |
| 14   | 102873401 | 5/16-18 Heavy Hex Nut .....  | 16  |
| 15   | 102980801 | Extr, Plastic, 1 X 1 X 3 .....   | 2   |
| 16   | 102980901 | Clamp, Hose, Nylon, .25 .....  | 2   |

13

E

13

E



000410-002

# IQ PLUS VEHICLE WITH T-145 BATTERIES

| ITEM | PART NO.  | DESCRIPTION  | QTY |
|------|-----------|--|-----|
|      |           | 1 2 3 4  |     |
| 1    | N/A       | Battery Install, Stretch IQ Plus w/T-145 Batteries (includes items 2 through 16) ..... | 1   |
| 2    | 101090801 | Hold-Down, Battery .....   | 2   |
| 3    | 1012571   | Washer, 5/16 Extra Thick Flat .....  | 10  |
| 4    | 1015072   | Locknut, 5/16-18 Nylon Insert .....  | 10  |
| 5    | 102002801 | Wire Assy, #4 Black .....  | 2   |
| 6    | 102002901 | Wire Assy, #4 Black .....  | 4   |
| 7    | 102764401 | Battery, 6v Trojan T145 (wet) (includes item 8) .....                                  | 8   |
| 8    | 101831401 | Battery Cap 6 Volt .....   | 1   |
| 9    | 102764402 | Battery, 6v Trojan T145 (Dry, also known as moist) (includes item 10) .....            | 8   |
| 10   | 101831401 | Battery Cap 6 Volt .....   | 1   |
| 11   | 102766201 | Hold Down, Outside .....   | 2   |
| 12   | 102830301 | Hold Down, Front Center .....  | 1   |
| 13   | 102845204 | Rod, Battery Hold Down 12" .....   | 12  |
| 14   | 102873401 | 5/16-18 Heavy Hex Nut .....  | 16  |
| 15   | 102980801 | Extr, Plastic, 1 X 1 X 3 .....   | 2   |
| 16   | 102980901 | Clamp, Hose, Nylon, .25 .....  | 2   |

13

E

**13**

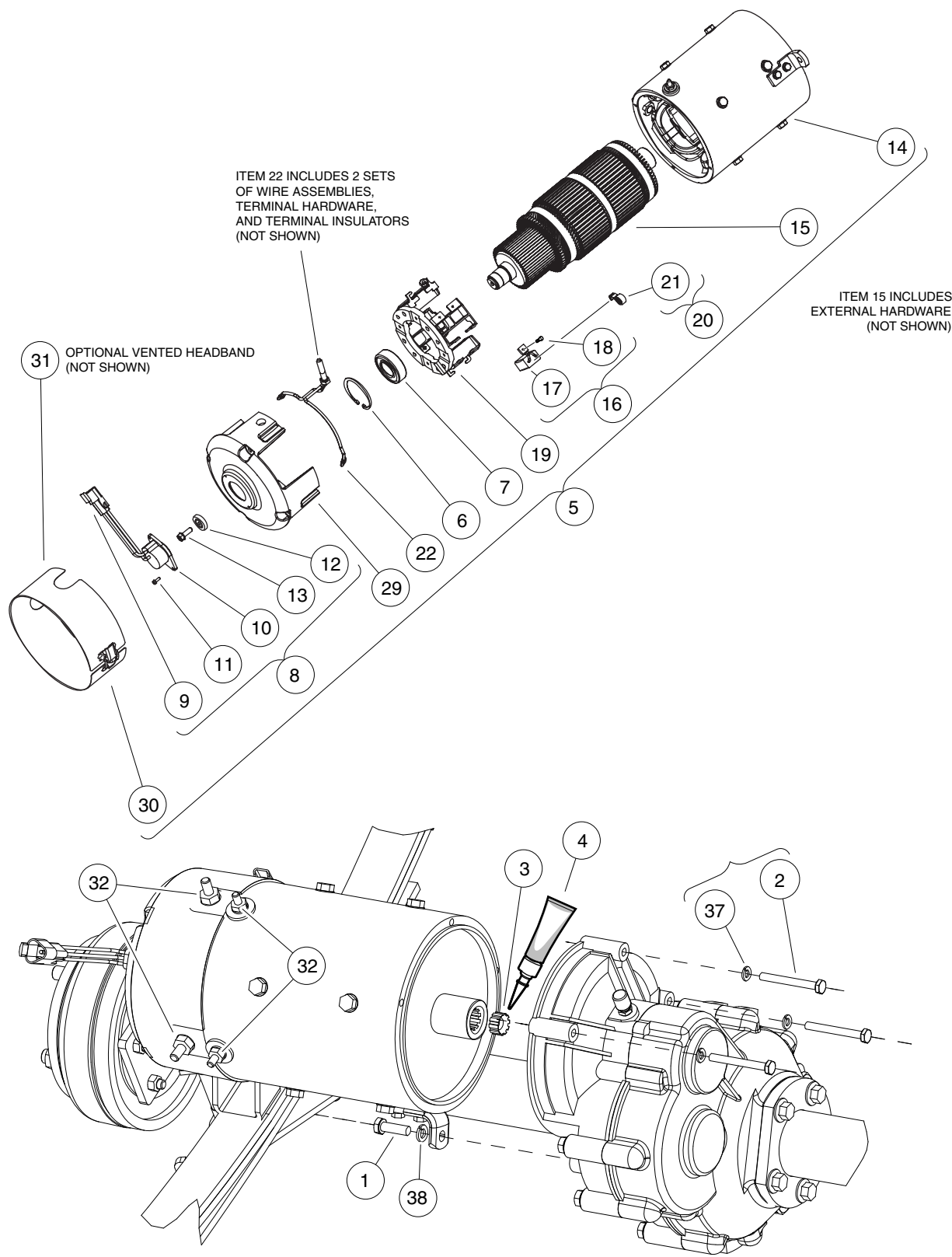
***E***

# ELECTRIC MOTOR

---

14

*E*



000411-001

# MOTOR (MODEL DA5-4006) – IQ PLUS

| ITEM | PART NO.  | DESCRIPTION   | QTY |
|------|-----------|---|-----|
|      |           | <b>1 2 3 4</b>  |     |
| 1    | 1010934   | Screw, 5/16-18 X 1.00 Hex Cap .....                                       | 1   |
| 2    | 1014201   | Screw, 1/4-20 X 2.25 Hex Cap .....  | 3   |
| 3    | 102235201 | Bumper, Drive Unit .....  | 1   |
| 4    | 102243403 | Lubricant, Moly-Teflon (Single-Use Tube) .....                            | 1   |
| 5    | 102775101 | IQ Plus Electric Motor, 48-VDC 3.7 hp (includes items 6 through 30) ..... | 1   |
| 6    | 102186301 | Ring, 2.24" Internal Retaining .....                                      | 1   |
| 7    | 102186401 | Bearing, Ball .....   | 1   |
| 8    | 102704901 | Kit, Speed Sensor (includes items 9 through 13) .....                     | 1   |
| 9    | 101942301 | Kit, 3-Pin Wedge Lock .....   | 1   |
| 10   | N/A       | Sensor, Motor Speed, ADC .....  | 1   |
| 11   | N/A       | Screw, #8-32, Taptite Thread .....  | 2   |
| 12   | N/A       | Magnet, ADC Motor .....   | 1   |
| 13   | N/A       | Screw, 1/4-20 x 0.5 .....   | 1   |
| 14   | N/A       | Asm, Frame And Field, 3.7 Hp .....  | 1   |
| 15   | N/A       | Armature (Includes external hardware - not shown) .....                   | 1   |
| 16   | 102938601 | Kit, Brush, 3.7 Hp (includes items 17 and 18) .....                       | 1   |
| 17   | N/A       | Brush, Motor .....  | 8   |
| 18   | N/A       | Screw, Taptite .....  | 8   |
| 19   | 102938701 | Asm, Brush Box, 3.7 Hp .....  | 1   |
| 20   | 102938801 | Kit, Brush Spring, 3.7 Hp (includes item 21) .....                        | 1   |
| 21   | N/A       | Brush Spring .....  | 8   |
| 22   | 102938901 | Kit, Brush Lead Asm, 3.7 Hp (includes items 23 through 28) .....          | 1   |
| 23   | N/A       | Terminal and Lead Assembly .....  | 2   |
| 24   | N/A       | Insulator, Terminal .....   | 2   |
| 25   | N/A       | Washer, Insulating .....  | 2   |
| 26   | N/A       | Washer, Flat, 5/16, Brass/Bronze .....                                    | 2   |
| 27   | N/A       | Nut, 5/16, Steel .....  | 4   |
| 28   | N/A       | Lockwasher, 5/16, Steel .....   | 2   |
| 29   | 102939001 | Commutator End Head, 3.7 Hp .....   | 1   |
| 30   | 102939101 | Sealed Headband, 3.7 Hp .....   | 1   |
| 31   | 102939102 | Vented Headband, 3.7 HP (optional - not shown) .....                      | 1   |
| 32   | 102951701 | Pkg, Terminal Hardware, 3.7hp (includes items 33 through 36) .....        | 1   |
| 33   | N/A       | Nut, 5/16, Steel .....  | 2   |
| 34   | N/A       | Lockwasher, 5/16, Steel .....   | 2   |
| 35   | N/A       | Nut, 1/4-20, Steel .....  | 2   |
| 36   | N/A       | Lockwasher, 1/4-20, Steel .....   | 2   |
| 37   | 451       | Lockwasher, 1/4 Split .....   | 3   |
| 38   | 7174      | Lockwasher, 5/16 Split .....  | 1   |

14

E

**14**

***E***

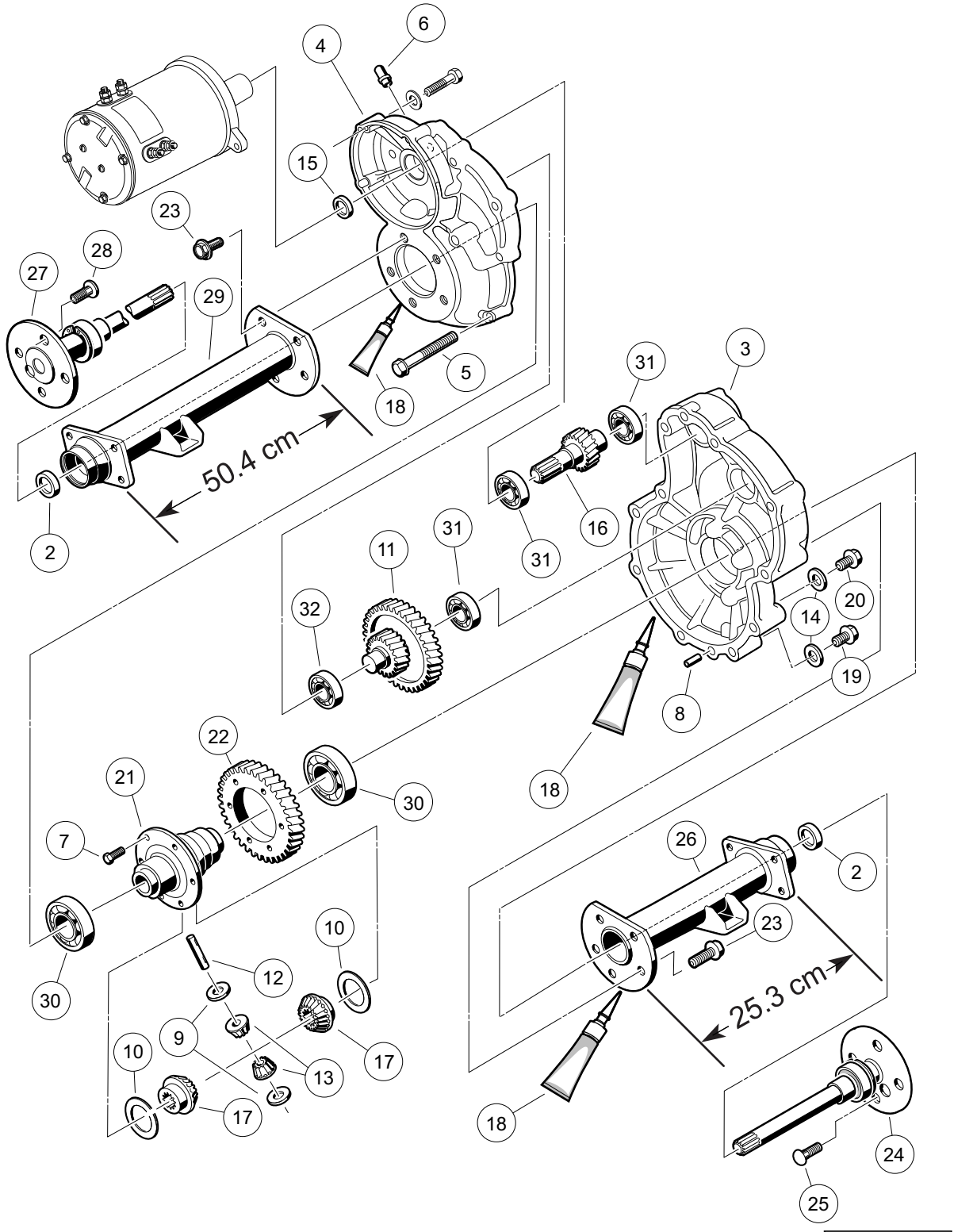


# TRANSAXLE – ELECTRIC VEHICLES

---

15

*E*



000223-002

# TRANSAXLE – ELECTRIC VEHICLES

| ITEM | PART NO.  | DESCRIPTION   | QTY |
|------|-----------|---|-----|
|      |           | <b>1 2 3 4</b>  |     |
| 1    | 102771701 | Transaxle, Electric (includes items 2 through 32) ..... | 1   |
| 2    | 1013794   | Axle Shaft Oil Seal .....                               | 2   |
| 3    | 101895401 | Gear Case, Left-Hand .....                              | 1   |
| 4    | 101895501 | Gear Case, Passenger-Side .....                         | 1   |
| 5    | 101897001 | Screw, M8-1.25 X 60mm Hex-Head .....                    | 11  |
| 6    | 101897201 | Breather .....  | 1   |
| 7    | 101897401 | Screw, M10-1.25 X 25mm .....                            | 6   |
| 8    | 101897601 | Pin, 11mm OD X 8.5mm ID X 10mm .....                    | 2   |
| 9    | 101903601 | Washer, Thrust .....                                    | 2   |
| 10   | 101903701 | Washer, Thrust .....                                    | 2   |
| 11   | 101906901 | Intermediate Shaft Assembly .....                       | 1   |
| 12   | 101922101 | Pin, 15.99mm X 88.7mm Dowel .....                       | 1   |
| 13   | 101923001 | Gear, Differential Idler .....                          | 2   |
| 14   | 101923201 | Gasket .....  | 2   |
| 15   | 101923501 | Seal, Lip .....   | 1   |
| 16   | 101923701 | Shaft, Input .....                                      | 1   |
| 17   | 101923901 | Gear, Differential .....                                | 2   |
| 18   | 101928701 | Liquid Gasket (Transaxle case) .....                    | 1   |
| 19   | 101972101 | Plug, M14-1.5 X 12mm Magnetic .....                     | 1   |
| 20   | 101972201 | Plug, M14-1.5 X 12mm Hex .....                          | 1   |
| 21   | 102356601 | Housing, Differential, 6 Bolt .....                     | 1   |
| 22   | 102356801 | Gear, Differential Output, 6-Bolt .....                 | 1   |
| 23   | 102357001 | Screw, Flg Hd M10 X 1.5 X 30 .....                      | 10  |
| 24   | 102886301 | Axle Assembly, Driver-Side (includes item 25) .....     | 1   |
| 25   | 101922201 | Lug Stud .....  | 4   |
| 26   | 102886401 | Tube, Axle, Driver-Side .....                           | 1   |
| 27   | 102886501 | Axle Assembly, Passenger-Side (includes item 28) .....  | 1   |
| 28   | 101922201 | Lug Stud .....  | 4   |
| 29   | 102886601 | Tube, Axle, Passenger-Side .....                        | 1   |
| 30   | 7330      | Inner Axle Tube Bearing .....                           | 2   |
| 31   | 7335      | Bearing .....   | 3   |
| 32   | 7336      | Bearing .....   | 1   |

15

E

**15**

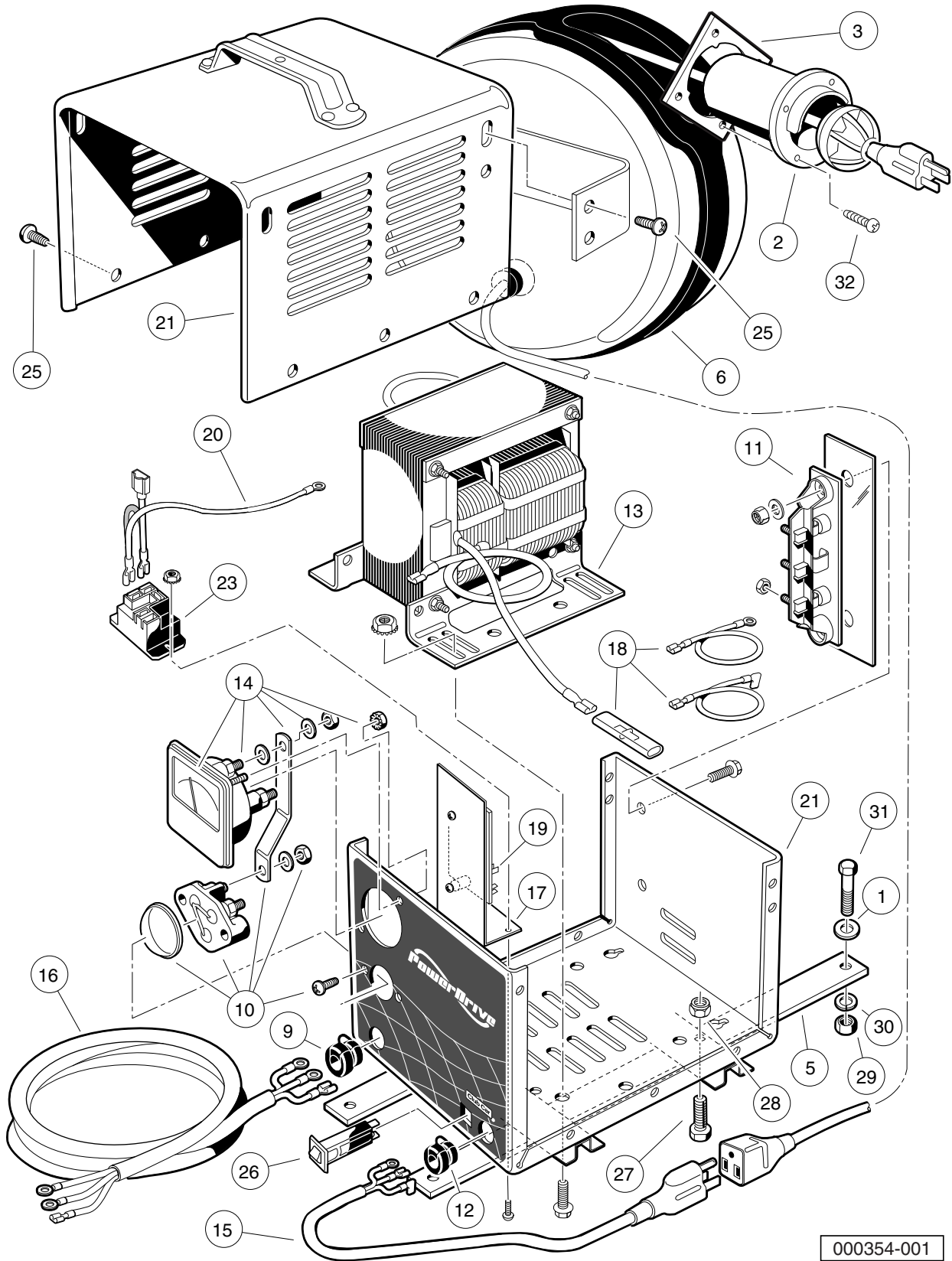
***E***

# BATTERY CHARGER

---

16

*E*



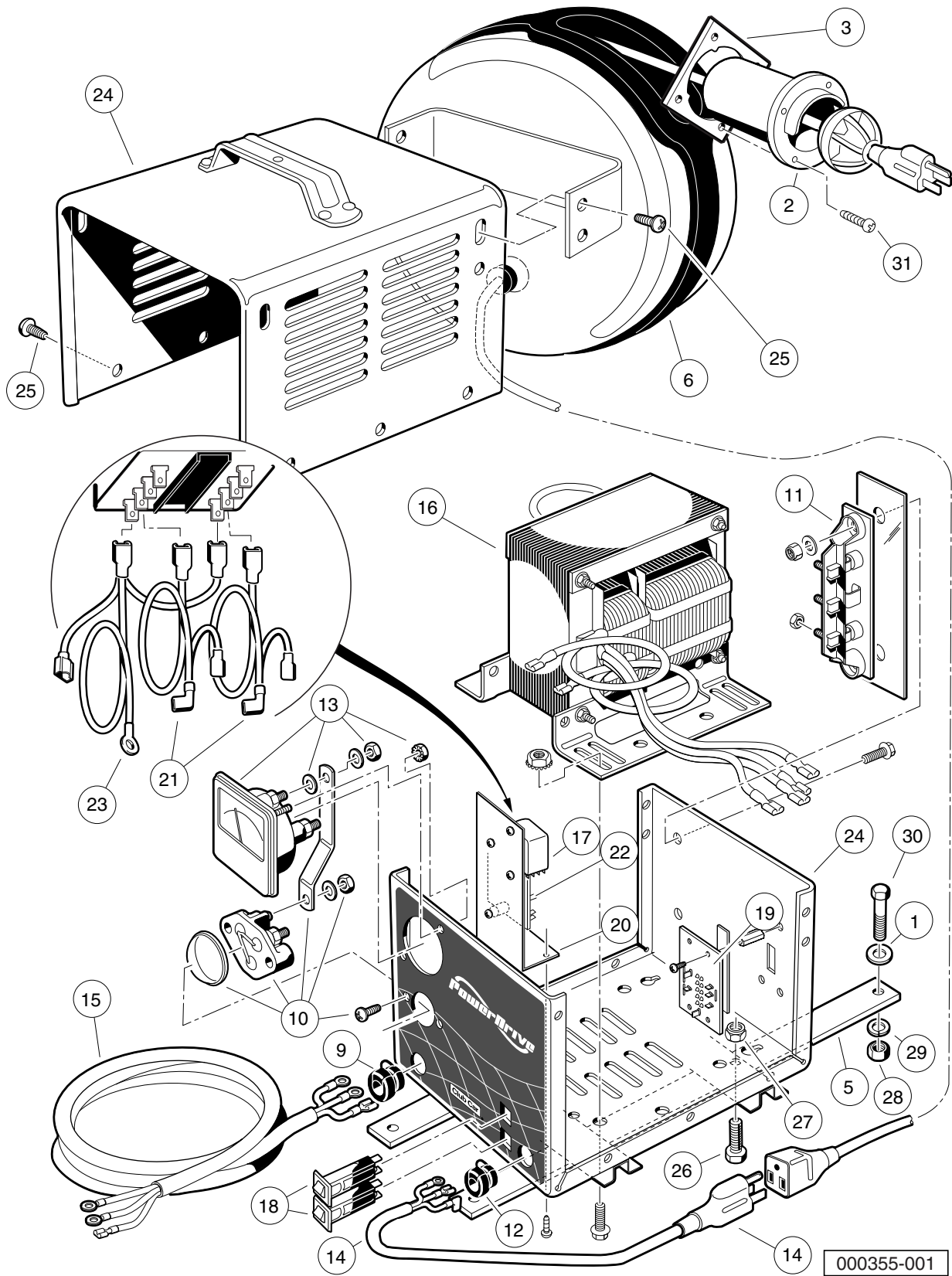
000354-001

# ONBOARD POWERDRIVE BATTERY CHARGER (MODEL 17935), DOMESTIC

16

E

| ITEM  | PART NO.  | DESCRIPTION   | QTY |
|---|-----------|---|-----|
|   |           | 1 2 3 4   |     |
| 1   | 1014306   | Washer, 1/4" Type B Flat .....  | 4   |
| 2   | 1016673   | Housing, Cord Reel .....  | 1   |
| 3   | 101801001 | Plate, Receptacle Backing .....   | 1   |
| 4   | 101814301 | Battery Charger and Reel Assembly (includes items 5 through 28) .....         | 1   |
| 5   | 1011707   | Bracket, Mounting, Battery Charger .....                                      | 2   |
| 6   | 1017187   | Retractable Cord Reel .....   | 1   |
| 7   | 1017189   | Heat Shrink Tube 1.5" X 3" .....  | 1   |
| 8   | 101802301 | Battery Charger, Onboard, 120-VAC, 48-VDC (includes items 9 through 26) ..... | 1   |
| 9   | 1012098   | Bushing, DC Cord .....  | 1   |
| 10  | 1012101   | Fuse Assembly .....   | 1   |
| 11  | 1015914   | Rectifier with Heatsink Assembly .....  | 1   |
| 12  | 1015917   | Bushing, AC Cord .....  | 1   |
| 13  | ****      | Transformer, Battery Charger .....  | 1   |
| 14  | 101828501 | Ammeter .....   | 1   |
| 15  | 101829001 | Cord, AC, 22-Inch (56 cm) .....   | 1   |
| 16  | 101829101 | Cord, DC, 90.5-Inch (230 cm) .....  | 1   |
| 17  | ****      | Mounting Bracket, Relay .....   | 1   |
| 18  | N/A       | Kit, Wire Assembly .....  | 1   |
| 19  | 101841901 | Control Board .....   | 1   |
| 20  | 101914401 | Assembly, Voltage Suppressor .....  | 1   |
| 21  | N/A       | Case, Charger .....   | 1   |
| 22  | 103414901 | Kit, Relay, 48v 30a W/instr (includes items 23 and 24) .....                  | 1   |
| 23  | 103397901 | Relay, Spst No, 48v 30a, Pmt .....  | 1   |
| 24  | N/A       | Kit, Relay, 48v 30a Instrns .....   | 1   |
| 25  | 7577      | Screw, #10 X 0.50 Phillips Pan-Head .....                                     | 12  |
| 26  | CCX8506   | Circuit Breaker, 15-Amp/120-Volt .....  | 1   |
| 27  | 7847      | Screw, 1/4-20 X 0.75 Hex-Head Cap .....                                       | 4   |
| 28  | 8233      | Locknut, 1/4-20 Nylon Insert .....  | 4   |
| 29  | 1028      | Nut, 1/4-20 Hex .....   | 4   |
| 30  | 451       | Lockwasher, 1/4 Split .....   | 4   |
| 31  | 7479      | Screw, 1/4-20 X 1.25 Hex-Head Cap .....                                       | 4   |
| 32  | 8796      | Screw, #7-19 X 0.75 Pan-Head Type AB .....                                    | 4   |
| <p>**** Special order item available upon request.</p> <p>Note: Item 7 not shown.</p> |           |   |     |



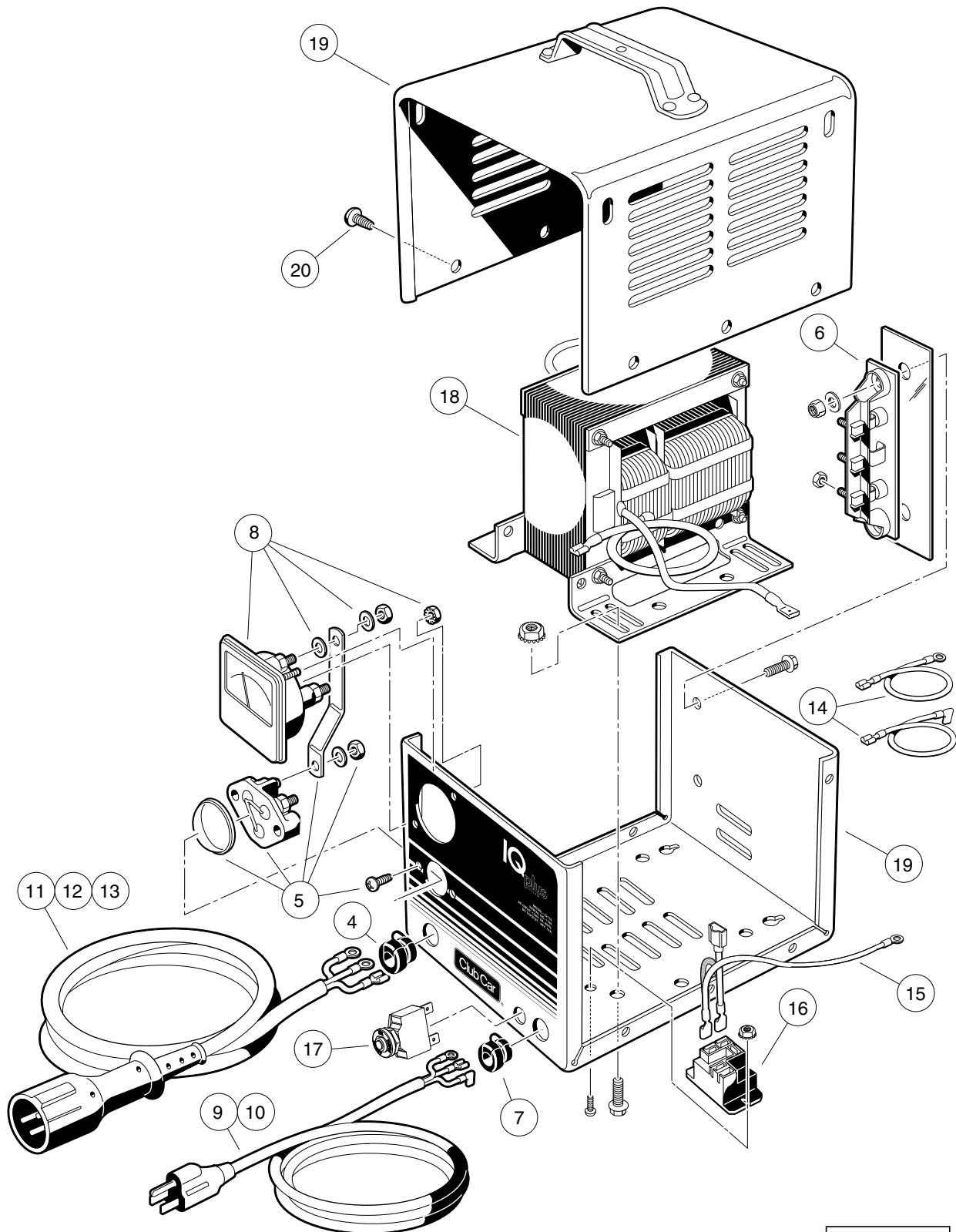


# ONBOARD POWERDRIVE BATTERY CHARGER (MODEL 17790), EXPORT

**16**

**E**

| ITEM | PART NO.  | DESCRIPTION  | QTY |
|------|-----------|--|-----|
|      |           | <b>1 2 3 4</b>   |     |
| 1    | 1014306   | Washer, 1/4" Type B Flat .....   | 4   |
| 2    | 1016673   | Housing, Cord Reel .....   | 1   |
| 3    | 101801001 | Plate, Receptacle Backing .....  | 1   |
| 4    | 101814302 | Battery Charger and Reel Assembly (includes items 5 through 27) .....    | 1   |
| 5    | 1011707   | Bracket, Mounting, Battery Charger .....                                 | 2   |
| 6    | 1017187   | Retractable Cord Reel .....  | 1   |
| 7    | 1017189   | Heat Shrink Tube 1.5" X 3" .....   | 1   |
| 8    | 101831601 | Battery Charger, Onboard, 48-Volt DC (includes items 9 through 25) ..... | 1   |
| 9    | 1012098   | Bushing, DC Cord .....   | 1   |
| 10   | 1012101   | Fuse Assembly .....  | 1   |
| 11   | 1015914   | Rectifier with Heatsink Assembly .....                                   | 1   |
| 12   | 1015917   | Bushing, AC Cord .....   | 1   |
| 13   | 101828501 | Ammeter .....  | 1   |
| 14   | 101829001 | Cord, AC, 22-Inch (56 cm) .....  | 1   |
| 15   | 101829101 | Cord, DC, 90.5-Inch (230 cm) .....                                       | 1   |
| 16   | 101838201 | Transformer, Export Battery Charger .....                                | 1   |
| 17   | 101838301 | Relay, Export Charger .....  | 1   |
| 18   | 101838401 | Circuit Breaker .....  | 2   |
| 19   | 101838601 | Four-Position Switch .....   | 1   |
| 20   | ****      | Mounting Bracket, Relay .....  | 1   |
| 21   | ****      | Kit, Wire Assembly .....   | 1   |
| 22   | 101841901 | Control Board .....  | 1   |
| 23   | 101914401 | Assembly, Voltage Suppressor .....                                       | 1   |
| 24   | N/A       | Case, Charger .....  | 1   |
| 25   | 7577      | Screw, #10 X 0.50 Phillips Pan-Head .....                                | 12  |
| 26   | 7847      | Screw, 1/4-20 X 0.75 Hex-Head Cap .....                                  | 4   |
| 27   | 8233      | Locknut, 1/4-20 Nylon Insert .....                                       | 4   |
| 28   | 1028      | Nut, 1/4-20 Hex .....  | 4   |
| 29   | 451       | Lockwasher, 1/4 Split .....  | 4   |
| 30   | 7479      | Screw, 1/4-20 X 1.25 Hex-Head Cap .....                                  | 4   |
| 31   | 8796      | Screw, #7-19 X 0.75 Pan-Head Type AB .....                               | 4   |
|      |           | **** Special order item available upon request.                          |     |
|      |           | Note: Item 7 not shown.  |     |



000414-001

# IQ PLUS DOMESTIC BATTERY CHARGER (MODEL 25730)

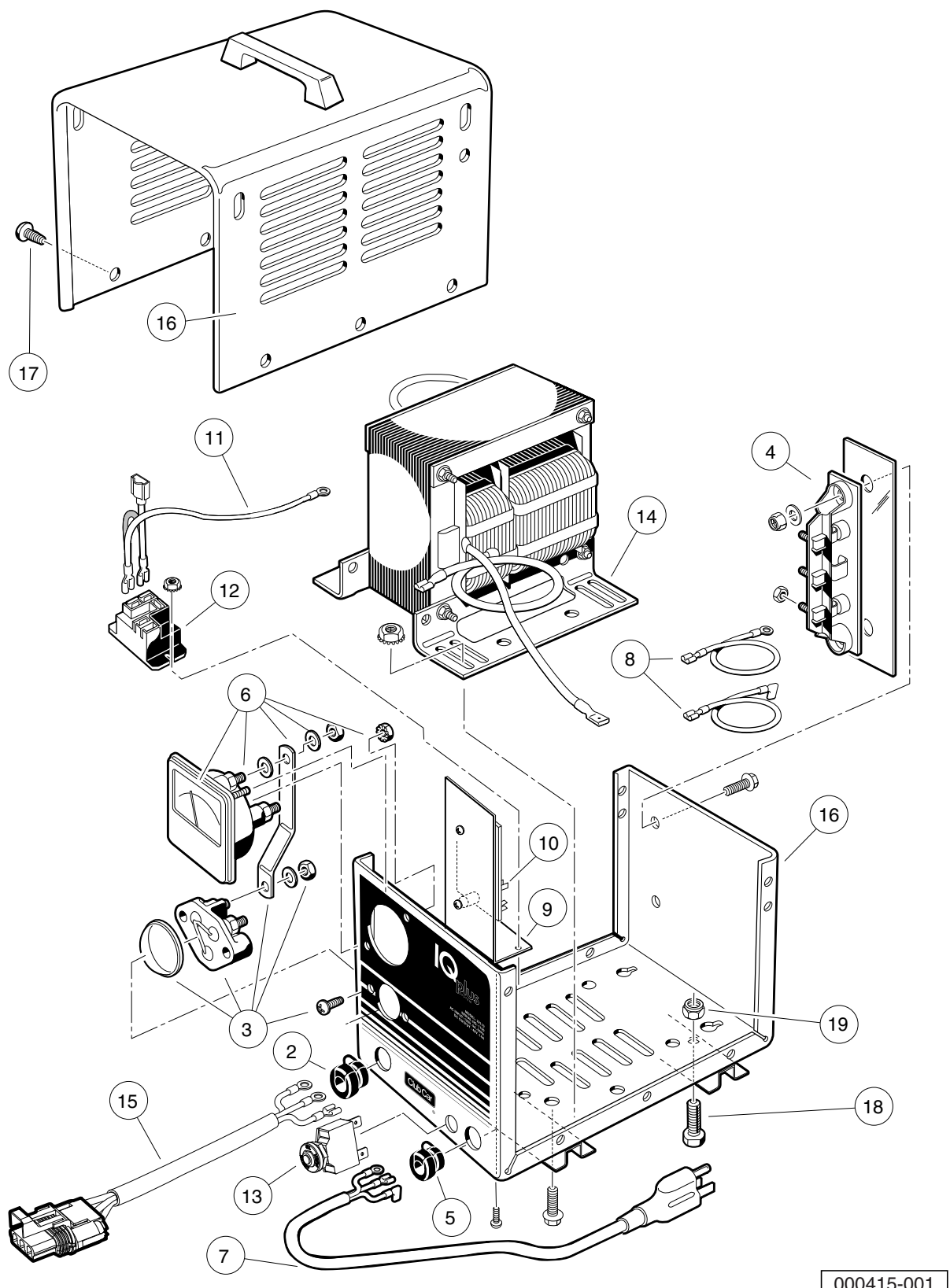
| ITEM | PART NO.  | DESCRIPTION   | QTY |
|------|-----------|---|-----|
|      |           | <b>1 2 3 4</b>  |     |
| 1    | 102847801 | 48-V/17-A IQ Plus (9-ft. DC Cord, 6-ft. AC Cord) .....                                | 1   |
| 2    | 102847802 | 48-V/17-A IQ Plus (12-ft. DC Cord, 9-ft. AC Cord) .....                               | 1   |
| 3    | 102847803 | 48-V/17-A IQ Plus (20-ft. DC Cord, 9-ft. AC Cord) (includes items 4 through 20) ..... | 1   |
| 4    | 1012098   | Bushing, DC Cord .....  | 1   |
| 5    | 1012101   | Fuse Assembly .....   | 1   |
| 6    | 1015914   | Rectifier with Heatsink Assembly .....  | 1   |
| 7    | 1015917   | Bushing, AC Cord .....  | 1   |
| 8    | 101828501 | Ammeter .....   | 1   |
| 9    | 101828801 | Cord, AC, 80-Inch (203 cm) .....  | 1   |
| 10   | 101828802 | Cord, AC, 108-Inch (274 cm) .....   | 1   |
| 11   | 101828901 | Cord, DC, 113-Inch (287 cm) .....   | 1   |
| 12   | 101828902 | Cord, DC, 154-Inch (391 cm) .....   | 1   |
| 13   | 101828903 | Cord, DC, 250-Inch (635 cm) .....   | 1   |
| 14   | 101831101 | Wire Assembly Kit .....   | 1   |
| 15   | 101914401 | Assembly, Voltage Suppressor .....  | 1   |
| 16   | 102275401 | Relay, 48-VDC .....   | 1   |
| 17   | 102838101 | Circuit Breaker 250vac-50vdc .....  | 1   |
| 18   | N/A       | Transformer, Battery Charger .....  | 1   |
| 19   | N/A       | Case, Battery Charger .....   | 1   |
| 20   | 7577      | Screw, #10 X 0.50 Phillips Pan-Head .....   | 10  |

16

E

16

E



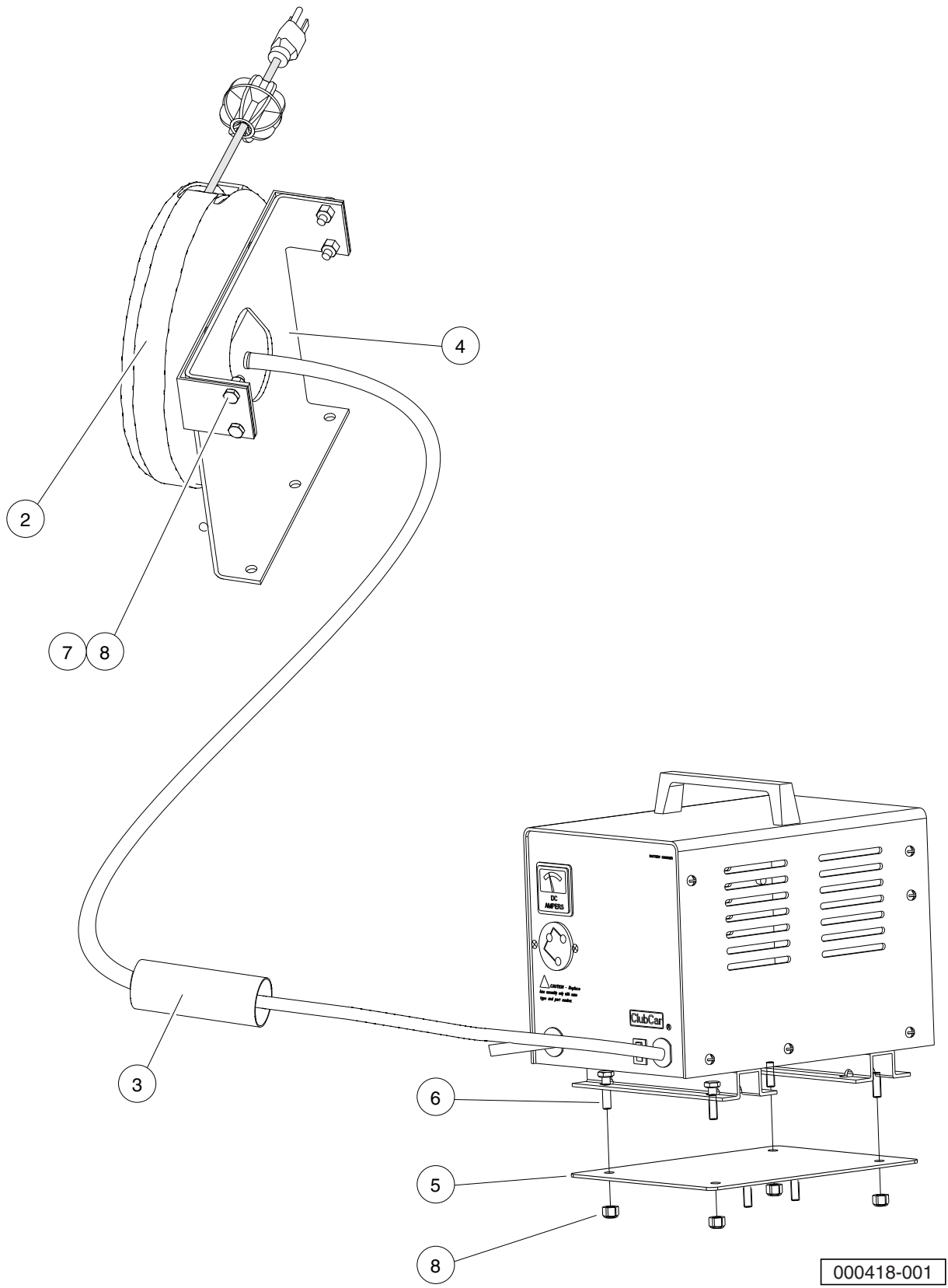
000415-001

# IQ PLUS ONBOARD BATTERY CHARGER (MODEL 25260)

| ITEM  | PART NO.  | DESCRIPTION   | QTY |
|---|-----------|---|-----|
|   |           | 1 2 3 4   |     |
| 1   | 102837001 | Battery Charger, Onboard, 120-VAC, 48-VDC (includes items 2 through 19) ..... | 1   |
| 2   | 1012098   | Bushing, DC Cord .....  | 1   |
| 3   | 1012101   | Fuse Assembly .....   | 1   |
| 4   | 1015914   | Rectifier with Heatsink Assembly .....  | 1   |
| 5   | 1015917   | Bushing, AC Cord .....  | 1   |
| 6   | 101828501 | Ammeter .....   | 1   |
| 7   | 101829001 | Cord, AC, 22-Inch (56 cm) .....   | 1   |
| 8   | 101831101 | Wire Assembly Kit .....   | 1   |
| 9   | ****      | Mounting Bracket, Relay .....   | 1   |
| 10  | 101841901 | Control Board .....   | 1   |
| 11  | 101914401 | Assembly, Voltage Suppressor .....  | 1   |
| 12  | 102275401 | Relay, 48-VDC .....   | 1   |
| 13  | 102838101 | Circuit Breaker 250vac-50vdc .....  | 1   |
| 14  | N/A       | Transformer, Battery Charger .....  | 1   |
| 15  | 102940801 | Cord, Dc .....  | 1   |
| 16  | N/A       | Case, Battery Charger .....   | 1   |
| 17  | 7577      | Screw, #10 X 0.50 Phillips Pan-Head .....                                     | 12  |
| 18  | 7847      | Screw, 1/4-20 X 0.75 Hex-Head Cap .....                                       | 4   |
| 19  | 8233      | Locknut, 1/4-20 Nylon Insert .....  | 4   |
| **** Special order item available upon request. |           |   |     |

16

E



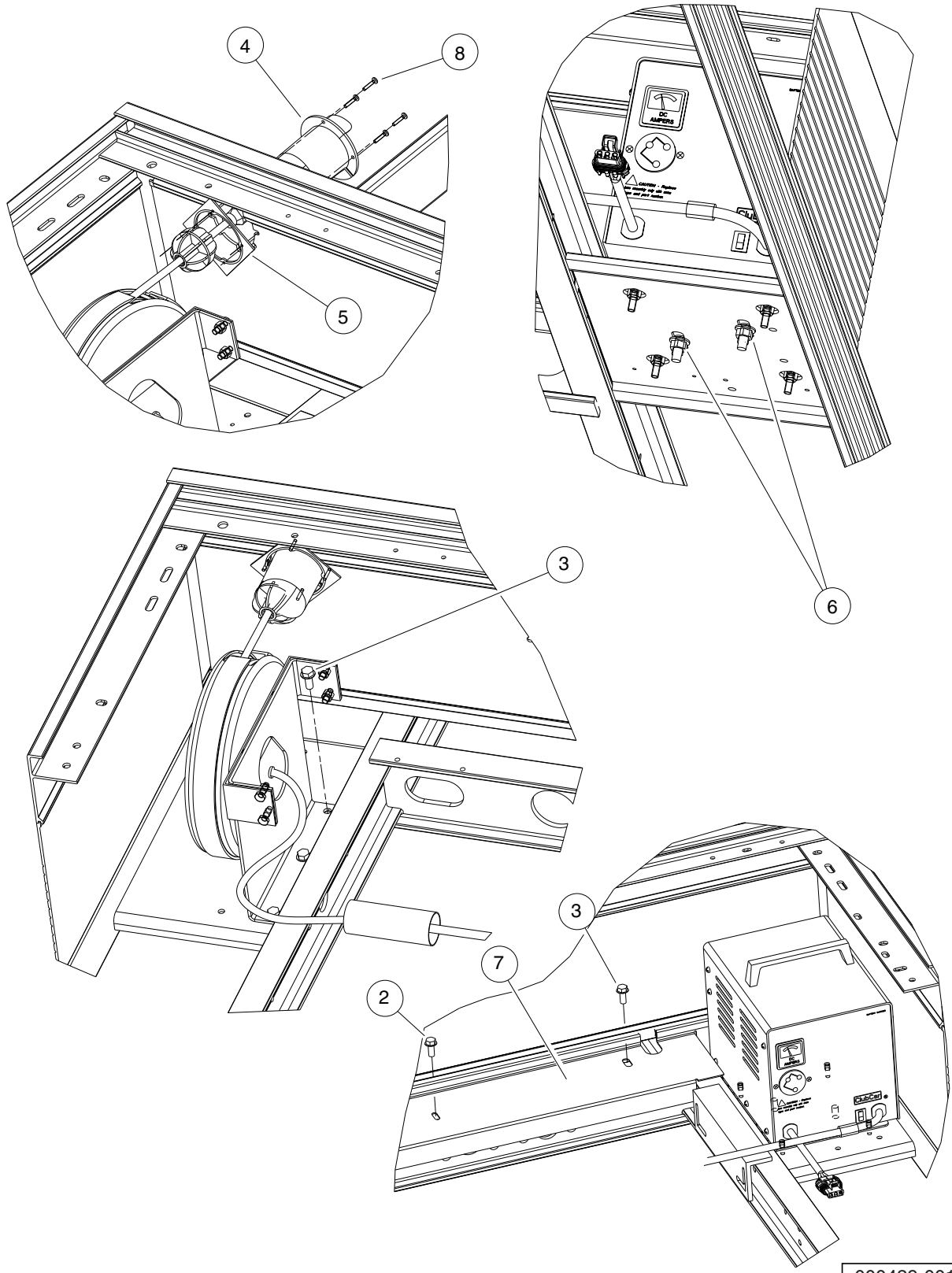
000418-001

# ONBOARD CHARGER (MODELS 25260 AND 25660) AND REEL MOUNTING

| ITEM | PART NO.  | DESCRIPTION  | QTY |
|------|-----------|--|-----|
|      |           | 1 2 3 4  |     |
| 1    | N/A       | Installation, Onboard IQ Plus Charger (includes items 2 through 8) ..... | 1   |
| 2    | 1017187   | Retractable Cord Reel .....  | 1   |
| 3    | 1017189   | Heat Shrink Tube 1.5" X 3" .....   | 1   |
| 4    | 102770701 | Bracket, Reel, Tabbed .....  | 1   |
| 5    | 102942601 | Asm, Plate, Charger Mounting .....                                       | 1   |
| 6    | 304       | Screw, 1/4-20 X 1.0 Hex-Head Cap .....                                   | 4   |
| 7    | 7847      | Screw, 1/4-20 X 0.75 Hex-Head Cap .....                                  | 4   |
| 8    | 8233      | Locknut, 1/4-20 Nylon Insert .....                                       | 8   |

16

E



000429-001

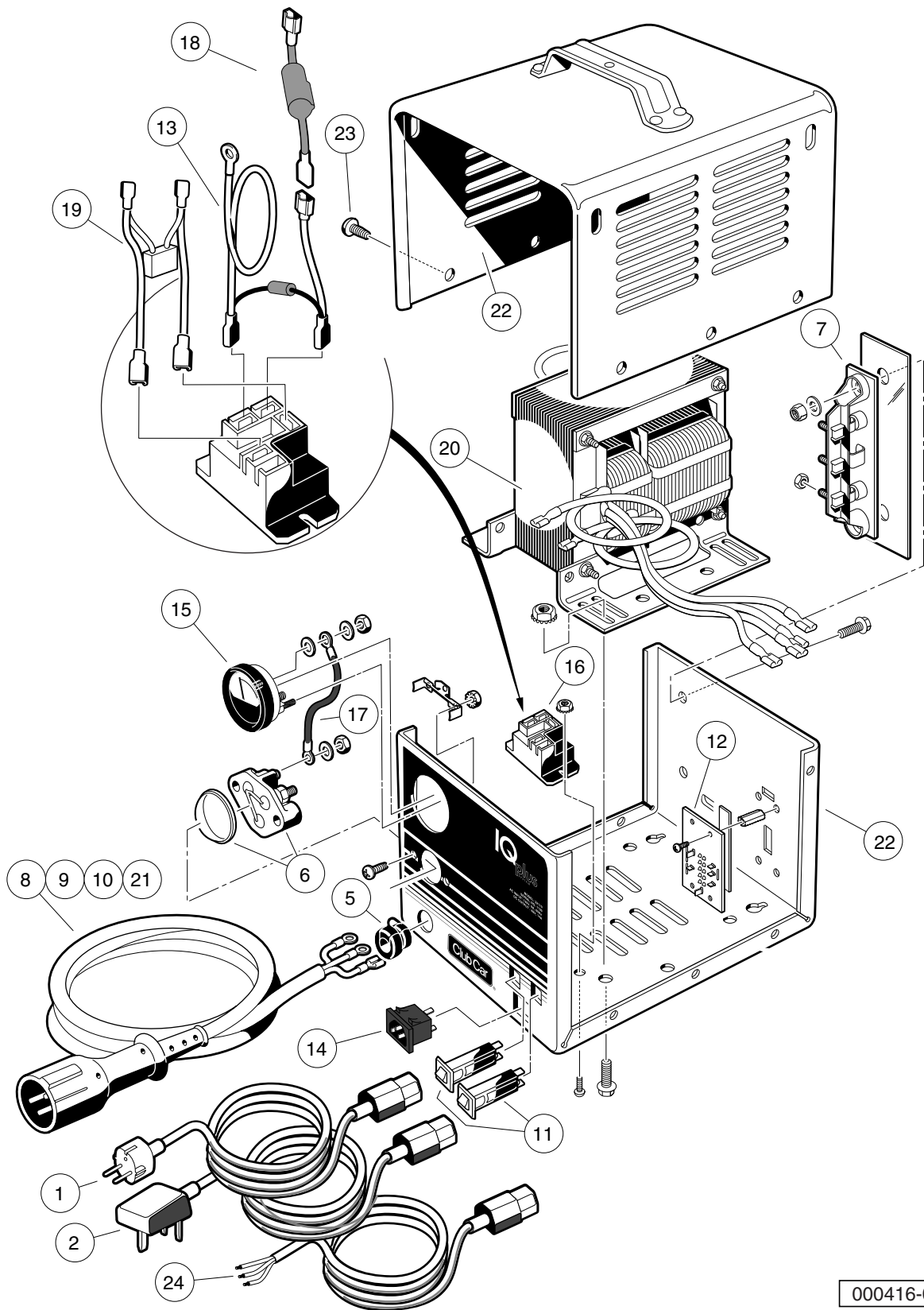


# IQ PLUS ONBOARD CHARGER (MODEL 25260) MOUNTING

| ITEM | PART NO.  | DESCRIPTION  | QTY |
|------|-----------|--|-----|
|      |           | 1 2 3 4  |     |
| 1    | N/A       | Installation, Charger System, HDIQ CA 6 (includes items 2 through 8) ..... | 1   |
| 2    | 1014063   | Screw, 1/4-20 X 1.00 Hex Head .....  | 1   |
| 3    | 1014288   | Screw, 5/16-18 X 0.75 Thread-Forming .....                                 | 4   |
| 4    | 1016673   | Housing, Cord Reel .....   | 1   |
| 5    | 101801001 | Plate, Receptacle Backing .....  | 1   |
| 6    | 101832901 | Nut, M10-1.25 Hex Flange .....   | 2   |
| 7    | 103352701 | Asm, Shield, Iq Plus Ob Chgr, .....  | 1   |
| 8    | 8796      | Screw, #7-19 X 0.75 Pan-Head Type AB .....                                 | 4   |

16

E



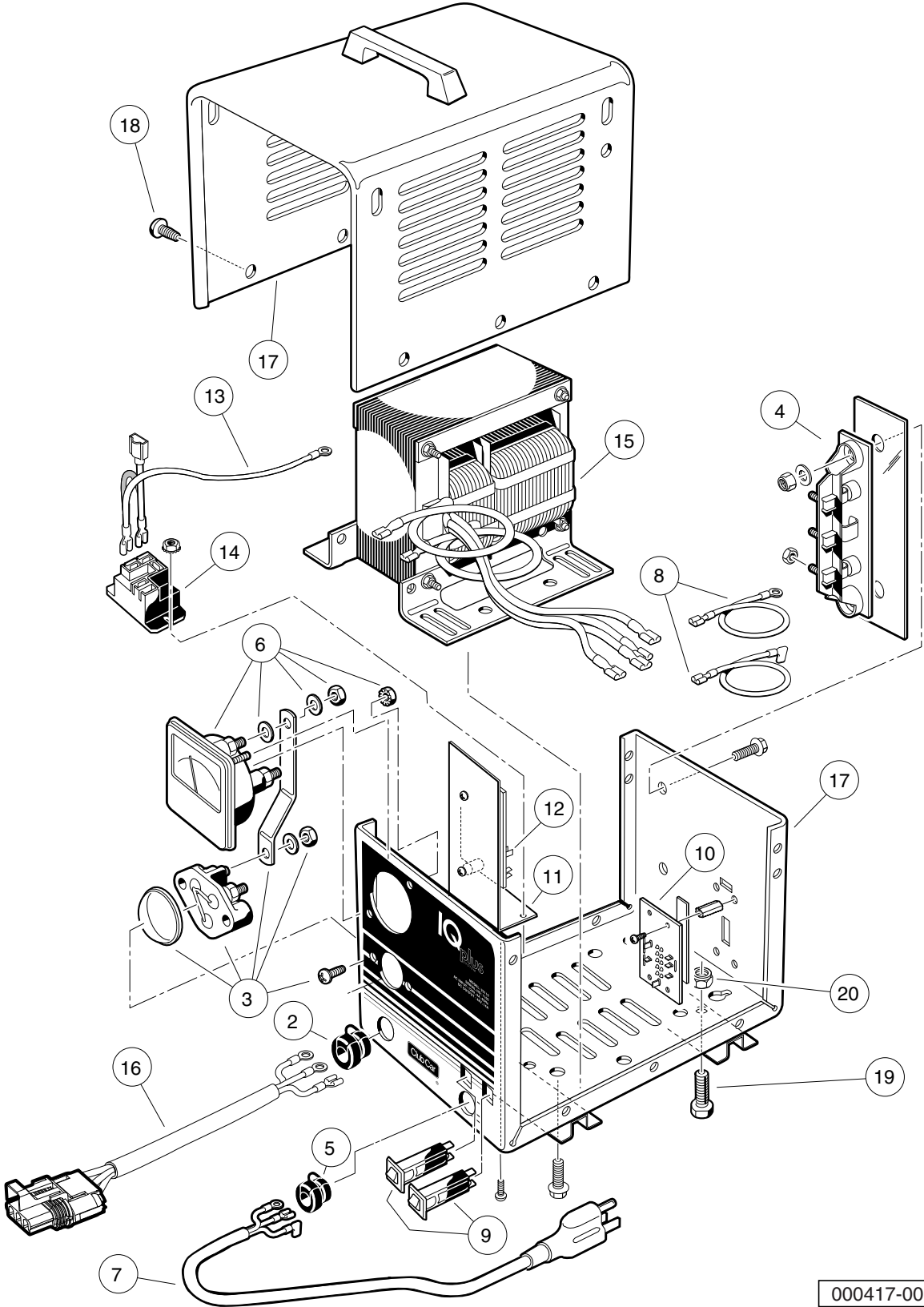
000416-001

# IQ PLUS BATTERY CHARGER (MODEL 25880), EXPORT AND EUROPEAN

**16**

**E**

| ITEM | PART NO.  | DESCRIPTION  | QTY |
|------|-----------|--|-----|
|      |           | <b>1 2 3 4</b>   |     |
| 1    | 101958201 | Cord, UK, AC, Battery Charger .....                              | 1   |
| 2    | 101958301 | Cord, European AC, Battery Charger .....                         | 1   |
| 3    | 102892901 | Charger, Export and European .....                               | 1   |
| 4    | 102892902 | Charger, Export and European (includes items 5 through 23) ..... | 1   |
| 5    | 1012098   | Bushing, DC Cord .....   | 1   |
| 6    | 1012101   | Fuse Assembly .....  | 1   |
| 7    | 1015914   | Rectifier with Heatsink Assembly .....                           | 1   |
| 8    | 101828901 | Cord, DC, 113-Inch (287 cm) .....                                | 1   |
| 9    | 101828902 | Cord, DC, 154-Inch (391 cm) .....                                | 1   |
| 10   | 101828903 | Cord, DC, 250-Inch (635 cm) .....                                | 1   |
| 11   | 101838401 | Circuit Breaker .....  | 2   |
| 12   | 101838601 | Four-Position Switch .....                                       | 1   |
| 13   | 101914401 | Assembly, Voltage Suppressor .....                               | 1   |
| 14   | 101973501 | Receptacle, AC Cord .....  | 1   |
| 15   | 101976601 | Ammeter with Mounting Bracket .....                              | 1   |
| 16   | 102275401 | Relay, 48-VDC .....  | 1   |
| 17   | N/A       | Wire, Jumper .....   | 1   |
| 18   | ****      | Limiters, Current .....  | 1   |
| 19   | ****      | Wire Assembly, Battery Charger .....                             | 1   |
| 20   | ****      | Transformer, Battery Charger .....                               | 1   |
| 21   | 102940801 | Cord, Dc .....   | 1   |
| 22   | N/A       | Case, Battery Charger .....                                      | 1   |
| 23   | 7577      | Screw, #10 X 0.50 Phillips Pan-Head .....                        | 10  |
| 24   | 102939501 | Cord, European AC, Battery Charger .....                         | 1   |
|      |           | **** Special order item available upon request.                  |     |



000417-001

# IQ PLUS ONBOARD BATTERY CHARGER (MODEL 25660), EXPORT

| ITEM | PART NO.  | DESCRIPTION  | QTY |
|------|-----------|--|-----|
|      |           | 1 2 3 4  |     |
| 1    | 102893001 | Battery Charger, Onboard, International, IQ Plus (includes items 2 through 20) ..... | 1   |
| 2    | 1012098   | Bushing, DC Cord .....   | 1   |
| 3    | 1012101   | Fuse Assembly .....  | 1   |
| 4    | 1015914   | Rectifier with Heatsink Assembly .....   | 1   |
| 5    | 1015917   | Bushing, AC Cord .....   | 1   |
| 6    | 101828501 | Ammeter .....  | 1   |
| 7    | 101829001 | Cord, AC, 22-Inch (56 cm) .....  | 1   |
| 8    | 101831101 | Wire Assembly Kit .....  | 1   |
| 9    | 101838401 | Circuit Breaker .....  | 2   |
| 10   | 101838601 | Four-Position Switch .....   | 1   |
| 11   | ****      | Mounting Bracket, Relay .....  | 1   |
| 12   | 101841901 | Control Board .....  | 1   |
| 13   | 101914401 | Assembly, Voltage Suppressor .....   | 1   |
| 14   | 102275401 | Relay, 48-VDC .....  | 1   |
| 15   | ****      | Transformer, Battery Charger .....   | 1   |
| 16   | 102940801 | Cord, Dc .....   | 1   |
| 17   | N/A       | Case, Battery Charger .....  | 1   |
| 18   | 7577      | Screw, #10 X 0.50 Phillips Pan-Head .....  | 12  |
| 19   | 7847      | Screw, 1/4-20 X 0.75 Hex-Head Cap .....  | 4   |
| 20   | 8233      | Locknut, 1/4-20 Nylon Insert .....   | 4   |
|      |           | **** Special order item available upon request.                                      |     |

16

E

**16**

***E***

# MAINTENANCE AND SERVICE TOOLS

---

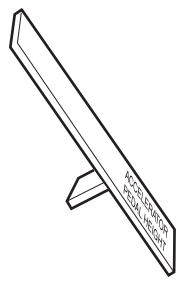
17

G

E

D

**17**  
**G**  
**E**  
**D**



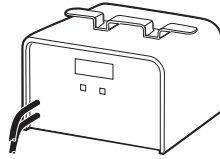
1



2



3



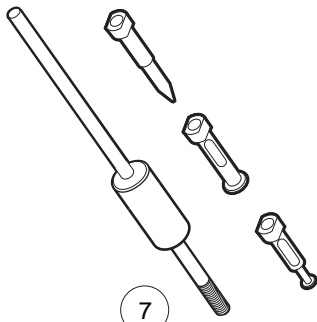
4



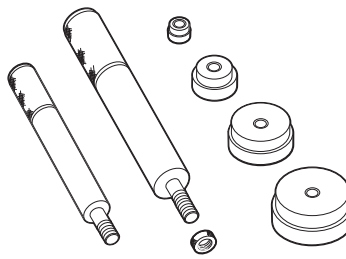
5



6



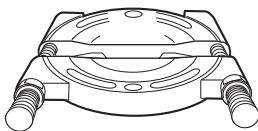
7



8



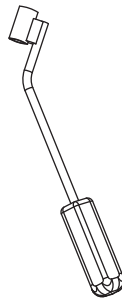
9



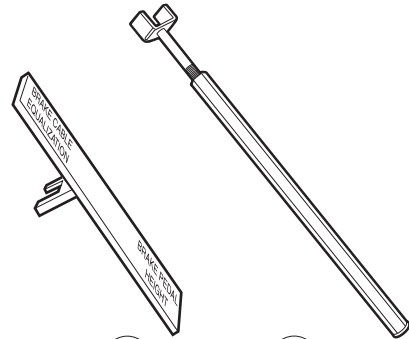
10



11



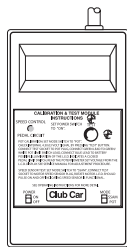
12



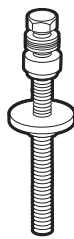
14

15

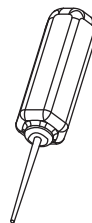
13



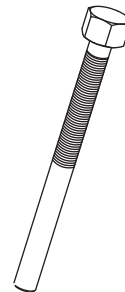
16



17



18



19



# MAINTENANCE AND SERVICE TOOLS

| ITEM | PART NO.  | DESCRIPTION  | QTY<br>DIESEL | QTY<br>GAS | QTY<br>ELEC |
|------|-----------|--|---------------|------------|-------------|
|      |           | <p><b>1 2 3 4</b></p> <p>The following tool list includes all tools available from Club Car for maintenance and service procedures for gasoline, electric, and/or diesel vehicles, both past and present models. Be sure to carefully examine the tool list for applicability to your vehicle before ordering.</p> |               |            |             |
| 1    | 101871001 | Accelerator Pedal Adjustment Tool .....  |               | 1          | 1           |
| 2    | 101813202 | Adhesive, Guide Ring, 3-Gram Tube .....  |               |            | 1           |
| 3    | 101641202 | Arbor .....  |               | 1          |             |
| 4    | 101831901 | Battery Discharge Machine, 36/48 Volt .....  |               |            | 1           |
| 5    | 1014305   | Battery Terminal Protector Spray .....   | 1             | 1          | 1           |
| 6    | 1011767   | Battery Thermometer .....  | 1             | 1          | 1           |
| 7    | 1016417   | Bearing and Oil Seal Remover Assembly .....  | 1             | 1          | 1           |
| 8    | 1016416   | Bearing Driver Set .....   | 1             | 1          | 1           |
| 9    | 1012811   | Bearing Puller .....   | 1             | 1          | 1           |
| 10   | 1012812   | Bearing Puller Wedge Attachment .....  | 1             | 1          | 1           |
| 11   | 1013582   | Brake Adjustment Tool (used only on vehicles with manually adjusted mechanical brakes) .....   |               | 1          | 1           |
| 12   | 102555501 | Brake Cable Release Tool .....   | 1             | 1          | 1           |
| 13   | 102249901 | Brake Pedal Adjustment Tool Kit (used for the Carryall Electric Industrial Truck only) (includes items 14 and 15).....   |               |            | 1           |
| 14   | ****      | Brake Pedal Adjustment Tool .....  |               |            | 1           |
| 15   | ****      | Brake Pedal Tension Tool .....   |               |            | 1           |
| 16   | 101887101 | Calibration Test Module .....  |               |            | 1           |
| 17   | 101808401 | Cam Installation Tool .....  |               | 1          |             |
| 18   | 102562401 | Charger Bezel Tool .....   |               |            | 1           |
| 19   | 102686101 | Clutch Removal Tool (for 4x4 vehicles) .....   | 1             | 1          |             |
|      |           | <p>Please refer to the maintenance and service manual for proper tool application.</p> <p>**** Special order item available upon request</p>   |               |            |             |

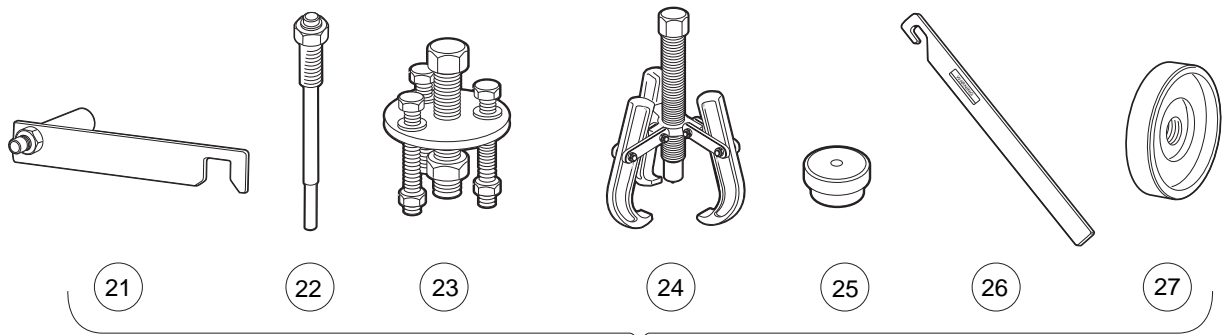
**17**

**G**

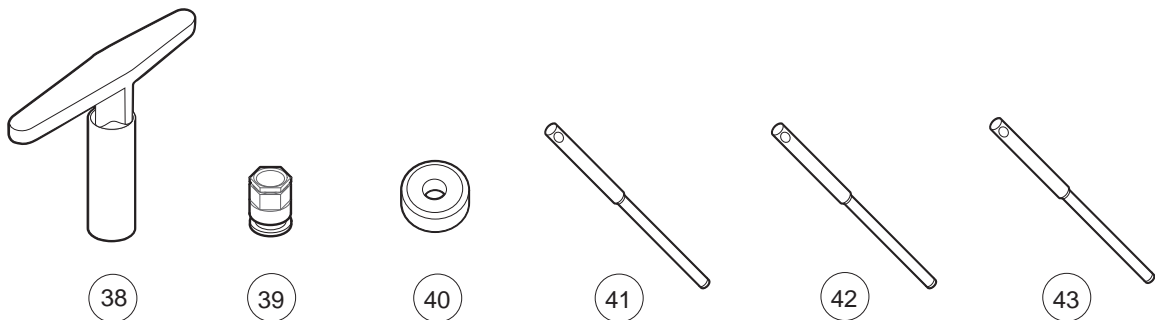
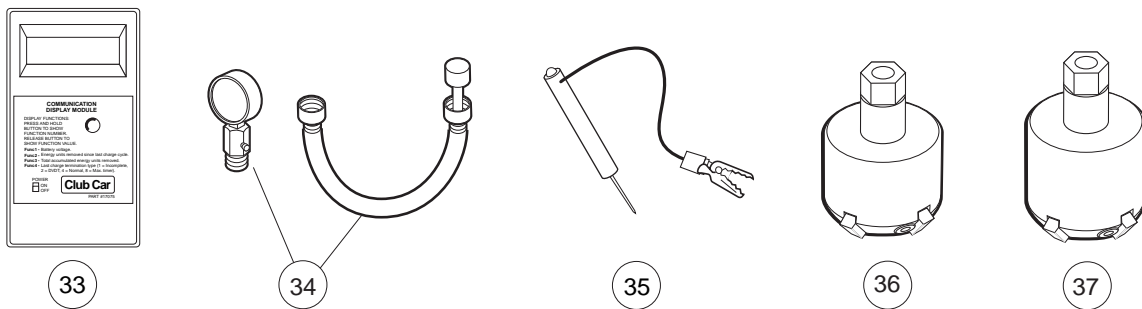
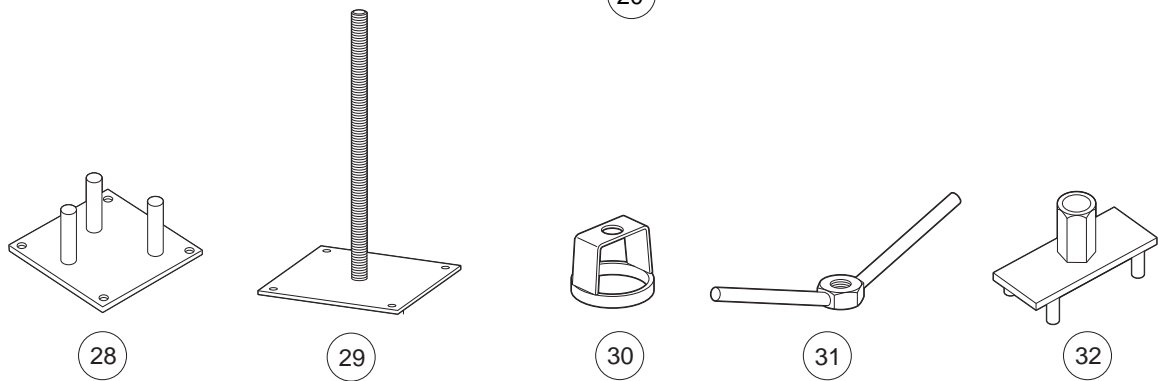
**E**

**D**

**17**  
**G**  
**E**  
**D**



20



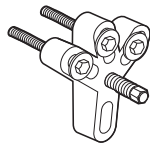
## MAINTENANCE AND SERVICE TOOLS, CONTINUED

| ITEM | PART NO.  | DESCRIPTION   | QTY<br>DIESEL | QTY<br>GAS | QTY<br>ELEC | <b>17</b> |  |
|------|-----------|---|---------------|------------|-------------|-----------|--|
|      |           | <b>1 2 3 4</b>  |               |            |             | <b>G</b>  |  |
| 20   | 1014510   | Clutch Tool Kit (includes items 21 - 27) .....  |               | 1          |             | <b>E</b>  |  |
| 21   | 1014498   | Clutch Alignment Tool (for pre-unitized transaxle<br>vehicles built prior to 1997 model year) ..... |               | 1          |             | <b>D</b>  |  |
| 22   | 1014496   | Drive Clutch Puller (for Kawasaki engines only) .....   |               | 1          |             |           |  |
| 23   | 1014497   | Drive Clutch Hub Puller (for Kawasaki engines only) .....   |               | 1          |             |           |  |
| 24   | 1014508   | Driven Clutch Cam Puller (for Kawasaki engines only) .....  |               | 1          |             |           |  |
| 25   | 1014507   | Driven Clutch Puller Plug (for Kawasaki engines only) .....   |               | 1          |             |           |  |
| 26   | 1015524   | Drive Clutch Holder Tool Assembly (for Kawasaki engines only) .....                                 |               | 1          |             |           |  |
| 27   | 101809101 | Press Weldment (for Kawasaki engines only) .....  |               | 1          |             |           |  |
| 28   | 102601501 | Drive ClutchFixed Sheave Tool<br>(for 4x4 vehicles) .....   | 1             | 1          |             |           |  |
| 29   | 102603501 | Driven Clutch Spring Compression Base (for use with items 30<br>and 31) (for 4x4 vehicles) .....    | 1             | 1          |             |           |  |
| 30   | 102605201 | Driven Clutch Spring Compression Collar (for use with items 29<br>and 31) (for 4x4 vehicles) .....  | 1             | 1          |             |           |  |
| 31   | 102606101 | Driven Clutch Spring Compression Nut (for use with items 29<br>and 30) (for 4x4 vehicles) .....     | 1             | 1          |             |           |  |
| 32   | 102607501 | Drive Clutch Spider Removal Tool<br>(for 4x4 vehicles) .....  | 1             | 1          |             |           |  |
| 33   | 101831801 | Communication Display Module .....  |               |            | 1           |           |  |
| 34   | 101641002 | Compression Gauge and Adapter .....   |               | 1          |             |           |  |
| 35   | 1011273   | Continuity Tester .....   |               | 1          | 1           |           |  |
| 36   | 102773801 | Cutter, Valve Seat, #122 .....  |               | 1          |             |           |  |
| 37   | 102773901 | Cutter, Valve Seat #115 .....   |               | 1          |             |           |  |
| 38   | 102774101 | Wrench, T, #505.....  |               | 1          |             |           |  |
| 39   | 102774101 | Adapter, T-Wrench .....   |               | 1          |             |           |  |
| 40   | 102675401 | Cutter, Valve Seat, 60 Degree (requires item 51)<br>(for Honda GX620 Gasoline Engines) .....        |               | 1          |             |           |  |
| 41   | 102774201 | Pilot, 6.6 MM .....   |               | 1          |             |           |  |
| 42   | 102774301 | Pilot, 6.62 MM.....   |               | 1          |             |           |  |
| 43   | 102774401 | Pilot, 6.65 MM.....   |               | 1          |             |           |  |
|      |           | Please refer to the maintenance and service manual<br>for proper tool application.                  |               |            |             |           |  |

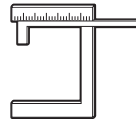
**17**  
**G**  
**E**  
**D**



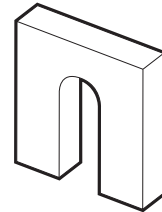
44



45



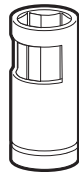
46



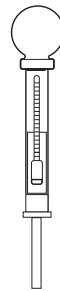
47



48



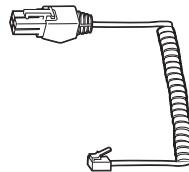
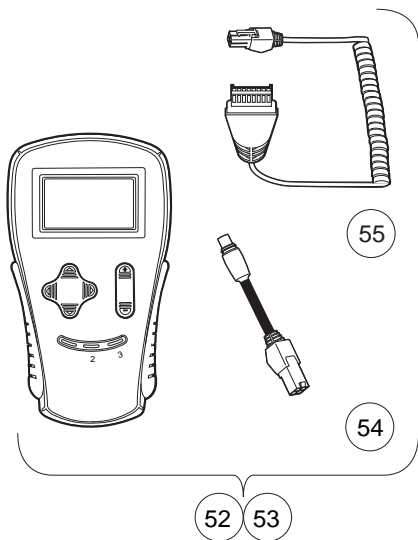
49



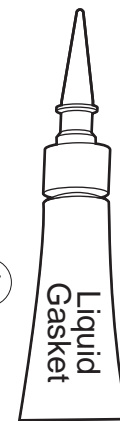
50



51



56



57



58



59 60



61

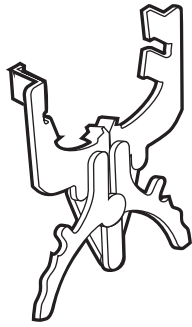
## MAINTENANCE AND SERVICE TOOLS, CONTINUED

| ITEM | PART NO.  | DESCRIPTION  | QTY<br>DIESEL | QTY<br>GAS | QTY<br>ELEC | <b>17</b> |
|------|-----------|--|---------------|------------|-------------|-----------|
|      |           | 1 2 3 4  |               |            |             | <b>G</b>  |
| 44   | 1012151   | Dry Moly Lubricant .....   | 1             | 1          | 1           | <b>E</b>  |
| 45   | 1016627   | Flywheel Puller Kit (for Kawasaki Engines) .....   |               | 1          |             | <b>D</b>  |
| 46   | 102669901 | Gauge, Carburetor Float Level<br>(for Honda GX620 Gasoline Engines) .....                              |               | 1          |             |           |
| 47   | 1016418   | Gear Yoke .....  | 1             | 1          | 1           |           |
| 48   | 101933101 | Governor Shaft Installation Tool (for Kawasaki Engine Vehicles) .....                                  |               | 1          |             |           |
| 49   | 102169401 | Hydraulic Brake Adjuster (for Turf/CA 272/472, Pioneer/XRT 1200,<br>Bobcat 2100, HUV 4213) .....       |               |            | 1           |           |
| 50   | 1011478   | Hydrometer .....   | 1             | 1          | 1           |           |
| 51   | 1013593   | Internal Retaining Ring Pliers .....   | 1             | 1          | 1           |           |
| 52   | 102248803 | IQ Display Module (IQDM) Kit (IQ System and IQ Plus vehicles) .....                                    |               |            | 1           |           |
|      |           | (includes items 54 and 55)   |               |            |             |           |
| 53   | 102248804 | IQ Display Module (IQDM-P) Kit (IQ System and IQ Plus vehicles) .....                                  |               |            | 1           |           |
|      |           | (includes items 54 and 55)   |               |            |             |           |
| 54   | 102251501 | Adaptor, Cable .....   |               |            | 1           |           |
| 55   | 102241502 | IQDM Series 2 Cable .....  |               |            | 1           |           |
| 56   | 102241501 | IQDM Series 1 Cable (replacement) .....  |               |            | 1           |           |
| 57   | 101928701 | Liquid Gasket (transaxle case) .....   | 1             | 1          | 1           |           |
| 58   | 102243402 | Moly-Teflon Lubricant (4-oz. (113-gram) tube) .....  |               |            | 1           |           |
| 59   | 101997201 | Paint, Touch-Up – Beige* .....   |               | 1          | 1           |           |
| 59   | 101997207 | Paint, Touch-Up – Black* .....   |               | 1          | 1           |           |
| 59   | 101997212 | Paint, Touch-Up – Burgundy* .....  |               | 1          | 1           |           |
| 59   | 101997211 | Paint, Touch-Up – Classic Blue (Navy)* .....   |               | 1          | 1           |           |
| 59   | 101997205 | Paint, Touch-Up – Dark Gray* .....   | 1             | 1          | 1           |           |
| 59   | 101997209 | Paint, Touch-Up – Dark Green* .....  | 1             | 1          | 1           |           |
| 59   | 101997204 | Paint, Touch-Up – Gray* .....  | 1             | 1          | 1           |           |
| 59   | 101997203 | Paint, Touch-Up – Red* .....   | 1             | 1          | 1           |           |
| 59   | 101997206 | Paint, Touch-Up – Royal Blue (Pacific Blue)* .....   |               | 1          | 1           |           |
| 59   | 101997202 | Paint, Touch-Up – White* .....   | 1             | 1          | 1           |           |
| 60   | 102562301 | Paint, Precedent Underbody – Gray .....  |               | 1          | 1           |           |
| 61   | 102587201 | Paint Pen, Touch-Up, Precedent Underbody – Black .....   |               | 1          | 1           |           |
|      |           | Please refer to the maintenance and service manual<br>for proper tool application.                     |               |            |             |           |
|      |           | * Item 59 is not for use on Surlyn <sup>®</sup> body material, which is used<br>on Precedent vehicles. |               |            |             |           |

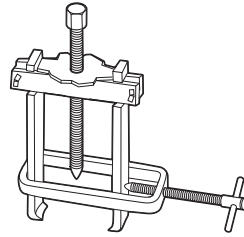
**17**  
**G**  
**E**  
**D**



62



63



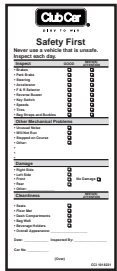
64



65



66



67



68



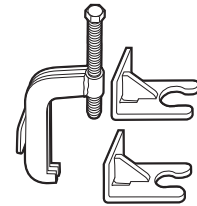
69



70



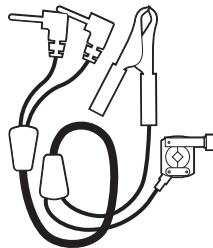
71



72



73



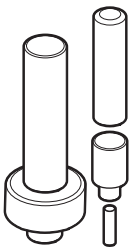
74



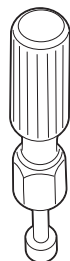
75



76



77



83



84



85



86

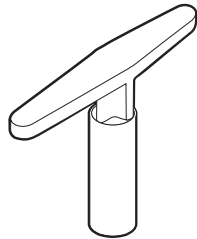
## MAINTENANCE AND SERVICE TOOLS, CONTINUED

| ITEM | PART NO.  | DESCRIPTION   | QTY<br>DIESEL | QTY<br>GAS | QTY<br>ELEC | <b>17</b> |
|------|-----------|---|---------------|------------|-------------|-----------|
|      |           | 1 2 3 4   |               |            |             | <b>G</b>  |
| 62   | 1016414   | Piston Ring Compressor Kit (FE290, FE350 and FE400 engines) .....   |               | 1          |             | <b>E</b>  |
| 63   | 1016415   | Piston Ring Pliers (for Kawasaki Engines) .....   |               | 1          |             | <b>D</b>  |
| 64   | 102668801 | Puller, Special Use (for Kubota D722 Diesel Engines) .....  | 1             |            |             |           |
| 65   | 1012549   | Retaining Ring Pliers, 45° External .....   | 1             | 1          | 1           |           |
| 66   | 1012560   | Retaining Ring Pliers, 90° Internal .....   | 1             | 1          | 1           |           |
| 67   | 101823101 | Safety First Card (50 per pack) .....   | 1             | 1          | 1           |           |
| 68   | 1012809   | Seal Puller .....   | 1             | 1          | 1           |           |
| 69   | 102330901 | Spanner Wrench (for coil over shock front suspension vehicles only) .....   | 1             | 1          |             |           |
| 70   | 1014264   | Steering Column Bearing Press Tool .....  |               | 1          | 1           |           |
| 71   | 1014259   | Steering Column Retaining Ring Tool .....   |               | 1          | 1           |           |
| 72   | 102061201 | Steering Wheel Puller Tool .....  | 1             | 1          | 1           |           |
| 73   | AM10753   | Tachometer (includes gasoline engine pick up lead only) .....   | 1             | 1          |             |           |
| 74   | AM10771   | Tachometer Diesel Probe (for use with item 73) .....  | 1             |            |             |           |
| 75   | 1014162   | Transaxle Axle Seal Tool .....  |               | 1          |             |           |
| 76   | 1014161   | Transaxle Pinion Seal Tool .....  |               | 1          |             |           |
| 77   | 1014115   | Transmission Tool Kit .....   |               | 1          |             |           |
| 78   | 101611003 | Tune-Up Kit, All OHV (for FE290, FE350, FE400 only) (includes air filter, spark plug, oil filter, fuel filters) (not shown) .....   |               | 1          |             |           |
| 79   | AM11804   | Tune-Up Kit, Gx620 (for Honda Engines) (includes air filter, spark plug, oil filter, fuel filters) (not shown) .....                |               | 1          |             |           |
| 80   | AM11805   | Tune-Up Kit, D722 (for Kubota Engines) (includes air filter, oil filter, fuel filters, water separator filter) (not shown) .....    | 1             |            |             |           |
| 81   | AM1220301 | Tune-Up Kit, Precedent (for FE290/350 Engines) (includes air filter, spark plug, oil filter, fuel filters) (not shown) .....        |               | 1          |             |           |
| 82   | AM1232401 | Tune-Up Kit, FH680D (for Kawasaki V-Twin Engines) (includes oil filter, fuel filter, air filter, and spark plugs) (not shown) ..... |               | 1          |             |           |
| 83   | 1016413   | Valve Clearance Adjuster Screw Holder (for FE290 engines only) .....  |               | 1          |             |           |
| 84   | 102674601 | Valve Guide Driver (for Honda GX620 Gasoline Engines) .....   |               | 1          |             |           |
| 85   | 101641201 | Valve Guide Reamer (FE290, FE350, and FE400 only) .....   |               | 1          |             |           |
| 86   | 102674401 | Valve Guide Reamer, 6.6 mm (for Honda GX620 Gasoline Engines) .....   |               | 1          |             |           |

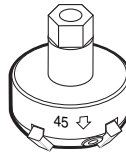
**17**  
**G**  
**E**  
**D**



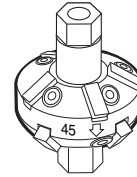
87



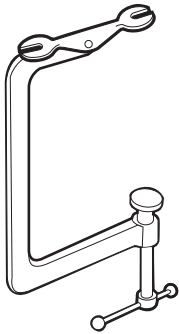
88



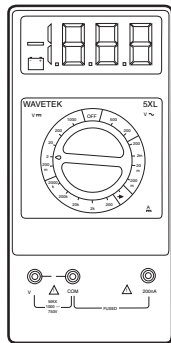
89



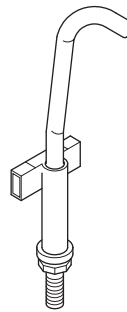
90



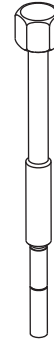
91



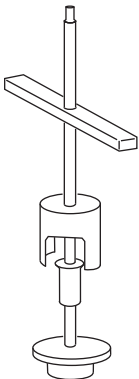
92



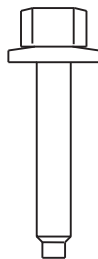
93



94



95



96



## MAINTENANCE AND SERVICE TOOLS, CONTINUED

| ITEM   | PART NO.  | DESCRIPTION  | QTY<br>DIESEL | QTY<br>GAS | QTY<br>ELEC | <b>17</b> |
|--|-----------|--|---------------|------------|-------------|-----------|
|  |           | <b>1 2 3 4</b>   |               |            |             | <b>G</b>  |
| 87   | 1016552   | Valve Seat Cutter Guide .....  |               | 1          |             | <b>E</b>  |
| 88   | 1016551   | Valve Seat Cutter T-Wrench .....                                       |               | 1          |             | <b>D</b>  |
| 89   | 1016553   | Valve Seat Cutter, 45° (32 mm diameter) (for FE290 engines only) ..... |               | 1          |             |           |
| 90   | 1016554   | Valve Seat Cutter, 45°/30° (35 mm diameter) .....                      |               | 1          |             |           |
| 91   | 101641101 | Valve Spring Compressor .....  |               | 1          |             |           |
| 92   | 1011480   | Volt Ohm Meter .....   | 1             | 1          | 1           |           |
| 93   | 102570401 | Tool, Tensioning, Starter Generator (For Precedent vehicles) .....     |               | 1          |             |           |
| 94   | 103601401 | Puller, Drive Clutch, XRT 950* .....                                   |               | 1          |             |           |
| 95   | 103601701 | Tool, Disassembly, Driven Clutch, XRT 950 .....                        |               | 1          |             |           |
| 96   | 103600501 | Screw, Driven Clutch Disassembly, M6, XRT 950 .....                    |               | 1          |             |           |
| <p>*Note: The XRT 950 Drive Clutch Puller requires the use of Screw, Driven Clutch Disassembly, CCI Part Number 103600501.</p> |           |  |               |            |             |           |



# INDEX

## Part Number and Page

|           |   |           |   |           |                                      |
|-----------|---|-----------|---|-----------|--------------------------------------|
| AM10753   | 17-9  | 7716      | 4-5, 4-7, 4-19, 4-21  | 1010954   | 6-11                                 |
| AM10771   | 17-9  | 7818      | 6-11  | 1010984   | 2-3                                  |
| AM10080   | 12-5  | 7820      | 6-7, 13-3   | 1011014   | 1-3                                  |
| AM10081   | 12-5  | 7840      | 5-15  | 1011017   | 1-3                                  |
| AM10419   | 11-7  | 7847      | 1-19, 1-21, 10-3, 16-3, 16-5, 16-9, 16-11, 16-17  | 1011084   | 4-23                                 |
| AM10724   | 8-5   | 7893      | 6-7, 6-11   | 1011114   | 4-3, 4-9                             |
| AM1232301 | 7-7   | 7910      | 5-15  | 1011137   | 4-9                                  |
| CCX8506   | 16-3  | 7973      | 1-5, 9-17   | 1011153   | 5-15                                 |
| 183       | 6-7, 6-11, 9-5, 9-17, 9-21, 11-3, 12-3  | 8056      | 6-23, 13-23   | 1011154   | 4-3, 4-9                             |
| 304       | 6-7, 13-3, 16-11  | 8057      | 6-11, 6-23, 12-9, 13-23   | 1011229   | 6-7, 6-23, 13-3, 13-23               |
| 320       | 4-13, 4-15  | 8058      | 6-11, 6-23, 12-9, 13-23   | 1011273   | 17-5                                 |
| 332       | 1-7, 1-19, 1-21, 1-25, 1-27, 1-29, 6-7, 6-25, 9-15, 10-3, 13-3                        | 8067      | 5-15  | 1011280   | 6-15, 13-13                          |
| 334       | 4-19, 4-21, 5-3, 5-7, 5-17, 7-15, 8-15  | 8104      | 12-9  | 1011291   | 12-7                                 |
| 357       | 5-11, 5-13, 5-23  | 8233      | 1-19, 1-21, 1-25, 1-29, 4-19, 4-21, 5-23, 6-7, 6-25, 12-3, 13-3, 16-3, 16-5, 16-9, 16-11, 16-17 | 1011298   | 4-3, 4-9                             |
| 451       | 4-3, 4-9, 10-3, 14-3, 16-3, 16-5  | 8248      | 6-25  | 1011301   | 4-3, 4-9                             |
| 705       | 6-19, 7-15, 8-15  | 8418      | 1-29  | 1011303   | 4-3, 4-9                             |
| 706       | 5-11, 5-13  | 8450      | 6-11, 11-3  | 1011314   | 4-3, 4-9                             |
| 808       | 5-23, 11-3  | 8639      | 9-17, 9-19, 13-7  | 1011382   | 6-13, 13-11                          |
| 1016      | 6-7, 6-11, 9-5, 9-21  | 8717      | 4-19, 4-21, 6-11, 12-3, 12-9  | 1011393   | 5-15                                 |
| 1017      | 6-9, 6-11, 13-9   | 8754      | 1-19, 1-25, 4-13, 4-15, 4-19, 4-21, 5-3, 5-7, 5-9, 5-11, 5-13, 5-17, 5-19, 5-21, 6-19           | 1011394   | 1-3                                  |
| 1028      | 4-5, 4-7, 16-3, 16-5  | 8755      | 1-25, 5-11, 5-13, 5-19  | 1011402   | 4-5, 4-7                             |
| 1032      | 4-5, 4-7  | 8796      | 16-3, 16-5, 16-13   | 1011415   | 5-19, 5-21                           |
| 1035      | 5-7   | 8797      | 9-5, 9-21   | 1011418   | 4-5, 4-7                             |
| 1108      | 1-27  | 8861      | 1-19, 5-23  | 1011439   | 6-15, 13-13                          |
| 1218      | 1-29  | 8990      | 5-7, 5-17, 6-7, 6-11, 13-3, 13-17, 13-19  | 101146302 | 4-3, 4-9                             |
| 1241      | 1-3, 1-29, 4-5, 4-7, 4-17, 4-19, 4-21, 6-11, 6-15, 6-19, 6-21, 10-3, 13-13            | 1010005   | 5-15  | 1011464   | 4-3, 4-9                             |
| 1242      | 4-11, 4-17, 5-23, 6-11, 6-19  | 1010028   | 12-9  | 1011465   | 4-3, 4-9                             |
| 1624      | 4-19, 4-21, 5-7, 5-17   | 1010124   | 5-11, 5-13  | 1011466   | 4-3, 4-9                             |
| 1631      | 9-17  | 1010138   | 5-9   | 1011467   | 4-3, 4-9                             |
| 2402      | 5-9, 5-11, 5-13   | 1010142   | 5-19, 5-21  | 1011478   | 17-7                                 |
| 4029      | 6-7, 13-3   | 1010144   | 5-19, 5-21  | 1011480   | 17-11                                |
| 7048      | 5-15  | 1010145   | 5-19, 5-21  | 1011494   | 4-3, 4-9                             |
| 7173      | 5-23, 6-15, 6-21, 13-13   | 1010150   | 5-11, 5-13  | 1011557   | 6-15, 13-13                          |
| 7174      | 5-3, 5-23, 6-19, 9-13, 10-3, 14-3   | 1010200   | 5-13  | 1011578   | 5-3                                  |
| 7251      | 1-3   | 1010434   | 1-3, 1-29, 9-3  | 1011582   | 6-23, 13-21                          |
| 7270      | 5-11  | 1010435   | 1-3, 1-25, 1-29   | 1011652   | 1-15, 1-17                           |
| 7274      | 5-15  | 1010543   | 1-7, 1-15, 1-17   | 1011694   | 4-19, 4-21                           |
| 7308      | 5-15  | 1010545   | 1-15, 1-17  | 1011697   | 1-21, 5-3, 7-15, 8-15, 9-13          |
| 7310      | 2-3   | 1010577   | 7-15, 8-15  | 1011700   | 4-19, 4-21                           |
| 7311      | 1-27, 5-23  | 1010805   | 4-5, 4-7  | 1011707   | 16-3, 16-5                           |
| 7330      | 12-7, 15-3  | 1010829   | 4-11, 4-17  | 1011734   | 4-23                                 |
| 7335      | 12-5, 15-3  | 1010850   | 4-3, 4-9  | 1011767   | 17-3                                 |
| 7336      | 15-3  | 1010877   | 4-5, 4-7  | 1011779   | 4-11, 4-17                           |
| 7410      | 1-29  | 1010878   | 1-25, 4-5, 4-7  | 1011825   | 6-7, 13-3                            |
| 7473      | 1-3, 1-21, 1-25, 1-29, 4-5, 4-7, 4-11, 4-17, 4-19, 4-21, 6-7, 6-11, 6-15, 6-21, 13-13 | 101090801 | 13-25, 13-27  | 101187702 | 4-5, 4-7                             |
| 7479      | 1-19, 1-27, 16-3, 16-5  | 1010909   | 6-7   | 1011887   | 5-15                                 |
| 7532      | 1-25  | 1010921   | 4-5, 4-7  | 1011889   | 5-15                                 |
| 7540      | 5-7   | 1010927   | 4-5, 4-7  | 1011895   | 5-7                                  |
| 7555      | 5-7, 5-17   | 1010932   | 4-5, 4-7  | 1011930   | 5-7                                  |
| 7577      | 16-3, 16-5, 16-7, 16-9, 16-15, 16-17  | 1010933   | 4-5, 4-7  | 1011931   | 4-19, 4-21                           |
| 7591      | 6-7, 13-3   | 1010934   | 1-27, 6-21, 14-3  | 1011988   | 1-29                                 |
| 7602      | 5-7   | 1010953   | 4-3, 4-9  | 1011990   | 1-19                                 |
|           |   |           |   | 1012098   | 16-3, 16-5, 16-7, 16-9, 16-15, 16-17 |
|           |   |           |   | 1012101   | 16-3, 16-5, 16-7, 16-9, 16-15, 16-17 |
|           |   |           |   | 1012151   | 17-7                                 |
|           |   |           |   | 1012180   | 5-19                                 |

# INDEX

|           |                              |         |                       |           |                              |
|-----------|------------------------------|---------|-----------------------|-----------|------------------------------|
| 1012181   | 5-21                         | 1013593 | 17-7                  | 1014264   | 17-9                         |
| 1012182   | 5-21                         | 1013609 | 6-11                  | 1014276   | 5-11, 5-13                   |
| 1012285   | 1-21, 9-7, 9-13, 9-19        | 1013687 | 9-7, 9-19             | 1014287   | 11-3                         |
| 1012295   | 6-11                         | 1013700 | 9-13                  | 1014288   | 5-3, 6-21, 11-3, 16-13       |
| 1012303   | 1-25, 5-11, 5-13, 5-19, 5-21 | 1013734 | 10-3, 13-17           | 1014289   | 6-17                         |
| 1012304   | 5-19                         | 1013746 | 9-7, 9-11, 9-19, 9-25 | 1014305   | 17-3                         |
| 1012431   | 6-11, 6-23, 13-23            | 1013760 | 12-3                  | 1014306   | 1-21, 16-3, 16-5             |
| 1012438   | 9-17                         | 1013768 | 12-7                  | 1014321   | 1-11, 1-13, 1-19             |
| 1012467   | 5-7                          | 1013769 | 12-7                  | 1014375   | 6-21                         |
| 1012505   | 6-13, 13-11                  | 1013770 | 12-7                  | 1014387   | 1-11, 1-13, 1-19             |
| 1012528   | 10-3, 13-17                  | 1013771 | 12-7                  | 1014453   | 11-3                         |
| 1012549   | 17-9                         | 1013772 | 12-7                  | 1014454   | 11-7                         |
| 1012560   | 17-9                         | 1013773 | 12-7                  | 1014471   | 1-25                         |
| 1012571   | 7-15, 8-15, 13-25, 13-27     | 1013774 | 12-7                  | 1014496   | 17-5                         |
| 1012604   | 5-3                          | 1013787 | 12-7                  | 1014497   | 17-5                         |
| 1012605   | 5-3                          | 1013792 | 12-7                  | 1014498   | 17-5                         |
| 1012649   | 9-7, 9-19                    | 1013794 | 12-7, 15-3            | 1014507   | 17-5                         |
| 1012711   | 12-3                         | 1013869 | 4-5, 4-7              | 1014508   | 17-5                         |
| 1012714   | 12-5                         | 1013870 | 4-5, 4-7              | 1014510   | 17-5                         |
| 1012740   | 12-5                         | 1013871 | 4-19, 4-21            | 1014530   | 6-7, 13-3                    |
| 1012741   | 12-5                         | 1013872 | 1-25                  | 1014555   | 5-19, 5-21                   |
| 1012747   | 12-5                         | 1013876 | 4-5, 4-7              | 1014771   | 2-3                          |
| 1012748   | 12-5                         | 1013924 | 4-3, 4-9, 7-15, 8-15  | 1014807   | 6-11, 12-9                   |
| 1012752   | 12-3                         | 1014007 | 4-19, 4-21, 12-3      | 1014808   | 12-9                         |
| 1012809   | 17-9                         | 1014049 | 11-3                  | 1014902   | 5-21                         |
| 1012811   | 17-3                         | 1014050 | 11-3                  | 1014948   | 6-11                         |
| 1012812   | 17-3                         | 1014052 | 11-3                  | 101503202 | 1-5                          |
| 1012830   | 6-19, 9-13, 10-3             | 1014055 | 11-3                  | 1015072   | 13-25, 13-27                 |
| 1012836   | 11-7                         | 1014056 | 11-3                  | 1015075   | 1-3                          |
| 1012896   | 12-3                         | 1014057 | 11-3                  | 1015137   | 9-7, 9-11, 9-25              |
| 1012991   | 6-17                         | 1014058 | 11-3                  | 1015139   | 9-5, 9-17                    |
| 1013001   | 6-17                         | 1014059 | 11-3                  | 1015143   | 9-5                          |
| 1013003   | 6-17                         | 1014062 | 11-3                  | 101524002 | 6-19                         |
| 1013005   | 6-17                         | 1014063 | 11-3, 16-13           | 1015332   | 7-5, 8-3                     |
| 101301102 | 6-17                         | 1014065 | 6-11, 11-3            | 1015345   | 6-11                         |
| 1013035   | 5-7, 5-17                    | 1014070 | 11-7                  | 1015372   | 6-11                         |
| 1013042   | 5-7, 5-9, 5-17               | 1014072 | 11-7                  | 1015373   | 6-11                         |
| 1013044   | 5-7, 5-17                    | 1014076 | 11-7                  | 1015399   | 1-25                         |
| 1013051   | 5-7, 5-17                    | 1014078 | 11-7                  | 1015405   | 6-11                         |
| 1013052   | 5-7, 5-17                    | 1014080 | 11-7                  | 1015426   | 9-15                         |
| 1013061   | 1-19, 12-3, 12-9             | 1014115 | 17-9                  | 1015453   | 5-23                         |
| 101313402 | 9-19                         | 1014116 | 9-7, 9-19             | 1015457   | 5-23                         |
| 1013169   | 1-19                         | 1014119 | 6-11                  | 101547601 | 3-9                          |
| 1013207   | 5-19                         | 1014125 | 5-3                   | 1015507   | 1-25                         |
| 1013309   | 1-7, 1-15, 1-17              | 1014126 | 5-3                   | 1015524   | 17-5                         |
| 1013311   | 1-7                          | 1014145 | 6-11                  | 1015528   | 6-13, 13-11                  |
| 1013312   | 1-7, 1-15, 1-17              | 1014153 | 4-3, 4-9              | 1015530   | 1-21                         |
| 1013343   | 1-5                          | 1014161 | 17-9                  | 101553901 | 1-27, 3-5, 3-9               |
| 1013344   | 1-5                          | 1014162 | 17-9                  | 1015583   | 1-25, 5-11, 5-13, 5-19, 5-21 |
| 1013357   | 1-23, 6-7, 13-3, 13-19       | 1014193 | 12-7                  | 1015597   | 5-7, 5-15                    |
| 1013461   | 6-9, 9-5, 9-21, 13-9         | 1014201 | 14-3                  | 1015613   | 5-23                         |
| 1013462   | 9-5, 9-21                    | 1014207 | 12-7                  | 1015614   | 5-23                         |
| 1013494   | 6-13, 13-11                  | 1014213 | 5-3                   | 101562711 | 1-7, 1-17                    |
| 1013531   | 4-17                         | 1014214 | 5-3                   | 101562712 | 1-7, 1-15                    |
| 1013582   | 17-3                         | 1014217 | 5-3                   | 101562714 | 1-7, 1-15                    |
| 1013589   | 6-11                         | 1014259 | 17-9                  | 101562715 | 1-7, 1-17                    |

# INDEX

|           |                                      |           |                      |           |                                |
|-----------|--------------------------------------|-----------|----------------------|-----------|--------------------------------|
| 101564501 | 1-7                                  | 1016389   | 5-11, 5-13           | 1016507   | 7-5, 8-3                       |
| 101564502 | 1-7                                  | 101641002 | 17-5                 | 1016510   | 7-11, 8-11                     |
| 101564503 | 1-7                                  | 101641101 | 17-11                | 1016513   | 12-3                           |
| 101564505 | 1-7                                  | 101641201 | 17-9                 | 101651406 | 2-3                            |
| 1015649   | 7-5, 8-3                             | 101641202 | 17-3                 | 101651407 | 2-3                            |
| 1015654   | 1-27                                 | 1016413   | 17-9                 | 101651414 | 2-3                            |
| 1015656   | 1-27                                 | 1016414   | 17-9                 | 1016517   | 7-9, 8-9                       |
| 101565701 | 1-27                                 | 1016415   | 17-9                 | 1016518   | 8-9                            |
| 101565702 | 1-27                                 | 1016416   | 17-3                 | 1016519   | 8-9                            |
| 101565703 | 1-27                                 | 1016417   | 17-3                 | 1016521   | 7-11, 8-11                     |
| 101565704 | 1-27                                 | 1016418   | 17-7                 | 1016531   | 7-5, 8-3                       |
| 1015660   | 1-27                                 | 1016423   | 6-11                 | 1016535   | 7-11, 8-11                     |
| 101570506 | 2-3                                  | 101642575 | 9-9, 9-23            | 1016537   | 7-3, 8-7                       |
| 101570507 | 2-3                                  | 101642578 | 9-9, 9-23            | 1016538   | 7-11, 8-11                     |
| 101570514 | 2-3                                  | 101642580 | 9-9, 9-23            | 1016539   | 7-5, 8-3                       |
| 1015707   | 2-3                                  | 101642582 | 9-9, 9-23            | 1016541   | 7-13, 8-13                     |
| 1015720   | 6-7, 6-23, 13-17, 13-23              | 101642585 | 9-9, 9-23            | 1016542   | 7-9                            |
| 1015737   | 6-11                                 | 1016429   | 7-3, 8-7             | 1016544   | 7-7, 7-9, 7-11, 8-5, 8-9, 8-11 |
| 1015741   | 6-11                                 | 1016432   | 7-3, 8-7, 12-3       | 1016545   | 7-9                            |
| 1015752   | 6-11, 6-23, 9-15, 13-15, 13-21       | 1016436   | 7-9, 8-9             | 1016546   | 9-13                           |
| 1015760   | 5-23                                 | 1016437   | 9-9, 9-23            | 1016547   | 7-5, 8-3, 8-13, 9-11, 9-25     |
| 1015814   | 10-3                                 | 1016438   | 9-11, 9-25           | 1016549   | 7-9, 8-9                       |
| 101584502 | 9-13                                 | 1016440   | 7-9, 8-9, 9-11, 9-25 | 1016551   | 17-11                          |
| 101587702 | 9-19                                 | 1016441   | 9-11, 9-25           | 1016552   | 17-11                          |
| 1015878   | 6-11, 12-9                           | 1016444   | 9-11, 9-25           | 1016553   | 17-11                          |
| 1015914   | 16-3, 16-5, 16-7, 16-9, 16-15, 16-17 | 1016445   | 8-5                  | 1016554   | 17-11                          |
| 1015917   | 16-3, 16-5, 16-7, 16-9, 16-17        | 1016449   | 7-9, 8-9             | 1016557   | 4-3, 4-9                       |
| 1015921   | 9-5, 9-21                            | 1016450   | 7-9, 8-9             | 1016560   | 8-9                            |
| 1015932   | 6-19                                 | 1016451   | 7-9                  | 1016561   | 7-7, 8-5                       |
| 1015969   | 7-5, 8-3                             | 1016452   | 7-9, 8-9             | 1016562   | 7-7, 7-13, 8-5, 8-13           |
| 1016011   | 11-3                                 | 1016453   | 7-11                 | 1016563   | 7-9, 8-9                       |
| 1016074   | 6-19                                 | 1016454   | 7-11, 8-11           | 1016564   | 7-11, 8-11                     |
| 1016077   | 1-27                                 | 1016455   | 7-7, 8-5             | 1016566   | 7-9, 8-9                       |
| 101609401 | 3-5, 3-9                             | 1016456   | 7-5, 8-3, 8-5        | 1016569   | 7-9, 8-9                       |
| 101611003 | 17-9                                 | 1016457   | 7-3, 8-7             | 1016570   | 7-3, 8-7                       |
| 101615504 | 5-5                                  | 1016458   | 7-9, 8-9             | 1016571   | 7-13, 8-13                     |
| 1016156   | 5-5                                  | 1016467   | 7-3, 8-7             | 1016572   | 9-11, 9-25                     |
| 1016183   | 5-3                                  | 1016470   | 7-13, 8-13           | 1016573   | 4-3, 4-9                       |
| 1016201   | 11-3                                 | 1016472   | 7-11, 8-11           | 1016576   | 7-3, 8-7                       |
| 1016269   | 5-3                                  | 1016473   | 7-3, 8-7             | 1016578   | 8-5                            |
| 1016289   | 11-3                                 | 1016474   | 7-9, 8-9             | 1016579   | 8-5                            |
| 1016319   | 4-11                                 | 1016479   | 7-9, 8-9             | 1016581   | 7-3, 8-7                       |
| 1016320   | 4-11                                 | 1016480   | 9-11                 | 1016582   | 9-11, 9-25                     |
| 1016337   | 12-5                                 | 101648102 | 9-11, 9-25           | 1016583   | 7-9, 8-9                       |
| 1016338   | 12-5                                 | 101648203 | 7-3, 8-7             | 1016584   | 7-11, 8-11                     |
| 1016346   | 5-9                                  | 1016483   | 7-9, 8-9             | 1016585   | 9-9, 9-23                      |
| 1016349   | 5-9                                  | 1016486   | 9-9, 9-23            | 1016586   | 8-5                            |
| 1016350   | 5-9                                  | 1016489   | 7-9, 8-9             | 1016587   | 7-7, 8-5                       |
| 1016351   | 5-9                                  | 101649002 | 9-11, 9-25           | 1016588   | 7-7, 8-5                       |
| 1016353   | 5-9                                  | 1016494   | 7-11, 8-11           | 101661601 | 13-25                          |
| 1016356   | 6-7, 13-3, 13-19                     | 1016496   | 7-11, 8-11           | 101661602 | 13-25                          |
| 1016379   | 1-21                                 | 1016497   | 8-5                  | 1016627   | 17-7                           |
| 1016384   | 5-11, 5-13                           | 1016499   | 9-9, 9-23            | 1016630   | 6-13                           |
| 1016385   | 5-9                                  | 1016501   | 9-9, 9-23            | 1016663   | 1-27, 5-5                      |
| 1016386   | 5-11, 5-13                           | 1016502   | 7-3, 8-7             | 1016668   | 1-29                           |
| 1016387   | 5-11, 5-13                           | 1016506   | 7-11, 8-11           | 1016672   | 12-7                           |

# INDEX

|           |                          |           |                   |           |                   |
|-----------|--------------------------|-----------|-------------------|-----------|-------------------|
| 1016673   | 16-3, 16-5, 16-13        | 101693908 | 1-3               | 1017456   | 7-3, 8-7          |
| 1016679   | 1-21                     | 101693909 | 1-3               | 101745701 | 7-13, 8-13        |
| 101670201 | 3-11                     | 101693910 | 1-3               | 101745702 | 7-13, 8-13        |
| 1016717   | 6-23, 13-21              | 101693911 | 1-3               | 1017458   | 7-3, 8-7          |
| 1016724   | 1-25                     | 101693912 | 1-3               | 1017460   | 7-3, 8-7          |
| 101674702 | 4-23                     | 101693913 | 1-3               | 1017461   | 9-9, 9-23         |
| 1016751   | 1-9, 1-19                | 101693914 | 1-3               | 1017463   | 7-7, 8-5          |
| 101675511 | 1-9, 1-19                | 1016967   | 1-3, 13-19        | 1017466   | 9-11, 9-25        |
| 101675512 | 1-9, 1-19                | 1016997   | 6-11              | 1017468   | 8-5               |
| 101675514 | 1-9, 1-19                | 1017006   | 6-11              | 1017471   | 7-13, 8-13        |
| 101675515 | 1-9, 1-19                | 1017029   | 4-5, 4-7          | 1017472   | 7-11, 8-11        |
| 101677701 | 1-9, 1-19                | 101705701 | 3-5, 3-9          | 1017473   | 7-9, 8-9          |
| 101677702 | 1-9, 1-19                | 1017062   | 6-9, 13-9         | 1017474   | 7-5, 8-3          |
| 101677703 | 1-9, 1-19                | 1017064   | 6-9, 13-9         | 1017475   | 7-5, 8-3          |
| 101677705 | 1-9, 1-19                | 1017065   | 6-9, 13-9         | 1017476   | 7-5, 8-3          |
| 1016801   | 11-3                     | 101707801 | 3-5, 3-9          | 1017486   | 7-5, 8-3          |
| 1016813   | 5-23                     | 1017079   | 1-21              | 1017487   | 7-11, 8-11        |
| 1016814   | 5-23                     | 1017080   | 1-3               | 1017490   | 7-7, 8-5          |
| 1016816   | 1-19                     | 1017082   | 12-3              | 1017500   | 8-3               |
| 1016819   | 1-19                     | 1017187   | 16-3, 16-5, 16-11 | 1017501   | 7-13, 8-13        |
| 1016824   | 1-15, 1-17               | 1017188   | 11-5              | 1017502   | 7-13, 8-13        |
| 1016835   | 1-29                     | 1017189   | 16-3, 16-5, 16-11 | 1017503   | 7-13, 8-13        |
| 1016839   | 1-19                     | 1017211   | 4-11              | 1017504   | 7-11, 8-11        |
| 101684102 | 1-15                     | 1017226   | 5-3               | 1017507   | 7-3, 8-7          |
| 101684103 | 1-15                     | 1017231   | 12-3              | 1017508   | 7-11, 8-11        |
| 101684105 | 1-17                     | 1017239   | 6-11              | 1017510   | 7-13, 8-13        |
| 1016842   | 1-29                     | 1017243   | 6-11              | 1017511   | 8-11              |
| 1016843   | 1-29                     | 1017266   | 5-9               | 1017512   | 7-13, 8-13        |
| 1016849   | 6-13, 6-23, 13-11, 13-23 | 1017273   | 5-5               | 1017513   | 7-11, 8-11        |
| 1016851   | 6-13, 6-23, 13-11, 13-23 | 1017313   | 5-3               | 1017514   | 7-11, 8-11        |
| 1016857   | 6-23, 13-23              | 1017314   | 5-3               | 101751801 | 7-11, 8-11        |
| 1016859   | 6-23, 13-23              | 1017315   | 5-3               | 101751802 | 7-11, 8-11        |
| 1016868   | 1-3                      | 1017317   | 5-3               | 101751803 | 7-11, 8-11        |
| 1016874   | 1-21                     | 101737002 | 2-3               | 1017653   | 6-17              |
| 1016875   | 1-21                     | 1017378   | 4-19, 4-21        | 1017686   | 11-7              |
| 1016876   | 1-21                     | 1017380   | 4-19, 4-21        | 1017689   | 10-3              |
| 1016879   | 6-9, 13-9                | 101738301 | 11-3              | 1017696   | 4-19, 4-21        |
| 1016880   | 6-9, 13-9                | 101738302 | 11-3              | 1017721   | 6-7               |
| 1016883   | 6-19                     | 1017424   | 4-19, 4-21        | 101773301 | 7-13, 8-13        |
| 1016901   | 11-3                     | 1017434   | 7-9, 8-9          | 101773302 | 7-13, 8-13        |
| 1016904   | 7-9, 8-9, 10-3           | 1017435   | 8-9               | 101773303 | 7-13, 8-13        |
| 101692501 | 1-3                      | 1017442   | 7-3, 8-7          | 101773304 | 7-13, 8-13        |
| 101692502 | 1-3                      | 1017443   | 7-9, 8-9, 8-11    | 101773305 | 7-13, 8-13        |
| 101692506 | 1-3                      | 1017444   | 8-9               | 101773306 | 7-13, 8-13        |
| 101692509 | 1-3                      | 1017445   | 7-9, 8-9          | 101773307 | 7-13, 8-13        |
| 101692510 | 1-3                      | 1017446   | 8-9               | 101773308 | 7-13, 8-13        |
| 101692511 | 1-3                      | 1017447   | 8-11              | 101773309 | 7-13, 8-13        |
| 101692512 | 1-3                      | 1017448   | 7-7, 8-5          | 101773310 | 7-13, 8-13        |
| 101692513 | 1-3                      | 101744901 | 7-13, 8-13        | 101773311 | 7-13, 8-13        |
| 101692514 | 1-3                      | 101744902 | 7-13, 8-13        | 1017853   | 6-7, 13-3         |
| 101692515 | 1-3                      | 1017450   | 7-13, 8-13        | 101791101 | 4-3               |
| 1016930   | 1-19                     | 101745101 | 7-13, 8-13        | 101796201 | 4-19, 4-21        |
| 101693201 | 3-7                      | 101745102 | 7-13, 8-13        | 1017976   | 1-25              |
| 101693901 | 1-3                      | 1017453   | 7-13, 8-13        | 101801001 | 16-3, 16-5, 16-13 |
| 101693902 | 1-3                      | 1017454   | 7-9, 8-9          | 101802301 | 16-3              |
| 101693906 | 1-3                      | 1017455   | 7-7, 8-5          | 101804301 | 6-13, 9-15, 9-17  |

# INDEX

|           |                               |           |                         |           |  |
|-----------|-------------------------------|-----------|-------------------------|-----------|--|
| 101808401 | 17-3                          | 101838401 | 16-5, 16-15, 16-17      | 101889801 | 13-7   |
| 101809101 | 17-5                          | 101838601 | 16-5, 16-15, 16-17      | 101890001 | 12-5   |
| 101811301 | 9-17                          | 101841901 | 16-3, 16-5, 16-9, 16-17 | 101890101 | 12-3   |
| 101811801 | 9-15                          | 101846301 | 1-29                    | 101890201 | 12-3   |
| 101811901 | 9-15                          | 101851101 | 6-13, 13-11             | 101890501 | 12-3   |
| 101812301 | 9-15                          | 101856002 | 13-11                   | 101890601 | 12-3   |
| 101813001 | 9-15                          | 101856102 | 6-11                    | 101890901 | 12-7   |
| 101813202 | 17-3                          | 101859401 | 10-3                    | 101891001 | 12-7   |
| 101814301 | 16-3                          | 101861901 | 4-19, 4-21              | 101891301 | 12-3   |
| 101814302 | 16-5                          | 101862001 | 4-21                    | 101891401 | 12-7   |
| 101817401 | 4-19, 4-21                    | 101865301 | 4-11                    | 101891501 | 12-7   |
| 101818801 | 4-19                          | 101869302 | 6-17                    | 101891601 | 12-5   |
| 101821501 | 9-15                          | 101870401 | 1-3                     | 101891901 | 12-5   |
| 101823101 | 17-9                          | 101871001 | 17-3                    | 101892001 | 12-5   |
| 101824401 | 9-7                           | 101874601 | 4-11                    | 101892201 | 12-5   |
| 101825101 | 3-3, 13-11                    | 101874901 | 6-17                    | 101892301 | 12-5   |
| 101825102 | 3-7, 6-13                     | 101875001 | 6-17                    | 101892401 | 12-5   |
| 101825701 | 9-17                          | 101875101 | 6-17                    | 101892501 | 12-5   |
| 101826201 | 13-11                         | 101875102 | 6-17                    | 101892601 | 12-5   |
| 101826401 | 6-13                          | 101875201 | 6-17                    | 101892701 | 12-7   |
| 101827101 | 7-15, 8-15                    | 101875301 | 6-17                    | 101892901 | 12-3   |
| 101828501 | 16-3, 16-5, 16-7, 16-9, 16-17 | 101875401 | 6-17                    | 101893201 | 12-5   |
| 101828801 | 16-7                          | 101875501 | 6-17                    | 101893801 | 12-3   |
| 101828802 | 16-7                          | 101875601 | 6-17                    | 101893901 | 12-5   |
| 101828901 | 16-7, 16-15                   | 101875701 | 6-17                    | 101894303 | 1-7  |
| 101828902 | 16-7, 16-15                   | 101875802 | 6-17                    | 101895401 | 15-3   |
| 101828903 | 16-7, 16-15                   | 101876001 | 6-17                    | 101895501 | 15-3   |
| 101829001 | 16-3, 16-5, 16-9, 16-17       | 101876202 | 6-17                    | 101896501 | 6-17   |
| 101829101 | 16-3, 16-5                    | 101876301 | 6-17                    | 101897001 | 15-3   |
| 101830601 | 6-13, 13-11                   | 101876402 | 6-17                    | 101897201 | 15-3   |
| 101830701 | 6-13, 13-11                   | 101876501 | 6-17                    | 101897401 | 15-3   |
| 101831101 | 16-7, 16-9, 16-17             | 101877601 | 6-17                    | 101897601 | 15-3   |
| 101831401 | 13-25, 13-27                  | 101877701 | 6-17                    | 101898001 | 6-21   |
| 101831601 | 16-5                          | 101878101 | 6-17                    | 101903601 | 15-3   |
| 101831801 | 17-5                          | 101878201 | 4-5                     | 101903701 | 15-3   |
| 101831901 | 17-3                          | 101878302 | 5-7                     | 101905901 | 9-9  |
| 101832202 | 9-13                          | 101879001 | 6-17                    | 101906901 | 15-3   |
| 101832302 | 9-13                          | 101879401 | 5-7, 5-17               | 101908401 | 6-25   |
| 101832601 | 7-15, 8-15                    | 101879501 | 5-7, 5-17               | 101909201 | 8-5  |
| 101832701 | 7-15, 8-15                    | 101879601 | 5-7, 5-17               | 101909301 | 8-5  |
| 101832901 | 16-13                         | 101879701 | 5-7, 5-17               | 101909401 | 8-5  |
| 101833101 | 7-15, 8-15                    | 101879801 | 5-7, 5-17               | 101909501 | 8-5  |
| 101833401 | 11-7                          | 101879901 | 5-7, 5-17               | 101910501 | 12-7   |
| 101833601 | 12-3                          | 101880001 | 5-7, 5-17               | 101914401 | 6-7, 13-3, 16-3, 16-5, 16-7, 16-9,<br>16-15, 16-17 |
| 101833701 | 6-17                          | 101880101 | 5-7, 5-17               | 101915201 | 3-9  |
| 101833904 | 11-3                          | 101880201 | 5-7, 5-17               | 101916001 | 8-13   |
| 101834001 | 11-7                          | 101880301 | 5-7, 5-17               | 101916101 | 7-5, 8-3   |
| 101834502 | 6-13, 13-11                   | 101880701 | 4-3, 4-9                | 101916201 | 8-5  |
| 101834601 | 7-15, 8-15                    | 101880901 | 1-15, 1-17              | 101916301 | 7-7, 8-5   |
| 101834801 | 12-3                          | 101881101 | 8-5                     | 101916701 | 6-19, 11-3   |
| 101836201 | 11-7                          | 101881701 | 1-15, 1-17, 9-15        | 101917601 | 9-15   |
| 101837001 | 1-23                          | 101884801 | 7-15, 8-15              | 101918402 | 2-3  |
| 101837101 | 9-15                          | 101886101 | 12-3                    | 101918501 | 4-5, 4-7   |
| 101837301 | 6-19                          | 101887101 | 17-3                    | 101919801 | 4-19, 4-21   |
| 101838201 | 16-5                          | 101887601 | 7-5, 8-3                | 101920101 | 13-15  |
| 101838301 | 16-5                          | 101889401 | 12-5                    |           |  |

# INDEX

|           |                        |           |              |           |                          |
|-----------|------------------------|-----------|--------------|-----------|--------------------------|
| 101921501 | 9-15                   | 101972004 | 17-7         | 102249901 | 17-3                     |
| 101922101 | 15-3                   | 101972005 | 17-7         | 102251501 | 17-7                     |
| 101922201 | 15-3                   | 101972006 | 17-7         | 102271601 | 8-11                     |
| 101922501 | 6-25                   | 101972007 | 17-7         | 102275401 | 16-7, 16-9, 16-15, 16-17 |
| 101923001 | 15-3                   | 101972009 | 17-7         | 102278001 | 5-3                      |
| 101923201 | 15-3                   | 101972011 | 17-7         | 102289201 | 5-9, 5-17                |
| 101923501 | 15-3                   | 101972012 | 17-7         | 102292801 | 4-11, 4-17               |
| 101923701 | 15-3                   | 101972101 | 15-3         | 102304801 | 7-9, 8-9                 |
| 101923901 | 15-3                   | 101972201 | 15-3         | 102323101 | 4-5, 4-7, 4-11, 4-17     |
| 101925701 | 9-15                   | 101972801 | 9-15         | 102323201 | 4-5, 4-7, 4-11, 4-17     |
| 101926501 | 5-19                   | 101973101 | 9-9, 9-23    | 102330901 | 17-9                     |
| 101926802 | 9-17                   | 101973301 | 9-9, 9-23    | 102336001 | 9-13                     |
| 101926901 | 12-3                   | 101973401 | 9-11, 9-25   | 102336101 | 9-13                     |
| 101927101 | 12-3                   | 101973501 | 16-15        | 102355301 | 6-21                     |
| 101927201 | 12-3                   | 101976601 | 16-15        | 102356601 | 15-3                     |
| 101927301 | 12-3                   | 101980801 | 12-5         | 102356801 | 15-3                     |
| 101927501 | 12-5                   | 101980901 | 12-5         | 102357001 | 15-3                     |
| 101927601 | 12-5                   | 101981001 | 12-5         | 102376001 | 12-9                     |
| 101927701 | 12-5                   | 101984801 | 5-3          | 102406701 | 9-21                     |
| 101927901 | 12-5                   | 101987701 | 9-19         | 102430901 | 8-13                     |
| 101928001 | 12-5                   | 101987901 | 6-9, 13-9    | 102440901 | 13-17                    |
| 101928101 | 12-5                   | 101988001 | 6-9, 13-9    | 102453001 | 12-5                     |
| 101928301 | 12-7                   | 101988002 | 6-9, 13-9    | 102453101 | 12-5                     |
| 101928601 | 12-3                   | 101988101 | 6-9, 13-9    | 102458901 | 3-9                      |
| 101928701 | 12-3, 15-3, 17-7       | 101988201 | 6-9, 13-9    | 102508701 | 13-11                    |
| 101929401 | 5-19                   | 101990801 | 4-17         | 102513701 | 9-5                      |
| 101929501 | 9-7                    | 102002801 | 13-25, 13-27 | 102515401 | 12-3                     |
| 101931501 | 3-5                    | 102002901 | 13-25, 13-27 | 102517601 | 6-15, 13-13              |
| 101932201 | 6-15, 13-13            | 102003201 | 9-7, 9-19    | 102518001 | 3-3, 13-11               |
| 101933101 | 17-7                   | 102022601 | 5-9          | 102522001 | 9-5, 9-21                |
| 101933701 | 9-17                   | 102022602 | 5-9, 5-17    | 102526201 | 12-3, 12-9               |
| 101935301 | 4-13, 4-15             | 102025401 | 4-13, 4-15   | 102529201 | 6-15, 13-13              |
| 101936801 | 13-15                  | 102026001 | 4-19, 4-21   | 102540301 | 7-15, 8-15               |
| 101939901 | 6-17                   | 102031901 | 12-7         | 102555501 | 17-3                     |
| 101942301 | 14-3                   | 102061201 | 17-9         | 102562401 | 17-3                     |
| 101946201 | 1-19                   | 102065901 | 7-15, 8-15   | 102564002 | 5-11, 5-13               |
| 101953103 | 4-17                   | 102066201 | 5-21         | 102570401 | 17-11                    |
| 101953106 | 4-11                   | 102101001 | 13-15        | 102572401 | 13-11                    |
| 101953801 | 8-3                    | 102101101 | 13-15        | 102601501 | 17-5                     |
| 101954301 | 1-7, 1-15, 1-17        | 102155801 | 11-7         | 102603501 | 17-5                     |
| 101955001 | 5-9                    | 102162601 | 4-17         | 102605201 | 17-5                     |
| 101955101 | 6-7, 13-3              | 102166901 | 4-17         | 102606101 | 17-5                     |
| 101957101 | 6-15, 13-13            | 102169401 | 17-7         | 102607501 | 17-5                     |
| 101958201 | 16-15                  | 102186301 | 14-3         | 102616701 | 12-9                     |
| 101958301 | 16-15                  | 102186401 | 14-3         | 102668801 | 17-9                     |
| 101960001 | 3-3, 3-7               | 102196901 | 13-11        | 102669901 | 17-7                     |
| 101960501 | 3-9                    | 102199001 | 6-7          | 102674001 | 17-5                     |
| 101963301 | 1-11, 1-13             | 102235201 | 14-3         | 102674101 | 17-5                     |
| 101963401 | 1-11, 1-13, 7-15, 8-15 | 102238001 | 13-19        | 102674201 | 17-5                     |
| 101964001 | 1-11, 1-13             | 102240501 | 13-17        | 102674401 | 17-9                     |
| 101964601 | 3-5                    | 102241501 | 17-7         | 102674601 | 17-9                     |
| 101969701 | 6-15, 13-13            | 102241502 | 17-7         | 102675001 | 17-5                     |
| 101971301 | 9-15                   | 102242101 | 11-7         | 102675101 | 17-5                     |
| 101972001 | 17-7                   | 102243402 | 17-7         | 102675201 | 17-5                     |
| 101972002 | 17-7                   | 102243403 | 14-3         | 102675301 | 17-5                     |
| 101972003 | 17-7                   | 102248803 | 17-7         | 102675401 | 17-5                     |



# INDEX

|           |                    |           |                |           |                   |
|-----------|--------------------|-----------|----------------|-----------|-------------------|
| 102684501 | 5-11, 5-13         | 102951701 | 14-3           | 103372401 | 9-19              |
| 102684602 | 12-9               | 102966401 | 1-11, 1-13     | 103372601 | 9-19              |
| 102686101 | 17-3               | 102966501 | 1-11, 1-13     | 103374701 | 9-21              |
| 102704901 | 14-3               | 102966502 | 1-11, 1-13     | 103386202 | 7-5               |
| 102751601 | 9-5                | 102967601 | 3-5            | 103390801 | 6-13              |
| 102753401 | 8-9                | 102969401 | 12-9           | 103397901 | 13-3, 13-17, 16-3 |
| 102764401 | 13-27              | 102969801 | 12-9           | 103414901 | 13-3, 13-17, 16-3 |
| 102764402 | 13-27              | 102969901 | 12-9           | 103428101 | 9-19              |
| 102766201 | 13-25, 13-27       | 102974201 | 9-5            | 103439701 | 9-19              |
| 102766301 | 5-11, 5-13         | 102977001 | 6-13           | 103452002 | 9-19              |
| 102769701 | 13-17              | 102977002 | 13-11          | 103452101 | 9-19              |
| 102770701 | 16-11              | 102977901 | 9-7, 9-19      | 103477901 | 5-15              |
| 102771701 | 15-3               | 102978001 | 9-7, 9-19      | 103502701 | 5-11              |
| 102772402 | 13-19              | 102980801 | 13-25, 13-27   | 103502801 | 5-13              |
| 102774501 | 13-17              | 102980901 | 13-25, 13-27   | 103507101 | 9-25              |
| 102774601 | 13-17              | 102989501 | 1-13           | 103507201 | 9-25              |
| 102774701 | 13-17              | 103010101 | 9-7            | 103507301 | 9-25              |
| 102775101 | 14-3               | 103173301 | 12-9           | 103538701 | 1-25              |
| 102817101 | 13-17              | 103174401 | 9-3            | 103538901 | 1-25              |
| 102817201 | 13-17              | 103177401 | 12-9           | 103601501 | 5-17              |
| 102830301 | 13-25, 13-27       | 103180101 | 6-13, 13-11    | 103601601 | 5-3               |
| 102837001 | 16-9               | 103187601 | 9-5            | 103615601 | 7-9               |
| 102838101 | 16-7, 16-9         | 103192701 | 12-9           | 103615701 | 7-9               |
| 102845101 | 3-5                | 103197301 | 6-5, 6-11      | 103615801 | 7-13              |
| 102845203 | 13-25              | 103198401 | 6-25           | 103615901 | 7-11              |
| 102845204 | 13-27              | 103199001 | 6-13           | 103616201 | 7-13              |
| 102845501 | 13-7               | 103199101 | 6-13           | 103616301 | 7-9               |
| 102847801 | 16-7               | 103205401 | 3-3, 3-7, 6-13 | 103616401 | 7-11              |
| 102847802 | 16-7               | 103205501 | 3-7, 6-25      | 103616501 | 7-7               |
| 102847803 | 16-7               | 103210201 | 3-9, 6-13      | 103616601 | 7-7               |
| 102859501 | 13-17              | 103210301 | 3-3, 13-11     | 103616701 | 7-7               |
| 102865101 | 9-7, 9-19          | 103218601 | 13-11          | 103616801 | 7-7               |
| 102869401 | 6-7, 13-3          | 103222001 | 13-7           | 103618101 | 6-15, 13-13       |
| 102871801 | 5-19, 5-21         | 103245201 | 1-11, 1-13     | 103628801 | 5-11              |
| 102873401 | 13-25, 13-27       | 103245301 | 1-11, 1-13     | 103628901 | 5-13              |
| 102886301 | 15-3               | 103255701 | 13-3           | 103653401 | 5-17              |
| 102886401 | 15-3               | 103261701 | 3-11           | 103653501 | 5-9               |
| 102886501 | 15-3               | 103261801 | 3-11           | 103717302 | 5-15              |
| 102886601 | 15-3               | 103284201 | 3-11           | 103717402 | 5-15              |
| 102891101 | 5-21               | 103306301 | 9-7, 9-19      | 103721101 | 9-19              |
| 102892901 | 16-15              | 103345701 | 11-3           | 103756401 | 9-19              |
| 102892902 | 16-15              | 103348201 | 6-13           | 103781101 | 9-7               |
| 102893001 | 16-17              | 103348202 | 13-11          | 103781201 | 9-7               |
| 102912801 | 13-17              | 103348501 | 6-13           | 96704416  | 7-15, 8-15        |
| 102917101 | 5-21               | 103348601 | 6-13           |           |                   |
| 102938301 | 13-7               | 103350901 | 5-19           |           |                   |
| 102938601 | 14-3               | 103351001 | 5-9            |           |                   |
| 102938701 | 14-3               | 103351101 | 5-21           |           |                   |
| 102938801 | 14-3               | 103352701 | 16-13          |           |                   |
| 102938901 | 14-3               | 103354401 | 13-11          |           |                   |
| 102939001 | 14-3               | 103354701 | 5-9            |           |                   |
| 102939101 | 14-3               | 103369101 | 9-21           |           |                   |
| 102939102 | 14-3               | 103369501 | 12-9           |           |                   |
| 102939501 | 16-15              | 103372101 | 9-21           |           |                   |
| 102940801 | 16-9, 16-15, 16-17 | 103372201 | 9-21           |           |                   |
| 102942601 | 16-11              | 103372301 | 9-21           |           |                   |

## A

|  |                                      |
|--|--------------------------------------|
| AC cord                                  | 16-3, 16-5, 16-7, 16-9, 16-15, 16-17 |
| AC cord receptacle                       | 16-15                                |
| accelerator bracket and bearing assembly | 4-19, 4-21                           |
| accelerator cable                        | 9-13                                 |
| accelerator pedal                        | 4-19, 4-21                           |
| accelerator pedal adjustment tool        | 17-3                                 |
| accelerator pivot rod                    | 4-19, 4-21                           |
| accelerator return spring                | 4-19, 4-21                           |
| accelerator rod                          | 4-23                                 |

# INDEX

- adapter
    - cable (IQDM) 17-7
  - adhesive, guide ring 17-3
  - adjuster
    - hydraulic brake 17-7
  - adjuster, lash 8-11
  - air box 9-15
  - air box top 9-15
  - air filter 9-15
  - air intake hose 9-15
  - ammeter 16-3, 16-5, 16-7, 16-9, 16-15, 16-17
  - anchor body 4-3, 4-9
  - anchor body kit 4-3, 4-9
  - anchor, piston 4-3, 4-9
  - anti-sway bar 5-23
  - A-plate strap 5-9
  - A-plate, delta 5-9
  - arbor 17-3
  - arm
    - governor 12-3
    - pivot 12-3
    - rocker 7-9, 8-9
  - armature 6-17, 14-3
  - armature conversion kit 6-17
  - armrest 1-29
  - assembly
    - accelerator bracket and bearing 4-19, 4-21
    - accelerator pivot rod 4-19, 4-21
    - air box 9-15
    - air box top 9-15
    - armature 6-17
    - axle 12-7
    - bearing, steering shaft 5-3
    - bell crank and shaft 6-11
    - brush connector 6-17
    - brush holder 6-17
    - carburetor 9-9
    - connecting rod 7-13, 8-13
    - cylinder head 8-9
    - delta A-plate 5-9
    - delta shock and gear support 5-9
    - drive clutch 11-3
    - drive hub 11-3
    - driven clutch 11-7
    - driven clutch fixed-face 11-7
    - field coil 6-17
    - float 9-9, 9-23
    - fuel tank vent 9-5
    - governor 12-5
    - headlight 6-9, 13-9
    - headlight harness 6-9, 13-9
    - idle screw 9-9, 9-23
    - inner ball joint 5-7, 5-17
    - kingpin 5-11, 5-13
    - moveable-face 11-3, 11-7
    - pilot air screw 9-9, 9-23
    - plug cap 7-7, 8-5
    - ratchet 4-5, 4-7
    - secondary clutch weight 11-3
    - steering shaft 5-3
    - steering wheel 5-5
    - turn signal lens 6-9, 13-9
  - axle 12-7, 15-3
  - axle shaft oil seal 12-7, 15-3
  - axle tube 15-3
- ## B
- backing plate, brake 4-3, 4-9
  - bag, desiccant 11-3
  - ball bearing 7-11, 8-11
  - ball joint 4-5, 4-7, 4-23, 5-7
  - ball joint, left-hand thread 5-7
  - ball stud 6-11
  - ball, shifter 12-5
  - ball, steel pressure relief 7-3, 8-7
  - band, RPM limiter mount 8-5
  - bar, drive 13-15
  - bar, stabilizer 5-23
  - barb, vent 9-7
  - barrel, plastic 1-3, 1-29, 9-3
  - battery 6-21
  - battery cap, 6-volt 13-25, 13-27
  - battery charger 16-7, 16-15
  - battery charger and reel 16-3, 16-5
  - battery charger case 16-3, 16-5, 16-7, 16-9, 16-15, 16-17
  - battery charger harness 13-7
  - battery charger shield 16-13
  - battery charger transformer 16-3, 16-5, 16-7, 16-9, 16-15, 16-17
  - battery charger wire assembly 16-15
  - battery charger, onboard 16-3, 16-9, 16-17
  - battery clamp 6-21
  - battery condition indicator 13-11
  - battery discharge machine 17-3
  - battery hold-down 13-25, 13-27
  - battery hold-down rod 13-25, 13-27
  - battery insulator 1-23
  - battery light 13-11
  - battery terminal protector spray 17-3
  - battery thermometer 17-3
  - battery, 6-volt, Trojan T105 13-25
  - battery, 6-volt, Trojan T105, moist 13-25
  - battery, 6-volt, Trojan T145 13-27
  - battery, 6-volt, Trojan T145, moist 13-27
  - bearing 15-3
    - ball 7-11, 8-11
    - ball (motor) 14-3
    - ball (steering pinion) 5-7, 5-17
    - front wheel hub 5-15
    - hub 5-15
    - idler 11-3
    - inner axle tube 12-7, 15-3
    - lower pinion (steering) 5-7, 5-17
    - needle 12-5
    - outer axle tube 12-7
    - pivot support 4-19, 4-21
    - steering shaft 5-3
    - thrust 5-11, 5-13
  - bearing and oil seal remover 17-3
  - bearing driver set 17-3
  - bearing puller 17-3
  - bearing puller wedge 17-3
  - bearing seat 5-3
  - bed frame assembly 1-25
  - bed seal 1-13, 1-25
  - bed, flat 1-25
  - bed, floor plate 1-25
  - bell crank and shaft 6-11
  - bellows 5-7, 5-17
  - belt, drive 11-5
  - belt, starter/generator 6-19, 11-3
  - bezel, choke cable 9-17
  - bezel, headlight 6-9, 13-9
  - block, brake-mounting 4-5, 4-7
  - block, fuse 6-11
  - block, terminal 6-7, 13-3, 13-19
  - body, anchor 4-3, 4-9
  - bolt, U- 5-21
  - boot, steering column 5-3
  - boot, switch 6-25
  - bottom, air box 9-15
  - box
    - air 9-15
    - electrical component 6-11
    - steering gear 5-7, 5-17
  - box, electrical component 6-11, 13-17
  - bracket 5-19
    - accelerator cable 9-13
    - adjustable starter/generator 6-19
    - battery charger 16-3, 16-5
    - brake cable guide 5-9
    - brake light switch 6-15, 13-13
    - FNR shifter 12-9
    - governor cable 9-13
    - headlight mounting 6-9, 13-9
    - horn 6-7, 13-3
    - muffler mounting 10-3
    - oil filter mount 7-3, 8-7
    - oil level switch 7-11, 8-11
    - relay mounting 6-11, 16-3, 16-5, 16-9, 16-17
    - retaining 9-17
    - RPM limiter 8-5
    - shock absorber 5-21
    - shock mounting 5-21
    - snubber 7-15, 8-15
    - stabilizer bar mounting 5-23

# INDEX

- stake side 1-27
  - starter/generator mounting 6-19
  - steering column 5-3
  - steering column mounting 5-3
  - throttle spring return 9-11, 9-25
  - Tow/Run switch 6-25
  - bracket, carburetor intake manifold 9-25
  - brake actuator kit 4-3, 4-9
  - brake adjustment tool 17-3
  - brake backing plate 4-3, 4-9
  - brake cable 4-11, 4-17
  - brake cable equalizer 4-11, 4-17
  - brake cable hanger 5-19
  - brake cable release tool 17-3
  - brake cluster 4-3, 4-9
  - brake drum 4-3, 4-9
  - brake lever arm 4-3, 4-9
  - brake light switch bracket 6-15, 13-13
  - brake mounting block 4-5, 4-7
  - brake pedal 4-5
    - pedal, brake 4-7
  - brake pedal adjustment tool 17-3
  - brake pedal pad 4-5, 4-7
  - brake pedal tension tool 17-3
  - brake return spring 4-17
  - brake shoe 4-3, 4-9
  - brake spring 4-3, 4-9
  - breaker, circuit 16-3, 16-5, 16-15, 16-17
  - breather 12-3, 15-3
  - brush and screw set 6-17
  - brush box assembly 14-3
  - brush connector 6-17
  - brush holder 6-17
  - brush inspection port cover 6-17
  - brush kit, motor 14-3
  - brush port cover 6-17
  - brush rigging 14-3
  - brush spring 14-3
  - brush spring set 6-17
  - brush, motor 14-3
  - bulb, headlight 6-9, 13-9
  - bulb, tail light 6-23, 13-21
  - bumper
    - drive unit (motor) 14-3
    - front 1-3
    - front, kit 1-3
    - rear 1-21
    - rubber 1-25, 4-5, 4-7
    - seal, long 1-7, 1-15, 1-17
    - side trim 1-29
    - spring return 4-19, 4-21
  - bumper mounting 1-21
  - bumper, seat 1-7
  - bushing 11-3, 12-9
    - bronze 5-15
    - nylon 4-5, 4-7
  - return line 9-21
  - spindle 5-15
  - stabilizer bar 5-23
  - steel 1-25, 5-11, 5-13, 5-19, 5-21
  - urethane 1-25, 5-9, 5-11, 5-13, 5-19, 5-21
  - bushing support 5-23
  - button, drive 11-7
  - buzzer, reverse 6-13, 6-23, 13-11, 13-23
- ## C
- cable
    - accelerator 9-13
    - brake 4-11, 4-17
    - choke 9-17
    - governor 9-13
    - IQDM 17-7
  - calibration test module 17-3
  - cam
    - driven clutch 11-7
    - electrical component box 6-11
  - cam installation tool 17-3
  - cam, FNR shifter 12-9
  - camshaft 8-11
  - camshaft shim 7-11, 8-11
  - camshaft spring 8-11
  - cap
    - battery, 6-volt 13-25, 13-27
    - corner 1-11, 1-13, 1-19
    - dust 13-11
    - fuel tank 9-5
    - key switch 6-13, 13-11
    - plug 7-7, 8-5
    - seat back 1-9, 1-19
  - carburetor 9-9
  - carburetor adapter 9-25
  - carburetor float level tool 17-7
  - carburetor gasket 9-11, 9-25
  - carburetor insulator 9-11, 9-25
  - carburetor mounting gasket 9-11, 9-25
  - carburetor, FE350 S27 9-23
  - card, safety first 17-9
  - case
    - battery charger 16-3, 16-5, 16-7, 16-9, 16-15, 16-17
    - differential gear 12-7
    - gear 12-3, 15-3
    - rocker 8-9
  - charger bezel tool 17-3
  - charger harness 13-7
  - charger, battery 16-7, 16-15
  - charger, battery, onboard 16-3, 16-9, 16-17
  - charger, battery, shield 16-13
  - choke cable 9-17
  - choke cable bezel 9-17
  - choke valve 9-15
  - circuit breaker 16-3, 16-5, 16-7, 16-9, 16-15, 16-17
  - clamp
    - battery 6-21
    - cable retaining 9-13
    - hose 9-7, 9-11, 9-15, 9-19, 9-25
    - muffler hose 10-3
  - clevis, upper delta 5-11, 5-13
  - clip, meter 6-13
  - cluster idler gear 12-5
  - cluster, brake 4-3, 4-9
  - clutch alignment tool 17-5
  - clutch removal tool 17-3
  - clutch repair kit 11-7
  - clutch tool kit 17-5
  - clutch weight 11-3
  - clutch, driven 11-7
  - coil, field 6-17
  - coil, ignition 8-5
  - collet 7-9, 8-9
  - column, steering 5-3
  - communication display module 17-5
  - component box, electrical 6-11
  - component mounting plate 13-17
  - component mounting plate cover 13-19
  - compression gauge 17-5
  - compression mount 5-23
  - compressor, piston ring 17-9
  - compressor, valve spring 17-11
  - computer, onboard 13-17
  - connecting bar 1-29
  - connecting rod 7-13, 8-13
  - connector, a- 6-17
  - continuity tester 17-5
  - control board 16-3, 16-5, 16-9, 16-17
  - controller, speed 13-17
  - cord connector 7-11, 8-11
  - cord reel 16-3, 16-5, 16-11, 16-13
  - cord, AC 16-3, 16-5, 16-7, 16-9, 16-15, 16-17
  - cord, DC 16-3, 16-5, 16-7, 16-9, 16-15, 16-17
  - counterbalance guide shaft 7-13, 8-13
  - counterbalance weight 7-13, 8-13
  - cover
    - brush inspection port 6-17
    - brush port 6-17
    - crankcase 7-11, 8-11
    - dust 4-3, 4-9, 5-15
    - electrical box 6-11
    - oil pump 7-3, 8-7
    - rocker switch hole 6-13, 13-11
    - screw head 6-13, 13-11
    - steering column 5-3
  - cover, steering column 6-15, 13-13
  - cowl 1-3
  - crankcase 8-13
  - crankcase cover 7-11, 8-11
  - crankcase vent tube 9-11, 9-25

# INDEX

crankshaft 7-13, 8-13  
crankshaft rod 7-13, 8-13  
crankshaft shim 7-13, 8-13  
C-type stop ring 5-7, 5-17  
cup, spring 4-19, 4-21  
current limiter 16-15  
cushion, shock absorber 5-19, 5-21  
cutter, valve seat 17-5, 17-11

**D**

damper, RPM limiter 8-5  
dash 6-13, 13-11  
dash component 1-5  
dash panel 6-13, 13-11  
DC cord 16-3, 16-5, 16-7, 16-9, 16-15, 16-17  
decal  
    4-gauge wire warning 3-5  
    bed hold-down bolts 3-5, 3-9  
    bed load warning 1-27, 3-5, 3-9  
    Carryall/TransPorter 3-11  
    component cover 3-5  
    crush area warning 3-5, 3-9  
    driver/passenger 3-9  
    FNR 3-3, 3-9, 6-13, 13-11  
    four-passenger warning 3-5, 3-9  
    frame ground 3-9  
    hot surface warning 3-9  
    key switch 3-7, 6-13  
    no ground warning 3-5  
    on/off 3-3, 13-11  
    operating instructions 3-7  
    operating instructions (electric) 3-3, 13-11  
    rollover warning 3-3, 3-7, 6-13  
    rotating parts 3-9  
    run/service switch 3-7, 6-25  
    Tow/Run switch 3-5  
    TransPorter 4 3-11  
    TransPorter 6 3-11  
    vehicle loading 1-27, 3-3, 3-7

delta A-plate 5-9  
delta A-plate sub-assembly 5-9  
delta shock and gear support 5-9  
desiccant bag 11-3  
DF-terminal insulator 6-17  
diagnostic port 13-11  
diesel tachometer probe 17-9  
differential  
    drive unit 15-3  
differential gear 12-7, 15-3  
differential gear case 12-7  
differential housing 15-3  
differential idler gear 12-7  
differential pin 12-7  
diode 6-11  
dipstick 7-5, 8-3  
drain plug 7-3, 8-7

drain plug gasket 7-3, 8-7, 12-3  
drive bar 13-15  
drive belt 11-5  
drive button 11-7  
drive clutch assembly 11-3  
drive clutch button 11-3  
drive clutch fixed sheave tool 17-5  
drive clutch fixed-face 11-3  
drive clutch holder tool 17-5  
drive clutch hub puller 17-5  
drive clutch puller 17-5  
drive clutch pulley 11-3  
drive clutch spider removal tool 17-5  
drive clutch spring 11-3  
drive clutch weight 11-3  
drive hub 11-3  
drive unit bumper 14-3  
driven clutch 11-7  
driven clutch button 11-7  
driven clutch cam 11-7  
driven clutch cam puller 17-5  
driven clutch fixed-face assembly 11-7  
driven clutch puller plug 17-5  
driven clutch spring compression base tool 17-5  
driven clutch spring compression collar tool 17-5  
driven clutch spring compression nut tool 17-5  
driver, drive clutch 11-3  
drum, brake 4-3, 4-9  
dry moly lubricant 17-7  
duct, intake 9-17  
dust cap 13-11  
dust cover 4-3, 4-9, 5-15

## E

E-clip 4-11, 4-17  
electrical box cover 6-11  
electrical component box 6-11, 13-17  
end bell, commutator 6-17  
end bell, output shaft 6-17  
end cap, motor 14-3  
end, tie rod 5-9  
engine 8-3  
engine mounting plate 7-15, 8-15  
engine shroud 7-5, 8-3  
engine, FE350 S27 7-5  
equalizer pivot 4-11  
equalizer rod 4-11, 4-17  
equalizer, brake cable 4-11, 4-17  
exhaust system 10-3  
exhaust valve 7-9, 8-9  
extrusion, fender 1-3

## F

face, moveable 11-3, 11-7  
fan housing 7-5, 8-3  
fan shroud 7-5, 8-3  
fan, flywheel 7-7, 8-5  
fender extrusion 1-3  
fender, rear 1-21  
field coil 6-17  
field coil housing 6-17  
fill plug 12-3  
filter  
    air 9-15  
    fuel 9-7, 9-19  
    oil 7-3, 8-7  
    oil pump 7-3, 8-7  
fitting, thread-forming grease 5-7, 5-15  
fixed-face, drive clutch 11-3  
fixed-face, driven clutch 11-7  
flat bed 1-25  
float 9-9, 9-23  
floor mat 1-5  
flywheel 8-5  
flywheel fan 7-7, 8-5  
flywheel fan plate 7-7, 8-5  
flywheel puller 17-7  
FNR closeout brush 6-13  
FNR shift lever 12-3  
FNR shifter 12-9  
FNR shifter bracket 12-9  
FNR shifter cam 12-9  
foam, seat 1-15, 1-17  
foot rest 1-29  
foot rest mat 1-29  
fork, shift 12-5  
frame and field, motor 14-3  
front bumper 1-3  
front bumper kit 1-3  
front spring retainer plate 5-11, 5-13  
front suspension sub-assembly 5-9  
F-terminal hardware 6-17  
f-terminal insulator 6-17  
fuel filter 9-7, 9-19  
fuel gauge sending unit 9-5, 9-21  
fuel line 9-7, 9-11, 9-19, 9-25  
fuel meter 6-13  
fuel pickup tube 9-5  
fuel pump mount 9-7  
fuel tank 9-5  
fuel tank cap 9-5  
fuel tank strap 9-7, 9-19  
fuel tank vent 9-5  
fuel tank vent grommet 9-21  
fuse 16-3, 16-5, 16-7, 16-9, 16-15, 16-17  
    10-amp 6-11  
    20-amp 6-11

# INDEX

fuse block 6-11

## G

gasket 15-3  
carburetor 9-11, 9-25  
carburetor mounting 9-9, 9-11, 9-23, 9-25  
crankcase cover 7-9, 8-9, 8-11  
drain plug 7-3, 8-7, 12-3  
exhaust 7-9, 8-9, 10-3  
head 7-9, 8-9  
insulator 7-9, 8-9, 9-11, 9-25  
liquid 12-3, 15-3, 17-7  
rocker case 7-9, 8-9  
sending unit 9-5, 9-21  
taillight 6-23, 13-21  
gasket kit, FE350 7-9, 8-9  
gauge, battery condition 13-11  
gauge, compression 17-5  
gauge, fuel-hour 6-13  
gear  
case 12-3, 15-3  
cluster idler 12-5  
differential 12-7, 15-3  
differential idler 12-7, 15-3  
differential output 15-3  
helical 7-13, 8-13, 12-5, 12-7  
spur 7-13, 8-13, 12-5  
synchro 12-5  
gear yoke 17-7  
governor 12-5  
governor arm 12-3  
governor cable 9-13  
governor cable bracket 9-13  
governor gear shaft 13-7  
governor shaft installation tool 17-7  
grommet 9-5, 9-17  
grommet, fuel tank vent 9-21  
guard, splash 9-3  
guide  
intake valve 8-9  
valve 8-9  
valve seat cutter 17-11  
guide ring adhesive 17-3

## H

handrail 1-29  
hanger, brake cable 5-19  
hardware, F-terminal 6-17  
harness, battery charger 13-7  
harness, headlight 6-5, 6-7, 13-3  
harness, wire 6-5, 6-11, 6-15, 13-7, 13-13  
head gasket 7-9, 8-9  
head, cylinder 8-9  
headband, sealed, motor 14-3  
headband, vented, motor 14-3

headlight assembly 6-9, 13-9  
headlight bulb 6-9, 13-9  
headlight harness 6-9, 13-9  
headlight retainer 6-9, 13-9  
headlight wire harness 6-5, 6-7, 13-3  
heat shrink tube 16-3, 16-5, 16-11  
heatsink and rectifier 16-3, 16-5, 16-7, 16-9, 16-15, 16-17  
helical gear 7-13, 8-13, 12-5, 12-7  
hill brake rod 4-5, 4-7  
hill brake weld assembly 4-5, 4-7  
hinge pin 1-27  
hinge plate 1-15, 1-17  
hinge, stake side 1-27  
hip restraint 1-29  
hold-down rod, battery 13-25, 13-27  
hold-down, battery 13-25, 13-27  
horn 6-7, 13-3  
horn bracket 6-7, 13-3  
horn button and wire assembly 6-15, 13-13  
hose, air intake 9-15  
hose, fuel 9-7, 9-19  
hour meter 6-13  
housing  
2-pin 13-15  
3-pin 13-15, 14-3  
differential 15-3  
fan 7-5, 8-3  
field coil 6-17  
hub 5-15  
hub bearing 5-15  
hub, synchronizer clutch 12-5  
hydraulic brake adjuster 17-7  
hydrometer 17-7

## I

idle screw assembly 9-9, 9-23  
idler bearing 11-3  
idler gear, differential 15-3  
ignition coil 8-5  
indicator, battery condition 13-11  
inner frame snubber 7-15, 8-15  
input shaft 15-3  
insert, synchronizer 12-5  
instrument panel 6-13, 13-11  
insulating washer 14-3  
insulator gasket 7-9, 8-9, 9-11, 9-25  
insulator, battery 1-23  
insulator, carburetor 9-11, 9-25  
insulator, motor terminal 14-3  
intake duct 9-17  
intake pipe 9-11  
intake valve 8-9  
intermediate shaft 15-3  
internal retaining ring pliers 17-7  
IQ display module (IQDM) 17-7

## J

jet, main 9-9, 9-23  
jet, pilot 9-9, 9-23  
joint  
ball 4-5, 4-7, 4-23  
left-hand thread ball 5-7

## K

key  
crankshaft 7-7, 7-13, 8-5, 8-13  
driven clutch 11-7  
On/Off 6-13, 13-11  
square 11-7  
starter/generator 6-17  
woodruff 12-3  
key switch 6-13  
key switch cap 6-13, 13-11  
key switch, On/Off 13-11  
kingpin 5-11, 5-13  
kit  
2-pin housing 13-15  
3-pin housing 13-15, 14-3  
accelerator pivot rod 4-19, 4-21  
anchor body 4-3, 4-9  
brake pedal 4-5  
brake pedal adjustment tool 17-3  
brake shoe retainer 4-3, 4-9  
clutch repair 11-7  
differential gear case 12-7  
drive clutch button 11-3  
drive clutch weight 11-3  
driven clutch button 11-7  
IQ display module (IQDM) 17-7  
motor brush 14-3  
motor speed sensor 14-3  
park brake latch 4-5, 4-7  
park brake pedal 4-5, 4-7  
reverse buzzer 6-23, 13-23  
shock absorber cushion 5-19, 5-21  
tune-up 17-9  
knob, forward/reverse 12-9

## L

lash adjuster 8-11  
latch, air box 9-15  
latch, park brake 4-5, 4-7  
leaf spring 5-19, 5-21  
lens, headlight 6-9, 13-9  
lens, taillight 6-23, 13-21  
lever  
change 12-3  
choke 9-15  
light  
battery 13-11  
oil 6-13

# INDEX

tail 6-23, 13-21  
limit switch 6-11, 6-15, 12-9, 13-13  
limiter  
    current 16-15  
    RPM 8-5  
    voltage 6-7  
line, fuel 9-7, 9-11, 9-19, 9-25  
link, rack and pinion drag 5-7  
link, stabilizer bar 5-23  
liquid gasket 12-3, 15-3, 17-7  
low oil warning light 6-13  
lubricant, dry moly 17-7  
lubricant, moly-teflon 14-3, 17-7  
lug nut 2-3  
lug stud 12-7, 15-3

## M

magnet, speed sensor 14-3  
main jet 9-9, 9-23  
maintenance/operation switch 6-25  
mat, floor 1-5  
mat, foot rest 1-29  
MCOR 13-15  
meter clip 6-13  
meter, volt ohm 17-11  
module  
    calibration test 17-3  
    communication display 17-5  
moly-teflon lubricant 17-7  
motor  
    48-volt IQ Plus 14-3  
motor brush 14-3  
motor brush kit 14-3  
motor brush spring 14-3  
motor bumper 14-3  
motor controller 13-17  
motor end cap 14-3  
motor frame and field 14-3  
motor headband, sealed 14-3  
motor headband, vented 14-3  
motor magnet, speed sensor 14-3  
motor speed sensor 14-3  
motor speed sensor kit 14-3  
motor terminal and lead assembly 14-3  
motor terminal insulator 14-3  
mount, compression 5-23  
mount, fuel pump 9-7  
mounting block, brake 4-5, 4-7  
moveable-face 11-3, 11-7  
muffler hose clamp 10-3

## N

name plate 3-11  
needle bearing 12-5  
nozzle, main 9-9, 9-23

nut, lug 2-3

## O

OBC 13-17  
oil filler tube 7-5, 8-3  
oil filter 7-3, 8-7  
oil filter mount bracket 7-3, 8-7  
oil filter screen 7-11, 8-11  
oil filter screen plate 7-11, 8-11  
oil level sensor 7-11, 8-11  
oil level switch bracket 7-11, 8-11  
oil pump and rotor 7-3, 8-7  
oil pump cover 7-3, 8-7  
oil pump filter 7-3, 8-7  
oil pump plate 7-3, 8-7  
oil seal 7-9, 7-11, 7-13, 8-9, 8-11, 8-13, 12-3, 12-5  
oil warning light, low 6-13  
onboard battery charger 16-3, 16-9, 16-17  
onboard computer 13-17  
operation/maintenance switch 6-25  
O-ring 7-5, 7-9, 7-11, 7-13, 8-3, 8-9, 8-11, 8-13

## P

pad  
    accelerator pedal 4-19, 4-21  
    brake pedal 4-5, 4-7  
    park brake 4-5, 4-7  
paint, touch-up 17-7  
panel, instrument 6-13, 13-11  
park brake latch 4-5, 4-7  
park brake pedal 4-5, 4-7  
park brake rod sleeve 4-5, 4-7  
park brake spacer 4-5, 4-7  
park brake torsion spring 4-5, 4-7  
pawl 4-5, 4-7  
pedal group 4-7  
pedal, accelerator 4-19, 4-21  
pedal, brake 4-5  
pedal, park brake 4-5, 4-7  
pilot air screw assembly 9-9, 9-23  
pilot jet 9-9, 9-23  
pin, differential 12-7  
pin, hinge 1-27  
pin, piston 7-13, 8-13  
pinion, steering 5-7, 5-17  
pipe, intake 9-11  
piston 7-13, 8-13  
piston anchor 4-3, 4-9  
piston pin 7-13, 8-13  
piston ring 7-13, 8-13  
piston ring compressor 17-9  
piston ring pliers 17-9  
piston ring set 7-13, 8-13  
pivot arm 12-3  
pivot support bearing 4-19, 4-21

plate

bed floor 1-25  
bumper mounting 1-21  
component mounting 13-17  
engine mounting 7-15, 8-15  
flywheel fan 7-7, 8-5  
front spring retainer 5-11, 5-13  
hinge 1-15, 1-17  
name 3-11  
oil filter screen 7-11, 8-11  
oil pump 7-3, 8-7  
receptacle backing 16-3, 16-5, 16-13  
score card 5-5  
spring mounting 5-11, 5-13  
steering wheel 5-5  
thrust 12-5, 12-7

pliers

internal retaining ring 17-7  
piston ring 17-9  
retaining ring 17-9

plug

drain 7-3, 8-7  
driven clutch puller 17-5  
fill 12-3  
spark 8-5

plug cap 7-7, 8-5

plug, carburetor intake manifold 9-25

plug, spark 7-7

pole set 6-17

port, diagnostic 13-11

press weldment 17-5

protector spray, battery terminal 17-3

puller

bearing 17-3  
clutch 17-3  
drive clutch 17-5  
drive clutch hub 17-5  
driven clutch cam 17-5  
flywheel 17-7  
seal 17-9  
special use tool 17-9

pulley

drive clutch 11-3  
starter-generator 6-17

push rod 7-9, 8-9

## R

race, front hub bearing 5-15  
rack and pinion drag link 5-7  
rack guide pressure spring 5-7, 5-17  
rack, steering 5-7, 5-17  
ratchet, park brake 4-5, 4-7  
reamer, valve guide 17-9  
rear bumper 1-21  
rear fender 1-21  
rear spring shackle 5-19

# INDEX

receptacle backing plate 16-3, 16-5, 16-13  
receptacle, AC cord 16-15  
rectifier with heatsink 16-3, 16-5, 16-7, 16-9, 16-15, 16-17  
reel bracket 16-11  
reel cord 16-3, 16-5, 16-11, 16-13  
regulator, voltage 6-11  
relay 6-11, 16-5  
relay mounting bracket 6-11, 16-3, 16-5, 16-9, 16-17  
relay, 12-volt 6-7  
relay, 48-volt 16-7, 16-9, 16-15, 16-17  
remover, bearing and oil seal 17-3  
retainer  
    accelerator pedal spring 4-19, 4-21  
    brake shoe 4-3, 4-9  
    headlight 6-9, 13-9  
    shock absorber cushion 5-19, 5-21  
    spring (drive clutch) 11-3  
    valve spring 7-9, 8-9  
retaining bracket 9-17  
retaining ring 5-3  
retaining ring pliers 17-9  
return spring bumper 4-19, 4-21  
reverse buzzer 6-13, 6-23, 13-11, 13-23  
rim, wheel, white 2-3  
ring  
    piston 7-13, 8-13  
    retaining 5-3, 6-11, 11-3, 11-7  
    snap 5-7, 5-17, 7-13, 8-9, 8-13  
    spiral backup 11-3  
    synchronizer 12-5  
ring, C-type stop 5-7, 5-17  
ring, piston 7-13, 8-13  
rivet, blind push 1-3, 13-19  
rocker arm 7-9, 8-9  
rocker case 8-9  
rocker case gasket 7-9, 8-9  
rocker shaft 7-9, 8-9  
rocker switch 13-11  
rocker switch (lights) 6-7, 13-3  
rod  
    accelerator 4-23  
    accelerator pivot 4-19, 4-21  
    battery hold-down 13-25, 13-27  
    connecting 7-13, 8-13  
    crankshaft 7-13, 8-13  
    equalizer 4-11, 4-17  
    hill brake 4-5, 4-7  
    push 7-9, 8-9  
    shift 12-5  
rotor, oil pump and 7-3, 8-7  
RPM limiter 8-5  
RPM limiter bracket 8-5  
RPM limiter damper 8-5  
RPM limiter mount band 8-5

## S

safety first card 17-9  
screen, oil filter 7-11, 8-11  
screw, valve clearance adjuster 17-9  
seal  
    bed 1-25  
    intake 9-15  
    lip 15-3  
    oil 7-9, 7-11, 7-13, 8-9, 8-11, 8-13, 12-3, 12-5, 12-7, 15-3  
    steering pinion dust 5-7, 5-17  
    vertical socket dust 5-7  
seal puller 17-9  
seal, bed 1-13  
sealant 12-3, 15-3  
seat  
    spring 7-9, 8-9  
    valve 7-3, 8-7  
seat back 1-9, 1-19  
seat back assembly 1-9, 1-19  
seat back cap 1-9, 1-19  
seat back mounting bracket 1-19  
seat back tube 1-11, 1-13  
seat back, white 1-9, 1-19  
seat bottom assembly 1-7, 1-15, 1-17  
seat bumper 1-7  
seat cover, vinyl 1-7, 1-15, 1-17  
seat foam 1-15, 1-17  
seat hinge 1-19  
seat strap 1-7, 1-15, 1-17  
seat, bearing 5-3  
sending unit, fuel gauge 9-5, 9-21  
sensor, motor speed 14-3  
sensor, oil level 7-11, 8-11  
set, brush and screw 6-17  
set, pole 6-17  
shackle weldment 5-21  
shackle, rear spring 5-19  
shaft  
    change 12-3  
    counterbalance guide 7-13, 8-13  
    governor gear 13-7  
    input 15-3  
    intermediate 15-3  
    rocker 7-9, 8-9  
    steering column 5-3  
    transmission 12-5  
shield, battery charger 16-13  
shift fork 12-5  
shift lever 12-3  
shift rod 12-5  
shifter, FNR 12-9  
shim, camshaft 7-11, 8-11  
shim, crankshaft 7-13, 8-13  
shim, tilt bed pivot 1-25  
shock absorber 5-9, 5-19, 5-21

shock absorber cushion 5-19, 5-21  
shock absorber cushion retainer 5-19, 5-21  
shock mounting bracket 5-21  
shoe, brake 4-3, 4-9  
shroud 7-5, 8-3  
shroud, engine 7-5, 8-3  
shroud, fan 7-5, 8-3  
sleeve  
    delta A-plate 5-9  
    governor 12-5  
    park brake rod 4-5, 4-7  
    synchronizer 12-5  
snap ring 5-7, 5-17, 7-13, 8-9, 8-13  
snubber bracket 7-15, 8-15  
snubber, inner frame 7-15, 8-15  
socket 5-7  
solenoid 13-17  
solenoid, 12-volt 6-11  
spacer  
    accelerator pivot rod 4-19, 4-21  
    park brake 4-5, 4-7  
spanner wrench 17-9  
spark plug 7-7, 8-5  
speed controller 13-17  
speed sensor 14-3  
speed sensor magnet 14-3  
speed sensor, motor 14-3  
spiral backup ring 11-3  
splash guard 9-3  
spray, battery terminal protector 17-3  
spring  
    accelerator return 4-19, 4-21  
    brake 4-3, 4-9  
    brake return 4-17  
    brush 6-17, 14-3  
    camshaft 8-11  
    drive button 11-3  
    drive clutch 11-3  
    driven clutch 11-7  
    extension return 9-15  
    leaf 5-19, 5-21  
    park brake torsion 4-5, 4-7  
    rack guide pressure 5-7, 5-17  
    shifter 12-5  
    steering shaft compression 5-3  
    synchronizer 12-5  
    throttle return 9-11, 9-25  
    valve 7-9, 8-9  
spring cup 4-19, 4-21  
spring mounting plate 5-11, 5-13  
spring, motor brush 14-3  
spur gear 7-13, 8-13, 12-5  
stabilizer bar 5-23  
stabilizer bar link 5-23  
stabilizer bar mounting bracket 5-23  
stake side 1-27

# INDEX

- stake side bracket 1-27
  - stake side hinge 1-27
  - stake side kit 1-27
  - starter/generator 6-17
  - starter/generator belt 6-19, 11-3
  - starter/generator pulley 6-17
  - steel bushing 1-25, 5-11, 5-13, 5-19, 5-21
  - steel pressure relief ball 7-3, 8-7
  - steering column 5-3
  - steering column bearing press tool 17-9
  - steering column cover 6-15, 13-13
  - steering column retaining ring tool 17-9
  - steering gear box 5-7, 5-17
  - steering pinion 5-7, 5-17
  - steering pinion dust seal 5-7, 5-17
  - steering rack 5-7, 5-17
  - steering shaft assembly 5-3
  - steering shaft compression spring 5-3
  - steering wheel 5-5
  - steering wheel plate 5-5
  - steering wheel puller tool 17-9
  - stem, valve 2-3
  - stiffener 1-7
  - stiffener, flywheel side 7-15, 8-15
  - stiffener, PTO side 7-15, 8-15
  - strap, A-plate 5-9
  - strap, fuel tank 9-7, 9-19
  - strap, seat 1-7, 1-15, 1-17
  - stud 7-15, 8-15
    - lug 12-7, 15-3
  - stud, ball 6-11
  - support yoke (steering) 5-7, 5-17
  - support, bushing 5-23
  - suppressor, voltage 6-7, 13-3, 16-3, 16-5, 16-7, 16-9, 16-15, 16-17
  - switch
    - four-position 16-5, 16-15, 16-17
    - key 6-13, 13-11
    - light rocker 6-7, 13-3
    - limit 6-11, 6-15, 12-9, 13-13
    - rocker 13-11
  - switch rubber boot 6-25
  - switch, operation/maintenance 6-25
  - switch, toggle 6-25
  - synchro gear 12-5
  - synchronizer clutch hub 12-5
  - synchronizer insert 12-5
  - synchronizer sleeve 12-5
  - synchronizer spring 12-5
  - system, exhaust 10-3
- T**
- 12-volt solenoid 6-11
  - tachometer 17-9
  - tachometer probe, diesel 17-9
  - tail light bulb 6-23, 13-21
  - taillight 6-23, 13-21
  - taillight gasket 6-23, 13-21
  - taillight lens 6-23, 13-21
  - tailskirt 1-21
  - tank, fuel 9-5
  - tape, vinyl foam 1-25
  - tappet 7-11
  - terminal block 6-7, 13-3, 13-19
  - tester, continuity 17-5
  - thermometer, battery 17-3
  - thread-forming grease fitting 5-7, 5-15
  - throttle return spring 9-11, 9-25
  - throttle spring return bracket 9-11, 9-25
  - thrust bearing 5-11, 5-13
  - thrust plate 12-5, 12-7
  - tie rod end 5-9
  - tie wrap 5-7, 5-17, 6-7, 6-11, 9-17, 9-19, 13-3, 13-7, 13-17, 13-19
  - tire 2-3
  - tire and wheel assembly 2-3
  - toggle switch 6-25
  - tool
    - accelerator pedal adjustment 17-3
    - belt tensioning, starter/generator 17-11
    - brake adjustment 17-3
    - brake cable release 17-3
    - brake pedal adjustment 17-3
    - brake pedal tension 17-3
    - cam installation 17-3
    - carburetor float level 17-7
    - charger bezel 17-3
    - clutch alignment 17-5
    - cT-wrench 17-5
    - drive clutch fixed sheave 17-5
    - drive clutch holder 17-5
    - drive clutch spider removal 17-5
    - driven clutch spring compression base 17-5
    - driven clutch spring compression collar 17-5
    - driven clutch spring compression nut 17-5
    - governor shaft installation 17-7
    - puller, special use 17-9
    - steering column bearing press 17-9
    - steering column retaining ring 17-9
    - steering wheel puller 17-9
    - transaxle axle seal 17-9
    - transaxle pinion seal 17-9
    - transmission 17-9
    - valve guide driver 17-9
    - valve seat cutter 17-5
  - tool kit, clutch 17-5
  - touch-up paint 17-7
  - Tow/Run switch bracket 6-25
  - transaxle 15-3
  - transaxle axle seal tool 17-9
  - transaxle housing 15-3
  - transaxle pinion seal tool 17-9
  - transaxle, unitized 12-3
  - transformer, battery charger 16-3, 16-5, 16-7, 16-9, 16-15, 16-17
  - transmission shaft 12-5
  - transmission tool 17-9
  - trim
    - cowl 1-3
    - seat bottom 1-11, 1-13
  - tube
    - crankcase vent 9-11, 9-25
    - fuel pickup 9-5
    - oil filler 7-5, 8-3
    - seat back 1-11, 1-13
  - tune-up kit 17-9
  - turn signal lens 6-9, 13-9
  - T-wrench tool 17-5
- U**
- U-bolt 5-21
  - u-bolt 5-19
  - unitized transaxle 12-3
  - upper delta clevis 5-11, 5-13
  - urethane bushing 1-25, 5-9, 5-11, 5-13, 5-19, 5-21
- V**
- valve
    - choke 9-15
    - exhaust 7-9, 8-9
    - intake 8-9
    - reed 7-9, 8-9
  - valve clearance adjuster screw 17-9
  - valve guide 8-9
  - valve guide driver tool 17-9
  - valve guide reamer 17-9
  - valve guide, intake 8-9
  - valve seat 7-3, 8-7
  - valve seat cutter 17-5, 17-11
  - valve seat cutter guide 17-11
  - valve seat cutter tool 17-5
  - valve seat t-wrench 17-11
  - valve spring 7-9, 8-9
  - valve spring compressor 17-11
  - valve spring retainer 7-9, 8-9
  - valve stem 2-3
  - vent barb 9-7
  - vent, fuel tank, w/ valve 9-21
  - vertical socket dust seal 5-7
  - volt ohm meter 17-11
  - voltage limiter 6-7
  - voltage regulator 6-11
  - voltage suppressor 6-7, 13-3, 16-3, 16-5, 16-7, 16-9, 16-15, 16-17



# INDEX

## W

warning light, low oil 6-13  
washer, insulating 14-3  
wedge, bearing puller 17-3  
weight  
    clutch 11-3  
    counterbalance 7-13, 8-13  
    secondary clutch 11-3  
weldment  
    press 17-5  
wheel 2-3  
wheel and tire assembly 2-3  
wheel rim, white 2-3  
wheel, steering 5-5  
wire assembly, battery charger 16-15  
wire harness 6-5, 6-11, 6-15, 13-7, 13-13  
wire harness, headlight 6-5, 6-7, 13-3  
woodruff key 12-3  
wrap, tie 5-7, 5-17, 6-7, 6-11, 9-17, 9-19, 13-3,  
    13-7, 13-17, 13-19  
wrench, spanner 17-9

## Y

yoke, gear 17-7  
yoke, support (steering) 5-7, 5-17







**Club Car, Inc.**  
P.O. Box 204658  
Augusta, GA 30917-4658  
USA

**Web** [www.clubcar.com](http://www.clubcar.com)  
**Phone** 1.706.863.3000  
1.800.ClubCar  
**Int'l** +1 706.863.3000  
**Fax** 1.706.863.5808