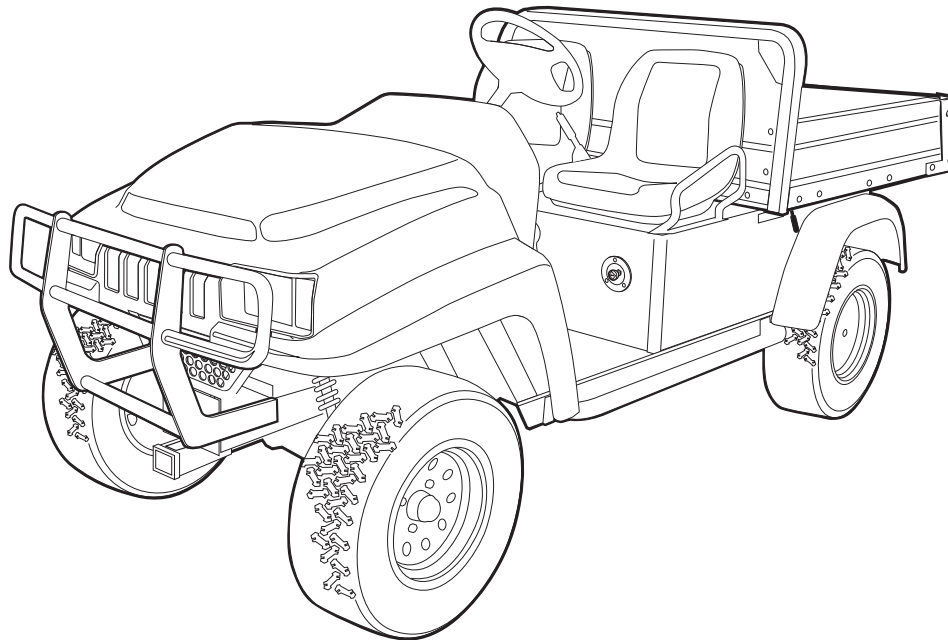




**2006-2007
XRT 1200 and XRT 1200 SE
Illustrated Parts List**



Gasoline Vehicles

Manual Number 102907607
Edition Code 0907L0112K

USING THE ILLUSTRATED PARTS LIST

⚠ WARNING

- **This manual is to be used only for identification and ordering of service parts. Be sure to read and use the maintenance and service manual before attempting any vehicle repairs.**

This manual covers all 2006 and 2007 XRT 1200 and XRT 1200 SE vehicles.

The manual is divided into sections. Note that there are two or three flags on the outside edge of each page. The first flag contains the section number of which that page is a part. The other flag (or flags) contains either the letter D, G, or E, signifying that the page pertains to either the diesel, gasoline, or electric vehicle only.

Use the Table of Contents to find the sections and pages that contain the parts and assemblies you seek. The Table of Contents lists section numbers, and under them, the individual page titles and numbers to be found in that section. The index can be used to find specific parts and assemblies. The index is divided into numerical and alphabetical listings with the page numbers in italic text.

There is a two-page spread for each individual page title in the Table of Contents. On the left-hand page is an illustration showing the parts in their relative positions; the parts are each tagged with an item number in a balloon. The right-hand page is the parts list page, and gives the page title at the top, then the item numbers (corresponding to the numbers on the illustration), part descriptions, and quantity of parts used. Some item numbers have more than one part number because several configurations of a component are represented together on one spread.

Note that a part description may be indented. This indentation corresponds to a parts assembly level indicated by the numbers 1, 2, 3, and 4 at the top left corner of the parts description area of the parts list page. A part that is indented to *level 2* is a component of the *level 1* part (assembly) that it is listed under. A *level 3* part is a component of the *level 2* part that it is listed under, and a *level 4* part is a component of the *level 3* part preceding it. In each case, the part quantity given for a level 2, 3, or 4 part is the quantity used per next higher level assembly of which it is a component. A part that is not indented is a *level 1* part. This means that the quantity given is the quantity used per the portion of the vehicle illustrated on that particular spread.

HOW TO ORDER PARTS

Replacement parts and accessories can be obtained from our network of authorized dealers and distributors. You can obtain the name and phone number of your closest authorized Club Car dealer or distributor by visiting our web site at www.clubcar.com and clicking on the "Distributor Search" link or by calling our toll-free Service Parts and Technical Assistance hotline at (800) 872-2246 or (706) 863-3000, extension 3887.



P. O. Box 204658
Augusta, Georgia 30917-4658 USA
Telephone 706-863-3000
Service Parts Fax 706-855-7413
www.clubcar.com

NOTE: *This illustrated parts list represents the most current information at the time of publication. Club Car, Inc. is continually working to further improve its vehicles and other products. These improvements may affect the parts used to service the vehicle. Any modification and/or significant change in specifications will be forwarded to all Club Car and Carryall distributors/dealers and will, when applicable, appear in future editions of this illustrated parts list.*

Club Car, Inc. reserves the right to change specifications and designs at any time without notice and without the obligation of making changes to units previously sold.

Copyright © 2007 Club Car, Inc.
Club Car and *Precedent*
are registered trademarks of Club Car, inc.
This manual effective July 26, 2005.

2006-2007 XRT 1200 and XRT 1200 SE Gasoline Vehicles Illustrated Parts List

CONTENTS

SECTION 1 – BODY AND TRIM

Front Body and Trim	1-3
Front Seats	1-5
Rear Seat and Support Structure – XRT 1200 SE	1-7
Latch Plate and Prop Rod	1-9
Tilt Bed, Hinge, and Latch – XRT 1200	1-11
Cargo Box – XRT 1200	1-13
Tilt Bed, Hinge, and Latch – XRT 1200 SE	1-15
Cargo Box – XRT 1200 SE	1-17
Tailgate Bracket (Earlier Style)	1-19
Rear Body Trim	1-21

SECTION 2 – WHEELS AND TIRES

Wheels and Tires	2-3
------------------------	-----

SECTION 3 – DECALS

Decals – XRT 1200 Vehicles	3-3
Decals – XRT 1200 Vehicles, Continued	3-5
Decals – XRT 1200 SE Vehicles	3-7
Decals – XRT 1200 SE Vehicles, Continued	3-9

SECTION 4 – BRAKE SYSTEMS

Front Brake Assembly	4-3
Brake Assembly	4-5
Rear Brake Assembly, Continued	4-7
Master Cylinder	4-9
Hydraulic Brake System	4-11
Hand Park Brake Assembly	4-13

SECTION 5 – PEDAL GROUP

Brake Pedal Assembly	5-3
Accelerator Pedal Assembly – Gasoline Vehicle	5-5
Accelerator Rod	5-7

SECTION 6 – STEERING AND SUSPENSION

Steering Column	6-3
Steering Gear Assembly	6-5

CONTENTS

Front Suspension	6-7
Rear Suspension	6-9

SECTION 7 – ELECTRICAL SYSTEM

Wiring – XRT 1200 Vehicles	7-5
Wiring – XRT 1200 SE Key-Start Vehicle	7-9
Forward/Reverse Shifter Assembly	7-11
Headlights	7-13
XRT 1200SE Forward/Reverse Shifter Assembly	7-15
Electrical Component Box, Key-Start Vehicles	7-17
Electrical Components, Front Body	7-19
Electrical Components, Dash Panel	7-21
Starter/Generator Mounting	7-23
Starter/Generator Assembly Model G425419 – Gasoline Vehicles	7-25
Battery	7-27

SECTION 8 – FE400 ENGINE

FE400 Engine (Key-Start) – Shrouds and Brackets	8-3
FE400 Engine (Key-Start) – Ignition Components and Flywheel	8-5
FE400 Engine (Key-Start) – Oil Circulation	8-7
FE400 Engine (Key-Start) – Cylinder Head	8-9
FE400 Engine (Key-Start) – Crankcase, Camshaft and Oil Sensor	8-11
FE400 Engine (Key-Start) – Crankcase and Crankshaft	8-13
Engine Mounting	8-15

SECTION 9 – FUEL, INTAKE, AND GOVERNOR SYSTEM

Fuel System	9-3
Fuel Tank with Fuel Level Sending Unit	9-5
Carburetor Assembly, FE400 Engine	9-7
Carburetor Installation	9-9
Governor and Accelerator Cables	9-11
Air Box and Intake Hose	9-13

SECTION 10 – EXHAUST SYSTEM

Exhaust System, FE400 Engine	10-3
------------------------------------	------

SECTION 11 – TORQUE CONVERTER

Drive Clutch	11-3
--------------------	------

CONTENTS

Driven Clutch	11-5
---------------------	------

SECTION 12 – UNITIZED TRANSAXLE

MC012C-BS00 Beginning With Serial Number MC012C3J0001 – Gear Cases, Brackets and Guard	12-3
MC012C-BS00 Beginning With Serial Number MC012C3J0001 – F&R Transmission and Gear	12-5
MC012C-BS00 Beginning With Serial Number MC012C3J0001 – Axle Carrier Assembly	12-7
MC012C-BS00 Beginning With Serial Number MC012C3J0001 – Differential Lock and Axles	12-9
Unitized Transaxle – Differential Lock Cable Assembly and Shifter	12-11

SECTION 13 – MAINTENANCE AND SERVICE TOOLS

Maintenance and Service Tools	13-3
Maintenance and Service Tools, Continued	13-5
Maintenance and Service Tools, Continued	13-7
Maintenance and Service Tools, Continued	13-9
Maintenance and Service Tools, Continued	13-11

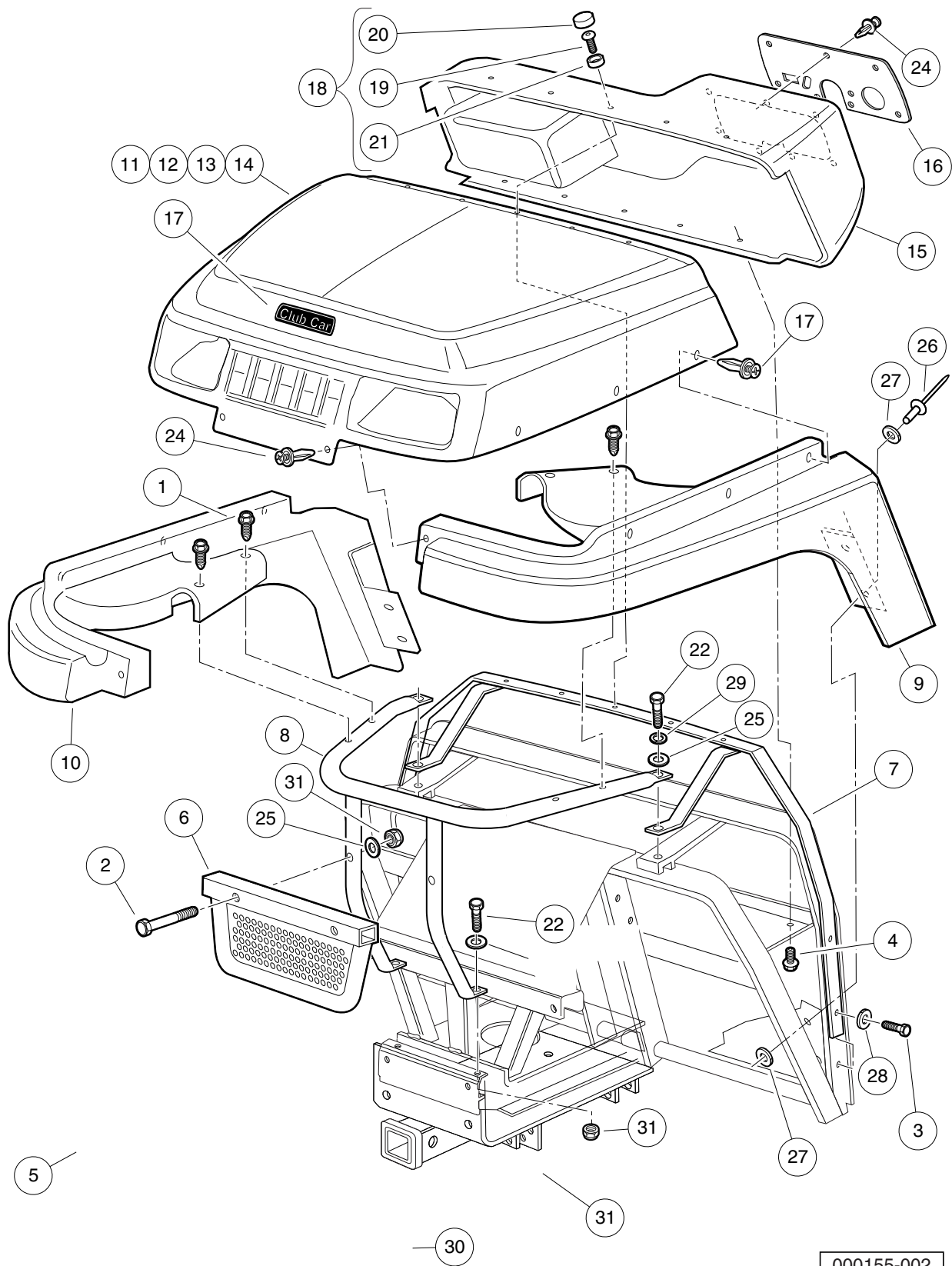
SECTION i – INDEX

BODY AND TRIM

1

G

1
G



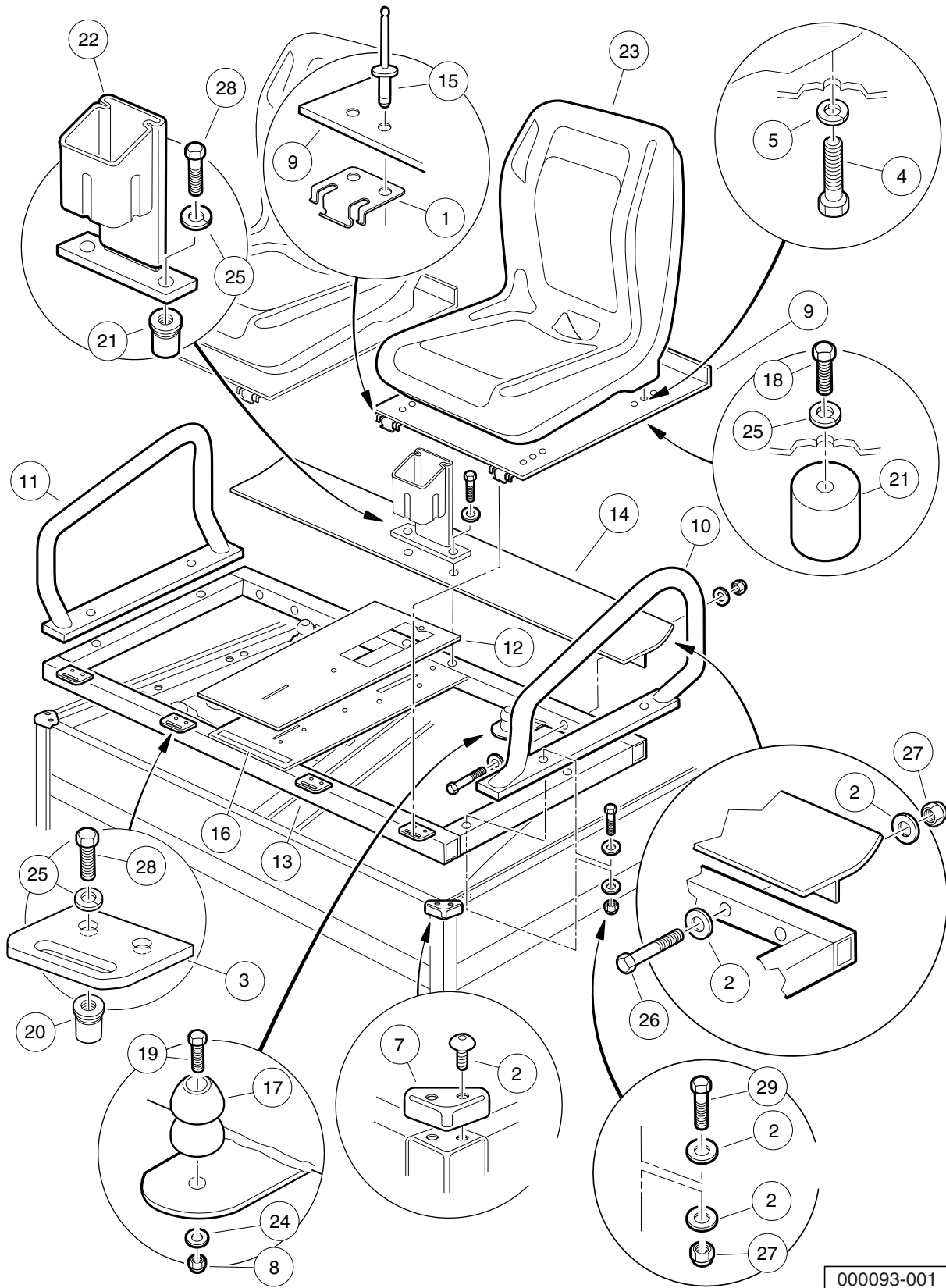
000155-002

FRONT BODY AND TRIM

ITEM	PART NO.	DESCRIPTION	QTY
		1 2 3 4	
1	1010545	Screw, Hex Washer Head 1/4-14 X .75	4
2	1010921	Screw, 5/16-18 X 2.50 Hex Cap	2
3	1012285	Screw, 1/4 X 0.625 Hex-Head	4
4	1017384	Screw, #12 X .50 Hex, Washer-Head	5
5	102013201	Front Brushguard	1
6	102013901	Grill Assembly	1
7	102015701	Support, Upper Cowl	1
8	102015801	Support, Lower Fender	1
9	102021501	Fender, Left Front	1
10	102021601	Fender, Right Front	1
11	102021710	Cowl, Dark Green	1
12	102021714	Cowl, Dark Gray	1
13	102021715	Cowl, Red	1
14	102021716	Cowl, White	1
15	102021801	Dashboard	1
16	102030501	Panel, Dash	1
17	102046501	Decal, CC Nameplate, Utility	1
18	102056901	Kit, Dash Hardware (includes items 19 through 21)	1
19	102025801	Screw, 1/4-20 X .75 Torx Pn Hd	5
20	102045001	Cap, 1/4" Plastic Screw Head	5
21	102048401	Washer, 1/4 Id Scalloped Plast	5
22	102078101	Screw, 5/16-18 X 2.50 Hex Cap	4
23	102751701	Floormat	1
24	102967901	Rivet, Removable, Tuflok 1/4"	15
25	1241	Washer, 5/16 Type A Flat	6
26	1606	Rivet, 3/16 X .500 Alum Pop	4
27	183	Washer, #10 Type A Flat	8
28	332	Washer, 1/4 Type A Narrow Flat	4
29	7174	Lockwasher, 5/16 Split	2
30	7410	Screw, 5/16-18 X 1.25 Truss Hd	4
31	7473	Locknut, 5/16-18 Nylon Insert	6
		Note: The floormat is not illustrated.	

1

G



000093-001

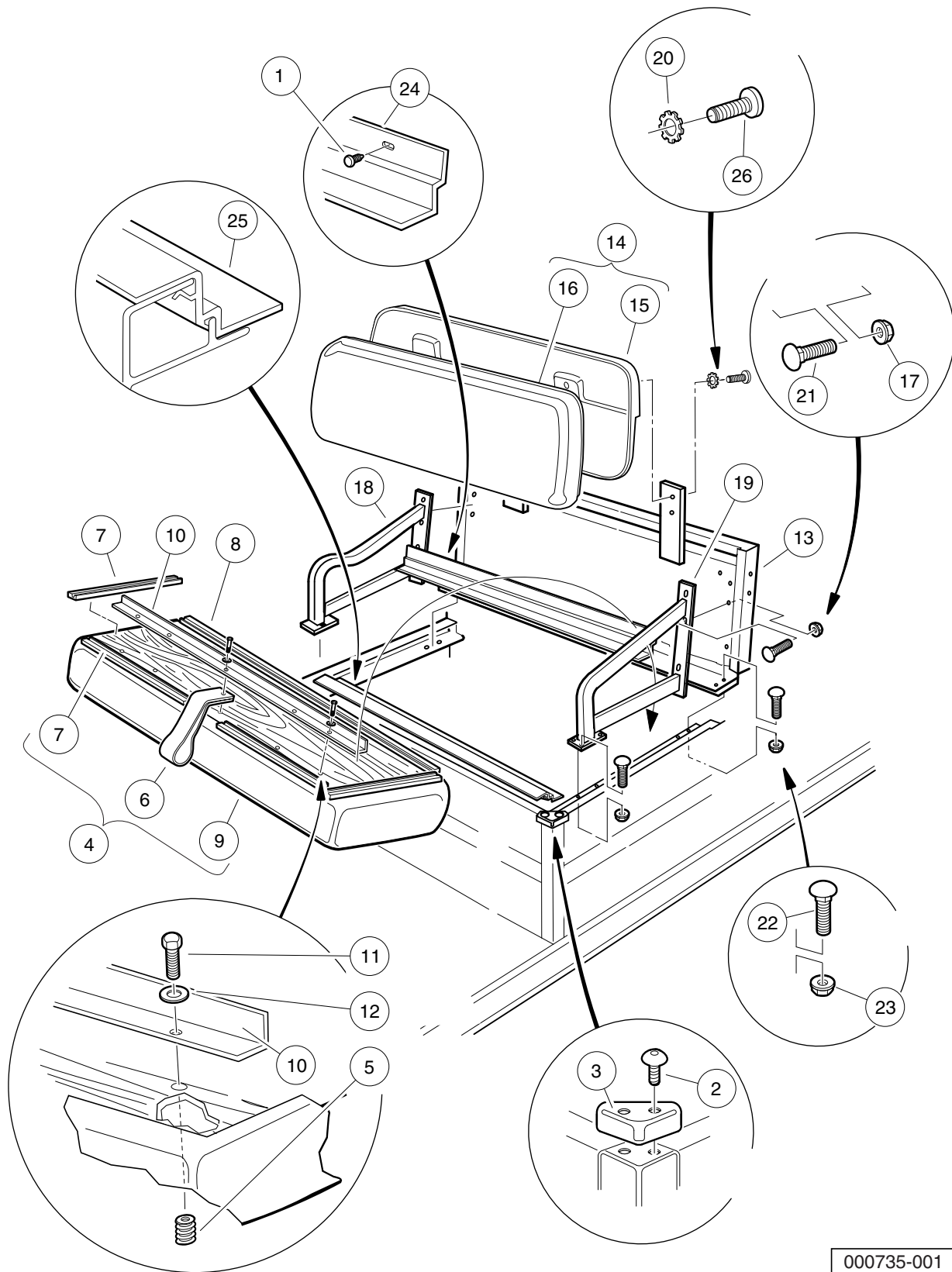
FRONT SEATS

ITEM	PART NO.	DESCRIPTION	QTY
		1 2 3 4	
1	1011652	Hinge Plate	4
2	1011697	Washer, 5/16 Flat	16
3	1012412	Body, Hinge Plate	4
4	1012830	Screw, M8-125 X 22 Hex-Head	8
5	1013734	Lockwasher, 8mm Split	8
6	1014321	Screw, #10 Truss-Head Torx	4
7	1014387	Cap, Corner	2
8	101887601	Locknut, M6-1.00 Nylon Insert	2
9	102023701	Pan, Seat	2
10	102024901	Armrest, Driver	1
11	102025001	Armrest, Passenger	1
12	102026401	Console Cover	1
13	102026901	Seat Support Assembly	1
14	102029501	Seal	1
15	102047001	Rivet, 1/4 X .438 Blind	8
16	102056201	3M VHB Tape 4936	1
17	102059001	Seat Holder Base	2
18	102059401	Screw, 6m-1.00 X 10mm Hex Head	2
19	102059501	Screw, 6m-1.00 X 35mm Hex Head	2
20	102060201	1/4 - 20 Threaded Insert	10
21	102061101	Seat Holder Cup	2
22	102068501	Radio/Beverage Holder Assembly	1
23	103267001	Seat, Bucket, Gray	2
24	332	Washer, 1/4 Type A Narrow Flat	2
25	451	Lockwasher, 1/4 Split	12
26	7311	Screw, 1/4-20 X 2.00 Hex-Head Cap	4
27	7473	Locknut, 5/16-18 Nylon Insert	8
28	7847	Screw, 1/4-20 X 0.75 Hex-Head Cap	10
29	8935	Screw, 5/16-18 X 2.25 Hex-Head Cap	4

1

G

1
G



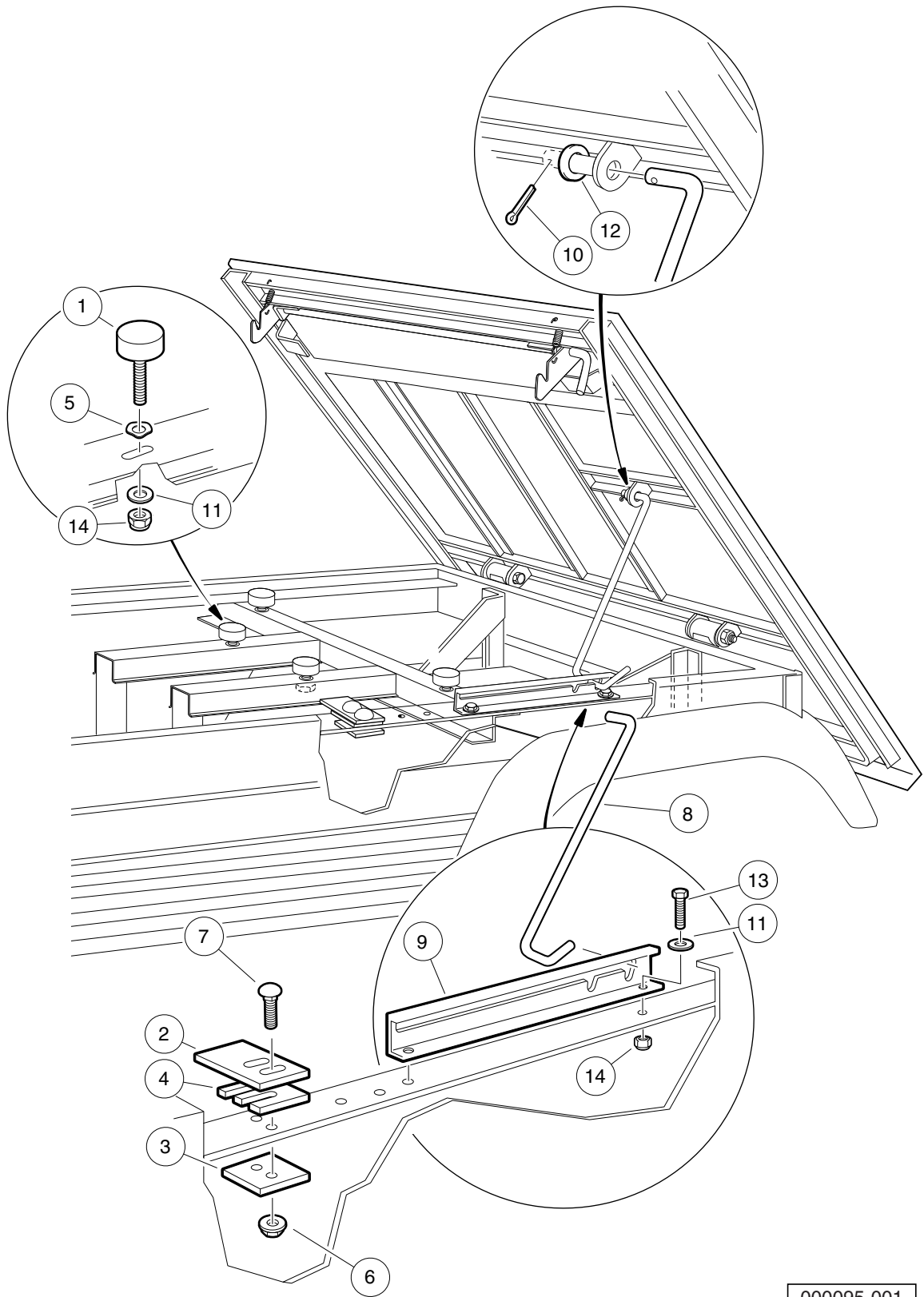
000735-001

REAR SEAT AND SUPPORT STRUCTURE – XRT 1200 SE

ITEM	PART NO.	DESCRIPTION	QTY
		1 2 3 4	
1	1010434	Barrel - Plastic	5
2	1014321	Screw, #10 Truss-Head Torx	4
3	1014387	Cap, Corner	2
4	101564505	Seat Bottom Assembly, Gray (includes items 5 through 12)	1
5	1010543	Insert - Wood	5
6	1013309	Strap, Utility Seat	1
7	1013311	Bumper, Seat, Short	4
8	1013312	Bumper, Seat, Long	1
9	101562715	Vinyl Cover, Seat Bottom, Gray	2
10	101894303	Stiffener	1
11	101954301	Screw, 1/4-20 X 0.75 Hex-Head Cap	5
12	332	Washer, 1/4 Type A Narrow Flat	5
13	1016723	Seat Support Panel Assembly	1
14	101677705	Seat Back Assembly, Gray (includes items 15 and 16)	1
15	1016751	Cap, Seat Back	1
16	101675515	Vinyl Seat Back-nstd Svc	1
17	101835601	Locknut, 1/4-20 Hex Whiz	1
18	101888501	Armrest Weldment, Passenger-Side	1
19	101888502	Armrest Weldment, Driver-Side	1
20	101946201	Washer, Lock, 0.250 External-Tooth	4
21	101958601	Carriage Bolt, 1/4-20 X 0.75	10
22	101963301	Bolt, 5/16-18 X 0.75 Round-Head	4
23	101963401	Locknut, 5/16-18 Hex Flange	4
24	101963901	Trim, Seat Bottom Rear	1
25	101964001	Trim, Seat Bottom Front	1
26	8251	Screw, 1/4-20 X 1.0 Truss-Head Machine	4

1
G

1
G



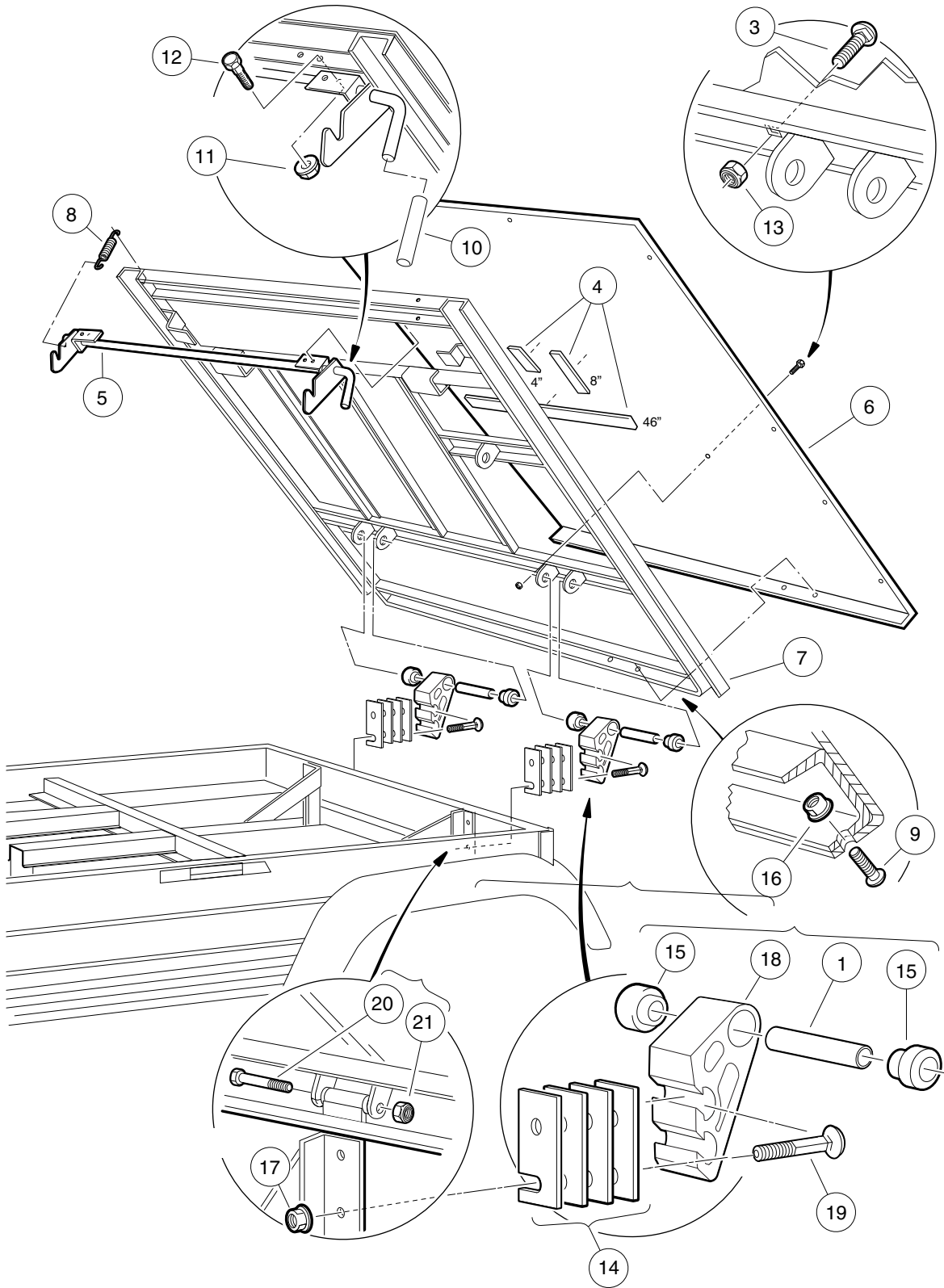
000095-001

LATCH PLATE AND PROP ROD

ITEM	PART NO.	DESCRIPTION	QTY
		1 2 3 4	
1	1010878	Bumper, Rubber	4
2	1015277	Latch Plate, Tilt Bed	2
3	1016060	Plate, Latch Support	2
4	1016078	Latch Plate Shim	1
5	1016201	Washer, Wave	4
6	101835601	Locknut, 1/4-20 Hex Whiz	4
7	101958602	Bolt, Carriage, 1/4-20 X 1.0	4
8	102301401	Rod, Prop	1
9	102418101	Track, Prop Rod	1
10	1035	Cotter Pin, 3/32 x 1	1
11	332	Washer, 1/4 Type A Narrow Flat	4
12	334	Washer, 3/8 Type A Flat	1
13	7847	Screw, 1/4-20 X 0.75 Hex-Head Cap	2
14	8233	Locknut, 1/4-20 Nylon Insert	4

1
G

1
G



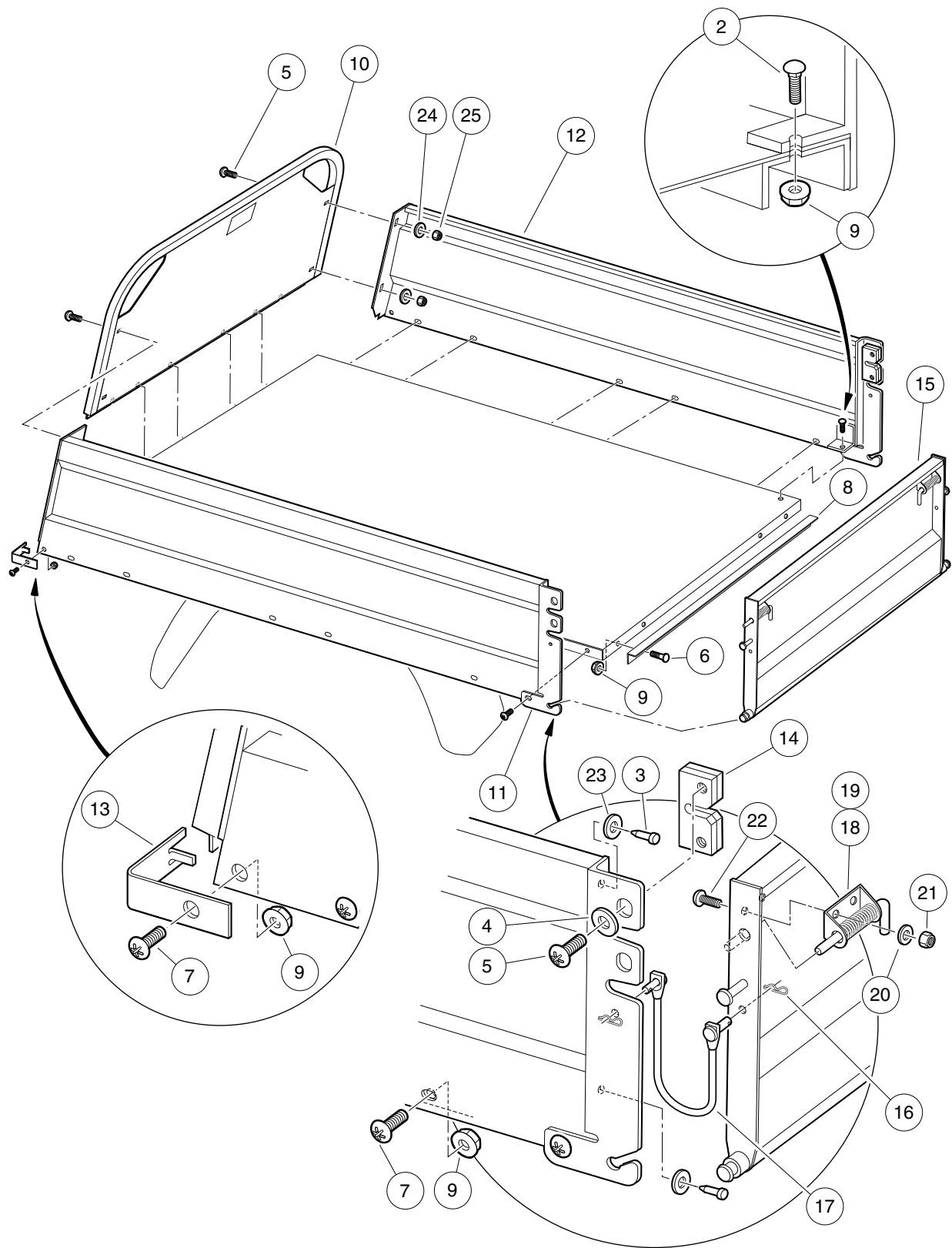
TILT BED, HINGE, AND LATCH – XRT 1200

ITEM	PART NO.	DESCRIPTION	QTY
		1 2 3 4	
1	1012303	Bushing, Steel	2
2	101542901	Assembly, Tilt Bed (includes items 3 through 13)	1
3	1010435	Bolt, Carriage, 5/16-18 X 1.00	4
4	1014471	Tape, Vinyl Foam 1/8" x 3/4" *	1
5	1015252	Latch Weld Assembly	1
6	1015258	Plate, Floor Bed	1
7	N/A	Frame Assembly	1
8	N/A	Extension, Spring Latch	2
9	1015399	Screw, 5/16-18 X 0.88 Torx Truss-Head	4
10	1015400	Grip, Tilt Latch Hand	1
11	101835601	Locknut, 1/4-20 Hex Whiz	4
12	403	Screw, 1/4-20 X 0.625 Hex-Head Cap	4
13	7473	Locknut, 5/16-18 Nylon Insert	8
14	1015507	Shim, Tilt Bed Pivot	1
15	1015583	Bushing, Urethane	4
16	101963401	Locknut, 5/16-18 Hex Flange	13
17	102065901	Locknut, 3/8-16 Flanged Dimple	4
18	103538701	Extra, Bracket, Hinge, Bed	2
19	103538901	3/8-16 X 3.5 Carr Blt Gr5 Zn	4
20	705	Screw, Cap-hex Hd 3/8-16x1.25	4
21	8754	Locknut, 3/8-16 Hex	2
		* Note: Item not shown.	

1

G

1
G



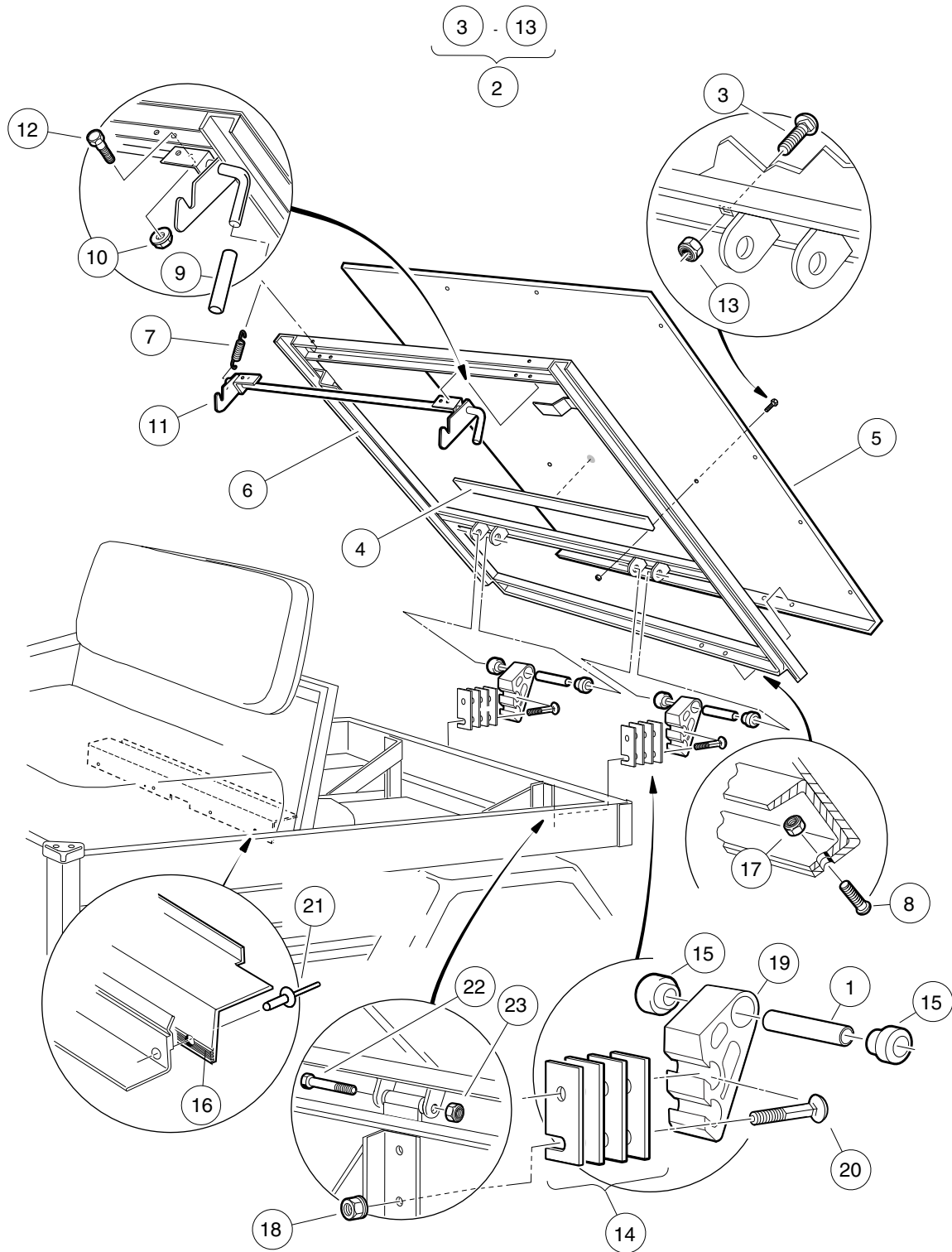
000038-004

CARGO BOX – XRT 1200

ITEM	PART NO.	DESCRIPTION	QTY
		1 2 3 4	
1	102230601	Kit, Steel Box (includes items 2 through 25)	1
2	1010435	Bolt, Carriage, 5/16-18 X 1.00	2
3	1010436	Bumper, Rubber	4
4	1014306	Washer, 1/4" Type B Flat	4
5	1014415	Screw, 1/4-20 X 0.75 Torx Truss-Head	8
6	1014537	Stud, Self-Clinching Flush Head	4
7	1015399	Screw, 5/16-18 X 0.88 Torx Truss-Head	18
8	101894304	Box Bed Tailgate Angle	1
9	101963401	Locknut, 5/16-18 Hex Flange	24
10	102221301	Front Panel Weldment	1
11	102221401	Left Panel Weldment	1
12	102221501	Right Panel Weldment	1
13	102221701	Front Corner Cap	2
14	102222001	Slam Latch	2
15	102229901	Assembly, Tailgate (includes items 16 through 22)	1
16	1013366	Hair Pin Clip	4
17	102221801	Tether Assembly	2
18	102222101	Spring Latch Left	1
19	102222201	Spring Latch Right	1
20	332	Washer, 1/4 Type A Narrow Flat	4
21	8233	Locknut, 1/4-20 Nylon Insert	4
22	8419	Screw, 1/4-20 X .625 Truss Hd	4
23	102239901	Washer, Rubber, 3/8	4
24	332	Washer, 1/4 Type A Narrow Flat	4
25	8233	Locknut, 1/4-20 Nylon Insert	4
Note: Eleven each of items 2 and 25 are used to secure the floor plate to the bed frame and are not illustrated.			

1

G

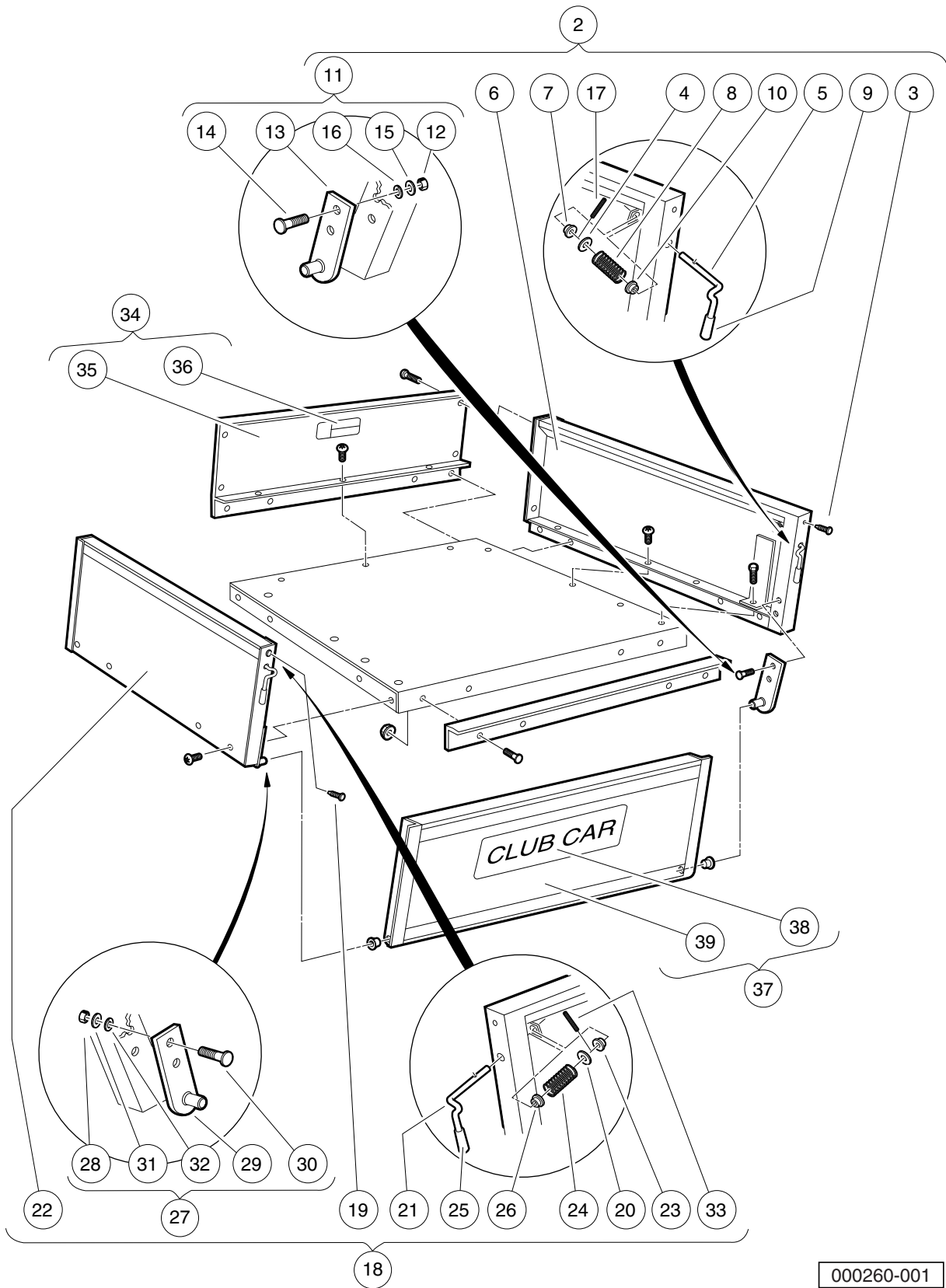


000256-004

TILT BED, HINGE, AND LATCH – XRT 1200 SE

ITEM	PART NO.	DESCRIPTION	QTY
		1 2 3 4	
1	1012303	Bushing, Steel	2
2	****	Assembly, Tilt Bed (includes items 3 through 13)	1
3	1010435	Bolt, Carriage, 5/16-18 X 1.00	17
4	1014471	Tape, Vinyl Foam 1/8" x 3/4" *	1
5	N/A	Plate, Floor, Carryall 1 Flat bed	1
6	N/A	Frame Assembly, Tilt Bed	1
7	N/A	Extension, Spring Latch	2
8	1015399	Screw, 5/16-18 X 0.88 Torx Truss-Head	4
9	1015400	Grip, Tilt Latch Hand	1
10	101835601	Locknut, 1/4-20 Hex Whiz	4
11	102335001	Latch, Weld Asm, Fwd Bend	1
12	403	Screw, 1/4-20 X 0.625 Hex-Head Cap	4
13	7473	Locknut, 5/16-18 Nylon Insert	6
14	1015507	Shim, Tilt Bed Pivot	1
15	1015583	Bushing, Urethane	4
16	1017976	Bed Seal	1
17	101963401	Locknut, 5/16-18 Hex Flange	4
18	102065901	Locknut, 3/8-16 Flanged Dimple	4
19	103538701	Extra, Bracket, Hinge, Bed	2
20	103538901	3/8-16 X 3.5 Carr Blt Gr5 Zn	4
21	7532	Rivet, 3/16 X 0.3125, Pop	4
22	8754	Locknut, 3/8-16 Hex	2
23	8755	Screw, 3/8-16 X 3.375 Hex Cap	2
		**** Special order item available upon request.	
		* Note: Item not shown.	

1
G



000260-001

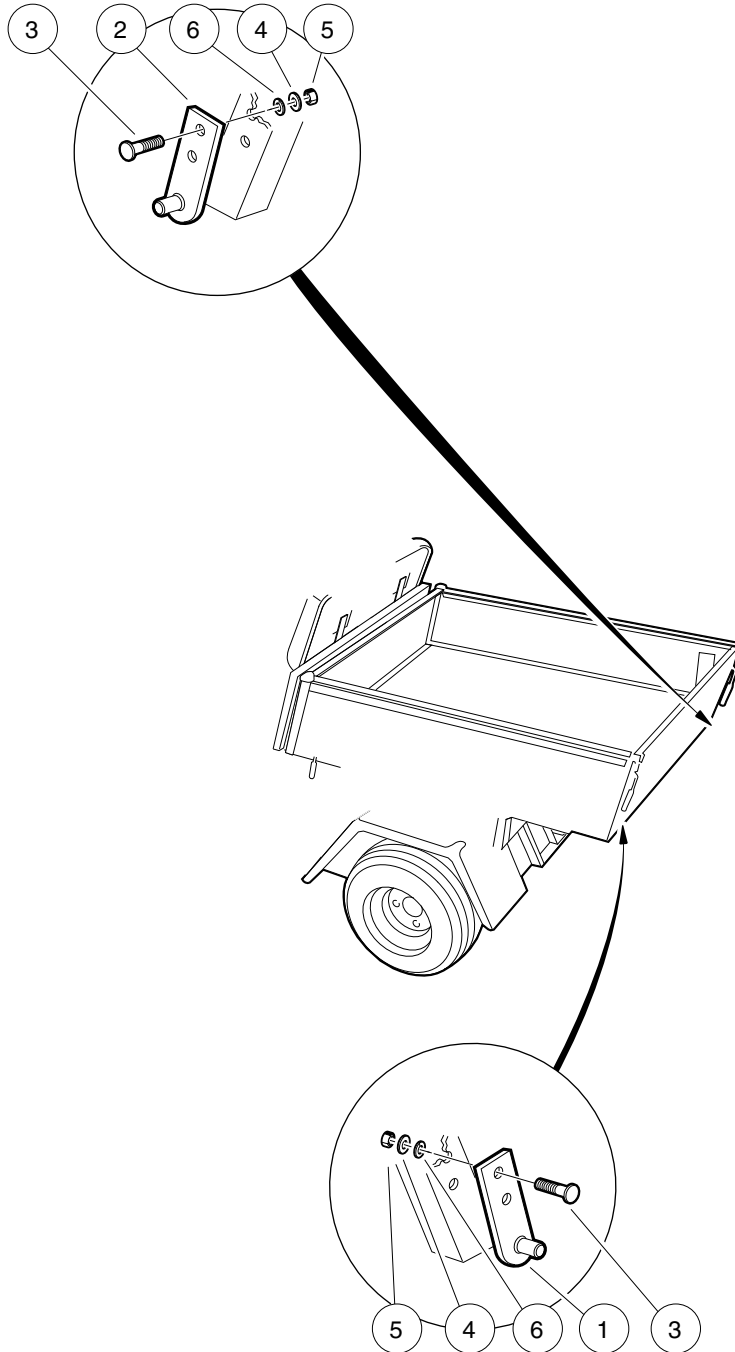
CARGO BOX – XRT 1200 SE

ITEM	PART NO.	DESCRIPTION	QTY
		1 2 3 4	
1	1015606	Kit, Cargo Box (includes items 2 through 37)	1
2	1015365	Side Panel Assembly, Right-Hand (includes items 3 through 17)	1
3	1010434	Barrel - Plastic	1
4	1011990	Washer, 3/8 Flat	1
5	1015245	Latch, Tailgate, Right-Hand	1
6	N/A	Side-Panel Weldment, Right-Hand	1
7	1015363	Bushing, Snap-In	1
8	1015390	Compression Spring Latch Tilt	1
9	1015400	Grip, Tilt Latch Hand	1
10	1032	Bushing, Nylon	1
11	103406502	Kit, Tlgt Mtg Brkt, Ca Rh (includes items 12 through 16)	1
12	1028	Nut, 1/4-20 Hex	2
13	N/A	Asm, Tlgt, Mtg Brkt, Ca Rh	1
14	103406601	Stud, 1/4 Self-clnchg Flush	2
15	332	Washer, 1/4 Type A Narrow Flat	2
16	451	Lockwasher, 1/4 Split	2
17	1231	Pin, 1/8 X 1.00 Split Roll	1
18	1015367	Side Panel Assembly, Left-Hand (includes items 19 through 33)	1
19	1010434	Barrel - Plastic	1
20	1011990	Washer, 3/8 Flat	1
21	1015313	Latch, Tailgate, Left-Hand	1
22	N/A	Side-Panel Weldment	1
23	1015363	Bushing, Snap-In	1
24	1015390	Compression Spring Latch Tilt	1
25	1015400	Grip, Tilt Latch Hand	1
26	1032	Bushing, Nylon	1
27	103406501	Kit, Tlgt Mtg Brkt, Ca Lh (includes items 28 through 32)	1
28	1028	Nut, 1/4-20 Hex	2
29	N/A	Asm, Tlgt, Mtg Brkt, Ca Lh	1
30	103406601	Stud, 1/4 Self-clnchg Flush	2
31	332	Washer, 1/4 Type A Narrow Flat	2
32	451	Lockwasher, 1/4 Split	2
33	1231	Pin, 1/8 X 1.00 Split Roll	1
34	1015413	Assembly, Front Panel (includes items 35 and 36)	1
35	N/A	Front Panel Box	1
36	101553901	Decal, Bed Load Warning	1
37	1015414	Assembly, Tailgate (includes items 38 and 39)	1
38	1013317	Decal, Logo, Tailgate	1
39	N/A	Tailgate Weldment	1
		Note: Additional components in kit 1015606 are shown on the following two pages.	

1

G

1
G



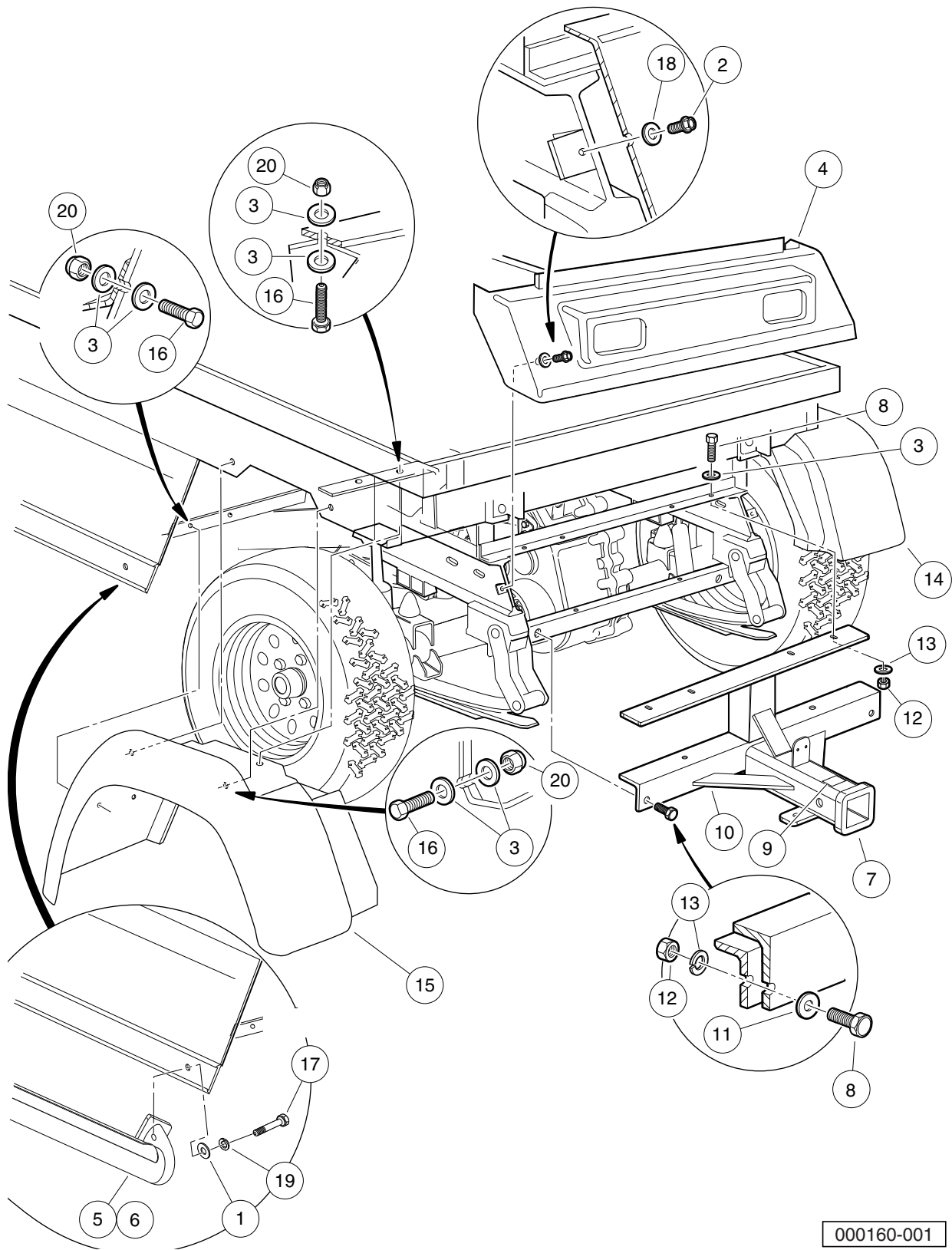
000797-001

TAILGATE BRACKET (EARLIER STYLE)

ITEM	PART NO.	DESCRIPTION	QTY
		1 2 3 4	
1	1014513	Tailgate Mounting Bracket, Left-Hand	1
2	1014514	Tailgate Mounting Bracket, Right-Hand	1
3	1014537	Stud, Self-Clinching Flush Head	4
4	1241	Washer, 5/16 Type A Flat	4
5	1242	Nut, 5/16-18 Hex	4
6	7174	Lockwasher, 5/16 Split	4
		<p>Note: Additional components in kit 1015606 are shown on the following two pages.</p>	

1

G



000160-001

REAR BODY TRIM

ITEM	PART NO.	DESCRIPTION	QTY
		1 2 3 4	
1	1011990	Washer, 3/8 Flat	4
2	1012285	Screw, 1/4 X 0.625 Hex-Head	2
3	1014306	Washer, 1/4" Type B Flat	20
4	1015530	Tailskirt	1
5	102025201	Side Step Bar (black)	2
6	102025202	Side Step Bar (orange)	2
7	102065103	Kit, Rear Receiver (includes items 8 through 13)	1
8	1010934	Screw, 5/16-18 X 1.00 Hex Cap	6
9	1011553	Decal, Trailer Hitch	1
10	102056001	Rear Receiver Weld Asm	1
11	1241	Washer, 5/16 Type A Flat	6
12	1242	Nut, 5/16-18 Hex	6
13	7174	Lockwasher, 5/16 Split	6
14	102251601	Fender, Right Rear	1
15	102251701	Fender, Left Rear	1
16	304	Screw, 1/4-20 X 1.0 Hex-Head Cap	10
17	320	Screw, 3/8-16 X 1.00 Hex-Head Cap	2
18	332	Washer, 1/4 Type A Narrow Flat	2
19	357	Lockwasher, 3/8 Split	4
20	8233	Locknut, 1/4-20 Nylon Insert	10

1
G

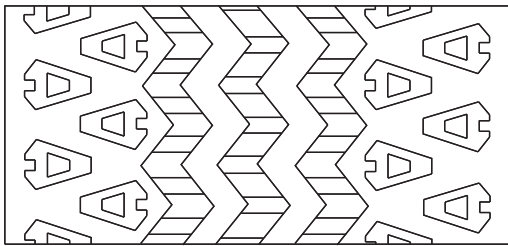
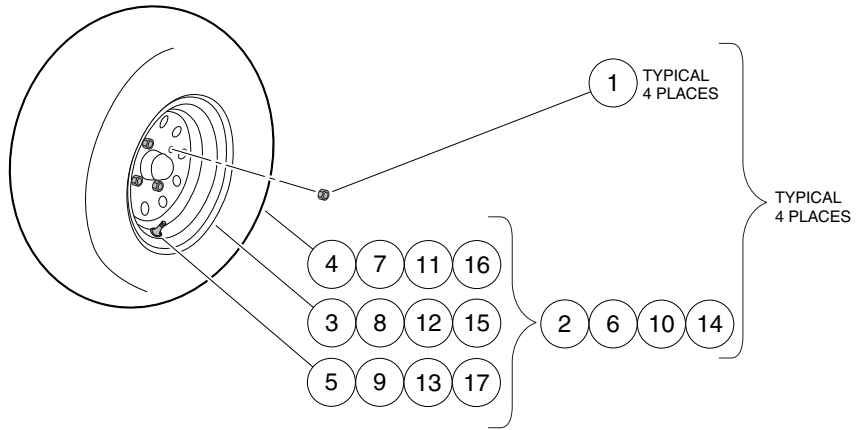
1

G

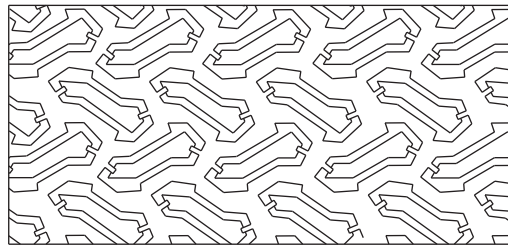
WHEELS AND TIRES

2

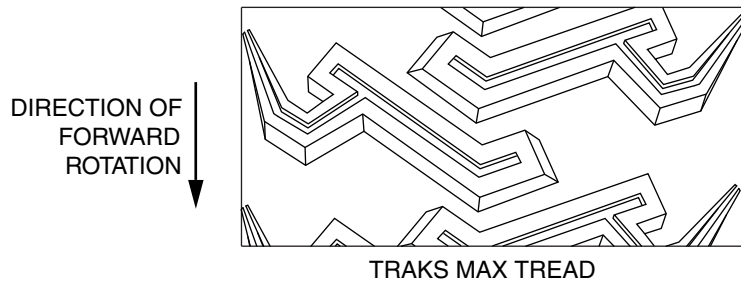
G



ALL TERRAIN TREAD



TURF TREAD



000101-007

WHEELS AND TIRES

ITEM	PART NO.	DESCRIPTION	QTY
		1 2 3 4	
1	1010984	.500-20 Unf Lug Nut	16
2	102021402	Gray Tire Assembly, HDAT Tread (includes items 3 through 5)	4
3	1020211	Wheel Rim, Gray	1
4	102021302	Tire, HDAT	1
5	7310	Valve Stem	1
6	102021403	Gray Tire Asm Traks Max II L (includes items 7 through 9)	4
7	N/A	Tire, Traks Max II L	1
8	102234301	Wheel Rim 10" Gray	1
9	7310	Valve Stem	1
10	102021404	Gray Tire Asm Traks Max II R (includes items 11 through 13)	4
11	N/A	Tire, Traks Max II L	1
12	102234301	Wheel Rim 10" Gray	1
13	7310	Valve Stem	1
14	102021414	Gray Tire Asm Turf Tread (includes items 15 through 17)	4
15	1020211	Wheel Rim, Gray	1
16	N/A	Tire, 23x10.5-12 Turf Trac R/s	1
17	7310	Valve Stem	1

2

G

2

G

DECALS

3

G

⚠ WARNING

ROLLOVER OR FALLING OFF MAY CAUSE DEATH

- Read operators manual and operating instructions.
- Remain seated and hold on to seat handle while moving.
- Drive slowly in turns and straight up and down slopes.
- Do not start vehicle until all occupants are seated.
- One (1) person per seat maximum.
- Operate from driver side only and not on public roads.
- Keep entire body inside vehicle while moving.
- Do not operate while under the influence of alcohol or drugs.
- Never attempt jumps.

CCI 102029101

OPERATING INSTRUCTIONS

- Read owner's manual and safety warnings located on dash panel prior to driving.
- Study and understand controls.

TO START ENGINE

- Place shift lever in "N" - Neutral position.
- Depress brake pedal.

• Turn key switch to "START" position and hold, activating the choke as necessary, until engine starts.

TO OPERATE VEHICLE

- Make sure wheels are turned in desired direction.
- Be sure nothing is in your path.
- While vehicle is stopped, select vehicle direction by placing shift lever in desired position.

F - Forward N - Neutral R - Reverse (Buzzer will sound)

- Release hand brake.
- Slowly push accelerator pedal to increase speed.
- Accelerator pedal must be released to move shift lever.

TO STOP VEHICLE

- Release accelerator pedal and push brake pedal.
- After stopping, firmly set hand brake.
- Turn key to "OFF" position, remove key and place shift lever in straight up neutral position when not in use.

CCI 102224301

⚠ WARNING

YOUNG DRIVERS INCREASE CHANCE OF DEATH

UNDER 16

- Young drivers may not be able to control vehicle.
- No drivers younger than 16 years old.
- Do not leave children unattended on vehicle.

CCI 102044601

⚠ WARNING

REDUCED STEERING CONTROL MAY CAUSE SERIOUS INJURY OR DEATH


Disengage differential lock on paved surfaces.



CCI 102046601

⚠ WARNING

Riding in cargo bed can cause severe injury or death. Do not ride in cargo bed.



CCI 1015339-01

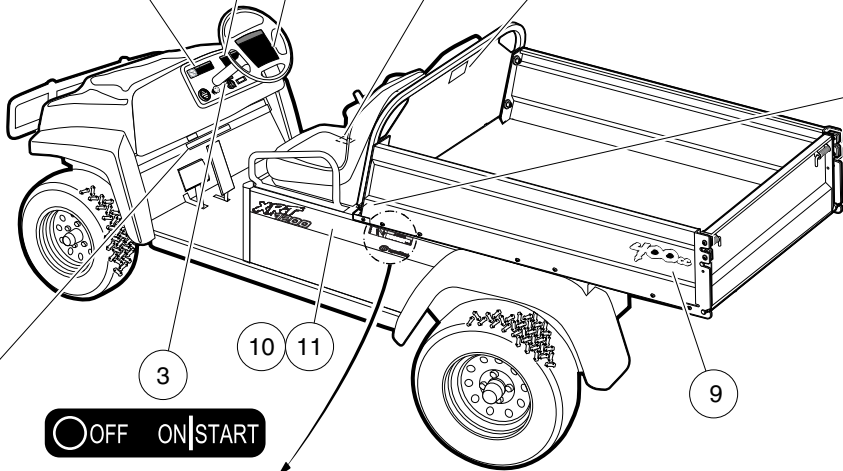
⚠ WARNING

CRUSH AREA



STAY CLEAR

CCI 1016094-01



OFF ON|START

⚠ WARNING

CRUSH AREA. Can cause severe injury. Stay clear when closing bed.



VEHICLE LOADING

Read Owner's Manual and warnings on dash.

- Vehicle rated capacity - 1200 lbs. on level surface only. Weight to include passengers, cargo bed load, and gross trailer weight. See Owner's Manual.
- Maximum cargo load - 800 lbs. Weight to include cargo bed load and gross trailer weight.
- Maximum trailer hitch tongue weight - 150 lbs.

- Cargo should be evenly spread over the floor of the cargo bed as far forward as possible and secured.
- For vehicle stability, when fully loaded, drive slowly and avoid stopping on or backing down steep hills.
- Avoid top heavy loads. See Owner's Manual.
- When driving on uneven terrain or down steep hills, reduce speed and load.

CCI 1019602-01

000736-001

DECALS – XRT 1200 VEHICLES

ITEM	PART NO.	DESCRIPTION	QTY
		1 2 3 4	
1	101553901	Decal, Bed Load Warning	1
2	101609401	Decal, Crush Area Warning	2
3	101825102	Decal, Off/On/Start	1
4	101960201	Decal, Vehicle Loading	1
5	102029101	Decal, Dash Warning	1
6	102044601	Underage Warning Decal	1
7	102046601	Decal, Differential Lock Warning	1
8	102224301	Decal, Operating Instructions	1
9	102274701	Decal, 400cc	2
10	102684701	Decal, Xrt1200 - Passenger	1
11	102684801	Decal, Xrt1200 - Driver	1

3

G

WARNING



- GASOLINE EXPLOSION / FIRE.
- CAN CAUSE SEVERE INJURY OR DEATH.
- NO SMOKING, SPARKS, OR OPEN FLAME.
- STOP ENGINE, ALLOW TO COOL BEFORE REFUELING.
- TURN FUEL VALVE () ON DURING OPERATION.
- () OFF DURING STORAGE OR TRANSPORT.

CCI 1015476-01

WARNING



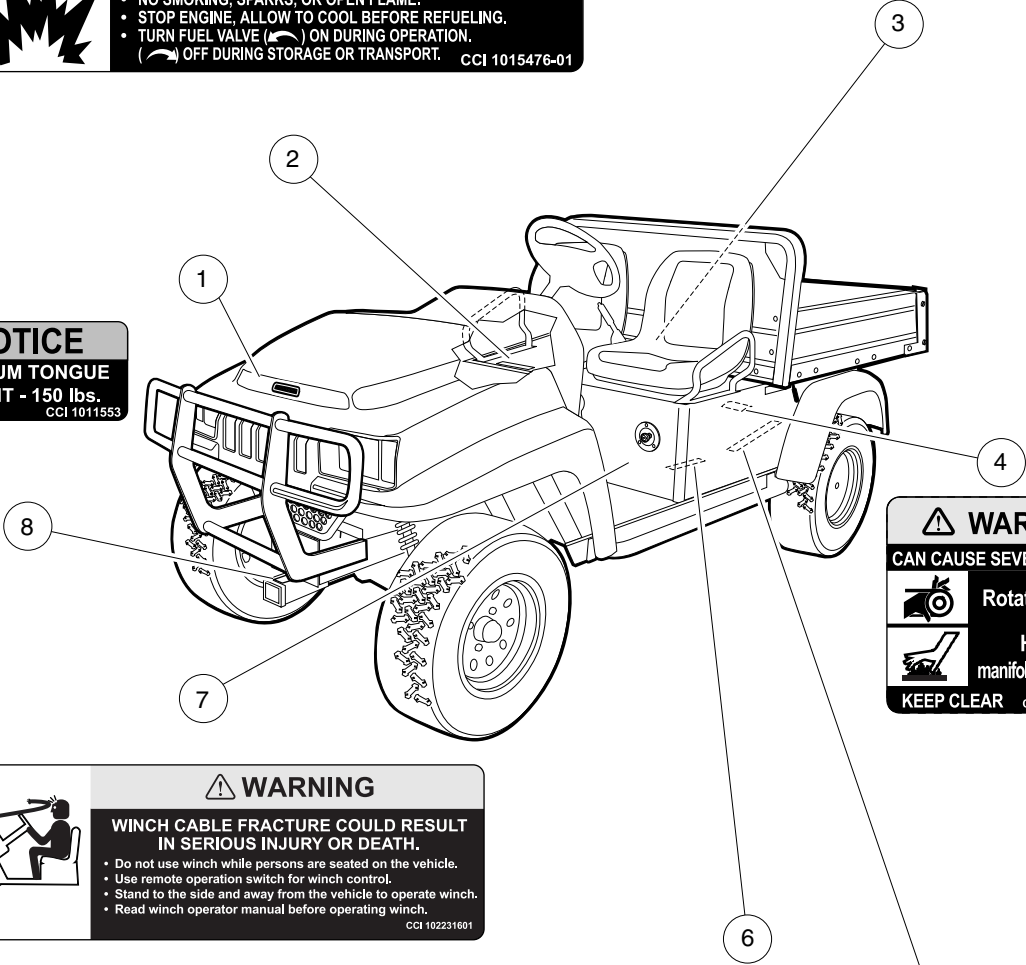
Rotating Parts

CCI 102224001

NOTICE

MAXIMUM TONGUE WEIGHT - 150 lbs.

CCI 1011553



WARNING

CAN CAUSE SEVERE INJURY




Rotating parts



HOT manifold & muffler

KEEP CLEAR CCI 1019605-01

WARNING



WINCH CABLE FRACTURE COULD RESULT IN SERIOUS INJURY OR DEATH.

- Do not use winch while persons are seated on the vehicle.
- Use remote operation switch for winch control.
- Stand to the side and away from the vehicle to operate winch.
- Read winch operator manual before operating winch.

CCI 102231601

WARNING




INCORRECT WIRING COULD RESULT IN SEVERE INJURY OR DEATH.

- Diode and solenoid connections must have correct polarity.
- Keep all persons clear of engine belts when making final

CCI 102345901

WARNING



Negative frame ground. Can cause severe injury. Do not contact positive (+) battery post or cable to frame. Disconnect negative battery lead first.

WARNING



Excessive speed. Can cause severe injury or death. Do not tamper with engine governor adjustment.

CCI 1019152-01

000736-002

DECALS – XRT 1200 VEHICLES, CONTINUED

ITEM	PART NO.	DESCRIPTION	QTY
		1 2 3 4	
1	1011553	Decal, Trailer Hitch	2
2	101547601	Decal, Gasoline Explosion/Fire Warning	1
3	101915201	Decal, Frame Ground and Governor Warning	1
4	101960501	Decal, Rotating Parts/Hot Manifold	2
5	102046501	Decal, CC Nameplate, Utility	1
6	102224001	Decal, Rotating Parts Warning	1
7	102231601	Decal, Winch Cable Fracture Warning	1
8	102345901	Decal, Diode Safety	1

3

G

⚠ WARNING
ROLLOVER OR FALLING OFF MAY CAUSE DEATH

- Read operators manual and operating instructions.
- Remain seated and hold on to seat handle while moving.
- Drive slowly in turns and straight up and down slopes.
- Do not start vehicle until all occupants are seated.
- Front seats: One (1) person per seat maximum.
- Operate from driver side only and not on public roads.
- Keep entire body inside vehicle while moving.
- Do not operate while under the influence of alcohol or drugs.
- Never attempt jumps.

CCI 102029101

OPERATING INSTRUCTIONS

- Read owner's manual and safety warnings located on dash panel prior to driving.
- Study and understand controls.

TO START ENGINE

- Place shift lever in "N" - Neutral position.
- Depress brake pedal.
- Turn key switch to "START" position and hold, activating the choke as necessary, until engine starts.

TO OPERATE VEHICLE

- Make sure wheels are turned in desired direction.
- Be sure nothing is in your path.
- While vehicle is stopped, and the engine is at idle, select vehicle direction by placing shift lever in desired position.

F - Forward N - Neutral R - Reverse (Buzzer will sound)

- Release hand brake.
- Slowly push accelerator pedal to increase speed.
- Engine must be at idle before moving shift lever.

TO STOP VEHICLE

- Release accelerator pedal and push brake pedal.
- After stopping, firmly set hand brake.
- Turn key to "OFF" position, remove key and place shift lever in straight up neutral position when not in use.

CCI 102224301

⚠ WARNING
YOUNG DRIVERS INCREASE CHANGE OF DEATH

UNDER 16

- Young drivers may not be able to control vehicle.
- No drivers younger than 16 years old.
- Do not leave children unattended on vehicle.

CCI 102046601

⚠ WARNING
REDUCED STEERING CONTROL MAY CAUSE SERIOUS INJURY OR DEATH

Disengage differential lock on paved surfaces.

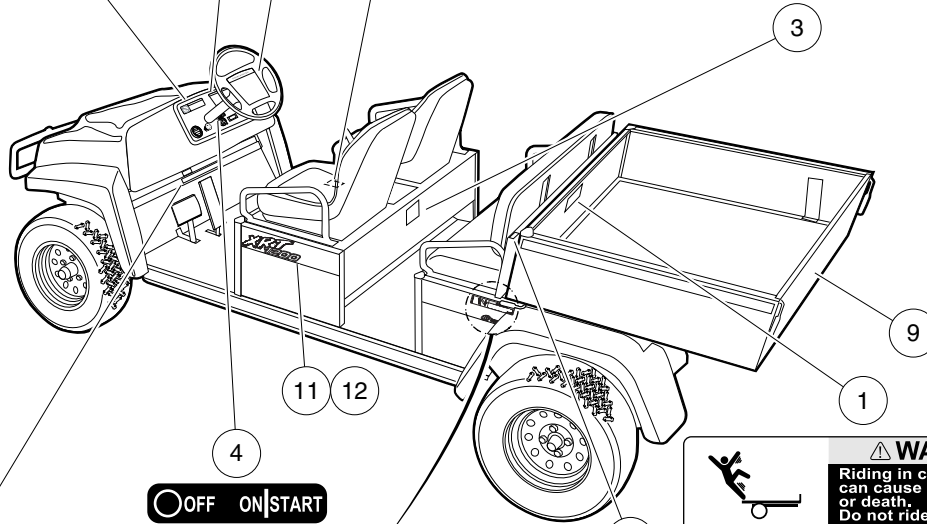


CCI 102046601

⚠ WARNING
FALLING OFF COULD RESULT IN SEVERE INJURY OR DEATH

- Remain seated with entire body inside vehicle and hold on to seat handle or handrail at all times.
- Two (2) persons per bench seat maximum.
- One (1) person per bucket seat maximum.
- Do not leave children unattended on vehicle at anytime.
- Never stand in front of or behind vehicle.

CCI 101703101




OFF ON/START

⚠ WARNING
Riding in cargo bed can cause severe injury or death. Do not ride in cargo bed.

CCI 101533901

⚠ WARNING
Crush area. Can cause severe injury. Stay clear when closing bed.



⚠ WARNING
CRUSH AREA
STAY CLEAR



CCI 101609401

VEHICLE LOADING
Read Owner's Manual and warnings on dash.

- Vehicle rated capacity - 1300 lbs. on level surface only. Weight to include passengers, cargo bed load, and gross trailer weight. See owner's manual.
- Maximum cargo load - 500 lbs. Weight to include cargo bed load and gross trailer weight.
- Maximum trailer hitch tongue weight - 150 lbs.

- Cargo should be evenly spread over the floor of the cargo bed as far forward as possible and secured.
- For vehicle stability, when fully loaded, drive slowly and avoid stopping on or backing down steep hills.
- Avoid top heavy loads. See owner's manual.
- When driving on uneven terrain or down steep hills, reduce speed and load.

CCI 102274301

000736-003

DECALS – XRT 1200 SE VEHICLES

ITEM	PART NO.	DESCRIPTION	QTY
		1 2 3 4	
1	101553901	Decal, Bed Load Warning	1
2	101609401	Decal, Crush Area Warning	2
3	101705701	Decal, Warning	1
4	101825102	Decal, Off/On/Start	1
5	102029101	Decal, Dash Warning	1
6	102044601	Underage Warning Decal	1
7	102046601	Decal, Differential Lock Warning	1
8	102224301	Decal, Operating Instructions	1
9	102234901	Decal, Commercial Logo	1
10	102274301	Decal, Loading, Coyote Str	1
11	102684101	Decal, Side, Right-Hand XRT	1
12	102684201	Decal, Side, Left-Hand XRT	1

3
G

WARNING

- GASOLINE EXPLOSION / FIRE.
- CAN CAUSE SEVERE INJURY OR DEATH.
- NO SMOKING, SPARKS, OR OPEN FLAME.
- STOP ENGINE, ALLOW TO COOL BEFORE REFUELING.
- TURN FUEL VALVE (↔) ON DURING OPERATION.
- (↔) OFF DURING STORAGE OR TRANSPORT.

CCI 101547601

WARNING

CAN CAUSE SEVERE INJURY

Rotating parts

HOT
manifold & muffler

KEEP CLEAR CCI 1019605-01

WARNING

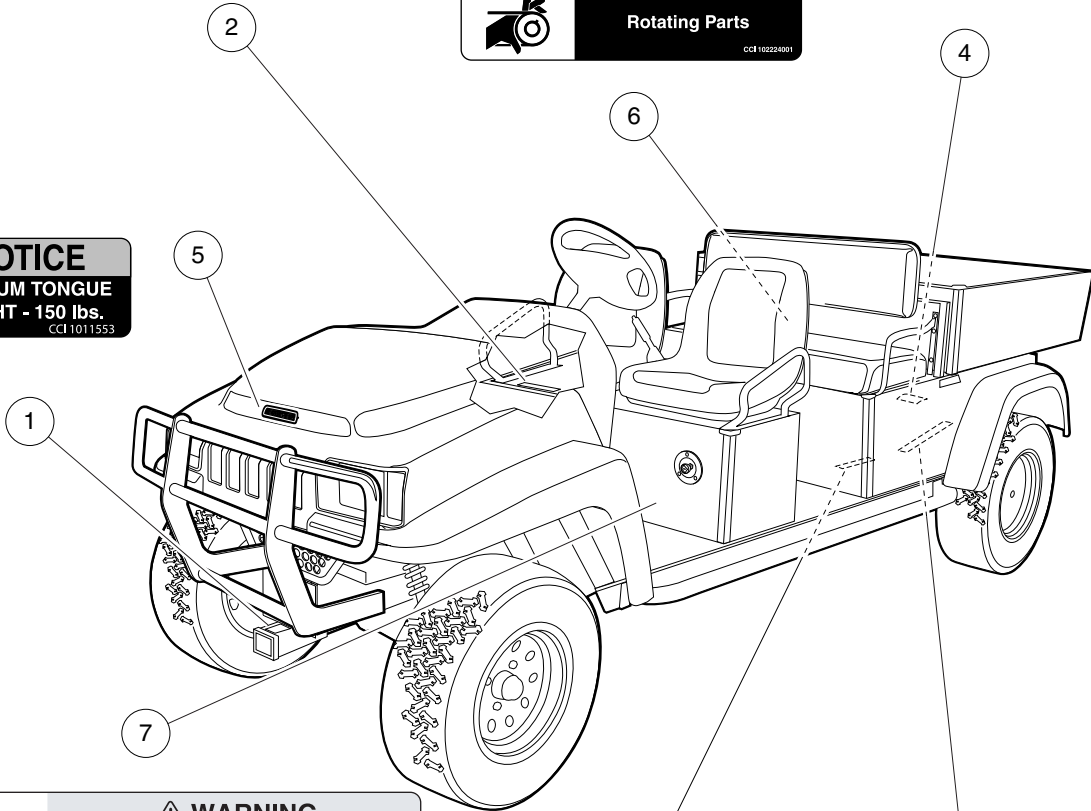
Rotating Parts

CCI 102224901

NOTICE

MAXIMUM TONGUE WEIGHT - 150 lbs.

CCI 1011553



WARNING

WINCH CABLE FRACTURE COULD RESULT IN SERIOUS INJURY OR DEATH.

- Do not use winch while persons are seated on the vehicle.
- Use remote operation switch for winch control.
- Stand to the side and away from the vehicle to operate winch.
- Read winch operator manual before operating winch.

SVP146301

WARNING

INCORRECT WIRING COULD RESULT IN SEVERE INJURY OR DEATH.

- Diode and solenoid connections must have correct polarity.
- Keep all persons clear of engine belts when making final

CCI 102345901

WARNING

negative frame ground. Can cause severe injury. Do not contact positive (+) battery post or cable to frame. Disconnect negative battery lead first.

WARNING

excessive speed. Can cause severe injury or death. Do not tamper with engine governor adjustment.

CCI 1019152-01

000736-004

DECALS – XRT 1200 SE VEHICLES, CONTINUED

ITEM	PART NO.	DESCRIPTION	QTY
		1 2 3 4	
1	1011553	Decal, Trailer Hitch	2
2	101547601	Decal, Gasoline Explosion/Fire Warning	1
3	101915201	Decal, Frame Ground and Governor Warning	1
4	101960501	Decal, Rotating Parts/Hot Manifold	2
5	102046501	Decal, CC Nameplate, Utility	1
6	102224001	Decal, Rotating Parts Warning	1
7	102231601	Decal, Winch Cable Fracture Warning	1
8	102345901	Decal, Diode Safety	1

3

G

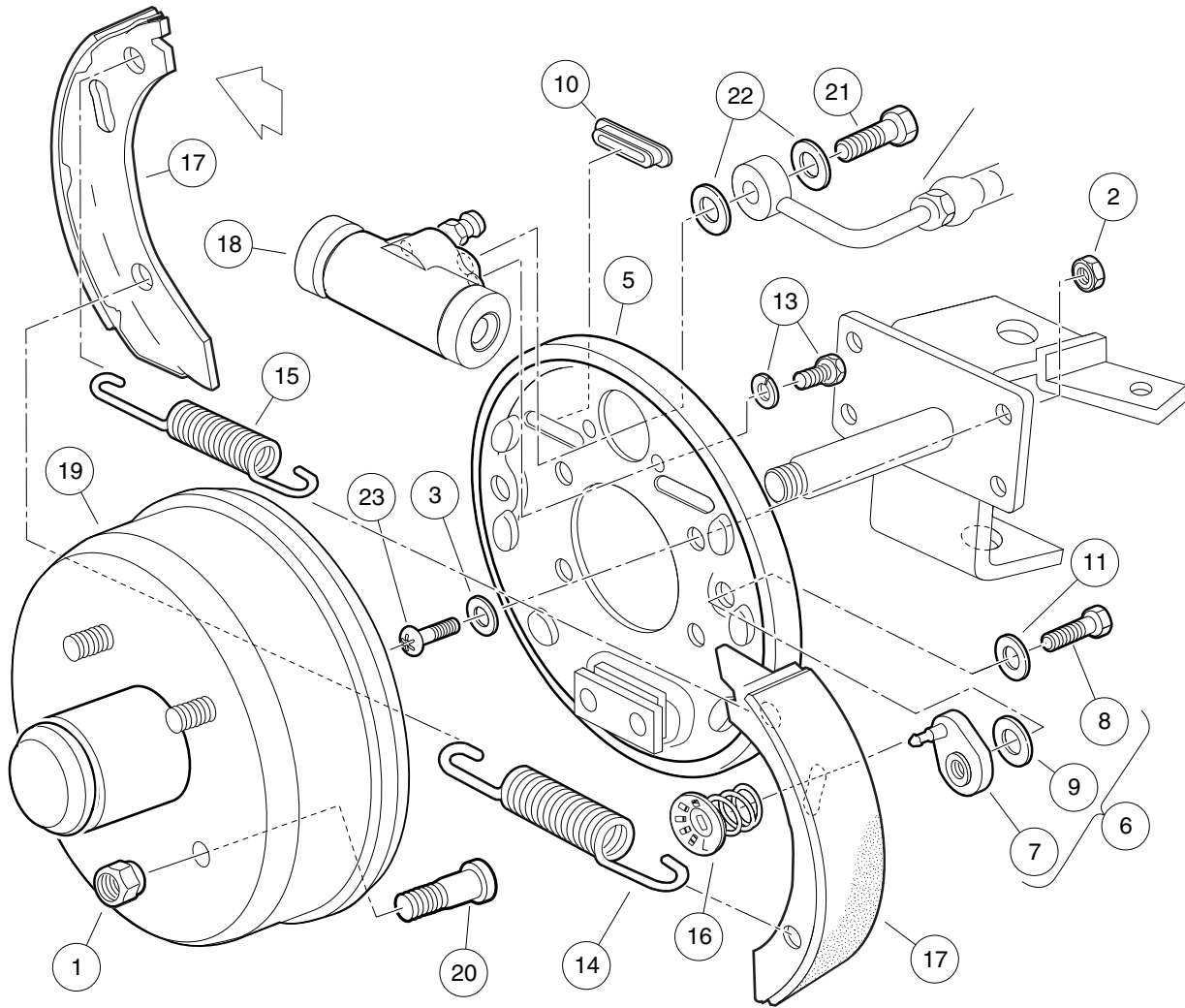
3

G

BRAKE SYSTEMS

4

G



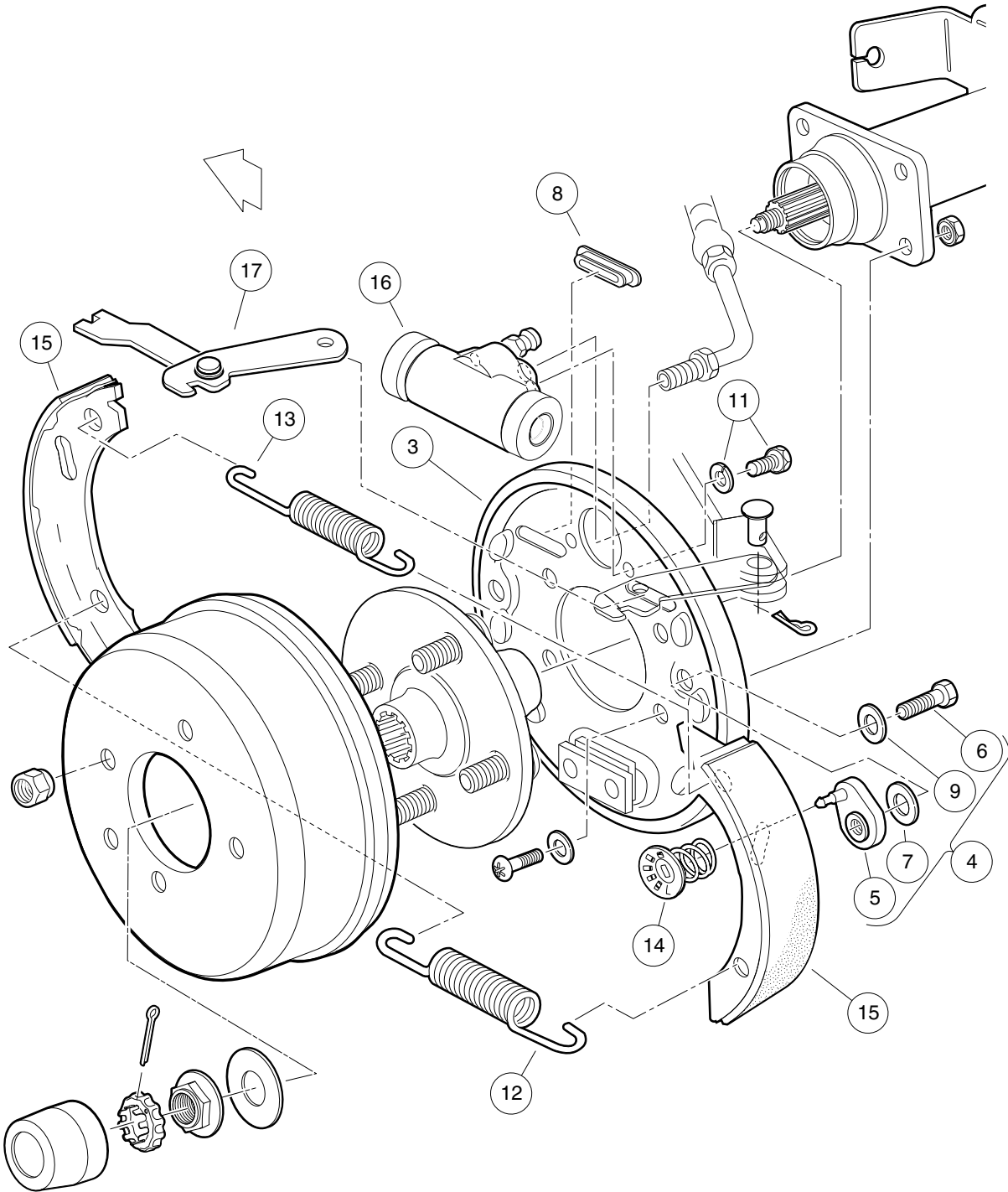
000106-001

FRONT BRAKE ASSEMBLY

ITEM	PART NO.	DESCRIPTION	QTY
		1 2 3 4	
1	1010984	.500-20 Unf Lug Nut	8
2	1013924	Nut, 5/16-24 Hex Head Cone	8
3	1017233	Washer, 5/16 Hardened	8
4	102033301	Cluster, Front Brake (includes items 5 through 18)	2
5	102049401	Backing Plate Asm	1
6	102049601	Kit, Axle Adjuster (includes items 7 through 11)	1
7	102049501	Adjuster	4
8	102049901	Bolt, 1/4-28 UNF X .31	4
9	102050001	Washer	4
10	102050101	Dust Cover	4
11	N/A	Washer, 1/4 Flat	4
12	102049701	Kit, Axle Hardware (includes items 13 through 16)	1
13	102050401	Bolt, Wheel Cylinder	2
14	102050501	Spring, Shoe To Shoe, Lower	1
15	102050601	Spring, Shoe To Shoe, Upper	1
16	102050701	Shoe Hold Down	2
17	102050201	Shoe Kit, Axle Set	1
18	102050301	Wheel Cylinder Assembly 0.625 Dia	1
19	102044201	Assembly, Front Hub (includes item 20)	2
20	1013787	Lug Stud	4
21	102044401	Bolt, Banjo	2
22	102045501	Copper Washer	4
23	102051001	Screw, 5/16-24 X 1.0 Torx Hd	8

4

G



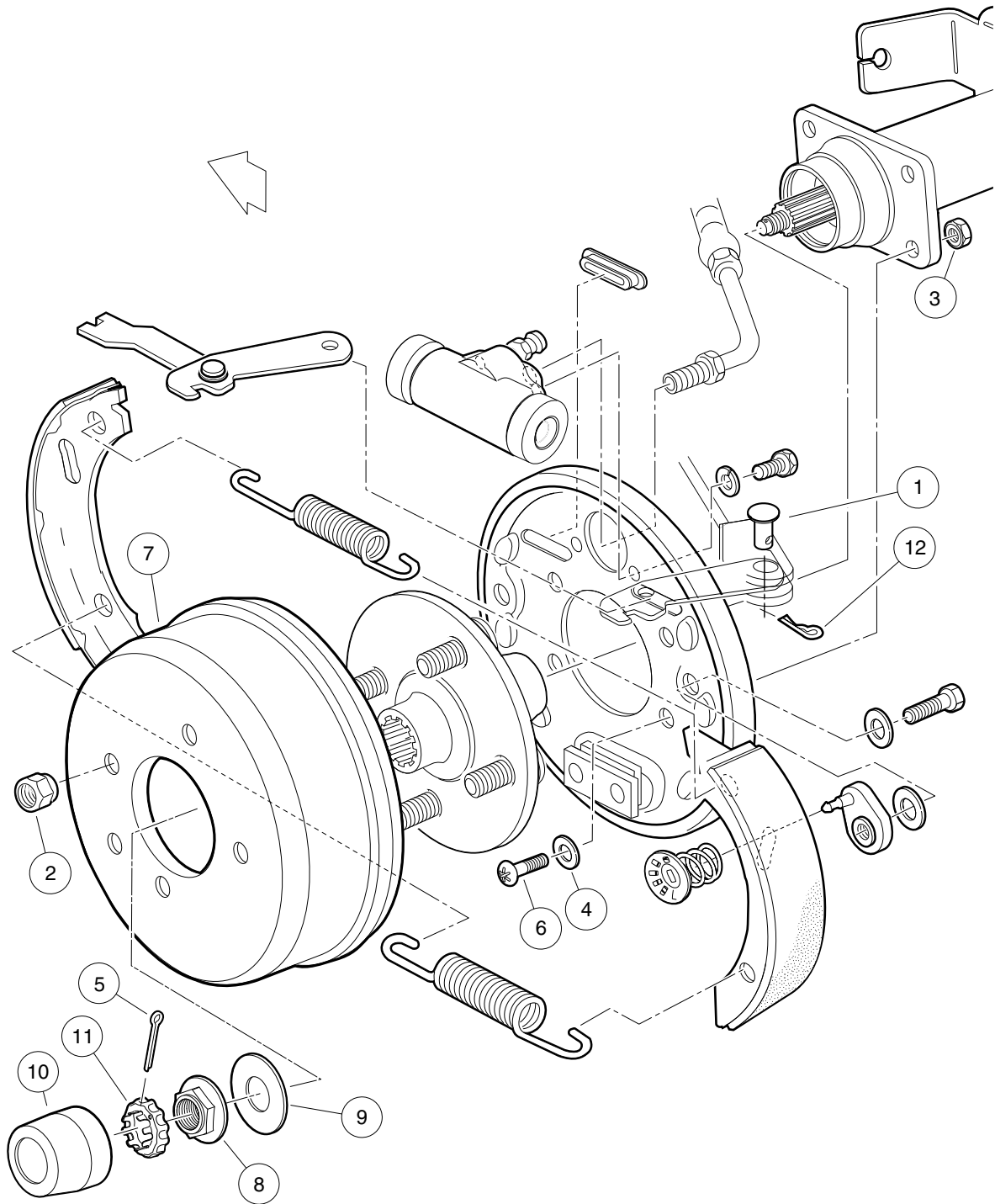
000107-001

BRAKE ASSEMBLY

ITEM	PART NO.	DESCRIPTION	QTY
		1 2 3 4	
1	101791101	Drum without Center Hole, Brake	1
2	102033401	Assembly, Brake Cluster LH (includes items 3 through 17)	1
3	102049401	Backing Plate Asm	1
4	102049601	Kit, Axle Adjuster (includes items 5 through 9)	1
5	102049501	Adjuster	4
6	102049901	Bolt, 1/4-28 UNF X .31	4
7	102050001	Washer	4
8	102050101	Dust Cover	4
9	N/A	Washer, 1/4 Flat	4
10	102049701	Kit, Axle Hardware (includes items 11 through 14)	1
11	102050401	Bolt, Wheel Cylinder	2
12	102050501	Spring, Shoe To Shoe, Lower	1
13	102050601	Spring, Shoe To Shoe, Upper	1
14	102050701	Shoe Hold Down	2
15	102050201	Shoe Kit, Axle Set	1
16	102050801	Wheel Cylinder Assembly 0.875 Dia	1
17	102050902	Park Brake Assembly, Left-Hand	1
<p style="margin-left: 40px;">Note: Right-hand brake cluster components not shown.</p>			

4

G



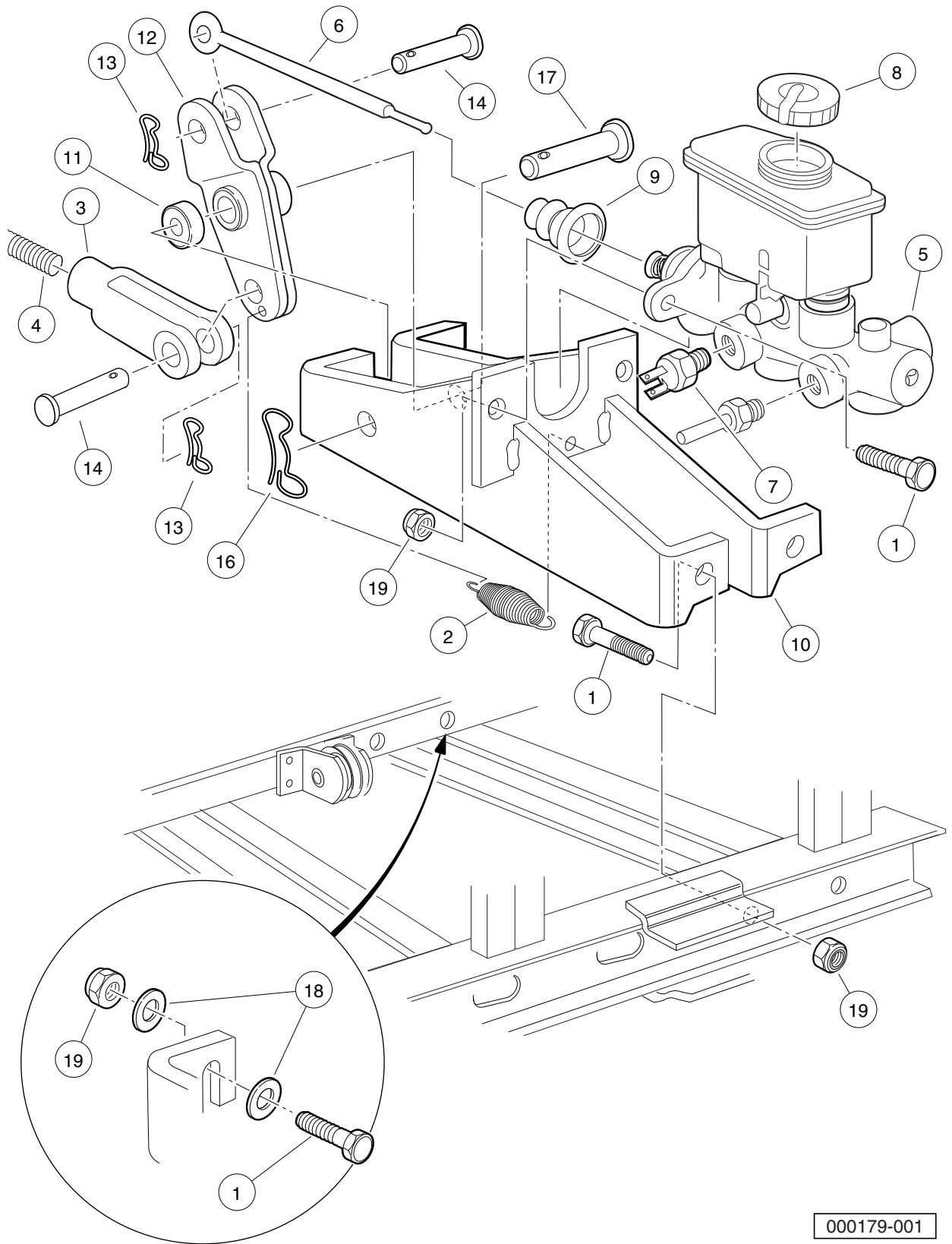
000107-002

REAR BRAKE ASSEMBLY, CONTINUED

ITEM	PART NO.	DESCRIPTION	QTY
		1 2 3 4	
1	1010829	Pin, Clevis, 5/16 X 3/4	2
2	1010984	.500-20 Unf Lug Nut	8
3	1013924	Nut, 5/16-24 Hex Head Cone	8
4	1017233	Washer, 5/16 Hardened	8
5	101838801	Pin, Cotter, 0.312 x 1.25	2
6	102051001	Screw, 5/16-24 X 1.0 Torx Hd	8
7	102264701	Brake Drum	1
8	102269201	Nut, Flange	2
9	102269301	Washer - Axle	2
10	102274101	Center Cap, Rubber	2
11	102276001	Locking Cap, Nut	2
12	102292801	Pin, Bow Tie Locking - .072	2

4
G

4
G



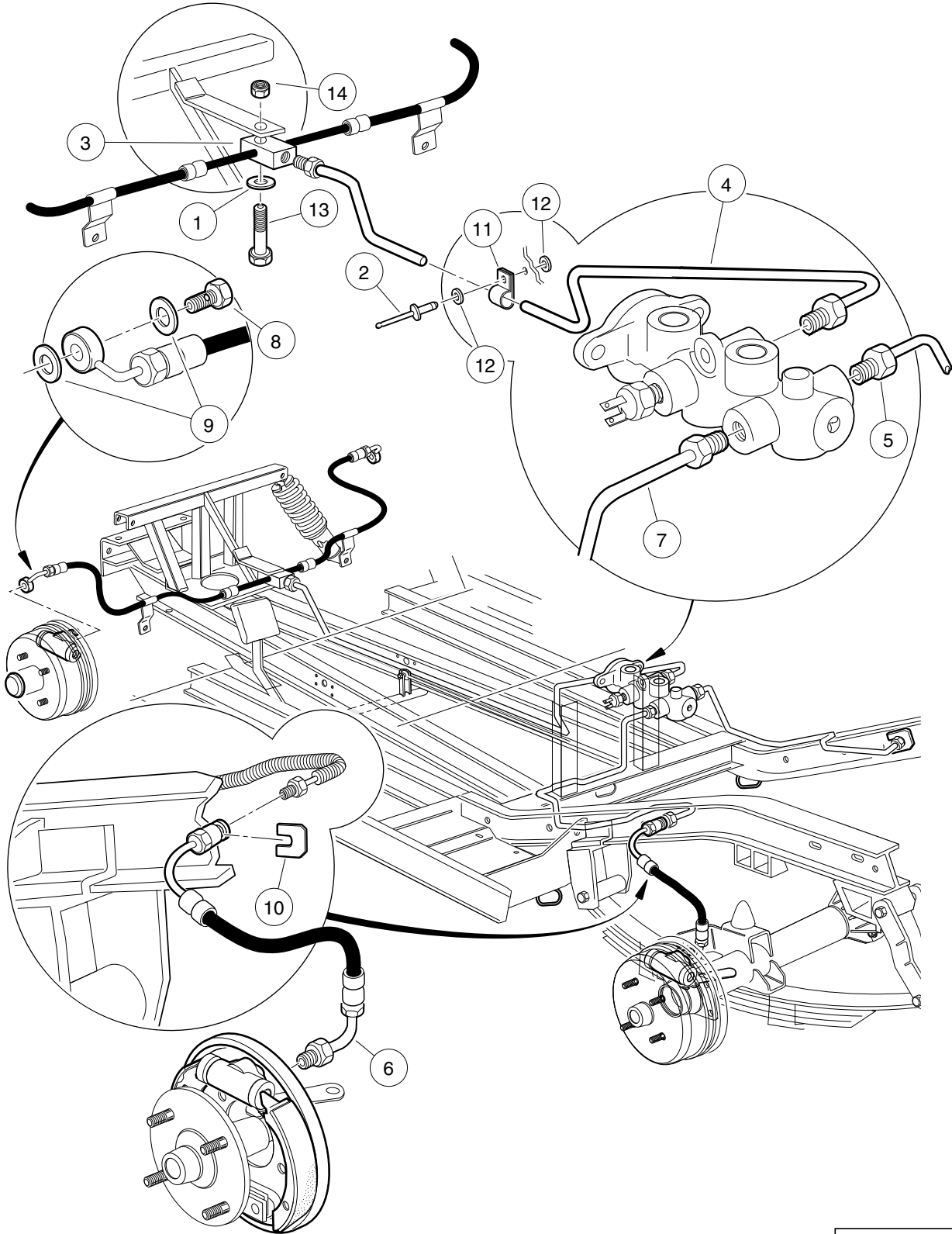
000179-001

MASTER CYLINDER

4
G

ITEM	PART NO.	DESCRIPTION	QTY
		1 2 3 4	
1	1010934	Screw, 5/16-18 X 1.00 Hex Cap	6
2	1013531	Spring, Brake Return	1
3	101806102	Clevis	1
4	101953105	Rod, Equalizer, 13.30"	1
5	102033201	Master Cylinder (includes items 6 through 9)	1
6	102051201	Push Rod	1
7	102051301	Pressure Switch	1
8	102051401	Filler Cap Asm	1
9	8574	Master Cylinder Boot	1
10	102054401	Support Leg Brace Asm	1
11	102057801	Spacer	1
12	102310001	Bell Crank	1
13	102323101	Pin, Bow Tie Locking	2
14	102323201	Pin, 3/8 X 1-5/16 Clevis	2
15	102339201	Plug, 3/8 X 24	1
16	102518901	Pin, Bow Tie 0.120 X 2.750	1
17	102519001	Pin, 1/2 X 2-1/2 Clevis	1
18	1241	Washer, 5/16 Type A Flat	4
19	7473	Locknut, 5/16-18 Nylon Insert	6

4
G



000109-001

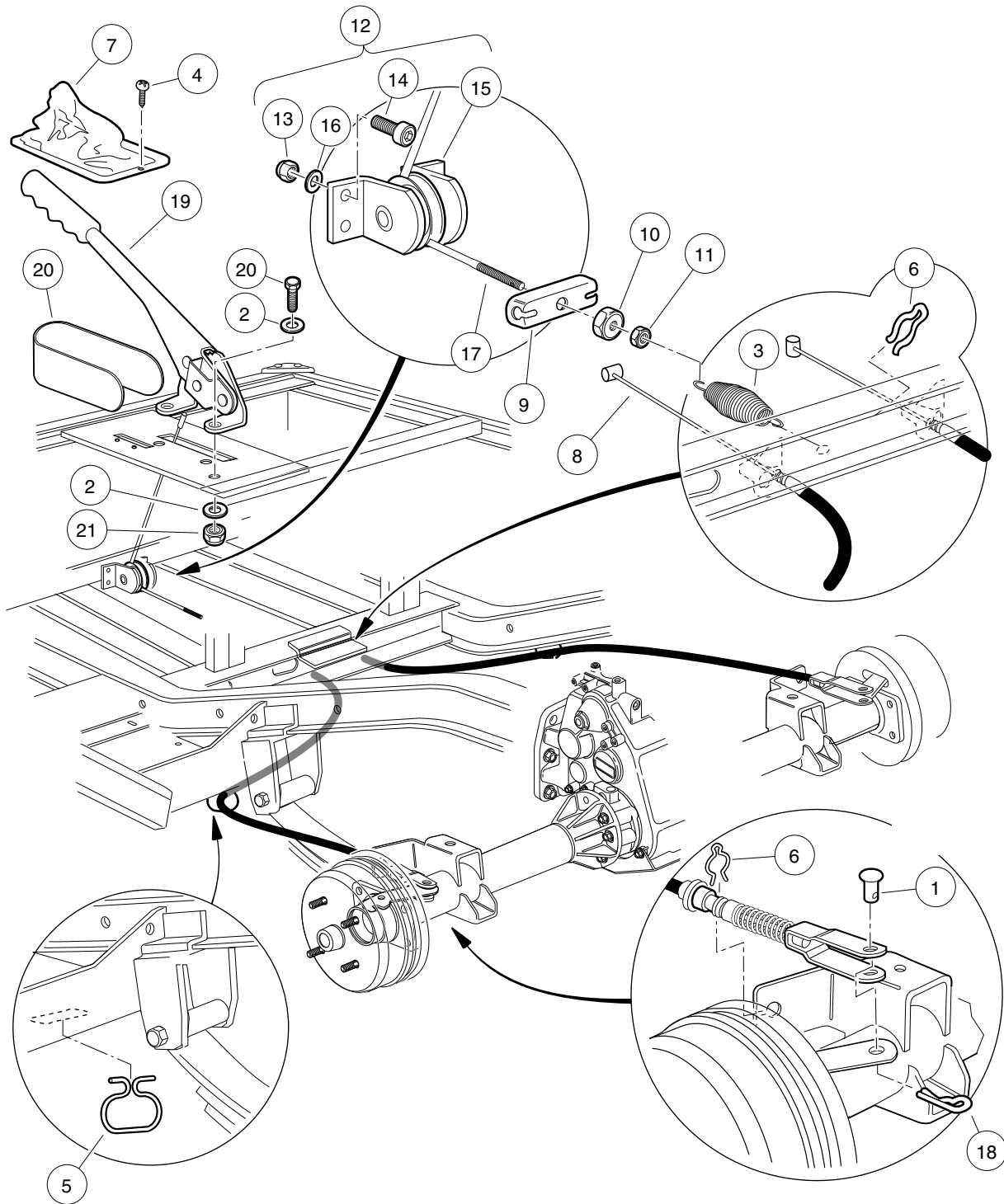
HYDRAULIC BRAKE SYSTEM

ITEM	PART NO.	DESCRIPTION	QTY
		1 2 3 4	
1	1014007	Washer, 1/4 Flat	1
2	1014136	Rivet, 3/16 Diameter Drive	1
3	102032801	Hose, Hydraulic, Front Brake	1
4	102032901	Line, Hydraulic Rear Brake Front	1
5	102033001	Line, Hydraulic Rear Brake, Right-Hand	1
6	102033101	Hose Flex Rear	2
7	102044001	Line Hyd Rear Brake LS	1
8	102044401	Bolt, Banjo	2
9	102045501	Copper Washer	4
10	102045701	Horse Shoe Clamp	2
11	102045801	P-Clamp	1
12	183	Washer, #10 Type A Flat	2
13	7479	Screw, 1/4-20 X 1.25 Hex-Head Cap	1
14	8233	Locknut, 1/4-20 Nylon Insert	1

4

G

4
G



000183-001

HAND PARK BRAKE ASSEMBLY

ITEM	PART NO.	DESCRIPTION	QTY
		1 2 3 4	
1	1010829	Pin, Clevis, 5/16 X 3/4	2
2	1011990	Washer, 3/8 Flat	4
3	1013531	Spring, Brake Return	1
4	101832001	Screw, #7-19 X 0.625 Phillips Pan-Head Tap	2
5	101900801	Hanger, Brake Cable	2
6	102028401	Park Brake Cable Clip	4
7	102033701	Park Brake Boot	1
8	102033901	Cable, Long Parking Brake	2
9	102052701	Equalizer	1
10	102052801	Nut, 5/16-24 Hex Cone	1
11	102160501	Nut, 5/16-24 Hex	1
12	102242701	Pulley Kit (includes items 13 through 16)	1
13	1012438	Locknut, #10-24 Nylon Insert	4
14	101260202	Screw, #10-24 X 3/4 Socket-Head	4
15	102028302	Pulley, 2-Inch Flat Mount	1
16	183	Washer, #10 Type A Flat	4
17	102247201	Cable, Park Brake	1
18	102292801	Pin, Bow Tie Locking - .072	2
19	102444601	Lever, Box	1
20	54562079	Shield, Boot	1
21	705	Screw, Cap-hex Hd 3/8-16x1.25	2
22	8754	Locknut, 3/8-16 Hex	2

4
G

4

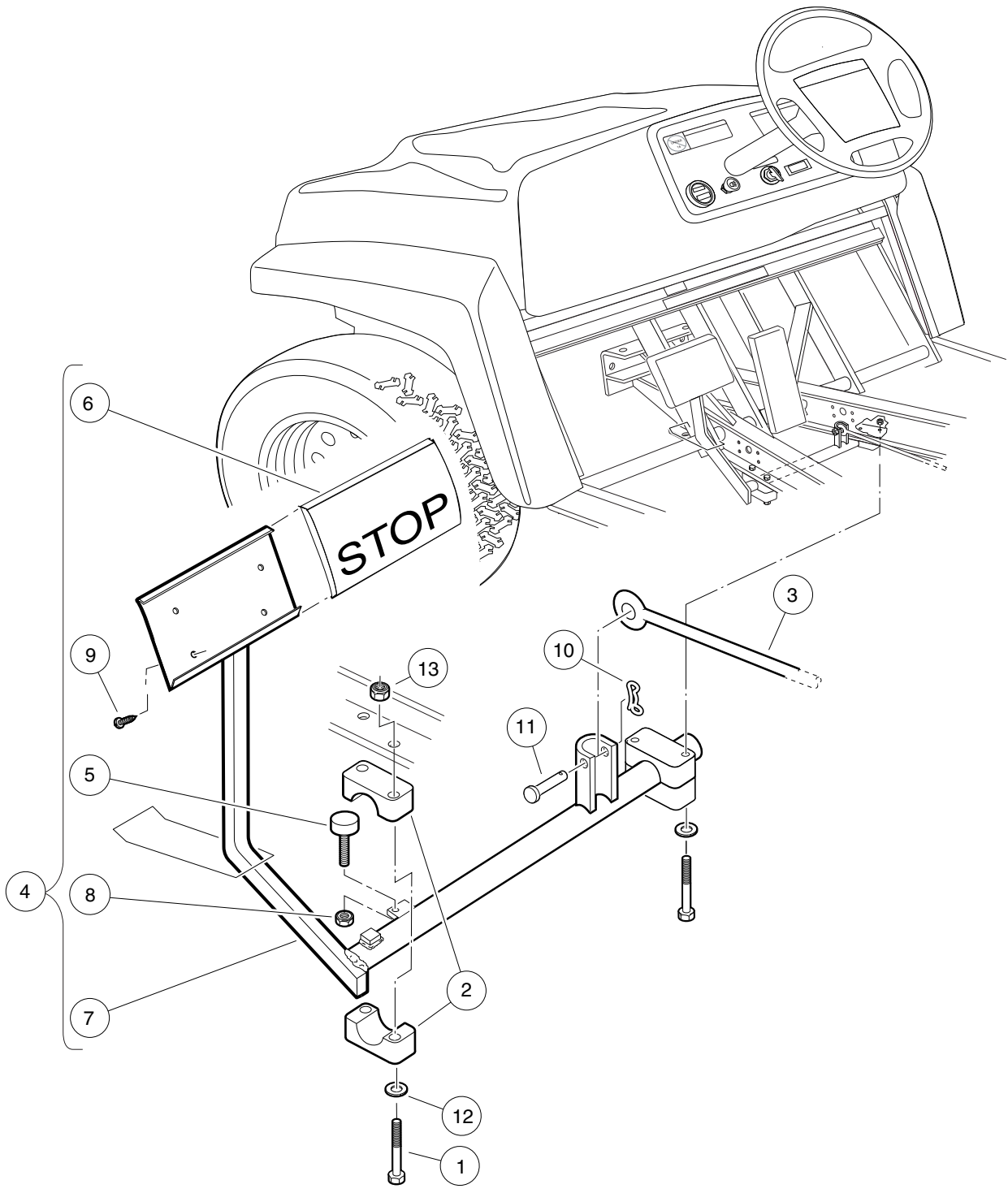
G

PEDAL GROUP

5

G

5
G



000112-001

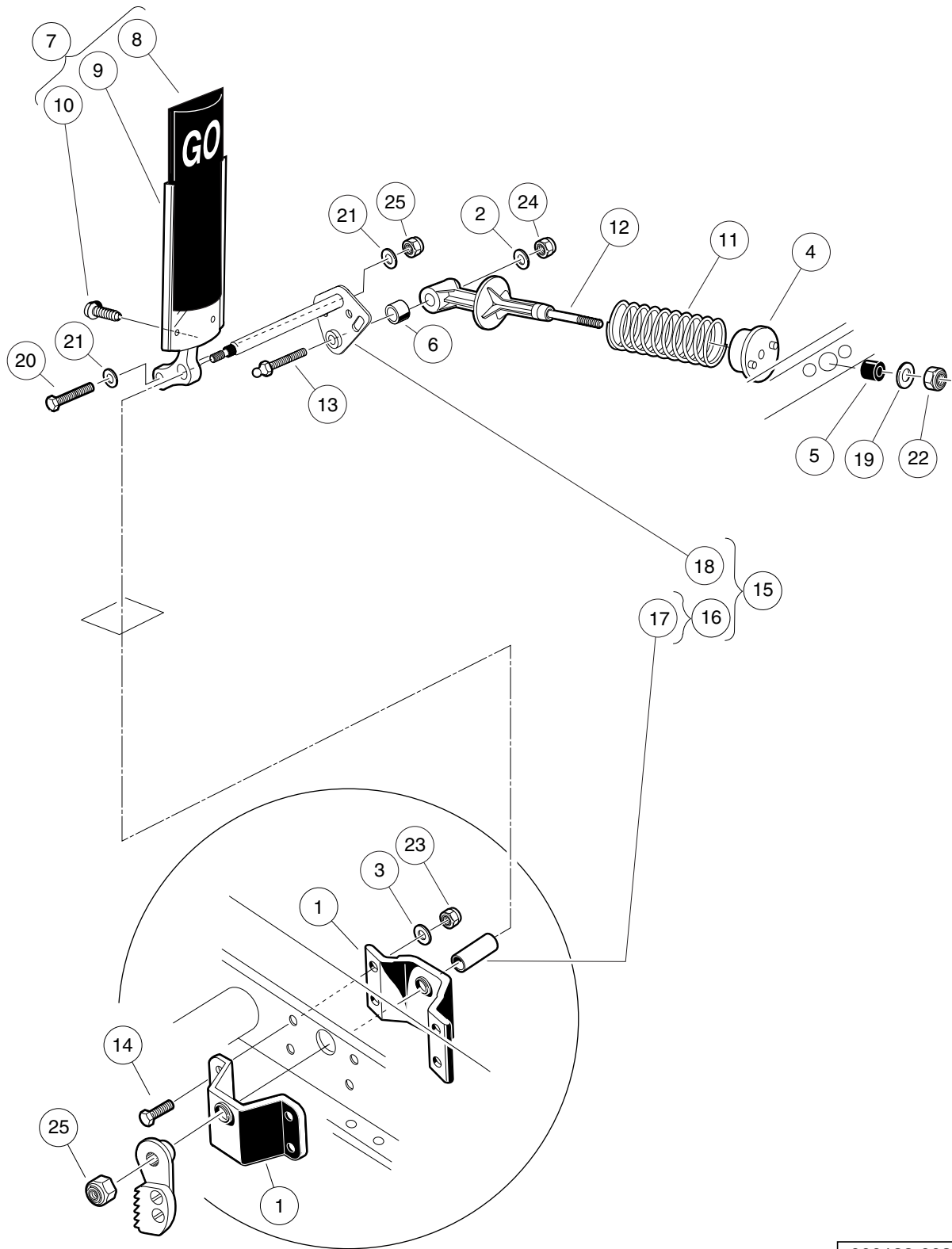
BRAKE PEDAL ASSEMBLY

ITEM	PART NO.	DESCRIPTION	QTY
		1 2 3 4	
1	1010921	Screw, 5/16-18 X 2.50 Hex Cap	4
2	1011402	Package, Brake Mounting Block	1
3	101953105	Rod, Equalizer, 13.30"	1
4	102028901	Assembly, Brake Pedal (includes items 5 through 9)	1
5	1010878	Bumper, Rubber	1
6	102028601	Pad, Hydraulic Brake Pedal	1
7	N/A	Brake Pedal Weld Asm	1
8	1028	Nut, 1/4-20 Hex	1
9	7716	Screw, #10-16 Type AB, Sheet Metal	4
10	102292801	Pin, Bow Tie Locking - .072	1
11	102323201	Pin, 3/8 X 1-5/16 Clevis	1
12	1241	Washer, 5/16 Type A Flat	4
13	7473	Locknut, 5/16-18 Nylon Insert	4

5

G

5
G



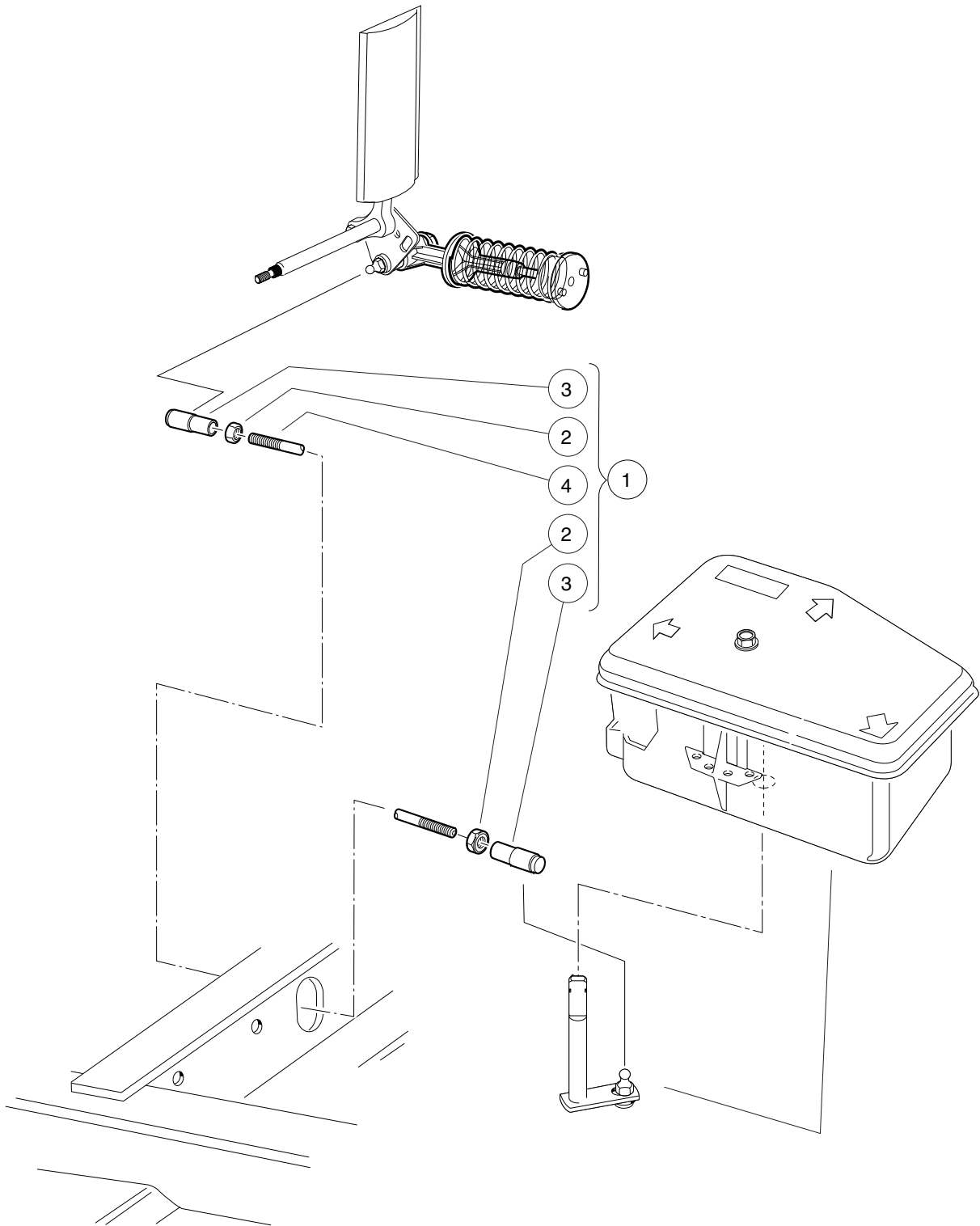
000188-003

ACCELERATOR PEDAL ASSEMBLY – GASOLINE VEHICLE

ITEM	PART NO.	DESCRIPTION	QTY
		1 2 3 4	
1	1011694	Accelerator Bracket and Bearing Assembly	2
2	1011931	Washer, 1/4 Flat	1
3	1014007	Washer, 1/4 Flat	4
4	1017378	Cup, Spring	1
5	1017380	Bumper, Spring Return	1
6	1017424	Bearing, Pivot Support	1
7	1017696	Sub Asm, Accelerator Pedal (includes items 8 through 10)	1
8	1013871	Pad, Accelerator Pedal	1
9	N/A	Accelerator Pedal Weldment	1
10	7716	Screw, #10-16 Type AB, Sheet Metal	4
11	101796201	Spring, Accelerator Return	1
12	101817401	Retainer, Spring	1
13	101818801	Stud, 1/4-28 X 1.35 Ball	1
14	101861901	Screw, 1/4-20 X 1.125 Hex Cap	4
15	102026001	Kit, Accelerator Pivot Rod Assembly (includes items 16 through 18)	1
16	1011700	Spacer Assembly (includes item 17)	1
17	101919801	Spacer, Accelerator	1
18	N/A	Pivot Rod Weldment	1
19	1241	Washer, 5/16 Type A Flat	1
20	1624	Screw, 3/8-16 X 1.50 Hex-Head Cap	1
21	334	Washer, 3/8 Type A Flat	2
22	7473	Locknut, 5/16-18 Nylon Insert	1
23	8233	Locknut, 1/4-20 Nylon Insert	4
24	8717	Locknut, 1/4-28 Nylon Insert	1
25	8754	Locknut, 3/8-16 Hex	2

5
G

5
G



000362-001

ACCELERATOR ROD

ITEM	PART NO.	DESCRIPTION	QTY
		1 2 3 4	
1	101822001	Rod, Accelerator (includes items 2 through 4)	1
2	1011084	Nut, 1/4-28 Hex Jam	2
3	1011734	Joint, Ball	2
4	N/A	Accelerator Rod	1

5

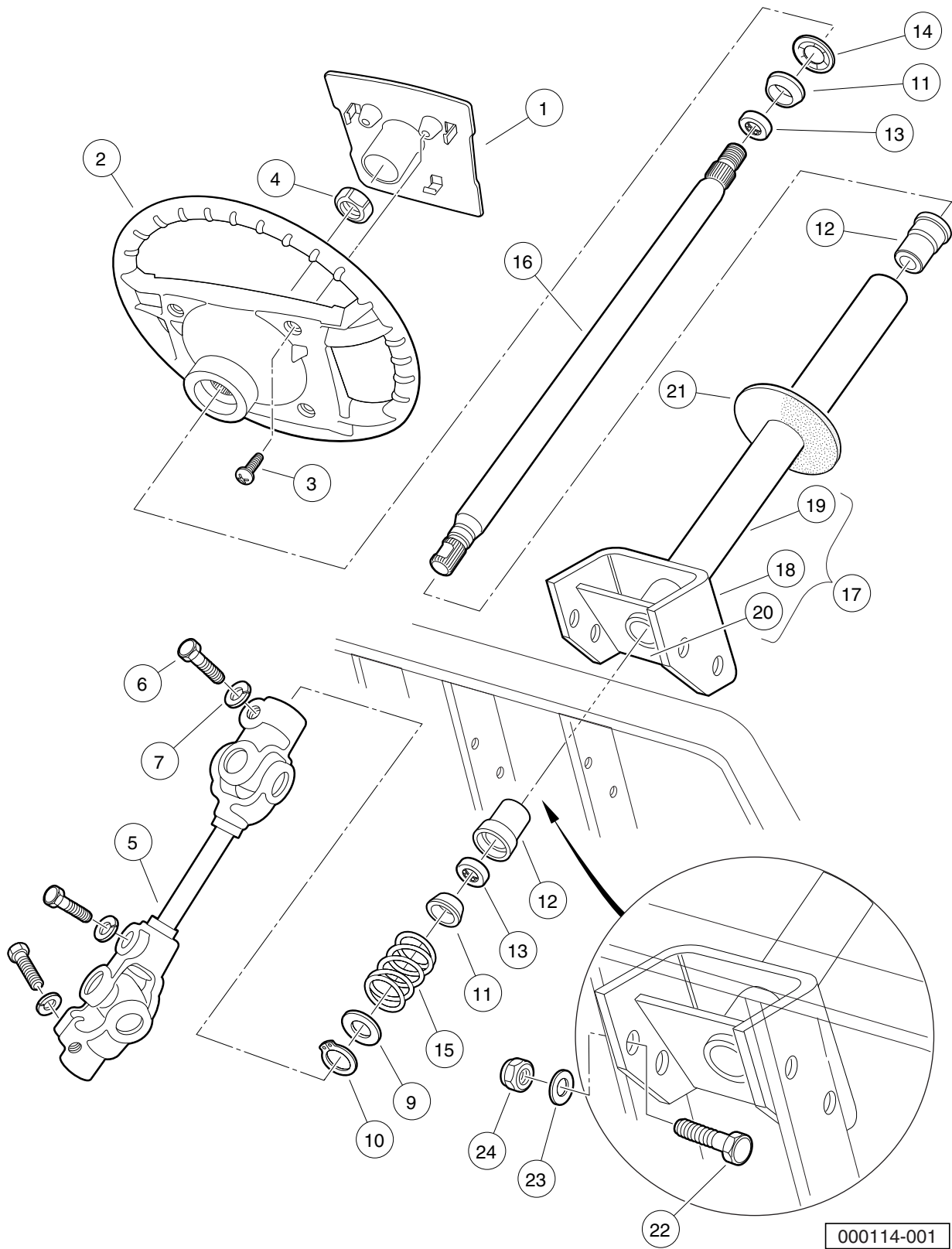
G

5

G

STEERING AND SUSPENSION

6
G

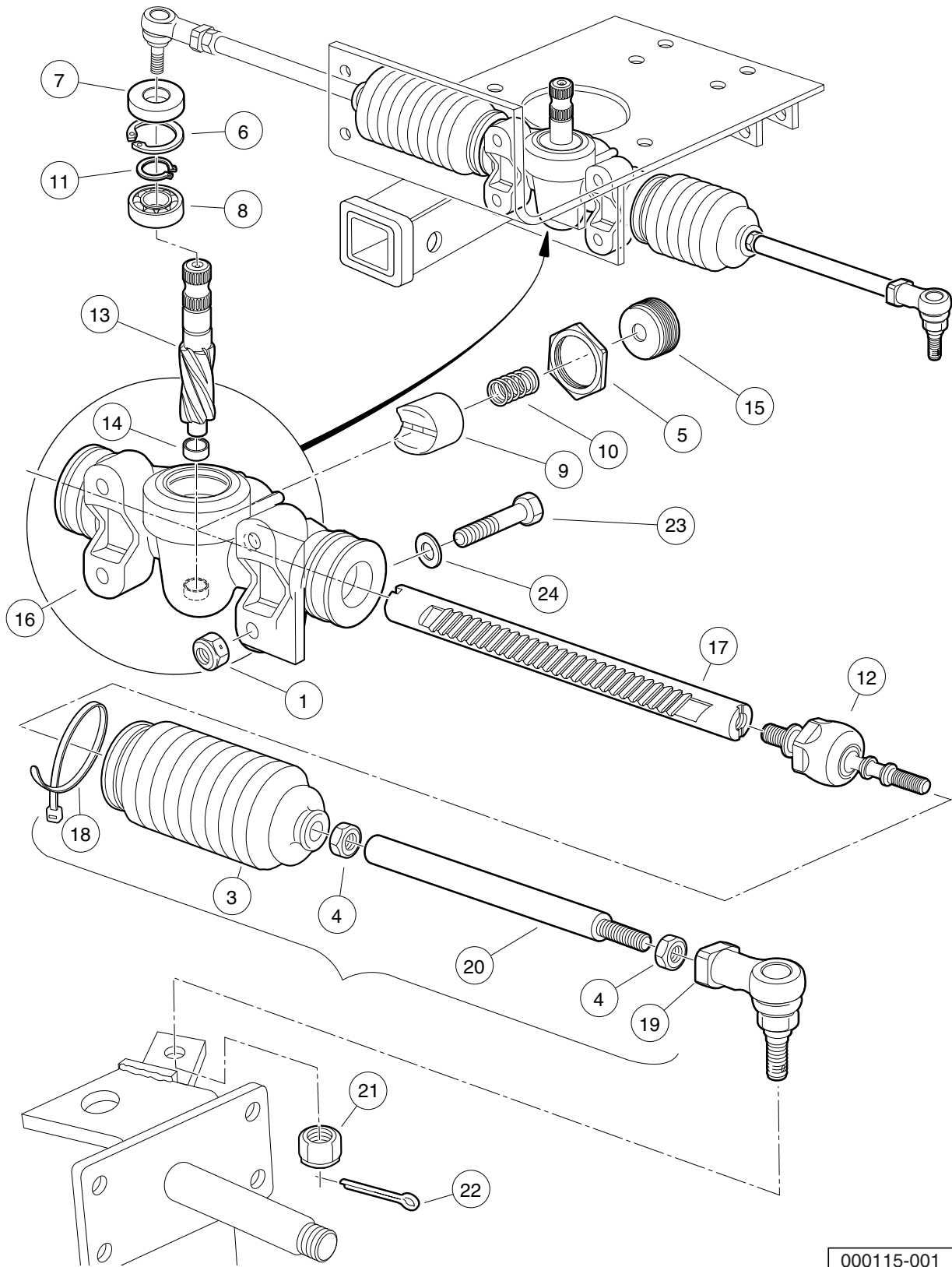


STEERING COLUMN

ITEM	PART NO.	DESCRIPTION	QTY
		1 2 3 4	
1	101615504	Plate, Scorecard	1
2	1016156	Wheel, Steering	1
3	1016663	Screw, #12-14 X 0.625	2
4	1017273	Nut, 5/8-18 Nylon Insert Jam	1
5	102010201	Yoke Assembly (includes items 6 and 7)	1
6	1017226	Bolt, Hex-Head, 8mm X 1.25 - 30	3
7	7174	Lockwasher, 5/16 Split	3
8	102013101	Steering Column (includes items 9 through 17)	1
9	1012604	Washer, 0.675 ID X 1.19 OD	1
10	1012605	Ring, 0.579 Internal Retaining	1
11	1014125	Wedge, Molded	2
12	1014126	Seat, Plastic Bearing	2
13	1014213	Bearing, Ball	2
14	1014214	Ring, Retaining	1
15	1014217	Spring, Steering Shaft	1
16	1017315	Shaft Steering Column	1
17	102013001	Column Weld Assy, Steering (includes items 18 through 20)	1
18	N/A	Column Mtg Bracket	1
19	N/A	Steering Column	1
20	N/A	Steering Bracket Brace	1
21	102278001	Boot, Steering Column Round	1
22	320	Screw, 3/8-16 X 1.00 Hex-Head Cap	4
23	334	Washer, 3/8 Type A Flat	4
24	8754	Locknut, 3/8-16 Hex	4

6
G

6
G

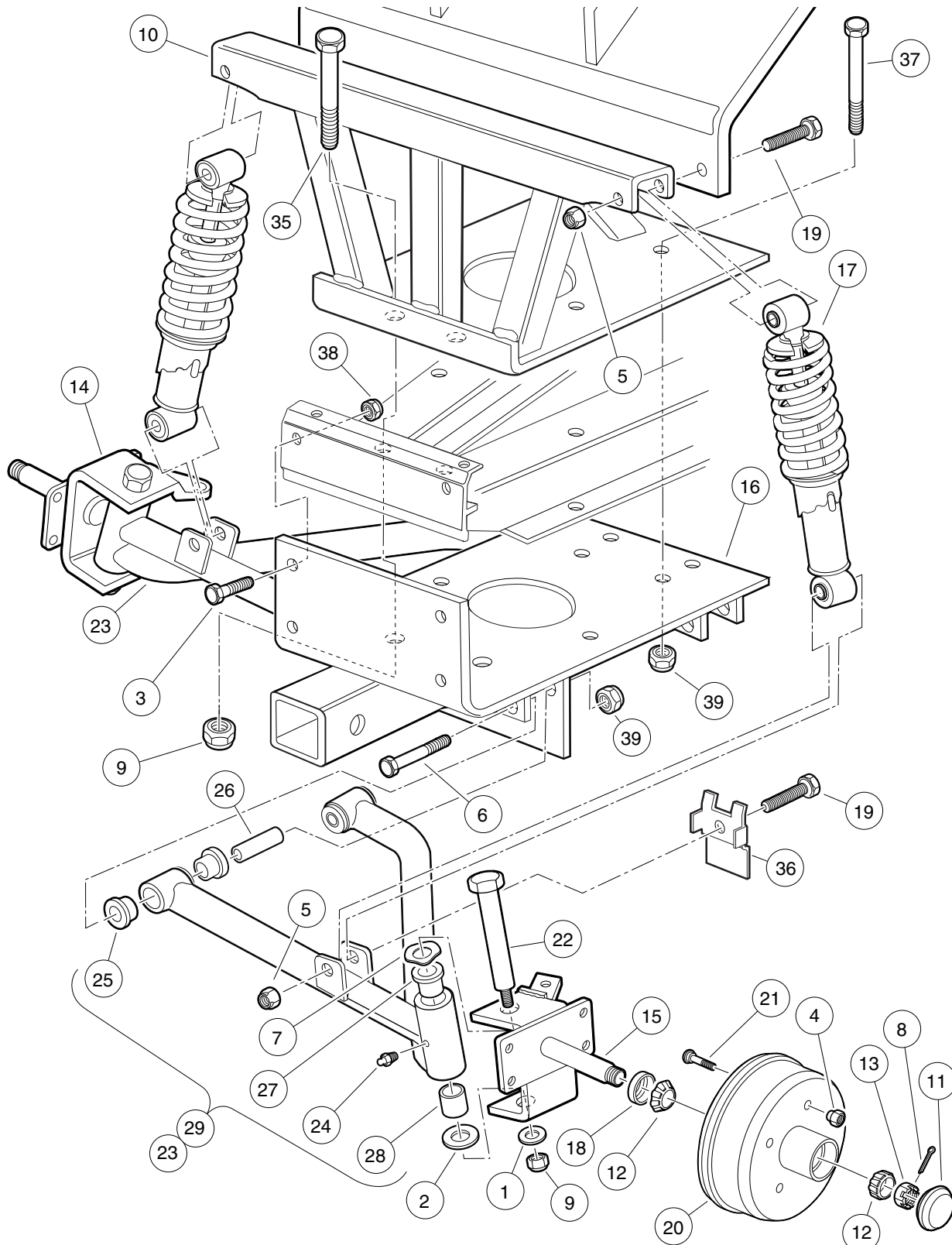


000115-001

STEERING GEAR ASSEMBLY

ITEM	PART NO.	DESCRIPTION	QTY
		1 2 3 4	
1	1010138	Locknut, 3/8-16 Dimpled	4
2	102010101	Rack and Pinion Steering Gear (includes items 3 through 18)	1
3	1013035	Bellows, Long	2
4	1013042	Nut, 12mm Hex	4
5	1013044	Rack Screw Locknut	1
6	1013051	Snap Ring	1
7	1013052	Seal, Steering Pinion Dust	1
8	101879401	Bearing, Ball	1
9	101879701	Support Yoke	1
10	101879801	Rack Guide Pressure Spring	1
11	101879901	Ring, Stop, C-Type	1
12	101880201	Inner Ball Joint Asm	2
13	N/A	Pinion, Steering	1
14	N/A	Bearing, Lower Pinion	1
15	N/A	Screw, Rack Guide	1
16	N/A	Housing, Steering Gear	1
17	N/A	Rack, Steering	1
18	8990	Tie Wrap, 8" Nylon	2
19	102022601	End, Tie Rod M12 X 1.25 Rh	2
20	102022801	Drag Link	2
21	102022901	Locknut, M12-1.25 Nylon	2
22	102023301	Pin, Cotter	2
23	1624	Screw, 3/8-16 X 1.50 Hex-Head Cap	4
24	334	Washer, 3/8 Type A Flat	4

6
G



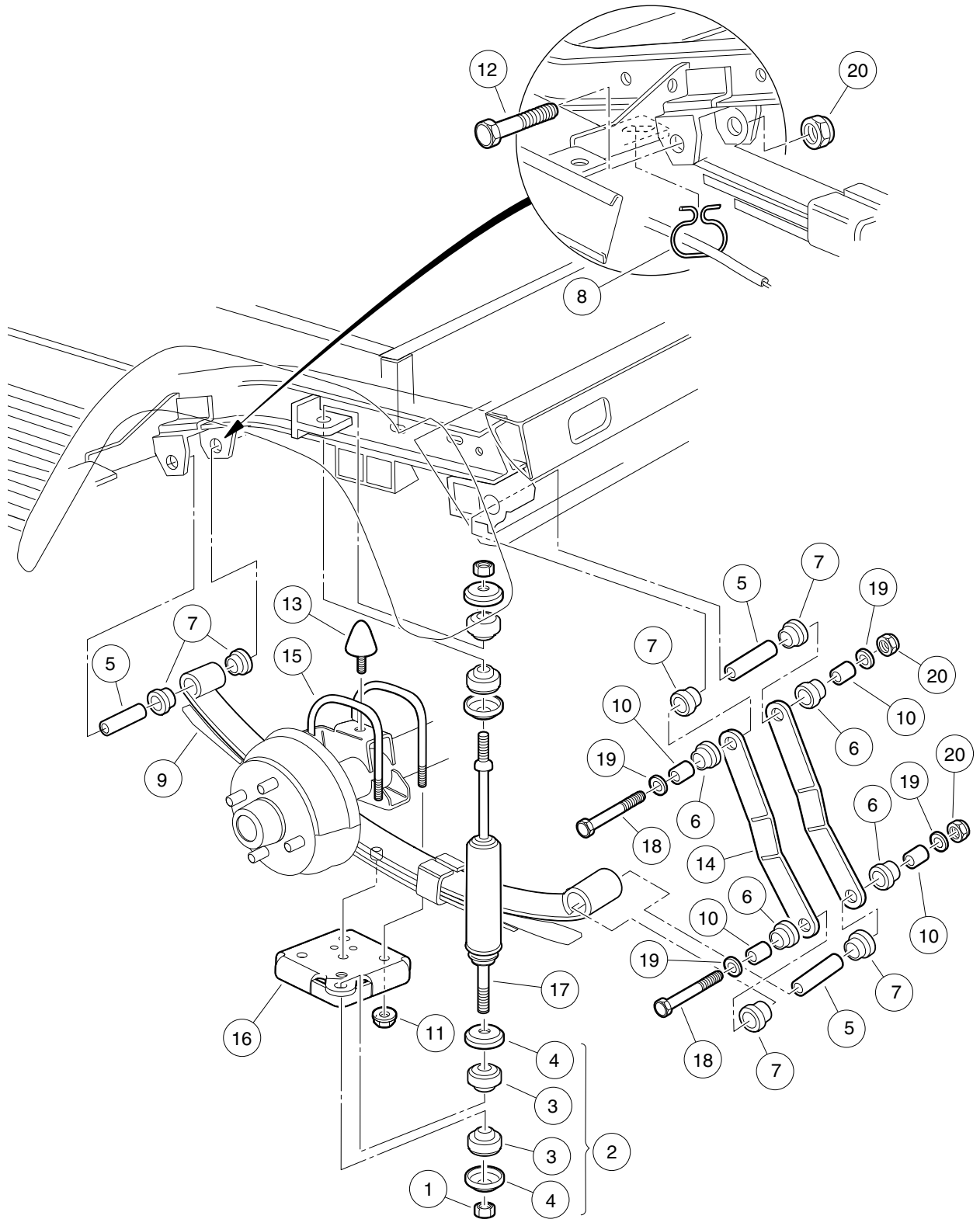
000116-001

FRONT SUSPENSION

ITEM	PART NO.	DESCRIPTION	QTY
		1 2 3 4	
1	1010028	Washer, 1/2 Type A Flat	2
2	1010150	Bearing, Thrust	2
3	1010934	Screw, 5/16-18 X 1.00 Hex Cap	2
4	1010984	.500-20 Unf Lug Nut	8
5	1014555	Locknut, 7/16-14 Nylon Hex	4
6	1016387	Screw, 3/8-16 X 2.75 Hx Hd Cap	4
7	1016389	Washer, 1.125 Od Wave	2
8	101838801	Pin, Cotter, 0.312 x 1.25	2
9	101903101	Locknut, 1/2-20 Nylon Insert	4
10	102012301	Shock Tower	1
11	102013601	Dust Cover	2
12	102013701	Bearing, Tapered	4
13	102013801	Nut, 1.00-14 Slotted Hex Jam	2
14	102016501	Assembly, Spindle, RH	1
15	102016701	Assembly, Spindle, LH	1
16	102016801	Suspension Mtg Plate	1
17	102017601	Shock Absorber, Coil Over	2
18	102023001	Seal, Dual-Lip	2
19	102023101	Screw, 7/16-14 X 2.50 Hex Cap	4
20	102044201	Assembly, Front Hub (includes item 21)	2
21	1013787	Lug Stud	4
22	102048601	King Pin Bolt Assembly	2
23	102052301	Right A-arm Asm (includes items 24 through 28)	1
24	1015597	Fitting, 1/4-28 Thread-Forming Grease	1
25	1016346	Bushing, Urethane	4
26	102066701	Sleeve, A-Arm	2
27	7048	Bushing, Flanged Bronze	1
28	8067	Bushing, Bronze Spindle	1
29	102052401	Left A-Arm Asm (includes items 30 through 34)	1
30	1015597	Fitting, 1/4-28 Thread-Forming Grease	1
31	1016346	Bushing, Urethane	4
32	102066701	Sleeve, A-Arm	2
33	7048	Bushing, Flanged Bronze	1
34	8067	Bushing, Bronze Spindle	1
35	102067001	Screw, 1/2-20 X 5.0 Hex Cap	2
36	102100001	Steering Stop Mtg Plate	2
37	7270	Bolt, 3/8-16 X 4.50 Hex Head	4
38	7473	Locknut, 5/16-18 Nylon Insert	2
39	8754	Locknut, 3/8-16 Hex	8

6

G



000117-001

REAR SUSPENSION

ITEM	PART NO.	DESCRIPTION	QTY
		1 2 3 4	
1	1010145	Nut, 3/8-24 Hex	4
2	1011415	Kit, Shock Absorber Cushion (includes items 3 and 4)	4
3	1010142	Cushion, Shock Absorber	2
4	1010144	Retainer, Shock Absorber Cushion	2
5	1012303	Bushing, Steel	6
6	1015453	Compression Mount	8
7	1015583	Bushing, Urethane	12
8	101900801	Hanger, Brake Cable	2
9	102006501	Spring, Rear Leaf	2
10	102045601	Spacer 0.38 ID X 0.500 OD	8
11	102065001	Locknut 7/16-14 Flange Dimple	8
12	102066201	Screw, 3/8-16 X 3.50 Hex Cap	2
13	102188701	Stud Mount	2
14	102256901	Shackle, Rear Spring -gas 272	4
15	102258801	U-Bolt	4
16	102266301	Reinforced Spring Pad	2
17	102267301	Shock Absorber, Rear	2
18	7270	Bolt, 3/8-16 X 4.50 Hex Head	4
19	808	Washer, 3/8 Type B Flat	8
20	8754	Locknut, 3/8-16 Hex	6

6

G

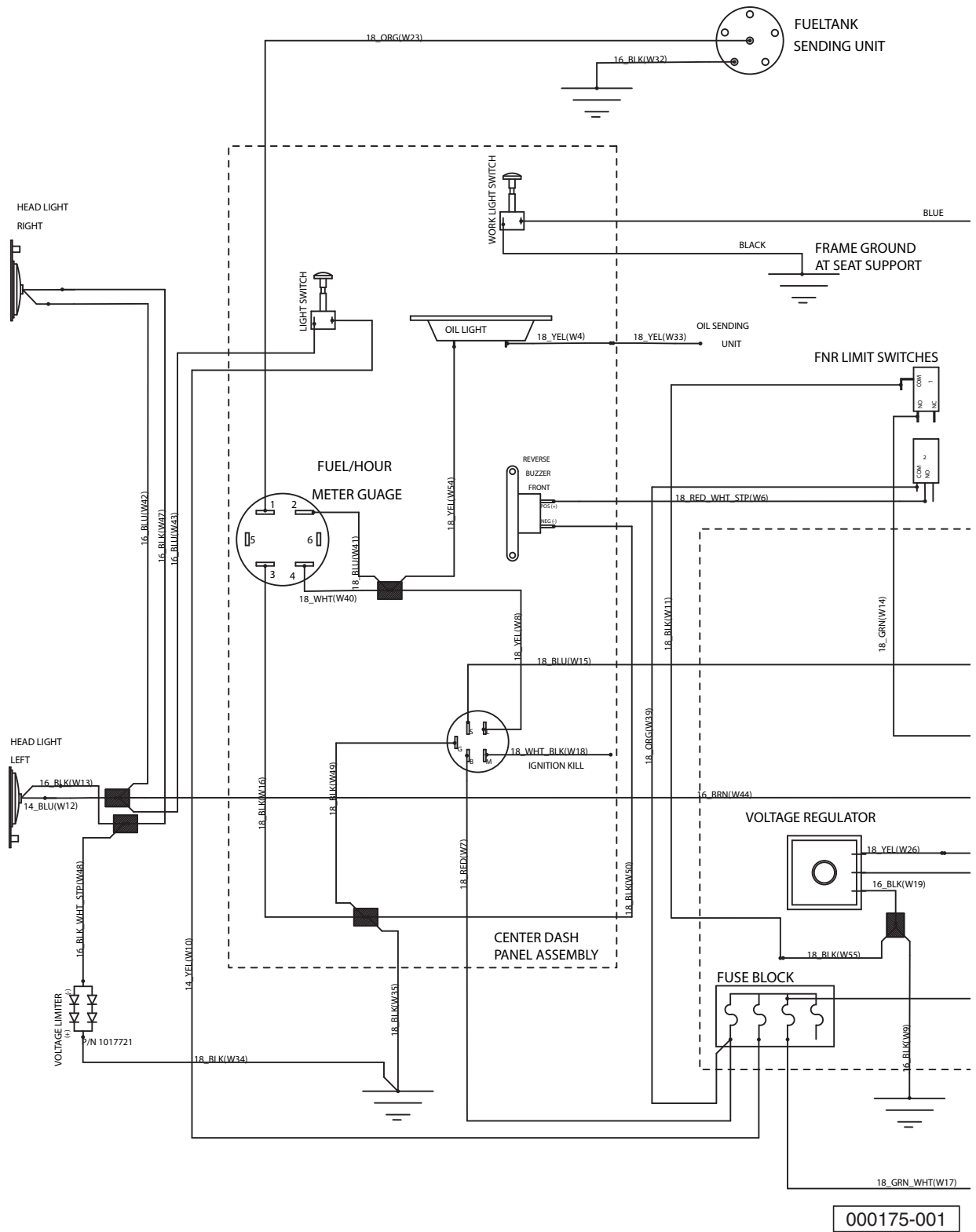
6

G

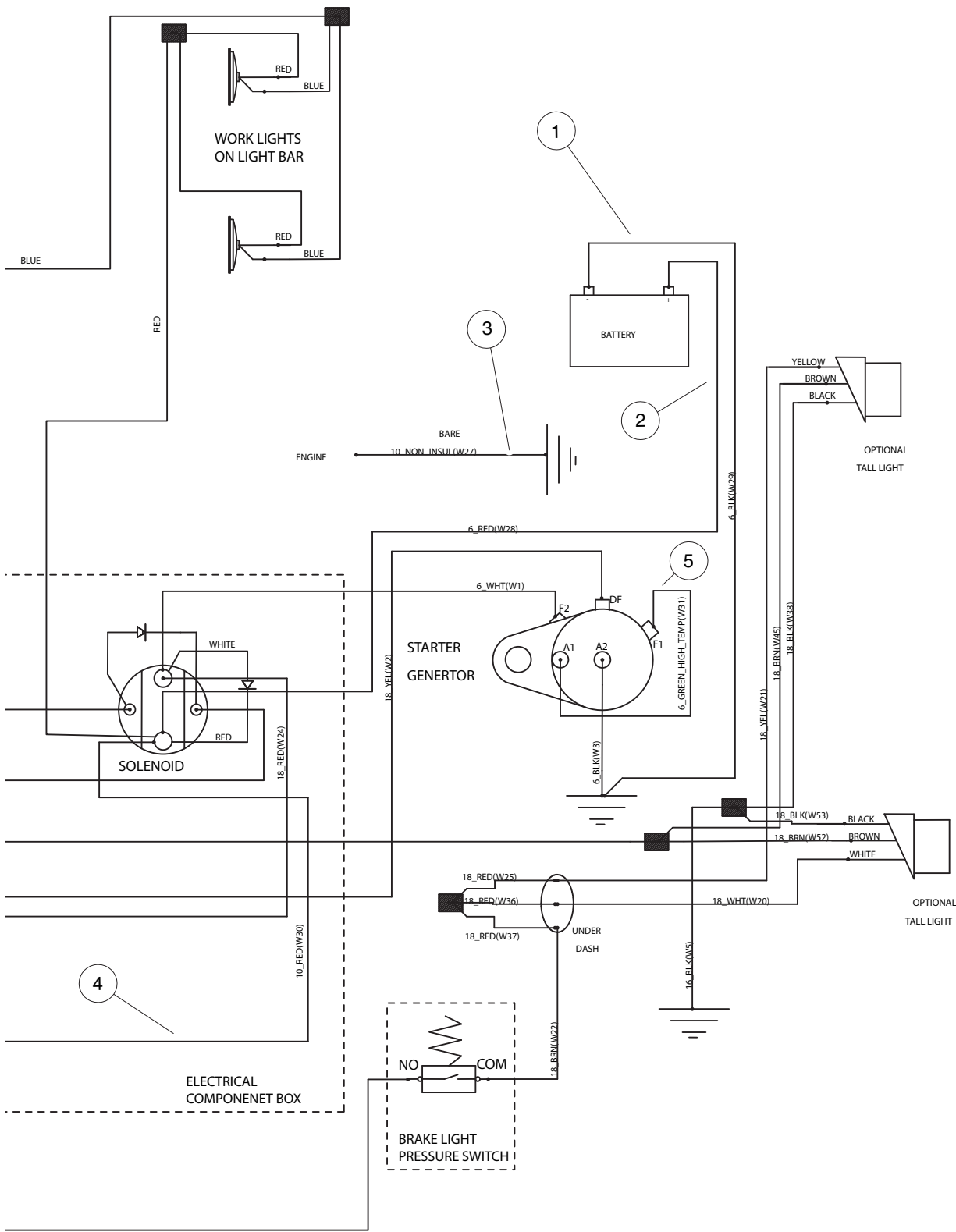
ELECTRICAL SYSTEM

7

G



000175-001



000175-001

7

G

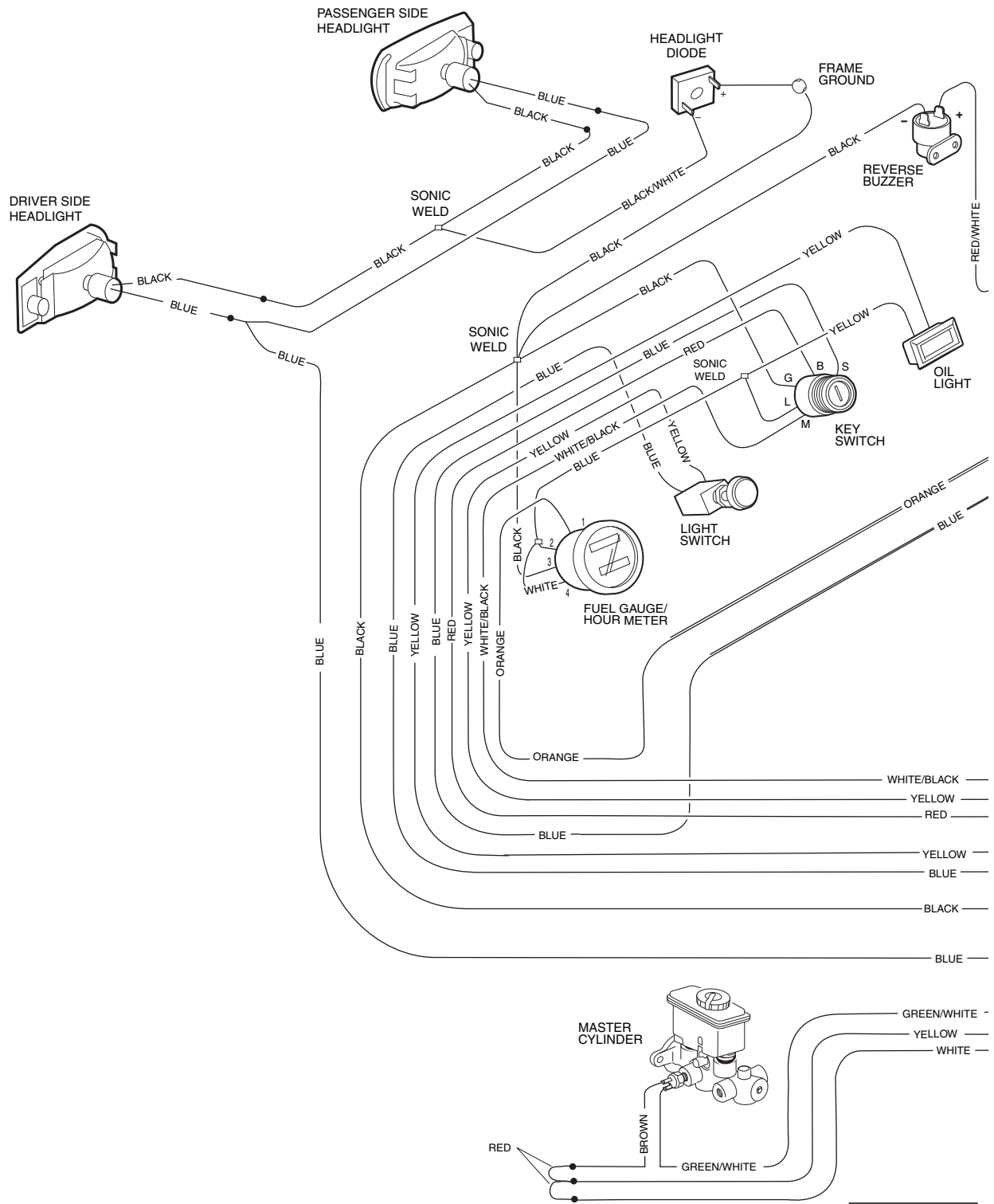
See previous two pages for illustration.

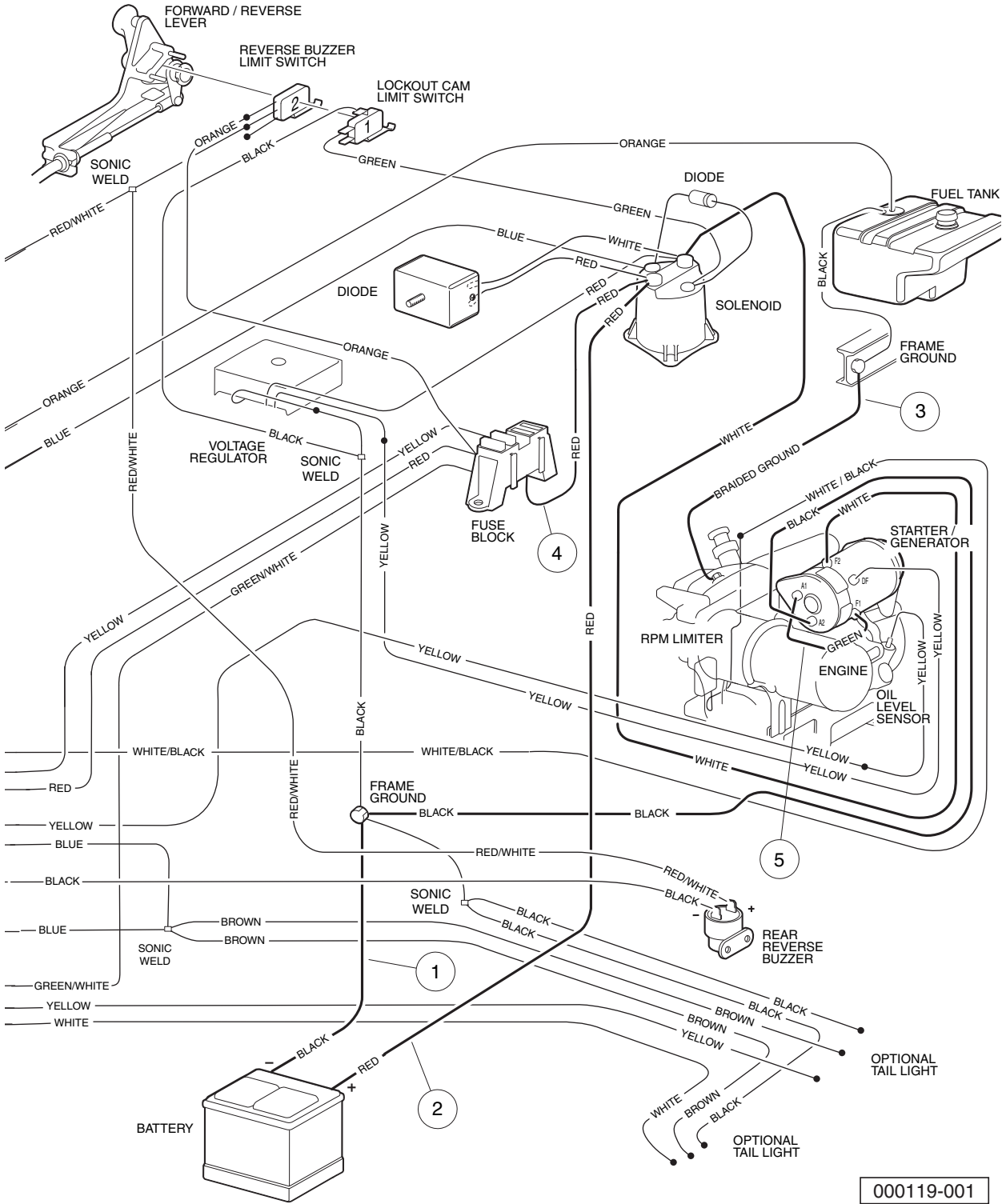
WIRING – XRT 1200 VEHICLES

ITEM	PART NO.	DESCRIPTION	QTY
		1 2 3 4	
1	1012382	Wire Assy, #6 Black	1
2	1014119	Wire Assembly #6 Red	1
3	1015332	Wire Assembly, #10, Uninsulated	1
4	1015737	Wire Assy, #10 Red	1
5	101837301	Wire Assy, #6 Green	1
6	102223601	Asm, Wire Harness	1

7

G





7

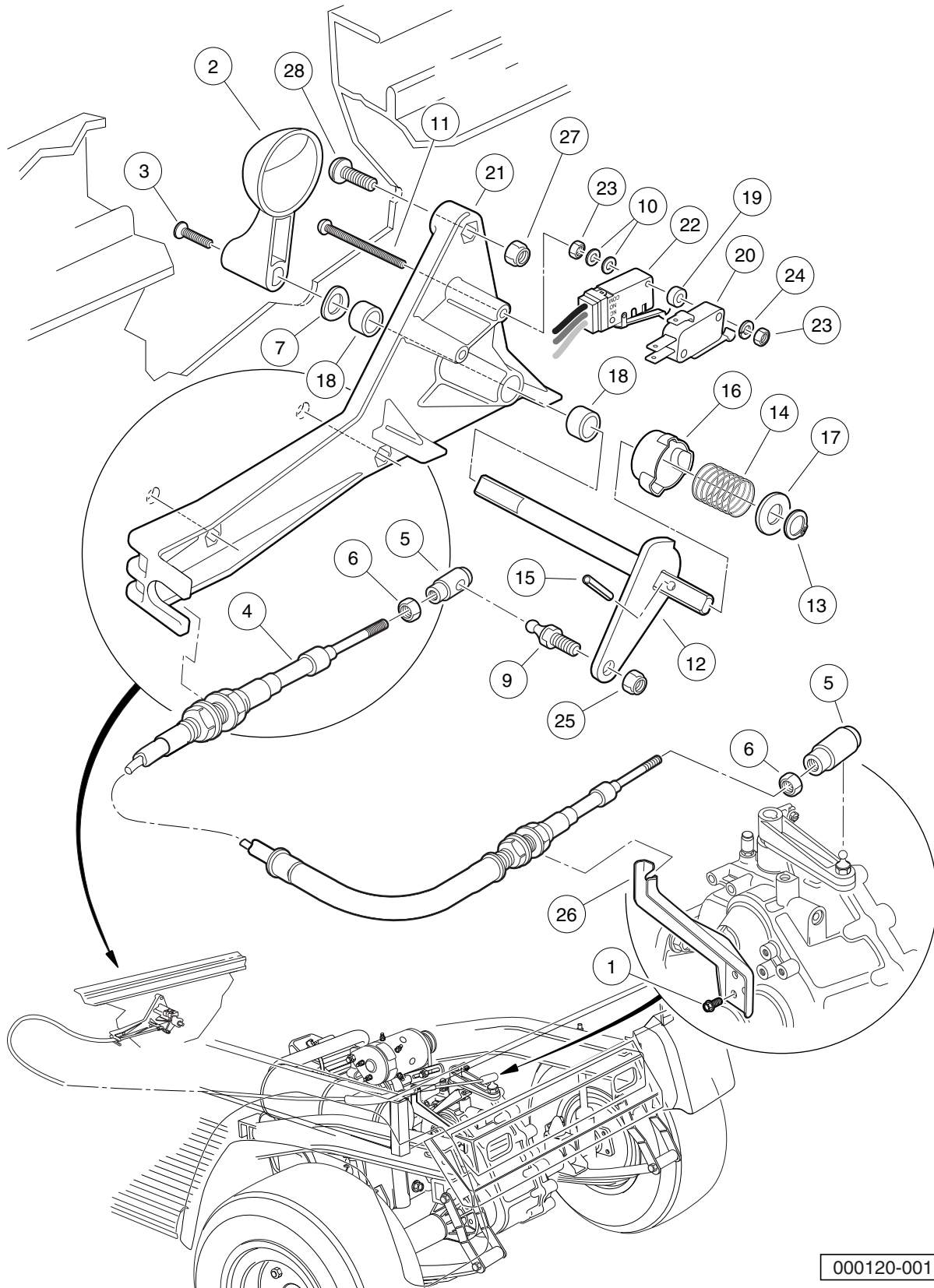
G

See previous two pages for illustration.

WIRING – XRT 1200 SE KEY-START VEHICLE

ITEM	PART NO.	DESCRIPTION	QTY
		1 2 3 4	
1	1012382	Wire Assy, #6 Black	1
2	1014119	Wire Assembly #6 Red	1
3	1015332	Wire Assembly, #10, Uninsulated	1
4	1015737	Wire Assy, #10 Red	1
5	101837301	Wire Assy, #6 Green	1
6	102316101	Asm, Wire Harness - Stretch	1

7
G

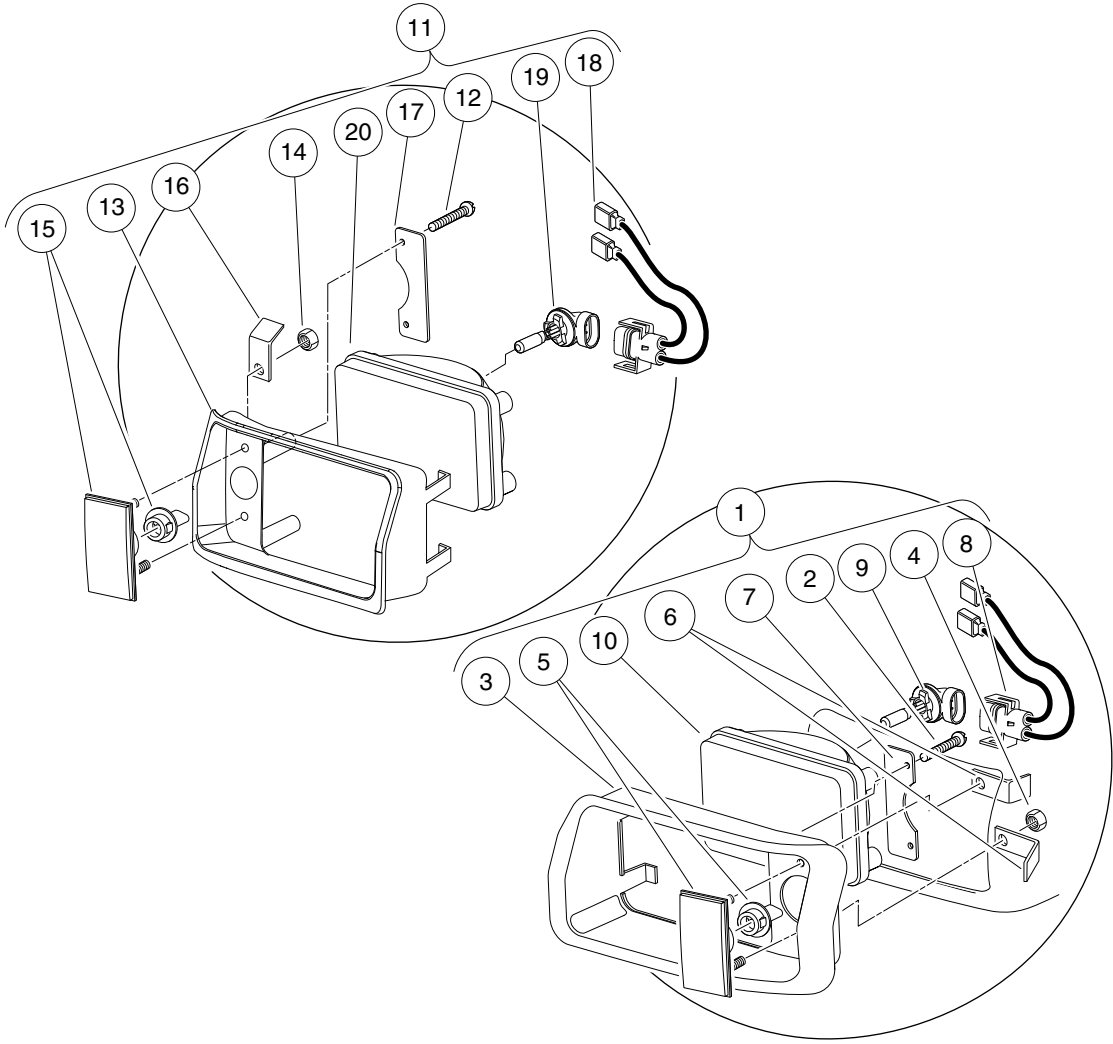


000120-001

FORWARD/REVERSE SHIFTER ASSEMBLY

ITEM	PART NO.	DESCRIPTION	QTY
		1 2 3 4	
1	1012285	Screw, 1/4 X 0.625 Hex-Head	3
2	1012987	Handle, FNR	1
3	1015064	Screw, #8-32 X 0.63 Machine	1
4	1015409	Cable, Shifter (includes items 5 and 6)	1
5	1012333	Joint, #10-32 Ball	2
6	7893	Nut, #10-32 Hex	2
7	1016201	Washer, Wave	1
8	1016947	Assembly, FNR Shifter (includes items 9 through 25)	1
9	1010954	Stud, 1/4-28 X 0.560 Ball	1
10	1012431	Washer, #4 Flat	4
11	1012594	Screw, #4-40 Machine	2
12	1013587	FNR Bell Crank Weldment	1
13	1013589	Ring, 0.338" Internal Retaining	1
14	1013590	Spring, FNR Cam	1
15	1013591	Pin, 1/8 X 1/2 Roll	1
16	1014089	Neutral Lockout Cam Kit (includes item 17)	1
17	1014065	Washer, 0.38" ID Delrin Flat	1
18	1014145	Bushing, Secondary Weight, Split	2
19	1014727	Washer, #4 Nylon Flat	2
20	1014807	Switch, Limit	1
21	1016342	FNR Shifter Base	1
22	101979101	Assembly, Switch, Limit	1
23	8057	Nut, #4-40 Hex Machine	4
24	8058	Lockwasher, #4 Split	2
25	8717	Locknut, 1/4-28 Nylon Insert	1
26	102045901	Bracket, Shifter	1
27	8233	Locknut, 1/4-20 Nylon Insert	4
28	8248	Screw, 1/4-20 X 0.75 Truss-Head Machine	4

7
G

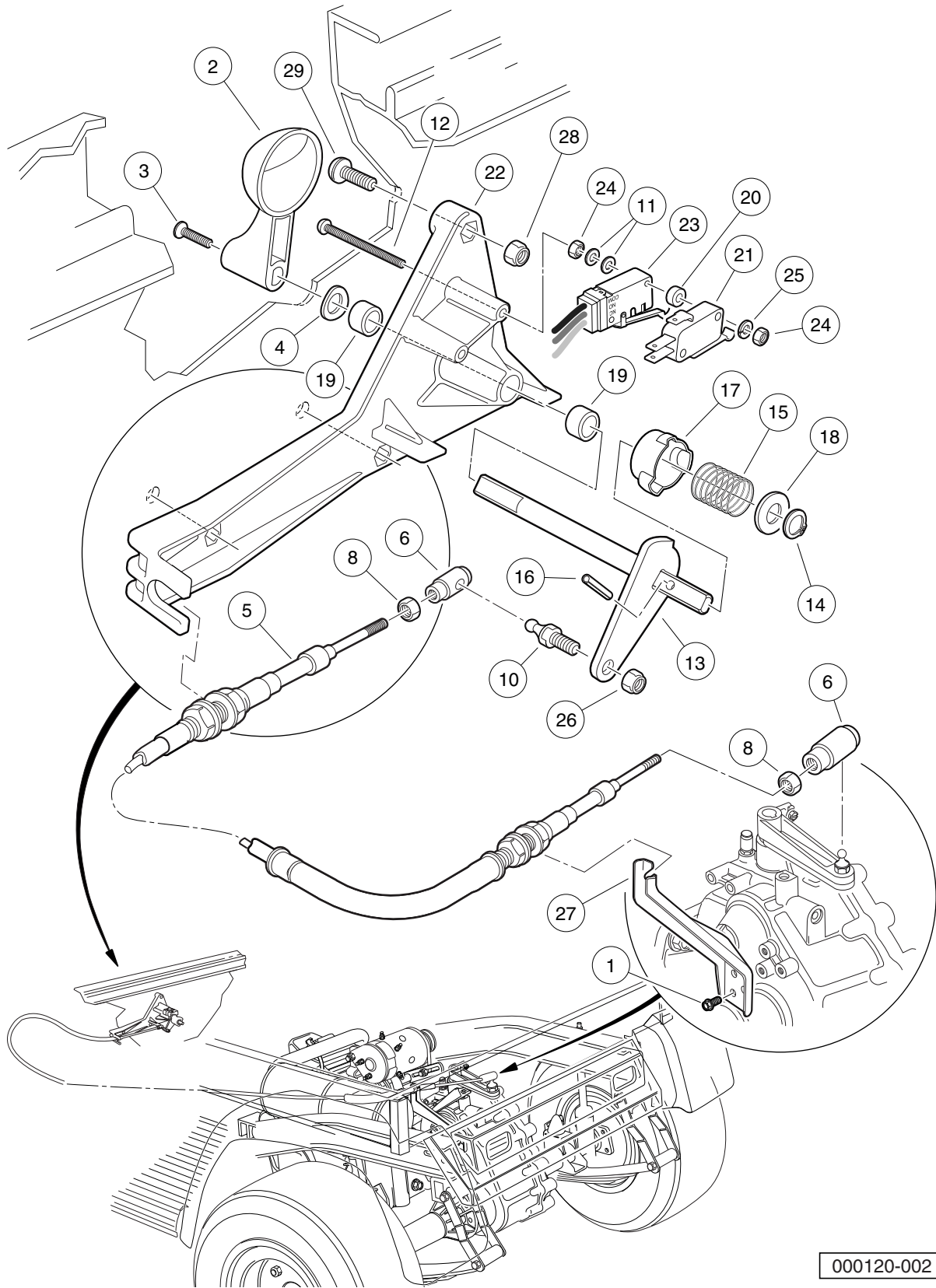


000073-001

HEADLIGHTS

ITEM	PART NO.	DESCRIPTION	QTY
		1 2 3 4	
1	101988001	Headlight Assembly, Driver-Side Single Beam (includes items 2 through 10)	1
2	1013461	Screw, #10-16 Hex-Head Hi-Lo	2
3	1016880	Headlight Bezel, Left	1
4	1017	Nut, #10-24 Stainless-Steel Hex Machine	2
5	1017062	Turn Signal Lens Assy	1
6	1017064	Mounting Bracket	2
7	1017065	Retainer, Headlight	1
8	101987901	Connector Harness Assembly, Headlight	1
9	101988101	Bulb, Headlight	1
10	101988201	Lens, Headlight	1
11	101988002	Headlight Assy, Passenger-Side Single Beam (includes items 12 through 20)	1
12	1013461	Screw, #10-16 Hex-Head Hi-Lo	2
13	1016879	Headlight Bezel, Right	1
14	1017	Nut, #10-24 Stainless-Steel Hex Machine	2
15	1017062	Turn Signal Lens Assy	1
16	1017064	Mounting Bracket	2
17	1017065	Retainer, Headlight	1
18	101987901	Connector Harness Assembly, Headlight	1
19	101988101	Bulb, Headlight	1
20	101988201	Lens, Headlight	1

7
G



000120-002

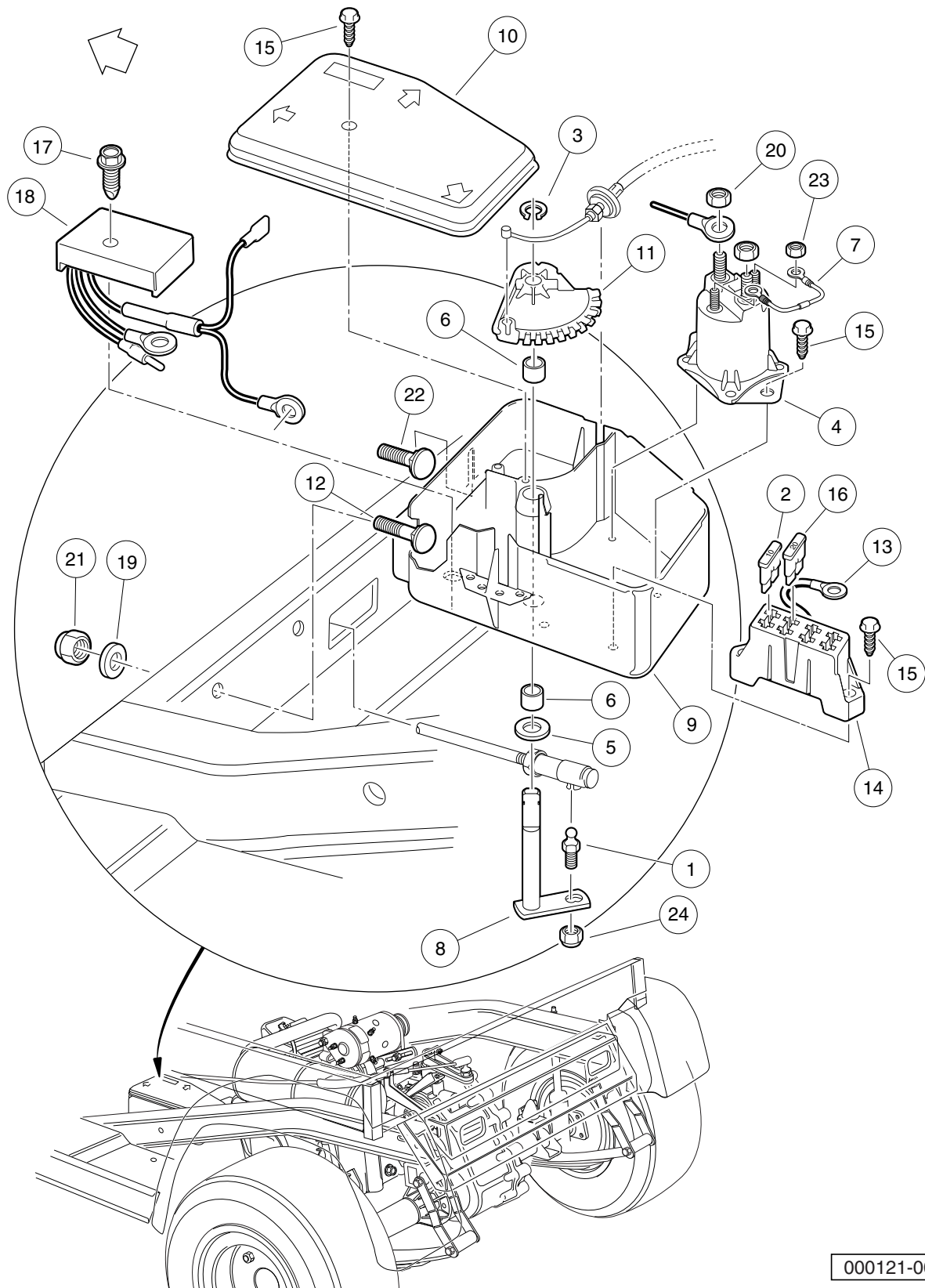
XRT 1200SE FORWARD/REVERSE SHIFTER ASSEMBLY

ITEM	PART NO.	DESCRIPTION	QTY
		1 2 3 4	
1	1012285	Screw, 1/4 X 0.625 Hex-Head	3
2	1012987	Handle, FNR	1
3	1015064	Screw, #8-32 X 0.63 Machine	1
4	1016201	Washer, Wave	1
5	101672701	Cable, FNR Shifter (includes items 6 through 8)	1
6	1012333	Joint, #10-32 Ball	2
7	101539802	Cable, Transmission Shifter	1
8	7893	Nut, #10-32 Hex	2
9	1016947	Assembly, FNR Shifter (includes items 10 through 26)	1
10	1010954	Stud, 1/4-28 X 0.560 Ball	1
11	1012431	Washer, #4 Flat	4
12	1012594	Screw, #4-40 Machine	2
13	1013587	FNR Bell Crank Weldment	1
14	1013589	Ring, 0.338" Internal Retaining	1
15	1013590	Spring, FNR Cam	1
16	1013591	Pin, 1/8 X 1/2 Roll	1
17	1014089	Neutral Lockout Cam Kit (includes item 18)	1
18	1014065	Washer, 0.38" ID Delrin Flat	1
19	1014145	Bushing, Secondary Weight, Split	2
20	1014727	Washer, #4 Nylon Flat	2
21	1014807	Switch, Limit	1
22	1016342	FNR Shifter Base	1
23	101979101	Assembly, Switch, Limit	1
24	8057	Nut, #4-40 Hex Machine	4
25	8058	Lockwasher, #4 Split	2
26	8717	Locknut, 1/4-28 Nylon Insert	1
27	102045901	Bracket, Shifter	1
28	8233	Locknut, 1/4-20 Nylon Insert	4
29	8248	Screw, 1/4-20 X 0.75 Truss-Head Machine	4

7

G

7
G



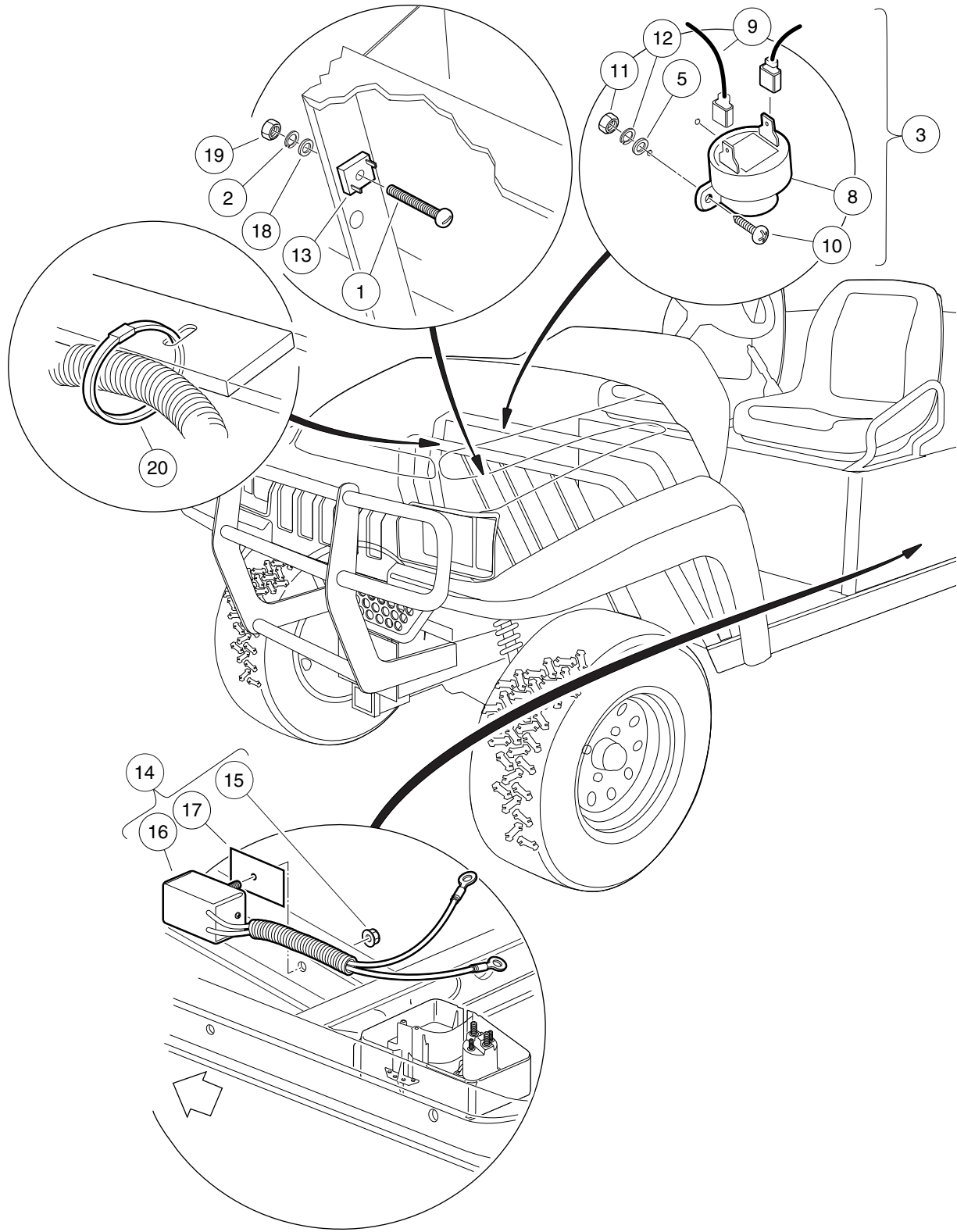
000121-001

ELECTRICAL COMPONENT BOX, KEY-START VEHICLES

ITEM	PART NO.	DESCRIPTION	QTY
		1 2 3 4	
1	1010954	Stud, 1/4-28 X 0.560 Ball	1
2	1012295	Fuse, 10-Amp	1
3	1013589	Ring, 0.338" Internal Retaining	1
4	1013609	Solenoid, 12-Volt	1
5	1014065	Washer, 0.38" ID Delrin Flat	1
6	1014145	Bushing, Secondary Weight, Split	2
7	1014948	Diode	1
8	1015345	Bell Crank and Shaft Assembly	1
9	1015371	Box, Electrical Component	1
10	1015372	Cover, Electric Box	1
11	1015373	Cam, Electric Box	1
12	1015405	Bolt, Carriage, 5/16-18 X 2.0	1
13	1015737	Wire Assy, #10 Red	1
14	1015741	Fuse Block	1
15	1015752	Screw, #12-16 X 0.625 Hi-Lo	5
16	1016423	Fuse, 20-Amp	1
17	101856102	Screw, 1/4-15 X 1.50 Hi-lo Hex	1
18	102711201	Voltage Regulator	1
19	1241	Washer, 5/16 Type A Flat	2
20	1242	Nut, 5/16-18 Hex	2
21	7473	Locknut, 5/16-18 Nylon Insert	2
22	7818	Bolt, Carriage, 5/16-18 X 1.5	1
23	7893	Nut, #10-32 Hex	2
24	8717	Locknut, 1/4-28 Nylon Insert	1

7

G

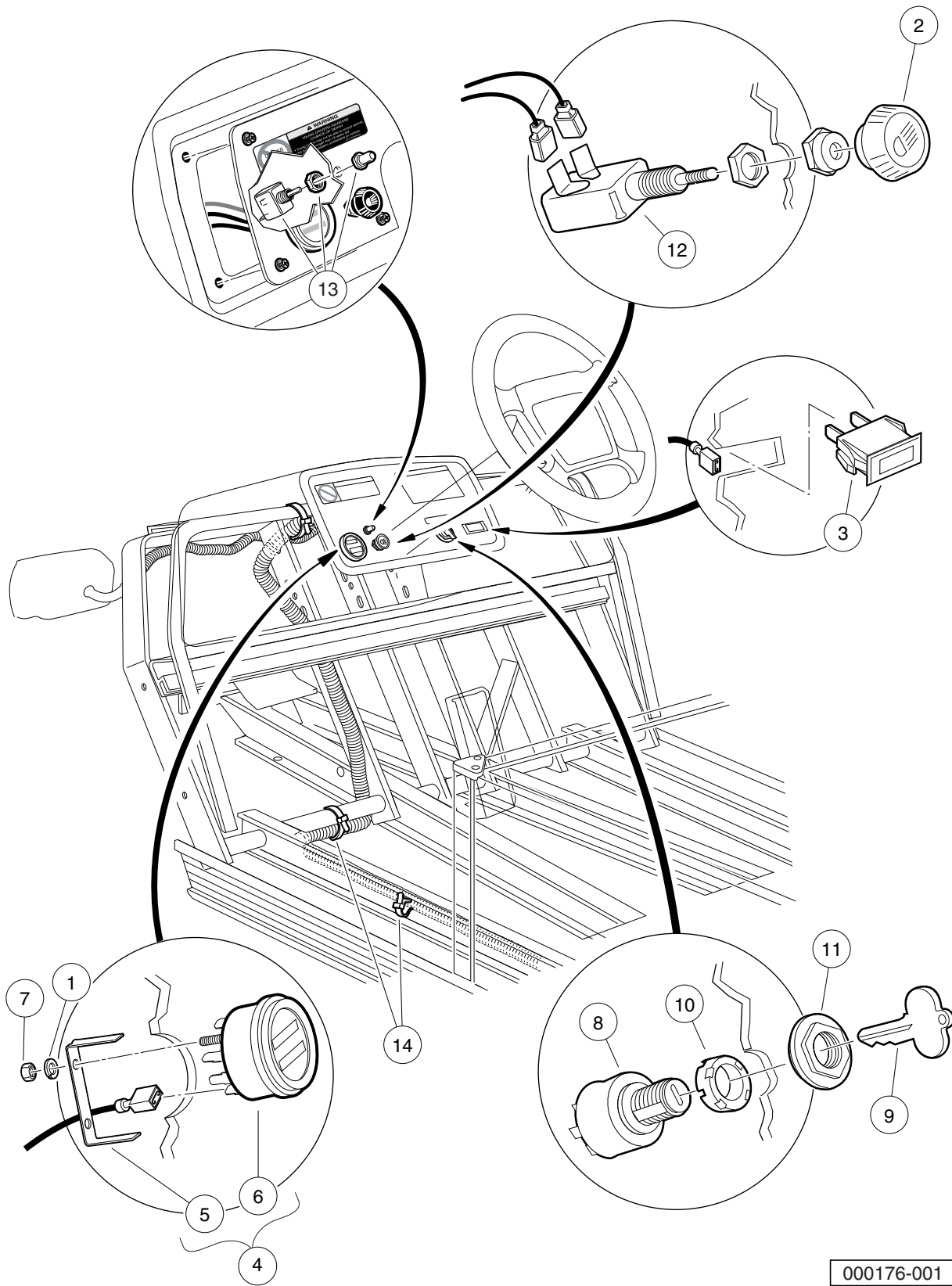


000122-001

ELECTRICAL COMPONENTS, FRONT BODY

ITEM	PART NO.	DESCRIPTION	QTY
		1 2 3 4	
1	1010909	Screw, #10-32 X 1.25 Rd Hd Mch	1
2	1016	Lockwasher, #10 Split	1
3	1016859	Kit, Reverse Buzzer (includes items 4 through 12)	1
4	1011229	Locknut, #6-32 Whiz	1
5	1012431	Washer, #4 Flat	2
6	1015720	Screw, #6-32 X 1/2 Hex Washer-Head	1
7	1016849	Screw, #4-24 X 0.33 Pan-Head Machine	2
8	1016851	Buzzer, Reverse (9-48 VDC)	1
9	1016857	Wire Assembly Black #18	1
10	8056	Screw, #4-40 X 0.75 Round-Head Machine	2
11	8057	Nut, #4-40 Hex Machine	2
12	8058	Lockwasher, #4 Split	2
13	1017721	Limiter, Voltage	1
14	102272501	Kit, Diode (includes items 15 through 17)	1
15	101963401	Locknut, 5/16-18 Hex Flange	1
16	102264001	Diode Assembly	1
17	102269701	Thermal Pad	1
18	183	Washer, #10 Type A Flat	1
19	7893	Nut, #10-32 Hex	1
20	8639	Tie Wrap, 11" Nylon	4
		Note: Not all components of the reverse buzzer kit are used in all applications.	

7
G



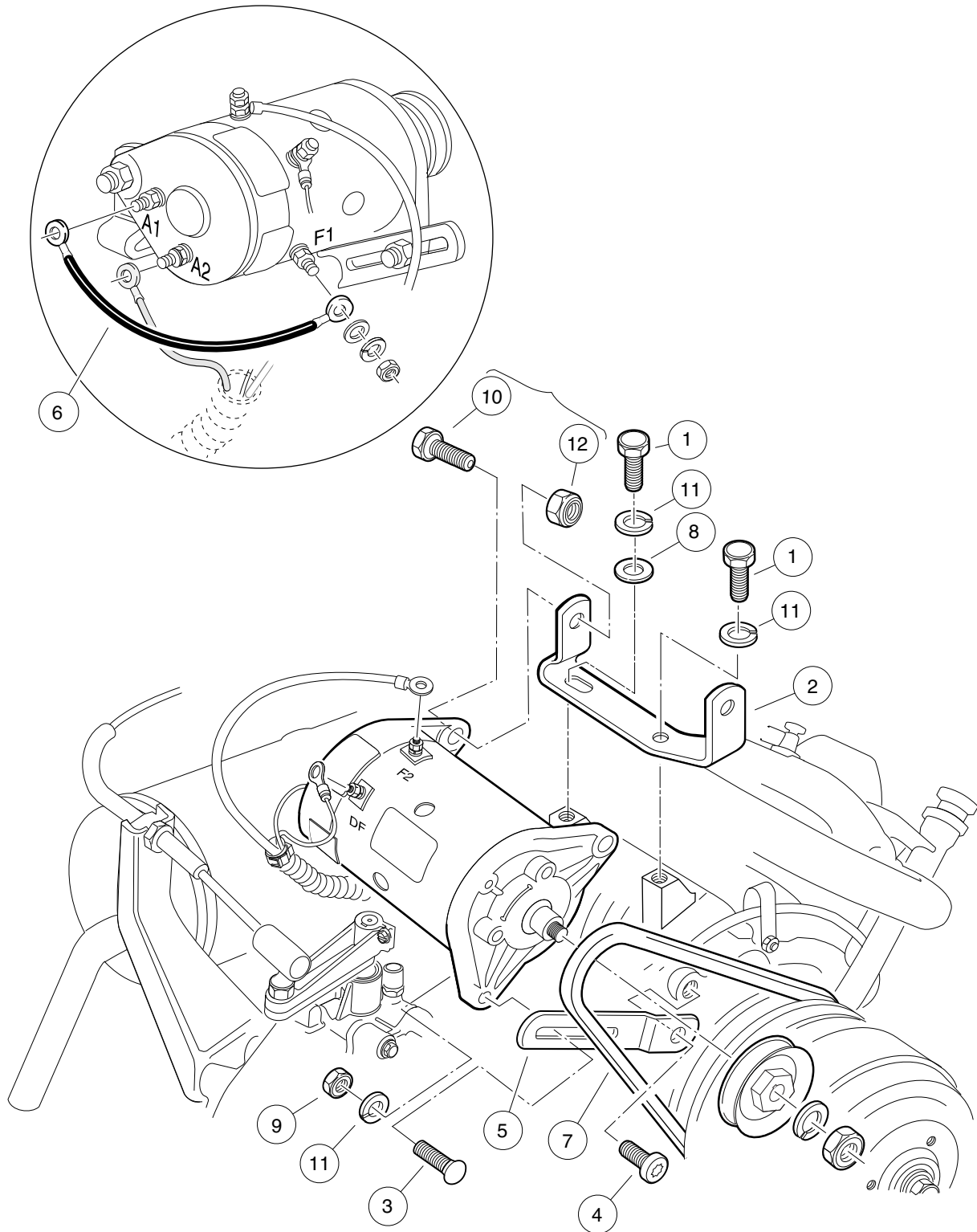
000176-001

ELECTRICAL COMPONENTS, DASH PANEL

ITEM	PART NO.	DESCRIPTION	QTY
		1 2 3 4	
1	1012986	Lockwasher, M4	2
2	1013857	Knob, Light Switch	1
3	1016630	Light, Oil	1
4	101990703	Gauge, Fuel/Hour, with Bracket (includes items 5 and 6)	1
5	102025901	Bracket, Fuel Gauge/Hour Meter	1
6	N/A	Gauge, Fuel/Hour	1
7	101991101	Nut, M4-0.7	2
8	102044702	Key Switch 12v Key Start	1
9	102044801	Key Set	1
10	102051601	Spacer, Keyswitch	1
11	102051701	Nut, Key Switch	1
12	102051901	Switch, Light	1
13	102159601	Switch	1
14	8990	Tie Wrap, 8" Nylon	3

7
G

7
G



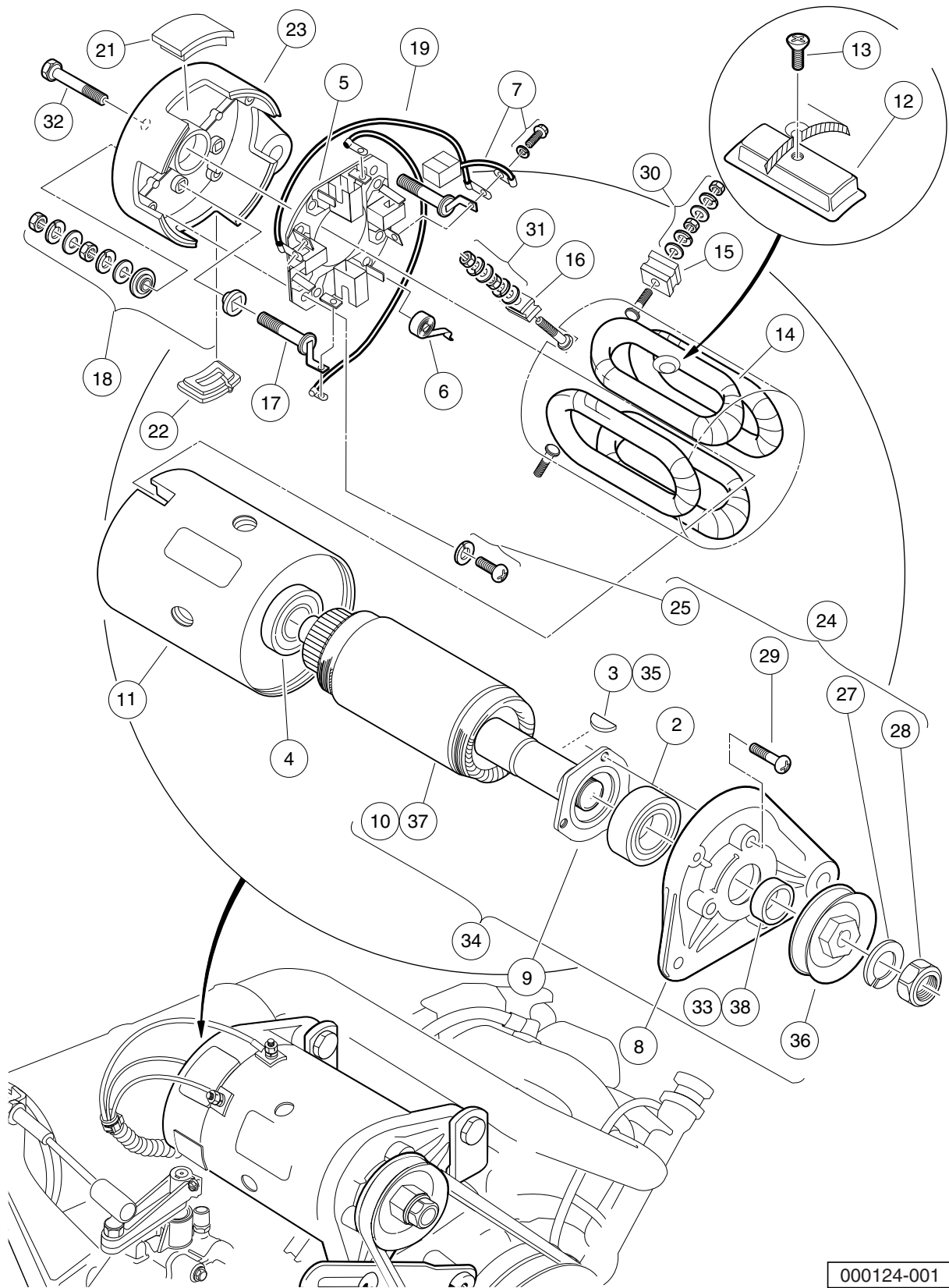
000125-001

STARTER/GENERATOR MOUNTING

ITEM	PART NO.	DESCRIPTION	QTY
		1 2 3 4	
1	1012830	Screw, M8-125 X 22 Hex-Head	2
2	101524002	Bracket, Starter/Generator Mounting	1
3	1015932	Bolt, Carriage, 5/16-18	1
4	1016074	Screw, M8-1.25 X 18mm Torx	1
5	1016883	Bracket, Starter/Generator Adjustment	1
6	101837301	Wire Assy, #6 Green	1
7	101916701	V-Belt	1
8	1241	Washer, 5/16 Type A Flat	1
9	1242	Nut, 5/16-18 Hex	1
10	705	Screw, Cap-hex Hd 3/8-16x1.25	2
11	7174	Lockwasher, 5/16 Split	3
12	8754	Locknut, 3/8-16 Hex	2

7
G

7
G



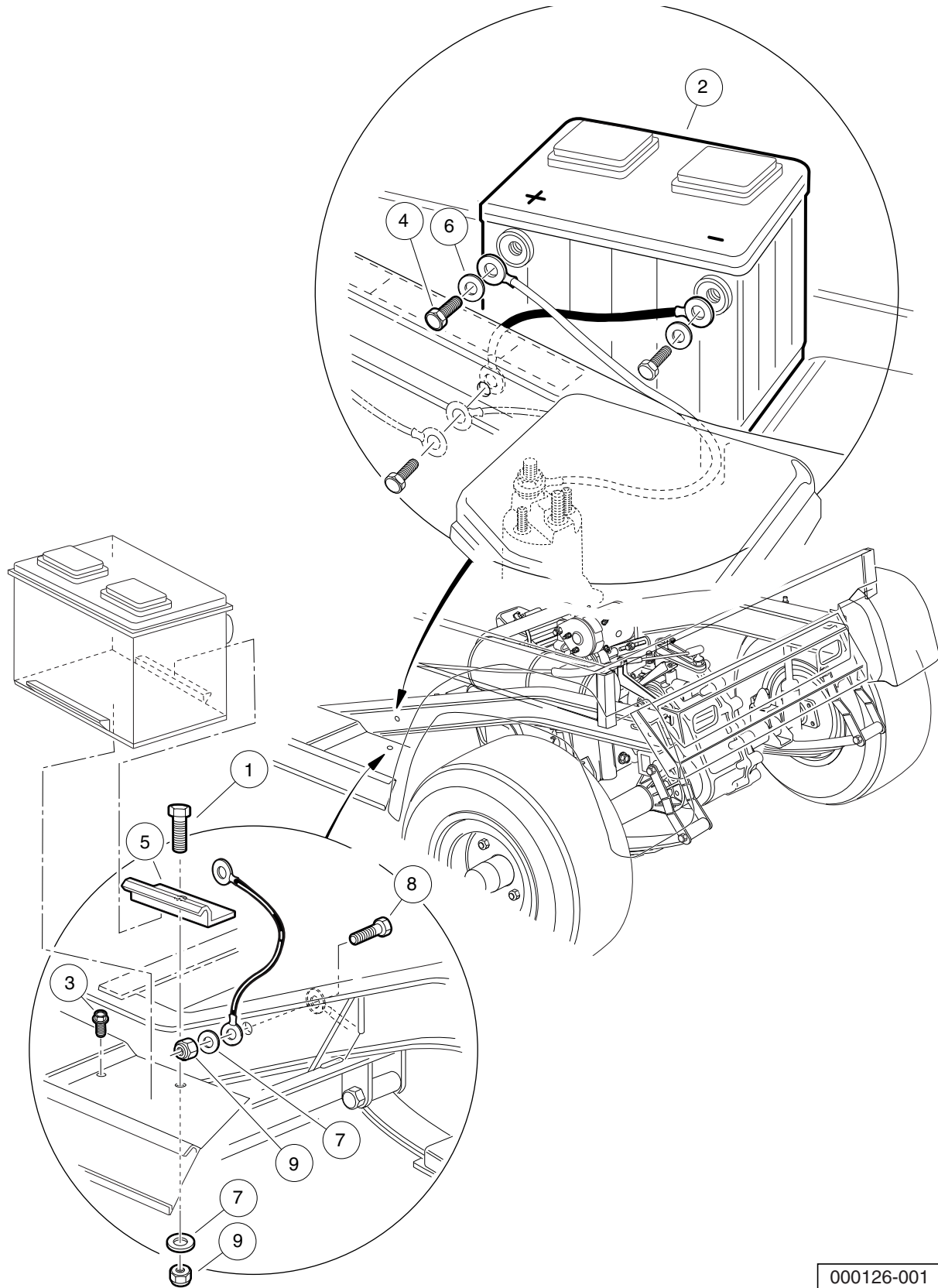
000124-001

STARTER/GENERATOR ASSEMBLY MODEL G425419 – GASOLINE VEHICLES

7
G

ITEM	PART NO.	DESCRIPTION	QTY
		1 2 3 4	
1	101833701	Starter/Generator (cw) (includes items 2 through 33)	1
2	1013001	Bearing, Output Shaft Ball	1
3	1013003	Key, Starter/Generator	1
4	1013005	Bearing, Ball	1
5	101301102	Brush Holder Assembly (cw) (includes item 6)	1
6	101878101	Brush Spring Set	4
7	101869302	Brush and Screw Set (cw)	1
8	101874901	Front Bracket	1
9	101875001	Retainer	1
10	101875101	Armature	1
11	101875201	Field Coil Housing	1
12	101875301	Pole Set	1
13	101875401	Screw Set	1
14	101875501	Field Stator Coil Assembly	1
15	101875601	F Insulator Set	2
16	101875701	DF Insulator	1
17	101875802	A Connector (cw)	1
18	101876001	Screw and Mold Assembly	2
19	101876202	Brush Connector Assembly (cw)	2
20	101876301	Cover Set (includes items 21 and 22)	1
21	1012991	Brush Inspection Port Cover	3
22	1017653	Brush Port Cover w/Drain	1
23	101876402	Rear Bracket (cw)	1
24	101876501	Nut and Screw Set (includes items 25 through 29)	1
25	101896501	Brush Holder Asm Screw	2
26	N/A	Washer, M5 Flat	1
27	N/A	Washer, M14 Lock	1
28	N/A	Nut, Hex, M14 x 2	1
29	N/A	Screw, M5 x 0.8 x 18mm	3
30	101877601	Nut and Washer Set	2
31	101877701	Nut and Washer Set	1
32	101879001	Through Bolt Set	2
33	101939901	Spacer	1
34	101875102	Armature Asm Conversion Kit (includes items 35 through 38)	1
35	1013003	Key, Starter/Generator	1
36	1014289	Pulley, Starter/Generator	1
37	101875101	Armature	1
38	101939901	Spacer	1
<p>Note: Item 36 will ONLY fit Model G425419 Starter/Generator.</p>			

7
G



000126-001

BATTERY

ITEM	PART NO.	DESCRIPTION	QTY
		1 2 3 4	
1	1010934	Screw, 5/16-18 X 1.00 Hex Cap	1
2	1012328	Battery, 12-Volt	1
3	1014288	Screw, 5/16-18 X 0.75 Thread-Forming	1
4	1014375	Screw, 3/8-16 X 0.50 Stainless Steel Hex-Head	2
5	101898001	Clamp, Battery	1
6	102355301	Lockwasher, #10 Split Ss	2
7	1241	Washer, 5/16 Type A Flat	2
8	7173	Screw, 5/16-18 X 0.75 Hex-Head Cap	1
9	7473	Locknut, 5/16-18 Nylon Insert	2

7
G

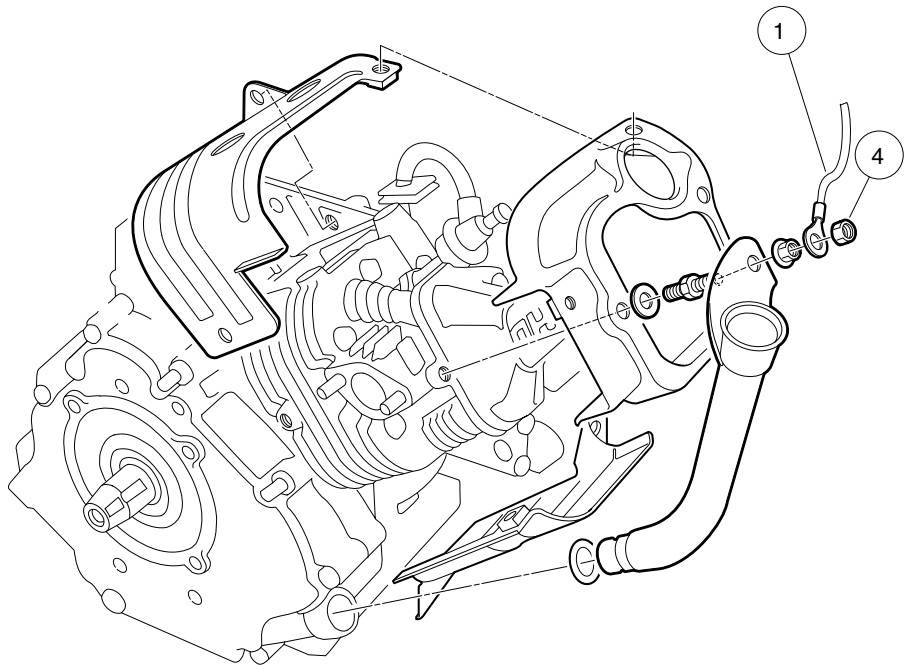
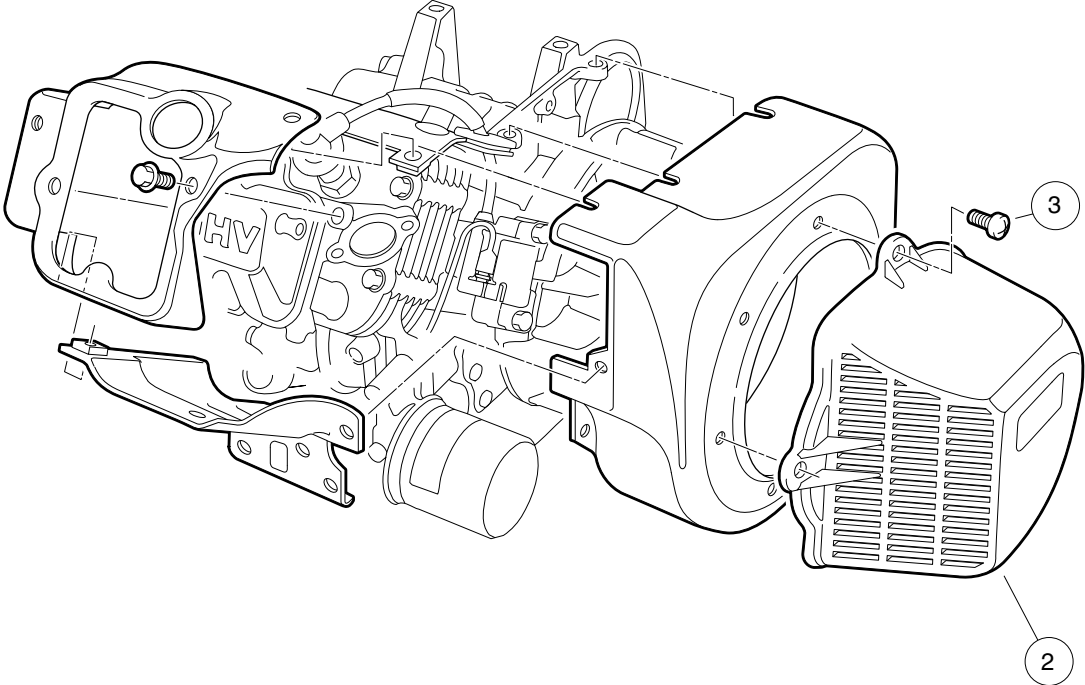
7

G

FE400 ENGINE

8

G



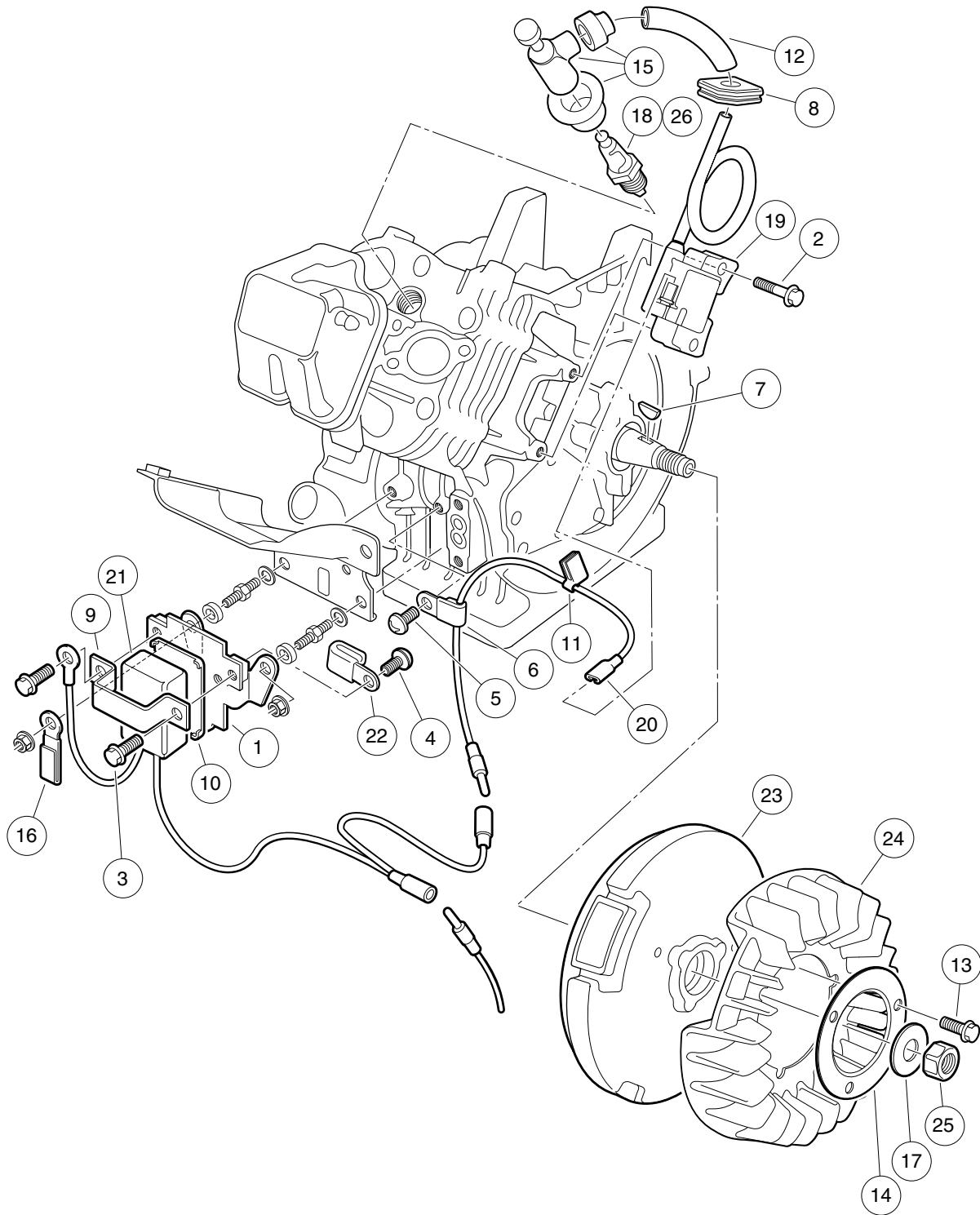
000127-001

FE400 ENGINE (KEY-START) – SHROUDS AND BRACKETS

ITEM	PART NO.	DESCRIPTION	QTY
		1 2 3 4	
1	1015332	Wire Assembly, #10, Uninsulated	1
2	1015649	Shroud, Fan	1
3	1015969	Screw, M6-1.00 X 10mm Pan Hd	4
4	101887601	Locknut, M6-1.00 Nylon Insert	1
5	102258701	Engine, FE400 (cw)	1

8

G

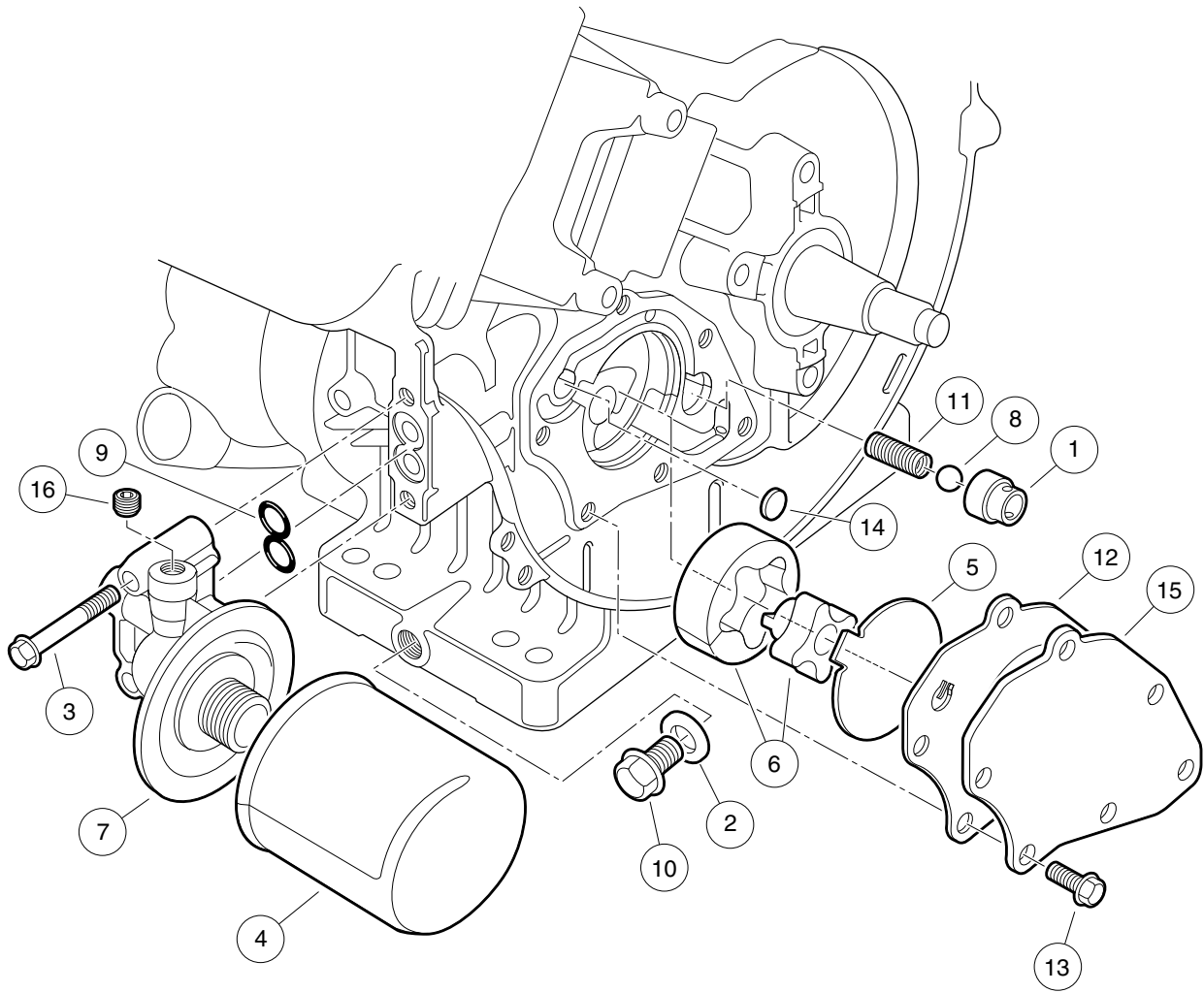


000128-001

FE400 ENGINE (KEY-START) – IGNITION COMPONENTS AND FLYWHEEL

ITEM	PART NO.	DESCRIPTION	QTY
		1 2 3 4	
1	1016445	Bracket, RPM Limiter	1
2	1016455	Bolt, Flange Head	2
3	1016456	Bolt, Flange Head, M6 x 1 x 12 mm	2
4	1016497	Screw, Pan WP Cross	1
5	1016544	Screw	1
6	1016561	Clamp	1
7	1016562	Key	1
8	1016578	Ignition, Grommet	1
9	1016579	Band, RPM Limiter Mount	1
10	1016586	Damper, RPM Limiter	1
11	1016587	Clamp	1
12	1016588	Tube, 7mm X 10mm X 70mm	1
13	1017448	Bolt, Flanged	3
14	1017455	Plate, Flywheel Fan	1
15	1017463	Cap Asm Plug	1
16	1017468	Clamp	1
17	1017490	Washer, Flat	1
18	101881101	Spark Plug, OHV (Autolite)	1
19	101909201	Coil, Ignition	1
20	101909301	Lead Wire Assy	1
21	101909401	Limiter, RPM	1
22	101909501	Clamp, Steel	1
23	101916201	Flywheel	1
24	101916301	Fan (cw)	1
25	N/A	Nut, Fine Hex, 18mm	1
26	AM10724	Spark Plug, OHV (NGK)	1

8
G



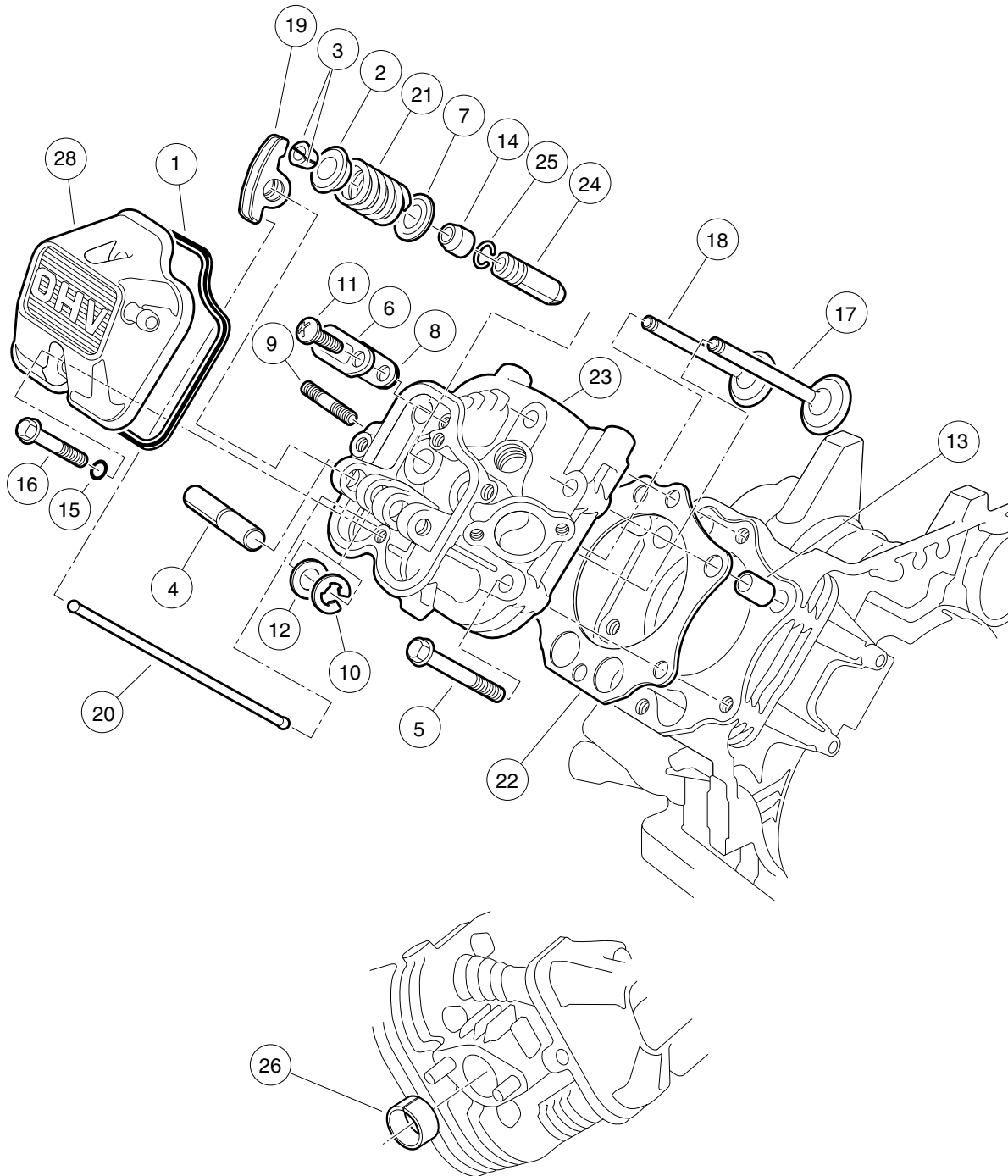
000129-001

FE400 ENGINE (KEY-START) – OIL CIRCULATION

ITEM	PART NO.	DESCRIPTION	QTY
		1 2 3 4	
1	1016429	Seat, Value Oil Press Relief	1
2	1016432	Gasket, Drain Plug	1
3	1016457	Bolt, Flange Head	2
4	1016467	Filter, Oil	1
5	1016473	Plate, Oil Pump	1
6	101648203	Oil Pump And Rotor	1
7	1016502	Bracket, Oil Filter Mount	1
8	1016537	Ball, Steel, Press, Relief	1
9	1016570	O-Ring	1
10	1016576	Plug, Drain	1
11	1016581	Spring	1
12	1017442	Gasket	1
13	1017456	Bolt, Flanged	6
14	1017458	Filter	1
15	1017460	Cover, Pump	1
16	1017507	Plug	2

8

G



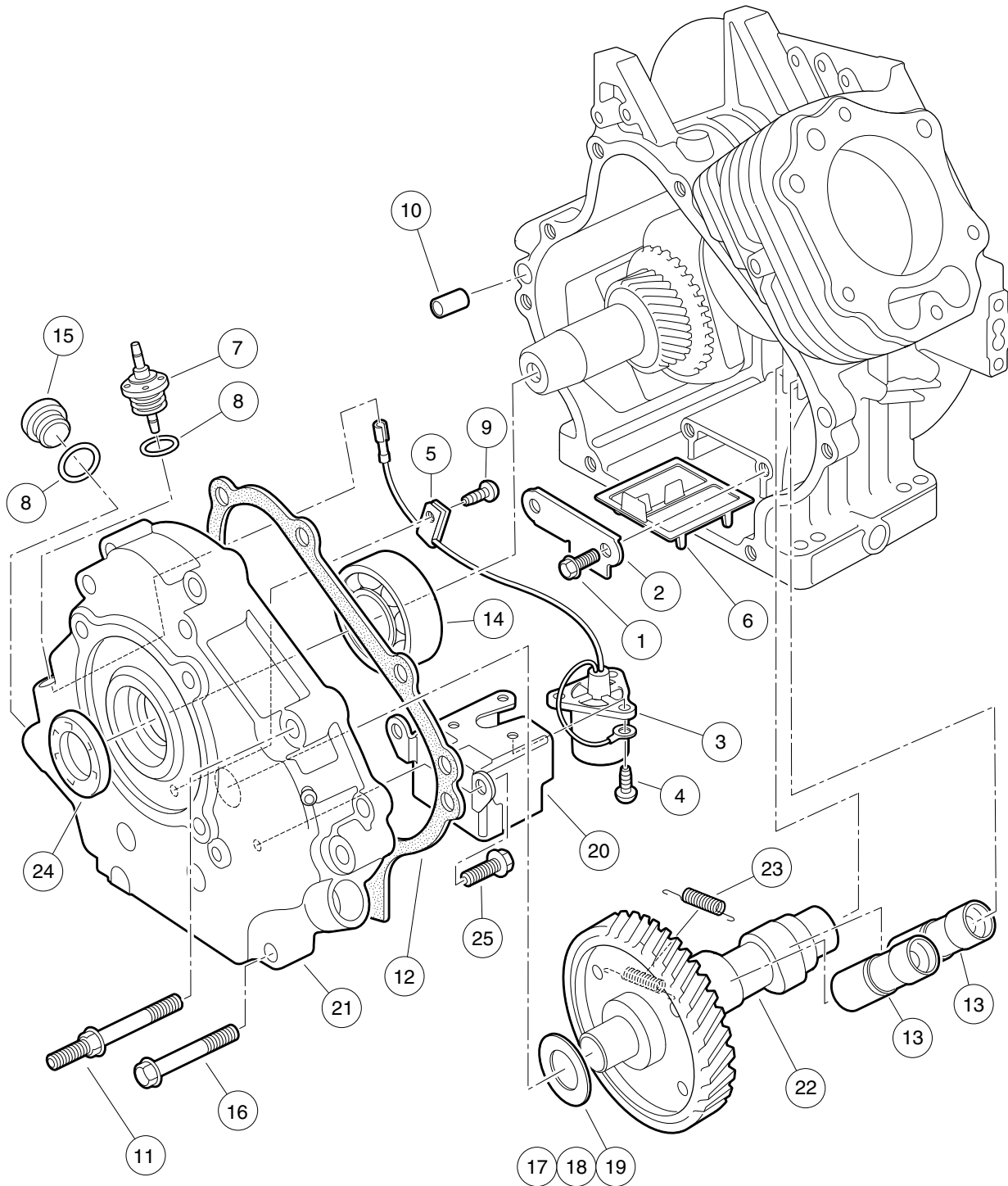
000130-001

FE400 ENGINE (KEY-START) – CYLINDER HEAD

ITEM	PART NO.	DESCRIPTION	QTY
		1 2 3 4	
1	1016436	Gasket, Rocker Case	1
2	1016449	Retainer, Valve Spring	2
3	1016450	Collet	4
4	1016452	Shaft, Rocker	1
5	1016458	Bolt, Flange Head, M8 x 1.25 x 45 mm	6
6	1016474	Plate	1
7	1016479	Seat, Spring	2
8	1016483	Valve	1
9	1016489	Stud, Two-Ended, M8-1.25	2
10	1016517	Circlip, Type-E	1
11	1016544	Screw	1
12	1016549	Washer, 12.1x19x1.8	1
13	1016563	Pin	2
14	1016566	Seal, Oil	2
15	1016569	O-Ring	2
16	1016583	Bolt, 6x35	2
17	1017444	Valve, Intake	1
18	1017445	Valve, Exhaust	1
19	1017446	Arm, Rocker	2
20	1017454	Rod, Push	2
21	1017473	Spring, Engine Valve	2
22	102269901	Gasket, Head, FE400	1
23	102270001	Head, Cylinder, FE400 (includes items 24 and 25)	1
24	1016519	Guide, Valve	2
25	1016560	Snap Ring	2
26	102271101	Sleeve, Exhaust	1
27	102304901	Kit, Gasket, FE400	1
28	102753401	Case, Rocker	1

8

G



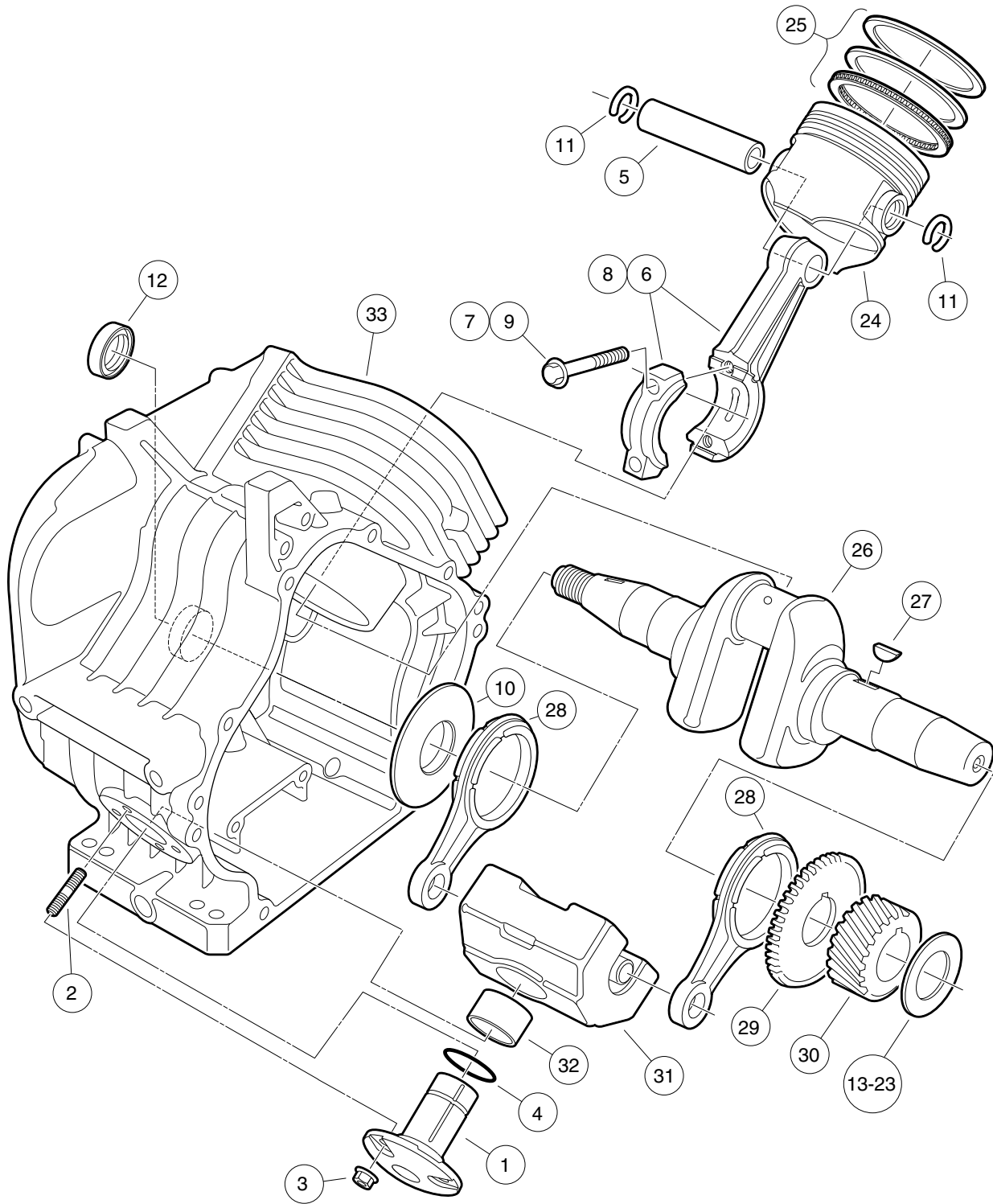
000131-001

FE400 ENGINE (KEY-START) – CRANKCASE, CAMSHAFT AND OIL SENSOR

ITEM	PART NO.	DESCRIPTION	QTY
		1 2 3 4	
1	1016454	Bolt, Flange Head, M5 x 0.8 x 8 mm	2
2	1016472	Plate, Oil Filter Screen	1
3	1016494	Sensor, Oil Level	1
4	1016496	Screw, Cross Pan-Head, M4 x 0.7 x 8 mm	3
5	1016506	Clamp	1
6	1016521	Screen, Oil Filter	1
7	1016535	Connector, Cord	1
8	1016538	O-Ring	2
9	1016544	Screw	1
10	1016564	Pin	2
11	1016584	Bolt, Two-Ended, M8 x 1.25 x 69 mm	2
12	1017443	Gasket, Crankcase Cover	1
13	1017447	Adjuster, Lash	2
14	1017487	Bearing, Ball	1
15	1017508	Plug	1
16	1017514	Screw, M8-1.25 X 45mm Hex	6
17	101751801	Shim, 0.3	1
18	101751802	Shim, 0.4	1
19	101751803	Shim, 0.5	1
20	N/A	Switch Bracket	1
21	102271401	Cover, Crankcase, FE400	1
22	102271601	Camshaft, FE350/FE400 with ACR, 44-tooth (includes item 23)	1
23	1017511	Spring	1
24	102272101	Seal, Oil	1
25	102272301	Bolt Switch Bracket	2
26	102304901	Kit, Gasket, FE400	1

8

G



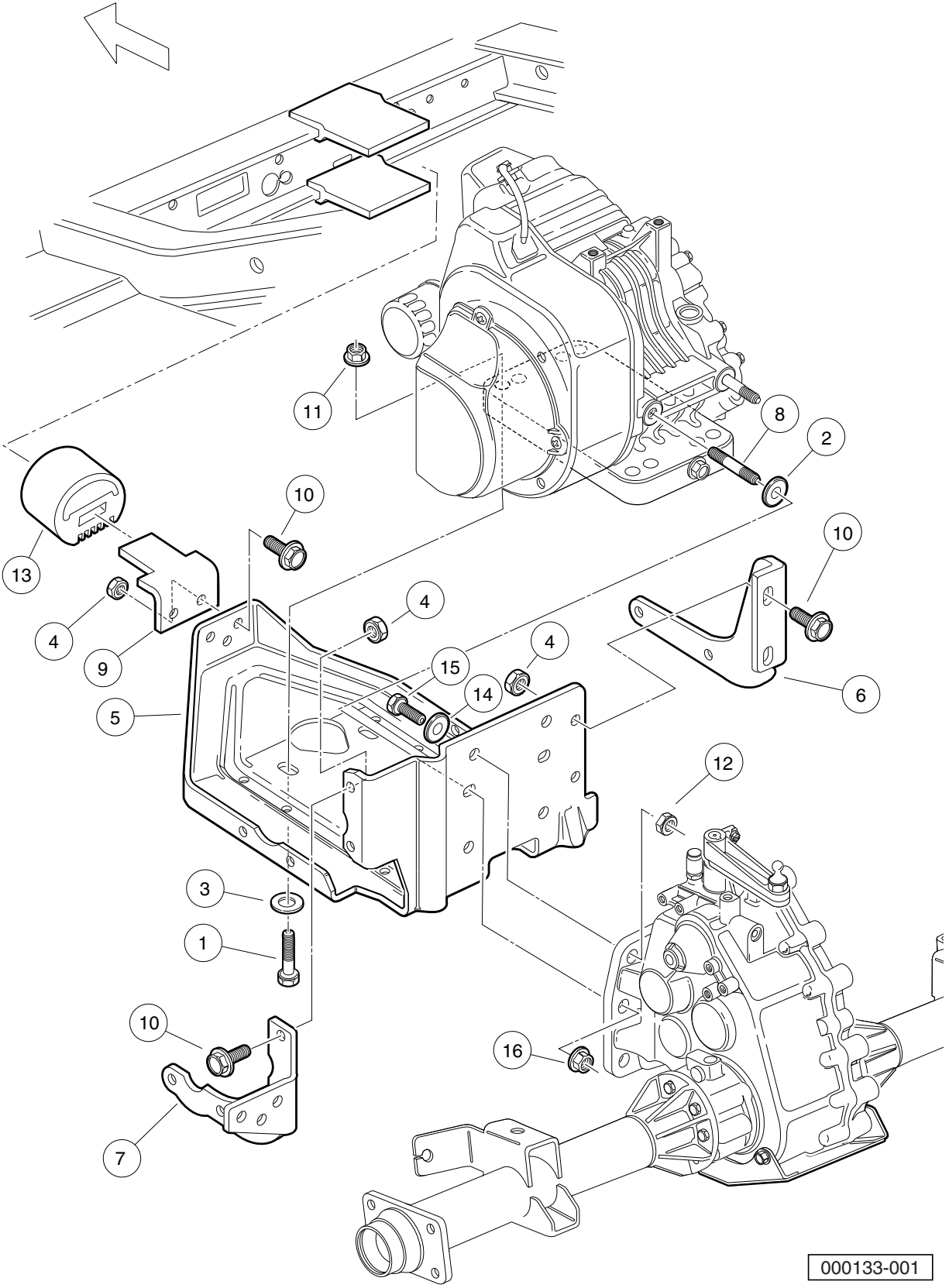
000132-001

FE400 ENGINE (KEY-START) – CRANKCASE AND CRANKSHAFT

ITEM	PART NO.	DESCRIPTION	QTY
		1 2 3 4	
1	1016470	Shaft, Guide, Counterbalance	1
2	1016541	Stud, 6x14	4
3	1016547	Nut, M6 Flange	4
4	1016571	O-Ring	1
5	1017450	Pin, Piston	1
6	101745701	Asm, Con. Rod Std (includes item 7)	1
7	1017512	Bolt	2
8	101745702	Rod Assembly Connecting Rod 0.5mm (includes item 9)	1
9	1017512	Bolt	2
10	1017501	Spacer	1
11	1017502	Snap Ring	2
12	1017503	Seal, Oil	1
13	101773301	Shim, Crankshaft, 1.18mm	1
14	101773302	Shim, Crankshaft, 1.25mm	1
15	101773303	Shim, Crankshaft, 1.32mm	1
16	101773304	Shim, Crankshaft, 1.39mm	1
17	101773305	Shim, Crankshaft, 1.46mm	1
18	101773306	Shim, Crankshaft, 1.53mm	1
19	101773307	Shim, Crankshaft, 1.60mm	1
20	101773308	Shim, Crankshaft, 1.67mm	1
21	101773309	Shim, Crankshaft, 1.74mm	1
22	101773310	Shim, Crankshaft, 1.11mm	1
23	101773311	Shim, Crankshaft, 1.81mm	1
24	102270201	Piston, FE400	1
25	102270301	Ring Set, Piston, FE400	1
26	102270401	Crankshaft, FE400 (includes items 27 through 30)	1
27	1016562	Key	1
28	1017471	Rod	2
29	102271801	Spur Gear	1
30	102271901	Gear, Helical	1
31	102270501	Weight, Counterbalance, FE400 (includes item 32)	1
32	1017510	Bearing, Plain	1
33	102271501	Crankcase, FE400	1

8

G



000133-001

ENGINE MOUNTING

ITEM	PART NO.	DESCRIPTION	QTY
		1 2 3 4	
1	1010577	Bolt, Hex-Head, 5/16-18 X 1.50	4
2	1011697	Washer, 5/16 Flat	2
3	1012571	Washer, 5/16 Extra Thick Flat	4
4	1013924	Nut, 5/16-24 Hex Head Cone	10
5	101827101	Plate, Engine Mounting	1
6	101832601	Stiffener (PTO Side)	1
7	101832701	Stiffener (Flywheel Side)	1
8	101833101	Stud, M8-1.25 X 50 mm Two-Ended	2
9	101834601	Snubber Bracket	1
10	101884801	Screw, 5/16-24 X 0.875 Grade-8	10
11	101963401	Locknut, 5/16-18 Hex Flange	4
12	102065901	Locknut, 3/8-16 Flanged Dimple	4
13	102540301	Inner Frame Snubber	1
14	334	Washer, 3/8 Type A Flat	4
15	705	Screw, Cap-hex Hd 3/8-16x1.25	4
16	96704416	Nut Flg, M8 X 1.25 Serrated	2

8

G

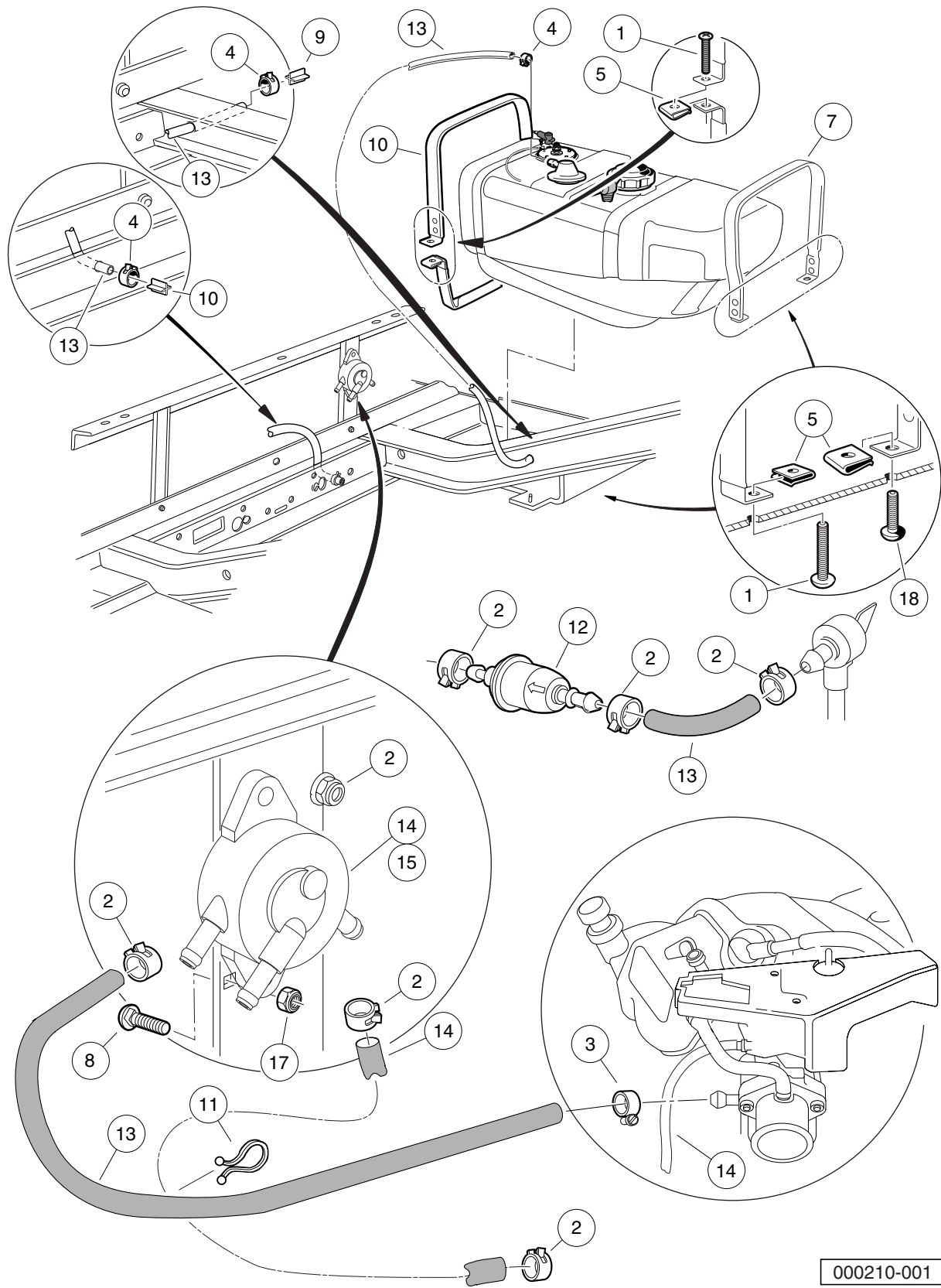
8

G

FUEL, INTAKE, AND GOVERNOR SYSTEM

9

G

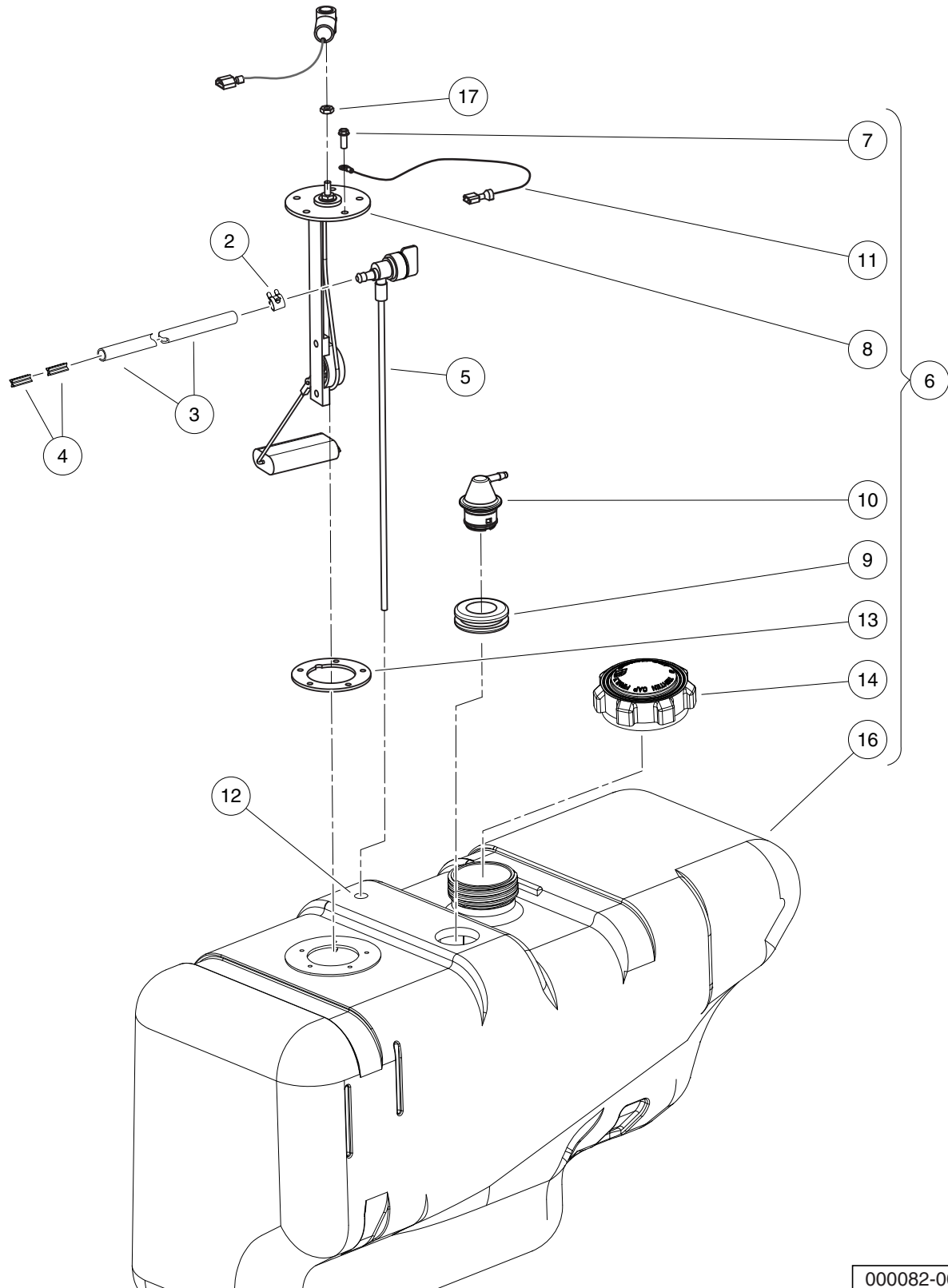


000210-001

FUEL SYSTEM

ITEM	PART NO.	DESCRIPTION	QTY
		1 2 3 4	
1	1011988	Screw, 1/4-20 X 2.00 Phillips Truss-Head	2
2	1012649	Clamp, 0.460 Red Hose	7
3	1013687	Clamp, 3/8" Hose (screw type)	1
4	1013746	Clamp, 0.301 ID Hose	3
5	1014116	Nut, 1/4-20 Speed	3
6	1014524	Kit, Impulse Pump Rebuild	1
7	1014928	Fuel Strap Assembly Rear	1
8	1017203	Carriage Bolt	2
9	101824401	Vent Barb	2
10	101955301	Fuel Strap Assy, Front	1
11	101987701	Clamp, Plastic Tie	1
12	102003201	Filter, Fuel, 30 Micron	1
13	102865101	Fuel Line	1
14	103781101	Kit, Fuel Pump Retrofit (includes items 15 and 16)	1
15	103010101	Pump, Fuel, Impulse, Fh	1
16	103781201	Instr, Fuel Pump Retrofit	1
17	8233	Locknut, 1/4-20 Nylon Insert	2
18	8248	Screw, 1/4-20 X 0.75 Truss-Head Machine	1

9
G

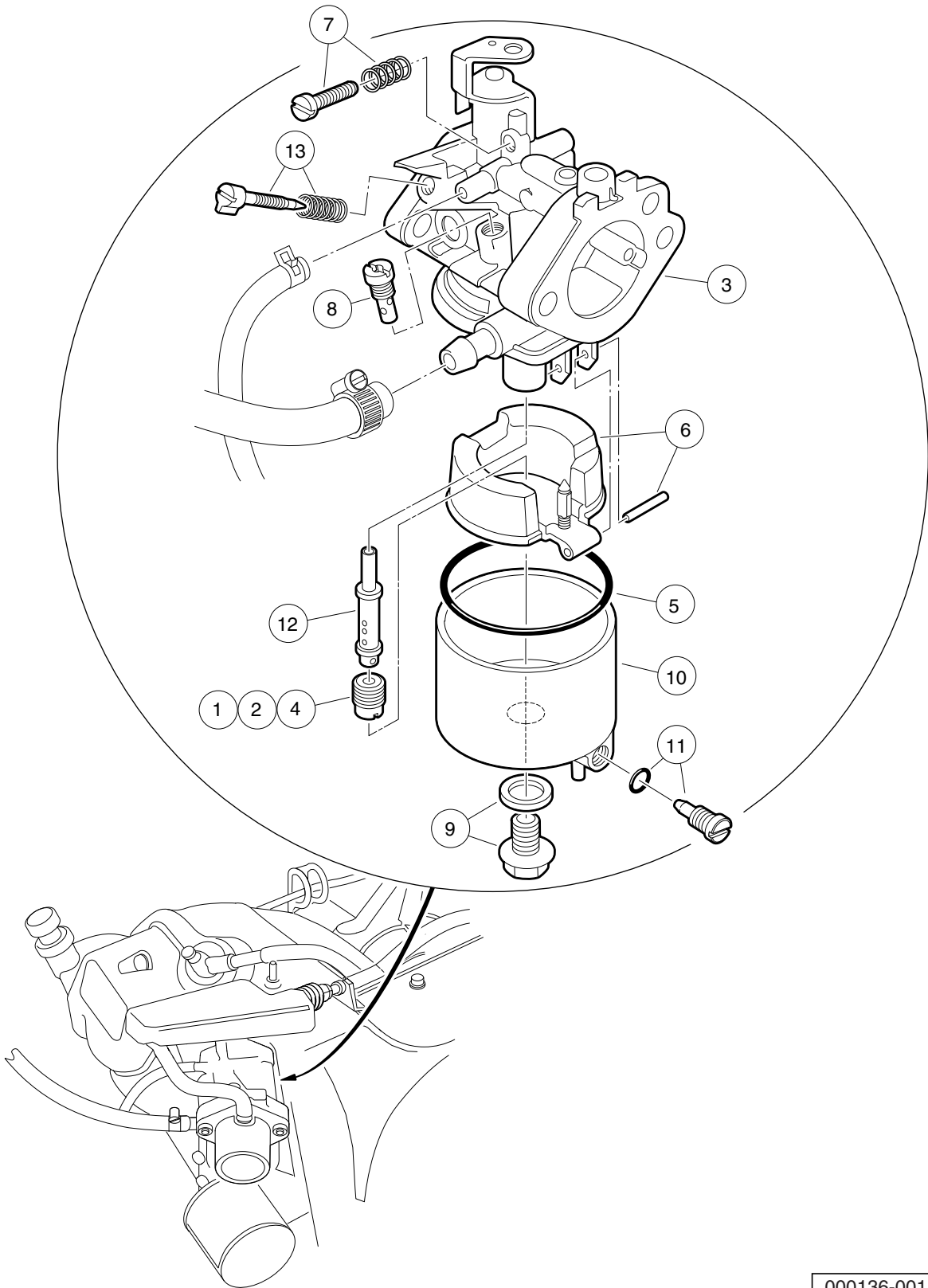


000082-003

FUEL TANK WITH FUEL LEVEL SENDING UNIT

ITEM	PART NO.	DESCRIPTION	QTY
		1 2 3 4	
1	1016004	Tank Kit w/Sending Unit (includes items 2 through 6)	1
2	1013746	Clamp, 0.301 ID Hose	2
3	1015137	Fuel Line (available by the foot)	1
4	101824401	Vent Barb	2
5	101896901	Fuel Pickup w/Shut-Off Valve	1
6	103651901	Asm, Tank, Ds Utl W/su† Nano (includes items 7 through 16)	1
7	1013461	Screw, #10-16 Hex-Head Hi-Lo	5
8	1013462	Sending Unit, Fuel Level *	1
9	1015139	Insulation Grommet	1
10	1015143	Vent, Fuel Tank	1
11	1015921	Wire Assembly #16 Black	1
12	102406701	Bushing, Line, Return	1
13	102522001	Gasket, Rubber	1
14	103372101	Cap, Fuel Tank, Gas, Ratchet	1
15	103372302	Fuel Pickup w/Shut-Off Valve, 288mm	1
16	103776901	Tank, Fuel, Top, W/su Nano	1
17	8797	Nut, #10-32 Brass Hex	1
<p>* Note: Must replace fuel sending unit gasket when servicing this component.</p>			

9
G

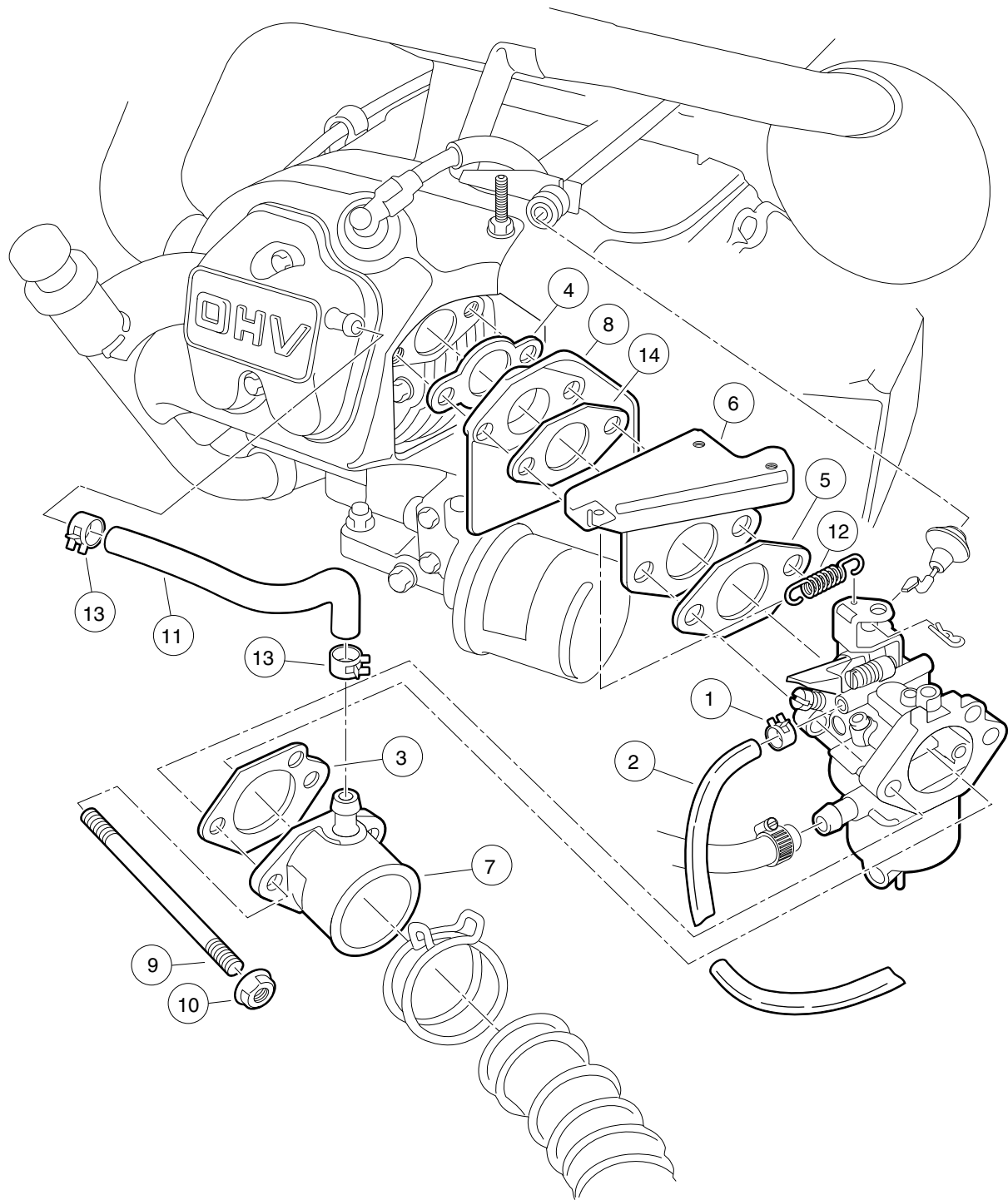


000136-001

CARBURETOR ASSEMBLY, FE400 ENGINE

ITEM	PART NO.	DESCRIPTION	QTY
		1 2 3 4	
1	101642582	Jet, Altitude, # 82	1
2	101642585	Jet, Altitude, # 85	1
3	102270701	Carburetor (includes items 4 through 13)	1
4	101642588	Jet, # 88	1
5	1016437	Gasket, Carburetor Bowl OHV	1
6	1016486	Float Assembly	1
7	1016501	Screw Assembly	1
8	1016574	Jet, #45 Pilot	1
9	1016585	Bolt	1
10	1017461	Chamber Assembly, Float (includes item 11)	1
11	1016499	Screw Assembly	1
12	102271701	Nozzle, Main, Carburetor	1
13	N/A	Assembly, Pilot Air Screw	1

9
G

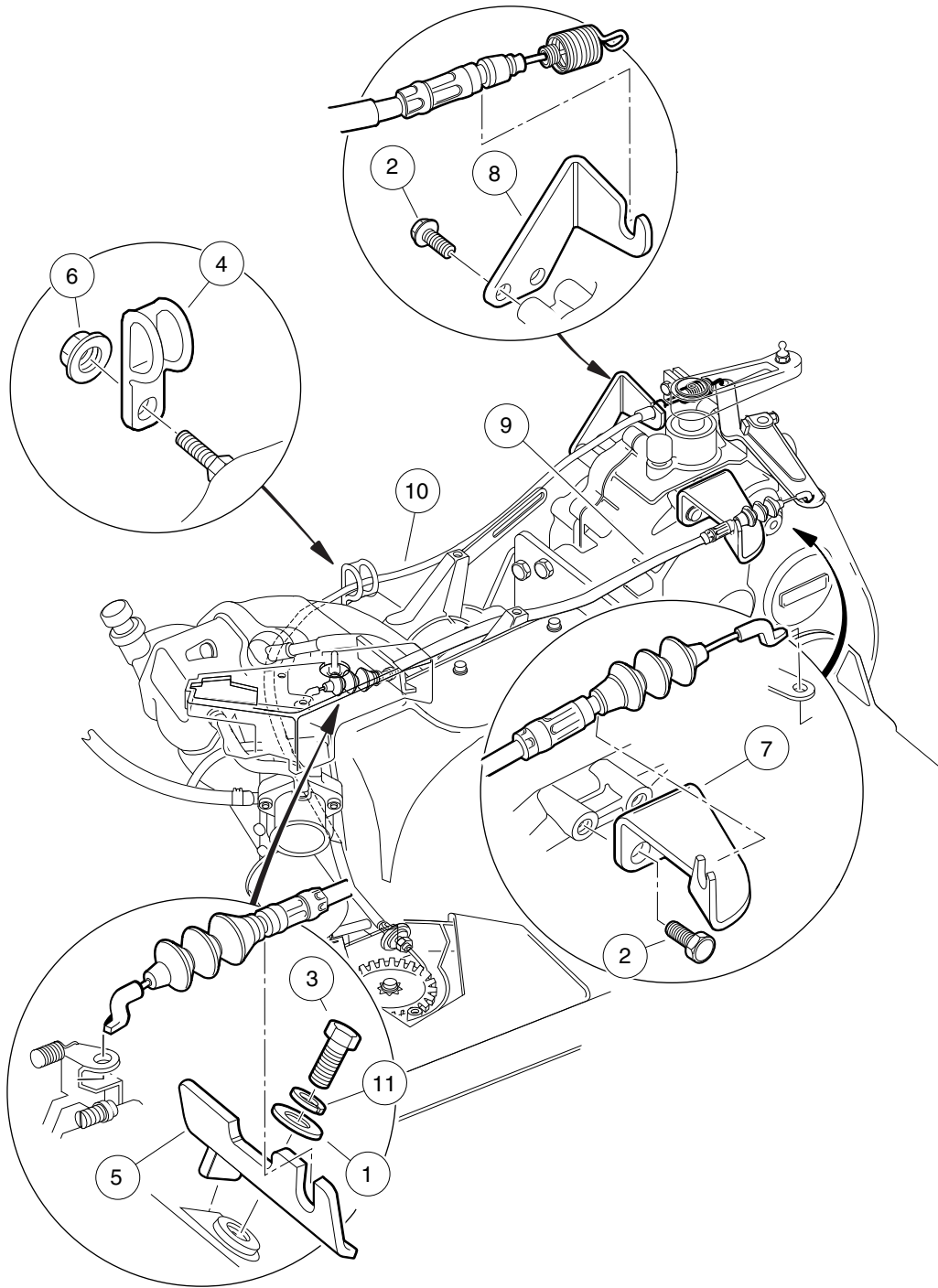


000137-001

CARBURETOR INSTALLATION

ITEM	PART NO.	DESCRIPTION	QTY
		1 2 3 4	
1	1013746	Clamp, 0.301 ID Hose	1
2	1015137	Fuel Line (available by the foot)	1
3	1016438	Gasket, Carb To Intake Manifold	1
4	1016440	Gasket, Engine to Insulator	1
5	1016441	Gasket, Sprg Brkt To Carb OHV	1
6	1016444	Bracket, Throttle Spring Return	1
7	1016480	Pipe, Intake Manifold	1
8	101648102	Insulator, Carburetor	1
9	101649002	Stud, M6-1.00 Two-Ended	2
10	1016547	Nut, M6 Flange	2
11	1016572	Tube, Crankcase Vent	1
12	1016582	Spring, Throttle Return	1
13	1017466	Clamp	2
14	101973401	Gasket, Insulator To Bracket	1

9
G



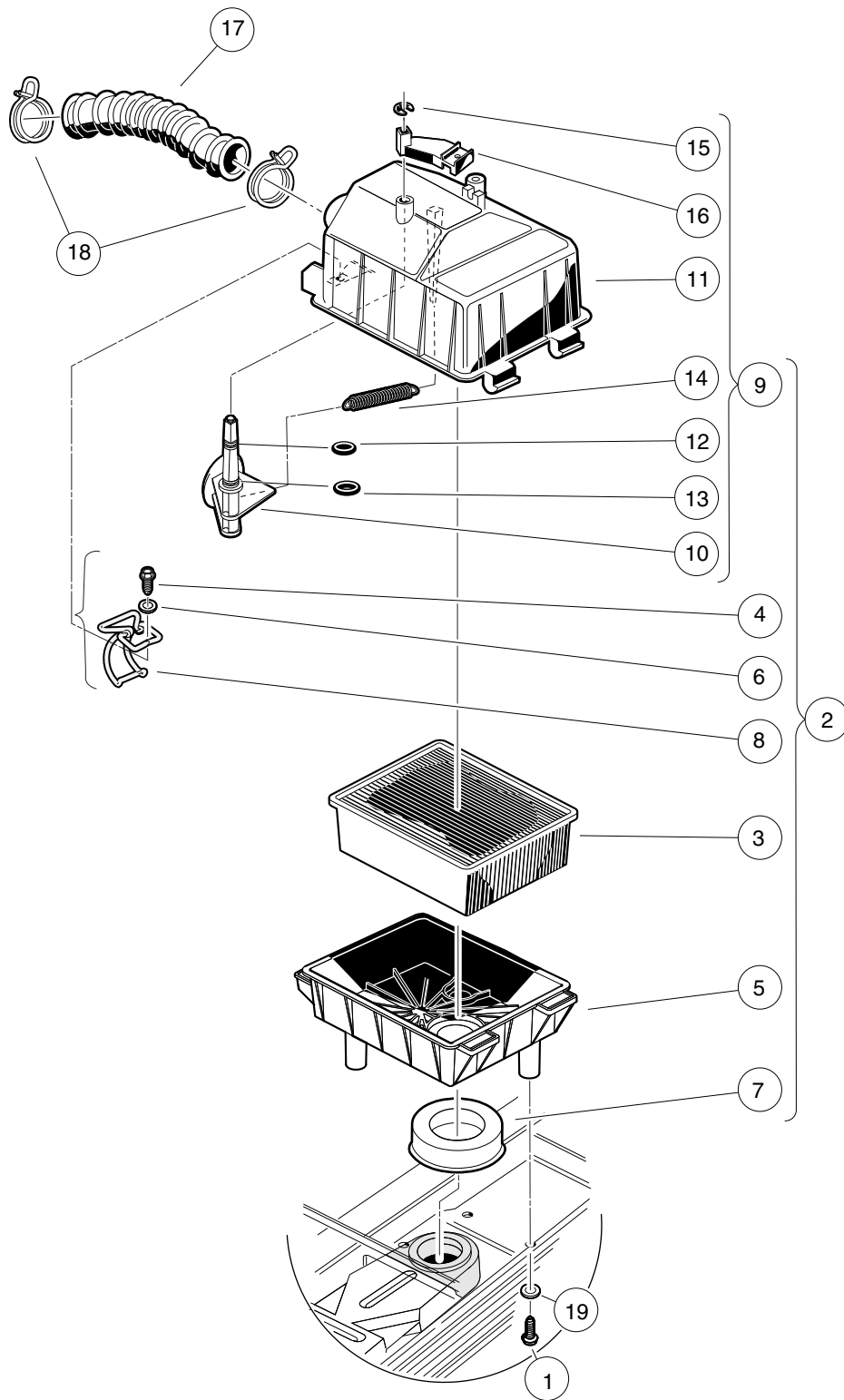
000138-001

GOVERNOR AND ACCELERATOR CABLES

ITEM	PART NO.	DESCRIPTION	QTY
		1 2 3 4	
1	1011697	Washer, 5/16 Flat	1
2	1012285	Screw, 1/4 X 0.625 Hex-Head	4
3	1012830	Screw, M8-125 X 22 Hex-Head	1
4	1013700	Clamp	2
5	101584502	Bracket, Governor Cable Snap-In	1
6	1016546	Nut	2
7	101832202	Bracket, Rear Governor Cable Snap-In	1
8	101832302	Bracket, Rear Accelerator Cable Snap-In	1
9	102336001	Cable, Governor, Snap-In	1
10	102336101	Cable, Accelerator, Snap-In	1
11	7174	Lockwasher, 5/16 Split	1

9

G



000332-001

AIR BOX AND INTAKE HOSE

ITEM	PART NO.	DESCRIPTION	QTY
		1 2 3 4	
1	1015752	Screw, #12-16 X 0.625 Hi-Lo	3
2	101821501	Assembly, Air Box (includes items 3 through 9)	1
3	1015426	Filter, Air	1
4	101804301	Screw, #8 X 0.500, Hex-Head Hi-Lo	2
5	101811901	Bottom, Air Box	1
6	101881701	Washer, #8 Stainless-Steel Flat	2
7	101921501	Seal, Intake	1
8	101925701	Latch, Wireform	2
9	101972801	Top Assy, Air Box (includes items 10 through 16)	1
10	N/A	Valve, Choke	1
11	101811801	Top, Air Box	1
12	N/A	O-Ring, 5/16	1
13	N/A	O-Ring, 3/8	1
14	101812301	Spring, Extension Return	1
15	101813001	Retaining Ring 0.25, Shaft	1
16	101917601	Lever, Choke	1
17	101837101	Hose, Air Intake	1
18	101971301	Clamp, 1.58" ID Hose	2
19	332	Washer, 1/4 Type A Narrow Flat	3

9

G

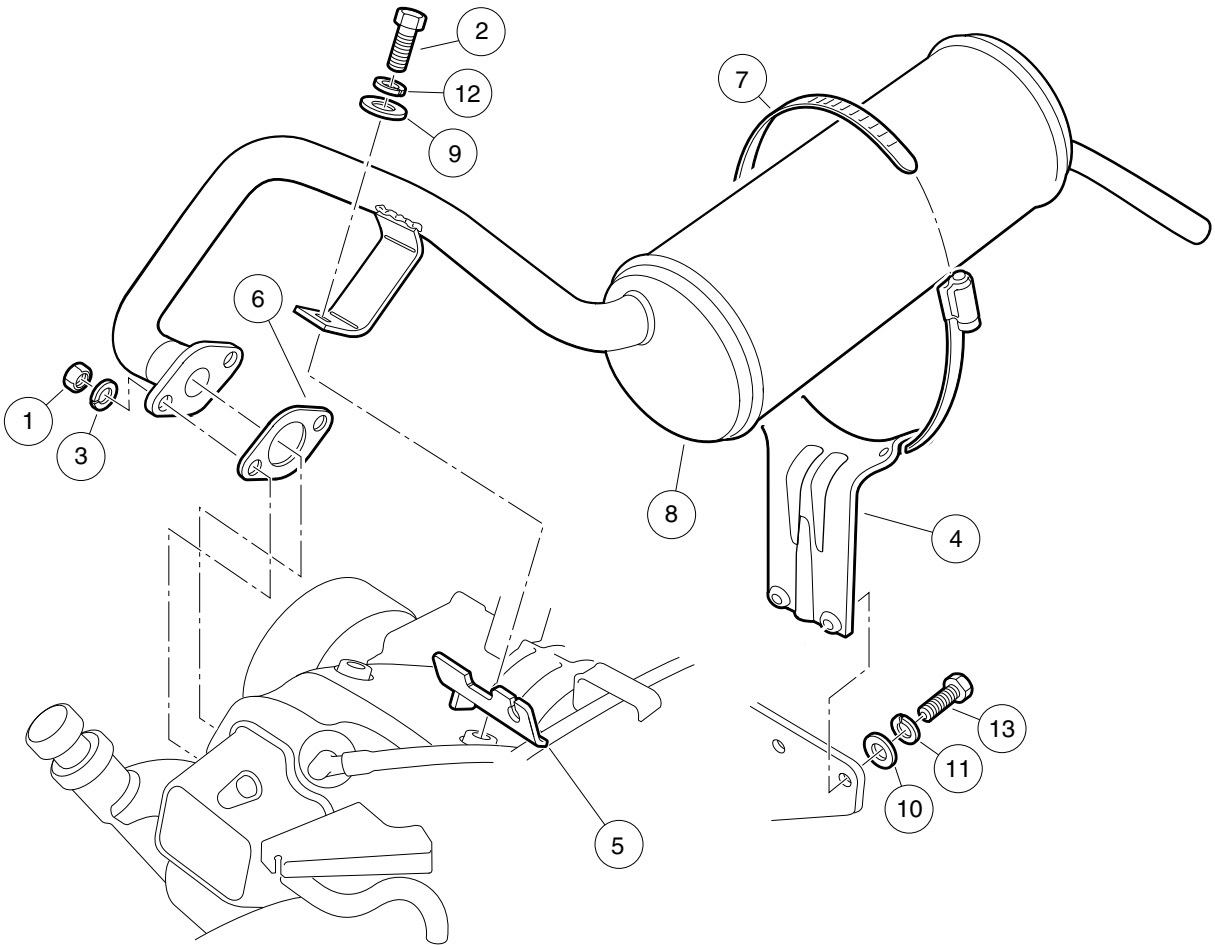
9

G

EXHAUST SYSTEM

10

G



000141-001

EXHAUST SYSTEM, FE400 ENGINE

ITEM	PART NO.	DESCRIPTION	QTY
		1 2 3 4	
1	1012528	Nut, M8-1.25 Hex	2
2	1012830	Screw, M8-125 X 22 Hex-Head	1
3	1013734	Lockwasher, 8mm Split	2
4	1015814	Bracket, Muffler Mounting	1
5	101584502	Bracket, Governor Cable Snap-In	1
6	1016904	Gasket, Exhaust	1
7	1017689	Clamp, 5" Muffler Hose	1
8	102257201	Exhaust System	1
9	1241	Washer, 5/16 Type A Flat	1
10	332	Washer, 1/4 Type A Narrow Flat	2
11	451	Lockwasher, 1/4 Split	2
12	7174	Lockwasher, 5/16 Split	1
13	7847	Screw, 1/4-20 X 0.75 Hex-Head Cap	2

10
G

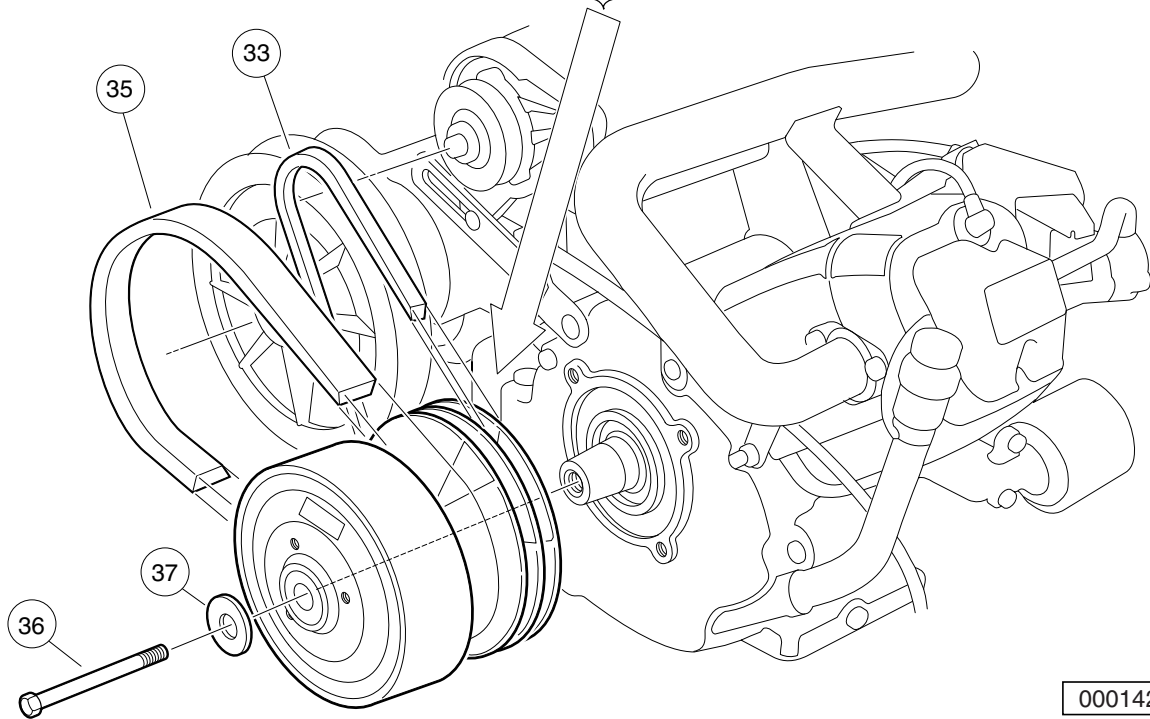
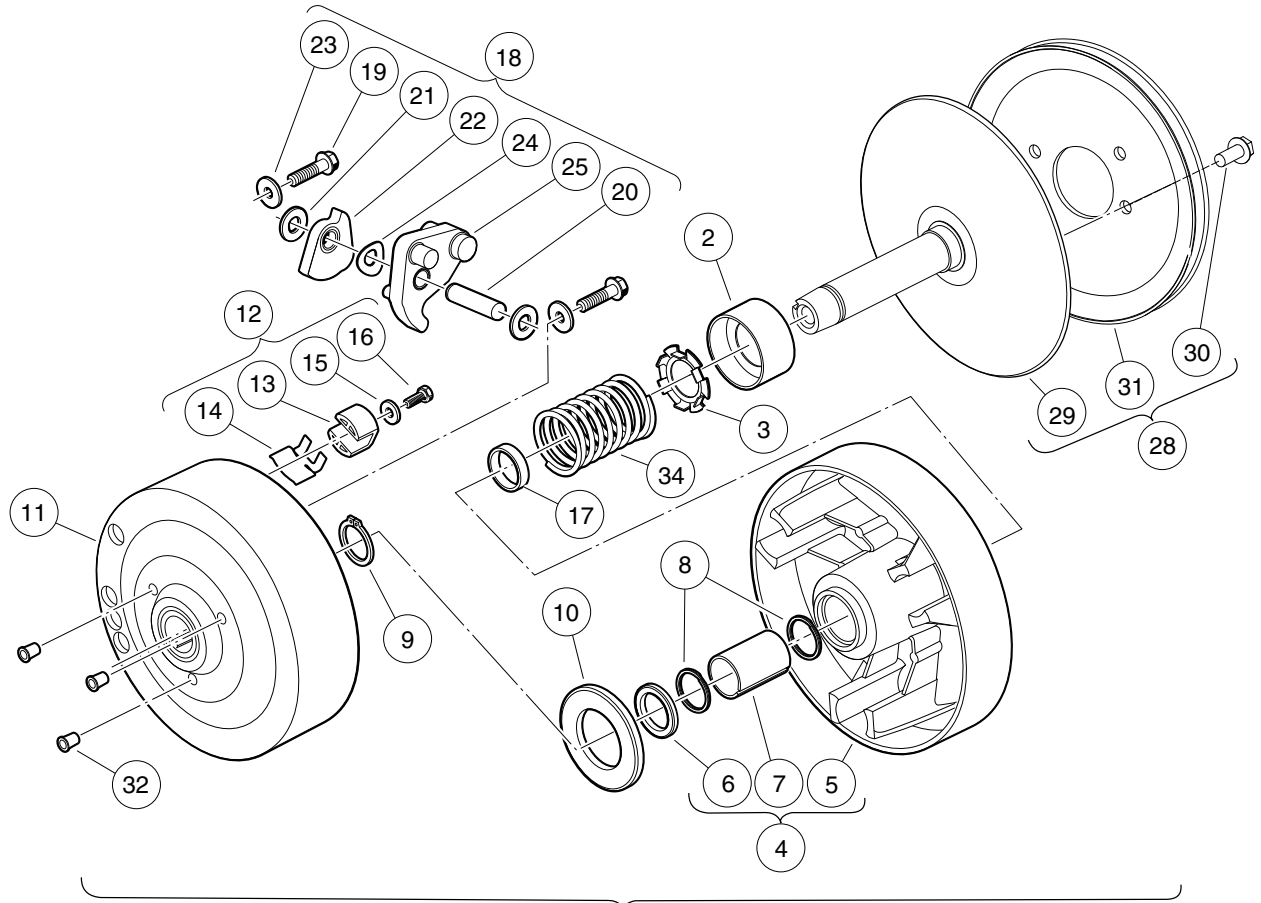
10

G

TORQUE CONVERTER

11

G



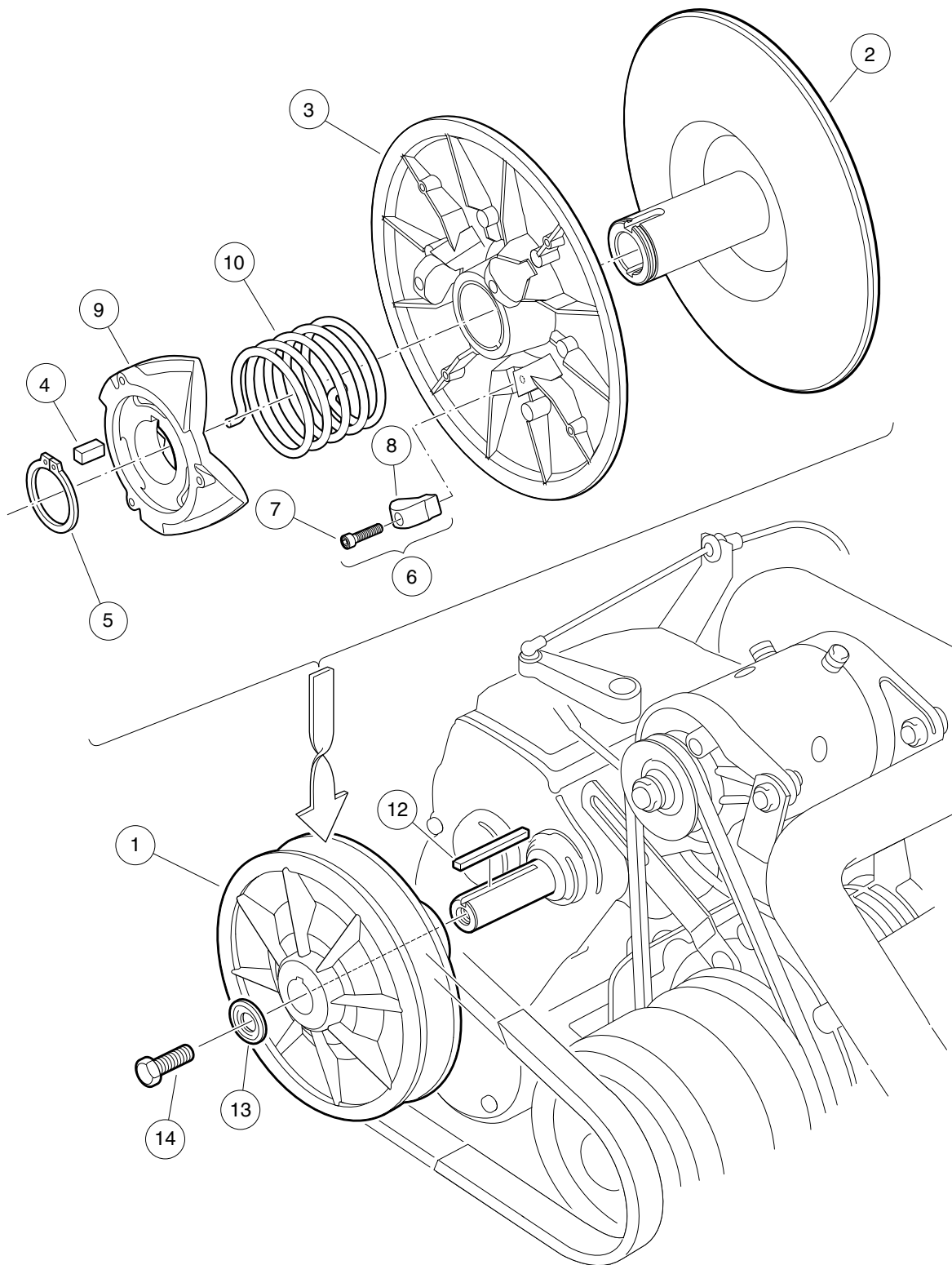
000142-001

DRIVE CLUTCH

11

G

ITEM	PART NO.	DESCRIPTION	QTY
		1 2 3 4	
1	101833908	Assembly, Drive Clutch (includes items 2 through 37)	1
2	1014049	Bearing, Idler	1
3	1014050	Retainer, Spring	1
4	1014052	Movable-Face Assembly (includes items 5 through 7)	1
5	N/A	Drive Clutch Movable Face	1
6	1014055	Retainer	1
7	N/A	Bushing, Split, Drive Clutch	1
8	1014056	Ring, Spiral Backup	2
9	1014057	Ring, 0.810" Internal Retaining	1
10	1014058	Thrust Washer	1
11	1014059	Drive Hub Assy, Drive Clutch	1
12	1014453	Kit, Drive Clutch Button (includes items 13 through 16)	1
13	1014062	Driver, Drive Clutch	3
14	1014287	Spring, Drive Button	3
15	183	Washer, #10 Type A Flat	3
16	8450	Screw, #10-24 X 0.50 Hex-Head	3
17	1016289	Spacer, Fixed Face Shaft	1
18	1016801	Kit, Drive Clutch Weight (includes items 19 through 25)	1
19	1014063	Screw, 1/4-20 X 1.00 Hex Head	6
20	N/A	Pin, 0.3752 X 1.50 Dowel	3
21	1014065	Washer, 0.38" ID Delrin Flat	6
22	N/A	Clutch Weight, Secondary	3
23	N/A	Washer	6
24	1016201	Washer, Wave	3
25	N/A	Weight, Primary	3
26	101738302	Kit, Fixed Face - Drive (includes items 27 and 28)	1
27	N/A	Desiccant Bag (Not Shown)	1
28	101738301	Fixed Face Drive (includes items 29 through 31)	1
29	N/A	Fixed Face Assembly, Drive Clutch	1
30	1014288	Screw, 5/16-18 X 0.75 Thread-Forming	3
31	1016011	Pulley, Drive Clutch	1
32	N/A	Cap Plug	1
33	101916701	V-Belt	1
34	102266201	Spring, Drive Clutch	1
35	102267101	Belt, Drive	1
36	103345701	Screw 3/8-24x5.5 Hex Loc Ptch	1
37	808	Washer, 3/8 Type B Flat	1
		Note: Item 27 not shown.	



000219-001

DRIVEN CLUTCH

ITEM	PART NO.	DESCRIPTION	QTY
		1 2 3 4	
1	101834001	Assembly, Driven Clutch (includes items 2 through 10)	1
2	1014070	Fixed Face Assy, Driven Clutch	1
3	1014072	Movable-Face Assembly with Bushing	1
4	1014078	Key, Driven Clutch	1
5	1014080	Ring, Retaining	1
6	1014454	Kit, Driven Clutch Button (includes items 7 and 8)	1
7	1012836	Screw, #8-32 X 3/4 Socket-Head Cap	3
8	1014076	Button, Drive	3
9	1017686	Cam, Driven Clutch	1
10	101836201	Spring, Driven Clutch, Reversed	1
11	AM10419	Kit, Clutch Repair (includes items 12 through 14)	1
12	101833401	Key, 3/16 Sq X 1.50"	1
13	102155801	Washer, Driven Clutch	1
14	102242101	Screw, 5/16-18 X 3/4 Hex-Head with Patch	1

11
G

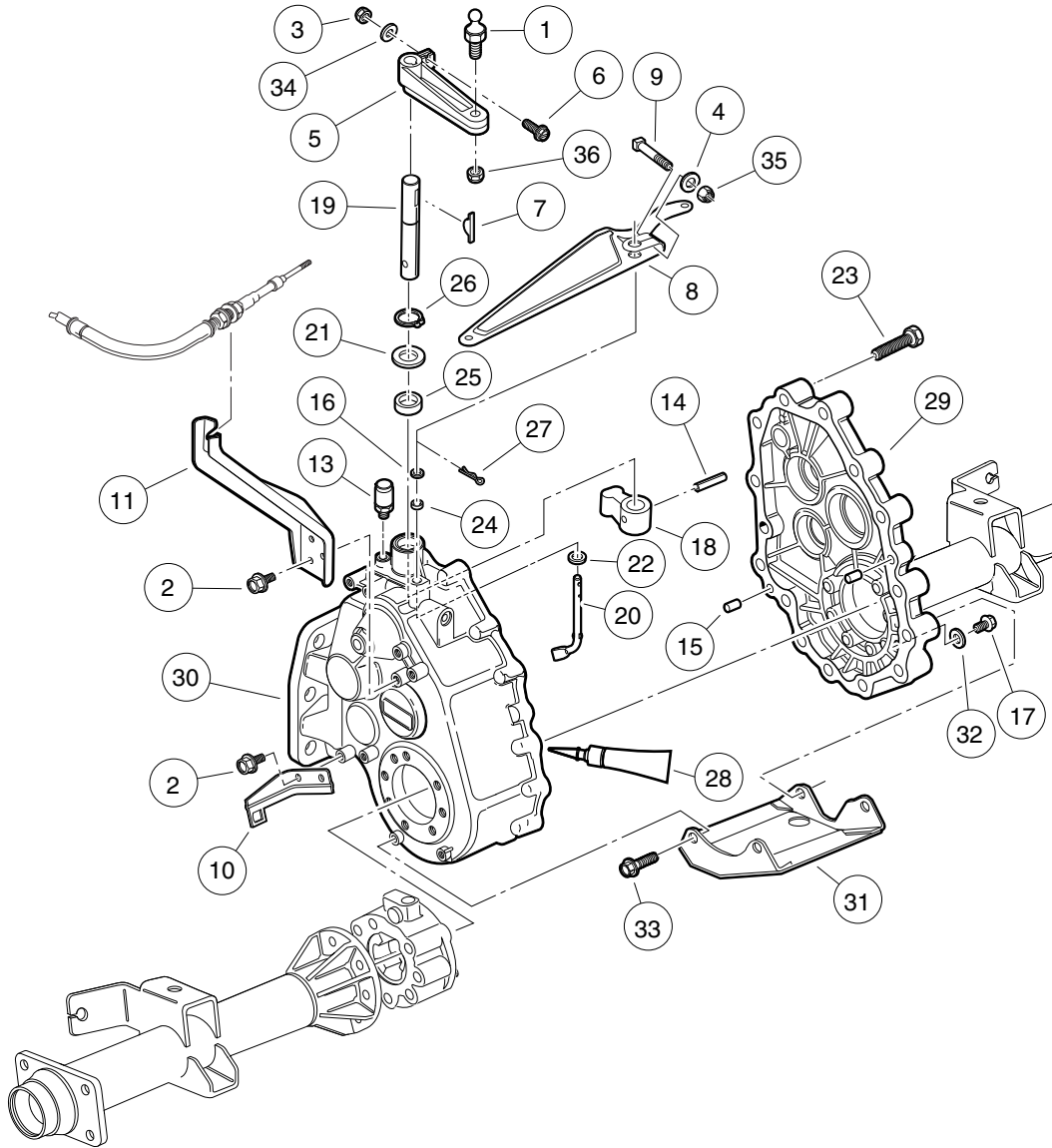
11

G

UNITIZED TRANSAXLE

12

G

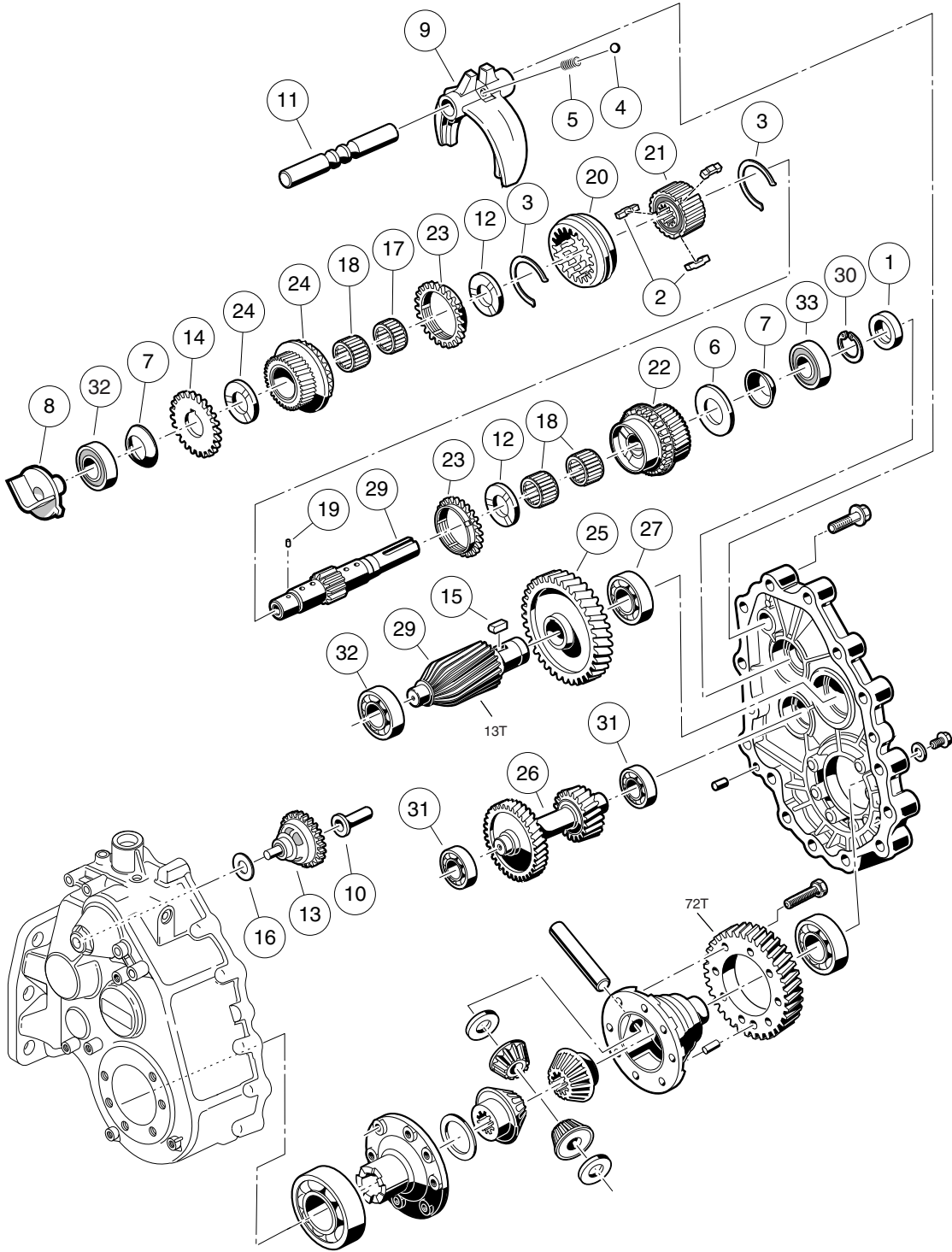


000144-001

MC012C-BS00 BEGINNING WITH SERIAL NUMBER MC012C3J0001 – GEAR CASES, BRACKETS AND GUARD

ITEM	PART NO.	DESCRIPTION	QTY
		1 2 3 4	
1	1010954	Stud, 1/4-28 X 0.560 Ball	1
2	1012285	Screw, 1/4 X 0.625 Hex-Head	5
3	1013061	Locknut, #10-32 Nylon Insert	1
4	1014007	Washer, 1/4 Flat	1
5	1016341	Lever, Transmission Shift	1
6	1017082	Screw, #10-32 X 0.75, Hex-Head Machine	1
7	1017231	Key, Woodruff	1
8	101834801	Arm, Governor	1
9	101886101	Screw, 1/4-20 X 1.00 Square-Head	1
10	102018701	Differential Lock Bracket	1
11	102045901	Bracket, Shifter	1
12	102457401	Transaxle, Hd, 15.51 Ratio (includes items 13 through 33)	1
13	1012711	Breather	1
14	1012752	Roll Pin	1
15	1012896	Pin, Dowel	3
16	1016513	Washer, M6 Flat	1
17	1016576	Plug, Drain	2
18	101890101	Lever, Change	1
19	101890201	Shaft - Change	1
20	101891301	Arm Pivot	1
21	101892901	Washer	1
22	101893801	Washer	1
23	101926901	Screw, M8-1.25 X 40mm Hex-Head	15
24	101927101	Seal, Oil	1
25	101927201	Seal, Oil	1
26	101927301	Snap Ring	1
27	101928601	Pin, Cotter	1
28	101928701	Liquid Gasket (Transaxle case)	1
29	102018501	Case, Gear, Right Mc012	1
30	102018601	Gear Case, Left	1
31	102031501	Guard, Transaxle	1
32	102267601	Gasket	2
33	102268601	Bolt	4
34	183	Washer, #10 Type A Flat	1
35	8233	Locknut, 1/4-20 Nylon Insert	1
36	8717	Locknut, 1/4-28 Nylon Insert	1
Note: The following pages contain components of the unitized transaxle.			

12
G



Parts identification for transaxles beginning with serial number MC012C3J0001

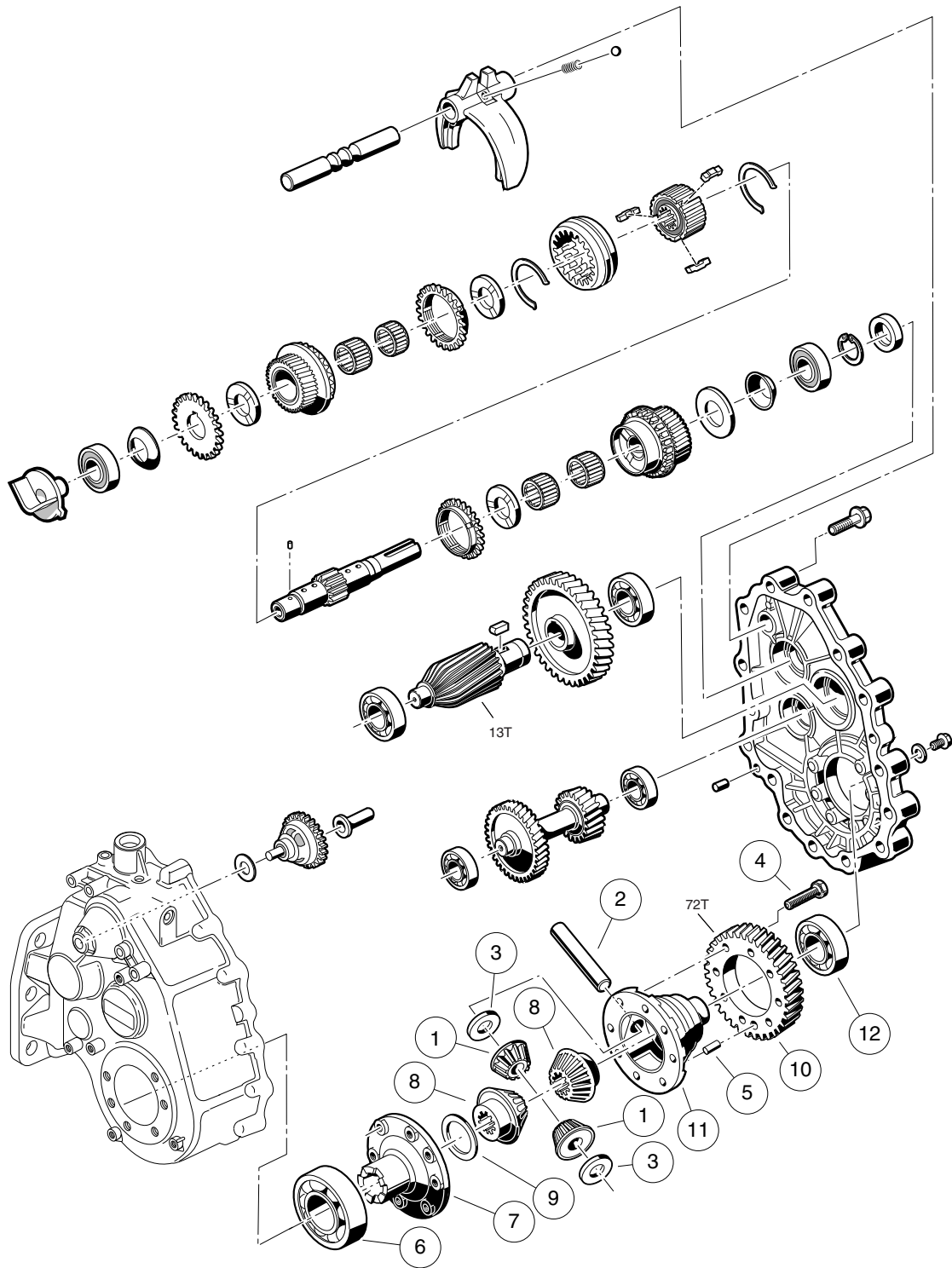
000145-001

MC012C-BS00 BEGINNING WITH SERIAL NUMBER MC012C3J0001 – F&R TRANSMISSION AND GEAR

ITEM	PART NO.	DESCRIPTION	QTY
		1 2 3 4	
1	1012714	Oil Seal	1
2	1012740	Synchro Insert	3
3	1012741	Synchro Spring	2
4	1012747	Shifter Ball	1
5	1012748	Shifter Spring	1
6	1016337	Washer, Thrust	1
7	1016338	Washer, Spring	2
8	101889401	Guide	1
9	101890001	Fork - Shift	1
10	101891601	Sleeve, Governor	1
11	101892001	Rod, Shift	1
12	101892201	Plate, Thrust	3
13	101892301	Governor Assembly	1
14	101892401	Gear, Spur	1
15	101893201	Key Sunk	1
16	101893901	Washer	1
17	101927501	Needle Bearing	1
18	101927601	Needle Bearing	3
19	101927701	Pin, .116" Dia X 0.264 Dowel	1
20	101927901	Sleeve, Synchro	1
21	101928001	Hub, Synchro Clutch	1
22	101980801	Gear Assembly, 16-Degree Synchro (25 Tooth)	1
23	101981001	Ring, 16-Degree Synchronizer	2
24	102018801	Gear Assembly Input 25-Tooth	1
25	102018901	Gear, 70-Tooth	1
26	102019001	Gear Cluster Idler	1
27	102268401	Bearing, Ball	1
28	102452501	Gear, Helical, 13-Tooth	1
29	102453001	Shaft, Trans, with Circlip	1
30	102453101	Circlip	1
31	7335	Bearing	2
32	AM10080	Bearing, Ball, Sealed	2
33	AM10081	Bearing, Ball, Sealed	1
Note: Items listed on this page are components of the unitized transaxle.			

12

G



Parts identification for transaxles beginning with serial number MC012C3J0001

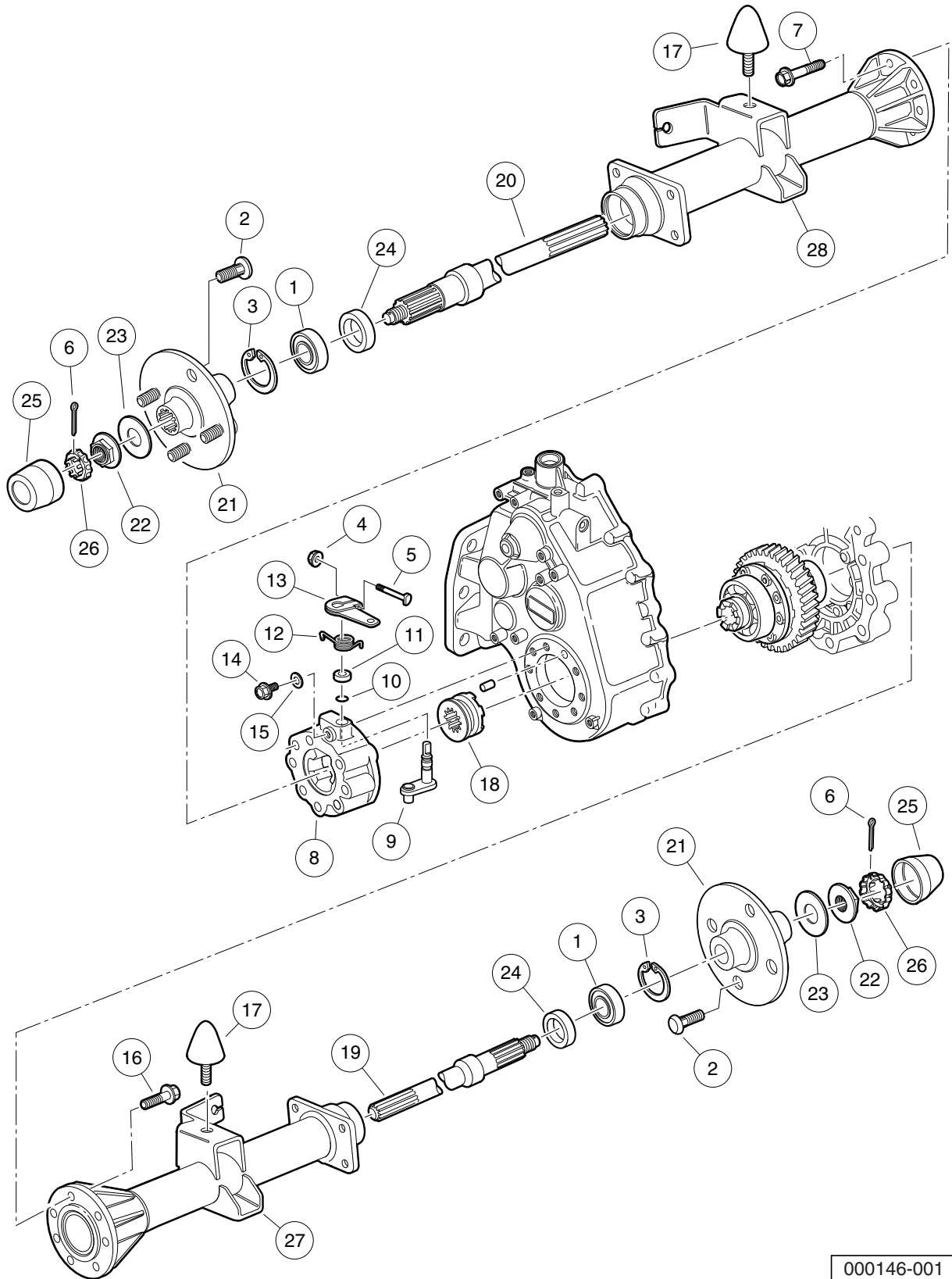
000145-002

MC012C-BS00 BEGINNING WITH SERIAL NUMBER MC012C3J0001 – AXLE CARRIER ASSEMBLY

ITEM	PART NO.	DESCRIPTION	QTY
		1 2 3 4	
1	1013770	Differential Idler Gear	2
2	1013772	Pin, Differential	1
3	1013774	Plate, Thrust (Idler Gear)	2
4	101928301	Screw, M8-1.25 X 35mm Hex Head	8
5	102031701	Pin, Dowel	1
6	102032001	Bearing	1
7	102267801	Gearcase, LH	1
8	102268001	Gear, Bevel, Side 16-Tooth	2
9	102268101	Plate - Thrust	1
10	102452401	Gear, Helical, Ring, 72-Tooth	1
11	102453201	Case, 72-Tooth Differential Gear Carrier	1
12	7330	Inner Axle Tube Bearing	1
<p>Note: Items listed on this page are components of the unitized transaxle.</p>			

12

G



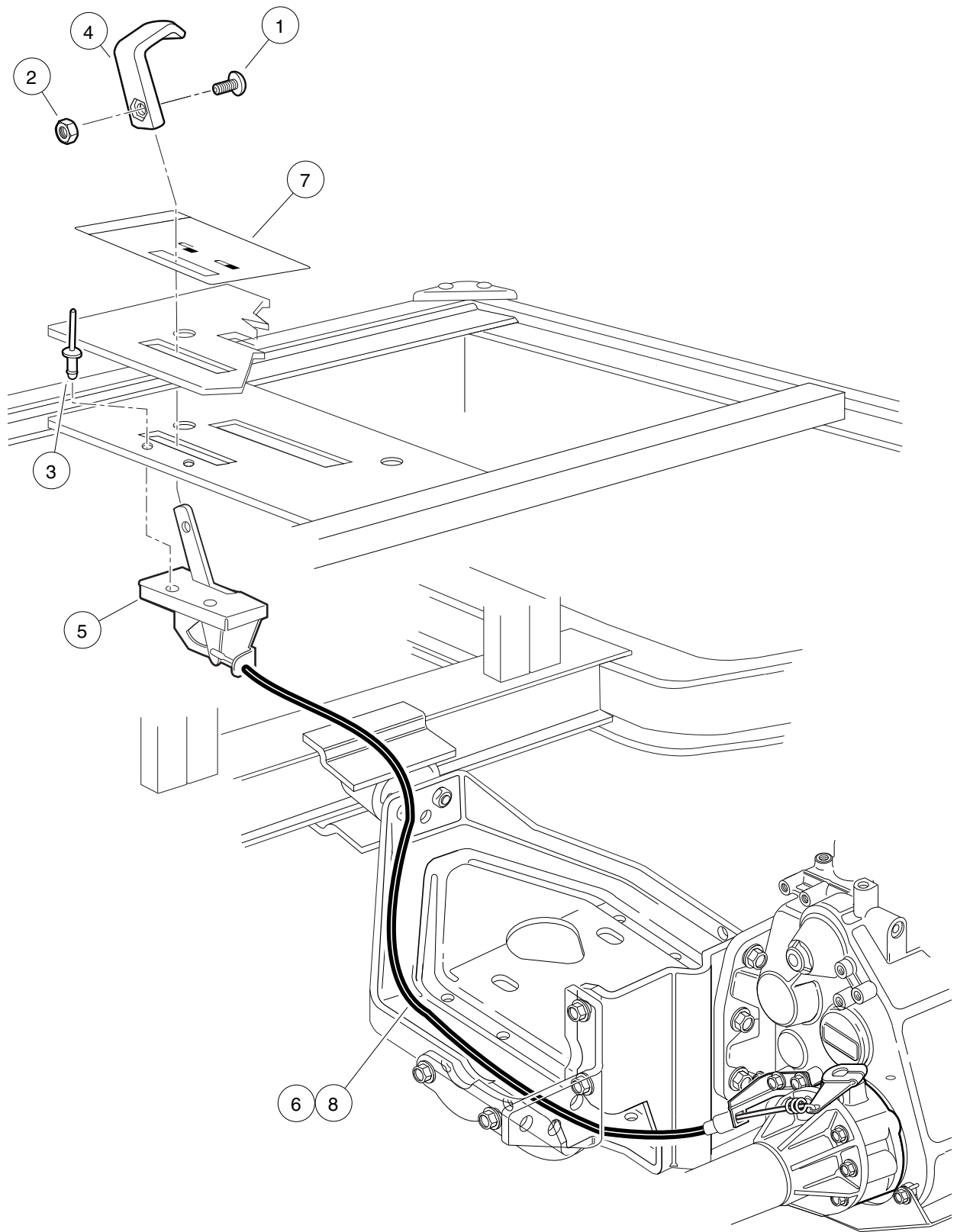
000146-001

MC012C-BS00 BEGINNING WITH SERIAL NUMBER MC012C3J0001 – DIFFERENTIAL LOCK AND AXLES

12
G

ITEM	PART NO.	DESCRIPTION	QTY
		1 2 3 4	
1	1011291	Outer Axle, Tube Bearing	2
2	1013787	Lug Stud	4
3	1013792	Circlip Type C	2
4	1016547	Nut, M6 Flange	1
5	1016686	Bolt, M6 Special	1
6	101838801	Pin, Cotter, 0.312 x 1.25	2
7	102019601	Bolt, M10 X 1.5 X 70mm	8
8	102020101	Housing, Differential Lock	1
9	102020201	Lever, Differential Lock	1
10	102020301	O-Ring	1
11	102020401	Spacer, Differential Lock	1
12	102020501	Spring, Differential Lock	1
13	102020901	Arm Lever, Differential Lock	1
14	102022301	Screw, M6 X 1 X 10mm	1
15	102022401	Washer	1
16	102031901	Bolt, M10 X 1.5 X 30mm	7
17	102188701	Stud Mount	2
18	102267701	Shifter, 15-Tooth	1
19	102268901	Axle Shaft - Rh	1
20	102269001	Axle Shaft - Lh	1
21	102269101	Wheel Bolt Flange	2
22	102269201	Nut, Flange	2
23	102269301	Washer - Axle	2
24	102269401	Seal, Oil	2
25	102274101	Center Cap, Rubber	2
26	102276001	Locking Cap, Nut	2
27	102452601	Axle Tube, Hd, Rh	1
28	102452701	Axle Tube, Hd, Lh	1
<p>Note: Items listed on this page are components of the unitized transaxle.</p>			

12
G



000147-001

UNITIZED TRANSAXLE – DIFFERENTIAL LOCK CABLE ASSEMBLY AND SHIFTER

ITEM	PART NO.	DESCRIPTION	QTY
		1 2 3 4	
1	1011017	Screw, #8-32 X 0.375	1
2	1011571	Nut, #8-32 Hex	1
3	101880901	Rivet, 3/16, Stainless-Steel, Pop	2
4	102022201	Handle, Differential Lock Red	1
5	102025101	Differential Lock Controller	1
6	102031201	Differential Lock Cable	1
7	102046601	Decal, Differential Lock Warning	1
8	102316701	Cable, Differential	1

12

G

12

G

MAINTENANCE AND SERVICE TOOLS

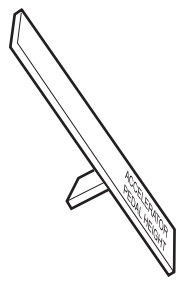
13

G

E

D

13
G
E
D



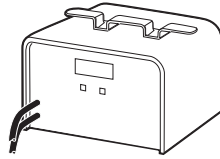
1



2



3



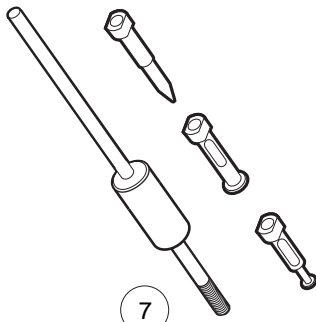
4



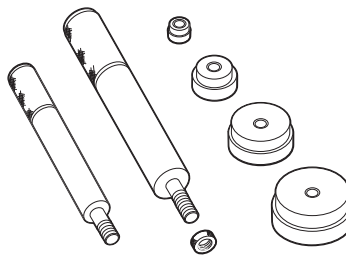
5



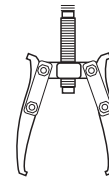
6



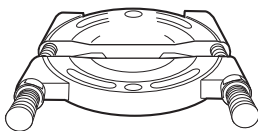
7



8



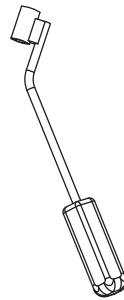
9



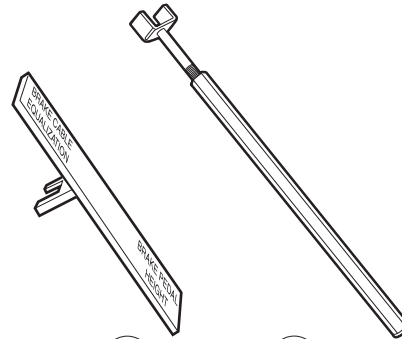
10



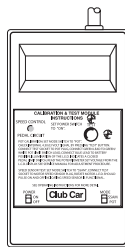
11



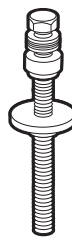
12



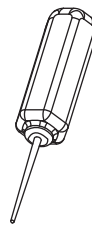
14 15
13



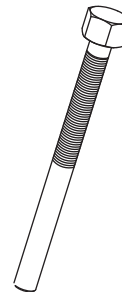
16



17



18



19

MAINTENANCE AND SERVICE TOOLS

ITEM	PART NO.	DESCRIPTION	QTY DIESEL	QTY GAS	QTY ELEC
		<p style="text-align: center;">1 2 3 4</p> <p>The following tool list includes all tools available from Club Car for maintenance and service procedures for gasoline, electric, and/or diesel vehicles, both past and present models. Be sure to carefully examine the tool list for applicability to your vehicle before ordering.</p>			
1	101871001	Accelerator Pedal Adjustment Tool		1	1
2	101813202	Adhesive, Guide Ring, 3-Gram Tube			1
3	101641202	Arbor		1	
4	101831901	Battery Discharge Machine, 36/48 Volt			1
5	1014305	Battery Terminal Protector Spray	1	1	1
6	1011767	Battery Thermometer	1	1	1
7	1016417	Bearing and Oil Seal Remover Assembly	1	1	1
8	1016416	Bearing Driver Set	1	1	1
9	1012811	Bearing Puller	1	1	1
10	1012812	Bearing Puller Wedge Attachment	1	1	1
11	1013582	Brake Adjustment Tool (used only on vehicles with manually adjusted mechanical brakes)		1	1
12	102555501	Brake Cable Release Tool	1	1	1
13	102249901	Brake Pedal Adjustment Tool Kit (used for the Carryall Electric Industrial Truck only) (includes items 14 and 15).....			1
14	****	Brake Pedal Adjustment Tool			1
15	****	Brake Pedal Tension Tool			1
16	101887101	Calibration Test Module			1
17	101808401	Cam Installation Tool		1	
18	102562401	Charger Bezel Tool			1
19	102686101	Clutch Removal Tool (for 4x4 vehicles)	1	1	
		<p>Please refer to the maintenance and service manual for proper tool application.</p> <p>**** Special order item available upon request</p>			

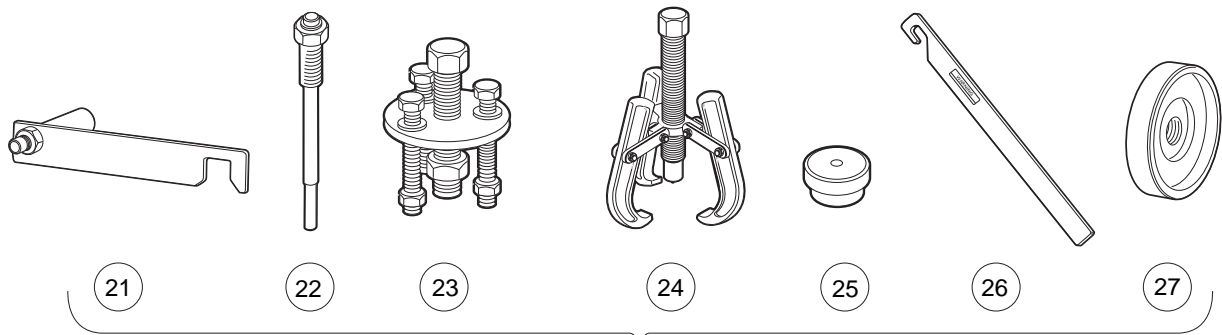
13

G

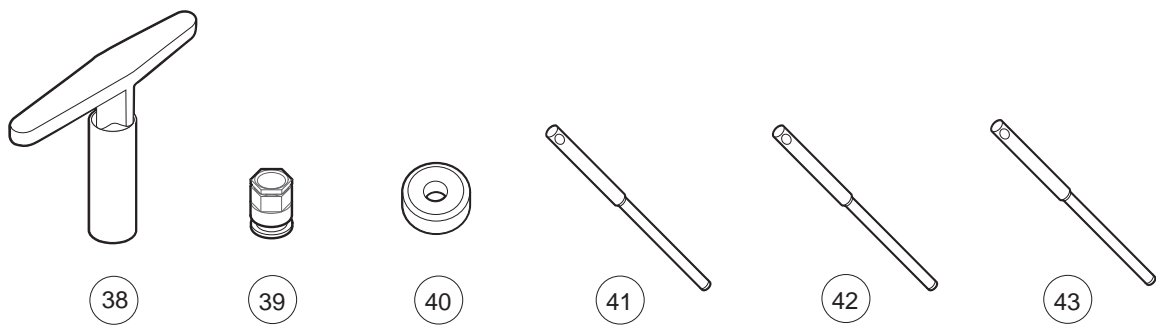
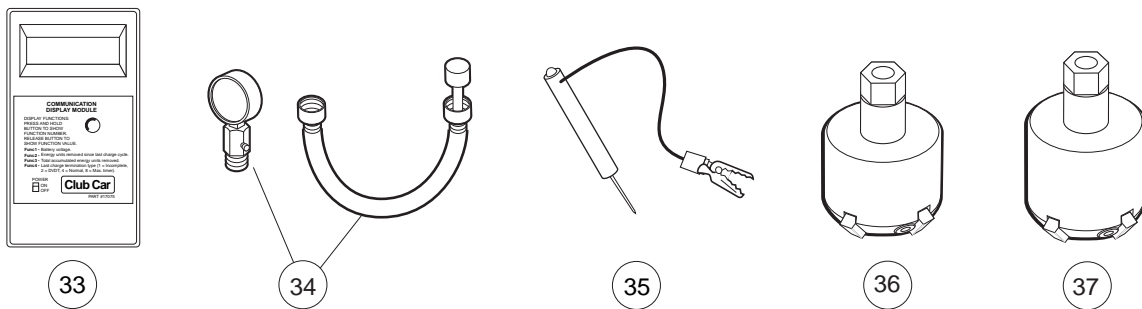
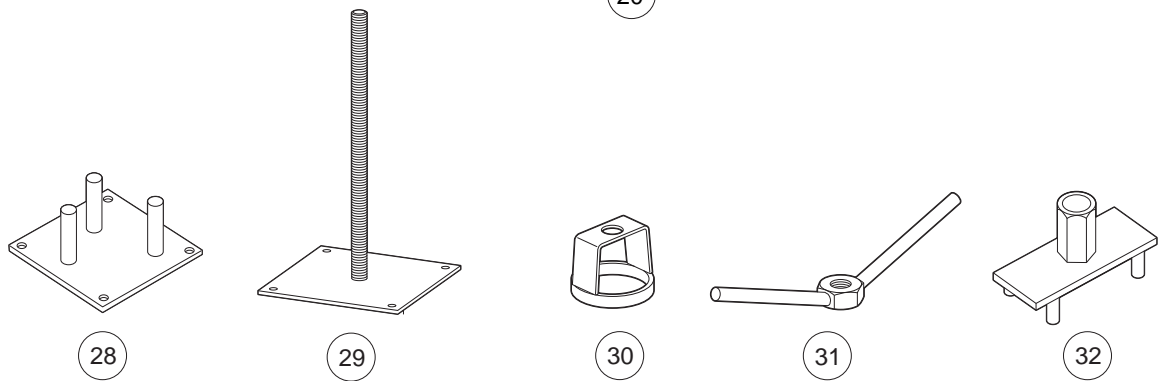
E

D

13
G
E
D



20



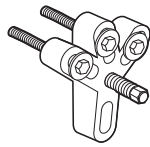
MAINTENANCE AND SERVICE TOOLS, CONTINUED

ITEM	PART NO.	DESCRIPTION	QTY DIESEL	QTY GAS	QTY ELEC	13	
		1 2 3 4				G	
20	1014510	Clutch Tool Kit (includes items 21 - 27)		1		E	
21	1014498	Clutch Alignment Tool (for pre-unitized transaxle vehicles built prior to 1997 model year)		1		D	
22	1014496	Drive Clutch Puller (for Kawasaki engines only)		1			
23	1014497	Drive Clutch Hub Puller (for Kawasaki engines only)		1			
24	1014508	Driven Clutch Cam Puller (for Kawasaki engines only)		1			
25	1014507	Driven Clutch Puller Plug (for Kawasaki engines only)		1			
26	1015524	Drive Clutch Holder Tool Assembly (for Kawasaki engines only)		1			
27	101809101	Press Weldment (for Kawasaki engines only)		1			
28	102601501	Drive ClutchFixed Sheave Tool (for 4x4 vehicles)	1	1			
29	102603501	Driven Clutch Spring Compression Base (for use with items 30 and 31) (for 4x4 vehicles)	1	1			
30	102605201	Driven Clutch Spring Compression Collar (for use with items 29 and 31) (for 4x4 vehicles)	1	1			
31	102606101	Driven Clutch Spring Compression Nut (for use with items 29 and 30) (for 4x4 vehicles)	1	1			
32	102607501	Drive Clutch Spider Removal Tool (for 4x4 vehicles)	1	1			
33	101831801	Communication Display Module			1		
34	101641002	Compression Gauge and Adapter		1			
35	1011273	Continuity Tester		1	1		
36	102773801	Cutter, Valve Seat, #122		1			
37	102773901	Cutter, Valve Seat #115		1			
38	102774101	Wrench, T, #505.....		1			
39	102774101	Adapter, T-Wrench.....		1			
40	102675401	Cutter, Valve Seat, 60 Degree (requires item 51) (for Honda GX620 Gasoline Engines)		1			
41	102774201	Pilot, 6.6 MM		1			
42	102774301	Pilot, 6.62 MM.....		1			
43	102774401	Pilot, 6.65 MM.....		1			
		Please refer to the maintenance and service manual for proper tool application.					

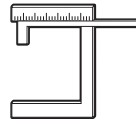
13
G
E
D



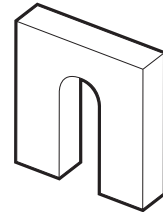
44



45



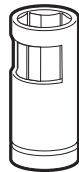
46



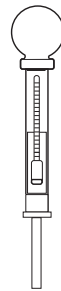
47



48



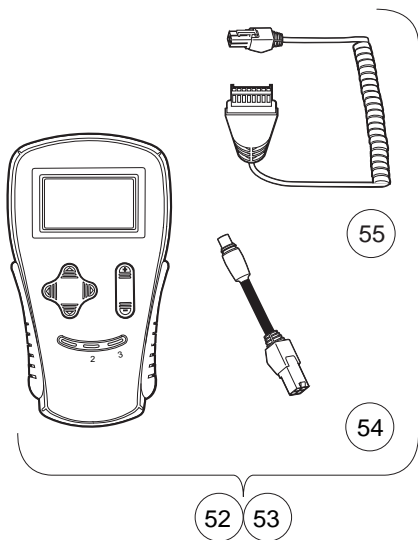
49



50



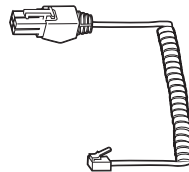
51



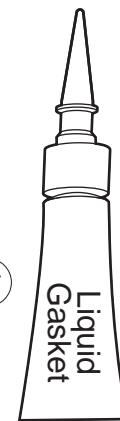
52 53

55

54



56



57



58



59 60



61

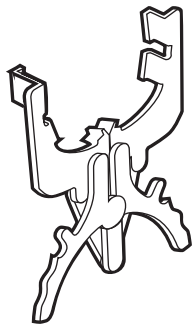
MAINTENANCE AND SERVICE TOOLS, CONTINUED

ITEM	PART NO.	DESCRIPTION	QTY DIESEL	QTY GAS	QTY ELEC	13
		1 2 3 4				
44	1012151	Dry Moly Lubricant	1	1	1	G
45	1016627	Flywheel Puller Kit (for Kawasaki Engines)		1		E
46	102669901	Gauge, Carburetor Float Level (for Honda GX620 Gasoline Engines)		1		D
47	1016418	Gear Yoke	1	1	1	
48	101933101	Governor Shaft Installation Tool (for Kawasaki Engine Vehicles)		1		
49	102169401	Hydraulic Brake Adjuster (for Turf/CA 272/472, Pioneer/XRT 1200, Bobcat 2100, HUV 4213)			1	
50	1011478	Hydrometer	1	1	1	
51	1013593	Internal Retaining Ring Pliers	1	1	1	
52	102248803	IQ Display Module (IQDM) Kit (IQ System and IQ Plus vehicles)			1	
		(includes items 54 and 55)				
53	102248804	IQ Display Module (IQDM-P) Kit (IQ System and IQ Plus vehicles)			1	
		(includes items 54 and 55)				
54	102251501	Adaptor, Cable			1	
55	102241502	IQDM Series 2 Cable			1	
56	102241501	IQDM Series 1 Cable (replacement)			1	
57	101928701	Liquid Gasket (transaxle case)	1	1	1	
58	102243402	Moly-Teflon Lubricant (4-oz. (113-gram) tube)			1	
59	101997201	Paint, Touch-Up – Beige*		1	1	
59	101997207	Paint, Touch-Up – Black*		1	1	
59	101997212	Paint, Touch-Up – Burgundy*		1	1	
59	101997211	Paint, Touch-Up – Classic Blue (Navy)*		1	1	
59	101997205	Paint, Touch-Up – Dark Gray*	1	1	1	
59	101997209	Paint, Touch-Up – Dark Green*	1	1	1	
59	101997204	Paint, Touch-Up – Gray*	1	1	1	
59	101997203	Paint, Touch-Up – Red*	1	1	1	
59	101997206	Paint, Touch-Up – Royal Blue (Pacific Blue)*		1	1	
59	101997202	Paint, Touch-Up – White*	1	1	1	
60	102562301	Paint, Precedent Underbody – Gray		1	1	
61	102587201	Paint Pen, Touch-Up, Precedent Underbody – Black		1	1	
		Please refer to the maintenance and service manual for proper tool application.				
		* Item 59 is not for use on Surlyn [®] body material, which is used on Precedent vehicles.				

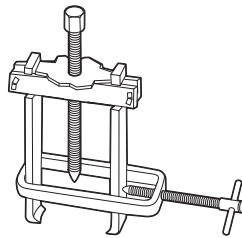
13
G
E
D



62



63



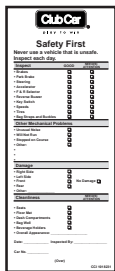
64



65



66



67



68



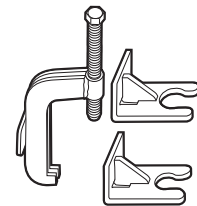
69



70



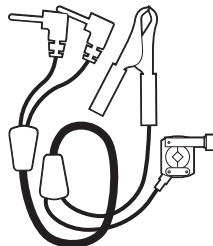
71



72



73



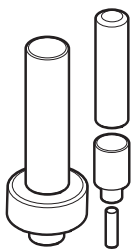
74



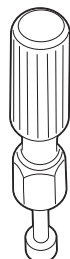
75



76



77



83



84



85



86

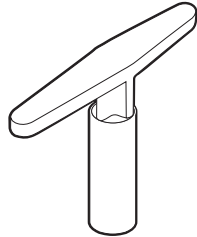
MAINTENANCE AND SERVICE TOOLS, CONTINUED

ITEM	PART NO.	DESCRIPTION	QTY	QTY	QTY	13
			DIESEL	GAS	ELEC	
		1 2 3 4				G
62	1016414	Piston Ring Compressor Kit (FE290, FE350 and FE400 engines)		1		E
63	1016415	Piston Ring Pliers (for Kawasaki Engines)		1		D
64	102668801	Puller, Special Use (for Kubota D722 Diesel Engines)	1			
65	1012549	Retaining Ring Pliers, 45° External	1	1	1	
66	1012560	Retaining Ring Pliers, 90° Internal	1	1	1	
67	101823101	Safety First Card (50 per pack)	1	1	1	
68	1012809	Seal Puller	1	1	1	
69	102330901	Spanner Wrench (for coil over shock front suspension vehicles only)	1	1		
70	1014264	Steering Column Bearing Press Tool		1	1	
71	1014259	Steering Column Retaining Ring Tool		1	1	
72	102061201	Steering Wheel Puller Tool	1	1	1	
73	AM10753	Tachometer (includes gasoline engine pick up lead only)	1	1		
74	AM10771	Tachometer Diesel Probe (for use with item 73)	1			
75	1014162	Transaxle Axle Seal Tool		1		
76	1014161	Transaxle Pinion Seal Tool		1		
77	1014115	Transmission Tool Kit		1		
78	101611003	Tune-Up Kit, All OHV (for FE290, FE350, FE400 only) (includes air filter, spark plug, oil filter, fuel filters) (not shown)		1		
79	AM11804	Tune-Up Kit, Gx620 (for Honda Engines) (includes air filter, spark plug, oil filter, fuel filters) (not shown)		1		
80	AM11805	Tune-Up Kit, D722 (for Kubota Engines) (includes air filter, oil filter, fuel filters, water separator filter) (not shown)	1			
81	AM1220301	Tune-Up Kit, Precedent (for FE290/350 Engines) (includes air filter, spark plug, oil filter, fuel filters) (not shown)		1		
82	AM1232401	Tune-Up Kit, FH680D (for Kawasaki V-Twin Engines) (includes oil filter, fuel filter, air filter, and spark plugs) (not shown)		1		
83	1016413	Valve Clearance Adjuster Screw Holder (for FE290 engines only)		1		
84	102674601	Valve Guide Driver (for Honda GX620 Gasoline Engines)		1		
85	101641201	Valve Guide Reamer (FE290, FE350, and FE400 only)		1		
86	102674401	Valve Guide Reamer, 6.6 mm (for Honda GX620 Gasoline Engines)		1		

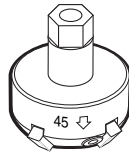
13
G
E
D



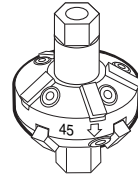
87



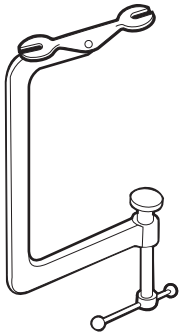
88



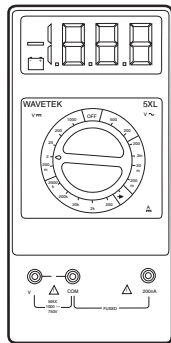
89



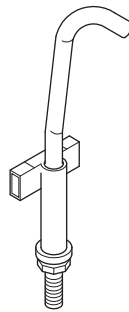
90



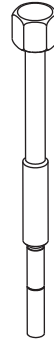
91



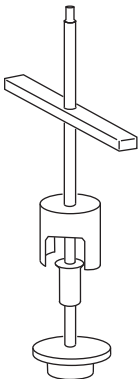
92



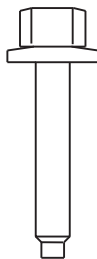
93



94



95



96

MAINTENANCE AND SERVICE TOOLS, CONTINUED

ITEM	PART NO.	DESCRIPTION	QTY DIESEL	QTY GAS	QTY ELEC	13
		1 2 3 4				G
87	1016552	Valve Seat Cutter Guide		1		E
88	1016551	Valve Seat Cutter T-Wrench		1		D
89	1016553	Valve Seat Cutter, 45° (32 mm diameter) (for FE290 engines only)		1		
90	1016554	Valve Seat Cutter, 45°/30° (35 mm diameter)		1		
91	101641101	Valve Spring Compressor		1		
92	1011480	Volt Ohm Meter	1	1	1	
93	102570401	Tool, Tensioning, Starter Generator (For Precedent vehicles)		1		
94	103601401	Puller, Drive Clutch, XRT 950*		1		
95	103601701	Tool, Disassembly, Driven Clutch, XRT 950		1		
96	103600501	Screw, Driven Clutch Disassembly, M6, XRT 950		1		
		<p>*Note: The XRT 950 Drive Clutch Puller requires the use of Screw, Driven Clutch Disassembly, CCI Part Number 103600501.</p>				

INDEX

Part Number and Page

AM10753	13-9	8639	7-19	1012528	10-3
AM10771	13-9	8717	5-5, 7-11, 7-15, 7-17, 12-3	1012549	13-9
AM10080	12-5	8754	1-11, 1-15, 4-13, 5-5, 6-3, 6-7, 6-9, 7-23	1012560	13-9
AM10081	12-5	8755	1-15	1012571	8-15
AM10419	11-5	8797	9-5	1012594	7-11, 7-15
AM10724	8-5	8935	1-5	101260202	4-13
183	1-3, 4-11, 4-13, 7-19, 11-3, 12-3	8990	6-5, 7-21	1012604	6-3
304	1-21	1010028	6-7	1012605	6-3
320	1-21, 6-3	1010138	6-5	1012649	9-3
332	1-3, 1-5, 1-7, 1-9, 1-13, 1-17, 1-21, 9-13, 10-3	1010142	6-9	1012711	12-3
334	1-9, 5-5, 6-3, 6-5, 8-15	1010144	6-9	1012714	12-5
357	1-21	1010145	6-9	1012740	12-5
403	1-11, 1-15	1010150	6-7	1012741	12-5
451	1-5, 1-17, 10-3	1010434	1-7, 1-17	1012747	12-5
705	1-11, 4-13, 7-23, 8-15	1010435	1-11, 1-13, 1-15	1012748	12-5
808	6-9, 11-3	1010436	1-13	1012752	12-3
1016	7-19	1010543	1-7	1012809	13-9
1017	7-13	1010545	1-3	1012811	13-3
1028	1-17, 5-3	1010577	8-15	1012812	13-3
1032	1-17	1010829	4-7, 4-13	1012830	1-5, 7-23, 9-11, 10-3
1035	1-9	1010878	1-9, 5-3	1012836	11-5
1231	1-17	1010909	7-19	1012896	12-3
1241	1-3, 1-19, 1-21, 4-9, 5-3, 5-5, 7-17, 7-23, 7-27, 10-3	1010921	1-3, 5-3	1012986	7-21
1242	1-19, 1-21, 7-17, 7-23	1010934	1-21, 4-9, 6-7, 7-27	1012987	7-11, 7-15
1606	1-3	1010954	7-11, 7-15, 7-17, 12-3	1012991	7-25
1624	5-5, 6-5	1010984	2-3, 4-3, 4-7, 6-7	1013001	7-25
7048	6-7	1011017	12-11	1013003	7-25
7173	7-27	1011084	5-7	1013005	7-25
7174	1-3, 1-19, 1-21, 6-3, 7-23, 9-11, 10-3	1011229	7-19	101301102	7-25
7270	6-7, 6-9	1011273	13-5	1013035	6-5
7310	2-3	1011291	12-9	1013042	6-5
7311	1-5	1011402	5-3	1013044	6-5
7330	12-7	1011415	6-9	1013051	6-5
7335	12-5	1011478	13-7	1013052	6-5
7410	1-3	1011480	13-11	1013061	12-3
7473	1-3, 1-5, 1-11, 1-15, 4-9, 5-3, 5-5, 6-7, 7-17, 7-27	1011553	1-21, 3-5, 3-9	1013309	1-7
7479	4-11	1011571	12-11	1013311	1-7
7532	1-15	1011652	1-5	1013312	1-7
7716	5-3, 5-5	1011694	5-5	1013317	1-17
7818	7-17	1011697	1-5, 8-15, 9-11	1013366	1-13
7847	1-5, 1-9, 10-3	1011700	5-5	1013461	7-13, 9-5
7893	7-11, 7-15, 7-17, 7-19	1011734	5-7	1013462	9-5
8056	7-19	1011767	13-3	1013531	4-9, 4-13
8057	7-11, 7-15, 7-19	1011931	5-5	1013582	13-3
8058	7-11, 7-15, 7-19	1011988	9-3	1013587	7-11, 7-15
8067	6-7	1011990	1-17, 1-21, 4-13	1013589	7-11, 7-15, 7-17
8233	1-9, 1-13, 1-21, 4-11, 5-5, 7-11, 7-15, 9-3, 12-3	1012151	13-7	1013590	7-11, 7-15
8248	7-11, 7-15, 9-3	1012285	1-3, 1-21, 7-11, 7-15, 9-11, 12-3	1013591	7-11, 7-15
8251	1-7	1012295	7-17	1013593	13-7
8419	1-13	1012303	1-11, 1-15, 6-9	1013609	7-17
8450	11-3	1012328	7-27	1013687	9-3
8574	4-9	1012333	7-11, 7-15	1013700	9-11
		1012382	7-5, 7-9	1013734	1-5, 10-3
		1012412	1-5	1013746	9-3, 9-5, 9-9
		1012431	7-11, 7-15, 7-19	1013770	12-7
		1012438	4-13	1013772	12-7

INDEX

1013774	12-7	1014513	1-19	1015932	7-23
1013787	4-3, 6-7, 12-9	1014514	1-19	1015969	8-3
1013792	12-9	1014524	9-3	1016004	9-5
1013857	7-21	1014537	1-13, 1-19	1016011	11-3
1013871	5-5	1014555	6-7	1016060	1-9
1013924	4-3, 4-7, 8-15	1014727	7-11, 7-15	1016074	7-23
1014007	4-11, 5-5, 12-3	1014807	7-11, 7-15	1016078	1-9
1014049	11-3	1014928	9-3	101609401	3-3, 3-7
1014050	11-3	1014948	7-17	101611003	13-9
1014052	11-3	1015064	7-11, 7-15	101615504	6-3
1014055	11-3	1015137	9-5, 9-9	1016156	6-3
1014056	11-3	1015139	9-5	1016201	1-9, 7-11, 7-15, 11-3
1014057	11-3	1015143	9-5	1016289	11-3
1014058	11-3	101524002	7-23	1016337	12-5
1014059	11-3	1015245	1-17	1016338	12-5
1014062	11-3	1015252	1-11	1016341	12-3
1014063	11-3	1015258	1-11	1016342	7-11, 7-15
1014065	7-11, 7-15, 7-17, 11-3	1015277	1-9	1016346	6-7
1014070	11-5	1015313	1-17	1016387	6-7
1014072	11-5	1015332	7-5, 7-9, 8-3	1016389	6-7
1014076	11-5	1015345	7-17	101641002	13-5
1014078	11-5	1015363	1-17	101641101	13-11
1014080	11-5	1015365	1-17	101641201	13-9
1014089	7-11, 7-15	1015367	1-17	101641202	13-3
1014115	13-9	1015371	7-17	1016413	13-9
1014116	9-3	1015372	7-17	1016414	13-9
1014119	7-5, 7-9	1015373	7-17	1016415	13-9
1014125	6-3	1015390	1-17	1016416	13-3
1014126	6-3	101539802	7-15	1016417	13-3
1014136	4-11	1015399	1-11, 1-13, 1-15	1016418	13-7
1014145	7-11, 7-15, 7-17	1015400	1-11, 1-15, 1-17	1016423	7-17
1014161	13-9	1015405	7-17	101642582	9-7
1014162	13-9	1015409	7-11	101642585	9-7
1014213	6-3	1015413	1-17	101642588	9-7
1014214	6-3	1015414	1-17	1016429	8-7
1014217	6-3	1015426	9-13	1016432	8-7
1014259	13-9	101542901	1-11	1016436	8-9
1014264	13-9	1015453	6-9	1016437	9-7
1014287	11-3	101547601	3-5, 3-9	1016438	9-9
1014288	7-27, 11-3	1015507	1-11, 1-15	1016440	9-9
1014289	7-25	1015524	13-5	1016441	9-9
1014305	13-3	1015530	1-21	1016444	9-9
1014306	1-13, 1-21	101553901	1-17, 3-3, 3-7	1016445	8-5
1014321	1-5, 1-7	1015583	1-11, 1-15, 6-9	1016449	8-9
1014375	7-27	1015597	6-7	1016450	8-9
1014387	1-5, 1-7	1015606	1-17	1016452	8-9
1014415	1-13	101562715	1-7	1016454	8-11
1014453	11-3	101564505	1-7	1016455	8-5
1014454	11-5	1015649	8-3	1016456	8-5
1014471	1-11, 1-15	1015720	7-19	1016457	8-7
1014496	13-5	1015737	7-5, 7-9, 7-17	1016458	8-9
1014497	13-5	1015741	7-17	1016467	8-7
1014498	13-5	1015752	7-17, 9-13	1016470	8-13
1014507	13-5	1015814	10-3	1016472	8-11
1014508	13-5	101584502	9-11, 10-3	1016473	8-7
1014510	13-5	1015921	9-5	1016474	8-9

INDEX

1016479	8-9	1016686	12-9	1017501	8-13
1016480	9-9	1016723	1-7	1017502	8-13
101648102	9-9	101672701	7-15	1017503	8-13
101648203	8-7	1016751	1-7	1017507	8-7
1016483	8-9	101675515	1-7	1017508	8-11
1016486	9-7	101677705	1-7	1017510	8-13
1016489	8-9	1016801	11-3	1017511	8-11
101649002	9-9	1016849	7-19	1017512	8-13
1016494	8-11	1016851	7-19	1017514	8-11
1016496	8-11	1016857	7-19	101751801	8-11
1016497	8-5	1016859	7-19	101751802	8-11
1016499	9-7	1016879	7-13	101751803	8-11
1016501	9-7	1016880	7-13	1017653	7-25
1016502	8-7	1016883	7-23	1017686	11-5
1016506	8-11	1016904	10-3	1017689	10-3
1016513	12-3	1016947	7-11, 7-15	1017696	5-5
1016517	8-9	101705701	3-7	1017721	7-19
1016519	8-9	1017062	7-13	101773301	8-13
1016521	8-11	1017064	7-13	101773302	8-13
1016535	8-11	1017065	7-13	101773303	8-13
1016537	8-7	1017082	12-3	101773304	8-13
1016538	8-11	1017203	9-3	101773305	8-13
1016541	8-13	1017226	6-3	101773306	8-13
1016544	8-5, 8-9, 8-11	1017231	12-3	101773307	8-13
1016546	9-11	1017233	4-3, 4-7	101773308	8-13
1016547	8-13, 9-9, 12-9	1017273	6-3	101773309	8-13
1016549	8-9	1017315	6-3	101773310	8-13
1016551	13-11	1017378	5-5	101773311	8-13
1016552	13-11	1017380	5-5	101791101	4-5
1016553	13-11	101738301	11-3	101796201	5-5
1016554	13-11	101738302	11-3	1017976	1-15
1016560	8-9	1017384	1-3	101804301	9-13
1016561	8-5	1017424	5-5	101806102	4-9
1016562	8-5, 8-13	1017442	8-7	101808401	13-3
1016563	8-9	1017443	8-11	101809101	13-5
1016564	8-11	1017444	8-9	101811801	9-13
1016566	8-9	1017445	8-9	101811901	9-13
1016569	8-9	1017446	8-9	101812301	9-13
1016570	8-7	1017447	8-11	101813001	9-13
1016571	8-13	1017448	8-5	101813202	13-3
1016572	9-9	1017450	8-13	101817401	5-5
1016574	9-7	1017454	8-9	101818801	5-5
1016576	8-7, 12-3	1017455	8-5	101821501	9-13
1016578	8-5	1017456	8-7	101822001	5-7
1016579	8-5	101745701	8-13	101823101	13-9
1016581	8-7	101745702	8-13	101824401	9-3, 9-5
1016582	9-9	1017458	8-7	101825102	3-3, 3-7
1016583	8-9	1017460	8-7	101827101	8-15
1016584	8-11	1017461	9-7	101831801	13-5
1016585	9-7	1017463	8-5	101831901	13-3
1016586	8-5	1017466	9-9	101832001	4-13
1016587	8-5	1017468	8-5	101832202	9-11
1016588	8-5	1017471	8-13	101832302	9-11
1016627	13-7	1017473	8-9	101832601	8-15
1016630	7-21	1017487	8-11	101832701	8-15
1016663	6-3	1017490	8-5	101833101	8-15

INDEX

101833401	11-5	101892201	12-5	101972004	13-7
101833701	7-25	101892301	12-5	101972005	13-7
101833908	11-3	101892401	12-5	101972006	13-7
101834001	11-5	101892901	12-3	101972007	13-7
101834601	8-15	101893201	12-5	101972009	13-7
101834801	12-3	101893801	12-3	101972011	13-7
101835601	1-7, 1-9, 1-11, 1-15	101893901	12-5	101972012	13-7
101836201	11-5	101894303	1-7	101972801	9-13
101837101	9-13	101894304	1-13	101973401	9-9
101837301	7-5, 7-9, 7-23	101896501	7-25	101979101	7-11, 7-15
101838801	4-7, 6-7, 12-9	101896901	9-5	101980801	12-5
101856102	7-17	101898001	7-27	101981001	12-5
101861901	5-5	101900801	4-13, 6-9	101987701	9-3
101869302	7-25	101903101	6-7	101987901	7-13
101871001	13-3	101909201	8-5	101988001	7-13
101874901	7-25	101909301	8-5	101988002	7-13
101875001	7-25	101909401	8-5	101988101	7-13
101875101	7-25	101909501	8-5	101988201	7-13
101875102	7-25	101915201	3-5, 3-9	101990703	7-21
101875201	7-25	101916201	8-5	101991101	7-21
101875301	7-25	101916301	8-5	102003201	9-3
101875401	7-25	101916701	7-23, 11-3	102006501	6-9
101875501	7-25	101917601	9-13	102010101	6-5
101875601	7-25	101919801	5-5	102010201	6-3
101875701	7-25	101921501	9-13	102012301	6-7
101875802	7-25	101925701	9-13	102013001	6-3
101876001	7-25	101926901	12-3	102013101	6-3
101876202	7-25	101927101	12-3	102013201	1-3
101876301	7-25	101927201	12-3	102013601	6-7
101876402	7-25	101927301	12-3	102013701	6-7
101876501	7-25	101927501	12-5	102013801	6-7
101877601	7-25	101927601	12-5	102013901	1-3
101877701	7-25	101927701	12-5	102015701	1-3
101878101	7-25	101927901	12-5	102015801	1-3
101879001	7-25	101928001	12-5	102016501	6-7
101879401	6-5	101928301	12-7	102016701	6-7
101879701	6-5	101928601	12-3	102016801	6-7
101879801	6-5	101928701	12-3, 13-7	102017601	6-7
101879901	6-5	101933101	13-7	102018501	12-3
101880201	6-5	101939901	7-25	102018601	12-3
101880901	12-11	101946201	1-7	102018701	12-3
101881101	8-5	101953105	4-9, 5-3	102018801	12-5
101881701	9-13	101954301	1-7	102018901	12-5
101884801	8-15	101955301	9-3	102019001	12-5
101886101	12-3	101958601	1-7	102019601	12-9
101887101	13-3	101958602	1-9	102020101	12-9
101887601	1-5, 8-3	101960201	3-3	102020201	12-9
101888501	1-7	101960501	3-5, 3-9	102020301	12-9
101888502	1-7	101963301	1-7	102020401	12-9
101889401	12-5	101963401	1-7, 1-11, 1-13, 1-15, 7-19, 8-15	102020501	12-9
101890001	12-5	101963901	1-7	102020901	12-9
101890101	12-3	101964001	1-7	1020211	2-3
101890201	12-3	101971301	9-13	102021302	2-3
101891301	12-3	101972001	13-7	102021402	2-3
101891601	12-5	101972002	13-7	102021403	2-3
101892001	12-5	101972003	13-7	102021404	2-3

INDEX

102021414	2-3	102045501	4-3, 4-11	102155801	11-5
102021501	1-3	102045601	6-9	102159601	7-21
102021601	1-3	102045701	4-11	102160501	4-13
102021710	1-3	102045801	4-11	102169401	13-7
102021714	1-3	102045901	7-11, 7-15, 12-3	102188701	6-9, 12-9
102021715	1-3	102046501	1-3, 3-5, 3-9	102221301	1-13
102021716	1-3	102046601	3-3, 3-7, 12-11	102221401	1-13
102021801	1-3	102047001	1-5	102221501	1-13
102022201	12-11	102048401	1-3	102221701	1-13
102022301	12-9	102048601	6-7	102221801	1-13
102022401	12-9	102049401	4-3, 4-5	102222001	1-13
102022601	6-5	102049501	4-3, 4-5	102222101	1-13
102022801	6-5	102049601	4-3, 4-5	102222201	1-13
102022901	6-5	102049701	4-3, 4-5	102223601	7-5
102023001	6-7	102049901	4-3, 4-5	102224001	3-5, 3-9
102023101	6-7	102050001	4-3, 4-5	102224301	3-3, 3-7
102023301	6-5	102050101	4-3, 4-5	102229901	1-13
102023701	1-5	102050201	4-3, 4-5	102230601	1-13
102024901	1-5	102050301	4-3	102231601	3-5, 3-9
102025001	1-5	102050401	4-3, 4-5	102234301	2-3
102025101	12-11	102050501	4-3, 4-5	102234901	3-7
102025201	1-21	102050601	4-3, 4-5	102239901	1-13
102025202	1-21	102050701	4-3, 4-5	102241501	13-7
102025801	1-3	102050801	4-5	102241502	13-7
102025901	7-21	102050902	4-5	102242101	11-5
102026001	5-5	102051001	4-3, 4-7	102242701	4-13
102026401	1-5	102051201	4-9	102243402	13-7
102026901	1-5	102051301	4-9	102247201	4-13
102028302	4-13	102051401	4-9	102248803	13-7
102028401	4-13	102051601	7-21	102249901	13-3
102028601	5-3	102051701	7-21	102251501	13-7
102028901	5-3	102051901	7-21	102251601	1-21
102029101	3-3, 3-7	102052301	6-7	102251701	1-21
102029501	1-5	102052401	6-7	102256901	6-9
102030501	1-3	102052701	4-13	102257201	10-3
102031201	12-11	102052801	4-13	102258701	8-3
102031501	12-3	102054401	4-9	102258801	6-9
102031701	12-7	102056001	1-21	102264001	7-19
102031901	12-9	102056201	1-5	102264701	4-7
102032001	12-7	102056901	1-3	102266201	11-3
102032801	4-11	102057801	4-9	102266301	6-9
102032901	4-11	102059001	1-5	102267101	11-3
102033001	4-11	102059401	1-5	102267301	6-9
102033101	4-11	102059501	1-5	102267601	12-3
102033201	4-9	102060201	1-5	102267701	12-9
102033301	4-3	102061101	1-5	102267801	12-7
102033401	4-5	102061201	13-9	102268001	12-7
102033701	4-13	102065001	6-9	102268101	12-7
102033901	4-13	102065103	1-21	102268401	12-5
102044001	4-11	102065901	1-11, 1-15, 8-15	102268601	12-3
102044201	4-3, 6-7	102066201	6-9	102268901	12-9
102044401	4-3, 4-11	102066701	6-7	102269001	12-9
102044601	3-3, 3-7	102067001	6-7	102269101	12-9
102044702	7-21	102068501	1-5	102269201	4-7, 12-9
102044801	7-21	102078101	1-3	102269301	4-7, 12-9
102045001	1-3	102100001	6-7	102269401	12-9

INDEX

- 102269701 7-19
 - 102269901 8-9
 - 102270001 8-9
 - 102270201 8-13
 - 102270301 8-13
 - 102270401 8-13
 - 102270501 8-13
 - 102270701 9-7
 - 102271101 8-9
 - 102271401 8-11
 - 102271501 8-13
 - 102271601 8-11
 - 102271701 9-7
 - 102271801 8-13
 - 102271901 8-13
 - 102272101 8-11
 - 102272301 8-11
 - 102272501 7-19
 - 102274101 4-7, 12-9
 - 102274301 3-7
 - 102274701 3-3
 - 102276001 4-7, 12-9
 - 102278001 6-3
 - 102292801 4-7, 4-13, 5-3
 - 102301401 1-9
 - 102304901 8-9, 8-11
 - 102310001 4-9
 - 102316101 7-9
 - 102316701 12-11
 - 102323101 4-9
 - 102323201 4-9, 5-3
 - 102330901 13-9
 - 102335001 1-15
 - 102336001 9-11
 - 102336101 9-11
 - 102339201 4-9
 - 102345901 3-5, 3-9
 - 102355301 7-27
 - 102406701 9-5
 - 102418101 1-9
 - 102444601 4-13
 - 102452401 12-7
 - 102452501 12-5
 - 102452601 12-9
 - 102452701 12-9
 - 102453001 12-5
 - 102453101 12-5
 - 102453201 12-7
 - 102457401 12-3
 - 102518901 4-9
 - 102519001 4-9
 - 102522001 9-5
 - 102540301 8-15
 - 102555501 13-3
 - 102562401 13-3
 - 102570401 13-11
 - 102601501 13-5
 - 102603501 13-5
 - 102605201 13-5
 - 102606101 13-5
 - 102607501 13-5
 - 102668801 13-9
 - 102669901 13-7
 - 102674001 13-5
 - 102674101 13-5
 - 102674201 13-5
 - 102674401 13-9
 - 102674601 13-9
 - 102675001 13-5
 - 102675101 13-5
 - 102675201 13-5
 - 102675301 13-5
 - 102675401 13-5
 - 102684101 3-7
 - 102684201 3-7
 - 102684701 3-3
 - 102684801 3-3
 - 102686101 13-3
 - 102711201 7-17
 - 102751701 1-3
 - 102753401 8-9
 - 102865101 9-3
 - 102967901 1-3
 - 103010101 9-3
 - 103267001 1-5
 - 103345701 11-3
 - 103372101 9-5
 - 103372302 9-5
 - 103406501 1-17
 - 103406502 1-17
 - 103406601 1-17
 - 103538701 1-11, 1-15
 - 103538901 1-11, 1-15
 - 103651901 9-5
 - 103776901 9-5
 - 103781101 9-3
 - 103781201 9-3
 - 54562079 4-13
 - 96704416 8-15
- A**
- A-arm 6-7
 - absorber, shock 6-9
 - accelerator bracket and bearing assembly 5-5
 - accelerator cable 9-11
 - accelerator pedal 5-5
 - accelerator pedal adjustment tool 13-3
 - accelerator pivot rod 5-5
 - accelerator return spring 5-5
 - accelerator rod 5-7
 - adapter
 - cable (IQDM) 13-7
 - adhesive, guide ring 13-3
 - adjuster
 - hydraulic brake 13-7
 - adjuster, lash 8-11
 - air box 9-13
 - air box top 9-13
 - air filter 9-13
 - air intake hose 9-13
 - arbor 13-3
 - arm
 - A- 6-7
 - governor 12-3
 - pivot 12-3
 - rocker 8-9
 - armature 7-25
 - armature conversion kit 7-25
 - armrest 1-5, 1-7
 - assembly
 - A-arm 6-7
 - accelerator bracket and bearing 5-5
 - accelerator pivot rod 5-5
 - air box 9-13
 - air box top 9-13
 - armature 7-25
 - backing plate 4-3, 4-5
 - bearing, steering shaft 6-3
 - bell crank and shaft 7-17
 - brake cluster 4-5
 - brake pedal 5-3
 - brush connector 7-25
 - brush holder 7-25
 - carburetor 9-7
 - connecting rod 8-13
 - drive clutch 11-3
 - drive hub 11-3
 - driven clutch 11-5
 - driven clutch fixed-face 11-5
 - field coil 7-25
 - filler cap 4-9
 - float 9-7
 - Forward/Reverse shifter 7-11, 7-15
 - front panel 1-17
 - fuel tank vent 9-5
 - governor 12-5
 - grill 1-3
 - headlight 7-13
 - headlight harness 7-13
 - idle screw 9-7
 - inner ball joint 6-5
 - king pin bolt 6-7
 - latch weld 1-11
 - moveable-face 11-3, 11-5
 - park brake 4-5
 - park brake lever 4-13
 - pilot air screw 9-7
 - plug cap 8-5

INDEX

radio/beverage holder 1-5
seat support 1-5
secondary clutch weight 11-3
side panel 1-17
spindle 6-7
steering wheel 6-3
tailgate 1-13, 1-17
tether 1-13
tilt bed 1-11, 1-15
tire 2-3
transmission cable 7-11
turn signal lens 7-13
yoke 6-3

axle 12-3
axle shaft 12-9
axle tube 12-9

B

backing plate 4-3, 4-5
bag, desiccant 11-3
ball bearing 8-11
ball joint 5-7, 7-11, 7-15
ball stud 7-11, 7-15, 7-17, 12-3
ball, shifter 12-5
ball, steel pressure relief 8-7
band, RPM limiter mount 8-5
bar, side step 1-21
barb, vent 9-3, 9-5
barrel, plastic 1-7, 1-17
base, seat holder 1-5
battery clamp 7-27
battery discharge machine 13-3
battery terminal protector spray 13-3
battery thermometer 13-3
battery, 12-volt 7-27
bearing
ball 8-11
ball (steering pinion) 6-5
idler 11-3
inner axle tube 12-7
lower pinion 6-5
needle 12-5
outer axle tube 12-9
pivot support 5-5
steering shaft 6-3
thrust 6-7
bearing and oil seal remover 13-3
bearing driver set 13-3
bearing puller 13-3
bearing puller wedge 13-3
bearing seat 6-3
bed floor plate 1-11
bed frame assembly 1-15
bed latch 1-17
bed latch spring 1-17
bed seal 1-5, 1-15

bed, floor plate 1-15
bed, tilt 1-11, 1-15
bell crank 4-9, 7-11, 7-15
bell crank and shaft 7-17
bellows 6-5
belt, drive 11-3
belt, starter/generator 7-23, 11-3
beverage holder 1-5
bezel, headlight 7-13
block, brake-mounting 5-3
block, fuse 7-17
body kick plate 1-5
body, front 1-3
bolt
king pin 6-7
U- 6-9
boot
master cylinder 4-9
park brake 4-13
boot shield 4-13
boot, steering column 6-3
bottom, air box 9-13
box
air 9-13
cargo 1-17
electrical component 7-17
steel 1-13
bracket 7-21
accelerator cable 9-11
adjustable starter/generator 7-23
differential lock 12-3
governor cable 9-11, 10-3
headlight mounting 7-13
master cylinder mounting 4-9
muffler mounting 10-3
oil filter mount 8-7
oil level switch 8-11
RPM limiter 8-5
shifter 7-11, 7-15, 12-3
snubber 8-15
starter/generator mounting 7-23
throttle spring return 9-9
brake adjustment tool 13-3
brake cable equalizer 4-13
brake cable hanger 4-13, 6-9
brake cable release tool 13-3
brake cluster 4-3, 4-5
brake drum 4-5, 4-7
brake hose 4-11
brake mounting block 5-3
brake pedal 5-3
brake pedal adjustment tool 13-3
brake pedal tension tool 13-3
brake return spring 4-9, 4-13
brake, park 4-5
breather 12-3

brush and screw set 7-25
brush connector 7-25
brush guard 1-3
brush holder 7-25
brush inspection port cover 7-25
brush port cover 7-25
brush spring set 7-25
bucket seat 1-5
bulb, headlight 7-13
bumper
rubber 1-9, 1-13, 5-3
seal, long 1-7
spring return 5-5
bumper, seat 1-7
bushing 11-3
bronze 6-7
nylon 1-17
return line 9-5
snap-in 1-17
spindle 6-7
steel 1-11, 1-15, 6-9
urethane 1-11, 1-15, 6-7, 6-9
button, drive 11-5
buzzer, reverse 7-19

C

cable
accelerator 9-11
differential 12-11
differential lock 12-11
FNR shifter 7-15
governor 9-11
IQDM 13-7
park brake 4-13
transmission 7-11
calibration test module 13-3
cam
driven clutch 11-5
electrical component box 7-17
neutral lockout 7-11, 7-15
cam installation tool 13-3
camshaft 8-11
camshaft shim 8-11
camshaft spring 8-11
cap
corner 1-5, 1-7
filler 4-9
plug 8-5
rubber 4-7, 12-9
seat back 1-7
cap, front corner 1-13
carburetor 9-7
carburetor float level tool 13-7
carburetor gasket 9-9
carburetor insulator 9-9
carburetor mounting gasket 9-9

INDEX

- card, safety first 13-9
 - cargo bed, side panel 1-17
 - cargo box 1-17
 - case
 - differential gear carrier 12-7
 - gear 12-3, 12-7
 - rocker 8-9
 - charger bezel tool 13-3
 - choke valve 9-13
 - clamp
 - battery 7-27
 - cable retaining 9-11
 - horse shoe 4-11
 - hose 9-3, 9-5, 9-9, 9-13
 - muffler hose 10-3
 - clip
 - hair pin 1-13
 - clip, park brake cable 4-13
 - clutch alignment tool 13-5
 - clutch removal tool 13-3
 - clutch repair kit 11-5
 - clutch tool kit 13-5
 - clutch weight 11-3
 - clutch, drive 11-3
 - clutch, driven 11-5
 - cog, differential lock 12-9
 - coil, field 7-25
 - coil, ignition 8-5
 - collet 8-9
 - column mounting bracket 6-3
 - column, steering 6-3
 - communication display module 13-5
 - component box, electrical 7-17
 - compression gauge 13-5
 - compression mount 6-9
 - compressor, piston ring 13-9
 - compressor, valve spring 13-11
 - connecting rod 8-13
 - connector, a- 7-25
 - console cover 1-5
 - continuity tester 13-5
 - controller, differential lock 12-11
 - cord connector 8-11
 - corner cap 1-13
 - counterbalance guide shaft 8-13
 - counterbalance weight 8-13
 - cover
 - brush inspection port 7-25
 - brush port 7-25
 - console 1-5
 - crankcase 8-11
 - dust 4-3, 4-5, 6-7
 - electrical box 7-17
 - oil pump 8-7
 - cowl 1-3
 - crank, bell 4-9, 7-11, 7-15
 - crankcase 8-13
 - crankcase vent tube 9-9
 - crankshaft 8-13
 - crankshaft rod 8-13
 - crankshaft shim 8-13
 - C-type stop ring 6-5
 - cup holder, seat 1-5
 - cup, spring 5-5
 - cushion, shock absorber 6-9
 - cutter, valve seat 13-5, 13-11
 - cylinder head 8-9
 - cylinder, master 4-9
 - cylinder, wheel 4-3, 4-5
- ## D
- damper, RPM limiter 8-5
 - dash panel 1-3
 - dashboard 1-3
 - decal
 - 400cc 3-3
 - bed load warning 1-17, 3-3, 3-7
 - Club Car 1-3, 3-5, 3-9
 - commercial logo 3-7
 - crush area warning 3-3, 3-7
 - dash warning 3-3, 3-7
 - differential lock warning 3-3, 3-7, 12-11
 - diode safety 3-5, 3-9
 - driver/passenger 3-5, 3-9
 - four-passenger warning 3-7
 - frame ground 3-5, 3-9
 - key switch 3-3, 3-7
 - operating instructions 3-3, 3-7
 - rotating parts 3-5, 3-9
 - tailgate 1-17
 - trailer hitch 1-21, 3-5, 3-9
 - underage warning 3-3, 3-7
 - vehicle loading 3-3, 3-7
 - winch cable warning 3-5, 3-9
 - XRT 3-7
 - XRT 1200 3-3
 - desiccant bag 11-3
 - DF-terminal insulator 7-25
 - diesel tachometer probe 13-9
 - differential 12-3
 - differential cable 12-11
 - differential idler gear 12-7
 - differential lock cable 12-11
 - differential lock cog 12-9
 - differential lock controller 12-11
 - differential pin 12-7
 - diode 7-17, 7-19
 - drag link 6-5
 - drain plug 8-7, 12-3
 - drain plug gasket 8-7
 - drive belt 11-3
 - drive button 11-5
 - drive clutch 11-3
 - drive clutch button 11-3
 - drive clutch fixed sheave tool 13-5
 - drive clutch fixed-face 11-3
 - drive clutch holder tool 13-5
 - drive clutch hub puller 13-5
 - drive clutch puller 13-5
 - drive clutch pulley 11-3
 - drive clutch spider removal tool 13-5
 - drive clutch weight 11-3
 - drive hub 11-3
 - drive unit 12-3
 - driven clutch 11-5
 - driven clutch button 11-5
 - driven clutch cam 11-5
 - driven clutch cam puller 13-5
 - driven clutch fixed-face assembly 11-5
 - driven clutch puller plug 13-5
 - driven clutch spring compression base tool 13-5
 - driven clutch spring compression collar tool 13-5
 - driven clutch spring compression nut tool 13-5
 - driver, drive clutch 11-3
 - drum, brake 4-5, 4-7
 - dry moly lubricant 13-7
 - dust cover 4-3, 4-5, 6-7
- ## E
- electrical box cover 7-17
 - electrical component box 7-17
 - end bell, commutator 7-25
 - end bell, output shaft 7-25
 - end, tie rod 6-5
 - engine mounting plate 8-15
 - engine, FE400 8-3
 - equalizer rod 4-9, 5-3
 - equalizer, brake cable 4-13
 - exhaust system 10-3
 - exhaust valve 8-9
 - extension, spring latch 1-11, 1-15
- ## F
- face, moveable 11-3, 11-5
 - fan shroud 8-3
 - fan, flywheel 8-5
 - FE400 engine 8-3
 - fender, front 1-3
 - fender, rear 1-21
 - field coil 7-25
 - field coil housing 7-25
 - filler cap 4-9
 - filter
 - air 9-13
 - fuel 9-3

INDEX

- oil 8-7
- oil pump 8-7
- fitting, thread-forming grease 6-7
- fixed-face, drive clutch 11-3
- fixed-face, driven clutch 11-5
- flange, wheel bolt 12-9
- float 9-7
- floor mat 1-3
- floor plate, bed 1-11
- flywheel 8-5
- flywheel fan 8-5
- flywheel fan plate 8-5
- flywheel puller 13-7
- FNR handle 7-11, 7-15
- FNR shifter base 7-11, 7-15
- FNR shifter cable 7-15
- fork, shift 12-5
- Forward/Reverse shifter 7-11, 7-15
- frame, tilt bed 1-11
- front body 1-3
- front fender 1-3
- front panel 1-17
- F-terminal hardware 7-25
- f-terminal insulator 7-25
- fuel filter 9-3
- fuel gauge sending unit 9-5
- fuel gauge/hour meter 7-21
- fuel line 9-3, 9-5, 9-9
- fuel tank 9-5
- fuel tank strap 9-3
- fuel tank vent 9-5
- fuse
 - 10-amp 7-17
 - 20-amp 7-17
- fuse block 7-17

G

- gasket
 - carburetor 9-9
 - carburetor mounting 9-7, 9-9
 - crankcase cover 8-11
 - drain plug 8-7
 - exhaust 10-3
 - head 8-9
 - insulator 9-9
 - liquid 12-3, 13-7
 - rocker case 8-9
 - sending unit 9-5
- gasket kit, FE400 8-9, 8-11
- gauge, compression 13-5
- gauge, fuel/hour 7-21
- gear
 - 70-tooth 12-5
 - case 12-3, 12-7
 - cluster idler 12-5
 - differential 12-7

- differential idler 12-7
- helical 8-13, 12-5, 12-7
- input 12-5
- rack and pinion 6-5
- spur 8-13, 12-5
- synchro 12-5
- gear yoke 13-7
- governor 12-5
- governor arm 12-3
- governor cable 9-11
- governor cable bracket 9-11, 10-3
- governor shaft installation tool 13-7
- grill 1-3
- grip, tilt latch hand 1-11, 1-15, 1-17
- grommet 9-5
- guard, transaxle 12-3
- guide
 - intake valve 8-9
 - valve seat cutter 13-11
- guide ring adhesive 13-3

H

- hair pin clip 1-13
- handle, differential lock 12-11
- handle, FNR 7-11, 7-15
- hanger, brake cable 4-13, 6-9
- hardware
 - axle 4-3, 4-5
 - dash 1-3
- hardware, F-terminal 7-25
- harness, wire 7-9
- head, cylinder 8-9
- headlight assembly 7-13
- headlight bulb 7-13
- headlight harness 7-13
- headlight retainer 7-13
- helical gear 8-13, 12-5, 12-7
- hinge plate 1-5
- hold-down, brake shoe 4-3, 4-5
- hose
 - brake 4-11
 - air intake 9-13
 - fuel 9-3
 - hour meter/fuel gauge 7-21
- housing
 - differential lock 12-9
 - field coil 7-25
 - steering gear 6-5
- hub 12-9
- hub, front 4-3, 6-7
- hub, synchronizer clutch 12-5
- hydraulic brake adjuster 13-7
- hydraulic shoe 4-3, 4-5
- hydrometer 13-7

I

- idle screw assembly 9-7
- idler bearing 11-3
- ignition coil 8-5
- inner frame snubber 8-15
- insert, synchronizer 12-5
- insulator gasket 9-9
- insulator, carburetor 9-9
- intake pipe 9-9
- intake valve 8-9
- internal retaining ring pliers 13-7
- IQ display module (IQDM) 13-7

J

- jet, main 9-7
- jet, pilot 9-7
- joint
 - ball 5-7, 7-11, 7-15

K

- key
 - crankshaft 8-5, 8-13
 - driven clutch 11-5
 - square 11-5
 - starter/generator 7-25
 - woodruff 12-3
- key (pair) 7-21
- key switch 7-21
- key switch spacer 7-21
- keyswitch nut 7-21
- kick plate, body 1-5
- kit
 - accelerator pivot rod 5-5
 - axle adjuster 4-3, 4-5
 - axle hardware 4-3, 4-5
 - brake pedal adjustment tool 13-3
 - clutch repair 11-5
 - dash hardware 1-3
 - diode 7-19
 - drive clutch button 11-3
 - drive clutch weight 11-3
 - driven clutch button 11-5
 - fuel tank 9-5
 - hydraulic shoe 4-3, 4-5
 - impulse fuel pump rebuild 9-3
 - IQ display module (IQDM) 13-7
 - neutral lockout cam 7-11, 7-15
 - pulley 4-13
 - rear receiver hitch 1-21
 - reverse buzzer 7-19
 - shock absorber cushion 6-9
 - steel box 1-13
 - tune-up 13-9
- kit, taillight mounting 1-17
- knob, light switch 7-21

INDEX

- L**
- lash adjuster 8-11
 - latch plate, tilt bed 1-9
 - latch weld 1-11
 - latch, air box 9-13
 - latch, bed 1-17
 - latch, slam 1-13
 - latch, spring 1-13
 - leaf spring 6-9
 - lens, headlight 7-13
 - lever
 - change 12-3
 - choke 9-13
 - differential lock 12-9
 - park brake 4-13
 - transmission shifter 12-3
 - light
 - oil 7-21
 - light switch 7-21
 - light switch knob 7-21
 - limit switch 7-11, 7-15
 - limiter
 - RPM 8-5
 - voltage 7-19
 - line, fuel 9-3, 9-5, 9-9
 - line, rear brake 4-11
 - link, drag 6-5
 - liquid gasket 12-3, 13-7
 - low oil warning light 7-21
 - lubricant, dry moly 13-7
 - lubricant, moly-teflon 13-7
 - lug nut 2-3, 4-3, 4-7, 6-7
 - lug stud 4-3, 6-7, 12-9
- M**
- main jet 9-7
 - master cylinder 4-9
 - master cylinder boot 4-9
 - mat, floor 1-3
 - meter, volt ohm 13-11
 - module
 - calibration test 13-3
 - communication display 13-5
 - moly-teflon lubricant 13-7
 - mount, compression 6-9
 - mounting block, brake 5-3
 - moveable-face 11-3, 11-5
 - muffler hose clamp 10-3
- N**
- needle bearing 12-5
 - neutral lockout cam 7-11, 7-15
 - nozzle, carburetor 9-7
 - nut, keyswitch 7-21
 - nut, lug 2-3, 4-3, 4-7, 6-7
- O**
- oil filter 8-7
 - oil filter mount bracket 8-7
 - oil filter screen 8-11
 - oil filter screen plate 8-11
 - oil level sensor 8-11
 - oil pump and rotor 8-7
 - oil pump cover 8-7
 - oil pump filter 8-7
 - oil pump plate 8-7
 - oil seal 8-9, 8-11, 8-13, 12-3, 12-5
 - oil warning light, low 7-21
 - O-ring 8-9, 8-11, 8-13
- P**
- pad
 - accelerator pedal 5-5
 - brake pedal 5-3
 - spring, rear suspension 6-9
 - thermal 7-19
 - paint, touch-up 13-7
 - pan, seat 1-5
 - panel
 - dash 1-3
 - left 1-13
 - right 1-13
 - panel box 1-17
 - panel, front 1-13, 1-17
 - panel, side 1-17
 - park brake 4-5
 - park brake cable 4-13
 - park brake lever 4-13
 - pedal, accelerator 5-5
 - pedal, brake 5-3
 - pilot jet 9-7
 - pin, differential 12-7
 - pin, piston 8-13
 - pinion, steering 6-5
 - pipe, intake 9-9
 - piston 8-13
 - piston pin 8-13
 - piston ring compressor 13-9
 - piston ring pliers 13-9
 - piston ring set 8-13
 - pivot arm 12-3
 - pivot support bearing 5-5
 - plate
 - backing 4-3, 4-5
 - bed floor 1-15
 - engine mounting 8-15
 - flywheel fan 8-5
 - hinge 1-5
 - latch 1-9
 - oil filter screen 8-11
 - oil pump 8-7
 - score card 6-3
 - steering stop mounting 6-7
 - steering wheel 6-3
 - suspension mounting 6-7
 - thrust 12-5, 12-7
- Pliers**
- internal retaining ring 13-7
 - piston ring 13-9
 - retaining ring 13-9
- plug**
- drain 8-7, 12-3
 - driven clutch puller 13-5
 - spark 8-5
- plug cap** 8-5
- pole set** 7-25
- press weldment** 13-5
- pressure switch** 4-9
- prop rod** 1-9
- protector spray, battery terminal** 13-3
- puller**
- bearing 13-3
 - clutch 13-3
 - drive clutch 13-5
 - drive clutch hub 13-5
 - driven clutch cam 13-5
 - flywheel 13-7
 - seal 13-9
 - special use tool 13-9
- pulley** 4-13
- drive clutch 11-3
 - mount 4-13
 - starter-generator 7-25
- push rod** 8-9
- R**
- rack guide pressure spring 6-5
 - rack, steering 6-5
 - radio/beverage holder 1-5
 - reamer, valve guide 13-9
 - receiver hitch 1-21
 - regulator, voltage 7-17
 - remover, bearing and oil seal 13-3
 - retainer
 - accelerator pedal spring 5-5
 - headlight 7-13
 - shock absorber cushion 6-9
 - spring (drive clutch) 11-3
 - valve spring 8-9
 - retaining ring 6-3
 - retaining ring pliers 13-9
 - return spring bumper 5-5
 - reverse buzzer 7-19
 - rim, wheel 2-3
 - ring
 - retaining 6-3, 7-11, 7-15, 7-17, 11-3, 11-5
 - snap 6-5, 8-9, 8-13

INDEX

- spiral backup 11-3
- synchronizer 12-5
- ring, C-type stop 6-5
- rocker arm 8-9
- rocker case 8-9
- rocker case gasket 8-9
- rocker shaft 8-9
- rod
 - accelerator 5-7
 - accelerator pivot 5-5
 - connecting 8-13
 - crankshaft 8-13
 - equalizer 4-9, 5-3
 - prop 1-9
 - push 4-9, 8-9
 - shift 12-5
- rotor, oil pump and 8-7
- RPM limiter 8-5
- RPM limiter bracket 8-5
- RPM limiter damper 8-5
- RPM limiter mount band 8-5
- rubber bumper 1-13

S

- safety first card 13-9
- screen, oil filter 8-11
- screw, valve clearance adjuster 13-9
- seal
 - bed 1-5, 1-15
 - double lip 6-7
 - intake 9-13
 - oil 8-9, 8-11, 8-13, 12-3, 12-5, 12-9
 - steering pinion dust 6-5
- seal puller 13-9
- sealant 12-3
- seat
 - spring 8-9
 - valve 8-7
- seat back 1-7
- seat back assembly 1-7
- seat back cap 1-7
- seat bottom assembly 1-7
- seat bumper 1-7
- seat cover, vinyl 1-7
- seat holder base 1-5
- seat pan 1-5
- seat strap 1-7
- seat support 1-5
- seat support panel assembly 1-7
- seat, bearing 6-3
- seat, bucket 1-5
- sending unit, fuel gauge 9-5
- sensor, oil level 8-11
- set, brush and screw 7-25
- set, pole 7-25
- shackle, rear spring 6-9
- shaft
 - axle 12-9
 - change 12-3
 - counterbalance guide 8-13
 - rocker 8-9
 - steering column 6-3
 - transmission 12-5
- shield, boot 4-13
- shift fork 12-5
- shift rod 12-5
- shifter base, FNR 7-11, 7-15
- shifter bracket 7-11, 7-15, 12-3
- shim, camshaft 8-11
- shim, crankshaft 8-13
- shim, latch plate 1-9
- shim, tilt bed pivot 1-11, 1-15
- shock absorber 6-9
- shock absorber cushion 6-9
- shock absorber cushion retainer 6-9
- shock tower 6-7
- shroud, fan 8-3
- side panel 1-17
- side step bar 1-21
- slam latch 1-13
- sleeve
 - A-arm 6-7
 - governor 12-5
 - synchronizer 12-5
- snap ring 6-5, 8-9, 8-13
- snubber bracket 8-15
- snubber, inner frame 8-15
- solenoid, 12-volt 7-17
- spacer
 - accelerator pivot rod 5-5
 - key switch 7-21
- spanner wrench 13-9
- spark plug 8-5
- spindle 6-7
- spiral backup ring 11-3
- spray, battery terminal protector 13-3
- spring
 - accelerator return 5-5
 - brake return 4-9, 4-13
 - brush 7-25
 - camshaft 8-11
 - differential lock 12-9
 - drive button 11-3
 - drive clutch 11-3
 - driven clutch 11-5
 - extension return 9-13
 - forward/reverse cam 7-11, 7-15
 - latch tilt 1-17
 - leaf 6-9
 - rack guide pressure 6-5
 - shifter 12-5
 - shoe to shoe 4-3, 4-5

- steering shaft compression 6-3
- synchronizer 12-5
- throttle return 9-9
- valve 8-9
- spring cup 5-5
- spring latch 1-13
- spring pad, rear suspension 6-9
- spur gear 8-13, 12-5
- starter/generator 7-25
- starter/generator belt 7-23, 11-3
- starter/generator pulley 7-25
- steel box 1-13
- steel bushing 1-11, 1-15, 6-9
- steel pressure relief ball 8-7
- steering column 6-3
- steering column bearing press tool 13-9
- steering column retaining ring tool 13-9
- steering gear housing 6-5
- steering pinion dust seal 6-5
- steering rack 6-5
- steering shaft compression spring 6-3
- steering wheel 6-3
- steering wheel plate 6-3
- steering wheel puller tool 13-9
- stem, valve 2-3
- step bar, side 1-21
- stiffener 1-7
- stiffener, flywheel side 8-15
- stiffener, PTO side 8-15
- strap, fuel tank 9-3
- strap, seat 1-7
- stud 8-15
 - lug 4-3, 6-7, 12-9
 - self-clinching 1-13, 1-19
- stud, ball 7-11, 7-15, 7-17, 12-3
- support yoke (steering) 6-5
- support, cowl 1-3
- support, seat 1-5
- switch
 - key 7-21
 - light 7-21
 - limit 7-11, 7-15
 - pressure 4-9
 - toggle 7-21
- synchronizer clutch hub 12-5
- synchronizer insert 12-5
- synchronizer sleeve 12-5
- synchronizer spring 12-5

T

- 12-volt battery 7-27
- 12-volt solenoid 7-17
- tachometer 13-9
- tachometer probe, diesel 13-9
- tailgate 1-13, 1-17
- tailgate angle 1-13

INDEX

- tailgate mounting bracket 1-19
 - taillight mounting kit 1-17
 - tailskirt 1-21
 - tank, fuel 9-5
 - tape, vinyl foam 1-11, 1-15
 - tester, continuity 13-5
 - tether 1-13
 - thermal pad 7-19
 - thermometer, battery 13-3
 - thread-forming grease fitting 6-7
 - throttle return spring 9-9
 - throttle spring return bracket 9-9
 - thrust bearing 6-7
 - thrust plate 12-5, 12-7
 - tie rod end 6-5
 - tie wrap 6-5, 7-19, 7-21
 - tilt bed 1-11, 1-15
 - tilt bed frame 1-11
 - tilt latch hand grip 1-11, 1-15, 1-17
 - tire 2-3
 - toggle switch 7-21
 - tool
 - accelerator pedal adjustment 13-3
 - belt tensioning, starter/generator 13-11
 - brake adjustment 13-3
 - brake cable release 13-3
 - brake pedal adjustment 13-3
 - brake pedal tension 13-3
 - cam installation 13-3
 - carburetor float level 13-7
 - charger bezel 13-3
 - clutch alignment 13-5
 - cT-wrench 13-5
 - drive clutch fixed sheave 13-5
 - drive clutch holder 13-5
 - drive clutch spider removal 13-5
 - driven clutch spring compression base 13-5
 - driven clutch spring compression collar 13-5
 - driven clutch spring compression nut 13-5
 - governor shaft installation 13-7
 - puller, special use 13-9
 - steering column bearing press 13-9
 - steering column retaining ring 13-9
 - steering wheel puller 13-9
 - transaxle axle seal 13-9
 - transaxle pinion seal 13-9
 - transmission 13-9
 - valve guide driver 13-9
 - valve seat cutter 13-5
 - tool kit, clutch 13-5
 - touch-up paint 13-7
 - tower, shock 6-7
 - track, prop rod 1-9
 - transaxle 12-3
 - transaxle axle seal tool 13-9
 - transaxle guard 12-3
 - transaxle pinion seal tool 13-9
 - transmission cable 7-11
 - transmission shaft 12-5
 - transmission tool 13-9
 - trim
 - seat bottom 1-7
 - tube
 - axle 12-9
 - crankcase vent 9-9
 - tune-up kit 13-9
 - turn signal lens 7-13
 - T-wrench tool 13-5
- U**
- U-bolt 6-9
 - urethane bushing 1-11, 1-15, 6-7, 6-9
- V**
- valve
 - choke 9-13
 - exhaust 8-9
 - fuel pickup tube 9-5
 - intake 8-9
 - reed 8-9
 - valve clearance adjuster screw 13-9
 - valve guide driver tool 13-9
 - valve guide reamer 13-9
 - valve guide, intake 8-9
 - valve seat 8-7
 - valve seat cutter 13-5, 13-11
 - valve seat cutter guide 13-11
 - valve seat cutter tool 13-5
 - valve seat t-wrench 13-11
 - valve spring 8-9
 - valve spring compressor 13-11
 - valve spring retainer 8-9
 - valve stem 2-3
 - vent barb 9-3, 9-5
 - volt ohm meter 13-11
 - voltage limiter 7-19
 - voltage regulator 7-17
- W**
- warning light, low oil 7-21
 - wedge, bearing puller 13-3
 - weight
 - clutch 11-3
 - counterbalance 8-13
 - secondary clutch 11-3
 - weldment
 - press 13-5
 - weldment, receiver hitch 1-21
 - weldment, steering column 6-3
 - weldment, tilt bed frame 1-11
 - wheel bolt flange 12-9
 - wheel cylinder 4-3, 4-5
 - wheel, steering 6-3
 - wire harness 7-5, 7-9
 - woodruff key 12-3
 - wrap, tie 6-5, 7-19, 7-21
 - wrench, spanner 13-9
- Y**
- yoke 6-3
 - yoke, gear 13-7
 - yoke, support (steering) 6-5



Club Car, Inc.
P.O. Box 204658
Augusta, GA 30917-4658
USA

Web www.clubcar.com
Phone 1.706.863.3000
1.800.ClubCar
Int'l +1 706.863.3000
Fax 1.706.863.5808