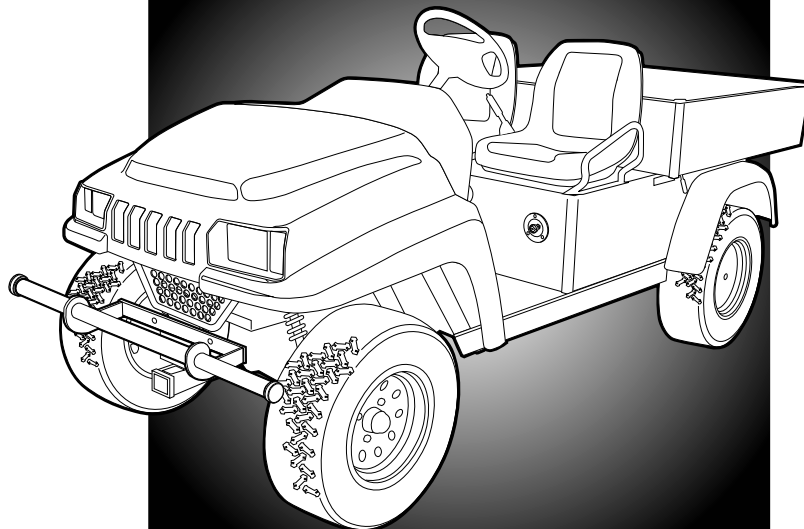


Club Car

®

2004-2005 ILLUSTRATED PARTS LIST



**TURF 272, CARRYALL 272,
AND CARRYALL 472
GASOLINE VEHICLES**

MANUAL NUMBER 102397505
EDITION CODE 0105A00000

USING THE ILLUSTRATED PARTS LIST

WARNING

- **This manual is to be used only for identification and ordering of service parts. Be sure to read and use the maintenance and service manual before attempting any vehicle repairs.**

This manual covers all 2003 Turf 272, Carryall 272™, and Carryall 472 vehicles.

The manual is divided into 13 sections. Sections 1 through 12 pertain to the 272 and 472 vehicles, and Section 13 pertains to tools that are used on all Club Car products. Note that there are two flags on the outside edge of each page. The first flag contains the section number of which that page is a part. The other flag contains the letter G, signifying that the page pertains to the gasoline vehicle only.

Use the Table of Contents to find the sections and pages that contain the parts and assemblies you seek. The Table of Contents lists section numbers, and under them, the individual page titles and numbers to be found in that section. The index can be used to find specific parts and assemblies. The index is divided into numerical and alphabetical listings with the page numbers in italic text.

There is a two-page spread for each individual page title in the Table of Contents. On the left-hand page is an illustration showing the parts in their relative positions; the parts are each tagged with an item number in a balloon. The right-hand page is the parts list page, and gives the page title at the top, then the item numbers (corresponding to the numbers on the illustration), part descriptions, and quantity of parts used. Some item numbers have more than one part number because several configurations of a component are represented together on one spread.

There are some wiring diagrams in this manual that cover two pages. For these diagrams the parts list page will be on the next two-page spread.

Note that a part description may be indented. This indentation corresponds to a parts assembly level indicated by the numbers 1, 2, 3, and 4 at the top left corner of the parts description area of the parts list page. A part that is indented to *level 2* is a component of the *level 1* part (assembly) that it is listed under. A *level 3* part is a component of the *level 2* part that it is listed under, and a *level 4* part is a component of the *level 3* part preceding it. In each case, the part quantity given for a level 2, 3, or 4 part is *the quantity used per next higher level assembly of which it is a component*. A part that is not indented is a *level 1* part. This means that the quantity given is the quantity used per the portion of the vehicle illustrated on that particular spread.

HOW TO ORDER PARTS

Replacement parts and accessories can be obtained from our network of authorized dealers and distributors. You can obtain the name and phone number of your closest Club Car contact by visiting our web site at www.clubcar.com and clicking on the “*Distributor Search*” link or by calling our toll-free Service Parts and Technical Assistance hotline at (800) 872-2246 or (706) 863-3000, extension 3281 or 3854.



P. O. Box 204658
Augusta, Georgia 30917-4658 USA
Telephone 706-863-3000
Service Parts Fax 706-855-7413
www.clubcar.com

NOTE: *This illustrated parts list represents the most current information at the time of publication. Club Car, Inc. is continually working to further improve its vehicles and other products. These improvements may affect the parts used to service the vehicle. Any modification and/or significant change in specifications will be forwarded to all Club Car and Carryall distributors/dealers and will, when applicable, appear in future editions of this illustrated parts list.*

Club Car, Inc. reserves the right to change specifications and designs at any time without notice and without incurring the obligation of making changes to units previously sold.

Copyright © 2003 Club Car, Inc.
Club Car and *Carryall*
are registered trademarks of Club Car, Inc.
This manual effective July 23, 2003.

2004/2005 Turf/Carryall 272 and Carryall 472 Gasoline Vehicles Illustrated Parts List

CONTENTS

SECTION 1 – BODY AND TRIM

| | |
|--|------|
| Front Body Trim | 1-3 |
| Front Seats | 1-5 |
| Rear Seat and Support Structure – Carryall 472 Vehicles | 1-7 |
| Latch Plate and Prop Rod – Turf 272 and Carryall 272 Vehicles | 1-9 |
| Tilt Bed, Hinge and Latch – Turf 272 and Carryall 272 Vehicles | 1-11 |
| Cargo Box – Turf 272 and Carryall 272 Vehicles | 1-13 |
| Tilt Bed, Hinge and Latch – Carryall 472 Vehicles | 1-15 |
| Cargo Box – Carryall 472 Vehicles | 1-17 |
| Rear Body Trim – Carryall 272 Vehicles | 1-19 |
| Rear Body Trim – Carryall 472 Vehicles | 1-21 |

SECTION 2 – WHEELS AND TIRES

| | |
|------------------------|-----|
| Wheels and Tires | 2-3 |
|------------------------|-----|

SECTION 3 – DECALS

| | |
|--|------|
| Decals – Turf 272 Vehicles | 3-3 |
| Decals – Carryall 272 Vehicles | 3-5 |
| Decals, Continued – Turf 272 and Carryall 272 Vehicles | 3-7 |
| Decals, Continued – Carryall 472 Vehicles | 3-9 |
| Decals, Continued – Carryall 472 Vehicles | 3-11 |

SECTION 4 – BRAKE SYSTEMS

| | |
|---|------|
| Front Brake Assembly | 4-3 |
| Rear Brake Assembly | 4-5 |
| Master Cylinder | 4-7 |
| Hydraulic Brake System – Turf 272 and Carryall 272 Vehicles | 4-9 |
| Hydraulic Brake System – Carryall 472 Vehicles | 4-11 |
| Hand Park Brake Assembly | 4-13 |

SECTION 5 – PEDAL GROUP

| | |
|----------------------------------|-----|
| Brake Pedal Assembly | 5-3 |
| Accelerator Pedal Assembly | 5-5 |

SECTION 6 – STEERING, FRONT AND REAR SUSPENSION

| | |
|------------------------------|-----|
| Steering Column | 6-3 |
| Steering Gear Assembly | 6-5 |
| Front Suspension | 6-7 |

CONTENTS

| | |
|-----------------------|-----|
| Rear Suspension | 6-9 |
|-----------------------|-----|

SECTION 7 – ELECTRICAL SYSTEM

| | |
|--|------|
| Wiring – Turf 272, Pedal-Start Vehicle | 7-5 |
| Wiring – Turf and Carryall 272 Key-Start Vehicles | 7-9 |
| Wiring – Carryall 472, Key-Start Vehicle | 7-13 |
| Forward/Reverse Shifter Assembly | 7-15 |
| Electrical Component Box, Pedal-Start Vehicles | 7-17 |
| Electrical Component Box, Key-Start Vehicles | 7-19 |
| Electrical Components, Front Body | 7-21 |
| Electrical Components, Dash Panel | 7-23 |
| Starter/Generator Assembly | 7-25 |
| Starter/Generator Mounting | 7-27 |
| Battery | 7-29 |

SECTION 8 – ENGINE

| | |
|---|------|
| FE350 Engine (Pedal-Start) – Shrouds and Brackets | 8-3 |
| FE350 Engine (Pedal-Start) – Ignition Components and Flywheel | 8-5 |
| FE350 Engine (Pedal-Start) – Oil Circulation | 8-7 |
| FE350 Engine (Pedal-Start) – Cylinder Head | 8-9 |
| FE350 Engine (Pedal-Start) – Crankcase, Camshaft and Oil Sensor | 8-11 |
| FE350 Engine (Pedal-Start) – Crankcase and Crankshaft | 8-13 |
| FE400 Engine (Key-Start) – Shrouds and Brackets | 8-15 |
| FE400 Engine (Key-Start) – Ignition Components and Flywheel | 8-17 |
| FE400 Engine (Key-Start) – Oil Circulation | 8-19 |
| FE400 Engine (Key-Start) – Cylinder Head | 8-21 |
| FE400 Engine (Key-Start) – Crankcase, Camshaft and Oil Sensor | 8-23 |
| FE400 Engine (Key-Start) – Crankcase and Crankshaft | 8-25 |
| Engine Mounting | 8-27 |

SECTION 9 – FUEL, INTAKE, AND GOVERNOR SYSTEMS

| | |
|---|------|
| Fuel System – Turf 272 and Carryall 272 Vehicles | 9-3 |
| Fuel System – Carryall 472 Vehicles | 9-5 |
| Carburetor Assembly, FE350 engine | 9-7 |
| Carburetor Assembly, FE400 engine | 9-9 |
| Carburetor Installation | 9-11 |
| Governor and Accelerator Cables | 9-13 |
| Intake Duct, Choke, and Air Box Assembly – Turf 272 and Carryall 272 Vehicles | 9-15 |
| Intake Duct, Choke, and Air Box Assembly – Carryall 472 Vehicles | 9-17 |

CONTENTS

SECTION 10 – EXHAUST SYSTEM

| | |
|------------------------------------|------|
| Exhaust System, FE350 engine | 10-3 |
| Exhaust System, FE400 engine | 10-5 |

SECTION 11 – TORQUE CONVERTER

| | |
|---------------------|------|
| Drive Clutch | 11-3 |
| Driven Clutch | 11-5 |

SECTION 12 – UNITIZED TRANSAXLE

| | |
|--|-------|
| MC012C-AS00 Prior To Serial Number MC012C3J0001 – Gear Cases, Brackets and Guard | 12-3 |
| MC012C-AS00 Prior To Serial Number MC012C3 J0001 – F&R Transmission and Gear Reduction | 12-5 |
| MC012C-AS00 Prior To Serial Number MC012C3J0001 – Differential Lock and Axles | 12-7 |
| MC012C-BS00 Beginning With Serial Number MC012C3J0001 – Gear Cases, Brackets and Guard | 12-9 |
| MC012C-BS00 Beginning With Serial Number MC012C3J0001 – F&R Transmission And Gear ... | 12-11 |
| MC012C-BS00 Beginning With Serial Number MC012C3J0001 – Differential Lock And Axles | 12-13 |
| Unitized Transaxle – Differential Lock Cable Assembly and Shifter | 12-15 |

SECTION 13 – MAINTENANCE AND SERVICE TOOLS

| | |
|--|-------|
| Maintenance and Service Tools | 13-3 |
| Maintenance and Service Tools, Continued | 13-5 |
| Maintenance and Service Tools, Continued | 13-7 |
| Maintenance and Service Tools, Continued | 13-9 |
| Maintenance and Service Tools, Continued | 13-11 |

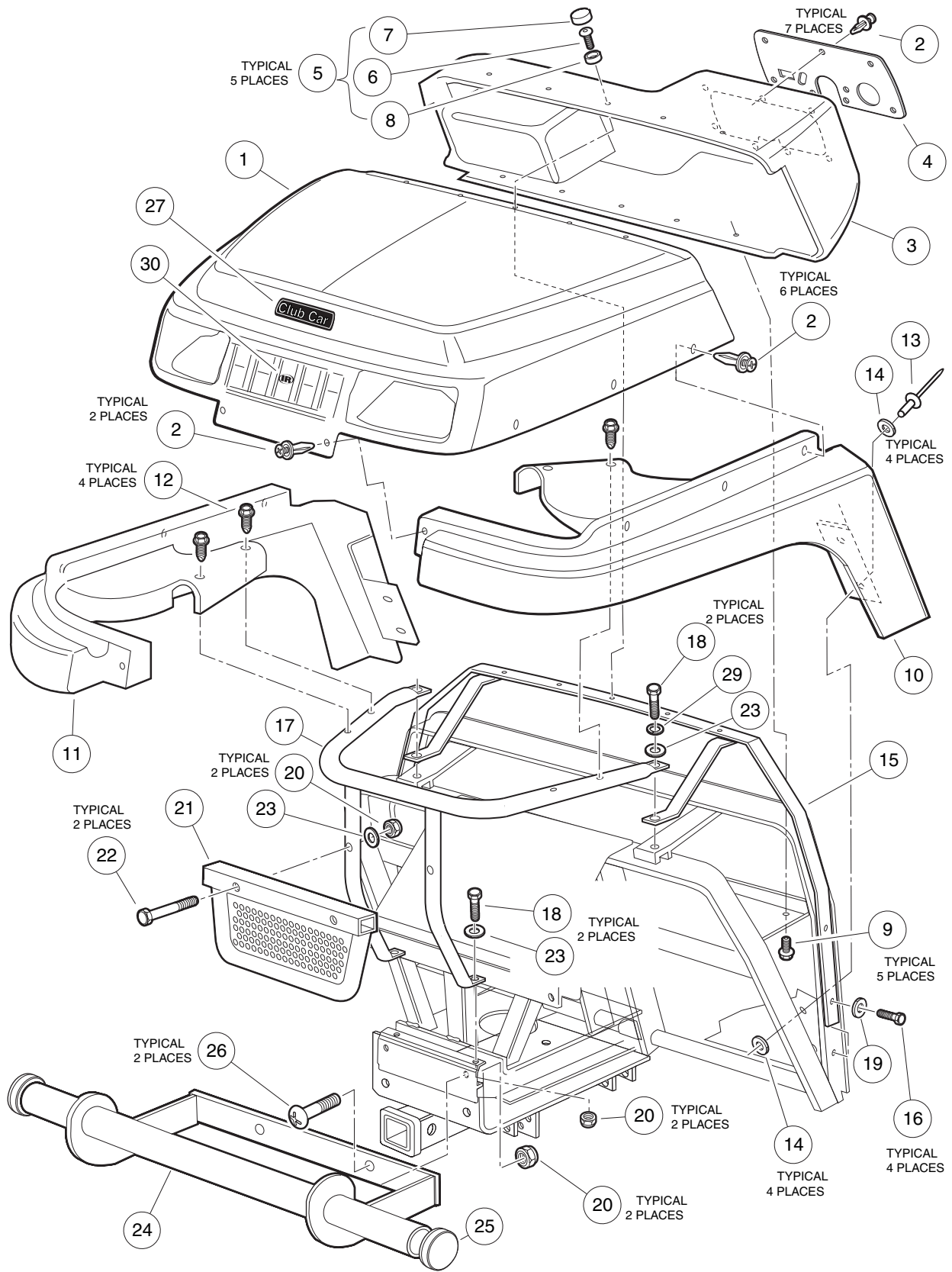
SECTION i – INDEX

BODY AND TRIM

1

G

1
G



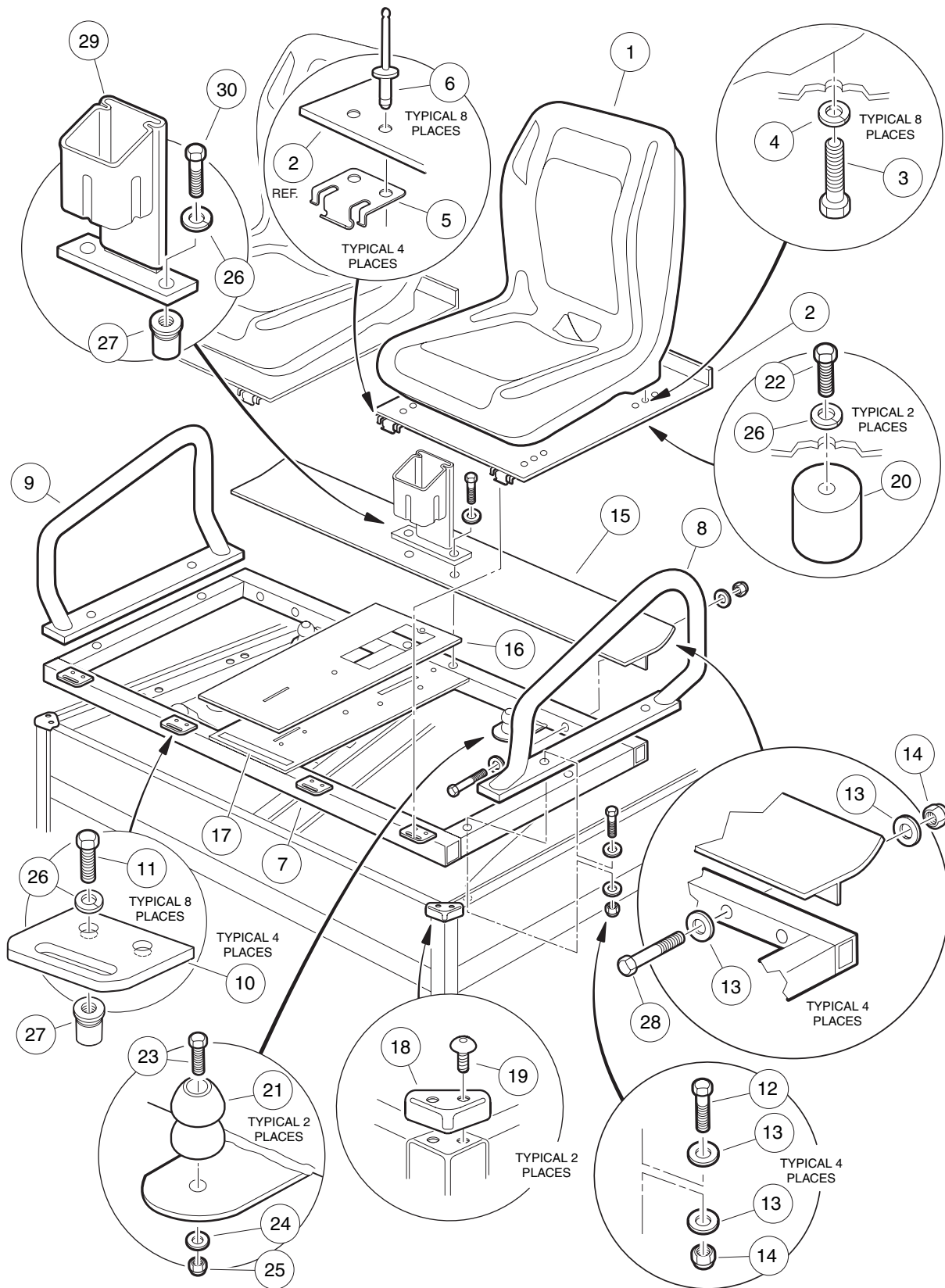
FRONT BODY TRIM

| ITEM | PART NO. | DESCRIPTION | QTY |
|------|-----------|--|-----|
| | | 1 2 3 4 | |
| 1 | 102021710 | Body, Front with Headlight Opening (dark green) (Turf 272 only) | 1 |
| 1 | 102021714 | Body, Front with Headlight Opening (dark gray) (Carryall 272 and Carryall 472 only) | 1 |
| 2 | 102025701 | Screw, Tuflok | 15 |
| 3 | 102021801 | Dashboard | 1 |
| 4 | 102030501 | Panel, Dash | 1 |
| 5 | 102056901 | Kit, Dash Hardware (includes items 6 - 8) | 1 |
| 6 | 102025801 | Screw, Truss-Head, Type C, 1/4-20 x 3/4 | 5 |
| 7 | 102045001 | Cap | 5 |
| 8 | 102048401 | Washer | 5 |
| 9 | 1017384 | Screw, Hex Washer-Head, Type AB, #12 | 5 |
| 10 | 102021501 | Fender, Front, Driver-Side | 1 |
| 11 | 102021601 | Fender, Front, Passenger-Side | 1 |
| 12 | 1010545 | Screw, Hex Washer-Head, Type AB, 1/4-14 x 3/4 | 4 |
| 13 | 1606 | Rivet, Blind, 3/16 x 1/2 | 4 |
| 14 | 183 | Washer, Flat, Type A, #10 | 8 |
| 15 | 102015701 | Support, Upper Front Body | 1 |
| 16 | 1012285 | Screw, Hex-Head Thread-Rolling, 1/4-20 x 5/8 | 4 |
| 17 | 102015801 | Support, Lower Fender | 1 |
| 18 | 102078101 | Screw, Hex-Head Cap, 5/16-18 x 2-1/2 | 4 |
| 19 | 332 | Washer, Flat, Type A, 1/4 | 4 |
| 20 | 7473 | Nut, Nylon Lock, 5/16-18 | 6 |
| 21 | 102013901 | Grill | 1 |
| 22 | 1010921 | Screw, Hex-Head Cap, 5/16-18 x 2-1/2 | 2 |
| 23 | 1241 | Washer, Flat, Type A, 5/16 | 6 |
| 24 | 102055801 | Bumper, Tube | 1 |
| 25 | 102058401 | Cap, Tuber Bumper | 2 |
| 26 | 7410 | Screw, Phillips Truss-Head, 5/16-18 x 1-1/4 | 4 |
| 27 | 102046501 | Decal, Club Car Nameplate | 1 |
| 28 | 102160101 | Mat, Floor (not shown) | 1 |
| 29 | 7174 | Washer, Lock, 5/16 | 2 |
| 30 | 102259001 | Decal, IR (Turf 272 only) | 1 |

1

G

1
G

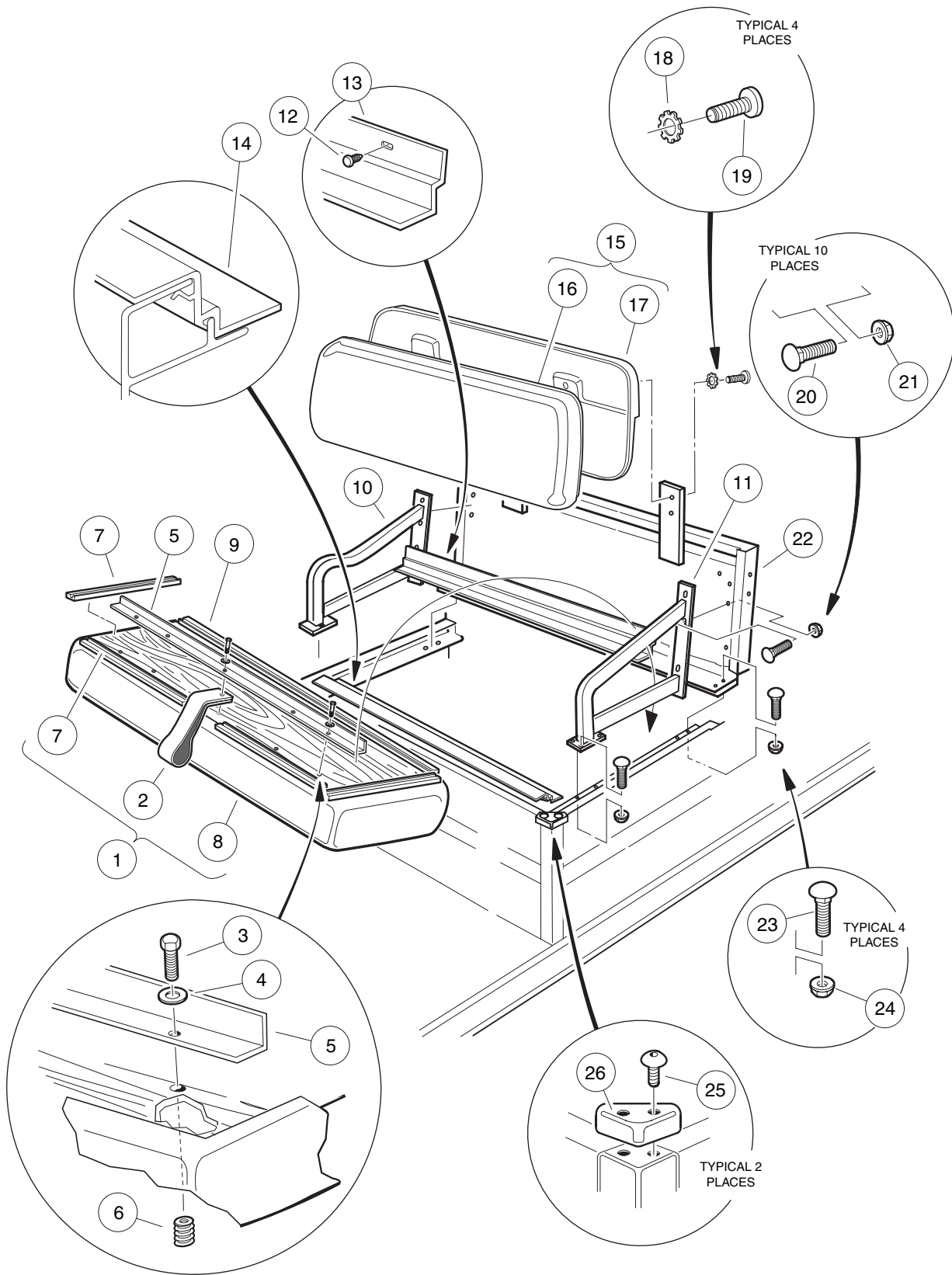


FRONT SEATS

| ITEM | PART NO. | DESCRIPTION | QTY |
|------|-----------|---|-----|
| | | 1 2 3 4 | |
| 1 | 102026501 | Seat, Bucket – Gray | 2 |
| 2 | 102023701 | Panel, Seat | 2 |
| 3 | 1012830 | Screw, Hex-Head, M8 x 1.25 x 22 mm | 8 |
| 4 | 1013734 | Washer, Lock, 8 mm | 8 |
| 5 | 1011652 | Plate, Hinge | 4 |
| 6 | 102047001 | Rivet, Pop, Stainless Steel, 1/4 x 1/2 | 8 |
| 7 | 102026901 | Weldment, Seat Support | 1 |
| 8 | 102024901 | Armrest, Driver-Side | 1 |
| 9 | 102025001 | Armrest, Passenger-Side | 1 |
| 10 | 1012412 | Plate, Hinge, Body | 4 |
| 11 | 7847 | Screw, Hex-Head Cap, 1/4-20 x 3/4 | 8 |
| 12 | 8935 | Screw, Hex-Head Cap, 5/16-18 x 2-1/4 | 4 |
| 13 | 1011697 | Washer, Flat, 5/16 | 16 |
| 14 | 7473 | Nut, Nylon Lock, 5/16-18 | 8 |
| 15 | 102029501 | Seal, Bed (Turf 272 and Carryall 272 only) | 1 |
| 16 | 102026401 | Cover, Console | 1 |
| 17 | N/A | Tape, VHB | A/R |
| 18 | 1014387 | Cap, Corner | 2 |
| 19 | 1014321 | Screw, Torx Truss-Head, 1/4-14 x 3/4 | 4 |
| 20 | 102061101 | Cup, Seat Holder | 2 |
| 21 | 102059001 | Base, Seat Holder | 2 |
| 22 | 102059401 | Screw, Hex-Head Cap, M6 x 1 x 10 mm | 2 |
| 23 | 102059501 | Screw, Hex-Head Cap, M6 x 1 x 35 mm | 2 |
| 24 | 332 | Washer, Flat, Type A, 1/4 | 2 |
| 25 | 101887601 | Nut, Nylon Lock, M6 | 2 |
| 26 | 451 | Washer, Lock, 1/4 | 12 |
| 27 | 102060201 | Insert, Threaded, 1/4-20 | 10 |
| 28 | 7311 | Screw, Hex-Head Cap, 5/16-18 x 2 (Turf 272 and Carryall 272 only) | 4 |
| 29 | 102068501 | Holder, Radio/Beverage | 1 |
| 30 | 7847 | Screw, Hex-Head Cap, 1/4-20 x 3/4 | 2 |

1
G

1
G

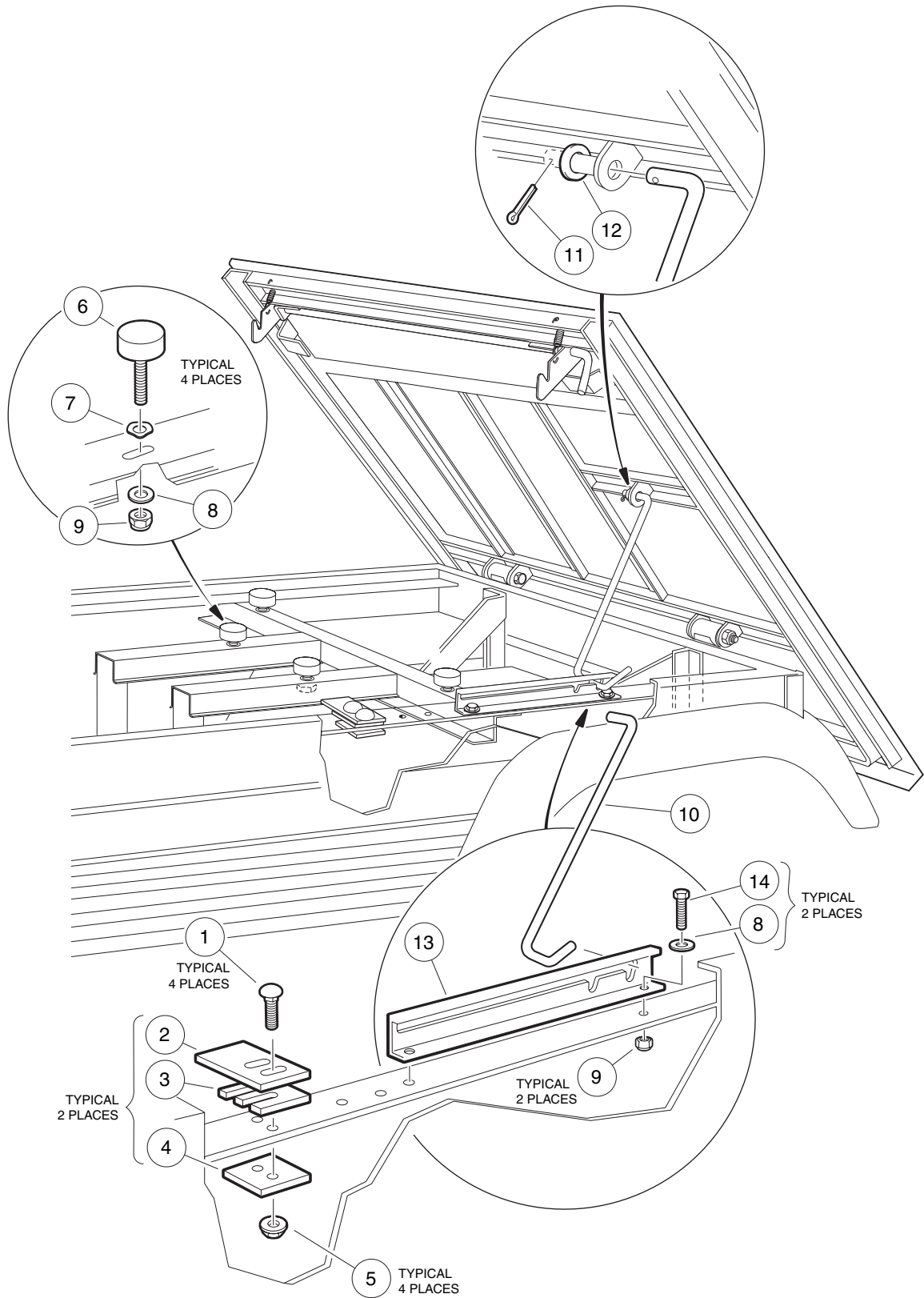


REAR SEAT AND SUPPORT STRUCTURE – CARRYALL 472 VEHICLES

| ITEM | PART NO. | DESCRIPTION | QTY |
|------|-----------|---|-----|
| | | 1 2 3 4 | |
| 1 | 101564505 | Assembly, Seat Bottom (gray) (includes items 2 - 9) | 1 |
| 2 | 1013309 | Strap, Seat Bottom | 1 |
| 3 | 101954301 | Screw, Hex-Head Cap with Adhesive Patch, 1/4-20 x 3/4 | 5 |
| 4 | 332 | Washer, Flat, 1/4 | 5 |
| 5 | 101894303 | Stiffener, Seat | 1 |
| 6 | 1010543 | Insert, Wood | 5 |
| 7 | 1013311 | Bumper, Seat, Short | 4 |
| 8 | 101562710 | Cover, Vinyl Seat Bottom (gray) | 1 |
| 9 | 1013312 | Bumper, Seat, Long | 1 |
| 10 | 101888501 | Assembly, Armrest, Passenger | 1 |
| 11 | 101888502 | Assembly, Armrest, Driver | 1 |
| 12 | 1010434 | Barrel, Plastic..... | 5 |
| 13 | 101963901 | Trim, Seat Bottom, Rear | 1 |
| 14 | 101964001 | Trim, Seat Bottom, Front | 1 |
| 15 | 101677705 | Assembly, Seat Back (gray) (includes items 16 and 17) | 1 |
| 16 | 101675506 | Cover, Vinyl Seat Back (gray) | 1 |
| 17 | 1016751 | Cap, Seat Back (black) | 1 |
| 18 | 101946201 | Washer, External Tooth Lock, 1/4 | 4 |
| 19 | 8251 | Screw, Phillips Truss-Head, 1/4-20 x 1 | 4 |
| 20 | 101958601 | Bolt, Carriage, 1/4-20 x 3/4 | 10 |
| 21 | 101835601 | Nut, Flange, 1/4-20 | 10 |
| 22 | 1016723 | Panel, Seat Support | 1 |
| 23 | 101963301 | Bolt, Carriage, 5/16-18 x 3/4 | 4 |
| 24 | 101963401 | Nut, Flange, 5/16-18 | 4 |
| 25 | 1014321 | Screw, Torx Truss-Head, 1/4-14 x 3/4 | 4 |
| 26 | 1014387 | Cap, Corner | 2 |

1
G

1
G

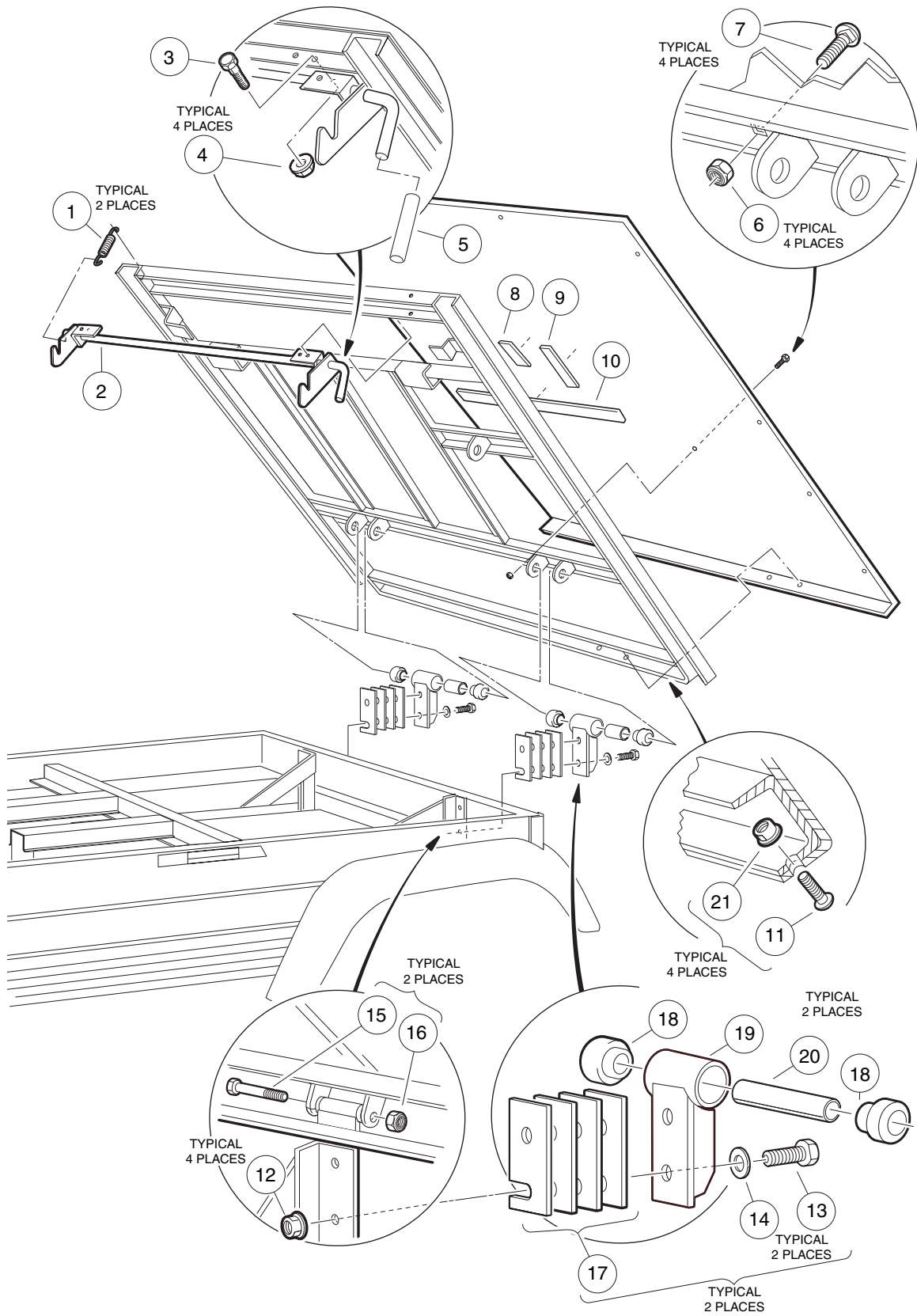


LATCH PLATE AND PROP ROD – TURF 272 AND CARRYALL 272 VEHICLES

| ITEM | PART NO. | DESCRIPTION | QTY |
|------|-----------|---|-----|
| | | 1 2 3 4 | |
| 1 | 101958602 | Bolt, Carriage, 1/4-20 x 1 | 4 |
| 2 | 1015277 | Plate, Tilt Bed Latch | 2 |
| 3 | 1016078 | Shim, Latch Plate | A/R |
| 4 | 1016060 | Support, Latch Plate | 2 |
| 5 | 101835601 | Nut, Flanged, 1/4-20 | 4 |
| 6 | 1010878 | Bumper, Rubber | 4 |
| 7 | 1016201 | Washer, Wave | 4 |
| 8 | 332 | Washer, Flat, Type A, 1/4 | 4 |
| 9 | 8233 | Nut, Nylon Lock, 1/4-20 | 4 |
| 10 | 102301401 | Rod, Prop | 1 |
| 11 | 1035 | Pin, Cotter, 3/32 x 1 | 1 |
| 12 | 334 | Washer, Flat, 3/8 | 1 |
| 13 | 101921601 | Track, Prop Rod | 1 |
| 14 | 7847 | Screw, Hex-Head Cap, 1/4-20 x 3/4 | 2 |

1
G

1
G

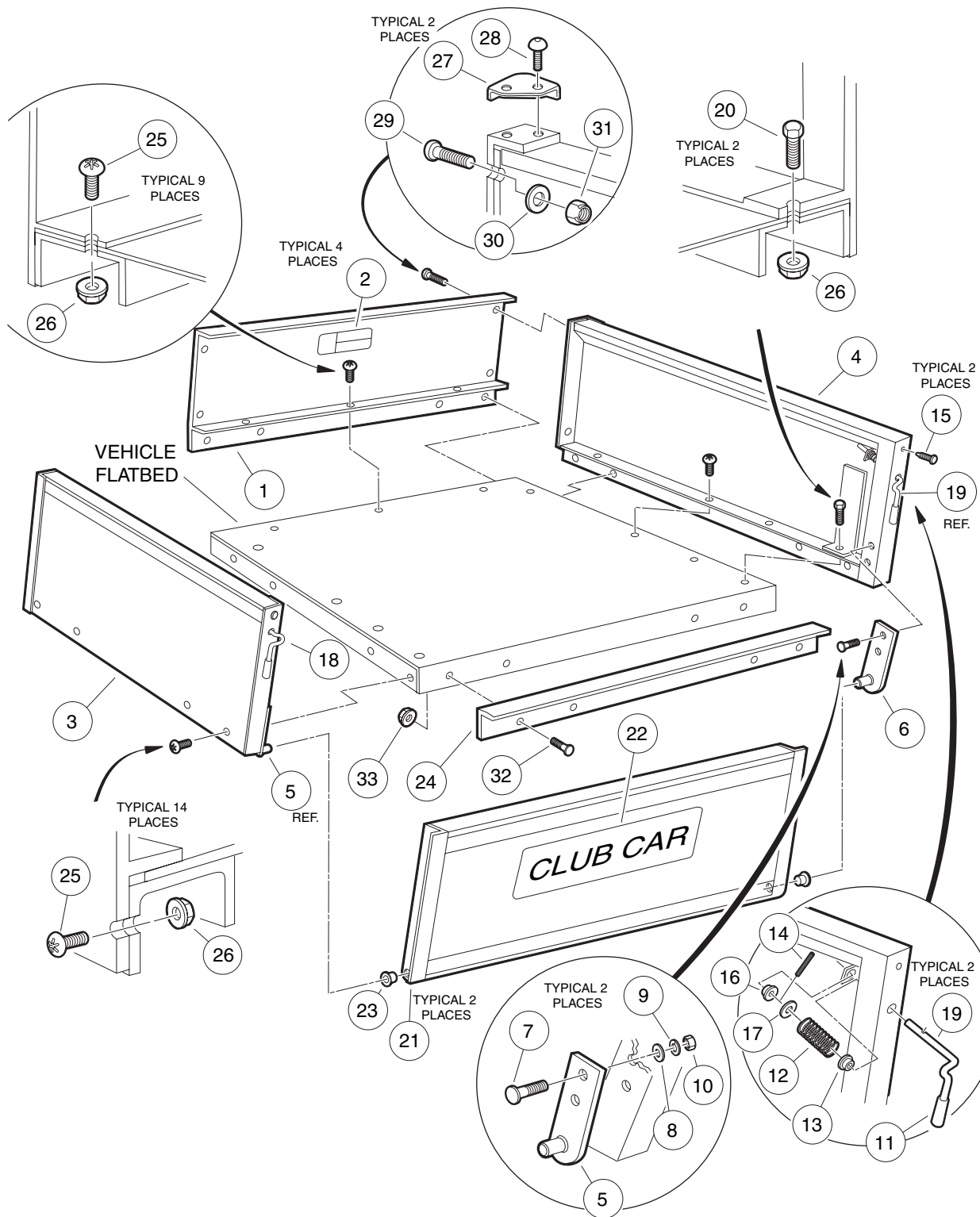


TILT BED, HINGE AND LATCH – TURF 272 AND CARRYALL 272 VEHICLES

| ITEM | PART NO. | DESCRIPTION | QTY |
|------|-----------|---|-----|
| | | 1 2 3 4 | |
| | 101542901 | Assembly, Tilt Bed, Manual Lift (includes items 1 - 11) | 1 |
| 1 | 1015391 | Spring, Latch Extension | 2 |
| 2 | 1015252 | Assembly, Latch Weld | 1 |
| 3 | 403 | Screw, Hex-Head Cap, 1/4-20 x 5/8 | 4 |
| 4 | 101835601 | Nut, Flanged Lock, 1/4-20 | 4 |
| 5 | 1015400 | Hand Grip, Tilt Latch | 1 |
| 6 | 7473 | Nut, Nylon Lock, 5/16-18 | 4 |
| 7 | 1010435 | Bolt, Carriage, 5/16-18 x 1 | 4 |
| 8 | 1014471 | Insulation, Bulk (4 inches long) | A/R |
| 9 | 1014471 | Insulation, Bulk (8 inches long) | A/R |
| 10 | 1014471 | Insulation, Bulk (46 inches long) | A/R |
| 11 | 1015399 | Screw, Torx Truss-Head, 5/16-18 x 5/8 | 4 |
| 12 | 102065901 | Nut, Dimpled Flanged Lock, 3/8-16 | 4 |
| 13 | 705 | Screw, Hex-Head Cap, 3/8-16 x 1-1/4 | 4 |
| 14 | 102066001 | Washer, Flat, Type B, 3/8 | 4 |
| 15 | 8755 | Screw, Hex-Head Cap, 3/8-16 x 3-3/8 | 2 |
| 16 | 8754 | Nut, Nylon Lock, 3/8-16 | 2 |
| 17 | 1015507 | Shim, Tilt Bed Pivot | A/R |
| 18 | 1015583 | Bushing, Urethane | 4 |
| 19 | 1015356 | Hinge, Tilt Bed | 2 |
| 20 | 1012303 | Bushing, Steel | 2 |
| 21 | 101963401 | Nut, Flanged Lock, 5/16-18..... | 4 |
| | | For latch plate and prop rod components, see page 1-9. | |

1
G

1
G

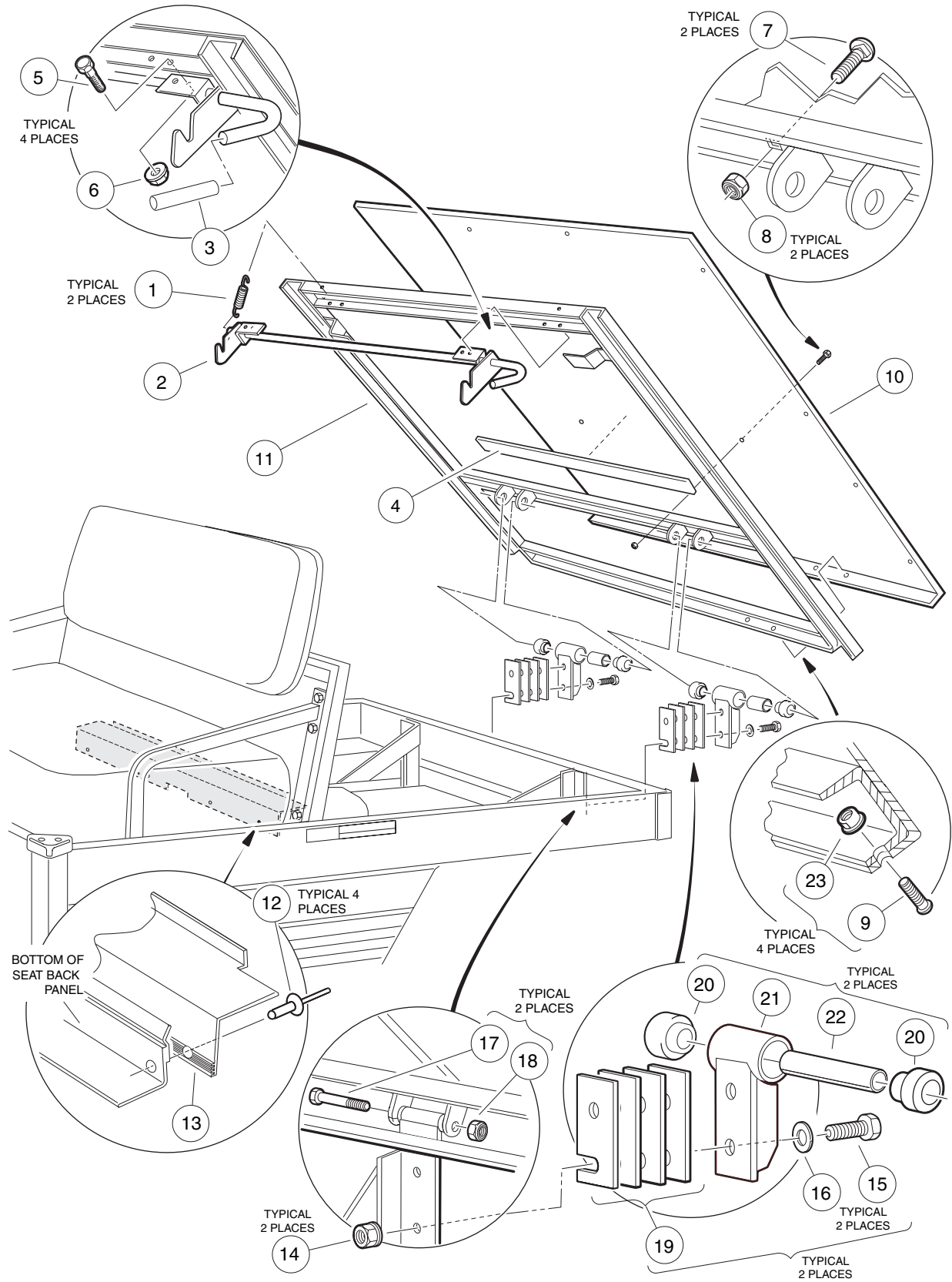


CARGO BOX – TURF 272 AND CARRYALL 272 VEHICLES

| ITEM | PART NO. | DESCRIPTION | QTY |
|------|-----------|---|-----|
| | | 1 2 3 4 | |
| 1 | 102030001 | Assembly, Front Panel (includes item 2) | 1 |
| 2 | 101553901 | Decal, Bed Load | 1 |
| 3 | 102029801 | Assembly, Side Panel, Driver-Side (includes items 5 and 7 - 18) | 1 |
| 4 | 102029601 | Assembly, Side Panel, Passenger-Side (includes items 6 - 17 and 19) | 1 |
| 5 | 1014513 | Bracket, Tailgate, Driver-Side | 1 |
| 6 | 1014514 | Bracket, Tailgate, Passenger-Side | 1 |
| 7 | 1014537 | Stud, Flush Head | 4 |
| 8 | 1241 | Washer, Flat, 5/16 | 4 |
| 9 | 7174 | Washer, Lock, 5/16 | 4 |
| 10 | 1242 | Nut, Hex, 5/16-18 | 4 |
| 11 | 1015400 | Grip, Hand | 2 |
| 12 | 1015390 | Spring, Compression | 2 |
| 13 | 1032 | Bushing, Nylon | 2 |
| 14 | 1231 | Roll Pin, 1/8 x 1 | 2 |
| 15 | 1010434 | Barrel, Plastic - Black | 2 |
| 16 | 1015363 | Bushing | 2 |
| 17 | 1011990 | Washer, Flat, 3/8 | 2 |
| 18 | 1015313 | Latch, Driver-Side | 1 |
| 19 | 1015245 | Latch, Passenger-Side | 1 |
| 20 | 1010934 | Screw, Hex-Head Cap, 5/16-18 x 1 | 2 |
| 21 | 102030201 | Assembly, Tailgate (includes item 22) | 1 |
| 22 | 1013317 | Decal, Club Car Tailgate (Turf 272) | 1 |
| 22 | 102234901 | Decal, Club Car Tailgate (Carryall 272) | 1 |
| 23 | 7049 | Bushing, Nylon | 2 |
| 24 | 101894302 | Angle, Tailgate | 1 |
| 25 | 1015399 | Screw, Torx Truss-Head, 5/16-18 x 3/4 | 23 |
| 26 | 101963401 | Nut, Flange Lock, 5/16-18 | 25 |
| 27 | 1014387 | Cap, Corner | 2 |
| 28 | 1014321 | Screw, Torx Truss-Head, #10-24 x 3/8 | 4 |
| 29 | 1014415 | Screw, Torx Truss-Head, 1/4-20 x 3/4 | 4 |
| 30 | 332 | Washer, Flat, Type A, 1/4 | 4 |
| 31 | 8233 | Nut, Nylon Lock, 1/4-20 | 4 |
| 32 | 1014537 | Stud, Flush Head | 4 |
| 33 | 101963401 | Nut, Flanged, 5/16-18 | 4 |

1
G

1
G

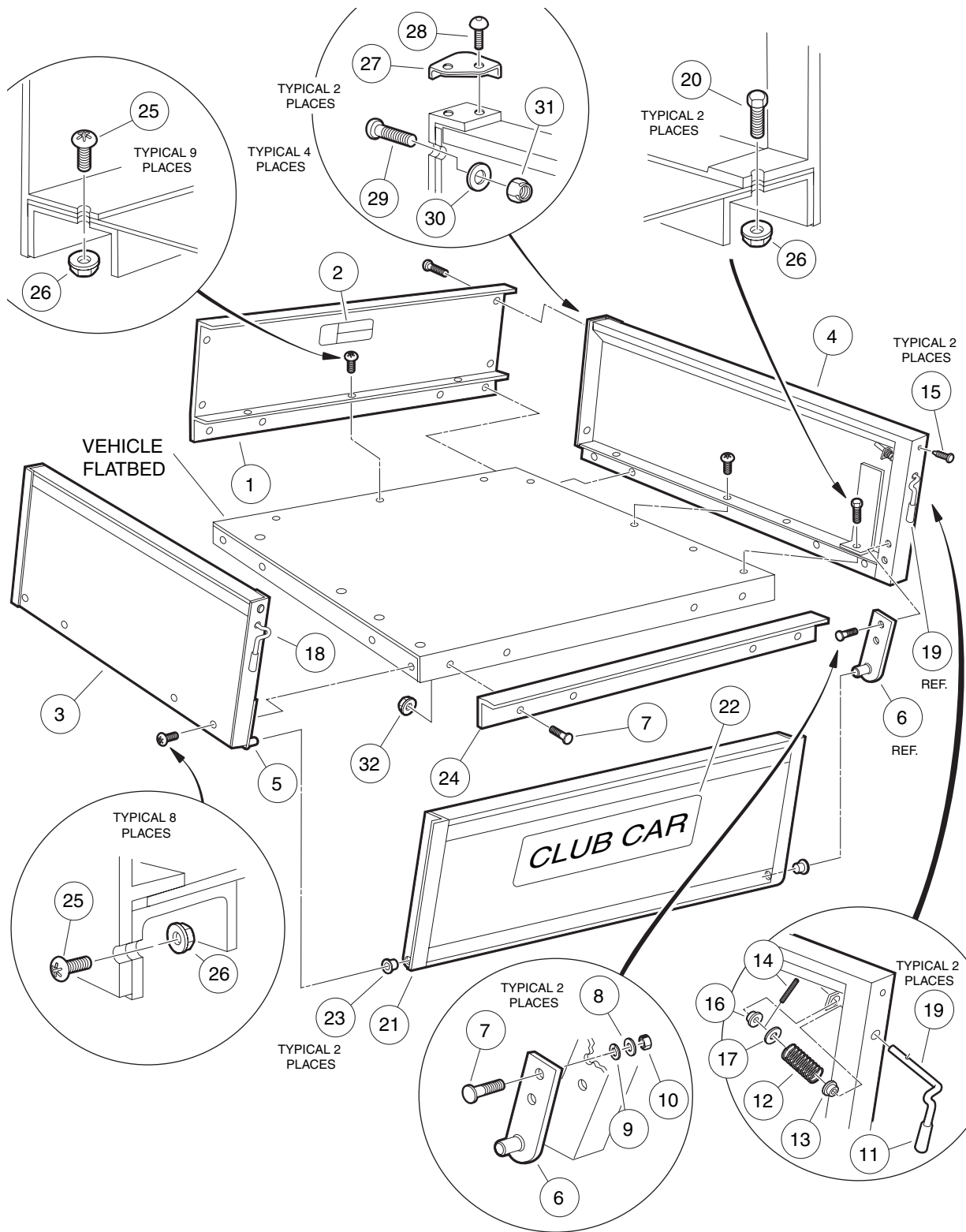


TILT BED, HINGE AND LATCH – CARRYALL 472 VEHICLES

| ITEM | PART NO. | DESCRIPTION | QTY |
|------|-----------|--|-----|
| | | 1 2 3 4 | |
| | **** | Assembly, Tilt Bed And Latch, Carryall 472 (includes items 1 - 11) | 1 |
| 1 | 1015391 | Spring, Latch Extension | 2 |
| 2 | 102335001 | Assembly, Latch Weld | 1 |
| 3 | 1015400 | Hand Grip, Tilt Latch | 1 |
| 4 | 1014471 | Insulation, Bulk, (42 inches long) | A/R |
| 5 | 403 | Screw, Hex-Head Cap, 1/4-20 x 5/8 | 4 |
| 6 | 101835601 | Nut, Flanged Lock, 1/4-20 | 4 |
| 7 | 1010435 | Bolt, Carriage, 5/16-18 x 1 | 2 |
| 8 | 7473 | Nut, Nylon Lock, 5/16-18 | 2 |
| 9 | 1015399 | Screw, Torx Truss-Head, 5/16-18 x 3/4 | 4 |
| 10 | N/A | Plate, Floor | 1 |
| 11 | N/A | Assembly, Frame Weldment, Tilt Bed | 1 |
| 12 | 7532 | Rivet, 5/16 | 4 |
| 13 | 1017976 | Seal, Bed | 1 |
| 14 | 102065901 | Nut, Dimpled Flange Lock, 3/8-16 | 4 |
| 15 | 705 | Screw, Hex-Head Cap, 3/8-16 x 1-1/4 | 4 |
| 16 | 102066001 | Washer, Flat, Type B, 3/8 | 4 |
| 17 | 8755 | Screw, Hex-Head Cap, 3/8-16 x 3-3/8 | 2 |
| 18 | 8754 | Nut, Nylon Lock, 3/8-16 | 2 |
| 19 | 1015507 | Shim, Tilt Bed Pivot | A/R |
| 20 | 1015583 | Bushing, Urethane | 4 |
| 21 | 1015356 | Assembly, Tilt Bed Hinge Weld | 2 |
| 22 | 1012303 | Bushing, Steel | 2 |
| 23 | 101963401 | Nut, Flanged Lock, 5/16-18..... | 4 |
| | | For latch plate components, see page 1-9. | |
| | **** | Special order item available upon request. | |

1
G

1
G

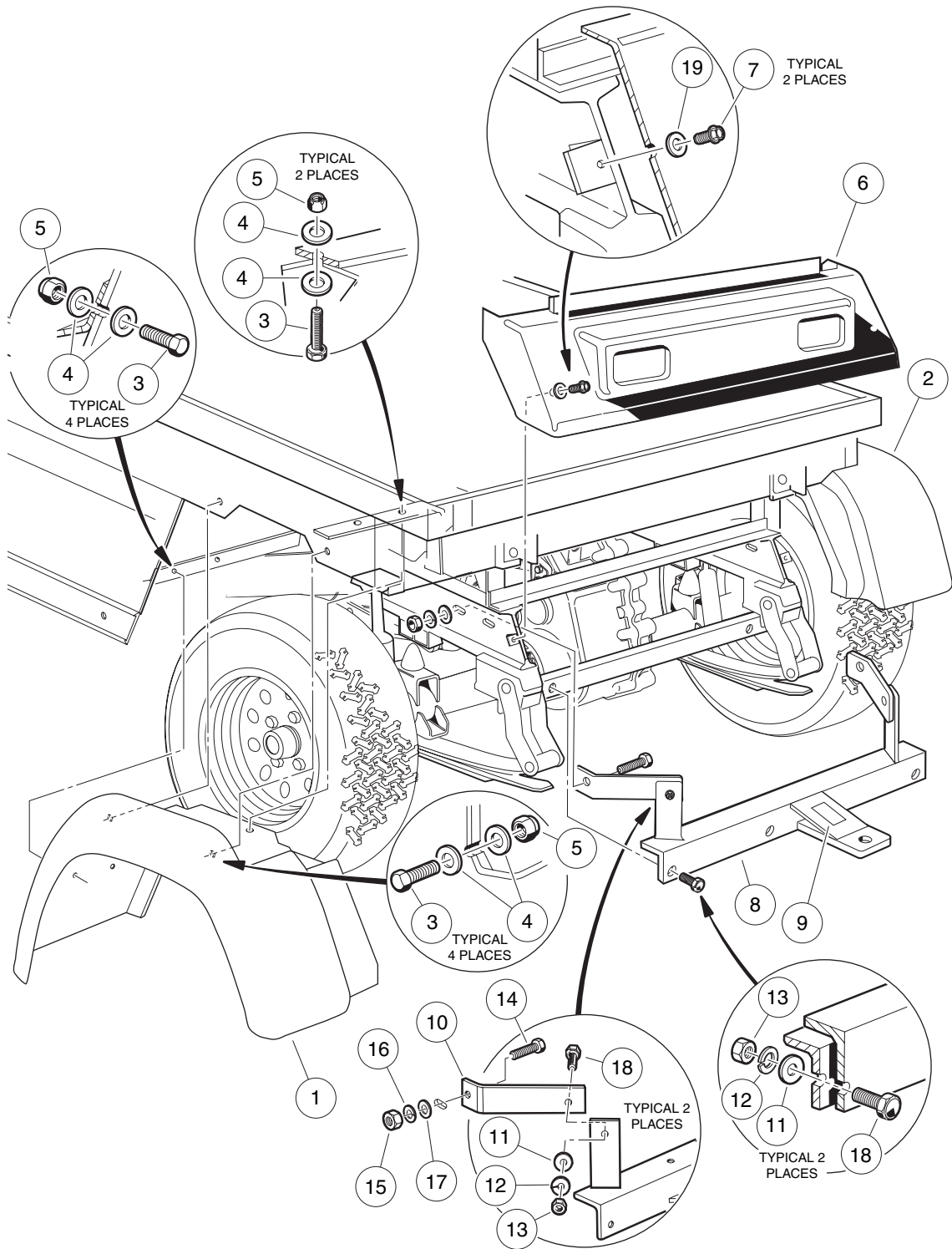


CARGO BOX – CARRYALL 472 VEHICLES

| ITEM | PART NO. | DESCRIPTION | QTY |
|------|-----------|--|-----|
| | | 1 2 3 4 | |
| | 1015606 | Kit, Cargo Box (includes items 1 - 32) | 1 |
| 1 | 1015413 | Front Panel Assembly (includes item 2) | 1 |
| 2 | 101553901 | Decal, Bed Load | 1 |
| 3 | 1015367 | Side, Panel Assembly, Driver-Side (includes items 5 and 7 - 18) | 1 |
| 4 | 1015365 | Side, Panel Assembly, Passenger-Side (includes items 6 - 17 and 19) | 1 |
| 5 | 1014513 | Bracket, Tailgate, Driver-Side | 1 |
| 6 | 1014514 | Bracket, Tailgate, Passenger-Side | 1 |
| 7 | 1014537 | Stud, Flush Head | 8 |
| 8 | 1241 | Washer, Flat, 5/16 | 4 |
| 9 | 7174 | Washer, Lock, 5/16 | 4 |
| 10 | 1242 | Nut, Hex, 5/16-18 | 4 |
| 11 | 1015400 | Grip, Hand | 2 |
| 12 | 1015390 | Spring, Compression | 2 |
| 13 | 1032 | Bushing, Nylon | 2 |
| 14 | 1231 | Roll Pin, 1/8 x 1 | 2 |
| 15 | 1010434 | Barrel, Plastic (black) | 2 |
| 16 | 1015363 | Bushing | 2 |
| 17 | 1011990 | Washer, Flat, 3/8 | 2 |
| 18 | 1015313 | Latch, Driver-Side | 1 |
| 19 | 1015245 | Latch, Passenger-Side | 1 |
| 20 | 1010934 | Screw, Hex-Head Cap, 5/16-18 x 1 | 2 |
| 21 | 1015414 | Tailgate Assembly (includes item 22) | 1 |
| 22 | 1013317 | Decal, Club Car Tailgate | 2 |
| 23 | 7049 | Bushing, Nylon | 2 |
| 24 | 101894701 | Kit, Tailgate Angle | 1 |
| 25 | 1015399 | Screw, Torx Truss-Head, 5/16-18 x 3/4 | 17 |
| 26 | 101963401 | Nut, Flanged Lock, 5/16-18 | 19 |
| 27 | 1014387 | Cap, Corner | 2 |
| 28 | 1014321 | Screw, Torx Truss-Head, #10-24 x 3/8 | 4 |
| 29 | 1014415 | Screw, Torx Truss-Head, 1/4-20 x 3/4 | 4 |
| 30 | 332 | Washer, Flat, 1/4 | 4 |
| 31 | 8233 | Nut, Nylon Lock, 1/4-20 | 4 |
| 32 | 101963401 | Nut, Flange Lock, 5/16-18 | 4 |

1
G

1
G

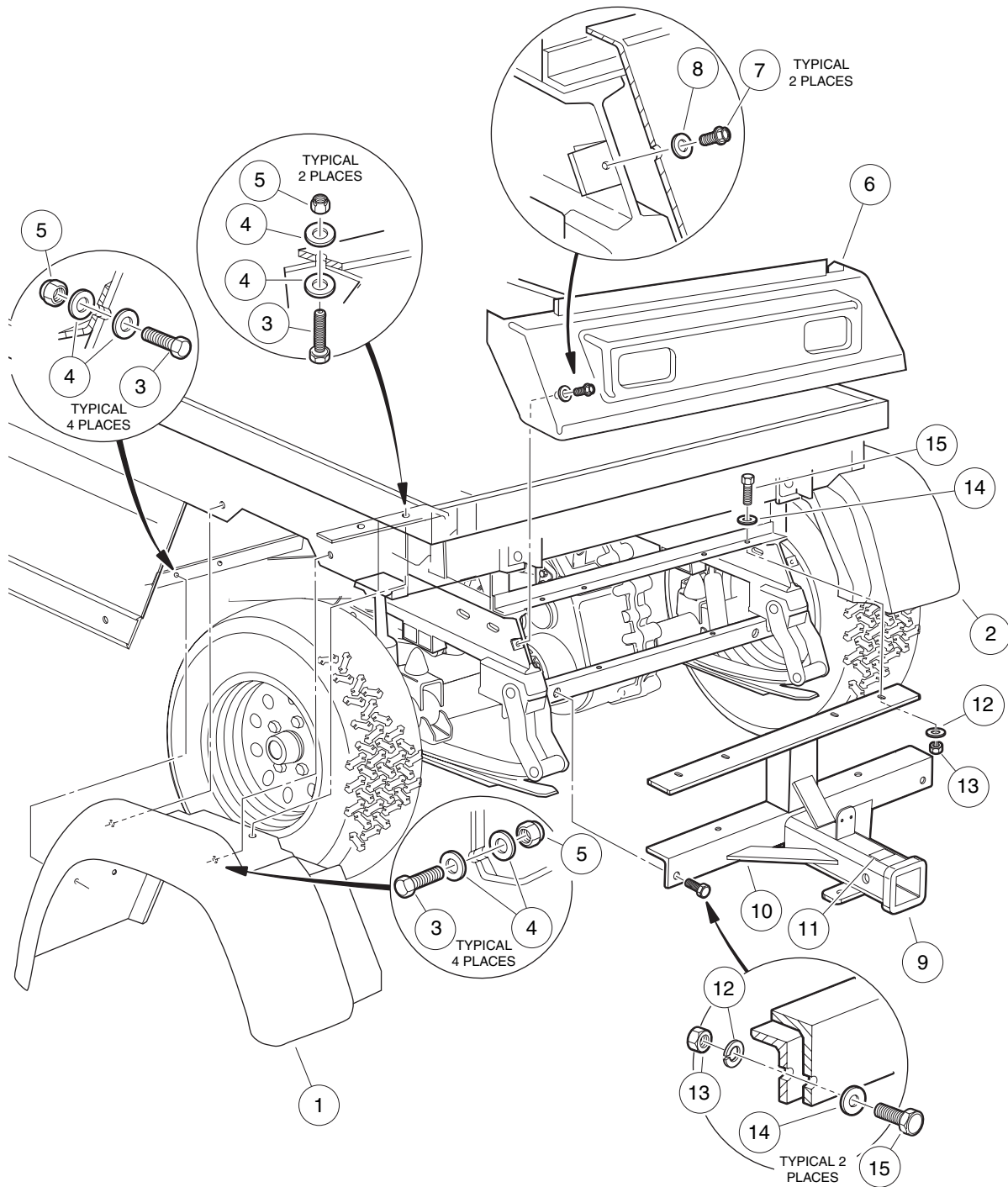


REAR BODY TRIM – CARRYALL 272 VEHICLES

| ITEM | PART NO. | DESCRIPTION | QTY |
|------|-----------|---|-----|
| | | 1 2 3 4 | |
| 1 | 102251701 | Fender, Rear, Driver-Side | 1 |
| 2 | 102251601 | Fender, Rear, Passenger-Side | 1 |
| 3 | 304 | Screw, Hex-Head Cap, 1/4-20 x 1 | 10 |
| 4 | 1014306 | Washer, Flat, 1/4 | 20 |
| 5 | 8233 | Nut, Nylon Lock, 1/4-20 | 10 |
| 6 | 1015530 | Tailskirt | 1 |
| 7 | 1012285 | Screw, Thread-Rolling, 1/4-20 x 5/8 | 2 |
| 8 | 1015445 | Hitch, Trailer | 1 |
| 9 | 1011553 | Decal, Trailer Hitch | 1 |
| 10 | 1013483 | Brace, Trailer Hitch | 2 |
| 11 | 1241 | Washer, Flat, 5/16 | 4 |
| 12 | 7174 | Washer, Lock, 5/16 | 4 |
| 13 | 1242 | Nut, Hex, 5/16-18 | 4 |
| 14 | 705 | Screw, Hex-Head Cap, 3/8-16 x 1-1/4 | 2 |
| 15 | 706 | Nut, Hex, 3/8-16 | 2 |
| 16 | 357 | Washer, Lock, 3/8 | 2 |
| 17 | 1011990 | Washer, Flat, 3/8 | 2 |
| 18 | 1010934 | Screw, Hex-Head Cap, 5/16-18 x 1 | 4 |
| 19 | 332 | Washer, Flat, Type A, 1/4 | 2 |

1
G

1
G



REAR BODY TRIM – CARRYALL 472 VEHICLES

| ITEM | PART NO. | DESCRIPTION | QTY |
|------|-----------|---|-----|
| | | 1 2 3 4 | |
| 1 | 102251701 | Fender, Rear, Driver-Side | 1 |
| 2 | 102251601 | Fender, Rear, Passenger-Side | 1 |
| 3 | 304 | Screw, Hex-Head Cap, 1/4-20 x 1 | 10 |
| 4 | 1014306 | Washer, Flat, 1/4 | 20 |
| 5 | 8233 | Nut, Nylon Lock, 1/4-20 | 10 |
| 6 | 1015530 | Tailskirt | 1 |
| 7 | 1012285 | Screw, Thread-Rolling, 1/4-20 x 5/8 | 2 |
| 8 | 332 | Washer, Flat, Type A, 1/4 | 2 |
| 9 | 102065103 | Kit, Rear Receiver (includes items 10 - 15) | 1 |
| 10 | 102056001 | Hitch, Receiver, 2-Inch | 1 |
| 11 | 1011553 | Decal, Trailer Hitch | 1 |
| 12 | 7174 | Washer, Lock, 5/16 | 6 |
| 13 | 1242 | Nut, Hex, 5/16-18 | 6 |
| 14 | 1241 | Washer, Flat, 5/16 | 6 |
| 15 | 1010934 | Screw, Hex-Head Cap, 5/16-18 x 1 | 6 |

1
G

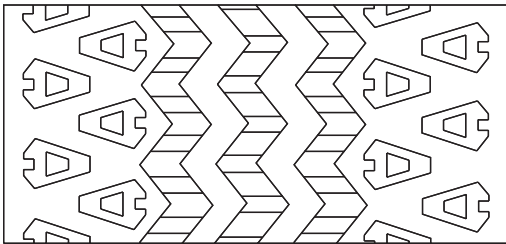
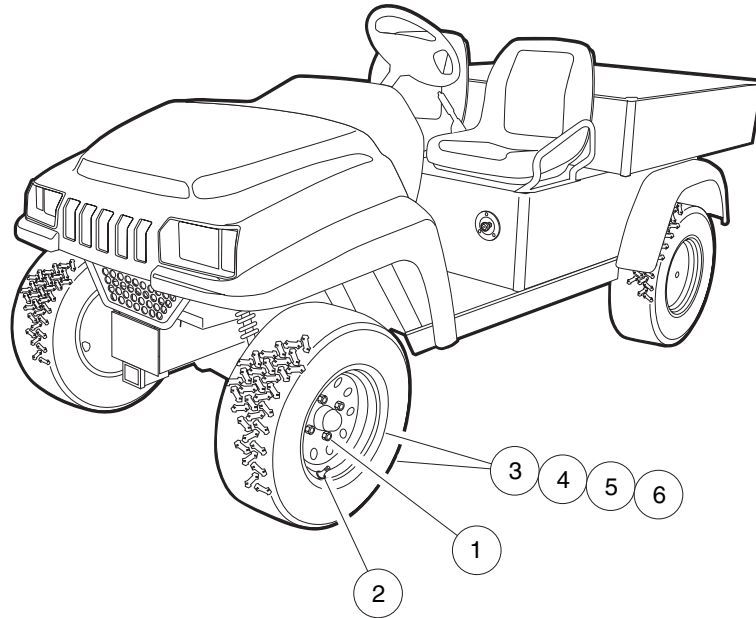
1

G

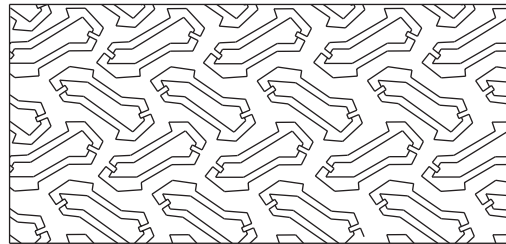
WHEELS AND TIRES

2

G



ALL TERRAIN
TREAD



TURF
TREAD

WHEELS AND TIRES

| ITEM | PART NO. | DESCRIPTION | QTY |
|------|-----------|--|-----|
| | | 1 2 3 4 | |
| 1 | 1010984 | Nut, Lug | 16 |
| 2 | 7310 | Stem, Valve * | 1 |
| 3 | 102021402 | Assembly, Wheel (gray) and Tire, All Terrain Tread, 4-Ply Rated (23 x 10.50 - 12) (All Trail) (includes item 4) | 4 |
| 4 | **** | Tire, Unmounted, All Terrain Tread (23 x 10.50 - 12) (All Trail) | 1 |
| 5 | 102021401 | Assembly, Wheel (gray) and Tire, Turf Tread, 4-Ply Rated (23 x 10.50 - 12) (Turf Mate) (includes item 6) | 4 |
| 6 | **** | Tire, Unmounted, Turf Tread (23 x 10.50 - 12) (Turf Mate) | 1 |
| | | * Note: Item 2 is a part of all wheel assemblies. | |
| | **** | Special order item available upon request. | |

2
G

2

G

DECALS

3

G

⚠ WARNING

ROLLOVER OR FALLING OFF MAY CAUSE DEATH

- Read operators manual and operating instructions.
- Remain seated and hold on to seat handle while moving.
- Drive slowly in turns and straight up and down slopes.
- Do not start vehicle until all occupants are seated.
- One (1) person per seat maximum.
- Operate from driver side only and not on public roads.
- Keep entire body inside vehicle while moving.
- Do not operate while under the influence of alcohol or drugs.
- Never attempt jumps.

CCI 102029101

OPERATING INSTRUCTIONS

- Read Owner's Manual and safety warnings located on dash panel prior to driving.
 - Study and understand controls.
- Make sure wheels are turned in desired direction.
- Turn key to "ON" position and be sure nothing is in your path.
- While vehicle is stopped, select direction by placing shift lever or switch in desired position:
 - F - Forward N - Neutral R - Reverse (Buzzer will sound)
 - Release hand brake.
- Vehicle will start moving when accelerator pedal is depressed.
 - Slowly depress accelerator pedal to increase speed.
- To stop, release accelerator pedal and depress brake pedal.
 - After stopping, set hand brake.
- Place forward and reverse switch in neutral position. Turn key "OFF" and remove key when not in use.

CCI 102029301

⚠ WARNING

REDUCED STEERING CONTROL MAY CAUSE SERIOUS INJURY OR DEATH

Disengage differential lock on paved surfaces.

CCI 102046601

⚠ WARNING

YOUNG DRIVERS INCREASE CHANCE OF DEATH

UNDER 16

- Young drivers may not be able to control vehicle.
- No drivers younger than 16 years old.
- Do not leave children unattended on vehicle.

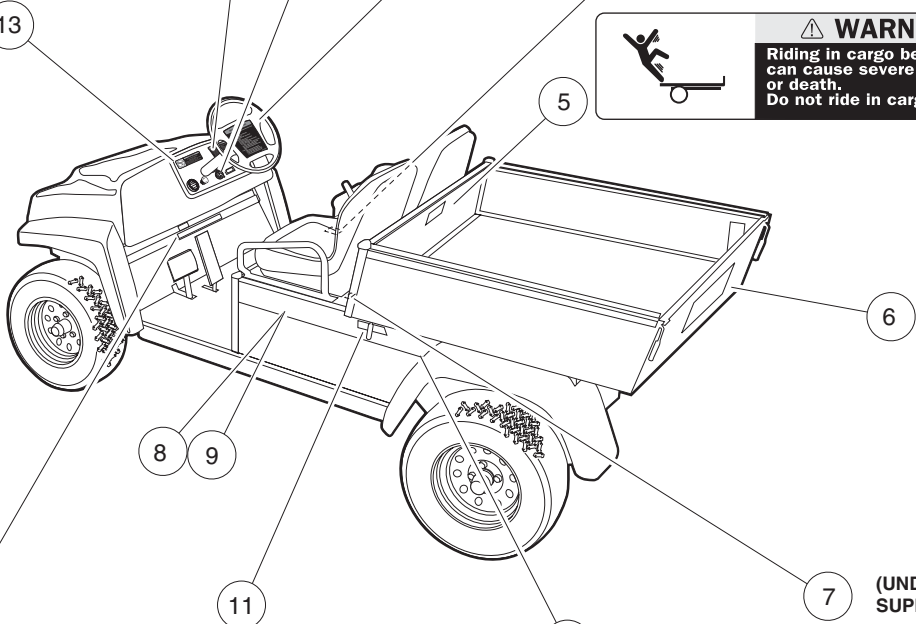
CCI 102044601

OFF | ON

⚠ WARNING

Riding in cargo bed can cause severe injury or death. Do not ride in cargo bed.

CCI 1015539-01



⚠ WARNING

Crush area. Can cause severe injury. Stay clear when closing bed.

LATCH

CCI 1015437-01



(UNDER SEAT SUPPORT)

⚠ WARNING

CRUSH AREA

STAY CLEAR

CCI 1016094-01

VEHICLE LOADING

Read Owner's Manual and warnings on dash.

- Vehicle rated capacity - 1200 lbs. on level surface only. Weight to include passengers, cargo bed load, and gross trailer weight. See Owner's Manual.
- Maximum cargo load - 800 lbs. Weight to include cargo bed load and gross trailer weight.
- Maximum trailer hitch tongue weight - 150 lbs.

- Cargo should be evenly spread over the floor of the cargo bed as far forward as possible and secured.
- For vehicle stability, when fully loaded, drive slowly and avoid stopping on or backing down steep hills.
- Avoid top heavy loads. See Owner's Manual.
- When driving on uneven terrain or down steep hills, reduce speed and load.

CCI 1019602-01

DECALS – TURF 272 VEHICLES

| ITEM | PART NO. | DESCRIPTION | QTY |
|------|-----------|--|-----|
| | | 1 2 3 4 | |
| 1 | 102029101 | Decal, Driver/Passenger Warning | 1 |
| 2 | 101825101 | Decal, Key Switch (off-on) | 1 |
| 2 | 101825102 | Decal, Key Switch (off-on/start) | 1 |
| 3 | 102029301 | Decal, Operating Instructions (pedal-start vehicles) | 1 |
| 3 | 102224301 | Decal, Operating Instructions (key-start vehicles) | 1 |
| 4 | 101553901 | Decal, Bed Load Warning | 1 |
| 5 | 102046601 | Decal, Differential Lock Control Warning | 1 |
| 6 | 1013317 | Decal, Club Car Tailgate | 1 |
| 7 | 101609401 | Decal, Crush Area Warning | 2 |
| 8 | 102158301 | Decal, Turf 272 (driver side) (includes items 10 and 11) | 1 |
| 9 | 102157001 | Decal, Turf 272 (passenger side) (includes item 10) | 1 |
| 10 | N/A | Decal, Ingersoll-Rand | 1 |
| 11 | 101543701 | Decal, Bed Latch Warning | 1 |
| 12 | 101960201 | Decal, Vehicle Loading | 1 |
| 13 | 102044601 | Decal, Under Age Warning | 1 |

3

G

⚠ WARNING

ROLLOVER OR FALLING OFF MAY CAUSE DEATH

- Read operators manual and operating instructions.
- Remain seated and hold on to seat handle while moving.
- Drive slowly in turns and straight up and down slopes.
- Do not start vehicle until all occupants are seated.
- One (1) person per seat maximum.
- Operate from driver side only and not on public roads.
- Keep entire body inside vehicle while moving.
- Do not operate while under the influence of alcohol or drugs.
- Never attempt jumps.

CCI 102029101

OPERATING INSTRUCTIONS

- Read owner's manual and safety warnings located on dash panel prior to driving.
- Study and understand controls.

TO START ENGINE

- Place shift lever in "N" - Neutral position.
- Depress brake pedal.

• Turn key switch to "START" position and hold, activating the choke as necessary, until engine starts.

TO OPERATE VEHICLE

- Make sure wheels are turned in desired direction.
- Be sure nothing is in your path.

• While vehicle is stopped, select vehicle direction by placing shift lever in desired position.

F - Forward N - Neutral R - Reverse (Buzzer will sound)

- Release hand brake.
- Slowly push accelerator pedal to increase speed.
- Accelerator pedal must be released to move shift lever.

TO STOP VEHICLE

- Release accelerator pedal and push brake pedal.
- After stopping, firmly set hand brake.

• Turn key to "OFF" position, remove key and place shift lever in straight up neutral position when not in use.

CCI 102224301

⚠ WARNING

UNDER 16

YOUNG DRIVERS INCREASE CHANCE OF DEATH

- Young drivers may not be able to control vehicle.
- No drivers younger than 16 years old.
- Do not leave children unattended on vehicle.

CCI 102044601

⚠ WARNING

Riding in cargo bed can cause severe injury or death. Do not ride in cargo bed.

CCI 1015533-01

⚠ WARNING

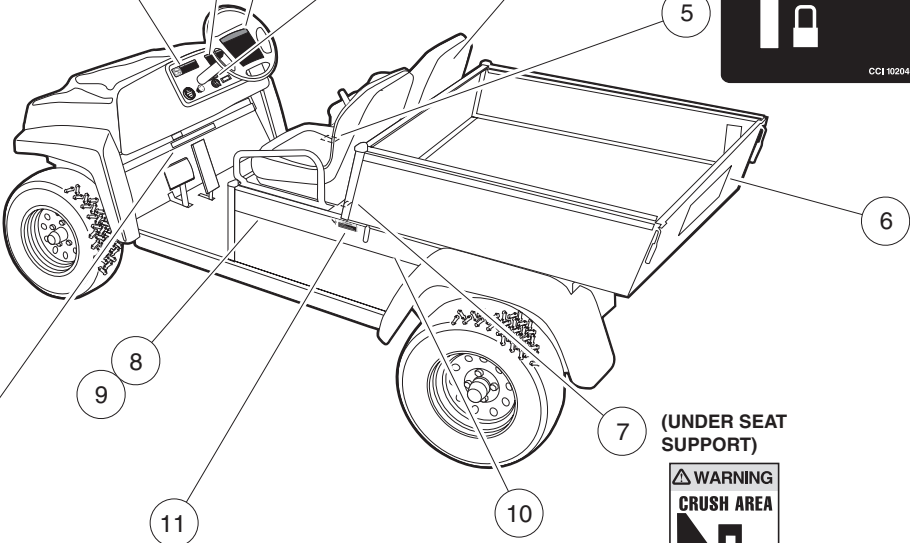
REDUCED STEERING CONTROL MAY CAUSE SERIOUS INJURY OR DEATH

Disengage differential lock on paved surfaces.



CCI 102046601

OFF ON/START



⚠ WARNING

Crush area. Can cause severe injury. Stay clear when closing bed.

LATCH

CCI 1015437-01



⚠ WARNING

CRUSH AREA

STAY CLEAR

CCI 1016094-01

VEHICLE LOADING

Read Owner's Manual and warnings on dash.

- Vehicle rated capacity - 1200 lbs. on level surface only. Weight to include passengers, cargo bed load, and gross trailer weight. See Owner's Manual.
- Maximum cargo load - 800 lbs. Weight to include cargo bed load and gross trailer weight.
- Maximum trailer hitch tongue weight - 150 lbs.

- Cargo should be evenly spread over the floor of the cargo bed as far forward as possible and secured.
- For vehicle stability, when fully loaded, drive slowly and avoid stopping on or backing down steep hills.
- Avoid top heavy loads. See Owner's Manual.
- When driving on uneven terrain or down steep hills, reduce speed and load.

CCI 1019602-01

DECALS – CARRYALL 272 VEHICLES

| ITEM | PART NO. | DESCRIPTION | QTY |
|------|-----------|--|-----|
| | | 1 2 3 4 | |
| 1 | 102029101 | Decal, Driver/Passenger Warning | 1 |
| 2 | 102224301 | Decal, Operating Instructions (key-start vehicles) | 1 |
| 3 | 101825102 | Decal, Key Switch (off-on/start) | 1 |
| 4 | 101553901 | Decal, Bed Load Warning | 1 |
| 5 | 102046601 | Decal, Differential Lock Control Warning | 1 |
| 6 | 102234901 | Decal, Club Car Tailgate | 1 |
| 7 | 101609401 | Decal, Crush Area Warning | 2 |
| 8 | 102157601 | Decal, Carryall 272 (driver side) (includes items 10 and 11) | 1 |
| 9 | 102156301 | Decal, Carryall 272 (passenger side) (includes item 10) | 1 |
| 10 | N/A | Decal, Ingersoll-Rand | 1 |
| 11 | 101543701 | Decal, Bed Latch Warning | 1 |
| 12 | 101960201 | Decal, Vehicle Loading | 1 |
| 13 | 102044601 | Decal, Under Age Warning | 1 |

3
G

WARNING

- GASOLINE EXPLOSION / FIRE.
- CAN CAUSE SEVERE INJURY OR DEATH.
- NO SMOKING, SPARKS, OR OPEN FLAME.
- STOP ENGINE, ALLOW TO COOL BEFORE REFUELING.
- TURN FUEL VALVE () ON DURING OPERATION.
- () OFF DURING STORAGE OR TRANSPORT.

CCI 1015476-01

(ON PASSENGER-SIDE SEAT SUPPORT)

WARNING

Rotating Parts

CCI 102224001

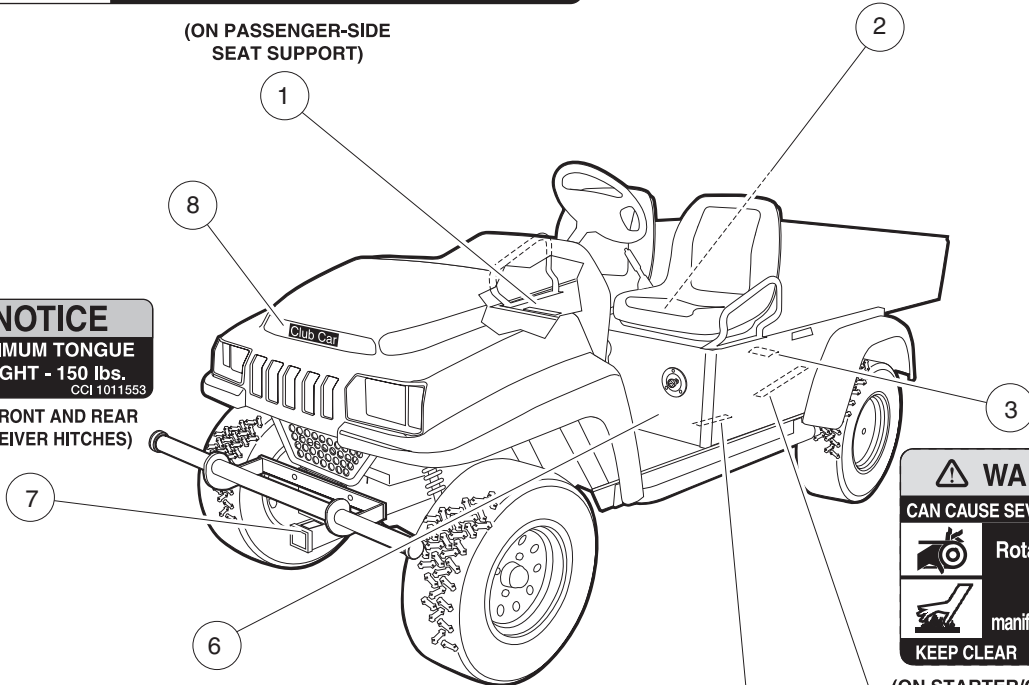
(ON PASSENGER-SIDE REAR FENDER)

NOTICE

MAXIMUM TONGUE WEIGHT - 150 lbs.

CCI 1011553

(ON FRONT AND REAR RECEIVER HITCHES)



1

2

3

WARNING

CAN CAUSE SEVERE INJURY

Rotating parts

HOT manifold & muffler

KEEP CLEAR CCI 1019605-01

(ON STARTER/GENERATOR AND ENGINE)

4

5

6

WARNING

WINCH CABLE FRACTURE COULD RESULT IN SERIOUS INJURY OR DEATH.

- Do not use winch while persons are seated on the vehicle.
- Use remote operation switch for winch control.
- Stand to the side and away from the vehicle to operate winch.
- Read winch operator manual before operating winch.

CCI 102231601

(ON SEAT SUPPORT PANEL)

WARNING

INCORRECT WIRING COULD RESULT IN SEVERE INJURY OR DEATH.

- Diode and solenoid connections must have correct polarity.
- Keep all persons clear of engine belts when making final connections.

CCI 102345901

(ON FRAME ABOVE DIODE)

7

| | | | |
|--|--|--|--|
| | <p>WARNING</p> <p>Negative frame ground. Can cause severe injury. Do not contact positive (+) battery post or cable to frame. Disconnect negative battery lead first.</p> | | <p>WARNING</p> <p>Excessive speed. Can cause severe injury or death. Do not tamper with engine governor adjustment.</p> <p>CCI 1019152-01</p> |
|--|--|--|--|

(ON FRAME NEXT TO BATTERY)

DECALS, CONTINUED – TURF 272 AND CARRYALL 272 VEHICLES

| ITEM | PART NO. | DESCRIPTION | QTY |
|------|-----------|--|-----|
| | | 1 2 3 4 | |
| 1 | 101547601 | Decal, Gasoline Warning | 1 |
| 2 | 102224001 | Decal, Rotating Parts | 1 |
| 3 | 101960501 | Decal, Rotating Parts and Hot Manifold | 2 |
| 4 | 101915201 | Decal, Frame Ground | 1 |
| 5 | 102345901 | Decal, Diode Wiring (key-start vehicle only) | 1 |
| 6 | 102231601 | Decal, Winch Cable Warning | 1 |
| 7 | 1011553 | Decal, Trailer Hitch | 2 |
| 8 | 102046501 | Decal, Club Car (Turf 272) | 1 |
| 8 | 102228001 | Decal, Club Car (Carryall 272) | 1 |

3
G

⚠ WARNING

ROLLOVER OR FALLING OFF MAY CAUSE DEATH

- Read operators manual and operating instructions.
- Remain seated and hold on to seat handle while moving.
- Drive slowly in turns and straight up and down slopes.
- Do not start vehicle until all occupants are seated.
- Front seats: One (1) person per seat maximum.
- Operate from driver side only and not on public roads.
- Keep entire body inside vehicle while moving.
- Do not operate while under the influence of alcohol or drugs.
- Never attempt jumps.

CCI 102029101

OPERATING INSTRUCTIONS

- Read owner's manual and safety warnings located on dash panel prior to driving.
- Study and understand controls.

TO START ENGINE

- Depress brake pedal.
- Place shift lever in "N" - Neutral position.
- Turn key switch to "START" position and hold, activating the choke as necessary, until engine starts.

TO OPERATE VEHICLE

- Make sure wheels are turned in desired direction.
- Be sure nothing is in your path.
- While vehicle is stopped, and the engine is at idle, select vehicle direction by placing shift lever in desired position.
- F - Forward N - Neutral R - Reverse (Buzzer will sound)
- Release hand brake.
- Slowly push accelerator pedal to increase speed.
- Engine must be at idle before moving shift lever.

TO STOP VEHICLE


- Release accelerator pedal and push brake pedal.
- After stopping, firmly set hand brake.
- Turn key to "OFF" position, remove key and place shift lever in straight up neutral position when not in use.

CCI 102224301

⚠ WARNING

REDUCED STEERING CONTROL MAY CAUSE SERIOUS INJURY OR DEATH

Disengage differential lock on paved surfaces.



CCI 102046601

⚠ WARNING

YOUNG DRIVERS INCREASE CHANCE OF DEATH

UNDER 16


- Young drivers may not be able to control vehicle.
- No drivers younger than 16 years old.
- Do not leave children unattended on vehicle.

CCI 102044601

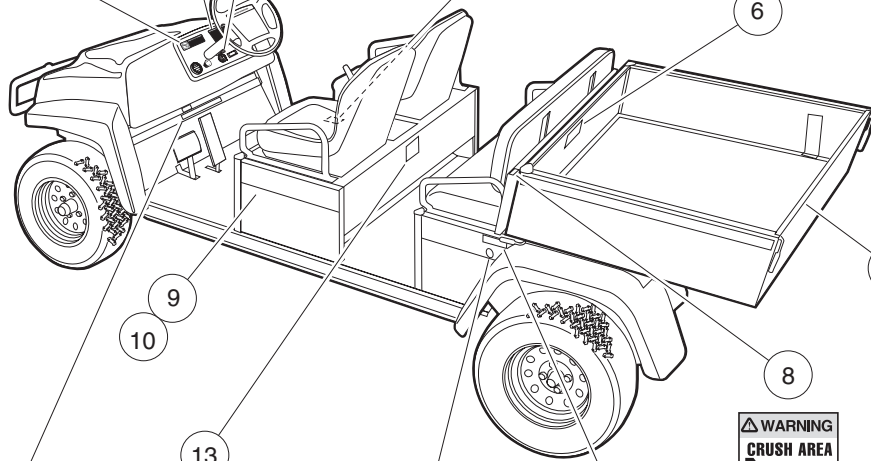


⚠ WARNING

Riding in cargo bed can cause severe injury or death. Do not ride in cargo bed.



CCI 101633901



⚠ WARNING

Failure to follow these instructions can cause severe injury or death.

- Remain seated with entire body inside vehicle and hold on to seat handle or handrail at all times.
- No more than two persons per seat.
- Do not leave children unattended on vehicle at anytime.
- Never stand in front of or behind vehicle.

CCI 1017057-01

⚠ WARNING

CRUSH AREA




STAY CLEAR

CCI 101609401

⚠ WARNING

Crush area. Can cause severe injury. Stay clear when closing bed.

LATCH OPEN



VEHICLE LOADING

Read Owner's Manual and warnings on dash.

- Vehicle rated capacity - 1300 lbs. on level surface only. Weight to include passengers, cargo bed load, and gross trailer weight. See owner's manual.
- Maximum cargo load - 500 lbs. Weight to include cargo bed load and gross trailer weight.
- Maximum trailer hitch tongue weight - 150 lbs.
- Cargo should be evenly spread over the floor of the cargo bed as far forward as possible and secured.
- For vehicle stability, when fully loaded, drive slowly and avoid stopping on or backing down steep hills.
- Avoid top heavy loads. See owner's manual.
- When driving on uneven terrain or down steep hills, reduce speed and load.

CCI 102274301

DECALS, CONTINUED – CARRYALL 472 VEHICLES

| ITEM | PART NO. | DESCRIPTION | QTY |
|------|-----------|--|-----|
| | | 1 2 3 4 | |
| 1 | 102044601 | Decal, Under Age Warning | 1 |
| 2 | 102029101 | Decal, Driver/Passenger Warning | 1 |
| 3 | 101825102 | Decal, Key Switch | 1 |
| 4 | 102224301 | Decal, Operating Instructions | 1 |
| 5 | 102046601 | Decal, Differential Lock Control Warning | 1 |
| 6 | 101553901 | Decal, Bed Load Warning | 1 |
| 7 | 102234901 | Decal, Club Car Tailgate | 1 |
| 8 | 101609401 | Decal, Crush Area Warning | 2 |
| 9 | 102334801 | Decal, Carryall 472 (driver side) (includes items 11 and 12) | 1 |
| 10 | 102334701 | Decal, Carryall 472 (passenger side) (includes item 11) | 1 |
| 11 | N/A | Decal, Ingersoll-Rand | 1 |
| 12 | 101543701 | Decal, Bed Latch Warning | 1 |
| 13 | 101705701 | Decal, Passenger Warning | 1 |
| 14 | 102274301 | Decal, Vehicle Loading | 1 |

3

G

WARNING



- GASOLINE EXPLOSION / FIRE.
- CAN CAUSE SEVERE INJURY OR DEATH.
- NO SMOKING, SPARKS, OR OPEN FLAME.
- STOP ENGINE, ALLOW TO COOL BEFORE REFUELING.
- TURN FUEL VALVE (↶) ON DURING OPERATION.
- (↷) OFF DURING STORAGE OR TRANSPORT.

CCI 101547601

(ON PASSENGER SIDE SEAT SUPPORT)

WARNING



Rotating Parts

CCI 102224901

(TOP OF PASSENGER SIDE FENDER)

WARNING

CAN CAUSE SEVERE INJURY



Rotating parts



HOT manifold & muffler

KEEP CLEAR CCI 1019605-01

(ON STARTER/GENERATOR AND ENGINE)


NOTICE

MAXIMUM TONGUE WEIGHT - 150 lbs.

CCI 1011553

(ON FRONT AND REAR RECEIVER HITCHES)

WARNING




WINCH CABLE FRACTURE COULD RESULT IN SERIOUS INJURY OR DEATH.

- Do not use winch while persons are seated on the vehicle.
- Use remote operation switch for winch control.
- Stand to the side and away from the vehicle to operate winch.
- Read winch operator manual before operating winch.

SVP146301

(ON SEAT SUPPORT PANEL)

WARNING



INCORRECT WIRING COULD RESULT IN SEVERE INJURY OR DEATH.

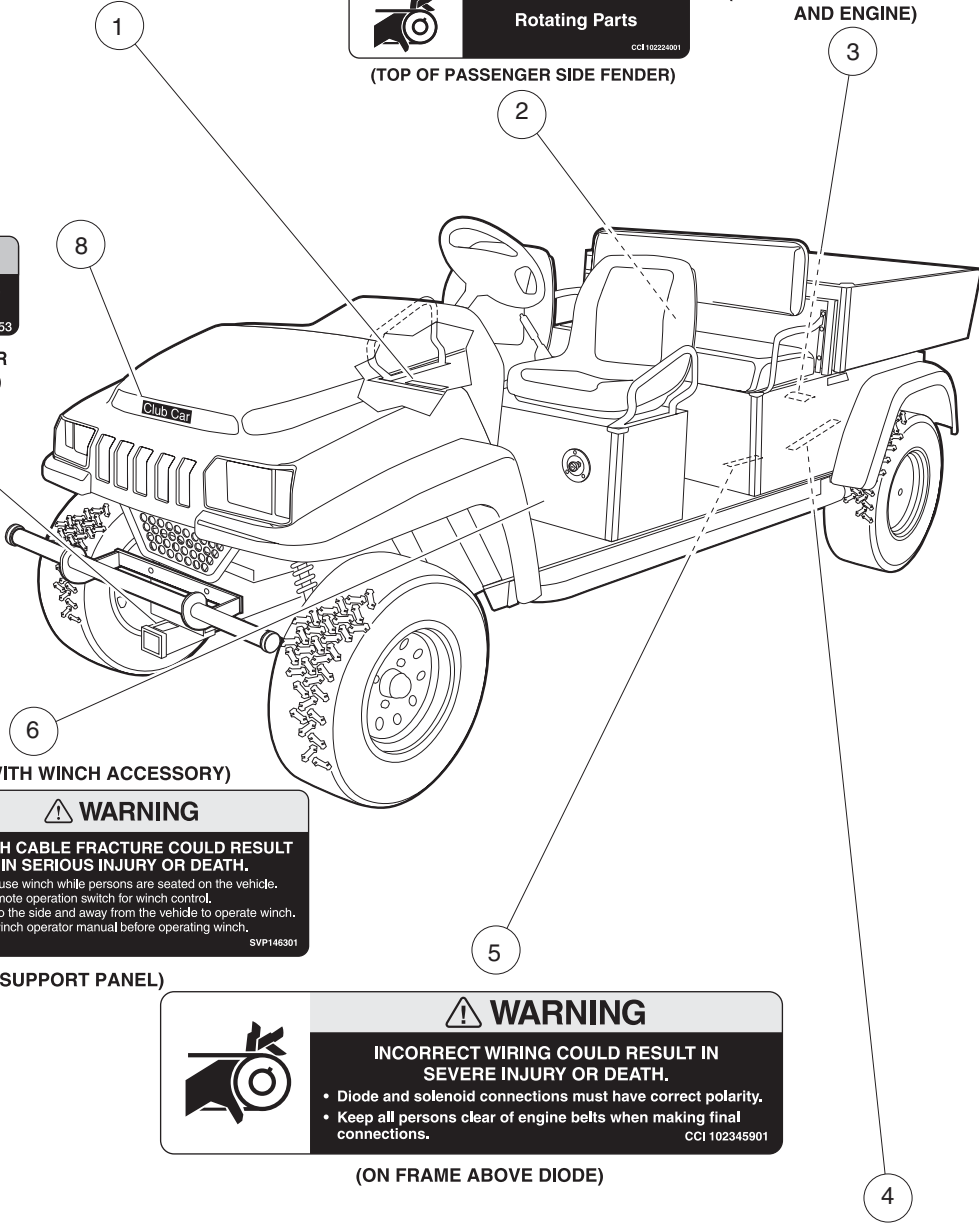
- Diode and solenoid connections must have correct polarity.
- Keep all persons clear of engine belts when making final connections.

CCI 102345901

(ON FRAME ABOVE DIODE)

| | | | |
|---|---|---|---|
|  | <p>WARNING</p> <p>Negative frame ground. Can cause severe injury. Do not contact positive (+) battery post or cable to frame. Disconnect negative battery lead first.</p> |  | <p>WARNING</p> <p>Excessive speed. Can cause severe injury or death. Do not tamper with engine governor adjustment.</p> <p>CCI 1019152-01</p> |
|---|---|---|---|

(ON FRAME)



DECALS, CONTINUED – CARRYALL 472 VEHICLES

| ITEM | PART NO. | DESCRIPTION | QTY |
|------|-----------|--|-----|
| | | 1 2 3 4 | |
| 1 | 101547601 | Decal, Gasoline Warning | 1 |
| 2 | 102224001 | Decal, Rotating Parts | 1 |
| 3 | 101960501 | Decal, Rotating Parts and Hot Manifold | 2 |
| 4 | 101915201 | Decal, Frame Ground | 1 |
| 5 | 102345901 | Decal, Diode Wiring (key-start vehicle only) | 1 |
| 6 | 102231601 | Decal, Winch Cable Warning | 1 |
| 7 | 1011553 | Decal, Trailer Hitch | 2 |
| 8 | 102228001 | Decal, Club Car | 1 |

3

G

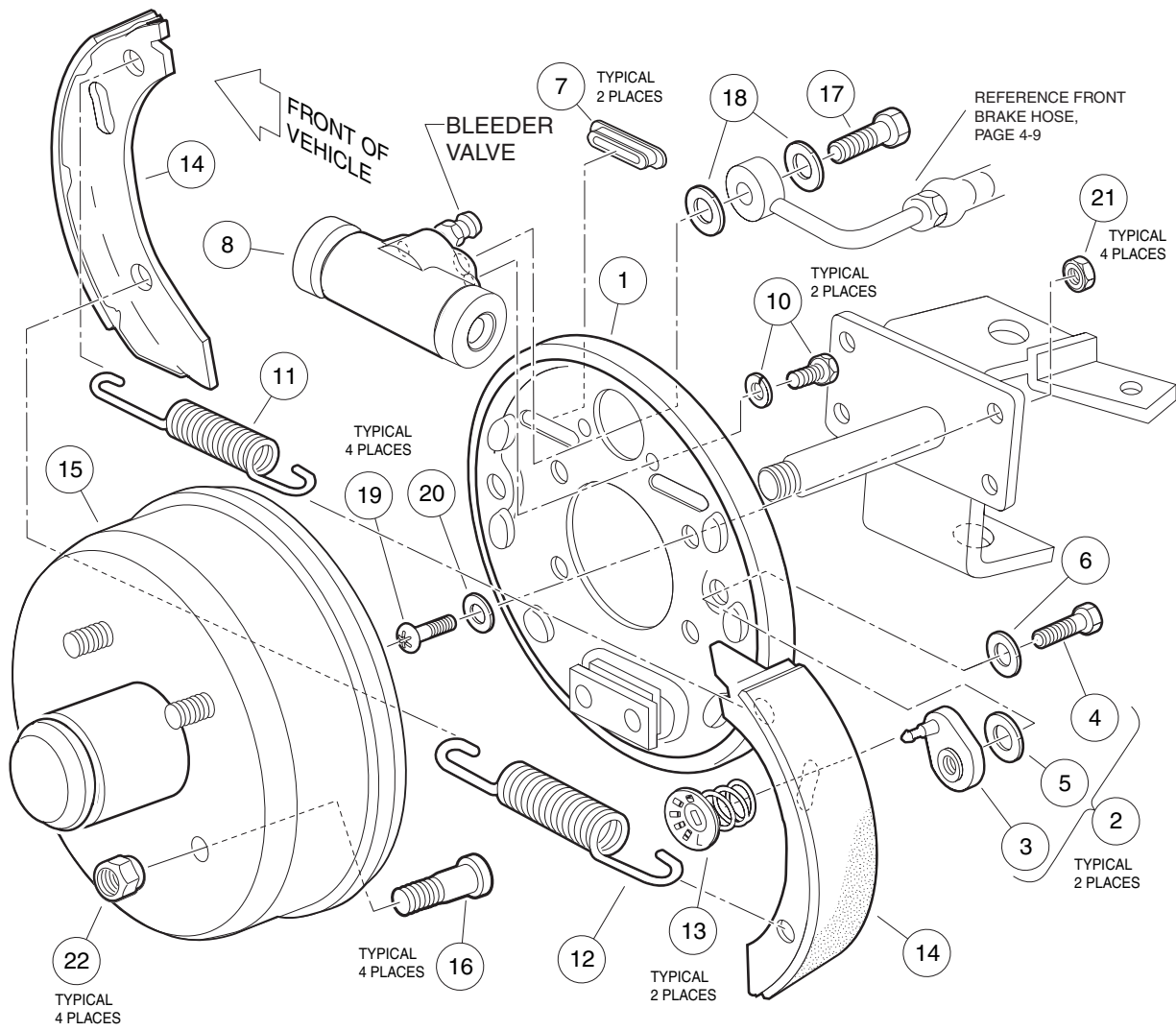
3

G

BRAKE SYSTEMS

4

G

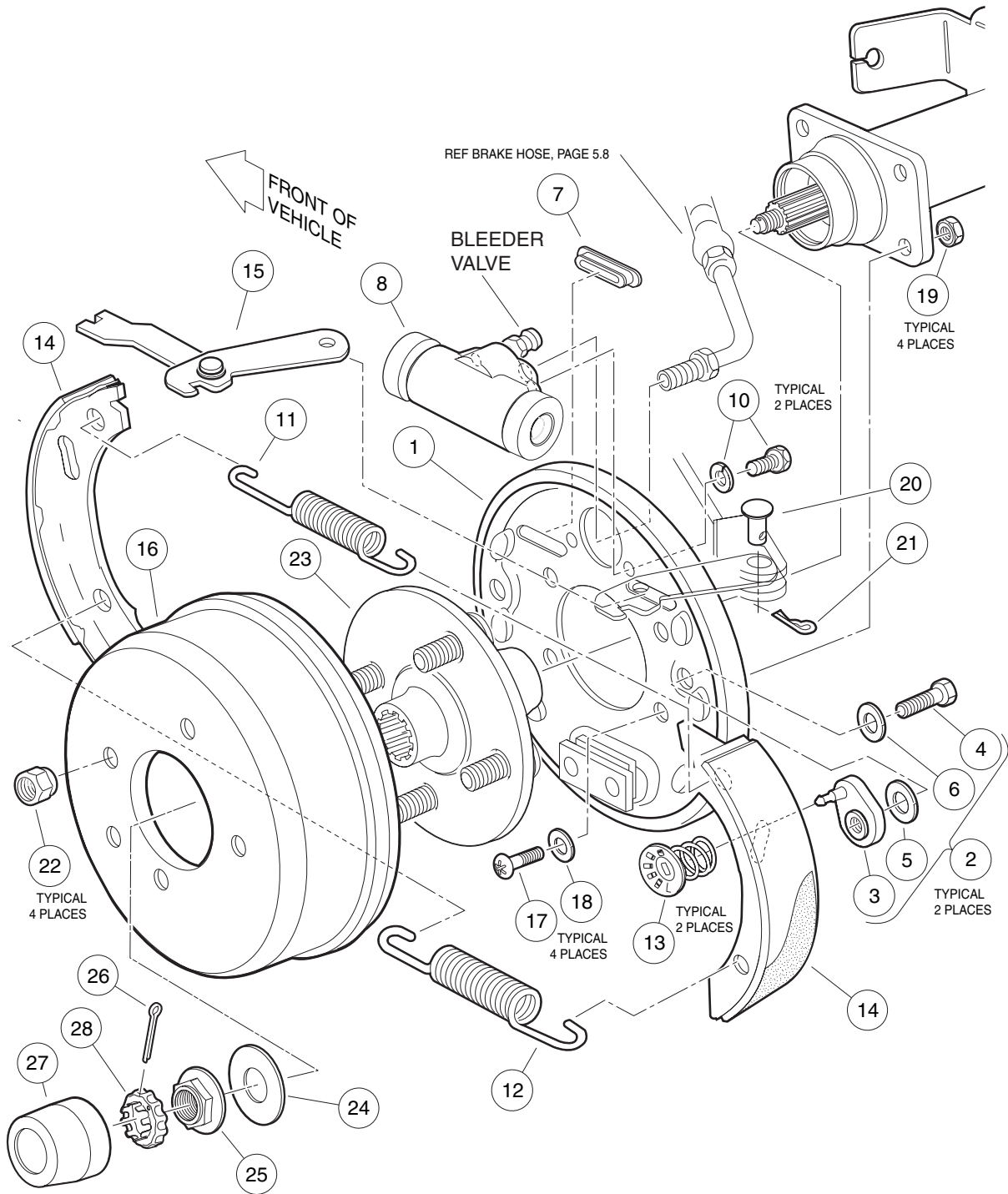


FRONT BRAKE ASSEMBLY

| ITEM | PART NO. | DESCRIPTION | QTY |
|------|-----------|--|-----|
| | | 1 2 3 4 | |
| | 102033301 | Cluster, Brake (includes items 1 - 14) | 2 |
| 1 | 102049401 | Plate, Backing | 1 |
| 2 | 102049601 | Kit, Adjuster, Axle (one kit will service both front brakes) (includes items 3 - 7) | 1 |
| 3 | 102049501 | Assembly, Adjuster Lever | 4 |
| 4 | 102049901 | Bolt, 1/4-28 x .31 | 4 |
| 5 | 102050001 | Washer, Bellville | 4 |
| 6 | N/A | Washer, Flat | 4 |
| 7 | 102050101 | Cover, Dust | 4 |
| 8 | 102050301 | Cylinder, Wheel, 5/8 | 1 |
| 9 | 102049701 | Kit, Axle Hardware (not shown) (includes items 10 - 13) | 1 |
| 10 | 102050401 | Bolt, Wheel Cylinder, Self-Locking, M6 x 1 | 2 |
| 11 | 102050601 | Spring, Shoe to Shoe (upper) | 1 |
| 12 | 102050501 | Spring, Shoe to Shoe (lower) | 1 |
| 13 | 102050701 | Hold-down, Shoe | 2 |
| 14 | 102050201 | Kit, Hydraulic Shoe (BPI 4070) (four shoes per kit) | 1 |
| 15 | 102044201 | Assembly, Brake Drum and Hub (includes item 16) | 2 |
| 16 | 1013787 | Stud, Lug, 1/2-20 | 4 |
| 17 | 102044401 | Bolt, Banjo, 3/8-24 | 2 |
| 18 | 102045501 | Washer, Copper | 4 |
| 19 | 102051001 | Screw, Torx Pan-Head, 5/16-24 x 1 | 8 |
| 20 | 1017233 | Washer, Flat, 5/16 | 8 |
| 21 | 1013924 | Nut, Hex-Head Lock, Grade 8, 5/16-24 | 8 |
| 22 | 1010984 | Nut, Lug | 8 |

4

G



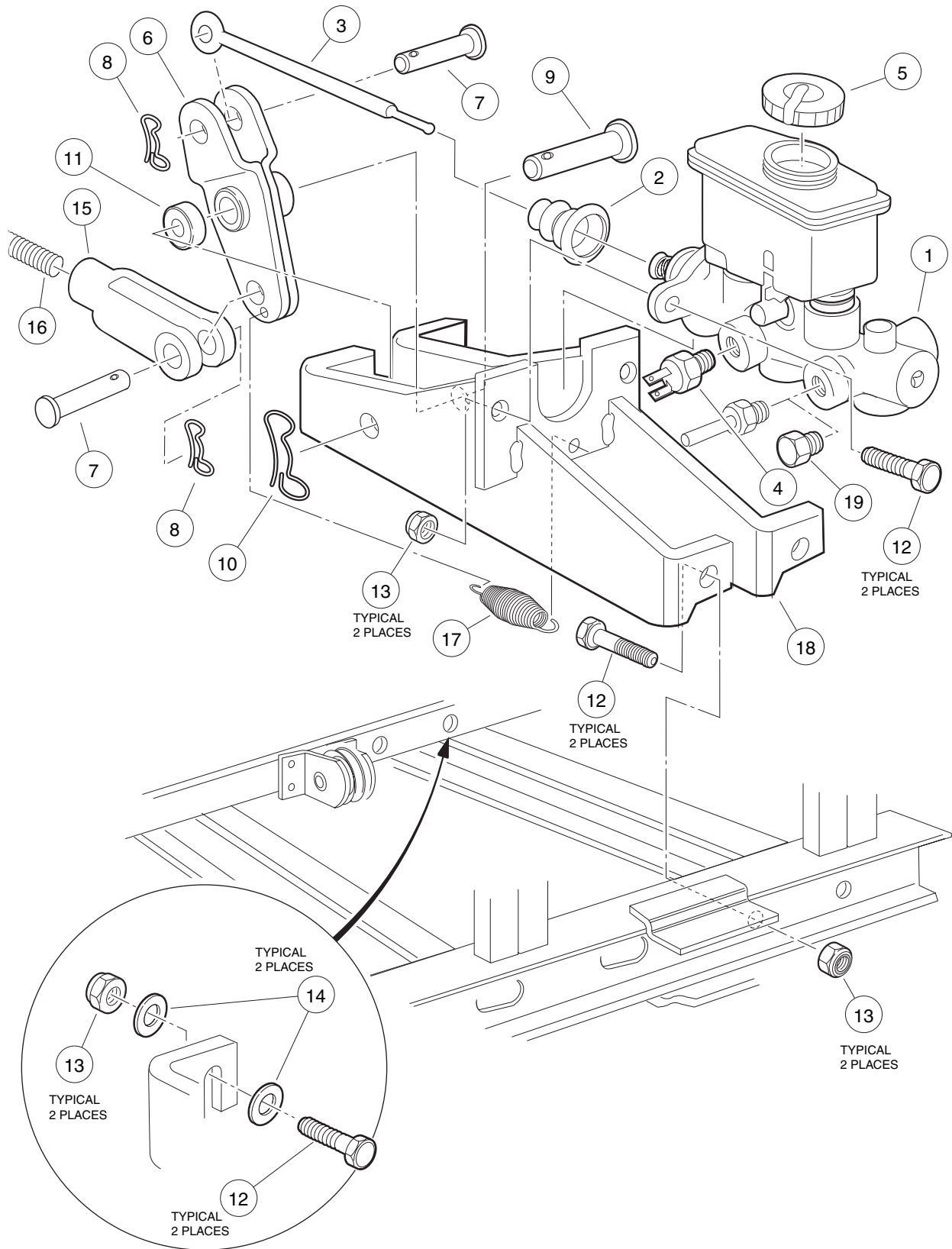
REAR BRAKE ASSEMBLY

| ITEM | PART NO. | DESCRIPTION | QTY |
|------|-----------|---|-----|
| | | 1 2 3 4 | |
| | 102033401 | Assembly, Brake, Driver-Side (includes items 1 - 15) | 1 |
| | 102033501 | Assembly, Brake, Passenger-Side (includes items 1 - 15) | 1 |
| 1 | 102049401 | Plate, Backing | 1 |
| 2 | 102049601 | Kit, Adjuster, Axle (one kit will service both rear brakes) (includes items 3 - 7) | 1 |
| 3 | 102049501 | Lever, Adjuster | 4 |
| 4 | 102049901 | Bolt, 1/4-28 x .31 | 4 |
| 5 | 102050001 | Washer, Bellville | 4 |
| 6 | N/A | Washer, Flat | 4 |
| 7 | 102050101 | Cover, Dust | 4 |
| 8 | 102050801 | Cylinder, Wheel, 7/8 | 1 |
| 9 | 102049701 | Kit, Axle Hardware (not shown) (includes items 10 - 13) | 1 |
| 10 | 102050401 | Bolt, Wheel Cylinder, Self-Locking, M6 x 1 | 2 |
| 11 | 102050601 | Spring, Shoe to Shoe (upper) | 1 |
| 12 | 102050501 | Spring, Shoe to Shoe (lower) | 1 |
| 13 | 102050701 | Hold-Down, Shoe | 2 |
| 14 | 102050201 | Kit, Hydraulic Shoe (BPI 4070) (four shoes per kit) | 1 |
| 15 | 102050901 | Lever, Park Brake, Passenger-Side | 1 |
| 15 | 102050902 | Lever, Park Brake, Driver-Side | 1 |
| 16 | 102264701 | Drum, Brake | 1 |
| 17 | 102051001 | Screw, Torx Pan-Head, 5/16-24 x 1 | 8 |
| 18 | 1017233 | Washer, Flat, 5/16 | 8 |
| 19 | 1013924 | Nut, Hex-Head Lock, Grade 8, 5/16-24 | 8 |
| 20 | 1010829 | Pin, Clevis, 5/16 | 2 |
| 21 | 1013366 | Pin, Hair Spring Cotter | 2 |
| 22 | 1010984 | Nut, Lug | 8 |
| 23 | 102269101 | Flange, Wheel Bolt | 2 |
| 24 | 102269301 | Washer, Flat | 2 |
| 25 | 102269201 | Nut, Washer | 2 |
| 26 | 101838801 | Pin, Cotter | 2 |
| 27 | 102274101 | Cap, Rubber Center | 2 |
| 28 | 102276001 | Cap, Locking | 2 |

4

G

4
G



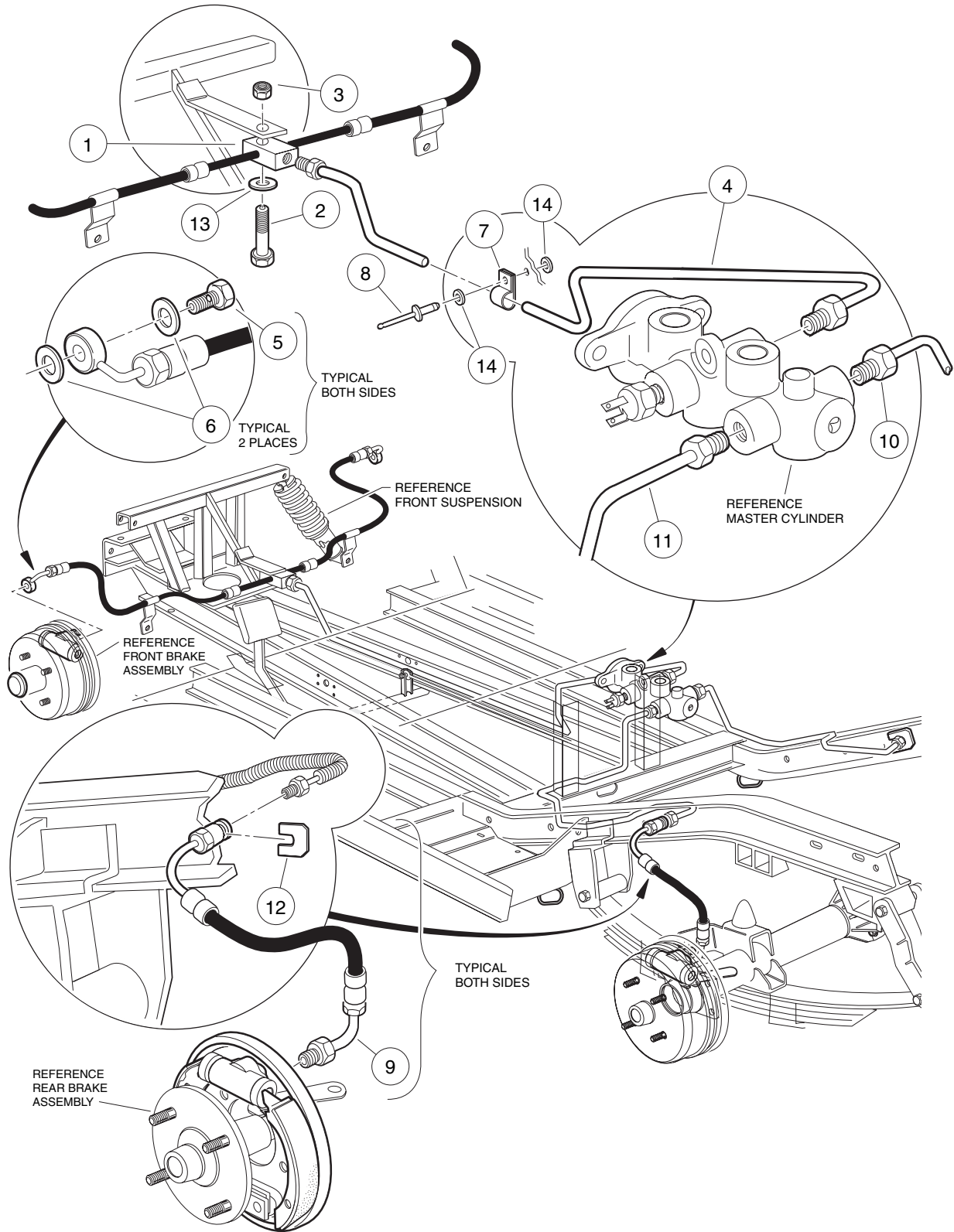
MASTER CYLINDER

| ITEM | PART NO. | DESCRIPTION | QTY |
|------|-----------|--|-----|
| | | 1 2 3 4 | |
| 1 | 102033201 | Assembly, Master Cylinder (includes items 2 - 5) | 1 |
| 2 | 102051101 | Boot | 1 |
| 3 | 102051201 | Rod, Push | 1 |
| 4 | 102051301 | Switch, Pressure | 1 |
| 5 | 102051401 | Cap, Filler | 1 |
| 6 | 102054201 | Crank, Bell (includes items 7 - 11) | 1 |
| 7 | N/A | Pin, Clevis, 3/8 x 1 5/16 | 2 |
| 8 | N/A | Pin, Bow Tie Locking..... | 2 |
| 9 | N/A | Pin, Clevis, 1/2 x 2 1/2 | 1 |
| 10 | N/A | Pin, Bow Tie .120 x 2.750 | 1 |
| 11 | N/A | Spacer (Not interchangeable with spacer 102057801) | 1 |
| 12 | 1010934 | Screw, Hex-Head Cap, 5/16-18 x 1 | 6 |
| 13 | 7473 | Nut, Nylon Lock, 5/16 | 6 |
| 14 | 1241 | Washer, Flat, Type A, 5/16 | 4 |
| 15 | 101806102 | Clevis, Rod | 1 |
| 16 | 101953105 | Rod, Equalizer | 1 |
| 17 | 1013531 | Spring, Brake Pedal Return | 1 |
| 18 | 102054401 | Bracket, Master Cylinder Mounting | 1 |
| 19 | 102339201 | Plug, 3/8-24 (Carryall 472 only) | 1 |

4

G

4
G

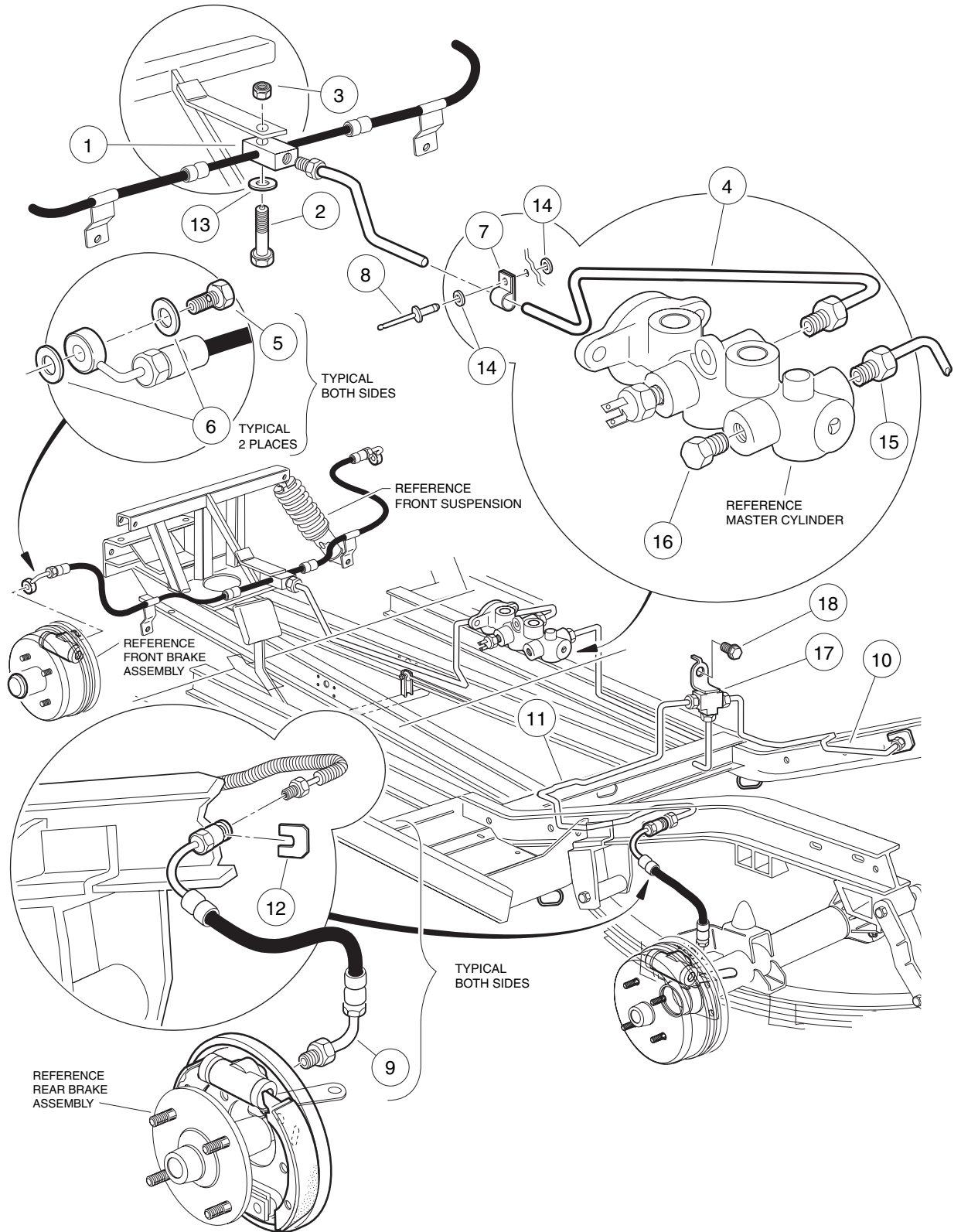


HYDRAULIC BRAKE SYSTEM – TURF 272 AND CARRYALL 272 VEHICLES

| ITEM | PART NO. | DESCRIPTION | QTY |
|------|-----------|---|-----|
| | | 1 2 3 4 | |
| 1 | 102032801 | Hose, Brake, Front | 1 |
| 2 | 7479 | Screw, Hex-Head Cap, 1/4-20 x 1-1/4 | 1 |
| 3 | 8233 | Nut, Nylon Lock, 1/4-20 | 1 |
| 4 | 102032901 | Line, Brake, Front | 1 |
| 5 | 102044401 | Bolt, Banjo, 3/8-24 | 2 |
| 6 | 102045501 | Washer, Copper | 4 |
| 7 | 102045801 | P-Clamp | 1 |
| 8 | 1014136 | Rivet, Pop, Stainless Steel, 3/16 x 1/2 | 1 |
| 9 | 102033101 | Hose, Brake, Rear | 2 |
| 10 | 102033001 | Line, Brake, Rear (passenger side) | 1 |
| 11 | 102044001 | Line, Brake, Rear (driver side) | 1 |
| 12 | 102045701 | Clip, Horseshoe | 2 |
| 13 | 1014007 | Washer, Flat, 1/4 | 1 |
| 14 | 183 | Washer, Flat, Type A, #10 | 2 |

4
G

4
G

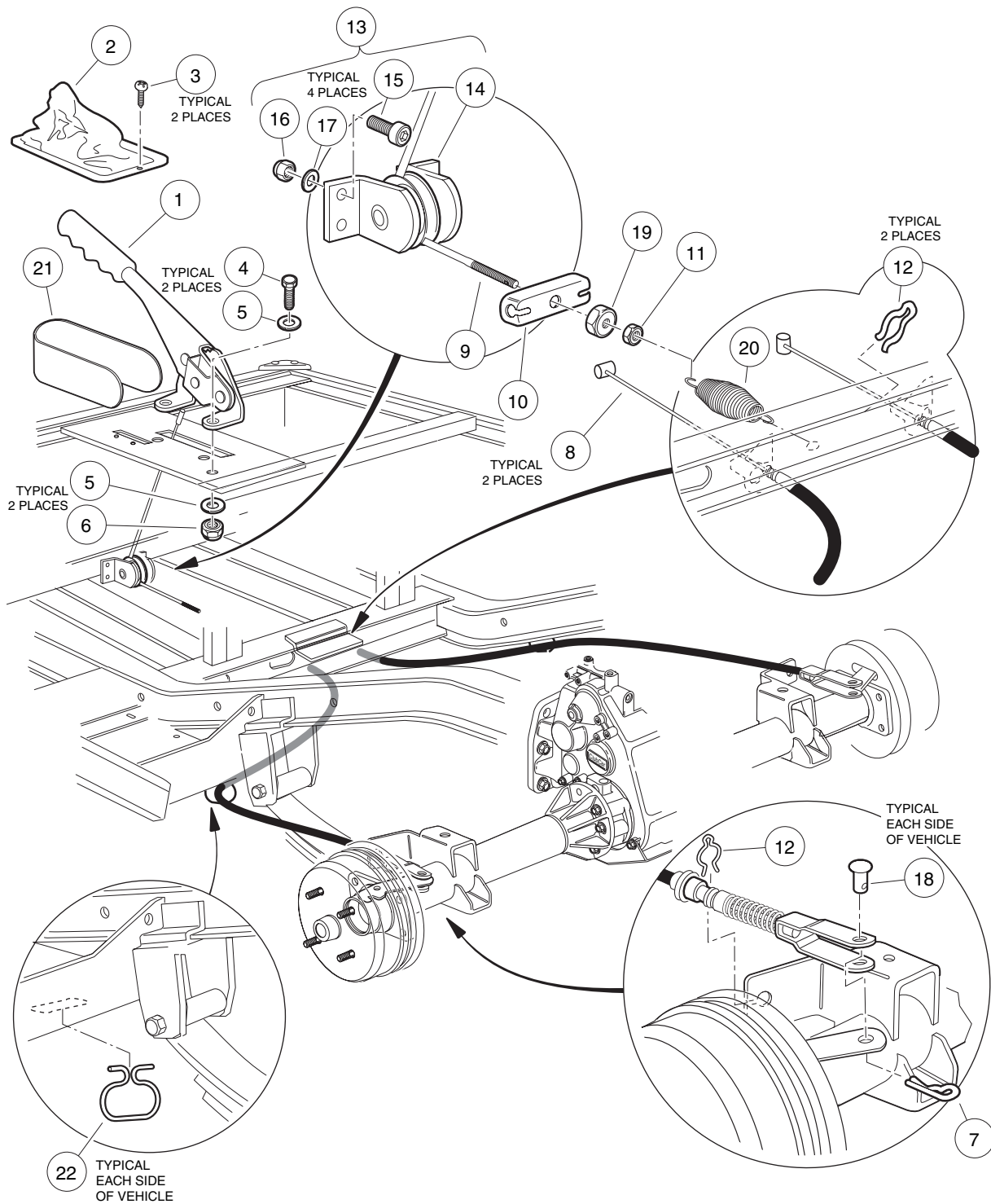


HYDRAULIC BRAKE SYSTEM – CARRYALL 472 VEHICLES

| ITEM | PART NO. | DESCRIPTION | QTY |
|------|-----------|---|-----|
| | | 1 2 3 4 | |
| 1 | 102032801 | Hose, Brake, Front | 1 |
| 2 | 7479 | Screw, Hex-Head Cap, 1/4-20 x 1-1/4 | 1 |
| 3 | 8233 | Nut, Nylon Lock, 1/4-20 | 1 |
| 4 | 102032901 | Line, Brake, Front | 1 |
| 5 | 102044401 | Bolt, Banjo, 3/8-24 | 2 |
| 6 | 102045501 | Washer, Copper | 4 |
| 7 | 102045801 | P-Clamp | 1 |
| 8 | 1014136 | Rivet, Pop, Stainless Steel, 3/16 x 1/2 | 1 |
| 9 | 102033101 | Hose, Brake, Rear | 2 |
| 10 | 102331701 | Line, Brake, Rear (passenger side) | 1 |
| 11 | 102331801 | Line, Brake, Rear (driver side) | 1 |
| 12 | 102045701 | Clip, Horseshoe | 2 |
| 13 | 1014007 | Washer, Flat, 1/4 | 1 |
| 14 | 183 | Washer, Flat, Type A, #10 | 2 |
| 15 | 102331601 | Line, Brake Supply (master cylinder to tee) | 1 |
| 16 | 102339201 | Plug, 3/8-24 | 1 |
| 17 | 102333301 | Tee, Brake, 3/8 | 1 |
| 18 | 1012285 | Screw, Hex Washer-Head, 1/4-20 x 5/8 | 1 |

4
G

4
G



HAND PARK BRAKE ASSEMBLY

| ITEM | PART NO. | DESCRIPTION | QTY |
|------|-----------|---|-----|
| | | 1 2 3 4 | |
| 1 | 102170901 | Lever, Park Brake | 1 |
| 2 | 102033701 | Boot, Park Brake Lever | 1 |
| 3 | 101832001 | Screw, Phillips-Head, 5/16-18 | 2 |
| 4 | 705 | Screw, Hex-Head Cap, 3/8-16 x 1-1/4 | 2 |
| 5 | 1011990 | Washer, Flat, 3/8 | 4 |
| 6 | 8754 | Nut, Nylon Lock, 3/8-16 | 2 |
| 7 | 1013366 | Pin, Hair Spring Cotter | 2 |
| 8 | 102033901 | Cable, Park Brake, Long | 2 |
| 9 | 102247201 | Cable, Park Brake, Short (Turf 272 and Carryall 272 Vehicles) | 1 |
| 9 | 102331201 | Cable, Park Brake (Carryall 472 Vehicles) | 1 |
| 10 | 102052701 | Equalizer | 1 |
| 11 | 102160501 | Nut, Hex, 5/16-24 | 1 |
| 12 | 102028401 | Clip, Park Brake Cable | 4 |
| 13 | 102242701 | Kit, Pulley (includes items 14 - 17) | 1 |
| 14 | 102028302 | Pulley, Flat Mount, 2-inch | 1 |
| 15 | 101260202 | Screw, Socket-Head, #10-24 x .75 | 4 |
| 16 | 1012438 | Nut, Nylon Lock, #10-24 | 4 |
| 17 | 183 | Washer, Flat, Type A, #10 | 4 |
| 18 | 1010829 | Pin, Clevis, 5/16 | 2 |
| 19 | 102052801 | Nut, Hex Cone, 5/16-24 | 1 |
| 20 | 1013531 | Spring | 1 |
| 21 | N/A | Shield, Boot | 1 |
| 22 | 101900802 | Hanger, Brake Cable..... | 2 |

4

G

4

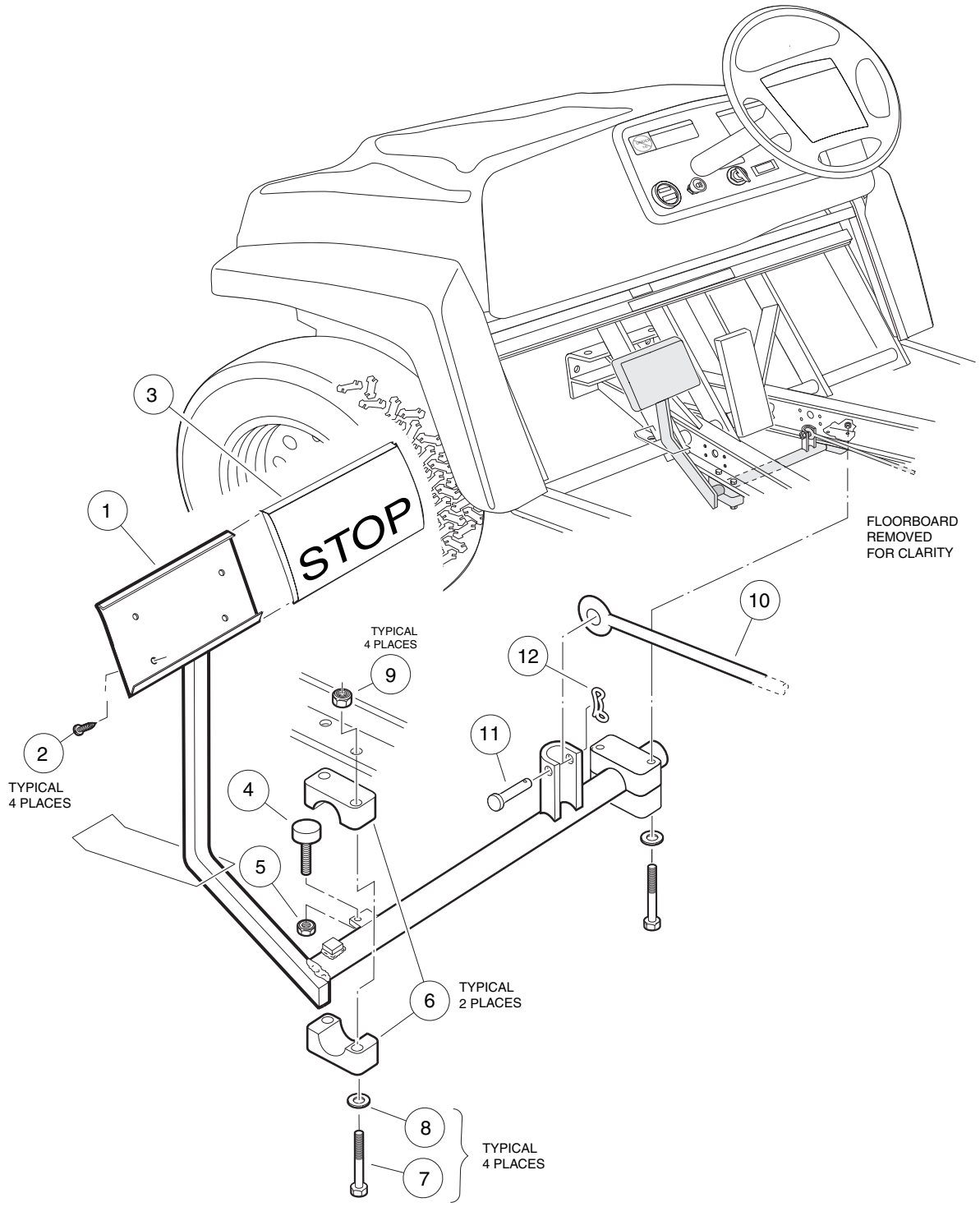
G

PEDAL GROUP

5

G

5
G

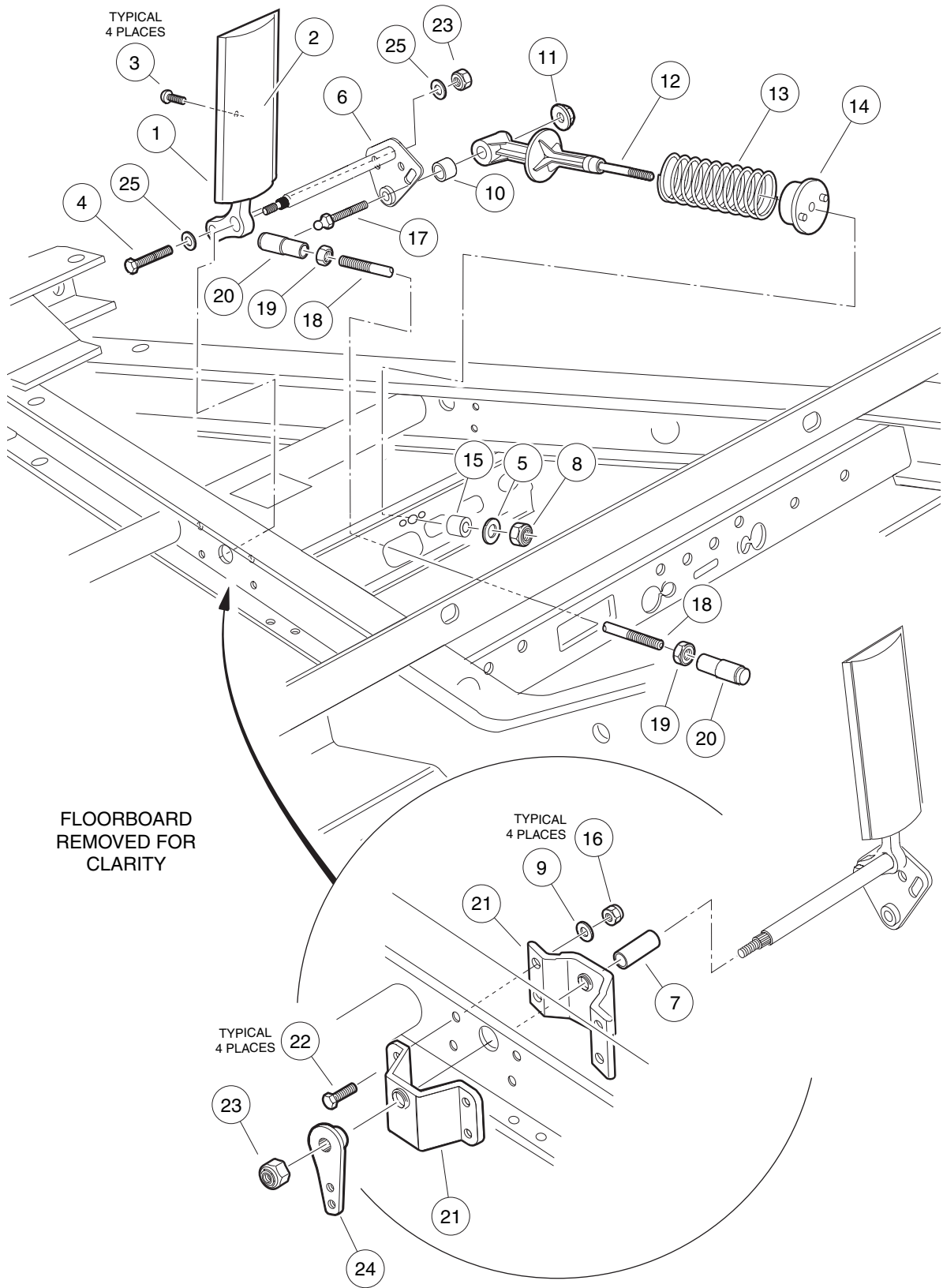


BRAKE PEDAL ASSEMBLY

| ITEM | PART NO. | DESCRIPTION | QTY |
|------|-----------|--|-----|
| | | 1 2 3 4 | |
| 1 | 102028901 | Assembly, Brake Pedal (includes items 2 - 5) | 1 |
| 2 | 7716 | Screw, Slotted Hex Washer-Head, #10-16 x 1/2 | 4 |
| 3 | 102028601 | Pad, Brake Pedal | 1 |
| 4 | 1010878 | Bumper, Rubber | 1 |
| 5 | 1028 | Nut, Hex, 1/4-20 | 1 |
| 6 | 1011402 | Package, Brake Mounting Block (contains upper and lower for driver and passenger sides) | 1 |
| 7 | 1010921 | Screw, Hex-Head Cap, 5/16-18 x 2-1/2 | 4 |
| 8 | 1241 | Washer, Flat, 5/16 | 4 |
| 9 | 7473 | Nut, Nylon Lock, 5/16-18 | 4 |
| 10 | 101953105 | Rod, Equalizer | 1 |
| 11 | 102323201 | Pin, Clevis, 5/16 | 1 |
| 12 | 102292801 | Pin, Bow Tie Locking | 1 |

5
G

5
G



ACCELERATOR PEDAL ASSEMBLY

| ITEM | PART NO. | DESCRIPTION | QTY |
|------|-----------|--|-----|
| | | 1 2 3 4 | |
| 1 | 1017696 | Assembly, Accelerator Pedal (includes item 2 and 3) | 1 |
| 2 | 1013871 | Pad, Pedal | 1 |
| 3 | 7716 | Screw, Slotted Hex Washer-Head, #10-16 x 1/2 | 4 |
| 4 | 1624 | Screw, Hex-Head Cap, 3/8-16 x 1-1/2 | 1 |
| 5 | 1241 | Washer, Flat, 5/16 | 1 |
| 6 | 102026001 | Kit, Accelerator Pivot Rod (includes item 7) | 1 |
| 7 | 1011700 | Spacer | 1 |
| 8 | 7473 | Nut, Nylon Lock, 5/16-18 | 1 |
| 9 | 332 | Washer, Flat, Type A, 1/4 | 4 |
| 10 | 1017424 | Bearing, Pivot Support | 1 |
| 11 | 101966901 | Nut, Flanged Lock, 1/4-28 | 1 |
| 12 | 101817401 | Retainer, Spring | 1 |
| 13 | 101796201 | Spring, Return | 1 |
| 14 | 1017378 | Cup, Spring | 1 |
| 15 | 1017380 | Bumper, Return Spring | 1 |
| 16 | 8233 | Nut, Nylon Lock, 1/4-20 | 4 |
| 17 | 101818801 | Stud, Ball | 1 |
| 18 | 101822001 | Assembly, Accelerator Rod (Turf/Carryall 272) (includes items 19 and 20) | 1 |
| 18 | 101674702 | Assembly, Accelerator Rod (Carryall 472) (includes items 19 and 20) | 1 |
| 19 | 1011084 | Nut, UNF Hex Jam, 1/4-28 | 2 |
| 20 | 1011734 | Joint, Spring-Loaded Ball | 2 |
| 21 | 1011694 | Support, Accelerator Pivot Rod | 2 |
| 22 | 101861901 | Screw, Hex-Head Cap, 1/4-20 x 1-1/8 | 4 |
| 23 | 8754 | Nut, Nylon Lock, 3/8-16 | 2 |
| 24 | 101916901 | Spacer, Ratchet Support | 1 |
| 25 | 334 | Washer, Flat, 3/8 | 2 |

5

G

5

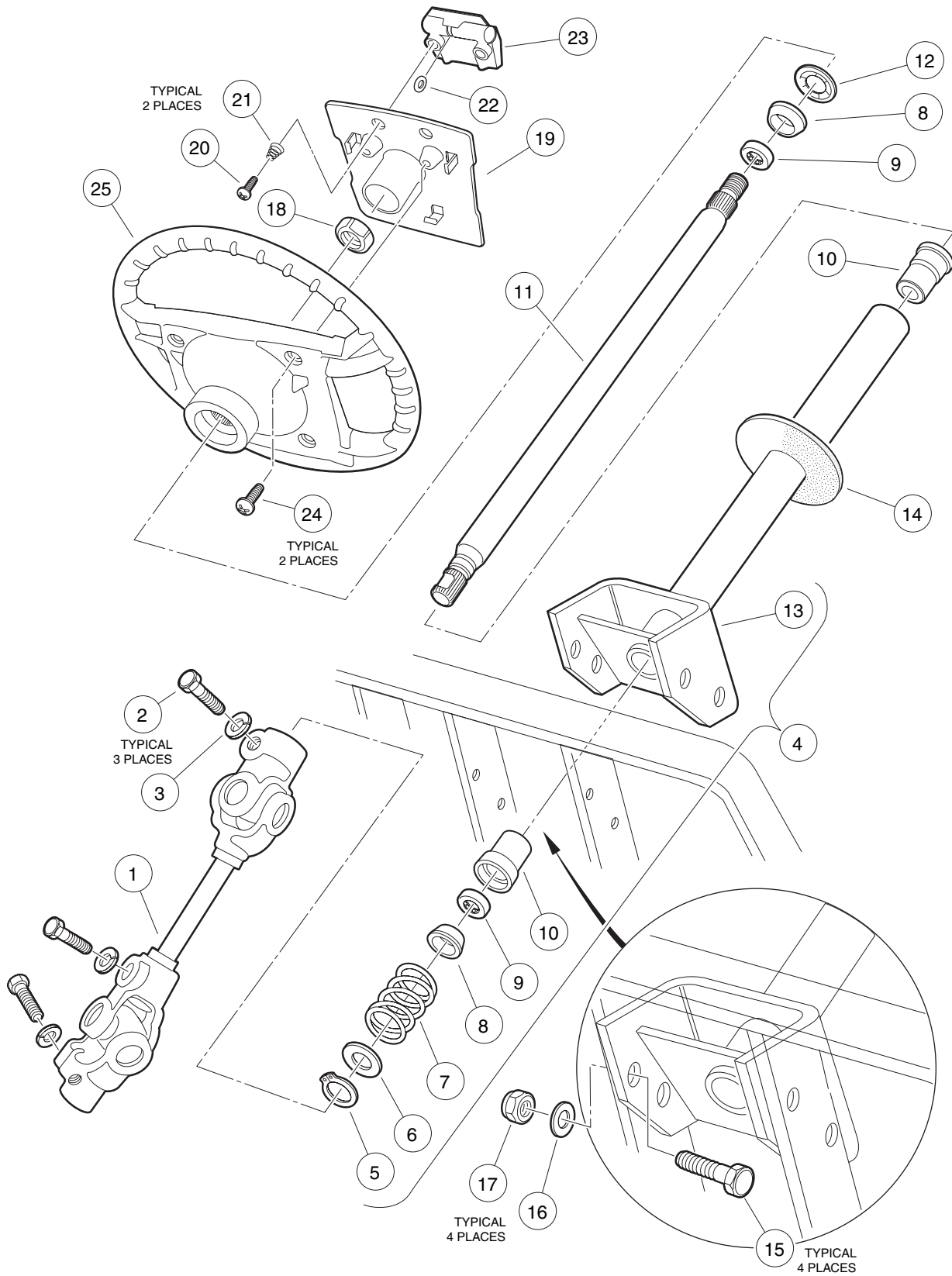
G

STEERING, FRONT AND REAR SUSPENSION

6

G

6
G

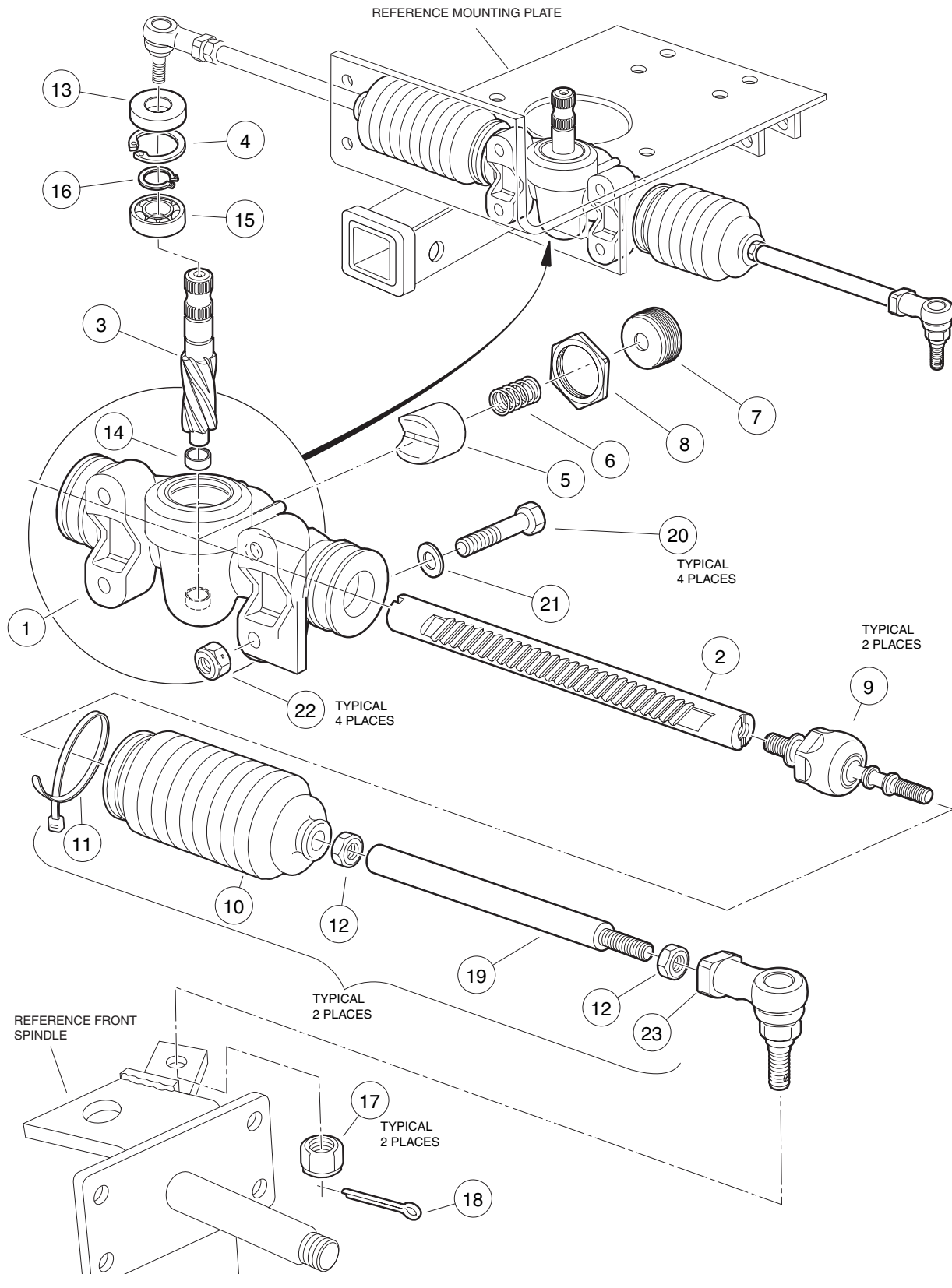


STEERING COLUMN

| ITEM | PART NO. | DESCRIPTION | QTY |
|------|-----------|--|-----|
| | | 1 2 3 4 | |
| 1 | 102010201 | Joint, Steering (includes items 2 and 3) | 1 |
| 2 | 1017226 | Screw, Hex-Head Cap, M8 x 1.25 x 30 mm | 3 |
| 3 | 7174 | Washer, Lock, 5/16 | 3 |
| 4 | 102013101 | Assembly, Steering Column (includes items 5 - 13) | 1 |
| 5 | 1012605 | Ring, Retaining | 1 |
| 6 | 1012604 | Washer, Steel, 5/8 | 1 |
| 7 | 1014217 | Spring, Compression | 1 |
| 8 | 1014125 | Wedge | 2 |
| 9 | 1014213 | Assembly, Bearing | 2 |
| 10 | 1014126 | Seat, Bearing | 2 |
| 11 | 1017315 | Shaft, Steering Column | 1 |
| 12 | 1014214 | Ring, Retaining | 1 |
| 13 | 102013001 | Weldment, Steering Column | 1 |
| 14 | 102278001 | Boot, Steering Column | 1 |
| 15 | 320 | Screw, Hex-Head Cap, 3/8-16 x 1 | 4 |
| 16 | 334 | Washer, Flat, Type A, 3/8 | 4 |
| 17 | 8754 | Nut, Nylon Lock, 3/8-16 | 4 |
| 18 | 1017273 | Nut, Nylon Lock, 5/8-18 | 1 |
| 19 | 1016219 | Assembly, Scorecard Plate (includes items 20 - 23) | 1 |
| 20 | 1012565 | Screw, Round-Head, #12-14 x 1 | 2 |
| 21 | 1012566 | Spring, Tapered Compression | 2 |
| 22 | 1016214 | Grip, Pencil | 1 |
| 23 | 1016154 | Clip, Scorecard | 1 |
| 24 | 1016663 | Screw, Phillips, Type A, #12-14 x 5/8 | 2 |
| 25 | 1016156 | Wheel, Steering | 1 |

6

G



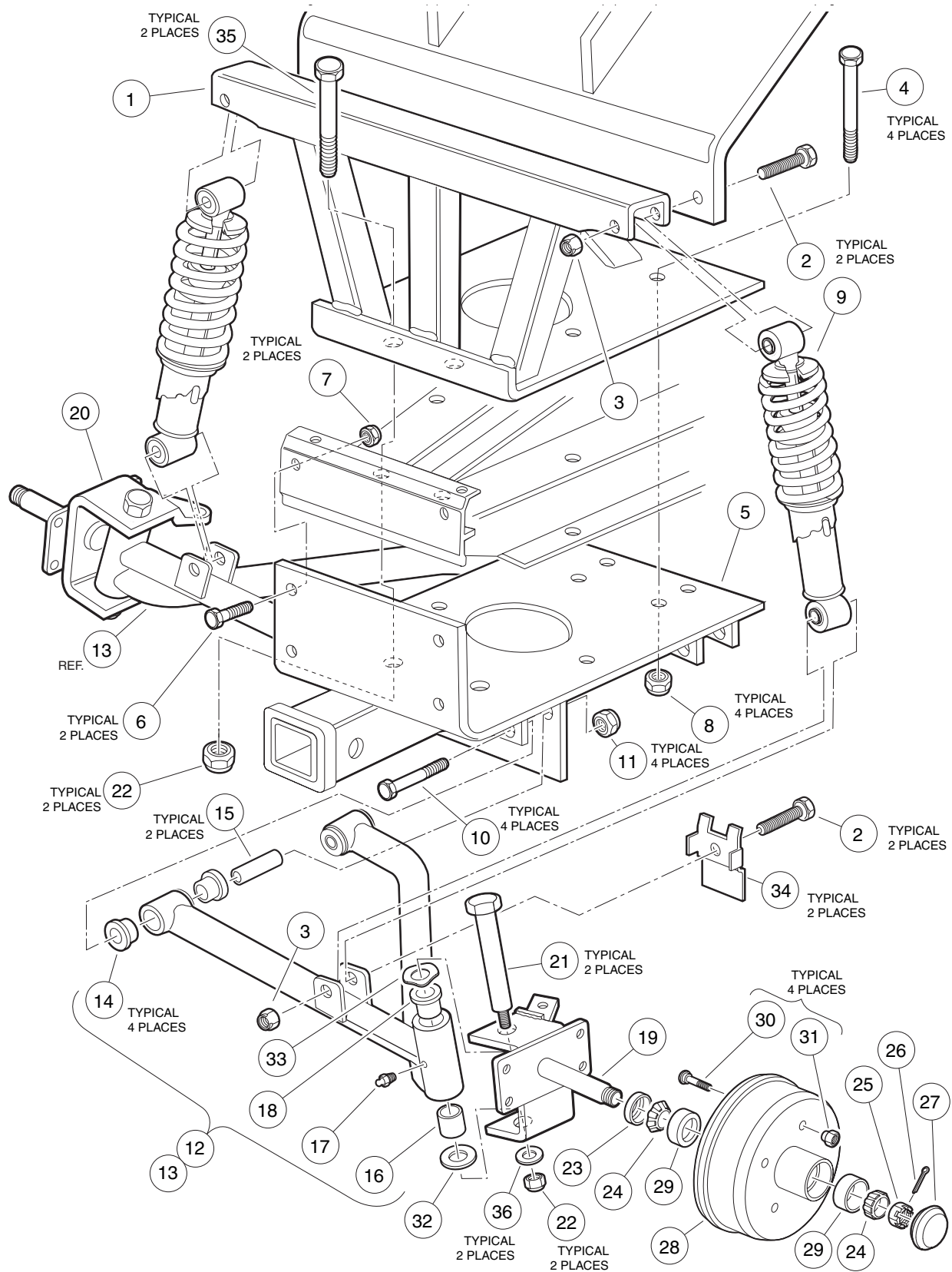
STEERING GEAR ASSEMBLY

| ITEM | PART NO. | DESCRIPTION | QTY |
|------|-----------|---|-----|
| | | 1 2 3 4 | |
| | 102010101 | Assembly, Steering Gear Box (includes items 1 - 16) | 1 |
| 1 | N/A | Box, Steering Gear | 1 |
| 2 | N/A | Rack, Steering | 1 |
| 3 | N/A | Pinion, Steering | 1 |
| 4 | 1013051 | Ring, Snap | 1 |
| 5 | 101879701 | Guide, Steering Rack | 1 |
| 6 | 101879801 | Spring, Yoke | 1 |
| 7 | N/A | Screw, Rack Guide | 1 |
| 8 | 1013044 | Nut, Hex Jam, M30 x 2 | 1 |
| 9 | 101880201 | Assembly, Inner Ball Joint | 2 |
| 10 | 1013035 | Seal, Dust | 2 |
| 11 | 8990 | Tie, Wire | 2 |
| 12 | 1013042 | Nut, Hex Jam, M12 x 1.25 | 4 |
| 13 | 1013052 | Seal, Dust, Steering Pinion | 1 |
| 14 | N/A | Bearing, Lower Pinion | 1 |
| 15 | 101879401 | Bearing, Upper Pinion | 1 |
| 16 | 101879901 | Ring, C-Type Stop | 1 |
| 17 | 102022901 | Nut, Nylon Lock, M12 x 1.25 | 2 |
| 18 | 102023301 | Pin, Cotter | 2 |
| 19 | 102022801 | Link, Rack and Pinion Drag | 2 |
| 20 | 1624 | Screw, Hex-Head Cap, 3/8-16 x 1-1/2 | 4 |
| 21 | 334 | Washer, Flat, Type A, 3/8 | 4 |
| 22 | 1010138 | Nut, Dimpled Lock, 3/8-16 | 4 |
| 23 | 102022601 | Joint, Ball | 2 |

6

G

6
G

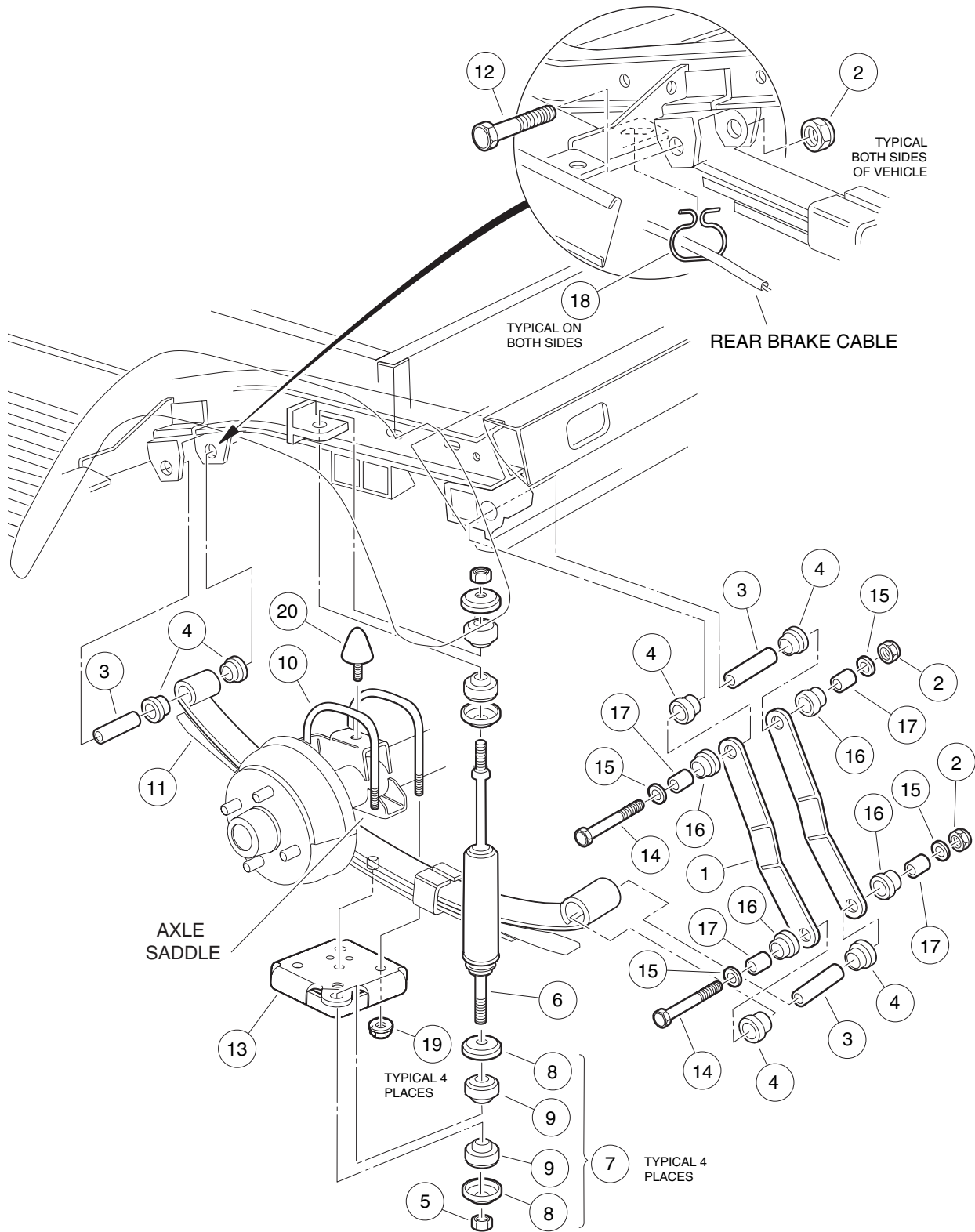


FRONT SUSPENSION

| ITEM | PART NO. | DESCRIPTION | QTY |
|------|-----------|--|-----|
| | | 1 2 3 4 | |
| 1 | 102012301 | Tower, Shock | 1 |
| 2 | 102023101 | Screw, Hex-Head Cap, 7/16-14 x 2-1/4 | 4 |
| 3 | 1014555 | Nut, Nylon Lock, 7/16-14 | 4 |
| 4 | 7270 | Screw, Hex-Head Cap, 3/8-16 x 4-1/2 | 4 |
| 5 | 102016801 | Plate, Suspension Mounting | 1 |
| 6 | 1010934 | Screw, Hex-Head Cap, 5/16-18 x 1 | 2 |
| 7 | 7473 | Nut, Nylon Lock, 5/16-18 | 2 |
| 8 | 8754 | Nut, Nylon Lock, 3/8-16 | 4 |
| 9 | 102017601 | Shock, Coil Over | 2 |
| 10 | 1016387 | Screw, Hex-Head Cap, 3/8-16 x 2-3/4 | 4 |
| 11 | 8754 | Nut, Nylon Lock, 3/8-16 | 4 |
| 12 | 102052401 | Assembly, A-Arm, Driver-Side (includes items 14 - 18) | 1 |
| 13 | 102052301 | Assembly, A-Arm, Passenger-Side (includes items 14 - 18) | 1 |
| 14 | 1016346 | Bushing, Urethane | 4 |
| 15 | 102066701 | Sleeve, Steel | 2 |
| 16 | 8067 | Bushing, Bronze Spindle..... | 1 |
| 17 | 1015597 | Fitting, Grease, Thread-Forming, 1/4-28 | 1 |
| 18 | 7048 | Bushing, Bronze | 1 |
| 19 | 102016701 | Spindle, Driver-Side | 1 |
| 20 | 102016501 | Spindle, Passenger-Side | 1 |
| 21 | 102048601 | Bolt, Kingpin | 2 |
| 22 | 101903101 | Nut, Nylon Lock, 1/2-20 | 4 |
| 23 | 102023001 | Seal, Double Lip | 2 |
| 24 | 102013701 | Bearing, Hub | 4 |
| 25 | 102013801 | Nut, Slotted Hex | 2 |
| 26 | 101838801 | Pin, Cotter, 5/32 x 1-1/4 | 2 |
| 27 | 102013601 | Cover, Dust | 2 |
| 28 | 102044201 | Assembly, Brake Drum (includes items 29 and 30) | 2 |
| 29 | N/A | Cup, Bearing | 2 |
| 30 | 1013787 | Stud, Lug, 1/2-20 | 4 |
| 31 | 1010984 | Nut, Lug, 1/2-20 | 8 |
| 32 | 1010150 | Bearing, Thrust | 2 |
| 33 | 1016389 | Washer, Kingpin Wave | 2 |
| 34 | 102100001 | Stop, Steering | 2 |
| 35 | 102067001 | Screw, Hex-Head Cap, 1/2-20 x 4-1/2 | 2 |
| 36 | 1010028 | Washer, Flat, 1/2 | 2 |

6

G



REAR SUSPENSION

| ITEM | PART NO. | DESCRIPTION | QTY |
|------|-----------|--|-----|
| | | 1 2 3 4 | |
| 1 | 102256901 | Shackle, Rear Spring | 4 |
| 2 | 8754 | Nut, Nylon Lock, 3/8-16 | 6 |
| 3 | 1012303 | Bushing, Steel | 6 |
| 4 | 1015583 | Bushing, Urethane | 12 |
| 5 | 1010145 | Nut, UNF Hex, 3/8-24 | 4 |
| 6 | 102267301 | Shock Absorber, Rear | 2 |
| 7 | 1011415 | Kit, Shock Absorber Cushion (includes items 8 and 9) | 4 |
| 8 | N/A | Retainer, Shock Absorber Cushion | 2 |
| 9 | N/A | Cushion, Shock Absorber | 2 |
| 10 | 102258801 | U-Bolt | 4 |
| 11 | 102006501 | Spring, Rear Four-leaf | 2 |
| 12 | 102066201 | Screw, Hex-Head Cap, Grade 8, 3/8-16 x 3-1/2 | 2 |
| 13 | 102266301 | Pad, Spring | 2 |
| 14 | 7270 | Screw, Hex-Head Cap, 3/8-16 x 4-1/2 | 4 |
| 15 | 808 | Washer, Flat, 3/8 | 8 |
| 16 | 1015453 | Mount, Compression | 8 |
| 17 | 102045601 | Spacer | 8 |
| 18 | 101900802 | Hanger, Brake Cable | 2 |
| 19 | 102065001 | Nut, Flanged, 7/16-14 | 8 |
| 20 | 102188701 | Stop, Axle | 2 |

6

G

6

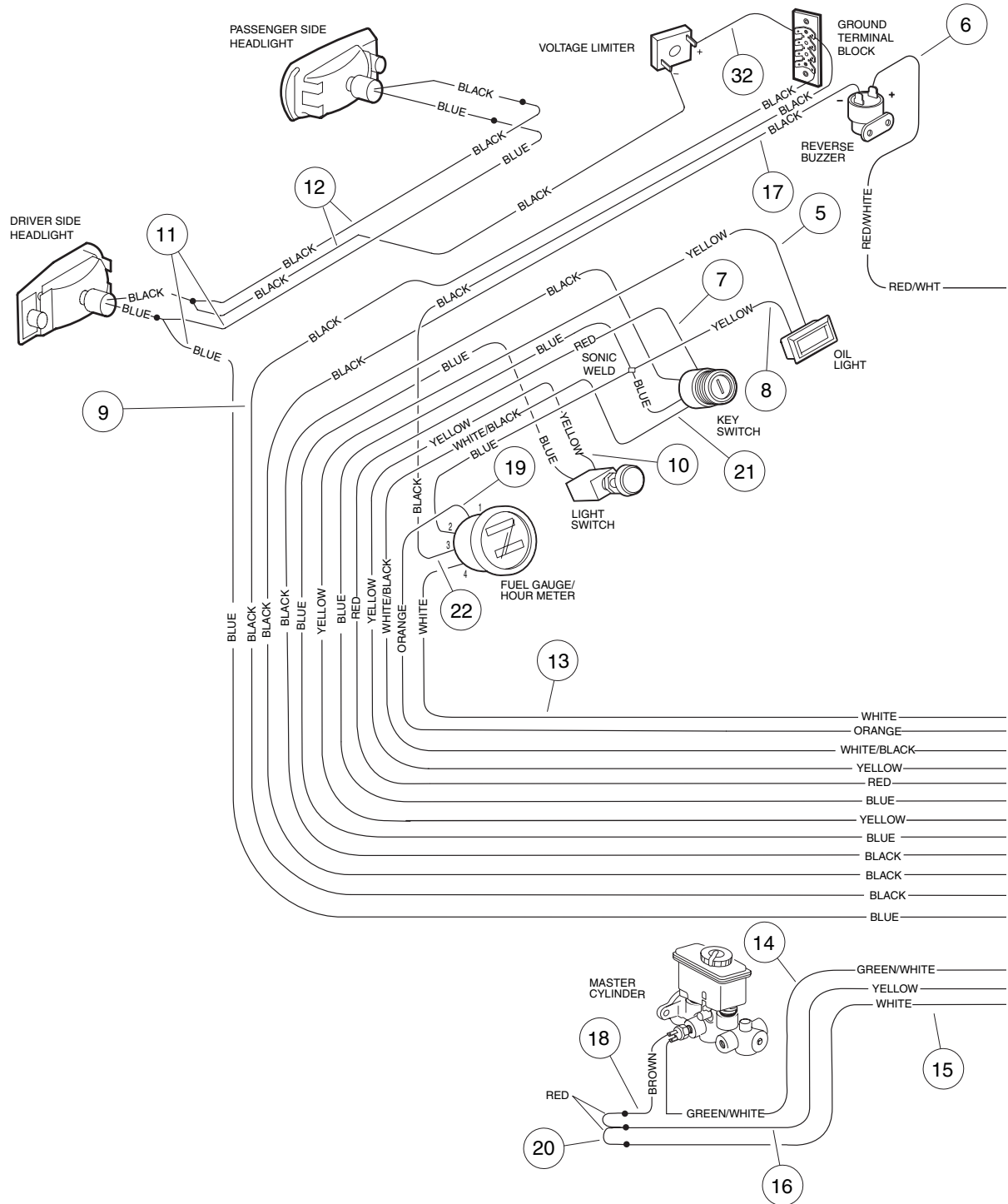
G

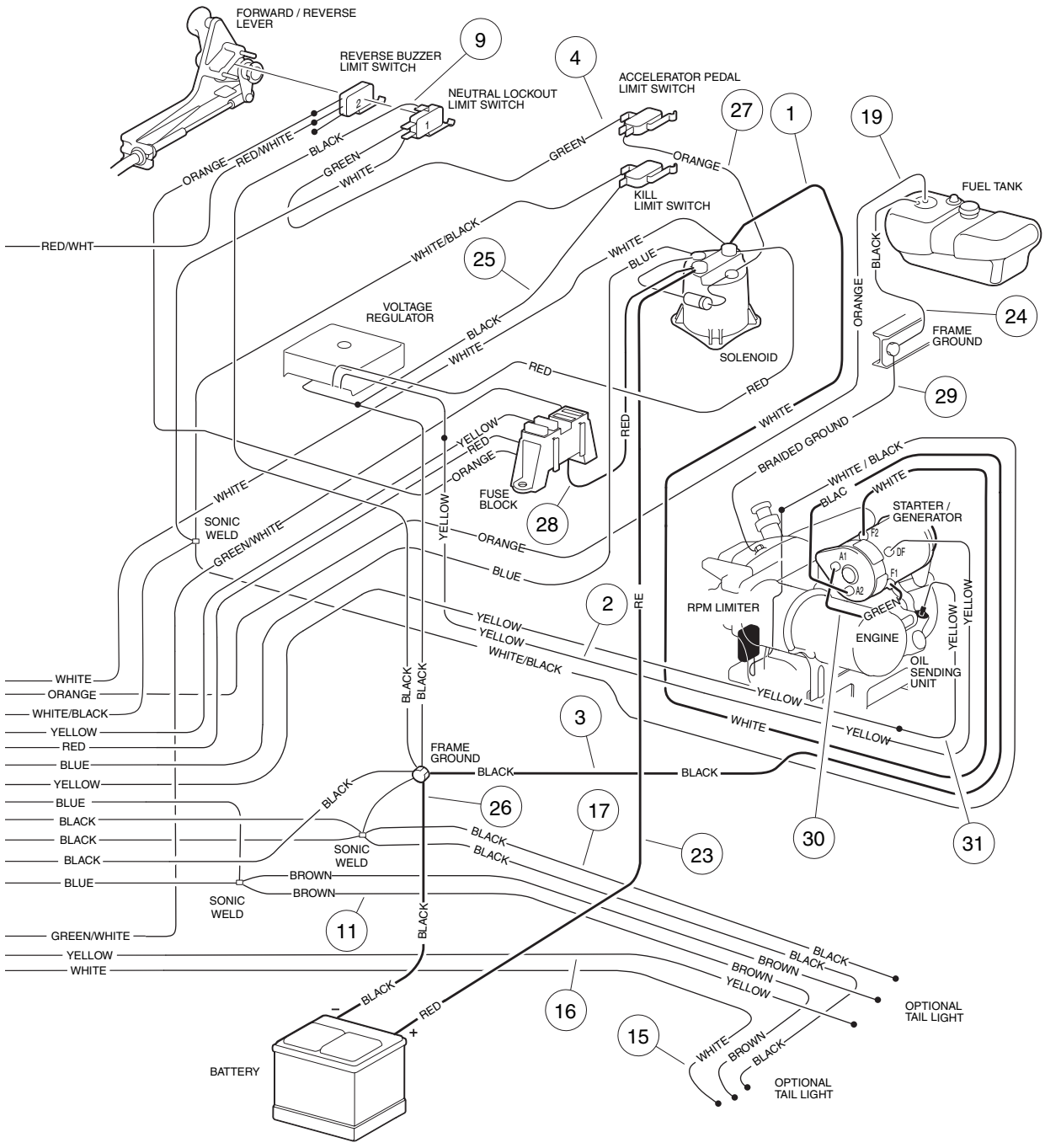
ELECTRICAL SYSTEM

7

G

TURF 272 PEDAL-START VEHICLE WIRING





7

G

See previous two pages for wiring diagram.

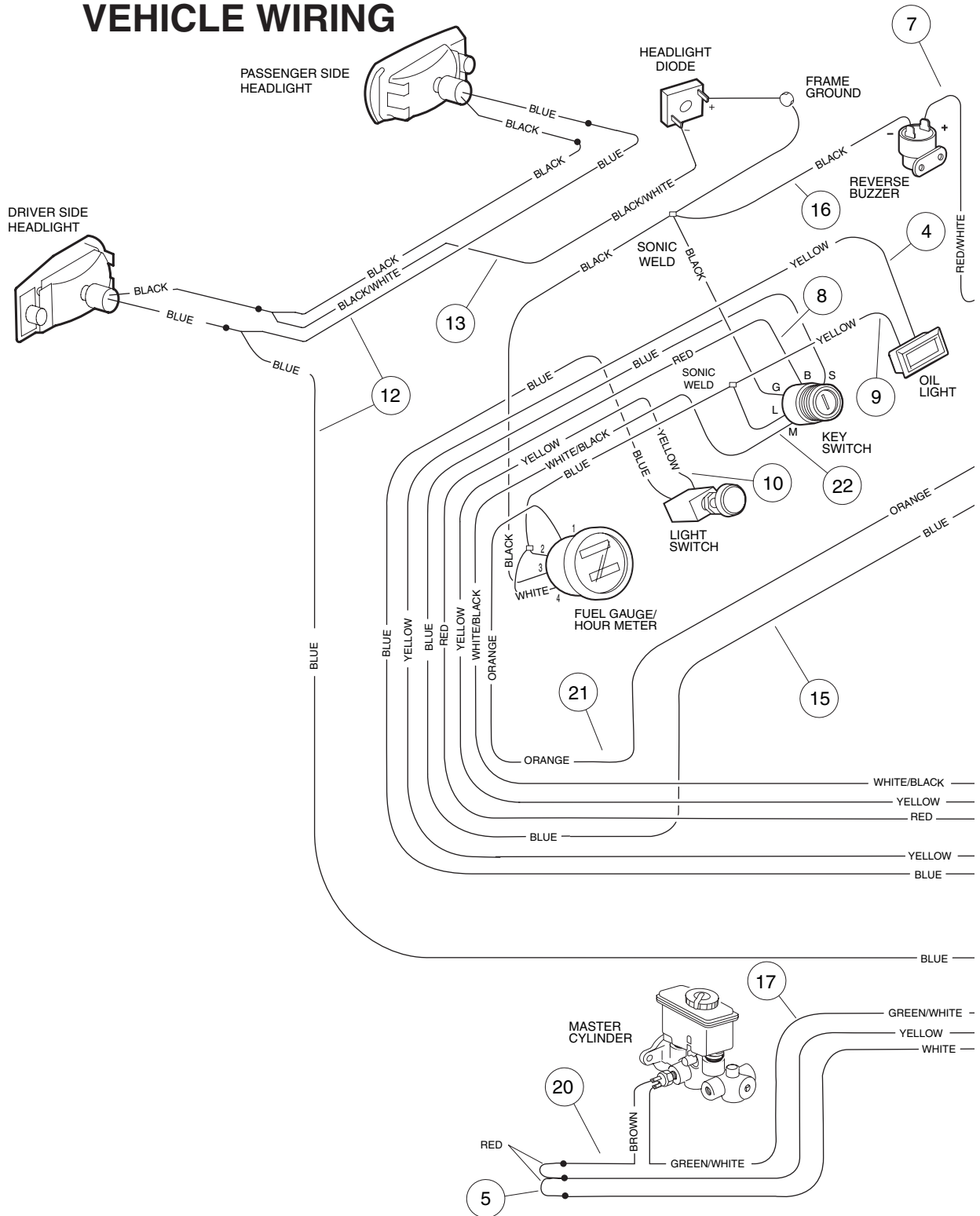
WIRING – TURF 272, PEDAL-START VEHICLE

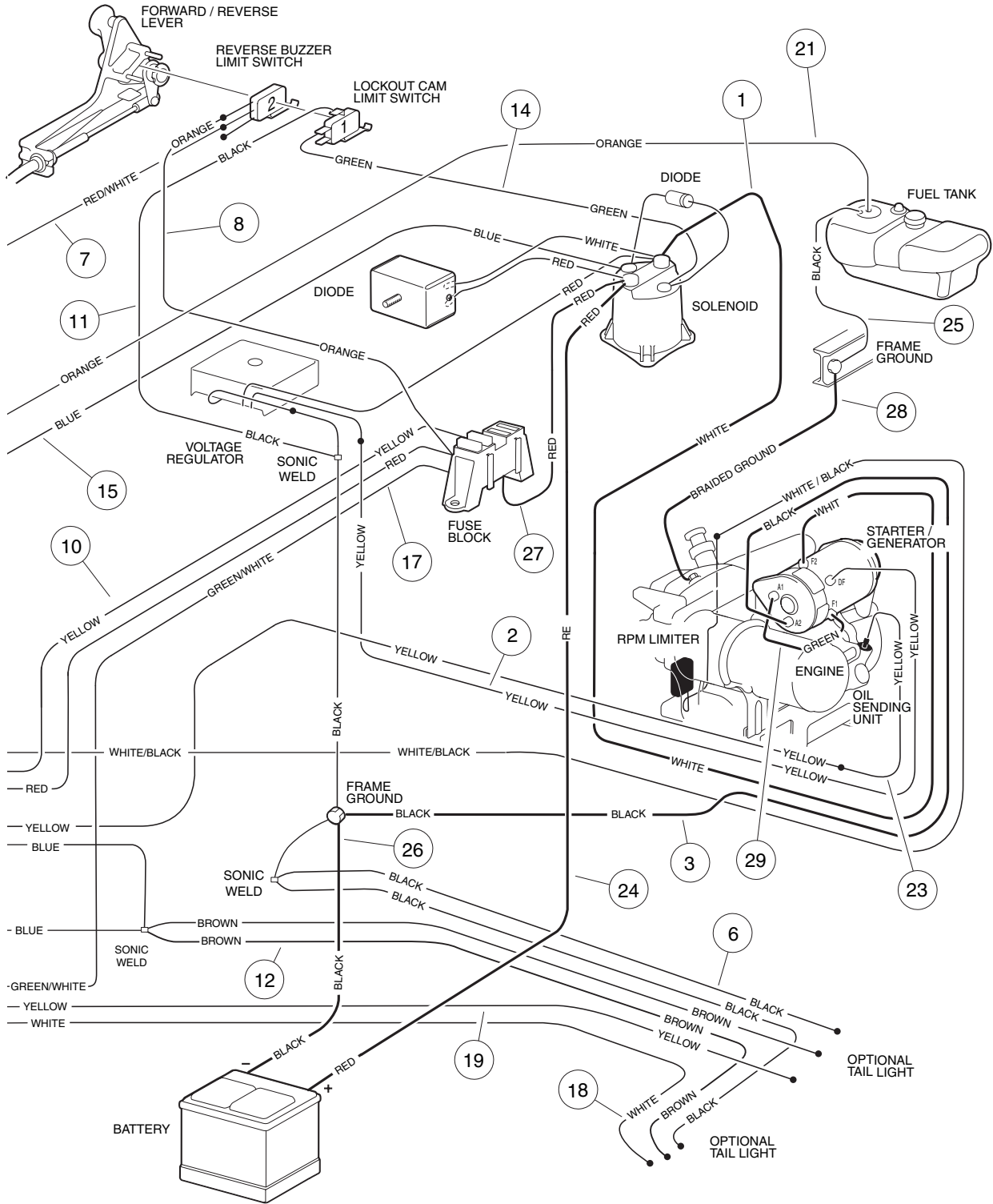
| ITEM | PART NO. | DESCRIPTION | QTY |
|------|-----------|--|-----|
| | | 1 2 3 4 | |
| | 102032601 | Wire Harness Assembly (includes items 1 - 22) | 1 |
| 1 | 1015769 | Wire Assembly, #6 White | 1 |
| 2 | N/A | Wire Assembly, #16 Yellow | 1 |
| 3 | 1016380 | Wire Assembly, #6 Black | 1 |
| 4 | N/A | Wire Assembly, #18 Green | 1 |
| 5 | N/A | Wire Assembly, #18 Yellow | 1 |
| 6 | N/A | Wire Assembly, #18 Red/White | 1 |
| 7 | N/A | Wire Assembly, #14 Red, #18 Orange | 1 |
| 8 | N/A | Wire Assembly, #18 Blue, #18 Yellow | 1 |
| 9 | N/A | Wire Assembly, #18 Black, #14 Black | 1 |
| 10 | N/A | Wire Assembly, #14 Yellow | 1 |
| 11 | N/A | Wire Assembly, #16 Blue, #16 Brown | 1 |
| 12 | N/A | Wire Assembly, #16 Black | 1 |
| 13 | N/A | Wire Assembly, #18 White | 1 |
| 14 | N/A | Wire Assembly, #18 Green/White | 1 |
| 15 | N/A | Wire Assembly, #18 White | 1 |
| 16 | N/A | Wire Assembly, #18 Yellow | 1 |
| 17 | N/A | Wire Assembly, #18 Black, #14 Black | 1 |
| 18 | N/A | Wire Assembly, #16 Brown | 1 |
| 19 | N/A | Wire Assembly, #18 Orange | 1 |
| 20 | N/A | Wire Assembly, #18 Red | 1 |
| 21 | N/A | Wire Assembly, #18 White/Black | 1 |
| 22 | N/A | Wire Assembly, #18 Black | 1 |
| 23 | 1014119 | Wire Assembly, #6 Red | 1 |
| 24 | N/A | Wire Assembly, #18 Black | 1 |
| 25 | N/A | Wire Assembly, #18 Black | 1 |
| 26 | 1012382 | Wire Assembly, #6 Black | 1 |
| 27 | N/A | Wire Assembly, #18 Orange (part of electrical component box) | 1 |
| 28 | 1015737 | Wire Assembly, #10 Red (part of electrical component box) | 1 |
| 29 | 1015332 | Wire Assembly, #10 Braided Ground | 1 |
| 30 | 101837301 | Wire Assembly, #6 Green | 1 |
| 31 | N/A | Wire Assembly, #18 Yellow | 1 |
| 32 | N/A | Wire Assembly, #16 Black | 1 |

7

G

CARRYALL AND TURF 272 KEY-START VEHICLE WIRING





7

G

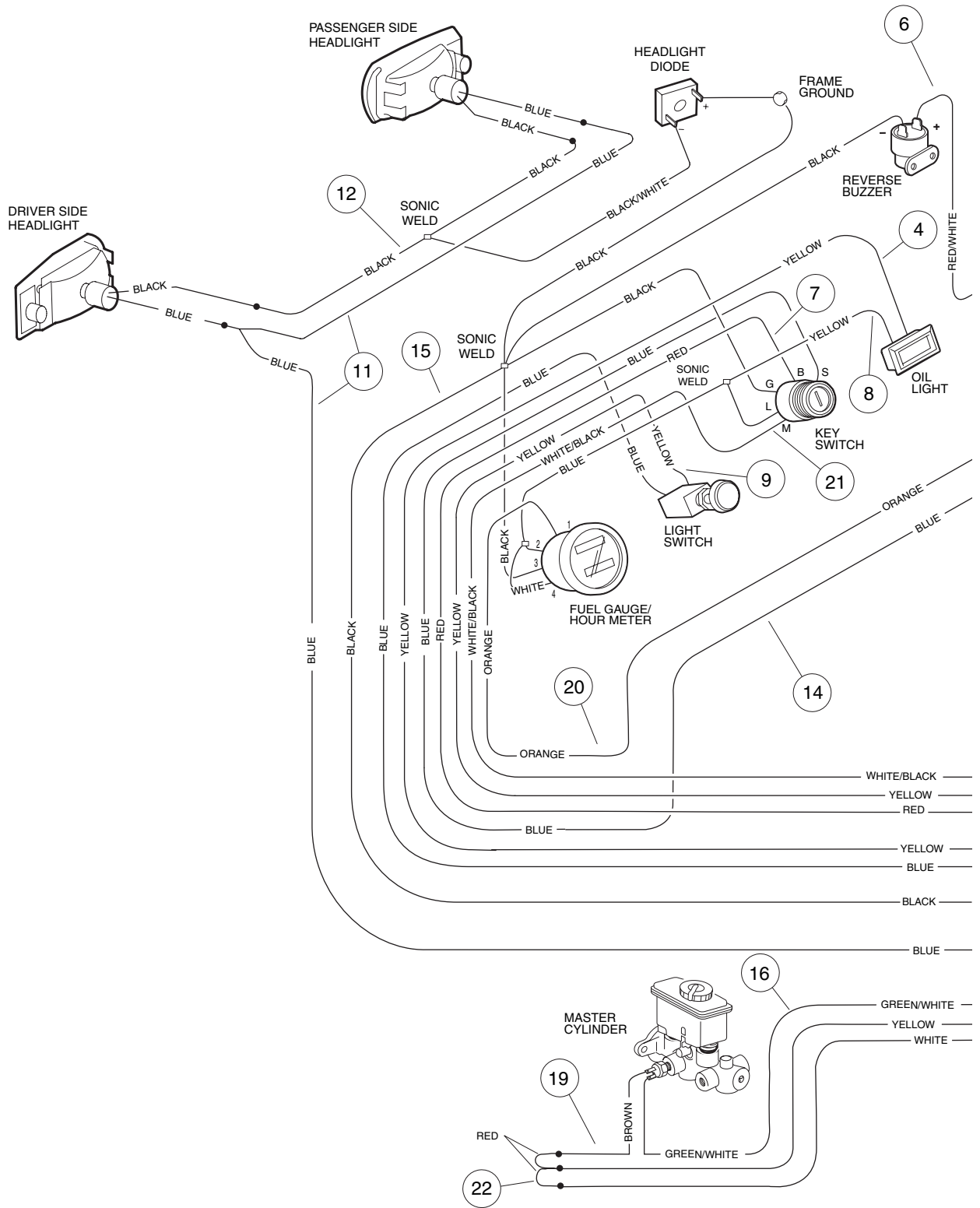
See previous two pages for wiring diagram.

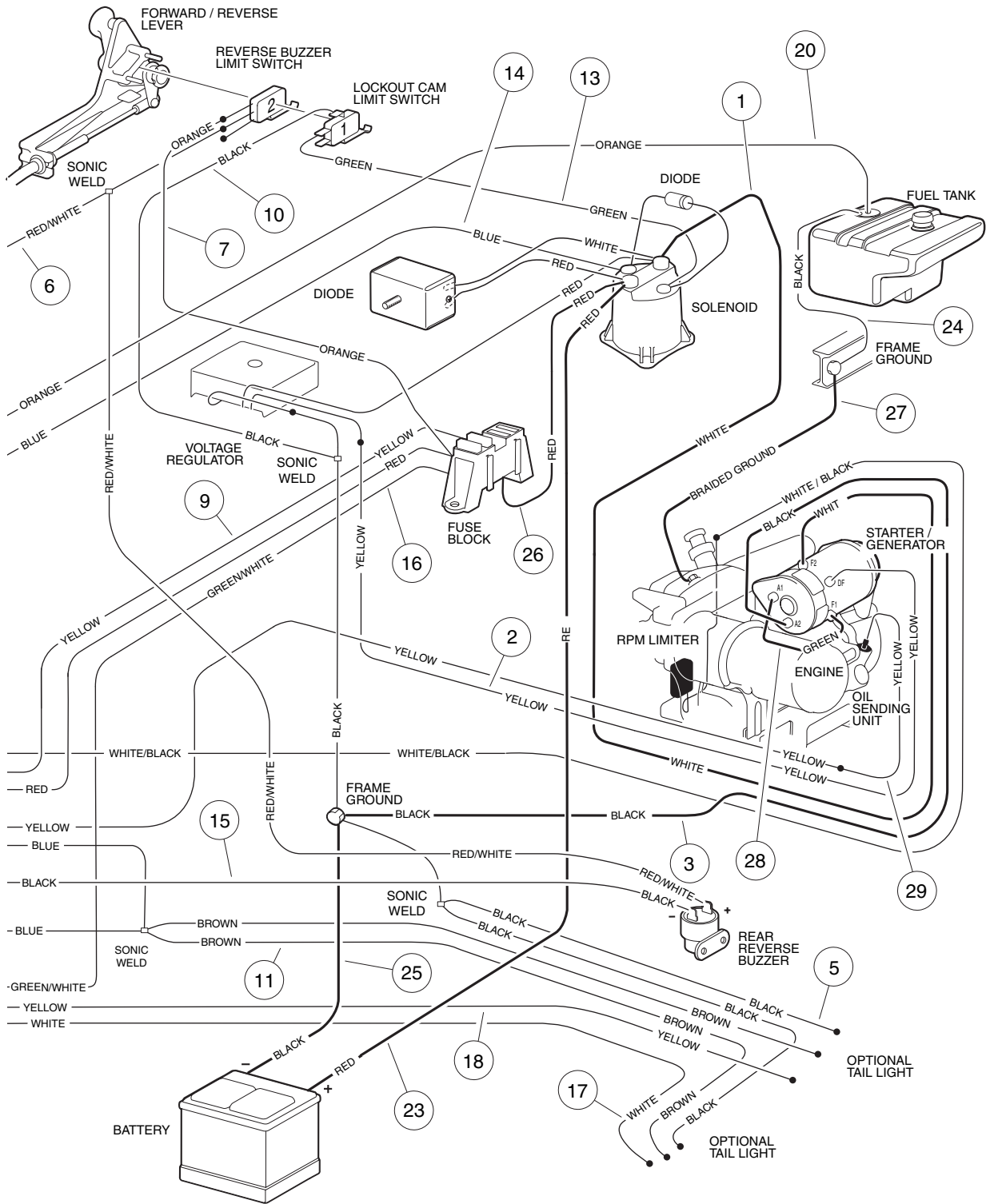
WIRING – TURF AND CARRYALL 272 KEY-START VEHICLES

| ITEM | PART NO. | DESCRIPTION | QTY |
|------|-----------|---|-----|
| | | 1 2 3 4 | |
| | 102223601 | Wire Harness Assembly (includes items 1 - 22) | 1 |
| 1 | 1015769 | Wire Assembly, #6 White | 1 |
| 2 | N/A | Wire Assembly, #18 Yellow | 1 |
| 3 | 1016380 | Wire Assembly, #6 Black | 1 |
| 4 | N/A | Wire Assembly, #18 Yellow | 1 |
| 5 | N/A | Wire Assembly, #18 Red | 1 |
| 6 | N/A | Wire Assembly, #18 Black, #16 Black | 1 |
| 7 | N/A | Wire Assembly, #18 Red/White | 1 |
| 8 | N/A | Wire Assembly, #14 Red, #18 Orange | 1 |
| 9 | N/A | Wire Assembly, #18 Yellow, #18 Blue, #18 White | 1 |
| 10 | N/A | Wire Assembly, #14 Yellow | 1 |
| 11 | N/A | Wire Assembly, #18 Black | 1 |
| 12 | N/A | Wire Assembly, #16 Blue, #14 Blue, #18 Brown, #16 Brown | 1 |
| 13 | N/A | Wire Assembly, #16 Black, #16 Black/White | 1 |
| 14 | N/A | Wire Assembly, #18 Green | 1 |
| 15 | N/A | Wire Assembly, #18 Blue | 1 |
| 16 | N/A | Wire Assembly, #18 Black, #16 Black | 1 |
| 17 | N/A | Wire Assembly, #18 Green/White | 1 |
| 18 | N/A | Wire Assembly, #18 White | 1 |
| 19 | N/A | Wire Assembly, #18 Yellow | 1 |
| 20 | N/A | Wire Assembly, #18 Brown | 1 |
| 21 | N/A | Wire Assembly, #18 Orange | 1 |
| 22 | N/A | Wire Assembly, #18 White/Black | 1 |
| 23 | N/A | Wire Assembly, #18 Yellow | 1 |
| 24 | 1014119 | Wire Assembly, #6 Red | 1 |
| 25 | N/A | Wire Assembly, #18 Black | 1 |
| 26 | 1012382 | Wire Assembly, #6 Black | 1 |
| 27 | 1015737 | Wire Assembly, #10 Red (part of electrical component box) | 1 |
| 28 | 1015332 | Wire Assembly, #10 Braided Ground | 1 |
| 29 | 101837301 | Wire Assembly, #6 Green | 1 |

7
G

CARRYALL 472 KEY-START VEHICLE WIRING





7

G

See previous two pages for wiring diagram.

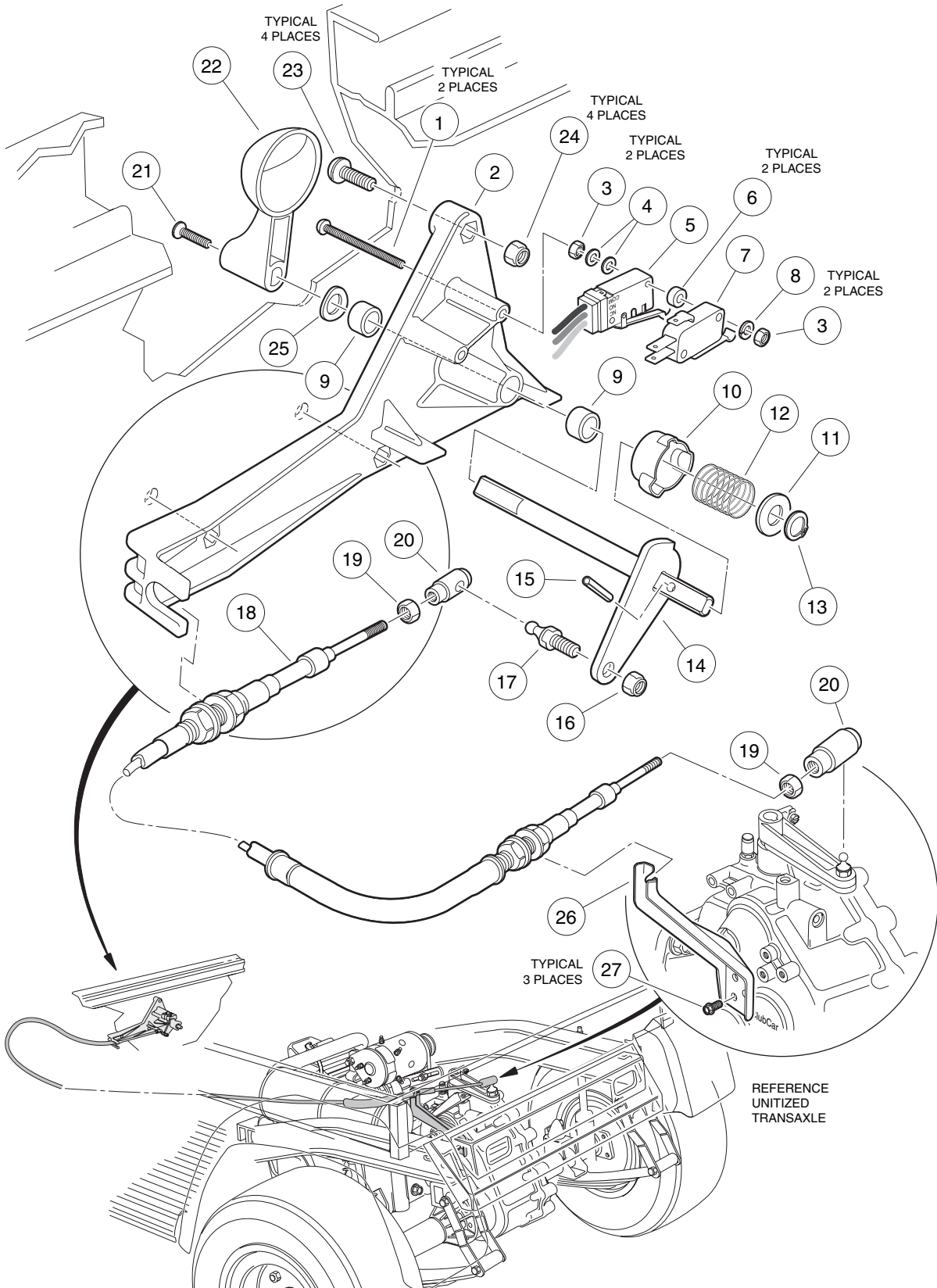
WIRING – CARRYALL 472, KEY-START VEHICLE

| ITEM | PART NO. | DESCRIPTION | QTY |
|------|-----------|---|-----|
| | | 1 2 3 4 | |
| | 102316101 | Wire Harness Assembly (includes items 1 - 22) | 1 |
| 1 | 1015769 | Wire Assembly, #6 White | 1 |
| 2 | N/A | Wire Assembly, #16 Yellow | 1 |
| 3 | 1016380 | Wire Assembly, #6 Black | 1 |
| 4 | N/A | Wire Assembly, #18 Yellow | 1 |
| 5 | N/A | Wire Assembly, #18 Black, #16 Black | 1 |
| 6 | N/A | Wire Assembly, #18 Red/White | 1 |
| 7 | N/A | Wire Assembly, #14 Red, #18 Orange | 1 |
| 8 | N/A | Wire Assembly, #18 Blue, #18 Yellow, and #18 White | 1 |
| 9 | N/A | Wire Assembly, #14 Yellow | 1 |
| 10 | N/A | Wire Assembly, #18 Black | 1 |
| 11 | N/A | Wire Assembly, #16 Blue, #16 Brown | 1 |
| 12 | N/A | Wire Assembly, #16 Black, #16 Black/White | 1 |
| 13 | N/A | Wire Assembly, #18 Green | 1 |
| 14 | N/A | Wire Assembly, #18 Blue | 1 |
| 15 | N/A | Wire Assembly, #18 Black, #16 Black | 1 |
| 16 | N/A | Wire Assembly, #18 Green/White | 1 |
| 17 | N/A | Wire Assembly, #18 White | 1 |
| 18 | N/A | Wire Assembly, #18 Yellow | 1 |
| 19 | N/A | Wire Assembly, #18 Brown | 1 |
| 20 | N/A | Wire Assembly, #18 Orange | 1 |
| 21 | N/A | Wire Assembly, #18 White/Black | 1 |
| 22 | N/A | Wire Assembly, #18 Red | 1 |
| 23 | 1014119 | Wire Assembly, #6 Red | 1 |
| 24 | N/A | Wire Assembly, #18 Black | 1 |
| 25 | 1012382 | Wire Assembly, #6 Black | 1 |
| 26 | 1015737 | Wire Assembly, #10 Red (part of electrical component box) | 1 |
| 27 | 1015332 | Wire Assembly, #10 Braided Ground | 1 |
| 28 | 101837301 | Wire Assembly, #6 Green | 1 |
| 29 | N/A | Wire Assembly, #18 Yellow | 1 |

7

G

7
G



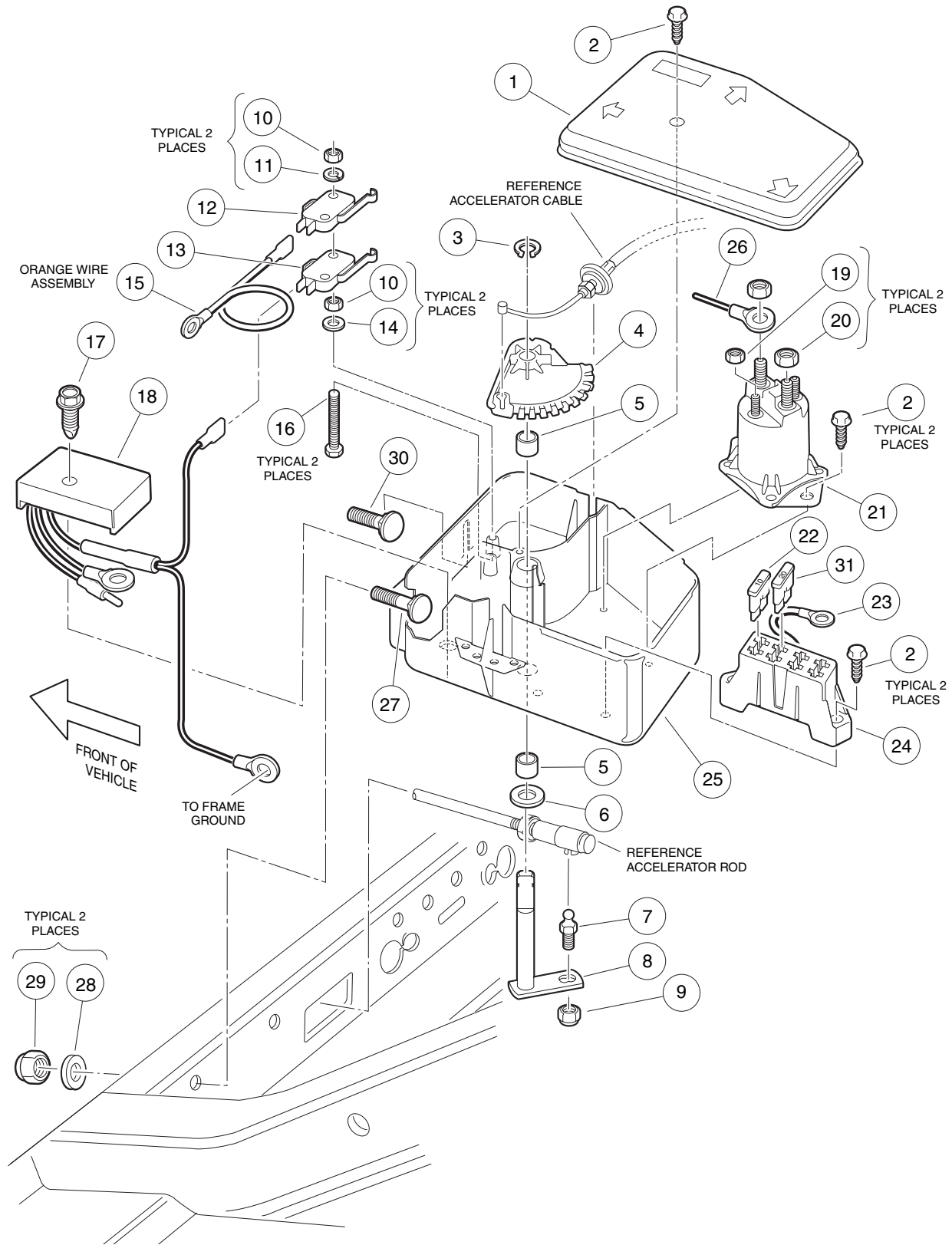
FORWARD/REVERSE SHIFTER ASSEMBLY

| ITEM | PART NO. | DESCRIPTION | QTY |
|------|-----------|--|-----|
| | | 1 2 3 4 | |
| | 1016947 | Assembly, Forward/Reverse Shifter (includes items 1 - 17) | 1 |
| 1 | 1012594 | Screw, Machine, #4-40 x 1-1/2 | 2 |
| 2 | 1016342 | Base, Forward/Reverse Shifter | 1 |
| 3 | 8057 | Nut, Hex-Head, #4-40 | 4 |
| 4 | 1012431 | Washer, Flat, #4 | 4 |
| 5 | 101979101 | Switch, Limit | 1 |
| 6 | 1014727 | Washer, Nylon Flat, #4 | 2 |
| 7 | 1014807 | Switch, Limit | 1 |
| 8 | 8058 | Washer, Lock, #4 | 2 |
| 9 | 1014145 | Bushing, Bronze | 2 |
| 10 | 1014089 | Kit, Neutral Lockout Cam (includes item 11) | 1 |
| 11 | 1014065 | Washer, Flat, Delrin | 1 |
| 12 | 1013590 | Spring, Forward/Reverse Cam | 1 |
| 13 | 1013589 | Ring, Retaining | 1 |
| 14 | 1013587 | Weldment, Forward/Reverse Bell Crank | 1 |
| 15 | 1013591 | Pin, Roll, 1/8 | 1 |
| 16 | 8717 | Nut, Nylon Lock, 1/4-28 | 1 |
| 17 | 1010954 | Stud, Ball, 1/4-28 x 1/4 | 1 |
| 18 | 1015409 | Cable, Transmission (includes items 19 and 20) (Turf 272 and Carryall 272) | 1 |
| 18 | 101672701 | Cable, Transmission (includes items 19 and 20) (Carryall 472) | 1 |
| 19 | 7893 | Nut, Hex, #10-32 | 2 |
| 20 | 1012333 | Joint, Ball | 2 |
| 21 | 1015064 | Screw, Phillips Oval Countersunk Machine, SS, #8-32 x 5/8 | 1 |
| 22 | 1012987 | Handle, Forward/Reverse Switch | 1 |
| 23 | 8248 | Screw, Phillips Truss-Head, 1/4-20 x 3/4 | 4 |
| 24 | 8233 | Nut, Nylon Lock, 1/4-20 | 4 |
| 25 | 1016201 | Washer, Wave, 3/8 | 1 |
| 26 | 102045901 | Bracket, Transmission Cable Support | 1 |
| 27 | 1012285 | Screw, Thread-Rolling, 1/4-20 x 5/8 | 3 |

7

G

7
G

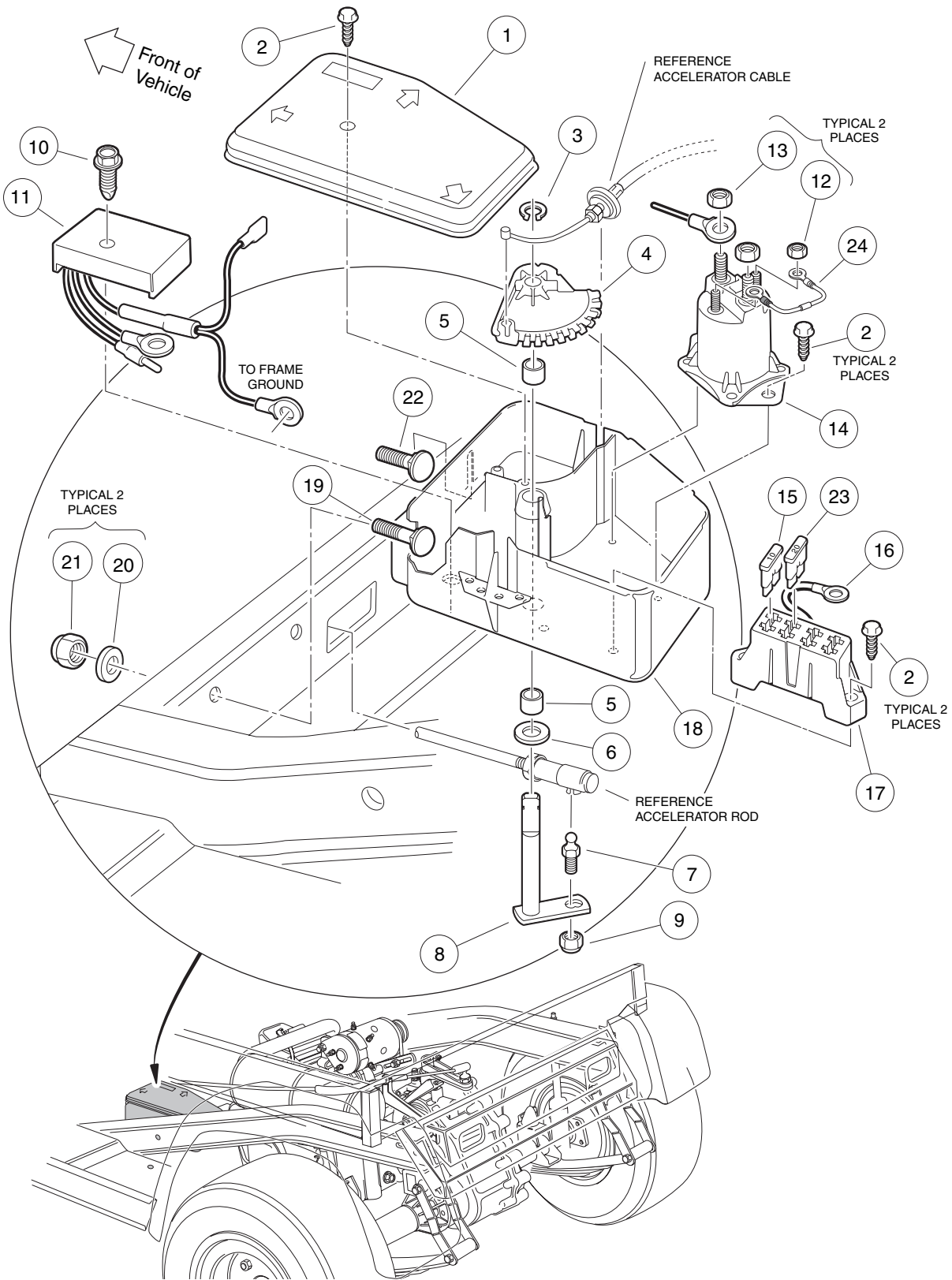


ELECTRICAL COMPONENT BOX, PEDAL-START VEHICLES

| ITEM | PART NO. | DESCRIPTION | QTY |
|------|-----------|--|-----|
| | | 1 2 3 4 | |
| 1 | 1015372 | Cover, Electrical Component Box | 1 |
| 2 | 1015752 | Screw, Hi-lo, #12-16 x 5/8 | 5 |
| 3 | 1013589 | Ring, Retaining | 1 |
| 4 | 1015373 | Cam, Electrical Box | 1 |
| 5 | 1014145 | Bushing, Bronze | 2 |
| 6 | 1014065 | Washer, Flat, Delrin | 1 |
| 7 | 1010954 | Stud, Ball, 1/4-28 | 1 |
| 8 | 1015345 | Assembly, Bell Crank and Shaft | 1 |
| 9 | 8717 | Nut, Nylon Lock, 1/4-28 | 1 |
| 10 | 8057 | Nut, Hex, #4-40 | 4 |
| 11 | 8058 | Washer, Lock, #4 | 2 |
| 12 | 1014807 | Switch, Limit | 1 |
| 13 | 1014808 | Switch, Limit | 1 |
| 14 | 1012431 | Washer, Flat, #4 | 2 |
| 15 | N/A | Wire Assembly, #16 Orange | 1 |
| 16 | 1015878 | Screw, Hex-Head Machine, #4-40 x 1-5/8 | 2 |
| 17 | 101856102 | Screw, Hex Washer-Head Hi-Lo, 1/4-15 x 1-1/2 | 1 |
| 18 | 1015777 | Regulator, Voltage | 1 |
| 19 | 7893 | Nut, Hex, #10-32 | 2 |
| 20 | 1242 | Nut, Hex, 5/16-18 | 2 |
| 21 | 1013609 | Solenoid, 12-volt | 1 |
| 22 | 1012295 | Fuse, 10-amp | 1 |
| 23 | 1015737 | Wire Assembly, #10 Red | 1 |
| 24 | 1015741 | Block, Fuse | 1 |
| 25 | 1015371 | Box, Electrical Component | 1 |
| 26 | 1014119 | Wire Assembly, #6 Red | 1 |
| 27 | 1015405 | Bolt, Carriage, 5/16-18 x 2 | 1 |
| 28 | 1241 | Washer, Flat, 5/16 | 2 |
| 29 | 7473 | Nut, Nylon Lock, 5/16-18 | 2 |
| 30 | 7818 | Bolt, Carriage, 5/16-18 x 1-1/2 | 1 |
| 31 | 1016423 | Fuse, 20-amp | 1 |

7
G

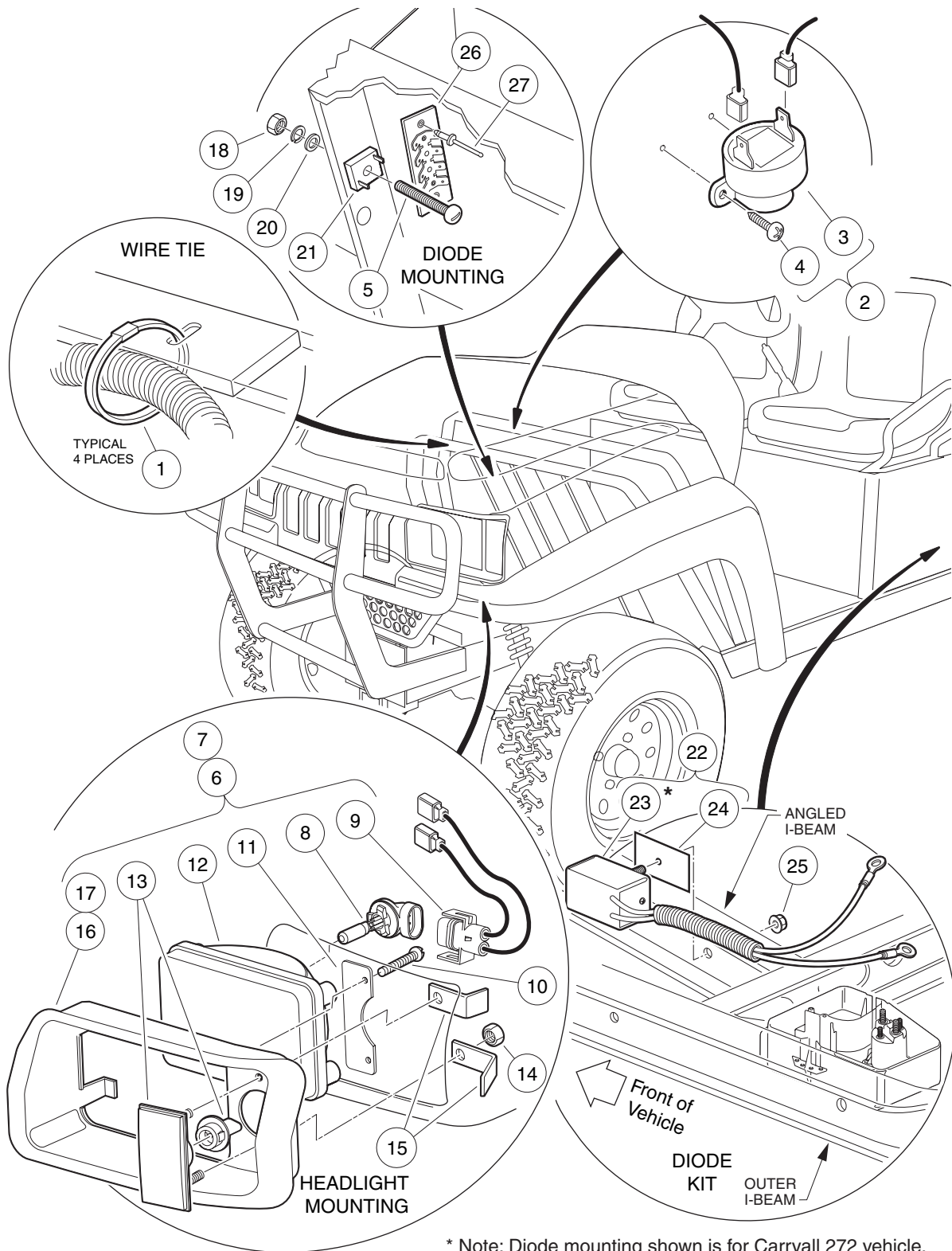
7
G



ELECTRICAL COMPONENT BOX, KEY-START VEHICLES

| ITEM | PART NO. | DESCRIPTION | QTY |
|------|-----------|--|-----|
| | | 1 2 3 4 | |
| 1 | 1015372 | Cover, Electrical Component Box | 1 |
| 2 | 1015752 | Screw, Hi-Lo, #12-16 x 5/8 | 5 |
| 3 | 1013589 | Ring, Retaining | 1 |
| 4 | 1015373 | Cam, Electrical Box | 1 |
| 5 | 1014145 | Bushing, Bronze | 2 |
| 6 | 1014065 | Washer, Flat, Delrin | 1 |
| 7 | 1010954 | Stud, Ball, 1/4-28 | 1 |
| 8 | 1015345 | Assembly, Bell Crank and Shaft | 1 |
| 9 | 8717 | Nut, Nylon Lock, 1/4-28 | 1 |
| 10 | 101856102 | Screw, Hex Washer-Head Hi-Lo, 1/4-15 x 1-1/2 | 1 |
| 11 | 1015777 | Regulator, Voltage | 1 |
| 12 | 7893 | Nut, Hex, #10-32 | 2 |
| 13 | 1242 | Nut, Hex, 5/16-18 | 2 |
| 14 | 1013609 | Solenoid, 12-Volt | 1 |
| 15 | 1012295 | Fuse, 10-Amp | 1 |
| 16 | 1015737 | Wire Assembly, #10 Red | 1 |
| 17 | 1015741 | Block, Fuse | 1 |
| 18 | 1015371 | Box, Electrical Component | 1 |
| 19 | 1015405 | Bolt, Carriage, 5/16-18 x 2 | 1 |
| 20 | 1241 | Washer, Flat, 5/16 | 2 |
| 21 | 7473 | Nut, Nylon Lock, 5/16-18 | 2 |
| 22 | 7818 | Bolt, Carriage, 5/16-18 x 1-1/2 | 1 |
| 23 | 1016423 | Fuse, 20-Amp | 1 |
| 24 | 1014948 | Diode, Flyback | 1 |

7
G



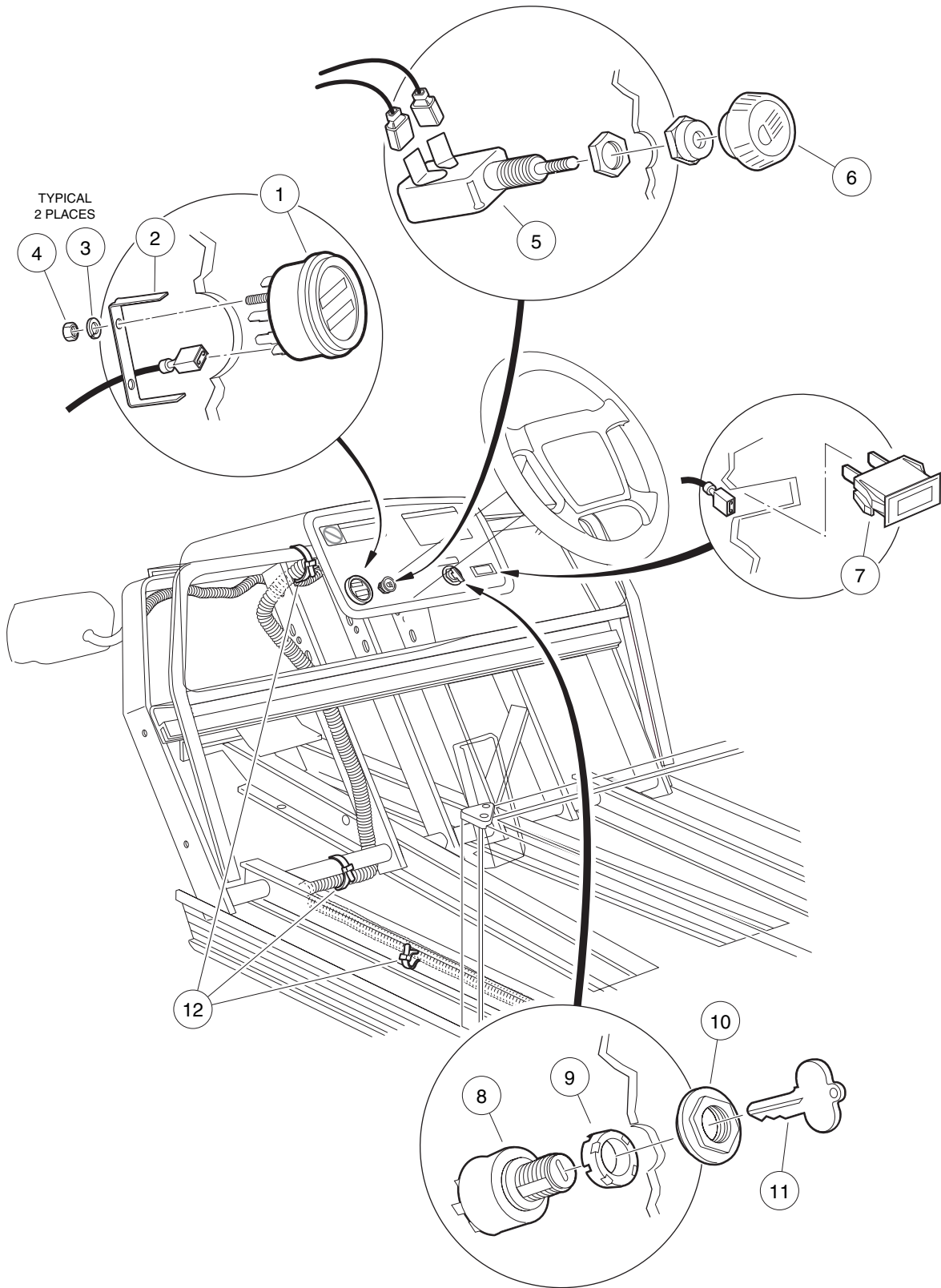
* Note: Diode mounting shown is for Carryall 272 vehicle. The diode mounts differently on a Carryall 472 vehicle.

ELECTRICAL COMPONENTS, FRONT BODY

| ITEM | PART NO. | DESCRIPTION | QTY |
|------|-----------|--|-----|
| | | 1 2 3 4 | |
| 1 | 8639 | Tie, Wire | 4 |
| 2 | 1016859 | Kit, Reverse Buzzer (includes items 3 and 4) | 1 |
| 3 | 1016851 | Buzzer, Reverse | 1 |
| 4 | 1016849 | Screw, Pan-Head Hi-Lo, #4-24 x 5/16 | 2 |
| 5 | 1010909 | Screw, Machine Head, #10-32 x 1-1/4 | 1 |
| 6 | 101988001 | Assembly, Headlight, Driver-Side (includes items 8 - 16) | 1 |
| 7 | 101988002 | Assembly, Headlight, Passenger-Side (includes items 8 - 15 and 17) | 1 |
| 8 | 101988101 | Bulb, Halogen | 1 |
| 9 | 101987901 | Harness, Headlight Wire | 1 |
| 10 | 1013461 | Screw, Hi-Lo, #10-16 | 2 |
| 11 | 1017065 | Retainer, Headlight | 1 |
| 12 | 101988201 | Lens, Headlight | 1 |
| 13 | 1017062 | Assembly, Turn Signal Lens | 1 |
| 14 | 7893 | Nut, Hex, #10-32 | 2 |
| 15 | 1017064 | Bracket, Mounting | 2 |
| 16 | 1016880 | Bezel, Headlight, Driver-Side | 1 |
| 17 | 1016879 | Bezel, Headlight, Passenger-Side | 1 |
| 18 | 7893 | Nut, Hex, #10-32 | 1 |
| 19 | 1016 | Washer, Lock, #10 | 1 |
| 20 | 183 | Washer, Flat, Type A, #10 | 1 |
| 21 | 1017721 | Diode (key-start vehicles only) | 1 |
| 22 | 102272501 | Kit, Diode (includes items 23 - 25) (key-start vehicles only) | 1 |
| 23 | 102264001 | Assembly, Diode (key-start vehicles only) | 1 |
| 24 | 102269701 | Pad, Thermal (key-start vehicles only) | 1 |
| 25 | 101963401 | Nut, Hex Flanged Lock (key-start vehicles only) | 1 |
| 26 | 1016356 | Block, Terminal (pedal-start vehicles only) | 1 |
| 27 | 1013357 | Rivet, Pop, Aluminum 5/32 (pedal-start vehicles only) | 2 |

7
G

7
G

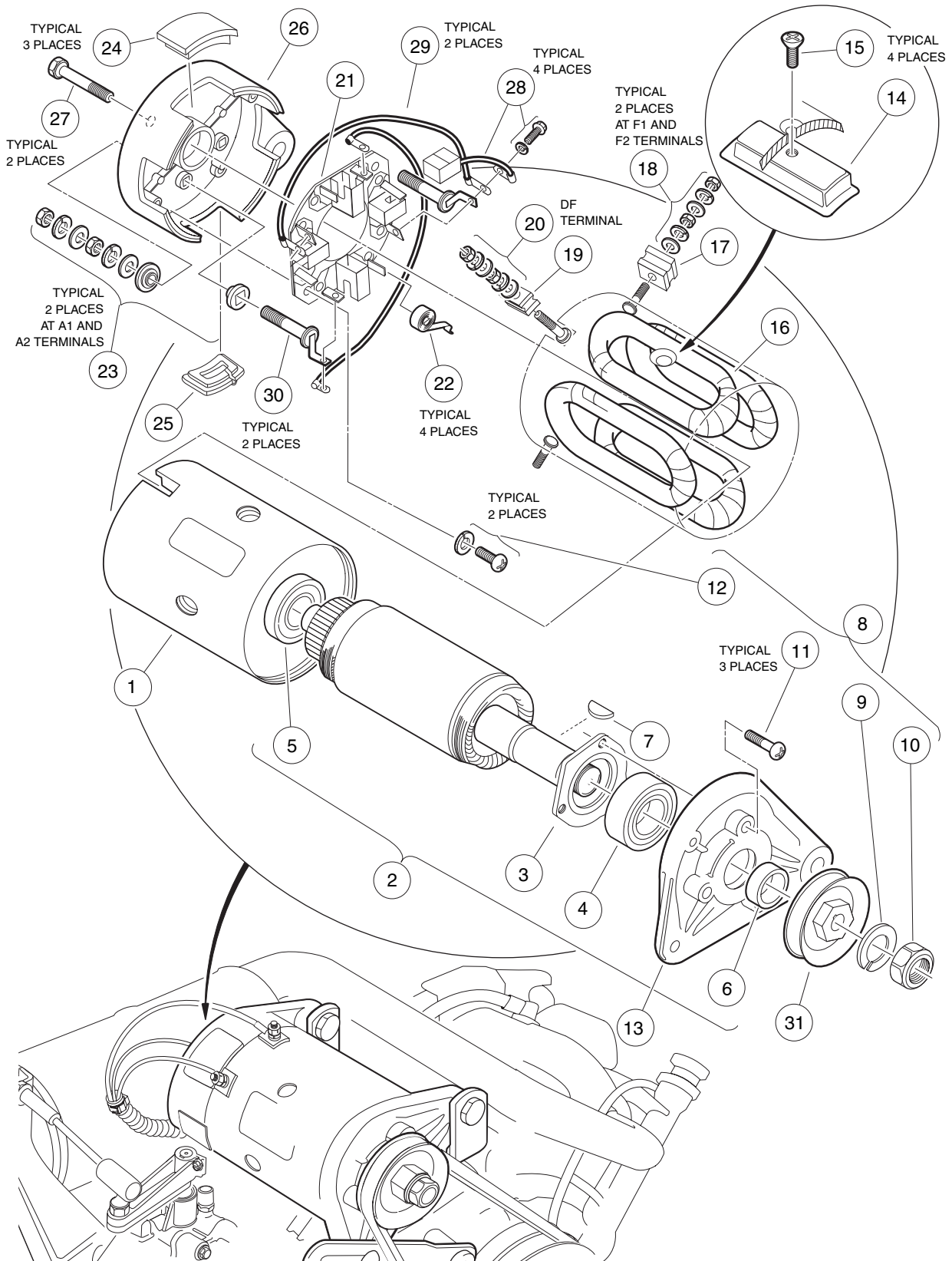


ELECTRICAL COMPONENTS, DASH PANEL

| ITEM | PART NO. | DESCRIPTION | QTY |
|------|-----------|---|-----|
| | | 1 2 3 4 | |
| 1 | 101990701 | Fuel Gauge/Hour Meter (includes item 2) | 1 |
| 2 | N/A | Bracket | 1 |
| 3 | 1012986 | Washer, Lock, M4 | 2 |
| 4 | 101991101 | Nut, M4 x 0.7 | 2 |
| 5 | 102051901 | Switch, Light | 1 |
| 6 | 1013857 | Knob, Light Switch | 1 |
| 7 | 1016630 | Light, Low Oil Warning | 1 |
| 8 | 102044701 | Switch, Key (pedal-start vehicles only) | 1 |
| 8 | 102044702 | Switch, Key (key-start vehicles only) | 1 |
| 9 | 102051601 | Spacer, Key Switch | 1 |
| 10 | 102051701 | Nut, Key Switch | 1 |
| 11 | 102044801 | Key (pair) | 1 |
| 12 | 8990 | Tie, Wire | 3 |

7
G

7
G



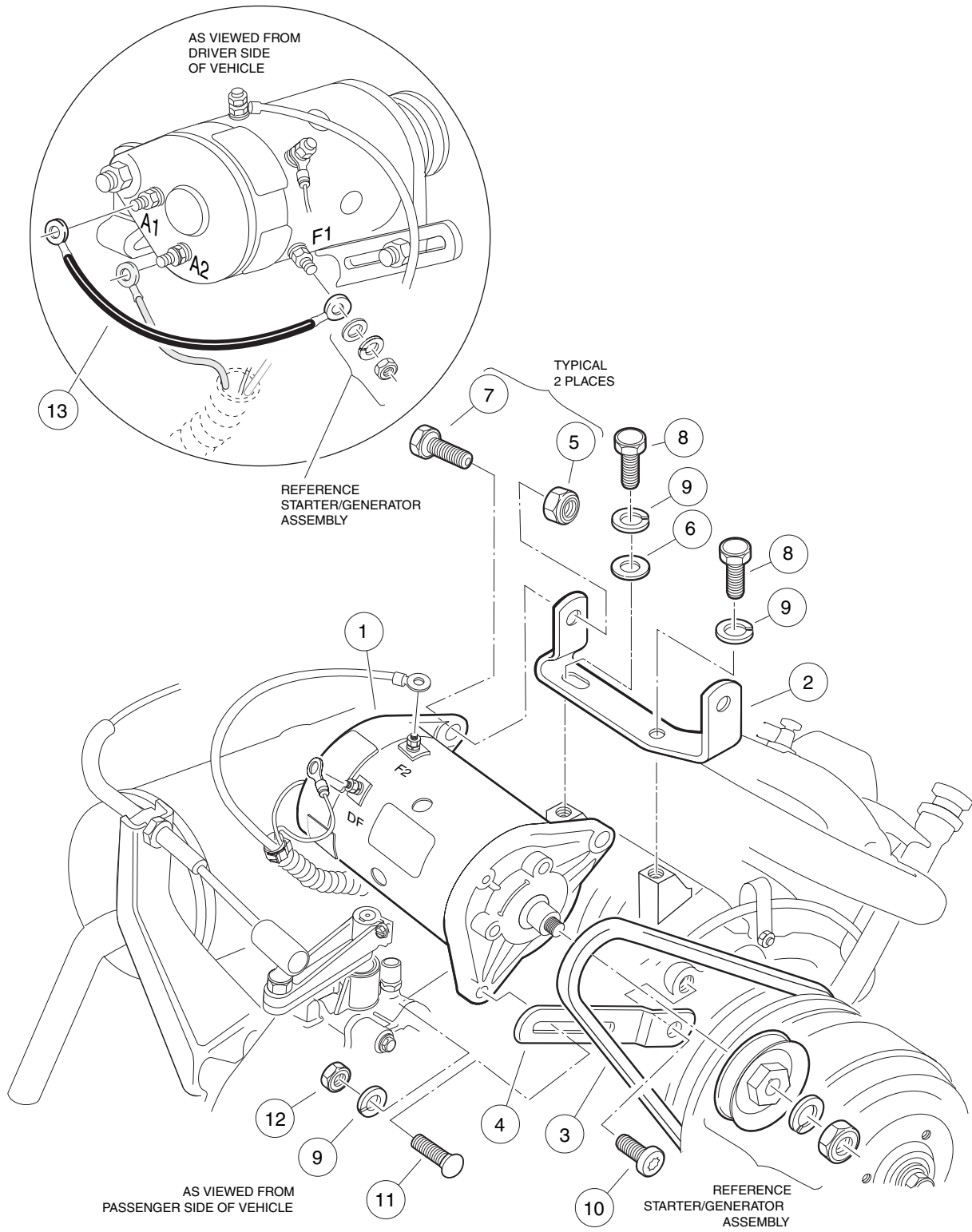
STARTER/GENERATOR ASSEMBLY

| ITEM | PART NO. | DESCRIPTION | QTY |
|------|-----------|--|-----|
| | | 1 2 3 4 | |
| | 101833701 | Starter/Generator (clockwise rotation) (includes items 1 - 30) | 1 |
| 1 | 101875201 | Housing, Field Coil | 1 |
| 2 | 101875101 | Assembly, Armature (includes items 3 - 6) | 1 |
| 3 | 101875001 | Retainer, Bearing | 1 |
| 4 | 1013001 | Ball Bearing, Output Shaft | 1 |
| 5 | 1013005 | Commutator, Ball Bearing | 1 |
| 6 | 101939901 | Spacer, 5/16 | 1 |
| 7 | 1013003 | Key, Woodruff | 1 |
| 8 | 101876501 | Kit, Pulley Nut and Screw (includes items 9 - 12) | 1 |
| 9 | N/A | Washer, Lock, M14 | 1 |
| 10 | N/A | Nut, Hex, M14 x 2 | 1 |
| 11 | N/A | Screw, Cross-Recessed, M5 x 0.8 x 18 mm | 3 |
| 12 | 101896501 | Screw, Cross-Recessed, M5 x 0.8 x 16 mm (with lock washer) | 2 |
| 13 | 101874901 | End Bell, Output Shaft | 1 |
| 14 | 101875301 | Set, Pole (set of 4) | 1 |
| 15 | 101875401 | Screw, Pole Piece (set of 4) | 1 |
| 16 | 101875501 | Coil, Field | 1 |
| 17 | 101875601 | Insulator, F Terminal | 2 |
| 18 | 101877601 | Package, Terminal Hardware (F1 and F2) | 2 |
| 19 | 101875701 | Insulator, DF Terminal | 1 |
| 20 | 101877701 | Package, Terminal Hardware (DF) | 1 |
| 21 | 101301102 | Holder, Brush (includes item 22) | 1 |
| 22 | 101878101 | Spring, Brush | 4 |
| 23 | 101876001 | Package, Terminal Hardware (A1 and A2) | 2 |
| 24 | 101876301 | Cover, Brush Inspection Port (set of 4) (includes item 25) | 1 |
| 25 | 1017653 | Cover, Brush Inspection Port, with Drain | 1 |
| 26 | 101876402 | End Bell, Commutator | 1 |
| 27 | 101879001 | Bolt, Clamp, M6 x 1 x 180 mm | 2 |
| 28 | 101869302 | Package, Brush (includes 4 brushes, 4 screws, 4 washers) | 1 |
| 29 | 101876202 | Connector, Brush | 2 |
| 30 | 101875802 | A Connector (set of 2) | 1 |
| 31 | 1014289 | Pulley | 1 |

7

G

7
G

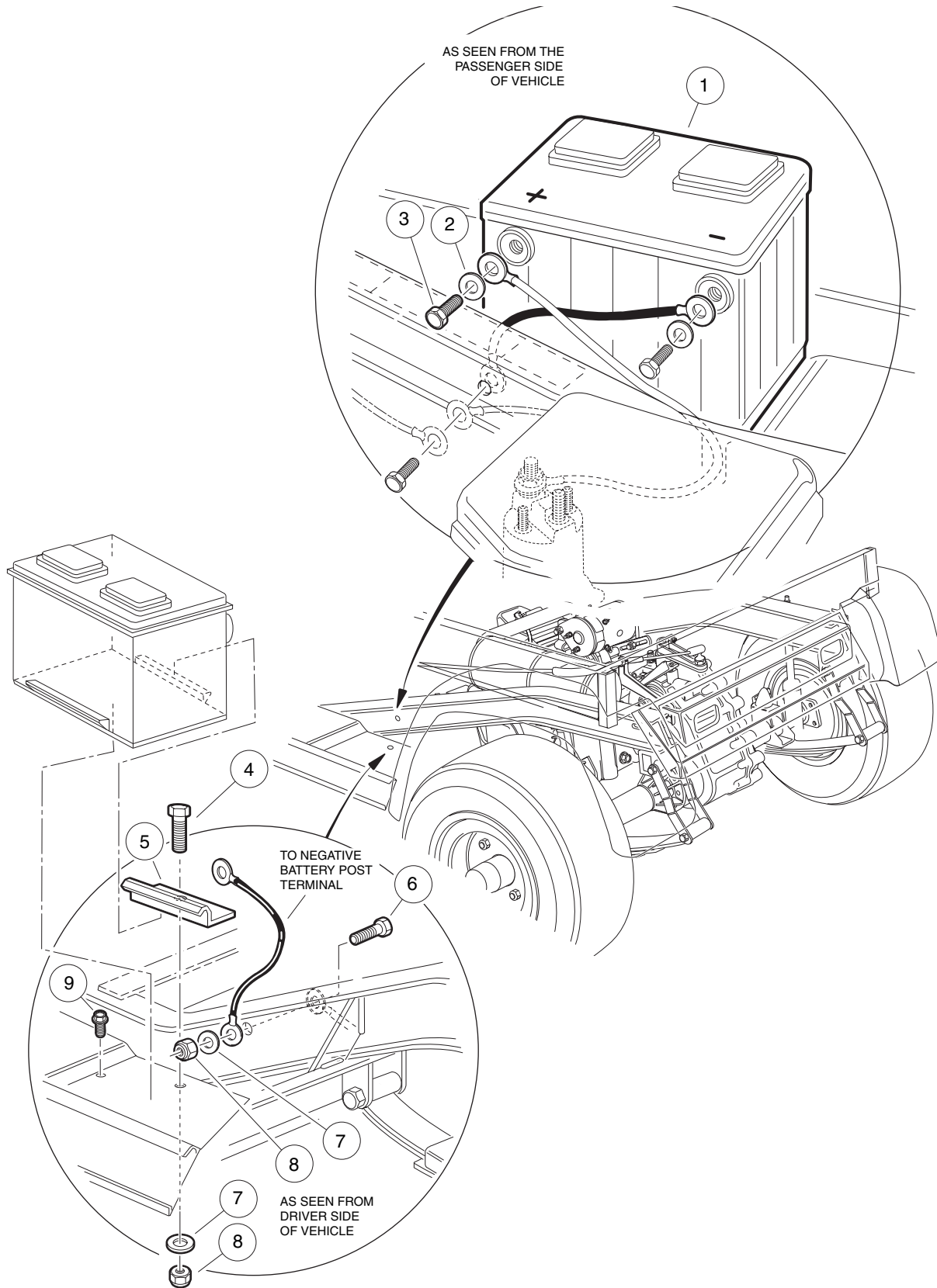


STARTER/GENERATOR MOUNTING

| ITEM | PART NO. | DESCRIPTION | QTY |
|------|-----------|---|-----|
| | | 1 2 3 4 | |
| 1 | 101833701 | Starter/Generator (clockwise rotation) | 1 |
| 2 | 101524002 | Bracket, Mounting, FE350 and FE400 | 1 |
| 3 | 101916701 | Belt, Starter/Generator | 1 |
| 4 | 1016883 | Bracket, Adjusting | 1 |
| 5 | 8754 | Nut, Nylon Lock, 3/8-16 | 2 |
| 6 | 1241 | Washer, Flat, Type A, 5/16 (replaces stainless steel washer 1015075)..... | 1 |
| 7 | 705 | Screw, Hex-Head Cap, 3/8-16 x 1-1/4 | 2 |
| 8 | 1012830 | Screw, Hex-Head Cap, M8 x 1.25 x 22 mm | 2 |
| 9 | 7174 | Washer, Lock, 5/16 | 3 |
| 10 | 1016074 | Screw, Torx-Head, M8 x 1.25 x 18 mm | 1 |
| 11 | 1015932 | Bolt, Carriage, 5/16-18 x 1 | 1 |
| 12 | 1242 | Nut, Hex, 5/16-18 | 1 |
| 13 | 101837301 | Wire Assembly, #6 Green | 1 |

7
G

7
G



BATTERY

| ITEM | PART NO. | DESCRIPTION | QTY |
|------|-----------|--|-----|
| | | 1 2 3 4 | |
| 1 | 1012328 | Battery, 12-Volt | 1 |
| 2 | 102355301 | Washer, Lock, SS, 3/8 | 2 |
| 3 | 1014375 | Screw, Hex-Head Cap, Stainless Steel, 3/8-16 x 1/2 | 2 |
| 4 | 1010934 | Screw, Hex-Head Cap, 5/16-18 x 1 | 1 |
| 5 | 101898001 | Clamp, Battery | 1 |
| 6 | 7173 | Screw, Hex-Head Cap, 5/16-18 x 3/4 | 1 |
| 7 | 1241 | Washer, Flat, 5/16 | 2 |
| 8 | 7473 | Nut, Nylon Lock, 5/16-18 | 2 |
| 9 | 1014288 | Screw, Thread-Forming, 5/16-18 x 3/4 | 1 |

7
G

7

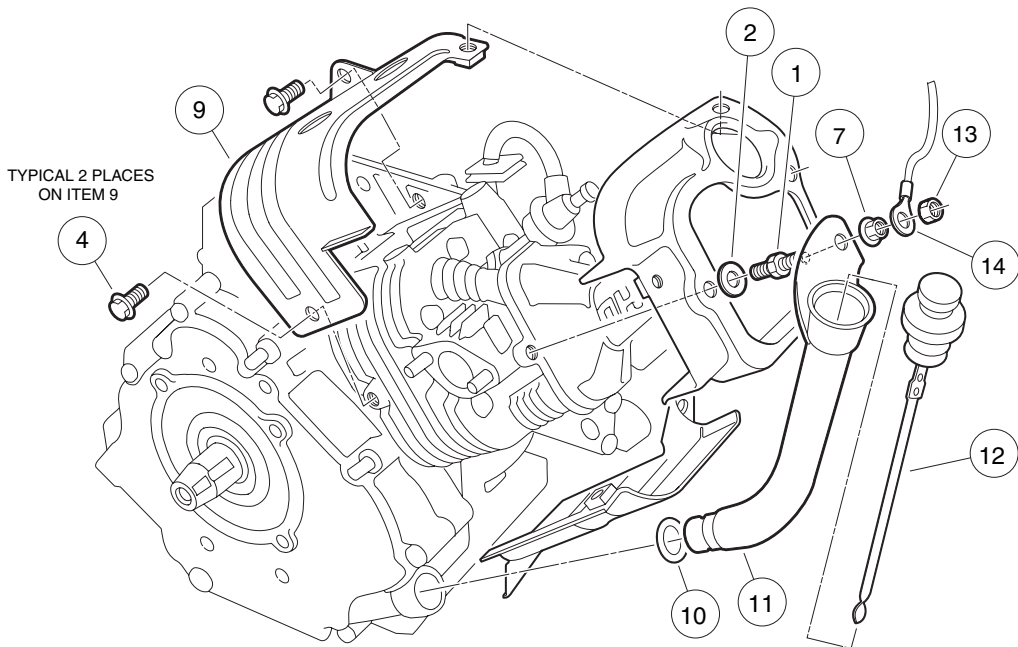
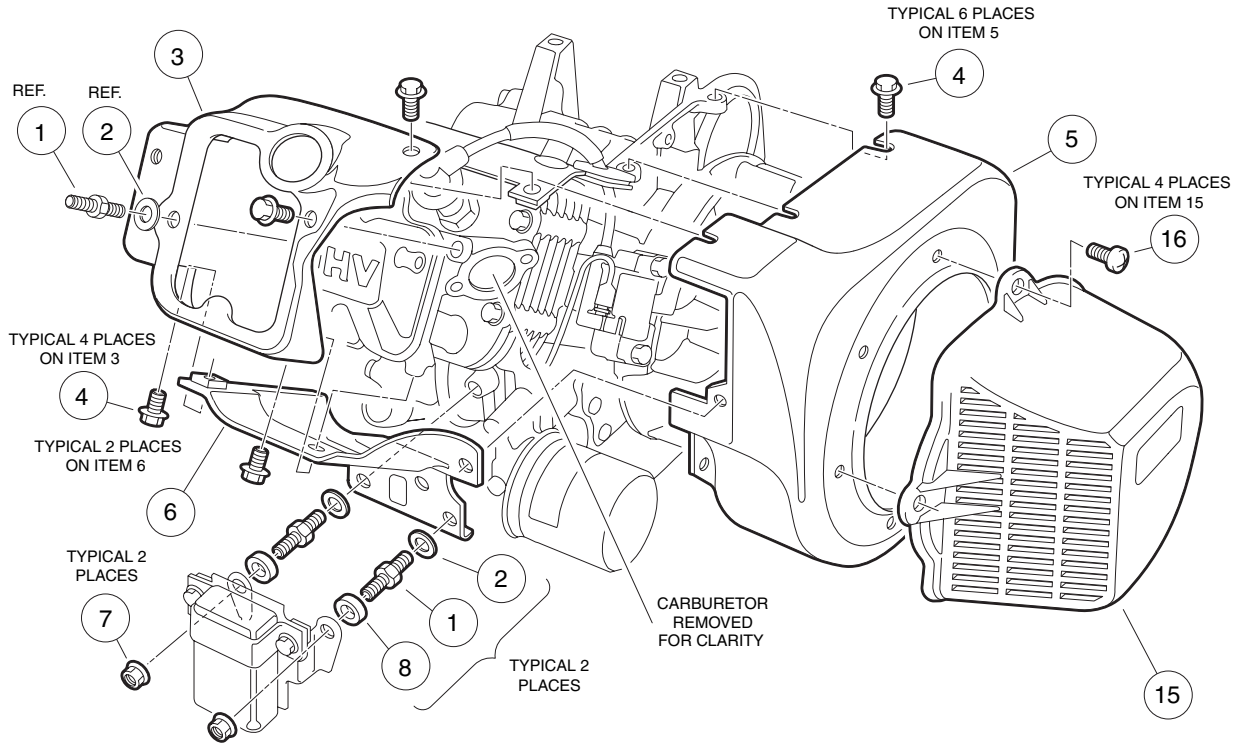
G

ENGINE

8

G

FE350 ENGINE

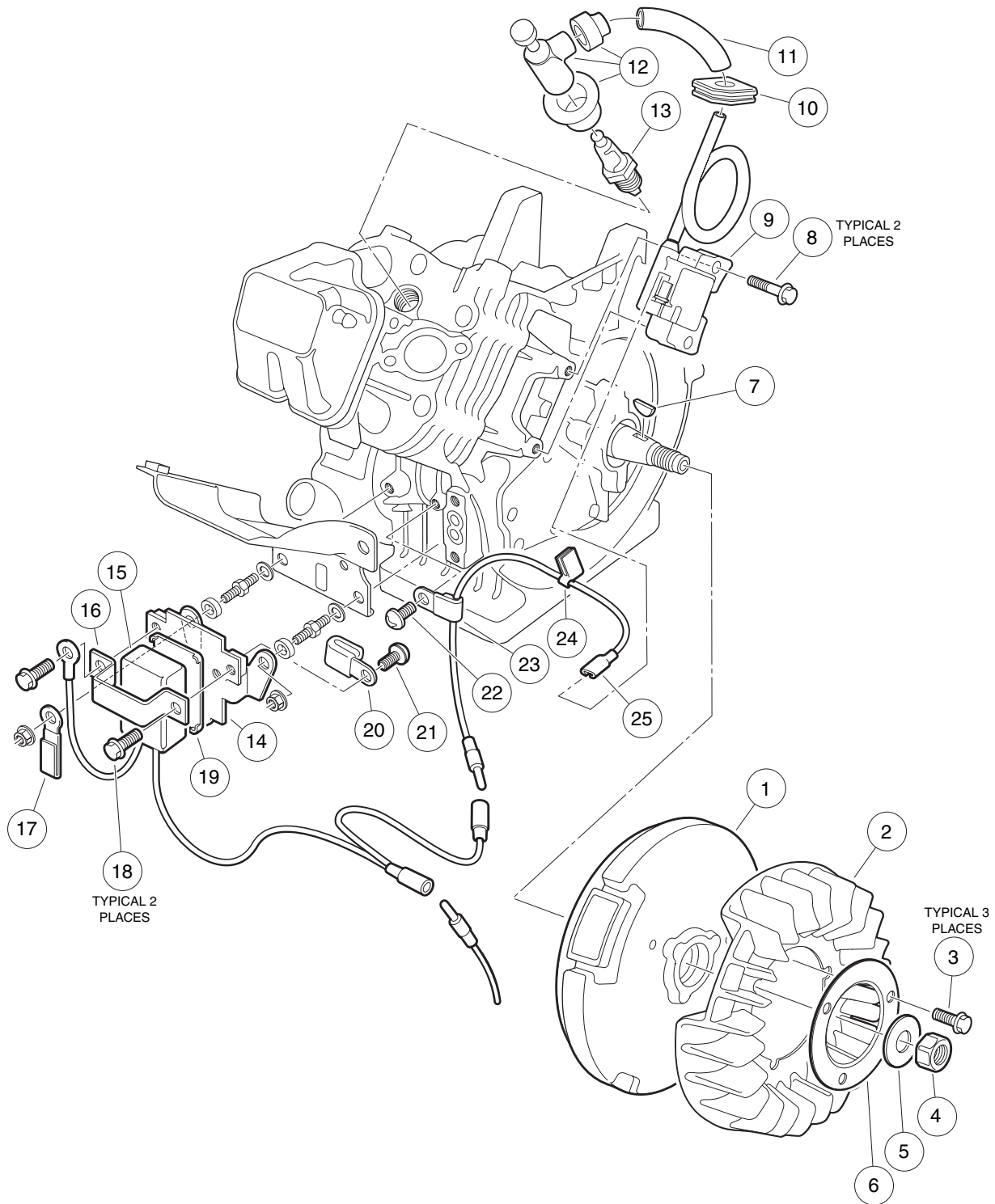


FE350 ENGINE (PEDAL-START) – SHROUDS AND BRACKETS

| ITEM | PART NO. | DESCRIPTION | QTY |
|------|-----------|--|-----|
| | | 1 2 3 4 | |
| | 101953802 | FE350 OHV Gasoline Engine, Complete (clockwise rotation) without automatic compression release (w/o ACR) and with Carburetor (does not include items 13 - 16) | 1 |
| 1 | 1016507 | Bolt, 2-Ended, M6 x 1 x 29 mm | 3 |
| 2 | N/A | Washer, Flat, 6 mm | 3 |
| 3 | 1017474 | Shroud, Cylinder Head | 1 |
| 4 | 1016456 | Bolt, Flanged, M6 x 1 x 12 mm | 14 |
| 5 | 101916101 | Housing, Fan | 1 |
| 6 | 1017476 | Shroud, Lower Cylinder | 1 |
| 7 | 1016547 | Nut, Flanged, M6 x 1 | 3 |
| 8 | 1017500 | Spacer | 2 |
| 9 | 1017475 | Shroud, Upper Cylinder | 1 |
| 10 | 1016539 | O-Ring | 1 |
| 11 | 1017486 | Tube, Oil Filler | 1 |
| 12 | 1016531 | Dipstick | 1 |
| 13 | 101887601 | Nut, Nylon Lock, M6 x 1 | 1 |
| 14 | 1015332 | Wire Assembly, #10 Braided Ground | 1 |
| 15 | 1015649 | Shroud, Fan | 1 |
| 16 | 1015969 | Screw, Pan-Head, M6 x 1 x 14 mm | 4 |

8
G

FE350 ENGINE

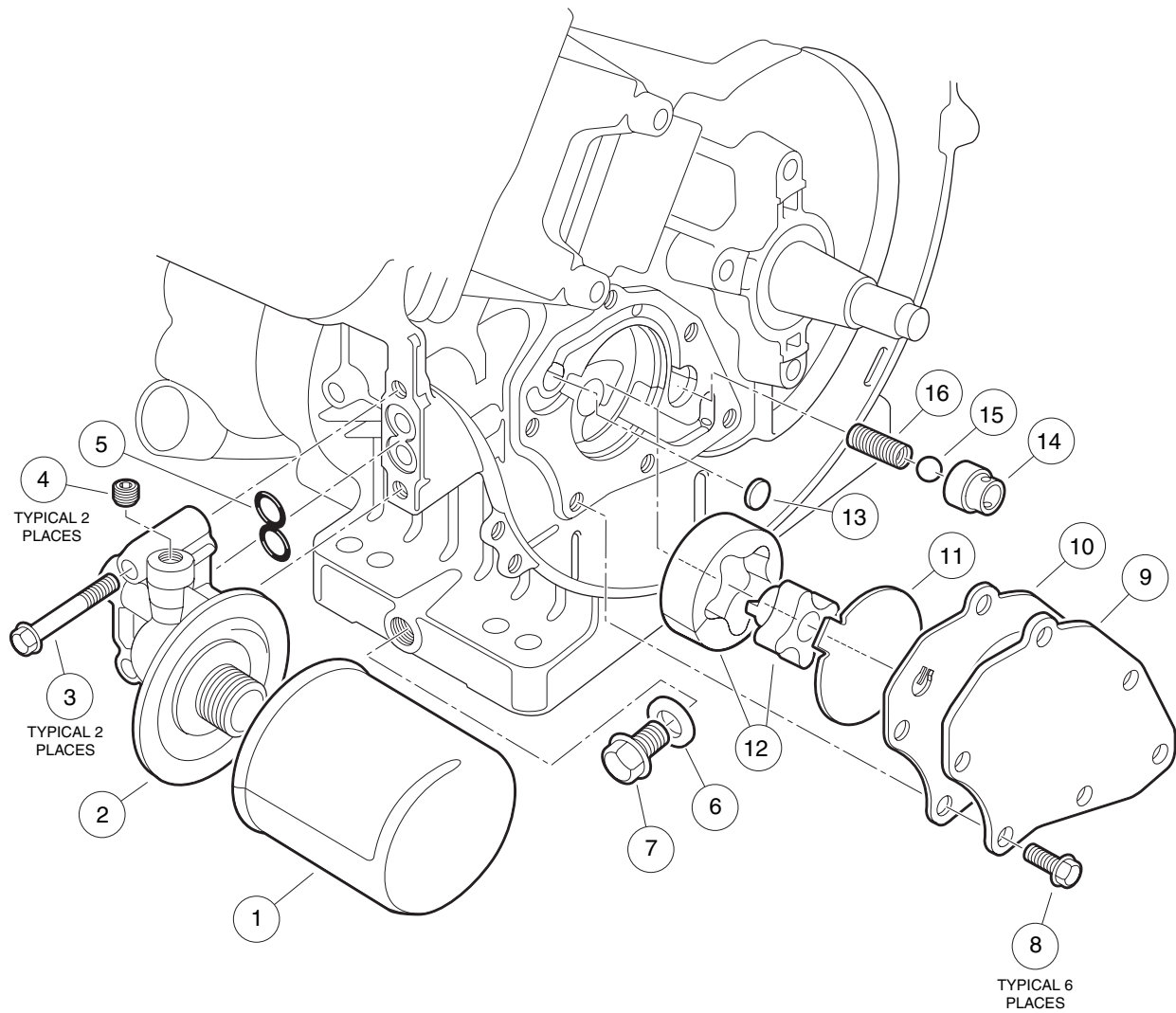


FE350 ENGINE (PEDAL-START) – IGNITION COMPONENTS AND FLYWHEEL

| ITEM | PART NO. | DESCRIPTION | QTY |
|------|-----------|--|-----|
| | | 1 2 3 4 | |
| 1 | 101916201 | Flywheel | 1 |
| 2 | 101916301 | Fan, Flywheel – Gray | 1 |
| 3 | 1017448 | Screw, Flanged Hex-Head, M6 x 1 x 10 mm | 3 |
| 4 | N/A | Nut, Hex, Fine, 18 mm | 1 |
| 5 | 1017490 | Washer, Flat, 18 mm | 1 |
| 6 | 1017455 | Plate, Flywheel Fan | 1 |
| 7 | 1016562 | Key | 1 |
| 8 | 1016455 | Screw, Hex-Head Flanged, M5 x 0.8 x 25 mm | 2 |
| 9 | 101909201 | Coil, Ignition (with internal igniter) | 1 |
| 10 | 1016578 | Grommet | 1 |
| 11 | 1016588 | Tube, 7 mm I.D. x 10 mm O.D. x 70 mm Long | 1 |
| 12 | 1017463 | Assembly, Plug Cap | 1 |
| 13 | 101881101 | Plug, Spark, OHV (Autolite®) | 1 |
| 13 | AM10724 | Plug, Spark, OHV (NGK®) | 1 |
| 14 | 1016445 | Bracket, RPM Limiter | 1 |
| 15 | 101909401 | Limiters, RPM | 1 |
| 16 | 1016579 | Band, RPM Limiter Mount | 1 |
| 17 | 1012981 | Clamp | 1 |
| 18 | 1016456 | Screw, Flanged Hex-Head, M6 x 1 x 12 mm | 2 |
| 19 | 1016586 | Damper | 1 |
| 20 | 101909501 | Clamp | 1 |
| 21 | 1016497 | Screw, Cross Pan-Head, M5 x 0.8 x 8 mm | 1 |
| 22 | 1016544 | Screw, Cross Pan-Head Self-Tapping, M5 x 12 mm | 1 |
| 23 | 1016561 | Clamp | 1 |
| 24 | 1016587 | Clamp | 1 |
| 25 | 101909301 | Wire, Lead | 1 |

8
G

FE350 ENGINE

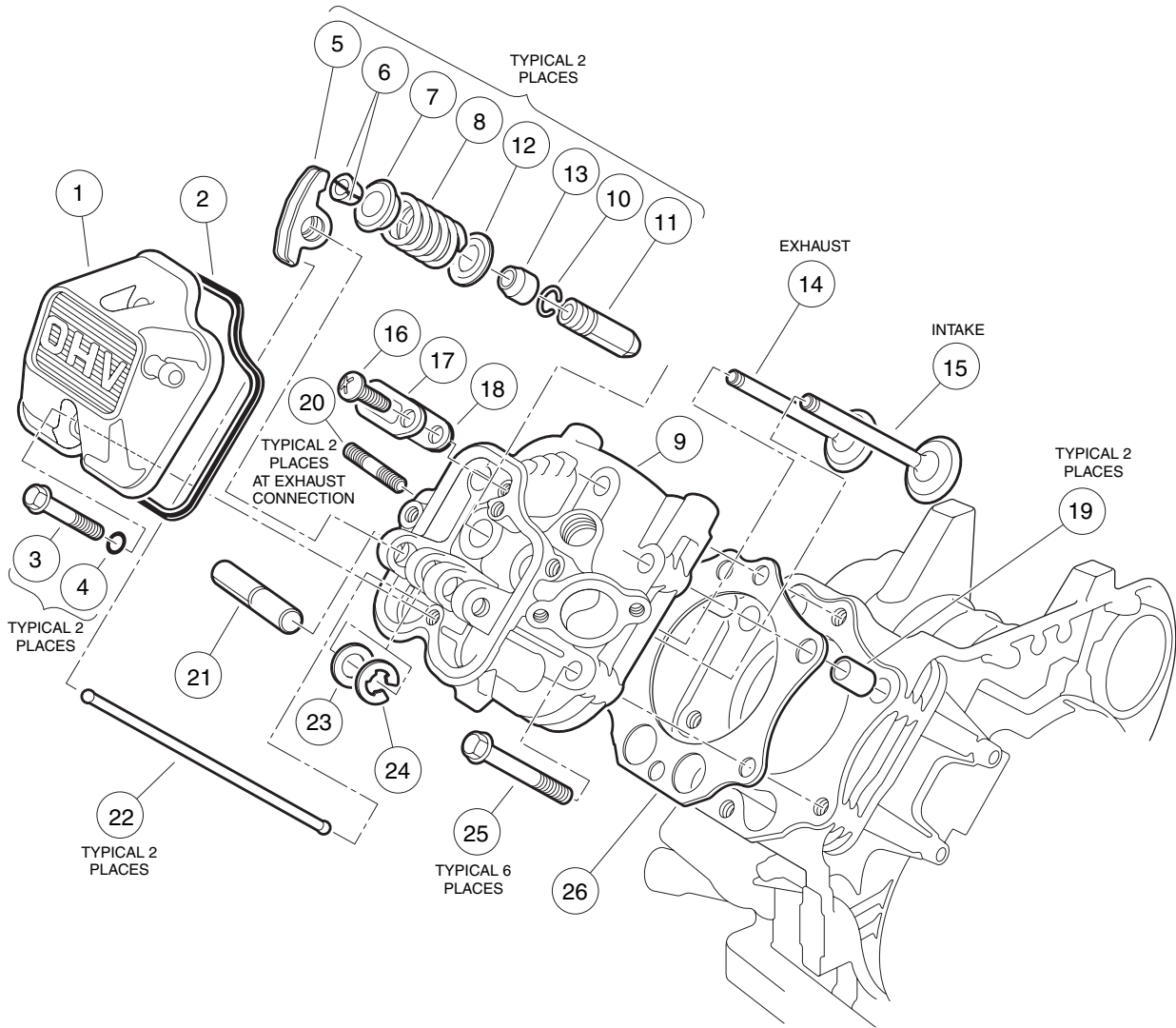


FE350 ENGINE (PEDAL-START) – OIL CIRCULATION

| ITEM | PART NO. | DESCRIPTION | QTY |
|------|-----------|---|-----|
| | | 1 2 3 4 | |
| 1 | 1016467 | Oil Filter | 1 |
| 2 | 1016502 | Bracket, Oil Filter | 1 |
| 3 | 1016457 | Bolt, Flanged Hex-Head, M6 x 1 x 40 mm | 2 |
| 4 | 1017507 | Plug | 2 |
| 5 | 1016570 | O-Ring, Oil Filter Mount | 1 |
| 6 | 1016432 | Gasket, Drain Plug | 1 |
| 7 | 1016576 | Plug, Drain | 1 |
| 8 | 1017456 | Screw, Flanged Hex-Head, M6 x 1 x 12 mm | 6 |
| 9 | 1017460 | Cover, Pump | 1 |
| 10 | 1017442 | Gasket, Oil Pump | 1 |
| 11 | 1016473 | Plate, Oil Pump | 1 |
| 12 | 101648203 | Pump, Oil and Rotor | 1 |
| 13 | 1017458 | Filter | 1 |
| 14 | 1016429 | Seat, Valve | 1 |
| 15 | 1016537 | Ball, Steel Pressure Relief | 1 |
| 16 | 1016581 | Spring | 1 |

8
G

FE350 ENGINE

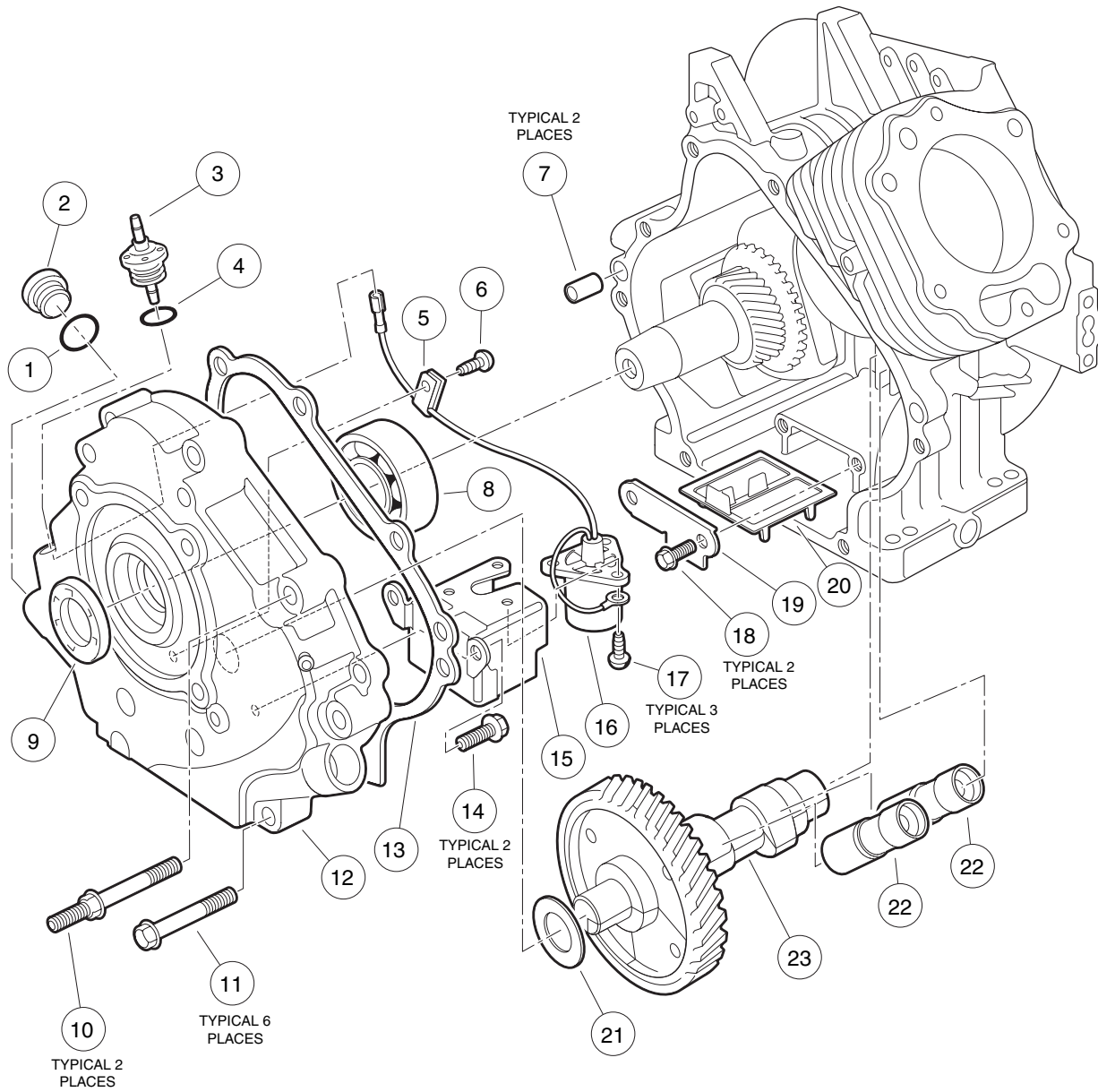


FE350 ENGINE (PEDAL-START) – CYLINDER HEAD

| ITEM | PART NO. | DESCRIPTION | QTY |
|------|-----------|---|-----|
| | | 1 2 3 4 | |
| 1 | 1016442 | Case, Rocker | 1 |
| 2 | 1016436 | Gasket, Rocker Case | 1 |
| 3 | 1016583 | Bolt, Flanged, M6 x 1 x 35 mm | 2 |
| 4 | 1016569 | O-Ring | 2 |
| 5 | 1017446 | Arm, Rocker | 2 |
| 6 | 1016450 | Collet | 4 |
| 7 | 1016449 | Retainer, Valve Spring | 2 |
| 8 | 1017473 | Spring, Engine Valve | 2 |
| 9 | 1017435 | Assembly, Cylinder Head, FE350 (includes items 10 and 11) | 1 |
| 10 | 1016560 | Ring, Snap | 2 |
| 11 | 1016519 | Guide, Valve | 2 |
| 12 | 1016479 | Seat, Spring | 2 |
| 13 | 1016566 | Seal, Valve | 2 |
| 14 | 1017445 | Valve, Exhaust | 1 |
| 15 | 1017444 | Valve, Intake | 1 |
| 16 | 1016544 | Screw, Cross Pan-Head Self-Tapping, M5 x 0.8 x 12 mm | 1 |
| 17 | 1016474 | Plate | 1 |
| 18 | 1016483 | Valve | 1 |
| 19 | 1016563 | Pin, Hollow | 2 |
| 20 | 1016489 | Bolt, Stud, M8 x 1.25 x 29 mm | 2 |
| 21 | 1016452 | Shaft, Rocker | 1 |
| 22 | 1017454 | Rod, Push | 2 |
| 23 | 1016549 | Washer, Flat, M12 | 1 |
| 24 | 1016517 | Circlip, Type-E | 1 |
| 25 | 1016458 | Bolt, Flanged, M8 x 1.25 x 45 mm | 6 |
| 26 | 1017434 | Gasket, Head | 1 |
| 27 | 102304801 | Kit, Gasket, FE350 (contains one each of all internal gaskets for FE350 engine) (not shown) | 1 |

8
G

FE350 ENGINE

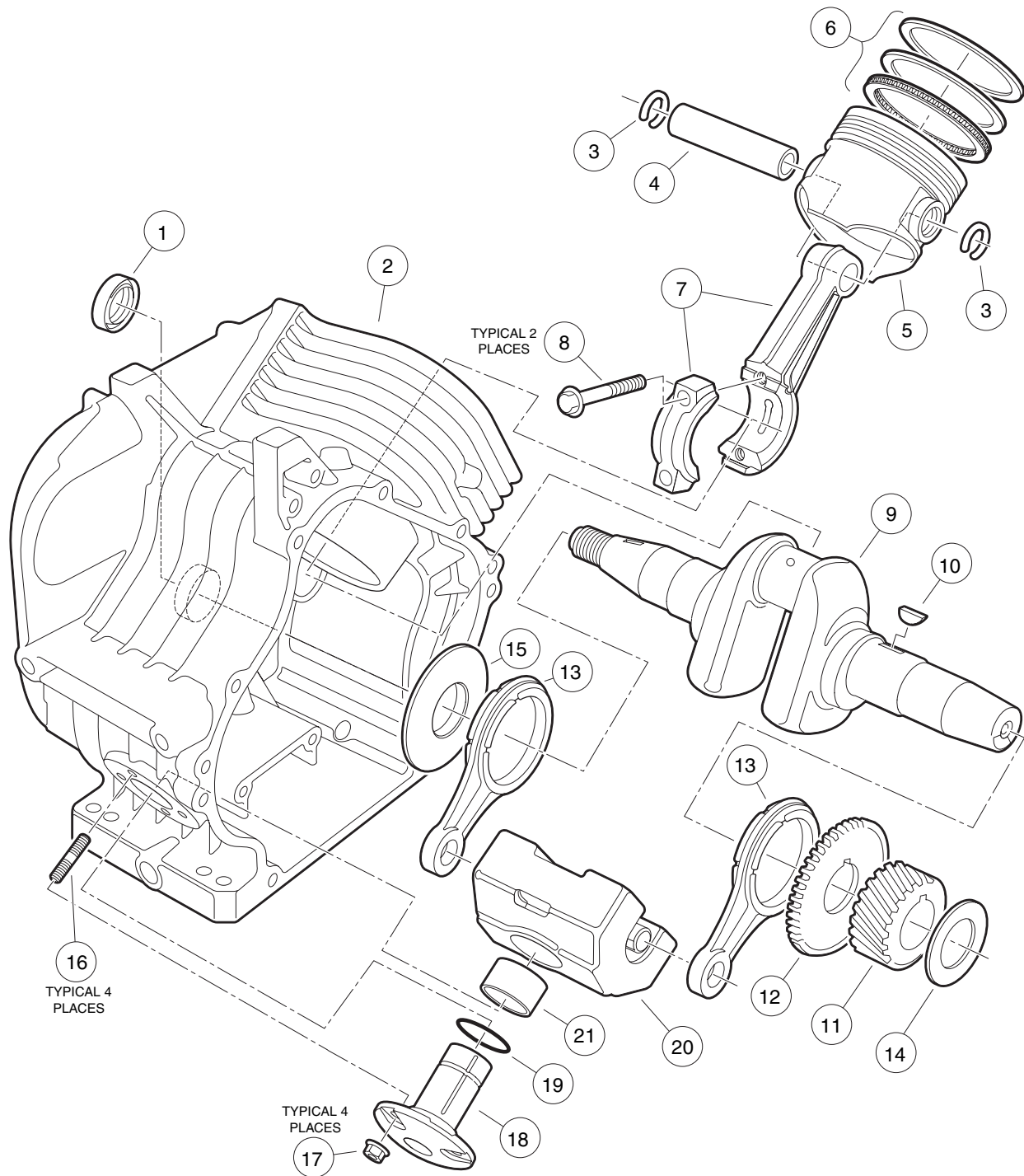


FE350 ENGINE (PEDAL-START) – CRANKCASE, CAMSHAFT AND OIL SENSOR

| ITEM | PART NO. | DESCRIPTION | QTY |
|------|-----------|---|-----|
| | | 1 2 3 4 | |
| 1 | 1016538 | O-Ring | 1 |
| 2 | 1017508 | Plug | 1 |
| 3 | 1016535 | Connector, Oil Sending Unit | 1 |
| 4 | 1016538 | O-Ring | 1 |
| 5 | 1016506 | Clamp | 1 |
| 6 | 1016544 | Screw, Cross Pan-Head Self-Tapping, M5 x 0.8 x 12 mm | 1 |
| 7 | 1016564 | Pin, Hollow | 2 |
| 8 | 1017487 | Bearing, Crankshaft | 1 |
| 9 | 1017504 | Seal, Crankshaft | 1 |
| 10 | 1016584 | Bolt, 2-Ended Flanged, M8 x 1.25 x 69 mm | 2 |
| 11 | 1017514 | Bolt, Flanged, M8 x 1.25 x 45 mm | 6 |
| 12 | 1017472 | Cover, Crankcase | 1 |
| 13 | 1017443 | Gasket, Crankcase Cover | 1 |
| 14 | 1017513 | Bolt, Flanged, M6 x 1 x 12 mm | 2 |
| 15 | 1016510 | Bracket, Oil Level Switch | 1 |
| 16 | 1016494 | Sensor, Oil Level | 1 |
| 17 | 1016496 | Screw, Cross Pan-Head, M4 x 0.7 x 8 mm | 3 |
| 18 | 1016454 | Bolt, Flanged, M5 x 0.8 x 8 mm | 2 |
| 19 | 1016472 | Plate, Oil Filter Screen | 1 |
| 20 | 1016521 | Screen, Oil Filter | 1 |
| 21 | 101751801 | Shim, 0.3 mm Thick | A/R |
| 21 | 101751802 | Shim, 0.4 mm Thick | A/R |
| 21 | 101751803 | Shim, 0.5 mm Thick | A/R |
| 22 | 1017447 | Lifter, Hydraulic | 2 |
| 23 | 102431001 | Camshaft, FE350 (without automatic compression release) (for engines with serial numbers 094171 and greater) | 1 |
| | 101947601 | Camshaft, FE350 (without automatic compression release) (for engines with serial numbers prior to 094171)..... | 1 |
| 24 | 102304801 | Kit, Gasket, FE350 (contains one each of all internal gaskets for FE350 engine) (not shown) | 1 |

8
G

FE350 ENGINE



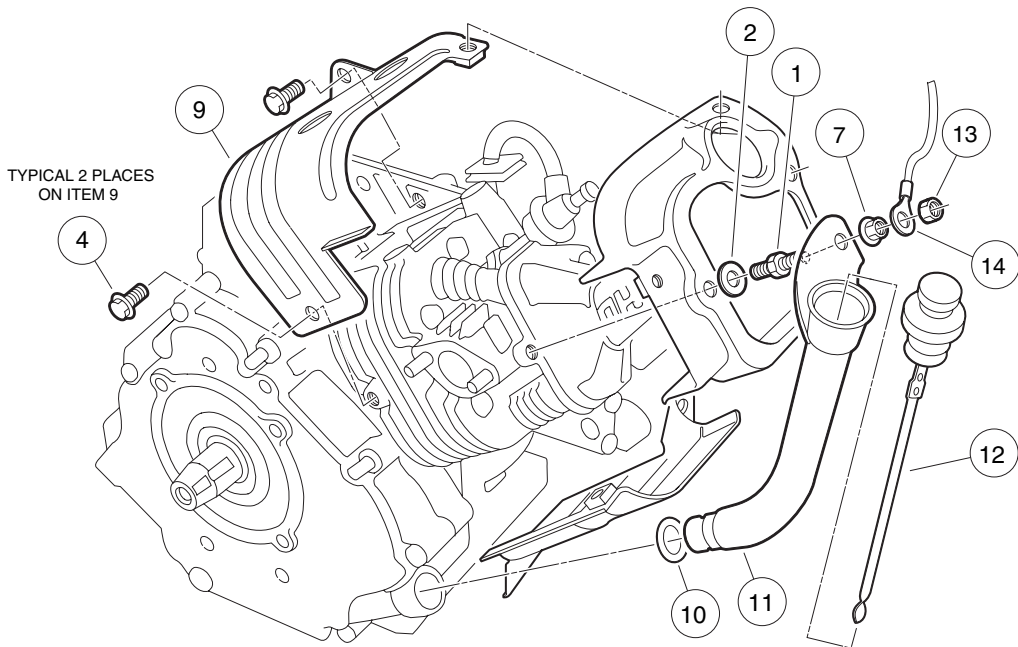
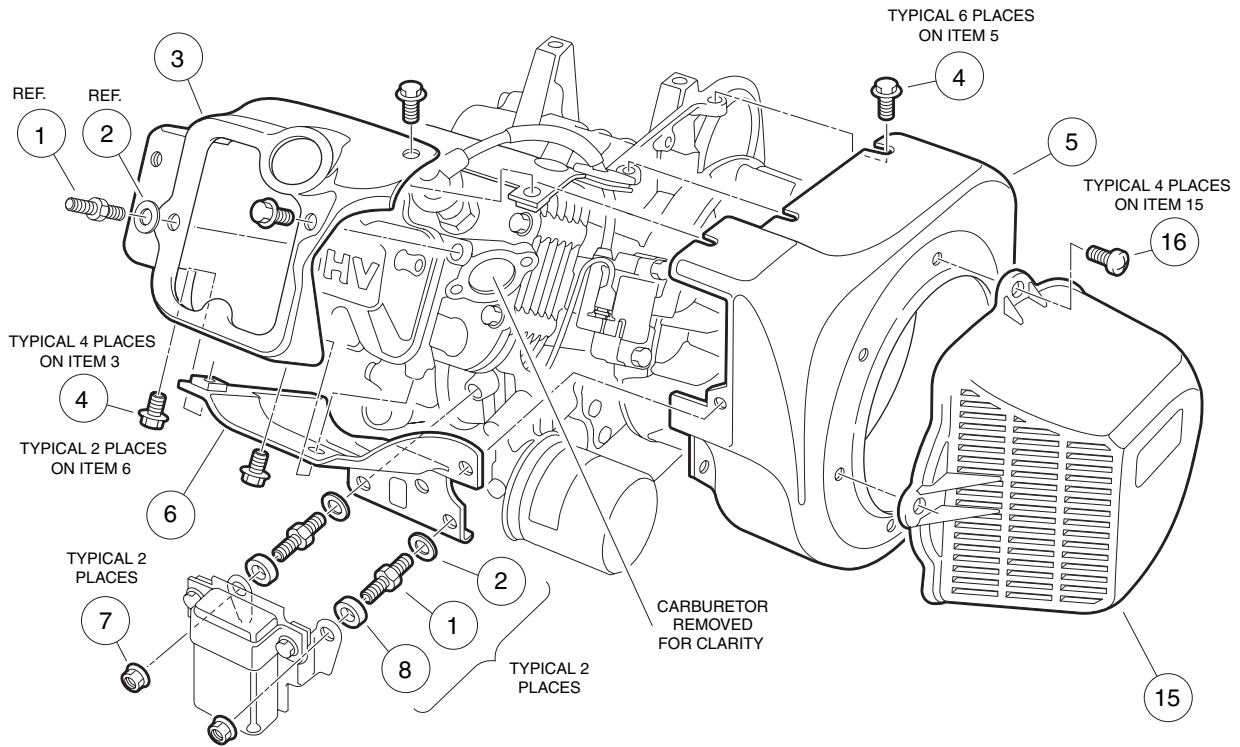
FE350 ENGINE (PEDAL-START) – CRANKCASE AND CRANKSHAFT

| ITEM | PART NO. | DESCRIPTION | QTY |
|------|-----------|---|-----|
| | | 1 2 3 4 | |
| 1 | 1017503 | Seal, Oil | 1 |
| 2 | 101916001 | Crankcase, FE350 (clockwise rotation) | 1 |
| 3 | 1017502 | Ring, Snap | 2 |
| 4 | 1017450 | Pin, Piston | 1 |
| 5 | 101744901 | Piston, Standard..... | 1 |
| 5 | 101744902 | Piston, .50 mm Oversized | 1 |
| 6 | 101745101 | Ring Set, Piston, Standard | 1 |
| 6 | 101745102 | Ring Set, Piston, .50 mm Oversized | 1 |
| 7 | 101745701 | Assembly, Connecting Rod, Standard (includes 2 each of item 8) | 1 |
| 7 | 101745702 | Assembly, Connecting Rod, .50 mm Undersized (includes 2 each of item 8) | 1 |
| 8 | 102272201 | Bolt, Hex-Head, M8 x 1.25 x 42 mm | 2 |
| 9 | 101922302 | Crankshaft, FE350 (left-hand threads) (for engines with serial numbers lower than 094171) (includes items 10 - 12 and one each of item 13) | 1 |
| | 102430901 | Crankshaft, FE350 (left-hand threads) (for engines with serial numbers 094171 and greater) (includes helical and spur gear (not sold individually) and one each of items 10 and 13) | 1 |
| 10 | 1016562 | Key | 1 |
| 11 | 1017484 | Gear, Helical | 1 |
| 12 | 1017483 | Gear, Spur | 1 |
| 13 | 1017471 | Rod, Connecting | 2 |
| 14 | 101773301 | Shim, Crankshaft, 1.18 mm Thick | A/R |
| 14 | 101773302 | Shim, Crankshaft, 1.25 mm Thick | A/R |
| 14 | 101773303 | Shim, Crankshaft, 1.32 mm Thick | A/R |
| 14 | 101773304 | Shim, Crankshaft, 1.39 mm Thick | A/R |
| 14 | 101773305 | Shim, Crankshaft, 1.46 mm Thick | A/R |
| 14 | 101773306 | Shim, Crankshaft, 1.53 mm Thick | A/R |
| 14 | 101773307 | Shim, Crankshaft, 1.60 mm Thick | A/R |
| 14 | 101773308 | Shim, Crankshaft, 1.67 mm Thick | A/R |
| 14 | 101773309 | Shim, Crankshaft, 1.74 mm Thick | A/R |
| 14 | 101773310 | Shim, Crankshaft, 1.11 mm Thick | A/R |
| 14 | 101773311 | Shim, Crankshaft, 1.81 mm Thick | A/R |
| 15 | 1017501 | Spacer | 1 |
| 16 | 1016541 | Bolt, Stud, M6 x 1 x 22 mm | 4 |
| 17 | 1016547 | Nut, Flanged, M6 x 1 | 4 |
| 18 | 1016470 | Shaft, Guide Counterbalance | 1 |
| 19 | 1016571 | O-Ring | 1 |
| 20 | 1017453 | Weight, Counterbalance (includes item 21) | 1 |
| 21 | 1017510 | Bearing | 1 |

8

G

FE400 ENGINE

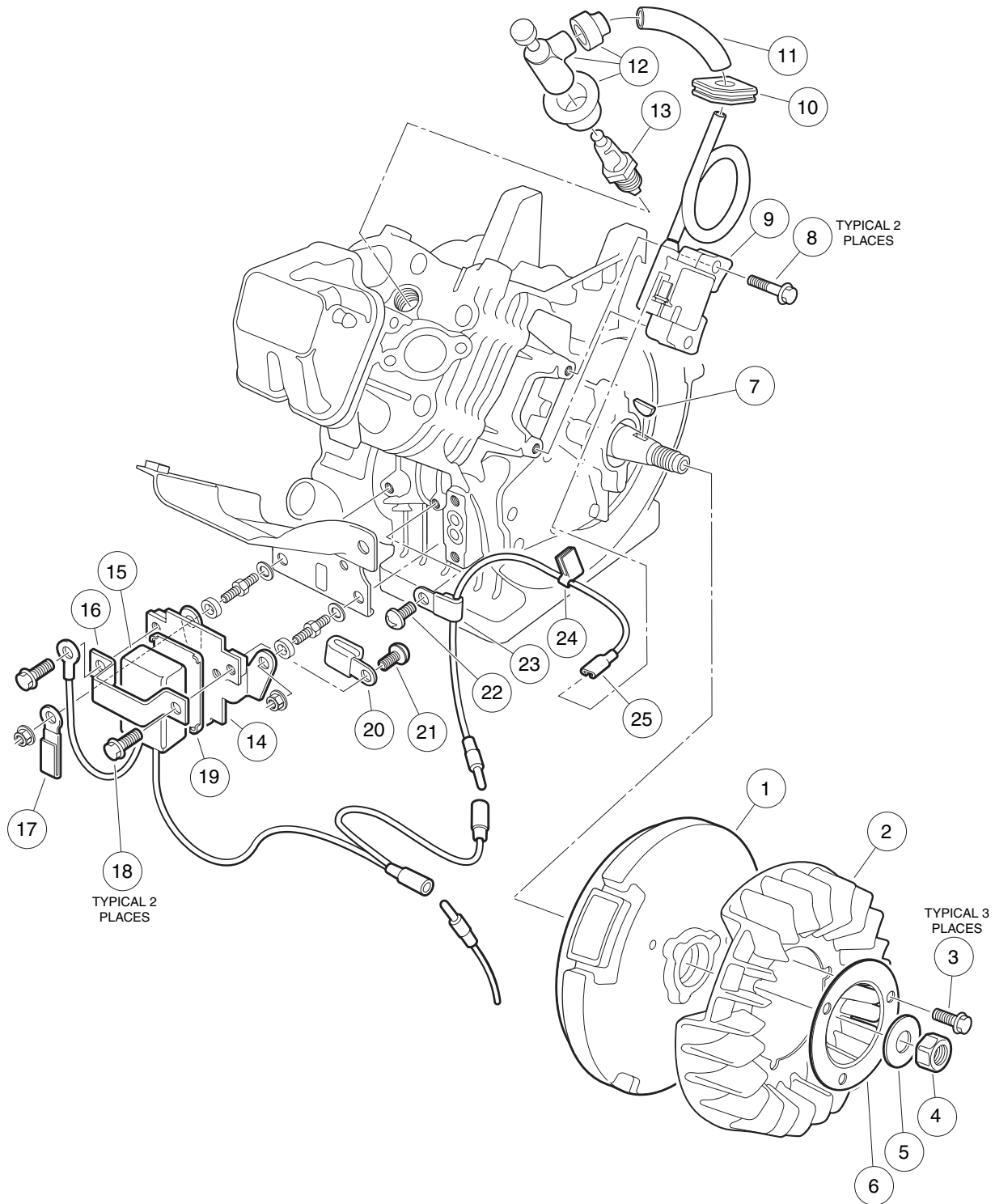


FE400 ENGINE (KEY-START) – SHROUDS AND BRACKETS

| ITEM | PART NO. | DESCRIPTION | QTY |
|------|-----------|---|-----|
| | | 1 2 3 4 | |
| | 102258701 | FE400 OHV Gasoline Engine, Complete (clockwise rotation) with automatic compression release (ACR) and Carburetor (does not include items 13 - 16) | 1 |
| 1 | 1016507 | Bolt, 2-Ended, M6 x 1 x 29 mm | 3 |
| 2 | N/A | Washer, Flat, 6 mm | 3 |
| 3 | 1017474 | Shroud, Cylinder Head | 1 |
| 4 | 1016456 | Bolt, Flanged, M6 x 1 x 12 mm | 14 |
| 5 | 102272001 | Housing, Fan | 1 |
| 6 | 1017476 | Shroud, Lower Cylinder | 1 |
| 7 | 1016547 | Nut, Flanged, M6 x 1 | 3 |
| 8 | 1017500 | Spacer | 2 |
| 9 | 1017475 | Shroud, Upper Cylinder | 1 |
| 10 | 1016539 | O-Ring | 1 |
| 11 | 1017486 | Tube, Oil Filler | 1 |
| 12 | 1016531 | Dipstick | 1 |
| 13 | 101887601 | Nut, Nylon Lock, M6 x 1 | 1 |
| 14 | 1015332 | Wire Assembly, #10 Braided Ground | 1 |
| 15 | 1015649 | Shroud, Fan | 1 |
| 16 | 1015969 | Screw, Pan-Head, M6 x 1 x 14 mm | 4 |

8
G

FE400 ENGINE

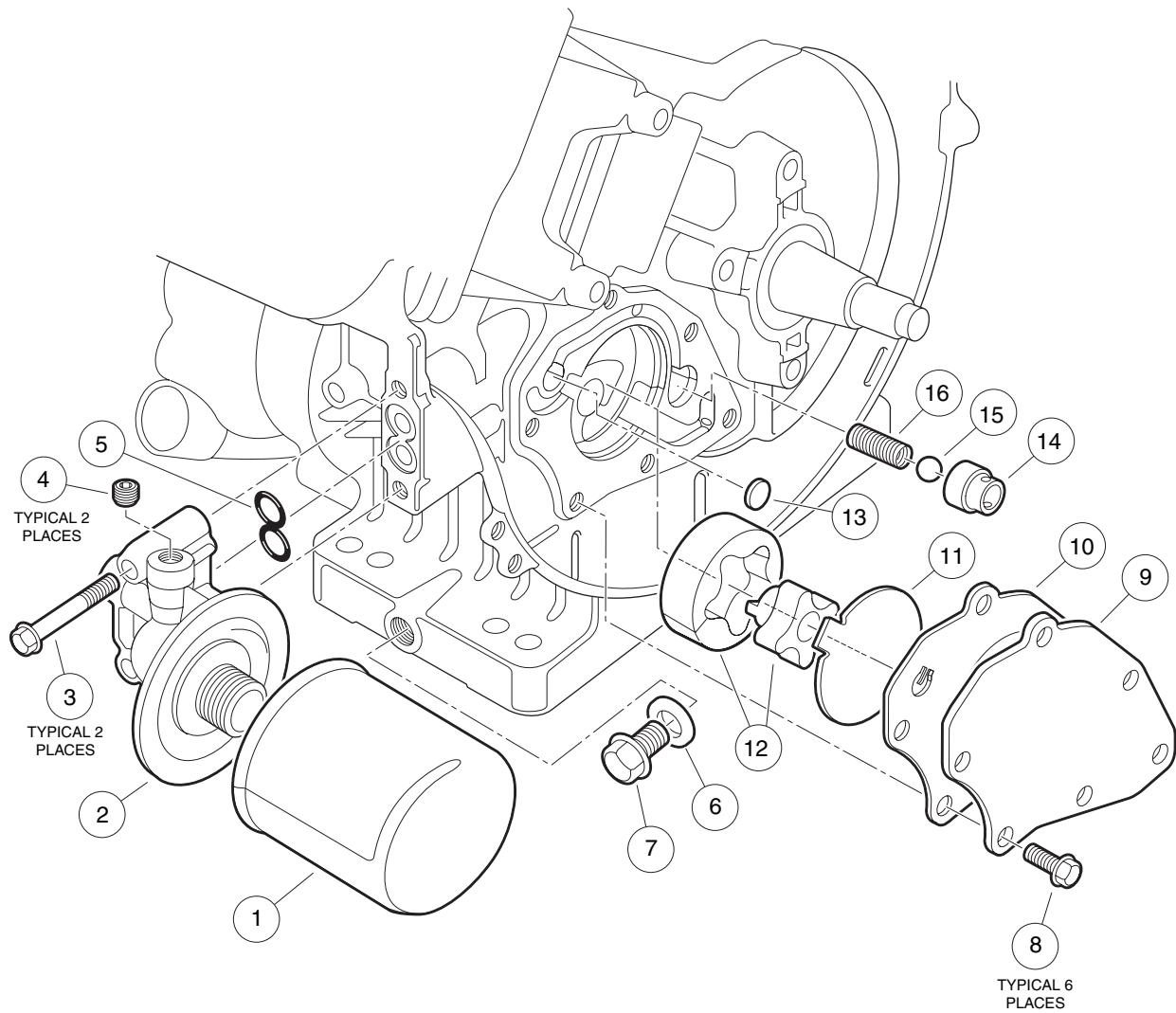


FE400 ENGINE (KEY-START) – IGNITION COMPONENTS AND FLYWHEEL

| ITEM | PART NO. | DESCRIPTION | QTY |
|------|-----------|--|-----|
| | | 1 2 3 4 | |
| 1 | 101916201 | Flywheel | 1 |
| 2 | 101916301 | Fan, Flywheel – Gray | 1 |
| 3 | 1017448 | Screw, Flanged Hex-Head, M6 x 1 x 10 mm | 3 |
| 4 | N/A | Nut, Hex, Fine, 18 mm | 1 |
| 5 | 1017490 | Washer, Flat, 18 mm | 1 |
| 6 | 1017455 | Plate, Flywheel Fan | 1 |
| 7 | 1016562 | Key | 1 |
| 8 | 1016455 | Screw, Hex-Head Flanged, M5 x 0.8 x 25 mm | 2 |
| 9 | 101909201 | Coil, Ignition (with internal igniter) | 1 |
| 10 | 1016578 | Grommet | 1 |
| 11 | 1016588 | Tube, 7 mm I.D. x 10 mm O.D. x 70 mm Long | 1 |
| 12 | 1017463 | Assembly, Plug Cap | 1 |
| 13 | 101881101 | Plug, Spark, OHV (Autolite) | 1 |
| 13 | AM10724 | Plug, Spark, OHV (NGK) | 1 |
| 14 | 1016445 | Bracket, RPM Limiter | 1 |
| 15 | 101909401 | Limiters, RPM | 1 |
| 16 | 1016579 | Band, RPM Limiter Mount | 1 |
| 17 | 1012981 | Clamp | 1 |
| 18 | 1016456 | Screw, Flanged Hex-Head, M6 x 1 x 12 mm | 2 |
| 19 | 1016586 | Damper | 1 |
| 20 | 101909501 | Clamp | 1 |
| 21 | 1016497 | Screw, Cross Pan-Head, M5 x 0.8 x 8 mm | 1 |
| 22 | 1016544 | Screw, Cross Pan-Head Self-Tapping, M5 x 12 mm | 1 |
| 23 | 1016561 | Clamp | 1 |
| 24 | 1016587 | Clamp | 1 |
| 25 | 101909301 | Wire, Lead | 1 |

8
G

FE400 ENGINE

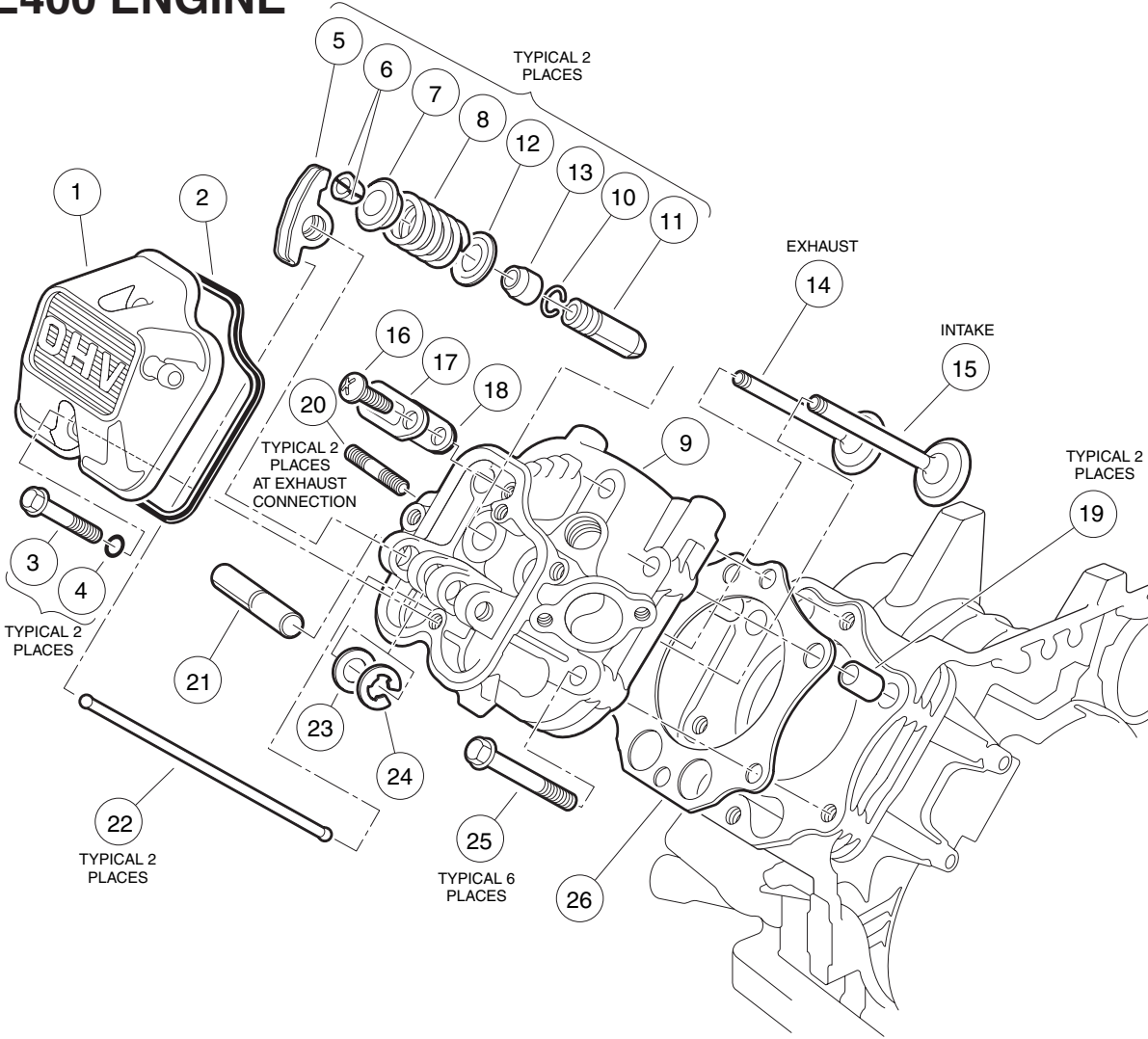


FE400 ENGINE (KEY-START) – OIL CIRCULATION

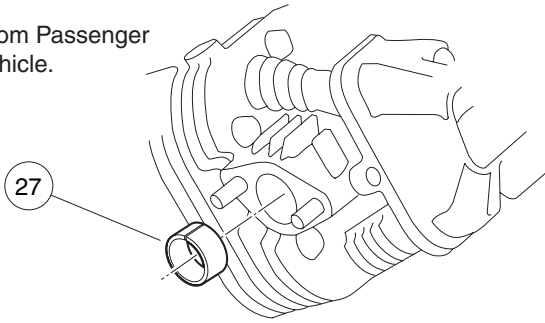
| ITEM | PART NO. | DESCRIPTION | QTY |
|------|-----------|---|-----|
| | | 1 2 3 4 | |
| 1 | 1016467 | Oil Filter | 1 |
| 2 | 1016502 | Bracket, Oil Filter | 1 |
| 3 | 1016457 | Bolt, Flanged Hex-Head, M6 x 1 x 40 mm | 2 |
| 4 | 1017507 | Plug | 2 |
| 5 | 1016570 | O-Ring, Oil Filter Mount | 1 |
| 6 | 1016432 | Gasket, Drain Plug | 1 |
| 7 | 1016576 | Plug, Drain | 1 |
| 8 | 1017456 | Screw, Flanged Hex-Head, M6 x 1 x 12 mm | 6 |
| 9 | 1017460 | Cover, Pump | 1 |
| 10 | 1017442 | Gasket, Oil Pump | 1 |
| 11 | 1016473 | Plate, Oil Pump | 1 |
| 12 | 101648203 | Pump, Oil and Rotor | 1 |
| 13 | 1017458 | Filter | 1 |
| 14 | 1016429 | Seat, Valve | 1 |
| 15 | 1016537 | Ball, Steel Pressure Relief | 1 |
| 16 | 1016581 | Spring | 1 |

8
G

FE400 ENGINE



Viewed from Passenger side of vehicle.

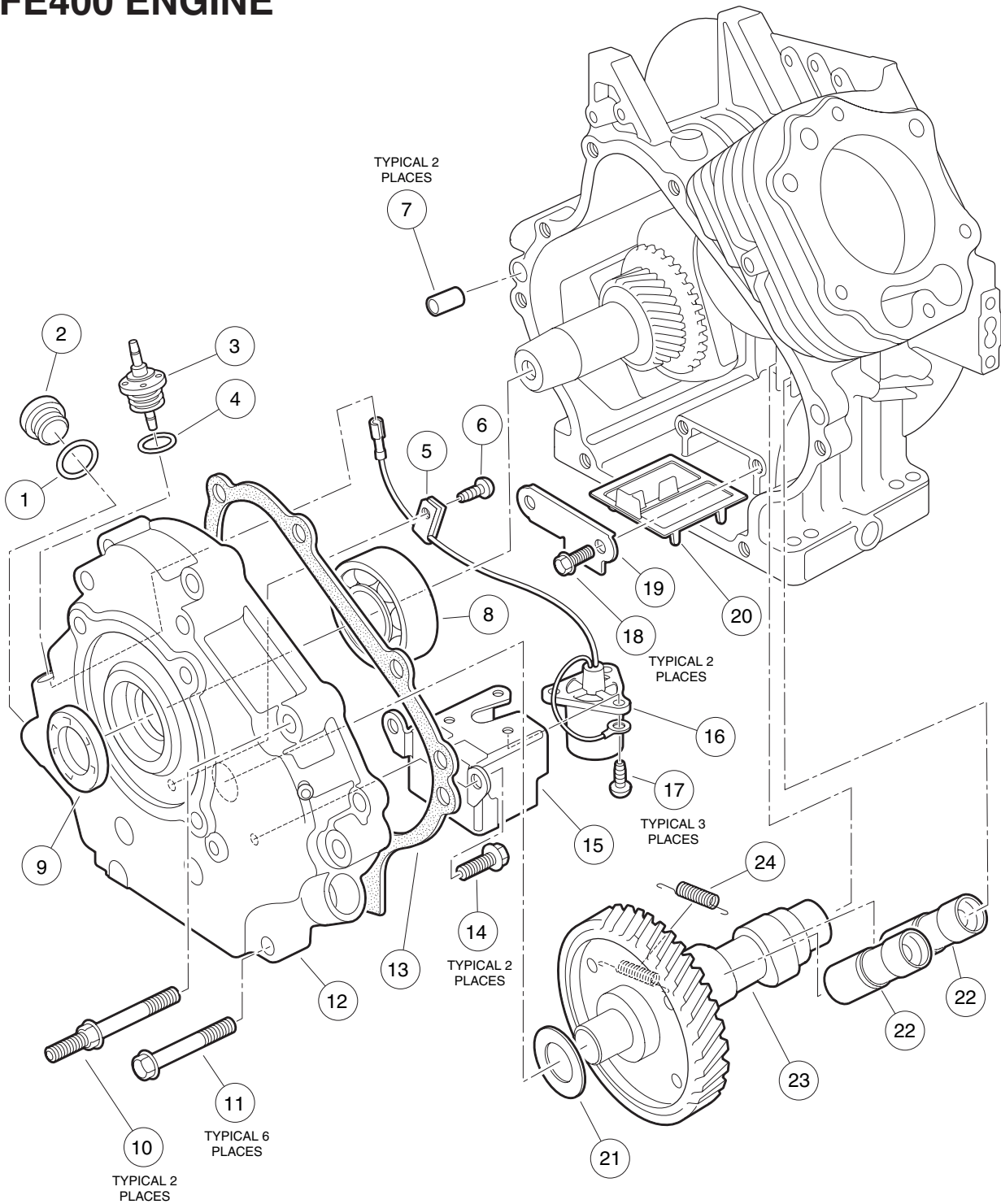


FE400 ENGINE (KEY-START) – CYLINDER HEAD

| ITEM | PART NO. | DESCRIPTION | QTY |
|------|-----------|---|-----|
| | | 1 2 3 4 | |
| 1 | 1016442 | Case, Rocker | 1 |
| 2 | 1016436 | Gasket, Rocker Case | 1 |
| 3 | 1016583 | Bolt, Flanged, M6 x 1 x 35 mm | 2 |
| 4 | 1016569 | O-Ring | 2 |
| 5 | 1017446 | Arm, Rocker | 2 |
| 6 | 1016450 | Collet | 4 |
| 7 | 1016449 | Retainer, Valve Spring | 2 |
| 8 | 1017473 | Spring, Engine Valve | 2 |
| 9 | 102270001 | Assembly, Cylinder Head, FE400 (includes items 10 and 11) | 1 |
| 10 | 1016560 | Ring, Snap | 2 |
| 11 | 1016519 | Guide, Valve | 2 |
| 12 | 1016479 | Seat, Spring | 2 |
| 13 | 1016566 | Seal, Valve | 2 |
| 14 | 1017445 | Valve, Exhaust | 1 |
| 15 | 1017444 | Valve, Intake | 1 |
| 16 | 1016544 | Screw, Cross Pan-Head Self-Tapping, M5 x 0.8 x 12 mm | 1 |
| 17 | 1016474 | Plate | 1 |
| 18 | 1016483 | Valve | 1 |
| 19 | 1016563 | Pin, Hollow | 2 |
| 20 | 1016489 | Bolt, Stud, M8 x 1.25 x 29 mm | 2 |
| 21 | 1016452 | Shaft, Rocker | 1 |
| 22 | 1017454 | Rod, Push | 2 |
| 23 | 1016549 | Washer, Flat, M12 | 1 |
| 24 | 1016517 | Circlip, Type-E | 1 |
| 25 | 1016458 | Bolt, Flanged, M8 x 1.25 x 45 mm | 6 |
| 26 | 102269901 | Gasket, Head | 1 |
| 27 | 102271101 | Sleeve | 1 |
| 28 | 102304901 | Kit, Gasket, FE400 (contains one each of all internal gaskets for FE400 engine) (not shown) | 1 |

8
G

FE400 ENGINE

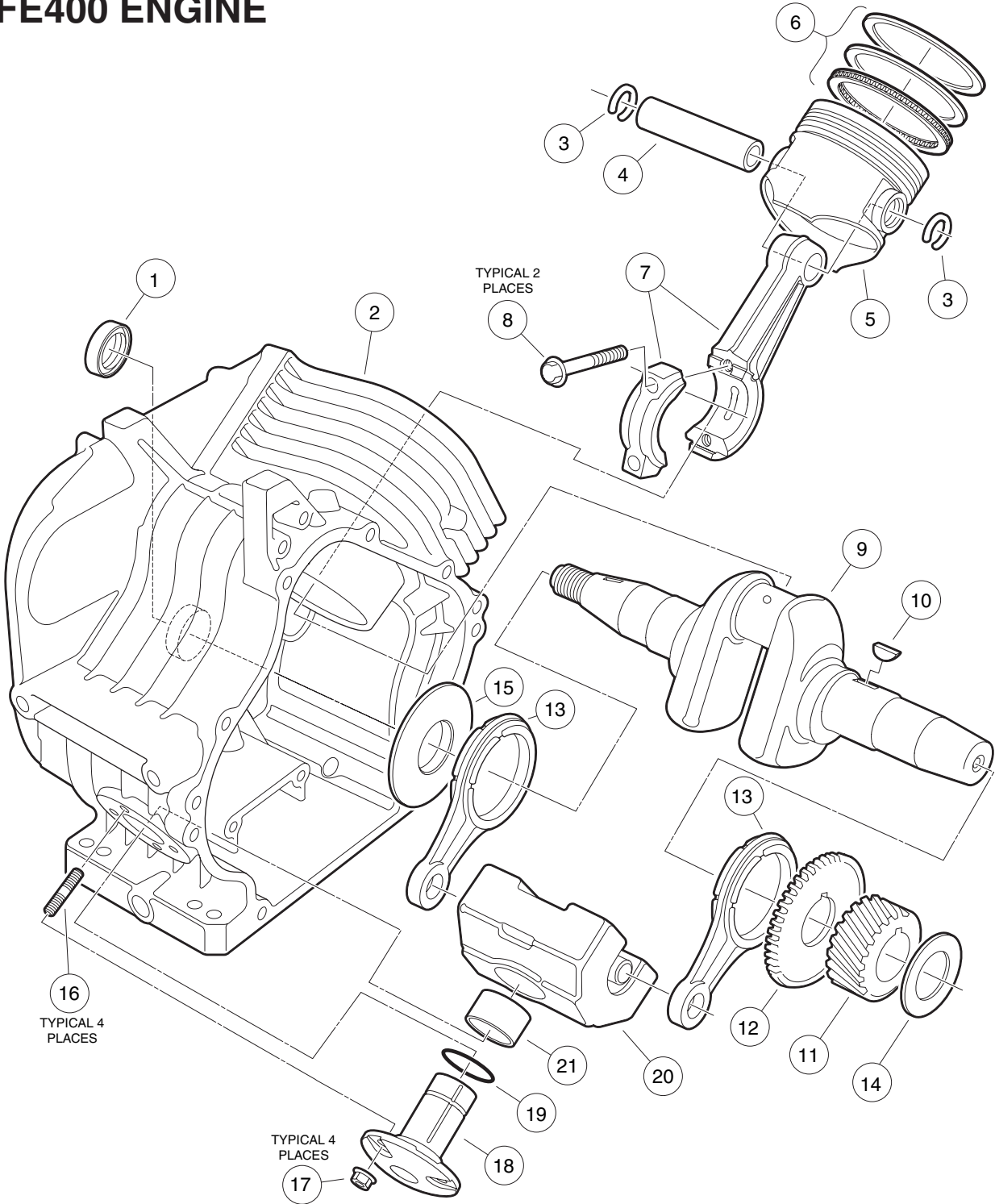


FE400 ENGINE (KEY-START) – CRANKCASE, CAMSHAFT AND OIL SENSOR

| ITEM | PART NO. | DESCRIPTION | QTY |
|------|-----------|--|-----|
| | | 1 2 3 4 | |
| 1 | 1016538 | O-Ring | 1 |
| 2 | 1017508 | Plug | 1 |
| 3 | 1016535 | Connector, Oil Sending Unit | 1 |
| 4 | 1016538 | O-Ring | 1 |
| 5 | 1016506 | Clamp | 1 |
| 6 | 1016544 | Screw, Cross Pan-Head Self-Tapping, M5 x 0.8 x 12 mm | 1 |
| 7 | 1016564 | Pin, Hollow | 2 |
| 8 | 1017487 | Bearing, Crankshaft | 1 |
| 9 | 102272101 | Seal, Crankshaft | 1 |
| 10 | 1016584 | Bolt, 2-Ended Flanged, M8 x 1.25 x 69 mm | 2 |
| 11 | 1017514 | Bolt, Flanged, M8 x 1.25 x 45 mm | 6 |
| 12 | 102271401 | Cover, Crankcase | 1 |
| 13 | 1017443 | Gasket, Crankcase Cover | 1 |
| 14 | 102272301 | Bolt, Flanged | 2 |
| 15 | 102271201 | Bracket, Oil Level Switch | 1 |
| 16 | 1016494 | Sensor, Oil Level | 1 |
| 17 | 1016496 | Screw, Cross Pan-Head, M4 x 0.7 x 8 mm | 3 |
| 18 | 1016454 | Bolt, Flanged, M5 x 0.8 x 8 mm | 2 |
| 19 | 1016472 | Plate, Oil Filter Screen | 1 |
| 20 | 1016521 | Screen, Oil Filter | 1 |
| 21 | 101751801 | Shim, 0.3 mm Thick | A/R |
| 21 | 101751802 | Shim, 0.4 mm Thick | A/R |
| 21 | 101751803 | Shim, 0.5 mm Thick | A/R |
| 22 | 1017447 | Lifter, Hydraulic | 2 |
| 23 | 102271601 | Camshaft, FE350/FE400 (with automatic compression release) (includes item 24) | 1 |
| 24 | 1017511 | Spring | 1 |
| 25 | 102304901 | Kit, Gasket, FE400 (contains one each of all internal gaskets for FE400 engine) (not shown) | 1 |

8
G

FE400 ENGINE

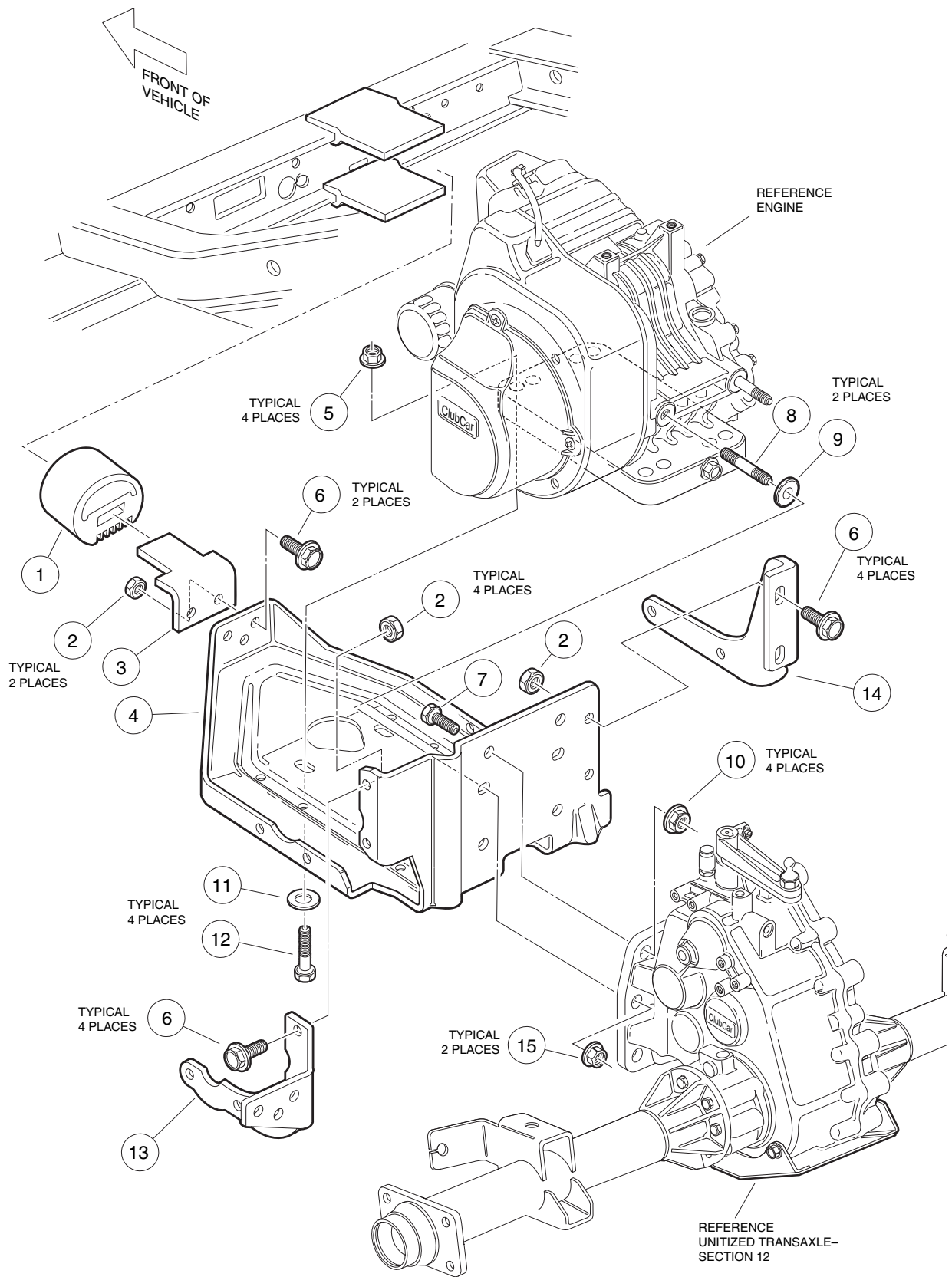


FE400 ENGINE (KEY-START) – CRANKCASE AND CRANKSHAFT

| ITEM | PART NO. | DESCRIPTION | QTY |
|------|-----------|---|-----|
| | | 1 2 3 4 | |
| 1 | 1017503 | Seal, Oil | 1 |
| 2 | 102271501 | Crankcase, FE400 (clockwise rotation) | 1 |
| 3 | 1017502 | Ring, Snap | 2 |
| 4 | 1017450 | Pin, Piston | 1 |
| 5 | 102270201 | Piston, Standard..... | 1 |
| 6 | 102270301 | Ring Set, Piston, Standard | 1 |
| 7 | 101745701 | Assembly, Connecting Rod, Standard (includes 2 each of item 8) | 1 |
| 7 | 101745702 | Assembly, Connecting Rod, .50 mm Undersized (includes 2 each of item 8) | 1 |
| 8 | 102272201 | Bolt, Hex-Head, M8 x 1.25 x 42 mm | 2 |
| 9 | 102270401 | Crankshaft, FE400 (left-hand threads) (includes items 10 - 12 and one each of item 13) | 1 |
| 10 | 1016562 | Key | 1 |
| 11 | 102271901 | Gear, Helical (22T) | 1 |
| 12 | 102271801 | Gear, Spur | 1 |
| 13 | 1017471 | Rod, Connecting | 2 |
| 14 | 101773301 | Shim, Crankshaft, 1.18 mm Thick | A/R |
| 14 | 101773302 | Shim, Crankshaft, 1.25 mm Thick | A/R |
| 14 | 101773303 | Shim, Crankshaft, 1.32 mm Thick | A/R |
| 14 | 101773304 | Shim, Crankshaft, 1.39 mm Thick | A/R |
| 14 | 101773305 | Shim, Crankshaft, 1.46 mm Thick | A/R |
| 14 | 101773306 | Shim, Crankshaft, 1.53 mm Thick | A/R |
| 14 | 101773307 | Shim, Crankshaft, 1.60 mm Thick | A/R |
| 14 | 101773308 | Shim, Crankshaft, 1.67 mm Thick | A/R |
| 14 | 101773309 | Shim, Crankshaft, 1.74 mm Thick | A/R |
| 14 | 101773310 | Shim, Crankshaft, 1.11 mm Thick | A/R |
| 14 | 101773311 | Shim, Crankshaft, 1.81 mm Thick | A/R |
| 15 | 1017501 | Spacer | 1 |
| 16 | 1016541 | Bolt, Stud, M6 x 1 x 22 mm | 4 |
| 17 | 1016547 | Nut, Flanged, M6 x 1 | 4 |
| 18 | 1016470 | Shaft, Guide Counterbalance | 1 |
| 19 | 1016571 | O-Ring | 1 |
| 20 | 102270501 | Weight, Counterbalance (includes item 21) | 1 |
| 21 | 1017510 | Bearing | 1 |

8

G



ENGINE MOUNTING

| ITEM | PART NO. | DESCRIPTION | QTY |
|------|-----------|---|-----|
| | | 1 2 3 4 | |
| 1 | 1012164 | Snubber | 1 |
| 2 | 1013924 | Nut, Hex Lock, UNF, 5/16-24 | 10 |
| 3 | 101834601 | Bracket, Snubber | 1 |
| 4 | 101827101 | Plate, Mounting | 1 |
| 5 | 101963401 | Nut, Flanged, 5/16-18 | 6 |
| 6 | 101884801 | Screw, Hex Washer-Head, 5/16-24 x 7/8 | 10 |
| 7 | 101833301 | Screw, Hex-Head Cap, M10 x 1.25 x 30 mm | 4 |
| 8 | 101833101 | Stud, M8 x 1.25 x 50 mm | 2 |
| 9 | 101832101 | Washer, Flat, 5/16 | 2 |
| 10 | 101832901 | Nut, Flanged, M10 x 1.25 | 4 |
| 11 | 1012571 | Washer, Heavy Flat, 5/16 | 4 |
| 12 | 1010577 | Screw, Hex-Head Cap, 5/16-18x1.50 | 4 |
| 13 | 101832701 | Stiffener, Flywheel Side | 1 |
| 14 | 101832601 | Stiffener, PTO Side | 1 |
| 15 | 101833001 | Nut, flange, M8 x 1.25 | 2 |

8

G

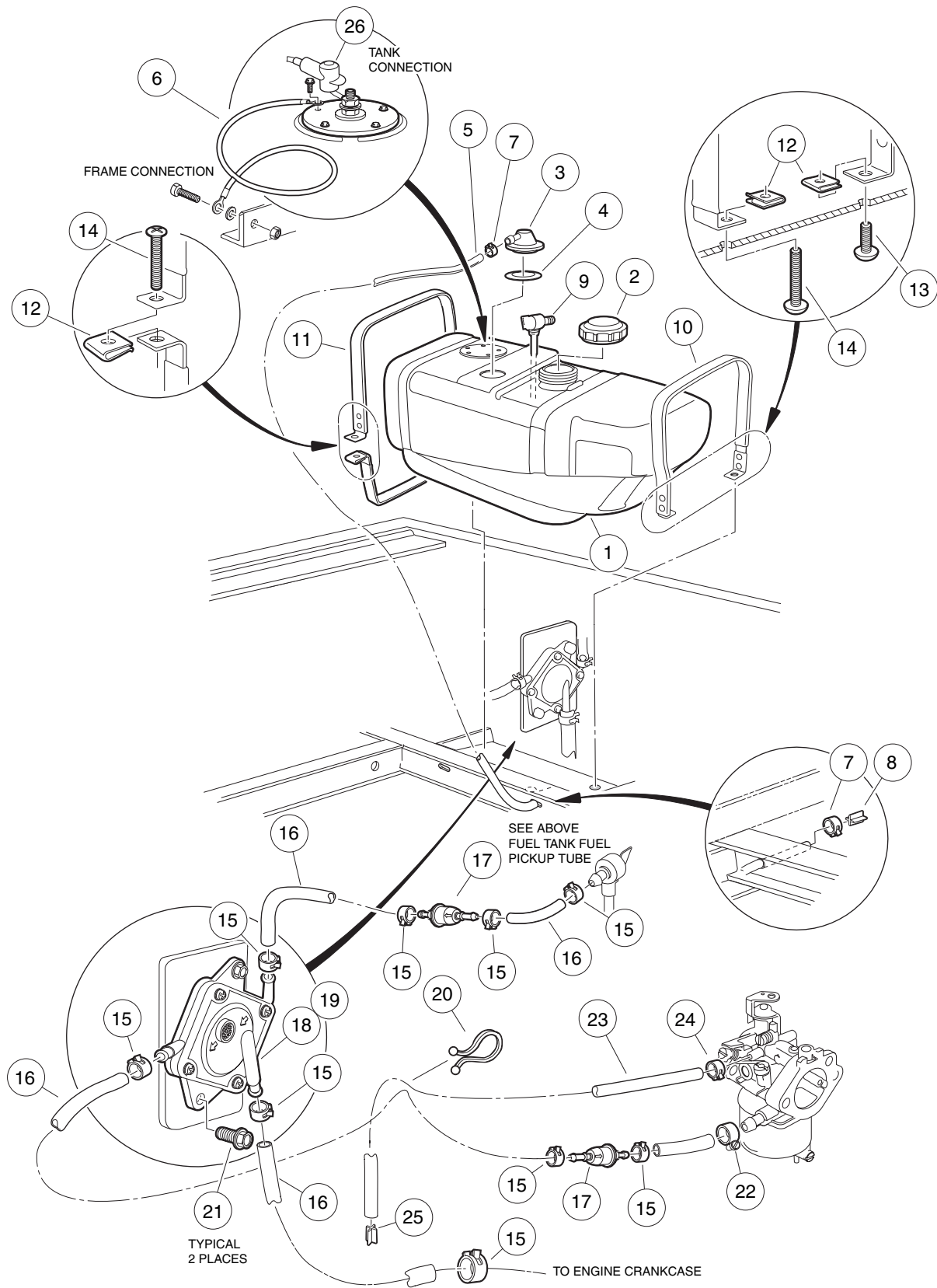
8

G

FUEL, INTAKE, AND GOVERNOR SYSTEMS

9

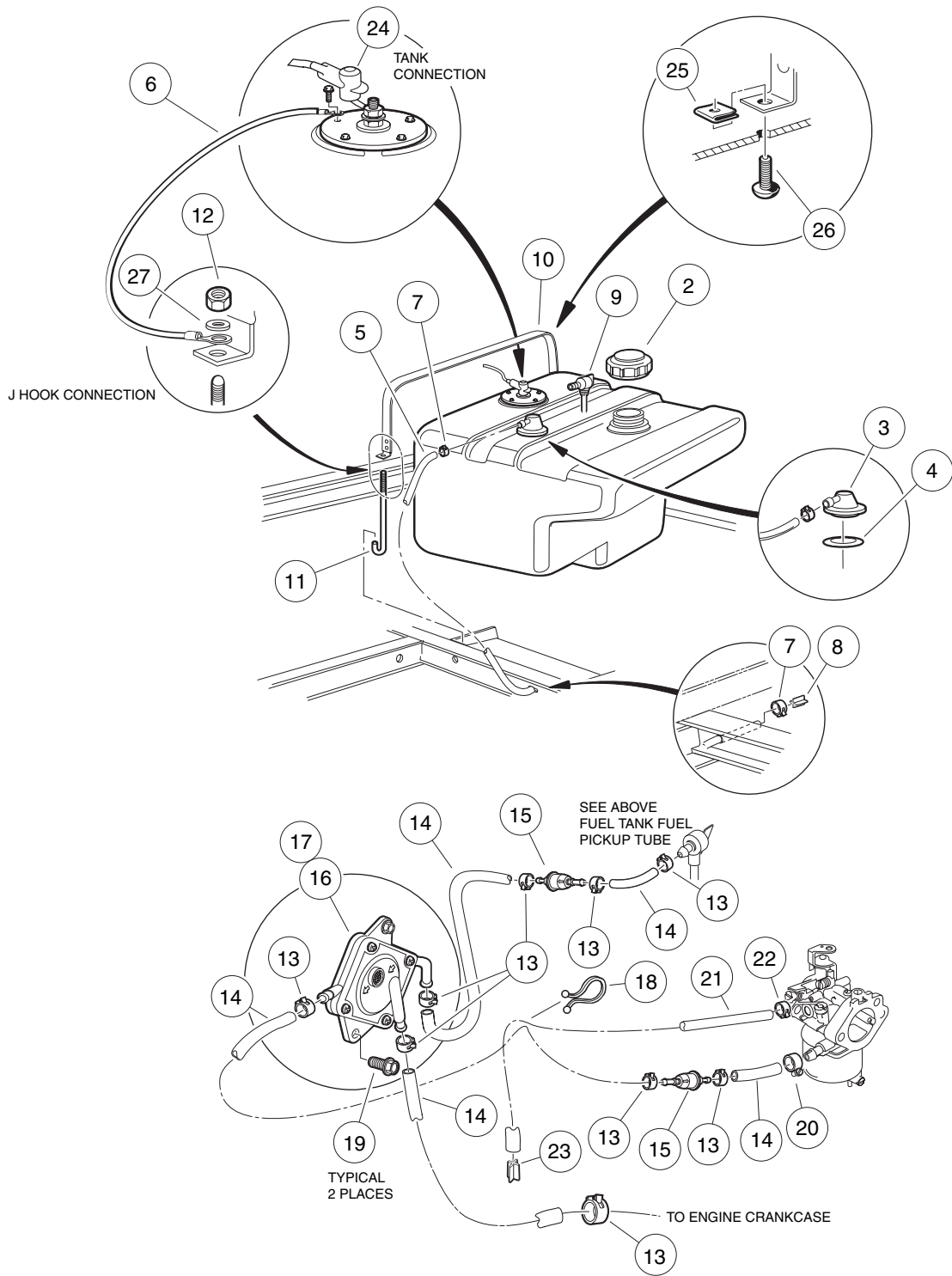
G



FUEL SYSTEM – TURF 272 AND CARRYALL 272 VEHICLES

| ITEM | PART NO. | DESCRIPTION | QTY |
|---|-----------|--|-----|
| | | 1 2 3 4 | |
| 1 | 1016004 | Kit, Fuel Tank, with Sending Unit (includes items 2 - 9) | 1 |
| 2 | 1015188 | Cap, Fuel Tank, Nonvented | 1 |
| 3 | 1015143 | Vent, Fuel Tank | 1 |
| 4 | 1015139 | Grommet, Insulation | 1 |
| 5 | 1015137 | Line, Bulk Vent (available by the foot) | A/R |
| 6 | N/A | Wire Assembly, #16 Black | 1 |
| 7 | 1013746 | Clamp, Hose – Gray | 2 |
| 8 | 101824401 | Barb, Vent | 1 |
| 9 | 101896901 | Valve, Fuel Pickup Tube with Shut-Off | 1 |
| 10 | 1014928 | Fuel Strap, Rear | 1 |
| 11 | 101955301 | Fuel Strap, Front | 1 |
| 12 | 1014116 | Nut, U-Type Speed, 1/4-20 | 3 |
| 13 | 8248 | Screw, Phillips Truss-Head, 1/4-20 x 3/4 | 1 |
| 14 | 1011988 | Screw, Phillips Truss-Head, 1/4-20 x 2 | 2 |
| 15 | 1012649 | Clamp, Hose – Red | 9 |
| 16 | 1013692 | Line, Bulk Fuel (available by the foot*) | A/R |
| 17 | 102003201 | Filter, Fuel | 2 |
| 18 | 1014523 | Pump, Fuel Impulse | 1 |
| 19 | 1014524 | Kit, Rebuild, Fuel Impulse Pump | A/R |
| 20 | 101987701 | Clamp, Plastic | 1 |
| 21 | 1012285 | Screw, Thread-Rolling, 1/4-20 x 5/8 | 2 |
| 22 | 1013687 | Clamp, Hose (screw type) | 1 |
| 23 | 1015137 | Line, Bulk Vent (available by the foot) | A/R |
| 24 | 1013746 | Clamp, Hose – Gray | 1 |
| 25 | 101824401 | Barb, Vent | 1 |
| 26 | N/A | Boot, Rubber | 1 |
| <p>* The total fuel line length for the Turf/Carryall 272 is 34-1/2 inches (87.6 cm).</p> | | | |

9
G

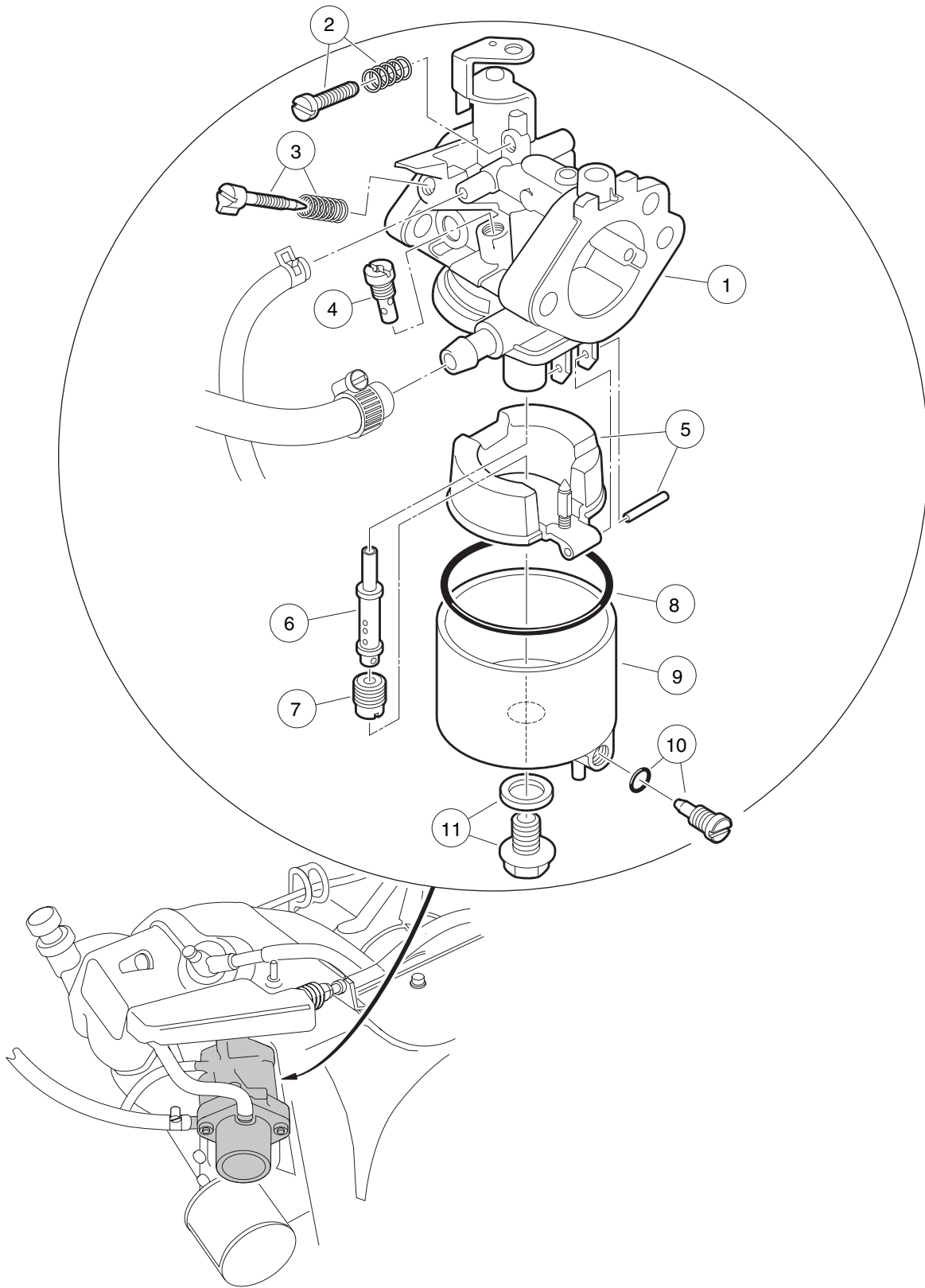


FUEL SYSTEM – CARRYALL 472 VEHICLES

| ITEM | PART NO. | DESCRIPTION | QTY |
|--|-----------|--|-----|
| | | 1 2 3 4 | |
| 1 | 102333601 | Kit, Fuel Tank, with Sending Unit (includes items 2 - 9) | 1 |
| 2 | 1015188 | Cap, Fuel Tank, Nonvented | 1 |
| 3 | 1015143 | Vent, Fuel Tank | 1 |
| 4 | 1015139 | Grommet, Insulation | 1 |
| 5 | 1015137 | Line, Bulk Vent (available by the foot) | A/R |
| 6 | N/A | Wire Assembly, #16 Black | 1 |
| 7 | 1013746 | Clamp, Hose – Gray | 2 |
| 8 | 101824401 | Barb, Vent | 1 |
| 9 | 101896901 | Valve, Fuel Pickup Tube with Shut-Off | 1 |
| 10 | 102333401 | Fuel Strap | 1 |
| 11 | 102333901 | J-Bolt | 1 |
| 12 | 8233 | Nut, Hex, 1/4-20 | 1 |
| 13 | 1012649 | Clamp, Hose – Red | 9 |
| 14 | 1013692 | Line, Bulk Fuel (available by the foot*) | A/R |
| 15 | 102003201 | Filter, Fuel | 2 |
| 16 | 1013630 | Pump, Fuel Impulse | 1 |
| 17 | 1014524 | Kit, Rebuild, Fuel Impulse Pump | A/R |
| 18 | 101987701 | Clamp, Plastic | 1 |
| 19 | 1012285 | Screw, Thread-Rolling, 1/4-20 x 5/8 | 2 |
| 20 | 1013687 | Clamp, Hose (screw type) | 1 |
| 21 | 1015137 | Line, Bulk Vent (available by the foot) | A/R |
| 22 | 1013746 | Clamp, Hose – Gray | 1 |
| 23 | 101824401 | Barb, Vent | 1 |
| 24 | N/A | Boot, Rubber | 1 |
| 25 | 1014116 | Nut, U-Type Speed, 1/4-20 | 3 |
| 26 | 8248 | Screw, Phillips Truss-Head, 1/4-20 x 3/4 | 1 |
| 27 | 332 | Washer, Flat, 5/16 | 1 |
| <p>* The total fuel line length for the Carryall 472 is 75.65 inches (192.2 cm).</p> | | | |

9

G

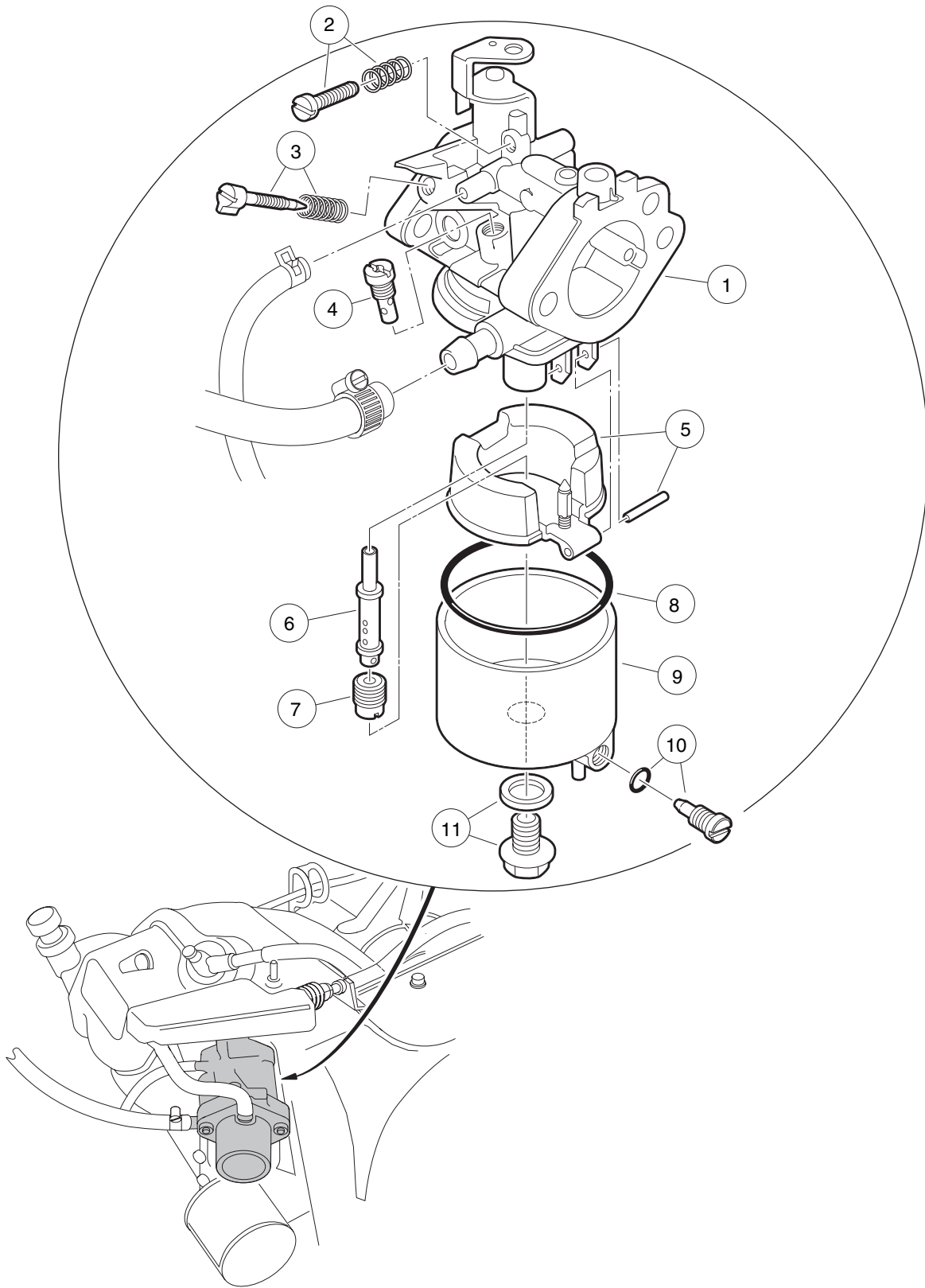


CARBURETOR ASSEMBLY, FE350 ENGINE

| ITEM | PART NO. | DESCRIPTION | QTY |
|------|-----------|---|-----|
| | | 1 2 3 4 | |
| 1 | 101905901 | Assembly, Carburetor (FE350 engine) (includes items 2 - 11) | 1 |
| 2 | 1016501 | Assembly, Idle Screw | 1 |
| 3 | N/A | Assembly, Pilot Air Screw | 1 |
| 4 | 101973101 | Jet, Pilot, #40 | 1 |
| 5 | 1016486 | Assembly, Float | 1 |
| 6 | 101973301 | Nozzle, Main (FE350 engine) | 1 |
| | | Standard Jetting: | |
| 7 | 101642585 | Jet, Main, 0 - 3,000 Feet (0-914.4 m) | 1 |
| 7 | 101642582 | Jet, Main, 3,000 - 5,000 Feet (914.4-1524 m) | A/R |
| 7 | 101642580 | Jet, Main, 5,000 - 8,000 Feet (1524-2438.4 m) | A/R |
| 7 | 101642578 | Jet, Main, 8,000 - 10,000 Feet (2438.4-3048 m) | A/R |
| 7 | 101642575 | Jet, Main, 10,000 Feet and Above (3048 m and above) | A/R |
| 8 | 1016437 | Gasket, Float Chamber | 1 |
| 9 | 1017461 | Assembly, Float Chamber (includes item 10) | 1 |
| 10 | 1016499 | Assembly, Screw | 1 |
| 11 | 1016585 | Assembly, Bolt | 1 |

9

G

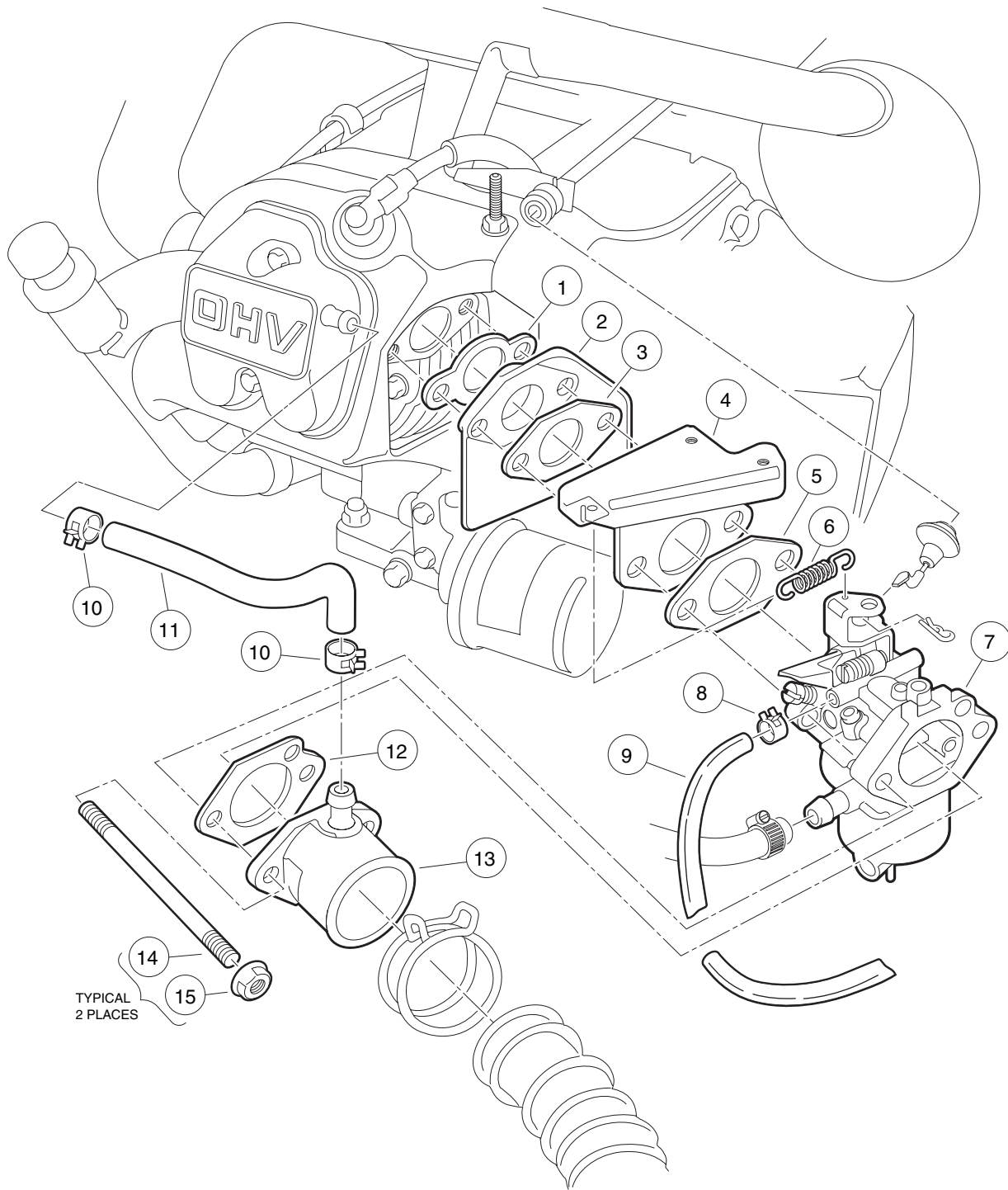


CARBURETOR ASSEMBLY, FE400 ENGINE

| ITEM | PART NO. | DESCRIPTION | QTY |
|------|-----------|---|-----|
| | | 1 2 3 4 | |
| 1 | 102270701 | Assembly, Carburetor (FE400 engine) (includes items 2 - 11) | 1 |
| 2 | 1016501 | Assembly, Idle Screw | 1 |
| 3 | N/A | Assembly, Pilot Air Screw | 1 |
| 4 | 1016574 | Jet, Pilot, #45 | 1 |
| 5 | 1016486 | Assembly, Float | 1 |
| 6 | 102271701 | Nozzle, Main (FE400 engine) | 1 |
| | | Standard Jetting: | |
| 7 | 101642588 | Jet, Main, 0 - 3,280 Feet (0-1000 m) | 1 |
| 7 | 101642585 | Jet, Main, 3,280 - 6,562 Feet (1000-2000 m) | A/R |
| 7 | 101642582 | Jet, Main, 6,562 Feet and Above (2000 m and above) | A/R |
| 8 | 1016437 | Gasket, Float Chamber | 1 |
| 9 | 1017461 | Assembly, Float Chamber (includes item 10) | 1 |
| 10 | 1016499 | Assembly, Screw | 1 |
| 11 | 1016585 | Assembly, Bolt | 1 |

9

G

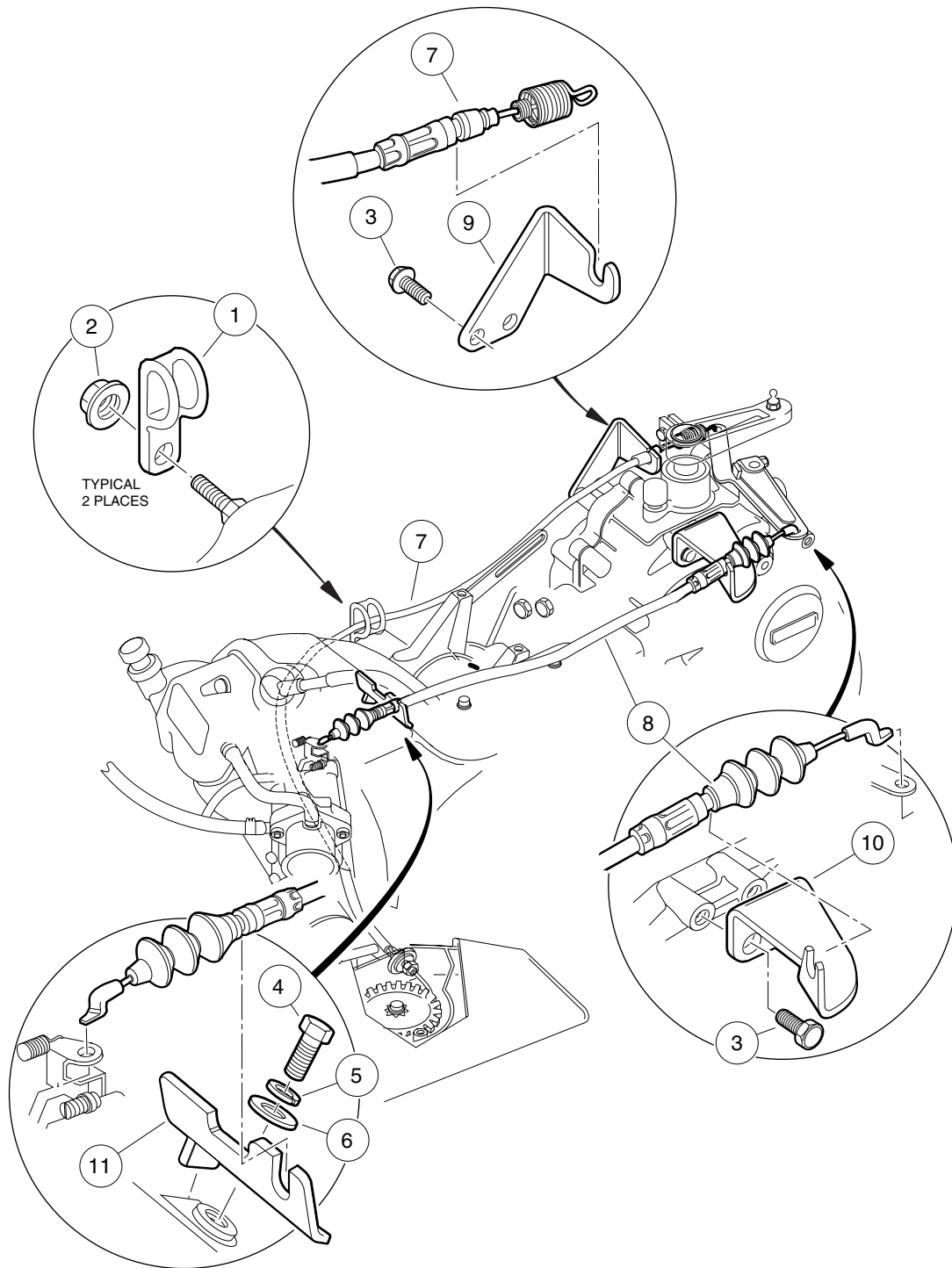


CARBURETOR INSTALLATION

| ITEM | PART NO. | DESCRIPTION | QTY |
|------|-----------|--|-----|
| | | 1 2 3 4 | |
| 1 | 1016440 | Gasket, Insulator | 1 |
| 2 | 101648102 | Insulator, Carburetor | 1 |
| 3 | 101973401 | Gasket, Carburetor Insulator to Throttle Bracket | 1 |
| 4 | 1016444 | Bracket, Throttle | 1 |
| 5 | 1016441 | Gasket, Throttle Bracket to Carburetor | 1 |
| 6 | 1016582 | Spring, Throttle Return | 1 |
| 7 | 101905901 | Assembly, Carburetor (FE350 engine) | 1 |
| 7 | 102270701 | Assembly, Carburetor (FE400 engine) | 1 |
| 8 | 1013746 | Clamp, Hose – Gray | 1 |
| 9 | 1015137 | Line, Bulk Vent | A/R |
| 10 | 1017466 | Clamp, Hose – Bronze | 2 |
| 11 | 1016572 | Tube, Crankcase Vent | 1 |
| 12 | 1016438 | Gasket, Carburetor to Intake Manifold | 1 |
| 13 | 1016480 | Pipe, Intake | 1 |
| 14 | 101649002 | Screw, 2-Ended Stud, M6 x 1 x 90 mm | 2 |
| 15 | 1016547 | Nut, Flanged, M6 x 1 | 2 |

9

G

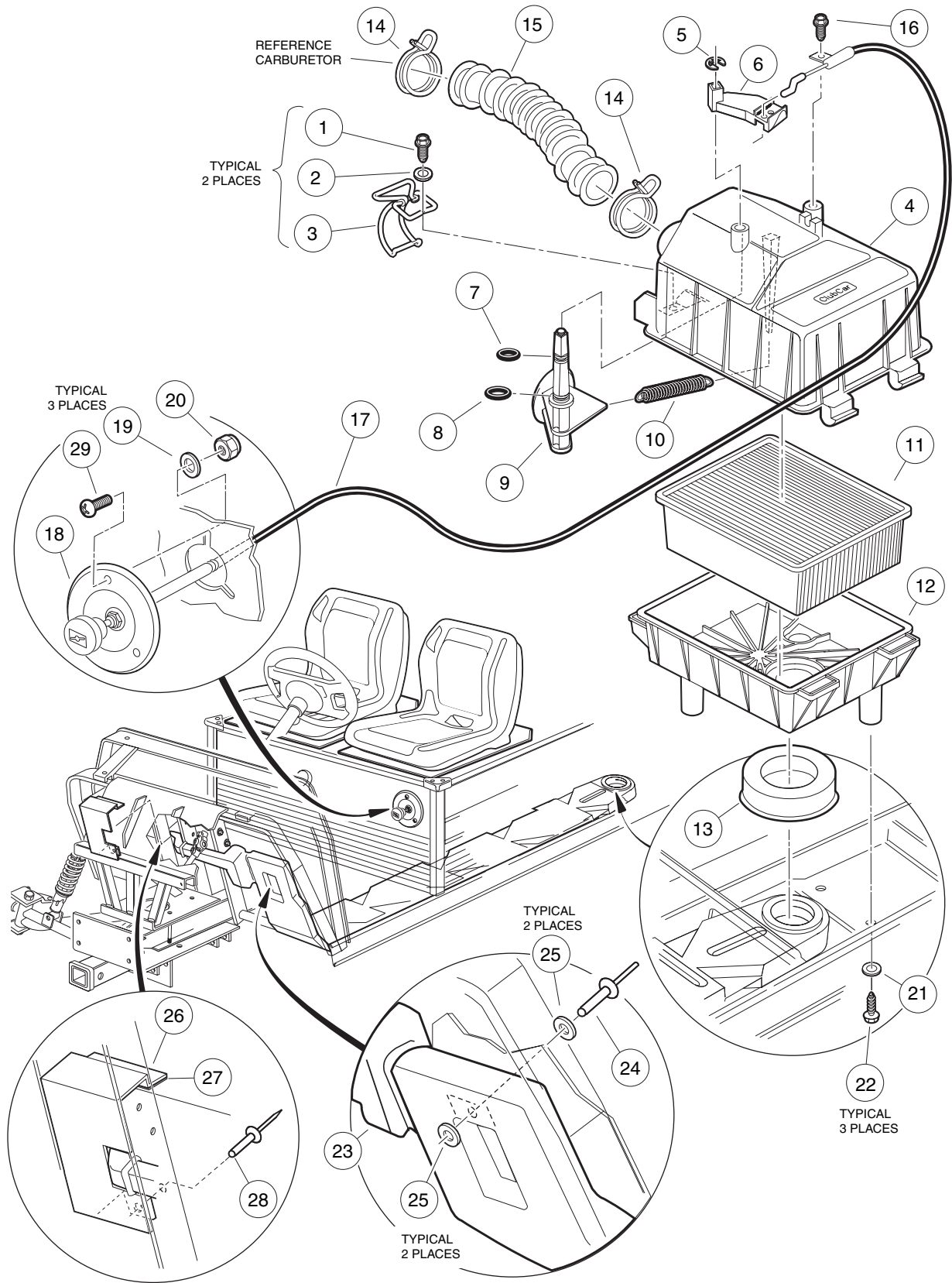


GOVERNOR AND ACCELERATOR CABLES

| ITEM | PART NO. | DESCRIPTION | QTY |
|------|-----------|--|-----|
| | | 1 2 3 4 | |
| 1 | 1013700 | Clamp, Cable Retaining | 2 |
| 2 | 1016546 | Nut, Flanged Hex, M8 x 1.25 | 2 |
| 3 | 1012285 | Screw, Thread Rolling, 1/4-20 x 5/8 | 4 |
| 4 | 101903501 | Screw, Hex-Head Cap, M8 x 1.25 x 24 mm | 1 |
| 5 | 7174 | Washer, Lock, 5/16 | 1 |
| 6 | 1011697 | Washer, Flat, 5/16 | 1 |
| 7 | 102336101 | Cable, Accelerator, Snap-in | 1 |
| 8 | 102336001 | Cable, Governor, Snap-in | 1 |
| 9 | 101832302 | Bracket, Accelerator Support | 1 |
| 10 | 101832202 | Bracket, Support | 1 |
| 11 | 101584502 | Bracket, Governor Cable Engine | 1 |
| | | * Brackets and cables must be of the same style. | |

9

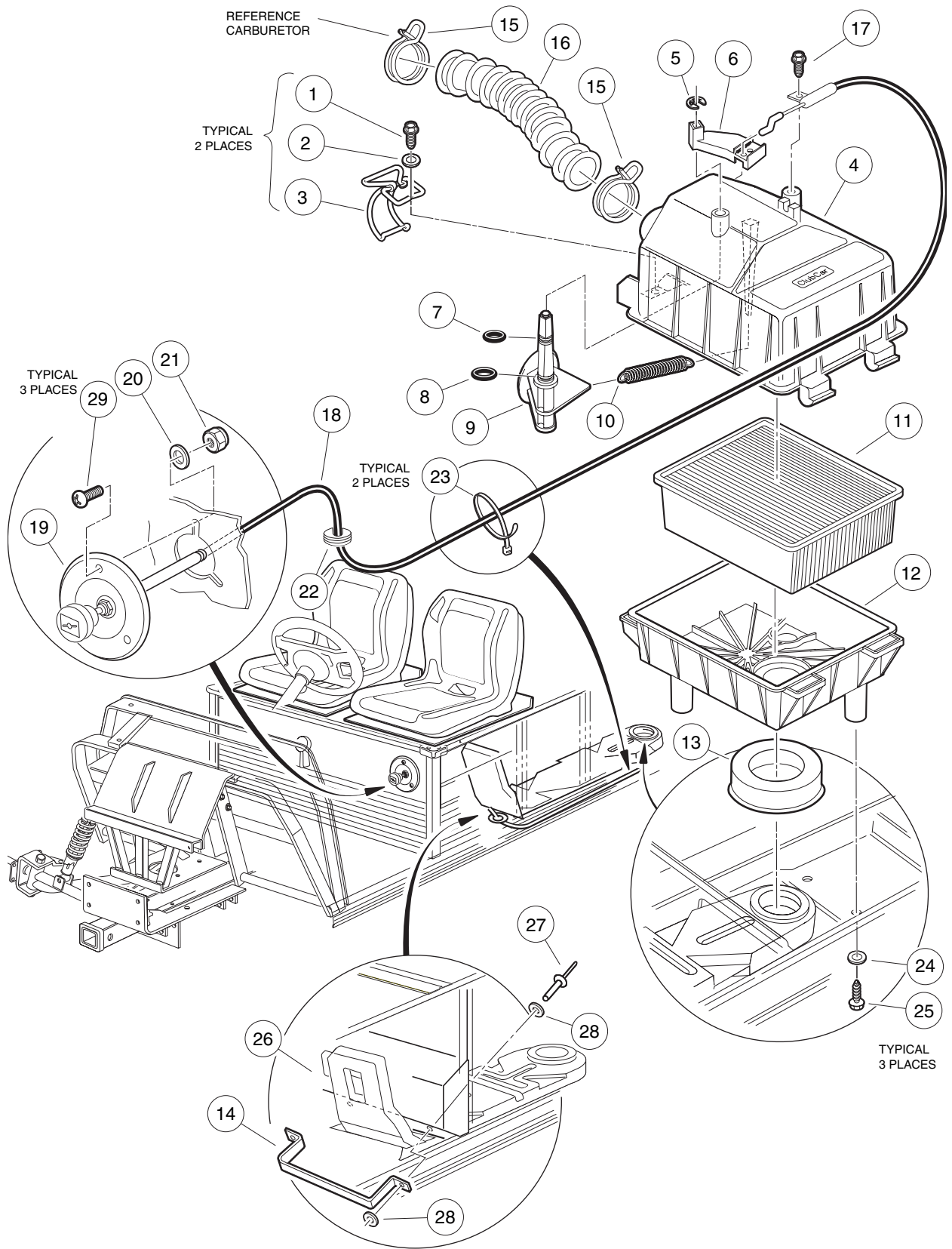
G



INTAKE DUCT, CHOKE, AND AIR BOX ASSEMBLY – TURF 272 AND CARRYALL 272 VEHICLES

| ITEM | PART NO. | DESCRIPTION | QTY |
|------|-----------|--|-----|
| | | 1 2 3 4 | |
| | 101821501 | Assembly, Air Box (includes items 1 - 13) | 1 |
| 1 | 101804301 | Screw, Hex-Head Hi-Lo, #8 x 1/2 | 2 |
| 2 | 101881701 | Washer, Stainless Steel, #8 | 2 |
| 3 | 101925701 | Latch, Wire | 2 |
| 4 | 101972801 | Assembly, Air Box Top (includes items 5 - 10) | 1 |
| 5 | 101813001 | E-Clip | 1 |
| 6 | 101917601 | Lever, Choke | 1 |
| 7 | N/A | O-Ring, 5/16 – Red | 1 |
| 8 | N/A | O-Ring, 3/8 – Green | 1 |
| 9 | N/A | Valve, Choke | 1 |
| 10 | 101812301 | Spring, Return | 1 |
| 11 | 1015426 | Filter, Air | 1 |
| 12 | 101811901 | Bottom, Air Box | 1 |
| 13 | 101921501 | Seal, Intake | 1 |
| 14 | 101971301 | Clamp, Hose (air intake) | 2 |
| 15 | 101837101 | Hose, Intake | 1 |
| 16 | 101804301 | Screw, Hex-Head Hi-Lo, #8 x 1/2 | 1 |
| 17 | 101926801 | Cable, Choke (includes item 18) | 1 |
| 18 | 101933701 | Bezel, Choke Cable | 1 |
| 19 | 183 | Washer, Flat, Type A, #10 | 3 |
| 20 | 1012438 | Nut, Nylon Lock, #10-24 | 3 |
| 21 | 332 | Washer, Flat, Type A, 1/4 | 3 |
| 22 | 1015752 | Screw, Hi-Lo, #12-16 x 5/8 | 3 |
| 23 | 101958102 | Duct, Air | 1 |
| 24 | 1606 | Rivet, Pop, 3/16 | 2 |
| 25 | 183 | Washer, Flat, Type A, #10 | 4 |
| 26 | 102190702 | Kit, Air Duct Shield (includes item 27 and 28) | 1 |
| 27 | N/A | Tape, VHB 4950, 4-1/2 inches | 1 |
| 28 | 7973 | Rivet, Pop, 3/16 | 1 |
| 29 | 1631 | Screw, Pan-Head, #10-24 x 3/4 | 3 |

9
G



INTAKE DUCT, CHOKE, AND AIR BOX ASSEMBLY – CARRYALL 472 VEHICLES

| ITEM | PART NO. | DESCRIPTION | QTY |
|------|-----------|---|-----|
| | | 1 2 3 4 | |
| | 101821501 | Assembly, Air Box (Includes Items 1 - 13) | 1 |
| 1 | 101804301 | Screw, Hi-Lo Hex-Head, #8-1/2 | 2 |
| 2 | 101881701 | Washer, Stainless Steel, #8 | 2 |
| 3 | 101925701 | Latch, Wire | 2 |
| 4 | 101972801 | Assembly, Air Box Top (Includes Items 5 - 10) | 1 |
| 5 | 101813001 | E-Clip | 1 |
| 6 | 101917601 | Lever, Choke | 1 |
| 7 | N/A | O-Ring, 5/16 (Red) | 1 |
| 8 | N/A | O-Ring, 3/8 (Green) | 1 |
| 9 | N/A | Valve, Choke | 1 |
| 10 | 101812301 | Spring, Return | 1 |
| 11 | 1015426 | Filter, Air | 1 |
| 12 | 101811901 | Bottom, Air Box | 1 |
| 13 | 101921501 | Seal, Intake | 1 |
| 14 | 101825701 | Bracket, Retaining | 1 |
| 15 | 101971301 | Clamp, Hose (Air Intake) | 2 |
| 16 | 101837101 | Hose, Intake | 1 |
| 17 | 101804301 | Screw, Hex-Head Hi-Lo, #8 x 1/2 | 1 |
| 18 | 101926802 | Cable, Choke (includes item 19) | 1 |
| 19 | 101933701 | Bezel, Choke Cable | 1 |
| 20 | 183 | Washer, #10 | 3 |
| 21 | 1012438 | Nut, Nylon Lock, #10-24 | 3 |
| 22 | 1015139 | Grommet | 1 |
| 23 | 8168 | Tie, Wire | 2 |
| 24 | 332 | Washer, Flat, 1/4 | 3 |
| 25 | 1015752 | Screw, Hi-Lo, #12-16 x 5/8 | 3 |
| 26 | 101811301 | Duct, Air | 1 |
| 27 | 7973 | Rivet, Pop, 3/16 | 2 |
| 28 | 183 | Washer, Flat, #10 | 4 |
| 29 | 1631 | Screw, Pan-Head, #10-24 x 3/4 | 3 |

9
G

9

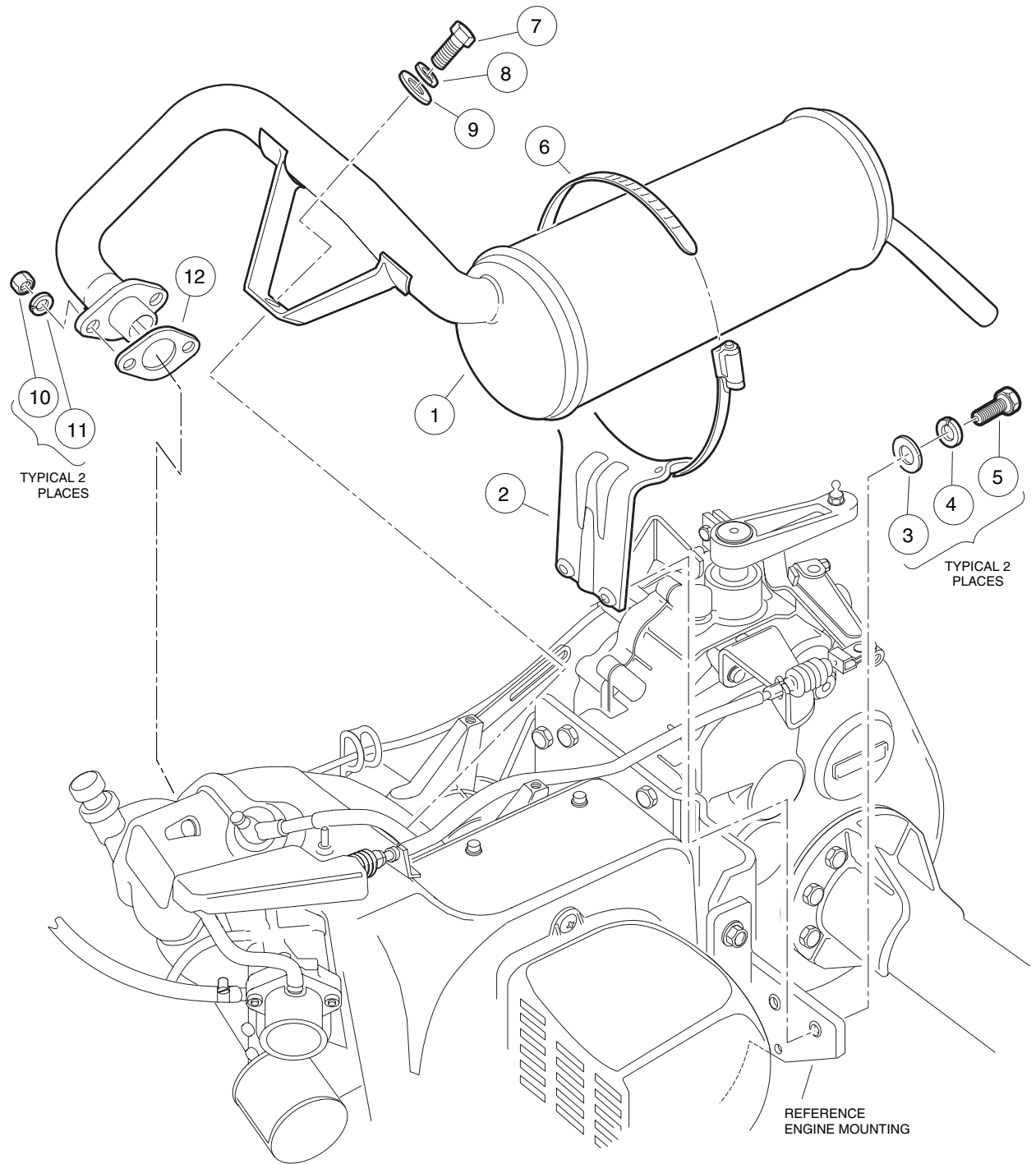
G

EXHAUST SYSTEM

10

G

10
G



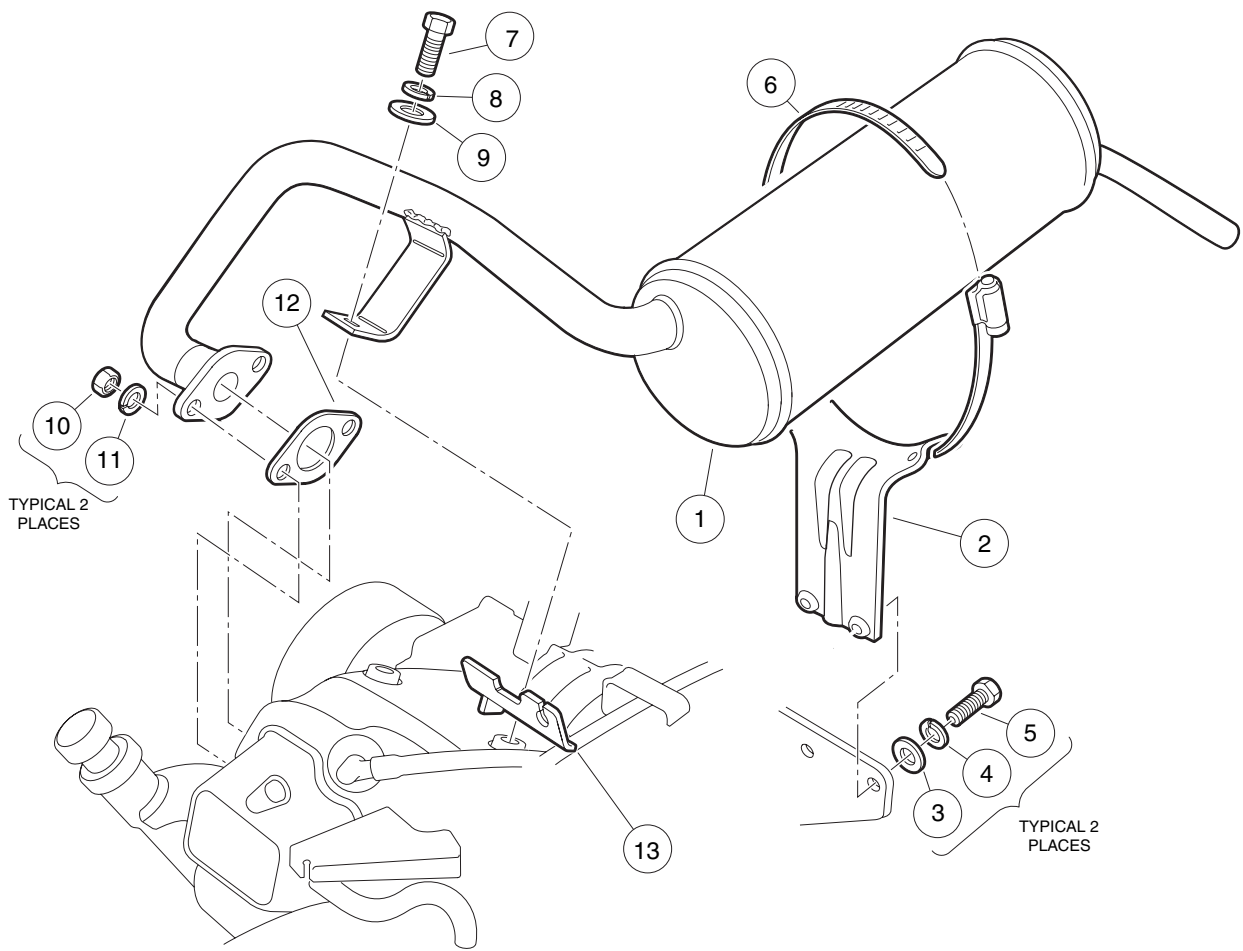
EXHAUST SYSTEM, FE350 ENGINE

| ITEM | PART NO. | DESCRIPTION | QTY |
|------|-----------|--|-----|
| | | 1 2 3 4 | |
| 1 | 101859401 | System, Exhaust (FE350 engine) | 1 |
| 2 | 1015814 | Bracket, Muffler Mounting | 1 |
| 3 | 332 | Washer, Flat, Type A, 1/4 | 2 |
| 4 | 451 | Washer, Lock, 1/4 | 2 |
| 5 | 7847 | Screw, Hex-Head, 1/4-20 x 3/4 | 2 |
| 6 | 1017689 | Clamp, Muffler | 1 |
| 7 | 1012830 | Screw, Hex-Head Cap, M8 x 1.25 x 22 mm | 1 |
| 8 | 7174 | Washer, Lock, 5/16 | 1 |
| 9 | 1241 | Washer, Flat, Type A, 5/16 | 1 |
| 10 | 1012528 | Nut, Hex, M8 x 1.25 | 2 |
| 11 | 1013734 | Washer, Lock, 8 mm | 2 |
| 12 | 1016904 | Gasket, Exhaust | 1 |

10

G

10
G



EXHAUST SYSTEM, FE400 ENGINE

| ITEM | PART NO. | DESCRIPTION | QTY |
|------|-----------|--|-----|
| | | 1 2 3 4 | |
| 1 | 102257201 | System, Exhaust (FE400 engine) | 1 |
| 2 | 1015814 | Bracket, Muffler Mounting | 1 |
| 3 | 332 | Washer, Flat, Type A, 1/4 | 2 |
| 4 | 451 | Washer, Lock, 1/4 | 2 |
| 5 | 7847 | Screw, Hex-Head, 1/4-20 x 3/4 | 2 |
| 6 | 1017689 | Clamp, Muffler | 1 |
| 7 | 1012830 | Screw, Hex-Head Cap, M8 x 1.25 x 22 mm | 1 |
| 8 | 7174 | Washer, Lock, 5/16 | 1 |
| 9 | 1241 | Washer, Flat, Type A, 5/16 | 1 |
| 10 | 1012528 | Nut, Hex, M8 x 1.25 | 2 |
| 11 | 1013734 | Washer, Lock, 8 mm | 2 |
| 12 | 1016904 | Gasket, Exhaust | 1 |
| 13 | 1015845 | Bracket, Governor Cable Engine | 1 |

10

G

10

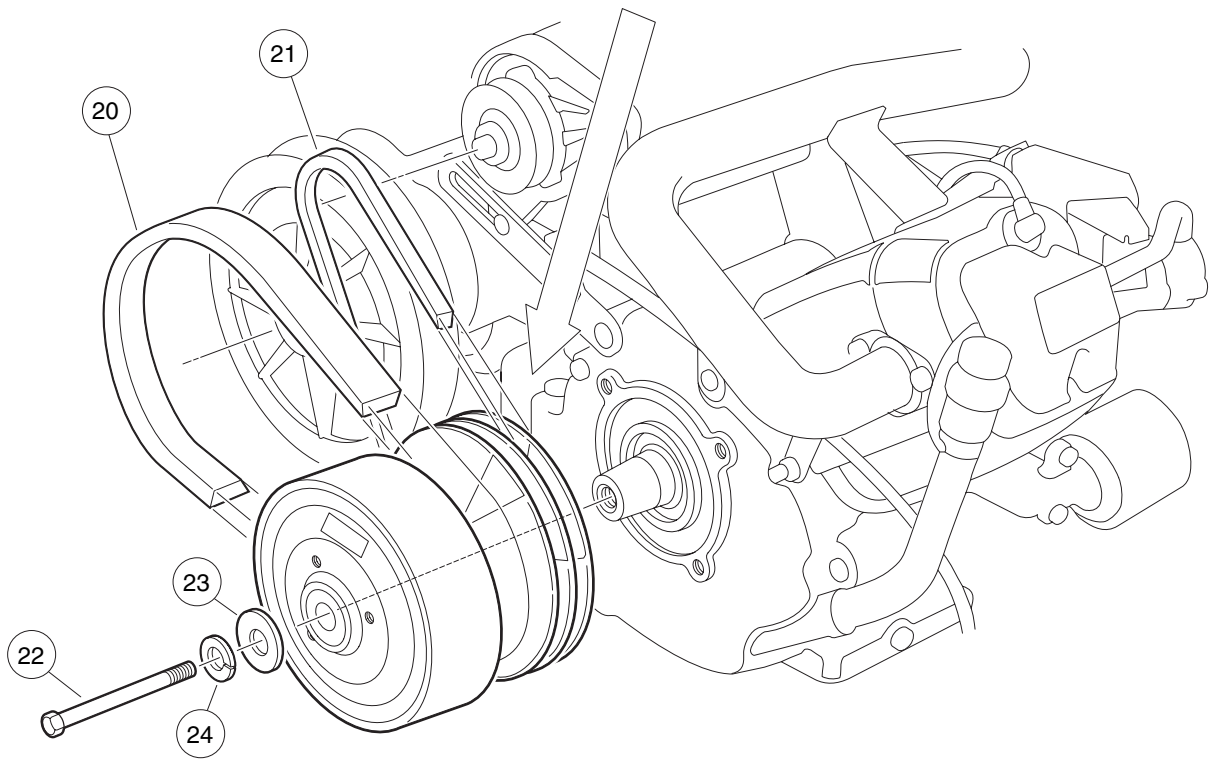
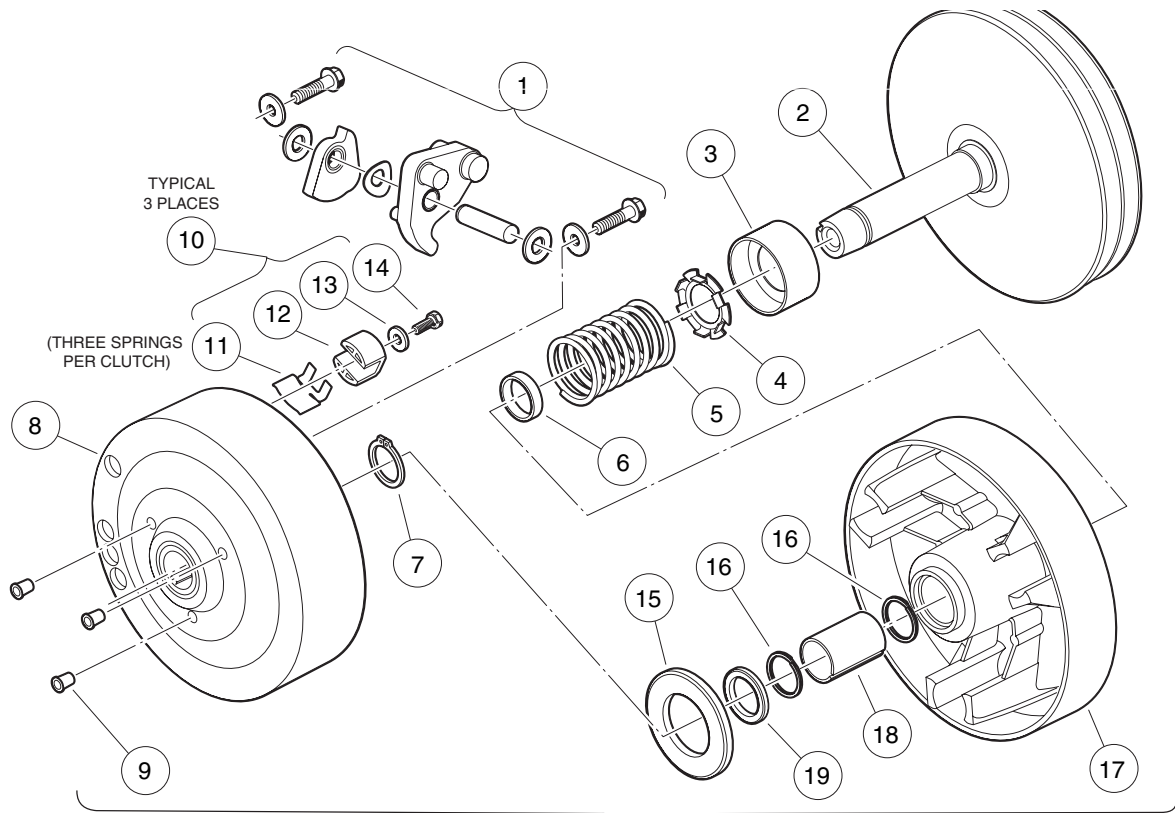
G

TORQUE CONVERTER

11

G

11
G



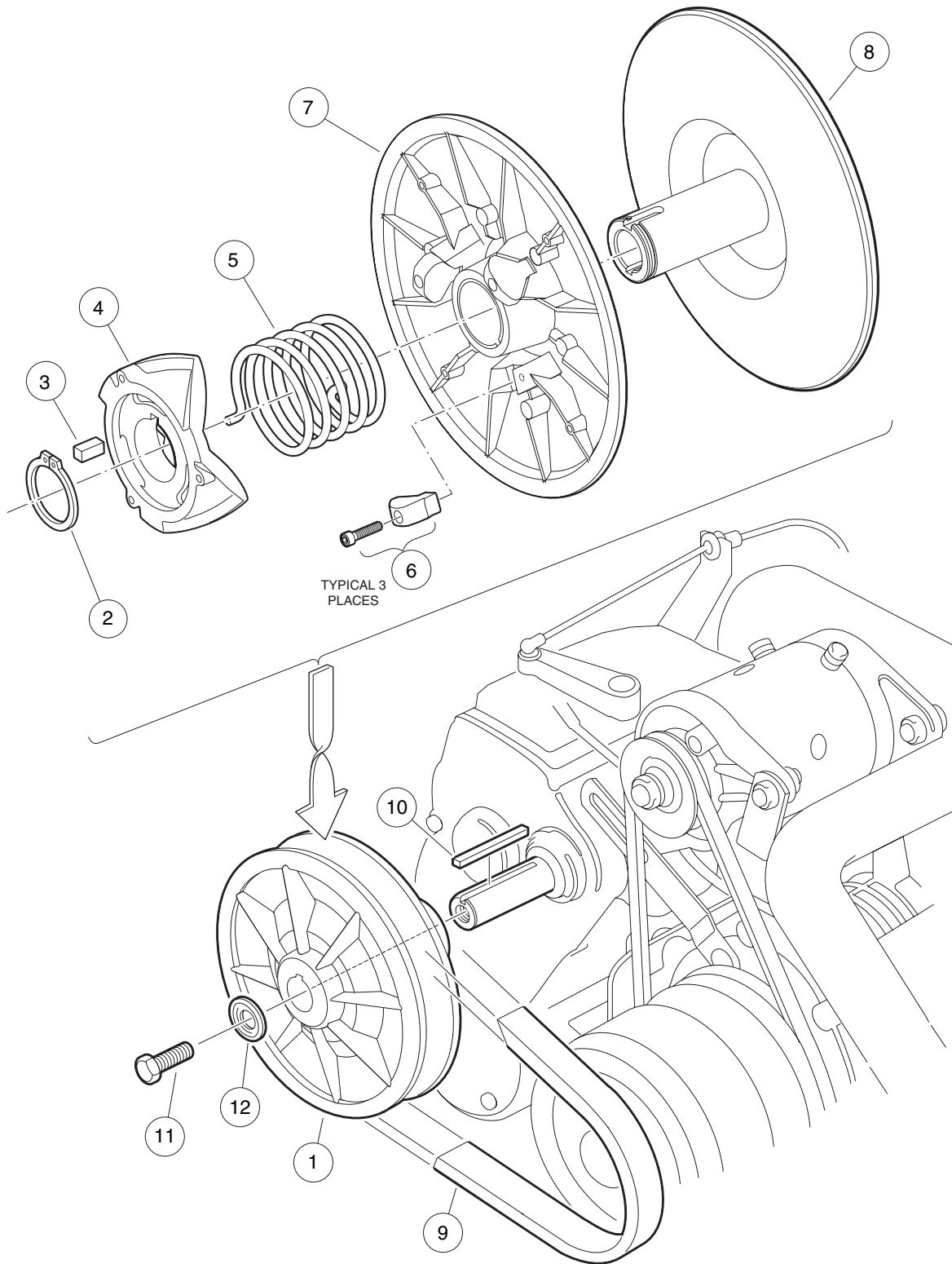
DRIVE CLUTCH

| ITEM | PART NO. | DESCRIPTION | QTY |
|------|-----------|---|-----|
| | | 1 2 3 4 | |
| | 101833904 | Assembly, Drive Clutch (FE350 engine) (includes items 1 - 19) | 1 |
| | 101833908 | Assembly, Drive Clutch (FE400 engine) (includes items 1 - 19) | 1 |
| 1 | 1016801 | Kit, Drive Clutch Weight | 1 |
| 2 | 101738301 | Assembly, Fixed Face | 1 |
| 3 | 1014049 | Bearing, Idler | 1 |
| 4 | 1014050 | Retainer, Spring | 1 |
| 5 | 1016901 | Spring, Drive Clutch – Green (used in 101833904 only) | 1 |
| 5 | 102266201 | Spring, Drive Clutch – Red (used in 101833908 only) | 1 |
| 6 | 1016289 | Spacer, Fixed Face Shaft | 1 |
| 7 | 1014057 | Ring, Retaining | 1 |
| 8 | 1014059 | Assembly, Drive Hub | 1 |
| 9 | 101925601 | Plug, Drive Clutch | 1 |
| 10 | 1014453 | Kit, Drive Clutch Button (includes item 11 - 14) | 1 |
| 11 | 1014287 | Spring, Drive Button | 3 |
| 12 | 1014062 | Driver, Drive Clutch | 3 |
| 13 | 183 | Washer, Flat, #10, Type A | 3 |
| 14 | 8450 | Screw, Hex-Head, #10-24 x 1/2 | 3 |
| 15 | 1014058 | Washer, Thrust | 1 |
| 16 | 1014056 | Ring, Spiral Back-Up | 2 |
| 17 | 1014052 | Assembly, Moveable Face (includes items 18 and 19) | 1 |
| 18 | N/A | Bushing | 1 |
| 19 | 1014055 | Retainer | 1 |
| 20 | 102267101 | Belt, Drive (FE350 and FE400) | 1 |
| 21 | 101916701 | Belt, Starter/Generator | 1 |
| 22 | 101916501 | Screw, Hex-Head Cap, 3/8-24 x 5-1/2 (left-hand threads) | 1 |
| 23 | 808 | Washer, Drive Clutch, 3/8 | 1 |
| 24 | 357 | Washer, Lock, 3/8 | 1 |

11

G

11
G



DRIVEN CLUTCH

| ITEM | PART NO. | DESCRIPTION | QTY |
|------|-----------|---|-----|
| | | 1 2 3 4 | |
| 1 | 101834001 | Assembly, Driven Clutch (includes items 2 - 8) | 1 |
| 2 | 1014080 | Ring, Retaining | 1 |
| 3 | 1014078 | Key | 1 |
| 4 | 1017686 | Cam | 1 |
| 5 | 101836201 | Spring – Green | 1 |
| 6 | 1014454 | Kit, Driven Clutch Button (includes 3 screws and 3 buttons) | 1 |
| 7 | 1014072 | Assembly, Moveable Face with Bushing | 1 |
| 8 | 1014070 | Face, Fixed | 1 |
| 9 | 102267101 | Belt, Drive (FE350 and FE400) | 1 |
| | AM10419 | Kit, Driven Clutch Hardware Repair (includes items 10 - 12) | 1 |
| 10 | 101833401 | Key, Square Transmission | 1 |
| 11 | 102242101 | Screw, Hex-Head Cap, Thread-Locking, 5/16-18 x 3/4 | 1 |
| 12 | 1017327 | Washer, Driven Clutch | 1 |

11

G

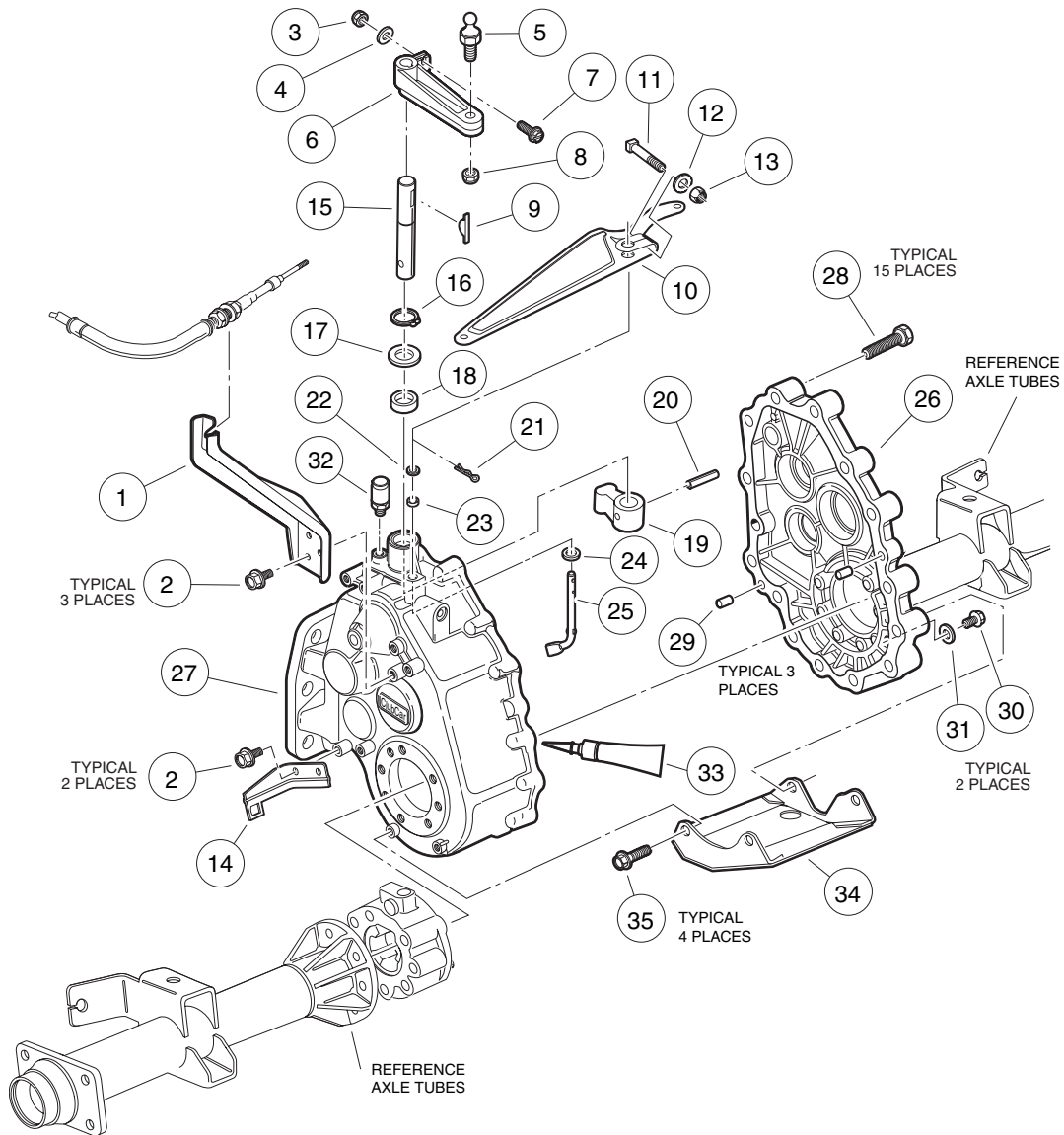
11

G

UNITIZED TRANSAXLE

12

G

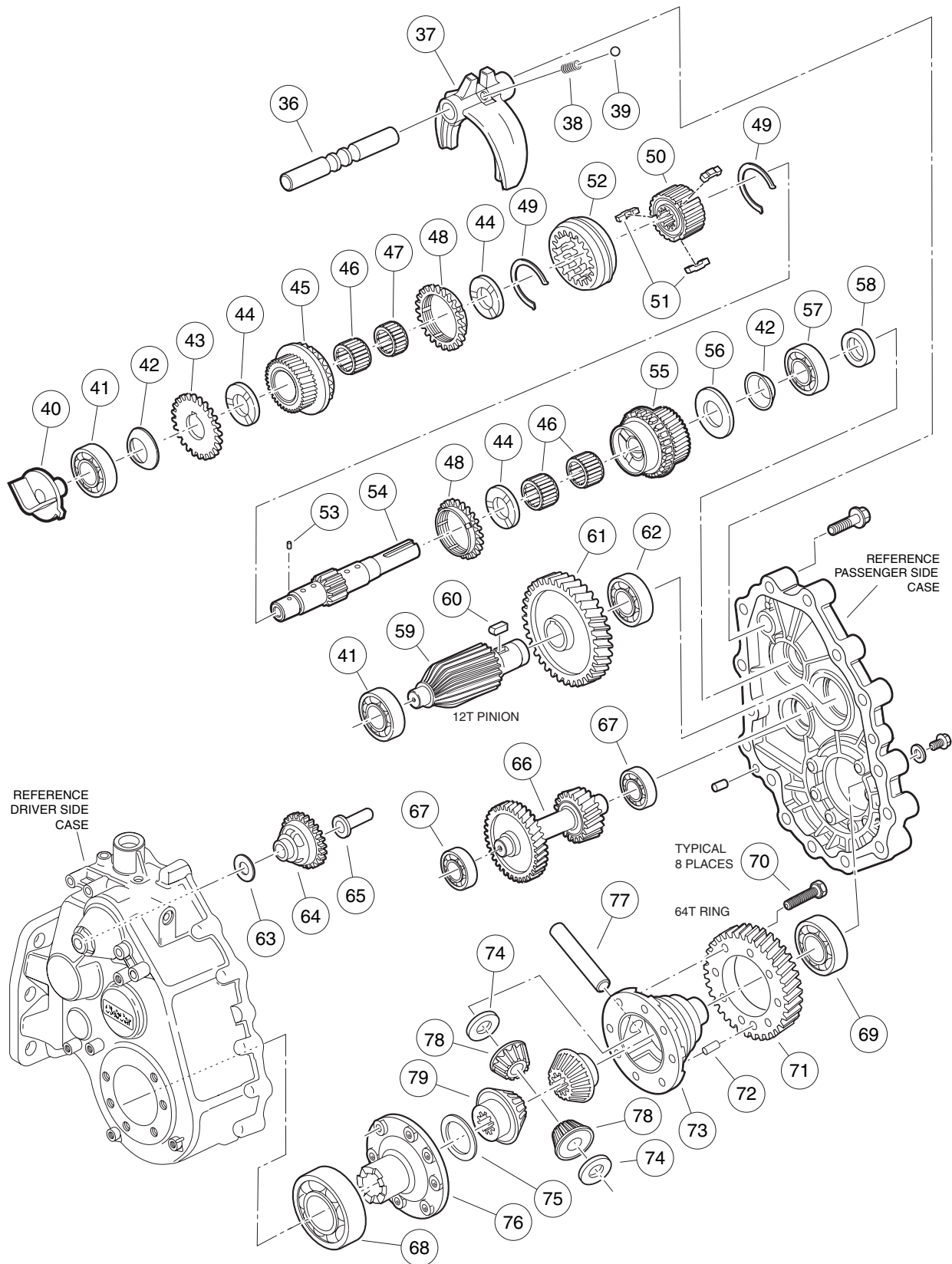


MC012C-AS00 PRIOR TO SERIAL NUMBER MC012C3J0001 – GEAR CASES, BRACKETS AND GUARD

| ITEM | PART NO. | DESCRIPTION | QTY |
|------|-----------|---|-----|
| | | 1 2 3 4 | |
| 1 | 102045901 | Bracket, Transmission Cable Support | 1 |
| 2 | 1012285 | Screw, Thread-Rolling, 1/4-20 x 5/8 | 5 |
| 3 | 1013061 | Nut, Nylon Lock, #10-32 | 1 |
| 4 | 183 | Washer, Flat, Type A, #10 | 1 |
| 5 | 1010954 | Stud, Ball, 1/4-28 x 9/16 | 1 |
| 6 | 1016341 | Lever, Transmission Shifter | 1 |
| 7 | 1017082 | Screw, Hex Washer-Head, #10-32 x 3/4 | 1 |
| 8 | 8717 | Nut, Nylon Lock, 1/4-28 | 1 |
| 9 | 1017231 | Key, Woodruff, Type T | 1 |
| 10 | 101834801 | Arm, Governor Lever | 1 |
| 11 | 101886101 | Screw, Square-Head, 1/4-20 x 1 | 1 |
| 12 | 1014007 | Washer, Type B, 1/4 | 1 |
| 13 | 8233 | Nut, Nylon Lock, 1/4-20 | 1 |
| 14 | 102018701 | Bracket, Differential Lock | 1 |
| | 102264601 | Transaxle, Unitized (includes items 15 - 107) | 1 |
| 15 | 101890201 | Shaft, Shifter | 1 |
| 16 | 101927301 | Ring, Snap | 1 |
| 17 | 101892901 | Washer, Flat | 1 |
| 18 | 101927201 | Seal, Oil | 1 |
| 19 | 101890101 | Lever, Shifter | 1 |
| 20 | 1012752 | Pin, Roll | 1 |
| 21 | 101928601 | Pin, Cotter | 1 |
| 22 | 1016513 | Washer, Flat | 1 |
| 23 | 101927101 | Seal, Oil | 1 |
| 24 | 101893801 | Washer | 1 |
| 25 | 101891301 | Arm, Pivot | 1 |
| 26 | 102018501 | Gear Case (passenger side) | 1 |
| 27 | 102018601 | Gear Case (driver side) | 1 |
| 28 | 101926901 | Bolt, Flanged, M8 x 1.25 x 40 mm | 15 |
| 29 | 1012896 | Pin, Dowel (see also page 12-6) | 3 |
| 30 | 1016576 | Plug, Drain | 2 |
| 31 | 102267601 | Gasket | 2 |
| 32 | 1012711 | Breather | 1 |
| 33 | 101928701 | Gasket, Liquid, 8.8 oz. (250 grams) | A/R |
| 34 | 102031501 | Guard, Unitized Transaxle | 1 |
| 35 | 102268601 | Bolt, M8 x 1.25 x 20 mm | 4 |

12

G

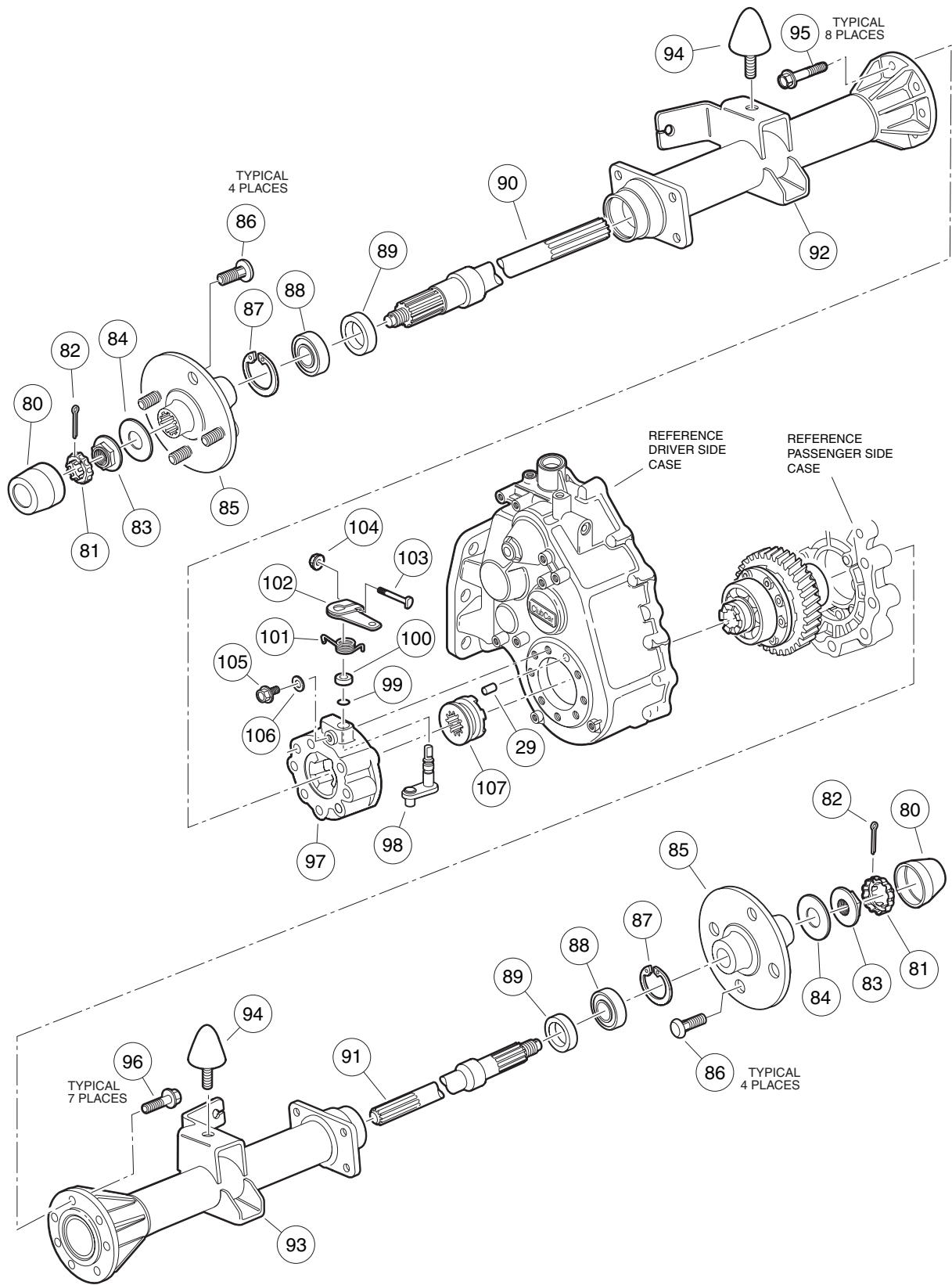


MC012C-AS00 PRIOR TO SERIAL NUMBER MC012C3 J0001 – F&R TRANSMISSION AND GEAR REDUCTION

| ITEM | PART NO. | DESCRIPTION | QTY |
|------|-----------|--|-----|
| | | 1 2 3 4 | |
| 36 | 101892001 | Rod, Shift | 1 |
| 37 | 101890001 | Fork, Shift | 1 |
| 38 | 1012748 | Spring | 1 |
| 39 | 1012747 | Ball, Steel | 1 |
| 40 | 101889401 | Guide | 1 |
| 41 | AM10080 | Bearing, Ball, Sealed | 2 |
| 42 | 1016338 | Washer, Spring | 2 |
| 43 | 101892401 | Gear, Spur | 1 |
| 44 | 101892201 | Plate, Thrust | 3 |
| 45 | 102018801 | Gear, Input, 25 Tooth (16°) | 1 |
| 46 | 101927601 | Bearing, Needle | 3 |
| 47 | 101927501 | Bearing, Needle | 1 |
| 48 | 101981001 | Ring, Synchronizer (16°) | 2 |
| 49 | 1012741 | Spring, Synchronizer | 2 |
| 50 | 101928001 | Hub, Synchronizer Clutch | 1 |
| 51 | 1012740 | Insert, Synchronizer | 3 |
| 52 | 101927901 | Sleeve, Synchronizer | 1 |
| 53 | 101927701 | Pin, Dowel | 1 |
| 54 | 101889901 | Shaft, Input | 1 |
| 55 | 101980801 | Gear, Input, 25 Tooth (16°) | 1 |
| 56 | 1016337 | Washer, Thrust | 1 |
| 57 | AM10081 | Bearing, Ball, C-3 Sealed | 1 |
| 58 | 1012714 | Seal, Oil, Input Shaft | 1 |
| 59 | 102268201 | Gear, 12 Tooth | 1 |
| 60 | 101893201 | Key | 1 |
| 61 | 102018901 | Gear, 70 Tooth | 1 |
| 62 | 102268401 | Bearing, Ball | 1 |
| 63 | 101893901 | Washer | 1 |
| 64 | 101892301 | Governor | 1 |
| 65 | 101891601 | Sleeve | 1 |
| 66 | 102019001 | Gear, Cluster Idler | 1 |
| 67 | 7335 | Bearing, Ball | 2 |
| 68 | 102032001 | Bearing, Inner Axle Tube, Driver-Side | 1 |
| 69 | 7330 | Bearing, Inner Axle Tube, Passenger-Side | 1 |
| 70 | 101928301 | Bolt, M8 x 1.25 x 37 mm | 8 |
| 71 | 102268301 | Gear, Output, 64 Tooth | 1 |
| 72 | 102031701 | Pin, Dowel | 1 |
| 73 | 102267901 | Case, Gear Carrier | 1 |
| 74 | 1013774 | Plate, Thrust (idler gear) | 2 |
| 75 | 102268101 | Plate, Thrust (differential gear) | 1 |
| 76 | 102267801 | Cover, Gear Case | 1 |
| 77 | 1013772 | Pin, Differential | 1 |
| 78 | 1013770 | Gear, Differential Idler | 2 |
| 79 | 102268001 | Gear, Differential, 16 Tooth | 2 |

12

G

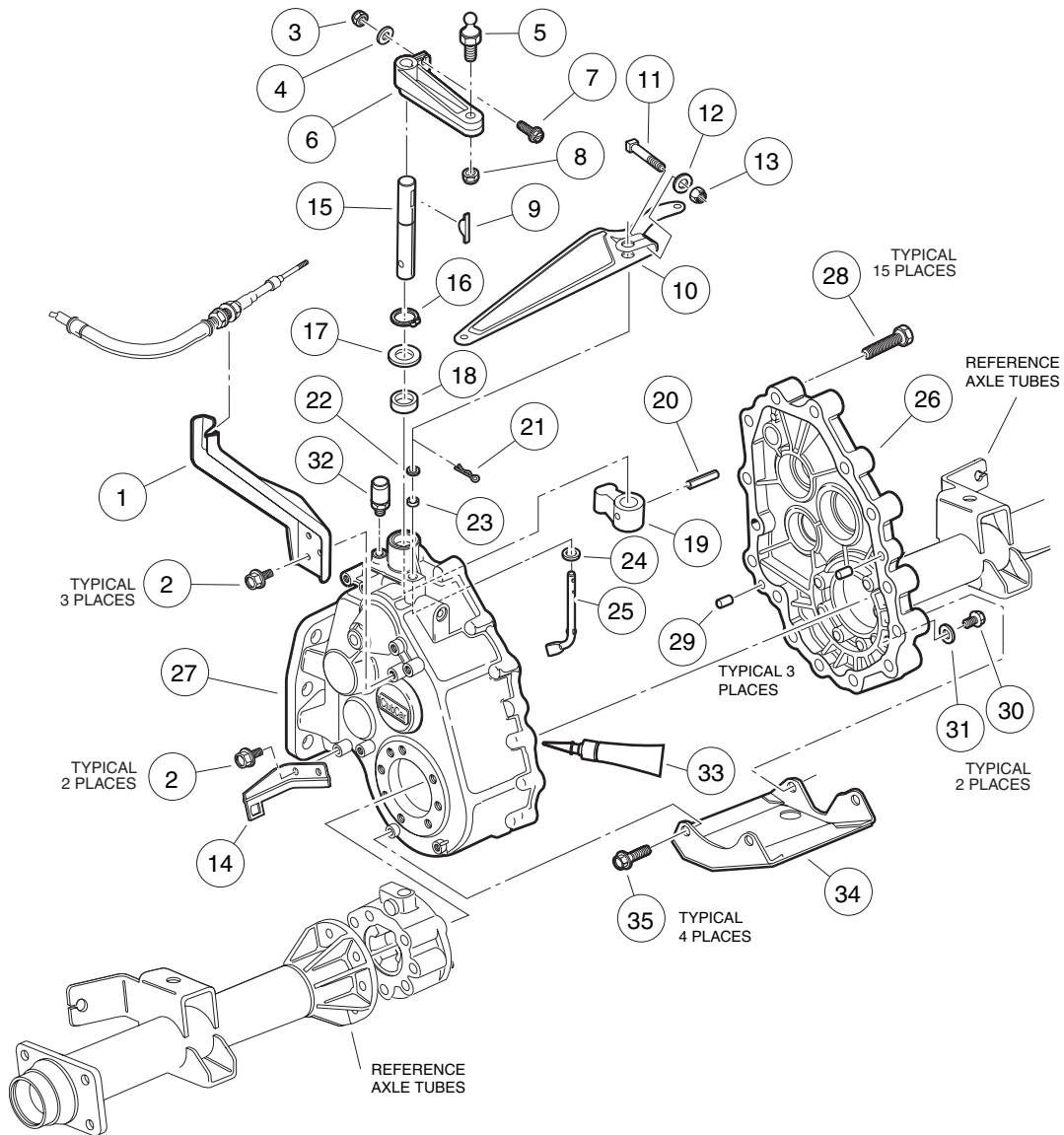


MC012C-AS00 PRIOR TO SERIAL NUMBER MC012C3J0001 – DIFFERENTIAL LOCK AND AXLES

| ITEM | PART NO. | DESCRIPTION | QTY |
|------|-----------|---|-----|
| | | 1 2 3 4 | |
| 80 | 102274101 | Cap, Rubber Center | 2 |
| 81 | 102276001 | Cap, Locking | 2 |
| 82 | 101838801 | Pin, Cotter | 2 |
| 83 | 102269201 | Nut, Axle Flange Retaining | 2 |
| 84 | 102269301 | Washer, Flat | 2 |
| 85 | 102269101 | Hub (includes item 86) | 2 |
| 86 | 1013787 | Stud, Lug | 4 |
| 87 | 1013792 | Ring, Retaining | 2 |
| 88 | 1011291 | Bearing, Outer Axle Tube | 2 |
| 89 | 102269401 | Seal, Oil | 2 |
| 90 | 102269001 | Assembly, Axle, Driver-Side | 1 |
| 91 | 102268901 | Assembly, Axle, Passenger-Side | 1 |
| 92 | 102268801 | Assembly, Axle Tube, Driver-Side | 1 |
| 93 | 102268701 | Assembly, Axle Tube, Passenger-Side | 1 |
| 94 | 102188701 | Stop, Axle | 2 |
| 95 | 102019601 | Bolt, M10 x 1.5 x 70 mm | 8 |
| 96 | 102031901 | Bolt, M10 x 1.5 x 30 mm | 7 |
| 97 | 102020101 | Housing, Differential Lock | 1 |
| 98 | 102020201 | Lever, Differential Lock | 1 |
| 99 | 102020301 | O-Ring, Differential Lock | 1 |
| 100 | 102020401 | Spacer, Differential Lock | 1 |
| 101 | 102020501 | Spring, Differential Lock | 1 |
| 102 | 102020901 | Arm, Differential Lock Lever | 1 |
| 103 | 1016686 | Bolt, Differential Lock Pinch | 1 |
| 104 | 1016547 | Nut, Flanged, M6 x 1 | 1 |
| 105 | 102022301 | Screw, M6 x 1 x 10 mm | 1 |
| 106 | 102022401 | Washer, M6 | 1 |
| 107 | 102267701 | Cog, Differential Lock, 15 Tooth | 1 |

12

G

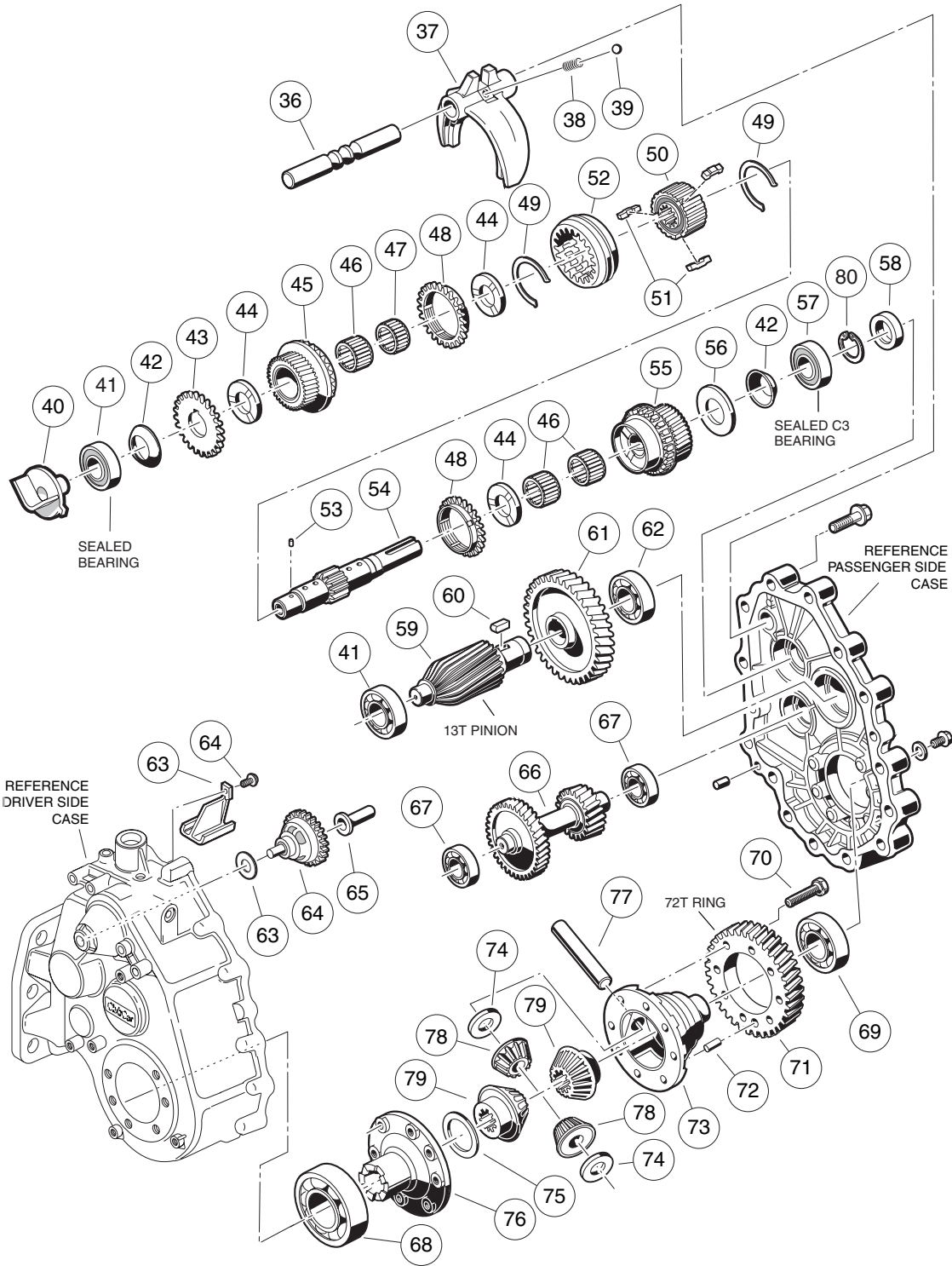


MC012C-BS00 BEGINNING WITH SERIAL NUMBER MC012C3J0001 – GEAR CASES, BRACKETS AND GUARD

| ITEM | PART NO. | DESCRIPTION | QTY |
|------|-----------|---|-----|
| | | 1 2 3 4 | |
| 1 | 102045901 | Bracket, Transmission Cable Support | 1 |
| 2 | 1012285 | Screw, Thread-Rolling, 1/4-20 x 5/8 | 5 |
| 3 | 1013061 | Nut, Nylon Lock, #10-32 | 1 |
| 4 | 183 | Washer, Flat, Type A, #10 | 1 |
| 5 | 1010954 | Stud, Ball, 1/4-28 x 9/16 | 1 |
| 6 | 1016341 | Lever, Transmission Shifter | 1 |
| 7 | 1017082 | Screw, Hex Washer-Head, #10-32 x 3/4 | 1 |
| 8 | 8717 | Nut, Nylon Lock, 1/4-28 | 1 |
| 9 | 1017231 | Key, Woodruff, Type T | 1 |
| 10 | 101834801 | Arm, Governor Lever | 1 |
| 11 | 101886101 | Screw, Square-Head, 1/4-20 x 1 | 1 |
| 12 | 1014007 | Washer, Type B, 1/4 | 1 |
| 13 | 8233 | Nut, Nylon Lock, 1/4-20 | 1 |
| 14 | 102018701 | Bracket, Differential Lock | 1 |
| | 102457401 | Transaxle, Unitized (includes items 15 - 108) | 1 |
| 15 | 101890201 | Shaft, Shifter | 1 |
| 16 | 101927301 | Ring, Snap | 1 |
| 17 | 101892901 | Washer, Flat | 1 |
| 18 | 101927201 | Seal, Oil | 1 |
| 19 | 101890101 | Lever, Shifter | 1 |
| 20 | 1012752 | Pin, Roll | 1 |
| 21 | 101928601 | Pin, Cotter | 1 |
| 22 | 1016513 | Washer, Flat | 1 |
| 23 | 101927101 | Seal, Oil | 1 |
| 24 | 101893801 | Washer | 1 |
| 25 | 101891301 | Arm, Pivot | 1 |
| 26 | 102018501 | Gear Case (passenger side) | 1 |
| 27 | 102018601 | Gear Case (driver side) | 1 |
| 28 | 101926901 | Bolt, Flanged, M8 x 1.25 x 40 mm | 15 |
| 29 | 1012896 | Pin, Dowel (see also page 12-6) | 3 |
| 30 | 1016576 | Plug, Drain | 2 |
| 31 | 102267601 | Gasket | 2 |
| 32 | 1012711 | Breather | 1 |
| 33 | 101928701 | Gasket, Liquid, 8.8 oz. (250 grams) | A/R |
| 34 | 102031501 | Guard, Unitized Transaxle | 1 |
| 35 | 102268601 | Bolt, M8 x 1.25 x 20 mm | 4 |

12

G



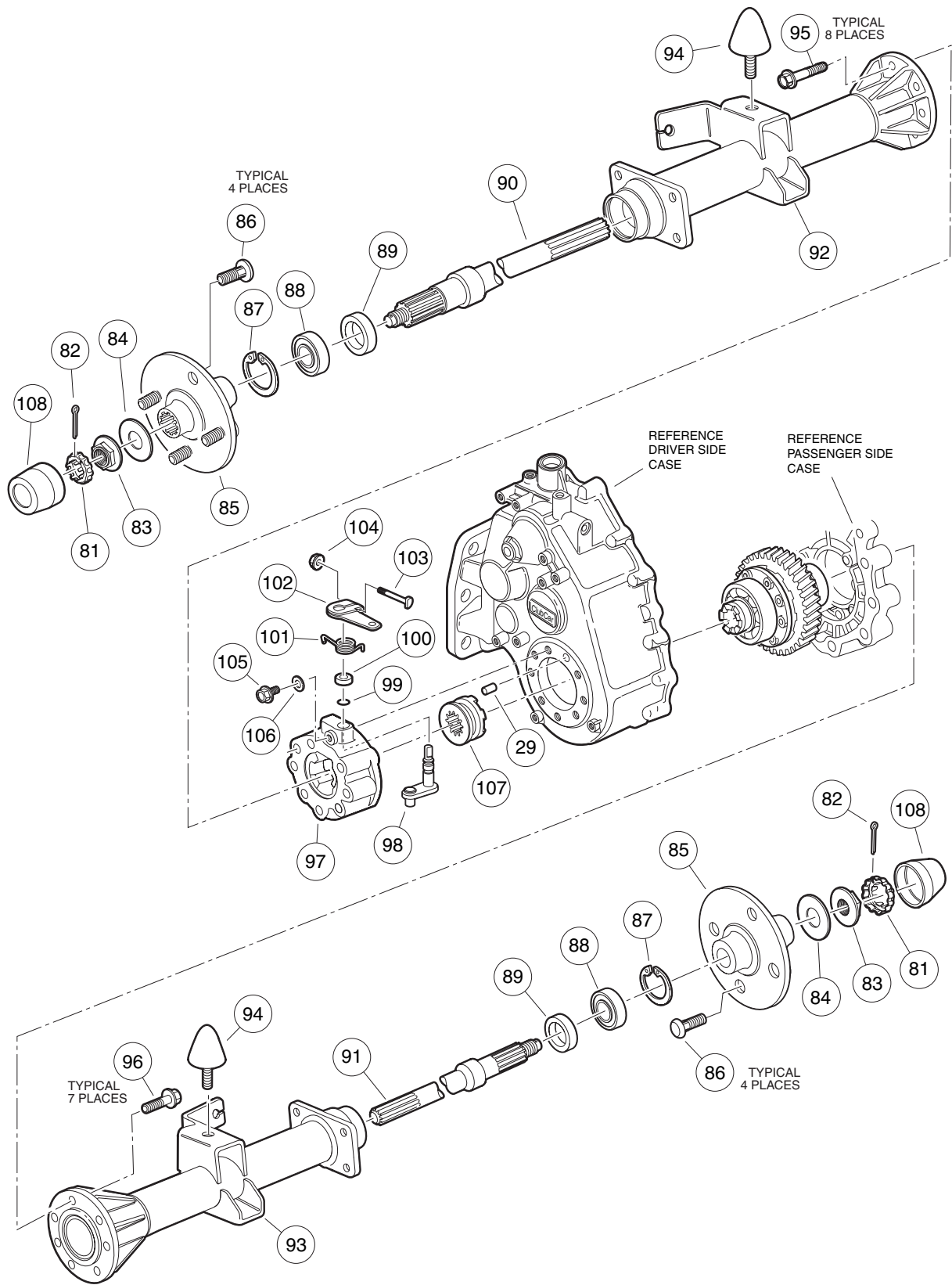
Parts identification for transaxles beginning with serial number MC012C3J0001

MC012C-BS00 BEGINNING WITH SERIAL NUMBER MC012C3J0001 – F&R TRANSMISSION AND GEAR

| ITEM | PART NO. | DESCRIPTION | QTY |
|------|-----------|--|-----|
| | | 1 2 3 4 | |
| 36 | 101892001 | Rod, Shift | 1 |
| 37 | 101890001 | Fork, Shift | 1 |
| 38 | 1012748 | Spring | 1 |
| 39 | 1012747 | Ball, Steel | 1 |
| 40 | 101889401 | Guide | 1 |
| 41 | AM10080 | Bearing, Sealed, Ball | 2 |
| 42 | 1016338 | Washer, Spring | 2 |
| 43 | 101892401 | Gear, Spur | 1 |
| 44 | 101892201 | Plate, Thrust | 3 |
| 45 | 102018801 | Gear, Input, 25 Tooth (16°) | 1 |
| 46 | 101927601 | Bearing, Needle | 3 |
| 47 | 101927501 | Bearing, Needle | 1 |
| 48 | 101981001 | Ring, Synchronizer (16°) | 2 |
| 49 | 1012741 | Spring, Synchronizer | 2 |
| 50 | 101928001 | Hub, Synchronizer Clutch | 1 |
| 51 | 1012740 | Insert, Synchronizer | 3 |
| 52 | 101927901 | Sleeve, Synchronizer | 1 |
| 53 | 101927701 | Pin, Dowel | 1 |
| 54 | 102453001 | Shaft, Input, w/Circlip Groove | 1 |
| 55 | 101980801 | Gear, Input, 25 Tooth (16°) | 1 |
| 56 | 1016337 | Washer, Thrust | 1 |
| 57 | AM10081 | Bearing, C-3 Sealed, Ball | 1 |
| 58 | 1012714 | Seal, Oil, Input Shaft | 1 |
| 59 | 102452501 | Gear, 13 Tooth | 1 |
| 60 | 101893201 | Key | 1 |
| 61 | 102018901 | Gear, 70 Tooth | 1 |
| 62 | 102268401 | Bearing, Ball | 1 |
| 63 | 101893901 | Washer | 1 |
| 64 | 101892301 | Governor | 1 |
| 65 | 101891601 | Sleeve | 1 |
| 66 | 102019001 | Gear, Cluster Idler | 1 |
| 67 | 7335 | Bearing, Ball | 2 |
| 68 | 102032001 | Bearing, Inner Axle Tube, Driver-Side | 1 |
| 69 | 7330 | Bearing, Inner Axle Tube, Passenger-Side | 1 |
| 70 | 101928301 | Bolt, M8 x 1.25 x 37 mm | 8 |
| 71 | 102452401 | Gear, Output, 72 Tooth | 1 |
| 72 | 102031701 | Pin, Dowel | 1 |
| 73 | 102453201 | Case, Gear Carrier | 1 |
| 74 | 1013774 | Plate, Thrust (idler gear) | 2 |
| 75 | 102268101 | Plate, Thrust (differential gear) | 1 |
| 76 | 102267801 | Cover, Gear Case | 1 |
| 77 | 1013772 | Pin, Differential | 1 |
| 78 | 1013770 | Gear, Differential Idler | 2 |
| 79 | 102268001 | Gear, Differential, 16 Tooth | 2 |
| 80 | 102453101 | Circlip, Input Shaft..... | 1 |

12

G



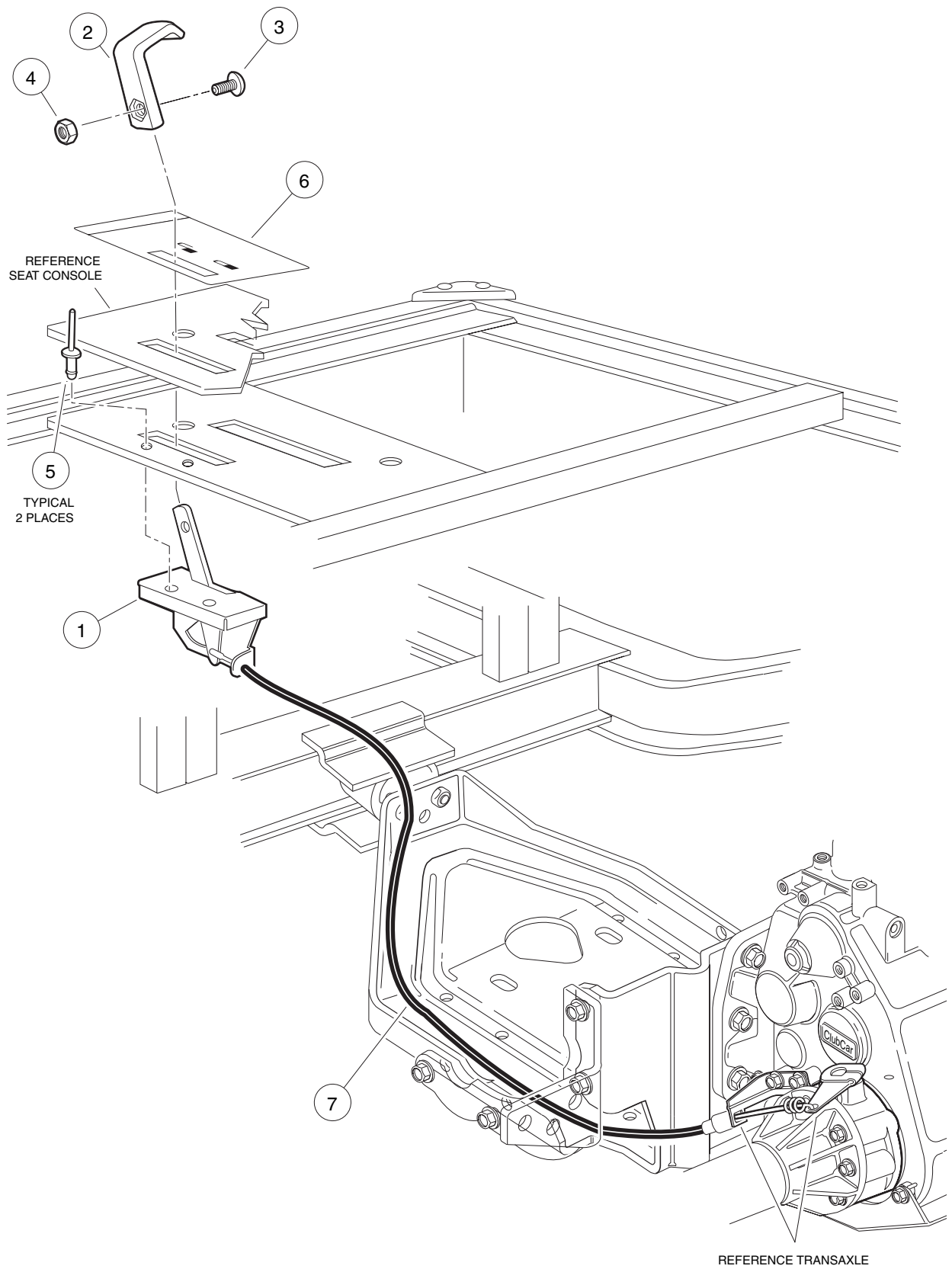
MC012C-BS00 BEGINNING WITH SERIAL NUMBER MC012C3J0001 – DIFFERENTIAL LOCK AND AXLES

| ITEM | PART NO. | DESCRIPTION | QTY |
|------|-----------|--|-----|
| | | 1 2 3 4 | |
| 81 | 102276001 | Cap, Locking | 2 |
| 82 | 101838801 | Pin, Cotter | 2 |
| 83 | 102269201 | Nut, Axle Flange Retaining | 2 |
| 84 | 102269301 | Washer, Flat | 2 |
| 85 | 102269101 | Hub (includes item 86) | 2 |
| 86 | 1013787 | Stud, Lug | 4 |
| 87 | 1013792 | Ring, Retaining | 2 |
| 88 | 1011291 | Bearing, Outer Axle Tube | 2 |
| 89 | 102269401 | Seal, Oil | 2 |
| 90 | 102269001 | Assembly, Axle, Driver-Side | 1 |
| 91 | 102268901 | Assembly, Axle, Passenger-Side | 1 |
| 92 | 102452701 | Assembly, Axle Tube, Driver-Side (LH)..... | 1 |
| 93 | 102452601 | Assembly, Axle Tube, Passenger-Side (RH) | 1 |
| 94 | 102188701 | Stop, Axle | 2 |
| 95 | 102019601 | Bolt, M10 x 1.5 x 70 mm | 8 |
| 96 | 102031901 | Bolt, M10 x 1.5 x 30 mm | 7 |
| 97 | 102020101 | Housing, Differential Lock | 1 |
| 98 | 102020201 | Lever, Differential Lock | 1 |
| 99 | 102020301 | O-Ring, Differential Lock | 1 |
| 100 | 102020401 | Spacer, Differential Lock | 1 |
| 101 | 102020501 | Spring, Differential Lock | 1 |
| 102 | 102020901 | Arm, Differential Lock Lever | 1 |
| 103 | 1016686 | Bolt, Differential Lock Pinch | 1 |
| 104 | 1016547 | Nut, Flanged, M6 x 1 | 1 |
| 105 | 102022301 | Screw, M6 x 1 x 10 mm | 1 |
| 106 | 102022401 | Washer, M6 | 1 |
| 107 | 102267701 | Cog, Differential Lock, 15 Tooth | 1 |
| 108 | 102274101 | Cap, Rubber Center..... | 2 |

12

G

12
G



UNITIZED TRANSAXLE – DIFFERENTIAL LOCK CABLE ASSEMBLY AND SHIFTER

| ITEM | PART NO. | DESCRIPTION | QTY |
|------|-----------|--|-----|
| | | 1 2 3 4 | |
| 1 | 102025101 | Control, Differential Lock | 1 |
| 2 | 102022201 | Handle, Differential Lock | 1 |
| 3 | 1011017 | Bolt, Hex Washer-Head, #8-32 x 3/8 | 1 |
| 4 | 1011571 | Nut, Hex, #8-32 | 1 |
| 5 | 101880901 | Rivet, Pop | 2 |
| 6 | 102046601 | Decal, Differential Lock Control Warning | 1 |
| 7 | 102031201 | Cable, Differential Lock (Turf 272 and Carryall 272) | 1 |
| 7 | 102316701 | Cable, Differential Lock (Carryall 472) | 1 |

12
G

12

G

MAINTENANCE AND SERVICE TOOLS

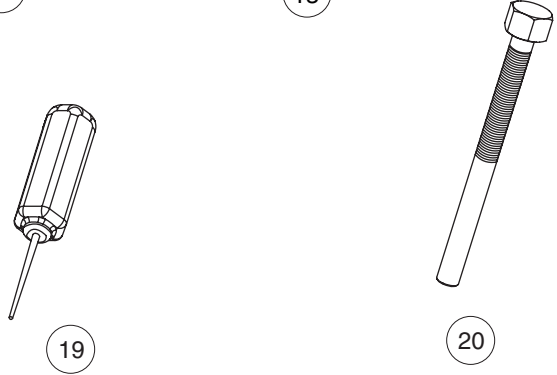
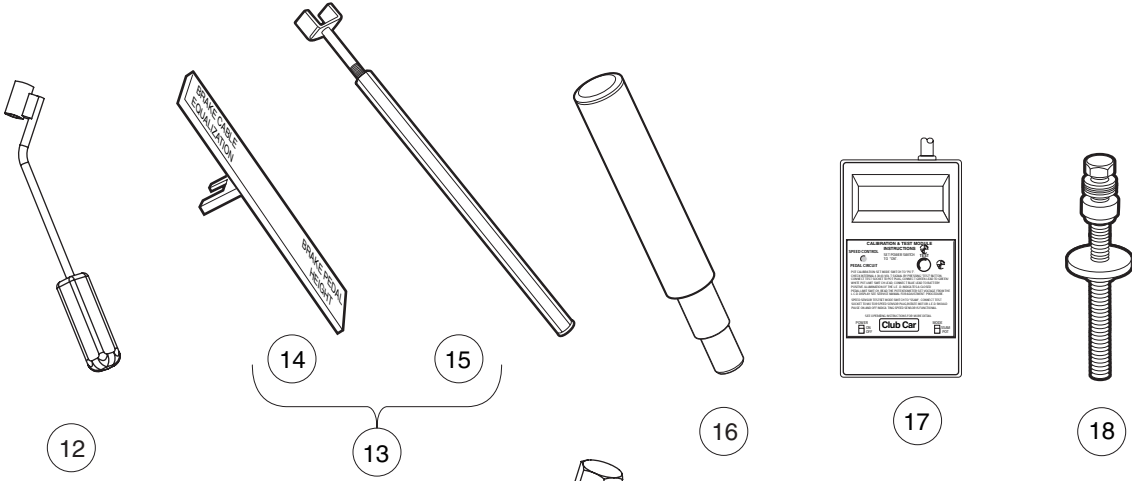
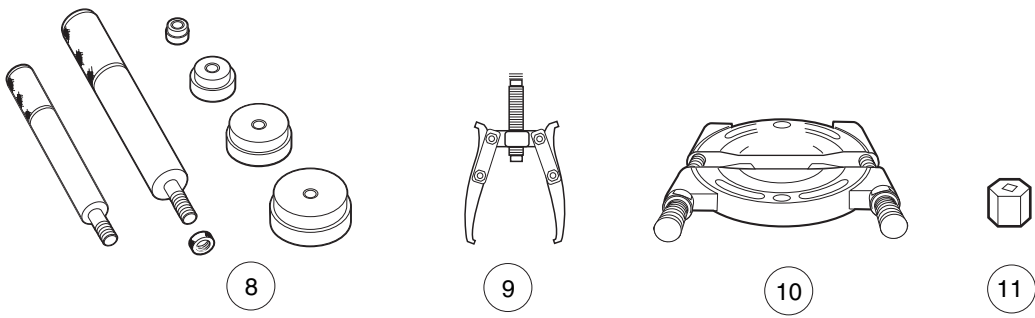
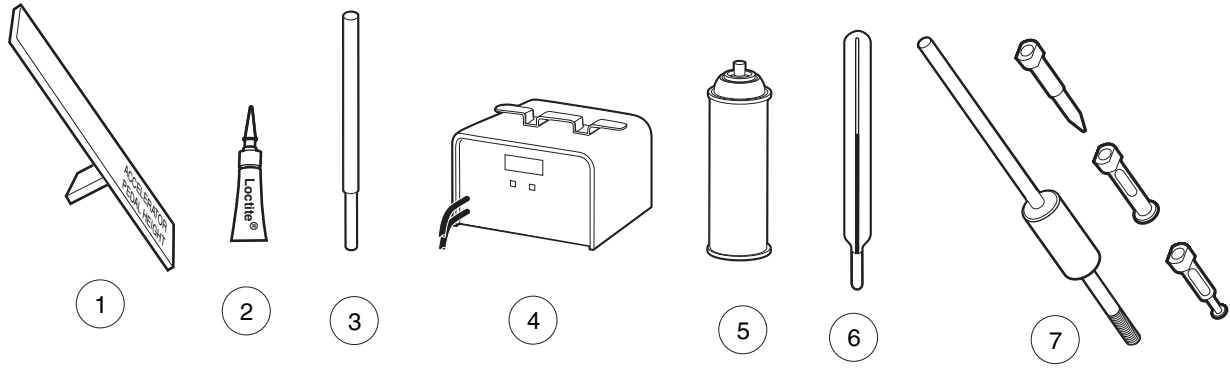
13

G

E

D

13
G
E
D



MAINTENANCE AND SERVICE TOOLS

| ITEM | PART NO. | DESCRIPTION | QTY DIESEL | QTY GAS | QTY ELEC |
|------|-----------|---|---------------|------------|-------------|
| | | <p style="text-align: center;">1 2 3 4</p> <p>The following tool list includes all tools available from Club Car for maintenance and service procedures for gasoline, electric, and/or diesel vehicles, both past and present models. Be sure to carefully examine the tool list for applicability to your vehicle before ordering.</p> | | | |
| 1 | 101871001 | Accelerator Pedal Adjustment Tool | | 1 | 1 |
| 2 | 101813202 | Adhesive, Guide Ring, 3-Gram Tube | | | 1 |
| 3 | 101641202 | Arbor | | 1 | |
| 4 | 101831901 | Battery Discharge Machine, 36/48 Volt | | | 1 |
| 5 | 1014305 | Battery Terminal Protector Spray | 1 | 1 | 1 |
| 6 | 1011767 | Battery Thermometer | 1 | 1 | 1 |
| 7 | 1016417 | Bearing and Oil Seal Remover Assembly | 1 | 1 | 1 |
| 8 | 1016416 | Bearing Driver Set | 1 | 1 | 1 |
| 9 | 1012811 | Bearing Puller | 1 | 1 | 1 |
| 10 | 1012812 | Bearing Puller Wedge Attachment | 1 | 1 | 1 |
| 11 | 1013582 | Brake Adjustment Tool (used only on vehicles with manually adjusted mechanical brakes) | | 1 | 1 |
| 12 | 102555501 | Brake Cable Release Tool | 1 | 1 | 1 |
| 13 | 102249901 | Brake Pedal Adjustment Tool Kit (used for the Carryall Electric Industrial Truck only) (includes items 14 and 15)..... | | | 1 |
| 14 | **** | Brake Pedal Adjustment Tool | | | 1 |
| 15 | **** | Brake Pedal Tension Tool | | | 1 |
| 16 | 102669601 | Connecting Rod Small End Bushing Tool (for Kubota D722 Diesel Engines) | 1 | | |
| 17 | 101887101 | Calibration Test Module | | | 1 |
| 18 | 101808401 | Cam Installation Tool | | 1 | |
| 19 | 102562401 | Charger Bezel Tool | | | 1 |
| 20 | 102686101 | Clutch Removal Tool (for XRT 1500, Carryall 294, and Bobcat 2200 Vehicles) | 1 | 1 | |
| | | <p>Please refer to the maintenance and service manual for proper tool application.</p> <p>**** Special order item available upon request</p> | | | |

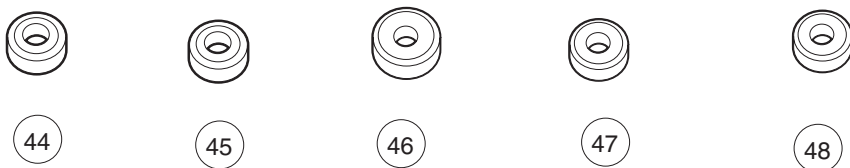
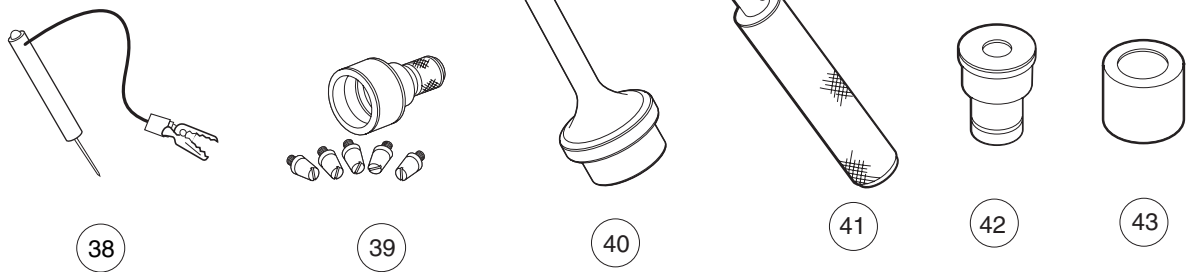
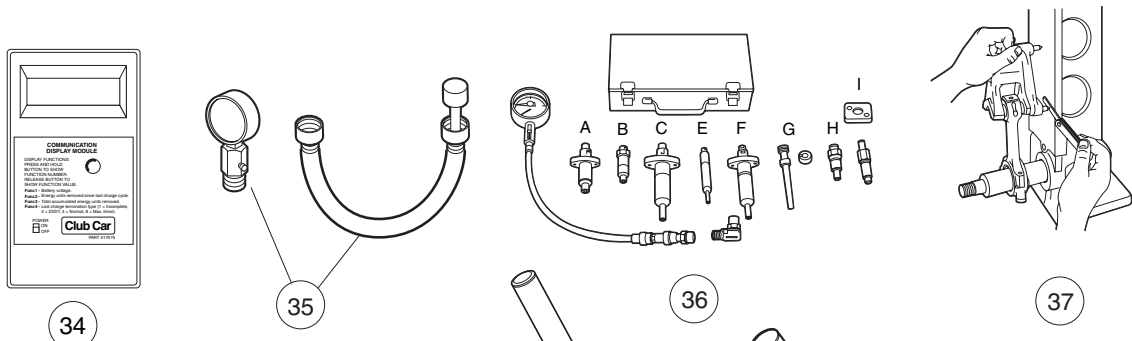
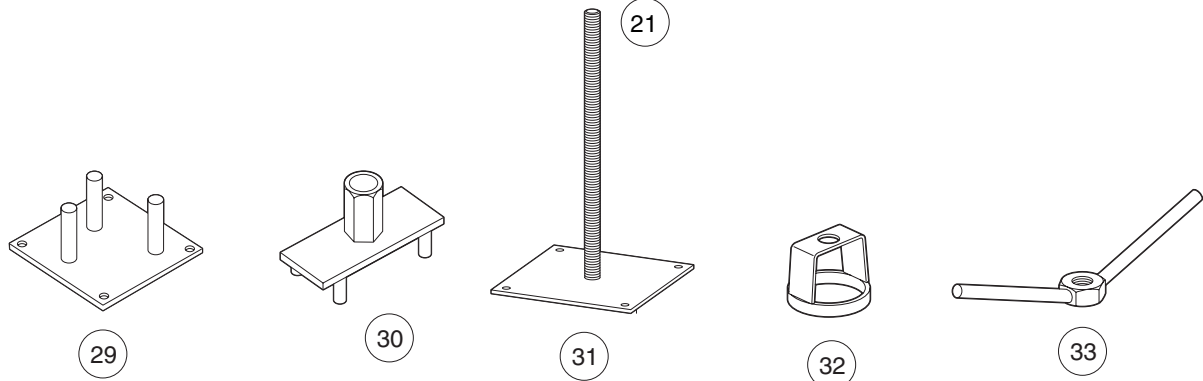
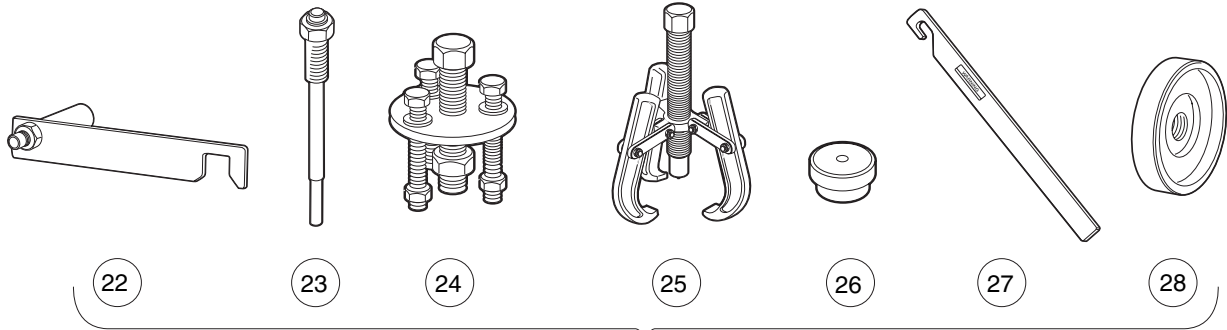
13

G

E

D

13
G
E
D



MAINTENANCE AND SERVICE TOOLS, CONTINUED

| ITEM | PART NO. | DESCRIPTION | QTY DIESEL | QTY GAS | QTY ELEC |
|------|-----------|---|---------------|------------|-------------|
| | | 1 2 3 4 | | | |
| 21 | 1014510 | Clutch Tool Kit (includes items 22 - 28) | | 1 | |
| 22 | 1014498 | Clutch Alignment Tool (for pre-unitized transaxle vehicles built prior to 1997 model year) | | 1 | |
| 23 | 1014496 | Drive Clutch Puller (for Kawasaki engines only) | | 1 | |
| 24 | 1014497 | Drive Clutch Hub Puller (for Kawasaki engines only) | | 1 | |
| 25 | 1014508 | Driven Clutch Cam Puller (for Kawasaki engines only) | | 1 | |
| 26 | 1014507 | Driven Clutch Puller Plug (for Kawasaki engines only) | | 1 | |
| 27 | 1015524 | Drive Clutch Holder Tool Assembly (for Kawasaki engines only) | | 1 | |
| 28 | 101809101 | Press Weldment (for Kawasaki engines only) | | 1 | |
| 29 | 102601501 | Clutch, Drive, Fixed Sheave Tool (for XRT 1500, Carryall 294, and Bobcat 2200 Vehicles) | 1 | 1 | |
| 30 | 102607501 | Clutch, Drive, Spider Removal Tool (for XRT 1500, Carryall 294, and Bobcat 2200 Vehicles) | 1 | 1 | |
| 31 | 102603501 | Clutch, Driven, Spring Compression Base (for use with items 32 and 33) (for XRT 1500, Carryall 294, and Bobcat 2200 Vehicles) ... | 1 | 1 | |
| 32 | 102605201 | Clutch, Driven, Spring Compression Collar (for use with items 31 and 33) (for XRT 1500, Carryall 294, and Bobcat 2200 Vehicles) ... | 1 | 1 | |
| 33 | 102606101 | Clutch, Driven, Spring Compression Nut (for use with items 31 and 32) (for XRT 1500, Carryall 294, and Bobcat 2200 Vehicles) ... | 1 | 1 | |
| 34 | 101831801 | Communication Display Module | | | 1 |
| 35 | 101641002 | Compression Gauge and Adapter | | 1 | |
| 36 | 102669001 | Compression Tester (for Kubota D722 Diesel Engines)..... | 1 | | |
| 37 | 102669201 | Connecting Rod Alignment Tool (for Kubota D722 Diesel Engines) | 1 | | |
| 38 | 1011273 | Continuity Tester | | 1 | 1 |
| 39 | 102668901 | Crank Sleeve Setter (for Kubota D722 Diesel Engines) | 1 | | |
| 40 | 102669501 | Crankshaft Bearing Replacement Tool (for Kubota D722 Diesel Engines) | 1 | | |
| 41 | 102674001 | Crankshaft Main Bearing Driver (for use with items 42 and 43) (for Honda GX620 Gasoline Engines) | | 1 | |
| 42 | 102674101 | Crankshaft Main Bearing Driver Attachment (for use with Honda GX620 Gasoline Engines) | | 1 | |
| 43 | 102674201 | Crankshaft Main Bearing Pilot Attachment (for Honda GX620 Gasoline Engines) | | 1 | |
| 44 | 102675201 | Cutter, Valve Seat Exhaust, 32 Degree (requires item 59) (for Honda GX620 Gasoline Engines) | | 1 | |
| 45 | 102675301 | Cutter, Valve Seat Intake, 32 Degree (requires item 59) (for Honda GX620 Gasoline Engines) | | 1 | |
| 46 | 102675401 | Cutter, Valve Seat, 60 Degree (requires item 59) (for Honda GX620 Gasoline Engines) | | 1 | |
| 47 | 102675001 | Cutter, Valve Seat, Exhaust, 45 Degree (requires item 59) (for Honda GX620 Gasoline Engines) | | 1 | |
| 48 | 102675101 | Cutter, Valve Seat, Intake, 45 Degree (requires item 59) (for Honda GX620 Gasoline Engines) | | 1 | |
| | | Please refer to the maintenance and service manual for proper tool application. | | | |

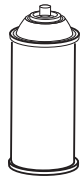
13

G

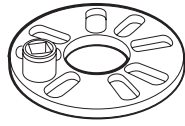
E

D

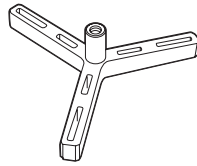
13
G
E
D



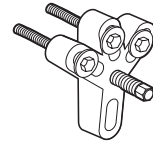
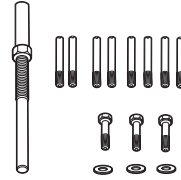
49



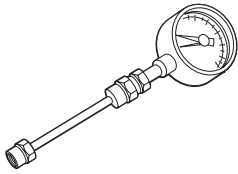
50



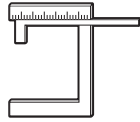
51



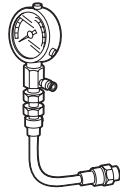
52



53



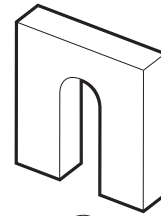
54



55



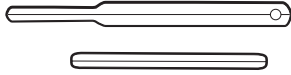
56



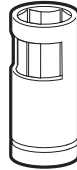
57



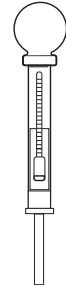
58



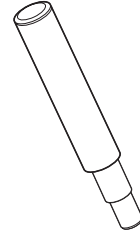
59



60



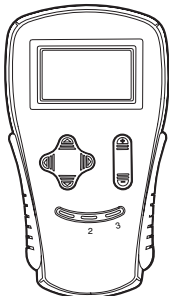
61



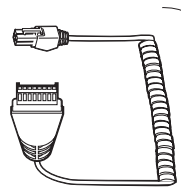
62



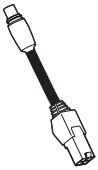
63



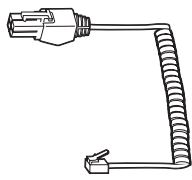
64



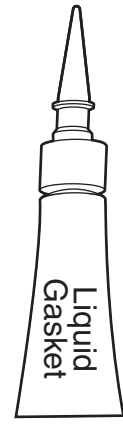
65



66



67



68

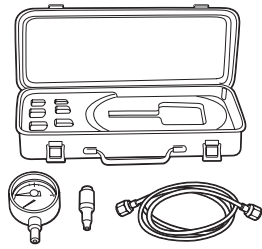


69

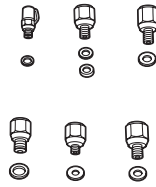
MAINTENANCE AND SERVICE TOOLS, CONTINUED

| ITEM | PART NO. | DESCRIPTION | QTY | QTY | QTY | 13 |
|--|-----------|---|--------|-----|------|-------------|
| | | | DIESEL | GAS | ELEC | |
| | | 1 2 3 4 | | | | G E D |
| 49 | 1012151 | Dry Moly Lubricant | 1 | 1 | 1 | |
| 50 | 102674501 | Flywheel Clutch Holder (for Honda GX620 Gasoline Engines) | | 1 | | |
| 51 | 102668601 | Flywheel Puller (for Kubota D722 Diesel Engines) | 1 | | | |
| 52 | 1016627 | Flywheel Puller Kit (for Kawasaki Engines) | | 1 | | |
| 53 | 102669801 | Fuel Injection Pump Pressure Tester (for Kubota D722 Diesel Engines) | 1 | | | |
| 54 | 102669901 | Gauge, Carburetor Float Level (for Honda GX620 Gasoline Engines) | | 1 | | |
| 55 | 102674701 | Gauge, Oil Pressure (for Honda GX620 Gasoline Engines) | | 1 | | |
| 56 | 102670001 | Gauge, Oil Pressure, Attachment (for Honda GX620 Engines) | | 1 | | |
| 57 | 1016418 | Gear Yoke | 1 | 1 | 1 | |
| 58 | 101933101 | Governor Shaft Installation Tool (for Kawasaki Engine Vehicles) ... | | 1 | | |
| 59 | 102674901 | Holder, Valve Seat Cutter (for use with items 44 through 48) (for Honda GX620 Gasoline Engines) | | | 1 | |
| 60 | 102169401 | Hydraulic Brake Adjuster (for gasoline vehicles equipped with hydraulic brakes, except XRT 1500, Carryall 294, and Bobcat 2200) | | 1 | | |
| 61 | 1011478 | Hydrometer | 1 | 1 | 1 | |
| 62 | 102669701 | Idle Gear Bushing Replacement Tool (for Kubota D722 Diesel Engines) | 1 | | | |
| 63 | 1013593 | Internal Retaining Ring Pliers | 1 | 1 | 1 | |
| 64 | 102248803 | IQ Display Module (IQDM) Kit (for IQ System vehicles only) | | | 1 | |
| | | (includes items 65 and 66) | | | | |
| 65 | 102251501 | Adaptor, Cable | | | 1 | |
| 66 | 102241502 | IQDM Series 2 Cable | | | 1 | |
| 67 | 102241501 | IQDM Series 1 Cable (replacement) | | | 1 | |
| 68 | 101928701 | Liquid Gasket (transaxle case) | 1 | 1 | 1 | |
| 69 | 102243402 | Moly-Teflon Lubricant (4-oz. (113-gram) tube) | | | 1 | |
| Please refer to the maintenance and service manual for proper tool application. | | | | | | |

**13
G
E
D**



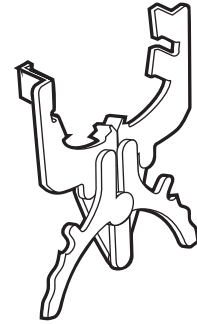
70



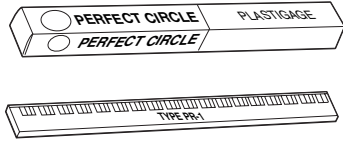
71



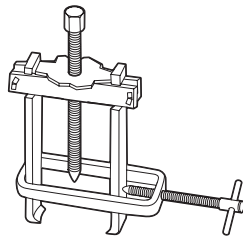
72



73



74



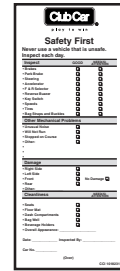
75



76



77



78



79



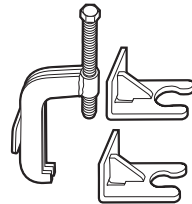
80



81



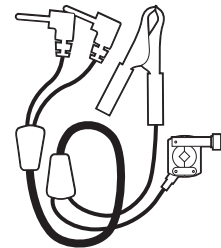
82



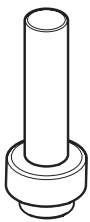
83



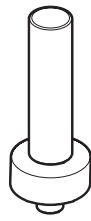
84



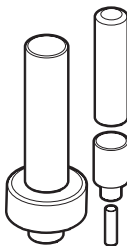
85



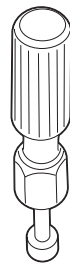
86



87



88



90



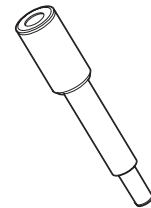
91



92



93



94

MAINTENANCE AND SERVICE TOOLS, CONTINUED

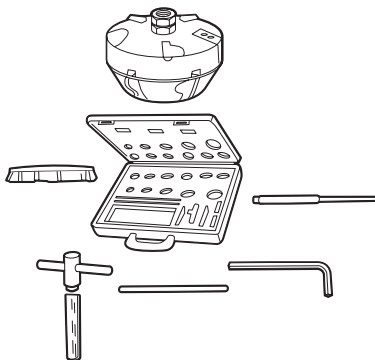
| ITEM | PART NO. | DESCRIPTION | QTY DIESEL | QTY GAS | QTY ELEC |
|------|-----------|---|---------------|------------|-------------|
| | | 1 2 3 4 | | | |
| 70 | 102669101 | Oil Pressure Tester (for Kubota D722 Diesel Engines) | 1 | | |
| 71 | 101997201 | Paint, Touch-Up – Beige* | | 1 | 1 |
| 71 | 101997207 | Paint, Touch-Up – Black* | | 1 | 1 |
| 71 | 101997212 | Paint, Touch-Up – Burgundy* | | 1 | 1 |
| 71 | 101997211 | Paint, Touch-Up – Classic Blue (Navy)* | | 1 | 1 |
| 71 | 101997205 | Paint, Touch-Up – Dark Gray* | 1 | 1 | 1 |
| 71 | 101997209 | Paint, Touch-Up – Dark Green* | 1 | 1 | 1 |
| 71 | 101997204 | Paint, Touch-Up – Gray* | 1 | 1 | 1 |
| 71 | 101997203 | Paint, Touch-Up – Red* | 1 | 1 | 1 |
| 71 | 101997206 | Paint, Touch-Up – Royal Blue (Pacific Blue)* | | 1 | 1 |
| 71 | 101997202 | Paint, Touch-Up – White* | 1 | 1 | 1 |
| 72 | 1016414 | Piston Ring Compressor Kit (FE290, FE350 and FE400 engines) . | | 1 | |
| 73 | 1016415 | Piston Ring Pliers (for Kawasaki Engines) | | 1 | |
| 74 | 102669301 | Plastigage (for Kubota D722 Diesel Engines) | 1 | | |
| 75 | 102668801 | Puller, Special Use (for Kubota D722 Diesel Engines) | 1 | | |
| 76 | 1012549 | Retaining Ring Pliers, 45° External | 1 | 1 | 1 |
| 77 | 1012560 | Retaining Ring Pliers, 90° Internal | 1 | 1 | 1 |
| 78 | 101823101 | Safety First Card (50 per pack) | 1 | 1 | 1 |
| 79 | 1012809 | Seal Puller | 1 | 1 | 1 |
| 80 | 102330901 | Spanner Wrench (for coil over shock front suspension vehicles only) | 1 | 1 | |
| 81 | 1014264 | Steering Column Bearing Press Tool | | 1 | 1 |
| 82 | 1014259 | Steering Column Retaining Ring Tool | | 1 | 1 |
| 83 | 102061201 | Steering Wheel Puller Tool | 1 | 1 | 1 |
| 84 | AM10753 | Tachometer (includes gasoline engine pick up lead only) | 1 | 1 | |
| 85 | AM10771 | Tachometer Diesel Probe (for use with item 84) | 1 | | |
| 86 | 1014162 | Transaxle Axle Seal Tool | | 1 | |
| 87 | 1014161 | Transaxle Pinion Seal Tool | | 1 | |
| 88 | 1014115 | Transmission Tool Kit | | 1 | |
| 89 | 101611003 | Tune-Up Kit, All OHV (for Kawasaki Engines) (includes air filter, spark plug, oil filter, fuel filters) (not shown) | | 1 | |
| 90 | 1016413 | Valve Clearance Adjuster Screw Holder (for FE290 engines only) . | | 1 | |
| 91 | 102674601 | Valve Guide Driver (for Honda GX620 Gasoline Engines) | | 1 | |
| 92 | 101641201 | Valve Guide Reamer (FE290, FE350, and FE400 only) | | 1 | |
| 93 | 102674401 | Valve Guide Reamer, 6.6 mm (for Honda GX620 Gasoline Engines) | | 1 | |
| 94 | 102669401 | Valve Guide Replacement Tool (for Kubota D722 Diesel Engines) | 1 | | |
| | | * Item 71 is not for use on Surlyn® body material which is used on Precedent vehicles. | | | |

13
G
E
D

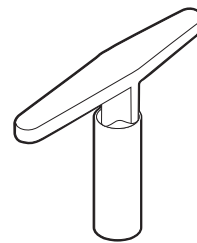
13
G
E
D



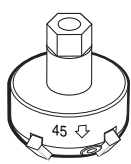
95



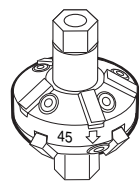
96



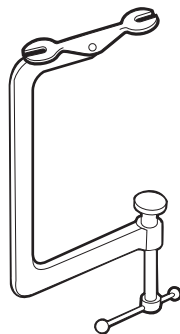
97



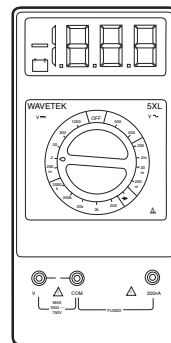
98



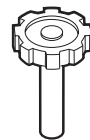
99



100



101



102

MAINTENANCE AND SERVICE TOOLS, CONTINUED

| ITEM | PART NO. | DESCRIPTION | QTY DIESEL | QTY GAS | QTY ELEC |
|------|-----------|--|---------------|------------|-------------|
| | | 1 2 3 4 | | | |
| 95 | 1016552 | Valve Seat Cutter Guide | | 1 | |
| 96 | 102668701 | Valve Seat Cutter Set (for Kubota D722 Diesel Engines) | 1 | | |
| 97 | 1016551 | Valve Seat Cutter T-Wrench | | 1 | |
| 98 | 1016553 | Valve Seat Cutter, 45° (32 mm diameter) (for FE290 engines only) | | 1 | |
| 99 | 1016554 | Valve Seat Cutter, 45°/30° (35 mm diameter) | | 1 | |
| 100 | 101641101 | Valve Spring Compressor | | 1 | |
| 101 | 1011480 | Volt Ohm Meter | 1 | 1 | 1 |
| 102 | 102674801 | Wrench, Valve Clearance Adjustment (for Honda GX620 Gasoline Engines) | | 1 | |

13

G

E

D

13

G

E

D

INDEX

Part Number and Page

| | | | | | |
|---------|--|---------|---|-----------|-----------------------|
| AM10080 | 12-11 | 8248 | 7-15, 9-3, 9-5 | 1012438 | 9-15, 9-17 |
| AM10081 | 12-11 | 8251 | 1-7 | 1012528 | 10-3, 10-5 |
| AM10419 | 11-5 | 8450 | 11-3 | 1012549 | 13-9 |
| AM10724 | 8-5, 8-17 | 8639 | 7-21 | 1012560 | 13-9 |
| AM10753 | 13-9 | 8717 | 7-15, 7-17, 7-19, 12-3, 12-9 | 1012565 | 6-3 |
| 183 | 4-9, 4-11, 1-3, 7-21, 9-15, 9-17, 11-3, 12-3, 12-9 | 8754 | 1-11, 1-15, 4-13, 5-5, 6-3, 6-7, 6-9, 7-27 | 1012566 | 6-3 |
| 304 | 1-19, 1-21 | 8755 | 1-11, 1-15 | 1012571 | 8-27 |
| 320 | 6-3 | 8935 | 1-5 | 1012594 | 7-15 |
| 332 | 1-3, 1-5, 1-7, 1-9, 1-13, 1-17, 1-19, 1-21, 5-5, 9-5, 9-15, 9-17, 10-3, 10-5 | 8990 | 6-5, 7-23 | 1012604 | 6-3 |
| 334 | 1-9, 5-5, 6-3, 6-5 | 1010028 | 6-7 | 1012605 | 6-3 |
| 357 | 1-19 | 1010138 | 6-5 | 1012649 | 9-3, 9-5 |
| 403 | 1-11, 1-15 | 1010145 | 6-9 | 1012711 | 12-3, 12-9 |
| 451 | 1-5, 10-3, 10-5 | 1010150 | 6-7 | 1012714 | 12-5, 12-11 |
| 705 | 1-11, 1-15, 1-19, 4-13, 7-27 | 1010434 | 1-7, 1-13, 1-17 | 1012740 | 12-5, 12-11 |
| 706 | 1-19 | 1010435 | 1-11, 1-15 | 1012741 | 12-5, 12-11 |
| 808 | 6-9 | 1010543 | 1-7 | 1012747 | 12-5, 12-11 |
| 1016 | 7-21 | 1010545 | 1-3 | 1012748 | 12-5, 12-11 |
| 1028 | 5-3 | 1010577 | 8-27 | 1012752 | 12-3, 12-9 |
| 1032 | 1-13, 1-17 | 1010829 | 4-5, 4-13 | 1012809 | 13-9 |
| 1035 | 1-9 | 1010878 | 1-9, 5-3 | 1012811 | 13-3 |
| 1231 | 1-13, 1-17 | 1010909 | 7-21 | 1012812 | 13-3 |
| 1241 | 1-3, 1-13, 1-17, 1-19, 1-21, 4-7, 5-3, 5-5, 7-17, 7-19, 7-27, 7-29, 10-5 | 1010921 | 1-3, 5-3 | 1012830 | 1-5, 7-27, 10-3, 10-5 |
| 1242 | 1-13, 1-17, 1-19, 1-21, 7-17, 7-19, 7-27 | 1010934 | 1-13, 1-17, 1-19, 1-21, 4-7, 6-7, 7-29 | 1012896 | 12-3, 12-9 |
| 1606 | 1-3, 9-15 | 1010954 | 7-15, 7-17, 7-19, 12-3, 12-9 | 1012981 | 8-5, 8-17 |
| 1624 | 5-5, 6-5 | 1010984 | 2-3, 4-3, 4-5, 6-7 | 1012986 | 7-23 |
| 1631 | 9-15, 9-17 | 1011017 | 12-15 | 1012987 | 7-15 |
| 7048 | 6-7 | 1011084 | 5-5 | 1013001 | 7-25 |
| 7049 | 1-13, 1-17 | 1011273 | 13-5 | 1013003 | 7-25 |
| 7173 | 7-29 | 1011291 | 12-7, 12-13 | 1013005 | 7-25 |
| 7174 | 1-3, 1-13, 1-17, 1-19, 1-21, 6-3, 7-27, 9-13, 10-3, 10-5 | 1011402 | 5-3 | 101301102 | 7-25 |
| 7270 | 6-7, 6-9 | 1011415 | 6-9 | 1013035 | 6-5 |
| 7310 | 2-3 | 1011478 | 13-7 | 1013042 | 6-5 |
| 7311 | 1-5 | 1011480 | 13-11 | 1013044 | 6-5 |
| 7330 | 12-5, 12-11 | 1011553 | 1-19, 1-21, 3-7, 3-11 | 1013051 | 6-5 |
| 7335 | 12-5, 12-11 | 1011571 | 12-15 | 1013052 | 6-5 |
| 7410 | 1-3 | 1011652 | 1-5 | 1013061 | 12-3, 12-9 |
| 7473 | 1-3, 1-5, 1-11, 1-15, 4-7, 5-3, 5-5, 6-7, 7-17, 7-19, 7-29 | 1011694 | 5-5 | 1013309 | 1-7 |
| 7479 | 4-9, 4-11 | 1011697 | 1-5, 9-13 | 1013311 | 1-7 |
| 7532 | 1-15 | 1011700 | 5-5 | 1013312 | 1-7 |
| 7716 | 5-3, 5-5 | 1011734 | 5-5 | 1013317 | 1-17 |
| 7818 | 7-17, 7-19 | 1011767 | 13-3 | 1013357 | 7-21 |
| 7847 | 1-5, 1-9, 10-3, 10-5 | 1011988 | 9-3 | 1013366 | 4-5, 4-13 |
| 7893 | 7-15, 7-17, 7-19, 7-21 | 1011990 | 1-13, 1-17, 1-19, 4-13 | 1013461 | 7-21 |
| 7973 | 9-15, 9-17 | 1012151 | 13-7 | 1013483 | 1-19 |
| 8057 | 7-15, 7-17 | 1012164 | 8-27 | 1013531 | 4-7, 4-13 |
| 8058 | 7-15, 7-17 | 1012285 | 1-3, 1-19, 1-21, 4-11, 7-15, 9-3, 9-5, 9-13, 12-3, 12-9 | 1013582 | 13-3 |
| 8067 | 6-7 | 1012295 | 7-17, 7-19 | 1013587 | 7-15 |
| 8168 | 9-17 | 1012303 | 1-11, 1-15, 6-9 | 1013589 | 7-15, 7-17, 7-19 |
| 8233 | 1-9, 1-13, 1-17, 1-19, 1-21, 4-9, 4-11, 5-5, 7-15, 9-5, 12-3, 12-9 | 1012328 | 7-29 | 1013590 | 7-15 |
| | | 1012333 | 7-15 | 1013591 | 7-15 |
| | | 1012382 | 7-5, 7-9, 7-13 | 1013593 | 13-7 |
| | | 1012412 | 1-5 | 1013609 | 7-17, 7-19 |
| | | 1012431 | 7-15, 7-17 | 1013630 | 9-5 |
| | | | | 1013687 | 9-3, 9-5 |
| | | | | 1013692 | 9-3, 9-5 |
| | | | | 1013700 | 9-13 |

INDEX

| | | | | | |
|---------|-----------------------|-----------|---------------------------|-----------|----------------------------|
| 1013734 | 1-5, 10-3, 10-5 | 1014508 | 13-5 | 1015649 | 8-3, 8-15 |
| 1013746 | 9-3, 9-5, 9-11 | 1014510 | 13-5 | 1015737 | 7-5, 7-9, 7-13, 7-17, 7-19 |
| 1013770 | 12-5, 12-11 | 1014513 | 1-13, 1-17 | 1015741 | 7-17, 7-19 |
| 1013772 | 12-5, 12-11 | 1014514 | 1-13, 1-17 | 1015752 | 7-17, 7-19, 9-15, 9-17 |
| 1013774 | 12-5, 12-11 | 1014523 | 9-3 | 1015769 | 7-5, 7-9, 7-13 |
| 1013787 | 4-3, 6-7, 12-7, 12-13 | 1014524 | 9-3, 9-5 | 1015777 | 7-17, 7-19 |
| 1013792 | 12-7, 12-13 | 1014537 | 1-13, 1-17 | 1015814 | 10-3, 10-5 |
| 1013857 | 7-23 | 1014555 | 6-7 | 1015845 | 10-5 |
| 1013871 | 5-5 | 1014727 | 7-15 | 101584502 | 9-13 |
| 1013924 | 4-3, 4-5, 8-27 | 1014807 | 7-15, 7-17 | 1015878 | 7-17 |
| 1014007 | 4-9, 4-11, 12-3, 12-9 | 1014808 | 7-17 | 1015932 | 7-27 |
| 1014049 | 11-3 | 1014928 | 9-3 | 1015969 | 8-3, 8-15 |
| 1014050 | 11-3 | 1014948 | 7-19 | 1016004 | 9-3 |
| 1014052 | 11-3 | 1015064 | 7-15 | 1016060 | 1-9 |
| 1014055 | 11-3 | 1015075 | 10-3 | 1016074 | 7-27 |
| 1014056 | 11-3 | 1015137 | 9-3, 9-5, 9-11 | 1016078 | 1-9 |
| 1014057 | 11-3 | 1015139 | 9-3, 9-5, 9-17 | 101609401 | 3-3, 3-5, 3-9 |
| 1014058 | 11-3 | 1015143 | 9-3, 9-5 | 101611003 | 13-9 |
| 1014059 | 11-3 | 1015188 | 9-3, 9-5 | 1016154 | 6-3 |
| 1014062 | 11-3 | 101524002 | 7-27 | 1016156 | 6-3 |
| 1014065 | 7-15, 7-17, 7-19 | 1015245 | 1-13, 1-17 | 1016201 | 1-9, 7-15 |
| 1014070 | 11-5 | 1015252 | 1-11 | 1016214 | 6-3 |
| 1014072 | 11-5 | 1015277 | 1-9 | 1016219 | 6-3 |
| 1014078 | 11-5 | 1015313 | 1-13, 1-17 | 1016289 | 11-3 |
| 1014080 | 11-5 | 1015332 | 7-5, 7-9, 7-13, 8-3, 8-15 | 1016337 | 12-5, 12-11 |
| 1014089 | 7-15 | 1015345 | 7-17, 7-19 | 1016338 | 12-5, 12-11 |
| 1014115 | 13-9 | 1015356 | 1-11, 1-15 | 1016341 | 12-3, 12-9 |
| 1014116 | 9-3, 9-5 | 1015363 | 1-13, 1-17 | 1016342 | 7-15 |
| 1014119 | 7-5, 7-9, 7-13, 7-17 | 1015365 | 1-17 | 1016346 | 6-7 |
| 1014125 | 6-3 | 1015367 | 1-17 | 1016356 | 7-21 |
| 1014126 | 6-3 | 1015371 | 7-17, 7-19 | 1016380 | 7-5, 7-9, 7-13 |
| 1014136 | 4-9, 4-11 | 1015372 | 7-17, 7-19 | 1016387 | 6-7 |
| 1014145 | 7-15, 7-17, 7-19 | 1015373 | 7-17, 7-19 | 1016389 | 6-7 |
| 1014161 | 13-9 | 1015390 | 1-13, 1-17 | 101641002 | 13-5 |
| 1014162 | 13-9 | 1015391 | 1-11, 1-15 | 101641101 | 13-11 |
| 1014213 | 6-3 | 1015399 | 1-11, 1-13, 1-15, 1-17 | 101641201 | 13-9 |
| 1014214 | 6-3 | 1015400 | 1-11, 1-13, 1-15, 1-17 | 101641202 | 13-3 |
| 1014217 | 6-3 | 1015405 | 7-17, 7-19 | 1016413 | 13-9 |
| 1014259 | 13-9 | 1015409 | 7-15 | 1016414 | 13-9 |
| 1014264 | 13-9 | 1015413 | 1-17 | 1016415 | 13-9 |
| 1014287 | 11-3 | 1015414 | 1-17 | 1016416 | 13-3 |
| 1014288 | 7-29 | 1015426 | 9-15, 9-17 | 1016417 | 13-3 |
| 1014289 | 7-25 | 101542901 | 1-11 | 1016418 | 13-7 |
| 1014305 | 13-3 | 101543701 | 3-3, 3-5, 3-9 | 1016423 | 7-17, 7-19 |
| 1014306 | 1-19, 1-21 | 1015445 | 1-19 | 101642575 | 9-7 |
| 1014321 | 1-5, 1-7, 1-13, 1-17 | 1015453 | 6-9 | 101642578 | 9-7 |
| 1014375 | 7-29 | 101547601 | 3-7, 3-11 | 101642580 | 9-7 |
| 1014387 | 1-5, 1-7, 1-13, 1-17 | 1015507 | 1-11, 1-15 | 101642582 | 9-7, 9-9 |
| 1014415 | 1-13, 1-17 | 1015524 | 13-5 | 101642585 | 9-7, 9-9 |
| 1014453 | 11-3 | 1015530 | 1-19, 1-21 | 101642588 | 9-9 |
| 1014454 | 11-5 | 101553901 | 1-13, 1-17, 3-3, 3-5, 3-9 | 1016429 | 8-7, 8-19 |
| 1014471 | 1-11, 1-15 | 1015583 | 1-11, 1-15, 6-9 | 1016432 | 8-7, 8-19 |
| 1014496 | 13-5 | 1015597 | 6-7 | 1016436 | 8-9, 8-21 |
| 1014497 | 13-5 | 1015606 | 1-17 | 1016437 | 9-7, 9-9 |
| 1014498 | 13-5 | 101562710 | 1-7 | 1016438 | 9-11 |
| 1014507 | 13-5 | 101564505 | 1-7 | 1016440 | 9-11 |

INDEX

| | | | | | |
|-----------|----------------------------------|-----------|-----------------------|-----------|------------|
| 1016441 | 9-11 | 1016564 | 8-11, 8-23 | 1017443 | 8-11, 8-23 |
| 1016442 | 8-9, 8-21 | 1016566 | 8-9, 8-21 | 1017444 | 8-9, 8-21 |
| 1016444 | 9-11 | 1016569 | 8-9, 8-21 | 1017445 | 8-9, 8-21 |
| 1016445 | 8-5, 8-17 | 1016570 | 8-7, 8-19 | 1017446 | 8-9, 8-21 |
| 1016449 | 8-9, 8-21 | 1016571 | 8-13, 8-25 | 1017447 | 8-11, 8-23 |
| 1016450 | 8-9, 8-21 | 1016572 | 9-11 | 1017448 | 8-5, 8-17 |
| 1016452 | 8-9, 8-21 | 1016574 | 9-9 | 101744901 | 8-13 |
| 1016454 | 8-11, 8-23 | 1016576 | 8-7, 8-19, 12-3, 12-9 | 101744902 | 8-13 |
| 1016455 | 8-5, 8-17 | 1016578 | 8-5, 8-17 | 1017450 | 8-13, 8-25 |
| 1016456 | 8-3, 8-5, 8-15, 8-17 | 1016579 | 8-5, 8-17 | 101745101 | 8-13 |
| 1016457 | 8-7, 8-19 | 1016581 | 8-7, 8-19 | 101745102 | 8-13 |
| 1016458 | 8-9, 8-21 | 1016582 | 9-11 | 1017453 | 8-13 |
| 1016467 | 8-7, 8-19 | 1016583 | 8-9, 8-21 | 1017454 | 8-9, 8-21 |
| 1016470 | 8-13, 8-25 | 1016584 | 8-11, 8-23 | 1017455 | 8-5, 8-17 |
| 1016472 | 8-11, 8-23 | 1016585 | 9-7, 9-9 | 1017456 | 8-7, 8-19 |
| 1016473 | 8-7, 8-19 | 1016586 | 8-5, 8-17 | 101745701 | 8-13, 8-25 |
| 1016474 | 8-9, 8-21 | 1016587 | 8-5, 8-17 | 101745702 | 8-13, 8-25 |
| 1016479 | 8-9, 8-21 | 1016588 | 8-5, 8-17 | 1017458 | 8-7, 8-19 |
| 1016480 | 9-11 | 1016627 | 13-7 | 1017460 | 8-7, 8-19 |
| 101648102 | 9-11 | 1016630 | 7-23 | 1017461 | 9-7, 9-9 |
| 101648203 | 8-7, 8-19 | 1016663 | 6-3 | 1017463 | 8-5, 8-17 |
| 1016483 | 8-9, 8-21 | 1016723 | 1-7 | 1017466 | 9-11 |
| 1016486 | 9-7, 9-9 | 101672701 | 7-15 | 1017471 | 8-13, 8-25 |
| 1016489 | 8-9, 8-21 | 101674702 | 5-5 | 1017472 | 8-11 |
| 101649002 | 9-11 | 1016751 | 1-7 | 1017473 | 8-9, 8-21 |
| 1016494 | 8-11, 8-23 | 101675506 | 1-7 | 1017474 | 8-3, 8-15 |
| 1016496 | 8-11, 8-23 | 101677705 | 1-7 | 1017475 | 8-3, 8-15 |
| 1016497 | 8-5, 8-17 | 1016801 | 11-3 | 1017476 | 8-3, 8-15 |
| 1016499 | 9-7, 9-9 | 1016849 | 7-21 | 1017483 | 8-13 |
| 1016501 | 9-7, 9-9 | 1016851 | 7-21 | 1017484 | 8-13 |
| 1016502 | 8-7, 8-19 | 1016859 | 7-21 | 1017486 | 8-3, 8-15 |
| 1016506 | 8-11, 8-23 | 1016879 | 7-21 | 1017487 | 8-11, 8-23 |
| 1016507 | 8-3, 8-15 | 1016880 | 7-21 | 1017490 | 8-5, 8-17 |
| 1016510 | 8-11 | 1016883 | 7-27 | 1017500 | 8-3, 8-15 |
| 1016513 | 12-3, 12-9 | 1016901 | 11-3 | 1017501 | 8-13, 8-25 |
| 1016517 | 8-9, 8-21 | 1016904 | 10-3, 10-5 | 1017502 | 8-13, 8-25 |
| 1016519 | 8-9, 8-21 | 1016947 | 7-15 | 1017503 | 8-13, 8-25 |
| 1016521 | 8-11, 8-23 | 101705701 | 3-9 | 1017504 | 8-11 |
| 1016531 | 8-3, 8-15 | 1017062 | 7-21 | 1017507 | 8-7, 8-19 |
| 1016535 | 8-11, 8-23 | 1017064 | 7-21 | 1017508 | 8-11, 8-23 |
| 1016537 | 8-7, 8-19 | 1017065 | 7-21 | 1017510 | 8-13, 8-25 |
| 1016538 | 8-11, 8-23 | 1017082 | 12-3, 12-9 | 1017511 | 8-23 |
| 1016539 | 8-3, 8-15 | 1017226 | 6-3 | 1017513 | 8-11 |
| 1016541 | 8-13, 8-25 | 1017231 | 12-3, 12-9 | 1017514 | 8-11, 8-23 |
| 1016544 | 8-5, 8-9, 8-11, 8-17, 8-21, 8-23 | 1017233 | 4-3, 4-5 | 101751801 | 8-11, 8-23 |
| 1016546 | 9-13 | 1017273 | 6-3 | 101751802 | 8-11, 8-23 |
| 1016547 | 8-3, 8-13, 8-15, 8-25, 9-11 | 1017315 | 6-3 | 101751803 | 8-11, 8-23 |
| 1016549 | 8-9, 8-21 | 1017327 | 11-5 | 1017653 | 7-25 |
| 1016551 | 13-11 | 1017378 | 5-5 | 1017686 | 11-5 |
| 1016552 | 13-11 | 1017380 | 5-5 | 1017689 | 10-3, 10-5 |
| 1016553 | 13-11 | 101738301 | 11-3 | 1017696 | 5-5 |
| 1016554 | 13-11 | 1017384 | 1-3 | 1017721 | 7-21 |
| 1016560 | 8-9, 8-21 | 1017424 | 5-5 | 101773301 | 8-13, 8-25 |
| 1016561 | 8-5, 8-17 | 1017434 | 8-9 | 101773302 | 8-13, 8-25 |
| 1016562 | 8-5, 8-13, 8-17, 8-25 | 1017435 | 8-9 | 101773303 | 8-13, 8-25 |
| 1016563 | 8-9, 8-21 | 1017442 | 8-7, 8-19 | 101773304 | 8-13, 8-25 |

INDEX

| | | | | | |
|-----------|-----------------------|-----------|----------------|-----------|--|
| 101773305 | 8-13, 8-25 | 101874901 | 7-25 | 101903501 | 9-13 |
| 101773306 | 8-13, 8-25 | 101875001 | 7-25 | 101905901 | 9-7, 9-11 |
| 101773307 | 8-13, 8-25 | 101875101 | 7-25 | 101909201 | 8-5, 8-17 |
| 101773308 | 8-13, 8-25 | 101875201 | 7-25 | 101909301 | 8-5, 8-17 |
| 101773309 | 8-13, 8-25 | 101875301 | 7-25 | 101909401 | 8-5, 8-17 |
| 101773310 | 8-13, 8-25 | 101875401 | 7-25 | 101909501 | 8-5, 8-17 |
| 101773311 | 8-13, 8-25 | 101875501 | 7-25 | 101915201 | 3-7, 3-11 |
| 101796201 | 5-5 | 101875601 | 7-25 | 101916001 | 8-13 |
| 1017976 | 1-15 | 101875701 | 7-25 | 101916101 | 8-3 |
| 101804301 | 9-15, 9-17 | 101875802 | 7-25 | 101916201 | 8-5, 8-17 |
| 101806102 | 4-7 | 101876001 | 7-25 | 101916301 | 8-5, 8-17 |
| 101808401 | 13-3 | 101876202 | 7-25 | 101916501 | 11-3 |
| 101809101 | 13-5 | 101876301 | 7-25 | 101916701 | 7-27, 11-3 |
| 101811301 | 9-17 | 101876402 | 7-25 | 101916901 | 5-5 |
| 101811901 | 9-15, 9-17 | 101876501 | 7-25 | 101917601 | 9-15, 9-17 |
| 101812301 | 9-15, 9-17 | 101877601 | 7-25 | 101921501 | 9-15, 9-17 |
| 101813001 | 9-15, 9-17 | 101877701 | 7-25 | 101921601 | 1-9 |
| 101813202 | 13-3 | 101878101 | 7-25 | 101922302 | 8-13 |
| 101817401 | 5-5 | 101879001 | 7-25 | 101925601 | 11-3 |
| 101818801 | 5-5 | 101879401 | 6-5 | 101925701 | 9-15, 9-17 |
| 101821501 | 9-15, 9-17 | 101879701 | 6-5 | 101926801 | 9-15 |
| 101822001 | 5-5 | 101879801 | 6-5 | 101926802 | 9-17 |
| 101823101 | 13-9 | 101879901 | 6-5 | 101926901 | 12-3, 12-9 |
| 101824401 | 9-3, 9-5 | 101880201 | 6-5 | 101927101 | 12-3, 12-9 |
| 101825101 | 3-3 | 101880901 | 4-13, 12-15 | 101927201 | 12-3, 12-9 |
| 101825102 | 3-3, 3-5, 3-9 | 101881101 | 8-5, 8-17 | 101927301 | 12-3, 12-9 |
| 101825701 | 9-17 | 101881701 | 9-15, 9-17 | 101927501 | 12-5, 12-11 |
| 101827101 | 8-27 | 101884801 | 8-27 | 101927601 | 12-5, 12-11 |
| 101831801 | 13-5 | 101886101 | 12-3, 12-9 | 101927701 | 12-5, 12-11 |
| 101831901 | 13-3 | 101887101 | 13-3 | 101927901 | 12-5, 12-11 |
| 101832001 | 4-13 | 101887601 | 1-5, 8-3, 8-15 | 101928001 | 12-5, 12-11 |
| 101832101 | 8-27 | 101888501 | 1-7 | 101928301 | 12-5, 12-11 |
| 101832202 | 9-13 | 101888502 | 1-7 | 101928601 | 12-3, 12-9 |
| 101832302 | 9-13 | 101889401 | 12-5, 12-11 | 101928701 | 12-3, 12-9, 13-7 |
| 101832601 | 8-27 | 101889901 | 12-5 | 101933101 | 13-7 |
| 101832701 | 8-27 | 101890001 | 12-5, 12-11 | 101933701 | 9-15, 9-17 |
| 101832901 | 8-27 | 101890101 | 12-3, 12-9 | 101939901 | 7-25 |
| 101833101 | 8-27 | 101890201 | 12-3, 12-9 | 101946201 | 1-7 |
| 101833301 | 8-27 | 101891301 | 12-3, 12-9 | 101953105 | 4-7, 5-3 |
| 101833401 | 11-5 | 101891601 | 12-5, 12-11 | 101954301 | 1-7 |
| 101833701 | 7-25, 7-27 | 101892001 | 12-5, 12-11 | 101955301 | 9-3 |
| 101833904 | 11-3 | 101892201 | 12-5, 12-11 | 101958102 | 9-15 |
| 101833908 | 11-3 | 101892301 | 12-5, 12-11 | 101958601 | 1-7 |
| 101834001 | 11-5 | 101892401 | 12-5, 12-11 | 101958602 | 1-9 |
| 101834601 | 8-27 | 101892901 | 12-3, 12-9 | 101960201 | 3-3, 3-5 |
| 101834801 | 12-3, 12-9 | 101893201 | 12-5, 12-11 | 101960501 | 3-7, 3-11 |
| 101835601 | 1-7, 1-9, 1-11, 1-15 | 101893801 | 12-3, 12-9 | 101963301 | 1-7 |
| 101836201 | 11-5 | 101893901 | 12-5, 12-11 | 101963401 | 1-7, 1-11, 1-13, 1-15, 1-17, 7-21, 8-27 |
| 101837101 | 9-15, 9-17 | 101894302 | 1-13 | 101963901 | 1-7 |
| 101837301 | 7-5, 7-9, 7-13, 7-27 | 101894303 | 1-7 | 101964001 | 1-7 |
| 101838801 | 4-5, 6-7, 12-7, 12-13 | 101894701 | 1-17 | 101966901 | 5-5 |
| 101856102 | 7-17, 7-19 | 101896501 | 7-25 | 101971301 | 9-15, 9-17 |
| 101859401 | 10-3 | 101896901 | 9-3, 9-5 | 101972001 | 13-9 |
| 101861901 | 5-5 | 101898001 | 7-29 | 101972002 | 13-9 |
| 101869302 | 7-25 | 101900802 | 4-13, 6-9 | 101972003 | 13-9 |
| 101871001 | 13-3 | 101903101 | 6-7 | | |

INDEX

| | | | | | |
|-----------|-------------|-----------|----------------|-----------|----------------------|
| 101972004 | 13-9 | 102021501 | 1-3 | 102044702 | 7-23 |
| 101972005 | 13-9 | 102021601 | 1-3 | 102044801 | 7-23 |
| 101972006 | 13-9 | 102021710 | 1-3 | 102045001 | 1-3 |
| 101972007 | 13-9 | 102021714 | 1-3 | 102045501 | 4-3, 4-9, 4-11 |
| 101972009 | 13-9 | 102021801 | 1-3 | 102045601 | 6-9 |
| 101972011 | 13-9 | 102022201 | 12-15 | 102045701 | 4-9, 4-11 |
| 101972012 | 13-9 | 102022301 | 12-7, 12-13 | 102045801 | 4-9, 4-11 |
| 101972801 | 9-15, 9-17 | 102022401 | 12-7, 12-13 | 102045901 | 7-15, 12-3, 12-9 |
| 101973101 | 9-7 | 102022601 | 6-5 | 102046501 | 1-3, 3-7 |
| 101973301 | 9-7 | 102022801 | 6-5 | 102046601 | 3-3, 3-5, 3-9, 12-15 |
| 101973401 | 9-11 | 102022901 | 6-5 | 102046801 | 1-13, 3-3 |
| 101979101 | 7-15 | 102023001 | 6-7 | 102047001 | 1-5 |
| 101980801 | 12-5, 12-11 | 102023101 | 6-7 | 102048401 | 1-3 |
| 101981001 | 12-5, 12-11 | 102023301 | 6-5 | 102048601 | 6-7 |
| 101987701 | 9-3, 9-5 | 102023701 | 1-5 | 102049401 | 4-3, 4-5 |
| 101987901 | 7-21 | 102024901 | 1-5 | 102049501 | 4-3, 4-5 |
| 101988001 | 7-21 | 102025001 | 1-5 | 102049601 | 4-3, 4-5 |
| 101988002 | 7-21 | 102025101 | 12-15 | 102049701 | 4-3, 4-5 |
| 101988101 | 7-21 | 102025701 | 1-3 | 102049901 | 4-3, 4-5 |
| 101988201 | 7-21 | 102025801 | 1-3 | 102050001 | 4-3, 4-5 |
| 101990701 | 7-23 | 102026001 | 5-5 | 102050101 | 4-3, 4-5 |
| 101991101 | 7-23 | 102026401 | 1-5 | 102050201 | 4-3, 4-5 |
| 102003201 | 9-3, 9-5 | 102026501 | 1-5 | 102050301 | 4-3 |
| 102006501 | 6-9 | 102026901 | 1-5 | 102050401 | 4-3, 4-5 |
| 102010101 | 6-5 | 102028301 | 4-13 | 102050501 | 4-3, 4-5 |
| 102010201 | 6-3 | 102028401 | 4-13 | 102050601 | 4-3, 4-5 |
| 102012301 | 6-7 | 102028601 | 5-3 | 102050701 | 4-3, 4-5 |
| 102013001 | 6-3 | 102028901 | 5-3 | 102050801 | 4-5 |
| 102013101 | 6-3 | 102029101 | 3-3, 3-5, 3-9 | 102050901 | 4-5 |
| 102013601 | 6-7 | 102029301 | 3-3 | 102050902 | 4-5 |
| 102013701 | 6-7 | 102029501 | 1-5 | 102051001 | 4-3, 4-5 |
| 102013801 | 6-7 | 102029601 | 1-13 | 102051101 | 4-7 |
| 102013901 | 1-3 | 102029801 | 1-13 | 102051201 | 4-7 |
| 102015701 | 1-3 | 102030001 | 1-13 | 102051301 | 4-7 |
| 102015801 | 1-3 | 102030201 | 1-13 | 102051401 | 4-7 |
| 102016501 | 6-7 | 102030501 | 1-3 | 102051601 | 7-23 |
| 102016701 | 6-7 | 102031201 | 12-15 | 102051701 | 7-23 |
| 102016801 | 6-7 | 102031501 | 12-3, 12-9 | 102051901 | 7-23 |
| 102017601 | 6-7 | 102031701 | 12-5, 12-11 | 102052301 | 6-7 |
| 102018501 | 12-3, 12-9 | 102031901 | 12-7, 12-13 | 102052401 | 6-7 |
| 102018601 | 12-3, 12-9 | 102032001 | 12-5, 12-11 | 102052701 | 4-13 |
| 102018701 | 12-3, 12-9 | 102032801 | 4-9, 4-11 | 102052801 | 4-13 |
| 102018801 | 12-5, 12-11 | 102032901 | 4-9, 4-11 | 102054201 | 4-7 |
| 102018901 | 12-5, 12-11 | 102033001 | 4-9 | 102054401 | 4-7 |
| 102019001 | 12-5, 12-11 | 102033101 | 4-9, 4-11 | 102055801 | 1-3 |
| 102019601 | 12-7, 12-13 | 102033201 | 4-7 | 102056001 | 1-21 |
| 102020101 | 12-7, 12-13 | 102033301 | 4-3 | 102056901 | 1-3 |
| 102020201 | 12-7, 12-13 | 102033401 | 4-5 | 102057501 | 4-7 |
| 102020301 | 12-7, 12-13 | 102033501 | 4-5 | 102057601 | 4-7 |
| 102020401 | 12-7, 12-13 | 102033701 | 4-13 | 102058401 | 1-3 |
| 102020501 | 12-7, 12-13 | 102033901 | 4-13 | 102059001 | 1-5 |
| 102020601 | 12-7, 12-13 | 102044001 | 4-9 | 102059401 | 1-5 |
| 102020801 | 12-7, 12-13 | 102044201 | 4-3, 6-7 | 102059501 | 1-5 |
| 102020901 | 12-7, 12-13 | 102044401 | 4-3, 4-9, 4-11 | 102060201 | 1-5 |
| 102021401 | 2-3 | 102044601 | 3-3, 3-5, 3-9 | 102061101 | 1-5 |
| 102021402 | 2-3 | 102044701 | 7-23 | 102061201 | 13-9 |

INDEX

| | | | | | |
|-----------|------------------|-----------|------------------|-------------------------------------|-------------|
| 102065001 | 6-9 | 102268601 | 12-3, 12-9 | 102345901 | 3-7, 3-11 |
| 102065103 | 1-21 | 102268701 | 12-7 | 102355301 | 7-29 |
| 102065901 | 1-11, 1-15 | 102268801 | 12-7 | 102430901 | 8-13 |
| 102066001 | 1-11, 1-15 | 102268901 | 12-7, 12-13 | 102431001 | 8-11 |
| 102066701 | 6-7 | 102269001 | 12-7, 12-13 | 102452401 | 12-11 |
| 102067001 | 6-7 | 102269101 | 4-5, 12-7, 12-13 | 102452501 | 12-11 |
| 102068501 | 1-5 | 102269201 | 4-5, 12-7, 12-13 | 102452601 | 12-13 |
| 102078101 | 1-3 | 102269301 | 4-5, 12-7, 12-13 | 102452701 | 12-13 |
| 102100001 | 6-7 | 102269401 | 12-7, 12-13 | 102453001 | 12-11 |
| 102156301 | 3-5 | 102269701 | 7-21 | 102453101 | 12-11 |
| 102157001 | 3-3 | 102269901 | 8-21 | 102453201 | 12-11 |
| 102157601 | 3-5 | 102270001 | 8-21 | 102457401 | 12-9 |
| 102158301 | 3-3 | 102270201 | 8-25 | 102555501 | 13-3 |
| 102160101 | 1-3 | 102270301 | 8-25 | 102562401 | 13-3 |
| 102160501 | 4-13 | 102270401 | 8-25 | 472 park brake cable | 4-13 |
| 102169401 | 13-7 | 102270501 | 8-25 | | |
| 102170901 | 4-13 | 102270701 | 9-9, 9-11 | | |
| 102188701 | 6-9, 12-7, 12-13 | 102271101 | 8-21 | A | |
| 102195201 | 9-15 | 102271201 | 8-23 | a-arm | 6-7 |
| 102223601 | 7-5, 7-9 | 102271401 | 8-23 | accelerator pedal | 5-5 |
| 102224001 | 3-7, 3-11 | 102271501 | 8-25 | accelerator pedal adjustment tool | 13-3 |
| 102224301 | 3-3, 3-5, 3-9 | 102271601 | 8-23 | accelerator pedal return spring cup | 5-5 |
| 102228001 | 3-7, 3-11 | 102271701 | 9-9 | accelerator pivot rod | 5-5 |
| 102231601 | 3-7, 3-11 | 102271801 | 8-25 | accelerator rod | 5-5 |
| 102234901 | 1-13, 3-5, 3-9 | 102271901 | 8-25 | a-connector (starter/generator) | 7-25 |
| 102241501 | 13-7 | 102272001 | 8-15 | adapter | |
| 102242101 | 11-5 | 102272101 | 8-23 | cable (IQDM) | 13-7 |
| 102242701 | 4-13 | 102272201 | 8-13, 8-25 | adhesive, guide ring | 13-3 |
| 102243402 | 13-7 | 102272301 | 8-23 | adjuster | |
| 102247201 | 4-13 | 102272501 | 7-21 | hydraulic brake | 13-7 |
| 102248801 | 13-7 | 102274101 | 4-5, 12-7, 12-13 | adjuster, axle (brake) | 4-3, 4-5 |
| 102249901 | 13-3 | 102274301 | 3-9 | air box | 9-15, 9-17 |
| 102251501 | 13-7 | 102276001 | 4-5, 12-7, 12-13 | air box top | 9-17 |
| 102251601 | 1-19, 1-21 | 102278001 | 6-3 | air duct | 9-15, 9-17 |
| 102251701 | 1-19, 1-21 | 102292801 | 5-3 | air filter | 9-15, 9-17 |
| 102256901 | 6-9 | 102301401 | 1-9 | AM10080 | 12-5 |
| 102257201 | 10-5 | 102304801 | 8-9, 8-11 | AM10081 | 12-5 |
| 102258701 | 8-15 | 102304901 | 8-21, 8-23 | angle, tailgate | 1-13 |
| 102258801 | 6-9 | 102316101 | 7-13 | arbor | 13-3 |
| 102259001 | 1-3 | 102316701 | 12-15 | arm | |
| 102264001 | 7-21 | 102323201 | 5-3 | differential lock lever | 12-7, 12-13 |
| 102264601 | 12-3 | 102330901 | 13-9 | governor lever | 12-3, 12-9 |
| 102264701 | 4-5 | 102331201 | 4-13 | pivot | 12-3, 12-9 |
| 102266201 | 11-3 | 102331601 | 4-11 | rocker | 8-9, 8-21 |
| 102266301 | 6-9 | 102331701 | 4-11 | armature | 7-25 |
| 102267101 | 11-3, 11-5 | 102331801 | 4-11 | armrest | 1-5, 1-7 |
| 102267301 | 6-9 | 102333301 | 4-11 | assembly | |
| 102267601 | 12-3, 12-9 | 102333401 | 9-5 | a-arm | 6-7 |
| 102267701 | 12-7, 12-13 | 102333601 | 9-5 | accelerator pedal | 5-5 |
| 102267801 | 12-5, 12-11 | 102333901 | 9-5 | accelerator rod | 5-5 |
| 102267901 | 12-5 | 102334701 | 3-9 | air box | 9-15 |
| 102268001 | 12-5, 12-11 | 102334801 | 3-9 | air box top | 9-15 |
| 102268101 | 12-5, 12-11 | 102335001 | 1-15 | armature | 7-25 |
| 102268201 | 12-5 | 102336001 | 9-13 | axle | 12-7, 12-13 |
| 102268301 | 12-5 | 102336101 | 9-13 | bearing (steering column) | 6-3 |
| 102268401 | 12-5, 12-11 | 102339201 | 4-7, 4-11 | bolt (float chamber) | 9-7, 9-9 |
| | | | | brake | 4-5 |

INDEX

- brake drum 6-7
 - brake drum and hub 4-3
 - brake pedal 5-3
 - carburetor (fe350 engine) 9-7, 9-11
 - carburetor (fe400 engine) 9-9, 9-11
 - connecting rod 8-13, 8-25
 - cylinder head 8-9, 8-21
 - drive clutch (fe350 engine) 11-3
 - drive clutch (fe400 engine) 11-3
 - drive hub 11-3
 - driven clutch 11-5
 - fixed face (drive clutch) 11-3
 - float (carburetor) 9-7, 9-9
 - float chamber 9-7, 9-9
 - front panel (cargo box) 1-13, 1-17
 - headlight 7-21
 - idle screw 9-7, 9-9
 - inner ball joint 6-5
 - master cylinder 4-7
 - moveable face (driven clutch) 11-5
 - pilot air screw 9-7, 9-9
 - scorecard plate 6-3
 - screw (float chamber) 9-7, 9-9
 - side panel (cargo box) 1-13, 1-17
 - steering column 6-3
 - steering gear box 6-5
 - tailgate 1-13
 - tilt bed 1-11
 - turn signal lens 7-21
 - wheel and tire 2-3
 - wire 7-27
 - wire harness 7-5, 7-9, 7-13
 - axle 12-7, 12-13
 - axle adjuster (brake) 4-3, 4-5
 - axle hardware 4-3, 4-5
 - axle tube 12-7, 12-13
 - axle, stop 6-9, 12-7, 12-13
- B**
- backing plate (brake) 4-3, 4-5
 - ball bearing (transaxle) 12-5
 - ball bearing, C-3 sealed (transaxle) 12-11
 - ball bearing, output shaft 7-25
 - ball bearing, sealed (transaxle) 12-11
 - ball joint 6-5, 7-15
 - ball stud 5-5, 7-15, 7-17, 7-19, 12-3, 12-9
 - ball, steel (transaxle) 12-5, 12-11
 - ball, steel pressure relief 8-7, 8-19
 - band, rpm limiter mount 8-5, 8-17
 - barb, vent 9-3, 9-5
 - barrel, plastic 1-7, 1-13, 1-17
 - base, forward/reverse shifter 7-15
 - battery
 - 12-volt 7-29
 - clamp 7-29
 - battery discharge machine 13-3
 - battery terminal protector spray 13-3
 - battery thermometer 13-3
 - bearing
 - ball (transaxle) 12-5
 - ball, C-3 sealed (transaxle) 12-11
 - ball, sealed (transaxle) 12-11
 - crankshaft 8-11, 8-23
 - hub 6-7
 - idler (drive clutch) 11-3
 - inner axle tube 12-5, 12-11
 - lower pinion (steering) 6-5
 - needle 12-5, 12-11
 - outer axle tube 12-7, 12-13
 - pivot support 5-5
 - thrust 6-7
 - upper pinion (steering) 6-5
 - bearing and oil seal remover 13-3
 - bearing cup 6-7
 - bearing driver set 13-3
 - bearing puller 13-3
 - bearing puller wedge 13-3
 - bearing retainer (starter/generator) 7-25
 - bearing seat (steering column) 6-3
 - bell crank 4-7
 - bell crank and shaft 7-17, 7-19
 - bell crank, forward/reverse 7-15
 - belt, drive 11-3
 - belt, starter/generator 7-27, 11-3
 - bezel, choke cable 9-15, 9-17
 - bezel, headlight 7-21
 - block, fuse 7-17, 7-19
 - block, terminal 7-21
 - body, front 1-3
 - bolt
 - banjo (brake) 4-3, 4-9, 4-11
 - differential lock pinch 12-7, 12-13
 - kingpin 6-7
 - u- 6-9
 - wheel cylinder 4-3, 4-5
 - boot
 - park brake lever 4-13
 - rubber 9-3, 9-5
 - steering column 6-3
 - boot (master cylinder) 4-7
 - boot shield 4-13
 - bottom, air box 9-17
 - brace, trailer hitch 1-19
 - bracket
 - accelerator support 9-13
 - adjusting (starter/generator) 7-27
 - differential lock 12-3, 12-9
 - governor cable engine 9-13, 10-5
 - master cylinder mounting 4-7
 - mounting (headlight) 7-21
 - mounting (starter) 7-27
 - muffler mounting 10-3, 10-5
 - oil filter 8-7, 8-19
 - oil level switch 8-11, 8-23
 - retaining 9-17
 - rpm limiter 8-5, 8-17
 - snubber 8-27
 - support 9-13
 - tailgate 1-13, 1-17
 - throttle 9-11
 - transmission cable support 7-15, 12-3, 12-9
- bracket (fuel gauge/hour meter) 7-23
- brake 4-5
 - brake adjustment tool 13-3
 - brake cable hanger 4-13, 6-9
 - brake cable release tool 13-3
 - brake cluster 4-3
 - brake drum 4-3, 4-5, 6-7
 - brake hose 4-9, 4-11
 - brake line 4-9, 4-11
 - brake mounting block 5-3
 - brake pedal 5-3
 - brake pedal adjustment tool 13-3
 - brake pedal tension tool 13-3
 - breather (transaxle) 12-3, 12-9
 - bronze bushing 6-7, 7-15, 7-17, 7-19
 - brush 7-25
 - brush connector 7-25
 - brush holder 7-25
 - brush inspection port cover 7-25
 - brush spring 7-25
 - bucket seat 1-5
 - bulb, halogen 7-21
 - bumper
 - return spring 5-5
 - rubber 1-9, 5-3
 - seat 1-7
 - tube 1-3
 - bushing
 - bronze 6-7, 7-15, 7-17, 7-19
 - bronze spindle 6-7
 - drive clutch 11-3
 - nylon 1-13, 1-17
 - steel 1-11, 1-15, 6-9
 - tailgate latch 1-17
 - urethane 1-11, 1-15, 6-7, 6-9
- C**
- cable
 - accelerator, snap-in 9-13
 - choke 9-15, 9-17
 - choke, bezel 9-15, 9-17
 - differential lock 12-15
 - governor, snap-in 9-13
 - IQDM 13-7
 - park brake 4-13
 - transmission 7-15

INDEX

- calibration test module 13-3
 - cam (driven clutch) 11-5
 - cam installation tool 13-3
 - cam, electrical box 7-17, 7-19
 - cam, neutral lockout 7-15
 - camshaft 8-11, 8-23
 - cap
 - corner 1-5, 1-7, 1-13, 1-17
 - filler 4-7
 - fuel tank 9-3, 9-5
 - locking 4-5, 12-7, 12-13
 - rubber center 4-5, 12-7, 12-13
 - seat back 1-7
 - tuber bumper 1-3
 - carburetor (fe350 engine) 9-7, 9-11
 - carburetor (fe400 engine) 9-9, 9-11
 - carburetor float level tool 13-7
 - card, safety first 13-9
 - cargo box 1-17
 - case
 - gear 12-3, 12-9
 - gear carrier 12-5, 12-11
 - rocker 8-9, 8-21
 - charger bezel tool 13-3
 - choke cable 9-15
 - choke cable bezel 9-15, 9-17
 - choke valve o-ring 9-15
 - circlip
 - input shaft 12-11
 - circlip, type-e 8-9, 8-21
 - clamp
 - battery 7-29
 - cable retaining 9-13
 - hose 9-3, 9-5, 9-17
 - hose (air intake) 9-15
 - hose (bronze) 9-11
 - hose (gray) 9-3, 9-5, 9-11
 - hose (red) 9-3, 9-5
 - muffler 10-3, 10-5
 - p- 4-9, 4-11
 - plastic (fuel line) 9-3, 9-5
 - clevis pin 4-5, 4-13
 - clevis rod 4-7
 - clip
 - horseshoe 4-9, 4-11
 - scorecard 6-3
 - cluster, brake 4-3
 - clutch alignment tool 13-5
 - clutch removal tool 13-3
 - clutch tool kit 13-5
 - clutch, drive (fe350 engine) 11-3
 - clutch, drive (fe400 engine) 11-3
 - clutch, driven 11-5
 - cog, differential lock 12-7, 12-13
 - coil cover shock 6-7
 - coil, field 7-25
 - coil, ignition 8-5, 8-17
 - collet (cylinder head) 8-9, 8-21
 - communication display module 13-5
 - compression gauge 13-5
 - compression mount 6-9
 - compression tester 13-5
 - compressor, piston ring 13-9
 - compressor, valve spring 13-11
 - connecting rod 8-13, 8-25
 - connecting rod (crankshaft) 8-13, 8-25
 - connecting rod alignment tool (diesel) 13-5
 - connector, oil sending unit 8-11, 8-23
 - console cover 1-5
 - continuity tester 13-5
 - control, differential lock 12-15
 - corner cap 1-5, 1-13
 - counterbalance guide shaft 8-13, 8-25
 - counterbalance weight 8-13, 8-25
 - cover
 - brush inspection port 7-25
 - console 1-5
 - crankcase 8-11, 8-23
 - dust 4-3, 4-5, 6-7
 - electrical component box 7-17, 7-19
 - gear case 12-5, 12-11
 - oil pump 8-7, 8-19
 - vinyl seat back 1-7
 - vinyl seat bottom 1-7
 - crank sleeve setter tool 13-5
 - crank, bell 4-7
 - crankcase 8-13, 8-25
 - crankshaft 8-13, 8-25
 - crankshaft bearing replacement tool 13-5
 - crankshaft main bearing driver attachment tool 13-5
 - crankshaft main bearing driver tool 13-5
 - crankshaft main bearing pilot attachment tool 13-5
 - cup
 - accelerator pedal return spring 5-5
 - bearing 6-7
 - seat holder 1-5
 - cushion, shock absorber 6-9
 - cutter, valve seat 13-5, 13-11
 - cylinder head 8-9, 8-21
 - cylinder, master 4-7
 - cylinder, wheel 4-3, 4-5
- ## D
- damper 8-5, 8-17
 - dash hardware 1-3
 - dash panel 1-3
 - dashboard 1-3
 - decal
 - bed latch warning 3-3, 3-5, 3-9
 - bed load 1-13, 1-17
 - bed load warning 3-3, 3-5, 3-9
 - Carryall 272 3-5
 - Carryall 472 3-9
 - Club Car 3-7, 3-11
 - Club Car tailgate 1-13, 1-17, 3-3, 3-5, 3-9
 - crush area warning 3-3, 3-5, 3-9
 - differential lock control warning 3-3, 3-5, 3-9, 12-15
 - diode wiring 3-7, 3-11
 - driver/passenger warning 3-3, 3-5, 3-9
 - frame ground 3-7, 3-11
 - gasoline warning 3-7, 3-11
 - Ingersoll-Rand (gold) 3-3, 3-5, 3-9
 - key switch 3-3, 3-5, 3-9
 - operating instructions 3-3, 3-5, 3-9
 - passenger warning 3-9
 - rotating parts 3-7, 3-11
 - rotating parts and hot manifold 3-7, 3-11
 - trailer hitch 1-19, 1-21, 3-7, 3-11
 - Turf 272 3-3
 - under age warning 3-3, 3-5, 3-9
 - vehicle loading 3-3, 3-5, 3-9
 - winch cable warning 3-7, 3-11
 - decal, Club Car 1-3
 - decal, IR 1-3
 - decal, Key Switch 3-3
 - decal, Operating Instructions 3-3
 - diesel tachometer probe 13-9
 - differential gear 12-5, 12-11
 - differential lock 12-7, 12-13, 12-15
 - differential pin 12-5, 12-11
 - diode 7-21
 - diode, flyback 7-19
 - diode, headlight 7-21
 - dipstick 8-3, 8-15
 - double lip seal 6-7
 - drain plug 8-7, 8-19
 - drain plug (transaxle) 12-3, 12-9
 - drive belt 11-3
 - drive clutch (fe350 engine) 11-3
 - drive clutch (fe400 engine) 11-3
 - drive clutch button 11-3
 - drive clutch fixed sheave tool 13-5
 - drive clutch holder tool 13-5
 - drive clutch hub puller 13-5
 - drive clutch puller 13-5
 - drive clutch spider removal tool 13-5
 - drive hub 11-3
 - driven clutch 11-5
 - driven clutch cam puller 13-5
 - driven clutch puller plug 13-5
 - driven clutch spring compression base tool 13-5
 - driven clutch spring compression collar tool 13-5

INDEX

driven clutch spring compression nut tool
13-5
driver, drive clutch 11-3
drum, brake 4-3, 4-5, 6-7
dry moly lubricant 13-7
duct, air 9-15
dust cover 4-3, 4-5, 6-7
dust seal 6-5

E

e-clip (air box top) 9-15
electrical box cam 7-17, 7-19
end bell, commutator 7-25
end bell, output shaft 7-25
engine shroud 8-3, 8-15
engine, fe350 ohv gasoline 8-3
engine, fe400 ohv gasoline 8-15
equalizer 4-13
equalizer rod 4-7, 5-3
exhaust gasket 10-3, 10-5
exhaust system (fe350 engine) 10-3
exhaust system (fe400 engine) 10-5
exhaust valve 8-9, 8-21

F

fan housing 8-3, 8-15
fan shroud 8-3, 8-15
fan, flywheel 8-5, 8-17
fe350 ohv gasoline engine 8-3
fe400 ohv gasoline engine 8-15
fender, front 1-3
fender, rear 1-21
field coil (starter/generator) 7-25
filler cap 4-7
filter
air 9-15, 9-17
fuel 9-3, 9-5
oil 8-7, 8-19
fitting, grease 6-7
fixed face (drive clutch) 11-3
fixed face (driven clutch) 11-5
flange, wheel bolt 4-5
float (carburetor) 9-7, 9-9
float chamber 9-7, 9-9
floor mat 1-3
flywheel 8-5, 8-17
flywheel puller 13-7
fork, shift 12-5, 12-11
forward/reverse shifter 7-15
frame, tilt bed 1-15
f-terminal insulator 7-25
fuel gauge 7-23
fuel impulse pump 9-3, 9-5
fuel injection pump pressure tester tool 13-7
fuel line 9-3, 9-5
fuel strap 9-3, 9-5

fuel tank 9-3, 9-5
fuse block 7-17, 7-19
fuse, 10-amp 7-17, 7-19
fuse, 20-amp 7-17, 7-19

G

gasket
carburetor insulator 9-11
crankcase cover 8-11, 8-23
drain plug 8-7, 8-19
exhaust 10-3, 10-5
float chamber 9-7, 9-9
head 8-9, 8-21
insulator 9-11
liquid 12-3, 12-9, 13-7
oil pump 8-7, 8-19
rocker arm case 8-9
rocker case 8-21
throttle bracket 9-11
gasket kit 8-9, 8-11, 8-21, 8-23
gauge, compression 13-5
gauge, fuel 7-23
gear
12 tooth 12-5
13 tooth 12-11
70 tooth 12-5, 12-11
cluster idler 12-5, 12-11
differential 12-5, 12-11
differential idler 12-5, 12-11
helical (crankshaft) 8-13, 8-25
input 12-5, 12-11
output 12-5, 12-11
spur (crankshaft) 8-13, 8-25
spur (transaxle) 12-5, 12-11
gear case 12-3, 12-9
gear case cover 12-5, 12-11
gear yoke 13-7
governor 12-5, 12-11
governor lever arm 12-3, 12-9
governor shaft installation tool 13-7
grease fitting 6-7
grill (front body) 1-3
grip, hand 1-13, 1-17
grip, pencil 6-3
grommet 9-17
grommet (flywheel) 8-5, 8-17
grommet, insulation 9-3, 9-5
guard, unitized transaxle 12-3, 12-9
guide
oil (transaxle) 12-5, 12-11
steering 6-5
valve 8-9, 8-21
valve seat cutter 13-11
guide ring adhesive 13-3

H

halogen bulb 7-21
hand grip 1-13
hand grip, tilt latch 1-11, 1-15
handle, differential lock 12-15
handle, forward/reverse switch 7-15
hanger, brake cable 4-13, 6-9
hardware, terminal (starter/generator) 7-25
harness, headlight wire 7-21
harness, wire 7-5, 7-9, 7-13
headlight 7-21
headlight lens 7-21
hinge plate 1-5
hinge plate, body 1-5
hinge, tilt bed 1-11
hitch, receiver trailer 1-21
hitch, trailer 1-19
hold-down, (brake) shoe 4-3, 4-5
holder, radio/beverage 1-5
horseshoe clip 4-9, 4-11
hose, brake 4-9, 4-11
hose, intake 9-15, 9-17
hour meter 7-23
housing
differential lock 12-7, 12-13
fan 8-3, 8-15
field coil (starter/generator) 7-25
hub 12-7, 12-13
hub bearing 6-7
hub, drive 11-3
hub, synchronizer clutch 12-5, 12-11
hydraulic brake adjuster 13-7
hydraulic lifter 8-11, 8-23
hydraulic shoe 4-3, 4-5
hydrometer 13-7

I

idle gear bushing replacement tool 13-7
idle screw 9-7, 9-9
ignition coil 8-5, 8-17
insert, synchronizer 12-5, 12-11
insert, threaded 1-5
insert, wood 1-7
insulation 1-15
insulation, bulk 1-11
insulator, carburetor 9-11
insulator, f-terminal 7-25
intake hose 9-17
intake pipe 9-11
intake valve 8-9, 8-21
internal retaining ring pliers 13-7
IQ display module (IQDM) 13-7

J

jet, main 9-7, 9-9

INDEX

jet, pilot 9-7, 9-9

joint

- ball 6-5, 7-15
- inner ball 6-5
- spring-loaded ball 5-5
- steering 6-3

K

- key (crankshaft) 8-13, 8-25
- key (dash panel) 7-23
- key (driven clutch) 11-5
- key (flywheel) 8-5, 8-17
- key (transmission) 11-5
- key switch 7-23
- key, woodruff 7-25, 12-3, 12-9
- kingpin bolt 6-7
- kit
 - accelerator pivot rod 5-5
 - axle adjuster 4-3, 4-5
 - axle hardware 4-3, 4-5
 - brake pedal adjustment tool 13-3
 - dash hardware 1-3
 - diode 7-21
 - drive clutch weight 11-3
 - driven clutch button 11-5
 - fuel tank 9-3, 9-5
 - gasket (engine) 8-9, 8-11, 8-21, 8-23
 - hydraulic shoe 4-3, 4-5
 - IQ display module (IQDM) 13-7
 - pulley 4-13
 - pulley nut and screw 7-25
 - rear receiver 1-21
 - reverse buzzer 7-21
 - shock absorber cushion 6-9
 - tune-up 13-9
- knob, light switch 7-23

L

- latch
 - tailgate 1-17
 - weld 1-15
 - wire (air box) 9-15, 9-17
- latch (cargo bed) 1-13
- latch weld (cargo bed) 1-11
- lead wire 8-5, 8-17
- lens, headlight 7-21
- lens, turn signal 7-21
- lever
 - adjuster (brake) 4-3, 4-5
 - choke 9-15, 9-17
 - differential lock 12-7, 12-13
 - park brake 4-5, 4-13
 - shifter 12-3, 12-9
 - transmission shifter 12-3, 12-9
- lifter, hydraulic 8-11, 8-23

- light switch 7-23
- light switch knob 7-23
- light, low oil warning 7-23
- limit switch 7-15, 7-17
- limiter, rpm 8-5, 8-17
- line
 - brake 4-9, 4-11
 - fuel 9-3, 9-5
 - vent 9-3, 9-5, 9-11
- link, rack and pinion drag 6-5
- liquid gasket 13-7
- locking cap 4-5, 12-7, 12-13
- long park brake cable 4-13
- lubricant, dry moly 13-7
- lubricant, moly-teflon 13-7
- lug nut 2-3, 4-3, 4-5, 6-7
- lug stud 4-3, 6-7, 12-7, 12-13

M

- main jet 9-7, 9-9
- master cylinder 4-7
- mat, floor 1-3
- meter, hour 7-23
- meter, volt ohm 13-11
- module
 - calibration test 13-3
 - communication display 13-5
 - moly-teflon lubricant 13-7
 - mount, compression 6-9
 - moveable face (drive clutch) 11-3
 - moveable face (driven clutch) 11-5

N

- neutral lockout cam 7-15
- nozzle, main (fe350 engine) 9-7
- nozzle, main (fe400 engine) 9-9
- nut, key switch 7-23
- nut, lug 2-3, 4-3, 4-5, 6-7

O

- oil filler tube 8-3, 8-15
- oil filter 8-7, 8-19
- oil level sensor 8-11, 8-23
- oil pressure gauge tool 13-7
- oil pressure tester (diesel) tool 13-9
- oil pump and rotor 8-7, 8-19
- oil seal 8-13
- oil seal (axle tube) 12-7, 12-13
- oil seal (crankshaft) 8-11, 8-25
- oil seal (governor pivot) 12-3, 12-9
- oil seal (shifter shaft) 12-3, 12-9
- oil seal, input shaft 12-5, 12-11
- oil warning light 7-23
- o-ring 8-11, 8-23, 12-7, 12-13
- o-ring (counterbalance shaft) 8-13, 8-25

- o-ring (oil sending connector) 8-11, 8-23
- o-ring (rocker case hardware) 8-9, 8-21
- o-ring, choke valve 9-15
- o-ring, oil filter mount 8-7, 8-19

P

- pad
 - accelerator pedal 5-5
 - brake pedal 5-3
 - spring 6-9
 - thermal 7-21
- paint, touch-up 13-9
- panel
 - dash 1-3
 - front (cargo box) 1-13, 1-17
 - seat 1-5
 - seat support 1-7
 - side (cargo box) 1-13, 1-17
- p-clamp 4-9, 4-11
- pedal, accelerator 5-5
- pedal, brake 5-3
- pencil grip 6-3
- pilot air screw 9-7, 9-9
- pilot jet 9-7, 9-9
- pin
 - bow tie locking 4-7, 5-3
 - clevis 4-5, 4-13, 5-3
 - differential 12-5, 12-11
 - hair spring cotter 4-13
 - piston 8-13, 8-25
- pinion, steering 6-5
- pipe, intake 9-11
- piston 8-13, 8-25
- piston pin 8-13, 8-25
- piston pin retaining ring 8-13, 8-25
- piston ring compressor 13-9
- piston ring pliers 13-9
- piston ring set 8-13, 8-25
- pivot arm 12-3, 12-9
- plastic barrel 1-13
- Plastigauge tool 13-9
- plate 8-9, 8-21
 - backing (brake) 4-3, 4-5
 - body hinge 1-5
 - floor 1-15
 - flywheel fan 8-5, 8-17
 - hinge 1-5
 - mounting 8-27
 - oil filter screen 8-11, 8-23
 - oil pump 8-7, 8-19
 - scorecard 6-3
 - suspension mounting 6-7
 - thrust 12-5, 12-11
 - tilt bed latch 1-9
- pliers
 - internal retaining ring 13-7

INDEX

piston ring 13-9
retaining ring 13-9
plug
cap 8-5, 8-17
drain 8-7, 8-19
drain (transaxle) 12-3, 12-9
drive clutch 11-3
driven clutch puller 13-5
spark (ohv) 8-5, 8-17
pole set (starter/generator) 7-25
pop rivet 1-5, 4-9, 4-11, 4-13, 9-15, 12-15
press weldment 13-5
pressure switch 4-7
prop rod 1-9
protector spray, battery terminal 13-3
puller
bearing 13-3
clutch 13-3
drive clutch 13-5
drive clutch hub 13-5
driven clutch cam 13-5
flywheel 13-7
seal 13-9
puller, special use tool 13-9
pulley (starter/generator) 7-25
pulley nut and screw (starter/generator) 7-25
pulley, flat mount 4-13
pump cover (oil) 8-7, 8-19
pump, fuel impulse 9-3, 9-5
pump, oil and rotor 8-7, 8-19
push rod 4-7, 8-9, 8-21

R

rack and pinion drag link 6-5
rack, steering 6-5
radio/beverage holder 1-5
reamer, valve guide 13-9
regulator, voltage 7-17, 7-19
remover, bearing and oil seal 13-3
retainer
bearing (starter/generator) 7-25
headlight 7-21
shock absorber cushion 6-9
spiral ring 11-3
spring 5-5
spring (drive clutch) 11-3
valve spring 8-9, 8-21
retaining ring (drive clutch) 11-3
retaining ring (driven clutch) 11-5
retaining ring pliers 13-9
return spring bumper 5-5
reverse buzzer 7-21
ring
piston (set) 8-13, 8-25
piston pin retaining 8-13, 8-25

retaining (drive clutch) 11-3
retaining (driven clutch) 11-5
snap (steering) 6-5
spiral back-up 11-3
synchronizer 12-5, 12-11
rivet, blind 1-3
rivet, pop 1-5, 4-9, 4-11, 4-13, 9-15, 12-15
rocker arm 8-9, 8-21
rocker case 8-9, 8-21
rocker shaft 8-9, 8-21
rod
accelerator 5-5
accelerator pivot 5-5
connecting 8-13, 8-25
connecting (crankshaft) 8-13, 8-25
equalizer 4-7, 5-3
prop 1-9
push 4-7, 8-9, 8-21
shift 12-5, 12-11
rod, clevis 4-7
rpm limiter 8-5, 8-17
rubber boot 9-3, 9-5
rubber bumper 1-9, 5-3

S

safety first card 13-9
scorecard clip 6-3
scorecard plate 6-3
screen, oil filter 8-11, 8-23
screw
idle 9-7, 9-9
pilot air 9-7, 9-9
pole piece (starter/generator) 7-25
rack guide 6-5
tuflok 1-3
screw, valve clearance adjuster 13-9
seal
bed 1-5, 1-15
crankshaft 8-23
double lip 6-7
dust 6-5
input shaft oil 12-5, 12-11
intake 9-17
intake (air box) 9-15
oil 8-13
oil (axle tube) 12-7, 12-13
oil (crankshaft) 8-11, 8-25
oil (governor pivot) 12-3, 12-9
oil (shifter shaft) 12-3, 12-9
steering pinion dust 6-5
valve 8-9, 8-21
seal puller 13-9
seat back 1-7
seat bottom 1-7
seat panel 1-5
seat support 1-5
seat, bucket 1-5
seat, spring 8-9, 8-21
sensor, oil level 8-11, 8-23
set, pole 7-25
shackle, rear spring 6-9
shaft
counterbalance guide 8-13, 8-25
input 12-5, 12-11
rocker 8-9, 8-21
shifter 12-3, 12-9
steering column 6-3
shield, air duct 9-15
shield, boot 4-13
shift fork 12-5, 12-11
shift rod 12-5, 12-11
shifter shaft 12-3, 12-9
shifter, forward/reverse 7-15
shim
crankshaft 8-13, 8-25
latch plate 1-9
tilt bed pivot 1-15
shim (camshaft) 8-11, 8-23
shock absorber cushion 6-9
shock absorber, rear 6-9
shock tower 6-7
shock, coil cover 6-7
short park brake cable 4-13
shroud, engine 8-3, 8-15
shroud, fan 8-3, 8-15
sleeve (governor) 12-5, 12-11
sleeve, steel 6-7
sleeve, synchronizer 12-5, 12-11
snap ring (steering) 6-5
snubber 8-27
solenoid, 12-volt 7-17, 7-19
spacer
accelerator pedal 5-5
differential lock 12-7, 12-13
fixed face shaft 11-3
key switch 7-23
ratchet support 5-5
rear suspension 6-9
spanner wrench 13-9
spark plug (ohv) 8-5, 8-17
spindle 6-7
spray, battery terminal protector 13-3
spring
brake pedal return 4-7
brush 7-25
compression 1-13, 1-17, 6-3
differential lock 12-7, 12-13
drive button 11-3
drive clutch 11-3
engine valve 8-9, 8-21
forward/reverse cam 7-15
latch extension 1-11, 1-15

INDEX

rear four-leaf 6-9
return 5-5, 9-17
return (air box) 9-15
shoe to shoe 4-3, 4-5
synchronizer 12-5, 12-11
tapered compression 6-3
throttle return 9-11
yoke (steering) 6-5
spring pad 6-9
spring seat 8-9, 8-21
starter/generator 7-25, 7-27
steel ball (transaxle) 12-5, 12-11
steel bushing 1-11, 1-15, 6-9
steel sleeve 6-7
steering column 6-3
steering column bearing press tool 13-9
steering column retaining ring tool 13-9
steering gear box 6-5
steering guide 6-5
steering pinion 6-5
steering rack 6-5
steering stop 6-7
steering wheel 6-3
steering wheel puller tool 13-9
stem, valve 2-3
stiffener, flywheel side 8-27
stiffener, pto side 8-27
stiffener, seat 1-7
stop, axle 6-9, 12-7, 12-13
stop, steering 6-7
strap, seat bottom 1-7
stud
ball 5-5, 7-15, 7-17, 7-19, 12-3, 12-9
flush head 1-13, 1-17
lug 4-3, 6-7, 12-7, 12-13
support
accelerator pivot rod 5-5
latch plate 1-9
lower fender 1-3
seat 1-5
upper front body 1-3
suspension mounting plate 6-7
switch
key 7-23
light 7-23
limit 7-15, 7-17
pressure 4-7
synchronizer clutch hub 12-5, 12-11
synchronizer ring 12-5, 12-11
system, exhaust (fe350 engine) 10-3
system, exhaust (fe400 engine) 10-5

T

10-amp fuse 7-17, 7-19
12-volt battery 7-29
12-volt solenoid 7-17, 7-19

20-amp fuse 7-17, 7-19
tachometer 13-9
tachometer probe, diesel 13-9
tailgate 1-13, 1-17
tailgate angle 1-17
tailskirt 1-19, 1-21
tape, VHB (air duct shield) 9-15
tape, VHB (console cover) 1-5
terminal block 7-21
terminal hardware (starter/generator) 7-25
tester, continuity 13-5
thermal pad 7-21
thermometer, battery 13-3
thrust bearing 6-7
thrust plate 12-5, 12-11
tie, wire 6-5, 7-21, 7-23
tilt bed 1-15
tilt bed hinge 1-15
tilt bed, manual lift 1-11
tire 2-3
tool
accelerator pedal adjustment 13-3
brake adjustment 13-3
brake cable release 13-3
brake pedal adjustment 13-3
brake pedal tension 13-3
cam installation 13-3
carburetor float level 13-7
charger bezel 13-3
clutch alignment 13-5
connecting rod alignment 13-5
crank sleeve setter 13-5
crankshaft bearing replacement 13-5
crankshaft main bearing driver 13-5
crankshaft main bearing driver attachment 13-5
crankshaft main bearing pilot attachment 13-5
drive clutch fixed sheave 13-5
drive clutch holder 13-5
drive clutch spider removal 13-5
driven clutch spring compression base 13-5
driven clutch spring compression collar 13-5
driven clutch spring compression nut 13-5
fuel injection pump pressure tester 13-7
governor shaft installation 13-7
idle gear replacement 13-7
oil pressure gauge 13-7
oil pressure tester 13-9
Plastigauge 13-9
puller, special use 13-9
steering column bearing press 13-9
steering column retaining ring 13-9
steering wheel puller 13-9

transaxle axle seal 13-9
transaxle pinion seal 13-9
transmission 13-9
valve clearance adjustment 13-11
valve guide driver 13-9
valve guide replacement 13-9
tool kit, clutch 13-5
top, air box 9-15, 9-17
touch-up paint 13-9
tower, shock 6-7
track, prop rod 1-9
trailer hitch 1-19
trailer hitch, receiver 1-21
transaxle axle seal tool 13-9
transaxle pinion seal tool 13-9
transaxle, unitized 12-3, 12-9
transmission cable 7-15
transmission shifter lever 12-3, 12-9
transmission tool 13-9
trim, seat bottom 1-7
tube
7 mm (flywheel) 8-5, 8-17
axle 12-7, 12-13
crankcase vent 9-11
oil filler 8-3, 8-15
tune-up kit 13-9
turn signal lens 7-21

U

u-bolt 6-9
unitized transaxle 12-3, 12-9
urethane bushing 1-11, 1-15, 6-7, 6-9

V

valve 8-9, 8-21
choke 9-15, 9-17
exhaust 8-9, 8-21
fuel pickup tube 9-3, 9-5
intake 8-9, 8-21
stem 2-3
valve clearance adjuster screw 13-9
valve clearance adjustment wrench 13-11
valve guide 8-9, 8-21
valve guide driver tool 13-9
valve guide reamer 13-9
valve guide replacement tool 13-9
valve seal 8-9, 8-21
valve seat cutter 13-5, 13-11
valve seat cutter guide 13-11
valve seat t-wrench 13-11
valve spring compressor 13-11
vent line 9-11
vent, fuel tank 9-3, 9-5
volt ohm meter 13-11
voltage regulator 7-17, 7-19

INDEX

W

warning light, oil 7-23
washer
 copper (brake) 4-3, 4-9, 4-11
 delrin flat 7-15, 7-17, 7-19
 kingpin wave 6-7
 mounting 11-3, 11-5
 nylon flat 7-15
 spring 12-5, 12-11
 thrust 12-5, 12-11
 wave 7-15
wedge (steering column) 6-3
wedge, bearing puller 13-3
weight, counterbalance 8-13, 8-25
weight, drive clutch 11-3
weldment, forward/reverse bell crank 7-15
weldment, press 13-5
wheel 2-3
wheel bolt flange 4-5
wheel cylinder 4-3, 4-5
wheel, steering 6-3
wire harness 7-5, 7-9, 7-13
wire latch 9-15, 9-17
wire tie 6-5, 7-21, 7-23
wire, lead 8-5, 8-17
woodruff key 7-25, 12-3, 12-9
wrench, spanner 13-9

Y

yoke spring (steering) 6-5
yoke, gear 13-7

Your Comments Are Appreciated

Please select *our* category:

- | | |
|--|---|
| <input type="checkbox"/> Distributor/Dealer | <input type="checkbox"/> Technician |
| <input type="checkbox"/> Individual Owner | <input type="checkbox"/> Golf Course Superintendent |
| <input type="checkbox"/> Club Car Associate/Representative | <input type="checkbox"/> Other: _____ |

In order to help us better serve you, please rate this publication in the following categories:

| | Poor | Fair | Average | Good | Excellent |
|--------------------------------|--------------------------|--------------------------|--------------------------|--------------------------|--------------------------|
| 1. Ease of Understanding | <input type="checkbox"/> | <input type="checkbox"/> | <input type="checkbox"/> | <input type="checkbox"/> | <input type="checkbox"/> |
| 2. Ease of Finding Information | <input type="checkbox"/> | <input type="checkbox"/> | <input type="checkbox"/> | <input type="checkbox"/> | <input type="checkbox"/> |
| 3. Clarity of Illustrations | <input type="checkbox"/> | <input type="checkbox"/> | <input type="checkbox"/> | <input type="checkbox"/> | <input type="checkbox"/> |
| 4. Index Usability | <input type="checkbox"/> | <input type="checkbox"/> | <input type="checkbox"/> | <input type="checkbox"/> | <input type="checkbox"/> |

Comments/Suggestions

Please fax a copy of this page to (706) 228-2662.

Thank You!
Club Car Technical Publication Department



Club Car, Inc.
P.O. Box 204658
Augusta, GA 30917-4658
USA

Web www.clubcar.com
Phone 1.706.863.3000
1.800.ClubCar
Int'l +1 706.863.3000
Fax 1.706.863.5808