

Pioneer

1200



 **Club Car**TM
Performance Utility Vehicles

2004 ILLUSTRATED PARTS LIST

Manual No. 102397507 Edition Code 1004A00000

USING THE ILLUSTRATED PARTS LIST

WARNING

- **This manual is to be used only for identification and ordering of service parts. Be sure to read and use the maintenance and service manual before attempting any vehicle repairs.**

This manual covers all 2004 Pioneer 1200 and Pioneer 1200 SE vehicles.

The manual is divided into 13 sections. Sections 1 through 12 pertain to specific parts of the vehicles, and Section 13 pertains to tools that are used on all Club Car products. Note that there are two flags on the outside edge of each page. The first flag contains the section number of which that page is a part. The other flag contains the letter G, signifying that the page pertains to gasoline vehicles only.

Use the Table of Contents to find the sections and pages that contain the parts and assemblies you seek. The Table of Contents lists section numbers, and under them, the individual page titles and numbers to be found in that section. The index can be used to find specific parts and assemblies. The index is divided into numerical and alphabetical listings with the page numbers in italic text.

There is a two-page spread for each individual page title in the Table of Contents. On the left-hand page is an illustration showing the parts in their relative positions; the parts are each tagged with an item number in a balloon. The right-hand page is the parts list page, and gives the page title at the top, then the item numbers (corresponding to the numbers on the illustration), part descriptions, and quantity of parts used. Some item numbers have more than one part number because several configurations of a component are represented together on one spread.

There are some wiring diagrams in this manual that cover two pages. For these diagrams the parts list page will be on the next two-page spread.

Note that a part description may be indented. This indentation corresponds to a parts assembly level indicated by the numbers 1, 2, 3, and 4 at the top left corner of the parts description area of the parts list page. A part that is indented to *level 2* is a component of the *level 1* part (assembly) that it is listed under. A *level 3* part is a component of the *level 2* part that it is listed under, and a *level 4* part is a component of the *level 3* part preceding it. In each case, the part quantity given for a level 2, 3, or 4 part is *the quantity used per next higher level assembly of which it is a component*. A part that is not indented is a *level 1* part. This means that the quantity given is the quantity used per the portion of the vehicle illustrated on that particular spread.

HOW TO ORDER PARTS

Replacement parts and accessories can be obtained from our network of authorized dealers and distributors. You can obtain the name and phone number of your closest Club Car contact by visiting our web site at www.clubcar.com and clicking on the "*Distributor Search*" link or by calling our toll-free Service Parts and Technical Assistance hotline at (800) 872-2246 or (706) 863-3000, extension 3281 or 3854.



P. O. Box 204658
Augusta, Georgia 30917-4658 USA
Telephone 706-863-3000
Service Parts Fax 706-855-7413
www.clubcar.com

NOTE: *This illustrated parts list represents the most current information at the time of publication. Club Car, Inc. is continually working to further improve its vehicles and other products. These improvements may affect the parts used to service the vehicle. Any modification and/or significant change in specifications will be forwarded to all Pioneer distributors/dealers and will, when applicable, appear in future editions of this illustrated parts list.*

Club Car, Inc. reserves the right to change specifications and designs at any time without notice and without incurring the obligation of making changes to units previously sold.

Copyright © 2004 Club Car, Inc.
Club Car is a registered trademark
of Club Car, Inc.
This manual effective July 28, 2003.

2004 Pioneer 1200 and Pioneer 1200 SE Gasoline Vehicles Illustrated Parts List

CONTENTS

SECTION 1 – BODY AND TRIM

Front Body Trim	1-3
Front Seats	1-5
Rear Seat and Support Structure – Pioneer 1200 SE Vehicles	1-7
Latch Plate and Prop Rod – Pioneer 1200 Vehicles	1-9
Tilt Bed, Hinge and Latch – Pioneer 1200 Vehicles	1-11
Cargo Box – Pioneer 1200 Vehicles	1-13
Tilt Bed, Hinge and Latch – Pioneer 1200 SE Vehicles	1-15
Cargo Box – Pioneer 1200 SE Vehicles	1-17
Rear Body Trim	1-19

SECTION 2 – WHEELS AND TIRES

Wheels and Tires	2-3
------------------------	-----

SECTION 3 – DECALS

Decals – Pioneer 1200 Vehicles	3-3
Decals, Continued – Pioneer 1200 Vehicles	3-5
Decals, Continued – Pioneer 1200 SE Vehicles	3-7
Decals, Continued – Pioneer 1200 SE Vehicles	3-9

SECTION 4 – BRAKE SYSTEMS

Front Brake Assembly	4-3
Rear Brake Assembly	4-5
Master Cylinder	4-7
Hydraulic Brake System – Pioneer 1200 Vehicles	4-9
Hydraulic Brake System – Pioneer 1200 SE Vehicles	4-11
Hand Park Brake Assembly	4-13

SECTION 5 – PEDAL GROUP

Brake Pedal Assembly	5-3
Accelerator Pedal Assembly	5-5

SECTION 6 – STEERING, FRONT AND REAR SUSPENSION

Steering Column	6-3
Steering Gear Assembly	6-5
Front Suspension	6-7
Rear Suspension	6-9

CONTENTS

SECTION 7 – ELECTRICAL SYSTEM

Wiring – Pioneer 1200, Key-Start Vehicle	7-5
Wiring – Pioneer 1200 SE, Key-Start Vehicle	7-9
Forward/Reverse Shifter Assembly	7-11
Electrical Component Box, Key-Start Vehicles	7-13
Electrical Components, Front Body	7-15
Electrical Components, Dash Panel	7-17
Starter/Generator Assembly	7-19
Starter/Generator Mounting	7-21
Battery	7-23

SECTION 8 – ENGINE

FE400 Engine (Key-Start) – Shrouds and Brackets	8-3
FE400 Engine (Key-Start) – Ignition Components and Flywheel	8-5
FE400 Engine (Key-Start) – Oil Circulation	8-7
FE400 Engine (Key-Start) – Cylinder Head	8-9
FE400 Engine (Key-Start) – Crankcase, Camshaft and Oil Sensor	8-11
FE400 Engine (Key-Start) – Crankcase and Crankshaft	8-13
Engine Mounting	8-15

SECTION 9 – FUEL, INTAKE, AND GOVERNOR SYSTEMS

Fuel System – Pioneer 1200 Vehicles	9-3
Fuel System – Pioneer 1200 SE Vehicles	9-5
Carburetor Assembly, FE400 engine	9-7
Carburetor Installation	9-9
Governor and Accelerator Cables	9-11
Intake Duct, Choke, and Air Box Assembly – Pioneer 1200 Vehicles	9-13
Intake Duct, Choke, and Air Box Assembly – Pioneer 1200 SE Vehicles	9-15

SECTION 10 – EXHAUST SYSTEM

Exhaust System, FE400 engine	10-3
------------------------------------	------

SECTION 11 – TORQUE CONVERTER

Drive Clutch	11-3
Driven Clutch	11-5

SECTION 12 – UNITIZED TRANSAXLE

MC012C-AS00 Prior To Serial Number MC012C3J0001 – Gear Cases, Brackets and Guard	12-3
--	------

CONTENTS

MC012C-AS00 Prior To Serial Number MC012C3J0001 – F&R Transmission and Gear Reduction	12-5
MC012C-AS00 Prior To Serial Number MC012C3J0001 – Differential Lock and Axles	12-7
MC012C-BS00 Beginning With Serial Number MC012C3J0001 – Gear Cases, Brackets and Guard	12-9
MC012C-BS00 Beginning With Serial Number MC012C3J0001 – F&R Transmission And Gear ...	12-11
MC012C-BS00 Beginning With Serial Number MC012C3J0001 – Differential Lock And Axles	12-13
Unitized Transaxle – Differential Lock Cable Assembly and Shifter	12-15

SECTION 13 – MAINTENANCE AND SERVICE TOOLS

Maintenance and Service Tools	13-3
Maintenance and Service Tools, Continued	13-5
Maintenance and Service Tools, Continued	13-7
Maintenance and Service Tools, Continued	13-9
Maintenance and Service Tools, Continued	13-11

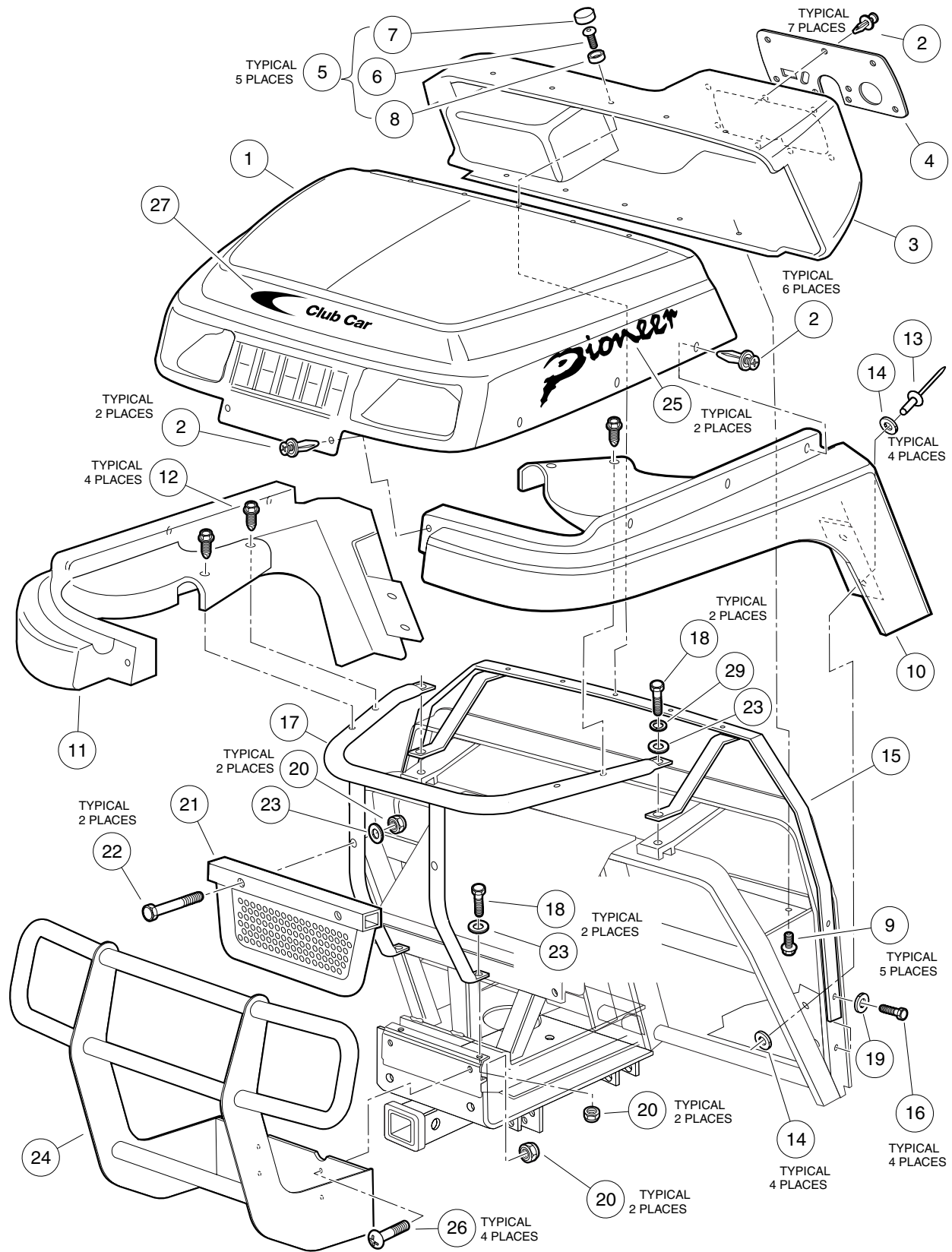
SECTION i – INDEX

BODY AND TRIM

1

G

1
G

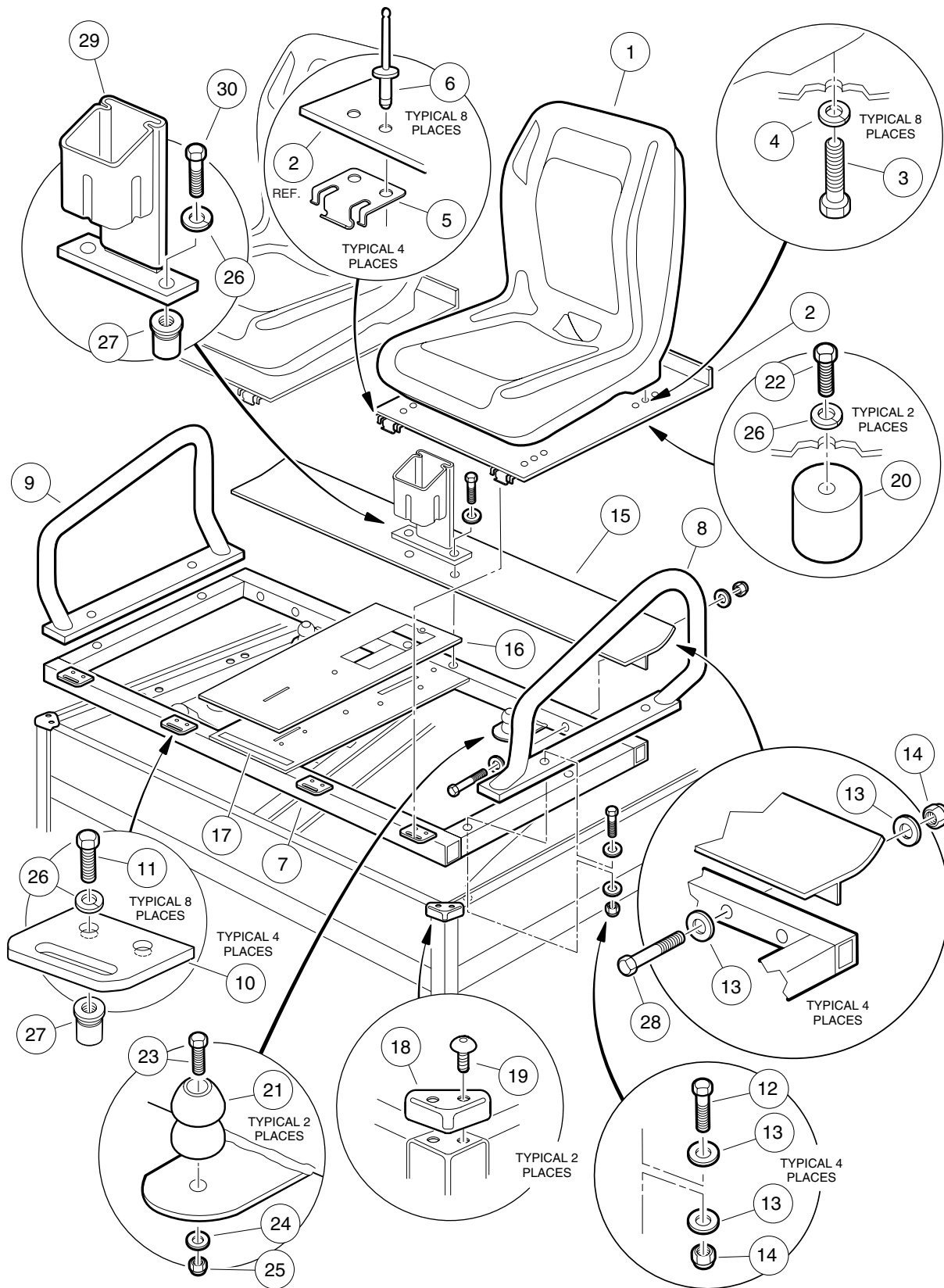


FRONT BODY TRIM

ITEM	PART NO.	DESCRIPTION	QTY
		1 2 3 4	
1	102021715	Body, Front with Headlight Opening (red)	1
1	102021710	Body, Front with Headlight Opening (dark green)	1
1	102021714	Body, Front with Headlight Opening (dark gray)	1
1	102021716	Body, Front with Headlight Opening (white)	1
2	102025701	Screw, Tuflok	15
3	102021801	Dashboard	1
4	102030501	Panel, Dash	1
5	102056901	Kit, Dash Hardware (includes items 6 - 8)	1
6	102025801	Screw, Truss-Head, Type C, 1/4-20 x 3/4	5
7	102045001	Cap	5
8	102048401	Washer	5
9	1017384	Screw, Hex Washer-Head, Type AB, #12	5
10	102021501	Fender, Front, Driver-Side	1
11	102021601	Fender, Front, Passenger-Side	1
12	1010545	Screw, Hex Washer-Head, Type AB, 1/4-14 x 3/4	4
13	1606	Rivet, Blind, 3/16 x 1/2	4
14	183	Washer, Flat, Type A, #10	8
15	102015701	Support, Upper Front Body	1
16	1012285	Screw, Hex-Head Thread-Rolling, 1/4-20 x 5/8	4
17	102015801	Support, Lower Fender	1
18	102078101	Screw, Hex-Head Cap, 5/16-18 x 2-1/2	4
19	332	Washer, Flat, Type A, 1/4	4
20	7473	Nut, Nylon Lock, 5/16-18	6
21	102013901	Grill	1
22	1010921	Screw, Hex-Head Cap, 5/16-18 x 2-1/2	2
23	1241	Washer, Flat, Type A, 5/16	6
24	102013201	Guard, Brush	1
25	102228201	Decal, Pioneer (gray)	2
25	102228202	Decal, Pioneer (black)	2
26	7410	Screw, Phillips Truss-Head, 5/16-18 x 1-1/4	4
27	102228001	Decal, Club Car Nameplate	1
28	102160101	Mat, Floor (not shown)	1
29	7174	Washer, Lock, 5/16	2

1
G

1
G



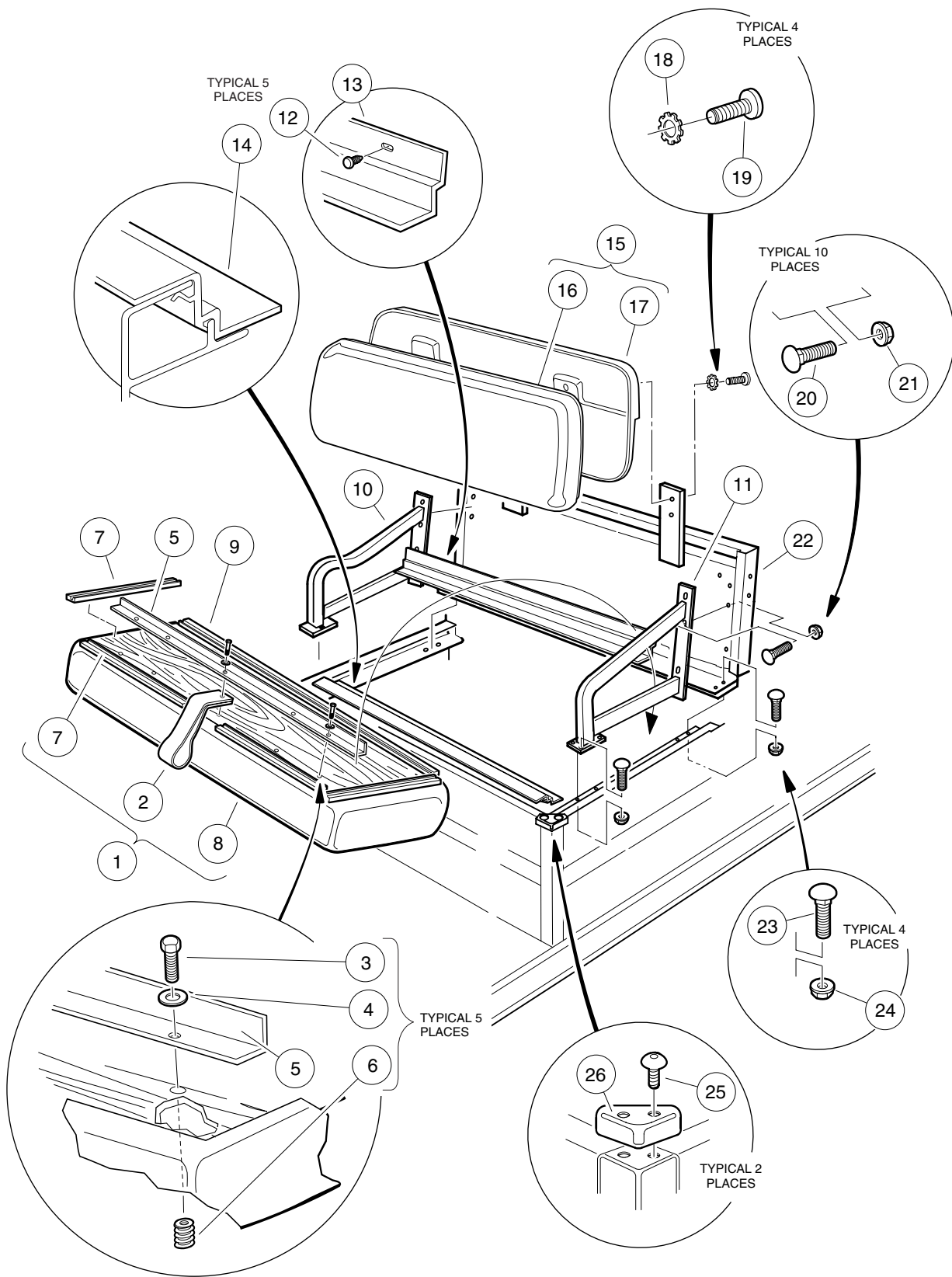
FRONT SEATS

ITEM	PART NO.	DESCRIPTION	QTY
		1 2 3 4	
1	102026501	Seat, Bucket – Gray	2
2	102023701	Panel, Seat	2
3	1012830	Screw, Hex-Head, M8 x 1.25 x 22 mm	8
4	1013734	Washer, Lock, 8 mm	8
5	1011652	Plate, Hinge	4
6	102047001	Rivet, Pop, Stainless Steel, 1/4 x 1/2	8
7	102026901	Weldment, Seat Support	1
8	102024901	Armrest, Driver-Side	1
9	102025001	Armrest, Passenger-Side	1
10	1012412	Plate, Hinge, Body	4
11	7847	Screw, Hex-Head Cap, 1/4-20 x 3/4	8
12	8935	Screw, Hex-Head Cap, 5/16-18 x 2-1/4	4
13	1011697	Washer, Flat, 5/16	16
14	7473	Nut, Nylon Lock, 5/16-18	8
15	102029501	Seal, Bed (Pioneer 1200 only)	1
16	102026401	Cover, Console	1
17	N/A	Tape, VHB	A/R
18	1014387	Cap, Corner	2
19	1014321	Screw, Torx Truss-Head, 1/4-14 x 3/4	4
20	102061101	Cup, Seat Holder	2
21	102059001	Base, Seat Holder	2
22	102059401	Screw, Hex-Head Cap, M6 x 1 x 10 mm	2
23	102059501	Screw, Hex-Head Cap, M6 x 1 x 35 mm	2
24	332	Washer, Flat, Type A, 1/4	2
25	101887601	Nut, Nylon Lock, M6	2
26	451	Washer, Lock, 1/4	12
27	102060201	Insert, Threaded, 1/4-20	10
28	7311	Screw, Hex-Head Cap, 5/16-18 x 2 (Pioneer 1200 only)	4
29	102068501	Holder, Radio/Beverage	1
30	7847	Screw, Hex-Head Cap, 1/4-20 x 3/4	2

1

G

1
G

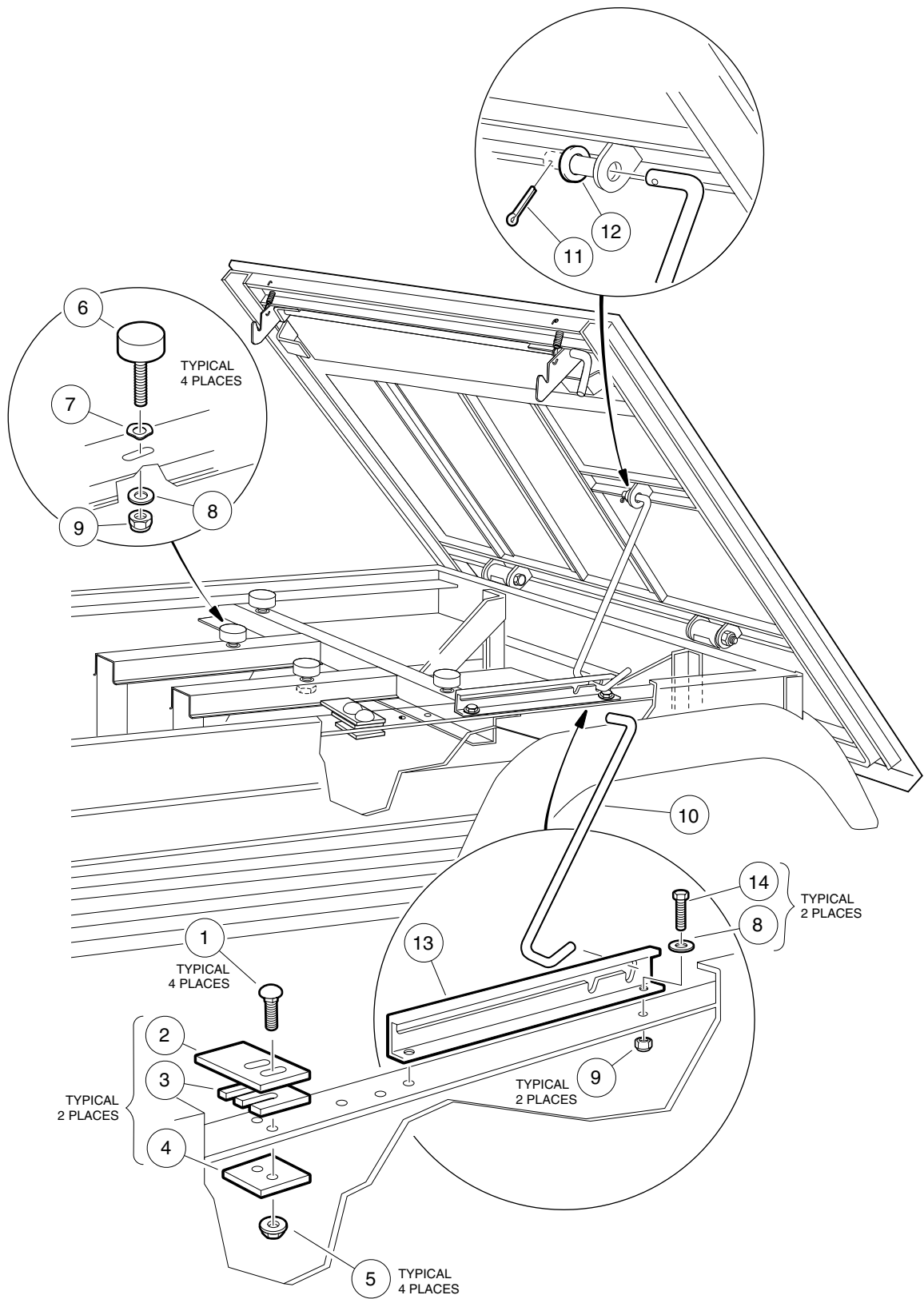


REAR SEAT AND SUPPORT STRUCTURE – PIONEER 1200 SE VEHICLES

ITEM	PART NO.	DESCRIPTION	QTY
		1 2 3 4	
1	101564505	Assembly, Seat Bottom (gray) (includes items 2 - 9)	1
2	1013309	Strap, Seat Bottom	1
3	101954301	Screw, Hex-Head Cap with Adhesive Patch, 1/4-20 x 3/4	5
4	332	Washer, Flat, 1/4	5
5	101894303	Stiffener, Seat	1
6	1010543	Insert, Wood	5
7	1013311	Bumper, Seat, Short	4
8	101562710	Cover, Vinyl Seat Bottom (gray)	1
9	1013312	Bumper, Seat, Long	1
10	101888501	Assembly, Armrest, Passenger	1
11	101888502	Assembly, Armrest, Driver	1
12	1010434	Barrel, Plastic	5
13	101963901	Trim, Seat Bottom, Rear	1
14	101964001	Trim, Seat Bottom, Front	1
15	101677705	Assembly, Seat Back (gray) (includes items 16 and 17)	1
16	101675506	Cover, Vinyl Seat Back (gray)	1
17	1016751	Cap, Seat Back (black)	1
18	101946201	Washer, External Tooth Lock, 1/4	4
19	8251	Screw, Phillips Truss-Head, 1/4-20 x 1	4
20	101958601	Bolt, Carriage, 1/4-20 x 3/4	10
21	101835601	Nut, Flange, 1/4-20	10
22	1016723	Panel, Seat Support	1
23	101963301	Bolt, Carriage, 5/16-18 x 3/4	4
24	101963401	Nut, Flange, 5/16-18	4
25	1014321	Screw, Torx Truss-Head, 1/4-14 x 3/4	4
26	1014387	Cap, Corner	2

1
G

1
G

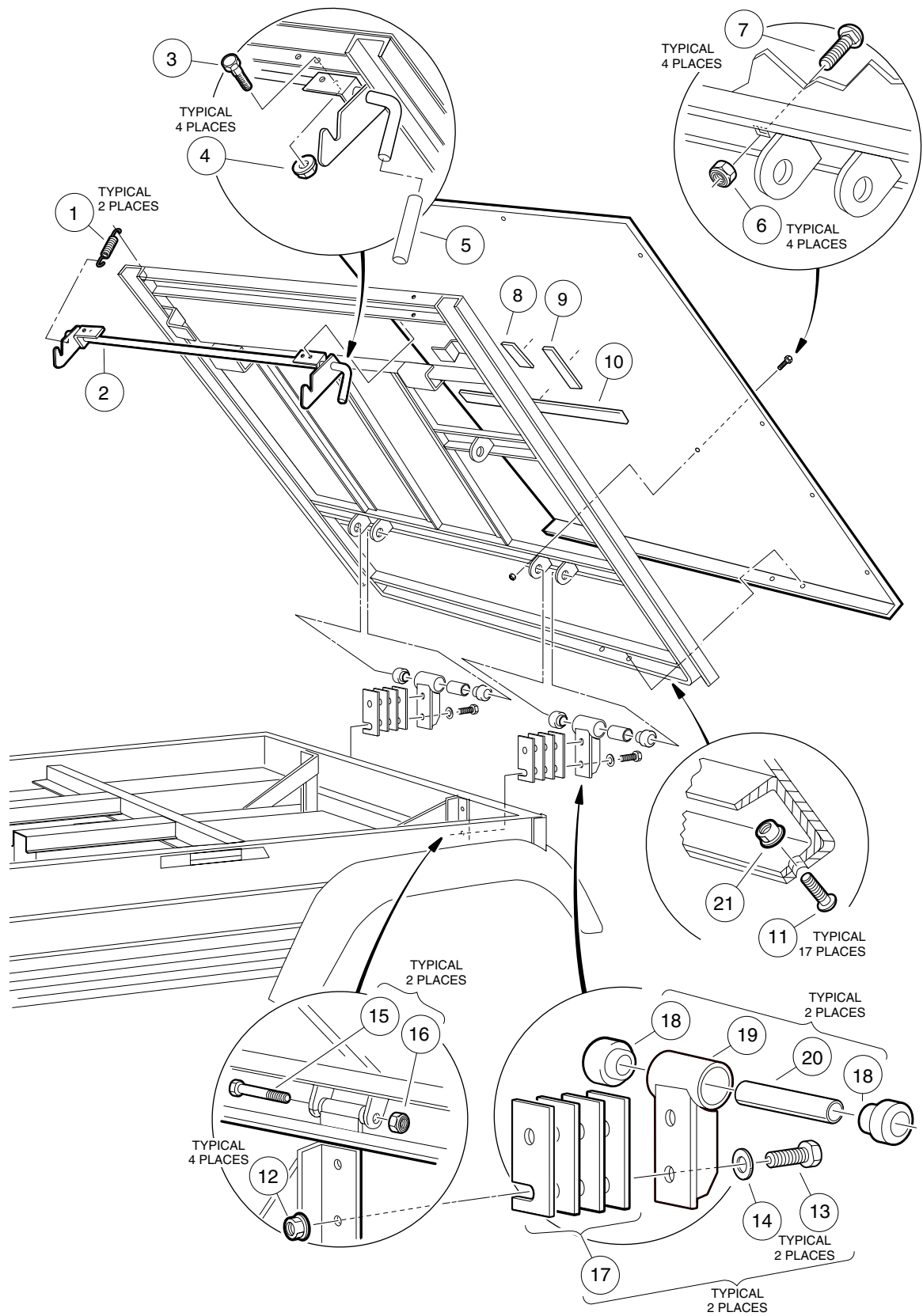


LATCH PLATE AND PROP ROD – PIONEER 1200 VEHICLES

ITEM	PART NO.	DESCRIPTION	QTY
		1 2 3 4	
1	101958602	Bolt, Carriage, 1/4-20 x 1	4
2	1015277	Plate, Tilt Bed Latch	2
3	1016078	Shim, Latch Plate	A/R
4	1016060	Support, Latch Plate	2
5	101835601	Nut, Flanged, 1/4-20	4
6	1010878	Bumper, Rubber	4
7	1016201	Washer, Wave	4
8	332	Washer, Flat, Type A, 1/4	4
9	8233	Nut, Nylon Lock, 1/4-20	4
10	102301401	Rod, Prop	1
11	1035	Pin, Cotter, 3/32 x 1	1
12	334	Washer, Flat, 3/8	1
13	101921601	Track, Prop Rod	1
14	7847	Screw, Hex-Head Cap, 1/4-20 x 3/4	2

1
G

1
G

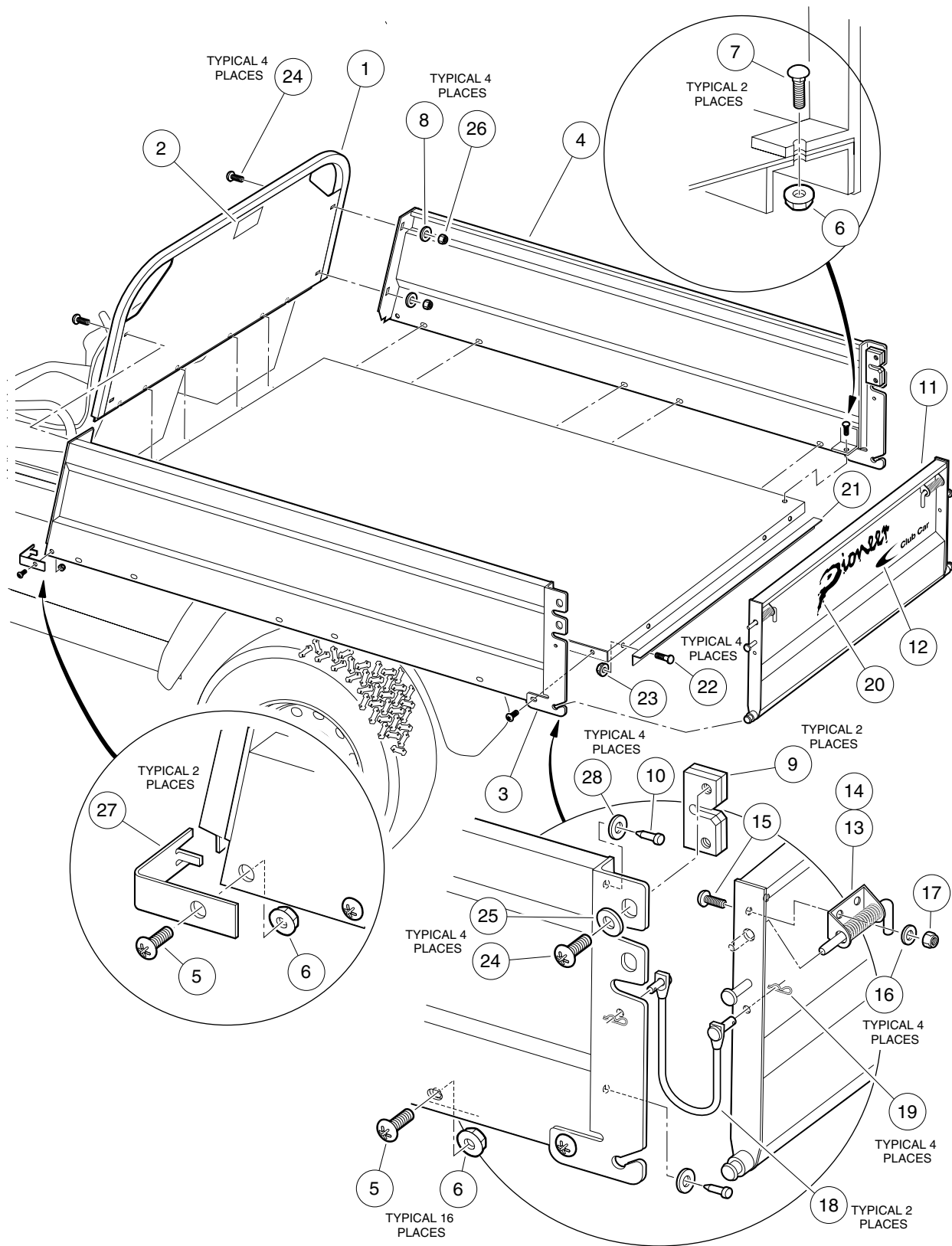


TILT BED, HINGE AND LATCH – PIONEER 1200 VEHICLES

ITEM	PART NO.	DESCRIPTION	QTY
		1 2 3 4	
	101542901	Assembly, Tilt Bed, Manual Lift (includes items 1 - 11)	1
1	1015391	Spring, Latch Extension	2
2	1015252	Assembly, Latch Weld	1
3	403	Screw, Hex-Head Cap, 1/4-20 x 5/8	4
4	101835601	Nut, Flanged Lock, 1/4-20	4
5	1015400	Hand Grip, Tilt Latch	1
6	7473	Nut, Nylon Lock, 5/16-18	4
7	1010435	Bolt, Carriage, 5/16-18 x 1	17
8	1014471	Insulation, Bulk (4 inches long)	A/R
9	1014471	Insulation, Bulk (8 inches long)	A/R
10	1014471	Insulation, Bulk (46 inches long)	A/R
11	1015399	Screw, Torx Truss-Head, 5/16-18 x 5/8	4
12	102065901	Nut, Dimpled Flanged Lock, 3/8-16	4
13	705	Screw, Hex-Head Cap, 3/8-16 x 1-1/4	4
14	102066001	Washer, Flat, Type B, 3/8	4
15	8755	Screw, Hex-Head Cap, 3/8-16 x 3-3/8	2
16	8754	Nut, Nylon Lock, 3/8-16	2
17	1015507	Shim, Tilt Bed Pivot	A/R
18	1015583	Bushing, Urethane	4
19	1015356	Hinge, Tilt Bed	2
20	1012303	Bushing, Steel	2
21	101963401	Nut, Hex-Head, Flanged Lock, 5/16-18.....	13
		For latch plate and prop rod components, see page 1-9.	

1
G

1
G

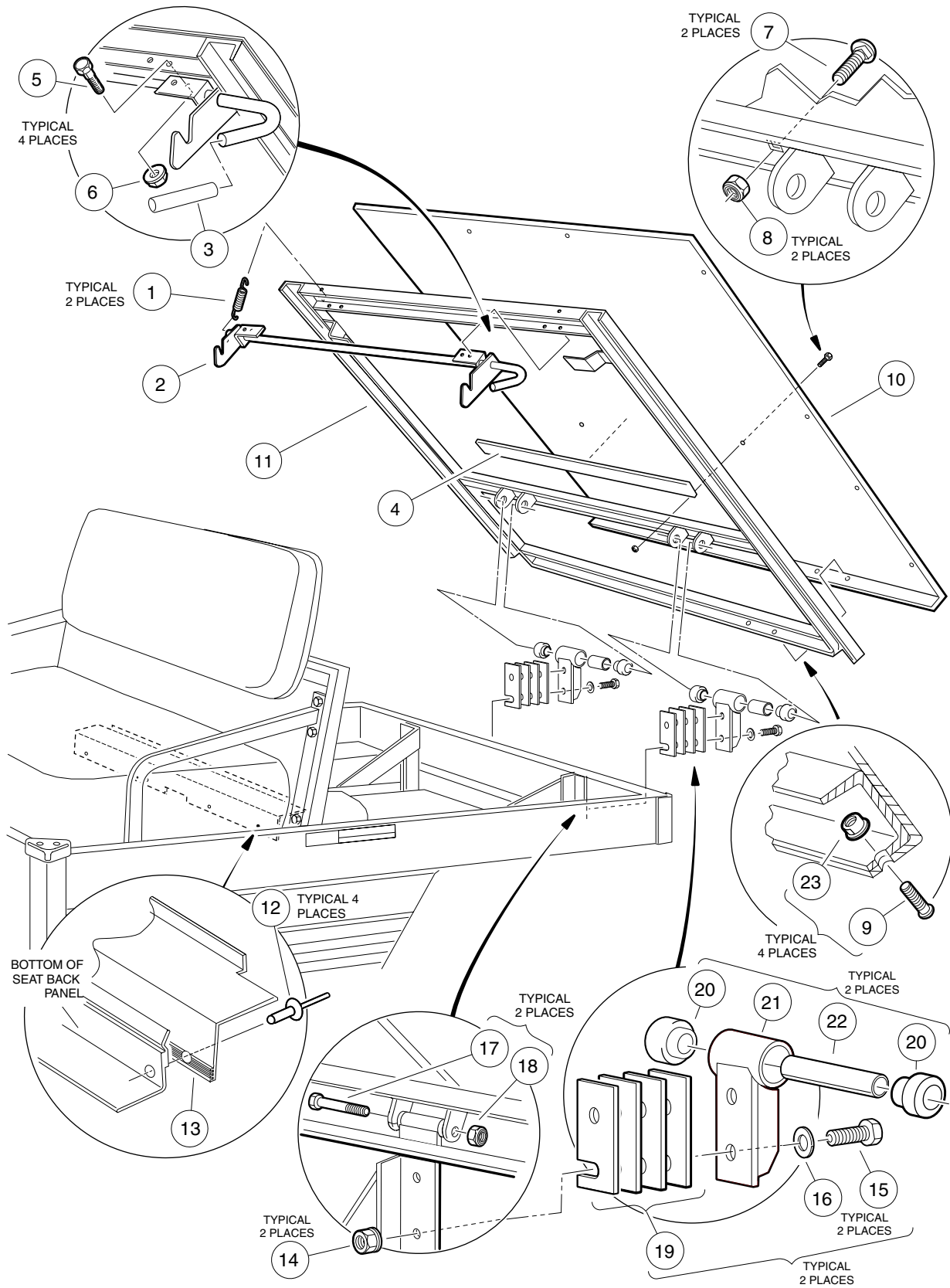


CARGO BOX – PIONEER 1200 VEHICLES

ITEM	PART NO.	DESCRIPTION	QTY
		1 2 3 4	
	102230601	Kit, Steel Box (includes items 1 - 28)	1
1	102221301	Assembly, Front Panel (includes item 2)	1
2	101553901	Decal, Bed Load	1
3	102221401	Assembly, Side Panel, Driver-Side	1
4	102221501	Assembly, Side Panel, Passenger-Side	1
5	1015399	Screw, Torx Truss-Head, 5/16-18 x 7/8	18
6	101963401	Nut, Hex-Head, Flanged Lock, 5/16-18	20
7	1010435	Bolt, Carriage, 5/16-18 x 1	2
8	332	Washer, Flat, Type A, 1/4	4
9	102222001	Latch, Slam	2
10	1010436	Bumper	4
11	102229901	Assembly, Tailgate (includes items 12 - 20)	1
12	102234901	Decal, Club Car Tailgate	1
13	102222101	Spring Latch, Driver-Side	1
14	102222201	Spring Latch, Passenger-Side	1
15	8419	Screw, Torx Truss-Head, 1/4-20 x 5/8	4
16	332	Washer, Flat, Type A, 1/4	4
17	8233	Nut, Nylon Lock, 1/4-20	4
18	102221801	Tether	2
19	1013366	Pin, Hair Spring Cotter	4
20	102234801	Decal, Pioneer Tailgate	1
21	101894304	Kit, Tailgate Angle	1
22	1014537	Stud, Flush Head	4
23	101963401	Nut, Flanged Lock, 5/16-18	4
24	1014415	Screw, Torx Truss-Head, 1/4-20 x 3/4	8
25	1014306	Washer, Flat, Type B, 1/4	4
26	8233	Nut, Nylon Lock, 1/4-20	4
27	102221701	Cap, Front Corner	2
28	102239901	Washer, Rubber, 3/8	4

1
G

1
G



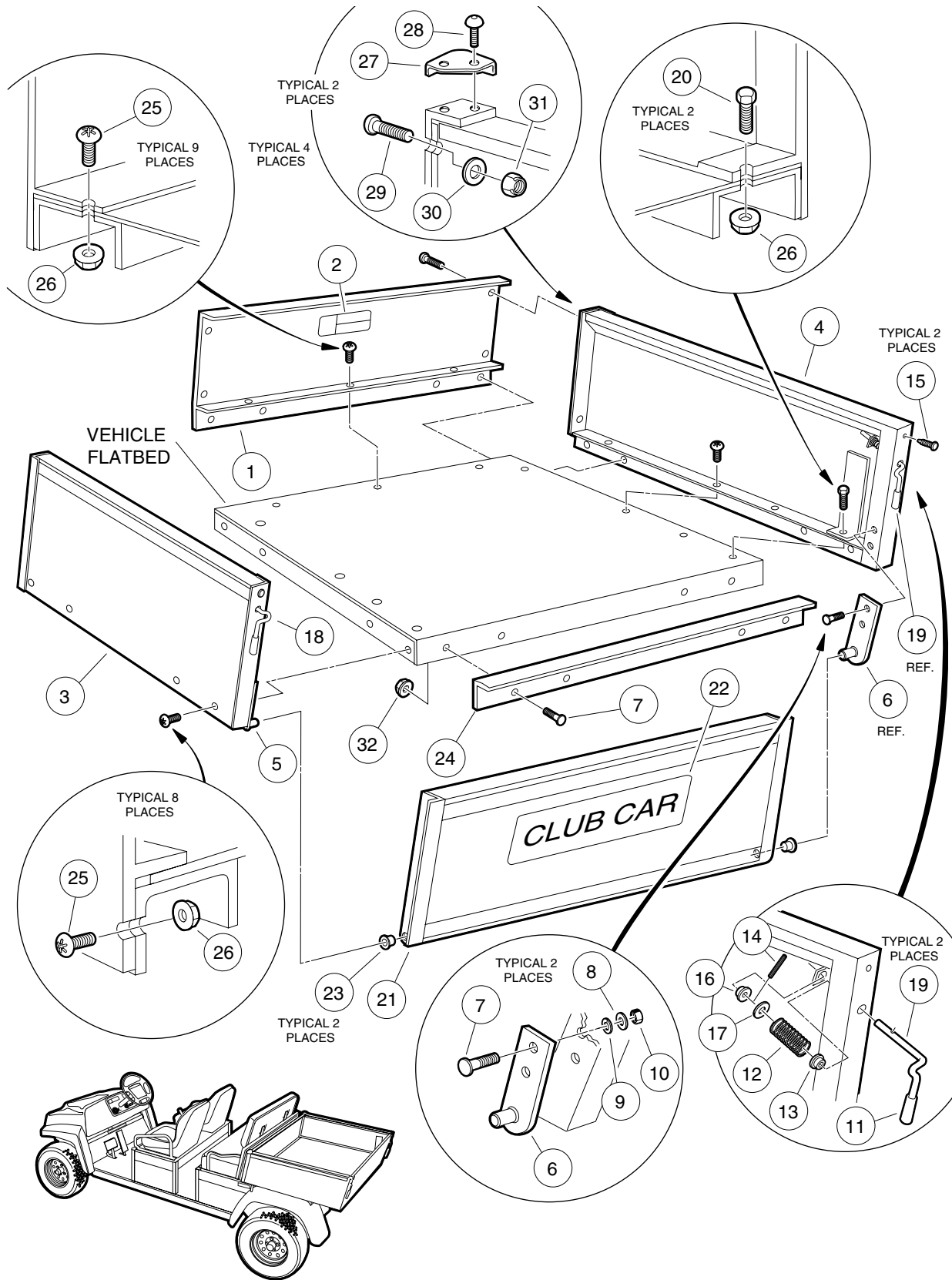
TILT BED, HINGE AND LATCH – PIONEER 1200 SE VEHICLES

ITEM	PART NO.	DESCRIPTION	QTY
		1 2 3 4	
	*****	Assembly, Tilt Bed And Latch, Pioneer 1200 SE (includes items 1 - 11)	1
1	1015391	Spring, Latch Extension	2
2	102335001	Assembly, Latch Weld	1
3	1015400	Hand Grip, Tilt Latch	1
4	1014471	Insulation, Bulk (42 inches long)	A/R
5	403	Screw, Hex-Head Cap, 1/4-20 x 5/8	4
6	101835601	Nut, Flanged Lock, 1/4-20	4
7	1010435	Bolt, Carriage, 5/16-18 x 1	2
8	7473	Nut, Nylon Lock, 5/16-18	2
9	1015399	Screw, Torx Truss-Head, 5/16-18 x 3/4	4
10	N/A	Plate, Floor	1
11	N/A	Assembly, Frame Weldment, Tilt Bed	1
12	7532	Rivet, 5/16	4
13	1017976	Seal, Bed	1
14	102065901	Nut, Dimpled Flange Lock, 3/8-16	4
15	705	Screw, Hex-Head Cap, 3/8-16 x 1-1/4	4
16	102066001	Washer, Flat, Type B, 3/8	4
17	8755	Screw, Hex-Head Cap, 3/8-16 x 3-3/8	2
18	8754	Nut, Nylon Lock, 3/8-16	2
19	1015507	Shim, Tilt Bed Pivot	A/R
20	1015583	Bushing, Urethane	4
21	1015356	Assembly, Tilt Bed Hinge Weld	2
22	1012303	Bushing, Steel	2
23	101963401	Nut, Hex-Head, Flanged Lock, 5/16-18.....	4
	*****	Special order item available upon request.	
		For latch plate components, see page 1-9.	

1

G

1
G

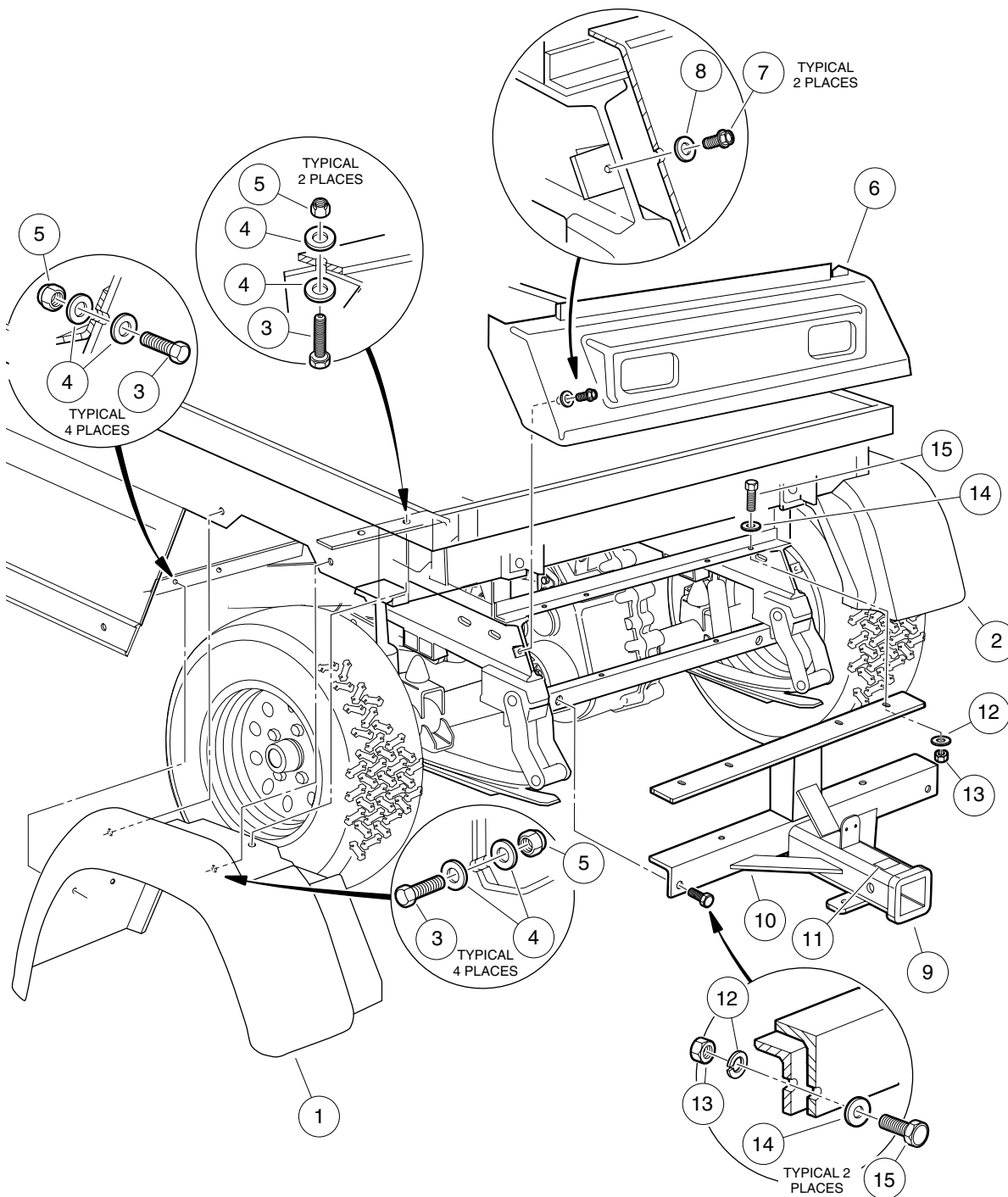


CARGO BOX – PIONEER 1200 SE VEHICLES

ITEM	PART NO.	DESCRIPTION	QTY
		1 2 3 4	
	1015606	Kit, Cargo Box (includes items 1 - 32)	1
1	1015413	Assembly, Front Panel (includes item 2)	1
2	101553901	Decal, Bed Load	1
3	1015367	Assembly, Side, Panel, Driver-Side (includes items 5 and 7 - 18)	1
4	1015365	Assembly, Side, Panel, Passenger-Side (includes items 6 - 17 and 19)	1
5	1014513	Bracket, Tailgate, Driver-Side	1
6	1014514	Bracket, Tailgate, Passenger-Side	1
7	1014537	Stud, Flush Head	8
8	1241	Washer, Flat, 5/16	4
9	7174	Washer, Lock, 5/16	4
10	1242	Nut, Hex, 5/16-18	4
11	1015400	Grip, Hand	2
12	1015390	Spring, Compression	2
13	1032	Bushing, Nylon	2
14	1231	Roll Pin, 1/8 x 1	2
15	1010434	Barrel, Plastic (black)	2
16	1015363	Bushing	2
17	1011990	Washer, Flat, 3/8	2
18	1015313	Latch, Driver-Side	1
19	1015245	Latch, Passenger-Side	1
20	1010934	Screw, Hex-Head Cap, 5/16-18 x 1	2
21	1015414	Assembly, Tailgate (includes item 22)	1
22	1013317	Decal, Club Car Tailgate	2
23	7049	Bushing, Nylon	2
24	101894701	Kit, Tailgate Angle	1
25	1015399	Screw, Torx Truss-Head, 5/16-18 x 3/4	17
26	101963401	Nut, Hex-Head, Flanged Lock, 5/16-18	19
27	1014387	Cap, Corner	2
28	1014321	Screw, Torx Truss-Head, #10-24 x 3/8	4
29	1014415	Screw, Torx Truss-Head, 1/4-20 x 3/4	4
30	332	Washer, Flat, 1/4	4
31	8233	Nut, Nylon Lock, 1/4-20	4
32	101963401	Nut, Flange Lock, 5/16-18	4

1
G

1
G



REAR BODY TRIM

ITEM	PART NO.	DESCRIPTION	QTY
		1 2 3 4	
1	102251701	Fender, Rear, Driver-Side	1
2	102251601	Fender, Rear, Passenger-Side	1
3	304	Screw, Hex-Head Cap, 1/4-20 x 1	10
4	1014306	Washer, Flat, 1/4	20
5	8233	Nut, Nylon Lock, 1/4-20	10
6	1015530	Tailskirt	1
7	1012285	Screw, Thread-Rolling, 1/4-20 x 5/8	2
8	332	Washer, Flat, Type A, 1/4	2
9	102065103	Kit, Rear Receiver (includes items 10 - 15)	1
10	102056001	Hitch, Receiver, 2-Inch	1
11	1011553	Decal, Trailer Hitch	1
12	7174	Washer, Lock, 5/16	6
13	1242	Nut, Hex, 5/16-18	6
14	1241	Washer, Flat, 5/16	6
15	1010934	Screw, Hex-Head Cap, 5/16-18 x 1	6

1

G

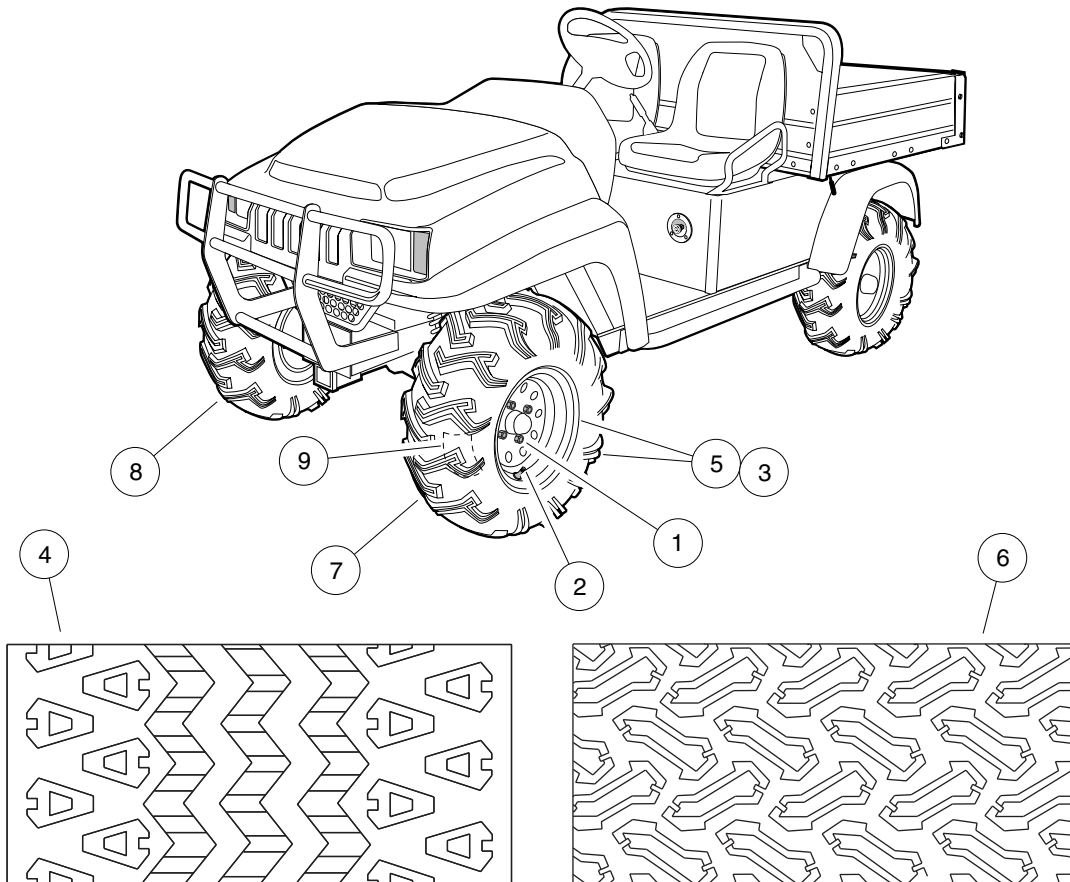
1

G

WHEELS AND TIRES

2

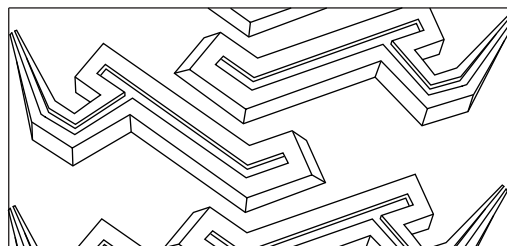
G



ALL TERRAIN
TREAD

TURF
TREAD

DIRECTION
OF FORWARD
ROTATION
↓



TRAKS MAX
TREAD

WHEELS AND TIRES

ITEM	PART NO.	DESCRIPTION	QTY
		1 2 3 4	
1	1010984	Nut, Lug	16
2	7310	Stem, Valve *	1
3	102021402	Assembly, Wheel (gray) and Tire, All Terrain Tread, 4-Ply Rated (23 x 10.50 - 12) (All Trail) (includes item 4)	4
4	****	Tire, Unmounted, All Terrain Tread (23 x 10.50 - 12) (All Trail)	1
5	102021401	Assembly, Wheel (gray) and Tire, Turf Tread, 4-Ply Rated (23 x 10.50 - 12) (Turf Mate) (includes item 6)	4
6	****	Tire, Unmounted, Turf Tread (23 x 10.50 - 12) (Turf Mate)	1
7	102243003	Assembly, Wheel (gray) and Tire (driver side) Traks Max II Tread, 4-Ply Rated (23 x 12.50 - 10) (includes item 9)	2
8	102243004	Assembly, Wheel (gray) and Tire (passenger side) Traks Max II Tread, 4-Ply Rated (23 x 12.50 - 10) (includes item 9)	2
9	102234001	Decal, Brake Warning	1
		* Note: Item 2 is a part of all wheel assemblies.	
	****	Special order item available upon request.	

2

G

2

G

DECALS

3

G

⚠ WARNING

ROLLOVER OR FALLING OFF MAY CAUSE DEATH

- Read operators manual and operating instructions.
- Remain seated and hold on to seat handle while moving.
- Drive slowly in turns and straight up and down slopes.
- Do not start vehicle until all occupants are seated.
- One (1) person per seat maximum.
- Operate from driver side only and not on public roads.
- Keep entire body inside vehicle while moving.
- Do not operate while under the influence of alcohol or drugs.
- Never attempt jumps.

CCI 102029101

OPERATING INSTRUCTIONS

- Read owner's manual and safety warnings located on dash panel prior to driving.
- Study and understand controls.

TO START ENGINE

- Place shift lever in "N" - Neutral position.
- Depress brake pedal.

• Turn key switch to "START" position and hold, activating the choke as necessary, until engine starts.

TO OPERATE VEHICLE

- Make sure wheels are turned in desired direction.
- Be sure nothing is in your path.

• While vehicle is stopped, select vehicle direction by placing shift lever in desired position.

F - Forward N - Neutral R - Reverse (Buzzer will sound)

- Release hand brake.
- Slowly push accelerator pedal to increase speed.
- Accelerator pedal must be released to move shift lever.

TO STOP VEHICLE

- Release accelerator pedal and push brake pedal.
- After stopping, firmly set hand brake.
- Turn key to "OFF" position, remove key and place shift lever in straight up neutral position when not in use.

CCI 102224301

⚠ WARNING

UNDER 16

YOUNG DRIVERS INCREASE CHANCE OF DEATH

- Young drivers may not be able to control vehicle.
- No drivers younger than 16 years old.
- Do not leave children unattended on vehicle.

CCI 102044601

⚠ WARNING

Riding in cargo bed can cause severe injury or death. Do not ride in cargo bed.

CCI 1015539-01

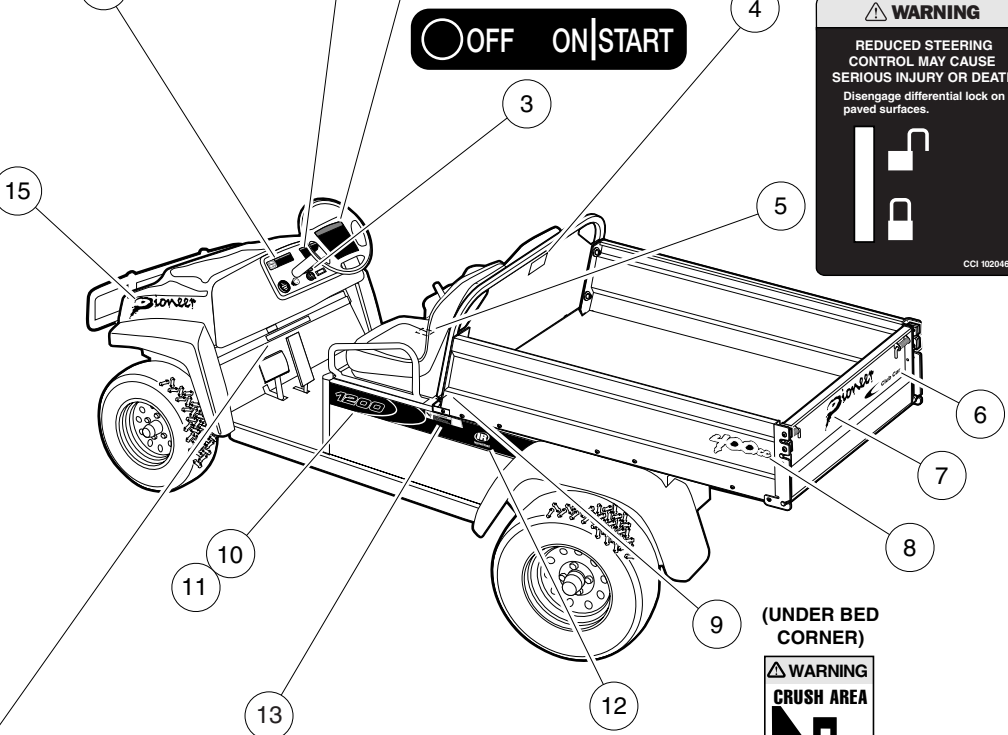
⚠ WARNING

REDUCED STEERING CONTROL MAY CAUSE SERIOUS INJURY OR DEATH

Disengage differential lock on paved surfaces.



CCI 102046601



OFF ON/START

⚠ WARNING

Crush area. Can cause severe injury. Stay clear when closing bed.

LATCH

CCI 1015437-01



(UNDER BED CORNER)

⚠ WARNING

CRUSH AREA



STAY CLEAR

CCI 1016094-01

VEHICLE LOADING

Read Owner's Manual and warnings on dash.

- Vehicle rated capacity - 1200 lbs. on level surface only. Weight to include passengers, cargo bed load, and gross trailer weight. See Owner's Manual.
- Maximum cargo load - 800 lbs. Weight to include cargo bed load and gross trailer weight.
- Maximum trailer hitch tongue weight - 150 lbs.

- Cargo should be evenly spread over the floor of the cargo bed as far forward as possible and secured.
 - For vehicle stability, when fully loaded, drive slowly and avoid stopping on or backing down steep hills.
 - Avoid top heavy loads. See Owner's Manual.
 - When driving on uneven terrain or down steep hills, reduce speed and load.
- CCI 1019602-01

DECALS – PIONEER 1200 VEHICLES

ITEM	PART NO.	DESCRIPTION	QTY
		1 2 3 4	
1	102029101	Decal, Driver/Passenger Warning	1
2	102224301	Decal, Operating Instructions	1
3	101825102	Decal, Key Switch	1
4	101553901	Decal, Bed Load Warning	1
5	102046601	Decal, Differential Lock Control Warning	1
6	102234901	Decal, Club Car Tailgate	1
7	102234801	Decal, Pioneer Tailgate	1
8	102274701	Decal, 400 cc (FE400 engine vehicles only)	2
9	101609401	Decal, Crush Area Warning	2
10	102228501	Decal, Pioneer 1200 (driver side) (includes items 12 and 13)	1
11	102227801	Decal, Pioneer 1200 (passenger side) (includes item 12)	1
12	N/A	Decal, Ingersoll-Rand	1
13	N/A	Decal, Bed Latch Warning	1
14	101960201	Decal, Vehicle Loading	1
15	102228201	Decal, Pioneer	2
16	102044601	Decal, Under Age Warning	1

3
G

WARNING

- GASOLINE EXPLOSION / FIRE.
- CAN CAUSE SEVERE INJURY OR DEATH.
- NO SMOKING, SPARKS, OR OPEN FLAME.
- STOP ENGINE. ALLOW TO COOL BEFORE REFUELING.
- TURN FUEL VALVE () ON DURING OPERATION.
- () OFF DURING STORAGE OR TRANSPORT.

CCI 1015476-01

(ON PASSENGER-SIDE SEAT SUPPORT)

WARNING

Rotating Parts

CCI 102224001

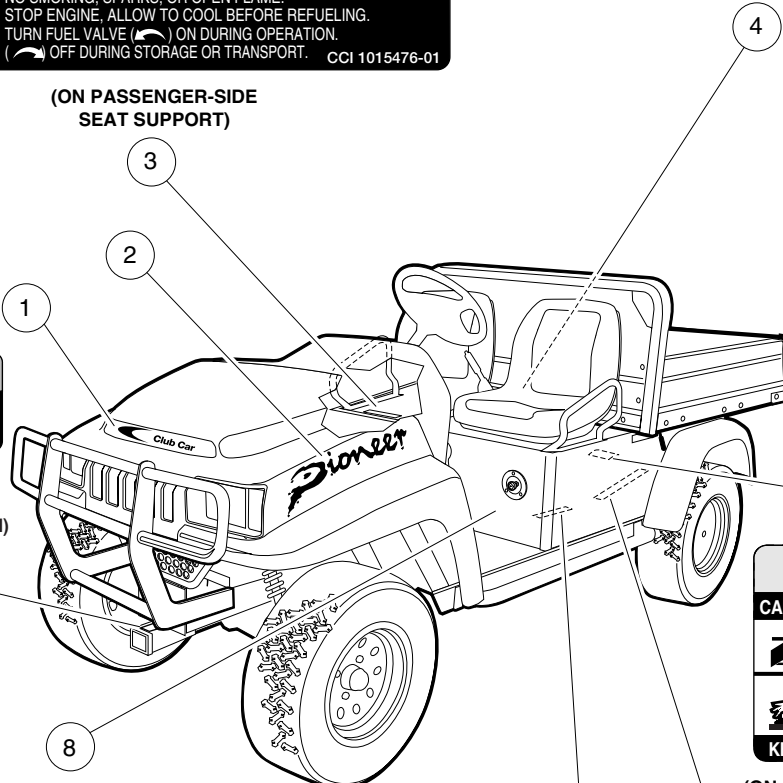
(ON PASSENGER-SIDE REAR FENDER)

NOTICE

MAXIMUM TONGUE WEIGHT - 150 lbs.

CCI 1011553

(ON FRONT RECEIVER HITCH AND REAR RECEIVER TRAILER HITCH)



WARNING

CAN CAUSE SEVERE INJURY

Rotating parts

HOT manifold & muffler

KEEP CLEAR

CCI 1019605-01

(ON STARTER/GENERATOR AND ENGINE)

WARNING

WINCH CABLE FRACTURE COULD RESULT IN SERIOUS INJURY OR DEATH.

- Do not use winch while persons are seated on the vehicle.
- Use remote operation switch for winch control.
- Stand to the side and away from the vehicle to operate winch.
- Read winch operator manual before operating winch.

CCI 102231601

(FOR VEHICLES WITH WINCH ACCESSORY)

(ON SEAT SUPPORT PANEL)

(ON FRAME ABOVE DIODE)

WARNING

INCORRECT WIRING COULD RESULT IN SEVERE INJURY OR DEATH.

- Diode and solenoid connections must have correct polarity.
- Keep all persons clear of engine belts when making final connections.

CCI 102345901

(ON FRAME NEXT TO BATTERY)

	<p>WARNING</p> <p>Negative frame ground. Can cause severe injury. Do not contact positive (+) battery post or cable to frame. Disconnect negative battery lead first.</p>		<p>WARNING</p> <p>Excessive speed. Can cause severe injury or death. Do not tamper with engine governor adjustment.</p> <p>CCI 1019152-01</p>
--	--	--	--

DECALS, CONTINUED – PIONEER 1200 VEHICLES

ITEM	PART NO.	DESCRIPTION	QTY
		1 2 3 4	
1	102228001	Decal, Club Car	1
2	102228201	Decal, Pioneer	2
3	101547601	Decal, Gasoline Warning	1
4	102224001	Decal, Rotating Parts	1
5	101960501	Decal, Rotating Parts and Hot Manifold	2
6	101915201	Decal, Frame Ground	1
7	102345901	Decal, Diode Wiring	1
8	102231601	Decal, Winch Cable Warning	1
9	1011553	Decal, Trailer Hitch	2

3
G

⚠ WARNING

ROLLOVER OR FALLING OFF MAY CAUSE DEATH

- Read operators manual and operating instructions.
- Remain seated and hold on to seat handle while moving.
- Drive slowly in turns and straight up and down slopes.
- Do not start vehicle until all occupants are seated.
- Front seats: One (1) person per seat maximum.
- Operate from driver side only and not on public roads.
- Keep entire body inside vehicle while moving.
- Do not operate while under the influence of alcohol or drugs.
- Never attempt jumps.

CCI 102029101

OPERATING INSTRUCTIONS

- Read owner's manual and safety warnings located on dash panel prior to driving.
- Study and understand controls.

TO START ENGINE

- Place shift lever in "N" - Neutral position.
- Depress brake pedal.

- Turn key switch to "START" position and hold, activating the choke as necessary, until engine starts.

TO OPERATE VEHICLE

- Make sure wheels are turned in desired direction.
- Be sure nothing is in your path.

- While vehicle is stopped, and the engine is at idle, select vehicle direction by placing shift lever in desired position.

F - Forward N - Neutral R - Reverse (Buzzer will sound)

- Release hand brake.
- Slowly push accelerator pedal to increase speed.
- Engine must be at idle before moving shift lever.

TO STOP VEHICLE

- Release accelerator pedal and push brake pedal.
- After stopping, firmly set hand brake.
- Turn key to "OFF" position, remove key and place shift lever in straight up neutral position when not in use.

CCI 102224301

⚠ WARNING

REDUCED STEERING CONTROL MAY CAUSE SERIOUS INJURY OR DEATH

Disengage differential lock on paved surfaces.

CCI 102046601

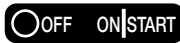
⚠ WARNING

YOUNG DRIVERS INCREASE CHANCE OF DEATH

UNDER 16

- Young drivers may not be able to control vehicle.
- No drivers younger than 16 years old.
- Do not leave children unattended on vehicle.

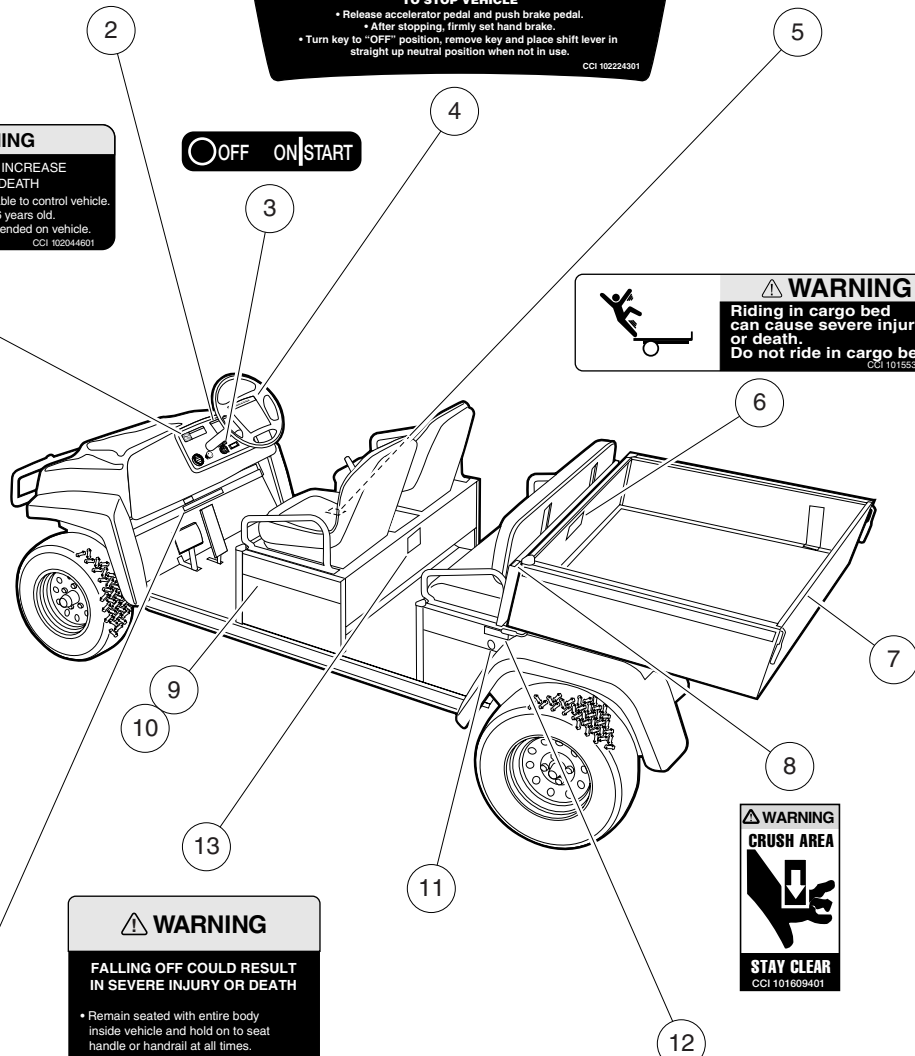
CCI 102044601



⚠ WARNING

Riding in cargo bed can cause severe injury or death. Do not ride in cargo bed.

CCI 101253901



⚠ WARNING

FALLING OFF COULD RESULT IN SEVERE INJURY OR DEATH

- Remain seated with entire body inside vehicle and hold on to seat handle or handrail at all times.
- Two (2) persons per bench seat maximum.
- One (1) person per bucket seat maximum.
- Do not leave children unattended on vehicle at anytime.
- Never stand in front of or behind vehicle.

CCI 10199401

⚠ WARNING

CRUSH AREA

STAY CLEAR

CCI 101609401

⚠ WARNING

Crush area. Can cause severe injury. Stay clear when closing bed.

LATCH OPEN

VEHICLE LOADING

Read Owner's Manual and warnings on dash.

- Vehicle rated capacity - 1300 lbs. on level surface only. Weight to include passengers, cargo bed load, and gross trailer weight. See owner's manual.
- Maximum cargo load - 500 lbs. Weight to include cargo bed load and gross trailer weight.
- Maximum trailer hitch tongue weight - 150 lbs.
- Cargo should be evenly spread over the floor of the cargo bed as far forward as possible and secured.
- For vehicle stability, when fully loaded, drive slowly and avoid stopping on or backing down steep hills.
- Avoid top heavy loads. See owner's manual.
- When driving on uneven terrain or down steep hills, reduce speed and load.

CCI 102274301

DECALS, CONTINUED – PIONEER 1200 SE VEHICLES

ITEM	PART NO.	DESCRIPTION	QTY
		1 2 3 4	
1	102044601	Decal, Under Age Warning	1
2	102029101	Decal, Driver/Passenger Warning	1
3	101825102	Decal, Key Switch	1
4	102224301	Decal, Operating Instructions	1
5	102046601	Decal, Differential Lock Control Warning	1
6	101553901	Decal, Bed Load Warning	1
7	102234901	Decal, Club Car Tailgate	1
8	101609401	Decal, Crush Area Warning	2
9	102334601	Decal, Pioneer 1200 SE (driver side) (includes items 11 and 12)	1
10	102334501	Decal, Pioneer 1200 SE (passenger side) (includes item 11)	1
11	N/A	Decal, Ingersoll-Rand	1
12	N/A	Decal, Bed Latch Warning	1
13	101705701	Decal, Passenger Warning	1
14	102274301	Decal, Vehicle Loading	1

3
G

WARNING

- GASOLINE EXPLOSION / FIRE.
- CAN CAUSE SEVERE INJURY OR DEATH.
- NO SMOKING, SPARKS, OR OPEN FLAME.
- STOP ENGINE, ALLOW TO COOL BEFORE REFUELING.
- TURN FUEL VALVE (↔) ON DURING OPERATION.
- (↔) OFF DURING STORAGE OR TRANSPORT.

CCI 101547601

(ON PASSENGER SIDE SEAT SUPPORT)

WARNING

CAN CAUSE SEVERE INJURY

Rotating parts

HOT
manifold & muffler

KEEP CLEAR CCI 1019605-01

(ON STARTER/GENERATOR AND ENGINE)

WARNING

Rotating Parts

CCI 10224001

(TOP OF PASSENGER SIDE FENDER)

NOTICE

MAXIMUM TONGUE WEIGHT - 150 lbs.

CCI 1011553

(ON FRONT AND REAR RECEIVER HITCHES)

WARNING

WINCH CABLE FRACTURE COULD RESULT IN SERIOUS INJURY OR DEATH.

- Do not use winch while persons are seated on the vehicle.
- Use remote operation switch for winch control.
- Stand to the side and away from the vehicle to operate winch.
- Read winch operator manual before operating winch.

SVP146301

(ON SEAT SUPPORT PANEL)

WARNING

INCORRECT WIRING COULD RESULT IN SEVERE INJURY OR DEATH.

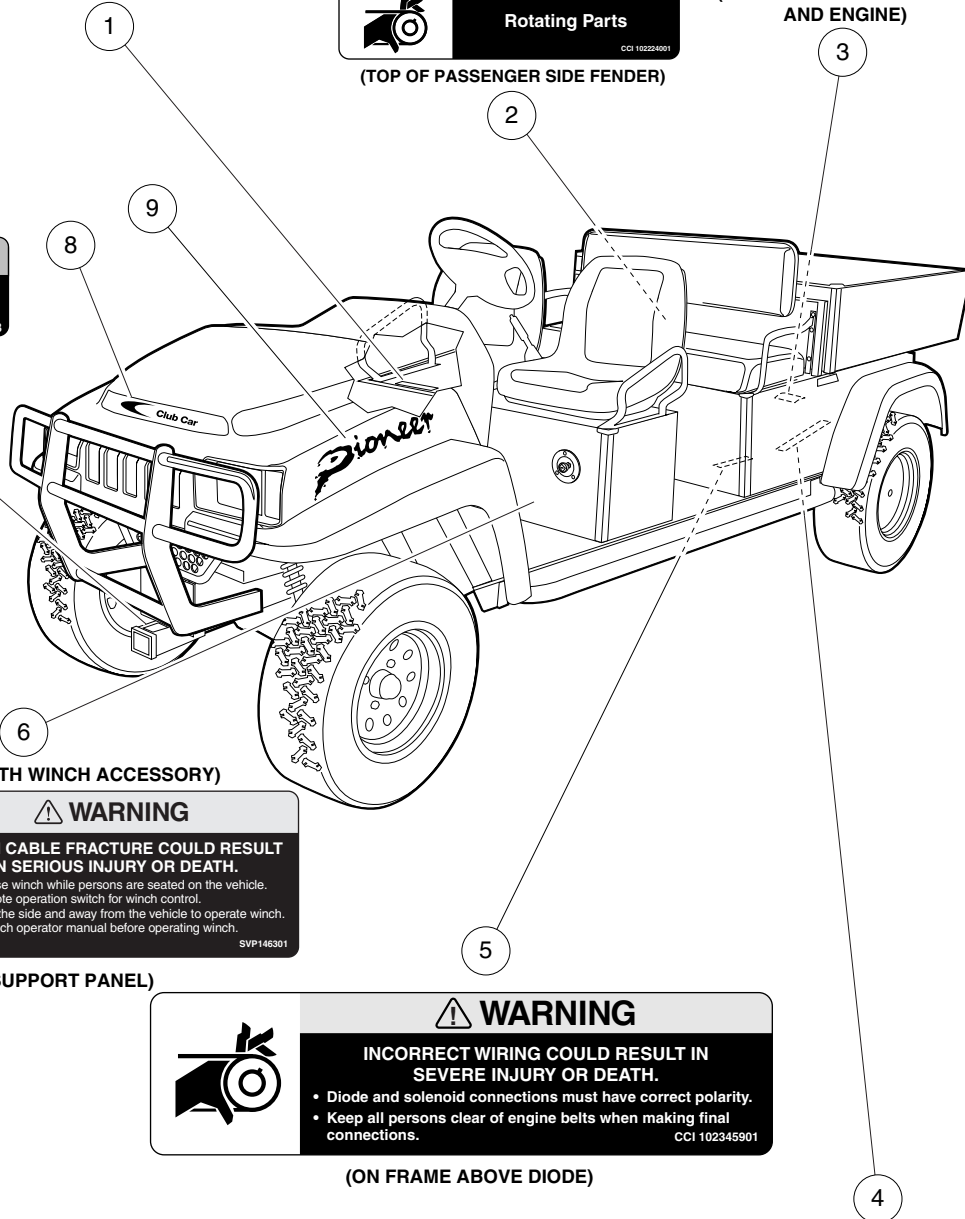
- Diode and solenoid connections must have correct polarity.
- Keep all persons clear of engine belts when making final connections.

CCI 102345901

(ON FRAME ABOVE DIODE)

	<p>WARNING</p> <p>Negative frame ground. Can cause severe injury. Do not contact positive (+) battery post or cable to frame. Disconnect negative battery lead first.</p>		<p>WARNING</p> <p>Excessive speed. Can cause severe injury or death. Do not tamper with engine governor adjustment.</p> <p>CCI 1019152-01</p>
--	--	--	--

(ON FRAME)



DECALS, CONTINUED – PIONEER 1200 SE VEHICLES

ITEM	PART NO.	DESCRIPTION	QTY
		1 2 3 4	
1	101547601	Decal, Gasoline Warning	1
2	102224001	Decal, Rotating Parts	1
3	101960501	Decal, Rotating Parts and Hot Manifold	2
4	101915201	Decal, Frame Ground	1
5	102345901	Decal, Diode Wiring	1
6	102231601	Decal, Winch Cable Warning	1
7	1011553	Decal, Trailer Hitch	2
8	102228001	Decal, Club Car	1
9	102228201	Decal, Pioneer	2

3
G

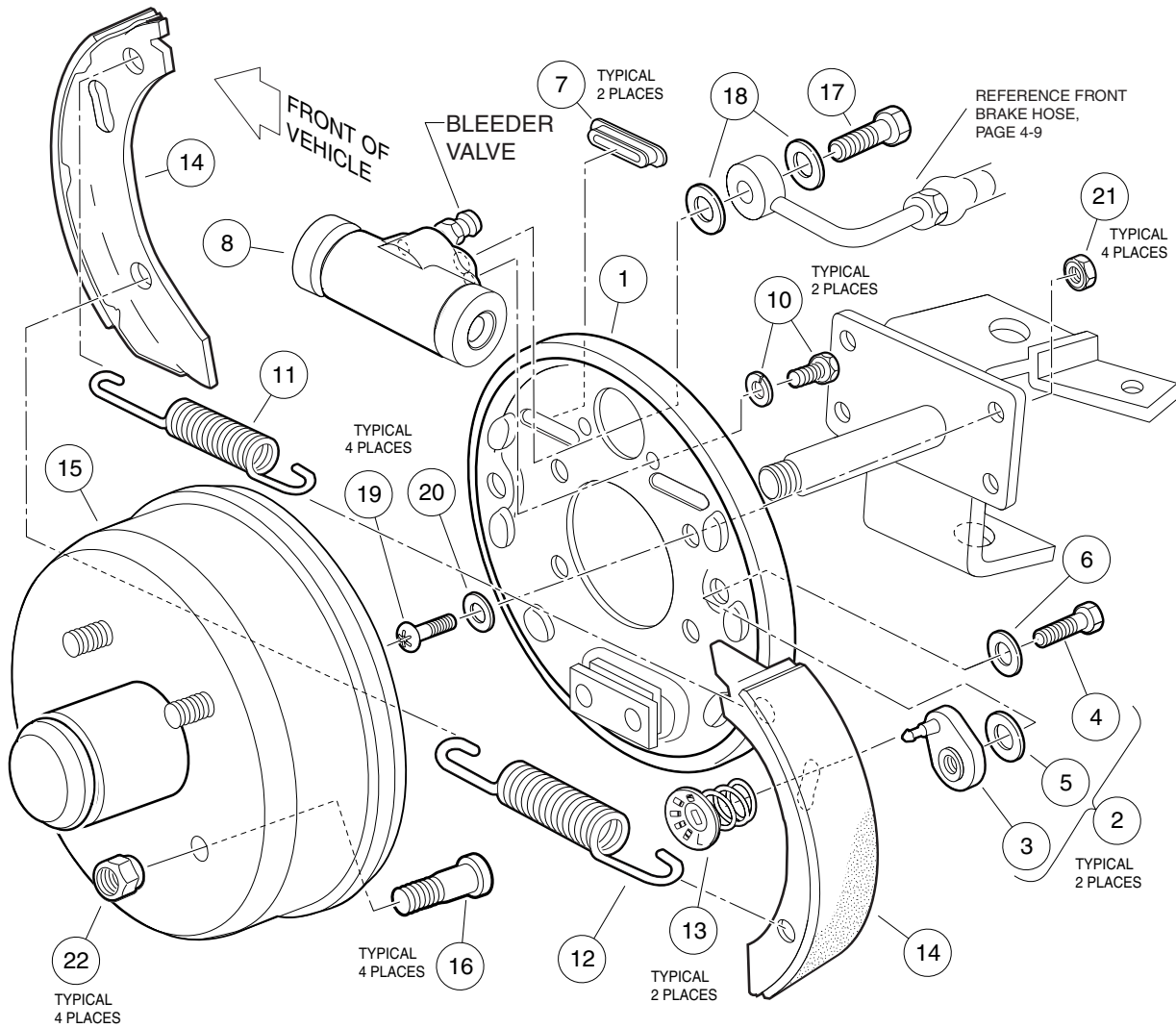
3

G

BRAKE SYSTEMS

4

G

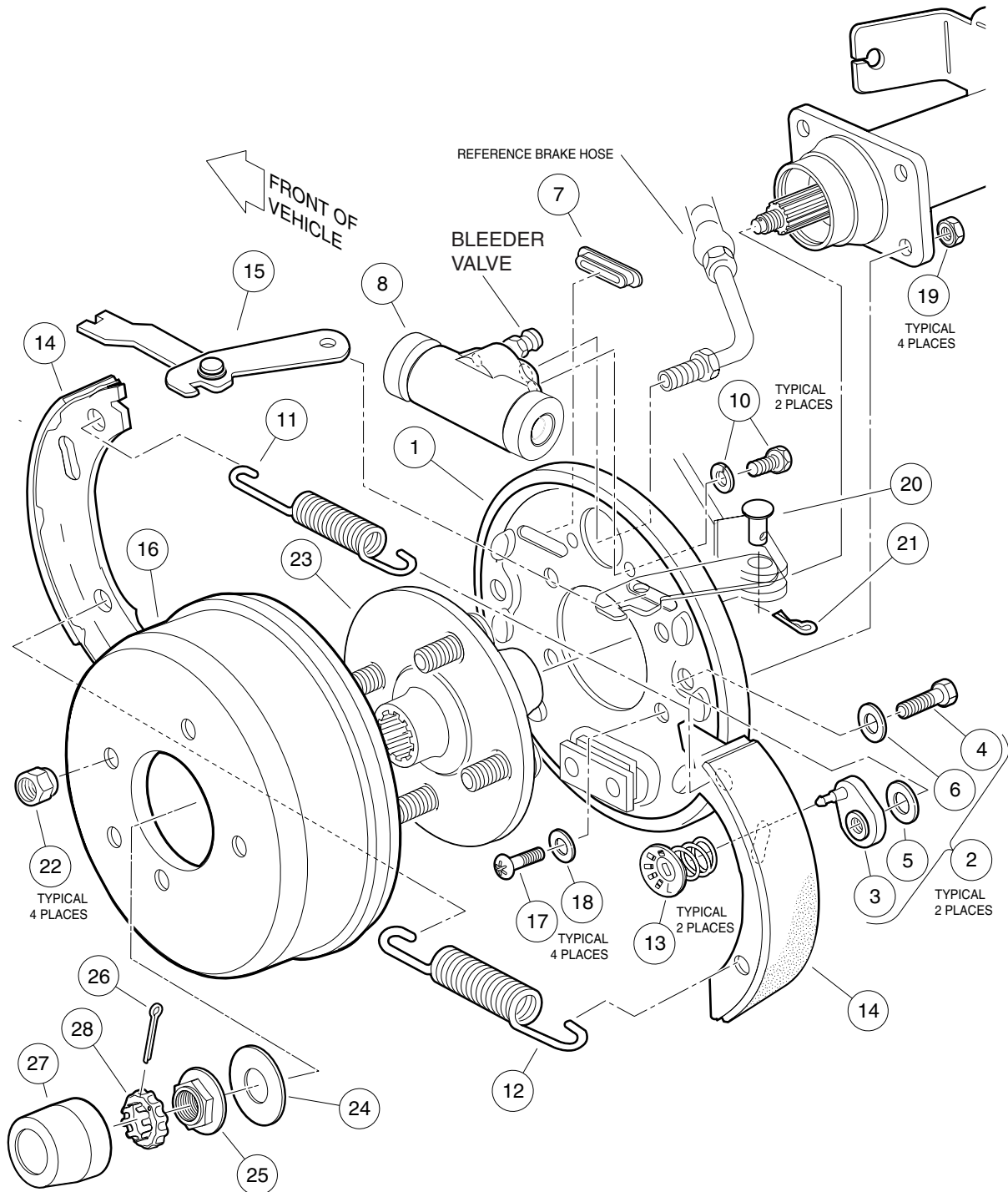


FRONT BRAKE ASSEMBLY

ITEM	PART NO.	DESCRIPTION	QTY
		1 2 3 4	
	102033301	Cluster, Brake (includes items 1 - 14)	2
1	102049401	Plate, Backing	1
2	102049601	Kit, Adjuster, Axle (one kit will service both front brakes) (includes items 3 - 7).....	1
3	102049501	Assembly, Adjuster Lever	4
4	102049901	Bolt, 1/4-28 x .31	4
5	102050001	Washer, Bellville	4
6	N/A	Washer, Flat	4
7	102050101	Cover, Dust	4
8	102050301	Cylinder, Wheel, 5/8	1
9	102049701	Kit, Axle Hardware (not shown) (includes items 10 - 13)	1
10	102050401	Bolt, Wheel Cylinder, Self-Locking, M6 x 1	2
11	102050601	Spring, Shoe to Shoe (upper)	1
12	102050501	Spring, Shoe to Shoe (lower)	1
13	102050701	Hold-down, Shoe	2
14	102050201	Kit, Hydraulic Shoe (BPI 4070) (four shoes per kit)	1
15	102044201	Assembly, Brake Drum and Hub (includes item 16)	2
16	1013787	Stud, Lug, 1/2-20	4
17	102044401	Bolt, Banjo, 3/8-24	2
18	102045501	Washer, Copper	4
19	102051001	Screw, Torx Pan-Head, 5/16-24 x 1	8
20	1017233	Washer, Flat, 5/16	8
21	1013924	Nut, Hex-Head Lock, Grade 8, 5/16-24	8
22	1010984	Nut, Lug	8

4

G



REAR BRAKE ASSEMBLY

ITEM	PART NO.	DESCRIPTION	QTY
		1 2 3 4	
	102033401	Assembly, Brake, Driver-Side (includes items 1 - 15)	1
	102033501	Assembly, Brake, Passenger-Side (includes items 1 - 15)	1
1	102049401	Plate, Backing	1
2	102049601	Kit, Adjuster, Axle (one kit will service both rear brakes) (includes items 3 - 7)	1
3	102049501	Lever, Adjuster	4
4	102049901	Bolt, 1/4-28 x .31	4
5	102050001	Washer, Bellville	4
6	N/A	Washer, Flat	4
7	102050101	Cover, Dust	4
8	102050801	Cylinder, Wheel, 7/8	1
9	102049701	Kit, Axle Hardware (not shown) (includes items 10 - 13)	1
10	102050401	Bolt, Wheel Cylinder, Self-Locking, M6 x 1	2
11	102050601	Spring, Shoe to Shoe (upper)	1
12	102050501	Spring, Shoe to Shoe (lower)	1
13	102050701	Hold-Down, Shoe	2
14	102050201	Kit, Hydraulic Shoe (BPI 4070) (four shoes per kit)	1
15	102050901	Lever, Park Brake, Passenger-Side	1
15	102050902	Lever, Park Brake, Driver-Side	1
16	102264701	Drum, Brake	1
17	102051001	Screw, Torx Pan-Head, 5/16-24 x 1	8
18	1017233	Washer, Flat, 5/16	8
19	1013924	Nut, Hex-Head Lock, Grade 8, 5/16-24	8
20	1010829	Pin, Clevis, 5/16	2
21	1013366	Pin, Hair Spring Cotter	2
22	1010984	Nut, Lug	8
23	102269101	Flange, Wheel Bolt.....	2
24	102269301	Washer, Flat	2
25	102269201	Nut, Washer	2
26	101838801	Pin, Cotter	2
27	102274101	Cap, Rubber Center	2
28	102276001	Cap, Locking	2

4

G

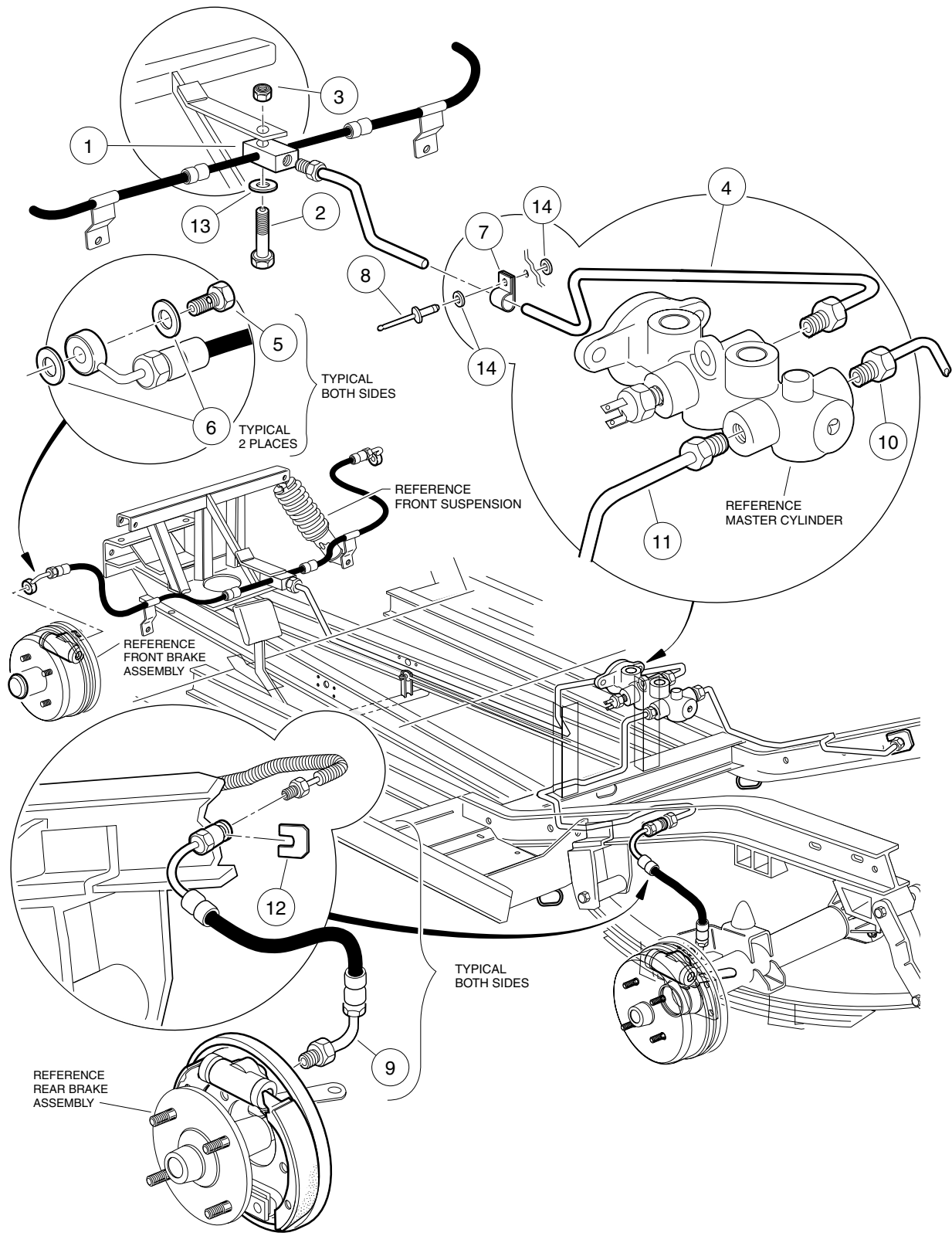
MASTER CYLINDER

ITEM	PART NO.	DESCRIPTION	QTY
		1 2 3 4	
1	102033201	Assembly, Master Cylinder (includes items 2 - 5)	1
2	102051101	Boot	1
3	102051201	Rod, Push	1
4	102051301	Switch, Pressure	1
5	102051401	Cap, Filler	1
6	102054201	Crank, Bell (includes items 7 - 11)	1
7	N/A	Pin, Clevis, 3/8 x 1 5/16	2
8	N/A	Pin, Bow Tie, Locking	2
9	N/A	Pin, Clevis, 1/2 x 2 1/2	1
10	N/A	Pin, Bow Tie, Locking, .120 x 2.750	1
11	N/A	Spacer (Not interchangeable with spacer 102057801)	1
12	1010934	Screw, Hex-Head Cap, 5/16-18 x 1	6
13	7473	Nut, Nylon Lock, 5/16.....	6
14	1241	Washer, Flat, Type A 5/16	4
15	101806102	Clevis, Rod	1
16	101953105	Rod, Equalizer	1
17	1013531	Spring, Brake Pedal Return	1
18	102054401	Bracket, Master Cylinder Mounting	1
19	102339201	Plug, 3/8-24 (Pioneer 1200 SE only)	1

4

G

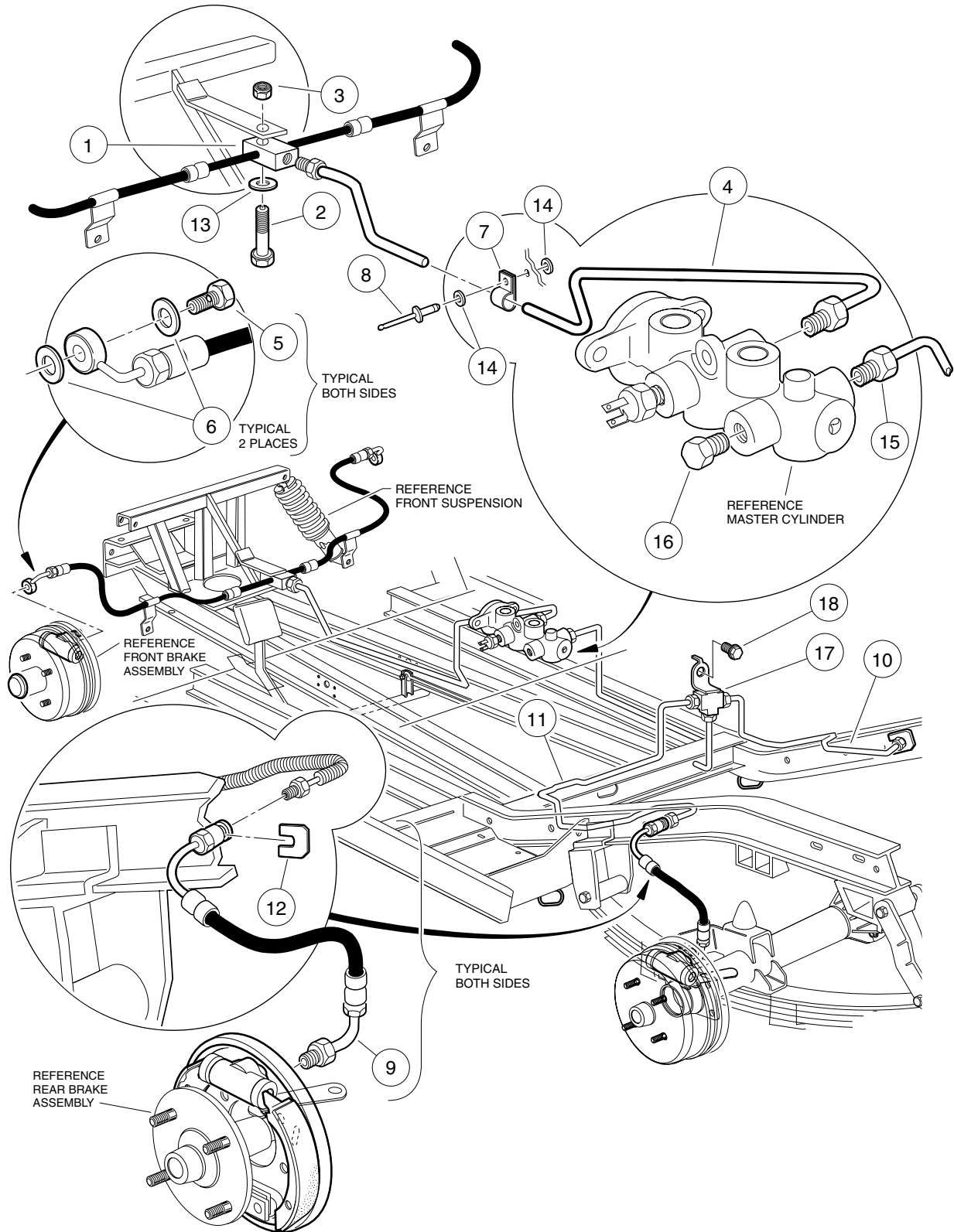
4
G



HYDRAULIC BRAKE SYSTEM – PIONEER 1200 VEHICLES

ITEM	PART NO.	DESCRIPTION	QTY
		1 2 3 4	
1	102032801	Hose, Brake, Front	1
2	7479	Screw, Hex-Head Cap, 1/4-20 x 1-1/4	1
3	8233	Nut, Nylon Lock, 1/4-20	1
4	102032901	Line, Brake, Front	1
5	102044401	Bolt, Banjo, 3/8-24	2
6	102045501	Washer, Copper	4
7	102045801	P-Clamp	1
8	1014136	Rivet, Pop, Stainless Steel, 3/16 x 1/2	1
9	102033101	Hose, Brake, Rear	2
10	102033001	Line, Brake, Rear (passenger side)	1
11	102044001	Line, Brake, Rear (driver side)	1
12	102045701	Clip, Horseshoe	2
13	1014007	Washer, Flat, 1/4	1
14	183	Washer, Flat, Type A, #10	2

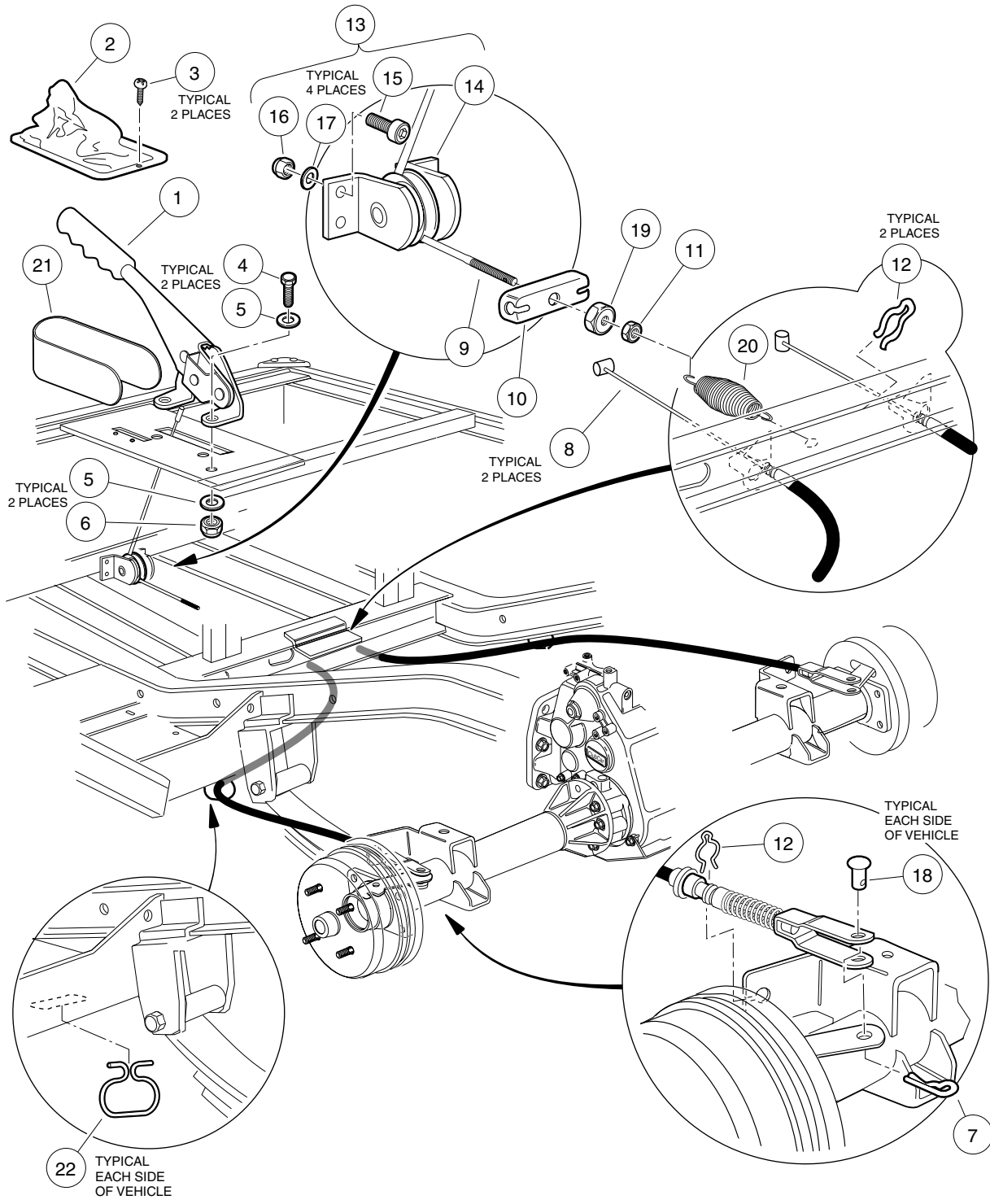
4
G



HYDRAULIC BRAKE SYSTEM – PIONEER 1200 SE VEHICLES

ITEM	PART NO.	DESCRIPTION	QTY
		1 2 3 4	
1	102032801	Hose, Brake, Front	1
2	7479	Screw, Hex-Head Cap, 1/4-20 x 1-1/4	1
3	8233	Nut, Nylon Lock, 1/4-20	1
4	102032901	Line, Brake, Front	1
5	102044401	Bolt, Banjo, 3/8-24	2
6	102045501	Washer, Copper	4
7	102045801	P-Clamp	1
8	1014136	Rivet, Pop, Stainless Steel, 3/16 x 1/2	1
9	102033101	Hose, Brake, Rear	2
10	102331701	Line, Brake, Rear (passenger side)	1
11	102331801	Line, Brake, Rear (driver side)	1
12	102045701	Clip, Horseshoe	2
13	1014007	Washer, Flat, 1/4	1
14	183	Washer, Flat, Type A, #10	2
15	102331601	Line, Brake Supply (master cylinder to tee)	1
16	102339201	Plug, 3/8-24	1
17	102333301	Tee, Brake, 3/8	1
18	1012285	Screw, Hex Washer-Head, 1/4-20 x 5/8	1

4
G



HAND PARK BRAKE ASSEMBLY

ITEM	PART NO.	DESCRIPTION	QTY
		1 2 3 4	
1	102170901	Lever, Park Brake	1
2	102033701	Boot, Park Brake Lever	1
3	101832001	Screw, Phillips-Head, 5/16-18	2
4	705	Screw, Hex-Head Cap, 3/8-16 x 1-1/4	2
5	1011990	Washer, Flat, 3/8	4
6	8754	Nut, Nylon Lock, 3/8-16	2
7	1013366	Pin, Hair Spring Cotter	2
8	102033901	Cable, Park Brake, Long	2
9	102247201	Cable, Park Brake, Short (Pioneer 1200 vehicles)	1
9	102331201	Cable, Park Brake (Pioneer 1200 SE vehicles)	1
10	102052701	Equalizer	1
11	102160501	Nut, Hex, 5/16-24	1
12	102028401	Clip, Park Brake Cable	4
13	102242701	Kit, Pulley (includes items 14 - 17)	1
14	102028302	Pulley, Flat Mount, 2-inch	1
15	101260202	Screw, Socket-Head, #10-24 x .75	4
16	1012438	Nut, Nylon Lock, #10-24	4
17	183	Washer, Flat, Type A, #10	4
18	1010829	Pin, Clevis, 5/16	2
19	102052801	Nut, Hex Cone, 5/16-24	1
20	1013531	Spring	1
21	N/A	Shield, Boot	1
22	101900802	Hanger, Brake Cable	2

4

G

4

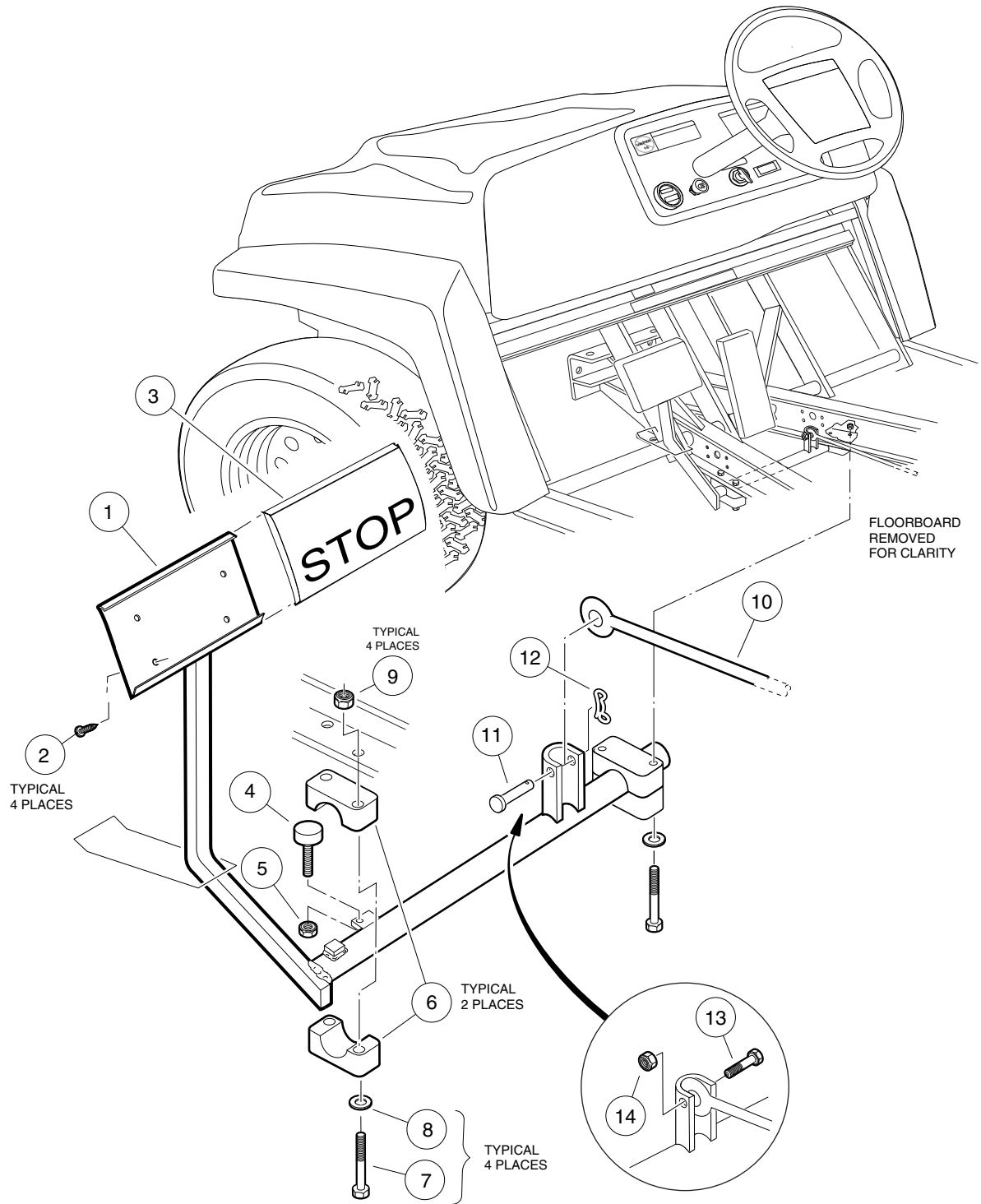
G

PEDAL GROUP

5

G

5
G

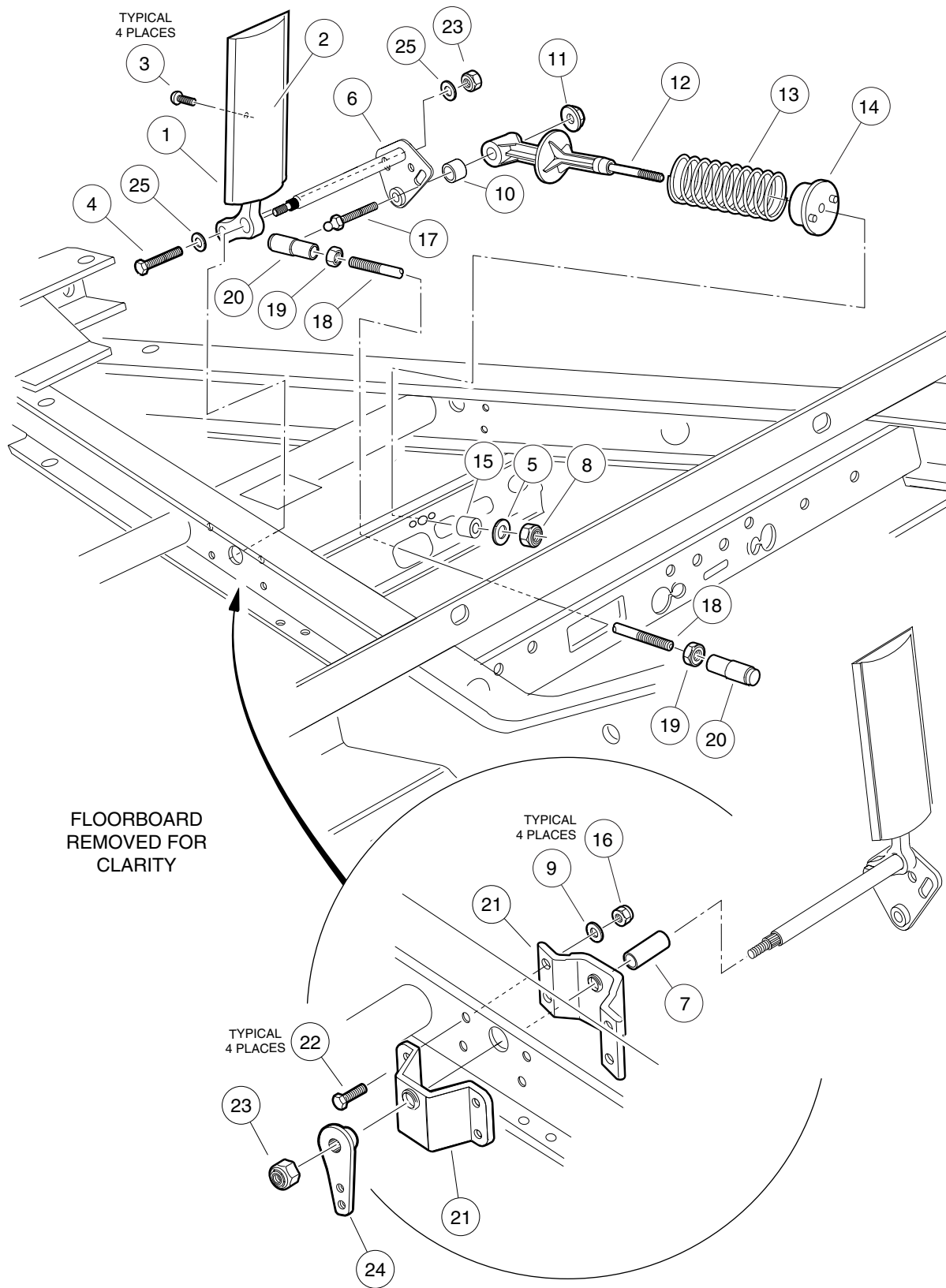


BRAKE PEDAL ASSEMBLY

ITEM	PART NO.	DESCRIPTION	QTY
		1 2 3 4	
1	102028901	Assembly, Brake Pedal (includes items 2 - 5)	1
2	7716	Screw, Slotted Hex Washer-Head, #10-16 x 1/2	4
3	102028601	Pad, Brake Pedal	1
4	1010878	Bumper, Rubber	1
5	1028	Nut, Hex, 1/4-20	1
6	1011402	Package, Brake Mounting Block (contains upper and lower for driver and passenger sides)	1
7	1010921	Screw, Hex-Head Cap, 5/16-18 x 2-1/2	4
8	1241	Washer, Flat, 5/16	4
9	7473	Nut, Nylon Lock, 5/16-18	4
10	101953105	Rod, Equalizer	1
11	102323201	Pin, Clevis, 5/16 (later style hardware)	1
12	102292801	Pin, Bow Tie Locking (later style hardware)	1
13	101953001	Bolt, Hex-Head Shoulder, 3/8 x 1 (earlier style hardware)	1
14	7473	Nut, Nylon Lock, 5/16-18 (earlier style hardware)	1

5
G

5
G



ACCELERATOR PEDAL ASSEMBLY

ITEM	PART NO.	DESCRIPTION	QTY
		1 2 3 4	
1	1017696	Assembly, Accelerator Pedal (includes item 2 and 3)	1
2	1013871	Pad, Pedal	1
3	7716	Screw, Slotted Hex Washer-Head, #10-16 x 1/2	4
4	1624	Screw, Hex-Head Cap, 3/8-16 x 1-1/2	1
5	1241	Washer, Flat, 5/16	1
6	102026001	Kit, Accelerator Pivot Rod (includes item 7)	1
7	1011700	Spacer	1
8	7473	Nut, Nylon Lock, 5/16-18	1
9	332	Washer, Flat, Type A, 1/4	4
10	1017424	Bearing, Pivot Support	1
11	101966901	Nut, Flanged Lock, 1/4-28	1
12	101817401	Retainer, Spring	1
13	101796201	Spring, Return	1
14	1017378	Cup, Spring	1
15	1017380	Bumper, Return Spring	1
16	8233	Nut, Nylon Lock, 1/4-20	4
17	101818801	Stud, Ball	1
18	101822001	Assembly, Accelerator Rod (Pioneer 1200) (includes items 19 and 20)	1
18	101674702	Assembly, Accelerator Rod (Pioneer 1200 SE) (includes items 19 and 20)	1
19	1011084	Nut, UNF Hex Jam, 1/4-28	2
20	1011734	Joint, Spring-Loaded Ball	2
21	1011694	Support, Accelerator Pivot Rod	2
22	101861901	Screw, Hex-Head Cap, 1/4-20 x 1-1/8	4
23	8754	Nut, Nylon Lock, 3/8-16	2
24	101916901	Spacer, Ratchet Support	1
25	334	Washer, Flat, 3/8	2

5

G

5

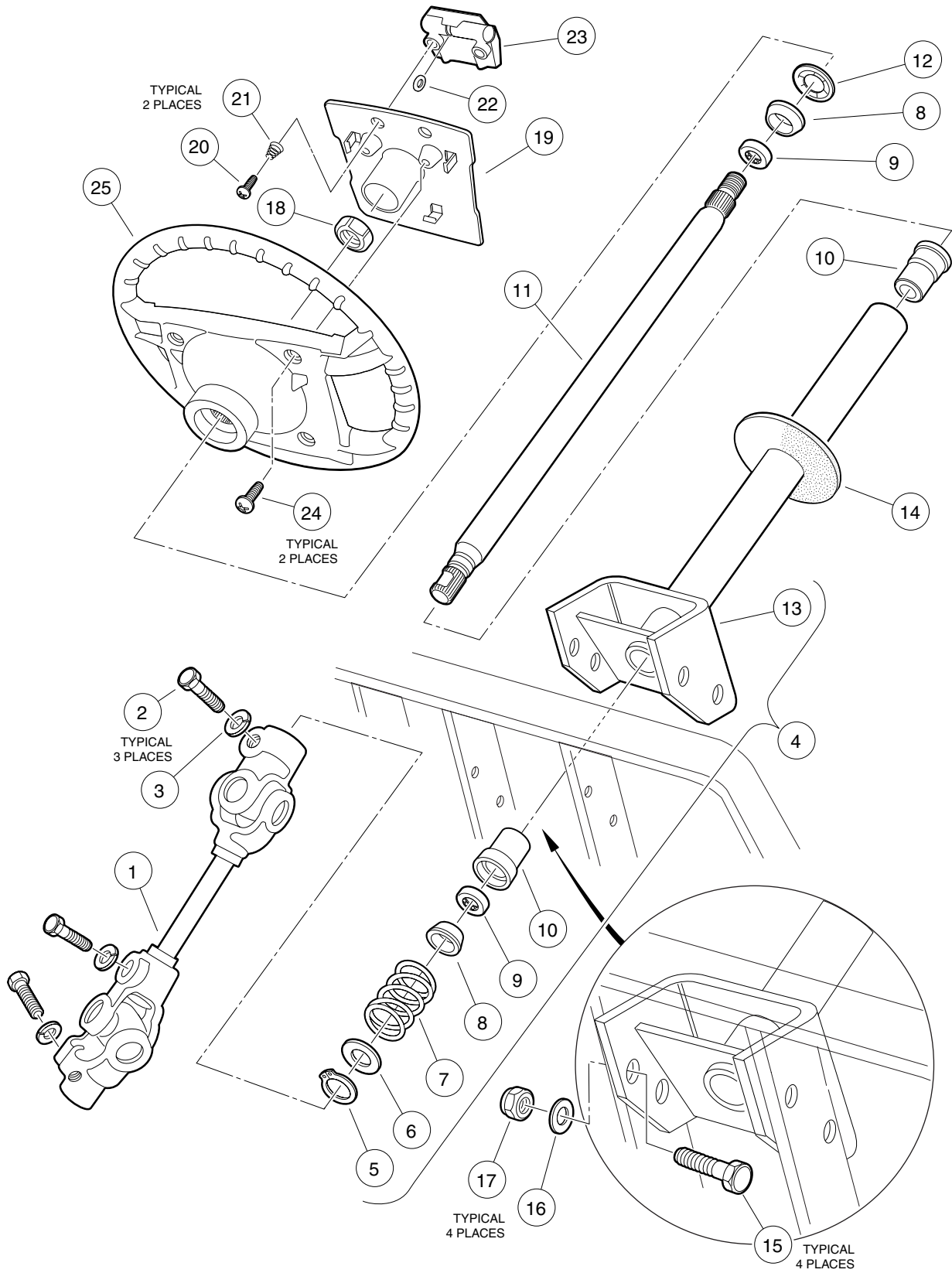
G

STEERING, FRONT AND REAR SUSPENSION

6

G

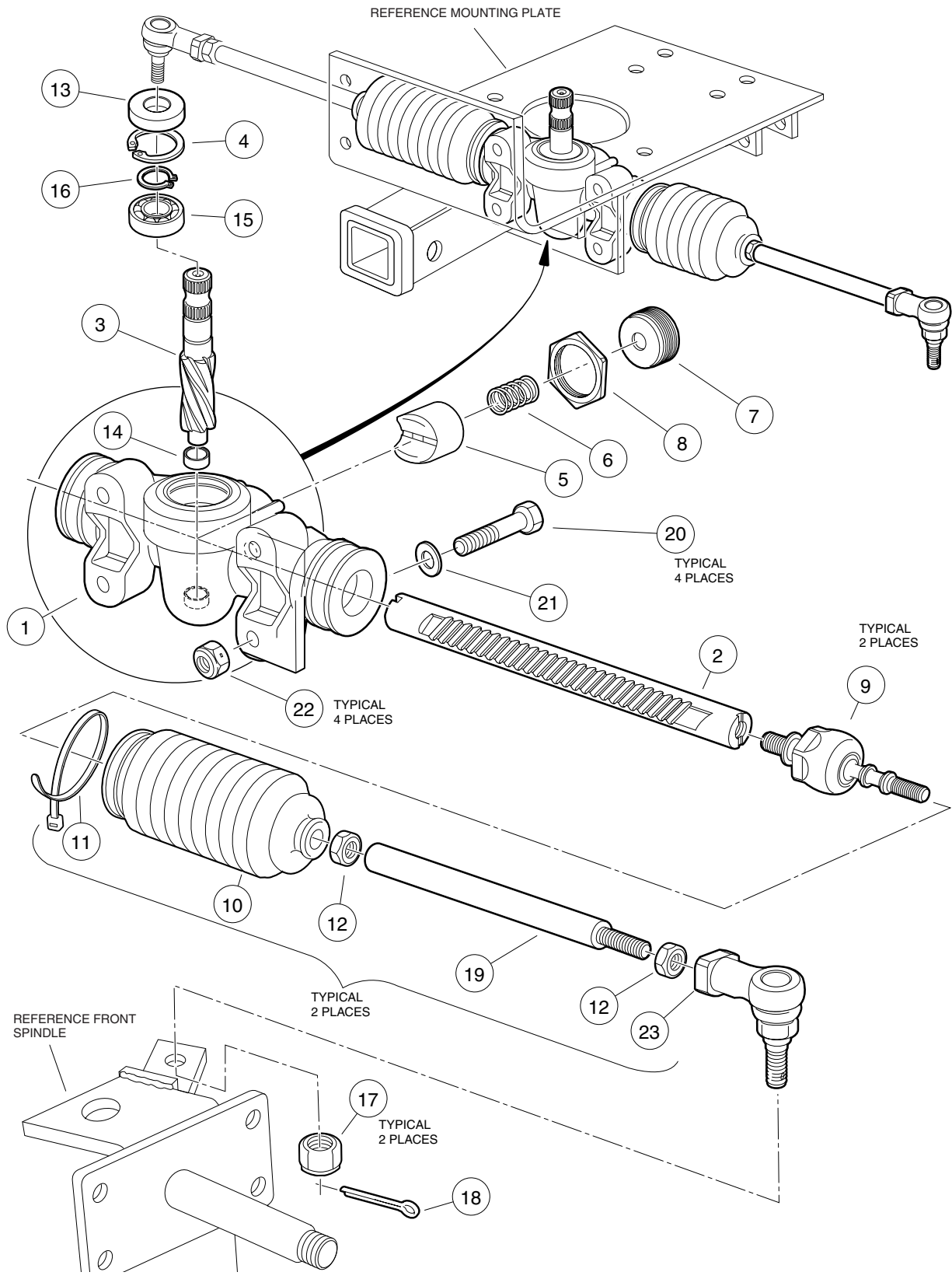
6
G



STEERING COLUMN

ITEM	PART NO.	DESCRIPTION	QTY
		1 2 3 4	
1	102010201	Joint, Steering (includes items 2 and 3)	1
2	1017226	Screw, Hex-Head Cap, M8 x 1.25 x 30 mm	3
3	7174	Washer, Lock, 5/16	3
4	102013101	Assembly, Steering Column (includes items 5 - 13)	1
5	1012605	Ring, Retaining	1
6	1012604	Washer, Steel, 5/8	1
7	1014217	Spring, Compression	1
8	1014125	Wedge	2
9	1014213	Assembly, Bearing	2
10	1014126	Seat, Bearing	2
11	1017315	Shaft, Steering Column	1
12	1014214	Ring, Retaining	1
13	102013001	Weldment, Steering Column	1
14	102278001	Boot, Steering Column	1
15	320	Screw, Hex-Head Cap, 3/8-16 x 1	4
16	334	Washer, Flat, Type A, 3/8	4
17	8754	Nut, Nylon Lock, 3/8-16	4
18	1017273	Nut, Nylon Lock, 5/8-18	1
19	1016219	Assembly, Scorecard Plate (includes items 20 - 23)	1
20	1012565	Screw, Round-Head, #12-14 x 1	2
21	1012566	Spring, Tapered Compression	2
22	1016214	Grip, Pencil	1
23	1016154	Clip, Scorecard	1
24	1016663	Screw, Phillips, Type A, #12-14 x 5/8	2
25	1016156	Wheel, Steering	1

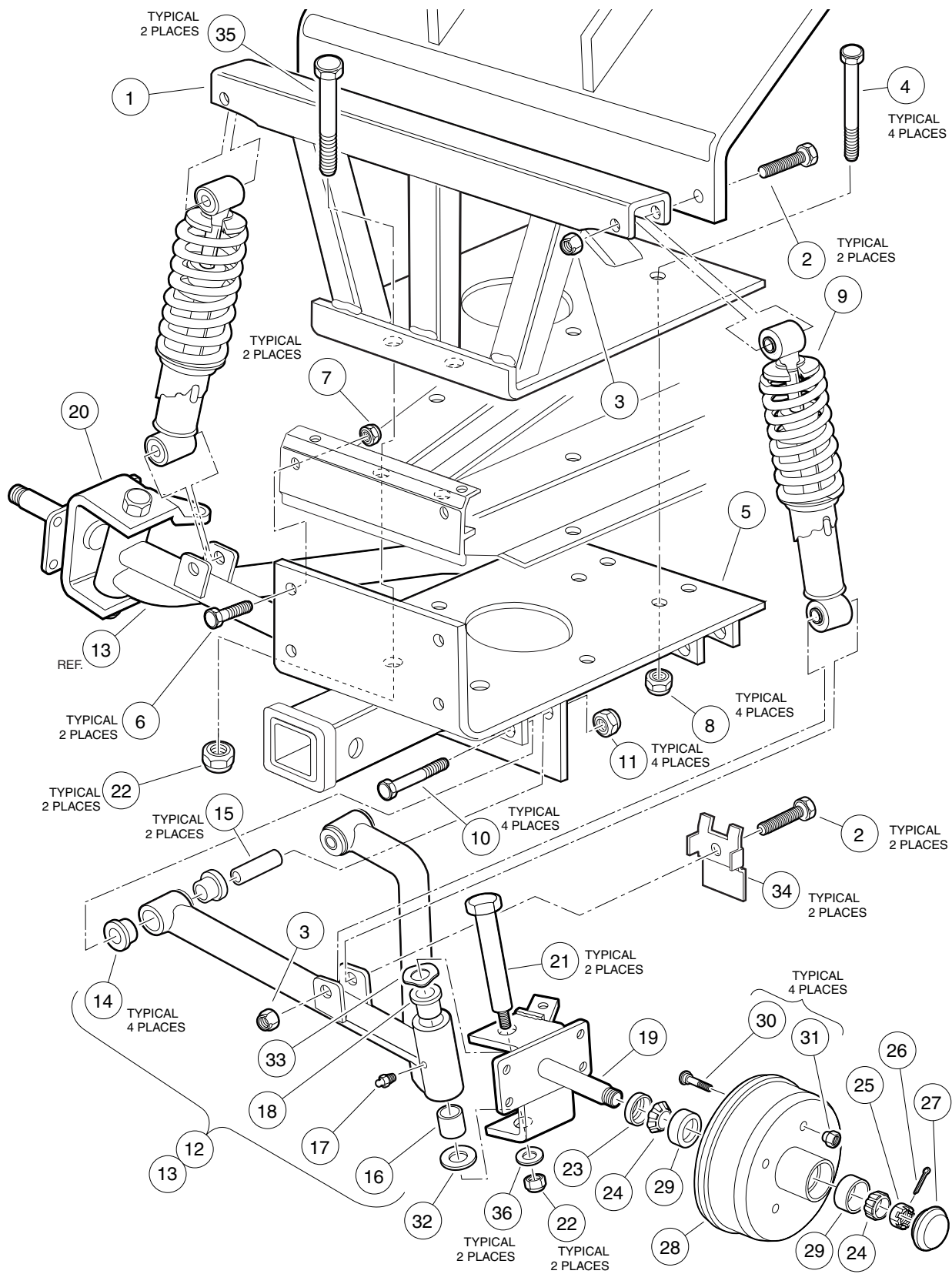
6
G



STEERING GEAR ASSEMBLY

ITEM	PART NO.	DESCRIPTION	QTY
		1 2 3 4	
	102010101	Assembly, Steering Gear Box (includes items 1 - 16)	1
1	N/A	Box, Steering Gear	1
2	N/A	Rack, Steering	1
3	N/A	Pinion, Steering	1
4	1013051	Ring, Snap	1
5	101879701	Guide, Steering Rack	1
6	101879801	Spring, Yoke	1
7	N/A	Screw, Rack Guide	1
8	1013044	Nut, Hex Jam, M30 x 2	1
9	101880201	Assembly, Inner Ball Joint	2
10	1013035	Seal, Dust	2
11	8990	Tie, Wire	2
12	1013042	Nut, Hex Jam, M12 x 1.25	4
13	1013052	Seal, Dust, Steering Pinion	1
14	N/A	Bearing, Lower Pinion	1
15	101879401	Bearing, Upper Pinion	1
16	101879901	Ring, C-Type Stop	1
17	102022901	Nut, Nylon Lock, M12 x 1.25	2
18	102023301	Pin, Cotter	2
19	102022801	Link, Rack and Pinion Drag	2
20	1624	Screw, Hex-Head Cap, 3/8-16 x 1-1/2	4
21	334	Washer, Flat, Type A, 3/8	4
22	1010138	Nut, Dimpled Lock, 3/8-16	4
23	102022601	Joint, Ball	2

6
G

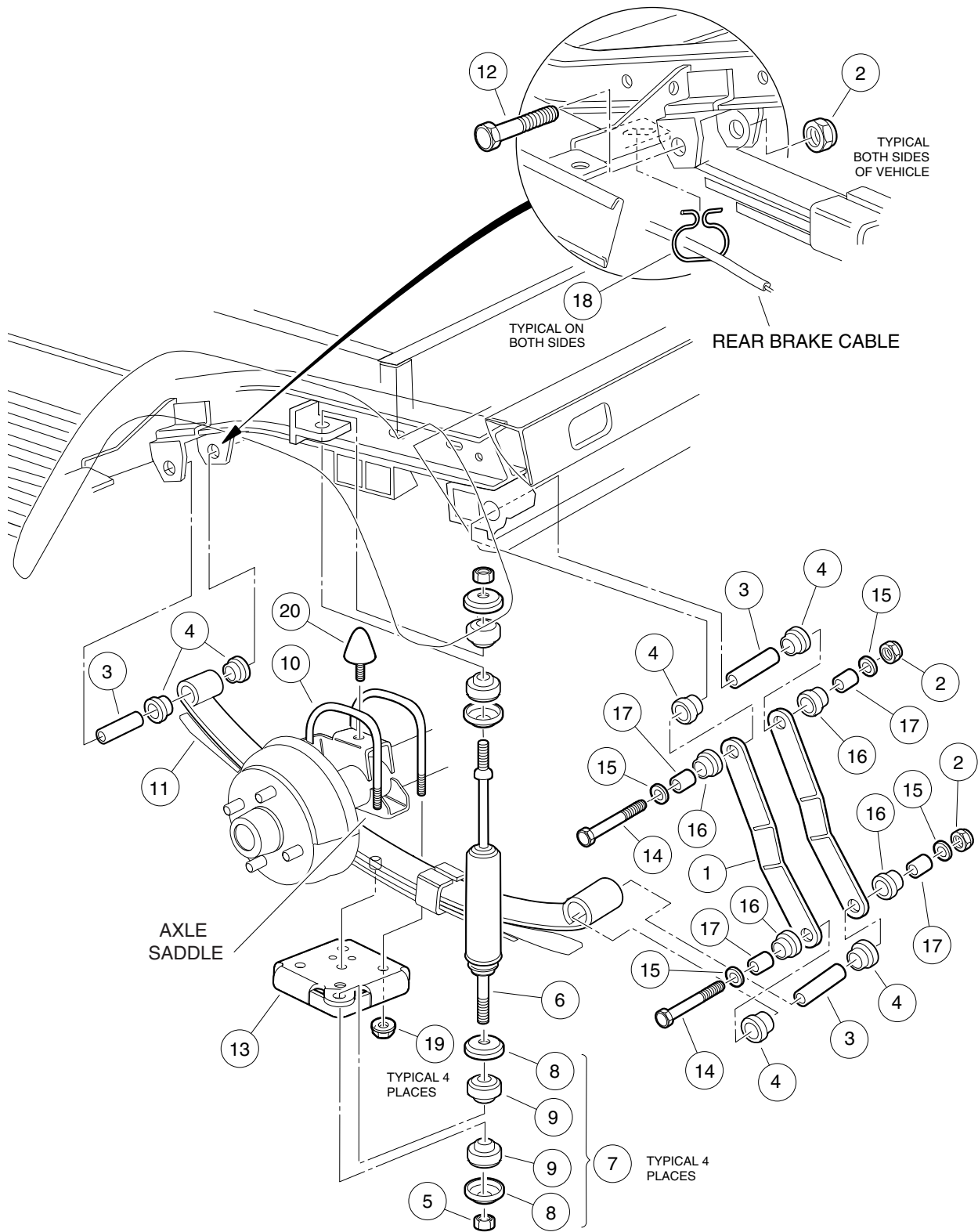


FRONT SUSPENSION

ITEM	PART NO.	DESCRIPTION	QTY
		1 2 3 4	
1	102012301	Tower, Shock	1
2	102023101	Screw, Hex-Head Cap, 7/16-14 x 2-1/4	4
3	1014555	Nut, Nylon Lock, 7/16-14	4
4	7270	Screw, Hex-Head Cap, 3/8-16 x 4-1/2	4
5	102016801	Plate, Suspension Mounting	1
6	1010934	Screw, Hex-Head Cap, 5/16-18 x 1	2
7	7473	Nut, Nylon Lock, 5/16-18	2
8	8754	Nut, Nylon Lock, 3/8-16	4
9	102017601	Shock, Coil Over	2
10	1016387	Screw, Hex-Head Cap, 3/8-16 x 2-3/4	4
11	8754	Nut, Nylon Lock, 3/8-16	4
12	102052401	Assembly, A-Arm, Driver-Side (includes items 14 - 18)	1
13	102052301	Assembly, A-Arm, Passenger-Side (includes items 14 - 18)	1
14	1016346	Bushing, Urethane	4
15	102066701	Sleeve, Steel	2
16	8067	Bushing, Bronze Spindle	1
17	1015597	Fitting, Grease, Thread-Forming, 1/4-28	1
18	7048	Bushing, Bronze	1
19	102016701	Spindle, Driver-Side	1
20	102016501	Spindle, Passenger-Side	1
21	102048601	Bolt, Kingpin	2
22	101903101	Nut, Nylon Lock, 1/2-20	4
23	102023001	Seal, Double Lip	2
24	102013701	Bearing, Hub	4
25	102013801	Nut, Slotted Hex	2
26	101838801	Pin, Cotter, 5/32 x 1-1/4	2
27	102013601	Cover, Dust	2
28	102044201	Assembly, Brake Drum (includes items 29 and 30)	2
29	N/A	Cup, Bearing	2
30	1013787	Stud, Lug, 1/2-20	4
31	1010984	Nut, Lug, 1/2-20	8
32	1010150	Bearing, Thrust	2
33	1016389	Washer, Kingpin Wave	2
34	102100001	Stop, Steering	2
35	102067001	Screw, Hex-Head Cap, 1/2-20 x 4-1/2	2
36	1010028	Washer, Flat, 1/2	2

6

G



REAR SUSPENSION

ITEM	PART NO.	DESCRIPTION	QTY
		1 2 3 4	
1	102256901	Shackle, Rear Spring	4
2	8754	Nut, Nylon Lock, 3/8-16	6
3	1012303	Bushing, Steel	6
4	1015583	Bushing, Urethane	12
5	1010145	Nut, UNF Hex, 3/8-24	4
6	102267301	Shock Absorber, Rear	2
7	1011415	Kit, Shock Absorber Cushion (includes items 8 and 9)	4
8	N/A	Retainer, Shock Absorber Cushion	2
9	N/A	Cushion, Shock Absorber	2
10	102258801	U-Bolt	4
11	102006501	Spring, Rear Four-leaf	2
12	102066201	Screw, Hex-Head Cap, Grade 8, 3/8-16 x 3-1/2	2
13	102266301	Pad, Spring	2
14	7270	Screw, Hex-Head Cap, 3/8-16 x 4-1/2	4
15	808	Washer, Flat, 3/8	8
16	1015453	Mount, Compression	8
17	102045601	Spacer	8
18	101900802	Hanger, Brake Cable	2
19	102065001	Nut, Flanged, 7/16-14	8
20	102188701	Stop, Axle	2

6

G

6

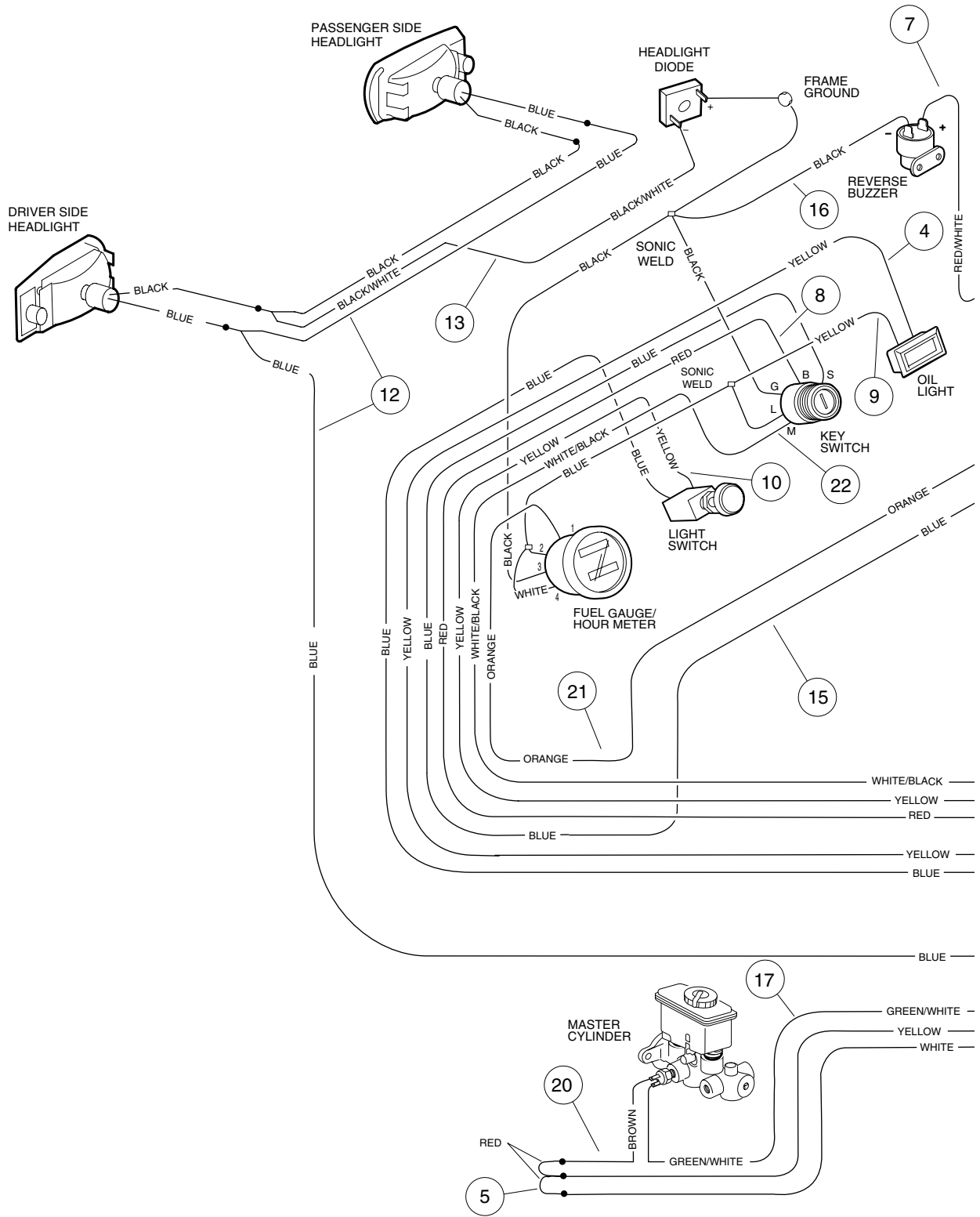
G

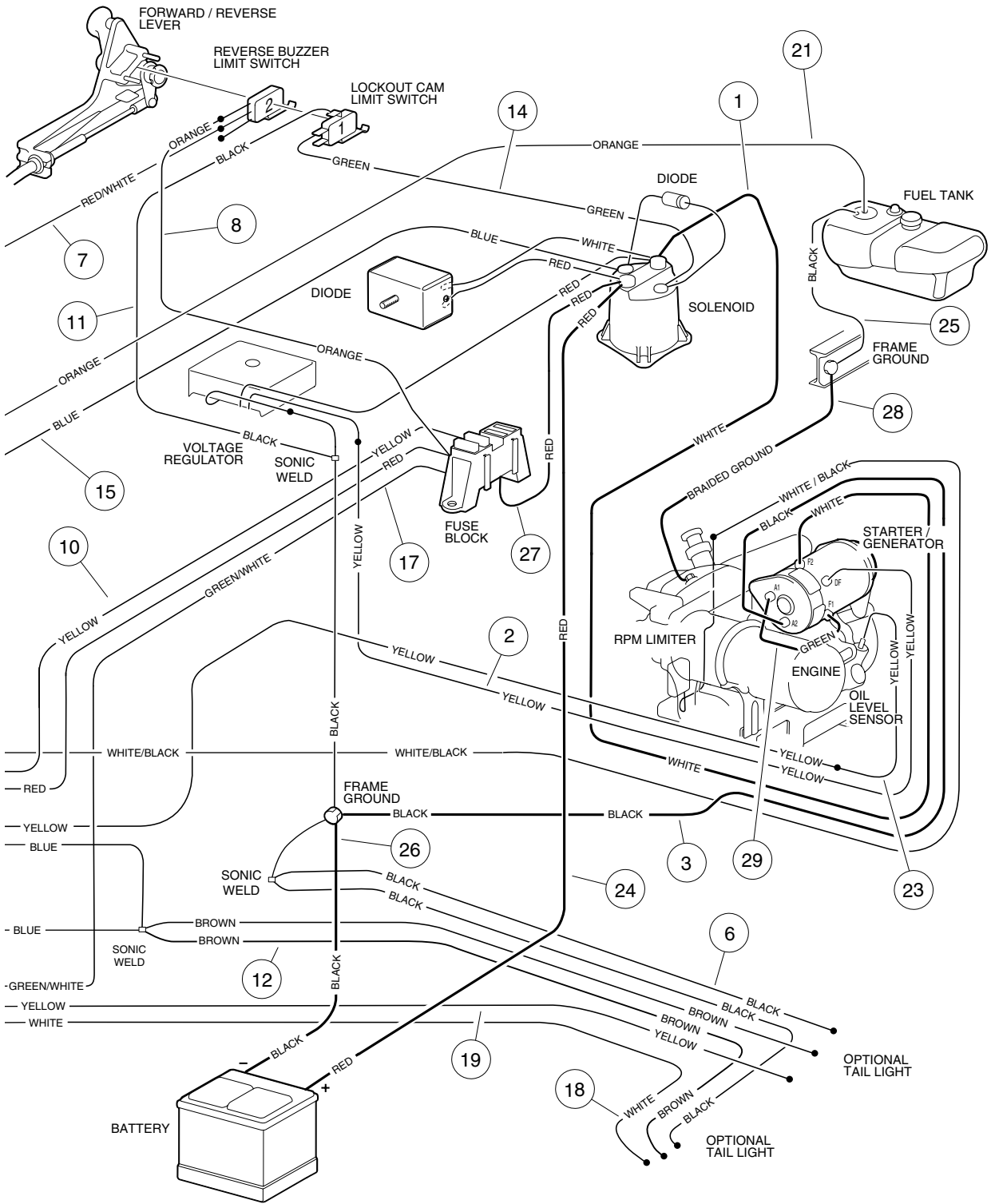
ELECTRICAL SYSTEM

7

G

PIONEER 1200 KEY-START VEHICLE WIRING





7

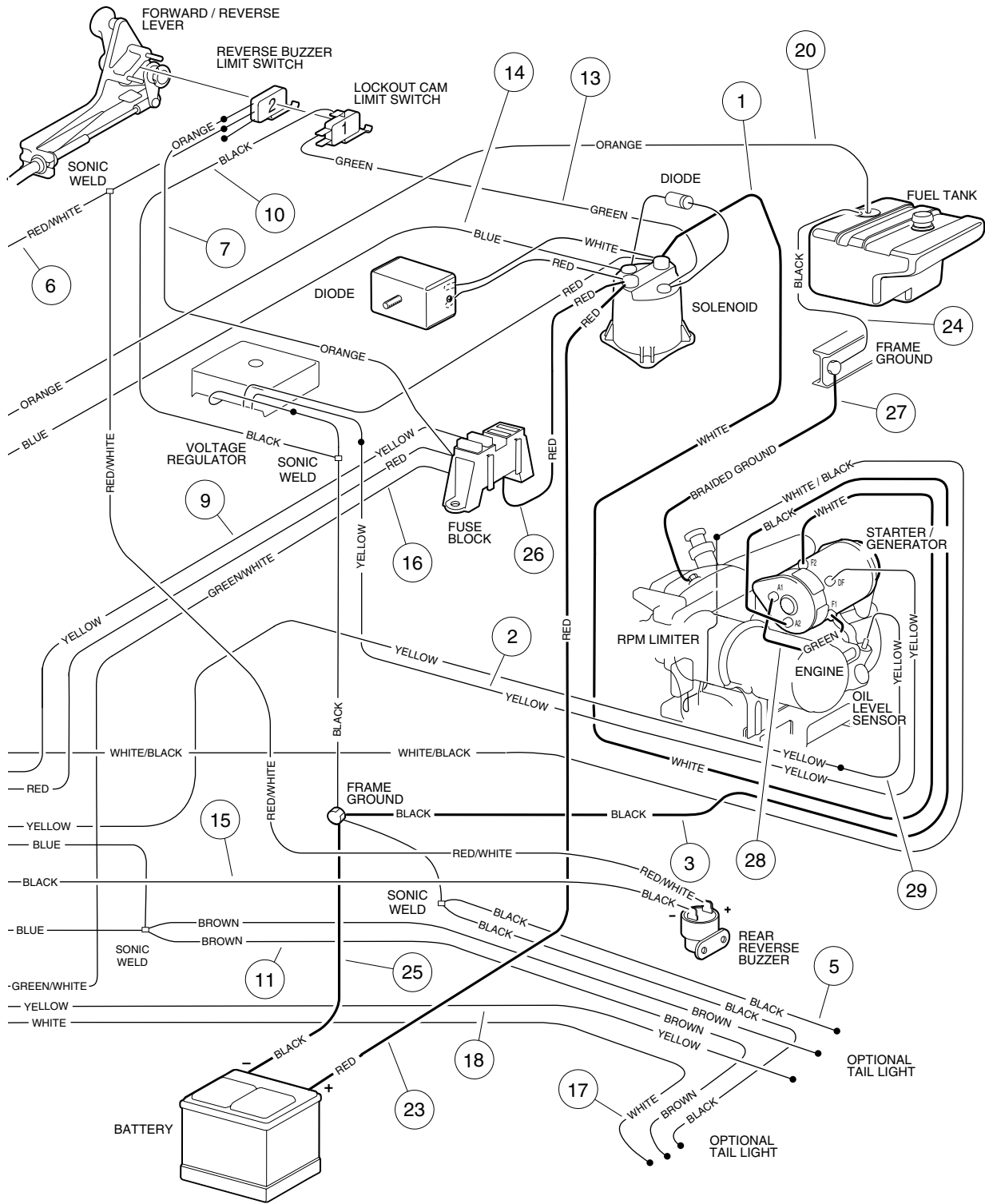
G

See previous two pages for wiring diagram.

WIRING – PIONEER 1200, KEY-START VEHICLE

ITEM	PART NO.	DESCRIPTION	QTY
		1 2 3 4	
	102223601	Wire Harness Assembly (includes items 1 - 22)	1
1	1015769	Wire Assembly, #6 White	1
2	N/A	Wire Assembly, #18 Yellow	1
3	1016380	Wire Assembly, #6 Black	1
4	N/A	Wire Assembly, #18 Yellow	1
5	N/A	Wire Assembly, #18 Red	1
6	N/A	Wire Assembly, #18 Black, #16 Black	1
7	N/A	Wire Assembly, #18 Red/White	1
8	N/A	Wire Assembly, #14 Red, #18 Orange	1
9	N/A	Wire Assembly, #18 Yellow, #18 Blue, #18 White	1
10	N/A	Wire Assembly, #14 Yellow	1
11	N/A	Wire Assembly, #18 Black	1
12	N/A	Wire Assembly, #16 Blue, #14 Blue, #18 Brown, #16 Brown	1
13	N/A	Wire Assembly, #16 Black, #16 Black/White	1
14	N/A	Wire Assembly, #18 Green	1
15	N/A	Wire Assembly, #18 Blue	1
16	N/A	Wire Assembly, #18 Black, #16 Black	1
17	N/A	Wire Assembly, #18 Green/White	1
18	N/A	Wire Assembly, #18 White	1
19	N/A	Wire Assembly, #18 Yellow	1
20	N/A	Wire Assembly, #18 Brown	1
21	N/A	Wire Assembly, #18 Orange	1
22	N/A	Wire Assembly, #18 White/Black	1
23	N/A	Wire Assembly, #18 Yellow	1
24	1014119	Wire Assembly, #6 Red	1
25	N/A	Wire Assembly, #18 Black	1
26	1012382	Wire Assembly, #6 Black	1
27	1015737	Wire Assembly, #10 Red (part of electrical component box)	1
28	1015332	Wire Assembly, #10 Braided Ground	1
29	101837301	Wire Assembly, #6 Green	1

7
G



7

G

See previous two pages for wiring diagram.

WIRING – PIONEER 1200 SE, KEY-START VEHICLE

ITEM	PART NO.	DESCRIPTION	QTY
		1 2 3 4	
	102316101	Wire Harness Assembly (includes items 1 - 22)	1
1	1015769	Wire Assembly, #6 White	1
2	N/A	Wire Assembly, #16 Yellow	1
3	1016380	Wire Assembly, #6 Black	1
4	N/A	Wire Assembly, #18 Yellow	1
5	N/A	Wire Assembly, #18 Black, #16 Black	1
6	N/A	Wire Assembly, #18 Red/White	1
7	N/A	Wire Assembly, #14 Red, #18 Orange	1
8	N/A	Wire Assembly, #18 Blue, #18 Yellow, and #18 White	1
9	N/A	Wire Assembly, #14 Yellow	1
10	N/A	Wire Assembly, #18 Black	1
11	N/A	Wire Assembly, #16 Blue, #16 Brown	1
12	N/A	Wire Assembly, #16 Black, #16 Black/White	1
13	N/A	Wire Assembly, #18 Green	1
14	N/A	Wire Assembly, #18 Blue	1
15	N/A	Wire Assembly, #18 Black, #16 Black	1
16	N/A	Wire Assembly, #18 Green/White	1
17	N/A	Wire Assembly, #18 White	1
18	N/A	Wire Assembly, #18 Yellow	1
19	N/A	Wire Assembly, #18 Brown	1
20	N/A	Wire Assembly, #18 Orange	1
21	N/A	Wire Assembly, #18 White/Black	1
22	N/A	Wire Assembly, #18 Red	1
23	1014119	Wire Assembly, #6 Red	1
24	N/A	Wire Assembly, #18 Black	1
25	1012382	Wire Assembly, #6 Black	1
26	1015737	Wire Assembly, #10 Red (part of electrical component box)	1
27	1015332	Wire Assembly, #10 Braided Ground	1
28	101837301	Wire Assembly, #6 Green	1
29	N/A	Wire Assembly, #18 Yellow	1

7
G

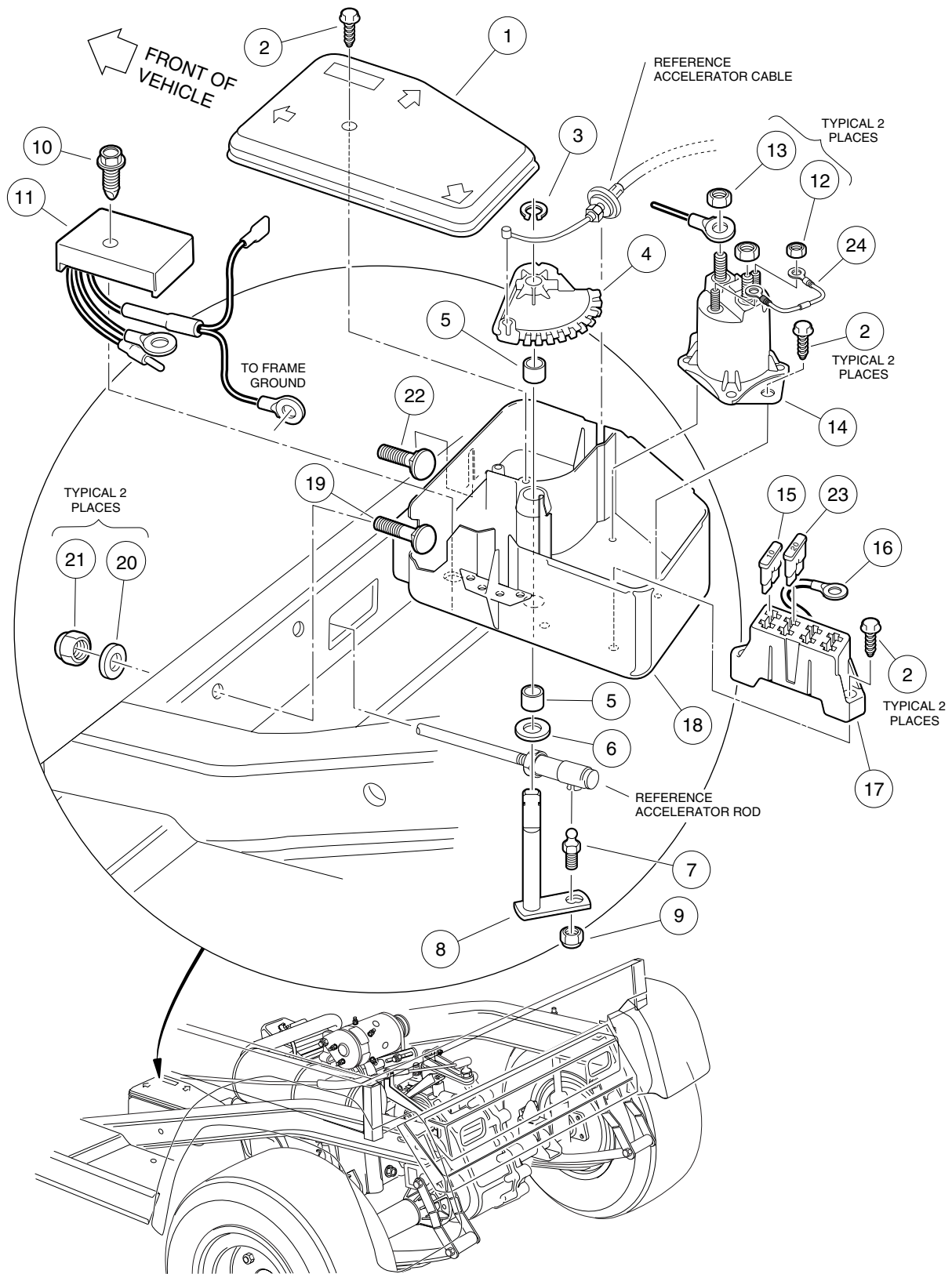
FORWARD/REVERSE SHIFTER ASSEMBLY

ITEM	PART NO.	DESCRIPTION	QTY
		1 2 3 4	
	1016947	Assembly, Forward/Reverse Shifter (includes items 1 - 17)	1
1	1012594	Screw, Machine, #4-40 x 1-1/2	2
2	1016342	Base, Forward/Reverse Shifter	1
3	8057	Nut, Hex-Head, #4-40	4
4	1012431	Washer, Flat, #4	4
5	101979101	Switch, Limit	1
6	1014727	Washer, Nylon Flat, #4	2
7	1014807	Switch, Limit	1
8	8058	Washer, Lock, #4	2
9	1014145	Bushing, Bronze	2
10	1014089	Kit, Neutral Lockout Cam (includes item 11)	1
11	1014065	Washer, Flat, Delrin	1
12	1013590	Spring, Forward/Reverse Cam	1
13	1013589	Ring, Retaining	1
14	1013587	Weldment, Forward/Reverse Bell Crank	1
15	1013591	Pin, Roll, 1/8	1
16	8717	Nut, Nylon Lock, 1/4-28	1
17	1010954	Stud, Ball, 1/4-28 x 1/4	1
18	1015409	Cable, Transmission (includes items 19 and 20) (Pioneer 1200)	1
18	101672701	Cable, Transmission (includes items 19 and 20) (Pioneer 1200 SE)	1
19	7893	Nut, Hex, #10-32	2
20	1012333	Joint, Ball	2
21	1015064	Screw, Phillips Oval Countersunk Machine, SS, #8-32 x 5/8	1
22	1012987	Handle, Forward/Reverse Switch	1
23	8248	Screw, Phillips Truss-Head, 1/4-20 x 3/4	4
24	8233	Nut, Nylon Lock, 1/4-20	4
25	1016201	Washer, Wave, 3/8	1
26	102045901	Bracket, Transmission Cable Support	1
27	1012285	Screw, Thread-Rolling, 1/4-20 x 5/8	3

7

G

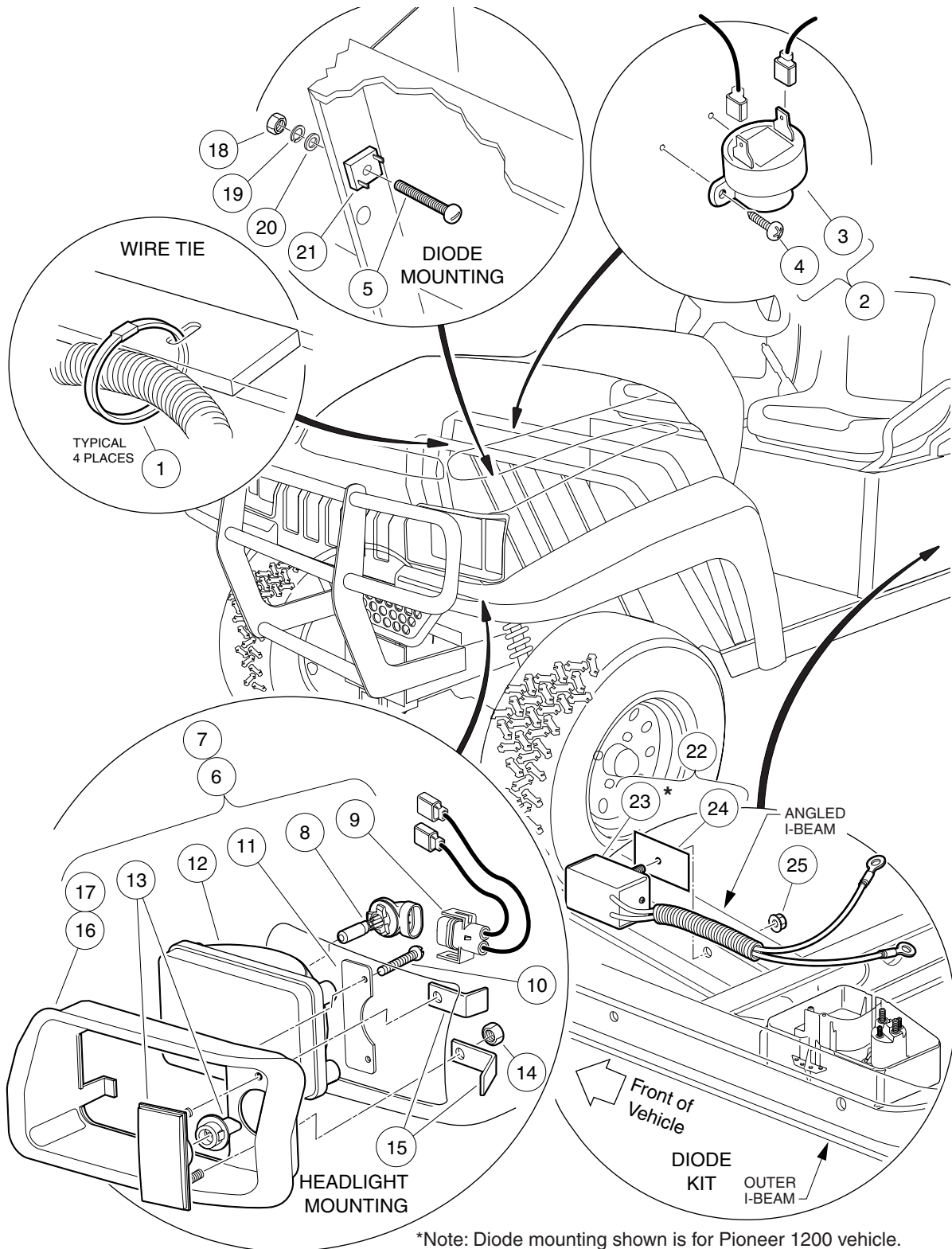
7
G



ELECTRICAL COMPONENT BOX, KEY-START VEHICLES

ITEM	PART NO.	DESCRIPTION	QTY
		1 2 3 4	
1	1015372	Cover, Electrical Component Box	1
2	1015752	Screw, Hi-Lo, #12-16 x 5/8	5
3	1013589	Ring, Retaining	1
4	1015373	Cam, Electrical Box	1
5	1014145	Bushing, Bronze	2
6	1014065	Washer, Flat, Delrin	1
7	1010954	Stud, Ball, 1/4-28	1
8	1015345	Assembly, Bell Crank and Shaft	1
9	8717	Nut, Nylon Lock, 1/4-28	1
10	101856102	Screw, Hex Washer-Head Hi-Lo, 1/4-15 x 1-1/2	1
11	1015777	Regulator, Voltage	1
12	7893	Nut, Hex, #10-32	2
13	1242	Nut, Hex, 5/16-18	2
14	1013609	Solenoid, 12-Volt	1
15	1012295	Fuse, 10-Amp	1
16	1015737	Wire Assembly, #10 Red	1
17	1015741	Block, Fuse	1
18	1015371	Box, Electrical Component	1
19	1015405	Bolt, Carriage, 5/16-18 x 2	1
20	1241	Washer, Flat, 5/16	2
21	7473	Nut, Nylon Lock, 5/16-18	2
22	7818	Bolt, Carriage, 5/16-18 x 1-1/2	1
23	1016423	Fuse, 20-Amp	1
24	1014948	Diode, Flyback	1

7
G



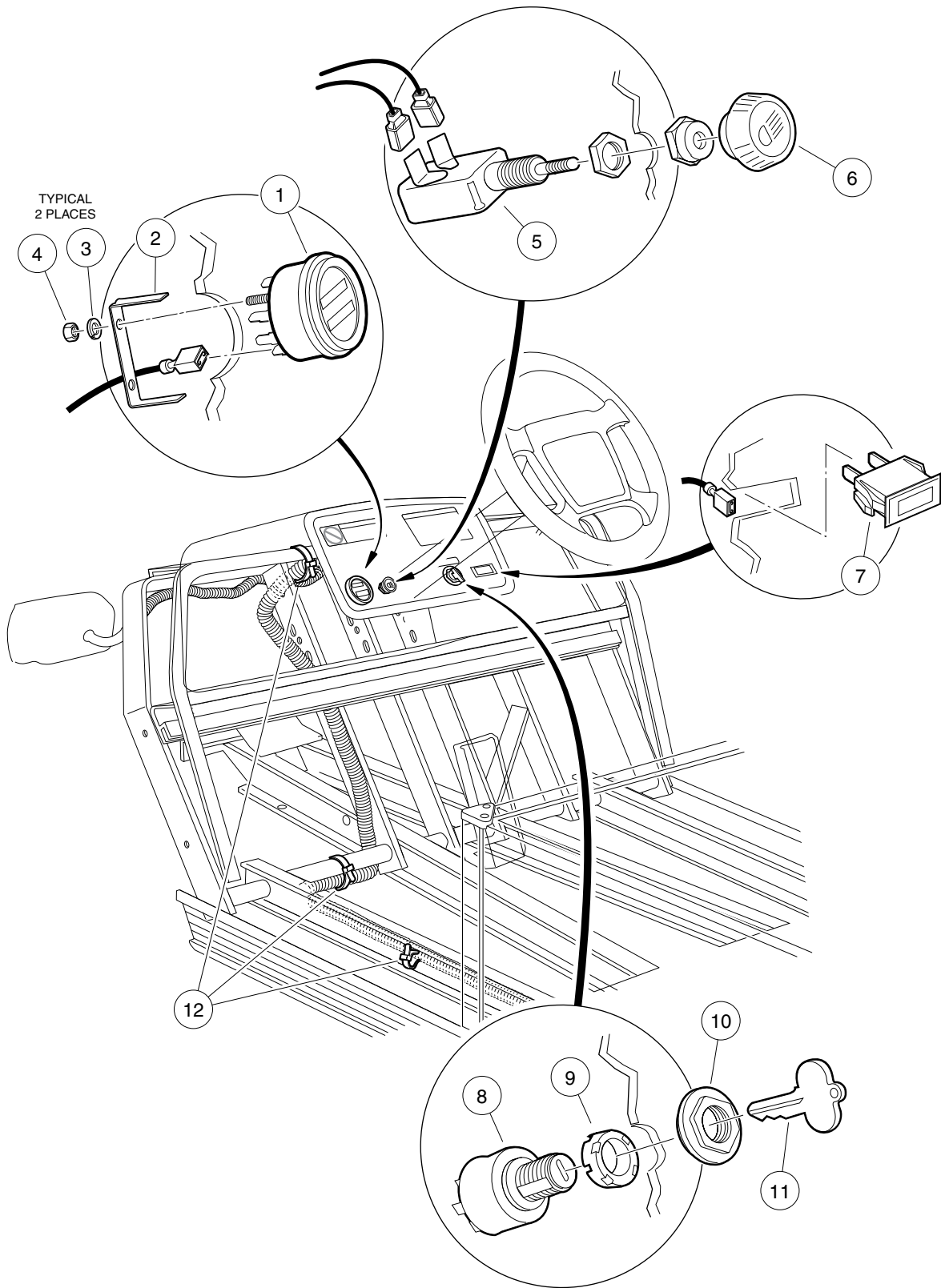
*Note: Diode mounting shown is for Pioneer 1200 vehicle.
The diode mounts differently on a Pioneer 1200 SE vehicle.

ELECTRICAL COMPONENTS, FRONT BODY

ITEM	PART NO.	DESCRIPTION	QTY
		1 2 3 4	
1	8639	Tie, Wire	4
2	1016859	Kit, Reverse Buzzer (includes items 3 and 4)	1
3	1016851	Buzzer, Reverse	1
4	1016849	Screw, Pan-Head Hi-Lo, #4-24 x 5/16	2
5	1010909	Screw, Machine Head, #10-32 x 1-1/4	1
6	101988001	Assembly, Headlight, Driver-Side (includes items 8 - 16)	1
7	101988002	Assembly, Headlight, Passenger-Side (includes items 8 - 15 and 17)	1
8	101988101	Bulb, Halogen	1
9	101987901	Harness, Headlight Wire	1
10	1013461	Screw, Hi-Lo, #10-16	2
11	1017065	Retainer, Headlight	1
12	101988201	Lens, Headlight	1
13	1017062	Assembly, Turn Signal Lens	1
14	7893	Nut, Hex, #10-32	2
15	1017064	Bracket, Mounting	2
16	1016880	Bezel, Headlight, Driver-Side	1
17	1016879	Bezel, Headlight, Passenger-Side	1
18	7893	Nut, Hex, #10-32	1
19	1016	Washer, Lock, #10	1
20	183	Washer, Flat, Type A, #10	1
21	1017721	Diode	1
22	102272501	Kit, Diode (includes items 23 - 25)	1
23	102264001	Assembly, Diode	1
24	102269701	Pad, Thermal	1
25	101963401	Nut, Hex Flanged Lock	1

7
G

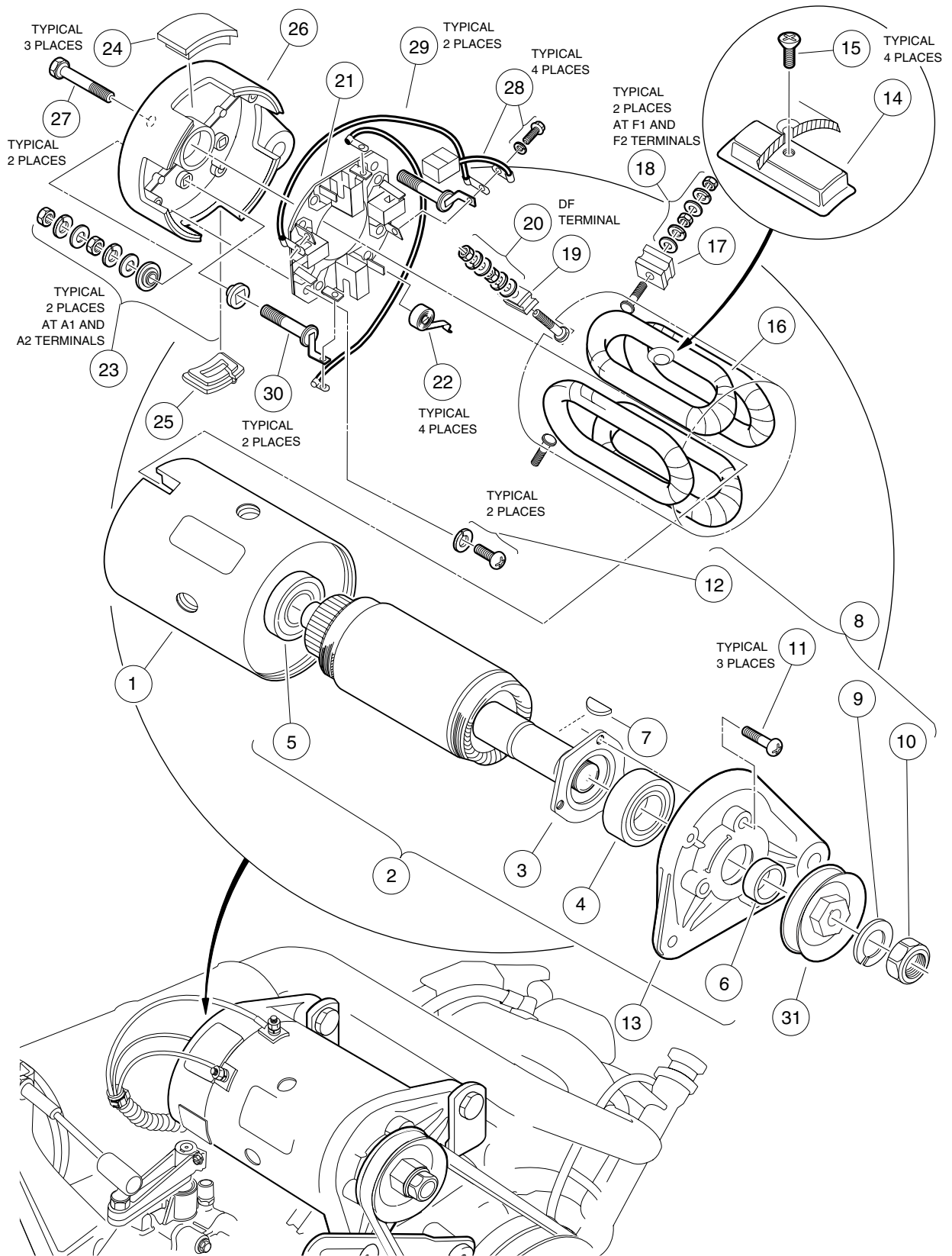
7
G



ELECTRICAL COMPONENTS, DASH PANEL

ITEM	PART NO.	DESCRIPTION	QTY
		1 2 3 4	
1	101990701	Fuel Gauge/Hour Meter (includes item 2)	1
2	N/A	Bracket	1
3	1012986	Washer, Lock, M4	2
4	101991101	Nut, M4 x 0.7	2
5	102051901	Switch, Light	1
6	1013857	Knob, Light Switch	1
7	1016630	Light, Low Oil Warning	1
8	102044702	Switch, Key	1
9	102051601	Spacer, Key Switch	1
10	102051701	Nut, Key Switch	1
11	102044801	Key (pair)	1
12	8990	Tie, Wire	3

7
G



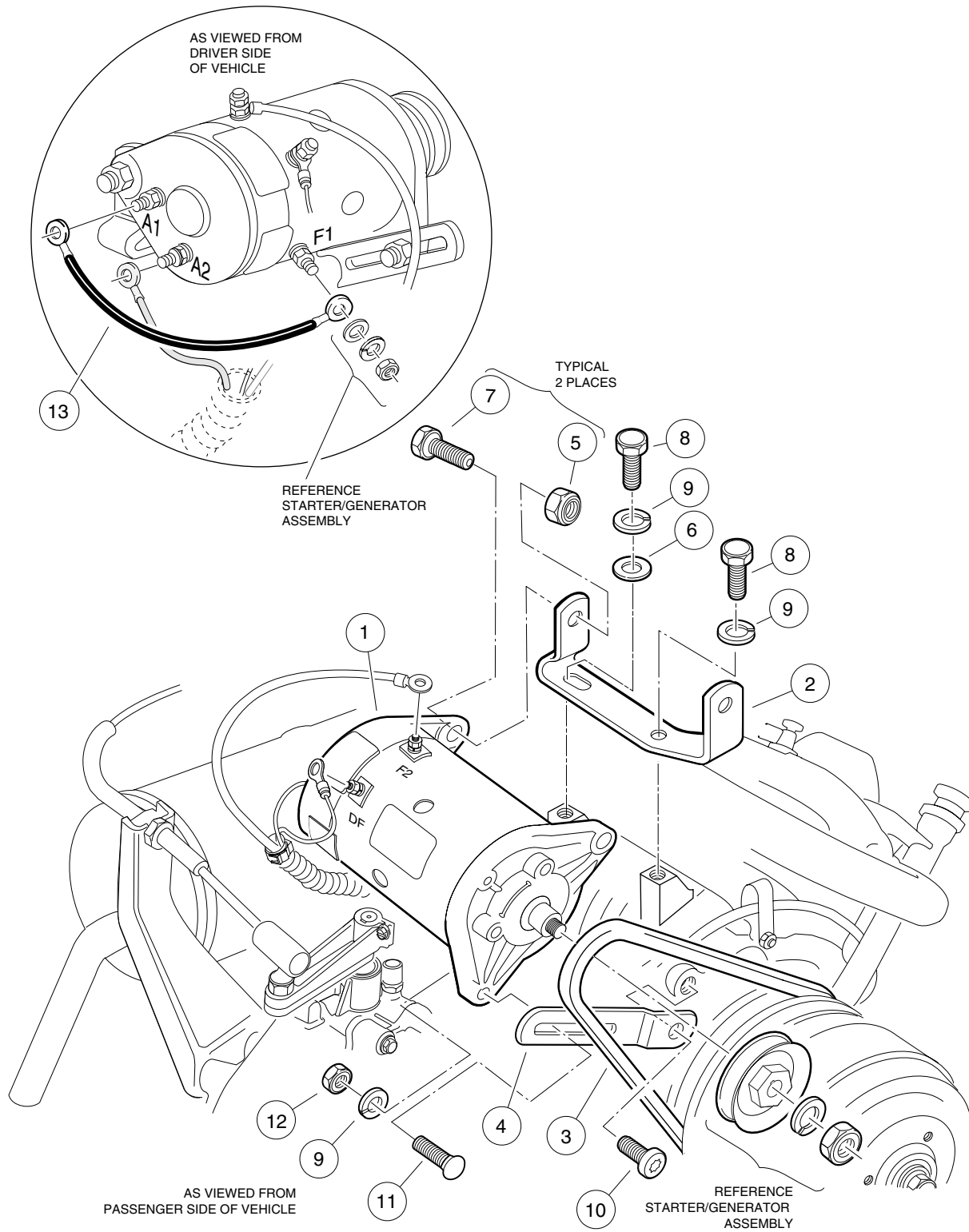
STARTER/GENERATOR ASSEMBLY

ITEM	PART NO.	DESCRIPTION	QTY
		1 2 3 4	
	101833701	Starter/Generator (clockwise rotation) (includes items 1 - 30)	1
1	101875201	Housing, Field Coil	1
2	101875101	Assembly, Armature (includes items 3 - 6)	1
3	101875001	Retainer, Bearing	1
4	1013001	Ball Bearing, Output Shaft	1
5	1013005	Commutator, Ball Bearing	1
6	101939901	Spacer, 5/16	1
7	1013003	Key, Woodruff	1
8	101876501	Kit, Pulley Nut and Screw (includes items 9 - 12)	1
9	N/A	Washer, Lock, M14	1
10	N/A	Nut, Hex, M14 x 2	1
11	N/A	Screw, Cross-Recessed, M5 x 0.8 x 18 mm	3
12	101896501	Screw, Cross-Recessed, M5 x 0.8 x 16 mm (with lock washer)	2
13	101874901	End Bell, Output Shaft	1
14	101875301	Set, Pole (set of 4)	1
15	101875401	Screw, Pole Piece (set of 4)	1
16	101875501	Coil, Field	1
17	101875601	Insulator, F Terminal	2
18	101877601	Package, Terminal Hardware (F1 and F2)	2
19	101875701	Insulator, DF Terminal	1
20	101877701	Package, Terminal Hardware (DF)	1
21	101301102	Holder, Brush (includes item 22)	1
22	101878101	Spring, Brush	4
23	101876001	Package, Terminal Hardware (A1 and A2)	2
24	101876301	Cover, Brush Inspection Port (set of 4) (includes item 25)	1
25	1017653	Cover, Brush Inspection Port, with Drain	1
26	101876402	End Bell, Commutator	1
27	101879001	Bolt, Clamp, M6 x 1 x 180 mm	2
28	101869302	Package, Brush (includes 4 brushes, 4 screws, 4 washers)	1
29	101876202	Connector, Brush	2
30	101875802	A Connector (set of 2)	1
31	1014289	Pulley	1

7

G

7
G

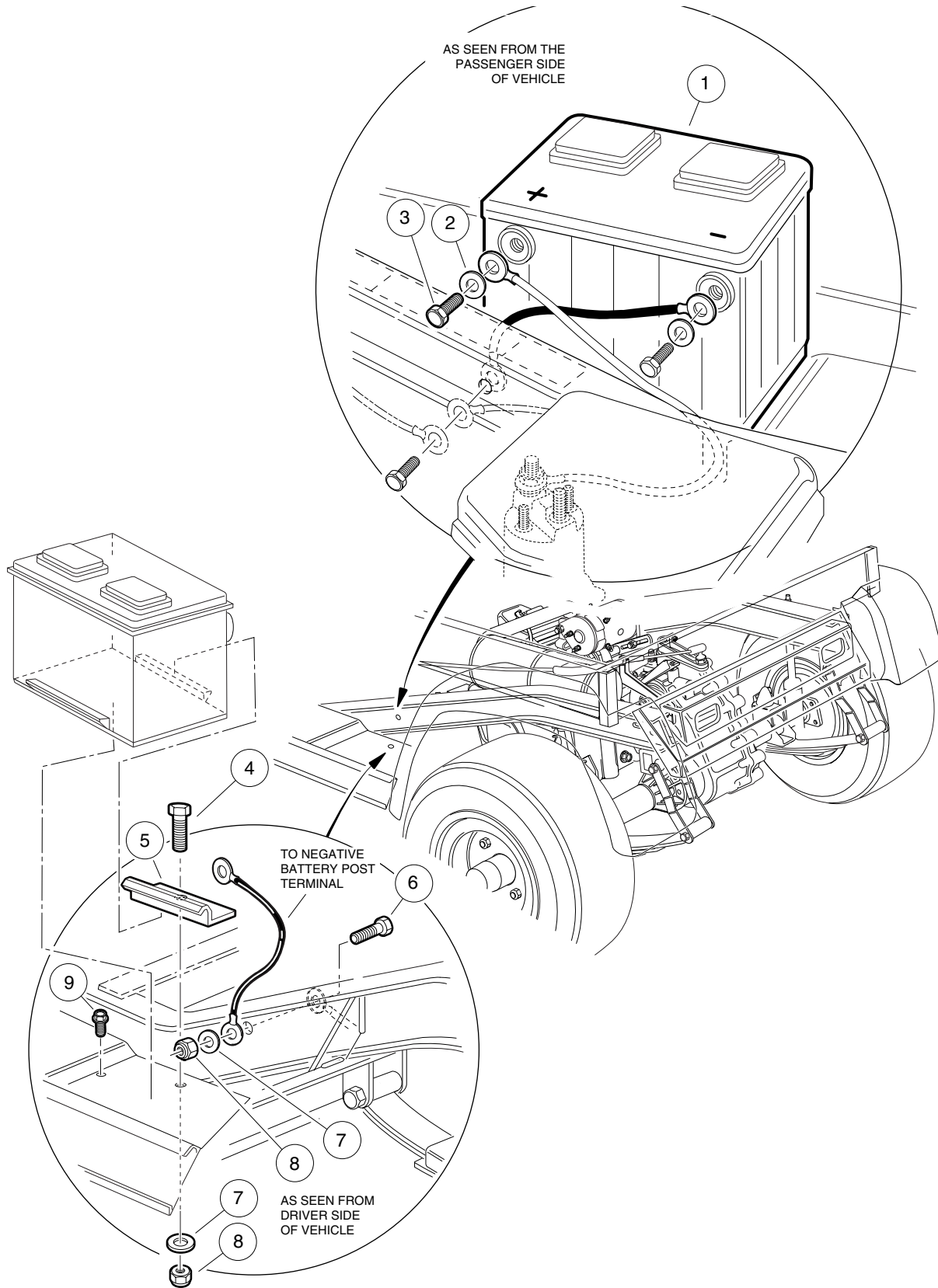


STARTER/GENERATOR MOUNTING

ITEM	PART NO.	DESCRIPTION	QTY
		1 2 3 4	
1	101833701	Starter/Generator (clockwise rotation)	1
2	101524002	Bracket, Mounting, FE350 and FE400	1
3	101916701	Belt, Starter/Generator	1
4	1016883	Bracket, Adjusting	1
5	8754	Nut, Nylon Lock, 3/8-16	2
6	1241	Washer, Flat, Type A, 5/16 (stainless steel 1015075)	1
7	705	Screw, Hex-Head Cap, 3/8-16 x 1-1/4	2
8	1012830	Screw, Hex-Head Cap, M8 x 1.25 x 22 mm	2
9	7174	Washer, Lock, 5/16	3
10	1016074	Screw, Torx-Head, M8 x 1.25 x 18 mm	1
11	1015932	Bolt, Carriage, 5/16-18 x 1	1
12	1242	Nut, Hex, 5/16-18	1
13	101837301	Wire Assembly, #6 Green	1

7
G

7
G



BATTERY

ITEM	PART NO.	DESCRIPTION	QTY
		1 2 3 4	
1	1012328	Battery, 12-Volt	1
2	102355301	Washer, Lock, SS, 3/8	2
3	1014375	Screw, Hex-Head Cap, Stainless Steel, 3/8-16 x 1/2	2
4	1010934	Screw, Hex-Head Cap, 5/16-18 x 1	1
5	101898001	Clamp, Battery	1
6	7173	Screw, Hex-Head Cap, 5/16-18 x 3/4	1
7	1241	Washer, Flat, 5/16	2
8	7473	Nut, Nylon Lock, 5/16-18	2
9	1014288	Screw, Thread-Forming, 5/16-18 x 3/4	1

7
G

7

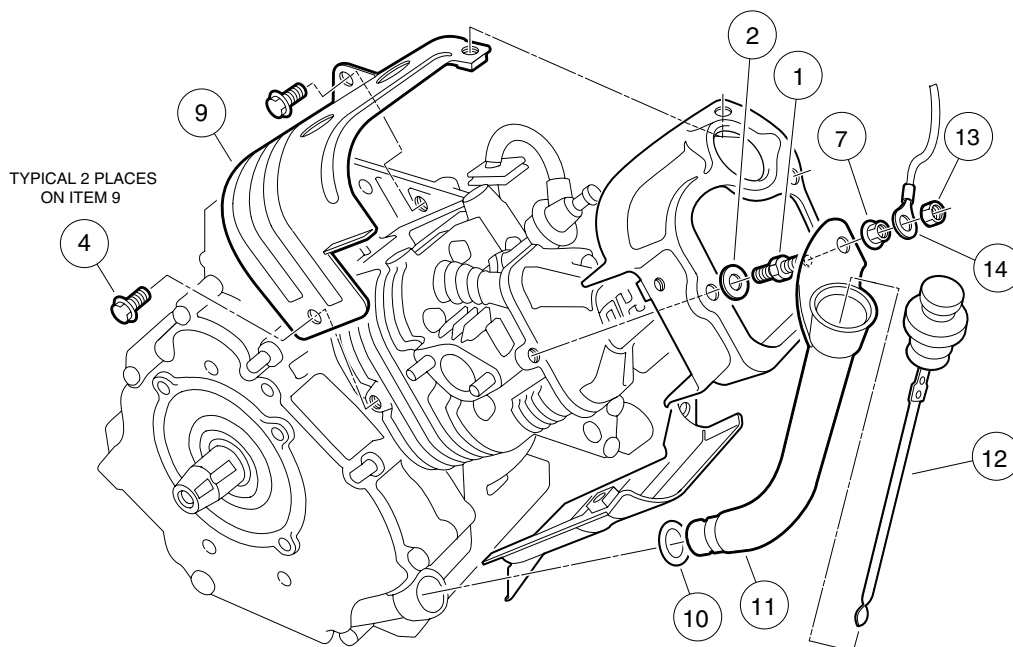
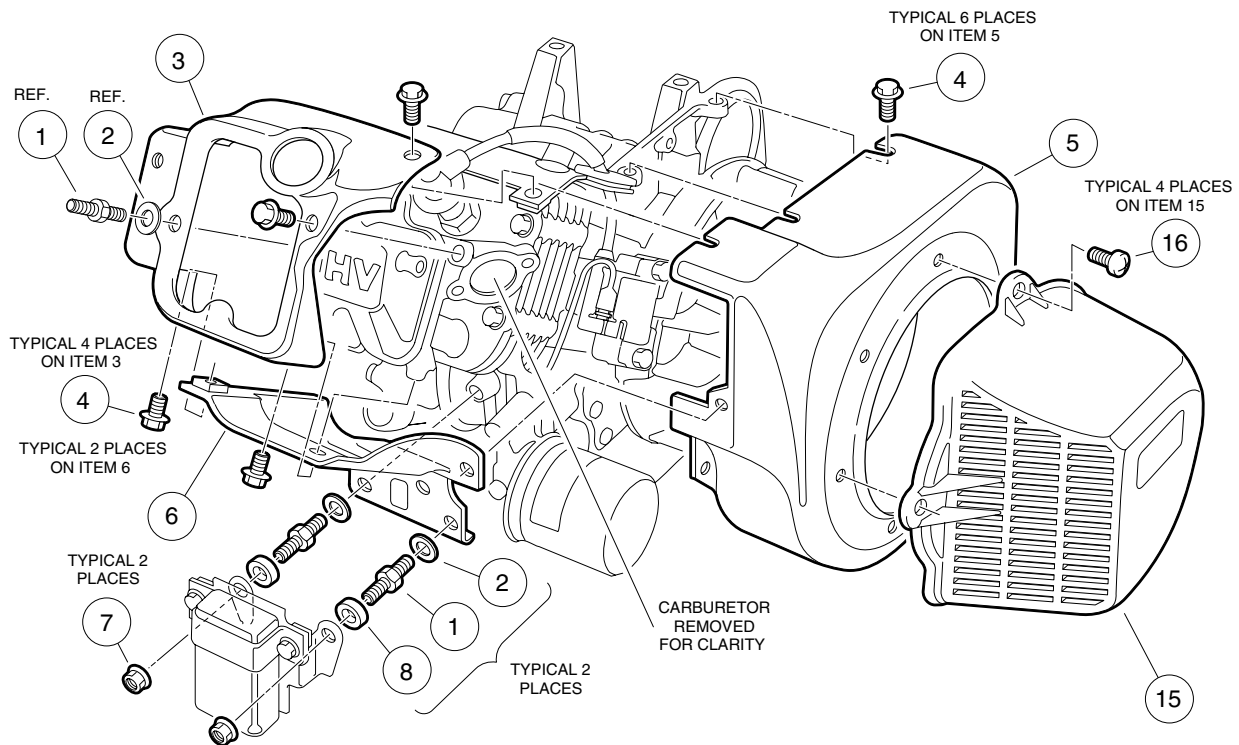
G

ENGINE

8

G

FE400 ENGINE

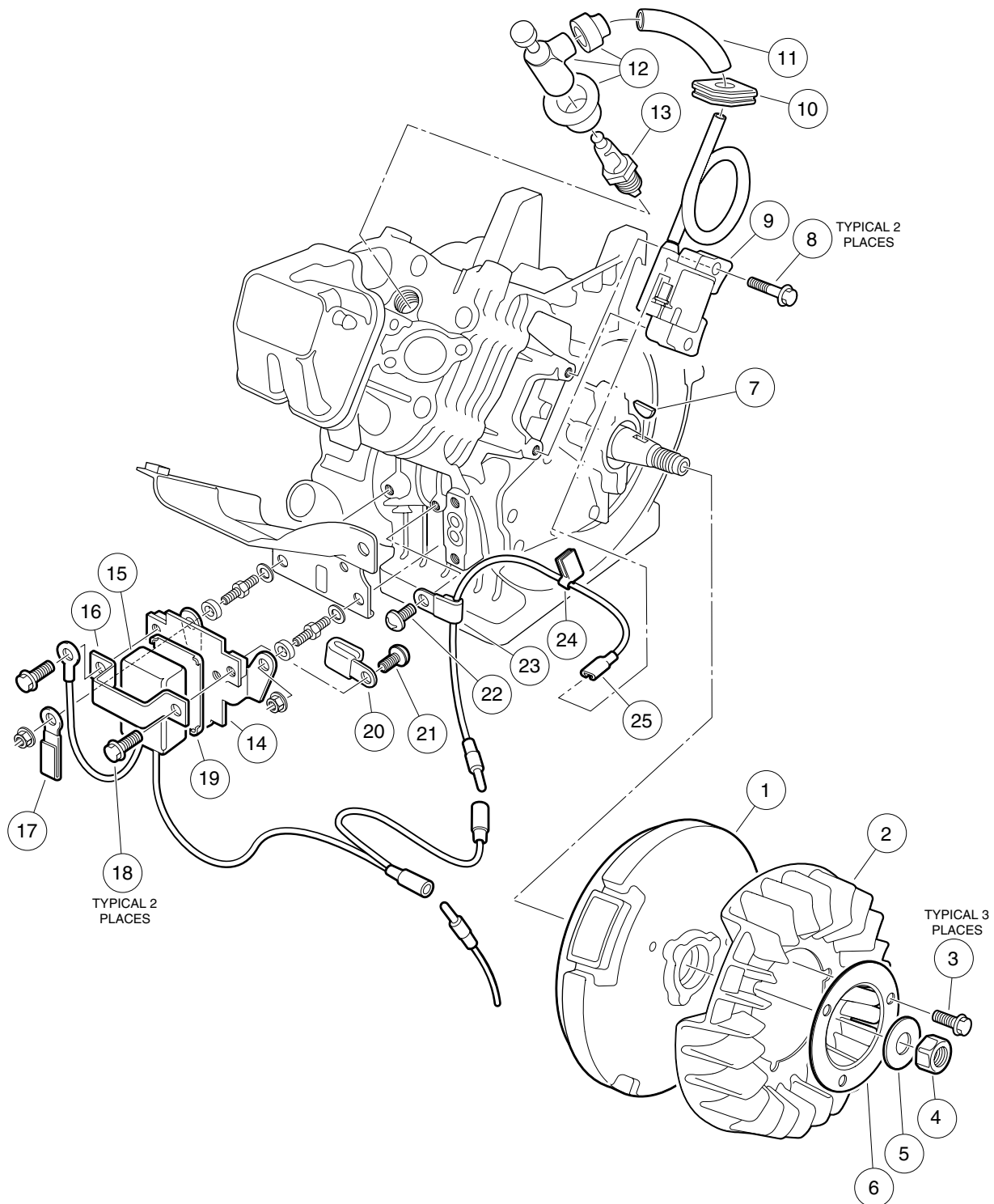


FE400 ENGINE (KEY-START) – SHROUDS AND BRACKETS

ITEM	PART NO.	DESCRIPTION	QTY
		1 2 3 4	
	102258701	FE400 OHV Gasoline Engine, Complete (clockwise rotation) with automatic compression release (ACR) and Carburetor (does not include items 13 - 16)	1
1	1016507	Bolt, 2-Ended, M6 x 1 x 29 mm	3
2	N/A	Washer, Flat, 6 mm	3
3	1017474	Shroud, Cylinder Head	1
4	1016456	Bolt, Flanged, M6 x 1 x 12 mm	14
5	102272001	Housing, Fan	1
6	1017476	Shroud, Lower Cylinder	1
7	1016547	Nut, Flanged, M6 x 1	3
8	1017500	Spacer	2
9	1017475	Shroud, Upper Cylinder	1
10	1016539	O-Ring	1
11	1017486	Tube, Oil Filler	1
12	1016531	Dipstick	1
13	101887601	Nut, Nylon Lock, M6 x 1	1
14	1015332	Wire Assembly, #10 Braided Ground	1
15	1015649	Shroud, Fan	1
16	1015969	Screw, Pan-Head, M6 x 1 x 14 mm	4

8
G

FE400 ENGINE



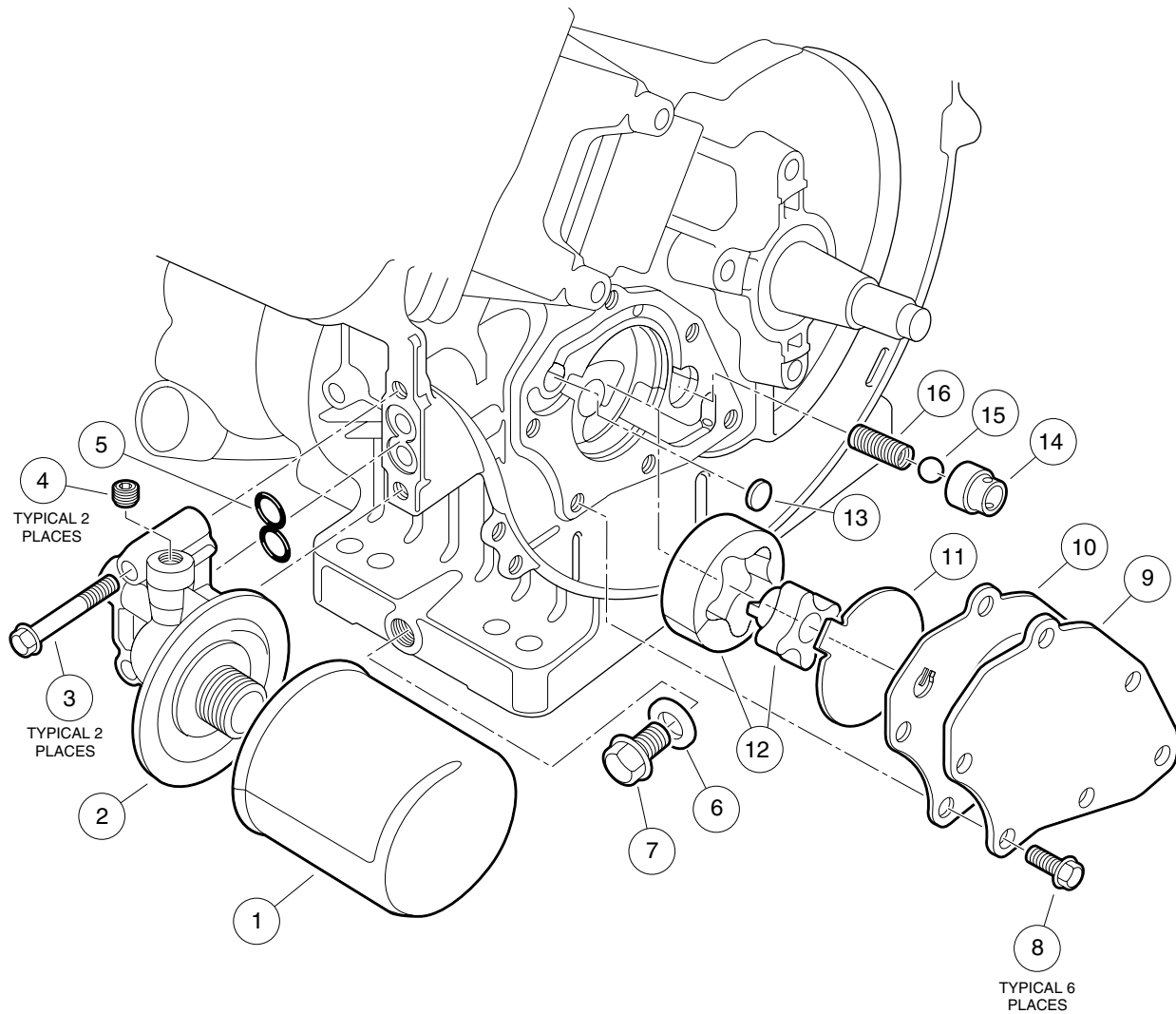
FE400 ENGINE (KEY-START) – IGNITION COMPONENTS AND FLYWHEEL

ITEM	PART NO.	DESCRIPTION	QTY
		1 2 3 4	
1	101916201	Flywheel	1
2	101916301	Fan, Flywheel – Gray	1
3	1017448	Screw, Flanged Hex-Head, M6 x 1 x 10 mm	3
4	N/A	Nut, Hex, Fine, 18 mm	1
5	1017490	Washer, Flat, 18 mm	1
6	1017455	Plate, Flywheel Fan	1
7	1016562	Key	1
8	1016455	Screw, Hex-Head Flanged, M5 x 0.8 x 25 mm	2
9	101909201	Coil, Ignition (with internal igniter)	1
10	1016578	Grommet	1
11	1016588	Tube, 7 mm I.D. x 10 mm O.D. x 70 mm Long	1
12	1017463	Assembly, Plug Cap	1
13	101881101	Plug, Spark, OHV (Autolite)	1
13	AM10724	Plug, Spark, OHV (NGK)	1
14	1016445	Bracket, RPM Limiter	1
15	101909401	Limiter, RPM	1
16	1016579	Band, RPM Limiter Mount	1
17	1012981	Clamp	1
18	1016456	Screw, Flanged Hex-Head, M6 x 1 x 12 mm	2
19	1016586	Damper	1
20	101909501	Clamp	1
21	1016497	Screw, Cross Pan-Head, M5 x 0.8 x 8 mm	1
22	1016544	Screw, Cross Pan-Head Self-Tapping, M5 x 12 mm	1
23	1016561	Clamp	1
24	1016587	Clamp	1
25	101909301	Wire, Lead	1

8

G

FE400 ENGINE

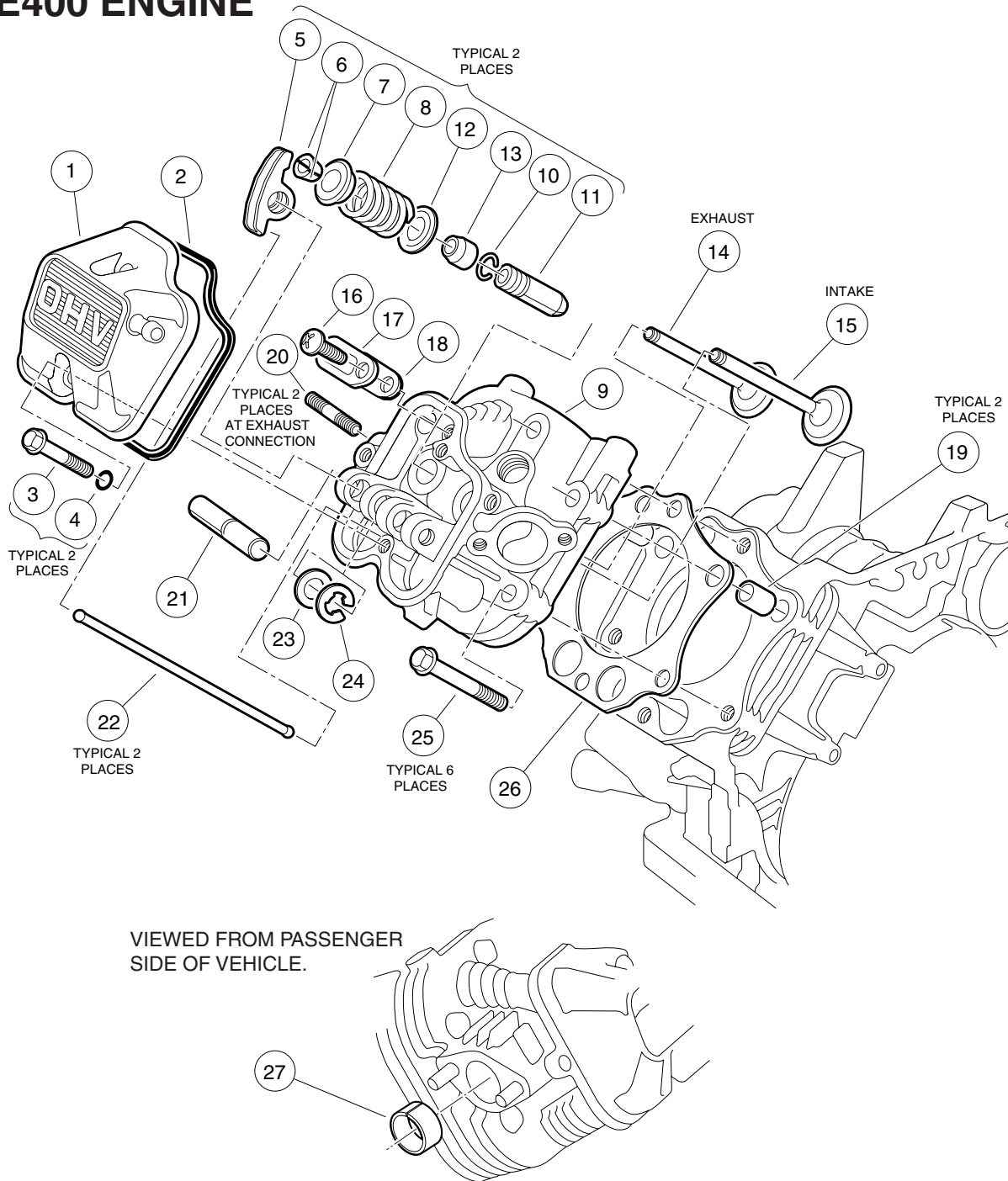


FE400 ENGINE (KEY-START) – OIL CIRCULATION

ITEM	PART NO.	DESCRIPTION	QTY
		1 2 3 4	
1	1016467	Oil Filter	1
2	1016502	Bracket, Oil Filter	1
3	1016457	Bolt, Flanged Hex-Head, M6 x 1 x 40 mm	2
4	1017507	Plug	2
5	1016570	O-Ring, Oil Filter Mount	1
6	1016432	Gasket, Drain Plug	1
7	1016576	Plug, Drain	1
8	1017456	Screw, Flanged Hex-Head, M6 x 1 x 12 mm	6
9	1017460	Cover, Pump	1
10	1017442	Gasket, Oil Pump	1
11	1016473	Plate, Oil Pump	1
12	101648203	Pump, Oil and Rotor	1
13	1017458	Filter	1
14	1016429	Seat, Valve	1
15	1016537	Ball, Steel Pressure Relief	1
16	1016581	Spring	1

8
G

FE400 ENGINE

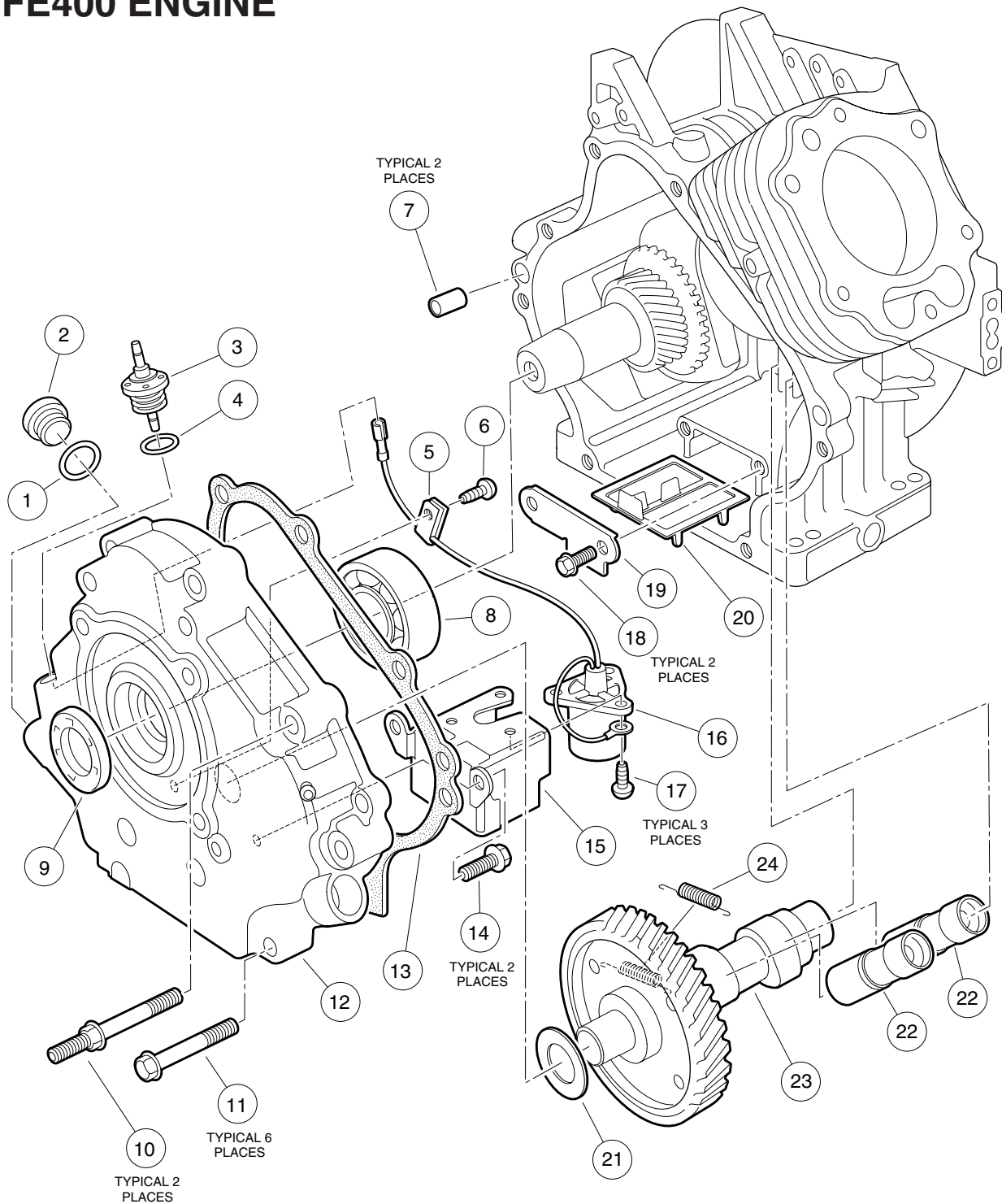


FE400 ENGINE (KEY-START) – CYLINDER HEAD

ITEM	PART NO.	DESCRIPTION	QTY
		1 2 3 4	
1	1016442	Case, Rocker	1
2	1016436	Gasket, Rocker Case	1
3	1016583	Bolt, Flanged, M6 x 1 x 35 mm	2
4	1016569	O-Ring	2
5	1017446	Arm, Rocker	2
6	1016450	Collet	4
7	1016449	Retainer, Valve Spring	2
8	1017473	Spring, Engine Valve	2
9	102270001	Assembly, Cylinder Head, FE400 (includes items 10 and 11)	1
10	1016560	Ring, Snap	2
11	1016519	Guide, Valve	2
12	1016479	Seat, Spring	2
13	1016566	Seal, Valve	2
14	1017445	Valve, Exhaust	1
15	1017444	Valve, Intake	1
16	1016544	Screw, Cross Pan-Head Self-Tapping, M5 x 0.8 x 12 mm	1
17	1016474	Plate	1
18	1016483	Valve	1
19	1016563	Pin, Hollow	2
20	1016489	Bolt, Stud, M8 x 1.25 x 29 mm	2
21	1016452	Shaft, Rocker	1
22	1017454	Rod, Push	2
23	1016549	Washer, Flat, M12	1
24	1016517	Circlip, Type-E	1
25	1016458	Bolt, Flanged, M8 x 1.25 x 45 mm	6
26	102269901	Gasket, Head	1
27	102271101	Sleeve	1
28	102304901	Kit, Gasket, FE400 (contains one each of all internal gaskets for FE400 engine) (not shown)	1

8
G

FE400 ENGINE

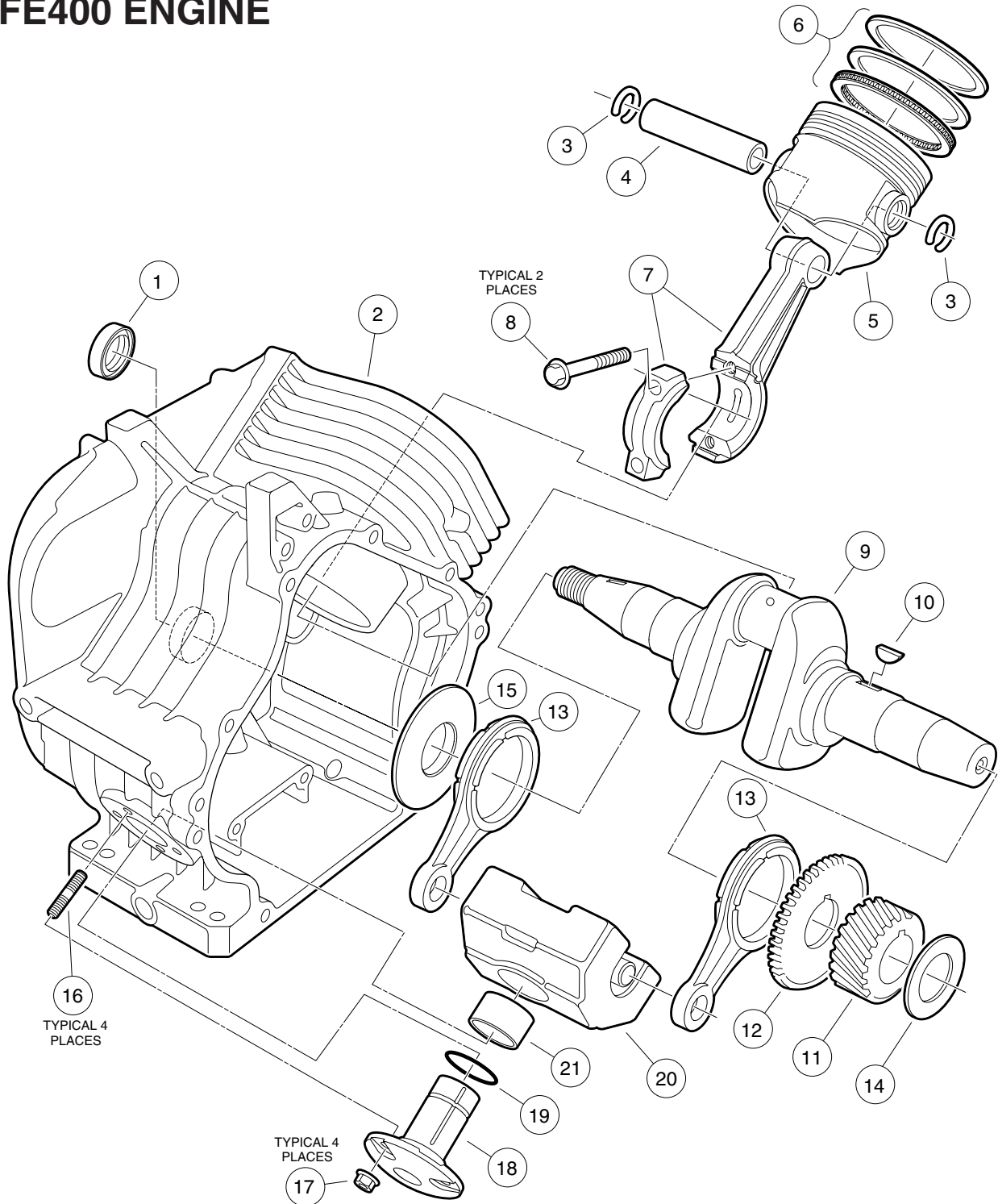


FE400 ENGINE (KEY-START) – CRANKCASE, CAMSHAFT AND OIL SENSOR

ITEM	PART NO.	DESCRIPTION	QTY
		1 2 3 4	
1	1016538	O-Ring	1
2	1017508	Plug	1
3	1016535	Connector, Oil Sending Unit	1
4	1016538	O-Ring	1
5	1016506	Clamp	1
6	1016544	Screw, Cross Pan-Head Self-Tapping, M5 x 0.8 x 12 mm	1
7	1016564	Pin, Hollow	2
8	1017487	Bearing, Crankshaft	1
9	102272101	Seal, Crankshaft	1
10	1016584	Bolt, 2-Ended Flanged, M8 x 1.25 x 69 mm	2
11	1017514	Bolt, Flanged, M8 x 1.25 x 45 mm	6
12	102271401	Cover, Crankcase	1
13	1017443	Gasket, Crankcase Cover	1
14	102272301	Bolt, Flanged	2
15	102271201	Bracket, Oil Level Switch	1
16	1016494	Sensor, Oil Level	1
17	1016496	Screw, Cross Pan-Head, M4 x 0.7 x 8 mm	3
18	1016454	Bolt, Flanged, M5 x 0.8 x 8 mm	2
19	1016472	Plate, Oil Filter Screen	1
20	1016521	Screen, Oil Filter	1
21	101751801	Shim, 0.3 mm Thick	A/R
21	101751802	Shim, 0.4 mm Thick	A/R
21	101751803	Shim, 0.5 mm Thick	A/R
22	1017447	Lifter, Hydraulic	2
23	102271601	Camshaft, FE350/FE400 (with automatic compression release) (includes item 24)	1
24	1017511	Spring	1
25	102304901	Kit, Gasket, FE400 (contains one each of all internal gaskets for FE400 engine) (not shown)	1

8
G

FE400 ENGINE

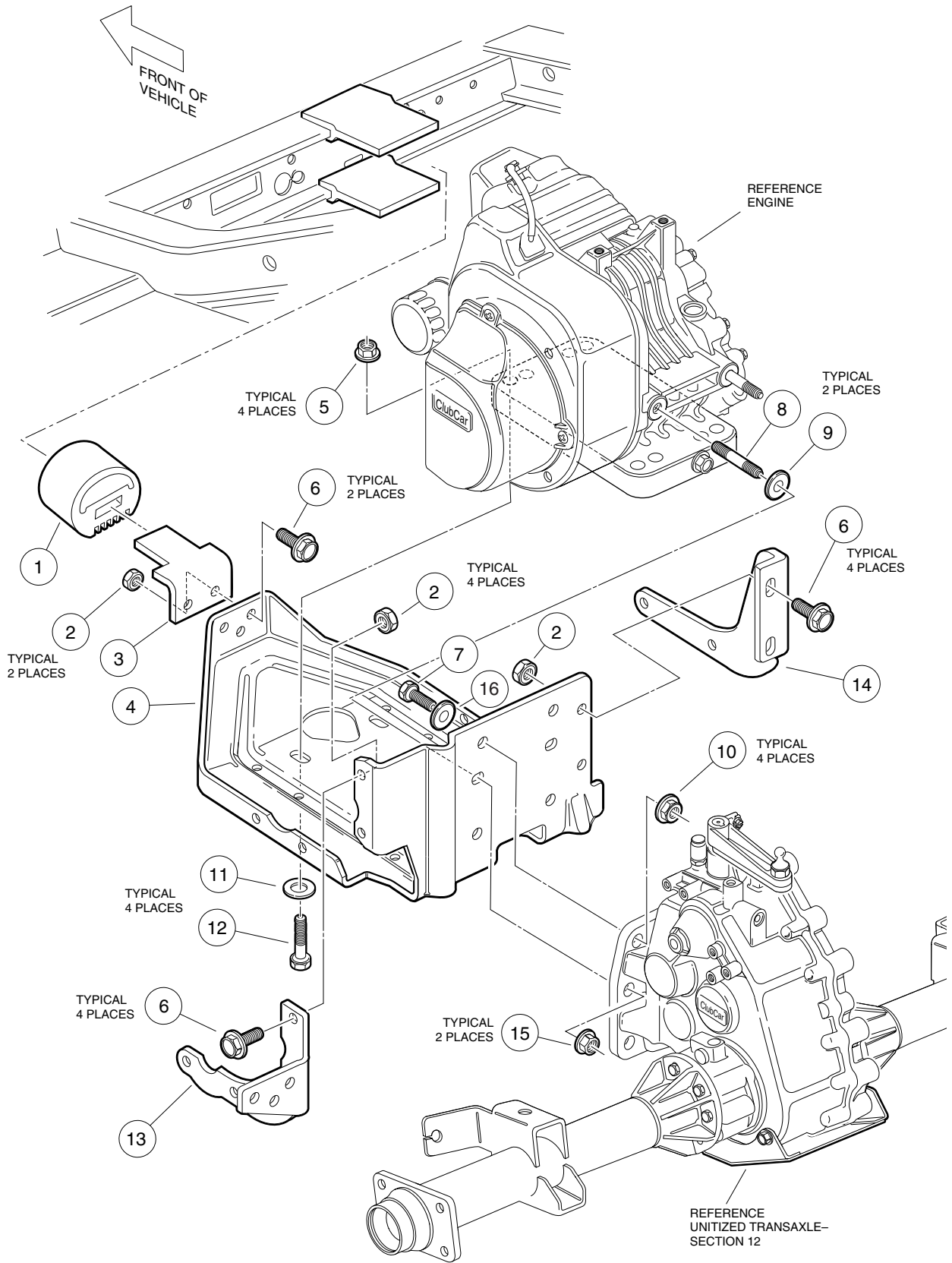


FE400 ENGINE (KEY-START) – CRANKCASE AND CRANKSHAFT

ITEM	PART NO.	DESCRIPTION	QTY
		1 2 3 4	
1	1017503	Seal, Oil	1
2	102271501	Crankcase, FE400 (clockwise rotation)	1
3	1017502	Ring, Snap	2
4	1017450	Pin, Piston	1
5	102270201	Piston, Standard	1
6	102270301	Ring Set, Piston, Standard	1
7	101745701	Assembly, Connecting Rod, Standard (includes 2 each of item 8)	1
7	101745702	Assembly, Connecting Rod, .50 mm Undersized (includes 2 each of item 8)	1
8	102272201	Bolt, Hex-Head, M8 x 1.25 x 42 mm	2
9	102270401	Crankshaft, FE400 (left-hand threads) (includes items 10 - 12 and one each of item 13)	1
10	1016562	Key	1
11	102271901	Gear, Helical (22T)	1
12	102271801	Gear, Spur	1
13	1017471	Rod, Connecting	2
14	101773301	Shim, Crankshaft, 1.18 mm Thick	A/R
14	101773302	Shim, Crankshaft, 1.25 mm Thick	A/R
14	101773303	Shim, Crankshaft, 1.32 mm Thick	A/R
14	101773304	Shim, Crankshaft, 1.39 mm Thick	A/R
14	101773305	Shim, Crankshaft, 1.46 mm Thick	A/R
14	101773306	Shim, Crankshaft, 1.53 mm Thick	A/R
14	101773307	Shim, Crankshaft, 1.60 mm Thick	A/R
14	101773308	Shim, Crankshaft, 1.67 mm Thick	A/R
14	101773309	Shim, Crankshaft, 1.74 mm Thick	A/R
14	101773310	Shim, Crankshaft, 1.11 mm Thick	A/R
14	101773311	Shim, Crankshaft, 1.81 mm Thick	A/R
15	1017501	Spacer	1
16	1016541	Bolt, Stud, M6 x 1 x 22 mm	4
17	1016547	Nut, Flanged, M6 x 1	4
18	1016470	Shaft, Guide Counterbalance	1
19	1016571	O-Ring	1
20	102270501	Weight, Counterbalance (includes item 21)	1
21	1017510	Bearing	1

8

G



ENGINE MOUNTING

ITEM	PART NO.	DESCRIPTION	QTY
		1 2 3 4	
1	1012164	Snubber	1
2	1013924	Nut, Hex Lock, UNF, 5/16-24	10
3	101834601	Bracket, Snubber	1
4	101827101	Plate, Mounting	1
5	101963401	Nut, Flanged, 5/16-18	4
6	101884801	Screw, Hex Washer-Head, 5/16-24 x 7/8	10
7	101833301	Screw, Hex-Head Cap, M10 x 1.25 x 30 mm	4
8	101833101	Stud, M8 x 1.25 x 50 mm	2
9	101832101	Washer, Flat, 5/16	2
10	101832901	Nut, Flanged, M10 x 1.25	4
11	1012571	Washer, Heavy Flat, 5/16	4
12	1010577	Screw, Hex-Head Cap, 5/16-18 x 1.50	4
13	101832701	Stiffener, Flywheel Side	1
14	101832601	Stiffener, PTO Side	1
15	101833001	Nut, Flanged, M8 x 1.25	2
16	334	Washer, 3/8 Flat, Type A	4

8

G

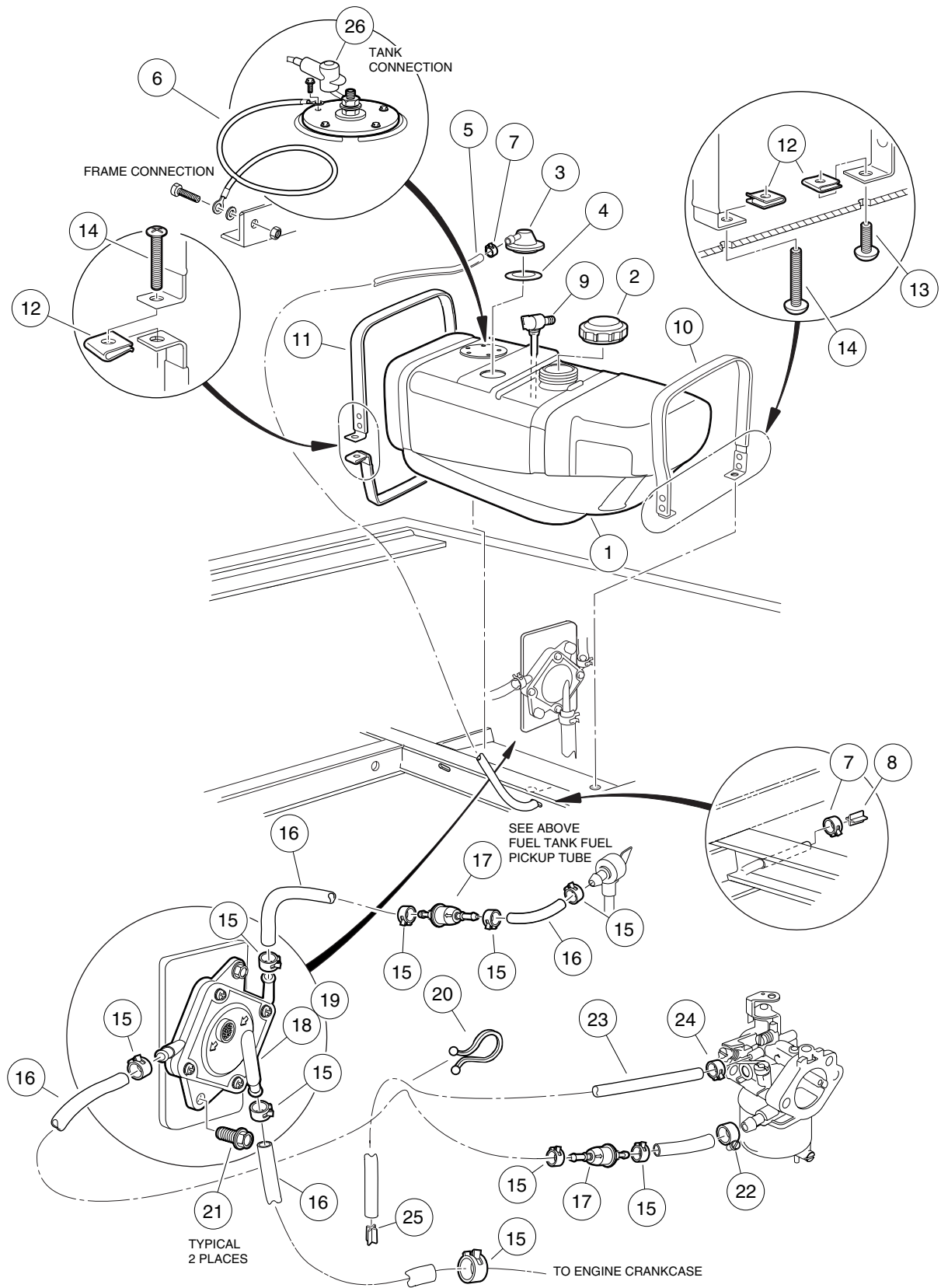
8

G

FUEL, INTAKE, AND GOVERNOR SYSTEMS

9

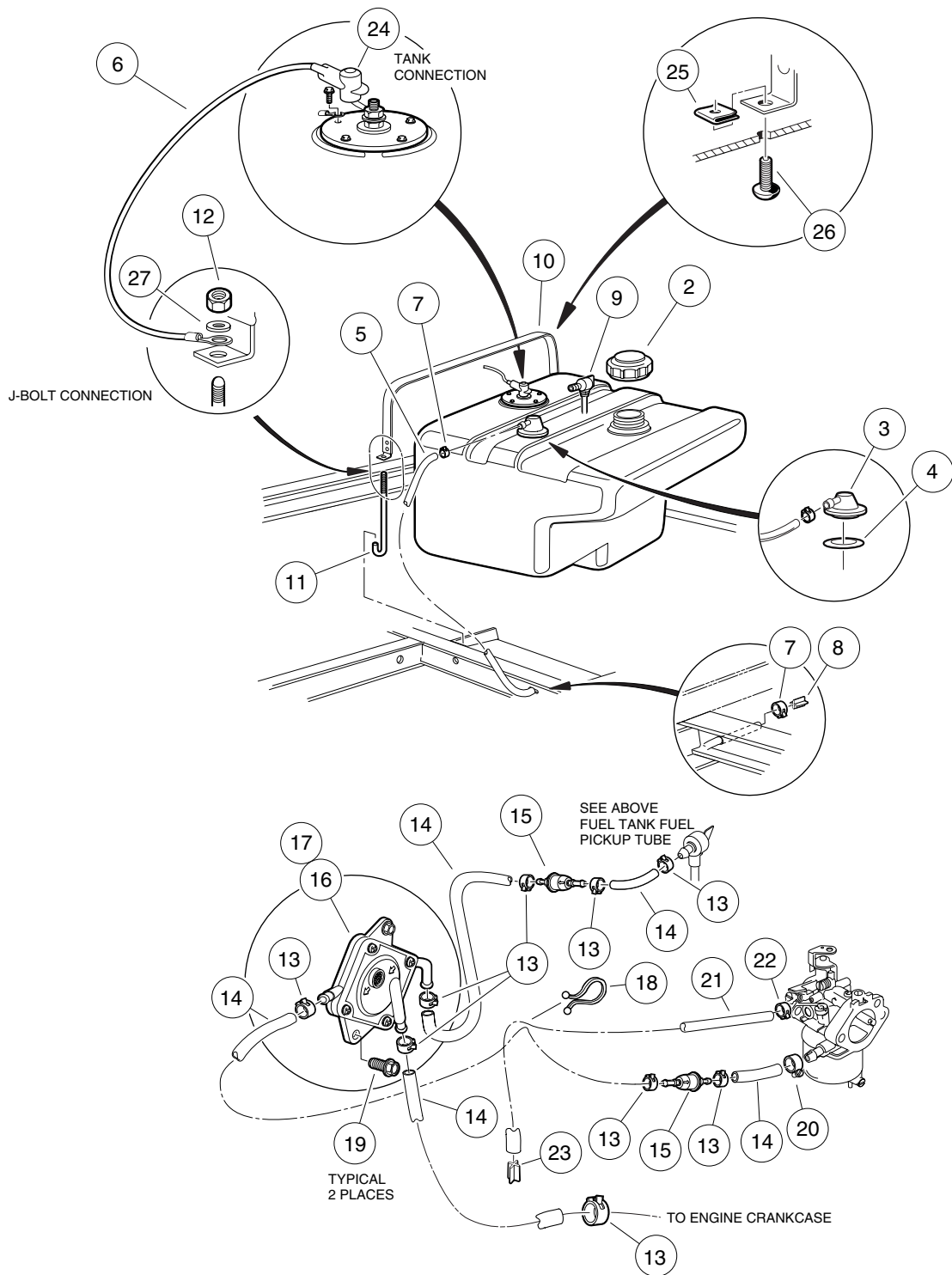
G



FUEL SYSTEM – PIONEER 1200 VEHICLES

ITEM	PART NO.	DESCRIPTION	QTY
		1 2 3 4	
1	1016004	Kit, Fuel Tank, with Sending Unit (includes items 2 - 9)	1
2	1015188	Cap, Fuel Tank, Nonvented	1
3	1015143	Vent, Fuel Tank	1
4	1015139	Grommet, Insulation	1
5	1015137	Line, Bulk Vent (available by the foot)	A/R
6	N/A	Wire Assembly, #16 Black	1
7	1013746	Clamp, Hose – Gray	2
8	101824401	Barb, Vent	1
9	101896901	Valve, Fuel Pickup Tube with Shut-Off	1
10	1014928	Fuel Strap, Rear	1
11	101955301	Fuel Strap, Front	1
12	1014116	Nut, U-Type Speed, 1/4-20	3
13	8248	Screw, Phillips Truss-Head, 1/4-20 x 3/4	1
14	1011988	Screw, Phillips Truss-Head, 1/4-20 x 2	2
15	1012649	Clamp, Hose – Red	9
16	1013692	Line, Bulk Fuel (available by the foot*)	A/R
17	102003201	Filter, Fuel	2
18	1014523	Pump, Fuel Impulse	1
19	1014524	Kit, Rebuild, Fuel Impulse Pump	A/R
20	101987701	Clamp, Plastic	1
21	1012285	Screw, Thread-Rolling, 1/4-20 x 5/8	2
22	1013687	Clamp, Hose (screw type)	1
23	1015137	Line, Bulk Vent (available by the foot)	A/R
24	1013746	Clamp, Hose – Gray	1
25	101824401	Barb, Vent	1
26	N/A	Boot, Rubber	1
<p>* The total fuel line length for the Pioneer 1200 is 34-1/2 inches (87.6 cm).</p>			

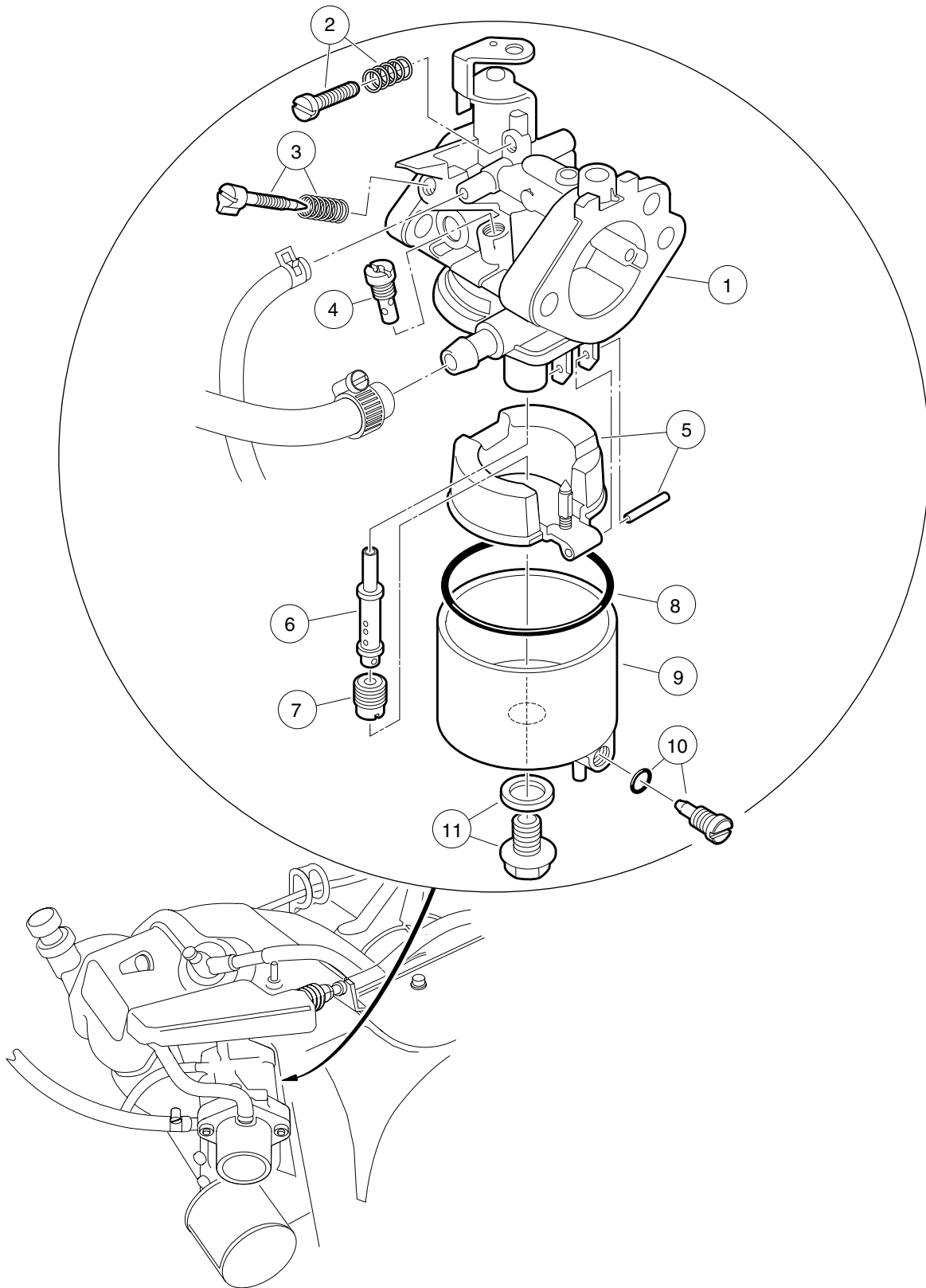
9
G



FUEL SYSTEM – PIONEER 1200 SE VEHICLES

ITEM	PART NO.	DESCRIPTION	QTY
		1 2 3 4	
1	102333601	Kit, Fuel Tank, with Sending Unit (includes items 2 - 9)	1
2	1015188	Cap, Fuel Tank, Nonvented	1
3	1015143	Vent, Fuel Tank	1
4	1015139	Grommet, Insulation	1
5	1015137	Line, Bulk Vent (available by the foot)	A/R
6	N/A	Wire Assembly, #16 Black	1
7	1013746	Clamp, Hose – Gray	2
8	101824401	Barb, Vent	1
9	101896901	Valve, Fuel Pickup Tube with Shut-Off	1
10	102333401	Fuel Strap	1
11	102333901	J-Bolt	1
12	8233	Nut, Hex, 1/4-20	1
13	1012649	Clamp, Hose – Red	9
14	1013692	Line, Bulk Fuel (available by the foot*)	A/R
15	102003201	Filter, Fuel	2
16	1013630	Pump, Fuel Impulse	1
17	1014524	Kit, Rebuild, Fuel Impulse Pump.....	A/R
18	101987701	Clamp, Plastic	1
19	1012285	Screw, Thread-Rolling, 1/4-20 x 5/8	2
20	1013687	Clamp, Hose (screw type)	1
21	1015137	Line, Bulk Vent (available by the foot)	A/R
22	1013746	Clamp, Hose – Gray	1
23	101824401	Barb, Vent	1
24	N/A	Boot, Rubber	1
25	1014116	Nut, U-Type Speed, 1/4-20	3
26	8248	Screw, Phillips Truss-Head, 1/4-20 x 3/4	1
		* The total fuel line length for the Pioneer 1200 SE is 75.65 inches (192.2 cm).	

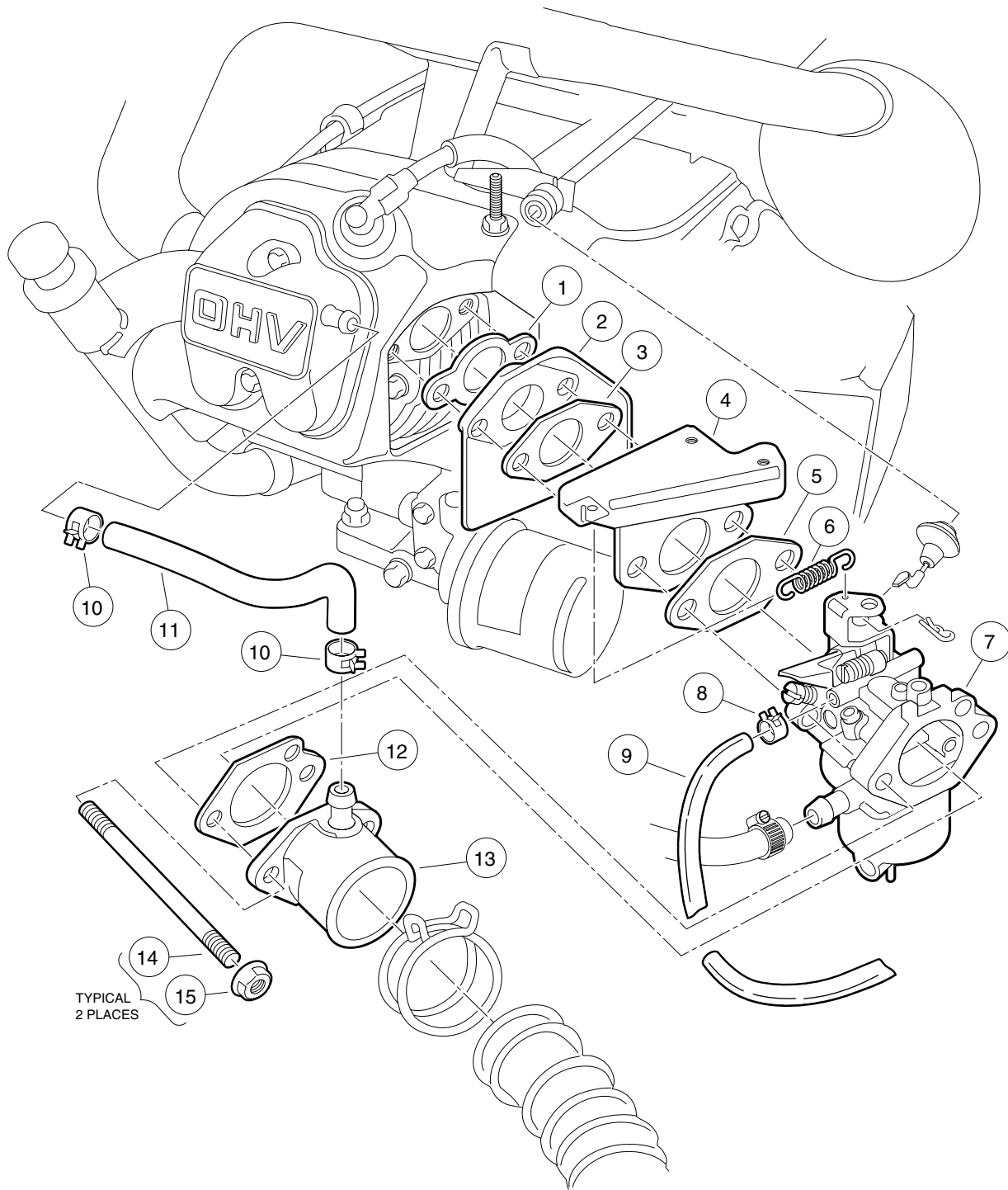
9
G



CARBURETOR ASSEMBLY, FE400 ENGINE

ITEM	PART NO.	DESCRIPTION	QTY
		1 2 3 4	
1	102270701	Assembly, Carburetor (FE400 engine) (includes items 2 - 11)	1
2	1016501	Assembly, Idle Screw	1
3	N/A	Assembly, Pilot Air Screw	1
4	1016574	Jet, Pilot, #45	1
5	1016486	Assembly, Float	1
6	102271701	Nozzle, Main (FE400 engine)	1
		Standard Jetting:	
7	101642588	Jet, Main, 0 - 3,280 Feet (0-1000 m)	1
7	101642585	Jet, Main, 3,280 - 6,562 Feet (1000-2000 m)	A/R
7	101642582	Jet, Main, 6,562 Feet and Above (2000 m and above)	A/R
8	1016437	Gasket, Float Chamber	1
9	1017461	Assembly, Float Chamber (includes item 10)	1
10	1016499	Assembly, Screw	1
11	1016585	Assembly, Bolt	1

9
G

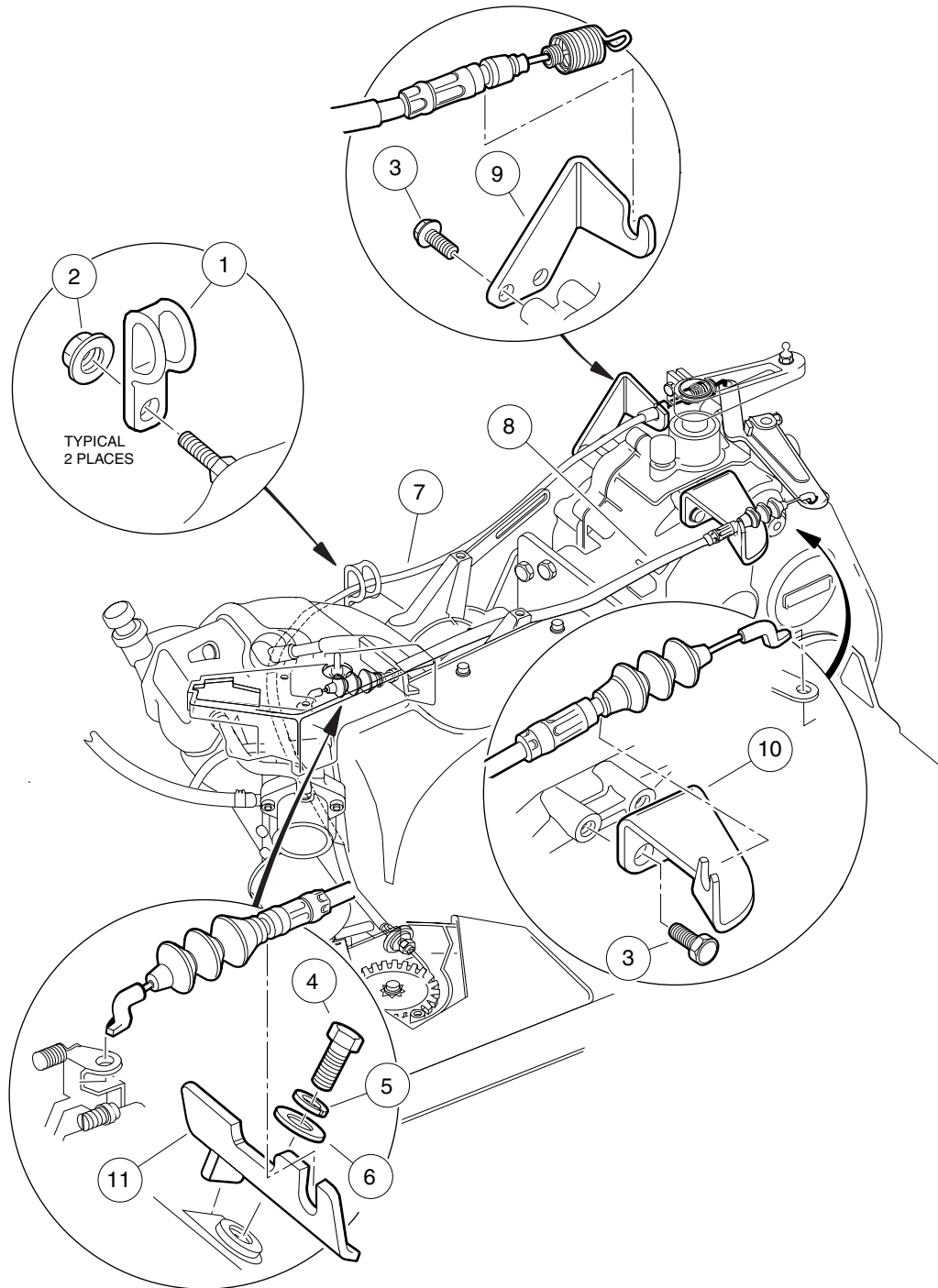


CARBURETOR INSTALLATION

ITEM	PART NO.	DESCRIPTION	QTY
		1 2 3 4	
1	1016440	Gasket, Insulator	1
2	101648102	Insulator, Carburetor	1
3	101973401	Gasket, Carburetor Insulator to Throttle Bracket	1
4	1016444	Bracket, Throttle	1
5	1016441	Gasket, Throttle Bracket to Carburetor	1
6	1016582	Spring, Throttle Return	1
7	102270701	Assembly, Carburetor (FE400 engine)	1
8	1013746	Clamp, Hose – Gray	1
9	1015137	Line, Bulk Vent	A/R
10	1017466	Clamp, Hose – Bronze	2
11	1016572	Tube, Crankcase Vent	1
12	1016438	Gasket, Carburetor to Intake Manifold	1
13	1016480	Pipe, Intake	1
14	101649002	Screw, 2-Ended Stud, M6 x 1 x 90 mm	2
15	1016547	Nut, Flanged, M6 x 1	2

9

G

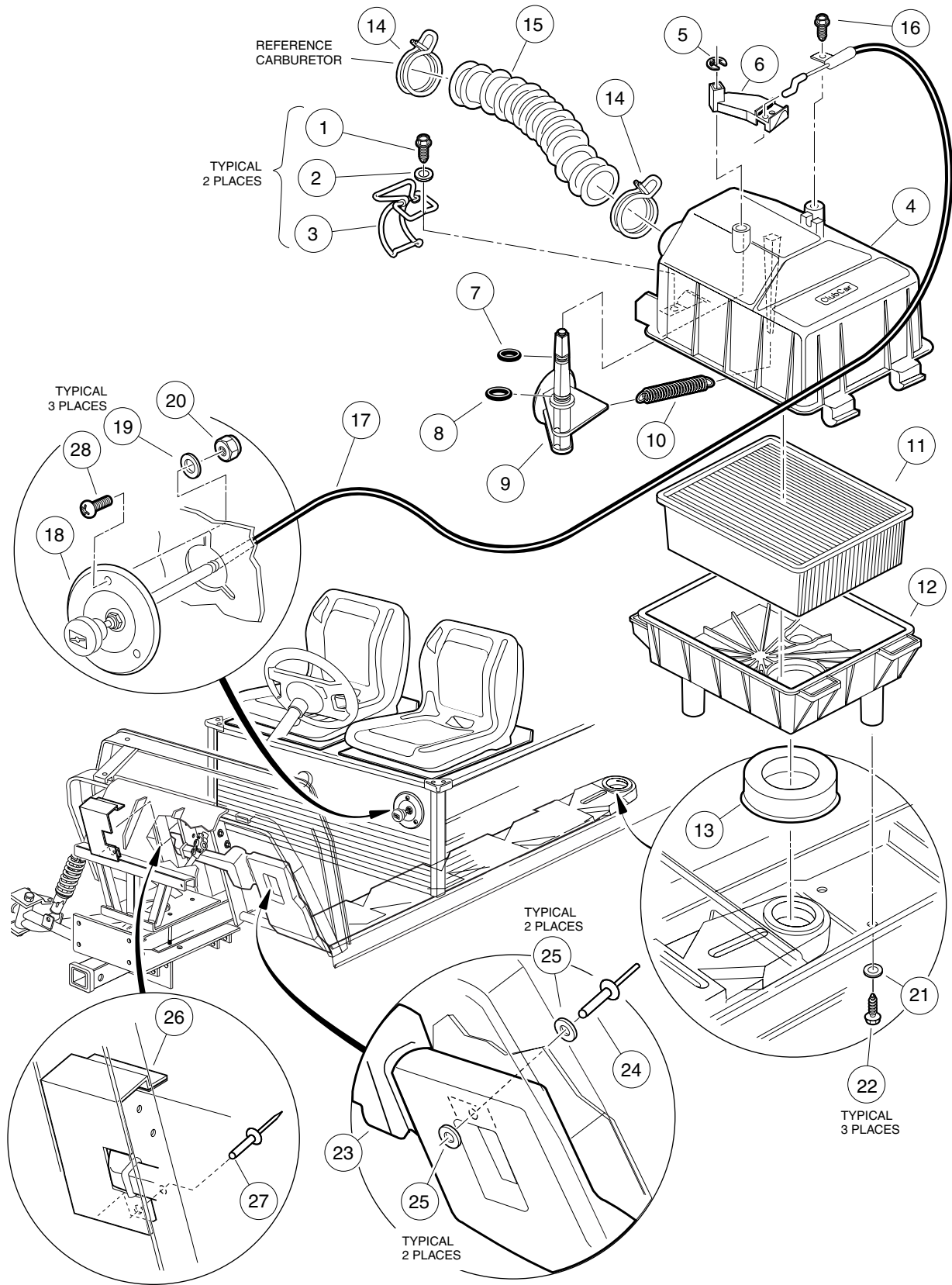


GOVERNOR AND ACCELERATOR CABLES

ITEM	PART NO.	DESCRIPTION	QTY
		1 2 3 4	
1	1013700	Clamp, Cable Retaining	2
2	1016546	Nut, Flanged Hex, M8 x 1.25	2
3	1012285	Screw, Thread Rolling, 1/4-20 x 5/8	4
4	101903501	Screw, Hex-Head Cap, M8 x 1.25 x 24 mm	1
5	7174	Washer, Lock, 5/16	1
6	1011697	Washer, Flat, 5/16	1
7	102336101	Cable, Accelerator, Snap-in	1
8	102336001	Cable, Governor, Snap-in	1
9	101832302	Bracket, Accelerator Support	1
10	101832202	Bracket, Support	1
11	101584502	Bracket, Governor Cable Engine	1

9

G



INTAKE DUCT, CHOKE, AND AIR BOX ASSEMBLY – PIONEER 1200 VEHICLES

ITEM	PART NO.	DESCRIPTION	QTY
		1 2 3 4	
	101821501	Assembly, Air Box (includes items 1 - 13)	1
1	101804301	Screw, Hex-Head Hi-Lo, #8 x 1/2	2
2	101881701	Washer, Stainless Steel, #8	2
3	101925701	Latch, Wire	2
4	101972801	Assembly, Air Box Top (includes items 5 - 10)	1
5	101813001	E-Clip	1
6	101917601	Lever, Choke	1
7	N/A	O-Ring, 5/16 – Red	1
8	N/A	O-Ring, 3/8 – Green	1
9	N/A	Valve, Choke	1
10	101812301	Spring, Return	1
11	1015426	Filter, Air	1
12	101811901	Bottom, Air Box	1
13	101921501	Seal, Intake	1
14	101971301	Clamp, Hose (air intake)	2
15	101837101	Hose, Intake	1
16	101804301	Screw, Hex-Head Hi-Lo, #8 x 1/2	1
17	101926801	Cable, Choke (includes item 18)	1
18	101933701	Bezel, Choke Cable	1
19	183	Washer, Flat, Type A, #10	3
20	1012438	Nut, Nylon Lock, #10-24	3
21	332	Washer, Flat, Type A, 1/4	3
22	1015752	Screw, Hi-Lo, #12-16 x 5/8	3
23	101958102	Duct, Air	1
24	1606	Rivet, Pop, 3/16	2
25	183	Washer, Flat, Type A, #10	4
26	102190702	Kit, Air Duct Shield (includes item 27 and 28)	1
27	7973	Rivet, Pop, 3/16	1
28	101971001	Air Duct Repair Kit (not shown)	A/R
	1631	Screw, Pan-Head, #10-24 x 3/4	3

9
G

INTAKE DUCT, CHOKE, AND AIR BOX ASSEMBLY – PIONEER 1200 SE VEHICLES

ITEM	PART NO.	DESCRIPTION	QTY
		1 2 3 4	
	101821501	Assembly, Air Box (Includes Items 1 - 13).....	1
1	101804301	Screw, Hi-Lo Hex-Head, #8-1/2	2
2	101881701	Washer, Stainless Steel, #8	2
3	101925701	Latch, Wire	2
4	101972801	Assembly, Air Box Top (Includes Items 5 - 10)	1
5	101813001	E-Clip	1
6	101917601	Lever, Choke	1
7	N/A	O-Ring, 5/16 (Red)	1
8	N/A	O-Ring, 3/8 (Green)	1
9	N/A	Valve, Choke	1
10	101812301	Spring, Return	1
11	1015426	Filter, Air	1
12	101811901	Bottom, Air Box	1
13	101921501	Seal, Intake	1
14	101825701	Bracket, Retaining	1
15	101971301	Clamp, Hose (Air Intake)	2
16	101837101	Hose, Intake	1
17	101804301	Screw, Hex-Head Hi-Lo, #8 x 1/2	1
18	101926802	Cable, Choke (includes item 19)	1
19	101933701	Bezel, Choke Cable	1
20	183	Washer, #10	3
21	1012438	Nut, Nylon Lock, #10-24	3
22	1015139	Grommet	1
23	8168	Tie, Wire	2
24	332	Washer, Flat, 1/4	3
25	1015752	Screw, Hi-Lo, #12-16 x 5/8	3
26	101811301	Duct, Air	1
27	7973	Rivet, Pop, 3/16	2
28	183	Washer, Flat, #10	4
29	101971001	Kit, Air Duct Repair (Not Shown)	1
29	1631	Screw, Pan-Head, #10-24 x 3/4	3

9
G

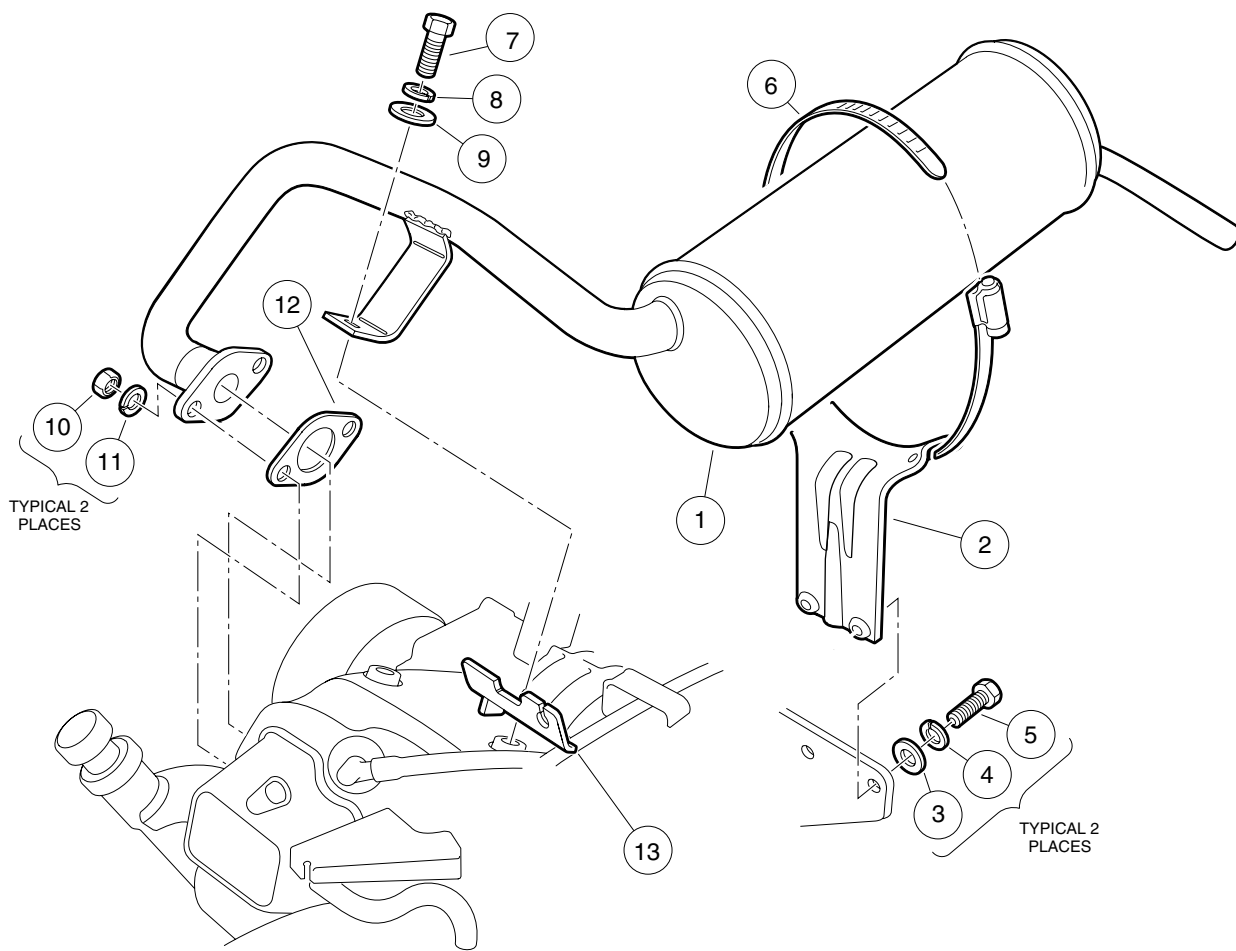
9

G

EXHAUST SYSTEM

10

G



EXHAUST SYSTEM, FE400 ENGINE

ITEM	PART NO.	DESCRIPTION	QTY
		1 2 3 4	
1	102257201	System, Exhaust (FE400 engine)	1
2	1015814	Bracket, Muffler Mounting	1
3	332	Washer, Flat, Type A, 1/4	2
4	451	Washer, Lock, 1/4	2
5	7847	Screw, Hex-Head, 1/4-20 x 3/4	2
6	1017689	Clamp, Muffler	1
7	1012830	Screw, Hex-Head Cap, M8 x 1.25 x 22 mm	1
8	7174	Washer, Lock, 5/16	1
9	1241	Washer, Flat, Type A, 5/16	1
10	1012528	Nut, Hex, M8 x 1.25	2
11	1013734	Washer, Lock, 8 mm	2
12	1016904	Gasket, Exhaust (FE400 engine)	1
13	1015845	Bracket, Governor Cable Engine	1

10
G

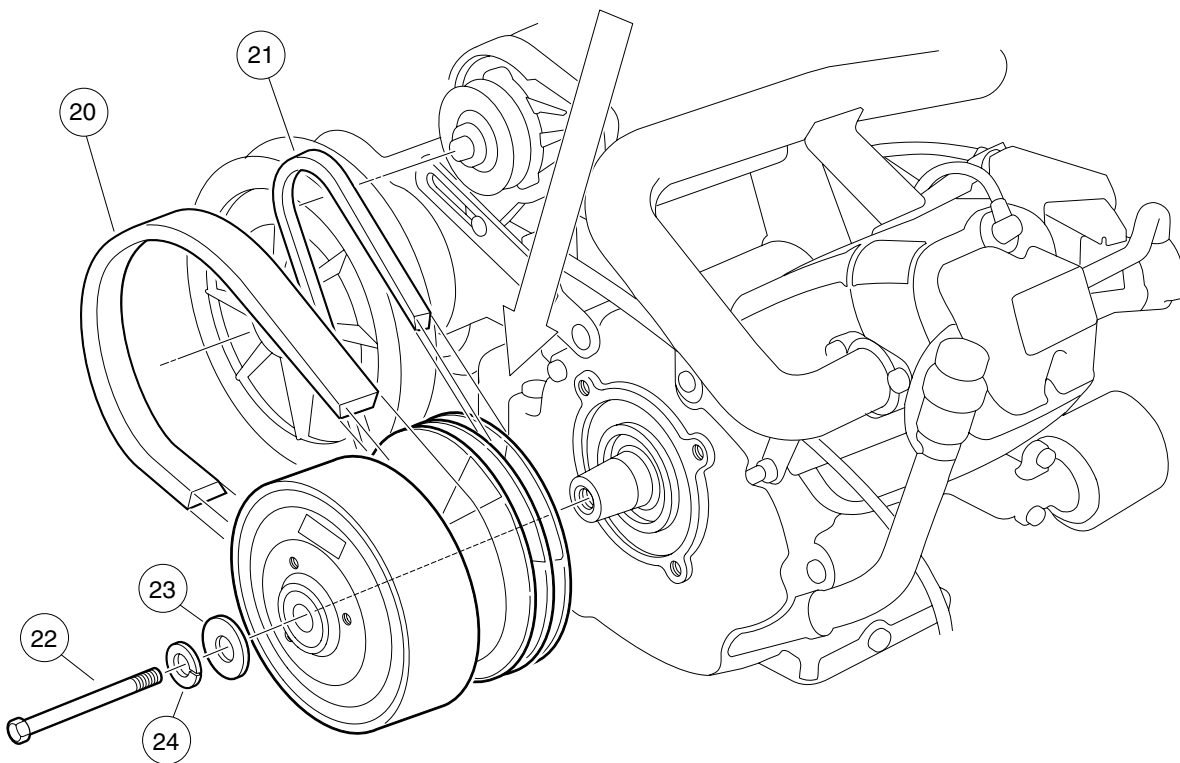
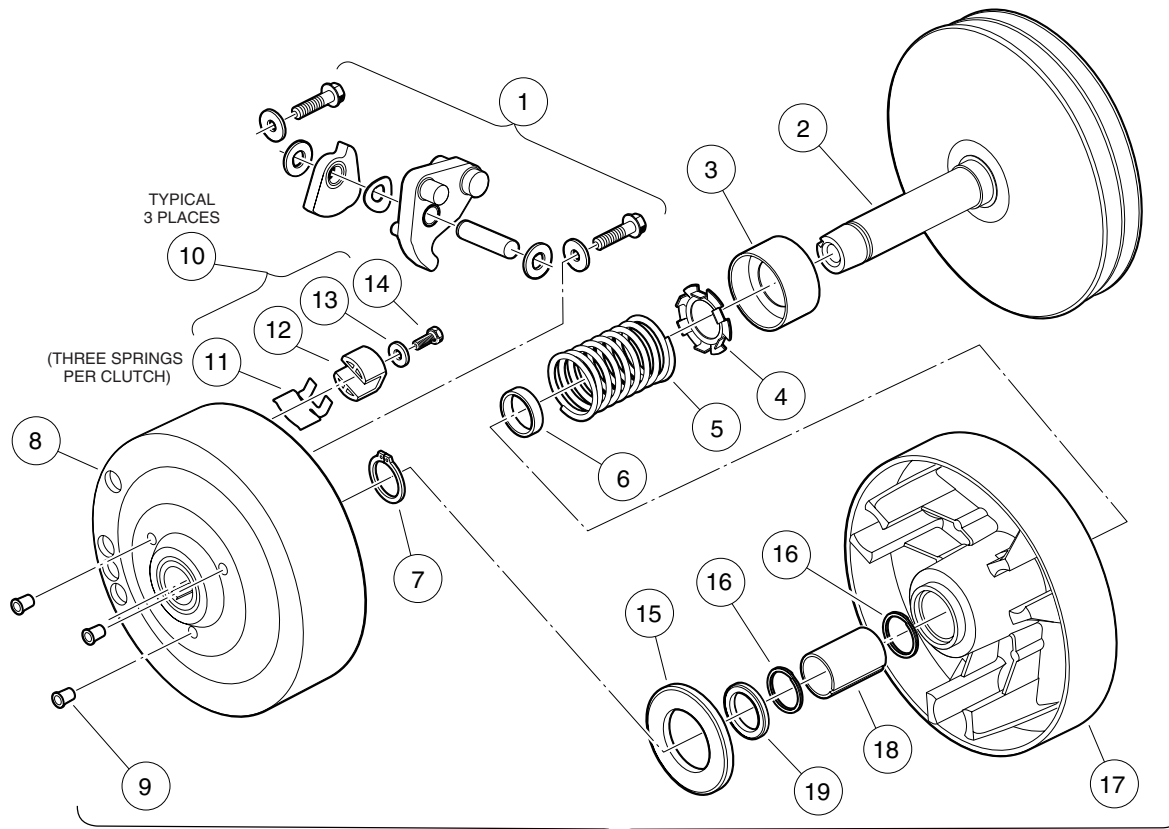
10

G

TORQUE CONVERTER

11

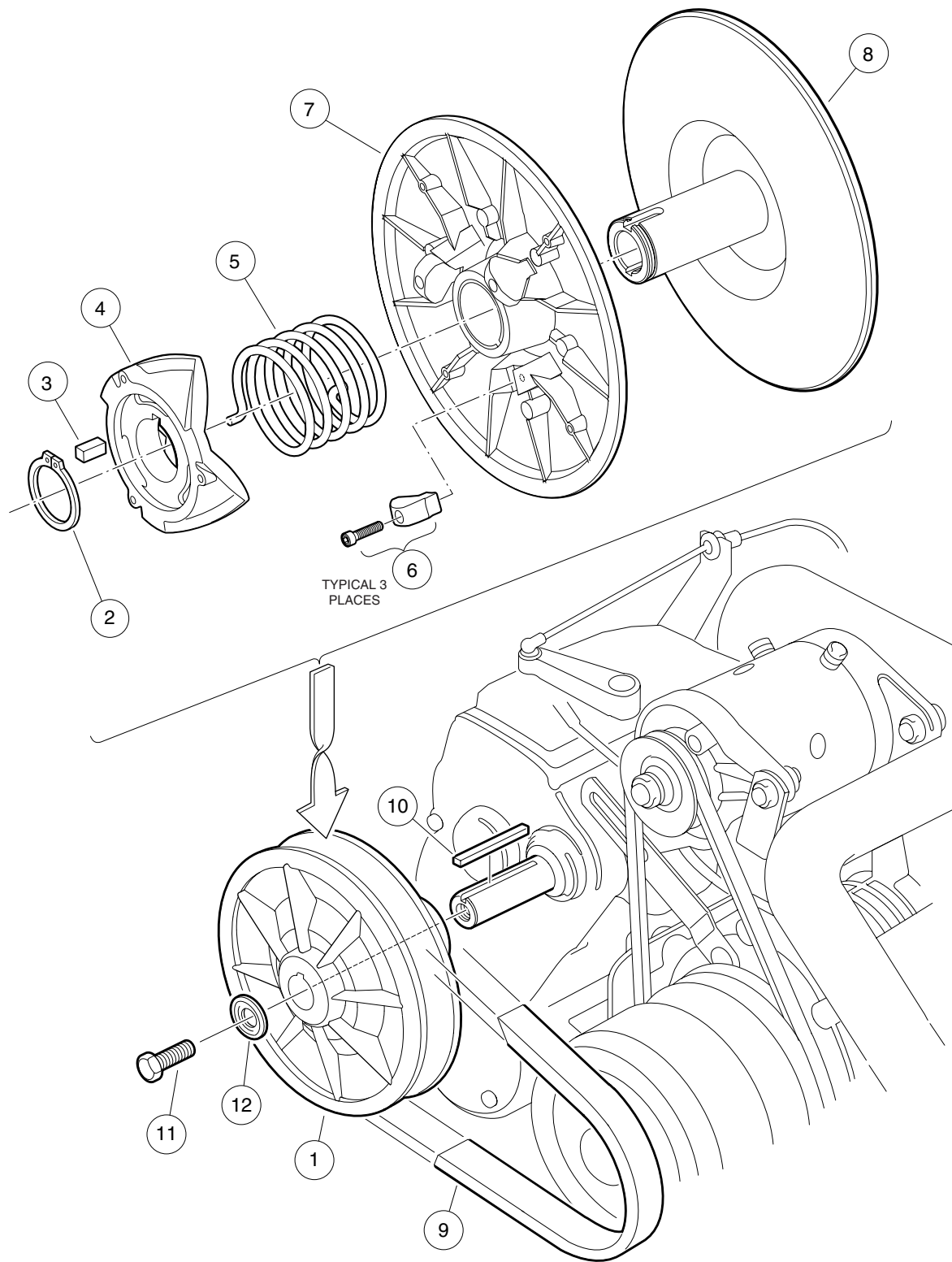
G



DRIVE CLUTCH

ITEM	PART NO.	DESCRIPTION	QTY
		1 2 3 4	
	101833908	Assembly, Drive Clutch (FE400 engine) (includes items 1 - 19)	1
1	1016801	Kit, Drive Clutch Weight	1
2	101738301	Assembly, Fixed Face	1
3	1014049	Bearing, Idler	1
4	1014050	Retainer, Spring	1
5	102266201	Spring, Drive Clutch – Red	1
6	1016289	Spacer, Fixed Face Shaft	1
7	1014057	Ring, Retaining	1
8	1014059	Assembly, Drive Hub	1
9	N/A	Plug, Drive Clutch	1
10	1014453	Kit, Drive Clutch Button (includes item 11 - 14)	1
11	1014287	Spring, Drive Button	3
12	1014062	Driver, Drive Clutch	3
13	183	Washer, Flat, #10, Type A	3
14	8450	Screw, Hex-Head, #10-24 x 1/2	3
15	1014058	Washer, Thrust	1
16	1014056	Ring, Spiral Back-Up	2
17	1014052	Assembly, Moveable Face (includes items 18 and 19)	1
18	N/A	Bushing	1
19	1014055	Retainer	1
20	102267101	Belt, Drive	1
21	101916701	Belt, Starter/Generator	1
22	101916501	Screw, Hex-Head Cap, 3/8-24 x 5-1/2 (left-hand threads)	1
23	808	Washer, Drive Clutch, 3/8	1
24	357	Washer, Lock, 3/8	1

11
G



DRIVEN CLUTCH

ITEM	PART NO.	DESCRIPTION	QTY
		1 2 3 4	
1	101834001	Assembly, Driven Clutch (includes items 2 - 8)	1
2	1014080	Ring, Retaining	1
3	1014078	Key	1
4	1017686	Cam	1
5	101836201	Spring – Green	1
6	1014454	Kit, Driven Clutch Button (includes 3 screws and 3 buttons)	1
7	1014072	Assembly, Moveable Face with Bushing	1
8	1014070	Face, Fixed	1
9	102267101	Belt, Drive	1
	AM10419	Kit, Driven Clutch Hardware Repair (includes items 10 - 12)	1
10	101833401	Key, Square Transmission	1
11	102242101	Screw, Hex-Head Cap, Thread-Locking, 5/16-18 x 3/4	1
12	1017327	Washer, Driven Clutch	1

11

G

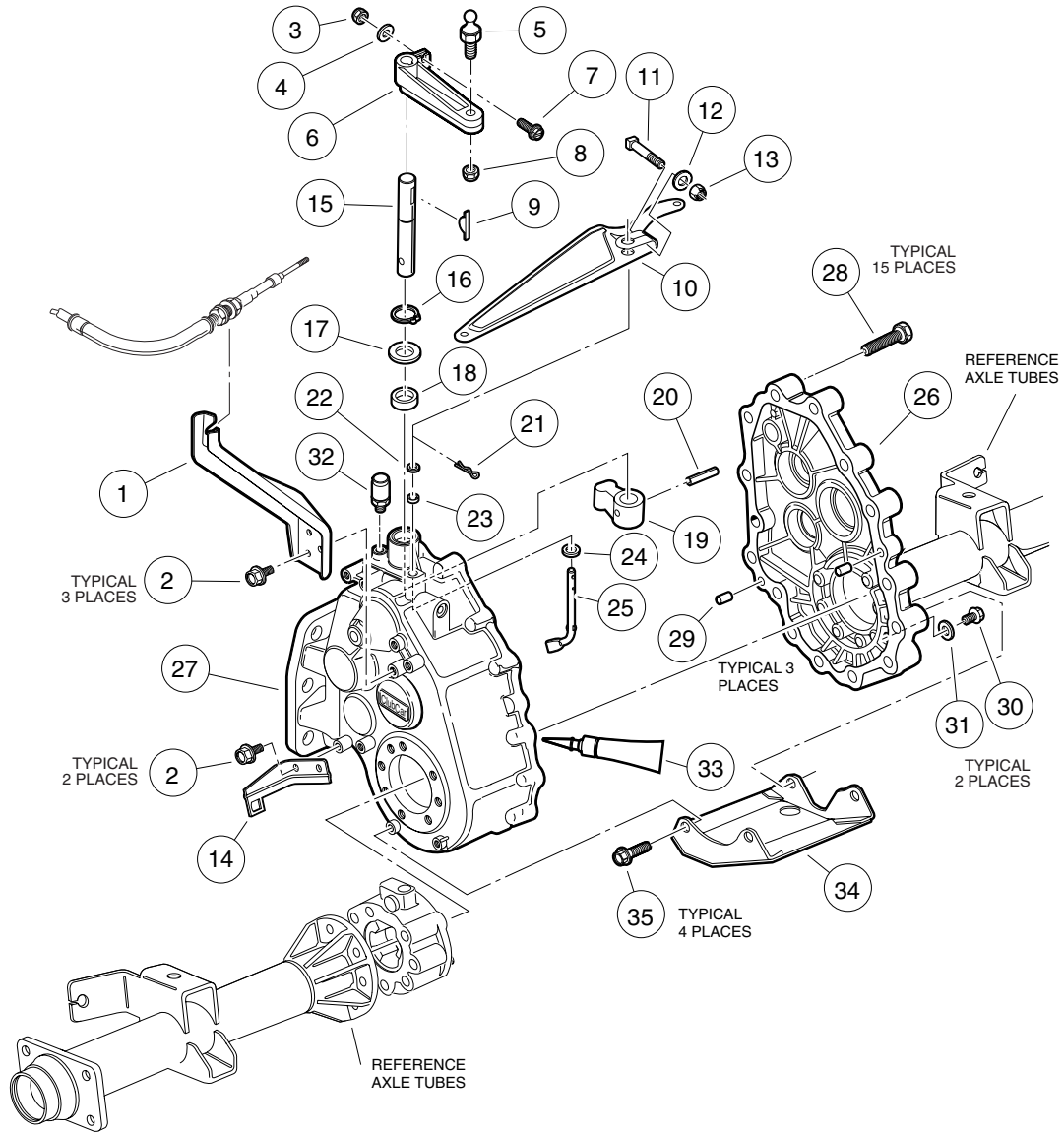
11

G

UNITIZED TRANSAXLE

12

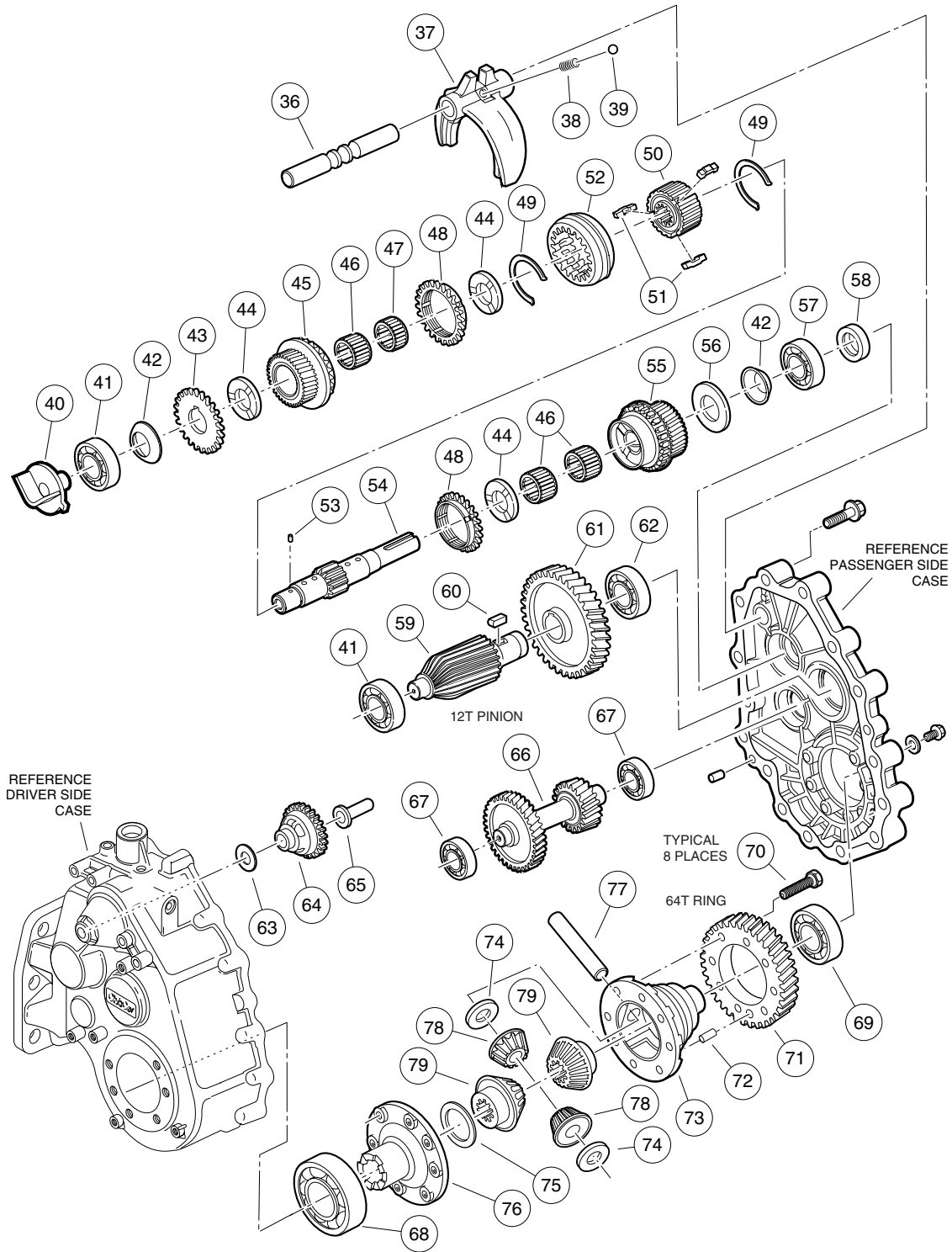
G



MC012C-AS00 PRIOR TO SERIAL NUMBER MC012C3J0001 – GEAR CASES, BRACKETS AND GUARD

ITEM	PART NO.	DESCRIPTION	QTY
		1 2 3 4	
1	102045901	Bracket, Transmission Cable Support	1
2	1012285	Screw, Thread-Rolling, 1/4-20 x 5/8	5
3	1013061	Nut, Nylon Lock, #10-32	1
4	183	Washer, Flat, Type A, #10	1
5	1010954	Stud, Ball, 1/4-28 x 9/16	1
6	1016341	Lever, Transmission Shifter	1
7	1017082	Screw, Hex Washer-Head, #10-32 x 3/4	1
8	8717	Nut, Nylon Lock, 1/4-28	1
9	1017231	Key, Woodruff, Type T	1
10	101834801	Arm, Governor Lever	1
11	101886101	Screw, Square-Head, 1/4-20 x 1	1
12	1014007	Washer, Type B, 1/4	1
13	8233	Nut, Nylon Lock, 1/4-20	1
14	102018701	Bracket, Differential Lock	1
	102264601	Transaxle, Unitized (includes items 15 - 107)	1
15	101890201	Shaft, Shifter	1
16	101927301	Ring, Snap	1
17	101892901	Washer, Flat	1
18	101927201	Seal, Oil	1
19	101890101	Lever, Shifter	1
20	1012752	Pin, Roll	1
21	101928601	Pin, Cotter	1
22	1016513	Washer, Flat	1
23	101927101	Seal, Oil	1
24	101893801	Washer	1
25	101891301	Arm, Pivot	1
26	102018501	Gear Case (passenger side)	1
27	102018601	Gear Case (driver side)	1
28	101926901	Bolt, Flanged, M8 x 1.25 x 40 mm	15
29	1012896	Pin, Dowel (see also page 12-6)	3
30	1016576	Plug, Drain	2
31	102267601	Gasket	2
32	1012711	Breather	1
33	101928701	Gasket, Liquid, 8.8 oz. (250 grams)	A/R
34	102031501	Guard, Unitized Transaxle	1
35	102268601	Bolt, M8 x 1.25 x 20 mm	4

12
G



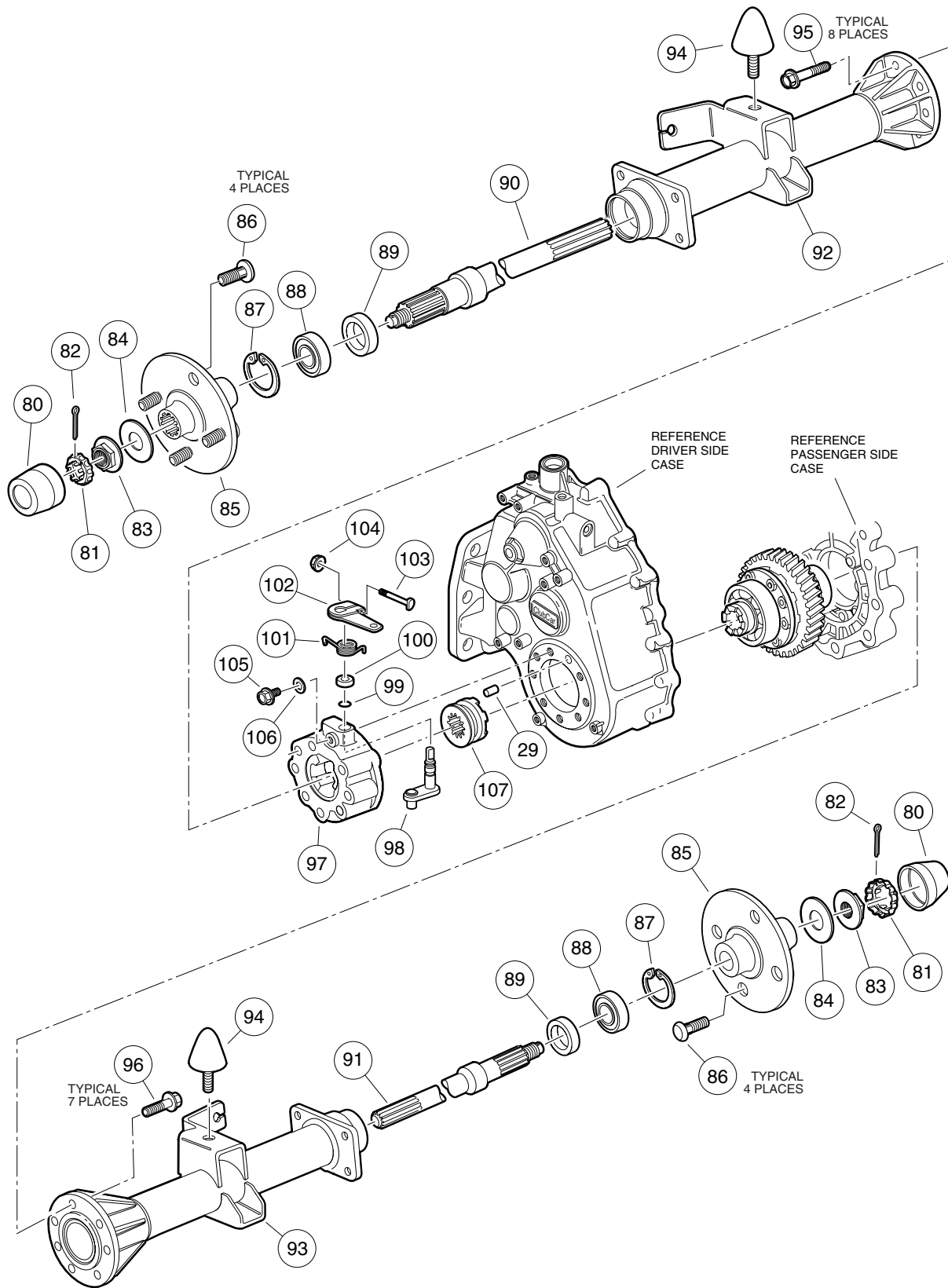
Parts identification for transaxles prior to serial number MC012C3J0001

MC012C-AS00 PRIOR TO SERIAL NUMBER MC012C3J0001 – F&R TRANSMISSION AND GEAR REDUCTION

ITEM	PART NO.	DESCRIPTION	QTY
		1 2 3 4	
36	101892001	Rod, Shift	1
37	101890001	Fork, Shift	1
38	1012748	Spring	1
39	1012747	Ball, Steel	1
40	101889401	Guide	1
41	AM10080	Bearing, Ball	2
42	1016338	Washer, Spring	2
43	101892401	Gear, Spur	1
44	101892201	Plate, Thrust	3
45	102018801	Gear, Input, 25 Tooth (16°)	1
46	101927601	Bearing, Needle	3
47	101927501	Bearing, Needle	1
48	101981001	Ring, Synchronizer (16°)	2
49	1012741	Spring, Synchronizer	2
50	101928001	Hub, Synchronizer Clutch	1
51	1012740	Insert, Synchronizer	3
52	101927901	Sleeve, Synchronizer	1
53	101927701	Pin, Dowel	1
54	101889901	Shaft, Input	1
55	101980801	Gear, Input, 25 Tooth (16°)	1
56	1016337	Washer, Thrust	1
57	AM10081	Bearing, Ball	1
58	1012714	Seal, Oil, Input Shaft	1
59	102268201	Gear, 12 Tooth	1
60	101893201	Key	1
61	102018901	Gear, 70 Tooth	1
62	102268401	Bearing, Ball	1
63	101893901	Washer	1
64	101892301	Governor	1
65	101891601	Sleeve	1
66	102019001	Gear, Cluster Idler	1
67	7335	Bearing, Ball	2
68	102032001	Bearing, Inner Axle Tube, Driver-Side	1
69	7330	Bearing, Inner Axle Tube, Passenger-Side	1
70	101928301	Bolt, M8 x 1.25 x 37 mm	8
71	102268301	Gear, Output, 64 Tooth	1
72	102031701	Pin, Dowel	1
73	102267901	Case, Gear Carrier	1
74	1013774	Plate, Thrust (idler gear)	2
75	102268101	Plate, Thrust (differential gear)	1
76	102267801	Cover, Gear Case	1
77	1013772	Pin, Differential	1
78	1013770	Gear, Differential Idler	2
79	102268001	Gear, Differential, 16 Tooth	2

12

G

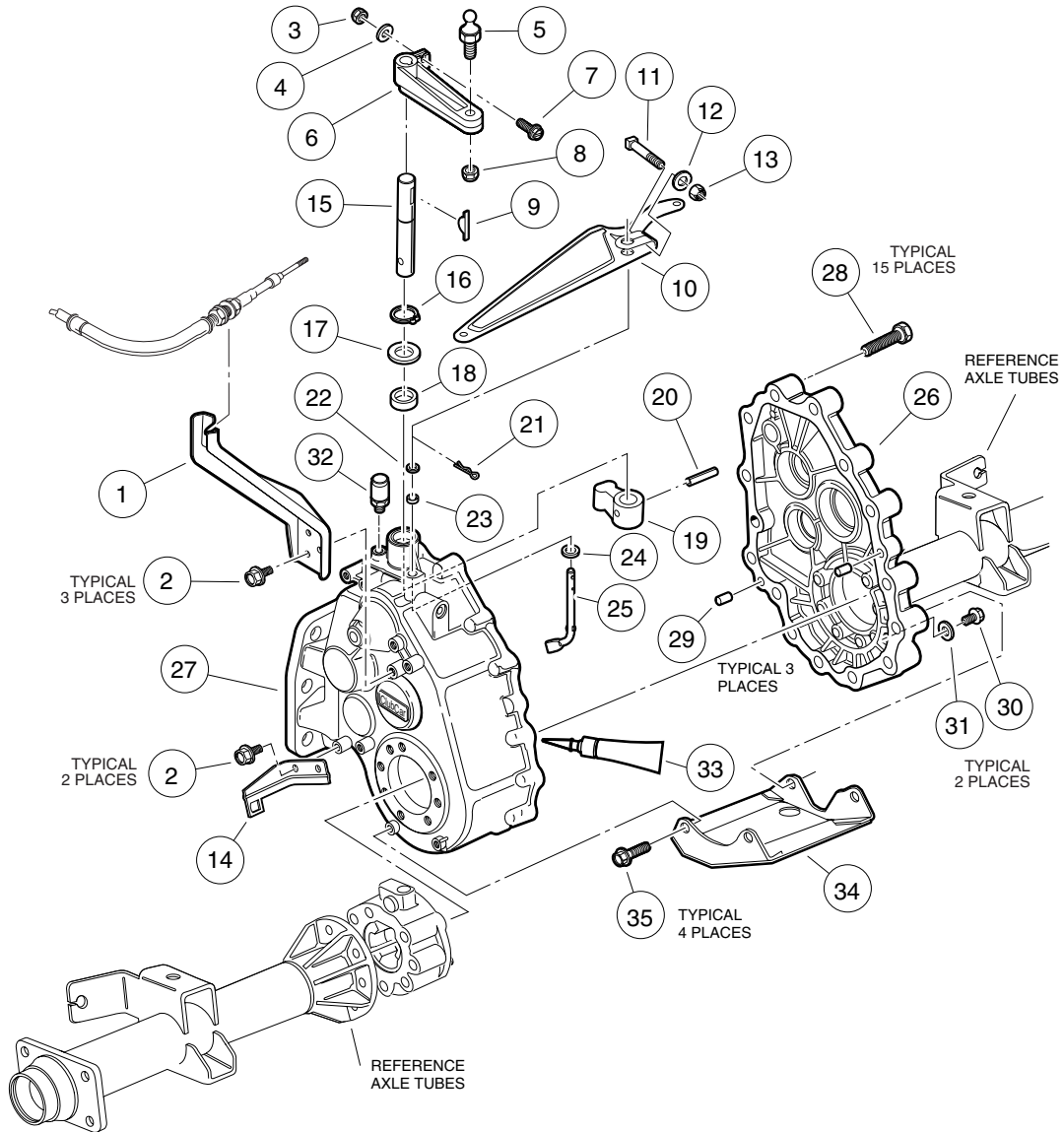


MC012C-AS00 PRIOR TO SERIAL NUMBER MC012C3J0001 – DIFFERENTIAL LOCK AND AXLES

ITEM	PART NO.	DESCRIPTION	QTY
		1 2 3 4	
80	102274101	Cap, Rubber Center	2
81	102276001	Cap, Locking	2
82	101838801	Pin, Cotter	2
83	102269201	Nut, Axle Flange Retaining	2
84	102269301	Washer, Flat	2
85	102269101	Hub (includes item 86)	2
86	1013787	Stud, Lug	4
87	1013792	Ring, Retaining	2
88	1011291	Bearing, Outer Axle Tube	2
89	102269401	Seal, Oil	2
90	102269001	Assembly, Axle, Driver-Side	1
91	102268901	Assembly, Axle, Passenger-Side	1
92	102268801	Assembly, Axle Tube, Driver-Side	1
93	102268701	Assembly, Axle Tube, Passenger-Side	1
94	102188701	Stop, Axle	2
95	102019601	Bolt, M10 x 1.5 x 70 mm	8
96	102031901	Bolt, M10 x 1.5 x 30 mm	7
97	102020101	Housing, Differential Lock	1
98	102020201	Lever, Differential Lock	1
99	102020301	O-Ring, Differential Lock	1
100	102020401	Spacer, Differential Lock	1
101	102020501	Spring, Differential Lock	1
102	102020901	Arm, Differential Lock Lever	1
103	1016686	Bolt, Differential Lock Pinch	1
104	1016547	Nut, Flanged, M6 x 1	1
105	102022301	Screw, M6 x 1 x 10 mm	1
106	102022401	Washer, M6	1
107	102267701	Cog, Differential Lock, 15 Tooth	1

12

G

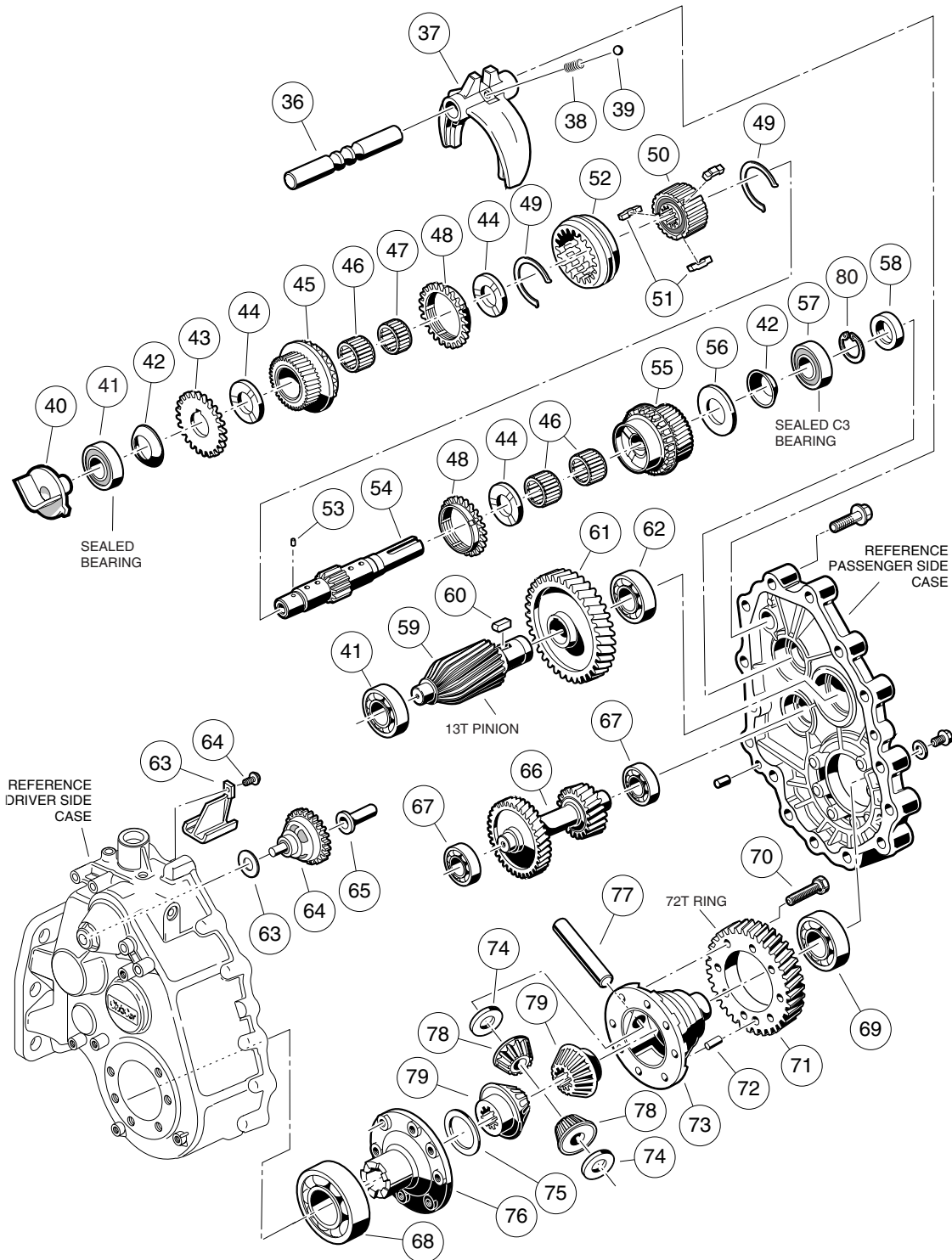


MC012C-BS00 BEGINNING WITH SERIAL NUMBER MC012C3J0001 – GEAR CASES, BRACKETS AND GUARD

12

G

ITEM	PART NO.	DESCRIPTION	QTY
		1 2 3 4	
1	102045901	Bracket, Transmission Cable Support	1
2	1012285	Screw, Thread-Rolling, 1/4-20 x 5/8	5
3	1013061	Nut, Nylon Lock, #10-32	1
4	183	Washer, Flat, Type A, #10	1
5	1010954	Stud, Ball, 1/4-28 x 9/16	1
6	1016341	Lever, Transmission Shifter	1
7	1017082	Screw, Hex Washer-Head, #10-32 x 3/4	1
8	8717	Nut, Nylon Lock, 1/4-28	1
9	1017231	Key, Woodruff, Type T	1
10	101834801	Arm, Governor Lever	1
11	101886101	Screw, Square-Head, 1/4-20 x 1	1
12	1014007	Washer, Type B, 1/4	1
13	8233	Nut, Nylon Lock, 1/4-20	1
14	102018701	Bracket, Differential Lock	1
	102457401	Transaxle, Unitized (includes items 15 - 108)	1
15	101890201	Shaft, Shifter	1
16	101927301	Ring, Snap	1
17	101892901	Washer, Flat	1
18	101927201	Seal, Oil	1
19	101890101	Lever, Shifter	1
20	1012752	Pin, Roll	1
21	101928601	Pin, Cotter	1
22	1016513	Washer, Flat	1
23	101927101	Seal, Oil	1
24	101893801	Washer	1
25	101891301	Arm, Pivot	1
26	102018501	Gear Case (passenger side)	1
27	102018601	Gear Case (driver side)	1
28	101926901	Bolt, Flanged, M8 x 1.25 x 40 mm	15
29	1012896	Pin, Dowel (see also page 12-6)	3
30	1016576	Plug, Drain	2
31	102267601	Gasket	2
32	1012711	Breather	1
33	101928701	Gasket, Liquid, 8.8 oz. (250 grams)	A/R
34	102031501	Guard, Unitized Transaxle	1
35	102268601	Bolt, M8 x 1.25 x 20 mm	4



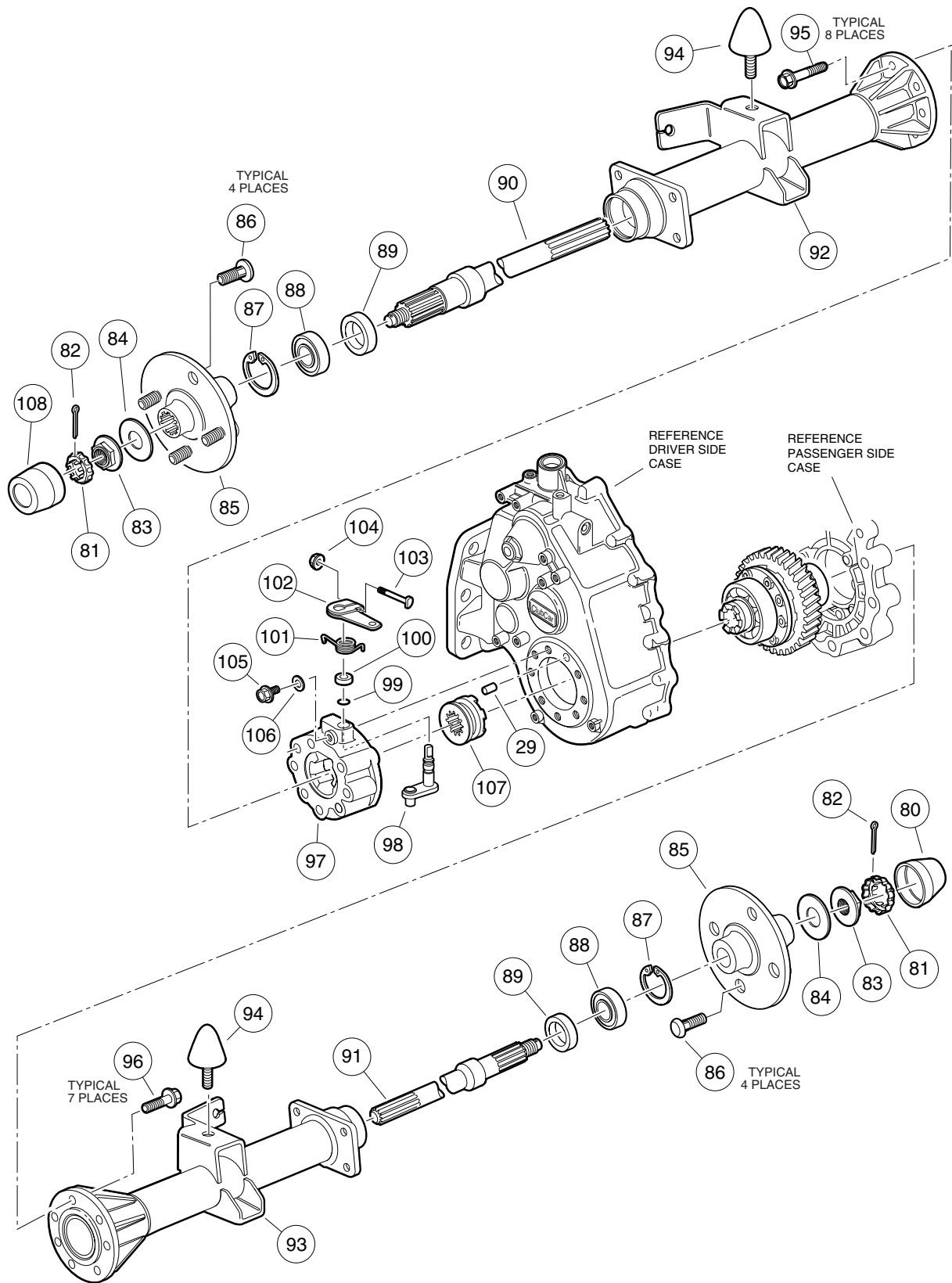
Parts identification for transaxles beginning with serial number MC012C3J0001

MC012C-BS00 BEGINNING WITH SERIAL NUMBER MC012C3J0001 – F&R TRANSMISSION AND GEAR

ITEM	PART NO.	DESCRIPTION	QTY
		1 2 3 4	
36	101892001	Rod, Shift	1
37	101890001	Fork, Shift	1
38	1012748	Spring	1
39	1012747	Ball, Steel	1
40	101889401	Guide	1
41	AM10080	Bearing, Ball, Sealed	2
42	1016338	Washer, Spring	2
43	101892401	Gear, Spur	1
44	101892201	Plate, Thrust	3
45	102018801	Gear, Input, 25 Tooth (16°)	1
46	101927601	Bearing, Needle	3
47	101927501	Bearing, Needle	1
48	101981001	Ring, Synchronizer (16°)	2
49	1012741	Spring, Synchronizer	2
50	101928001	Hub, Synchronizer Clutch	1
51	1012740	Insert, Synchronizer	3
52	101927901	Sleeve, Synchronizer	1
53	101927701	Pin, Dowel	1
54	102453001	Shaft, Input, w/Circlip Groove	1
55	101980801	Gear, Input, 25 Tooth (16°)	1
56	1016337	Washer, Thrust	1
57	AM10081	Bearing, Ball, C-3 Sealed	1
58	1012714	Seal, Oil, Input Shaft	1
59	102452501	Gear, 13 Tooth	1
60	101893201	Key	1
61	102018901	Gear, 70 Tooth	1
62	102268401	Bearing, Ball	1
63	101893901	Washer	1
64	101892301	Governor	1
65	101891601	Sleeve	1
66	102019001	Gear, Cluster Idler	1
67	7335	Bearing, Ball	2
68	102032001	Bearing, Inner Axle Tube, Driver-Side	1
69	7330	Bearing, Inner Axle Tube, Passenger-Side	1
70	101928301	Bolt, M8 x 1.25 x 37 mm	8
71	102452401	Gear, Output, 72 Tooth	1
72	102031701	Pin, Dowel	1
73	102453201	Case, Gear Carrier	1
74	1013774	Plate, Thrust (idler gear)	2
75	102268101	Plate, Thrust (differential gear)	1
76	102267801	Cover, Gear Case	1
77	1013772	Pin, Differential	1
78	1013770	Gear, Differential Idler	2
79	102268001	Gear, Differential, 16 Tooth	2
80	102453101	Circlip, Input Shaft.....	1

12

G



MC012C-BS00 BEGINNING WITH SERIAL NUMBER MC012C3J0001 – DIFFERENTIAL LOCK AND AXLES

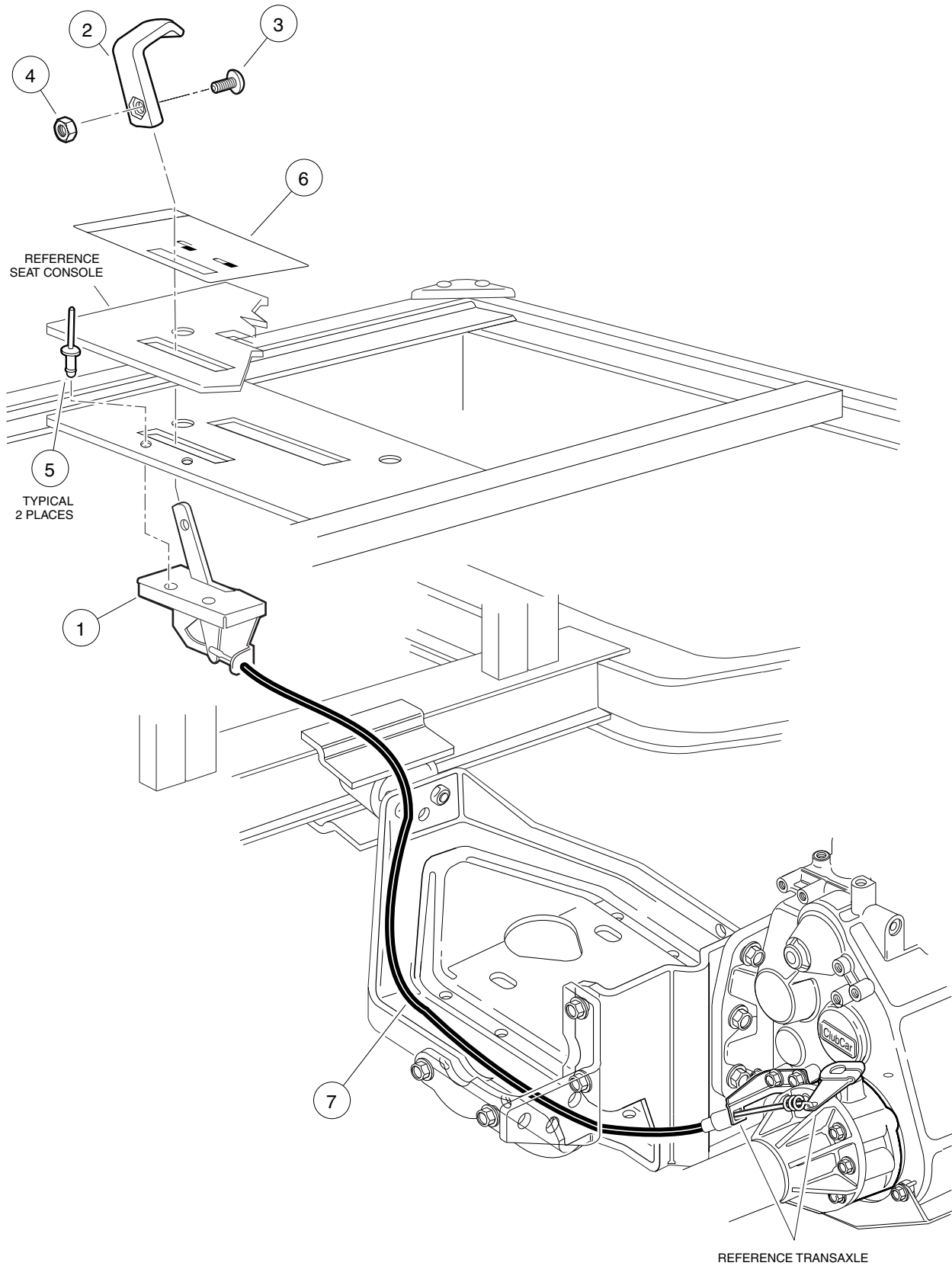
ITEM	PART NO.	DESCRIPTION	QTY
		1 2 3 4	
81	102276001	Cap, Locking	2
82	101838801	Pin, Cotter	2
83	102269201	Nut, Axle Flange Retaining	2
84	102269301	Washer, Flat	2
85	102269101	Hub (includes item 86)	2
86	1013787	Stud, Lug	4
87	1013792	Ring, Retaining	2
88	1011291	Bearing, Outer Axle Tube	2
89	102269401	Seal, Oil	2
90	102269001	Assembly, Axle, Driver-Side	1
91	102268901	Assembly, Axle, Passenger-Side	1
92	102452701	Assembly, Axle Tube, Driver-Side (LH)	1
93	102452601	Assembly, Axle Tube, Passenger-Side (RH)	1
94	102188701	Stop, Axle	2
95	102019601	Bolt, M10 x 1.5 x 70 mm	8
96	102031901	Bolt, M10 x 1.5 x 30 mm	7
97	102020101	Housing, Differential Lock	1
98	102020201	Lever, Differential Lock	1
99	102020301	O-Ring, Differential Lock	1
100	102020401	Spacer, Differential Lock	1
101	102020501	Spring, Differential Lock	1
102	102020901	Arm, Differential Lock Lever	1
103	1016686	Bolt, Differential Lock Pinch	1
104	1016547	Nut, Flanged, M6 x 1	1
105	102022301	Screw, M6 x 1 x 10 mm	1
106	102022401	Washer, M6	1
107	102267701	Cog, Differential Lock, 15 Tooth	1
108	102274101	Cap, Rubber Center	2

12

G

12

G



UNITIZED TRANSAXLE – DIFFERENTIAL LOCK CABLE ASSEMBLY AND SHIFTER

ITEM	PART NO.	DESCRIPTION	QTY
		1 2 3 4	
1	102025101	Control, Differential Lock	1
2	102022201	Handle, Differential Lock	1
3	1011017	Bolt, Hex Washer-Head, #8-32 x 3/8	1
4	1011571	Nut, Hex, #8-32	1
5	101880901	Rivet, Pop	2
6	102046601	Decal, Differential Lock Control Warning	1
7	102031201	Cable, Differential Lock (Pioneer 1200)	1
7	102316701	Cable, Differential Lock (Pioneer 1200 SE)	1

12
G

12

G

ITEM	PART NO.	DESCRIPTION	QTY
		<p>1 2 3 4</p>	

12

G

12

G

MAINTENANCE AND SERVICE TOOLS

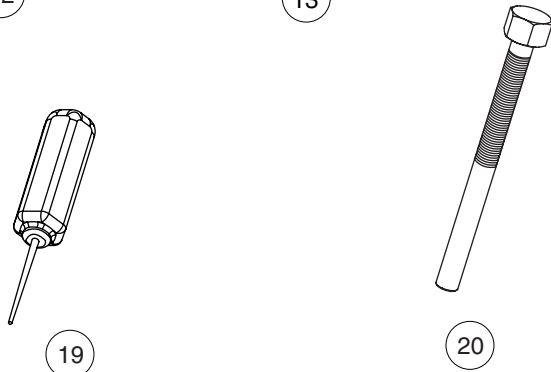
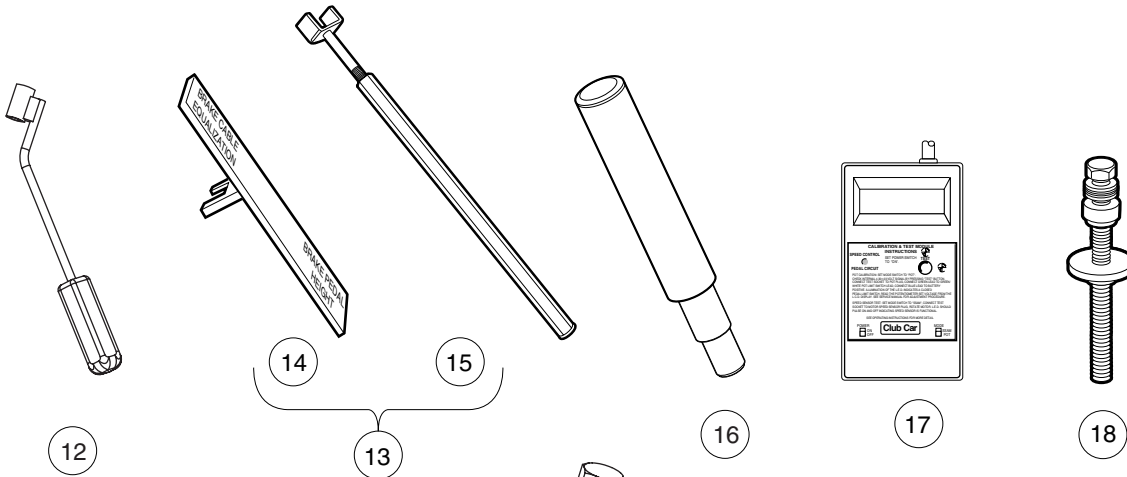
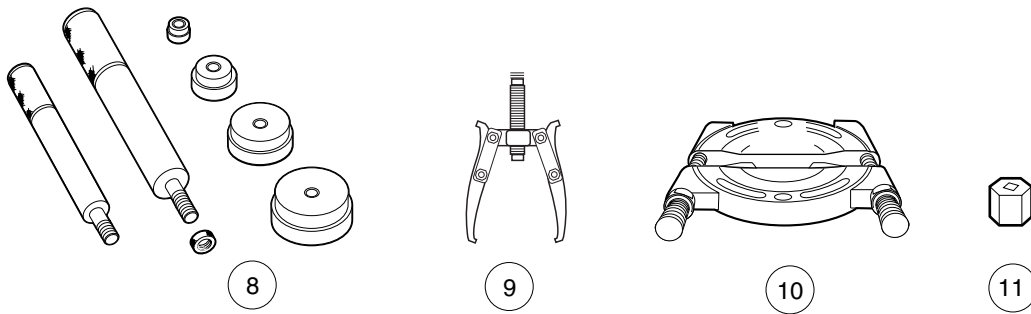
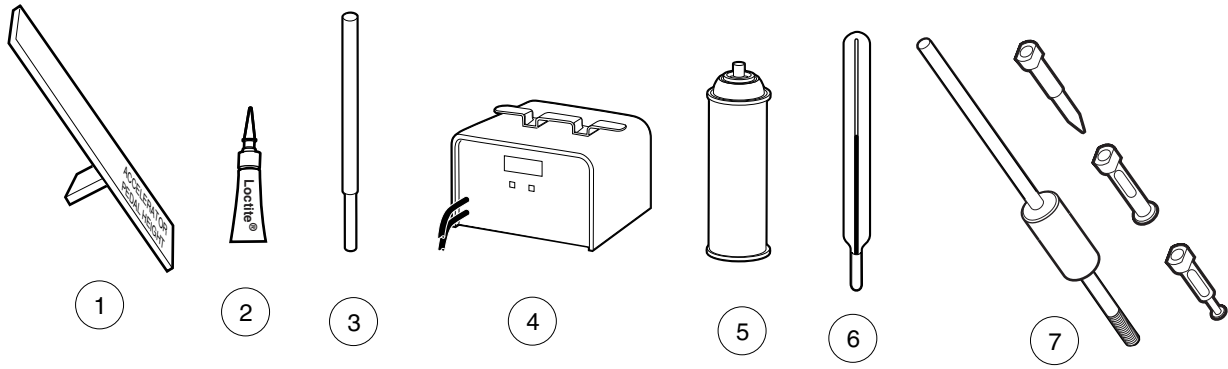
13

G

E

D

13
G
E
D



MAINTENANCE AND SERVICE TOOLS

ITEM	PART NO.	DESCRIPTION	QTY DIESEL	QTY GAS	QTY ELEC
		<p style="text-align: center;">1 2 3 4</p> <p>The following tool list includes all tools available from Club Car for maintenance and service procedures for gasoline, electric, and/or diesel vehicles, both past and present models. Be sure to carefully examine the tool list for applicability to your vehicle before ordering.</p>			
1	101871001	Accelerator Pedal Adjustment Tool		1	1
2	101813202	Adhesive, Guide Ring, 3-Gram Tube			1
3	101641202	Arbor		1	
4	101831901	Battery Discharge Machine, 36/48 Volt			1
5	1014305	Battery Terminal Protector Spray	1	1	1
6	1011767	Battery Thermometer	1	1	1
7	1016417	Bearing and Oil Seal Remover Assembly	1	1	1
8	1016416	Bearing Driver Set	1	1	1
9	1012811	Bearing Puller	1	1	1
10	1012812	Bearing Puller Wedge Attachment	1	1	1
11	1013582	Brake Adjustment Tool (used only on vehicles with manually adjusted mechanical brakes)		1	1
12	102555501	Brake Cable Release Tool	1	1	1
13	102249901	Brake Pedal Adjustment Tool Kit (used for the Carryall Electric Industrial Truck only) (includes items 14 and 15)			1
14	****	Brake Pedal Adjustment Tool			1
15	****	Brake Pedal Tension Tool			1
16	102669601	Connecting Rod Small End Bushing Tool (for Kubota D722 Diesel Engines)	1		
17	101887101	Calibration Test Module			1
18	101808401	Cam Installation Tool		1	
19	102562401	Charger Bezel Tool			1
20	102686101	Clutch Removal Tool (for XRT 1500, Carryall 294, and Bobcat 2200 Vehicles).....	1	1	
		<p>Please refer to the maintenance and service manual for proper tool application.</p> <p>**** Special order item available upon request</p>			

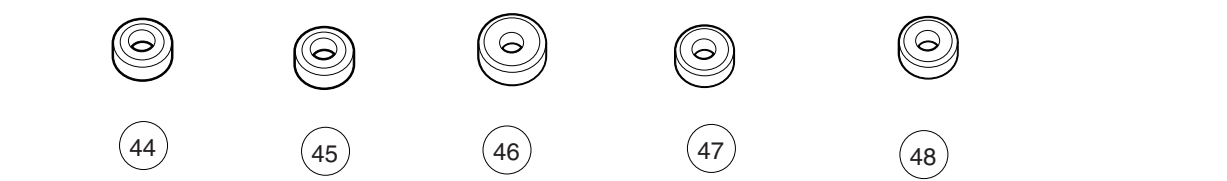
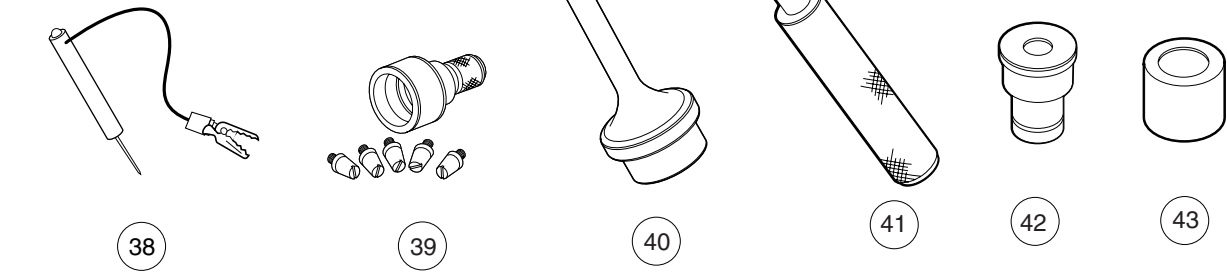
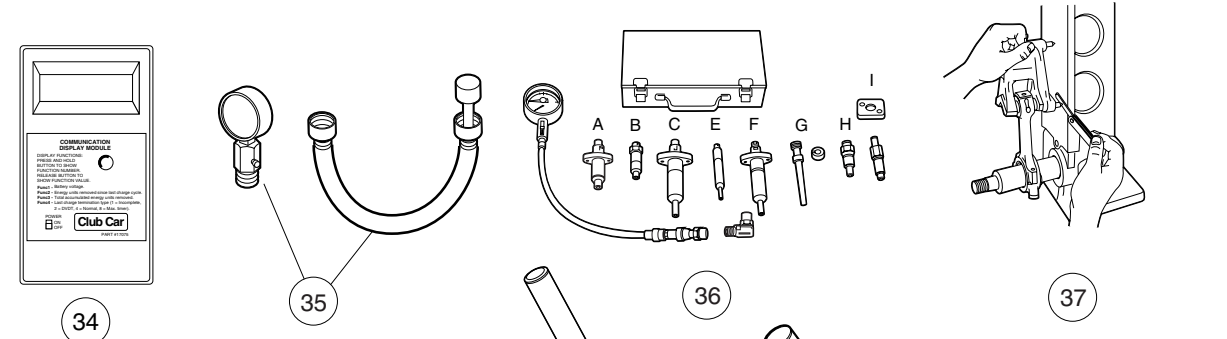
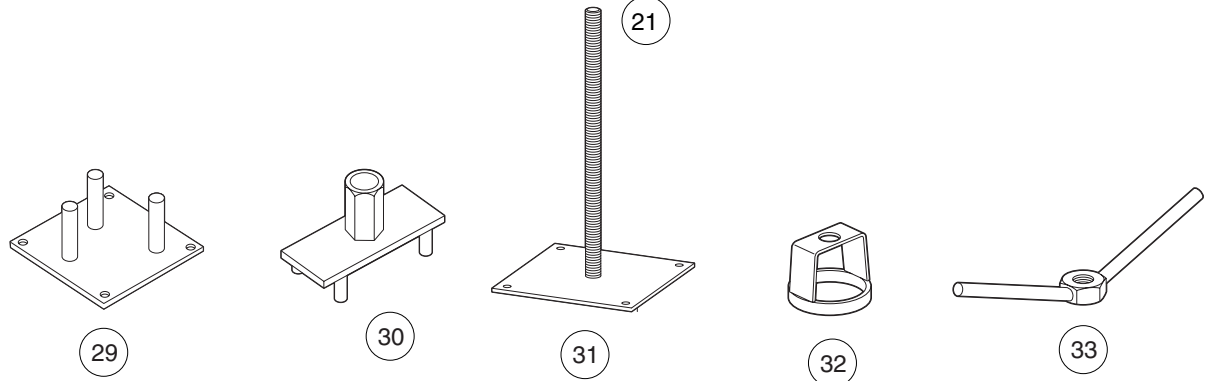
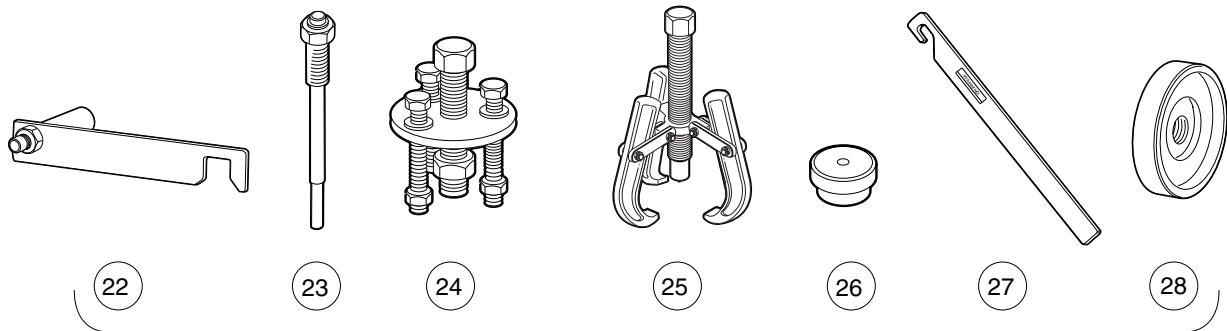
13

G

E

D

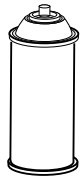
13
G
E
D



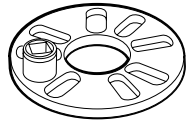
MAINTENANCE AND SERVICE TOOLS, CONTINUED

ITEM	PART NO.	DESCRIPTION	QTY	QTY	QTY	13
			DIESEL	GAS	ELEC	
		1 2 3 4				G
21	1014510	Clutch Tool Kit (includes items 22 - 28)		1		E
22	1014498	Clutch Alignment Tool (for pre-unitized transaxle vehicles built prior to 1997 model year)		1		D
23	1014496	Drive Clutch Puller (for Kawasaki engines only)		1		
24	1014497	Drive Clutch Hub Puller (for Kawasaki engines only)		1		
25	1014508	Driven Clutch Cam Puller (for Kawasaki engines only)		1		
26	1014507	Driven Clutch Puller Plug (for Kawasaki engines only)		1		
27	1015524	Drive Clutch Holder Tool Assembly (for Kawasaki engines only)		1		
28	101809101	Press Weldment (for Kawasaki engines only)		1		
29	102601501	Clutch, Drive, Fixed Sheave Tool (for XRT 1500, Carryall 294, and Bobcat 2200 Vehicles).....	1	1		
30	102607501	Clutch, Drive, Spider Removal Tool (for XRT 1500, Carryall 294, and Bobcat 2200 Vehicles).....	1	1		
31	102603501	Clutch, Driven, Spring Compression Base (for use with items 32 and 33) (for XRT 1500, Carryall 294, and Bobcat 2200 Vehicles)....	1	1		
32	102605201	Clutch, Driven, Spring Compression Collar (for use with items 31 and 33) (for XRT 1500, Carryall 294, and Bobcat 2200 Vehicles)....	1	1		
33	102606101	Clutch, Driven, Spring Compression Nut (for use with items 31 and 32) (for XRT 1500, Carryall 294, and Bobcat 2200 Vehicles)....	1	1		
34	101831801	Communication Display Module			1	
35	101641002	Compression Gauge and Adapter		1		
36	102669001	Compression Tester (for Kubota D722 Diesel Engines).....	1			
37	102669201	Connecting Rod Alignment Tool (for Kubota D722 Diesel Engines)	1			
38	1011273	Continuity Tester		1	1	
39	102668901	Crank Sleeve Setter (for Kubota D722 Diesel Engines)	1			
40	102669501	Crankshaft Bearing Replacement Tool (for Kubota D722 Diesel Engines)	1			
41	102674001	Crankshaft Main Bearing Driver (for use with items 42 and 43) (for Honda GX620 Gasoline Engines).....		1		
42	102674101	Crankshaft Main Bearing Driver Attachment (for use with Honda GX620 Gasoline Engines)		1		
43	102674201	Crankshaft Main Bearing Pilot Attachment (for Honda GX620 Gasoline Engines)		1		
44	102675201	Cutter, Valve Seat Exhaust, 32 Degree (requires item 59) (for Honda GX620 Gasoline Engines)		1		
45	102675301	Cutter, Valve Seat Intake, 32 Degree (requires item 59) (for Honda GX620 Gasoline Engines)		1		
46	102675401	Cutter, Valve Seat, 60 Degree (requires item 59) (for Honda GX620 Gasoline Engines)		1		
47	102675001	Cutter, Valve Seat, Exhaust, 45 Degree (requires item 59) (for Honda GX620 Gasoline Engines)		1		
48	102675101	Cutter, Valve Seat, Intake, 45 Degree (requires item 59) (for Honda GX620 Gasoline Engines)		1		
		Please refer to the maintenance and service manual for proper tool application.				

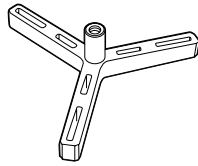
**13
G
E
D**



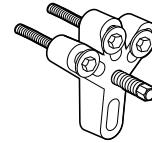
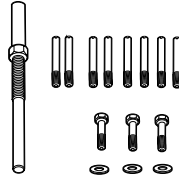
49



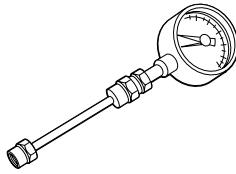
50



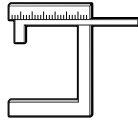
51



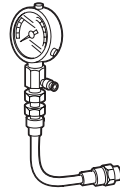
52



53



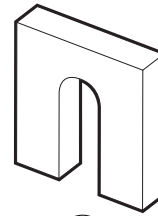
54



55



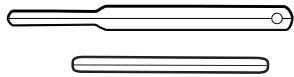
56



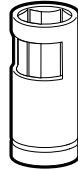
57



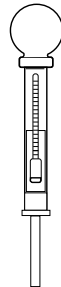
58



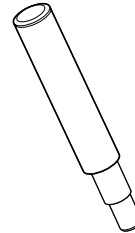
59



60



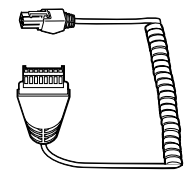
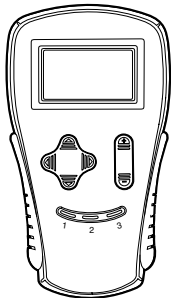
61



62



63

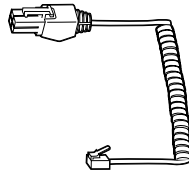


66

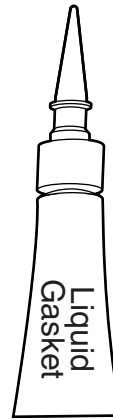


65

64



67



68

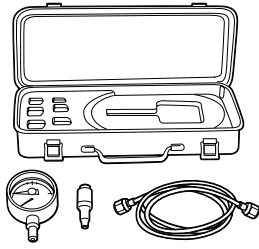


69

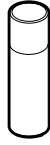
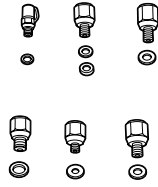
MAINTENANCE AND SERVICE TOOLS, CONTINUED

ITEM	PART NO.	DESCRIPTION	QTY	QTY	QTY	13
			DIESEL	GAS	ELEC	
		1 2 3 4				G
49	1012151	Dry Moly Lubricant	1	1	1	E
50	102674501	Flywheel Clutch Holder (for Honda GX620 Gasoline Engines)		1		D
51	102668601	Flywheel Puller (for Kubota D722 Diesel Engines)	1			
52	1016627	Flywheel Puller Kit (for Kawasaki Engines)		1		
53	102669801	Fuel Injection Pump Pressure Tester (for Kubota D722 Diesel Engines)	1			
54	102669901	Gauge, Carburetor Float Level (for Honda GX620 Gasoline Engines)		1		
55	102674701	Gauge, Oil Pressure (for Honda GX620 Gasoline Engines)		1		
56	102670001	Gauge, Oil Pressure, Attachment (for Honda GX620 Engines)		1		
57	1016418	Gear Yoke	1	1	1	
58	101933101	Governor Shaft Installation Tool (for Kawasaki Engine Vehicles)		1		
59	102674901	Holder, Valve Seat Cutter (for use with items 44 through 48) (for Honda GX620 Gasoline Engines)			1	
60	102169401	Hydraulic Brake Adjuster (for gasoline vehicles equipped with hydraulic brakes, except XRT 1500, Carryall 294, and Bobcat 2200)			1	
61	1011478	Hydrometer	1	1	1	
62	102669701	Idle Gear Bushing Replacement Tool (for Kubota D722 Diesel Engines)	1			
63	1013593	Internal Retaining Ring Pliers	1	1	1	
64	102248801	IQ Display Module (IQDM) Kit (for IQ System vehicles only)			1	
		(includes items 65 and 66)				
65	102251501	Adaptor, Cable			1	
66	102241502	IQDM Series 2 Cable			1	
67	102241501	IQDM Series 1 Cable (replacement)			1	
68	101928701	Liquid Gasket (transaxle case)	1	1	1	
69	102243402	Moly-Teflon Lubricant (4-oz. (113-gram) tube)			1	
<p>Please refer to the maintenance and service manual for proper tool application.</p>						

**13
G
E
D**



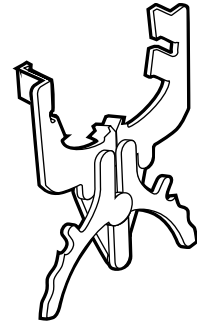
70



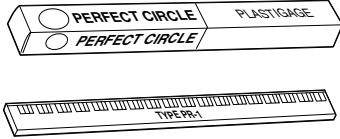
71



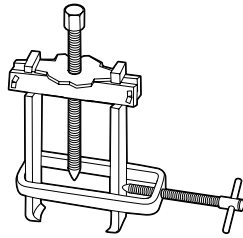
72



73



74



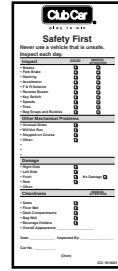
75



76



77



78



79



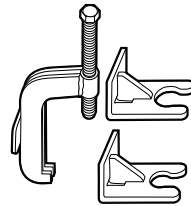
80



81



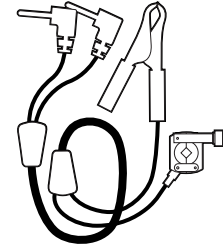
82



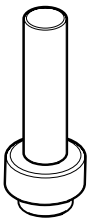
83



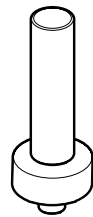
84



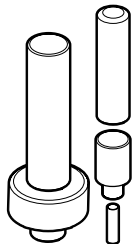
85



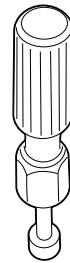
86



87



88



90



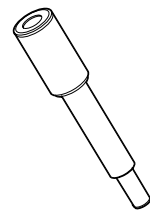
91



92



93



94

MAINTENANCE AND SERVICE TOOLS, CONTINUED

ITEM	PART NO.	DESCRIPTION	QTY DIESEL	QTY GAS	QTY ELEC
		1 2 3 4			
70	102669101	Oil Pressure Tester (for Kubota D722 Diesel Engines)	1		
71	101997201	Paint, Touch-Up – Beige*		1	1
71	101997207	Paint, Touch-Up – Black*		1	1
71	101997212	Paint, Touch-Up – Burgundy*		1	1
71	101997211	Paint, Touch-Up – Classic Blue (Navy)*		1	1
71	101997205	Paint, Touch-Up – Dark Gray*		1	1
71	101997209	Paint, Touch-Up – Dark Green*		1	1
71	101997204	Paint, Touch-Up – Gray*		1	1
71	101997203	Paint, Touch-Up – Red*		1	1
71	101997206	Paint, Touch-Up – Royal Blue (Pacific Blue)*		1	1
71	101997202	Paint, Touch-Up – White*		1	1
72	1016414	Piston Ring Compressor Kit (FE290, FE350 and FE400 engines) .		1	
73	1016415	Piston Ring Pliers (for Kawasaki Engines)		1	
74	102669301	Plastigage (for Kubota D722 Diesel Engines)	1		
75	102668801	Puller, Special Use (for Kubota D722 Diesel Engines)	1		
76	1012549	Retaining Ring Pliers, 45° External	1	1	1
77	1012560	Retaining Ring Pliers, 90° Internal	1	1	1
78	101823101	Safety First Card (50 per pack)	1	1	1
79	1012809	Seal Puller	1	1	1
80	102330901	Spanner Wrench (for coil over shock front suspension vehicles only)	1	1	
81	1014264	Steering Column Bearing Press Tool		1	1
82	1014259	Steering Column Retaining Ring Tool		1	1
83	102061201	Steering Wheel Puller Tool	1	1	1
84	AM10753	Tachometer (includes gasoline engine pick up lead only)	1	1	
85	AM10771	Tachometer Diesel Probe (for use with item 84)	1		
86	1014162	Transaxle Axle Seal Tool		1	
87	1014161	Transaxle Pinion Seal Tool		1	
88	1014115	Transmission Tool Kit		1	
89	101611003	Tune-Up Kit, All OHV (for Kawasaki Engines) (includes air filter, spark plug, oil filter, fuel filters) (not shown)		1	
90	1016413	Valve Clearance Adjuster Screw Holder (for FE290 engines only) .		1	
91	102674601	Valve Guide Driver (for Honda GX620 Gasoline Engines)		1	
92	101641201	Valve Guide Reamer (FE290, FE350, and FE400 only)		1	
93	102674401	Valve Guide Reamer, 6.6 mm (for Honda GX620 Gasoline Engines)		1	
94	102669401	Valve Guide Replacement Tool (for Kubota D722 Diesel Engines) .	1		
		* Item 71 is not for use on vehicles with Surlyn® body material.			

13

G

E

D

13

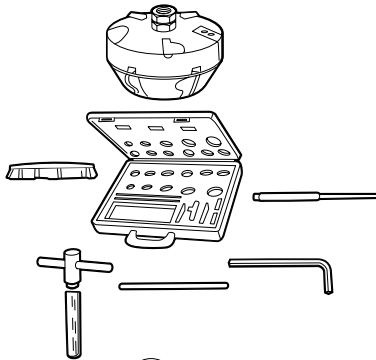
G

E

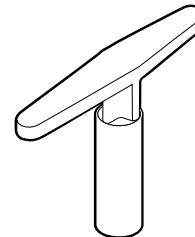
D



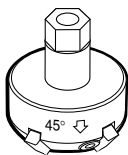
95



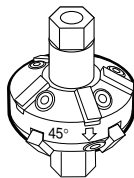
96



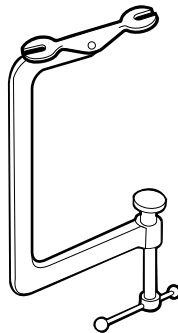
97



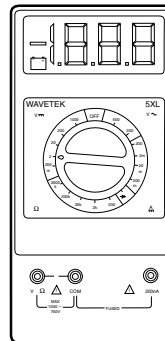
98



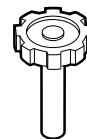
99



100



101



102

MAINTENANCE AND SERVICE TOOLS, CONTINUED

ITEM	PART NO.	DESCRIPTION	QTY DIESEL	QTY GAS	QTY ELEC
		1 2 3 4			
95	1016552	Valve Seat Cutter Guide		1	
96	102668701	Valve Seat Cutter Set (for Kubota D722 Diesel Engines)	1		
97	1016551	Valve Seat Cutter T-Wrench		1	
98	1016553	Valve Seat Cutter, 45° (32 mm diameter) (for FE290 engines only)		1	
99	1016554	Valve Seat Cutter, 45°/30° (35 mm diameter)		1	
100	101641101	Valve Spring Compressor		1	
101	1011480	Volt Ohm Meter	1	1	1
102	102674801	Wrench, Valve Clearance Adjustment (for Honda GX620 Gasoline Engines)		1	

13

G

E

D

13

G

E

D

INDEX

Part Number and Page

AM10080	12-5, 12-11	8450	11-3	1012560	13-9
AM10081	12-5, 12-11	8639	7-15	1012565	6-3
AM10419	11-5	8717	7-11, 7-13, 12-3, 12-9	1012566	6-3
AM10724	8-5	8754	1-11, 1-15, 4-13, 5-5, 6-3, 6-7, 6-9, 7-21	1012571	8-15
AM10753	13-9	8755	1-11, 1-15	1012594	7-11
183	4-9, 4-11, 1-3, 7-15, 9-13, 9-15, 11-3, 12-3, 12-9	8935	1-5	1012604	6-3
304	1-19	8990	6-5, 7-17	1012605	6-3
320	6-3	1010028	6-7	1012649	9-3, 9-5
332	1-3, 1-5, 1-7, 1-9, 1-13, 1-17, 1-19, 5-5, 9-13, 9-15, 10-3	1010138	6-5	1012711	12-3, 12-9
334	1-9, 5-5, 6-3, 6-5, 8-15	1010145	6-9	1012714	12-5, 12-11
357	11-3	1010150	6-7	1012740	12-5, 12-11
403	1-11, 1-15	1010434	1-7, 1-17	1012741	12-5, 12-11
451	1-5, 10-3	1010435	1-11, 1-13, 1-15	1012747	12-5, 12-11
705	1-11, 1-15, 4-13, 7-21	1010436	1-13	1012748	12-5, 12-11
808	6-9, 11-3	1010543	1-7	1012752	12-3, 12-9
1016	7-15	1010545	1-3	1012809	13-9
1028	5-3	1010577	8-15	1012811	13-3
1032	1-17	1010829	4-5, 4-13	1012812	13-3
1035	1-9	1010878	1-9, 5-3	1012830	1-5, 7-21, 10-3
1231	1-17	1010909	7-15	1012896	12-3, 12-9
1241	1-3, 1-17, 1-19, 4-7, 5-3, 5-5, 7-13, 7-21, 7-23, 10-3	1010921	1-3, 5-3	1012981	8-5
1242	1-17, 1-19, 7-13, 7-21	1010934	1-17, 1-19, 4-7, 6-7, 7-23	1012986	7-17
1606	1-3, 9-13	1010954	7-11, 7-13, 12-3, 12-9	1012987	7-11
1624	5-5, 6-5	1010984	2-3, 4-3, 4-5, 6-7	1013001	7-19
1631	9-13, 9-15	1011017	12-15	1013003	7-19
7048	6-7	1011084	5-5	1013005	7-19
7049	1-17	1011273	13-5	101301102	7-19
7173	7-23	1011291	12-7, 12-13	1013035	6-5
7174	1-3, 1-17, 1-19, 6-3, 7-21, 9-11, 10-3	1011402	5-3	1013042	6-5
7270	6-7, 6-9	1011415	6-9	1013044	6-5
7310	2-3	1011478	13-7	1013051	6-5
7311	1-5	1011480	13-11	1013052	6-5
7330	12-5, 12-11	1011553	1-19, 3-5, 3-9	1013061	12-3, 12-9
7335	12-5, 12-11	1011571	12-15	1013309	1-7
7410	1-3	1011652	1-5	1013311	1-7
7473	1-3, 1-5, 1-11, 1-15, 4-7, 5-3, 5-5, 6-7, 7-13, 7-23	1011694	5-5	1013312	1-7
7479	4-9, 4-11	1011697	1-5, 9-11	1013317	1-17
7532	1-15	1011700	5-5	1013366	1-13, 4-5, 4-13
7716	5-3, 5-5	1011734	5-5	1013461	7-15
7818	7-13	1011767	13-3	1013531	4-7, 4-13
7847	1-5, 1-9, 10-3	1011988	9-3	1013582	13-3
7893	7-11, 7-13, 7-15	1011990	1-17, 4-13	1013587	7-11
7973	9-13, 9-15	1012151	13-7	1013589	7-11, 7-13
8057	7-11	1012164	8-15	1013590	7-11
8058	7-11	1012285	1-3, 1-19, 4-11, 7-11, 9-3, 9-5, 9-11, 12-3, 12-9	1013591	7-11
8067	6-7	1012295	7-13	1013593	13-7
8168	9-15	1012303	1-11, 1-15, 6-9	1013609	7-13
8233	1-9, 1-13, 1-17, 1-19, 4-9, 4-11, 5-5, 7-11, 9-5, 12-3, 12-9	1012328	7-23	1013630	9-5
8248	7-11, 9-3, 9-5	1012333	7-11	1013687	9-3, 9-5
8251	1-7	1012382	7-5, 7-9	1013692	9-3, 9-5
8419	1-13	1012412	1-5	1013700	9-11
		1012431	7-11	1013734	1-5, 10-3
		1012438	9-13, 9-15	1013746	9-3, 9-5, 9-9
		1012528	10-3	1013770	12-5, 12-11
		1012549	13-9	1013772	12-5, 12-11
				1013774	12-5, 12-11
				1013787	4-3, 6-7, 12-7, 12-13

INDEX

1013792	12-7, 12-13	1014555	6-7	1016060	1-9
1013857	7-17	1014727	7-11	1016074	7-21
1013871	5-5	1014807	7-11	1016078	1-9
1013924	4-3, 4-5, 8-15	1014928	9-3	101609401	3-3, 3-7
1014007	4-9, 4-11, 12-3, 12-9	1014948	7-13	101611003	13-9
1014049	11-3	1015064	7-11	1016154	6-3
1014050	11-3	1015137	9-3, 9-5, 9-9	1016156	6-3
1014052	11-3	1015139	9-3, 9-5, 9-15	1016201	1-9, 7-11
1014055	11-3	1015143	9-3, 9-5	1016214	6-3
1014056	11-3	1015188	9-3, 9-5	1016219	6-3
1014057	11-3	101524002	7-21	1016289	11-3
1014058	11-3	1015245	1-17	1016337	12-5, 12-11
1014059	11-3	1015252	1-11	1016338	12-5, 12-11
1014062	11-3	1015277	1-9	1016341	12-3, 12-9
1014065	7-11, 7-13	1015313	1-17	1016342	7-11
1014070	11-5	1015332	7-5, 7-9, 8-3	1016346	6-7
1014072	11-5	1015345	7-13	1016380	7-5, 7-9
1014078	11-5	1015356	1-11, 1-15	1016387	6-7
1014080	11-5	1015363	1-17	1016389	6-7
1014089	7-11	1015365	1-17	101641002	13-5
1014115	13-9	1015367	1-17	101641101	13-11
1014116	9-3, 9-5	1015371	7-13	101641201	13-9
1014119	7-5, 7-9	1015372	7-13	101641202	13-3
1014125	6-3	1015373	7-13	1016413	13-9
1014126	6-3	1015390	1-17	1016414	13-9
1014136	4-9, 4-11	1015391	1-11, 1-15	1016415	13-9
1014145	7-11, 7-13	1015399	1-11, 1-13, 1-15, 1-17	1016416	13-3
1014161	13-9	1015400	1-11, 1-15, 1-17	1016417	13-3
1014162	13-9	1015405	7-13	1016418	13-7
1014213	6-3	1015409	7-11	1016423	7-13
1014214	6-3	1015413	1-17	101642582	9-7
1014217	6-3	1015414	1-17	101642585	9-7
1014259	13-9	1015426	9-13, 9-15	101642588	9-7
1014264	13-9	101542901	1-11	1016429	8-7
1014287	11-3	1015453	6-9	1016432	8-7
1014288	7-23	101547601	3-5, 3-9	1016436	8-9
1014289	7-19	1015507	1-11, 1-15	1016437	9-7
1014305	13-3	1015524	13-5	1016438	9-9
1014306	1-13, 1-19	1015530	1-19	1016440	9-9
1014321	1-5, 1-7, 1-17	101553901	1-13, 1-17, 3-3, 3-7	1016441	9-9
1014375	7-23	1015583	1-11, 1-15, 6-9	1016442	8-9
1014387	1-5, 1-7, 1-17	1015597	6-7	1016444	9-9
1014415	1-13, 1-17	1015606	1-17	1016445	8-5
1014453	11-3	101562710	1-7	1016449	8-9
1014454	11-5	101564505	1-7	1016450	8-9
1014471	1-11, 1-15	1015649	8-3	1016452	8-9
1014496	13-5	1015737	7-5, 7-9, 7-13	1016454	8-11
1014497	13-5	1015741	7-13	1016455	8-5
1014498	13-5	1015752	7-13, 9-13, 9-15	1016456	8-3, 8-5
1014507	13-5	1015769	7-5, 7-9	1016457	8-7
1014508	13-5	1015777	7-13	1016458	8-9
1014510	13-5	1015814	10-3	1016467	8-7
1014513	1-17	1015845	10-3	1016470	8-13
1014514	1-17	101584502	9-11	1016472	8-11
1014523	9-3	1015932	7-21	1016473	8-7
1014524	9-3, 9-5	1015969	8-3	1016474	8-9
1014537	1-13, 1-17	1016004	9-3	1016479	8-9

INDEX

1016480	9-9	1016663	6-3	1017490	8-5
101648102	9-9	1016723	1-7	1017500	8-3
101648203	8-7	101672701	7-11	1017501	8-13
1016483	8-9	101674702	5-5	1017502	8-13
1016486	9-7	1016751	1-7	1017503	8-13
1016489	8-9	101675506	1-7	1017507	8-7
101649002	9-9	101677705	1-7	1017508	8-11
1016494	8-11	1016801	11-3	1017510	8-13
1016496	8-11	1016849	7-15	1017511	8-11
1016497	8-5	1016851	7-15	1017514	8-11
1016499	9-7	1016859	7-15	101751801	8-11
1016501	9-7	1016879	7-15	101751802	8-11
1016502	8-7	1016880	7-15	101751803	8-11
1016506	8-11	1016883	7-21	1017653	7-19
1016507	8-3	1016904	10-3	1017686	11-5
1016513	12-3, 12-9	1016947	7-11	1017689	10-3
1016517	8-9	101705701	3-7	1017696	5-5
1016519	8-9	1017062	7-15	1017721	7-15
1016521	8-11	1017064	7-15	101773301	8-13
1016531	8-3	1017065	7-15	101773302	8-13
1016535	8-11	1017082	12-3, 12-9	101773303	8-13
1016537	8-7	1017226	6-3	101773304	8-13
1016538	8-11	1017231	12-3, 12-9	101773305	8-13
1016539	8-3	1017233	4-3, 4-5	101773306	8-13
1016541	8-13	1017273	6-3	101773307	8-13
1016544	8-5, 8-9, 8-11	1017315	6-3	101773308	8-13
1016546	9-11	1017327	11-5	101773309	8-13
1016547	8-3, 8-13, 9-9	1017378	5-5	101773310	8-13
1016549	8-9	1017380	5-5	101773311	8-13
1016551	13-11	101738301	11-3	101796201	5-5
1016552	13-11	1017384	1-3	1017976	1-15
1016553	13-11	1017424	5-5	101804301	9-13, 9-15
1016554	13-11	1017442	8-7	101806102	4-7
1016560	8-9	1017443	8-11	101808401	13-3
1016561	8-5	1017444	8-9	101809101	13-5
1016562	8-5, 8-13	1017445	8-9	101811301	9-15
1016563	8-9	1017446	8-9	101811901	9-13, 9-15
1016564	8-11	1017447	8-11	101812301	9-13, 9-15
1016566	8-9	1017448	8-5	101813001	9-13, 9-15
1016569	8-9	1017450	8-13	101813202	13-3
1016570	8-7	1017454	8-9	101817401	5-5
1016571	8-13	1017455	8-5	101818801	5-5
1016572	9-9	1017456	8-7	101821501	9-13, 9-15
1016574	9-7	101745701	8-13	101822001	5-5
1016576	8-7, 12-3, 12-9	101745702	8-13	101823101	13-9
1016578	8-5	1017458	8-7	101824401	9-3, 9-5
1016579	8-5	1017460	8-7	101825102	3-3, 3-7
1016581	8-7	1017461	9-7	101825701	9-15
1016582	9-9	1017463	8-5	101827101	8-15
1016583	8-9	1017466	9-9	101831801	13-5
1016584	8-11	1017471	8-13	101831901	13-3
1016585	9-7	1017473	8-9	101832001	4-13
1016586	8-5	1017474	8-3	101832101	8-15
1016587	8-5	1017475	8-3	101832202	9-11
1016588	8-5	1017476	8-3	101832302	9-11
1016627	13-7	1017486	8-3	101832601	8-15
1016630	7-17	1017487	8-11	101832701	8-15

INDEX

101832901	8-15	101891301	12-3, 12-9	101958602	1-9
101833001	8-15	101891601	12-5, 12-11	101960201	3-3
101833101	8-15	101892001	12-5, 12-11	101960501	3-5, 3-9
101833301	8-15	101892201	12-5, 12-11	101963301	1-7
101833401	11-5	101892301	12-5, 12-11	101963401	1-7, 1-13, 1-15, 1-17, 7-15, 8-15
101833701	7-19, 7-21	101892401	12-5, 12-11	101963901	1-7
101833908	11-3	101892901	12-3, 12-9	101964001	1-7
101834001	11-5	101893201	12-5, 12-11	101966901	5-5
101834601	8-15	101893801	12-3, 12-9	101971001	9-13, 9-15
101834801	12-3, 12-9	101893901	12-5, 12-11	101971301	9-13, 9-15
101835601	1-7, 1-9, 1-11, 1-15	101894303	1-7	101972001	13-9
101836201	11-5	101894304	1-13	101972002	13-9
101837101	9-13, 9-15	101894701	1-17	101972003	13-9
101837301	7-5, 7-9, 7-21	101896501	7-19	101972004	13-9
101838801	4-5, 6-7, 12-7, 12-13	101896901	9-3, 9-5	101972005	13-9
101856102	7-13	101898001	7-23	101972006	13-9
101861901	5-5	101900802	4-13, 6-9	101972007	13-9
101869302	7-19	101903101	6-7	101972009	13-9
101871001	13-3	101903501	9-11	101972011	13-9
101874901	7-19	101909201	8-5	101972012	13-9
101875001	7-19	101909301	8-5	101972801	9-13, 9-15
101875101	7-19	101909401	8-5	101973401	9-9
101875201	7-19	101909501	8-5	101979101	7-11
101875301	7-19	101915201	3-5, 3-9	101980801	12-5, 12-11
101875401	7-19	101916201	8-5	101981001	12-5, 12-11
101875501	7-19	101916301	8-5	101987701	9-3, 9-5
101875601	7-19	101916501	11-3	101987901	7-15
101875701	7-19	101916701	7-21, 11-3	101988001	7-15
101875802	7-19	101916901	5-5	101988002	7-15
101876001	7-19	101917601	9-13, 9-15	101988101	7-15
101876202	7-19	101921501	9-13, 9-15	101988201	7-15
101876301	7-19	101921601	1-9	101990701	7-17
101876402	7-19	101925701	9-13, 9-15	101991101	7-17
101876501	7-19	101926801	9-13	102003201	9-3, 9-5
101877601	7-19	101926802	9-15	102006501	6-9
101877701	7-19	101926901	12-3, 12-9	102010101	6-5
101878101	7-19	101927101	12-3, 12-9	102010201	6-3
101879001	7-19	101927201	12-3, 12-9	102012301	6-7
101879401	6-5	101927301	12-3, 12-9	102013001	6-3
101879701	6-5	101927501	12-5, 12-11	102013101	6-3
101879801	6-5	101927601	12-5, 12-11	102013201	1-3
101879901	6-5	101927701	12-5, 12-11	102013601	6-7
101880201	6-5	101927901	12-5, 12-11	102013701	6-7
101880901	4-13, 12-15	101928001	12-5, 12-11	102013801	6-7
101881101	8-5	101928301	12-5, 12-11	102013901	1-3
101881701	9-13, 9-15	101928601	12-3, 12-9	102015701	1-3
101884801	8-15	101928701	12-3, 12-9, 13-7	102015801	1-3
101886101	12-3, 12-9	101933101	13-7	102016501	6-7
101887101	13-3	101933701	9-13, 9-15	102016701	6-7
101887601	1-5, 8-3	101939901	7-19	102016801	6-7
101888501	1-7	101946201	1-7	102017601	6-7
101888502	1-7	101953001	5-3	102018501	12-3, 12-9
101889401	12-5, 12-11	101953105	4-7, 5-3	102018601	12-3, 12-9
101889901	12-5	101954301	1-7	102018701	12-3, 12-9
101890001	12-5, 12-11	101955301	9-3	102018801	12-5, 12-11
101890101	12-3, 12-9	101958102	9-13	102018901	12-5, 12-11
101890201	12-3, 12-9	101958601	1-7		

INDEX

102019001	12-5, 12-11	102033501	4-5	102065001	6-9
102019601	12-7, 12-13	102033701	4-13	102065101	1-19
102020101	12-7, 12-13	102033901	4-13	102065901	1-11, 1-15
102020201	12-7, 12-13	102044001	4-9	102066001	1-11, 1-15
102020301	12-7, 12-13	102044201	4-3, 6-7	102066701	6-7
102020401	12-7, 12-13	102044401	4-3, 4-9, 4-11	102067001	6-7
102020501	12-7, 12-13	102044601	3-3, 3-7	102068501	1-5
102020601	12-7, 12-13	102044702	7-17	102078101	1-3
102020801	12-7, 12-13	102044801	7-17	102100001	6-7
102020901	12-7, 12-13	102045001	1-3	102160101	1-3
102021401	2-3	102045501	4-3, 4-9, 4-11	102160501	4-13
102021402	2-3	102045601	6-9	102169401	13-7
102021501	1-3	102045701	4-9, 4-11	102170901	4-13
102021601	1-3	102045801	4-9, 4-11	102188701	6-9, 12-7, 12-13
102021710	1-3	102045901	7-11, 12-3, 12-9	102190702	9-13
102021714	1-3	102046601	3-3, 3-7, 12-15	102221301	1-13
102021715	1-3	102047001	1-5	102221401	1-13
102021716	1-3	102048401	1-3	102221501	1-13
102021801	1-3	102048601	6-7	102221701	1-13
102022201	12-15	102049401	4-3, 4-5	102221801	1-13
102022301	12-7, 12-13	102049501	4-3, 4-5	102222001	1-13
102022401	12-7, 12-13	102049601	4-3, 4-5	102222101	1-13
102022601	6-5	102049701	4-3, 4-5	102222201	1-13
102022801	6-5	102049901	4-3, 4-5	102223601	7-5
102022901	6-5	102050001	4-3, 4-5	102224001	3-5, 3-9
102023001	6-7	102050101	4-3, 4-5	102224301	3-3, 3-7
102023101	6-7	102050201	4-3, 4-5	102227801	3-3
102023301	6-5	102050301	4-3	102228001	1-3, 3-5, 3-9
102023701	1-5	102050401	4-3, 4-5	102228201	1-3, 3-3, 3-5, 3-9
102024901	1-5	102050501	4-3, 4-5	102228202	1-3
102025001	1-5	102050601	4-3, 4-5	102228501	3-3
102025101	12-15	102050701	4-3, 4-5	102229901	1-13
102025701	1-3	102050801	4-5	102230601	1-13
102025801	1-3	102050901	4-5	102231601	3-5, 3-9
102026001	5-5	102050902	4-5	102234001	2-3
102026401	1-5	102051001	4-3, 4-5	102234801	1-13, 3-3
102026501	1-5	102051101	4-7	102234901	1-13, 3-3, 3-5, 3-9
102026901	1-5	102051201	4-7	102241501	13-7
102028301	4-13	102051301	4-7	102242101	11-5
102028401	4-13	102051401	4-7	102242701	4-13
102028601	5-3	102051601	7-17	102243003	2-3
102028901	5-3	102051701	7-17	102243004	2-3
102029101	3-3, 3-7	102051901	7-17	102243402	13-7
102029501	1-5	102052301	6-7	102247201	4-13
102030501	1-3	102052401	6-7	102248801	13-7
102031201	12-15	102052701	4-13	102249901	13-3
102031501	12-3, 12-9	102052801	4-13	102251501	13-7
102031701	12-5, 12-11	102054201	4-7	102251601	1-19
102031901	12-7, 12-13	102054401	4-7	102251701	1-19
102032001	12-5, 12-11	102056001	1-19	102256901	6-9
102032801	4-9, 4-11	102056901	1-3	102257201	10-3
102032901	4-9, 4-11	102059001	1-5	102258701	8-3
102033001	4-9	102059401	1-5	102258801	6-9
102033101	4-9, 4-11	102059501	1-5	102264001	7-15
102033201	4-7	102060201	1-5	102264601	12-3
102033301	4-3	102061101	1-5	102264701	4-5
102033401	4-5	102061201	13-9	102266201	11-3

INDEX

102266301 6-9
102267101 11-3, 11-5
102267301 6-9
102267601 12-3, 12-9
102267701 12-7, 12-13
102267801 12-5, 12-11
102267901 12-5
102268001 12-5, 12-11
102268101 12-5, 12-11
102268201 12-5
102268301 12-5
102268401 12-5, 12-11
102268601 12-3, 12-9
102268701 12-7
102268801 12-7
102268901 12-7, 12-13
102269001 12-7, 12-13
102269101 4-5, 12-7, 12-13
102269201 4-5, 12-7, 12-13
102269301 4-5, 12-7, 12-13
102269401 12-7, 12-13
102269701 7-15
102269901 8-9
102270001 8-9
102270201 8-13
102270301 8-13
102270401 8-13
102270501 8-13
102270701 9-7, 9-9
102271101 8-9
102271201 8-11
102271401 8-11
102271501 8-13
102271601 8-11
102271701 9-7
102271801 8-13
102271901 8-13
102272001 8-3
102272101 8-11
102272201 8-13
102272301 8-11
102272501 7-15
102274101 4-5, 12-7, 12-13
102274301 3-7
102274701 3-3
102276001 4-5, 12-7, 12-13
102278001 6-3
102292801 5-3
102301401 1-9
102304901 8-9, 8-11
102316101 7-9
102316701 12-15
102323201 5-3
102330901 13-9
102331201 4-13
102331601 4-11
102331701 4-11

102331801 4-11
102333301 4-11
102333401 9-5
102333601 9-5
102333901 9-5
102334501 3-7
102334601 3-7
102335001 1-15
102336001 9-11
102336101 9-11
102339201 4-7, 4-11
102345901 3-5, 3-9
102355301 7-23
102452401 12-11
102452501 12-11
102452601 12-13
102452701 12-13
102453001 12-11
102453101 12-11
102453201 12-11
102457401 12-9
102555501 13-3
102562401 13-3

A

a-arm 6-7
accelerator pedal 5-5
accelerator pedal adjustment tool 13-3
accelerator pedal return spring cup 5-5
accelerator pivot rod 5-5
accelerator rod 5-5
a-connector (starter/generator) 7-19
adapter, cable (IQDM) 13-7
adhesive, guide ring 13-3
adjuster, axle (brake) 4-3, 4-5
adjuster, hydraulic brake 13-7
air box 9-13, 9-15
air box top 9-15
air duct 9-13, 9-15
air filter 9-13, 9-15
arbor 13-3
arm
 differential lock lever 12-7, 12-13
 governor lever 12-3, 12-9
 pivot 12-3, 12-9
 rocker 8-9
armature 7-19
armrest 1-5, 1-7
assembly
 a-arm 6-7
 accelerator pedal 5-5
 accelerator rod 5-5
 air box 9-13
 air box top 9-13
 armature 7-19
 axle 12-7, 12-13
 bearing (steering column) 6-3

bolt (float chamber) 9-7
brake 4-5
brake drum 6-7
brake drum and hub 4-3
brake pedal 5-3
carburetor 9-7, 9-9
connecting rod 8-13
cylinder head 8-9
drive clutch 11-3
drive hub 11-3
driven clutch 11-5
fixed face (drive clutch) 11-3
float (carburetor) 9-7
float chamber 9-7
front panel (cargo box) 1-17
headlight 7-15
idle screw 9-7
inner ball joint 6-5
latch weld (cargo bed) 1-11, 1-15
master cylinder 4-7
moveable face (drive clutch) 11-3
moveable face (driven clutch) 11-5
pilot air screw 9-7
scorecard plate 6-3
screw (float chamber) 9-7
side panel (cargo box) 1-17
steering column 6-3
steering gear box 6-5
tilt bed 1-11
turn signal lens 7-15
wheel and tire 2-3
wire 7-21
wire harness 7-5, 7-9
axle 12-7, 12-13
axle adjuster (brake) 4-3, 4-5
axle hardware kit 4-3, 4-5
axle stop 6-9, 12-7, 12-13
axle tube 12-7, 12-13

B

backing plate (brake) 4-3, 4-5
ball bearing (transaxle) 12-5
ball bearing, output shaft 7-19
ball bearing, sealed (transaxle) 12-11
ball joint 6-5, 7-11
ball stud 5-5, 7-11, 7-13, 12-3, 12-9
ball, steel (transaxle) 12-5, 12-11
ball, steel pressure relief 8-7
band, rpm limiter mount 8-5
barb, vent 9-3, 9-5
barrel, plastic 1-7, 1-17
base, forward/reverse shifter 7-11
battery
 12-volt 7-23
 clamp 7-23
battery discharge machine 13-3
battery terminal protector spray 13-3

INDEX

- battery thermometer 13-3
- bearing
 - ball (transaxle) 12-5
 - ball, sealed (transaxle) 12-11
 - crankshaft 8-11
 - hub 6-7
 - idler (drive clutch) 11-3
 - inner axle tube 12-5, 12-11
 - lower pinion (steering) 6-5
 - needle 12-5, 12-11
 - outer axle tube 12-7, 12-13
 - pivot support 5-5
 - thrust 6-7
 - upper pinion (steering) 6-5
- bearing and oil seal remover 13-3
- bearing cup 6-7
- bearing driver set 13-3
- bearing puller 13-3
- bearing puller wedge 13-3
- bearing retainer (starter/generator) 7-19
- bearing seat (steering column) 6-3
- bell crank 4-7
- bell crank and shaft 7-13
- bell crank, forward/reverse 7-11
- belt, drive 11-3, 11-5
- belt, starter/generator 7-21, 11-3
- bezel
 - choke cable 9-13, 9-15
 - headlight 7-15
- block, fuse 7-13
- body, front 1-3
- bolt
 - banjo (brake) 4-3, 4-9, 4-11
 - differential lock pinch 12-7, 12-13
 - kingpin 6-7
 - wheel cylinder 4-3, 4-5
- boot
 - master cylinder 4-7
 - park brake lever 4-13
 - rubber 9-3, 9-5
 - steering column 6-3
- boot shield 4-13
- bottom, air box 9-15
- bracket
 - accelerator support 9-11
 - adjusting (starter/generator) 7-21
 - differential lock 12-3, 12-9
 - fuel gauge/hour meter 7-17
 - governor cable engine 9-11, 10-3
 - master cylinder mounting 4-7
 - mounting (headlight) 7-15
 - mounting (starter) 7-21
 - muffler mounting 10-3
 - oil filter 8-7
 - oil level switch 8-11
 - retaining 9-15
 - rpm limiter 8-5
 - snubber 8-15
 - support 9-11
 - tailgate 1-17
 - throttle 9-9
 - transmission cable support 7-11, 12-3, 12-9
- brake 4-5
- brake adjustment tool 13-3
- brake cable hanger 6-9
- brake cable release tool 13-3
- brake cluster 4-3
- brake drum 4-3, 4-5, 6-7
- brake hose 4-9, 4-11
- brake line 4-9, 4-11
- brake mounting block 5-3
- brake pedal 5-3
- brake pedal adjustment tool 13-3
- brake pedal tension tool 13-3
- breather (transaxle) 12-3, 12-9
- bronze bushing 6-7, 7-11, 7-13
- brush 7-19
- brush connector 7-19
- brush holder 7-19
- brush inspection port cover 7-19
- brush spring 7-19
- bucket seat 1-5
- bulb, halogen 7-15
- bumper
 - return spring 5-5
 - rubber 1-9, 5-3
 - seat 1-7
- bushing
 - bronze 6-7, 7-11, 7-13
 - bronze spindle 6-7
 - drive clutch 11-3
 - nylon 1-17
 - steel 1-11, 1-15, 6-9
 - tailgate latch 1-17
 - urethane 1-11, 1-15, 6-7, 6-9
- C**
- cable
 - choke 9-13, 9-15
 - differential lock 12-15
 - IQDM 13-7
 - park brake 4-13
 - snap-in accelerator 9-11
 - snap-in governor 9-11
 - transmission 7-11
- calibration test module 13-3
- cam (driven clutch) 11-5
- cam installation tool 13-3
- cam, electrical box 7-13
- cam, neutral lockout 7-11
- camshaft 8-11
- cap
 - corner 1-5, 1-7, 1-17
 - filler 4-7
 - front corner 1-13
 - fuel tank 9-3, 9-5
 - locking 4-5, 12-7, 12-13
 - plug (spark) 8-5
 - rubber center 4-5, 12-7, 12-13
 - seat back 1-7
- carburetor 9-7, 9-9
- carburetor float level tool 13-7
- card, safety first 13-9
- cargo box 1-17
- case
 - gear 12-3, 12-9
 - gear carrier 12-5, 12-11
 - rocker 8-9
- charger bezel tool 13-3
- choke cable 9-13
- choke valve o-ring 9-13
- circlip, input shaft 12-11
- circlip, type-e 8-9
- clamp
 - battery 7-23
 - cable retaining 9-11
 - hose 9-3, 9-5, 9-15
 - hose (air intake) 9-13
 - hose (bronze) 9-9
 - hose (gray) 9-3, 9-5, 9-9
 - hose (red) 9-3, 9-5
 - muffler 10-3
 - plastic (fuel line) 9-3, 9-5
- clevis pin 4-5, 4-13
- clevis, rod 4-7
- clip
 - horseshoe 4-9, 4-11
 - park brake cable 4-13
 - scorecard 6-3
- cluster, brake 4-3
- clutch alignment tool 13-5
- clutch removal tool 13-3
- clutch tool kit 13-5
- clutch, drive 11-3
- clutch, driven 11-5
- cog, differential lock 12-7, 12-13
- coil over shock 6-7
- coil, field 7-19
- coil, ignition 8-5
- collet (cylinder head) 8-9
- communication display module 13-5
- compression gauge 13-5
- compression mount 6-9
- compression tester (diesel) 13-5
- compressor, piston ring 13-9
- compressor, valve spring 13-11
- connecting rod 8-13
- connecting rod (crankshaft) 8-13
- connecting rod alignment tool (diesel) 13-5
- connector, oil sending unit 8-11

INDEX

console cover 1-5
continuity tester 13-5
control, differential lock 12-15
corner cap 1-5, 1-7, 1-17
counterbalance guide shaft 8-13
counterbalance weight 8-13
cover
 brush inspection port 7-19
 console 1-5
 crankcase 8-11
 dust 4-3, 4-5, 6-7
 electrical component box 7-13
 gear case 12-5, 12-11
 oil pump 8-7
 vinyl seat back 1-7
 vinyl seat bottom 1-7
crank sleeve setter tool 13-5
crank, bell 4-7
crankcase 8-13
crankshaft 8-13
crankshaft bearing replacement tool 13-5
crankshaft main bearing driver attachment tool 13-5
crankshaft main bearing driver tool 13-5
crankshaft main bearing pilot attachment tool 13-5
cup
 accelerator pedal return spring 5-5
 bearing 6-7
 seat holder 1-5
cushion, shock absorber 6-9
cutter, valve seat 13-5, 13-11
cylinder head 8-9
cylinder, master 4-7
cylinder, wheel 4-3, 4-5

D
damper 8-5
dash hardware 1-3
dash panel 1-3
dashboard 1-3
decal
 400cc 3-3
 bed latch warning 3-3, 3-7
 bed load warning 1-13, 1-17, 3-3, 3-7
 brake warning 2-3
 Club Car 1-3, 3-5, 3-9
 Club Car tailgate 1-13, 1-17, 3-3, 3-7
 crush area warning 3-3, 3-7
 differential lock control warning 3-3, 3-7, 12-15
 diode wiring 3-5, 3-9
 driver/passenger warning 3-3, 3-7
 frame ground 3-5, 3-9
 gasoline warning 3-5, 3-9
 Ingersoll-Rand (gold) 3-3, 3-7
 key switch 3-3, 3-7

operating instructions 3-3, 3-7
passenger warning 3-7
Pioneer 1-3, 3-3, 3-5, 3-9
Pioneer 1200 3-3
Pioneer 1200 SE 3-7
Pioneer tailgate 1-13, 3-3
rotating parts 3-5, 3-9
rotating parts and hot manifold 3-5, 3-9
trailer hitch 1-19, 3-5, 3-9
under age warning 3-3, 3-7
vehicle loading 3-3, 3-7
winch cable warning 3-5, 3-9
diesel tachometer probe 13-9
differential gear 12-5, 12-11
differential lock 12-7, 12-13, 12-15
differential pin 12-5, 12-11
diode (headlight) 7-15
diode, flyback 7-13
dipstick 8-3
double lip seal 6-7
drain plug 8-7
drain plug (transaxle) 12-3, 12-9
drive belt 11-3, 11-5
drive clutch 11-3
drive clutch button 11-3
drive clutch fixed sheave tool 13-5
drive clutch holder tool 13-5
drive clutch hub puller 13-5
drive clutch puller 13-5
drive clutch spider removal tool 13-5
drive hub 11-3
driven clutch 11-5
driven clutch cam puller 13-5
driven clutch puller plug 13-5
driven clutch spring compression base tool 13-5
driven clutch spring compression collar tool 13-5
driven clutch spring compression nut tool 13-5
driver, drive clutch 11-3
drum, brake 4-3, 4-5, 6-7
dry moly lubricant 13-7
duct, air 9-13
dust cover 4-3, 4-5, 6-7
dust seal 6-5
dust seal, steering pinion 6-5

E
e-clip (air box top) 9-13
electrical box cam 7-13
end bell, commutator 7-19
end bell, output shaft 7-19
engine shroud 8-3
engine, fe400 ohv gasoline 8-3
equalizer 4-13
equalizer rod 4-7, 5-3

exhaust gasket 10-3
exhaust system 10-3
exhaust valve 8-9

F

fan housing 8-3
fan shroud 8-3
fan, flywheel 8-5
fe400 ohv gasoline engine 8-3
fender, front 1-3
fender, rear 1-19
field coil (starter/generator) 7-19
filler cap 4-7
filter
 air 9-13, 9-15
 fuel 9-3, 9-5
 oil 8-7
fitting, grease 6-7
fixed face (drive clutch) 11-3
fixed face (driven clutch) 11-5
flange, wheel bolt 4-5
float (carburetor) 9-7
float chamber 9-7
floor mat 1-3
flywheel 8-5
flywheel puller 13-7
fork, shift 12-5, 12-11
forward/reverse shifter 7-11
frame, tilt bed 1-15
f-terminal insulator 7-19
fuel gauge 7-17
fuel impulse pump 9-3, 9-5
fuel injection pump pressure tester tool 13-7
fuel line 9-3, 9-5
fuel strap 9-3, 9-5
fuel tank 9-3, 9-5
fuse block 7-13
fuse, 10-amp 7-13
fuse, 20-amp 7-13

G

gasket
 carburetor insulator 9-9
 crankcase cover 8-11
 drain plug 8-7
 exhaust 10-3
 float chamber 9-7
 head 8-9
 insulator 9-9
 liquid 12-3, 12-9, 13-7
 oil pump 8-7
 rocker case 8-9
 throttle bracket 9-9
gasket kit 8-9, 8-11
gauge, compression 13-5
gauge, compression (diesel) 13-5

INDEX

gauge, fuel 7-17
gear
 12 tooth 12-5
 13 tooth 12-11
 70 tooth 12-5, 12-11
 cluster idler 12-5, 12-11
 differential 12-5, 12-11
 differential idler 12-5, 12-11
 helical (crankshaft) 8-13
 input 12-5, 12-11
 output 12-5, 12-11
 spur (crankshaft) 8-13
 spur (transaxle) 12-5, 12-11
gear case 12-3, 12-9
gear case cover 12-5, 12-11
gear yoke 13-7
governor 12-5, 12-11
governor lever arm 12-3, 12-9
governor shaft installation tool 13-7
grease fitting 6-7
grill (front body) 1-3
grip, hand 1-17
grip, pencil 6-3
grommet 9-15
grommet (flywheel) 8-5
grommet, insulation 9-3, 9-5
guard, brush 1-3
guard, unitized transaxle 12-3, 12-9
guide
 oil (transaxle) 12-5, 12-11
 steering 6-5
 valve 8-9
 valve seat cutter 13-11
guide ring adhesive 13-3

H

halogen bulb 7-15
hand grip, tilt latch 1-11, 1-15
handle, differential lock 12-15
handle, forward/reverse switch 7-11
hanger, brake cable 4-13, 6-9
hardware, terminal (starter/generator) 7-19
harness, headlight wire 7-15
harness, wire 7-5, 7-9
headlight 7-15
headlight lens 7-15
hinge plate 1-5
hinge plate, body 1-5
hinge, tilt bed 1-11
hitch, receiver 1-19
hold-down, (brake) shoe 4-3, 4-5
holder, radio/beverage 1-5
horseshoe clip 4-9, 4-11
hose, brake 4-9, 4-11
hose, intake 9-13, 9-15
hour meter 7-17
housing

differential lock 12-7, 12-13
fan 8-3
field coil (starter/generator) 7-19
hub 12-7, 12-13
hub bearing 6-7
hub, drive 11-3
hub, synchronizer clutch 12-5, 12-11
hydraulic brake adjuster 13-7
hydraulic lifter 8-11
hydraulic shoe 4-3, 4-5
hydrometer 13-7

I

idle gear bushing replacement tool 13-7
idle screw 9-7
ignition coil 8-5
insert
 synchronizer 12-5, 12-11
 threaded 1-5
 wood 1-7
insulation 1-15
insulation, bulk 1-11
insulator, carburetor 9-9
insulator, f-terminal 7-19
intake hose 9-15
intake pipe 9-9
intake valve 8-9
internal retaining ring pliers 13-7
IQ display module (IQDM) 13-7

J

jet, main 9-7
jet, pilot 9-7
joint
 ball 6-5, 7-11
 inner ball 6-5
 spring-loaded ball 5-5
 steering 6-3

K

key
 crankshaft 8-13
 dash panel 7-17
 driven clutch 11-5
 flywheel 8-5
 square 11-5
 woodruff 7-19, 12-3, 12-9
key switch 7-17
kingpin bolt 6-7
kit
 accelerator pivot rod 5-5
 air duct repair 9-13, 9-15
 air duct shield 9-13
 axle adjuster (brake) 4-3, 4-5
 axle hardware 4-3, 4-5
 brake pedal adjustment tool 13-3

dash hardware 1-3
diode 7-15
drive clutch weight 11-3
driven clutch button 11-5
fuel tank 9-3, 9-5
gasket (engine) 8-9, 8-11
hydraulic shoe 4-3, 4-5
IQ display module (IQDM) 13-7
pulley 4-13
pulley nut and screw 7-19
rear receiver 1-19
reverse buzzer 7-15
shock absorber cushion 6-9
tune-up 13-9
knob, light switch 7-17

L

latch
 slam 1-13
 tailgate 1-17
 wire (air box) 9-13, 9-15
latch weld assembly (cargo bed) 1-11, 1-15
lead wire 8-5
leaf spring (rear) 6-9
lens, headlight 7-15
lens, turn signal 7-15
lever
 adjuster (brake) 4-3, 4-5
 choke 9-13, 9-15
 differential lock 12-7, 12-13
 park brake 4-5, 4-13
 shifter 12-3, 12-9
 transmission shifter 12-3, 12-9
lifter, hydraulic 8-11
light switch 7-17
light switch knob 7-17
light, low oil warning 7-17
limit switch 7-11
limiter, rpm 8-5
line
 brake 4-9, 4-11
 fuel 9-3, 9-5
 vent 9-3, 9-5, 9-9
link, rack and pinion drag 6-5
liquid gasket 13-7
locking cap 4-5, 12-7, 12-13
lubricant, dry moly 13-7
lubricant, moly-teflon 13-7
lug nut 2-3, 4-3, 4-5, 6-7
lug stud 4-3, 6-7, 12-7, 12-13

M

main jet 9-7
master cylinder 4-7
mat, floor 1-3
meter, hour 7-17

INDEX

meter, volt ohm 13-11
module
 calibration test 13-3
 communication display 13-5
moly-teflon lubricant 13-7
mount, compression 6-9
moveable face (drive clutch) 11-3
moveable face (driven clutch) 11-5

N

neutral lockout cam 7-11
nozzle, main 9-7
nut, key switch 7-17
nut, lug 2-3, 4-3, 4-5, 6-7

O

oil filler tube 8-3
oil filter 8-7
oil level sensor 8-11
oil pressure gauge tool 13-7
oil pressure tester (diesel) tool 13-9
oil pump and rotor 8-7
oil seal
 axle tube 12-7, 12-13
 crankshaft 8-13
 governor pivot 12-3, 12-9
 input shaft 12-5, 12-11
 shifter shaft 12-3, 12-9
oil warning light 7-17
o-ring 12-13
 choke valve 9-13
 counterbalance shaft 8-13
 differential lock 12-7
 oil filter mount 8-7
 oil sending connector 8-11
 plug 8-11
 rocker case hardware 8-9

P

pad
 accelerator pedal 5-5
 brake pedal 5-3
 spring 6-9
 thermal 7-15
paint, touch-up 13-9
panel
 dash 1-3
 front 1-13
 front (cargo box) 1-17
 seat 1-5
 seat support 1-7
 side 1-13
 side (cargo box) 1-17
p-clamp 4-9, 4-11
pedal, accelerator 5-5
pedal, brake 5-3

pencil grip 6-3
pilot air screw 9-7
pilot jet 9-7
pin
 bow tie locking 5-3
 clevis 4-5, 4-13, 5-3
 differential 12-5, 12-11
 hair spring cotter 4-13
 piston 8-13
pinion, steering 6-5
pipe, intake 9-9
piston 8-13
piston ring compressor 13-9
piston ring pliers 13-9
piston ring set 8-13
pivot arm 12-3, 12-9
Plastigauge tool 13-9
plate 8-9
 backing (brake) 4-3, 4-5
 body hinge 1-5
 floor 1-15
 flywheel fan 8-5
 hinge 1-5
 mounting 8-15
 oil filter screen 8-11
 oil pump 8-7
 scorecard 6-3
 suspension mounting 6-7
 thrust 12-5, 12-11
 tilt bed latch 1-9
pliers
 internal retaining ring 13-7
 piston ring 13-9
 retaining ring 13-9
plug
 drain 8-7
 drain (transaxle) 12-3, 12-9
 drive clutch 11-3
 driven clutch puller 13-5
 spark (ohv) 8-5
pole set (starter/generator) 7-19
pop rivet 1-5, 4-9, 4-11, 4-13, 9-13, 12-15
press weldment 13-5
pressure switch 4-7
prop rod 1-9
protector spray, battery terminal 13-3
puller
 bearing 13-3
 clutch 13-3
 drive clutch 13-5
 drive clutch hub 13-5
 driven clutch cam 13-5
 flywheel 13-7
 seal 13-9
puller, special use tool 13-9
pulley (starter/generator) 7-19
pulley nut and screw (starter/generator)

7-19

pulley, flat mount 4-13
pump cover (oil) 8-7
pump, fuel impulse 9-3, 9-5
pump, oil and rotor 8-7
push rod 4-7, 8-9

R

rack and pinion drag link 6-5
rack, steering 6-5
radio/beverage holder 1-5
reamer, valve guide 13-9
receiver hitch 1-19
regulator, voltage 7-13
remover, bearing and oil seal 13-3
retainer
 bearing (starter/generator) 7-19
 headlight 7-15
 shock absorber cushion 6-9
 spiral ring 11-3
 spring 5-5
 spring (drive clutch) 11-3
 valve spring 8-9
retaining ring (drive clutch) 11-3
retaining ring (driven clutch) 11-5
retaining ring pliers 13-9
return spring bumper 5-5
reverse buzzer 7-15
ring
 piston (set) 8-13
 retaining (drive clutch) 11-3
 retaining (driven clutch) 11-5
 snap (piston) 8-13
 snap (steering) 6-5
 spiral back-up 11-3
 synchronizer 12-5, 12-11
rivet, blind 1-3
rivet, pop 1-5, 4-9, 4-11, 4-13, 9-13, 12-15
rocker arm 8-9
rocker case 8-9
rocker shaft 8-9
rod
 accelerator 5-5
 accelerator pivot 5-5
 connecting 8-13
 connecting (crankshaft) 8-13
 equalizer 4-7, 5-3
 prop 1-9
 push 4-7, 8-9
 shift 12-5, 12-11
rpm limiter 8-5
rubber boot 9-3, 9-5
rubber bumper 1-9, 5-3

S

safety first card 13-9

INDEX

- scorecard clip 6-3
 - scorecard plate 6-3
 - screen, oil filter 8-11
 - screw
 - idle 9-7
 - pilot air 9-7
 - pole piece (starter/generator) 7-19
 - rack guide 6-5
 - tuflok 1-3
 - valve clearance adjuster 13-9
 - seal
 - bed 1-5, 1-15
 - crankshaft 8-11
 - double lip 6-7
 - dust 6-5
 - input shaft oil 12-5, 12-11
 - intake 9-15
 - intake (air box) 9-13
 - oil (axle tube) 12-7, 12-13
 - oil (crankshaft) 8-13
 - oil (governor pivot) 12-3, 12-9
 - oil (shifter shaft) 12-3, 12-9
 - steering pinion dust 6-5
 - valve 8-9
 - seal puller 13-9
 - seat back 1-7
 - seat bottom 1-7
 - seat panel 1-5
 - seat support 1-5
 - seat, bucket 1-5
 - seat, spring 8-9
 - sensor, oil level 8-11
 - set, pole 7-19
 - shackle, rear spring 6-9
 - shaft
 - counterbalance guide 8-13
 - input 12-5, 12-11
 - rocker 8-9
 - shifter 12-3, 12-9
 - steering column 6-3
 - shield, boot 4-13
 - shift fork 12-5, 12-11
 - shift rod 12-5, 12-11
 - shifter shaft 12-3, 12-9
 - shifter, forward/reverse 7-11
 - shim
 - camshaft 8-11
 - crankshaft 8-13
 - latch plate 1-9
 - tilt bed pivot 1-15
 - shock absorber cushion 6-9
 - shock absorber, rear 6-9
 - shock tower 6-7
 - shock, coil over 6-7
 - shroud, engine 8-3
 - shroud, fan 8-3
 - slam latch 1-13
 - sleeve (governor) 12-5, 12-11
 - sleeve, steel 6-7
 - sleeve, synchronizer 12-5, 12-11
 - snap ring (piston) 8-13
 - snap ring (steering) 6-5
 - snubber 8-15
 - solenoid, 12-volt 7-13
 - spacer
 - accelerator pedal 5-5
 - differential lock 12-7, 12-13
 - fixed face shaft 11-3
 - key switch 7-17
 - ratchet support 5-5
 - rear suspension 6-9
 - spanner wrench 13-9
 - spark plug (ohv) 8-5
 - spindle 6-7
 - spray, battery terminal protector 13-3
 - spring
 - brake pedal return 4-7
 - brush 7-19
 - compression 1-17, 6-3
 - differential lock 12-7, 12-13
 - drive button 11-3
 - engine valve 8-9
 - forward/reverse cam 7-11
 - latch extension 1-11, 1-15
 - leaf (rear) 6-9
 - return 5-5, 9-15
 - return (air box) 9-13
 - shoe to shoe 4-3, 4-5
 - synchronizer 12-5, 12-11
 - tapered compression 6-3
 - throttle return 9-9
 - yoke (steering) 6-5
 - spring pad 6-9
 - spring seat 8-9
 - starter/generator 7-19, 7-21
 - steel ball (transaxle) 12-5, 12-11
 - steel bushing 1-11, 1-15, 6-9
 - steel sleeve 6-7
 - steering column 6-3
 - steering column bearing press tool 13-9
 - steering column retaining ring tool 13-9
 - steering gear box 6-5
 - steering guide 6-5
 - steering pinion 6-5
 - steering rack 6-5
 - steering stop 6-7
 - steering wheel 6-3
 - steering wheel puller tool 13-9
 - stem, valve 2-3
 - stiffener
 - flywheel side 8-15
 - pto side 8-15
 - seat 1-7
 - stop, axle 6-9, 12-7, 12-13
 - stop, steering 6-7
 - strap, seat bottom 1-7
 - stud
 - ball 5-5, 7-11, 7-13, 12-3, 12-9
 - flush head 1-17
 - lug 4-3, 6-7, 12-7, 12-13
 - support
 - accelerator pivot rod 5-5
 - latch plate 1-9
 - lower fender 1-3
 - seat 1-5
 - upper front body 1-3
 - suspension mounting plate 6-7
 - switch
 - key 7-17
 - light 7-17
 - limit 7-11
 - pressure 4-7
 - synchronizer clutch hub 12-5, 12-11
 - synchronizer insert 12-5, 12-11
 - synchronizer ring 12-5, 12-11
 - system, exhaust 10-3
- ## T
- 10-amp fuse 7-13
 - 12-volt battery 7-23
 - 12-volt solenoid 7-13
 - 20-amp fuse 7-13
 - tachometer 13-9
 - tachometer probe, diesel 13-9
 - tailgate 1-13, 1-17
 - tailgate angle 1-13, 1-17
 - tailskirt 1-19
 - tape, VHB (console cover) 1-5
 - terminal hardware (starter/generator) 7-19
 - tester, continuity 13-5
 - tether 1-13
 - thermal pad 7-15
 - thermometer, battery 13-3
 - thrust bearing 6-7
 - thrust plate 12-5, 12-11
 - tie, wire 6-5, 7-15, 7-17
 - tilt bed 1-15
 - tilt bed hinge 1-15
 - tilt bed, manual lift 1-11
 - tire 2-3
 - tool
 - accelerator pedal adjustment 13-3
 - brake adjustment 13-3
 - brake cable release 13-3
 - brake pedal adjustment 13-3
 - brake pedal tension 13-3
 - cam installation 13-3
 - carburetor float level 13-7
 - charger bezel 13-3
 - clutch alignment 13-5
 - connecting rod alignment 13-5

INDEX

crank sleeve setter 13-5
crankshaft bearing replacement 13-5
crankshaft main bearing driver 13-5
crankshaft main bearing driver attachment 13-5
crankshaft main bearing pilot attachment 13-5
drive clutch fixed sheave 13-5
drive clutch holder 13-5
drive clutch spider removal 13-5
driven clutch spring compression base 13-5
driven clutch spring compression collar 13-5
driven clutch spring compression nut 13-5
fuel injection pump pressure tester 13-7
governor shaft installation 13-7
idle gear replacement 13-7
oil pressure gauge 13-7
oil pressure tester 13-9
Plastigauge 13-9
puller, special use 13-9
steering column bearing press 13-9
steering column retaining ring 13-9
steering wheel puller 13-9
transaxle axle seal 13-9
transaxle pinion seal 13-9
transmission 13-9
valve clearance adjustment 13-11
valve guide driver 13-9
valve guide replacement 13-9
tool kit, clutch 13-5
top, air box 9-13, 9-15
touch-up paint 13-9
tower, shock 6-7
track, prop rod 1-9
transaxle axle seal tool 13-9
transaxle pinion seal tool 13-9
transaxle, unitized 12-3, 12-9
transmission cable 7-11
transmission shifter lever 12-3, 12-9
transmission tool 13-9
trim, seat bottom 1-7
tube
 7 mm (flywheel) 8-5
 axle 12-7, 12-13
 crankcase vent 9-9
 oil filler 8-3
tune-up kit 13-9
turn signal lens 7-15

U

u-bolt 6-9
unitized transaxle 12-3, 12-9
urethane bushing 1-11, 1-15, 6-7, 6-9

V

valve
 choke 9-13, 9-15
 exhaust 8-9
 flapper 8-9
 fuel pickup tube 9-3, 9-5
 intake 8-9
valve clearance adjuster screw 13-9
valve clearance adjustment wrench 13-11
valve guide 8-9
valve guide driver tool 13-9
valve guide reamer 13-9
valve guide replacement tool 13-9
valve seal 8-9
valve seat cutter 13-5, 13-11
valve seat cutter guide 13-11
valve seat t-wrench 13-11
valve spring compressor 13-11
valve stem 2-3
vent line 9-9
vent, fuel tank 9-3, 9-5
volt ohm meter 13-11
voltage regulator 7-13

W

warning light, low oil 7-17
washer
 copper (brake) 4-3, 4-9, 4-11
 delrin flat 7-11, 7-13
 kingpin wave 6-7
 mounting 11-3, 11-5
 nylon flat 7-11
 spring 12-5, 12-11
 thrust 12-5, 12-11
 wave 7-11
wedge (steering column) 6-3
wedge, bearing puller 13-3
weight, counterbalance 8-13
weight, drive clutch 11-3
weldment, forward/reverse bell crank 7-11
weldment, press 13-5
wheel 2-3
wheel cylinder 4-3, 4-5
wheel, steering 6-3
wire harness 7-5, 7-9
wire latch 9-13, 9-15
wire tie 6-5, 7-15, 7-17
wire, lead 8-5
woodruff key 7-19, 12-3, 12-9
wrench, spanner 13-9

Y

yoke spring (steering) 6-5
yoke, gear 13-7



Club Car, Inc.
P.O. Box 204658
Augusta, GA 30917-4658
USA

Web www.clubcar.com
Phone 1.706.863.3000
1.800.ClubCar
Int'l +1 706.863.3000
Fax 1.706.863.5808