

Club Car

1995

**ILLUSTRATED
PARTS LIST**



**CARRYALL I, CARRYALL II,
AND CARRYALL II PLUS
GASOLINE/ELECTRIC**

MANUAL NUMBER 1018292-02

USING THE ILLUSTRATED PARTS LIST

This manual is to be used for identification and ordering of service parts for 1995 CarryAll utility vehicles.

The first four (4) sections and Section 16 include information common to both the Gasoline and Electric vehicles. Sections 5 through 11 contain information related solely to the Gasoline vehicles, and Sections 12 through 15 relate solely to Electric vehicles.

The Table of Contents on the following page will provide quick reference to each section.

WARNING:

This manual is to be used only for identification and ordering of service parts. Be sure to read and use the Maintenance and Service Manual before attempting any vehicle repairs.



P. O. Box 204658
Augusta, Georgia 30917-4658 USA
Telephone 706-863-3000
Service Parts Fax 706-855-7413

© 1994, CLUB CAR INC.
All rights reserved.
This manual effective August 1, 1994
Manual print code: 0195G0396A

CONTENTS

BODY AND TRIM	SECTION 1
BODY TRIM	1-2
FRONT BODY - CARRYALL I.....	1-4
FRONT BODY - CARRYALL II.....	1-6
REAR COVER - ALL CARRYALL VEHICLES	1-8
SEATS AND SUPPORT STRUCTURE	1-10
TILT BED AND LATCH - CARRYALL I	1-12
TILT BED HINGE AND PROP ROD	1-14
TILT BED AND LATCH - CARRYALL II AND II PLUS	1-16
WHEELS AND TIRES	1-18
TRANSAXLE	SECTION 2
TRANSAXLE	2-2
BRAKES AND PEDAL AND CABLE ASSEMBLIES	SECTION 3
BRAKE ASSEMBLY - CARRYALL I	3-2
BRAKE ASSEMBLY - CARRYALL II AND II PLUS	3-4
BRAKE PEDAL AND CABLE ASSEMBLY	3-6
ACCELERATOR PEDAL ASSEMBLY	3-8
STEERING AND SUSPENSION	SECTION 4
STEERING COLUMN	4-2
STEERING GEAR ASSEMBLY	4-4
FRONT SUSPENSION - UPPER	4-6
FRONT SUSPENSION - LOWER	4-8
ELECTRICAL SYSTEM - GASOLINE VEHICLES	SECTION 5
WIRING - CARRYALL I AND II	5-2
ELECTRICAL COMPONENT BOX - CARRYALL I AND II.....	5-4
WIRING - CARRYALL II PLUS	5-6
ELECTRICAL COMPONENT BOX - CARRYALL II PLUS.....	5-8
FORWARD AND REVERSE SHIFTER ASSEMBLY	5-10
STARTER / GENERATOR ASSEMBLY	5-12
STARTER / GENERATOR MOUNTING	5-14
BATTERY MOUNTING	5-16
REVERSE BUZZER	5-18
ENGINE	SECTION 6
FE 290 ENGINE - CARRYALL I AND II	6-2 - 6-12
FE 350 ENGINE - CARRYALL II PLUS	6-14 - 6-24
FUEL, INTAKE, AND GOVERNOR SYSTEMS	SECTION 7
FUEL SYSTEM	7-2
CARBURETOR ASSEMBLY - FE 290 ENGINES	7-4
CARBURETOR ASSEMBLY - FE 350 ENGINES	7-6
GOVERNOR GUARD AND INTAKE HOSE	7-8
GOVERNOR AND ACCELERATOR CABLES	7-10
EXPANSION CHAMBER, CHOKE, AND FILTER	7-12

CONTENTS

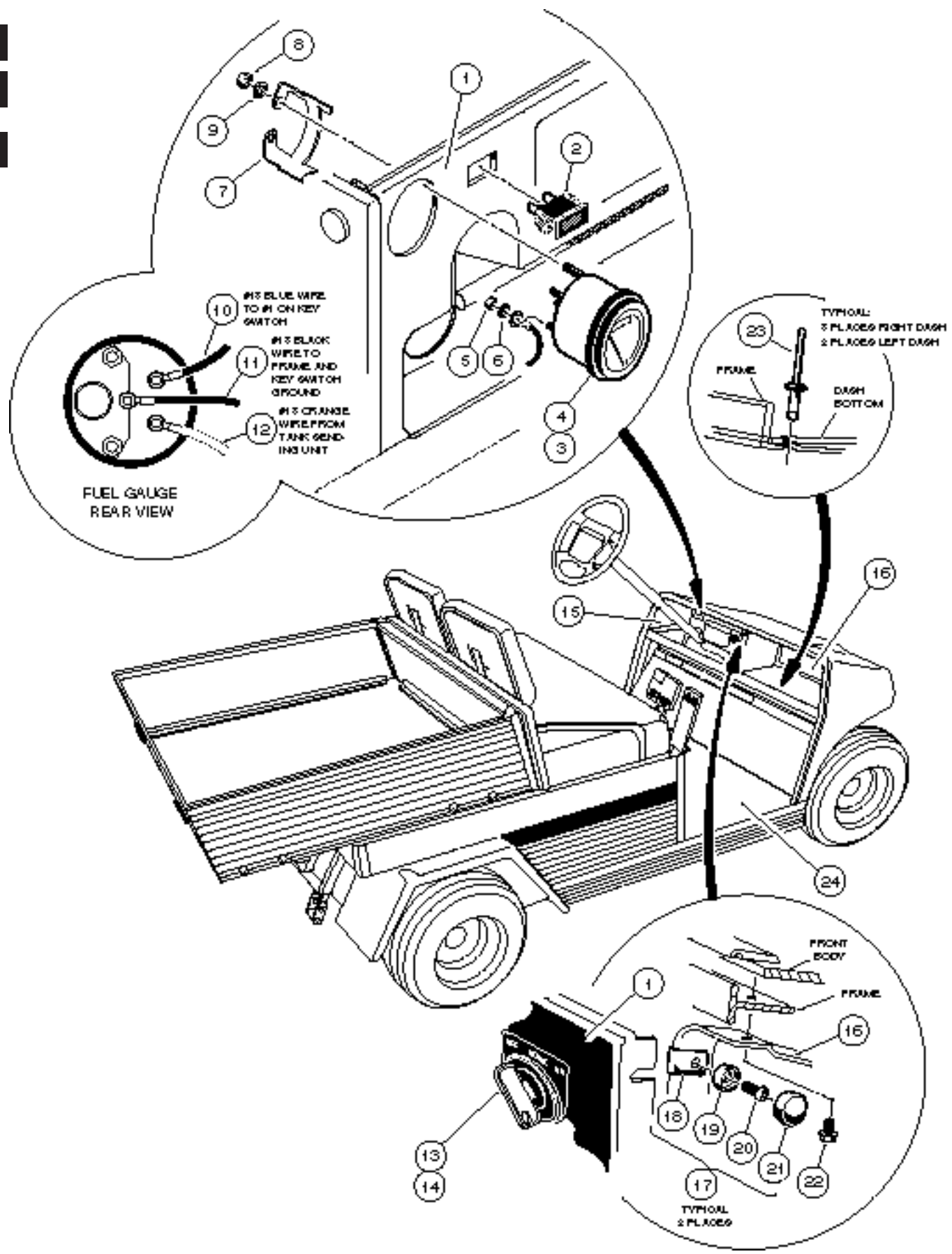
EXHAUST SYSTEM	SECTION	8
EXHAUST SYSTEM - FE 290 ENGINE	8-2	
EXHAUST SYSTEM - FE 350 ENGINE	8-4	
TORQUE CONVERTER	SECTION	9
DRIVE CLUTCH	9-2	
DRIVEN CLUTCH	9-4	
TRANSMISSION	SECTION	10
TRANSMISSION	10-2 - 10-4	
REAR SUSPENSION - GASOLINE VEHICLE	SECTION	11
REAR SUSPENSION	11-2	
STABILIZER BAR - CARRYALL II AND II PLUS	11-4	
INNER FRAME	11-6	
ELECTRICAL SYSTEM - ELECTRIC VEHICLE	SECTION	
FORWARD AND REVERSE SWITCH	12-2	
POWER WIRING - CARRYALL I WITH POWERDRIVE SYSTEM 48	12-4 - 12-6	
CHARGER RECEPTACLE AND BATTERY MOUNTING - POWERDRIVE VEHICLE	12-8	
ON-BOARD COMPUTER, CONTROLLER, AND SOLENOID MOUNTING - POWERDRIVE VEHICLE	12-10	
MULTI-STEP POTENTIOMETER - POWERDRIVE VEHICLE	12-12	
REVERSE BUZZER	12-14	
BATTERY CHARGERS	SECTION	13
POWERDRIVE CHARGER - 120 VOLTS AC 50/60 HERTZ	13-2	
POWERDRIVE CHARGER - 100-240 VOLTS AC (SWITCHABLE) 50/60 HERTZ	13-4	
ELECTRIC MOTORS	SECTION	14
POWERDRIVE 48 VOLT MOTOR	14-2	
REAR SUSPENSION - ELECTRIC VEHICLE	SECTION	15
REAR SUSPENSION - ELECTRIC VEHICLE	15-2	
SAFETY DECALS	SECTION	16
SAFETY DECALS - ALL CARRYALL VEHICLES	16-2	
SAFETY DECALS - GASOLINE VEHICLES	16-4	
SAFETY DECALS - ELECTRIC VEHICLES	16-6	
MAINTENANCE AND SERVICE TOOLS		
THE LAST PAGE OF THIS MANUAL CONTAINS A LIST OF MAINTENANCE AND SERVICE TOOLS AVAILABLE FROM CLUB CAR .		

BODY AND TRIM

G

E

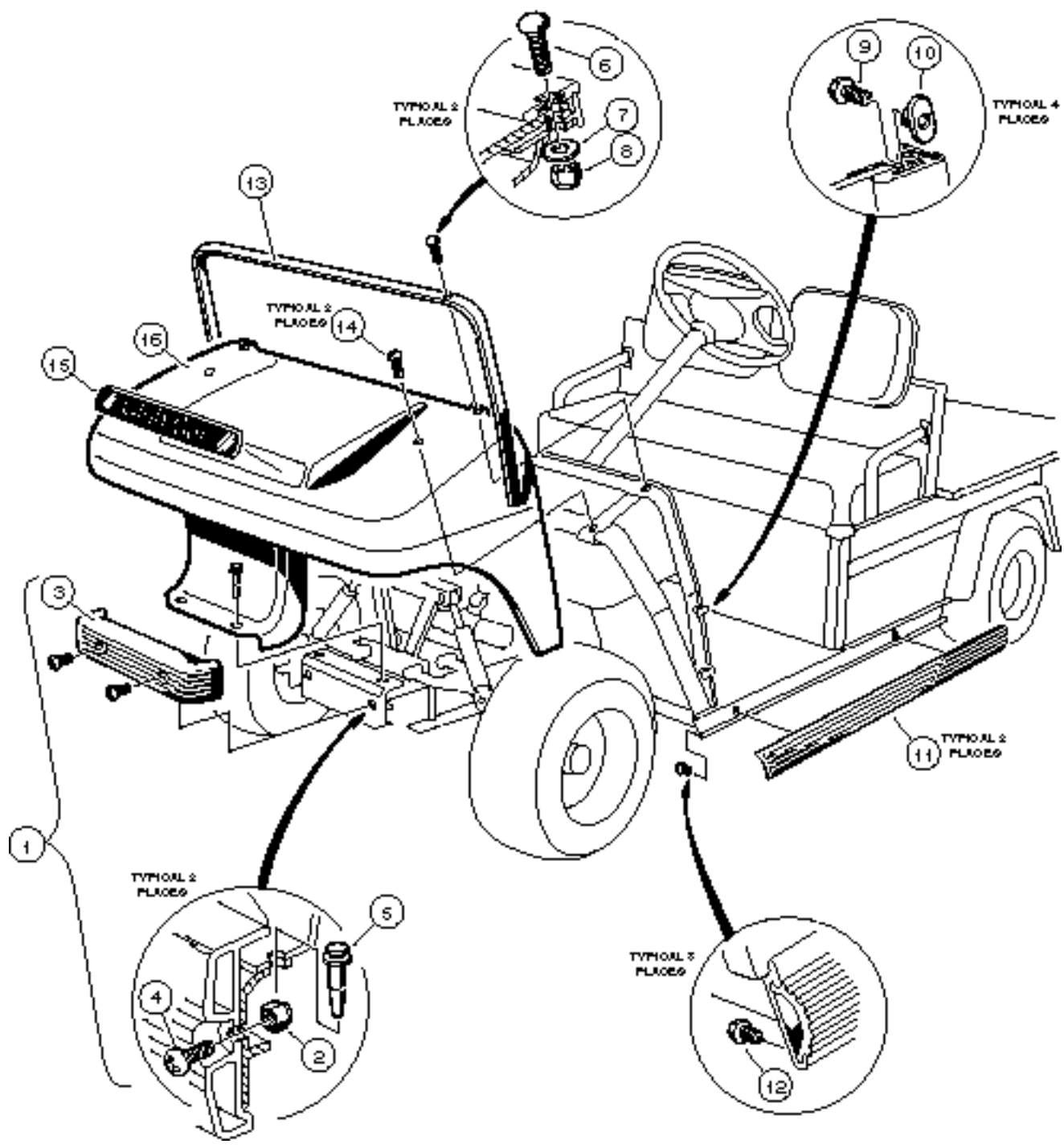
1



BODY TRIM

ITEM	PART NO.	DESCRIPTION	QTY GAS	QTY ELEC
		1 2 3 4		
1	1016620-02	PANEL, CENTER DASH, CARRYALL I ELECTRIC VEHICLES (BLACK, WITH OPENING FOR BATTERY WARNING LIGHT)		1
1	1016620-03	PANEL, CENTER DASH, CARRYALL I, II, AND II PLUS GASOLINE VEHICLES (BLACK, WITH OPENINGS FOR OIL LIGHT AND FUEL GAUGE)	1	
2	1018025-01	LIGHT, BATTERY WARNING (ELECTRIC VEHICLES ONLY)		1
2	1016630	LIGHT, OIL WARNING (GASOLINE VEHICLES ONLY)	1	
3	1016105	KIT, FUEL GAUGE, (GASOLINE VEHICLES, INCLUDES ITEMS 4 - 12)	1	
4	1015103	GAUGE, FUEL (GASOLINE VEHICLES, INCLUDES ITEMS 5 AND 6)	1	
5	N/A	NUT, BRASS	6	
6	N/A	WASHER, EXTERNAL TOOTH LOCK	3	
7	1015104	BRACKET, FUEL GAUGE	1	
8	1011571	NUT, HEX, #8 - 32	2	
9	1011610	WASHER, LOCK, #8	2	
10	1013463	WIRE ASSEMBLY, #18 BLUE	1	
11	1013469	WIRE ASSEMBLY, #18 BLACK	1	
12	1015035	WIRE ASSEMBLY, #18 ORANGE	1	
13	1012531	SWITCH, KEY, CARRYALL I ELECTRIC (INCLUDES ITEM 14)		1
13	1012415	SWITCH, KEY, CARRYALL I AND II WITH FE 290 ENGINE (INCLUDES ITEM 14)	1	
13	1018275-07	SWITCH, KEY, CARRYALL II PLUS WITH FE 350 ENGINE (KEY SWITCH WITH DASH PANEL WITH GAUGE OPENING) (INCLUDES ITEM 14)	1	
14	1012505	KEY (PAIR)	1	1
15	1013344	COMPONENT, LEFT DASH (BLACK)	1	1
16	1013343	COMPONENT, RIGHT DASH (BLACK)	1	1
17	1014645	KIT, SNAP WASHER, BLACK (INCLUDES ITEMS 18 - 21)	1	1
18	N/A	NUT, SPEED, #10 - 32	1	1
19	N/A	WASHER, #10	1	1
20	N/A	SCREW, SHEET METAL, #10 x 3/4	1	1
21	N/A	COVER, SCREW HEAD	1	1
22	1011017	SCREW, FLANGE LOCK	2	2
23	0007973	RIVET, ALUMINUM POP, 3/16	5	5
24	1015032	MAT, FLOOR	1	1

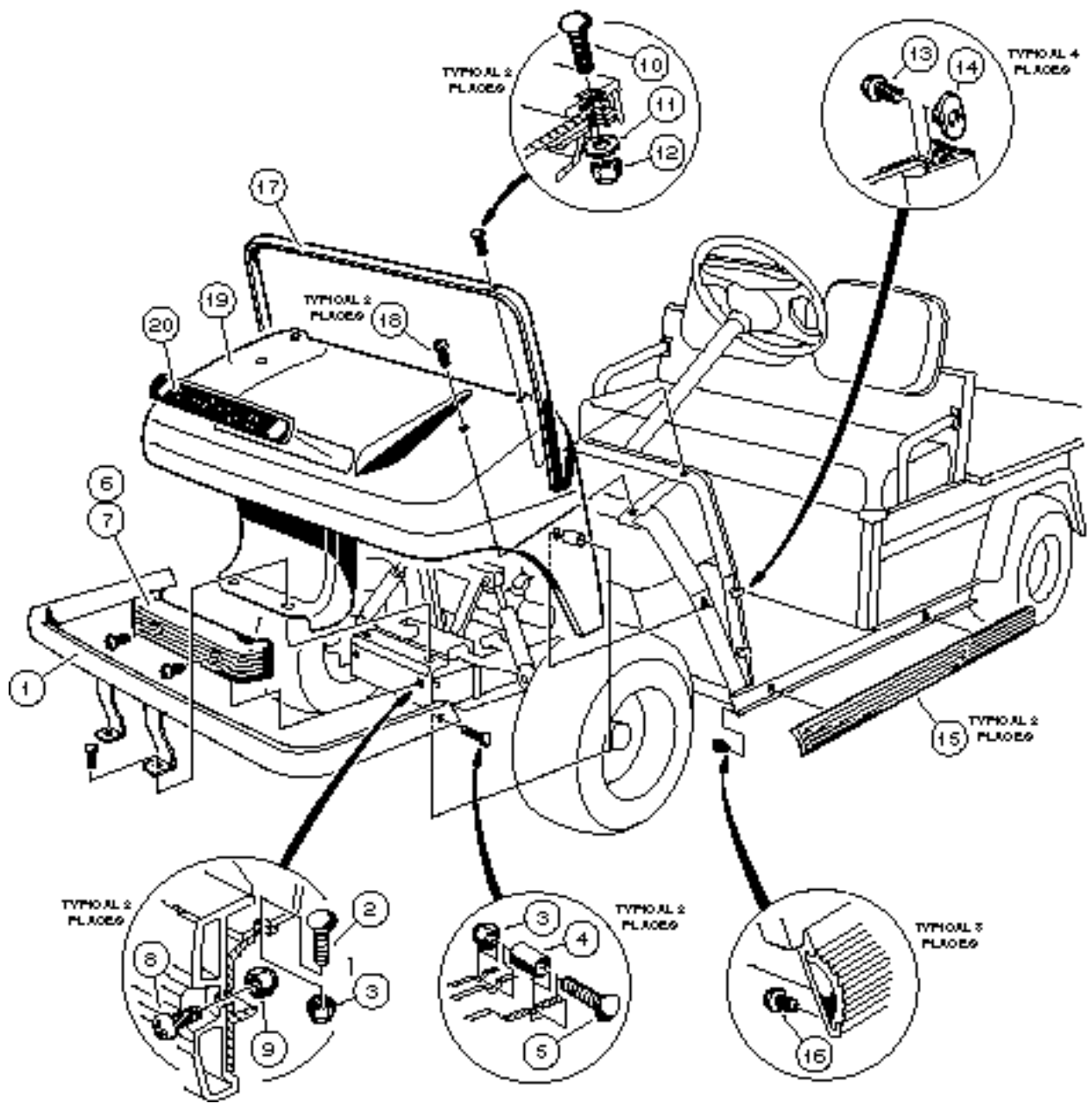
G
E
1



FRONT BODY - CARRYALL I

ITEM	PART NO.	DESCRIPTION	QTY GAS	QTY ELEC
		1 2 3 4		
1	1017080	KIT, FRONT BUMPER (INCLUDES ITEMS 2 - 5).....	1	1
2	0007473	NUT, NYLON LOCK, 5/16 - 18	2	2
3	1016868	BUMPER, FRONT	1	1
4	0007251	SCREW, PHILLIPS TRUSS HEAD, 5/16 - 18 x 1.....	2	2
5	1016967	RIVET, PUSH TYPE BLIND	2	2
6	1010435	BOLT, CARRIAGE, 5/16 - 18 x 1	2	2
7	0001241	WASHER, FLAT, 5/16	2	2
8	0007473	NUT, NYLON LOCK, 5/16 - 18	2	2
9	1011017	SCREW, FLANGE LOCK	4	4
10	1011394	NUT, SLAB BASE "T" (PACKAGE OF 4)	1	1
11	1013983	BUMPER, SIDE GUARD TRIM	2	2
12	1012047	SCREW, SELF TAPPING, #8 - 32 x 3/8.....	8	8
13	1011014	TRIM, FRONT BODY.....	1	1
14	0007251	SCREW, PHILLIPS TRUSS HEAD, 5/16 - 18 x 1	2	2
15	1016702	NAMEPLATE, SILVER.....	1	1
16	1016925-04	BODY, FRONT - GRAY	1	1
16	1016939-04	BODY, FRONT WITH HEADLIGHT OPENING - GRAY.....	1	1

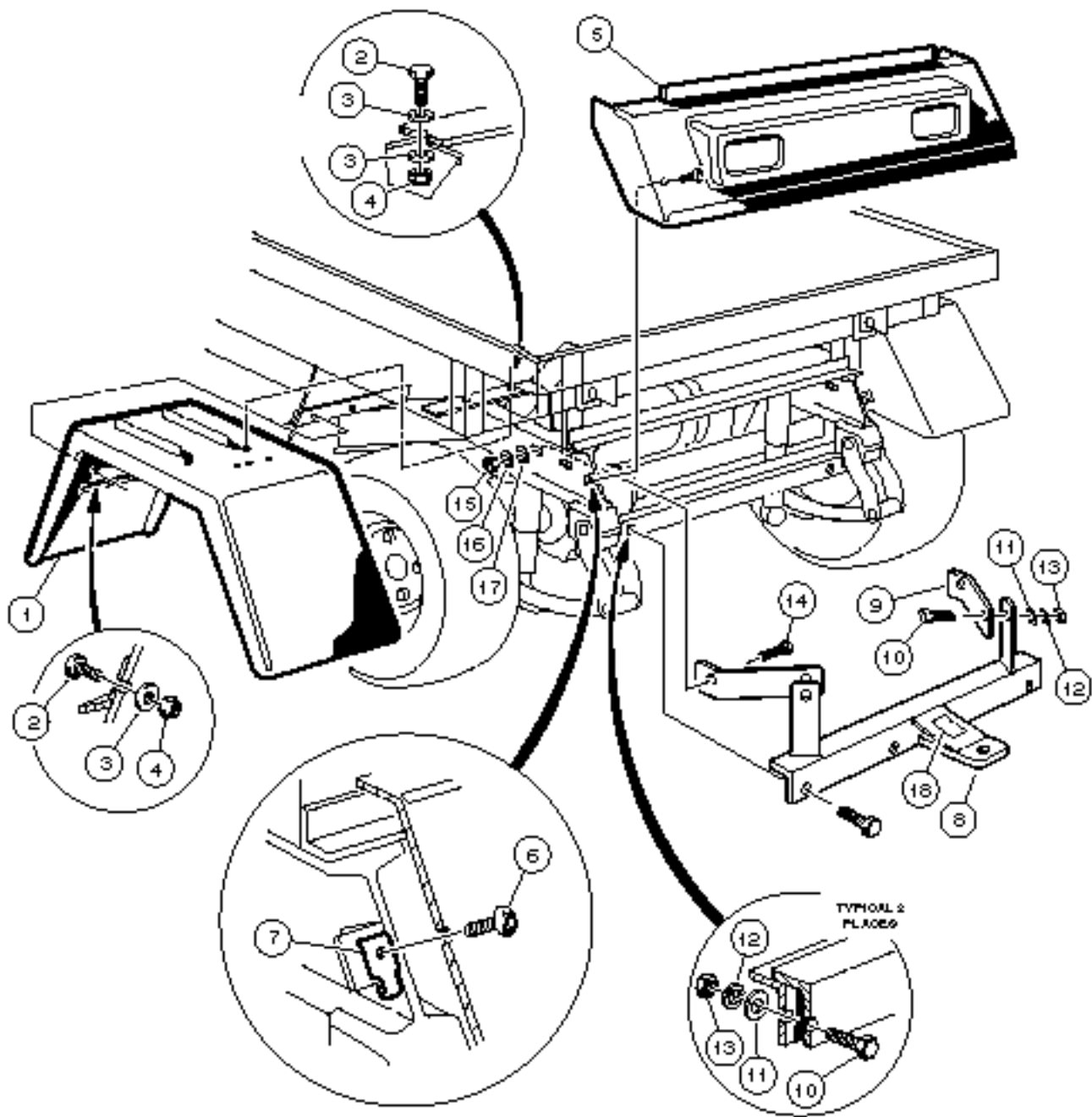
G
E
1



FRONT BODY - CARRYALL II

ITEM	PART NO.	DESCRIPTION	QTY GAS	QTY ELEC
		1 2 3 4		
1	1017348-02	KIT, HEAVY DUTY BUMPER (INCLUDES ITEMS 2 - 5)	1	1
2	1010435	BOLT, CARRIAGE, 5/16 - 18 x 1	2	2
3	0007473	NUT, NYLON LOCK, 5/16 - 18	4	4
4	1010546	SPACER	2	2
5	1015405	BOLT, CARRIAGE, 5/16 - 18 x 2	2	2
6	1017080	KIT, FRONT BUMPER (INCLUDES ITEMS 7 - 9).....	1	1
7	1016868	BUMPER, FRONT	1	1
8	0007251	SCREW, PHILLIPS TRUSS HEAD, 5/16 - 18 x 1.....	2	2
9	0007473	NUT, NYLON LOCK, 5/16 - 18	2	2
10	1010435	BOLT, CARRIAGE, 5/16 - 18 x 1	2	2
11	0001241	WASHER, FLAT, 5/16	2	2
12	0007473	NUT, NYLON LOCK, 5/16 - 18	2	2
13	1011017	SCREW, FLANGE LOCK	4	4
14	1011394	NUT, SLAB BASE "T" (PACKAGE OF 4)	1	1
15	1013985	BUMPER, SIDE GUARD TRIM	2	2
16	1012047	SCREW, SELF TAPPING, #8 - 32 x 3/8	8	8
17	1011014	TRIM, FRONT BODY	1	1
18	0007251	SCREW, PHILLIPS TRUSS HEAD, 5/16 - 18 x 1	2	2
19	1016925-04	BODY, FRONT - GRAY	1	1
19	1016939-04	BODY, FRONT WITH HEADLIGHT OPENING - GRAY.....	1	1
20	1016702	NAMEPLATE, SILVER	1	1

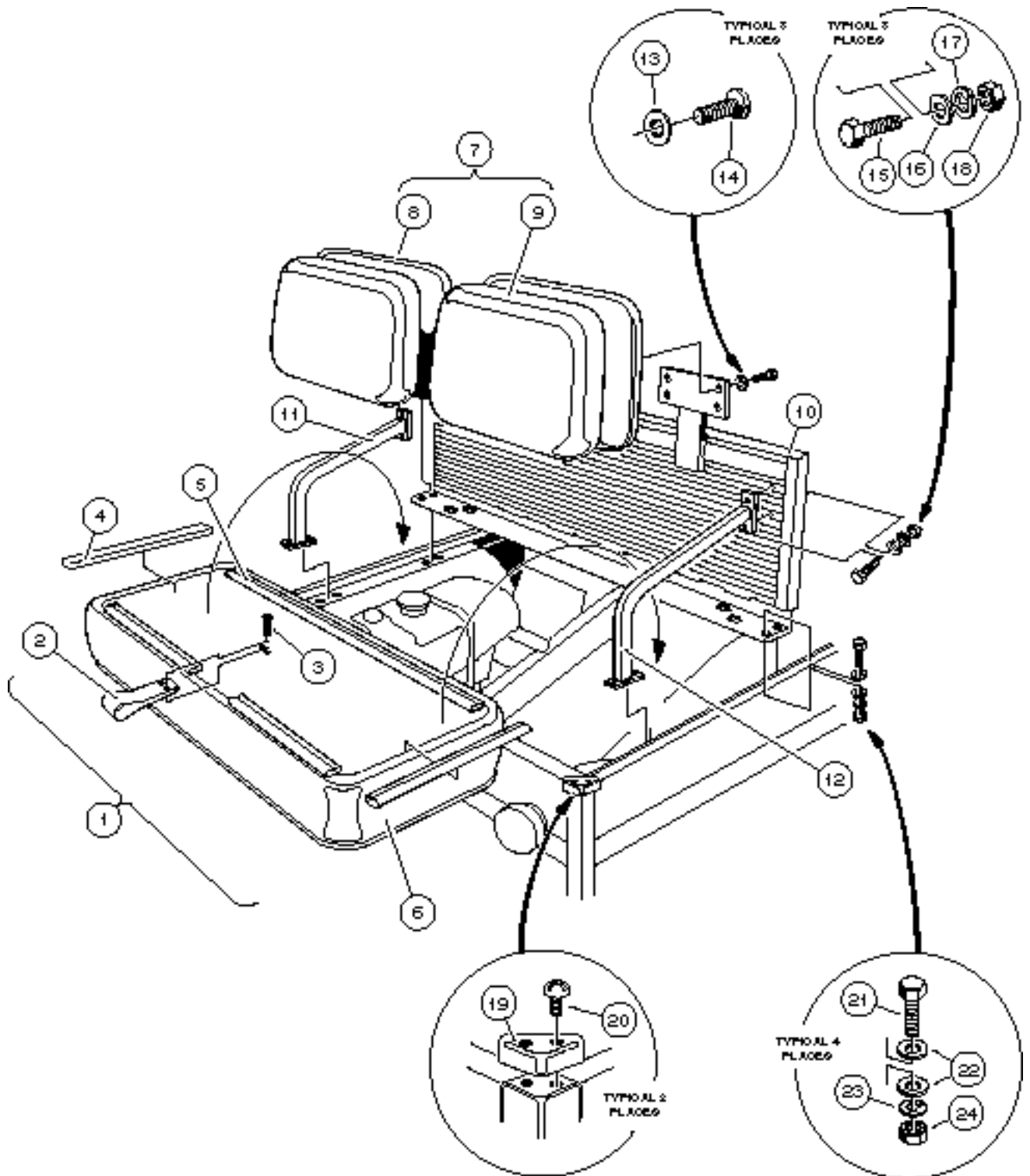
G
E
1



REAR COVER - ALL CARRYALL VEHICLES

ITEM	PART NO.	DESCRIPTION	QTY GAS	QTY ELEC
		1 2 3 4		
1	1016679	FENDER, REAR	2	2
2	0000304	SCREW, HEX HEAD CAP, 1/4 - 20 x 1	8	8
3	1014306	WASHER, FLAT, 1/4	8	8
4	0008233	NUT, NYLON LOCK, 1/4 - 20	8	8
5	1015530	TAILSKIRT	1	1
6	0008248	SCREW, PHILLIPS HEAD, 1/4 -20 x 3/4	2	2
7	1015529	NUT, TINNERMAN "U", 1/4 - 20	2	2
8	1015445	KIT, TRAILER HITCH - CARRYALL II AND II PLUS ONLY (INCLUDES ITEMS 9 - 18)	1	
9	1013483	BRACE, TRAILER HITCH	2	
10	1010934	SCREW, HEX HEAD CAP, 5/16 - 18 x 1	4	
11	0001241	WASHER, FLAT, 5/16	4	
12	0007174	WASHER, LOCK, 5/16	4	
13	0001242	NUT, HEX, 5/16 - 18	4	
14	0000320	SCREW, HEX HEAD CAP, 3/8 - 16 x 1	2	
15	0000706	NUT, HEX, 3/8 - 16	2	
16	0000357	WASHER, LOCK, 3/8	2	
17	1011990	WASHER, FLAT, 3/8	2	
18	1011553	DECAL	1	

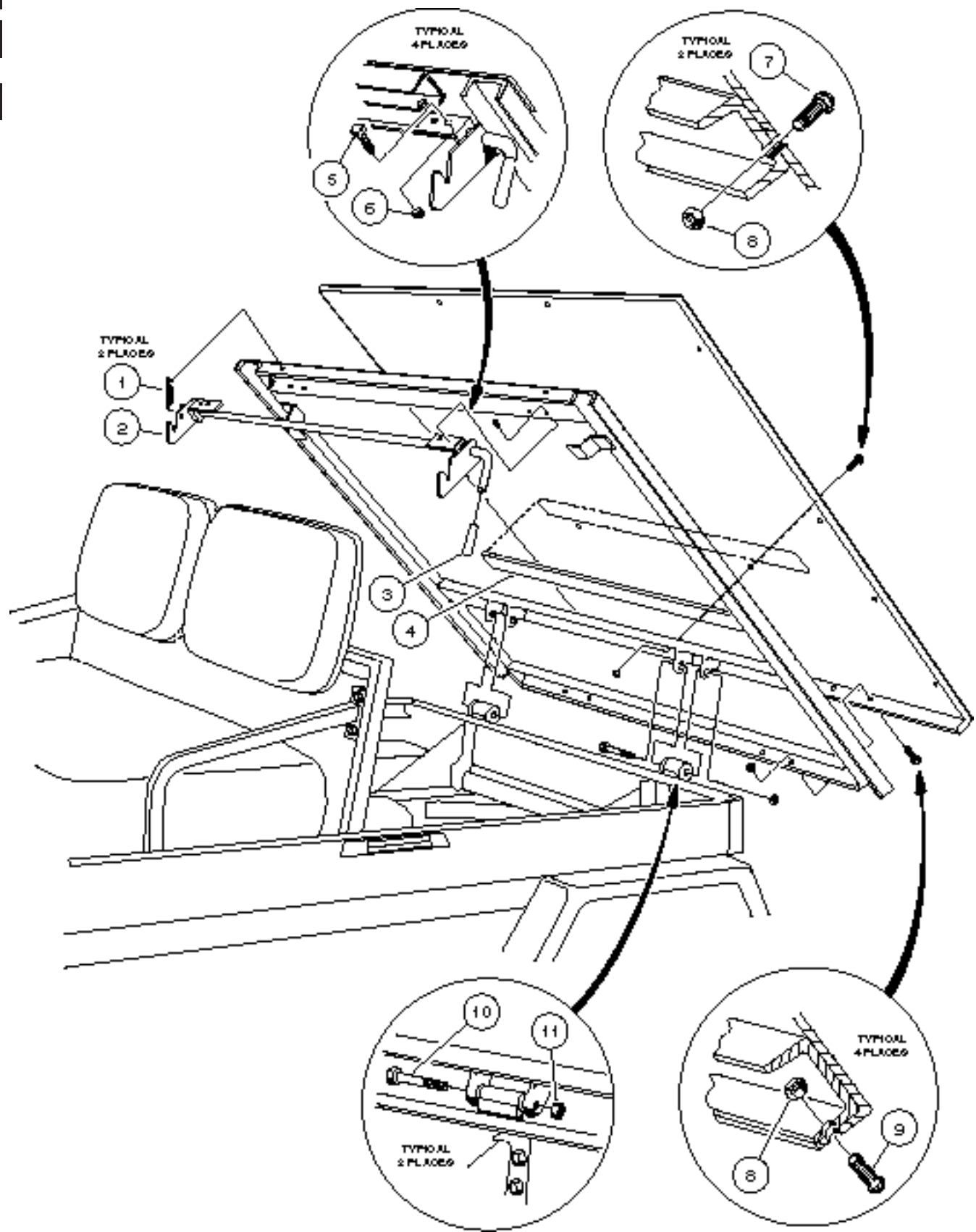
G
E
1



SEATS AND SUPPORT STRUCTURE ALL CARRYALL VEHICLES

ITEM	PART NO.	DESCRIPTION	QTY GAS	QTY ELEC
		1 2 3 4		
1	1015645-02	ASSEMBLY, SEAT BOTTOM, WHITE (INCLUDES ITEMS 2 - 6).....	1	1
1	1015645-03	ASSEMBLY, SEAT BOTTOM, BLACK (INCLUDES ITEMS 2 - 6)	1	1
1	1015645-05	ASSEMBLY, SEAT BOTTOM, GRAY (INCLUDES ITEMS 2 - 6)	1	1
2	1013309	STRAP, SEAT BOTTOM	1	1
3	1010545	SCREW, HEX HEAD WASHER, 1/4 - 14 x 3/4	2	2
4	1013311	BUMPER, SEAT, SHORT	4	4
5	1013312	BUMPER, SEAT, LONG	1	1
6	1015627-02	COVER, VINYL SEAT BOTTOM, WHITE	1	1
6	1015627-04	COVER, VINYL SEAT BOTTOM, BLACK	1	1
6	1015627-10	COVER, VINYL SEAT BOTTOM, GRAY	1	1
7	1015652-02	ASSEMBLY, SEAT BACK, WHITE (INCLUDES ITEMS 8 AND 9)	1	1
7	1015652-05	ASSEMBLY, SEAT BACK, BLACK (INCLUDES ITEMS 8 AND 9)	1	1
7	1015652-06	ASSEMBLY, SEAT BACK, GRAY (INCLUDES ITEMS 8 AND 9)	1	1
8	1013335	CAP, SEAT BACK, BLACK	1	1
9	1015626-02	COVER, VINYL SEAT BACK, WHITE	1	1
9	1015626-04	COVER, VINYL SEAT BACK, BLACK	1	1
9	1015626-05	COVER, VINYL SEAT BACK, GRAY	1	1
10	1015239	PANEL, SEAT SUPPORT	1	1
11	1018885-01	ASSEMBLY, ARM REST, PASSENGER	1	1
12	1018885-02	ASSEMBLY, ARM REST, DRIVER	1	1
13	0008304	WASHER, INTERNAL TOOTH LOCK, 1/4	8	8
14	0008248	SCREW, PHILLIPS TRUSS HEAD, 1/4 - 20 x 3/4	8	8
15	0000304	SCREW, HEX HEAD CAP, 1/4 - 20 x 1	8	8
16	0000332	WASHER, FLAT, 1/4	8	8
17	0000451	WASHER, LOCK, 1/4	8	8
18	0001028	NUT, HEX, 1/4 - 20	8	8
19	1014387	CAP, CORNER	2	2
20	1014321	SCREW, TRUSS TORX HEAD, 1/4 - 14 x 3/4	4	4
21	1010934	SCREW, HEX HEAD CAP, 5/16 - 18 x 1	4	4
22	0001241	WASHER, FLAT, 5/16	8	8
23	0007174	WASHER, LOCK, 5/16	4	4
24	0001242	NUT, HEX, 5/16 - 18	4	4

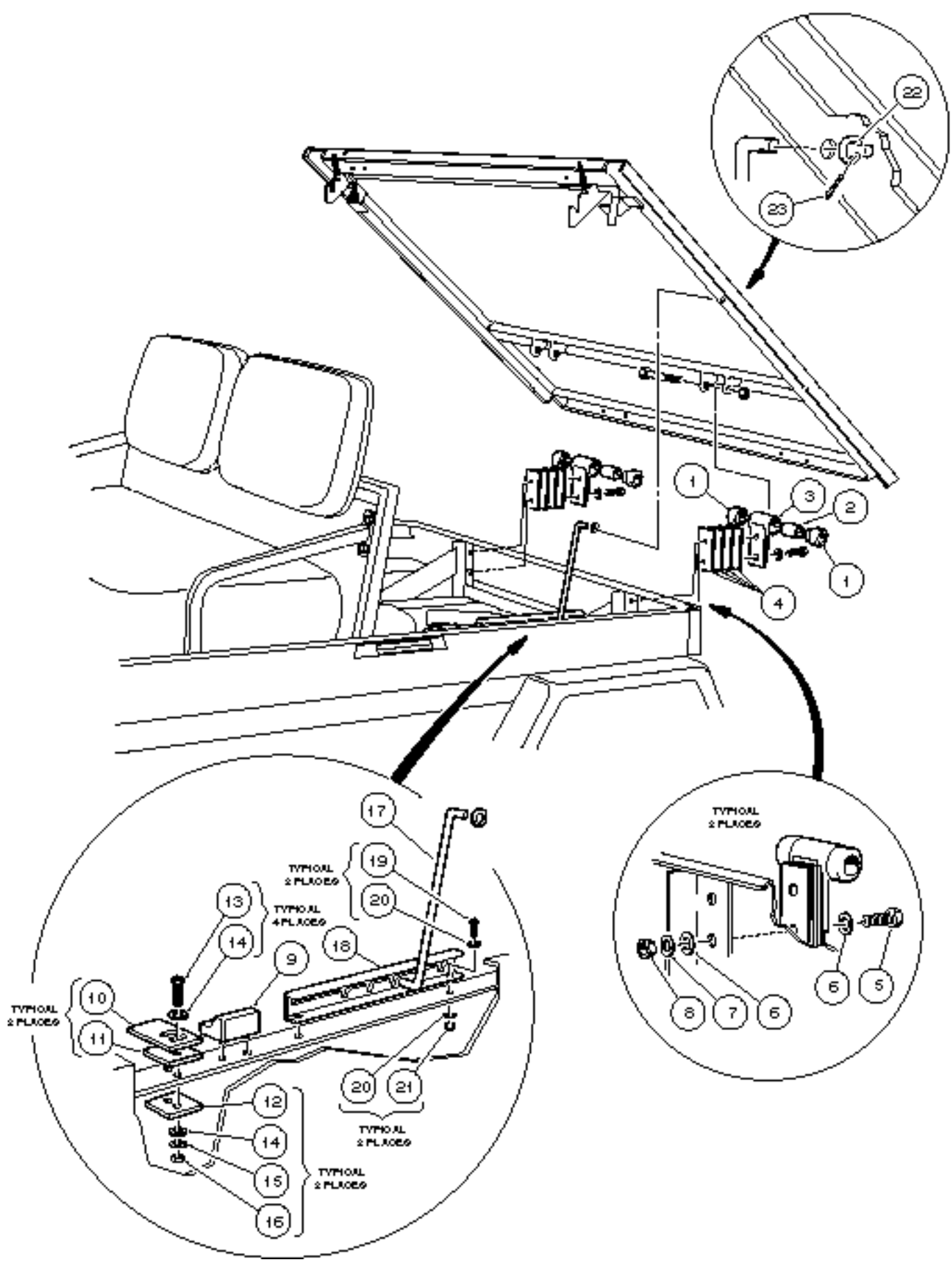
G
E
1



TILT BED AND LATCH - CARRYALL I

ITEM	PART NO.	DESCRIPTION	QTY GAS	QTY ELEC
		1 2 3 4		
	1015427	ASSEMBLY, TILT BED AND LATCH, CARRYALL I (INCLUDES ITEMS 1 - 9)	1	1
1	1015391	SPRING, LATCH EXTENSION	2	2
2	1015252	ASSEMBLY, LATCH WELD	1	1
3	1015400	HAND GRIP, TILT LATCH	1	1
4	1014471	INSULATION, BULK, 42"	A/R	A/R
5	0000403	SCREW, HEX HEAD CAP, 1/4 - 20 x 5/8	4	4
6	0001108	NUT, DIMPLED LOCK, 1/4 - 20	4	4
7	1010435	BOLT, CARRIAGE, 5/16 - 18 x 1	2	2
8	0007473	NUT, NYLON LOCK, 5/16 - 18	6	6
9	1015399	SCREW, TORX TRUSS HEAD, 5/16 - 18 x 3/4	4	4
10	0008755	SCREW, HEX HEAD CAP, 3/8 - 16 x 3 3/8	2	2
11	0008754	NUT, NYLON LOCK, 3/8 - 16	2	2
		FOR HINGE COMPONENTS SEE PAGE 1 - 13 ITEMS 1 - 4 AND 9 - 12, FOR LATCH PLATE COMPONENTS SEE PAGE 1 - 13 ITEMS 5 - 8 AND 13 - 16		

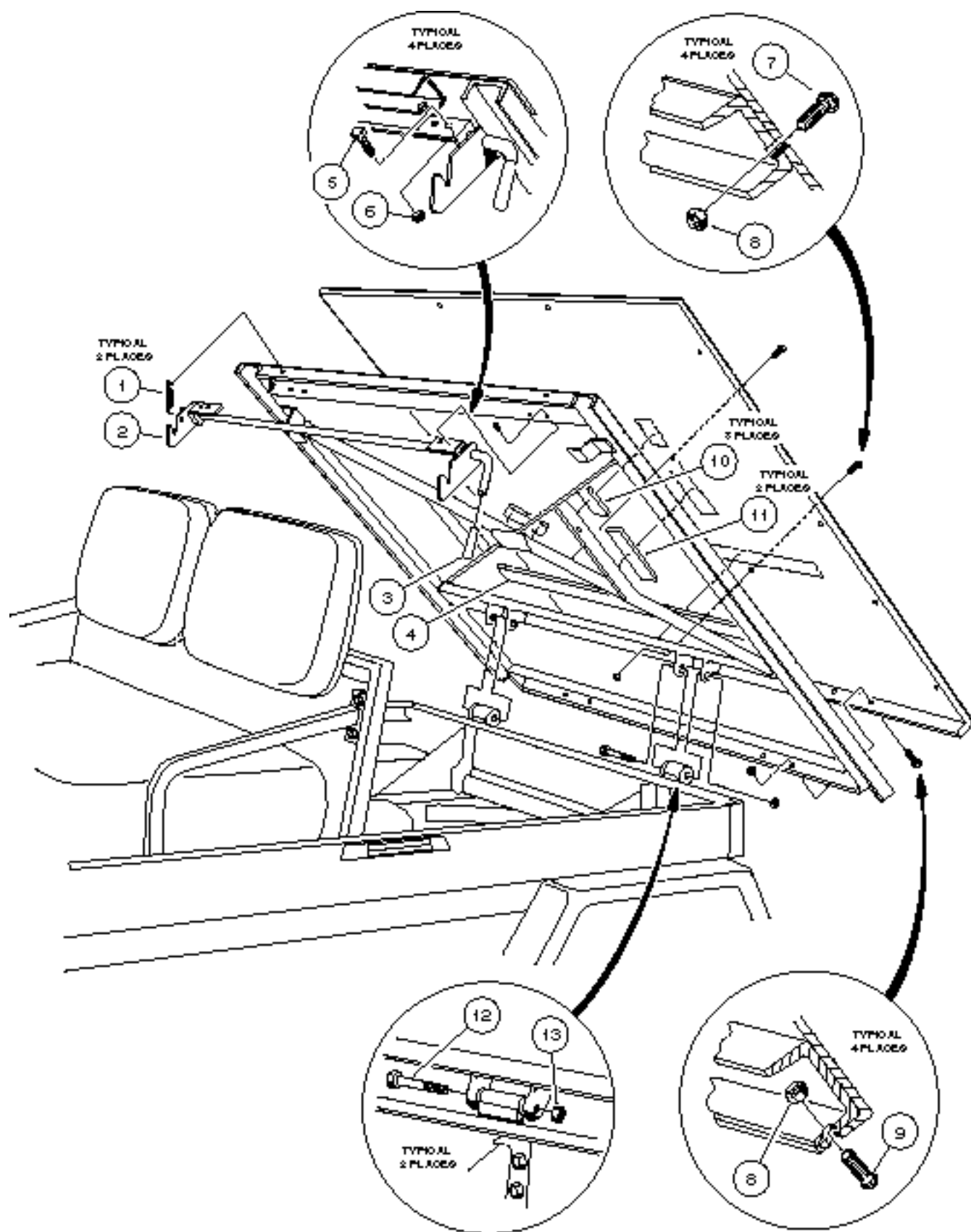
G
E
1



TILT BED HINGE AND PROP ROD

ITEM	PART NO.	DESCRIPTION	QTY GAS	QTY ELEC
		1 2 3 4		
1	1015583	URETHANE BUSHING	4	4
2	1012303	STEEL BUSHING	2	2
3	1015356	ASSEMBLY, TILT BED HINGE WELD	2	2
4	1015507	SHIM, TILT BED PIVOT	A/R	A/R
5	0008861	SCREW, HEX HEAD CAP, 3/8 - 16 x 1 3/4	4	4
6	1011990	WASHER, FLAT, 3/8	8	8
7	0000357	WASHER, LOCK, 3/8	4	4
8	0000706	NUT, HEX, 3/8 - 16	4	4
9	1015242	BUMPER, BED	2	2
10	1015277	PLATE, TILT BED LATCH	2	2
11	1016078	SHIM, LATCH PLATE	A/R	A/R
12	1016060	SUPPORT, LATCH PLATE	2	2
13	0000304	SCREW, HEX HEAD CAP, 1/4 - 20 x 1	4	4
14	0000332	WASHER, FLAT, 1/4	4	4
15	0000451	WASHER, LOCK, 1/4	4	4
16	0001028	NUT, HEX, 1/4 - 20	4	4
		ITEMS 17 - 23 CARRYALL II AND II PLUS ONLY		
17	1015348	ROD, PROP	1	
18	1015700	TRACK, PROP ROD	1	
19	0007847	SCREW, HEX HEAD CAP, 1/4 - 20 x 3/4	2	
20	0000332	WASHER, FLAT, 1/4	4	
21	0008233	NUT, NYLON LOCK, 1/4 - 20	2	
22	0000334	WASHER, FLAT, 3/8	1	
23	0001035	PIN, COTTER, 3/32 x 1	1	

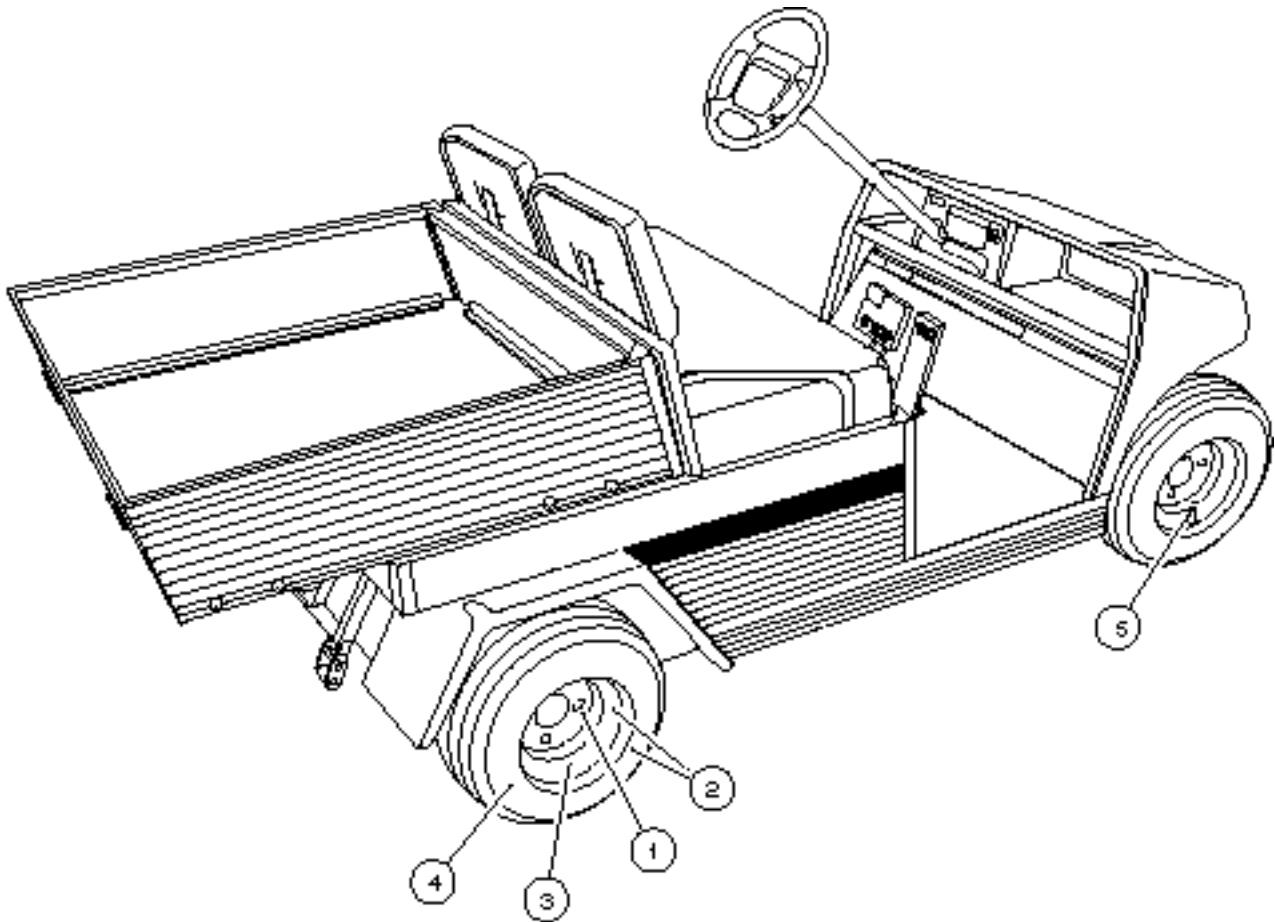
G
E
1



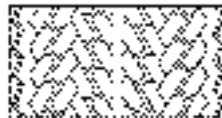
TILT BED AND LATCH - CARRYALL II AND II PLUS

ITEM	PART NO.	DESCRIPTION	QTY GAS	QTY ELEC
	1015429-01	1 2 3 4 ASSEMBLY, TILT BED, CARRYALL II AND II PLUS (INCLUDES ITEMS 1 - 11)	1	
1	1015391	SPRING, LATCH EXTENSION	2	
2	1015252	ASSEMBLY, LATCH WELD	1	
3	1015400	HAND GRIP, TILT LATCH	1	
4	1014471	INSULATION, BULK (46" LONG)	A/R	
5	0000403	SCREW, HEX HEAD CAP, 1/4 - 20 x 5/8	4	
6	0001108	NUT, DIMPLED LOCK, 1/4 - 20	4	
7	1010435	BOLT, CARRIAGE, 5/16 - 18 x 1	4	
8	0007473	NUT, NYLON LOCK, 5/16 - 18	8	
9	1015399	SCREW, TORX TRUSS HEAD, 5/16 - 18 x 5/8	4	
10	1014471	INSULATION, BULK (4" LONG)	A/R	
11	1014471	INSULATION, BULK (8" LONG)	A/R	
12	0008755	SCREW, HEX HEAD CAP, 3/8 - 16 x 3 3/8	2	
13	0008754	NUT, NYLON LOCK, 3/8 - 16	2	

G
E
1



SOFTRAC



POWER RIB
POWER CUSHION

WHEELS AND TIRES

ITEM	PART NO.	DESCRIPTION	QTY GAS	QTY ELEC
		1 2 3 4		
1	1011390	NUT, LUG (PACKAGE, 8 PIECES)	2	2
2	1016514-02	ASSEMBLY, POWER RIB TIRE AND WHITE WHEEL	2	2
2	1016514-03	ASSEMBLY, SOFTRAC TIRE AND WHITE WHEEL	2	2
2	1016514-06	ASSEMBLY, 6 PLY POWER CUSHION TIRE AND WHITE WHEEL	2	2
2	1016514-07	ASSEMBLY, 6 PLY SOFTRAC TIRE AND WHITE WHEEL	2	2
3	1014771	WHEEL RIM, WHITE	4	4
4	1015672	TIRE, UNMOUNTED, POWER RIB	2	2
4	1015674	TIRE, UNMOUNTED, SOFTRAC	2	2
4	1017370	TIRE, UNMOUNTED, 6 PLY POWER CUSHION	2	2
4	1017693	TIRE, UNMOUNTED, 6 PLY SOFTRAC.....	2	2
5	0007310	STEM, VALVE	4	4

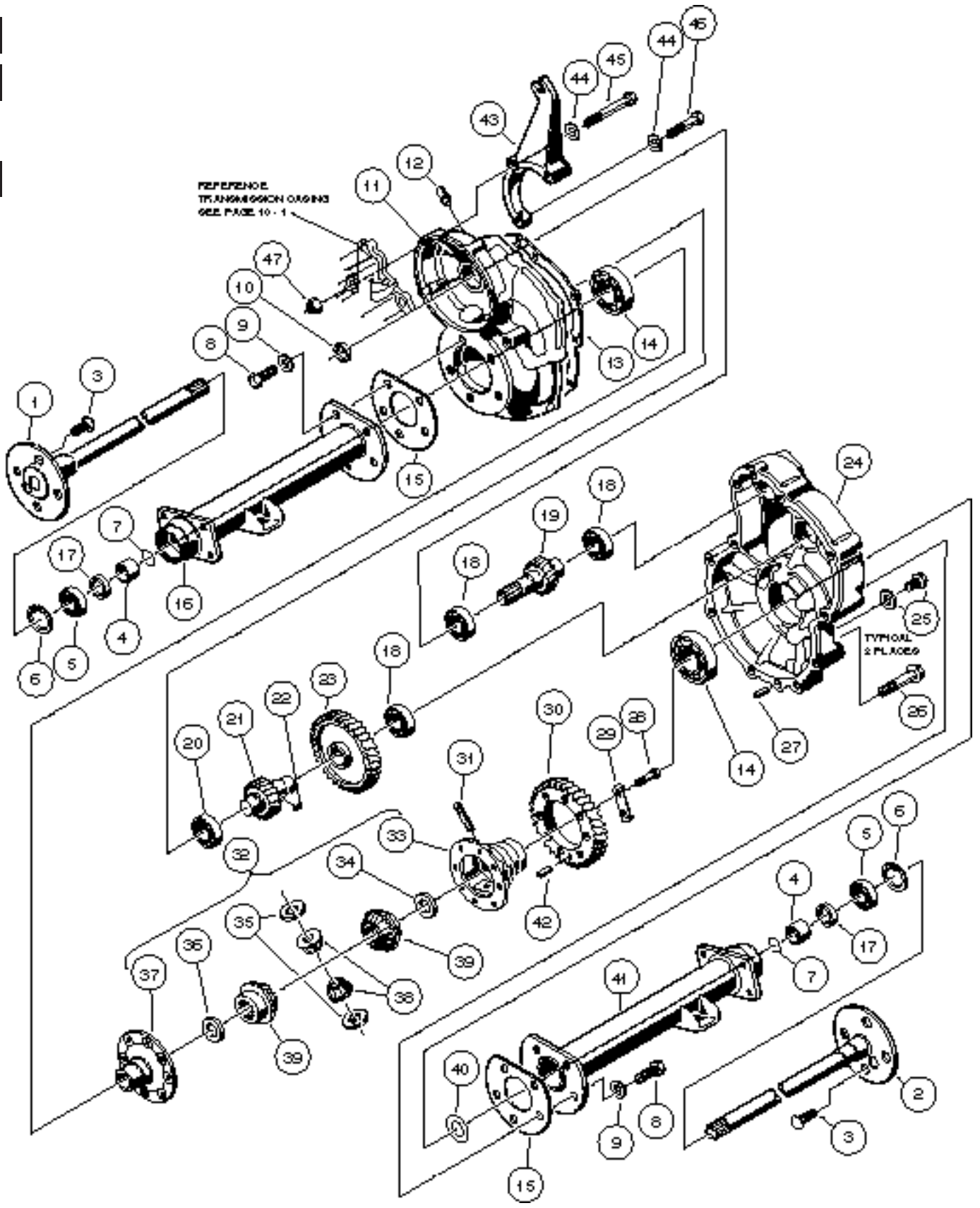
G
E
1

TRANSAXLE

G

F

2



TRANSAXLE

ITEM	PART NO.	DESCRIPTION	QTY GAS	QTY ELEC
		1 2 3 4		
	1017683-02	TRANSAXLE (INCLUDES ITEMS 1 - 42)	1	1
1	1013785	AXLE ASSEMBLY, RIGHT (INCLUDES ITEMS 3 - 7)	1	1
2	1013786	AXLE ASSEMBLY, LEFT (INCLUDES ITEMS 3 - 7)	1	1
3	1013787	STUD, LUG	8	8
4	1014207	BUSHING, 25 MM I. D.	1	1
5	1011291	BEARING, OUTER AXLE TUBE	2	2
6	1013792	CIRCLIP, TYPE C	2	2
7	1016672	RING, RETAINING	2	2
8	1013790	BOLT, M10 x 1.5 x 30MM	10	10
9	1013791	WASHER, LOCK, 13/32	10	10
10	1013775	SEAL, INPUT SHAFT OIL	1	1
11	1013756	GEAR CASE, RIGHT	1	1
12	1012711	BREATHER	1	1
13	1013758	GASKET, CASE	1	1
14	0007330	BEARING, INNER AXLE TUBE	2	2
15	1013789	GASKET, AXLE TUBE	2	2
16	1017704	ASSEMBLY, AXLE TUBE, RIGHT SIDE	1	1
17	1013794	SEAL, AXLE SHAFT OIL	2	2
18	0007335	BEARING, INPUT GEAR	3	3
19	1013764	SHAFT, INPUT	1	1
20	0007336	BEARING, INTERMEDIATE GEAR	1	1
21	1013766	GEAR, INTERMEDIATE, SMALL	1	1
22	1013780	KEY, SUNK	1	1
23	1013765	GEAR, INTERMEDIATE, LARGE	1	1
24	1013757	GEAR CASE, LEFT	1	1
25	1013759	PLUG, FILL, WITH GASKET	2	2
26	1013763	BOLT, M6 x 1 x 50MM	10	10
27	1012710	PIN, DOWEL	2	2
28	1013779	BOLT, M8 x 1.25 x 37MM	8	8
29	1013782	PLATE, LOCK	4	4
30	1013767	GEAR, OUTPUT	1	1
31	1013772	PIN, DIFFERENTIAL	1	1
32	1019105-01	KIT, DIFFERENTIAL GEAR CASE (INCLUDES ITEMS 33 - 37) (USE WHOLE KIT AS RECEIVED. SOME KITS DO NOT CONTAIN ITEM 34)	1	1
33	1013768	GEAR CASE, DIFFERENTIAL (LEFT)	1	1
34	1013773	PLATE, THRUST (DIFFERENTIAL GEAR) (WHEN REPLACING THRUST PLATES ONLY, REPLACE PER ORIGINAL ASSEMBLY)	1	1
35	1013774	PLATE, THRUST (IDLER GEAR)	2	2
36	1013773	PLATE, THRUST (DIFFERENTIAL GEAR)	1	1
37	1013769	GEAR CASE, DIFFERENTIAL (RIGHT)	1	1
38	1013770	GEAR, DIFFERENTIAL IDLER	1	1
39	1013771	GEAR, DIFFERENTIAL	2	2
40	1013781	SHIM	1	1
41	1017703	ASSEMBLY, AXLE TUBE, LEFT SIDE	1	1
42	1014193	PIN, DOWEL	1	1
43	1013866	KIT, TRANSMISSION CABLE SUPPORT BRACKET (INCLUDES 44 - 47)	1	
44	0000332	WASHER, FLAT, 1/4	6	
45	1013872	SCREW, HEX HEAD CAP, 1/4 - 20 x 4	2	
46	1012462	SCREW, HEX HEAD CAP, 1/4 - 20 x 3 1/2	1	
47	0008233	NUT, NYLON LOCK, 1/4 - 20	3	

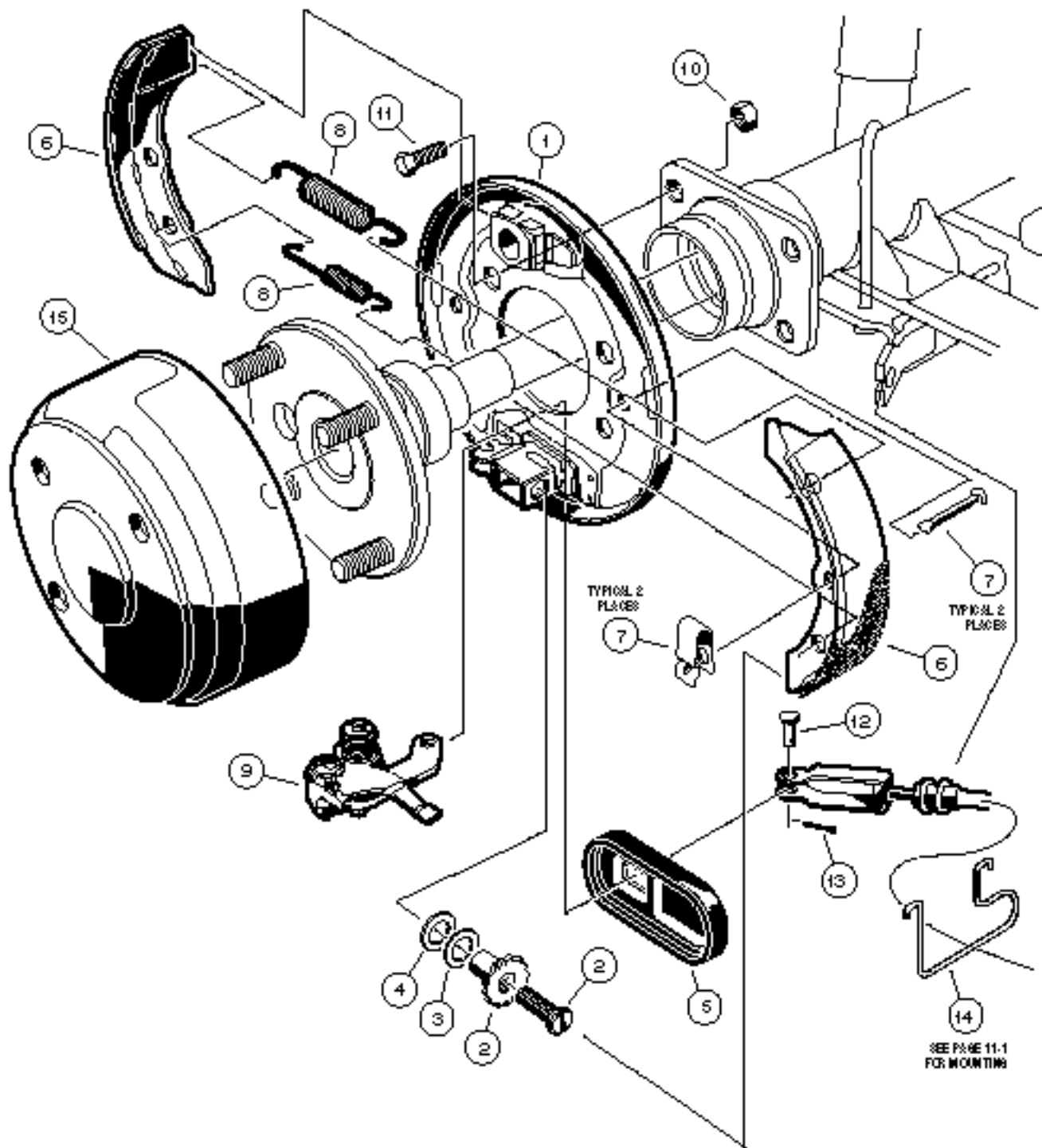
G
F
2

BRAKES AND PEDAL AND CABLE ASSEMBLIES

G

F

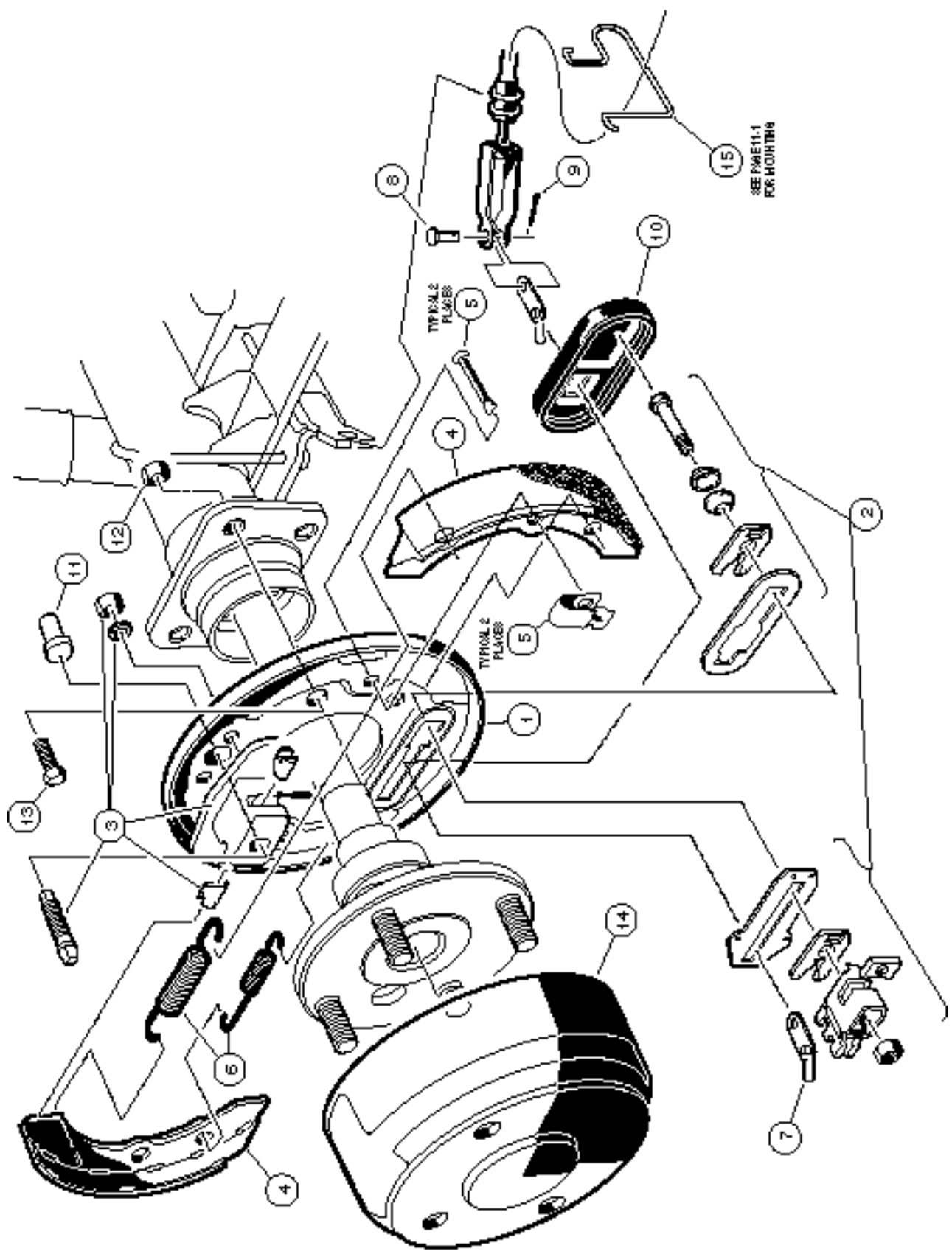
3



SELF-ADJUSTING BRAKE ASSEMBLY CARRYALL I

ITEM	PART NO.	DESCRIPTION	QTY GAS	QTY ELEC
		1 2 3 4		
	1018233-01	CLUSTER, RIGHT BRAKE (INCLUDES ITEMS 1 - 9)	1	1
	1018233-02	CLUSTER, LEFT BRAKE (INCLUDES ITEMS 1 - 9)	1	1
1	1018240-01	ASSEMBLY, BACKING PLATE, RIGHT (INCLUDES ITEMS 2 - 4)	1	1
1	1018240-02	ASSEMBLY, BACKING PLATE, LEFT (INCLUDES ITEMS 2 - 4)	1	1
2	1018165-01	MECHANISM, ADJUSTING, RIGHT	1	1
2	1018165-02	MECHANISM, ADJUSTING, LEFT	1	1
3	1018239-01	WASHER	1	1
4	1018238-01	WASHER, PLATE	1	1
5	1010850	COVER, DUST	1	1
6	1018232-01	PACKAGE, BRAKE SHOE (4 PCS.)	1	1
7	1011466	KIT, SHOE RETAINER	1	1
8	1018163-01	PACKAGE, BRAKE SPRING (4 PCS.)	1	1
9	1018155-01	ASSEMBLY, LEVER - RIGHT	1	1
9	1018155-02	ASSEMBLY, LEVER - LEFT	1	1
10	1013924	NUT, HEX CONE, 5/16 - 24	8	8
11	1014153	BOLT, BRAKE CLUSTER MOUNTING	8	8
12	1010829	PIN, CLEVIS, 5/16	2	2
13	0001035	PIN, COTTER, 3/32 x 1	2	2
14	1013207	HANGER, BRAKE CABLE	2	2
15	1017911-01	DRUM, BRAKE	2	2

G
E
3

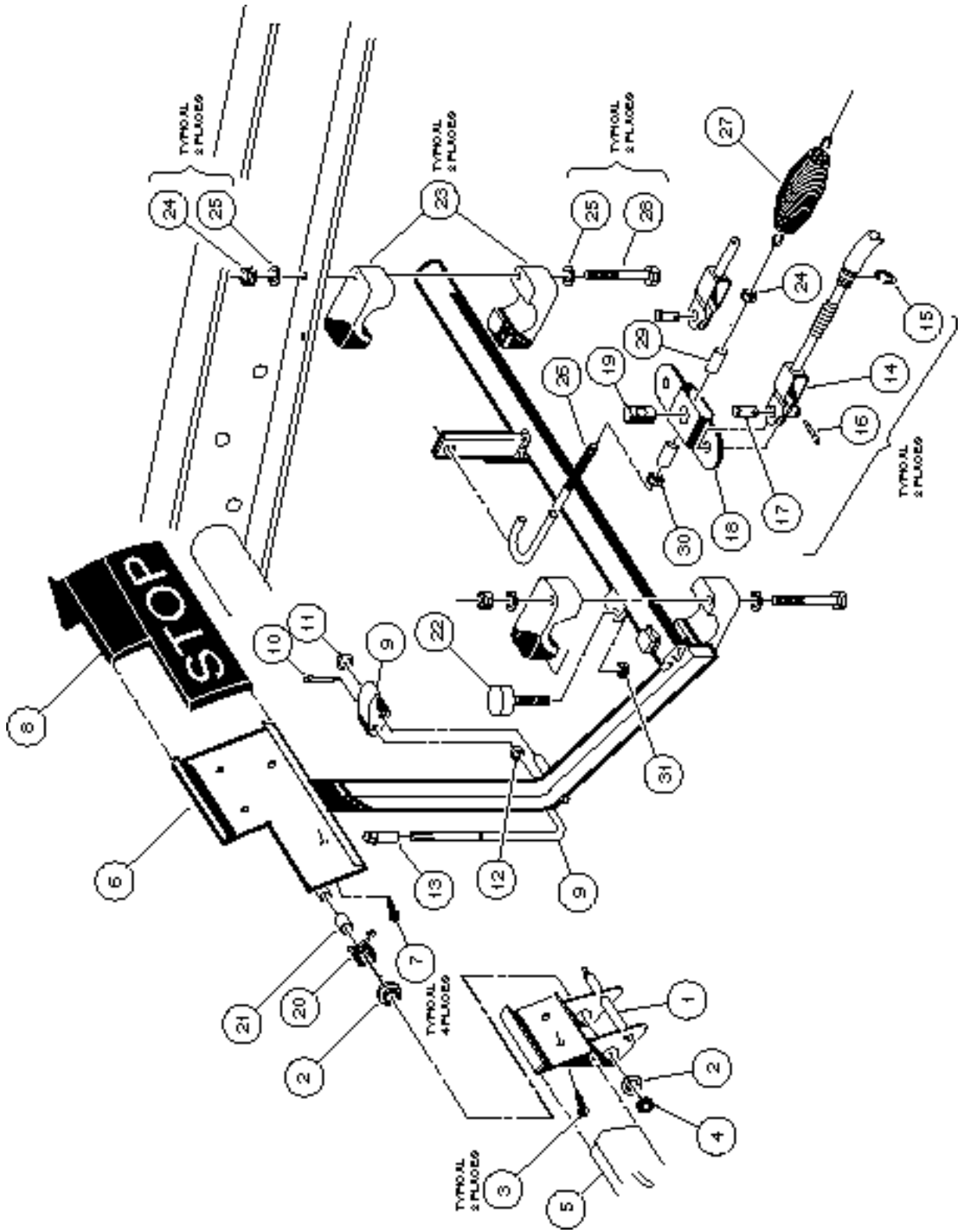


MANUALLY ADJUSTED BRAKE ASSEMBLY CARRYALL II AND II PLUS

ITEM	PART NO.	DESCRIPTION	QTY GAS	QTY ELEC
		1 2 3 4		
	1016573	CLUSTER, RIGHT BRAKE, WITHOUT BRAKE DRUM (INCLUDES ITEMS 1-11)	1	
	1016557	CLUSTER, LEFT BRAKE, WITHOUT BRAKE DRUM (INCLUDES ITEMS 1-11)	1	
1	1011494	PLATE, BACKING, LEFT SIDE	1	
1	1011154	PLATE, BACKING, RIGHT SIDE	1	
2	1011465	KIT, BRAKE ACTUATOR	1	
3	1011467	KIT, ANCHOR BODY	1	
4	1011463	PACKAGE, BRAKE SHOE (4 PIECES)	1	
5	1011466	KIT, SHOE RETAINER	1	
6	1011464	PACKAGE, BRAKE SPRING (4 PIECES)	1	
7	N/A	ARM, BRAKE LEVER	1	
8	1010829	PIN, CLEVIS, 5/16	2	
9	0001035	PIN, COTTER, 3/32 x 1	2	
10	1010850	COVER, DUST	2	
11	1011303	CAP, ADJUSTMENT BOLT	2	
12	1013924	NUT, CONE LOCK, 5/16 - 24 GRADE 8	8	
13	1014153	BOLT, BRAKE CLUSTER MOUNTING	8	
14	1017911-01	DRUM, BRAKE	2	
15	1013207	HANGER, BRAKE CABLE	2	

G
F

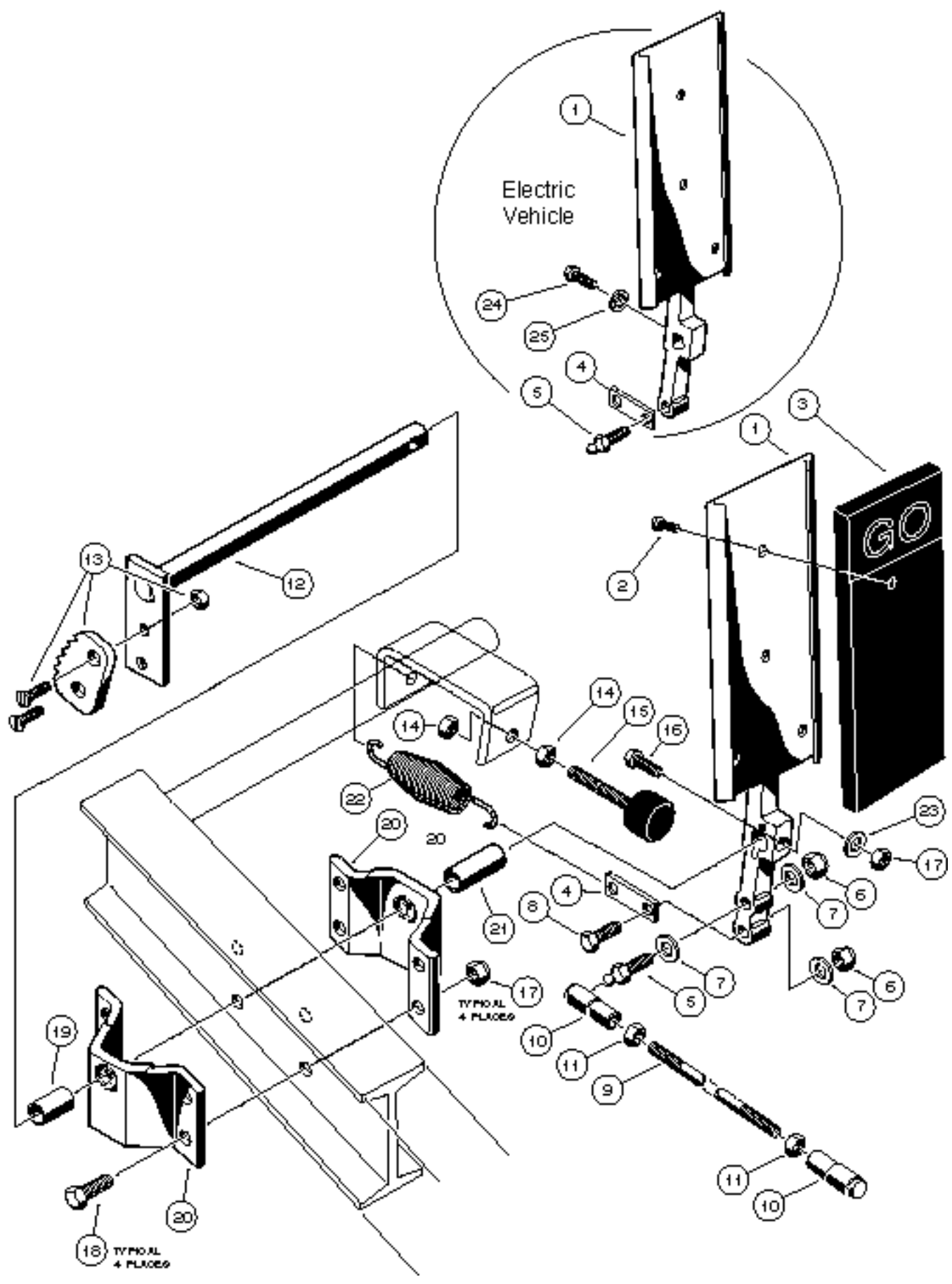
3



BRAKE PEDAL AND CABLE ASSEMBLY

ITEM	PART NO.	DESCRIPTION	QTY GAS	QTY ELEC
		1 2 3 4		
1	1011418	KIT, HILL BRAKE PEDAL (INCLUDES ITEMS 2, 3, 4 AND 5)	1	1
2	0001032	BUSHING, NYLON	2	2
3	0007716	SCREW, SLOTTED HEX WASHER HEAD, #10 -16 x 1/2.....	2	2
4	1013876	NUT, PUSH, 3/8	1	1
5	1013870	PAD, HILL BRAKE	1	1
6	1011406	KIT, BRAKE PEDAL (INCLUDES ITEMS 7 AND 8)	1	1
7	0007716	SCREW, SLOTTED HEX WASHER HEAD, #10 - 16 x 1/2.....	4	4
8	1013869	PAD, BRAKE PEDAL	1	1
9	1016173	KIT, HILL BRAKE ROD AND PAWL (INCLUDES ITEMS 10, 11, 12 AND 13)	1	1
10	1017029	PIN, COTTER, 7/64 x 1/2.....	1	1
11	1010877	NUT, PUSH, 5/16.....	1	1
12	1010805	SLEEVE, HILL BRAKE ROD	1	1
13	1010932	JOINT, BALL, 1/4 - 28.....	1	1
14	1011403	KIT, BRAKE CABLE (INCLUDES ITEMS 15, 16 AND 17)	2	2
15	1011779	CLIP, E-50 ROTOR, 1/2"	2	2
16	0001035	PIN, COTTER, 3/32 x 1.....	2	2
17	1010829	PIN, CLEVIS, 5/16	2	2
18	1017211	KIT, EQUALIZER AND PIVOT LIMITER (INCLUDES ITEM 19)	1	1
19	N/A	PIN, EQUALIZER PIVOT	1	1
20	1010933	SPRING, HILL BRAKE TORSION	1	1
21	1010927	SPACER, HILL BRAKE	1	1
22	1010878	STOP, BRAKE	1	1
23	1011402	PACKAGE, BRAKE MOUNTING BLOCK (CONTAINS UPPER AND LOWER FOR LEFT AND RIGHT SIDES)	1	1
24	0008986	NUT, DIMPLED LOCK, 5/16 - 18.....	5	5
25	0001241	WASHER, FLAT, 5/16	8	8
26	1010808	ROD, EQUALIZER (CARRYALL I).....	1	1
26	1013236	ROD, EQUALIZER (CARRYALL II AND II PLUS)	1	
27	1013532	SPRING, BRAKE RETURN (GASOLINE VEHICLE)	1	
27	1013531	SPRING, BRAKE RETURN (ELECTRIC VEHICLE).....		1
28	1010921	SCREW, HEX HEAD CAP, 5/16 - 18 x 2 1/2	4	4
29	1018653-01	SPACER, EQUALIZER	2	2
30	0001242	NUT, HEX, 5/16 - 18	1	1
31	0001028	NUT, HEX, 1/4 - 20	1	1

G
F
3



ACCELERATOR PEDAL ASSEMBLY

ITEM	PART NO.	DESCRIPTION	QTY GAS	QTY ELEC
		1 2 3 4		
1	1016377-01	ASSEMBLY, ACCELERATOR PEDAL, CARRYALL I (GASOLINE VEHICLE) (INCLUDES ITEMS 2 - 8)	1	
1	1016377-02	ASSEMBLY, ACCELERATOR PEDAL, CARRYALL II (INCLUDES ITEMS 2 - 8)	1	
1	1016377-03	ASSEMBLY, ACCELERATOR PEDAL, CARRYALL II PLUS (INCLUDES ITEMS 2 - 8)	1	
1	1010969	ASSEMBLY, ACCELERATOR PEDAL, CARRYALL I (ELECTRIC VEHICLE) (INCLUDES ITEMS 2 - 5)		1
2	0007716	SCREW, SLOTTED HEX WASHER HEAD, #10 - 16 x 1/2.....	4	4
3	1013871	PAD, ACCELERATOR PEDAL	1	1
4	1011691	HANGER, ACCELERATOR PEDAL SPRING.....	1	1
5	1016157	STUD, BALL, 1/4 - 28 x 1 (GASOLINE VEHICLE).....	1	
5	1010954	STUD, BALL, 1/4 - 28 (ELECTRIC VEHICLE).....		1
6	0008717	NUT, NYLON HEX, 1/4 - 28	2	
7	1014007	WASHER, FLAT, 1/4	3	
8	0007510	SCREW, HEX HEAD CAP, 1/4 - 28 x 1 1/4	1	
9	1016168	ASSEMBLY, ACCELERATOR ROD, CARRYALL I (GASOLINE VEHICLE) (INCLUDES ITEMS 10 AND 11)	1	
9	1013233	ASSEMBLY, ACCELERATOR ROD, CARRYALL II (INCLUDES ITEMS 10 AND 11)	1	
9	1016209	ASSEMBLY, ACCELERATOR ROD, CARRYALL II PLUS (INCLUDES ITEMS 10 AND 11)	1	
9	1014085	ASSEMBLY, ACCELERATOR ROD, CARRYALL I (ELECTRIC VEHICLE) (INCLUDES ITEMS 10 AND 11)		1
10	1011734	JOINT, BALL, SPRING LOADED, 1/4 - 28	2	2
11	1011084	NUT, HEX JAM, 1/4 - 28	2	2
12	1016166	ASSEMBLY, SUB, ACCELERATOR PIVOT ROD (GASOLINE VEHICLE) (INCLUDES ITEM 13).....	1	
12	1010973	ASSEMBLY, SUB, ACCELERATOR PIVOT ROD (ELECTRIC VEHICLE) (INCLUDES ITEM 13).....		1
13	1011877	KIT, HILL BRAKE LATCH	1	1
14	0001028	NUT, HEX, 1/4 - 20	1	1
15	1010878	STOP, BRAKE	1	1
16	1016619	SCREW, HEX HEAD CAP, 1/4 - 20 x 1 1/2	1	1
17	0008233	NUT, NYLON LOCK, 1/4 - 20	5	4
18	1018619-01	SCREW, HEX HEAD CAP, 1/4 - 20 x 1 1/8	4	4
19	1011699	SPACER, 1/2.....	1	1
20	1011694	BRACKET, ACCELERATOR BEARING	2	2
21	1011700	SPACER, ACCELERATOR.....	1	1
22	1012075	SPRING, EXTENSION	1	1
23	0000332	WASHER, FLAT, 1/4	1	
24	0000403	SCREW, HEX HEAD CAP, 1/4 - 20 x 5/8		1
25	0008304	WASHER, INTERNAL TOOTH, 1/4		1

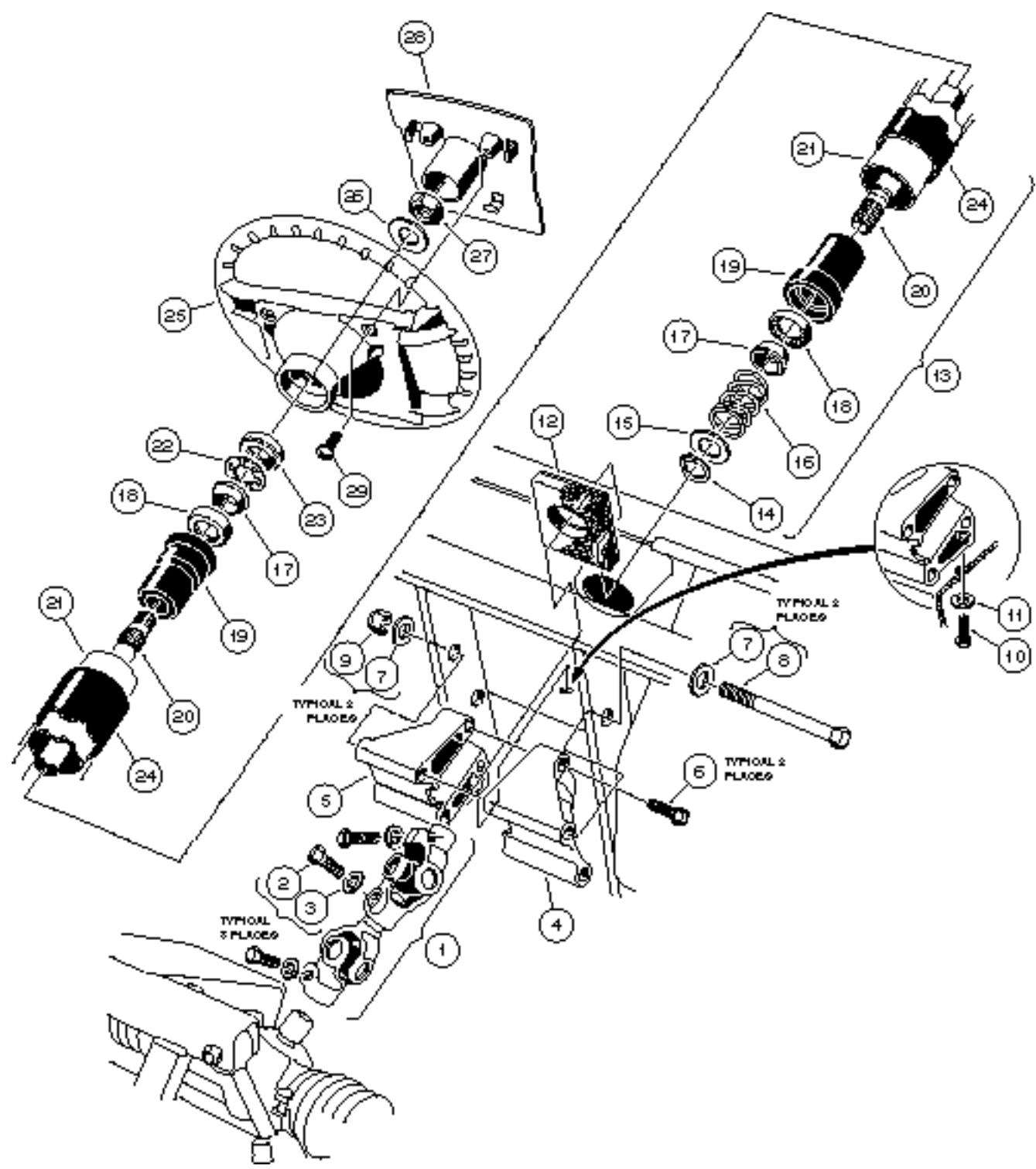
G
F
3

STEERING AND SUSPENSION

G

F

4



STEERING COLUMN

ITEM	PART NO.	DESCRIPTION	QTY GAS	QTY ELEC
		1 2 3 4		
1	1013861	JOINT, COMPOUND STEERING (INCLUDES ITEMS 2 AND 3)	1	1
2	1017226	SCREW, HEX HEAD CAP M8 x 1.25 x 30MM.....	3	3
3	0007174	WASHER, LOCK, 5/16	3	3
4	1016185	MOUNT, STEERING COLUMN, LEFT HAND	1	1
5	1016184	MOUNT, STEERING COLUMN, RIGHT HAND.....	1	1
6	1016269	SCREW, HEX WASH HEAD THREAD FORMING 5/16 - 18 X 2	2	2
7	0000334	WASHER, FLAT, 3/8	4	4
8	1016183	SCREW, HEX HEAD CAP, 3/8 - 16 x 6 3/4	2	2
9	0008754	NUT, NYLON LOCK, 3/8 - 16	2	2
10	1014288	SCREW, HEX WASH HEAD MACHINE 5/16 - 18 x 3/4	1	1
11	1011697	WASHER, FLAT, 5/16	1	1
12	1012499	BOOT, STEERING COLUMN	1	1
13	1016181	ASSEMBLY, STEERING COLUMN (INCLUDES ITEMS 14 - 23)	1	1
14	1012605	RING, RETAINING	1	1
15	1012604	WASHER, STEEL, 5/8	1	1
16	1014217	SPRING, COMPRESSION.....	1	1
17	1014125	WEDGE	2	2
18	1014213	ASSEMBLY, BEARING	2	2
19	1014126	SEAT, BEARING	2	2
20	1015545	SHAFT, STEERING COLUMN	1	1
21	1016622	COLUMN, ALUMINUM STEERING	1	1
22	1014214	RING, RETAINING	1	1
23	1014211	SEAL, BEARING	1	1
24	1016263	COVER, STEERING COLUMN	1	1
25	1016156	WHEEL, STEERING	1	1
26	1012604	WASHER, STEEL, 5/8	1	1
27	1017273	NUT, NYLON LOCK, 5/8 - 18	1	1
28	1016155-02	PLATE, STEERING WHEEL	1	1
29	1010715	SCREW, PHILLIPS, #10 - 14 x 3/8	2	2

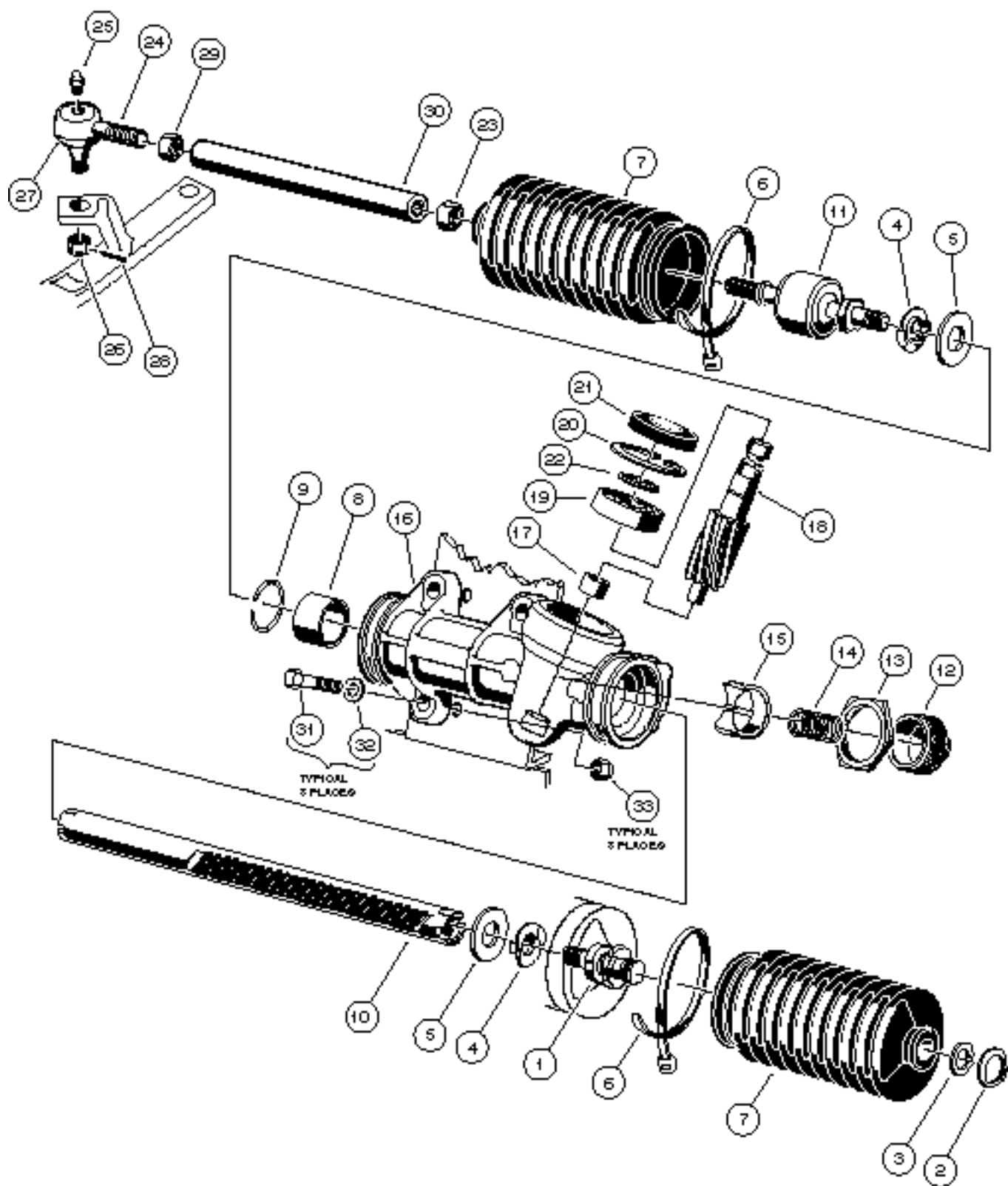
G
F

4

G

F

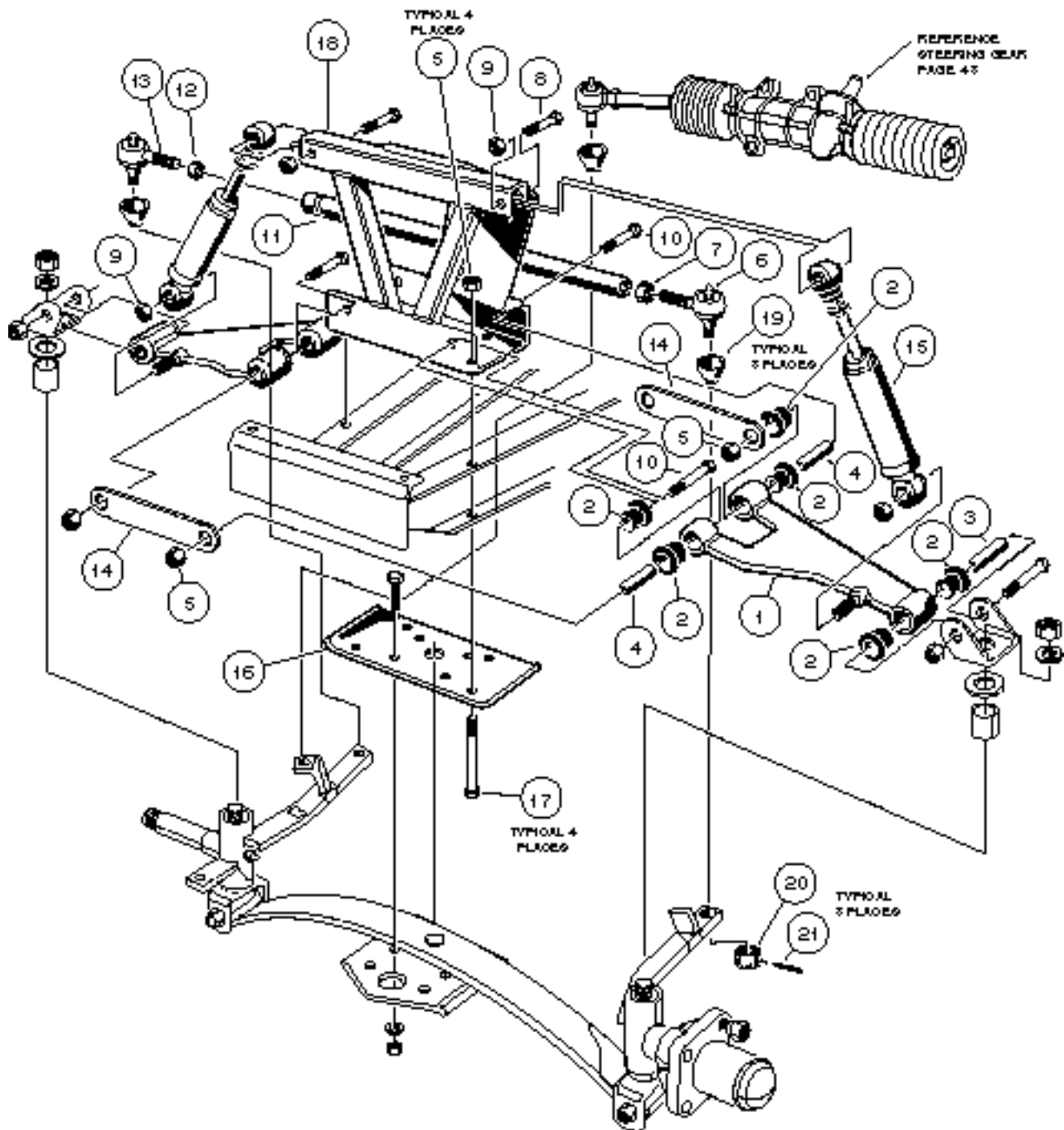
4



STEERING GEAR ASSEMBLY

ITEM	PART NO.	DESCRIPTION	QTY GAS	QTY ELEC
		1 2 3 4		
	1012452	ASSEMBLY, STEERING GEAR BOX (INCLUDES ITEMS 1 - 22)	1	1
1	1018309-01	KIT, STOPPER BOLT (INCLUDES ITEMS 2 & 3)	1	1
2	N/A	RING, SNAP	1	1
3	N/A	WASHER, END	1	1
4	1013040	WASHER, LOCK, TIE ROD	2	2
5	1013039	WASHER, TIE ROD STOPPER	2	2
6	0008990	TIE WRAP	2	2
7	1013035	SEAL, DUST	2	2
8	1013036	BUSHING, RACK	1	1
9	1013037	RING, SNAP	1	1
10	N/A	RACK, STEERING	1	1
11	1013041	RACK, END	1	1
12	N/A	SCREW, RACK GUIDE	1	1
13	1013044	NUT, LOCK, RACK SCREW	1	1
14	1013045	SPRING, RACK GUIDE PRESSURE	1	1
15	1013046	GUIDE, STEERING RACK	1	1
16	N/A	BOX, STEERING GEAR	1	1
17	N/A	BEARING, LOWER PINION	1	1
18	N/A	PINION, STEERING	1	1
19	1012884	BEARING, UPPER PINION	1	1
20	1013051	RING, SNAP	1	1
21	1013052	SEAL, DUST, STEERING PINION	1	1
22	1013031	RING, EXTERNAL RETAINING	1	1
23	1013042	NUT, HEX, M12 x 1.75	1	1
24	0007540	SOCKET, VERTICAL LEFT HAND THREAD (INCLUDES ITEMS 25, 26 & 27) ...	1	1
25	1015597	FITTING, THREAD FORM GREASE, 1/4 - 28	1	1
26	0007602	NUT, HEX SLOTTED, 3/8 - 24	1	1
27	1011930	BOOT, DUST	1	1
28	0001035	PIN, COTTER, 3/32 x 1	1	1
29	0007555	NUT, HEX, 1/2 - 20	1	1
30	1012467	LINK, RACK AND PINION DRAG	1	1
31	0001624	BOLT, HEX HEAD, 3/8 - 16 x 1 1/2	3	3
32	0000334	WASHER, FLAT, 3/8	3	3
33	1010138	NUT, DIMPLED LOCK, 3/8 - 16	3	3

G
E
4

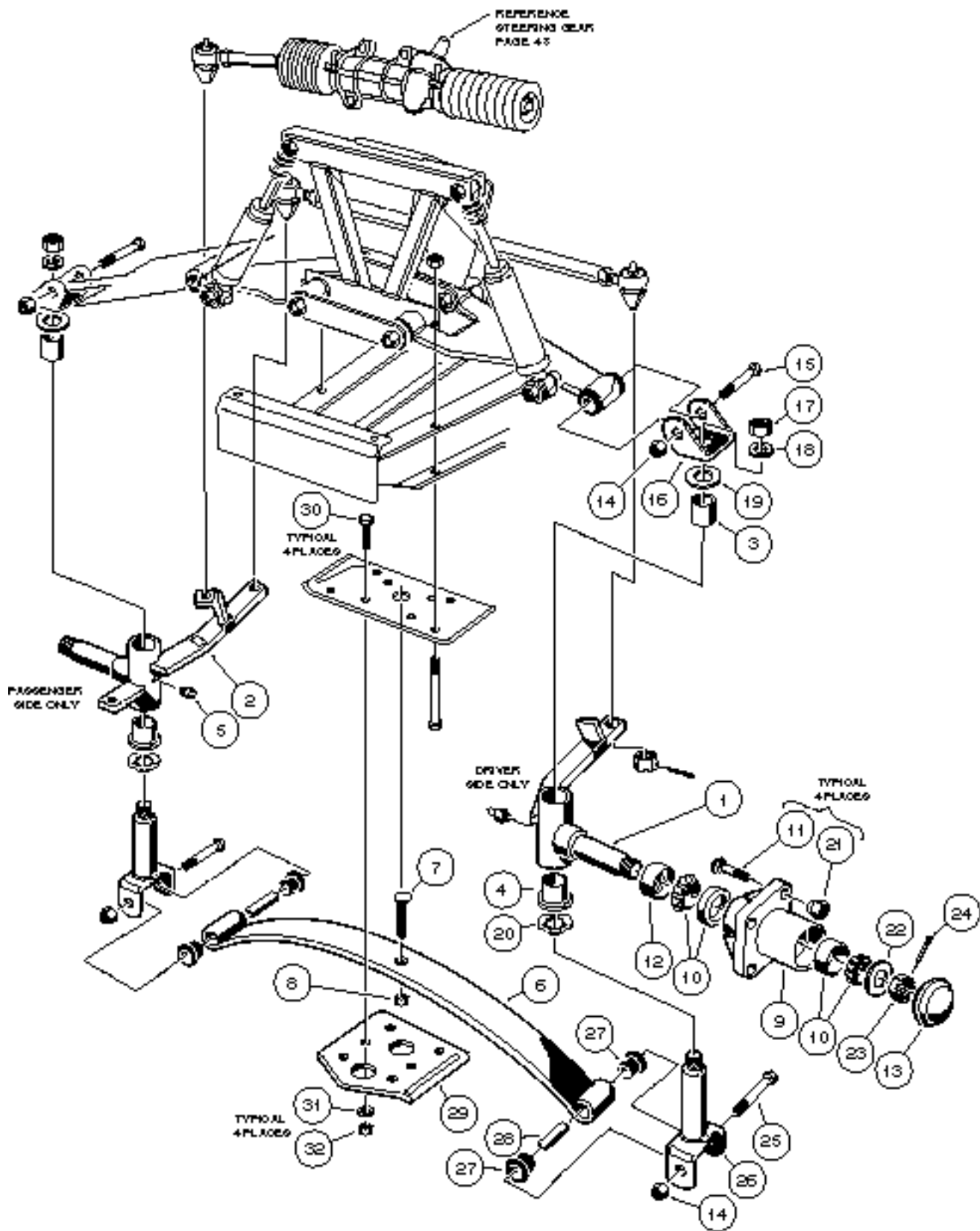


FRONT SUSPENSION - UPPER

ITEM	PART NO.	DESCRIPTION	QTY GAS	QTY ELEC
		1 2 3 4		
1	1016353	ASSEMBLY, DELTA A-PLATE (INCLUDES ITEMS 2, 3 AND 4)	2	2
2	1016346	BUSHING, URETHANE	6	6
3	1016350	SLEEVE, DELTA OUTER	1	1
4	1016349	SLEEVE, DELTA INNER	2	2
5	0008754	NUT, NYLON LOCK, 3/8 - 16	8	8
6	0007539	BALL JOINT	1	1
7	0001308	NUT, HEX, 1/2 - 20	1	1
8	0001624	BOLT, HEX HEAD, 3/8 - 16 x 1 1/2	2	2
9	1010138	NUT, DIMPLED LOCK, 3/8 - 16	4	4
10	0002402	SCREW, HEX CAP, 3/8 - 16 x 2 1/4	4	4
11	1010219	ROD, TIE	1	1
12	0007555	NUT, HEX, LEFT HAND THREAD, 1/2 - 20	1	1
13	0007540	BALL JOINT, LEFT HAND THREAD	1	1
14	1017266	STRAP, A-PLATE	2	2
15	1014235	SHOCK ABSORBER, FRONT	2	2
16	1010124	PLATE, SPRING MOUNTING	1	1
17	1010200	BOLT, HEX HEAD, 3/8 - 16 x 4 1/4	4	4
18	1016385	ASSEMBLY, DELTA SHOCK AND GEAR SUPPORT	1	1
19	1011930	SEAL, DUST	3	3
20	0007602	NUT, SLOTTED HEX, 3/8 - 24	3	3
21	0001035	PIN, COTTER, 3/32 x 1	1	1

G
F

4



FRONT SUSPENSION - LOWER

ITEM	PART NO.	DESCRIPTION	QTY GAS	QTY ELEC
		1 2 3 4		
1	1010348	ASSEMBLY, LEFT SPINDLE (INCLUDES ITEMS 3, 4 AND 5)	1	1
2	1010347	ASSEMBLY, RIGHT SPINDLE (INCLUDES ITEMS 3, 4 AND 5)	1	1
3	0008067	BUSHING, BRONZE SPINDLE	1	1
4	0007048	BUSHING, BRONZE	1	1
5	1015597	FITTING, GREASE, 1/4 - 28	1	1
6	1012030	SPRING, TAPERED LEAF	1	1
7	0008745	ASSEMBLY, ECCENTRIC	1	1
8	0000706	NUT, HEX, 3/8 - 16	1	1
9	1011892	ASSEMBLY, HUB (INCLUDES ITEMS 10 - 13)	2	2
10	1011393	PACKAGE, HUB BEARING	2	2
11	1011304	STUD, LUG, 1/2 - 20	4	4
12	1013135	SEAL, DOUBLE LIP	1	1
13	1011887	COVER, DUST	1	1
14	0008754	NUT, NYLON LOCK, 3/8 - 16	4	4
15	1016387	SCREW, HEX HEAD CAP, 3/8 - 16 x 2 3/4	2	2
16	1016384	CLEVIS, UPPER DELTA	2	2
17	0001308	NUT, HEX, 1/2 - 20	2	2
18	0000209	WASHER, SPLIT LOCK, 1/2	2	2
19	1010150	BEARING, THRUST	2	2
20	1016389	WASHER, KINGPIN WAVE	2	2
21	1010984	NUT, LUG	8	8
22	1010005	WASHER, FLAT, 3/4	2	2
23	0007840	NUT, HEX SLOTTED, 3/4 - 16	2	2
24	0007910	PIN, COTTER, 5/32 x 1	2	2
25	0008755	SCREW, HEX HEAD CAP, 3/8 - 16 x 3 3/8	2	2
26	1016386	KINGPIN	2	2
27	1015583	BUSHING, URETHANE	4	4
28	1012303	BUSHING, STEEL	2	2
29	1014276	PLATE, FRONT SPRING RETAINER	1	1
30	0001624	SCREW, HEX HEAD CAP, 3/8 - 16 x 1 1/2	4	4
31	0000357	WASHER, LOCK, 3/8	4	4
32	0000706	NUT, HEX, 3/8 - 16	4	4

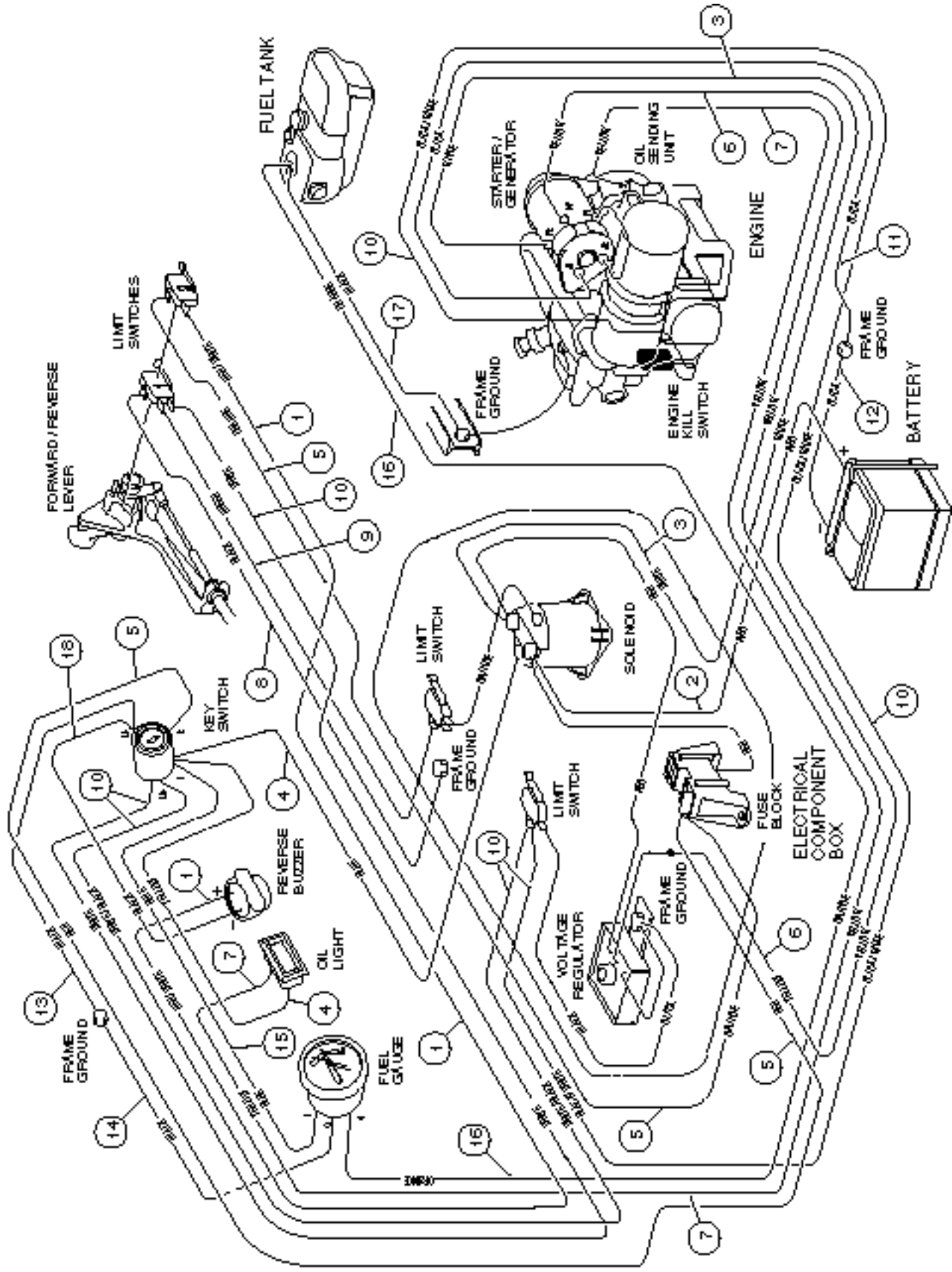
G
F

4

ELECTRICAL SYSTEM GASOLINE VEHICLES

G

5

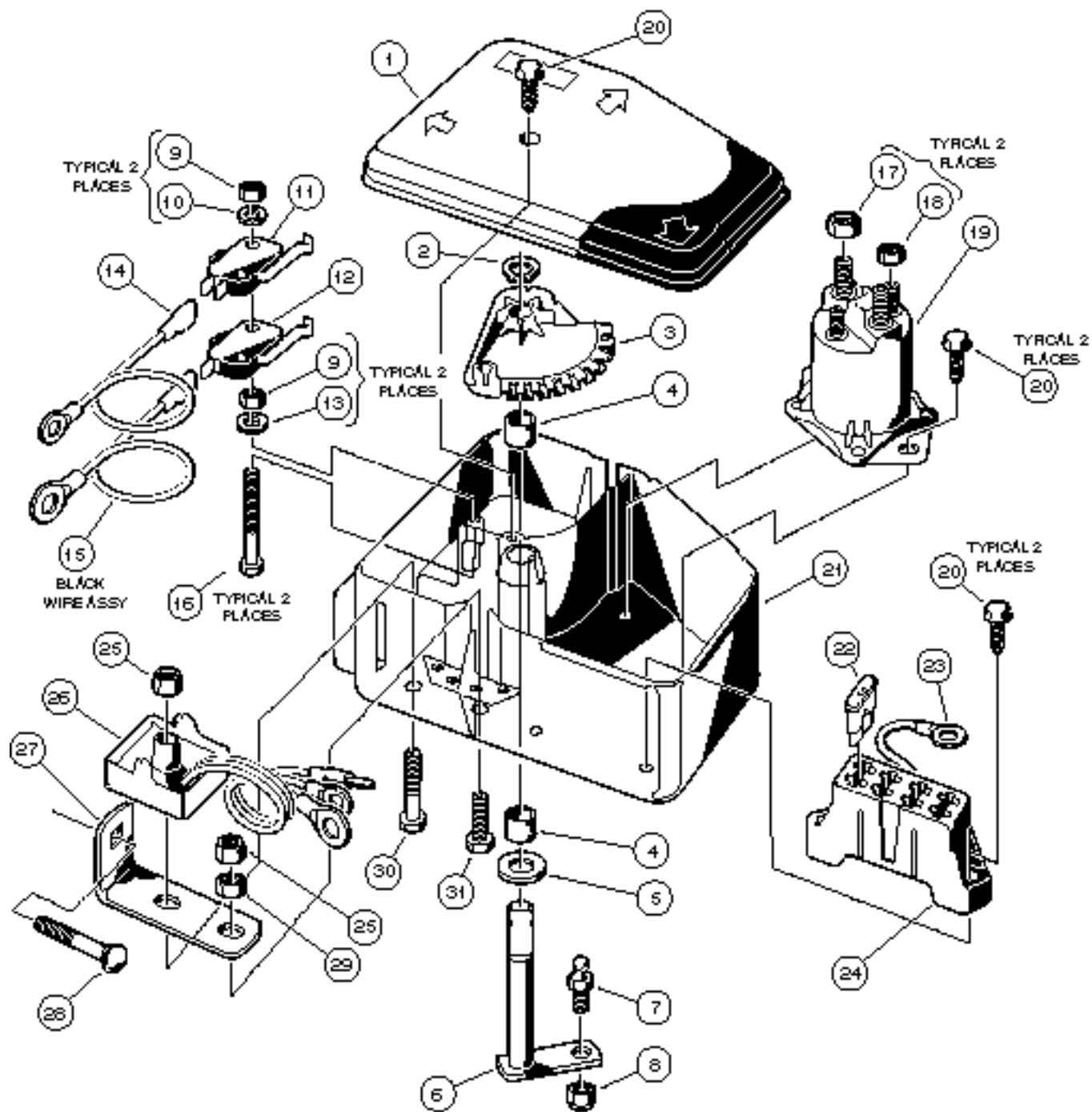


WIRING CARRYALL I AND II

ITEM	PART NO.	DESCRIPTION	QTY
		1 2 3 4	
	1015735	WIRE HARNESS ASSEMBLY, CARRYALL I (INCLUDES ITEMS 1 - 10)	1
	1016299	WIRE HARNESS ASSEMBLY, CARRYALL II (INCLUDES ITEMS 1 - 11)	1
1	1013723	WIRE ASSEMBLY, #18 RED/WHITE, CARRYALL I	1
1	1016404	WIRE ASSEMBLY, #16 RED/WHITE, CARRYALL II	1
2	1014119	WIRE ASSEMBLY, #6 RED	1
3	1015769	WIRE ASSEMBLY, #6 WHITE	1
4	1013601	WIRE ASSEMBLY, #18 YELLOW / #16 BLUE, CARRYALL I	1
4	1016295	WIRE ASSEMBLY, #18 YELLOW / #16 BLUE, CARRYALL II	1
5	1018282-01	WIRE ASSEMBLY, #16 RED/ORANGE, CARRYALL I	1
5	1018282-02	WIRE ASSEMBLY, #16 RED/ORANGE, CARRYALL II	1
6	1015738	WIRE ASSEMBLY, #16 YELLOW	1
7	1015740	WIRE ASSEMBLY, #18 YELLOW, CARRYALL I	1
7	1016294	WIRE ASSEMBLY, #16 YELLOW, CARRYALL II	1
8	1015780	WIRE ASSEMBLY, #18 BLACK, CARRYALL I	1
8	1016297	WIRE ASSEMBLY, #16 BLACK, CARRYALL II	1
9	1015779	WIRE ASSEMBLY, #18 GREEN, CARRYALL I	1
9	1016298	WIRE ASSEMBLY, #16 GREEN, CARRYALL II	1
10	1015781	WIRE ASSEMBLY, #18 WHITE / WHITE/BLACK (CARRYALL I)	1
10	1016292	WIRE ASSEMBLY, #18 WHITE / WHITE/BLACK (CARRYALL II)	1
11	1016380	WIRE ASSEMBLY, #6 BLACK	1
12	1012382	WIRE ASSEMBLY, #6 BLACK	1
13	1012396	WIRE ASSEMBLY, #18 BLACK	1
14	1013469	WIRE ASSEMBLY, #18 BLACK	1
15	1013463	WIRE ASSEMBLY, #18 BLUE	1
16	1015035	WIRE ASSEMBLY, #18 ORANGE	1
17	1015921	WIRE ASSEMBLY, #18 BLACK	1
18	1016857	WIRE ASSEMBLY, #18 BLACK	1

G

5

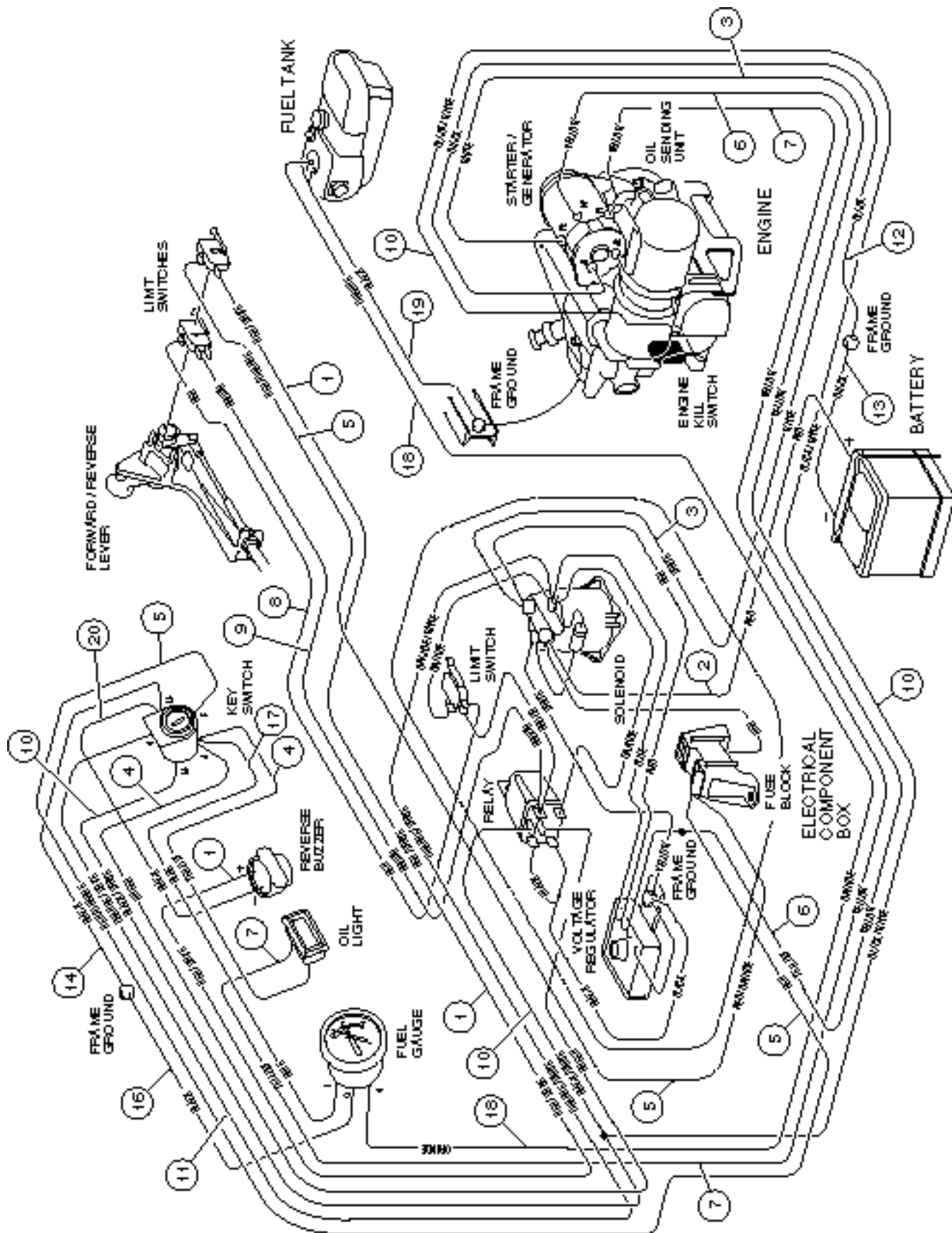


ELECTRICAL COMPONENT BOX CARRYALL I AND II

ITEM	PART NO.	DESCRIPTION	QTY
		1 2 3 4	
	1018276-01	BOX, ELECTRICAL COMPONENT, COMPLETE, CARRYALL I (INCLUDES ITEMS 1 - 31 AND 1015735 - SEE PAGE 5-2).....	1
	1018276-02	BOX, ELECTRICAL COMPONENT, COMPLETE, CARRYALL II (INCLUDES ITEMS 1 - 31 AND 1016299 - SEE PAGE 5-2).....	1
1	1015372	COVER, ELECTRICAL COMPONENT BOX	1
2	1013589	RING, RETAINING	1
3	1015373	CAM, ELECTRICAL BOX	1
4	1014145	BUSHING, BRONZE	2
5	1014065	WASHER, FLAT	1
6	1015345	ASSEMBLY, BELL CRANK SHAFT	1
7	1010954	STUD, BALL, 1/4 - 28	1
8	0008717	NUT, NYLON LOCK , 1/4 - 28.....	1
9	0008057	NUT, UNC HEX, #4 - 40	4
10	0008058	WASHER, LOCK, #4	2
11	1014807	SWITCH, LIMIT	1
12	1014808	SWITCH, LIMIT	1
13	1012431	WASHER, FLAT, #4	2
14	1015767	WIRE ASSEMBLY, #18 ORANGE, CARRYALL I.....	1
14	1016401	WIRE ASSEMBLY, #16 ORANGE, CARRYALL II.....	1
15	1015766	WIRE ASSEMBLY, #18 BLACK, CARRYALL I	1
15	1016402	WIRE ASSEMBLY, #16 BLACK, CARRYALL II	1
16	1015878	SCREW, HEX HEAD MACHINE, #4 - 40 x 1 5/8	2
17	0001242	NUT, HEX, 5/16 - 18.....	2
18	0007893	NUT, HEX, #10 - 32.....	2
19	1013609	SOLENOID, 12 VOLT	1
20	1015752	SCREW, HILO, #12 - 16 x 5/8.....	4
21	1015371	BOX, ELECTRICAL COMPONENT	1
22	1012295	FUSE, 10 AMP	1
23	1015737	WIRE ASSEMBLY, #10 RED	1
24	1015741	BLOCK, FUSE	1
25	0008233	NUT, NYLON LOCK, 1/4 - 20.....	2
26	1015777	ASSEMBLY, VOLTAGE REGULATOR	1
27	1015343	STRAP, GROUND	1
28	1015405	SCREW, ROUND HEAD SQUARE NECK, 5/16 - 18 x 2	1
29	1015919	NUT, HEX JAM, 1/4 - 20	1
30	0001703	SCREW, HEX HEAD CAP, 1/4 - 20 x 1 1/2	1
31	0000304	SCREW, HEX HEAD CAP, 1/4 - 20 x 1	1

G

5

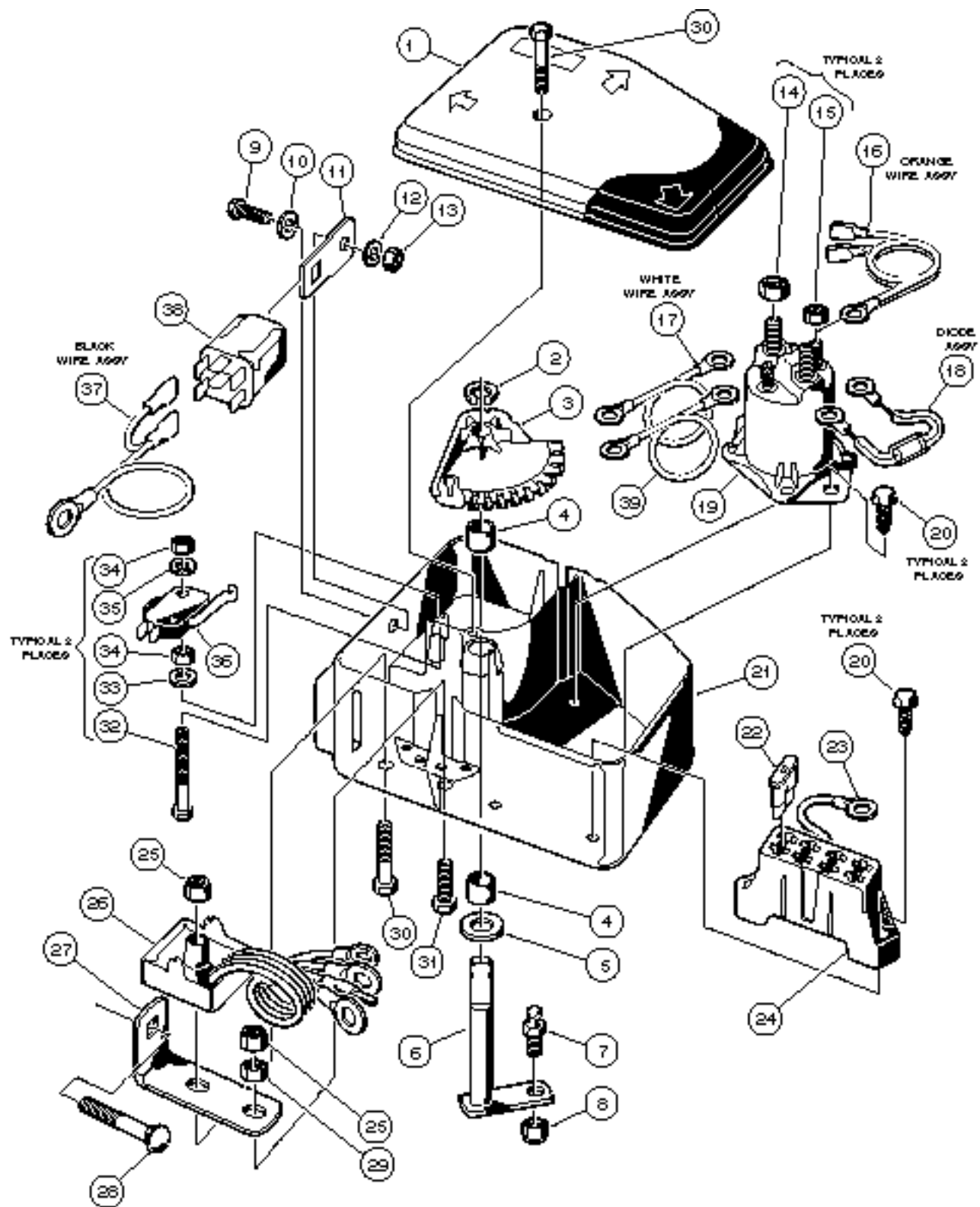


WIRING CARRYALL II PLUS

ITEM	PART NO.	DESCRIPTION	QTY
		1 2 3 4	
	1016895	WIRE HARNESS ASSEMBLY, CARRYALL II PLUS (INCLUDES ITEMS 1 - 12)	1
1	1016404	WIRE ASSEMBLY, #16 RED/WHITE	1
2	1014119	WIRE ASSEMBLY, #6 RED	1
3	1015769	WIRE ASSEMBLY, #6 WHITE	1
4	1017007	WIRE ASSEMBLY, #18 YELLOW/#18 GREEN	1
5	1018282-02	WIRE ASSEMBLY, #16 RED/ORANGE	1
6	1015738	WIRE ASSEMBLY, #16 YELLOW	1
7	1016294	WIRE ASSEMBLY, #16 YELLOW	1
8	1017009	WIRE ASSEMBLY, #18 RED	1
9	1017008	WIRE ASSEMBLY, #18 BROWN	1
10	1017011	WIRE ASSEMBLY, #18 BLACK/WHITE	1
11	1017309	WIRE ASSEMBLY, #18 ORANGE/WHITE	1
12	1016380	WIRE ASSEMBLY, #6 BLACK	1
13	1012382	WIRE ASSEMBLY, #6 BLACK	1
14	1012396	WIRE ASSEMBLY, #18 BLACK	1
15	1017006	WIRE ASSEMBLY, #18 ORANGE	1
16	1013469	WIRE ASSEMBLY, #18 BLACK	1
17	1013463	WIRE ASSEMBLY, #18 BLUE	1
18	1015035	WIRE ASSEMBLY, #18 ORANGE	1
19	1015921	WIRE ASSEMBLY, #18 BLACK	1
20	1016857	WIRE ASSEMBLY, #18 BLACK	1

G

5

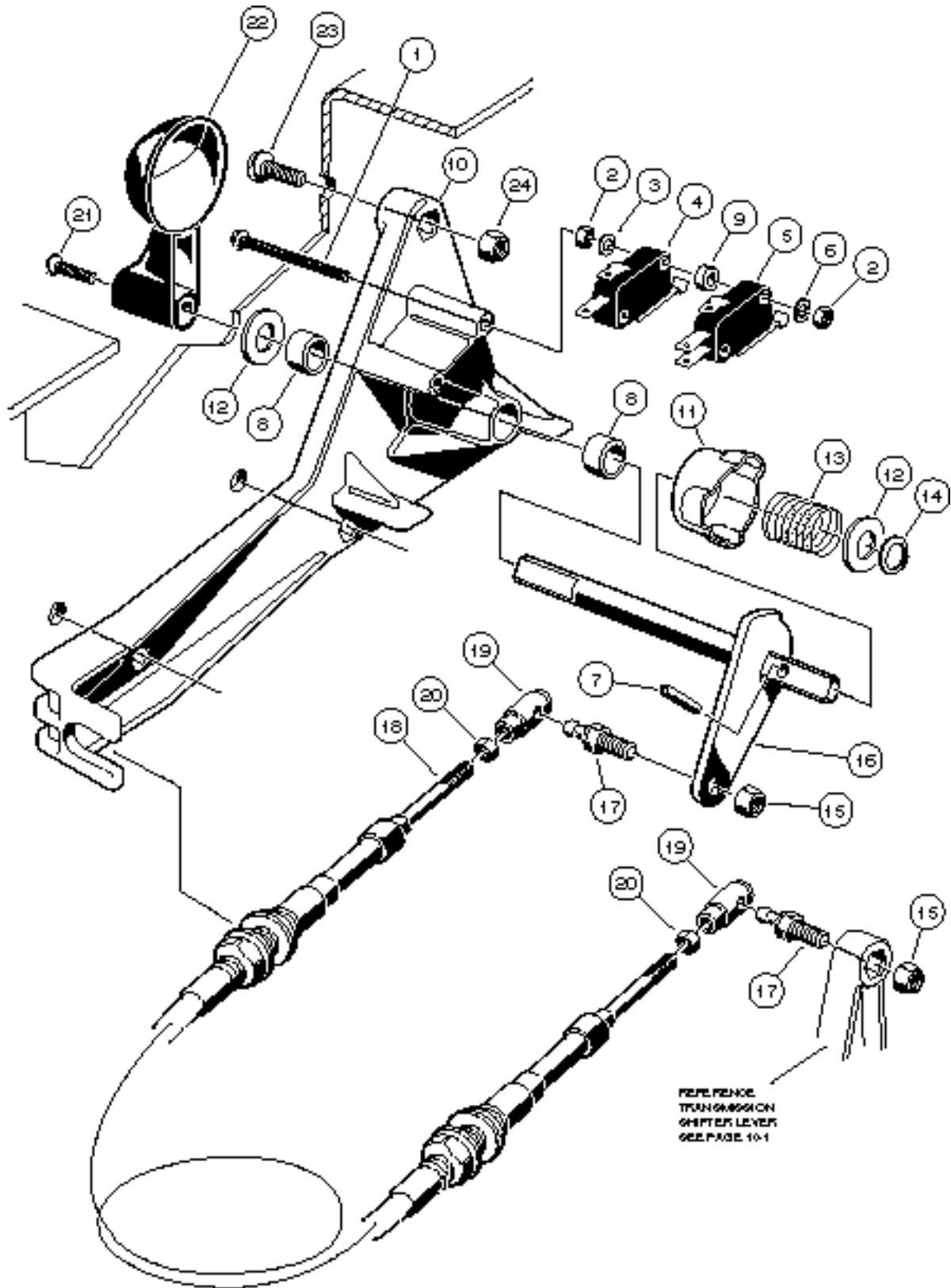


ELECTRICAL COMPONENT BOX CARRYALL II PLUS

ITEM	PART NO.	DESCRIPTION	QTY
		1 2 3 4	
	1018277-01	BOX, ELECTRICAL COMPONENT, COMPLETE, CARRYALL II PLUS (INCLUDES ITEMS 1 - 39 AND 1016895 - SEE PAGE 5-6).....	1
1	1015372	COVER, ELECTRICAL COMPONENT BOX	1
2	1013589	RING, RETAINING	1
3	1015373	CAM, ELECTRICAL BOX	1
4	1014145	BUSHING, BRONZE	2
5	1014065	WASHER, FLAT	1
6	1015345	ASSEMBLY, BELL CRANK SHAFT	1
7	1010954	STUD, BALL, 1/4 - 28	1
8	0008717	NUT, NYLON LOCK , 1/4 - 28.....	1
9	0008450	SCREW, HEX HEAD MACHINE, 10 - 24 x 1/2	1
10	0000183	WASHER, FLAT, #10	1
11	1017243	BRACKET, RELAY MOUNTING	1
12	0001016	WASHER, LOCK, #10	1
13	0001017	NUT, HEX, 10 - 24	1
14	0001242	NUT, HEX, 5/16 - 18	2
15	0007893	NUT, HEX, #10 - 32	2
16	1017006	WIRE ASSEMBLY, #18 ORANGE	1
17	1017010	WIRE ASSEMBLY, #18 WHITE	1
18	1014948	ASSEMBLY, DIODE	1
19	1013609	SOLENOID	1
20	1015752	SCREW, HILO, #12 - 16 x 5/8.....	4
21	1016997	BOX, ELECTRICAL COMPONENT.....	1
22	1012295	FUSE, 10 AMP	1
23	1015737	WIRE ASSEMBLY, #10 RED	1
24	1015741	BLOCK, FUSE	1
25	0008233	NUT, NYLON LOCK, 1/4 - 20.....	2
26	1017238	REGULATOR, VOLTAGE	1
27	1015343	STRAP, GROUND.....	1
28	1015405	BOLT, CARRIAGE, 5/16 - 18 x 2	1
29	1015919	NUT, HEX JAM, 1/4 - 20	1
30	0001703	SCREW, HEX HEAD CAP, 1/4 - 20 x 1 1/2	1
31	0000304	SCREW, HEX HEAD CAP, 1/4 - 20 x 1.....	1
32	1016896	SCREW, HEX HEAD MACHINE, #4 - 40 x 1 1/8	2
33	1012431	WASHER, FLAT, #4	2
34	0008057	NUT, HEX, #4 - 40	4
35	0008058	WASHER, LOCK, #4	2
36	1014807	SWITCH, LIMIT	1
37	1017005	WIRE ASSEMBLY, #18 BLACK	1
38	1017239	RELAY	1
39	1014119	WIRE ASSEMBLY, #6 RED	1

G

5

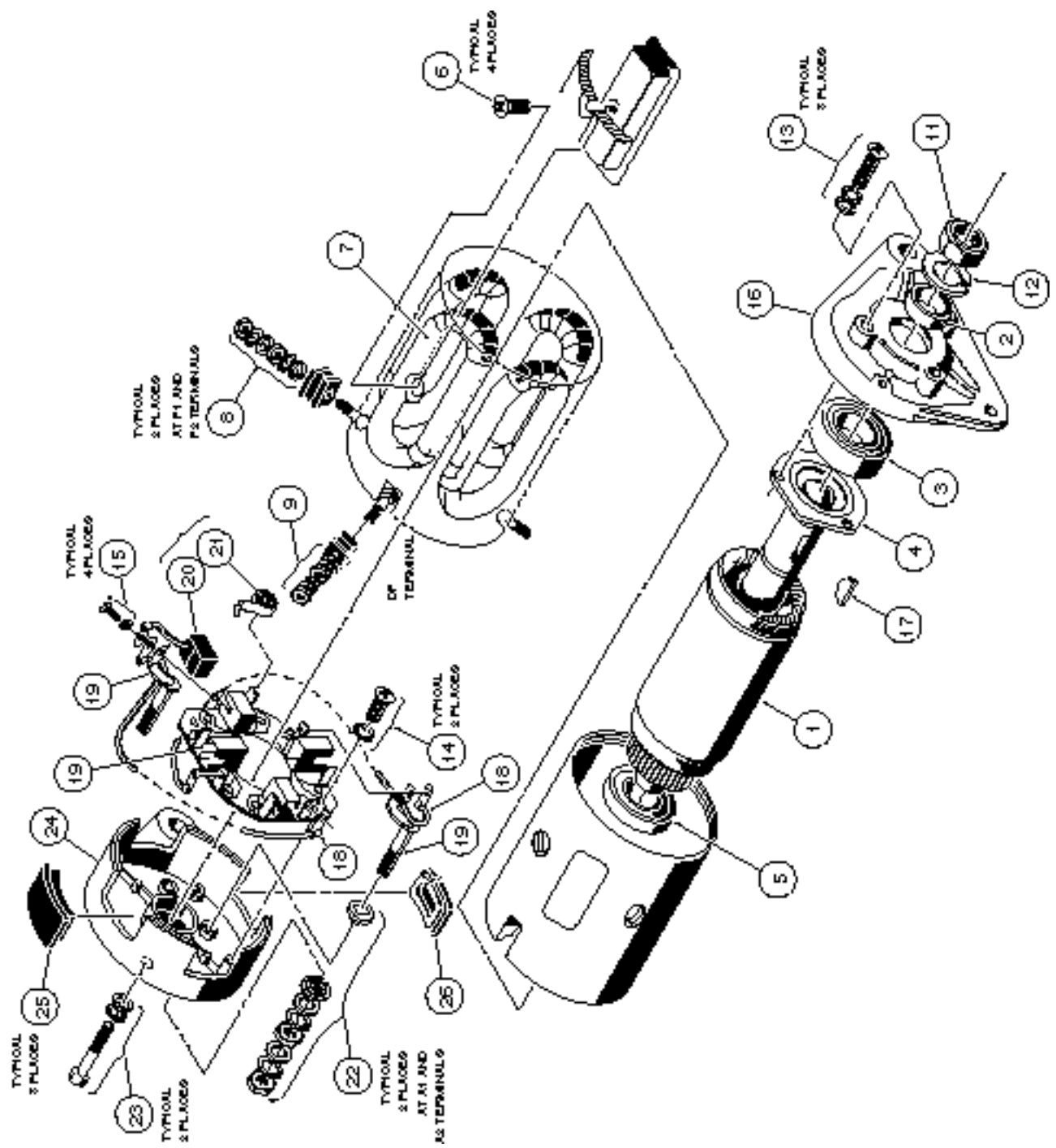


FORWARD AND REVERSE SHIFTER ASSEMBLY ALL CARRYALL VEHICLES

ITEM	PART NO.	DESCRIPTION	QTY
		1 2 3 4	
	1016947	ASSEMBLY, F & R SHIFTER (INCLUDES ITEMS 1 - 17)	1
1	1012594	SCREW, MACHINE, #4 - 40 x 11/2	2
2	0008057	NUT, HEX HEAD, #4 - 40	4
3	1012431	WASHER, FLAT, #4	2
4	1014808	SWITCH, LIMIT	1
5	1014807	SWITCH, LIMIT	1
6	0008058	WASHER, LOCK, #4	2
7	1013591	PIN, ROLL, 1/8	1
8	1014145	BUSHING, BRONZE	2
9	1014727	WASHER, NYLON FLAT, #4	2
10	1016342	BASE, F & R SHIFTER	1
11	1014089	KIT, NEUTRAL LOCK-OUT CAM (INCLUDES ITEM 12)	1
12	1014065	WASHER, FLAT	1
13	1013590	SPRING, F & R CAM	1
14	1013589	RING, RETAINING	1
15	0008717	NUT, NYLON LOCK, 1/4 - 28	2
16	1013587	WELDMENT, F & R BELL CRANK	1
17	1010954	STUD, BALL, 1/4 - 28 x 1/4	2
18	1013085	CABLE, TRANSMISSION (INCLUDES ITEMS 19 AND 20)	1
19	1012333	JOINT, BALL	2
20	0007893	NUT, HEX, #10 - 32	2
21	1013198	SCREW, PHILLIPS OVAL COUNTERSUNK MACHINE, #8 - 32 x 5/8	1
22	1012987	HANDLE, F & R SWITCH	1
23	0008248	SCREW, PHILLIPS TRUSS HEAD, 1/4 - 20 x 3/4	4
24	0008233	NUT, NYLON LOCK, 1/4 - 20	4

G

5

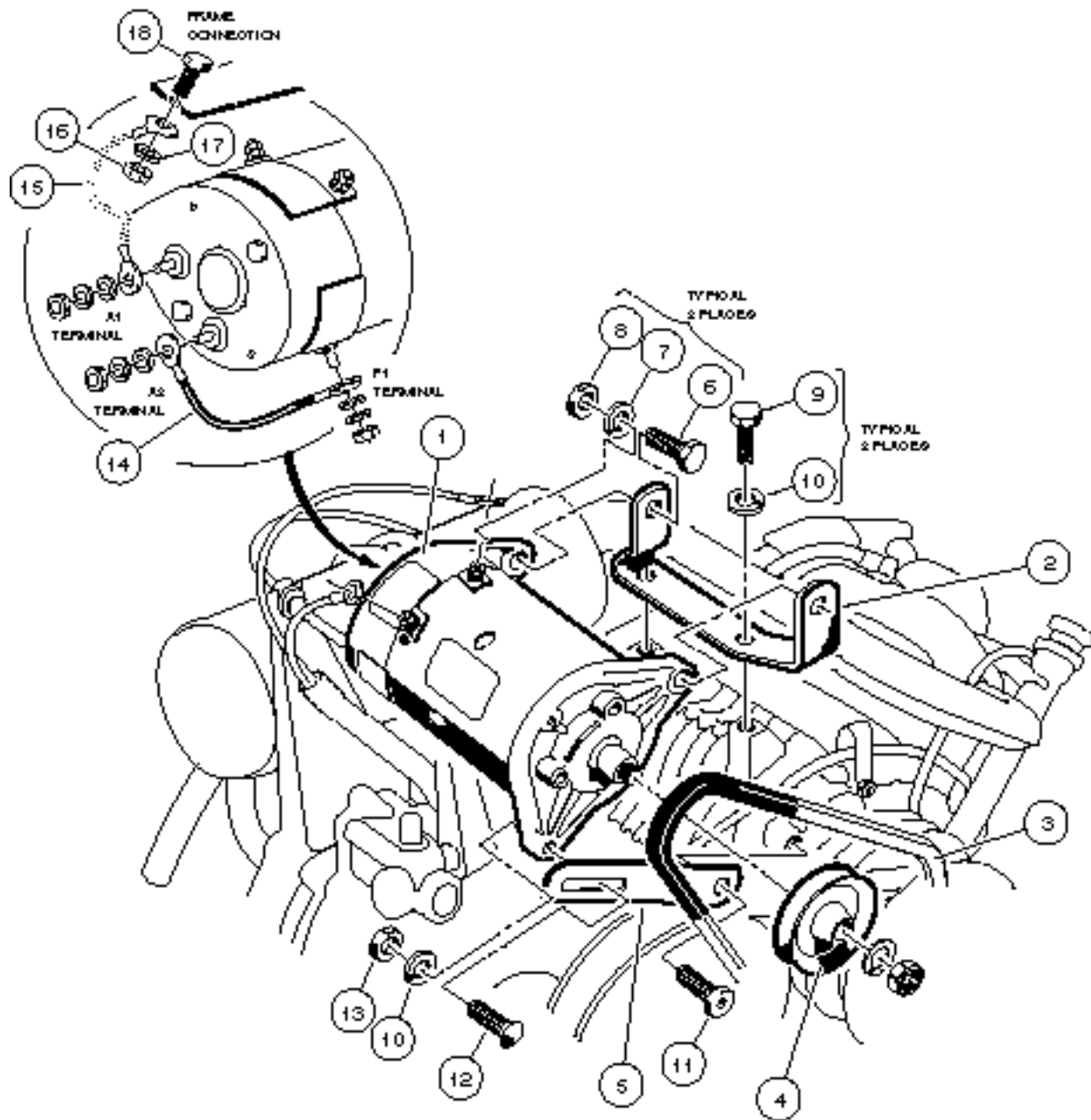


STARTER / GENERATOR ASSEMBLY ALL CARRYALL VEHICLES

ITEM	PART NO.	DESCRIPTION	QTY
		1 2 3 4	
	1012316	STARTER - GENERATOR (INCLUDES ITEMS 1 - 26)	1
1	1013004	ASSEMBLY, ARMATURE (INCLUDES ITEMS 2, 3, 4, 5 AND ARMATURE).....	1
2	1013000	SPACER	1
3	1013001	SHAFT, BALL BEARING OUTPUT	1
4	1013002	RETAINER, BEARING	1
5	1013005	COMMUTATOR, BALL BEARING	1
6	1013009	SCREW, POLE PIECE	4
7	1013010	ASSEMBLY, FIELD COIL	1
8	1013007	PACKAGE, TERMINAL HARDWARE (F1 AND F2)	2
9	1013017	PACKAGE, TERMINAL HARDWARE (DF)	1
10	1013018	KIT , PULLEY NUT AND SCREW (INCLUDES ITEMS 11 - 15)	1
11	N/A	HEX NUT, M14 x 2	1
12	N/A	WASHER, LOCK, M14	1
13	N/A	SCREW, CROSS - RECESSED, M5 x .8 x 18MM (WITH LOCK WASHER AND FLAT WASHER)	3
14	N/A	SCREW, CROSS - RECESSED, M5 x .8 x 16MM (WITH LOCK WASHER)	2
15	N/A	SCREW, CROSS - RECESSED, M4 x .7 x 10MM (WITH LOCK WASHER	4
16	1012999	BELL, OUTPUT SHAFT END	1
17	1013003	KEY	1
18	1013013	LEAD, CROSSOVER	2
19	1013011	HOLDER, BRUSH	1
20	1014699	PACKAGE, BRUSH (INCLUDES 4 BRUSHES)	1
21	1013016	SPRING, BRUSH	4
22	1012990	PACKAGE, TERMINAL HARDWARE (A1 AND A2)	2
23	1012992	BOLT, CLAMP, M6 x 1 x 180MM	2
24	1012993	BELL, COMMUTATOR END	1
25	1012991	COVER, BRUSH INSPECTION PORT	3
26	1017653	COVER, BRUSH INSPECTION PORT, WITH DRAIN	1

G

5

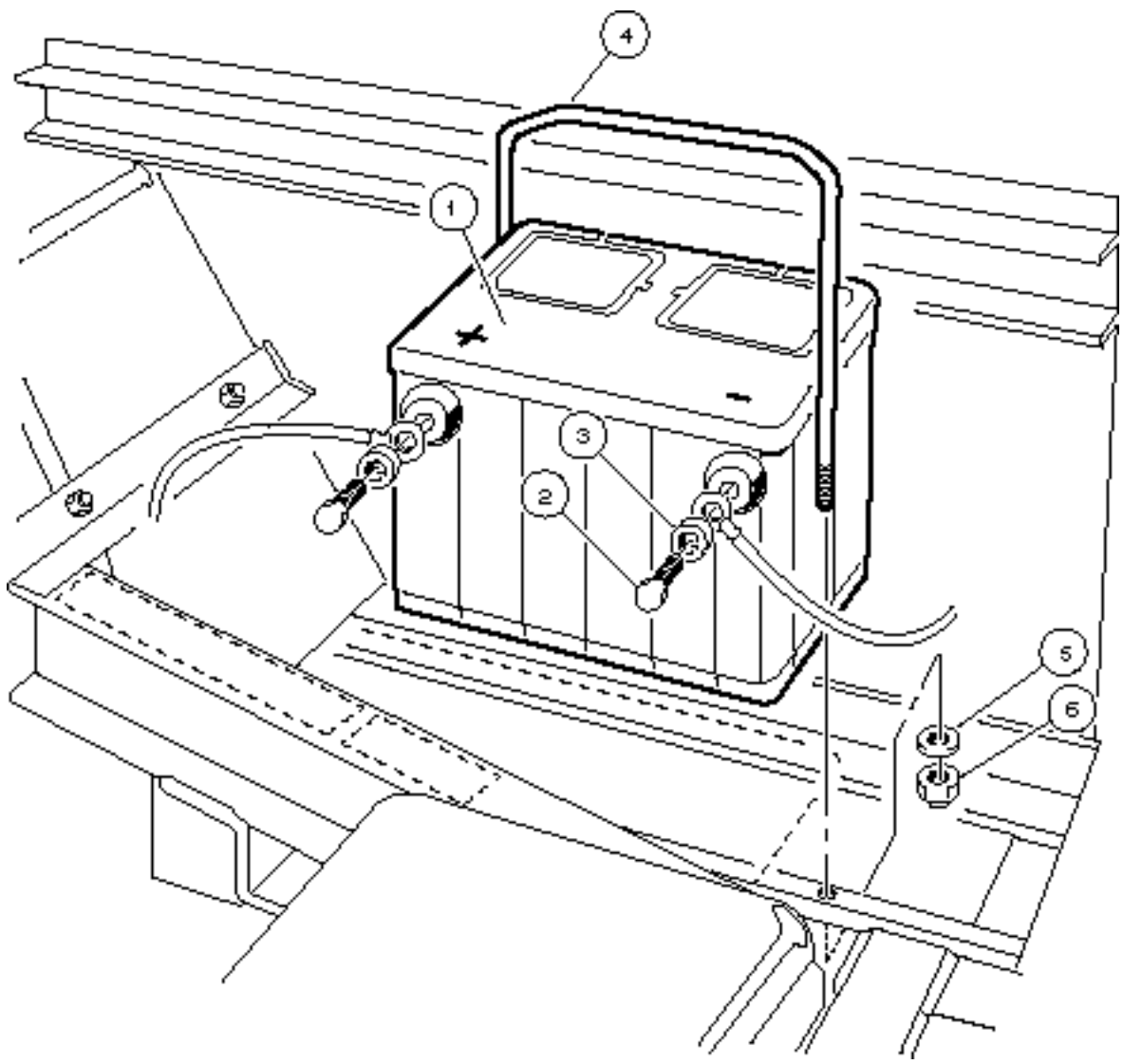


STARTER / GENERATOR MOUNTING ALL CARRYALL VEHICLES

ITEM	PART NO.	DESCRIPTION	QTY
		1 2 3 4	
1	1012316	STARTER / GENERATOR	1
2	1015240-01	BRACKET, MOUNTING, CARRYALL I AND II	1
2	1015240-02	BRACKET, MOUNTING, CARRYALL II PLUS	1
3	1014290	BELT	1
4	1014289	PULLEY	1
5	1016883	BRACKET, ADJUSTING	1
6	0000705	SCREW, HEX HEAD CAP, 3/8 - 16 x 1 1/4	2
7	0000357	WASHER, LOCK, 3/8	2
8	0000706	NUT, HEX, 3/8 - 16	2
9	1015331	SCREW, HEX HEAD CAP, M8 x 1.25 x 25MM	2
10	0007174	WASHER, LOCK, 5/16	3
11	1016074	SCREW, TORX HEAD, M8 x 1.25 x 18MM	1
12	1015932	BOLT, CARRIAGE, 5/16 - 18 x 1.....	1
13	0001242	NUT, HEX, 5/16 - 18	1
14	1012384	WIRE ASSEMBLY, #6 BLACK	1
15	1015920	WIRE, GROUND, CARRYALL I AND II	1
15	1016380	WIRE, GROUND, CARRYALL II PLUS	1
16	0007473	NUT, NYLON LOCK, 5/16 - 18.....	1
17	0001241	WASHER, FLAT, 5/16	1
18	0007173	SCREW, HEX HEAD CAP, 5/16 - 18 x 3/4	1

G

5



BATTERY MOUNTING ALL CARRYALL VEHICLES

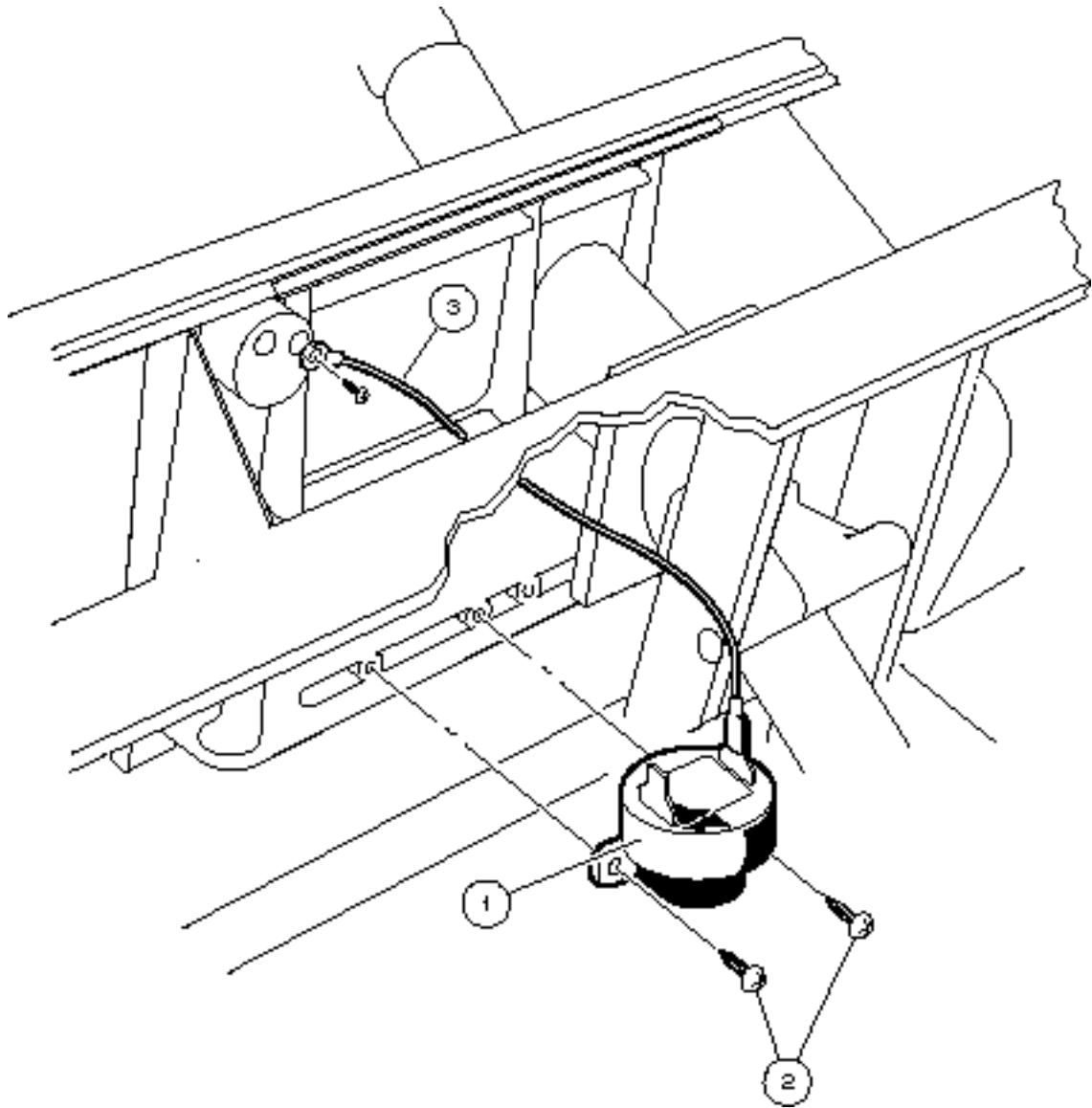
ITEM	PART NO.	DESCRIPTION	QTY
		1 2 3 4	
1	1012328	BATTERY, 12 VOLT	1
2	1014375	SCREW, HEX HEAD CAP, STAINLESS STEEL, 3/8 - 16 x 1/2.....	2
3	1014374	SPACER, BATTERY TERMINAL BOLT	2
4	1013882	HOLD DOWN, BATTERY	1
5	1011964	WASHER, FLAT, STAINLESS STEEL, 1/4.....	2
6	1015068	NUT, NYLON LOCK, STAINLESS STEEL, 1/4 - 20.....	2

G

5

G

5



REVERSE BUZZER ALL CARRYALL VEHICLES

ITEM	PART NO.	DESCRIPTION	QTY
		1 2 3 4	
	1016859	KIT, REVERSE BUZZER (INCLUDES ITEMS 1, 2 AND 3)	1
1	1016851	BUZZER, REVERSE (9-48 VOLT)	1
2	1016849	SCREW, PAN HEAD HILO, #4 - 24 x 5/16	2
3	1016857	WIRE ASSEMBLY, #18 BLACK	1

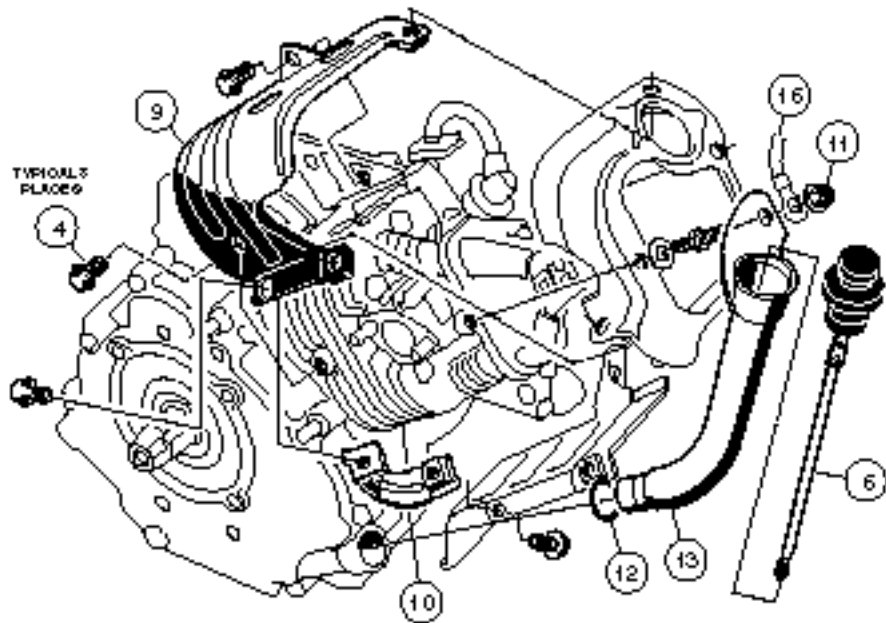
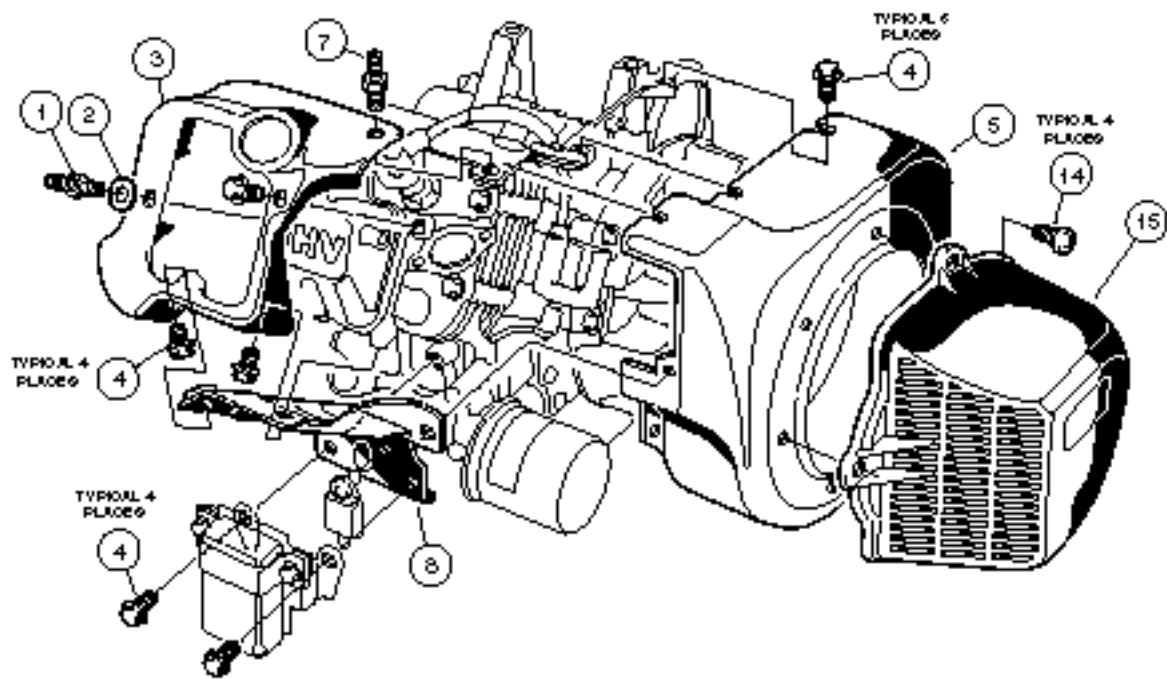
G

5

ENGINE

G

6

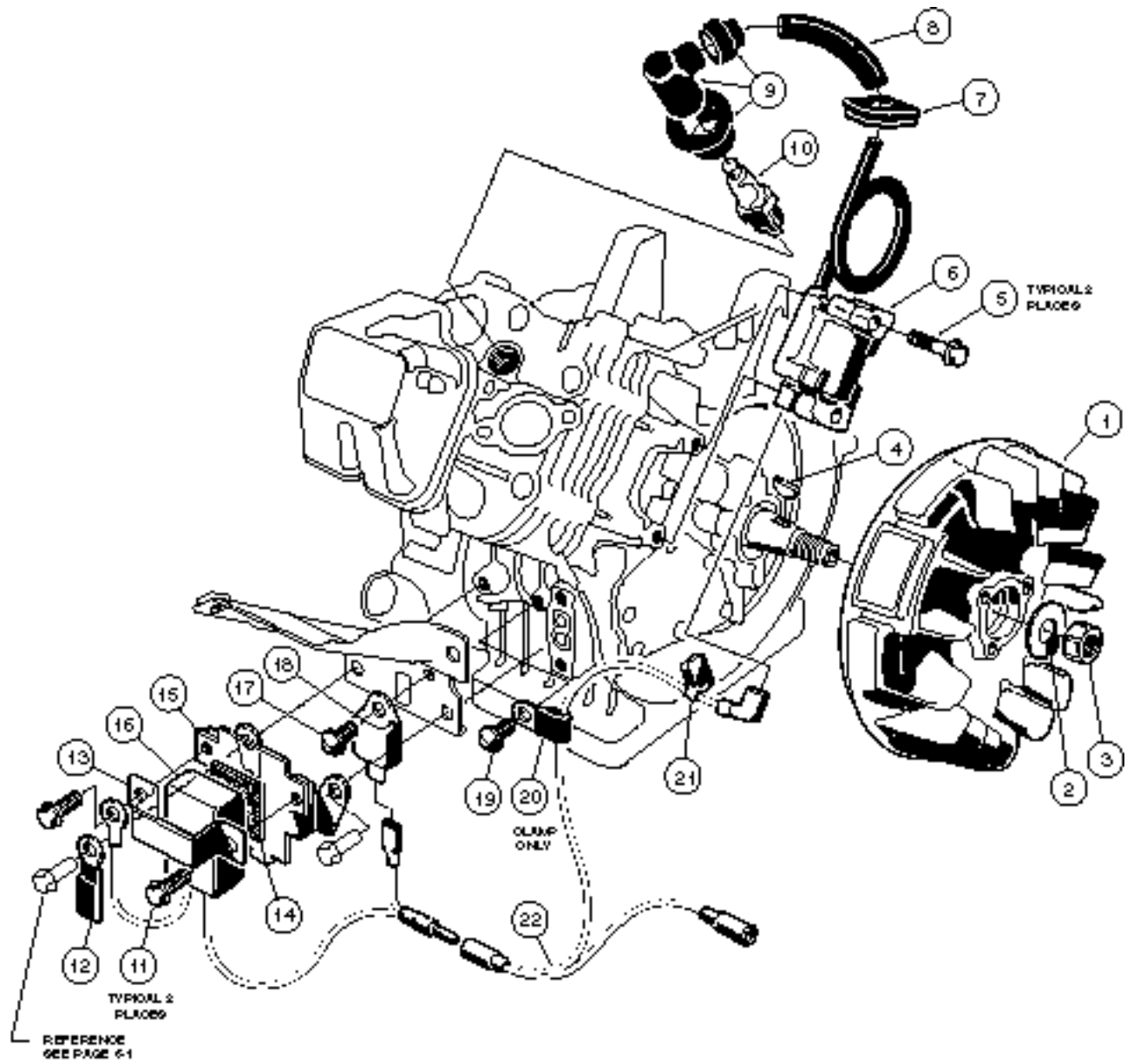


FE 290 ENGINE

ITEM	PART NO.	DESCRIPTION	QTY
		1 2 3 4	
	1015731	FE 290 OHV GASOLINE ENGINE - COMPLETE	1
1	1016507	SCREW, 2-ENDED, M6 x 1 x 29MM	1
2	1016512	WASHER, FLAT, 6MM	1
3	1016524	SHROUD, CYLINDER HEAD	1
4	1016456	BOLT, FLANGED, M6 x 1 x 12MM	17
5	1016534	HOUSING, FAN	1
6	1016531	DIPSTICK, FE 290	1
7	1017221	SCREW, 2-ENDED, M6 x 1 x 46MM	1
8	1016526	SHROUD, LOWER	1
9	1016525	SHROUD, UPPER	1
10	1016443	BRACKET.....	1
11	1016547	NUT, M6 x 1.....	1
12	1016539	O-RING	1
13	1016536	TUBE, OIL FILLER, FE 290	1
14	1015969	SCREW, PAN HEAD, M6 x 1 x 14MM	4
15	1015649	SHROUD, FAN.....	1
16	1015332	WIRE ASSEMBLY, GROUND	1

G

6

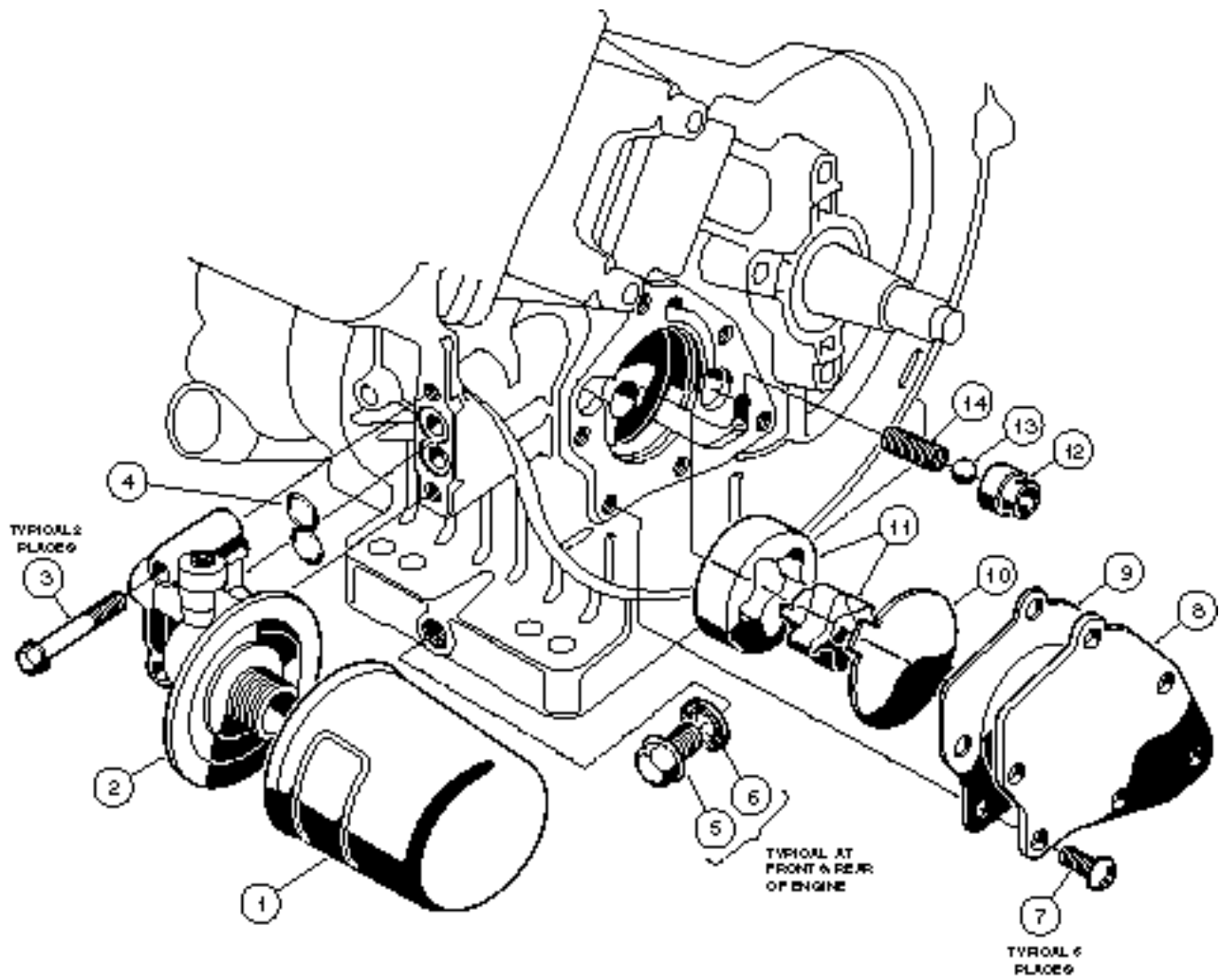


FE 290 ENGINE

ITEM	PART NO.	DESCRIPTION	QTY
		1 2 3 4	
1	1016495	FLYWHEEL	1
2	1016548	WASHER, FLAT, 16MM	1
3	1016505	NUT, HEX, M16 x 2	1
4	1016562	KEY	1
5	1016455	BOLT, FLANGED, M5 x .8 x 25MM	2
6	1016492	COIL, IGNITION	1
7	1016578	GROMMET	1
8	1016588	TUBE, 7MM x 70MM	1
9	1016493	ASSEMBLY, PLUG CAP	1
10	1016111	SPARK PLUG - OHV	1
11	1016456	BOLT, FLANGED, M6 x 1 x 12MM	2
12	1012981	CLAMP	1
13	1016579	MOUNT, RPM LIMITER.....	1
14	1016586	DAMPER, RPM LIMITER	1
15	1016445	BRACKET, RPM LIMITER	1
16	1016511	LIMITER, RPM - OHV	1
17	1016497	SCREW, CROSS PAN HEAD, M5 x .8 x 8MM	1
18	1016491	IGNITER - OHV	1
19	1016544	SCREW, CROSS PAN HEAD SELF TAP, M5 x .8 x 12MM.....	1
20	1016561	CLAMP	1
21	1016587	CLAMP	1
22	1016503	WIRE, LEAD	1

G

6

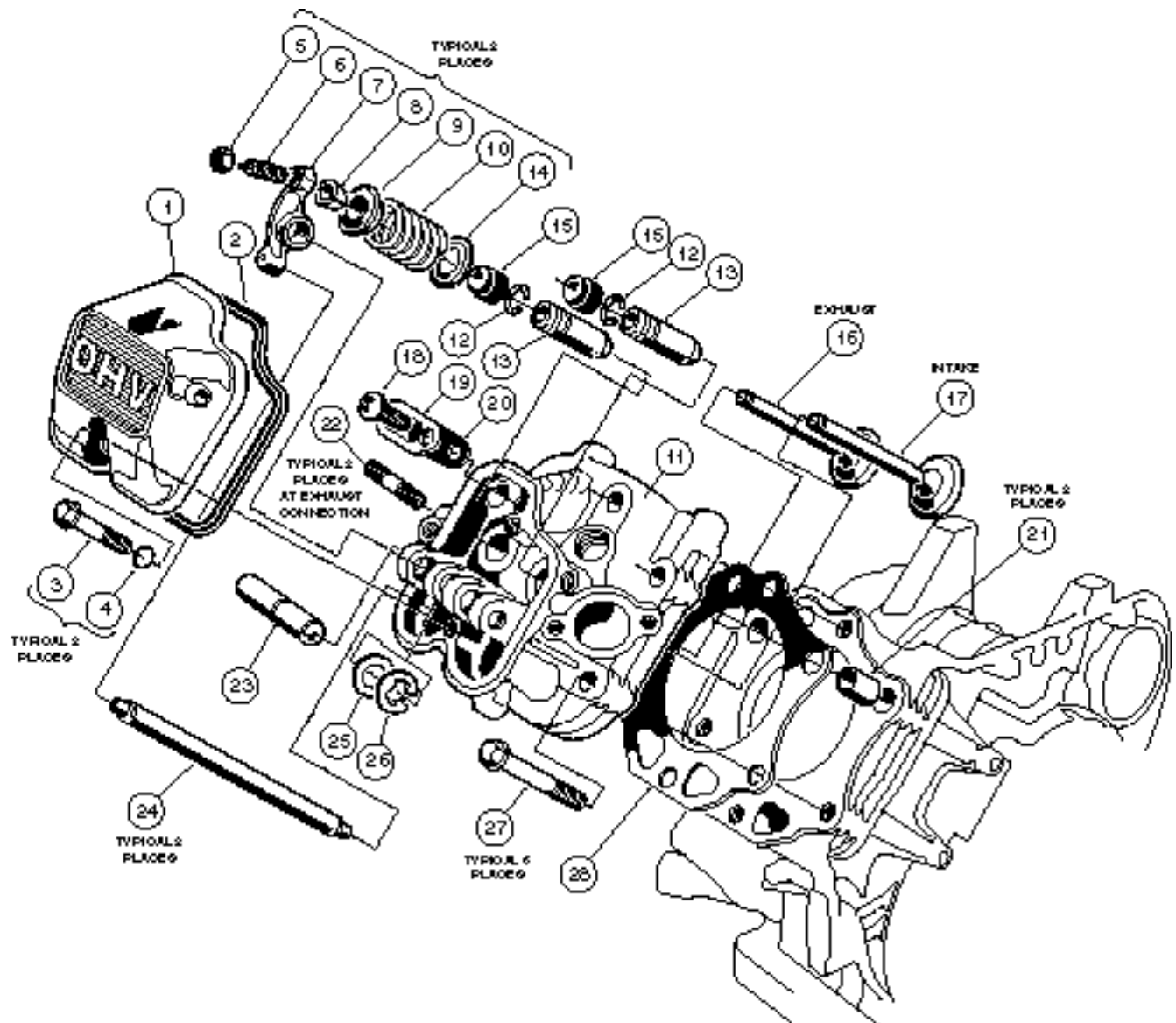


FE 290 ENGINE

ITEM	PART NO.	DESCRIPTION	QTY
		1 2 3 4	
1	1016467	ASSEMBLY, OIL FILTER, OHV	1
2	1016502	BRACKET, OIL FILTER	1
3	1016457	BOLT, FLANGED HEX HEAD, M6 x 1 x 40MM	2
4	1016570	O-RING, OIL FILTER MOUNT	1
5	1016576	PLUG, DRAIN, FE 290	2
6	1016432	GASKET, DRAIN PLUG	2
7	1016498	SCREW, CROSS PAN HEAD, M6 x 1 x 12MM	6
8	1016484	COVER, PUMP	1
9	1016435	GASKET, OIL PUMP	1
10	1016473	PLATE, OIL PUMP	1
11	1016482-03	PUMP, OIL, AND ROTOR	1
12	1016429	SEAT, VALVE	1
13	1016537	BALL, STEEL, PRESSURE RELIEF	1
14	1016581	SPRING	1

G

6

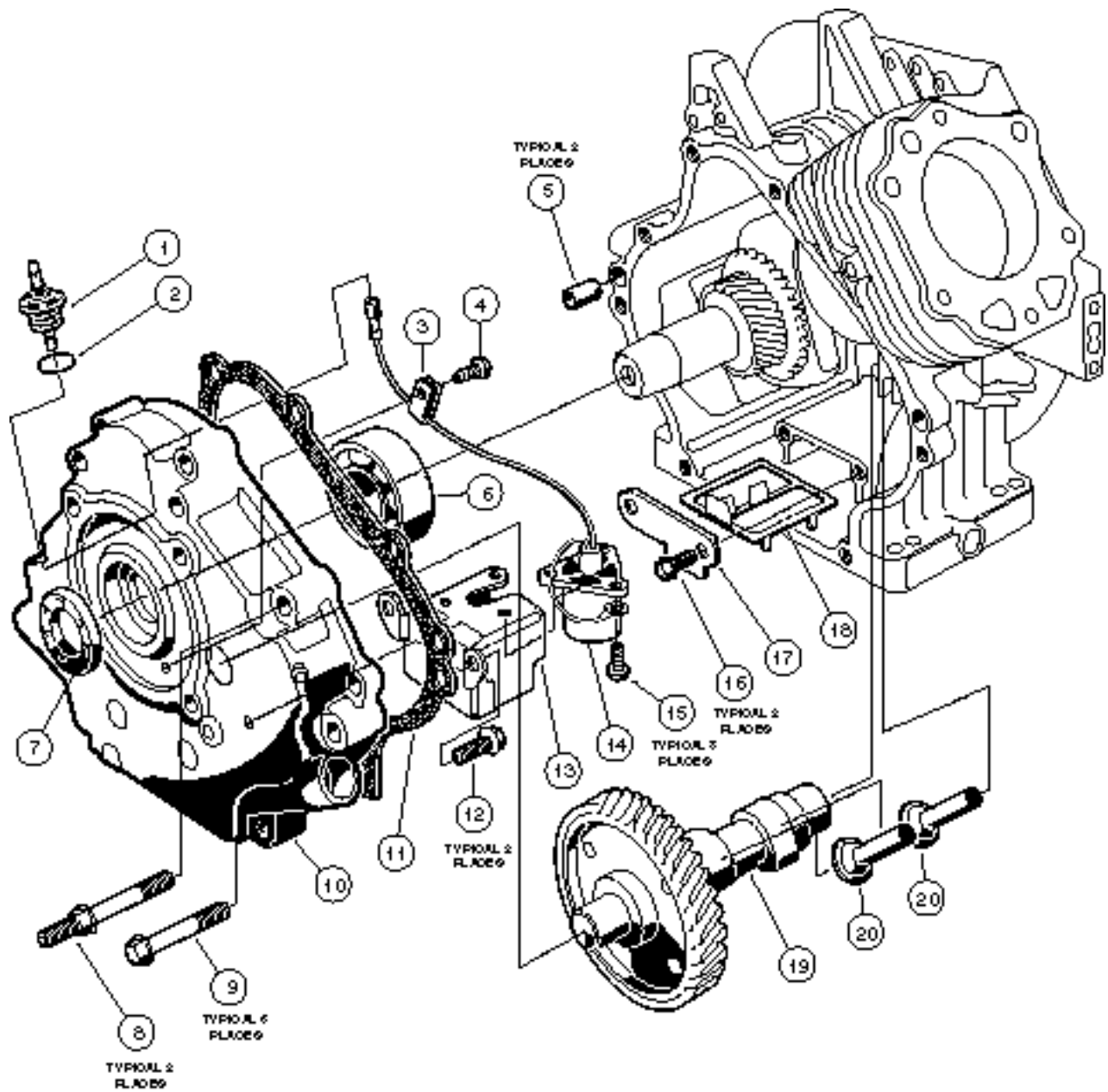


FE 290 ENGINE

ITEM	PART NO.	DESCRIPTION	QTY
		1 2 3 4	
1	1016442	CASE, ROCKER	1
2	1016436	GASKET, ROCKER CASE.....	1
3	1016583	BOLT, FLANGED, M6 x 1 x 35MM	2
4	1016569	O-RING	2
5	1016545	NUT, HEX, M5 x .8	2
6	1016542	SCREW, STUD, M5 x .8	2
7	1016451	ARM , ROCKER	2
8	1016450	COLLET	4
9	1016449	RETAINER, VALVE SPRING	2
10	1016523	SPRING, ENGINE VALVE	2
11	1016431	ASSEMBLY, CYLINDER HEAD, OHV (INCLUDES ITEMS 12 AND 13)	1
12	1016560	RING, SNAP	2
13	1016519	GUIDE, VALVE	2
14	1016479	SEAT, SPRING	2
15	1016566	SEAL, VALVE	2
16	1016448	VALVE, EXHAUST	1
17	1016447	VALVE, INTAKE	1
18	1016544	SCREW, CROSS PAN HEAD SELF TAPPING, M5 x .8 x 12MM	1
19	1016474	PLATE	1
20	1016483	VALVE, REED.....	1
21	1016563	PIN.....	2
22	1016489	BOLT, STUD, M8 x 1.25 x 29MM.....	2
23	1016452	SHAFT, ROCKER	1
24	1016471	ROD, PUSH	2
25	1016549	WASHER, FLAT, M12	1
26	1016517	CIRCLIP, TYPE-E	1
27	1016458	BOLT, FLANGED, M8 x 1.25 x 45MM	6
28	1016430	GASKET, HEAD.....	1

G

6

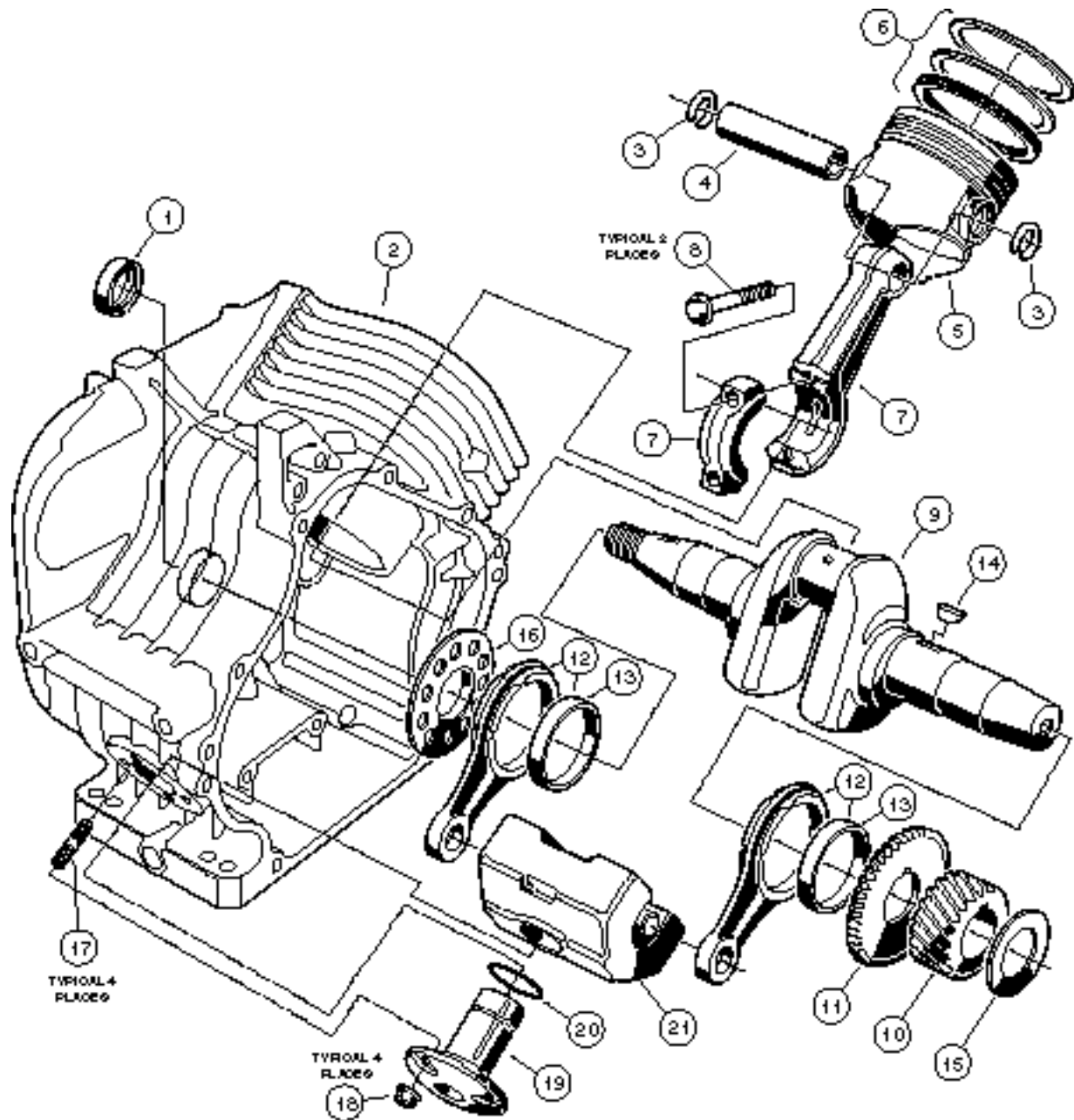


FE 290 ENGINE

ITEM	PART NO.	DESCRIPTION	QTY
		1 2 3 4	
1	1016535	CONNECTOR, OIL SENDING UNIT	1
2	1016538	O-RING	1
3	1016506	CLAMP	1
4	1016544	SCREW, CROSS PAN HEAD SELF TAPPING, M5 x .8 x 12MM	1
5	1016564	PIN	2
6	1016565	BEARING, BALL	1
7	1016567	SEAL, CRANKSHAFT	1
8	1016584	SCREW, 2- ENDED, M8 x 1.25 x 69MM	2
9	1016458	BOLT, FLANGED, M8 x 1.25 x 45MM	6
10	1016520	COVER, CRANKCASE	1
11	1016446	GASKET, CRANKCASE COVER	1
12	1016456	BOLT, FLANGED, M6 x 1 x 12MM	2
13	1016510	BRACKET, OIL LEVEL SWITCH	1
14	1016494	SENSOR, OIL LEVEL	1
15	1016496	SCREW, CROSS PAN HEAD, M4 x .7 x 8MM	3
16	1016454	BOLT, FLANGED, M5 x .8 x 8MM	2
17	1016472	PLATE, OIL FILTER SCREEN	1
18	1016521	SCREEN, OIL FILTER	1
19	1016528	CAMSHAFT	1
20	1016453	TAPPET.....	2

G

6

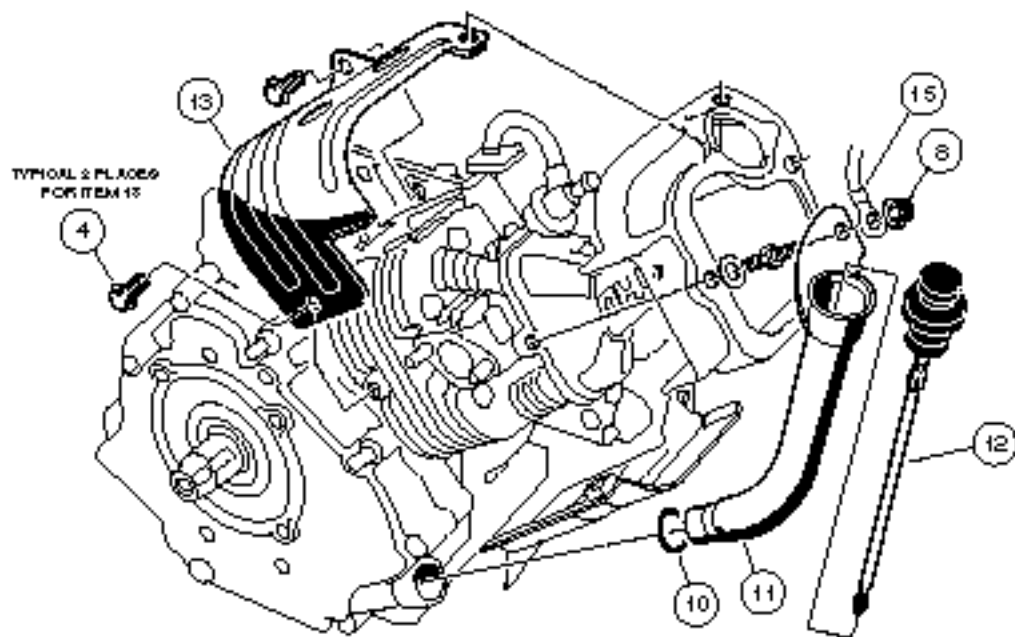
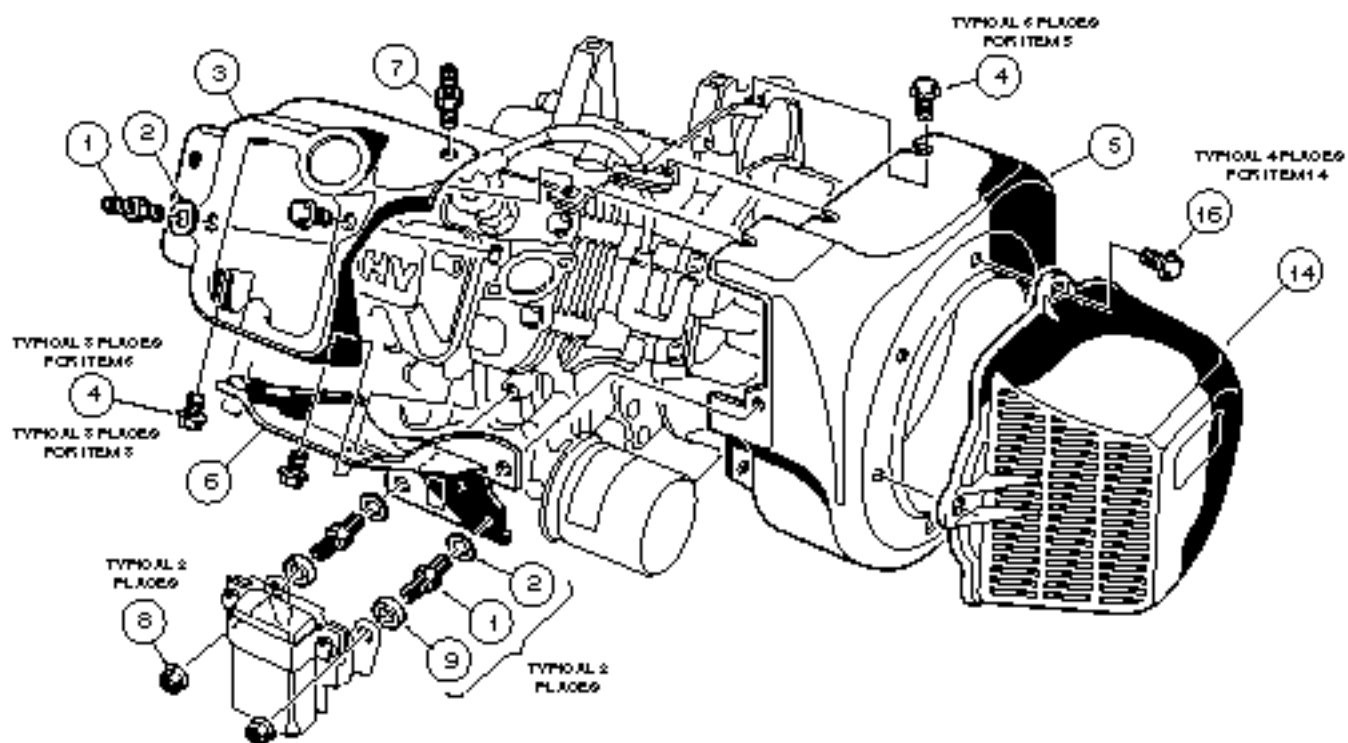


FE 290 ENGINE

ITEM	PART NO.	DESCRIPTION	QTY
		1 2 3 4	
1	1016568	SEAL, OIL	1
2	1016529	CRANKCASE, COMPLETE, FE 290	1
3	1016558	RING, SNAP	2
4	1016460	PIN, PISTON	1
5	1016459-01	PISTON, STANDARD	1
5	1016459-02	PISTON, .25MM OVERSIZED	1
5	1016459-03	PISTON, .50MM OVERSIZED	1
6	1016461-01	RING SET, PISTON, STANDARD	1
6	1016461-02	RING SET, PISTON, .25MM OVERSIZED	1
6	1016461-03	RING SET, PISTON, .50MM OVERSIZED	1
7	1016475-01	ASSEMBLY, CONNECTING ROD, STANDARD (INCLUDES 2 EACH OF ITEM 8)	1
7	1016475-02	ASSEMBLY, CONNECTING ROD, .50MM UNDERSIZED (INCLUDES 2 EACH OF ITEM 8)	1
8	1016509	BOLT, HEX HEAD, M7 x 1 x 36MM	2
9	1016468	CRANKSHAFT, FE 290 (INCLUDES ITEMS 10, 11 AND 12)	1
10	1016533	GEAR, HELICAL	1
11	1016532	GEAR, SPUR	1
12	1016516	ASSEMBLY, CONNECTING ROD (INCLUDES ITEM 13)	2
13	1016580	BEARING, PLAIN	2
14	1016562	KEY	1
15	1016550-01	SHIM, CRANKSHAFT, 1.13MM THICK	A/R
15	1016550-02	SHIM, CRANKSHAFT, 1.18MM THICK	A/R
15	1016550-03	SHIM, CRANKSHAFT, 1.23MM THICK	A/R
15	1016550-04	SHIM, CRANKSHAFT, 1.28MM THICK	A/R
15	1016550-05	SHIM, CRANKSHAFT, 1.33MM THICK	A/R
15	1016550-06	SHIM, CRANKSHAFT, 1.38MM THICK	A/R
15	1016550-07	SHIM, CRANKSHAFT, 1.43MM THICK	A/R
15	1016550-08	SHIM, CRANKSHAFT, 1.48MM THICK	A/R
15	1016550-09	SHIM, CRANKSHAFT, 1.53MM THICK	A/R
16	1016559	SPACER	A/R
17	1016541	BOLT, STUD, M6 x 1 x 22MM	4
18	1016547	NUT, FLANGED, M6 x 1	4
19	1016470	SHAFT, GUIDE COUNTER BALANCE.....	1
20	1016571	O-RING	1
21	1016469	WEIGHT, COUNTER BALANCE.....	1

G

6

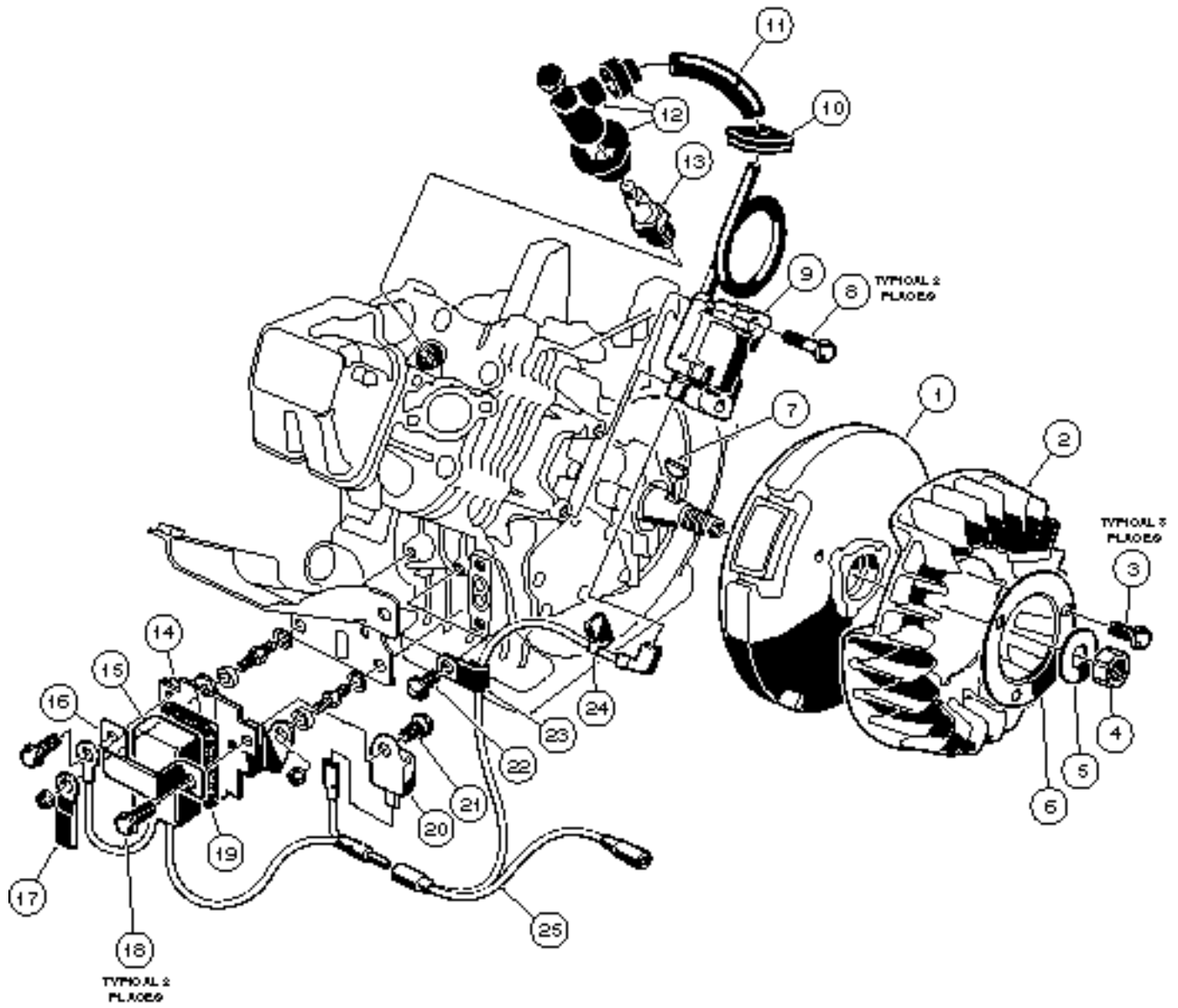


FE 350 ENGINE

ITEM	PART NO.	DESCRIPTION	QTY
		1 2 3 4	
	1016809-01	FE 350 OHV GASOLINE ENGINE, COMPLETE	1
1	1016507	SCREW, 2-ENDED, M6 x 1 x 29MM	3
2	1016512	WASHER, FLAT, 6MM.....	3
3	1017474	SHROUD, CYLINDER HEAD	1
4	1016456	BOLT, FLANGED, M6 x 1 x 12MM	14
5	1017485	HOUSING, FAN	1
6	1017476	SHROUD, LOWER CYLINDER.....	1
7	1017221	BOLT, 2-ENDED HEX, M6 x 1 x 46MM	1
8	1016547	NUT, M6 x 1	3
9	1017500	SPACER	2
10	1016539	O-RING	1
11	1017486	TUBE, OIL FILLER	1
12	1016531	DIPSTICK	1
13	1017475	SHROUD, UPPER CYLINDER	1
14	1015649	SHROUD, FAN	1
15	1015332	WIRE ASSEMBLY, #6 BRAIDED	1
16	1015969	SCREW, PAN HEAD, M6 x 1 x 14MM	4

G

6

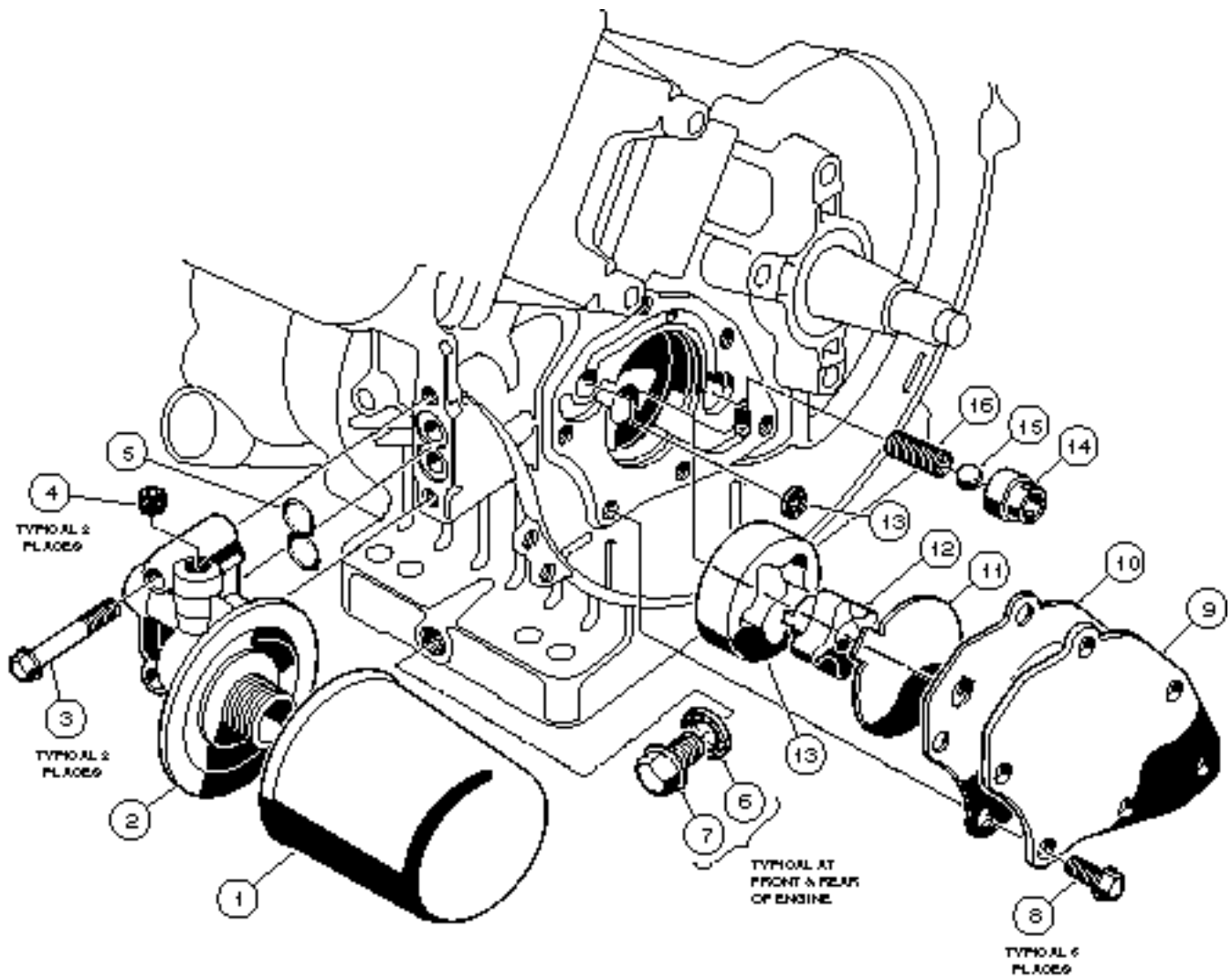


FE 350 ENGINE

ITEM	PART NO.	DESCRIPTION	QTY
		1 2 3 4	
1	1017464	FLYWHEEL	1
2	1017482	FAN, FLYWHEEL	1
3	1017448	SCREW, FLANGED HEX HEAD, M6 x 1 x 10MM	3
4	1017467	NUT, HEX, 18MM FINE	1
5	1017490	WASHER, FLAT, 18MM	1
6	1017455	PLATE, FLYWHEEL FAN	1
7	1016562	KEY	1
8	1016455	SCREW, FLANGED HEX HEAD, M5 x 0.8 x 25MM	2
9	1016492	COIL, IGNITION	1
10	1016578	GROMMET	1
11	1016588	TUBE, 7MM I.D. x 10MM O.D. x 70MM LG.	1
12	1017463	ASSEMBLY, PLUG CAP	1
13	1018811-01	PLUG, SPARK	1
14	1016445	BRACKET, RPM LIMITER	1
15	1016511	LIMITER, RPM	1
16	1016579	MOUNT, RPM LIMITER.....	1
17	1012981	CLAMP	1
18	1016456	SCREW, FLANGED HEX HEAD, M6 x 1 x 12MM	2
19	1016586	DAMPER	1
20	1016491	IGNITER	1
21	1016497	SCREW, CROSS PAN HEAD, M5 x .08 x 8MM	1
22	1016544	SCREW, CROSS PAN HEAD SELF-TAPPING, M5 x 12MM	1
23	1016561	CLAMP	1
24	1016587	CLAMP	1
25	1016503	WIRE, LEAD	1

G

6

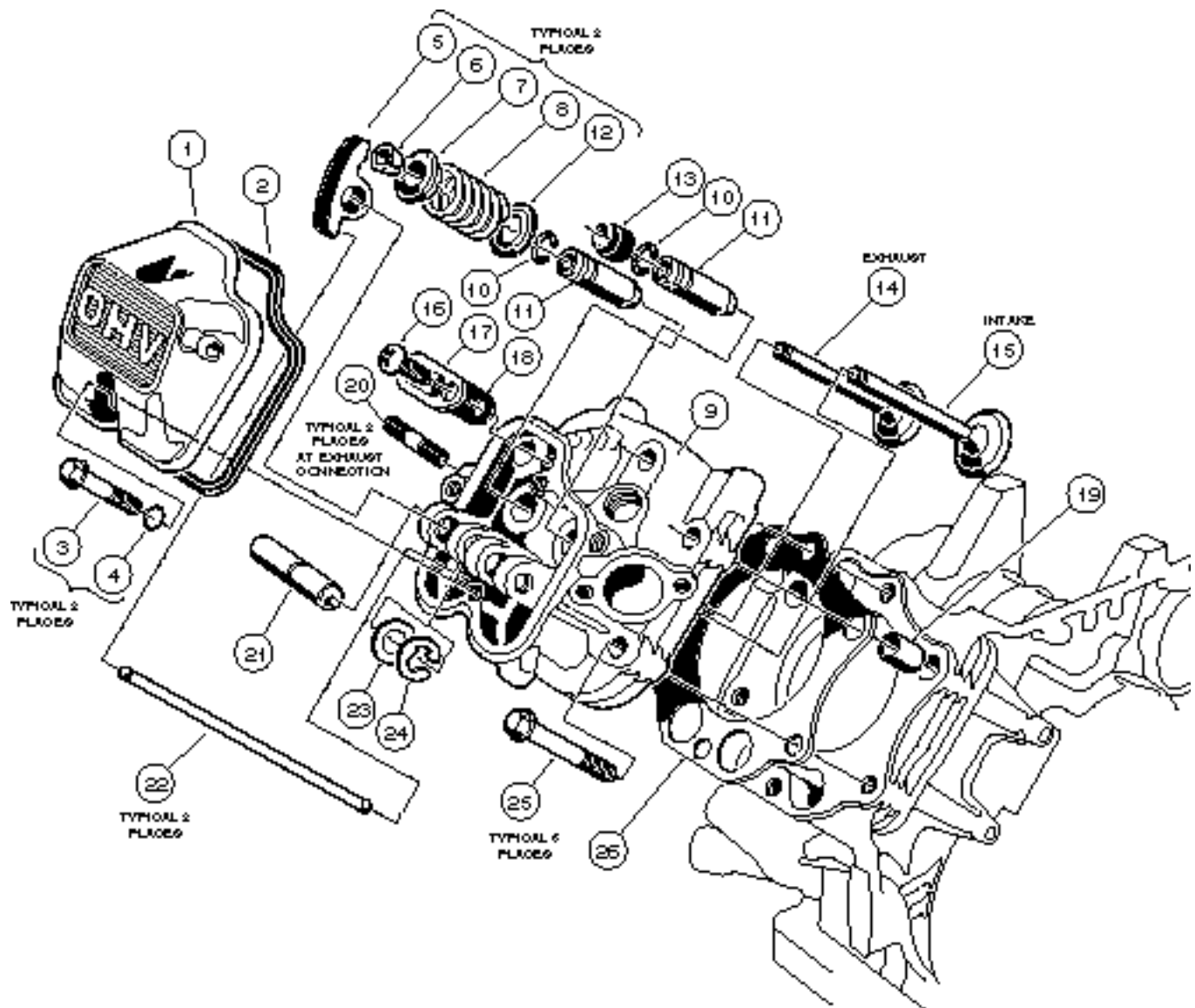


FE 350 ENGINE

ITEM	PART NO.	DESCRIPTION	QTY
		1 2 3 4	
1	1016467	OIL FILTER	1
2	1016502	BRACKET, OIL FILTER	1
3	1016457	BOLT, FLANGED HEX HEAD, M6 x 1 x 40MM	2
4	1017507	PLUG	2
5	1016570	O-RING	1
6	1016432	GASKET, DRAIN PLUG	2
7	1016576	PLUG, DRAIN	2
8	1017456	SCREW, FLANGED HEX HEAD, M6 x 1 x 12MM	6
9	1017460	COVER, PUMP	1
10	1017442	GASKET, OIL PUMP	1
11	1016473	PLATE, OIL PUMP	1
12	1016482-03	PUMP, OIL, AND ROTOR	1
13	1017458	FILTER	1
14	1016429	SEAT, VALVE	1
15	1016537	BALL, STEEL, PRESSURE RELIEF	1
16	1016581	SPRING	1

G

6

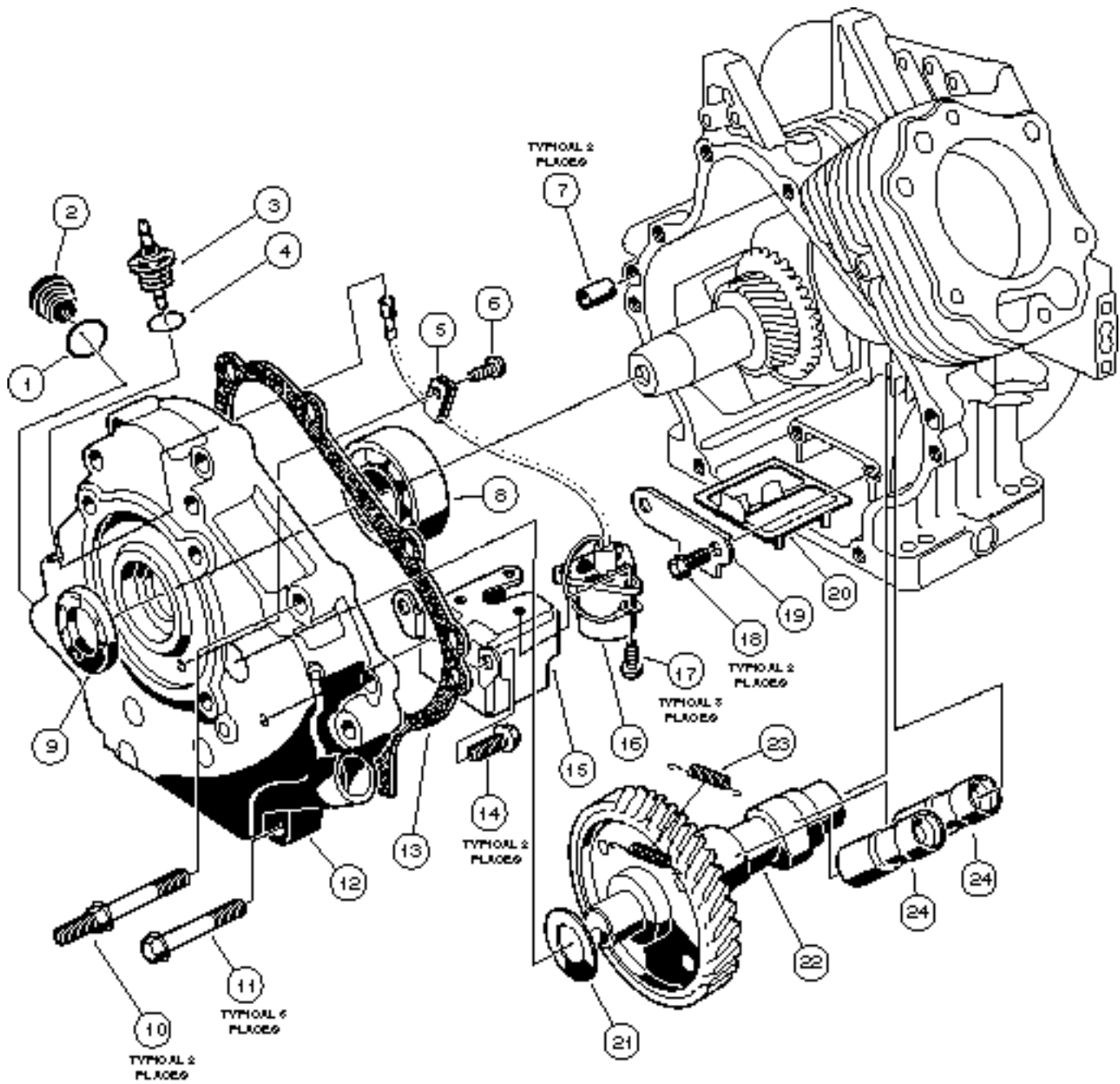


FE 350 ENGINE

ITEM	PART NO.	DESCRIPTION	QTY
		1 2 3 4	
1	1016442	CASE, ROCKER	1
2	1016436	GASKET, ROCKER CASE.....	1
3	1016583	BOLT, FLANGED HEX HEAD, M6 x 1 x 35MM	2
4	1016569	O-RING	2
5	1017446	ARM , ROCKER	2
6	1016450	COLLET	4
7	1016449	RETAINER, VALVE SPRING	2
8	1017473	SPRING, ENGINE VALVE	2
9	1017435	ASSEMBLY, CYLINDER HEAD, FE 350 (INCLUDES ITEMS 10 AND 11)	1
10	1016560	RING, SNAP	2
11	1016519	GUIDE, VALVE	2
12	1016479	SEAT, SPRING	2
13	1016566	SEAL, VALVE	2
14	1016448	VALVE, EXHAUST	1
15	1016447	VALVE, INTAKE	1
16	1016544	SCREW, CROSS PAN HEAD SELF TAPPING, M5 x .8 x 12MM	1
17	1016474	PLATE	1
18	1016483	VALVE	1
19	1016563	PIN.....	2
20	1016489	BOLT, STUD, M8 x 1.25 x 29MM.....	2
21	1016452	SHAFT, ROCKER	1
22	1017454	ROD, PUSH	2
23	1016549	WASHER, FLAT, M12	1
24	1016517	CIRCLIP, TYPE-E	1
25	1016458	BOLT, FLANGED HEX HEAD, M8 x 1.25 x 45MM	6
26	1017434	GASKET, HEAD.....	1

G

6

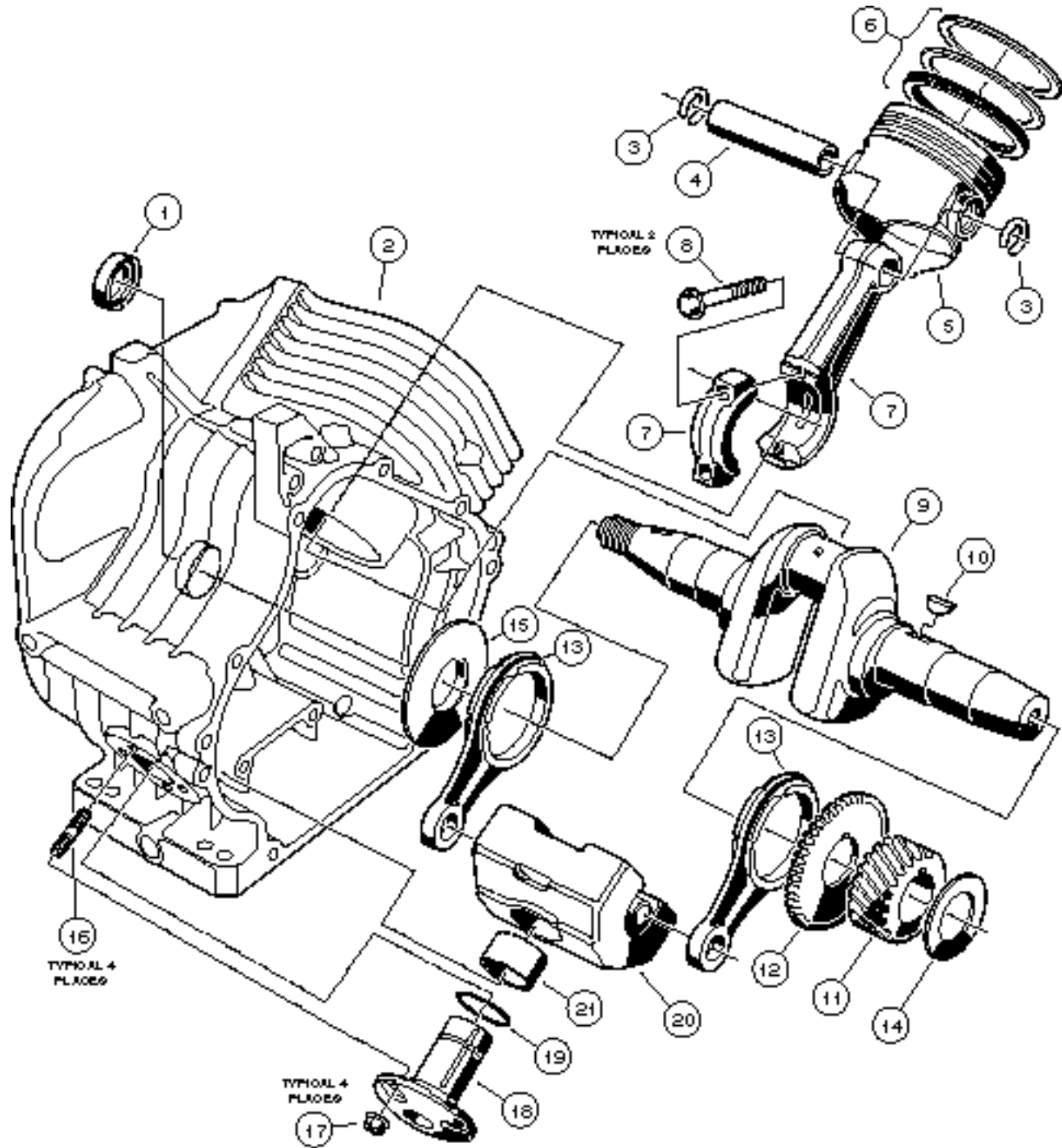


FE 350 ENGINE

ITEM	PART NO.	DESCRIPTION	QTY
		1 2 3 4	
1	1016538	O-RING	1
2	1017508	PLUG	1
3	1016535	CONNECTOR, OIL SENDING UNIT	1
4	1016538	O-RING	1
5	1016506	CLAMP	1
6	1016544	SCREW, CROSS PAN HEAD SELF TAPPING, M5 x .8 x 12MM	1
7	1016564	PIN	2
8	1017487	BEARING, CRANKSHAFT	1
9	1017504	SEAL, CRANKSHAFT	1
10	1016584	SCREW, 2- ENDED FLANGED, M8 x 1.25 x 69MM	2
11	1017514	BOLT, FLANGED, M8 x 1.25 x 45MM	6
12	1017472	COVER, CRANKCASE	1
13	1017443	GASKET, CRANKCASE COVER	1
14	1017513	BOLT, FLANGED, M6 x 1 x 12MM.....	2
15	1016510	BRACKET, OIL LEVEL SWITCH.....	1
16	1016494	SENSOR, OIL LEVEL	1
17	1016496	SCREW, CROSS PAN HEAD, M4 x .7 x 8MM.....	3
18	1016454	BOLT, FLANGED, M5 x .8 x 8MM.....	2
19	1016472	PLATE, OIL FILTER SCREEN	1
20	1016521	SCREEN, OIL FILTER	1
21	1017518-01	SHIM, 0.3MM THICK	A/R
21	1017518-02	SHIM, 0.4MM THICK	A/R
21	1017518-03	SHIM, 0.5MM THICK	A/R
22	1017478	CAMSHAFT, FE 350 (INCLUDES ITEM 23).....	1
23	1017511	SPRING	1
24	1017447	LIFTER, HYDRAULIC	2

G

6



FE 350 ENGINE

ITEM	PART NO.	DESCRIPTION	QTY
		1 2 3 4	
1	1017503	SEAL, OIL	1
2	1017479	CRANKCASE, COMPLETE, FE 350	1
3	1017502	RING, SNAP	2
4	1017450	PIN, PISTON	1
5	1017449-01	PISTON, STANDARD	1
5	1017449-02	PISTON, .50MM OVERSIZED	1
6	1017451-01	RING SET, PISTON, STANDARD	1
6	1017451-02	RING SET, PISTON, .50MM OVERSIZED	1
7	1017457-01	ASSEMBLY, CONNECTING ROD, STANDARD (INCLUDES 2 EACH OF ITEM 8)	1
7	1017457-02	ASSEMBLY, CONNECTING ROD, .50MM UNDERSIZED (INCLUDES ITEM 13) (INCLUDES 2 EACH OF ITEM 8)	1
8	1017512	BOLT, HEX HEAD, M7 x 1 x 36MM	2
9	1017452	CRANKSHAFT, COMPLETE, FE 350 (INCLUDES ITEMS 10, 11, 12, AND 14)	1
10	1016562	KEY	1
11	1016533	GEAR, HELICAL	1
12	1016532	GEAR, SPUR	1
13	1017457	ROD	2
14	1017733-01	SHIM, CRANKSHAFT, 1.18MM THICK	A/R
14	1017733-02	SHIM, CRANKSHAFT, 1.25MM THICK	A/R
14	1017733-03	SHIM, CRANKSHAFT, 1.32MM THICK	A/R
14	1017733-04	SHIM, CRANKSHAFT, 1.39MM THICK	A/R
14	1017733-05	SHIM, CRANKSHAFT, 1.46MM THICK	A/R
14	1017733-06	SHIM, CRANKSHAFT, 1.53MM THICK	A/R
14	1017733-07	SHIM, CRANKSHAFT, 1.60MM THICK	A/R
14	1017733-08	SHIM, CRANKSHAFT, 1.67MM THICK	A/R
14	1017733-09	SHIM, CRANKSHAFT, 1.74MM THICK	A/R
14	1017733-10	SHIM, CRANKSHAFT, 1.11MM THICK	A/R
14	1017733-11	SHIM, CRANKSHAFT, 1.81MM THICK	A/R
15	1017502	SPACER	1
16	1016541	BOLT, STUD, M6 x 1 x 22MM	4
17	1016547	NUT, FLANGED, M6 x 1	4
18	1016470	SHAFT, GUIDE COUNTER BALANCE	1
19	1016571	O-RING	1
20	1017453	WEIGHT, COUNTER BALANCE (INCLUDES ITEM 21)	1
21	1017510	BEARING	1

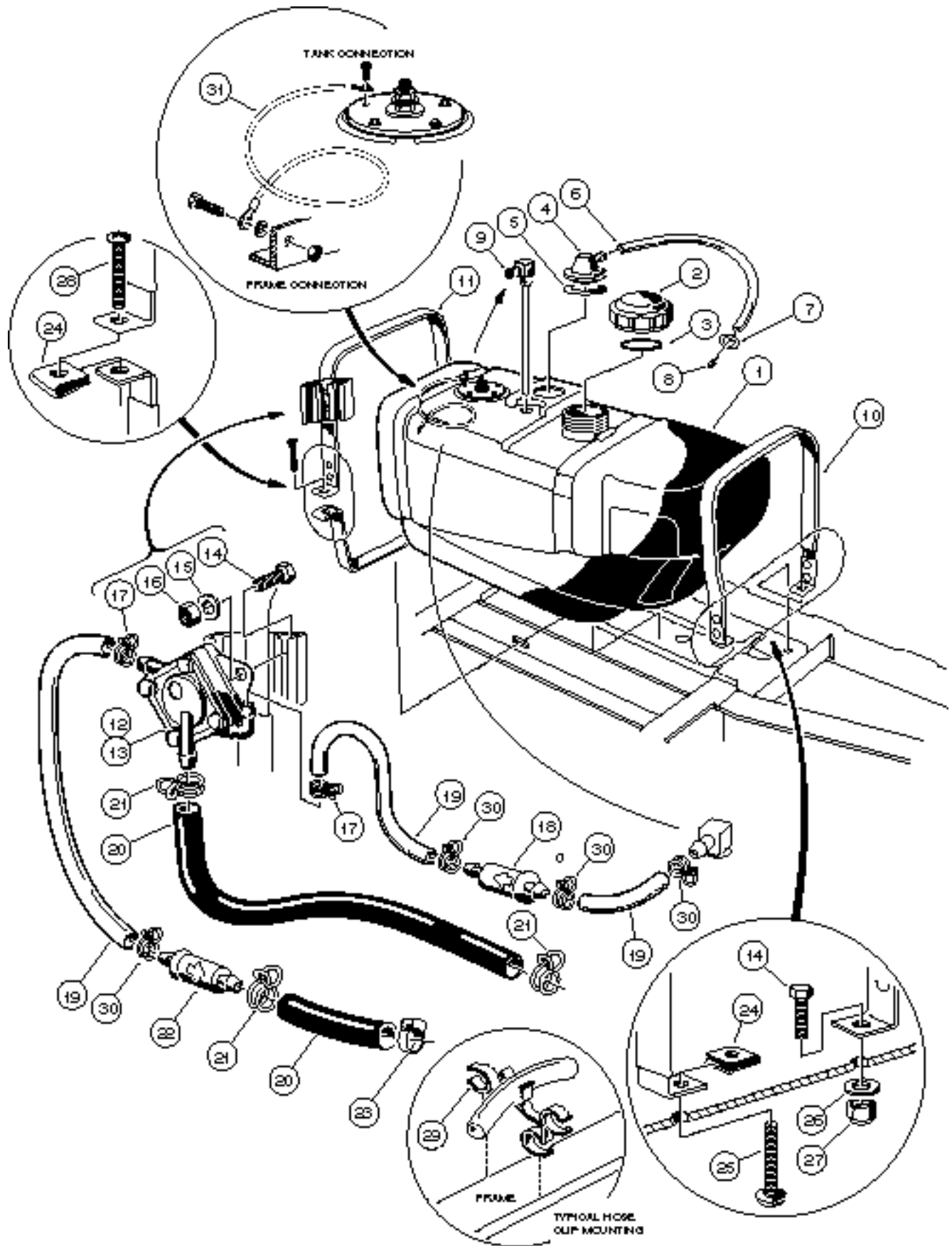
G

6

FUEL, INTAKE, AND GOVERNOR SYSTEMS

G

7

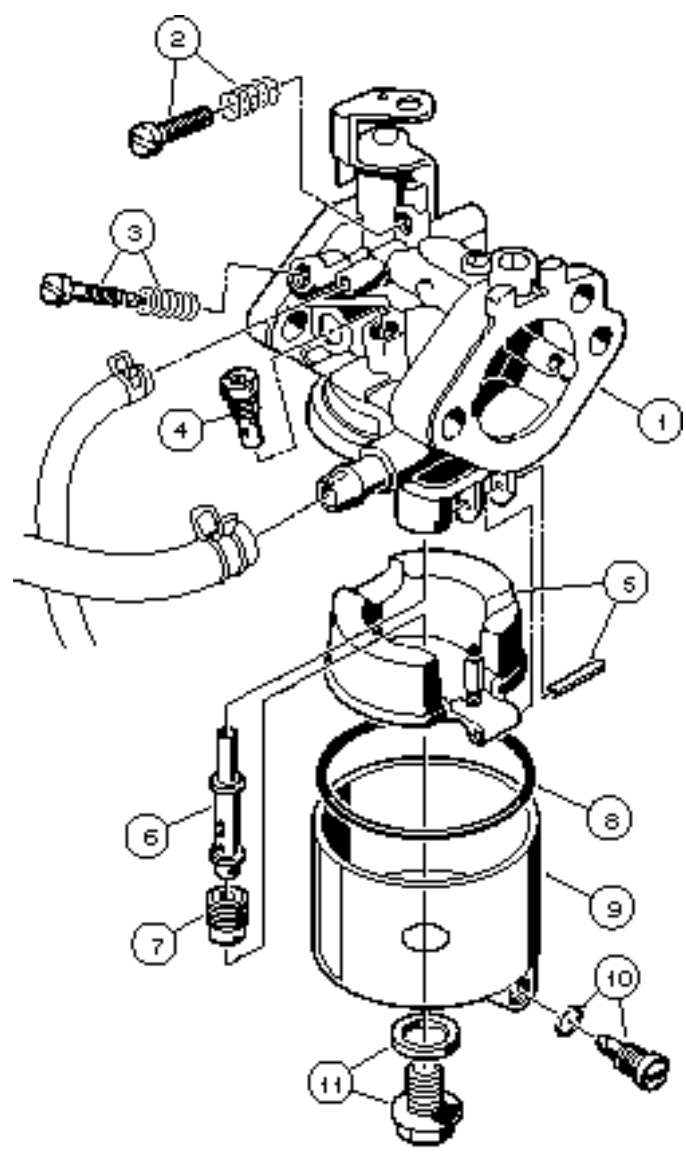


FUEL SYSTEM - ALL GASOLINE CARRYALLS

ITEM	PART NO.	DESCRIPTION	QTY
		1 2 3 4	
1	1016004	KIT, FUEL TANK, WITH SENDING UNIT (INCLUDES ITEMS 2 - 8)	1
2	1015188	CAP, FUEL TANK, NONVENTED (INCLUDES GASKET)	1
3	1014535	GASKET, FUEL CAP	1
4	1015143	ASSEMBLY, FUEL TANK VENT	1
5	1015139	GROMMET, INSULATION	1
6	1015137	LINE, BULK (FUEL TANK VENT)	A/R
7	1016059	CLIP, STUD	1
8	1018244-01	BARB, VENT	1
9	1012619	TUBE, FUEL PICK-UP	1
10	1014928	ASSEMBLY, REAR FUEL STRAP	1
11	1014927	ASSEMBLY, FRONT FUEL STRAP	1
12	1014523	PUMP, FUEL IMPULSE, SQUARE BODY	1
13	1014524	PUMP, FUEL IMPULSE, SQUARE BODY REBUILD KIT.....	1
14	0007847	SCREW, HEX HEAD CAP, 1/4 - 20 x 3/4.....	3
15	0000451	WASHER, LOCK, 1/4	2
16	0001028	NUT, HEX, 1/4 - 20	2
17	1013134-01	CLAMP, HOSE (RED)	2
18	1013684	FILTER , PRIMARY FUEL (WHITE).....	1
19	1012293	LINE, BULK FUEL (YELLOW)	A/R
20	1013692	LINE, BULK FUEL (BLACK)	A/R
21	1012649	CLAMP, HOSE	3
22	1014522	FILTER, SECONDARY FUEL (BLUE)	1
23	1013687	CLAMP, HOSE, 3/8	1
24	1014116	NUT, U-TYPE SPEED, 1/4 - 20	2
25	1013176	SCREW, PHILLIP TRUSS HEAD, 1/4 - 20 x 2 1/2	1
26	0000332	WASHER, FLAT, 1/4	1
27	0008233	NUT, NYLON INSERT LOCK, 1/4 - 20	1
28	1011988	SCREW, PHILLIP TRUSS HEAD, 1/4 - 20 x 2	1
29	1016666	CLIP, BLACK FUEL	2
30	1013134-02	CLAMP, HOSE (GOLD).....	4
31	1015921	WIRE ASSEMBLY, #16 BLACK	1
	1015014	KIT, FUEL TANK SERVICE (INCLUDES ITEMS 10, 11, 14, 15, 16, 19, 20, 24, 26, 27 & 28)	1

G

7

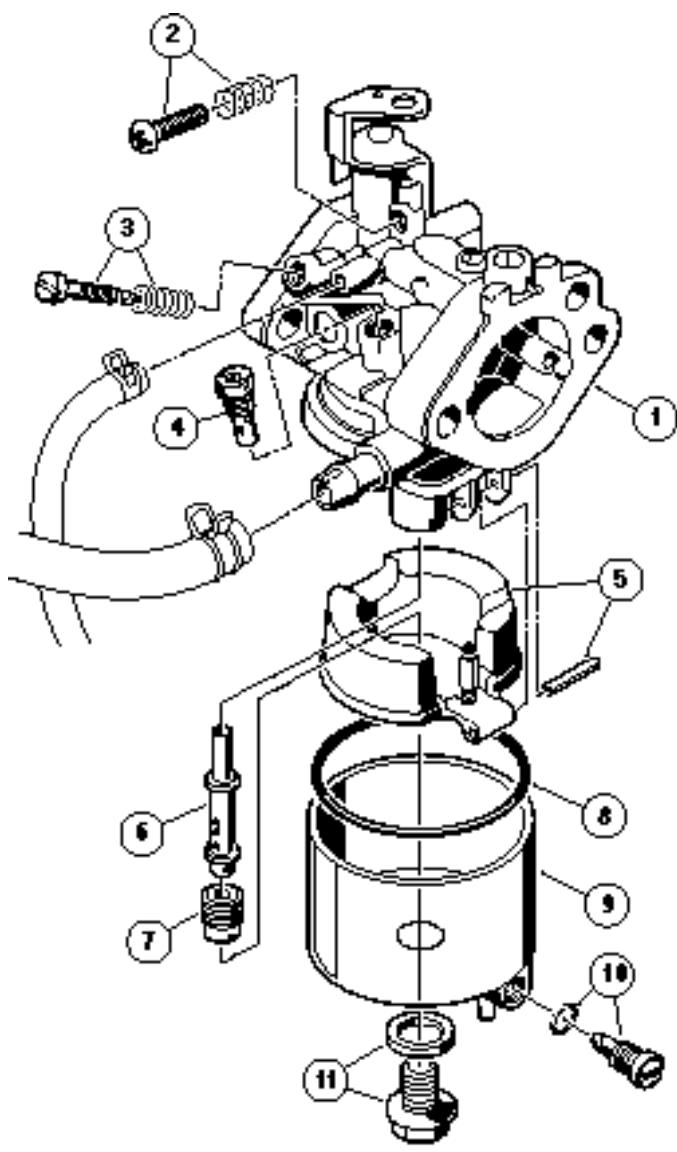


CARBURETOR ASSEMBLY - FE 290 ENGINES

ITEM	PART NO.	DESCRIPTION	QTY
		1 2 3 4	
1	1016478	ASSEMBLY, CARBURETOR (INCLUDES ITEMS 2 - 11)	1
2	1016501	ASSEMBLY, IDLE SCREW	1
3	1016500	ASSEMBLY, PILOT AIR SCREW	1
4	1016574	JET, PILOT, #45	1
5	1016486	ASSEMBLY, FLOAT	1
6	1016530	NOZZLE, MAIN	1
7	1016425-80	JET, MAIN, 0 - 3000 FT.	1
7	1016425-78	JET, MAIN, 3000 - 5000 FT.	1
7	1016425-75	JET, MAIN, 5000 - 8000 FT.	1
7	1016425-72	JET, MAIN, 8000 - 10,000 FT.	1
7	1016425-70	JET, MAIN, 10,000 FT. AND HIGHER	1
8	1016437	GASKET, CARBURETOR BOWL	1
9	1016487	ASSEMBLY, CARBURETOR BOWL (INCLUDES ITEM 10).....	1
10	1016499	ASSEMBLY, SCREW	1
11	1016585	ASSEMBLY, BOLT	1

G

7

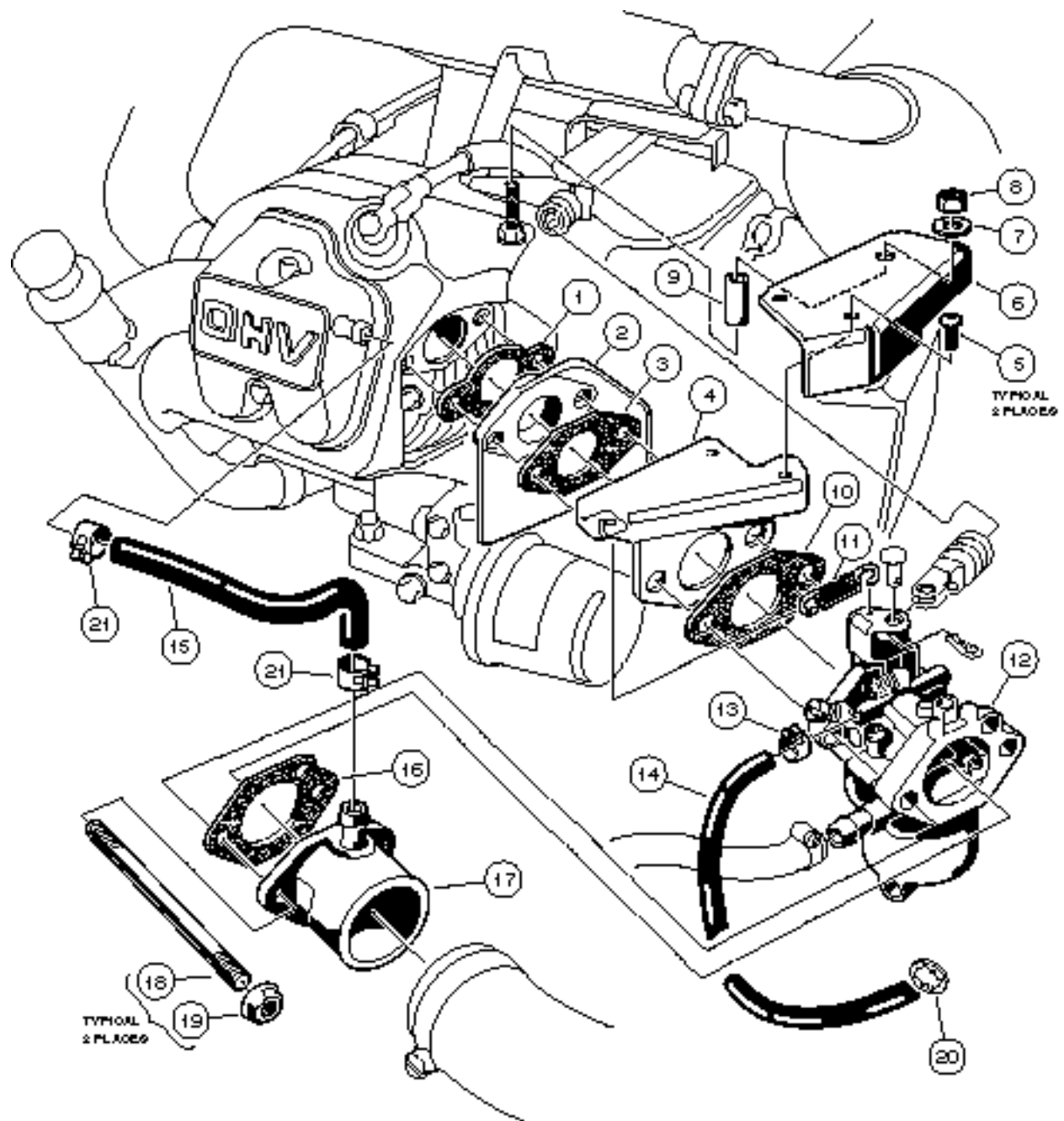


CARBURETOR ASSEMBLY - FE 350 ENGINES

ITEM	PART NO.	DESCRIPTION	QTY
		1 2 3 4	
1	1017459	ASSEMBLY, CARBURETOR (INCLUDES ITEMS 2 - 11)	1
2	1017465	ASSEMBLY, IDLE SCREW	1
3	1016500	ASSEMBLY, PILOT AIR SCREW	1
4	1017506	JET, PILOT, #48	1
5	1016486	ASSEMBLY, FLOAT	1
6	1017480	NOZZLE, MAIN	1
7	1016425-85	JET, MAIN, 0 -3000 FT.	1
7	1016425-82	JET, MAIN, 3000 -5000 FT.	1
7	1016425-80	JET, MAIN, 5000 -8000 FT.	1
7	1016425-78	JET, MAIN, 8000 -10,000 FT.	1
7	1016425-75	JET, MAIN, 10,000 FT. AND HIGHER	1
8	1016437	GASKET, CARBURETOR BOWL	1
9	1017461	ASSEMBLY, CARBURETOR BOWL (INCLUDES ITEM 10).....	1
10	1016499	ASSEMBLY, SCREW	1
11	1016585	ASSEMBLY, BOLT	1

G

7



GOVERNOR GUARD AND INTAKE HOSE ALL CARRYALL VEHICLES

ITEM	PART NO.	DESCRIPTION	QTY
		1 2 3 4	
1	1016440	GASKET, INSULATOR	1
2	1016481	INSULATOR, CARBURETOR	1
3	1016439	GASKET, CARBURETOR INSULATOR TO THROTTLE BRACKET	1
4	1016444	BRACKET, THROTTLE	1
5	1016103	SCREW, PAN / TORX HEAD SELF-TAPPING, #6 - 32 x 1/4	2
6	1016102	GUARD, GOVERNOR	1
7	0000451	WASHER, LOCK, 1/4	1
8	1011114	NUT, HEX M6 x 1	1
9	1016848	SPACER, GOVERNOR GUARD	1
10	1016441	GASKET, THROTTLE BRACKET TO CARBURETOR	1
11	1016582	SPRING, THROTTLE RETURN.....	1
12	1016478	ASSEMBLY, CARBURETOR, FE 290 ENGINES	1
12	1017459	ASSEMBLY, CARBURETOR, FE 350 ENGINES	1
13	1013746	CLAMP, HOSE	1
14	1015877-01	TUBE, AIR VENT	1
15	1016572	TUBE, CRANKCASE VENT.....	1
16	1016438	GASKET, CARBURETOR TO INTAKE MANIFOLD	1
17	1016480	PIPE, INTAKE	1
18	1016490	SCREW, 2-ENDED STUD, M6 x 1 x 92MM	2
19	1016547	NUT, FLANGED, M6 x 1	2
20	1016059	CLIP, STUD	1
21	1012849	CLAMP, HOSE	2

G

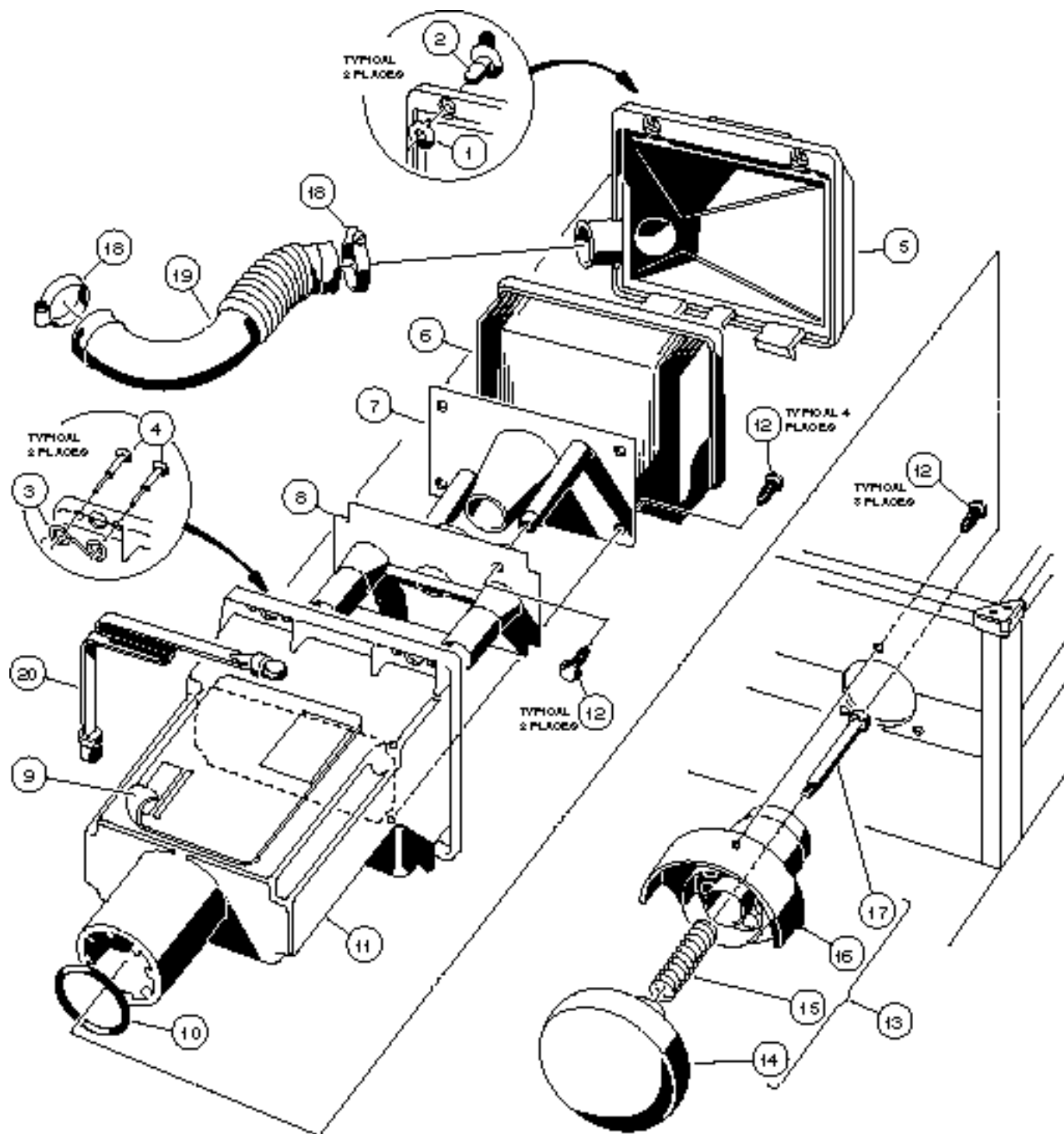
7

GOVERNOR AND ACCELERATOR CABLES ALL CARRYALL VEHICLES

ITEM	PART NO.	DESCRIPTION	QTY
		1 2 3 4	
1	1015225	CABLE, ACCELERATOR	1
2	1015226-01	CABLE, GOVERNOR, FE 290	1
2	1015226-02	CABLE, GOVERNOR, FE 350	1
3	1013700	CLAMP, CABLE RETAINING	1
4	1016546	NUT, FLANGED HEX, M8 x 1.25	1
5	1015410	BRACKET, ACCELERATOR SUPPORT	1
6	1012285	SCREW, HEX HEAD MACHINE, 1/4 - 20 x 5/8	4
7	1016202	"E" RING	3
8	1015408	PIN, GOVERNOR CABLE CLEVIS	2
9	1014413	PIN, HAIR SPRING COTTER, 1/8 x 5/8	2
10	1015411	BRACKET, SUPPORT	1
11	1016456	BOLT, FLANGED, M6 x 1 x 12MM.....	1
12	1016057	CLAMP, THROTTLE CABLE	1
13	1015845	BRACKET, GOVERNOR CABLE ENGINE	1

G

7



EXPANSION CHAMBER, CHOKE, AND FILTER

ITEM	PART NO.	DESCRIPTION	QTY
		1 2 3 4	
	1015431	ASSEMBLY, INTAKE EXPANSION CHAMBER (INCLUDES ITEMS 1-12)	1
1	1015291	RETAINER, STUD, #6	2
2	1015290	STUD, WING HEAD, #6	2
3	1015292	SPRING, RECEPTACLE, #6	2
4	1015727	RIVET, POP, 1/8	4
5	1015293	COVER, EXPANSION CHAMBER	1
6	1015426	ELEMENT, AIR FILTER	1
7	1015542	BAFFLE, SECONDARY AIR BOX	1
8	1015541	BAFFLE, PRIMARY AIR BOX	1
9	1016062	DECAL, SERVICE	1
10	1015425	O-RING	1
11	1015540	CHAMBER, EXPANSION	1
12	1015289	SCREW, HI-LO HEX HEAD, #10 - 16 x 5/8	9
13	1015745	ASSEMBLY, CHOKE (INCLUDES ITEMS 14-17)	1
14	1012629	COVER, CHOKE	1
15	1012633	SPRING, CHOKE	1
16	1015485	BASE, CHOKE	1
17	1012634	SCREW, HEX SOCKET HEAD SHOULDER, 1/4 - 20 x 2	1
18	1015430	CLAMP, HOSE (AIR INTAKE)	2
19	1016228	HOSE, INTAKE, CARRYALL I	1
19	1016300	HOSE, INTAKE, CARRYALL II AND II PLUS	1
20	1015577	STRAP, EXPANSION CHAMBER RETAINER	1

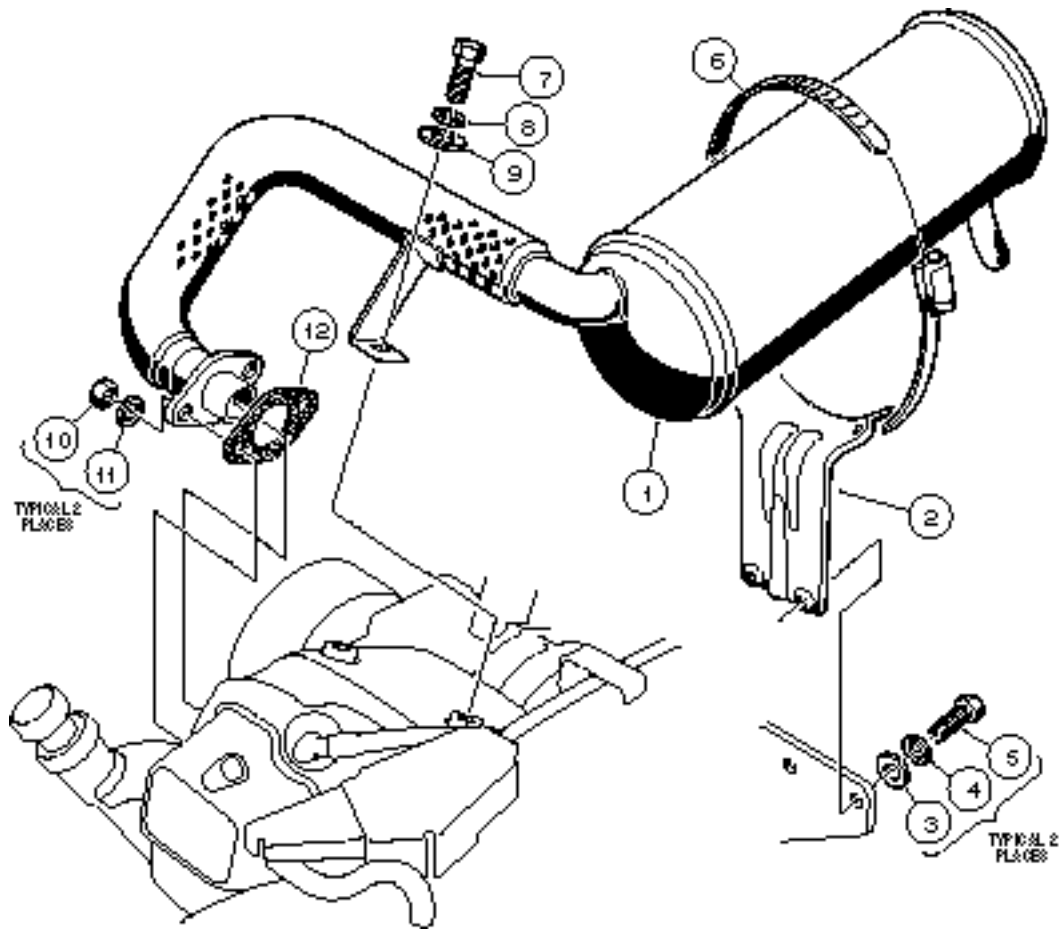
G

7

EXHAUST SYSTEM

G

8

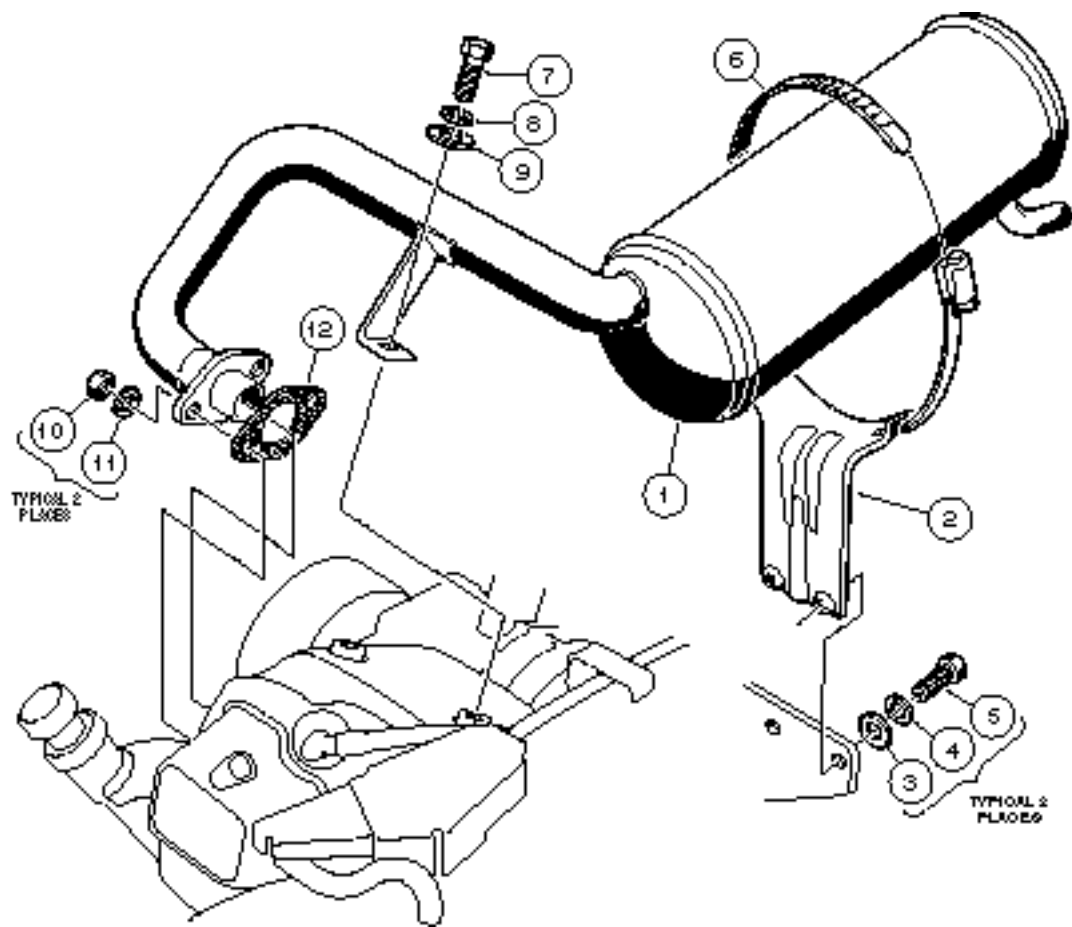


EXHAUST SYSTEM - FE 290 ENGINE

ITEM	PART NO.	DESCRIPTION	QTY
		1 2 3 4	
1	1018593-01	MUFFLER, CARRYALL I AND II	1
2	1015814	BRACKET, MUFFLER MOUNTING	1
3	0000332	WASHER, FLAT, 1/4	2
4	0000451	WASHER, LOCK, 1/4	2
5	0007847	SCREW, HEX HEAD, 1/4 - 20 x 3/4	2
6	1017689	CLAMP, MUFFLER	1
7	1012830	SCREW, HEX HEAD CAP, M8 x 1.25 x 22MM	1
8	0007174	WASHER, LOCK, 5/16	1
9	1011697	WASHER, FLAT, 5/16	1
10	1012528	NUT, HEX, M8 x 1.25	2
11	1013734	WASHER, LOCK, 8MM	2
12	1015330	GASKET, EXHAUST, CARRYALL I AND II	1

G

8



EXHAUST SYSTEM - FE 350 ENGINE

ITEM	PART NO.	DESCRIPTION	QTY
		1 2 3 4	
1	1018594-01	MUFFLER, CARRYALL II PLUS	1
2	1015814	BRACKET, MUFFLER MOUNTING	1
3	0000332	WASHER, FLAT, 1/4	2
4	0000451	WASHER, LOCK, 1/4	2
5	0007847	SCREW, HEX HEAD, 1/4 - 20 x 3/4	2
6	1017689	CLAMP, MUFFLER	1
7	1012830	SCREW, HEX HEAD CAP, M8 x 1.25 x 22MM	1
8	0007174	WASHER, LOCK, 5/16	1
9	1011697	WASHER, FLAT, 5/16	1
10	1012528	NUT, HEX, M8 x 1.25	2
11	1013734	WASHER, LOCK, 8MM	2
12	1016904	GASKET, EXHAUST, CARRYALL II PLUS	1

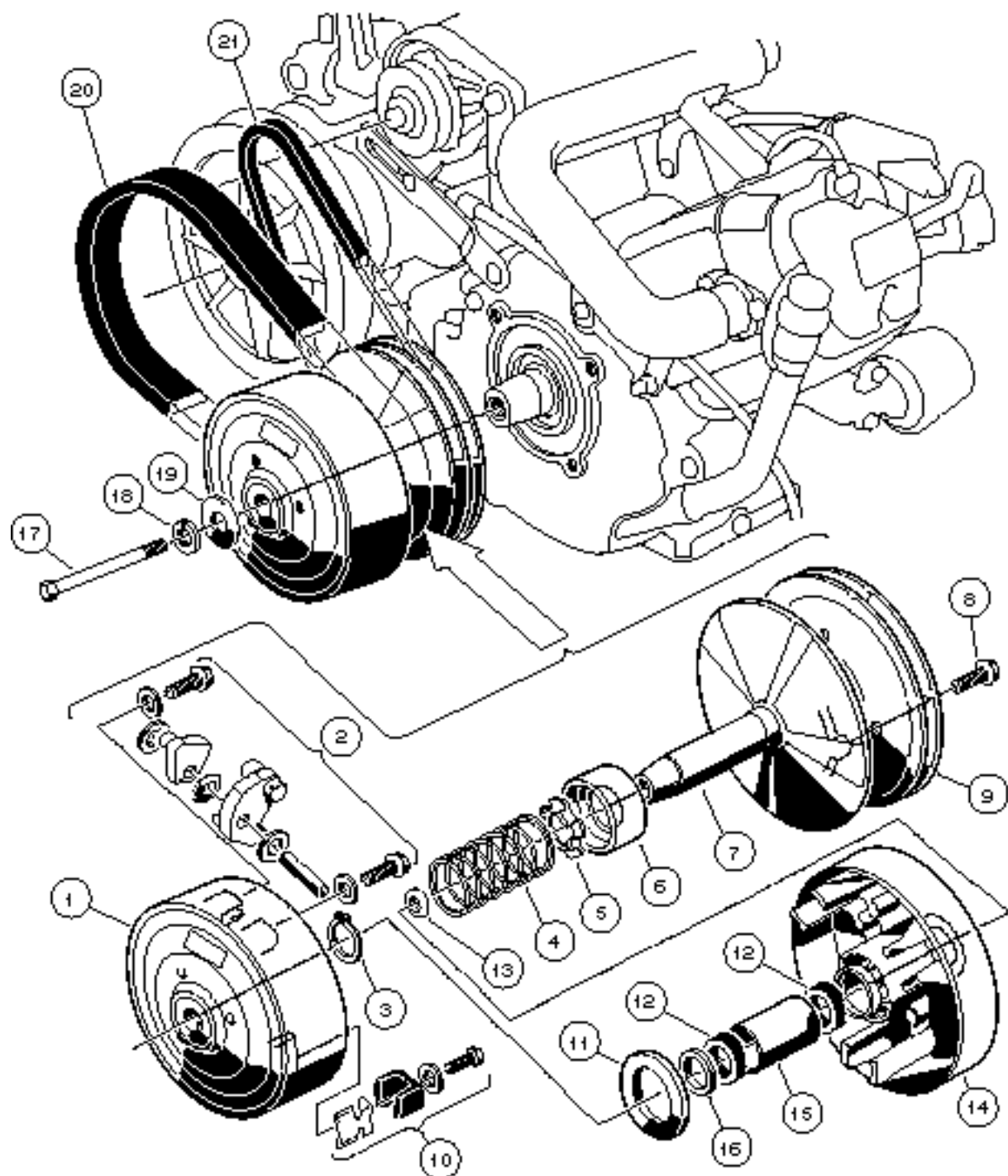
G

8

TORQUE CONVERTER

G

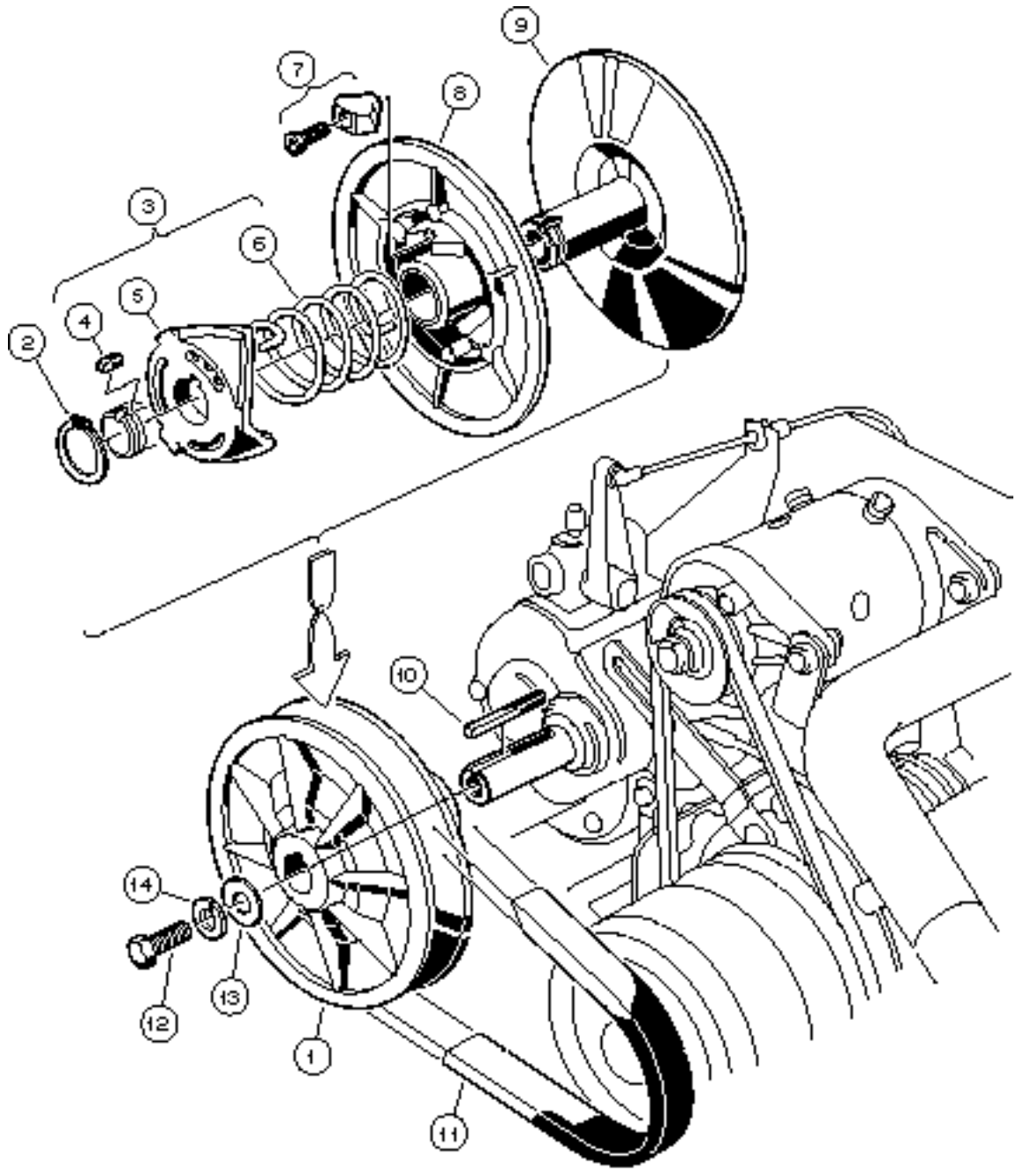
9



DRIVE CLUTCH ALL CARRYALL VEHICLES

ITEM	PART NO.	DESCRIPTION	QTY
		1 2 3 4	
	1016378-02	ASSEMBLY, DRIVE CLUTCH, CARRYALL I AND II (INCLUDES ITEMS 1 - 16)	1
	1016378-04	ASSEMBLY, DRIVE CLUTCH, CARRYALL II PLUS (INCLUDES ITEMS 1 - 16)	1
1	1014059	ASSEMBLY, DRIVE HUB	1
2	1016801	KIT, DRIVE CLUTCH WEIGHT	1
3	1014057	RING, RETAINING	1
4	1014051	SPRING, DRIVE CLUTCH, CARRYALL I AND II	1
4	1016901	SPRING, DRIVE CLUTCH, CARRYALL II PLUS	1
5	1014050	SPRING, RETAINER.....	1
6	1014049	BEARING, IDLER	1
7	1017383-01	ASSEMBLY, FIXED FACE (INCLUDES ITEMS 8 & 9).....	1
8	N/A	SCREW, WASHER HEAD HEX MACHINE	3
9	N/A	PULLEY	1
10	1014453	KIT, DRIVE CLUTCH BUTTON.....	1
11	1014058	WASHER, THRUST	1
12	1014056	RING, SPIRAL BACK-UP	2
13	1016289	SPACER, FIXED FACE SHAFT	1
14	1014052	ASSEMBLY, MOVABLE FACE (INCLUDES ITEMS 15 & 16)	1
15	N/A	BUSHING	1
16	1014055	RETAINER.....	1
17	1012441	SCREW, HEX HEAD CAP, 3/8 - 24 x 5 1/2	1
18	0000357	WASHER, LOCK, 3/8	1
19	0000808	WASHER, FLAT, 3/8.....	1
20	1016203	BELT, DRIVE, CARRYALL I	1
20	1017188	BELT, DRIVE, CARRYALL II AND II PLUS	1
21	1014290	BELT, STARTER/GENERATOR	1





DRIVEN CLUTCH ALL CARRYALL VEHICLES

ITEM	PART NO.	DESCRIPTION	QTY
		1 2 3 4	
1	1016360-01	ASSEMBLY, DRIVEN CLUTCH, CARRYALL I AND II (INCLUDES ITEMS 2 - 9).....	1
1	1016360-03	ASSEMBLY, DRIVEN CLUTCH, CARRYALL II PLUS (INCLUDES ITEMS 2 - 9).....	1
2	1014080	RING, RETAINING	1
3	1017755	KIT , CAM, CARRYALL I AND II (INCLUDES ITEMS 4 - 6)	1
3	1018564-01	KIT , CAM, CARRYALL II PLUS (INCLUDES ITEMS 4 - 6)	1
4	1014078	KEY	1
5	N/A	CAM	1
6	N/A	SPRING	1
7	1014454	KIT, BUTTON	1
8	1014072	ASSEMBLY, MOVEABLE FACE, WITH BUSHING	1
9	1014458	ASSEMBLY, FIXED FACE	1
10	1012455	KEY, SQUARE TRANSMISSION	1
11	1016203	BELT, DRIVE, CARRYALL I	1
11	1017188	BELT, DRIVE, CARRYALL II AND II PLUS	1
12	0007173	SCREW, HEX HEAD CAP, 5/16 - 18 x 3/4.....	1
13	1017327	WASHER, MOUNTING	1
14	0007174	WASHER, LOCK, 5/16.....	1

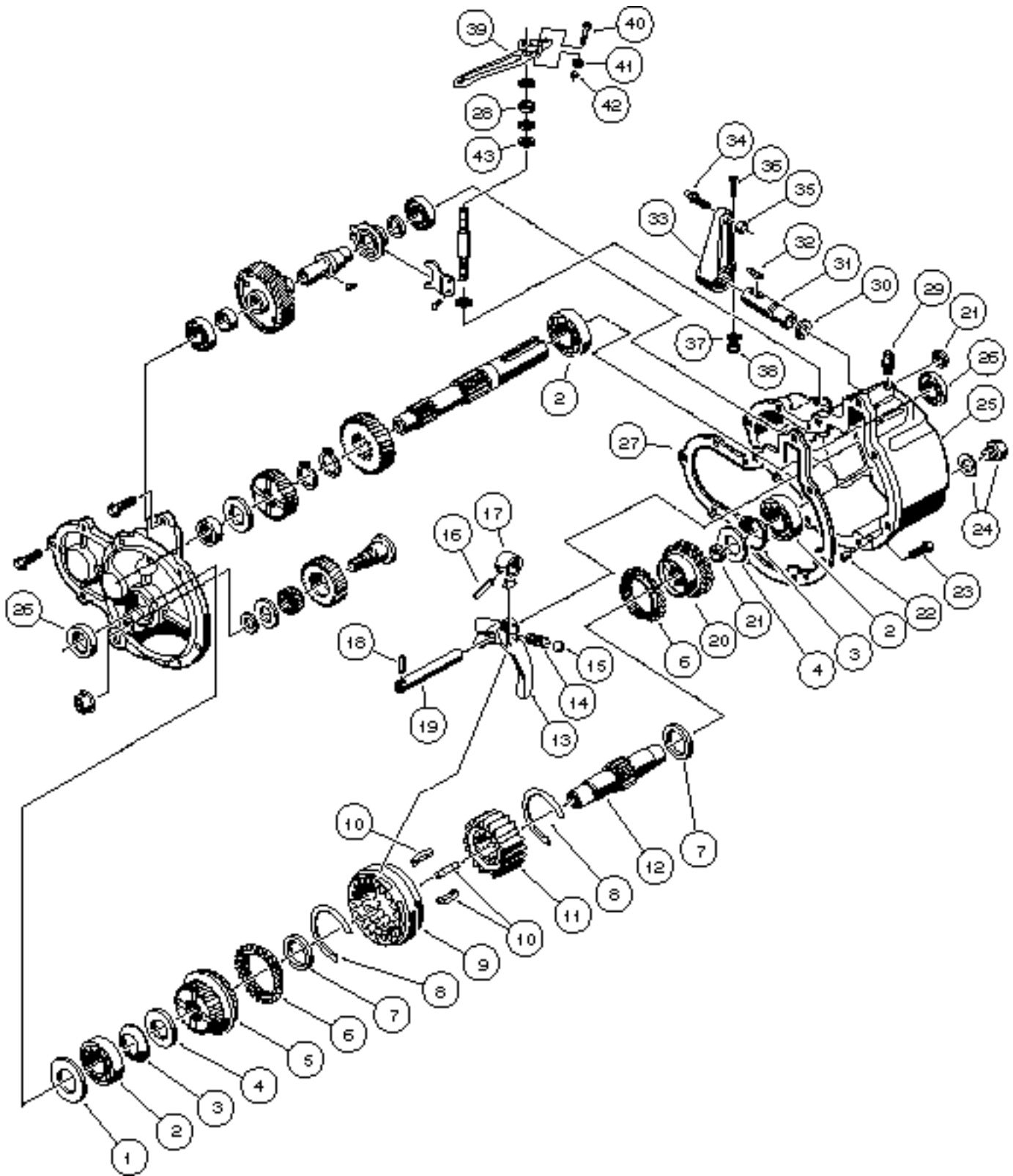
G

9

TRANSMISSION

G

10

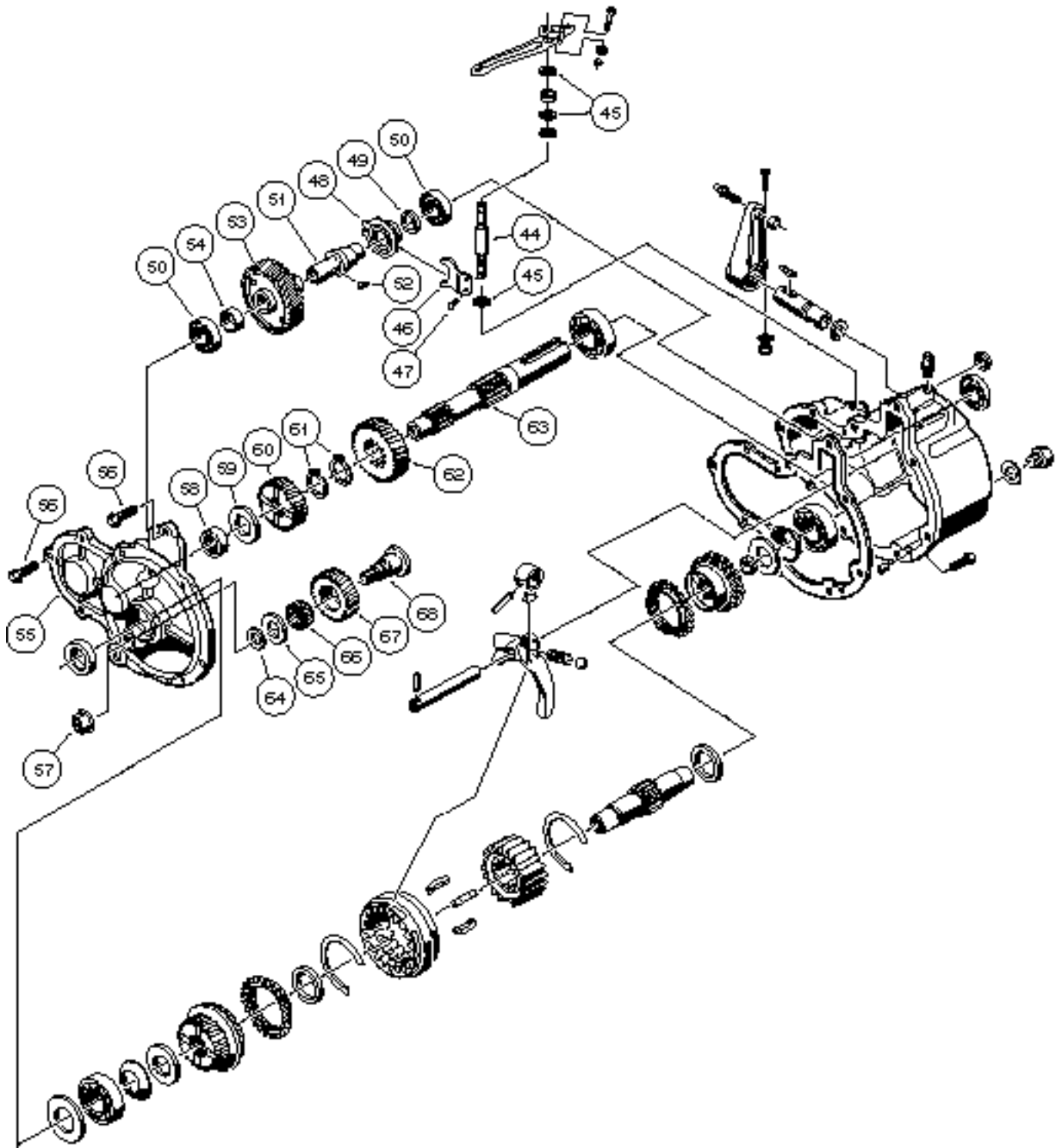


TRANSMISSION

ITEM	PART NO.	DESCRIPTION	QTY
		1 2 3 4	
	1015747	TRANSMISSION	1
1	1012783	SHIM, 0.2MM	A/R
1	1012784	SHIM, 0.1MM	A/R
2	0007336	BEARING, BALL	3
3	1016338	WASHER, SPRING	2
4	1016337	WASHER, THRUST	2
5	1012737	ASSEMBLY, GEAR, 34 TOOTH	1
6	1012742	RING, SYNCHRONIZER	2
7	1012743	WASHER, THRUST	2
8	1012741	SPRING, SYNCHRONIZER	2
9	1012739	SLEEVE, CLUTCH	1
10	1012740	INSERT, SYNCHRONIZER	3
11	1012738	HUB, CLUTCH	1
12	1012734	SHAFT, OUTPUT	1
13	1012746	ARM, SLEEVE SHIFT	1
14	1012748	SPRING, SHIFTER	1
15	1012747	BALL, SHIFTER	1
16	1012752	PIN, ROLL	1
17	1012750	LEVER, SHIFTER ARM, INSIDE	1
18	1012749	PIN, ROLL	1
19	1012745	ROD, SHIFT	1
20	1016591	ASSEMBLY, GEAR, 28 TOOTH	1
21	1012735	PLUG	2
22	1012710	PIN, DOWEL	2
23	1012719	SCREW, HEX HEAD CAP, M6 x 1 x 14MM	1
24	1013759	PLUG, FILL, WITH GASKET	1
25	1013960	CASE, GEAR, WITHOUT LOCKOUT OPENING	1
26	1012714	SEAL, OIL	2
27	1012717	GASKET, CASE	1
28	1012767	SEAL, OIL	1
29	1012711	BREATHER	1
30	1012754	O-RING	1
31	1012751	SHAFT, SHIFTER	1
32	1017231	KEY, WOODRUFF	1
33	1016341	LEVER, TRANSMISSION SHIFTER	1
34	1010954	STUD, BALL, 1/4 - 28 x 9/16	1
35	0008717	NUT, NYLON LOCK, 1/4 - 28	1
36	1017082	SCREW, HEX WASHER HEAD, #10 - 32 x 3/4	1
37	0000183	WASHER, FLAT, #10	1
38	1013061	NUT, NYLON LOCK, #10 - 32	1
39	1015710	ARM, GOVERNOR LEVER	1
40	1016686	BOLT, HEX, M6 x 1 x 28MM	1
41	1016513	WASHER, FLAT, M6	1
42	1012919	NUT, M6 x 1	1
43	1012765	WASHER, FLAT, M8	1

G

10



TRANSMISSION

ITEM	PART NO.	DESCRIPTION	QTY
		1 2 3 4	
44	1012762	SHAFT, GOVERNOR ARM	1
45	1012766	RING, SNAP	3
46	1012763	ARM, GOVERNOR, INTERNAL	1
47	1012764	SCREW, M4 x .7 x 6MM	2
48	1012757	SLEEVE, GOVERNOR	1
49	1012758	SPACER, THIN	1
50	1012761	BEARING, BALL	2
51	1016598	SHAFT, GOVERNOR	1
52	1012760	KEY, GOVERNOR SHAFT	1
53	1012755	GEAR, GOVERNOR, 41 TOOTH	1
54	1012759	SPACER, THICK	1
55	1016592	COVER	1
56	1012718	SCREW, HEX HEAD CAP, M6 x 1 x 20MM	4
57	1012733	NUT, FLANGE, M8 x 1.75	1
58	1012716	BEARING, NEEDLE	1
59	1012723	WASHER, THRUST, 3.0MM	A/R
59	1012724	WASHER, THRUST, 3.3MM (WHITE)	A/R
59	1012725	WASHER, THRUST, 3.6MM (YELLOW)	A/R
60	1012722	GEAR, 25 TOOTH	1
61	1012727	RING, SNAP	2
62	1016594	GEAR, 29 TOOTH	1
63	1012720	SHAFT, INPUT	1
64	1012732	O-RING	1
65	1012730	WASHER, THRUST	1
66	1012731	BEARING, NEEDLE	1
67	1012729	GEAR, REVERSE IDLER	1
68	1012728	SHAFT, IDLER	1

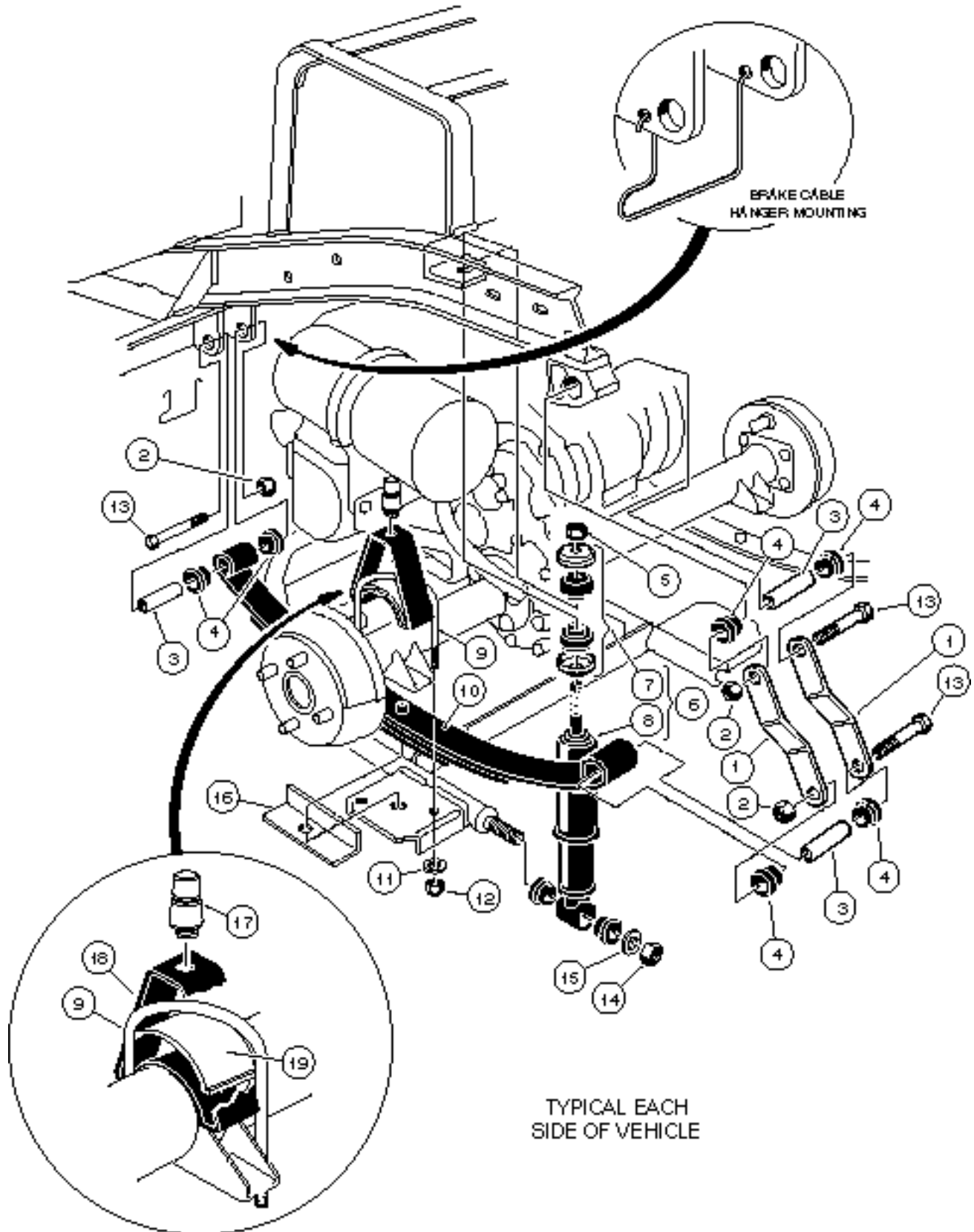
G

10

REAR SUSPENSION GASOLINE VEHICLE

G

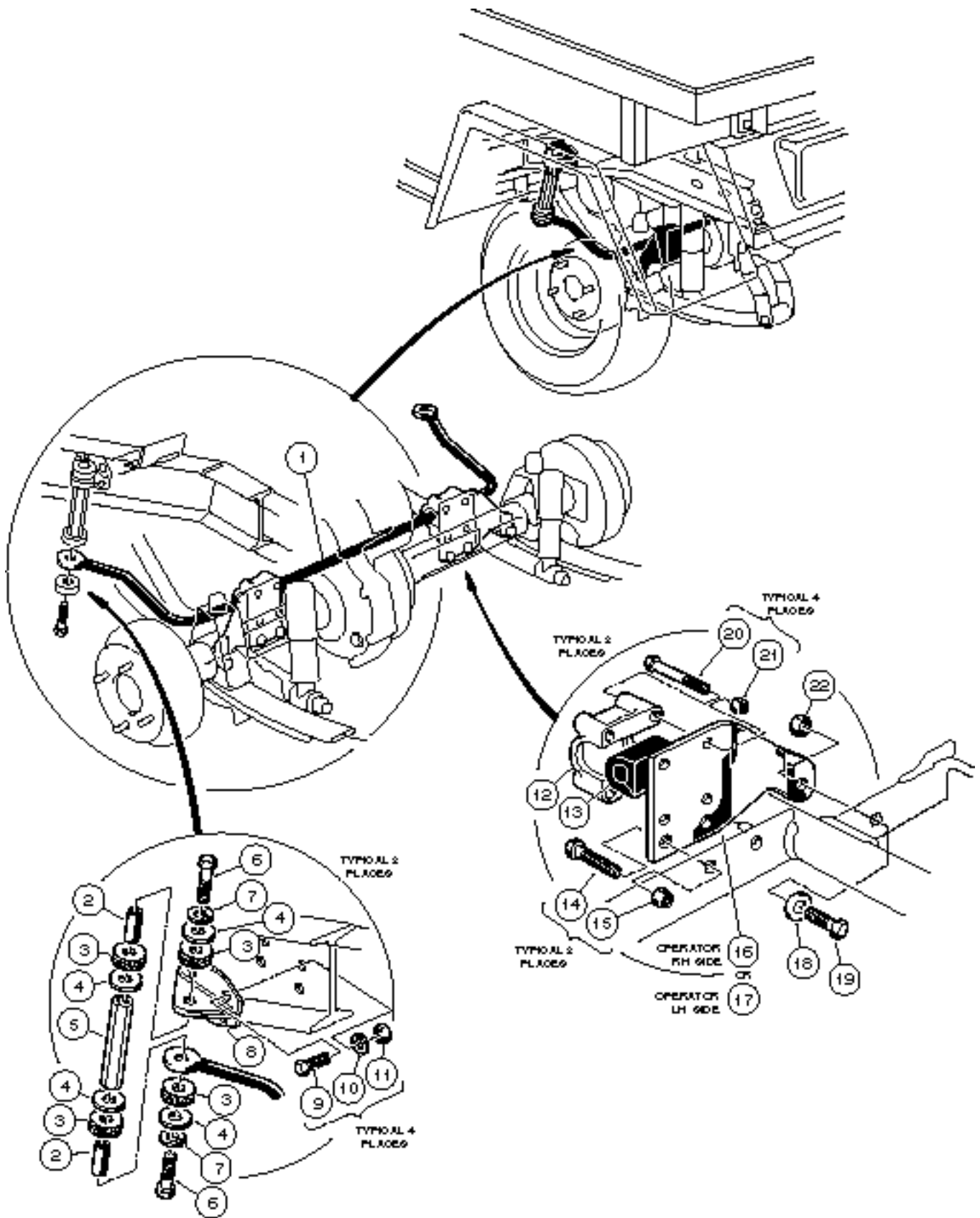
11



REAR SUSPENSION ALL GASOLINE POWERED CARRYALLS

ITEM	PART NO.	DESCRIPTION	QTY
		1 2 3 4	
1	1012304	SHACKLE, REAR SPRING	4
2	0008754	NUT, NYLON LOCK, 3/8 - 16	6
3	1012303	BUSHING, STEEL	4
4	1015583	BUSHING, URETHANE	12
5	1010145	NUT, HEX, 3/8 - 24	2
6	1012781	KIT, SHOCK ABSORBER (INCLUDES ITEMS 7 & 8)	2
7	1011415	KIT, SHOCK ABSORBER CUSHION	2
8	1014234	SHOCK ABSORBER, REAR	2
9	1014902	“U” BOLT	2
10	1014675	SPRING, REAR LEAF	2
11	1014557	WASHER, FLAT, 7/16	4
12	1014555	NUT, NYLON LOCK, 7/16 - 24.....	4
13	0008755	SCREW, HEX HEAD CAP, 3/8 - 16 x 3 3/8	6
14	1010188	NUT, DIMPLED LOCK, 5/8 - 11	2
15	1010193	WASHER, FLAT, 5/8	2
16	1014573	RETAINER, LEAF SPRING	2
17	1017235	BUMPER, SUSPENSION OVERLOAD	2
18	1014546-02	MOUNT, SUSPENSION OVERLOAD BUMPER	2
19	1014901	SPACER, SUSPENSION OVERLOAD BUMPER	2

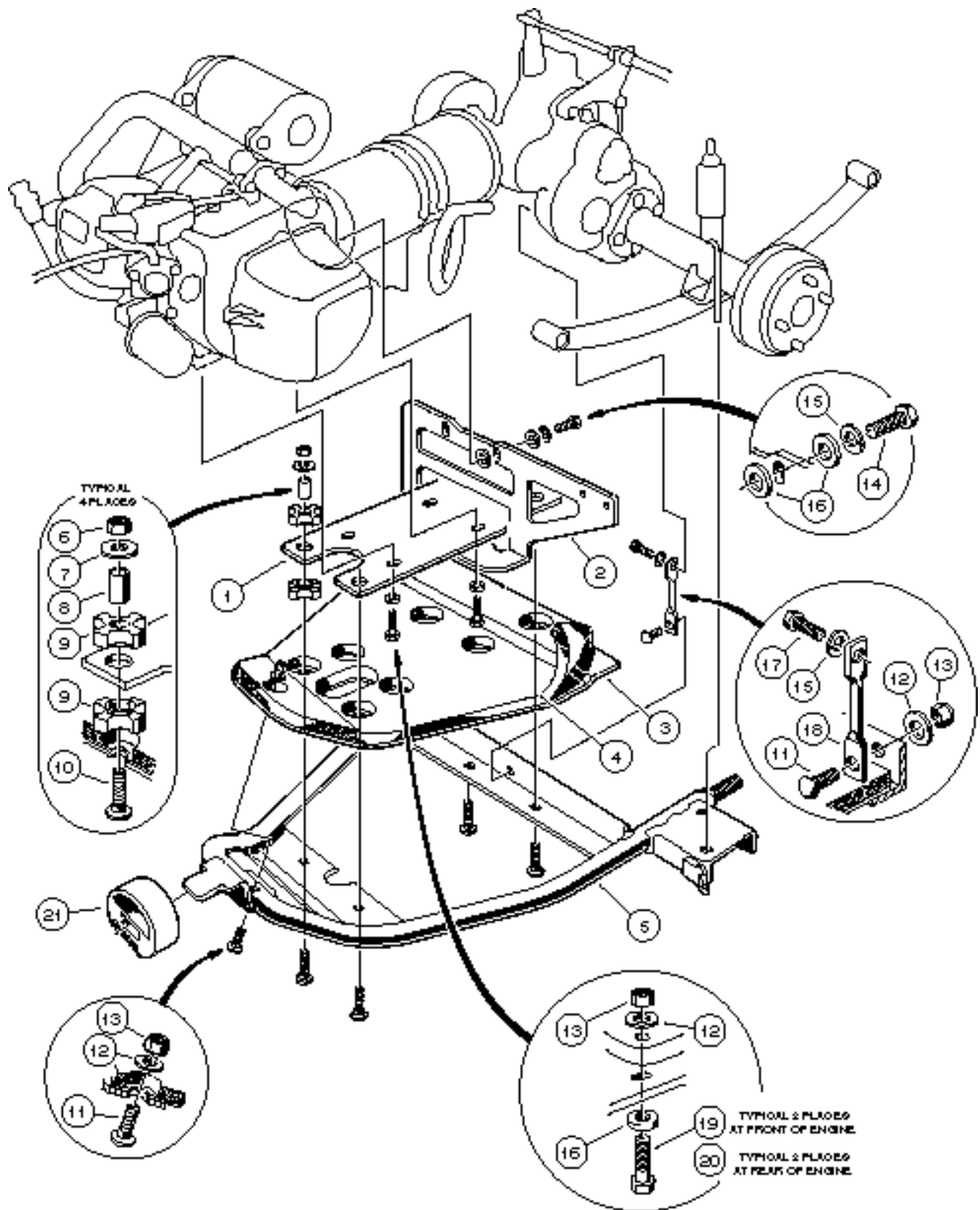




STABILIZER BAR CARRYALL II AND II PLUS

ITEM	PART NO.	DESCRIPTION	QTY
		1 2 3 4	
1	1015760	BAR, STABILIZER, 3/4 DIAMETER	1
2	1015457	SPACER	4
3	1015453	MOUNT, COMPRESSION	8
4	0000808	WASHER, FLAT, 3/8	8
5	1016814	LINK, STABILIZER BAR	2
6	0008861	SCREW, HEX HEAD CAP, 3/8 - 16 x 1 3/4	4
7	0000357	WASHER, LOCK, 3/8	4
8	1016813	BRACKET, STABILIZER BAR MOUNTING	2
9	1010934	SCREW, HEX HEAD CAP, 5/16 - 18 x 1	8
10	0007174	WASHER, LOCK, 3/8	8
11	0001242	NUT, HEX, 5/16 - 18	8
12	1015614	SUPPORT, STABILIZER BAR BUSHING	2
13	1015613	BUSHING, STABILIZER BAR	2
14	0000705	SCREW, HEX HEAD CAP, 3/8 - 16 x 1 1/4	4
15	0008754	NUT, NYLON LOCK, 3/8 - 16	4
16	1017144	PLATE, TRUSS, RIGHT SIDE	1
17	1017143	PLATE, TRUSS, LEFT SIDE	1
18	1017233	WASHER, HARDENED,	2
19	1017232	SCREW, HEX HEAD CAP, 5/16 - 24 x 1	2
20	0007311	SCREW, HEX HEAD CAP, 1/4 - 20 x 2	8
21	0008233	NUT, NYLON LOCK, 1/4 - 20	8
22	1017237	NUT, SERRATED FLANGE LOCK	2





INNER FRAME ALL GASOLINE POWERED CARRYALLS

ITEM	PART NO.	DESCRIPTION	QTY
		1 2 3 4	
1	1016869	PLATE, INNER FRAME MOUNTING	1
2	1016206	PLATE, MUFFLER MOUNTING.....	1
3	1016196	PAN, BELLY	1
4	1016197	INSULATION, BELLY PAN SOUND	1
5	1016870	ASSEMBLY, INNER FRAME WELD	1
6	0008754	NUT, NYLON LOCK, 3/8 - 16.....	4
7	0000808	WASHER, FLAT, 3/8.....	4
8	1017033	BUSHING, STEEL	4
9	1016810	MOUNT, ENGINE	8
10	1012428	BOLT, CARRIAGE, 3/8 - 16 x 2 1/4.....	4
11	1015932	BOLT, CARRIAGE, 5/16 - 18 x 1	1
12	0001241	WASHER, FLAT, 5/16.....	6
13	0007473	NUT, NYLON LOCK, 5/16 - 18.....	6
14	1015709	SCREW, HEX HEAD CAP, M8 x 1.25 x 30MM.....	2
15	0007174	WASHER, LOCK, 5/16.....	3
16	1012571	WASHER, HEAVY FLAT, 5/16.....	8
17	1010577	SCREW, HEX HEAD CAP, 5/16 - 18 x 1 1/2	1
18	1016200-02	SUPPORT, TRANSMISSION STRAP	1
19	0008963	SCREW, HEX HEAD CAP, 5/16 - 18 x 1 3/4.....	2
20	0008916	SCREW, HEX HEAD CAP, 5/16 - 18 x 2.....	2
21	1012164	SNUBBER, INNER FRAME.....	1

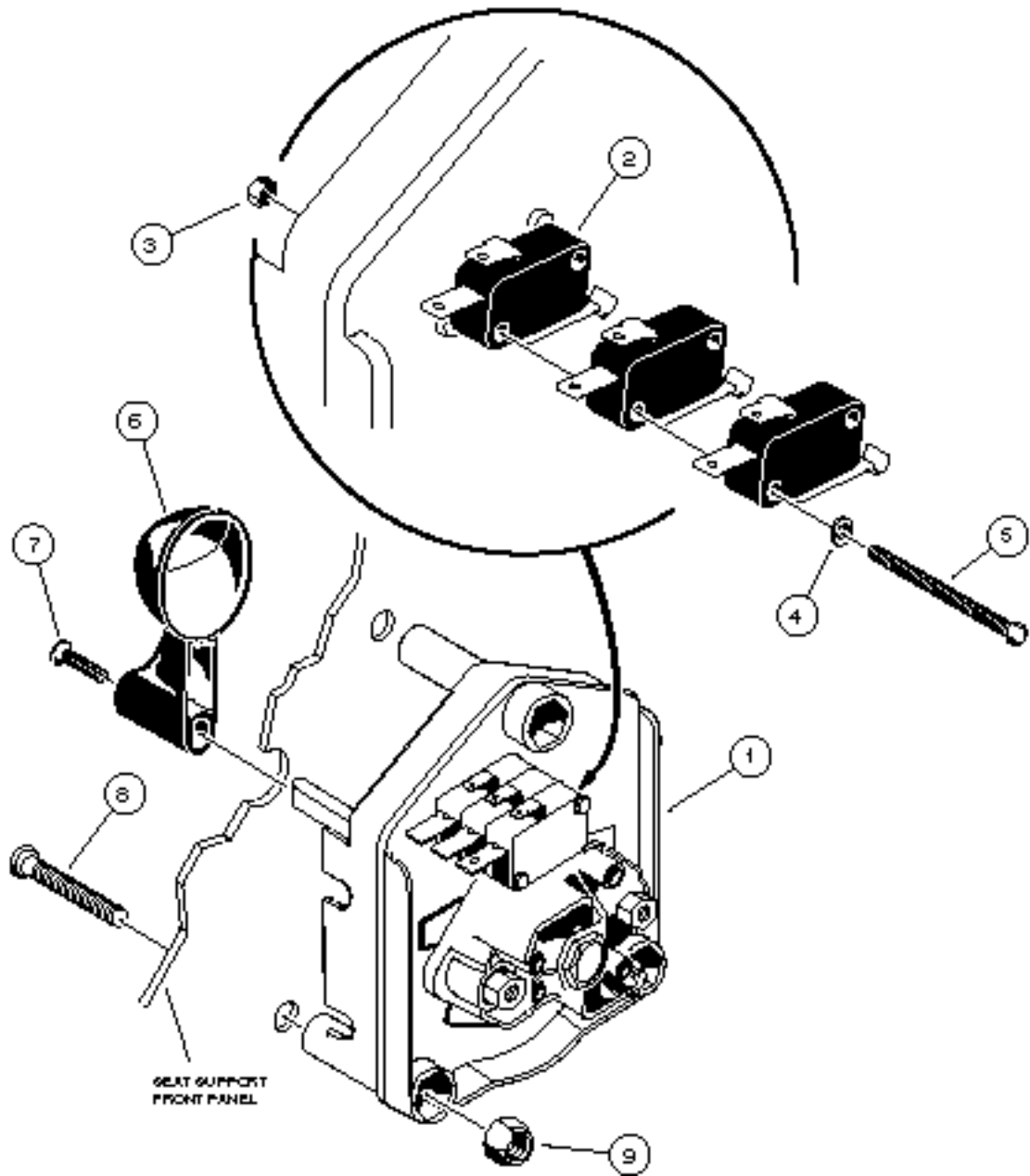
G

11

ELECTRICAL SYSTEM ELECTRIC VEHICLE

F

12

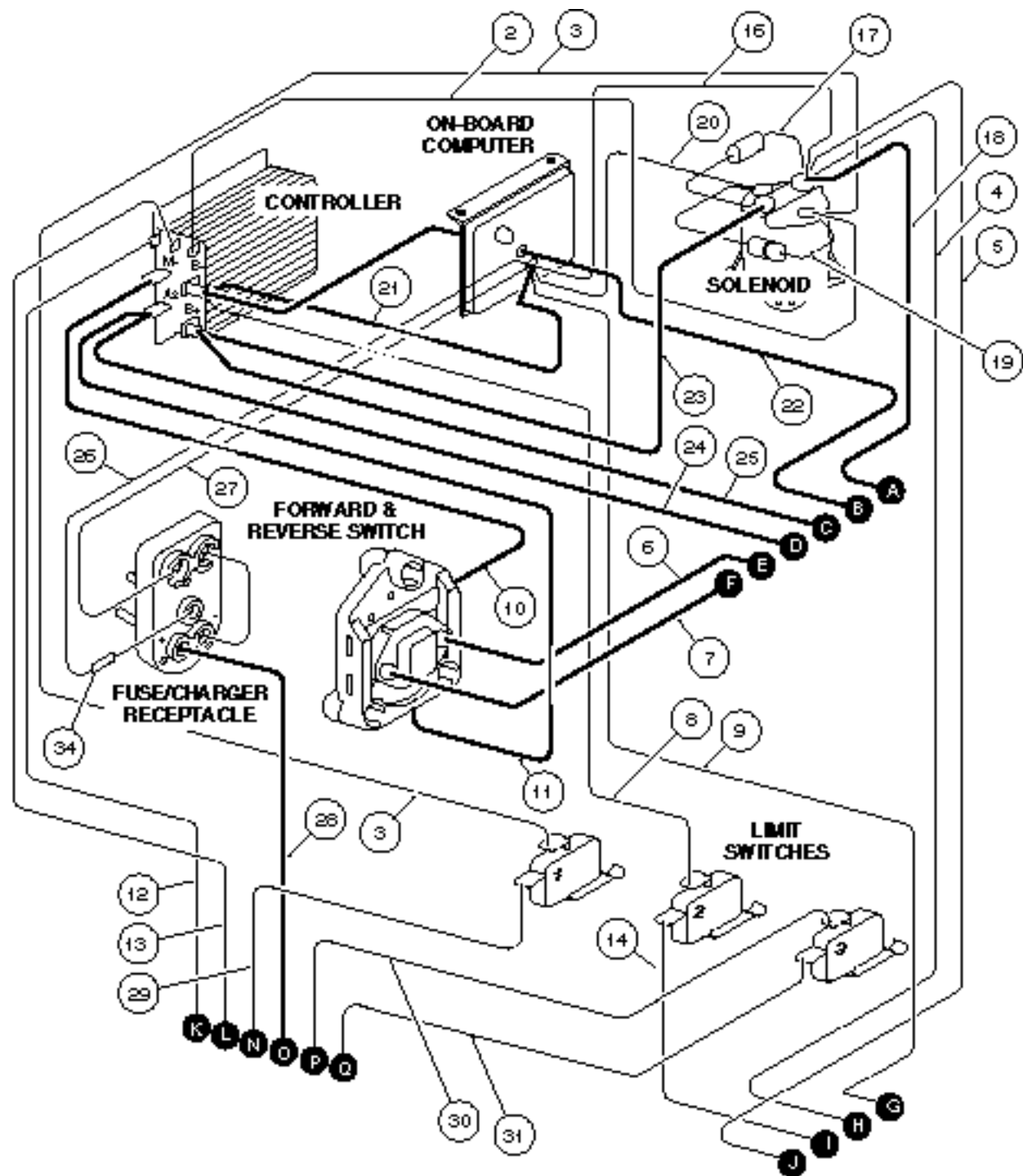


FORWARD AND REVERSE SWITCH CARRYALL I POWERDRIVE VEHICLE

ITEM	PART NO.	DESCRIPTION	QTY
		1 2 3 4	
1	1017530-04	ASSEMBLY, FOWARD AND REVERSE SWITCH (INCLUDES ITEMS 2-5).....	1
2	1014808	SWITCH, LIMIT	3
3	0008057	NUT, HEX, #4 - 40	2
4	0008058	WASHER, LOCK, #4	2
5	1014871	SCREW, HEX WASHER HEAD, #4 - 40 x 2	2
6	1012987	HANDLE, FOWARD AND REVERSE SWITCH	1
7	1013198	SCREW, PHILLIPS HEAD MACHINE, #8 - 32 x 5/8	1
8	1016845	SCREW, PHILLIPS TRUSS HEAD, 1/4 - 20 x 2 1/8	3
9	0008233	NUT, NYLON LOCK, 1/4 - 20	3

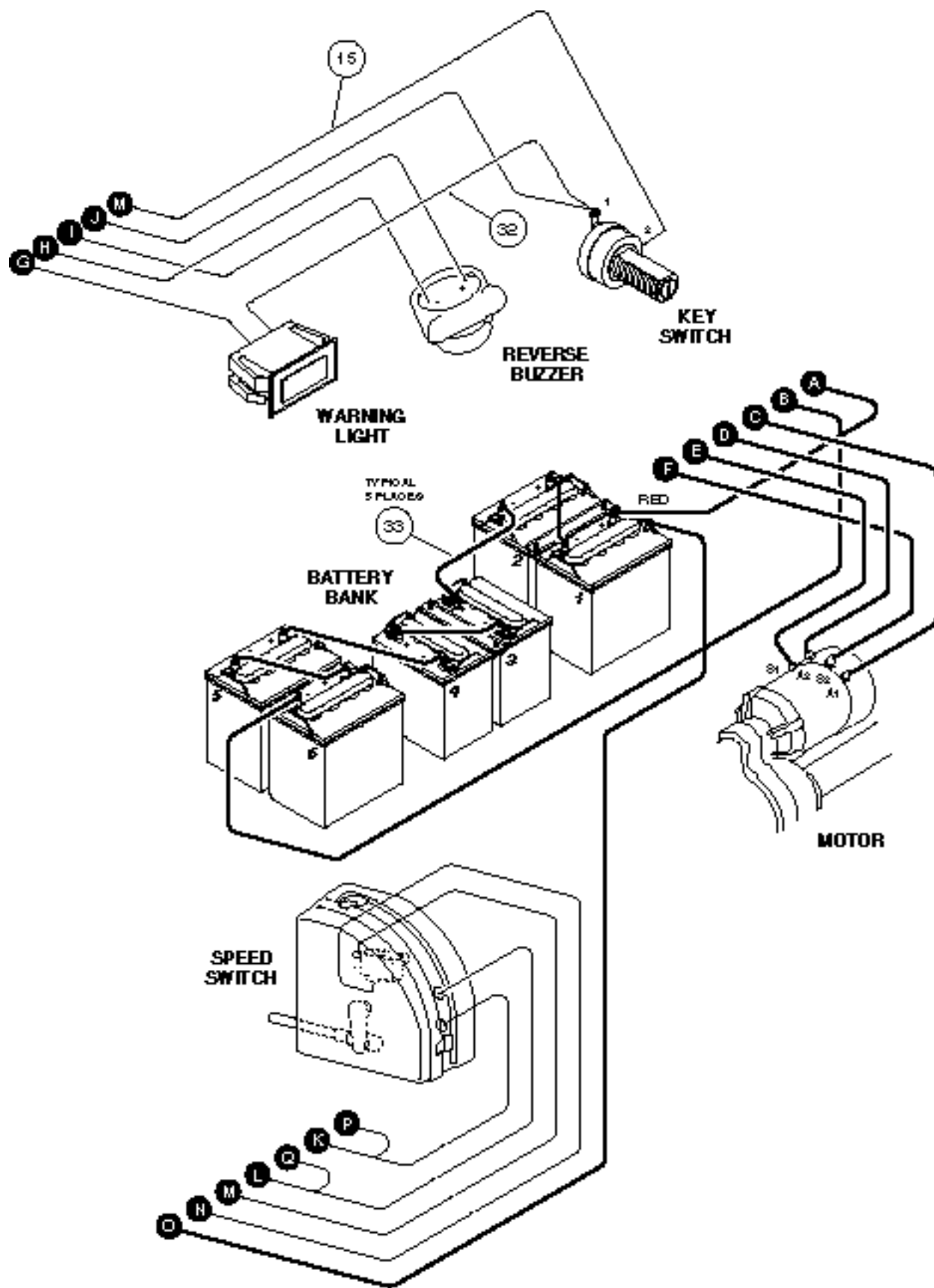
E

12

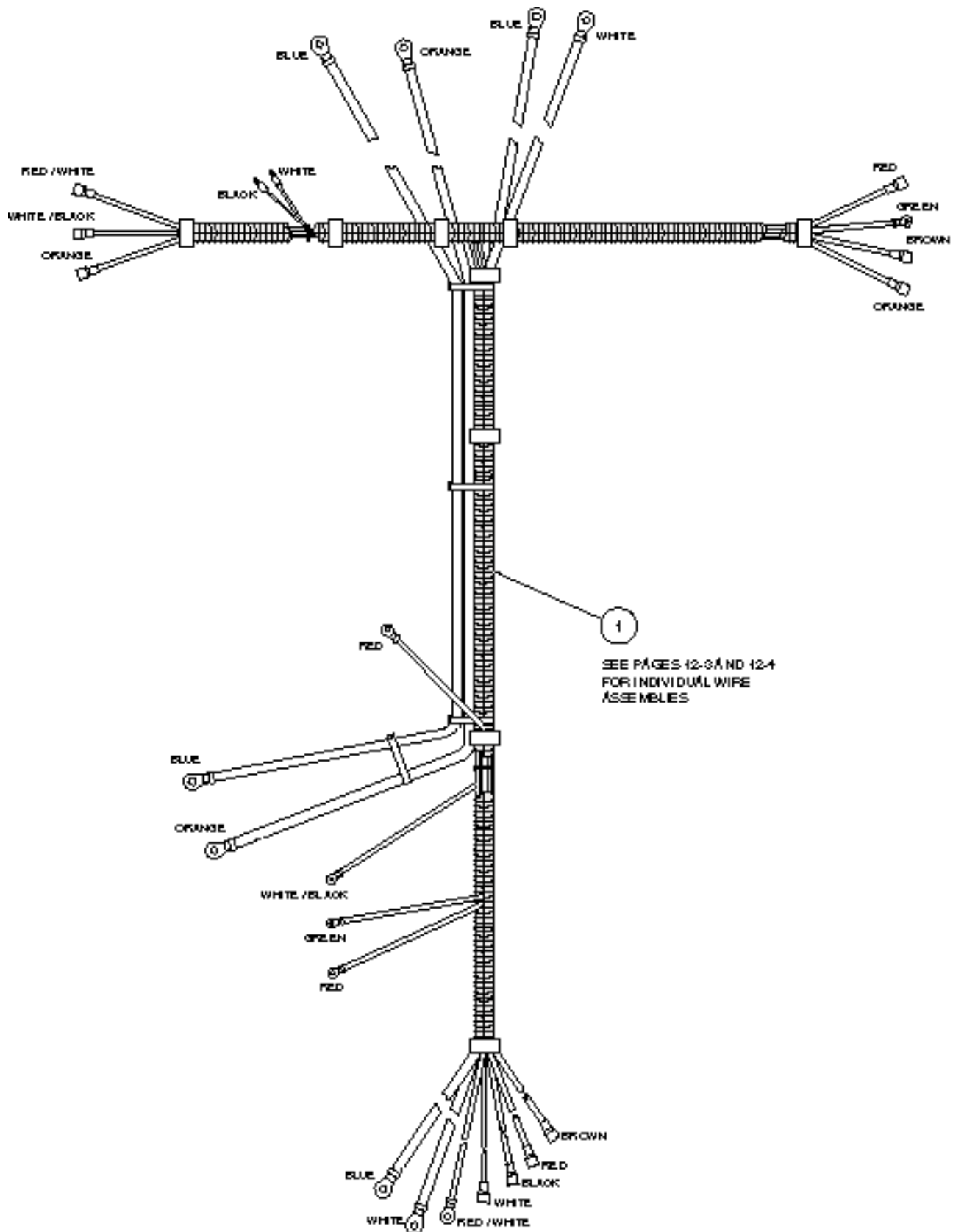


POWER WIRING CARRYALL I WITH POWERDRIVE SYSTEM 48

E



12



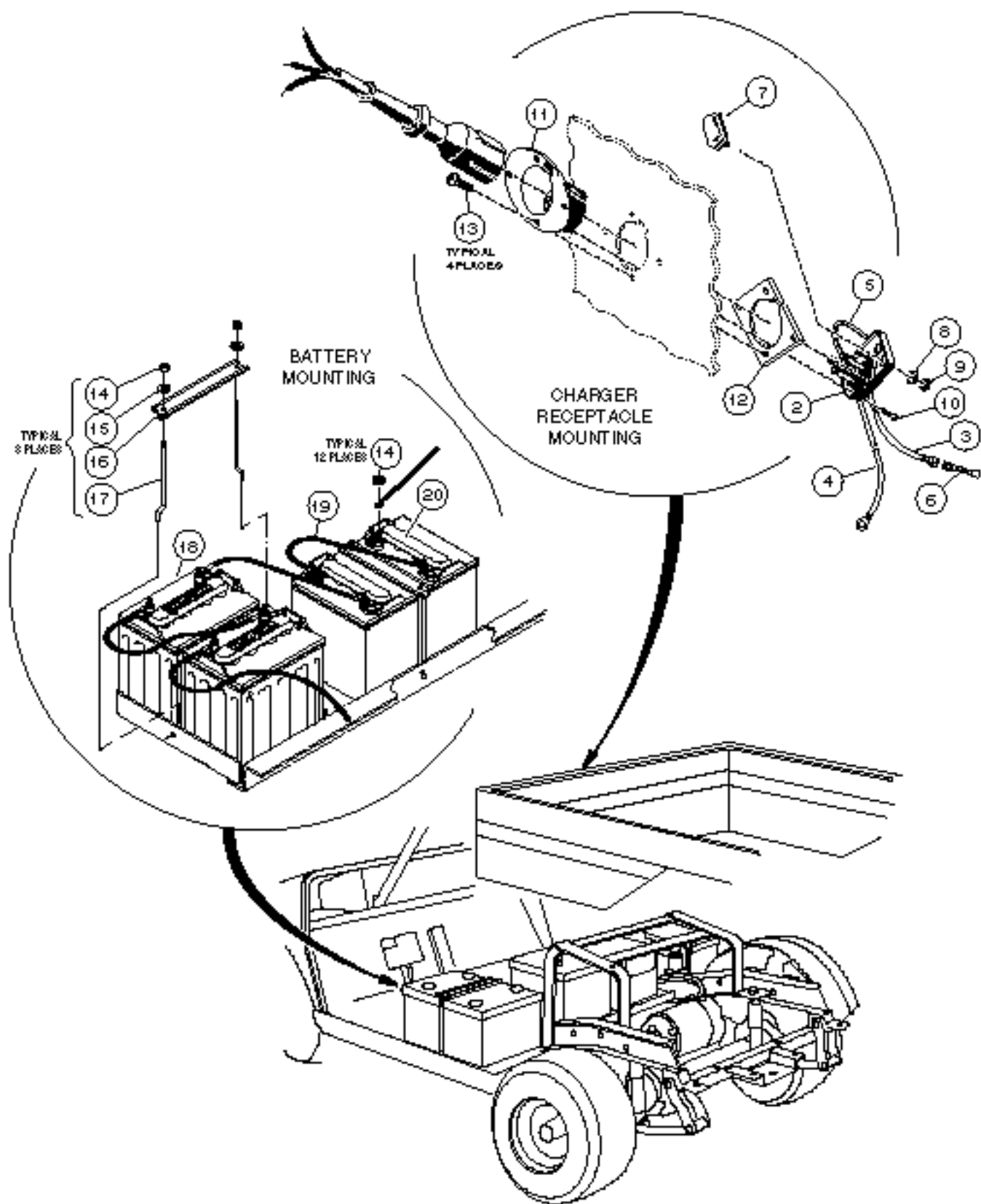
POWER WIRING

CARRYALL I WITH POWERDRIVE SYSTEM 48

ITEM	PART NO.	DESCRIPTION	QTY
		1 2 3 4	
1	1017942-02	HARNESS, POWERDRIVE POWER WIRING (PAGE 12-5, INCLUDES ITEMS 2 - 15 ON PAGES 12-3 AND 12-4)	1
2	1015865	WIRE ASSEMBLY, #18 RED	1
3	1016122	WIRE ASSEMBLY, #18 WHITE/BLACK	1
4	1016135	WIRE ASSEMBLY, #18 RED	1
5	1016121	WIRE ASSEMBLY, #18 GREEN	1
6	1014854	WIRE ASSEMBLY, #6 ORANGE	1
7	1018109	WIRE ASSEMBLY, #6 BLUE	1
8	1017993	WIRE ASSEMBLY, #18 RED/WHITE	1
9	1017956	WIRE ASSEMBLY, #18 BROWN	1
10	1018110	WIRE ASSEMBLY, #6 BLUE	1
11	1015769	WIRE ASSEMBLY, #6 WHITE	1
12	1015864	WIRE ASSEMBLY, #18 WHITE	1
13	1015863	WIRE ASSEMBLY, #18 BLACK	1
14	1016134	WIRE ASSEMBLY, #18 ORANGE	1
15	1016133	WIRE ASSEMBLY, #18 BLUE	1
16	N/A	WIRE ASSEMBLY, #18 RED (PART OF ON-BOARD COMPUTER ASSEMBLY)	1
17	1014947	RESISTOR ASSEMBLY	1
18	1015859	WIRE ASSEMBLY, #6 RED	1
19	1014978	DIODE ASSEMBLY	1
20	N/A	WIRE ASSEMBLY, #18 YELLOW (PART OF ON-BOARD COMPUTER ASSEMBLY)	1
21	N/A	WIRE ASSEMBLY, #10 BLACK (PART OF ON-BOARD COMPUTER ASSEMBLY)	1
22	1018278-01	KIT, WIRE AND TERMINAL, #6 BLACK	1
23	1015858	WIRE ASSEMBLY, #6 YELLOW	1
24	1015861	WIRE ASSEMBLY, #6 WHITE	1
25	1015860	WIRE ASSEMBLY, #6 GREEN	1
26	N/A	WIRE ASSEMBLY, #10 GREY (PART OF ON-BOARD COMPUTER ASSEMBLY)	1
27	N/A	WIRE ASSEMBLY, #10 BLACK (PART OF ON-BOARD COMPUTER ASSEMBLY)	1
28	N/A	WIRE ASSEMBLY, #10 RED (PART OF FUSE AND RECEPTACLE ASSEMBLY)	1
29	1017394	WIRE ASSEMBLY, #18 GREEN/WHITE	1
30	1015863	WIRE ASSEMBLY, #18 BLACK	1
31	1015864	WIRE ASSEMBLY, #18 WHITE	1
32	1017967	WIRE ASSEMBLY, #18 ORANGE/WHITE	1
33	1017957-01	WIRE ASSEMBLY, #6 BLACK	5
34	1018633-01	FUSE ASSEMBLY, .25 AMP	1

E

12

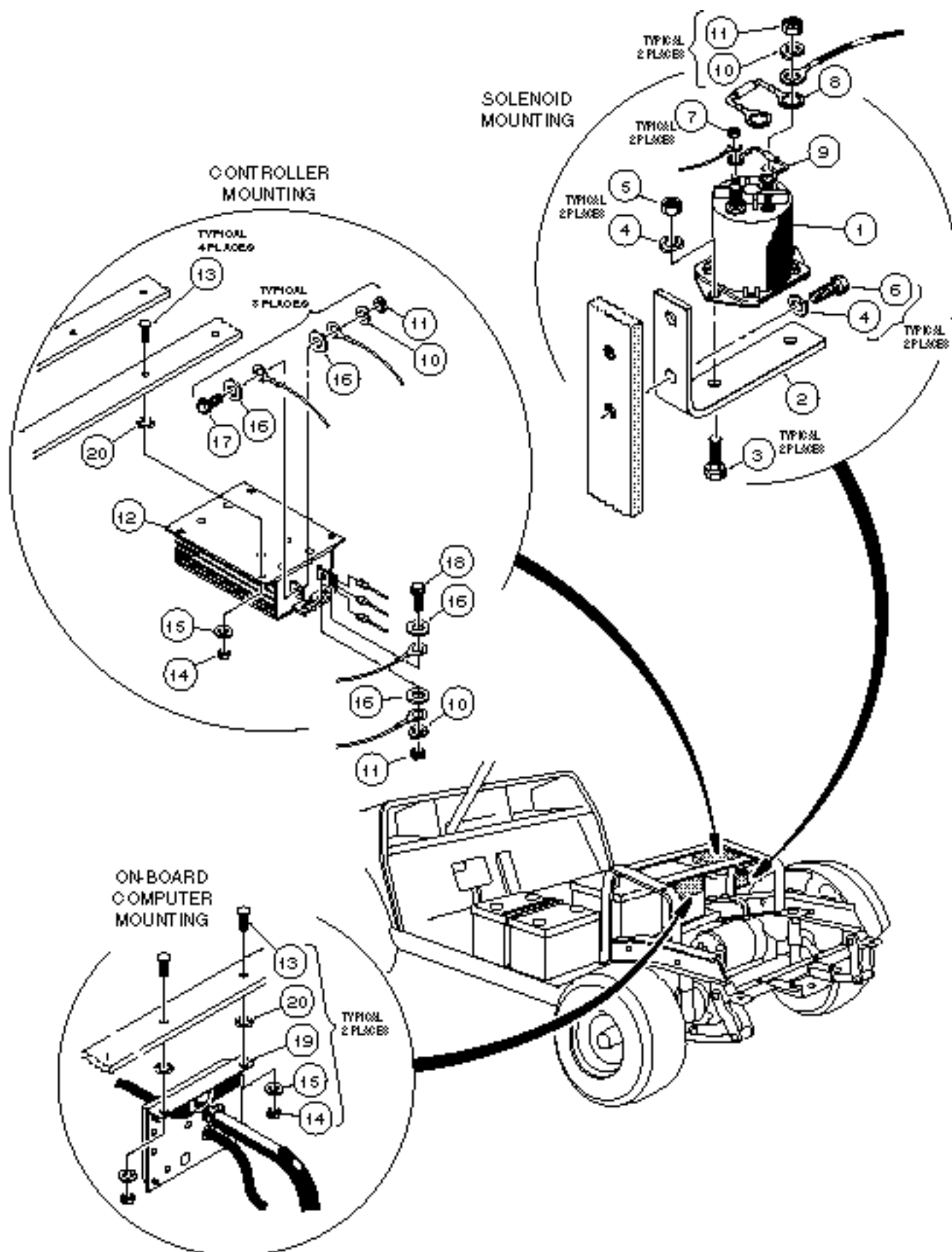


CHARGER RECEPTACLE AND BATTERY MOUNTING CARRYALL I POWERDRIVE VEHICLE

ITEM	PART NO.	DESCRIPTION	QTY
		1 2 3 4	
1	1018021-01	KIT, FUSE AND RECEPTACLE (INCLUDES ITEMS 2 - 11)	1
2	1018468-01	ASSEMBLY, FUSE AND RECEPTACLE (INCLUDES ITEMS 3 - 10)	1
3	N/A	WIRE ASSEMBLY, #10 GREY	1
4	N/A	WIRE ASSEMBLY, #10 RED	1
5	N/A	WIRE ASSEMBLY, #10 BLACK	1
6	1018633-01	ASSEMBLY, FUSE, .25 AMP	1
7	1017968-01	ASSEMBLY, FUSE, 48 VOLT (INCLUDES ITEMS 8 AND 9)	1
8	1018038	WASHER, NARROW TYPE 13, #10	2
9	1018028	NUT, SERRATED, #10-32	2
10	1017705	SCREW, PHILLIPS PAN HEAD, #8 TYPE AB	3
11	1017965-01	BEZEL, RECEPTACLE	1
12	1018010-01	PLATE, RECEPTACLE BACKING	1
13	1018320-01	SCREW, PHILLIPS PAN HEAD, #7-18 x 3/4	4
14	1014304	NUT, STAINLESS STEEL HEX, 5/16-18	18
15	1011578	WASHER, FLAT, 5/16	6
16	1018030-01	HOLD-DOWN, BATTERY	3
17	1013683	BOLT, "J"	6
18	1017977-01	BATTERY, 8 VOLT POWERDRIVE	6
19	1017957	ASSEMBLY, WIRE, #6 BLACK	5
20	1017978-01	CAP, BATTERY, 4 PORT GANG	6

E

12



ON-BOARD COMPUTER, CONTROLLER, AND SOLENOID MOUNTING - POWERDRIVE VEHICLE

ITEM	PART NO.	DESCRIPTION	QTY
		1 2 3 4	
1	1018070-01	SOLENOID, 48 VOLT	1
2	1015838	BRACKET, SOLENOID MOUNTING	1
3	0007847	BOLT, HEX HEAD, 1/4 - 20 x 3/4	2
4	0000451	WASHER, LOCK, 1/4	4
5	0001028	NUT, HEX, 1/4 - 20	2
6	1012285	SCREW, HEX WASHER HEAD, 1/4 - 20 x 5/8	2
7	0007893	NUT, HEX, #10 - 32	2
8	1014947	ASSEMBLY, RESISTOR	1
9	1014948	ASSEMBLY, DIODE	1
10	0007174	WASHER, LOCK, 5/16	6
11	0001242	NUT, HEX, 5/16 - 18	6
12	1018008	CONTROLLER, 48 VOLT	1
13	1017203	BOLT, CARRIAGE, 1/4 - 20 x 1	6
14	0008233	NUT, NYLON LOCK, 1/4 - 20	6
15	0000332	WASHER, FLAT, 1/4	6
16	0001241	WASHER, FLAT, 5/16	8
17	0007173	BOLT, HEX HEAD, 5/16 - 18 x 3/4	3
18	0001218	BOLT, HEX HEAD, 5/16 - 18 x 1 1/4	1
19	1018006-01	COMPUTER, ON-BOARD	1
20	1016631	NUT, PUSH, 3/16	6

F

12

MULTI-STEP POTENTIOMETER CARRYALL I POWERDRIVE VEHICLE

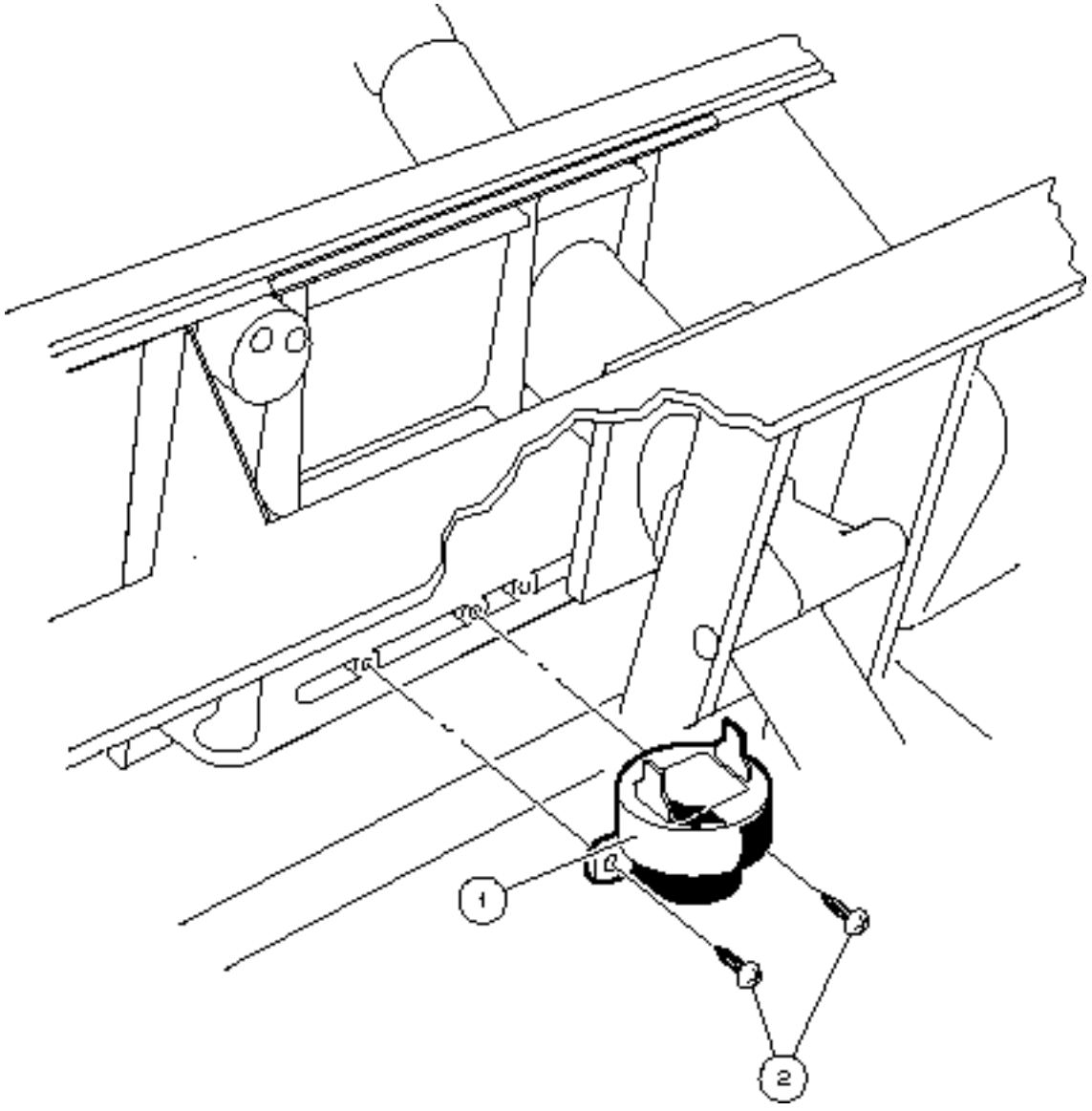
ITEM	PART NO.	DESCRIPTION	QTY
		1 2 3 4	
	1016012	ASSEMBLY, WIPER SWITCH (INCLUDES ITEMS 1 - 38)	1
1	1014999	ASSEMBLY, WIPER SWITCH CASE, 6 SPEED	1
2	0000451	WASHER, LOCK, 1/4	1
3	1014253	NUT, BRASS HEX JAM, 1/4 - 20	3
4	0007473	NUT, NYLON LOCK, 5/16 - 18	1
5	1012353	STUD, SHORT BALL, 1/4 - 28	1
6	1014003	CRANK, BELL	1
7	0008449	NUT, DIMPLED LOCK, 1/4 - 28	1
8	1012903	BEARING, BRONZE	2
9	1014189	SCREW, HEX HEAD CAP, 1/4 - 20 x 2	1
10	1013886	COVER, WIPER SWITCH	1
11	0007893	NUT, HEX, #10 - 32	1
12	1014017	CARRIER, WIPER SWITCH ARM	1
13	1013998	SPRING, WIPER SWITCH BRUSH	1
14	1014000	STUD, WIPER SWITCH ADJUSTING	1
15	1014019	SCREW, SELF-TAPPING, #4 - 40 x 3/8	1
16	0008058	WASHER, LOCK #4	3
17	1013887	ARM, SPEED SWITCH	1
18	1013860	ASSEMBLY, SWITCH BRUSH	1
19	0008056	SCREW, ROUND HEAD MACHINE, #4 - 40 x 3/4	2
20	1014807	SWITCH, LIMIT	1
21	1014010	GROMMET, SPLIT	1
22	0008057	NUT, HEX, #4 - 40	2
23	1014414	BUMPER, WIPER SWITCH	1
24	1014413	PIN, HAIR SPRING COTTER	1
25	1017692	CAP, PROTECTOR	1
26	1016061	PROTECTOR, WIPER SWITCH RESISTOR	1
27	1018269-01	ASSEMBLY, RESISTOR, 300Ω	2
28	1018269-02	ASSEMBLY, RESISTOR, 390Ω	1
29	1016015	ASSEMBLY, RESISTOR, 750Ω	1
30	1018269-03	ASSEMBLY, RESISTOR, 1000Ω	1
31	1018269-04	ASSEMBLY, RESISTOR, 2200Ω	1
32	1014839	ASSEMBLY, WIRE, #18 GREEN/WHITE	1
33	1016142	ASSEMBLY, WIRE, #18 BLUE	1
34	1013266	SCREW, PHILLIPS TRUSS HEAD, #8 - 18 x 1/2	2
35	1013529	WASHER, FLAT, #8	4
36	1011571	NUT, HEX, #8 - 32	2
37	1016090	STAND-OFF, HEX MALE/FEMALE, #8 - 32	2
38	1012076	WASHER, EXTERNAL TOOTH LOCK, #8	4
39	1014109	BOLT, CARRIAGE, #10 - 24 x 1	2
40	1016175	WASHER, LOCK, #10	2
41	0001017	NUT, HEX, #10 - 24	2
42	1014367	SHIM, WIPER SWITCH	1
43	1016018	ASSEMBLY, WIRE, #18 BLACK	1
44	1016019	ASSEMBLY, WIRE, #18 WHITE	1
45	0001014	NUT, BRASS HEX, 1/4 - 20	8
46	0000451	WASHER, LOCK, 1/4	8

E

12

E

12



REVERSE BUZZER CARRYALL I POWERDRIVE VEHICLE

ITEM	PART NO.	DESCRIPTION	QTY
		1 2 3 4	
	1016859	KIT, REVERSE BUZZER (INCLUDES ITEMS 1 AND 2)	1
1	1016851	BUZZER, REVERSE (9-48 VOLT)	1
2	1016849	SCREW, PAN HEAD HILO, #4 - 24 x 5/16	2

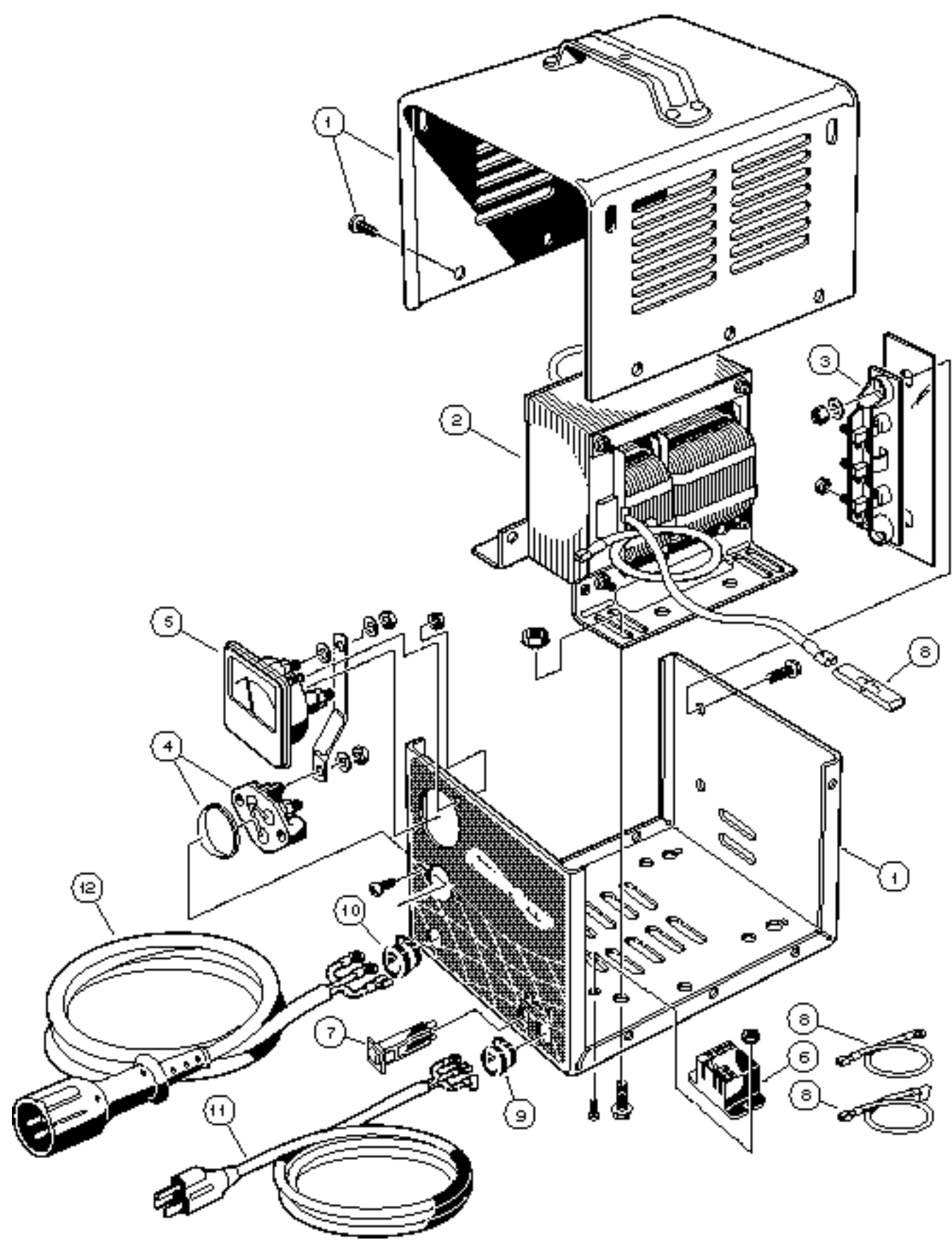
E

12

BATTERY CHARGERS

F

13

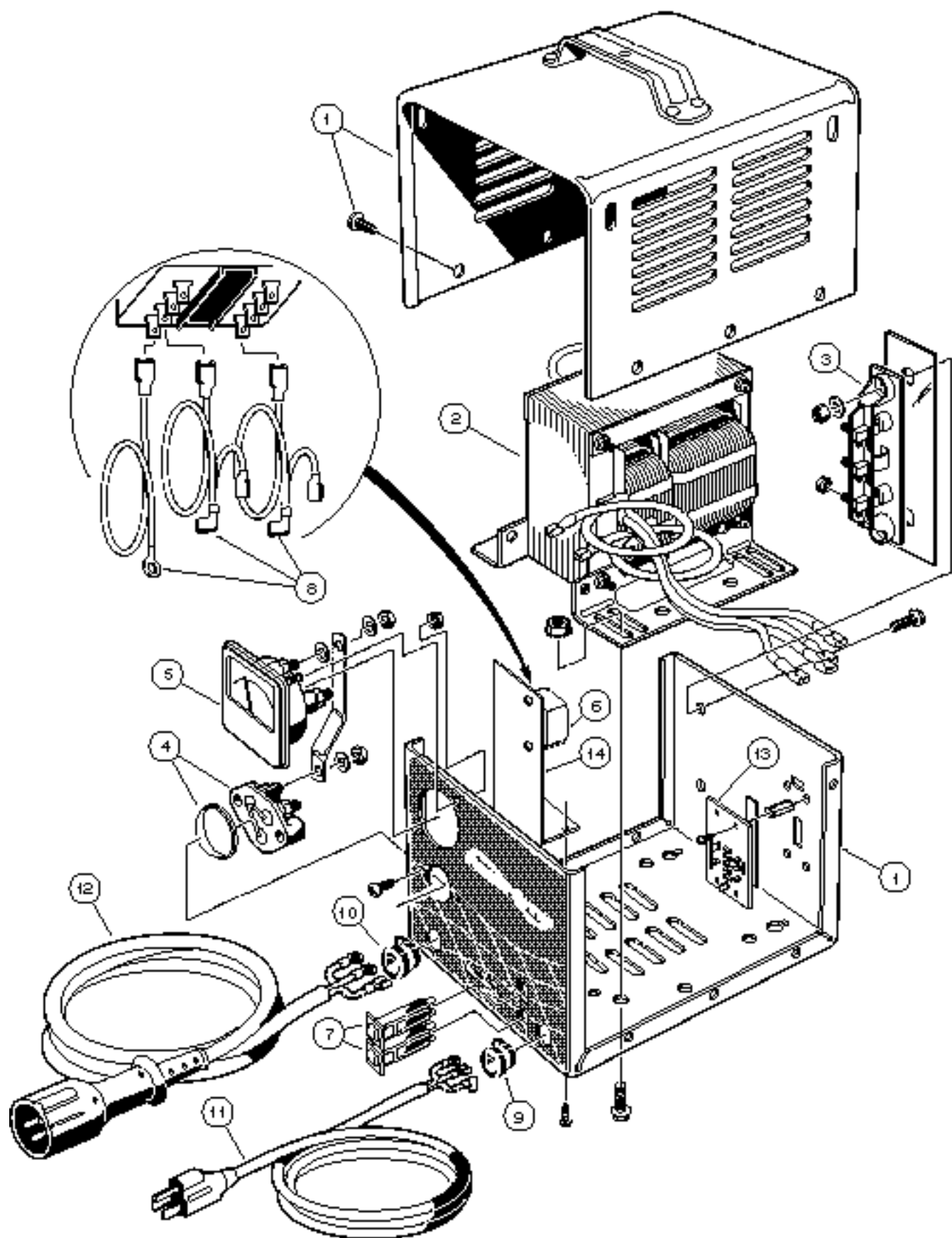


POWERDRIVE CHARGER 120 VOLTS AC 50/60 HERTZ

ITEM	PART NO.	DESCRIPTION	QTY
		1 2 3 4	
	1018022-01	CHARGER, BATTERY, POWERDRIVE STATIONARY 120VAC 48VDC 50/60 HZ 104 IN. DC CORD WITH MALE 3-PIN PLUG 72 IN. AC CORD WITH MALE GROUNDED PLUG	1
	1018022-02	CHARGER, BATTERY, POWERDRIVE STATIONARY 120VAC 48VDC 50/60 HZ 144 IN. DC CORD WITH MALE 3-PIN PLUG 108 IN. AC CORD WITH MALE GROUNDED PLUG.....	1
	1018022-03	CHARGER, BATTERY, POWERDRIVE STATIONARY 120VAC 48VDC 50/60 HZ 240 IN. DC CORD WITH MALE 3-PIN PLUG 108 IN. AC CORD WITH MALE GROUNDED PLUG.....	1
1	1018283-01	ASSEMBLY, CASE (INCLUDES FASTENERS)	1
2	1018197	ASSEMBLY, TRANSFORMER	1
3	1015914	ASSEMBLY, HEATSINK, WITH DIODES (INCLUDES MOUNTING HARDWARE)	1
4	1012101	ASSEMBLY, FUSE (INCLUDES MOUNTING HARDWARE).....	1
5	1018285-01	AMMETER (INCLUDES MOUNTING HARDWARE)	1
6	1018286-01	RELAY, POWER	1
7	1018287-01	BREAKER, CIRCUIT	1
8	1018311-01	KIT, WIRE ASSEMBLY	1
9	1015917	BUSHING, STRAIN RELIEF, AC CORD.....	1
10	1012098	BUSHING, STRAIN RELIEF, DC CORD	1
11	1018288-01	CORDSET, AC, 16/3 AWG x 80 INCHES LONG	1
11	1018288-02	CORDSET, AC, 14/3 AWG x 116 INCHES LONG	1
12	1018289-01	CORDSET, DC, 12/3 AWG x 113 INCHES LONG WITH MALE 3-PIN PLUG	1
12	1018289-02	CORDSET, DC, 12/3 AWG x 154 INCHES LONG WITH MALE 3-PIN PLUG	1
12	1018289-03	CORDSET, DC, 12/3 AWG x 250 INCHES LONG WITH MALE 3-PIN PLUG	1

F

13



POWERDRIVE CHARGER

100-240 VOLTS AC (SWITCHABLE) 50/60 HERTZ

ITEM	PART NO.	DESCRIPTION	QTY
		1 2 3 4	
	1018315-01	CHARGER, BATTERY, POWERDRIVE STATIONARY WITH 4-POSITION SWITCH 100 - 200 - 220 - 240 VAC, 48 VDC 50/60 HZ 104 IN. DC CORD WITH MALE 3-PIN PLUG 72 IN. AC CORD WITH NO PLUG	1
1	1018381-01	ASSEMBLY, CASE (INCLUDES FASTENERS)	1
2	1018382-01	ASSEMBLY, TRANSFORMER	1
3	1015914	ASSEMBLY, HEATSINK, WITH DIODES (INCLUDES MOUNTING HARDWARE)	1
4	1012101	ASSEMBLY, FUSE (INCLUDES MOUNTING HARDWARE).....	1
5	1018285-01	AMMETER (INCLUDES MOUNTING HARDWARE)	1
6	1018383-01	RELAY, POWER (INCLUDES MOUNTING HARDWARE)	1
7	1018384-01	BREAKER, CIRCUIT	2
8	1018385-01	KIT, WIRE ASSEMBLY	1
9	1015917	BUSHING, STRAIN RELIEF, AC CORD	1
10	1012098	BUSHING, STRAIN RELIEF, DC CORD	1
11	1018317-01	CORDSET, AC, 3 x 1.5MM x 80 INCHES LONG, WITH LEADS (NO PLUG)	1
12	1018289-01	CORDSET, DC, 12/3 AWG x 113 INCHES LONG WITH MALE 3-PIN PLUG	1
13	1018386-01	SWITCH, 4-POSITION, SLIDE	1
14	1018387-01	BRACKET, POWER RELAY MOUNTING	1

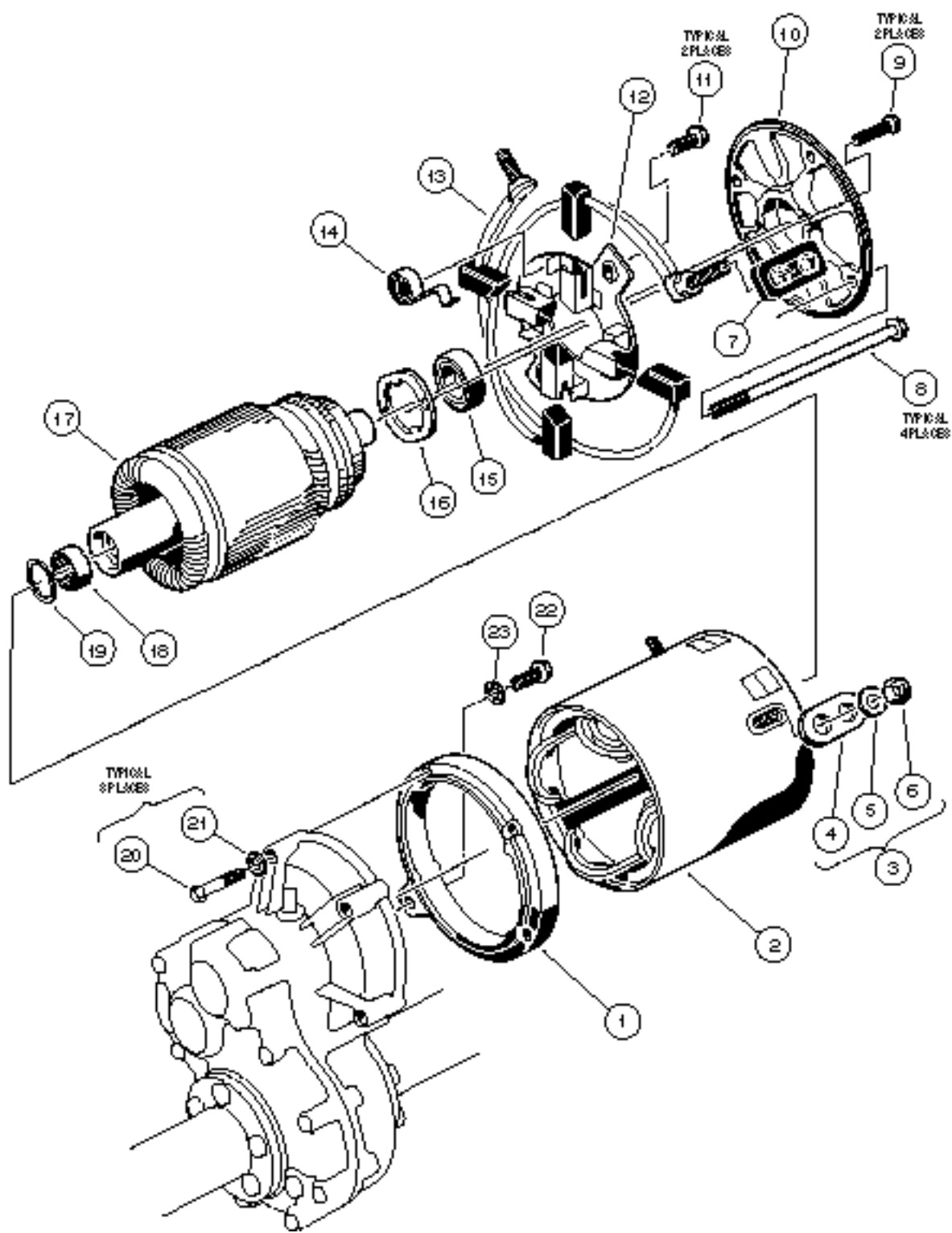
E

13

ELECTRIC MOTOR

F

14



MOTOR - POWERDRIVE SYSTEM 48

ITEM	PART NO.	DESCRIPTION	QTY
		1 2 3 4	
	1018133-01	ASSEMBLY, 48 VOLT MOTOR, 3.10 HP (INCLUDES ITEMS 1-23)	1
1	1017944	SHIELD, END	1
2	1017958	ASSEMBLY, STATOR SHELL AND WINDING	1
3	1017947	PACKAGE, HARDWARE (INCLUDES ITEMS 4 - 7).....	1
4	N/A	BUSHING, INSULATOR	2
5	N/A	WASHER, FLAT, 5/16.....	4
6	N/A	NUT, LOCK, 5/16 - 18	4
7	N/A	BUSHING, INSULATOR	2
8	1017961	SCREW, CLAMP	4
9	1017953	SCREW, BEARING RETAINER.....	2
10	1017951	SHIELD, END	1
11	1017949	SCREW, BRUSH HOLDER	2
12	1017948	RIGGING, BRUSH	1
13	1017946	PACKAGE, BRUSH (2 PCS.)	1
14	1011411	PACKAGE, BRUSH SPRING (4 PCS.)	1
15	1011290	BEARING, BALL	1
16	1017950	RETAINER, BEARING	1
17	N/A	ARMATURE	1
18	1017891-01	RING, GUIDE	1
19	1018228-01	RING, INTERNAL RETAINING	1
20	1014201	BOLT, HEX HEAD, 1/4 - 20 x 2 1/4	3
21	0000451	WASHER, LOCK, 1/4	3
22	1010934	BOLT, HEX HEAD, 5/16 - 18 x 1	1
23	0007174	WASHER, LOCK, 5/16	1

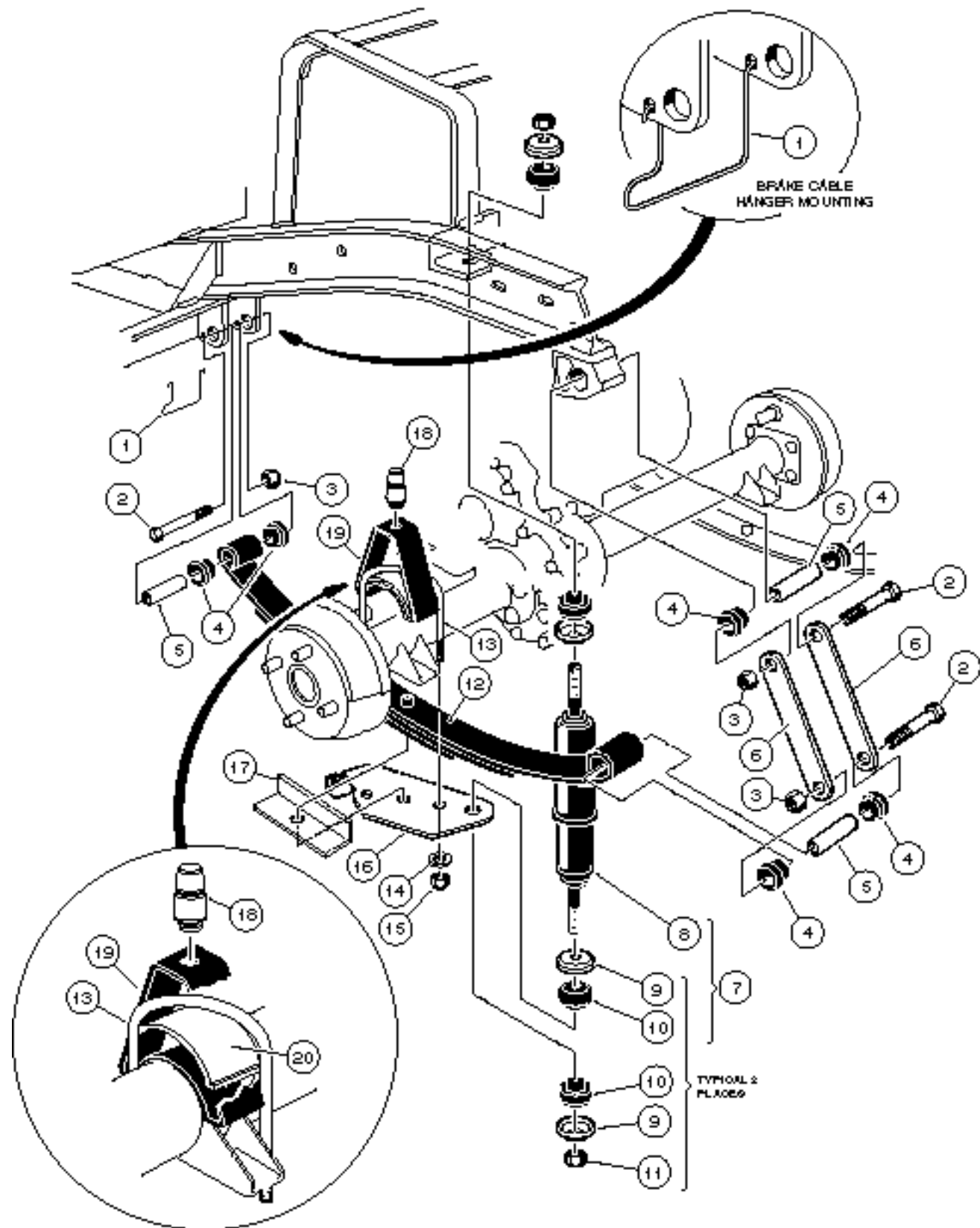
F

14

REAR SUSPENSION ELECTRIC VEHICLE

F

15



TYPICAL EACH SIDE OF VEHICLE

REAR SUSPENSION - ELECTRIC VEHICLE

ITEM	PART NO.	DESCRIPTION	QTY
		1 2 3 4	
1	1013207	HANGER, BRAKE CABLE	2
2	0008755	SCREW, HEX HEAD CAP, 3/8 - 16 x 3/8	6
3	1010138	NUT, DIMPLED LOCK, 3/8 - 16	6
4	1015583	BUSHING, URETHANE	12
5	1012303	BUSHING, STEEL	6
6	0007569	PLATE, SPRING SHACKLE	4
7	1013164	KIT, SHOCK ABSORBER (INCLUDES ITEMS 8, 9, AND 10)	2
8	1014236	ABSORBER, SHOCK	2
9	1010144	RETAINER, SHOCK ABSORBER CUSHION	8
10	1010142	CUSHION, SHOCK ABSORBER	8
11	1010145	NUT, HEX HEAD, 3/8 - 24	4
12	1014675	SPRING, REAR LEAF	2
13	1014902	"U" BOLT	2
14	1014557	WASHER, FLAT, 7/16	4
15	1014555	NUT, NYLON LOCK, 7/16 - 14	4
16	1012182	MOUNT, SHOCK, LEFT HAND	1
16	1012181	MOUNT, SHOCK, RIGHT HAND	1
17	1014573	RETAINER, LEAF SPRING	2
18	1017235	BUMPER, SUSPENSION OVERLOAD	2
19	1014549-02	MOUNT, SUSPENSION OVERLOAD BUMPER	2
20	1014901	SPACER, SUSPENSION OVERLOAD BUMPER	2

E

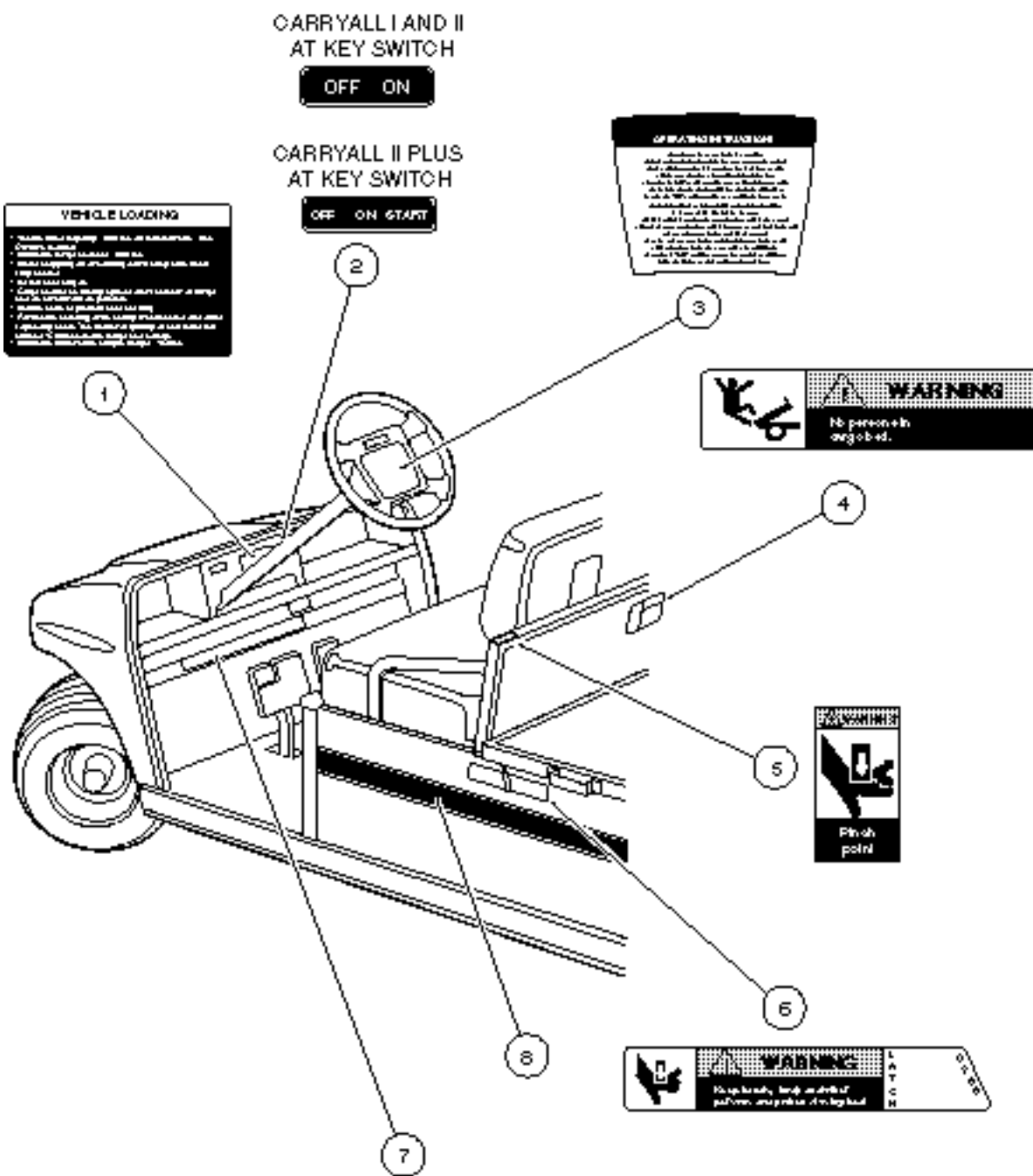
15

SAFETY DECALS

G

F

16



<p>WARNING</p> <ul style="list-style-type: none"> • Do not reposition forks or load when in work position. • If any person is in forks or load, do not reposition forks or load. • Make sure forks are ready for operation according to their design. 	<ul style="list-style-type: none"> • Do not use as any portable hoist. • Do not use as any crane. • Do not use as any hoist. • Do not use as any hoist. • Do not use as any hoist. 	<ul style="list-style-type: none"> • Always use proper tie-off technique. • Do not use as any hoist. • Do not use as any hoist. • Do not use as any hoist. • Do not use as any hoist. 	<ul style="list-style-type: none"> • Always use proper tie-off technique. • Do not use as any hoist. • Do not use as any hoist. • Do not use as any hoist. • Do not use as any hoist. 	<ul style="list-style-type: none"> • Always use proper tie-off technique. • Do not use as any hoist. • Do not use as any hoist. • Do not use as any hoist. • Do not use as any hoist.
---	---	--	--	--

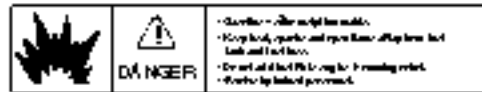
SAFETY DECALS ALL CARRYALL VEHICLES

ITEM	PART NO.	DESCRIPTION	QTY
		1 2 3 4	
1	1015884	DECAL, VEHICLE LOADING (CARRYALL I)	1
1	1015717	DECAL, VEHICLE LOADING (CARRYALL II AND II PLUS)	1
2	1018251-01	DECAL, KEY SWITCH (CARRYALL I AND II)	1
2	1018251-02	DECAL, KEY SWITCH (CARRYALL II PLUS)	1
3	1016216	DECAL, OPERATING INSTRUCTIONS (CARRYALL I AND II)	1
3	1016932	DECAL, OPERATING INSTRUCTIONS (CARRYALL II PLUS).....	1
4	1015539	DECAL, TILT BED WARNING	1
5	1016094	DECAL, PINCH WARNING	1
6	1015437	DECAL, BED LATCH WARNING	1
7	1014883	DECAL, SAFE OPERATION WARNING	1
8	1015397	DECAL, LEFT SIDE (CARRYALL I)	1
8	1015396	DECAL, RIGHT SIDE (CARRYALL I)	1
8	1015394	DECAL, LEFT SIDE (CARRYALL II)	1
8	1015395	DECAL, RIGHT SIDE (CARRYALL II)	1
8	1016086	DECAL, LEFT SIDE (CARRYALL II PLUS)	1
8	1016085	DECAL, RIGHT SIDE (CARRYALL II PLUS)	1

G
F

16

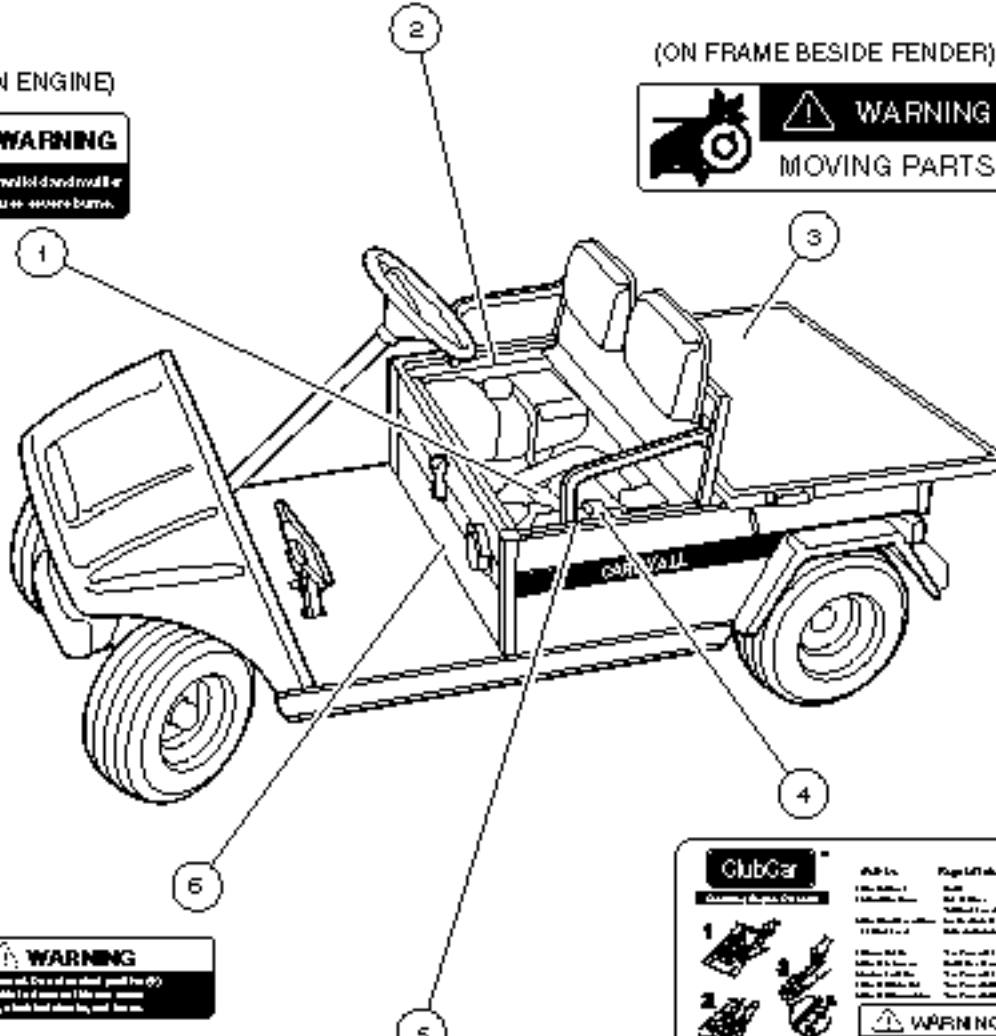
(ON BODY UNDER SEAT)



(ON ENGINE)



(ON FRAME BESIDE FENDER)



(ON FRAME)



(ON BODY UNDER SEAT)

ClubCar

Customer Support Center

Part No.	Page Left of First
1	16-1
2	16-1
3	16-1
4	16-1
5	16-1
6	16-1

WARNING

Read and understand all instructions before operating this vehicle. Failure to do so may result in injury or death.

©2011 ClubCar LLC. All rights reserved.

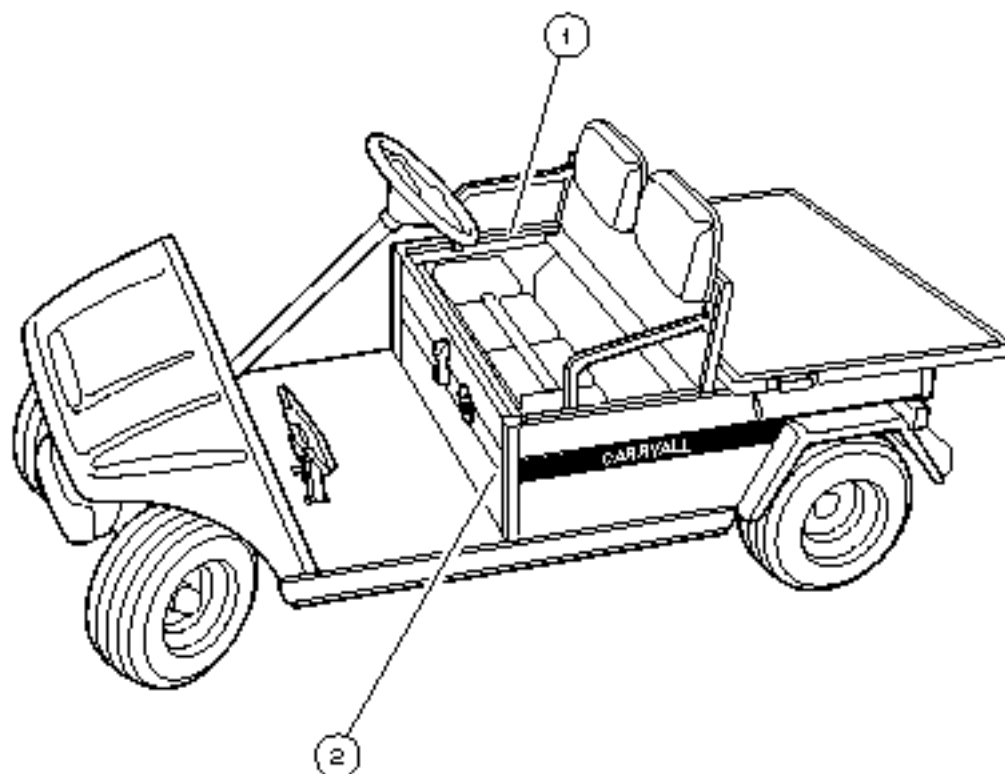
(ON INTAKE BOX)

SAFETY DECALS GASOLINE POWERED CARRYALLS



ITEM	PART NO.	DESCRIPTION	QTY
		1 2 3 4	
1	1017257	DECAL, HOT MANIFOLD AND MUFFLER WARNING	1
2	1015476	DECAL, FUEL TANK DANGER	1
3	1015475	DECAL, MOVING PARTS WARNING	1
4	1016062	DECAL, PERIODIC SERVICE SCHEDULE	1
5	1013677	DECAL, BATTERY DANGER/POISON	1
6	1015474	DECAL, FRAME GROUND WARNING	1

ON BODY UNDER SEAT



⚠ CAUTION	• DO NOT OPERATE VEHICLE WITHOUT COVER IN PLACE • DO NOT DIRECT WATER STREAM AT THIS SWITCH
------------------	---

ON SPEED SWITCH COVER
INSIDE BATTERY COMPARTMENT

SAFETY DECALS ELECTRIC POWER CARRYALLS

ITEM	PART NO.	DESCRIPTION	QTY
		1 2 3 4	
1	1013677	DECAL, BATTERY DANGER/POISON	1
2	1016109	DECAL, SPEED SWITCH CAUTION	1

F

16

MAINTENANCE AND SERVICE TOOLS

DESCRIPTION	PART NUMBER
COMMUNICATION DISPLAY MODULE	1018318-01
BRAKE ADJUSTING TOOL	1013582
VOLT OHM METER	1011480
CONTINUITY TESTER	1011273
INTERNAL RETAINING RING PLIERS	1013593
RETAINING RING PLIERS - 45° EXTERNAL	1012549
RETAINING RING PLIERS - 90° INTERNAL	1012560
KEYSWITCH TOOL	1012801
SEAL PULLER	1012809
BEARING PULLER	1012811
BEARING PULLER WEDGE ATTACHMENT	1012812
TACHOMETER	1016112
DRIVE CLUTCH PULLER	1014496
CLUTCH ALIGNMENT TOOL	1014498
TOUCH-UP PAINT - GRAY	1017097-04
TRANSMISSION TOOL KIT	1014115
TRANSAXLE PINION SEAL TOOL	1014161
TRANSAXLE AXLE SEAL TOOL	1014162
STEERING COLUMN BEARING PRESS TOOL	1014264
STEERING COLUMN RETAINING RING TOOL	1014259
BATTERY TERMINAL PROTECTOR	1014305
DRY MOLY LUBRICANT	1012151
HYDROMETER	1011478
BATTERY DISCHARGE MACHINE	1018319-01
BATTERY THERMOMETER	1011767
FLY WHEEL PULLER KIT	1016627
VALVE SEAT CUTTER HOLDER BAR	1016551
VALVE SEAT CUTTER HOLDER	1016552
VALVE SEAT CUTTER 45° (32MM DIAMETER)	1016553
VALVE SEAT CUTTER 45° (35MM DIAMETER)	1016554
VALVE SEAT CUTTER 32° (35MM DIAMETER)	1016555
CLUTCH TOOL KIT	1014510
TUNE-UP KIT, FE 290	1016110-02
TUNE-UP KIT, FE 350	1016110-03
COMPRESSION GAUGE	1016410-01
ADAPTER	1016410-02
VALVE SPRING COMPRESSOR	1016411-01
ADAPTER	1016411-02
VALVE GUIDE REAMER	1016412-01
ARBOR	1016412-02
VALVE CLEARANCE ADJUSTER SCREW HOLDER	1016413
PISTON RING COMPRESSOR KIT	1016414
PISTON RING PLIERS	1016415
BEARING DRIVER SET	1016416
BEARING AND OIL SEAL REMOVER ASSEMBLY	1016417
GEAR YOKE	1016418
CAM INSTALLATION TOOL	1018084-01
STARTER/GENERATOR BELT TENSION TOOL	1016867
ARMORFLEX REPAIR KIT	1017295
ADHESION PROMOTER - ARMORFLEX	1016985
GUIDE RING ADHESIVE, 3 GRAM TUBE	1018132-02

CLUB CAR

INGERSOLL-RAND

Transportation and Utility Vehicles

Club Car Inc.
P.O. Box 204658
Augusta, GA 30917-4658