

2020 Transporter 4 and 6 Illustrated Parts List



Electric Vehicles

Manual Number 86753090035
Edition Code A

USING THE ILLUSTRATED PARTS LIST

⚠ WARNING

- **This manual is to be used only for identification and ordering of service parts. Be sure to read and use the maintenance and service manual before attempting any vehicle repairs.**

The manual is divided into sections. Note that there are two or three flags on the outside edge of each page. The first flag contains the section number of which that page is a part. The other flag (or flags) contains the letter E or G, signifying that the page pertains to the electric or gasoline vehicles only.

Use the Table of Contents to find the sections and pages that contain the parts and assemblies you seek. The Table of Contents lists section numbers, and under them, the individual page titles and numbers to be found in that section. The index can be used to find specific parts and assemblies. The index is divided into numerical and alphabetical listings with the page numbers in italic text.

There is a two-page spread for each individual page title in the Table of Contents. On the left-hand page is an illustration showing the parts in their relative positions; the parts are each tagged with an item number in a balloon. The right-hand page is the parts list page, and gives the page title at the top, then the item numbers (corresponding to the numbers on the illustration), part descriptions, and quantity of parts used.

Note that a part description may be indented. This indentation corresponds to a parts assembly level indicated by the numbers 1, 2, 3, and 4 at the top left corner of the parts description area of the parts list page. A part that is indented to *level 2* is a component of the *level 1* part (assembly) that it is listed under. A *level 3* part is a component of the *level 2* part that it is listed under, and a *level 4* part is a component of the *level 3* part preceding it. In each case, the part quantity given for a level 2, 3, or 4 part is *the quantity used per next higher level assembly of which it is a component*. A part that is not indented is a *level 1* part. This means that the quantity given is the quantity used per the portion of the vehicle illustrated on that particular spread.



P. O. Box 204658
Augusta, Georgia 30917-4658 USA
Telephone 706-863-3000
Service Parts Fax 706-855-7413
www.clubcar.com

HOW TO ORDER PARTS

Replacement parts and accessories can be obtained from our network of authorized dealers and distributors. You can obtain the name and phone number of your closest authorized Club Car dealer or distributor by visiting our web site at www.clubcardealer.com, by calling our toll-free Service Parts and Technical Assistance hotline at (800) 872-2246 or (706) 863-3000, extension 3887, or by scanning this Quick Response (QR) code to be taken to the Club Car dealer locator. **Refer to Figure 1.** Download a QR code reader such as RedLaser or Barcode Scanner to your cell phone or tablet.



Figure 1 Dealer Locator QR Code

CUSTOMER SATISFACTION SURVEY

Let your voice be heard!

Please take time to participate in the Technical Publications satisfaction survey. Obtaining feedback from our customers is important to the department's continuous improvement process. The online survey takes less than five minutes and responses will help the department to examine current performance as well as identify areas for future improvement.

Our top priority is to provide timely, accurate, and user friendly manuals.

The online satisfaction survey can be found at: <http://bit.ly/1w9uFMh>



Figure 2 Survey QR Code

NOTE: *This illustrated parts list represents the most current information at the time of publication. Club Car, LLC is continually working to further improve its vehicles and other products. These improvements may affect the parts used to service the vehicle. Any modification and/or significant change in specifications will be forwarded to all Club Car and Carryall distributors/dealers and will, when applicable, appear in future editions of this illustrated parts list.*

Club Car, LLC reserves the right to change specifications and designs at any time without notice and without the obligation of making changes to units previously sold.

Copyright © 2019 Club Car, LLC.

Club Car is a registered trademark of Club Car, LLC.

This manual effective July 1, 2019.

CONTENTS

SECTION 1 – BODY AND TRIM

Heavy Duty Front Bumper	1-3
Headlight Guard	1-5
Fender Guard	1-7
Front License Plate Holder	1-9
Front Body	1-11
Body Touch-Up Paint	1-13
Front Bumper, Grille, and Fenders	1-15
Headlight Bezels	1-17
Dash, Glovebox Door, and Floormat	1-19
Front Frame, Standard	1-21
Electrolyte Tray	1-23
Battery Insulator – Electric Vehicles	1-25
Seat Bottom	1-27
Seat Back	1-29
Seat Frame and Hip-Restraint	1-31
2-Point Seat Belts	1-33
Rear Seat Frame and Hip-Restraint	1-35
Rear Facing Seat	1-37
Rear Facing Seat Bottom	1-39
Windshield, Hinged	1-41
Windshield, Non-Hinged	1-43
Canopy Support Kit-4-Passenger	1-45
Canopy – Long	1-47
Mirrors	1-49
Inner Rear Fenders	1-51
Rear Fenders and Tail Skirt	1-53
Rear License Plate Holder	1-55
Bed Hinge and Latch	1-57
Rear Cover	1-59
Tilt Bed and Latch	1-61
Flat Bed Trim (Short Bed)	1-63
Cargo Box Kit – Short (Page 1 of 2)	1-65
Cargo Box Kit (Page 2 of 2)	1-67
Tailgate Teather	1-69
Modular Bed Accessories	1-71
Modular Bed Accessories	1-73
Modular Bed Accessories	1-75
Stake Side Kit - Short	1-77

CONTENTS

Heavy Duty Trailer Hitch	1-79
Rear Receiver Hitch	1-81
Trailer Hitch Ball	1-83
Enclosure – 4- Passenger	1-85
Enclosure – 6- Passenger	1-87
Toolboxes	1-89

SECTION 2 – WHEELS AND TIRES

Wheels and Tires	2-3
Wheel Covers	2-5

SECTION 3 – DECALS

Decals – Electric Transporter	3-3
Decals – Electric Transporter, Continued	3-5
Badging Decals – Transporter	3-7

SECTION 4 – LIGHTS, CONTROLS, AND INDICATORS

Headlights	4-3
12-Volt Fuse Block and Fuses – Electric Vehicle	4-5
Horn, Turn Signals, and Taillights – Electric Vehicles	4-7
Instrument Panel – Electric Vehicle	4-9
Keyswitch – Electric Vehicle	4-11
Keyswitch, Private Speed Mode - Electric Vehicle	4-13
Rear Mounted Reverse Buzzer	4-15
DC Converter, Heavy Duty CE – Electric Vehicle	4-17
Strobe Light, Post Mounted – Electric Vehicles	4-19
Strobe Light – Canopy Mounted	4-21
Reflectors	4-23
Heater Defogger – Electric Vehicle	4-25

SECTION 5 – BRAKES, PEDALS, AND CABLE ASSEMBLIES

Brake Pedal Assembly – Vehicles with 2-Wheel Brakes and 4-Wheel Brakes	5-3
Accelerator Pedal Assembly – Electric Vehicles	5-5
Pedal Close-Out Kit	5-7
Front Brake Assembly – Vehicles with 4-Wheel Brakes	5-9
Rear Brake Cables and Equalizer – Electric Vehicle with 4-Wheel Brakes	5-11
Rear Brakes, Manually-Adjusted – Elec. Vehicles with 4-Wheel Brakes	5-13
Emergency Brake	5-15

CONTENTS

SECTION 6 – STEERING, FRONT AND REAR SUSPENSION

Steering Gear Assembly	6-3
Steering Column	6-5
Steering Wheel	6-7
Steering Wheel with Clip	6-9
Front Suspension, Upper, HD	6-11
Front Suspension, Lower, HD, 3 Leaf-1 Plate	6-13
Front Suspension, Upper	6-15
Front Suspension, Lower, HD, 2 Leaf-2 Plates	6-17
Steering Stop	6-19
Front Wheel Hubs	6-21
Rear Suspension Components, Standard	6-23

SECTION 7 – ELECTRICAL SYSTEM – ELECTRIC VEHICLES

Motor Controller Output Regulator (MCOR)	7-3
Main Wiring Harness, 48-Volt Fuse Block - Electric Vehicle	7-5
Tow/Run Switch and Hour Meter	7-7
Emergency Stop Switch	7-9
48-Volt Electric Components - Electric Vehicle	7-11
Batteries 6-Volt, Standard Duty	7-13
Batteries 6-Volt, Heavy Duty	7-15
Single Point Watering System (SPWS)	7-17
Hand Pump and Deionizer (Battery-Powered Quality Light)	7-19

SECTION 8 – ELECTRIC MOTOR

Motor (Model DA5-4006) – IQ Plus	8-3
--	-----

SECTION 9 – TRANSAXLE – ELECTRIC VEHICLES

Transaxle – Electric Vehicles	9-3
-------------------------------------	-----

SECTION 10 – ON-BOARD BATTERY CHARGERS – HIGH-FREQUENCY

On-Board Battery Charger, High-Freq.	10-3
--	------

SECTION 11 – MAINTENANCE AND SERVICE TOOLS

Maintenance and Service Tools	11-3
Maintenance and Service Tools, Continued	11-5
Maintenance and Service Tools, Continued	11-7

SECTION i – INDEX

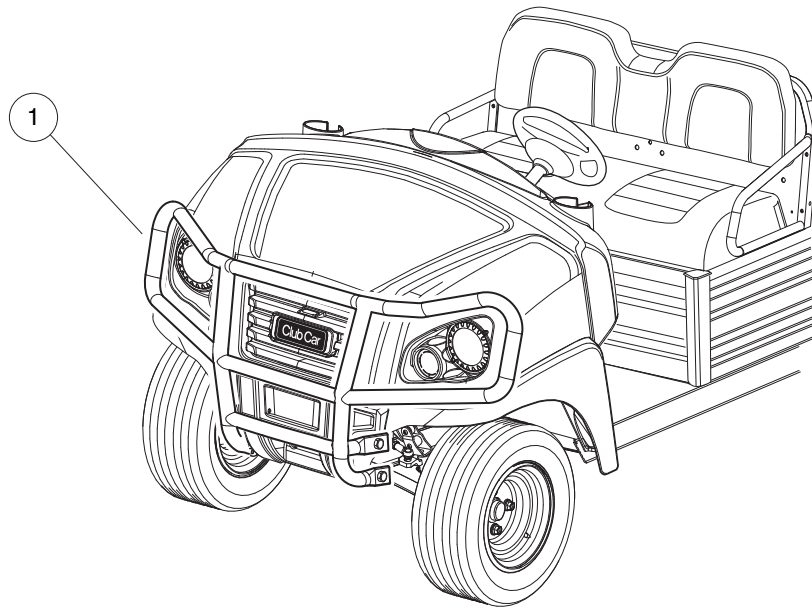
BODY AND TRIM

1

E

1

E



001100-002

HEAVY DUTY FRONT BUMPER

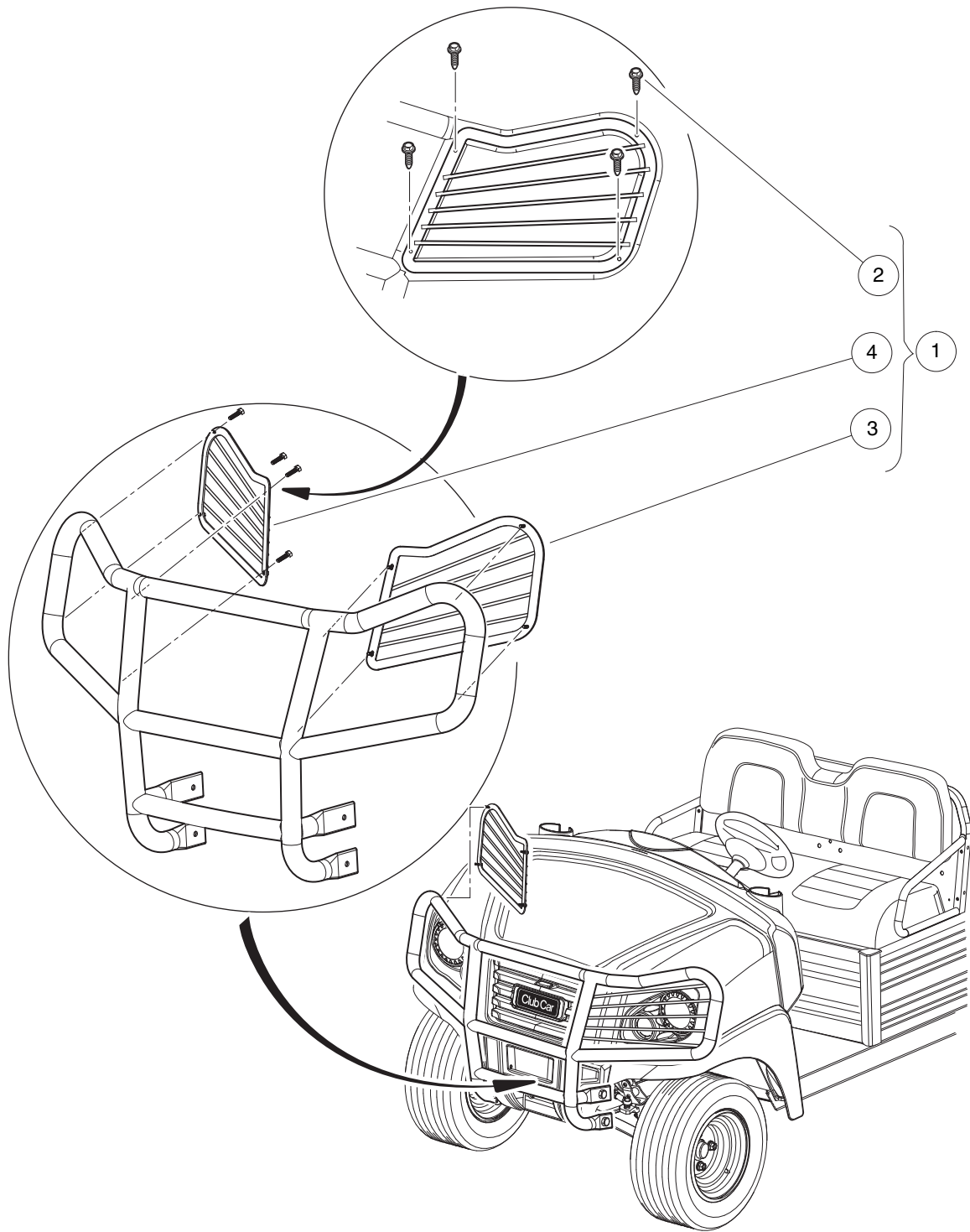
ITEM	PART NO.	DESCRIPTION	QTY
1	105100601	<p>1 2 3 4</p> <p>Kit, Hd Bumper, Hb Res</p> <p style="margin-top: 20px;">Note: Individual components are not procurable. Steering Stops, 105242801 and 105243001 are also required when installing the HD Bumper Kit.</p>	1

1

E

1

E



001300-017

HEADLIGHT GUARD

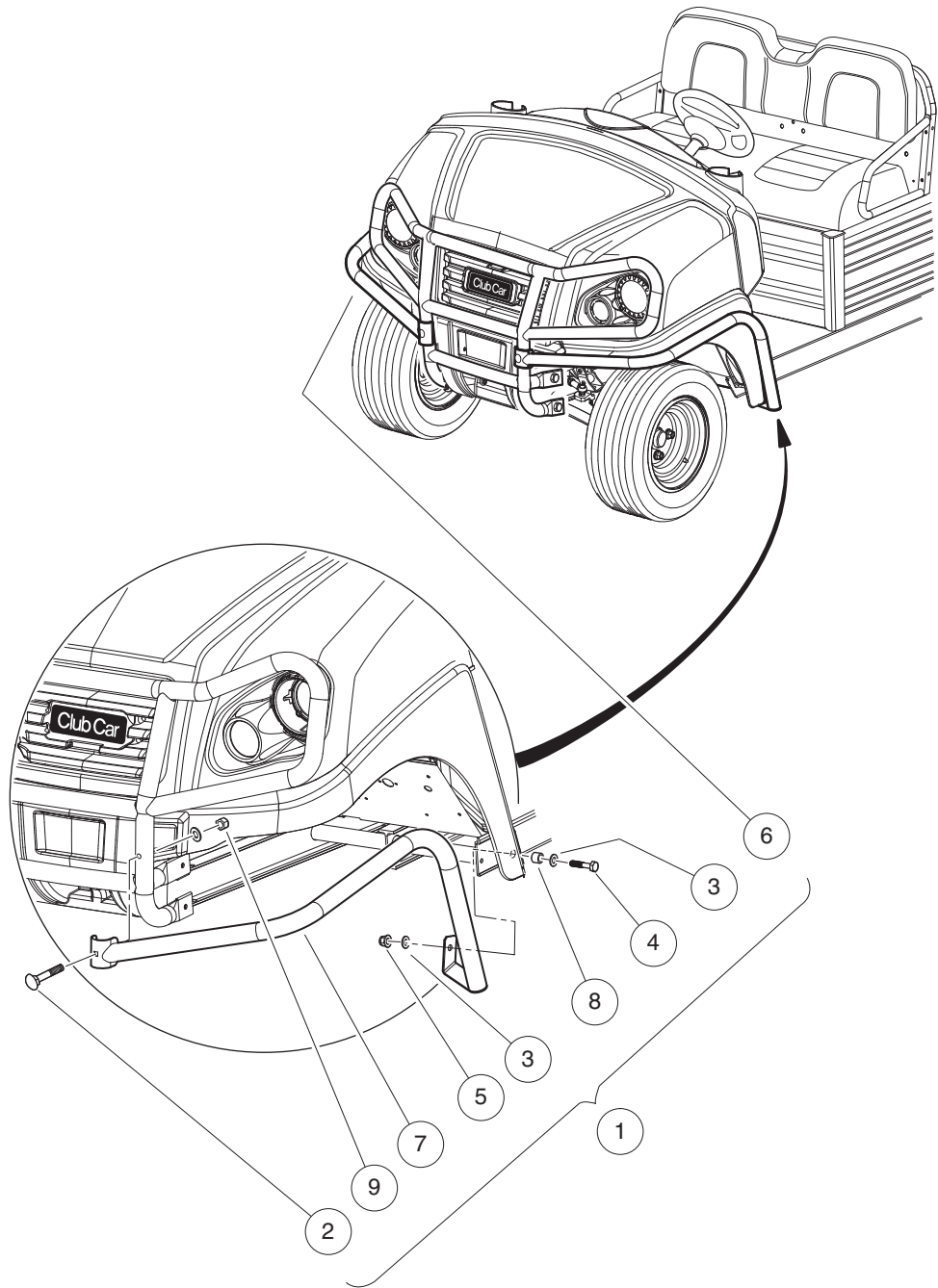
ITEM	PART NO.	DESCRIPTION	QTY
		1 2 3 4	
1	105156301	Kit, Head Light Guard, Utl Res (includes items 2 through 4)	1
2	102296819	Screw-M6 x 19	8
3	105156701	Guard, Headlight, UTL,LH	1
4	105156702	Guard, Head Light, Utl, Rh	1

1

E

1

E



001300-002

FENDER GUARD

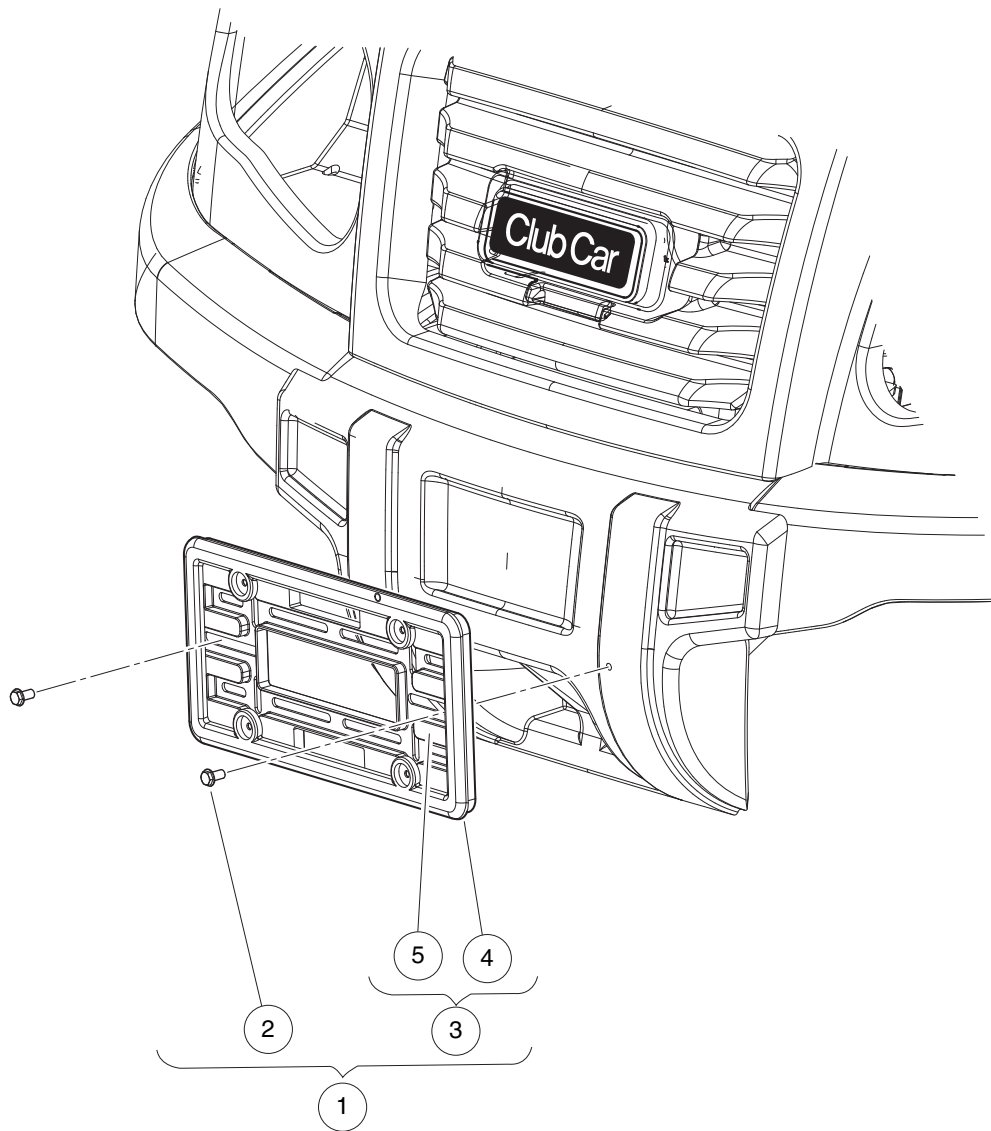
ITEM	PART NO.	DESCRIPTION	QTY
		1 2 3 4	
1	105124001	Kit, Fender Guard, Hb Res (includes items 2 through 9)	1
2	101242802	Bolt, 3/8-16 X 2.25 Rd Hd Sq Bk	2
3	102323501	Washer, Flat, 3/8, Blk Fin	6
4	102621601	Bolt, M10 X 1.50 X 45 Black	2
5	102670701	Nut, Flange, M10 X 1.5 Nylon	2
6	105074501	Weldment, Fender Guard, Hb, Rh	1
7	105074502	Weldment, Fender Guard, Hb, Lh	1
8	105094001	Spacer, Canopy Support, Dash	2
9	8754	Locknut, 3/8-16 Hex	2

1

E

1

E



001155-001

FRONT LICENSE PLATE HOLDER

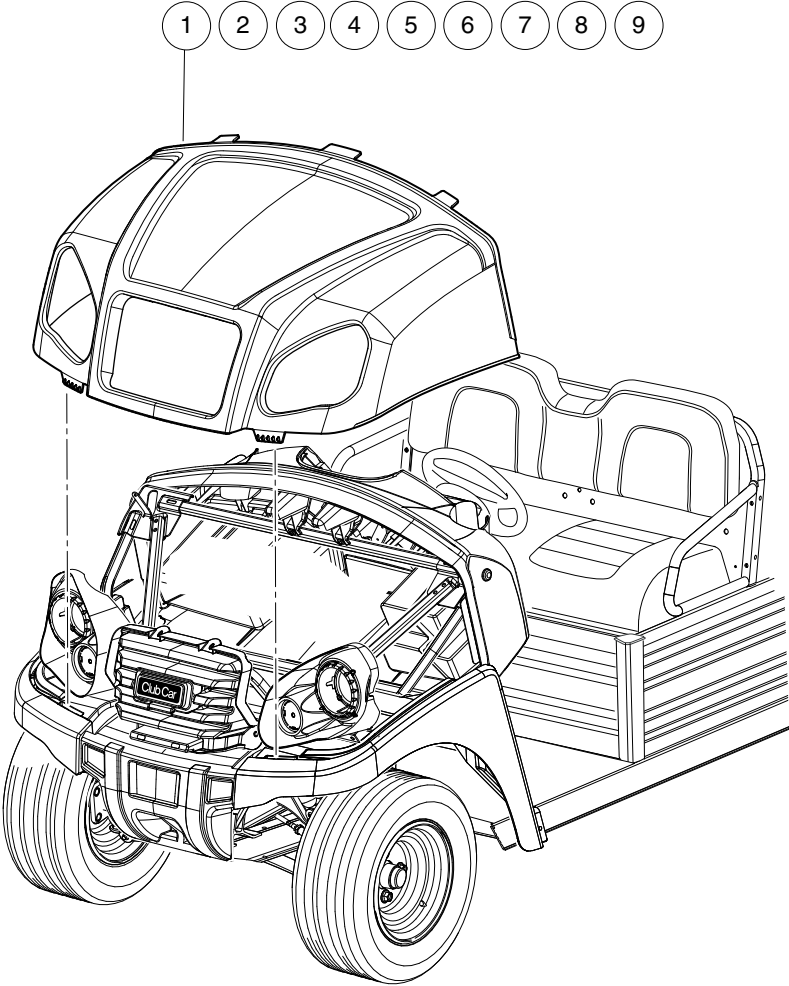
ITEM	PART NO.	DESCRIPTION	QTY
		1 2 3 4	
1	105124901	Kit, Front, License Pl, Lsv (includes items 2 and 3)	1
2	101856101	Screw, 1/4-15 X .50 Hi-lo Hex	2
3	102311501	Front License Plate Assembly (includes items 4 and 5)	1
4	N/A	Frame, License Plate	1
5	N/A	Mount, License Plate	1

1

E

1

E



001300-003

FRONT BODY

ITEM	PART NO.	DESCRIPTION	QTY
		1 2 3 4	
1	105034321	Cowl, Ca, Serv, Dk Green	1
2	105034322	Cowl, Ca, Serv, Dk Gray	1
3	105034323	Cowl, Ca, Serv, White	1
4	105034324	Cowl, Ca, Serv, Bright Blue	1
5	105034325	Cowl, Ca, Serv, Titn Silver	1
6	105034326	Cowl, Ca, Serv, Beige	1
7	105034327	Cowl, Ca, Serv, Red	1
8	105034328	Cowl, Ca, Serv, Black	1
9	105034329	Cowl, Ca, Serv, Classic Blue	1

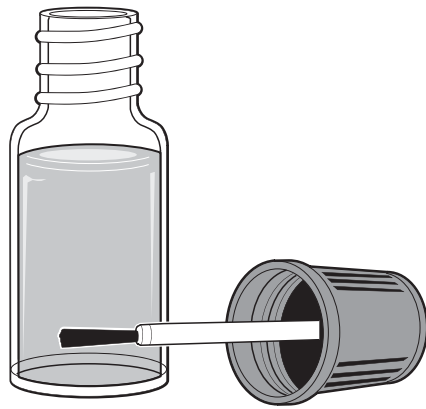
1

E

1

E

- 1
- 2
- 3
- 4
- 5
- 6
- 7
- 8
- 9
- 10



001300-020

BODY TOUCH-UP PAINT

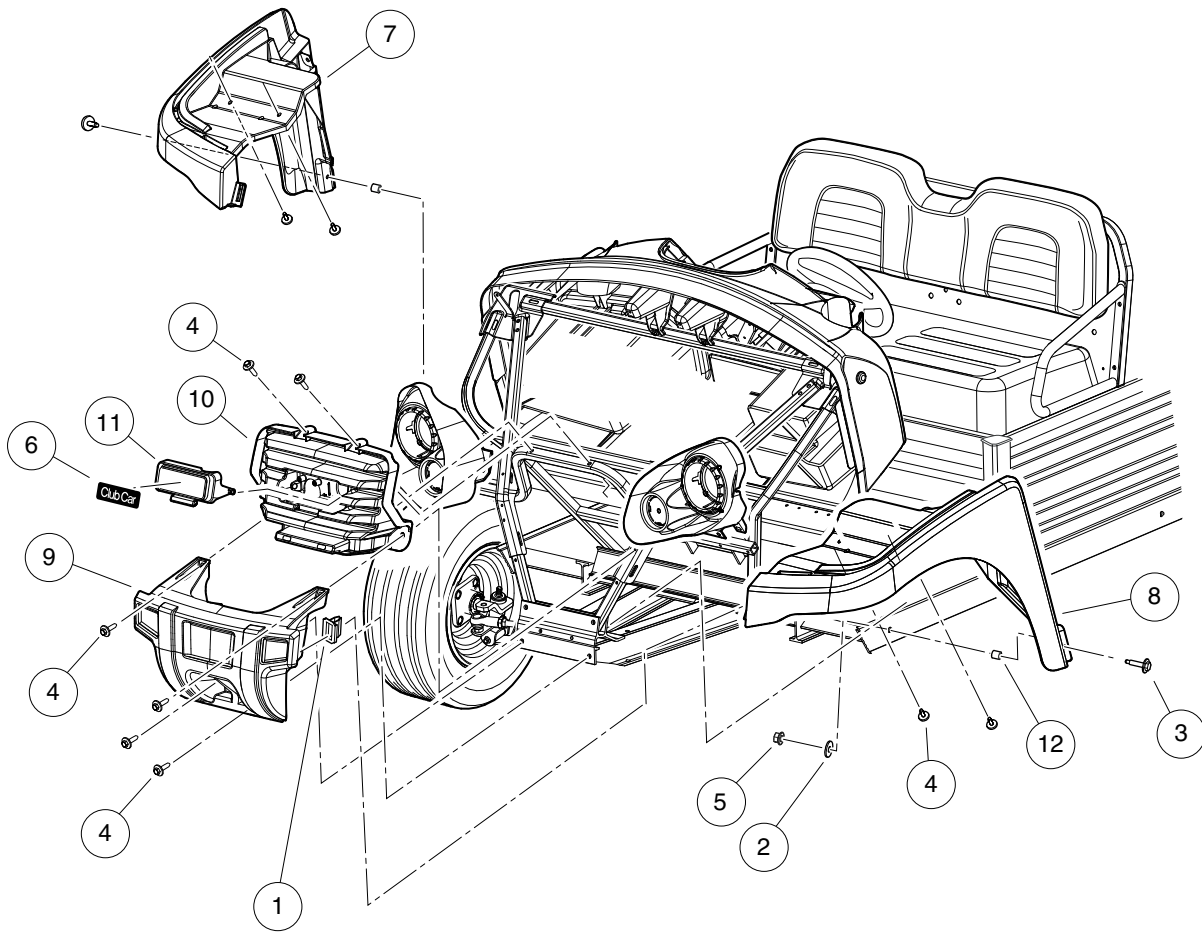
ITEM	PART NO.	DESCRIPTION	QTY
		1 2 3 4	
1	105117701	Paint, Touch-up, White	1
2	105117702	Paint, Touch-up, Classic Blue	1
3	105117703	Paint, Touch-up, Dark Green	1
4	105117704	Paint, Touch-up, Red	1
5	105117705	Paint, Touch-up, Dark Gray	1
6	105117706	Paint, Touch-up, Black	1
7	105117707	Paint, Touch-up, Tan	1
8	105117708	Paint, Touch-up, Bright Blue	1
9	105117709	Paint, Touch-up, Titn Silver	1
10	105117710	Paint, Touch-up, Light Gray	1

1

E

1

E



001300-004

FRONT BUMPER, GRILLE, AND FENDERS

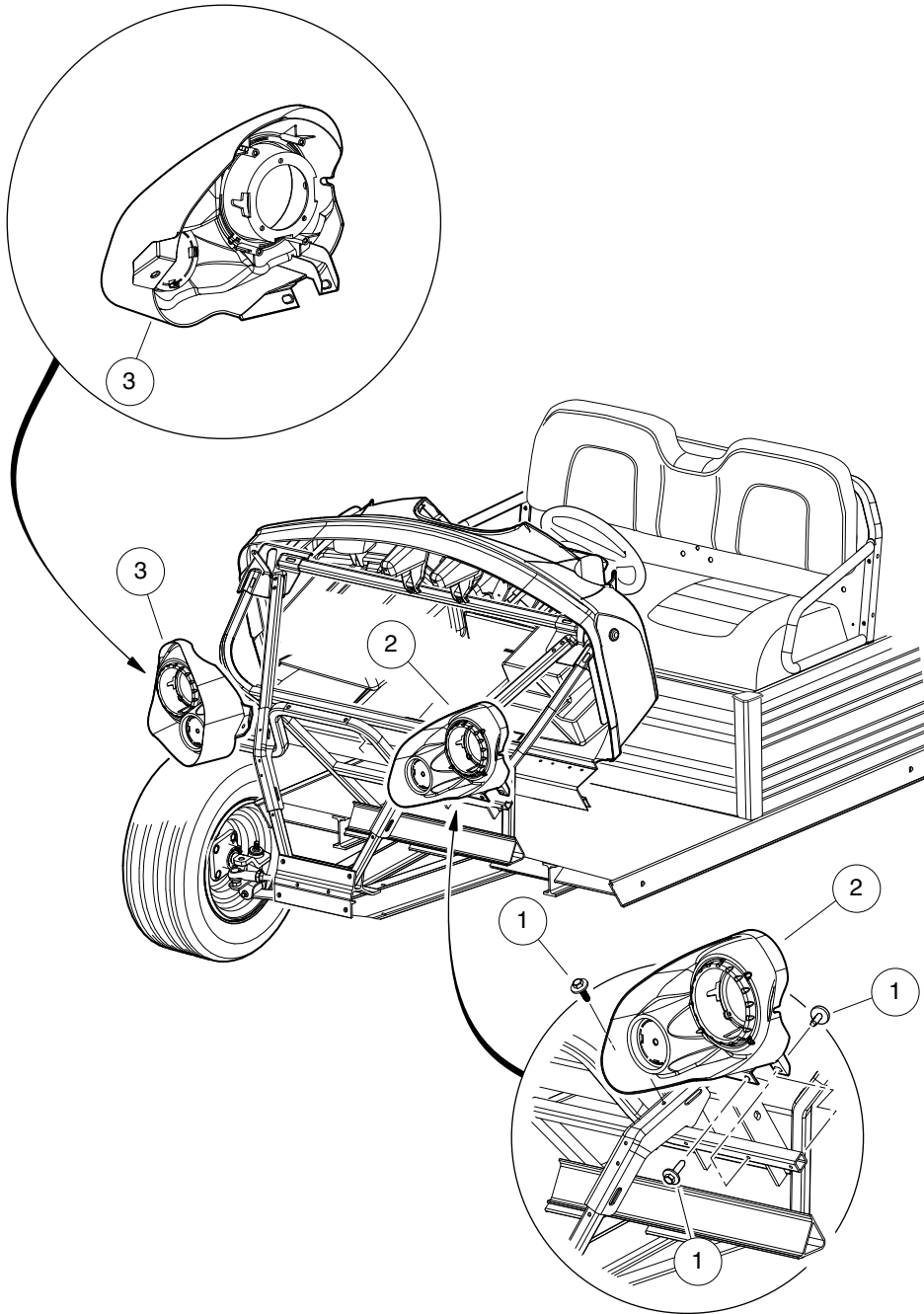
ITEM	PART NO.	DESCRIPTION	QTY
		1 2 3 4	
1	102292701	Clip-body-trim	2
2	102296301	Washer, M6x18x1.6 Flat	2
3	102296530	Screw - M6 X 1.0 X 30 Sems	6
4	102297125	Screw, M6-1.0x25.4, Thread-Forming, SEMS	8
5	102541501	Nut-m6x1.0 Fl Mtl Lock,blk	2
6	102883601	Decal, Nameplate, CCI, Front	1
7	105034401	Fender, Front, Rh, Ca	1
8	105034501	Fender, Front, Lh, Ca	1
9	105034601	Bumper, Front, Plastic, Ca	1
10	105034701	Grille, Ca	1
11	105034801	Door, Charger Port, Ca	1
12	105036701	Spacer, Frt Fender, Ca	2

1

E

1

E



001300-005

HEADLIGHT BEZELS

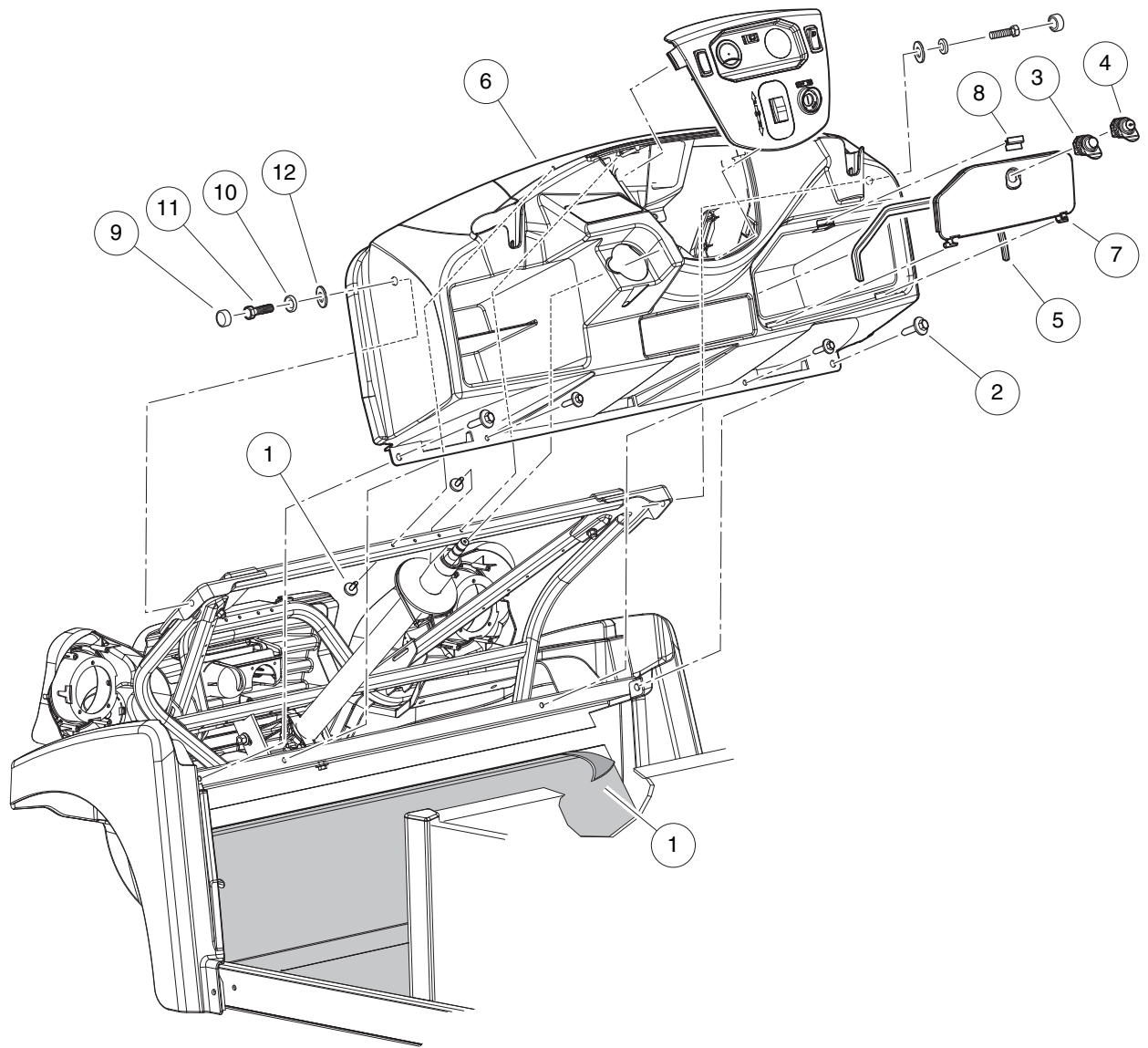
ITEM	PART NO.	DESCRIPTION	QTY
		1 2 3 4	
1	102297125	Screw, M6-1.0x25.4, Thread-Forming, SEMS	6
2	105034901	Bezel, Hl, Lh, Ca	1
3	105035001	Bezel, Hl, Rh, Ca	1

1

E

1

E



001300-006

DASH, GLOVEBOX DOOR, AND FLOORMAT

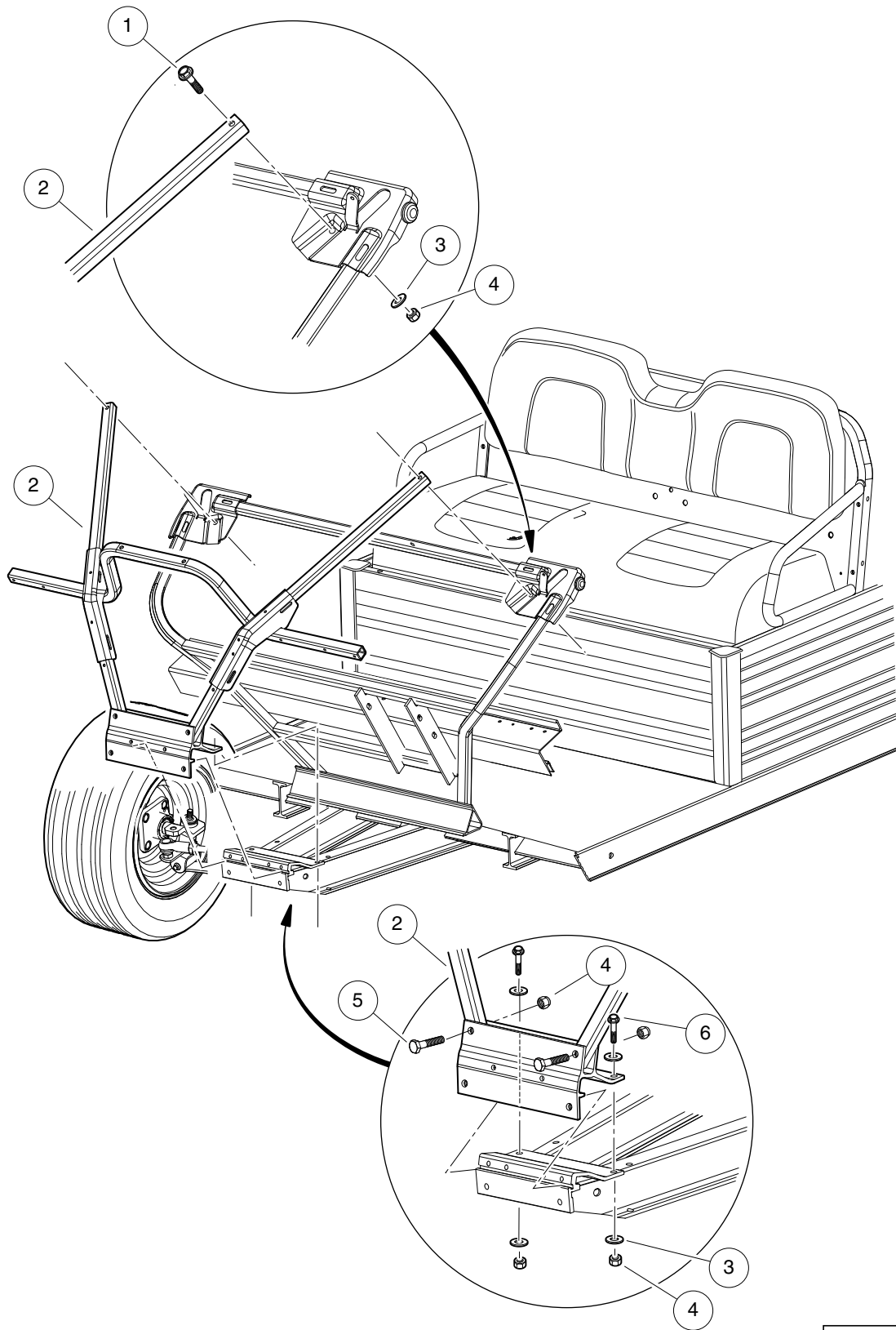
ITEM	PART NO.	DESCRIPTION	QTY
		1 2 3 4	
1	101503202	Floormat	1
2	102297125	Screw, M6-1.0x25.4, Thread-Forming, SEMS	6
3	103182701	Latch, Push Close	1
4	103182702	Latch, Push Close W/ Key	1
5	103540203	Seal, Bulb, 13 X 27 X 579 Mm	1
6	105034001	Dash, Ca	1
7	105034201	Door, Glove Box, Ca	1
8	105035701	Keeper, Latch, Ca	1
9	105049201	Cover, Bolt, Rh Series	2
10	105049301	Cover, Washer, Rhw Series	2
11	320	Screw, 3/8-16 X 1.00 Hex-Head Cap	2
12	334	Washer, 3/8, Type A, Flat	2

1

E

1

E



001107-001

FRONT FRAME, STANDARD

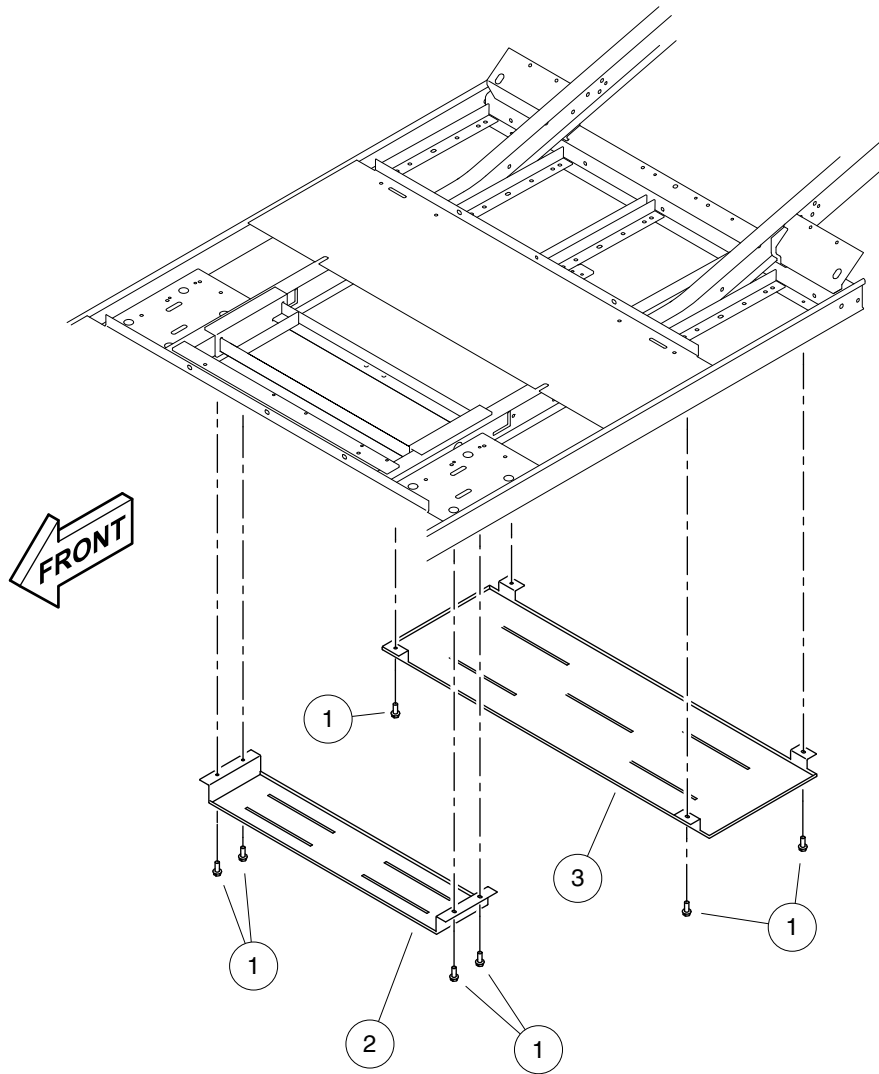
ITEM	PART NO.	DESCRIPTION	QTY
		1 2 3 4	
1	1011937	Bolt, 5/16-18 X 1.25 Hex Head	2
2	105007001	Weldment, Front, Util, Std	1
3	1241	Washer, 5/16 Type A Flat	6
4	7473	Locknut, 5/16-18 Nylon Insert	6
5	8935	Screw, 5/16-18 X 2.25 Hex-Head Cap	2
6	8963	Screw, 5/16-18 X 1.75 Hex-Head Cap	2

1

E

1

E



001384-002

ELECTROLYTE TRAY

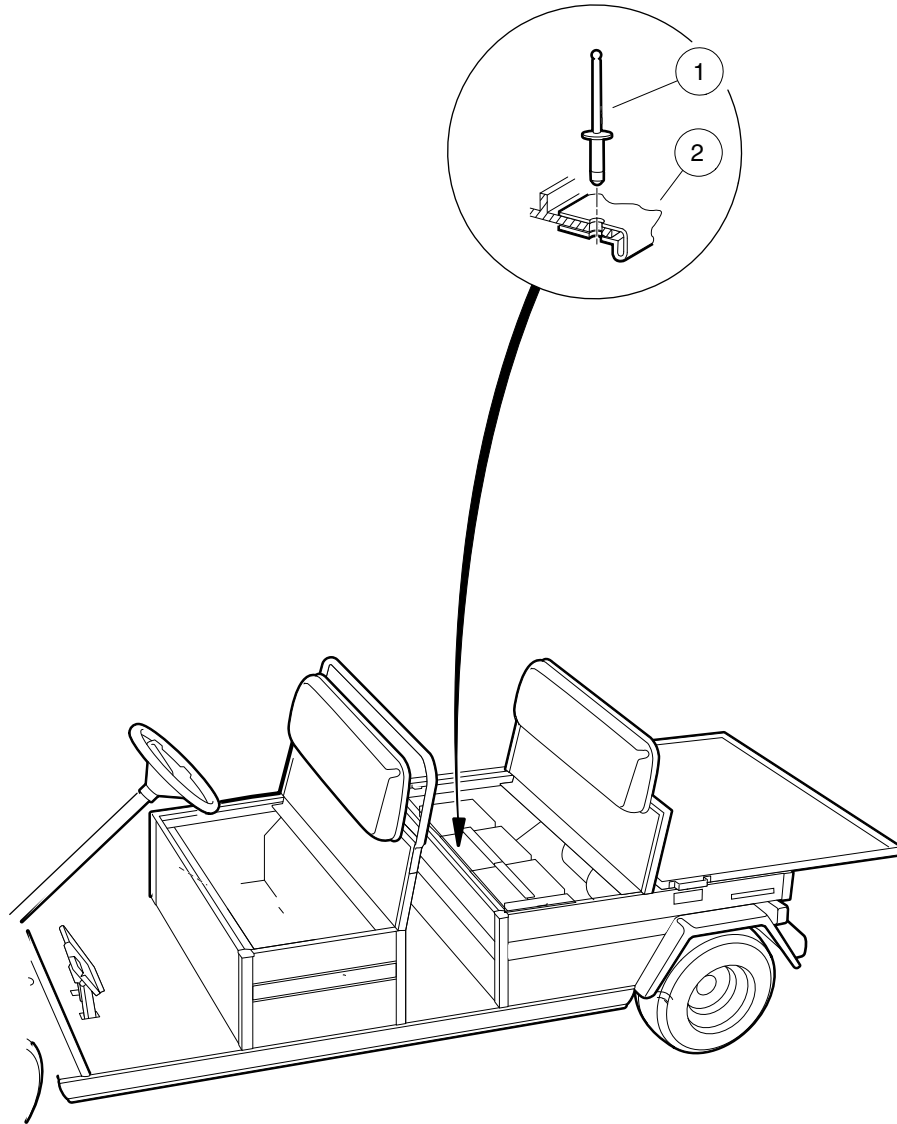
ITEM	PART NO.	DESCRIPTION	QTY
		1 2 3 4	
1	1012285	Screw, 1/4 X 0.625 Hex-Head	8
2	47553985001	Electrolyte Tray, Front,, CHN	1
3	47553986001	Electrolyte Tray, Rear, CHN	1

1

E

1

E



000400-002

BATTERY INSULATOR – ELECTRIC VEHICLES

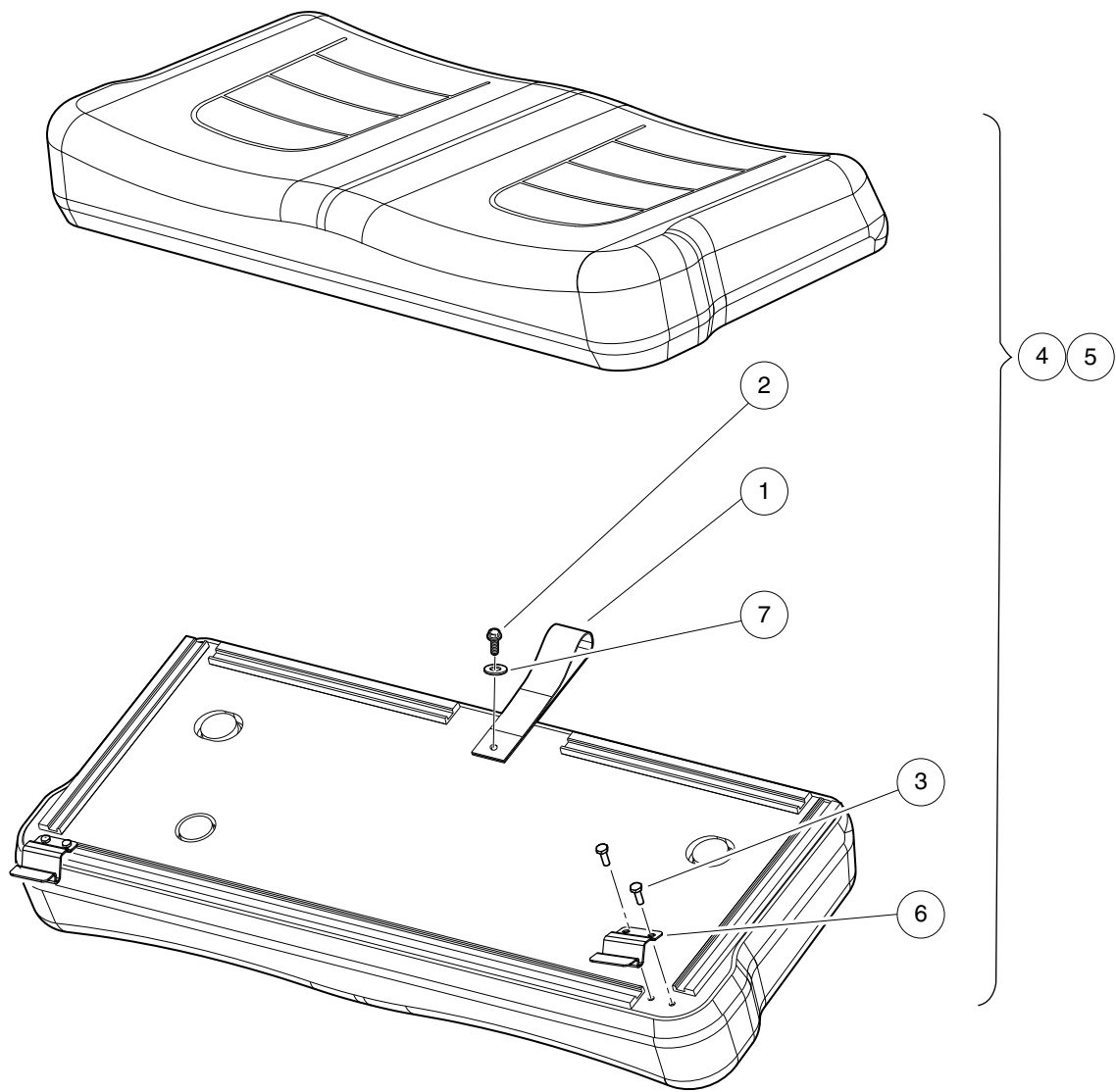
ITEM	PART NO.	DESCRIPTION	QTY
		1 2 3 4	
1	1013357	Rivet, 5/32 Aluminum Pop	2
2	105316501	Battery Insulator, CHN	1

1

E

1

E



001300-028

SEAT BOTTOM

ITEM	PART NO.	DESCRIPTION	QTY
		1 2 3 4	
1	1013309	Strap, Utility Seat	1
2	101954301	Screw, 1/4-20 X 0.75 Hex-Head Cap	1
3	101954301	Screw, 1/4-20 X 0.75 Hex-Head Cap	4
4	105327401	Asm, Seat Bottom, Gray,TP, CHN	1
5	105327402	Asm, Seat Bottom, White, TP, CHN	1
6	105328001	Bracket, Hinge, Seat, TP, CHN	2
7	332	Washer, 1/4 Type A Narrow Flat	1

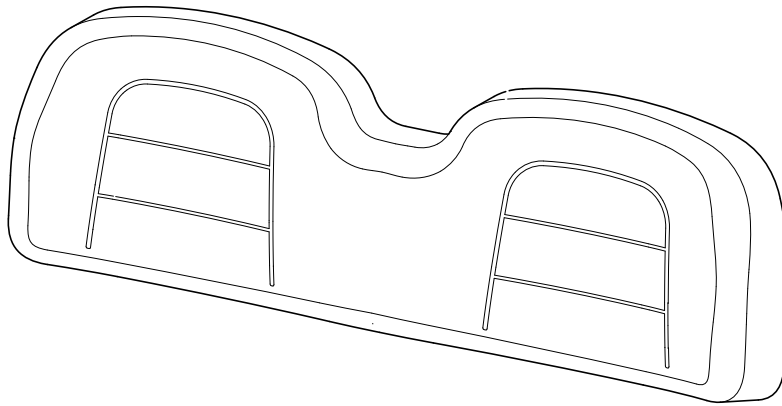
1

E

1

E

1 2



001300-027

SEAT BACK

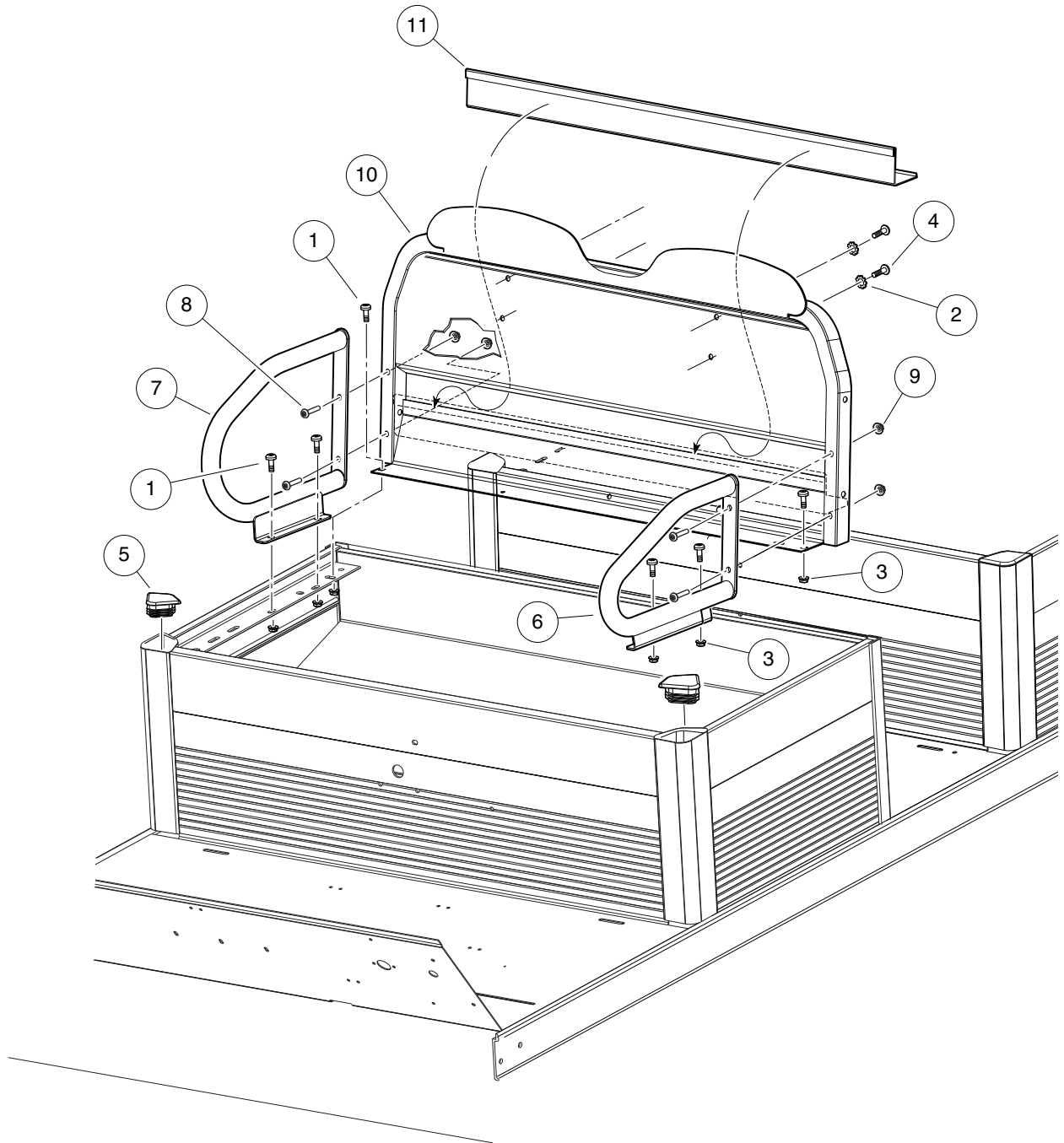
ITEM	PART NO.	DESCRIPTION	QTY
1	105326801	1 2 3 4 ASM, Seatback, Gray, TP, CHN	1
2	105326802	ASM, Seatback, White, TP, CHN	1

1

E

1

E



00116

SEAT FRAME AND HIP-RESTRAINT

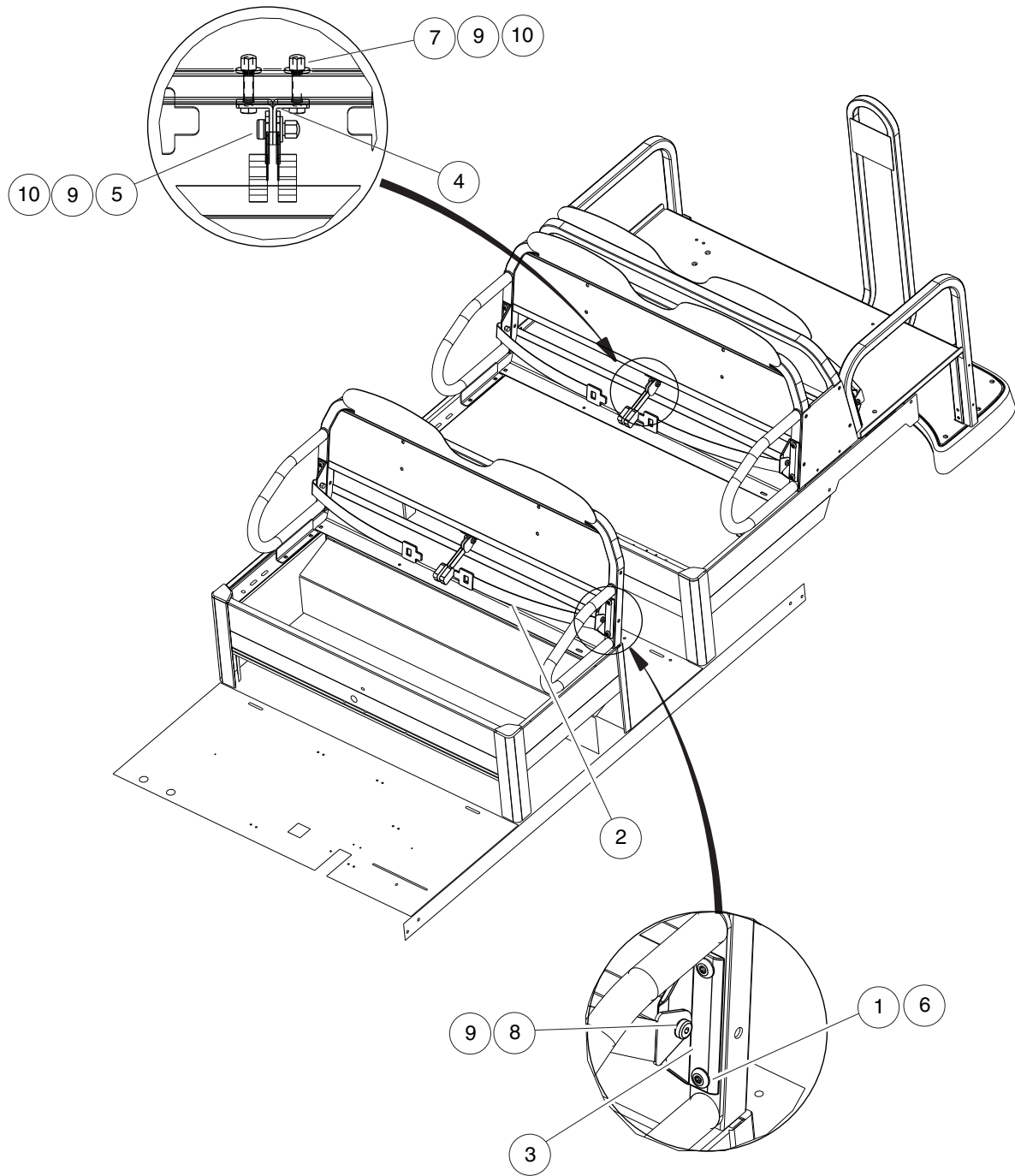
ITEM	PART NO.	DESCRIPTION	QTY
		1 2 3 4	
1	1015399	Screw, 5/16-18 X 0.88 Torx Truss-Head	6
2	101946201	Washer, Lock, 0.250 External-Tooth	4
3	101963401	Locknut, 5/16-18 Hex Flange	6
4	103487501	Screw, 1/4-20 X 1.0, Black	4
5	105006501	Cap, Corner, Frame	2
6	105063001	Wldmnt, Hip Restraint, Sml, Lh	1
7	105063002	Wldmnt, Hip Restraint, Lrg, Rh	1
8	105078401	Scrw, 5/16-18 X 1.75, Tr Tx Hd	4
9	105194301	Nut, 5/16-18, Conical Washer	4
10	105316901	Weldment, Seatback, T4, CHN	1
11	105326601	Extr, Seal, Bed, 41", CHN	1

1

E

1

E



001180-00

2-POINT SEAT BELTS

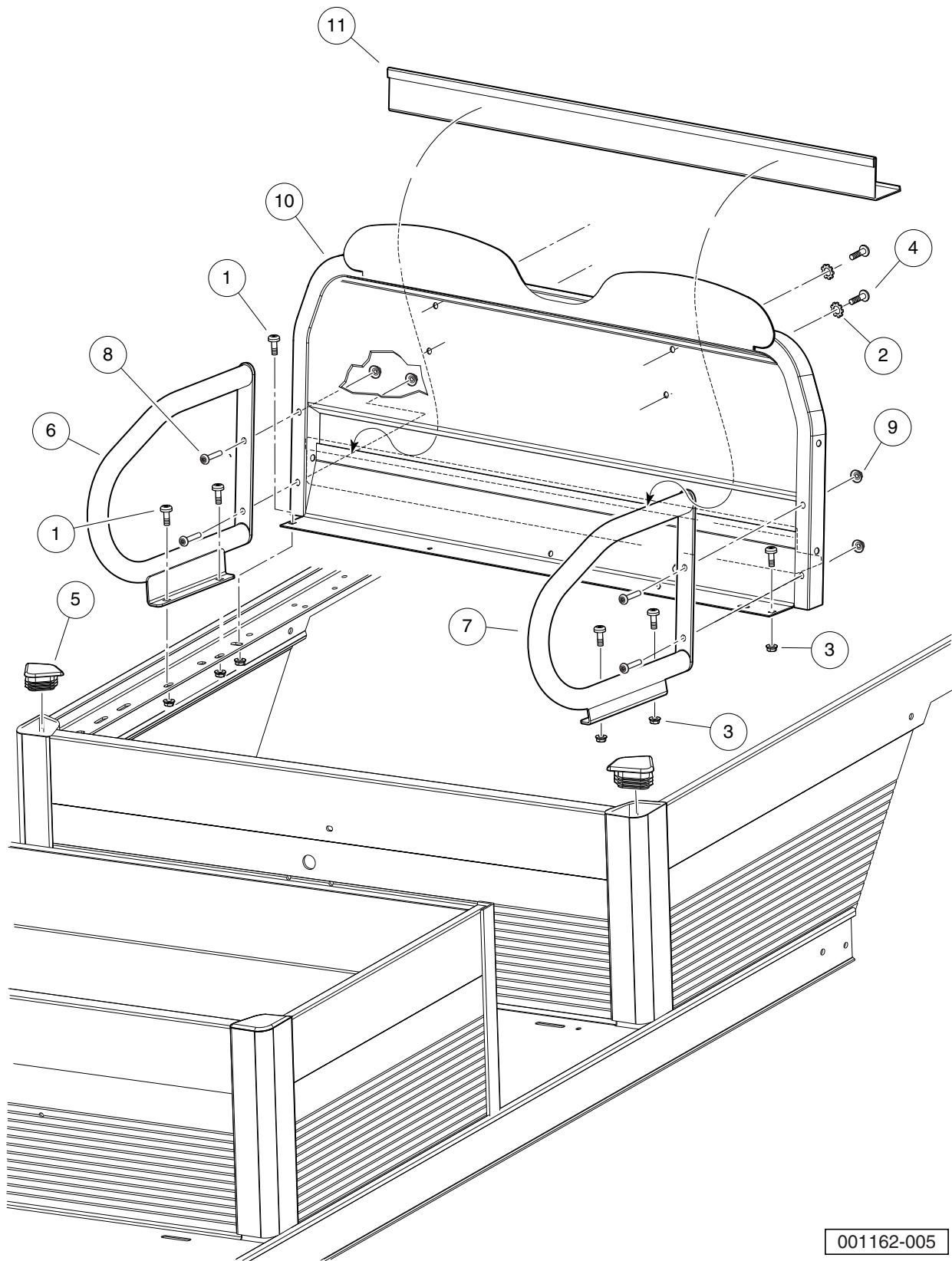
ITEM	PART NO.	DESCRIPTION	QTY
		1 2 3 4	
1	105194301	Nut, 5/16-18, Conical Washer	8
2	105229701	Seat Belt, Two Point	6
3	105310601	Mounting Plate, Lap Belt	6
4	105334901	Plate, Buckle Mounting, CHN	6
5	105335001	Bolt, M8 x 23 Hex-Socket Head	3
6	105335101	Screw, 5/16-18 x 2, Tr Tx Hd	8
7	105335201	Screw, Hex, M8 x 1.25 x 40	6
8	105335301	Bolt, M8 x 17 x 17, Hex-Socket Head	6
9	105335401	Cap Nut, M8, Hex Domed	15
10	334	Washer, 3/8, Type A, Flat	9

1

E

1

E



001162-005

REAR SEAT FRAME AND HIP-RESTRAINT

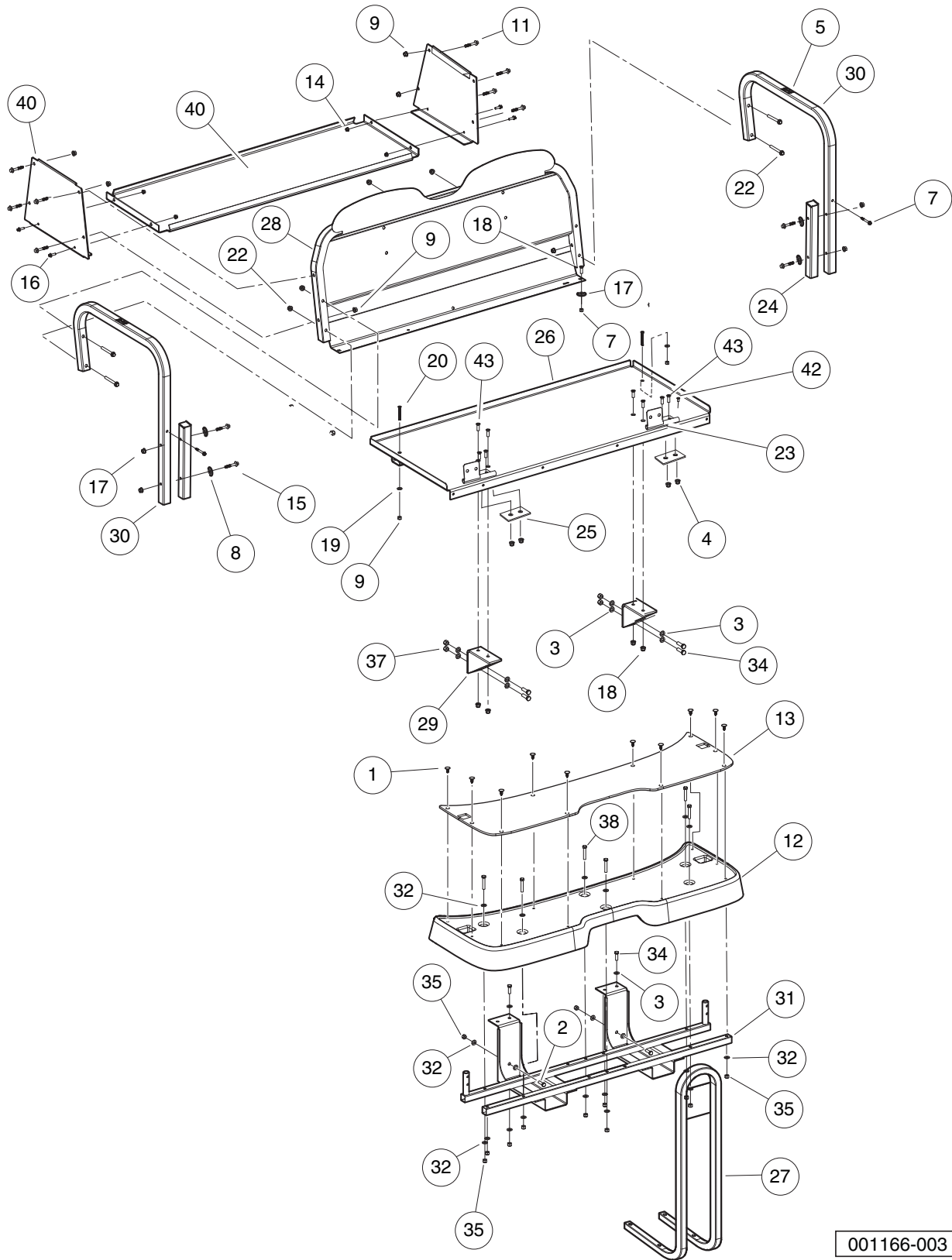
ITEM	PART NO.	DESCRIPTION	QTY
		1 2 3 4	
1	1015399	Screw, 5/16-18 X 0.88 Torx Truss-Head	6
2	101946201	Washer, Lock, 0.250 External-Tooth	4
3	101963401	Locknut, 5/16-18 Hex Flange	6
4	103487501	Screw, 1/4-20 X 1.0, Black	4
5	105006501	Cap, Corner, Frame	2
6	105063002	Wldmnt, Hip Restraint, Lrg, Rh	1
7	105063003	Wldmnt, Hip Restraint, Lrg, Lh	1
8	105078401	Scrw, 5/16-18 X 1.75, Tr Tx Hd	4
9	105194301	Nut, 5/16-18, Conical Washer	4
10	105316902	Weldment, Seatback, T6, CHN	1
11	105326601	Extr, Seal, Bed, 41", CHN	1

1

E

1

E



001166-003

REAR FACING SEAT

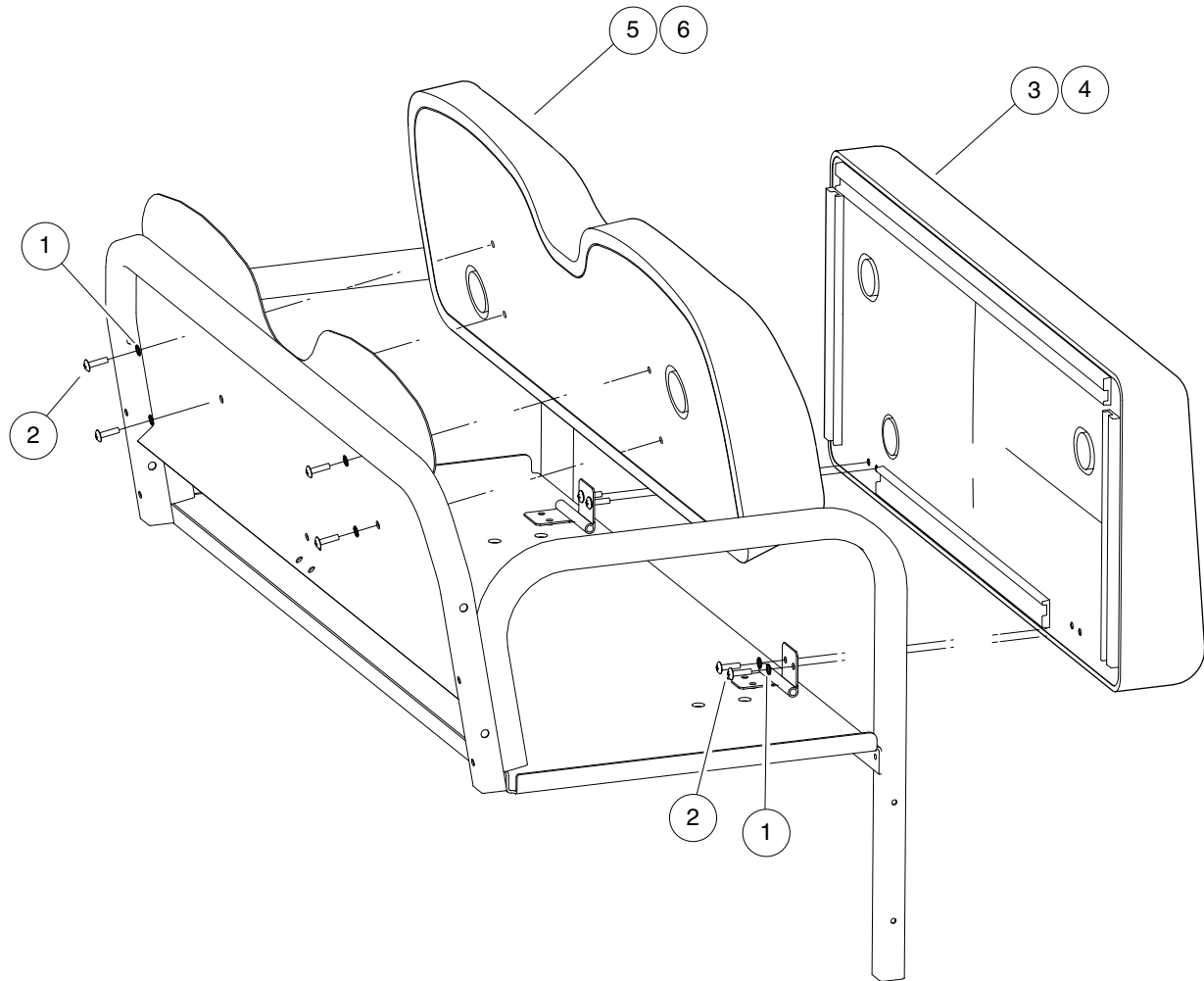
ITEM	PART NO.	DESCRIPTION	QTY
		1 2 3 4	
1	1010434	Barrel - Plastic	10
2	1010934	Screw, 5/16-18 X 1.00 Hex Cap	4
3	1011990	Washer, 3/8 Flat	8
4	1015661	Nut, Lock Hx Flanged 1/4-20	4
5	101609401	Decal, Crush Area Warning	2
6	101705701	Decal, Warning	1
7	102296150	Bolt - M6x1.0x50 Hex Flng Hd	2
8	102296301	Washer, M6x18x1.6 Flat	4
9	102298401	Nut, M8, All Metal Lock	14
10	102298720	Screw, M8-1.25x20, Taptite	4
11	102299550	Screw,m8x50,sems,tx,bttn,plt	8
12	102531402	Footdeck, 4-Passenger, Black	1
13	102531601	Floor mat, 4-Passenger, Rear	1
14	102541401	Bolt-m6x1.0x20 Hex Flhd Blk-l	4
15	102541470	Bolt-m6x1.0x70 Hex Flhd, Blk-l	4
16	102541501	Nut-m6x1.0 Fl Mtl Lock,blk	6
17	102582401	Cap Nut M6, Sp	4
18	102618601	Lock Nut, Flange, M8 X 1.25 Nylon	4
19	103201101	Washer, Step, CVT Primary	2
20	103262201	Bolt Flg Blk, M8 X 25, Loctite	2
21	103487501	Screw, 1/4-20 X 1.0, Black	4
22	105188185	Bolt, M8 X 85mm, 10.9 Grade	4
23	105295501	Hinge, Rear Seat, TP	2
24	105295801	Tube, Supp HR, Fixed Seat, CHN	2
25	105295901	Hinge Plate, RR Seat, TP, CHN	2
26	105296001	Weldment. Fixed Pane, CHN	1
27	105296101	Weldment, RR ST Handrail, TP, CHN	1
28	105311001	Weldment, Seatback, Fix Seat	1
29	105326701	Weldment, Supp, Fixed Panel, CHN	2
30	105329501	Hip Restraint, Fix Seat, CHN	2
31	105329601	Weldment, Supp, Footdeck, CHN	1
32	1241	Washer, 5/16 Type A Flat	20
33	332	Washer, 1/4 Type A Narrow Flat	2
34	705	Screw, Cap-hex Hd 3/8-16x1.25	4
35	7473	Locknut, 5/16-18 Nylon Insert	10
36	8233	Locknut, 1/4-20, Nylon Insert	2
37	8754	Locknut, 3/8-16 Hex	4
38	8916	Screw, 5/16-18 X 2.0 Hex Cap	2
39	8963	Screw, 5/16-18 X 1.75 Hex-Head Cap	6
40	SVP659401	Panel, Support, Seat, Side, Fl	2
41	SVP664101	Screw, 1/4-20x2.0, Csfh, Ss	2
42	SVP732201	Panel, Closeout, Folddown, 300	1
43	SVPP234001	M8x1.25x25 Fl Hd Mach Scr	4

1

E

1

E



001300-029

REAR FACING SEAT BOTTOM

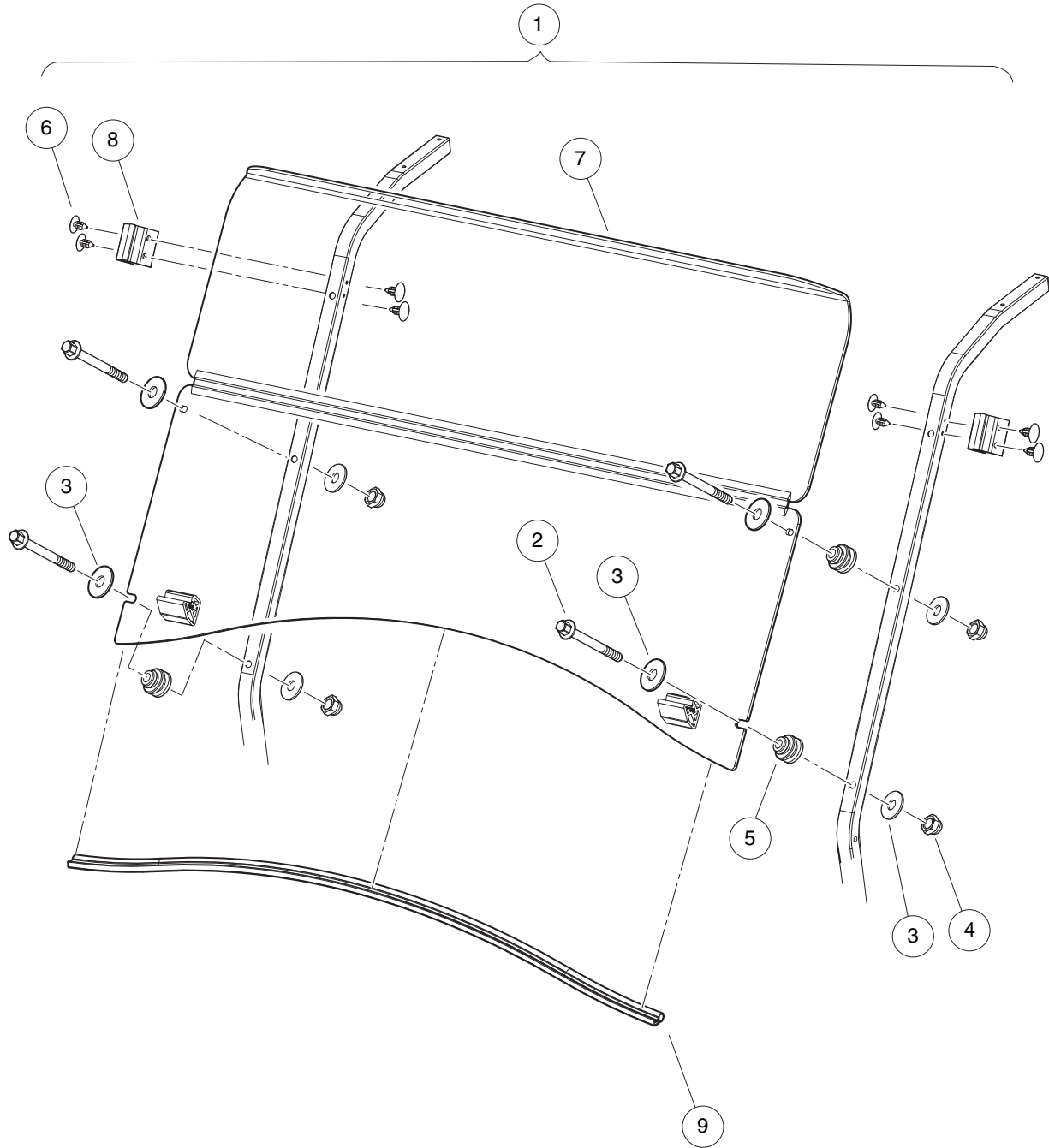
ITEM	PART NO.	DESCRIPTION	QTY
		1 2 3 4	
1	101946201	Washer, Lock, 0.250 External-Tooth	8
2	103487501	Screw, 1/4-20 X 1.0, Black	8
3	105295701	Asm, Seat Bottom, Rear, Gray, TP, CHN	1
4	105295702	Asm, Seat Bottom, Rear, White, TP, CHN	1
5	105326801	ASM, Seatback, Gray, TP, CHN	1
6	105326802	ASM, Seatback, White, TP, CHN	1

1

E

1

E



001114-001

WINDSHIELD, HINGED

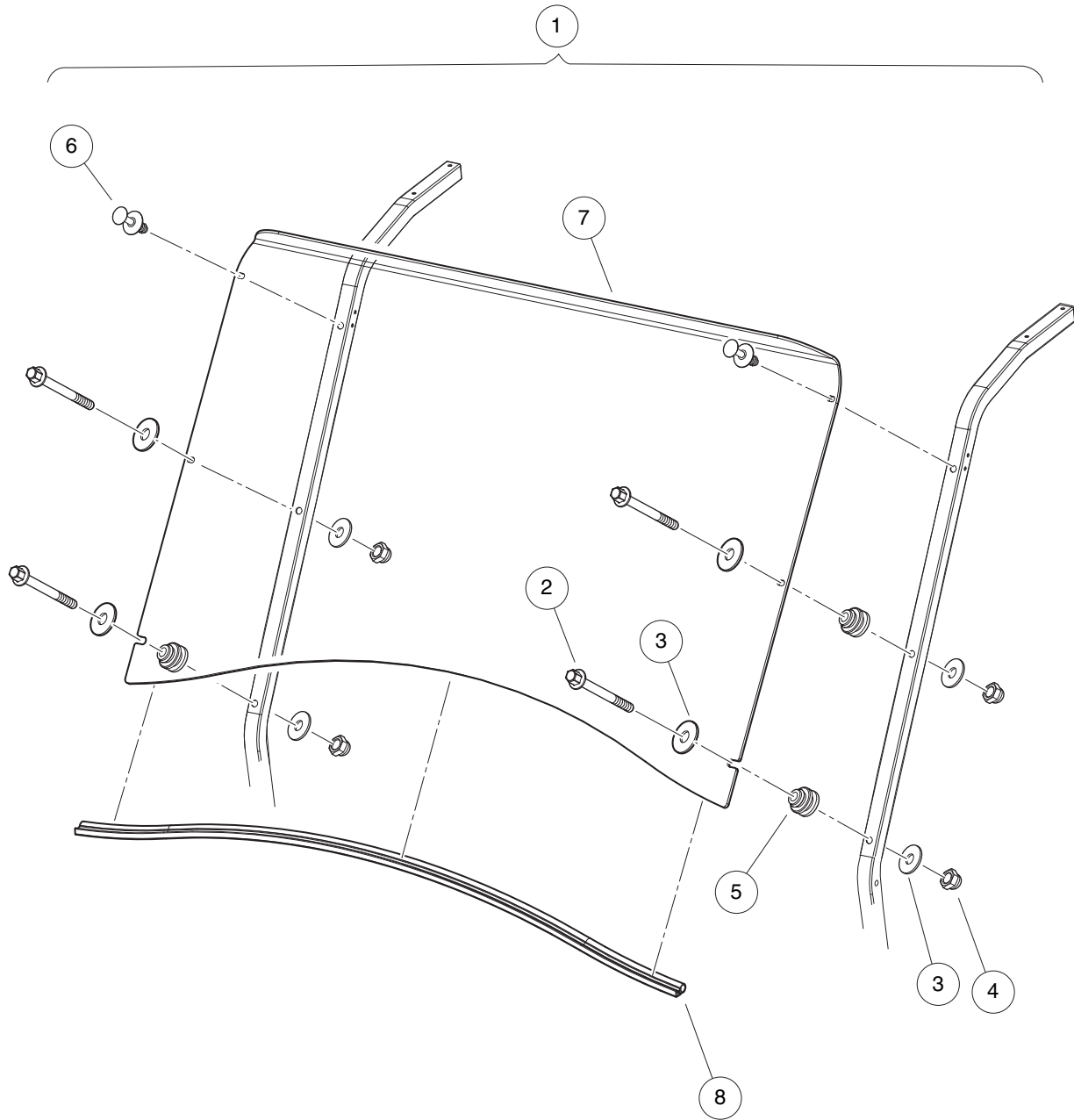
ITEM	PART NO.	DESCRIPTION	QTY
		1 2 3 4	
1	105109101	Kit, Windshield, Hinged, Hb (includes items 2 through 9)	1
2	102296150	Bolt - M6x1.0x50 Hex Flng Hd	4
3	102296301	Washer, M6x18x1.6 Flat	4
4	102582401	Cap Nut M6, Sp	4
5	102947601	Grommet, Windshield	4
6	103754901	Fastener, Barrel - .610 X .25	8
7	105060901	Windshield, Hinged, Utility Hb	1
8	105069901	Clip, Retainer, W/s 1.25"	2
9	105196001	seal,windshield	1

1

E

1

E



001115-001

WINDSHIELD, NON-HINGED

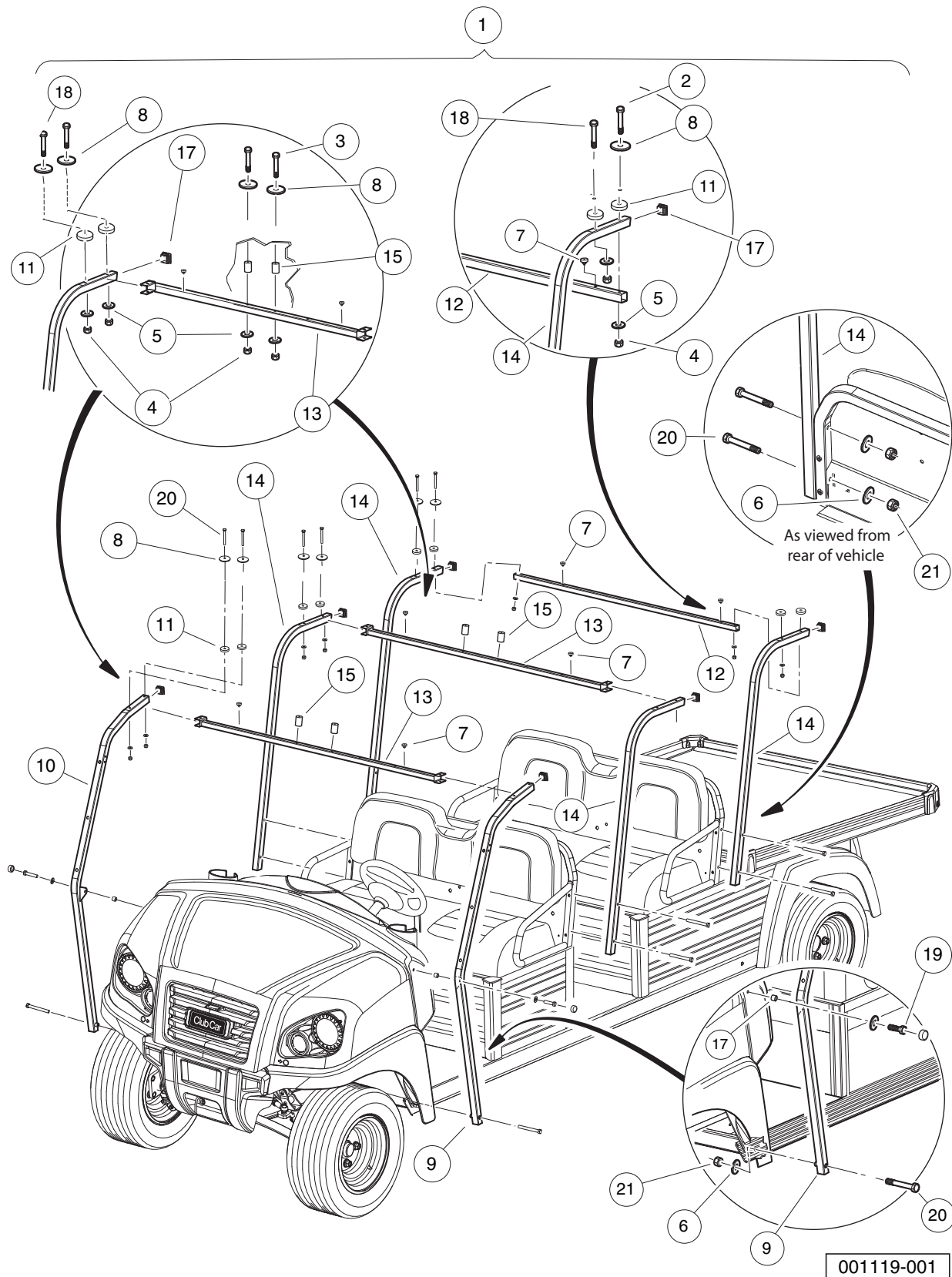
ITEM	PART NO.	DESCRIPTION	QTY
		1 2 3 4	
1	105109201	Kit, Windshield, Single, Hb (includes items 2 through 8)	1
2	102296150	Bolt - M6x1.0x50 Hex Flng Hd	4
3	102296301	Washer, M6x18x1.6 Flat	8
4	102582401	Cap Nut M6, Sp	4
5	102947601	Grommet, Windshield	4
6	105093501	Blind Rivet, Push, 3-10 Panel	2
7	105102301	Windshield, Single, Hb	1
8	105196001	seal,windshield	1

1

E

1

E



CANOPY SUPPORT KIT-4-PASSENGER

ITEM	PART NO.	DESCRIPTION	QTY
		1 2 3 4	
1	105087001	Kit, Canopy Support, Tp4 (includes items 2 through 21)	1
2	1012462	Bolt, 1/4-20 X 3.50 Hex Head	2
3	102063601	Screw, 1/4-20 X 3.25 Hex Cap	4
4	102242401	Nut - Nylon Insert W/cap	16
5	102296301	Washer, M6x18x1.6 Flat	16
6	102323501	Washer, Flat, 3/8, Blk Fin	10
7	102590801	Bumper, Rubber	6
8	103196001	Washer, Conical Spring, Canopy	16
9	105063201	Weldment, Strut, Ds, Hb	1
10	105063202	Weldment, Strut, Ps, Hb	1
11	105086101	Spacer, Rubber,7.1i D-6.35 Thk	14
12	105087101	Tube, Crs Support, Lg Canopy	1
13	105087201	Weldmnt, Crs Supprt, Lg Canopy	2
14	105087301	Strut, Rear, Long Canopy, Res	4
15	105089201	Spacer, Ruber-30 Odx42 Ht-1/4	4
16	105092601	Plug, Square -31.75mm	6
17	105094001	Spacer, Canopy Support, Dash	2
18	105197301	1/4-20 x 2.25,BHCS,6-LOBE	10
19	105197401	BOLT,FLG,3/8-16 X 1.00 LOC	2
20	105197402	BOLT,FLG,3/8-16 X 3.00	10
21	8754	Locknut, 3/8-16 Hex	10

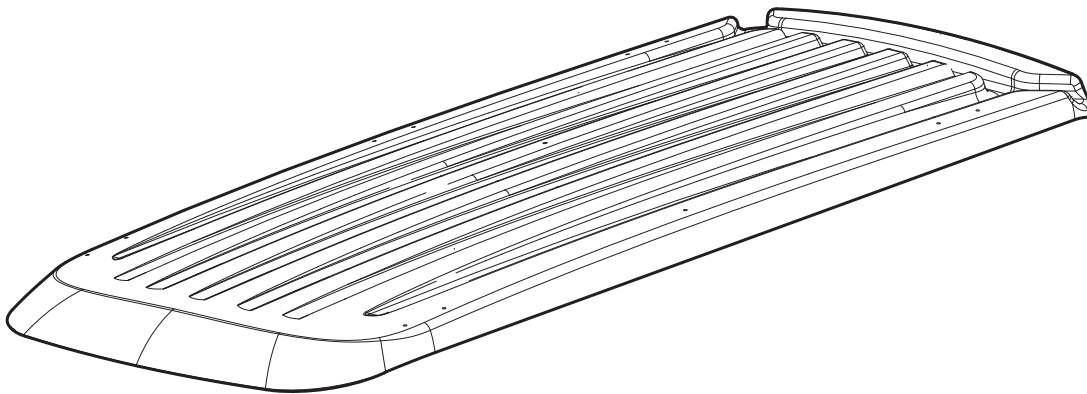
1

E

1

E

1 2 3



001121-001

CANOPY – LONG

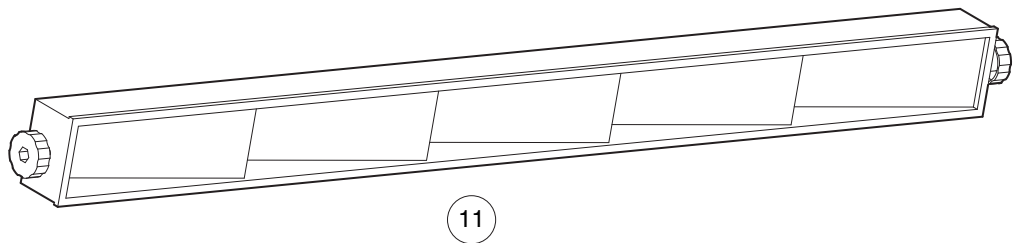
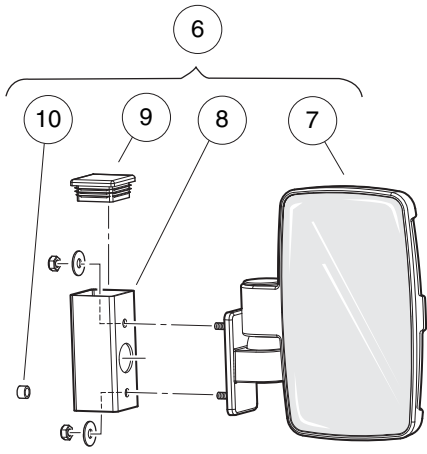
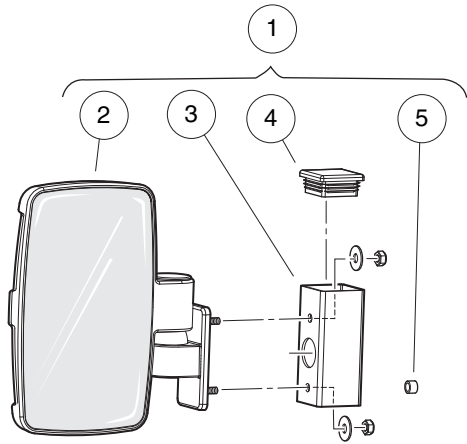
ITEM	PART NO.	DESCRIPTION	QTY
		1 2 3 4	
1	105077601	Canopy, Long, Restyle, White	1
2	105077602	Canopy, Long, Restyle, Beige	1
3	105077603	Canopy, Long, Restyle, Black	1

1

E

1

E



001300-019

MIRRORS

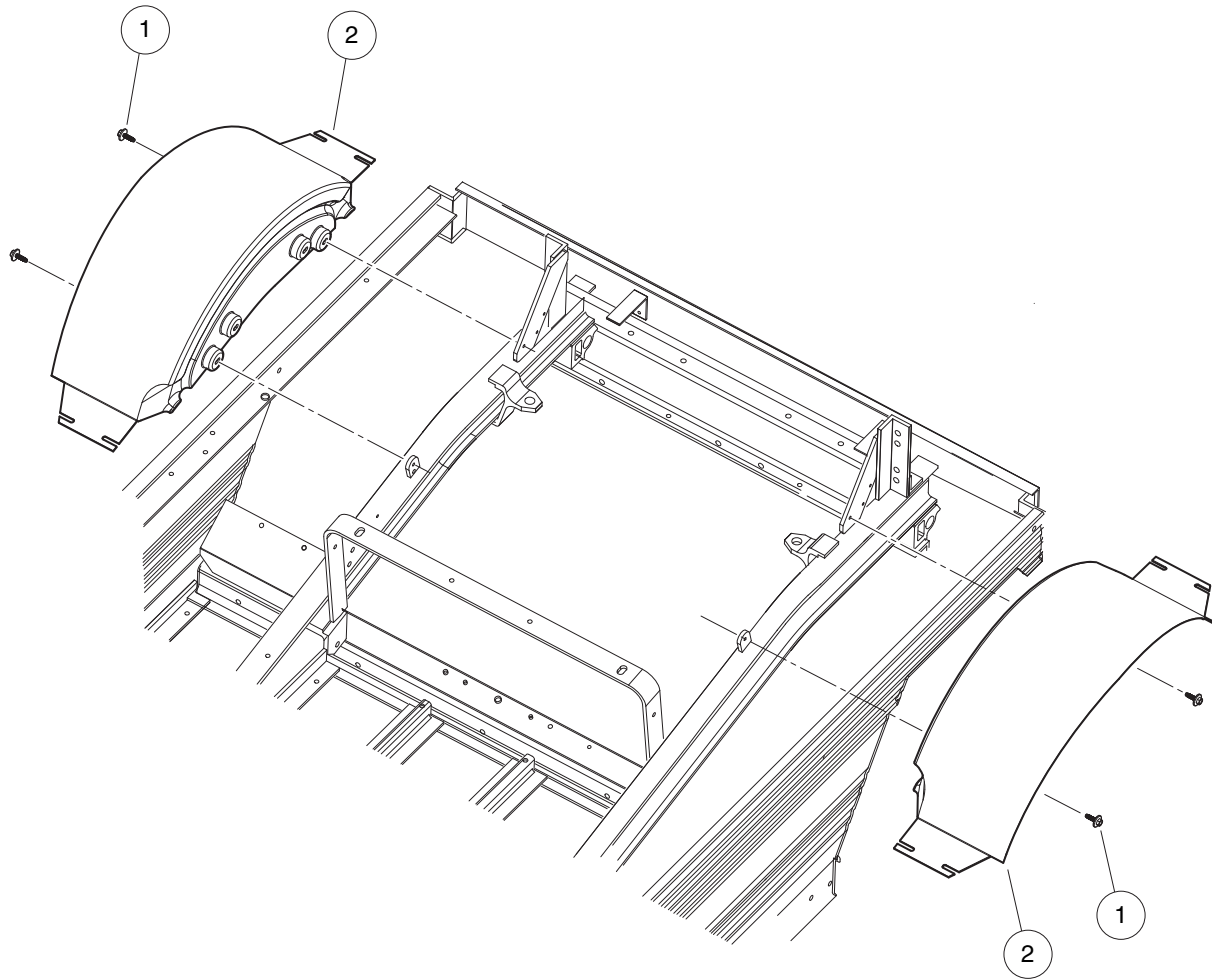
ITEM	PART NO.	DESCRIPTION	QTY
		1 2 3 4	
1	105124201	Kit, Mirror, Hb, Res, Ds (includes items 2 through 5)	1
2	105128801	Asm, Mirror, Utl Res, Ds	1
3	105128901	Tube, Mirror, Support	1
4	105129001	Plug, Square 38.1 Mm	1
5	105170101	Spacer, M6, Plastic	1
6	105124202	Kit, Mirror, Hb, Res, Ps (includes items 7 through 10)	1
7	105128802	Asm, Mirror, Utl Res, Ps	1
8	105128901	Tube, Mirror, Support	1
9	105129001	Plug, Square 38.1 Mm	1
10	105170101	Spacer, M6, Plastic	1
11	105288801	Kit, Mirror, 5 Panel, Canopy	1

1

E

1

E



001123-001

INNER REAR FENDERS

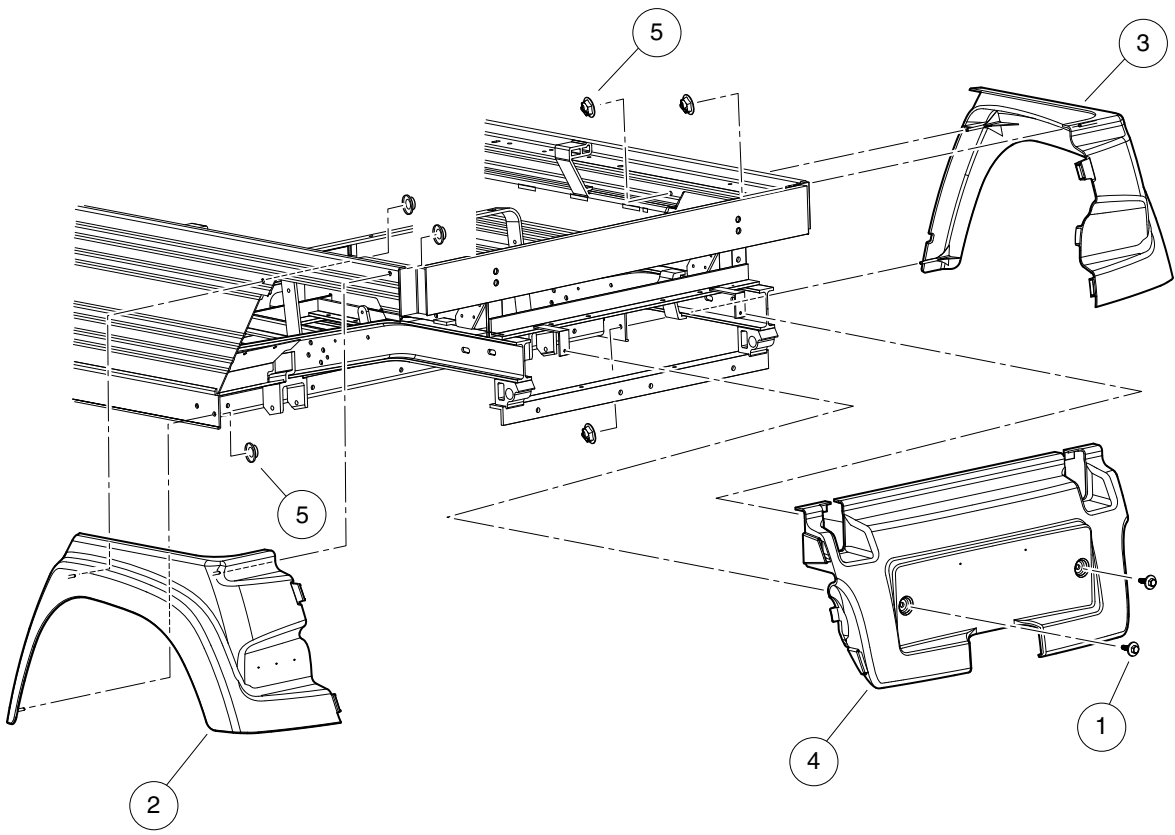
ITEM	PART NO.	DESCRIPTION	QTY
1	102297125	1 2 3 4 Screw, M6-1.0x25.4, Thread-Forming, SEMS	4
2	105035801	Fender, Inner, Ca	2

1

E

1

E



001124-001

REAR FENDERS AND TAIL SKIRT

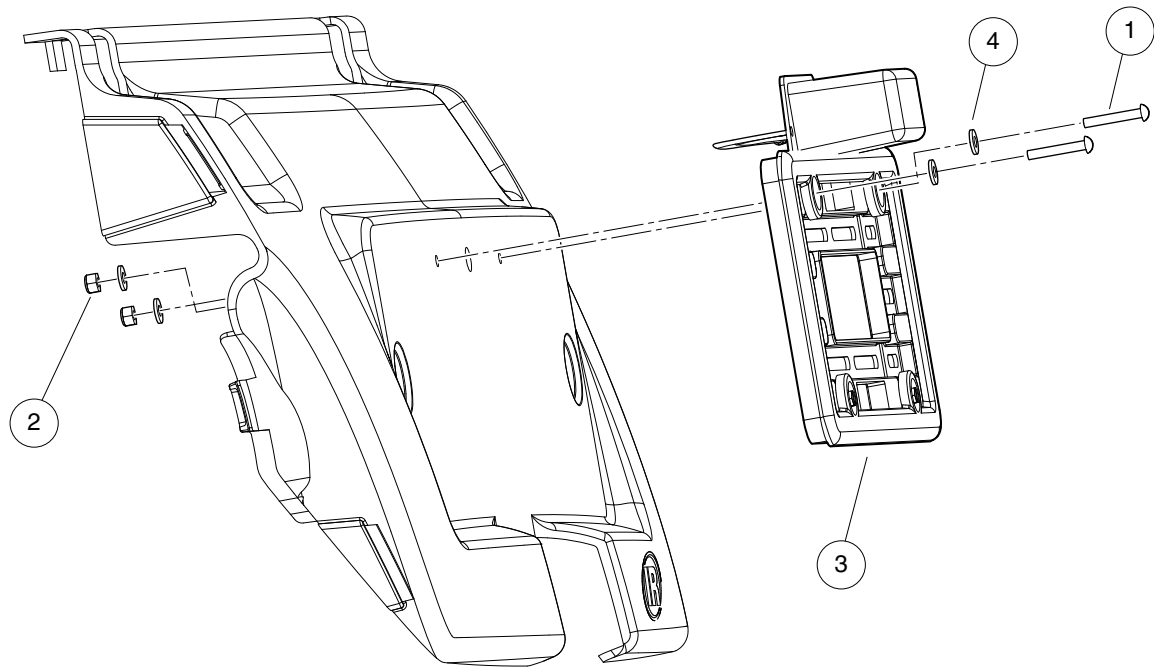
ITEM	PART NO.	DESCRIPTION	QTY
		1 2 3 4	
1	102297125	Screw, M6-1.0x25.4, Thread-Forming, SEMS	2
2	105035101	Fender, Rear, Lh, Ca	1
3	105035201	Fender, Rear, Rh, Ca	1
4	105035301	Tailskirt, Ca	1
5	105066401	Nut, Self Thread, 5x10x15	6

1

E

1

E



001170-001

REAR LICENSE PLATE HOLDER

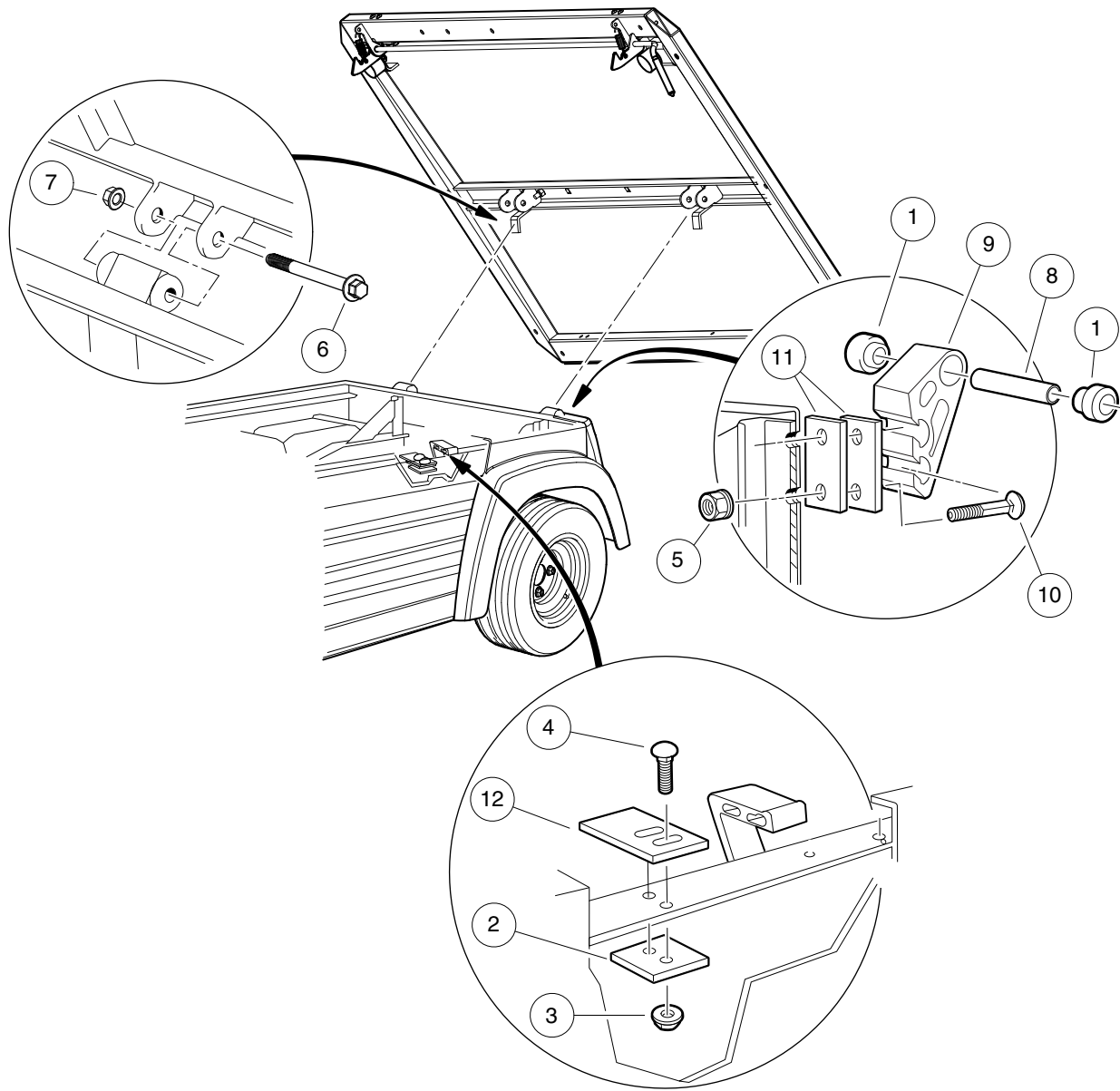
ITEM	PART NO.	DESCRIPTION	QTY
		1 2 3 4	
1	1010909	Screw, #10-32 X 1.25 Rd Hd Mch	2
2	1013061	Locknut, #10-32 Nylon Insert	2
3	N/A	License Plate,ASM, Rear	1
4	183	Washer, #10, Type A, Flat	4

1

E

1

E



001145-001

BED HINGE AND LATCH

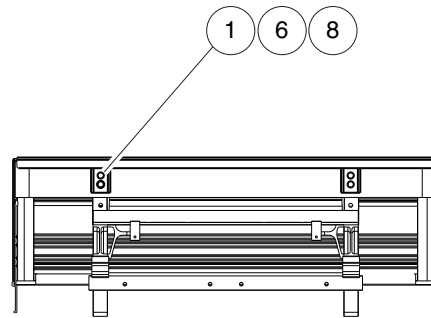
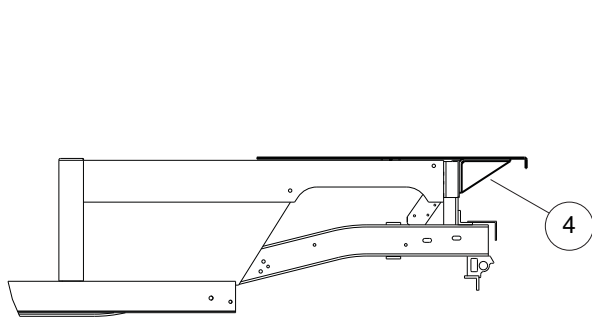
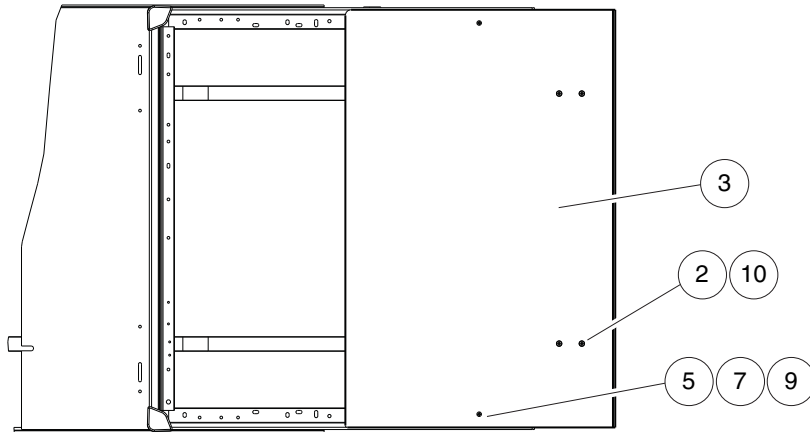
ITEM	PART NO.	DESCRIPTION	QTY
		1 2 3 4	
1	1015583	Bushing, Urethane	4
2	1016060	Plate, Latch Support	2
3	101835601	Locknut, 1/4-20 Hex Whiz	4
4	101958602	Bolt, Carriage, 1/4-20 X 1.0	4
5	102065901	Locknut, 3/8-16 Flanged Dimple	4
6	102298185	Bolt - Flange Hd, M8 X 85.0	2
7	102298401	Nut,m8,all Metal Lock	2
8	102506401	Sleeve - Spring Eye Mounts	2
9	103538701	Bracket, Bed Hinge, Extruded	2
10	103539001	3/8-16 X 1.25 Carr Blt Gr5 Zn	4
11	103575801	Shim, Bed Hinge, .125 Thick	4
12	105110801	Plate, Latch, Ca	2

1

E

1

E



001146-003

REAR COVER

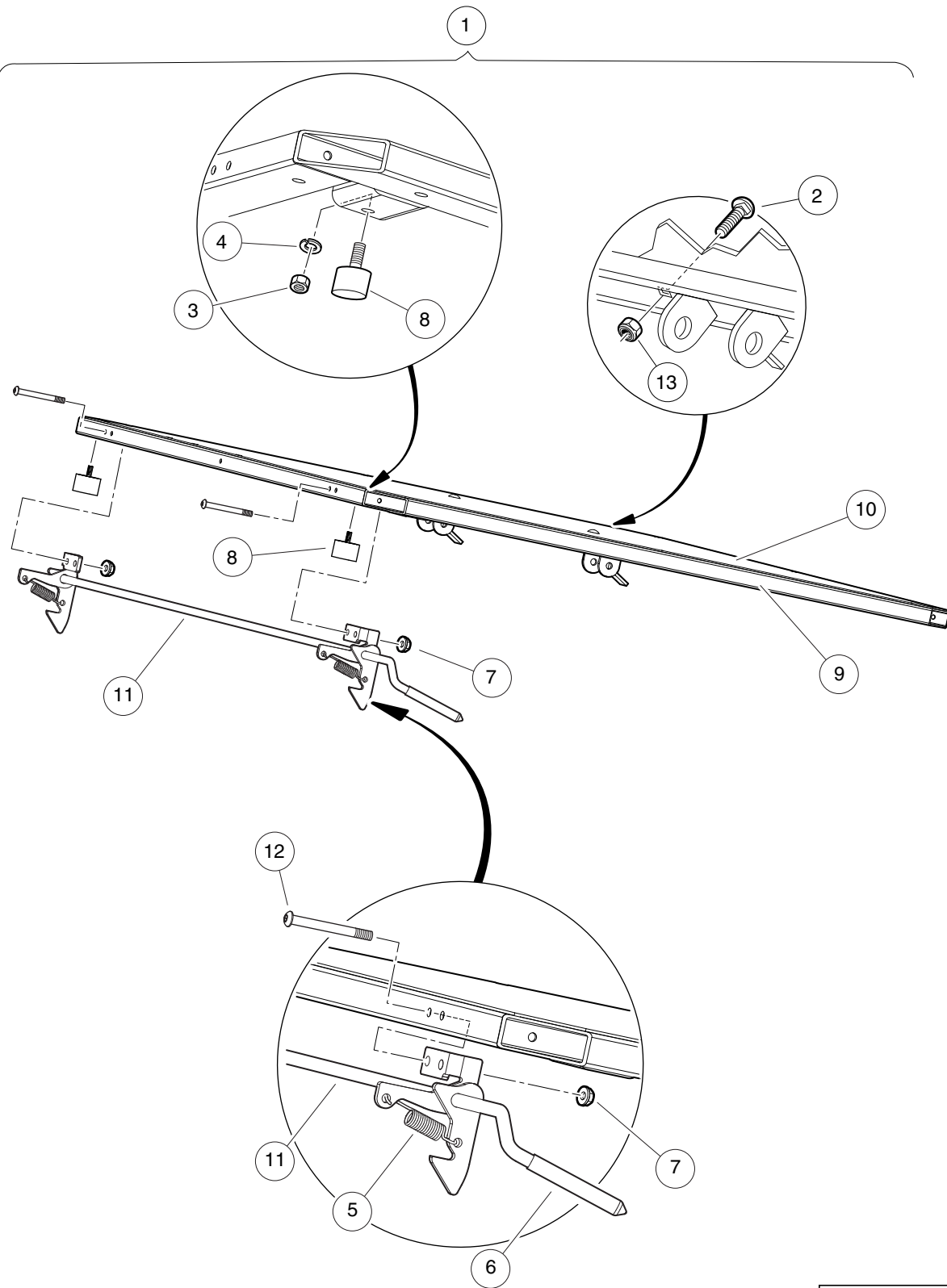
ITEM	PART NO.	DESCRIPTION	QTY
		1 2 3 4	
1	1011990	Washer, 3/8 Flat	8
2	102618601	Lock Nut, Flange, M8 X 1.25 Nylon	4
3	105310701	Rear Cover Weldment, CHN	1
4	105326701	Weldment, Supp, Fixed Panel, CHN	2
5	332	Washer, 1/4 Type A Narrow Flat	2
6	705	Screw, Cap-hex Hd 3/8-16x1.25	4
7	8233	Locknut, 1/4-20, Nylon Insert	2
8	8754	Locknut, 3/8-16 Hex	4
9	SVP664101	Screw, 1/4-20x2.0, Csfh, Ss	2
10	SVPP234001	M8x1.25x25 FI Hd Mach Scr	4

1

E

1

E



001146-001

TILT BED AND LATCH

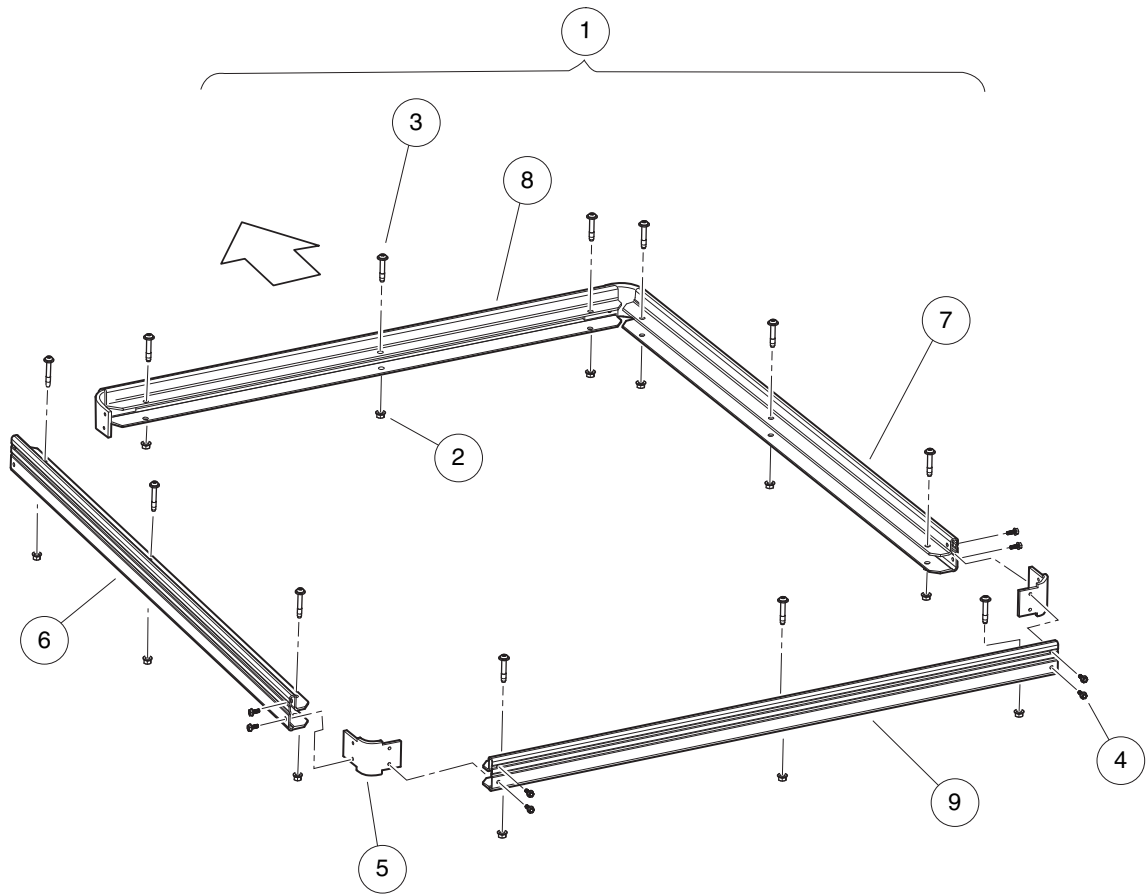
ITEM	PART NO.	DESCRIPTION	QTY
		1 2 3 4	
1	105197001	Kit, Bed Floor, Short (includes items 2 through 13)	1
2	101043502	Bolt, Carriage, 5/16-18x1 blk	2
3	1012528	Nut, M8-1.25 Hex	2
4	1013734	Lockwasher, 8mm Split	2
5	1015391	Extension, Spring Latch	2
6	1015400	Grip, Tilt Latch Hand	1
7	1015661	Nut, Lock Hx Flanged 1/4-20	4
8	105036601	Bumper, Bedfloor, Ca	2
9	N/A	Frame, Weldment, Bed, Short	1
10	N/A	Plate, Flr, Bed Utl, Sht Rhino	1
11	105169101	Weldment, Bed Latch, CA	1
12	105194101	1/4-20 X 2.5, Bhcs, 6-lobe	4
13	7473	Locknut, 5/16-18 Nylon Insert	2

1

E

1

E



001126-002

FLAT BED TRIM (SHORT BED)

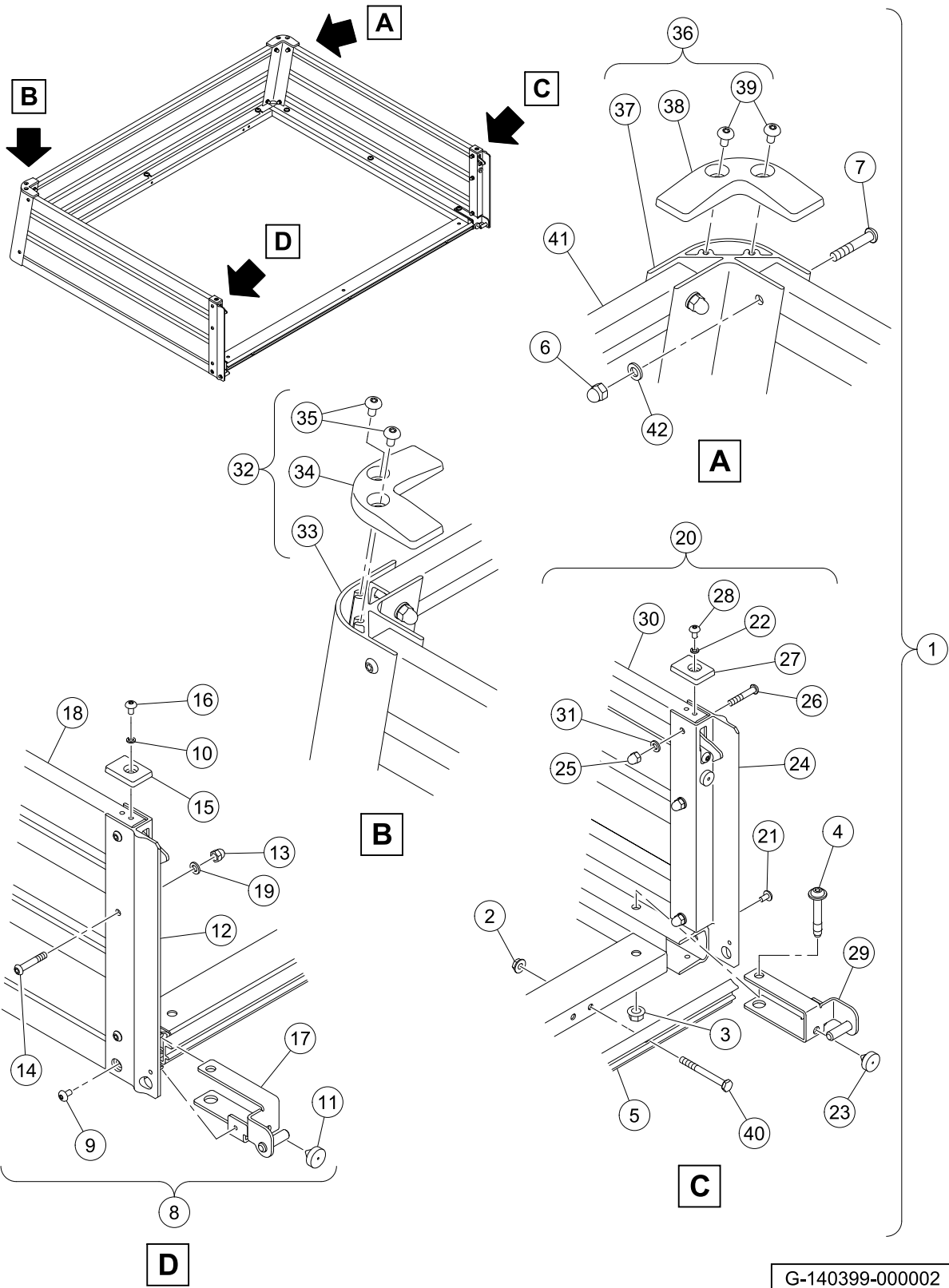
ITEM	PART NO.	DESCRIPTION	QTY
		1 2 3 4	
1	105122204	Kit, Flat Trim, Ca, Short (includes items 2 through 9)	1
2	102298401	Nut,m8,all Metal Lock	12
3	102299550	Screw,m8x50,sems,tx,bttn,plt	12
4	105185701	Pan Head Screw, M6 X 16 Tt	16
5	105185801	Bracket,Bed Corner,CA	4
6	105194701	Trim, Bed, Shrt, Lh	1
7	105194702	Trim, Bed, Shrt, Rh	1
8	105194801	Trim, Bed, Cntr, Front	1
9	105194802	Trim, Bed, Cntr, Rear	1

1

E

1

E



CARGO BOX KIT – SHORT (PAGE 1 OF 2)

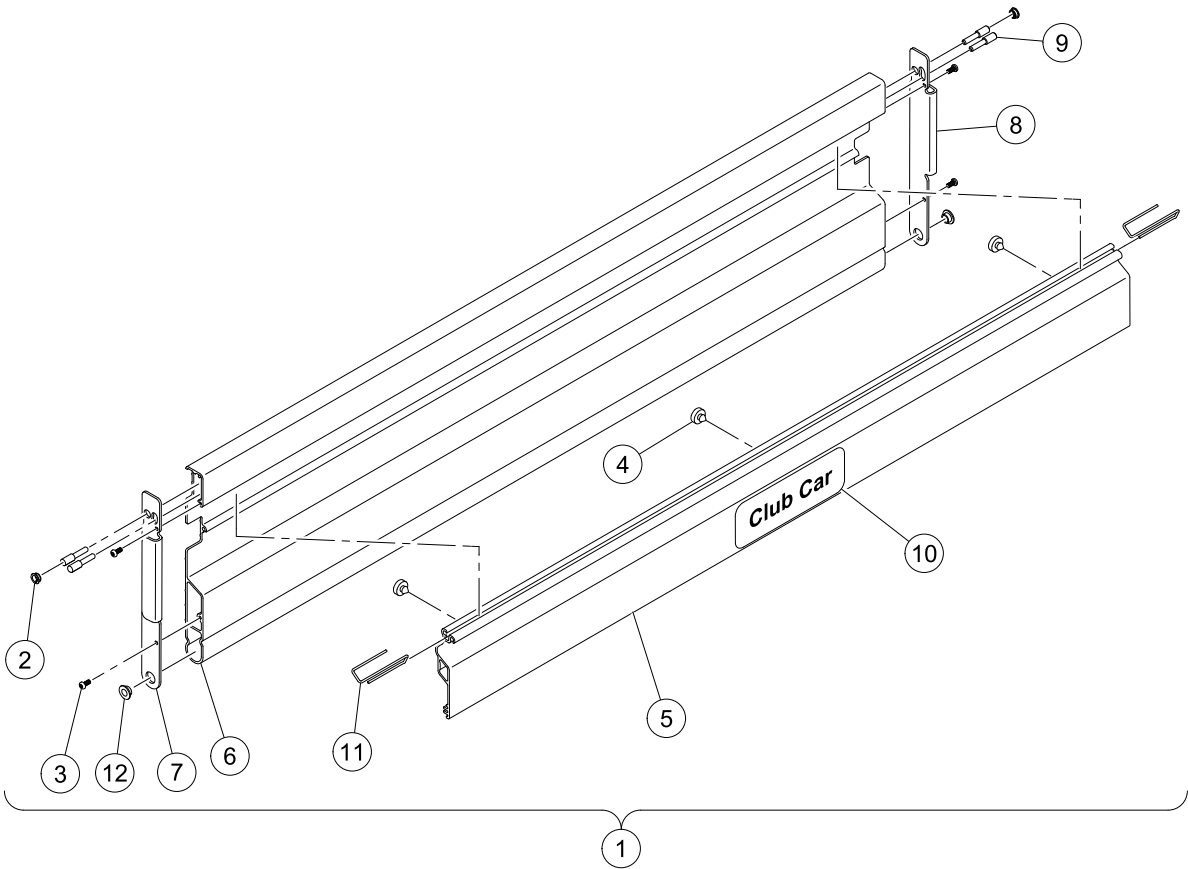
ITEM	PART NO.	DESCRIPTION	QTY
		1 2 3 4	
1	105122104	Kit, Cargo Box, Short (includes items 2 through 42)	1
2	1015661	Nut, Lock Hx Flanged 1/4-20	3
3	102298401	Nut,m8,all Metal Lock	9
4	102299550	Screw,m8x50,sems,tx,bttn,plt	9
5	105192301	Extr, Bed, Cargo, Rear	1
6	105192901	Nut, Acorn, M6, Lock, Silver	8
7	105193001	Screw, 6 Lobe, M6 X 35	8
8	105200701	Asm, Cargo Box, DS, Short (includes items 9 through 19)	1
9	1014321	Screw, #10 Truss-Head Torx	1
10	1016	Lockwasher, #10 Split	1
11	102590801	Bumper, Rubber	1
12	105127401	Asm, Latch, Tailgate, Lh	1
13	105192901	Nut, Acorn, M6, Lock, Silver	2
14	105193001	Screw, 6 Lobe, M6 X 35	2
15	105196201	Cap, Corner, Rear, Cargo Bed	1
16	105205201	Screw, 10-24 X .36, St Torx	1
17	47563313001	Weldment, Pivot, Tailgate, Lh	1
18	N/A	Panel, Cargo Box, Lh, Shrt	1
19	96705199	Washer, M6	2
20	105200801	Asm, Cargo Box, PS, Short (includes items 21 through 31)	1
21	1014321	Screw, #10 Truss-Head Torx	1
22	1016	Lockwasher, #10 Split	1
23	102590801	Bumper, Rubber	1
24	105127402	Asm, Latch, Tailgate, Rh	1
25	105192901	Nut, Acorn, M6, Lock, Silver	2
26	105193001	Screw, 6 Lobe, M6 X 35	2
27	105196201	Cap, Corner, Rear, Cargo Bed	1
28	105205201	Screw, 10-24 X .36, St Torx	1
29	47563313002	Weldment, Pivot, Tailgate, Rh	1
30	N/A	Panel, Cargo Box, Rh, Shrt	1
31	96705199	Washer, M6	2
32	105200901	Asm, Cargo Box,Corner,DS (includes items 33 through 35)	1
33	N/A	Extr, Bed Corner, Lh	1
34	105196101	Cap, Corner, Frt, Cargo Bed	1
35	105205201	Screw, 10-24 X .36, St Torx	2
36	105201001	Asm,Cargo Box,Corner,PS (includes items 37 through 39)	1
37	N/A	Extr, Bed Corner, Rh	1
38	105196101	Cap, Corner, Frt, Cargo Bed	1
39	105205201	Screw, 10-24 X .36, St Torx	2
40	324	Screw, 1/4-20 X 2.50 Hx Hd Cap	3
41	47621599001	Panel, Cargo Box, Frt	1
42	96705199	Washer, M6	8

1

E

1

E



G-140399-000001

CARGO BOX KIT (PAGE 2 OF 2)

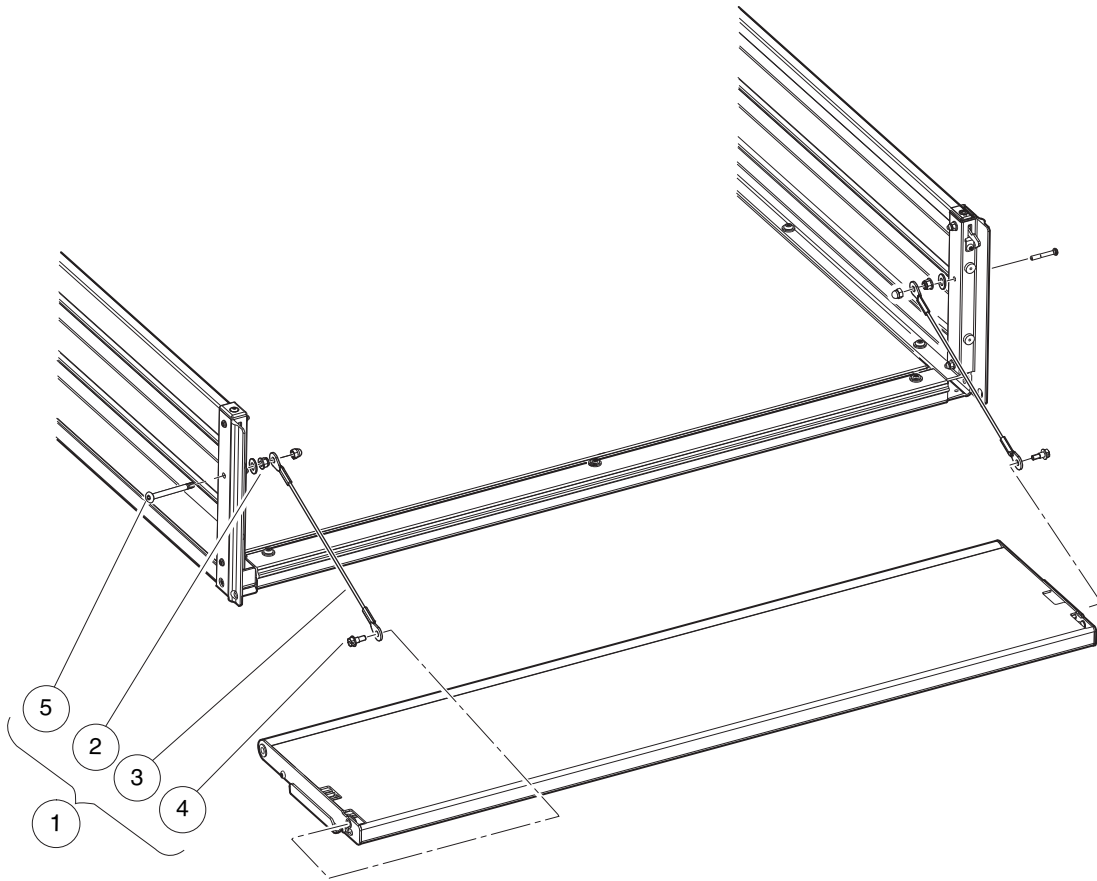
ITEM	PART NO.	DESCRIPTION	QTY
		1 2 3 4	
1	105128101	Asm, Tailgate, Wide Handle (includes items 2 through 12)	1
2	1015363	Bushing, Snap-In	2
3	102554512	Screw M5-08x12 Torx Pn Trs	4
4	102590801	Bumper, Rubber	3
5	105128201	Handle, Tailgate, Wide	1
6	N/A	Panel, Tailgate, Wide	1
7	105130301	Bracket, End, Tailgate, Lh	1
8	105130302	Bracket, End, Tailgate, Rh	1
9	105130501	Pin, Latch, Tailgate	4
10	105165901	Decal, Branding, Club Car Logo	1
11	105216201	Spring, Return, Handle	2
12	7049	Bushing, Nylon	2

1

E

1

E



001160-002

TAILGATE TEATHER

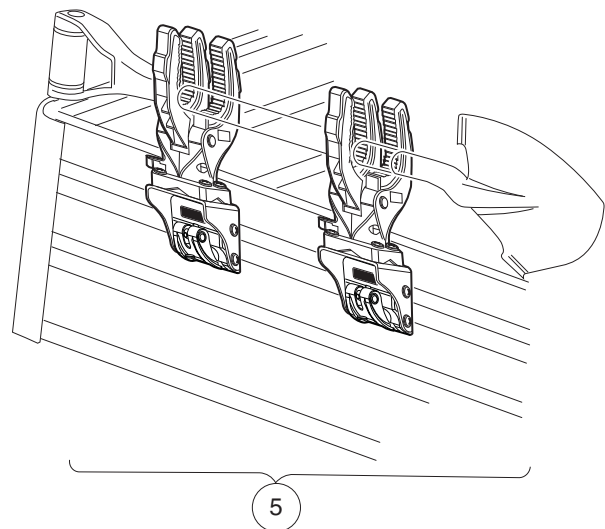
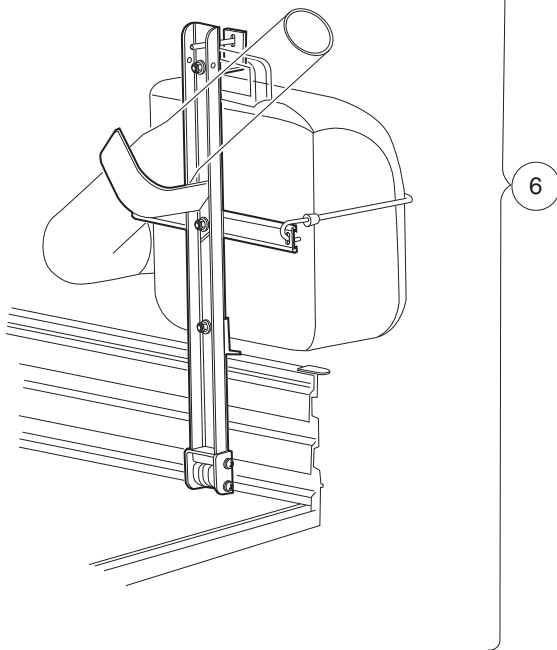
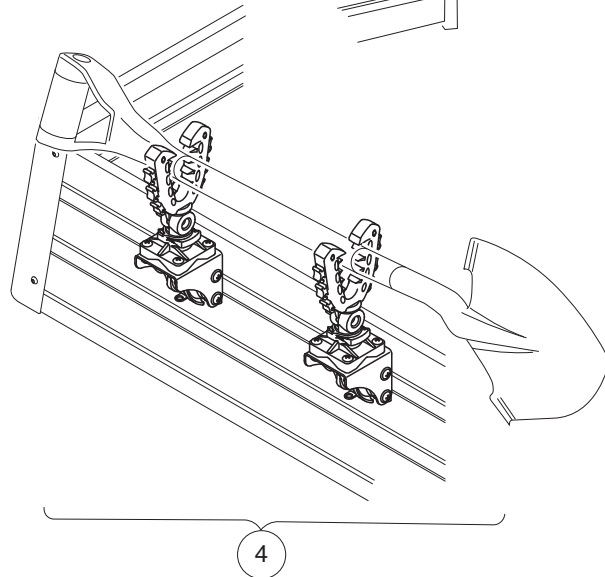
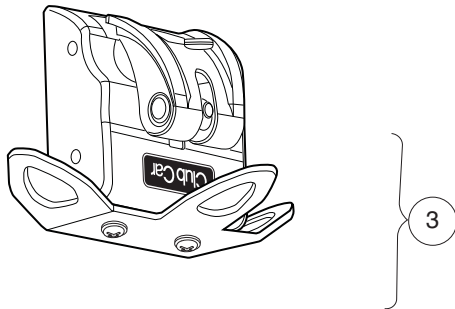
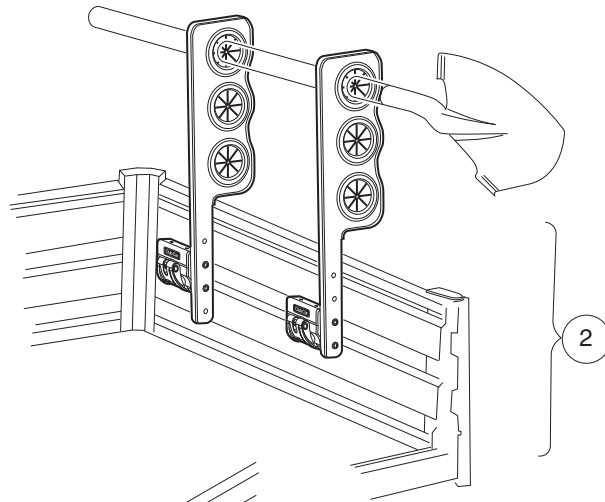
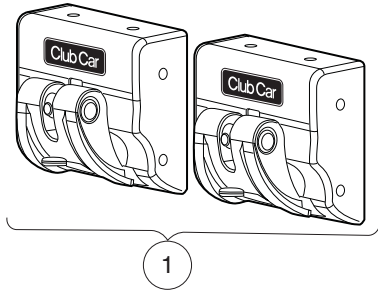
ITEM	PART NO.	DESCRIPTION	QTY
		1 2 3 4	
1	105127302	Kit, Tether, Tailgate (includes items 2 through 5)	1
2	102621501	Nut, Flange, M6 X 1.0, Nylon	2
3	105128001	Cable, Tether, Tailgate	2
4	105129901	Screw, Shoulder, Self Thread	2
5	105193101	Screw, 6 Lobe, M6 X 50	2

1

E

1

E



001167-003

MODULAR BED ACCESSORIES

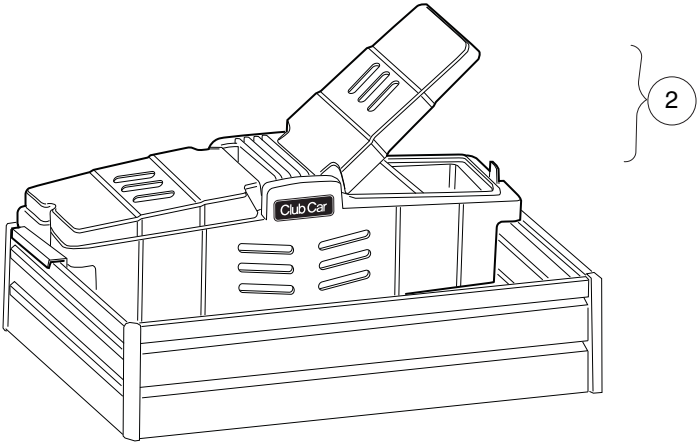
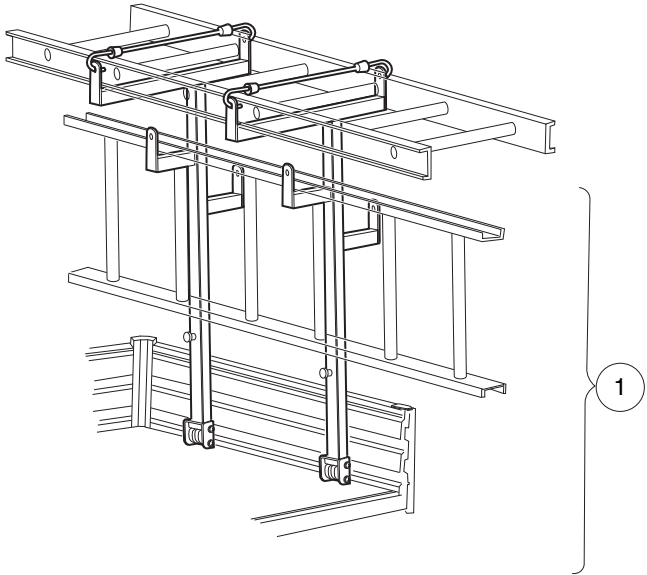
ITEM	PART NO.	DESCRIPTION	QTY
		1 2 3 4	
1	105160401	Bed Clamp, Set	1
2	105160801	Kit, Tool Rack	1
3	105160901	Kit, Tie Down	1
4	105161001	Kit, Ratcheting Grip	1
5	105161101	Kit, Static Grip	1
6	105161401	Kit, Holder, Leaf Blower	1
		Note: Component part numbers unavailable at publication.	

1

E

1

E



001168-001

MODULAR BED ACCESSORIES

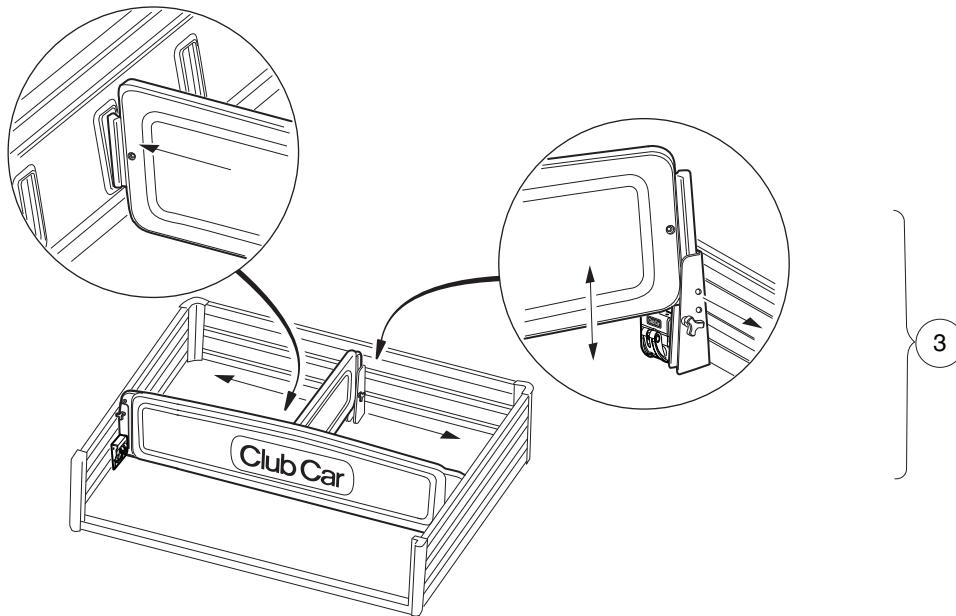
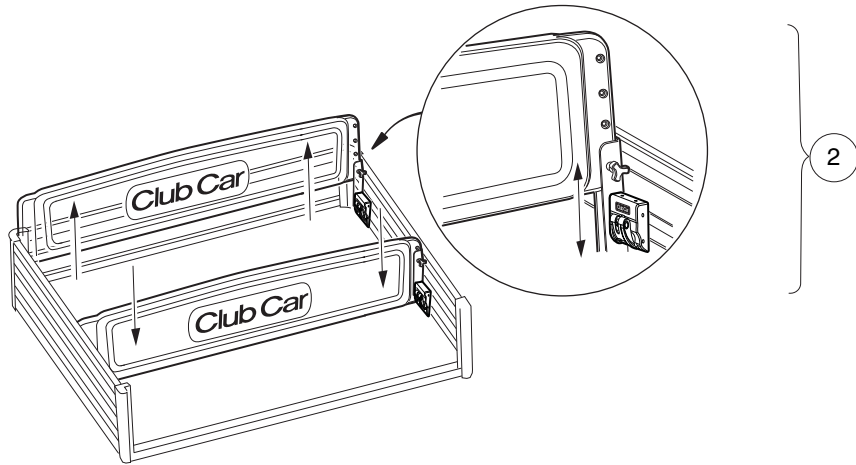
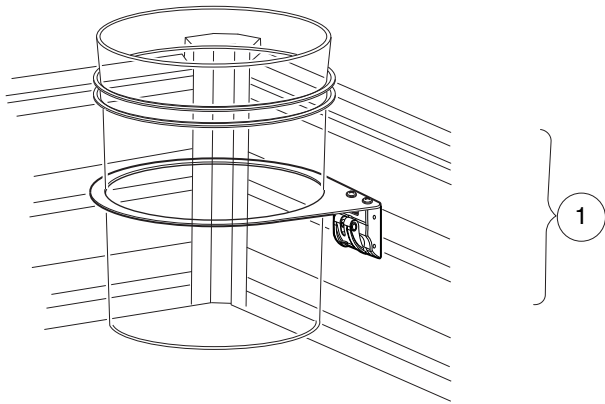
ITEM	PART NO.	DESCRIPTION	QTY
1	105161501	1 2 3 4 Kit, Rack, Ladder	1
2	105161601	Kit, Toolbox	1
<p>Note: Component part numbers unavailable at publication.</p>			

1

E

1

E



001169-001

MODULAR BED ACCESSORIES

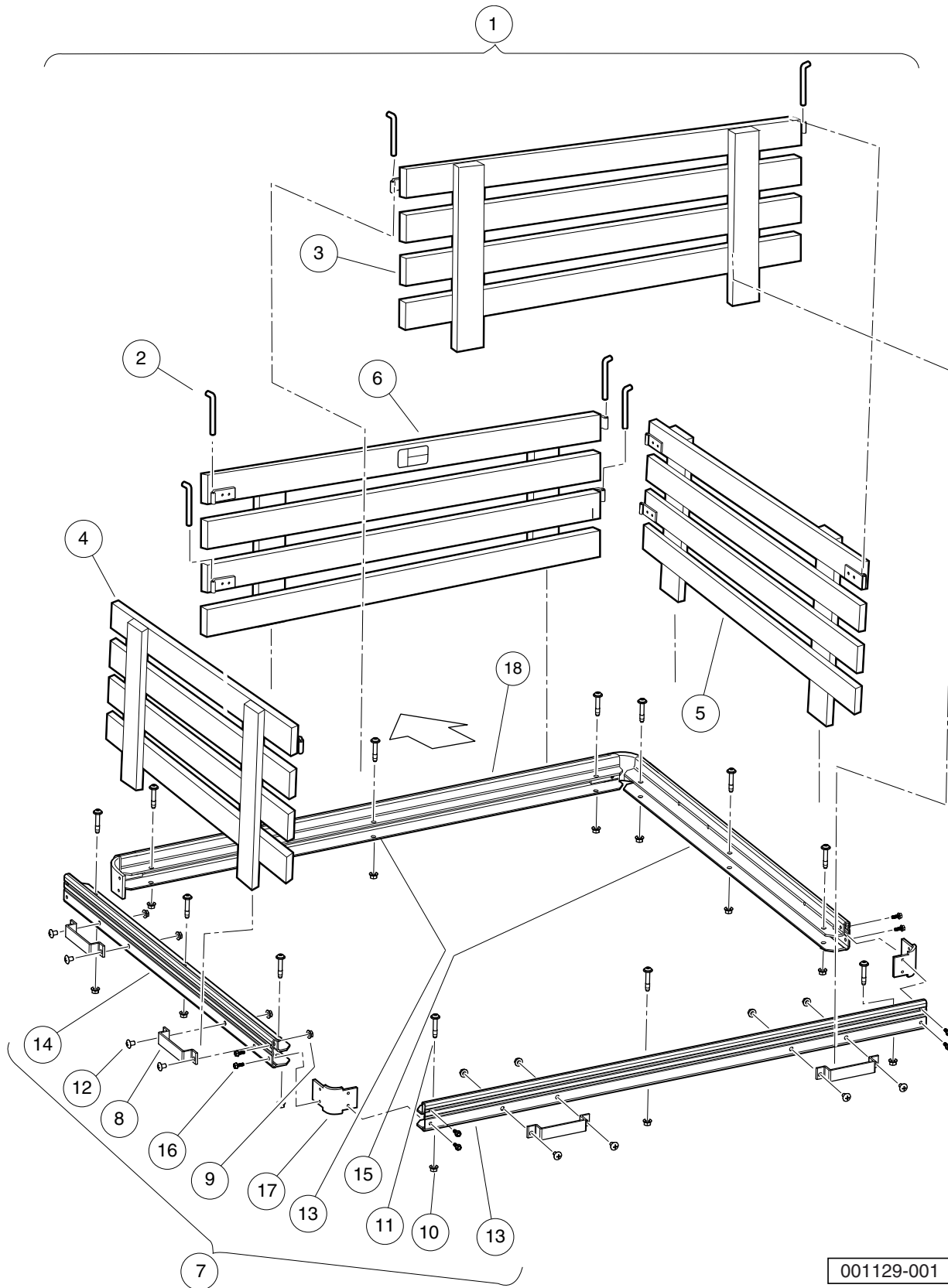
ITEM	PART NO.	DESCRIPTION	QTY
1	105160501	1 2 3 4 Kit, Holder, Bucket	1
2	105161201	Kit, Bed Divider/extension	1
3	105161301	Kit, Bed Divider, Short	1
<p>Note: Component part numbers unavailable at publication.</p>			

1

E

1

E



001129-001

STAKE SIDE KIT - SHORT

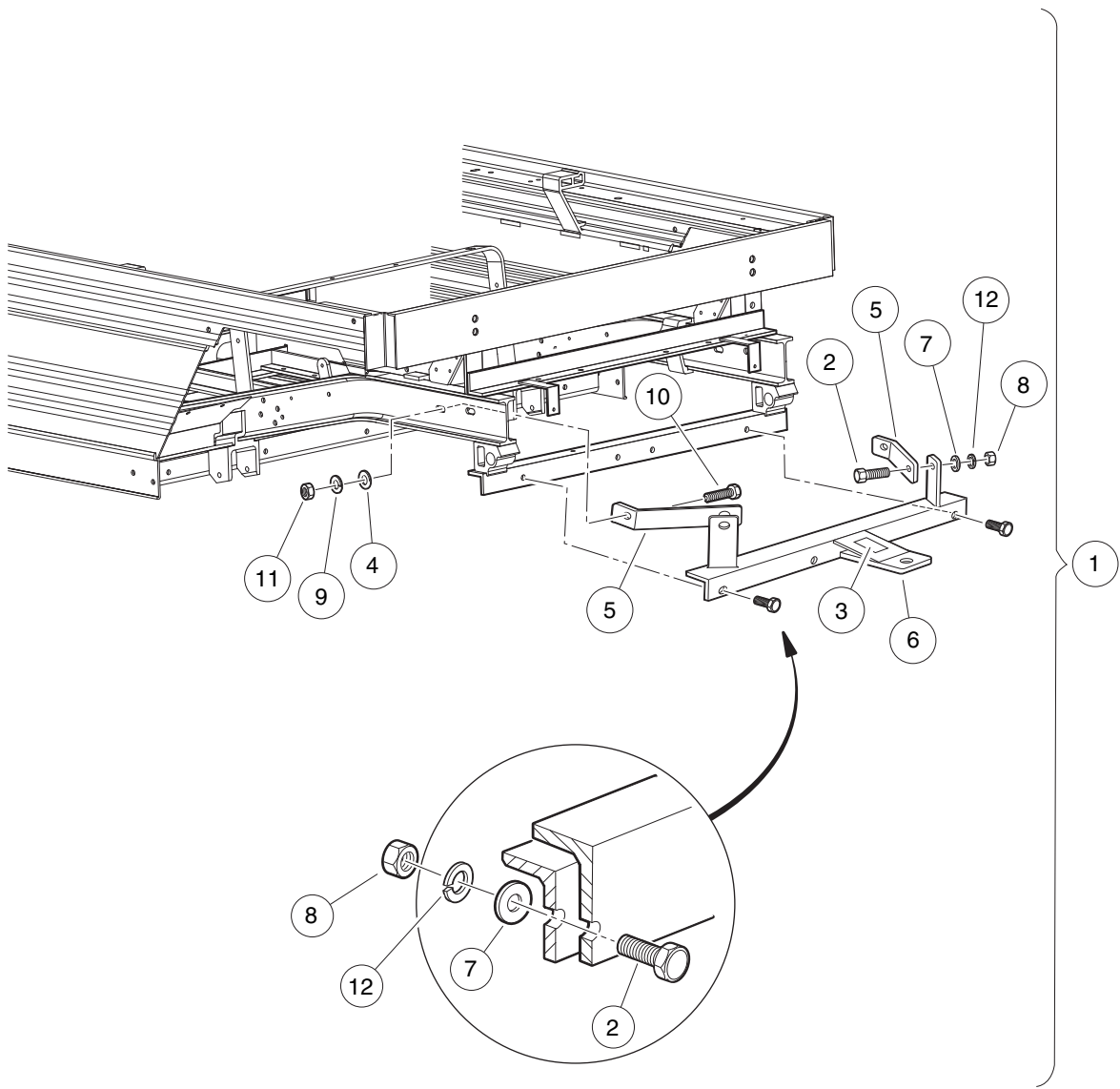
ITEM	PART NO.	DESCRIPTION	QTY
		1 2 3 4	
1	105109401	Kit, Stake Side, Short (includes items 2 through 7)	1
2	1015656	Pin, hinge	6
3	102847603	Asm, Stake Side, 48 X 19 Rear	1
4	105113201	Stake Side, Ca Small, Lh	1
5	105113202	Stake Side, Ca Small, Rh	1
6	105129501	Stake Side, Front, Ca, 50"	1
7	105148501	Asm, Trim, Stake Side, Short (includes items 8 through 18)	1
8	1016077	Bracket, Stake Side	6
9	101963401	Locknut, 5/16-18 Hex Flange	12
10	102298401	Nut,m8,all Metal Lock	14
11	102299550	Screw,m8x50,sems,tx,bttn,plt	14
12	105129601	Screw, Phl Trus Hd, 5/16-18x.5	12
13	105148601	Trim, Stake Side, Cen, Rear	1
14	105148701	Trim, Stake Side, Shrt, Lh	1
15	105148702	Trim, Stake Side, Shrt, Rh	1
16	105185701	Pan Head Screw, M6 X 16 Tt	16
17	105185801	Bracket,Bed Corner,CA	4
18	105194801	Trim, Bed, Cntr, Front	1

1

E

1

E



001132-001

HEAVY DUTY TRAILER HITCH

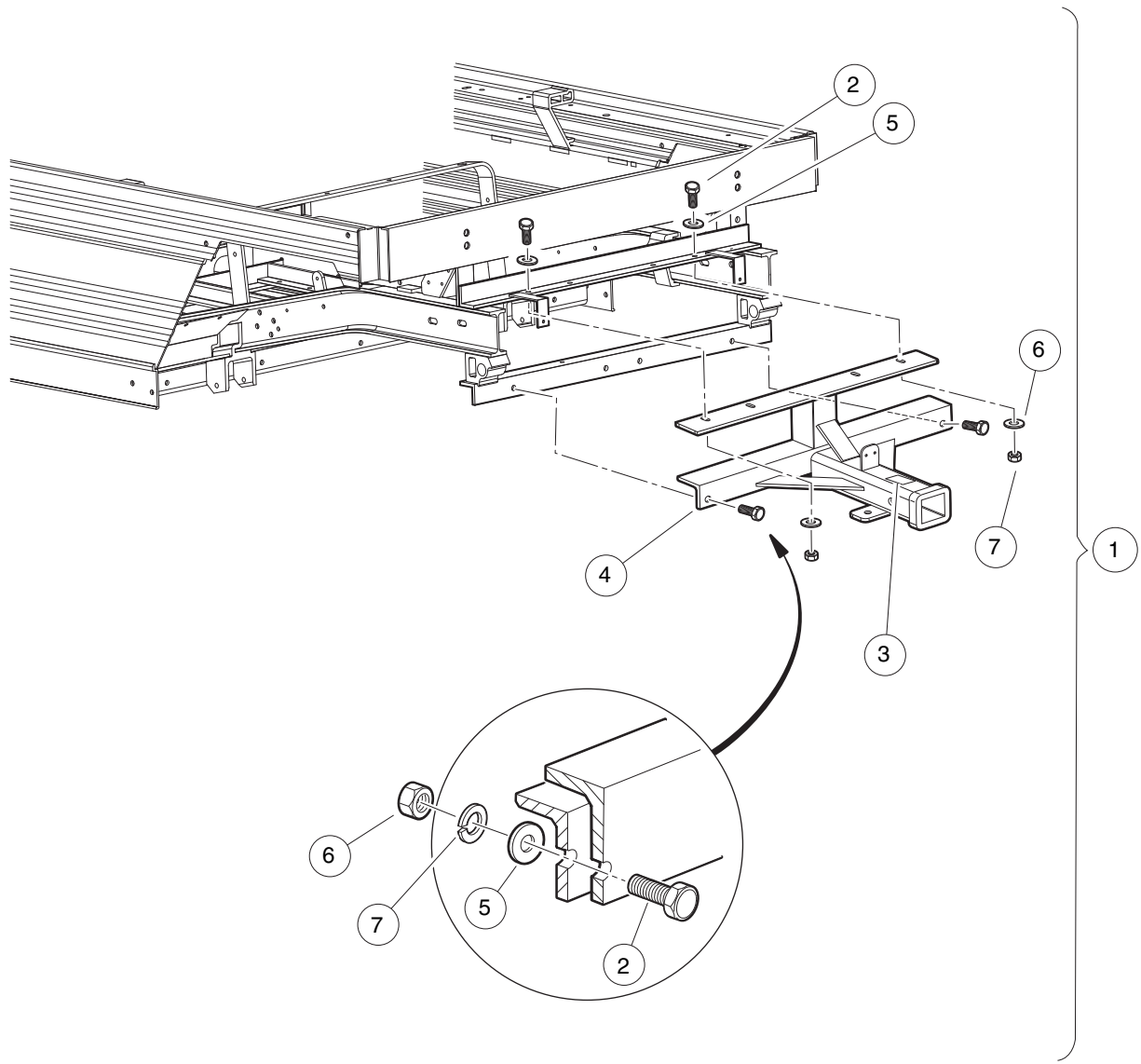
ITEM	PART NO.	DESCRIPTION	QTY
		1 2 3 4	
1	1015445	Kit, Trailer Hitch (includes items 2 through 12)	1
2	1010934	Screw, 5/16-18 X 1.00 Hex Cap	4
3	1011553	Decal, Trailer Hitch	1
4	1011990	Washer, 3/8 Flat	2
5	1013483	Brace, Trailer Hitch	2
6	N/A	Asm, Trailer Hitch	1
7	1241	Washer, 5/16 Type A Flat	4
8	1242	Nut, 5/16-18 Hex	4
9	357	Lockwasher, 3/8 Split	2
10	705	Screw, Cap-hex Hd 3/8-16x1.25	2
11	706	Nut, Hex 3/8-16	2
12	7174	Lockwasher, 5/16 Split	4

1

E

1

E



001133-001

REAR RECIEVER HITCH

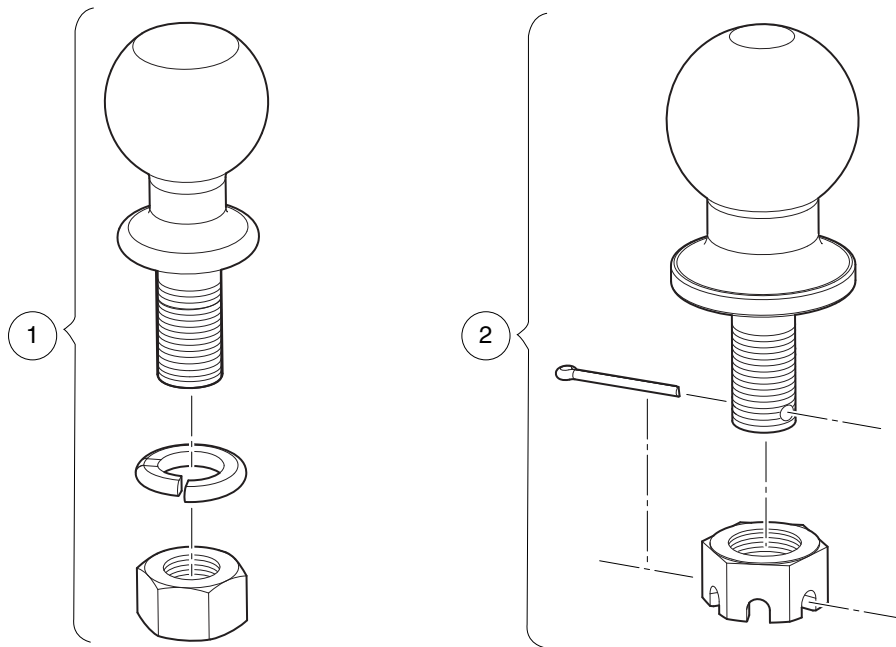
ITEM	PART NO.	DESCRIPTION	QTY
		1 2 3 4	
1	102065103	Kit, Rear Receiver (includes items 2 through 7)	1
2	1010934	Screw, 5/16-18 X 1.00 Hex Cap	6
3	1011553	Decal, Trailer Hitch	1
4	102056001	Rear Receiver Weld Asm	1
5	1241	Washer, 5/16 Type A Flat	6
6	1242	Nut, 5/16-18 Hex	6
7	7174	Lockwasher, 5/16 Split	6

1

E

1

E



001137-001

TRAILER HITCH BALL

ITEM	PART NO.	DESCRIPTION	QTY
1	1011546	1 2 3 4 Trailer Hitch Ball - 1 7/8"	1
2	104033601	Ball, Trailer Hitch, 50mm	1

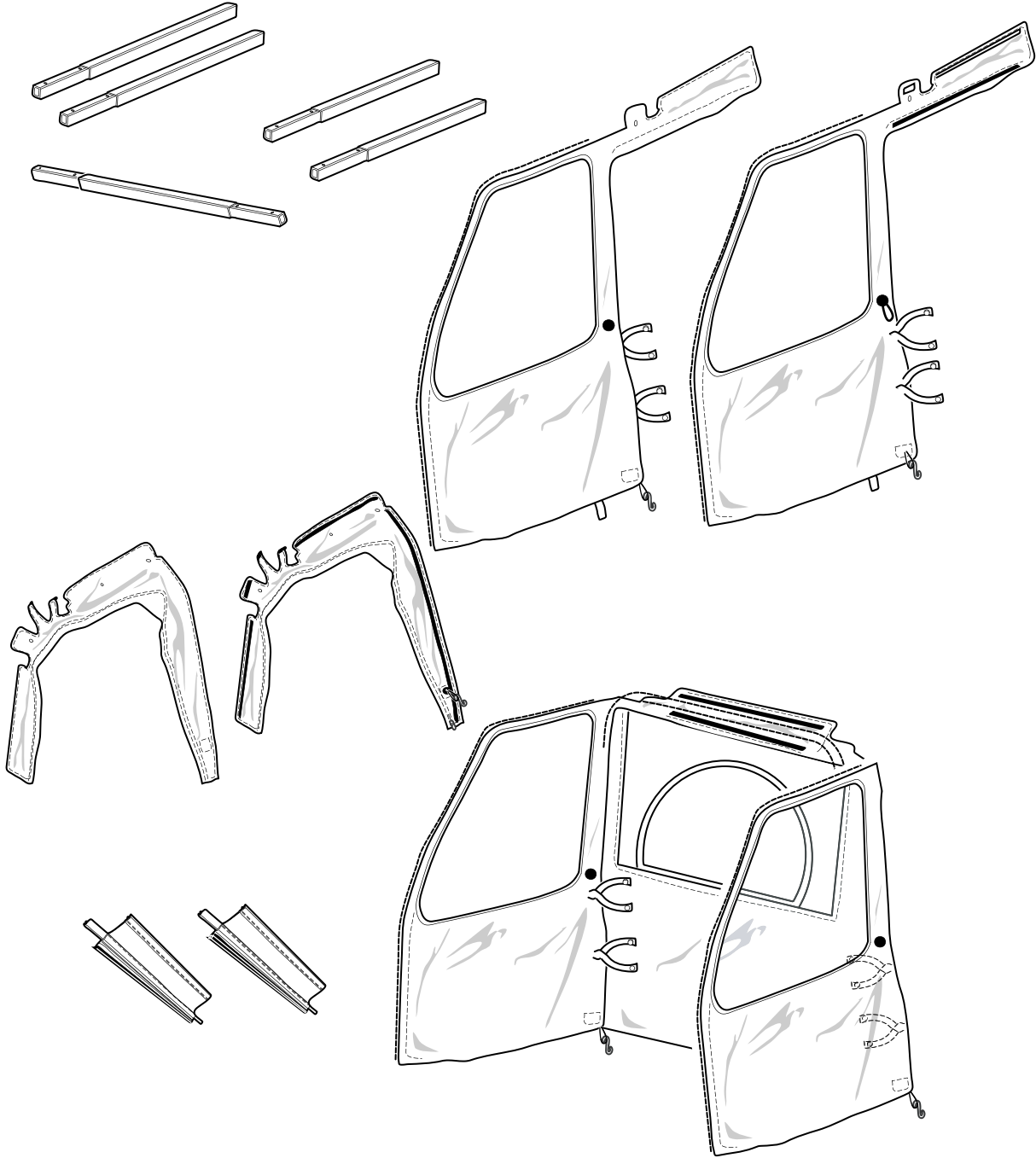
1

E

1

E

- 1
- 2
- 3
- 4



001242-001

ENCLOSURE – 4- PASSENGER

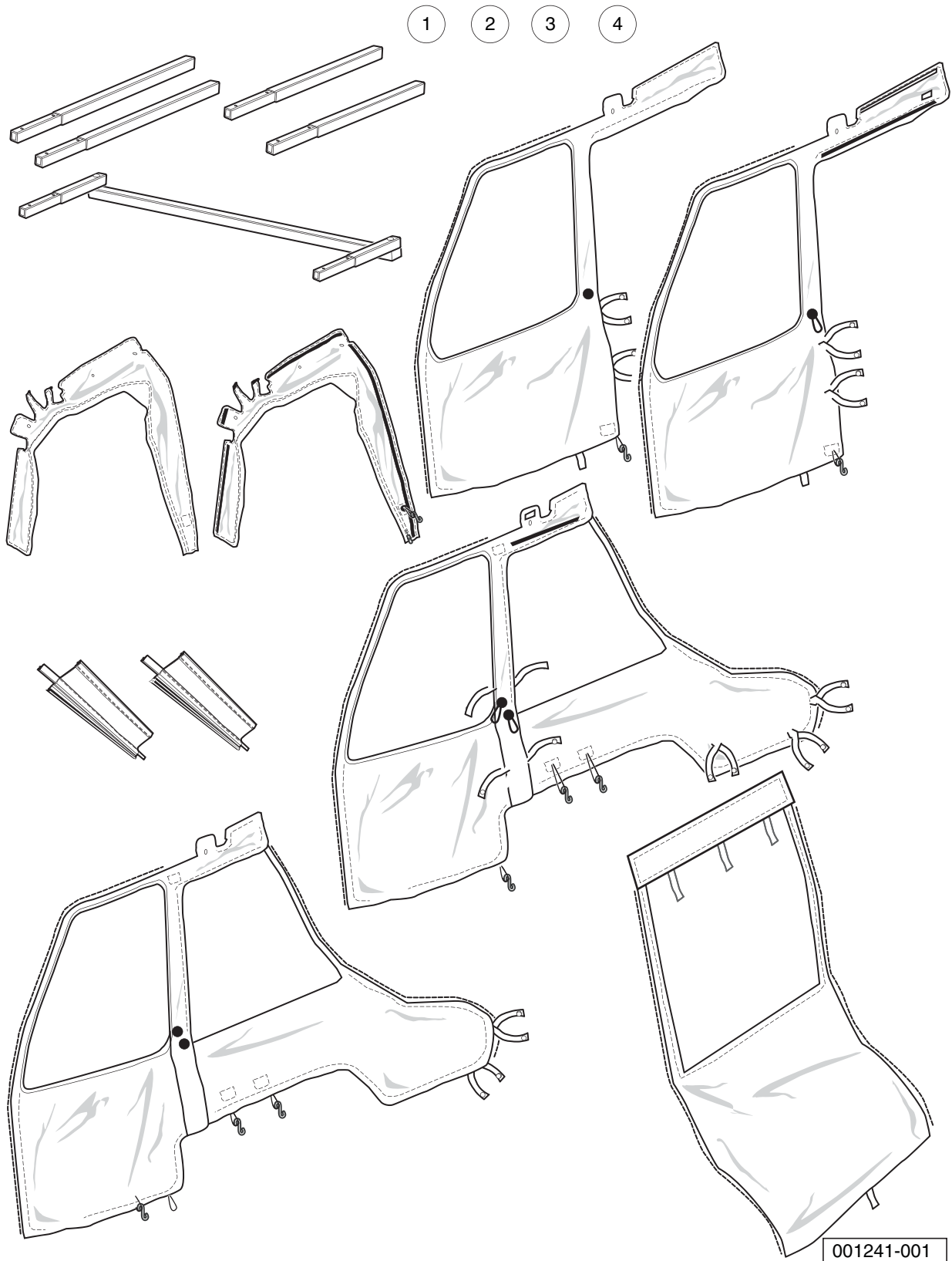
ITEM	PART NO.	DESCRIPTION	QTY
		1 2 3 4	
1	105168801	Kit, Enclosure, Utl, Long, 4p, Wht	1
2	105168802	Kit, Enclosure, Utl, Long, 4p, Gray	1
3	105168803	Kit, Enclosure, Utl, Long, 4p, Blk	1
4	105168804	Kit, Enclosure, Utl, Long, 4p, Beige	1

1

E

1

E



001241-001

ENCLOSURE – 6- PASSENGER

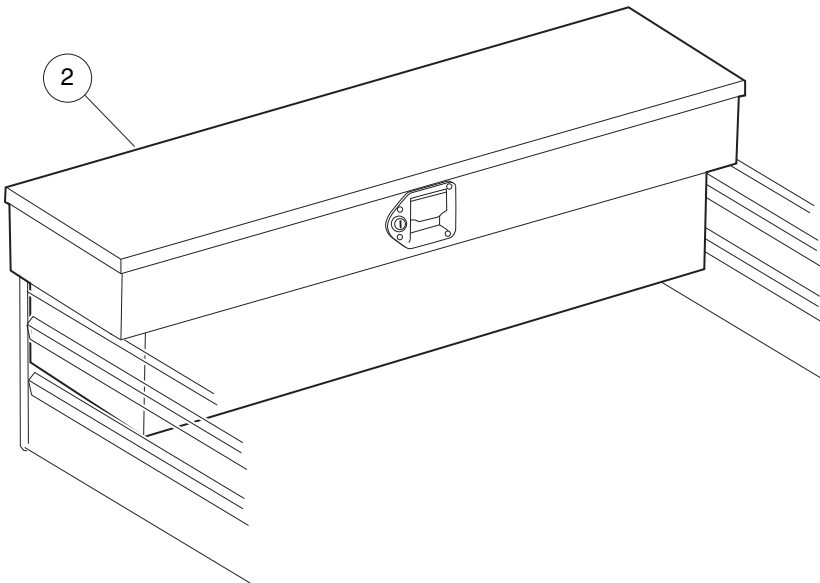
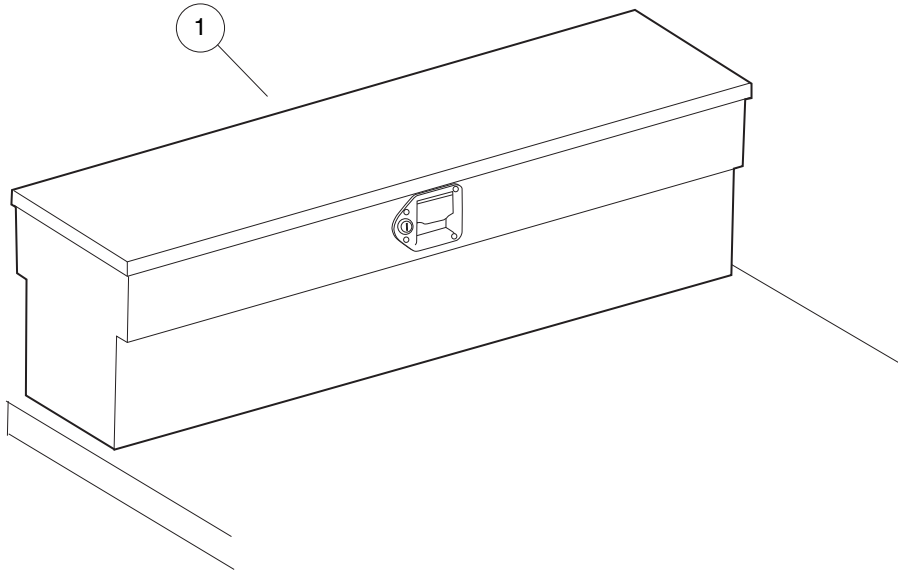
ITEM	PART NO.	DESCRIPTION	QTY
		1 2 3 4	
1	105168805	Kit, Enclosure, Utl, Long, 6p, Wht	1
2	105168806	Kit, Enclosure, Utl, Long, 6p, Gray	1
3	105168807	Kit, Enclosure, Utl, Long, 6p, Blk	1
4	105168808	Kit, Enclosure, Utl, Long, 6p, Beige	1

1

E

1

E



001157-001

TOOLBOXES

ITEM	PART NO.	DESCRIPTION	QTY
1	101837401	1 2 3 4 Toolbox, Flat Bed	1
2	101837502	Toolbox, Box Bed	1

1

E

1

E

WHEELS AND TIRES

2

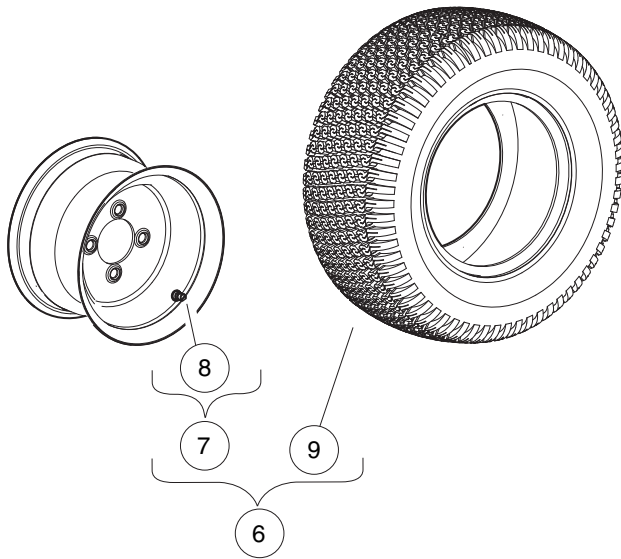
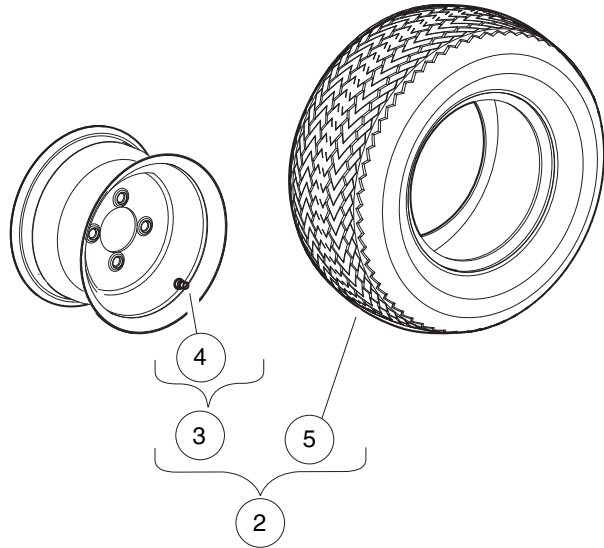
G

E

2

G

E



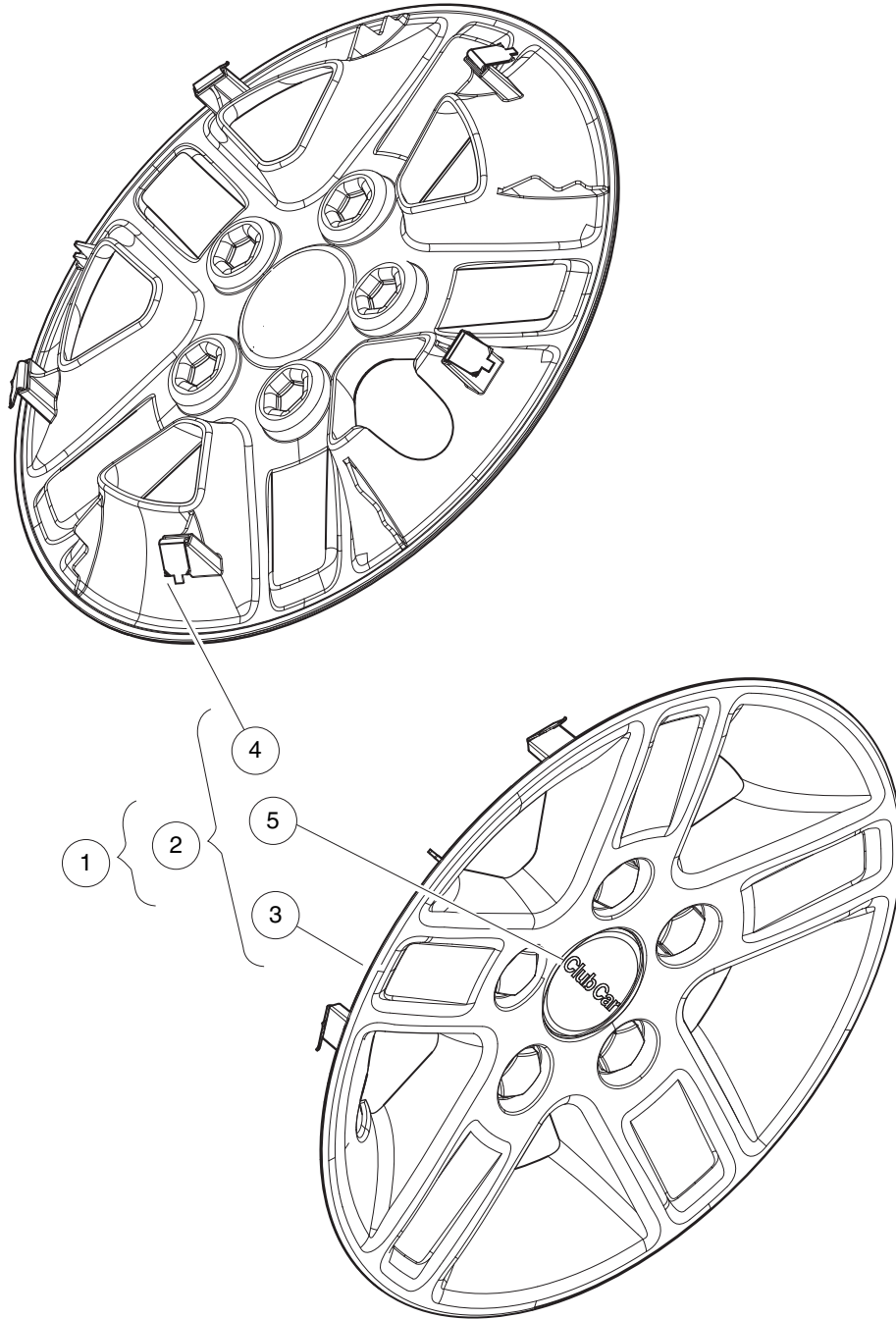
001320-001

WHEELS AND TIRES

ITEM	PART NO.	DESCRIPTION	QTY
		1 2 3 4	
1	1010984	.500-20 Unf Lug Nut	16
2	105078809	Asm,whl,hn1,20x10-10,6pl (includes items 3 through 5)	4
3	105079204	Wheel, 10"x6", Gray, 0 Offset, RR, with Valve Stem (includes item 4)	1
4	105078901	Valve Stem, Kenda, Tr 412	1
5	105079301	Tire, Hole-n-1, 20x10-10, 6pl	1
6	105078810	Asm,whl,st,20x10-10,6pl (includes items 7 through 9)	4
7	105079204	Wheel, 10"x6", Gray, 0 Offset, RR, with Valve Stem (includes item 8)	1
8	105078901	Valve Stem, Kenda, Tr 412	1
9	105079401	Tire, Superturf, 20x10-10, 6pl	1

2
G
E

2
G
E



001350-002

WHEEL COVERS

ITEM	PART NO.	DESCRIPTION	QTY
		1 2 3 4	
1	105106501	Kit, Wheel Cover, 10x6" (includes item 2)	1
2	105106301	Asm, Whl Cover, 5 Spoke, 10x6" (includes items 3 through 5)	4
3	N/A	Wheel Cover, 5 Spoke, 10x7"	1
4	105106101	Wheel Cover, Clip	5
5	105106201	Decal, Wheel Cover, Club Car	1

2
G
E

2

G

E

DECALS

3

E

⚠ WARNING

Unintended vehicle movement may cause severe injury or death. Before using vehicle, read owner's manual and vehicle safety warnings.

Before leaving vehicle:

- Engage park brake to lock wheels.
- Place vehicle in NEUTRAL.
- Turn key to OFF and remove key.

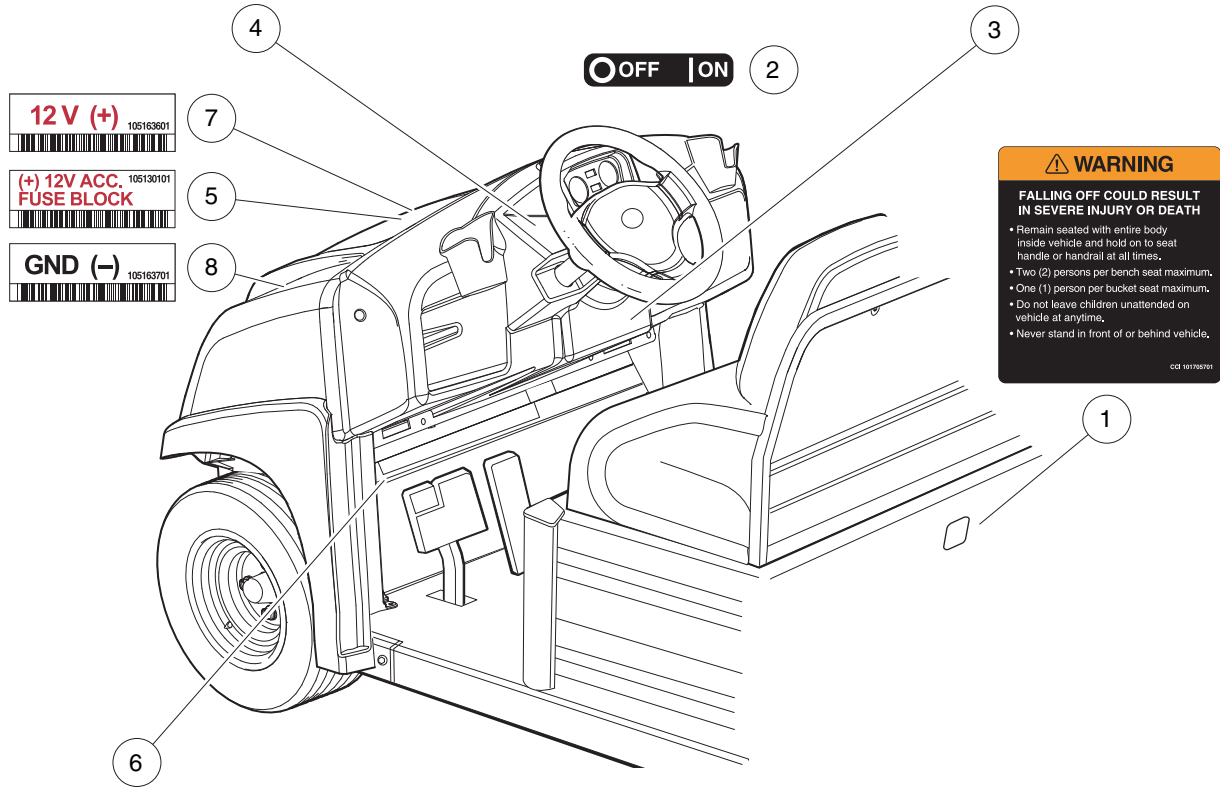
105046101

⚠ WARNING

UNINTENDED MOVEMENT, ROLLOVER, OR FALLING OUT CAN CAUSE SERIOUS INJURY OR DEATH.

- Vehicle to be operated by licensed and authorized persons only.
- Use in authorized areas only. Do not operate on public roads.
- One (1) person per bucket seat maximum.
- Two (2) persons per bench seat maximum.
- Operate from driver's seat only.
- Do not start vehicle until all occupants are fully seated.
- Drive slowly in turns and straight up and down slopes.
- Remain fully seated while moving.
- Hold on and keep entire body inside vehicle while moving.
- Never attempt jumps and avoid extreme braking in reverse.
- Do not leave children unattended in vehicle at any time.
- Children requiring a child safety seat must not ride in vehicle.
- Never operate under the influence of alcohol or drugs.

104026801



VEHICLE LOADING

Read owner's manual and warnings on dash.

- Vehicle rated capacity: 1300 lb (590 kg) on level surface only.
 - Includes occupants and cargo load.
- Maximum cargo load: 300 lb (136 kg)
 - Includes cargo, bed load, and optional equipment.
- Vehicle combination rated capacity: 1500 lb (680 kg)
 - Includes vehicle rated capacity and gross trailer weight.

⚠ WARNING

ROLLOVER CAN CAUSE SERIOUS INJURY OR DEATH.

- Place cargo forward in the cargo bed and distribute evenly side to side. Secure load.
- On uneven or steep terrain, reduce speed and load.
- Avoid stopping on or backing down steep hills.
- Avoid top-heavy loads.

105161601

DECALS – ELECTRIC TRANSPORTER

ITEM	PART NO.	DESCRIPTION	QTY
		1 2 3 4	
1	101705701	Decal, Warning	1
2	101825101	Decal, Off/On	1
3	104026801	Decal, Oc, Warning, Ca	1
4	105046101	Decal, Op, Instructions, Ca	1
5	105130101	Decal, Fuse Block, Acc, 12v	1
6	105151501	Decal, Loading, Ca 700	1
7	105163601	Decal, 12v (+)	1
8	105163701	Decal, Gnd (-)	1





3

E

WARNING

BATTERY EXPLOSION COULD RESULT IN SEVERE PERSONAL INJURY.

- Do not store items in battery compartment.
- Place Run/Tow switch in TOW position before:
 - Disconnecting or connecting battery cables
 - Towing this vehicle
 - Extended storage
 - Servicing the vehicle

 NORMAL
 TRIPPED
 TOW
 RUN

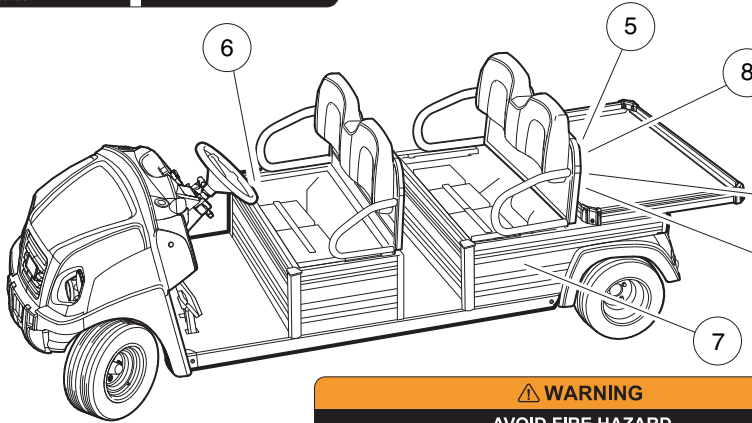
CCI 102849101

CAUTION

EXPOSURE TO WATER MAY DAMAGE ELECTRONIC COMPONENTS

- Do not operate vehicle without this cover properly installed.
- Do not direct water stream in the area of the cover without cover securely in place.
- See vehicle maintenance and service manual before servicing.

CCI 102838307



CAUTION

Frame is isolated from power system. Do not use as ground.

105124701

(+) 48V ACC. FUSE BLOCK

105130001

GND (-)

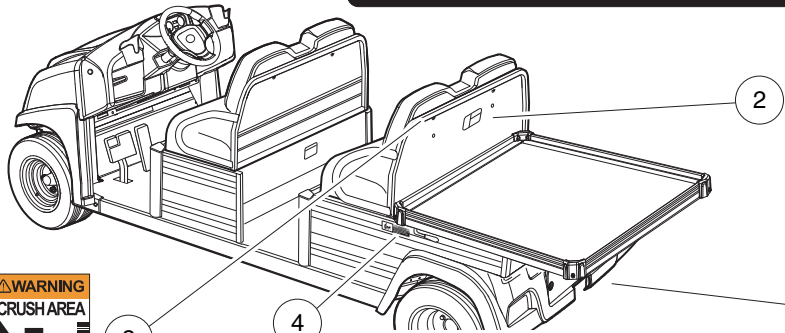
105163701

WARNING

AVOID FIRE HAZARD

- Replacement battery wires must be 4-gauge (AWG) with low-resistance terminals equivalent to factory-installed wires.
- Ensure that battery connections are clean and properly tightened. See owner's manual.

CCI 102967601



WARNING

Riding in cargo bed can cause severe injury or death. Do not ride in cargo bed.

CCI 1015539-01

WARNING

CRUSH AREA

STAY CLEAR

101605401

LATCH / **OPEN**

WARNING

Crush area. Can cause severe injury. Stay clear when closing bed.

CCI 102493001

NOTICE

MAXIMUM TONGUE WEIGHT—150 lb. (667 N)

10115553

2876

DECALS – ELECTRIC TRANSPORTER, CONTINUED

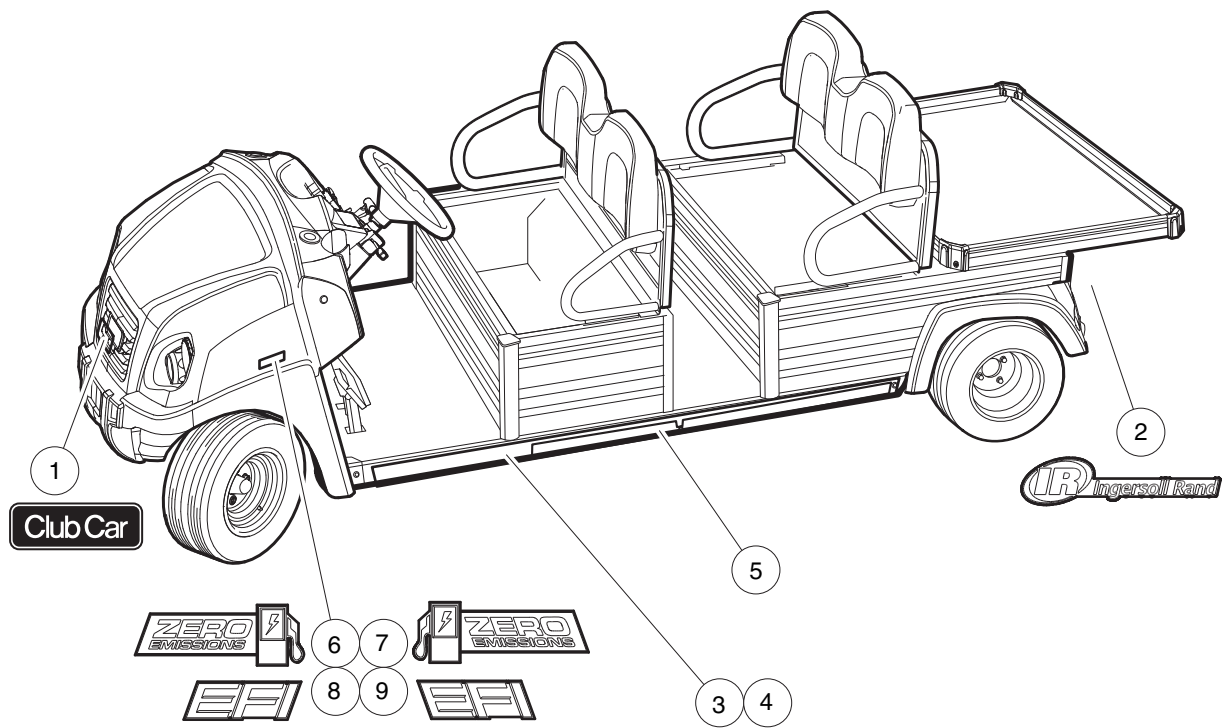
ITEM	PART NO.	DESCRIPTION	QTY
		1 2 3 4	
1	1011553	Decal, Trailer Hitch	1
2	101553901	Decal, Bed Load Warning	1
3	101609401	Decal, Crush Area Warning	1
4	102459301	Decal, Bed Crush Area Warning	1
5	102518301	Decal, Caution, Electrical Component Cover	1
6	102845101	Decal, Tow Switch	1
7	102967601	Decal, Warning, 4 Gauge Wire	1
8	105124701	Decal, Caution, Not Use As Gnd	1
9	105130001	Decal, Fuse Block, Acc, 48v	1
10	105163701	Decal, Gnd (-)	1

3

E

3

E



001029-001

BADGING DECALS – TRANSPORTER

ITEM	PART NO.	DESCRIPTION	QTY
		1 2 3 4	
1	102883601	Decal, Nameplate, CCI, Front	1
2	103234304	Decal, Badge, Ir, Red	1
3	105115003	Decal, Side Stringer, Long	1
4	105115006	Decal, R Side Stringer, Long	1
5	105153101	Decal, Branding, Transporter	2
6	105153201	Decal, Zero Emission Vhcle, Lh	1
7	105153202	Decal, Zero Emission Vhcle, Rh	1
8	105153301	Decal, Efi, Italic, Lh	1
9	105153302	Decal, Efi, Italic, Rh	1

3

E

3

E

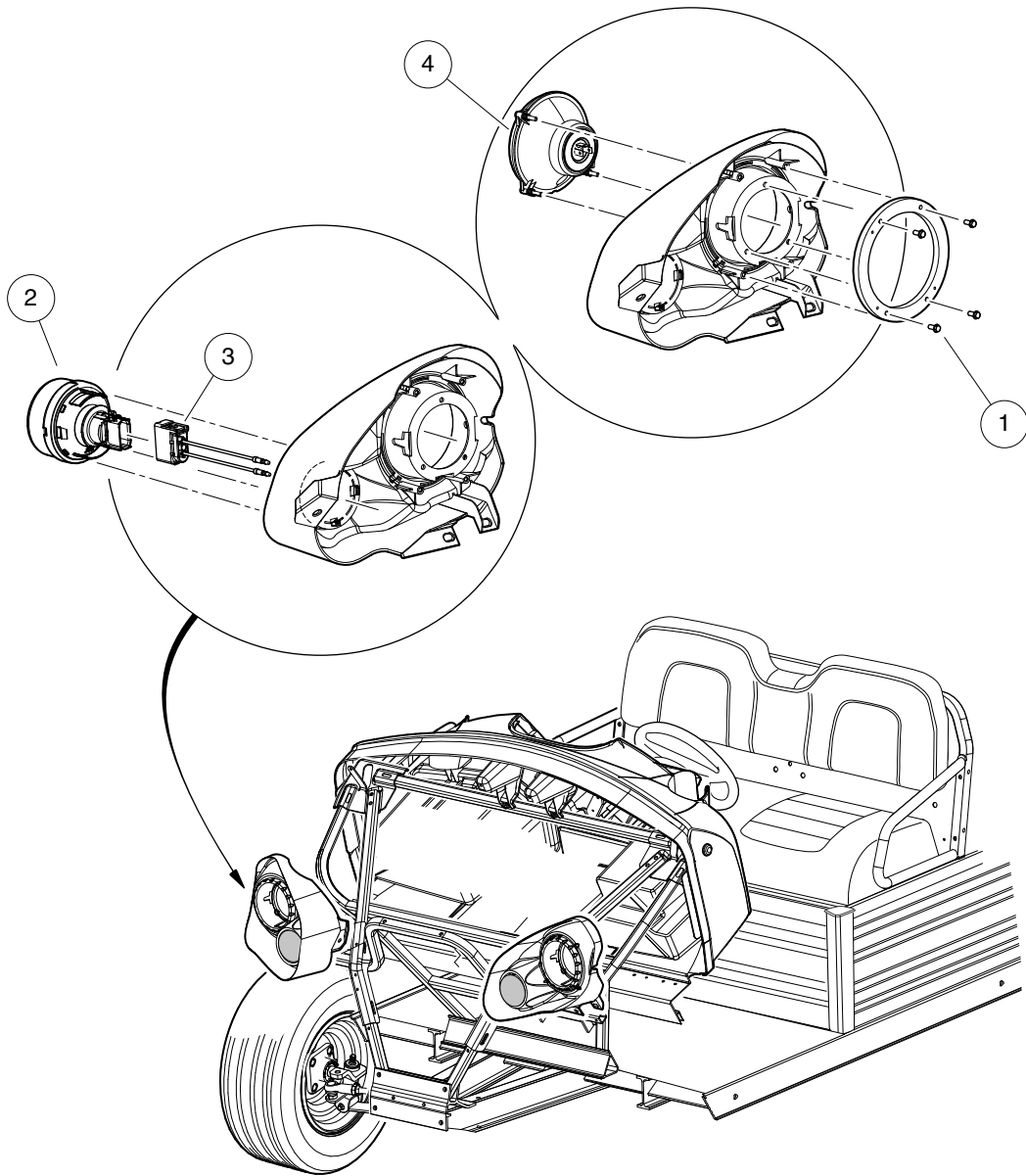
LIGHTS, CONTROLS, AND INDICATORS

4

E

4

E



001349-002

HEADLIGHTS

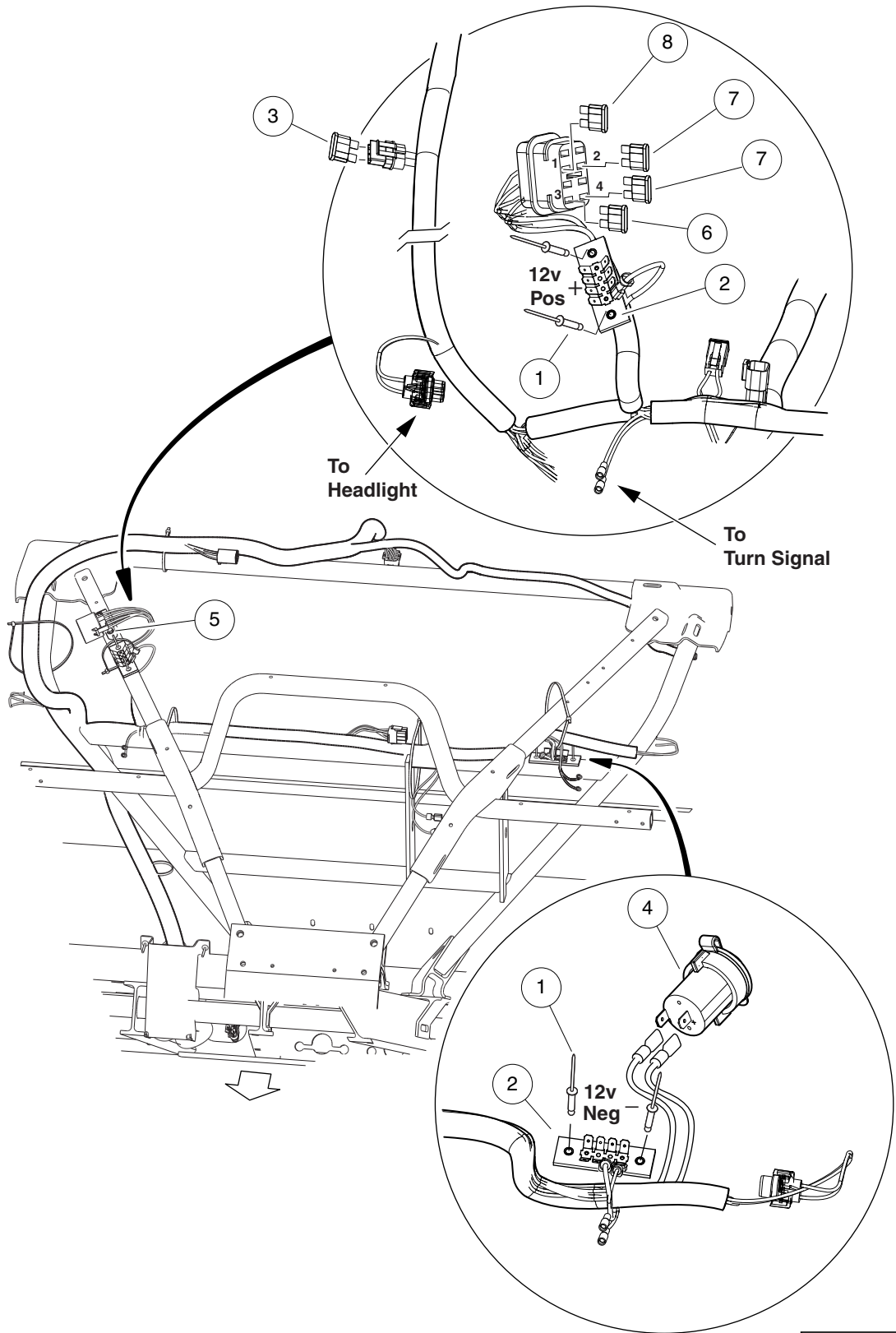
ITEM	PART NO.	DESCRIPTION	QTY
		1 2 3 4	
1	101850301	Screw, #12-16 X 0.50 Washer-Head Hi-Lo	8
2	102894503	Light, Turn Sig, Round 3", Utl	2
3	103245001	Jumper, Turn Signal, Ca/xrt/hu	2
4	105073501	HI, Rnd 5.5", Utl, Homol, Rh	2
		Note: 105073501 is for country with right-hand traffic flow.	

4

E

4

E



001360-002

12-VOLT FUSE BLOCK AND FUSES – ELECTRIC VEHICLE

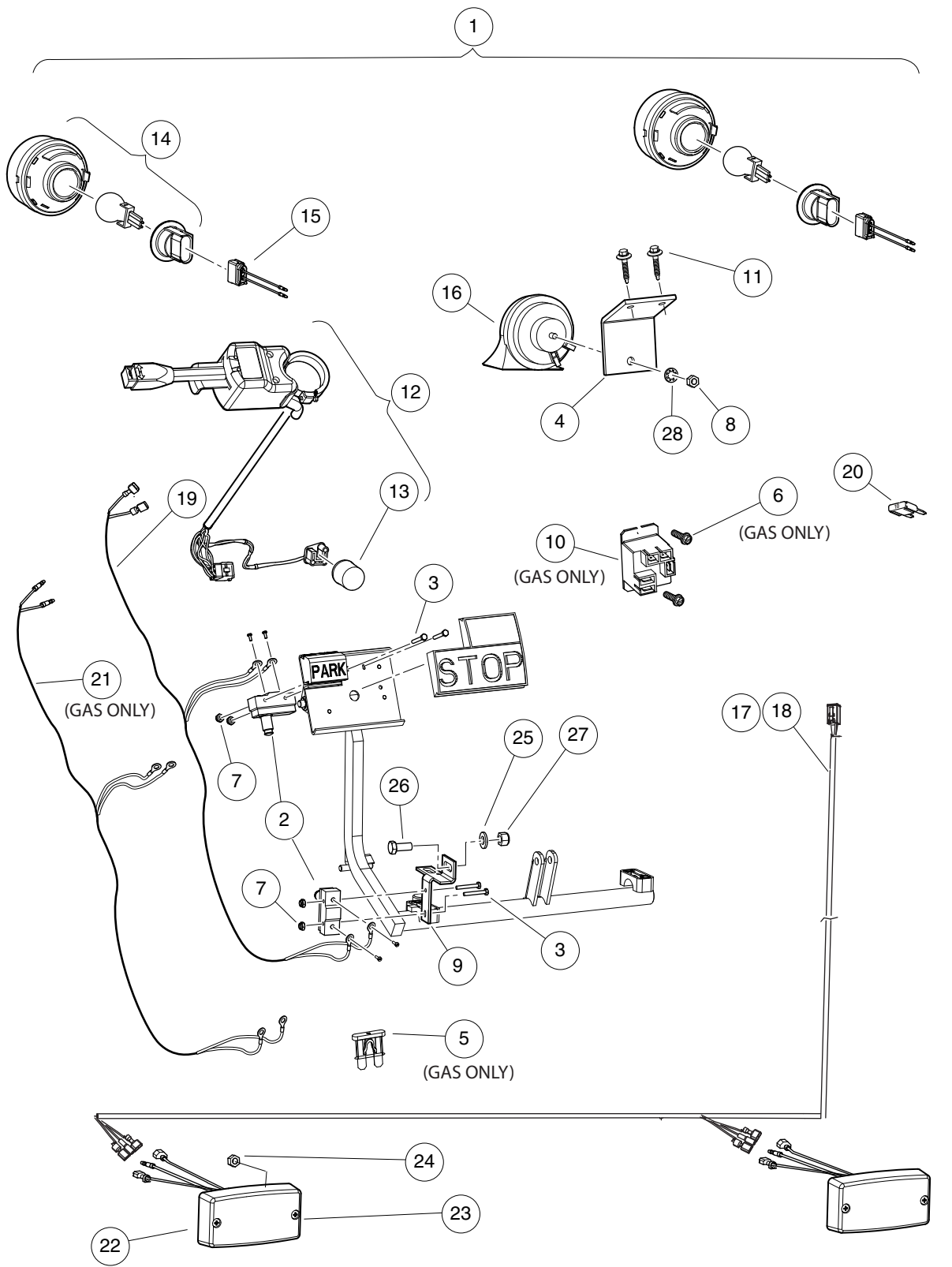
ITEM	PART NO.	DESCRIPTION	QTY
		1 2 3 4	
1	1013357	Rivet, 5/32 Aluminum Pop	4
2	1016356	Terminal Block with Insulator	2
3	1016423	Fuse, 20-Amp	1
4	102198001	Receptacle, Accessory	1
5	102238001	#10-24 Taptite Screw	1
6	105114805	Fuse, Mini, Atm, 7.5 Amp	1
7	105114806	Fuse, Mini, Atm, 10 Amp	2
8	105114807	Fuse, Mini, Atm, 15 Amp	1

4

E

4

E



001368-002

HORN, TURN SIGNALS, AND TAILLIGHTS – ELECTRIC VEHICLES

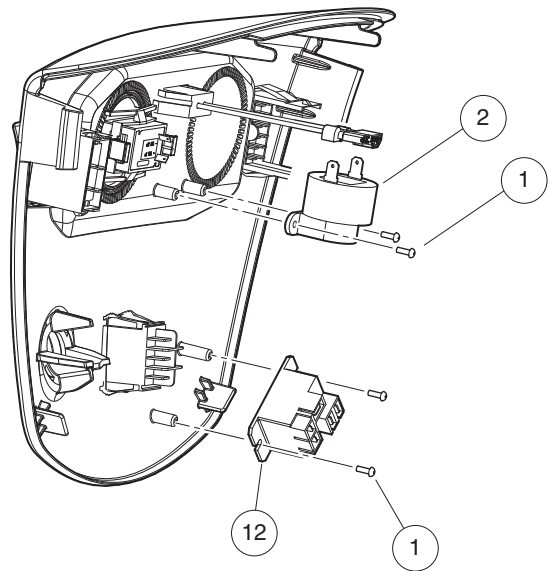
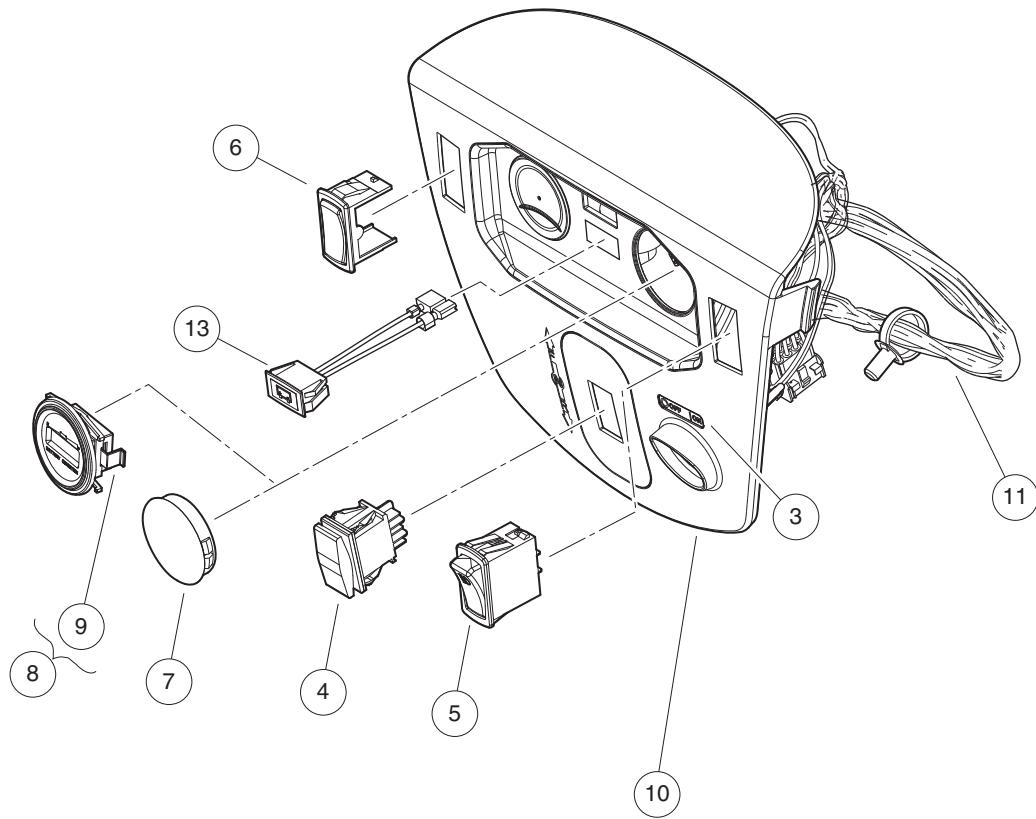
ITEM	PART NO.	DESCRIPTION	QTY
		1 2 3 4	
1	1011439	Switch, Limit	2
2	1011557	Screw, #6-32 X 1.00 Hex-Head Machine	4
3	101932201	Locknut, #6-32 Nylon	4
4	101955101	Nut, M6 Hex	1
5	101957101	Bracket, Brake Light Switch	1
6	102297125	Screw, M6-1.0x25.4, Thread-Forming, SEMS	2
7	102517501	Turn Signal Asm (includes item 8)	1
8	102546401	Flasher Unit, Prec	1
9	102894503	Light, Turn Sig, Round 3", Utl	2
10	103245001	Jumper, Turn Signal, Ca/xrt/hu	2
11	103484301	Horn, 12v, Gnd Isolated	1
12	105108301	Harness, Tail Light, Utility, Long	1
13	105108401	Harness, Brk, Pedal Switch Utl	1
14	105114801	Fuse, Mini, Atm, 2 Amp	1
15	105165801	Lamp, Stop/trn/tail, Footdeck	2
16	105190601	Screw, #8-32 X 0.625, Clr Znc	4
17	105190701	Nut, Flanged, #8-32, Serrated	4
18	105318301	Bracket, Horn, CHN	1
19	1241	Washer, 5/16 Type A Flat	1
20	7173	Screw, 5/16-18 X 0.75, Hex-Head Cap	1
21	7473	Locknut, 5/16-18 Nylon Insert	2
22	7820	Washer, 5/16 Internal-Tooth	1
<p>Note: 1051082, Harness, Tail Light, Utility, Short, fits the following vehicles with serial prefix: MA, MB, MC, MD, ME, MF, MK, ML, MM, MP, MU.</p>			

4

E

4

E



001371-002

INSTRUMENT PANEL – ELECTRIC VEHICLE

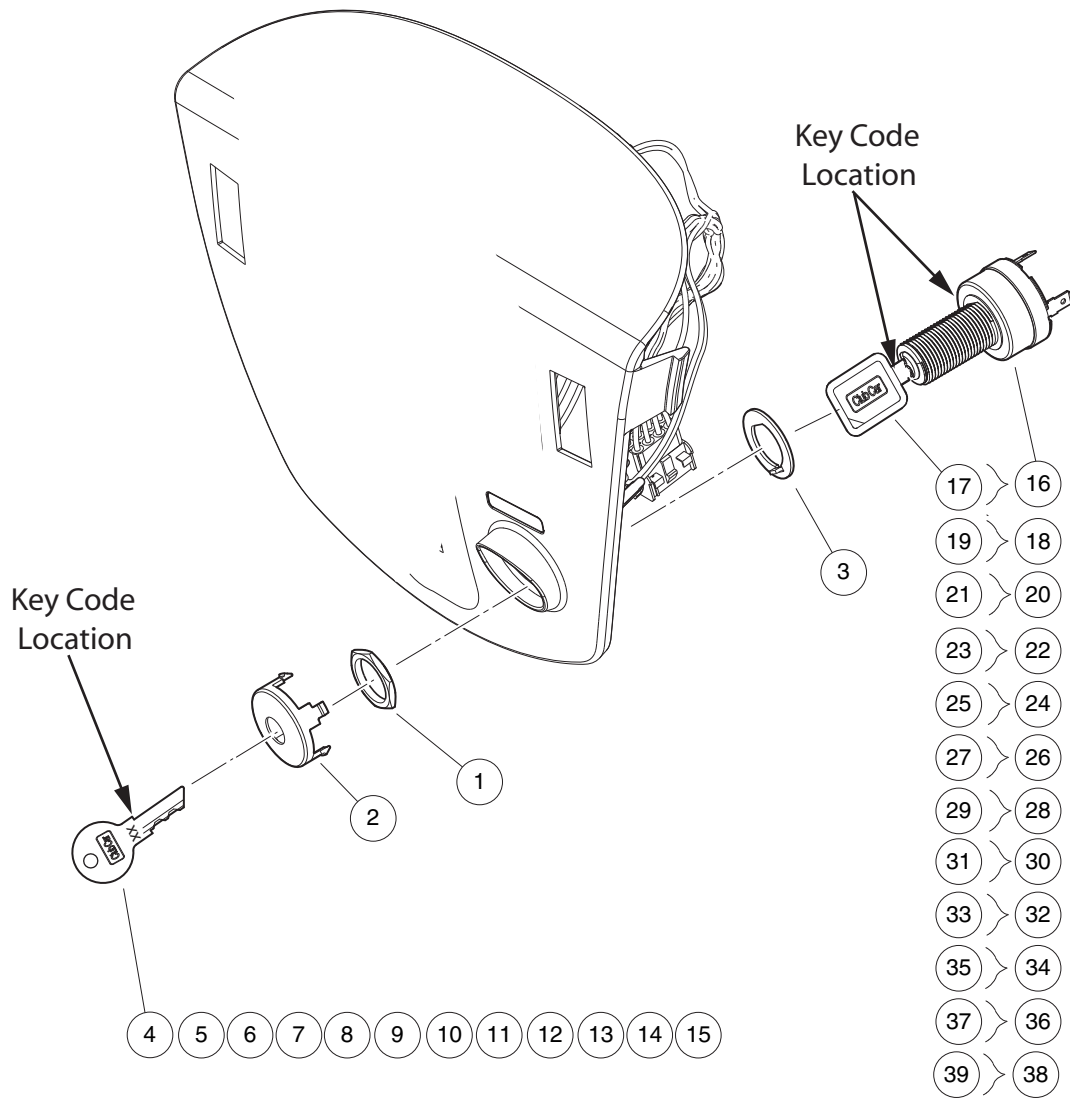
ITEM	PART NO.	DESCRIPTION	QTY
		1 2 3 4	
1	1016849	Screw, #4-24 X 0.33, Pan-Head, Machine	2
2	1016851	Multi-Purpose Buzzer (9-48 VDC)	1
3	101825101	Decal, Off/On	1
4	101856002	Switch, Rocker, Single-Pole	1
5	102869401	Switch, Rocker, Light	1
6	103180101	Cover, Hole, Switch, Rocker	1
7	103198301	Plug, Hole, Round, 2.0 In	1
8	103354401	Gauge, Battery Cond Ind, Rnd (includes item 9)	1
9	103348202	Clip, Bci, Round	1
10	105034101	Panel, Instrument, Elec, Ca	1
11	105082101	Harness, Ip, Elec, Util	1
12	105112401	Relay, Spdt Nc, 48v 30a, Pmt	1
13	105152301	Indicator, Charger, Dash, Cap	1

4

E

4

E



001355-001

KEYSWITCH – ELECTRIC VEHICLE

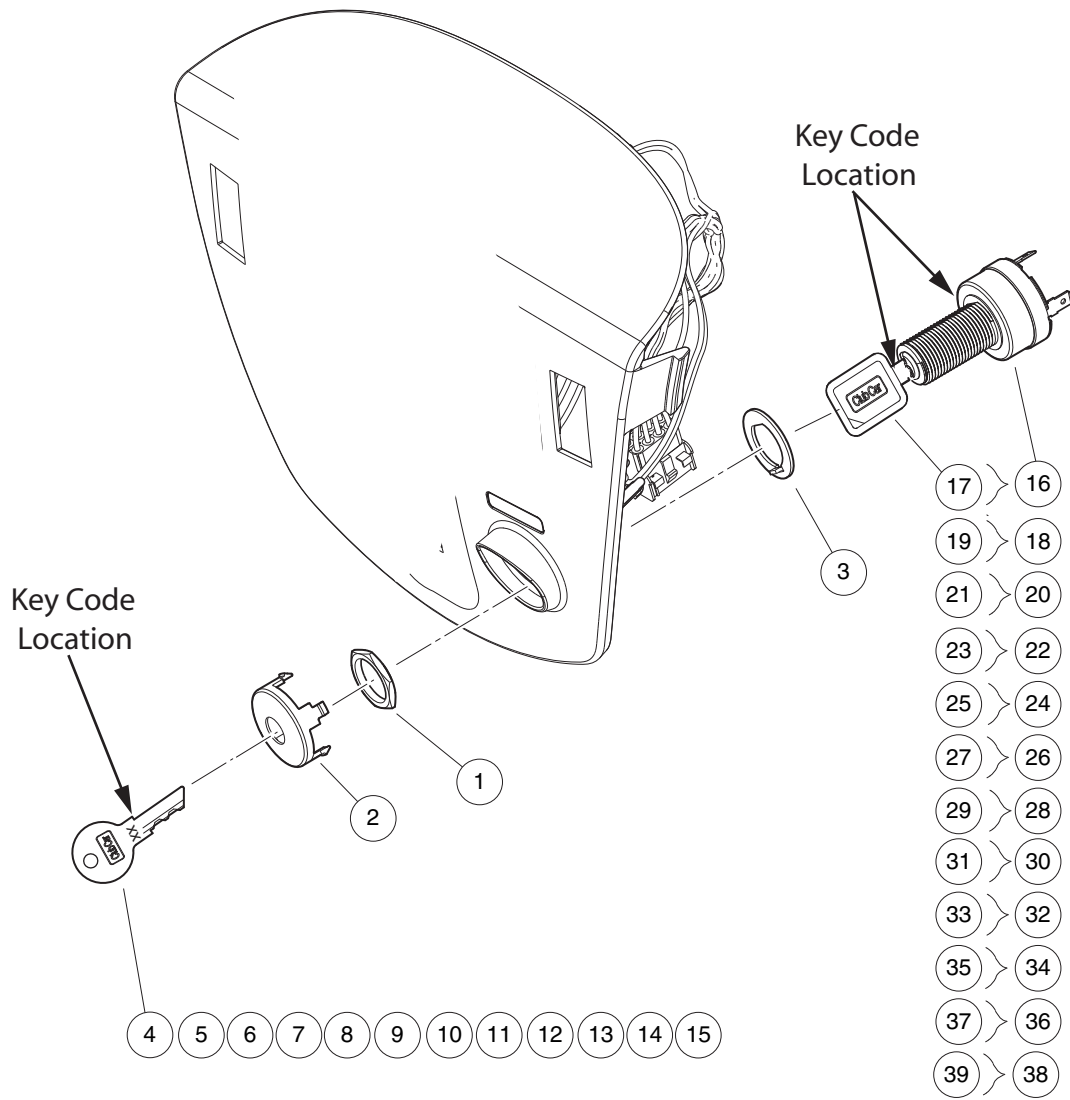
ITEM	PART NO.	DESCRIPTION	QTY
		1 2 3 4	
1	101830701	Nut, Key Switch	1
2	101834502	Cap, Black Key Switch	1
3	101851101	Washer, Key Switch	1
4	101974701	Key, Uncommon 1a	1
5	101974702	Key, Uncommon 1b	1
6	101974703	Key, Uncommon 1c	1
7	101974704	Key, Uncommon 1d	1
8	101974705	Key, Uncommon 2a	1
9	101974706	Key, Uncommon 2b	1
10	101974707	Key, Uncommon 2c	1
11	101974708	Key, Uncommon 2d	1
12	101974709	Key, Uncommon 1e	1
13	101974710	Key, Uncommon 1f	1
14	101974711	Key, Uncommon 2e	1
15	101974712	Key, Uncommon 2f	1
16	105081701	Keysw, Uncom, 4t, Off/on 1a, E (includes item 17)	1
17	105068001	Key, Uncommon, Padded 1a	1
18	105081702	Keysw, Uncom, 4t, Off/on 1b, E (includes item 19)	1
19	105068002	Key, Uncommon, Padded 1b	1
20	105081703	Keysw, Uncom, 4t, Off/on 1c, E (includes item 21)	1
21	105068003	Key, Uncommon, Padded 1c	1
22	105081704	Keysw, Uncom, 4t, Off/on 1d, E (includes item 23)	1
23	105068004	Key, Uncommon, Padded 1d	1
24	105081705	Keysw, Uncom, 4t, Off/on 1e, E (includes item 25)	1
25	105068005	Key, Uncommon, Padded 1e	1
26	105081706	Keysw, Uncom, 4t, Off/on 1f, E (includes item 27)	1
27	105068006	Key, Uncommon, Padded 1f	1
28	105081707	Keysw, Uncom, 4t, Off/on 2a, E (includes item 29)	1
29	105068007	Key, Uncommon, Padded 2a	1
30	105081708	Keysw, Uncom, 4t, Off/on 2b, E (includes item 31)	1
31	105068008	Key, Uncommon, Padded 2b	1
32	105081709	Keysw, Uncom, 4t, Off/on 2c, E (includes item 33)	1
33	105068009	Key, Uncommon, Padded 2c	1
34	105081710	Keysw, Uncom, 4t, Off/on 2d, E (includes item 35)	1
35	105068010	Key, Uncommon, Padded 2d	1
36	105081711	Keysw, Uncom, 4t, Off/on 2e, E (includes item 37)	1
37	105068011	Key, Uncommon, Padded 2e	1
38	105081712	Keysw, Uncom, 4t, Off/on 2f, E (includes item 39)	1
39	105068012	Key, Uncommon, Padded 2f	1
		Note: Keyswitch 105081701, is standard for electric vehicles equipped with a cab. Keyswitch 105081702, is standard for electric vehicles without a cab. Keyswitches 105081703 through 105081712 allows different key code combinations for electric fleet vehicles.	

4

E

4

E



001355-001

KEYSWITCH, PRIVATE SPEED MODE - ELECTRIC VEHICLE

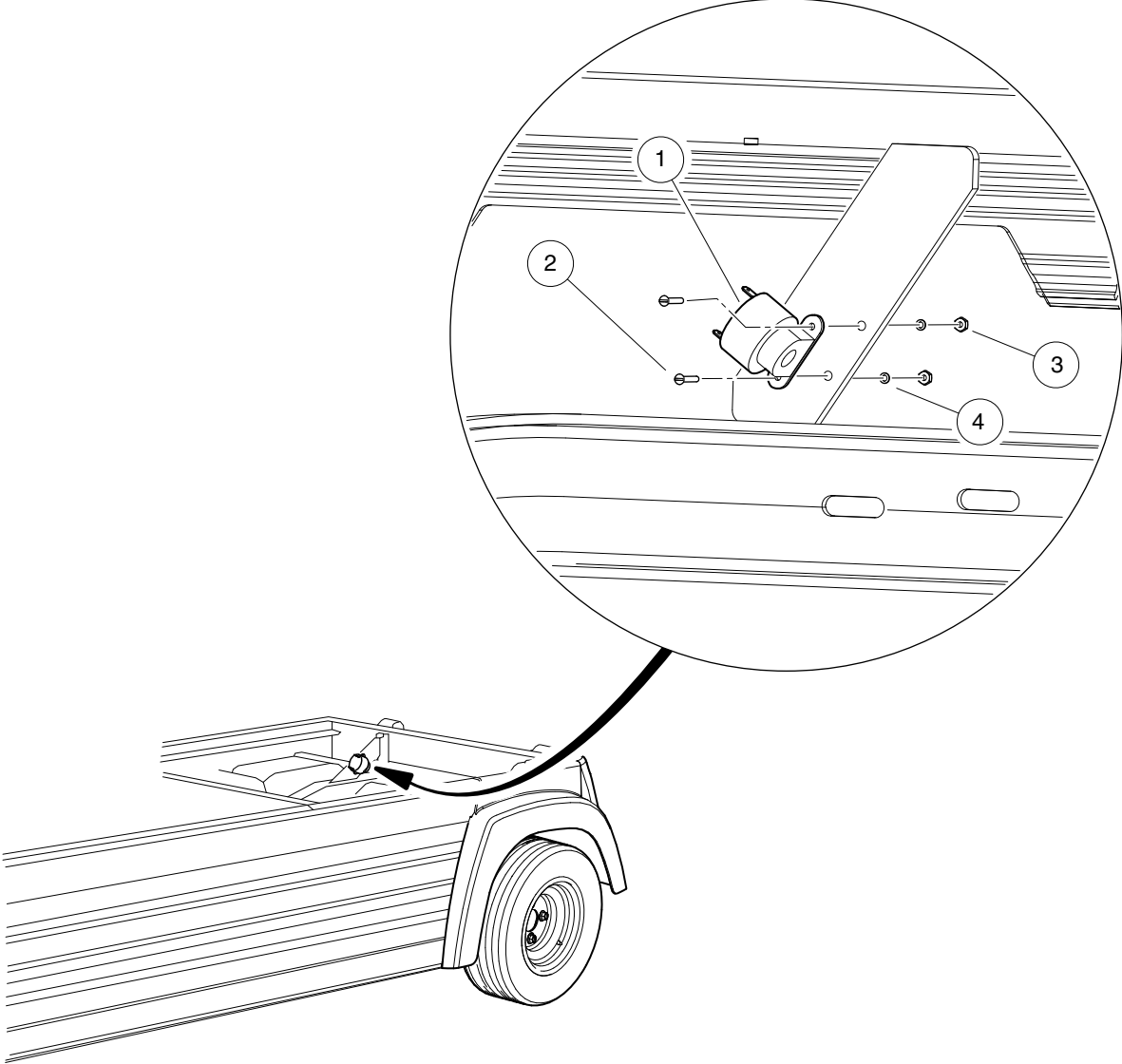
ITEM	PART NO.	DESCRIPTION	QTY
		1 2 3 4	
1	101830701	Nut, Key Switch	1
2	101834502	Cap, Black Key Switch	1
3	101851101	Washer, Key Switch	1
4	101974701	Key, Uncommon 1a	1
5	101974702	Key, Uncommon 1b	1
6	101974703	Key, Uncommon 1c	1
7	101974704	Key, Uncommon 1d	1
8	101974705	Key, Uncommon 2a	1
9	101974706	Key, Uncommon 2b	1
10	101974707	Key, Uncommon 2c	1
11	101974708	Key, Uncommon 2d	1
12	101974709	Key, Uncommon 1e	1
13	101974710	Key, Uncommon 1f	1
14	101974711	Key, Uncommon 2e	1
15	101974712	Key, Uncommon 2f	1
16	105082001	Keysw, Uncom, 4t, Off/p2/p3 1a (includes item 17)	1
17	105068001	Key, Uncommon, Padded 1a	1
18	105082002	Keysw, Uncom, 4t, Off/p2/p3 1b (includes item 19)	1
19	105068002	Key, Uncommon, Padded 1b	1
20	105082003	Keysw, Uncom, 4t, Off/p2/p3 1c (includes item 21)	1
21	105068003	Key, Uncommon, Padded 1c	1
22	105082004	Keysw, Uncom, 4t, Off/p2/p3 1d (includes item 23)	1
23	105068004	Key, Uncommon, Padded 1d	1
24	105082005	Keysw, Uncom, 4t, Off/p2/p3 1e (includes item 25)	1
25	105068005	Key, Uncommon, Padded 1e	1
26	105082006	Keysw, Uncom, 4t, Off/p2/p3 1f (includes item 27)	1
27	105068006	Key, Uncommon, Padded 1f	1
28	105082007	Keysw, Uncom, 4t, Off/p2/p3 2a (includes item 29)	1
29	105068007	Key, Uncommon, Padded 2a	1
30	105082008	Keysw, Uncom, 4t, Off/p2/p3 2b (includes item 31)	1
31	105068008	Key, Uncommon, Padded 2b	1
32	105082009	Keysw, Uncom, 4t, Off/p2/p3 2c (includes item 33)	1
33	105068009	Key, Uncommon, Padded 2c	1
34	105082010	Keysw, Uncom, 4t, Off/p2/p3 2d (includes item 35)	1
35	105068010	Key, Uncommon, Padded 2d	1
36	105082011	Keysw, Uncom, 4t, Off/p2/p3 2e (includes item 37)	1
37	105068011	Key, Uncommon, Padded 2e	1
38	105082012	Keysw, Uncom, 4t, Off/p2/p3 2f (includes item 39)	1
39	105068012	Key, Uncommon, Padded 2f	1
		Note: Keyswitch 105082001, is standard for private speed mode electric vehicles equipped with a cab. Keyswitch 105082002, is standard for private speed mode electric vehicles without a cab. Keyswitches 105082003 through 105082012 allows different key code combinations for private speed mode electric fleet vehicles.	

4

E

4

E



001361-001

REAR MOUNTED REVERSE BUZZER

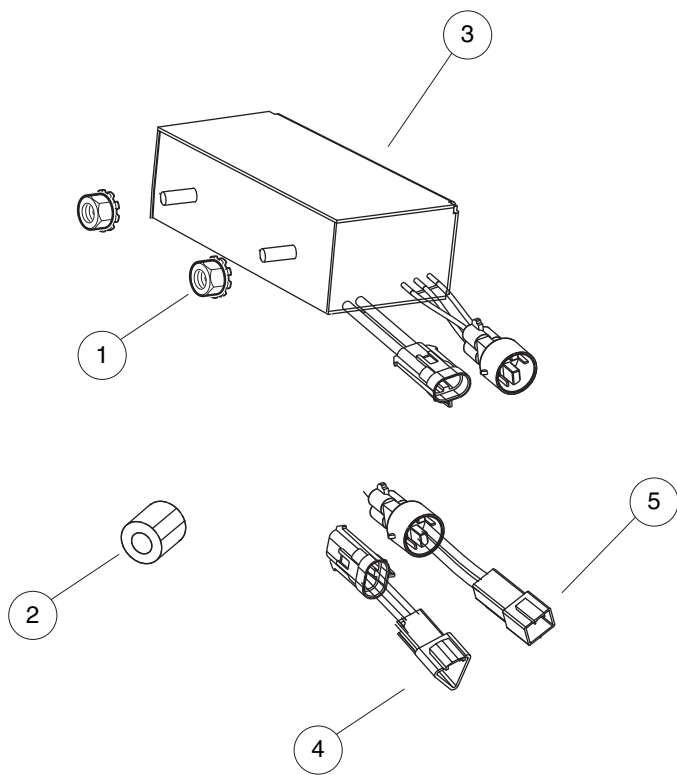
ITEM	PART NO.	DESCRIPTION	QTY
		1 2 3 4	
1	1016851	Multi-Purpose Buzzer (9-48 VDC)	1
2	8056	Screw, #4-40 X 0.75 Round-Head Machine	2
3	8057	Nut, #4-40 Hex Machine	2
4	8058	Lockwasher, #4 Split	2

4

E

4

E



001359-002

DC CONVERTER, HEAVY DUTY CE – ELECTRIC VEHICLE

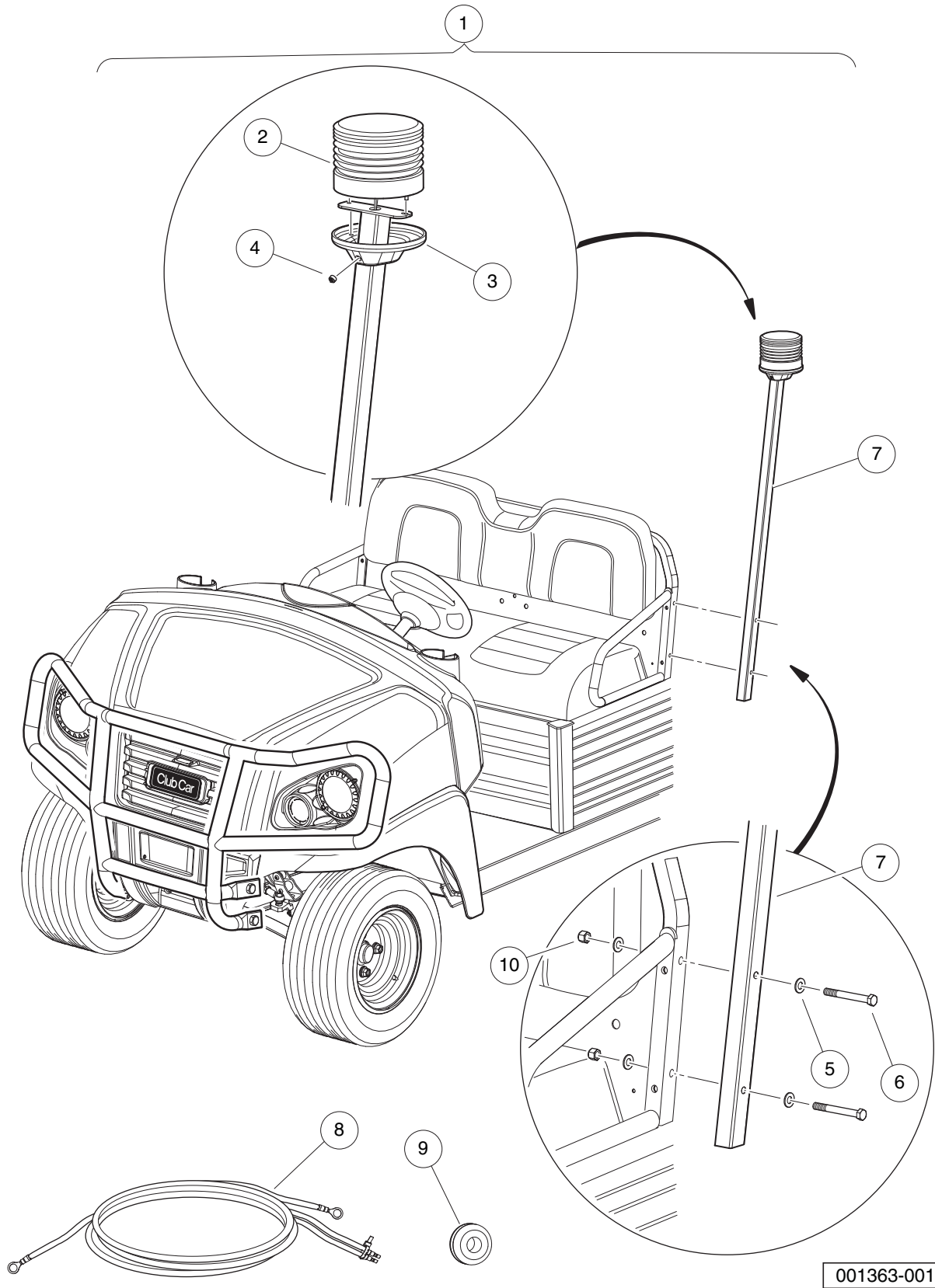
ITEM	PART NO.	DESCRIPTION	QTY
		1 2 3 4	
1	101835601	Locknut, 1/4-20 Hex Whiz	2
2	103449501	Bead, Ferrite, Tdk	1
3	103804901	Converter, 25a, Isolated, Ce	1
4	105146901	Jmpr, Dc Conv, Dt/mp480s, In	1
5	105147001	Jmpr, Dc Conv, Dt/mp480s, Out	1

4

E

4

E



001363-001

STROBE LIGHT, POST MOUNTED – ELECTRIC VEHICLES

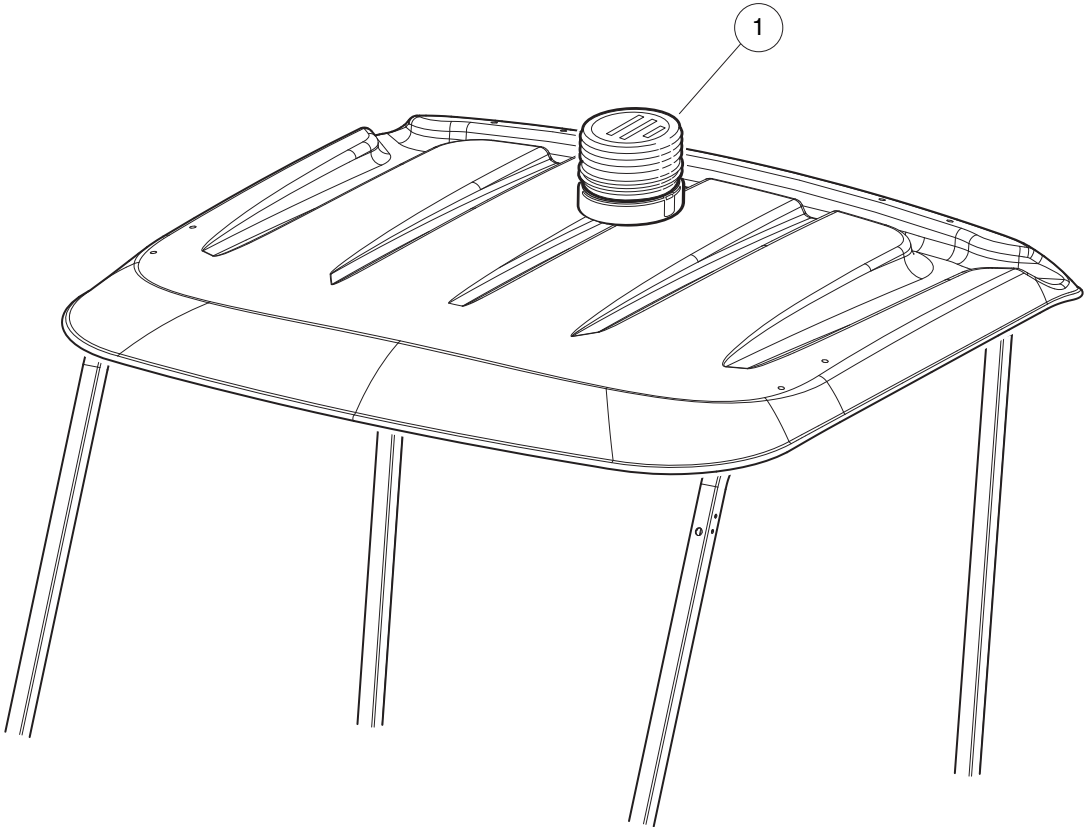
ITEM	PART NO.	DESCRIPTION	QTY
		1 2 3 4	
1	105155501	Kit, Post Mtd. Strobe, Elec (includes items 2 through 10)	1
2	1015156	Light Assembly, Strobe	1
3	1015157	Cover Plate Switch - Pole Ca	1
4	1015187	Switch Assembly	1
5	102323501	Washer, Flat, 3/8, Blk Fin	4
6	105088601	Hhcs, 3/8 - 16 X 3.25, Black	2
7	105118601	Weldment, Post Mtd. Strobe	1
8	105204401	Wire Harness Asm,PM Strobe	1
9	105205301	Grommet,1/8-in groove	1
10	8754	Locknut, 3/8-16 Hex	2

4

E

4

E



001364-001

STROBE LIGHT – CANOPY MOUNTED

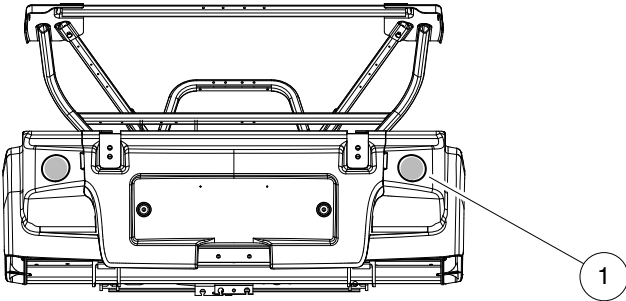
ITEM	PART NO.	DESCRIPTION	QTY
1	105185101	<div style="display: flex; justify-content: space-between; margin-bottom: 5px;"> 1 2 3 4 </div> Kit, Strobe, Canopy	1

4

E

4

E



001362-001

REFLECTORS

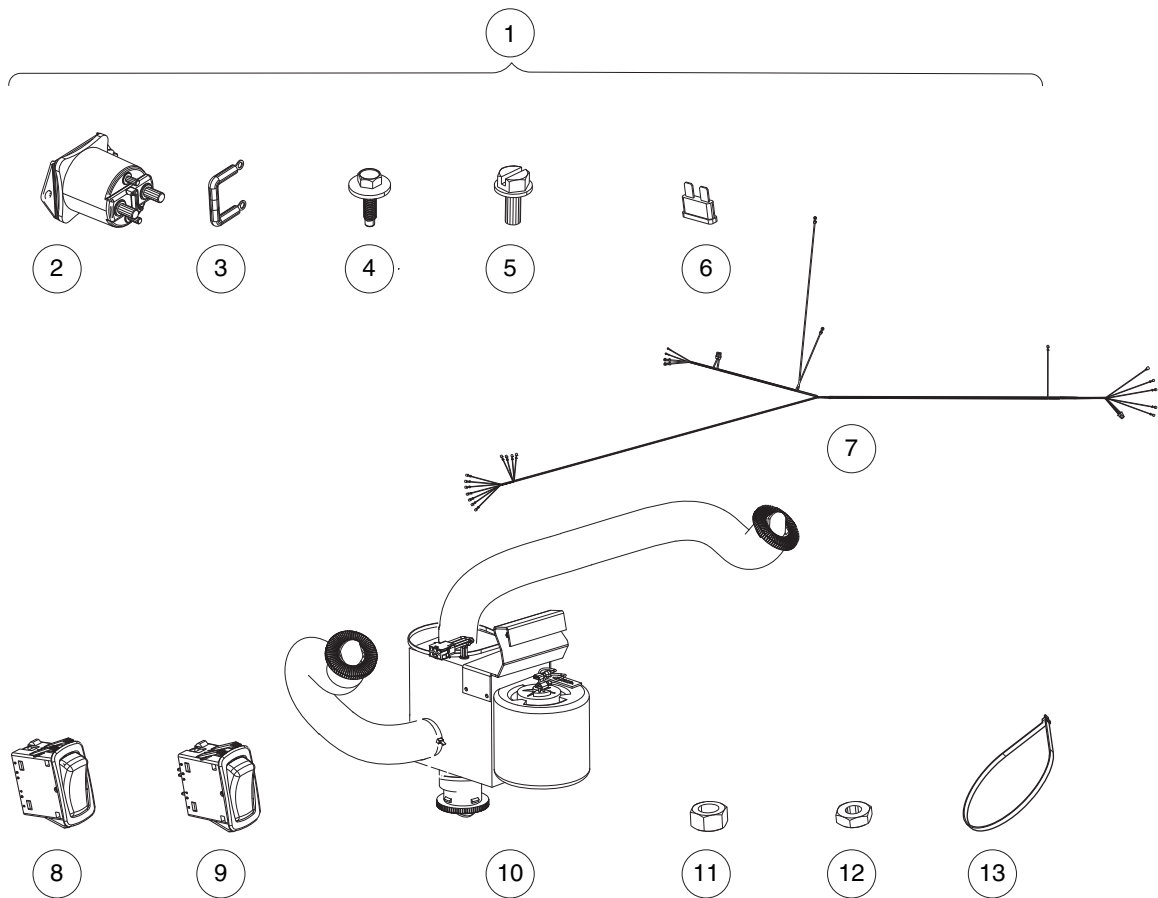
ITEM	PART NO.	DESCRIPTION	QTY
		1 2 3 4	
1	103832501	Reflector, Red, Round, Sae	2
2	103832601	Reflector, Yell, Rect, Sae	2
3	105144801	Reflector, Red, Rect, Sae	2

4

E

4

E



001366-002

HEATER DEFOGGER – ELECTRIC VEHICLE

ITEM	PART NO.	DESCRIPTION	QTY
		1 2 3 4	
1	105135802	Kit, Defogger, Heater (includes items 2 through 13)	1
2	1013609	Solenoid, 12-Volt	1
3	1014948	Diode	1
4	102297125	Screw, M6-1.0x25.4, Thread-Forming, SEMS	2
5	102817101	Screw, 1/4-20 X .50 Hex Wsh Hd	2
6	103541401	Fuse, Atc, 5 Amp	1
7	105108801	Harness, Heater, Cab, Util	1
8	105112501	Switch, Heater, 12vdc	1
9	105112601	Switch, Blower, 12vdc	1
10	N/A	Heater, Defogger	1
11	1242	Nut, 5/16-18 Hex	2
12	7893	Nut, #10-32 Hex	2
13	8639	Tie Wrap, 11" Nylon	8

4

E

4

E

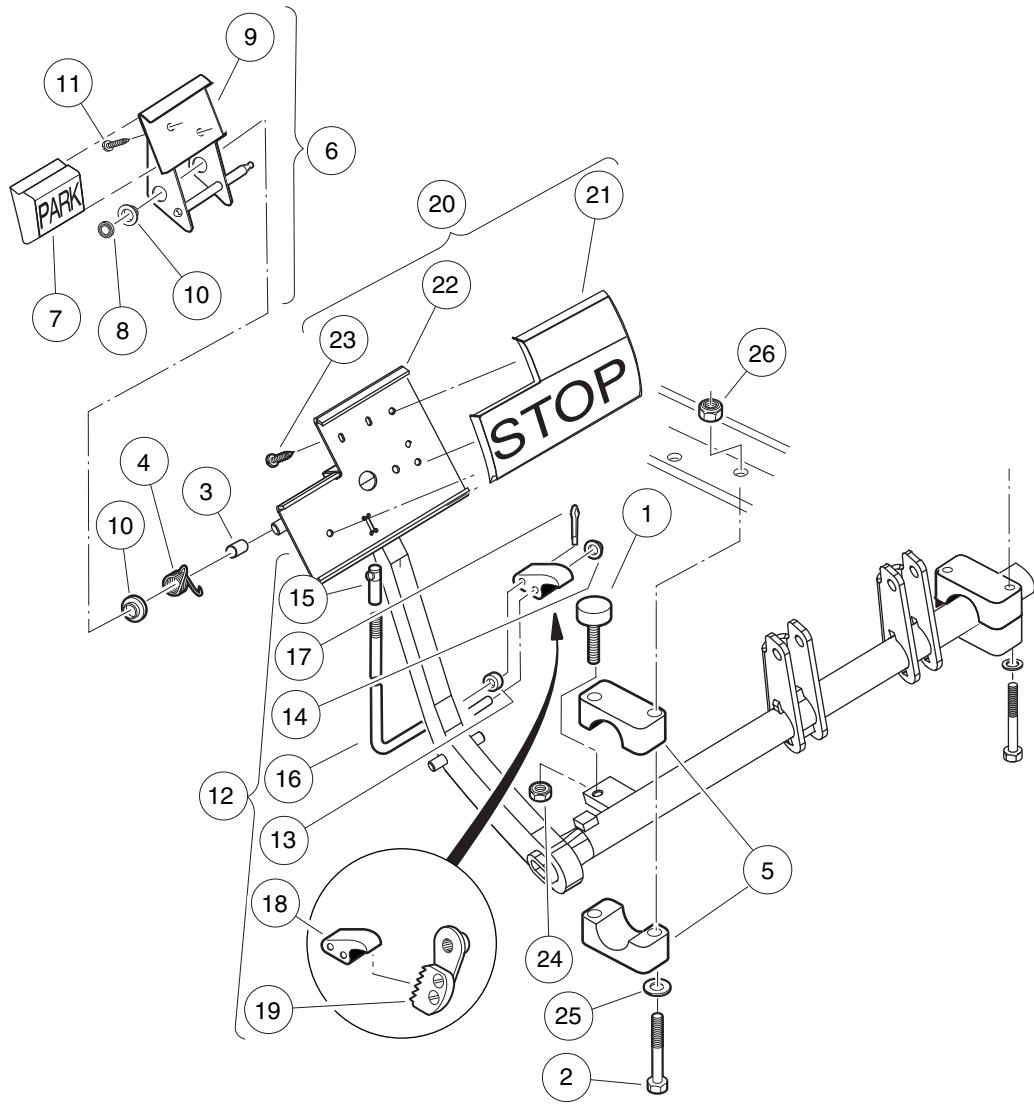
BRAKES, PEDALS, AND CABLE ASSEMBLIES

5

E

5

E



001405-002

BRAKE PEDAL ASSEMBLY – VEHICLES WITH 2-WHEEL BRAKES AND 4-WHEEL BRAKES

ITEM	PART NO.	DESCRIPTION	QTY
		1 2 3 4	
1	1010878	Bumper, Rubber	1
2	1010921	Screw, 5/16-18 X 2.50 Hex Cap	4
3	1010927	Hill Brake Spacer	1
4	1010933	Spring, Hill Brake Torsion	1
5	1011402	Package, Brake Mounting Block	1
6	1011418	Kit, Hill Brake Pedal (includes items 7 through 11)	1
7	1013870	Pad, Hill Brake	1
8	1013876	Pushnut, 3/8	1
9	N/A	Hill Brake Weld Assembly	1
10	1032	Bushing, Nylon	2
11	7716	Screw, #10-16 Type AB, Sheet Metal	2
12	101187702	Kit, Hill Brake Latch (includes items 13 through 19)	1
13	1010805	Sleeve, Hill Brake Rod	1
14	1010877	Pushnut, 3/8	1
15	1010932	Ball Joint, 1/4-28	1
16	N/A	Rod, Hill Brake	1
17	1017029	Pin, Cotter, 7/64 x 1/2 Stainless-Steel	1
18	N/A	Pawl, Hill Brake	1
19	101918501	Ratchet Assembly	1
20	101878201	Brake Pedal Kit (includes items 21 through 23)	1
21	1013869	Pad, Brake Pedal	1
22	N/A	Weldment, Brake Pedal, 2wr Std	1
23	7716	Screw, #10-16 Type AB, Sheet Metal	3
24	1028	Nut, 1/4-20 Hex	1
25	1241	Washer, 5/16 Type A Flat	4
26	7473	Locknut, 5/16-18 Nylon Insert	4

5

E

ACCELERATOR PEDAL ASSEMBLY – ELECTRIC VEHICLES

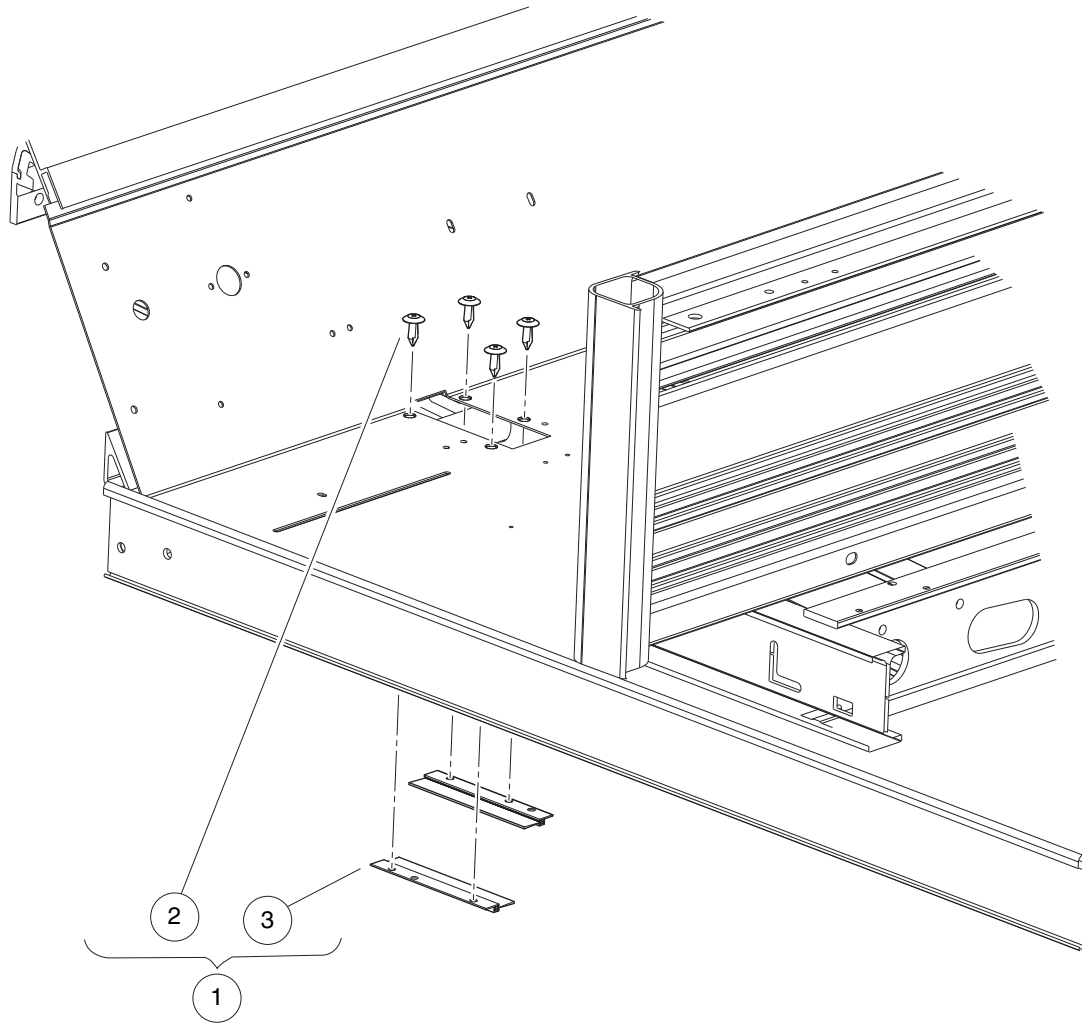
ITEM	PART NO.	DESCRIPTION	QTY
		1 2 3 4	
1	1011694	Accelerator Bracket and Bearing Assembly	2
2	1011931	Washer, 1/4 Flat	1
3	1014007	Washer, 1/4, Flat	4
4	1017378	Cup, Spring	1
5	1017380	Bumper, Spring Return	1
6	1017424	Bearing, Pivot Support	1
7	101796201	Spring, Accelerator Return	1
8	101817401	Retainer, Spring	1
9	101861901	Screw, 1/4-20 X 1.125 Hex Cap	4
10	101862001	Screw, 1/4-20 X 1.500 Flange	1
11	101918501	Ratchet Assembly	1
12	102026001	Kit, Accelerator Pivot Rod Assembly (includes items 13 and 14)	1
13	101919801	Spacer, Accelerator	1
14	102158901	Pivot Rod Weldment	1
15	103865101	Pedal, Accel, Insert	A/R
16	1241	Washer, 5/16 Type A Flat	1
17	1624	Screw, 3/8-16 X 1.50, Hex-Head Cap	1
18	334	Washer, 3/8, Type A, Flat	2
19	7473	Locknut, 5/16-18 Nylon Insert	1
20	8233	Locknut, 1/4-20, Nylon Insert	4
21	8717	Locknut, Nylon Insert, 1/4-28	1
22	8754	Locknut, 3/8-16 Hex	2

5

E

5

E



001418-001

PEDAL CLOSE-OUT KIT

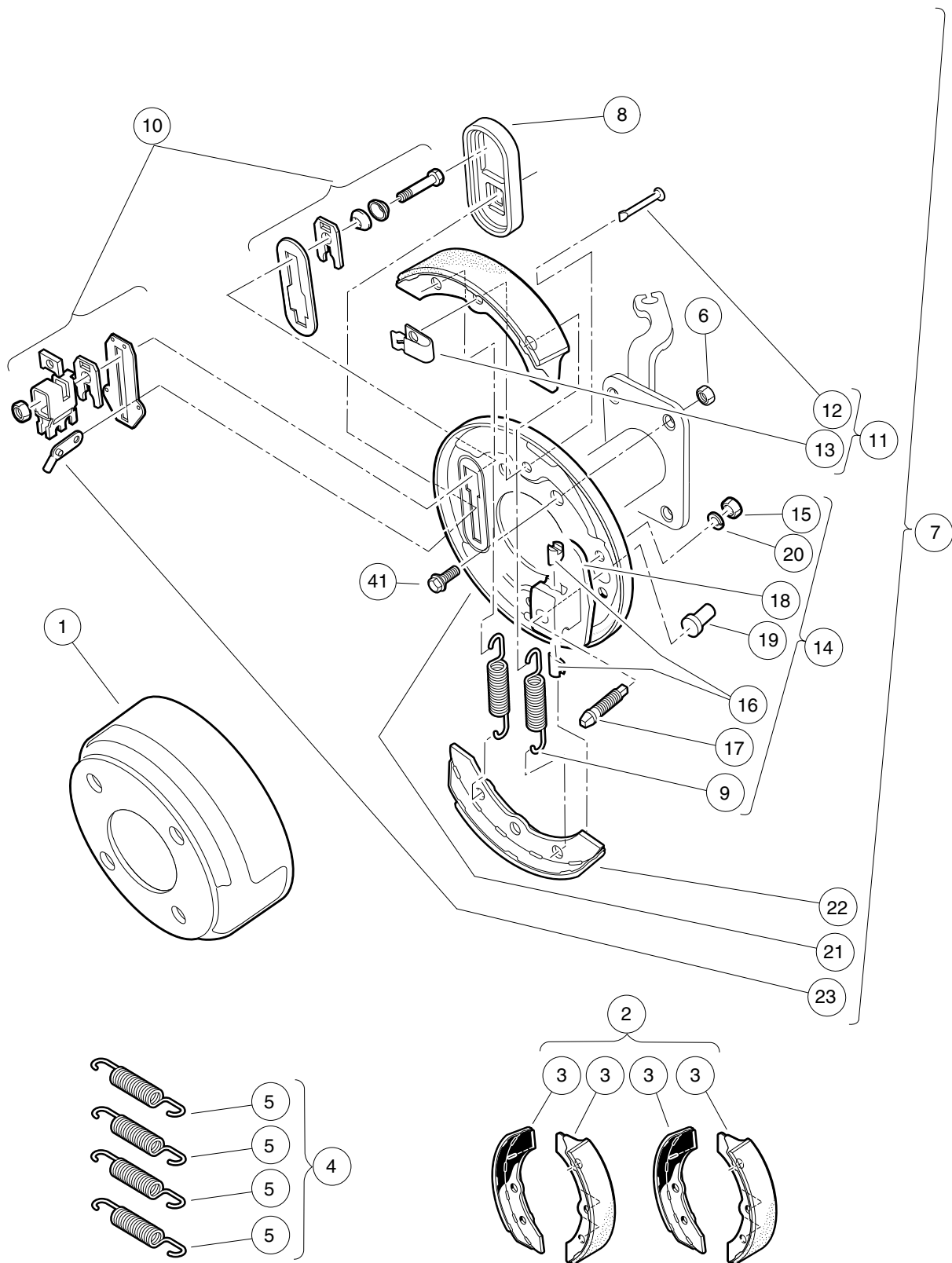
ITEM	PART NO.	DESCRIPTION	QTY
		1 2 3 4 Kit, Close Out, Pedal, Utl (includes items 2 and 3)	1
1	105149101	Kit, Close Out, Pedal, Utl (includes items 2 and 3)	1
2	102025701	Screw, Tuflok Panel, 1/4	4
3	105149201	Asm, Brush, Pedal Close Out	2

5

E

5

E



001402-002

FRONT BRAKE ASSEMBLY – VEHICLES WITH 4- WHEEL BRAKES

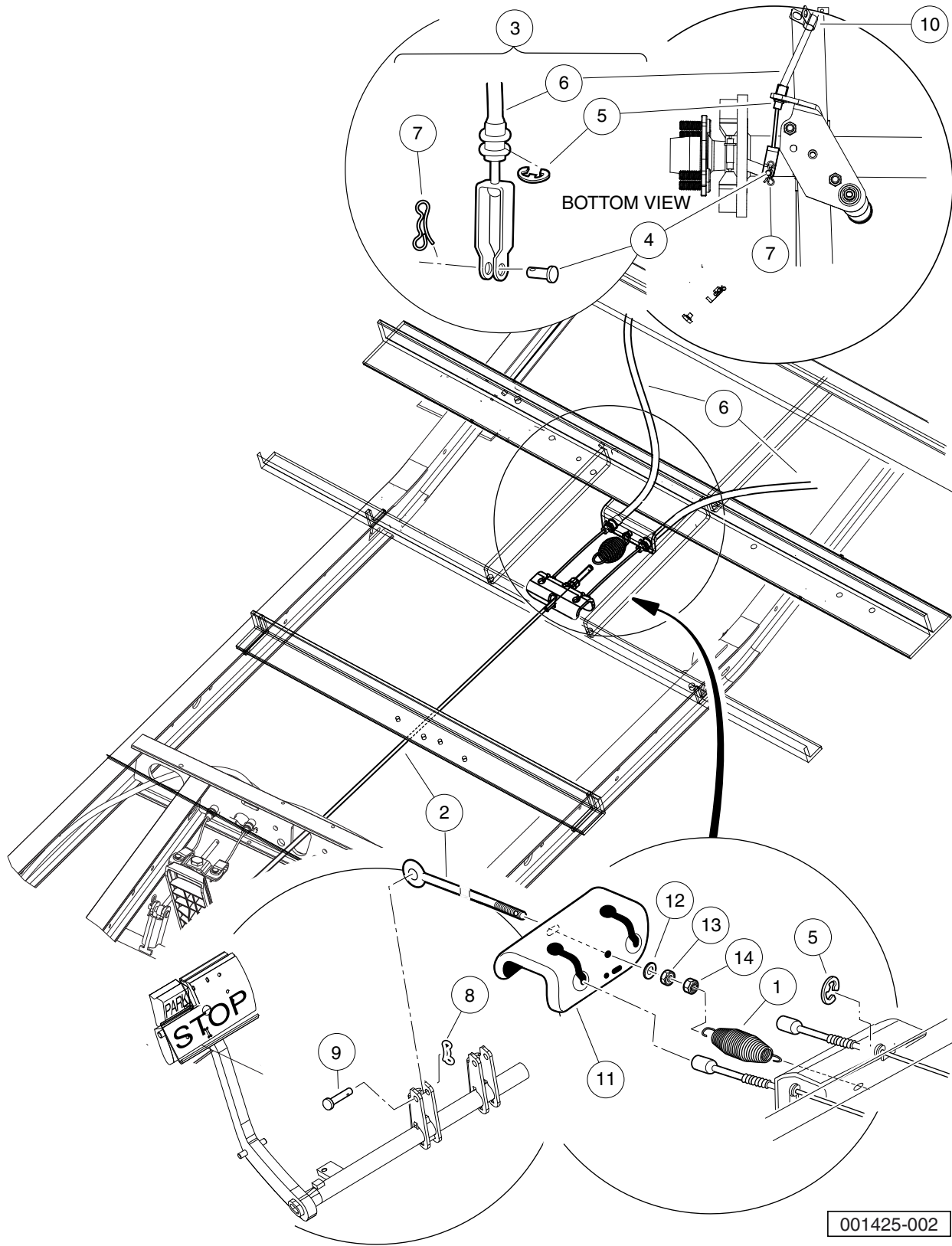
ITEM	PART NO.	DESCRIPTION	QTY
		1 2 3 4	
1	1011137	Drum, Brake	2
2	101146302	Kit, Non-Asbestos Brake Shoe (includes item 3)	1
3	101880701	Shoe Brake Manual Adj (Available in Kit, Non-Asbestos Brake Shoe)	4
4	1011464	Package, Brake Spring (includes item 5)	1
5	1011314	Brake Spring	4
6	1013924	Nut, 5/16-24, Hex Head Cone	8
7	1016557	Cluster, Brake, Driver-Side (includes items 8 through 23)	1
8	1010850	Dust Cover	1
9	1011314	Brake Spring	2
10	1011465	Kit, Brake Actuator	1
11	1011466	Kit, Shoe Retainer (includes items 12 and 13)	1
12	N/A	Pin	2
13	N/A	Shoe Clamp Spring	2
14	1011467	Kit, Anchor Body (includes items 15 through 20)	1
15	1011114	Nut, M6-1.00 Hex	2
16	1011298	Anchor Piston	2
17	N/A	Adjustment Bolt	1
18	N/A	Anchor Body Component	1
19	1011303	Adjustment Bolt Cap	1
20	451	Lockwasher, 1/4 Split	2
21	1011494	Backing Plate, Left-Hand	1
22	101880701	Shoe Brake Manual Adj (Available in Kit, Non-Asbestos Brake Shoe)	2
23	N/A	Arm, Brake Lever	1
24	1016573	Cluster, Brake, Passenger-Side (includes items 25 through 40)	1
25	1010850	Dust Cover	1
26	1011154	Backing Plate, Right-Hand	1
27	1011314	Brake Spring	2
28	1011465	Kit, Brake Actuator	1
29	1011466	Kit, Shoe Retainer (includes items 30 and 31)	1
30	N/A	Pin	2
31	N/A	Shoe Clamp Spring	2
32	1011467	Kit, Anchor Body (includes items 33 through 38)	1
33	1011114	Nut, M6-1.00 Hex	2
34	1011298	Anchor Piston	2
35	N/A	Adjustment Bolt	1
36	N/A	Anchor Body Component	1
37	1011303	Adjustment Bolt Cap	1
38	451	Lockwasher, 1/4 Split	2
39	101880701	Shoe Brake Manual Adj (Available in Kit, Non-Asbestos Brake Shoe)	2
40	N/A	Arm, Brake Lever	1
41	47542195001	Bolt, Brake Cluster Mnt	8
		Note: Passenger-side brake cluster (items 25-41) not shown. Components have a similar appearance to driver-side brake cluster components.	

5

E

5

E



001425-002

REAR BRAKE CABLES AND EQUALIZER – ELECTRIC VEHICLE WITH 4-WHEEL BRAKES

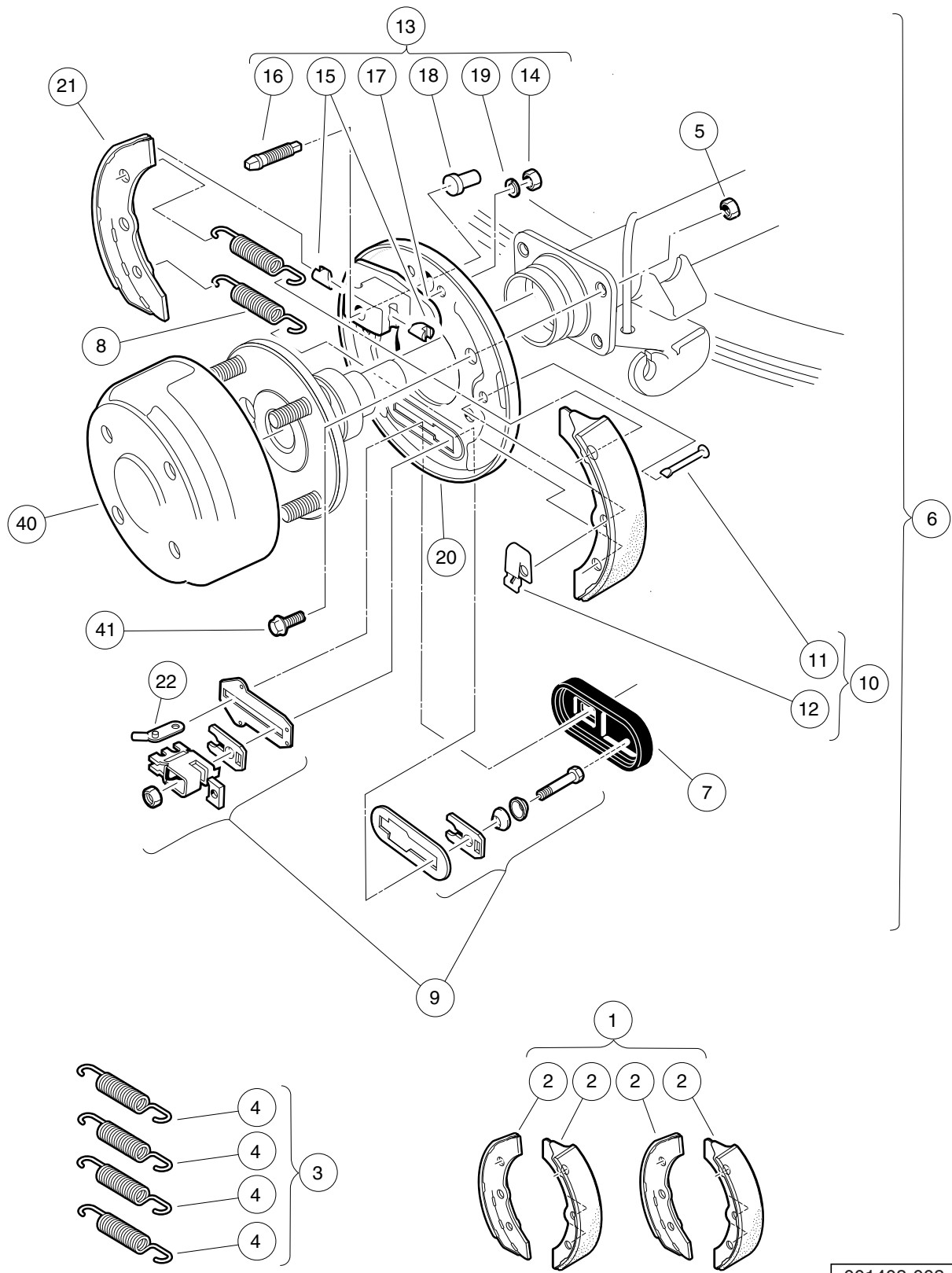
ITEM	PART NO.	DESCRIPTION	QTY
		1 2 3 4	
1	1013531	Spring, Brake Return	1
2	101953103	Rod, Equalizer, 41.91"	1
3	102166901	Kit, Brake Cable Rear (includes items 4 through 7)	1
4	1010829	Pin, Clevis, 5/16 X 3/4	2
5	1011779	E-Clip, 1/2	4
6	102162601	Cable, Brake	2
7	102292801	Pin, Bow Tie Locking - .072	2
8	102323101	Pin, Bow Tie Locking	1
9	102323201	Pin, 3/8 X 1-5/16 Clevis	1
10	102891101	Clamp, Cable, Brake, Sym	2
11	105329401	Bracket, Equalizer, CHN	1
12	1241	Washer, 5/16 Type A Flat	5
13	1242	Nut, 5/16-18 Hex	1
14	7473	Locknut, 5/16-18 Nylon Insert	5

5

E

5

E



001403-003

REAR BRAKES, MANUALLY-ADJUSTED – ELEC. VEHICLES WITH 4-WHEEL BRAKES

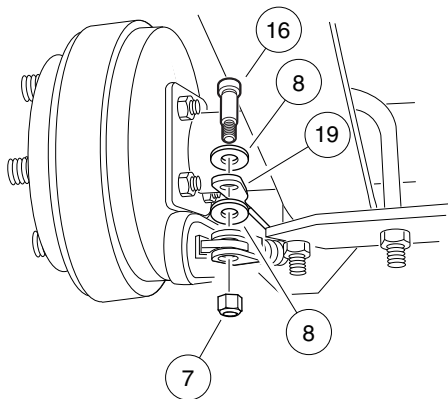
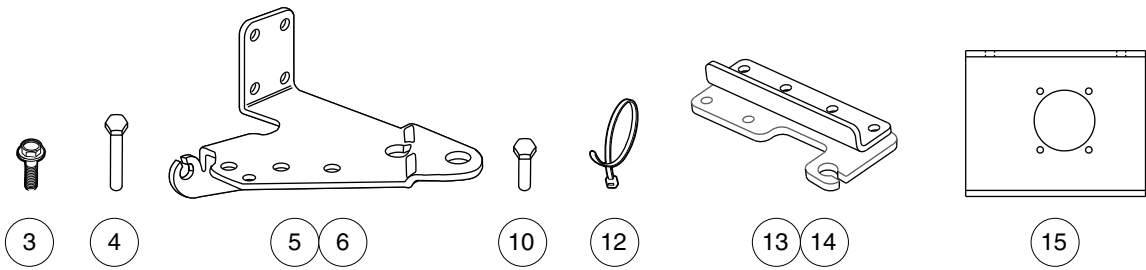
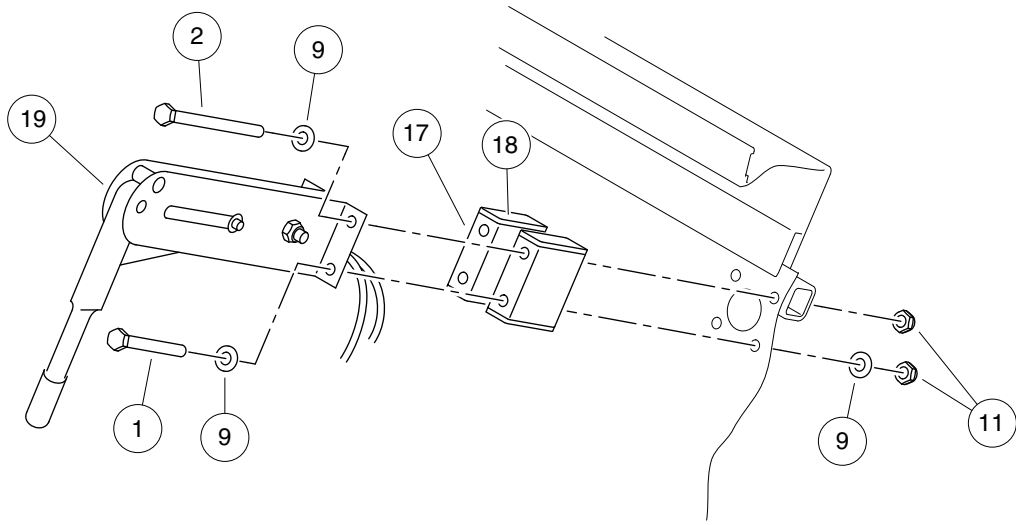
ITEM	PART NO.	DESCRIPTION	QTY
		1 2 3 4	
1	101146302	Kit, Non-Asbestos Brake Shoe (includes item 2)	1
2	101880701	Shoe Brake Manual Adj (Available in Kit, Non-Asbestos Brake Shoe)	4
3	1011464	Package, Brake Spring (includes item 4)	1
4	1011314	Brake Spring	4
5	1013924	Nut, 5/16-24, Hex Head Cone	8
6	1016557	Cluster, Brake, Driver-Side (includes items 7 through 22)	1
7	1010850	Dust Cover	1
8	1011314	Brake Spring	2
9	1011465	Kit, Brake Actuator	1
10	1011466	Kit, Shoe Retainer (includes items 11 and 12)	1
11	N/A	Pin	2
12	N/A	Shoe Clamp Spring	2
13	1011467	Kit, Anchor Body (includes items 14 through 19)	1
14	1011114	Nut, M6-1.00 Hex	2
15	1011298	Anchor Piston	2
16	N/A	Adjustment Bolt	1
17	N/A	Anchor Body Component	1
18	1011303	Adjustment Bolt Cap	1
19	451	Lockwasher, 1/4 Split	2
20	1011494	Backing Plate, Left-Hand	1
21	101880701	Shoe Brake Manual Adj (Available in Kit, Non-Asbestos Brake Shoe)	2
22	N/A	Arm, Brake Lever	1
23	1016573	Cluster, Brake, Passenger-Side (includes items 24 through 39)	1
24	1010850	Dust Cover	1
25	1011154	Backing Plate, Right-Hand	1
26	1011314	Brake Spring	2
27	1011465	Kit, Brake Actuator	1
28	1011466	Kit, Shoe Retainer (includes items 29 and 30)	1
29	N/A	Pin	2
30	N/A	Shoe Clamp Spring	2
31	1011467	Kit, Anchor Body (includes items 32 through 37)	1
32	1011114	Nut, M6-1.00 Hex	2
33	1011298	Anchor Piston	2
34	N/A	Adjustment Bolt	1
35	N/A	Anchor Body Component	1
36	1011303	Adjustment Bolt Cap	1
37	451	Lockwasher, 1/4 Split	2
38	101880701	Shoe Brake Manual Adj (Available in Kit, Non-Asbestos Brake Shoe)	2
39	N/A	Arm, Brake Lever	1
40	101791101	Drum without Center Hole, Brake	2
41	47542195001	Bolt, Brake Cluster Mnt	8
		Note: Passenger-side brake cluster (items 24-40) not shown. Components have a similar appearance to driver-side brake cluster components.	

5

E

5

E



002517-001

EMERGENCY BRAKE

ITEM	PART NO.	DESCRIPTION	QTY
		1 2 3 4	
1	1012159	Bolt, 1/4-20 X 2.75 Hex-Head	2
2	1013872	Bolt, 1/4-20 X 4.00 Hex Head	2
3	1014063	Screw, 1/4-20 X 1.00, Hex Head	6
4	1014201	Screw, 1/4-20 X 2.25 Hex Cap	8
5	101926501	Bracket, Left-Hand	1
6	101929401	Bracket, Right	1
7	1108	Locknut, 1/4-20 Dimpled	2
8	1241	Washer, 5/16 Type A Flat	4
9	332	Washer, 1/4 Type A Narrow Flat	4
10	7479	Screw, 1/4-20 X 1.25 Hex-Head Cap	8
11	8233	Locknut, 1/4-20, Nylon Insert	12
12	8639	Tie Wrap, 11" Nylon	10
13	SVP126001	Rh Cable Mtg. Bracket Weldment	1
14	SVP126002	Lh Cable Mtg. Bracket Weldment	1
15	SVP126401	Handbrake Support Bracket	1
16	SVP475501	Bolt Shoulder 5/16 Dia, Len 1"	2
17	SVP913001	Tube, Spacer, Hand Brake, Ca	2
18	SVPP220901	Cap Plug 2x1	2
19	SVPP258701	Emergency Brake Handle and Cable Assembly	1

5

E

5

E

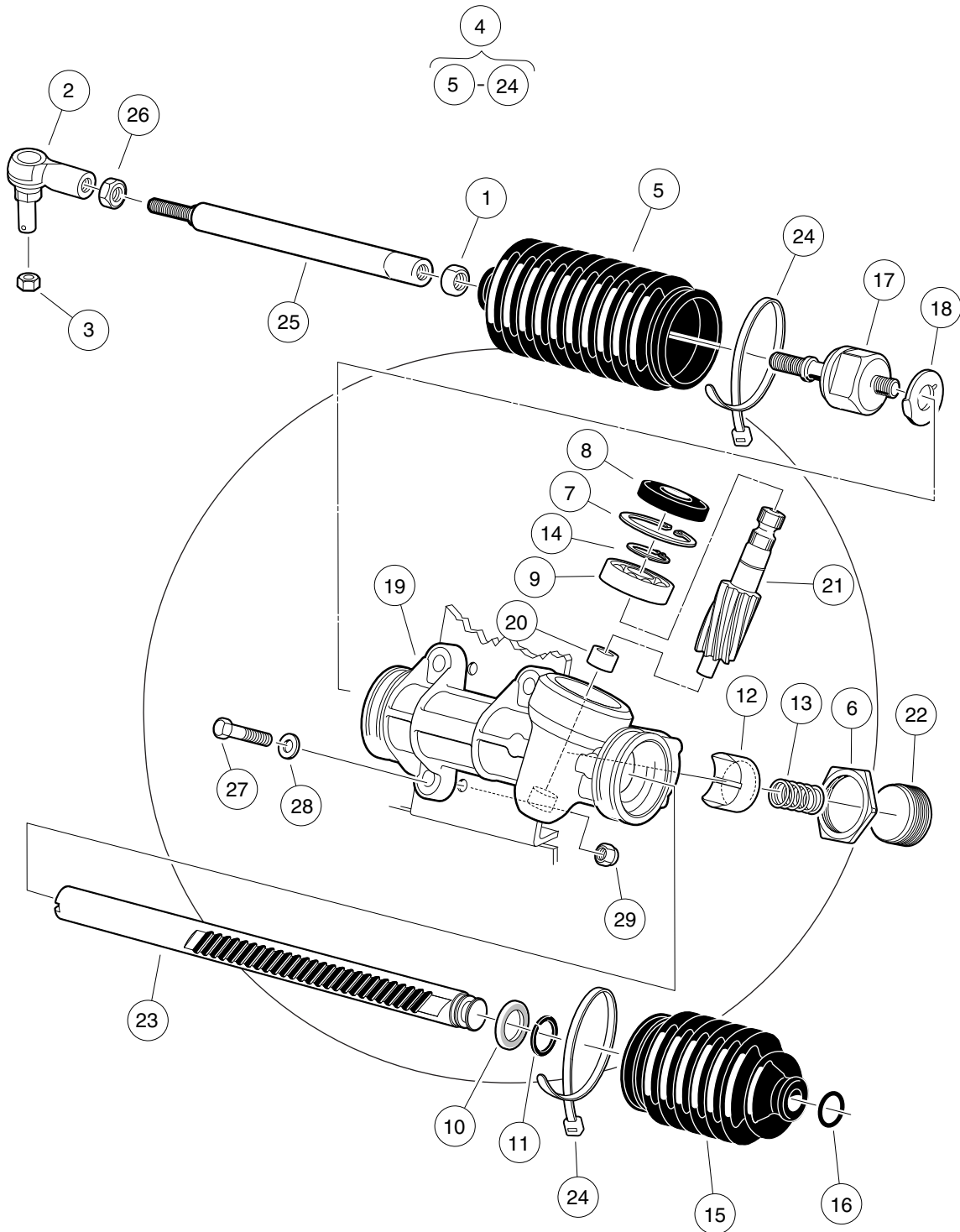
STEERING, FRONT AND REAR SUSPENSION

6

E

6

E



001500-002

STEERING GEAR ASSEMBLY

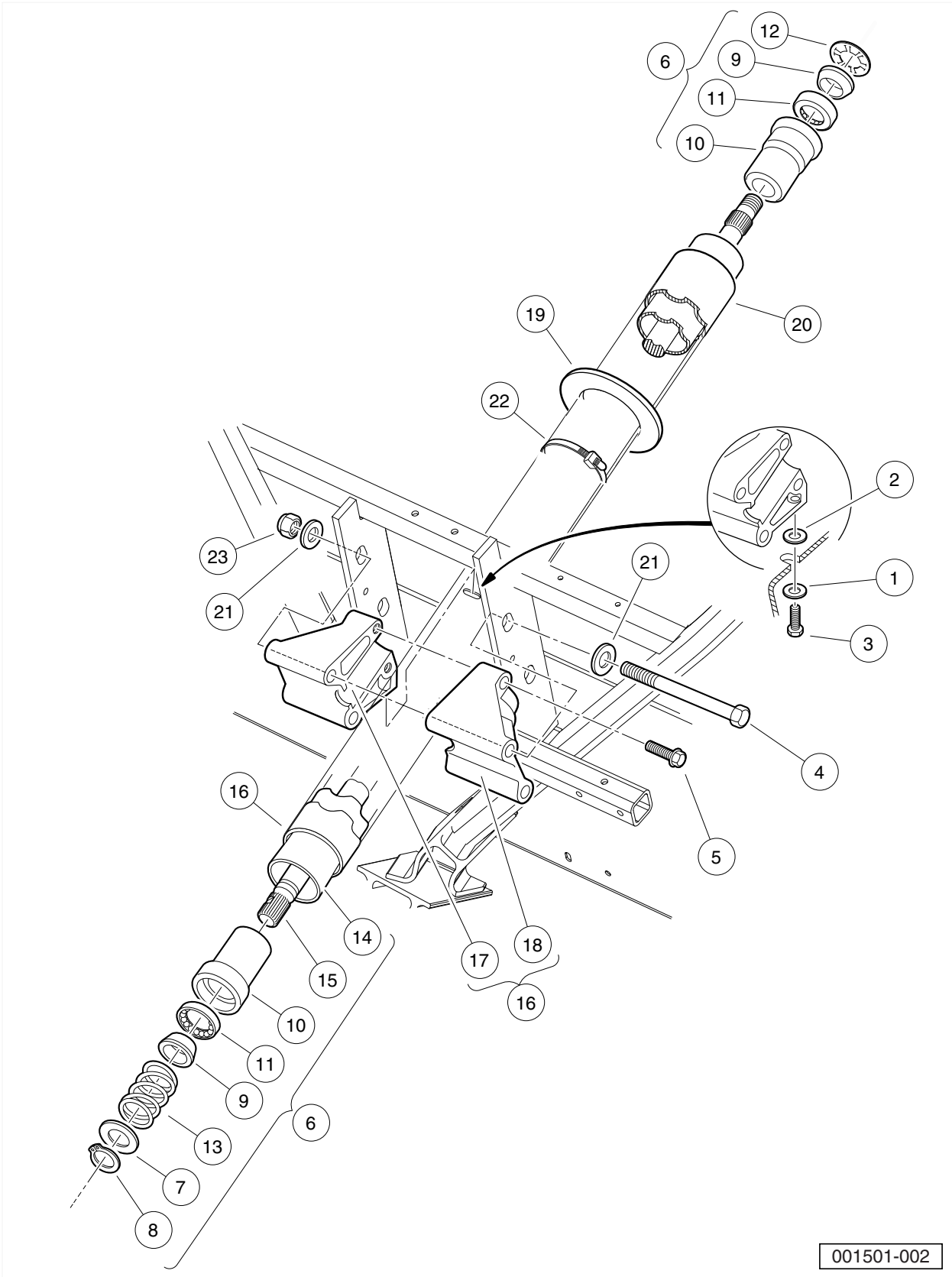
ITEM	PART NO.	DESCRIPTION	QTY
		1 2 3 4	
1	1013042	Nut, 12mm Hex	1
2	102022602	End, Tie Rod, M12 X 1.25, Lh	1
3	102289201	Nut - Hex Locking, M12 X 1.25	1
4	103601501	Asm, Steering Rack And Pinion (includes items 5 through 24)	1
5	1013035	Bellows, Long	1
6	1013044	Rack Screw Locknut	1
7	N/A	Snap Ring	1
8	1013052	Seal, Steering Pinion Dust	1
9	101879401	Bearing, Ball	1
10	101879501	Stop Washer	1
11	101879601	Stop Ring, C-Type	1
12	101879701	Support Yoke	1
13	101879801	Rack Guide Pressure Spring	1
14	101879901	Ring, Stop, C-Type	1
15	101880001	Bellows, Short	1
16	101880101	Dust Seal Retaining Ring	1
17	101880201	Inner Ball Joint Asm	1
18	101880301	Washer, Tab	1
19	N/A	Box, Steering Gear	1
20	N/A	Bearing, Lower Pinion	1
21	N/A	Pinion, Steering	1
22	N/A	Screw, Rack Guide	1
23	N/A	Rack, Steering	1
24	8990	Tie Wrap, 8" Nylon	2
25	103653401	Link, Drag, Male Thd	1
26	103653501	Nut, Jam, M12-1.25, Lh	1
27	1624	Screw, 3/8-16 X 1.50, Hex-Head Cap	3
28	334	Washer, 3/8, Type A, Flat	3
29	8754	Locknut, 3/8-16 Hex	3

6

E

6

E



001501-002

STEERING COLUMN

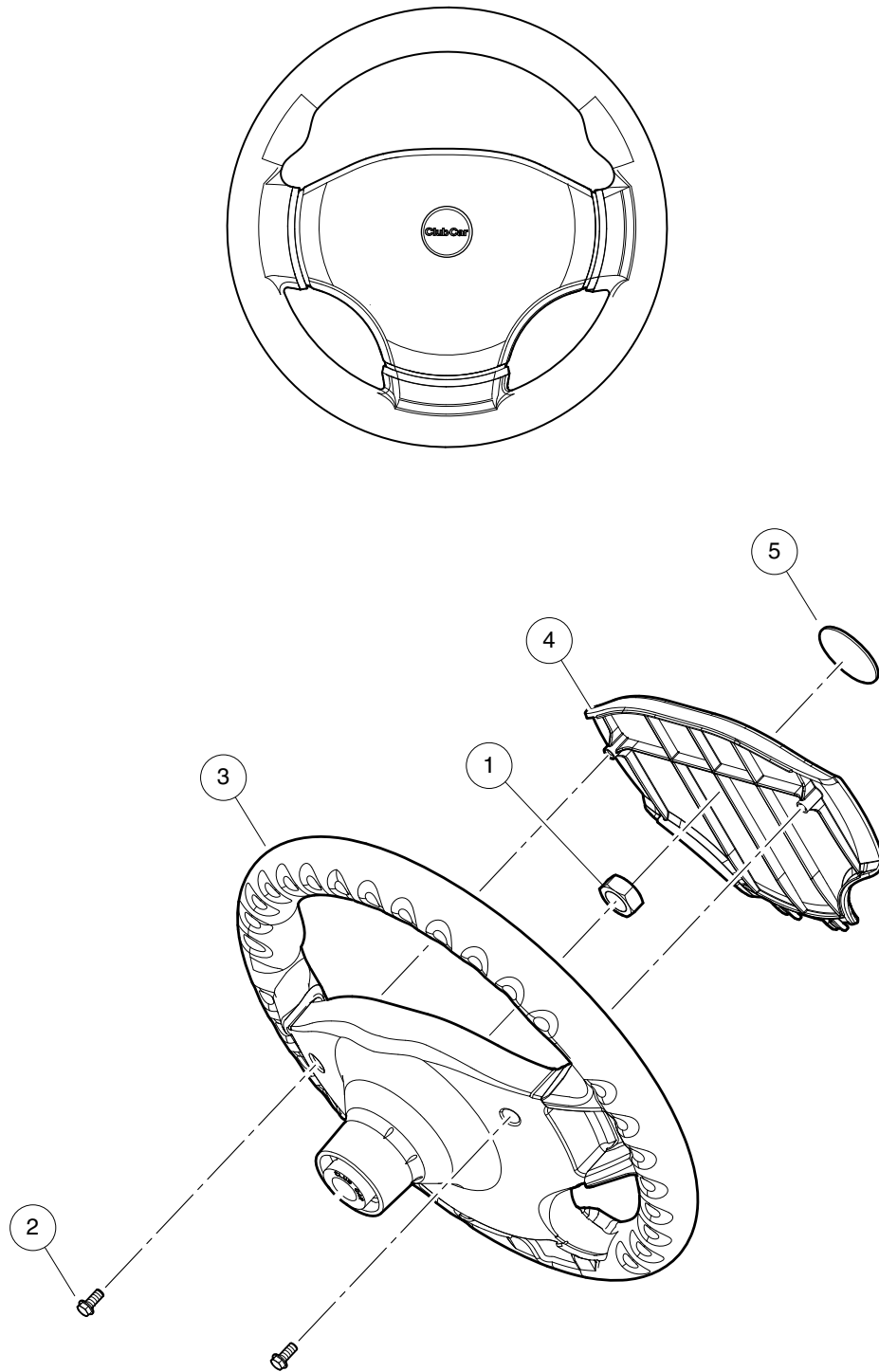
ITEM	PART NO.	DESCRIPTION	QTY
		1 2 3 4	
1	1011697	Washer, 5/16 Flat	1
2	1012571	Washer, 5/16 Extra Thick Flat	1
3	1014288	Screw, 5/16-18 X 0.75, Thread-Forming	1
4	1016183	Screw, 3/8-16 X 7.00 Hex Cap	2
5	1016269	Screw, 5/16-18 Thrd Forming	2
6	1017313	Steering Shaft Assembly (includes items 7 through 15)	1
7	1012604	Washer, 0.675 ID X 1.19 OD	1
8	1012605	Ring, 0.579 Internal Retaining	1
9	1014125	Wedge, Molded	2
10	1014126	Seat, Plastic Bearing	2
11	1014213	Bearing, Ball	2
12	1014214	Ring, Retaining	1
13	1014217	Spring, Steering Shaft	1
14	1017314	Column, Aluminum Steering	1
15	1017315	Shaft Steering Column	1
16	101984801	Kit, Steering Column Mounting Bracket (includes items 17 and 18)	1
17	N/A	Bracket, RH Steering Column Mount	1
18	N/A	Bracket, LH Steering column mount	1
19	102278001	Boot, Steering Column Round	1
20	105316301	Tube Cover, Steer-Column, CHN	1
21	334	Washer, 3/8, Type A, Flat	4
22	8639	Tie Wrap, 11" Nylon	1
23	8754	Locknut, 3/8-16 Hex	2

6

E

6

E



001503-001

STEERING WHEEL

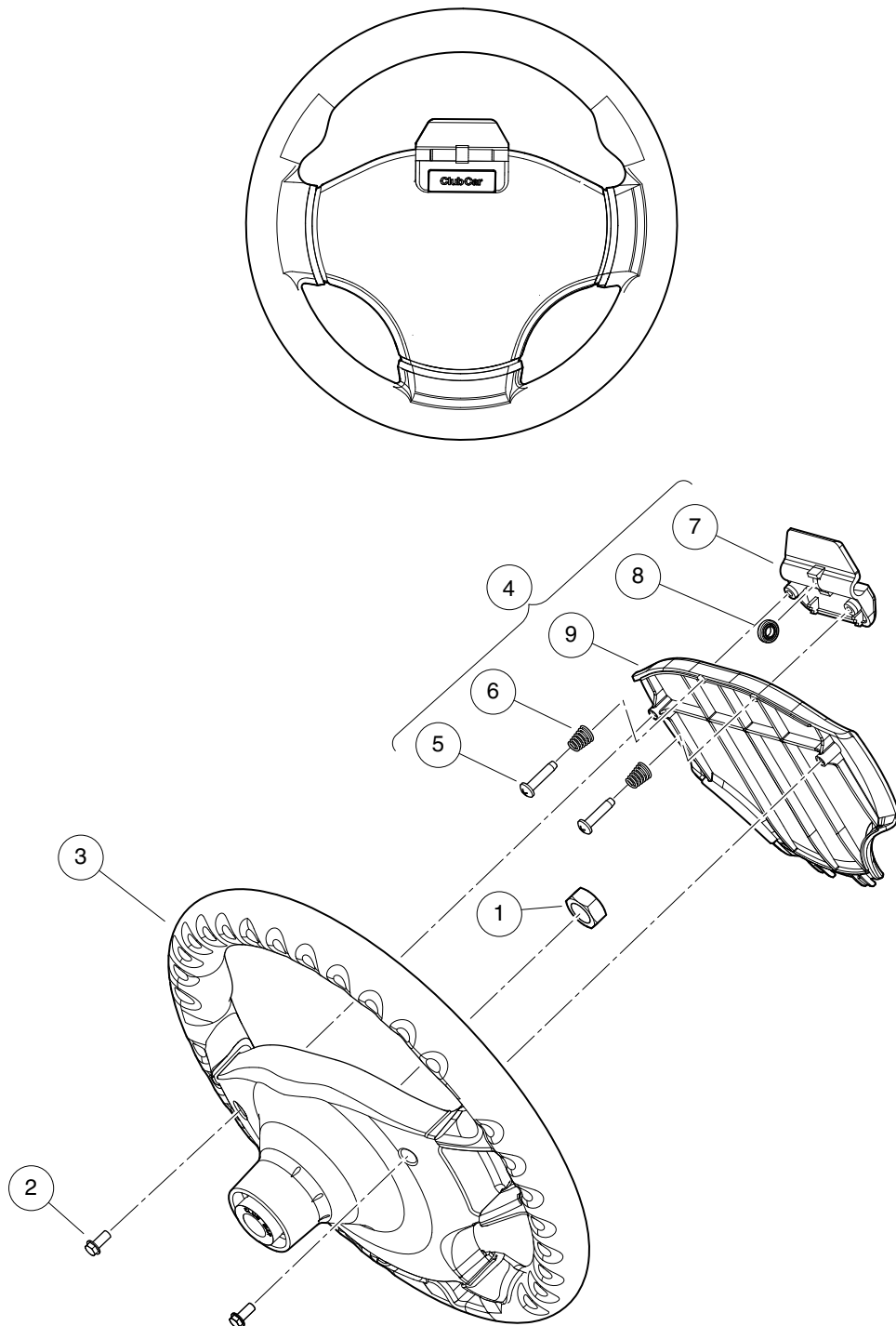
ITEM	PART NO.	DESCRIPTION	QTY
		1 2 3 4	
1	1017273	Nut, 5/8-18 Nylon Insert Jam	1
2	101850301	Screw, #12-16 X 0.50 Washer-Head Hi-Lo	2
3	103724504	Steering Wheel, Soft Spl	1
4	103724602	Cover, Steering Wheel, Generic	1
5	103829401	Logo, Cci, Steer Wheel	1

6

E

6

E



001504-001

STEERING WHEEL WITH CLIP

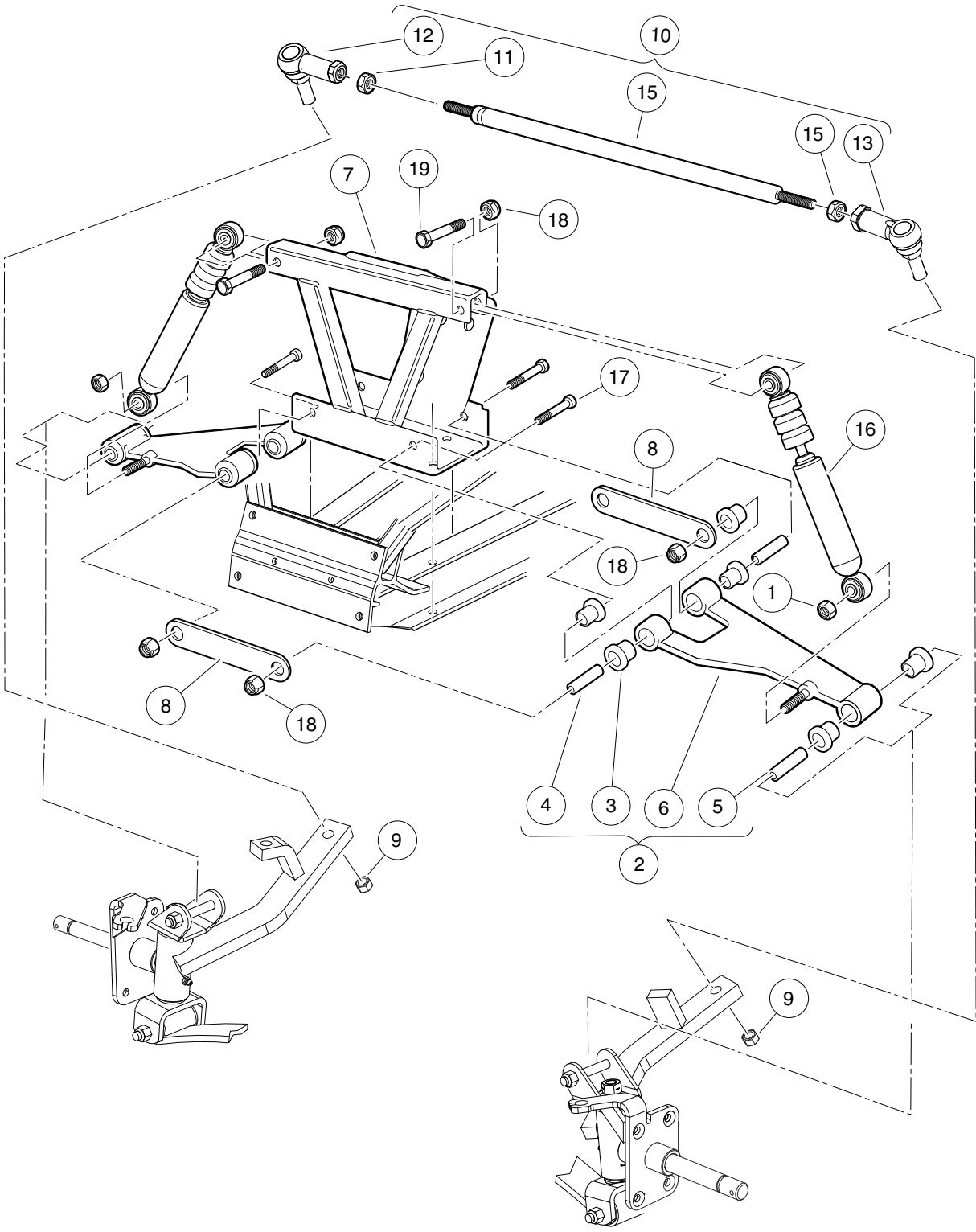
ITEM	PART NO.	DESCRIPTION	QTY
		1 2 3 4	
1	1017273	Nut, 5/8-18 Nylon Insert Jam	1
2	101850301	Screw, #12-16 X 0.50 Washer-Head Hi-Lo	2
3	103724504	Steering Wheel, Soft Spl	1
4	103724901	Asm, Scorecard, Clip (includes items 5 through 9)	1
5	1012565	Screw, #12 Phillips Round Head	2
6	1012566	Tapered Compression Spring	2
7	1016154	Clip, Scorecard	1
8	1016214	Pencil Grip	1
9	103724601	Cover, Steering Wheel, Clip	1

6

E

6

E



001510-001

FRONT SUSPENSION, UPPER, HD

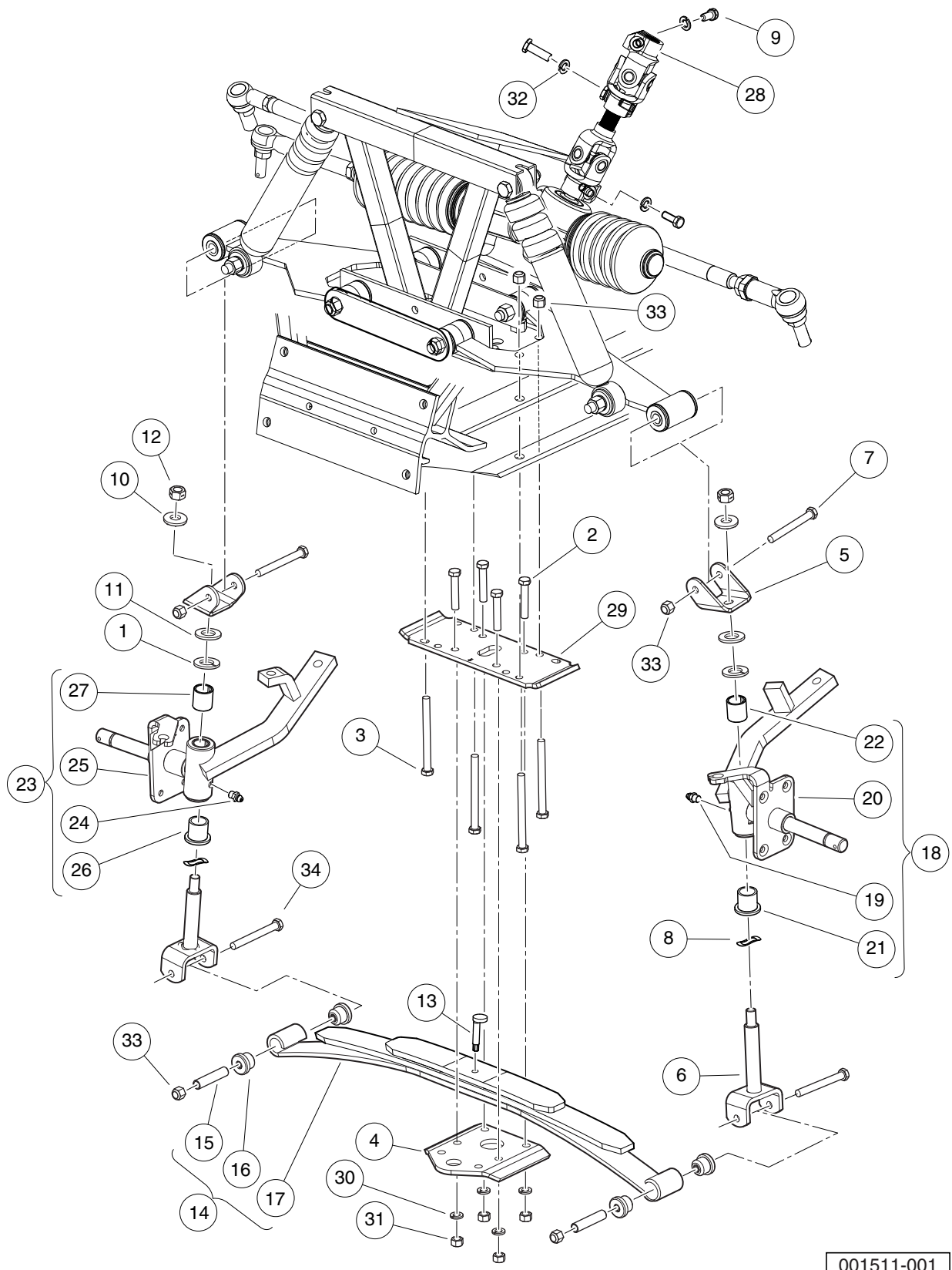
ITEM	PART NO.	DESCRIPTION	QTY
		1 2 3 4	
1	1010138	Locknut, 3/8-16 Dimpled	2
2	1016353	Sub-Assembly, Delta A-Plate (includes items 3 through 6)	2
3	1016346	Bushing, Urethane	6
4	1016349	Sleeve, Delta Inner	2
5	1016350	Sleeve, Delta Outer	1
6	1016351	Delta A-Plate	1
7	101638502	Weldment, Shock & Gear, Ca	1
8	1017266	A-Plate Strap	2
9	102289201	Nut - Hex Locking, M12 X 1.25	2
10	103653601	Asm, Tie Rod (includes items 11 through 15)	1
11	1013042	Nut, 12mm Hex	1
12	102022601	End, Tie Rod M12 X 1.25 Rh	1
13	102022602	End, Tie Rod, M12 X 1.25, Lh	1
14	103354701	Rod, Tie, Male Thd	1
15	103653501	Nut, Jam, M12-1.25, Lh	1
16	105106702	Shock Absorb, Frnt, 3 Bump Ele	2
17	2402	Screw, 3/8-16 X 2.25 Hx Hd Cap	4
18	8754	Locknut, 3/8-16 Hex	6
19	8861	Bolt, 3/8-16 X 1.75 Hex	2

6

E

6

E



001511-001

FRONT SUSPENSION, LOWER, HD, 3 LEAF-1 PLATE

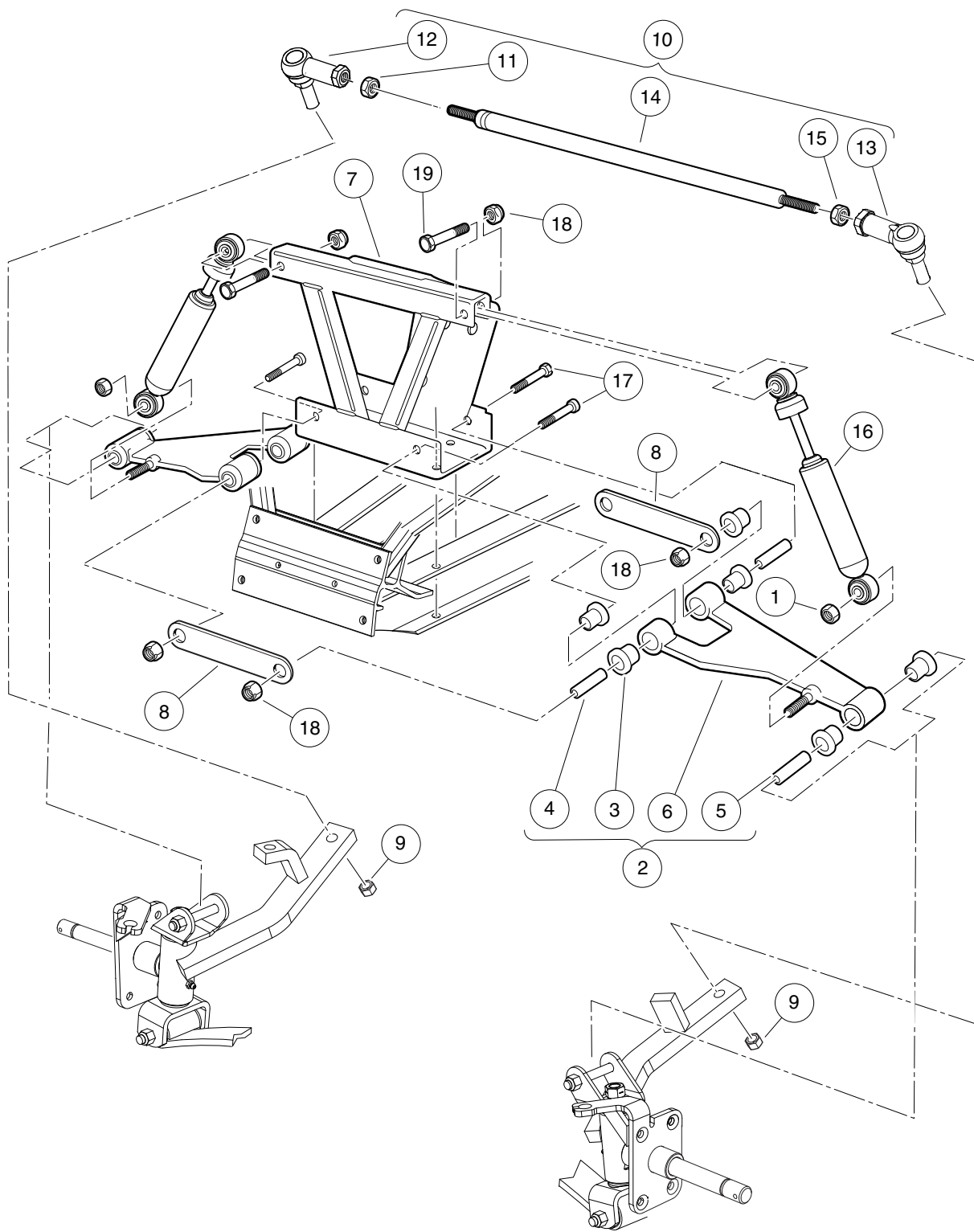
ITEM	PART NO.	DESCRIPTION	QTY
		1 2 3 4	
1	1010150	Bearing, Thrust	2
2	1010177	Bolt, 3/8-16 X 2.00 Hex Head	4
3	1010200	Bolt, 3/8-16 X 4.25 Hex Head	4
4	1014276	Plate, Front Spring Retainer	1
5	1016384	Clevis, Delta Upper	2
6	1016386	King Pin Assembly	2
7	1016387	Screw, 3/8-16 X 2.75 Hx Hd Cap	2
8	1016389	Washer, 1.125 Od Wave	2
9	1017226	Bolt, Hex-Head, 8mm X 1.25 - 30	3
10	102564002	Washer-1/2 Conical, Yellow	2
11	102684501	Washer, M12 Hard Regular	2
12	102766301	Nut, 1/2-20, Center Lock	2
13	103507001	Eccentric Bolt Common	1
14	103628901	Spring Asm, Front, 3 Leaf (includes items 15 through 17)	1
15	1012303	Bushing, Steel	2
16	1015583	Bushing, Urethane	4
17	103502801	Spring, Front, 3 Leaf	1
18	103717302	Asm, Spindle, Lh, 4wb, Sp (includes items 19 through 22)	1
19	1015597	Fitting, 1/4-28 Thread-Forming Grease	1
20	N/A	Subasm, Spindle, Lh, 4wb	1
21	7048	Bushing, Flanged Bronze	1
22	8067	Bushing, Bronze Spindle	1
23	103717402	Asm, Spindle, Rh, 4wb, Sp (includes items 24 through 27)	1
24	1015597	Fitting, 1/4-28 Thread-Forming Grease	1
25	N/A	Subasm, Spindle, Rh, 4wb	1
26	7048	Bushing, Flanged Bronze	1
27	8067	Bushing, Bronze Spindle	1
28	105074201	Shaft, Int, Steering, Sus Fwd	1
29	105328201	Plate, Spring Mount, CHN	1
30	357	Lockwasher, 3/8 Split	4
31	706	Nut, Hex 3/8-16	5
32	7174	Lockwasher, 5/16 Split	3
33	8754	Locknut, 3/8-16 Hex	8
34	8755	Screw, 3/8-16 X 3.375 Hex Cap	2

6

E

6

E



001505-001

FRONT SUSPENSION, UPPER

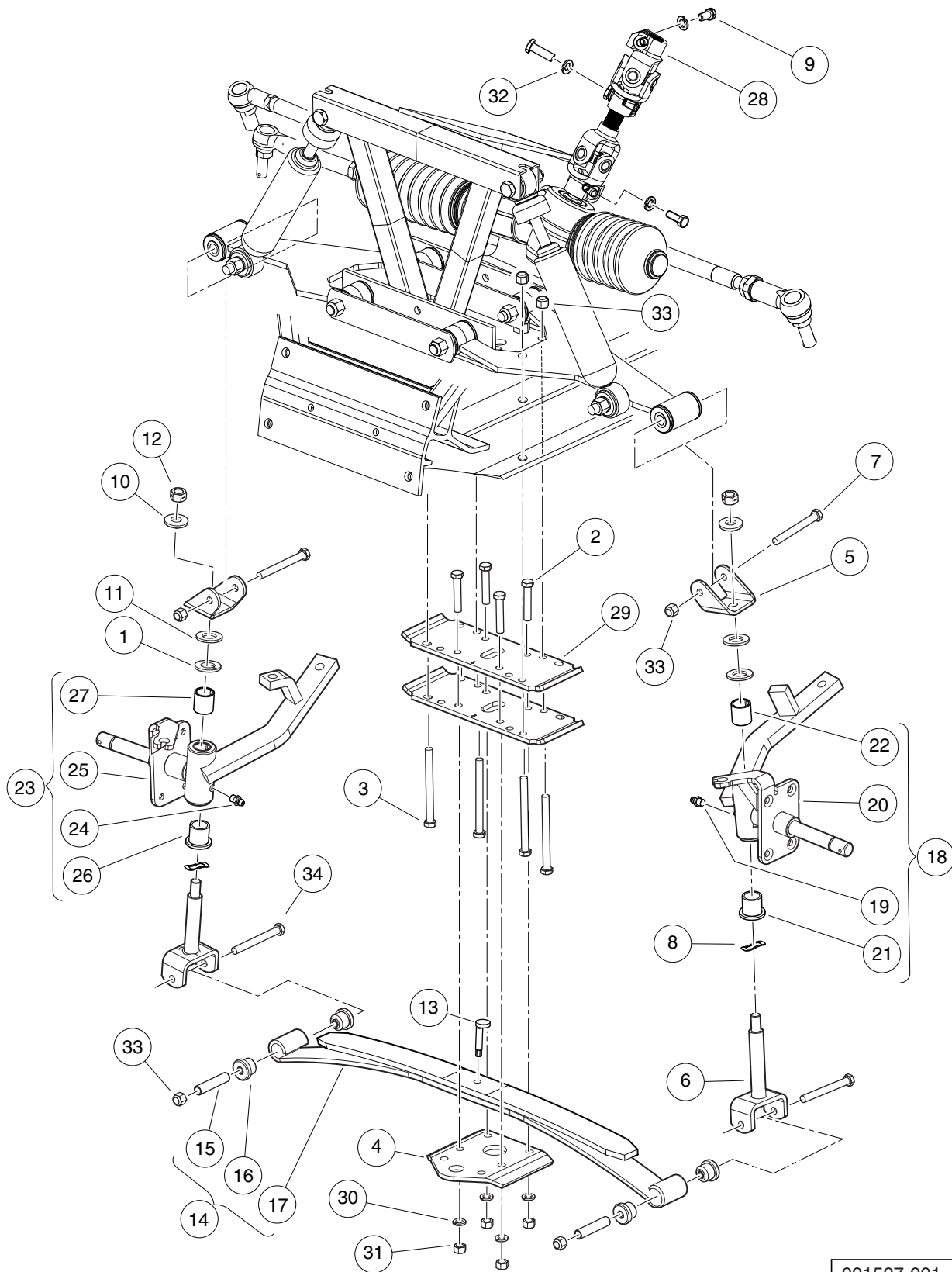
ITEM	PART NO.	DESCRIPTION	QTY
		1 2 3 4	
1	1010138	Locknut, 3/8-16 Dimpled	2
2	1016353	Sub-Assembly, Delta A-Plate (includes items 3 through 6)	2
3	1016346	Bushing, Urethane	6
4	1016349	Sleeve, Delta Inner	2
5	1016350	Sleeve, Delta Outer	1
6	1016351	Delta A-Plate	1
7	101638502	Weldment, Shock & Gear, Ca	1
8	1017266	A-Plate Strap	2
9	102289201	Nut - Hex Locking, M12 X 1.25	2
10	103653601	Asm, Tie Rod (includes items 11 through 15)	1
11	1013042	Nut, 12mm Hex	1
12	102022601	End, Tie Rod M12 X 1.25 Rh	1
13	102022602	End, Tie Rod, M12 X 1.25, Lh	1
14	103354701	Rod, Tie, Male Thd	1
15	103653501	Nut, Jam, M12-1.25, Lh	1
16	105106601	Shock Absorber, Front, 1 Bumper	2
17	2402	Screw, 3/8-16 X 2.25 Hx Hd Cap	4
18	8754	Locknut, 3/8-16 Hex	6
19	8861	Bolt, 3/8-16 X 1.75 Hex	2

6

E

6

E



001507-001

FRONT SUSPENSION, LOWER, HD, 2 LEAF-2 PLATES

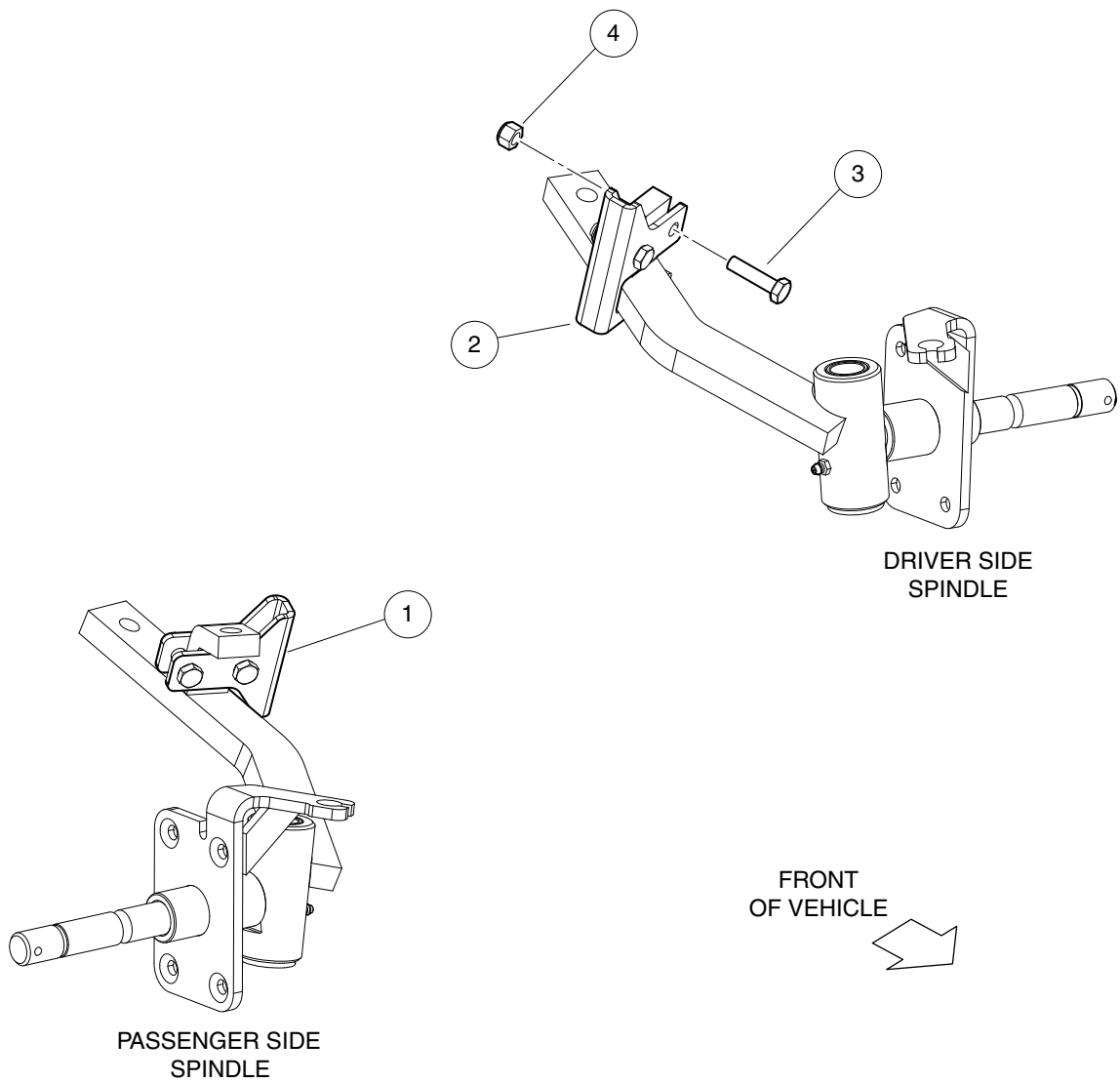
ITEM	PART NO.	DESCRIPTION	QTY
		1 2 3 4	
1	1010150	Bearing, Thrust	2
2	1010177	Bolt, 3/8-16 X 2.00 Hex Head	4
3	1010200	Bolt, 3/8-16 X 4.25 Hex Head	4
4	1014276	Plate, Front Spring Retainer	1
5	1016384	Clevis, Delta Upper	2
6	1016386	King Pin Assembly	2
7	1016387	Screw, 3/8-16 X 2.75 Hx Hd Cap	2
8	1016389	Washer, 1.125 Od Wave	2
9	1017226	Bolt, Hex-Head, 8mm X 1.25 - 30	3
10	102564002	Washer-1/2 Conical, Yellow	2
11	102684501	Washer, M12 Hard Regular	2
12	102766301	Nut, 1/2-20, Center Lock	2
13	103507001	Eccentric Bolt Common	1
14	103628801	Spring Asm, Front, 2 Leaf (includes items 15 through 17)	1
15	1012303	Bushing, Steel	2
16	1015583	Bushing, Urethane	4
17	103502701	Spring, Front, 2 Leaf	1
18	103717302	Asm, Spindle, Lh, 4wb, Sp (includes items 19 through 22)	1
19	1015597	Fitting, 1/4-28 Thread-Forming Grease	1
20	N/A	Subasm, Spindle, Lh, 4wb	1
21	7048	Bushing, Flanged Bronze	1
22	8067	Bushing, Bronze Spindle	1
23	103717402	Asm, Spindle, Rh, 4wb, Sp (includes items 24 through 27)	1
24	1015597	Fitting, 1/4-28 Thread-Forming Grease	1
25	N/A	Subasm, Spindle, Rh, 4wb	1
26	7048	Bushing, Flanged Bronze	1
27	8067	Bushing, Bronze Spindle	1
28	105074201	Shaft, Int, Steering, Sus Fwd	1
29	105083301	Plate, Spring Mount, Restyle	2
30	357	Lockwasher, 3/8 Split	4
31	706	Nut, Hex 3/8-16	5
32	7174	Lockwasher, 5/16 Split	3
33	8754	Locknut, 3/8-16 Hex	8
34	8755	Screw, 3/8-16 X 3.375 Hex Cap	2

6

E

6

E



001529-001

STEERING STOP

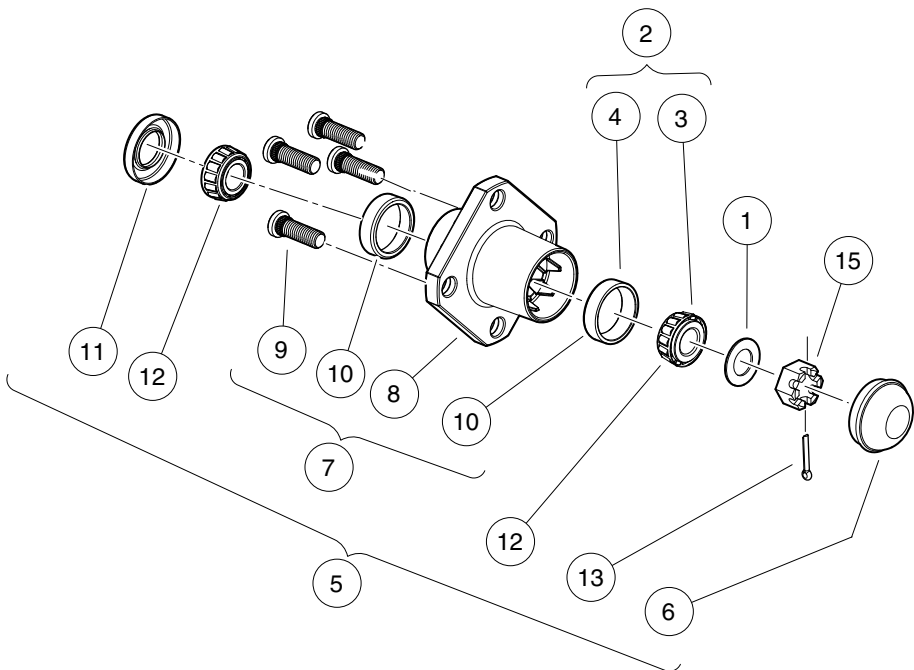
ITEM	PART NO.	DESCRIPTION	QTY
		1 2 3 4	
1	105242801	Brkt, Steering Stop, Pass, Ca	1
2	105243001	Brkt, Steering Stop, Drv, Ca	1
3	1218	Screw, 5/16-18 X 1.25 Hex-Head Cap	4
4	7473	Locknut, 5/16-18 Nylon Insert	4
<p>Note: Steering Stops 105242801 and 105243001 are required if vehicle is equipped with the 105100601, HD Bumper Kit.</p>			

6

E

6

E



001520-002

FRONT WHEEL HUBS

ITEM	PART NO.	DESCRIPTION	QTY
		1 2 3 4	
1	1010005	Washer, 3/4 Flat	2
2	1011393	Hub Bearing Package (includes items 3 and 4)	4
3	7274	Bearing, Front Hub Wheel	1
4	7308	Race, Front Hub Bearing	1
5	1011892	Hub Assembly (includes items 6 through 13)	1
6	1011887	Dust Cover	1
7	N/A	Hub (includes items 8 through 10)	1
8	N/A	Front Hub	1
9	103477901	Lug Stud, 1/2-20 Unf, 4037	4
10	7308	Race, Front Hub Bearing	2
11	1013135	Seal, Double Lip	1
12	7274	Bearing, Front Hub Wheel	2
13	7910	Pin, 5/32 X 1.00 Cotter	1
14	1013135	Seal, Double Lip	2
15	7840	Nut, 3/4-16 Hex Slotted	2

6

E

REAR SUSPENSION COMPONENTS, STANDARD

ITEM	PART NO.	DESCRIPTION	QTY
		1 2 3 4	
1	1010145	Nut, 3/8-24 Hex	4
2	1011415	Kit, Shock Absorber Cushion (includes items 3 and 4)	4
3	N/A	Retainer, Shock Absorber Cushion	2
4	47579096001	Isolator, Shock Damper	2
5	1012181	Bracket, Shock Mounting, Right (Passenger)	1
6	1012182	Bracket, Shock Mounting, Left (Driver)	1
7	1014555	Locknut, 7/16-14 Nylon Hex	4
8	1014902	U-Bolt	2
9	101558302	Bushing, Urethane, Soft	4
10	102298401	Nut,m8,all Metal Lock	6
11	102506401	Sleeve - Spring Eye Mounts	2
12	105068902	Shackle, 6", Com, Machined	2
13	105106801	Shock Absorber,Rear, 2 Bumper	2
14	105186201	Asm, Spring 600lb Nr Std, Lh	1
15	105186202	Asm, Spring 600lb Nr Std, Rh	1
16	105188185	Bolt, M8x85mm,10.9 Grade	6

6

E

6

E

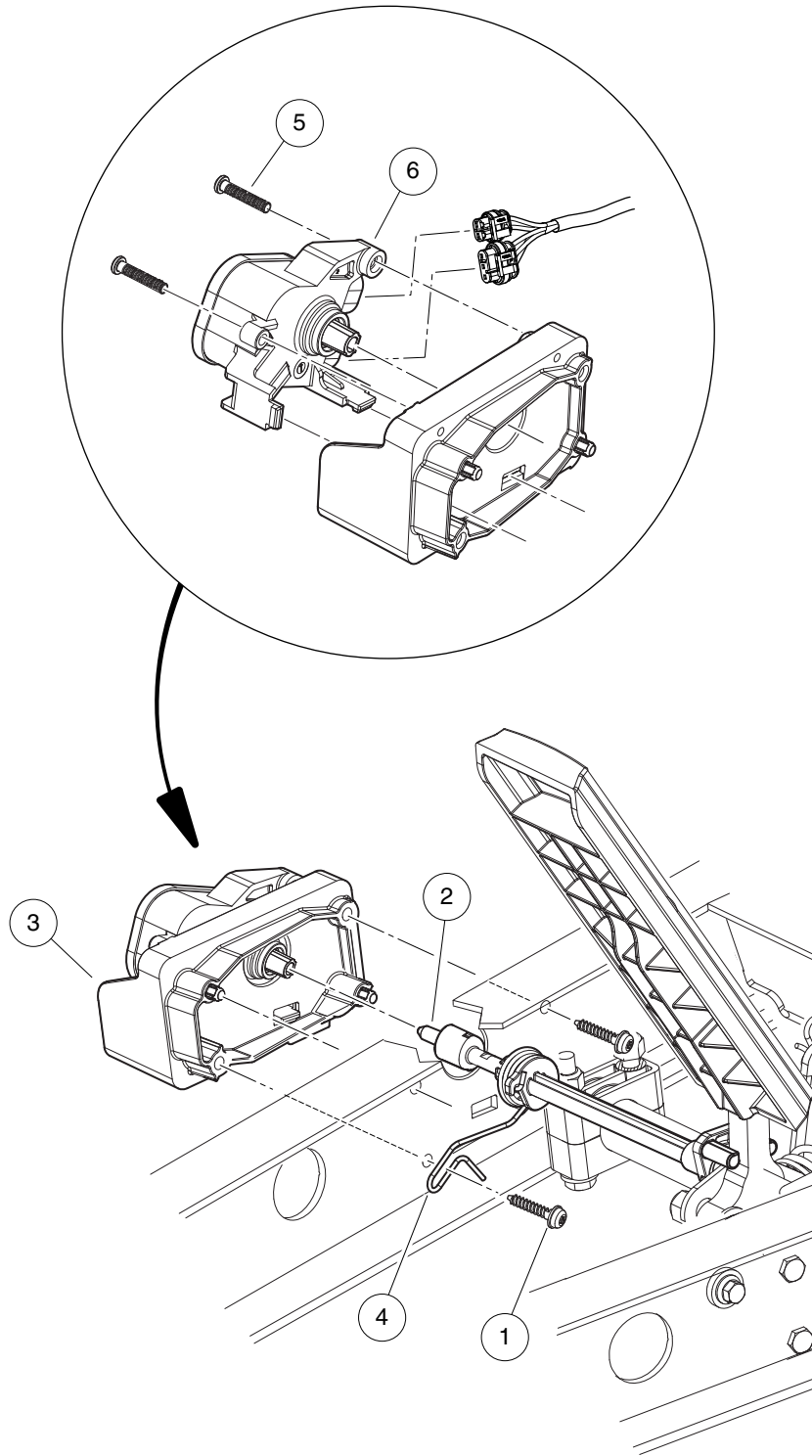
ELECTRICAL SYSTEM – ELECTRIC VEHICLES

7

E

7

E



002522-001

MOTOR CONTROLLER OUTPUT REGULATOR (MCOR)

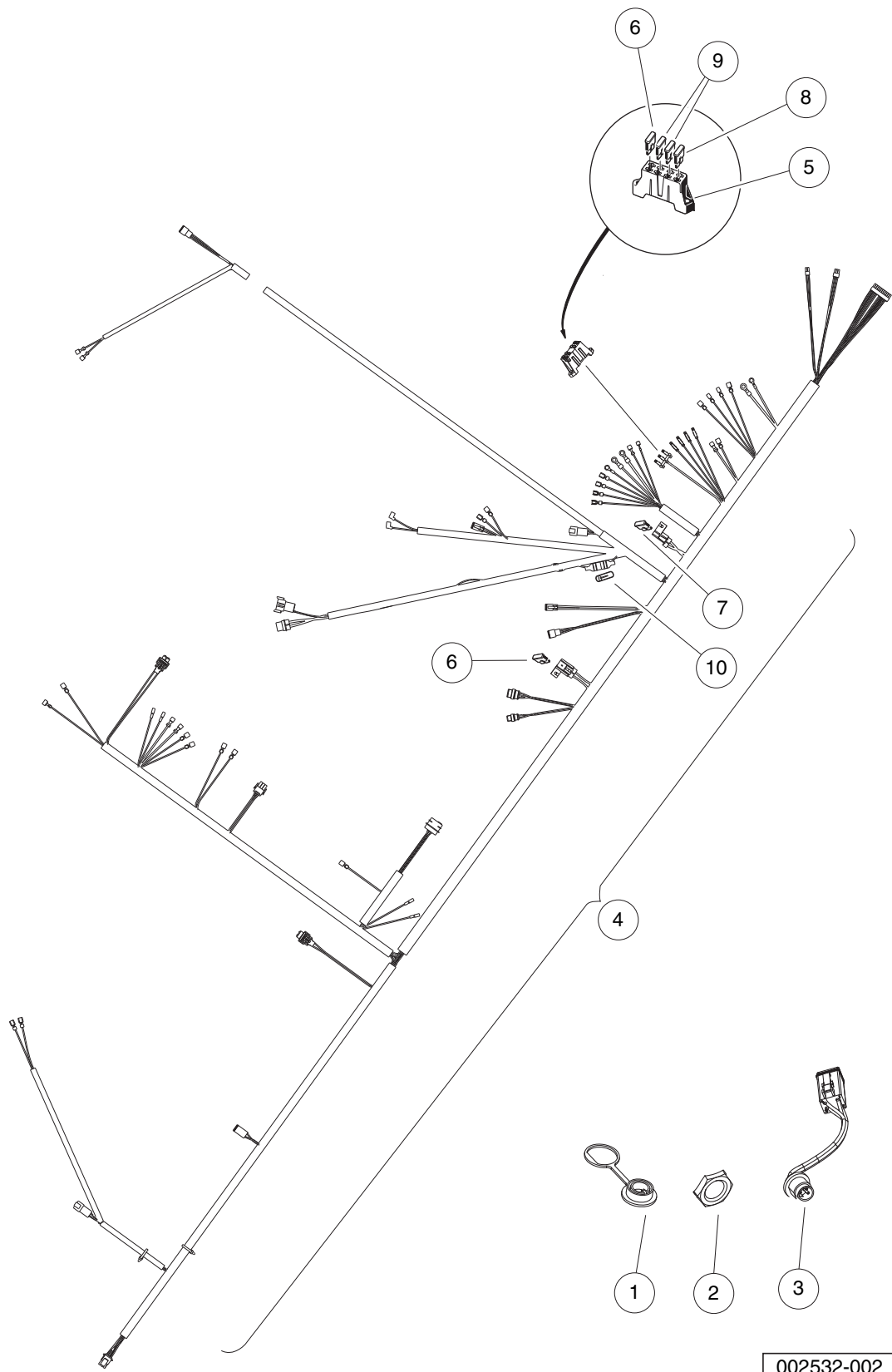
ITEM	PART NO.	DESCRIPTION	QTY
		1 2 3 4	
1	102297230	Screw, M6, Torx, Interlock Thread	2
2	103902101	Bar, Drive, Cast	1
3	103902301	Housing, Mcor	1
4	103902401	Spring, Torsion	1
5	103943401	Screw, Pan, #10 X 1.00 Hi-lo	2
6	105116301	MCOR4, Type 16 Switch	1

7

E

7

E



002532-002

MAIN WIRING HARNESS, 48-VOLT FUSE BLOCK - ELECTRIC VEHICLE

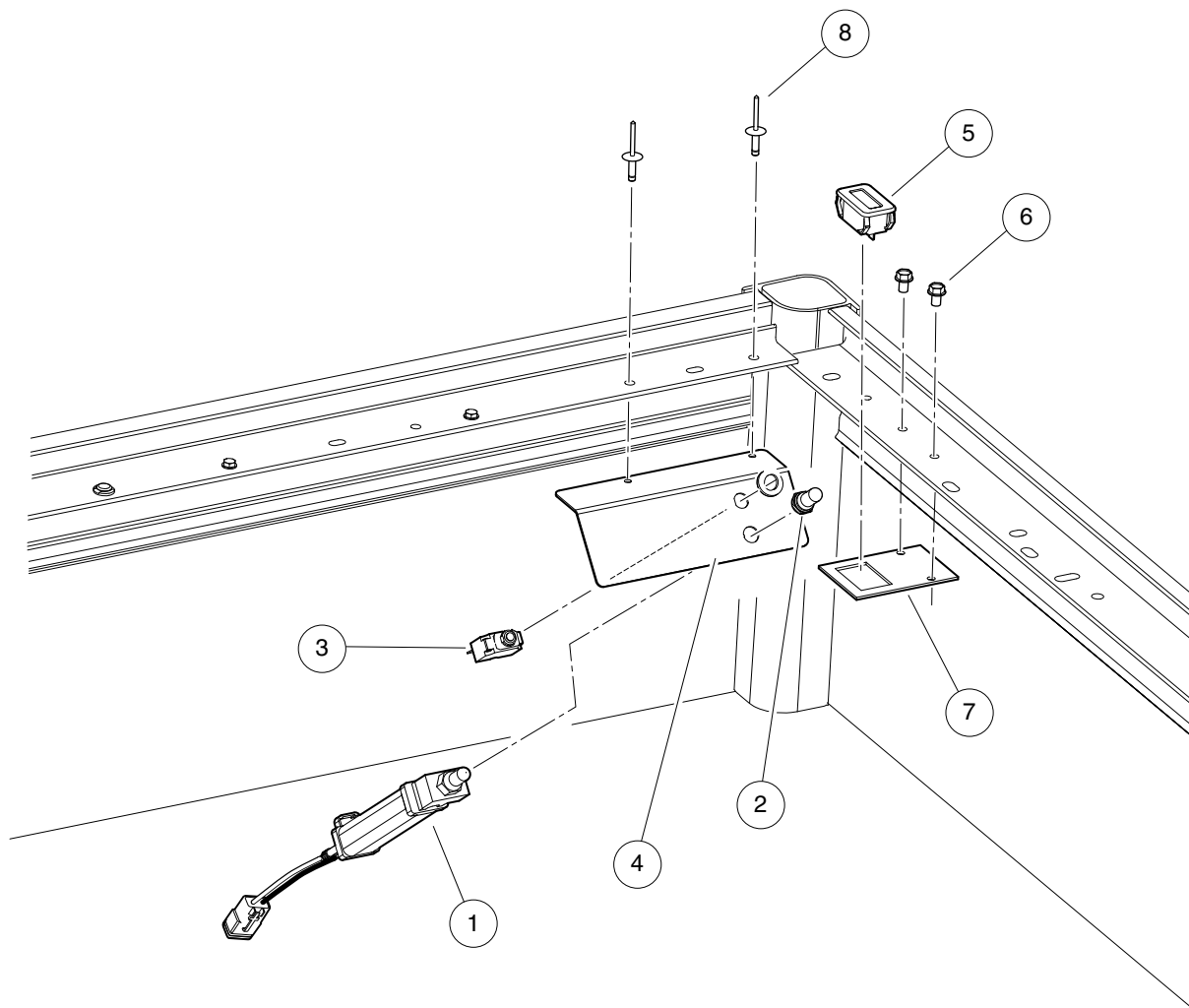
ITEM	PART NO.	DESCRIPTION	QTY
		1 2 3 4	
1	102196901	Dust Cap	1
2	102572401	Nut, Diagnostic Port	1
3	103727201	Harness, Diagnostic Port, Chn	1
4	47549282001	ASM, Harness, CA700, Elec, CHN (includes items 5 through 10)	1
5	1015741	Fuse Block	1
6	1016423	Fuse, 20-Amp	2
7	102492301	Fuse, 30-Amp	1
8	102538601	15 Amp Fuse	1
9	105167201	Fuse, Atc, 2 Amp	1
10	105173901	Fuse, Agc, 1 Amp	1

7

E

7

E



002518-001

TOW/RUN SWITCH AND HOUR METER

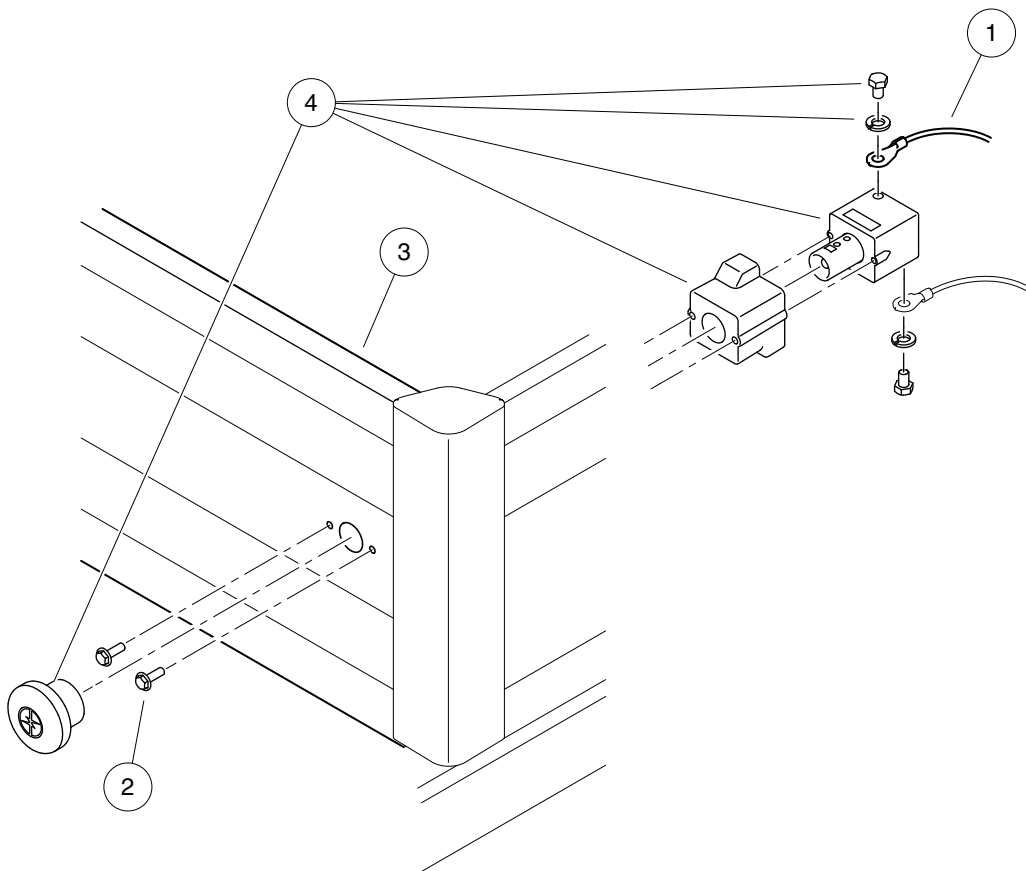
ITEM	PART NO.	DESCRIPTION	QTY
		1 2 3 4	
1	101908101	Switch Assembly, Tow/Run	1
2	101908401	Boot, Switch	1
3	102838101	Circuit Breaker, 20 Amp	1
4	102915701	Plate, Switch, Run Tow, Mode	1
5	103510301	Meter, Hour	1
6	103541501	Screw, Tapping, 1/4-20 X .375	2
7	105145201	Bracket, Hour Meter Sq, Short	1
8	7973	Rivet, 3/16 X .400 Blind	2

7

E

7

E



002516-002

EMERGENCY STOP SWITCH

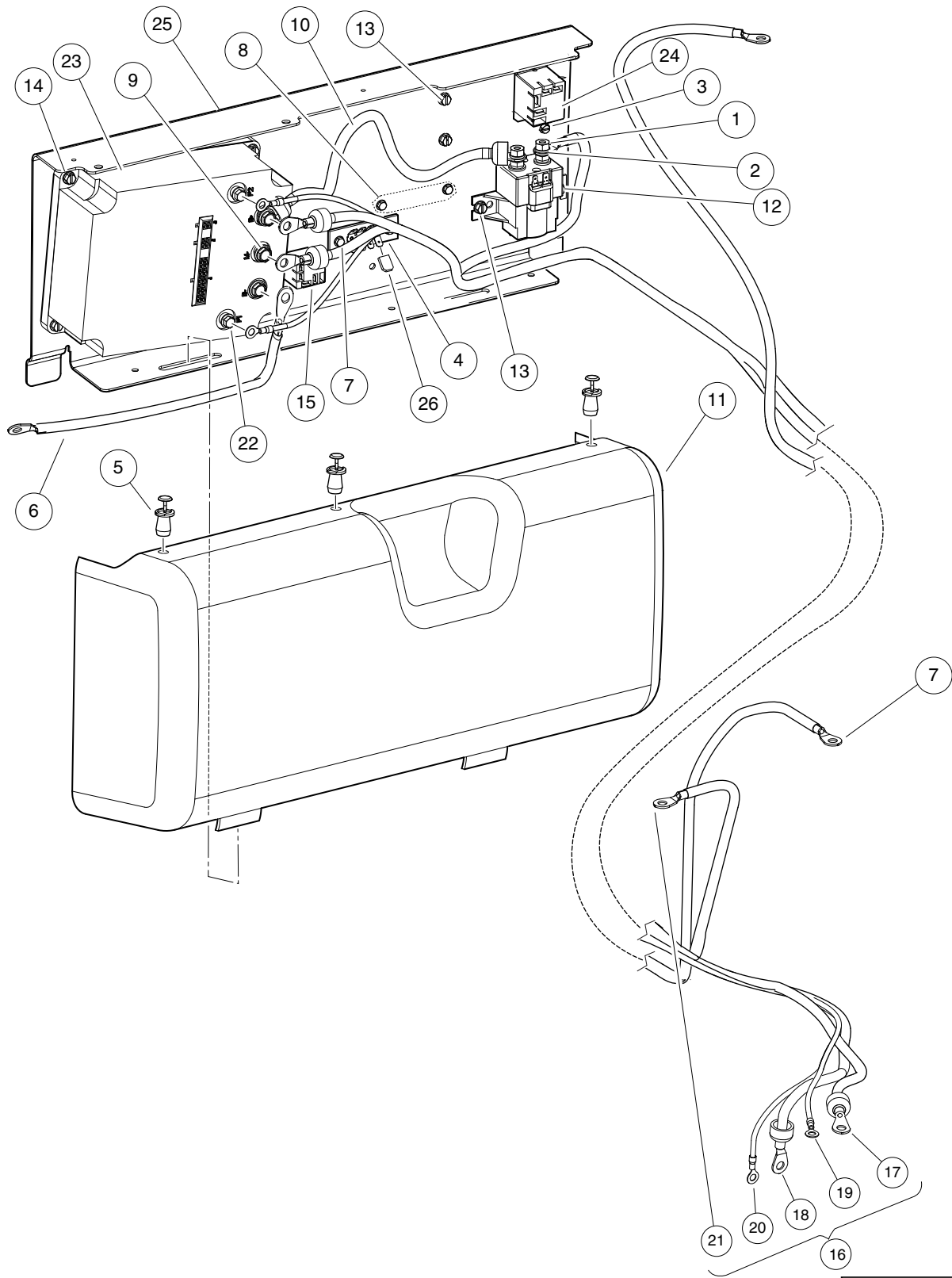
ITEM	PART NO.	DESCRIPTION	QTY
		1 2 3 4	
1	103726901	Wire Assy, #4 Black, Chn	1
2	103863401	Screw, Hex Cap, M5 X 0.8 X 16	2
3	47561669001	Panel, Front, E-Stop, CA, CHN	1
4	47565155001	E-Stop, Emergency Disconnect, 150A	1

7

E

7

E



002513-003

48-VOLT ELECTRIC COMPONENTS - ELECTRIC VEHICLE

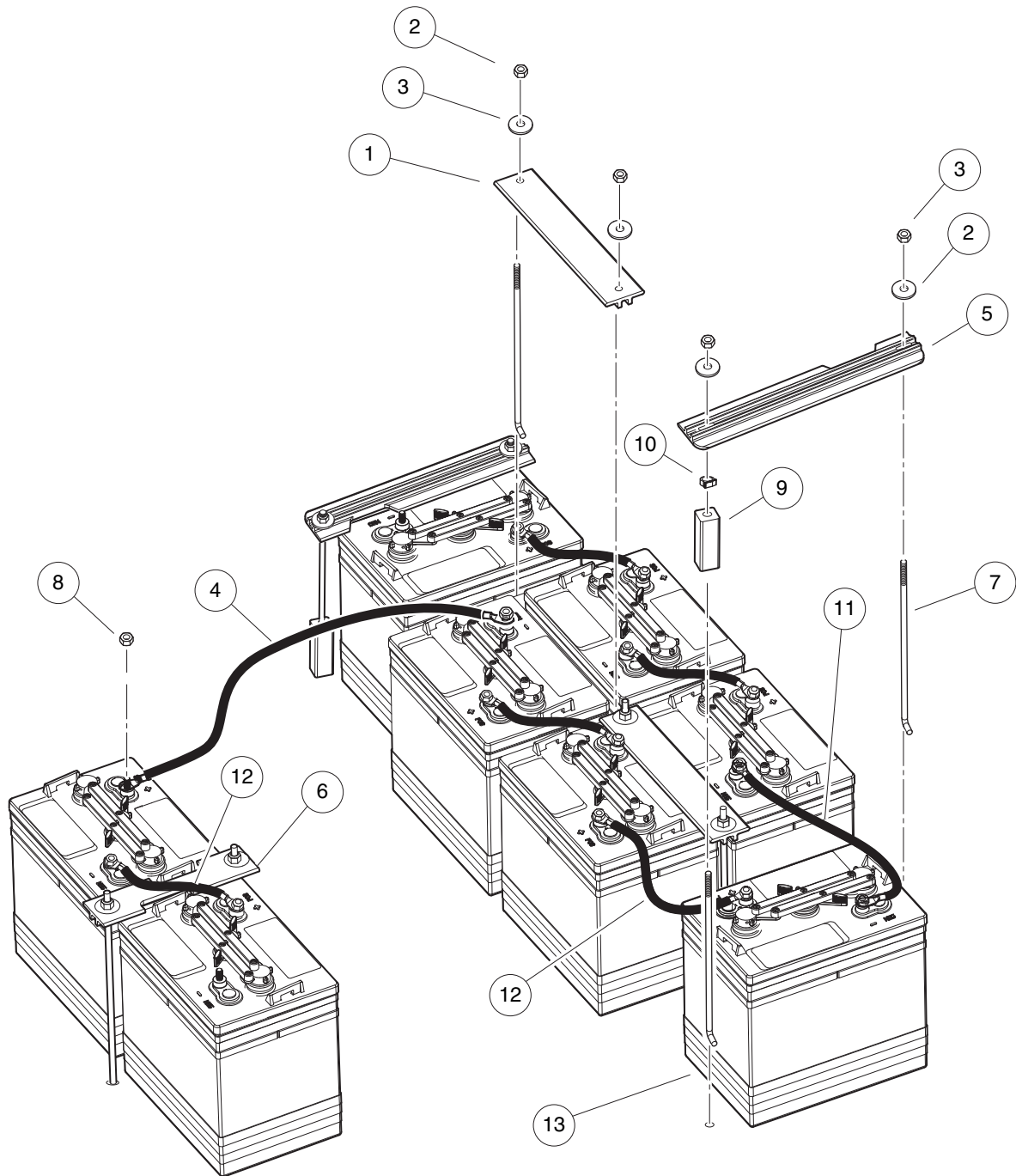
ITEM	PART NO.	DESCRIPTION	QTY
		1 2 3 4	
1	1012528	Nut, M8-1.25 Hex	2
2	1013734	Lockwasher, 8mm Split	2
3	1015720	Screw, #6-32 X 1/2 Hex Washer-Head	4
4	1016356	Terminal Block with Insulator	1
5	1016967	Blind Rivet, Push Type	3
6	102002803	Wire Assy, #4 Black, 26 In	1
7	102002804	Wire Assy, #4 Black, 81 In	1
8	102238001	#10-24 Taptite Screw	4
9	102240501	Bolt, Controller, Terminal	3
10	102772402	Cover, Electrical Component, Carryall 6	1
11	102774701	Solenoid, 48v	1
12	102817101	Screw, 1/4-20 X .50 Hex Wsh Hd	4
13	102817201	Screw, 1/4-20 X .88 Hex Wsh Hd	4
14	103397901	Relay, Spst No, 48v 30a, Pmt	1
15	103726501	Wire Asm, #4 Yellow, 13", Chn	1
16	103726601	Harn, Pwr, Str Iq Plus, Chn (includes items 17 through 21)	1
17	N/A	Asm, #4 Grn Wire, 89"	1
18	N/A	Asm, #4 Wht Wire, 88.5"	1
19	N/A	Asm, #10 Org Wire, 89.5"	1
20	N/A	Asm, #10 Blu Wire, 95.5"	1
21	N/A	Asm, #4 Red Wire, 67.5"	1
22	105000501	Screw, M6 X 1 X 12 Ser Hex Flg	2
23	105075202	Controller, 500 Amp, Hfc, Sp	1
24	105112401	Relay, Spdt Nc, 48v 30a, Pmt	1
25	105147101	Plate, Component, Frnt, No Obc	1
26	105195501	Cap, Quick Conn Tab, 1/4 In	6
		Note: 48-volt fuse block (1015741) is a component of the main wire harness, 105076901.	

7

E

7

E



002527-002

BATTERIES 6-VOLT, STANDARD DUTY

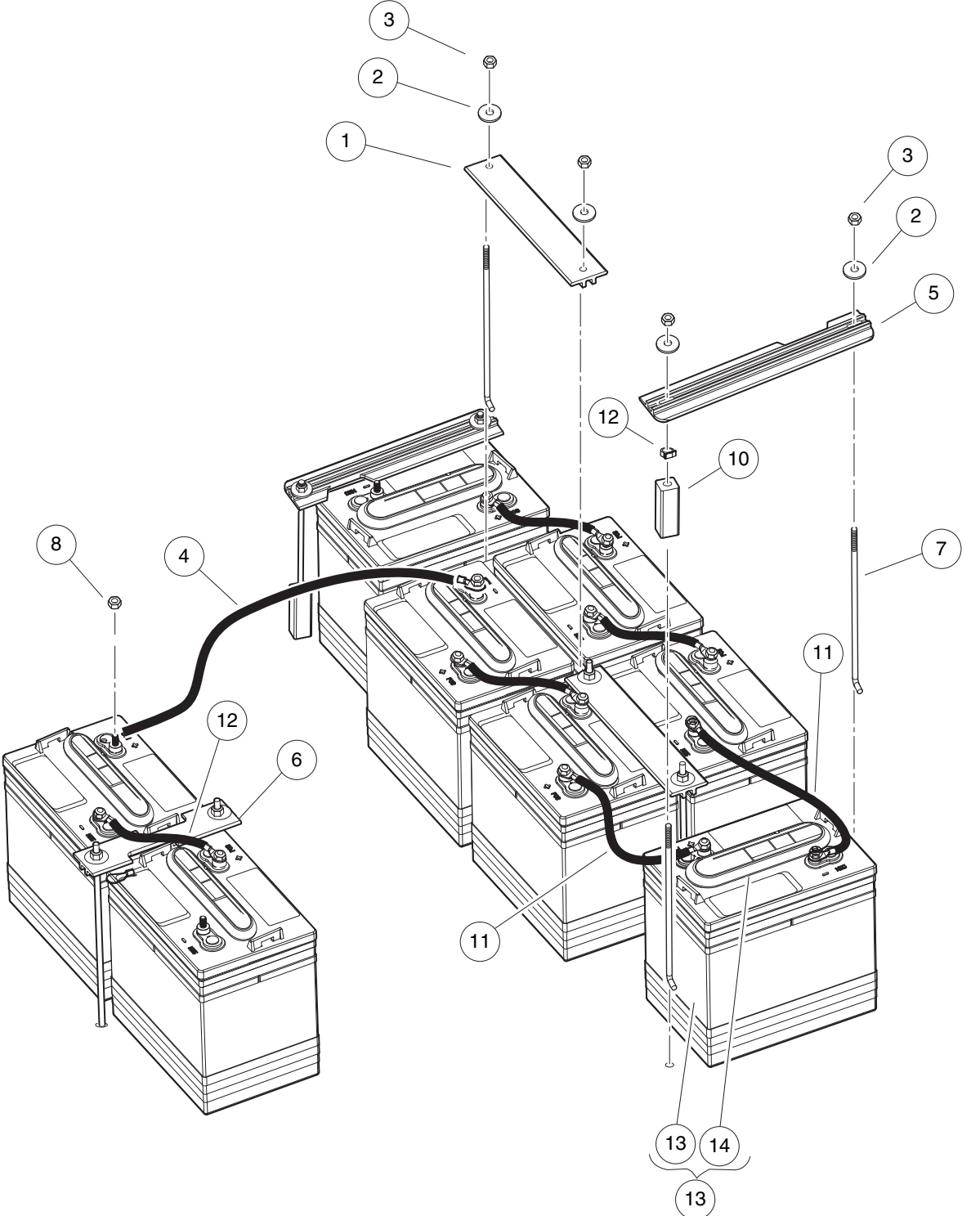
ITEM	PART NO.	DESCRIPTION	QTY
		1 2 3 4	
1	101090801	Hold-Down, Battery	2
2	1012571	Washer, 5/16 Extra Thick Flat	10
3	1015072	Locknut, 5/16-18 Nylon Insert	10
4	102002804	Wire Assy, #4 Black, 81 In	1
5	102766201	Hold Down, Outside	2
6	102830301	Hold Down, Front Center	1
7	102845203	Rod, Battery Hold Down 10.7"	10
8	102873401	5/16-18 Heavy Hex Nut	16
9	102980801	Extr, Plastic, 1 X 1 X 3	2
10	102980901	Clamp, Hose, Nylon, .25	2
11	103726901	Wire Assy, #4 Black, Chn	2
12	103727001	Wire, Asm, #4 Blk, 8.00, Chn	4
13	105210201	Battery, 6v, Type E, Gc2, Wet	8

7

E

7

E



002528-002

BATTERIES 6-VOLT, HEAVY DUTY

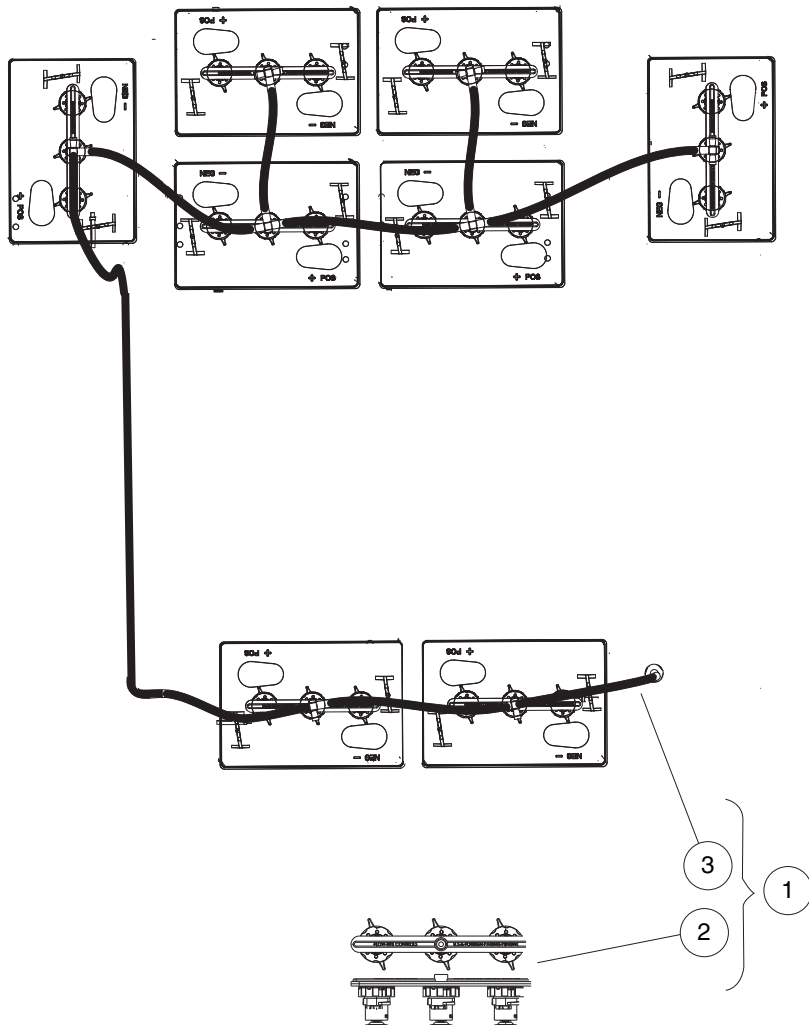
ITEM	PART NO.	DESCRIPTION	QTY
		1 2 3 4	
1	101090801	Hold-Down, Battery	2
2	1012571	Washer, 5/16 Extra Thick Flat	10
3	1015072	Locknut, 5/16-18 Nylon Insert	10
4	102002804	Wire Assy, #4 Black, 81 In	1
5	102766201	Hold Down, Outside	2
6	102830301	Hold Down, Front Center	1
7	102845204	Rod, Battery Hold Down 12"	10
8	102873401	5/16-18 Heavy Hex Nut	16
9	102980801	Extr, Plastic, 1 X 1 X 3	2
10	102980901	Clamp, Hose, Nylon, .25	2
11	103726901	Wire Assy, #4 Black, Chn	2
12	103727001	Wire, Asm, #4 Blk, 8.00, Chn	4
13	103969701	Battery, 6-Volt, Trojan T145 (Wet) (includes item 14)	8
14	101831401	Battery Cap 6 Volt	1

7

E

7

E



002525-001

SINGLE POINT WATERING SYSTEM (SPWS)

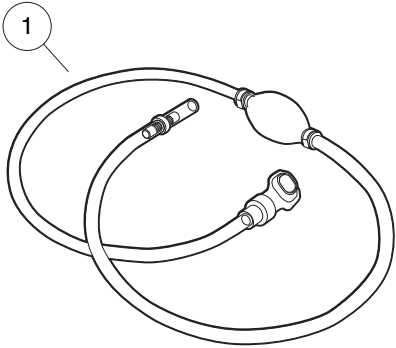
ITEM	PART NO.	DESCRIPTION	QTY
		1 2 3 4	
1	103943002	Kit, Spws, Transporter 4, 6 (includes items 2 and 3)	1
2	103510501	Manifold, Lpr, 3 Vlve, Spw	8
3	103942201	Spws, Transporter 4, 6	1

7

E

7

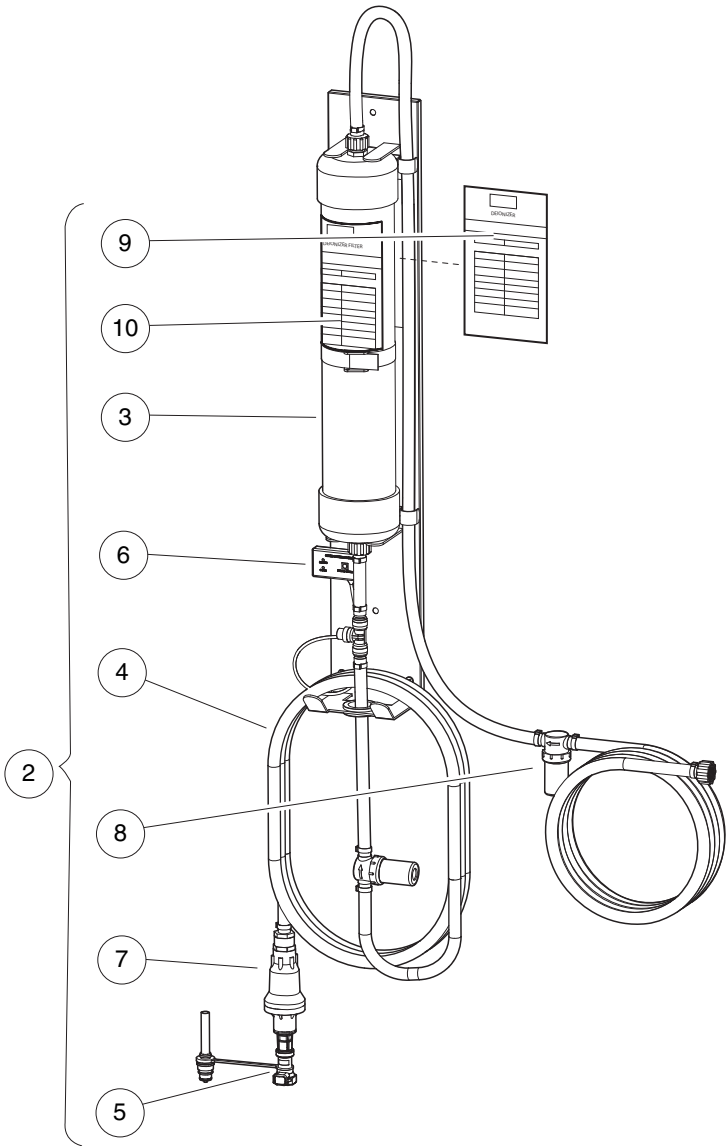
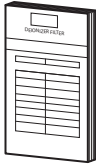
E



11



12



002523-003

HAND PUMP AND DEIONIZER (BATTERY-POWERED QUALITY LIGHT)

ITEM	PART NO.	DESCRIPTION	QTY
		1 2 3 4	
1	104006101	Kit, Hand Pump, Spws	1
2	105166801	Deionizer, w/Battery-Powered Water Quality Light (includes items 3 through 10)	1
3	104005901	Cartridge, Deionizer	1
4	105166901	Hose,outlet,deionizer	1
5	105167001	Flow Ind, W/coupler, Deionizer	1
6	105167101	Light, Quality, Battery-Powered, w/T-Fitting	1
7	105168501	Regulator, Pressure, Deionizer	1
8	105168601	Strainer, In-line, Deionizer	1
9	AM1300001	Decal, Filter Log, Blue	1
10	AM1300201	Decal, Inspect Log, Yellow	1
11	AM1300101	Decal, Filter Log, Blue, Pack of 100	A/R
12	AM1300301	Decal, Inspect Log, Yellow, Pack of 100	A/R

7

E

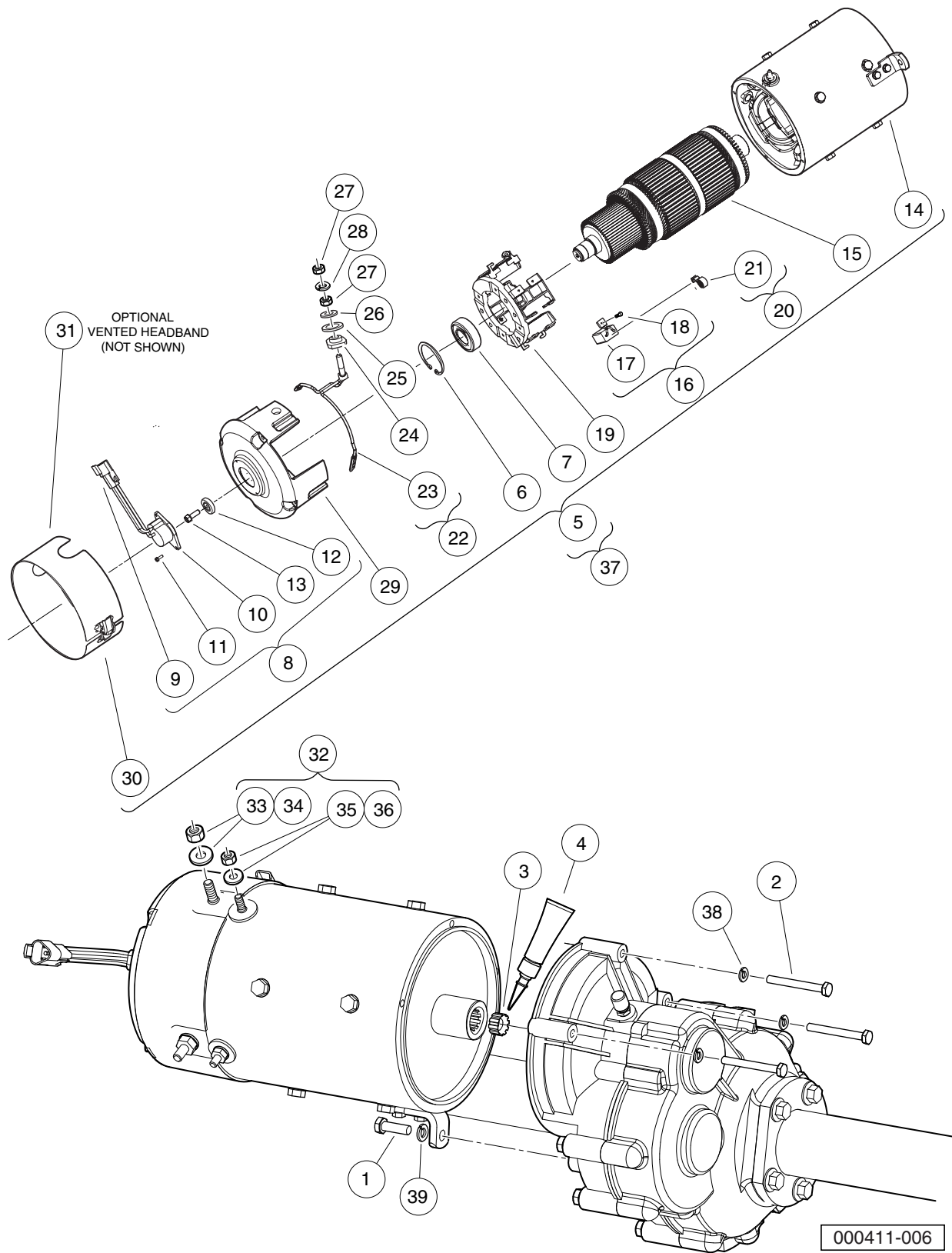
7

E

ELECTRIC MOTOR

8

E



MOTOR (MODEL DA5-4006) – IQ PLUS

ITEM	PART NO.	DESCRIPTION	QTY
		1 2 3 4	
1	1010934	Screw, 5/16-18 X 1.00 Hex Cap	1
2	1014201	Screw, 1/4-20 X 2.25 Hex Cap	3
3	102235201	Bumper, Drive Unit	1
4	102243403	Lubricant, Moly-Teflon (Single-Use Tube)	1
5	102775101	IQ Plus Electric Motor, 48-VDC 3.7 hp (includes items 6 through 30)	1
6	N/A	Ring, 2.24" Internal Retaining	1
7	102186401	Bearing, Ball	1
8	102704901	Kit, Speed Sensor (includes items 9 through 13)	1
9	101942301	Kit, 3-Pin Wedge Lock	1
10	N/A	Sensor, Motor Speed, ADC	1
11	N/A	Screw, #8-32, Taptite Thread	2
12	N/A	Magnet, ADC Motor	1
13	N/A	Screw, 1/4-20 x 0.5	1
14	N/A	Asm, Frame And Field, 3.7 Hp	1
15	N/A	Armature (Includes external hardware not shown)	1
16	102938601	Kit, Brush, 3.7 Hp (includes items 17 and 18)	1
17	N/A	Brush, Motor	8
18	N/A	Screw, Taptite	8
19	102938701	Asm, Brush Box, 3.7 Hp	1
20	102938801	Kit, Brush Spring, 3.7 Hp (includes item 21)	1
21	N/A	Brush Spring	8
22	102938901	Kit, Brush Lead Asm, 3.7 Hp (includes items 23 through 28)	1
23	N/A	Terminal and Lead Assembly	2
24	N/A	Insulator, Terminal	2
25	N/A	Washer, Insulating	2
26	N/A	Washer, Flat, 5/16, Brass/Bronze	2
27	N/A	Nut, 5/16, Steel	4
28	N/A	Lockwasher, 5/16, Steel	2
29	102939001	Commutator End Head, 3.7 Hp	1
30	102939101	Sealed Headband, 3.7 Hp	1
31	102939102	Vented Headband, 3.7 HP (optional - not shown)	1
32	102951701	Pkg, Terminal Hardware, 3.7hp (includes items 33 through 36)	1
33	N/A	Nut, 5/16, Steel	2
34	N/A	Lockwasher, 5/16, Steel	2
35	N/A	Nut, 1/4-20, Steel	2
36	N/A	Lockwasher, 1/4-20, Steel	2
37	103631801	Motor, 48v, 3.7hp, Chn	1
38	451	Lockwasher, 1/4 Split	3
39	7174	Lockwasher, 5/16 Split	1

8

E

8

E

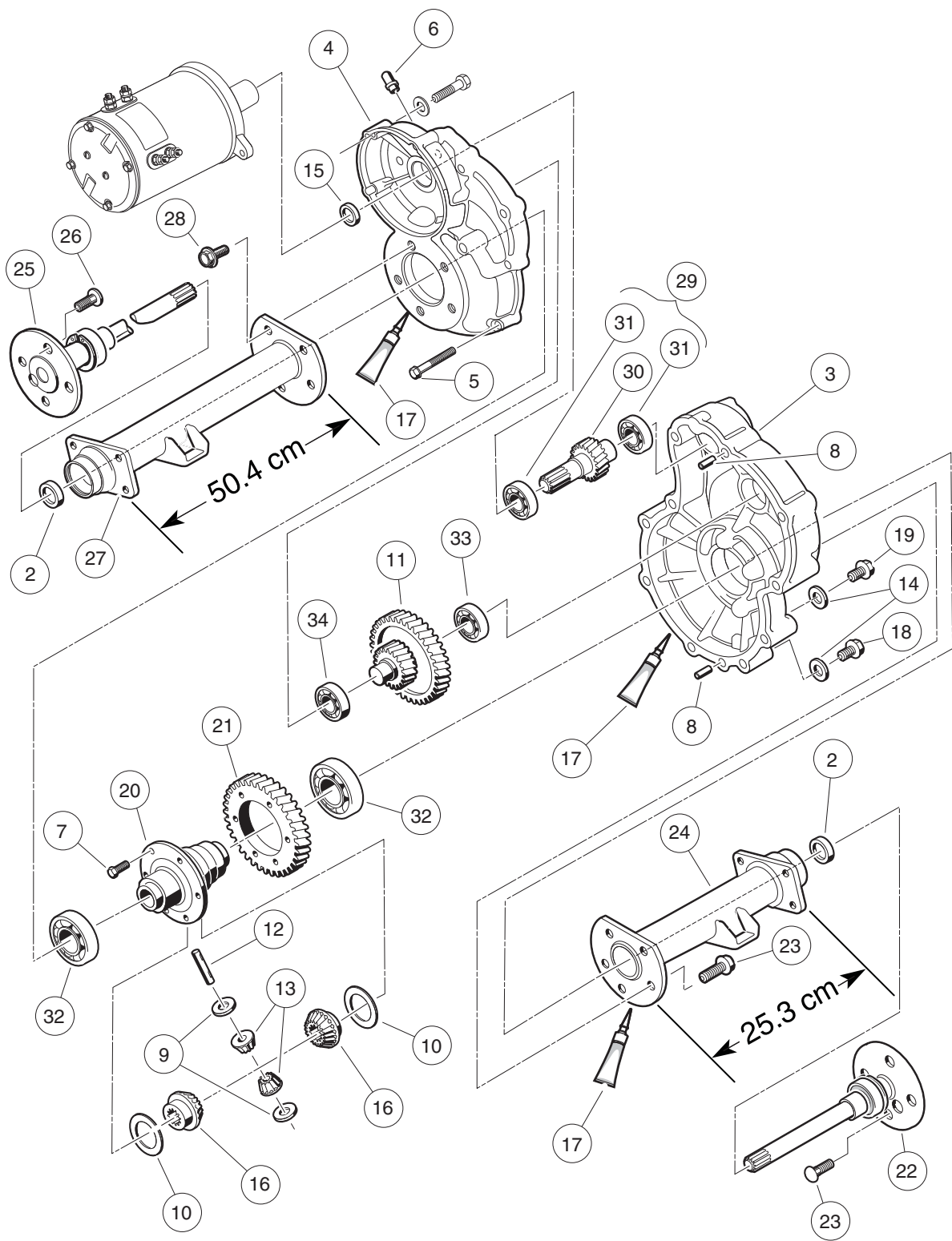
TRANSAXLE – ELECTRIC VEHICLES

9

E

9

E



000223-005

TRANSAXLE – ELECTRIC VEHICLES

ITEM	PART NO.	DESCRIPTION	QTY
		1 2 3 4	
1	102771701	Transaxle, Electric (includes items 2 through 34)	1
2	1013794	Axle Shaft Oil Seal	2
3	101895401	Gear Case, Driver-Side	1
4	101895501	Gear Case, Passenger-Side	1
5	101897001	Screw, M8-1.25 X 60mm Hex-Head	11
6	101897201	Breather	1
7	101897401	Screw, M10-1.25 X 25mm	6
8	101897601	Pin, 11mm OD X 8.5mm ID X 10mm	2
9	101903601	Washer, Thrust	2
10	101903701	Washer, Thrust	2
11	101906901	Intermediate Shaft Assembly	1
12	101922101	Pin, 15.99mm X 88.7mm Dowel	1
13	101923001	Gear, Differential Idler	2
14	101923201	Gasket	2
15	101923501	Seal, Lip	1
16	101923901	Gear, Differential	2
17	101928701	Liquid Gasket (Transaxle case)	1
18	101972101	Plug, M14-1.5 X 12mm Magnetic	1
19	101972201	Plug, M14-1.5 X 12mm Hex	1
20	102356601	Housing, Differential, 6 Bolt	6
21	102356801	Gear, Differential Output, 6-Bolt	6
22	102886301	Axle Assembly, Driver-Side (includes item 23)	1
23	101922201	Lug Stud	4
24	102886401	Tube, Axle, Driver-Side	1
25	102886501	Axle Assembly, Passenger-Side (includes item 26)	1
26	101922201	Lug Stud	4
27	102886601	Tube, Axle, Passenger-Side	1
28	102902801	Screw, M10 X 30	10
29	103582801	Asm, E Trans Shaft/bearing (includes items 30 and 31)	1
30	N/A	Shaft, Input	1
31	7335	Bearing	2
32	7330	Inner Axle Tube Bearing	2
33	7335	Bearing	1
34	7336	Bearing	1

9

E

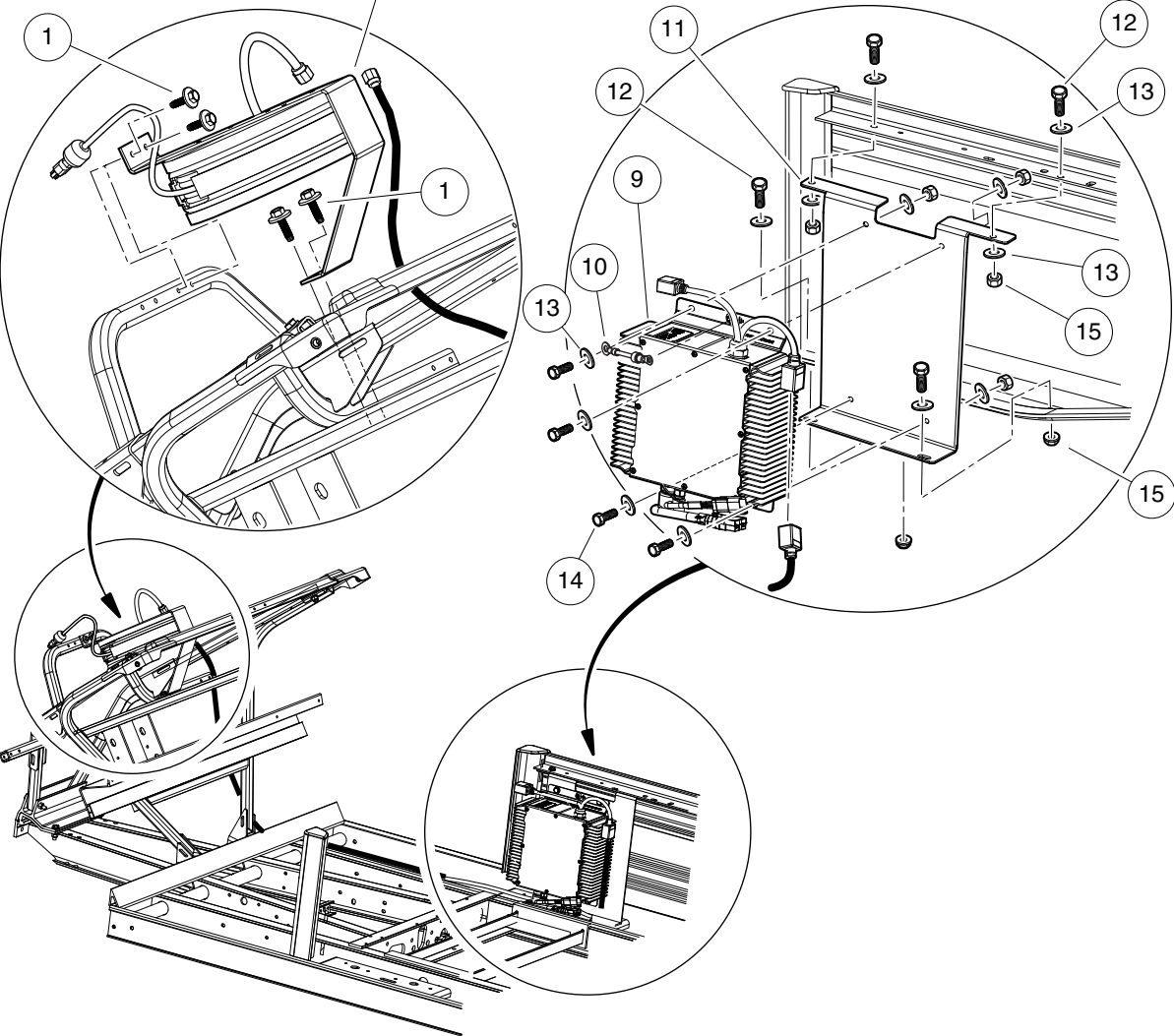
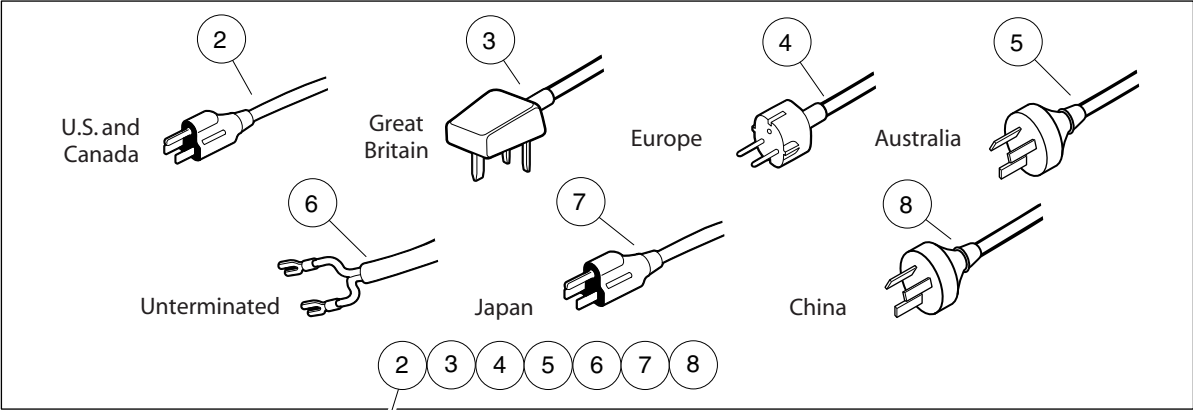
9

E

ON-BOARD BATTERY CHARGERS – HIGH-FREQUENCY

10

E



002809-001

ON-BOARD BATTERY CHARGER, HIGH-FREQ.

ITEM	PART NO.	DESCRIPTION	QTY
		1 2 3 4	
1	102297125	Screw, M6-1.0x25.4, Thread-Forming, SEMS	4
2	105117601	Cord Reel, Retractable, Us	1
3	105117602	Cord Reel, Retractable, Uk	1
4	105117603	Cord Reel, Retractable, Eu	1
5	105117604	Cord Reel, Retractable, Aus	1
6	105117605	Cord Reel, Retractable, Unterm	1
7	105117606	Cord Reel, Retractable, Japan	1
8	105117607	Cord Reel, Retractable, China	1
9	105161901	Asm, Chgr, Batt, Onboard, Quiq	1
10	105224001	Harness, Charger Ground	1
11	105249601	Bracket, On-Board Charger, CA7/TRANS	1
12	304	Screw, 1/4-20 X 1.0 Hex-Head Cap	2
13	332	Washer, 1/4 Type A Narrow Flat	12
14	7847	Screw, 1/4-20 X 0.75 Hex-Head Cap	4
15	8233	Locknut, 1/4-20, Nylon Insert	6

10

E

10

E

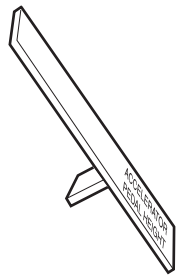
MAINTENANCE AND SERVICE TOOLS

11

G

E

11
G
E



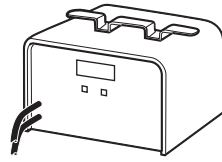
1



2



3



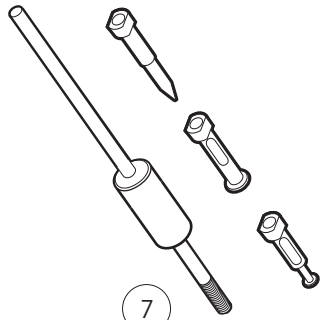
4



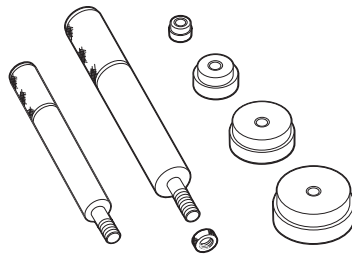
5



6



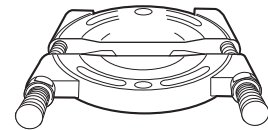
7



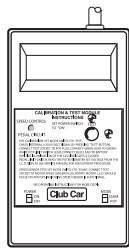
8



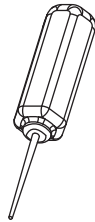
9



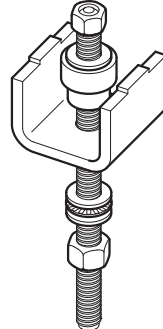
10



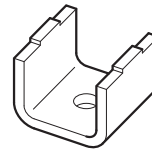
11



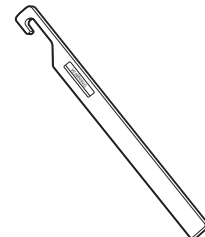
12



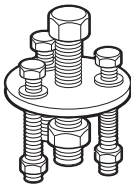
13



14



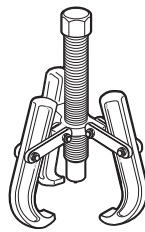
15



16



17



18



19

001060-003

MAINTENANCE AND SERVICE TOOLS

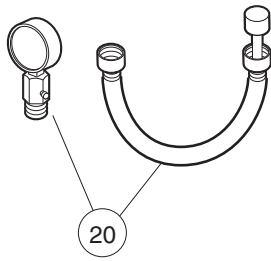
ITEM	PART NO.	DESCRIPTION	QTY GAS	QTY ELEC
		<p>1 2 3 4</p> <p>The following tool list includes all tools available from Club Car for maintenance and service procedures for gasoline and electric golf and utility vehicles. Be sure to carefully examine the tool list for applicability to your vehicle before ordering.</p>		
1	101871001	Accelerator Pedal Adjustment Tool (Utility Vehicles).....	1	1
2	101813202	Adhesive, Guide Ring, 3-Gram Tube		1
3	101641202	Arbor	1	
4	101831901	Battery Discharge Machine, 36/48 Volt		1
5	1014305	Battery Terminal Protector Spray	1	1
6	1011767	Battery Thermometer	1	1
7	1016417	Bearing and Oil Seal Remover Assembly	1	1
8	1016416	Bearing Driver Set	1	1
9	1012811	Bearing Puller	1	1
10	1012812	Bearing Puller Wedge Attachment	1	1
11	101887101	Calibration Test Module		1
12	102562401	Charger Bezel Tool		1
		Clutch Tools (items 13 - 19)	1	
13	47568549001	Driven Clutch Tool	1	
14	47568246001	Plate, Cam Press (supplied with item 13).....	1	
15	105072501	Drive Clutch Holder Tool Assembly	1	
16	1014497	Drive Clutch Hub Puller	1	
17	1014496	Drive Clutch Puller	1	
18	1014508	Driven Clutch Cam Puller	1	
19	1014507	Driven Clutch Puller Plug	1	
		<p>Please refer to the maintenance and service manual for proper tool application.</p>		

11

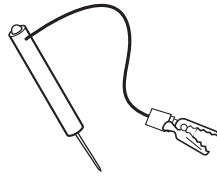
G

E

11
G
E



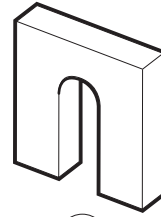
20



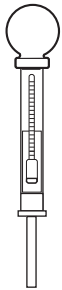
21



22



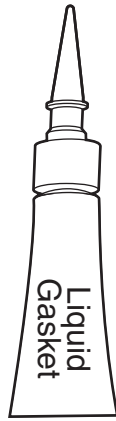
23



24



25



26



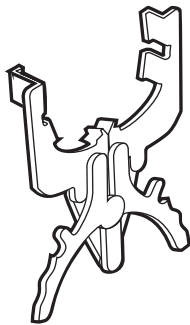
27



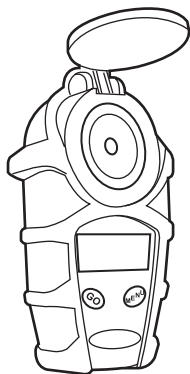
28



29



30



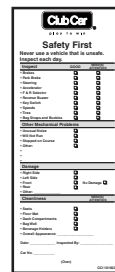
31



32



33



34



35

001061-003

MAINTENANCE AND SERVICE TOOLS, CONTINUED

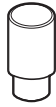
ITEM	PART NO.	DESCRIPTION	QTY GAS	QTY ELEC
		1 2 3 4		
20	101641002	Compression Gauge and Adapter	1	
21	1011273	Continuity Tester	1	1
22	1012151	Dry Moly Lubricant	1	1
23	1016418	Gear Yoke	1	1
24	1011478	Hydrometer	1	1
25	1013593	Internal Retaining Ring Pliers	1	1
26	101928701	Liquid Gasket (transaxle case)	1	1
27	102243402	Moly-Teflon Lubricant (4-oz. (113-gram) tube)		1
28	102587201	Paint Pen, Touch-Up, Underbody ,Black	1	1
29	1016414	Piston Ring Compressor Kit	1	
30	1016415	Piston Ring Pliers	1	
31	AM1285701	Refractometer	1	1
32	1012549	Retaining Ring Pliers, 45 External	1	1
33	1012560	Retaining Ring Pliers, 90 Internal	1	1
34	101823101	Safety First Card (50 per pack)	1	1
35	1012809	Seal Puller	1	1
		Please refer to the maintenance and service manual for proper tool application.		

11
G
E

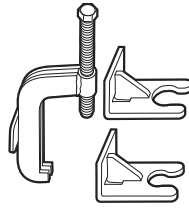
11
G
E



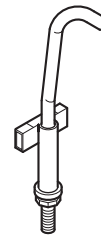
36



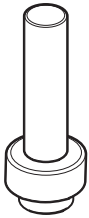
37



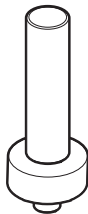
38



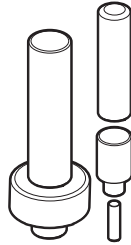
39



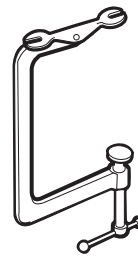
40



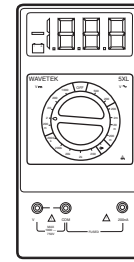
41



42



43



44



45



46



47

001062-002

MAINTENANCE AND SERVICE TOOLS, CONTINUED

ITEM	PART NO.	DESCRIPTION	QTY GAS	QTY ELEC	
		1 2 3 4			11
36	1014264	Steering Column Bearing Press Tool	1	1	G
37	1014259	Steering Column Retaining Ring Tool	1	1	E
38	102061201	Steering Wheel Puller Tool	1	1	
39	102570401	Tool, Tensioning, Starter Generator	1		
40	1014162	Transaxle Axle Seal Tool		1	
41	1014161	Transaxle Pinion Seal Tool		1	
42	1014115	Transmission Tool Kit		1	
43	101641101	Valve Spring Compressor	1		
44	1011480	Volt Ohm Meter	1	1	
45	47631025001	Kit, EFI Diagnostics	1		
46	47631026001	Kit, Bluetooth EFI Diagnostics	1		
47	47631075001	Kit, EFI Tool	1		
<p>Please refer to the maintenance and service manual for proper tool application.</p>					

INDEX

Part Number and Page

AM1300001	7-19	8058	4-15	1011557	4-7
AM1300101	7-19	8067	6-13, 6-17	1011694	5-5
AM1300201	7-19	8233	1-37, 1-59, 5-5, 5-15, 10-3	1011697	6-5
AM1300301	7-19	8639	4-25, 5-15, 6-5	1011767	11-3
SVP126001	5-15	8717	5-5	1011779	5-11
SVP126002	5-15	8754	1-7, 1-37, 1-45, 1-59, 4-19, 5-5, 6-3, 6-5, 6-11, 6-13, 6-15, 6-17	101187702	5-3
SVP126401	5-15	8755	6-13, 6-17	1011887	6-21
SVP475501	5-15	8861	6-11, 6-15	1011892	6-21
SVP659401	1-37	8916	1-37	1011931	5-5
SVP664101	1-37, 1-59	8935	1-21	1011937	1-21
SVP732201	1-37	8963	1-21, 1-37	1011990	1-37, 1-59, 1-79
SVP913001	5-15	8990	6-3	1012151	11-5
SVPP220901	5-15	1010005	6-21	1012159	5-15
SVPP234001	1-37, 1-59	1010138	6-11, 6-15	1012181	6-23
SVPP258701	5-15	1010145	6-23	1012182	6-23
183	1-55	1010150	6-13, 6-17	1012285	1-23
304	10-3	1010177	6-13, 6-17	1012303	6-13, 6-17
320	1-19	1010200	6-13, 6-17	101242802	1-7
324	1-65	1010434	1-37	1012462	1-45
332	1-27, 1-37, 1-59, 5-15, 10-3	101043502	1-61	1012528	1-61, 7-11
334	1-19, 1-33, 5-5, 6-3, 6-5	1010805	5-3	1012549	11-5
357	1-79, 6-13, 6-17	1010829	5-11	1012560	11-5
451	5-9, 5-13, 8-3	1010850	5-9, 5-13	1012565	6-9
705	1-37, 1-59, 1-79	1010877	5-3	1012566	6-9
706	1-79, 6-13, 6-17	1010878	5-3	1012571	6-5, 7-13, 7-15
1016	1-65	101090801	7-13, 7-15	1012604	6-5
1028	5-3	1010909	1-55	1012605	6-5
1032	5-3	1010921	5-3	1012809	11-5
1108	5-15	1010927	5-3	1012811	11-3
1218	6-19	1010932	5-3	1012812	11-3
1241	1-21, 1-37, 1-79, 1-81, 4-7, 5-3, 5-5, 5-11, 5-15	1010933	5-3	1013035	6-3
1242	1-79, 1-81, 4-25, 5-11	1010934	1-37, 1-79, 1-81, 8-3	1013042	6-3, 6-11, 6-15
1624	5-5, 6-3	1010984	2-3	1013044	6-3
2402	6-11, 6-15	1011114	5-9, 5-13	1013052	6-3
7048	6-13, 6-17	1011137	5-9	1013061	1-55
7049	1-67	1011154	5-9, 5-13	1013135	6-21
7173	4-7	1011273	11-5	1013309	1-27
7174	1-79, 1-81, 6-13, 6-17, 8-3	1011298	5-9, 5-13	1013357	1-25, 4-5
7274	6-21	1011303	5-9, 5-13	1013483	1-79
7308	6-21	1011314	5-9, 5-13	1013531	5-11
7330	9-3	1011393	6-21	1013593	11-5
7335	9-3	1011402	5-3	1013609	4-25
7336	9-3	1011415	6-23	1013734	1-61, 7-11
7473	1-21, 1-37, 1-61, 4-7, 5-3, 5-5, 5-11, 6-19	1011418	5-3	1013794	9-3
7479	5-15	1011439	4-7	1013869	5-3
7716	5-3	101146302	5-9, 5-13	1013870	5-3
7820	4-7	1011464	5-9, 5-13	1013872	5-15
7840	6-21	1011465	5-9, 5-13	1013876	5-3
7847	10-3	1011466	5-9, 5-13	1013924	5-9, 5-13
7893	4-25	1011467	5-9, 5-13	1014007	5-5
7910	6-21	1011478	11-5	1014063	5-15
7973	7-7	1011480	11-7	1014115	11-7
8056	4-15	1011494	5-9, 5-13	1014125	6-5
8057	4-15	1011546	1-83	1014126	6-5
		1011553	1-79, 1-81, 3-5	1014161	11-7
				1014162	11-7

INDEX

1014201	5-15, 8-3	101641202	11-3	101887101	11-3
1014213	6-5	1016414	11-5	101895401	9-3
1014214	6-5	1016415	11-5	101895501	9-3
1014217	6-5	1016416	11-3	101897001	9-3
1014259	11-7	1016417	11-3	101897201	9-3
1014264	11-7	1016418	11-5	101897401	9-3
1014276	6-13, 6-17	1016423	4-5, 7-5	101897601	9-3
1014288	6-5	1016557	5-9, 5-13	101903601	9-3
1014305	11-3	1016573	5-9, 5-13	101903701	9-3
1014321	1-65	1016849	4-9	101906901	9-3
1014496	11-3	1016851	4-9, 4-15	101908101	7-7
1014497	11-3	1016967	7-11	101908401	7-7
1014507	11-3	1017029	5-3	101918501	5-3, 5-5
1014508	11-3	101705701	1-37, 3-3	101919801	5-5
1014555	6-23	1017226	6-13, 6-17	101922101	9-3
1014902	6-23	1017266	6-11, 6-15	101922201	9-3
1014948	4-25	1017273	6-7, 6-9	101923001	9-3
101503202	1-19	1017313	6-5	101923201	9-3
1015072	7-13, 7-15	1017314	6-5	101923501	9-3
1015156	4-19	1017315	6-5	101923901	9-3
1015157	4-19	1017378	5-5	101926501	5-15
1015187	4-19	1017380	5-5	101928701	9-3, 11-5
1015363	1-67	1017424	5-5	101929401	5-15
1015391	1-61	101791101	5-13	101932201	4-7
1015399	1-31, 1-35	101796201	5-5	101942301	8-3
1015400	1-61	101808401	11-3	101946201	1-31, 1-35, 1-39
1015445	1-79	101813202	11-3	101953103	5-11
1015524	11-3	101817401	5-5	101954301	1-27
101553901	3-5	101823101	11-5	101955101	4-7
1015583	1-57, 6-13, 6-17	101825101	3-3, 4-9	101957101	4-7
101558302	6-23	101830701	4-11, 4-13	101958602	1-57
1015597	6-13, 6-17	101831401	7-15	101963401	1-31, 1-35, 1-77
1015656	1-77	101831901	11-3	101972101	9-3
1015661	1-37, 1-61, 1-65	101834502	4-11, 4-13	101972201	9-3
1015720	7-11	101835601	1-57, 4-17	101974701	4-11, 4-13
1015741	7-5	101837401	1-89	101974702	4-11, 4-13
1016060	1-57	101837502	1-89	101974703	4-11, 4-13
1016077	1-77	101850301	4-3, 6-7, 6-9	101974704	4-11, 4-13
101609401	1-37, 3-5	101851101	4-11, 4-13	101974705	4-11, 4-13
1016154	6-9	101856002	4-9	101974706	4-11, 4-13
1016183	6-5	101856101	1-9	101974707	4-11, 4-13
1016214	6-9	101861901	5-5	101974708	4-11, 4-13
1016269	6-5	101862001	5-5	101974709	4-11, 4-13
1016346	6-11, 6-15	101871001	11-3	101974710	4-11, 4-13
1016349	6-11, 6-15	101878201	5-3	101974711	4-11, 4-13
1016350	6-11, 6-15	101879401	6-3	101974712	4-11, 4-13
1016351	6-11, 6-15	101879501	6-3	101984801	6-5
1016353	6-11, 6-15	101879601	6-3	102002803	7-11
1016356	4-5, 7-11	101879701	6-3	102002804	7-11, 7-13, 7-15
1016384	6-13, 6-17	101879801	6-3	102022601	6-11, 6-15
101638502	6-11, 6-15	101879901	6-3	102022602	6-3, 6-11, 6-15
1016386	6-13, 6-17	101880001	6-3	102025701	5-7
1016387	6-13, 6-17	101880101	6-3	102026001	5-5
1016389	6-13, 6-17	101880201	6-3	102056001	1-81
101641002	11-5	101880301	6-3	102061201	11-7
101641101	11-7	101880701	5-9, 5-13	102063601	1-45

INDEX

102065103	1-81	102621501	1-69	103477901	6-21
102065901	1-57	102621601	1-7	103484301	4-7
102158901	5-5	102670701	1-7	103487501	1-31, 1-35, 1-37, 1-39
102162601	5-11	102684501	6-13, 6-17	103502701	6-17
102166901	5-11	102704901	8-3	103502801	6-13
102186401	8-3	102766201	7-13, 7-15	103507001	6-13, 6-17
102196901	7-5	102766301	6-13, 6-17	103510301	7-7
102198001	4-5	102771701	9-3	103510501	7-17
102235201	8-3	102772402	7-11	103538701	1-57
102238001	4-5, 7-11	102774701	7-11	103539001	1-57
102240501	7-11	102775101	8-3	103540203	1-19
102242401	1-45	102817101	4-25, 7-11	103541401	4-25
102243402	11-5	102817201	7-11	103541501	7-7
102243403	8-3	102830301	7-13, 7-15	103575801	1-57
102278001	6-5	102838101	7-7	103582801	9-3
102289201	6-3, 6-11, 6-15	102845101	3-5	103601501	6-3
102292701	1-15	102845203	7-13	103628801	6-17
102292801	5-11	102845204	7-15	103628901	6-13
102296150	1-37, 1-41, 1-43	102847603	1-77	103631801	8-3
102296301	1-15, 1-37, 1-41, 1-43, 1-45	102869401	4-9	103653401	6-3
102296530	1-15	102873401	7-13, 7-15	103653501	6-3, 6-11, 6-15
102296819	1-5	102883601	1-15, 3-7	103653601	6-11, 6-15
102297125	1-15, 1-17, 1-19, 1-51, 1-53, 4-7, 4-25, 10-3	102886301	9-3	103717302	6-13, 6-17
102297230	7-3	102886401	9-3	103717402	6-13, 6-17
102298185	1-57	102886501	9-3	103724504	6-7, 6-9
102298401	1-37, 1-57, 1-63, 1-65, 1-77, 6-23	102886601	9-3	103724601	6-9
102298720	1-37	102891101	5-11	103724602	6-7
102299550	1-37, 1-63, 1-65, 1-77	102894503	4-3, 4-7	103724901	6-9
102311501	1-9	102902801	9-3	103726501	7-11
102323101	5-11	102915701	7-7	103726601	7-11
102323201	5-11	102938601	8-3	103726901	7-9, 7-13, 7-15
102323501	1-7, 1-45, 4-19	102938701	8-3	103727001	7-13, 7-15
102356601	9-3	102938801	8-3	103727201	7-5
102356801	9-3	102938901	8-3	103754901	1-41
102459301	3-5	102939001	8-3	103804901	4-17
102492301	7-5	102939101	8-3	103829401	6-7
102506401	1-57, 6-23	102939102	8-3	103832501	4-23
102517501	4-7	102947601	1-41, 1-43	103832601	4-23
102518301	3-5	102951701	8-3	103863401	7-9
102531402	1-37	102967601	3-5	103865101	5-5
102531601	1-37	102980801	7-13, 7-15	103902101	7-3
102538601	7-5	102980901	7-13, 7-15	103902301	7-3
102541401	1-37	103180101	4-9	103902401	7-3
102541470	1-37	103182701	1-19	103942201	7-17
102541501	1-15, 1-37	103182702	1-19	103943002	7-17
102546401	4-7	103196001	1-45	103943401	7-3
102554512	1-67	103198301	4-9	103969701	7-15
102562401	11-3	103201101	1-37	104005901	7-19
102564002	6-13, 6-17	103234304	3-7	104006101	7-19
102570401	11-7	103245001	4-3, 4-7	104026801	3-3
102572401	7-5	103262201	1-37	104033601	1-83
102582401	1-37, 1-41, 1-43	103348202	4-9	105000501	7-11
102587201	11-5	103354401	4-9	105006501	1-31, 1-35
102590801	1-45, 1-65, 1-67	103354701	6-11, 6-15	105007001	1-21
102618601	1-37, 1-59	103397901	7-11	105034001	1-19
		103449501	4-17	105034101	4-9

INDEX

105034201	1-19	105078401	1-31, 1-35	105109201	1-43
105034321	1-11	105078809	2-3	105109401	1-77
105034322	1-11	105078810	2-3	105110801	1-57
105034323	1-11	105078901	2-3	105112401	4-9, 7-11
105034324	1-11	105079204	2-3	105112501	4-25
105034325	1-11	105079301	2-3	105112601	4-25
105034326	1-11	105079401	2-3	105113201	1-77
105034327	1-11	105081701	4-11	105113202	1-77
105034328	1-11	105081702	4-11	105114801	4-7
105034329	1-11	105081703	4-11	105114805	4-5
105034401	1-15	105081704	4-11	105114806	4-5
105034501	1-15	105081705	4-11	105114807	4-5
105034601	1-15	105081706	4-11	105115003	3-7
105034701	1-15	105081707	4-11	105115006	3-7
105034801	1-15	105081708	4-11	105116301	7-3
105034901	1-17	105081709	4-11	105117601	10-3
105035001	1-17	105081710	4-11	105117602	10-3
105035101	1-53	105081711	4-11	105117603	10-3
105035201	1-53	105081712	4-11	105117604	10-3
105035301	1-53	105082001	4-13	105117605	10-3
105035701	1-19	105082002	4-13	105117606	10-3
105035801	1-51	105082003	4-13	105117607	10-3
105036601	1-61	105082004	4-13	105117701	1-13
105036701	1-15	105082005	4-13	105117702	1-13
105046101	3-3	105082006	4-13	105117703	1-13
105049201	1-19	105082007	4-13	105117704	1-13
105049301	1-19	105082008	4-13	105117705	1-13
105060901	1-41	105082009	4-13	105117706	1-13
105063001	1-31	105082010	4-13	105117707	1-13
105063002	1-31, 1-35	105082011	4-13	105117708	1-13
105063003	1-35	105082012	4-13	105117709	1-13
105063201	1-45	105082101	4-9	105117710	1-13
105063202	1-45	105083301	6-17	105118601	4-19
105066401	1-53	105086101	1-45	105122104	1-65
105068001	4-11, 4-13	105087001	1-45	105122204	1-63
105068002	4-11, 4-13	105087101	1-45	105124001	1-7
105068003	4-11, 4-13	105087201	1-45	105124201	1-49
105068004	4-11, 4-13	105087301	1-45	105124202	1-49
105068005	4-11, 4-13	105088601	4-19	105124701	3-5
105068006	4-11, 4-13	105089201	1-45	105124901	1-9
105068007	4-11, 4-13	105092601	1-45	105127302	1-69
105068008	4-11, 4-13	105093501	1-43	105127401	1-65
105068009	4-11, 4-13	105094001	1-7, 1-45	105127402	1-65
105068010	4-11, 4-13	105100601	1-3	105128001	1-69
105068011	4-11, 4-13	105102301	1-43	105128101	1-67
105068012	4-11, 4-13	105106101	2-5	105128201	1-67
105068902	6-23	105106201	2-5	105128801	1-49
105069901	1-41	105106301	2-5	105128802	1-49
105073501	4-3	105106501	2-5	105128901	1-49
105074201	6-13, 6-17	105106601	6-15	105129001	1-49
105074501	1-7	105106702	6-11	105129501	1-77
105074502	1-7	105106801	6-23	105129601	1-77
105075202	7-11	105108301	4-7	105129901	1-69
105077601	1-47	105108401	4-7	105130001	3-5
105077602	1-47	105108801	4-25	105130101	3-3
105077603	1-47	105109101	1-41	105130301	1-67

INDEX

105130302	1-67	105169101	1-61	105316901	1-31
105130501	1-67	105170101	1-49	105316902	1-35
105135802	4-25	105173901	7-5	105318301	4-7
105144801	4-23	105185101	4-21	105326601	1-31, 1-35
105145201	7-7	105185701	1-63, 1-77	105326701	1-37, 1-59
105146901	4-17	105185801	1-63, 1-77	105326801	1-29, 1-39
105147001	4-17	105186201	6-23	105326802	1-29, 1-39
105147101	7-11	105186202	6-23	105327401	1-27
105148501	1-77	105188185	1-37, 6-23	105327402	1-27
105148601	1-77	105190601	4-7	105328001	1-27
105148701	1-77	105190701	4-7	105328201	6-13
105148702	1-77	105192301	1-65	105329401	5-11
105149101	5-7	105192901	1-65	105329501	1-37
105149201	5-7	105193001	1-65	105329601	1-37
105151501	3-3	105193101	1-69	105334901	1-33
105152301	4-9	105194101	1-61	105335001	1-33
105153101	3-7	105194301	1-31, 1-33, 1-35	105335101	1-33
105153201	3-7	105194701	1-63	105335201	1-33
105153202	3-7	105194702	1-63	105335301	1-33
105153301	3-7	105194801	1-63, 1-77	105335401	1-33
105153302	3-7	105194802	1-63	47542195001	5-9, 5-13
105155501	4-19	105195501	7-11	47549282001	7-5
105156301	1-5	105196001	1-41, 1-43	47553985001	1-23
105156701	1-5	105196101	1-65	47553986001	1-23
105156702	1-5	105196201	1-65	47561669001	7-9
105160401	1-71	105197001	1-61	47563313001	1-65
105160501	1-75	105197301	1-45	47563313002	1-65
105160801	1-71	105197401	1-45	47565155001	7-9
105160901	1-71	105197402	1-45	47579096001	6-23
105161001	1-71	105200701	1-65	47621599001	1-65
105161101	1-71	105200801	1-65	96705199	1-65
105161201	1-75	105200901	1-65		
105161301	1-75	105201001	1-65	A	
105161401	1-71	105204401	4-19	accelerator bracket and bearing assembly	5-5
105161501	1-73	105205201	1-65	accelerator pedal adjustment tool	11-3
105161601	1-73	105205301	4-19	accelerator pivot rod	5-5
105161901	10-3	105210201	7-13	accelerator return spring	5-5
105163601	3-3	105216201	1-67	accessory receptacle	4-5
105163701	3-3, 3-5	105224001	10-3	adhesive, guide ring	11-3
105165801	4-7	105229701	1-33	AM1285701	11-5
105165901	1-67	105242801	6-19	anchor body	5-9, 5-13
105166801	7-19	105243001	6-19	anchor body kit	5-9, 5-13
105166901	7-19	105249601	10-3	anchor, piston	5-9, 5-13
105167001	7-19	105288801	1-49	A-plate strap	6-11, 6-15
105167101	7-19	105295501	1-37	A-plate, delta	6-11, 6-15
105167201	7-5	105295701	1-39	arbor	11-3
105168501	7-19	105295702	1-39	armature	8-3
105168601	7-19	105295801	1-37	ASM, HARNESS	7-5
105168801	1-85	105295901	1-37	assembly	
105168802	1-85	105296001	1-37	accelerator bracket and bearing	5-5
105168803	1-85	105296101	1-37	accelerator pivot rod	5-5
105168804	1-85	105310601	1-33	bearing, steering shaft	6-5
105168805	1-87	105310701	1-59	delta A-plate	6-11, 6-15
105168806	1-87	105311001	1-37	inner ball joint	6-3
105168807	1-87	105316301	6-5	kingpin	6-13, 6-17
105168808	1-87	105316501	1-25	ratchet	5-3, 5-5

INDEX

steering shaft 6-5
axle 9-3
axle shaft oil seal 9-3
axle tube 9-3

B

backing plate, brake 5-9, 5-13
ball joint 5-3
ball, trailer hitch 1-83
barrel, plastic 1-37
battery cap, 6-volt 7-15
battery condition indicator 4-9
battery discharge machine 11-3
battery HD, 6-volt, Trojan T145 7-15
battery hold-down 7-13, 7-15
battery hold-down rod 7-13, 7-15
battery terminal protector spray 11-3
battery thermometer 11-3
battery, 6-volt, JCI GC2 Entek 7-13
bead, ferrite 4-17
bearing 9-3
 ball (motor) 8-3
 ball (steering pinion) 6-3
 front wheel hub 6-21
 hub 6-21
 inner axle tube 9-3
 lower pinion (steering) 6-3
 pivot support 5-5
 steering shaft 6-5
 thrust 6-13, 6-17
bearing and oil seal remover 11-3
bearing driver set 11-3
bearing puller 11-3
bearing puller wedge 11-3
bearing seat 6-5
bed clamp kit 1-71
bed floor 1-61
bed floor kit 1-61
bed latch weldment 1-61
bellows 6-3
block, brake-mounting 5-3
block, fuse 7-5
block, terminal 4-5, 7-11
body, anchor 5-9, 5-13
bolt, U- 6-23
boot, steering column 6-5
boot, switch 7-7
box
 steering gear 6-3
 tool 1-89
brace, trailer hitch 1-79
bracket 5-15
 brake light switch 4-7
 shock mounting, drv 6-23
 shock mounting, pas 6-23
 stake side 1-77

steering column 6-5
steering column mounting 6-5
bracket, hinge, bed 1-57
bracket, tailgate Lh 1-67
bracket, tailgate Rh 1-67
brake
 emergency 5-15
brake actuator kit 5-9, 5-13
brake backing plate 5-9, 5-13
brake cable 5-11
brake cluster 5-9, 5-13
brake drum 5-9, 5-13
brake lever arm 5-9, 5-13
brake light switch bracket 4-7
brake mounting block 5-3
brake pedal 5-3
brake pedal pad 5-3
brake return spring 5-11
brake shoe 5-9, 5-13
brake spring 5-9, 5-13
breather 9-3
Brkt, Steering Stop, Drv, CA, LSV 6-19
brush box assembly 8-3
brush kit, motor 8-3
brush rigging 8-3
brush spring 8-3
brush, motor 8-3
bucket holder kit 1-75
bumper
 drive unit (motor) 8-3
 rubber 5-3
 spring return 5-5
bumper kit 1-3
bumper, bedfloor 1-61
bushing
 bronze 6-13, 6-17
 nylon 1-67, 5-3
 snap-in 1-67
 spindle 6-13, 6-17
 steel 6-13, 6-17
 urethane 1-57, 6-11, 6-13, 6-15, 6-17, 6-23
buzzer, reverse 4-9, 4-15

C

cable
 brake 5-11
calibration test module 11-3
canopy support kit 1-45
cap
 battery, 6-volt 7-15
 dust 7-5
 key switch 4-11, 4-13
cap, quick connector 7-11
card, safety first 11-5
cargo box kit 1-65
cargo box, corner, ds 1-65

cargo box, side panel, ds, short 1-65
cargo box, corner, ps 1-65
cargo box, side panel, ps, short 1-65
case
 gear 9-3
CE mark ferrite bead, TDK 4-17
charger bezel tool 11-3
circuit breaker 7-7
clevis, upper delta 6-13, 6-17
clip
 body trim 1-15
 wheel cover 2-5
clip, score card 6-9
cluster, brake 5-9, 5-13
clutch cam installation tool 11-3
clutch tool kit 11-3
column, steering 6-5
component mounting plate cover 7-11
compression gauge 11-5
compressor, piston ring 11-5
compressor, valve spring 11-7
continuity tester 11-5
cover
 dust 5-9, 5-13, 6-21
 rocker switch hole 4-9
cowl 1-11
C-type stop ring 6-3
cup, spring 5-5
cushion, shock absorber 6-23

D

dash 1-19
dc converter, 25A 4-17
decal
 4-gauge wire warning 3-5
 bed load warning 3-5
 crush area warning 1-37, 3-5
 electrical cover safety 3-5
 filter log 7-19
 four-passenger warning 1-37, 3-3
 inspect log 7-19
 nameplate 1-15, 3-7
 on/off 3-3, 4-9
 Tow/Run switch 3-5
 trailer hitch 1-79, 1-81, 3-5
 wheel cover 2-5
deionizer 7-19
 cartridge 7-19
delta A-plate 6-11, 6-15
delta A-plate sub-assembly 6-11, 6-15
differential drive unit 9-3
differential gear 9-3
differential housing 9-3
diode 4-25
door, charger port 1-15
door, glove box 1-19

INDEX

drive clutch holder tool 11-3
drive clutch hub puller 11-3
drive clutch puller 11-3
drive unit bumper 8-3
driven clutch cam puller 11-3
driven clutch puller plug 11-3
drum, brake 5-9, 5-13
dry moly lubricant 11-5
dust cap 7-5
dust cover 5-9, 5-13, 6-21

E

eccentric bolt 6-13, 6-17
E-clip 5-11
emergency brake 5-15
end cap, motor 8-3
end, tie rod 6-11, 6-15
equalizer rod 5-11
extension, spring latch 1-61

F

fender, front, lh 1-15
fender, front, rh 1-15
fender, inner 1-51
fender, rear 1-53
ferrite bead (CE), TDK 4-17
fitting, thread-forming grease 6-13, 6-17
flasher, turn signal, 12-volt 4-7
flat bed trim kit 1-63
floor mat 1-19
floormat, 4 pass, rear 1-37
foot deck 1-37
frame
 corner cap 1-31, 1-35
frame and field, motor 8-3
frame weldment, front 1-21
front spring retainer plate 6-13, 6-17
fuse
 15-amp 7-5
 1-amp 7-5
 20-amp 4-5, 7-5
 2-amp 7-5
 30-amp 7-5
fuse block 7-5
fuse, mini, 7.5A 4-5
fuse, mini, 10A 4-5
fuse, mini, 15A 4-5

G

gasket
 liquid 9-3, 11-5
 plug 9-3
gauge, battery condition 4-9
gauge, compression 11-5
gear

differential 9-3
 differential idler 9-3
 differential output 9-3
gear yoke 11-5
gearcase 9-3
grill 1-15
grip, pencil 6-9
grip, tilt latch hand 1-61
guide ring adhesive 11-3

H

Harness, Power 7-11
harness, brake pedal switch 4-7
headband, sealed, motor 8-3
headband, vented, motor 8-3
headlight bezel, lh 1-17
headlight bezel, rh 1-17
headlight guard kit 1-5
heater, defogger 4-25
heater, defogger kit 4-25
hill brake rod 5-3
hill brake weld assembly 5-3
hinge pin 1-77
hip restraint 1-31
hip restraint, rear 1-35
hitch, trailer 1-79
hitch, trailer, ball 1-83
hold-down rod, battery 7-13, 7-15
hold-down, battery 7-13, 7-15
holder, license plate 1-9
hole plug 4-9
hour meter 7-7
hour meter bracket 7-7
housing
 3-pin 8-3
 differential 9-3
hub 6-21
hub bearing 6-21
hydrometer 11-5

I

idler gear, differential 9-3
indicator, battery condition 4-9
indicator, charger 4-9
input shaft 9-3
instrument panel wire harness, electric vehicle 4-9
instrument panel, electric vehicle 4-9
insulating washer 8-3
insulator, motor terminal 8-3
intermediate shaft 9-3
internal retaining ring pliers 11-5
isolator, shock damper 6-23

J

joint
 ball 5-3

K

key switch cap 4-11, 4-13
key switch, uncommon 4-11, 4-13
keyswitch, uncommon 4-11
kingpin 6-13, 6-17
kit
 3-pin housing 8-3
 accelerator pivot rod 5-5
 anchor body 5-9, 5-13
 brake actuator 5-9, 5-13
 brake pedal 5-3
 brake shoe 5-9, 5-13
 brake shoe retainer 5-9, 5-13
 hand pump, SPWS 7-19
 motor brush 8-3
 motor brush lead assembly 8-3
 motor brush spring 8-3
 motor speed sensor 8-3
 park brake latch 5-3
 park brake pedal 5-3
 rear receiver hitch 1-81
 shock absorber cushion 6-23
 shoe retainer 5-9, 5-13
 steering column mounting bracket 6-5
 trailer hitch 1-79

L

ladder rack kit 1-73
lamp, stop, turn, tail 4-7
latch 1-19
latch plate 1-57
latch, park brake 5-3
leaf blower holder kit 1-71
license frame kit 1-9
license plate 1-9
license plate holder 1-9
light
 water quality 7-19
light, strobe 4-19
limit switch 4-7
liquid gasket 9-3, 11-5
lubricant, dry moly 11-5
lubricant, moly-teflon 8-3, 11-5
lug nut 2-3
lug stud 9-3

M

magnet, speed sensor 8-3
mat, floor 1-19
mat, floor, 4 pass, rear 1-37
MCOR 7-3

INDEX

meter, hour 7-7
meter, volt ohm 11-7
mirror, exterior kit 1-49
module
 calibration test 11-3
moly-teflon lubricant 11-5
motor
 48-volt IQ Plus 8-3
motor brush 8-3
motor brush kit 8-3
motor brush lead assembly kit 8-3
motor brush spring 8-3
motor bumper 8-3
motor end cap 8-3
motor frame and field 8-3
motor headband, sealed 8-3
motor headband, vented 8-3
motor magnet, speed sensor 8-3
motor speed sensor 8-3
motor speed sensor kit 8-3
motor terminal and lead assembly 8-3
motor terminal insulator 8-3
mounting block, brake 5-3

N

nameplate decal 1-15, 3-7
nut, lug 2-3

P

pad
 brake pedal 5-3
 park brake 5-3
paint, underbody (black) 11-5
paint, touch-up 1-13
park brake latch 5-3
park brake pedal 5-3
park brake rod sleeve 5-3
park brake spacer 5-3
park brake torsion spring 5-3
pawl 5-3
pedal, brake 5-3
pedal, park brake 5-3
pencil grip 6-9
pin
 bow tie locking 5-11
 clevis 5-11
pin, hinge 1-77
pinion, steering 6-3
piston anchor 5-9, 5-13
piston ring compressor 11-5
piston ring pliers 11-5
pivot support bearing 5-5
plate
 front spring retainer 6-13, 6-17
 license 1-9

plate, Tow/Run switch 7-7
pliers
 internal retaining ring 11-5
 piston ring 11-5
 retaining ring 11-5
plug
 driven clutch puller 11-3
 hole 4-9
protector spray, battery terminal 11-3
puller
 bearing 11-3
 drive clutch 11-3
 drive clutch hub 11-3
 driven clutch cam 11-3
 seal 11-5

R

race, front hub bearing 6-21
rack guide pressure spring 6-3
rack, steering 6-3
ratchet, park brake 5-3, 5-5
receiver hitch 1-81
receptacle, accessory 4-5
reflector, yellow 4-23
reflector, red 4-23
reflector, red, rectangle 4-23
refractometer 11-5
relay 7-11
relay 48v 4-9, 7-11
remover, bearing and oil seal 11-3
retainer
 accelerator pedal spring 5-5
 brake shoe 5-9, 5-13
 shock absorber cushion 6-23
retaining ring 6-5
retaining ring pliers 11-5
return spring bumper 5-5
reverse buzzer 4-9, 4-15
ring
 C-type stop 6-3
 retaining 6-5
 snap 6-3
rivet, blind push 7-11
rocker switch 4-9
rocker switch (lights) 4-9
rod
 accelerator pivot 5-5
 battery hold-down 7-13, 7-15
 equalizer 5-11
 hill brake 5-3

S

safety first card 11-5
score card clip 6-9
score card plate 6-9

seal
 lip 9-3
 oil 9-3
 steering pinion dust 6-3
seal puller 11-5
sealant 9-3
Seat Bottom, Rear 1-39
Seat Bottom, Rear, Gray 1-39
seat strap 1-27
seat, bearing 6-5
SeatBack, Gray 1-29, 1-39
Seatback, White 1-29, 1-39
sensor, motor speed 8-3
shaft
 input 9-3
 intermediate 9-3
 steering column 6-5
shock absorber 6-23
shock absorber cushion 6-23
shock absorber cushion retainer 6-23
shock damper isolator 6-23
shock mounting bracket, drv 6-23
shock mounting bracket, pas 6-23
shoe retainer kit 5-9, 5-13
shoe, brake 5-9, 5-13
sleeve 1-57, 6-23
 delta A-plate 6-11, 6-15
 park brake rod 5-3
snap ring 6-3
solenoid 7-11
solenoid, 12-volt 4-25
spacer
 accelerator pivot rod 5-5
 park brake 5-3
speed sensor 8-3
speed sensor magnet 8-3
speed sensor, motor 8-3
spindle assembly 6-13, 6-17
spray, battery terminal protector 11-3
spring
 accelerator return 5-5
 brake 5-9, 5-13
 brake return 5-11
 brush 8-3
 compression 6-9
 extension 1-61
 park brake torsion 5-3
 rack guide pressure 6-3
 steering shaft compression 6-5
spring cup 5-5
spring mounting plate 6-17
spring, motor brush 8-3
SPWS manifold 7-17
stake side 1-77
stake side bracket 1-77
stake side kit 1-77

INDEX

- stake side panel,front 1-77
 - stake side trim kit 1-77
 - stake side trim, center 1-77
 - static grip kit 1-71
 - steel bushing 6-13, 6-17
 - steering column 6-5
 - steering column bearing press tool 11-7
 - steering column retaining ring tool 11-7
 - steering gear box 6-3
 - steering pinion 6-3
 - steering pinion dust seal 6-3
 - steering rack 6-3
 - steering shaft 6-13, 6-17
 - steering shaft assembly 6-5
 - steering shaft compression spring 6-5
 - steering wheel puller tool 11-7
 - strap, A-plate 6-11, 6-15
 - strap, seat 1-27
 - strobe light 4-19
 - strobe light,post mounted 4-19
 - strut,canopy front 1-45
 - stud
 - lug 9-3
 - support yoke (steering) 6-3
 - switch plate cover 4-19
 - switch
 - key, uncommon 4-11, 4-13
 - light rocker 4-9
 - limit 4-7
 - rocker 4-9
 - Tow/Run 7-7
 - turn signal 4-7
 - switch assembly 4-19
 - switch rubber boot 7-7
- ## T
- 12-volt solenoid 4-25
 - tailgate 1-67
 - tailgate handle 1-67
 - tailgate latch,lh 1-65
 - tailgate latch,rh 1-65
 - tailgate teather kit 1-69
 - tailskirt 1-53
 - terminal block 4-5, 7-11
 - tester, continuity 11-5
 - thermometer, battery 11-3
 - thread-forming grease fitting 6-13, 6-17
 - thrust bearing 6-13, 6-17
 - tie down kit 1-71
 - tie rod 6-11, 6-15
 - tie rod end 6-11, 6-15
 - tie wrap 4-25, 5-15, 6-3, 6-5
 - tilt latch hand grip 1-61
 - tire 2-3
 - tool
 - accelerator pedal adjustment 11-3
 - belt tensioning, starter/generator 11-7
 - charger bezel 11-3
 - clutch cam installation 11-3
 - drive clutch holder 11-3
 - steering column bearing press 11-7
 - steering column retaining ring 11-7
 - steering wheel puller 11-7
 - transaxle axle seal 11-7
 - transaxle pinion seal 11-7
 - transmission 11-7
 - tool kit, clutch 11-3
 - tool rack kit 1-71
 - toolbox 1-89
 - toolbox kit 1-73
 - touch-up paint 11-5
 - Tow/Run switch 7-7
 - Tow/Run switch plate 7-7
 - trailer hitch 1-79
 - trailer hitch ball 1-83
 - trailer hitch brace 1-79
 - transaxle (Electric Vehicle) 9-3
 - transaxle axle seal tool 11-7
 - transaxle pinion seal tool 11-7
 - transmission tool 11-7
 - tube
 - axle 9-3
 - turn signal switch 4-7
- ## U
- U-bolt 6-23
 - upper delta clevis 6-13, 6-17
 - urethane bushing 1-57, 6-11, 6-13, 6-15, 6-17, 6-23
- ## V
- valve spring compressor 11-7
 - valve stem 2-3
 - volt ohm meter 11-7
- ## W
- washer, insulating 8-3
 - water quality light 7-19
 - wedge, bearing puller 11-3
 - weldment, receiver hitch 1-81
 - wheel 2-3
 - wheel cover 2-5
 - windshield kit,hinged 1-41
 - windshield kit,non-hinged 1-43
 - windshield,hinged 1-41
 - windshield,non-hinged 1-43
 - Wire Asm #4 7-9, 7-13, 7-15
 - wrap, tie 4-25, 5-15, 6-3, 6-5
- ## Y
- yoke, gear 11-5
 - yoke, support (steering) 6-3



Club Car, Inc.
P.O. Box 204658
Augusta, GA 30917-4658
USA

Web www.clubcar.com
Phone 1.706.863.3000
1.800.ClubCar
Int'l +1 706.863.3000
Fax 1.706.863.5808