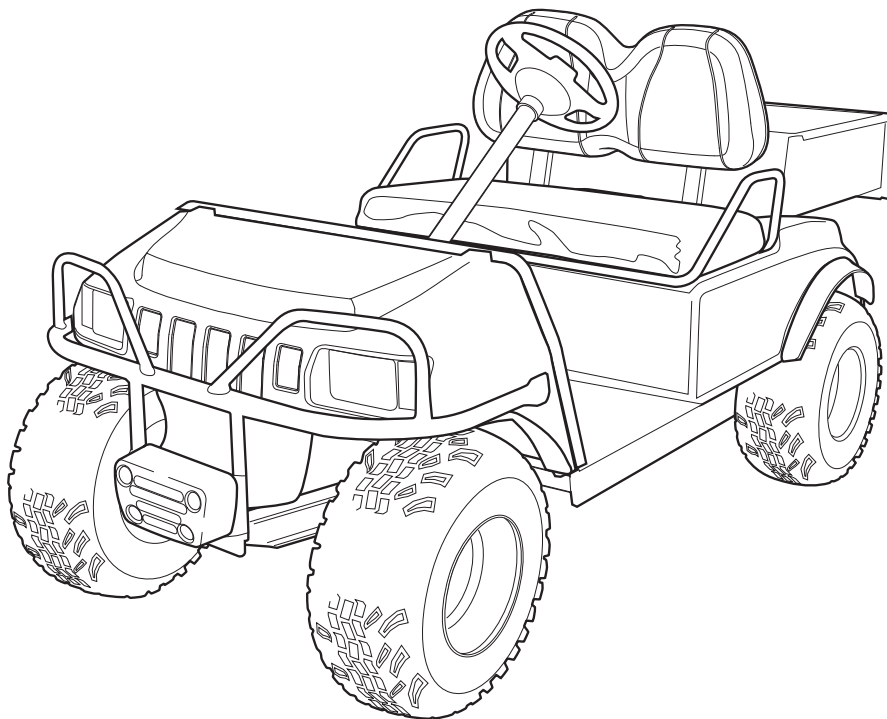




**2017  
XRT 850  
Illustrated Parts List**



**Gasoline and Electric Vehicles**

Manual Number 105342121

Edition Code A



# USING THE ILLUSTRATED PARTS LIST

---

## **⚠ WARNING**

- **This manual is to be used only for identification and ordering of service parts. Be sure to read and use the maintenance and service manual before attempting any vehicle repairs.**

This manual covers all XRT850 vehicles built during the 2017 model year.

The manual is divided into sections. Note that there are two or three flags on the outside edge of each page. The first flag contains the section number of which that page is a part. The other flag (or flags) contains the letter G or E, signifying that the page pertains to the electric or gasoline vehicles only.

Use the Table of Contents to find the sections and pages that contain the parts and assemblies you seek. The Table of Contents lists section numbers, and under them, the individual page titles and numbers to be found in that section. The index can be used to find specific parts and assemblies. The index is divided into numerical and alphabetical listings with the page numbers in italic text.

There is a two-page spread for each individual page title in the Table of Contents. On the left-hand page is an illustration showing the parts in their relative positions; the parts are each tagged with an item number in a balloon. The right-hand page is the parts list page, and gives the page title at the top, then the item numbers (corresponding to the numbers on the illustration), part descriptions, and quantity of parts used.

Note that a part description may be indented. This indention corresponds to a parts assembly level indicated by the numbers 1, 2, 3, and 4 at the top left corner of the parts description area of the parts list page. A part that is indented to *level 2* is a component of the *level 1* part (assembly) that it is listed under. A *level 3* part is a component of the *level 2* part that it is listed under, and a *level 4* part is a component of the *level 3* part preceding it. In each case, the part quantity given for a level 2, 3, or 4 part is the quantity used per next higher level assembly of which it is a component. A part that is not indented is a *level 1* part. This means that the quantity given is the quantity used per the portion of the vehicle illustrated on that particular spread.



**P. O. Box 204658**  
**Augusta, Georgia 30917-4658 USA**  
**Telephone 706-863-3000**  
**Service Parts Fax 706-855-7413**  
**[www.clubcar.com](http://www.clubcar.com)**

## HOW TO ORDER PARTS

Replacement parts and accessories can be obtained from our network of authorized dealers and distributors. You can obtain the name and phone number of your closest authorized Club Car dealer or distributor by visiting our web site at [www.clubcardealer.com](http://www.clubcardealer.com), by calling our toll-free Service Parts and Technical Assistance hotline at (800) 872-2246 or (706) 863-3000, extension 3887, or by scanning this Quick Response (QR) code to be taken to the Club Car dealer locator. **Refer to Figure 1.** Download a QR code reader such as RedLaser or Barcode Scanner to your cell phone or tablet.



Figure 1 Dealer Locator QR Code

## CUSTOMER SATISFACTION SURVEY

Let your voice be heard!

Please take time to participate in the Technical Publications satisfaction survey. Obtaining feedback from our customers is important to the department's continuous improvement process. The online survey takes less than five minutes and responses will help the department to examine current performance as well as identify areas for future improvement.

Our top priority is to provide timely, accurate, and user friendly manuals.

The online satisfaction survey can be found at: <http://bit.ly/1w9uFMh>



Figure 2 Survey QR Code

**NOTE:** *This illustrated parts list represents the most current information at the time of publication. Club Car, Inc. is continually working to further improve its vehicles and other products. These improvements may affect the parts used to service the vehicle. Any modification and/or significant change in specifications will be forwarded to all Club Car and Carryall distributors/dealers and will, when applicable, appear in future editions of this illustrated parts list.*

*Club Car, Inc. reserves the right to change specifications and designs at any time without notice and without the obligation of making changes to units previously sold.*

Copyright © 2017 Club Car, LLC  
Club Car and ArmorFlex  
are registered trademarks of Club Car, LLC  
This manual effective July 15, 2016.



# CONTENTS

---

## SECTION 1 – BODY AND TRIM

---

|  |      |
|--|------|
| Brushguard and Bumper .....                                    | 1-3  |
| Heavy-Duty Front Bumper with Receiver .....                    | 1-5  |
| Front Body .....   | 1-7  |
| Cargo Rack and Bungee Net Kit .....                            | 1-9  |
| Dash Trim .....  | 1-11 |
| Dash Pockets .....   | 1-13 |
| Floormat .....   | 1-15 |
| Gun Rack, Floor-Mount .....                                    | 1-17 |
| Beverage Holder .....  | 1-19 |
| Windshield, Non-Hinged .....                                   | 1-21 |
| Windshield, Hinged .....                                       | 1-23 |
| Seats .....  | 1-25 |
| Nerf Bar .....   | 1-27 |
| Rear, Fold Down Seat .....                                     | 1-29 |
| Canopy (White) for Vehicles Equipped with Bed .....            | 1-31 |
| Canopy (White), Vehicle with Fold Down Rear Seat .....         | 1-33 |
| Canopy (Black) for Vehicles Equipped with Bed .....            | 1-35 |
| Canopy (Black), Vehicle with Fold Down Rear Seat .....         | 1-37 |
| Enclosure, 3-Sided – for Vehicle with Cargo Bed .....          | 1-39 |
| Enclosure, 3-Sided – for Vehicle with Folddown Rear Seat ..... | 1-41 |
| Trailer Hitch .....  | 1-43 |
| Inner Fender .....   | 1-45 |
| Rear Body – Electric Vehicles .....                            | 1-47 |
| Rear Body – Gasoline Vehicles .....                            | 1-49 |
| Bed Box .....  | 1-51 |

---

## SECTION 2 – WHEELS AND TIRES

---

|  |     |
|--|-----|
| Wheels and Tires, Off-Road – Carryall 550 and XRT850 ..... | 2-3 |
|--|-----|

---

## SECTION 3 – DECALS

---

|   |     |
|---|-----|
| Safety Decals – Electric Vehicles ..... | 3-3 |
| Safety Decals – Gasoline Vehicles ..... | 3-5 |
| Badging Decals .....                    | 3-7 |

---

## SECTION 4 – LIGHTS, CONTROLS, AND INDICATORS

---

|   |     |
|---|-----|
| Headlights .....  | 4-3 |
| Lighting System Components – XRT800/810/850 Gasoline Vehicles ..... | 4-5 |

# CONTENTS

---

|   |      |
|---|------|
| Lighting System Components – XRT800/810/850 Elec. With PowerDrive Charger .....     | 4-7  |
| Turn Signal Kit – DS and Utility Gasoline and Electric Vehicles .....               | 4-9  |
| Turn Signal (with Horn Button) Kit – DS and Utility Gas and Electric Vehicles ..... | 4-11 |
| Instrument Panel – XRT850 Gas .....   | 4-13 |
| Battery Condition Indicator – Electric Vehicles .....                               | 4-15 |
| Instrument Panel – CA6/Vill 6 & 8/Porter/XRT850 Elec. With Lester Charger .....     | 4-17 |
| DC Converter (Isolated) – IQ System Electric Vehicle .....                          | 4-19 |
| Voltage Limiter – Gasoline Vehicle .....  | 4-21 |
| Horn .....  | 4-23 |
| Horn with Column-Mounted Button .....   | 4-25 |
| Hour Meter – IQ System and IQ Plus Electric Vehicles .....                          | 4-27 |
| Tail Lights .....   | 4-29 |

## SECTION 5 – BRAKES, PEDALS, AND CABLE ASSEMBLIES

---

|  |      |
|--|------|
| Brake Pedal Assembly – Vehicles with 2-Wheel Brakes and 4-Wheel Brakes ..... | 5-3  |
| Accelerator Pedal Assembly – Electric Vehicles .....                         | 5-5  |
| Accelerator Pedal and Rod Assembly – Gasoline Vehicle .....                  | 5-7  |
| Pedal Close-Out Kit .....  | 5-9  |
| Brake Cables and Equalizer .....   | 5-11 |
| Rear Brakes, Self-Adjusting – Electric Vehicle .....                         | 5-13 |
| Rear Brakes, Self-Adjusting – Gasoline Vehicle .....                         | 5-15 |

## SECTION 6 – STEERING AND SUSPENSION WITH MAINTENANCE-FREE BALL JOINTS

---

|  |      |
|--|------|
| Front Frame Plate Hardware – Turf/CA 252 and XRT 850/900 .....                             | 6-3  |
| Steering Gear Assembly (Wanda) – Maint.-Free Ball Joint .....                              | 6-5  |
| Steering Column – Utility .....  | 6-7  |
| Intermediate Steering Shaft – Turf/CA 252 and XRT 850/900 .....                            | 6-9  |
| Tie Rod with Maintenance-Free Ball Joints .....  | 6-11 |
| Steering Wheel – XRT850 .....  | 6-13 |
| Front Spindles and Hubs – CA232 and XRT800/810/850 with Maintenance-Free Ball Joints ..... | 6-15 |
| Front Suspension – Shock Absorbers .....   | 6-17 |
| Front Suspension, Upper Control Arms & Kingpins .....                                      | 6-19 |
| Front Suspension, Spring and Mounting Plates – XRT850 .....                                | 6-21 |
| Rear Suspension – Shock Absorbers .....  | 6-23 |
| Rear Suspension, Springs and Hardware .....  | 6-25 |
| Stabilizer Bar – XRT 850 .....   | 6-27 |

## SECTION 7 – ELECTRICAL SYSTEM – EFI GASOLINE VEHICLES

---

|   |     |
|---|-----|
| Wiring, Fuses, and Diodes, Pedal-Start – EFI – XRT850 ..... | 7-3 |
|---|-----|

# CONTENTS

---

|  |      |
|--|------|
| Starter/Generator (Model 114-04-4006), Key-Start – EFI .....                         | 7-5  |
| Starter/Generator (Model 114-05-4001) , Pedal-Start – EFI .....                      | 7-7  |
| Starter/Generator Mounting – EX40 .....  | 7-9  |
| Electrical Component Box, Key-Start – EX40 .....                                     | 7-11 |
| Electrical Component Box, Pedal-Start – EX40 .....                                   | 7-13 |
| Forward/Reverse Shifter Switches, Key-Start – EFI, CA100, 800, 242 .....             | 7-15 |
| Forward/Reverse Shifter Switches, Pedal-Start – EFI, CA100, 800, 242 .....           | 7-17 |
| Charging Diode, Key-Start – EFI .....  | 7-19 |
| Forward/Reverse Shifter Switches, Key-Start – EFI, Villager 6, 8, 850, 850SE .....   | 7-21 |
| Forward/Reverse Shifter Switches, Pedal-Start – EFI, Villager 6, 8, 850, 850SE ..... | 7-23 |
| Battery – Gasoline Utility Vehicles .....  | 7-25 |

## SECTION 8 – ENGINE (SUBARU EX40)

---

|  |      |
|--|------|
| Tune-Up Parts – Subaru EX40 .....                | 8-3  |
| Engine and Engine Mounting, Utility – EX40 ..... | 8-5  |
| Fan and Shroud – EX40 .....                      | 8-7  |
| Air Deflector – EX40 .....                       | 8-9  |
| Ignition Components and Flywheel – EX40 .....    | 8-11 |
| Sensors – EX40 .....                             | 8-13 |
| Cylinder Head – EX40 .....                       | 8-15 |
| Valvetrain and Timing Chain – EX40 .....         | 8-17 |
| Crankcase – EX40 .....                           | 8-19 |
| Crankshaft and Piston – EX40 .....               | 8-21 |

## SECTION 9 – FUEL, INTAKE, AND GOVERNOR SYSTEMS- EFI GASOLINE VEHICLES

---

|   |      |
|---|------|
| Fuel System with Sending Unit, Top Fill – EFI ..... | 9-3  |
| Fuel Tank Kits – EFI .....                          | 9-5  |
| Carbon Canister – EFI .....                         | 9-7  |
| Throttle Body and ECU – EFI .....                   | 9-9  |
| Throttle Body Mounting – EFI .....                  | 9-11 |
| Governor and Accelerator Cables – EFI .....         | 9-13 |
| Air Filter System and Intake Hose – EFI .....       | 9-15 |

## SECTION 10 – EXHAUST SYSTEM, UTILITY – EX40 ENGINE

---

|                                |      |
|--------------------------------|------|
| Exhaust System – Utility ..... | 10-3 |
|--------------------------------|------|

## SECTION 11 – DRIVE BELT AND CLUTCHES – - EFI GASOLINE VEHICLES

---

|  |      |
|--|------|
| Drive Belt – Key-Start Vehicles with EFI ..... | 11-3 |
|--|------|

# CONTENTS

---

|  |       |
|--|-------|
| Drive Belt – Pedal-Start Vehicles with EFI .....                 | 11-5  |
| Drive Clutch – Key-Start Vehicles .....                          | 11-7  |
| Drive Clutch – Pedal-Start Vehicles .....                        | 11-9  |
| Driven Clutch (Standard Speed) – Key Start and Pedal Start ..... | 11-11 |

## SECTION 12 – TRANSAXLE (FUJI ED65)- EFI GAS VEHICLES

---

|   |       |
|---|-------|
| Forward/Reverse Shifter – EFI, CA100-CE, XRT800 .....         | 12-3  |
| Forward/Reverse Shifter – EFI Villager 6, 8, 850, 850SE ..... | 12-5  |
| Shifter Cable – XRT 850 .....                                 | 12-7  |
| Shifter Cable – CA100, XRT800 .....                           | 12-9  |
| Shifter Cable – Villager 6, XRT850SE .....                    | 12-11 |
| Shifter Cable – Villager 8 .....                              | 12-13 |
| Shift Lever and Bracket – Pedal-Start Engines .....           | 12-15 |
| Shift Lever and Bracket – Key-Start Engines .....             | 12-17 |
| Governor Arm and Brackets – Utility Vehicles .....            | 12-19 |
| Transaxle (ED65), Limited Slip – Page 1 of 3 .....            | 12-21 |
| Transaxle (ED65), Open – Page 1 of 3 .....                    | 12-23 |
| Transaxle (ED65), Limited Slip and Open – Page 2 of 3 .....   | 12-25 |
| Transaxle (ED65), Limited Slip – Page 3 of 3 .....            | 12-27 |
| Transaxle (ED65), Open – Page 3 of 3 .....                    | 12-29 |
| Hub, Rear .....   | 12-31 |

## SECTION 13 – ELECTRICAL SYSTEM – ELECTRIC VEHICLES WITH ERIC-CHARGER

---

|   |       |
|---|-------|
| Motor Controller Output Regulator (MCOR) .....                | 13-3  |
| Electric Components .....                                     | 13-5  |
| Wiring Soft-Body electric withERIC .....                      | 13-7  |
| Tow/Run Switch – IQ System .....                              | 13-9  |
| Battery Charger Receptacle- ERIC Charger .....                | 13-11 |
| Batteries, 8-Volt, Crown .....                                | 13-13 |
| Batteries, 8-Volt, U.S. Battery .....                         | 13-15 |
| Batteries, 8-Volt, JCI .....                                  | 13-17 |
| Single Point Watering System, 8V Crown & JCI .....            | 13-19 |
| Hand Pump and Deionizer (Battery-Powered Quality Light) ..... | 13-21 |

## SECTION 14 – ELECTRIC MOTOR

---

|  |      |
|--|------|
| Motor (Model EJ8-4001A) – Electric Vehicle ..... | 14-3 |
|--|------|

# CONTENTS

---

## **SECTION 15 – TRANSAXLE – ELECTRIC VEHICLES**

---

|  |      |
|--|------|
| Transaxle – Electric Vehicles .....          | 15-3 |
| Differential Guard – Electric Vehicles ..... | 15-5 |

## **SECTION 16 – BATTERY CHARGER – DELTAQ HIGH-FREQUENCY**

---

|  |      |
|--|------|
| High-Frequency Battery Charger – Onboard .....     | 16-3 |
| Cord Reels, Onboard – High-Frequency Charger ..... | 16-5 |
| Charger Mounting – Onboard High-Freq. ....         | 16-7 |

## **SECTION 17 – BATTERY CHARGERS – E.R.I.C.HIGH-FREQUENCY**

---

|  |       |
|--|-------|
| Battery Charger, High-Frequency – U.S./Canada .....        | 17-3  |
| Battery Charger, High-Freq., 2.74 m DC Cord – Global ..... | 17-5  |
| Battery Charger, High-Freq., 3.66 m DC Cord – Global ..... | 17-7  |
| Battery Charger, High-Freq., 6.1 m DC Cord – Global .....  | 17-9  |
| Cords – Battery Charger, High-Frequency .....              | 17-11 |

## **SECTION i – INDEX**

---



# BODY AND TRIM

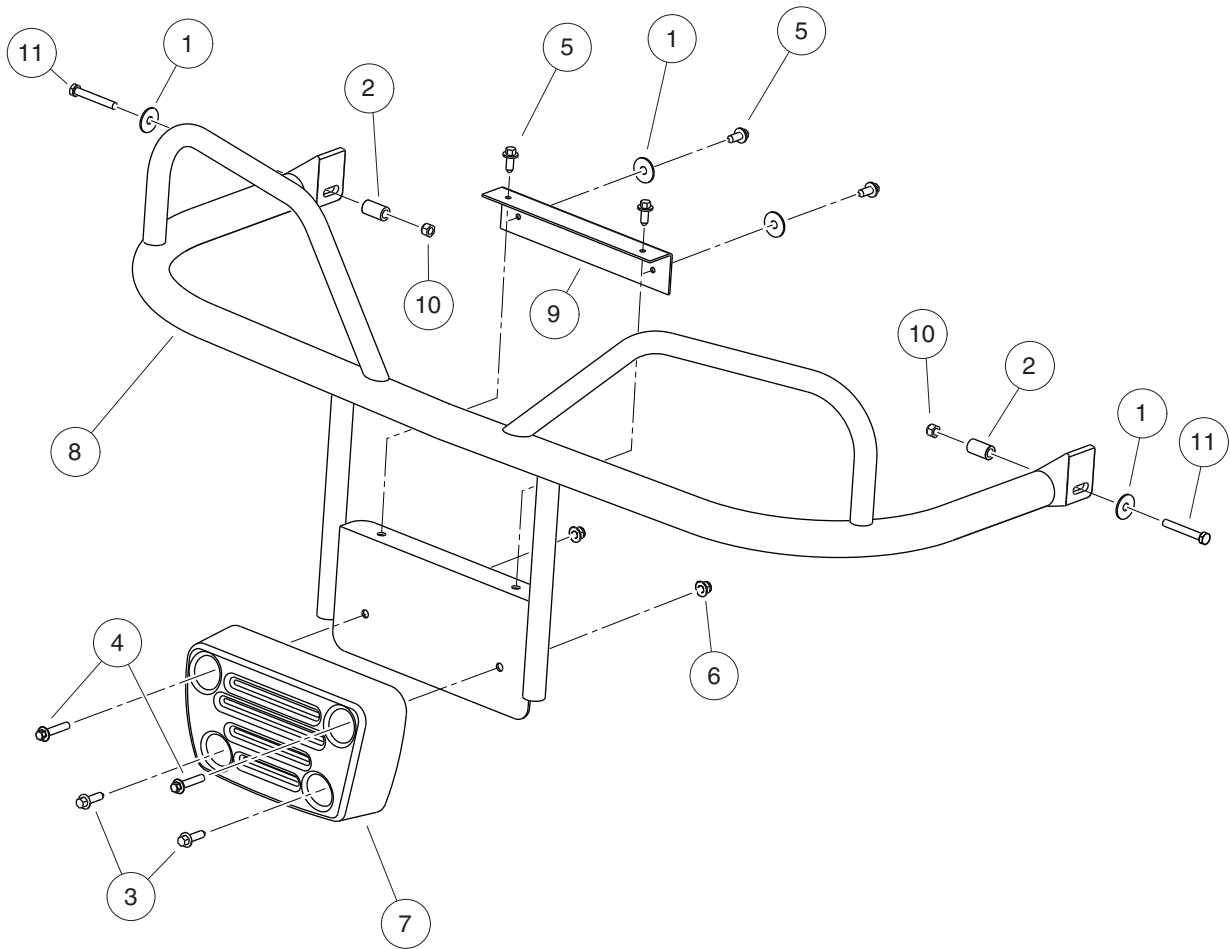
---

1

G

E

**1**  
**G**  
**E**



000838-002



# BRUSHGUARD AND BUMPER

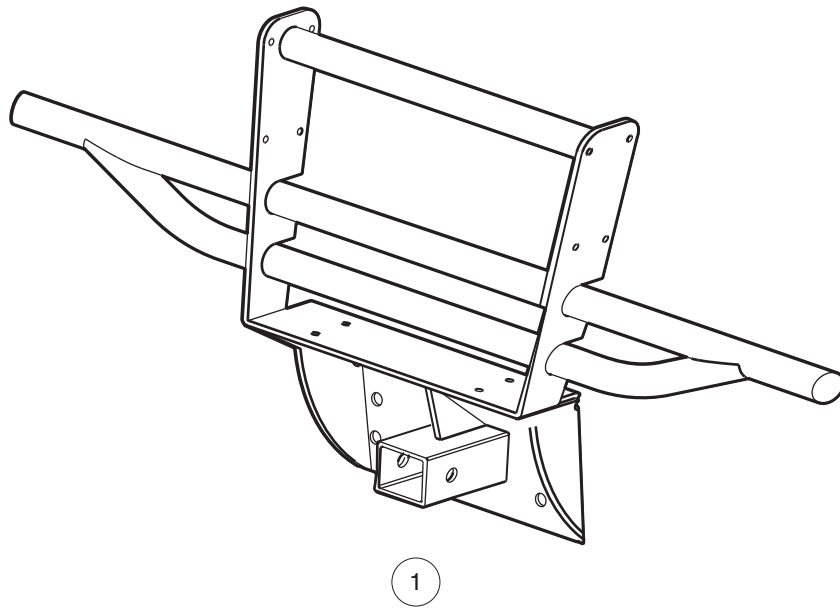
| ITEM | PART NO.  | DESCRIPTION                              | QTY |
|------|-----------|--|-----|
|      |           | 1 2 3 4                                  |     |
| 1    | 1011578   | Washer, 5/16 Type B Flat .....           | 4   |
| 2    | 1015608   | Tube Spacer, Hydraulic Cylinder .....    | 2   |
| 3    | 102289002 | Screw, M8 X 1.25 X 30 Tri, Blk .....     | 2   |
| 4    | 102298240 | Bolt, Flange Head, M8-1.25 X 40 .....    | 2   |
| 5    | 102298720 | Screw, M8-1.25x20, Taptite .....         | 4   |
| 6    | 102618601 | Lock Nut, Flange, M8 X 1.25 Nylon .....  | 2   |
| 7    | 102830501 | Bumper, Cast .....                       | 1   |
| 8    | 103411501 | Guard, Brush, Front, W Weight .....      | 1   |
| 9    | 103413101 | Angle, Cowl Retention .....              | 1   |
| 10   | 7473      | Locknut, 5/16-18 Nylon Insert .....      | 2   |
| 11   | 8935      | Screw, 5/16-18 X 2.25 Hex-Head Cap ..... | 2   |

**1**  
**G**  
**E**

1

G

E



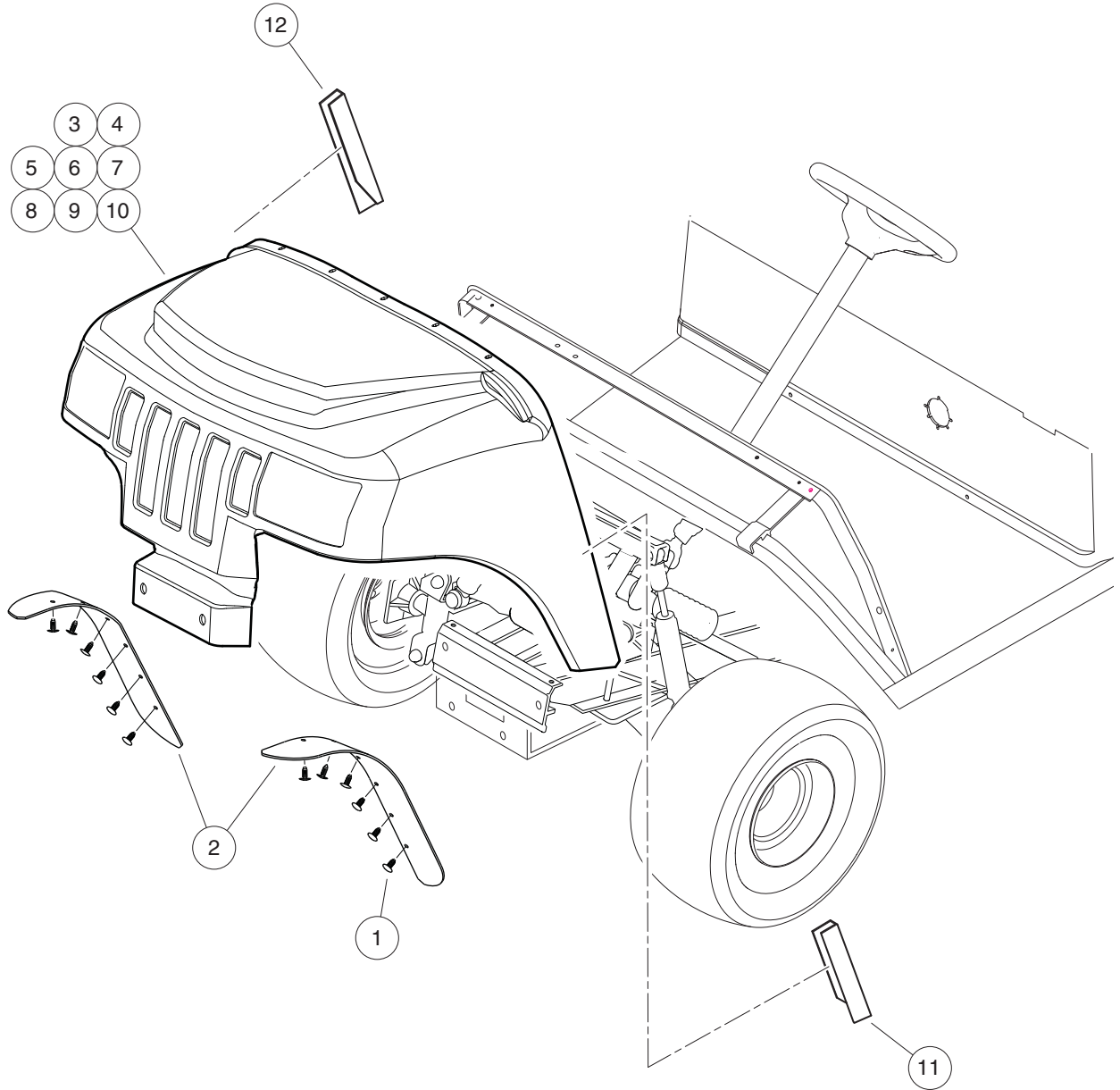
001311-001

# HEAVY-DUTY FRONT BUMPER WITH RECEIVER

| ITEM | PART NO.  | DESCRIPTION                                     | QTY |
|------|-----------|---|-----|
| 1    | AM1225001 | 1 2 3 4<br>Kit, Hd Frt Bmpr W/2" Rec, 800 ..... | 1   |

**1**  
**G**  
**E**

**1**  
**G**  
**E**



001302-001

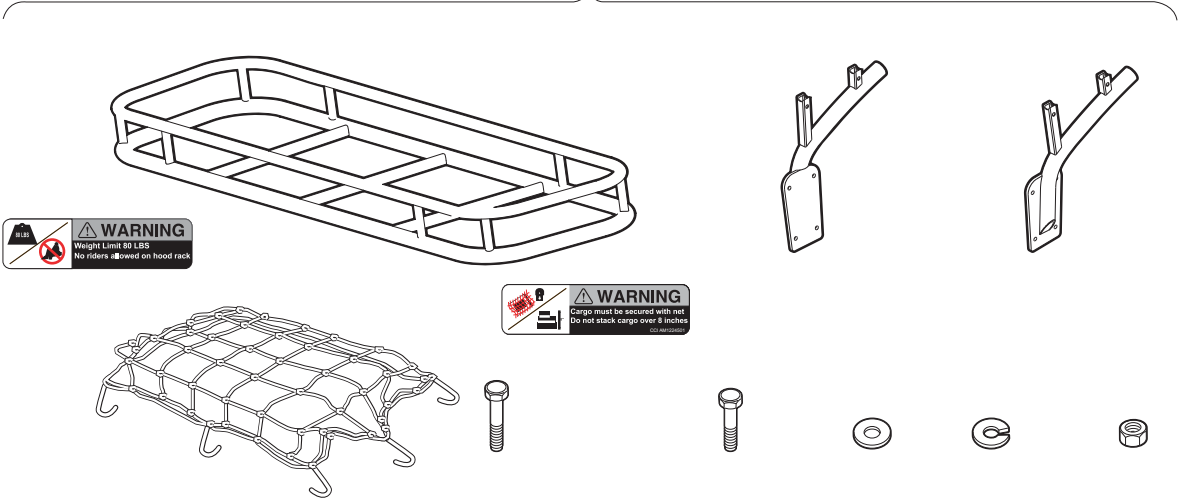
# FRONT BODY

| ITEM | PART NO.  | DESCRIPTION   | QTY |
|------|-----------|---|-----|
|      |           | 1 2 3 4   |     |
| 1    | 1010434   | Barrel - Plastic .....  | 12  |
| 2    | 102004401 | Fender Extrusion .....  | 2   |
| 3    | 102778501 | Cowl, Red .....   | 1   |
| 4    | 102778502 | Cowl, Green .....   | 1   |
| 5    | 102778503 | Cowl, Camouflage (Husqvarna) .....                            | 1   |
| 6    | 102778504 | Cowl, Classic Blue .....                                      | 1   |
| 7    | 102778505 | Cowl, XRT- Black .....  | 1   |
| 8    | 102778507 | Cowl, XRT- Camo Hard Wood HD (Standard camo for XRT850) ..... | 1   |
| 9    | N/A       | Cowl, XRT- Camo Max4 HD .....                                 | 1   |
| 10   | 102778509 | Cowl, XRT- Silver .....                                       | 1   |
| 11   | 103405401 | Cowl Cover, Driver, Short .....                               | 1   |
| 12   | 103405402 | Cowl Cover, Pass, Short .....                                 | 1   |

1  
G  
E

**1**  
**G**  
**E**

1

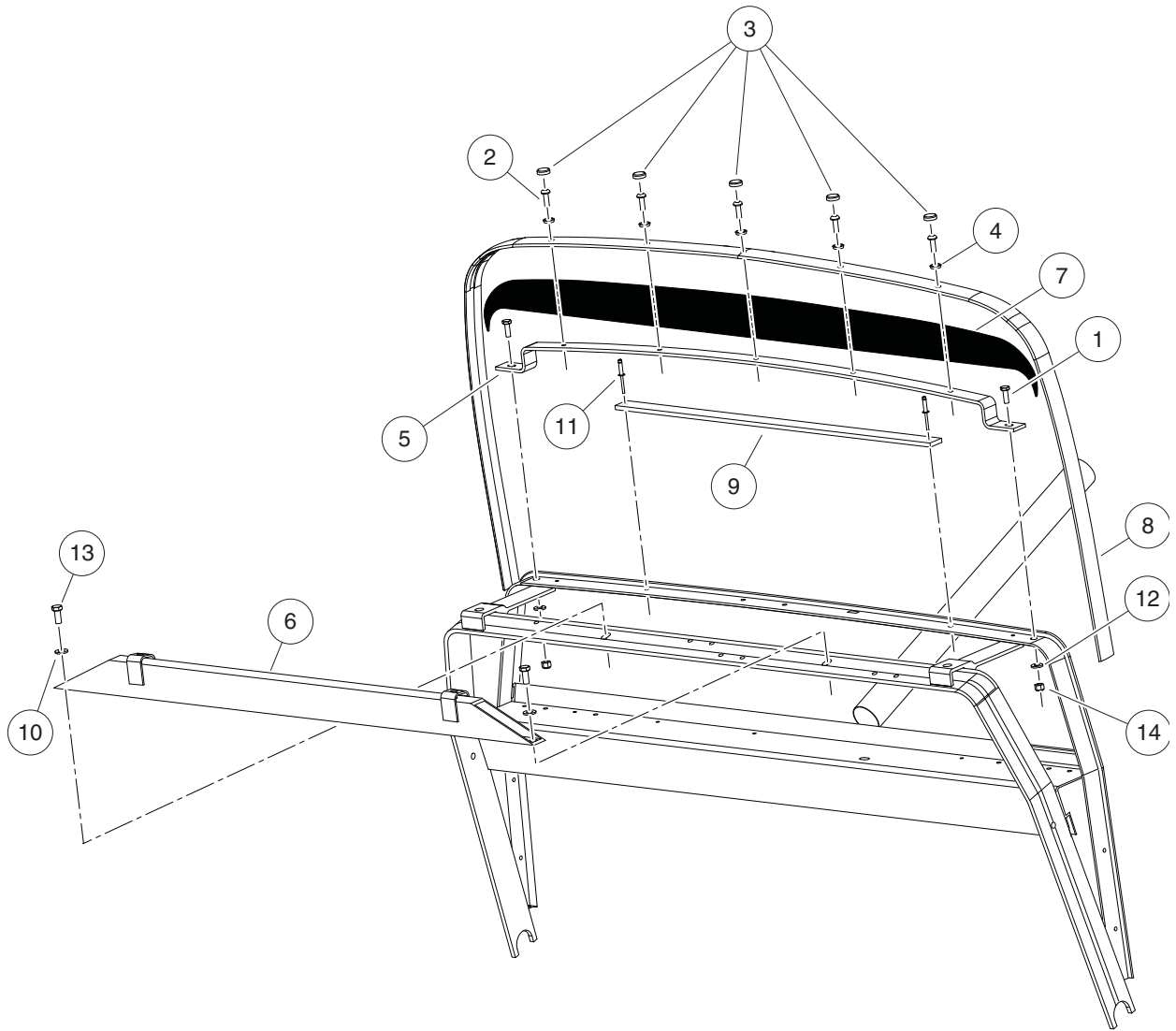


001312-001

# CARGO RACK AND BUNGEE NET KIT

| ITEM | PART NO.  | DESCRIPTION                           | QTY |
|------|-----------|---------------------------------------|-----|
| 1    | AM1213901 | 1 2 3 4<br>Kit, Cargo Rack, 800 ..... | 1   |

**1**  
**G**  
**E**



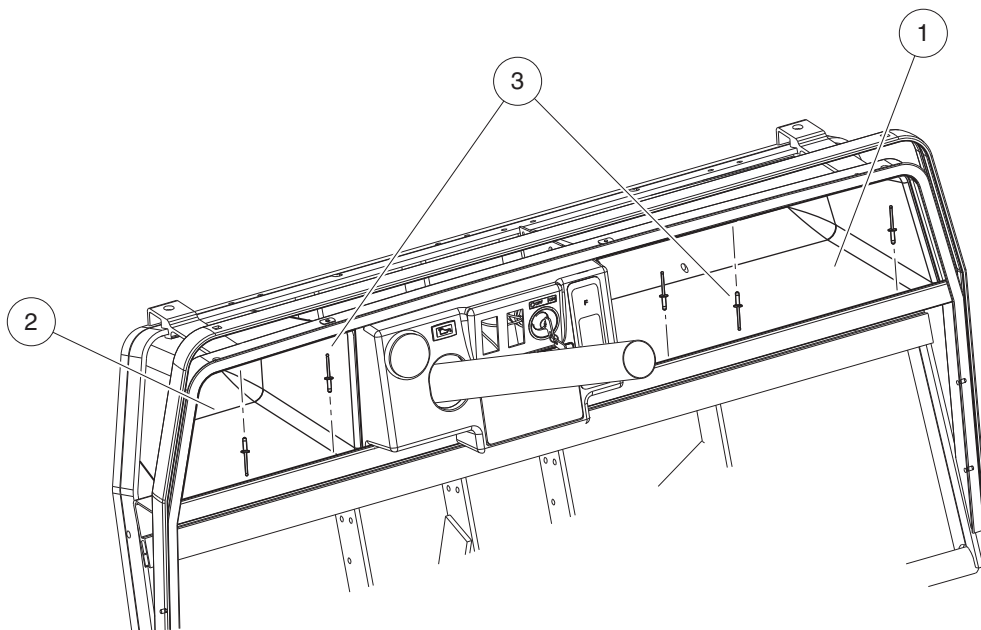
000823-004



# DASH TRIM

| ITEM | PART NO.  | DESCRIPTION                               | QTY |
|------|-----------|---|-----|
|      |           | <b>1 2 3 4</b>                            |     |
| 1    | 101954301 | Screw, 1/4-20 X 0.75 Hex-Head Cap .....   | 2   |
| 2    | 102025801 | Screw, 1/4-20 X .75 Torx Pn Hd .....      | 5   |
| 3    | 102045001 | Cap, 1/4" Plastic Screw Head .....        | 5   |
| 4    | 102048401 | Washer, 1/4 Id Scalloped Plast .....      | 5   |
| 5    | 102778601 | Support, Upper Cowl .....                 | 1   |
| 6    | 103313301 | Asm, Brace, Canopy, Tube, Xrt .....       | 1   |
| 7    | 103364101 | Panel, Closeout, Dash .....               | 1   |
| 8    | 103364201 | Strip, Trim, Dash, Black .....            | 1   |
| 9    | 103395101 | Plate, Retention, Closeout .....          | 1   |
| 10   | 1241      | Washer, 5/16 Type A Flat .....            | 2   |
| 11   | 1606      | Rivet, 3/16 X .500 Alum Pop .....         | 2   |
| 12   | 332       | Washer, 1/4 Type A Narrow Flat .....      | 2   |
| 13   | 7173      | Screw, 5/16-18 X 0.75, Hex-Head Cap ..... | 2   |
| 14   | 8233      | Locknut, 1/4-20, Nylon Insert .....       | 2   |

**1**  
**G**  
**E**



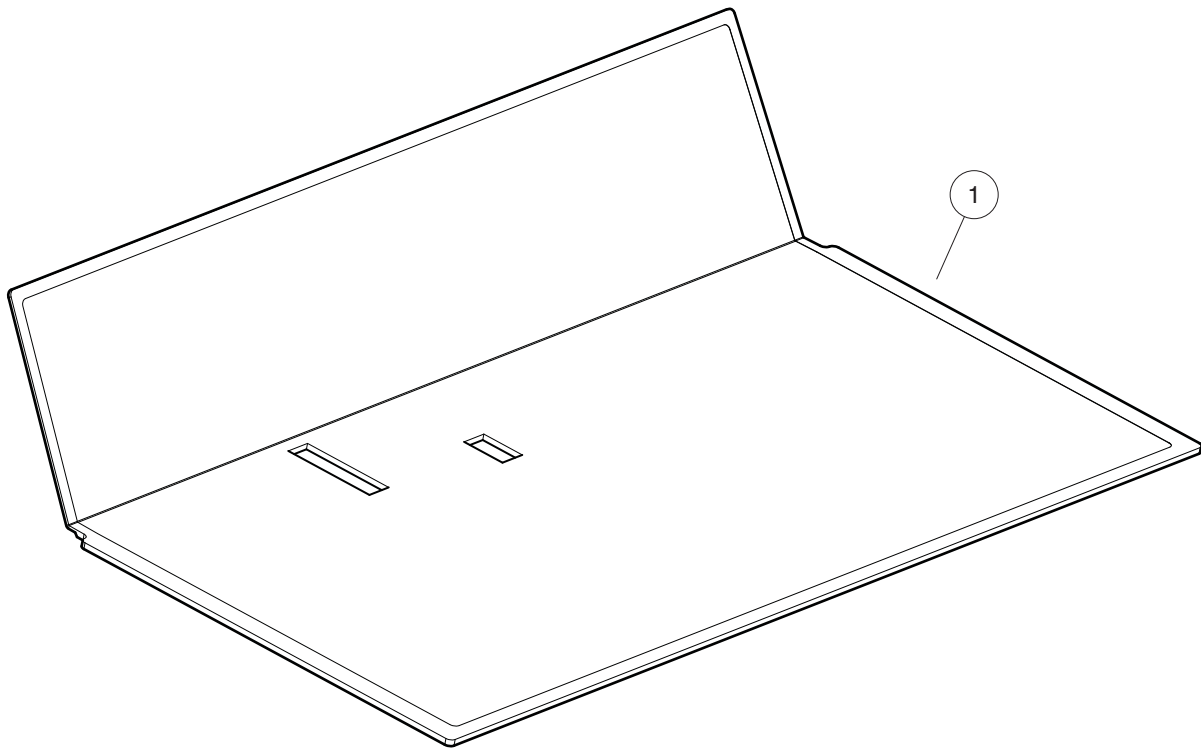
001434-001

# DASH POCKETS

| ITEM | PART NO. | DESCRIPTION  | QTY |
|------|----------|--|-----|
| 1    | 1013343  | 1 2 3 4<br>Dash Component, Passenger-Side, Black ..... | 1   |
| 2    | 1013344  | Dash Component, Driver-Side .....                      | 1   |
| 3    | 7973     | Rivet, 3/16 X .400 Blind .....                         | 5   |

**1**  
**G**  
**E**

**1**  
**G**  
**E**



000825-002

# FLOORMAT

| ITEM | PART NO.  | DESCRIPTION                             | QTY |
|------|-----------|---|-----|
| 1    | 103939201 | 1 2 3 4<br>Floor Mat, Ds/utl, Std ..... | 1   |

**1**  
**G**  
**E**

1

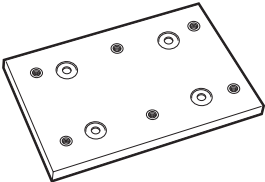
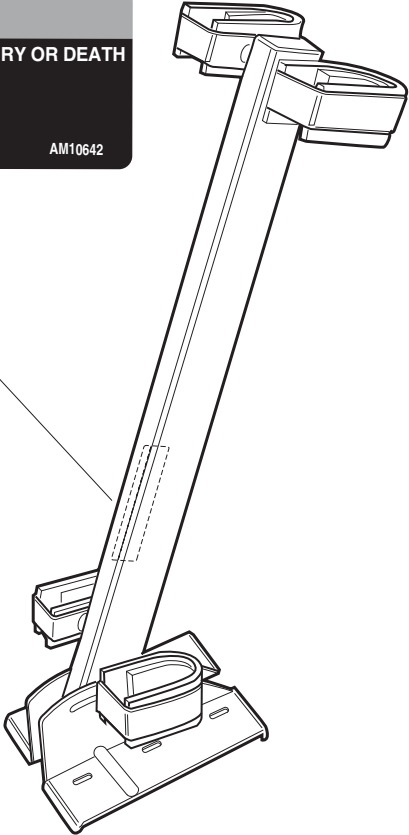
**⚠ WARNING**

**FAILURE TO HEED THE FOLLOWING INSTRUCTIONS CAN CAUSE SEVERE INJURY OR DEATH**

- Obey all Hunting Laws and Regulations.
- Never carry a closed action or loaded firearm in a vehicle.
- Always control the muzzle direction of the firearm.
- Treat each firearm as if it were loaded.
- Always point a firearm in a safe direction when loading.
- Put the safety on, double check it.

AM10642

WARNING DECAL



MOUNTING PLATE



FLOOR-MOUNT GUN RACK

001313-001

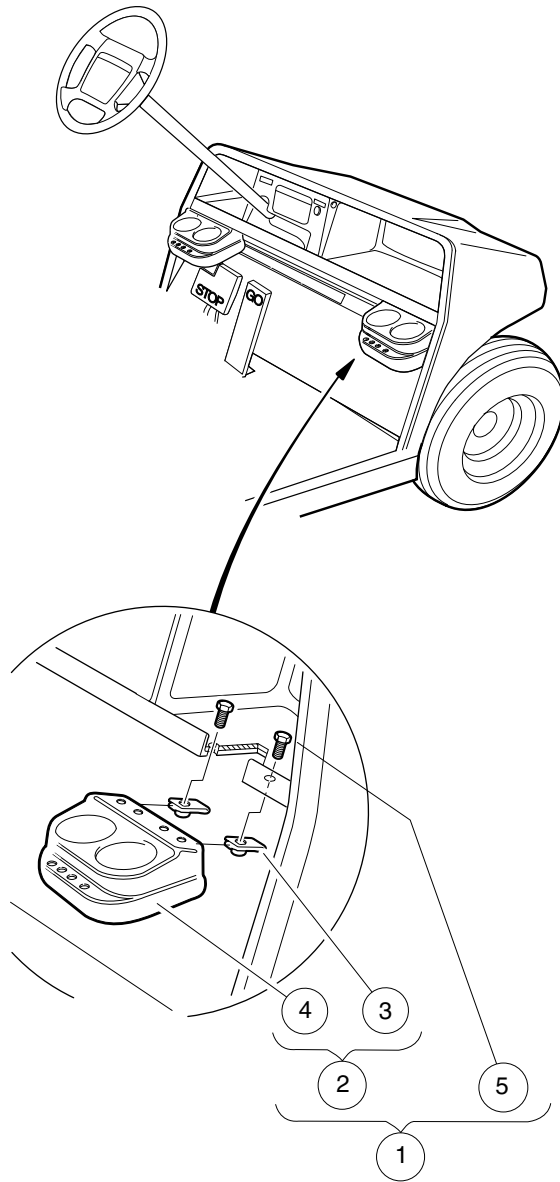
# GUN RACK, FLOOR-MOUNT

| ITEM | PART NO. | DESCRIPTION  | QTY |
|------|----------|--|-----|
| 1    | AM10639  | <div style="display: flex; justify-content: space-between; margin-bottom: 5px;"> <span>1</span> <span>2</span> <span>3</span> <span>4</span> </div> Floor Mount Gun Rack Kit ..... | 1   |

**1**

**G**

**E**



000253-002



# BEVERAGE HOLDER

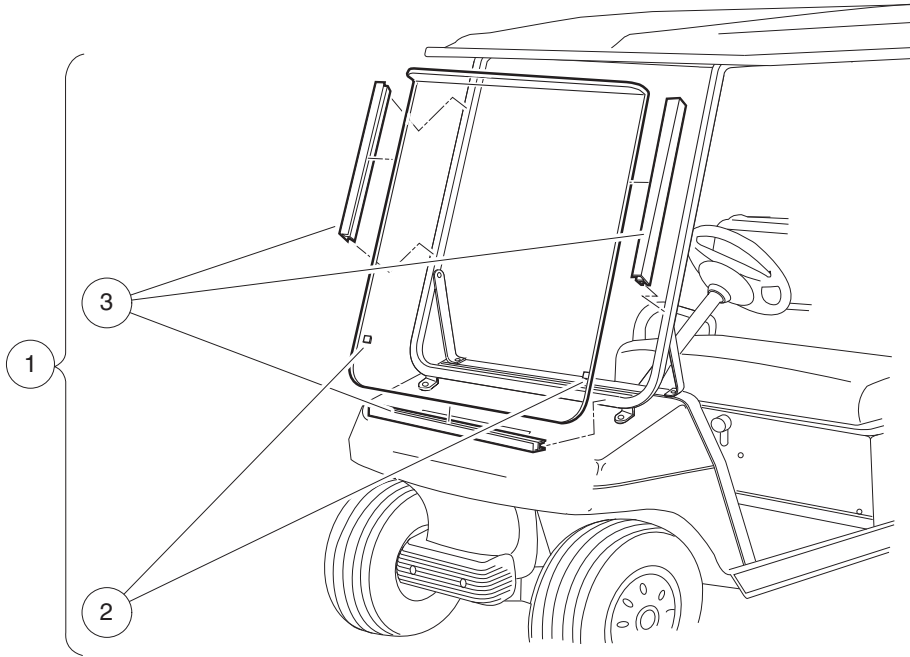
| ITEM | PART NO.  | DESCRIPTION   | QTY |
|------|-----------|---|-----|
|      |           | <b>1 2 3 4</b>                                      |     |
| 1    | 101708301 | Drink Holder Kit (includes items 2 through 5) ..... | 1   |
| 2    | 1016811   | Holder, Dual Cup (includes items 3 and 4) .....     | 1   |
| 3    | 1016952   | U-Nut, 1/4-20 .....                                 | 2   |
| 4    | N/A       | Cup Holder, Dual .....                              | 1   |
| 5    | 7847      | Screw, 1/4-20 X 0.75 Hex-Head Cap .....             | 2   |

1  
G  
E

1

G

E



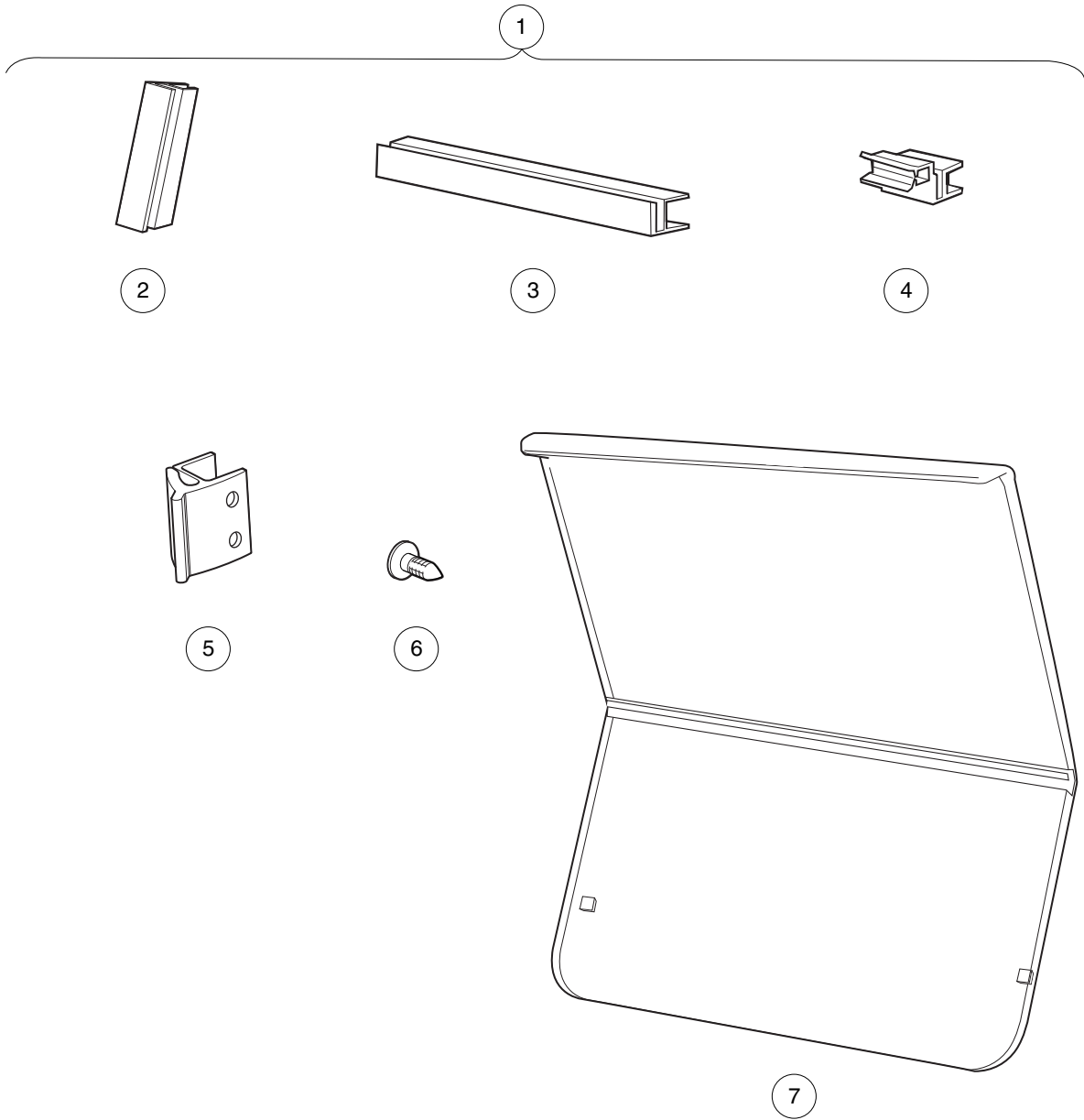
001204-001

# WINDSHIELD, NON-HINGED

| ITEM   | PART NO.  | DESCRIPTION  | QTY |
|--|-----------|--|-----|
|  |           | 1 2 3 4  |     |
| 1  | 1014435   | Windshield Tinted One-Piece (includes items 2 and 3) ..... | 1   |
| 2  | 1011897   | Bumper, Protective .....                                   | 2   |
| 3  | 101444101 | 21" Plastic Extrusion .....                                | 3   |
| <p style="margin-left: 40px;">Note: Requires Windshield Frame Kit.</p> |           |  |     |



**1**  
**G**  
**E**



001257-001

# WINDSHIELD, HINGED

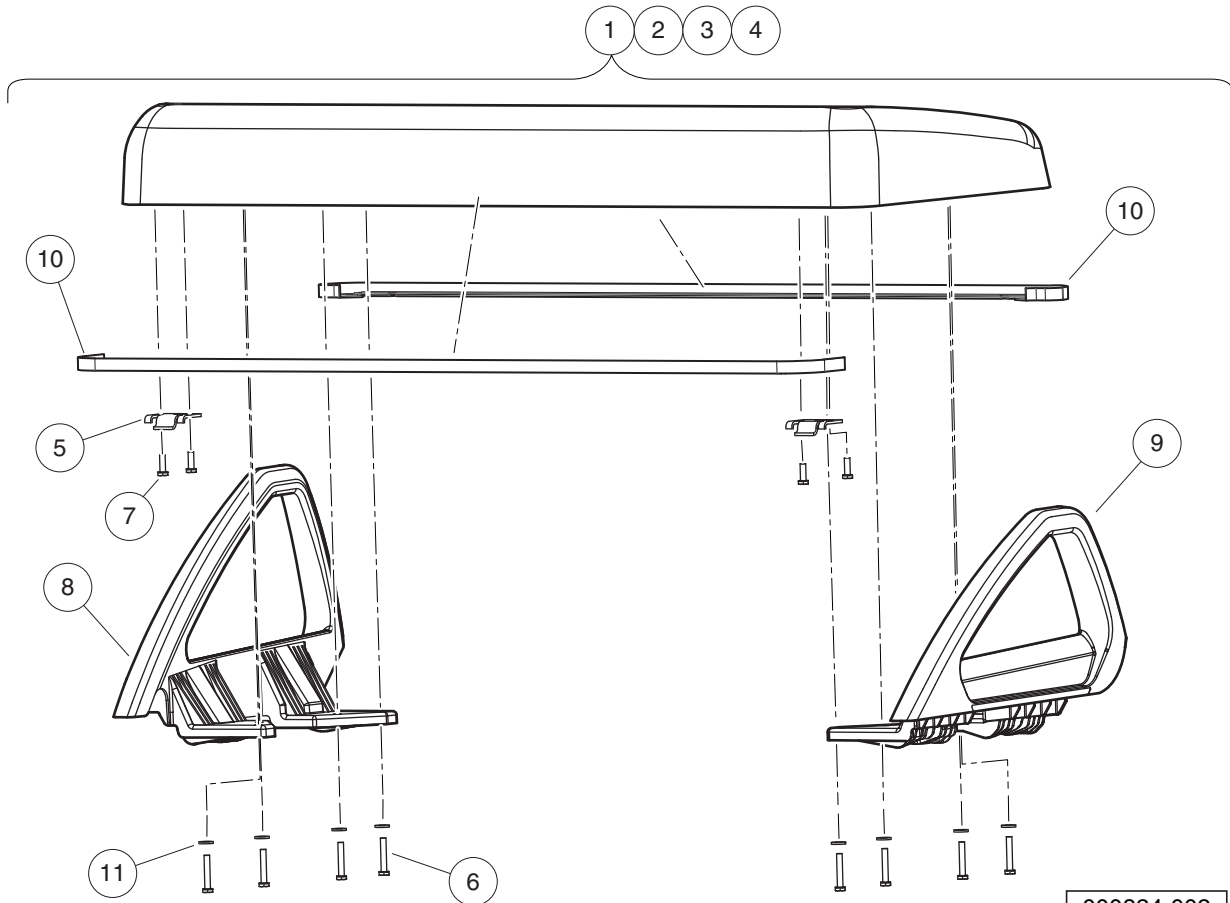
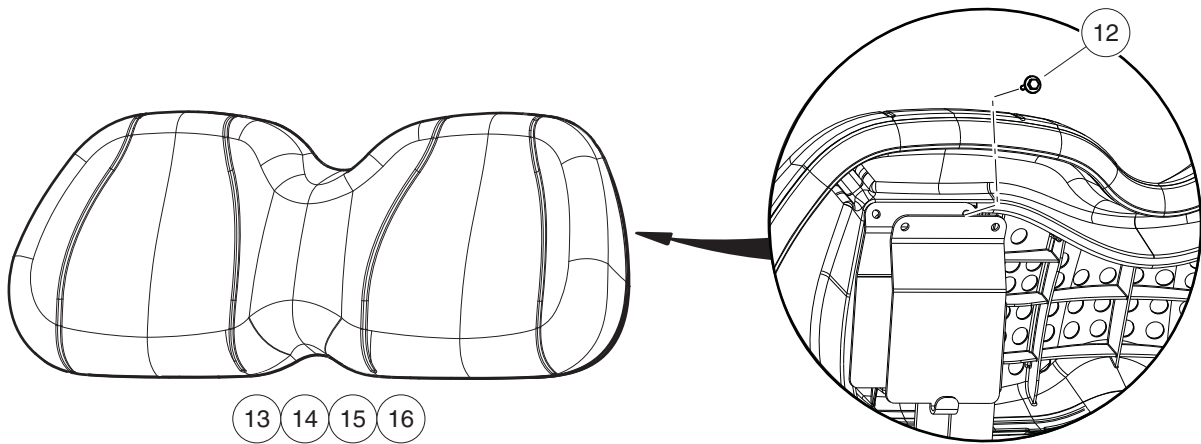
| ITEM   | PART NO.  | DESCRIPTION  | QTY |
|--|-----------|--|-----|
|  |           | 1 2 3 4  |     |
| 1  | 103888301 | Kit, Hinged Windshield, Utility (includes items 2 through 7) ..... | 1   |
| 2  | 102005701 | 5" Plastic Extrusion .....   | 4   |
| 3  | 102163001 | Windshield Channel .....   | 1   |
| 4  | 102163101 | Channel with Receiver Clip .....                                   | 2   |
| 5  | 103677101 | W/s, Rubber, Clip Retainer .....                                   | 2   |
| 6  | 103754901 | Fastener, Barrel - .610 X .25 .....                                | 8   |
| 7  | 103888101 | Hinged Windshield, Utility .....                                   | 1   |
| <p style="margin-left: 40px;">Note: Requires Windshield Frame Kit.</p> |           |  |     |

1

G

E

**1**  
**G**  
**E**



000824-002

# SEATS

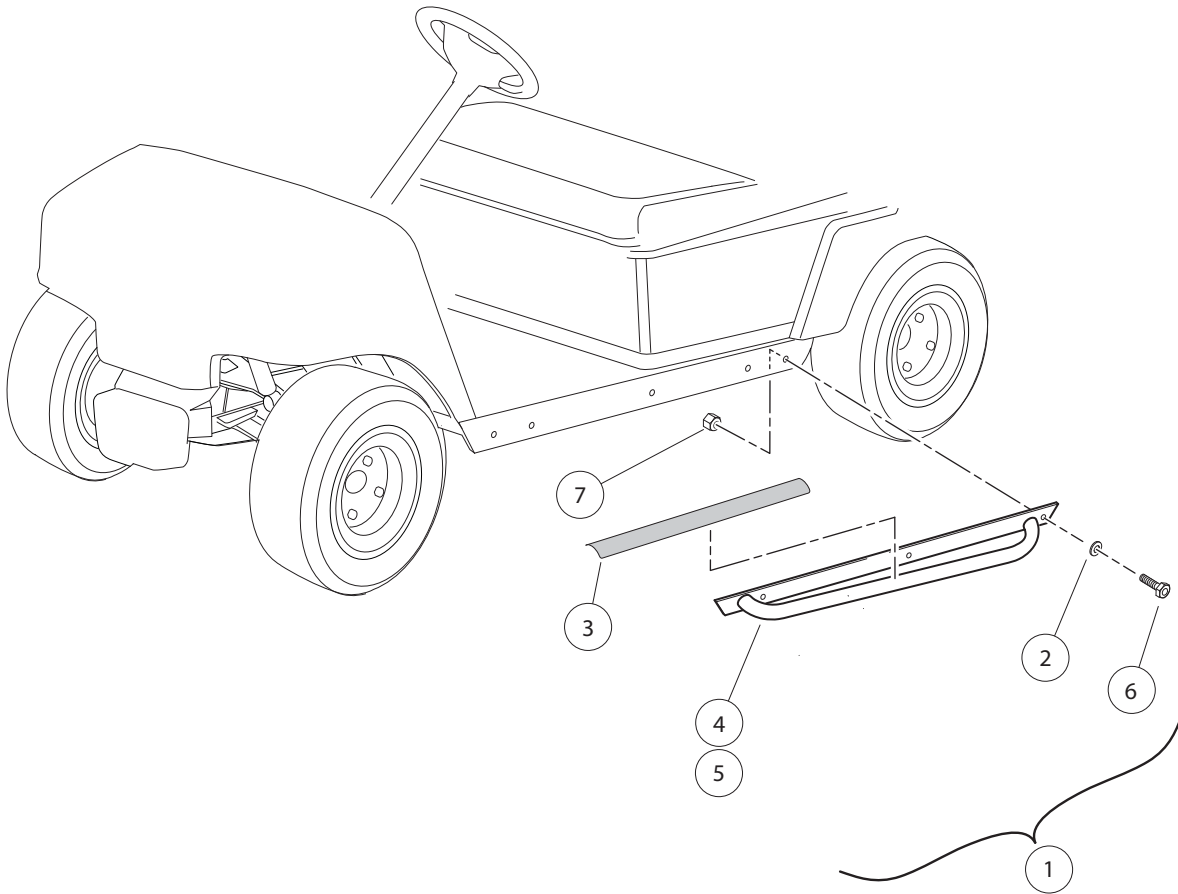
| ITEM | PART NO.  | DESCRIPTION   | QTY |
|------|-----------|---|-----|
|      |           | <b>1 2 3 4</b>  |     |
| 1    | 101998004 | Seat Bottom Assembly, Black .....                             | 1   |
| 2    | 101998006 | Seat Bottom Assembly, Gray .....                              | 1   |
| 3    | 101998007 | Seat Assy Precedent White .....                               | 1   |
| 4    | 101998008 | Seat Assy Precedent Beige (includes items 5 through 11) ..... | 1   |
| 5    | 1011652   | Hinge Plate .....   | 2   |
| 6    | 1016916   | Screw, 1/4-20 X 1.50 Hex-Head Cap .....                       | 8   |
| 7    | 101954301 | Screw, 1/4-20 X 0.75 Hex-Head Cap .....                       | 4   |
| 8    | 101985502 | Armrest, Passenger (right) .....                              | 1   |
| 9    | 101987602 | Armrest, Driver (left) .....                                  | 1   |
| 10   | 101998501 | Gasket, Seat .....  | 2   |
| 11   | 332       | Washer, 1/4 Type A Narrow Flat .....                          | 8   |
| 12   | 102296530 | Screw - M6 X 1.0 X 30 Sems .....                              | 2   |
| 13   | 102503221 | Service Backrest Asm, Beige .....                             | 1   |
| 14   | 102503222 | Service Backrest Asm, White .....                             | 1   |
| 15   | 102503224 | Service Backrest Asm, Gray .....                              | 1   |
| 16   | 102503225 | Service Backrest Asm-black .....                              | 1   |

**1**  
**G**  
**E**

1

G

E



000360-004

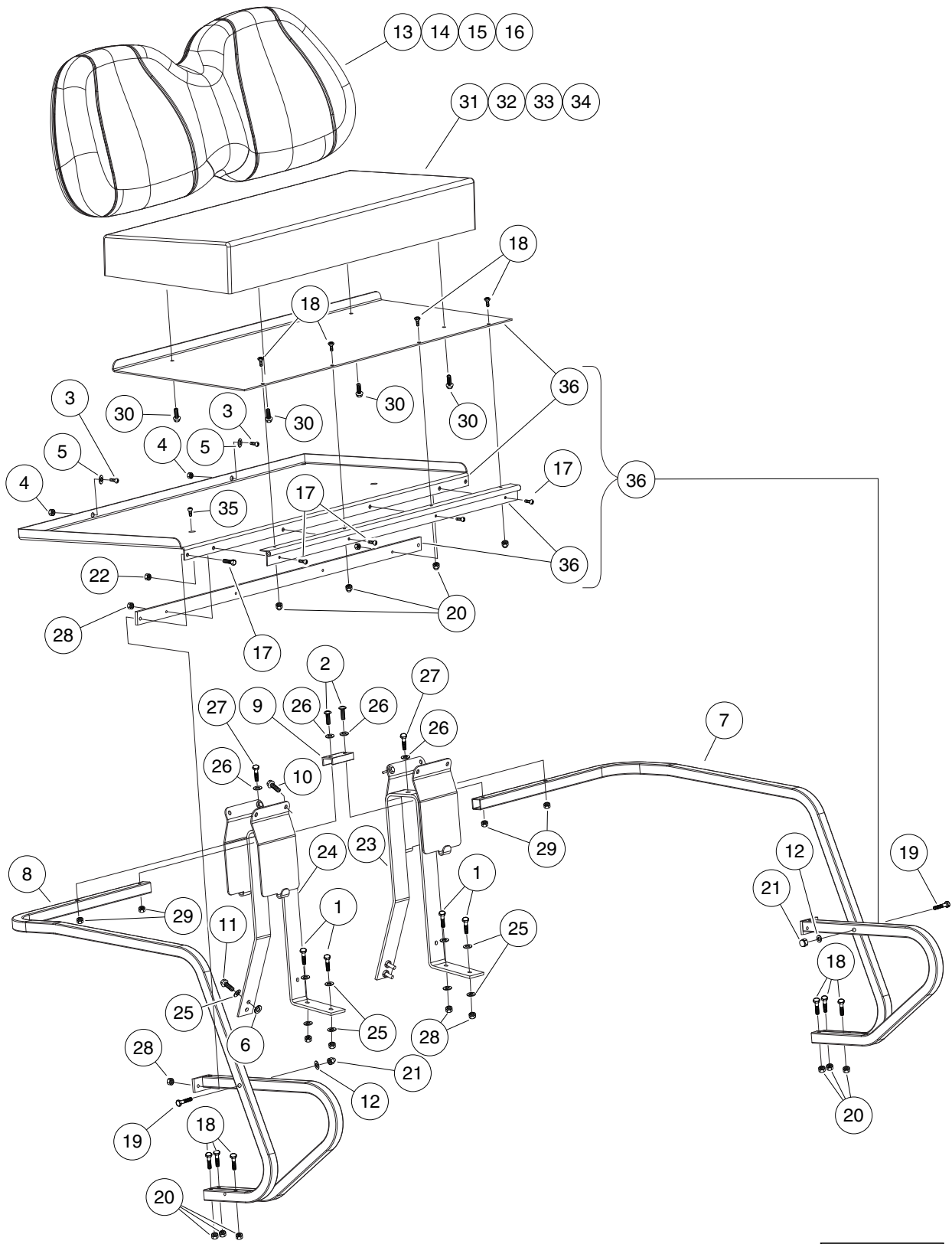


# NERF BAR

| ITEM | PART NO.  | DESCRIPTION   | QTY |
|------|-----------|---|-----|
|      |           | <b>1 2 3 4</b>  |     |
| 1    | 102829801 | Kit, Nerf Bar, Ds/lynx (includes items 2 through 7) ..... | 1   |
| 2    | 1011990   | Washer, 3/8 Flat .....                                    | 6   |
| 3    | 102355102 | Tape, Non-skid .....                                      | 2   |
| 4    | 102829701 | Asm, Nerf Bar, Dmnd Plt, Drv .....                        | 1   |
| 5    | 102829702 | Asm, Nerf Bar, Dmnd Plt,pass .....                        | 1   |
| 6    | 320       | Screw, 3/8-16 X 1.00 Hex-Head Cap .....                   | 6   |
| 7    | 8754      | Locknut, 3/8-16 Hex .....                                 | 6   |

**1**  
**G**  
**E**

**1**  
**G**  
**E**



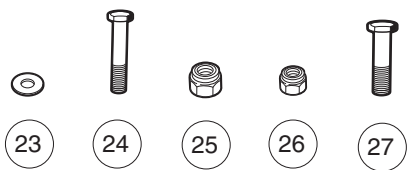
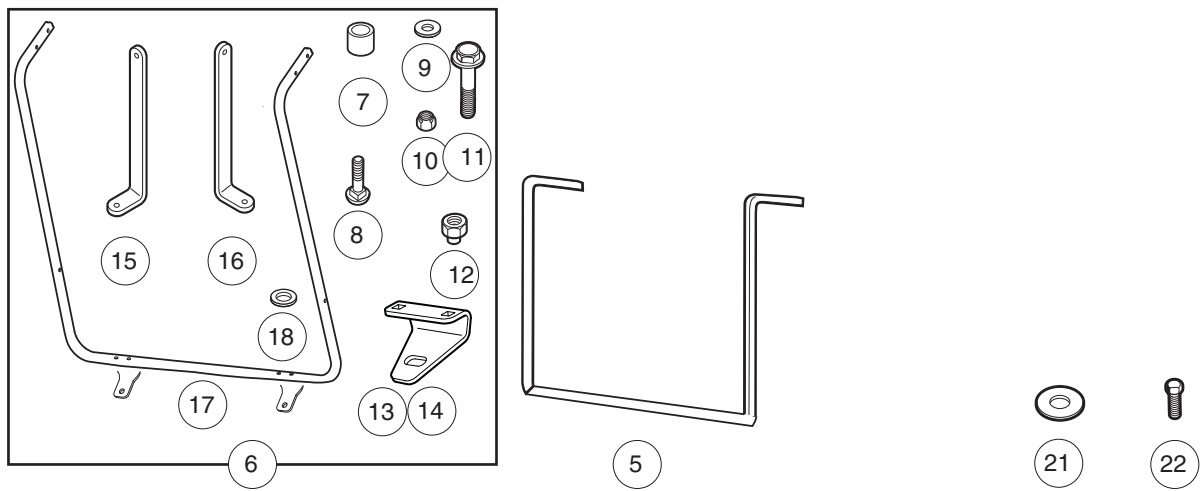
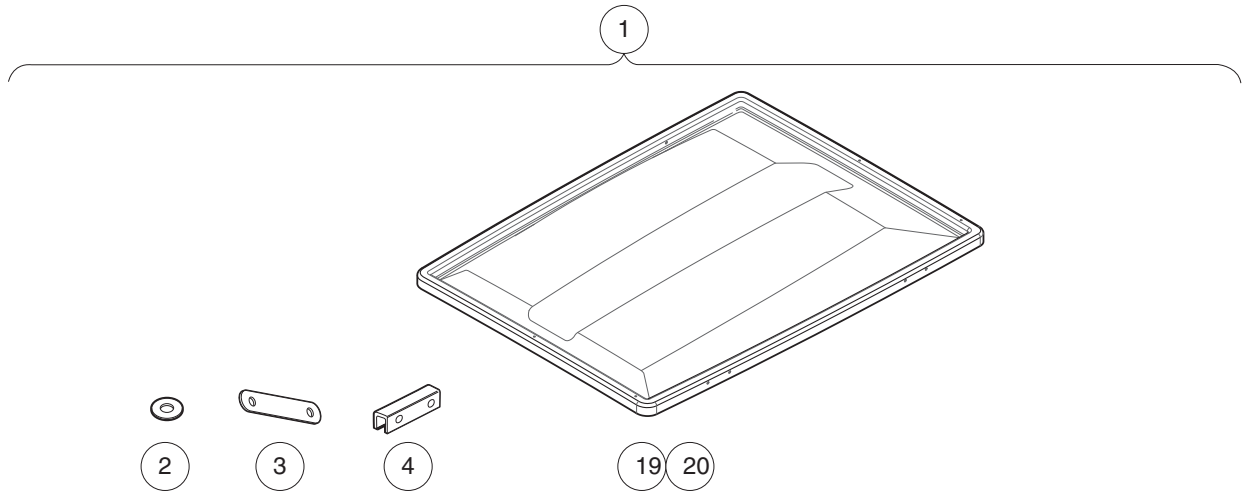
000841-001

# REAR, FOLD DOWN SEAT

| ITEM | PART NO.   | DESCRIPTION   | QTY |
|------|------------|---|-----|
|      |            | <b>1 2 3 4</b>                                      |     |
| 1    | 1010577    | Bolt, Hex-Head, 5/16-18 X 1.50 .....                | 4   |
| 2    | 1011988    | Screw, 1/4-20 X 2.00 Phillips Truss-Head .....      | 2   |
| 3    | 1015059    | Screw, 5/16-18 X 1.0 Phl Truss .....                | 2   |
| 4    | 1015072    | Locknut, 5/16-18 Nylon Insert .....                 | 2   |
| 5    | 1015077    | Washer, 5/16 Flat .....                             | 2   |
| 6    | 1017774    | Body Spacer .....                                   | 4   |
| 7    | 101841201  | Armrest, Seat, Rear, Right-Hand .....               | 1   |
| 8    | 101841202  | Armrest, Seat, Rear, Left-Hand .....                | 1   |
| 9    | 101841301  | Armrest Bracket .....                               | 1   |
| 10   | 101910401  | Screw, 5/16-18 X 1.25 Thrd Frm .....                | 4   |
| 11   | 102296530  | Screw - M6 X 1.0 X 30 Sems .....                    | 2   |
| 12   | 102324901  | Washer, Flat, 1/4", Blk .....                       | 2   |
| 13   | 102503211  | 4 Pass Backrest Asm-beige .....                     | 1   |
| 14   | 102503212  | 4 Pass Backrest Asm-white .....                     | 1   |
| 15   | 102503214  | Backrest Assembly, Gray .....                       | 1   |
| 16   | 102503215  | 4 Pass Backrest Asm-black .....                     | 1   |
| 17   | 102541425  | Bolt, M6x1.0x25, Hex Flhd, Blk-l .....              | 6   |
| 18   | 102541445  | Bolt-m6x1.0x45 Hex Flhd,blk .....                   | 10  |
| 19   | 102541465  | Bolt, M 6 X 1.0 X 65 Hex, Flange, Head, Black ..... | 2   |
| 20   | 102541501  | Nut-m6x1.0 Fl Mtl Lock,blk .....                    | 10  |
| 21   | 102582401  | Cap Nut M6, Sp .....                                | 6   |
| 22   | 102618601  | Lock Nut, Flange, M8 X 1.25 Nylon .....             | 2   |
| 23   | 103378301  | Weldment, Bracket, Seat, Fd Rh .....                | 1   |
| 24   | 103378302  | Weldment, Bracket, Seat, Fd Lh .....                | 1   |
| 25   | 1241       | Washer, 5/16 Type A Flat .....                      | 12  |
| 26   | 332        | Washer, 1/4 Type A Narrow Flat .....                | 6   |
| 27   | 7311       | Screw, 1/4-20 X 2.00 Hex-Head Cap .....             | 2   |
| 28   | 7473       | Locknut, 5/16-18 Nylon Insert .....                 | 12  |
| 29   | 8233       | Locknut, 1/4-20, Nylon Insert .....                 | 4   |
| 30   | SVPP230201 | 1/4-20x.75 Fl Hd Mach Scr Ss .....                  | 4   |
| 31   | SVPP230901 | Seat Sub Asm, Beige .....                           | 1   |
| 32   | SVPP230902 | Seat Sub Asm, White .....                           | 1   |
| 33   | SVPP230903 | Seat Asm - Gray .....                               | 1   |
| 34   | SVPP230904 | Seat Sub Asm, Blk .....                             | 1   |
| 35   | SVPP234001 | M8x1.25x25 Fl Hd Mach Scr .....                     | 2   |
| 36   | SVPP285901 | Kit, Fold Downxrt 800/810/850 .....                 | 1   |

**1**  
**G**  
**E**

**1**  
**G**  
**E**



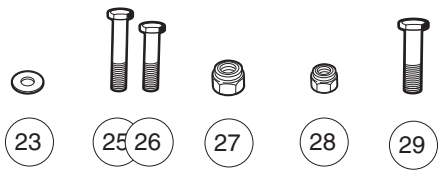
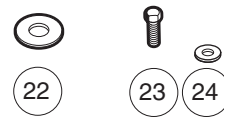
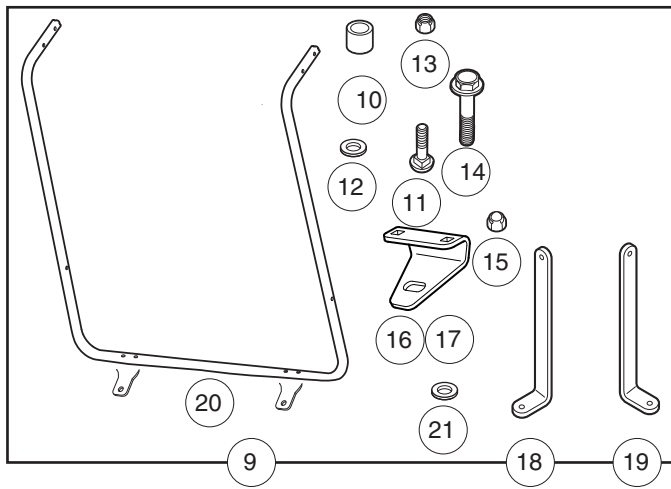
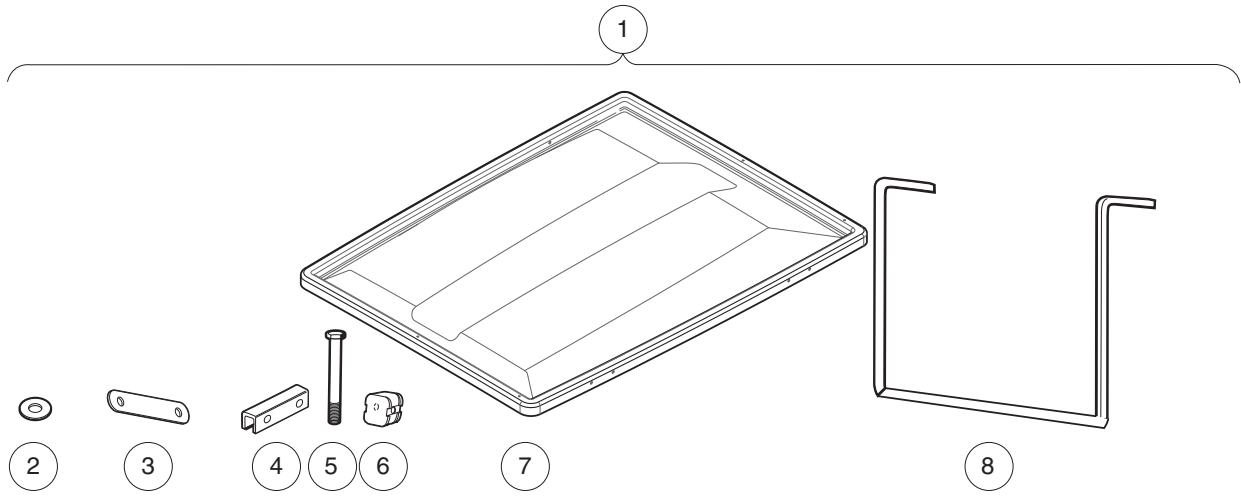
001532-001

## CANOPY (WHITE) FOR VEHICLES EQUIPPED WITH BED

| ITEM | PART NO.  | DESCRIPTION   | QTY |
|------|-----------|---|-----|
|      |           | <b>1 2 3 4</b>  |     |
| 1    | 103410501 | Kit, Canopy, White, 56" (includes items 2 through 27) .....       | 1   |
| 2    | 1010517   | Washer, .88 Od X .343 Id Nylon .....                              | 2   |
| 3    | 1011852   | Plate, Canopy Trim .....  | 8   |
| 4    | 1012008   | Support, Side Canopy .....  | 2   |
| 5    | 103411001 | Brace, Canopy, Short, Bed .....                                   | 1   |
| 6    | 103795503 | Asm, W/s Frame, Canopy, Black (includes items 7 through 18) ..... | 1   |
| 7    | 1010237   | Bushing .....   | 2   |
| 8    | N/A       | Bolt, 1/4-20 X 1.50 Rd Hd Sq N .....                              | 4   |
| 9    | 1011964   | Washer, 1/4 Flat .....  | 2   |
| 10   | 1015091   | Nut, 1/4-20 Stainless-Steel Center-Lock Cap .....                 | 4   |
| 11   | 102076702 | Screw, 1/4-20 X 1.75 Hexhead,SEMS, Black .....                    | 2   |
| 12   | 102242401 | Nut - Nylon Insert W/cap .....                                    | 2   |
| 13   | 102854301 | Bracket, Support, Windshield Frame, Driver-Side .....             | 1   |
| 14   | 102854302 | Bracket, Support, Windshield Frame, Passenger-Side .....          | 1   |
| 15   | 103411101 | Brace, Knee, Passenger .....                                      | 1   |
| 16   | 103411201 | Brace, Knee, Driver .....   | 1   |
| 17   | 103787302 | Frame, Windshield, Vac Cowl .....                                 | 1   |
| 18   | 332       | Washer, 1/4 Type A Narrow Flat .....                              | 4   |
| 19   | 103804003 | Asm, Canopy, Utility White (includes item 20) .....               | 1   |
| 20   | 1011942   | Modified Grommet .....  | 2   |
| 21   | 1241      | Washer, 5/16 Type A Flat .....                                    | 6   |
| 22   | 304       | Screw, 1/4-20 X 1.0 Hex-Head Cap .....                            | 2   |
| 23   | 332       | Washer, 1/4 Type A Narrow Flat .....                              | 18  |
| 24   | 7311      | Screw, 1/4-20 X 2.00 Hex-Head Cap .....                           | 8   |
| 25   | 7473      | Locknut, 5/16-18 Nylon Insert .....                               | 3   |
| 26   | 8233      | Locknut, 1/4-20, Nylon Insert .....                               | 8   |
| 27   | 8963      | Screw, 5/16-18 X 1.75 Hex-Head Cap .....                          | 3   |

**1**  
**G**  
**E**

**1**  
**G**  
**E**



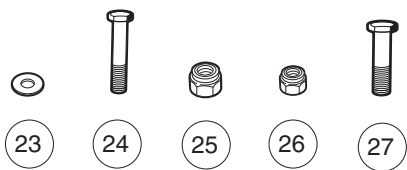
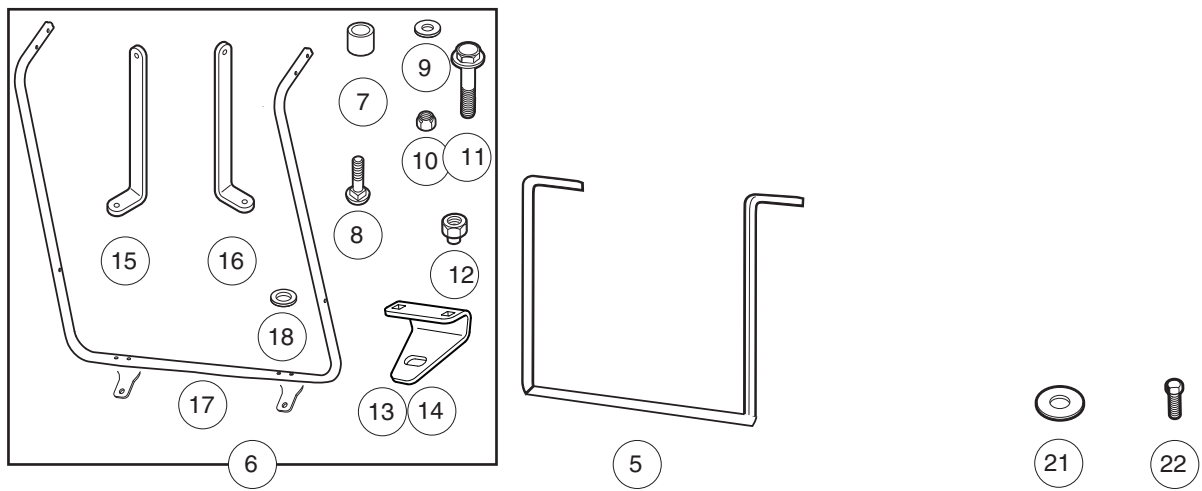
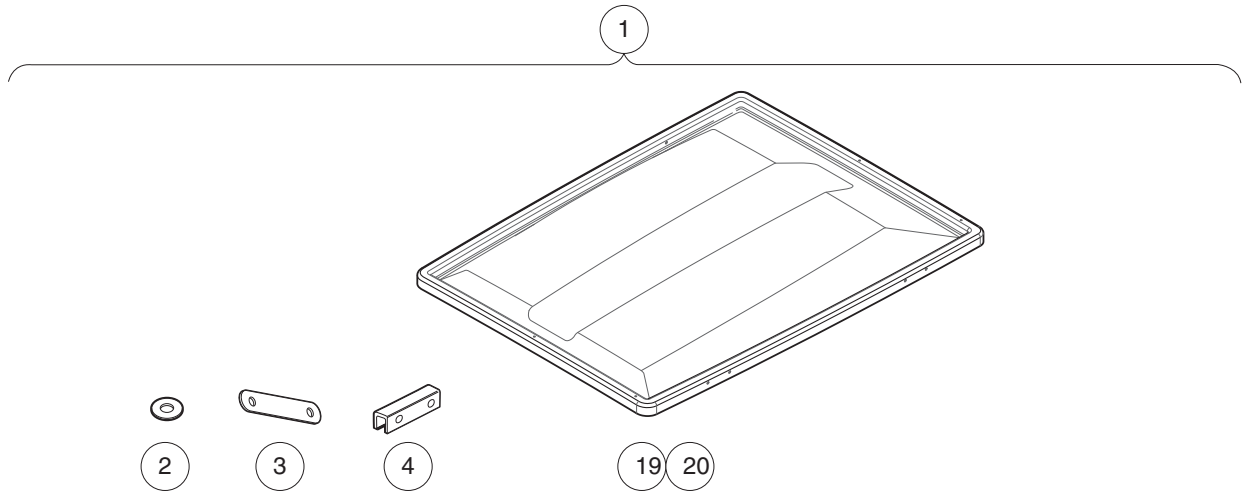
001532-002

# CANOPY (WHITE), VEHICLE WITH FOLD DOWN REAR SEAT

| ITEM | PART NO.  | DESCRIPTION  | QTY |
|------|-----------|--|-----|
|      |           | 1 2 3 4  |     |
| 1    | 103410701 | Kit, Canopy, White 80" Fld Dwn (includes items 2 through 29) ..... | 1   |
| 2    | 1010517   | Washer, .88 Od X .343 Id Nylon .....                               | 2   |
| 3    | 1011852   | Plate, Canopy Trim .....   | 8   |
| 4    | 1012008   | Support, Side Canopy .....   | 2   |
| 5    | 1013872   | Bolt, 1/4-20 X 4.00 Hex Head .....                                 | 2   |
| 6    | 1013884   | Spacer, Bag Hoop .....   | 10  |
| 7    | N/A       | Canopy, 80" White, Plain Band .....                                | 1   |
| 8    | 103410901 | Brace, Canopy, Rear, Long .....                                    | 1   |
| 9    | 103795503 | Asm, W/s Frame, Canopy, Black (includes items 10 through 21) ..... | 1   |
| 10   | 1010237   | Bushing .....  | 2   |
| 11   | N/A       | Bolt, 1/4-20 X 1.50 Rd Hd Sq N .....                               | 4   |
| 12   | 1011964   | Washer, 1/4 Flat .....   | 2   |
| 13   | 1015091   | Nut, 1/4-20 Stainless-Steel Center-Lock Cap .....                  | 4   |
| 14   | 102076702 | Screw, 1/4-20 X 1.75 Hexhead,SEMS, Black .....                     | 2   |
| 15   | 102242401 | Nut - Nylon Insert W/cap .....                                     | 2   |
| 16   | 102854301 | Bracket, Support, Windshield Frame, Driver-Side .....              | 1   |
| 17   | 102854302 | Bracket, Support, Windshield Frame, Passenger-Side .....           | 1   |
| 18   | 103411101 | Brace, Knee, Passenger .....                                       | 1   |
| 19   | 103411201 | Brace, Knee, Driver .....  | 1   |
| 20   | 103787302 | Frame, Windshield, Vac Cowl .....                                  | 1   |
| 21   | 332       | Washer, 1/4 Type A Narrow Flat .....                               | 4   |
| 22   | 1241      | Washer, 5/16 Type A Flat .....                                     | 6   |
| 23   | 304       | Screw, 1/4-20 X 1.0 Hex-Head Cap .....                             | 2   |
| 24   | 332       | Washer, 1/4 Type A Narrow Flat .....                               | 22  |
| 25   | 343       | Screw, 1/4-20 X 3.00 Hx Hd Cap .....                               | 8   |
| 26   | 7311      | Screw, 1/4-20 X 2.00 Hex-Head Cap .....                            | 8   |
| 27   | 7473      | Locknut, 5/16-18 Nylon Insert .....                                | 3   |
| 28   | 8233      | Locknut, 1/4-20, Nylon Insert .....                                | 10  |
| 29   | 8963      | Screw, 5/16-18 X 1.75 Hex-Head Cap .....                           | 3   |

**1**  
**G**  
**E**

**1**  
**G**  
**E**



001532-001

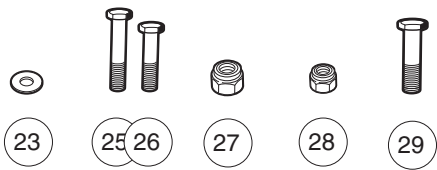
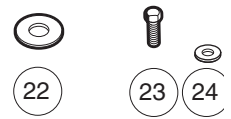
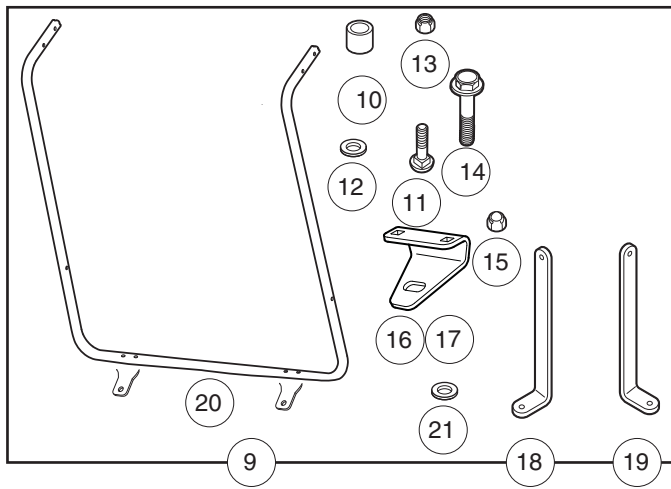
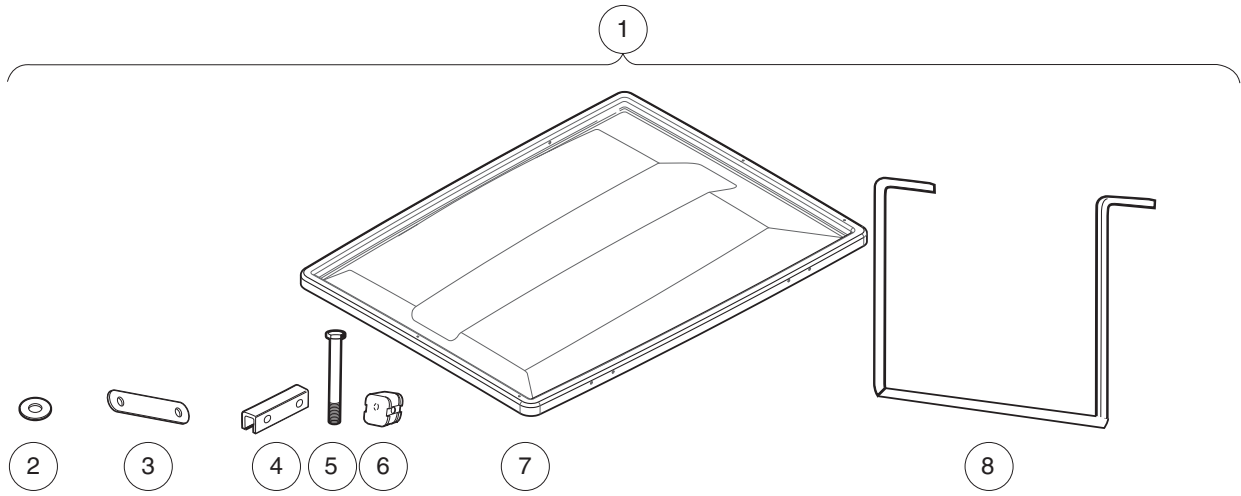


## CANOPY (BLACK) FOR VEHICLES EQUIPPED WITH BED

| ITEM | PART NO.  | DESCRIPTION   | QTY |
|------|-----------|---|-----|
|      |           | 1 2 3 4   |     |
| 1    | 103410401 | Kit, Canopy, Black, 56" (includes items 2 through 27) .....       | 1   |
| 2    | 1010517   | Washer, .88 Od X .343 Id Nylon .....                              | 2   |
| 3    | 1011852   | Plate, Canopy Trim .....  | 8   |
| 4    | 1012008   | Support, Side Canopy .....  | 2   |
| 5    | 103411001 | Brace, Canopy, Short, Bed .....                                   | 1   |
| 6    | 103795503 | Asm, W/s Frame, Canopy, Black (includes items 7 through 18) ..... | 1   |
| 7    | 1010237   | Bushing .....   | 2   |
| 8    | N/A       | Bolt, 1/4-20 X 1.50 Rd Hd Sq N .....                              | 4   |
| 9    | 1011964   | Washer, 1/4 Flat .....  | 2   |
| 10   | 1015091   | Nut, 1/4-20 Stainless-Steel Center-Lock Cap .....                 | 4   |
| 11   | 102076702 | Screw, 1/4-20 X 1.75 Hexhead,SEMS, Black .....                    | 2   |
| 12   | 102242401 | Nut - Nylon Insert W/cap .....                                    | 2   |
| 13   | 102854301 | Bracket, Support, Windshield Frame, Driver-Side .....             | 1   |
| 14   | 102854302 | Bracket, Support, Windshield Frame, Passenger-Side .....          | 1   |
| 15   | 103411101 | Brace, Knee, Passenger .....                                      | 1   |
| 16   | 103411201 | Brace, Knee, Driver .....   | 1   |
| 17   | 103787302 | Frame, Windshield, Vac Cowl .....                                 | 1   |
| 18   | 332       | Washer, 1/4 Type A Narrow Flat .....                              | 4   |
| 19   | 103804004 | Asm, Canopy, Utility Black (includes item 20) .....               | 1   |
| 20   | 1011942   | Modified Grommet .....  | 2   |
| 21   | 1241      | Washer, 5/16 Type A Flat .....                                    | 6   |
| 22   | 304       | Screw, 1/4-20 X 1.0 Hex-Head Cap .....                            | 2   |
| 23   | 332       | Washer, 1/4 Type A Narrow Flat .....                              | 18  |
| 24   | 7311      | Screw, 1/4-20 X 2.00 Hex-Head Cap .....                           | 8   |
| 25   | 7473      | Locknut, 5/16-18 Nylon Insert .....                               | 3   |
| 26   | 8233      | Locknut, 1/4-20, Nylon Insert .....                               | 8   |
| 27   | 8963      | Screw, 5/16-18 X 1.75 Hex-Head Cap .....                          | 3   |

**1**  
**G**  
**E**

**1**  
**G**  
**E**



001532-002

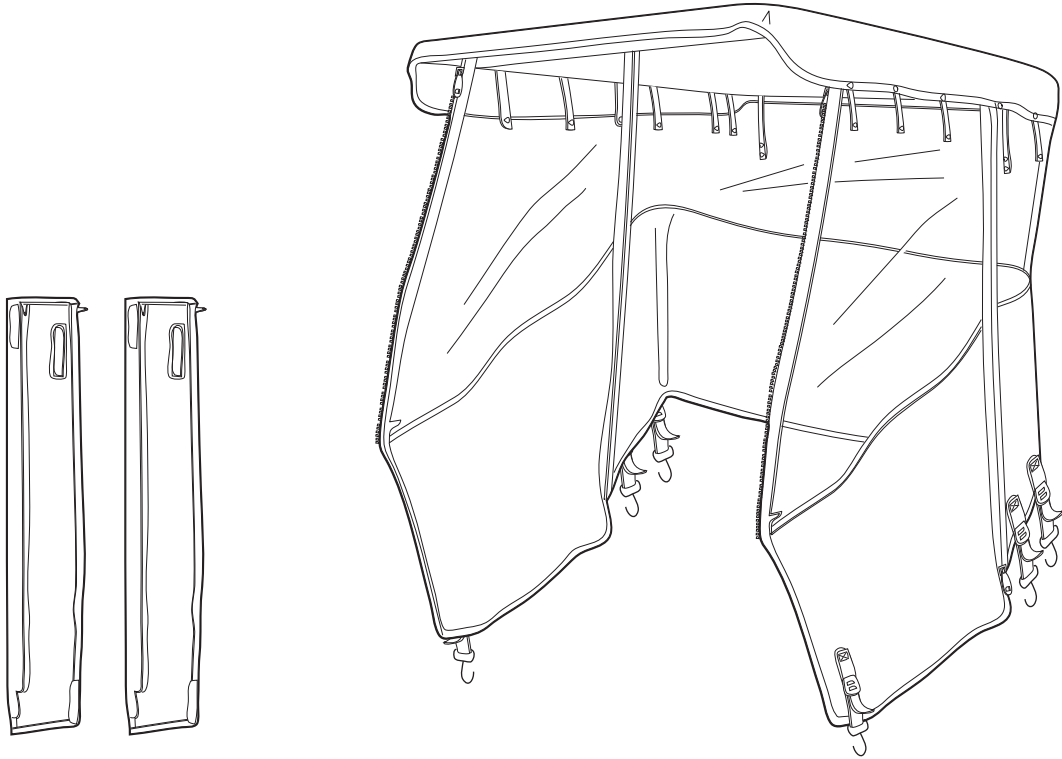
# CANOPY (BLACK), VEHICLE WITH FOLD DOWN REAR SEAT

| ITEM | PART NO.  | DESCRIPTION  | QTY |
|------|-----------|--|-----|
|      |           | <b>1 2 3 4</b>   |     |
| 1    | 103410601 | Kit, Canopy, Black 80" Fld Dwn (includes items 2 through 29) ..... | 1   |
| 2    | 1010517   | Washer, .88 Od X .343 Id Nylon .....                               | 2   |
| 3    | 1011852   | Plate, Canopy Trim .....   | 8   |
| 4    | 1012008   | Support, Side Canopy .....   | 2   |
| 5    | 1013872   | Bolt, 1/4-20 X 4.00 Hex Head .....                                 | 2   |
| 6    | 1013884   | Spacer, Bag Hoop .....   | 10  |
| 7    | 103410803 | Canopy, 80" Black, Black Band .....                                | 1   |
| 8    | 103410901 | Brace, Canopy, Rear, Long .....                                    | 1   |
| 9    | 103795503 | Asm, W/s Frame, Canopy, Black (includes items 10 through 21) ..... | 1   |
| 10   | 1010237   | Bushing .....  | 2   |
| 11   | N/A       | Bolt, 1/4-20 X 1.50 Rd Hd Sq N .....                               | 4   |
| 12   | 1011964   | Washer, 1/4 Flat .....   | 2   |
| 13   | 1015091   | Nut, 1/4-20 Stainless-Steel Center-Lock Cap .....                  | 4   |
| 14   | 102076702 | Screw, 1/4-20 X 1.75 Hexhead,SEMS, Black .....                     | 2   |
| 15   | 102242401 | Nut - Nylon Insert W/cap .....                                     | 2   |
| 16   | 102854301 | Bracket, Support, Windshield Frame, Driver-Side .....              | 1   |
| 17   | 102854302 | Bracket, Support, Windshield Frame, Passenger-Side .....           | 1   |
| 18   | 103411101 | Brace, Knee, Passenger .....                                       | 1   |
| 19   | 103411201 | Brace, Knee, Driver .....  | 1   |
| 20   | 103787302 | Frame, Windshield, Vac Cowl .....                                  | 1   |
| 21   | 332       | Washer, 1/4 Type A Narrow Flat .....                               | 4   |
| 22   | 1241      | Washer, 5/16 Type A Flat .....                                     | 6   |
| 23   | 304       | Screw, 1/4-20 X 1.0 Hex-Head Cap .....                             | 2   |
| 24   | 332       | Washer, 1/4 Type A Narrow Flat .....                               | 22  |
| 25   | 343       | Screw, 1/4-20 X 3.00 Hx Hd Cap .....                               | 8   |
| 26   | 7311      | Screw, 1/4-20 X 2.00 Hex-Head Cap .....                            | 8   |
| 27   | 7473      | Locknut, 5/16-18 Nylon Insert .....                                | 3   |
| 28   | 8233      | Locknut, 1/4-20, Nylon Insert .....                                | 10  |
| 29   | 8963      | Screw, 5/16-18 X 1.75 Hex-Head Cap .....                           | 3   |

**1**  
**G**  
**E**

**1**  
**G**  
**E**

1  
2



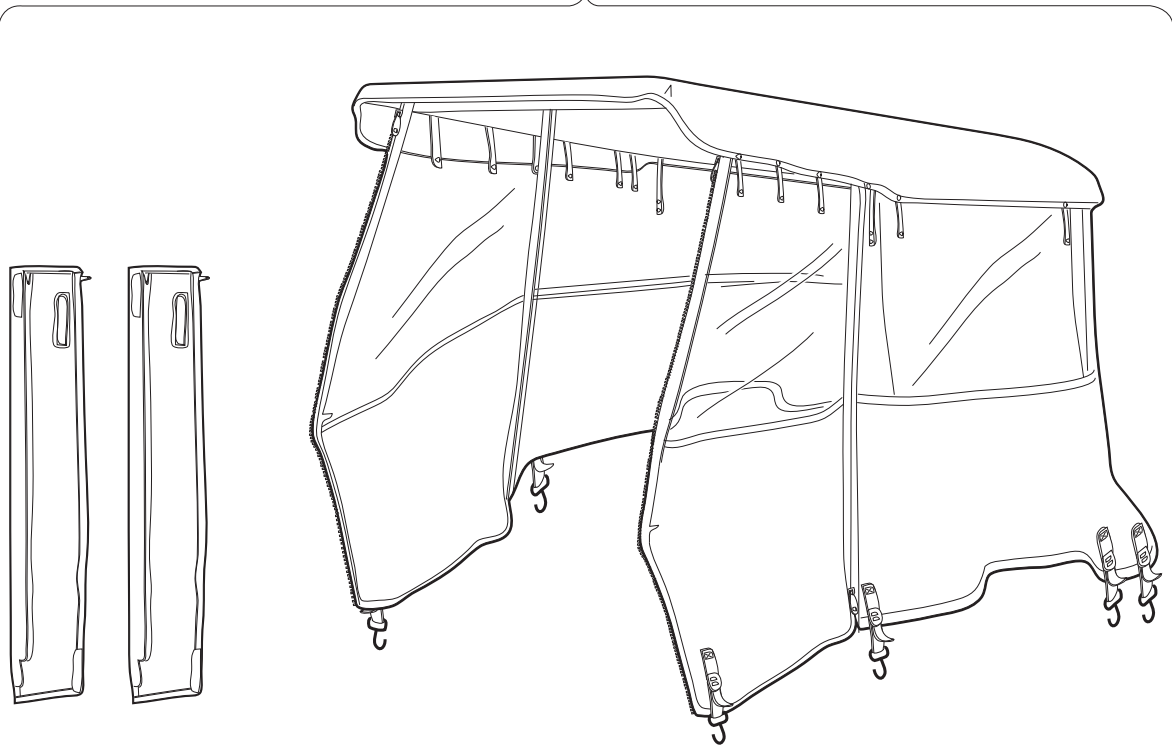
001309-001

## ENCLOSURE, 3-SIDED – FOR VEHICLE WITH CARGO BED

| ITEM | PART NO.  | DESCRIPTION                                   | QTY |
|------|-----------|---|-----|
| 1    | 102852801 | 1 2 3 4<br>Kit, Enclosure, Gray, W/ Bed ..... | 1   |
| 2    | 103407601 | Kit, Enclosure, Black, W/ Bed .....           | 1   |

1  
G  
E

1  
2



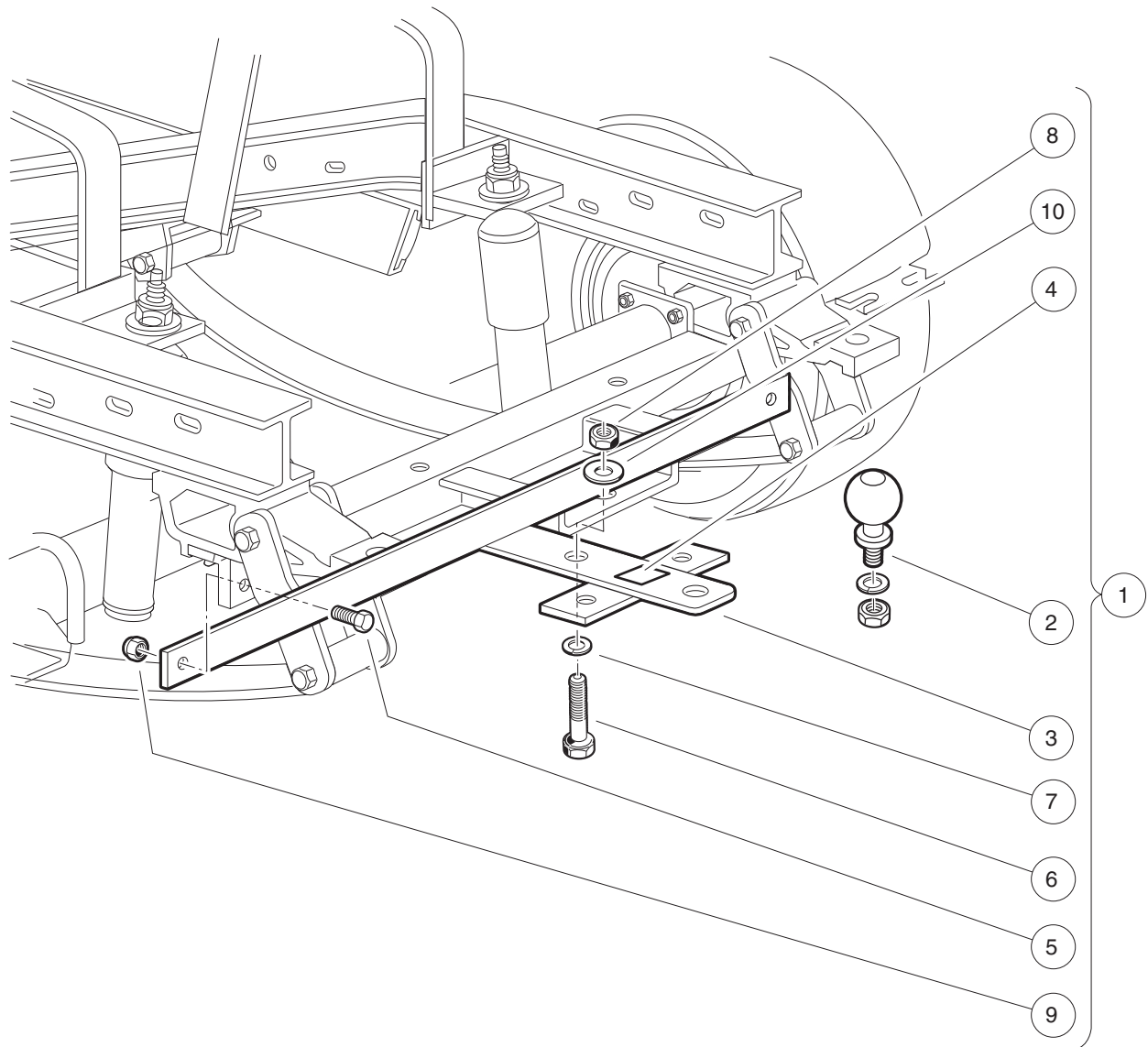
001310-001

# ENCLOSURE, 3-SIDED – FOR VEHICLE WITH FOLDDOWN REAR SEAT

| ITEM | PART NO.  | DESCRIPTION   | QTY |
|------|-----------|---|-----|
| 1    | 103407701 | 1 2 3 4<br>Kit, Enclosure, Gray, W/ Folddown Seat ..... | 1   |
| 2    | 103407801 | Kit, Enclosure, Black, W/ Folddown Seat .....           | 1   |

**1**  
**G**  
**E**

**1**  
**G**  
**E**



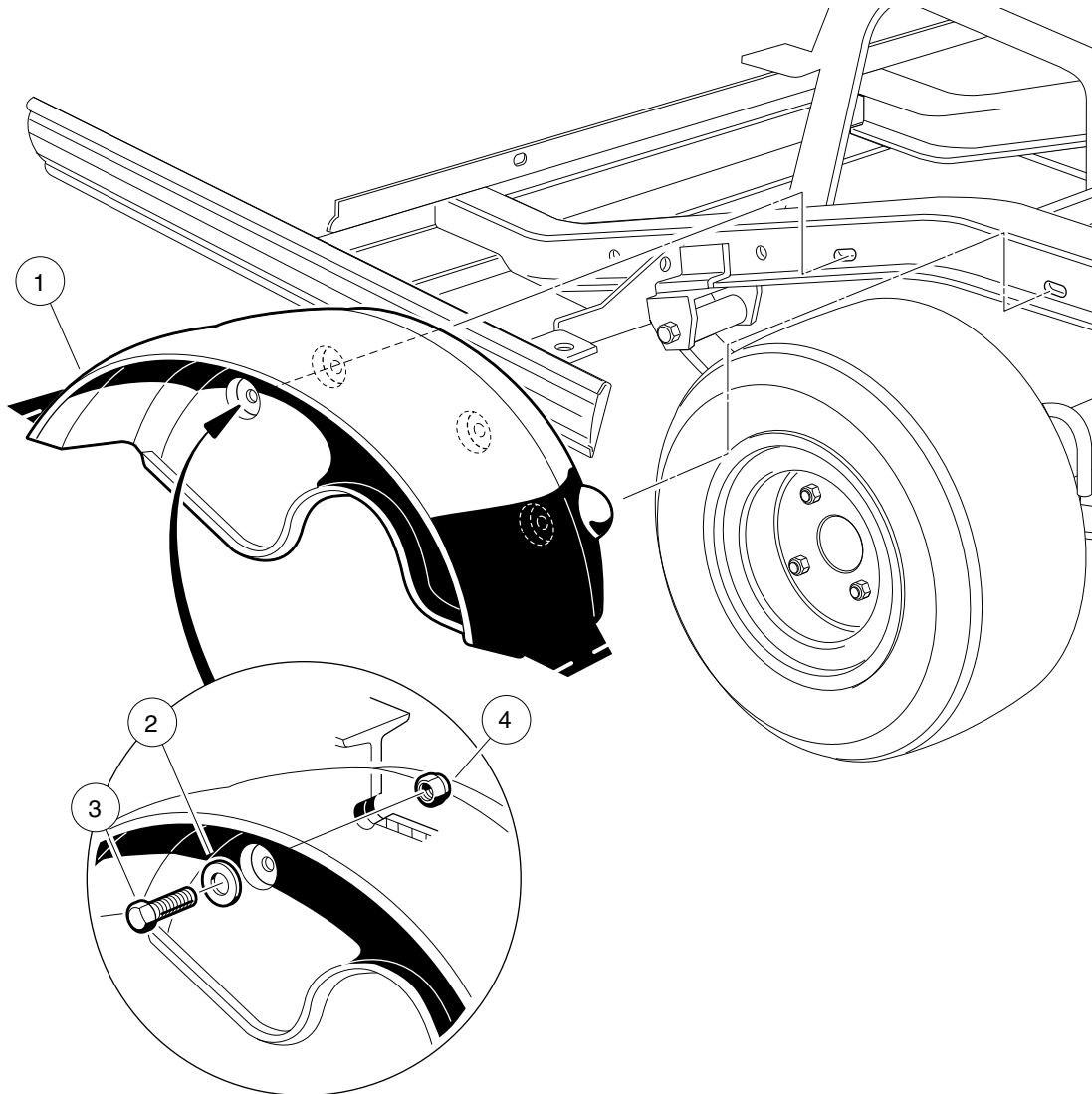
001432-001



# TRAILER HITCH

| ITEM | PART NO. | DESCRIPTION  | QTY |
|------|----------|--|-----|
|      |          | <b>1 2 3 4</b>   |     |
| 1    | 1011522  | Kit, Trailer Hitch (1-7/8 Ball (includes items 2 through 10) ..... | 1   |
| 2    | 1011546  | Trailer Hitch Ball - 1 7/8" .....                                  | 1   |
| 3    | N/A      | Trailer Hitch Weld Assy' .....                                     | 1   |
| 4    | 1011553  | Decal, Trailer Hitch .....   | 1   |
| 5    | 1218     | Screw, 5/16-18 X 1.25 Hex-Head Cap .....                           | 2   |
| 6    | 1624     | Screw, 3/8-16 X 1.50, Hex-Head Cap .....                           | 1   |
| 7    | 357      | Lockwasher, 3/8 Split .....  | 1   |
| 8    | 706      | Nut, Hex 3/8-16 .....  | 1   |
| 9    | 7473     | Locknut, 5/16-18 Nylon Insert .....                                | 2   |
| 10   | 808      | Washer, 3/8 Type B Flat .....                                      | 1   |

**1**  
**G**  
**E**



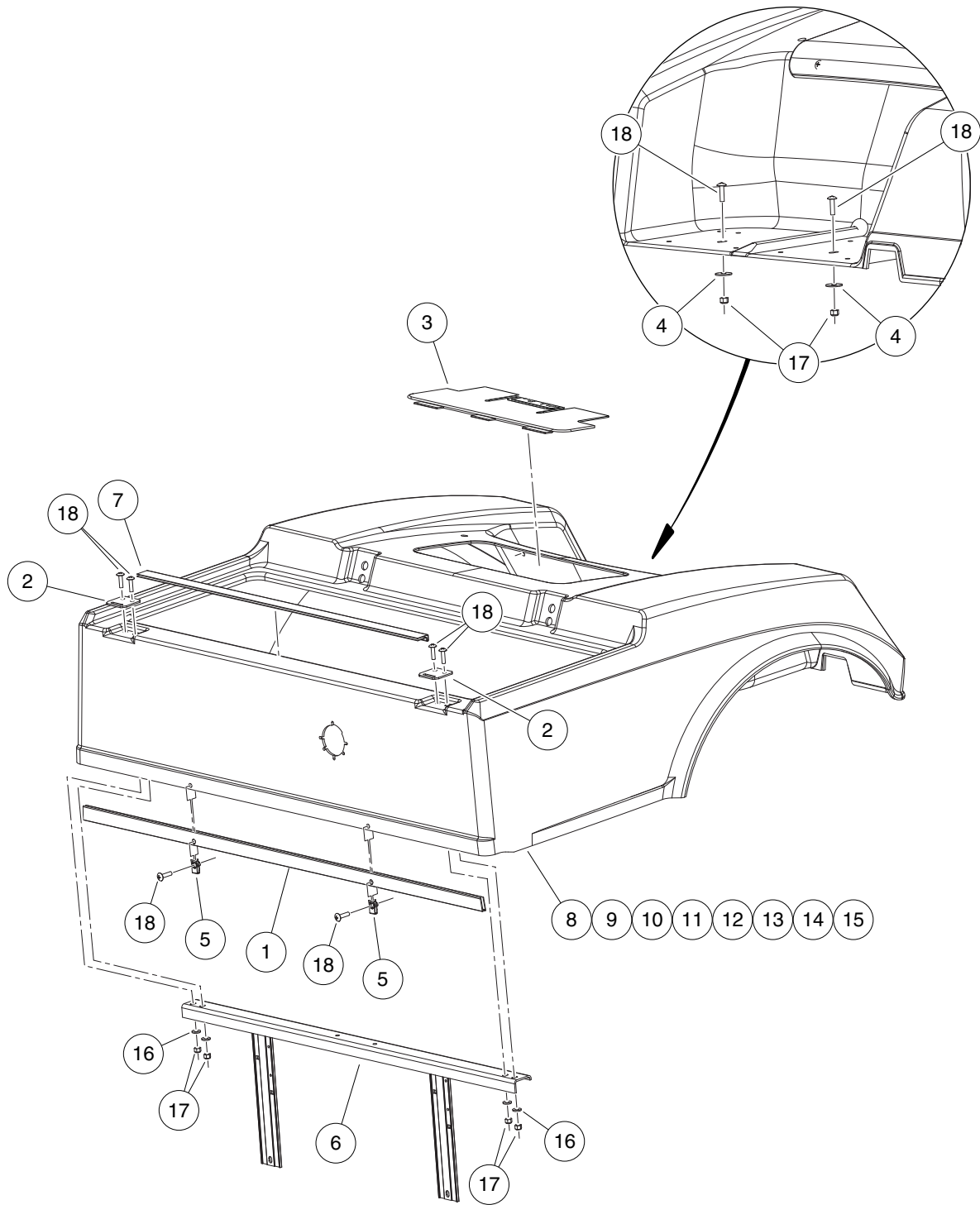
000747-001

# INNER FENDER

| ITEM | PART NO. | DESCRIPTION                             | QTY |
|------|----------|---|-----|
|      |          | <b>1 2 3 4</b>                          |     |
| 1    | 1017936  | Fender, Inner .....                     | 2   |
| 2    | 332      | Washer, 1/4 Type A Narrow Flat .....    | 4   |
| 3    | 7847     | Screw, 1/4-20 X 0.75 Hex-Head Cap ..... | 4   |
| 4    | 8233     | Locknut, 1/4-20, Nylon Insert .....     | 4   |

**1**  
**G**  
**E**

**1**  
**G**  
**E**



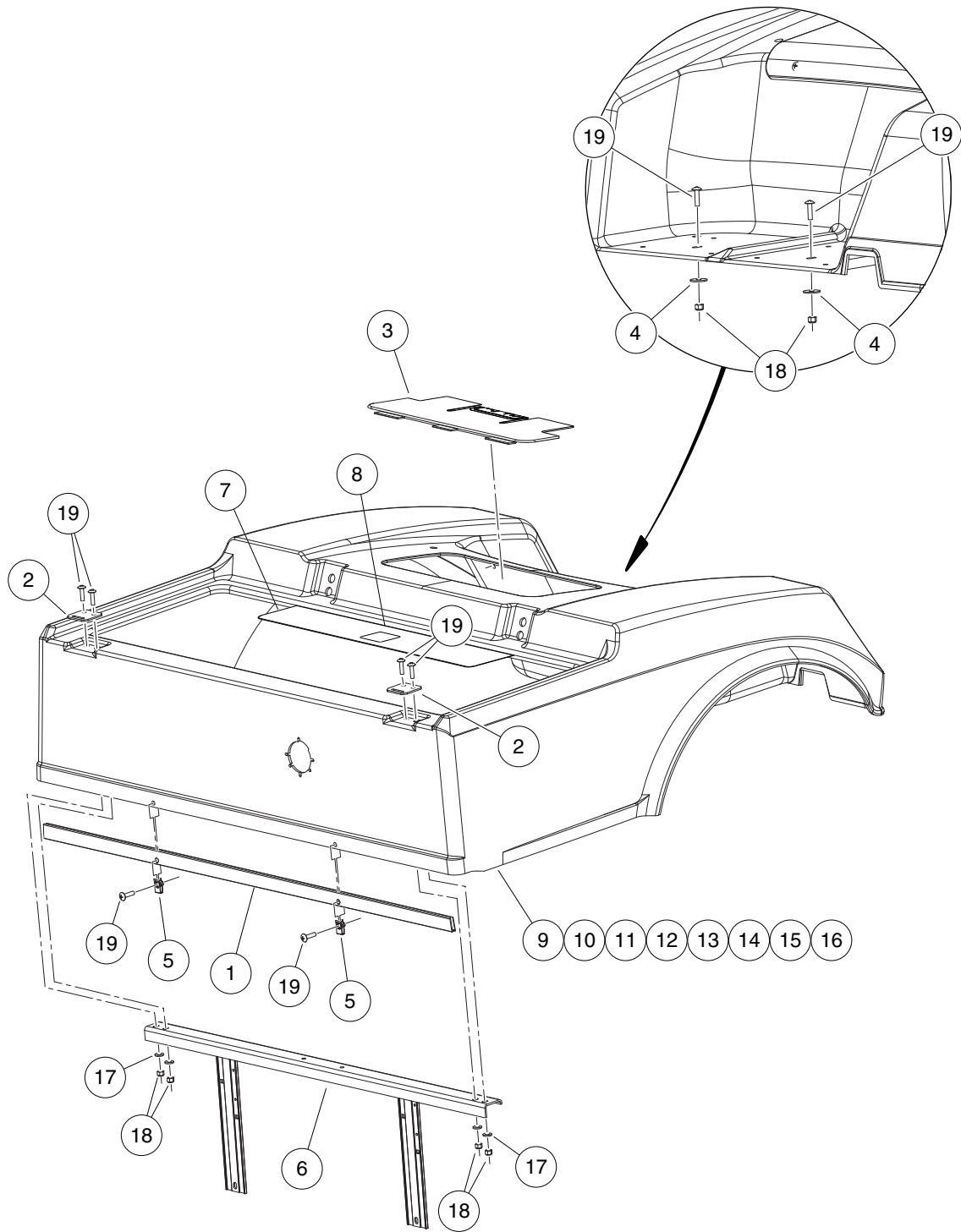
000820-001

## REAR BODY – ELECTRIC VEHICLES

| ITEM | PART NO.  | DESCRIPTION  | QTY |
|------|-----------|--|-----|
|      |           | 1 2 3 4  |     |
| 1    | 1010993   | Body Kick Plate .....  | 1   |
| 2    | 1012412   | Body, Hinge Plate .....  | 2   |
| 3    | 101303202 | Access Panel - Black, Cut .....                                    | 1   |
| 4    | 1014306   | Washer, 1/4" Type B Flat .....                                     | 2   |
| 5    | 1016952   | U-Nut, 1/4-20 .....  | 2   |
| 6    | 1017141   | Body Support Weldment .....  | 1   |
| 7    | 101837001 | Battery Insulator .....  | 1   |
| 8    | 103365401 | Body, Rear XRT Elec Red .....                                      | 1   |
| 9    | 103365402 | Body, Rear XRT Elec Green .....                                    | 1   |
| 10   | 103365403 | Body, Rear XRT Elec Camo (Husqvarna) .....                         | 1   |
| 11   | 103365404 | Body, Rear XRT Elec Blue .....                                     | 1   |
| 12   | 103365405 | Body, Rear XRT Elec Black .....                                    | 1   |
| 13   | 103365407 | Body, Rear XRT Elec Camo Hardwood (Standard camo for XRT850) ..... | 1   |
| 14   | N/A       | Body, Rear XRT Elec Max4 .....                                     | 1   |
| 15   | 103365409 | Body, Rear XRT Elec Silver .....                                   | 1   |
| 16   | 332       | Washer, 1/4 Type A Narrow Flat .....                               | 4   |
| 17   | 8233      | Locknut, 1/4-20, Nylon Insert .....                                | 6   |
| 18   | 8251      | Screw, 1/4-20 X 1.0 Truss-Head Machine .....                       | 8   |

**1**  
**G**  
**E**

**1**  
**G**  
**E**

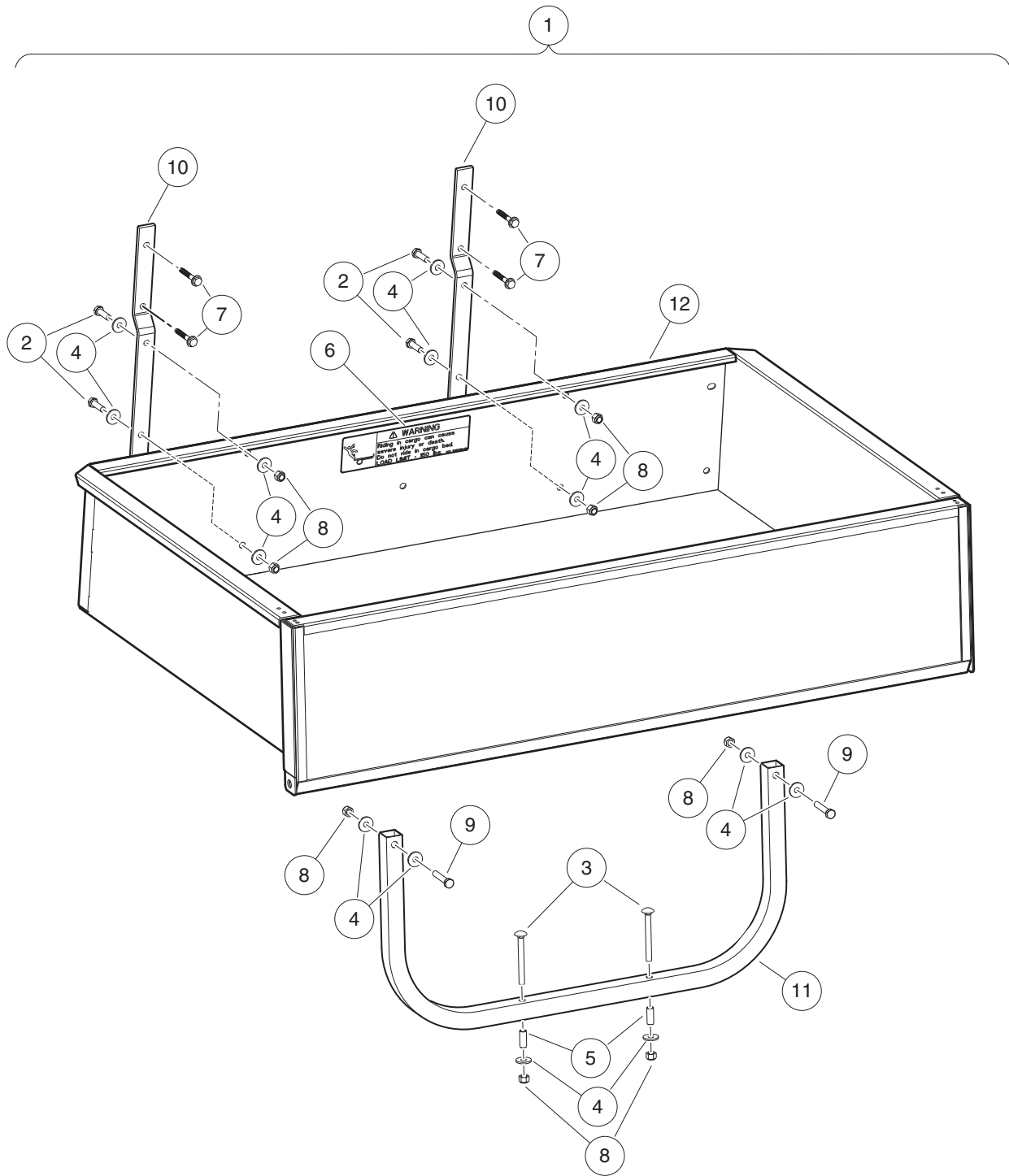


000819-001

## REAR BODY – GASOLINE VEHICLES

| ITEM | PART NO.  | DESCRIPTION                                  | QTY | <b>1</b> |
|------|-----------|--|-----|----------|
|      |           | <b>1 2 3 4</b>                               |     |          |
| 1    | 1010993   | Body Kick Plate .....                        | 1   | <b>G</b> |
| 2    | 1012412   | Body, Hinge Plate .....                      | 2   | <b>E</b> |
| 3    | 101303202 | Access Panel - Black, Cut .....              | 1   |          |
| 4    | 1014306   | Washer, 1/4" Type B Flat .....               | 2   |          |
| 5    | 1016952   | U-Nut, 1/4-20 .....                          | 2   |          |
| 6    | 1017141   | Body Support Weldment .....                  | 1   |          |
| 7    | 101806901 | Shield, Heat .....                           | 1   |          |
| 8    | 101960501 | Decal, Rotating Parts/Hot Manifold .....     | 1   |          |
| 9    | 103365501 | Body, Rear XRT Gas Red .....                 | 1   |          |
| 10   | 103365502 | Body, Rear XRT Gas Green .....               | 1   |          |
| 11   | 103365503 | Body, Rear XRT Gas Camo (Husqvarna) .....    | 1   |          |
| 12   | 103365504 | Body, Rear XRT Gas Blue .....                | 1   |          |
| 13   | 103365505 | Body, Rear XRT Gas Black .....               | 1   |          |
| 14   | 103365507 | Body, Rear XRT Gas Hardwood .....            | 1   |          |
| 15   | N/A       | Body, Rear XRT Gas Max4 .....                | 1   |          |
| 16   | 103365509 | Body, Rear XRT Gas Silver .....              | 1   |          |
| 17   | 332       | Washer, 1/4 Type A Narrow Flat .....         | 4   |          |
| 18   | 8233      | Locknut, 1/4-20, Nylon Insert .....          | 6   |          |
| 19   | 8251      | Screw, 1/4-20 X 1.0 Truss-Head Machine ..... | 8   |          |

**1**  
**G**  
**E**



000839-001



# BED BOX

| ITEM | PART NO.  | DESCRIPTION  | QTY |
|------|-----------|--|-----|
|      |           | <b>1 2 3 4</b>   |     |
| 1    | AM10622   | Kit, Bedbox, Painted (includes items 2 through 12) .....             | 1   |
| 2    | 1010934   | Screw, 5/16-18 X 1.00 Hex Cap .....                                  | 4   |
| 3    | 1011098   | .38-18 Unc-2a-3.0 Carriage Blt .....                                 | 2   |
| 4    | 1011697   | Washer, 5/16 Flat .....  | 14  |
| 5    | 1017760   | Spacer .31 X .38 X .98 .....   | 2   |
| 6    | 101972001 | Decal, D.s. Box Bed Warning (for vehicles with bed box option) ..... | 1   |
| 7    | 102076701 | Screw, 1/4-20 X 1.75 Hex Sems .....                                  | 4   |
| 8    | 7473      | Locknut, 5/16-18 Nylon Insert .....                                  | 8   |
| 9    | 8963      | Screw, 5/16-18 X 1.75 Hex-Head Cap .....                             | 2   |
| 10   | AM1205602 | Support, Seat, lcs, Bed, Ctd .....                                   | 2   |
| 11   | N/A       | Tube, Support, Bedbox, Ptd .....                                     | 1   |
| 12   | N/A       | Asm, Bed Box, Painted .....  | 1   |

1  
G  
E

**1**

**G**

**E**

# WHEELS AND TIRES

---

2

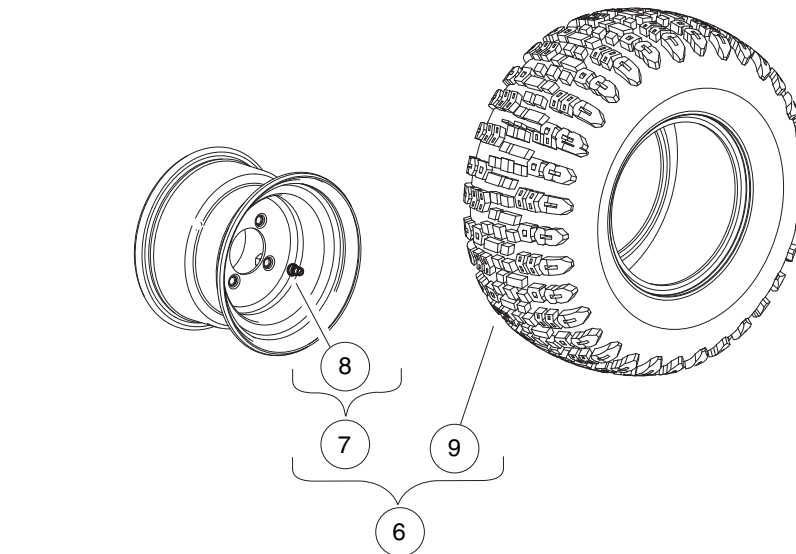
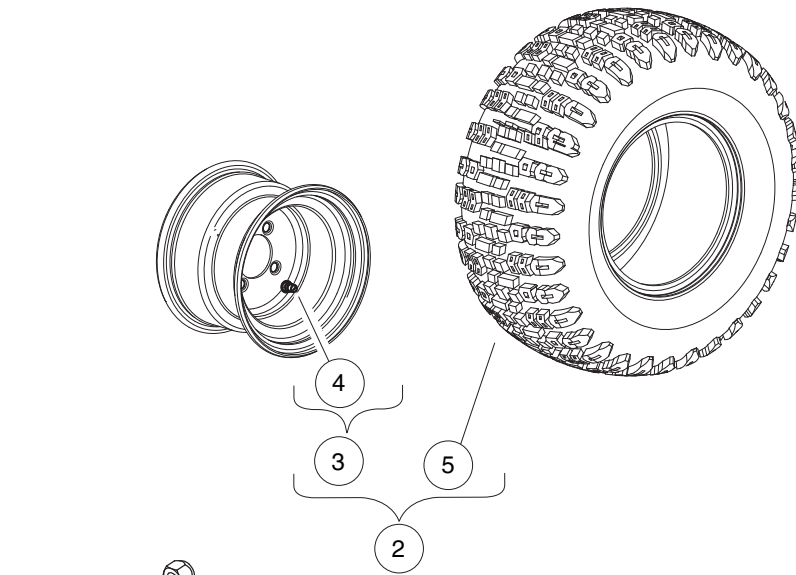
G

E

2

G

E



001323-001

# WHEELS AND TIRES, OFF-ROAD – CARRYALL 550 AND XRT850

| ITEM | PART NO.  | DESCRIPTION  | QTY |
|------|-----------|--|-----|
|      |           | 1 2 3 4  |     |
| 1    | 1010984   | .500-20 Unf Lug Nut .....  | 16  |
| 2    | 105078807 | Asm,whl,or,22x10-10,6pl,front (includes items 3 through 5) .....                   | 2   |
| 3    | 105079202 | Whl,10x7", Gray, 0 Os W/ Vs (includes item 4) .....                                | 1   |
| 4    | 105078901 | Valve Stem, Kenda, Tr 412 .....  | 1   |
| 5    | 105079801 | Tire, Offroad, 22x10-10, 6pl .....   | 1   |
| 6    | 105078814 | Asm,Tire/Wheel, Off-Road, 22x10-10, 6ply, Gray (includes items 7 through 10) ..... | 2   |
| 7    | 105079205 | Whl, 10X7, Gray, 1 NOS, W/VS (includes item 8) .....                               | 2   |
| 8    | 105078901 | Valve Stem, Kenda, Tr 412 .....  | 1   |
| 9    | 105079801 | Tire, Offroad, 22x10-10, 6pl .....   | 2   |
| 10   | 105216604 | Decal, Wheel, K502, Rear .....   | 2   |

2  
G  
E

**2**

**G**

**E**

# DECALS

---

3

G

E

**UNDER 16** **WARNING**  
**YOUNG DRIVERS INCREASE CHANCE OF DEATH**

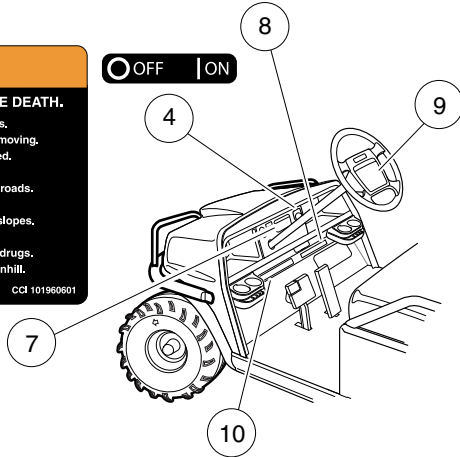
- Young drivers may not be able to control vehicle.
- No drivers younger than 16 years old.

CCI 102075801

**WARNING**  
**ROLLOVER OR FALLING OFF MAY CAUSE DEATH.**

- Before using vehicle, read operating instructions.
- Remain seated and hold on to seat handle while moving.
- Do not start vehicle until all occupants are seated.
- Two (2) persons per seat maximum.
- Operate from driver side only and not on public roads.
- Keep entire body inside vehicle while moving.
- Drive slowly in turns and straight up and down slopes.
- Do not leave children unattended on vehicle.
- Never operate under the influence of alcohol or drugs.
- Use brakes to reduce speed when coasting downhill.
- Never stand in front of or behind vehicle.

CCI 101960601



**OPERATING INSTRUCTIONS**

- Read owner's manual and dismount safety warnings prior to driving.
- Study and understand controls.

**TO OPERATE**

- Turn wheels to desired direction and ensure path is clear.
- Turn key to ON position.
- While stopped, place Forward/Reverse switch in desired position: F—Forward N—Neutral R—Reverse (Buzzer will sound)
- Park brake will release and vehicle will start moving when accelerator pedal is pressed.
- Slowly press accelerator pedal to increase speed.
- To stop, release accelerator pedal and press brake pedal.

**BEFORE LEAVING**

- Press park brake pedal until it locks and holds vehicle.
- Place Forward/Reverse switch in NEUTRAL position.
- Turn key OFF and remove key when not in use.

**MOTOR BRAKING**

- Electric motor braking provides speed regulation functions.
- For parked vehicle, beeping alarm indicates vehicle roll away.
- In operation, beeping alarm indicates reduction in motor braking.
- Apply brakes to further reduce vehicle speed as required.
- System is activated only when tow switch is in the RUN position.

CCI 100338201

**VEHICLE LOADING**

Read Owner's Manual and warnings on dash.

- Vehicle rated capacity - 550 lbs. on level surface only. Weight to include passengers, cargo bed load, and gross trailer weight. See Owner's Manual.
- Maximum cargo load - 150 lbs. Weight to include cargo bed load and gross trailer weight.
- Maximum trailer hitch tongue weight - 150 lbs.

• Cargo should be evenly spread over the floor of the cargo bed as far forward as possible and secured.

• For vehicle stability, when fully loaded, drive slowly and avoid stopping on or backing down steep hills.

• Avoid top heavy loads. See Owner's Manual.

• When driving on uneven terrain or down steep hills, reduce speed and load.

SVP147801

**DANGER / POISON**

EXPLOSIVE GASES CAN CAUSE BLINDNESS OR INJURY. SHIELD EYES. NO SPARKS, FLAMES, SMOKING. SULFURIC ACID CAN CAUSE BLINDNESS OR SEVERE BURNS. FLUSH EYES IMMEDIATELY WITH WATER. GET MEDICAL HELP FAST.

KEEP OUT OF THE REACH OF CHILDREN—DO NOT TIP—KEEP VENT CAPS TIGHT AND LEVEL

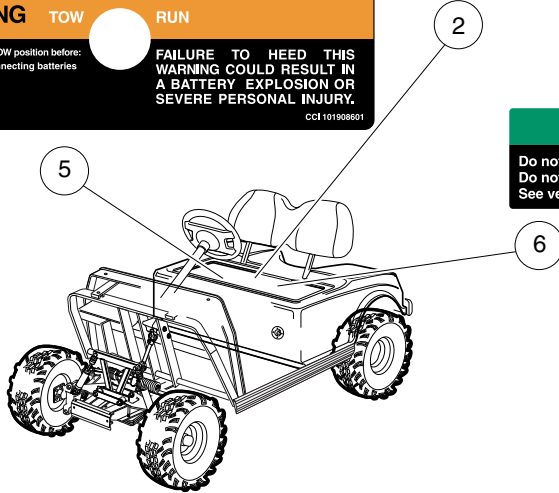
**WARNING** TOW RUN

Place Tow/Run switch in TOW position before:

- Disconnecting or connecting batteries
- Towing
- Extended storage
- Servicing

**FAILURE TO HEED THIS WARNING COULD RESULT IN A BATTERY EXPLOSION OR SEVERE PERSONAL INJURY.**

CCI 101908001



**NOTICE**

Do not operate vehicle without this cover properly installed. Do not direct water stream in this area; will cause damage to components. See vehicle maintenance and service manual before servicing.

CCI 101031501

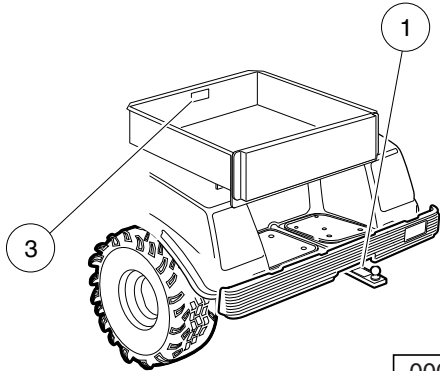
**NOTICE**  
**MAXIMUM TONGUE WEIGHT - 150 lbs.**

CCI 10115553

**WARNING**

Riding in cargo bed can cause severe injury or death. Do not ride in cargo bed.

CCI 101553901



000829-001



## SAFETY DECALS – ELECTRIC VEHICLES

| ITEM | PART NO.  | DESCRIPTION                                     | QTY |
|------|-----------|---|-----|
|      |           | <b>1 2 3 4</b>                                  |     |
| 1    | 1011553   | Decal, Trailer Hitch .....                      | 1   |
| 2    | 1013677   | Decal, Battery Danger .....                     | 1   |
| 3    | 101553901 | Decal, Bed Load Warning .....                   | 1   |
| 4    | 101825101 | Decal, Off/On .....                             | 1   |
| 5    | 101908601 | Decal, Tow/Run Switch Warning .....             | 1   |
| 6    | 101931501 | Decal, Component Cover .....                    | 1   |
| 7    | 101960601 | Decal, Dash Warning .....                       | 1   |
| 8    | 102075801 | Decal, Young Driver Warning .....               | 1   |
| 9    | 102538201 | Decal, Operating Instr, Ele, Comfort Grip ..... | 1   |
| 10   | SVP147801 | decal, vehicle loading .....                    | 1   |

3  
G  
E

**⚠ WARNING**

**UNDER 16**

**YOUNG DRIVERS INCREASE CHANCE OF DEATH**

- Young drivers may not be able to control vehicle.
- No drivers younger than 16 years old.

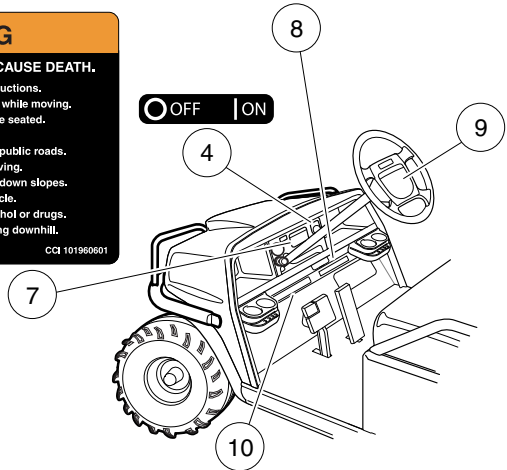
CCI 102075801

**⚠ WARNING**

**ROLLOVER OR FALLING OFF MAY CAUSE DEATH.**

- Before using vehicle, read operating instructions.
- Remain seated and hold on to seat handle while moving.
- Do not start vehicle until all occupants are seated.
- Two (2) persons per seat maximum.
- Operate from driver side only and not on public roads.
- Keep entire body inside vehicle while moving.
- Drive slowly in turns and straight up and down slopes.
- Do not leave children unattended on vehicle.
- Never operate under the influence of alcohol or drugs.
- Use brakes to reduce speed when coasting downhill.
- Never stand in front of or behind vehicle.

CCI 101960601



**OPERATING INSTRUCTIONS**

- Read owner's manual and safety warnings located on dash panel prior to driving.
- Study and understand controls.

**TO OPERATE**

- Turn wheels to desired direction and ensure path is clear.
- Turn key to ON position.
- While stopped, place shift lever in desired position: F - Forward N - Neutral R - Reverse (Buzzer will sound)
- Park brake will release and vehicle will start moving when accelerator pedal is pressed.
- Slowly press accelerator pedal to increase speed.
- To stop, release accelerator pedal and press brake pedal.

**BEFORE LEAVING**

- Press park brake pedal until it locks and holds vehicle.
- Place Forward/Reverse switch in NEUTRAL position.
- Turn key OFF and remove key when not in use.

CCI 10238101

**VEHICLE LOADING**

Read Owner's Manual and warnings on dash.

- Vehicle rated capacity - 550 lbs. on level surface only. Weight to include passengers, cargo bed load, and gross trailer weight. See Owner's Manual.
- Maximum cargo load - 150 lbs. Weight to include cargo bed load and gross trailer weight.
- Maximum trailer hitch tongue weight - 150 lbs.
- Cargo should be evenly spread over the floor of the cargo bed as far forward as possible and secured.
- For vehicle stability, when fully loaded, drive slowly and avoid stopping on or backing down steep hills.
- Avoid top heavy loads. See Owner's Manual.
- When driving on uneven terrain or down steep hills, reduce speed and load.

SVP147801

**⚠ WARNING**

**⚠ WARNING**

Negative frame ground. Can cause severe injury. Do not contact positive (+) battery post or cable to frame. Disconnect negative battery lead first.

Excessive speed. Can cause severe injury or death. Do not tamper with engine governor adjustment.

CCI 1019152-01

**⚠ WARNING**

**GASOLINE EXPLOSION / FIRE.**

- Can cause severe injury or death.
- No smoking, sparks, or open flame.
- Stop engine, allow to cool before refueling.
- Turn fuel valve (—) on during operation. (—) off during storage or transport.

CCI 101547901

**⚠ WARNING**

**CAN CAUSE SEVERE INJURY**

**Rotating parts**

**HOT manifold & muffler**

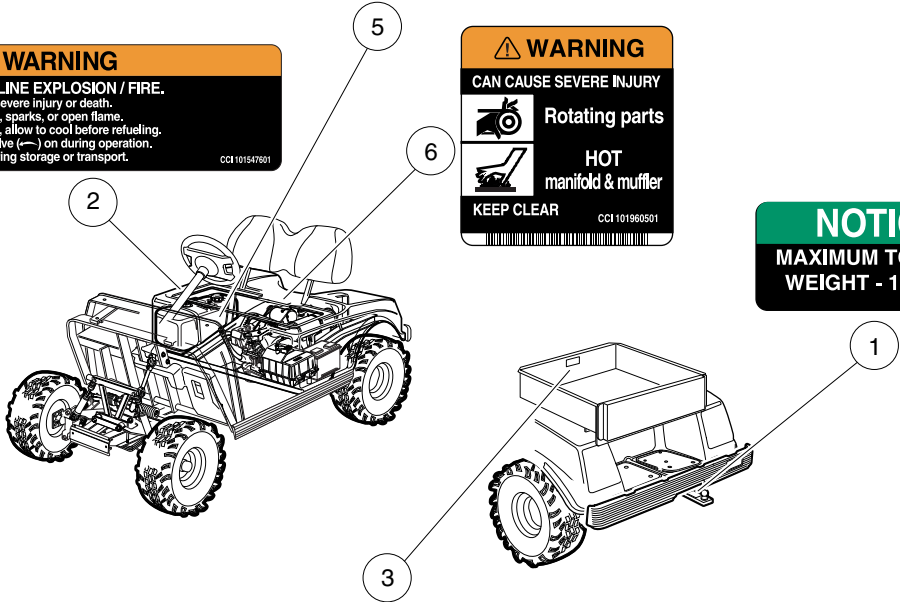
**KEEP CLEAR**

CCI 101960501

**NOTICE**

**MAXIMUM TONGUE WEIGHT - 150 lbs.**

CCI 1011553



**⚠ WARNING**

**Riding in cargo bed can cause severe injury or death. Do not ride in cargo bed.**

CCI 101553901

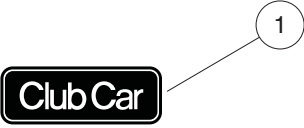
000830-001

## SAFETY DECALS – GASOLINE VEHICLES

| ITEM | PART NO.  | DESCRIPTION  | QTY |
|------|-----------|--|-----|
|      |           | 1 2 3 4  |     |
| 1    | 1011553   | Decal, Trailer Hitch .....                             | 1   |
| 2    | 101547601 | Decal, Gasoline Explosion/Fire Warning .....           | 1   |
| 3    | 101553901 | Decal, Bed Load Warning .....                          | 1   |
| 4    | 101825101 | Decal, Off/On .....                                    | 1   |
| 5    | 101915201 | Decal, Frame Ground and Governor Warning .....         | 1   |
| 6    | 101960501 | Decal, Rotating Parts/Hot Manifold .....               | 2   |
| 7    | 101960601 | Decal, Dash Warning .....                              | 1   |
| 8    | 102075801 | Decal, Young Driver Warning .....                      | 1   |
| 9    | 102538101 | Decal, Operating Instructions, Gas, Comfort Grip ..... | 1   |
| 10   | SVP147801 | decal, vehicle loading .....                           | 1   |

3  
G  
E

**3**  
**G**  
**E**



000828-002

# BADGING DECALS

| ITEM | PART NO.  | DESCRIPTION                        | QTY |
|------|-----------|------------------------------------|-----|
|      |           | 1 2 3 4                            |     |
| 1    | 102046501 | Decal, CC Nameplate, Utility ..... | 1   |
| 2    | 103389101 | Decal, 850, Drv .....              | 1   |
| 3    | 103389201 | Decal, 850, Pass .....             | 1   |
| 4    | 103389301 | Decal, 850 E, Drv .....            | 1   |
| 5    | 103389401 | Decal, 850 E, Pass .....           | 1   |

3

G

E

**3**

**G**

**E**

# LIGHTS, CONTROLS, AND INDICATORS

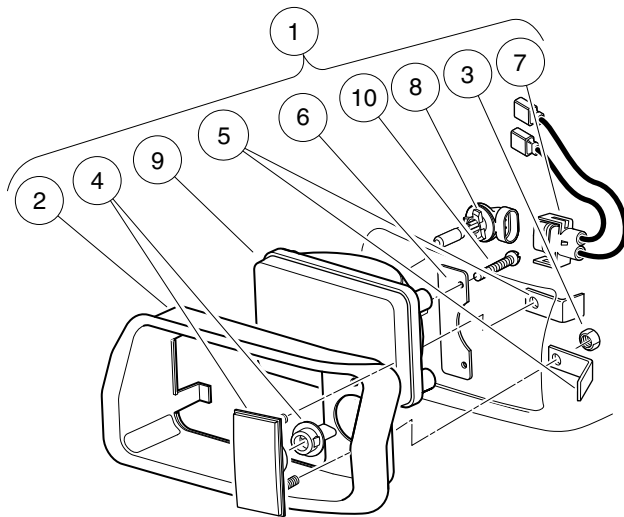
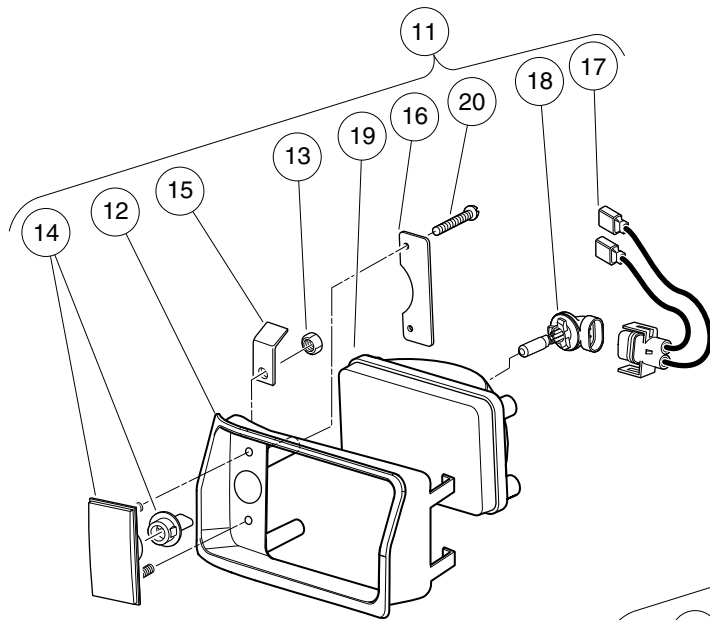
---

4

G

E

**4**  
**G**  
**E**



001097-001

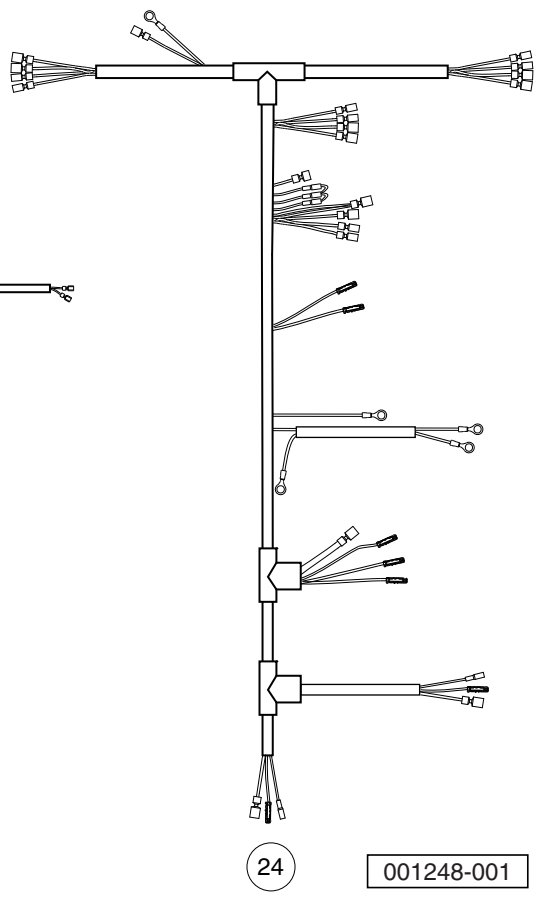
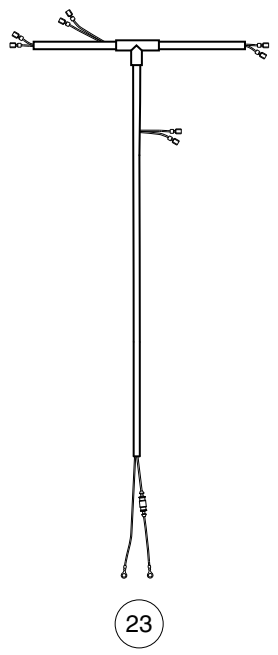
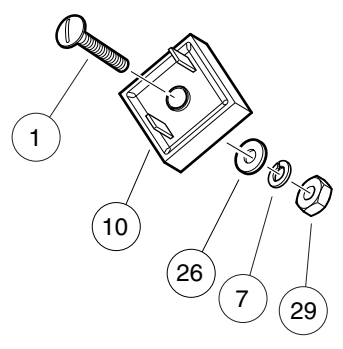
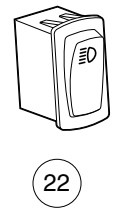
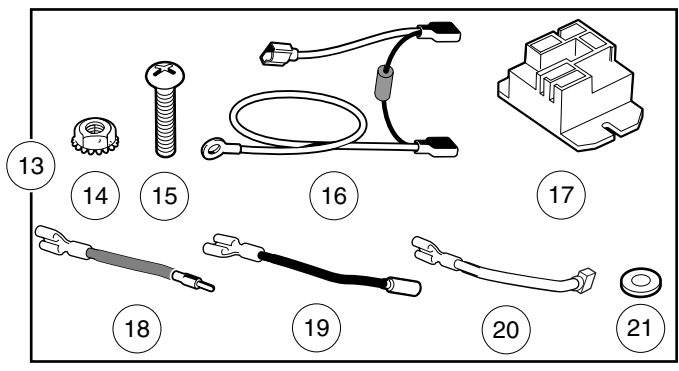
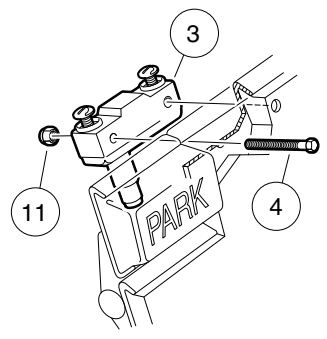
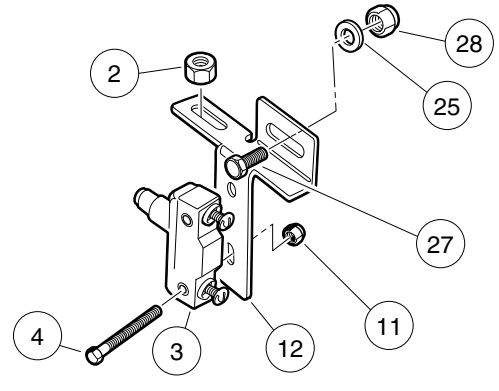
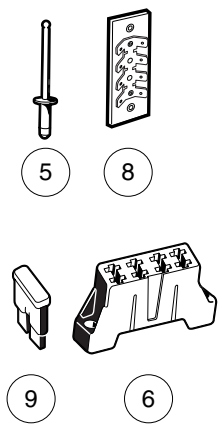


# HEADLIGHTS

| ITEM | PART NO.  | DESCRIPTION   | QTY |
|------|-----------|---|-----|
|      |           | <b>1 2 3 4</b>  |     |
| 1    | 101988001 | Headlight Assembly, Driver-Side Single Beam (includes items 2 through 10) ..... | 1   |
| 2    | 1016880   | Headlight Bezel, Left .....   | 1   |
| 3    | 1017      | Nut, #10-24 Stainless-Steel Hex Machine .....                                   | 2   |
| 4    | 1017062   | Turn Signal Lens Assy .....   | 1   |
| 5    | 1017064   | Mounting Bracket .....  | 2   |
| 6    | 1017065   | Retainer, Headlight .....   | 1   |
| 7    | 101987901 | Connector, Harness Assembly, Headlight .....                                    | 1   |
| 8    | 101988101 | Bulb, Headlight .....   | 1   |
| 9    | 101988201 | Lens, Headlight .....   | 1   |
| 10   | 1620      | Screw, #10-16 X 0.75 Pan-Head Tap .....   | 2   |
| 11   | 101988002 | Headlight Assy, Passenger-Side Single Beam (includes items 12 through 20) ..... | 1   |
| 12   | 1016879   | Headlight Bezel, Right .....  | 1   |
| 13   | 1017      | Nut, #10-24 Stainless-Steel Hex Machine .....                                   | 2   |
| 14   | 1017062   | Turn Signal Lens Assy .....   | 1   |
| 15   | 1017064   | Mounting Bracket .....  | 2   |
| 16   | 1017065   | Retainer, Headlight .....   | 1   |
| 17   | 101987901 | Connector, Harness Assembly, Headlight .....                                    | 1   |
| 18   | 101988101 | Bulb, Headlight .....   | 1   |
| 19   | 101988201 | Lens, Headlight .....   | 1   |
| 20   | 1620      | Screw, #10-16 X 0.75 Pan-Head Tap .....   | 2   |

**4**  
**G**  
**E**

**4**  
**G**  
**E**



001248-001

# LIGHTING SYSTEM COMPONENTS – XRT800/810/850 GASOLINE VEHICLES

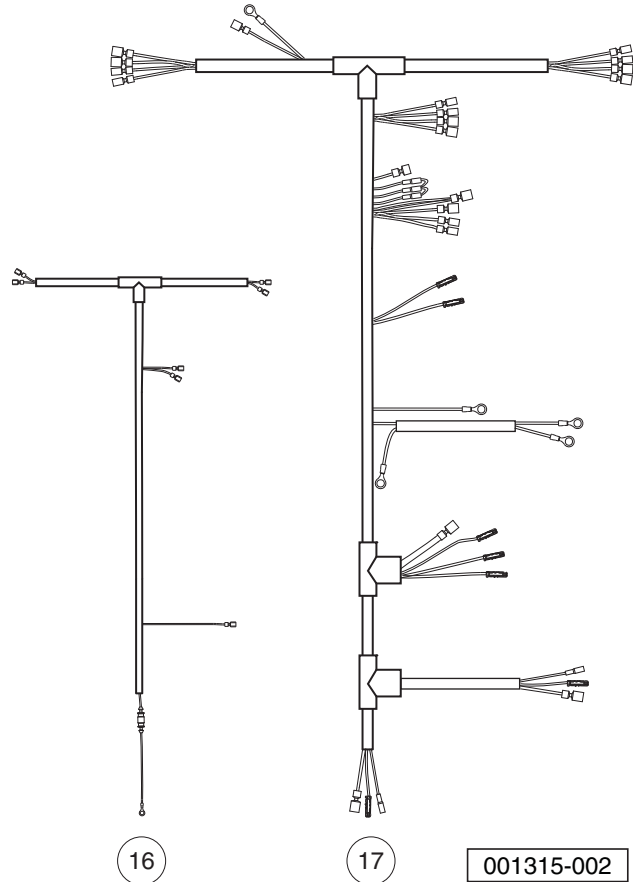
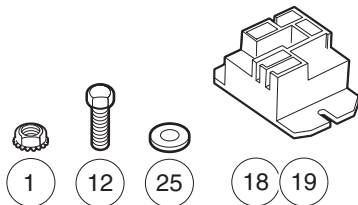
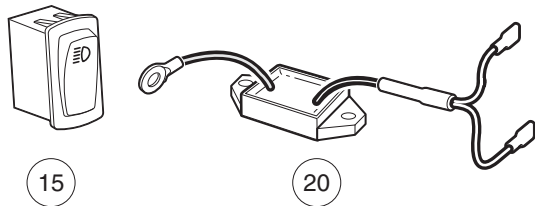
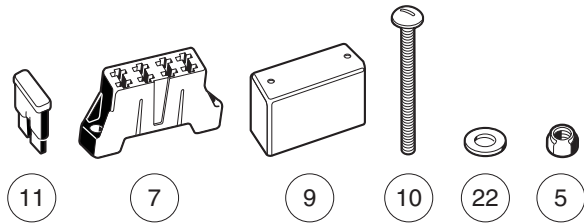
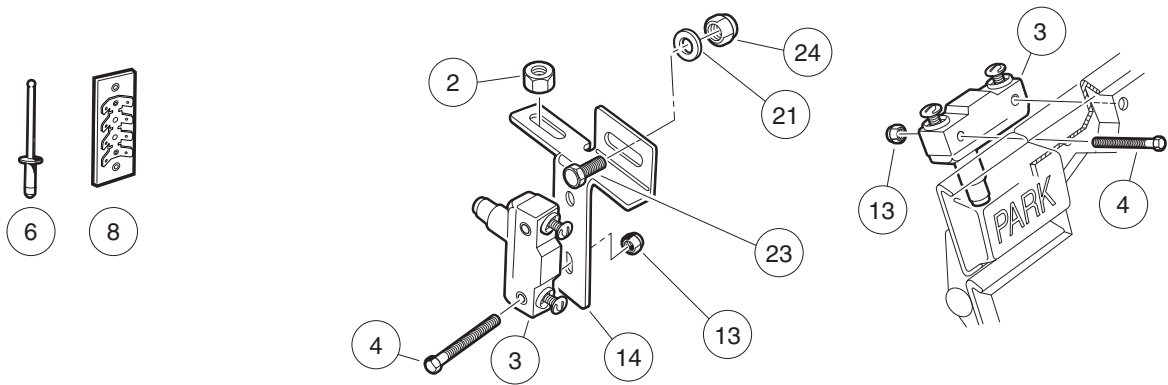
| ITEM   | PART NO.  | DESCRIPTION  | QTY |
|--|-----------|--|-----|
|  |           | 1 2 3 4  |     |
| 1  | 1010909   | Screw, #10-32 X 1.25 Rd Hd Mch .....                       | 1   |
| 2  | 1011280   | Locknut, 5/16-18 .....                                     | 1   |
| 3  | 1011439   | Switch, Limit .....  | 2   |
| 4  | 1011557   | Screw, #6-32 X 1.00 Hex-Head Machine .....                 | 4   |
| 5  | 1013357   | Rivet, 5/32 Aluminum Pop .....                             | 2   |
| 6  | 1015741   | Fuse Block .....   | 1   |
| 7  | 1016      | Lockwasher, #10 Split .....                                | 1   |
| 8  | 1016356   | Terminal Block with Insulator .....                        | 1   |
| 9  | 1016423   | Fuse, 20-Amp .....   | 3   |
| 10   | 1017721   | Limiter, Voltage .....                                     | 1   |
| 11   | 101932201 | Locknut, #6-32 Nylon .....                                 | 4   |
| 12   | 101957101 | Bracket, Brake Light Switch .....                          | 1   |
| 13   | 102198701 | Brake Relay Kit - 12v (includes items 14 through 21) ..... | 1   |
| 14   | 1011229   | Locknut, #6-32 Whiz .....                                  | 2   |
| 15   | 1017853   | Screw, #6-32 X 0.75 Hex-Head Machine .....                 | 2   |
| 16   | 101914401 | Assembly, Voltage Suppressor .....                         | 1   |
| 17   | 102199001 | Relay, 12-Volt .....                                       | 1   |
| 18   | 102199201 | Wire Asm #18 Brown .....                                   | 1   |
| 19   | 102199301 | Wire Asm #18 Black .....                                   | 1   |
| 20   | 102199401 | Wire Asm #18 Black .....                                   | 1   |
| 21   | 7591      | Washer, #6, Flat .....                                     | 2   |
| 22   | 102869401 | Switch, Rocker, Light .....                                | 1   |
| 23   | 103255601 | Wire Harness, Headlights-Only, CA, Gas .....               | 1   |
| 24   | 103256901 | Wire Harness, Lighting, CA2 .....                          | 1   |
| 25   | 1241      | Washer, 5/16 Type A Flat .....                             | 1   |
| 26   | 183       | Washer, #10, Type A, Flat .....                            | 1   |
| 27   | 7173      | Screw, 5/16-18 X 0.75, Hex-Head Cap .....                  | 1   |
| 28   | 7473      | Locknut, 5/16-18 Nylon Insert .....                        | 1   |
| 29   | 7893      | Nut, #10-32 Hex .....                                      | 1   |
| Note: Use item 23 for headlights only. NOTE 2: Use item 24 for headlights and taillights. NOTE 3: Items 23 and 24 are used in many different models. |           |  |     |

4

G

E

**4**  
**G**  
**E**



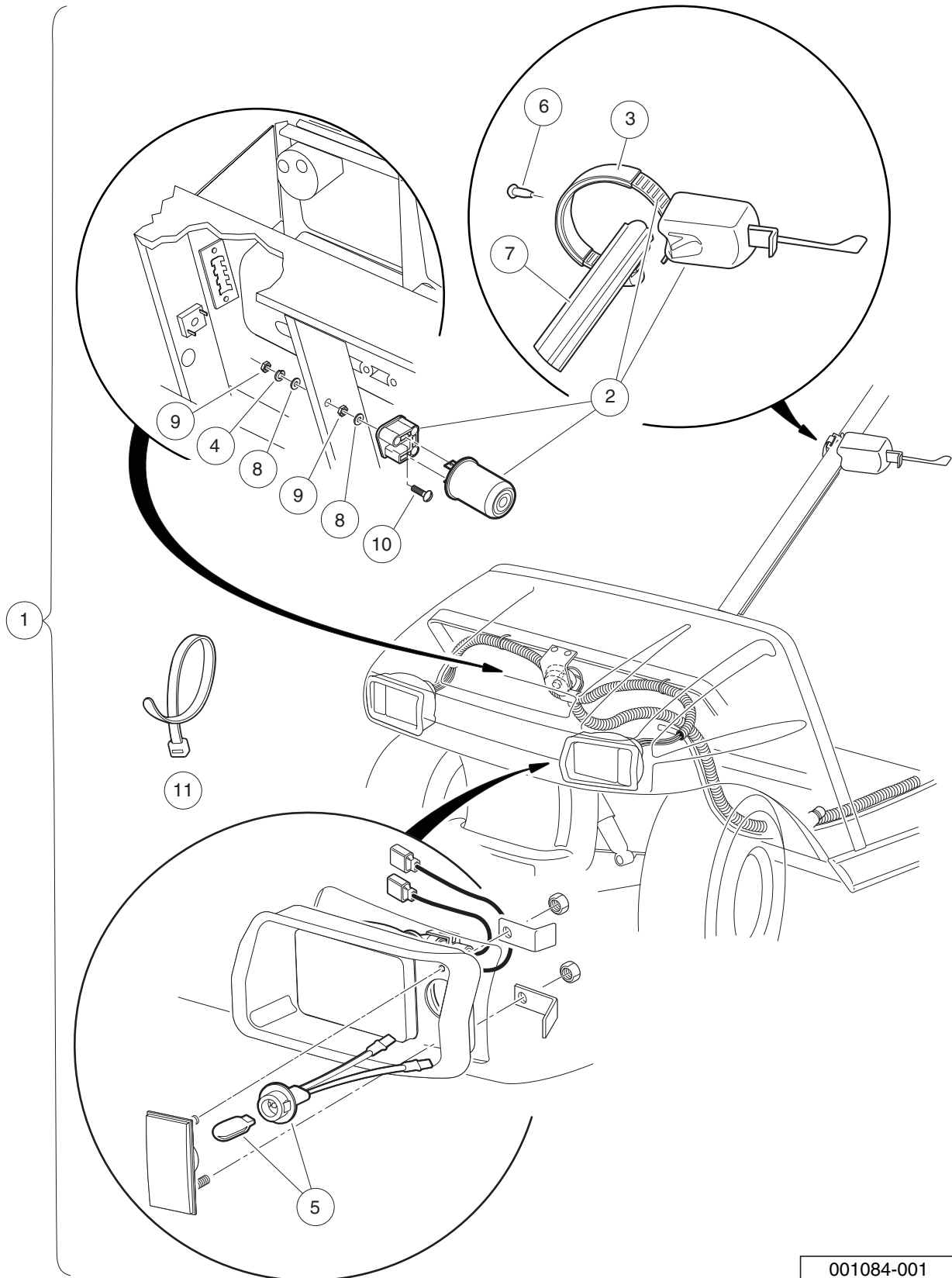
001315-002

# LIGHTING SYSTEM COMPONENTS – XRT800/810/850 ELEC. WITH POWERDRIVE CHARGER

| ITEM  | PART NO.  | DESCRIPTION  | QTY |
|---|-----------|--|-----|
|   |           | <b>1 2 3 4</b>                                       |     |
| 1   | 1011229   | Locknut, #6-32 Whiz .....                            | 2   |
| 2   | 1011280   | Locknut, 5/16-18 .....                               | 1   |
| 3   | 1011439   | Switch, Limit .....                                  | 2   |
| 4   | 1011557   | Screw, #6-32 X 1.00 Hex-Head Machine .....           | 4   |
| 5   | 1012438   | Locknut, #10-24 Nylon Insert .....                   | 2   |
| 6   | 1013357   | Rivet, 5/32 Aluminum Pop .....                       | 2   |
| 7   | 1015741   | Fuse Block .....                                     | 1   |
| 8   | 1016356   | Terminal Block with Insulator .....                  | 1   |
| 9   | 1016363   | Fuse Block Cover .....                               | 1   |
| 10  | 1016366   | Screw, #10-24 X 3.0 Pan-Head Machine .....           | 2   |
| 11  | 1016423   | Fuse, 20-Amp .....                                   | 3   |
| 12  | 1017853   | Screw, #6-32 X 0.75 Hex-Head Machine .....           | 2   |
| 13  | 101932201 | Locknut, #6-32 Nylon .....                           | 4   |
| 14  | 101957101 | Bracket, Brake Light Switch .....                    | 1   |
| 15  | 102869401 | Switch, Rocker, Light .....                          | 1   |
| 16  | 103255701 | Wire Harness, Headlights-Only, CA, Electric .....    | 1   |
| 17  | 103257001 | Wire Harness, Lighting .....                         | 1   |
| 18  | 103414901 | Kit, Relay, 48v 30a W/instr (includes item 19) ..... | 1   |
| 19  | 103397901 | Relay, Spst No, 48v 30a, Pmt .....                   | 1   |
| 20  | 103698701 | Limiter, Voltage, Plate Mnt .....                    | 1   |
| 21  | 1241      | Washer, 5/16 Type A Flat .....                       | 1   |
| 22  | 183       | Washer, #10, Type A, Flat .....                      | 4   |
| 23  | 7173      | Screw, 5/16-18 X 0.75, Hex-Head Cap .....            | 1   |
| 24  | 7473      | Locknut, 5/16-18 Nylon Insert .....                  | 1   |
| 25  | 7591      | Washer, #6, Flat .....                               | 2   |
| <p>Note: Use item 16 for headlights only. NOTE 2: Use item 17 for headlights and taillights. NOTE 3: Items 16 and 17 are used in many different models.</p> |           |  |     |

**4**  
**G**  
**E**

**4**  
**G**  
**E**



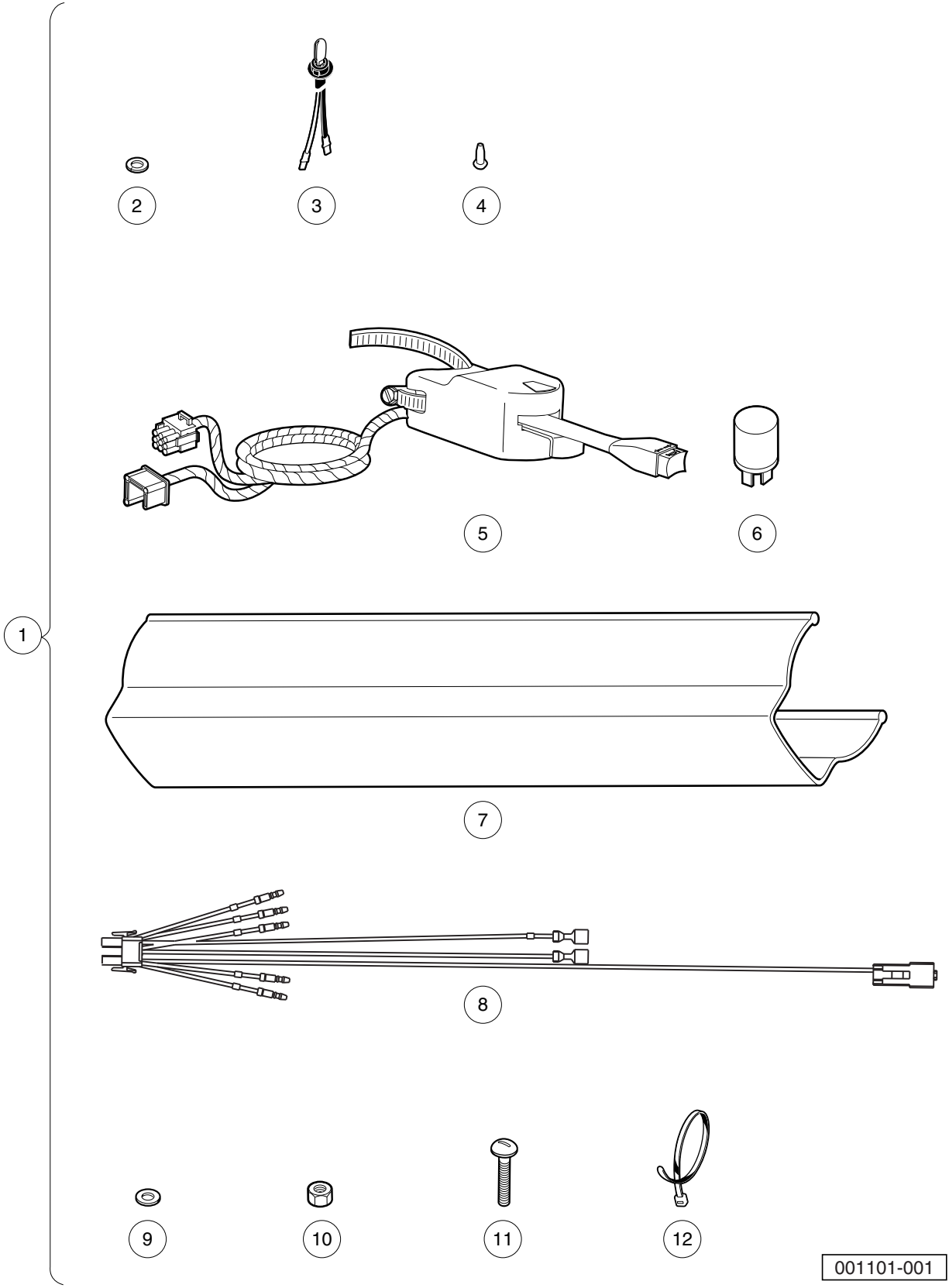
001084-001

# TURN SIGNAL KIT – DS AND UTILITY GASOLINE AND ELECTRIC VEHICLES

| ITEM | PART NO.  | DESCRIPTION  | QTY |
|------|-----------|--|-----|
|      |           | <b>1 2 3 4</b>   |     |
| 1    | 101707402 | Turn Signal Conversion Kit (includes items 2 through 11) ..... | 1   |
| 2    | 1011590   | Switch Sub-assy, Turn Signal .....                             | 1   |
| 3    | N/A       | Strap, Extrusion .....   | 1   |
| 4    | 1016      | Lockwasher, #10 Split .....                                    | 1   |
| 5    | 1017075   | Socket & Lamp Assembly .....                                   | 2   |
| 6    | 1017724   | Rivet, Plastic .....   | 1   |
| 7    | 102529201 | Wire Cover, Steering Column .....                              | 1   |
| 8    | 183       | Washer, #10, Type A, Flat .....                                | 2   |
| 9    | 7893      | Nut, #10-32 Hex .....  | 2   |
| 10   | 8104      | Screw, #10-32 X .75 Rd Hd Mach .....                           | 1   |
| 11   | 8990      | Tie Wrap, 8" Nylon .....                                       | 1   |

**4**  
**G**  
**E**

**4**  
**G**  
**E**



001101-001

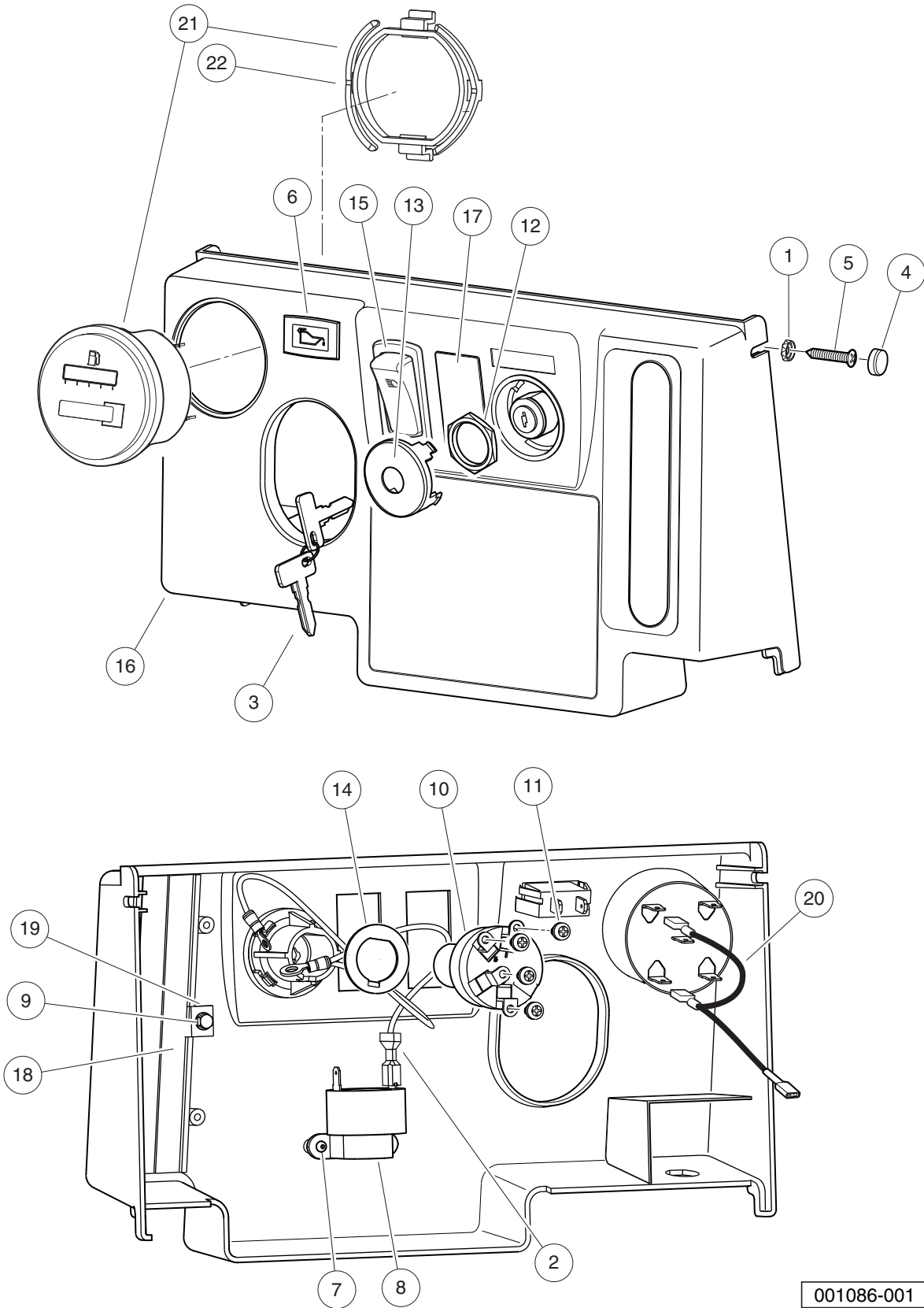


# TURN SIGNAL (WITH HORN BUTTON) KIT – DS AND UTILITY GAS AND ELECTRIC VEHICLES

| ITEM | PART NO.  | DESCRIPTION   | QTY |
|------|-----------|---|-----|
|      |           | <b>1 2 3 4</b>  |     |
| 1    | 101707405 | Kit, Turn Signal-horn (includes items 2 through 12) ..... | 1   |
| 2    | 1016      | Lockwasher, #10 Split .....                               | 1   |
| 3    | 1017075   | Socket & Lamp Assembly .....                              | 2   |
| 4    | 1017724   | Rivet, Plastic .....                                      | 1   |
| 5    | 102517501 | Turn Signal Asm (includes item 6) .....                   | 1   |
| 6    | 102546401 | Flasher Unit, Prec .....                                  | 1   |
| 7    | 102529201 | Wire Cover, Steering Column .....                         | 1   |
| 8    | 103618001 | Harness, Jumper, Turn Signal .....                        | 1   |
| 9    | 183       | Washer, #10, Type A, Flat .....                           | 2   |
| 10   | 7893      | Nut, #10-32 Hex .....                                     | 2   |
| 11   | 8104      | Screw, #10-32 X .75 Rd Hd Mach .....                      | 1   |
| 12   | 8990      | Tie Wrap, 8" Nylon .....                                  | 1   |

4  
G  
E

**4**  
**G**  
**E**



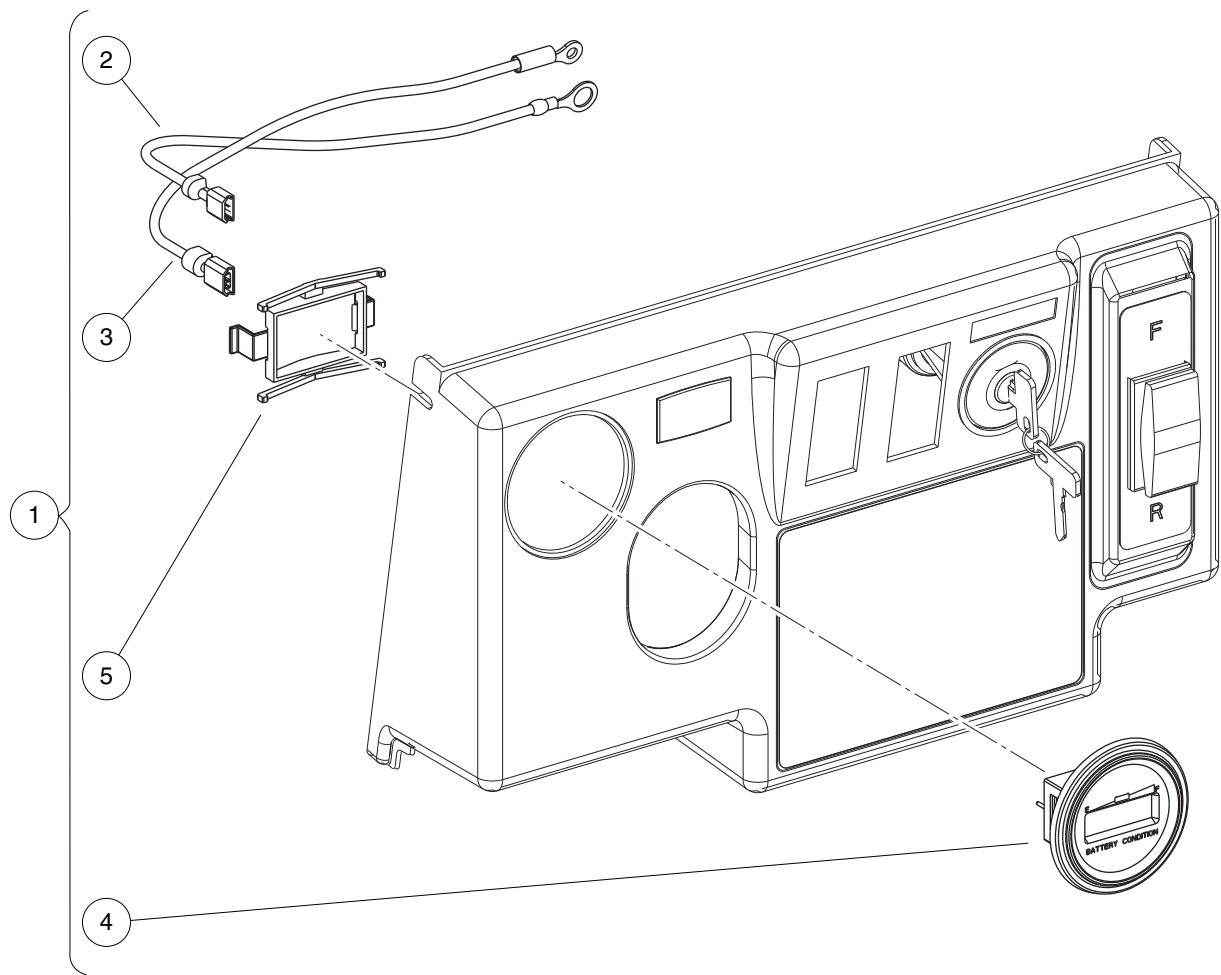
001086-001

# INSTRUMENT PANEL – XRT850 GAS

| ITEM | PART NO.  | DESCRIPTION   | QTY |
|------|-----------|---|-----|
|      |           | <b>1 2 3 4</b>  |     |
| 1    | 1011382   | Washer, #10 Pan-Head Screw .....                        | 2   |
| 2    | 1012396   | Wire Assy #18 Black .....                               | 1   |
| 3    | 1012505   | Keys (set of 2) .....                                   | 1   |
| 4    | 1013494   | Cover, Screw Head .....                                 | 2   |
| 5    | 1015528   | Screw, #10 x 1-1/4 Phillips Head .....                  | 2   |
| 6    | 1016630   | Light, Oil .....  | 1   |
| 7    | 1016849   | Screw, #4-24 X 0.33, Pan-Head, Machine .....            | 2   |
| 8    | 1016851   | Buzzer, Reverse (9-48 VDC) .....                        | 1   |
| 9    | 101804301 | Screw, #8 X 0.500, Hex-Head Hi-Lo .....                 | 2   |
| 10   | 101826301 | Key Switch, 12-Volt, Off/On .....                       | 1   |
| 11   | 101830601 | Screw and Washer Assembly .....                         | 5   |
| 12   | 101830701 | Nut, Key Switch .....                                   | 1   |
| 13   | 101834502 | Cap, Black Key Switch .....                             | 1   |
| 14   | 101851101 | Washer, Key Switch .....                                | 1   |
| 15   | 102869401 | Switch, Rocker, Light .....                             | 1   |
| 16   | 102977001 | Panel, Dash, Center, Gas (Instrument Panel) .....       | 1   |
| 17   | 103180101 | Cover, Hole, Switch, Rocker .....                       | 1   |
| 18   | 103199001 | Brush, Closeout, FNR .....                              | 2   |
| 19   | 103199101 | Washer, Retaining, Brush, FNR .....                     | 2   |
| 20   | 103348501 | Asm, Wire Meter, F-h Jumper .....                       | 1   |
| 21   | 103348601 | Gauge, Fuel-hour, sep Gnd, utl (includes item 22) ..... | 1   |
| 22   | 103348201 | Clip, Meter, Round .....                                | 1   |

**4**  
**G**  
**E**

**4**  
**G**  
**E**



000817-002

# BATTERY CONDITION INDICATOR – ELECTRIC VEHICLES

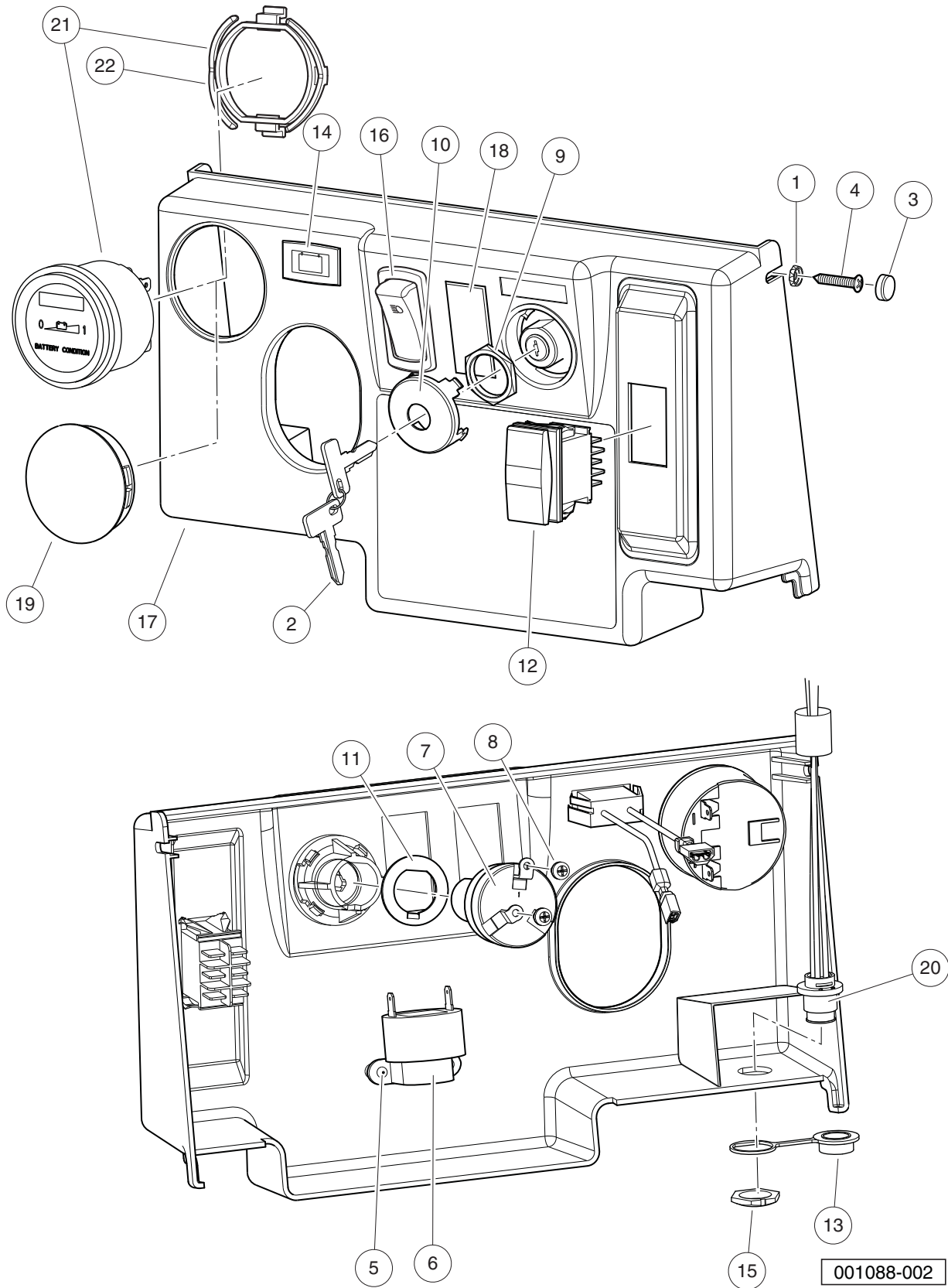
| ITEM | PART NO.  | DESCRIPTION  | QTY |
|------|-----------|--|-----|
|      |           | 1 2 3 4  |     |
| 1    | 103257603 | Kit, Gauge, Battery Condition Indicator (includes items 2 through 4) ..... | 1   |
| 2    | 103257701 | Wire Asm, #18 Black, 2565mm .....  | 1   |
| 3    | 103257801 | Wire Asm, #16 Red, 330mm .....   | 1   |
| 4    | 103354401 | Gauge, Battery Cond Ind, Rnd (includes item 5) .....                       | 1   |
| 5    | 103348202 | Clip, Bci, Round .....   | 1   |

4

G

E

**4**  
**G**  
**E**



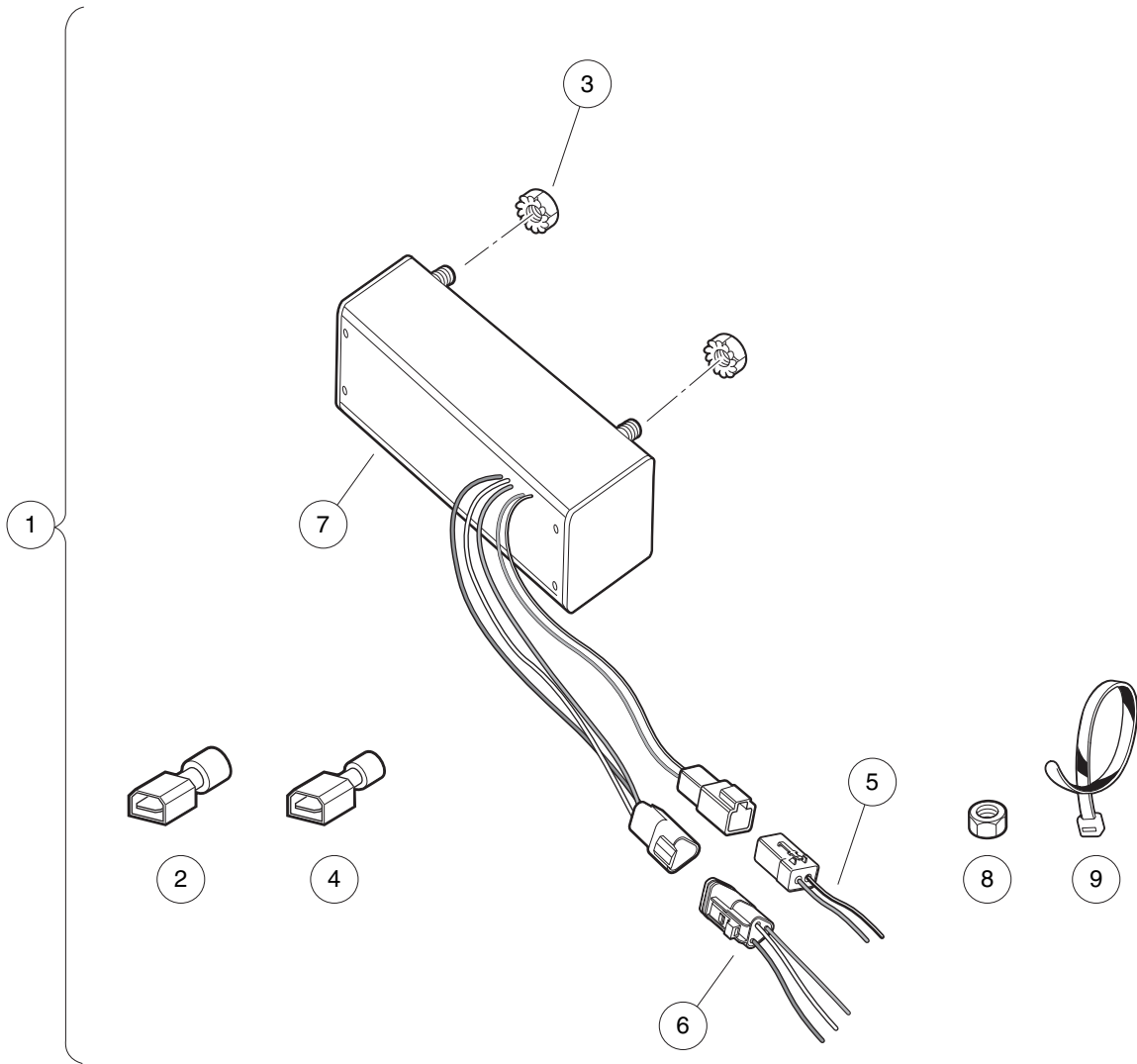
001088-002

# INSTRUMENT PANEL – CA6/VILL 6 & 8/TPORTER/XRT850 ELEC. WITH LESTER CHARGER

| ITEM | PART NO.  | DESCRIPTION   | QTY |
|------|-----------|---|-----|
|      |           | <b>1 2 3 4</b>  |     |
| 1    | 1011382   | Washer, #10 Pan-Head Screw .....                      | 2   |
| 2    | 1012505   | Keys (set of 2) .....                                 | 1   |
| 3    | 1013494   | Cover, Screw Head .....                               | 2   |
| 4    | 1015528   | Screw, #10 x 1-1/4 Phillips Head .....                | 2   |
| 5    | 1016849   | Screw, #4-24 X 0.33, Pan-Head, Machine .....          | 2   |
| 6    | 1016851   | Buzzer, Reverse (9-48 VDC) .....                      | 1   |
| 7    | 101826201 | Key Switch, On/Off .....                              | 1   |
| 8    | 101830601 | Screw and Washer Assembly .....                       | 2   |
| 9    | 101830701 | Nut, Key Switch .....                                 | 1   |
| 10   | 101834502 | Cap, Black Key Switch .....                           | 1   |
| 11   | 101851101 | Washer, Key Switch .....                              | 1   |
| 12   | 101856002 | Switch, Rocker, Single-Pole .....                     | 1   |
| 13   | 102196901 | Dust Cap .....  | 1   |
| 14   | 102508701 | Light, Battery .....                                  | 1   |
| 15   | 102572401 | Nut, Diagnostic Port .....                            | 1   |
| 16   | 102869401 | Switch, Rocker, Light .....                           | 1   |
| 17   | 102977002 | Panel, Dash, Center, Elec (Instrument Panel) .....    | 1   |
| 18   | 103180101 | Cover, Hole, Switch, Rocker .....                     | 1   |
| 19   | 103198301 | Plug, Hole, Round, 2.0 In .....                       | 1   |
| 20   | 103218601 | Harness, Diagnostic Port .....                        | 1   |
| 21   | 103354401 | Gauge, Battery Cond Ind, Rnd (includes item 22) ..... | 1   |
| 22   | 103348202 | Clip, Bci, Round .....                                | 1   |

**4**  
**G**  
**E**

**4**  
**G**  
**E**



001271-002



# DC CONVERTER (ISOLATED) – IQ SYSTEM ELECTRIC VEHICLE

| ITEM | PART NO.  | DESCRIPTION   | QTY |
|------|-----------|---|-----|
|      |           | 1 2 3 4   |     |
| 1    | 102357501 | Kit, DC/DC Converter (includes items 2 through 9) ..... | 1   |
| 2    | 1016365   | Terminal, 1/4" Male Quick Disconnect .....              | 1   |
| 3    | 101835601 | Locknut, 1/4-20 Hex Whiz .....                          | 2   |
| 4    | N/A       | Terminal, 1/4" Male Quick Disconnect .....              | 1   |
| 5    | 102354901 | Harness, Dc Converter - 12v .....                       | 1   |
| 6    | 102355001 | Harness, Dc Converter - 48v .....                       | 1   |
| 7    | 103700301 | Converter, Dc/dc, Isoltd .....                          | 1   |
| 8    | 1242      | Nut, 5/16-18 Hex .....                                  | 1   |
| 9    | 8990      | Tie Wrap, 8" Nylon .....                                | 4   |

4

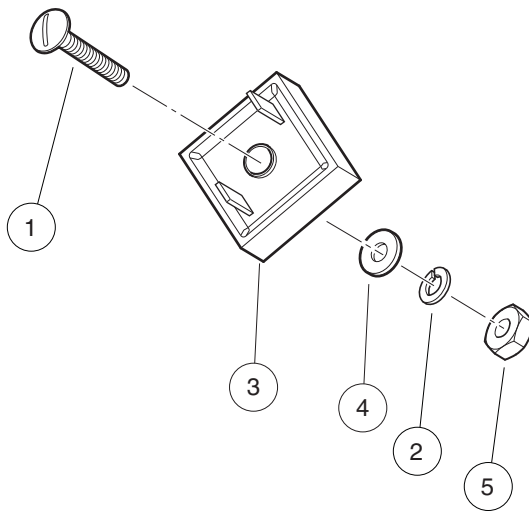
G

E

4

G

E



001091-001

## VOLTAGE LIMITER – GASOLINE VEHICLE

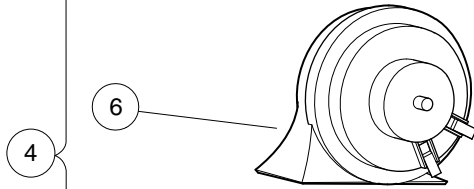
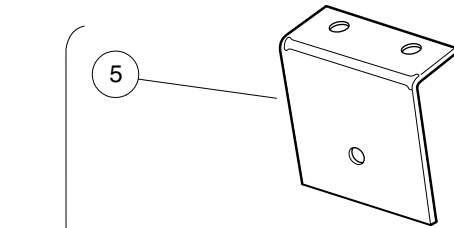
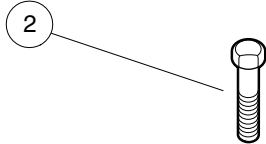
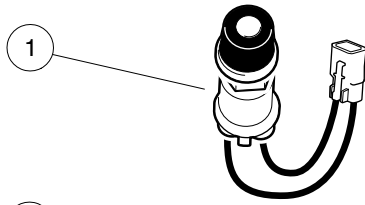
| ITEM | PART NO. | DESCRIPTION                          | QTY |
|------|----------|--------------------------------------|-----|
|      |          | <b>1 2 3 4</b>                       |     |
| 1    | 1010909  | Screw, #10-32 X 1.25 Rd Hd Mch ..... | 1   |
| 2    | 1016     | Lockwasher, #10 Split .....          | 1   |
| 3    | 1017721  | Limiter, Voltage .....               | 1   |
| 4    | 183      | Washer, #10, Type A, Flat .....      | 1   |
| 5    | 7893     | Nut, #10-32 Hex .....                | 1   |

4  
G  
E

4

G

E



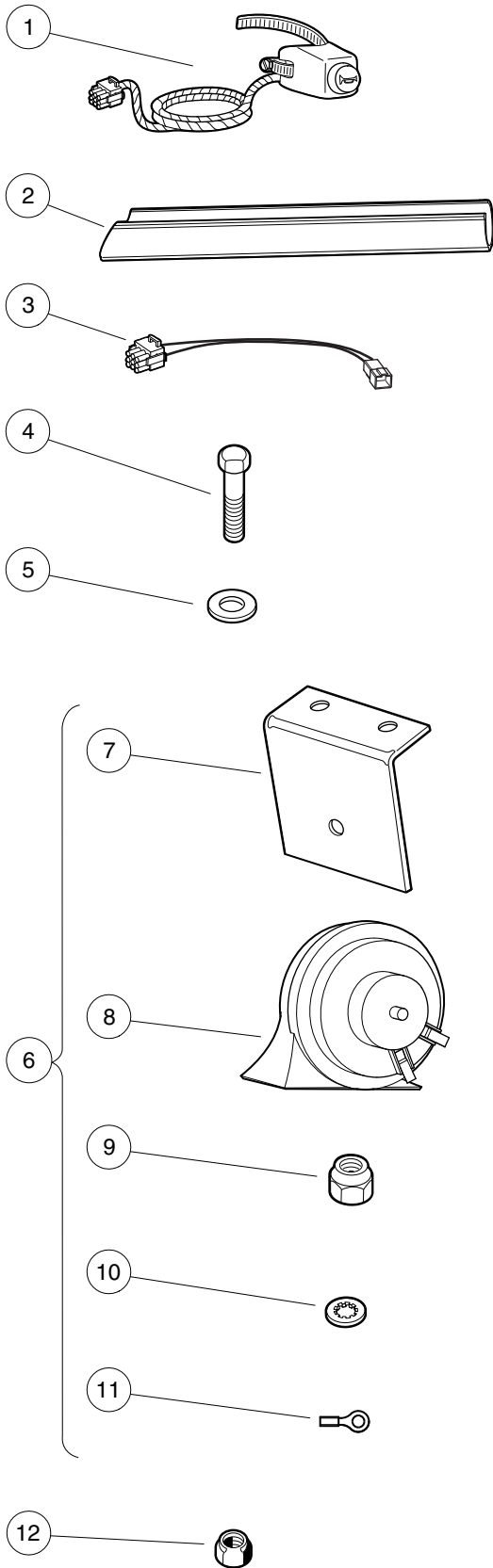
001095-001

# HORN

| ITEM | PART NO.  | DESCRIPTION                             | QTY |
|------|-----------|---|-----|
|      |           | <b>1 2 3 4</b>                          |     |
| 1    | 101969701 | Horn Button and Wire Assembly .....     | 1   |
| 2    | 304       | Screw, 1/4-20 X 1.0 Hex-Head Cap .....  | 2   |
| 3    | 332       | Washer, 1/4 Type A Narrow Flat .....    | 2   |
| 4    | 4029      | Horn (includes items 5 through 9) ..... | 1   |
| 5    | 1011825   | Horn Bracket .....                      | 1   |
| 6    | 1014530   | Horn, 12-VDC .....                      | 1   |
| 7    | 101955101 | Nut, M6 Hex .....                       | 1   |
| 8    | 7820      | Washer, 5/16 Internal-Tooth .....       | 1   |
| 9    | 8294      | 5/16 Ring Term. ....                    | 1   |
| 10   | 8233      | Locknut, 1/4-20, Nylon Insert .....     | 2   |

**4**  
**G**  
**E**

**4**  
**G**  
**E**



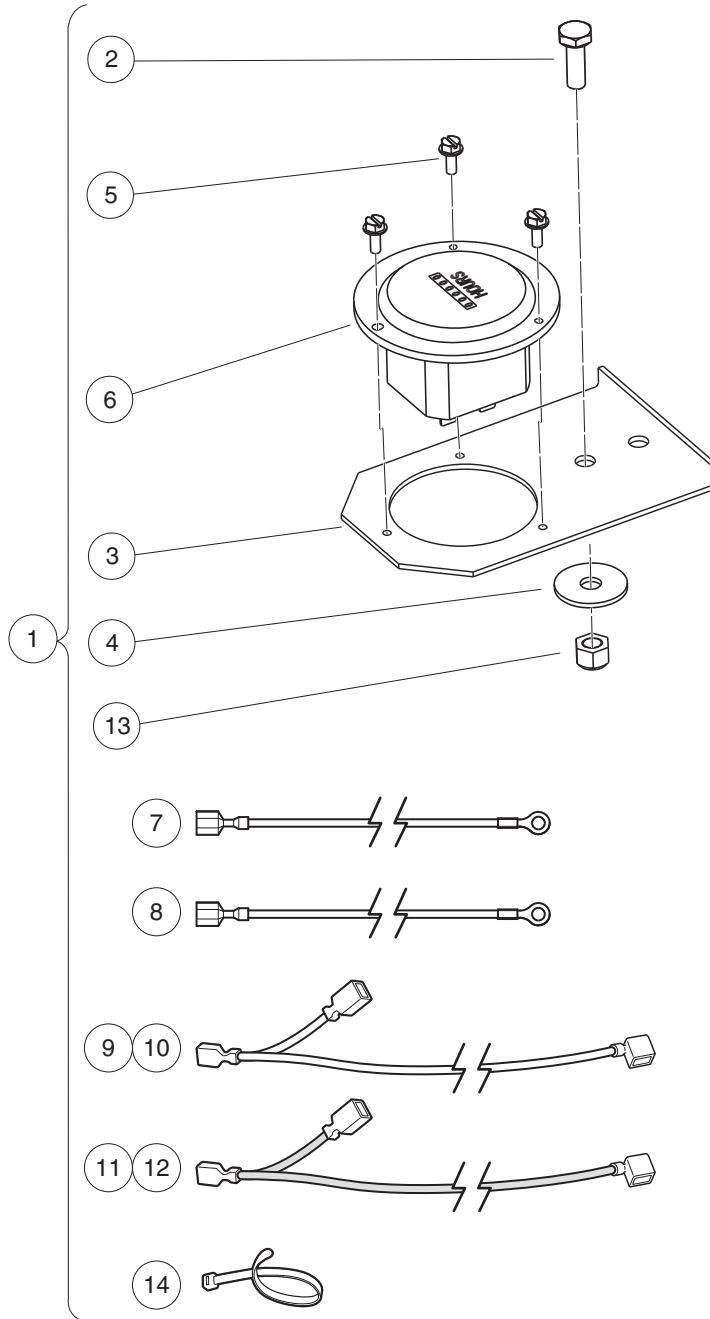
001095-002

## HORN WITH COLUMN-MOUNTED BUTTON

| ITEM | PART NO.  | DESCRIPTION                              | QTY |
|------|-----------|--|-----|
|      |           | 1 2 3 4                                  |     |
| 1    | 102517601 | Subasm, Horn Button Harness .....        | 1   |
| 2    | 102529203 | Wire Cover-steer Column 304 Mm .....     | 1   |
| 3    | 103618101 | Harness, Jumper, Horn .....              | 1   |
| 4    | 304       | Screw, 1/4-20 X 1.0 Hex-Head Cap .....   | 2   |
| 5    | 332       | Washer, 1/4 Type A Narrow Flat .....     | 2   |
| 6    | 4029      | Horn (includes items 7 through 11) ..... | 1   |
| 7    | 1011825   | Horn Bracket .....                       | 1   |
| 8    | 1014530   | Horn, 12-VDC .....                       | 1   |
| 9    | 101955101 | Nut, M6 Hex .....                        | 1   |
| 10   | 7820      | Washer, 5/16 Internal-Tooth .....        | 1   |
| 11   | 8294      | 5/16 Ring Term. ....                     | 1   |
| 12   | 8233      | Locknut, 1/4-20, Nylon Insert .....      | 2   |

4  
G  
E

**4**  
**G**  
**E**



001096-001

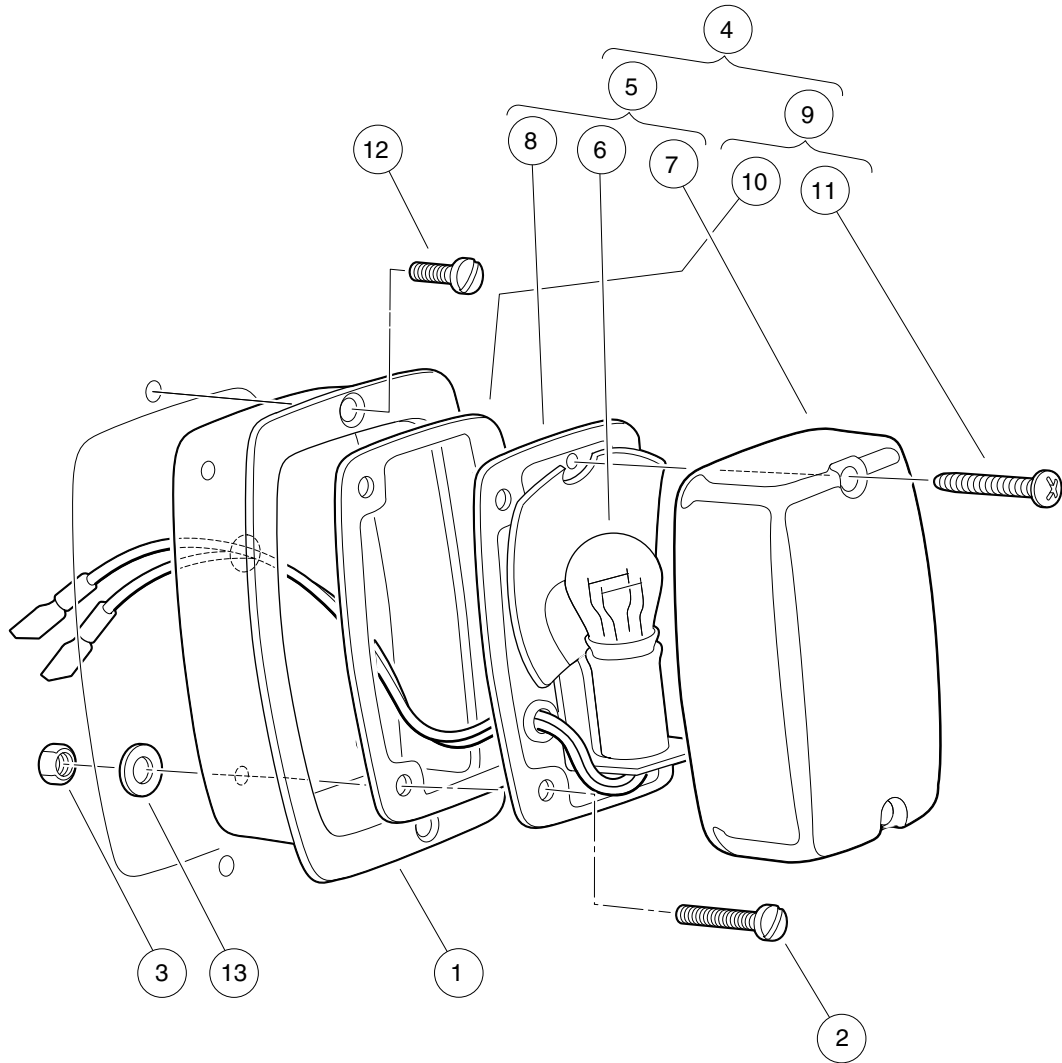


# HOUR METER – IQ SYSTEM AND IQ PLUS ELECTRIC VEHICLES

| ITEM | PART NO.  | DESCRIPTION   | QTY |
|------|-----------|---|-----|
|      |           | <b>1 2 3 4</b>  |     |
| 1    | 1013579   | Kit, Hour Meter (includes items 2 through 14) .....   | 1   |
| 2    | 1012285   | Screw, 1/4 X 0.625 Hex-Head .....   | 1   |
| 3    | 1013547   | Hour Meter Bracket .....  | 1   |
| 4    | 1014306   | Washer, 1/4" Type B Flat .....  | 1   |
| 5    | 1014540   | Screw, #6-32 X 3/8 Taptite .....  | 3   |
| 6    | N/A       | Hour Meter .....  | 1   |
| 7    | 101881501 | Wire Assembly Black #18 .....   | 1   |
| 8    | 101881601 | Wire Assembly Red #18 .....   | 1   |
| 9    | 101997802 | Wire Assembly #18 Yellow .....  | 1   |
| 10   | 101997803 | Wire Asm #18 Yellow 31" .....   | 1   |
| 11   | 101997902 | Wire Assembly #18 Red .....   | 1   |
| 12   | 101997903 | Wire Asm # 18 Red 31" .....   | 1   |
| 13   | 8233      | Locknut, 1/4-20, Nylon Insert .....   | 1   |
| 14   | 8990      | Tie Wrap, 8" Nylon .....  | 1   |
|      |           | <p>Note: The kit includes components that apply to multiple vehicles. The installation instructions will specify which components are required for a specific model. After installation, discard components not used.</p> |     |

**4**  
**G**  
**E**

**4**  
**G**  
**E**



000348-006

# TAIL LIGHTS

| ITEM | PART NO.  | DESCRIPTION   | QTY |
|------|-----------|---|-----|
|      |           | <b>1 2 3 4</b>  |     |
| 1    | 1011497   | Bezel, Taillight .....                                    | 1   |
| 2    | 1011557   | Screw, #6-32 X 1.00 Hex-Head Machine .....                | 1   |
| 3    | 1011558   | Nut, #6-32 Hex .....                                      | 1   |
| 4    | 1017035   | Taillight Assembly (includes items 5 through 9) .....     | 1   |
| 5    | N/A       | Light, Tail (includes items 6 through 8) .....            | 1   |
| 6    | 1011582   | Taillight Bulb .....                                      | 1   |
| 7    | 1011843   | Taillight Lens .....                                      | 1   |
| 8    | N/A       | Base, Taillight .....                                     | 1   |
| 9    | 1017699   | Hardware Kit, Tail Light (includes items 10 and 11) ..... | 1   |
| 10   | N/A       | Gasket .....  | 1   |
| 11   | N/A       | Screw, Tapered .....                                      | 2   |
| 12   | 102915601 | Plastic Rivet - Tuflock .....                             | 1   |
| 13   | 7591      | Washer, #6, Flat .....                                    | 1   |

**4**  
**G**  
**E**

**4**

**G**

**E**

# **BRAKES, PEDALS, AND CABLE ASSEMBLIES**

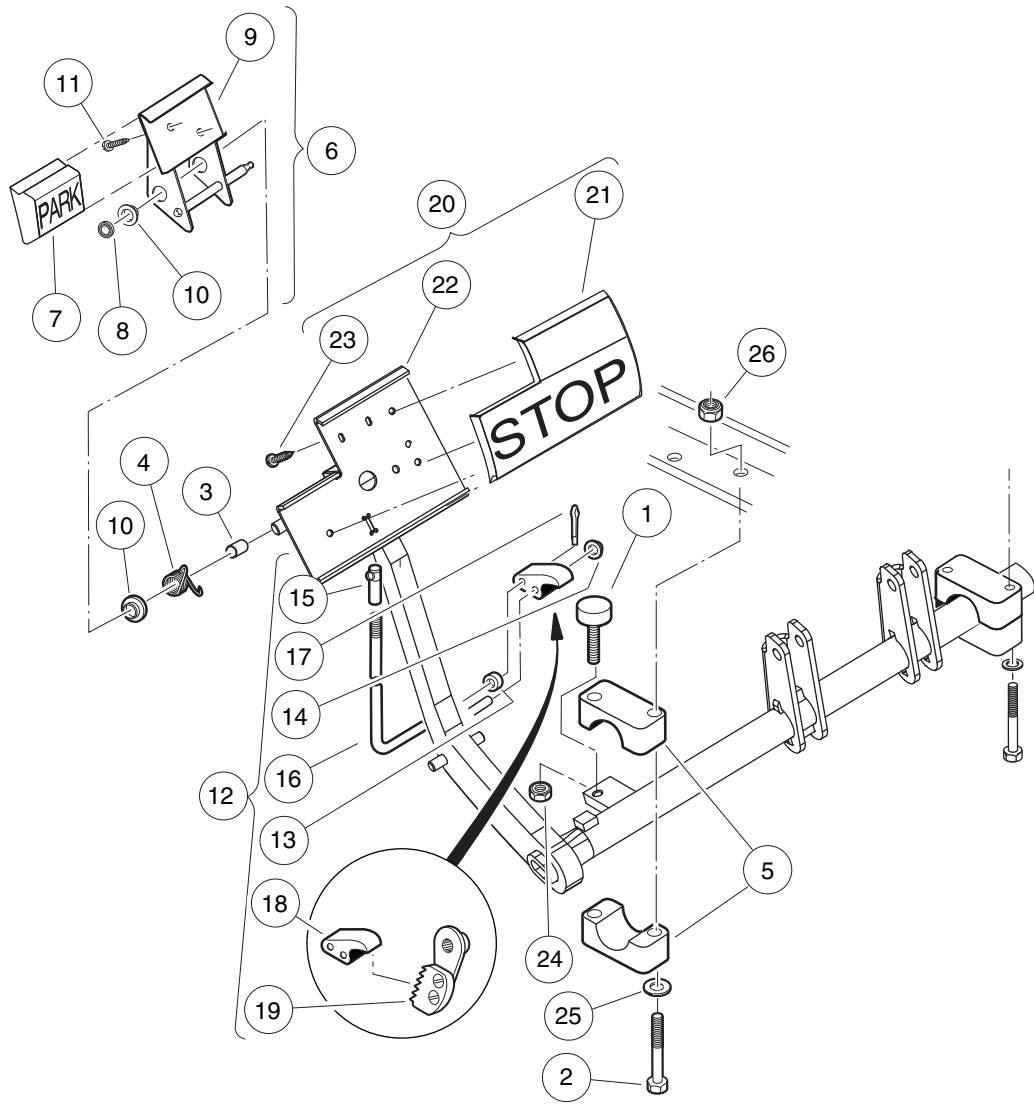
---

**5**

**G**

**E**

**5**  
**G**  
**E**



001405-002

## BRAKE PEDAL ASSEMBLY – VEHICLES WITH 2-WHEEL BRAKES AND 4-WHEEL BRAKES

| ITEM | PART NO.  | DESCRIPTION  | QTY | <b>5</b> |
|------|-----------|--|-----|----------|
|      |           | <b>1 2 3 4</b>   |     | <b>G</b> |
| 1    | 1010878   | Bumper, Rubber .....                                       | 1   |          |
| 2    | 1010921   | Screw, 5/16-18 X 2.50 Hex Cap .....                        | 4   |          |
| 3    | 1010927   | Hill Brake Spacer .....                                    | 1   | <b>E</b> |
| 4    | 1010933   | Spring, Hill Brake Torsion .....                           | 1   |          |
| 5    | 1011402   | Package, Brake Mounting Block .....                        | 1   |          |
| 6    | 1011418   | Kit, Hill Brake Pedal (includes items 7 through 11) .....  | 1   |          |
| 7    | 1013870   | Pad, Hill Brake .....                                      | 1   |          |
| 8    | 1013876   | Pushnut, 3/8 .....   | 1   |          |
| 9    | N/A       | Hill Brake Weld Assembly .....                             | 1   |          |
| 10   | 1032      | Bushing, Nylon .....                                       | 2   |          |
| 11   | 7716      | Screw, #10-16 Type AB, Sheet Metal .....                   | 2   |          |
| 12   | 101187702 | Kit, Hill Brake Latch (includes items 13 through 19) ..... | 1   |          |
| 13   | 1010805   | Sleeve, Hill Brake Rod .....                               | 1   |          |
| 14   | 1010877   | Pushnut, 3/8 .....   | 1   |          |
| 15   | 1010932   | Ball Joint, 1/4-28 .....                                   | 1   |          |
| 16   | N/A       | Rod, Hill Brake .....                                      | 1   |          |
| 17   | 1017029   | Pin, Cotter, 7/64 x 1/2 Stainless-Steel .....              | 1   |          |
| 18   | N/A       | Pawl, Hill Brake .....                                     | 1   |          |
| 19   | 101918501 | Ratchet Assembly .....                                     | 1   |          |
| 20   | 101878201 | Brake Pedal Kit (includes items 21 through 23) .....       | 1   |          |
| 21   | 1013869   | Pad, Brake Pedal .....                                     | 1   |          |
| 22   | N/A       | Weldment, Brake Pedal, 2wr Std .....                       | 1   |          |
| 23   | 7716      | Screw, #10-16 Type AB, Sheet Metal .....                   | 3   |          |
| 24   | 1028      | Nut, 1/4-20 Hex .....                                      | 1   |          |
| 25   | 1241      | Washer, 5/16 Type A Flat .....                             | 4   |          |
| 26   | 7473      | Locknut, 5/16-18 Nylon Insert .....                        | 4   |          |



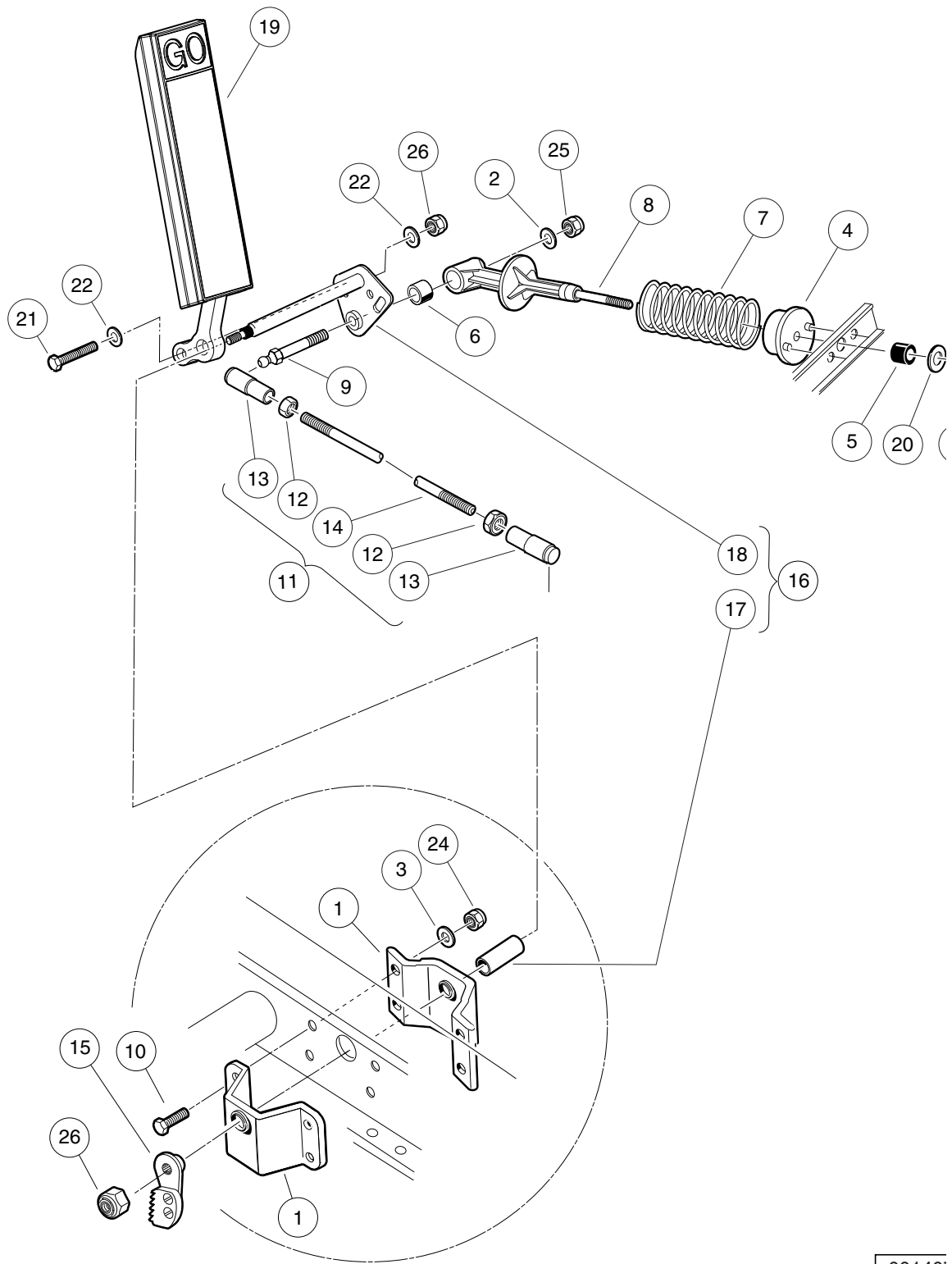


# ACCELERATOR PEDAL ASSEMBLY – ELECTRIC VEHICLES

| ITEM | PART NO.  | DESCRIPTION  | QTY |
|------|-----------|--|-----|
|      |           | 1 2 3 4  |     |
| 1    | 1011694   | Accelerator Bracket and Bearing Assembly .....                       | 2   |
| 2    | 1011931   | Washer, 1/4 Flat .....   | 1   |
| 3    | 1014007   | Washer, 1/4, Flat .....  | 4   |
| 4    | 1017378   | Cup, Spring .....  | 1   |
| 5    | 1017380   | Bumper, Spring Return .....  | 1   |
| 6    | 1017424   | Bearing, Pivot Support .....   | 1   |
| 7    | 101796201 | Spring, Accelerator Return .....                                     | 1   |
| 8    | 101817401 | Retainer, Spring .....   | 1   |
| 9    | 101861901 | Screw, 1/4-20 X 1.125 Hex Cap .....                                  | 4   |
| 10   | 101862001 | Screw, 1/4-20 X 1.500 Flange .....                                   | 1   |
| 11   | 101918501 | Ratchet Assembly .....   | 1   |
| 12   | 102026001 | Kit, Accelerator Pivot Rod Assembly (includes items 13 and 14) ..... | 1   |
| 13   | 101919801 | Spacer, Accelerator .....  | 1   |
| 14   | 102158901 | Pivot Rod Weldment .....   | 1   |
| 15   | 103865101 | Pedal, Accel, Insert .....   | A/R |
| 16   | 1241      | Washer, 5/16 Type A Flat .....                                       | 1   |
| 17   | 1624      | Screw, 3/8-16 X 1.50, Hex-Head Cap .....                             | 1   |
| 18   | 334       | Washer, 3/8, Type A, Flat .....                                      | 2   |
| 19   | 7473      | Locknut, 5/16-18 Nylon Insert .....                                  | 1   |
| 20   | 8233      | Locknut, 1/4-20, Nylon Insert .....                                  | 4   |
| 21   | 8717      | Locknut, Nylon Insert, 1/4-28 .....                                  | 1   |
| 22   | 8754      | Locknut, 3/8-16 Hex .....  | 2   |

5  
G  
E

**5**  
**G**  
**E**



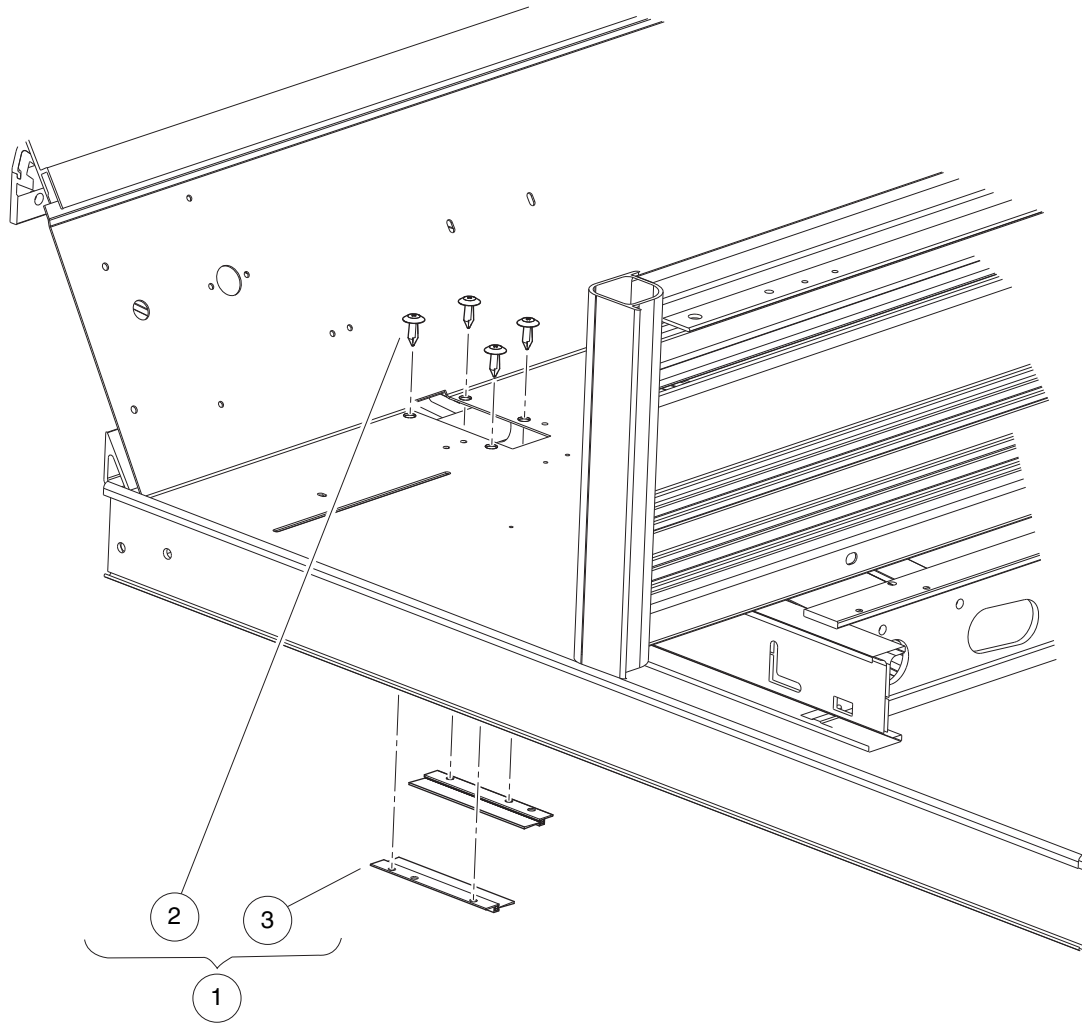
00140

## ACCELERATOR PEDAL AND ROD ASSEMBLY – GASOLINE VEHICLE

| ITEM | PART NO.  | DESCRIPTION  | QTY |
|------|-----------|--|-----|
|      |           | <b>1 2 3 4</b>   |     |
| 1    | 1011694   | Accelerator Bracket and Bearing Assembly .....                       | 2   |
| 2    | 1011931   | Washer, 1/4 Flat .....   | 1   |
| 3    | 1014007   | Washer, 1/4, Flat .....  | 4   |
| 4    | 1017378   | Cup, Spring .....  | 1   |
| 5    | 1017380   | Bumper, Spring Return .....  | 1   |
| 6    | 1017424   | Bearing, Pivot Support .....   | 1   |
| 7    | 101796201 | Spring, Accelerator Return .....                                     | 1   |
| 8    | 101817401 | Retainer, Spring .....   | 1   |
| 9    | 101818801 | Stud, 1/4-28 X 1.35 Ball .....                                       | 1   |
| 10   | 101861901 | Screw, 1/4-20 X 1.125 Hex Cap .....                                  | 4   |
| 11   | 101912401 | Rod, Accelerator (includes items 12 through 14) .....                | 1   |
| 12   | 1011084   | Nut, 1/4-28 Hex Jam .....  | 2   |
| 13   | 1011734   | Joint, Ball .....  | 2   |
| 14   | N/A       | Accelerator Rod .....  | 1   |
| 15   | 101918501 | Ratchet Assembly .....   | 1   |
| 16   | 102026001 | Kit, Accelerator Pivot Rod Assembly (includes items 17 and 18) ..... | 1   |
| 17   | 101919801 | Spacer, Accelerator .....  | 1   |
| 18   | 102158901 | Pivot Rod Weldment .....   | 1   |
| 19   | 103865101 | Pedal, Accel, Insert .....   | 1   |
| 20   | 1241      | Washer, 5/16 Type A Flat .....                                       | 1   |
| 21   | 1624      | Screw, 3/8-16 X 1.50, Hex-Head Cap .....                             | 1   |
| 22   | 334       | Washer, 3/8, Type A, Flat .....                                      | 2   |
| 23   | 7473      | Locknut, 5/16-18 Nylon Insert .....                                  | 1   |
| 24   | 8233      | Locknut, 1/4-20, Nylon Insert .....                                  | 4   |
| 25   | 8717      | Locknut, Nylon Insert, 1/4-28 .....                                  | 1   |
| 26   | 8754      | Locknut, 3/8-16 Hex .....  | 2   |

**5**  
**G**  
**E**

**5**  
**G**  
**E**



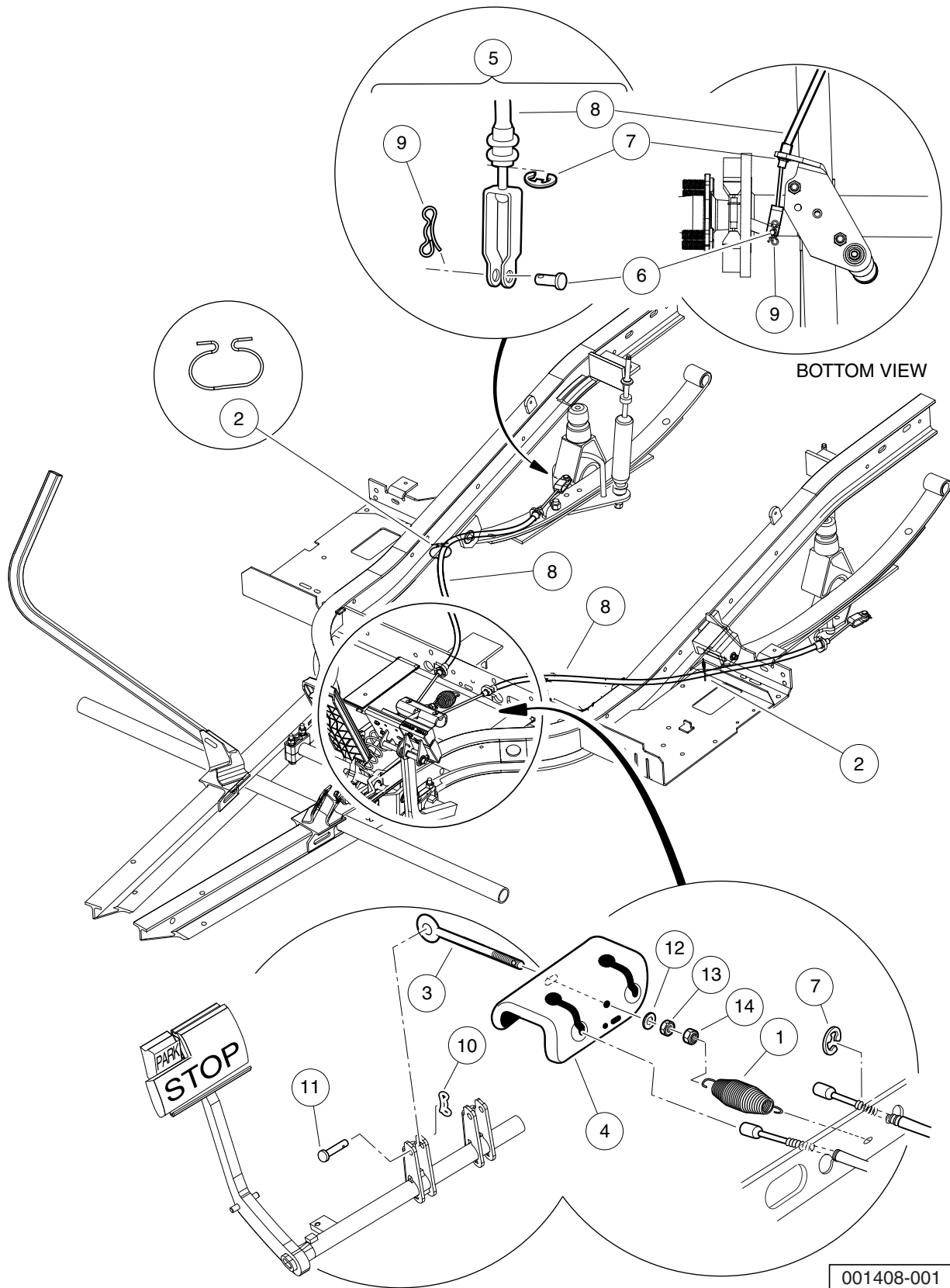
001418-001

# PEDAL CLOSE-OUT KIT

| ITEM | PART NO.  | DESCRIPTION   | QTY |
|------|-----------|---|-----|
|      |           | <b>1 2 3 4</b>  |     |
| 1    | 105149101 | Kit, Close Out, Pedal, Utl (includes items 2 and 3) ..... | 1   |
| 2    | 102025701 | Screw, Tuflok Panel, 1/4 .....                            | 4   |
| 3    | 105149201 | Asm, Brush, Pedal Close Out .....                         | 2   |

**5**  
**G**  
**E**

**5**  
**G**  
**E**



# BRAKE CABLES AND EQUALIZER

| ITEM | PART NO.  | DESCRIPTION  | QTY |
|------|-----------|--|-----|
|      |           | <b>1 2 3 4</b>   |     |
| 1    | 1013531   | Spring, Brake Return .....                               | 1   |
| 2    | 101900801 | Hanger, Brake Cable .....                                | 2   |
| 3    | 101953101 | Rod, Equalizer, 8.91" .....                              | 1   |
| 4    | 101990801 | Equalizer Bracket .....                                  | 1   |
| 5    | 102166901 | Kit, Brake Cable Rear (includes items 6 through 9) ..... | 1   |
| 6    | 1010829   | Pin, Clevis, 5/16 X 3/4 .....                            | 2   |
| 7    | 1011779   | E-Clip, 1/2 .....  | 4   |
| 8    | 102162601 | Cable, Brake .....                                       | 2   |
| 9    | 102292801 | Pin, Bow Tie Locking - .072 .....                        | 2   |
| 10   | 102323101 | Pin, Bow Tie Locking .....                               | 1   |
| 11   | 102323201 | Pin, 3/8 X 1-5/16 Clevis .....                           | 1   |
| 12   | 1241      | Washer, 5/16 Type A Flat .....                           | 5   |
| 13   | 1242      | Nut, 5/16-18 Hex .....                                   | 1   |
| 14   | 7473      | Locknut, 5/16-18 Nylon Insert .....                      | 5   |

**5**  
**G**  
**E**

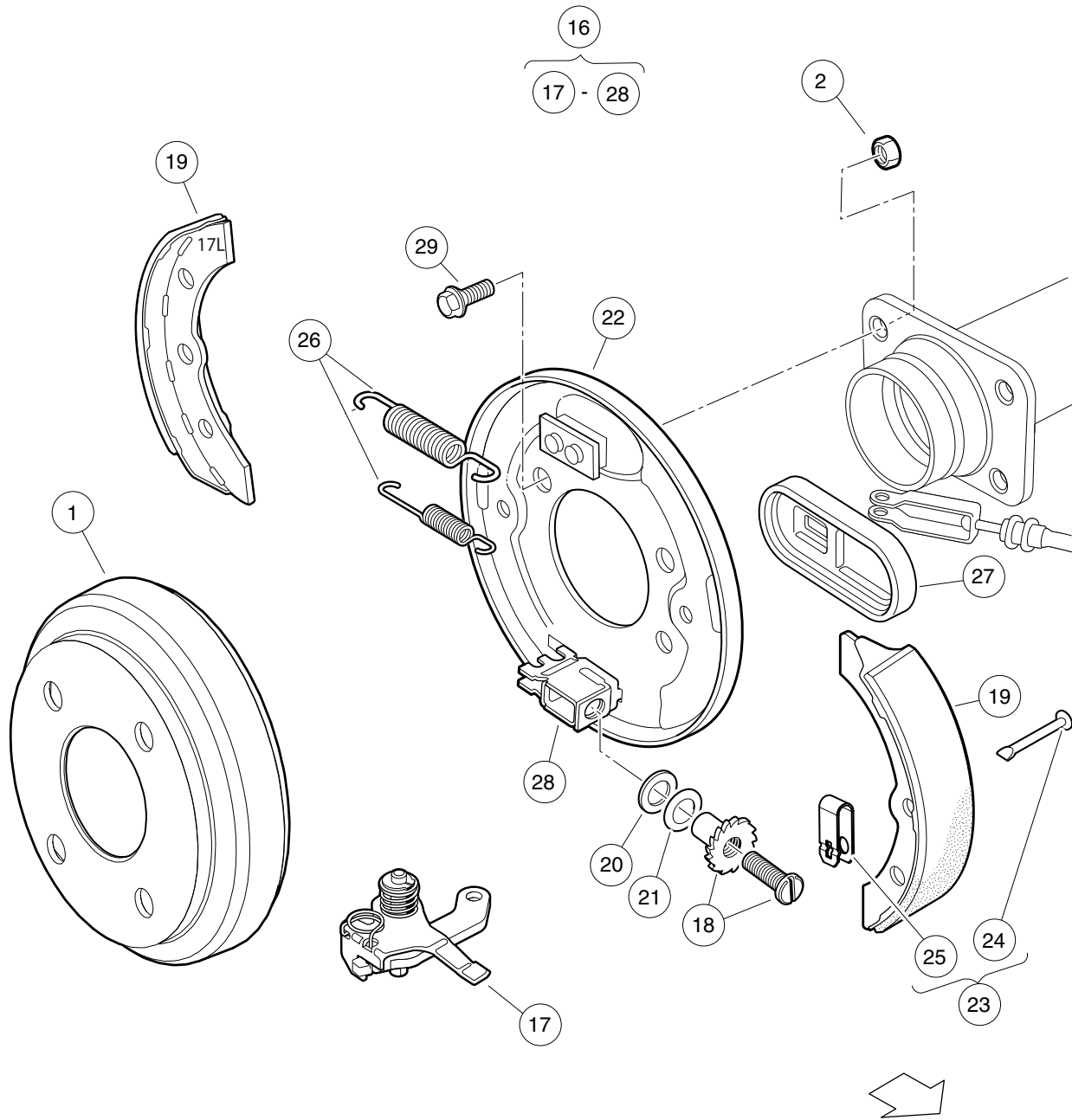




## REAR BRAKES, SELF-ADJUSTING – ELECTRIC VEHICLE

| ITEM | PART NO.    | DESCRIPTION   | QTY |          |
|------|-------------|---|-----|----------|
|      |             | 1 2 3 4   |     | <b>5</b> |
| 1    | 1013924     | Nut, 5/16-24, Hex Head Cone .....   | 8   | <b>G</b> |
| 2    | 101791101   | Drum without Center Hole, Brake .....   | 2   | <b>E</b> |
| 3    | 103380201   | Asm, Brake Cluster, Mech, Drvr (includes items 4 through 15) .....  | 1   |          |
| 4    | 101815502   | Lever Assembly, Self-Adjusting Brake, Left .....  | 1   |          |
| 5    | 101816502   | Adjusting Mechanism, Self-Adjusting Brake, Left .....   | 1   |          |
| 6    | 101823201   | Package, Brake Shoe, Self-Adjusting .....   | 1   |          |
| 7    | 101823801   | Plate, Washer, Brake, Self-Adjusting .....  | 1   |          |
| 8    | 101823901   | Washer, Brake, Self-Adjusting .....   | 1   |          |
| 9    | 103483102   | Backing Plate, Driver-side .....  | 1   |          |
| 10   | 103483201   | Kit, Shoe Retainer (includes items 11 and 12) .....   | 1   |          |
| 11   | N/A         | Pin .....   | 2   |          |
| 12   | N/A         | Spring, Shoe, Clamp .....   | 2   |          |
| 13   | 103483401   | Package Brake Spring Self Adj .....   | 1   |          |
| 14   | 103483601   | Cover, Dust .....   | 1   |          |
| 15   | 103483701   | Brake Block .....   | 1   |          |
| 16   | 103380202   | Asm, Brake Cluster, Mech, Pass (includes items 17 through 28) .....   | 1   |          |
| 17   | 101815501   | Lever Assembly, Self-Adjusting Brake, Right (Passenger) .....   | 1   |          |
| 18   | 101816501   | Adj Mechanism, S.A. Brakes, Right (Passenger) .....   | 1   |          |
| 19   | 101823201   | Package, Brake Shoe, Self-Adjusting .....   | 1   |          |
| 20   | 101823801   | Plate, Washer, Brake, Self-Adjusting .....  | 1   |          |
| 21   | 101823901   | Washer, Brake, Self-Adjusting .....   | 1   |          |
| 22   | 103483101   | Backing Plate, Passenger-side .....   | 1   |          |
| 23   | 103483201   | Kit, Shoe Retainer (includes items 24 and 25) .....   | 1   |          |
| 24   | N/A         | Pin .....   | 2   |          |
| 25   | N/A         | Spring, Shoe, Clamp .....   | 2   |          |
| 26   | 103483401   | Package Brake Spring Self Adj .....   | 1   |          |
| 27   | 103483601   | Cover, Dust .....   | 1   |          |
| 28   | 103483701   | Brake Block .....   | 1   |          |
| 29   | 47542195001 | Bolt, Brake Cluster Mnt .....   | 8   |          |
|      |             | Note: Driver-side brake cluster (items 4 -16) not shown. Components have a similar appearance to passenger-side brake cluster components. |     |          |

**5**  
**G**  
**E**



000186-007

## REAR BRAKES, SELF-ADJUSTING – GASOLINE VEHICLE

| ITEM | PART NO.    | DESCRIPTION   | QTY |
|------|-------------|---|-----|
|      |             | 1 2 3 4   |     |
| 1    | 1011137     | Drum, Brake .....   | 2   |
| 2    | 1013924     | Nut, 5/16-24, Hex Head Cone .....   | 8   |
| 3    | 103380201   | Asm, Brake Cluster, Mech, Drvr (includes items 4 through 15) .....  | 1   |
| 4    | 101815502   | Lever Assembly, Self-Adjusting Brake, Left .....  | 1   |
| 5    | 101816502   | Adjusting Mechanism, Self-Adjusting Brake, Left .....   | 1   |
| 6    | 101823201   | Package, Brake Shoe, Self-Adjusting .....   | 1   |
| 7    | 101823801   | Plate, Washer, Brake, Self-Adjusting .....  | 1   |
| 8    | 101823901   | Washer, Brake, Self-Adjusting .....   | 1   |
| 9    | 103483102   | Backing Plate, Driver-side .....  | 1   |
| 10   | 103483201   | Kit, Shoe Retainer (includes items 11 and 12) .....   | 1   |
| 11   | N/A         | Pin .....   | 2   |
| 12   | N/A         | Spring, Shoe, Clamp .....   | 2   |
| 13   | 103483401   | Package Brake Spring Self Adj .....   | 1   |
| 14   | 103483601   | Cover, Dust .....   | 1   |
| 15   | 103483701   | Brake Block .....   | 1   |
| 16   | 103380202   | Asm, Brake Cluster, Mech, Pass (includes items 17 through 28) .....   | 1   |
| 17   | 101815501   | Lever Assembly, Self-Adjusting Brake, Right (Passenger) .....   | 1   |
| 18   | 101816501   | Adj Mechanism, S.A. Brakes, Right (Passenger) .....   | 1   |
| 19   | 101823201   | Package, Brake Shoe, Self-Adjusting .....   | 1   |
| 20   | 101823801   | Plate, Washer, Brake, Self-Adjusting .....  | 1   |
| 21   | 101823901   | Washer, Brake, Self-Adjusting .....   | 1   |
| 22   | 103483101   | Backing Plate, Passenger-side .....   | 1   |
| 23   | 103483201   | Kit, Shoe Retainer (includes items 24 and 25) .....   | 1   |
| 24   | N/A         | Pin .....   | 2   |
| 25   | N/A         | Spring, Shoe, Clamp .....   | 2   |
| 26   | 103483401   | Package Brake Spring Self Adj .....   | 1   |
| 27   | 103483601   | Cover, Dust .....   | 1   |
| 28   | 103483701   | Brake Block .....   | 1   |
| 29   | 47542195001 | Bolt, Brake Cluster Mnt .....   | 8   |
|      |             | Note: Driver-side brake cluster (items 4 -16) not shown. Components have a similar appearance to passenger-side brake cluster components. |     |

5  
G  
E

**5**

**G**

**E**

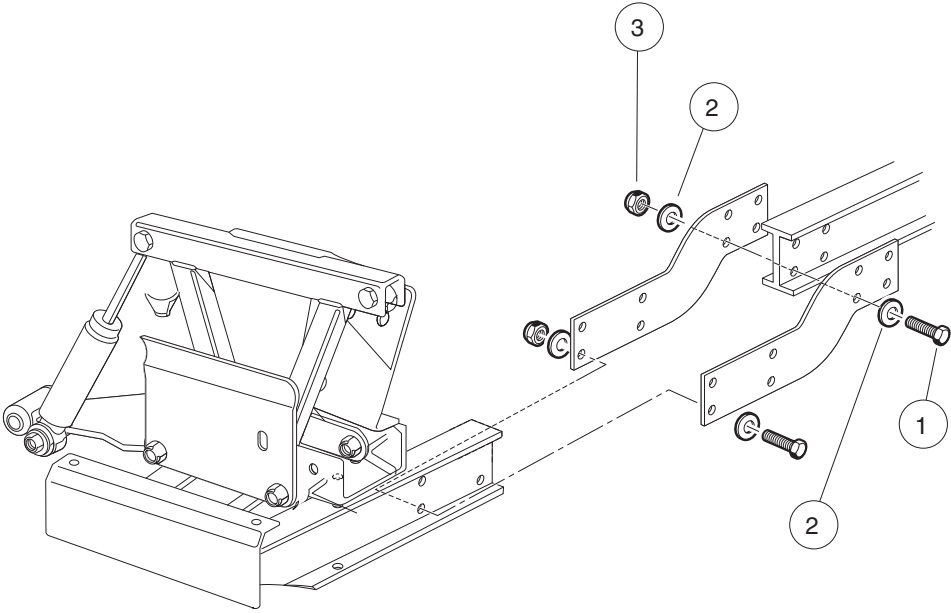
# STEERING AND SUSPENSION WITH MAINTENANCE-FREE BALL JOINTS

---

6

G

E



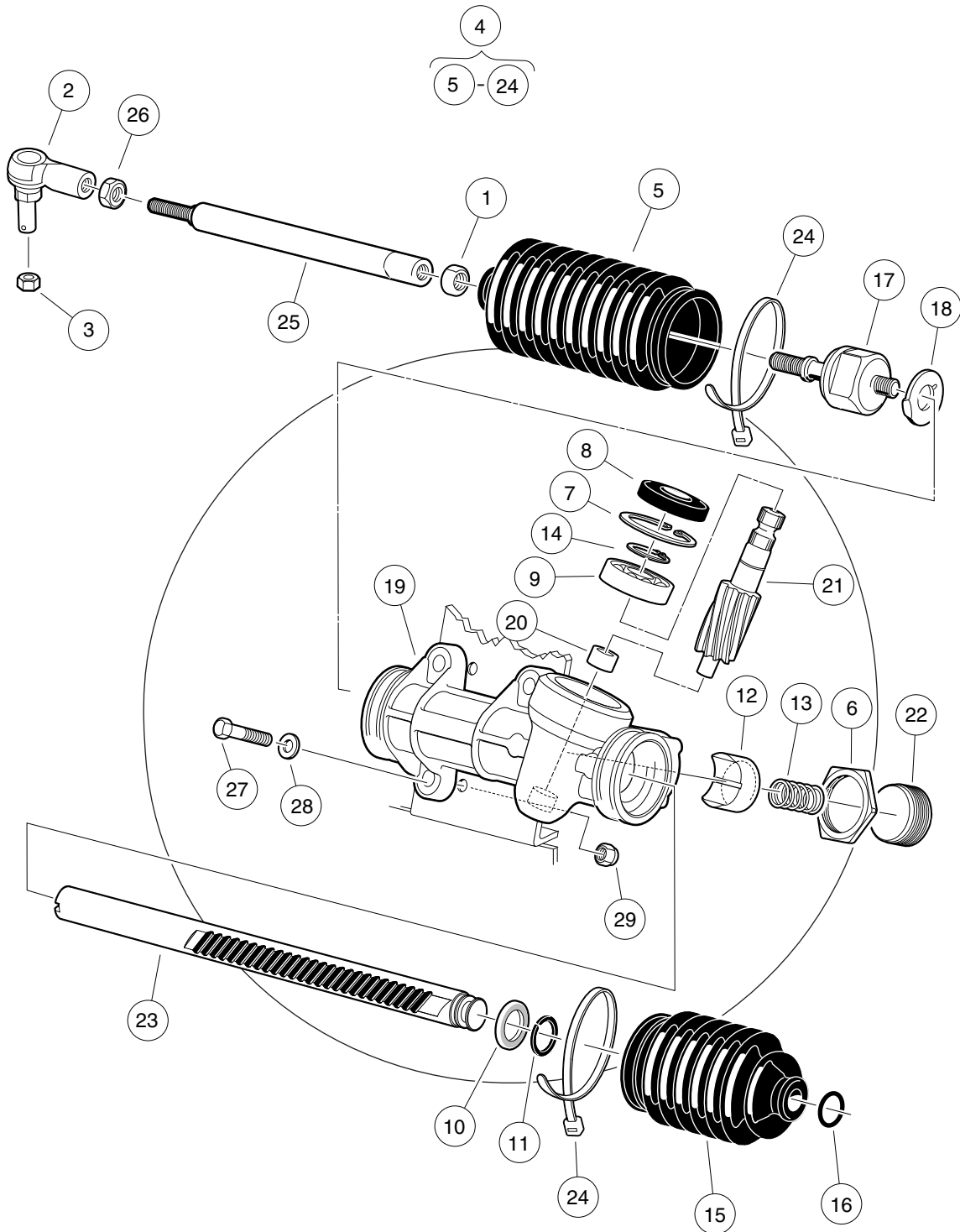
000304-002

# FRONT FRAME PLATE HARDWARE – TURF/CA 252 AND XRT 850/900

| ITEM | PART NO. | DESCRIPTION                              | QTY |
|------|----------|--|-----|
|      |          | <b>1 2 3 4</b>                           |     |
| 1    | 1218     | Screw, 5/16-18 X 1.25 Hex-Head Cap ..... | 16  |
| 2    | 1241     | Washer, 5/16 Type A Flat .....           | 32  |
| 3    | 7473     | Locknut, 5/16-18 Nylon Insert .....      | 16  |

**6**  
**G**  
**E**

**6**  
**G**  
**E**



001500-002

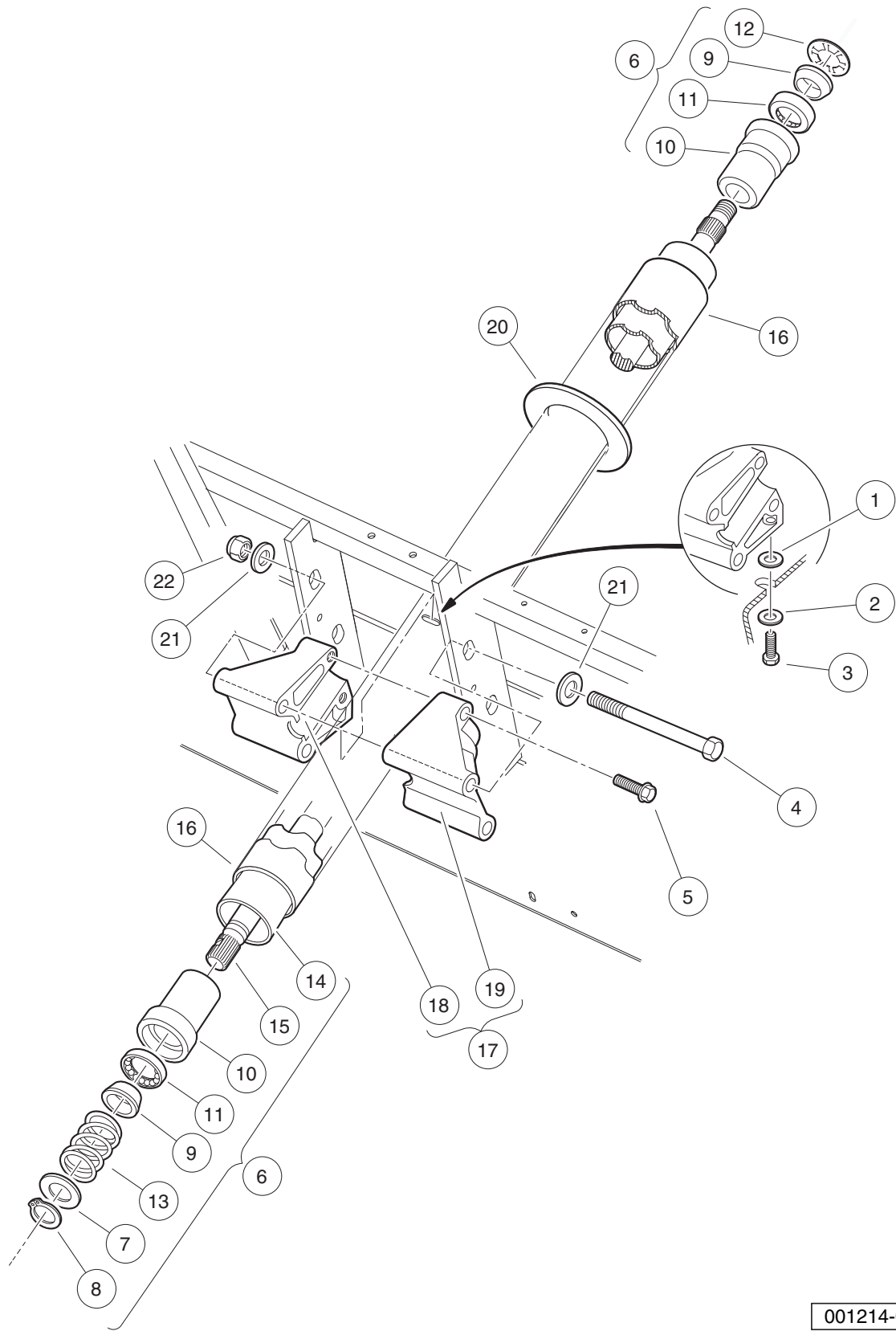


# STEERING GEAR ASSEMBLY (WANDA) – MAINT.-FREE BALL JOINT

| ITEM | PART NO.  | DESCRIPTION   | QTY |
|------|-----------|---|-----|
|      |           | <b>1 2 3 4</b>  |     |
| 1    | 1013042   | Nut, 12mm Hex .....   | 1   |
| 2    | 102022602 | End, Tie Rod, M12 X 1.25, Lh .....                                | 1   |
| 3    | 102289201 | Nut - Hex Locking, M12 X 1.25 .....                               | 1   |
| 4    | 103601501 | Asm, Steering Rack And Pinion (includes items 5 through 24) ..... | 1   |
| 5    | 1013035   | Bellows, Long .....   | 1   |
| 6    | 1013044   | Rack Screw Locknut .....  | 1   |
| 7    | N/A       | Snap Ring .....   | 1   |
| 8    | 1013052   | Seal, Steering Pinion Dust .....                                  | 1   |
| 9    | 101879401 | Bearing, Ball .....   | 1   |
| 10   | 101879501 | Stop Washer .....   | 1   |
| 11   | 101879601 | Stop Ring, C-Type .....   | 1   |
| 12   | 101879701 | Support Yoke .....  | 1   |
| 13   | 101879801 | Rack Guide Pressure Spring .....                                  | 1   |
| 14   | 101879901 | Ring, Stop, C-Type .....  | 1   |
| 15   | 101880001 | Bellows, Short .....  | 1   |
| 16   | 101880101 | Dust Seal Retaining Ring .....                                    | 1   |
| 17   | 101880201 | Inner Ball Joint Asm .....  | 1   |
| 18   | 101880301 | Washer, Tab .....   | 1   |
| 19   | N/A       | Box, Steering Gear .....  | 1   |
| 20   | N/A       | Bearing, Lower Pinion .....                                       | 1   |
| 21   | N/A       | Pinion, Steering .....  | 1   |
| 22   | N/A       | Screw, Rack Guide .....   | 1   |
| 23   | N/A       | Rack, Steering .....  | 1   |
| 24   | 8990      | Tie Wrap, 8" Nylon .....  | 2   |
| 25   | 103653401 | Link, Drag, Male Thd .....  | 1   |
| 26   | 103653501 | Nut, Jam, M12-1.25, Lh .....                                      | 1   |
| 27   | 1624      | Screw, 3/8-16 X 1.50, Hex-Head Cap .....                          | 3   |
| 28   | 334       | Washer, 3/8, Type A, Flat .....                                   | 3   |
| 29   | 8754      | Locknut, 3/8-16 Hex .....   | 3   |

**6**  
**G**  
**E**

**6**  
**G**  
**E**



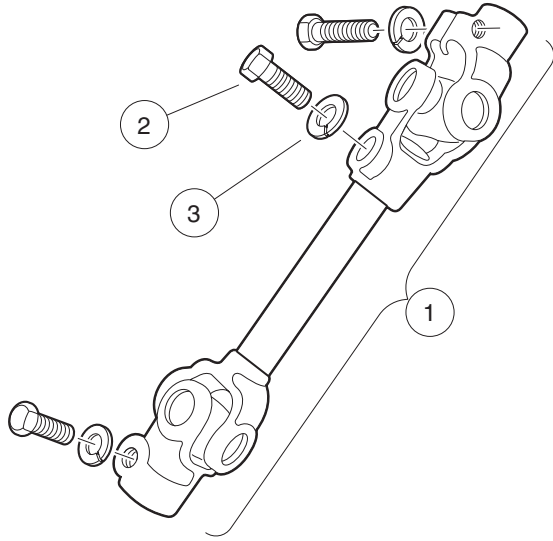
001214-001

## STEERING COLUMN – UTILITY

| ITEM | PART NO.  | DESCRIPTION  | QTY |
|------|-----------|--|-----|
|      |           | 1 2 3 4  |     |
| 1    | 1011578   | Washer, 5/16 Type B Flat .....   | 1   |
| 2    | 1011697   | Washer, 5/16 Flat .....  | 1   |
| 3    | 1014288   | Screw, 5/16-18 X 0.75, Thread-Forming .....                            | 1   |
| 4    | 1016183   | Screw, 3/8-16 X 7.00 Hex Cap .....                                     | 2   |
| 5    | 1016269   | Screw, 5/16-18 Thrd Forming .....                                      | 2   |
| 6    | 1017313   | Steering Shaft Assembly (includes items 7 through 15) .....            | 1   |
| 7    | 1012604   | Washer, 0.675 ID X 1.19 OD .....                                       | 1   |
| 8    | 1012605   | Ring, 0.579 Internal Retaining .....                                   | 1   |
| 9    | 1014125   | Wedge, Molded .....  | 2   |
| 10   | 1014126   | Seat, Plastic Bearing .....  | 2   |
| 11   | 1014213   | Bearing, Ball .....  | 2   |
| 12   | 1014214   | Ring, Retaining .....  | 1   |
| 13   | 1014217   | Spring, Steering Shaft .....   | 1   |
| 14   | 1017314   | Column, Aluminum Steering .....  | 1   |
| 15   | 1017315   | Shaft Steering Column .....  | 1   |
| 16   | 1017317   | Tube Cover, Steering Column .....                                      | 1   |
| 17   | 101984801 | Kit, Steering Column Mounting Bracket (includes items 18 and 19) ..... | 1   |
| 18   | N/A       | Bracket, RH Steering Column Mount .....                                | 1   |
| 19   | N/A       | Bracket, LH Steering column mount .....                                | 1   |
| 20   | 102278001 | Boot, Steering Column Round .....                                      | 1   |
| 21   | 334       | Washer, 3/8, Type A, Flat .....  | 4   |
| 22   | 8754      | Locknut, 3/8-16 Hex .....  | 2   |

**6**  
**G**  
**E**

**6**  
**G**  
**E**



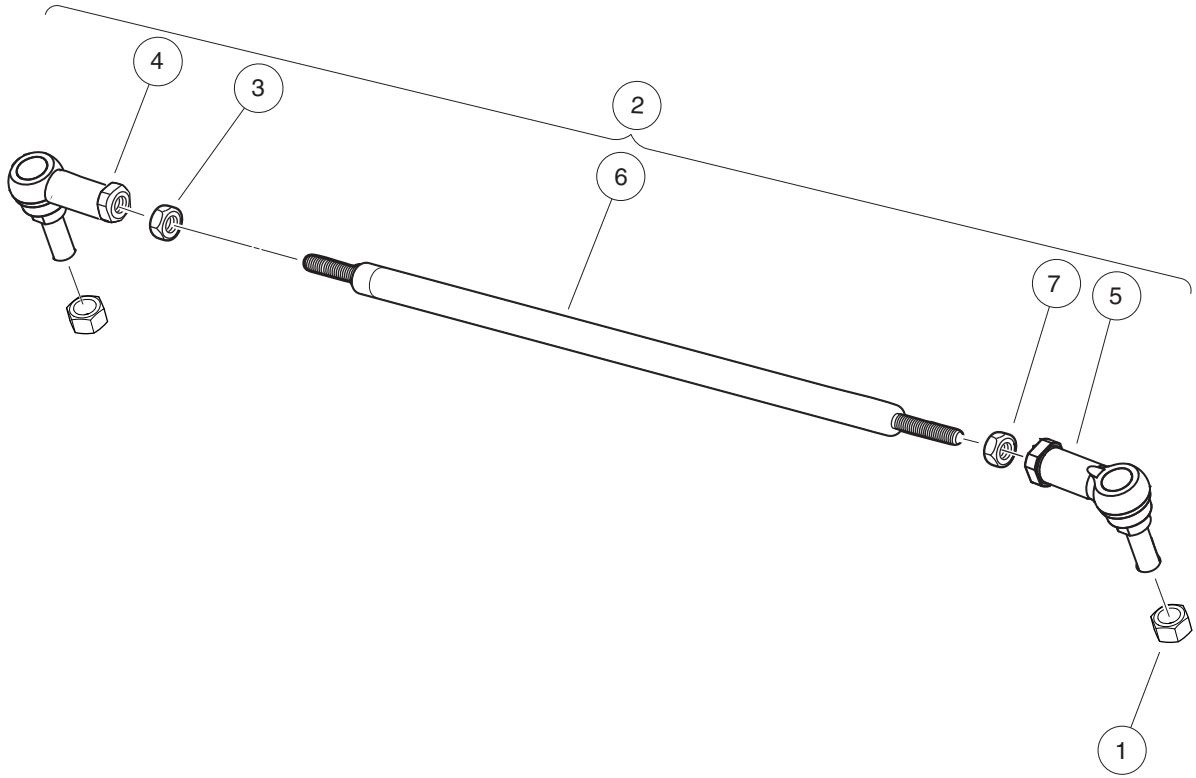
001218-001

# INTERMEDIATE STEERING SHAFT – TURF/CA 252 AND XRT 850/ 900

| ITEM | PART NO.  | DESCRIPTION                                    | QTY |
|------|-----------|--|-----|
|      |           | 1 2 3 4  |     |
| 1    | 102004101 | Joint, Steering (includes items 2 and 3) ..... | 1   |
| 2    | 1017226   | Bolt, Hex-Head, 8mm X 1.25 - 30 .....          | 3   |
| 3    | 7174      | Lockwasher, 5/16 Split .....                   | 3   |

6  
G  
E

**6**  
**G**  
**E**



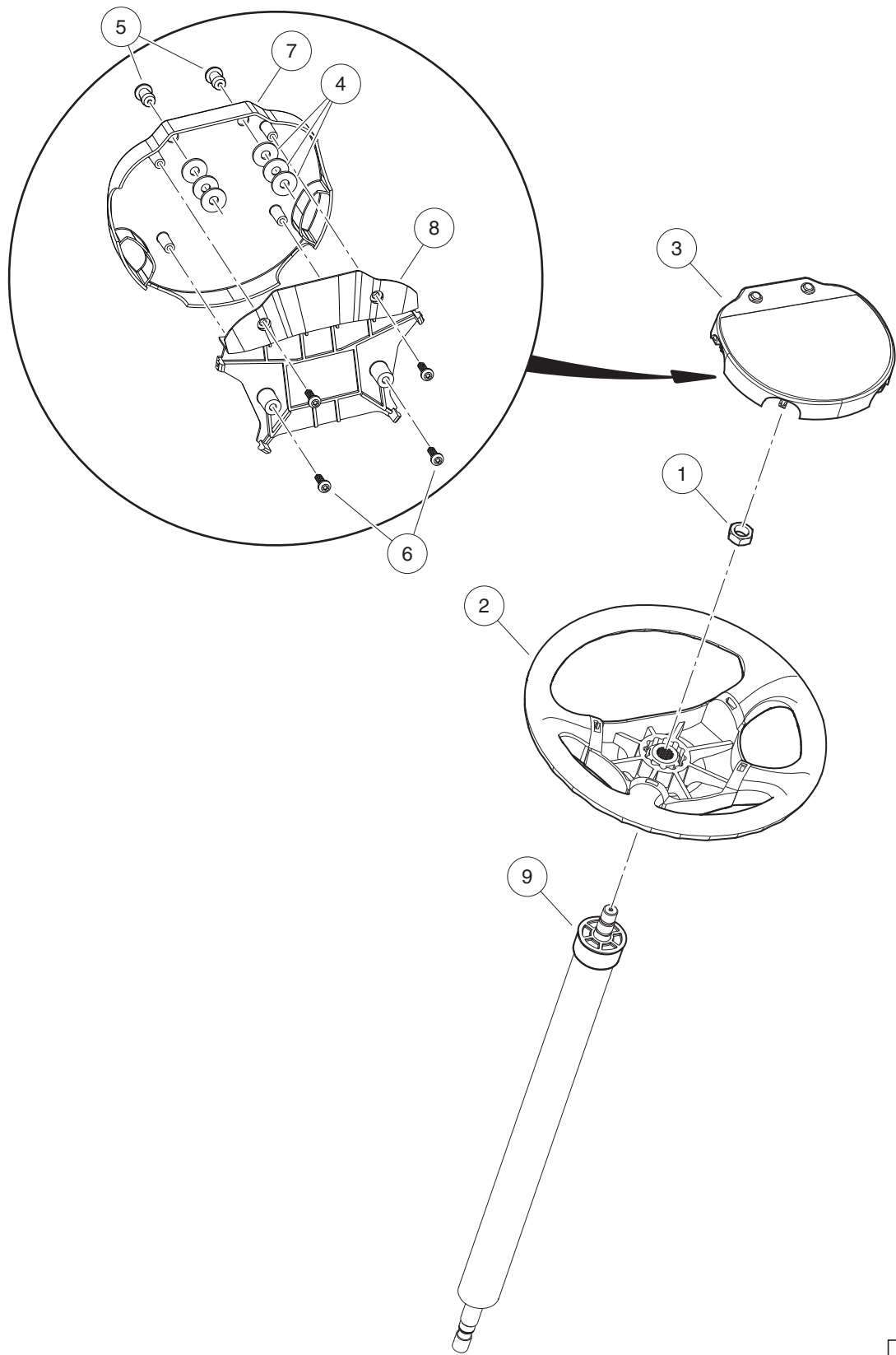
001318-001

## TIE ROD WITH MAINTENANCE-FREE BALL JOINTS

| ITEM | PART NO.  | DESCRIPTION                                     | QTY |
|------|-----------|---|-----|
|      |           | <b>1 2 3 4</b>                                  |     |
| 1    | 102289201 | Nut - Hex Locking, M12 X 1.25 .....             | 2   |
| 2    | 103653601 | Asm, Tie Rod (includes items 3 through 7) ..... | 1   |
| 3    | 1013042   | Nut, 12mm Hex .....                             | 1   |
| 4    | 102022601 | End, Tie Rod M12 X 1.25 Rh .....                | 1   |
| 5    | 102022602 | End, Tie Rod, M12 X 1.25, Lh .....              | 1   |
| 6    | 103354701 | Rod, Tie, Male Thd .....                        | 1   |
| 7    | 103653501 | Nut, Jam, M12-1.25, Lh .....                    | 1   |

**6**  
**G**  
**E**

**6**  
**G**  
**E**



000832-002



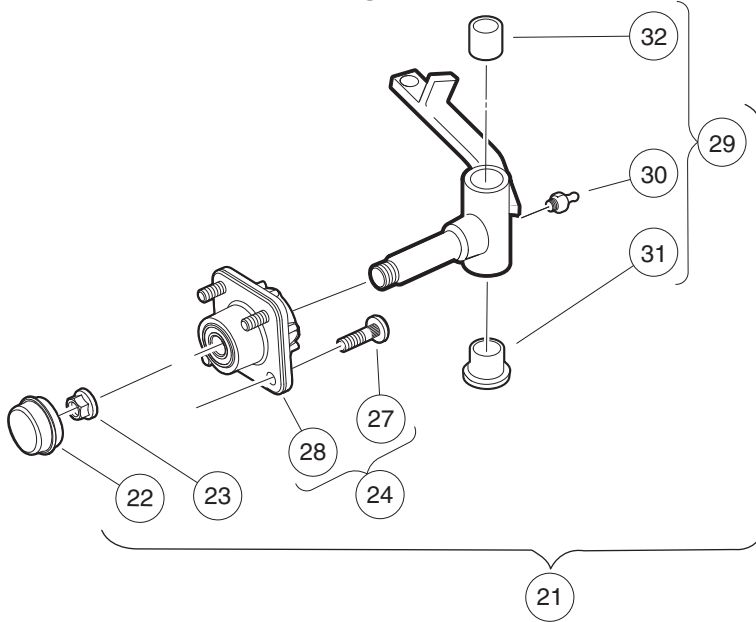
# STEERING WHEEL – XRT850

| ITEM | PART NO.  | DESCRIPTION  | QTY |
|------|-----------|--|-----|
|      |           | <b>1 2 3 4</b>   |     |
| 1    | 1017273   | Nut, 5/8-18 Nylon Insert Jam .....                               | 1   |
| 2    | 102537802 | Steer Wheel, Comf/grip, Spline .....                             | 1   |
| 3    | 102540802 | Center, Plate, Steering Wheel (includes items 4 through 8) ..... | 1   |
| 4    | 1011697   | Washer, 5/16 Flat .....  | 6   |
| 5    | 1016967   | Blind Rivet, Push Type .....                                     | 2   |
| 6    | 102296020 | Screw, Torx Pan Hd Pt, M6 X 20 .....                             | 4   |
| 7    | N/A       | Scorecard Plate, Comfort Grip .....                              | 1   |
| 8    | N/A       | Scorecard Back Plate .....                                       | 1   |
| 9    | 103405501 | Shroud, Steering Column Spline .....                             | 1   |

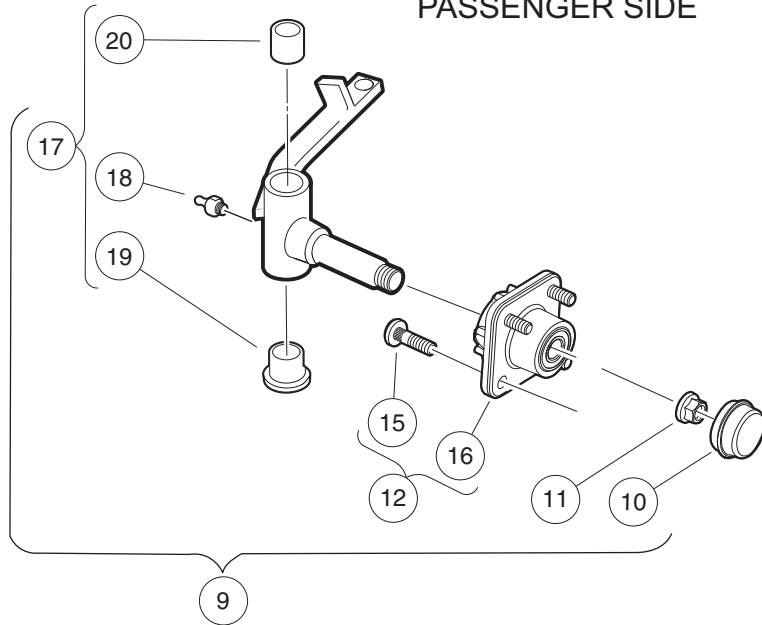
6  
G  
E

**6**  
**G**  
**E**

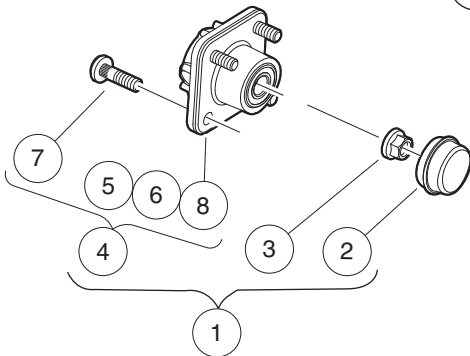
DRIVER SIDE



PASSENGER SIDE



REPLACEMENT HUB  
FOR DRIVER OR  
PASSENGER SIDE



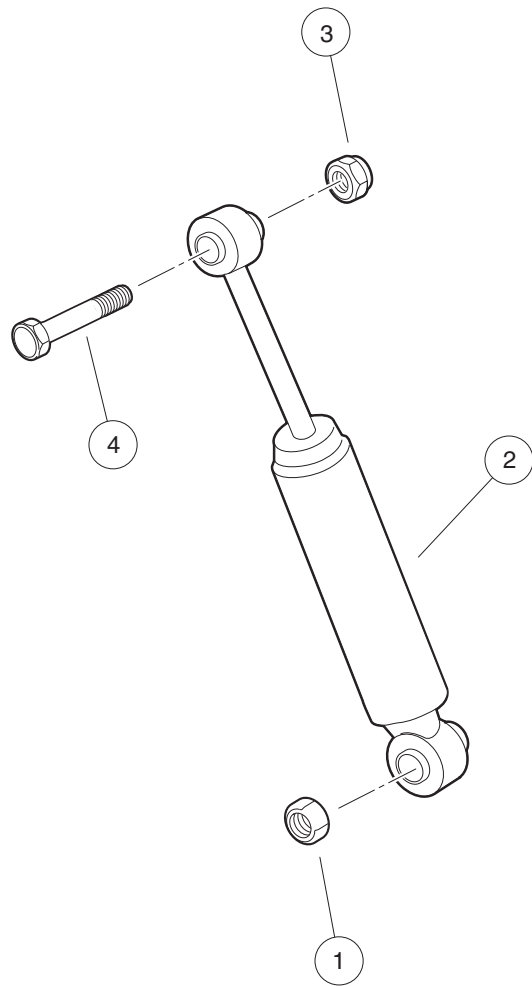
000301-007

# FRONT SPINDLES AND HUBS – CA232 AND XRT800/810/850 WITH MAINTENANCE-FREE BALL JOINTS

| ITEM | PART NO.  | DESCRIPTION   | QTY |
|------|-----------|---|-----|
|      |           | <b>1 2 3 4</b>  |     |
| 1    | 102357701 | Replacement Kit, Front Hub (includes items 2 through 4) .....       | 1   |
| 2    | 102353201 | Cap, Front Hub .....  | 1   |
| 3    | 102353301 | Hex Nut, Locking Flange, M14x2 .....                                | 1   |
| 4    | N/A       | Asm, Front Hub, Bb, Long Stud (includes items 5 through 8) .....    | 1   |
| 5    | N/A       | Bearing, Ball, 6204 .....   | 2   |
| 6    | N/A       | Spacer, Bearing, Front Hub, Pm .....                                | 1   |
| 7    | 103477901 | Lug Stud, 1/2-20 Unf, 4037 .....                                    | 4   |
| 8    | N/A       | Front Hub, Ball Brg, Long Stud .....                                | 1   |
| 9    | 103667302 | Asm, Frt Hub & Spndle, Rh, Ext (includes items 10 through 17) ..... | 1   |
| 10   | 102353201 | Cap, Front Hub .....  | 1   |
| 11   | 102353301 | Hex Nut, Locking Flange, M14x2 .....                                | 1   |
| 12   | N/A       | Asm, Front Hub, Bb, Long Stud (includes items 13 through 16) .....  | 1   |
| 13   | N/A       | Bearing, Ball, 6204 .....   | 2   |
| 14   | N/A       | Spacer, Bearing, Front Hub, Pm .....                                | 1   |
| 15   | 103477901 | Lug Stud, 1/2-20 Unf, 4037 .....                                    | 4   |
| 16   | N/A       | Front Hub, Ball Brg, Long Stud .....                                | 1   |
| 17   | 103667104 | Asm, Spindle, Rh, Ext, Sp (includes items 18 through 20) .....      | 1   |
| 18   | 1015597   | Fitting, 1/4-28 Thread-Forming Grease .....                         | 1   |
| 19   | 7048      | Bushing, Flanged Bronze .....                                       | 1   |
| 20   | 8067      | Bushing, Bronze Spindle .....                                       | 1   |
| 21   | 103667402 | Asm, Frt Hub & Spndle, Lh, Ext (includes items 22 through 29) ..... | 1   |
| 22   | 102353201 | Cap, Front Hub .....  | 1   |
| 23   | 102353301 | Hex Nut, Locking Flange, M14x2 .....                                | 1   |
| 24   | N/A       | Asm, Front Hub, Bb, Long Stud (includes items 25 through 28) .....  | 1   |
| 25   | N/A       | Bearing, Ball, 6204 .....   | 2   |
| 26   | N/A       | Spacer, Bearing, Front Hub, Pm .....                                | 1   |
| 27   | 103477901 | Lug Stud, 1/2-20 Unf, 4037 .....                                    | 4   |
| 28   | N/A       | Front Hub, Ball Brg, Long Stud .....                                | 1   |
| 29   | 103667204 | Asm, Spindle, Lh, Ext, Sp (includes items 30 through 32) .....      | 1   |
| 30   | 1015597   | Fitting, 1/4-28 Thread-Forming Grease .....                         | 1   |
| 31   | 7048      | Bushing, Flanged Bronze .....                                       | 1   |
| 32   | 8067      | Bushing, Bronze Spindle .....                                       | 1   |

**6**  
**G**  
**E**

**6**  
**G**  
**E**



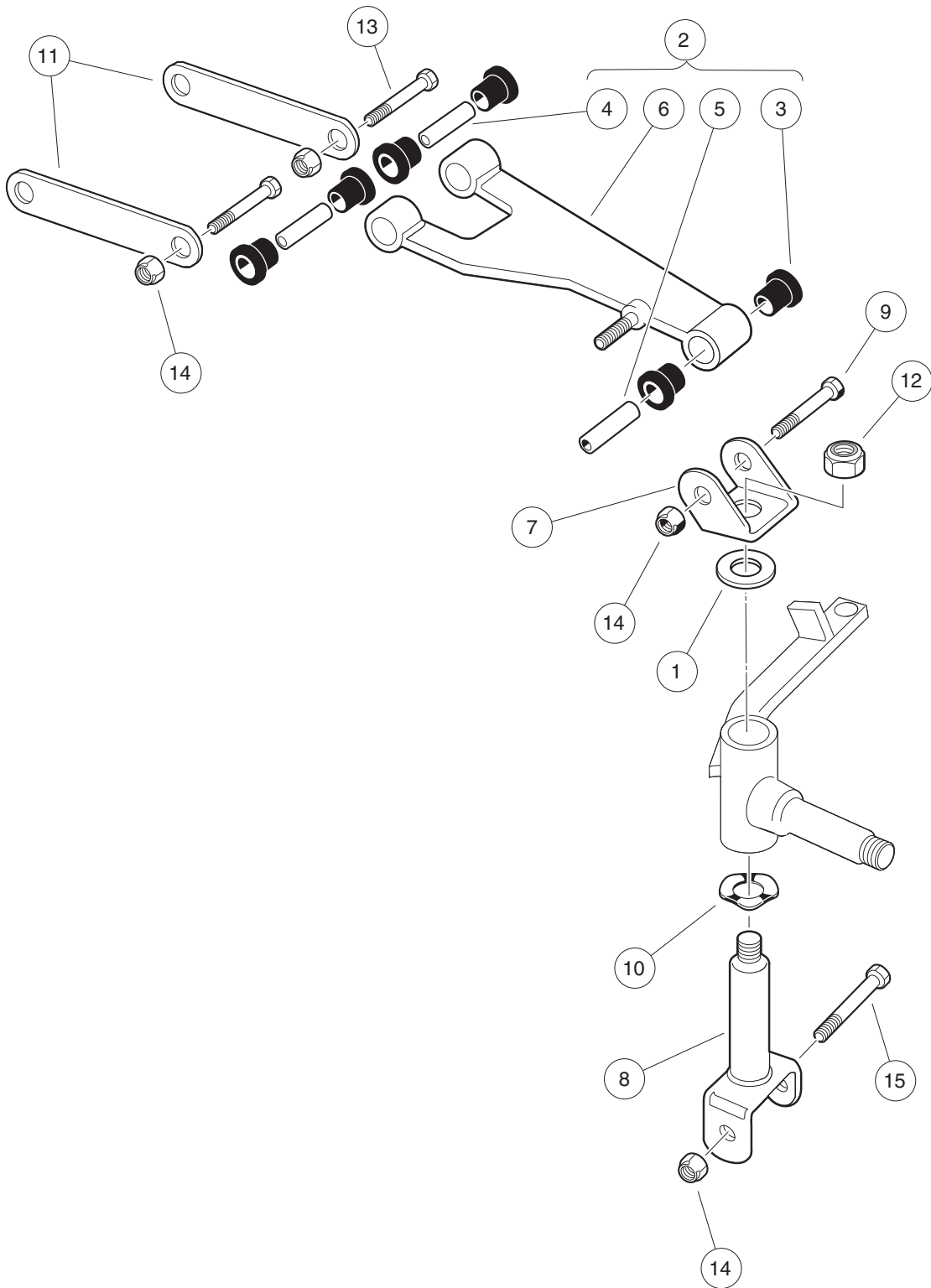
001304-001

## FRONT SUSPENSION – SHOCK ABSORBERS

| ITEM | PART NO.  | DESCRIPTION                         | QTY |
|------|-----------|-------------------------------------|-----|
|      |           | 1 2 3 4                             |     |
| 1    | 1010138   | Locknut, 3/8-16 Dimpled .....       | 2   |
| 2    | 103351001 | Shock Absorber, Front, Common ..... | 2   |
| 3    | 8754      | Locknut, 3/8-16 Hex .....           | 2   |
| 4    | 8861      | Bolt, 3/8-16 X 1.75 Hex .....       | 2   |

6  
G  
E

**6**  
**G**  
**E**



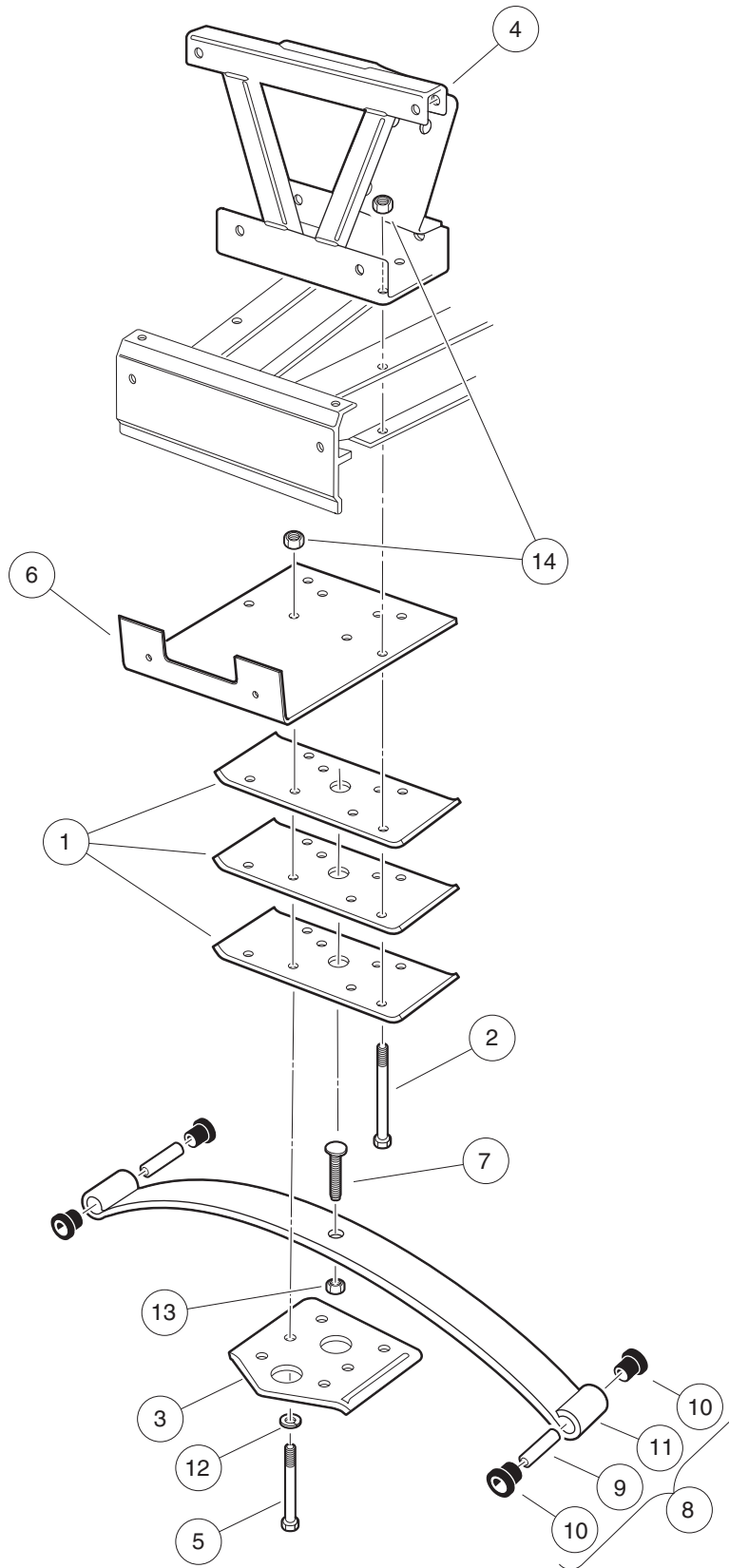
001305-001

# FRONT SUSPENSION, UPPER CONTROL ARMS & KINGPINS

| ITEM | PART NO.  | DESCRIPTION  | QTY |
|------|-----------|--|-----|
|      |           | 1 2 3 4  |     |
| 1    | 1010150   | Bearing, Thrust .....  | 2   |
| 2    | 1016353   | Sub-Assembly, Delta A-Plate (includes items 3 through 6) ..... | 2   |
| 3    | 1016346   | Bushing, Urethane .....  | 6   |
| 4    | 1016349   | Sleeve, Delta Inner .....                                      | 2   |
| 5    | 1016350   | Sleeve, Delta Outer .....                                      | 1   |
| 6    | 1016351   | Delta A-Plate .....  | 1   |
| 7    | 1016384   | Clevis, Delta Upper .....                                      | 2   |
| 8    | 1016386   | King Pin Assembly .....  | 2   |
| 9    | 1016387   | Screw, 3/8-16 X 2.75 Hx Hd Cap .....                           | 2   |
| 10   | 1016389   | Washer, 1.125 Od Wave .....                                    | 2   |
| 11   | 1017266   | A-Plate Strap .....  | 2   |
| 12   | 101903101 | Locknut, 1/2-20 Nylon Insert .....                             | 2   |
| 13   | 2402      | Screw, 3/8-16 X 2.25 Hx Hd Cap .....                           | 4   |
| 14   | 8754      | Locknut, 3/8-16 Hex .....                                      | 8   |
| 15   | 8755      | Screw, 3/8-16 X 3.375 Hex Cap .....                            | 2   |

**6**  
**G**  
**E**

**6**  
**G**  
**E**



001306-002

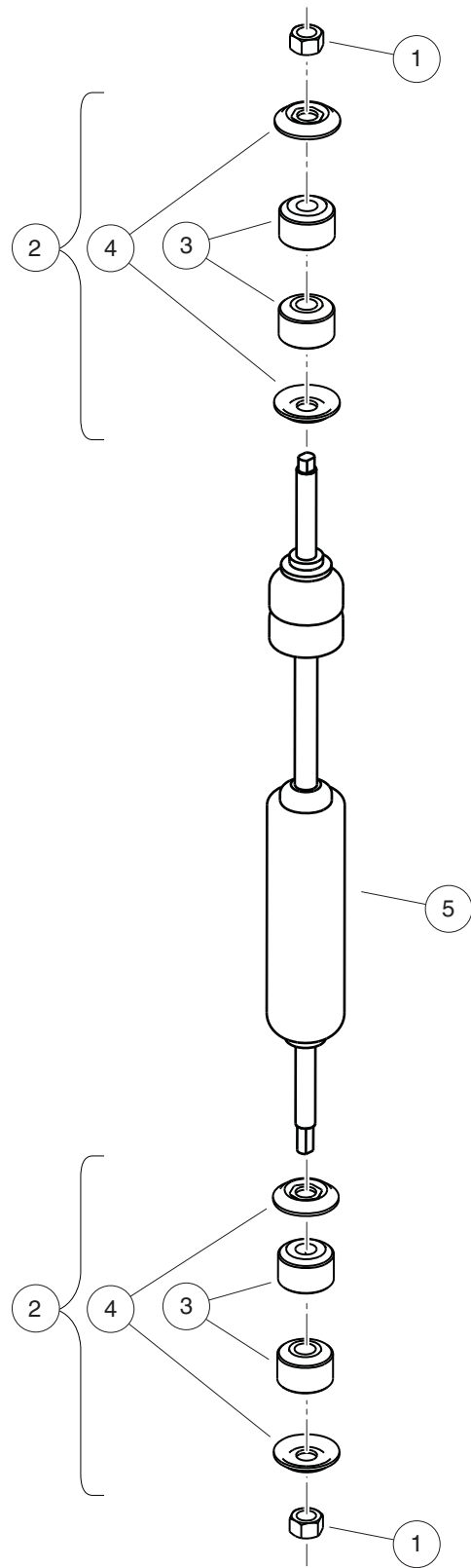


# FRONT SUSPENSION, SPRING AND MOUNTING PLATES – XRT850

| ITEM | PART NO.  | DESCRIPTION   | QTY |
|------|-----------|---|-----|
|      |           | <b>1 2 3 4</b>  |     |
| 1    | 1010124   | Plate, Spring Mount .....                                     | 3   |
| 2    | 1013832   | Screw, 3/8-16 X 5.00 Hex-Head Cap .....                       | 4   |
| 3    | 1014276   | Plate, Front Spring Retainer .....                            | 1   |
| 4    | 1016385   | Delta Shock and Gear Support Assembly .....                   | 1   |
| 5    | 1016387   | Screw, 3/8-16 X 2.75 Hx Hd Cap .....                          | 4   |
| 6    | 102830401 | Support, Brush Guard .....                                    | 1   |
| 7    | 103507001 | Eccentric Bolt Common .....                                   | 1   |
| 8    | 103628701 | Spring Asm, Front, 1 Leaf (includes items 9 through 11) ..... | 1   |
| 9    | 1012303   | Bushing, Steel .....  | 2   |
| 10   | 101558302 | Bushing, Urethane, Soft .....                                 | 4   |
| 11   | 103502601 | Spring, Front, 1 Leaf .....                                   | 1   |
| 12   | 357       | Lockwasher, 3/8 Split .....                                   | 4   |
| 13   | 706       | Nut, Hex 3/8-16 .....   | 1   |
| 14   | 8754      | Locknut, 3/8-16 Hex .....                                     | 8   |

**6**  
**G**  
**E**

**6**  
**G**  
**E**



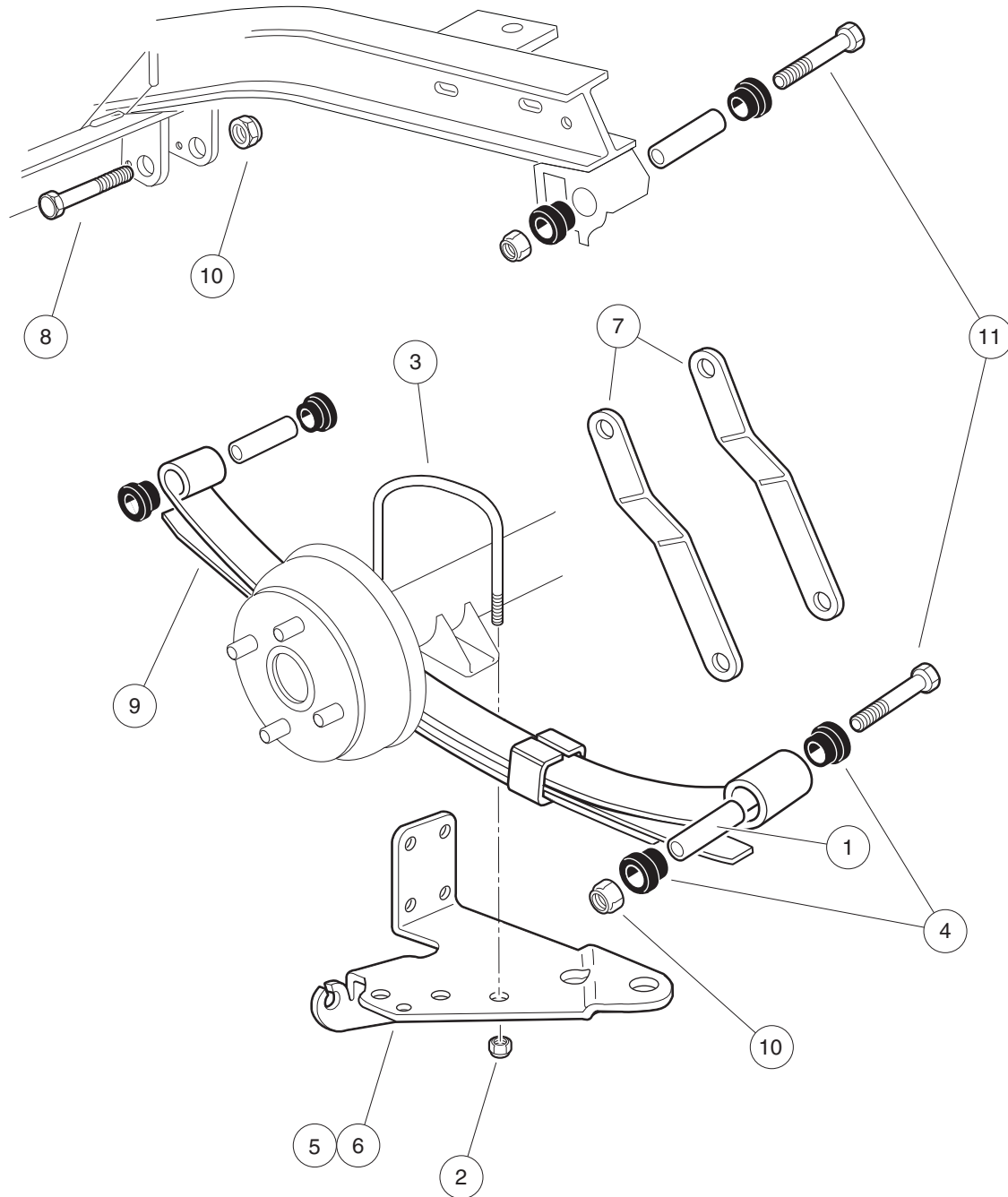
000837-002

## REAR SUSPENSION – SHOCK ABSORBERS

| ITEM | PART NO.  | DESCRIPTION  | QTY |
|------|-----------|--|-----|
|      |           | <b>1 2 3 4</b>   |     |
| 1    | 1010145   | Nut, 3/8-24 Hex .....                                      | 4   |
| 2    | 1011415   | Kit, Shock Absorber Cushion (includes items 3 and 4) ..... | 4   |
| 3    | N/A       | Cushion, Shock Absorber .....                              | 2   |
| 4    | N/A       | Retainer, Shock Absorber Cushion .....                     | 2   |
| 5    | 103351101 | Shock, Absorber, Utility .....                             | 2   |

**6**  
**G**  
**E**

**6**  
**G**  
**E**



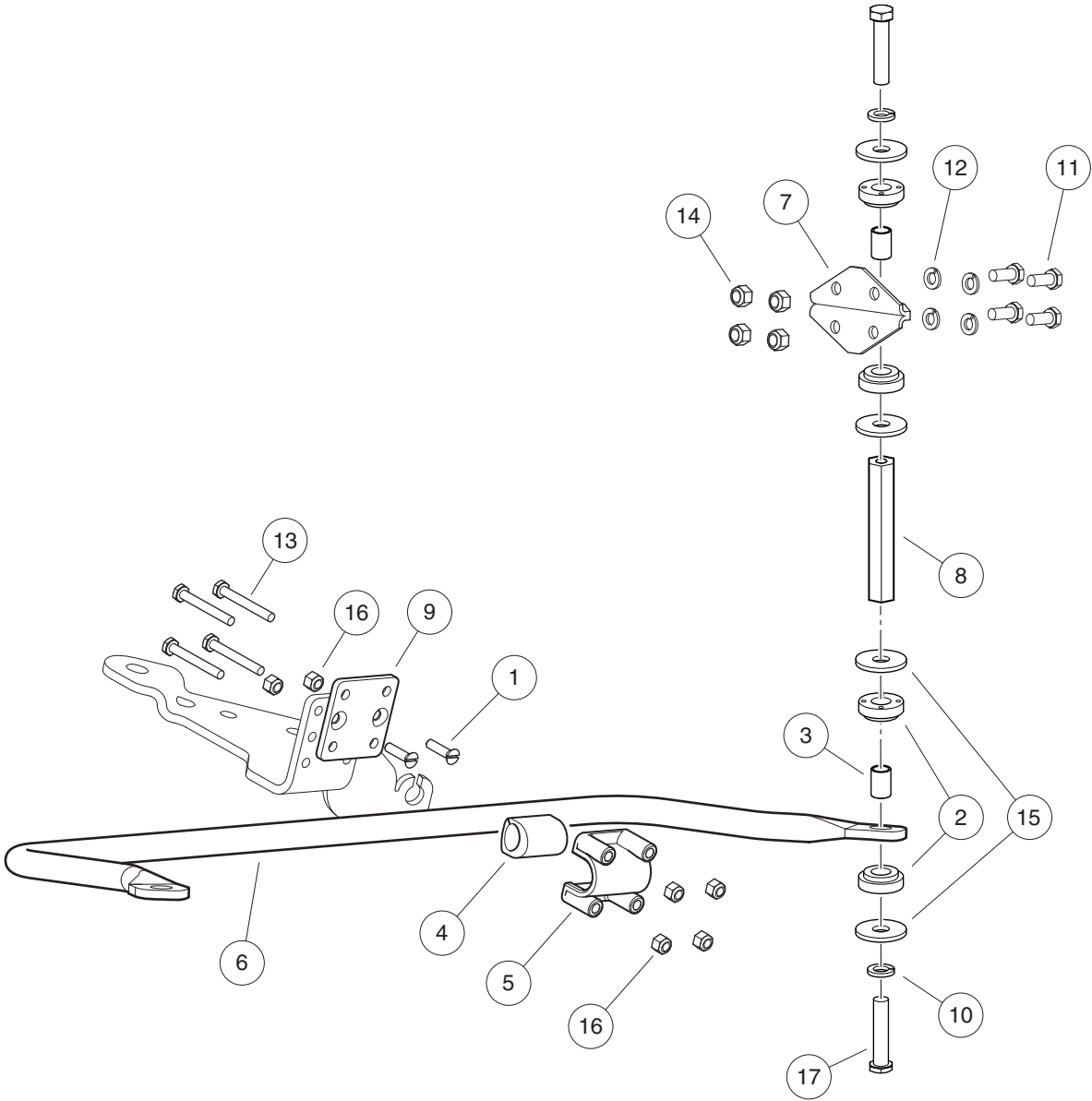
001308-001

## REAR SUSPENSION, SPRINGS AND HARDWARE

| ITEM | PART NO.  | DESCRIPTION                         | QTY |
|------|-----------|-------------------------------------|-----|
|      |           | <b>1 2 3 4</b>                      |     |
| 1    | 1012303   | Bushing, Steel .....                | 6   |
| 2    | 1014555   | Locknut, 7/16-14 Nylon Hex .....    | 4   |
| 3    | 1014902   | U-Bolt .....                        | 2   |
| 4    | 1015583   | Bushing, Urethane .....             | 12  |
| 5    | 101926501 | Bracket, Left-Hand .....            | 1   |
| 6    | 101929401 | Bracket, Right .....                | 1   |
| 7    | 102004201 | Rear Spring Shackle .....           | 4   |
| 8    | 102066201 | Screw, 3/8-16 X 3.50 Hex Cap .....  | 2   |
| 9    | 102871801 | Spring, Multi Leaf .....            | 2   |
| 10   | 8754      | Locknut, 3/8-16 Hex .....           | 6   |
| 11   | 8755      | Screw, 3/8-16 X 3.375 Hex Cap ..... | 4   |

6  
G  
E

**6**  
**G**  
**E**



001307-001

# STABILIZER BAR – XRT 850

| ITEM | PART NO.  | DESCRIPTION                               | QTY |
|------|-----------|---|-----|
|      |           | 1 2 3 4                                   |     |
| 1    | 1011857   | Screw, 1/4-20 X 1.0 SI Flt Cs .....       | 4   |
| 2    | 1015453   | Compression Mount .....                   | 8   |
| 3    | 1015457   | Spacer, 0.720" .....                      | 4   |
| 4    | 1015613   | Bushing, Stabilizer Bar .....             | 2   |
| 5    | 1015614   | Support, Bushing .....                    | 2   |
| 6    | 1015760   | Stabilizer Bar .....                      | 1   |
| 7    | 1016813   | Mounting Bracket, Stabilizer Bar .....    | 2   |
| 8    | 1016814   | Link, Stabilizer Bar .....                | 2   |
| 9    | 103364801 | Bracket, Sway Bar , Lift .....            | 2   |
| 10   | 357       | Lockwasher, 3/8 Split .....               | 4   |
| 11   | 7173      | Screw, 5/16-18 X 0.75, Hex-Head Cap ..... | 8   |
| 12   | 7174      | Lockwasher, 5/16 Split .....              | 8   |
| 13   | 7311      | Screw, 1/4-20 X 2.00 Hex-Head Cap .....   | 8   |
| 14   | 7473      | Locknut, 5/16-18 Nylon Insert .....       | 8   |
| 15   | 808       | Washer, 3/8 Type B Flat .....             | 8   |
| 16   | 8233      | Locknut, 1/4-20, Nylon Insert .....       | 12  |
| 17   | 8861      | Bolt, 3/8-16 X 1.75 Hex .....             | 4   |

6  
G  
E

**6**

**G**

**E**



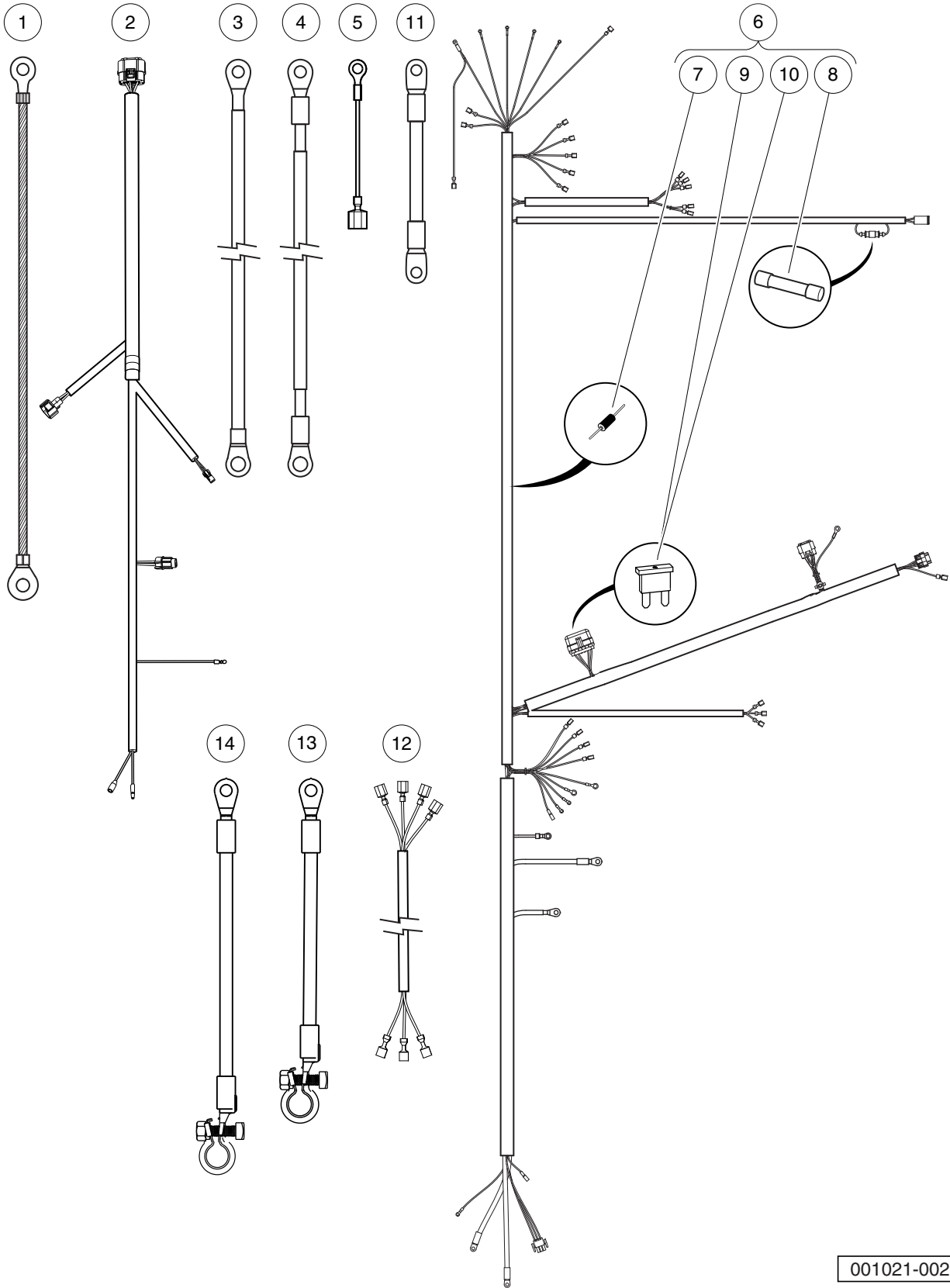
# ELECTRICAL SYSTEM – EFI GASOLINE VEHICLES

---

7

G

**7**  
**G**



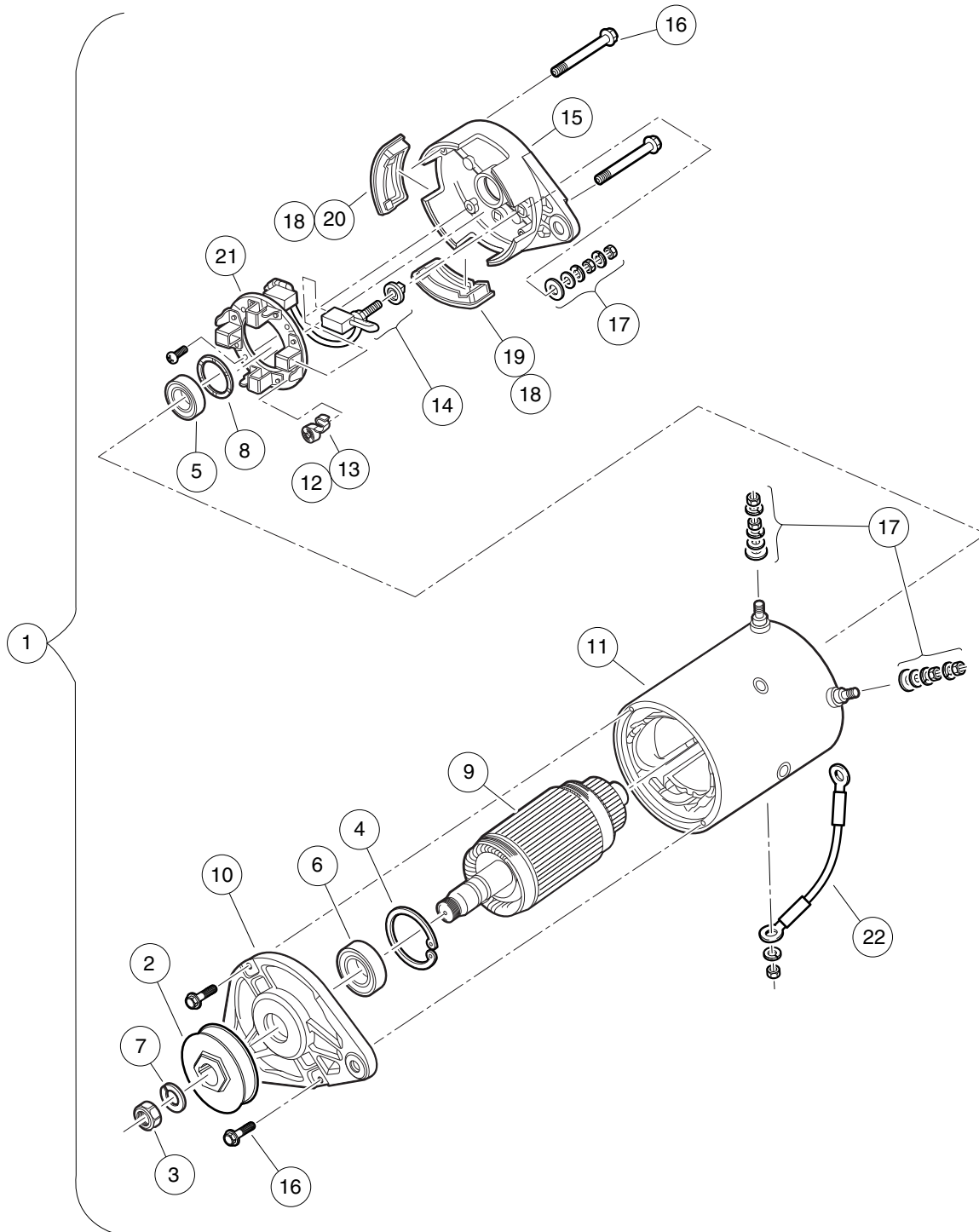
001021-002

# WIRING, FUSES, AND DIODES, PEDAL-START – EFI – XRT850

| ITEM   | PART NO.  | DESCRIPTION   | QTY |
|--|-----------|---|-----|
|  |           | 1 2 3 4   |     |
| 1  | 1015332   | Wire, Ground, #10, Uninsulated .....                          | 1   |
| 2  | 105008101 | Harness, Wire, ECU/Engine .....                               | 1   |
| 3  | 105135901 | Wire, Battery (side-post), B-, Gas .....                      | 1   |
| 4  | 105136001 | Wire, Battery (side-post), B+, Gas .....                      | 1   |
| 5  | 105143301 | Wire, Ground, Fuel Tank .....                                 | 1   |
| 6  | 105151401 | Harness, Main, Xrt850, Ps (includes items 7 through 10) ..... | 1   |
| 7  | 1014789   | Diode, General Purpose, 3.0-Amp .....                         | 1   |
| 8  | 103924801 | Fuse, Glass, 2-Amp .....                                      | 1   |
| 9  | 105081501 | Fuse, ATM, 5-Amp .....  | 1   |
| 10   | 105081601 | Fuse, ATM, 10-Amp .....                                       | 1   |
| 11   | 105161701 | Wire, 4-Ga, Green, Starter/Generator .....                    | 1   |
| 12   | 105245701 | Jumper, Run/maint, Sw .....                                   | 1   |
| 13   | 105256701 | Wire Assy, 4ga, Battery, (top-post) B-, Gas .....             | 1   |
| 14   | 105256801 | Wire Assy, 4ga, Battery, (top-post) B+, Gas .....             | 1   |
| Note: For ECU, see Throttle Body in Fuel System section. |           |   |     |

7

G



001016-001

# STARTER/GENERATOR (MODEL 114-04-4006), KEY-START – EFI

| ITEM | PART NO.  | DESCRIPTION  | QTY |
|------|-----------|--|-----|
|      |           | 1 2 3 4  |     |
| 1    | 105190102 | Starter/Generator, Bi-Rotational, Utility, Key-Start (includes items 2 through 22) ..... | 1   |
| 2    | 1014289   | Pulley, Starter/Generator .....  | 1   |
| 3    | 102838701 | Nut, Hex, M14x2, S/G .....   | 1   |
| 4    | 102838801 | Retainer, Front, S/G .....   | 1   |
| 5    | 102838901 | Bearing, Ball, Front, S-g .....  | 1   |
| 6    | 102839001 | Bearing, Ball, Front, S-g .....  | 1   |
| 7    | 102839301 | Washer, Lock M14x2, S-g .....  | 1   |
| 8    | 102841101 | Washer, Wave, S-g .....  | 1   |
| 9    | N/A       | Asm, Armature, Starter/Generator .....   | 1   |
| 10   | 102844601 | Head, Drive End, S-g .....   | 1   |
| 11   | 102844701 | Asm, Frame and Field, Starter/Generator .....  | 1   |
| 12   | 103347101 | Kit, Spring Brush, Starter/Generator (includes item 13) .....                            | 1   |
| 13   | N/A       | Spring, Brush, S-g .....   | 4   |
| 14   | 103347301 | Set, Brush Term, S-g .....   | 1   |
| 15   | 103347601 | Head, Comm End, S-g .....  | 1   |
| 16   | 103347701 | Set, Fastener, Ceh Deh, S-g .....  | 1   |
| 17   | 103347801 | Set, Term Hardware, S/G .....  | 1   |
| 18   | 103347901 | Kit, Cover, Brush Insp, Starter/Generator (includes items 19 and 20) .....               | 1   |
| 19   | N/A       | Plug, Rubber Drain, Start/Generator .....  | 3   |
| 20   | N/A       | Cover, Inspection, S-g .....   | 1   |
| 21   | 103953301 | Kit, Brush And Brush Holder .....  | 1   |
| 22   | 105161701 | Wire, 4-Ga, Green, Starter/Generator .....   | 1   |

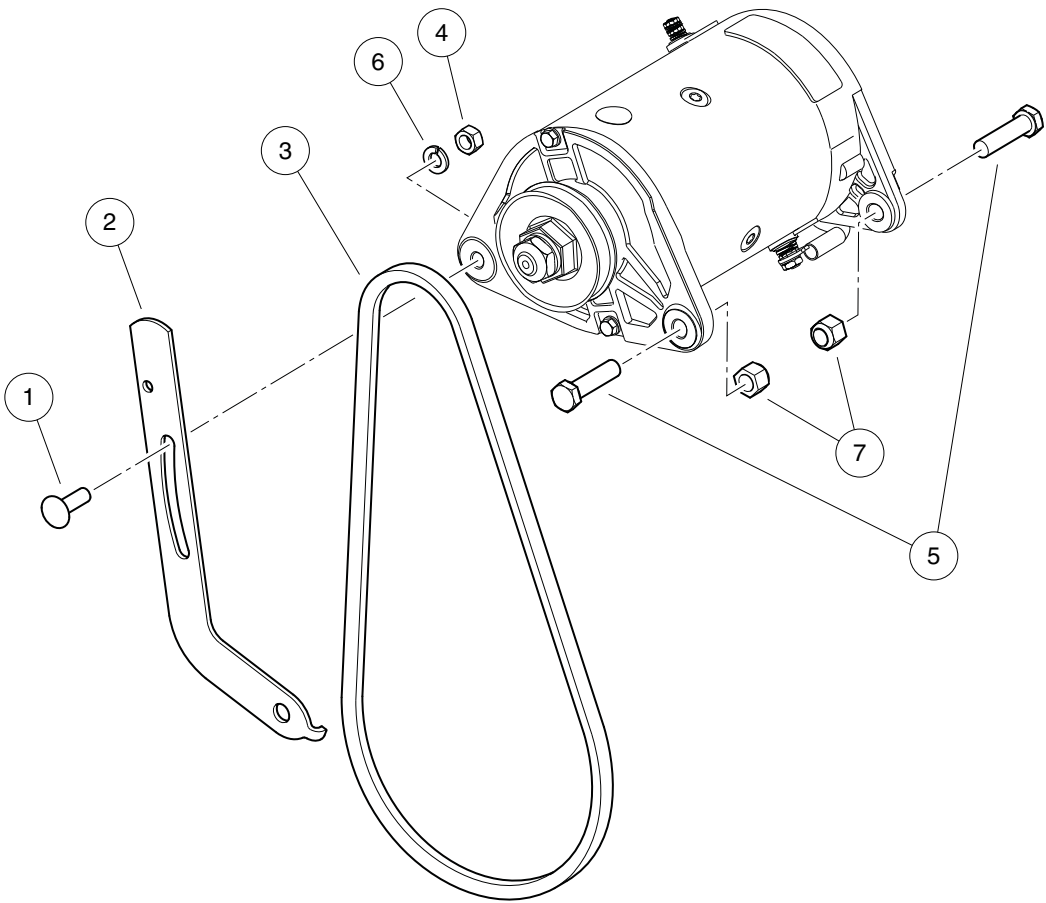
**7**  
**G**



# STARTER/GENERATOR (MODEL 114-05-4001), PEDAL-START – EFI

| ITEM | PART NO.  | DESCRIPTION  | QTY |
|------|-----------|--|-----|
|      |           | <b>1 2 3 4</b>   |     |
| 1    | 105190101 | Starter/Generator, High-Torque, Utility, Pedal-Start (includes items 2 through 22) ..... | 1   |
| 2    | 1014289   | Pulley, Starter/Generator .....  | 1   |
| 3    | 102838701 | Nut, Hex, M14x2, S/G .....   | 1   |
| 4    | 102838801 | Retainer, Front, S/G .....   | 1   |
| 5    | 102838901 | Bearing, Ball, Front, S-g .....  | 1   |
| 6    | 102839001 | Bearing, Ball, Front, S-g .....  | 1   |
| 7    | 102839301 | Washer, Lock M14x2, S-g .....  | 1   |
| 8    | 102841101 | Washer, Wave, S-g .....  | 1   |
| 9    | N/A       | Asm, Armature, Starter/Generator .....   | 1   |
| 10   | 102844601 | Head, Drive End, S-g .....   | 1   |
| 11   | 102844701 | Asm, Frame and Field, Starter/Generator .....  | 1   |
| 12   | 103347101 | Kit, Spring Brush, Starter/Generator (includes item 13) .....                            | 1   |
| 13   | N/A       | Spring, Brush, S-g .....   | 4   |
| 14   | 103347301 | Set, Brush Term, S-g .....   | 1   |
| 15   | 103347601 | Head, Comm End, S-g .....  | 1   |
| 16   | 103347701 | Set, Fastener, Ceh Deh, S-g .....  | 1   |
| 17   | 103347801 | Set, Term Hardware, S/G .....  | 1   |
| 18   | 103347901 | Kit, Cover, Brush Insp, Starter/Generator (includes items 19 and 20) .....               | 1   |
| 19   | N/A       | Plug, Rubber Drain, Start/Generator .....  | 3   |
| 20   | N/A       | Cover, Inspection, S-g .....   | 1   |
| 21   | 103953301 | Kit, Brush And Brush Holder .....  | 1   |
| 22   | 105161701 | Wire, 4-Ga, Green, Starter/Generator .....   | 1   |

**7**  
**G**



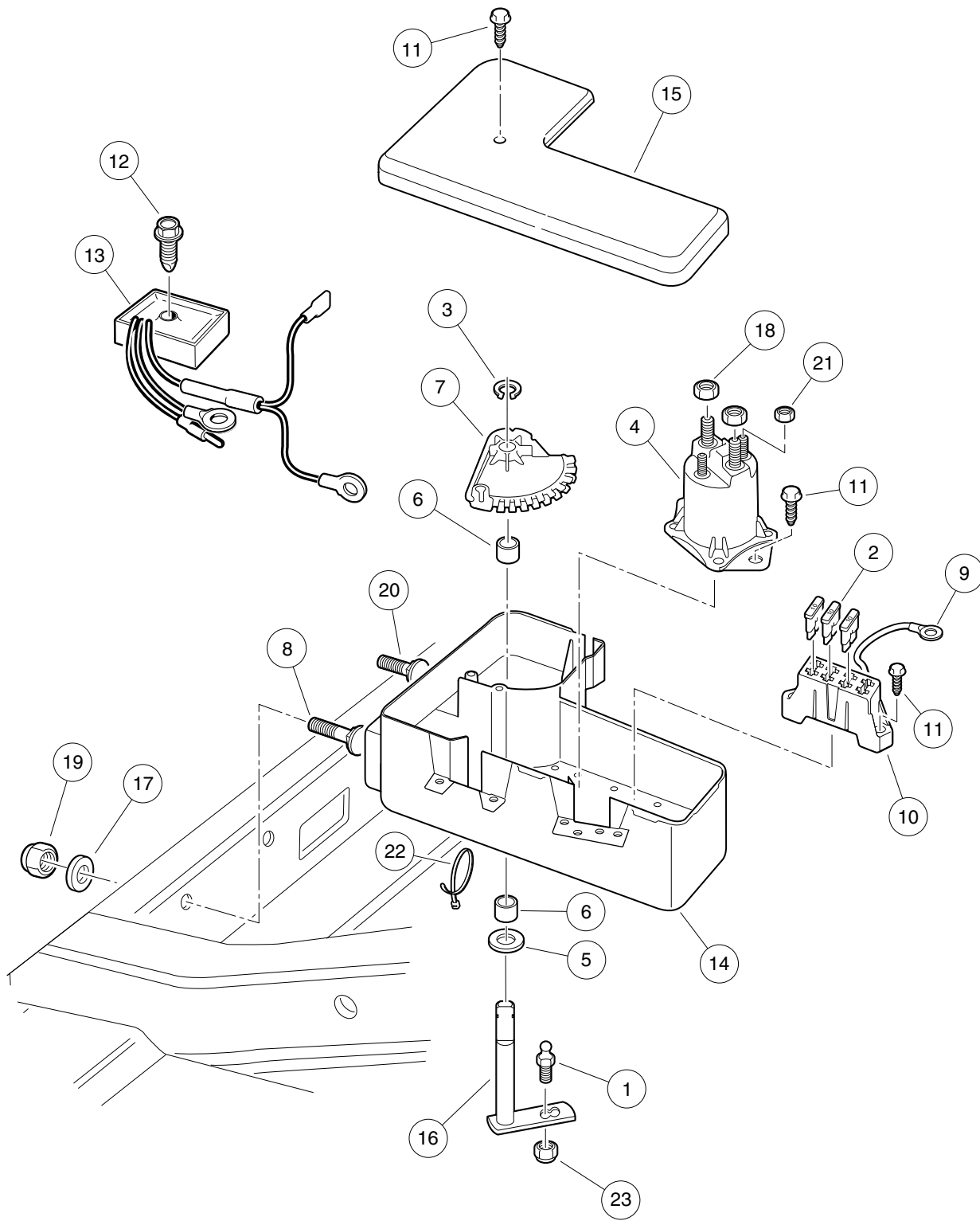
001009-001



## STARTER/GENERATOR MOUNTING – EX40

| ITEM | PART NO.  | DESCRIPTION  | QTY |
|------|-----------|--|-----|
|      |           | 1 2 3 4  |     |
| 1    | 1015932   | Bolt, Carriage, 5/16-18 .....                      | 1   |
| 2    | 104005301 | Bracket, Adjustable, Starter/Generator, EX40 ..... | 1   |
| 3    | 105205401 | Belt, Sg, 871, Ex40 .....                          | 1   |
| 4    | 1242      | Nut, 5/16-18 Hex .....                             | 1   |
| 5    | 1624      | Screw, 3/8-16 X 1.50, Hex-Head Cap .....           | 2   |
| 6    | 7174      | Lockwasher, 5/16 Split .....                       | 1   |
| 7    | 8754      | Locknut, 3/8-16 Hex .....                          | 2   |

7  
G



001014-002

# ELECTRICAL COMPONENT BOX, KEY-START – EX40

| ITEM | PART NO.  | DESCRIPTION                            | QTY |
|------|-----------|--|-----|
|      |           | 1 2 3 4                                |     |
| 1    | 1010954   | Stud, Ball, 1/4-28 X 0.560 .....       | 1   |
| 2    | 1012295   | Fuse, 10-Amp .....                     | 3   |
| 3    | 1013589   | Ring, Retaining, 0.338" Internal ..... | 1   |
| 4    | 1013609   | Solenoid, 12-Volt .....                | 1   |
| 5    | 1014065   | Washer, Flat, 0.38" ID, Delrin .....   | 1   |
| 6    | 1014145   | Bushing, Secondary Weight, Split ..... | 2   |
| 7    | 1015373   | Cam, Electric Box .....                | 1   |
| 8    | 1015405   | Bolt, Carriage, 5/16-18 X 2.0 .....    | 1   |
| 9    | 1015737   | Wire Assy, #10 Red .....               | 1   |
| 10   | 1015741   | Fuse Block .....                       | 1   |
| 11   | 1015752   | Screw, #12-16 X 0.625, Hi-Lo .....     | 5   |
| 12   | 101856102 | Screw, 1/4-15 X 1.50, Hi-lo, Hex ..... | 1   |
| 13   | 102711201 | Voltage Regulator .....                | 1   |
| 14   | 105000301 | Box, Component, Electrical .....       | 1   |
| 15   | 105000401 | Cover, Box, Component, Elec .....      | 1   |
| 16   | 105037401 | Weldment, Bellcrank, Comp Box .....    | 1   |
| 17   | 1241      | Washer, 5/16 Type A Flat .....         | 2   |
| 18   | 1242      | Nut, 5/16-18 Hex .....                 | 2   |
| 19   | 7473      | Locknut, 5/16-18 Nylon Insert .....    | 2   |
| 20   | 7818      | Bolt, Carriage, 5/16-18 X 1.5 .....    | 1   |
| 21   | 7893      | Nut, #10-32 Hex .....                  | 2   |
| 22   | 8639      | Tie Wrap, 11" Nylon .....              | 6   |
| 23   | 8717      | Locknut, Nylon Insert, 1/4-28 .....    | 1   |

7

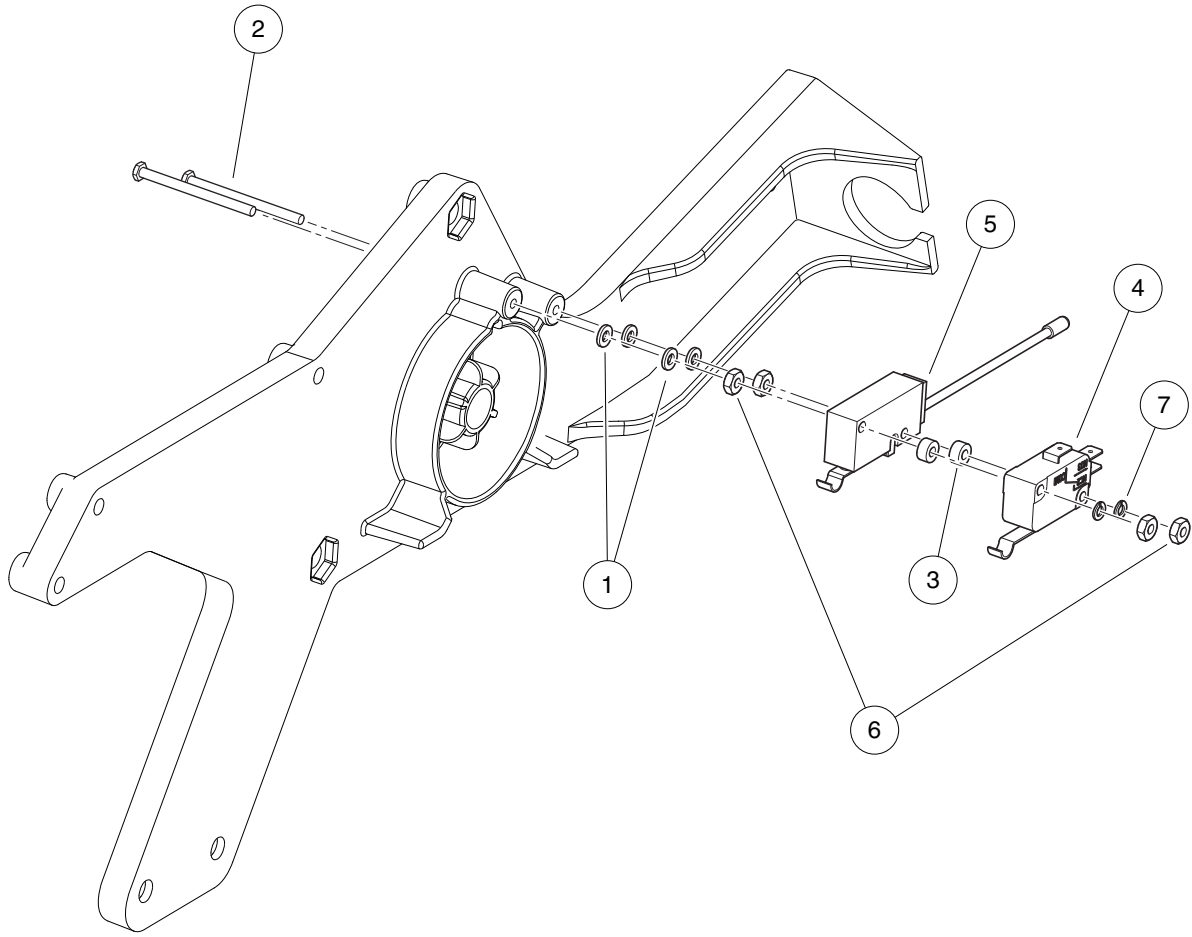
G



# ELECTRICAL COMPONENT BOX, PEDAL-START – EX40

| ITEM | PART NO.  | DESCRIPTION                            | QTY |
|------|-----------|--|-----|
|      |           | 1 2 3 4                                |     |
| 1    | 1010954   | Stud, Ball, 1/4-28 X 0.560 .....       | 1   |
| 2    | 1012295   | Fuse, 10-Amp .....                     | 3   |
| 3    | 1012431   | Washer, #4 Flat .....                  | 2   |
| 4    | 1013589   | Ring, Retaining, 0.338" Internal ..... | 1   |
| 5    | 1013609   | Solenoid, 12-Volt .....                | 1   |
| 6    | 1014065   | Washer, Flat, 0.38" ID, Delrin .....   | 1   |
| 7    | 1014145   | Bushing, Secondary Weight, Split ..... | 2   |
| 8    | 1014807   | Switch, Limit .....                    | 1   |
| 9    | 1014808   | Switch, Limit .....                    | 1   |
| 10   | 1015373   | Cam, Electric Box .....                | 1   |
| 11   | 1015405   | Bolt, Carriage, 5/16-18 X 2.0 .....    | 1   |
| 12   | 1015737   | Wire Assy, #10 Red .....               | 1   |
| 13   | 1015741   | Fuse Block .....                       | 1   |
| 14   | 1015752   | Screw, #12-16 X 0.625, Hi-Lo .....     | 5   |
| 15   | 1015878   | Screw, #4-40 Hex Head Machine .....    | 2   |
| 16   | 101856102 | Screw, 1/4-15 X 1.50, Hi-lo, Hex ..... | 1   |
| 17   | 102711201 | Voltage Regulator .....                | 1   |
| 18   | 105000301 | Box, Component, Electrical .....       | 1   |
| 19   | 105000401 | Cover, Box, Component, Elec .....      | 1   |
| 20   | 105037401 | Weldment, Bellcrank, Comp Box .....    | 1   |
| 21   | 1241      | Washer, 5/16 Type A Flat .....         | 2   |
| 22   | 1242      | Nut, 5/16-18 Hex .....                 | 2   |
| 23   | 7473      | Locknut, 5/16-18 Nylon Insert .....    | 2   |
| 24   | 7818      | Bolt, Carriage, 5/16-18 X 1.5 .....    | 1   |
| 25   | 7893      | Nut, #10-32 Hex .....                  | 2   |
| 26   | 8057      | Nut, #4-40 Hex Machine .....           | 4   |
| 27   | 8058      | Lockwasher, #4 Split .....             | 2   |
| 28   | 8639      | Tie Wrap, 11" Nylon .....              | 6   |
| 29   | 8717      | Locknut, Nylon Insert, 1/4-28 .....    | 1   |

**7**  
**G**



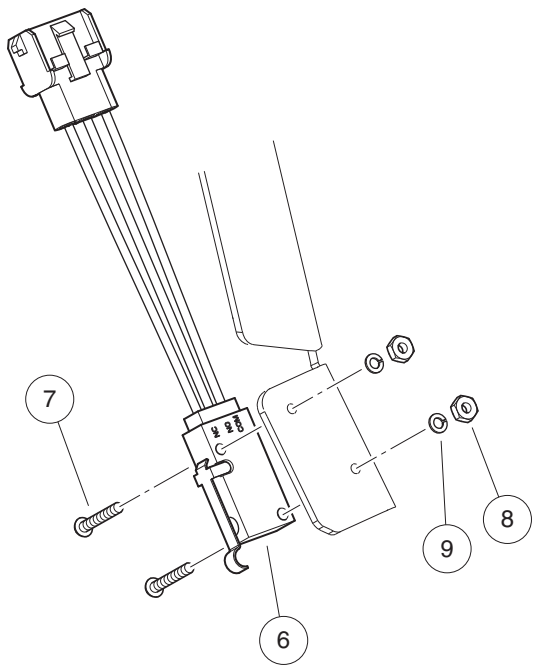
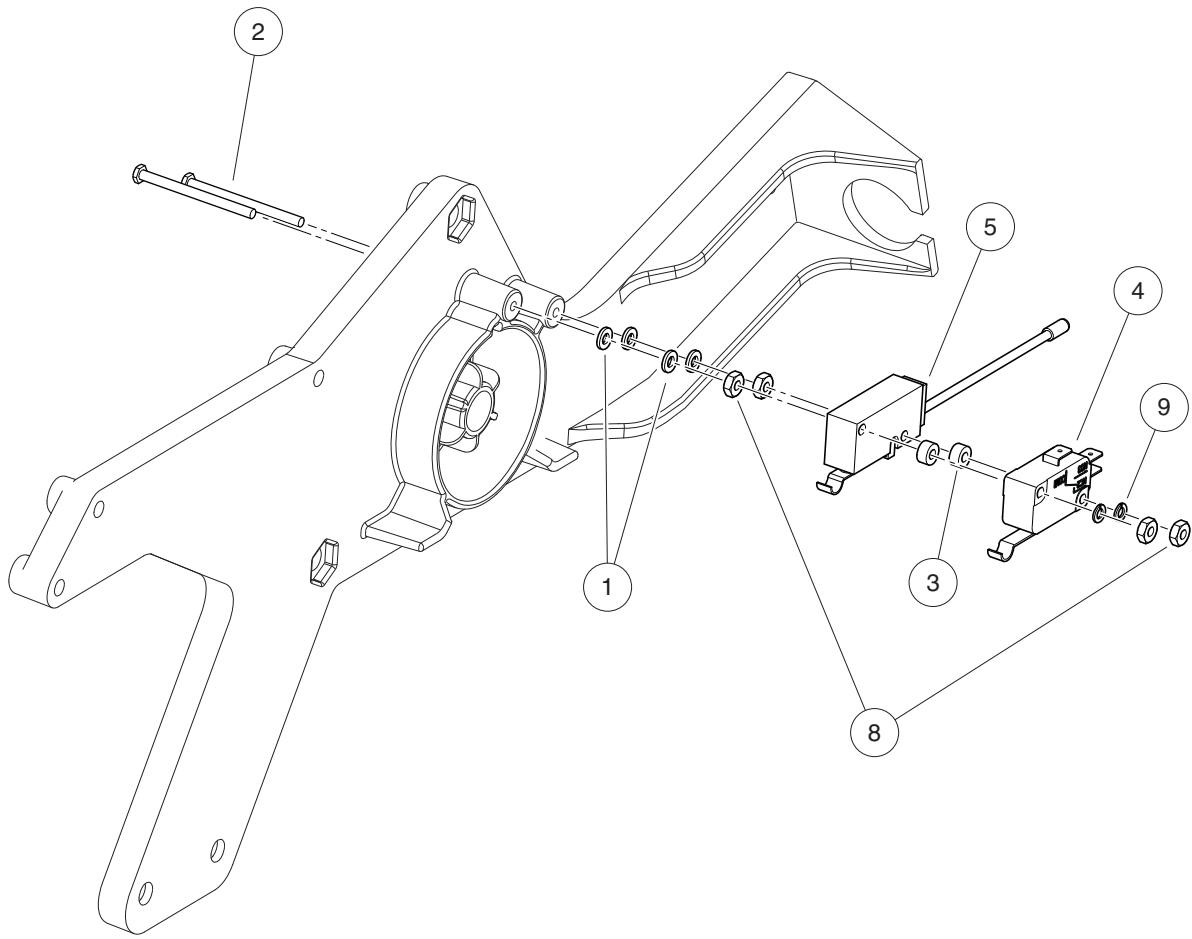
001013-002

# FORWARD/REVERSE SHIFTER SWITCHES, KEY-START – EFI, CA100, 800, 242

| ITEM | PART NO.  | DESCRIPTION                           | QTY |
|------|-----------|---------------------------------------|-----|
|      |           | 1 2 3 4                               |     |
| 1    | 1012431   | Washer, #4 Flat .....                 | 4   |
| 2    | 1012594   | Screw, #4-40 Machine .....            | 2   |
| 3    | 1014727   | Washer, Flat, #4, Nylon .....         | 2   |
| 4    | 1014807   | Switch, Limit .....                   | 1   |
| 5    | 101979101 | Switch, Limit, Assembly, Sealed ..... | 1   |
| 6    | 8057      | Nut, #4-40 Hex Machine .....          | 4   |
| 7    | 8058      | Lockwasher, #4 Split .....            | 2   |

**7**  
**G**

**7**  
**G**



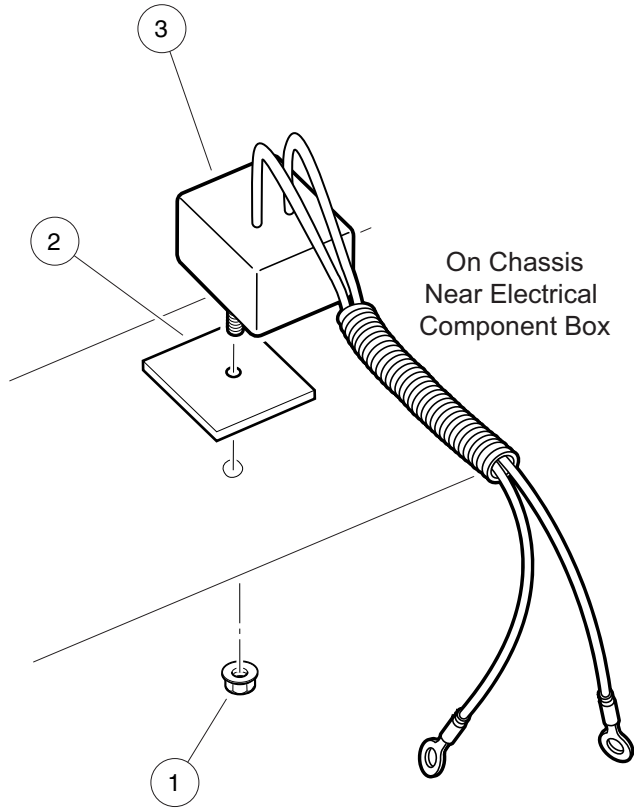
001013-001



# FORWARD/REVERSE SHIFTER SWITCHES, PEDAL-START – EFI, CA100, 800, 242

| ITEM | PART NO.  | DESCRIPTION                                   | QTY |
|------|-----------|---|-----|
|      |           | 1 2 3 4                                       |     |
| 1    | 1012431   | Washer, #4 Flat .....                         | 4   |
| 2    | 1012594   | Screw, #4-40 Machine .....                    | 2   |
| 3    | 1014727   | Washer, Flat, #4, Nylon .....                 | 2   |
| 4    | 1014807   | Switch, Limit .....                           | 1   |
| 5    | 101979101 | Switch, Limit, Assembly, Sealed .....         | 1   |
| 6    | 105102601 | Switch, Limit, Sealed, with 3-Wire Lead ..... | 1   |
| 7    | 8056      | Screw, #4-40 X 0.75 Round-Head Machine .....  | 2   |
| 8    | 8057      | Nut, #4-40 Hex Machine .....                  | 6   |
| 9    | 8058      | Lockwasher, #4 Split .....                    | 4   |

**7**  
**G**

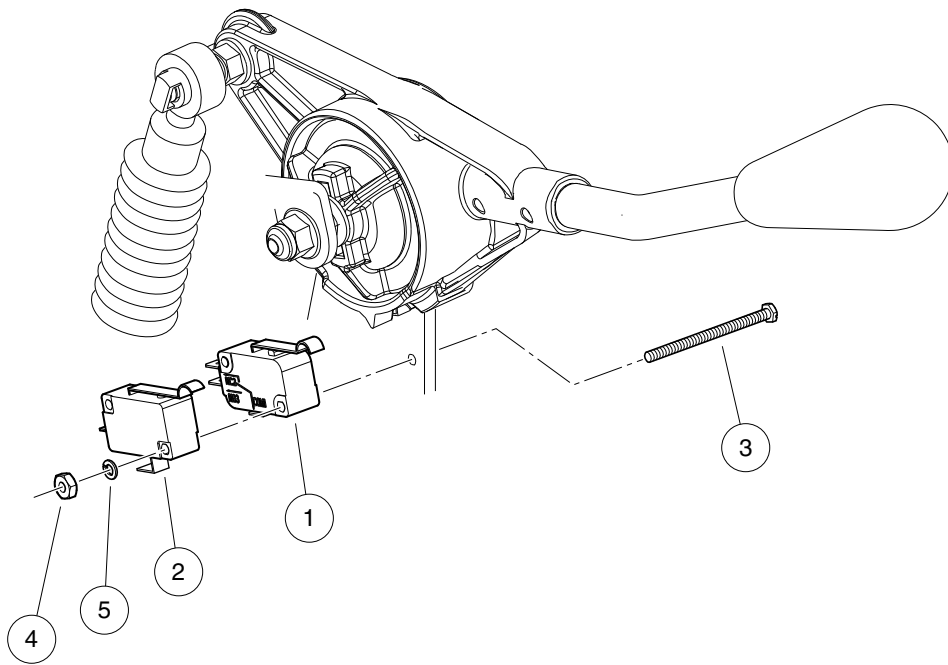


001015-001

# CHARGING DIODE, KEY-START – EFI

| ITEM | PART NO.  | DESCRIPTION                       | QTY |
|------|-----------|-----------------------------------|-----|
|      |           | <b>1 2 3 4</b>                    |     |
| 1    | 101963401 | Locknut, 5/16-18 Hex Flange ..... | 1   |
| 2    | 102269701 | Thermal Pad .....                 | 1   |
| 3    | 105037201 | Diode, Charging .....             | 1   |

**7**  
**G**



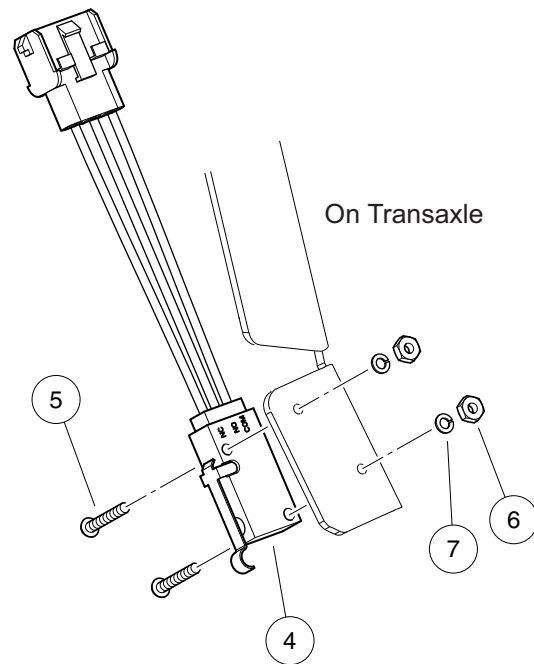
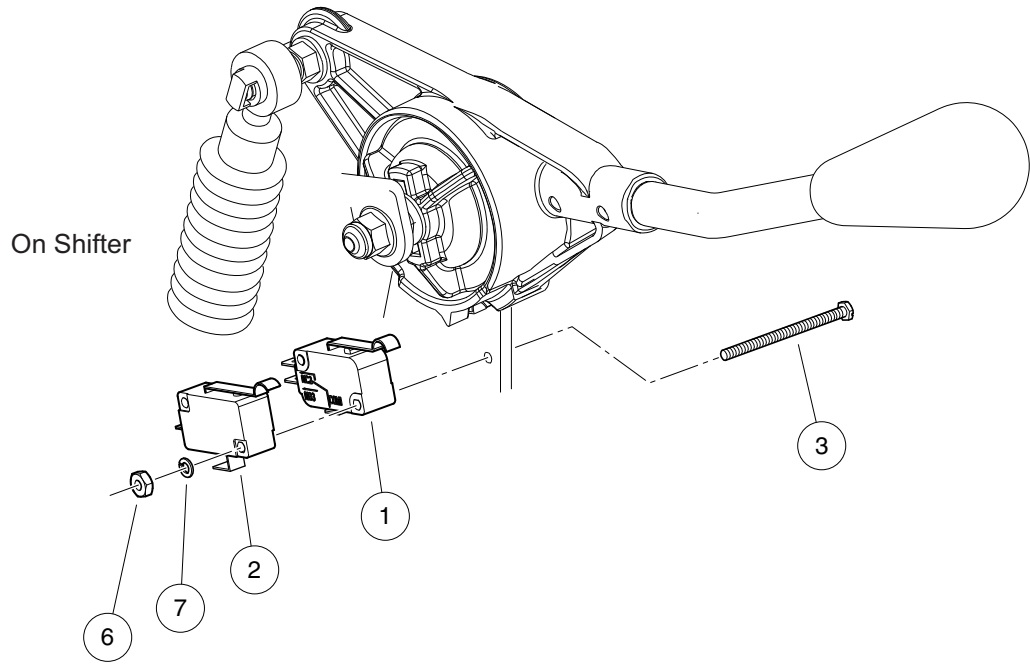
001010-002

# FORWARD/REVERSE SHIFTER SWITCHES, KEY-START – EFI, VILLAGER 6, 8, 850, 850SE

| ITEM | PART NO. | DESCRIPTION                         | QTY |
|------|----------|-------------------------------------|-----|
|      |          | <b>1 2 3 4</b>                      |     |
| 1    | 1014807  | Switch, Limit .....                 | 1   |
| 2    | 1014808  | Switch, Limit .....                 | 1   |
| 3    | 1015878  | Screw, #4-40 Hex Head Machine ..... | 2   |
| 4    | 8057     | Nut, #4-40 Hex Machine .....        | 2   |
| 5    | 8058     | Lockwasher, #4 Split .....          | 2   |

**7**  
**G**

**7**  
**G**



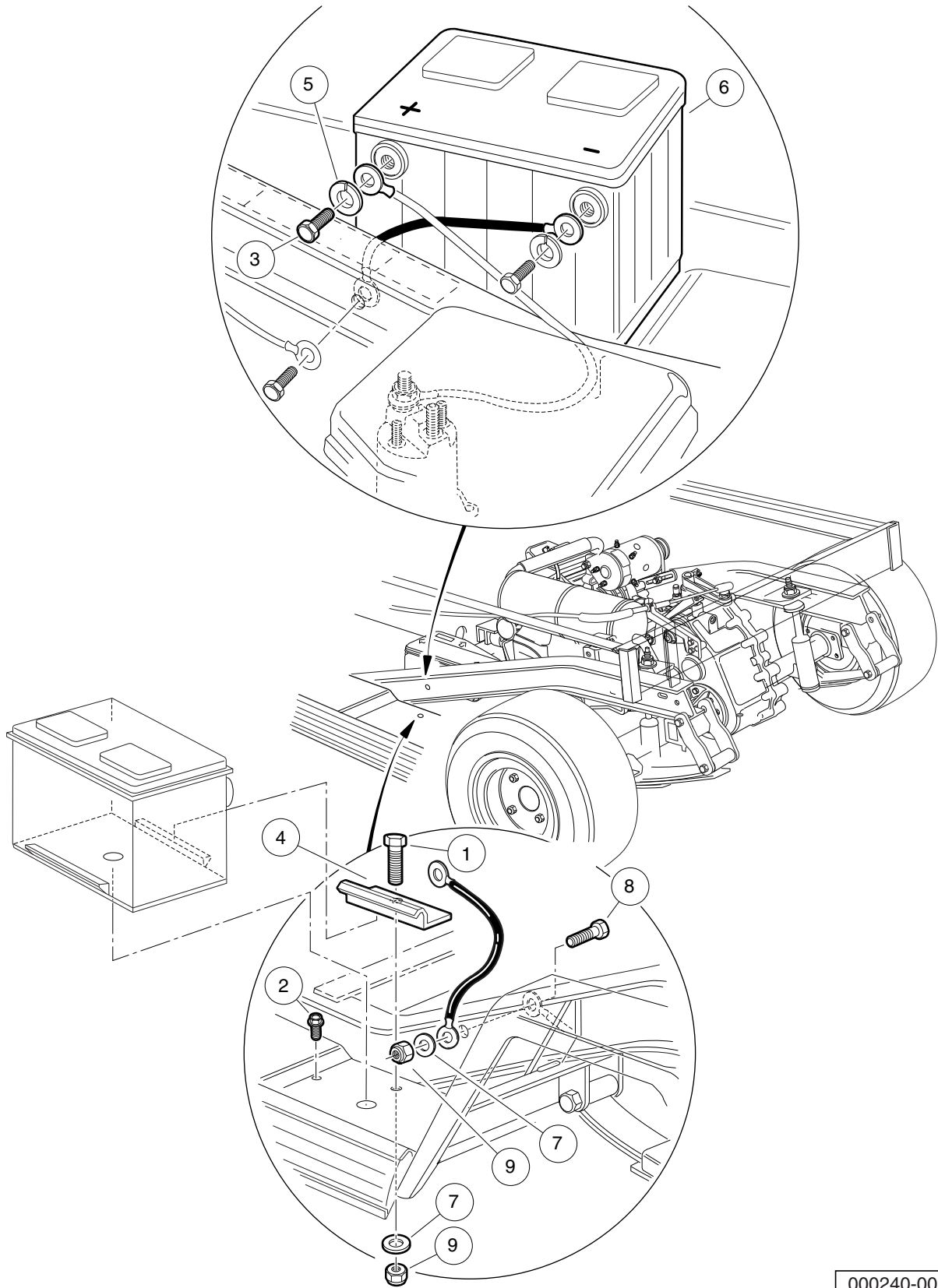
001010-001

# FORWARD/REVERSE SHIFTER SWITCHES, PEDAL-START – EFI, VILLAGER 6, 8, 850, 850SE

| ITEM | PART NO.  | DESCRIPTION                                   | QTY |
|------|-----------|---|-----|
|      |           | 1 2 3 4                                       |     |
| 1    | 1014807   | Switch, Limit .....                           | 1   |
| 2    | 1014808   | Switch, Limit .....                           | 1   |
| 3    | 1015878   | Screw, #4-40 Hex Head Machine .....           | 2   |
| 4    | 105102601 | Switch, Limit, Sealed, with 3-Wire Lead ..... | 1   |
| 5    | 8056      | Screw, #4-40 X 0.75 Round-Head Machine .....  | 2   |
| 6    | 8057      | Nut, #4-40 Hex Machine .....                  | 4   |
| 7    | 8058      | Lockwasher, #4 Split .....                    | 4   |

**7**  
**G**

**7**  
**G**



000240-001



## BATTERY – GASOLINE UTILITY VEHICLES

| ITEM | PART NO.  | DESCRIPTION   | QTY |
|------|-----------|---|-----|
|      |           | 1 2 3 4   |     |
| 1    | 1010934   | Screw, 5/16-18 X 1.00 Hex Cap .....                   | 1   |
| 2    | 1014288   | Screw, 5/16-18 X 0.75, Thread-Forming .....           | 1   |
| 3    | 1014375   | Screw, 3/8-16 X 0.50, Stainless Steel, Hex-Head ..... | 2   |
| 4    | 101898001 | Clamp, Battery .....                                  | 1   |
| 5    | 101898101 | Retainer - Battery .....                              | 1   |
| 6    | 102355301 | Lockwasher, 3/8 Split Ss .....                        | 2   |
| 7    | 103496801 | Battery, Start, 12v .....                             | 1   |
| 8    | 1241      | Washer, 5/16 Type A Flat .....                        | 2   |
| 9    | 1606      | Rivet, 3/16 X .500 Alum Pop .....                     | 2   |
| 10   | 7173      | Screw, 5/16-18 X 0.75, Hex-Head Cap .....             | 1   |
| 11   | 7473      | Locknut, 5/16-18 Nylon Insert .....                   | 2   |

**7**  
**G**

7

G

# ENGINE (SUBARU EX40)

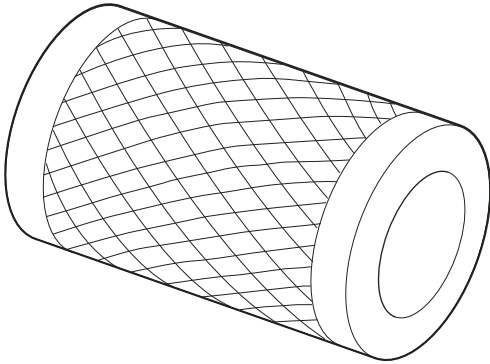
---

8

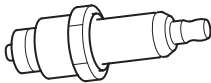
G

8

G



1



2

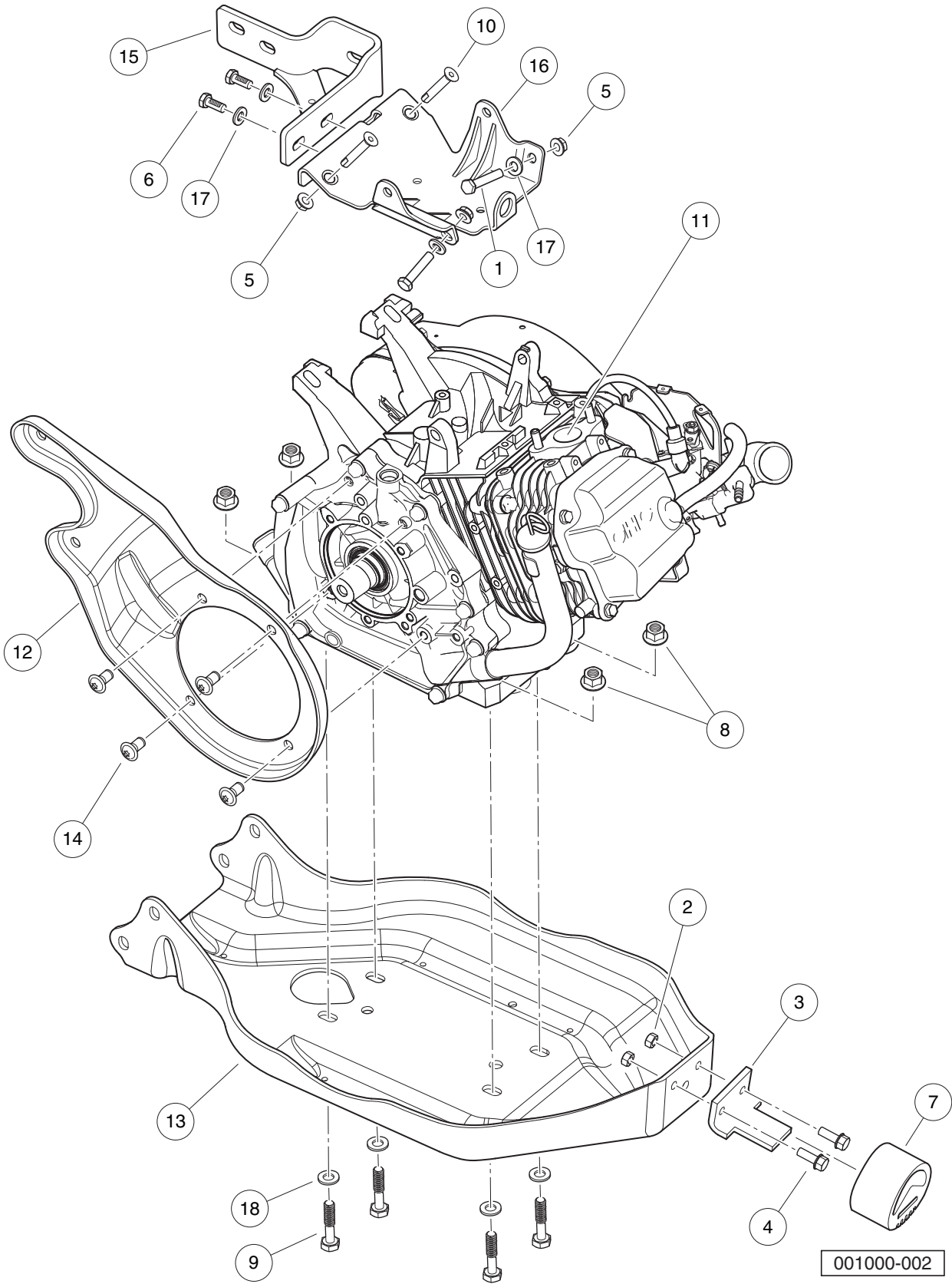
000992-003

## TUNE-UP PARTS – SUBARU EX40

| ITEM | PART NO.  | DESCRIPTION                   | QTY |
|------|-----------|-------------------------------|-----|
|      |           | 1 2 3 4                       |     |
| 1    | 102558201 | Air Filter, 4 Inch .....      | 1   |
| 2    | 105017801 | Spark Plug, Subaru EX40 ..... | 1   |

**8**

**G**

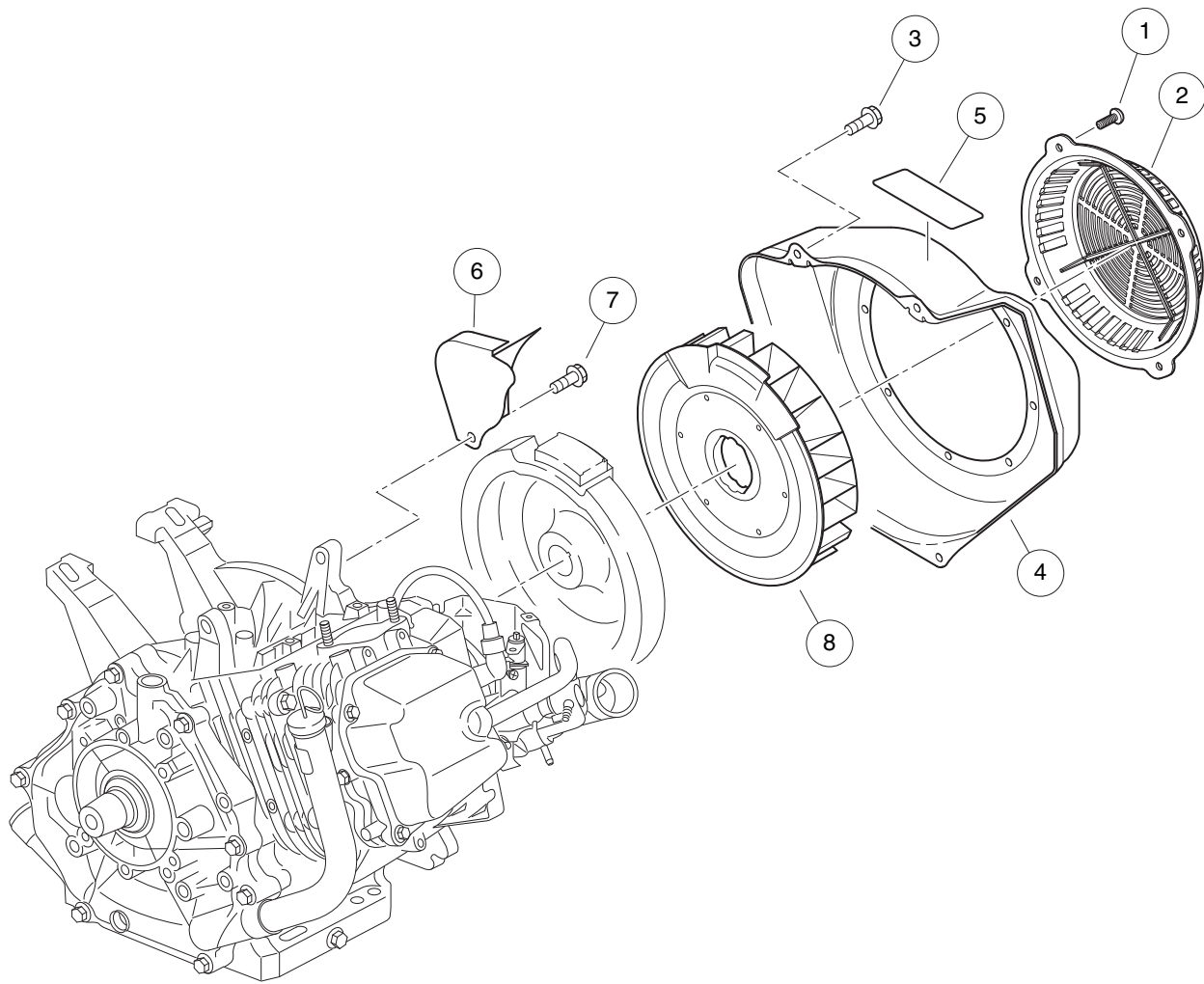


## ENGINE AND ENGINE MOUNTING, UTILITY – EX40

| ITEM | PART NO.  | DESCRIPTION  | QTY |
|------|-----------|--|-----|
|      |           | 1 2 3 4  |     |
| 1    | 1010577   | Bolt, Hex-Head, 5/16-18 X 1.50 .....                 | 2   |
| 2    | 1013924   | Nut, 5/16-24, Hex Head Cone .....                    | 2   |
| 3    | 101834602 | Bracket, Snubber, Tall .....                         | 1   |
| 4    | 101884801 | Screw, 5/16-24 X 0.875, Grade-8 .....                | 2   |
| 5    | 101963401 | Locknut, 5/16-18 Hex Flange .....                    | 4   |
| 6    | 102242101 | Screw, 5/16-18 X 3/4 Hex-Head with Patch .....       | 2   |
| 7    | 102540301 | Snubber, Inner Frame .....                           | 1   |
| 8    | 102617201 | Nut, Flanged, M10 X 1.5, Mechanically Deformed ..... | 4   |
| 9    | 102732401 | Bolt, M10 X 45, Zn-Ni (Black) .....                  | 4   |
| 10   | 103196202 | 5/16-18x1.75, Bolt, Loctite .....                    | 2   |
| 11   | 103882801 | Engine, Gas, Subaru EX40, EFI .....                  | 1   |
| 12   | 103979401 | Plate, Mounting, CVT, Center .....                   | 1   |
| 13   | 103982201 | Plate, Engine/Axle Mounting .....                    | 1   |
| 14   | 103996201 | Screw, 3/8-16 X .75, Btn Hd Cap .....                | 4   |
| 15   | 105134601 | Bracket, Mounting, Transaxle/Exhaust, EX40 .....     | 1   |
| 16   | 105149301 | Bracket, Mounting, Starter/Generator, EX40 .....     | 1   |
| 17   | 1241      | Washer, 5/16 Type A Flat .....                       | 4   |
| 18   | 96741046  | Washer, M10, Hard .....                              | 4   |

8

G



001001-001



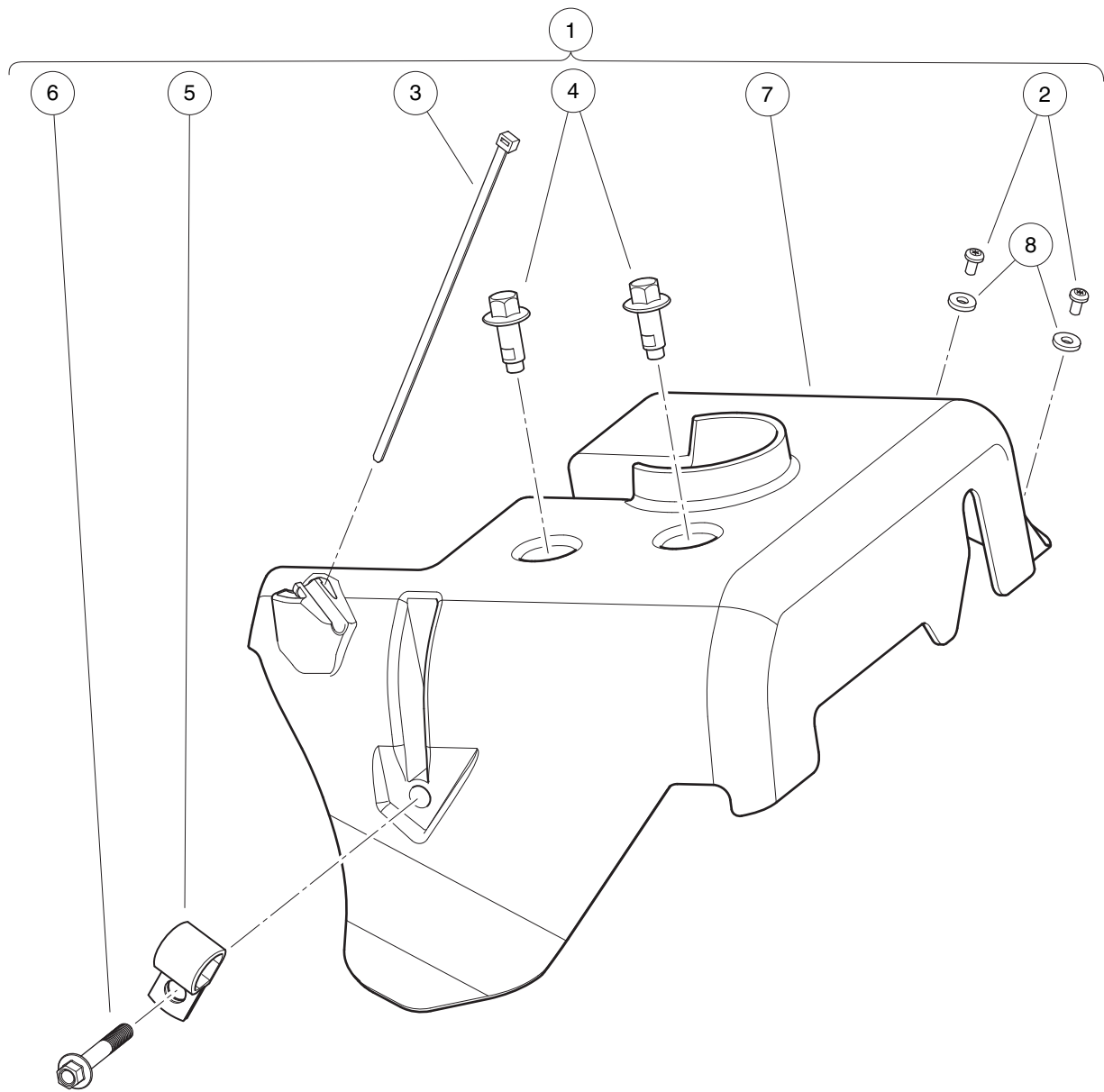
## FAN AND SHROUD – EX40

| ITEM | PART NO.  | DESCRIPTION                         | QTY |
|------|-----------|-------------------------------------|-----|
|      |           | <b>1 2 3 4</b>                      |     |
| 1    | 1015969   | Screw, M6-1.00 X 10mm, Pan Hd ..... | 4   |
| 2    | 103995901 | Cover, Fan, EX40 .....              | 1   |
| 3    | 105012601 | Bolt, Flange, M6x1.0x12, EX40 ..... | 4   |
| 4    | 105016701 | Housing, Fan, EX40 .....            | 1   |
| 5    | 105016801 | Label, Engine Warning, EX40 .....   | 1   |
| 6    | 105016901 | Baffle, Crankcase, EX40 .....       | 1   |
| 7    | 105017001 | Bolt, Baffle, M8x1.25x12 Ex40 ..... | 1   |
| 8    | 105017101 | Fan, Cooling, EX40 .....            | 1   |

**8**

**G**

8  
G

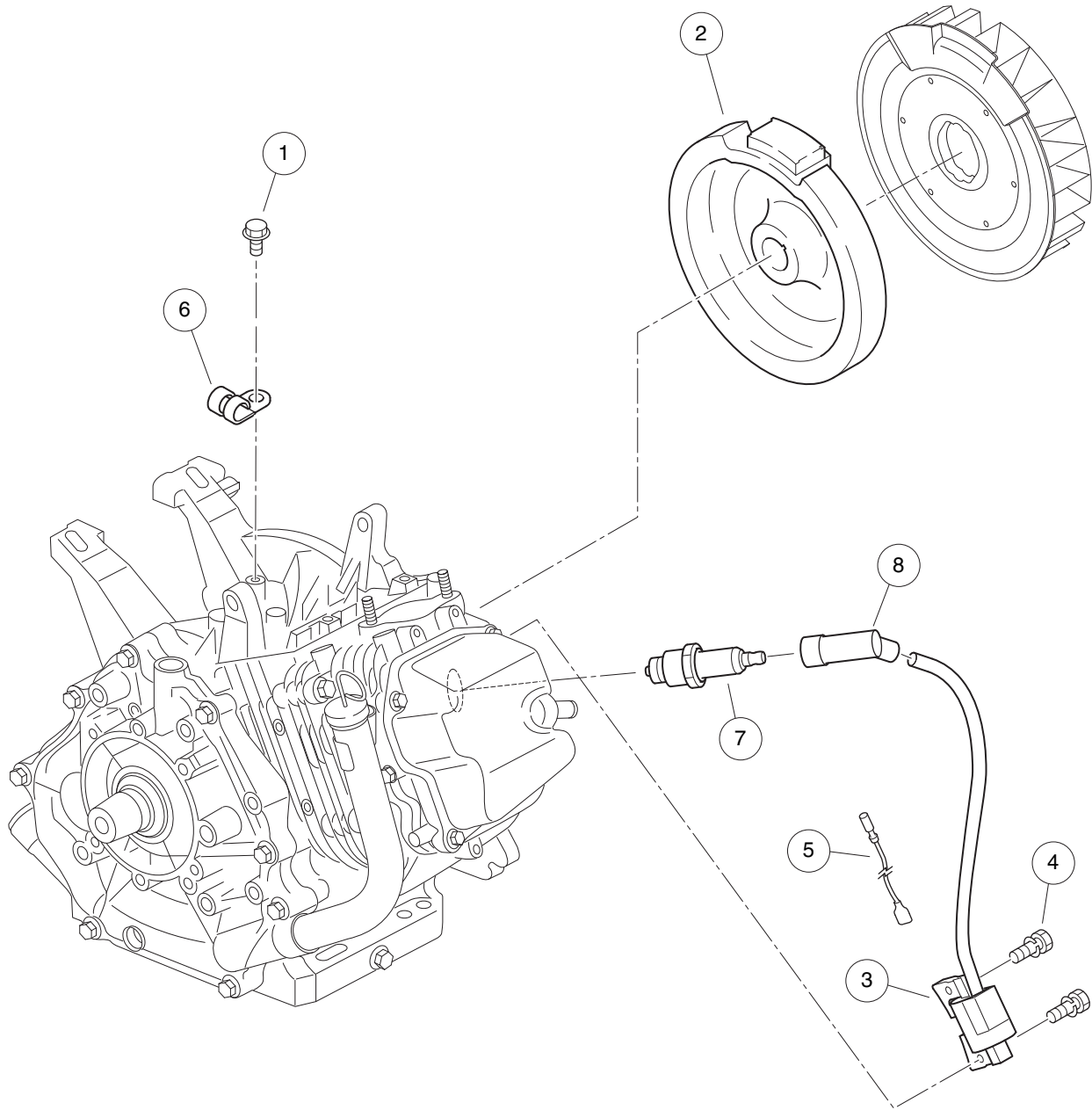


001002-001

# AIR DEFLECTOR – EX40

| ITEM | PART NO.  | DESCRIPTION  | QTY |
|------|-----------|--|-----|
|      |           | <b>1 2 3 4</b>   |     |
| 1    | 105084801 | Kit, Air Deflector, Subaru EX40 (includes items 2 through 8) ..... | 1   |
| 2    | 1016103   | Screw, Pan Hd Tx, Taptite 6-32 .....                               | 2   |
| 3    | 101824101 | Tie Wrap, Black .....  | 1   |
| 4    | 102298116 | Bolt, Flanged Head, M8 X 16.0 .....                                | 2   |
| 5    | 102410604 | P-clamp, Insulated, 0.625 Inch .....                               | 1   |
| 6    | 102541402 | Bolt, M6x1.0x40, Hex Flange Head, Blk-l .....                      | 1   |
| 7    | 105075301 | Deflector, Air, Subaru EX40 .....                                  | 1   |
| 8    | 7591      | Washer, #6, Flat .....   | 2   |

**8**  
**G**



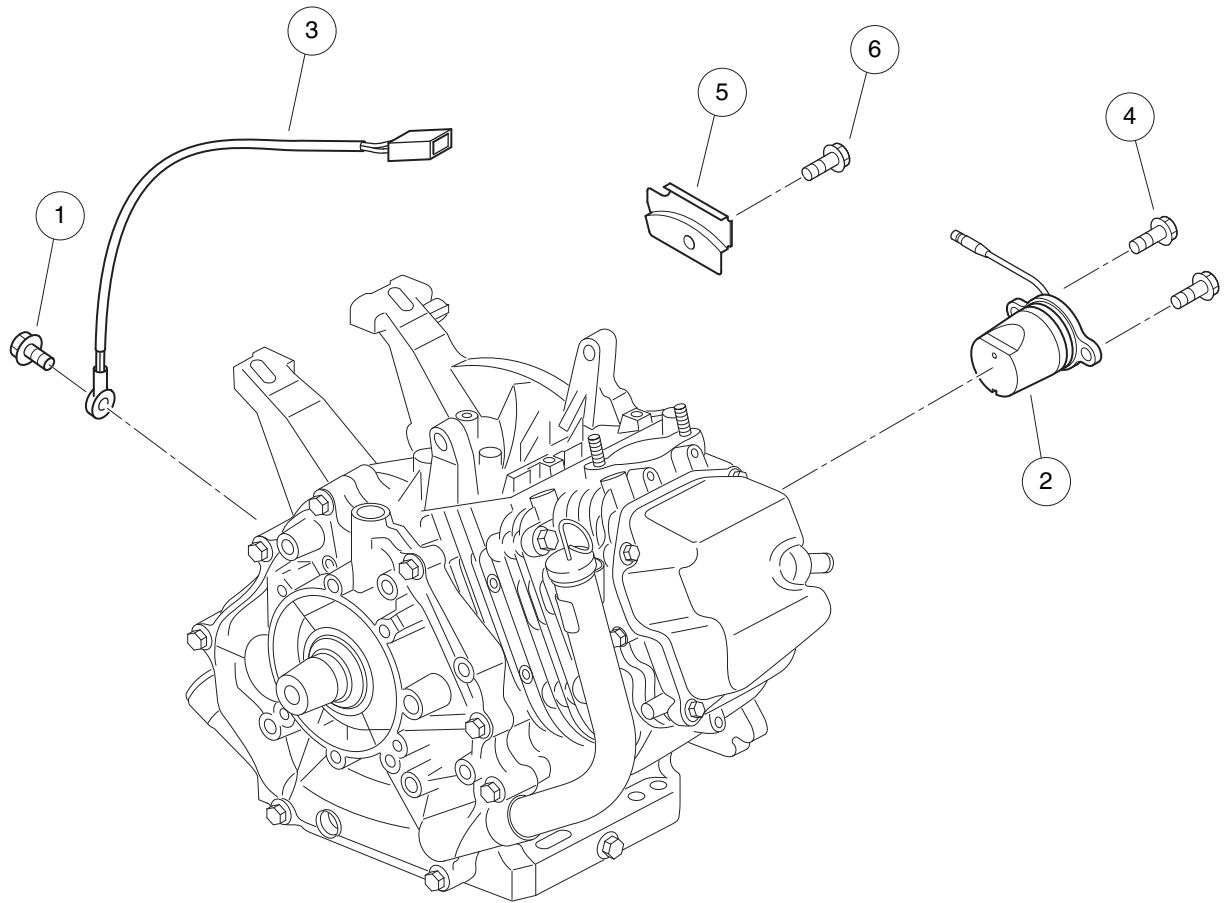
001003-001

## IGNITION COMPONENTS AND FLYWHEEL – EX40

| ITEM | PART NO.  | DESCRIPTION                          | QTY |
|------|-----------|--------------------------------------|-----|
|      |           | 1 2 3 4                              |     |
| 1    | 105016001 | Bolt, Flange, M6x1.0x8, EX40 .....   | 1   |
| 2    | 105017301 | Flywheel, EX40 .....                 | 1   |
| 3    | 105017401 | Coil, Ignition, CDI, EX40 .....      | 1   |
| 4    | 105017501 | Asm, Bolt-Washer, Coil, EX40 .....   | 2   |
| 5    | 105017601 | Asm, Wire, Coil Control, EX40 .....  | 1   |
| 6    | 105017701 | Clamp, Coil Control Wire, EX40 ..... | 1   |
| 7    | 105017801 | Spark Plug, Subaru EX40 .....        | 1   |
| 8    | 105017901 | Cap, Spark Plug, EX40 .....          | 1   |

8

G



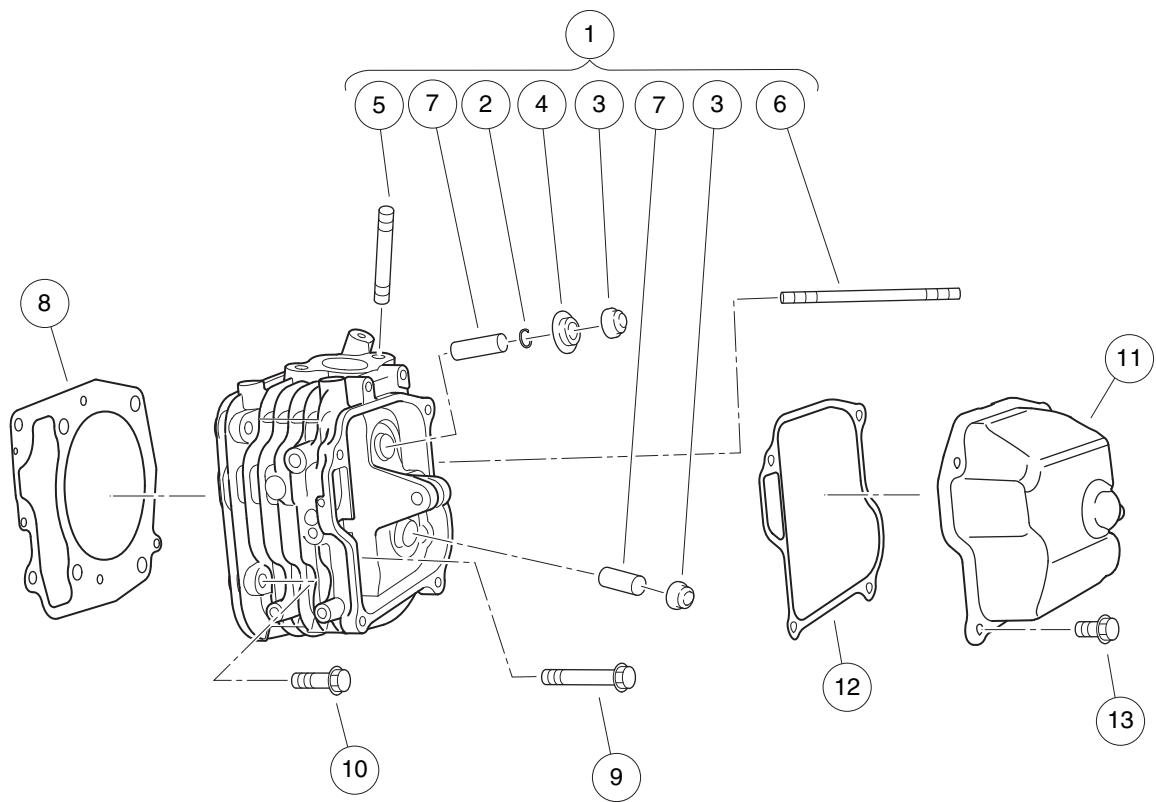
001004-001

# SENSORS – EX40

| ITEM | PART NO.  | DESCRIPTION                             | QTY |
|------|-----------|---|-----|
|      |           | <b>1 2 3 4</b>                          |     |
| 1    | 105012601 | Bolt, Flange, M6x1.0x12, EX40 .....     | 1   |
| 2    | 105018001 | Sensor, Oil Level, EX40 .....           | 1   |
| 3    | 105018101 | Sensor, Temperature, EX40 .....         | 1   |
| 4    | 105018201 | Bolt, Oil Sensor, M6x1.0x14, EX40 ..... | 2   |
| 5    | 105018301 | Clamp, Oil Sensor Wire, EX40 .....      | 1   |
| 6    | 105018401 | Bolt, Tap, Oil Wire Clamp, EX40 .....   | 1   |

**8**

**G**



001005-001

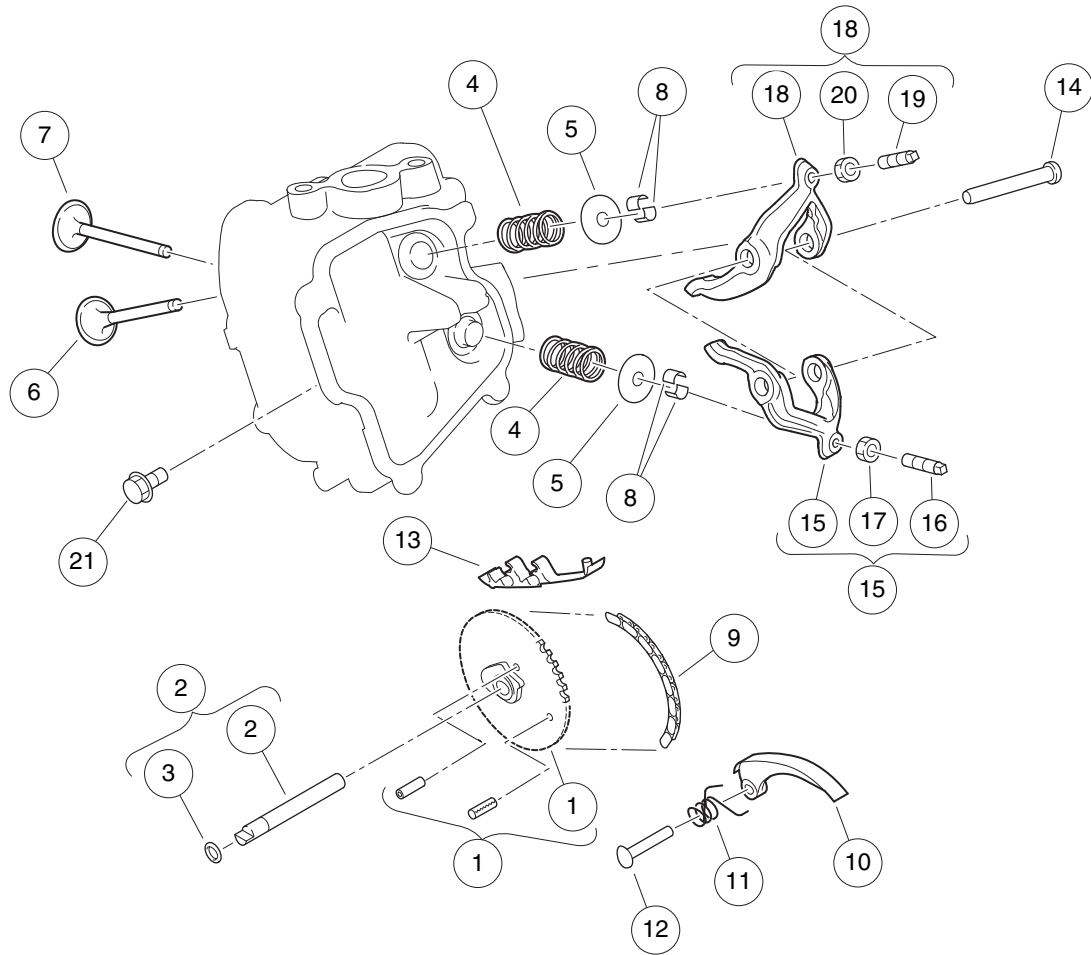


# CYLINDER HEAD – EX40

| ITEM | PART NO.  | DESCRIPTION   | QTY |
|------|-----------|---|-----|
|      |           | 1 2 3 4   |     |
| 1    | 105011901 | Asm, Cylinder Head, EX40 (includes items 2 through 7) ..... | 1   |
| 2    | 105010101 | Clip, Retainer Plate, EX40 .....                            | 1   |
| 3    | 105010201 | Seal, Valve, EX40 .....                                     | 2   |
| 4    | 105010301 | Plate, Retainer, EX40 .....                                 | 1   |
| 5    | 105010801 | Stud, Mounting, Exhaust, EX40 .....                         | 2   |
| 6    | 105010901 | Stud, Mounting, Intake, EX40 .....                          | 2   |
| 7    | 105018501 | Guide, Valve, EX40 .....                                    | 2   |
| 8    | 105012001 | Gasket, Head, EX40 .....                                    | 1   |
| 9    | 105012101 | Bolt, Head, M10x1.25x75, EX40 .....                         | 4   |
| 10   | 105012201 | Bolt, Head, M8x1.25x35, EX40 .....                          | 2   |
| 11   | 105012301 | Cover, Rocker, EX40 .....                                   | 1   |
| 12   | 105012401 | Gasket, Rocker Cover, EX40 .....                            | 1   |
| 13   | 105012601 | Bolt, Flange, M6x1.0x12, EX40 .....                         | 4   |

8

G

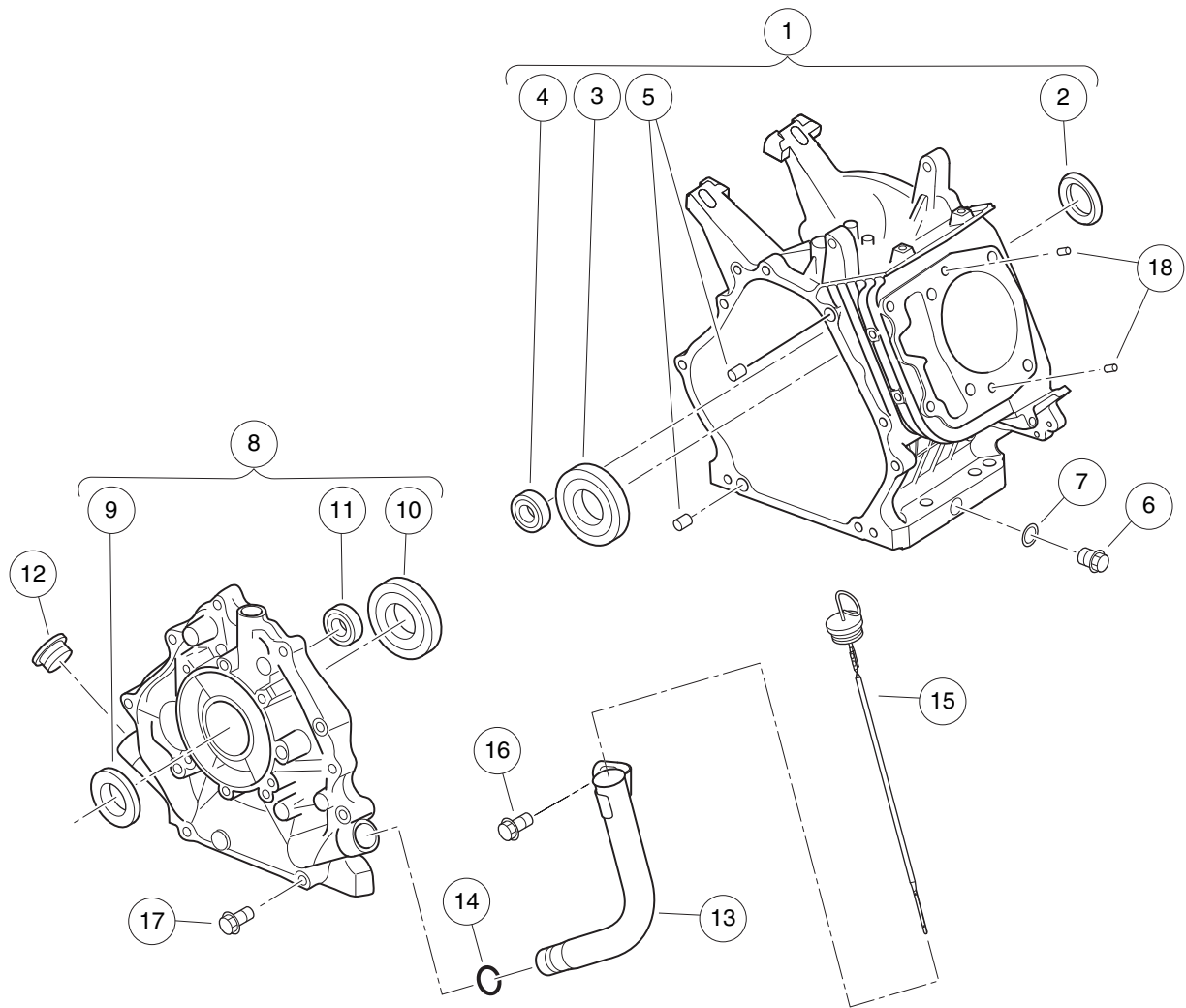


001006-001

## VALVETRAIN AND TIMING CHAIN – EX40

| ITEM | PART NO.  | DESCRIPTION   | QTY |
|------|-----------|---|-----|
|      |           | 1 2 3 4   |     |
| 1    | 105014201 | Asm, Cam/Chain Sprocket, EX40 .....                             | 1   |
| 2    | 105014301 | Asm, Camshaft and O-ring, EX40 (includes item 3) .....          | 1   |
| 3    | 105014401 | O-ring, Camshaft, EX40 .....                                    | 1   |
| 4    | 105014501 | Spring, Valve, EX40 .....                                       | 2   |
| 5    | 105014601 | Retainer, Spring, EX40 .....                                    | 2   |
| 6    | 105014701 | Valve, Intake, EX40 .....                                       | 1   |
| 7    | 105014801 | Valve, Exhaust, EX40 .....                                      | 1   |
| 8    | 105014901 | Collet, Valve, EX40 .....                                       | 4   |
| 9    | 105015001 | Chain, Timing, EX40 .....                                       | 1   |
| 10   | 105015101 | Tensioner, Chain, EX40 .....                                    | 1   |
| 11   | 105015201 | Spring, Tension, EX40 .....                                     | 1   |
| 12   | 105015301 | Pin, Tensioner, EX40 .....                                      | 1   |
| 13   | 105015401 | Guide, Chain, EX40 .....  | 1   |
| 14   | 105015501 | Shaft, Rocker, EX40 .....                                       | 1   |
| 15   | 105015601 | Asm, Rocker Arm, Intake, EX40 (includes items 16 and 17) .....  | 1   |
| 16   | 105015801 | Screw, Adjust, Valve, EX40 .....                                | 1   |
| 17   | 105015901 | Nut, Adjust, Valve, EX40 .....                                  | 1   |
| 18   | 105015701 | Asm, Rocker Arm, Exhaust, EX40 (includes items 19 and 20) ..... | 1   |
| 19   | 105015801 | Screw, Adjust, Valve, EX40 .....                                | 1   |
| 20   | 105015901 | Nut, Adjust, Valve, EX40 .....                                  | 1   |
| 21   | 105016001 | Bolt, Flange, M6x1.0x8, EX40 .....                              | 1   |

**8**  
**G**



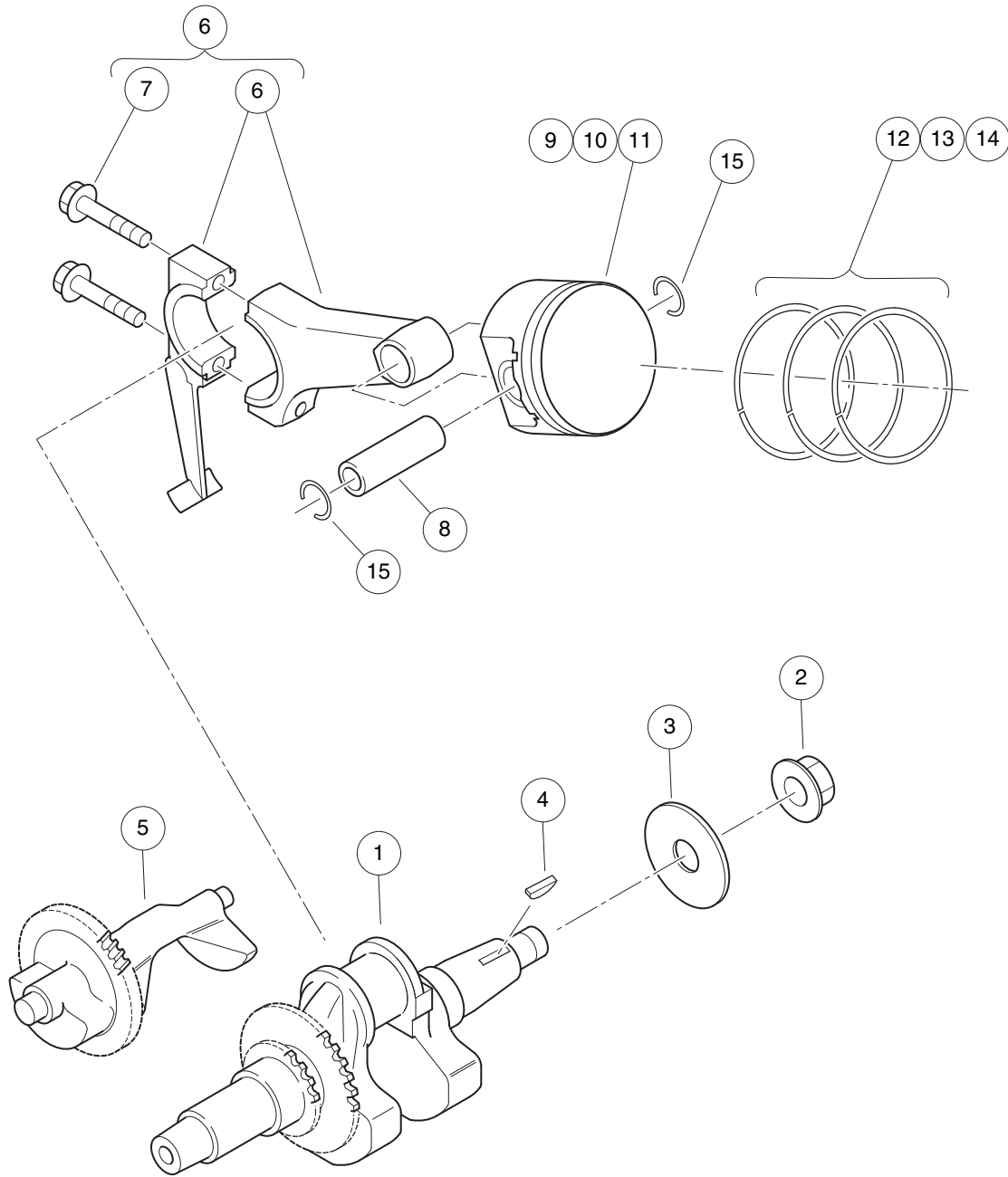
001007-001

# CRANKCASE – EX40

| ITEM | PART NO.  | DESCRIPTION   | QTY |
|------|-----------|---|-----|
|      |           | 1 2 3 4   |     |
| 1    | 105010001 | Crankcase, EX40 (includes items 2 through 5) .....              | 1   |
| 2    | 105010401 | Seal, Oil, Crankshaft, EX40 .....                               | 1   |
| 3    | 105010501 | Bearing, Crankshaft, EX40 .....                                 | 1   |
| 4    | 105010601 | Bearing, Balance Shaft, EX40 .....                              | 1   |
| 5    | 105010701 | Pin, Guide, Crankcase, EX40 .....                               | 2   |
| 6    | 105011001 | Plug, Oil Drain, EX40 .....                                     | 2   |
| 7    | 105011101 | Gasket, Oil Drain Plug, EX40 .....                              | 2   |
| 8    | 105011201 | Asm, Cover, Crankcase, EX40 (includes items 9 through 11) ..... | 1   |
| 9    | 105010401 | Seal, Oil, Crankshaft, EX40 .....                               | 1   |
| 10   | 105010501 | Bearing, Crankshaft, EX40 .....                                 | 1   |
| 11   | 105010601 | Bearing, Balance Shaft, EX40 .....                              | 1   |
| 12   | 105011301 | Plug, Rubber, Crankcase, EX40 .....                             | 1   |
| 13   | 105011401 | Tube, Oil Filler, EX40 .....                                    | 1   |
| 14   | 105011501 | O-ring, Oil Filler Tube, EX40 .....                             | 1   |
| 15   | 105011601 | Dipstick, EX40 .....  | 1   |
| 16   | 105011701 | Bolt, Filler Tube, M8x1.25x12, EX40 .....                       | 1   |
| 17   | 105011801 | Bolt, Case Cover, M8x1.25x38, EX40 .....                        | 8   |
| 18   | 105012501 | Pin, Guide, Head, EX40 .....                                    | 2   |

**8**

**G**



001008-001

## CRANKSHAFT AND PISTON – EX40

| ITEM | PART NO.  | DESCRIPTION  | QTY |
|------|-----------|--|-----|
|      |           | 1 2 3 4  |     |
| 1    | 105012701 | Crankshaft, EX40 .....                             | 1   |
| 2    | 105012801 | Nut, Crankshaft M18x1.5 Ex40 .....                 | 1   |
| 3    | 105012901 | Washer, Crankshaft Ex40 .....                      | 1   |
| 4    | 105013001 | Key, Woodruff, Crankshaft, EX40 .....              | 1   |
| 5    | 105013101 | Shaft, Balance, EX40 .....                         | 1   |
| 6    | 105013201 | Asm, Rod, Connecting, EX40 (includes item 7) ..... | 1   |
| 7    | 105013301 | Bolt, Rod M8x1.25x40 Ex40 .....                    | 2   |
| 8    | 105013401 | Pin, Piston, EX40 .....                            | 1   |
| 9    | 105013501 | Piston, Standard, EX40 .....                       | 1   |
| 10   | 105013601 | Piston, 0.25 mm Oversize, EX40 .....               | 1   |
| 11   | 105013701 | Piston, 0.50 mm Oversize, EX40 .....               | 1   |
| 12   | 105013801 | Set, Piston Ring, Standard, EX40 .....             | 1   |
| 13   | 105013901 | Set, Piston Ring, 0.25 mm Oversize, EX40 .....     | 1   |
| 14   | 105014001 | Set, Piston Ring, 0.50 mm Oversize, EX40 .....     | 1   |
| 15   | 105014101 | Clip, Piston Pin, EX40 .....                       | 2   |

**8**

**G**

8

G

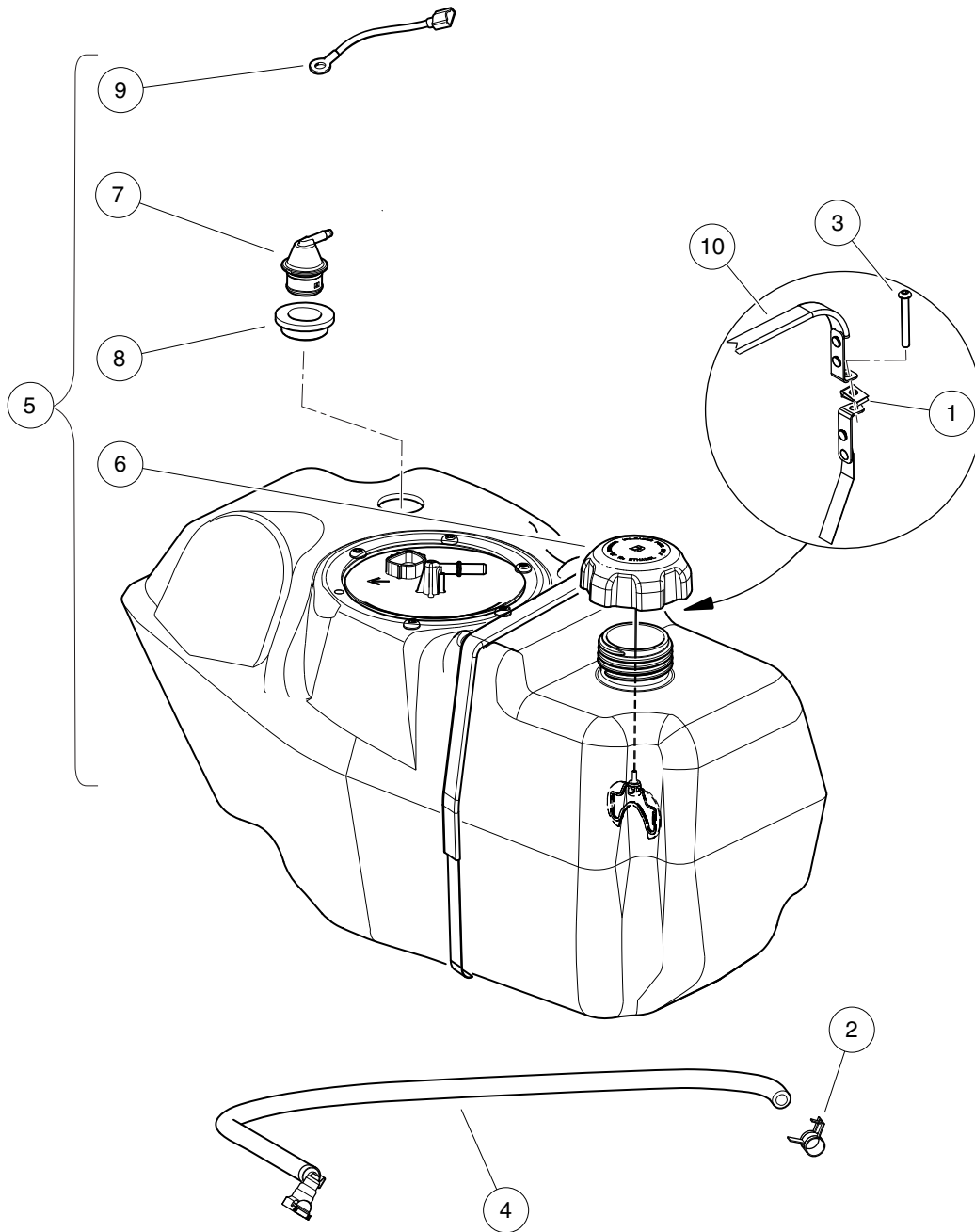


# FUEL, INTAKE, AND GOVERNOR SYSTEMS- EFI GASOLINE VEHICLES

---

9

G

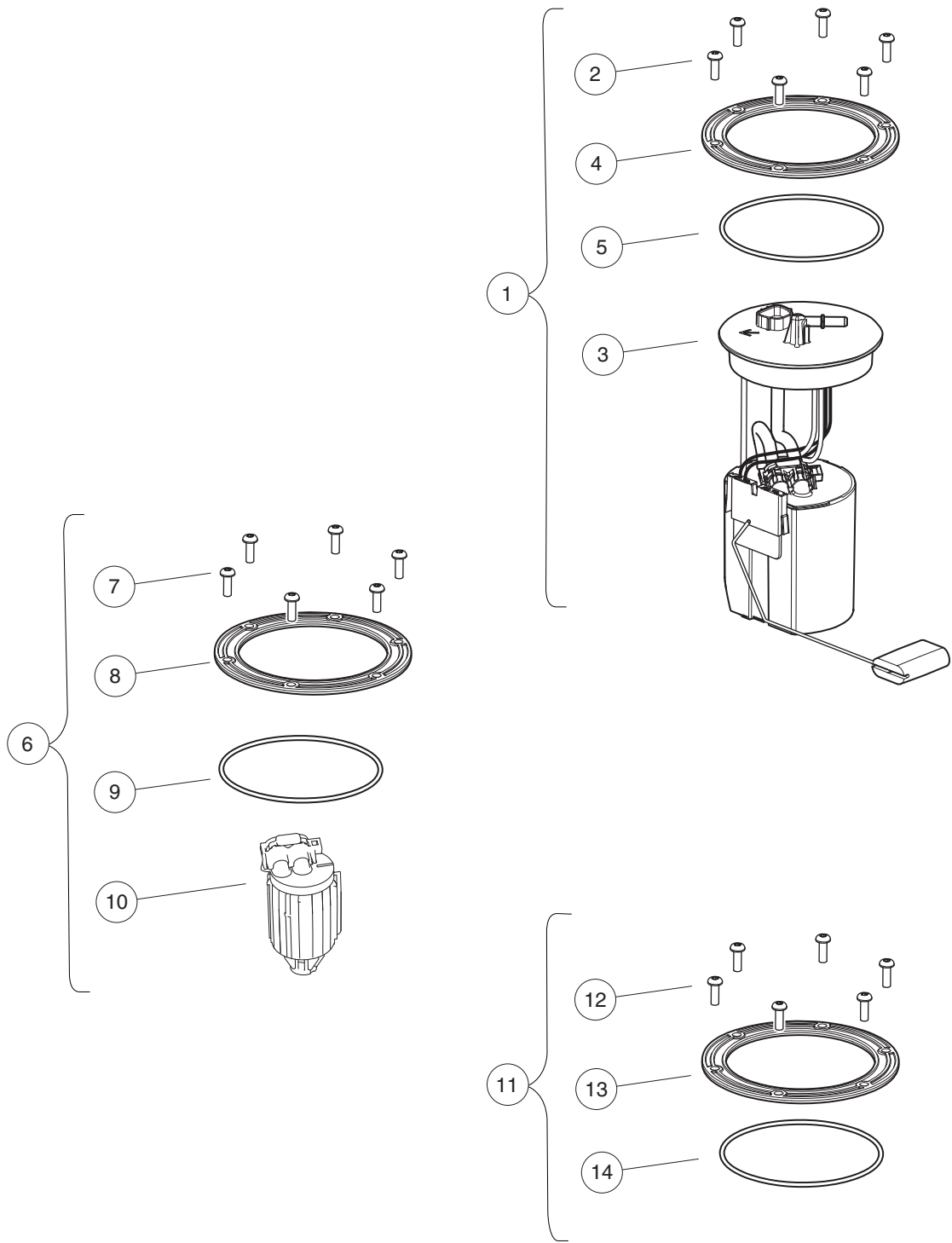


000975-004

## FUEL SYSTEM WITH SENDING UNIT, TOP FILL – EFI

| ITEM | PART NO.  | DESCRIPTION   | QTY |
|------|-----------|---|-----|
|      |           | <b>1 2 3 4</b>  |     |
| 1    | 1014116   | Nut, 1/4-20 Speed .....   | 1   |
| 2    | 102411203 | Clamp, Hose, Ctb 14mm Dia. ....   | 1   |
| 3    | 103306301 | Screw, Bhsc, 1/4-20 X 2.0 .....   | 1   |
| 4    | 105043501 | Asm, Fuel Line, Utility .....   | 1   |
| 5    | 105215401 | Asm, Tank, Fuel, Top, Complete, w/Sending Unit (includes items 6 through 9) ..... | 1   |
| 6    | 103372101 | Cap, Fuel Tank, Gas, Ratchet .....  | 1   |
| 7    | 103905201 | Assembly, Vent, Fuel, 1/4 Inch O.D. ....  | 1   |
| 8    | 103944301 | Grommet, Fuel Tank, Vent .....  | 1   |
| 9    | 105143301 | Wire, Ground, Fuel Tank .....   | 1   |
| 10   | 105245401 | Strap, Tank, Utility .....  | 1   |

**9**  
**G**



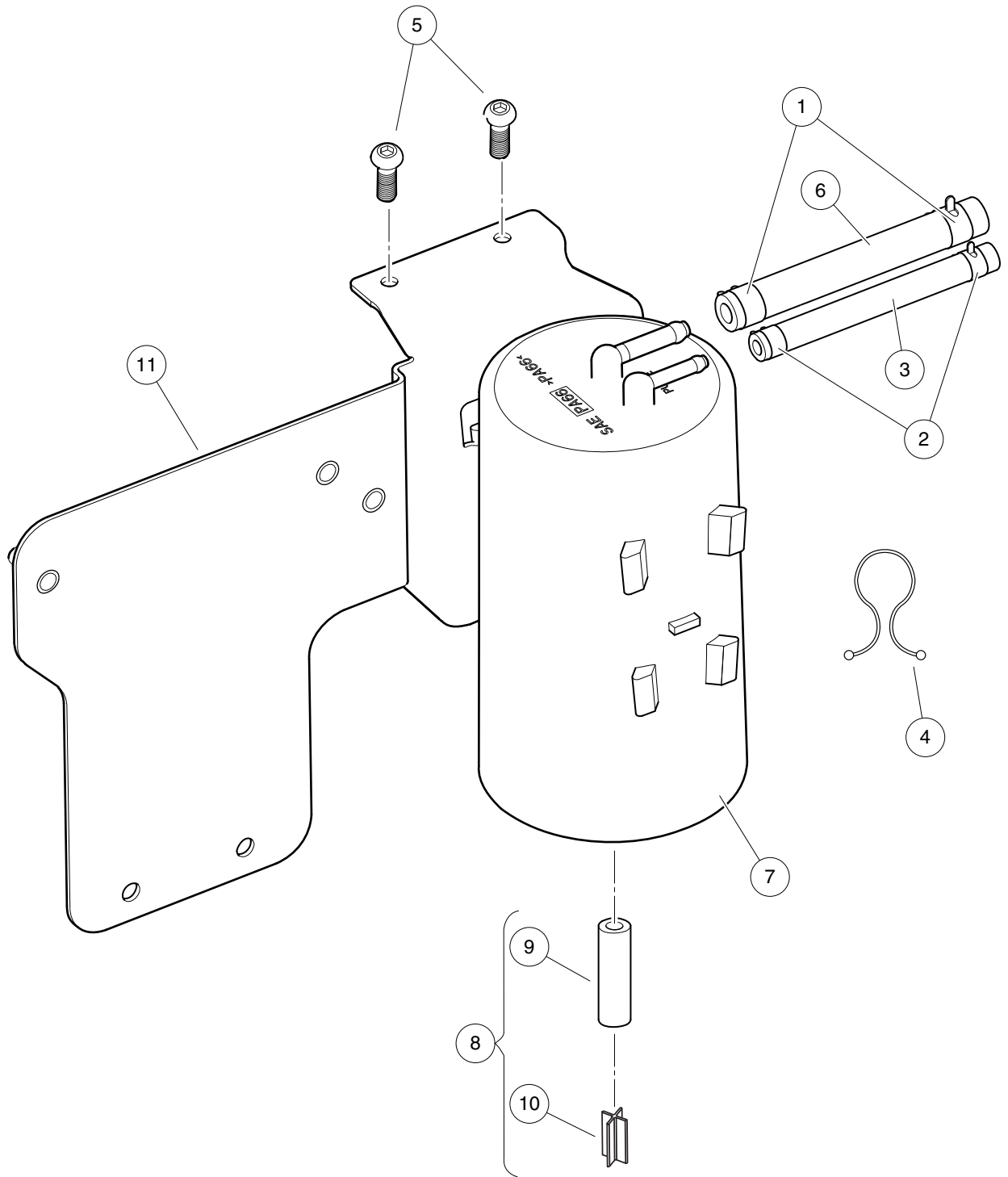
000977-005

## FUEL TANK KITS – EFI

| ITEM | PART NO.  | DESCRIPTION  | QTY |
|------|-----------|--|-----|
|      |           | <b>1 2 3 4</b>   |     |
| 1    | 105282901 | Kit, Fuel Pump Module (includes items 2 through 5) ..... | 1   |
| 2    | 102025801 | Screw, 1/4-20 X .75 Torx Pn Hd .....                     | 6   |
| 3    | 105043401 | Fuel Pump Module, with Sending Unit .....                | 1   |
| 4    | 105043801 | Fuel Module, Hold Down Ring .....                        | 1   |
| 5    | 105043901 | O-Ring, Fuel Module .....                                | 1   |
| 6    | 105282902 | Kit, Fuel Filter (includes items 7 through 10) .....     | 1   |
| 7    | 102025801 | Screw, 1/4-20 X .75 Torx Pn Hd .....                     | 6   |
| 8    | 105043801 | Fuel Module, Hold Down Ring .....                        | 1   |
| 9    | 105043901 | O-Ring, Fuel Module .....                                | 1   |
| 10   | 105073001 | Fuel Filter, EX40, EFI .....                             | 1   |
| 11   | 105282903 | Kit, O-ring (includes items 12 through 14) .....         | 1   |
| 12   | 102025801 | Screw, 1/4-20 X .75 Torx Pn Hd .....                     | 6   |
| 13   | 105043801 | Fuel Module, Hold Down Ring .....                        | 1   |
| 14   | 105043901 | O-Ring, Fuel Module .....                                | 1   |

9

G



000980-006

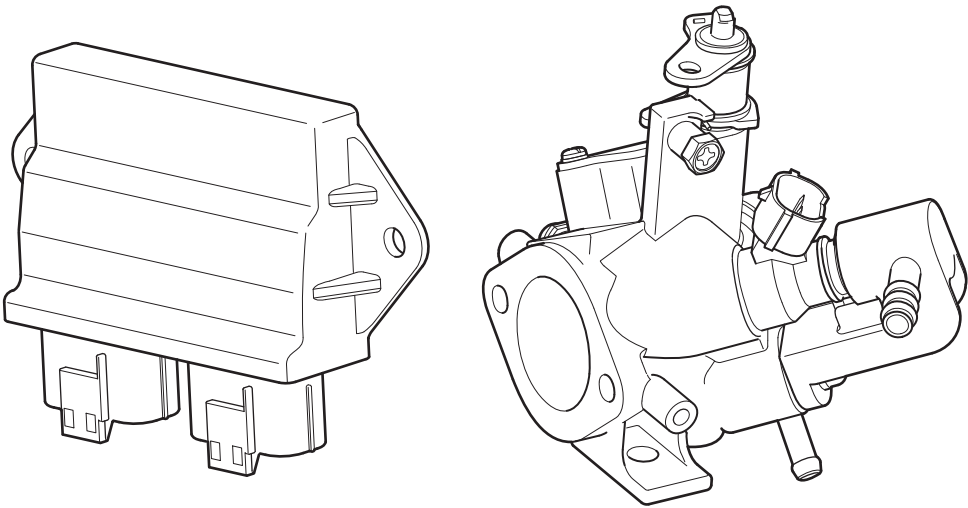
## CARBON CANISTER – EFI

| ITEM | PART NO.  | DESCRIPTION   | QTY |
|------|-----------|---|-----|
|      |           | <b>1 2 3 4</b>  |     |
| 1    | 1012649   | Clamp, 0.460 Red Hose .....                                     | 2   |
| 2    | 1013746   | Clamp, 0.301 ID Hose .....                                      | 2   |
| 3    | 1015137   | Fuel Line, 3/16 (available by the foot) .....                   | A/R |
| 4    | 101987701 | Clamp, Plastic Tie .....  | 2   |
| 5    | 102025801 | Screw, 1/4-20 X .75 Torx Pn Hd .....                            | 2   |
| 6    | 102865101 | Fuel Line, 1/4 (available by the foot) .....                    | A/R |
| 7    | 103372401 | Canister, Carbon .....  | 1   |
| 8    | 103756401 | Asm, Vent Line, Carbon Canister (includes items 9 and 10) ..... | 1   |
| 9    | N/A       | Hose, Vent, 5/16 I.D., Bulk .....                               | 1   |
| 10   | N/A       | Vent, Barb, 5/16 I.D. Hose .....                                | 1   |
| 11   | 105044901 | Bracket, Carbon Canister/ECU .....                              | 1   |

9

G

1



000964-001

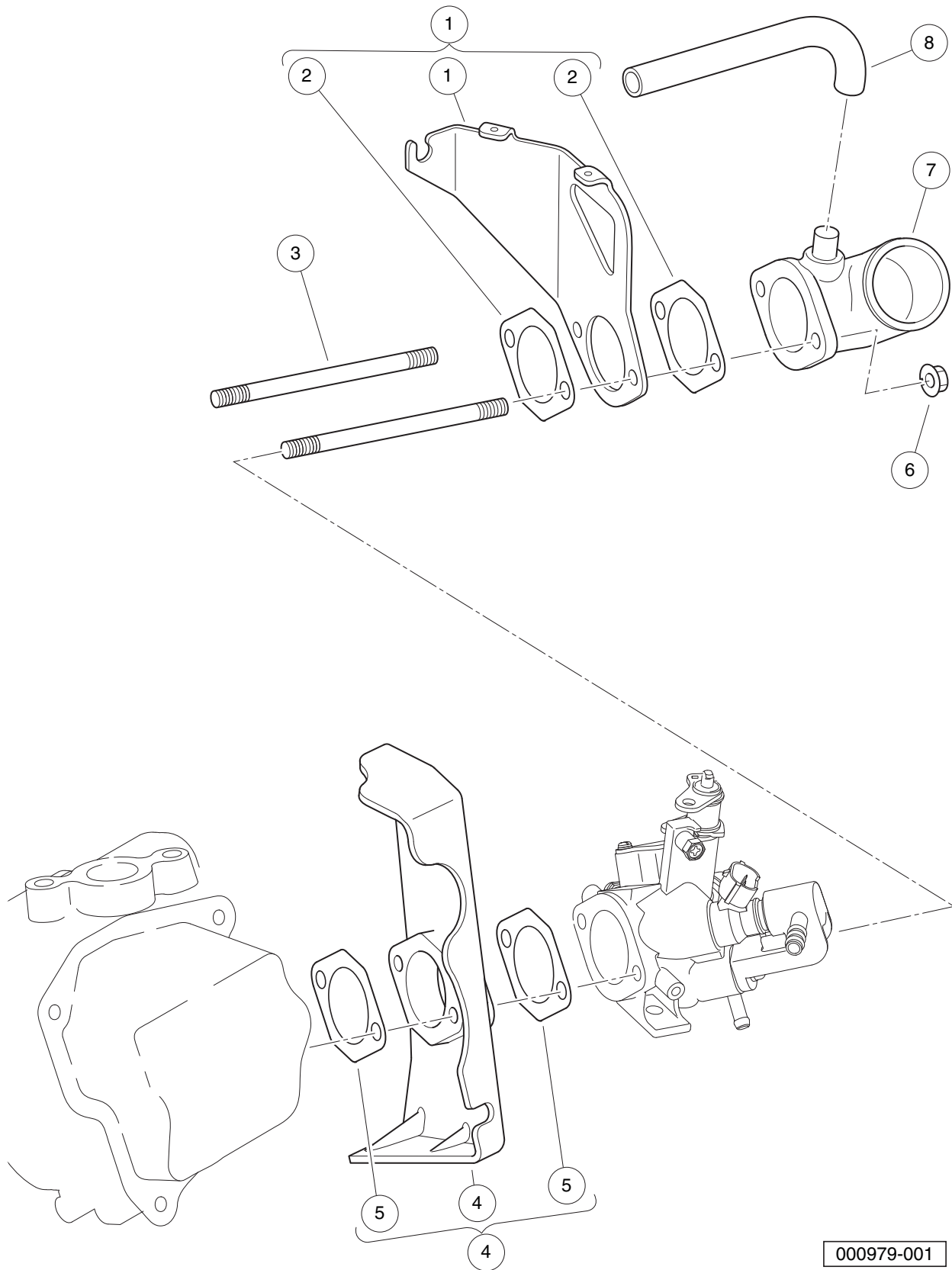


# THROTTLE BODY AND ECU – EFI

| ITEM | PART NO.  | DESCRIPTION  | QTY |
|------|-----------|--|-----|
| 1    | 105017201 | 1 2 3 4<br>Asm, Throttle Body/Fuel Injector with ECU, EX40 ..... | 1   |

9

G

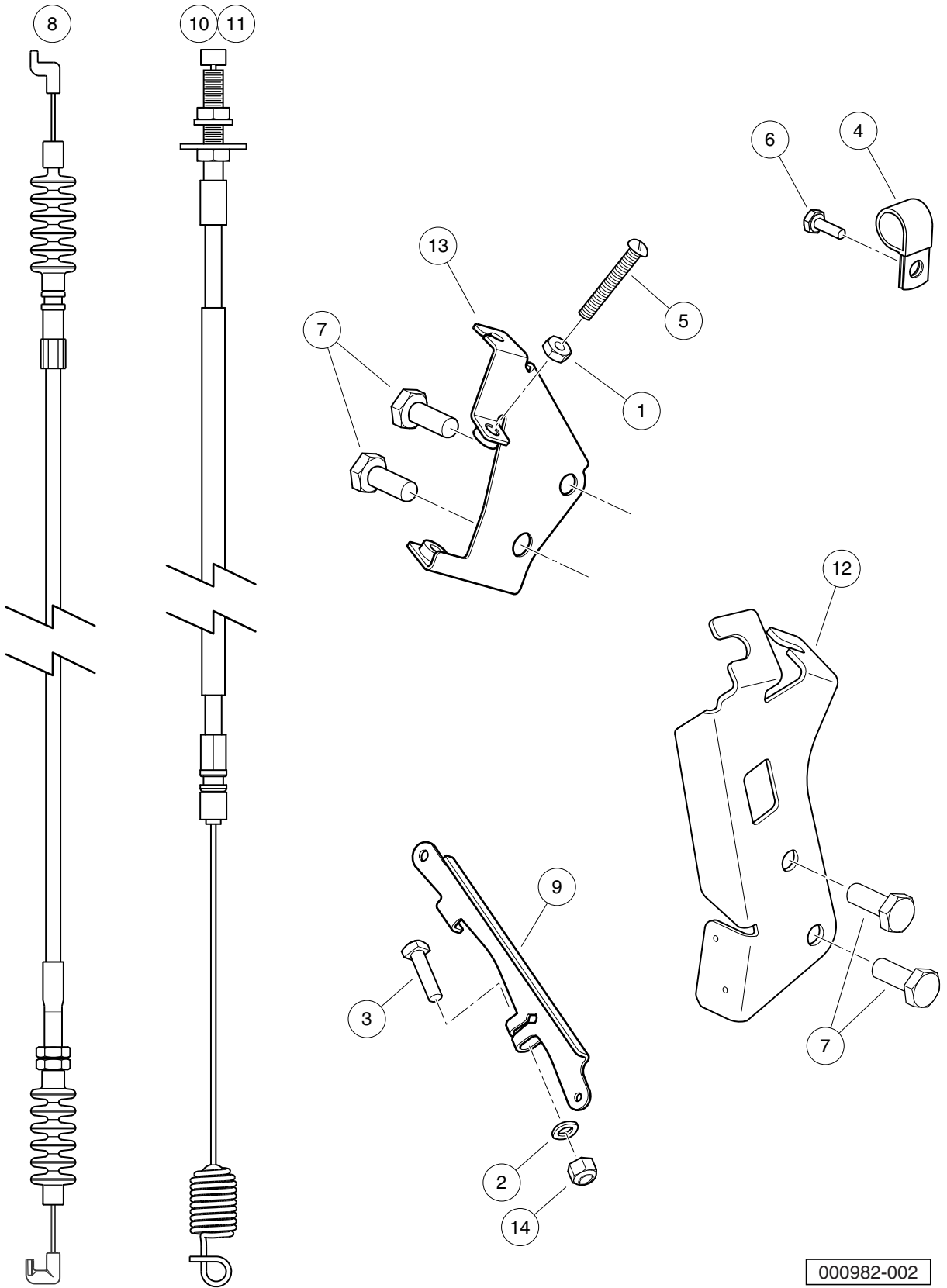


000979-001

# THROTTLE BODY MOUNTING – EFI

| ITEM | PART NO.  | DESCRIPTION                                      | QTY |
|------|-----------|--|-----|
|      |           | <b>1 2 3 4</b>                                   |     |
| 1    | 103983501 | Bracket, Operation, EX40 (includes item 2) ..... | 1   |
| 2    | 105016201 | Gasket, Insulator, EX40 .....                    | 2   |
| 3    | 105010901 | Stud, Mounting, Intake, EX40 .....               | 2   |
| 4    | 105016101 | Insulator, EX40 (includes item 5) .....          | 1   |
| 5    | 105016201 | Gasket, Insulator, EX40 .....                    | 2   |
| 6    | 105016301 | Nut, Intake Adapter, M6x1.0, EX40 .....          | 2   |
| 7    | 105016401 | Adapter, Air Intake, EX40 .....                  | 1   |
| 8    | 105016501 | Hose, Breather, EX40 .....                       | 1   |

**9**  
**G**



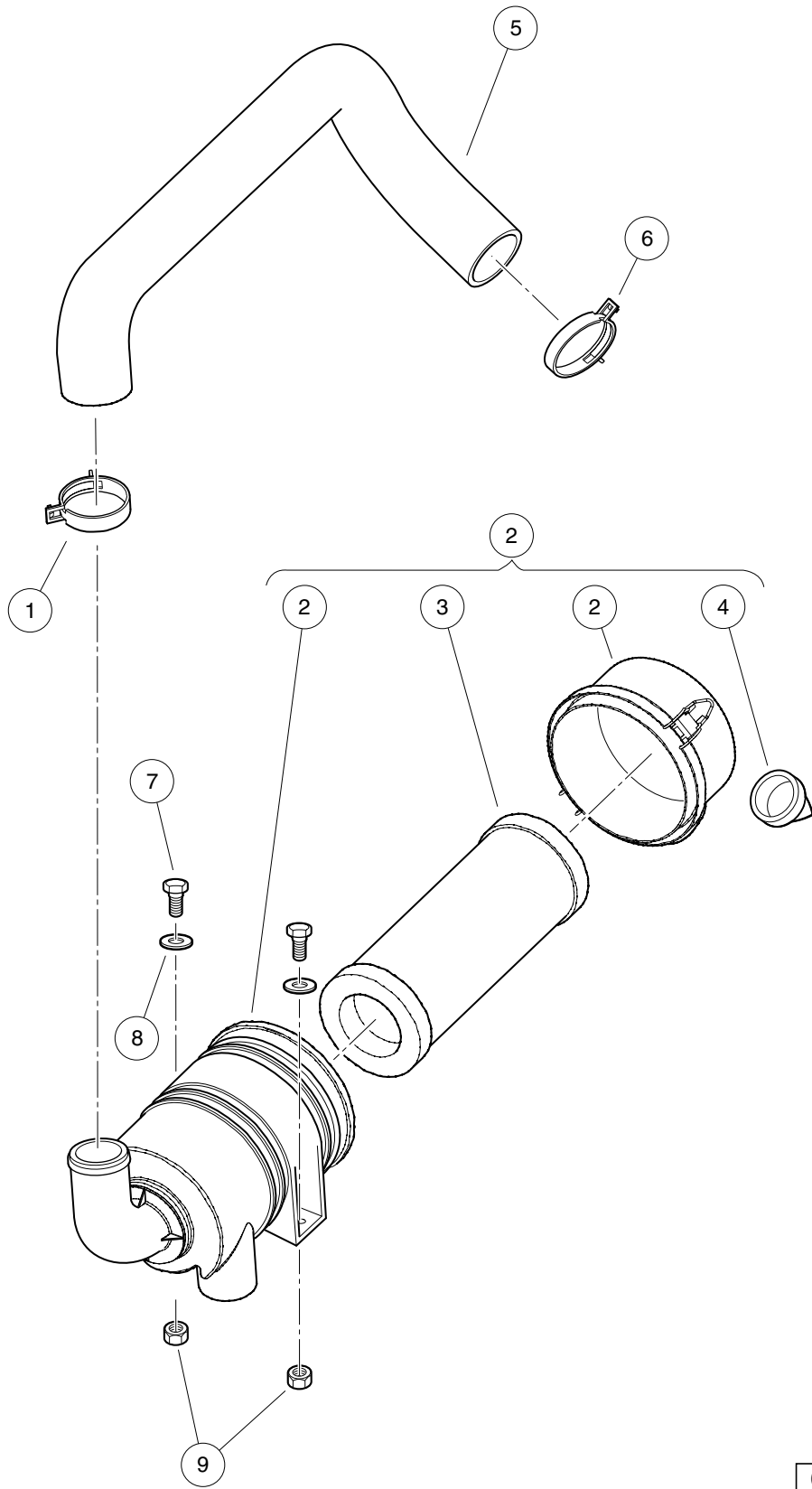
000982-002

## GOVERNOR AND ACCELERATOR CABLES – EFI

| ITEM | PART NO.  | DESCRIPTION                                  | QTY |
|------|-----------|--|-----|
|      |           | 1 2 3 4                                      |     |
| 1    | 1011114   | Nut, M6-1.00 Hex .....                       | 1   |
| 2    | 1014007   | Washer, 1/4, Flat .....                      | 1   |
| 3    | 101886101 | Screw, 1/4-20 X 1.00, Square-Head .....      | 1   |
| 4    | 102410604 | P-clamp, Insulated, 0.625 Inch .....         | 1   |
| 5    | 102476401 | Bolt, Stop, Pedal .....                      | 1   |
| 6    | 102490301 | Bolt, M6 X 1 X 16, Loctite .....             | 1   |
| 7    | 102498201 | Bolt, M10 X 1.25 X 25, Loctite .....         | 4   |
| 8    | 103978001 | Cable, Governor, EX40 .....                  | 1   |
| 9    | 104023501 | Arm, Governor, ED65 .....                    | 1   |
| 10   | 105007402 | Cable, Accelerator, Utility, Low-Speed ..... | 1   |
| 11   | 105007403 | Cable, Accelerator, Utility, Std-Speed ..... | 1   |
| 12   | 105135101 | Bracket, Cable, FNR/Accelerator, ED65 .....  | 1   |
| 13   | 105144401 | Weldment, Governor Bracket .....             | 1   |
| 14   | 8233      | Locknut, 1/4-20, Nylon Insert .....          | 1   |

9

G



000983-001

## AIR FILTER SYSTEM AND INTAKE HOSE – EFI

| ITEM | PART NO.  | DESCRIPTION   | QTY |
|------|-----------|---|-----|
|      |           | <b>1 2 3 4</b>  |     |
| 1    | 102411209 | Clamp, Hose, Ctb 55mm Dia. ....                             | 1   |
| 2    | 105009101 | Air Cleaner, Utility with EFI (includes items 3 and 4) .... | 1   |
| 3    | 102558201 | Air Filter, 4 Inch ....                                     | 1   |
| 4    | 102725501 | Valve, Evacuator, Filter Air ....                           | 1   |
| 5    | 105043001 | Hose, Air Intake, Utility with EFI ....                     | 1   |
| 6    | 105088501 | Clamp, Ctb, 49mm Dia, W/clip ....                           | 1   |
| 7    | 1218      | Screw, 5/16-18 X 1.25 Hex-Head Cap ....                     | 2   |
| 8    | 1241      | Washer, 5/16 Type A Flat ....                               | 2   |
| 9    | 7473      | Locknut, 5/16-18 Nylon Insert ....                          | 2   |

**9**  
**G**

9

G

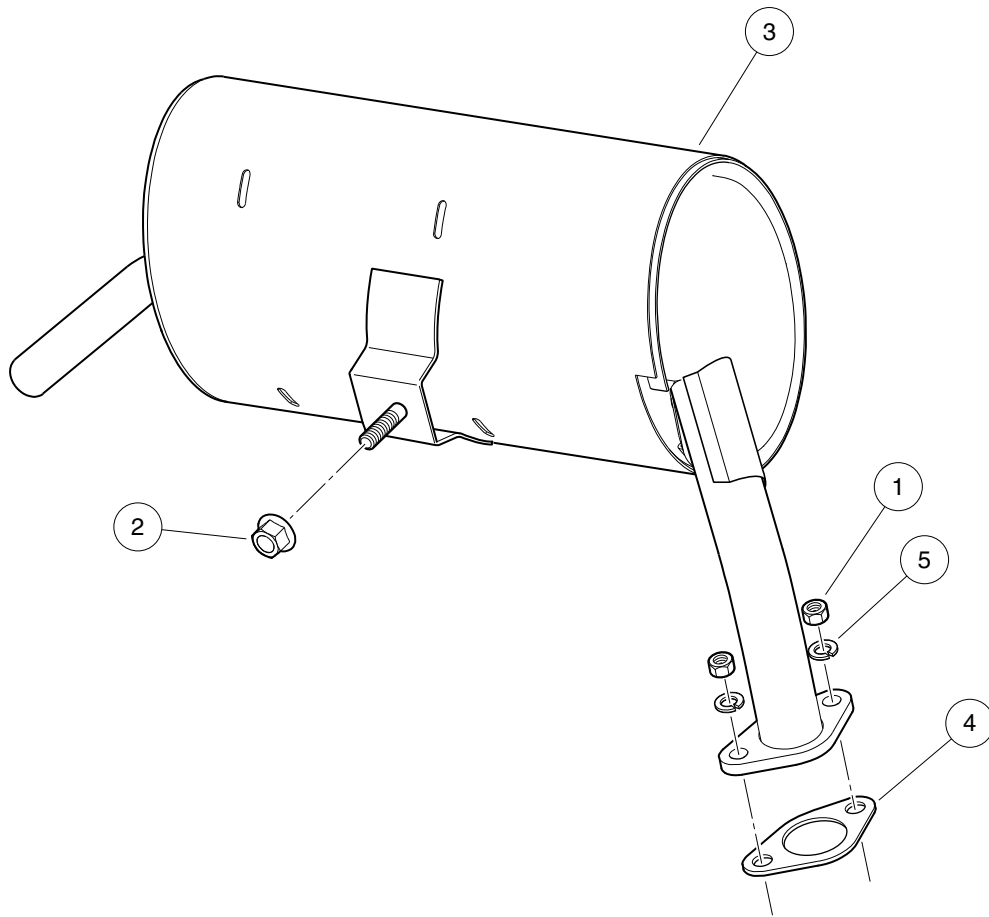


# EXHAUST SYSTEM, UTILITY – EX40 ENGINE

---

10

G



000948-001

# EXHAUST SYSTEM – UTILITY

| ITEM | PART NO.    | DESCRIPTION  | QTY |
|------|-------------|--|-----|
|      |             | 1 2 3 4  |     |
| 1    | 1012528     | Nut, M8-1.25 Hex .....                               | 2   |
| 2    | 102617201   | Nut, Flanged, M10 X 1.5, Mechanically Deformed ..... | 1   |
| 3    | 105214101   | Exhaust, Low, Ex40, Utl .....                        | 1   |
| 4    | 47539957001 | Gasket, Exhaust, Ex40, Graphite .....                | 1   |
| 5    | 7174        | Lockwasher, 5/16 Split .....                         | 2   |

10

G

**10**

**G**

# DRIVE BELT AND CLUTCHES -- EFI GASOLINE VEHICLES

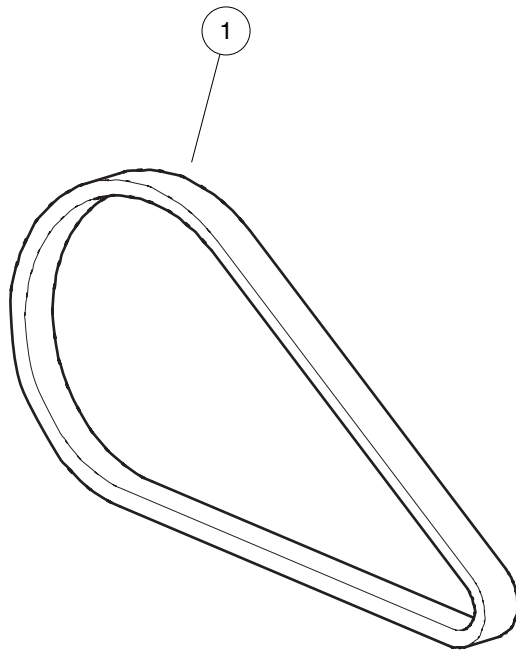
---

11

G

11

G



000918-001

# DRIVE BELT – KEY-START VEHICLES WITH EFI

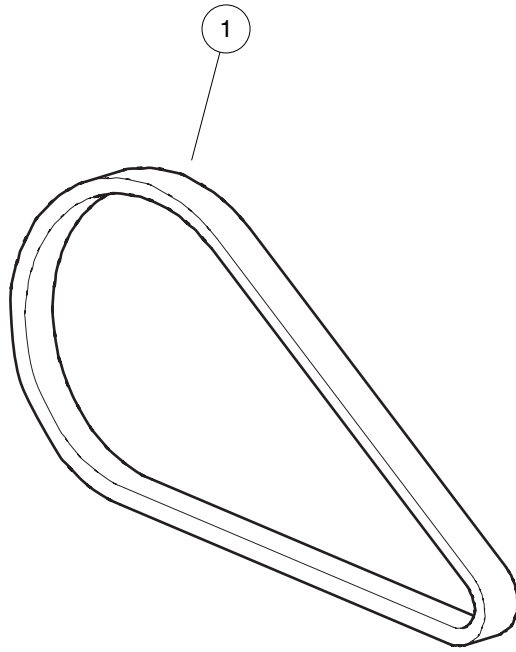
| ITEM | PART NO.  | DESCRIPTION                             | QTY |
|------|-----------|---|-----|
| 1    | 103974102 | 1 2 3 4<br>Belt, Drive, Key-Start ..... | 1   |

11

G

11

G



000918-001



## DRIVE BELT – PEDAL-START VEHICLES WITH EFI

| ITEM | PART NO.  | DESCRIPTION                               | QTY |
|------|-----------|---|-----|
| 1    | 105245801 | 1 2 3 4<br>Belt, Drive, Pedal-Start ..... | 1   |

11

G

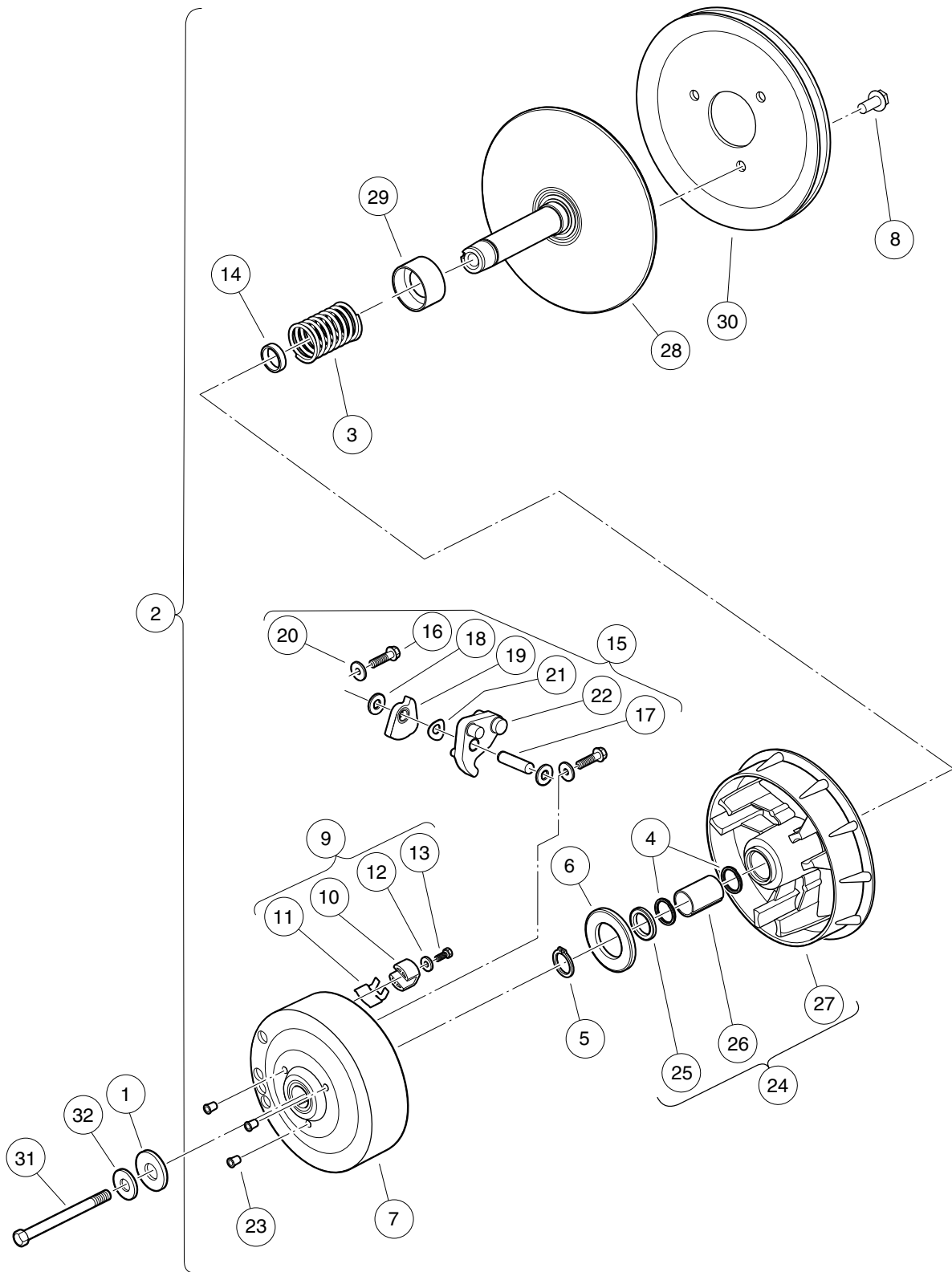


## DRIVE CLUTCH – KEY-START VEHICLES

| ITEM | PART NO.  | DESCRIPTION   | QTY |
|------|-----------|---|-----|
|      |           | 1 2 3 4   |     |
| 1    | 102491501 | Washer, Hard, M10 .....   | 1   |
| 2    | 103973902 | Clutch, Drive, Key-Start (includes items 3 through 30) .....          | 1   |
| 3    | 1014056   | Ring, Spiral Backup .....   | 2   |
| 4    | 1014057   | Ring, 0.810" Internal Retaining .....                                 | 1   |
| 5    | 1014058   | Thrust Washer .....   | 1   |
| 6    | 1014059   | Drive Hub Assy, Drive Clutch .....                                    | 1   |
| 7    | 1014288   | Screw, 5/16-18 X 0.75, Thread-Forming .....                           | 3   |
| 8    | 1014453   | Kit, Drive Clutch Button (includes items 9 through 12) .....          | 1   |
| 9    | 1014062   | Driver, Drive Clutch .....  | 3   |
| 10   | 1014287   | Spring, Drive Button .....  | 3   |
| 11   | 183       | Washer, #10, Type A, Flat .....                                       | 3   |
| 12   | 8450      | Screw, #10-24 X 0.50, Hex-Head .....                                  | 3   |
| 13   | 1016289   | Spacer, Fixed Face Shaft .....  | 1   |
| 14   | 1016801   | Kit, Drive Clutch Weight (includes items 15 through 21) .....         | 1   |
| 15   | 1014063   | Screw, 1/4-20 X 1.00, Hex Head .....                                  | 6   |
| 16   | N/A       | Pin, Dowel, 0.3752 x 1.50 .....                                       | 3   |
| 17   | 1014065   | Washer, Flat, 0.38" ID, Delrin .....                                  | 6   |
| 18   | N/A       | Clutch Weight, Secondary .....  | 3   |
| 19   | N/A       | Washer .....  | 6   |
| 20   | 1016201   | Washer, Wave .....  | 3   |
| 21   | N/A       | Weight, Primary .....   | 3   |
| 22   | 1016901   | Spring, Drive Clutch .....  | 1   |
| 23   | N/A       | Cap Plug .....  | 3   |
| 24   | 103974201 | Asm, Sheave, Moveable, Drive, Wr (includes items 25 through 27) ..... | 1   |
| 25   | 1014055   | Retainer .....  | 1   |
| 26   | N/A       | Bushing, Split, Drive Clutch .....                                    | 1   |
| 27   | N/A       | Sheave, Moveable, Drive, Wr .....                                     | 1   |
| 28   | 103974401 | Sheave, Fixed, Drive, Wr .....  | 1   |
| 29   | 103984601 | Spacer, Idler, Drive .....  | 1   |
| 30   | 105096101 | Pulley, 7.3 Inch Effective Dia .....                                  | 1   |
| 31   | 103976101 | Screw, 3/8-24x5.75, Patch .....                                       | 1   |
| 32   | 334       | Washer, 3/8, Type A, Flat .....                                       | 1   |

11

G



000958-001

## DRIVE CLUTCH – PEDAL-START VEHICLES

| ITEM | PART NO.  | DESCRIPTION   | QTY |
|------|-----------|---|-----|
|      |           | 1 2 3 4   |     |
| 1    | 102491501 | Washer, Hard, M10 .....   | 1   |
| 2    | 103973901 | Clutch, Drive, Pedal-Start (includes items 3 through 30) .....        | 1   |
| 3    | 1014051   | Spring, Drive Clutch .....  | 1   |
| 4    | 1014056   | Ring, Spiral Backup .....   | 2   |
| 5    | 1014057   | Ring, 0.810" Internal Retaining .....                                 | 1   |
| 6    | 1014058   | Thrust Washer .....   | 1   |
| 7    | 1014059   | Drive Hub Assy, Drive Clutch .....                                    | 1   |
| 8    | 1014288   | Screw, 5/16-18 X 0.75, Thread-Forming .....                           | 3   |
| 9    | 1014453   | Kit, Drive Clutch Button (includes items 10 through 13) .....         | 1   |
| 10   | 1014062   | Driver, Drive Clutch .....  | 3   |
| 11   | 1014287   | Spring, Drive Button .....  | 3   |
| 12   | 183       | Washer, #10, Type A, Flat .....                                       | 3   |
| 13   | 8450      | Screw, #10-24 X 0.50, Hex-Head .....                                  | 3   |
| 14   | 1016289   | Spacer, Fixed Face Shaft .....  | 1   |
| 15   | 1016801   | Kit, Drive Clutch Weight (includes items 16 through 22) .....         | 1   |
| 16   | 1014063   | Screw, 1/4-20 X 1.00, Hex Head .....                                  | 6   |
| 17   | N/A       | Pin, Dowel, 0.3752 x 1.50 .....                                       | 3   |
| 18   | 1014065   | Washer, Flat, 0.38" ID, Delrin .....                                  | 6   |
| 19   | N/A       | Clutch Weight, Secondary .....  | 3   |
| 20   | N/A       | Washer .....  | 6   |
| 21   | 1016201   | Washer, Wave .....  | 3   |
| 22   | N/A       | Weight, Primary .....   | 3   |
| 23   | N/A       | Cap Plug .....  | 3   |
| 24   | 103974201 | Asm, Sheave, Moveable, Drive, Wr (includes items 25 through 27) ..... | 1   |
| 25   | 1014055   | Retainer .....  | 1   |
| 26   | N/A       | Bushing, Split, Drive Clutch .....                                    | 1   |
| 27   | N/A       | Sheave, Moveable, Drive, Wr .....                                     | 1   |
| 28   | 103974401 | Sheave, Fixed, Drive, Wr .....  | 1   |
| 29   | 103984601 | Spacer, Idler, Drive .....  | 1   |
| 30   | 105096101 | Pulley, 7.3 Inch Effective Dia .....                                  | 1   |
| 31   | 103976101 | Screw, 3/8-24x5.75, Patch .....                                       | 1   |
| 32   | 334       | Washer, 3/8, Type A, Flat .....                                       | 1   |

**11**

**G**



# DRIVEN CLUTCH (STANDARD SPEED) – KEY START AND PEDAL START

| ITEM | PART NO.  | DESCRIPTION  | QTY |
|------|-----------|--|-----|
|      |           | 1 2 3 4  |     |
| 1    | 103974002 | Clutch, Driven, Std-Speed, Key and Pedal Start (includes items 2 through 11) ..... | 1   |
| 2    | 1014072   | Movable-Face Assembly with Bushing .....   | 1   |
| 3    | 1014078   | Key, Driven Clutch .....   | 1   |
| 4    | 1014080   | Ring, Retaining .....  | 1   |
| 5    | 1014454   | Kit, Driven Clutch Button (includes items 6 and 7) .....                           | 1   |
| 6    | 1012836   | Screw, #8-32 X 3/4, Socket-Head Cap .....  | 3   |
| 7    | N/A       | Button, Drive .....  | 3   |
| 8    | 1017145   | Spring, Driven Clutch, 55 Degree .....   | 1   |
| 9    | 1017686   | Cam, Driven Clutch .....   | 1   |
| 10   | 103975301 | Sheave, Fixed, Driven, Wr .....  | 1   |
| 11   | 104025101 | Washer, Acetal, Driven Clutch .....  | 1   |
| 12   | AM10419   | Kit, Clutch Repair (includes items 13 through 15) .....                            | 1   |
| 13   | 101833401 | Key, 3/16 Sq X 1.50" .....   | 1   |
| 14   | 102155801 | Washer, Driven Clutch .....  | 1   |
| 15   | 102242101 | Screw, 5/16-18 X 3/4 Hex-Head with Patch .....                                     | 1   |

**11**  
**G**

11

G

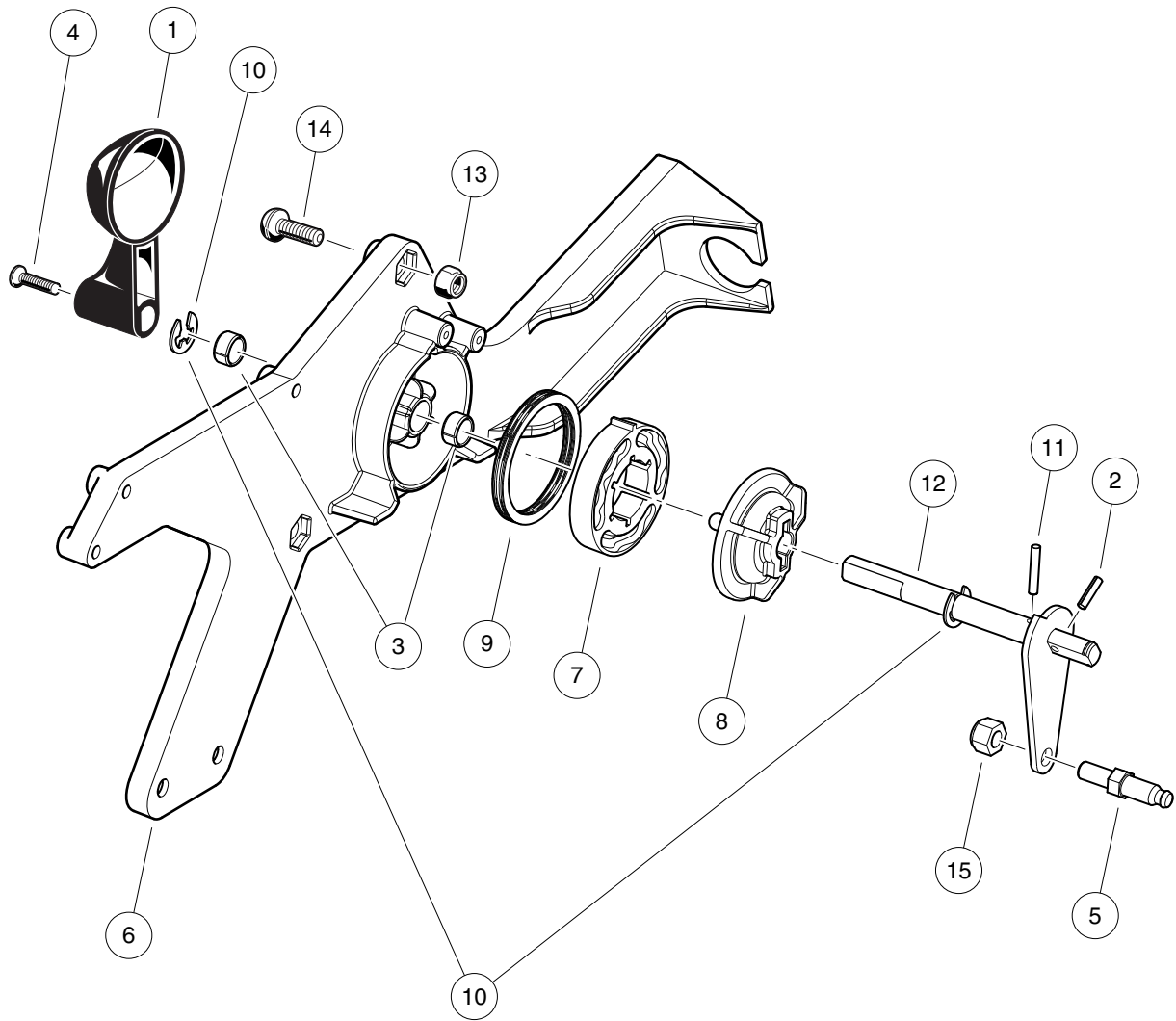


# TRANSAXLE (FUJI ED65)- EFI GAS VEHICLES

---

12

G



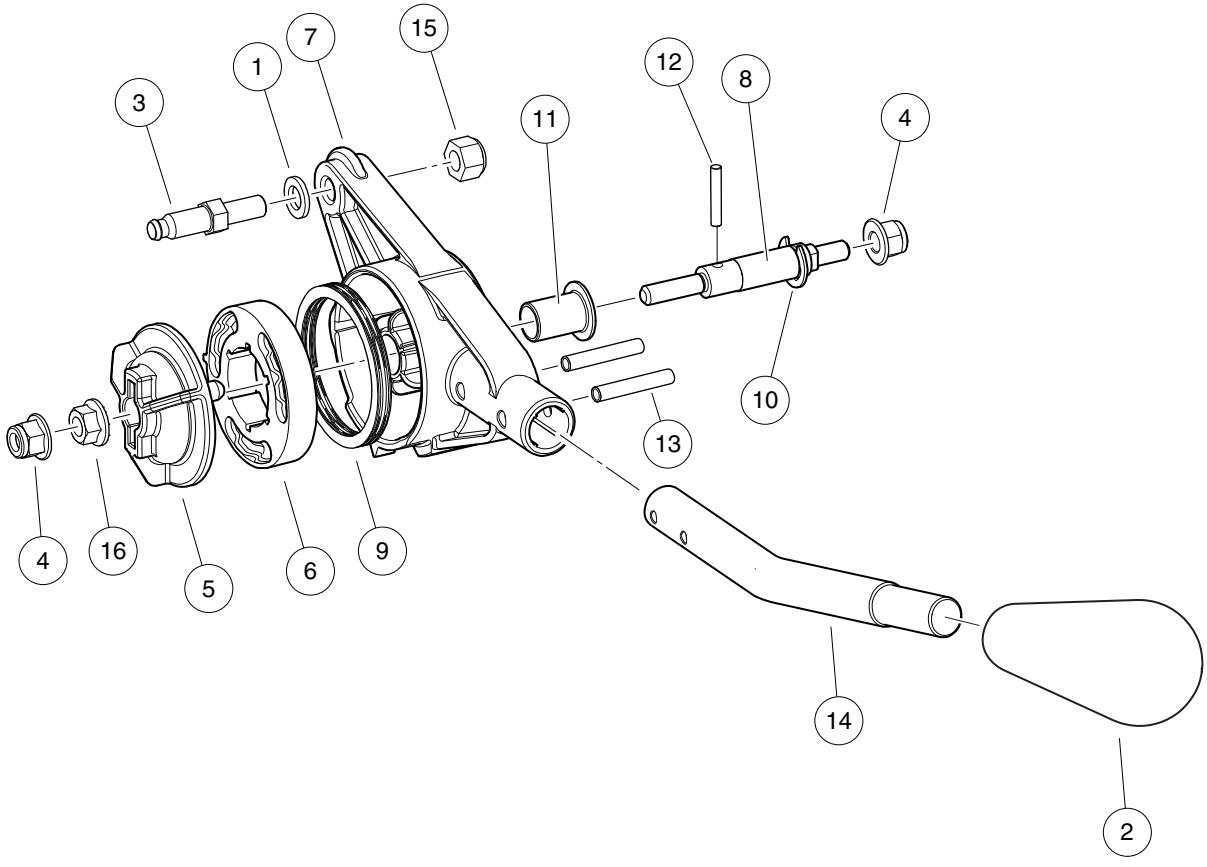
001012-001

## FORWARD/REVERSE SHIFTER – EFI, CA100-CE, XRT800

| ITEM | PART NO.  | DESCRIPTION                                    | QTY |
|------|-----------|--|-----|
|      |           | 1 2 3 4  |     |
| 1    | 1012987   | Handle, FNR .....                              | 1   |
| 2    | 1013591   | Pin, Roll, 1/8 X 1/2 .....                     | 1   |
| 3    | 1014145   | Bushing, Secondary Weight, Split .....         | 2   |
| 4    | 1015064   | Screw, #8-32 X 0.63 Machine .....              | 1   |
| 5    | 102526201 | Stud, Thread, 1/4-28 .....                     | 1   |
| 6    | 105037501 | Housing, Gas FNR Body Shift .....              | 1   |
| 7    | 105037601 | Cam, FNR Detent, 45 Degree .....               | 1   |
| 8    | 105037701 | Follower, FNR Detent .....                     | 1   |
| 9    | 105038501 | Spring, Wave, Gas FNR Shifter .....            | 1   |
| 10   | 105039801 | E-Clip, External, 8mm Groove .....             | 2   |
| 11   | 105040401 | Pin, Round, 0.125 Dia x 0.625 .....            | 1   |
| 12   | 105041201 | Weldment, Shaft, FNR, Dash .....               | 1   |
| 13   | 8233      | Locknut, 1/4-20, Nylon Insert .....            | 3   |
| 14   | 8248      | Screw, 1/4-20 X 0.75, Truss-Head Machine ..... | 3   |
| 15   | 8717      | Locknut, Nylon Insert, 1/4-28 .....            | 1   |

12

G



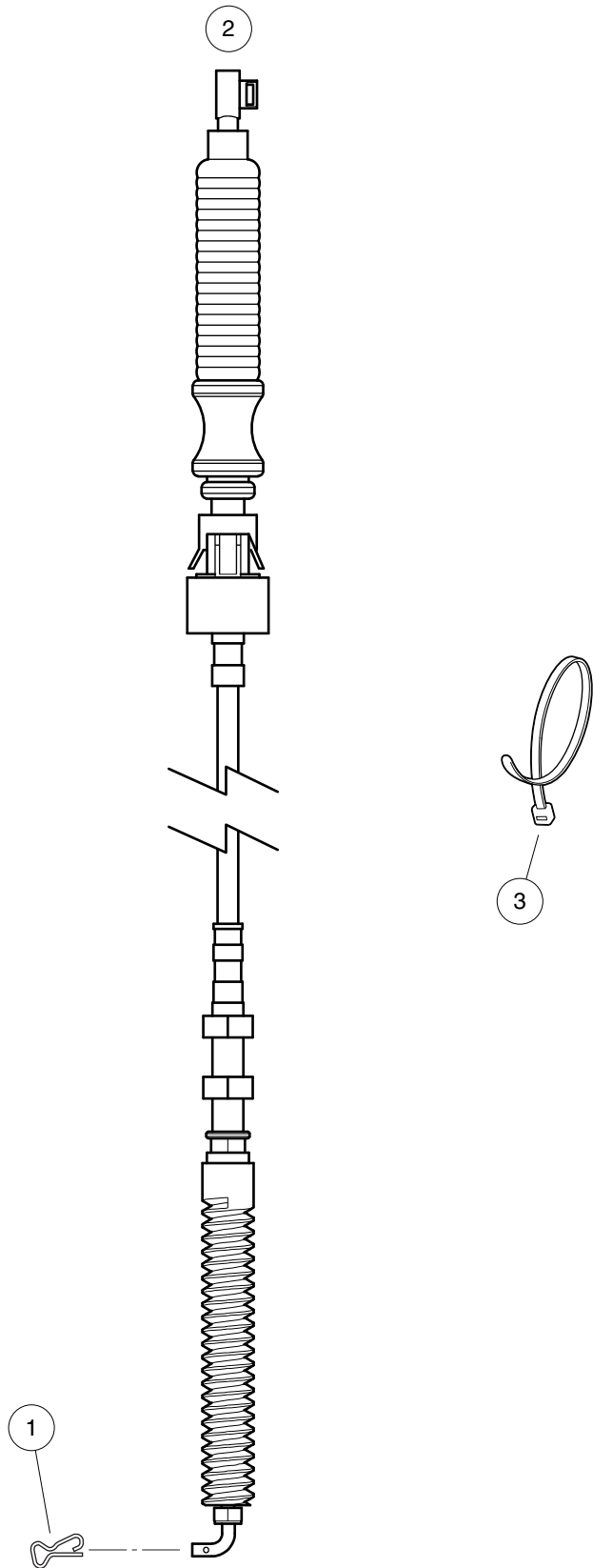
001011-001

# FORWARD/REVERSE SHIFTER – EFI VILLAGER 6, 8, 850, 850SE

| ITEM | PART NO.  | DESCRIPTION                          | QTY |
|------|-----------|--------------------------------------|-----|
|      |           | <b>1 2 3 4</b>                       |     |
| 1    | 1014007   | Washer, 1/4, Flat .....              | 1   |
| 2    | 102376001 | Knob, FNR, Shifter .....             | 1   |
| 3    | 102526201 | Stud, Thread, 1/4-28 .....           | 1   |
| 4    | 102621501 | Nut, Flange, M6 X 1.0, Nylon .....   | 2   |
| 5    | 105037701 | Follower, FNR Detent .....           | 1   |
| 6    | 105038001 | Cam, FNR Detent, Alternate .....     | 1   |
| 7    | 105038101 | Housing, FNR, Gas, CA300-700 .....   | 1   |
| 8    | 105038201 | Shaft, FNR, Dash .....               | 1   |
| 9    | 105038501 | Spring, Wave, Gas FNR Shifter .....  | 1   |
| 10   | 105039801 | E-Clip, External, 8mm Groove .....   | 1   |
| 11   | 105039901 | Bushing, Dash Shifter, Gas .....     | 1   |
| 12   | 105040401 | Pin, Round, 0.125 Dia x 0.625 .....  | 1   |
| 13   | 105040402 | Pin, Grooved, 0.187 x 0.75 .....     | 2   |
| 14   | 105060601 | Handle, Shift, EX40, Villager .....  | 1   |
| 15   | 8717      | Locknut, Nylon Insert, 1/4-28 .....  | 1   |
| 16   | 96704176  | Nut, Flanged, M6 X 1, Serrated ..... | 1   |

**12**  
**G**

12  
G



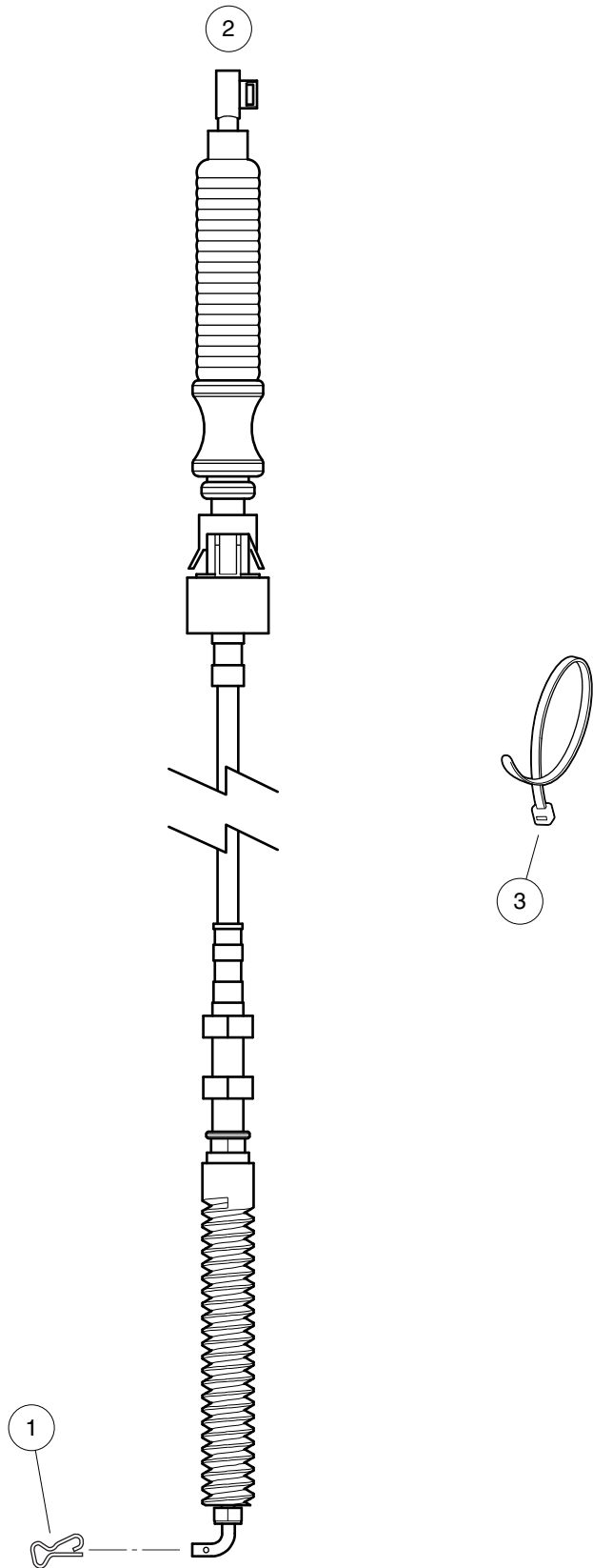
000988-001

# SHIFTER CABLE – XRT 850

| ITEM | PART NO.  | DESCRIPTION                   | QTY |
|------|-----------|-------------------------------|-----|
| 1    | 103886601 | 1 2 3 4<br>Clip, Bowtie ..... | 1   |
| 2    | 105038808 | Cable, Shifter, 850 .....     | 1   |
| 3    | 8990      | Tie Wrap, 8" Nylon .....      | A/R |

**12**  
**G**

**12**  
**G**



000988-001

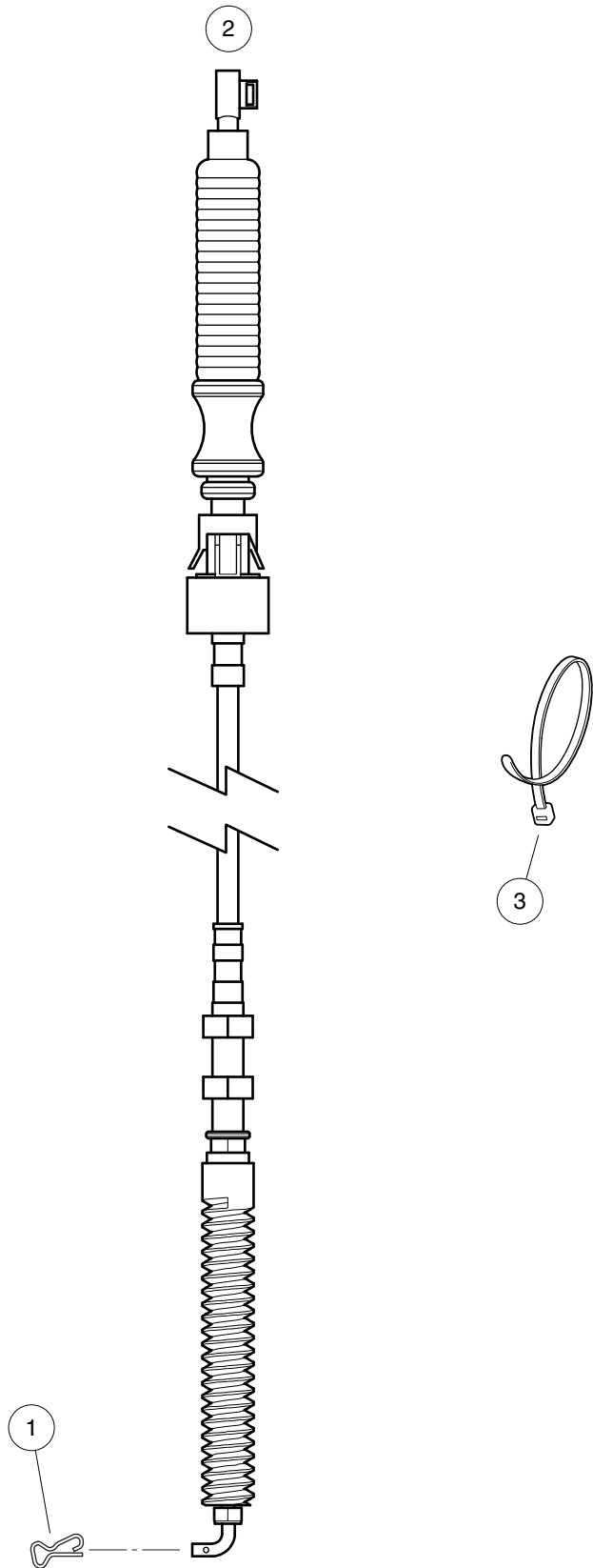


# SHIFTER CABLE – CA100, XRT800

| ITEM | PART NO.  | DESCRIPTION              | QTY |
|------|-----------|--------------------------|-----|
|      |           | 1 2 3 4                  |     |
| 1    | 103886601 | Clip, Bowtie .....       | 1   |
| 2    | 105038801 | Cable, Shifter .....     | 1   |
| 3    | 8990      | Tie Wrap, 8" Nylon ..... | A/R |

12

G



000988-001

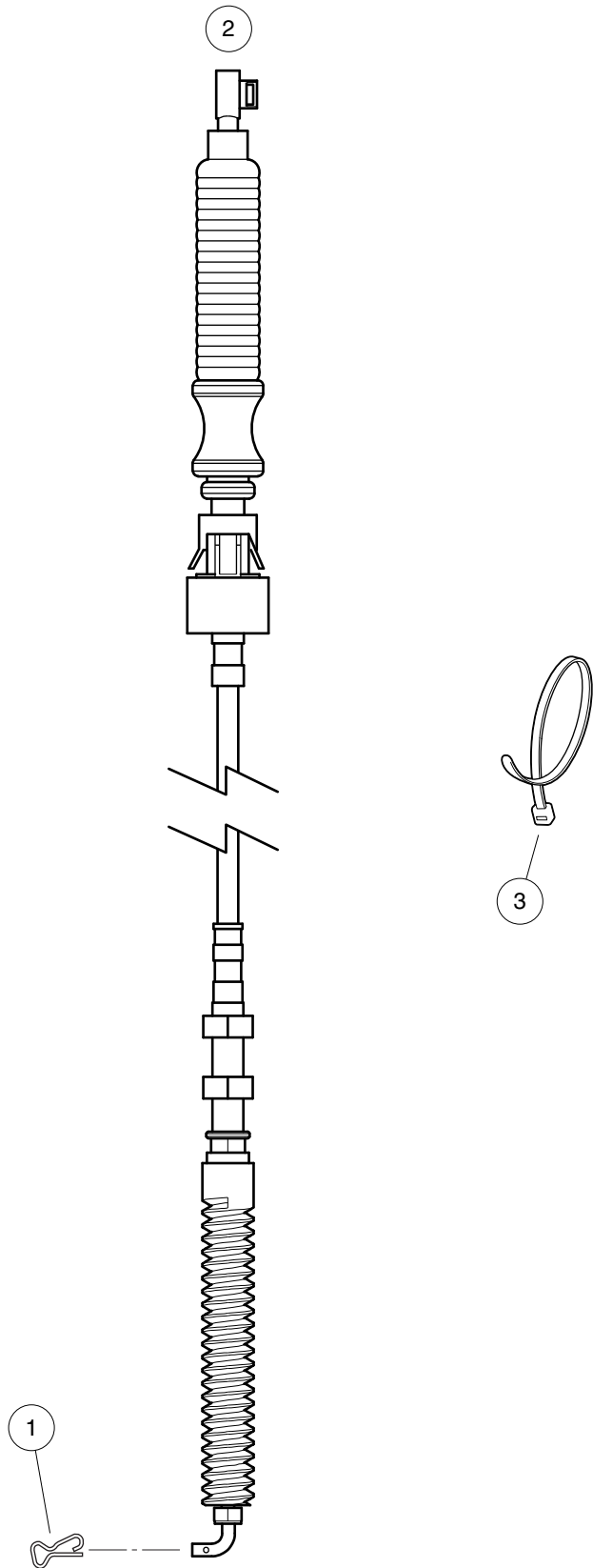
# SHIFTER CABLE – VILLAGER 6, XRT850SE

| ITEM | PART NO.  | DESCRIPTION                             | QTY |
|------|-----------|---|-----|
|      |           | 1 2 3 4                                 |     |
| 1    | 103886601 | Clip, Bowtie .....                      | 1   |
| 2    | 105038805 | Cable, Shifter, Villager 6/850 SE ..... | 1   |
| 3    | 8990      | Tie Wrap, 8" Nylon .....                | A/R |

12

G

12  
G



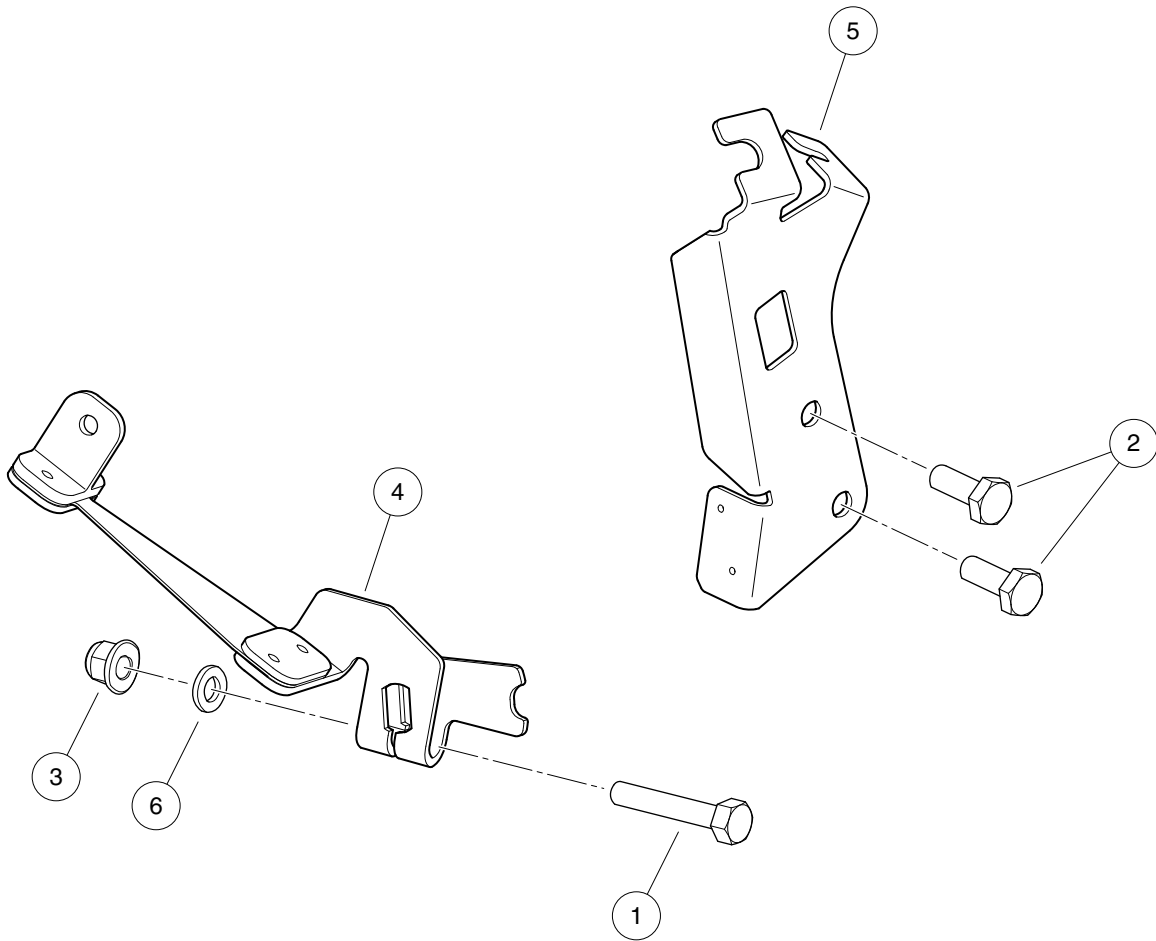
000988-001

# SHIFTER CABLE – VILLAGER 8

| ITEM | PART NO.  | DESCRIPTION                      | QTY |
|------|-----------|----------------------------------|-----|
|      |           | 1 2 3 4                          |     |
| 1    | 103886601 | Clip, Bowtie .....               | 1   |
| 2    | 105038806 | Cable, Shifter, Villager 8 ..... | 1   |
| 3    | 8990      | Tie Wrap, 8" Nylon .....         | A/R |

12

G



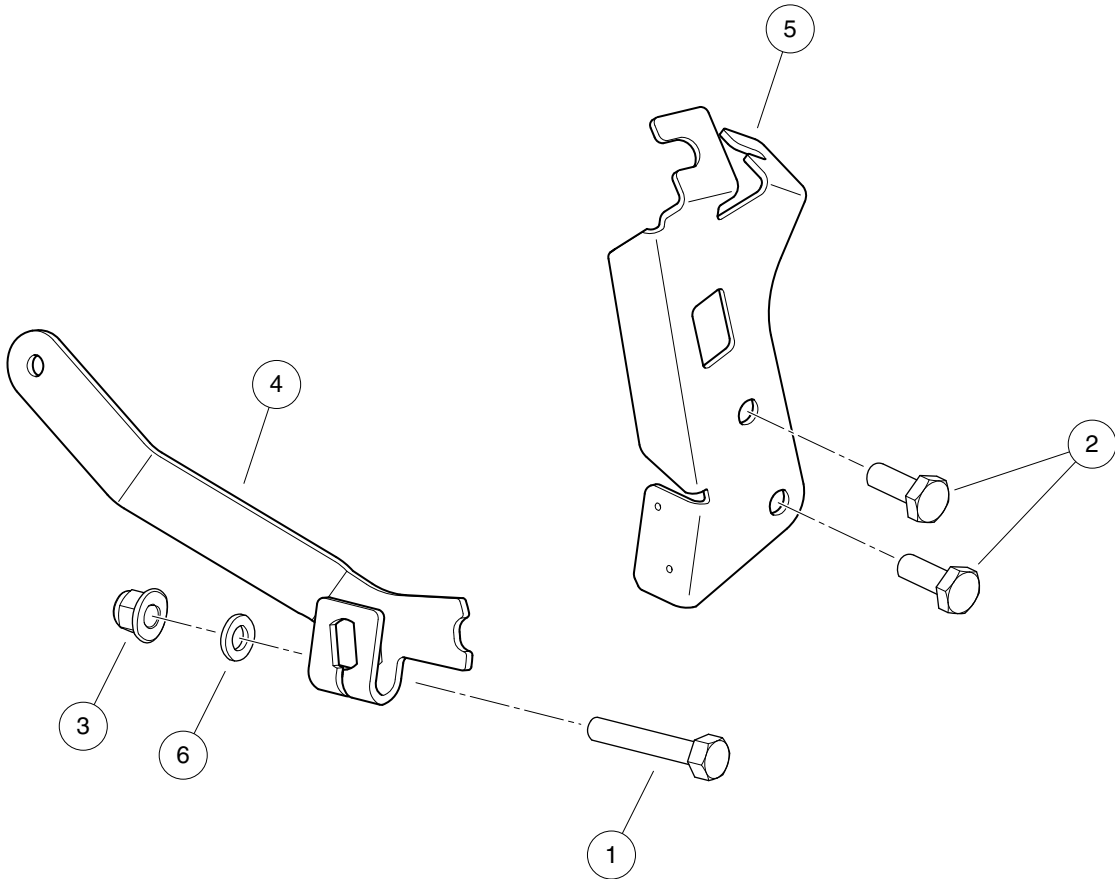
000965-001

## SHIFT LEVER AND BRACKET – PEDAL-START ENGINES

| ITEM | PART NO.  | DESCRIPTION                                      | QTY |
|------|-----------|--|-----|
|      |           | 1 2 3 4  |     |
| 1    | 102059501 | Screw, 6M-1.00 X 35mm, Hex Head .....            | 1   |
| 2    | 102498201 | Bolt, M10 X 1.25 X 25, Loctite .....             | 2   |
| 3    | 102621501 | Nut, Flange, M6 X 1.0, Nylon .....               | 1   |
| 4    | 105040901 | Lever, Shift, Flex, Transaxle, Pedal-Start ..... | 1   |
| 5    | 105135101 | Bracket, Cable, FNR/Accelerator, ED65 .....      | 1   |
| 6    | 96705199  | Washer, M6 .....                                 | 1   |

**12**

**G**



000965-002

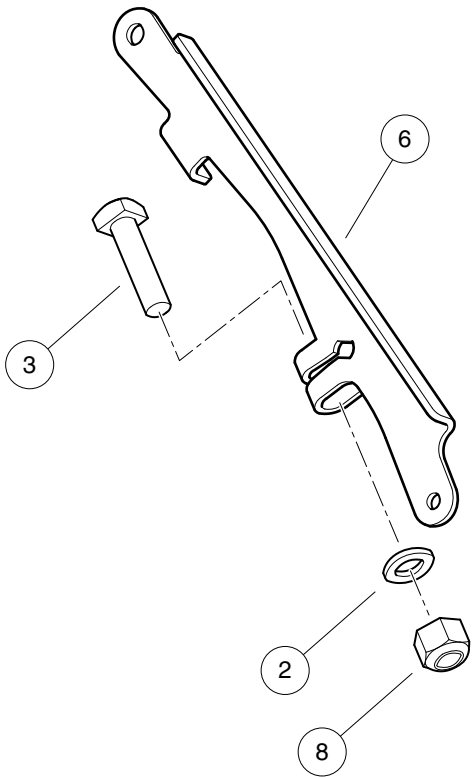
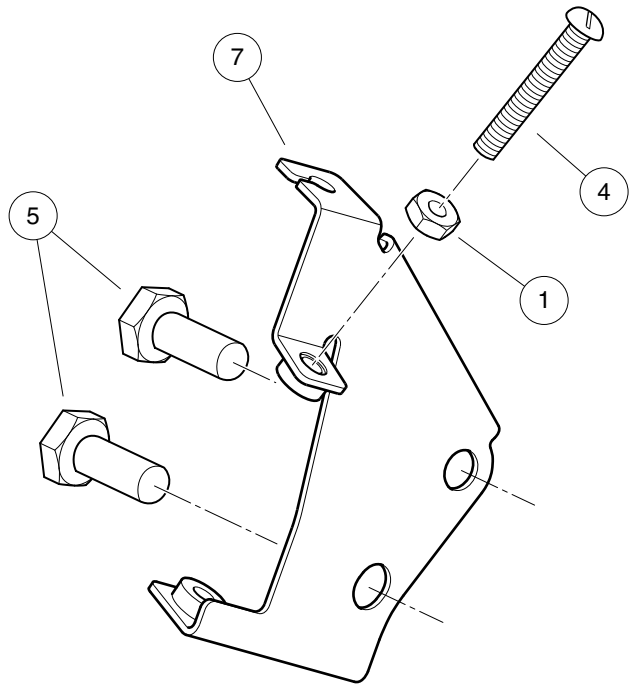


## SHIFT LEVER AND BRACKET – KEY-START ENGINES

| ITEM | PART NO.  | DESCRIPTION                                 | QTY |
|------|-----------|---|-----|
|      |           | 1 2 3 4                                     |     |
| 1    | 102059501 | Screw, 6M-1.00 X 35mm, Hex Head .....       | 1   |
| 2    | 102498201 | Bolt, M10 X 1.25 X 25, Loctite .....        | 2   |
| 3    | 102621501 | Nut, Flange, M6 X 1.0, Nylon .....          | 1   |
| 4    | 105134901 | Lever, Shift, Transaxle, Key-Start .....    | 1   |
| 5    | 105135101 | Bracket, Cable, FNR/Accelerator, ED65 ..... | 1   |
| 6    | 96705199  | Washer, M6 .....                            | 1   |

**12**

**G**



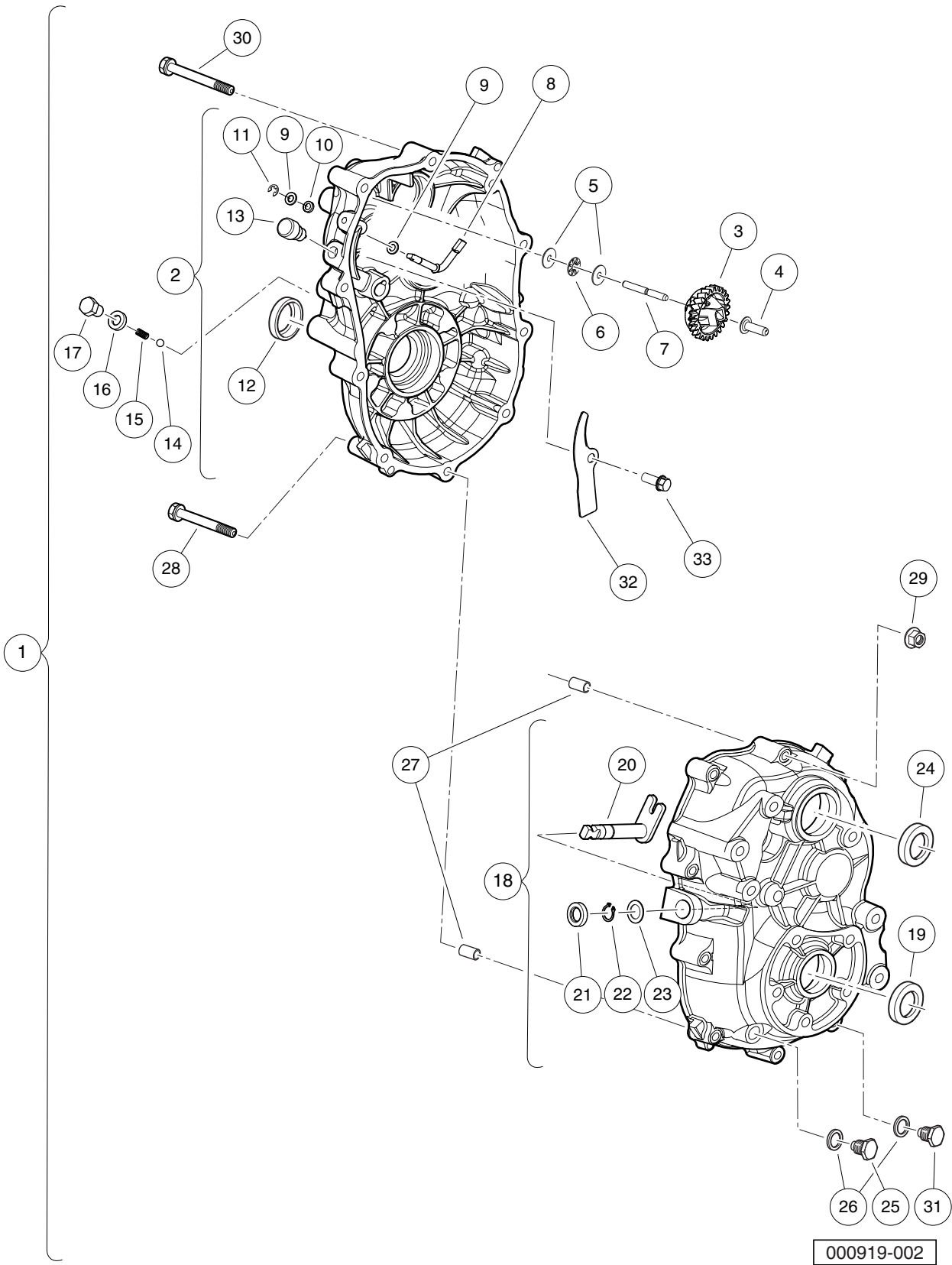
000966-002

## GOVERNOR ARM AND BRACKETS – UTILITY VEHICLES

| ITEM | PART NO.  | DESCRIPTION                             | QTY |
|------|-----------|---|-----|
|      |           | 1 2 3 4                                 |     |
| 1    | 1011114   | Nut, M6-1.00 Hex .....                  | 1   |
| 2    | 1014007   | Washer, 1/4, Flat .....                 | 1   |
| 3    | 101886101 | Screw, 1/4-20 X 1.00, Square-Head ..... | 1   |
| 4    | 102476401 | Bolt, Stop, Pedal .....                 | 1   |
| 5    | 102498201 | Bolt, M10 X 1.25 X 25, Loctite .....    | 2   |
| 6    | 104023501 | Arm, Governor, ED65 .....               | 1   |
| 7    | 105144401 | Weldment, Governor Bracket .....        | 1   |
| 8    | 8233      | Locknut, 1/4-20, Nylon Insert .....     | 1   |

**12**

**G**

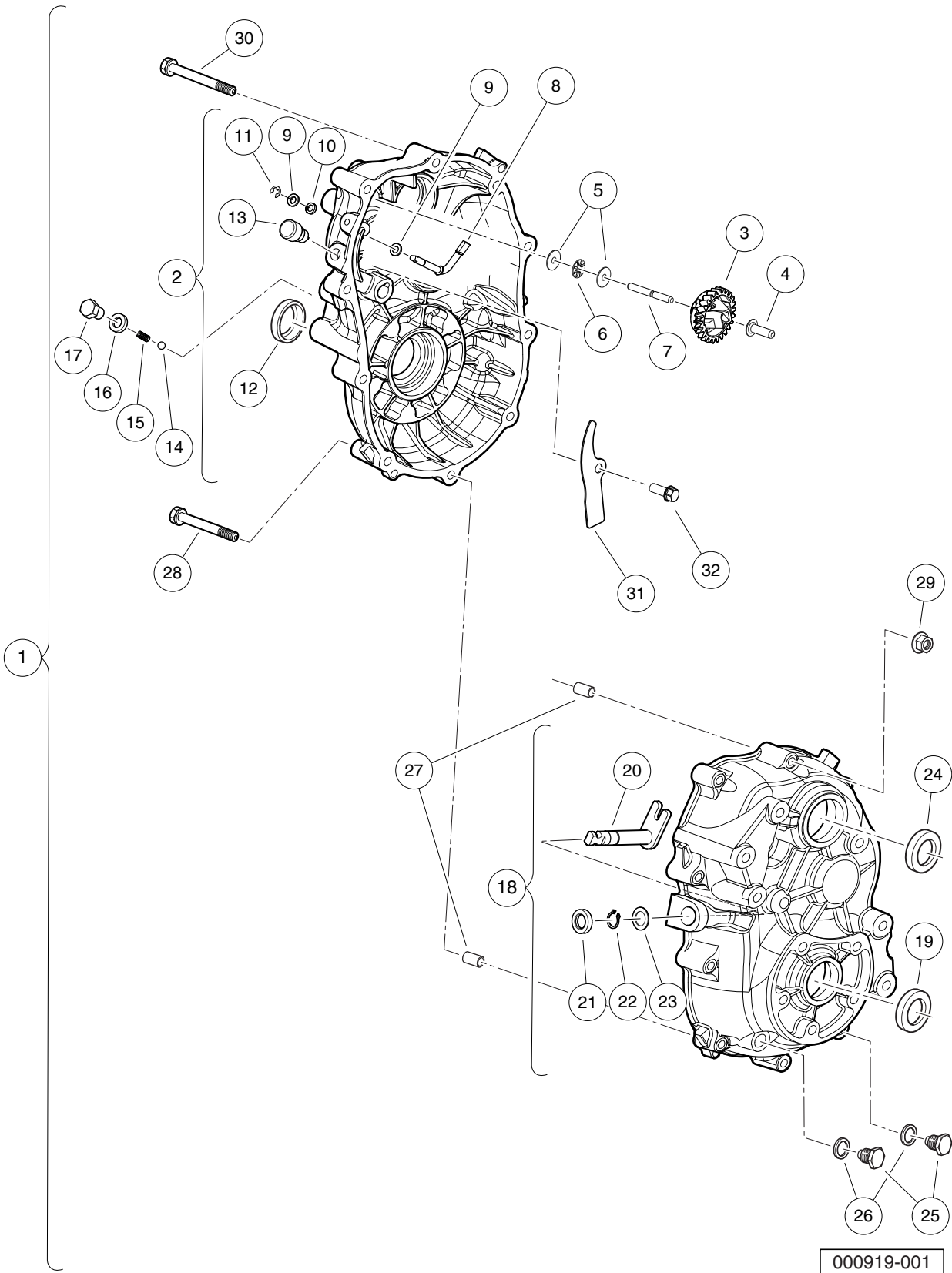


## TRANSAXLE (ED65), LIMITED SLIP – PAGE 1 OF 3

| ITEM   | PART NO.  | DESCRIPTION  | QTY |
|--|-----------|--|-----|
|  |           | 1 2 3 4  |     |
| 1  | 103879702 | Transaxle, ED65, Limited-Slip Differential (includes items 2 through 33) ..... | 1   |
| 2  | 105025001 | Case, Transaxle, Left, Complete, ED65 (includes items 3 through 13) .....      | 1   |
| 3  | 105025101 | Gear, Governor, Complete, ED65 .....   | 1   |
| 4  | 105025201 | Sleeve, Governor, ED65 .....   | 1   |
| 5  | 105025301 | Washer, ED65 .....   | 2   |
| 6  | 105025401 | Bearing, Thrust, ED65 .....  | 1   |
| 7  | 105025501 | Shaft, Governor Gear, ED65 .....   | 1   |
| 8  | 105025601 | Shaft, Governor, ED65 .....  | 1   |
| 9  | 105025701 | Washer, 6mm, ED65 .....  | 2   |
| 10   | 105025801 | Seal, Oil, 6x10x2.5, ED65 .....  | 1   |
| 11   | 105025901 | Retaining Ring, E5, ED65 .....   | 1   |
| 12   | 105026001 | Seal, Oil, 24x40x9, ED65 .....   | 1   |
| 13   | 105027101 | Vent, Breather, ED65 .....   | 1   |
| 14   | 105026101 | Ball, Steel, ED65 .....  | 1   |
| 15   | 105026201 | Spring, ED65 .....   | 1   |
| 16   | 105026301 | Gasket, 10, ED65 .....   | 1   |
| 17   | 105026401 | Bolt, M10-1.25x12mm Lg, ED65 .....   | 1   |
| 18   | 105026501 | Case, Transaxle, Right, Complete, ED65 (includes items 19 through 24) .....    | 1   |
| 19   | 105026001 | Seal, Oil, 24x40x9, ED65 .....   | 1   |
| 20   | 105026601 | Shaft, Select, ED65 .....  | 1   |
| 21   | 105026701 | Seal, Oil, 13x22x5, ED65 .....   | 1   |
| 22   | 105026801 | Snap Ring, 13mm, ED65 .....  | 1   |
| 23   | 105026901 | Spacer, 13x1, ED65 .....   | 1   |
| 24   | 105027001 | Seal, Oil, 25x45x7, ED65 .....   | 1   |
| 25   | 105027201 | Plug, Oil Drain, ED65 .....  | 1   |
| 26   | 105027301 | Gasket, 14, ED65 .....   | 2   |
| 27   | 105028301 | Pin, Guide, ED65 .....   | 2   |
| 28   | 105028501 | Bolt, Flange, M8-1.25x65mm, ED65 .....   | 1   |
| 29   | 105030001 | Nut, Flange, M8-1.25, ED65 .....   | 10  |
| 30   | 105030701 | Bolt, Flanged, M8-1.25x80mm, ED65 .....  | 9   |
| 31   | 105063501 | Plug, Oil Drain, Magnetic, ED65 .....  | 1   |
| 32   | 105234801 | Plate, Ed65 Splash .....   | 1   |
| 33   | 105234901 | Bolt, M6-1 X 12mm Lg, Ed65 .....   | 1   |
| Note: Fuji transaxle component listings span three pages. To identify your transaxle, locate the serial number decal on the axle tube. |           |  |     |

12

G



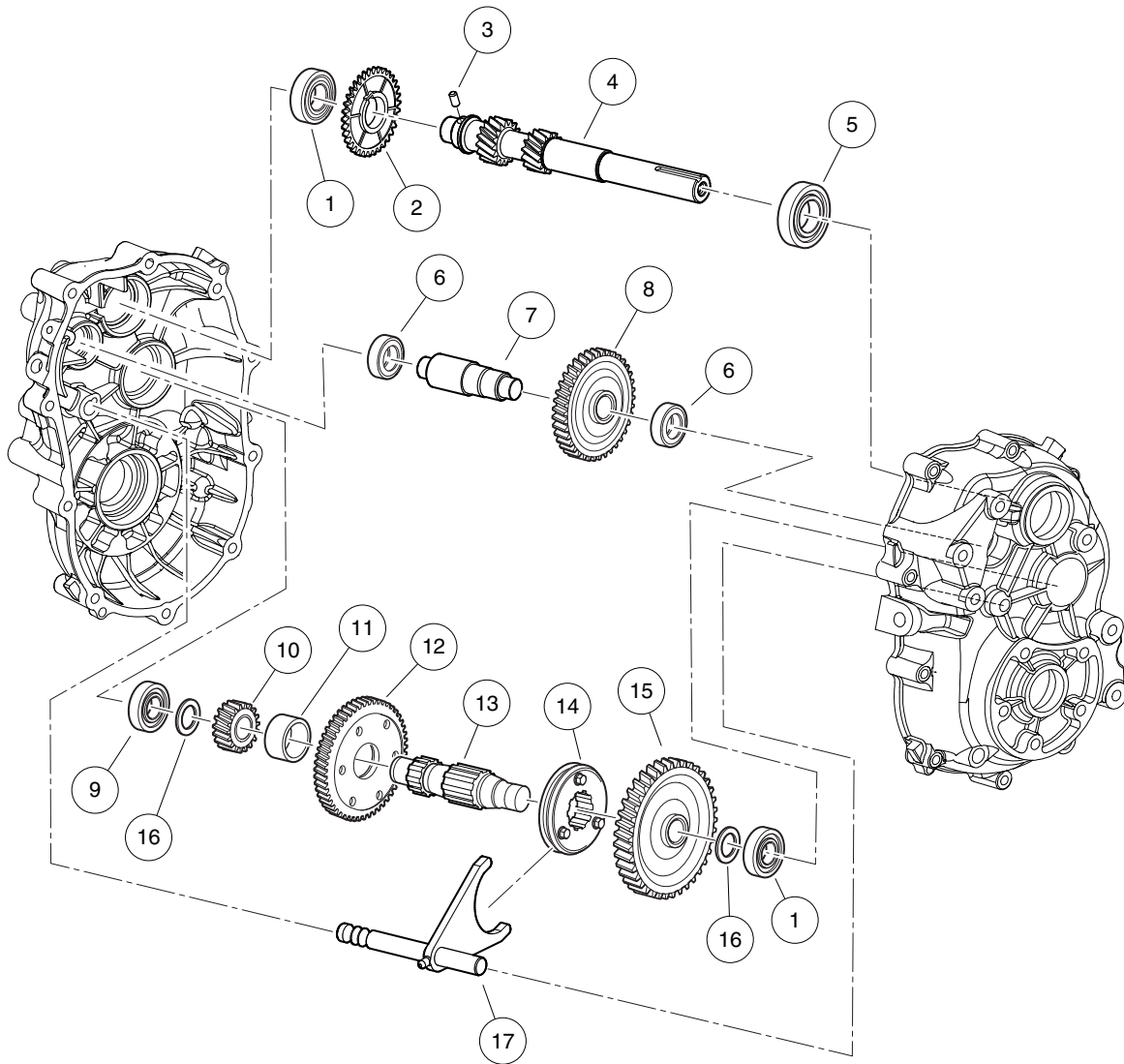
000919-001

# TRANSAXLE (ED65), OPEN – PAGE 1 OF 3

| ITEM  | PART NO.  | DESCRIPTION   | QTY |
|---|-----------|---|-----|
|   |           | 1 2 3 4   |     |
| 1   | 103879701 | Transaxle, ED65, Open Differential (includes items 2 through 32) .....      | 1   |
| 2   | 105025001 | Case, Transaxle, Left, Complete, ED65 (includes items 3 through 13) .....   | 1   |
| 3   | 105025101 | Gear, Governor, Complete, ED65 .....  | 1   |
| 4   | 105025201 | Sleeve, Governor, ED65 .....  | 1   |
| 5   | 105025301 | Washer, ED65 .....  | 2   |
| 6   | 105025401 | Bearing, Thrust, ED65 .....   | 1   |
| 7   | 105025501 | Shaft, Governor Gear, ED65 .....  | 1   |
| 8   | 105025601 | Shaft, Governor, ED65 .....   | 1   |
| 9   | 105025701 | Washer, 6mm, ED65 .....   | 2   |
| 10  | 105025801 | Seal, Oil, 6x10x2.5, ED65 .....   | 1   |
| 11  | 105025901 | Retaining Ring, E5, ED65 .....  | 1   |
| 12  | 105026001 | Seal, Oil, 24x40x9, ED65 .....  | 1   |
| 13  | 105027101 | Vent, Breather, ED65 .....  | 1   |
| 14  | 105026101 | Ball, Steel, ED65 .....   | 1   |
| 15  | 105026201 | Spring, ED65 .....  | 1   |
| 16  | 105026301 | Gasket, 10, ED65 .....  | 1   |
| 17  | 105026401 | Bolt, M10-1.25x12mm Lg, ED65 .....  | 1   |
| 18  | 105026501 | Case, Transaxle, Right, Complete, ED65 (includes items 19 through 24) ..... | 1   |
| 19  | 105026001 | Seal, Oil, 24x40x9, ED65 .....  | 1   |
| 20  | 105026601 | Shaft, Select, ED65 .....   | 1   |
| 21  | 105026701 | Seal, Oil, 13x22x5, ED65 .....  | 1   |
| 22  | 105026801 | Snap Ring, 13mm, ED65 .....   | 1   |
| 23  | 105026901 | Spacer, 13x1, ED65 .....  | 1   |
| 24  | 105027001 | Seal, Oil, 25x45x7, ED65 .....  | 1   |
| 25  | 105027201 | Plug, Oil Drain, ED65 .....   | 2   |
| 26  | 105027301 | Gasket, 14, ED65 .....  | 2   |
| 27  | 105028301 | Pin, Guide, ED65 .....  | 2   |
| 28  | 105028501 | Bolt, Flange, M8-1.25x65mm, ED65 .....                                      | 1   |
| 29  | 105030001 | Nut, Flange, M8-1.25, ED65 .....  | 10  |
| 30  | 105030701 | Bolt, Flanged, M8-1.25x80mm, ED65 .....                                     | 9   |
| 31  | 105234801 | Plate, Ed65 Splash .....  | 1   |
| 32  | 105234901 | Bolt, M6-1 X 12mm Lg, Ed65 .....  | 1   |
| <p>Note: Fuji transaxle component listings span three pages. To identify your transaxle, locate the serial number decal on the axle tube.</p> |           |   |     |

12

G



000919-003



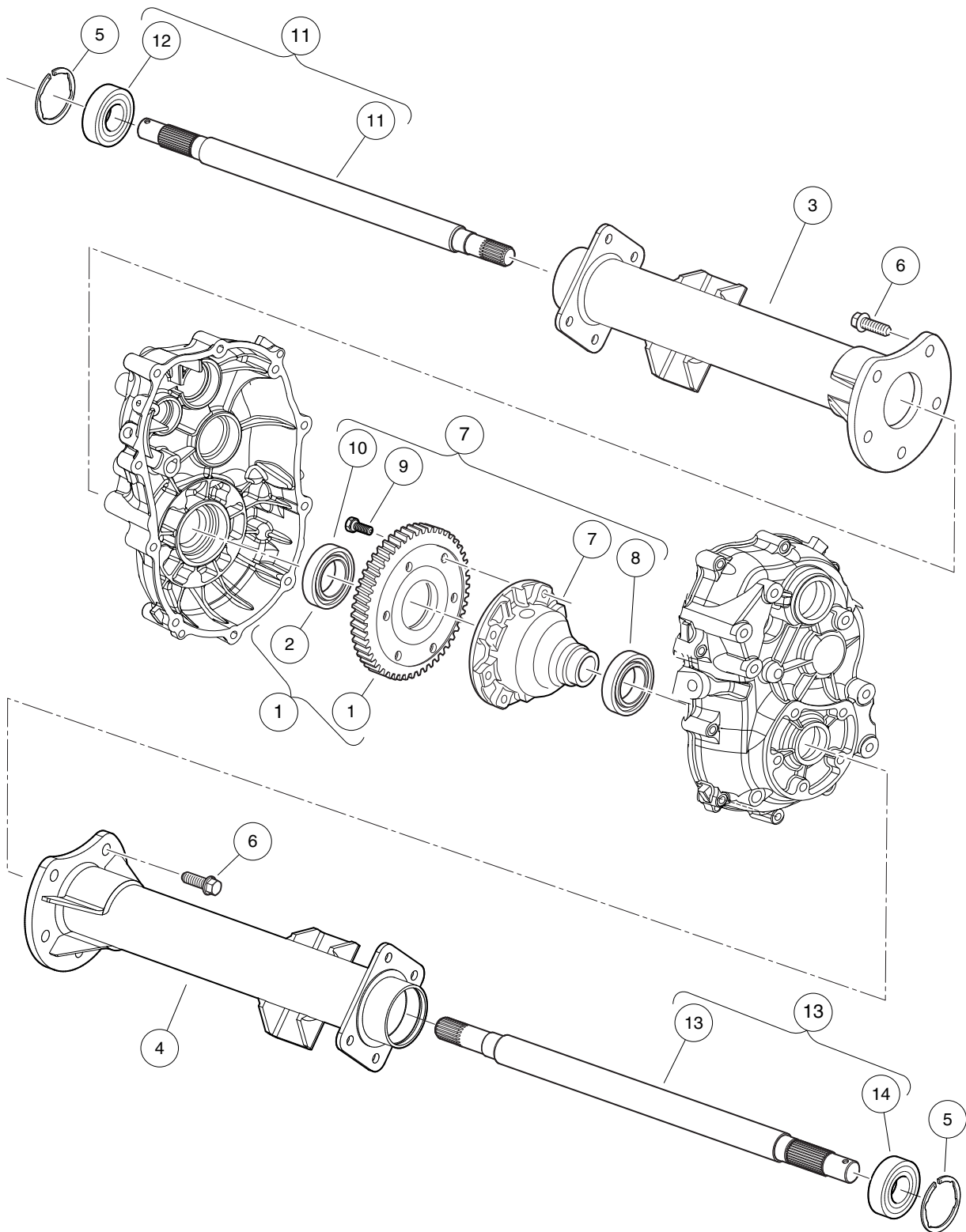
# TRANSAXLE (ED65), LIMITED SLIP AND OPEN – PAGE 2 OF 3

| ITEM | PART NO.  | DESCRIPTION   | QTY |
|------|-----------|---|-----|
|      |           | 1 2 3 4   |     |
| 1    | 105027401 | Bearing, Ball (6204) .....  | 2   |
| 2    | 105027501 | Gear, Governor, 34 Tooth, ED65 .....  | 1   |
| 3    | 105027601 | Pin, 6x12 Long, ED65 .....  | 1   |
| 4    | 105027701 | Shaft, Input, ED65 .....  | 1   |
| 5    | 105027801 | Bearing, Ball (6205 seal) .....   | 1   |
| 6    | 105027901 | Bearing, Ball (6202) .....  | 2   |
| 7    | 105028001 | Shaft, Counter, ED65 .....  | 1   |
| 8    | 105028201 | Gear, 34 Tooth, ED65 .....  | 1   |
| 9    | 105028401 | Bearing, Ball (6304) .....  | 1   |
| 10   | 105028601 | Gear, 17 Tooth, ED65 .....  | 1   |
| 11   | 105028701 | Collar, 24 x 12, ED65 .....   | 1   |
| 12   | 105028801 | Gear, 52 Tooth, ED65 .....  | 1   |
| 13   | 105028901 | Shaft, Center, ED65 .....   | 1   |
| 14   | 105029001 | Clutch, Pin, ED65 .....   | 1   |
| 15   | 105029101 | Gear, 62 Tooth, ED65 .....  | 1   |
| 16   | 105029201 | Spacer, 20x2, ED65 .....  | 2   |
| 17   | 105030901 | Shaft, Shift, ED65 .....  | 1   |
|      |           | <p>Note: To identify your transaxle, locate the serial number decal on the axle tube.</p> |     |

12

G

**12**  
**G**



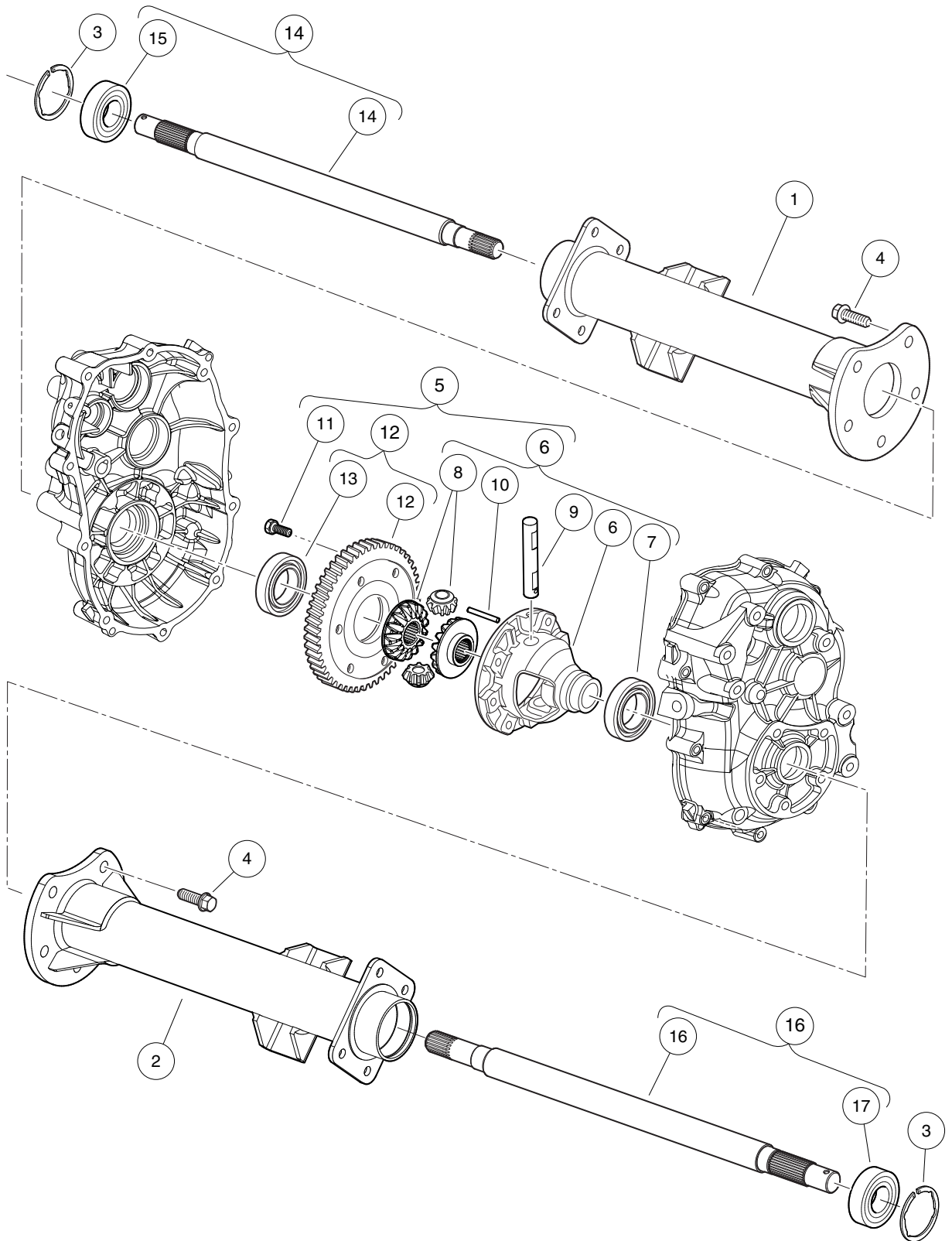
000919-005

## TRANSAXLE (ED65), LIMITED SLIP – PAGE 3 OF 3

| ITEM | PART NO.  | DESCRIPTION   | QTY |
|------|-----------|---|-----|
|      |           | 1 2 3 4   |     |
| 1    | 105029901 | Gear, 60 Tooth, Complete, ED65 (includes item 2) .....                                    | 1   |
| 2    | 105029801 | Bearing, Ball (6007) .....  | 1   |
| 3    | 105030401 | Axle Tube, Driver-Side, ED65 .....  | 1   |
| 4    | 105030501 | Axle Tube, Passenger-Side, ED65 .....   | 1   |
| 5    | 105030601 | Snap Ring, 52mm, ED65 .....   | 2   |
| 6    | 105030801 | Bolt, Flange, M10-1.25x25, ED65 .....   | 10  |
| 7    | 105063601 | Differential, Limited-Slip, ED65 (includes items 8 through 10) .....                      | 1   |
| 8    | 105028101 | Bearing, Ball (6006) .....  | 1   |
| 9    | 105029501 | Bolt, M10-1.25x26mm Lg, ED65 .....  | 6   |
| 10   | 105029801 | Bearing, Ball (6007) .....  | 1   |
| 11   | 105066001 | Axle Shaft, Driver-Side, Complete, ED65 (includes item 12) .....                          | 1   |
| 12   | 105030301 | Bearing, Ball (6205DD) .....  | 1   |
| 13   | 105066101 | Axle Shaft, Passenger-Side, Complete, ED65 (includes item 14) .....                       | 1   |
| 14   | 105030301 | Bearing, Ball (6205DD) .....  | 1   |
|      |           | <p>Note: To identify your transaxle, locate the serial number decal on the axle tube.</p> |     |

12

G



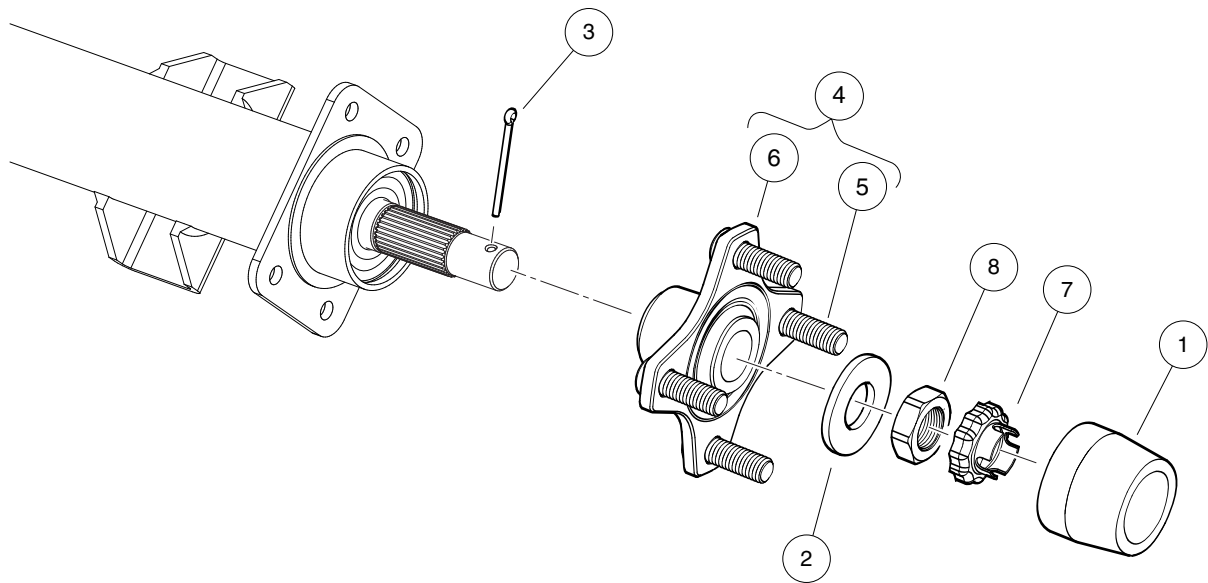
000919-004

## TRANSAXLE (ED65), OPEN – PAGE 3 OF 3

| ITEM | PART NO.  | DESCRIPTION  | QTY |
|------|-----------|--|-----|
|      |           | <b>1 2 3 4</b>   |     |
| 1    | 105030401 | Axle Tube, Driver-Side, ED65 .....   | 1   |
| 2    | 105030501 | Axle Tube, Passenger-Side, ED65 .....  | 1   |
| 3    | 105030601 | Snap Ring, 52mm, ED65 .....  | 2   |
| 4    | 105030801 | Bolt, Flange, M10-1.25x25, ED65 .....  | 10  |
| 5    | 105031001 | Differential, Open, ED65 (includes items 6 through 12) .....                       | 1   |
| 6    | 105029301 | Case, Differential, Complete, ED65 (includes items 7 through 10) .....             | 1   |
| 7    | 105028101 | Bearing, Ball (6006) .....   | 1   |
| 8    | 105029401 | Gear Set, Differential, ED65 .....   | 1   |
| 9    | 105029601 | Shaft, Differential, ED65 .....  | 1   |
| 10   | 105029701 | Pin, 4x40 Long, ED65 .....   | 1   |
| 11   | 105029501 | Bolt, M10-1.25x26mm Lg, ED65 .....   | 6   |
| 12   | 105029901 | Gear, 60 Tooth, Complete, ED65 (includes item 13) .....                            | 1   |
| 13   | 105029801 | Bearing, Ball (6007) .....   | 1   |
| 14   | 105066001 | Axle Shaft, Driver-Side, Complete, ED65 (includes item 15) .....                   | 1   |
| 15   | 105030301 | Bearing, Ball (6205DD) .....   | 1   |
| 16   | 105066101 | Axle Shaft, Passenger-Side, Complete, ED65 (includes item 17) .....                | 1   |
| 17   | 105030301 | Bearing, Ball (6205DD) .....   | 1   |
|      |           | Note: To identify your transaxle, locate the serial number decal on the axle tube. |     |

**12**

**G**



000919-006

# HUB, REAR

| ITEM | PART NO.  | DESCRIPTION                                       | QTY |
|------|-----------|---|-----|
|      |           | <b>1 2 3 4</b>                                    |     |
| 1    | 102274101 | Center Cap, Rubber .....                          | 2   |
| 2    | 102617801 | Washer, Hard, M22 .....                           | 2   |
| 3    | 103989501 | Pin, Cotter, 9/64 X 1.75" .....                   | 2   |
| 4    | 103995001 | Asm, Hub, Machined (includes items 5 and 6) ..... | 2   |
| 5    | 103951501 | Lug Stud, 1/2-20 UNF, SAE J1102 .....             | 4   |
| 6    | 103979301 | Hub, Machined .....                               | 1   |
| 7    | 104021701 | Retaining Ring, Hex Nut, M22 .....                | 2   |
| 8    | 104027101 | Nut, Hex, M22x1.5, Thin .....                     | 2   |

**12**  
**G**

12

G



# **ELECTRICAL SYSTEM – ELECTRIC VEHICLES WITH ERIC-CHARGER**

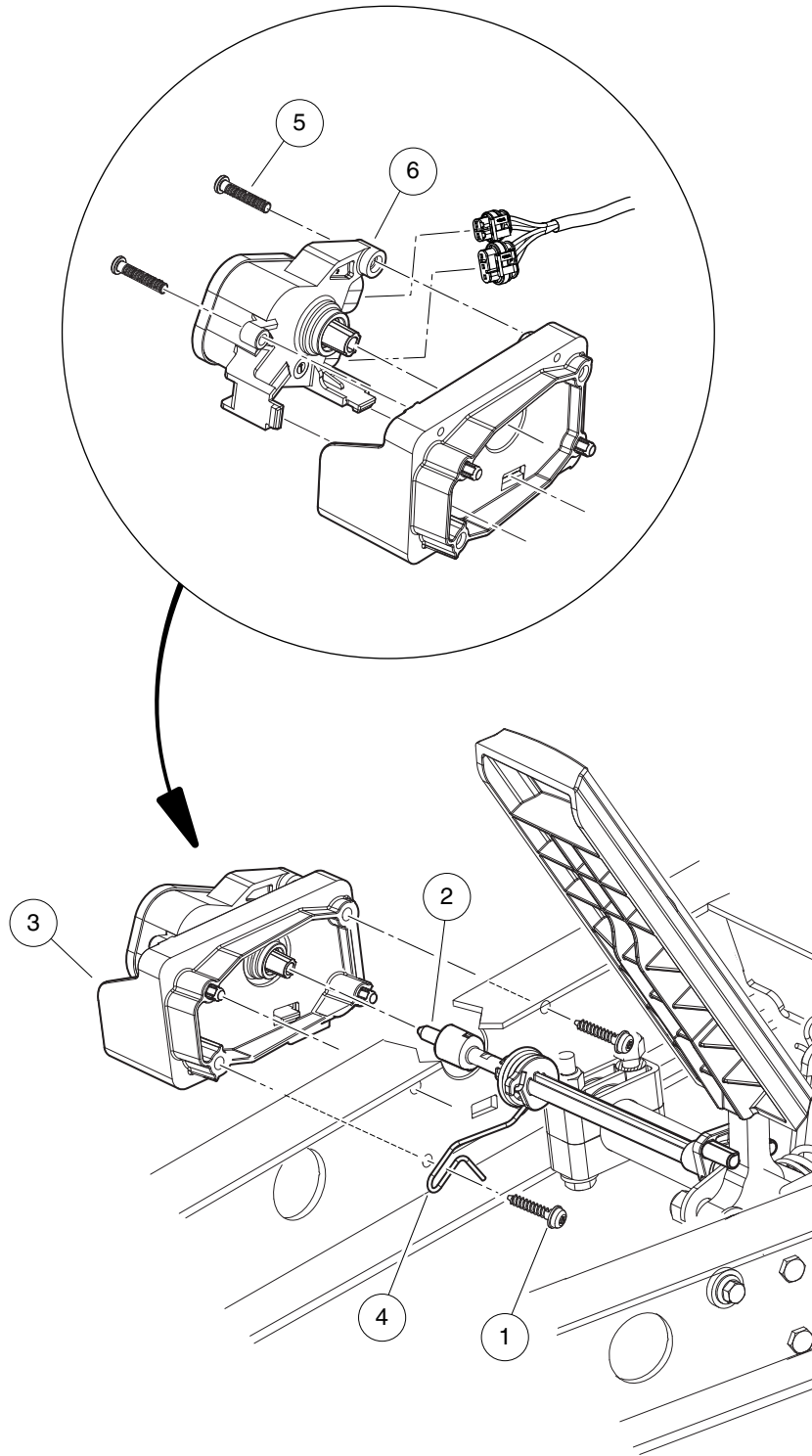
---

**13**

**E**

13

E



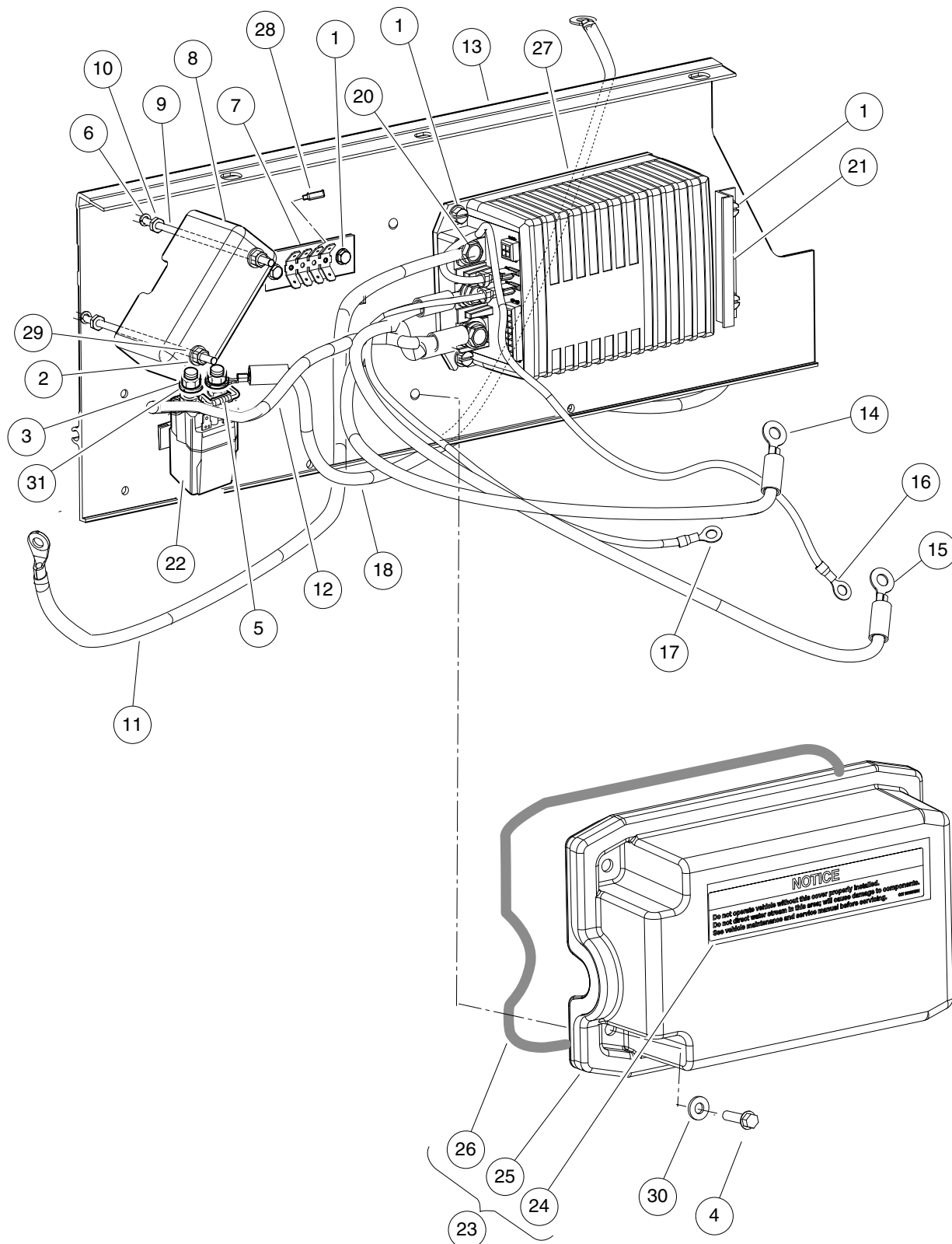
002522-001

# MOTOR CONTROLLER OUTPUT REGULATOR (MCOR)

| ITEM | PART NO.  | DESCRIPTION                             | QTY |
|------|-----------|---|-----|
|      |           | 1 2 3 4                                 |     |
| 1    | 102297230 | Screw, M6, Torx, Interlock Thread ..... | 2   |
| 2    | 103902101 | Bar, Drive, Cast .....                  | 1   |
| 3    | 103902301 | Housing, Mcor .....                     | 1   |
| 4    | 103902401 | Spring, Torsion .....                   | 1   |
| 5    | 103943401 | Screw, Pan, #10 X 1.00 Hi-lo .....      | 2   |
| 6    | 105116301 | MCOR4, Type 16 Switch .....             | 1   |

13

E



002514-001

# ELECTRIC COMPONENTS

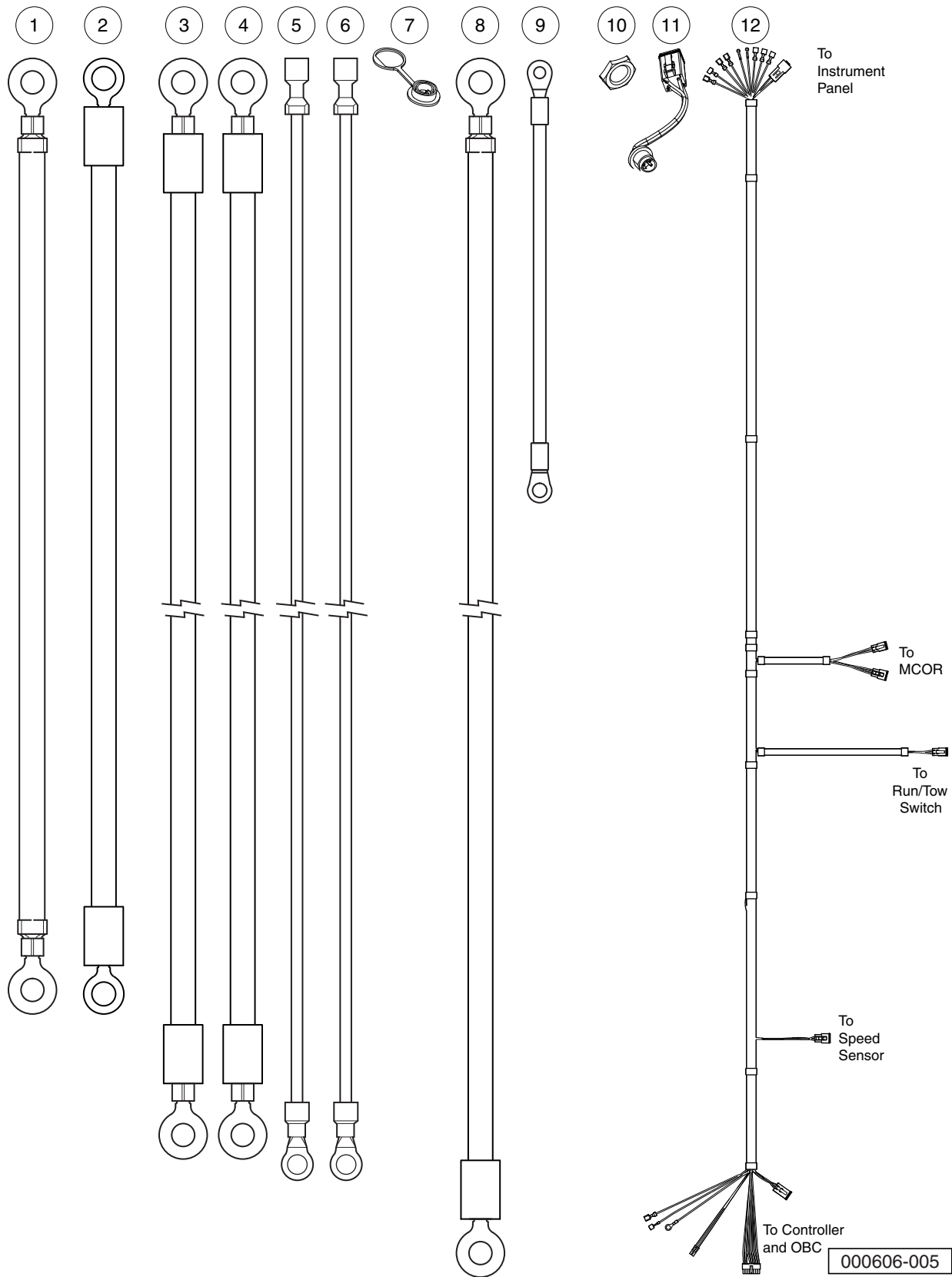
13

E

| ITEM | PART NO.  | DESCRIPTION   | QTY |
|------|-----------|---|-----|
|      |           | <b>1 2 3 4</b>  |     |
| 1    | 1012285   | Screw, 1/4 X 0.625 Hex-Head .....                           | 5   |
| 2    | 1012438   | Locknut, #10-24 Nylon Insert .....                          | 2   |
| 3    | 1012528   | Nut, M8-1.25 Hex .....                                      | 2   |
| 4    | 1014063   | Screw, 1/4-20 X 1.00, Hex Head .....                        | 2   |
| 5    | 1014947   | Resistor Assembly .....                                     | 1   |
| 6    | 1016      | Lockwasher, #10 Split .....                                 | 2   |
| 7    | 1016356   | Terminal Block with Insulator .....                         | 1   |
| 8    | 1016363   | Fuse Block Cover .....                                      | 1   |
| 9    | 1016366   | Screw, #10-24 X 3.0 Pan-Head Machine .....                  | 2   |
| 10   | 1017      | Nut, #10-24 Stainless-Steel Hex Machine .....               | 2   |
| 11   | 101795705 | Asm, Wire, #6blk, 37 In .....                               | 1   |
| 12   | 101903001 | Wire Assembly #6 Yellow .....                               | 1   |
| 13   | 101965206 | Plate, Component, No Obc, Lt .....                          | 1   |
| 14   | 101968701 | Wire Assy, #6 White .....                                   | 1   |
| 15   | 101978001 | Wire Assy, #6 Green .....                                   | 1   |
| 16   | 101978102 | Asm, Wire, #10 Orange 1/4 .....                             | 1   |
| 17   | 101978202 | Asm, Wire, #10 Blue 1/4 .....                               | 1   |
| 18   | 102199601 | Wire Asm, #6 Red, 37.7 .....                                | 1   |
| 19   | 102238001 | #10-24 Taptite Screw .....                                  | 2   |
| 20   | 102240501 | Bolt, Controller, Terminal .....                            | 3   |
| 21   | 102243101 | Extrusion, Cover Support .....                              | 1   |
| 22   | 102865901 | Solenoid 48v Slot Mt No Diode .....                         | 1   |
| 23   | 103316901 | Cover Asm - Controller (includes items 24 through 26) ..... | 1   |
| 24   | 101931501 | Decal, Component Cover .....                                | 1   |
| 25   | 103316701 | Cover - Controller, Deep .....                              | 1   |
| 26   | 103316801 | Gasket - Controller Cover .....                             | 1   |
| 27   | 103982301 | Controller, 1515, 250A, White .....                         | 1   |
| 28   | 105195501 | Cap, Quick Conn Tab, 1/4 In .....                           | 5   |
| 29   | 183       | Washer, #10, Type A, Flat .....                             | 2   |
| 30   | 332       | Washer, 1/4 Type A Narrow Flat .....                        | 2   |
| 31   | 7174      | Lockwasher, 5/16 Split .....                                | 2   |

13

E



## WIRING SOFT-BODY ELECTRIC WITH ERIC

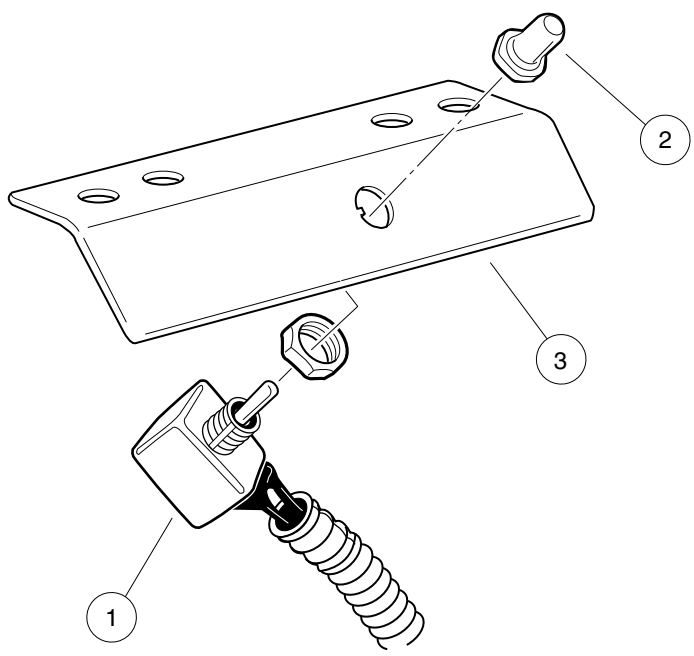
| ITEM | PART NO.    | DESCRIPTION                     | QTY |
|------|-------------|---------------------------------|-----|
|      |             | <b>1 2 3 4</b>                  |     |
| 1    | 101795705   | Asm, Wire, #6blk, 37 In .....   | 5   |
| 2    | 101903001   | Wire Assembly #6 Yellow .....   | 1   |
| 3    | 101968701   | Wire Assy, #6 White .....       | 1   |
| 4    | 101978001   | Wire Assy, #6 Green .....       | 1   |
| 5    | 101978102   | Asm, Wire, #10 Orange 1/4 ..... | 1   |
| 6    | 101978202   | Asm, Wire, #10 Blue 1/4 .....   | 1   |
| 7    | 102196901   | Dust Cap .....                  | 1   |
| 8    | 102199601   | Wire Asm, #6 Red, 37.7 .....    | 1   |
| 9    | 102263601   | Wire Assy, #10 Black .....      | 1   |
| 10   | 102572401   | Nut, Diagnostic Port .....      | 1   |
| 11   | 103218601   | Harness, Diagnostic Port .....  | 1   |
| 12   | 47563434001 | Harness, Main, Sb, Hfc .....    | 1   |

13

E

13

E



000605-002



# TOW/RUN SWITCH – IQ SYSTEM

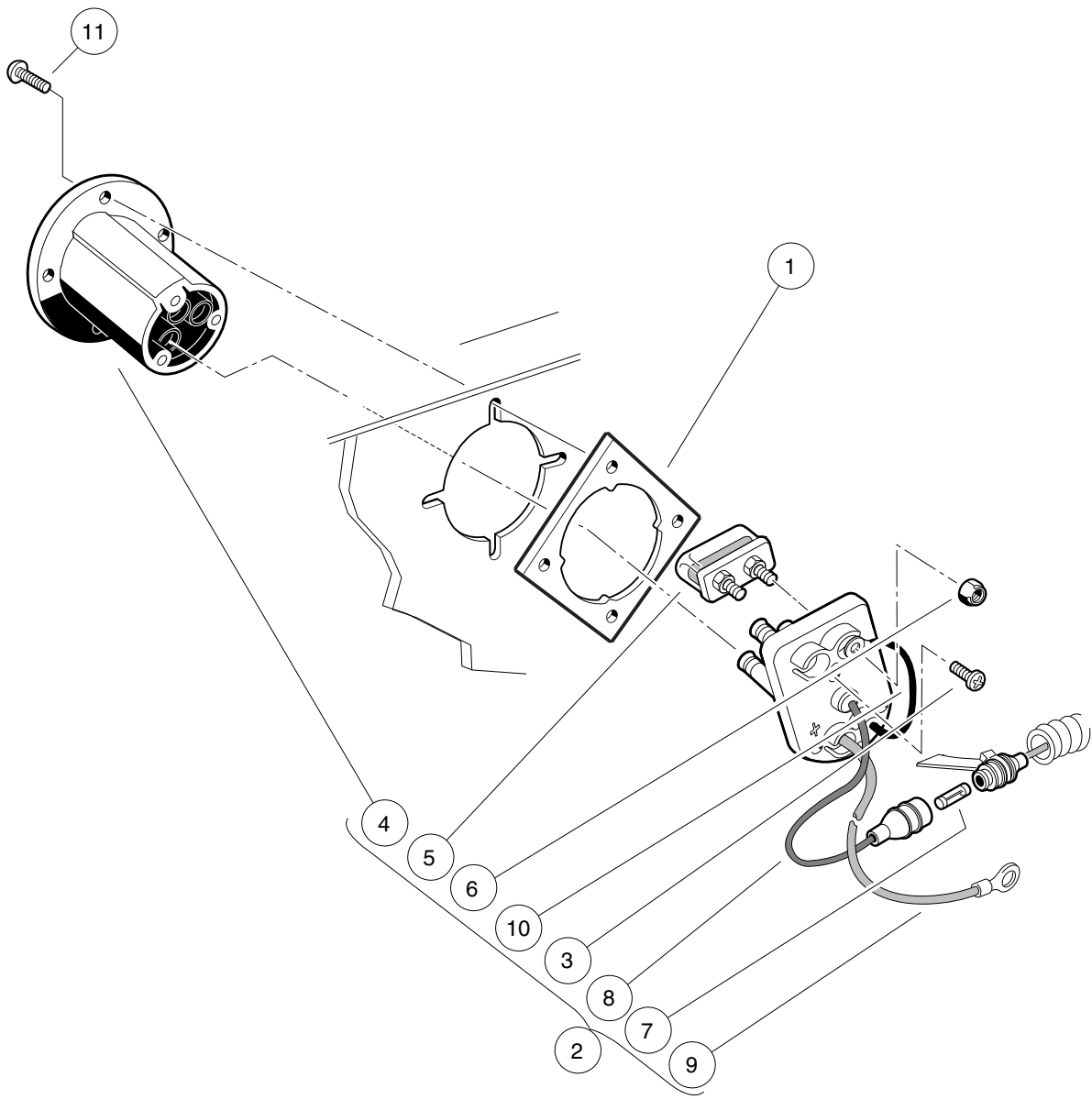
| ITEM | PART NO.  | DESCRIPTION                            | QTY |
|------|-----------|--|-----|
|      |           | 1 2 3 4                                |     |
| 1    | 101908101 | Switch Assembly, Tow/Run .....         | 1   |
| 2    | 101908401 | Boot, Switch .....                     | 1   |
| 3    | 101922501 | Bracket, Tow/Run Switch Mounting ..... | 1   |

13

E

13

E



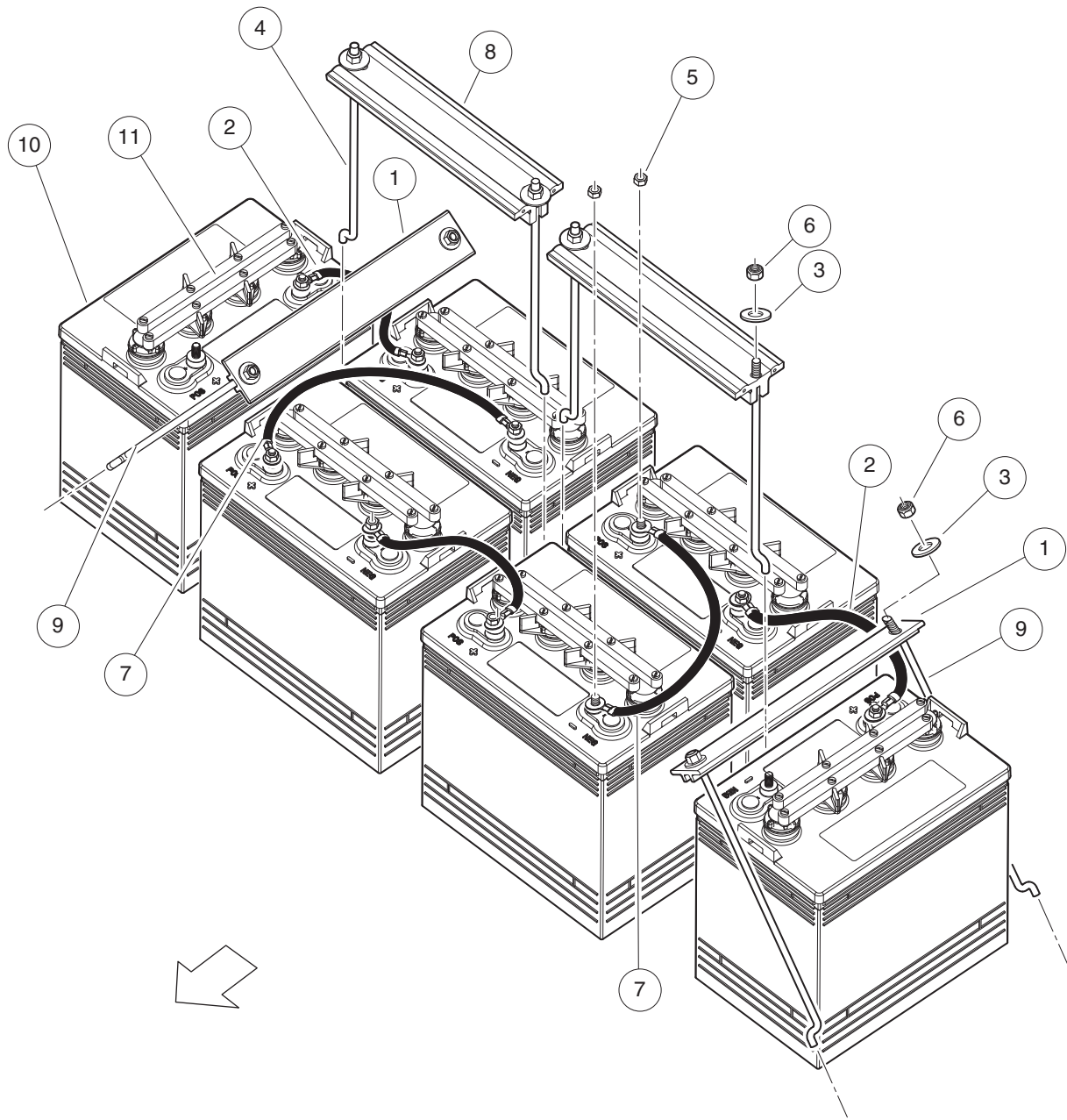
000369-001

# BATTERY CHARGER RECEPTACLE- ERIC CHARGER

| ITEM | PART NO.    | DESCRIPTION                                      | QTY |
|------|-------------|--|-----|
|      |             | 1 2 3 4  |     |
| 1    | 101801001   | Plate, Receptacle Backing .....                  | 1   |
| 2    | 101832001   | Screw, #7-19 X 0.625 Phillips Pan-Head Tap ..... | 4   |
| 3    | 47564781001 | Receptacle, Body Mnt, Hfc .....                  | 1   |

13

E



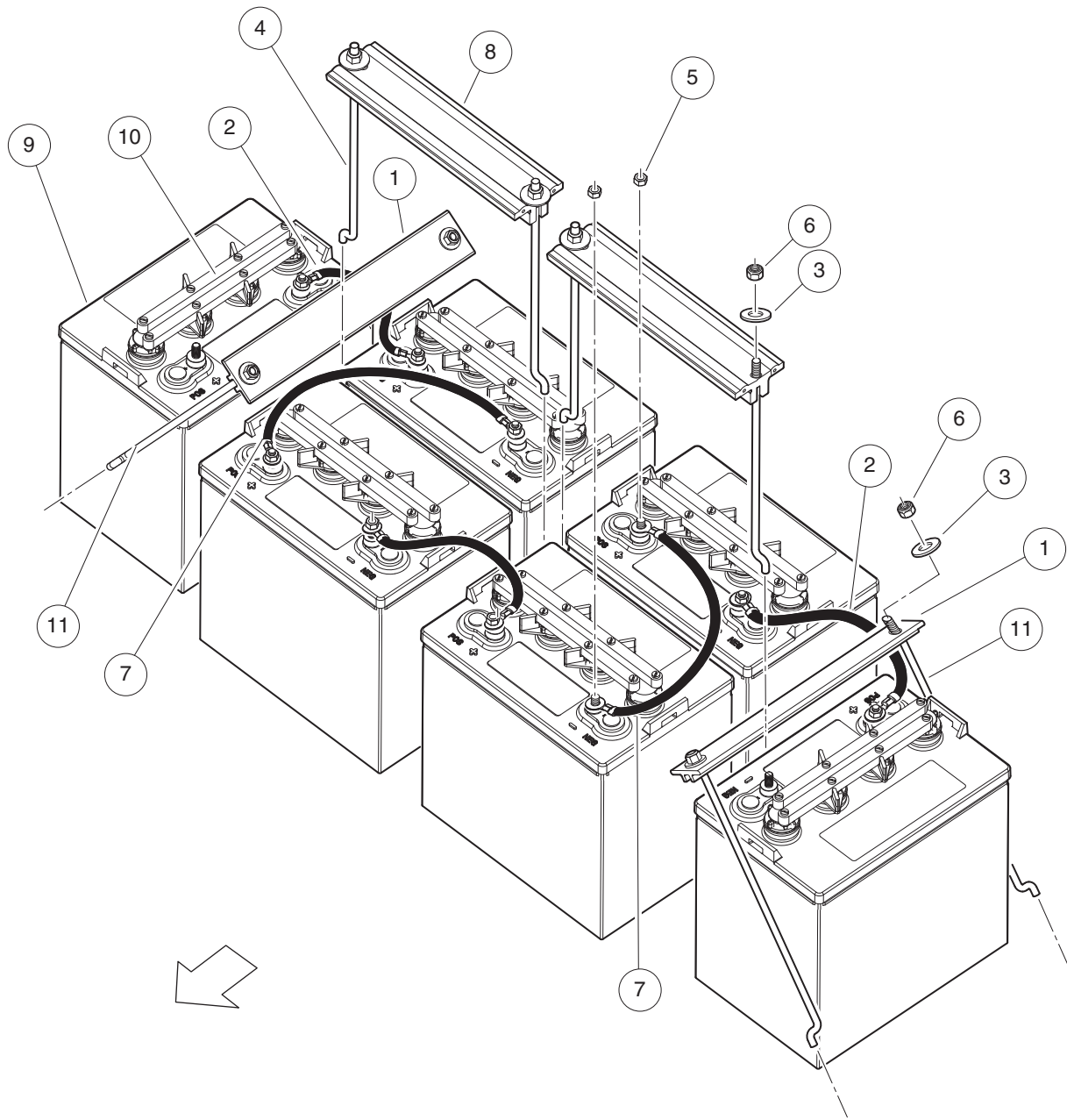
001317-001

# BATTERIES, 8-VOLT, CROWN

| ITEM | PART NO.  | DESCRIPTION   | QTY |
|------|-----------|---|-----|
|      |           | 1 2 3 4   |     |
| 1    | 101090802 | Hold-Down, Battery .....                              | 2   |
| 2    | 1010958   | Asm, Wire, #6blk 8in .....                            | 3   |
| 3    | 1011697   | Washer, 5/16 Flat .....                               | 8   |
| 4    | 1013683   | J-Bolt .....  | 4   |
| 5    | 1014304   | Nut, 5/16-18 Stainless-Steel Hex .....                | 12  |
| 6    | 1015072   | Locknut, 5/16-18 Nylon Insert .....                   | 8   |
| 7    | 101795701 | Asm, Wire, #6blk, 15 In .....                         | 2   |
| 8    | 103504301 | Tee, Batt Ret Ctr Short .....                         | 2   |
| 9    | 103696801 | J Bolt, Batt Hold Down 12" .....                      | 4   |
| 10   | 103719701 | Battery, 8-Volt, Crown CR165 (includes item 11) ..... | 6   |
| 11   | 103878401 | Cap, Batt, 8v, Crown, Svc .....                       | 1   |

13

E



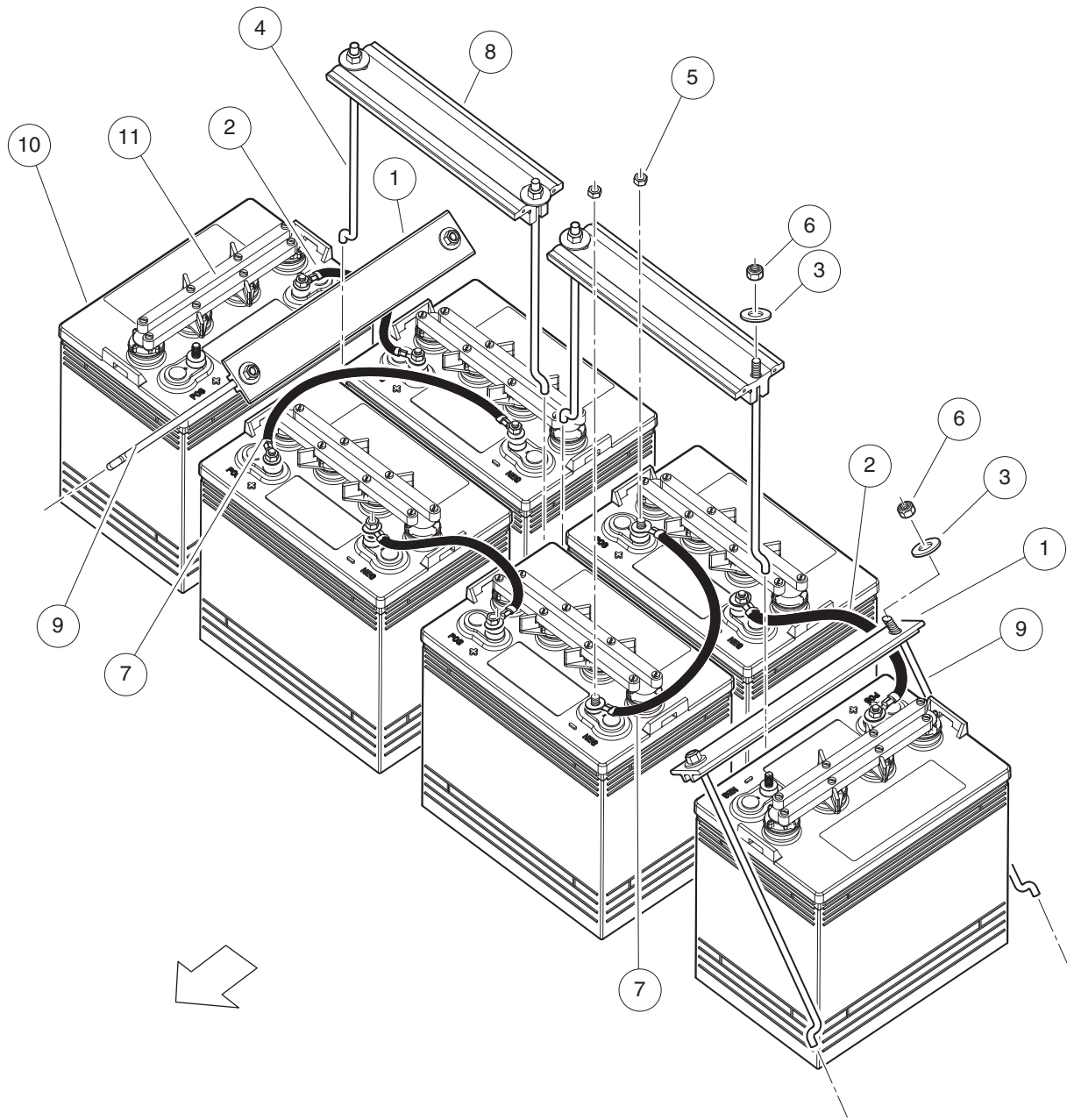
001316-001

# BATTERIES, 8-VOLT, U.S. BATTERY

| ITEM | PART NO.  | DESCRIPTION   | QTY |
|------|-----------|---|-----|
|      |           | 1 2 3 4   |     |
| 1    | 101090802 | Hold-Down, Battery .....                                    | 2   |
| 2    | 1010958   | Asm, Wire, #6blk 8in .....                                  | 3   |
| 3    | 1011697   | Washer, 5/16 Flat .....                                     | 8   |
| 4    | 1013683   | J-Bolt .....  | 4   |
| 5    | 1014304   | Nut, 5/16-18 Stainless-Steel Hex .....                      | 12  |
| 6    | 1015072   | Locknut, 5/16-18 Nylon Insert .....                         | 8   |
| 7    | 101795701 | Asm, Wire, #6blk, 15 In .....                               | 2   |
| 8    | 103504301 | Tee, Batt Ret Ctr Short .....                               | 2   |
| 9    | 103695801 | Battery, 8-Volt, US Battery 8VGCXC (includes item 10) ..... | 6   |
| 10   | 103930201 | Cap, Battery, Us 8v, Svc .....                              | 1   |
| 11   | 103696801 | J Bolt, Batt Hold Down 12" .....                            | 4   |

13

E



001317-001



## BATTERIES, 8-VOLT, JCI

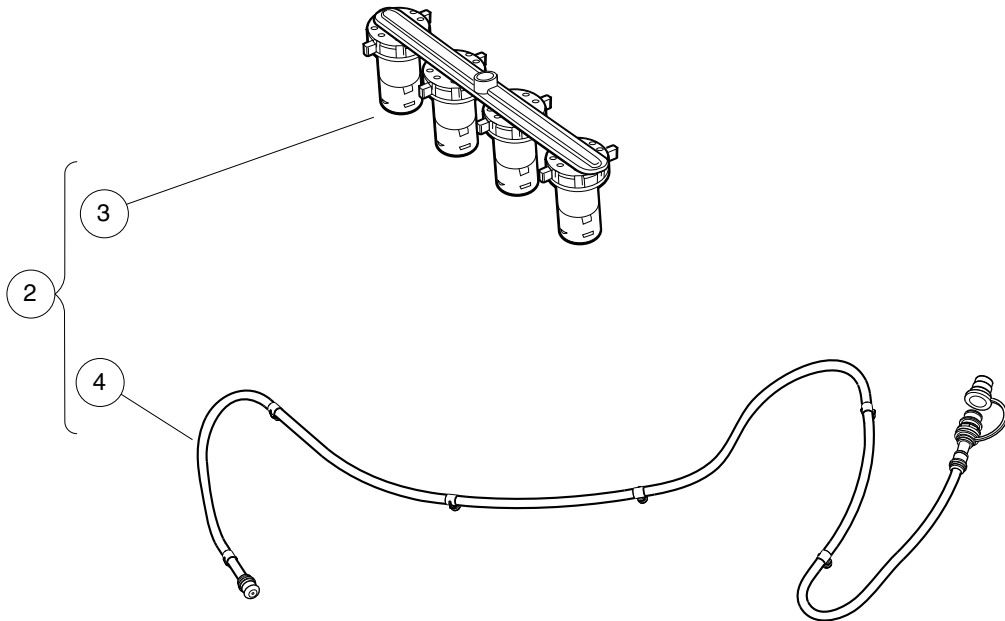
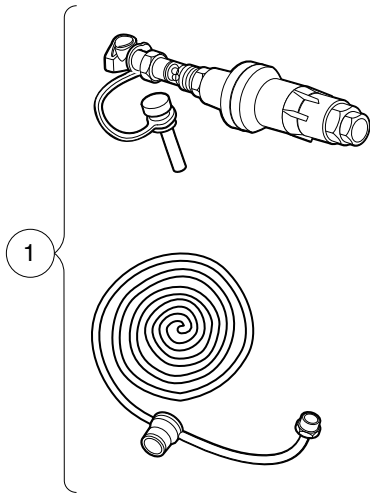
| ITEM | PART NO.  | DESCRIPTION                                       | QTY |
|------|-----------|---|-----|
|      |           | 1 2 3 4   |     |
| 1    | 101090802 | Hold-Down, Battery .....                          | 2   |
| 2    | 1010958   | Asm, Wire, #6blk 8in .....                        | 3   |
| 3    | 1011697   | Washer, 5/16 Flat .....                           | 8   |
| 4    | 1013683   | J-Bolt .....                                      | 4   |
| 5    | 1014304   | Nut, 5/16-18 Stainless-Steel Hex .....            | 12  |
| 6    | 1015072   | Locknut, 5/16-18 Nylon Insert .....               | 8   |
| 7    | 101795701 | Asm, Wire, #6blk, 15 In .....                     | 2   |
| 8    | 103504301 | Tee, Batt Ret Ctr Short .....                     | 2   |
| 9    | 103696801 | J Bolt, Batt Hold Down 12" .....                  | 4   |
| 10   | 103793001 | Battery, 8-Volt, JCI GC8 (includes item 11) ..... | 6   |
| 11   | 103765601 | Cap, Spin, 8-Volt Battery .....                   | 1   |

13

E

13

E



000731-007

# SINGLE POINT WATERING SYSTEM, 8V CROWN & JCI

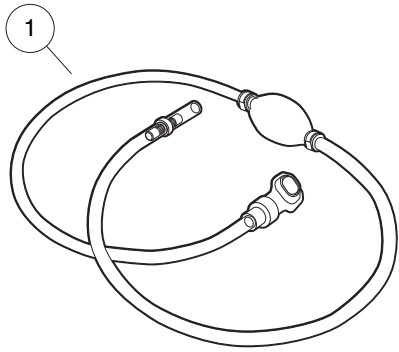
| ITEM | PART NO.  | DESCRIPTION   | QTY |
|------|-----------|---|-----|
|      |           | 1 2 3 4   |     |
| 1    | 102958001 | Kit Regulated Hose Sply Spws .....                          | 1   |
| 2    | 103395505 | Kit, Spws, 8 Volt Non-Trojan (includes items 3 and 4) ..... | 1   |
| 3    | 103510602 | Spws, Manifold Asm, 8v Non-Trojan .....                     | 6   |
| 4    | 103774701 | Spws, Hose 8v Non-trojan .....                              | 1   |
|      |           | Note: For Crown and JCI 8-Volt batteries only.              |     |

13

E

**13**

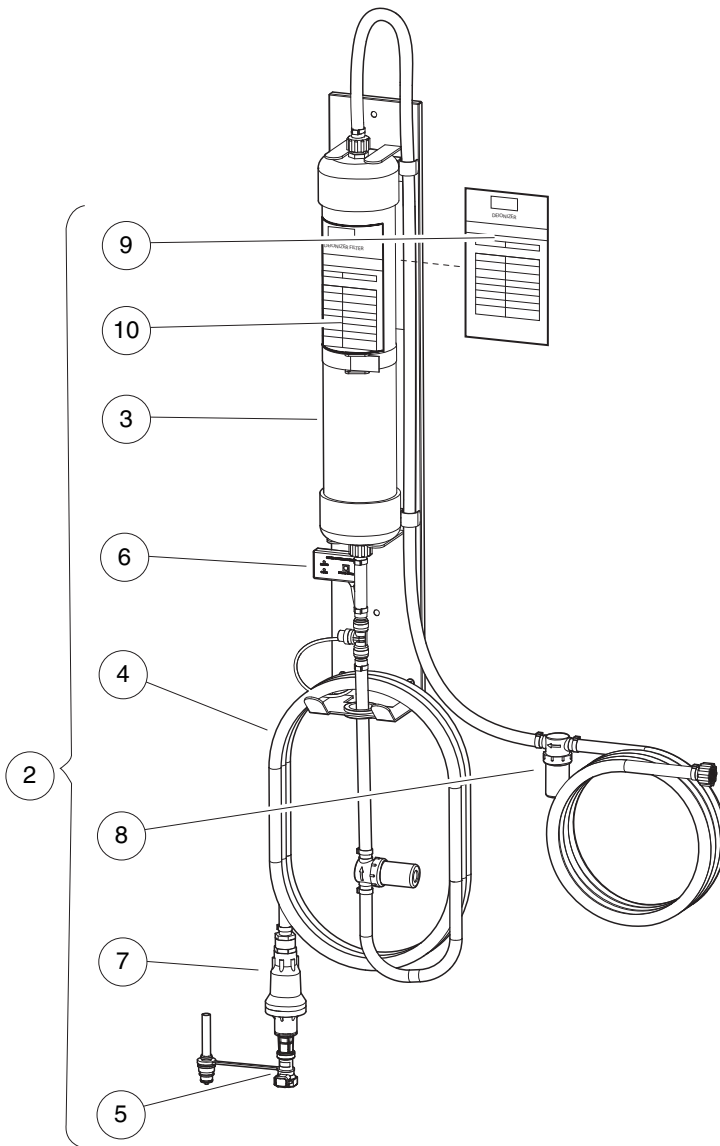
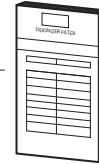
**E**



11



12



002523-003

# HAND PUMP AND DEIONIZER (BATTERY-POWERED QUALITY LIGHT)

| ITEM | PART NO.  | DESCRIPTION  | QTY |
|------|-----------|--|-----|
|      |           | 1 2 3 4  |     |
| 1    | 104006101 | Kit, Hand Pump, Spws .....   | 1   |
| 2    | 105166801 | Deionizer, w/Battery-Powered Water Quality Light (includes items 3 through 10) ..... | 1   |
| 3    | 104005901 | Cartridge, Deionizer .....   | 1   |
| 4    | 105166901 | Hose,outlet,deionizer .....  | 1   |
| 5    | 105167001 | Flow Ind, W/coupler, Deionizer .....   | 1   |
| 6    | 105167101 | Light, Quality, Battery-Powered, w/T-Fitting .....                                   | 1   |
| 7    | 105168501 | Regulator, Pressure, Deionizer .....   | 1   |
| 8    | 105168601 | Strainer, In-line, Deionizer .....   | 1   |
| 9    | AM1300001 | Decal, Filter Log, Blue .....  | 1   |
| 10   | AM1300201 | Decal, Inspect Log, Yellow .....   | 1   |
| 11   | AM1300101 | Decal, Filter Log, Blue, Pack of 100 .....   | A/R |
| 12   | AM1300301 | Decal, Inspect Log, Yellow, Pack of 100 .....  | A/R |

13

E

13

*E*

# ELECTRIC MOTOR

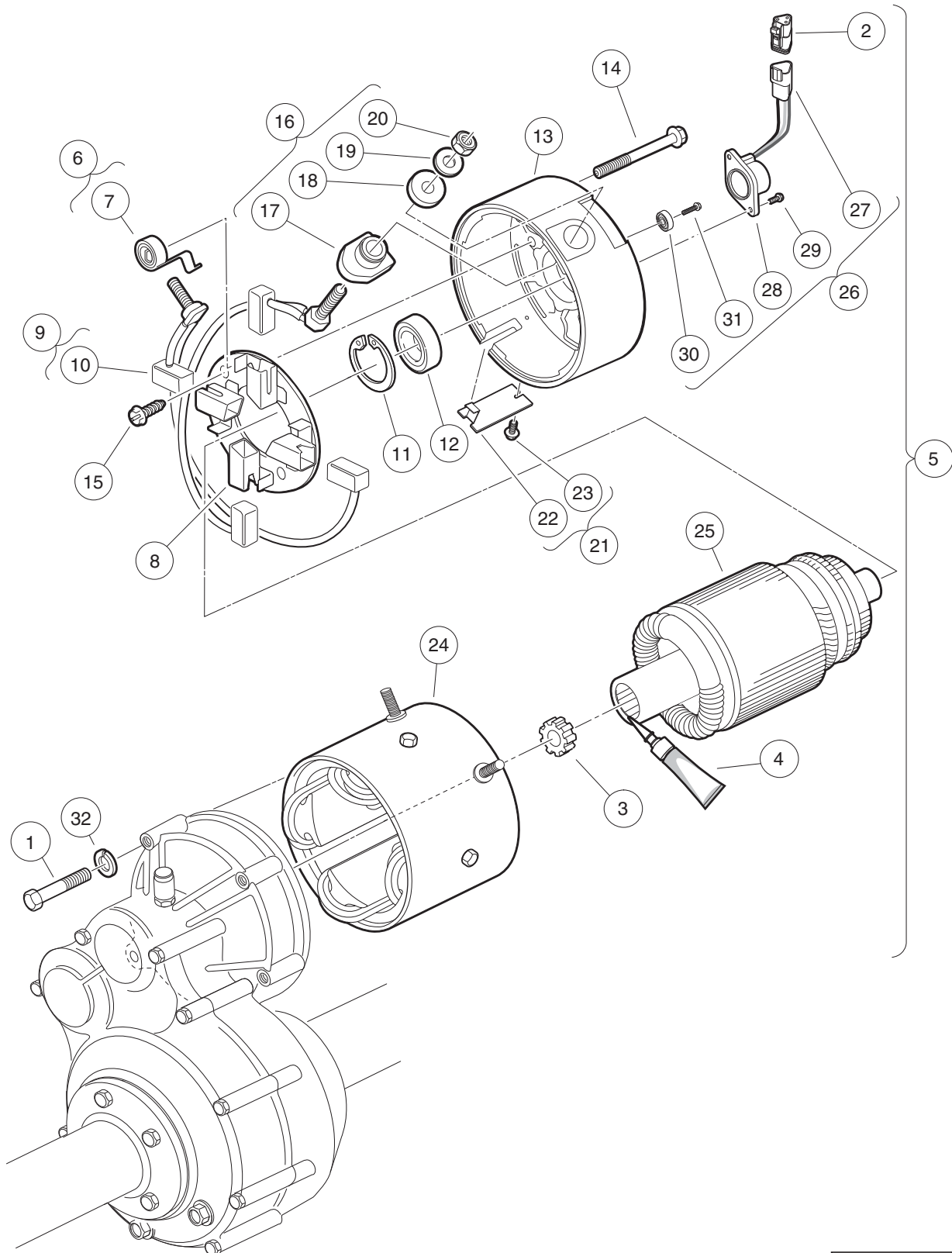
---

14

*E*

14

E



000185-002



## MOTOR (MODEL EJ8-4001A) – ELECTRIC VEHICLE

| ITEM  | PART NO.  | DESCRIPTION  | QTY |
|---|-----------|--|-----|
|   |           | <b>1 2 3 4</b>   |     |
| 1   | 1014201   | Screw, 1/4-20 X 2.25 Hex Cap .....                                   | 3   |
| 2   | 101920101 | Kit, 3-Pin Wedge Lock .....  | 1   |
| 3   | 102235201 | Bumper, Drive Unit .....   | 1   |
| 4   | 102243403 | Lubricant, Moly-Teflon (Single-Use Tube) .....                       | 1   |
| 5   | 103572501 | IQ Electric Motor, 48-VDC 3.3 hp (includes items 6 through 26) ..... | 1   |
| 6   | 102186001 | Spring Kit, Motor Brush (includes item 7) .....                      | 1   |
| 7   | N/A       | Spring, Brush, S-g .....   | 4   |
| 8   | 102186101 | Brush Box Assembly .....   | 1   |
| 9   | 102186201 | Brush Kit, Motor (includes item 10) .....                            | 1   |
| 10  | N/A       | Assembly, Brush and Terminal .....                                   | 2   |
| 11  | N/A       | Ring, 2.24" Internal Retaining .....                                 | 1   |
| 12  | 102186401 | Bearing, Ball .....  | 1   |
| 13  | 102186701 | End Cap, Motor .....   | 1   |
| 14  | N/A       | Screw, 1/4-20 X 2.25 Hex-Head Washer .....                           | 2   |
| 15  | 102186901 | Screw, #8-32 X .5 Hex-Head .....                                     | 2   |
| 16  | 102187101 | Hardware Kit, Motor Terminal (includes items 17 through 20) .....    | 2   |
| 17  | N/A       | Bushing, Nylon .....   | 2   |
| 18  | N/A       | Washer, Nylon Flat .....   | 2   |
| 19  | N/A       | Washer, Flat, 5/16 Steel .....                                       | 2   |
| 20  | N/A       | Nut, Brass Hex, 5/16 - 18 .....                                      | 2   |
| 21  | 102187201 | Plate Kit, Motor Cover (includes items 22 and 23) .....              | 1   |
| 22  | N/A       | Assembly, Cover Plate .....  | 1   |
| 23  | N/A       | Screw, #8-32 x 0.375, Taptite Thread .....                           | 1   |
| 24  | 102704701 | Frame and Field Assembly .....                                       | 1   |
| 25  | 102704801 | Armature Assembly .....  | 1   |
| 26  | 102704901 | Kit, Speed Sensor (includes items 27 through 31) .....               | 1   |
| 27  | 101942301 | Kit, 3-Pin Wedge Lock .....  | 1   |
| 28  | N/A       | Sensor, Motor Speed, ADC .....                                       | 1   |
| 29  | N/A       | Screw, #8-32, Taptite Thread .....                                   | 2   |
| 30  | N/A       | Magnet, ADC Motor .....  | 1   |
| 31  | N/A       | Screw, 1/4-20 x 0.5 .....  | 1   |
| 32  | 451       | Lockwasher, 1/4 Split .....  | 3   |
| Note: The F1 and F2 terminal posts on the EJ8-4001A motor have 1/4 - 20 |           |  |     |

14

E

**14**

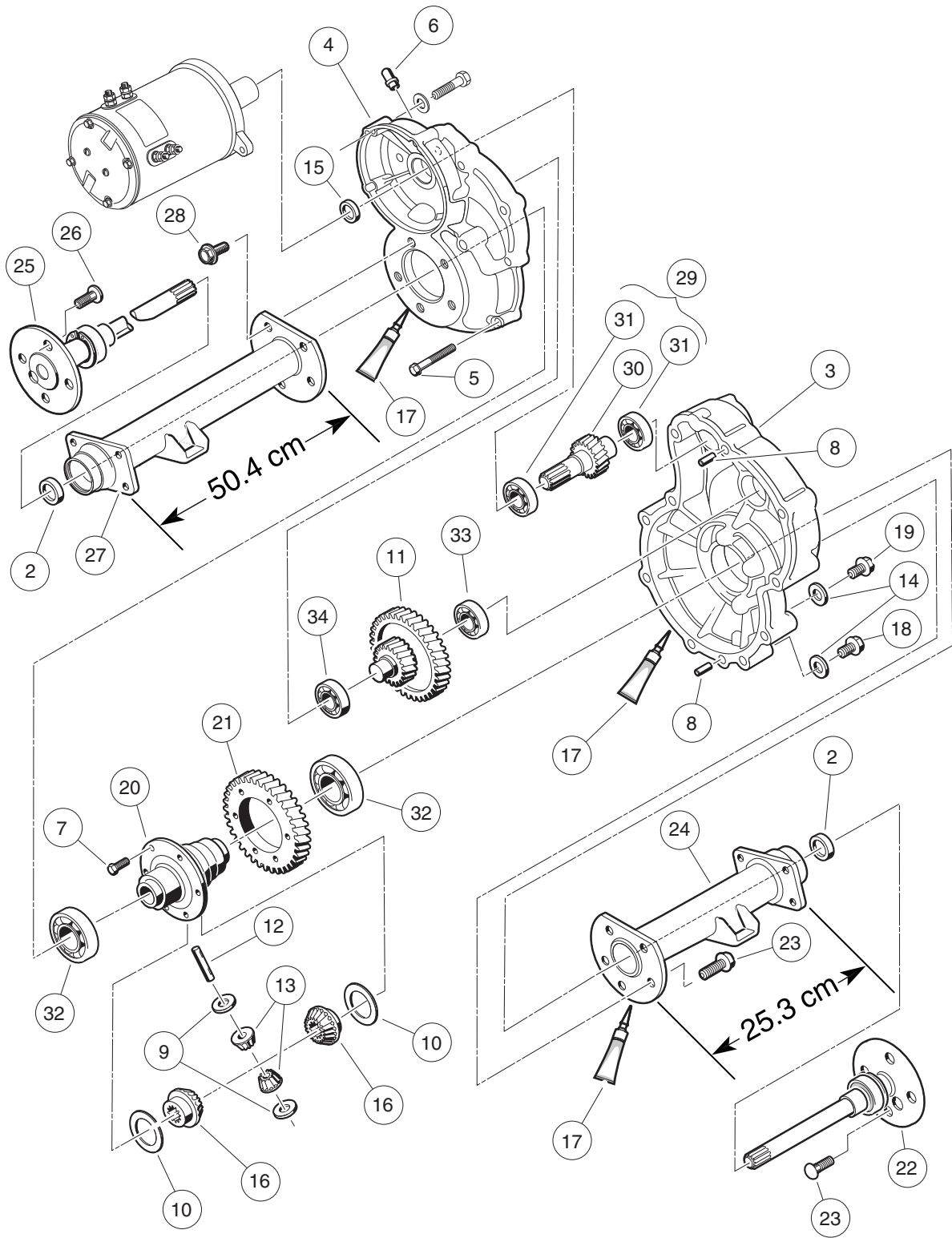
***E***

# TRANSAXLE – ELECTRIC VEHICLES

---

15

*E*



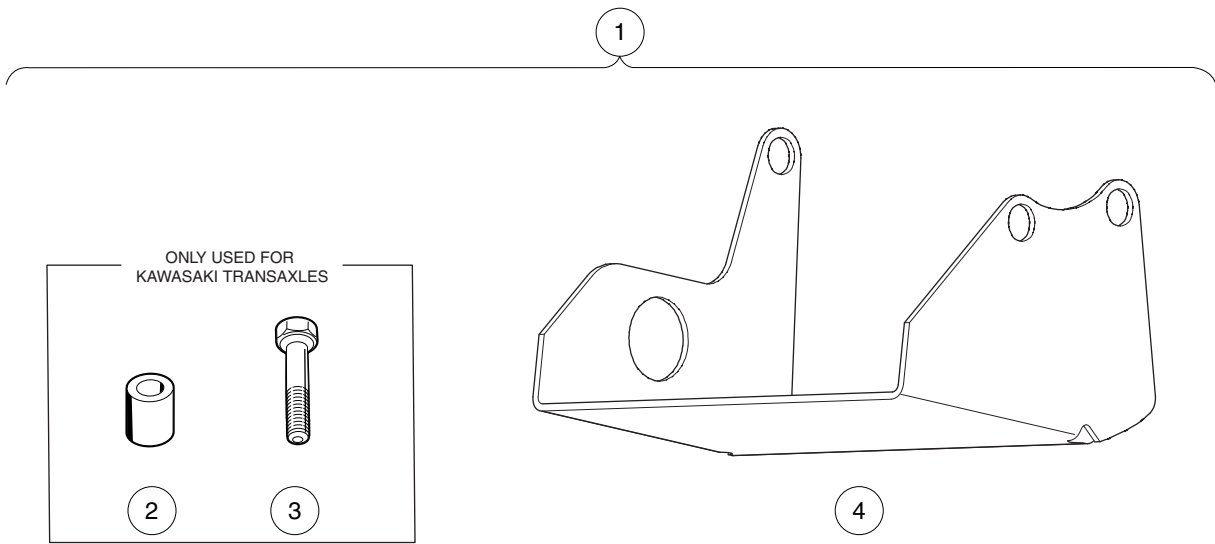
000223-005

# TRANSAXLE – ELECTRIC VEHICLES

| ITEM | PART NO.  | DESCRIPTION   | QTY |
|------|-----------|---|-----|
|      |           | <b>1 2 3 4</b>  |     |
| 1    | 102771701 | Transaxle, Electric (includes items 2 through 34) .....     | 1   |
| 2    | 1013794   | Axle Shaft Oil Seal .....                                   | 2   |
| 3    | 101895401 | Gear Case, Driver-Side .....                                | 1   |
| 4    | 101895501 | Gear Case, Passenger-Side .....                             | 1   |
| 5    | 101897001 | Screw, M8-1.25 X 60mm Hex-Head .....                        | 11  |
| 6    | 101897201 | Breather .....  | 1   |
| 7    | 101897401 | Screw, M10-1.25 X 25mm .....                                | 6   |
| 8    | 101897601 | Pin, 11mm OD X 8.5mm ID X 10mm .....                        | 2   |
| 9    | 101903601 | Washer, Thrust .....  | 2   |
| 10   | 101903701 | Washer, Thrust .....  | 2   |
| 11   | 101906901 | Intermediate Shaft Assembly .....                           | 1   |
| 12   | 101922101 | Pin, 15.99mm X 88.7mm Dowel .....                           | 1   |
| 13   | 101923001 | Gear, Differential Idler .....                              | 2   |
| 14   | 101923201 | Gasket .....  | 2   |
| 15   | 101923501 | Seal, Lip .....   | 1   |
| 16   | 101923901 | Gear, Differential .....                                    | 2   |
| 17   | 101928701 | Liquid Gasket (Transaxle case) .....                        | 1   |
| 18   | 101972101 | Plug, M14-1.5 X 12mm Magnetic .....                         | 1   |
| 19   | 101972201 | Plug, M14-1.5 X 12mm Hex .....                              | 1   |
| 20   | 102356601 | Housing, Differential, 6 Bolt .....                         | 6   |
| 21   | 102356801 | Gear, Differential Output, 6-Bolt .....                     | 6   |
| 22   | 102886301 | Axle Assembly, Driver-Side (includes item 23) .....         | 1   |
| 23   | 101922201 | Lug Stud .....  | 4   |
| 24   | 102886401 | Tube, Axle, Driver-Side .....                               | 1   |
| 25   | 102886501 | Axle Assembly, Passenger-Side (includes item 26) .....      | 1   |
| 26   | 101922201 | Lug Stud .....  | 4   |
| 27   | 102886601 | Tube, Axle, Passenger-Side .....                            | 1   |
| 28   | 102902801 | Screw, M10 X 30 .....                                       | 10  |
| 29   | 103582801 | Asm, E Trans Shaft/bearing (includes items 30 and 31) ..... | 1   |
| 30   | N/A       | Shaft, Input .....  | 1   |
| 31   | 7335      | Bearing .....   | 2   |
| 32   | 7330      | Inner Axle Tube Bearing .....                               | 2   |
| 33   | 7335      | Bearing .....   | 1   |
| 34   | 7336      | Bearing .....   | 1   |

15

E



000365-002

## DIFFERENTIAL GUARD – ELECTRIC VEHICLES

| ITEM | PART NO.  | DESCRIPTION   | QTY |
|------|-----------|---|-----|
|      |           | 1 2 3 4   |     |
| 1    | 101611402 | Kit, Differential Guard, Elec Vehicles (includes items 2 through 4) ..... | 1   |
| 2    | 101914001 | Spacer, Steel .....   | 2   |
| 3    | 101936101 | Screw, M10-1.50 X 60mm Hex Cap .....                                      | 2   |
| 4    | 101978601 | Guard, Differential, Electric Vehicle Transaxle .....                     | 1   |

15

E

**15**

***E***

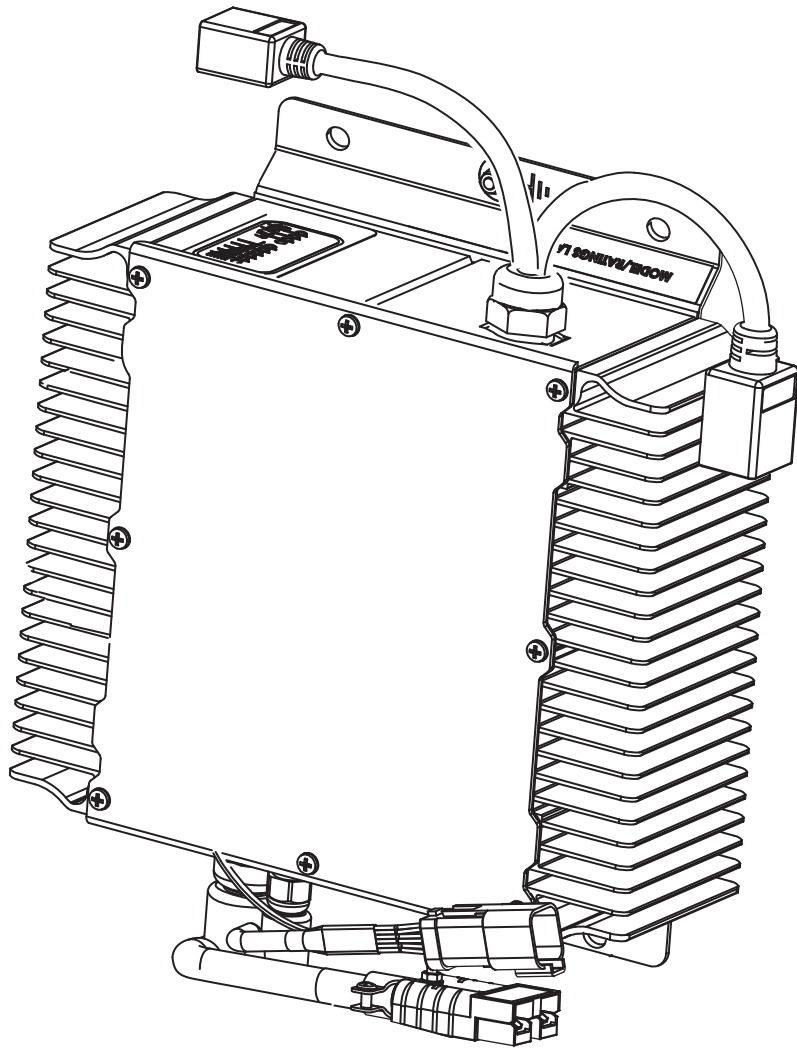


# BATTERY CHARGER – DELTAQ HIGH-FREQUENCY

---

**16**

**E**



1

001428-001

# HIGH-FREQUENCY BATTERY CHARGER – ONBOARD

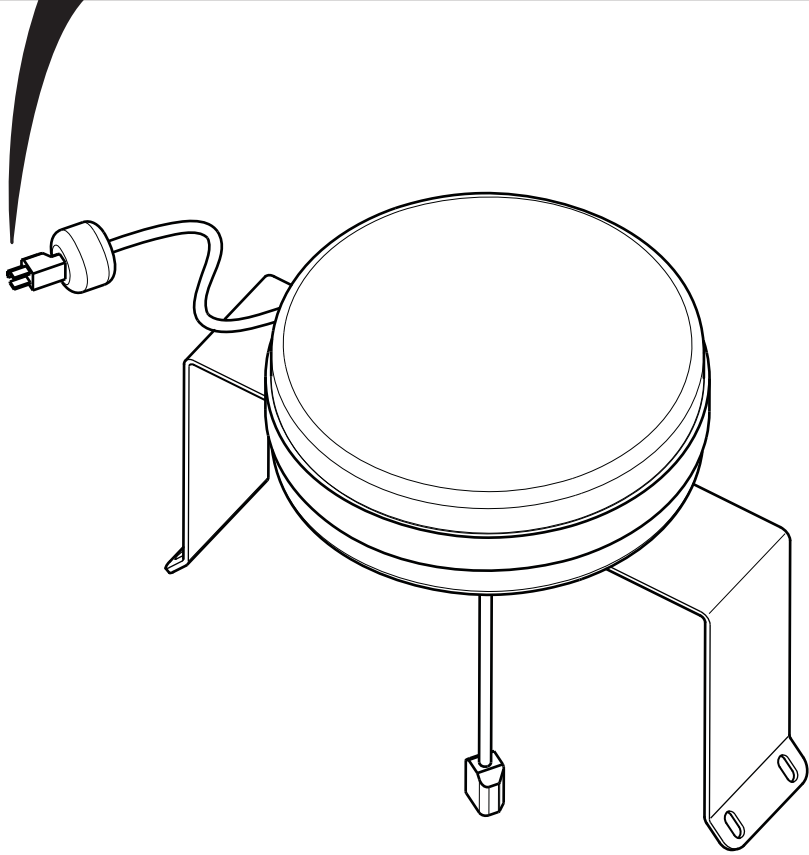
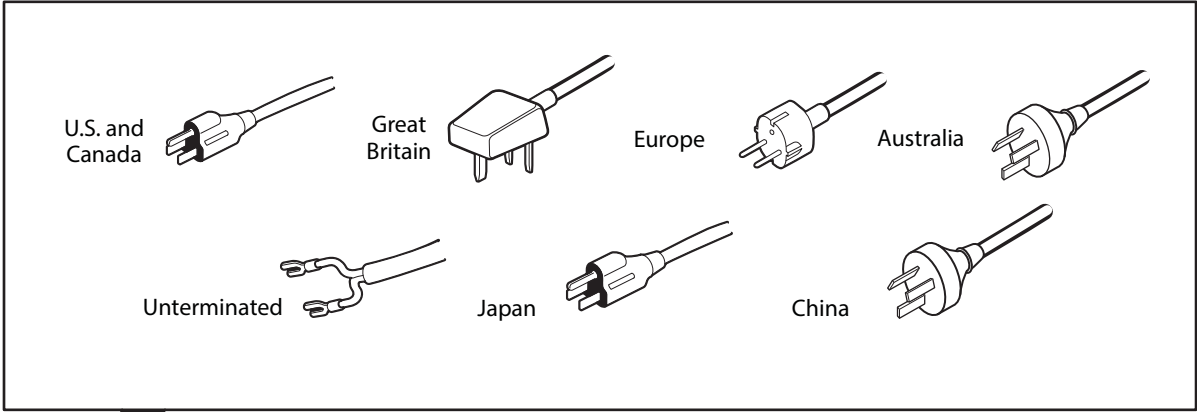
| ITEM | PART NO.   | DESCRIPTION                                     | QTY |
|------|------------|---|-----|
| 1    | SVPP325510 | 1 2 3 4<br>Charger, Delta Q, Sb50, Alg 11 ..... | 1   |

16

E

16

E



- 1
- 2
- 3
- 4
- 5
- 6
- 7

001429-001

## CORD REELS, ONBOARD – HIGH-FREQUENCY CHARGER

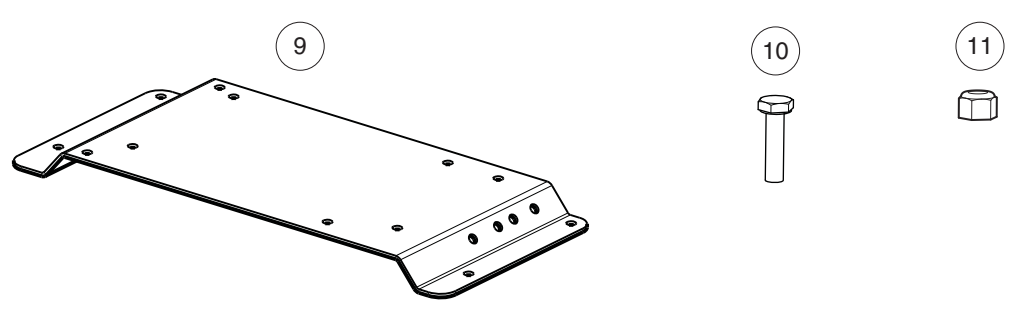
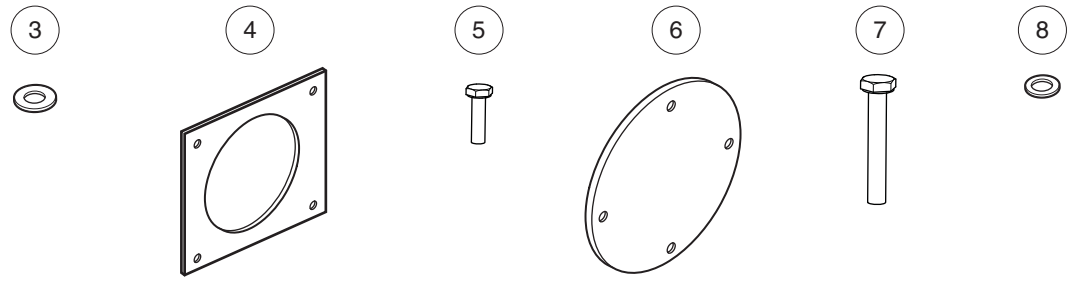
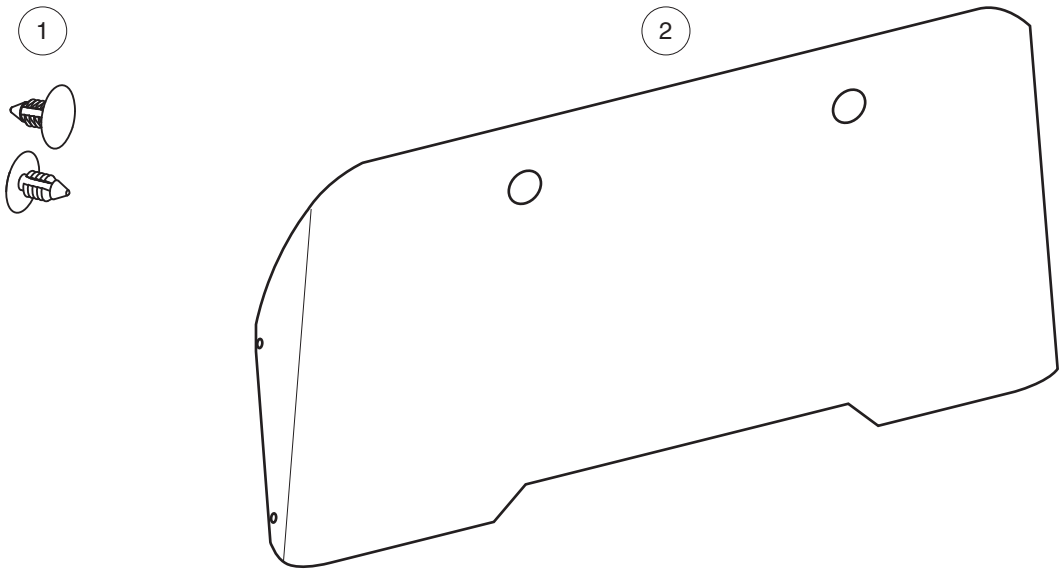
| ITEM | PART NO.    | DESCRIPTION                          | QTY |
|------|-------------|--------------------------------------|-----|
|      |             | 1 2 3 4                              |     |
| 1    | 47579307001 | Cord Reel, Retrct, V6/v8 .....       | 1   |
| 2    | 47579307002 | Cord Reel,retrct,v6/v8, Uk .....     | 1   |
| 3    | 47579307003 | Cord Reel,retrct,v6/v8, Eu .....     | 1   |
| 4    | 47579307004 | Cord Reel,retrct,v6/v8, Au .....     | 1   |
| 5    | 47579307005 | Cord Reel,retrct,v6/v8, Unterm ..... | 1   |
| 6    | 47579307006 | Cord Reel,retrct,v6/v8, Japan .....  | 1   |
| 7    | 47579307007 | Cord Reel,retrct,v6/v8, China .....  | 1   |

16

E

16

E



001430-001

## CHARGER MOUNTING – ONBOARD HIGH-FREQ.

| ITEM | PART NO.    | DESCRIPTION                                      | QTY |
|------|-------------|--|-----|
|      |             | 1 2 3 4  |     |
| 1    | 1010434     | Barrel - Plastic .....                           | 4   |
| 2    | 1011348     | Rear Panel 4 Passenger .....                     | 1   |
| 3    | 1014306     | Washer, 1/4" Type B Flat .....                   | 4   |
| 4    | 101801001   | Plate, Receptacle Backing .....                  | 1   |
| 5    | 101832001   | Screw, #7-19 X 0.625 Phillips Pan-Head Tap ..... | 4   |
| 6    | 103218001   | Cover Plate, Receptacle .....                    | 1   |
| 7    | 304         | Screw, 1/4-20 X 1.0 Hex-Head Cap .....           | 4   |
| 8    | 332         | Washer, 1/4 Type A Narrow Flat .....             | 12  |
| 9    | 47579306001 | Brkt, Ob Charger, V6/v8 .....                    | 1   |
| 10   | 7847        | Screw, 1/4-20 X 0.75 Hex-Head Cap .....          | 8   |
| 11   | 8233        | Locknut, 1/4-20, Nylon Insert .....              | 12  |

16

E

**16**

***E***

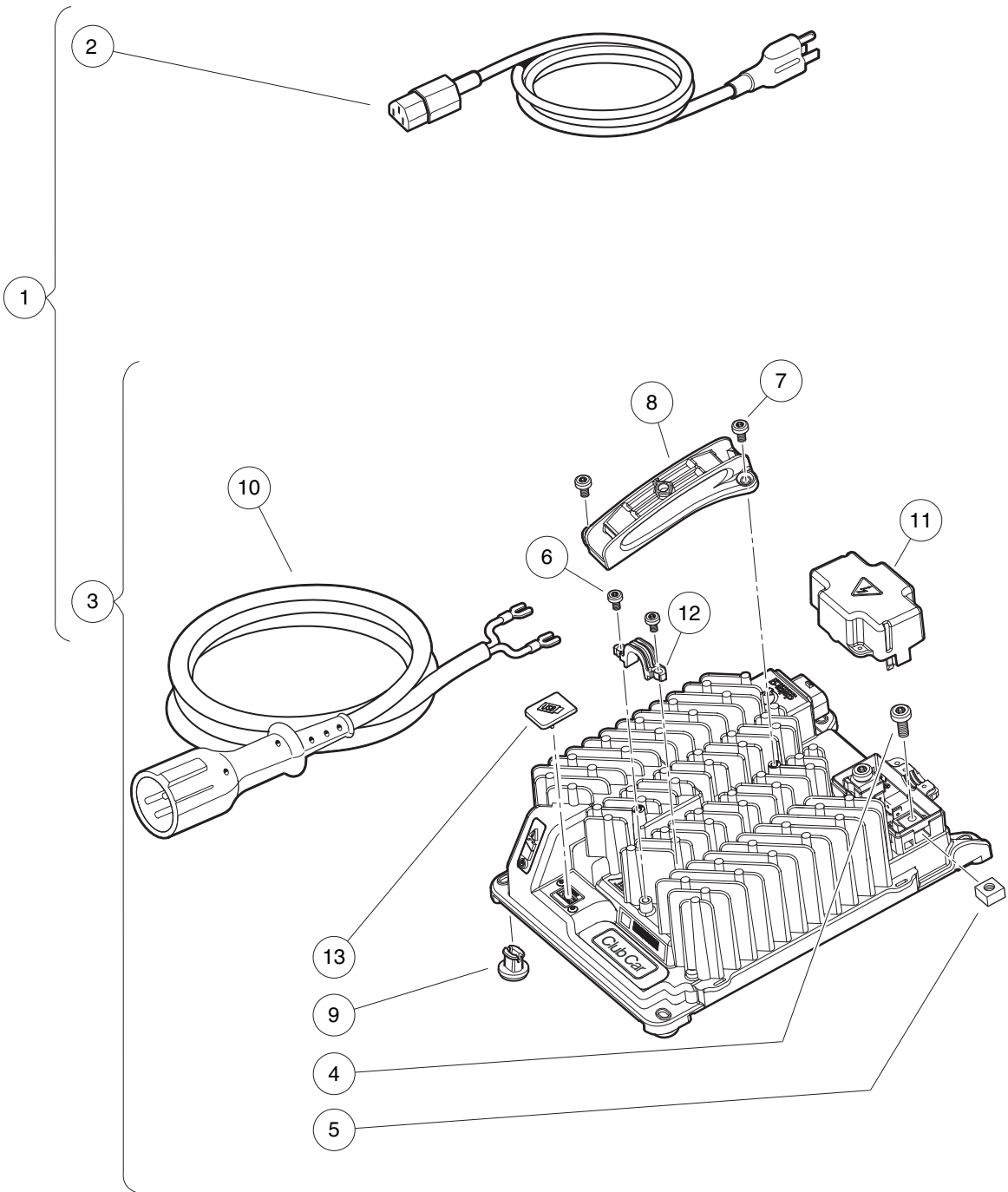


# BATTERY CHARGERS – E.R.I.C.HIGH-FREQUENCY

---

17

E



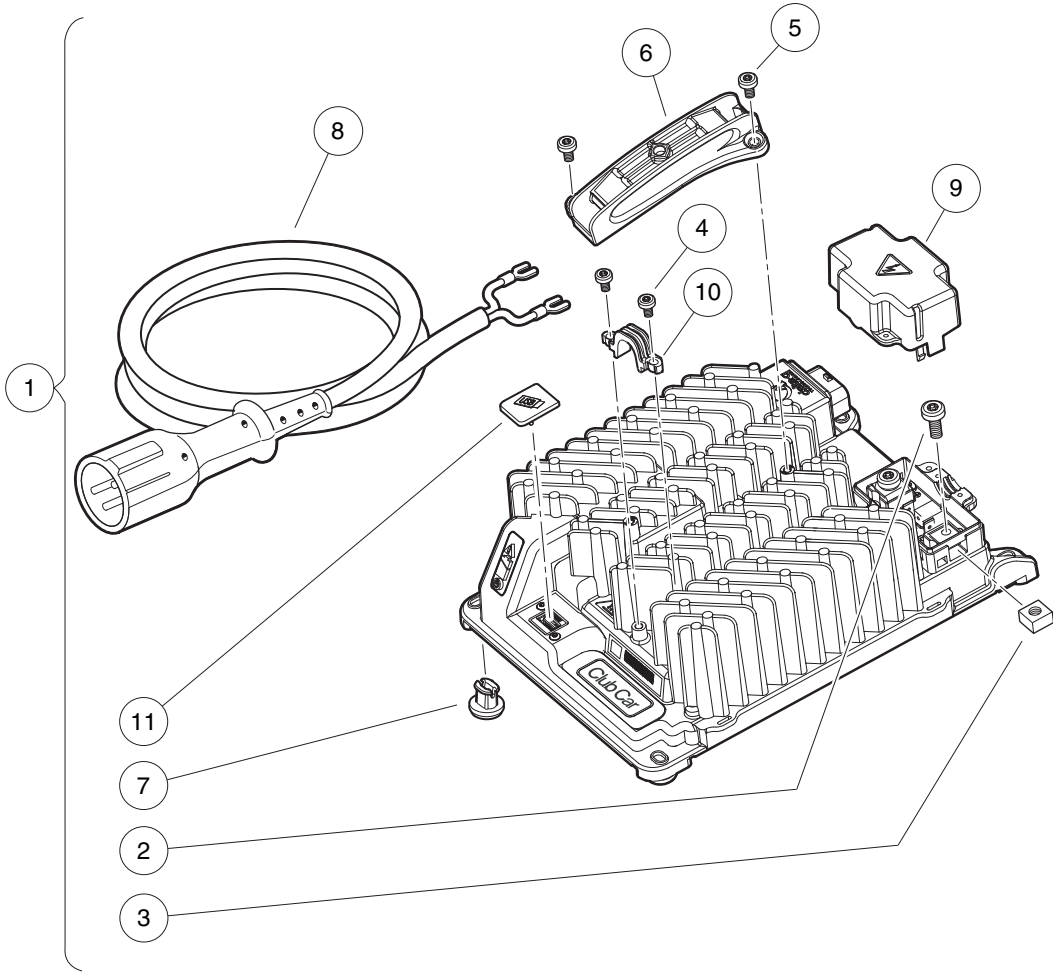
000610-002

## BATTERY CHARGER, HIGH-FREQUENCY – U.S./CANADA

| ITEM  | PART NO.  | DESCRIPTION   | QTY |
|---|-----------|---|-----|
|   |           | 1 2 3 4   |     |
| 1   | 105095201 | Charger, High-Freq, Service, 9ft Yel DC, 6ft AC, US/Canada (includes items 2 and 3) ..... | 1   |
| 2   | 104024201 | Cord, AC, Nema To Iec320, 6ft (1.83 m), U.S./Canada .....                                 | 1   |
| 3   | 104029601 | Charger, Asm, High-Freq, 9ft (2.74 m) Yellow DC Cord (includes items 4 through 13)        | 1   |
| 4   | 104024501 | Screw, M6, Torx Head .....  | 2   |
| 5   | 104024601 | Nut, M6, Square, Captured .....   | 2   |
| 6   | 104028901 | Screw, M4 X .70, Pan Hd, Torx .....   | 2   |
| 7   | 104029001 | Screw, M5 X .80, Pan Hd, Torx .....   | 2   |
| 8   | 105003601 | Handle, Charger, High-Freq .....  | 1   |
| 9   | 105003701 | Foot, Charger, High-Freq .....  | 4   |
| 10  | 105070101 | Cord, DC, Yellow, 9ft (2.74 m) .....  | 1   |
| 11  | 105092301 | Cover, DC Terminal Block, High-Freq Charger .....   | 1   |
| 12  | 105093101 | Strain Relief, High-Freq, External, Charger .....   | 1   |
| 13  | 105123801 | Cover, USB .....  | 1   |
| <p>Note: This charger includes both an AC cord and DC cord. For additional cord lengths that may be used with this charger, see the Battery Charger Cords page.</p> |           |   |     |

17

E



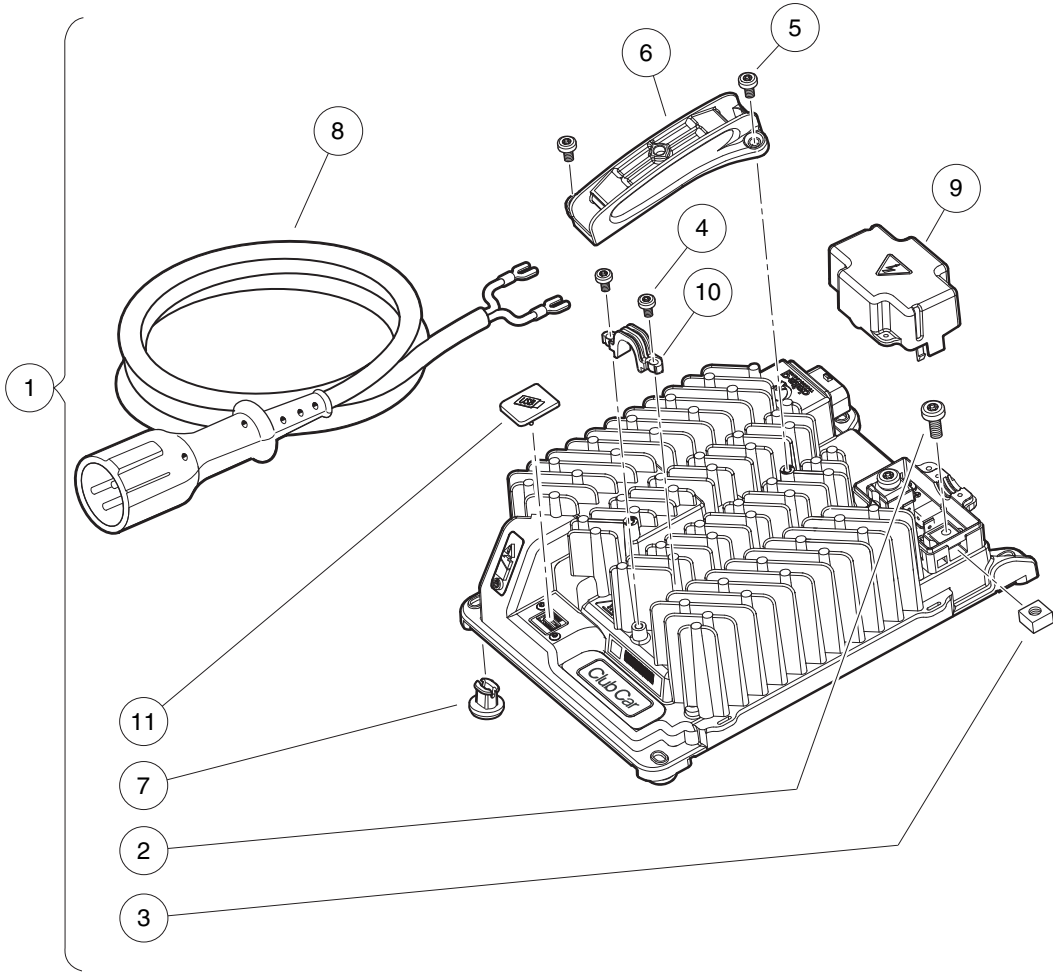
000610-003

# BATTERY CHARGER, HIGH-FREQ., 2.74 M DC CORD – GLOBAL

| ITEM  | PART NO.  | DESCRIPTION  | QTY |
|---|-----------|--|-----|
|   |           | <b>1 2 3 4</b>   |     |
| 1   | 104029601 | Charger, Asm, High-Freq, 9ft (2.74 m) Yellow DC Cord (includes items 2 through 11) ..... | 1   |
| 2   | 104024501 | Screw, M6, Torx Head .....   | 2   |
| 3   | 104024601 | Nut, M6, Square, Captured .....  | 2   |
| 4   | 104028901 | Screw, M4 X .70, Pan Hd, Torx .....  | 2   |
| 5   | 104029001 | Screw, M5 X .80, Pan Hd, Torx .....  | 2   |
| 6   | 105003601 | Handle, Charger, High-Freq .....   | 1   |
| 7   | 105003701 | Foot, Charger, High-Freq .....   | 4   |
| 8   | 105070101 | Cord, DC, Yellow, 9ft (2.74 m) .....   | 1   |
| 9   | 105092301 | Cover, DC Terminal Block, High-Freq Charger .....  | 1   |
| 10  | 105093101 | Strain Relief, High-Freq, External, Charger .....  | 1   |
| 11  | 105123801 | Cover, USB .....   | 1   |
| <p>Note: This charger does not include the AC cord. To complete the charger, choose the appropriate type and length of AC cord found on the Battery Charger Cords page.</p> |           |  |     |

**17**

**E**



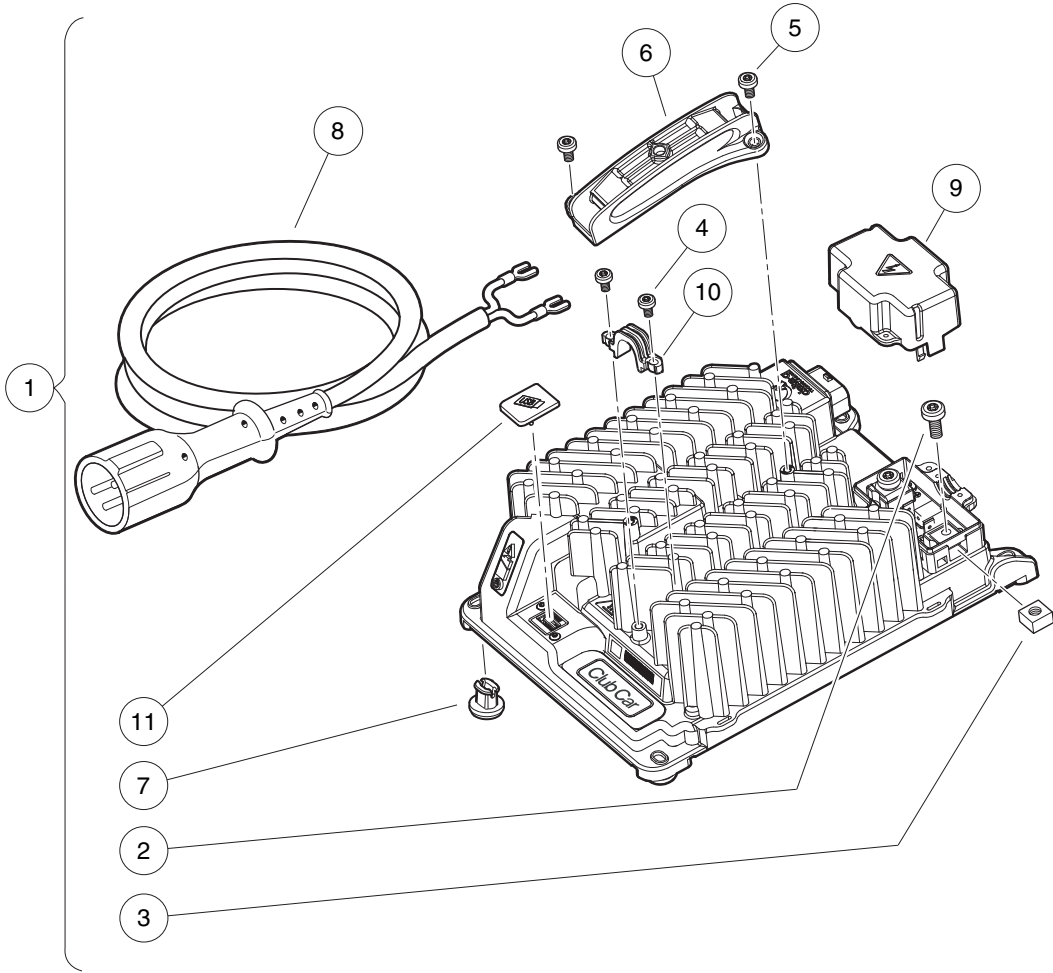
000610-003

# BATTERY CHARGER, HIGH-FREQ., 3.66 M DC CORD – GLOBAL

| ITEM  | PART NO.  | DESCRIPTION  | QTY |
|---|-----------|--|-----|
|   |           | <b>1 2 3 4</b>   |     |
| 1   | 104029602 | Charger, Asm, High-Freq, 12ft (3.66 m) Yellow DC Cord (includes items 2 through 11) .. | 1   |
| 2   | 104024501 | Screw, M6, Torx Head .....   | 2   |
| 3   | 104024601 | Nut, M6, Square, Captured .....  | 2   |
| 4   | 104028901 | Screw, M4 X .70, Pan Hd, Torx .....  | 2   |
| 5   | 104029001 | Screw, M5 X .80, Pan Hd, Torx .....  | 2   |
| 6   | 105003601 | Handle, Charger, High-Freq .....   | 1   |
| 7   | 105003701 | Foot, Charger, High-Freq .....   | 4   |
| 8   | 105070102 | Cord, DC, Yellow, 12ft (3.66 m) .....  | 1   |
| 9   | 105092301 | Cover, DC Terminal Block, High-Freq Charger .....                                      | 1   |
| 10  | 105093101 | Strain Relief, High-Freq, External, Charger .....                                      | 1   |
| 11  | 105123801 | Cover, USB .....   | 1   |
| <p>Note: This charger does not include the AC cord. To complete the charger, choose the appropriate type and length of AC cord found on the Battery Charger Cords page.</p> |           |  |     |

**17**

**E**



000610-003

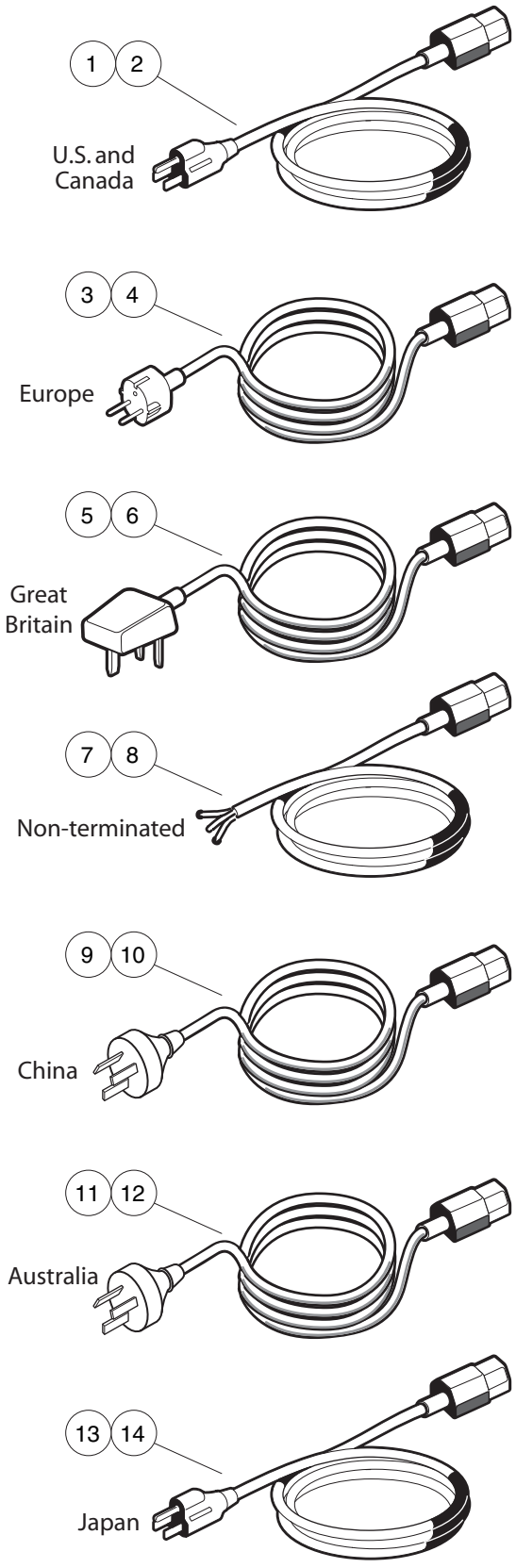


# BATTERY CHARGER, HIGH-FREQ., 6.1 M DC CORD – GLOBAL

| ITEM  | PART NO.  | DESCRIPTION  | QTY |
|---|-----------|--|-----|
|   |           | <b>1 2 3 4</b>   |     |
| 1   | 104029603 | Charger, Asm, High-Freq, 20ft (6.1 m) Yellow DC Cord (includes items 2 through 11) ..... | 1   |
| 2   | 104024501 | Screw, M6, Torx Head .....   | 2   |
| 3   | 104024601 | Nut, M6, Square, Captured .....  | 2   |
| 4   | 104028901 | Screw, M4 X .70, Pan Hd, Torx .....  | 2   |
| 5   | 104029001 | Screw, M5 X .80, Pan Hd, Torx .....  | 2   |
| 6   | 105003601 | Handle, Charger, High-Freq .....   | 1   |
| 7   | 105003701 | Foot, Charger, High-Freq .....   | 4   |
| 8   | 105070103 | Cord, DC, Yellow, 20ft (6.1 m) .....   | 1   |
| 9   | 105092301 | Cover, DC Terminal Block, High-Freq Charger .....  | 1   |
| 10  | 105093101 | Strain Relief, High-Freq, External, Charger .....  | 1   |
| 11  | 105123801 | Cover, USB .....   | 1   |
| <p>Note: This charger does not include the AC cord. To complete the charger, choose the appropriate type and length of AC cord found on the Battery Charger Cords page.</p> |           |  |     |

**17**

**E**



002808-001

## CORDS – BATTERY CHARGER, HIGH-FREQUENCY

| ITEM | PART NO.  | DESCRIPTION   | QTY |
|------|-----------|---|-----|
|      |           | 1 2 3 4   |     |
| 1    | 104024201 | Cord, AC, Nema To lec320, 6ft (1.83 m), U.S./Canada ..... | 1   |
| 2    | 104024202 | Cord, AC, Nema To lec320, 9ft (2.74 m), U.S./Canada ..... | 1   |
| 3    | 104024401 | Cord, AC, lec320, 6ft (1.83 m), Europe .....              | 1   |
| 4    | 104024402 | Cord, AC, lec320, 9ft (2.74 m), Europe .....              | 1   |
| 5    | 104028501 | Cord, AC, lec320, 6ft (1.83 m), Great Britain .....       | 1   |
| 6    | 104028502 | Cord, AC, lec320, 9ft (2.74 m), Great Britain .....       | 1   |
| 7    | 104028601 | Cord, AC, lec320, 6ft (1.83 m), Non-terminated .....      | 1   |
| 8    | 104028602 | Cord, AC, lec320, 9ft (2.74 m), Non-terminated .....      | 1   |
| 9    | 105068201 | Cord, AC, lec320, 6ft (1.83 m), China .....               | 1   |
| 10   | 105068202 | Cord, AC, lec320, 9ft (2.74 m), China .....               | 1   |
| 11   | 105068301 | Cord, AC, lec320, 6ft (1.83 m), Australia .....           | 1   |
| 12   | 105068302 | Cord, AC, lec320, 9ft (2.74 m), Australia .....           | 1   |
| 13   | 105068401 | Cord, AC, lec320, 6ft (1.83 m), Japan .....               | 1   |
| 14   | 105068402 | Cord, AC, lec320, 9ft (2.74 m), Japan .....               | 1   |

17

E

17

*E*

# INDEX

## Part Number and Page

|            |   |           |   |           |                                      |
|------------|---|-----------|---|-----------|--------------------------------------|
| AM10419    | 11-11   | 7716      | 5-3   | 1011280   | 4-5, 4-7                             |
| AM10622    | 1-51  | 7818      | 7-11, 7-13  | 1011348   | 16-7                                 |
| AM10639    | 1-17  | 7820      | 4-23, 4-25  | 1011382   | 4-13, 4-17                           |
| AM1205602  | 1-51  | 7847      | 1-19, 1-45, 16-7  | 1011402   | 5-3                                  |
| AM1213901  | 1-9   | 7893      | 4-5, 4-9, 4-11, 4-21, 7-11, 7-13  | 1011415   | 6-23                                 |
| AM1225001  | 1-5   | 7973      | 1-13  | 1011418   | 5-3                                  |
| AM1300001  | 13-21   | 8056      | 7-17, 7-23  | 1011439   | 4-5, 4-7                             |
| AM1300101  | 13-21   | 8057      | 7-13, 7-15, 7-17, 7-21, 7-23  | 1011497   | 4-29                                 |
| AM1300201  | 13-21   | 8058      | 7-13, 7-15, 7-17, 7-21, 7-23  | 1011522   | 1-43                                 |
| AM1300301  | 13-21   | 8067      | 6-15  | 1011546   | 1-43                                 |
| SVP147801  | 3-3, 3-5  | 8104      | 4-9, 4-11   | 1011553   | 1-43, 3-3, 3-5                       |
| SVPP230201 | 1-29  | 8233      | 1-11, 1-29, 1-31, 1-33, 1-35, 1-37, 1-45, 1-47, 1-49, 4-23, 4-25, 4-27, 5-5, 5-7, 6-27, 9-13, 12-3, 12-19, 16-7 | 1011557   | 4-5, 4-7, 4-29                       |
| SVPP230901 | 1-29  | 8248      | 12-3  | 1011558   | 4-29                                 |
| SVPP230902 | 1-29  | 8251      | 1-47, 1-49  | 1011578   | 1-3, 6-7                             |
| SVPP230903 | 1-29  | 8294      | 4-23, 4-25  | 1011582   | 4-29                                 |
| SVPP230904 | 1-29  | 8450      | 11-7, 11-9  | 1011590   | 4-9                                  |
| SVPP234001 | 1-29  | 8639      | 7-11, 7-13  | 1011652   | 1-25                                 |
| SVPP285901 | 1-29  | 8717      | 5-5, 5-7, 7-11, 7-13, 12-3, 12-5  | 1011694   | 5-5, 5-7                             |
| SVPP325510 | 16-3  | 8754      | 1-27, 5-5, 5-7, 6-5, 6-7, 6-17, 6-19, 6-21, 6-25, 7-9   | 1011697   | 1-51, 6-7, 6-13, 13-13, 13-15, 13-17 |
| 183        | 4-5, 4-7, 4-9, 4-11, 4-21, 11-7, 11-9, 13-5   | 8755      | 6-19, 6-25  | 1011734   | 5-7                                  |
| 304        | 1-31, 1-33, 1-35, 1-37, 4-23, 4-25, 16-7  | 8861      | 6-17, 6-27  | 1011779   | 5-11                                 |
| 320        | 1-27  | 8935      | 1-3   | 1011825   | 4-23, 4-25                           |
| 332        | 1-11, 1-25, 1-29, 1-31, 1-33, 1-35, 1-37, 1-45, 1-47, 1-49, 4-23, 4-25, 13-5, 16-7                              | 8963      | 1-31, 1-33, 1-35, 1-37, 1-51  | 1011843   | 4-29                                 |
| 334        | 5-5, 5-7, 6-5, 6-7, 11-7, 11-9  | 8990      | 4-9, 4-11, 4-19, 4-27, 6-5, 12-7, 12-9, 12-11, 12-13  | 1011852   | 1-31, 1-33, 1-35, 1-37               |
| 343        | 1-33, 1-37  | 1010124   | 6-21  | 1011857   | 6-27                                 |
| 357        | 1-43, 6-21, 6-27  | 1010138   | 6-17  | 101187702 | 5-3                                  |
| 451        | 14-3  | 1010145   | 6-23  | 1011897   | 1-21                                 |
| 706        | 1-43, 6-21  | 1010150   | 6-19  | 1011931   | 5-5, 5-7                             |
| 808        | 1-43, 6-27  | 1010237   | 1-31, 1-33, 1-35, 1-37  | 1011942   | 1-31, 1-35                           |
| 1016       | 4-5, 4-9, 4-11, 4-21, 13-5  | 1010434   | 1-7, 16-7   | 1011964   | 1-31, 1-33, 1-35, 1-37               |
| 1017       | 4-3, 13-5   | 1010517   | 1-31, 1-33, 1-35, 1-37  | 1011988   | 1-29                                 |
| 1028       | 5-3   | 1010577   | 1-29, 8-5   | 1011990   | 1-27                                 |
| 1032       | 5-3   | 1010805   | 5-3   | 1012008   | 1-31, 1-33, 1-35, 1-37               |
| 1218       | 1-43, 6-3, 9-15   | 1010829   | 5-11  | 1012285   | 4-27, 13-5                           |
| 1241       | 1-11, 1-29, 1-31, 1-33, 1-35, 1-37, 4-5, 4-7, 5-3, 5-5, 5-7, 5-11, 6-3, 7-11, 7-13, 7-25, 8-5, 9-15             | 1010877   | 5-3   | 1012295   | 7-11, 7-13                           |
| 1242       | 4-19, 5-11, 7-9, 7-11, 7-13   | 1010878   | 5-3   | 1012303   | 6-21, 6-25                           |
| 1606       | 1-11, 7-25  | 101090802 | 13-13, 13-15, 13-17   | 1012396   | 4-13                                 |
| 1620       | 4-3   | 1010909   | 4-5, 4-21   | 1012412   | 1-47, 1-49                           |
| 1624       | 1-43, 5-5, 5-7, 6-5, 7-9  | 1010921   | 5-3   | 1012431   | 7-13, 7-15, 7-17                     |
| 2402       | 6-19  | 1010927   | 5-3   | 1012438   | 4-7, 13-5                            |
| 4029       | 4-23, 4-25  | 1010932   | 5-3   | 1012505   | 4-13, 4-17                           |
| 7048       | 6-15  | 1010933   | 5-3   | 1012528   | 10-3, 13-5                           |
| 7173       | 1-11, 4-5, 4-7, 6-27, 7-25  | 1010934   | 1-51, 7-25  | 1012594   | 7-15, 7-17                           |
| 7174       | 6-9, 6-27, 7-9, 10-3, 13-5  | 1010954   | 7-11, 7-13  | 1012604   | 6-7                                  |
| 7311       | 1-29, 1-31, 1-33, 1-35, 1-37, 6-27  | 1010958   | 13-13, 13-15, 13-17   | 1012605   | 6-7                                  |
| 7330       | 15-3  | 1010984   | 2-3   | 1012649   | 9-7                                  |
| 7335       | 15-3  | 1010993   | 1-47, 1-49  | 1012836   | 11-11                                |
| 7336       | 15-3  | 1011084   | 5-7   | 1012987   | 12-3                                 |
| 7473       | 1-3, 1-29, 1-31, 1-33, 1-35, 1-37, 1-43, 1-51, 4-5, 4-7, 5-3, 5-5, 5-7, 5-11, 6-3, 6-27, 7-11, 7-13, 7-25, 9-15 | 1011098   | 1-51  | 101303202 | 1-47, 1-49                           |
| 7591       | 4-5, 4-7, 4-29, 8-9   | 1011114   | 9-13, 12-19   | 1013035   | 6-5                                  |
|            |   | 1011137   | 5-15  | 1013042   | 6-5, 6-11                            |
|            |   | 1011229   | 4-5, 4-7  | 1013044   | 6-5                                  |
|            |   |           |   | 1013052   | 6-5                                  |
|            |   |           |   | 1013343   | 1-13                                 |
|            |   |           |   | 1013344   | 1-13                                 |
|            |   |           |   | 1013357   | 4-5, 4-7                             |

# INDEX

|           |                              |           |                           |           |                     |
|-----------|------------------------------|-----------|---------------------------|-----------|---------------------|
| 1013494   | 4-13, 4-17                   | 1014808   | 7-13, 7-21, 7-23          | 1016849   | 4-13, 4-17          |
| 1013531   | 5-11                         | 1014902   | 6-25                      | 1016851   | 4-13, 4-17          |
| 1013547   | 4-27                         | 1014947   | 13-5                      | 1016879   | 4-3                 |
| 1013579   | 4-27                         | 1015059   | 1-29                      | 1016880   | 4-3                 |
| 1013589   | 7-11, 7-13                   | 1015064   | 12-3                      | 1016901   | 11-7                |
| 1013591   | 12-3                         | 1015072   | 1-29, 13-13, 13-15, 13-17 | 1016916   | 1-25                |
| 1013609   | 7-11, 7-13                   | 1015077   | 1-29                      | 1016952   | 1-19, 1-47, 1-49    |
| 1013677   | 3-3                          | 1015091   | 1-31, 1-33, 1-35, 1-37    | 1016967   | 6-13                |
| 1013683   | 13-13, 13-15, 13-17          | 1015137   | 9-7                       | 1017029   | 5-3                 |
| 1013746   | 9-7                          | 1015332   | 7-3                       | 1017035   | 4-29                |
| 1013794   | 15-3                         | 1015373   | 7-11, 7-13                | 1017062   | 4-3                 |
| 1013832   | 6-21                         | 1015405   | 7-11, 7-13                | 1017064   | 4-3                 |
| 1013869   | 5-3                          | 1015453   | 6-27                      | 1017065   | 4-3                 |
| 1013870   | 5-3                          | 1015457   | 6-27                      | 101707402 | 4-9                 |
| 1013872   | 1-33, 1-37                   | 101547601 | 3-5                       | 101707405 | 4-11                |
| 1013876   | 5-3                          | 1015528   | 4-13, 4-17                | 1017075   | 4-9, 4-11           |
| 1013884   | 1-33, 1-37                   | 101553901 | 3-3, 3-5                  | 101708301 | 1-19                |
| 1013924   | 5-13, 5-15, 8-5              | 1015583   | 6-25                      | 1017141   | 1-47, 1-49          |
| 1014007   | 5-5, 5-7, 9-13, 12-5, 12-19  | 101558302 | 6-21                      | 1017145   | 11-11               |
| 1014051   | 11-9                         | 1015597   | 6-15                      | 1017226   | 6-9                 |
| 1014055   | 11-7, 11-9                   | 1015608   | 1-3                       | 1017266   | 6-19                |
| 1014056   | 11-7, 11-9                   | 1015613   | 6-27                      | 1017273   | 6-13                |
| 1014057   | 11-7, 11-9                   | 1015614   | 6-27                      | 1017313   | 6-7                 |
| 1014058   | 11-7, 11-9                   | 1015737   | 7-11, 7-13                | 1017314   | 6-7                 |
| 1014059   | 11-7, 11-9                   | 1015741   | 4-5, 4-7, 7-11, 7-13      | 1017315   | 6-7                 |
| 1014062   | 11-7, 11-9                   | 1015752   | 7-11, 7-13                | 1017317   | 6-7                 |
| 1014063   | 11-7, 11-9, 13-5             | 1015760   | 6-27                      | 1017378   | 5-5, 5-7            |
| 1014065   | 7-11, 7-13, 11-7, 11-9       | 1015878   | 7-13, 7-21, 7-23          | 1017380   | 5-5, 5-7            |
| 1014072   | 11-11                        | 1015932   | 7-9                       | 1017424   | 5-5, 5-7            |
| 1014078   | 11-11                        | 1015969   | 8-7                       | 1017686   | 11-11               |
| 1014080   | 11-11                        | 1016103   | 8-9                       | 1017699   | 4-29                |
| 1014116   | 9-3                          | 101611402 | 15-5                      | 1017721   | 4-5, 4-21           |
| 1014125   | 6-7                          | 1016183   | 6-7                       | 1017724   | 4-9, 4-11           |
| 1014126   | 6-7                          | 1016201   | 11-7, 11-9                | 1017760   | 1-51                |
| 1014145   | 7-11, 7-13, 12-3             | 1016269   | 6-7                       | 1017774   | 1-29                |
| 1014201   | 14-3                         | 1016289   | 11-7, 11-9                | 1017853   | 4-5, 4-7            |
| 1014213   | 6-7                          | 1016346   | 6-19                      | 101791101 | 5-13                |
| 1014214   | 6-7                          | 1016349   | 6-19                      | 1017936   | 1-45                |
| 1014217   | 6-7                          | 1016350   | 6-19                      | 101795701 | 13-13, 13-15, 13-17 |
| 1014276   | 6-21                         | 1016351   | 6-19                      | 101795705 | 13-5, 13-7          |
| 1014287   | 11-7, 11-9                   | 1016353   | 6-19                      | 101796201 | 5-5, 5-7            |
| 1014288   | 6-7, 7-25, 11-7, 11-9        | 1016356   | 4-5, 4-7, 13-5            | 101801001 | 13-11, 16-7         |
| 1014289   | 7-5, 7-7                     | 1016363   | 4-7, 13-5                 | 101804301 | 4-13                |
| 1014304   | 13-13, 13-15, 13-17          | 1016365   | 4-19                      | 101806901 | 1-49                |
| 1014306   | 1-47, 1-49, 4-27, 16-7       | 1016366   | 4-7, 13-5                 | 101815501 | 5-13, 5-15          |
| 1014375   | 7-25                         | 1016384   | 6-19                      | 101815502 | 5-13, 5-15          |
| 1014435   | 1-21                         | 1016385   | 6-21                      | 101816501 | 5-13, 5-15          |
| 101444101 | 1-21                         | 1016386   | 6-19                      | 101816502 | 5-13, 5-15          |
| 1014453   | 11-7, 11-9                   | 1016387   | 6-19, 6-21                | 101817401 | 5-5, 5-7            |
| 1014454   | 11-11                        | 1016389   | 6-19                      | 101818801 | 5-7                 |
| 1014530   | 4-23, 4-25                   | 1016423   | 4-5, 4-7                  | 101823201 | 5-13, 5-15          |
| 1014540   | 4-27                         | 1016630   | 4-13                      | 101823801 | 5-13, 5-15          |
| 1014555   | 6-25                         | 1016801   | 11-7, 11-9                | 101823901 | 5-13, 5-15          |
| 1014727   | 7-15, 7-17                   | 1016811   | 1-19                      | 101824101 | 8-9                 |
| 1014789   | 7-3                          | 1016813   | 6-27                      | 101825101 | 3-3, 3-5            |
| 1014807   | 7-13, 7-15, 7-17, 7-21, 7-23 | 1016814   | 6-27                      | 101826201 | 4-17                |

# INDEX

|           |               |           |            |           |                        |
|-----------|---------------|-----------|------------|-----------|------------------------|
| 101826301 | 4-13          | 101920101 | 14-3       | 102022601 | 6-11                   |
| 101830601 | 4-13, 4-17    | 101922101 | 15-3       | 102022602 | 6-5, 6-11              |
| 101830701 | 4-13, 4-17    | 101922201 | 15-3       | 102025701 | 5-9                    |
| 101832001 | 13-11, 16-7   | 101922501 | 13-9       | 102025801 | 1-11, 9-5, 9-7         |
| 101833401 | 11-11         | 101923001 | 15-3       | 102026001 | 5-5, 5-7               |
| 101834502 | 4-13, 4-17    | 101923201 | 15-3       | 102045001 | 1-11                   |
| 101834602 | 8-5           | 101923501 | 15-3       | 102046501 | 3-7                    |
| 101835601 | 4-19          | 101923901 | 15-3       | 102048401 | 1-11                   |
| 101837001 | 1-47          | 101926501 | 6-25       | 102059501 | 12-15, 12-17           |
| 101841201 | 1-29          | 101928701 | 15-3       | 102066201 | 6-25                   |
| 101841202 | 1-29          | 101929401 | 6-25       | 102075801 | 3-3, 3-5               |
| 101841301 | 1-29          | 101931501 | 3-3, 13-5  | 102076701 | 1-51                   |
| 101851101 | 4-13, 4-17    | 101932201 | 4-5, 4-7   | 102076702 | 1-31, 1-33, 1-35, 1-37 |
| 101856002 | 4-17          | 101936101 | 15-5       | 102155801 | 11-11                  |
| 101856102 | 7-11, 7-13    | 101942301 | 14-3       | 102158901 | 5-5, 5-7               |
| 101861901 | 5-5, 5-7      | 101953101 | 5-11       | 102162601 | 5-11                   |
| 101862001 | 5-5           | 101954301 | 1-11, 1-25 | 102163001 | 1-23                   |
| 101878201 | 5-3           | 101955101 | 4-23, 4-25 | 102163101 | 1-23                   |
| 101879401 | 6-5           | 101957101 | 4-5, 4-7   | 102166901 | 5-11                   |
| 101879501 | 6-5           | 101960501 | 1-49, 3-5  | 102186001 | 14-3                   |
| 101879601 | 6-5           | 101960601 | 3-3, 3-5   | 102186101 | 14-3                   |
| 101879701 | 6-5           | 101963401 | 7-19, 8-5  | 102186201 | 14-3                   |
| 101879801 | 6-5           | 101965206 | 13-5       | 102186401 | 14-3                   |
| 101879901 | 6-5           | 101968701 | 13-5, 13-7 | 102186701 | 14-3                   |
| 101880001 | 6-5           | 101969701 | 4-23       | 102186901 | 14-3                   |
| 101880101 | 6-5           | 101972001 | 1-51       | 102187101 | 14-3                   |
| 101880201 | 6-5           | 101972101 | 15-3       | 102187201 | 14-3                   |
| 101880301 | 6-5           | 101972201 | 15-3       | 102196901 | 4-17, 13-7             |
| 101881501 | 4-27          | 101978001 | 13-5, 13-7 | 102198701 | 4-5                    |
| 101881601 | 4-27          | 101978102 | 13-5, 13-7 | 102199001 | 4-5                    |
| 101884801 | 8-5           | 101978202 | 13-5, 13-7 | 102199201 | 4-5                    |
| 101886101 | 9-13, 12-19   | 101978601 | 15-5       | 102199301 | 4-5                    |
| 101895401 | 15-3          | 101979101 | 7-15, 7-17 | 102199401 | 4-5                    |
| 101895501 | 15-3          | 101984801 | 6-7        | 102199601 | 13-5, 13-7             |
| 101897001 | 15-3          | 101985502 | 1-25       | 102235201 | 14-3                   |
| 101897201 | 15-3          | 101987602 | 1-25       | 102238001 | 13-5                   |
| 101897401 | 15-3          | 101987701 | 9-7        | 102240501 | 13-5                   |
| 101897601 | 15-3          | 101987901 | 4-3        | 102242101 | 8-5, 11-11             |
| 101898001 | 7-25          | 101988001 | 4-3        | 102242401 | 1-31, 1-33, 1-35, 1-37 |
| 101898101 | 7-25          | 101988002 | 4-3        | 102243101 | 13-5                   |
| 101900801 | 5-11          | 101988101 | 4-3        | 102243403 | 14-3                   |
| 101903001 | 13-5, 13-7    | 101988201 | 4-3        | 102263601 | 13-7                   |
| 101903101 | 6-19          | 101990801 | 5-11       | 102269701 | 7-19                   |
| 101903601 | 15-3          | 101997802 | 4-27       | 102274101 | 12-31                  |
| 101903701 | 15-3          | 101997803 | 4-27       | 102278001 | 6-7                    |
| 101906901 | 15-3          | 101997902 | 4-27       | 102289002 | 1-3                    |
| 101908101 | 13-9          | 101997903 | 4-27       | 102289201 | 6-5, 6-11              |
| 101908401 | 13-9          | 101998004 | 1-25       | 102292801 | 5-11                   |
| 101908601 | 3-3           | 101998006 | 1-25       | 102296020 | 6-13                   |
| 101910401 | 1-29          | 101998007 | 1-25       | 102296530 | 1-25, 1-29             |
| 101912401 | 5-7           | 101998008 | 1-25       | 102297230 | 13-3                   |
| 101914001 | 15-5          | 101998501 | 1-25       | 102298116 | 8-9                    |
| 101914401 | 4-5           | 102004101 | 6-9        | 102298240 | 1-3                    |
| 101915201 | 3-5           | 102004201 | 6-25       | 102298720 | 1-3                    |
| 101918501 | 5-3, 5-5, 5-7 | 102004401 | 1-7        | 102323101 | 5-11                   |
| 101919801 | 5-5, 5-7      | 102005701 | 1-23       | 102323201 | 5-11                   |

# INDEX

|           |                           |           |                        |           |            |
|-----------|---------------------------|-----------|------------------------|-----------|------------|
| 102324901 | 1-29                      | 102732401 | 8-5                    | 103316801 | 13-5       |
| 102353201 | 6-15                      | 102771701 | 15-3                   | 103316901 | 13-5       |
| 102353301 | 6-15                      | 102778501 | 1-7                    | 103347101 | 7-5, 7-7   |
| 102354901 | 4-19                      | 102778502 | 1-7                    | 103347301 | 7-5, 7-7   |
| 102355001 | 4-19                      | 102778503 | 1-7                    | 103347601 | 7-5, 7-7   |
| 102355102 | 1-27                      | 102778504 | 1-7                    | 103347701 | 7-5, 7-7   |
| 102355301 | 7-25                      | 102778505 | 1-7                    | 103347801 | 7-5, 7-7   |
| 102356601 | 15-3                      | 102778507 | 1-7                    | 103347901 | 7-5, 7-7   |
| 102356801 | 15-3                      | 102778509 | 1-7                    | 103348201 | 4-13       |
| 102357501 | 4-19                      | 102778601 | 1-11                   | 103348202 | 4-15, 4-17 |
| 102357701 | 6-15                      | 102829701 | 1-27                   | 103348501 | 4-13       |
| 102376001 | 12-5                      | 102829702 | 1-27                   | 103348601 | 4-13       |
| 102410604 | 8-9, 9-13                 | 102829801 | 1-27                   | 103351001 | 6-17       |
| 102411203 | 9-3                       | 102830401 | 6-21                   | 103351101 | 6-23       |
| 102411209 | 9-15                      | 102830501 | 1-3                    | 103354401 | 4-15, 4-17 |
| 102476401 | 9-13, 12-19               | 102838701 | 7-5, 7-7               | 103354701 | 6-11       |
| 102490301 | 9-13                      | 102838801 | 7-5, 7-7               | 103364101 | 1-11       |
| 102491501 | 11-7, 11-9                | 102838901 | 7-5, 7-7               | 103364201 | 1-11       |
| 102498201 | 9-13, 12-15, 12-17, 12-19 | 102839001 | 7-5, 7-7               | 103364801 | 6-27       |
| 102503211 | 1-29                      | 102839301 | 7-5, 7-7               | 103365401 | 1-47       |
| 102503212 | 1-29                      | 102841101 | 7-5, 7-7               | 103365402 | 1-47       |
| 102503214 | 1-29                      | 102844601 | 7-5, 7-7               | 103365403 | 1-47       |
| 102503215 | 1-29                      | 102844701 | 7-5, 7-7               | 103365404 | 1-47       |
| 102503221 | 1-25                      | 102852801 | 1-39                   | 103365405 | 1-47       |
| 102503222 | 1-25                      | 102854301 | 1-31, 1-33, 1-35, 1-37 | 103365407 | 1-47       |
| 102503224 | 1-25                      | 102854302 | 1-31, 1-33, 1-35, 1-37 | 103365409 | 1-47       |
| 102503225 | 1-25                      | 102865101 | 9-7                    | 103365501 | 1-49       |
| 102508701 | 4-17                      | 102865901 | 13-5                   | 103365502 | 1-49       |
| 102517501 | 4-11                      | 102869401 | 4-5, 4-7, 4-13, 4-17   | 103365503 | 1-49       |
| 102517601 | 4-25                      | 102871801 | 6-25                   | 103365504 | 1-49       |
| 102526201 | 12-3, 12-5                | 102886301 | 15-3                   | 103365505 | 1-49       |
| 102529201 | 4-9, 4-11                 | 102886401 | 15-3                   | 103365507 | 1-49       |
| 102529203 | 4-25                      | 102886501 | 15-3                   | 103365509 | 1-49       |
| 102537802 | 6-13                      | 102886601 | 15-3                   | 103372101 | 9-3        |
| 102538101 | 3-5                       | 102902801 | 15-3                   | 103372401 | 9-7        |
| 102538201 | 3-3                       | 102915601 | 4-29                   | 103378301 | 1-29       |
| 102540301 | 8-5                       | 102958001 | 13-19                  | 103378302 | 1-29       |
| 102540802 | 6-13                      | 102977001 | 4-13                   | 103380201 | 5-13, 5-15 |
| 102541402 | 8-9                       | 102977002 | 4-17                   | 103380202 | 5-13, 5-15 |
| 102541425 | 1-29                      | 103180101 | 4-13, 4-17             | 103389101 | 3-7        |
| 102541445 | 1-29                      | 103196202 | 8-5                    | 103389201 | 3-7        |
| 102541465 | 1-29                      | 103198301 | 4-17                   | 103389301 | 3-7        |
| 102541501 | 1-29                      | 103199001 | 4-13                   | 103389401 | 3-7        |
| 102546401 | 4-11                      | 103199101 | 4-13                   | 103395101 | 1-11       |
| 102558201 | 8-3, 9-15                 | 103218001 | 16-7                   | 103395505 | 13-19      |
| 102572401 | 4-17, 13-7                | 103218601 | 4-17, 13-7             | 103397901 | 4-7        |
| 102582401 | 1-29                      | 103255601 | 4-5                    | 103405401 | 1-7        |
| 102617201 | 8-5, 10-3                 | 103255701 | 4-7                    | 103405402 | 1-7        |
| 102617801 | 12-31                     | 103256901 | 4-5                    | 103405501 | 6-13       |
| 102618601 | 1-3, 1-29                 | 103257001 | 4-7                    | 103407601 | 1-39       |
| 102621501 | 12-5, 12-15, 12-17        | 103257603 | 4-15                   | 103407701 | 1-41       |
| 102704701 | 14-3                      | 103257701 | 4-15                   | 103407801 | 1-41       |
| 102704801 | 14-3                      | 103257801 | 4-15                   | 103410401 | 1-35       |
| 102704901 | 14-3                      | 103306301 | 9-3                    | 103410501 | 1-31       |
| 102711201 | 7-11, 7-13                | 103313301 | 1-11                   | 103410601 | 1-37       |
| 102725501 | 9-15                      | 103316701 | 13-5                   | 103410701 | 1-33       |



# INDEX

|           |                          |           |                        |           |                 |
|-----------|--------------------------|-----------|------------------------|-----------|-----------------|
| 103410803 | 1-37                     | 103902101 | 13-3                   | 105007402 | 9-13            |
| 103410901 | 1-33, 1-37               | 103902301 | 13-3                   | 105007403 | 9-13            |
| 103411001 | 1-31, 1-35               | 103902401 | 13-3                   | 105008101 | 7-3             |
| 103411101 | 1-31, 1-33, 1-35, 1-37   | 103905201 | 9-3                    | 105009101 | 9-15            |
| 103411201 | 1-31, 1-33, 1-35, 1-37   | 103924801 | 7-3                    | 105010001 | 8-19            |
| 103411501 | 1-3                      | 103930201 | 13-15                  | 105010101 | 8-15            |
| 103413101 | 1-3                      | 103939201 | 1-15                   | 105010201 | 8-15            |
| 103414901 | 4-7                      | 103943401 | 13-3                   | 105010301 | 8-15            |
| 103477901 | 6-15                     | 103944301 | 9-3                    | 105010401 | 8-19            |
| 103483101 | 5-13, 5-15               | 103951501 | 12-31                  | 105010501 | 8-19            |
| 103483102 | 5-13, 5-15               | 103953301 | 7-5, 7-7               | 105010601 | 8-19            |
| 103483201 | 5-13, 5-15               | 103973901 | 11-9                   | 105010701 | 8-19            |
| 103483401 | 5-13, 5-15               | 103973902 | 11-7                   | 105010801 | 8-15            |
| 103483601 | 5-13, 5-15               | 103974002 | 11-11                  | 105010901 | 8-15, 9-11      |
| 103483701 | 5-13, 5-15               | 103974102 | 11-3                   | 105011001 | 8-19            |
| 103496801 | 7-25                     | 103974201 | 11-7, 11-9             | 105011101 | 8-19            |
| 103502601 | 6-21                     | 103974401 | 11-7, 11-9             | 105011201 | 8-19            |
| 103504301 | 13-13, 13-15, 13-17      | 103975301 | 11-11                  | 105011301 | 8-19            |
| 103507001 | 6-21                     | 103976101 | 11-7, 11-9             | 105011401 | 8-19            |
| 103510602 | 13-19                    | 103978001 | 9-13                   | 105011501 | 8-19            |
| 103572501 | 14-3                     | 103979301 | 12-31                  | 105011601 | 8-19            |
| 103582801 | 15-3                     | 103979401 | 8-5                    | 105011701 | 8-19            |
| 103601501 | 6-5                      | 103982201 | 8-5                    | 105011801 | 8-19            |
| 103618001 | 4-11                     | 103982301 | 13-5                   | 105011901 | 8-15            |
| 103618101 | 4-25                     | 103983501 | 9-11                   | 105012001 | 8-15            |
| 103628701 | 6-21                     | 103984601 | 11-7, 11-9             | 105012101 | 8-15            |
| 103653401 | 6-5                      | 103989501 | 12-31                  | 105012201 | 8-15            |
| 103653501 | 6-5, 6-11                | 103995001 | 12-31                  | 105012301 | 8-15            |
| 103653601 | 6-11                     | 103995901 | 8-7                    | 105012401 | 8-15            |
| 103667104 | 6-15                     | 103996201 | 8-5                    | 105012501 | 8-19            |
| 103667204 | 6-15                     | 104005301 | 7-9                    | 105012601 | 8-7, 8-13, 8-15 |
| 103667302 | 6-15                     | 104005901 | 13-21                  | 105012701 | 8-21            |
| 103667402 | 6-15                     | 104006101 | 13-21                  | 105012801 | 8-21            |
| 103677101 | 1-23                     | 104021701 | 12-31                  | 105012901 | 8-21            |
| 103695801 | 13-15                    | 104023501 | 9-13, 12-19            | 105013001 | 8-21            |
| 103696801 | 13-13, 13-15, 13-17      | 104024201 | 17-3, 17-11            | 105013101 | 8-21            |
| 103698701 | 4-7                      | 104024202 | 17-11                  | 105013201 | 8-21            |
| 103700301 | 4-19                     | 104024401 | 17-11                  | 105013301 | 8-21            |
| 103719701 | 13-13                    | 104024402 | 17-11                  | 105013401 | 8-21            |
| 103754901 | 1-23                     | 104024501 | 17-3, 17-5, 17-7, 17-9 | 105013501 | 8-21            |
| 103756401 | 9-7                      | 104024601 | 17-3, 17-5, 17-7, 17-9 | 105013601 | 8-21            |
| 103765601 | 13-17                    | 104025101 | 11-11                  | 105013701 | 8-21            |
| 103774701 | 13-19                    | 104027101 | 12-31                  | 105013801 | 8-21            |
| 103787302 | 1-31, 1-33, 1-35, 1-37   | 104028501 | 17-11                  | 105013901 | 8-21            |
| 103793001 | 13-17                    | 104028502 | 17-11                  | 105014001 | 8-21            |
| 103795503 | 1-31, 1-33, 1-35, 1-37   | 104028601 | 17-11                  | 105014101 | 8-21            |
| 103804003 | 1-31                     | 104028602 | 17-11                  | 105014201 | 8-17            |
| 103804004 | 1-35                     | 104028901 | 17-3, 17-5, 17-7, 17-9 | 105014301 | 8-17            |
| 103865101 | 5-5, 5-7                 | 104029001 | 17-3, 17-5, 17-7, 17-9 | 105014401 | 8-17            |
| 103878401 | 13-13                    | 104029601 | 17-3, 17-5             | 105014501 | 8-17            |
| 103879701 | 12-23                    | 104029602 | 17-7                   | 105014601 | 8-17            |
| 103879702 | 12-21                    | 104029603 | 17-9                   | 105014701 | 8-17            |
| 103882801 | 8-5                      | 105000301 | 7-11, 7-13             | 105014801 | 8-17            |
| 103886601 | 12-7, 12-9, 12-11, 12-13 | 105000401 | 7-11, 7-13             | 105014901 | 8-17            |
| 103888101 | 1-23                     | 105003601 | 17-3, 17-5, 17-7, 17-9 | 105015001 | 8-17            |
| 103888301 | 1-23                     | 105003701 | 17-3, 17-5, 17-7, 17-9 | 105015101 | 8-17            |

# INDEX

|           |              |           |              |           |                        |
|-----------|--------------|-----------|--------------|-----------|------------------------|
| 105015201 | 8-17         | 105027301 | 12-21, 12-23 | 105043401 | 9-5                    |
| 105015301 | 8-17         | 105027401 | 12-25        | 105043501 | 9-3                    |
| 105015401 | 8-17         | 105027501 | 12-25        | 105043801 | 9-5                    |
| 105015501 | 8-17         | 105027601 | 12-25        | 105043901 | 9-5                    |
| 105015601 | 8-17         | 105027701 | 12-25        | 105044901 | 9-7                    |
| 105015701 | 8-17         | 105027801 | 12-25        | 105060601 | 12-5                   |
| 105015801 | 8-17         | 105027901 | 12-25        | 105063501 | 12-21                  |
| 105015901 | 8-17         | 105028001 | 12-25        | 105063601 | 12-27                  |
| 105016001 | 8-11, 8-17   | 105028101 | 12-27, 12-29 | 105066001 | 12-27, 12-29           |
| 105016101 | 9-11         | 105028201 | 12-25        | 105066101 | 12-27, 12-29           |
| 105016201 | 9-11         | 105028301 | 12-21, 12-23 | 105068201 | 17-11                  |
| 105016301 | 9-11         | 105028401 | 12-25        | 105068202 | 17-11                  |
| 105016401 | 9-11         | 105028501 | 12-21, 12-23 | 105068301 | 17-11                  |
| 105016501 | 9-11         | 105028601 | 12-25        | 105068302 | 17-11                  |
| 105016701 | 8-7          | 105028701 | 12-25        | 105068401 | 17-11                  |
| 105016801 | 8-7          | 105028801 | 12-25        | 105068402 | 17-11                  |
| 105016901 | 8-7          | 105028901 | 12-25        | 105070101 | 17-3, 17-5             |
| 105017001 | 8-7          | 105029001 | 12-25        | 105070102 | 17-7                   |
| 105017101 | 8-7          | 105029101 | 12-25        | 105070103 | 17-9                   |
| 105017201 | 9-9          | 105029201 | 12-25        | 105073001 | 9-5                    |
| 105017301 | 8-11         | 105029301 | 12-29        | 105075301 | 8-9                    |
| 105017401 | 8-11         | 105029401 | 12-29        | 105078807 | 2-3                    |
| 105017501 | 8-11         | 105029501 | 12-27, 12-29 | 105078814 | 2-3                    |
| 105017601 | 8-11         | 105029601 | 12-29        | 105078901 | 2-3                    |
| 105017701 | 8-11         | 105029701 | 12-29        | 105079202 | 2-3                    |
| 105017801 | 8-3, 8-11    | 105029801 | 12-27, 12-29 | 105079205 | 2-3                    |
| 105017901 | 8-11         | 105029901 | 12-27, 12-29 | 105079801 | 2-3                    |
| 105018001 | 8-13         | 105030001 | 12-21, 12-23 | 105081501 | 7-3                    |
| 105018101 | 8-13         | 105030301 | 12-27, 12-29 | 105081601 | 7-3                    |
| 105018201 | 8-13         | 105030401 | 12-27, 12-29 | 105084801 | 8-9                    |
| 105018301 | 8-13         | 105030501 | 12-27, 12-29 | 105088501 | 9-15                   |
| 105018401 | 8-13         | 105030601 | 12-27, 12-29 | 105092301 | 17-3, 17-5, 17-7, 17-9 |
| 105018501 | 8-15         | 105030701 | 12-21, 12-23 | 105093101 | 17-3, 17-5, 17-7, 17-9 |
| 105025001 | 12-21, 12-23 | 105030801 | 12-27, 12-29 | 105095201 | 17-3                   |
| 105025101 | 12-21, 12-23 | 105030901 | 12-25        | 105096101 | 11-7, 11-9             |
| 105025201 | 12-21, 12-23 | 105031001 | 12-29        | 105102601 | 7-17, 7-23             |
| 105025301 | 12-21, 12-23 | 105037201 | 7-19         | 105116301 | 13-3                   |
| 105025401 | 12-21, 12-23 | 105037401 | 7-11, 7-13   | 105123801 | 17-3, 17-5, 17-7, 17-9 |
| 105025501 | 12-21, 12-23 | 105037501 | 12-3         | 105134601 | 8-5                    |
| 105025601 | 12-21, 12-23 | 105037601 | 12-3         | 105134901 | 12-17                  |
| 105025701 | 12-21, 12-23 | 105037701 | 12-3, 12-5   | 105135101 | 9-13, 12-15, 12-17     |
| 105025801 | 12-21, 12-23 | 105038001 | 12-5         | 105135901 | 7-3                    |
| 105025901 | 12-21, 12-23 | 105038101 | 12-5         | 105136001 | 7-3                    |
| 105026001 | 12-21, 12-23 | 105038201 | 12-5         | 105143301 | 7-3, 9-3               |
| 105026101 | 12-21, 12-23 | 105038501 | 12-3, 12-5   | 105144401 | 9-13, 12-19            |
| 105026201 | 12-21, 12-23 | 105038801 | 12-9         | 105149101 | 5-9                    |
| 105026301 | 12-21, 12-23 | 105038805 | 12-11        | 105149201 | 5-9                    |
| 105026401 | 12-21, 12-23 | 105038806 | 12-13        | 105149301 | 8-5                    |
| 105026501 | 12-21, 12-23 | 105038808 | 12-7         | 105151401 | 7-3                    |
| 105026601 | 12-21, 12-23 | 105039801 | 12-3, 12-5   | 105161701 | 7-3, 7-5, 7-7          |
| 105026701 | 12-21, 12-23 | 105039901 | 12-5         | 105166801 | 13-21                  |
| 105026801 | 12-21, 12-23 | 105040401 | 12-3, 12-5   | 105166901 | 13-21                  |
| 105026901 | 12-21, 12-23 | 105040402 | 12-5         | 105167001 | 13-21                  |
| 105027001 | 12-21, 12-23 | 105040901 | 12-15        | 105167101 | 13-21                  |
| 105027101 | 12-21, 12-23 | 105041201 | 12-3         | 105168501 | 13-21                  |
| 105027201 | 12-21, 12-23 | 105043001 | 9-15         | 105168601 | 13-21                  |

# INDEX

105190101 7-7  
105190102 7-5  
105195501 13-5  
105205401 7-9  
105214101 10-3  
105215401 9-3  
105216604 2-3  
105234801 12-21, 12-23  
105234901 12-21, 12-23  
105245401 9-3  
105245701 7-3  
105245801 11-5  
105256701 7-3  
105256801 7-3  
105282901 9-5  
105282902 9-5  
105282903 9-5  
47539957001 10-3  
47542195001 5-13, 5-15  
47563434001 13-7  
47564781001 13-11  
47579306001 16-7  
47579307001 16-5  
47579307002 16-5  
47579307003 16-5  
47579307004 16-5  
47579307005 16-5  
47579307006 16-5  
47579307007 16-5  
96704176 12-5  
96705199 12-15, 12-17  
96741046 8-5

**A**

AC cord 17-3, 17-11  
accelerator bracket and bearing assembly 5-5, 5-7  
accelerator cable 9-13  
accelerator pivot rod 5-5, 5-7  
accelerator return spring 5-5, 5-7  
accelerator rod 5-7  
adapter  
    air intake 9-11  
air cleaner assembly 9-15  
air deflector 8-9  
air filter 8-3, 9-15  
air filter evacuator 9-15  
air intake adapter 9-11  
air intake hose 9-15  
anti-sway bar 6-27  
A-plate strap 6-19  
A-plate, delta 6-19  
arm  
    governor 9-13, 12-19  
armature 14-3  
armrest 1-25, 1-29

assembly  
    accelerator bracket and bearing 5-5, 5-7  
    accelerator pivot rod 5-5, 5-7  
    backrest 1-29  
    bearing, steering shaft 6-7  
    brake lever 5-13, 5-15  
    delta A-plate 6-19  
    delta shock and gear support 6-21  
    drive hub 11-7, 11-9  
    driven clutch 11-11  
    frame and field (motor) 14-3  
    fuel cap 9-3  
    fuel pump 9-5  
    headlight 4-3  
    headlight harness 4-3  
    inner ball joint 6-5  
    kingpin 6-19  
    moveable-face 11-7, 11-9, 11-11  
    ratchet 5-3, 5-5, 5-7  
    secondary clutch weight 11-7, 11-9  
    steering shaft 6-7  
    turn signal lens 4-3

axle 15-3  
axle guard 15-5  
axle shaft 12-27, 12-29  
axle shaft oil seal 15-3  
axle tube 12-27, 12-29, 15-3

## B

backing plate, brake 5-13, 5-15  
backrest assembly 1-29  
backrest, beige 1-25  
backrest, black 1-25  
backrest, gray 1-25  
backrest, white 1-25  
baffle  
    crankcase 8-7  
balance shaft 8-21  
ball bearing 7-5, 7-7, 12-25, 12-27, 12-29  
ball joint 5-3, 5-7  
ball stud 7-11, 7-13  
ball, bearing 6-15  
ball, trailer hitch 1-43  
bar, nerf 1-27  
bar, side 1-27  
bar, stabilizer 6-27  
barrel, plastic 1-7, 16-7  
battery  
    12-volt, side-post 7-25  
    8-volt, 8VGCXC 13-15  
    8-volt, CR165 13-13  
    8-volt, GC8 13-17  
battery charger 16-3, 17-3, 17-5, 17-7, 17-9  
battery clamp 7-25  
battery condition indicator 4-15, 4-17  
battery condition indicator kit 4-15

battery hold-down 13-13, 13-15, 13-17  
battery insulator 1-47  
battery light 4-17  
battery retainer 7-25  
battery, top-post, wire, 4ga, B+ 7-3  
battery, top-post, wire, B- 4ga, 7-3  
bearing 15-3  
    balance shaft 8-19  
    ball 6-15, 7-5, 7-7, 12-25, 12-27, 12-29  
    ball (motor) 14-3  
    ball (steering pinion) 6-5  
    crankshaft 8-19  
    inner axle tube 15-3  
    lower pinion (steering) 6-5  
    pivot support 5-5, 5-7  
    steering shaft 6-7  
    thrust 6-19, 12-21, 12-23  
bearing seat 6-7  
bed, box 1-51  
bellows 6-5  
belt, drive 11-3, 11-5  
belt, starter/generator 7-9  
beverage holder 1-19  
bezel, headlight 4-3  
bezel, taillight 4-29  
block, brake-mounting 5-3  
block, fuse 4-5, 4-7, 7-11, 7-13  
block, terminal 4-5, 4-7, 13-5  
body kick plate 1-47, 1-49  
body, front 1-7  
bolt, J- 13-13, 13-15, 13-17  
bolt, U- 6-25  
boot, steering column 6-7  
boot, switch 13-9  
box  
    steering gear 6-5  
box bed 1-51  
brace, canopy 1-11  
bracket 6-25  
    accel.cable 9-13, 12-15, 12-17  
    brake light switch 4-5, 4-7  
    carbon canister/ECU 9-7  
    FNR cable 9-13, 12-15, 12-17  
    governor 9-13, 12-19  
    headlight mounting 4-3  
    horn 4-23, 4-25  
    hour meter 4-27  
    mounting, starter/generator 8-5  
    mounting, transaxle/exhaust 8-5  
    snubber 8-5  
    stabilizer bar mounting 6-27  
    starter/generator adjusting 7-9  
    steering column 6-7  
    steering column mounting 6-7  
    Tow/Run switch 13-9  
brake adjusting mechanism 5-13, 5-15

# INDEX

- brake backing plate 5-13, 5-15
  - brake cable 5-11
  - brake cable equalizer 5-11
  - brake cable hanger 5-11
  - brake cluster 5-13, 5-15
  - brake drum 5-13, 5-15
  - brake lever 5-13, 5-15
  - brake light switch bracket 4-5, 4-7
  - brake mounting block 5-3
  - brake pedal 5-3
  - brake pedal pad 5-3
  - brake relay kit, 12-volt 4-5
  - brake return spring 5-11
  - brake self-adjusting mechanism 5-13, 5-15
  - brake shoe 5-13, 5-15
  - brake spring 5-13, 5-15
  - breather 12-21, 12-23, 15-3
  - breather hose 9-11
  - brush 14-3
  - brush box assembly 14-3
  - brush cover kit, starter/generator 7-5, 7-7
  - brush guard support 6-21
  - brush inspection port cover 7-5, 7-7
  - brush rigging 14-3
  - brush spring 7-5, 7-7, 14-3
  - brush spring set 7-5, 7-7
  - brush spring, starter/generator 7-5, 7-7
  - brush terminal, starter/generator 7-5, 7-7
  - bulb, headlight 4-3
  - bulb, tail light 4-29
  - bumper 1-21
    - cast 1-3
    - drive unit (motor) 14-3
    - rubber 5-3
    - spring return 5-5, 5-7
  - bushing 7-11, 7-13, 11-7, 11-9, 12-3, 12-5
    - bronze 6-15
    - nylon 5-3
    - spindle 6-15
    - stabilizer bar 6-27
    - steel 6-21, 6-25
    - urethane 6-19, 6-21, 6-25
  - bushing support 6-27
  - button, drive 11-11
  - buzzer, reverse 4-13, 4-17
- C**
- cable
    - accelerator 9-13
    - brake 5-11
    - FNR shifter 12-7, 12-9, 12-11, 12-13
    - governor 9-13
  - cam
    - driven clutch 11-11
    - electrical component box 7-11, 7-13
  - cam, engine 8-17
  - camshaft 8-17
  - camshaft o-ring 8-17
  - canister, carbon, fuel tank 9-7
  - canopy brace 1-11
  - canopy support 1-31, 1-33, 1-35, 1-37
  - canopy trim plate 1-31, 1-33, 1-35, 1-37
  - cap
    - dust 4-17, 13-7
    - front hub 6-15
    - fuel, gas, ratchet 9-3
    - key switch 4-13, 4-17
    - rubber 12-31
  - cap, quick connector 13-5
  - carbon canister 9-7
  - cargo box 1-51
  - case
    - gear 15-3
    - transaxle 12-21, 12-23
  - cast bumper 1-3
  - center shaft 12-25
  - chain, timing 8-17
  - charger, battery 16-3
  - charger, battery, Hi-Freq 17-3, 17-5, 17-7, 17-9
  - charging diode 7-19
  - clamp
    - battery 7-25
    - hose 9-3, 9-7, 9-15
    - p- (fuel filter) 8-9, 9-13
  - clevis, upper delta 6-19
  - clip
    - meter 4-13
    - retainer plate 8-15
  - clip, piston pin 8-21
  - cluster, brake 5-13, 5-15
  - clutch
    - pin 12-25
  - clutch repair kit 11-11
  - clutch weight 11-7, 11-9
  - clutch, drive 11-7, 11-9
  - clutch, driven 11-11
  - coil, ignition 8-11
  - collar 12-25
  - collet 8-17
  - column, steering 6-7
  - compression mount 6-27
  - connecting rod 8-21
  - controller cover 13-5
  - controller cover gasket 13-5
  - controller, motor speed
    - Excel w/Hi-Freq 13-5
  - converter, DC/DC 4-19
  - cooling fan 8-7
  - cord set, DC 17-3, 17-5, 17-7, 17-9
  - cord, AC 17-3, 17-11
  - counter shaft 12-25
  - cover
    - brush inspection port 7-5, 7-7
    - crankcase 8-19
    - DC terminal block 17-3, 17-5, 17-7, 17-9
    - dust 5-13, 5-15
    - fan 8-7
    - fuse block 4-7, 13-5
    - rocker switch hole 4-13, 4-17
    - screw head 4-13, 4-17
    - steering column 6-7
    - USB 17-3, 17-5, 17-7, 17-9
  - cover gasket, controller 13-5
  - cover plate 14-3
  - cover, controller 13-5
  - cover, rocker 8-15
  - cover, speed controller 13-5
  - cover, steering column 4-9, 4-11
  - cover, valve 8-15
  - cowl 1-7
  - cowl support 1-11
  - crankcase 8-19
  - crankcase baffle 8-7
  - crankcase cover 8-19
  - crankshaft 8-21
  - C-type stop ring 6-5
  - cup holder 1-19
  - cup, spring 5-5, 5-7
  - cushion, shock absorber 6-23
  - cylinder head 8-15
- D**
- dash closeout panel 1-11
  - dash component 1-13
  - dash panel 4-13, 4-17
  - dc converter, 15A 4-19
  - DC cord set 17-3, 17-5, 17-7, 17-9
  - DC/DC converter 4-19
  - decal
    - battery danger 3-3
    - bed load warning 3-3, 3-5
    - box bed warning 1-51
    - Club Car name plate 3-7
    - component cover 3-3, 13-5
    - dash warning 3-3, 3-5
    - driver/passenger 3-5
    - engine warning 8-7
    - filter log 13-21
    - frame ground 3-5
    - inspect log 13-21
    - on/off 3-3, 3-5
    - operating instructions 3-3, 3-5
    - operating instructions (electric) 3-3
    - operating instructions (gas) 3-5
    - rotating parts 1-49, 3-5
    - Tow/Run switch warning 3-3
    - trailer hitch 1-43, 3-3, 3-5
    - young driver warning 3-3, 3-5

# INDEX

deflector  
  air 8-9  
deionizer 13-21  
  cartridge 13-21  
delta A-plate 6-19  
delta A-plate sub-assembly 6-19  
delta shock and gear support 6-21  
diagnostic port 4-17, 13-7  
differential 12-29  
  limited-slip 12-27  
  open 12-29  
differential drive unit 15-3  
differential gear 15-3  
differential gear set 12-29  
differential guard 15-5  
differential housing 15-3  
differential shaft 12-29  
diode 7-3  
diode, charging 7-19  
dipstick 8-19  
drain plug 8-19, 12-21, 12-23  
drain plug gasket 8-19  
drain plug, rubber 7-5, 7-7  
drink holder 1-19  
drive belt 11-3, 11-5  
drive button 11-11  
drive clutch 11-7, 11-9  
drive clutch button 11-7, 11-9  
drive clutch spring 11-7, 11-9  
drive clutch weight 11-7, 11-9  
drive hub 11-7, 11-9  
drive unit bumper 14-3  
drive unit guard 15-5  
driven clutch 11-11  
driven clutch button 11-11  
driven clutch cam 11-11  
driver, drive clutch 11-7, 11-9  
drum, brake 5-13, 5-15  
dust cap 4-17, 13-7  
dust cover 5-13, 5-15

## E

eccentric bolt 6-21  
E-clip 5-11  
ECU 9-9  
enclosure 1-39, 1-41  
end cap, motor 14-3  
end, tie rod 6-11  
engine  
  air cleaner 9-15  
  air deflector 8-9  
  air filter 8-3, 9-15  
  air intake hose 9-15  
  balance shaft 8-21  
  bearing, balance shaft 8-19  
  bearing, crankshaft 8-19

breather hose 9-11  
cam 8-17  
camshaft 8-17  
camshaft O-ring 8-17  
connecting rod 8-21  
crankcase 8-19  
crankcase baffle 8-7  
crankcase cover 8-19  
crankcase plug 8-19  
crankshaft 8-21  
crankshaft key 8-21  
cylinder head 8-15  
dipstick 8-19  
drain plug gasket 8-19  
ECU 9-9  
exhaust valve 8-17  
fan 8-7  
fan housing 8-7  
flywheel 8-11  
fuel injector 9-9  
guide pin 8-19  
head gasket 8-15  
ignition coil 8-11  
insulator, throttle body 9-11  
intake valve 8-17  
oil drain plug 8-19  
oil filler tube 8-19  
oil filler tube O-ring 8-19  
oil level sensor 8-13  
oil seal 8-19  
piston 8-21  
piston pin 8-21  
piston pin clip 8-21  
piston ring set 8-21  
retainer plate 8-15  
retainer plate clip 8-15  
rocker arm 8-17  
rocker cover 8-15  
rocker cover gasket 8-15  
rocker shaft 8-17  
spark plug 8-3, 8-11  
temperature sensor 8-13  
throttle body 9-9  
timing chain 8-17  
timing chain guide 8-17  
timing chain sprocket 8-17  
timing chain tensioner 8-17  
valve collet 8-17  
valve guide 8-15  
valve seal 8-15  
valve spring 8-17  
valve spring retainer 8-17  
warning decal 8-7  
engine warning decal 8-7  
engine, EX40 8-5  
equalizer rod 5-11

equalizer, brake cable 5-11  
exhaust valve 8-17  
extrusion, cover support 13-5  
extrusion, fender 1-7  
extrusion, plastic 1-21

## F

face, moveable 11-11  
fan  
  cooling 8-7  
fan cover 8-7  
fan housing 8-7  
fender extrusion 1-7  
fender, inner 1-45  
field coil housing 7-5, 7-7  
filter  
  air 8-3, 9-15  
  fuel 9-5  
fitting, thread-forming grease 6-15  
flasher, turn signal, 12-volt 4-11  
floor mat 1-15  
flywheel 8-11  
FNR closeout brush 4-13  
FNR handle 12-3  
fnr shaft 12-5  
FNR shift lever 12-15, 12-17  
FNR shifter base 12-3, 12-5  
FNR shifter cable 12-7, 12-9, 12-11, 12-13  
frame and field assembly (motor) 14-3  
frame and field, starter/generator 7-5, 7-7  
front body 1-7  
front body support 1-47, 1-49  
front spring retainer plate 6-21  
fuel filter 9-5  
Fuel Filter Kit 9-5  
fuel injector 9-9  
fuel line 9-7  
fuel meter 4-13  
Fuel Module, Hold-Down Ring 9-5  
Fuel Pump 9-5  
fuel pump 9-5  
fuse  
  10-amp 7-3, 7-11, 7-13  
  20-amp 4-5, 4-7  
  2-amp 7-3  
  5-amp 7-3  
fuse block 4-5, 4-7, 7-11, 7-13  
fuse block cover 4-7, 13-5

## G

gasket 12-21, 12-23  
  cover, rocker 8-15  
  cover, valve 8-15  
  drain plug 8-19  
  insulator 9-11

# INDEX

liquid 15-3  
plug 15-3  
seat 1-25  
taillight 4-29  
gasket, controller cover 13-5  
gasket, head 8-15  
gauge, battery condition 4-15, 4-17  
gauge, fuel-hour 4-13  
gear  
17 tooth 12-25  
34 tooth 12-25  
52 tooth 12-25  
60 tooth 12-27, 12-29  
62 tooth 12-25  
differential 15-3  
differential idler 15-3  
differential output 15-3  
governor 12-21, 12-23  
governor, 34 tooth 12-25  
set, differential 12-29  
gearcase 15-3  
governor arm 9-13, 12-19  
governor cable 9-13  
governor gear shaft 12-21, 12-23  
governor shaft 12-21, 12-23  
grommet 1-31, 1-35, 9-3  
guard, differential 15-5  
guide  
valve 8-15  
guide pin 8-19, 12-21, 12-23  
guide, timing chain 8-17  
gun rack, floor mount 1-17

## H

handle 12-5  
handle, FNR 12-3  
hanger, brake cable 5-11  
harness  
wire 4-25  
harness, headlight 4-5, 4-7  
harness, wire 4-19, 4-25  
harness, wire, gas engine-ECU 7-3  
harness, wire, lighting 4-7  
head gasket 8-15  
head, cylinder 8-15  
headlight 4-3  
headlight assembly 4-3  
headlight bulb 4-3  
headlight harness 4-3  
headlight retainer 4-3  
headlight wire harness 4-5, 4-7  
hill brake rod 5-3  
hill brake weld assembly 5-3  
hinge plate 1-25, 1-47, 1-49  
hitch, trailer 1-43  
hitch, trailer, ball 1-43

hold-down, battery 13-13, 13-15, 13-17  
holder, cup 1-19  
hole plug 4-17  
horn 4-23, 4-25  
horn bracket 4-23, 4-25  
horn button and wire assembly 4-23  
hose  
air intake 9-15  
engine breather 9-11  
fuel 9-7  
SPWS 13-19  
vent 9-7  
hour meter 4-13, 4-27  
hour meter, 36-48 volt 4-27  
housing  
3-pin 14-3  
differential 15-3  
fan 8-7  
field coil 7-5, 7-7  
hub 6-15, 12-31  
hub cap 6-15

## I

idler gear, differential 15-3  
ignition coil 8-11  
indicator, battery condition 4-15, 4-17  
inner frame snubber 8-5  
input shaft 12-25, 15-3  
instrument panel 4-13, 4-17  
insulator 9-11  
insulator gasket 9-11  
insulator, battery 1-47  
intake valve 8-17  
intermediate shaft 15-3

## J

J-bolt 13-13, 13-15, 13-17  
joint  
ball 5-3, 5-7  
steering 6-9  
jumper harness, run/maint 7-3

## K

key  
driven clutch 11-11  
On/Off 4-13, 4-17  
square 11-11  
key switch 4-13  
key switch cap 4-13, 4-17  
key switch, On/Off 4-17  
key, crankshaft 8-21  
kick plate, body 1-47, 1-49  
kingpin 6-19  
kit  
3-pin housing 14-3

accelerator pivot rod 5-5, 5-7  
battery condition indicator 4-15  
brake pedal 5-3  
brake relay 4-5  
brake shoe retainer 5-13, 5-15  
clutch repair 11-11  
deflector, air 8-9  
drive clutch button 11-7, 11-9  
drive clutch weight 11-7, 11-9  
driven clutch button 11-11  
enclosure 1-39, 1-41  
front hub replacement 6-15  
hand pump, SPWS 13-21  
hour meter 4-27  
motor brush 14-3  
motor brush spring 14-3  
motor cover plate 14-3  
motor speed sensor 14-3  
motor terminal hardware 14-3  
park brake latch 5-3  
park brake pedal 5-3  
relay, 48V 4-7  
shock absorber cushion 6-23  
shoe retainer 5-13, 5-15  
steering column mounting bracket 6-7  
taillight hardware 4-29  
turn signal 4-9  
windshield, hinged 1-23  
windshield, one-piece 1-21  
knob, forward/reverse 12-5

## L

lamp, turn signal and socket 4-9, 4-11  
latch, park brake 5-3  
leaf spring 6-25  
lens, headlight 4-3  
lens, taillight 4-29  
lever  
transaxle shift 12-15, 12-17  
light  
battery 4-17  
oil 4-13  
water quality 13-21  
limit switch 4-5, 4-7, 7-13, 7-15, 7-17, 7-21, 7-23  
limiter  
voltage 4-5, 4-21  
line, fuel 9-7  
link, stabilizer bar 6-27  
liquid gasket 15-3  
low oil warning light 4-13  
lubricant, moly-teflon 14-3  
lug nut 2-3  
lug stud 12-31, 15-3

# INDEX

## M

magnet, speed sensor 14-3  
MCOR 13-3  
mechanism, brake adjusting 5-13, 5-15  
meter clip 4-13  
meter, hour 4-27  
motor  
    48-volt IQ 14-3  
motor brush kit 14-3  
motor brush spring kit 14-3  
motor bumper 14-3  
motor end cap 14-3  
motor magnet, speed sensor 14-3  
motor speed controller  
    Excel w/Hi-Freq 13-5  
motor speed sensor 14-3  
motor speed sensor kit 14-3  
motor terminal hardware kit 14-3  
mount, compression 6-27  
mounting block, brake 5-3  
moveable-face 11-7, 11-9, 11-11

## N

nerf bar 1-27  
non-skid tape 1-27  
nut, lug 2-3

## O

oil filler tube 8-19  
oil level sensor 8-13  
oil seal 8-19, 12-21, 12-23  
oil warning light, low 4-13  
O-ring 8-17, 8-19  
O-ring Kit, Fuel Module 9-5  
O-Ring, Fuel Module 9-5

## P

pad  
    brake pedal 5-3  
    park brake 5-3  
    thermal 7-19  
panel  
    closeout, dash 1-11  
panel, instrument 4-13, 4-17  
panel, rear 16-7  
park brake latch 5-3  
park brake pedal 5-3  
park brake rod sleeve 5-3  
park brake spacer 5-3  
park brake torsion spring 5-3  
pawl 5-3  
p-clamp (fuel filter) 8-9, 9-13  
pedal, brake 5-3  
pedal, park brake 5-3  
pin

    bow tie locking 5-11  
    clevis 5-11  
    differential 12-29  
    guide 8-19, 12-21, 12-23  
    input shaft 12-25  
    piston 8-21  
pinion, steering 6-5  
piston 8-21  
piston pin 8-21  
piston pin clip 8-21  
piston ring 8-21  
piston ring set 8-21  
pivot support bearing 5-5, 5-7  
plate  
    backing (brake) 5-13, 5-15  
    body kick 1-47, 1-49  
    cover 14-3  
    front spring retainer 6-21  
    hinge 1-25, 1-47, 1-49  
    mounting, CVT, center 8-5  
    mounting, engine/axle 8-5  
    receptacle backing 13-11, 16-7  
    retainer 8-15  
    spring mounting 6-21  
plate, canopy trim 1-31, 1-33, 1-35, 1-37  
plate, steering wheel center 6-13  
plug  
    drain 12-21, 12-23  
    hole 4-17  
    oil drain 8-19  
    rubber drain 7-5, 7-7  
    rubber, crankcase 8-19  
    spark 8-3, 8-11  
port, diagnostic 4-17, 13-7  
pulley  
    starter-generator 7-5, 7-7  
    v-belt 7-5, 7-7  
pump  
    fuel 9-5

## R

rack guide pressure spring 6-5  
rack, steering 6-5  
ratchet, park brake 5-3, 5-5, 5-7  
rear panel 16-7  
rear spring shackle 6-25  
receptacle backing plate 13-11, 16-7  
receptacle, charger 13-11  
regulator, voltage 7-11, 7-13  
relay 4-7  
relay, 12-volt 4-5  
relay, 48V 4-7  
relay, brake, kit, 12-volt 4-5  
resistor assembly 13-5  
retainer  
    accelerator pedal spring 5-5, 5-7

    battery 7-25  
    brake shoe 5-13, 5-15  
    headlight 4-3  
    shock absorber cushion 6-23  
    valve spring 8-17  
retainer plate 8-15  
retaining ring 6-7  
return spring bumper 5-5, 5-7  
reverse buzzer 4-13, 4-17  
ring  
    C-type stop 6-5  
    piston 8-21  
    retaining 6-7, 7-11, 7-13, 11-7, 11-9, 11-11,  
        12-21, 12-23, 12-31  
    snap 6-5  
    spiral backup 11-7, 11-9  
rivet, blind push 6-13  
rock guard 15-5  
rocker arm 8-17  
rocker cover 8-15  
rocker cover gasket 8-15  
rocker shaft 8-17  
rocker switch 4-17  
rocker switch (lights) 4-5, 4-7, 4-13, 4-17  
rod  
    accelerator 5-7  
    accelerator pivot 5-5, 5-7  
    connecting 8-21  
    equalizer 5-11  
    hill brake 5-3

## S

safety decal 3-3, 3-5  
score card plate 6-13  
seal  
    lip 15-3  
    oil 8-19, 12-21, 12-23, 15-3  
    steering pinion dust 6-5  
    valve 8-15  
sealant 15-3  
seat back, beige 1-25  
seat back, black 1-25  
seat back, gray 1-25  
seat back, white 1-25  
seat bottom assembly 1-25  
seat gasket 1-25  
seat, bearing 6-7  
select shaft 12-21, 12-23  
sensor  
    oil level 8-13  
    temperature 8-13  
sensor, motor speed 14-3  
shackle, rear spring 6-25  
shaft  
    axle 12-27, 12-29  
    balance 8-21

# INDEX

- center 12-25
  - counter 12-25
  - differential 12-29
  - governor 12-21, 12-23
  - governor gear 12-21, 12-23
  - input 12-25, 15-3
  - intermediate 15-3
  - rocker 8-17
  - select 12-21, 12-23
  - shift 12-25
  - steering column 6-7
  - shift lever 12-15, 12-17
  - shift shaft 12-5, 12-25
  - shifter, base 12-5
  - shock absorber 6-17, 6-23
  - shock absorber cushion 6-23
  - shock absorber cushion retainer 6-23
  - shoe retainer kit 5-13, 5-15
  - shoe, brake 5-13, 5-15
  - side bar 1-27
  - signal, turn 4-9
  - sleeve 12-21, 12-23
    - delta A-plate 6-19
    - park brake rod 5-3
  - snap ring 6-5
  - snubber bracket 8-5
  - snubber, inner frame 8-5
  - solenoid, 12-volt 7-11, 7-13
  - spacer 1-3, 12-21, 12-23, 12-25
    - accelerator pivot rod 5-5, 5-7
    - park brake 5-3
  - spark plug 8-3, 8-11
  - speed controller
    - Excel w/Hi-Freq 13-5
  - speed controller cover 13-5
  - speed sensor 14-3
  - speed sensor magnet 14-3
  - speed sensor, motor 14-3
  - spiral backup ring 11-7, 11-9
  - spring 12-21, 12-23
    - accelerator return 5-5, 5-7
    - brake 5-13, 5-15
    - brake return 5-11
    - brush 7-5, 7-7, 14-3
    - drive button 11-7, 11-9
    - drive clutch 11-7, 11-9
    - driven clutch 11-11
    - leaf 6-25
    - park brake torsion 5-3
    - rack guide pressure 6-5
    - steering shaft compression 6-7
    - valve 8-17
  - spring cup 5-5, 5-7
  - spring mounting plate 6-21
  - spring retainer 8-17
  - spring, leaf 6-21
  - SPWS hose 13-19
  - stabilizer bar 6-27
  - stabilizer bar link 6-27
  - stabilizer bar mounting bracket 6-27
  - starter/generator 7-5, 7-7
  - starter/generator brush cover kit 7-5, 7-7
  - starter/generator brush spring 7-5, 7-7
  - starter/generator brush terminal 7-5, 7-7
  - starter/generator frame and field 7-5, 7-7
  - starter/generator pulley 7-5, 7-7
  - steel bushing 6-21, 6-25
  - steering column 6-7
  - steering column cover 4-9, 4-11
  - steering gear box 6-5
  - steering joint 6-9
  - steering pinion 6-5
  - steering pinion dust seal 6-5
  - steering rack 6-5
  - steering shaft assembly 6-7
  - steering shaft compression spring 6-7
  - steering wheel 6-13
  - strap, A-plate 6-19
  - stud
    - exhaust mounting
      - engine
        - exhaust mounting stud 8-15
      - intake mounting
        - engine
          - intake mounting stud 8-15, 9-11
        - lug 12-31, 15-3
    - stud, ball 7-11, 7-13
  - support
    - brush guard 6-21
    - cowl 1-11
  - support yoke (steering) 6-5
  - support, bushing 6-27
  - support, front body 1-47, 1-49
  - suppressor, voltage 4-5
  - switch
    - key 4-13, 4-17
    - light rocker 4-5, 4-7, 4-13, 4-17
    - limit 4-5, 4-7, 7-13, 7-15, 7-17, 7-21, 7-23
    - rocker 4-17
    - Tow/Run 13-9
    - turn signal 4-9, 4-11
  - switch rubber boot 13-9
- ## T
- 12-volt solenoid 7-11, 7-13
  - tail light bulb 4-29
  - taillight 4-29
  - taillight assembly 4-29
  - taillight base 4-29
  - taillight bezel 4-29
  - taillight gasket 4-29
  - taillight hardware kit 4-29
- ## U
- taillight lens 4-29
  - tape, non-skid 1-27
  - temperature sensor 8-13
  - tensioner, timing chain 8-17
  - terminal block 4-5, 4-7, 13-5
  - terminal, 1/4 quick-disconnect 4-19
  - thermal pad 7-19
  - thread-forming grease fitting 6-15
  - throttle body 9-9
  - thrust bearing 6-19
  - tie rod 6-11
  - tie rod end 6-11
  - tie wrap 4-9, 4-11, 4-19, 4-27, 6-5, 7-11, 7-13, 12-7, 12-9, 12-11, 12-13
  - timing chain 8-17
  - timing chain guide 8-17
  - tire 2-3
  - Tow/Run switch 13-9
  - Tow/Run switch bracket 13-9
  - trailer hitch 1-43
  - trailer hitch ball 1-43
  - transaxle (Electric Vehicle) 15-3
  - transaxle guard 15-5
  - transaxle, limited-slip (Gas Vehicle) 12-21
  - transaxle, open-diff (Gas Vehicle) 12-23
  - tube
    - axle 12-27, 12-29, 15-3
    - oil filler 8-19
  - turn signal 4-9
  - turn signal conversion kit 4-9
  - turn signal lens 4-3
  - turn signal socket and lamp 4-9, 4-11
  - turn signal switch 4-11
- ## V
- U-bolt 6-25
  - upper delta clevis 6-19
  - urethane bushing 6-19, 6-21, 6-25
  - USB
    - cover 17-3, 17-5, 17-7, 17-9
  - USB cover 17-3, 17-5, 17-7, 17-9
  - valve 9-15
    - exhaust 8-17
    - intake 8-17
  - valve collet 8-17
  - valve cover 8-15
  - valve cover gasket 8-15
  - valve guide 8-15
  - valve seal 8-15
  - valve spring 8-17
  - valve stem 2-3
  - vent
    - fuel tank 9-3
    - transaxle 12-21, 12-23



# INDEX

vent, barb 9-7  
voltage limiter 4-5, 4-21  
voltage regulator 7-11, 7-13  
voltage suppressor 4-5

## W

warning light, low oil 4-13  
water quality light 13-21  
weight  
    clutch 11-7, 11-9  
    secondary clutch 11-7, 11-9  
weldment  
    governor bracket 9-13, 12-19  
wheel 2-3  
wheel, steering 6-13  
windshield  
    one-piece 1-21  
windshield channel 1-23  
windshield, hinged 1-23  
wire  
    green, starter/generator 7-3, 7-5, 7-7  
    ground, fuel tank 7-3, 9-3  
wire harness 4-19, 4-25, 7-3  
wire harness, headlight 4-5, 4-7  
wire harness, lighting 4-7  
wrap, tie 4-9, 4-11, 4-19, 4-27, 6-5, 7-11, 7-13,  
    12-7, 12-9, 12-11, 12-13

## Y

yoke, support (steering) 6-5







**Club Car, Inc.**  
P.O. Box 204658  
Augusta, GA 30917-4658  
USA

**Web** [www.clubcar.com](http://www.clubcar.com)  
**Phone** 1.706.863.3000  
1.800.ClubCar  
**Int'l** +1 706.863.3000  
**Fax** 1.706.863.5808