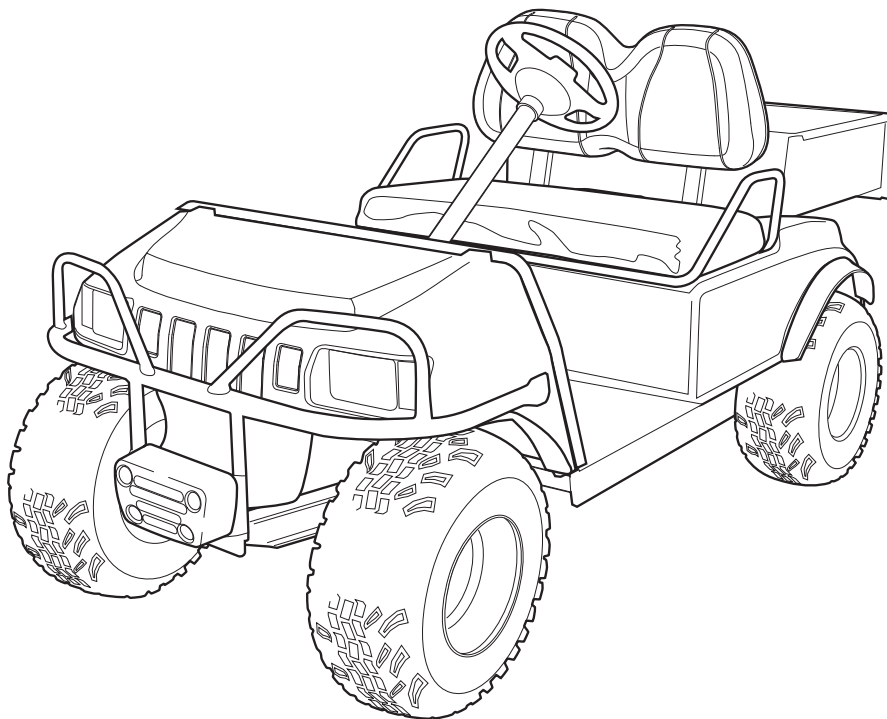




**2013
XRT 850
Illustrated Parts List**



Gasoline and Electric Vehicles

Manual Number 103997614
Edition Code A

USING THE ILLUSTRATED PARTS LIST

⚠ WARNING

- **This manual is to be used only for identification and ordering of service parts. Be sure to read and use the maintenance and service manual before attempting any vehicle repairs.**

This manual covers all XRT850 vehicles built during the 2013 model year.

The manual is divided into sections. Note that there are two or three flags on the outside edge of each page. The first flag contains the section number of which that page is a part. The other flag (or flags) contains the letter G or E, signifying that the page pertains to the electric or gasoline vehicles only.

Use the Table of Contents to find the sections and pages that contain the parts and assemblies you seek. The Table of Contents lists section numbers, and under them, the individual page titles and numbers to be found in that section. The index can be used to find specific parts and assemblies. The index is divided into numerical and alphabetical listings with the page numbers in italic text.

There is a two-page spread for each individual page title in the Table of Contents. On the left-hand page is an illustration showing the parts in their relative positions; the parts are each tagged with an item number in a balloon. The right-hand page is the parts list page, and gives the page title at the top, then the item numbers (corresponding to the numbers on the illustration), part descriptions, and quantity of parts used.

Note that a part description may be indented. This indention corresponds to a parts assembly level indicated by the numbers 1, 2, 3, and 4 at the top left corner of the parts description area of the parts list page. A part that is indented to *level 2* is a component of the *level 1* part (assembly) that it is listed under. A *level 3* part is a component of the *level 2* part that it is listed under, and a *level 4* part is a component of the *level 3* part preceding it. In each case, the part quantity given for a level 2, 3, or 4 part is the quantity used per next higher level assembly of which it is a component. A part that is not indented is a *level 1* part. This means that the quantity given is the quantity used per the portion of the vehicle illustrated on that particular spread.



P. O. Box 204658
Augusta, Georgia 30917-4658 USA
Telephone 706-863-3000
Service Parts Fax 706-855-7413
www.clubcar.com

HOW TO ORDER PARTS

Replacement parts and accessories can be obtained from our network of authorized dealers and distributors. You can obtain the name and phone number of your closest authorized Club Car dealer or distributor by visiting our web site at www.clubcardealer.com, by calling our toll-free Service Parts and Technical Assistance hotline at (800) 872-2246 or (706) 863-3000, extension 3887, or by scanning this Quick Response (QR) code to be taken to the Club Car dealer locator. **Refer to Figure 1.** Download a QR code reader such as RedLaser or Barcode Scanner to your cell phone or tablet.



Figure 1 Dealer Locator QR Code

CUSTOMER SATISFACTION SURVEY

Let your voice be heard!

Please take time to participate in the Technical Publications satisfaction survey. Obtaining feedback from our customers is important to the department's continuous improvement process. The online survey takes less than five minutes and responses will help the department to examine current performance as well as identify areas for future improvement.

Our top priority is to provide timely, accurate, and user friendly manuals.

The online satisfaction survey can be found at: <http://bit.ly/1w9uFMh>



Figure 2 Survey QR Code

NOTE: *This illustrated parts list represents the most current information at the time of publication. Club Car, Inc. is continually working to further improve its vehicles and other products. These improvements may affect the parts used to service the vehicle. Any modification and/or significant change in specifications will be forwarded to all Club Car and Carryall distributors/dealers and will, when applicable, appear in future editions of this illustrated parts list.*

Club Car, Inc. reserves the right to change specifications and designs at any time without notice and without the obligation of making changes to units previously sold.

Copyright © 2017 Club Car, LLC
Club Car and ArmorFlex
are registered trademarks of Club Car, LLC
This manual effective July 15, 2012.

CONTENTS

SECTION 1 – BODY AND TRIM

Brushguard and Bumper	1-3
Heavy-Duty Front Bumper with Receiver	1-5
Front Body	1-7
Cargo Rack and Bungee Net Kit	1-9
Dash Trim	1-11
Dash Pockets	1-13
Floormat – ToLate2013ModelYear	1-15
Floormat – FromLate2013ModelYear	1-17
Gun Rack, Floor-Mount	1-19
Beverage Holder	1-21
Windshield, Non-Hinged	1-23
Windshield, Hinged	1-25
Seats	1-27
Nerf Bar	1-29
Rear, Fold Down Seat	1-31
Canopy (White) for Vehicles Equipped with Bed	1-33
Canopy (White), Vehicle with Fold Down Rear Seat	1-35
Canopy (Black) for Vehicles Equipped with Bed	1-37
Canopy (Black), Vehicle with Fold Down Rear Seat	1-39
Enclosure, 3-Sided – for Vehicle with Cargo Bed	1-41
Enclosure, 3-Sided – for Vehicle with Folddown Rear Seat	1-43
Trailer Hitch	1-45
Inner Fender	1-47
Rear Body – Electric Vehicles	1-49
Rear Body – Gasoline Vehicles	1-51
Bed Box	1-53

SECTION 2 – WHEELS AND TIRES

Wheels and Tires	2-3
------------------------	-----

SECTION 3 – DECALS

Safety Decals – Electric Vehicles	3-3
Safety Decals – Gasoline Vehicles	3-5
Badging Decals	3-7

SECTION 4 – LIGHTS, CONTROLS, AND INDICATORS

Headlights	4-3
------------------	-----

CONTENTS

Lighting System Components – XRT800/810/850 Gasoline Vehicles	4-5
Lighting System Components – XRT800/810/850 Elec. With PowerDrive Charger	4-7
Turn Signal Kit – DS and Utility Gasoline and Electric Vehicles	4-9
Turn Signal (with Horn Button) Kit – DS and Utility Gas and Electric Vehicles	4-11
Instrument Panel – XRT850 Gas	4-13
Battery Condition Indicator – Electric Vehicles	4-15
Instrument Panel – CA6/Vill 6 & 8/Tporter/XRT850 Elec. With Lester Charger	4-17
DC Converter (Isolated) – IQ System Electric Vehicle	4-19
Voltage Limiter – Gasoline Vehicle	4-21
Horn	4-23
Horn with Column-Mounted Button	4-25
Hour Meter – IQ System and IQ Plus Electric Vehicles	4-27
Tail Lights	4-29

SECTION 5 – BRAKES, PEDALS, AND CABLE ASSEMBLIES

Brake Pedal Assembly	5-3
Accelerator Pedal Assembly – Electric Vehicles	5-5
Accelerator Pedal Assembly – Gasoline Vehicles	5-7
Accelerator Rod – Turf/Carryall 1 Gasoline Vehicles	5-9
Rear Brake Assembly, Self-Adjusting – Vehicle with 2-Wheel Brakes	5-11
Rear Brake Cables and Equalizer	5-13

SECTION 6 – STEERING AND SUSPENSION WITH MAINTENANCE-FREE BALL JOINTS

Front Frame Plate Hardware – Turf/CA 252 and XRT 850/900	6-3
Steering Gear Assembly (Wanda) – Maint.-Free Ball Joint	6-5
Steering Column – Utility	6-7
Intermediate Steering Shaft – Turf/CA 252 and XRT 850/900	6-9
Tie Rod with Maintenance-Free Ball Joints	6-11
Steering Wheel – XRT850	6-13
Front Spindles and Hubs – CA232 and XRT800/810/850 with Maintenance-Free Ball Joints	6-15
Front Suspension – Shock Absorbers	6-17
Front Suspension, Upper Control Arms & Kingpins	6-19
Front Suspension, Spring and Mounting Plates – XRT850	6-21
Rear Suspension – Shock Absorbers	6-23
Rear Suspension, Springs and Hardware	6-25
Stabilizer Bar – XRT 850	6-27

SECTION 7 – ELECTRICAL SYSTEM – GASOLINE VEHICLE

Wiring – Turf/Carryall 1/XRT 850Gas with G425419 Starter/Gen	7-3
--	-----

CONTENTS

Wiring – Turf/Carryall 1/XRT850Gas with AMD Starter/Gen	7-5
Starter/Generator Assembly, Model G425419	7-7
Starter/Generator Mounting – Model G425419	7-9
Starter/Generator Assembly (Pedal-Start), Model 114-01-4009A	7-11
Starter/Generator Mounting – 114-0x-400xx Models	7-13
Operation and Maintenance Switch	7-15
Electrical Component Box – Turf/CA 1, 2, 252, and XRT850	7-17
Forward/Reverse Shifter Switches – Dash Mounted Shifter	7-19
Battery – Gasoline Utility Vehicles	7-21

SECTION 8 – ENGINE (FE350S27) W/O ACR, 50-STATE

FE350 Engine (S27) w/o ACR, Shrouds, and Brackets; 50-State	8-3
FE350 Engine (S27) – Ignition Components and Flywheel	8-5
FE350 Engine (S27) – Oil Circulation	8-7
FE350 Engine (S27) – Cylinder Head	8-9
FE350 Engine (S27) – Crankcase, Camshaft, and Oil Sensor	8-11
FE350 Engine (S27) – Crankcase and Crankshaft	8-13
FE350 Engine (S27) – Mounting	8-15

SECTION 9 – FUEL, INTAKE, AND GOVERNOR SYSTEMS- CARBURETED GAS VEHICLES

Fuel System and Tank without Sending Unit	9-3
Fuel System and Tank with Sending Unit	9-5
Carbon Canister – California Only	9-7
Carburetor Assembly – FE350 S27	9-9
Carburetor Mounting, Utility, FE350 S23 S24 S27	9-11
Governor and Accelerator Cables	9-13
Air Intake Duct and Choke Button – Turf/CA 1 and XRT800/810/850	9-15
Air Filter and Intake Hose	9-17

SECTION 10 – EXHAUST SYSTEM – FE350 ENGINE

Exhaust System – FE350 Engine	10-3
Spark Arrestor Kit	10-5

SECTION 11 – DRIVE BELT AND CLUTCHES – CARBURETED GASOLINE VEHICLES

Drive Belt	11-3
Driven Clutch	11-5
Drive Clutch – CA 2 Plus/Vill. 6 & 8/Tporter/XRT850	11-7

CONTENTS

SECTION 12 – UNITIZED TRANSAXLE – CARBURETED GAS VEHICLES

Forward/Reverse Shifter	12-3
Shifter Cable – Turf/Carryall 1 and XRT850	12-5
Kawasaki Transaxle – Gear Cases and Brackets	12-7
Kawasaki Transaxle – F&R Transmission and Gear Reduction	12-9
Kawasaki Transaxle – Differential and Axles	12-11
Graziano Transaxle – Gear Cases and Levers	12-13
Graziano Transaxle – F&R Transmission and Gear Reduction	12-15
Graziano Transaxle -Differential and Axles	12-17
Differential Guard – Gasoline Vehicle	12-19

SECTION 13 – ELECTRICAL SYSTEM – ELECTRIC VEHICLES

Motor Controller Output Regulator (MCOR)	13-3
Wiring – Turf/CA 1 Electric	13-5
Tow/Run Switch – IQ System	13-7
Battery Charger Receptacle	13-9
Batteries, 8-Volt, Crown	13-11
Batteries, 8-Volt, U.S. Battery	13-13
Batteries, 8-Volt, JCI	13-15
Single Point Watering System, 8V Crown & JCI	13-17
Computer, Controller, and Solenoid – For Trojan & Crown Batteries	13-19
Computer, Controller, and Solenoid – For U.S. Batteries	13-21
Computer, Controller, and Solenoid – For Crown and JCI Batteries	13-23

SECTION 14 – ELECTRIC MOTOR

Motor (Model EJ8-4001A) – Electric Vehicle	14-3
--	------

SECTION 15 – TRANSAXLE – ELECTRIC VEHICLES

Transaxle – Electric Vehicles	15-3
Differential Guard – Electric Vehicles	15-5

SECTION 16 – BATTERY CHARGERS – POWER DRIVE

PowerDrive 3 Battery Charger (Model 26580-11,-12,-18,-19), Domestic	16-3
PowerDrive 3 Battery Charger (Model 26580-31,-38,-39), Domestic	16-5
PowerDrive Battery Charger (Model 17930), Domestic	16-7
PowerDrive Battery Charger (Model 18780), Export	16-9
PowerDrive Battery Charger (Model 20310), European	16-11

CONTENTS

SECTION 17 – MAINTENANCE AND SERVICE TOOLS

Maintenance and Service Tools	17-3
Maintenance and Service Tools, Continued	17-5
Maintenance and Service Tools, Continued	17-7

SECTION i – INDEX

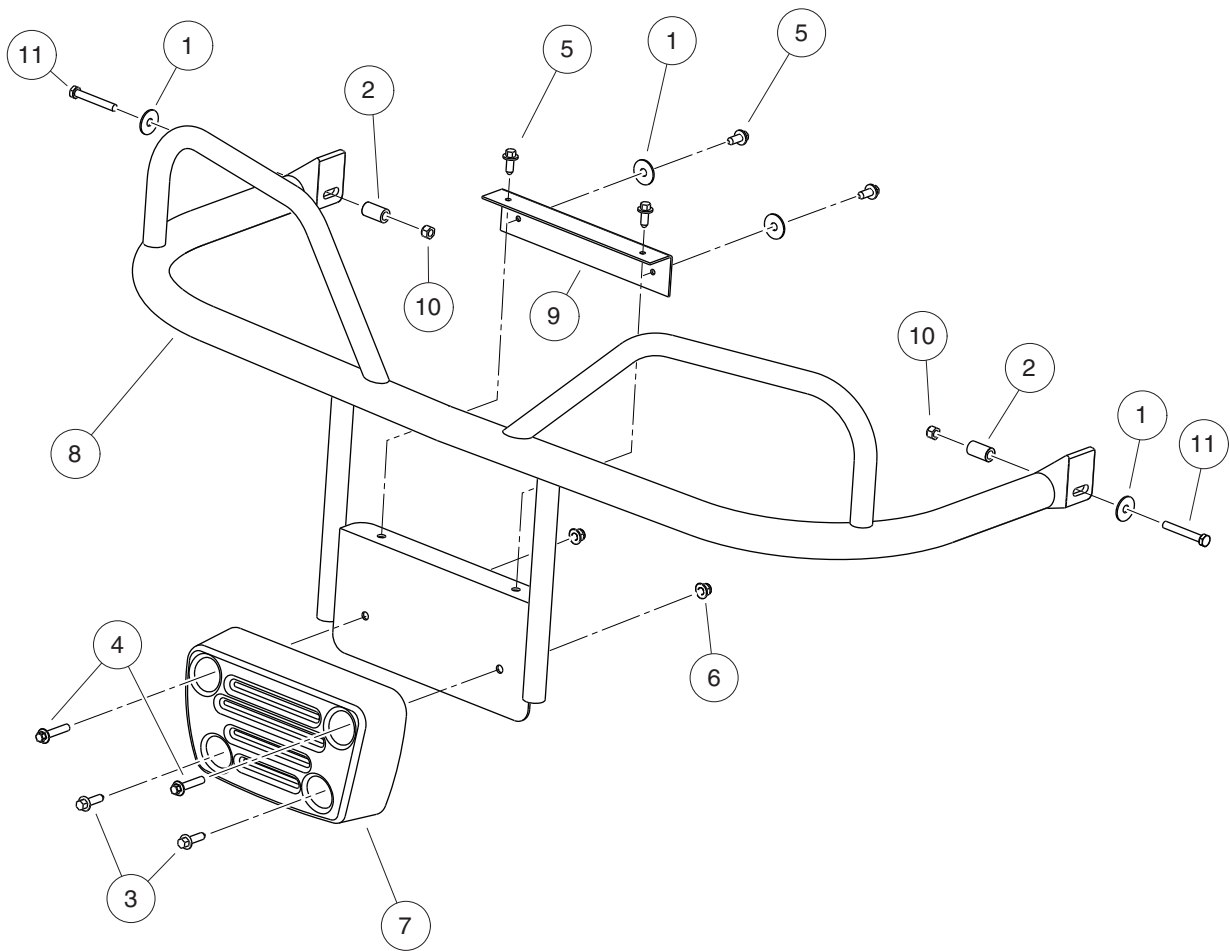
BODY AND TRIM

1

G

E

1
G
E



000838-002

BRUSHGUARD AND BUMPER

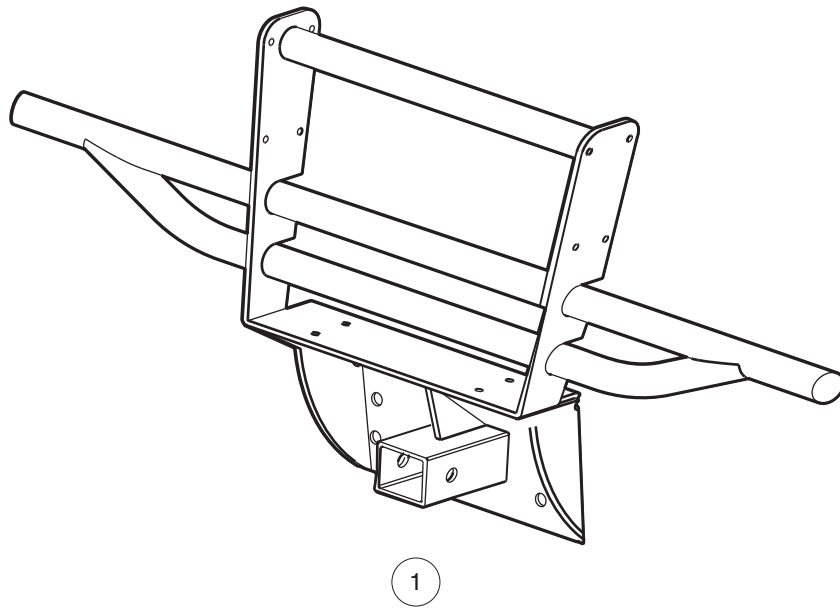
ITEM	PART NO.	DESCRIPTION	QTY
		1 2 3 4	
1	1011578	Washer, 5/16 Type B Flat	4
2	1015608	Tube Spacer, Hydraulic Cylinder	2
3	102289002	Screw, M8 X 1.25 X 30 Tri, Blk	2
4	102298240	Bolt, Flange Head, M8-1.25 X 40	2
5	102298720	Screw, M8-1.25x20, Taptite	4
6	102618601	Lock Nut, Flange, M8 X 1.25 Nylon	2
7	102830501	Bumper, Cast	1
8	103411501	Guard, Brush, Front, W Weight	1
9	103413101	Angle, Cowl Retention	1
10	7473	Locknut, 5/16-18 Nylon Insert	2
11	8935	Screw, 5/16-18 X 2.25 Hex-Head Cap	2

1
G
E

1

G

E



001311-001

HEAVY-DUTY FRONT BUMPER WITH RECEIVER

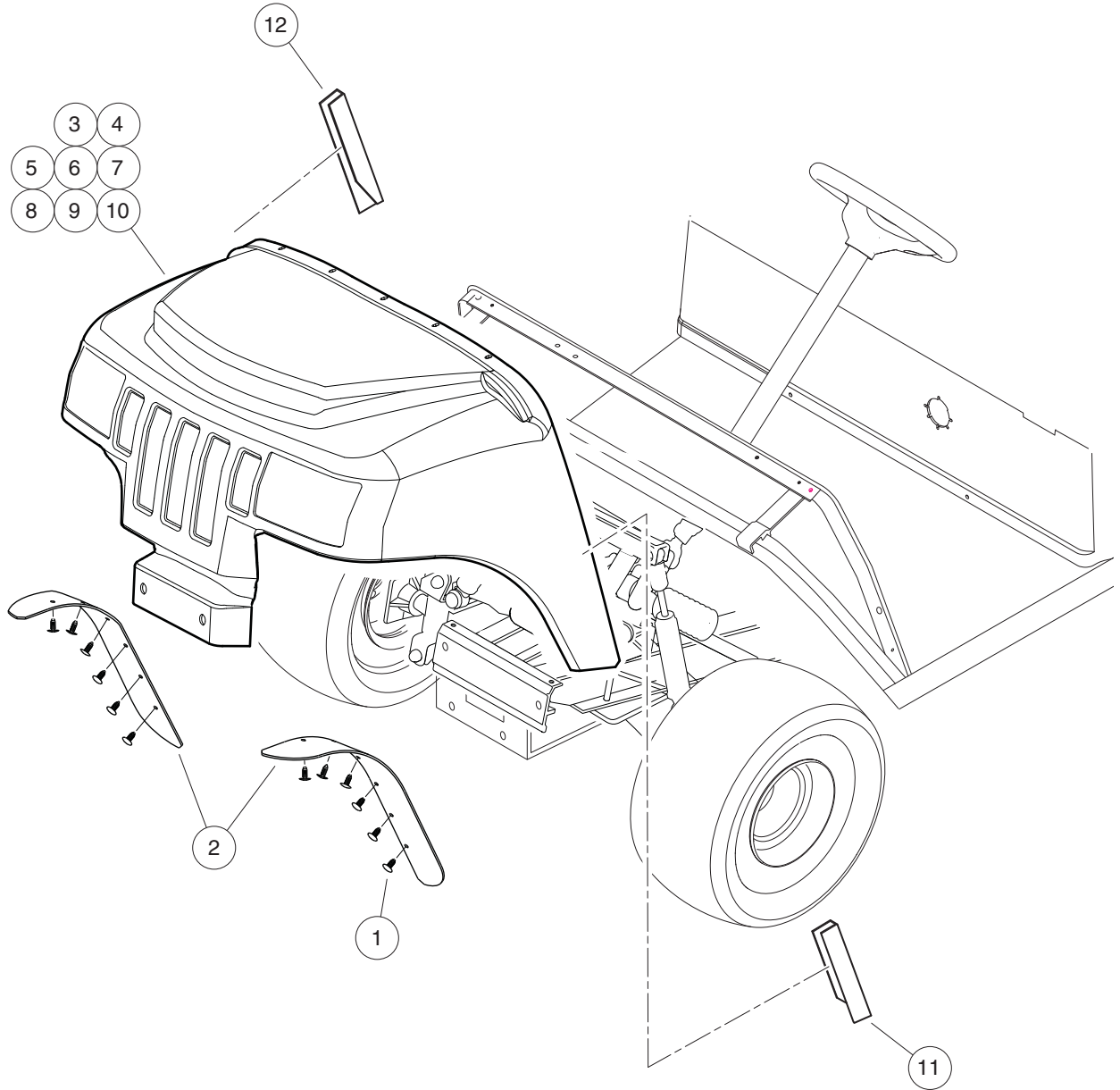
ITEM	PART NO.	DESCRIPTION	QTY
1	AM1225001	<div style="display: flex; justify-content: space-between; margin-bottom: 5px;"> 1 2 3 4 </div> Kit, Hd Frt Bmpr W/2" Rec, 800	1

1

G

E

1
G
E



001302-001

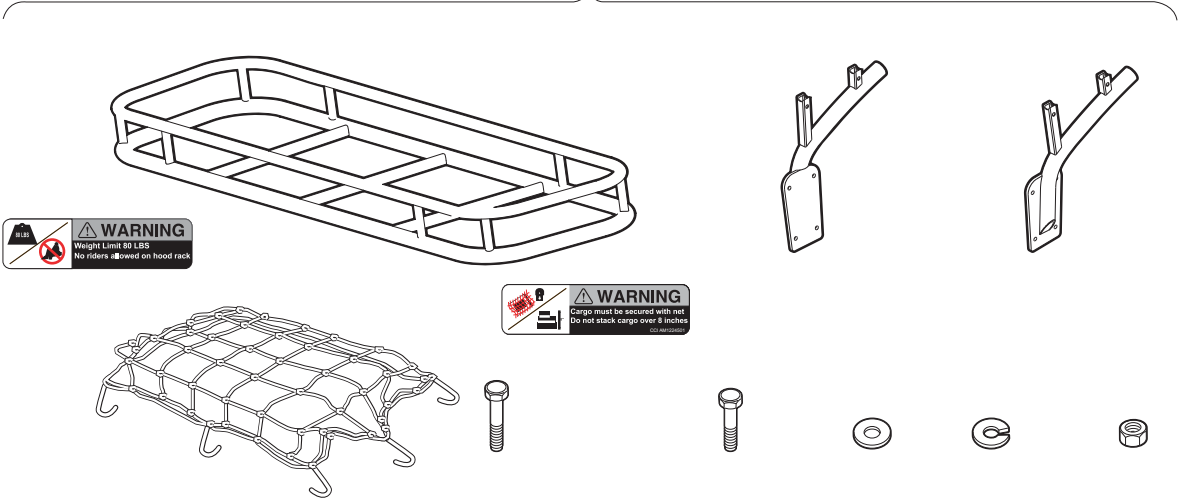
FRONT BODY

ITEM	PART NO.	DESCRIPTION	QTY
		1 2 3 4	
1	1010434	Barrel - Plastic	12
2	102004401	Fender Extrusion	2
3	102778501	Cowl, Red	1
4	102778502	Cowl, Green	1
5	102778503	Cowl, Camouflage (Husqvarna)	1
6	102778504	Cowl, Classic Blue	1
7	102778505	Cowl, XRT- Black	1
8	102778507	Cowl, XRT- Camo Hard Wood HD (Standard camo for XRT850)	1
9	N/A	Cowl, XRT- Camo Max4 HD	1
10	102778509	Cowl, XRT- Silver	1
11	103405401	Cowl Cover, Driver, Short	1
12	103405402	Cowl Cover, Pass, Short	1

1
G
E

1
G
E

1



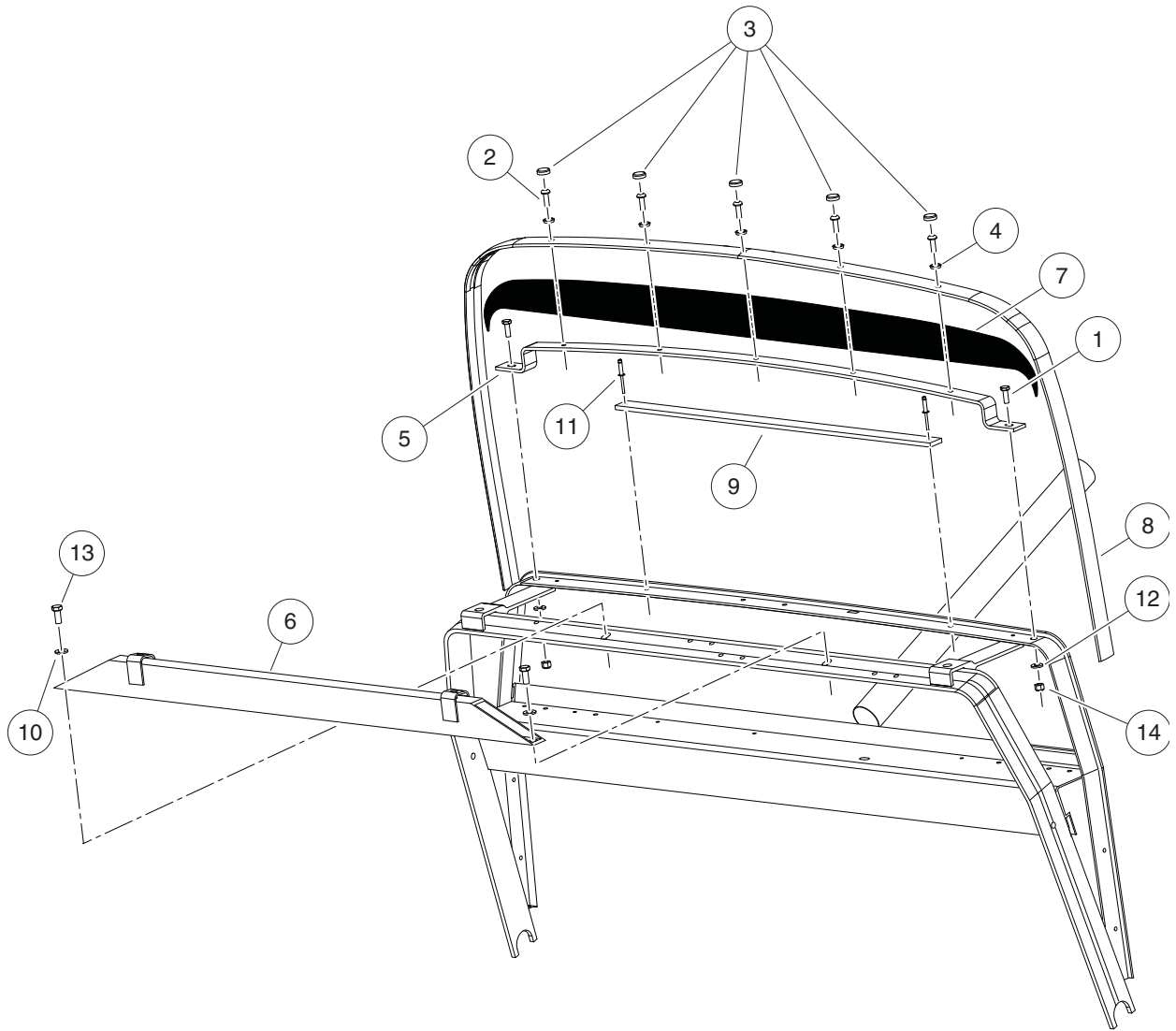
001312-001

CARGO RACK AND BUNGEE NET KIT

ITEM	PART NO.	DESCRIPTION	QTY
1	AM1213901	1 2 3 4 Kit, Cargo Rack, 800	1

1
G
E

1
G
E



000823-004

DASH TRIM

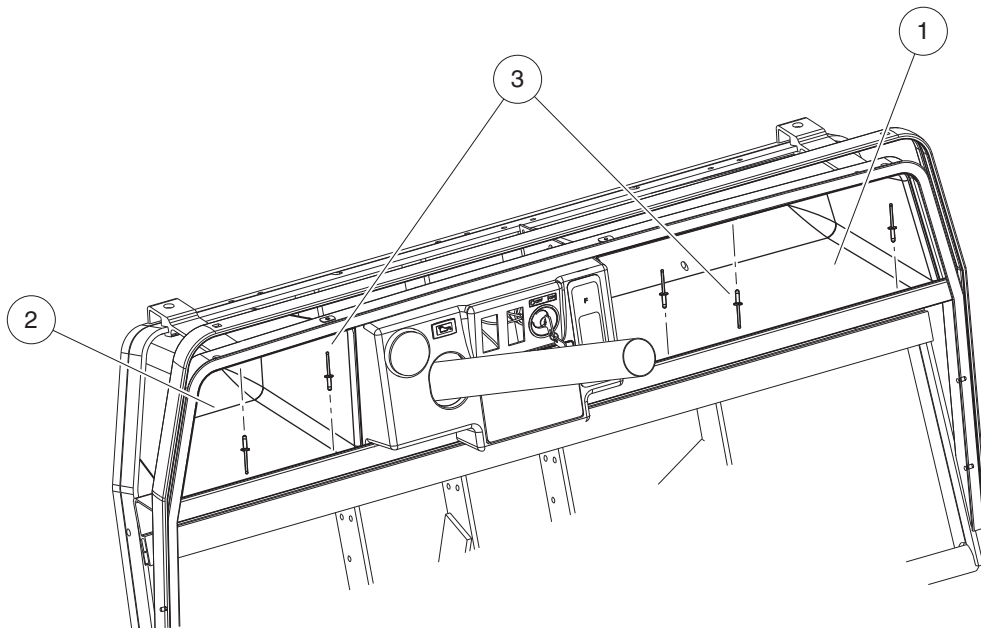
ITEM	PART NO.	DESCRIPTION	QTY
		1 2 3 4	
1	101954301	Screw, 1/4-20 X 0.75 Hex-Head Cap	2
2	102025801	Screw, 1/4-20 X .75 Torx Pn Hd	5
3	102045001	Cap, 1/4" Plastic Screw Head	5
4	102048401	Washer, 1/4 Id Scalloped Plast	5
5	102778601	Support, Upper Cowl	1
6	103313301	Asm, Brace, Canopy, Tube, Xrt	1
7	103364101	Panel, Closeout, Dash	1
8	103364201	Strip, Trim, Dash, Black	1
9	103395101	Plate, Retention, Closeout	1
10	1241	Washer, 5/16 Type A Flat	2
11	1606	Rivet, 3/16 X .500 Alum Pop	2
12	332	Washer, 1/4 Type A Narrow Flat	2
13	7173	Screw, 5/16-18 X 0.75, Hex-Head Cap	2
14	8233	Locknut, 1/4-20, Nylon Insert	2

1
G
E

1

G

E



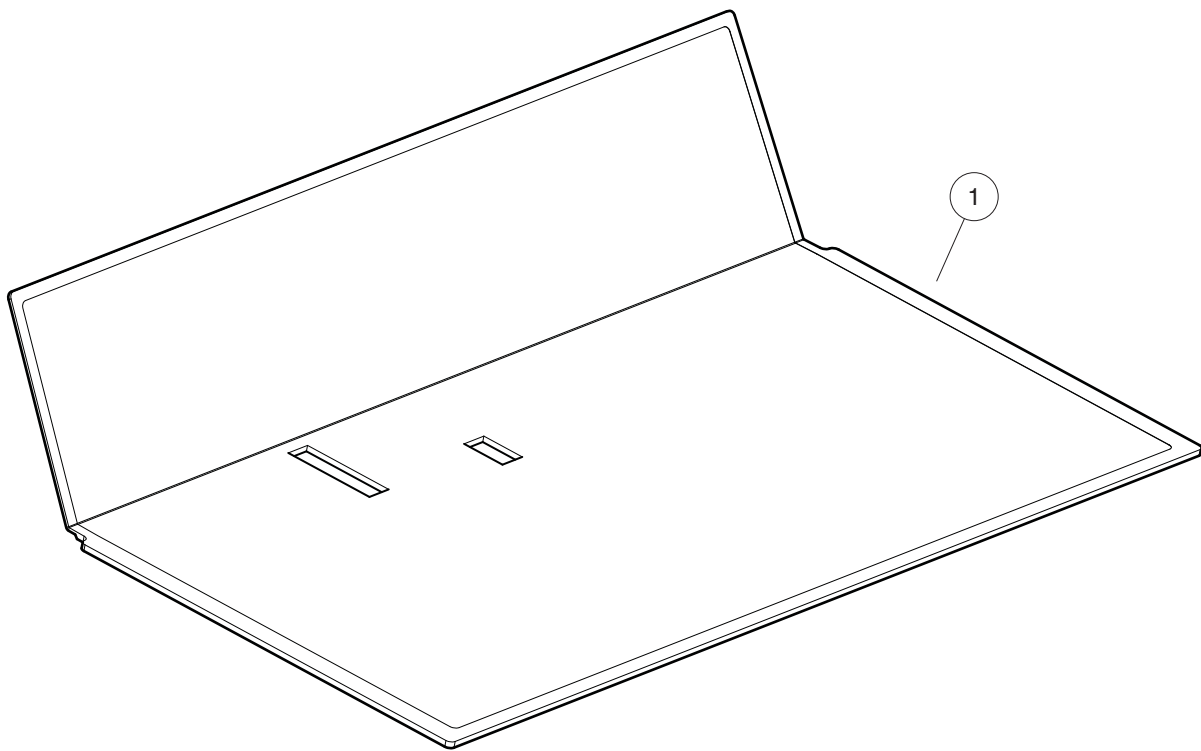
001434-001

DASH POCKETS

ITEM	PART NO.	DESCRIPTION	QTY
1	1013343	1 2 3 4 Dash Component, Passenger-Side, Black	1
2	1013344	Dash Component, Driver-Side	1
3	7973	Rivet, 3/16 X .400 Blind	5

1
G
E

1
G
E



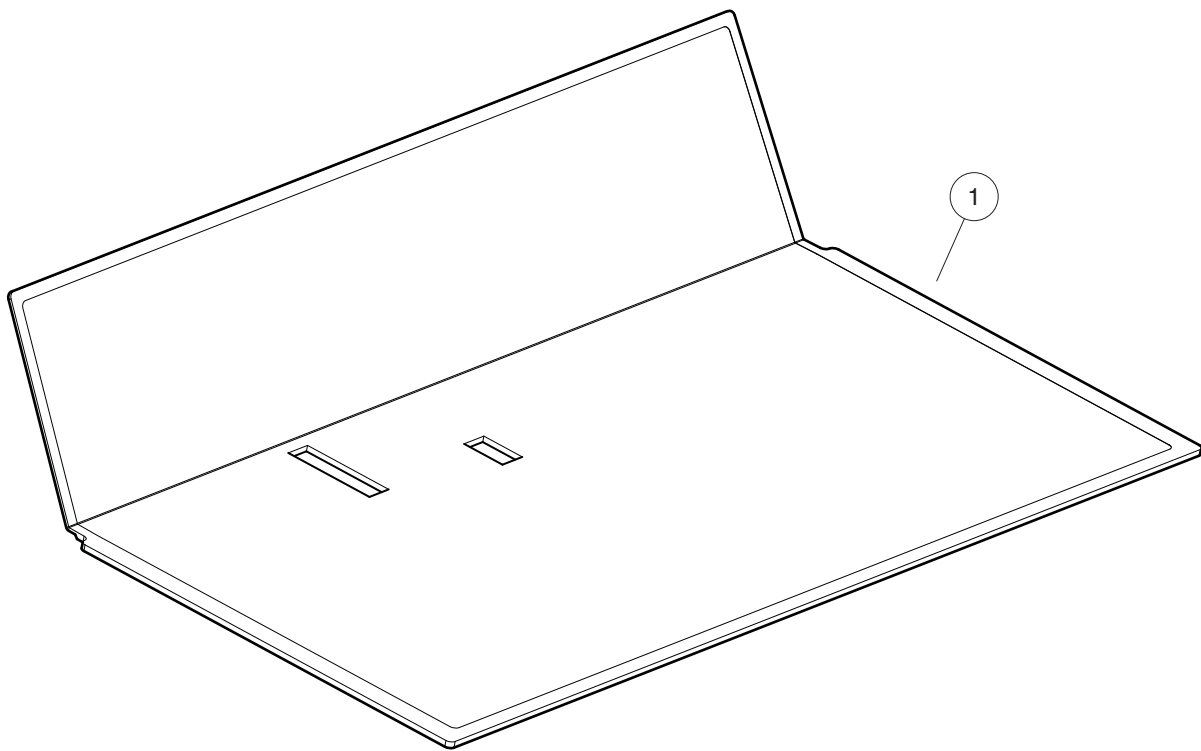
000825-002

FLOORMAT – TOLATE2013MODELYEAR

ITEM	PART NO.	DESCRIPTION	QTY
1	101503202	1 2 3 4 Floormat	1

1
G
E

1
G
E



000825-002

FLOORMAT – FROM LATE 2013 MODEL YEAR

ITEM	PART NO.	DESCRIPTION	QTY
1	103939201	1 2 3 4 Floor Mat, Ds/utl, Std	1

1
G
E

1

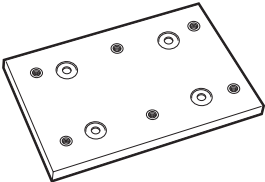
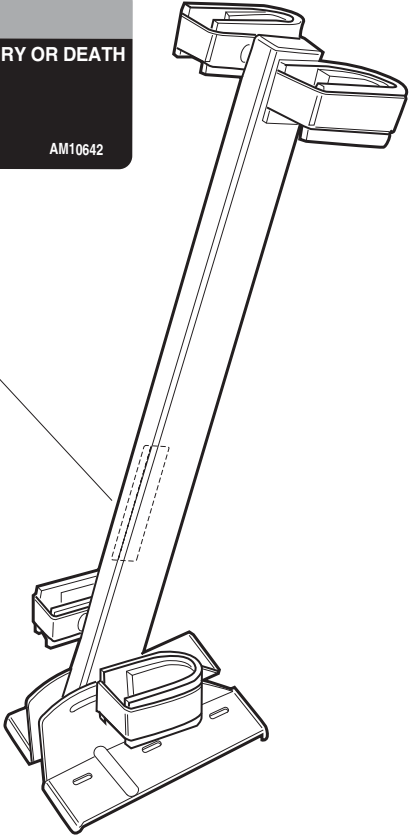
⚠ WARNING

FAILURE TO HEED THE FOLLOWING INSTRUCTIONS CAN CAUSE SEVERE INJURY OR DEATH

- Obey all Hunting Laws and Regulations.
- Never carry a closed action or loaded firearm in a vehicle.
- Always control the muzzle direction of the firearm.
- Treat each firearm as if it were loaded.
- Always point a firearm in a safe direction when loading.
- Put the safety on, double check it.

AM10642

WARNING DECAL



MOUNTING PLATE



FLOOR-MOUNT GUN RACK

001313-001

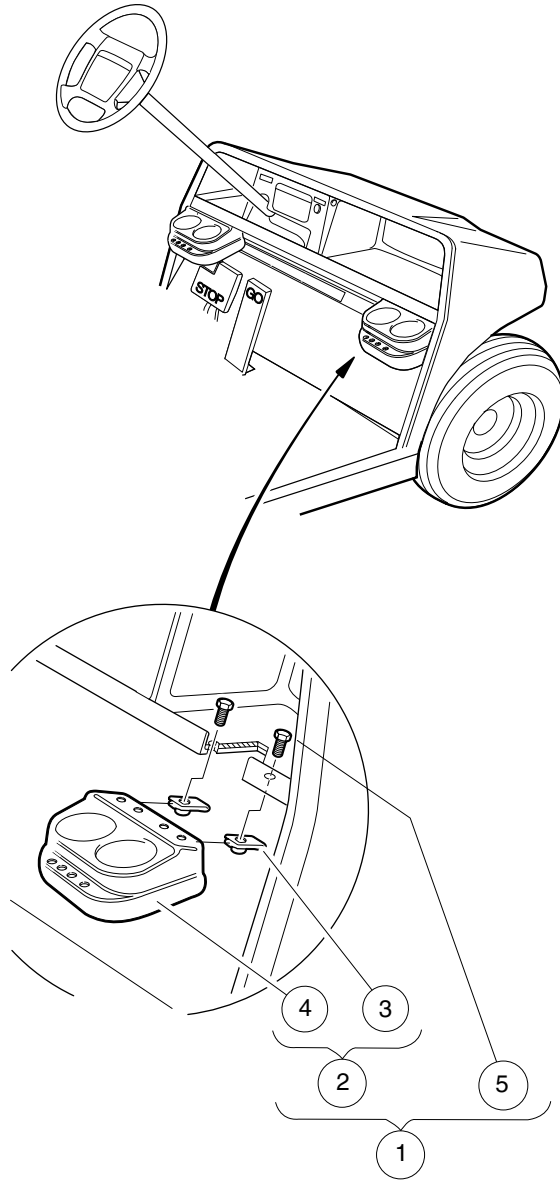
GUN RACK, FLOOR-MOUNT

ITEM	PART NO.	DESCRIPTION	QTY
1	AM10639	<div style="display: flex; justify-content: space-between; margin-bottom: 5px;"> 1 2 3 4 </div> Floor Mount Gun Rack Kit	1

1

G

E



000253-002

BEVERAGE HOLDER

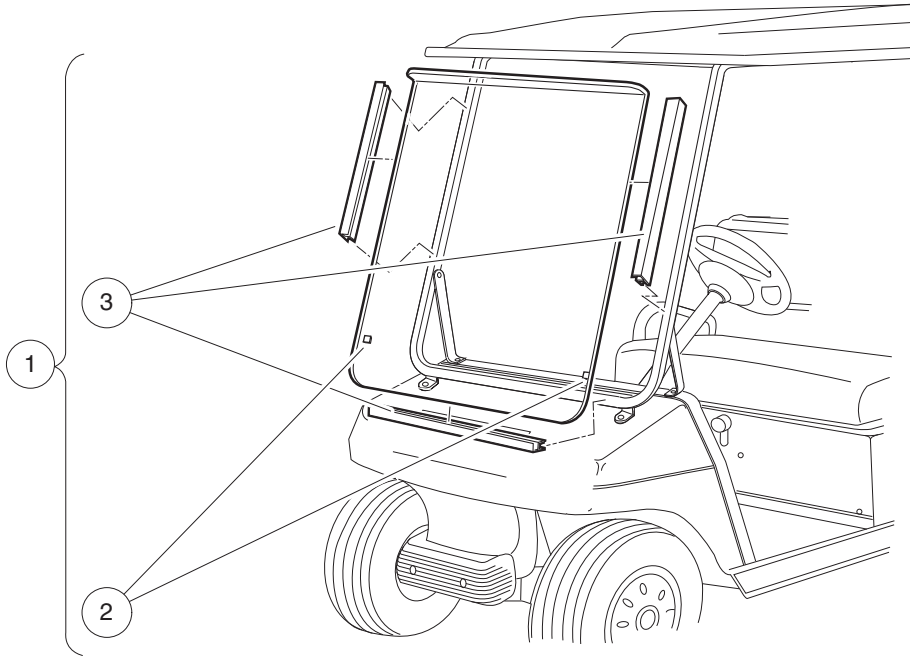
ITEM	PART NO.	DESCRIPTION	QTY
		1 2 3 4	
1	101708301	Drink Holder Kit (includes items 2 through 5)	1
2	1016811	Holder, Dual Cup (includes items 3 and 4)	1
3	1016952	U-Nut, 1/4-20	2
4	N/A	Cup Holder, Dual	1
5	7847	Screw, 1/4-20 X 0.75 Hex-Head Cap	2

1
G
E

1

G

E



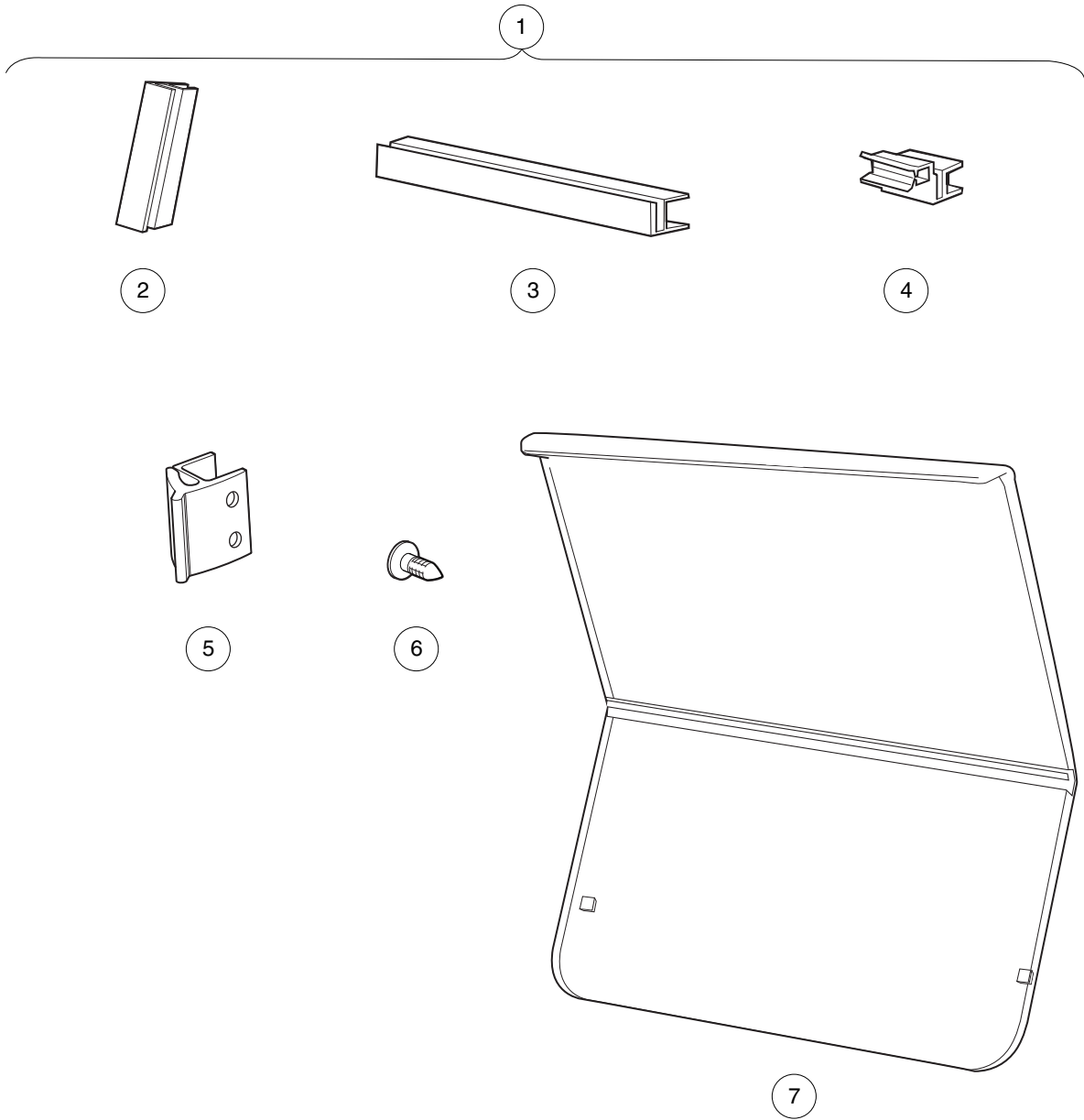
001204-001

WINDSHIELD, NON-HINGED

ITEM	PART NO.	DESCRIPTION	QTY
		1 2 3 4	
1	1014435	Windshield Tinted One-Piece (includes items 2 and 3)	1
2	1011897	Bumper, Protective	2
3	101444101	21" Plastic Extrusion	3
<p style="margin-left: 40px;">Note: Requires Windshield Frame Kit.</p>			



1
G
E



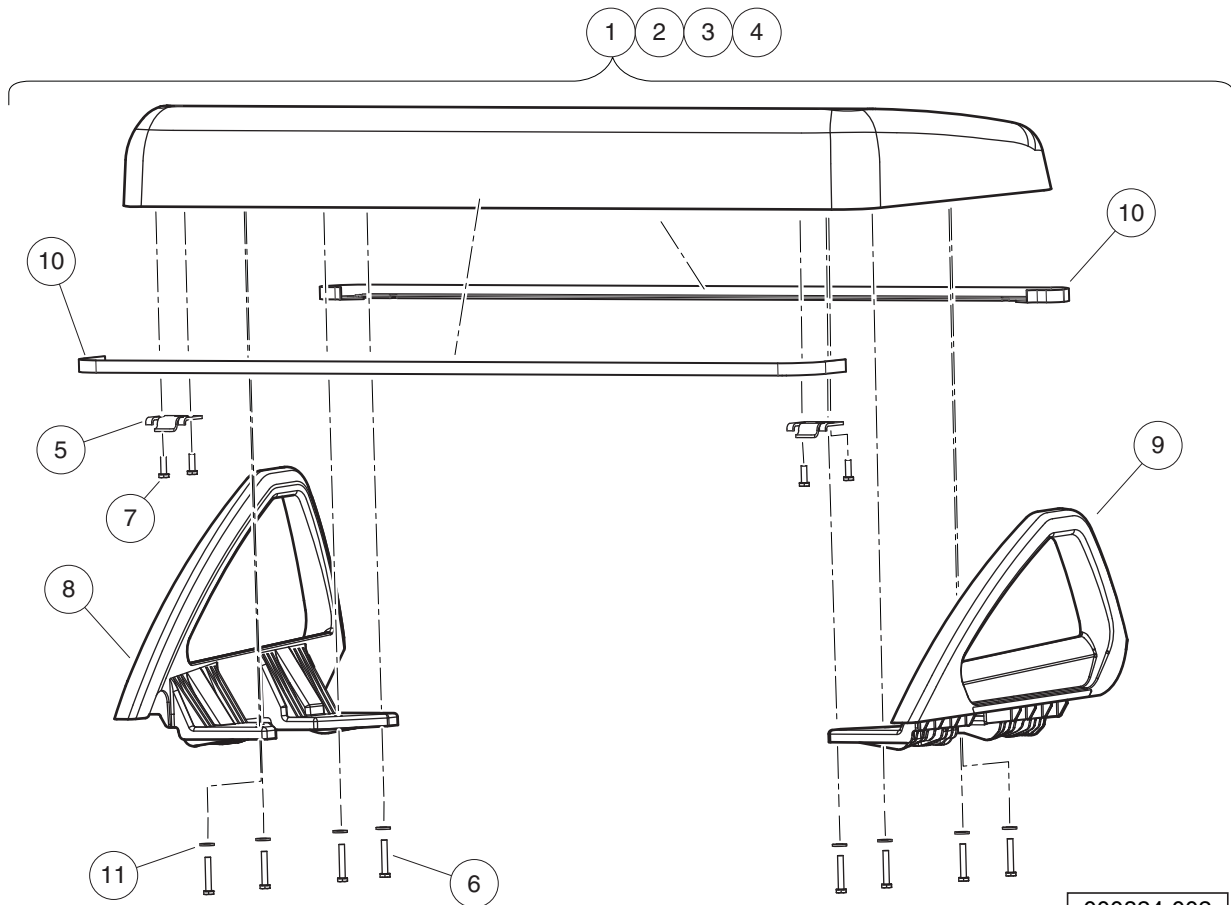
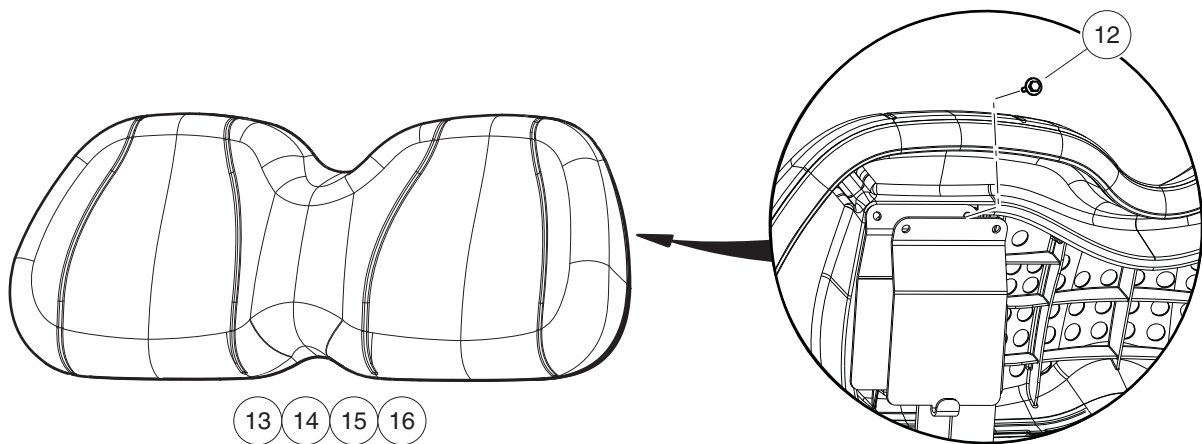
001257-001

WINDSHIELD, HINGED

ITEM	PART NO.	DESCRIPTION	QTY
		1 2 3 4	
1	103888301	Kit, Hinged Windshield, Utility (includes items 2 through 7)	1
2	102005701	5" Plastic Extrusion	4
3	102163001	Windshield Channel	1
4	102163101	Channel with Receiver Clip	2
5	103677101	W/s, Rubber, Clip Retainer	2
6	103754901	Fastener, Barrel - .610 X .25	8
7	103888101	Hinged Windshield, Utility	1
<p style="margin-left: 40px;">Note: Requires Windshield Frame Kit.</p>			

1
G
E

1
G
E



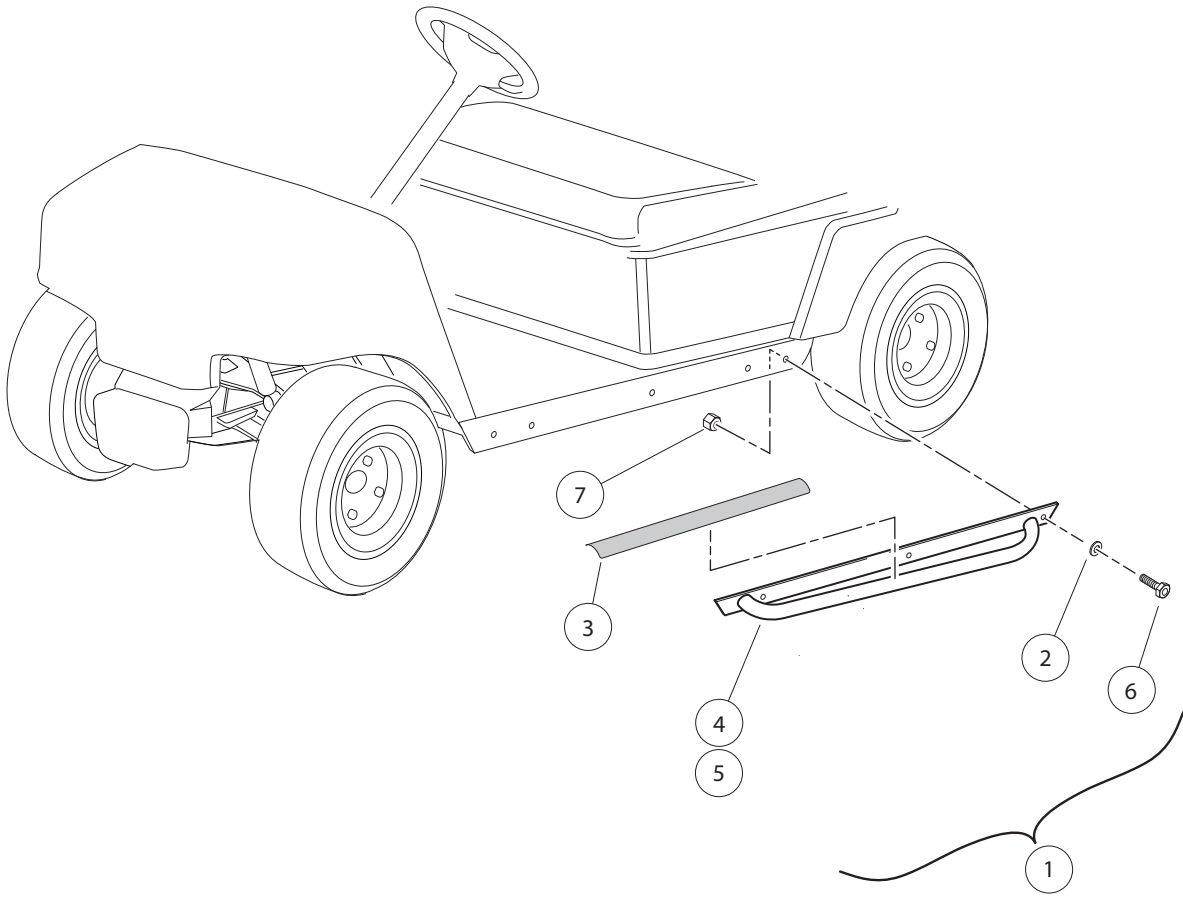
000824-002

SEATS

ITEM	PART NO.	DESCRIPTION	QTY
		1 2 3 4	
1	101998004	Seat Bottom Assembly, Black	1
2	101998006	Seat Bottom Assembly, Gray	1
3	101998007	Seat Assy Precedent White	1
4	101998008	Seat Assy Precedent Beige (includes items 5 through 11)	1
5	1011652	Hinge Plate	2
6	1016916	Screw, 1/4-20 X 1.50 Hex-Head Cap	8
7	101954301	Screw, 1/4-20 X 0.75 Hex-Head Cap	4
8	101985502	Armrest, Passenger (right)	1
9	101987602	Armrest, Driver (left)	1
10	101998501	Gasket, Seat	2
11	332	Washer, 1/4 Type A Narrow Flat	8
12	102296530	Screw - M6 X 1.0 X 30 Sems	2
13	102503221	Service Backrest Asm, Beige	1
14	102503222	Service Backrest Asm, White	1
15	102503224	Service Backrest Asm, Gray	1
16	102503225	Service Backrest Asm-black	1

1
G
E

1
G
E



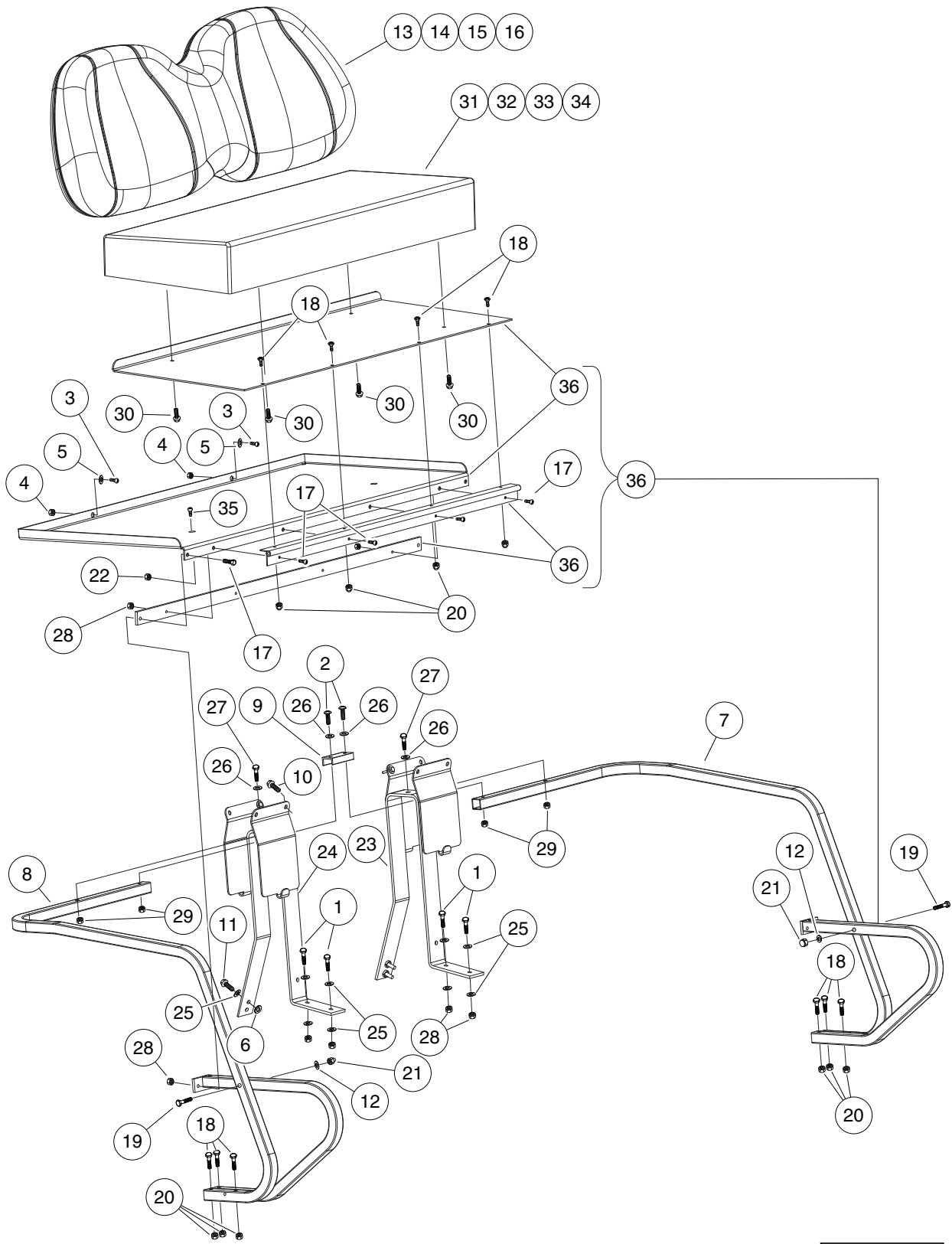
000360-004

NERF BAR

ITEM	PART NO.	DESCRIPTION	QTY
		1 2 3 4	
1	102829801	Kit, Nerf Bar, Ds/lynx (includes items 2 through 7)	1
2	1011990	Washer, 3/8 Flat	6
3	102355102	Tape, Non-skid	2
4	102829701	Asm, Nerf Bar, Dmnd Plt, Drv	1
5	102829702	Asm, Nerf Bar, Dmnd Plt,pass	1
6	320	Screw, 3/8-16 X 1.00 Hex-Head Cap	6
7	8754	Locknut, 3/8-16 Hex	6

1
G
E

1
G
E



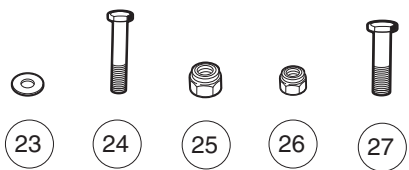
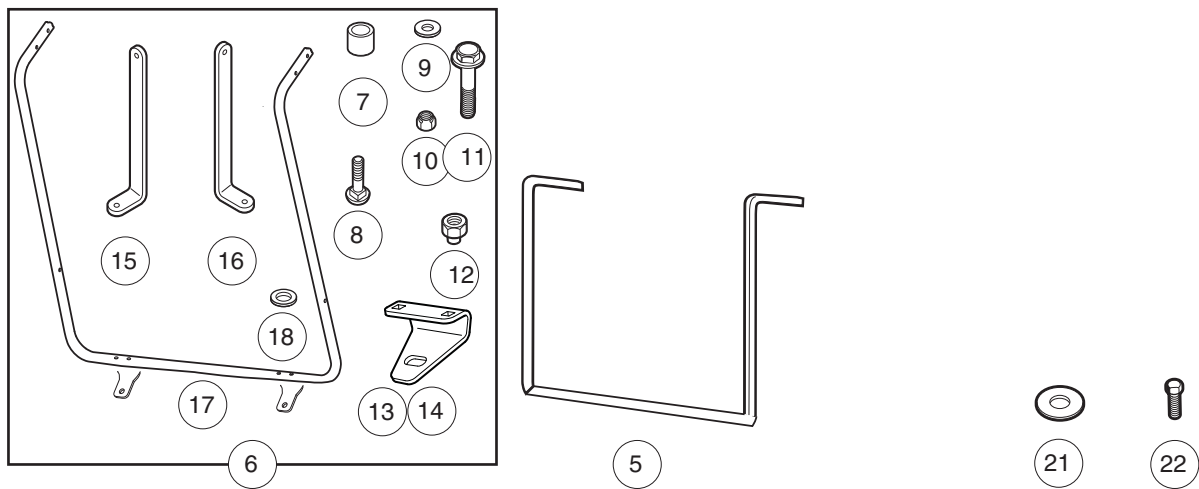
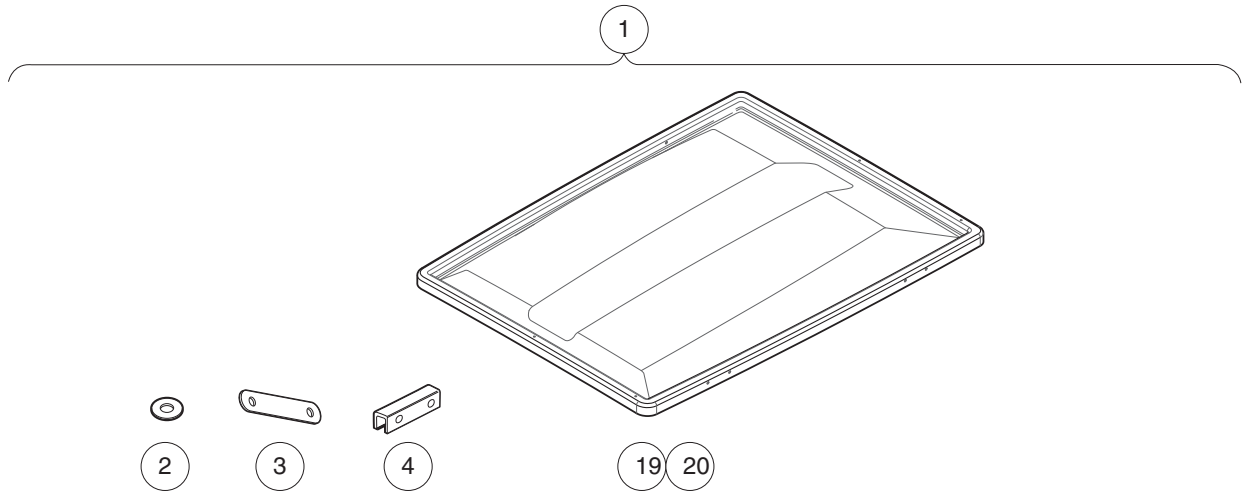
000841-001

REAR, FOLD DOWN SEAT

ITEM	PART NO.	DESCRIPTION	QTY
		1 2 3 4	
1	1010577	Bolt, Hex-Head, 5/16-18 X 1.50	4
2	1011988	Screw, 1/4-20 X 2.00 Phillips Truss-Head	2
3	1015059	Screw, 5/16-18 X 1.0 Phl Truss	2
4	1015072	Locknut, 5/16-18 Nylon Insert	2
5	1015077	Washer, 5/16 Flat	2
6	1017774	Body Spacer	4
7	101841201	Armrest, Seat, Rear, Right-Hand	1
8	101841202	Armrest, Seat, Rear, Left-Hand	1
9	101841301	Armrest Bracket	1
10	101910401	Screw, 5/16-18 X 1.25 Thrd Frm	4
11	102296530	Screw - M6 X 1.0 X 30 Sems	2
12	102324901	Washer, Flat, 1/4", Blk	2
13	102503211	4 Pass Backrest Asm-beige	1
14	102503212	4 Pass Backrest Asm-white	1
15	102503214	Backrest Assembly, Gray	1
16	102503215	4 Pass Backrest Asm-black	1
17	102541425	Bolt, M6x1.0x25, Hex Flhd, Blk-l	6
18	102541445	Bolt-m6x1.0x45 Hex Flhd,blk	10
19	102541465	Bolt, M 6 X 1.0 X 65 Hex, Flange, Head, Black	2
20	102541501	Nut-m6x1.0 Fl Mtl Lock,blk	10
21	102582401	Cap Nut M6, Sp	6
22	102618601	Lock Nut, Flange, M8 X 1.25 Nylon	2
23	103378301	Weldment, Bracket, Seat, Fd Rh	1
24	103378302	Weldment, Bracket, Seat, Fd Lh	1
25	1241	Washer, 5/16 Type A Flat	12
26	332	Washer, 1/4 Type A Narrow Flat	6
27	7311	Screw, 1/4-20 X 2.00 Hex-Head Cap	2
28	7473	Locknut, 5/16-18 Nylon Insert	12
29	8233	Locknut, 1/4-20, Nylon Insert	4
30	SVPP230201	1/4-20x.75 Fl Hd Mach Scr Ss	4
31	SVPP230901	Seat Sub Asm, Beige	1
32	SVPP230902	Seat Sub Asm, White	1
33	SVPP230903	Seat Asm - Gray	1
34	SVPP230904	Seat Sub Asm, Blk	1
35	SVPP234001	M8x1.25x25 Fl Hd Mach Scr	2
36	SVPP285901	Kit, Fold Downxrt 800/810/850	1

1
G
E

1
G
E



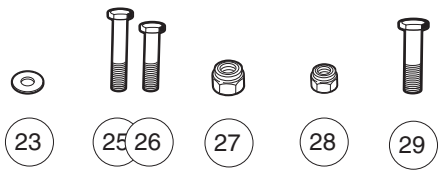
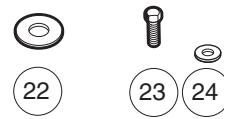
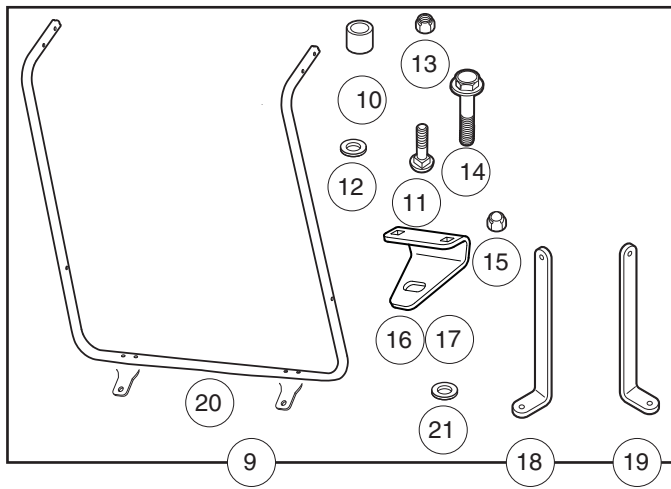
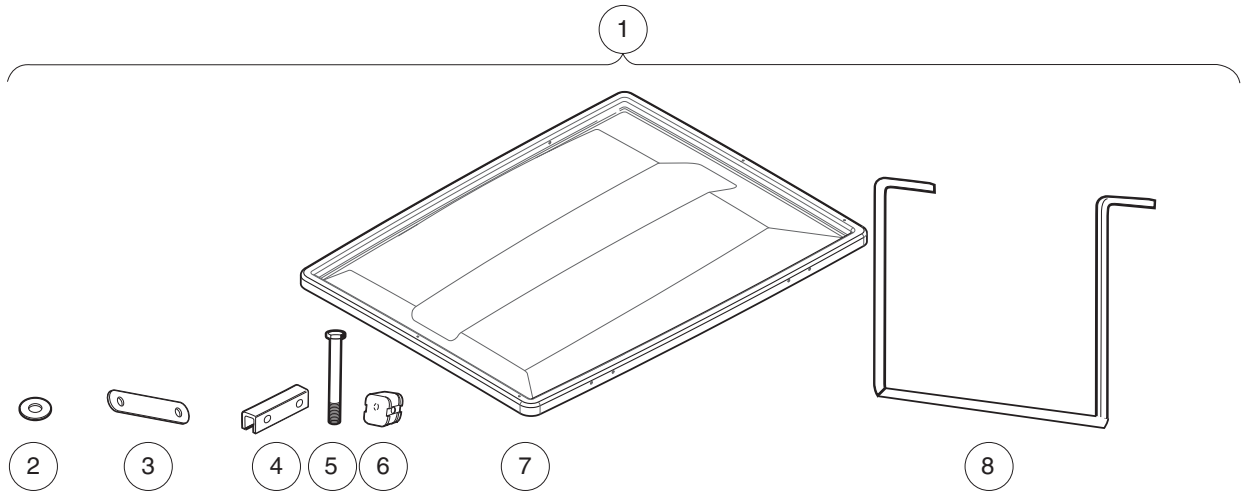
001532-001

CANOPY (WHITE) FOR VEHICLES EQUIPPED WITH BED

ITEM	PART NO.	DESCRIPTION	QTY
		1 2 3 4	
1	103410501	Kit, Canopy, White, 56" (includes items 2 through 27)	1
2	1010517	Washer, .88 Od X .343 Id Nylon	2
3	1011852	Plate, Canopy Trim	8
4	1012008	Support, Side Canopy	2
5	103411001	Brace, Canopy, Short, Bed	1
6	103795503	Asm, W/s Frame, Canopy, Black (includes items 7 through 18)	1
7	1010237	Bushing	2
8	N/A	Bolt, 1/4-20 X 1.50 Rd Hd Sq N	4
9	1011964	Washer, 1/4 Flat	2
10	1015091	Nut, 1/4-20 Stainless-Steel Center-Lock Cap	4
11	102076702	Screw, 1/4-20 X 1.75 Hexhead,SEMS, Black	2
12	102242401	Nut - Nylon Insert W/cap	2
13	102854301	Bracket, Support, Windshield Frame, Driver-Side	1
14	102854302	Bracket, Support, Windshield Frame, Passenger-Side	1
15	103411101	Brace, Knee, Passenger	1
16	103411201	Brace, Knee, Driver	1
17	103787302	Frame, Windshield, Vac Cowl	1
18	332	Washer, 1/4 Type A Narrow Flat	4
19	103804003	Asm, Canopy, Utility White (includes item 20)	1
20	1011942	Modified Grommet	2
21	1241	Washer, 5/16 Type A Flat	6
22	304	Screw, 1/4-20 X 1.0 Hex-Head Cap	2
23	332	Washer, 1/4 Type A Narrow Flat	18
24	7311	Screw, 1/4-20 X 2.00 Hex-Head Cap	8
25	7473	Locknut, 5/16-18 Nylon Insert	3
26	8233	Locknut, 1/4-20, Nylon Insert	8
27	8963	Screw, 5/16-18 X 1.75 Hex-Head Cap	3

1
G
E

1
G
E



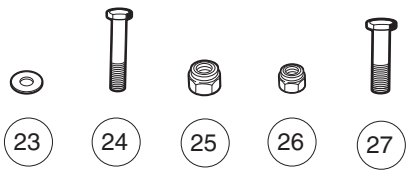
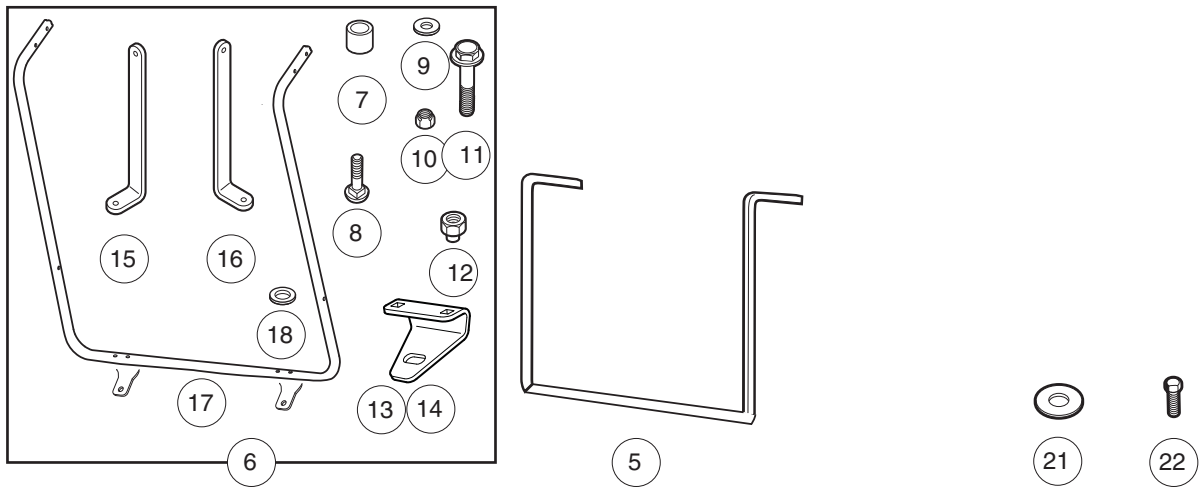
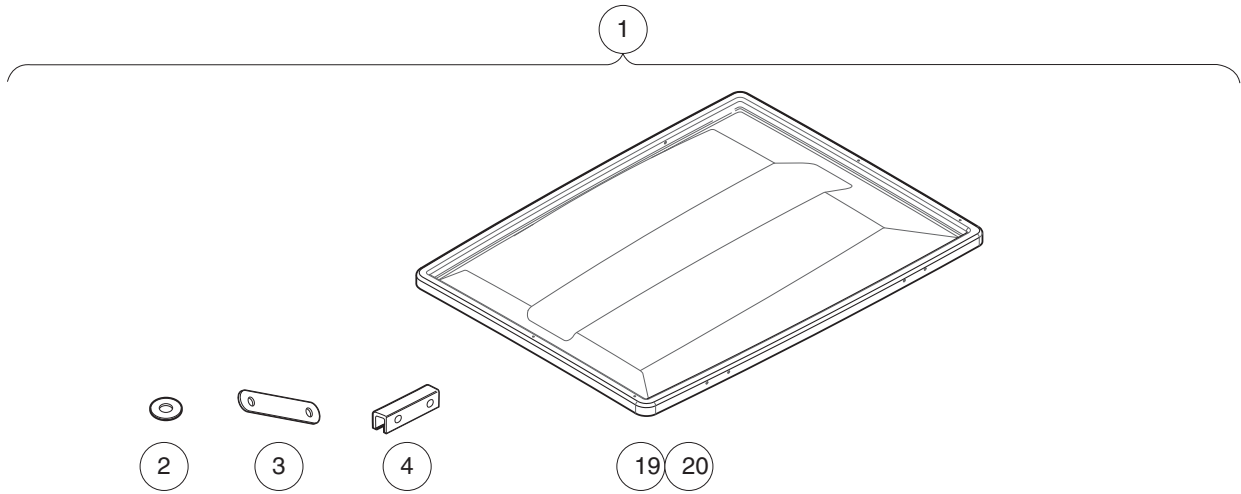
001532-002

CANOPY (WHITE), VEHICLE WITH FOLD DOWN REAR SEAT

ITEM	PART NO.	DESCRIPTION	QTY
		1 2 3 4	
1	103410701	Kit, Canopy, White 80" Fld Dwn (includes items 2 through 29)	1
2	1010517	Washer, .88 Od X .343 Id Nylon	2
3	1011852	Plate, Canopy Trim	8
4	1012008	Support, Side Canopy	2
5	1013872	Bolt, 1/4-20 X 4.00 Hex Head	2
6	1013884	Spacer, Bag Hoop	10
7	N/A	Canopy, 80" White, Plain Band	1
8	103410901	Brace, Canopy, Rear, Long	1
9	103795503	Asm, W/s Frame, Canopy, Black (includes items 10 through 21)	1
10	1010237	Bushing	2
11	N/A	Bolt, 1/4-20 X 1.50 Rd Hd Sq N	4
12	1011964	Washer, 1/4 Flat	2
13	1015091	Nut, 1/4-20 Stainless-Steel Center-Lock Cap	4
14	102076702	Screw, 1/4-20 X 1.75 Hexhead,SEMS, Black	2
15	102242401	Nut - Nylon Insert W/cap	2
16	102854301	Bracket, Support, Windshield Frame, Driver-Side	1
17	102854302	Bracket, Support, Windshield Frame, Passenger-Side	1
18	103411101	Brace, Knee, Passenger	1
19	103411201	Brace, Knee, Driver	1
20	103787302	Frame, Windshield, Vac Cowl	1
21	332	Washer, 1/4 Type A Narrow Flat	4
22	1241	Washer, 5/16 Type A Flat	6
23	304	Screw, 1/4-20 X 1.0 Hex-Head Cap	2
24	332	Washer, 1/4 Type A Narrow Flat	22
25	343	Screw, 1/4-20 X 3.00 Hx Hd Cap	8
26	7311	Screw, 1/4-20 X 2.00 Hex-Head Cap	8
27	7473	Locknut, 5/16-18 Nylon Insert	3
28	8233	Locknut, 1/4-20, Nylon Insert	10
29	8963	Screw, 5/16-18 X 1.75 Hex-Head Cap	3

1
G
E

1
G
E



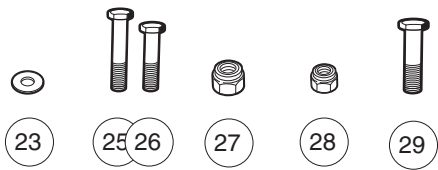
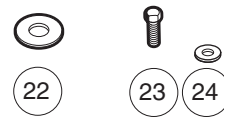
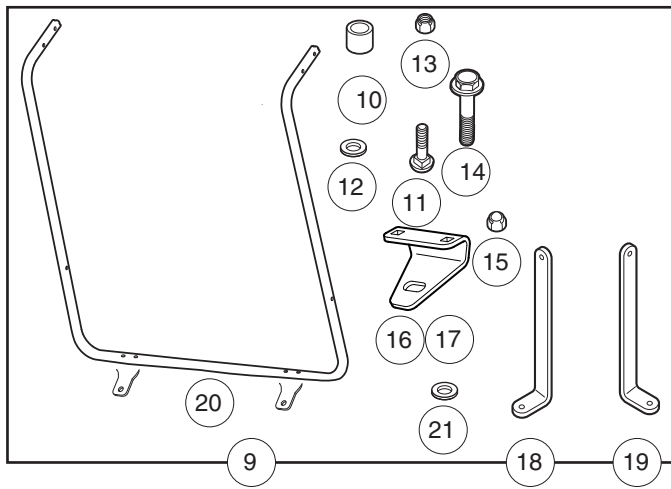
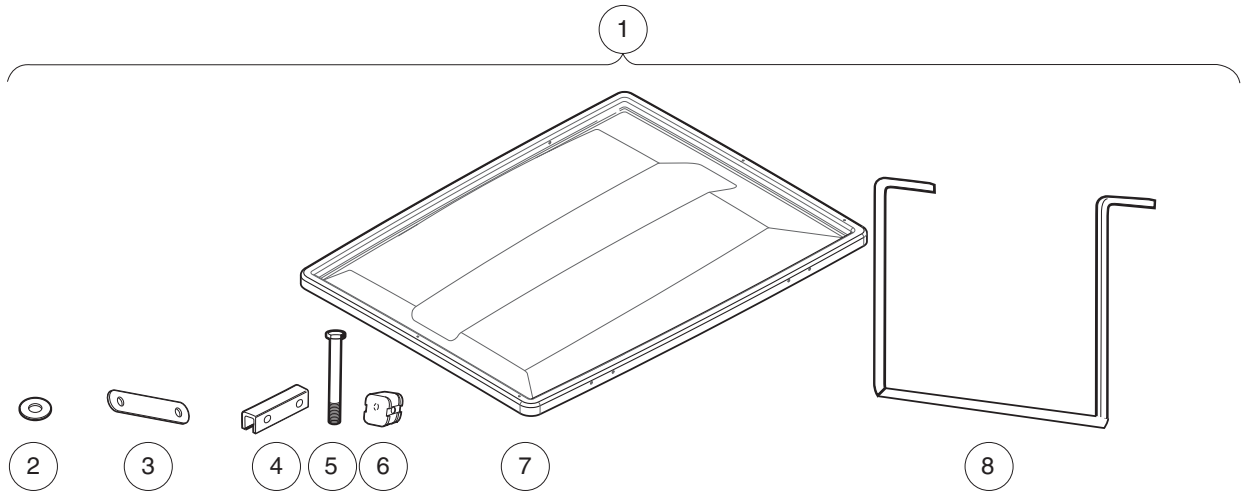
001532-001

CANOPY (BLACK) FOR VEHICLES EQUIPPED WITH BED

ITEM	PART NO.	DESCRIPTION	QTY
		1 2 3 4	
1	103410401	Kit, Canopy, Black, 56" (includes items 2 through 27)	1
2	1010517	Washer, .88 Od X .343 Id Nylon	2
3	1011852	Plate, Canopy Trim	8
4	1012008	Support, Side Canopy	2
5	103411001	Brace, Canopy, Short, Bed	1
6	103795503	Asm, W/s Frame, Canopy, Black (includes items 7 through 18)	1
7	1010237	Bushing	2
8	N/A	Bolt, 1/4-20 X 1.50 Rd Hd Sq N	4
9	1011964	Washer, 1/4 Flat	2
10	1015091	Nut, 1/4-20 Stainless-Steel Center-Lock Cap	4
11	102076702	Screw, 1/4-20 X 1.75 Hexhead,SEMS, Black	2
12	102242401	Nut - Nylon Insert W/cap	2
13	102854301	Bracket, Support, Windshield Frame, Driver-Side	1
14	102854302	Bracket, Support, Windshield Frame, Passenger-Side	1
15	103411101	Brace, Knee, Passenger	1
16	103411201	Brace, Knee, Driver	1
17	103787302	Frame, Windshield, Vac Cowl	1
18	332	Washer, 1/4 Type A Narrow Flat	4
19	103804004	Asm, Canopy, Utility Black (includes item 20)	1
20	1011942	Modified Grommet	2
21	1241	Washer, 5/16 Type A Flat	6
22	304	Screw, 1/4-20 X 1.0 Hex-Head Cap	2
23	332	Washer, 1/4 Type A Narrow Flat	18
24	7311	Screw, 1/4-20 X 2.00 Hex-Head Cap	8
25	7473	Locknut, 5/16-18 Nylon Insert	3
26	8233	Locknut, 1/4-20, Nylon Insert	8
27	8963	Screw, 5/16-18 X 1.75 Hex-Head Cap	3

1
G
E

1
G
E



001532-002

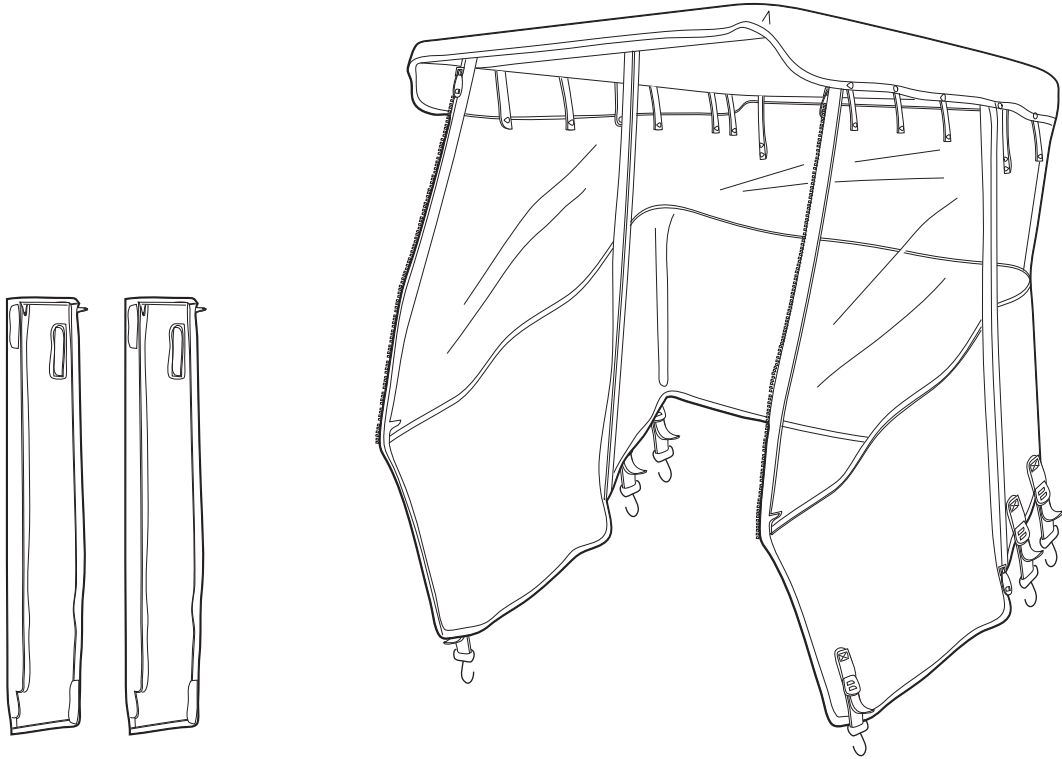
CANOPY (BLACK), VEHICLE WITH FOLD DOWN REAR SEAT

ITEM	PART NO.	DESCRIPTION	QTY
		1 2 3 4	
1	103410601	Kit, Canopy, Black 80" Fld Dwn (includes items 2 through 29)	1
2	1010517	Washer, .88 Od X .343 Id Nylon	2
3	1011852	Plate, Canopy Trim	8
4	1012008	Support, Side Canopy	2
5	1013872	Bolt, 1/4-20 X 4.00 Hex Head	2
6	1013884	Spacer, Bag Hoop	10
7	103410803	Canopy, 80" Black, Black Band	1
8	103410901	Brace, Canopy, Rear, Long	1
9	103795503	Asm, W/s Frame, Canopy, Black (includes items 10 through 21)	1
10	1010237	Bushing	2
11	N/A	Bolt, 1/4-20 X 1.50 Rd Hd Sq N	4
12	1011964	Washer, 1/4 Flat	2
13	1015091	Nut, 1/4-20 Stainless-Steel Center-Lock Cap	4
14	102076702	Screw, 1/4-20 X 1.75 Hexhead,SEMS, Black	2
15	102242401	Nut - Nylon Insert W/cap	2
16	102854301	Bracket, Support, Windshield Frame, Driver-Side	1
17	102854302	Bracket, Support, Windshield Frame, Passenger-Side	1
18	103411101	Brace, Knee, Passenger	1
19	103411201	Brace, Knee, Driver	1
20	103787302	Frame, Windshield, Vac Cowl	1
21	332	Washer, 1/4 Type A Narrow Flat	4
22	1241	Washer, 5/16 Type A Flat	6
23	304	Screw, 1/4-20 X 1.0 Hex-Head Cap	2
24	332	Washer, 1/4 Type A Narrow Flat	22
25	343	Screw, 1/4-20 X 3.00 Hx Hd Cap	8
26	7311	Screw, 1/4-20 X 2.00 Hex-Head Cap	8
27	7473	Locknut, 5/16-18 Nylon Insert	3
28	8233	Locknut, 1/4-20, Nylon Insert	10
29	8963	Screw, 5/16-18 X 1.75 Hex-Head Cap	3

1
G
E

1
G
E

1
2



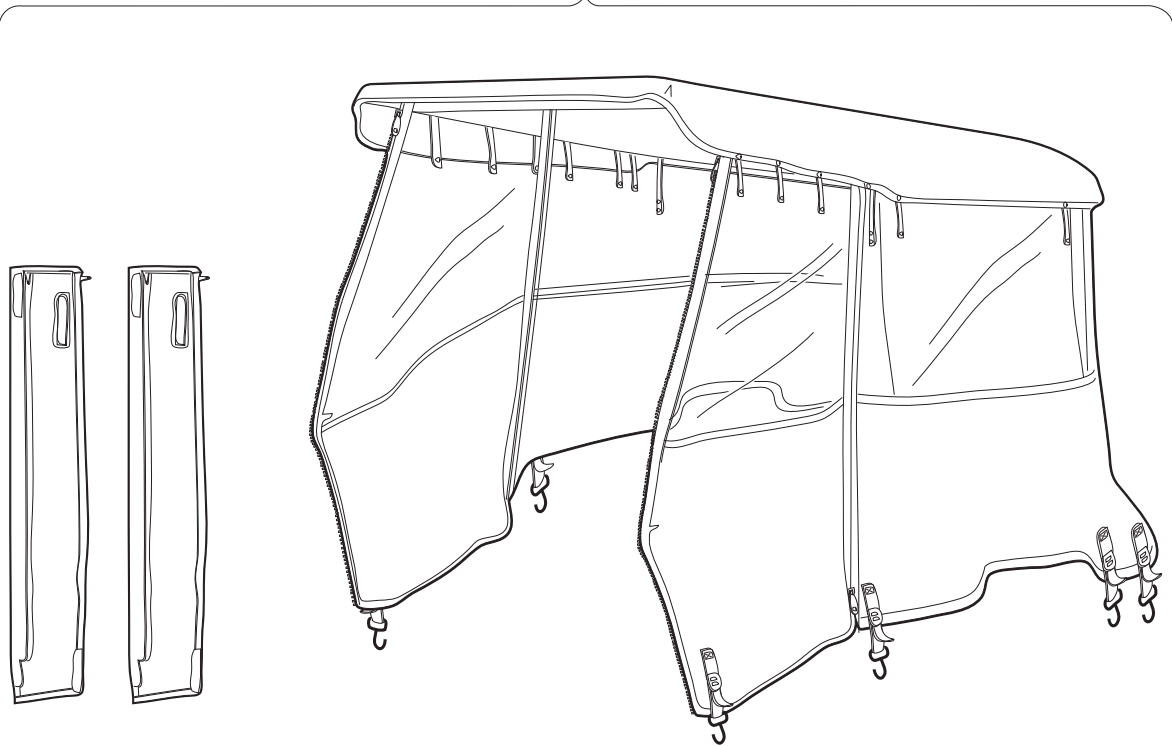
001309-001

ENCLOSURE, 3-SIDED – FOR VEHICLE WITH CARGO BED

ITEM	PART NO.	DESCRIPTION	QTY
1	102852801	1 2 3 4 Kit, Enclosure, Gray, W/ Bed	1
2	103407601	Kit, Enclosure, Black, W/ Bed	1

1
G
E

1
2



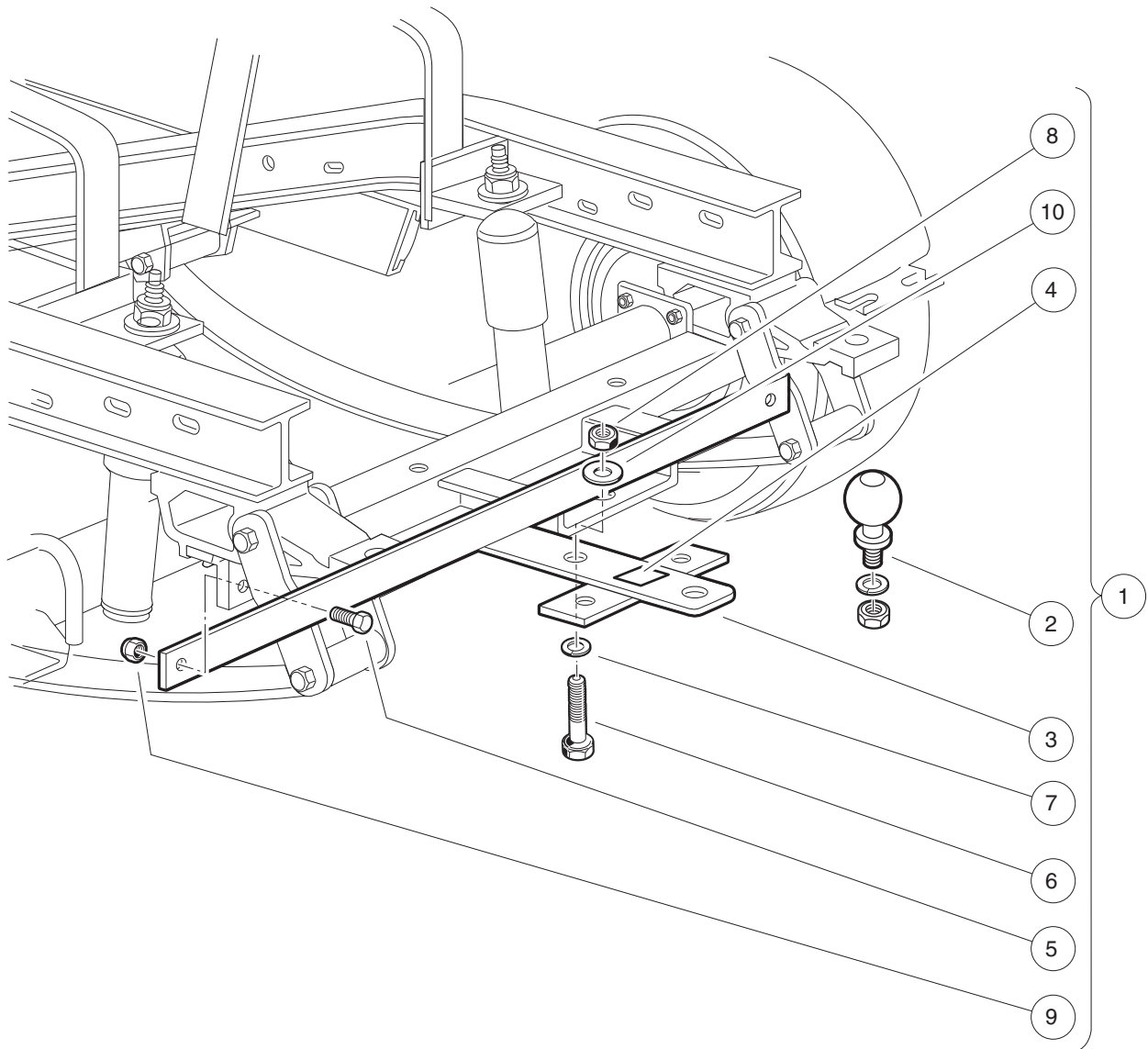
001310-001

ENCLOSURE, 3-SIDED – FOR VEHICLE WITH FOLDDOWN REAR SEAT

ITEM	PART NO.	DESCRIPTION	QTY
1	103407701	1 2 3 4 Kit, Enclosure, Gray, W/ Folddown Seat	1
2	103407801	Kit, Enclosure, Black, W/ Folddown Seat	1

1
G
E

1
G
E

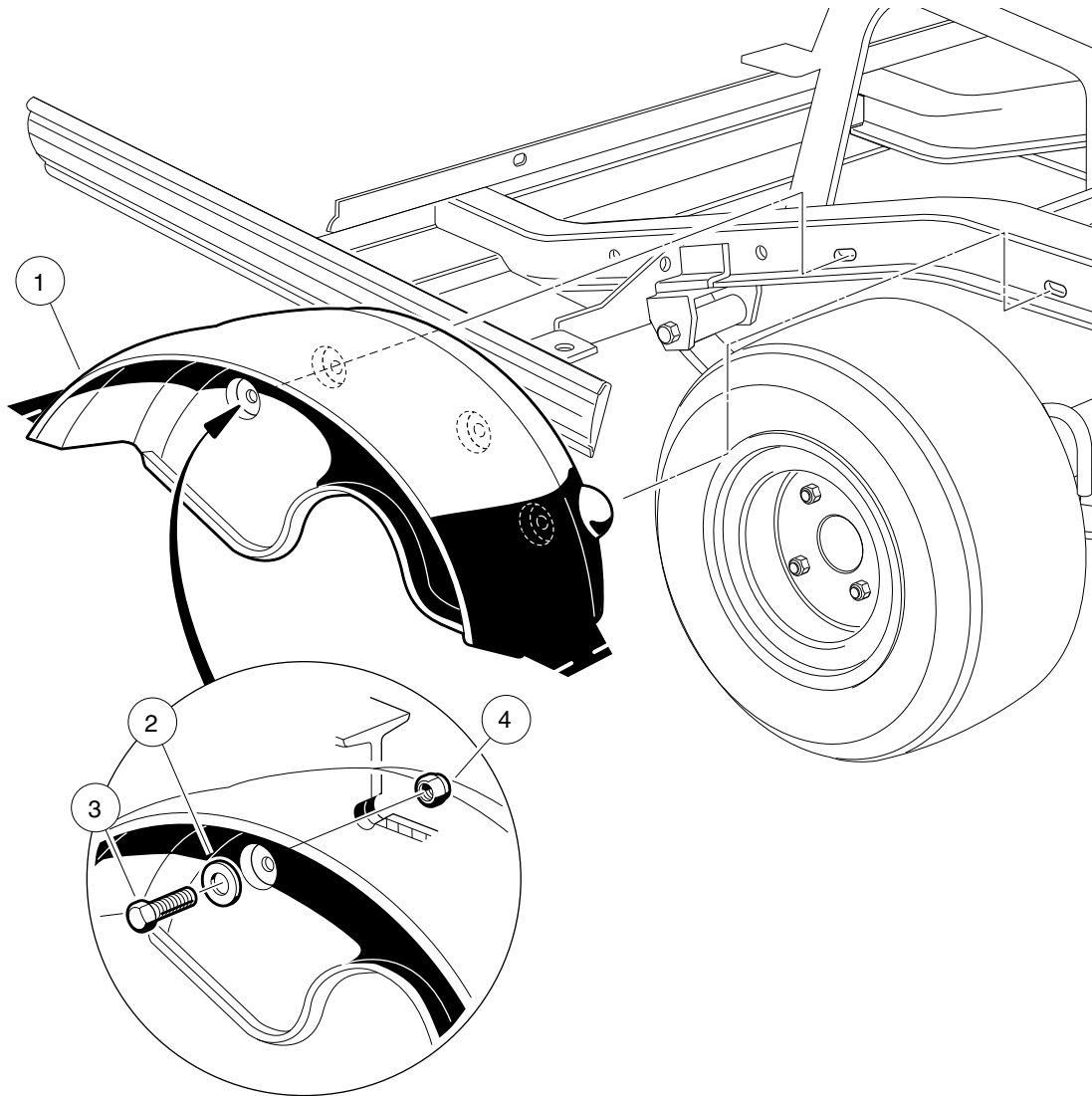


001432-001

TRAILER HITCH

ITEM	PART NO.	DESCRIPTION	QTY
		1 2 3 4	
1	1011522	Kit, Trailer Hitch (1-7/8 Ball (includes items 2 through 10)	1
2	1011546	Trailer Hitch Ball - 1 7/8"	1
3	N/A	Trailer Hitch Weld Assy'	1
4	1011553	Decal, Trailer Hitch	1
5	1218	Screw, 5/16-18 X 1.25 Hex-Head Cap	2
6	1624	Screw, 3/8-16 X 1.50, Hex-Head Cap	1
7	357	Lockwasher, 3/8 Split	1
8	706	Nut, Hex 3/8-16	1
9	7473	Locknut, 5/16-18 Nylon Insert	2
10	808	Washer, 3/8 Type B Flat	1

1
G
E



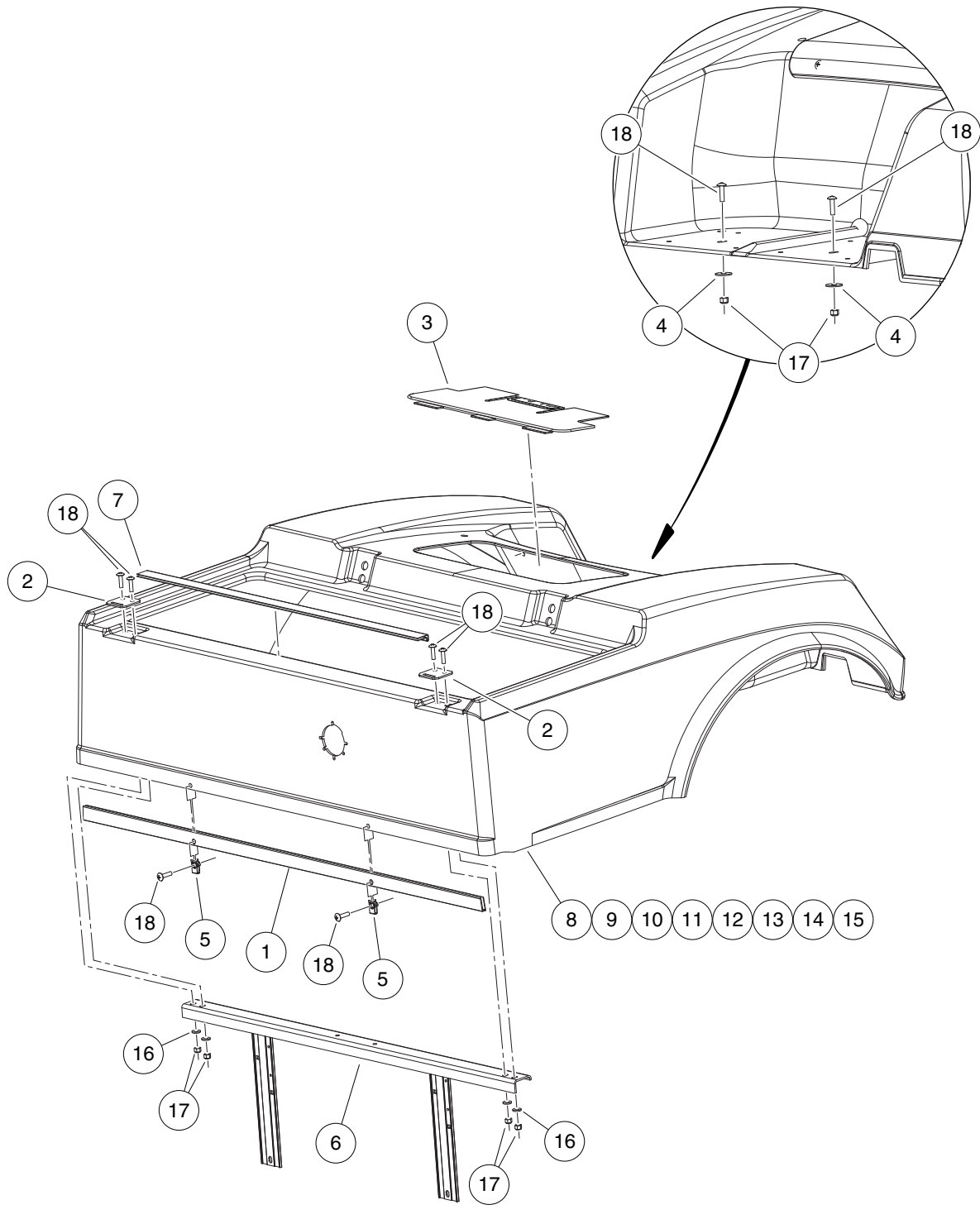
000747-001

INNER FENDER

ITEM	PART NO.	DESCRIPTION	QTY
		1 2 3 4	
1	1017936	Fender, Inner	2
2	332	Washer, 1/4 Type A Narrow Flat	4
3	7847	Screw, 1/4-20 X 0.75 Hex-Head Cap	4
4	8233	Locknut, 1/4-20, Nylon Insert	4

1
G
E

1
G
E



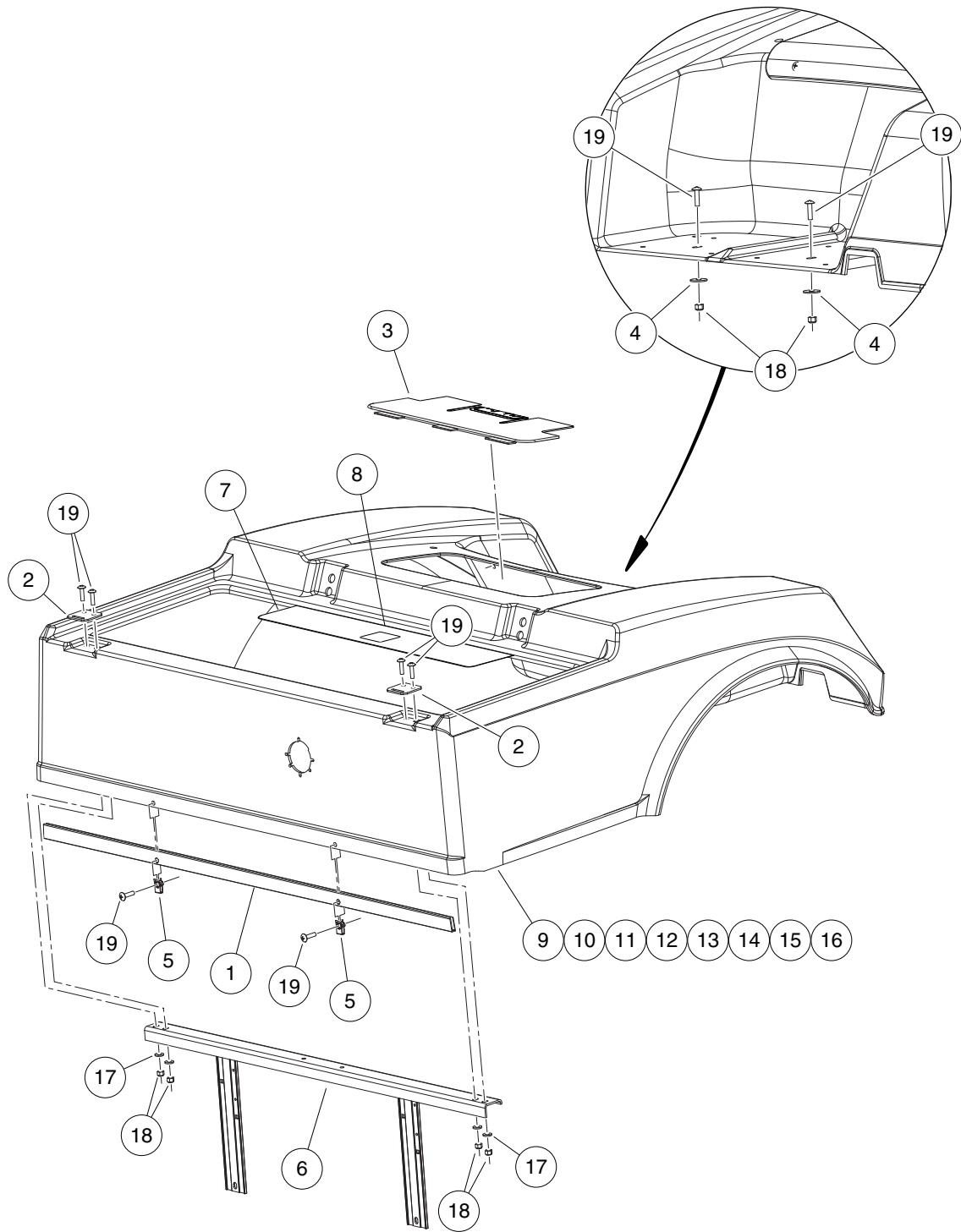
000820-001

REAR BODY – ELECTRIC VEHICLES

ITEM	PART NO.	DESCRIPTION	QTY
		1 2 3 4	
1	1010993	Body Kick Plate	1
2	1012412	Body, Hinge Plate	2
3	101303202	Access Panel - Black, Cut	1
4	1014306	Washer, 1/4" Type B Flat	2
5	1016952	U-Nut, 1/4-20	2
6	1017141	Body Support Weldment	1
7	101837001	Battery Insulator	1
8	103365401	Body, Rear XRT Elec Red	1
9	103365402	Body, Rear XRT Elec Green	1
10	103365403	Body, Rear XRT Elec Camo (Husqvarna)	1
11	103365404	Body, Rear XRT Elec Blue	1
12	103365405	Body, Rear XRT Elec Black	1
13	103365407	Body, Rear XRT Elec Camo Hardwood (Standard camo for XRT850)	1
14	N/A	Body, Rear XRT Elec Max4	1
15	103365409	Body, Rear XRT Elec Silver	1
16	332	Washer, 1/4 Type A Narrow Flat	4
17	8233	Locknut, 1/4-20, Nylon Insert	6
18	8251	Screw, 1/4-20 X 1.0 Truss-Head Machine	8

1
G
E

1
G
E



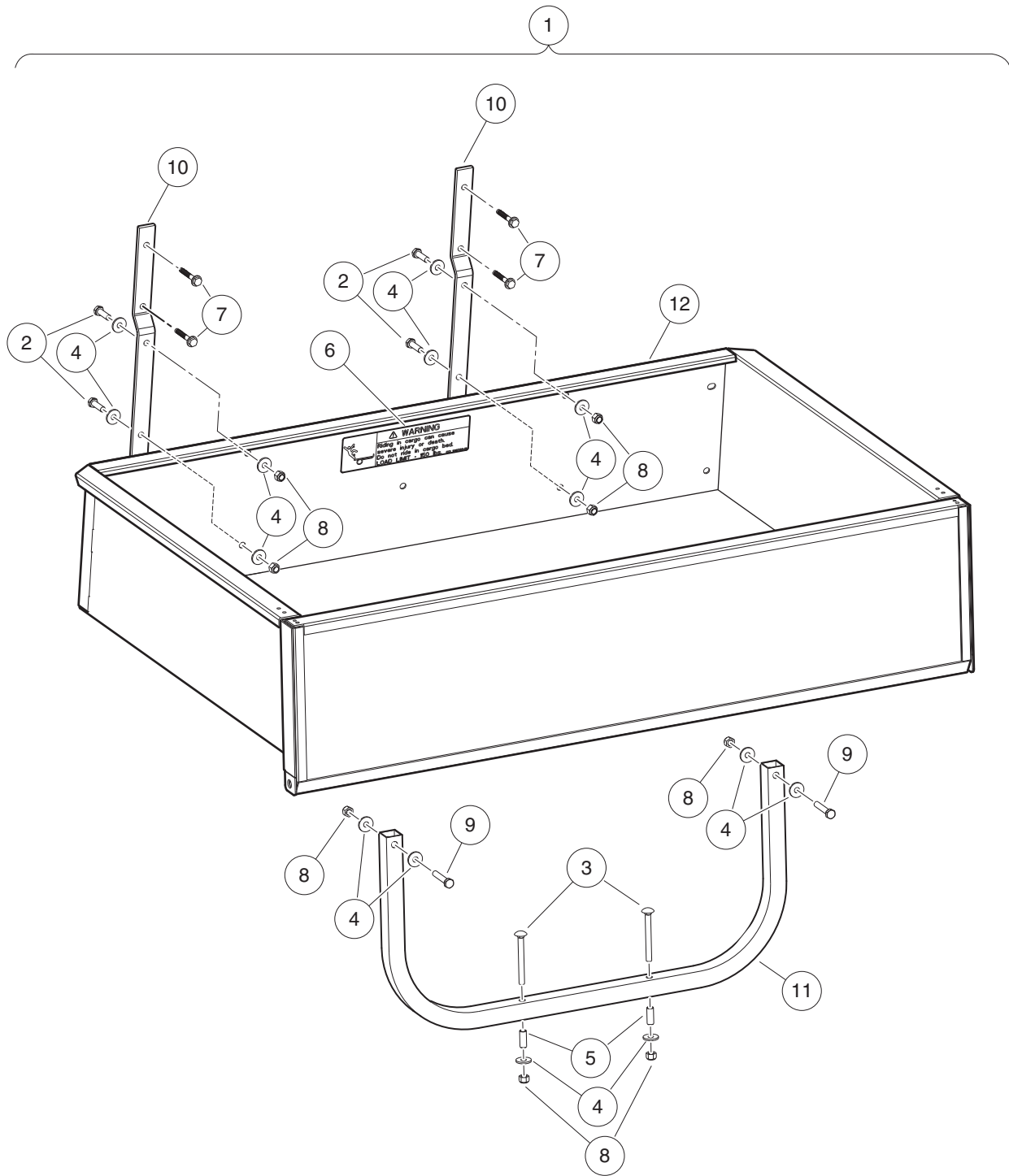
000819-001

REAR BODY – GASOLINE VEHICLES

ITEM	PART NO.	DESCRIPTION	QTY
		1 2 3 4	
1	1010993	Body Kick Plate	1
2	1012412	Body, Hinge Plate	2
3	101303202	Access Panel - Black, Cut	1
4	1014306	Washer, 1/4" Type B Flat	2
5	1016952	U-Nut, 1/4-20	2
6	1017141	Body Support Weldment	1
7	101806901	Shield, Heat	1
8	101960501	Decal, Rotating Parts/Hot Manifold	1
9	103365501	Body, Rear XRT Gas Red	1
10	103365502	Body, Rear XRT Gas Green	1
11	103365503	Body, Rear XRT Gas Camo (Husqvarna)	1
12	103365504	Body, Rear XRT Gas Blue	1
13	103365505	Body, Rear XRT Gas Black	1
14	103365507	Body, Rear XRT Gas Hardwood	1
15	N/A	Body, Rear XRT Gas Max4	1
16	103365509	Body, Rear XRT Gas Silver	1
17	332	Washer, 1/4 Type A Narrow Flat	4
18	8233	Locknut, 1/4-20, Nylon Insert	6
19	8251	Screw, 1/4-20 X 1.0 Truss-Head Machine	8

1
G
E

1
G
E



000839-001

BED BOX

ITEM	PART NO.	DESCRIPTION	QTY
		1 2 3 4	
1	AM10622	Kit, Bedbox, Painted (includes items 2 through 12)	1
2	1010934	Screw, 5/16-18 X 1.00 Hex Cap	4
3	1011098	.38-18 Unc-2a-3.0 Carriage Blt	2
4	1011697	Washer, 5/16 Flat	14
5	1017760	Spacer .31 X .38 X .98	2
6	101972001	Decal, D.s. Box Bed Warning (for vehicles with bed box option)	1
7	102076701	Screw, 1/4-20 X 1.75 Hex Sems	4
8	7473	Locknut, 5/16-18 Nylon Insert	8
9	8963	Screw, 5/16-18 X 1.75 Hex-Head Cap	2
10	AM1205602	Support, Seat, lcs, Bed, Ctd	2
11	N/A	Tube, Support, Bedbox, Ptd	1
12	N/A	Asm, Bed Box, Painted	1

1
G
E

1

G

E

WHEELS AND TIRES

2

G

E

2

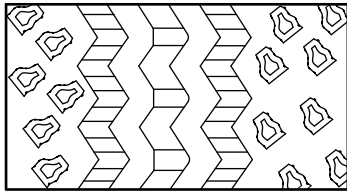
G

E

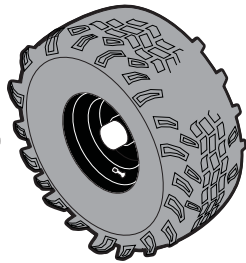
1



2 4



3 5



6



000831-002

WHEELS AND TIRES

ITEM	PART NO.	DESCRIPTION	QTY
		1 2 3 4	
1	1010984	.500-20 Unf Lug Nut	16
2	102009402	Off-Road Tire and Wheel Asm, Silver, Pass-Side	2
3	102009403	Off-Road Tire and Wheel Asm, Black, Pass-Side	2
4	102009502	Off-Road Tire and Wheel Asm, Silver, Driver-Side	2
5	102009503	Off-Road Tire and Wheel Asm, Black, Driver-Side	2
6	7310	Valve Stem, Black Plastic	4

2
G
E

2

G

E

DECALS

3

G

E

UNDER 16 **WARNING**
YOUNG DRIVERS INCREASE CHANCE OF DEATH

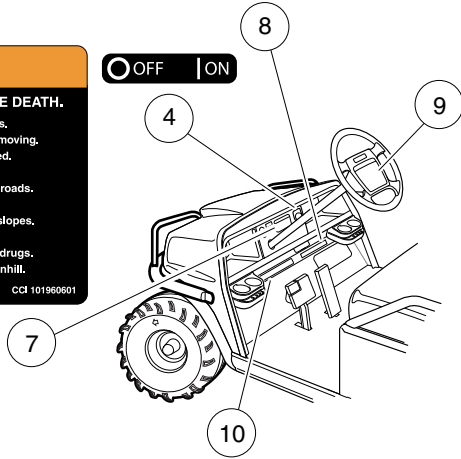
- Young drivers may not be able to control vehicle.
- No drivers younger than 16 years old.

CCI 102075801

WARNING
ROLLOVER OR FALLING OFF MAY CAUSE DEATH.

- Before using vehicle, read operating instructions.
- Remain seated and hold on to seat handle while moving.
- Do not start vehicle until all occupants are seated.
- Two (2) persons per seat maximum.
- Operate from driver side only and not on public roads.
- Keep entire body inside vehicle while moving.
- Drive slowly in turns and straight up and down slopes.
- Do not leave children unattended on vehicle.
- Never operate under the influence of alcohol or drugs.
- Use brakes to reduce speed when coasting downhill.
- Never stand in front of or behind vehicle.

CCI 101960601



OPERATING INSTRUCTIONS

- Read owner's manual and dismount safety warnings prior to driving.
- Study and understand controls.

TO OPERATE

- Turn wheels to desired direction and ensure path is clear.
- Turn key to ON position.
- While stopped, place Forward/Reverse switch in desired position: F—Forward N—Neutral R—Reverse (Buzzer will sound)
- Park brake will release and vehicle will start moving when accelerator pedal is pressed.
- Slowly press accelerator pedal to increase speed.
- To stop, release accelerator pedal and press brake pedal.

BEFORE LEAVING

- Press park brake pedal until it locks and holds vehicle.
- Place Forward/Reverse switch in NEUTRAL position.
- Turn key OFF and remove key when not in use.

MOTOR BRAKING

- Electric motor braking provides speed regulation functions.
- For parked vehicle, beeping alarm indicates vehicle roll away.
- In operation, beeping alarm indicates reduction in motor braking.
- Apply brakes to further reduce vehicle speed as required.
- System is activated only when tow switch is in the RUN position.

CCI 10036801

VEHICLE LOADING

Read Owner's Manual and warnings on dash.

- Vehicle rated capacity - 550 lbs. on level surface only. Weight to include passengers, cargo bed load, and gross trailer weight. See Owner's Manual.
- Maximum cargo load - 150 lbs. Weight to include cargo bed load and gross trailer weight.
- Maximum trailer hitch tongue weight - 150 lbs.

- Cargo should be evenly spread over the floor of the cargo bed as far forward as possible and secured.
- For vehicle stability, when fully loaded, drive slowly and avoid stopping on or backing down steep hills.
- Avoid top heavy loads. See Owner's Manual.
- When driving on uneven terrain or down steep hills, reduce speed and load.

SVP147801

DANGER / POISON

EXPLOSIVE GASES CAN CAUSE BLINDNESS OR INJURY. SHIELD EYES. NO SPARKS, FLAMES, SMOKING. SULFURIC ACID CAN CAUSE BLINDNESS OR SEVERE BURNS. FLUSH EYES IMMEDIATELY WITH WATER. GET MEDICAL HELP FAST.

KEEP OUT OF THE REACH OF CHILDREN — DO NOT TIP — KEEP VENT CAPS TIGHT AND LEVEL

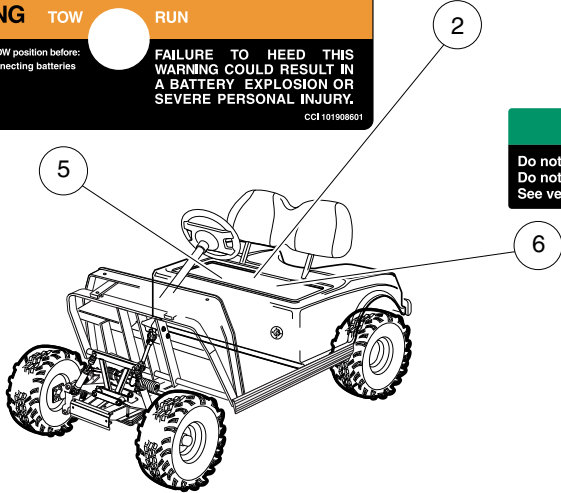
WARNING TOW RUN

Place Tow/Run switch in TOW position before:

- Disconnecting or connecting batteries
- Towing
- Extended storage
- Servicing

FAILURE TO HEED THIS WARNING COULD RESULT IN A BATTERY EXPLOSION OR SEVERE PERSONAL INJURY.

CCI 10190801



NOTICE

Do not operate vehicle without this cover properly installed. Do not direct water stream in this area; will cause damage to components. See vehicle maintenance and service manual before servicing.

CCI 10103101

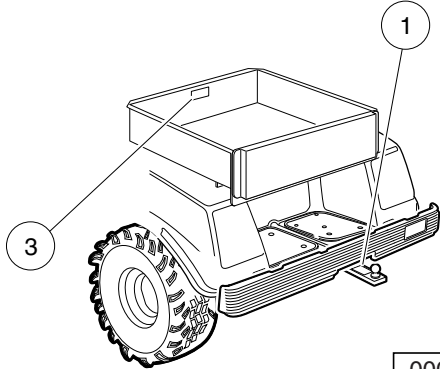
NOTICE
MAXIMUM TONGUE WEIGHT - 150 lbs.

CCI 1011553

WARNING

Riding in cargo bed can cause severe injury or death. Do not ride in cargo bed.

CCI 101553901



000829-001

SAFETY DECALS – ELECTRIC VEHICLES

ITEM	PART NO.	DESCRIPTION	QTY
		1 2 3 4	
1	1011553	Decal, Trailer Hitch	1
2	1013677	Decal, Battery Danger	1
3	101553901	Decal, Bed Load Warning	1
4	101825101	Decal, Off/On	1
5	101908601	Decal, Tow/Run Switch Warning	1
6	101931501	Decal, Component Cover	1
7	101960601	Decal, Dash Warning	1
8	102075801	Decal, Young Driver Warning	1
9	102538201	Decal, Operating Instr, Ele, Comfort Grip	1
10	SVP147801	decal, vehicle loading	1

3
G
E

⚠ WARNING
UNDER 16
YOUNG DRIVERS INCREASE CHANCE OF DEATH

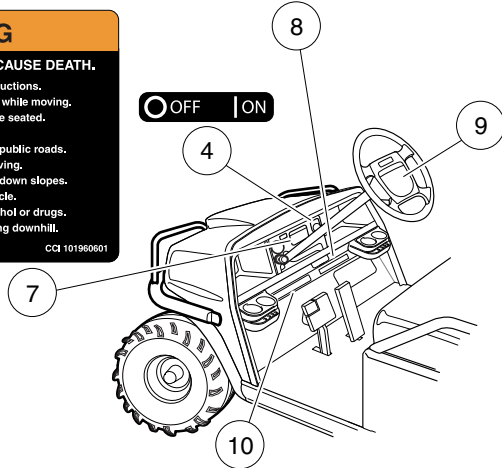
- Young drivers may not be able to control vehicle.
- No drivers younger than 16 years old.

CCI 102075801

⚠ WARNING
ROLLOVER OR FALLING OFF MAY CAUSE DEATH.

- Before using vehicle, read operating instructions.
- Remain seated and hold on to seat handle while moving.
- Do not start vehicle until all occupants are seated.
- Two (2) persons per seat maximum.
- Operate from driver side only and not on public roads.
- Keep entire body inside vehicle while moving.
- Drive slowly in turns and straight up and down slopes.
- Do not leave children unattended on vehicle.
- Never operate under the influence of alcohol or drugs.
- Use brakes to reduce speed when coasting downhill.
- Never stand in front of or behind vehicle.

CCI 101960601



OPERATING INSTRUCTIONS

- Read owner's manual and safety warnings located on dash panel prior to driving.
- Study and understand controls.

TO OPERATE

- Turn wheels to desired direction and ensure path is clear.
- Turn key to ON position.
- While stopped, place shift lever in desired position:
F – Forward N – Neutral R – Reverse (Buzzer will sound)
- Park brake will release and vehicle will start moving when accelerator pedal is pressed.
- Slowly press accelerator pedal to increase speed.
- To stop, release accelerator pedal and press brake pedal.

BEFORE LEAVING

- Press park brake pedal until it locks and holds vehicle.
- Place Forward/Reverse switch in NEUTRAL position.
- Turn key OFF and remove key when not in use.

CCI 10238101

VEHICLE LOADING
Read Owner's Manual and warnings on dash.

- Vehicle rated capacity - 550 lbs. on level surface only. Weight to include passengers, cargo bed load, and gross trailer weight. See Owner's Manual.
- Maximum cargo load - 150 lbs. Weight to include cargo bed load and gross trailer weight.
- Maximum trailer hitch tongue weight - 150 lbs.
- Cargo should be evenly spread over the floor of the cargo bed as far forward as possible and secured.
- For vehicle stability, when fully loaded, drive slowly and avoid stopping on or backing down steep hills.
- Avoid top heavy loads. See Owner's Manual.
- When driving on uneven terrain or down steep hills, reduce speed and load.

SVP147801

⚠ WARNING
Negative frame ground. Can cause severe injury. Do not contact positive (+) battery post or cable to frame. Disconnect negative battery lead first.

⚠ WARNING
Excessive speed. Can cause severe injury or death. Do not tamper with engine governor adjustment.

CCI 1019152-01

⚠ WARNING
GASOLINE EXPLOSION / FIRE.

- Can cause severe injury or death.
- No smoking, sparks, or open flame.
- Stop engine, allow to cool before refueling.
- Turn fuel valve (—) on during operation. (—) off during storage or transport.

CCI 101547901

⚠ WARNING
CAN CAUSE SEVERE INJURY

Rotating parts

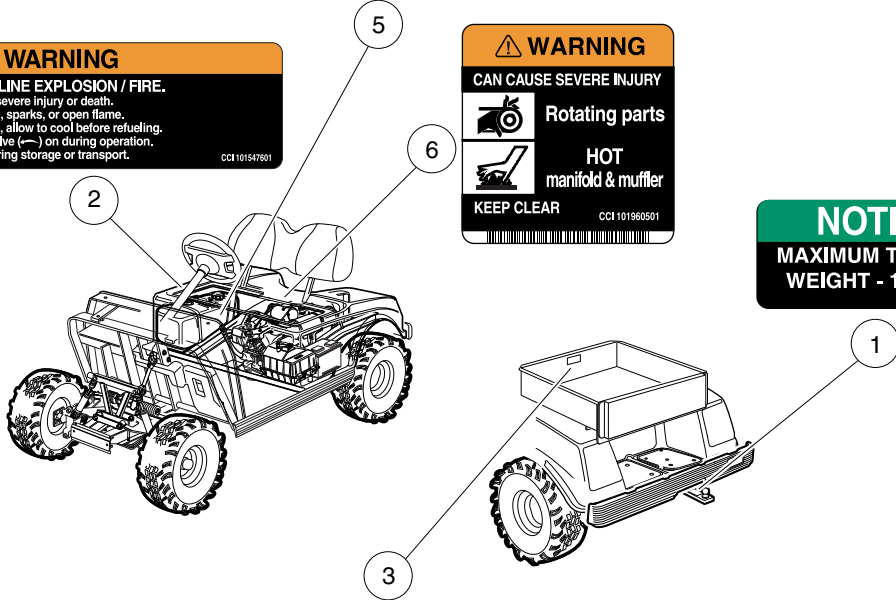
HOT manifold & muffler

KEEP CLEAR

CCI 101960501

NOTICE
MAXIMUM TONGUE WEIGHT - 150 lbs.

CCI 1011553



⚠ WARNING
Riding in cargo bed can cause severe injury or death. Do not ride in cargo bed.

CCI 101553901

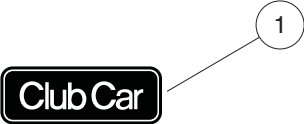
000830-001

SAFETY DECALS – GASOLINE VEHICLES

ITEM	PART NO.	DESCRIPTION	QTY
		1 2 3 4	
1	1011553	Decal, Trailer Hitch	1
2	101547601	Decal, Gasoline Explosion/Fire Warning	1
3	101553901	Decal, Bed Load Warning	1
4	101825101	Decal, Off/On	1
5	101915201	Decal, Frame Ground and Governor Warning	1
6	101960501	Decal, Rotating Parts/Hot Manifold	2
7	101960601	Decal, Dash Warning	1
8	102075801	Decal, Young Driver Warning	1
9	102538101	Decal, Operating Instructions, Gas, Comfort Grip	1
10	SVP147801	decal, vehicle loading	1

3
G
E

3
G
E



000828-002

BADGING DECALS

ITEM	PART NO.	DESCRIPTION	QTY
		1 2 3 4	
1	102046501	Decal, CC Nameplate, Utility	1
2	103389101	Decal, 850, Drv	1
3	103389201	Decal, 850, Pass	1
4	103389301	Decal, 850 E, Drv	1
5	103389401	Decal, 850 E, Pass	1

3

G

E

3

G

E

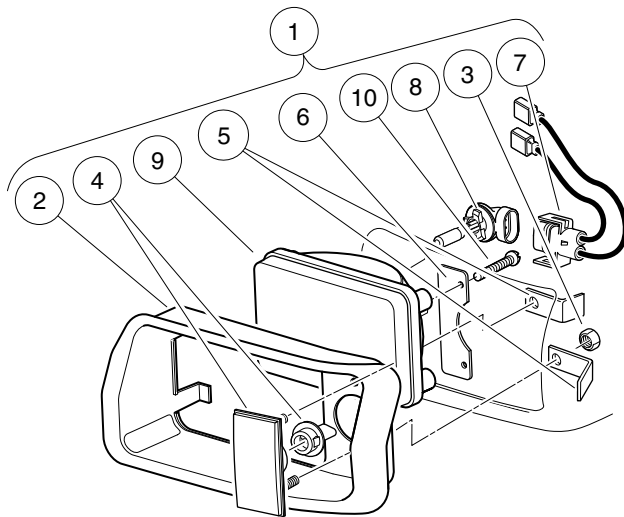
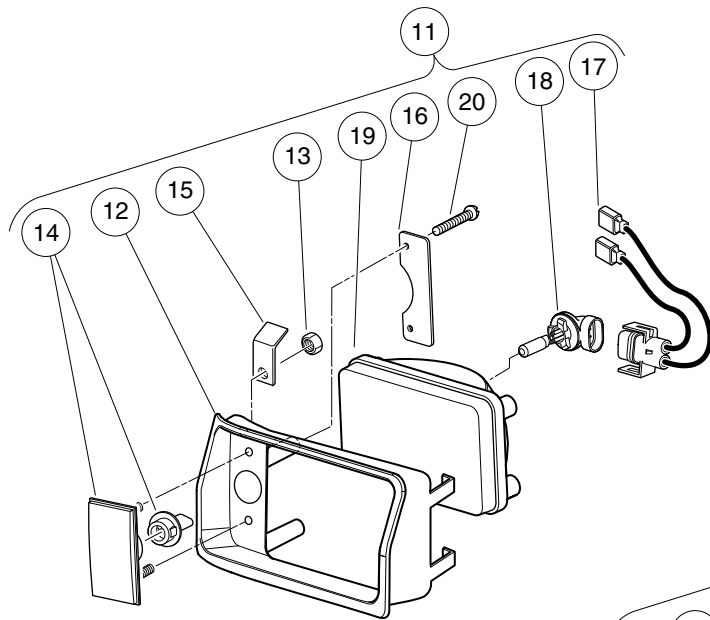
LIGHTS, CONTROLS, AND INDICATORS

4

G

E

4
G
E



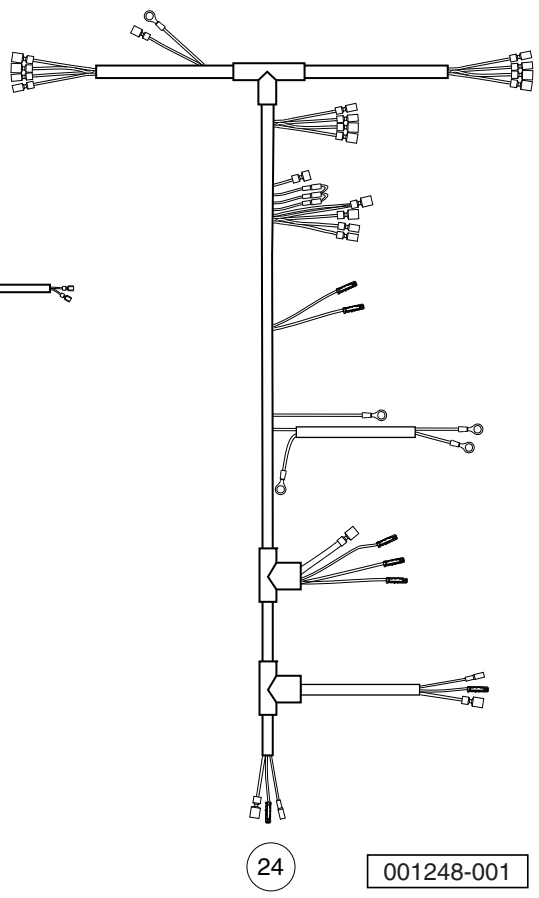
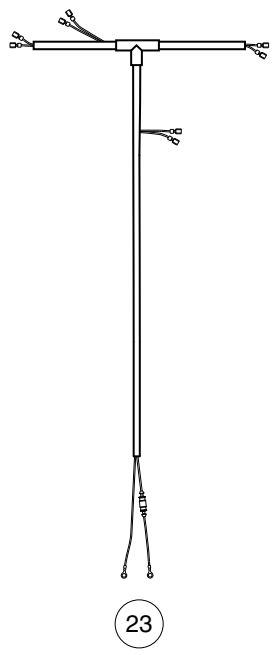
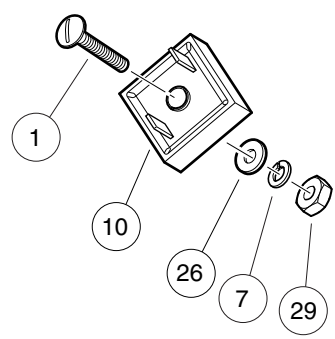
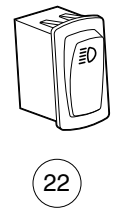
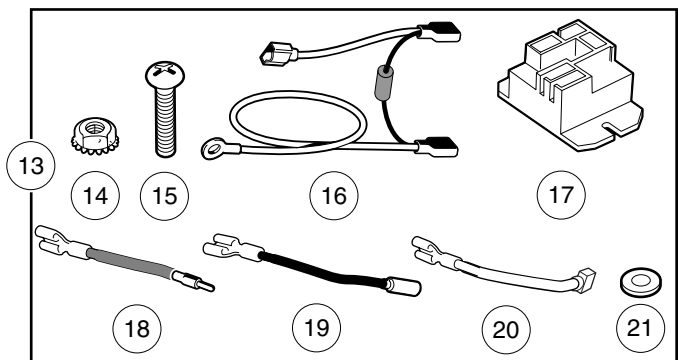
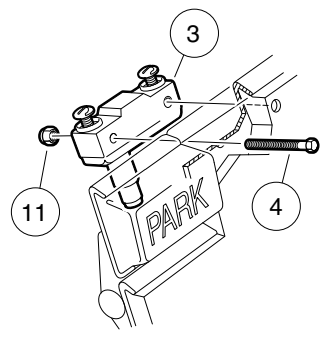
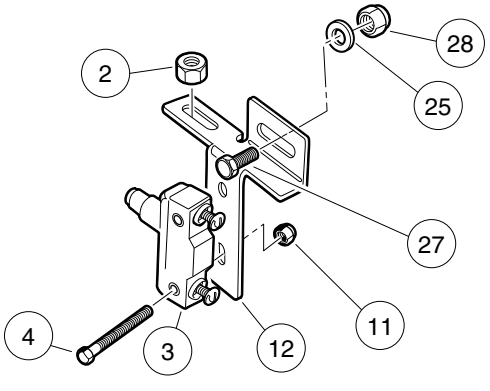
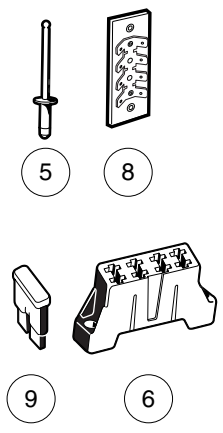
001097-001

HEADLIGHTS

ITEM	PART NO.	DESCRIPTION	QTY
		1 2 3 4	
1	101988001	Headlight Assembly, Driver-Side Single Beam (includes items 2 through 10)	1
2	1016880	Headlight Bezel, Left	1
3	1017	Nut, #10-24 Stainless-Steel Hex Machine	2
4	1017062	Turn Signal Lens Assy	1
5	1017064	Mounting Bracket	2
6	1017065	Retainer, Headlight	1
7	101987901	Connector, Harness Assembly, Headlight	1
8	101988101	Bulb, Headlight	1
9	101988201	Lens, Headlight	1
10	1620	Screw, #10-16 X 0.75 Pan-Head Tap	2
11	101988002	Headlight Assy, Passenger-Side Single Beam (includes items 12 through 20)	1
12	1016879	Headlight Bezel, Right	1
13	1017	Nut, #10-24 Stainless-Steel Hex Machine	2
14	1017062	Turn Signal Lens Assy	1
15	1017064	Mounting Bracket	2
16	1017065	Retainer, Headlight	1
17	101987901	Connector, Harness Assembly, Headlight	1
18	101988101	Bulb, Headlight	1
19	101988201	Lens, Headlight	1
20	1620	Screw, #10-16 X 0.75 Pan-Head Tap	2

4
G
E

4
G
E



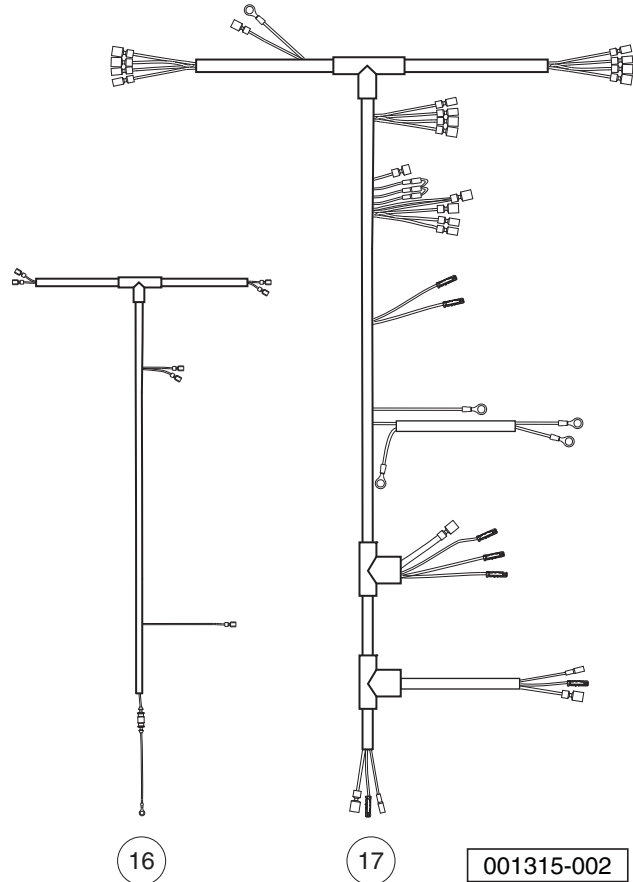
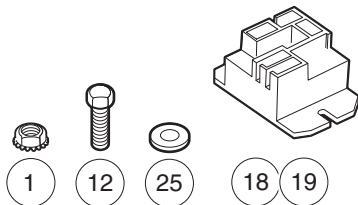
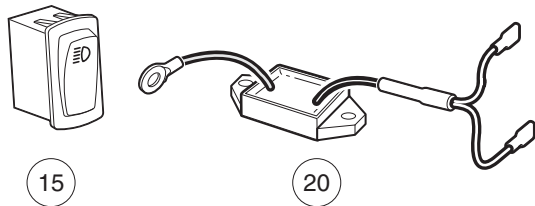
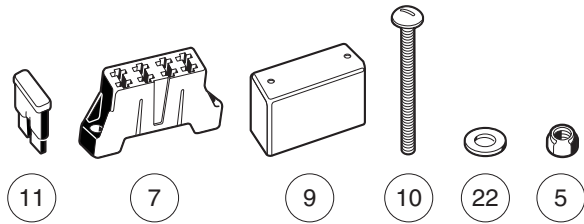
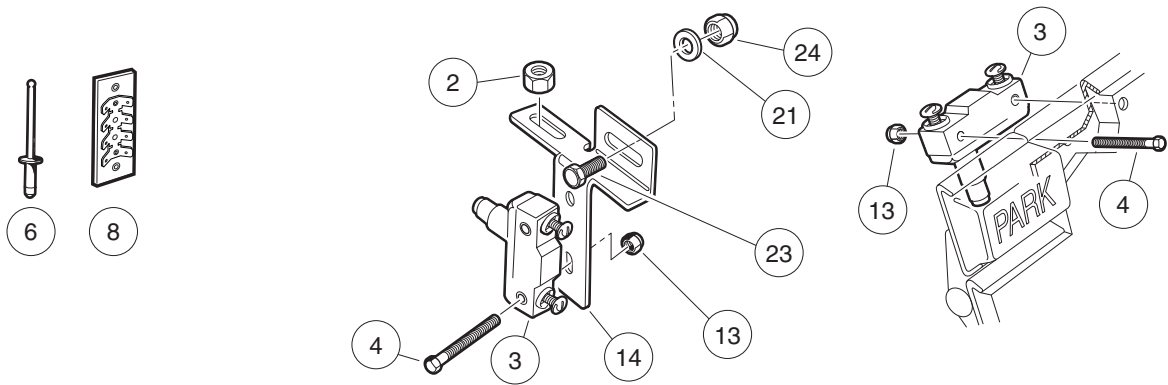
001248-001

LIGHTING SYSTEM COMPONENTS – XRT800/810/850 GASOLINE VEHICLES

ITEM	PART NO.	DESCRIPTION	QTY
		1 2 3 4	
1	1010909	Screw, #10-32 X 1.25 Rd Hd Mch	1
2	1011280	Locknut, 5/16-18	1
3	1011439	Switch, Limit	2
4	1011557	Screw, #6-32 X 1.00 Hex-Head Machine	4
5	1013357	Rivet, 5/32 Aluminum Pop	2
6	1015741	Fuse Block	1
7	1016	Lockwasher, #10 Split	1
8	1016356	Terminal Block with Insulator	1
9	1016423	Fuse, 20-Amp	3
10	1017721	Limiter, Voltage	1
11	101932201	Locknut, #6-32 Nylon	4
12	101957101	Bracket, Brake Light Switch	1
13	102198701	Brake Relay Kit - 12v (includes items 14 through 21)	1
14	1011229	Locknut, #6-32 Whiz	2
15	1017853	Screw, #6-32 X 0.75 Hex-Head Machine	2
16	101914401	Assembly, Voltage Suppressor	1
17	102199001	Relay, 12-Volt	1
18	102199201	Wire Asm #18 Brown	1
19	102199301	Wire Asm #18 Black	1
20	102199401	Wire Asm #18 Black	1
21	7591	Washer, #6, Flat	2
22	102869401	Switch, Rocker, Light	1
23	103255601	Wire Harness, Headlights-Only, CA, Gas	1
24	103256901	Wire Harness, Lighting, CA2	1
25	1241	Washer, 5/16 Type A Flat	1
26	183	Washer, #10, Type A, Flat	1
27	7173	Screw, 5/16-18 X 0.75, Hex-Head Cap	1
28	7473	Locknut, 5/16-18 Nylon Insert	1
29	7893	Nut, #10-32 Hex	1
Note: Use item 23 for headlights only. NOTE 2: Use item 24 for headlights and taillights. NOTE 3: Items 23 and 24 are used in many different models.			

4
G
E

4
G
E



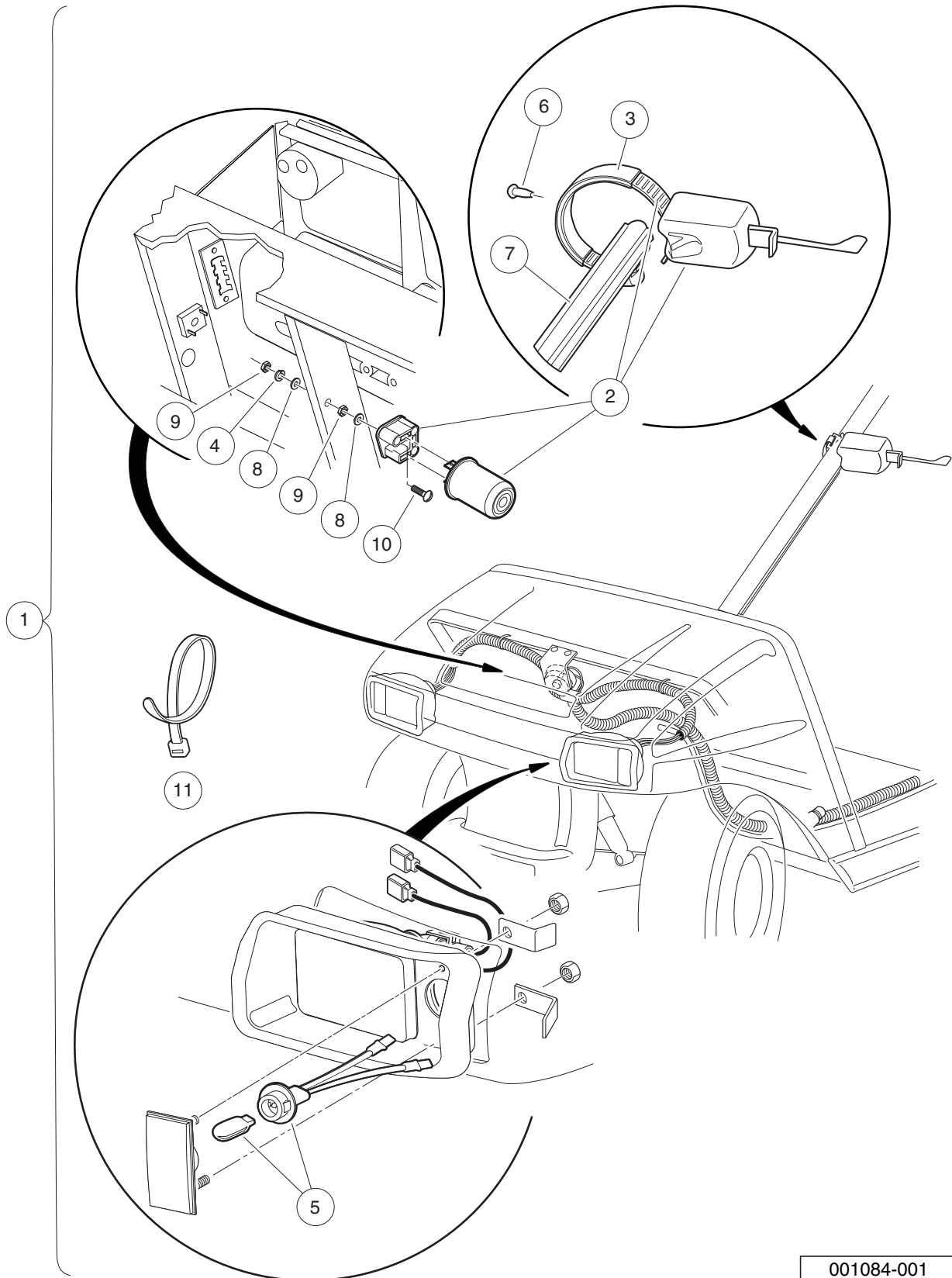
001315-002

LIGHTING SYSTEM COMPONENTS – XRT800/810/850 ELEC. WITH POWERDRIVE CHARGER

ITEM	PART NO.	DESCRIPTION	QTY
		1 2 3 4	
1	1011229	Locknut, #6-32 Whiz	2
2	1011280	Locknut, 5/16-18	1
3	1011439	Switch, Limit	2
4	1011557	Screw, #6-32 X 1.00 Hex-Head Machine	4
5	1012438	Locknut, #10-24 Nylon Insert	2
6	1013357	Rivet, 5/32 Aluminum Pop	2
7	1015741	Fuse Block	1
8	1016356	Terminal Block with Insulator	1
9	1016363	Fuse Block Cover	1
10	1016366	Screw, #10-24 X 3.0 Pan-Head Machine	2
11	1016423	Fuse, 20-Amp	3
12	1017853	Screw, #6-32 X 0.75 Hex-Head Machine	2
13	101932201	Locknut, #6-32 Nylon	4
14	101957101	Bracket, Brake Light Switch	1
15	102869401	Switch, Rocker, Light	1
16	103255701	Wire Harness, Headlights-Only, CA, Electric	1
17	103257001	Wire Harness, Lighting	1
18	103414901	Kit, Relay, 48v 30a W/instr (includes item 19)	1
19	103397901	Relay, Spst No, 48v 30a, Pmt	1
20	103698701	Limiter, Voltage, Plate Mnt	1
21	1241	Washer, 5/16 Type A Flat	1
22	183	Washer, #10, Type A, Flat	4
23	7173	Screw, 5/16-18 X 0.75, Hex-Head Cap	1
24	7473	Locknut, 5/16-18 Nylon Insert	1
25	7591	Washer, #6, Flat	2
<p>Note: Use item 16 for headlights only. NOTE 2: Use item 17 for headlights and taillights. NOTE 3: Items 16 and 17 are used in many different models.</p>			

4
G
E

4
G
E



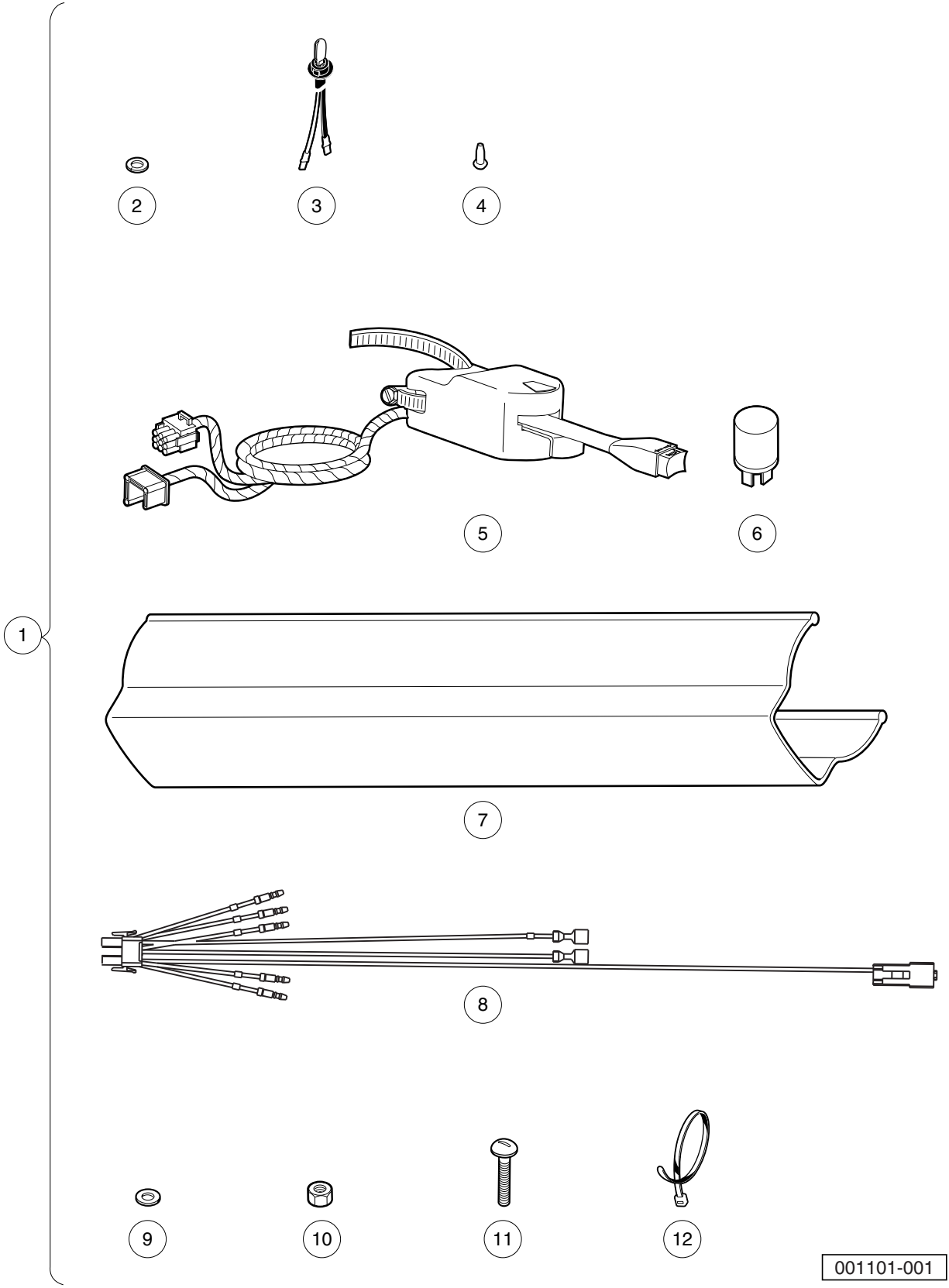
001084-001

TURN SIGNAL KIT – DS AND UTILITY GASOLINE AND ELECTRIC VEHICLES

ITEM	PART NO.	DESCRIPTION	QTY
		1 2 3 4	
1	101707402	Turn Signal Conversion Kit (includes items 2 through 11)	1
2	1011590	Switch Sub-assy, Turn Signal	1
3	N/A	Strap, Extrusion	1
4	1016	Lockwasher, #10 Split	1
5	1017075	Socket & Lamp Assembly	2
6	1017724	Rivet, Plastic	1
7	102529201	Wire Cover, Steering Column	1
8	183	Washer, #10, Type A, Flat	2
9	7893	Nut, #10-32 Hex	2
10	8104	Screw, #10-32 X .75 Rd Hd Mach	1
11	8990	Tie Wrap, 8" Nylon	1

4
G
E

4
G
E



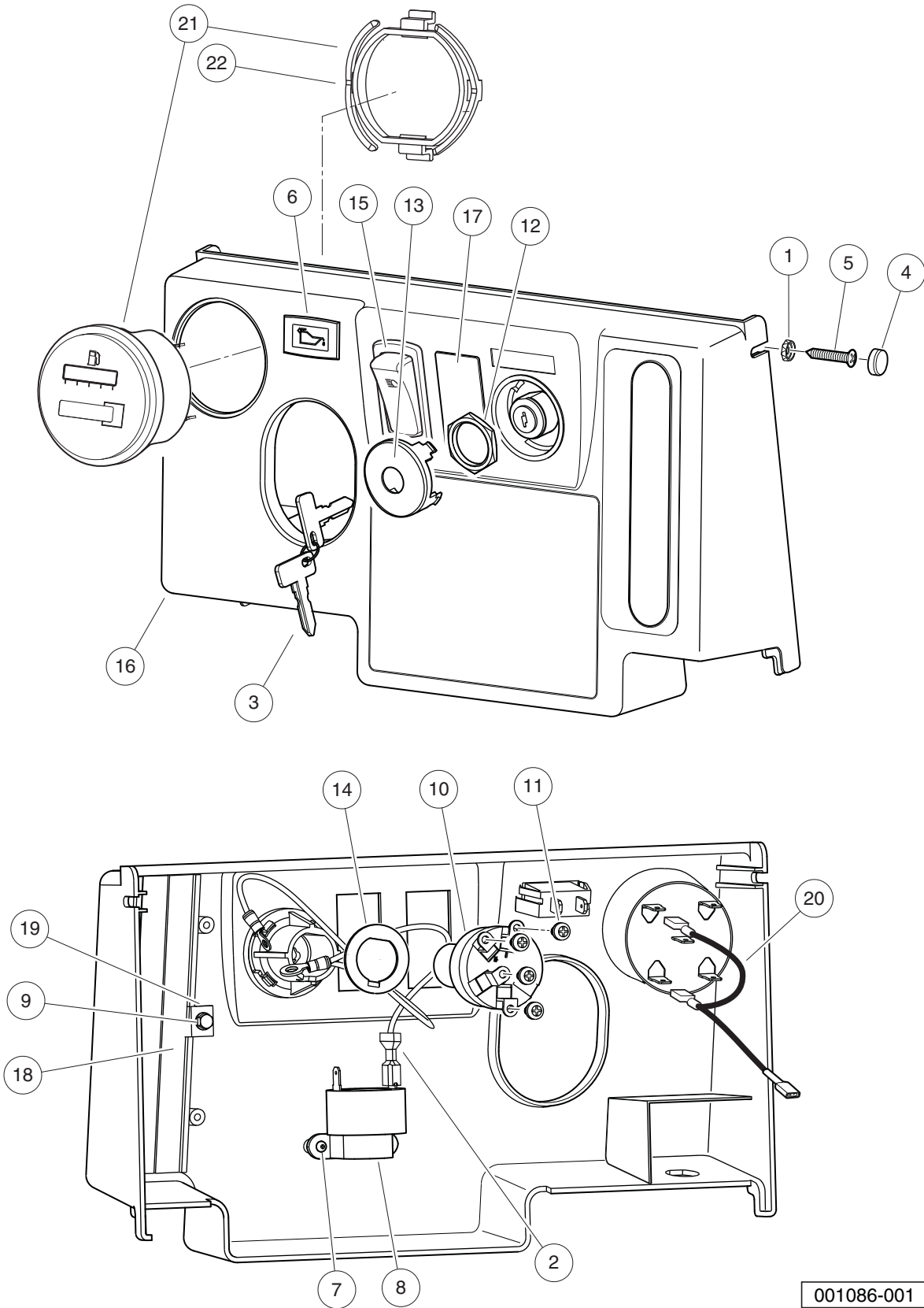
001101-001

TURN SIGNAL (WITH HORN BUTTON) KIT – DS AND UTILITY GAS AND ELECTRIC VEHICLES

ITEM	PART NO.	DESCRIPTION	QTY
		1 2 3 4	
1	101707405	Kit, Turn Signal-horn (includes items 2 through 12)	1
2	1016	Lockwasher, #10 Split	1
3	1017075	Socket & Lamp Assembly	2
4	1017724	Rivet, Plastic	1
5	102517501	Turn Signal Asm (includes item 6)	1
6	102546401	Flasher Unit, Prec	1
7	102529201	Wire Cover, Steering Column	1
8	103618001	Harness, Jumper, Turn Signal	1
9	183	Washer, #10, Type A, Flat	2
10	7893	Nut, #10-32 Hex	2
11	8104	Screw, #10-32 X .75 Rd Hd Mach	1
12	8990	Tie Wrap, 8" Nylon	1

4
G
E

4
G
E



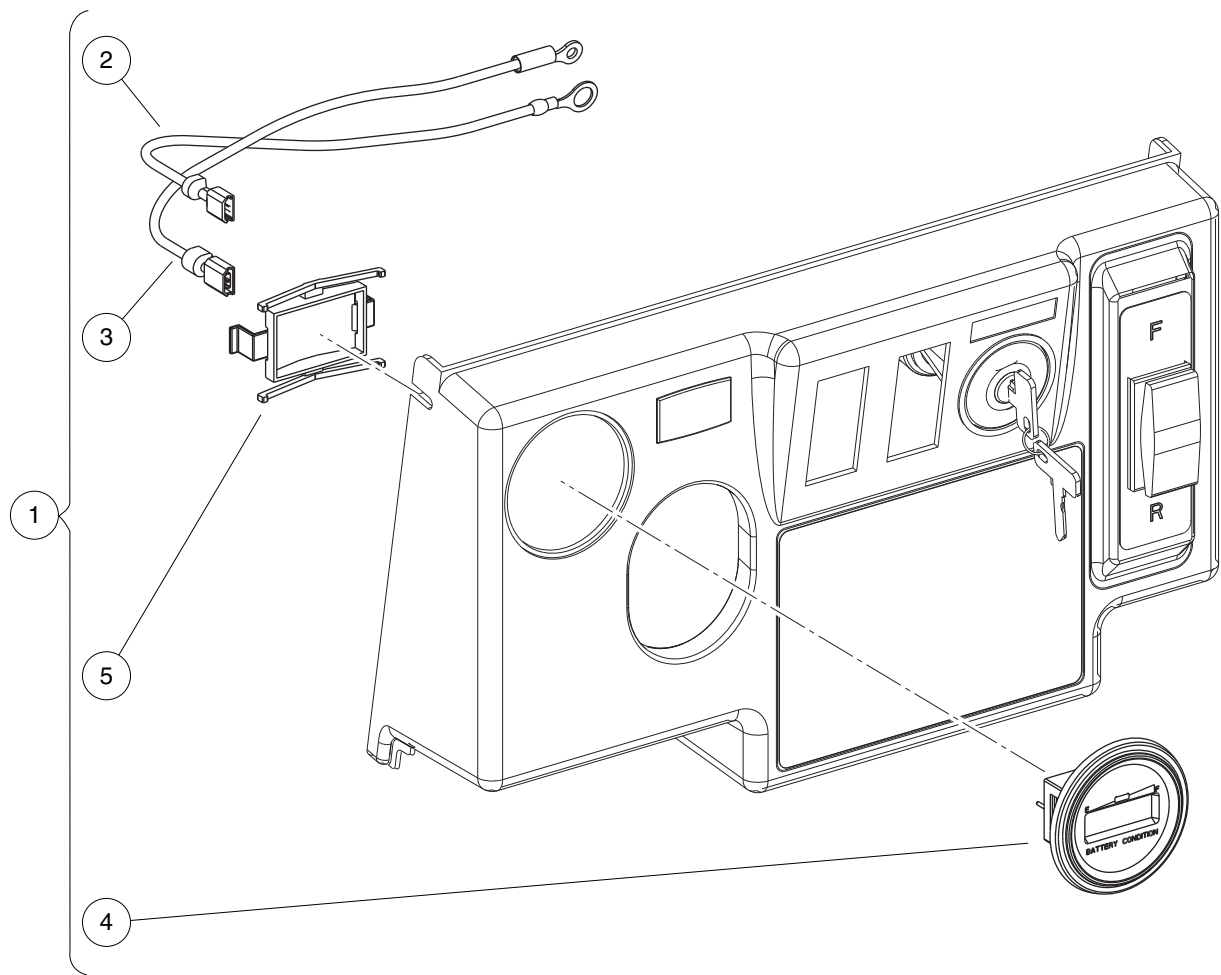
001086-001

INSTRUMENT PANEL – XRT850 GAS

ITEM	PART NO.	DESCRIPTION	QTY
		1 2 3 4	
1	1011382	Washer, #10 Pan-Head Screw	2
2	1012396	Wire Assy #18 Black	1
3	1012505	Keys (set of 2)	1
4	1013494	Cover, Screw Head	2
5	1015528	Screw, #10 x 1-1/4 Phillips Head	2
6	1016630	Light, Oil	1
7	1016849	Screw, #4-24 X 0.33, Pan-Head, Machine	2
8	1016851	Buzzer, Reverse (9-48 VDC)	1
9	101804301	Screw, #8 X 0.500, Hex-Head Hi-Lo	2
10	101826301	Key Switch, 12-Volt, Off/On	1
11	101830601	Screw and Washer Assembly	5
12	101830701	Nut, Key Switch	1
13	101834502	Cap, Black Key Switch	1
14	101851101	Washer, Key Switch	1
15	102869401	Switch, Rocker, Light	1
16	102977001	Panel, Dash, Center, Gas (Instrument Panel)	1
17	103180101	Cover, Hole, Switch, Rocker	1
18	103199001	Brush, Closeout, FNR	2
19	103199101	Washer, Retaining, Brush, FNR	2
20	103348501	Asm, Wire Meter, F-h Jumper	1
21	103348601	Gauge, Fuel-hour, sep Gnd, utl (includes item 22)	1
22	103348201	Clip, Meter, Round	1

4
G
E

4
G
E



000817-002

BATTERY CONDITION INDICATOR – ELECTRIC VEHICLES

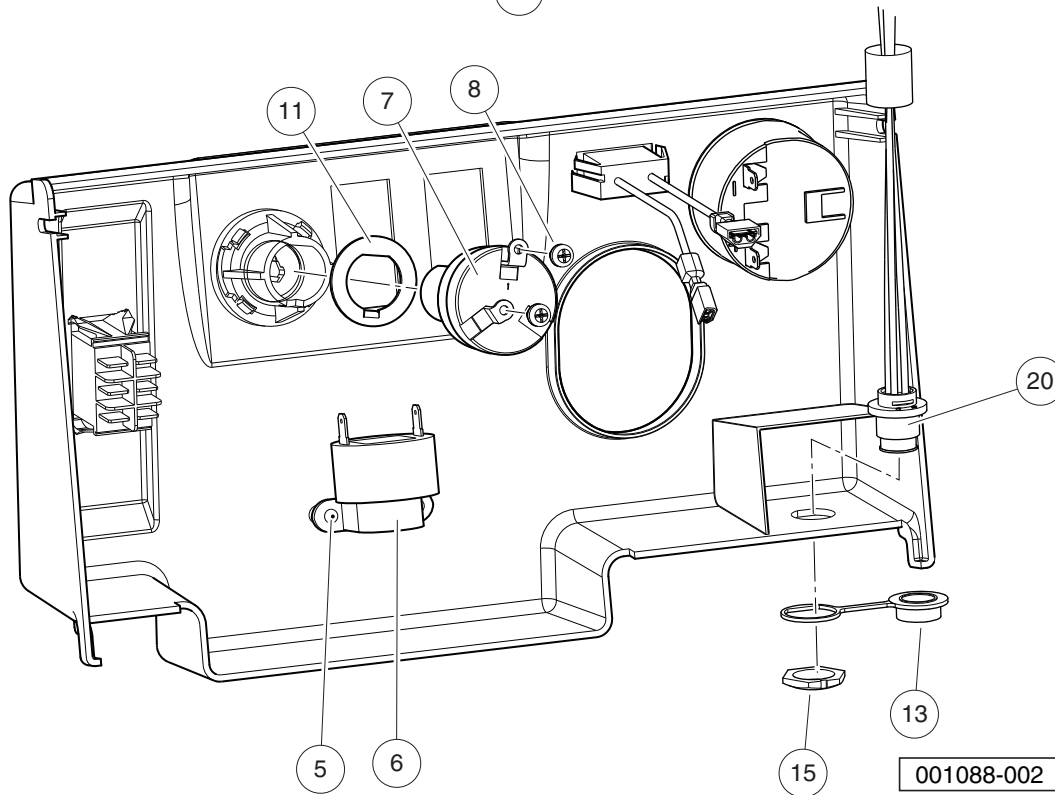
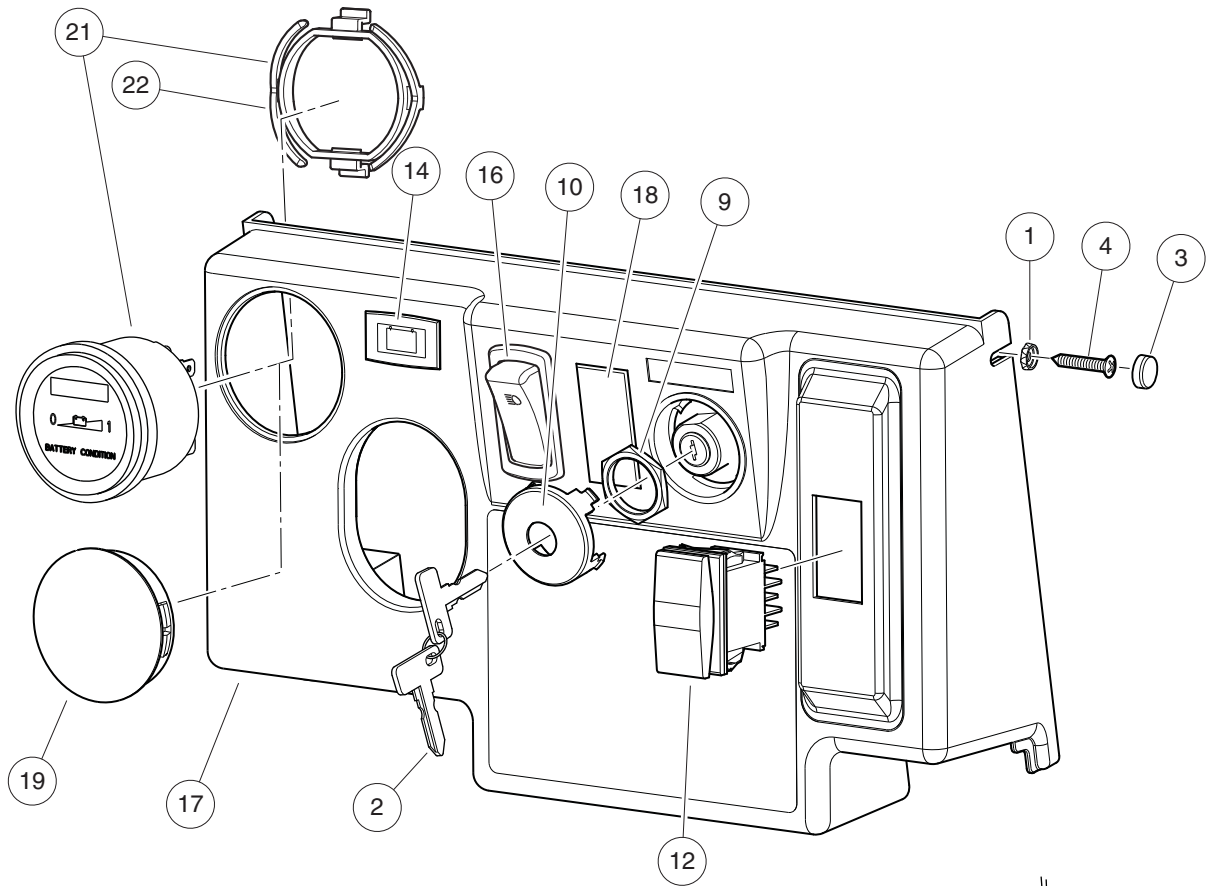
ITEM	PART NO.	DESCRIPTION	QTY
		1 2 3 4	
1	103257603	Kit, Gauge, Battery Condition Indicator (includes items 2 through 4)	1
2	103257701	Wire Asm, #18 Black, 2565mm	1
3	103257801	Wire Asm, #16 Red, 330mm	1
4	103354401	Gauge, Battery Cond Ind, Rnd (includes item 5)	1
5	103348202	Clip, Bci, Round	1

4

G

E

4
G
E



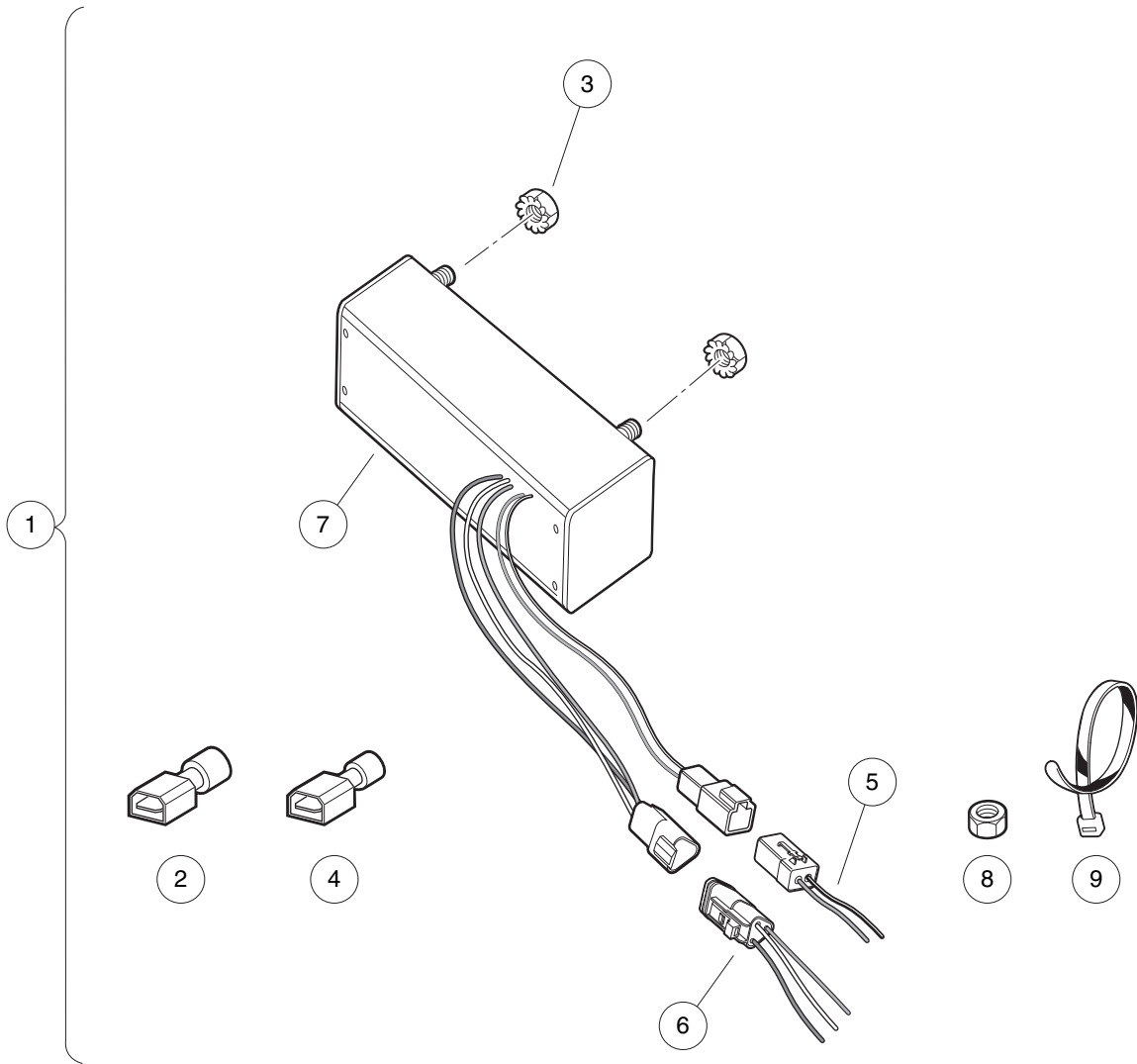
001088-002

INSTRUMENT PANEL – CA6/VILL 6 & 8/TPORTER/XRT850 ELEC. WITH LESTER CHARGER

ITEM	PART NO.	DESCRIPTION	QTY
		1 2 3 4	
1	1011382	Washer, #10 Pan-Head Screw	2
2	1012505	Keys (set of 2)	1
3	1013494	Cover, Screw Head	2
4	1015528	Screw, #10 x 1-1/4 Phillips Head	2
5	1016849	Screw, #4-24 X 0.33, Pan-Head, Machine	2
6	1016851	Buzzer, Reverse (9-48 VDC)	1
7	101826201	Key Switch, On/Off	1
8	101830601	Screw and Washer Assembly	2
9	101830701	Nut, Key Switch	1
10	101834502	Cap, Black Key Switch	1
11	101851101	Washer, Key Switch	1
12	101856002	Switch, Rocker, Single-Pole	1
13	102196901	Dust Cap	1
14	102508701	Light, Battery	1
15	102572401	Nut, Diagnostic Port	1
16	102869401	Switch, Rocker, Light	1
17	102977002	Panel, Dash, Center, Elec (Instrument Panel)	1
18	103180101	Cover, Hole, Switch, Rocker	1
19	103198301	Plug, Hole, Round, 2.0 In	1
20	103218601	Harness, Diagnostic Port	1
21	103354401	Gauge, Battery Cond Ind, Rnd (includes item 22)	1
22	103348202	Clip, Bci, Round	1

4
G
E

4
G
E



001271-002

DC CONVERTER (ISOLATED) – IQ SYSTEM ELECTRIC VEHICLE

ITEM	PART NO.	DESCRIPTION	QTY
		1 2 3 4	
1	102357501	Kit, DC/DC Converter (includes items 2 through 9)	1
2	1016365	Terminal, 1/4" Male Quick Disconnect	1
3	101835601	Locknut, 1/4-20 Hex Whiz	2
4	N/A	Terminal, 1/4" Male Quick Disconnect	1
5	102354901	Harness, Dc Converter - 12v	1
6	102355001	Harness, Dc Converter - 48v	1
7	103700301	Converter, Dc/dc, Isoltd	1
8	1242	Nut, 5/16-18 Hex	1
9	8990	Tie Wrap, 8" Nylon	4

4

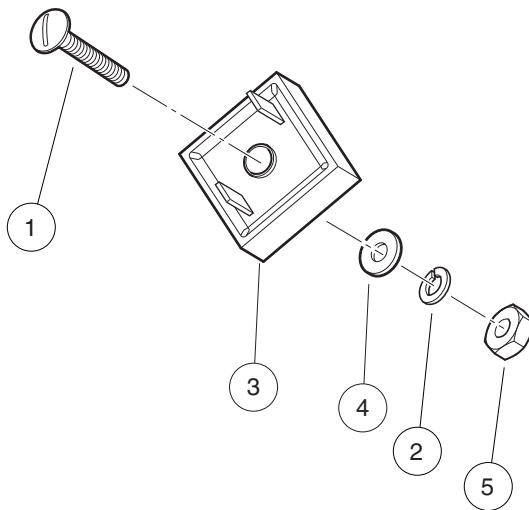
G

E

4

G

E



001091-001

VOLTAGE LIMITER – GASOLINE VEHICLE

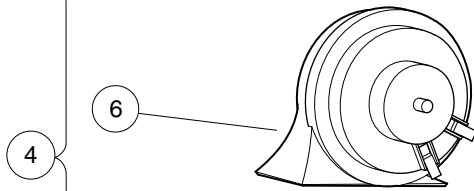
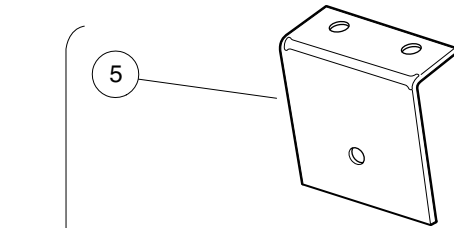
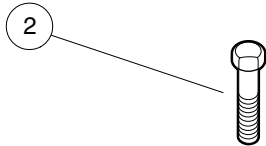
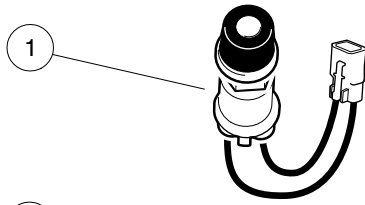
ITEM	PART NO.	DESCRIPTION	QTY
		1 2 3 4	
1	1010909	Screw, #10-32 X 1.25 Rd Hd Mch	1
2	1016	Lockwasher, #10 Split	1
3	1017721	Limiter, Voltage	1
4	183	Washer, #10, Type A, Flat	1
5	7893	Nut, #10-32 Hex	1

4
G
E

4

G

E



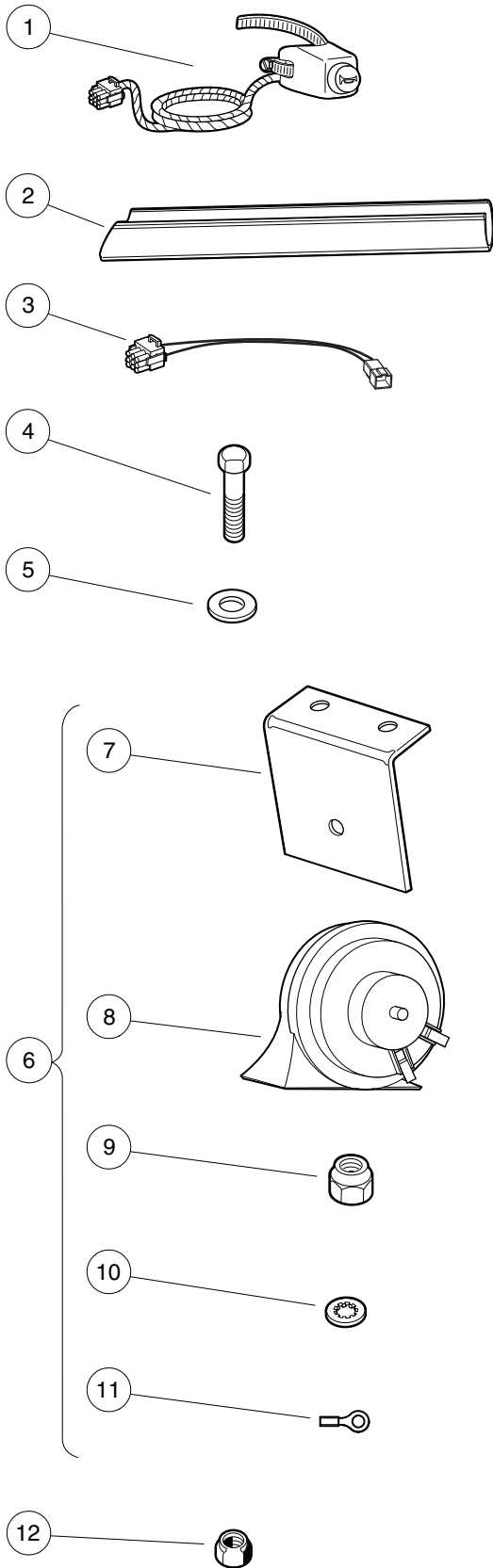
001095-001

HORN

ITEM	PART NO.	DESCRIPTION	QTY
		1 2 3 4	
1	101969701	Horn Button and Wire Assembly	1
2	304	Screw, 1/4-20 X 1.0 Hex-Head Cap	2
3	332	Washer, 1/4 Type A Narrow Flat	2
4	4029	Horn (includes items 5 through 9)	1
5	1011825	Horn Bracket	1
6	1014530	Horn, 12-VDC	1
7	101955101	Nut, M6 Hex	1
8	7820	Washer, 5/16 Internal-Tooth	1
9	8294	5/16 Ring Term.	1
10	8233	Locknut, 1/4-20, Nylon Insert	2

4
G
E

4
G
E



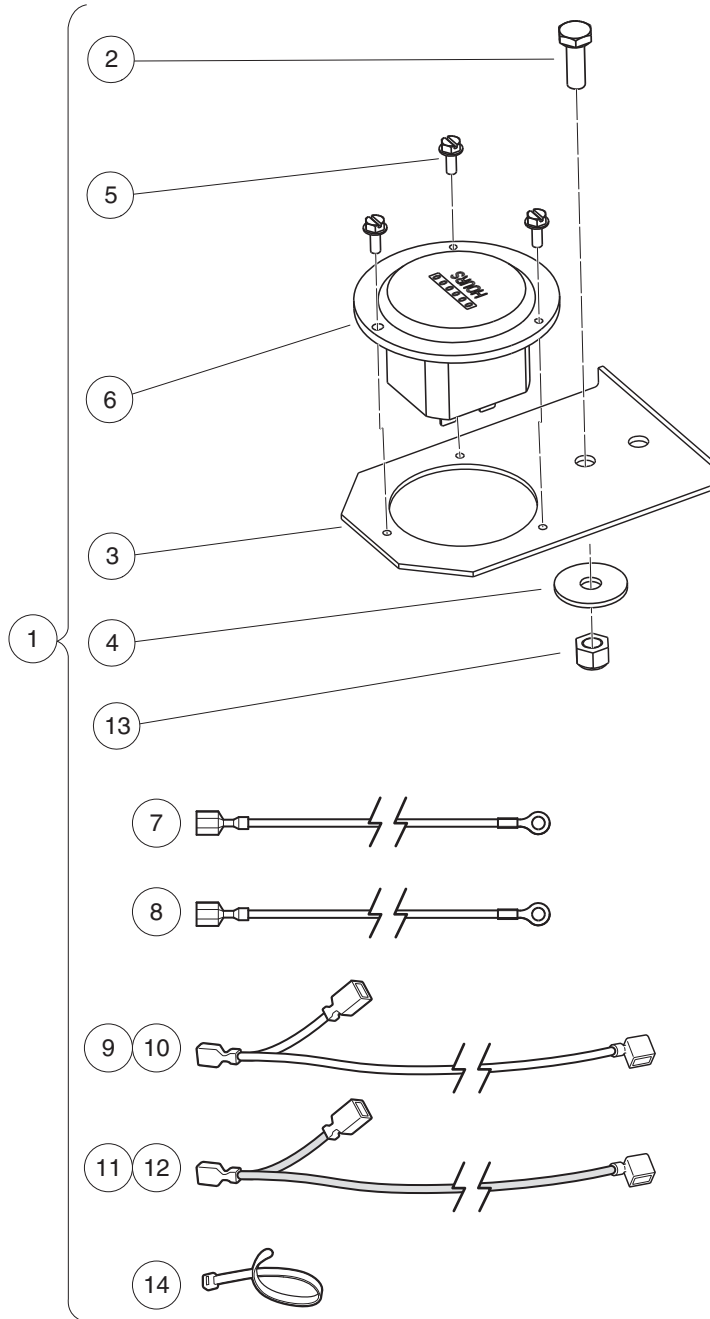
001095-002

HORN WITH COLUMN-MOUNTED BUTTON

ITEM	PART NO.	DESCRIPTION	QTY
		1 2 3 4	
1	102517601	Subasm, Horn Button Harness	1
2	102529203	Wire Cover-steer Column 304 Mm	1
3	103618101	Harness, Jumper, Horn	1
4	304	Screw, 1/4-20 X 1.0 Hex-Head Cap	2
5	332	Washer, 1/4 Type A Narrow Flat	2
6	4029	Horn (includes items 7 through 11)	1
7	1011825	Horn Bracket	1
8	1014530	Horn, 12-VDC	1
9	101955101	Nut, M6 Hex	1
10	7820	Washer, 5/16 Internal-Tooth	1
11	8294	5/16 Ring Term.	1
12	8233	Locknut, 1/4-20, Nylon Insert	2

4
G
E

4
G
E



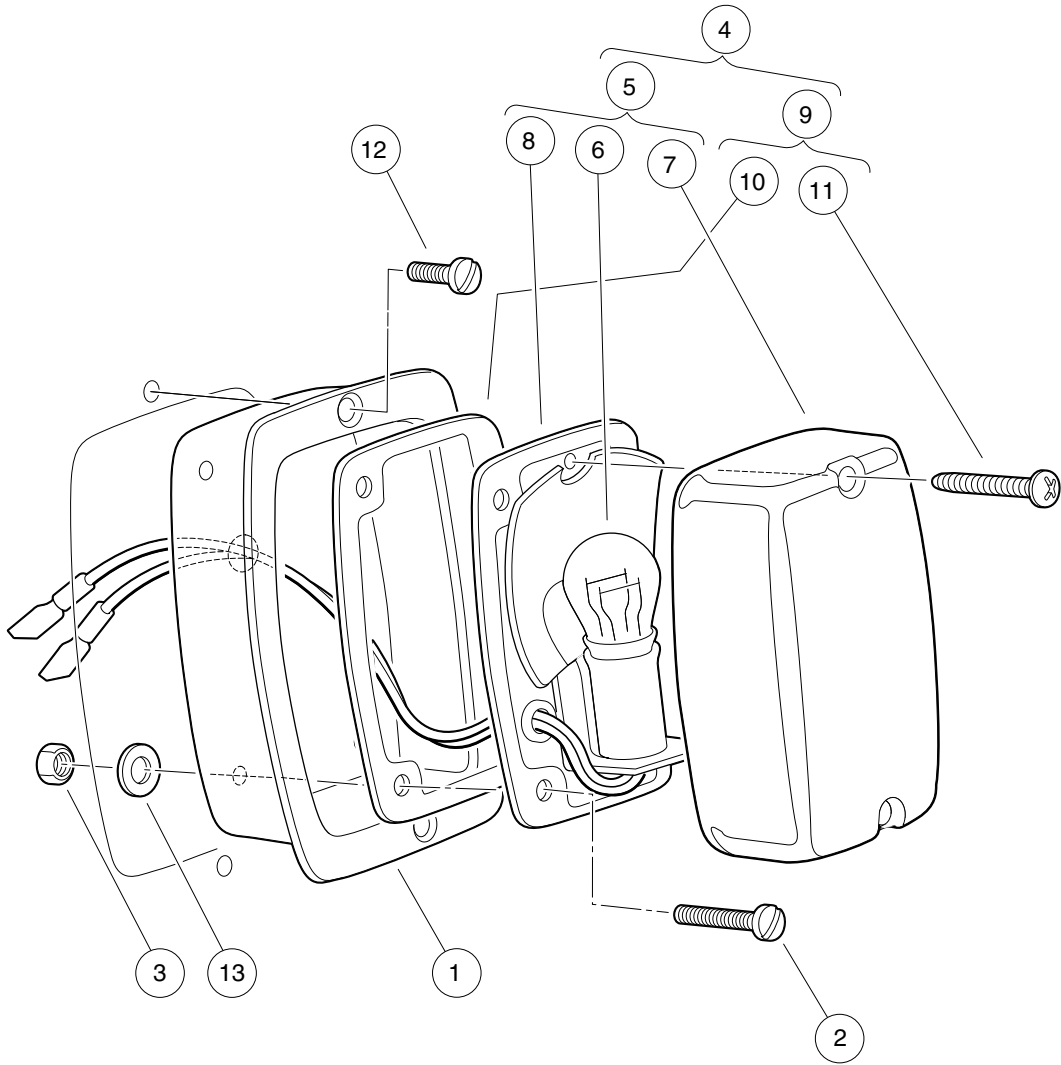
001096-001

HOUR METER – IQ SYSTEM AND IQ PLUS ELECTRIC VEHICLES

ITEM	PART NO.	DESCRIPTION	QTY
		1 2 3 4	
1	1013579	Kit, Hour Meter (includes items 2 through 14)	1
2	1012285	Screw, 1/4 X 0.625 Hex-Head	1
3	1013547	Hour Meter Bracket	1
4	1014306	Washer, 1/4" Type B Flat	1
5	1014540	Screw, #6-32 X 3/8 Taptite	3
6	N/A	Hour Meter	1
7	101881501	Wire Assembly Black #18	1
8	101881601	Wire Assembly Red #18	1
9	101997802	Wire Assembly #18 Yellow	1
10	101997803	Wire Asm #18 Yellow 31"	1
11	101997902	Wire Assembly #18 Red	1
12	101997903	Wire Asm # 18 Red 31"	1
13	8233	Locknut, 1/4-20, Nylon Insert	1
14	8990	Tie Wrap, 8" Nylon	1
		<p>Note: The kit includes components that apply to multiple vehicles. The installation instructions will specify which components are required for a specific model. After installation, discard components not used.</p>	

4
G
E

4
G
E



000348-006

TAIL LIGHTS

ITEM	PART NO.	DESCRIPTION	QTY
		1 2 3 4	
1	1011497	Bezel, Taillight	1
2	1011557	Screw, #6-32 X 1.00 Hex-Head Machine	1
3	1011558	Nut, #6-32 Hex	1
4	1017035	Taillight Assembly (includes items 5 through 9)	1
5	N/A	Light, Tail (includes items 6 through 8)	1
6	1011582	Taillight Bulb	1
7	1011843	Taillight Lens	1
8	N/A	Base, Taillight	1
9	1017699	Hardware Kit, Tail Light (includes items 10 and 11)	1
10	N/A	Gasket	1
11	N/A	Screw, Tapered	2
12	102915601	Plastic Rivet - Tuflock	1
13	7591	Washer, #6, Flat	1

4
G
E

4

G

E

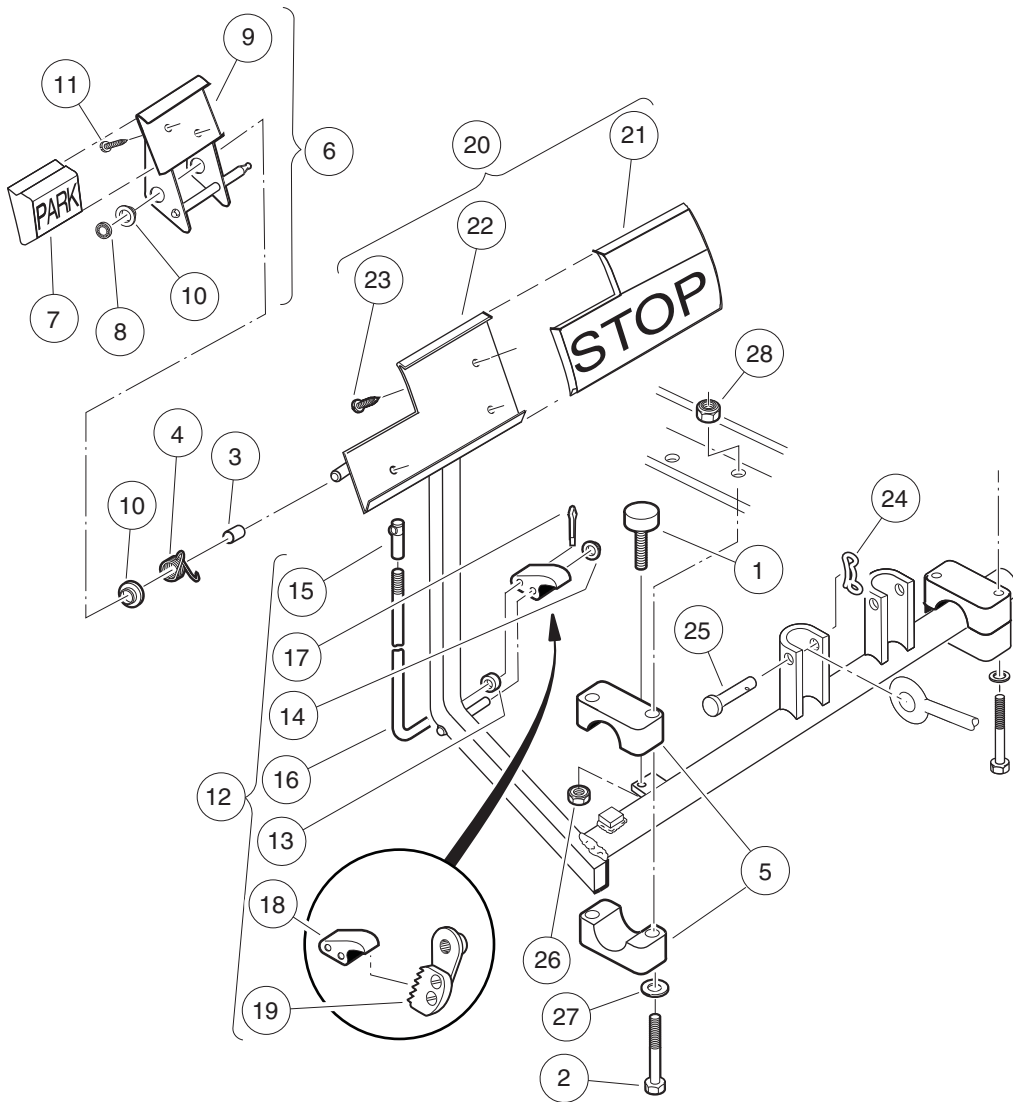
BRAKES, PEDALS, AND CABLE ASSEMBLIES

5

G

E

5
G
E

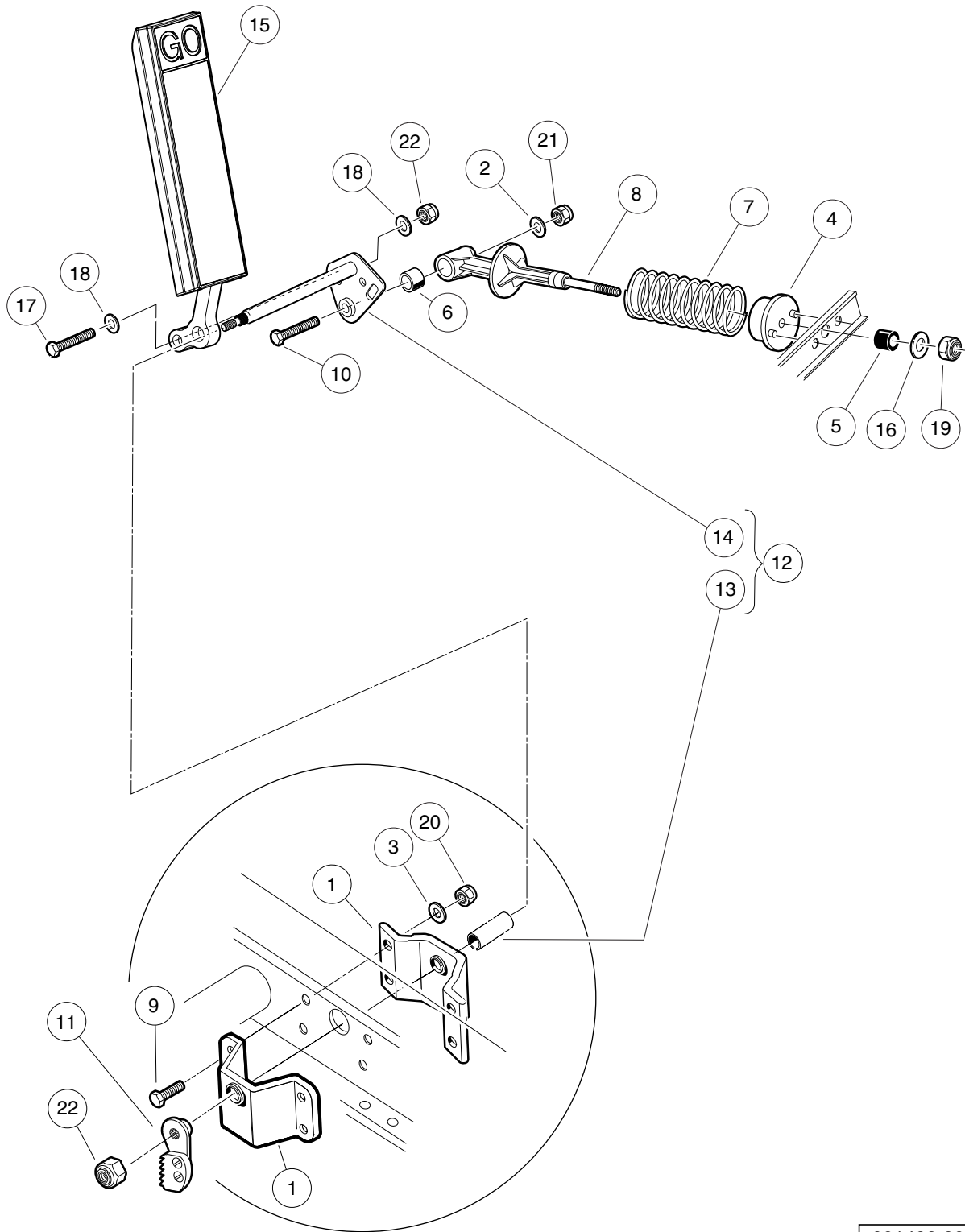


000187-001

BRAKE PEDAL ASSEMBLY

ITEM	PART NO.	DESCRIPTION	QTY	
		1 2 3 4		5
1	1010878	Bumper, Rubber	1	G
2	1010921	Screw, 5/16-18 X 2.50 Hex Cap	4	E
3	1010927	Hill Brake Spacer	1	
4	1010933	Spring, Hill Brake Torsion	1	
5	1011402	Package, Brake Mounting Block	1	
6	1011418	Kit, Hill Brake Pedal (includes items 7 through 11)	1	
7	1013870	Pad, Hill Brake	1	
8	1013876	Pushnut, 3/8	1	
9	N/A	Hill Brake Weld Assembly	1	
10	1032	Bushing, Nylon	2	
11	7716	Screw, #10-16 Type AB, Sheet Metal	2	
12	101187702	Kit, Hill Brake Latch (includes items 13 through 19)	1	
13	1010805	Sleeve, Hill Brake Rod	1	
14	1010877	Pushnut, 3/8	1	
15	1010932	Ball Joint, 1/4-28	1	
16	N/A	Rod, Hill Brake	1	
17	1017029	Pin, Cotter, 7/64 x 1/2 Stainless-Steel	1	
18	N/A	Pawl, Hill Brake	1	
19	101918501	Ratchet Assembly	1	
20	101878201	Brake Pedal Kit (includes items 21 through 23)	1	
21	1013869	Pad, Brake Pedal	1	
22	N/A	Weldment, Brake Pedal, 2wr Std	1	
23	7716	Screw, #10-16 Type AB, Sheet Metal	3	
24	102323101	Pin, Bow Tie Locking	1	
25	102323201	Pin, 3/8 X 1-5/16 Clevis	1	
26	1028	Nut, 1/4-20 Hex	1	
27	1241	Washer, 5/16 Type A Flat	4	
28	7473	Locknut, 5/16-18 Nylon Insert	4	

5
G
E



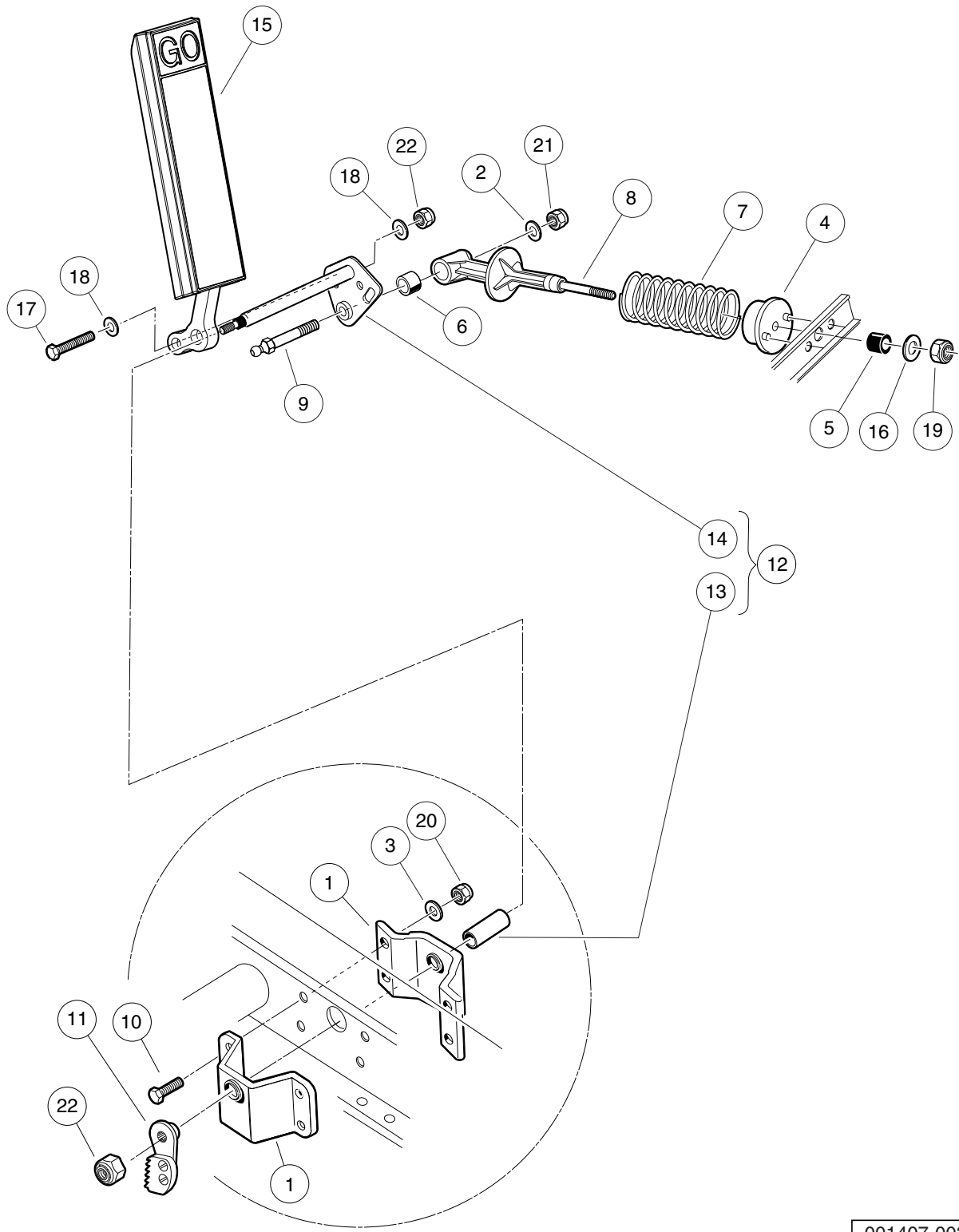
001406-001

ACCELERATOR PEDAL ASSEMBLY – ELECTRIC VEHICLES

ITEM	PART NO.	DESCRIPTION	QTY
		1 2 3 4	
1	1011694	Accelerator Bracket and Bearing Assembly	2
2	1011931	Washer, 1/4 Flat	1
3	1014007	Washer, 1/4, Flat	4
4	1017378	Cup, Spring	1
5	1017380	Bumper, Spring Return	1
6	1017424	Bearing, Pivot Support	1
7	101796201	Spring, Accelerator Return	1
8	101817401	Retainer, Spring	1
9	101861901	Screw, 1/4-20 X 1.125 Hex Cap	4
10	101862001	Screw, 1/4-20 X 1.500 Flange	1
11	101918501	Ratchet Assembly	1
12	102026001	Kit, Accelerator Pivot Rod Assembly (includes items 13 and 14)	1
13	101919801	Spacer, Accelerator	1
14	102158901	Pivot Rod Weldment	1
15	103865101	Pedal, Accel, Insert	A/R
16	1241	Washer, 5/16 Type A Flat	1
17	1624	Screw, 3/8-16 X 1.50, Hex-Head Cap	1
18	334	Washer, 3/8, Type A, Flat	2
19	7473	Locknut, 5/16-18 Nylon Insert	1
20	8233	Locknut, 1/4-20, Nylon Insert	4
21	8717	Locknut, Nylon Insert, 1/4-28	1
22	8754	Locknut, 3/8-16 Hex	2

5
G
E

5
G
E



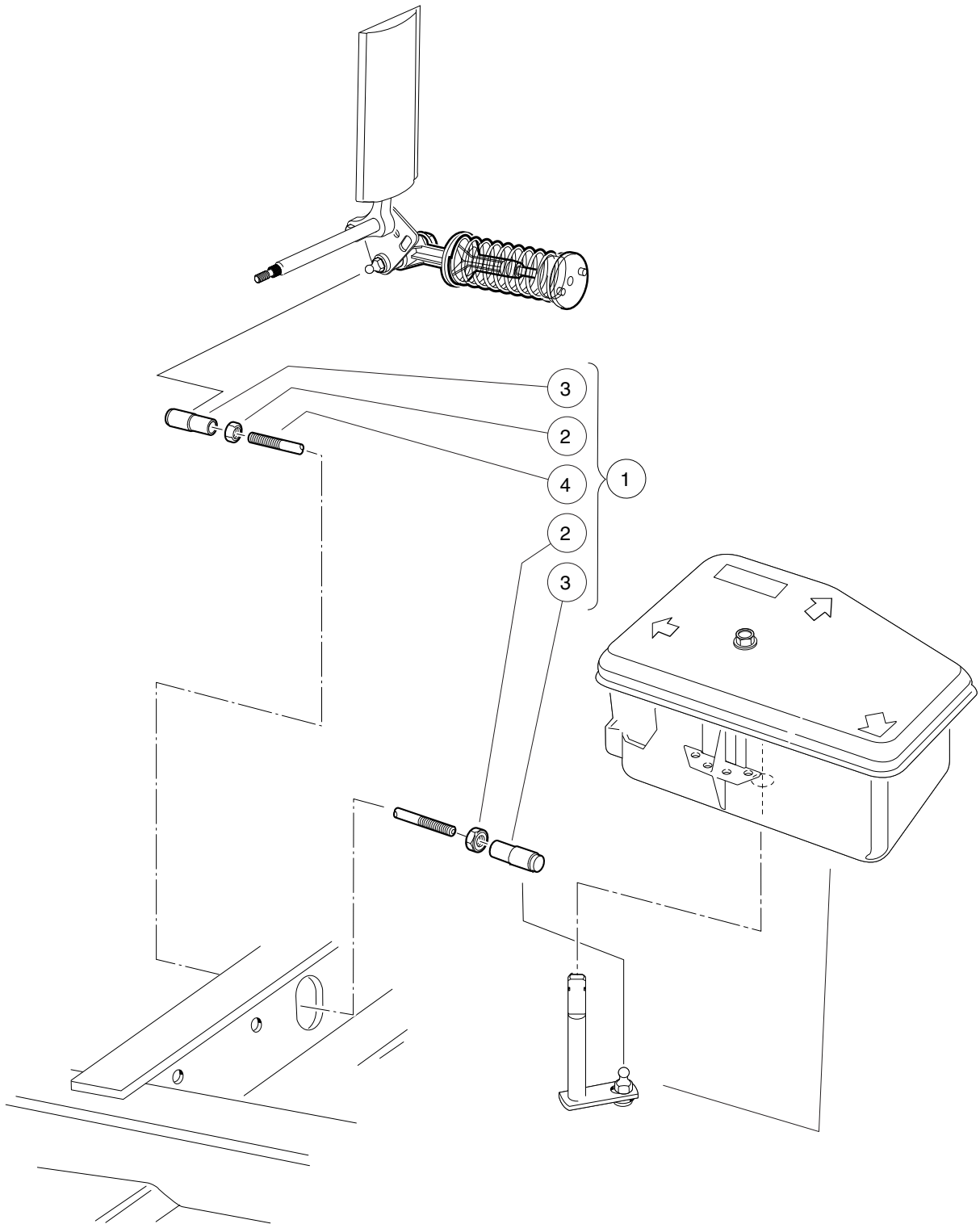
001407-003

ACCELERATOR PEDAL ASSEMBLY – GASOLINE VEHICLES

ITEM	PART NO.	DESCRIPTION	QTY
		1 2 3 4	
1	1011694	Accelerator Bracket and Bearing Assembly	2
2	1011931	Washer, 1/4 Flat	1
3	1014007	Washer, 1/4, Flat	4
4	1017378	Cup, Spring	1
5	1017380	Bumper, Spring Return	1
6	1017424	Bearing, Pivot Support	1
7	101796201	Spring, Accelerator Return	1
8	101817401	Retainer, Spring	1
9	101818801	Stud, 1/4-28 X 1.35 Ball	1
10	101861901	Screw, 1/4-20 X 1.125 Hex Cap	4
11	101918501	Ratchet Assembly	1
12	102026001	Kit, Accelerator Pivot Rod Assembly (includes items 13 and 14)	1
13	101919801	Spacer, Accelerator	1
14	102158901	Pivot Rod Weldment	1
15	103865101	Pedal, Accel, Insert	1
16	1241	Washer, 5/16 Type A Flat	1
17	1624	Screw, 3/8-16 X 1.50, Hex-Head Cap	1
18	334	Washer, 3/8, Type A, Flat	2
19	7473	Locknut, 5/16-18 Nylon Insert	1
20	8233	Locknut, 1/4-20, Nylon Insert	4
21	8717	Locknut, Nylon Insert, 1/4-28	1
22	8754	Locknut, 3/8-16 Hex	2

5
G
E

5
G
E



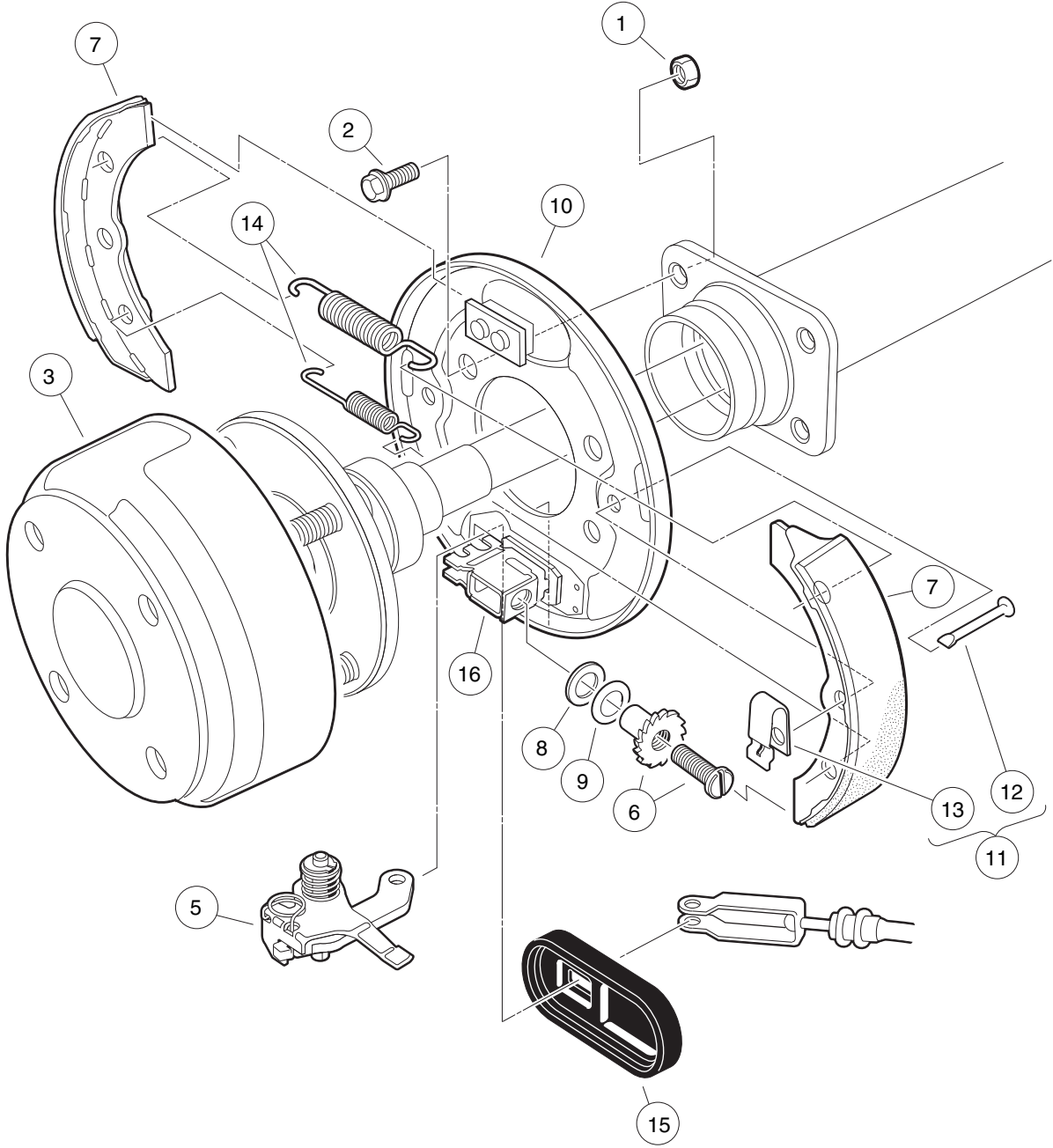
000362-001

ACCELERATOR ROD – TURF/CARRYALL 1 GASOLINE VEHICLES

ITEM	PART NO.	DESCRIPTION	QTY
		1 2 3 4	
1	101912401	Rod, Accelerator (includes items 2 through 4)	1
2	1011084	Nut, 1/4-28 Hex Jam	2
3	1011734	Joint, Ball	2
4	N/A	Accelerator Rod	1

5
G
E

5
G
E



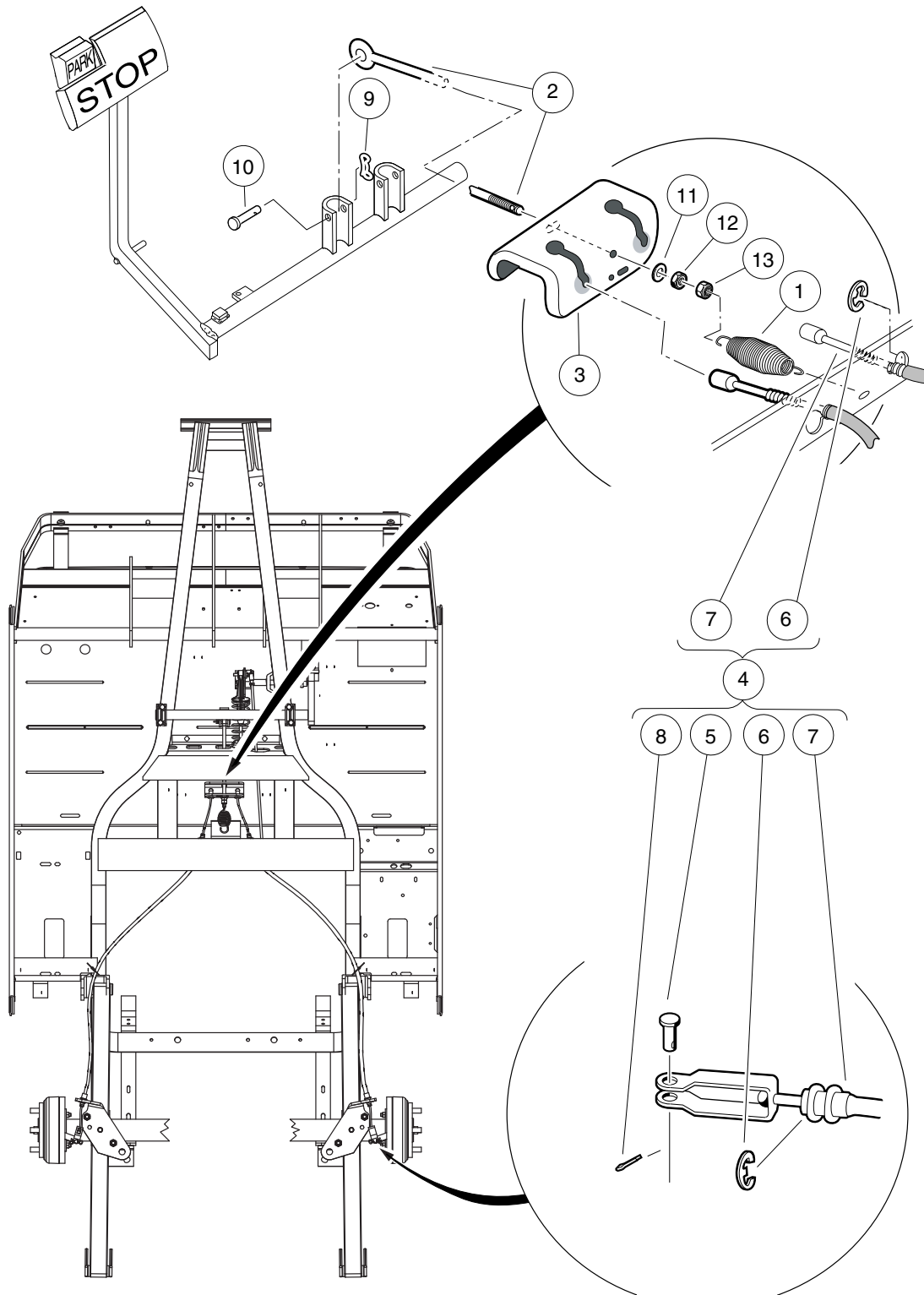
000186-003

REAR BRAKE ASSEMBLY, SELF-ADJUSTING – VEHICLE WITH 2-WHEEL BRAKES

ITEM	PART NO.	DESCRIPTION	QTY
		1 2 3 4	
1	1013924	Nut, 5/16-24, Hex Head Cone	8
2	1014153	Bolt, Brake Cluster Mounting	8
3	101791101	Drum without Center Hole, Brake	2
4	103380201	Asm, Brake Cluster, Mech, Drvr (includes items 5 through 16)	1
5	101815502	Lever Assembly, Self-Adjusting Brake, Left	1
6	101816502	Adjusting Mechanism, Self-Adjusting Brake, Left	1
7	101823201	Package, Brake Shoe, Self-Adjusting	1
8	101823801	Plate, Washer, Brake, Self-Adjusting	1
9	101823901	Washer, Brake, Self-Adjusting	1
10	103483102	Backing Plate, Driver-side	1
11	103483201	Kit, Shoe Retainer (includes items 12 and 13)	1
12	N/A	Pin	2
13	N/A	Spring, Shoe, Clamp	2
14	103483401	Package Brake Spring Self Adj	1
15	103483601	Cover, Dust	1
16	103483701	Brake Block	1
17	103380202	Asm, Brake Cluster, Mech, Pass (includes items 18 through 29)	1
18	101815501	Lever Assembly, Self-Adjusting Brake, Right (Passenger)	1
19	101816501	Adj Mechanism, S.A. Brakes, Right (Passenger)	1
20	101823201	Package, Brake Shoe, Self-Adjusting	1
21	101823801	Plate, Washer, Brake, Self-Adjusting	1
22	101823901	Washer, Brake, Self-Adjusting	1
23	103483101	Backing Plate, Passenger-side	1
24	103483201	Kit, Shoe Retainer (includes items 25 and 26)	1
25	N/A	Pin	2
26	N/A	Spring, Shoe, Clamp	2
27	103483401	Package Brake Spring Self Adj	1
28	103483601	Cover, Dust	1
29	103483701	Brake Block	1
<p>Note: Passenger-side brake cluster not shown. Components have a similar appearance to driver-side brake cluster components. 1033802 brake cluster assemblies are backward compatible but individual parts that do not share part numbers with 1018233 are not.</p>			

5
G
E

5
G
E



000296-001

REAR BRAKE CABLES AND EQUALIZER

ITEM	PART NO.	DESCRIPTION	QTY
		1 2 3 4	
1	1013531	Spring, Brake Return	1
2	101953101	Rod, Equalizer, 8.91"	1
3	101990801	Equalizer Bracket	1
4	102022101	Brake Cable Kit (includes items 5 through 8)	2
5	1010829	Pin, Clevis, 5/16 X 3/4	1
6	1011779	E-Clip, 1/2	2
7	N/A	Cable, Brake, 41"	1
8	102292801	Pin, Bow Tie Locking - .072	1
9	102323101	Pin, Bow Tie Locking	1
10	102323201	Pin, 3/8 X 1-5/16 Clevis	1
11	1241	Washer, 5/16 Type A Flat	1
12	1242	Nut, 5/16-18 Hex	1
13	7473	Locknut, 5/16-18 Nylon Insert	1

5
G
E

5

G

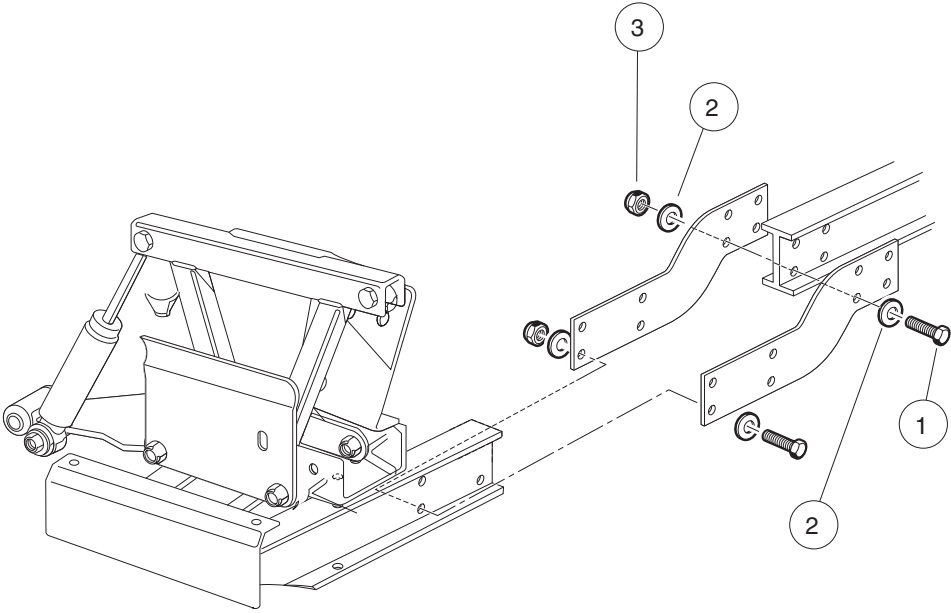
E

STEERING AND SUSPENSION WITH MAINTENANCE-FREE BALL JOINTS

6

G

E



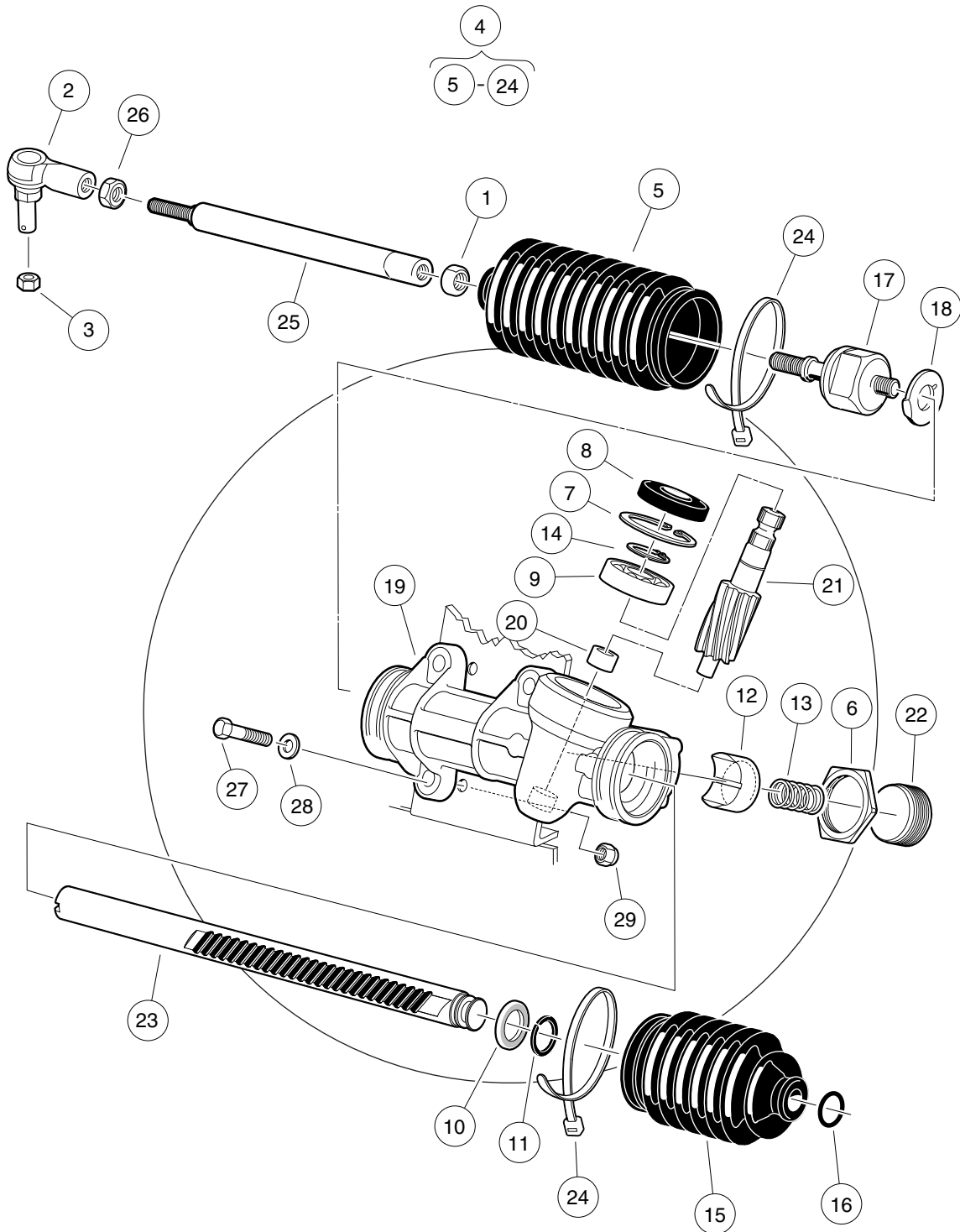
000304-002

FRONT FRAME PLATE HARDWARE – TURF/CA 252 AND XRT 850/ 900

ITEM	PART NO.	DESCRIPTION	QTY
		1 2 3 4	
1	1218	Screw, 5/16-18 X 1.25 Hex-Head Cap	16
2	1241	Washer, 5/16 Type A Flat	32
3	7473	Locknut, 5/16-18 Nylon Insert	16

6
G
E

6
G
E



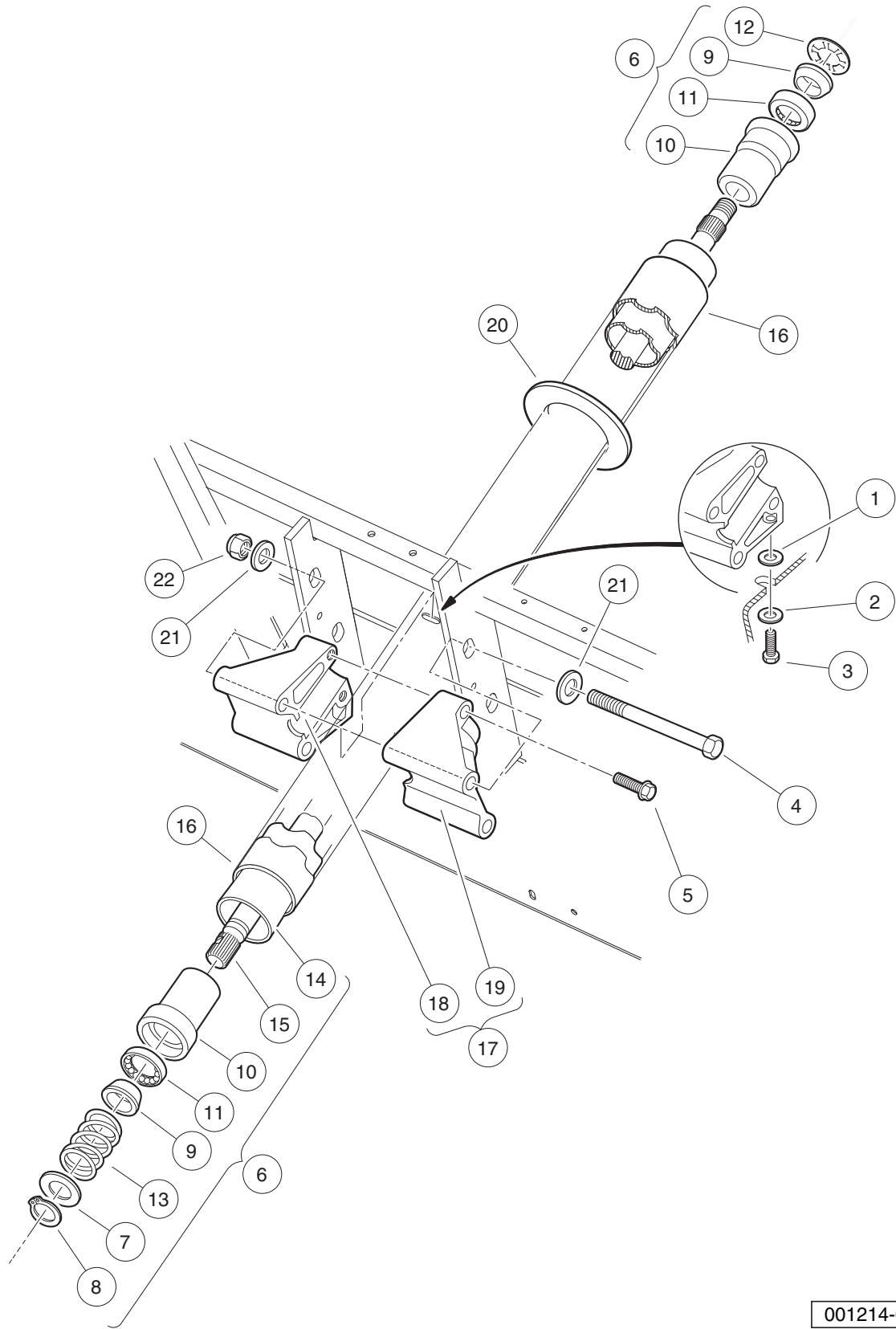
001500-002

STEERING GEAR ASSEMBLY (WANDA) – MAINT.-FREE BALL JOINT

ITEM	PART NO.	DESCRIPTION	QTY
		1 2 3 4	
1	1013042	Nut, 12mm Hex	1
2	102022602	End, Tie Rod, M12 X 1.25, Lh	1
3	102289201	Nut - Hex Locking, M12 X 1.25	1
4	103601501	Asm, Steering Rack And Pinion (includes items 5 through 24)	1
5	1013035	Bellows, Long	1
6	1013044	Rack Screw Locknut	1
7	N/A	Snap Ring	1
8	1013052	Seal, Steering Pinion Dust	1
9	101879401	Bearing, Ball	1
10	101879501	Stop Washer	1
11	101879601	Stop Ring, C-Type	1
12	101879701	Support Yoke	1
13	101879801	Rack Guide Pressure Spring	1
14	101879901	Ring, Stop, C-Type	1
15	101880001	Bellows, Short	1
16	101880101	Dust Seal Retaining Ring	1
17	101880201	Inner Ball Joint Asm	1
18	101880301	Washer, Tab	1
19	N/A	Box, Steering Gear	1
20	N/A	Bearing, Lower Pinion	1
21	N/A	Pinion, Steering	1
22	N/A	Screw, Rack Guide	1
23	N/A	Rack, Steering	1
24	8990	Tie Wrap, 8" Nylon	2
25	103653401	Link, Drag, Male Thd	1
26	103653501	Nut, Jam, M12-1.25, Lh	1
27	1624	Screw, 3/8-16 X 1.50, Hex-Head Cap	3
28	334	Washer, 3/8, Type A, Flat	3
29	8754	Locknut, 3/8-16 Hex	3

6
G
E

6
G
E



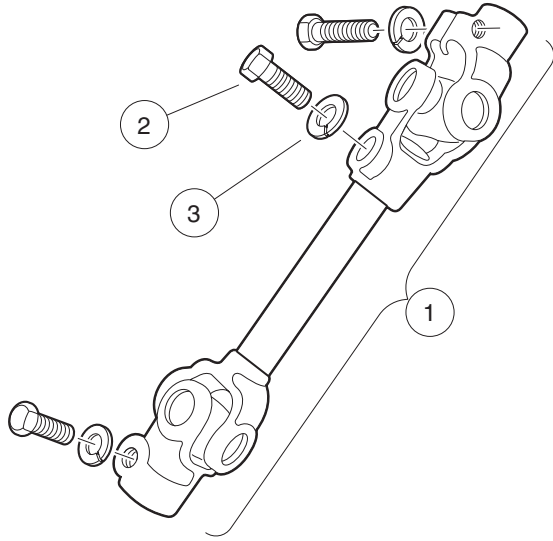
001214-001

STEERING COLUMN – UTILITY

ITEM	PART NO.	DESCRIPTION	QTY
		1 2 3 4	
1	1011578	Washer, 5/16 Type B Flat	1
2	1011697	Washer, 5/16 Flat	1
3	1014288	Screw, 5/16-18 X 0.75, Thread-Forming	1
4	1016183	Screw, 3/8-16 X 7.00 Hex Cap	2
5	1016269	Screw, 5/16-18 Thrd Forming	2
6	1017313	Steering Shaft Assembly (includes items 7 through 15)	1
7	1012604	Washer, 0.675 ID X 1.19 OD	1
8	1012605	Ring, 0.579 Internal Retaining	1
9	1014125	Wedge, Molded	2
10	1014126	Seat, Plastic Bearing	2
11	1014213	Bearing, Ball	2
12	1014214	Ring, Retaining	1
13	1014217	Spring, Steering Shaft	1
14	1017314	Column, Aluminum Steering	1
15	1017315	Shaft Steering Column	1
16	1017317	Tube Cover, Steering Column	1
17	101984801	Kit, Steering Column Mounting Bracket (includes items 18 and 19)	1
18	N/A	Bracket, RH Steering Column Mount	1
19	N/A	Bracket, LH Steering column mount	1
20	102278001	Boot, Steering Column Round	1
21	334	Washer, 3/8, Type A, Flat	4
22	8754	Locknut, 3/8-16 Hex	2

6
G
E

6
G
E



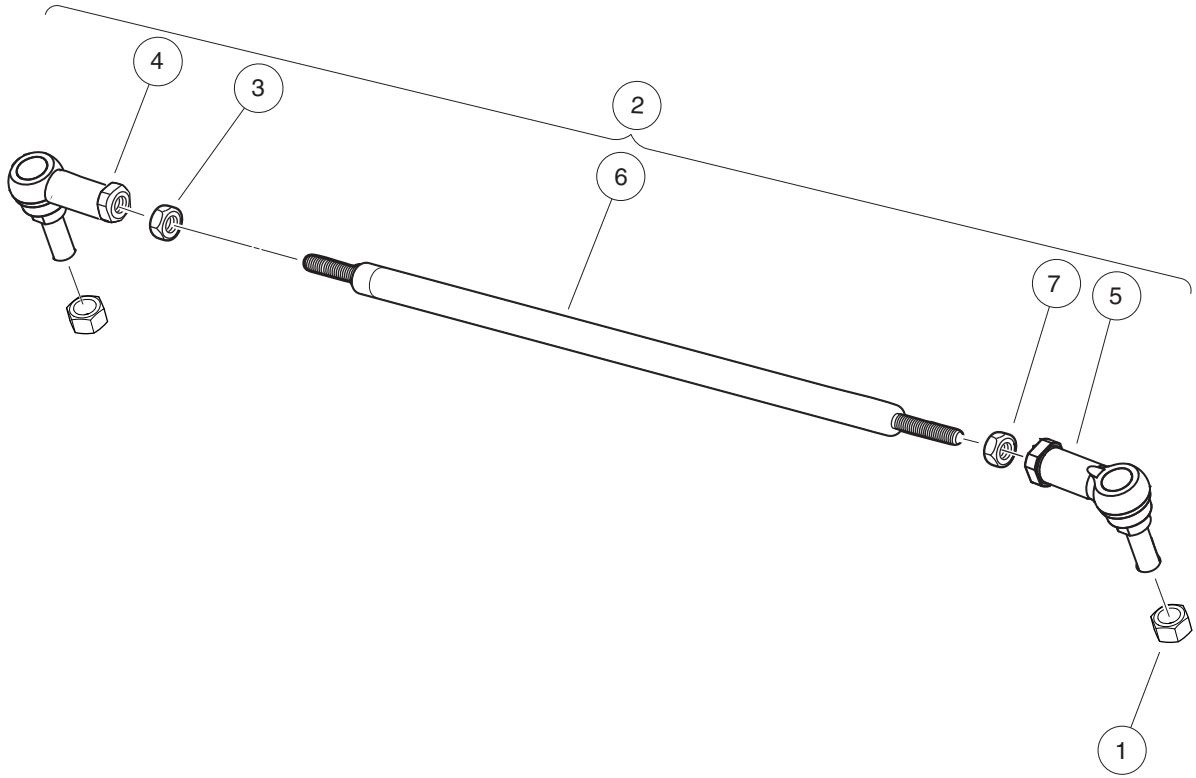
001218-001

INTERMEDIATE STEERING SHAFT – TURF/CA 252 AND XRT 850/ 900

ITEM	PART NO.	DESCRIPTION	QTY
		1 2 3 4	
1	102004101	Joint, Steering (includes items 2 and 3)	1
2	1017226	Bolt, Hex-Head, 8mm X 1.25 - 30	3
3	7174	Lockwasher, 5/16 Split	3

6
G
E

6
G
E



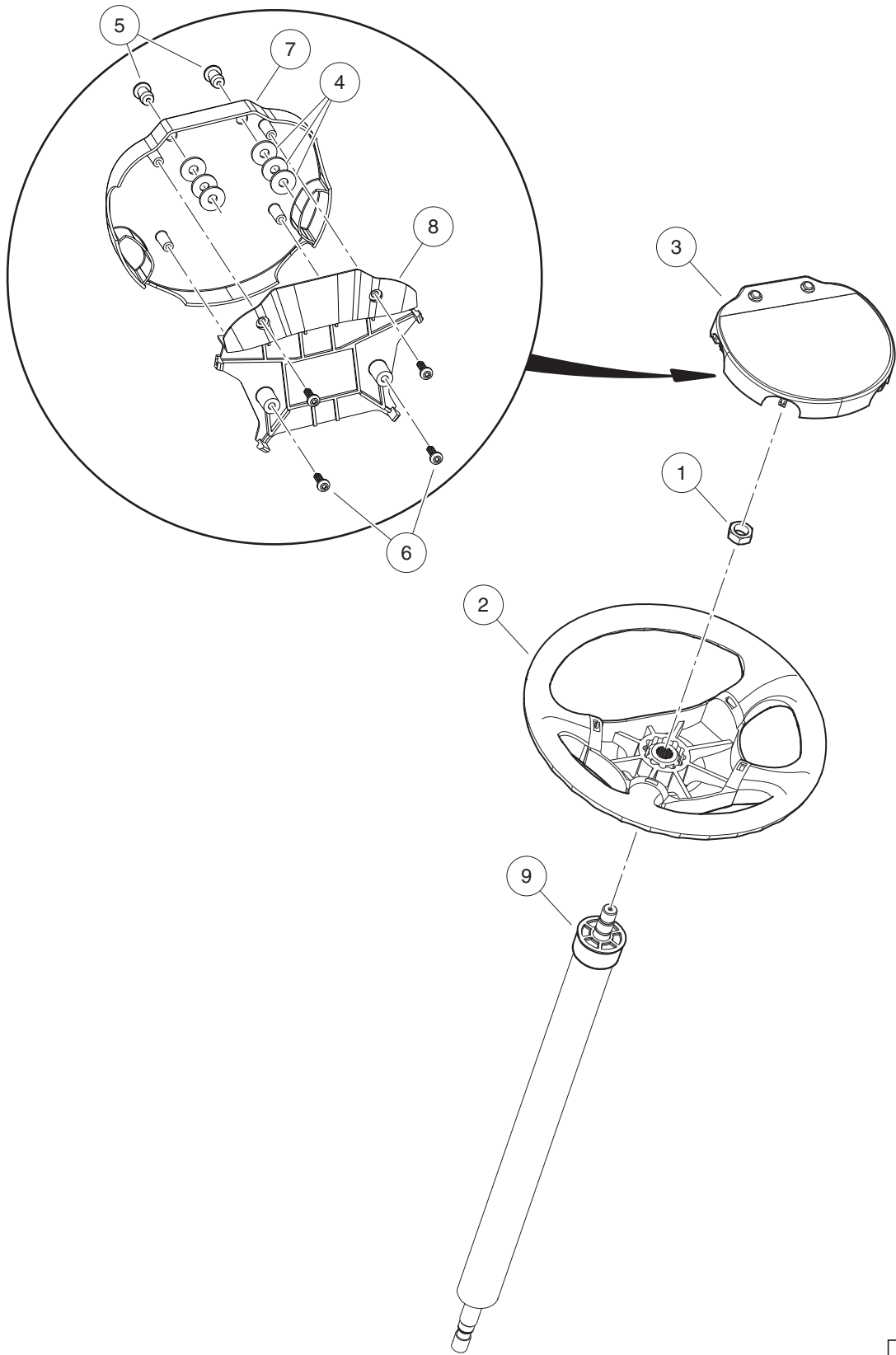
001318-001

TIE ROD WITH MAINTENANCE-FREE BALL JOINTS

ITEM	PART NO.	DESCRIPTION	QTY
		1 2 3 4	
1	102289201	Nut - Hex Locking, M12 X 1.25	2
2	103653601	Asm, Tie Rod (includes items 3 through 7)	1
3	1013042	Nut, 12mm Hex	1
4	102022601	End, Tie Rod M12 X 1.25 Rh	1
5	102022602	End, Tie Rod, M12 X 1.25, Lh	1
6	103354701	Rod, Tie, Male Thd	1
7	103653501	Nut, Jam, M12-1.25, Lh	1

6
G
E

6
G
E



000832-002

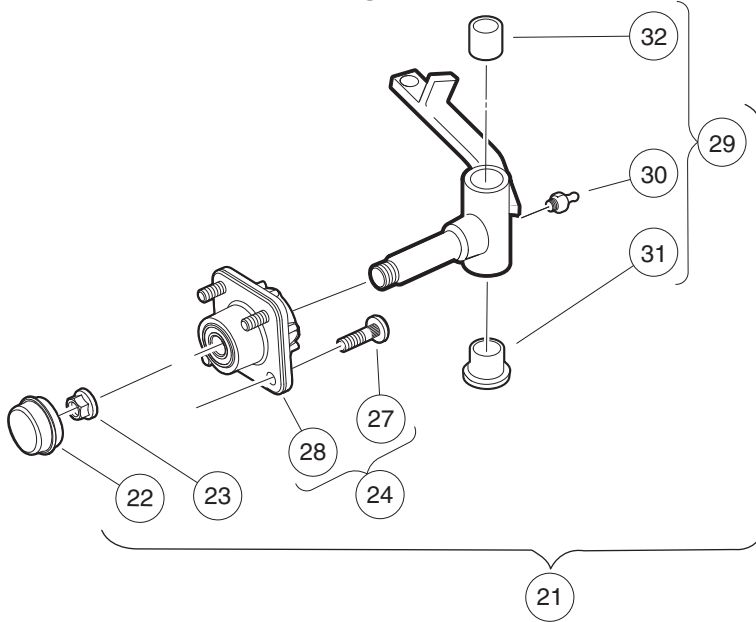
STEERING WHEEL – XRT850

ITEM	PART NO.	DESCRIPTION	QTY
		1 2 3 4	
1	1017273	Nut, 5/8-18 Nylon Insert Jam	1
2	102537802	Steer Wheel, Comf/grip, Spline	1
3	102540802	Center, Plate, Steering Wheel (includes items 4 through 8)	1
4	1011697	Washer, 5/16 Flat	6
5	1016967	Blind Rivet, Push Type	2
6	102296020	Screw, Torx Pan Hd Pt, M6 X 20	4
7	N/A	Scorecard Plate, Comfort Grip	1
8	N/A	Scorecard Back Plate	1
9	103405501	Shroud, Steering Column Spline	1

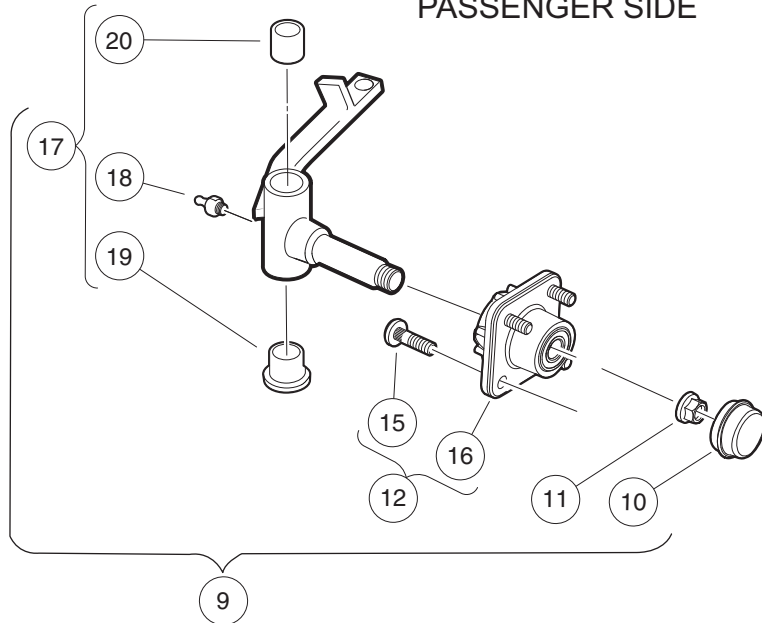
6
G
E

6
G
E

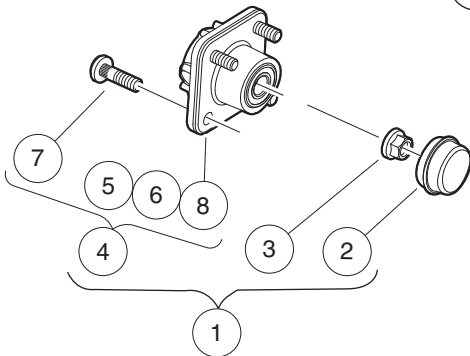
DRIVER SIDE



PASSENGER SIDE



REPLACEMENT HUB
FOR DRIVER OR
PASSENGER SIDE



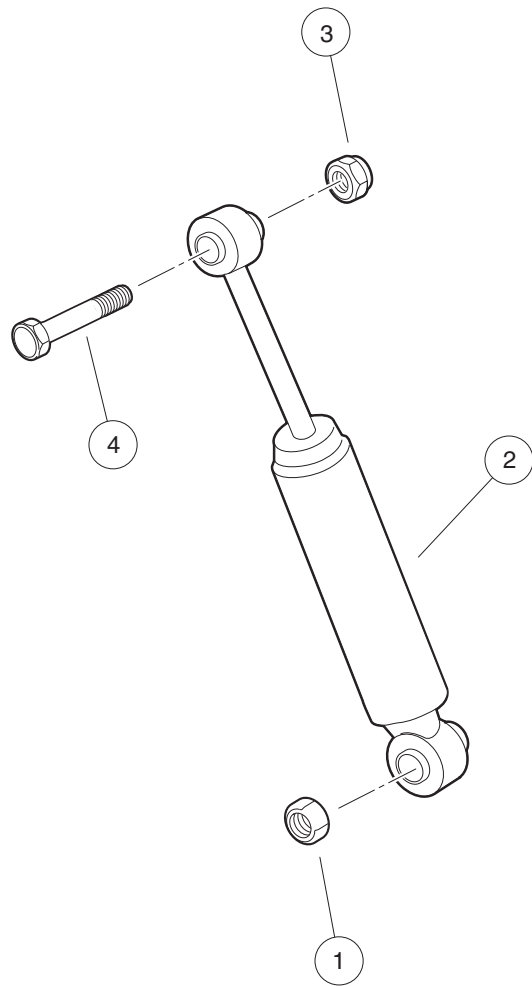
000301-007

FRONT SPINDLES AND HUBS – CA232 AND XRT800/810/850 WITH MAINTENANCE-FREE BALL JOINTS

ITEM	PART NO.	DESCRIPTION	QTY
		1 2 3 4	
1	102357701	Replacement Kit, Front Hub (includes items 2 through 4)	1
2	102353201	Cap, Front Hub	1
3	102353301	Hex Nut, Locking Flange, M14x2	1
4	N/A	Asm, Front Hub, Bb, Long Stud (includes items 5 through 8)	1
5	N/A	Bearing, Ball, 6204	2
6	N/A	Spacer, Bearing, Front Hub, Pm	1
7	103477901	Lug Stud, 1/2-20 Unf, 4037	4
8	N/A	Front Hub, Ball Brg, Long Stud	1
9	103667302	Asm, Frt Hub & Spndle, Rh, Ext (includes items 10 through 17)	1
10	102353201	Cap, Front Hub	1
11	102353301	Hex Nut, Locking Flange, M14x2	1
12	N/A	Asm, Front Hub, Bb, Long Stud (includes items 13 through 16)	1
13	N/A	Bearing, Ball, 6204	2
14	N/A	Spacer, Bearing, Front Hub, Pm	1
15	103477901	Lug Stud, 1/2-20 Unf, 4037	4
16	N/A	Front Hub, Ball Brg, Long Stud	1
17	103667104	Asm, Spindle, Rh, Ext, Sp (includes items 18 through 20)	1
18	1015597	Fitting, 1/4-28 Thread-Forming Grease	1
19	7048	Bushing, Flanged Bronze	1
20	8067	Bushing, Bronze Spindle	1
21	103667402	Asm, Frt Hub & Spndle, Lh, Ext (includes items 22 through 29)	1
22	102353201	Cap, Front Hub	1
23	102353301	Hex Nut, Locking Flange, M14x2	1
24	N/A	Asm, Front Hub, Bb, Long Stud (includes items 25 through 28)	1
25	N/A	Bearing, Ball, 6204	2
26	N/A	Spacer, Bearing, Front Hub, Pm	1
27	103477901	Lug Stud, 1/2-20 Unf, 4037	4
28	N/A	Front Hub, Ball Brg, Long Stud	1
29	103667204	Asm, Spindle, Lh, Ext, Sp (includes items 30 through 32)	1
30	1015597	Fitting, 1/4-28 Thread-Forming Grease	1
31	7048	Bushing, Flanged Bronze	1
32	8067	Bushing, Bronze Spindle	1

6
G
E

6
G
E



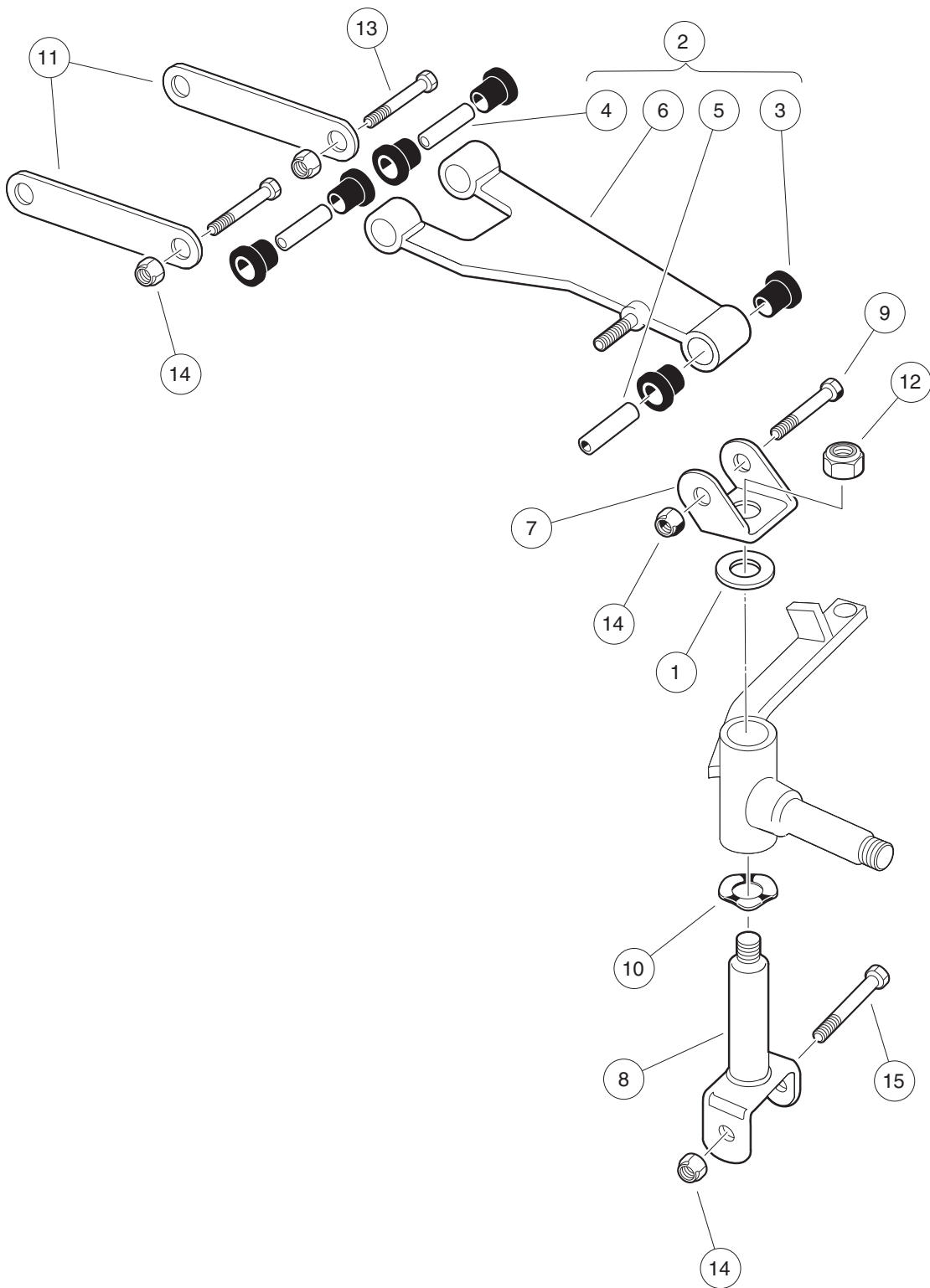
001304-001

FRONT SUSPENSION – SHOCK ABSORBERS

ITEM	PART NO.	DESCRIPTION	QTY
		1 2 3 4	
1	1010138	Locknut, 3/8-16 Dimpled	2
2	103351001	Shock Absorber, Front, Common	2
3	8754	Locknut, 3/8-16 Hex	2
4	8861	Bolt, 3/8-16 X 1.75 Hex	2

6
G
E

6
G
E



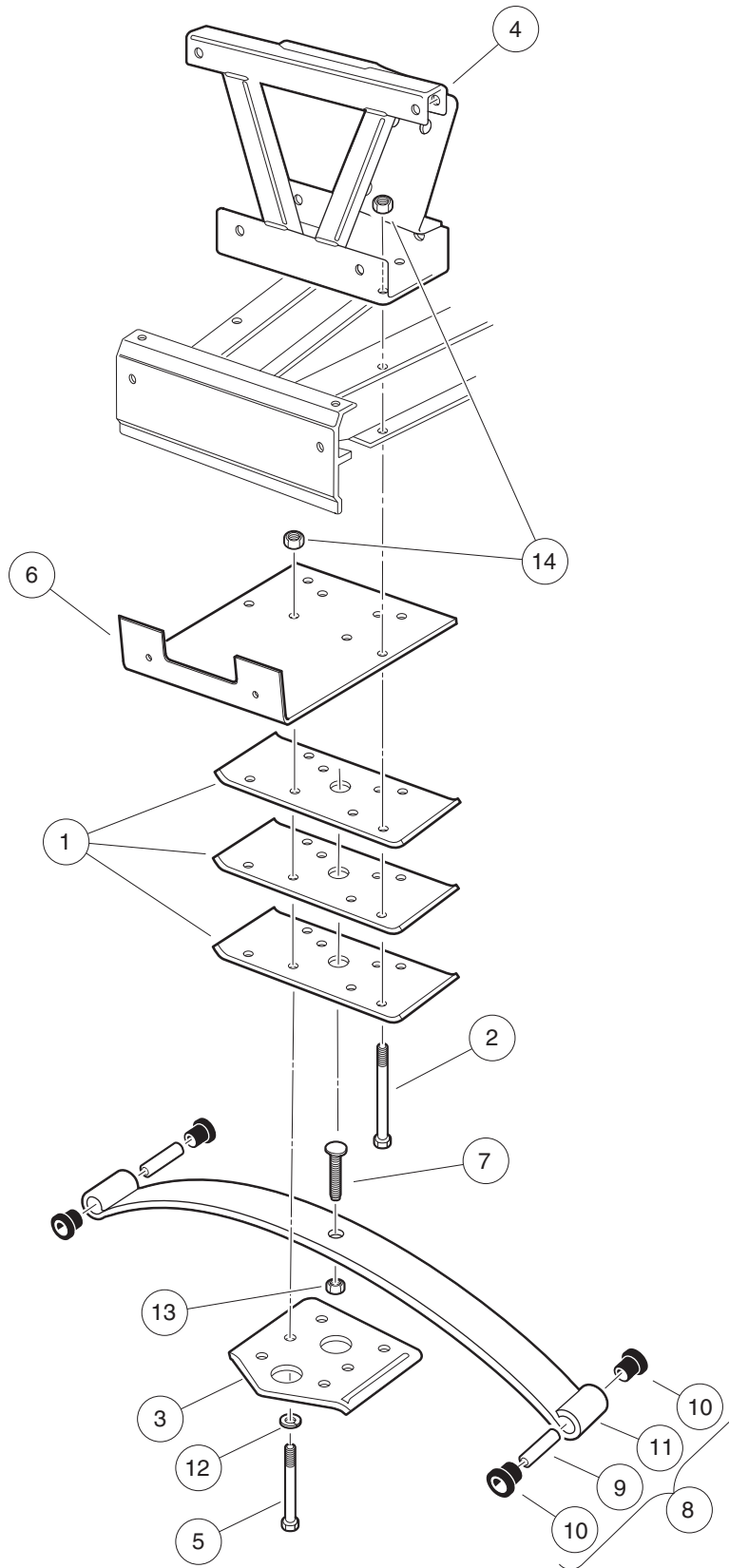
001305-001

FRONT SUSPENSION, UPPER CONTROL ARMS & KINGPINS

ITEM	PART NO.	DESCRIPTION	QTY
		1 2 3 4	
1	1010150	Bearing, Thrust	2
2	1016353	Sub-Assembly, Delta A-Plate (includes items 3 through 6)	2
3	1016346	Bushing, Urethane	6
4	1016349	Sleeve, Delta Inner	2
5	1016350	Sleeve, Delta Outer	1
6	1016351	Delta A-Plate	1
7	1016384	Clevis, Delta Upper	2
8	1016386	King Pin Assembly	2
9	1016387	Screw, 3/8-16 X 2.75 Hx Hd Cap	2
10	1016389	Washer, 1.125 Od Wave	2
11	1017266	A-Plate Strap	2
12	101903101	Locknut, 1/2-20 Nylon Insert	2
13	2402	Screw, 3/8-16 X 2.25 Hx Hd Cap	4
14	8754	Locknut, 3/8-16 Hex	8
15	8755	Screw, 3/8-16 X 3.375 Hex Cap	2

6
G
E

6
G
E



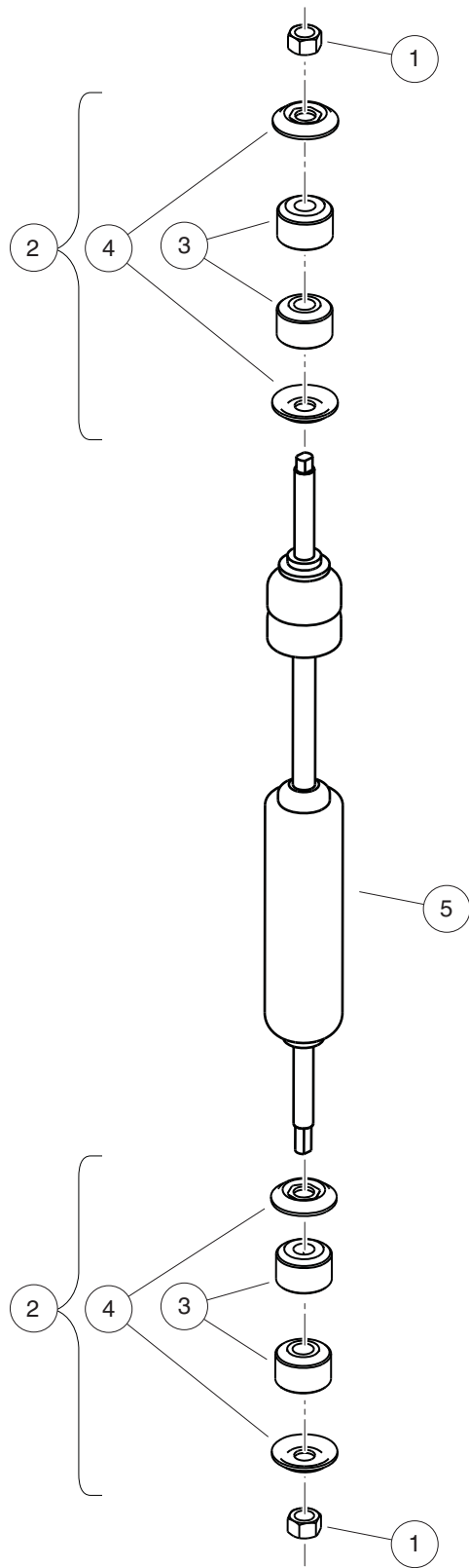
001306-002

FRONT SUSPENSION, SPRING AND MOUNTING PLATES – XRT850

ITEM	PART NO.	DESCRIPTION	QTY
		1 2 3 4	
1	1010124	Plate, Spring Mount	3
2	1013832	Screw, 3/8-16 X 5.00 Hex-Head Cap	4
3	1014276	Plate, Front Spring Retainer	1
4	1016385	Delta Shock and Gear Support Assembly	1
5	1016387	Screw, 3/8-16 X 2.75 Hx Hd Cap	4
6	102830401	Support, Brush Guard	1
7	103507001	Eccentric Bolt Common	1
8	103628701	Spring Asm, Front, 1 Leaf (includes items 9 through 11)	1
9	1012303	Bushing, Steel	2
10	101558302	Bushing, Urethane, Soft	4
11	103502601	Spring, Front, 1 Leaf	1
12	357	Lockwasher, 3/8 Split	4
13	706	Nut, Hex 3/8-16	1
14	8754	Locknut, 3/8-16 Hex	8

6
G
E

6
G
E



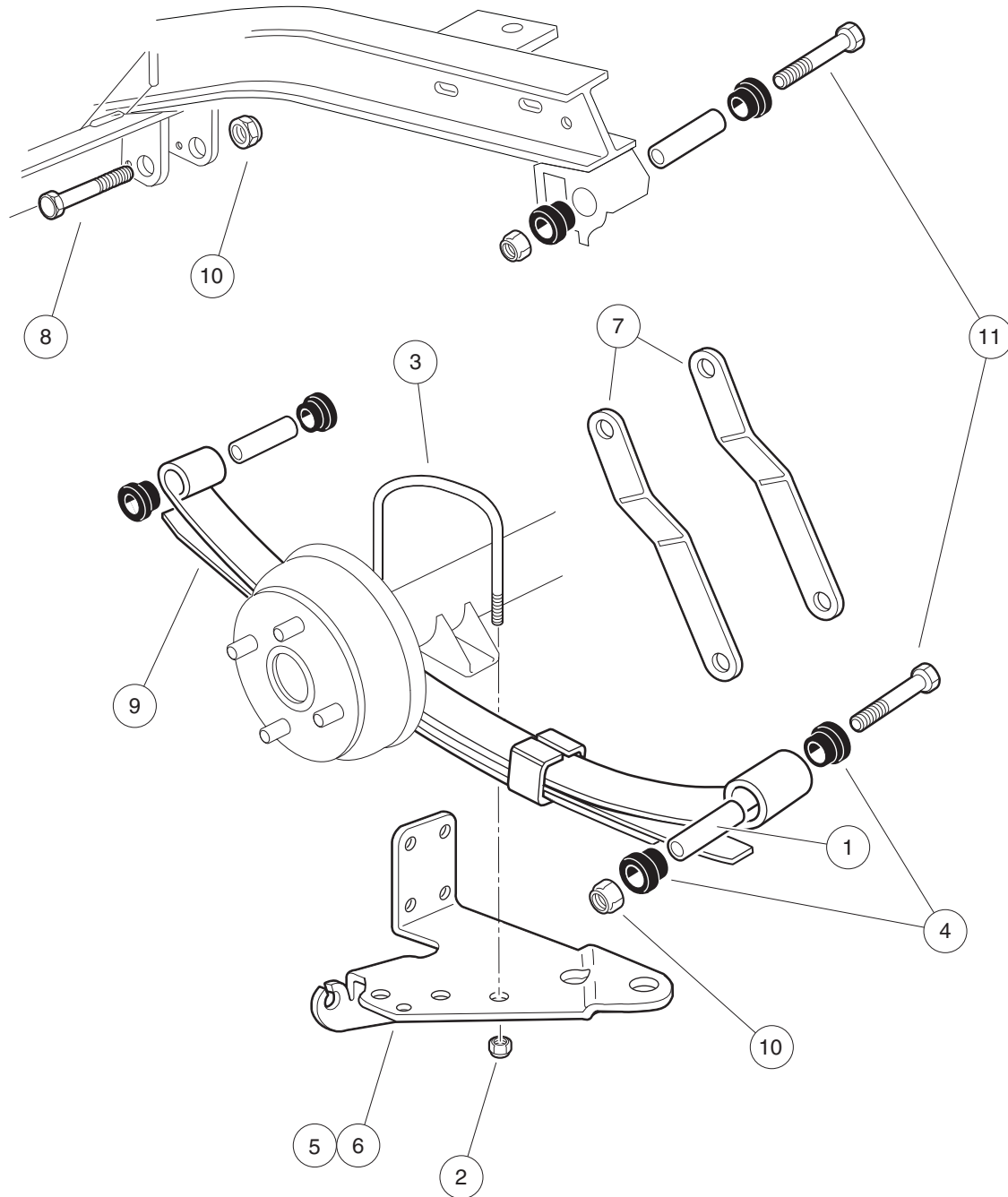
000837-002

REAR SUSPENSION – SHOCK ABSORBERS

ITEM	PART NO.	DESCRIPTION	QTY
		1 2 3 4	
1	1010145	Nut, 3/8-24 Hex	4
2	1011415	Kit, Shock Absorber Cushion (includes items 3 and 4)	4
3	N/A	Cushion, Shock Absorber	2
4	N/A	Retainer, Shock Absorber Cushion	2
5	103351101	Shock, Absorber, Utility	2

6
G
E

6
G
E



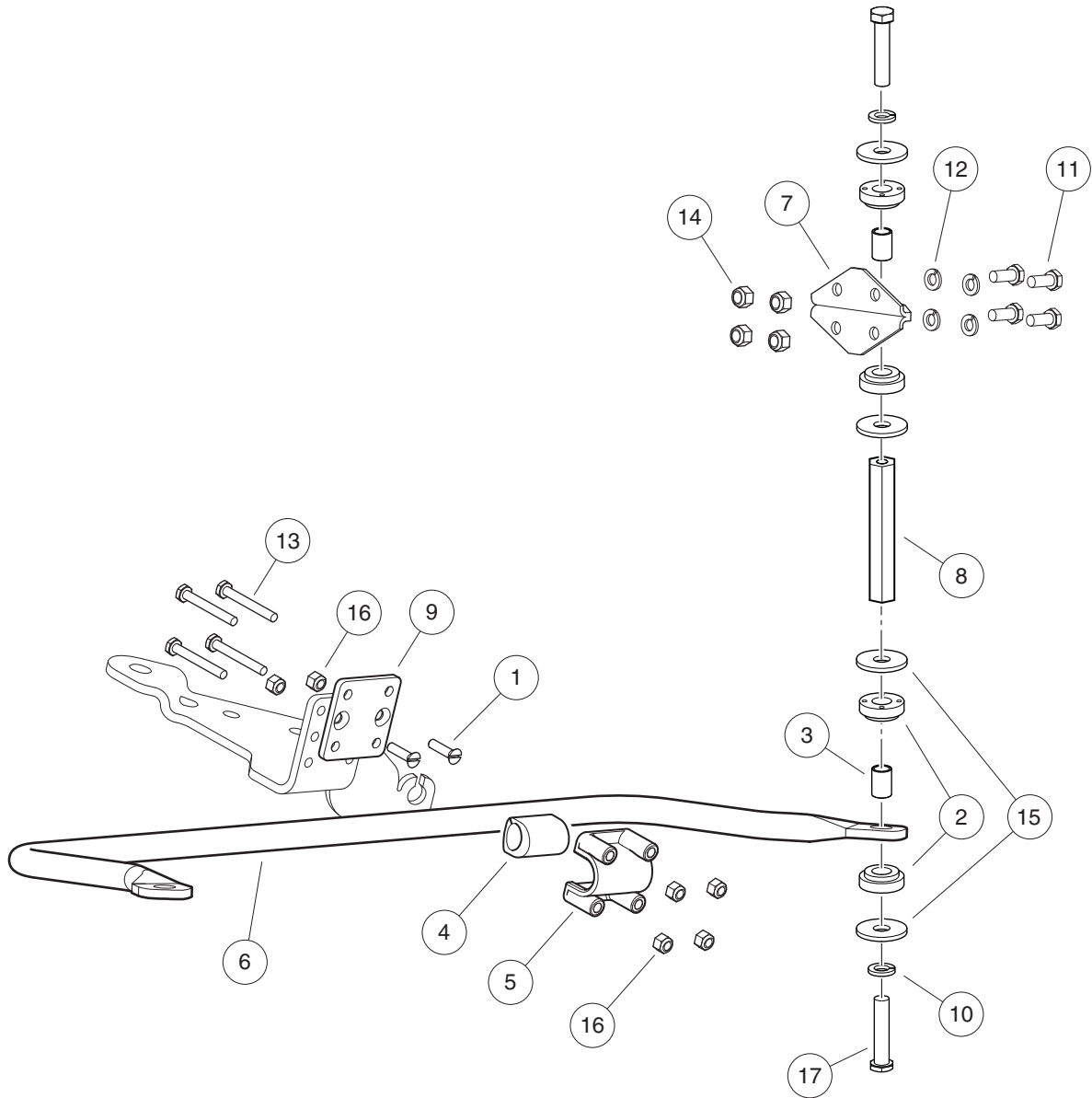
001308-001

REAR SUSPENSION, SPRINGS AND HARDWARE

ITEM	PART NO.	DESCRIPTION	QTY
		1 2 3 4	
1	1012303	Bushing, Steel	6
2	1014555	Locknut, 7/16-14 Nylon Hex	4
3	1014902	U-Bolt	2
4	1015583	Bushing, Urethane	12
5	101926501	Bracket, Left-Hand	1
6	101929401	Bracket, Right	1
7	102004201	Rear Spring Shackle	4
8	102066201	Screw, 3/8-16 X 3.50 Hex Cap	2
9	102871801	Spring, Multi Leaf	2
10	8754	Locknut, 3/8-16 Hex	6
11	8755	Screw, 3/8-16 X 3.375 Hex Cap	4

6
G
E

6
G
E



001307-001

STABILIZER BAR – XRT 850

ITEM	PART NO.	DESCRIPTION	QTY
		1 2 3 4	
1	1011857	Screw, 1/4-20 X 1.0 SI Flt Cs	4
2	1015453	Compression Mount	8
3	1015457	Spacer, 0.720"	4
4	1015613	Bushing, Stabilizer Bar	2
5	1015614	Support, Bushing	2
6	1015760	Stabilizer Bar	1
7	1016813	Mounting Bracket, Stabilizer Bar	2
8	1016814	Link, Stabilizer Bar	2
9	103364801	Bracket, Sway Bar , Lift	2
10	357	Lockwasher, 3/8 Split	4
11	7173	Screw, 5/16-18 X 0.75, Hex-Head Cap	8
12	7174	Lockwasher, 5/16 Split	8
13	7311	Screw, 1/4-20 X 2.00 Hex-Head Cap	8
14	7473	Locknut, 5/16-18 Nylon Insert	8
15	808	Washer, 3/8 Type B Flat	8
16	8233	Locknut, 1/4-20, Nylon Insert	12
17	8861	Bolt, 3/8-16 X 1.75 Hex	4

6
G
E

6

G

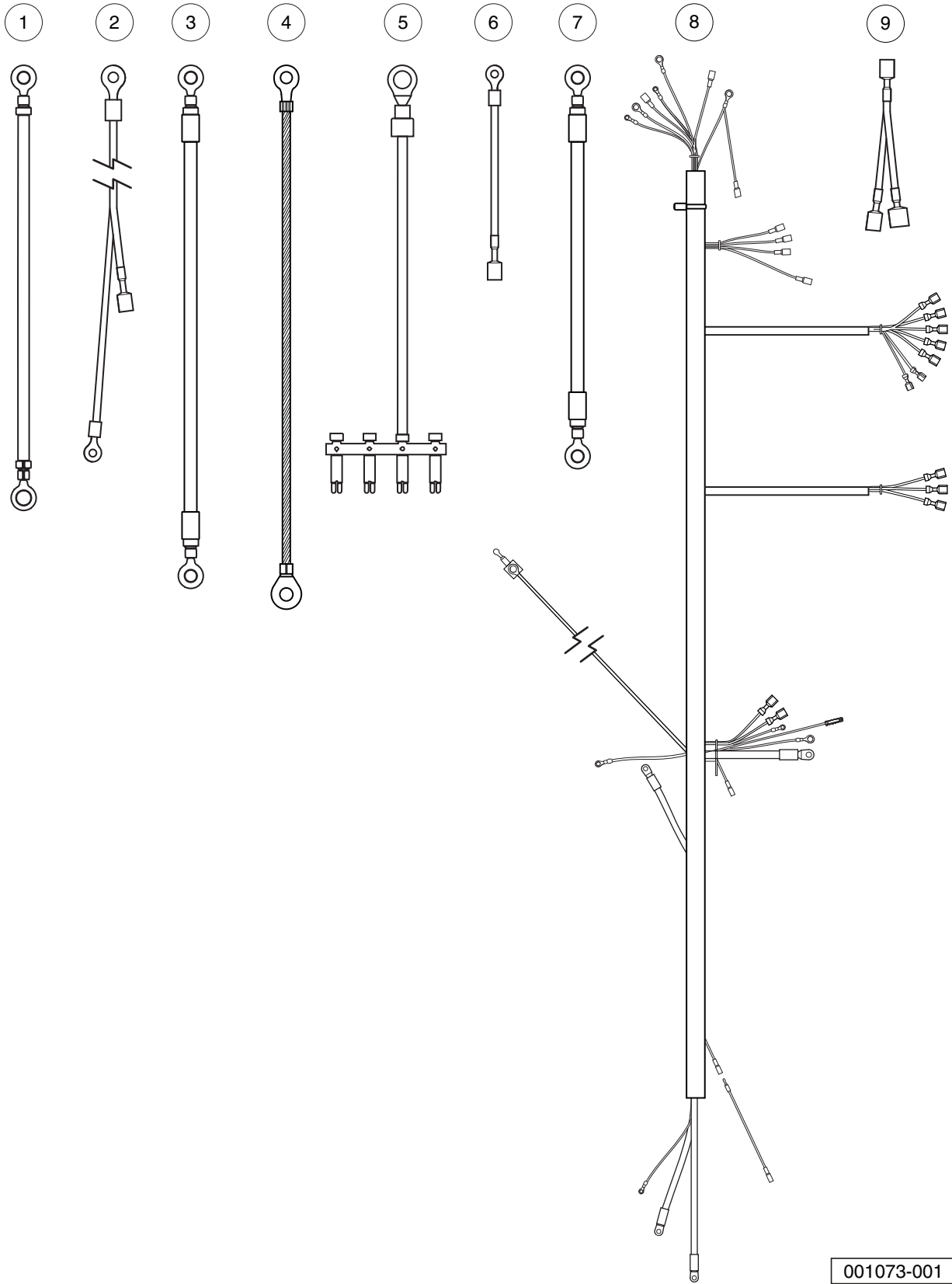
E

ELECTRICAL SYSTEM – GASOLINE VEHICLE

7

G

7
G



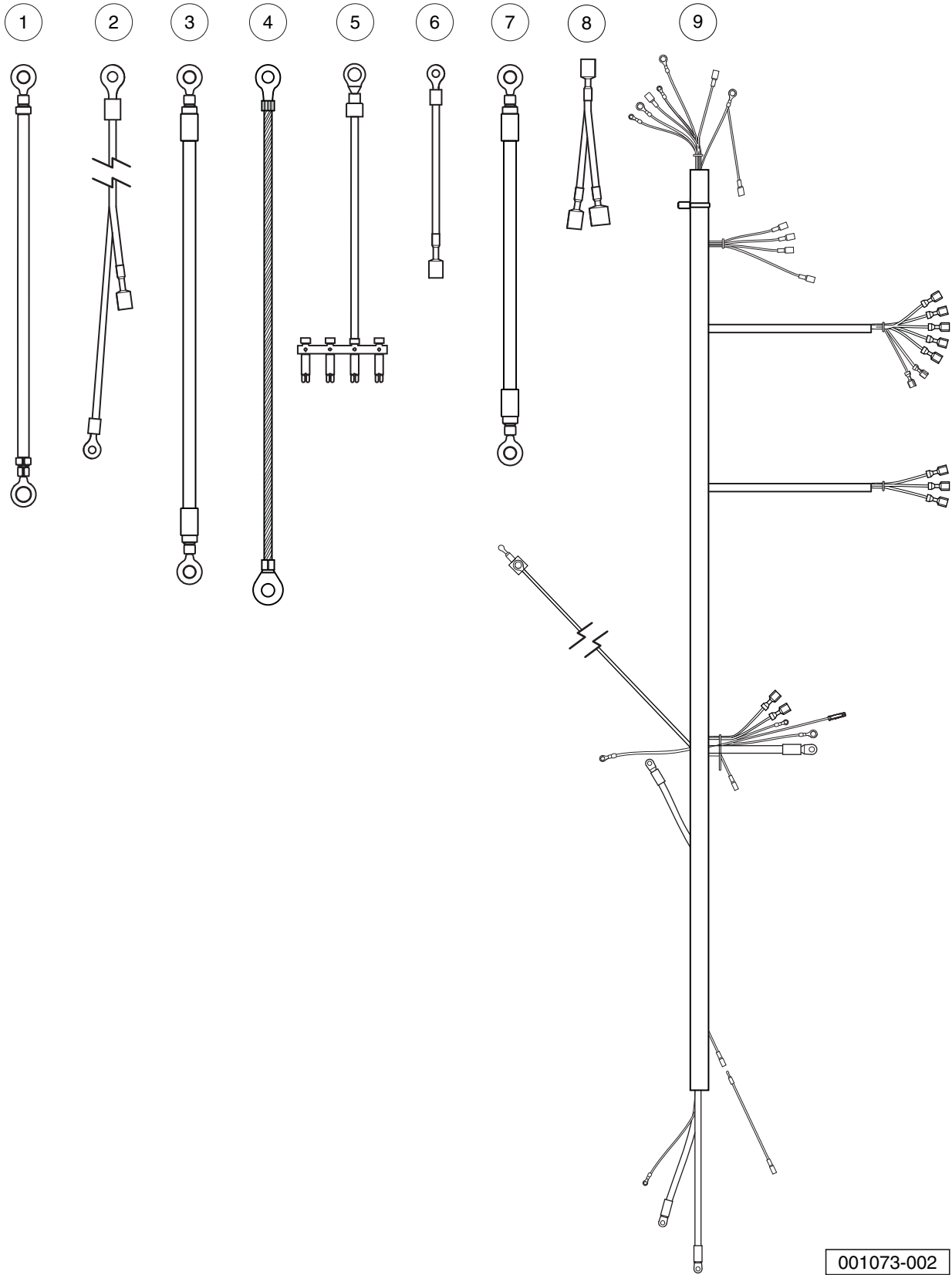
001073-001

WIRING – TURF/CARRYALL 1/XRT 850GAS WITH G425419 STARTER/GEN

ITEM	PART NO.	DESCRIPTION	QTY
		1 2 3 4	
1	1012382	Wire Assy, #6 Black	1
2	1012396	Wire Assy #18 Black	1
3	1014119	Wire Assembly #6 Red	1
4	1015332	Wire, Ground, #10, Uninsulated	1
5	1015737	Wire Assy, #10 Red	1
6	1016401	Wire Assy, #16 Orange	1
7	101837301	Wire Assy, #6 Green	1
8	103197001	Asm, Wire Harness, CA 1, Gas	1
9	103348501	Asm, Wire Meter, F-h Jumper	1

7
G

7
G



001073-002

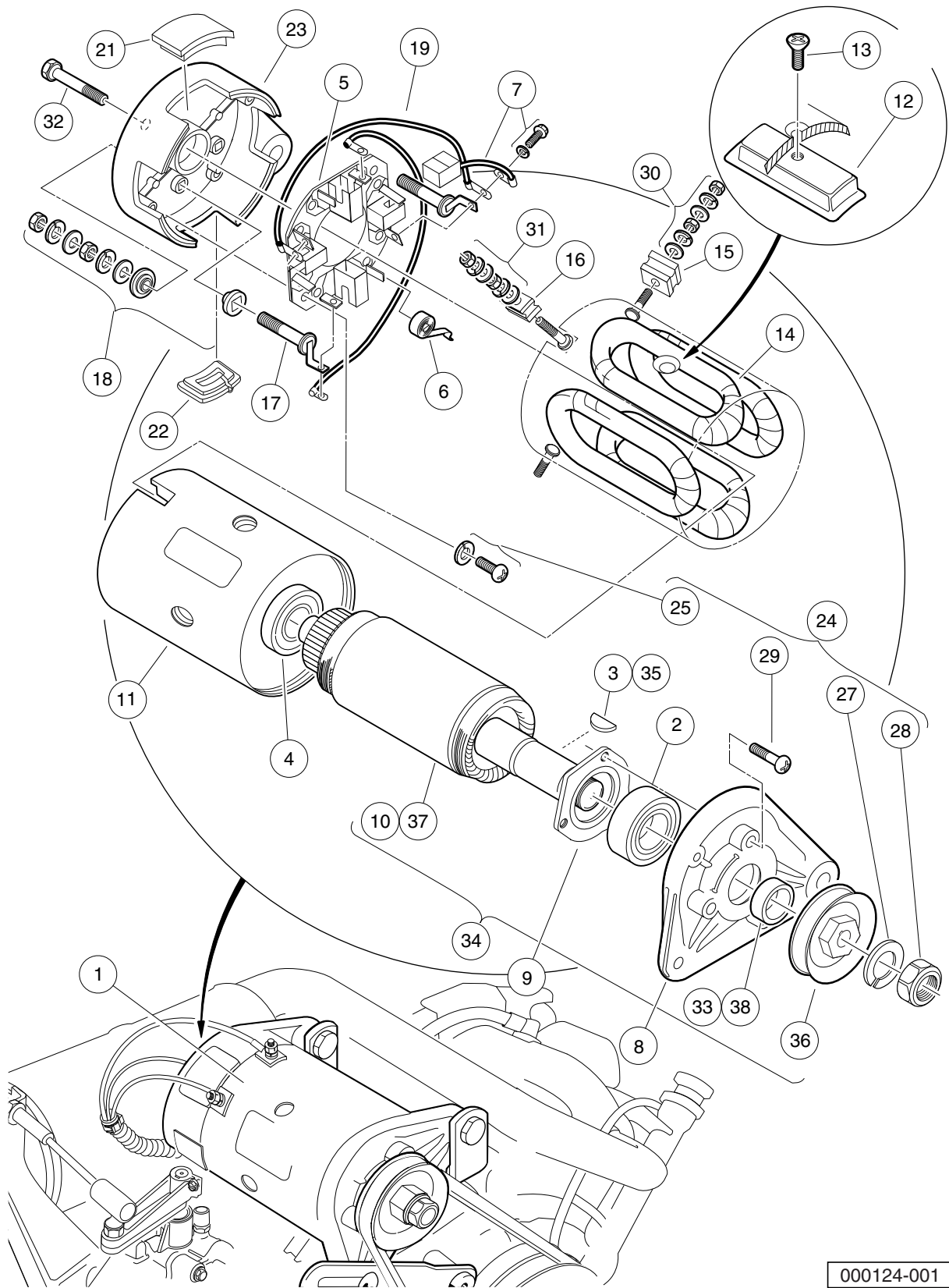
WIRING – TURF/CARRYALL 1/XRT850GAS WITH AMD STARTER/ GEN

ITEM	PART NO.	DESCRIPTION	QTY
		1 2 3 4	
1	1012382	Wire Assy, #6 Black	1
2	1012396	Wire Assy #18 Black	1
3	1014119	Wire Assembly #6 Red	1
4	1015332	Wire, Ground, #10, Uninsulated	1
5	1015737	Wire Assy, #10 Red	1
6	1016401	Wire Assy, #16 Orange	1
7	101837301	Wire Assy, #6 Green	1
8	103348501	Asm, Wire Meter, F-h Jumper	1
9	103687001	Asm, Harn, Ca1, Gas, Amd S/g	1

7

G

7
G



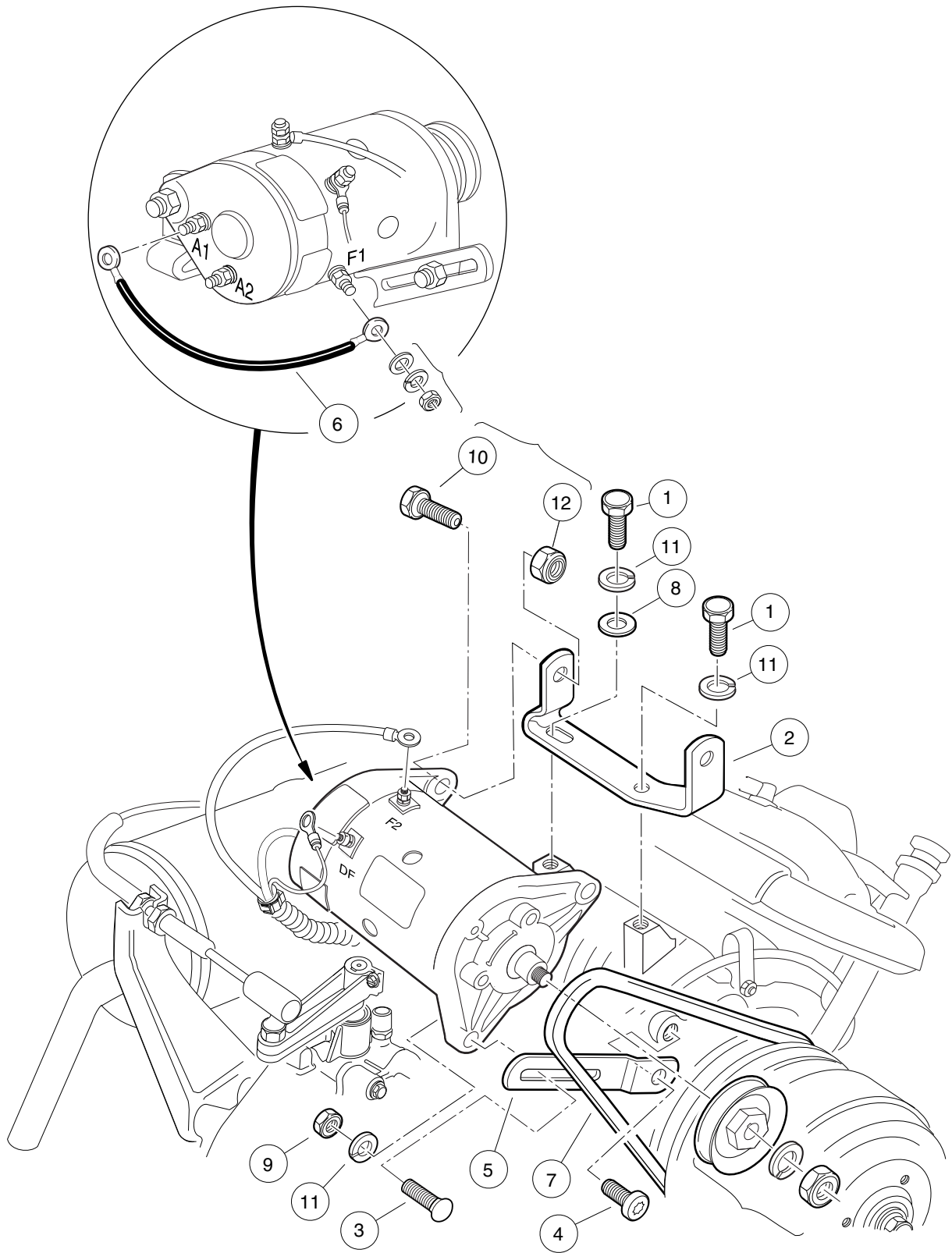
000124-001

STARTER/GENERATOR ASSEMBLY, MODEL G425419

ITEM	PART NO.	DESCRIPTION	QTY
		1 2 3 4	
1	101833701	Starter/Generator (cw) (includes items 2 through 33)	1
2	1013001	Bearing, Output Shaft Ball	1
3	1013003	Key, Starter/Generator	1
4	1013005	Bearing, Ball	1
5	101301102	Brush Holder Assembly (cw) (includes item 6)	1
6	101878101	Brush Spring Set	4
7	101869302	Brush and Screw Set (cw)	1
8	101874901	Front Bracket	1
9	101875001	Retainer	1
10	101875101	Armature	1
11	101875201	Field Coil Housing	1
12	101875301	Pole Set	1
13	101875401	Screw Set	1
14	101875501	Field Stator Coil Assembly	1
15	101875601	F Insulator Set	2
16	101875701	DF Insulator	1
17	101875802	A Connector (cw)	1
18	101876001	Screw and Mold Assembly	2
19	101876202	Brush Connector Assembly (cw)	2
20	101876301	Cover Set (includes items 21 and 22)	1
21	N/A	Brush Inspection Port Cover	3
22	1017653	Brush Port Cover w/Drain	1
23	101876402	End Bell, Commutator, Rear Bracket (cw)	1
24	101876501	Nut and Screw Set (includes items 25 through 29)	1
25	101896501	Brush Holder Asm Screw	2
26	N/A	Washer, M5 Flat	1
27	N/A	Washer, M14 Lock	1
28	N/A	Nut, Hex, M14 x 2	1
29	N/A	Screw, M5 x 0.8 x 18mm	3
30	101877601	Nut and Washer Set	2
31	101877701	Nut and Washer Set	1
32	101879001	Through Bolt Set	2
33	101939901	Spacer	1
34	101875102	Armature Asm Conversion Kit (includes items 35 through 38)	1
35	1013003	Key, Starter/Generator	1
36	1014289	Pulley, Starter/Generator	1
37	101875101	Armature	1
38	101939901	Spacer	1
		Note: Item 36 will ONLY fit Model G425419 Starter/Generator.	

7
G

7
G

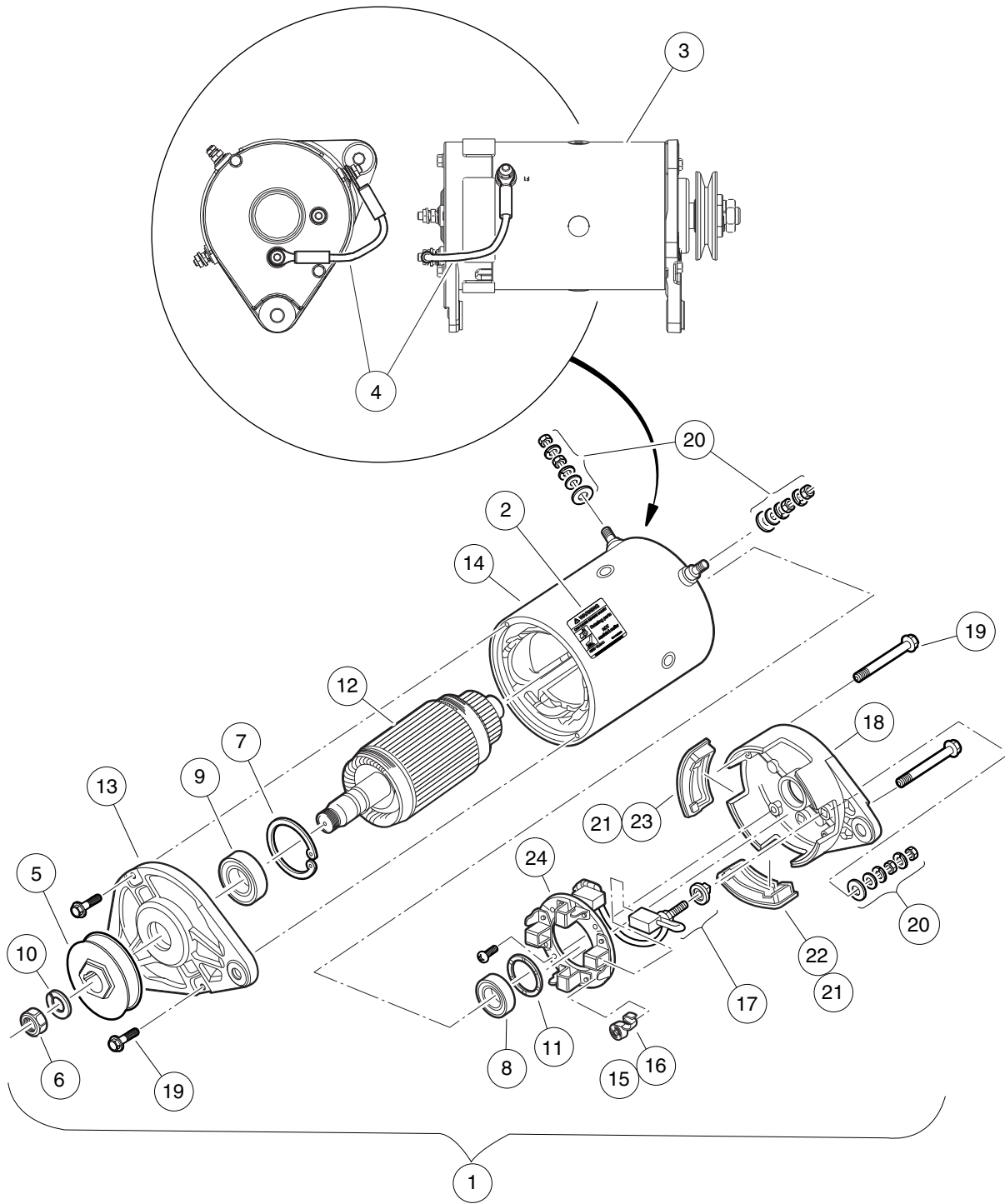


000239-001

STARTER/GENERATOR MOUNTING – MODEL G425419

ITEM	PART NO.	DESCRIPTION	QTY
		1 2 3 4	
1	1012830	Screw, M8-125 X 22 Hex-Head	2
2	101524002	Bracket, Starter/Generator Mounting	1
3	1015932	Bolt, Carriage, 5/16-18	1
4	1016074	Screw, M8-1.25 X 18mm Torx	1
5	1016883	Bracket, Starter/Generator Adjustment	1
6	101837301	Wire Assy, #6 Green	1
7	101916701	V-Belt	1
8	1241	Washer, 5/16 Type A Flat	1
9	1242	Nut, 5/16-18 Hex	1
10	705	Screw, Cap-hex Hd 3/8-16x1.25	2
11	7174	Lockwasher, 5/16 Split	3
12	8754	Locknut, 3/8-16 Hex	2

7
G

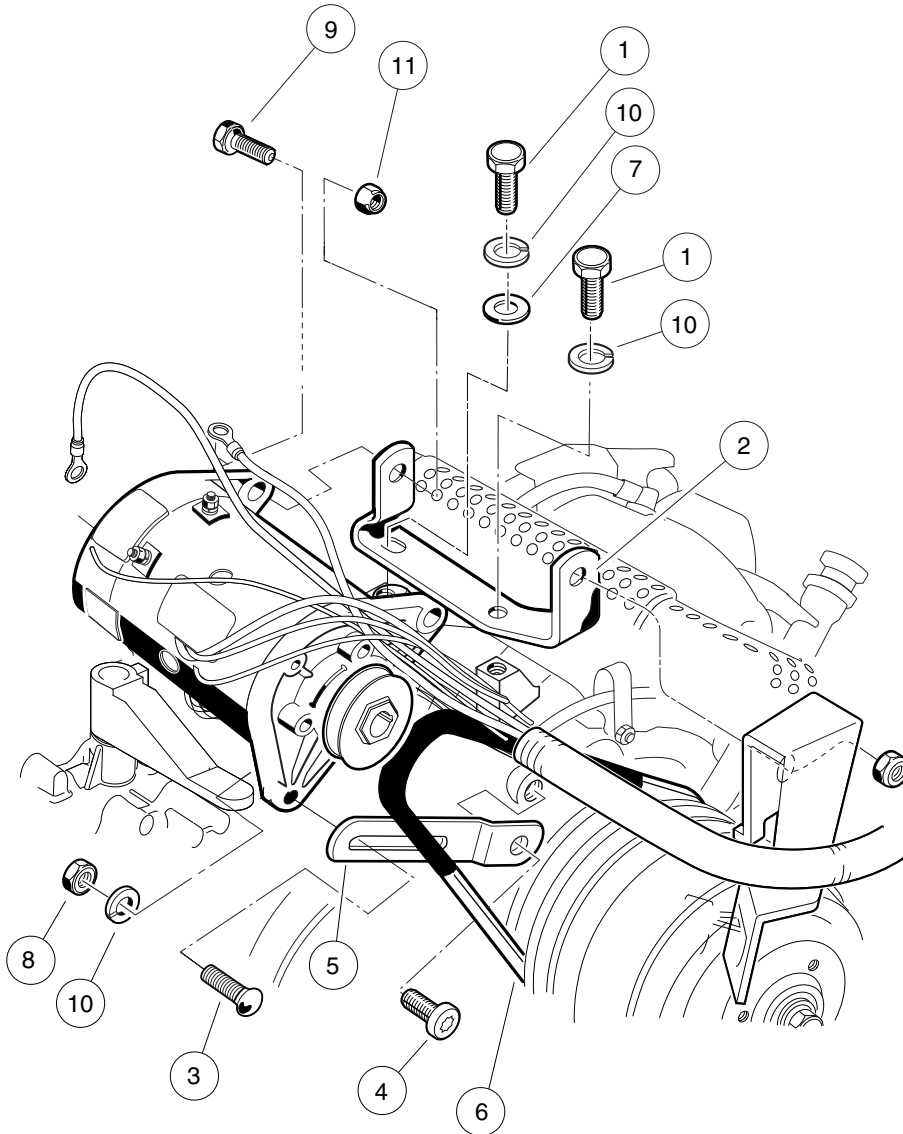


000124-005

STARTER/GENERATOR ASSEMBLY (PEDAL-START), MODEL 114-01-4009A

ITEM	PART NO.	DESCRIPTION	QTY
		1 2 3 4	
1	103678402	Asm, St/gen, Bi-rot, Ps, Svc (includes items 2 and 3)	1
2	101960501	Decal, Rotating Parts/Hot Manifold	1
3	103718702	St/gen, Bi-rot, Util,ps W/wire (includes items 4 through 24)	1
4	101837301	Wire Assy, #6 Green	1
5	102711001	Pulley, V-Belt	1
6	102838701	Nut, Hex, M14x2, S/G	1
7	102838801	Retainer, Front, S/G	1
8	102838901	Bearing, Ball, Rear, S-g	1
9	102839001	Bearing, Ball, Front, S-g	1
10	102839301	Washer, Lock M14x2, S-g	1
11	102841101	Washer, Wave, S-g	1
12	N/A	Asm, Armature, Starter/Generator	1
13	102844601	Head, Drive End, S-g	1
14	102844701	Asm, Frame and Field, Starter/Generator	1
15	103347101	Kit, Spring Brush, Starter/Generator (includes item 16)	1
16	N/A	Spring, Brush, S-g	4
17	103347301	Set, Brush Term, S-g	1
18	103347601	Head, Comm End, S-g	1
19	103347701	Set, Fast, Ceh Deh, S-g	1
20	103347801	Set, Term Hardware, S/G	1
21	103347901	Kit, Cover, Brush Insp, Starter/Generator (includes items 22 and 23)	1
22	N/A	Plug, Rubber Drain, Start/Generator	3
23	N/A	Cover, Inspection, S-g	1
24	103953301	Kit, Brush And Brush Holder	1

7
G



000238-005

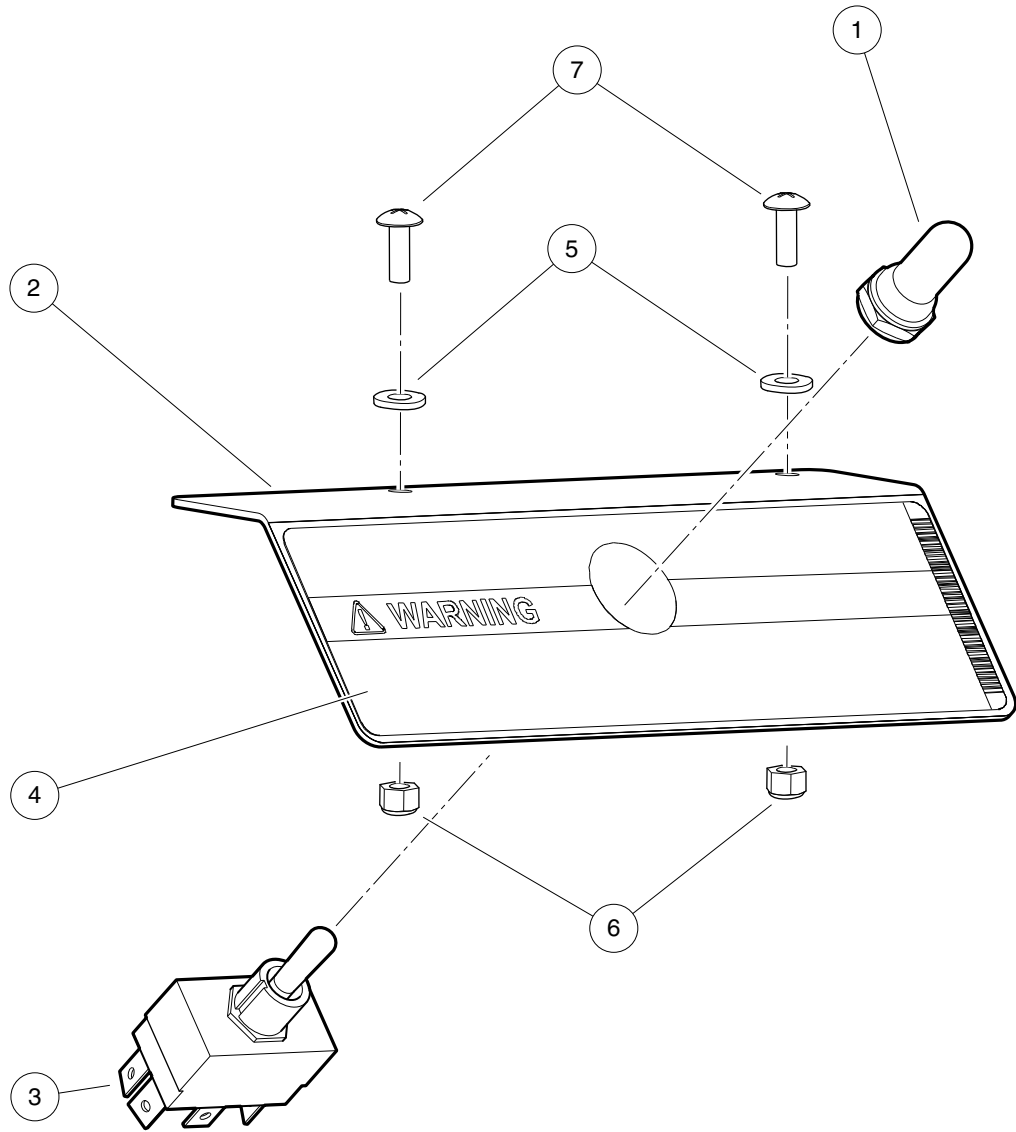
STARTER/GENERATOR MOUNTING – 114-0X-400XX MODELS

ITEM	PART NO.	DESCRIPTION	QTY
		1 2 3 4	
1	1012830	Screw, M8-125 X 22 Hex-Head	2
2	101524002	Bracket, Starter/Generator Mounting	1
3	1015932	Bolt, Carriage, 5/16-18	1
4	1016074	Screw, M8-1.25 X 18mm Torx	1
5	1016883	Bracket, Starter/Generator Adjustment	1
6	101916701	V-Belt	1
7	1241	Washer, 5/16 Type A Flat	1
8	1242	Nut, 5/16-18 Hex	1
9	1624	Screw, 3/8-16 X 1.50, Hex-Head Cap	2
10	7174	Lockwasher, 5/16 Split	3
11	8754	Locknut, 3/8-16 Hex	2

7

G

7
G



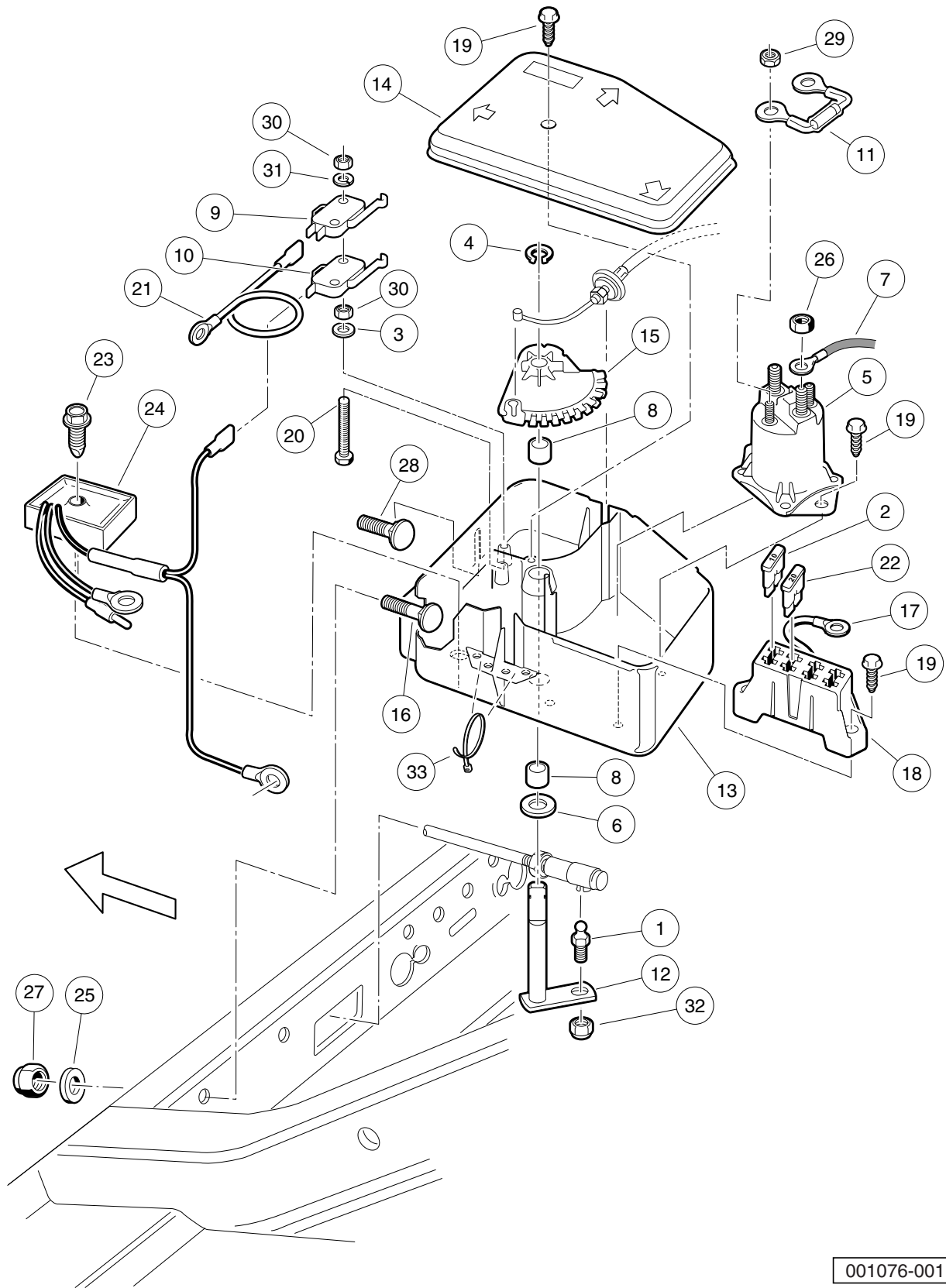
000755-003

OPERATION AND MAINTENANCE SWITCH

ITEM	PART NO.	DESCRIPTION	QTY
		1 2 3 4	
1	101908401	Boot, Switch	1
2	101922501	Bracket, Tow/Run Switch Mounting	1
3	103198401	Switch, Toggle, SPDT	1
4	103205501	Decal, Maintenance/Operate Switch	1
5	332	Washer, 1/4 Type A Narrow Flat	2
6	8233	Locknut, 1/4-20, Nylon Insert	2
7	8248	Screw, 1/4-20 X 0.75, Truss-Head Machine	2

7
G

7
G

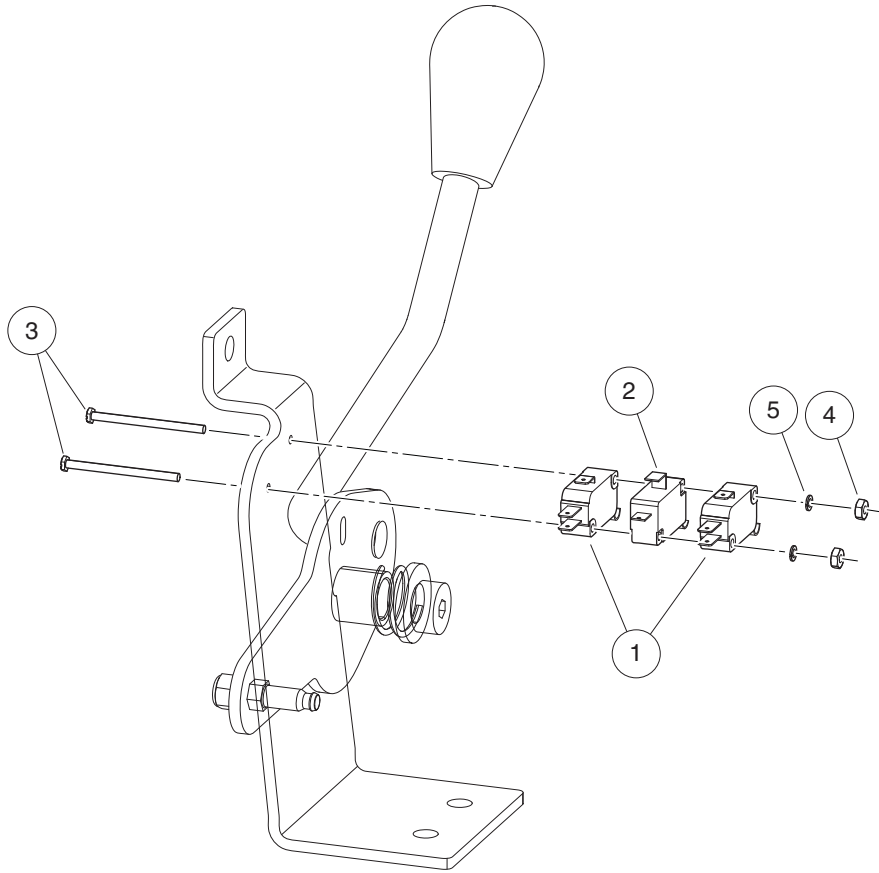


001076-001

ELECTRICAL COMPONENT BOX – TURF/CA 1, 2, 252, AND XRT850

ITEM	PART NO.	DESCRIPTION	QTY
		1 2 3 4	
1	1010954	Stud, Ball, 1/4-28 X 0.560	1
2	1012295	Fuse, 10-Amp	1
3	1012431	Washer, #4 Flat	2
4	1013589	Ring, Retaining, 0.338" Internal	1
5	1013609	Solenoid, 12-Volt	1
6	1014065	Washer, Flat, 0.38" ID, Delrin	1
7	1014119	Wire Assembly #6 Red	1
8	1014145	Bushing, Secondary Weight, Split	2
9	1014807	Switch, Limit	1
10	1014808	Switch, Limit	1
11	1014948	Diode	1
12	1015345	Bell Crank and Shaft Assembly	1
13	1015371	Box, Electrical Component	1
14	1015372	Cover, Electric Box	1
15	1015373	Cam, Electric Box	1
16	1015405	Bolt, Carriage, 5/16-18 X 2.0	1
17	1015737	Wire Assy, #10 Red	1
18	1015741	Fuse Block	1
19	1015752	Screw, #12-16 X 0.625, Hi-Lo	5
20	1015878	Screw, #4-40 Hex Head Machine	2
21	1016401	Wire Assy, #16 Orange	1
22	1016423	Fuse, 20-Amp	1
23	101856102	Screw, 1/4-15 X 1.50, Hi-lo, Hex	1
24	102711201	Voltage Regulator	1
25	1241	Washer, 5/16 Type A Flat	2
26	1242	Nut, 5/16-18 Hex	2
27	7473	Locknut, 5/16-18 Nylon Insert	2
28	7818	Bolt, Carriage, 5/16-18 X 1.5	1
29	7893	Nut, #10-32 Hex	2
30	8057	Nut, #4-40 Hex Machine	4
31	8058	Lockwasher, #4 Split	2
32	8717	Locknut, Nylon Insert, 1/4-28	1
33	8990	Tie Wrap, 8" Nylon	2

7
G



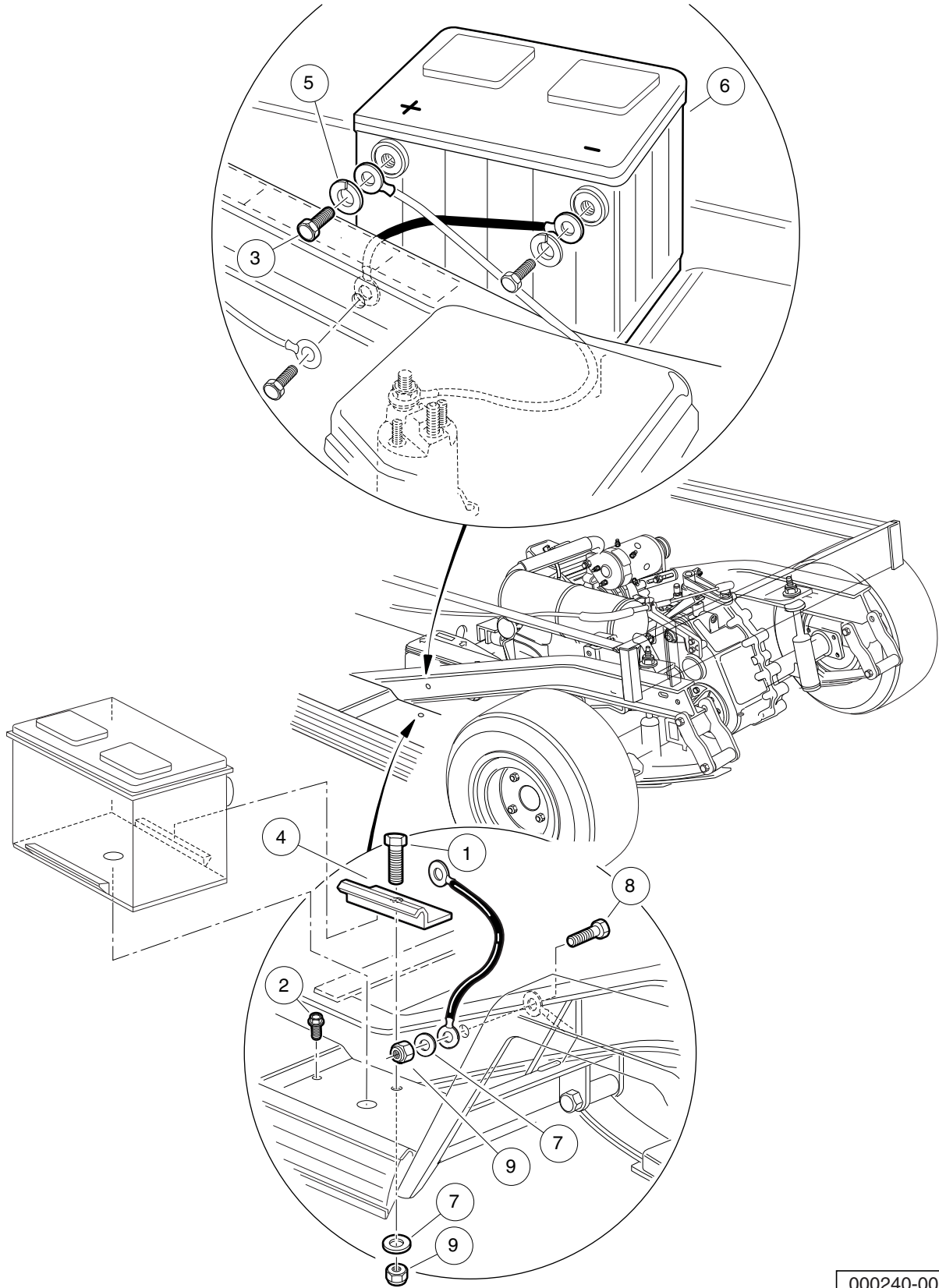
001080-001

FORWARD/REVERSE SHIFTER SWITCHES – DASH MOUNTED SHIFTER

ITEM	PART NO.	DESCRIPTION	QTY
		1 2 3 4	
1	1014807	Switch, Limit	2
2	1014808	Switch, Limit	1
3	1015878	Screw, #4-40 Hex Head Machine	2
4	8057	Nut, #4-40 Hex Machine	2
5	8058	Lockwasher, #4 Split	2

7
G

7
G



000240-001

BATTERY – GASOLINE UTILITY VEHICLES

ITEM	PART NO.	DESCRIPTION	QTY
		1 2 3 4	
1	1010934	Screw, 5/16-18 X 1.00 Hex Cap	1
2	1014288	Screw, 5/16-18 X 0.75, Thread-Forming	1
3	1014375	Screw, 3/8-16 X 0.50, Stainless Steel, Hex-Head	2
4	101898001	Clamp, Battery	1
5	102355301	Lockwasher, 3/8 Split Ss	2
6	103496801	Battery, Start, 12v	1
7	1241	Washer, 5/16 Type A Flat	2
8	7173	Screw, 5/16-18 X 0.75, Hex-Head Cap	1
9	7473	Locknut, 5/16-18 Nylon Insert	2

7

G

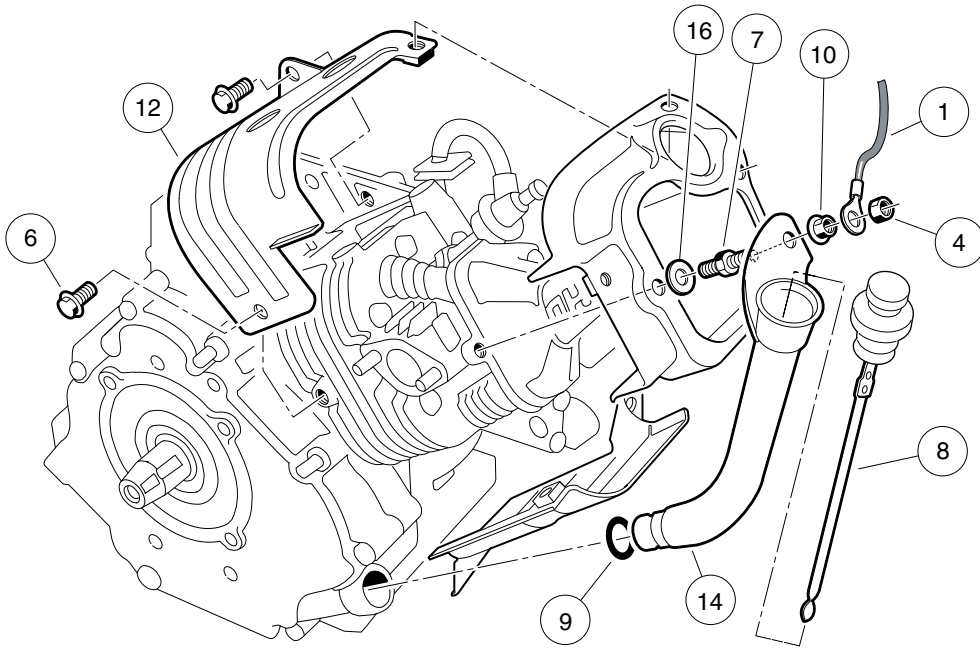
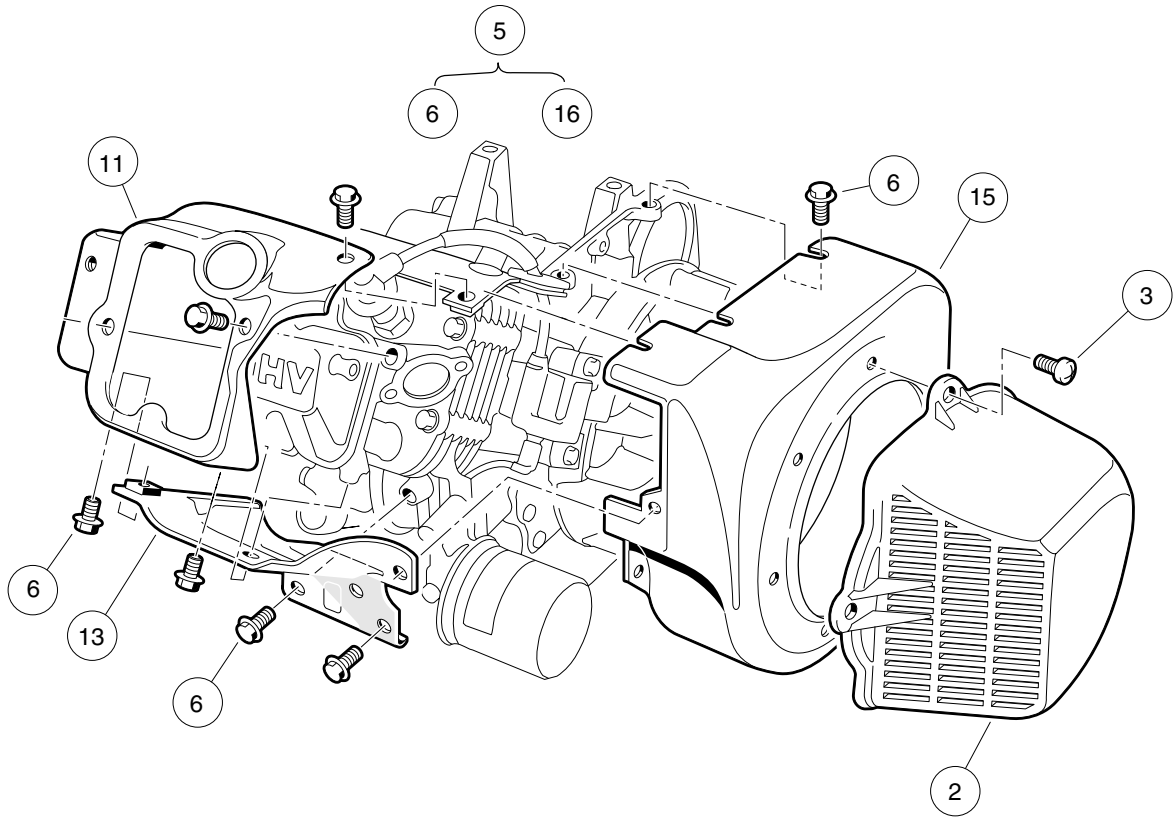
7

G

ENGINE (FE350S27) W/O ACR, 50- STATE

8

G



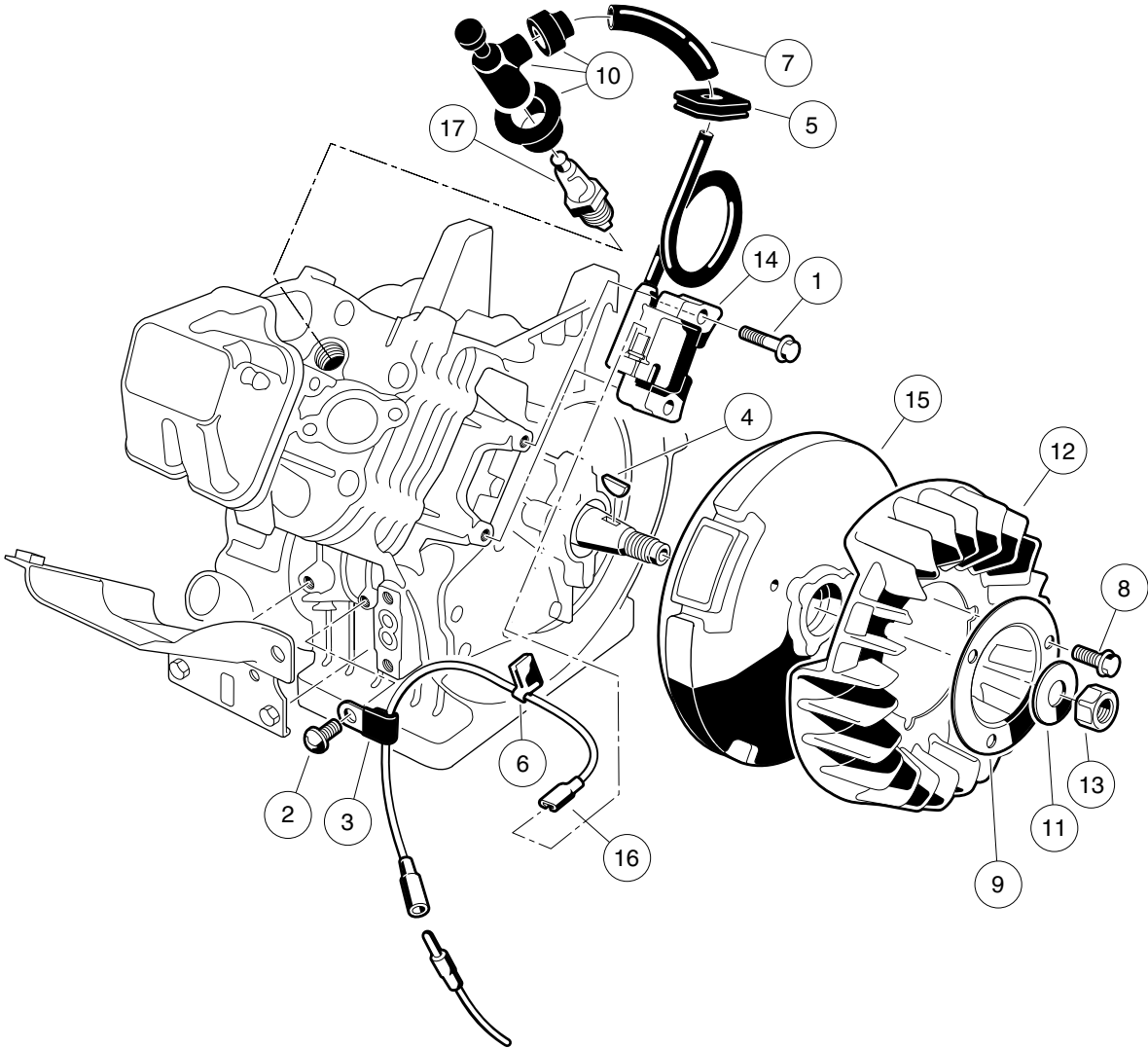
000201-002

FE350 ENGINE (S27) W/O ACR, SHROUDS, AND BRACKETS; 50-STATE

ITEM	PART NO.	DESCRIPTION	QTY
		1 2 3 4	
1	1015332	Wire, Ground, #10, Uninsulated	1
2	1015649	Shroud, Fan	1
3	1015969	Screw, M6-1.00 X 10mm, Pan Hd	4
4	101887601	Locknut, M6-1.00 Nylon Insert	1
5	103386202	Engine, FE350 S27 (includes items 6 through 16)	1
6	1016456	Bolt, Flange Head, M6 x 1 x 12 mm	16
7	1016507	Bolt, Two-Ended	1
8	1016531	Dipstick	1
9	1016539	O-Ring	1
10	1016547	Nut, M6 Flange	1
11	1017474	Shroud, Engine	1
12	1017475	Shroud, Engine	1
13	1017476	Shroud, Engine	1
14	1017486	Tube, Oil Filler	1
15	101916101	Housing, FE350 Fan	1
16	N/A	Washer, 6mm Flat	1
<p>Note: The S27 engine meets the 2009 Federal CARB requirement for all 50 states; can be used in place of S10, S11, S23, and S24 engines; and was a running change during the 2009 model year.</p>			

8

G

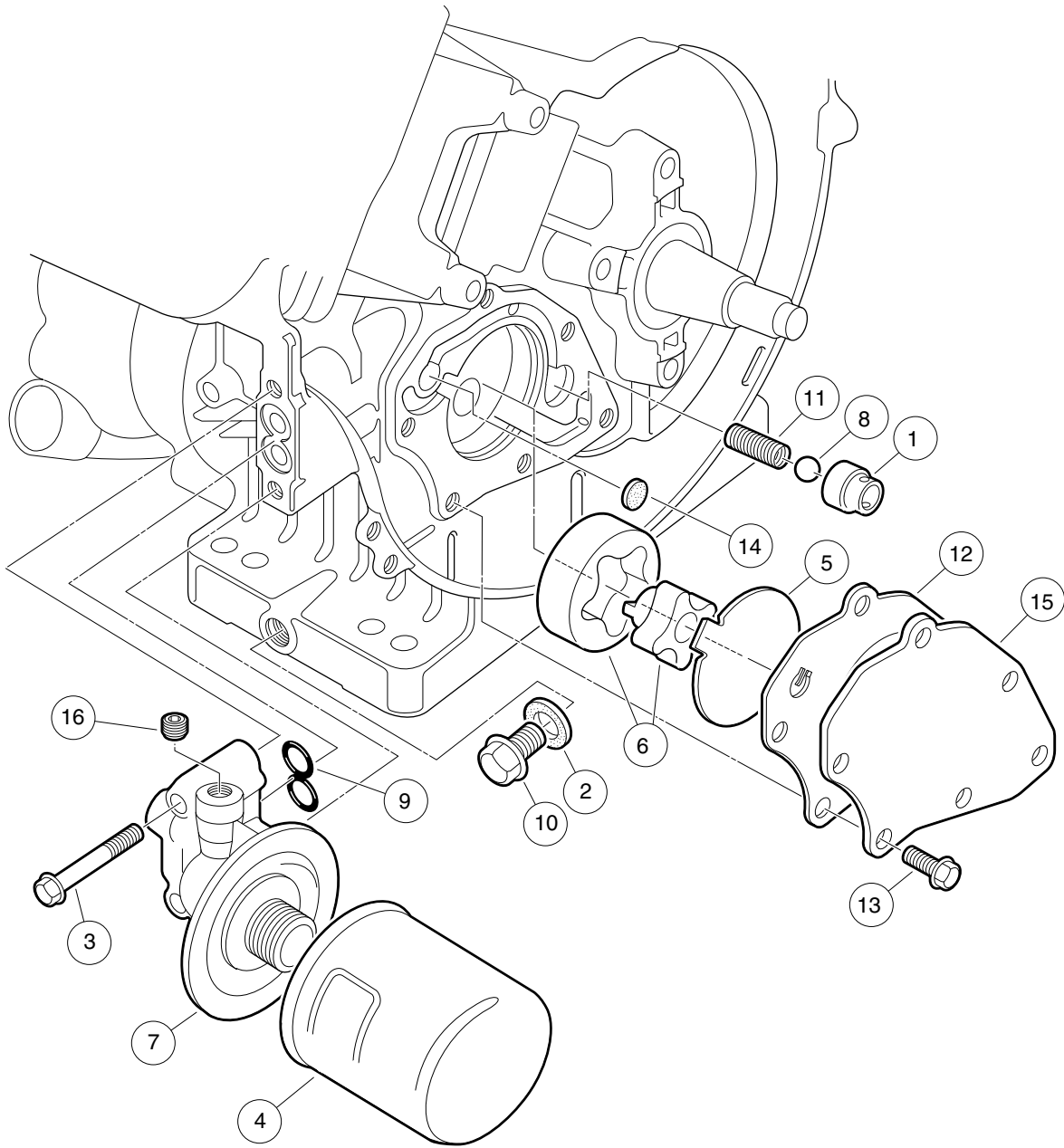


000202-004

FE350 ENGINE (S27) – IGNITION COMPONENTS AND FLYWHEEL

ITEM	PART NO.	DESCRIPTION	QTY
		1 2 3 4	
1	1016455	Bolt, Flange Head	2
2	1016544	Screw	1
3	1016561	Clamp	1
4	1016562	Key	1
5	1016578	Grommet, Ignition	1
6	1016587	Clamp	1
7	1016588	Tube, 7mm X 10mm X 70mm	1
8	1017448	Bolt, Flanged	3
9	1017455	Plate, Flywheel Fan	1
10	1017463	Cap Asm, Plug	1
11	1017490	Washer, Flat	1
12	101916301	Fan (cw)	1
13	102838401	Nut, Hex, 18 mm Fine	1
14	103616501	Coil Asm, Ignition	1
15	103616601	Flywheel, Complete	1
16	103616701	Wire Lead, Ignition	1
17	AM1232301	Spark Plug, BPR2ES	1

8
G



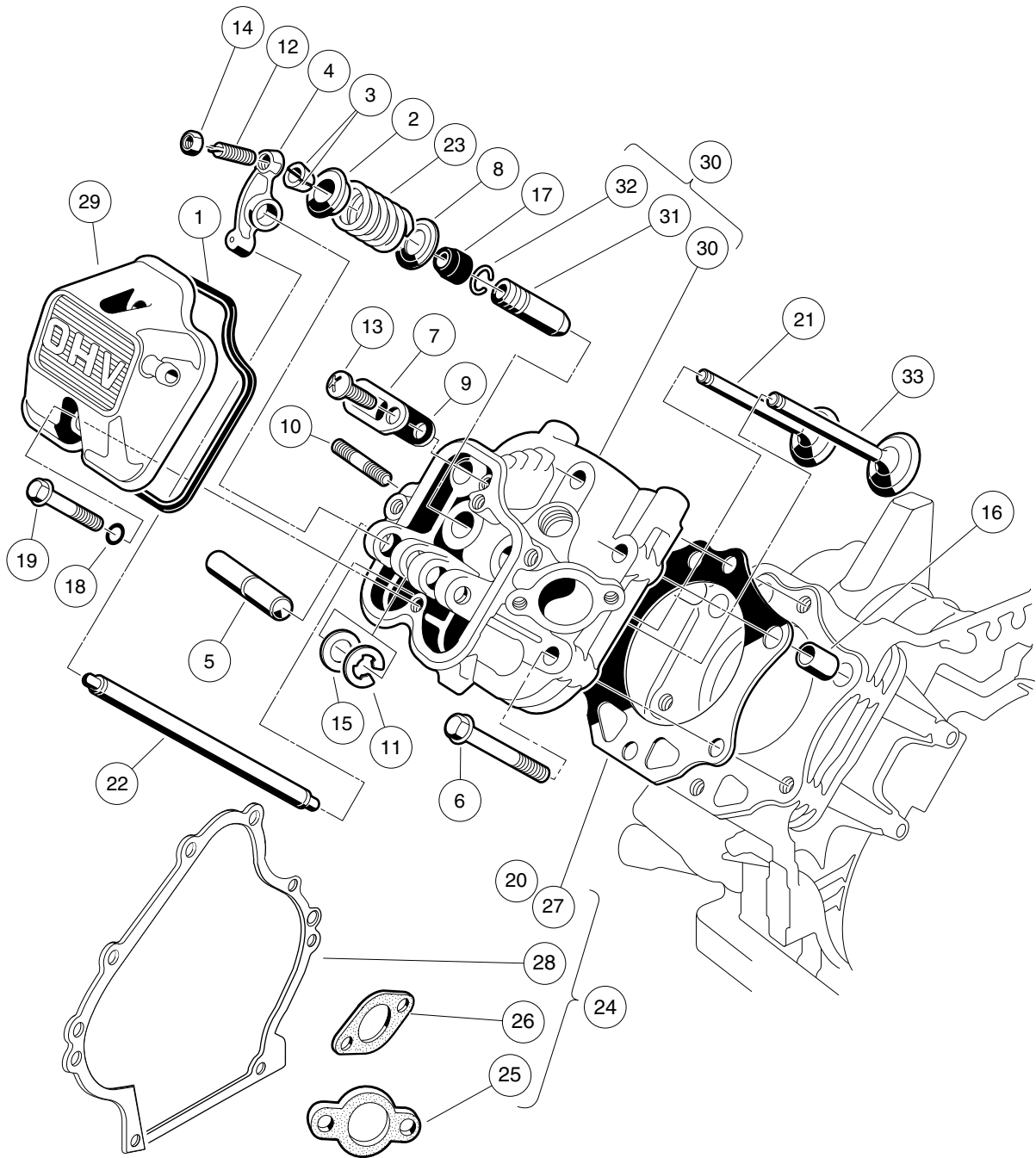
000203-001

FE350 ENGINE (S27) – OIL CIRCULATION

ITEM	PART NO.	DESCRIPTION	QTY
		1 2 3 4	
1	1016429	Seat, Valve Oil Pressure Relief	1
2	1016432	Gasket, Drain Plug	1
3	1016457	Bolt, Flange Head	2
4	1016467	Filter, Oil	1
5	1016473	Plate, Oil Pump	1
6	101648203	Oil Pump And Rotor	1
7	1016502	Bracket, Oil Filter Mount	1
8	1016537	Ball, Steel, Press, Relief	1
9	1016570	O-Ring	1
10	1016576	Plug, Drain	1
11	1016581	Spring	1
12	1017442	Gasket	1
13	1017456	Bolt, Flanged	6
14	1017458	Filter	1
15	1017460	Cover, Pump	1
16	1017507	Plug	2

8

G



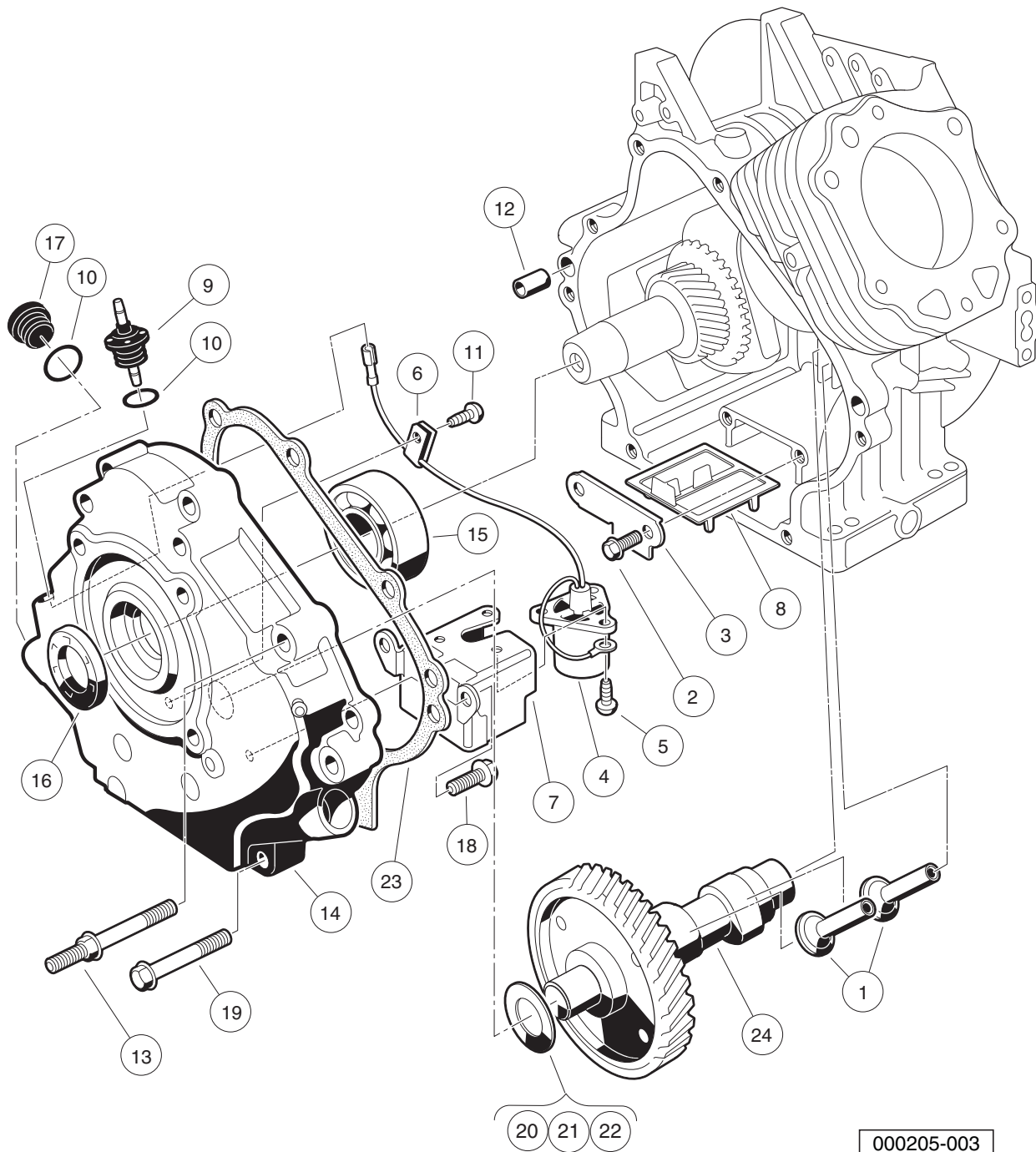
000204-007

FE350 ENGINE (S27) – CYLINDER HEAD

ITEM	PART NO.	DESCRIPTION	QTY
		1 2 3 4	
1	1016436	Gasket, Rocker Case	1
2	1016449	Retainer, Valve Spring	2
3	1016450	Collet	4
4	1016451	Arm, Rocker	2
5	1016452	Shaft, Rocker	1
6	1016458	Bolt, Flange Head, M8 x 1.25 x 45 mm	6
7	1016474	Plate	1
8	1016479	Seat, Spring	2
9	1016483	Valve	1
10	1016489	Stud, Two-Ended, M8-1.25	2
11	1016517	Circlip, Type-E	1
12	1016542	Screw	2
13	1016544	Screw	1
14	1016545	Nut	2
15	1016549	Washer, 12.1x19x1.8	1
16	1016563	Pin	2
17	1016566	Seal, Oil	2
18	1016569	O-Ring	2
19	1016583	Bolt, 6x35	2
20	1017434	Gasket, Head	1
21	1017445	Valve, Exhaust	1
22	1017454	Rod, Push	2
23	1017473	Spring, Engine Valve	2
24	102304801	Kit, Gasket, FE350 (includes items 25 through 28)	1
25	1016440	Gasket, Engine to Insulator	1
26	1016904	Gasket, Exhaust	1
27	1017434	Gasket, Head	1
28	1017443	Gasket, Crankcase Cover	1
29	102753401	Case, Rocker, Fe	1
30	103615601	Cylinder Head (includes items 31 and 32)	1
31	1016519	Guide, Valve, Intake, Exhaust	2
32	1016560	Snap Ring	2
33	103616301	Valve, Intake, Hard Tip	1
		Note: Item 25 is not a component of the FE350 engine.	

8

G

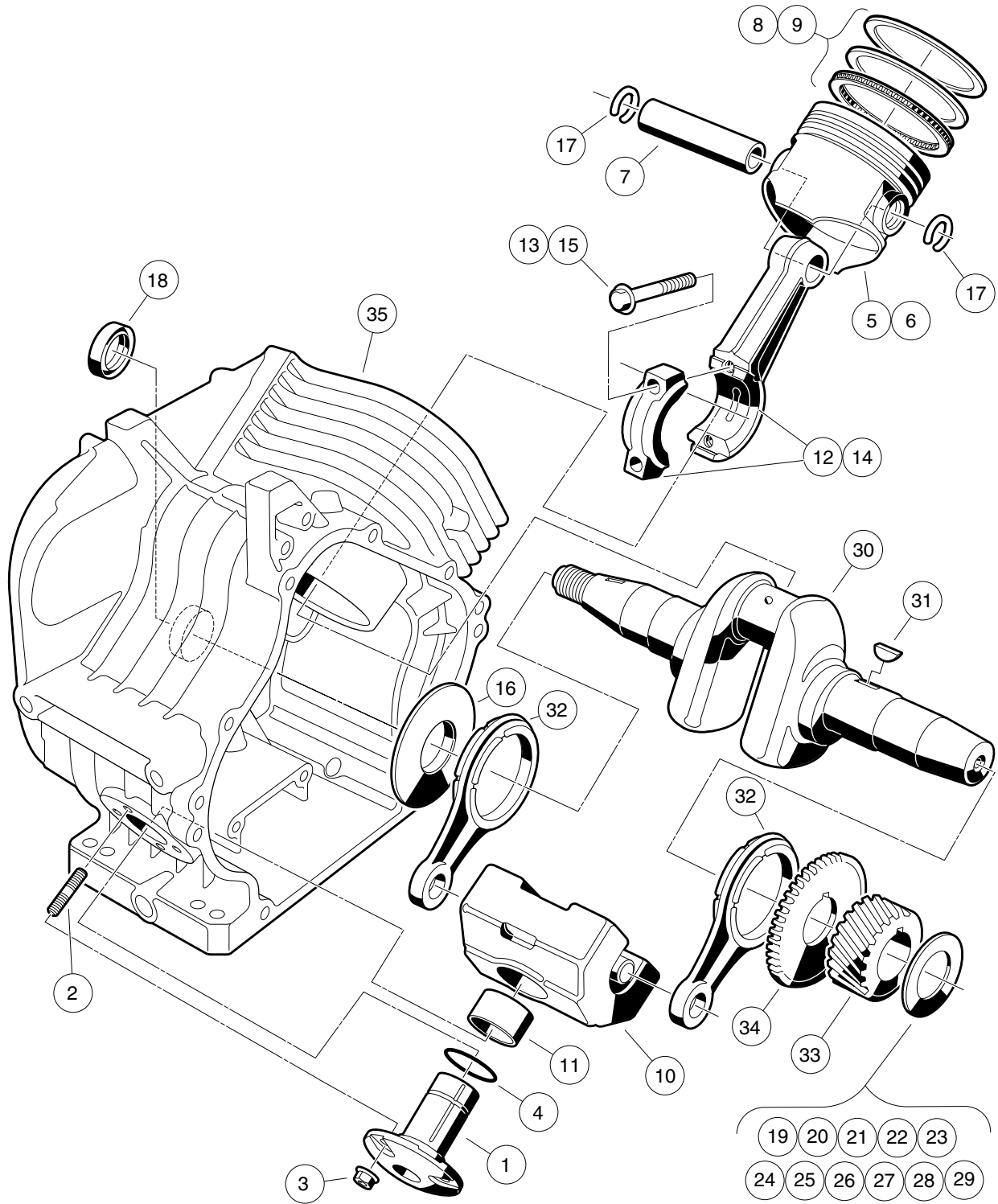


000205-003

FE350 ENGINE (S27) – CRANKCASE, CAMSHAFT, AND OIL SENSOR

ITEM	PART NO.	DESCRIPTION	QTY
		1 2 3 4	
1	1016453	Tappet	2
2	1016454	Bolt, Flange Head, M5 x 0.8 x 8 mm	2
3	1016472	Plate, Oil Filter Screen	1
4	1016494	Sensor, Oil Level	1
5	1016496	Screw, Cross Pan-Head, M4 x 0.7 x 8 mm	3
6	1016506	Clamp	1
7	1016510	Bracket, Switch, Oil Level	1
8	1016521	Screen, Oil Filter	1
9	1016535	Connector, Cord	1
10	1016538	O-Ring	2
11	1016544	Screw	1
12	1016564	Pin	2
13	1016584	Bolt, Two-Ended, M8 x 1.25 x 69 mm	2
14	1017472	Cover Crankcase	1
15	1017487	Bearing, Ball	1
16	1017504	Seal, Oil	1
17	1017508	Plug	1
18	1017513	Bolt Switch Bracket	2
19	1017514	Screw, M8-1.25 X 45mm Hex	6
20	101751801	Shim, 0.3	1
21	101751802	Shim, 0.4	1
22	101751803	Shim, 0.5	1
23	103615901	Gasket, Crankcase Cover	1
24	103616401	Camshaft, Complete	1

8
G



- 19
- 20
- 21
- 22
- 23
- 24
- 25
- 26
- 27
- 28
- 29

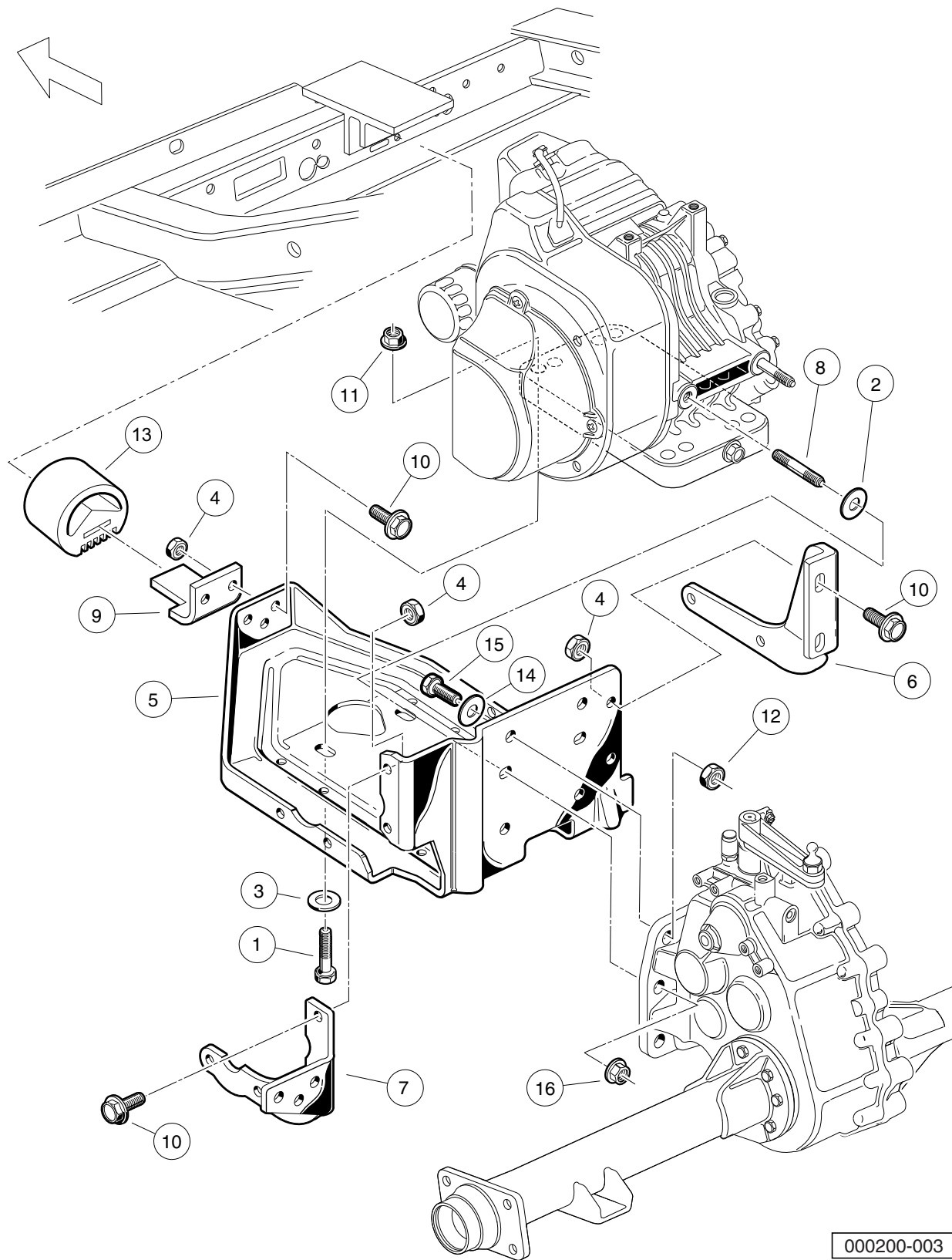
000206-003

FE350 ENGINE (S27) – CRANKCASE AND CRANKSHAFT

ITEM	PART NO.	DESCRIPTION	QTY
		1 2 3 4	
1	1016470	Shaft, Guide, Counterbalance	1
2	1016541	Stud, 6x14	4
3	1016547	Nut, Flanged, M6 X 1.00	4
4	1016571	O-Ring	1
5	101744901	Piston, Standard	1
6	101744902	Piston, 0.50 mm Oversize	1
7	1017450	Pin, Piston	1
8	101745101	Ring Set, Standard Piston	1
9	101745102	Ring Set, Piston, 0.50 mm Oversize	1
10	1017453	Counterbalance Weight (includes item 11)	1
11	1017510	Bearing, Plain	1
12	101745701	Asm, Con. Rod Std (includes item 13)	1
13	1017512	Bolt	2
14	101745702	Asm,Con.Rod 0.5mm U/s (includes item 15)	1
15	1017512	Bolt	2
16	1017501	Spacer	1
17	1017502	Snap Ring	2
18	1017503	Seal, Oil	1
19	101773301	Shim, Crankshaft, 1.18mm	1
20	101773302	Shim, Crankshaft, 1.25mm	1
21	101773303	Shim, Crankshaft, 1.32mm	1
22	101773304	Shim, Crankshaft, 1.39mm	1
23	101773305	Shim, Crankshaft, 1.46mm	1
24	101773306	Shim, Crankshaft, 1.53mm	1
25	101773307	Shim, Crankshaft, 1.60mm	1
26	101773308	Shim, Crankshaft, 1.67mm	1
27	101773309	Shim, Crankshaft, 1.74mm	1
28	101773310	Shim, Crankshaft, 1.11 mm	1
29	101773311	Shim, Crankshaft, 1.81mm	1
30	102430901	Crankshaft, FE350 Left-Hand, 22-Tooth (includes items 31 through 34)	1
31	1016562	Key	1
32	1017471	Rod	2
33	N/A	Gear, Helical	1
34	N/A	Gear, Spur	1
35	103615801	Crankcase, FE350	1

8
G

8
G



000200-003

FE350 ENGINE (S27) – MOUNTING

ITEM	PART NO.	DESCRIPTION	QTY
		1 2 3 4	
1	1010577	Bolt, Hex-Head, 5/16-18 X 1.50	4
2	1011697	Washer, 5/16 Flat	2
3	1012571	Washer, 5/16 Extra Thick Flat	4
4	1013924	Nut, 5/16-24, Hex Head Cone	10
5	101827101	Plate, Engine Mounting	1
6	101832601	Stiffener (PTO Side)	1
7	101832701	Stiffener (Flywheel Side)	1
8	101833101	Stud, M8-1.25 X 50 mm Two-Ended	2
9	101834601	Bracket, Snubber	1
10	101884801	Screw, 5/16-24 X 0.875, Grade-8	10
11	101963401	Locknut, 5/16-18 Hex Flange	4
12	102065901	Locknut, 3/8-16 Flanged Dimple	4
13	102540301	Snubber, Inner Frame	1
14	334	Washer, 3/8, Type A, Flat	4
15	705	Screw, Cap-hex Hd 3/8-16x1.25	4
16	96704416	Nut, Flange, M8 X 1.25 Serrated	2

8

G

8

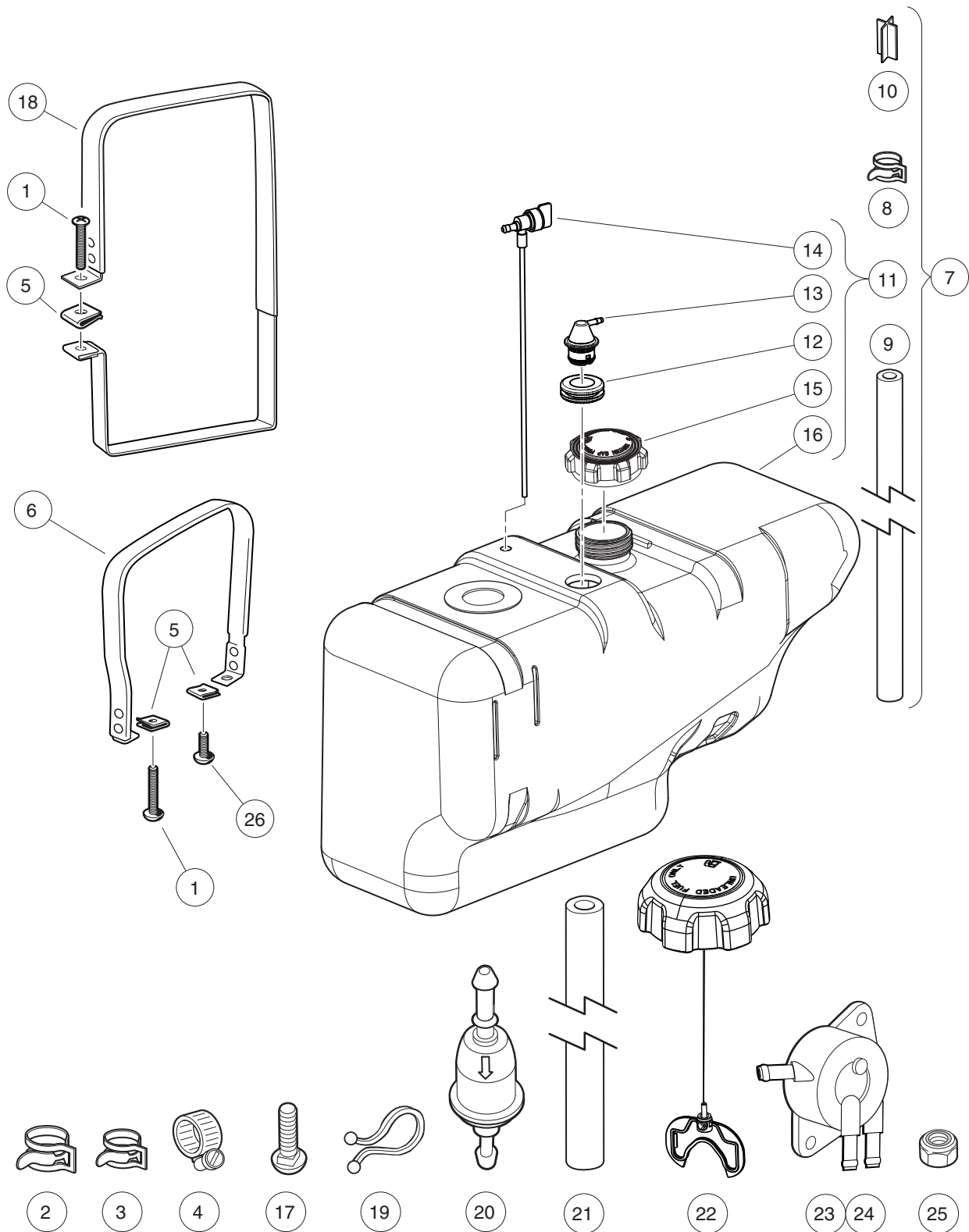
G

FUEL, INTAKE, AND GOVERNOR SYSTEMS- CARBURETED GAS

9

G

9
G



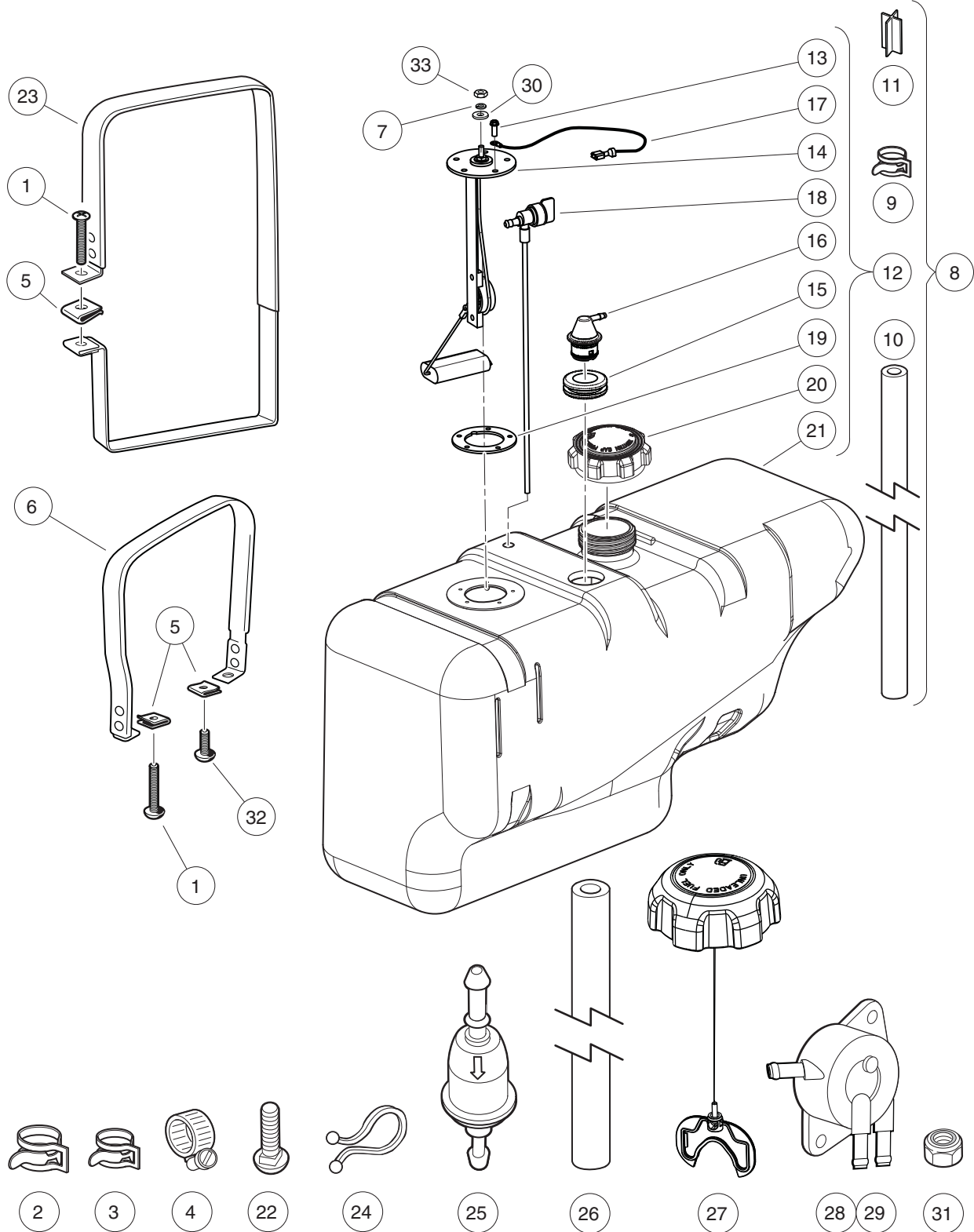
001288-002

FUEL SYSTEM AND TANK WITHOUT SENDING UNIT

ITEM	PART NO.	DESCRIPTION	QTY
		1 2 3 4	
1	1011988	Screw, 1/4-20 X 2.00 Phillips Truss-Head	2
2	1012649	Clamp, 0.460 Red Hose	6
3	101313402	Clamp, Green Hose	2
4	1013687	Clamp, 3/8" Hose (screw type)	1
5	1014116	Nut, 1/4-20 Speed	3
6	1014928	Fuel Strap Assembly Rear	1
7	1016003	Kit, Fuel Tank - Vented (includes items 8 through 11)	1
8	1013746	Clamp, 0.301 ID Hose	2
9	1015137	Fuel Line, 3/16 (available by the foot)	1
10	101824401	Vent Barb	1
11	102952302	Asm, Tank, Fuel, Wo/su Ds Utl (includes items 12 through 16)	1
12	1015139	Insulation Grommet	1
13	1015143	Vent, Fuel Tank	1
14	101896901	Fuel Pickup w/Shut-Off Valve	1
15	102751601	Cap, Fuel Tank, Gasoline	1
16	102947502	Tank, Fuel, Wo/su Ds Utl	A/R
17	1017203	Carriage Bolt	2
18	101955301	Fuel Strap Assy, Front	1
19	101987701	Clamp, Plastic Tie	2
20	102003201	Filter, Fuel, 30 Micron	1
21	102865101	Fuel Line, 1/4 (available by the foot)	A/R
22	103372101	Cap, Fuel Tank, Gas, Ratchet	1
23	103781101	Kit, Fuel Pump Retrofit (includes item 24)	1
24	103010101	Pump, Fuel, Impulse, Fh	1
25	8233	Locknut, 1/4-20, Nylon Insert	2
26	8248	Screw, 1/4-20 X 0.75, Truss-Head Machine	1
		Note: Ratcheting Fuel Tank Cap 103372101 for use with California emissions requirements.	

9
G

9
G



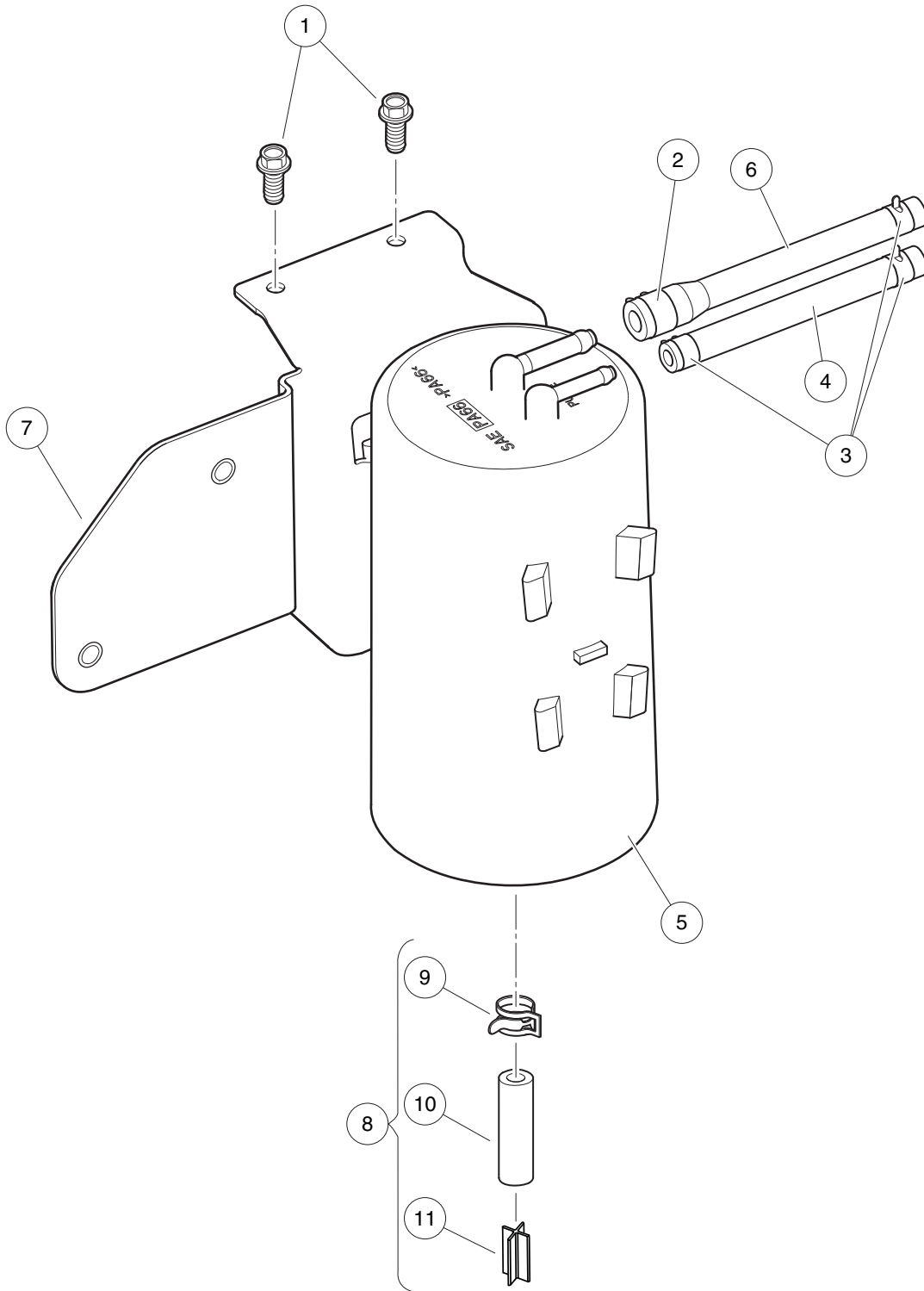
- 2
- 3
- 4
- 22
- 24
- 25
- 26
- 27
- 28
- 29
- 31

001287-002

FUEL SYSTEM AND TANK WITH SENDING UNIT

ITEM	PART NO.	DESCRIPTION	QTY
		1 2 3 4	
1	1011988	Screw, 1/4-20 X 2.00 Phillips Truss-Head	2
2	1012649	Clamp, 0.460 Red Hose	6
3	101313402	Clamp, Green Hose	2
4	1013687	Clamp, 3/8" Hose (screw type)	1
5	1014116	Nut, 1/4-20 Speed	3
6	1014928	Fuel Strap Assembly Rear	1
7	1016	Lockwasher, #10 Split	1
8	1016004	Tank Kit w/Sending Unit (includes items 9 through 12)	1
9	1013746	Clamp, 0.301 ID Hose	2
10	1015137	Fuel Line, 3/16 (available by the foot)	1
11	101824401	Vent Barb	2
12	102952301	Fuel Tank with Sending Unit (includes items 13 through 21)	1
13	1013461	Screw, #10-16 Hex-Head Hi-Lo	5
14	1013462	Sending Unit, Fuel Level *	1
15	1015139	Insulation Grommet	1
16	1015143	Vent, Fuel Tank	1
17	1015921	Wire Assembly #16 Black	1
18	101896901	Fuel Pickup w/Shut-Off Valve	1
19	102522001	Gasket, Rubber	1
20	102751601	Cap, Fuel Tank, Gasoline	1
21	N/A	Tank, Fuel, W/su Ds Utl	1
22	1017203	Carriage Bolt	2
23	101955301	Fuel Strap Assy, Front	1
24	101987701	Clamp, Plastic Tie	1
25	102003201	Filter, Fuel, 30 Micron	1
26	102865101	Fuel Line, 1/4 (available by the foot)	A/R
27	103372101	Cap, Fuel Tank, Gas, Ratchet	1
28	103781101	Kit, Fuel Pump Retrofit (includes item 29)	1
29	103010101	Pump, Fuel, Impulse, Fh	1
30	183	Washer, #10, Type A, Flat	1
31	8233	Locknut, 1/4-20, Nylon Insert	2
32	8248	Screw, 1/4-20 X 0.75, Truss-Head Machine	1
33	8797	Nut, #10-32 Brass Hex	1
		<p>Note: Ratcheting Fuel Tank Cap 103372101 for use with California emissions requirements. Must replace fuel sending unit gasket when servicing this component.</p>	

9
G

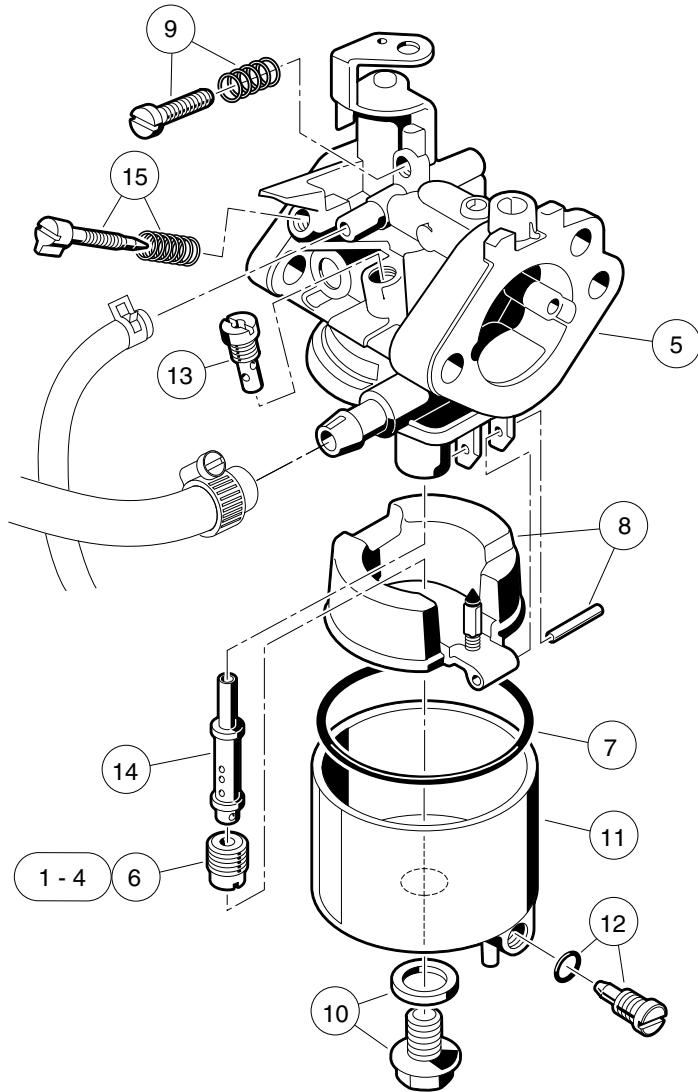


000980-007

CARBON CANISTER – CALIFORNIA ONLY

ITEM	PART NO.	DESCRIPTION	QTY
		1 2 3 4	
1	1012285	Screw, 1/4 X 0.625 Hex-Head	2
2	101313402	Clamp, Green Hose	1
3	1013746	Clamp, 0.301 ID Hose	3
4	1015137	Fuel Line, 3/16 (available by the foot)	A/R
5	103372401	Canister, Carbon	1
6	103372504	Hose, Vent, Flare, 9"	1
7	103372801	Bracket, Carbon Canister, Sw	1
8	103418601	Asm, Vent Line, Utility (includes items 9 through 11)	1
9	1012649	Clamp, 0.460 Red Hose	1
10	N/A	Hose, Vent, 5/16 I.D., Bulk	A/R
11	N/A	Vent, Barb, 5/16 I.D. Hose	1

9
G



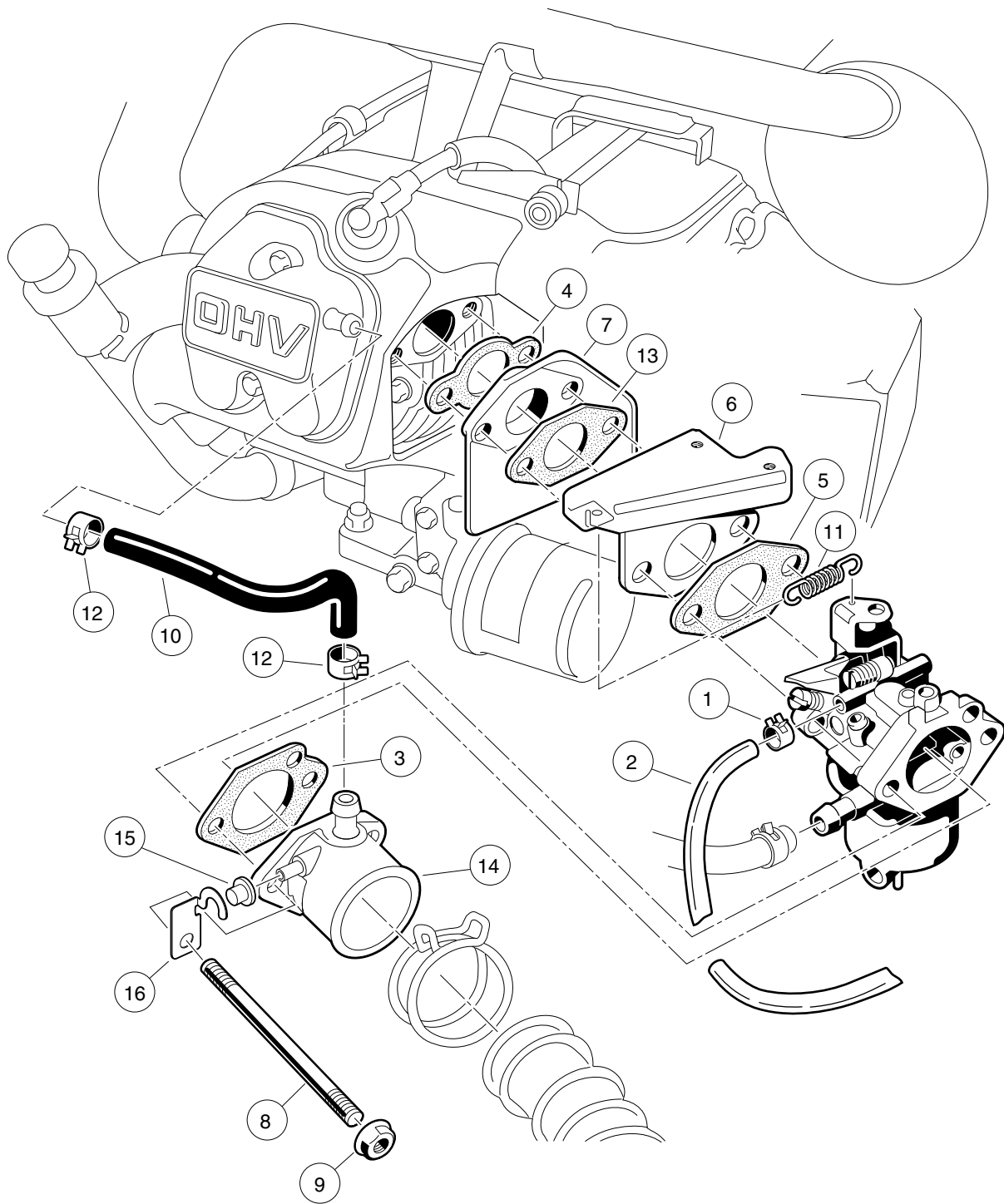
000212-002

CARBURETOR ASSEMBLY – FE350 S27

ITEM	PART NO.	DESCRIPTION	QTY
		1 2 3 4	
1	101642575	Jet, Altitude, # 75	1
2	101642578	Jet, Altitude, # 78	1
3	101642580	Jet, Altitude, # 80	1
4	101642582	Jet, Altitude, # 82	1
5	103617101	Carburetor, FE350 S27 (includes items 6 through 15)	1
6	101642585	Jet, Altitude, # 85	1
7	1016437	Gasket, Carburetor Bowl OHV	1
8	1016486	Float Assembly	1
9	1016501	Screw Assembly	1
10	1016585	Bolt	1
11	1017461	Chamber Assembly, Float (includes item 12)	1
12	1016499	Screw Assembly	1
13	101973101	Jet, #40 Pilot	1
14	101973301	Nozzle, Main	1
15	N/A	Assembly, Pilot Air Screw	1
<p style="margin-left: 40px;">Note: 101642585 for 0 - 3,200 feet; 101642582 for 3,200 - 6,500 feet; 101642580 for 6,500 - 9,800 feet; 101642578 for 9,800 feet and above.</p>			

9

G

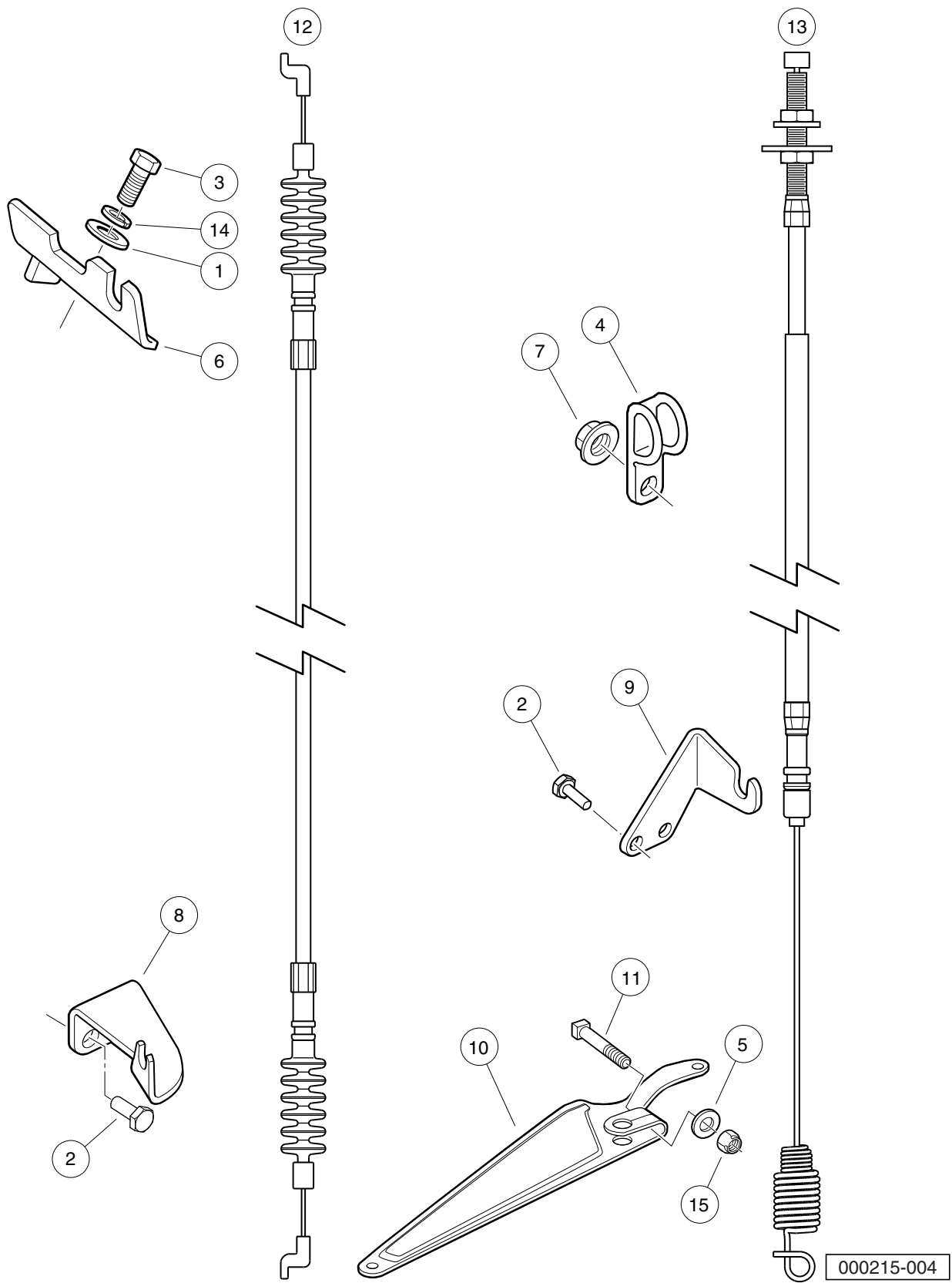


000214-002

CARBURETOR MOUNTING, UTILITY, FE350 S23 S24 S27

ITEM	PART NO.	DESCRIPTION	QTY
		1 2 3 4	
1	1013746	Clamp, 0.301 ID Hose	1
2	1015137	Fuel Line, 3/16 (available by the foot)	1
3	1016438	Gasket, Carb To Intake Manifold	1
4	1016440	Gasket, Engine to Insulator	1
5	1016441	Gasket, Sprg Brkt To Carb OHV	1
6	1016444	Bracket, Throttle Spring Return	1
7	101648102	Insulator, Carburetor	1
8	101649002	Stud, M6-1.00 Two-Ended	2
9	1016547	Nut, M6 Flange	2
10	1016572	Tube, Crankcase Vent	1
11	1016582	Spring, Throttle Return	1
12	1017466	Clamp	2
13	101973401	Gasket, Insulator To Bracket	1
14	103507101	Carburetor Adapter w/ Tap	1
15	103507201	Plug, Intake Manifold, Carb	1
16	103507301	Bracket, Intake Manifold, Carb	1

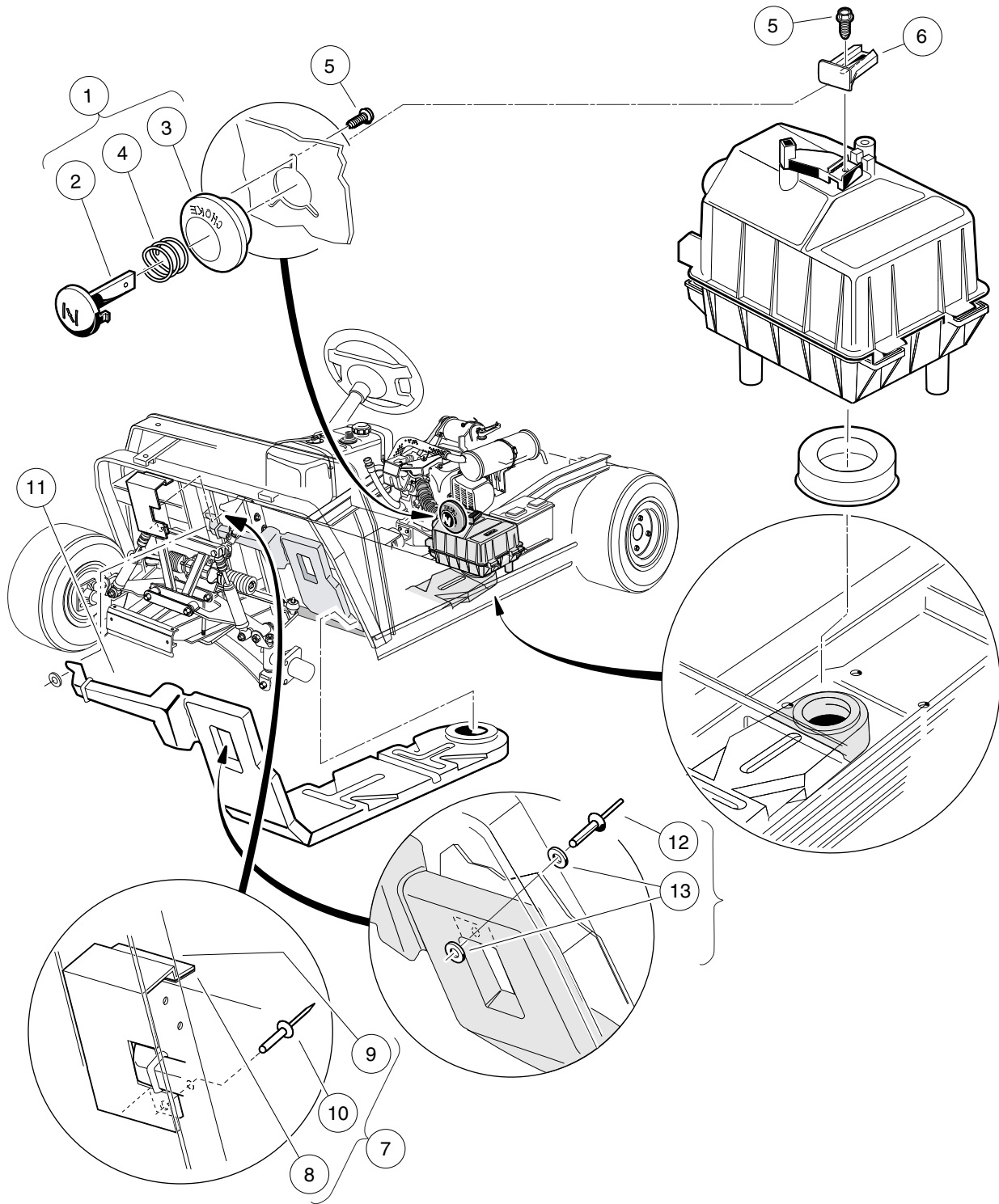
9
G



GOVERNOR AND ACCELERATOR CABLES

ITEM	PART NO.	DESCRIPTION	QTY
		1 2 3 4	
1	1011697	Washer, 5/16 Flat	1
2	1012285	Screw, 1/4 X 0.625 Hex-Head	4
3	1012830	Screw, M8-125 X 22 Hex-Head	1
4	1013700	Clamp	2
5	1014007	Washer, 1/4, Flat	1
6	101584502	Bracket, Governor Cable Snap-In	1
7	1016546	Nut	2
8	101832202	Bracket, Rear Governor Cable Snap-In	1
9	101832302	Bracket, Rear Accelerator Cable Snap-In	1
10	101834801	Arm, Governor	1
11	101886101	Screw, 1/4-20 X 1.00, Square-Head	1
12	102336001	Cable, Governor, Snap-In	1
13	102336101	Cable, Accelerator, Snap-In	1
14	7174	Lockwasher, 5/16 Split	1
15	8233	Locknut, 1/4-20, Nylon Insert	1

9
G

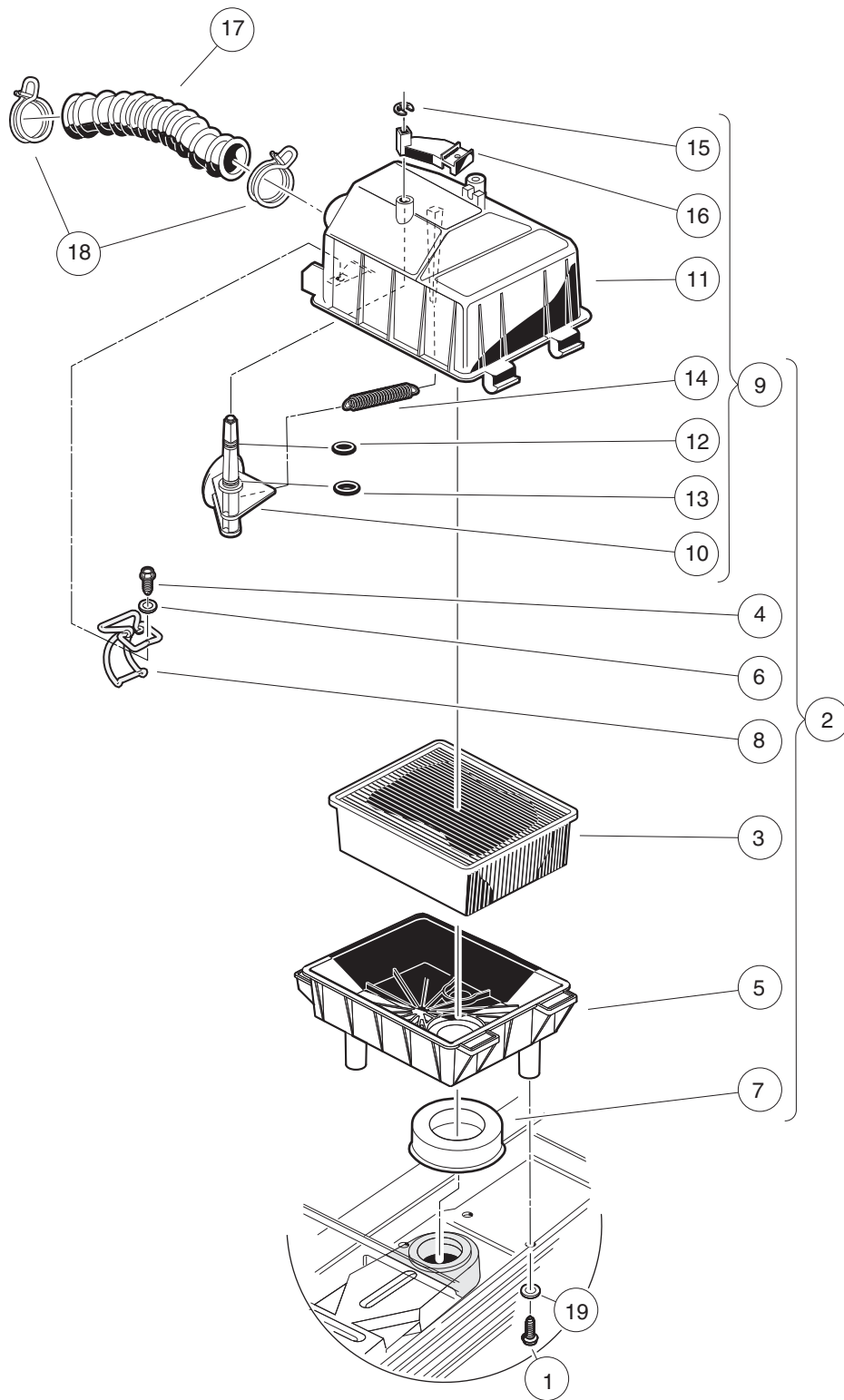


000338-006

AIR INTAKE DUCT AND CHOKE BUTTON – TURF/CA 1 AND XRT800/810/850

ITEM	PART NO.	DESCRIPTION	QTY
		1 2 3 4	
1	101805701	Button Assembly, Choke (includes items 2 through 4)	1
2	101811401	Lever, Choke	1
3	101811501	Guide, Choke Lever	1
4	101856201	Compression Spring	1
5	101850301	Screw, #12-16 X 0.50 Washer-Head Hi-Lo	4
6	101917701	Choke Positioner	1
7	102190702	Kit, Air Duct Shield (includes items 8 through 10)	1
8	102185401	Tape, 3M VHB 4950	1
9	N/A	Shield, Air Duct	1
10	7973	Rivet, 3/16 X .400 Blind	1
11	103520301	Duct, Air Intake, Ds	1
12	1606	Rivet, 3/16 X .500 Alum Pop	2
13	183	Washer, #10, Type A, Flat	4

9
G



000332-001

AIR FILTER AND INTAKE HOSE

ITEM	PART NO.	DESCRIPTION	QTY
		1 2 3 4	
1	1015752	Screw, #12-16 X 0.625, Hi-Lo	3
2	101821501	Assembly, Air Box (includes items 3 through 9)	1
3	1015426	Filter, Air	1
4	101804301	Screw, #8 X 0.500, Hex-Head Hi-Lo	2
5	101811901	Bottom, Air Box	1
6	101881701	Washer, #8 Stainless-Steel Flat	2
7	101921501	Seal, Intake	1
8	101925701	Latch, Wireform	2
9	101972801	Top Assy, Air Box (includes items 10 through 16)	1
10	N/A	Valve, Choke	1
11	N/A	Top, Air Box	1
12	N/A	O-Ring, 5/16	1
13	N/A	O-Ring, 3/8	1
14	101812301	Spring, Extension Return	1
15	101813001	Retaining Ring 0.25, Shaft	1
16	101917601	Lever, Choke	1
17	101837101	Hose, Air Intake	1
18	101971301	Clamp, 1.58" ID Hose	2
19	332	Washer, 1/4 Type A Narrow Flat	3

9
G

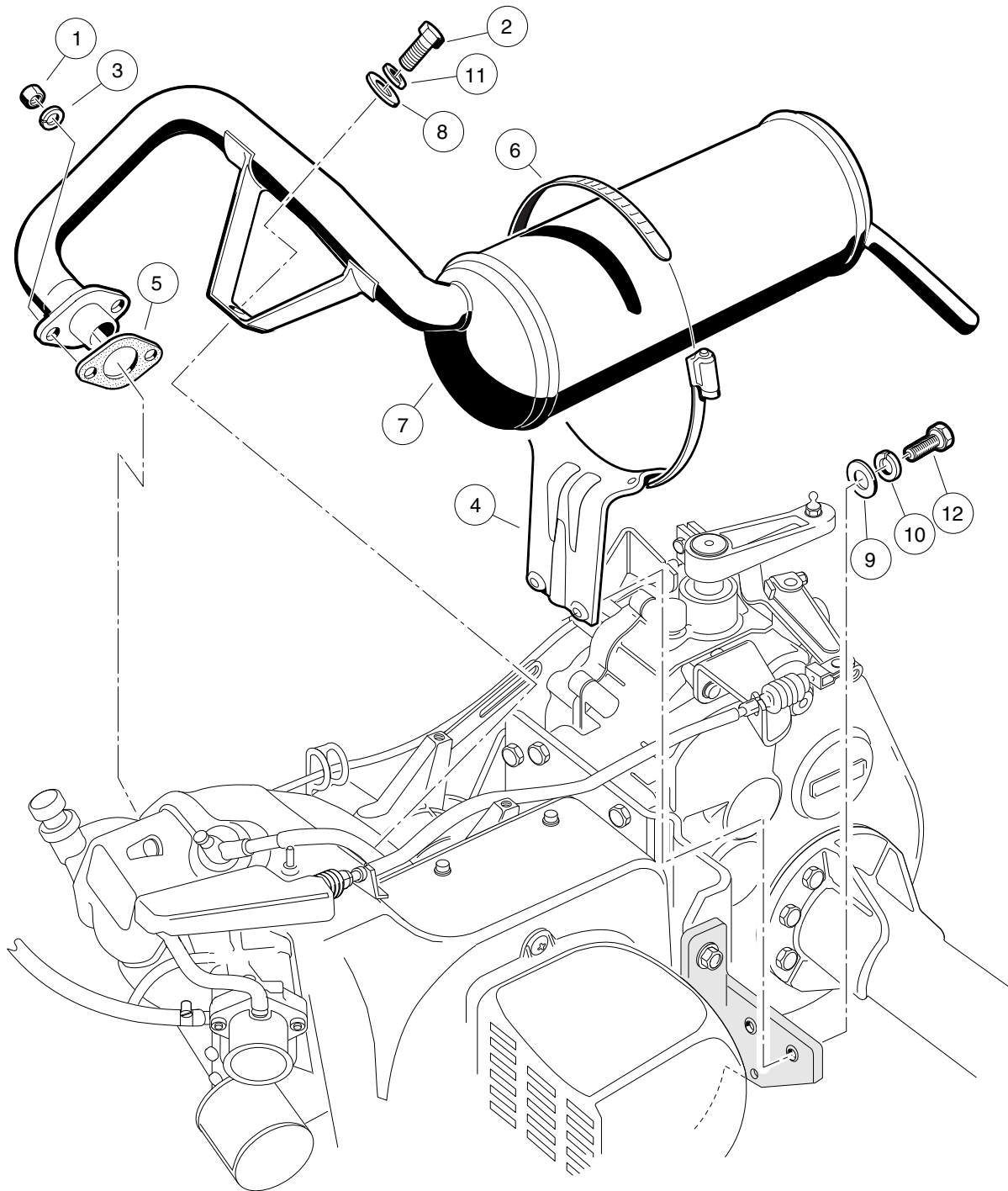
9

G

EXHAUST SYSTEM – FE350 ENGINE

10

G

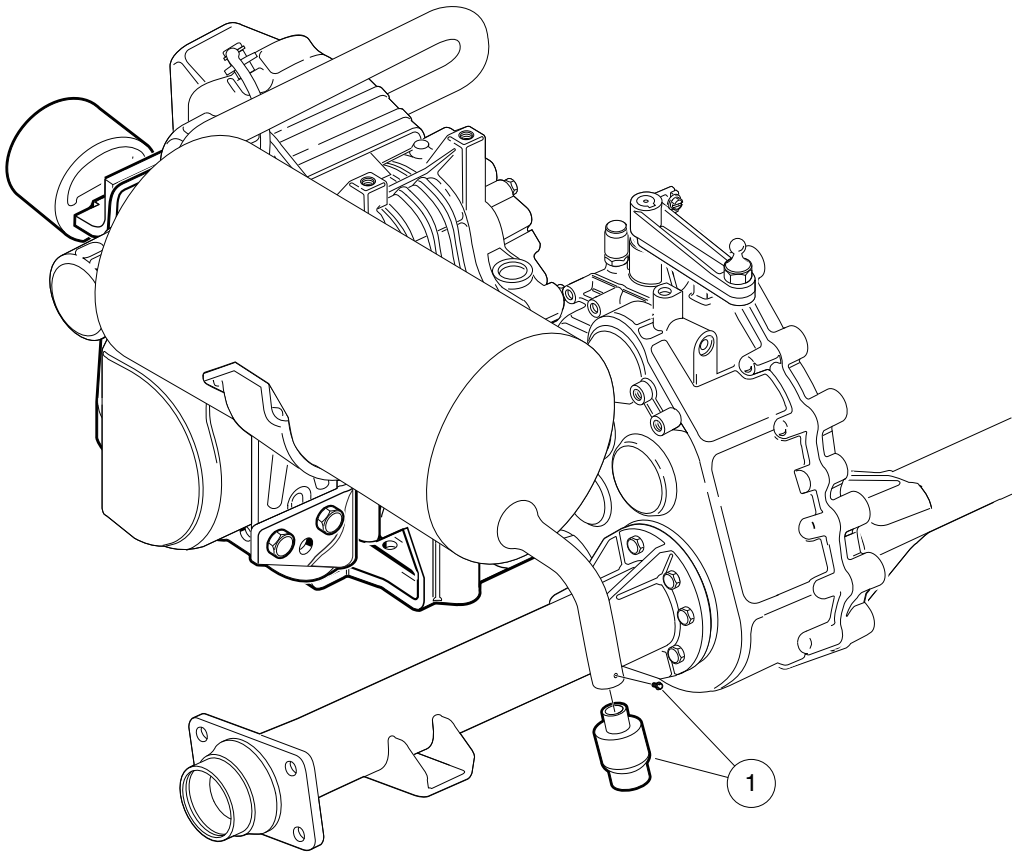


000209-001

EXHAUST SYSTEM – FE350 ENGINE

ITEM	PART NO.	DESCRIPTION	QTY
		1 2 3 4	
1	1012528	Nut, M8-1.25 Hex	2
2	1012830	Screw, M8-125 X 22 Hex-Head	1
3	1013734	Lockwasher, 8mm Split	2
4	1015814	Bracket, Muffler Mounting	1
5	1016904	Gasket, Exhaust	1
6	1017689	Clamp, 5" Muffler Hose	1
7	101859401	Exhaust System, FE350	1
8	1241	Washer, 5/16 Type A Flat	1
9	332	Washer, 1/4 Type A Narrow Flat	2
10	451	Lockwasher, 1/4 Split	2
11	7174	Lockwasher, 5/16 Split	1
12	7847	Screw, 1/4-20 X 0.75 Hex-Head Cap	2

10
G



APM-000119-001

SPARK ARRESTOR KIT

ITEM	PART NO.	DESCRIPTION	QTY
1	101629008	1 2 3 4 Spark Arrestor, 290/350	1

10
G

10

G

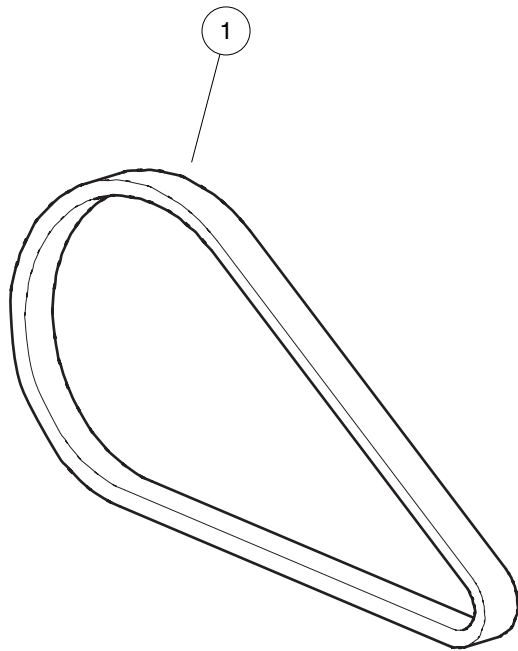
DRIVE BELT AND CLUTCHES – CARBURETED GASOLINE VEHICLES

11

G

11

G

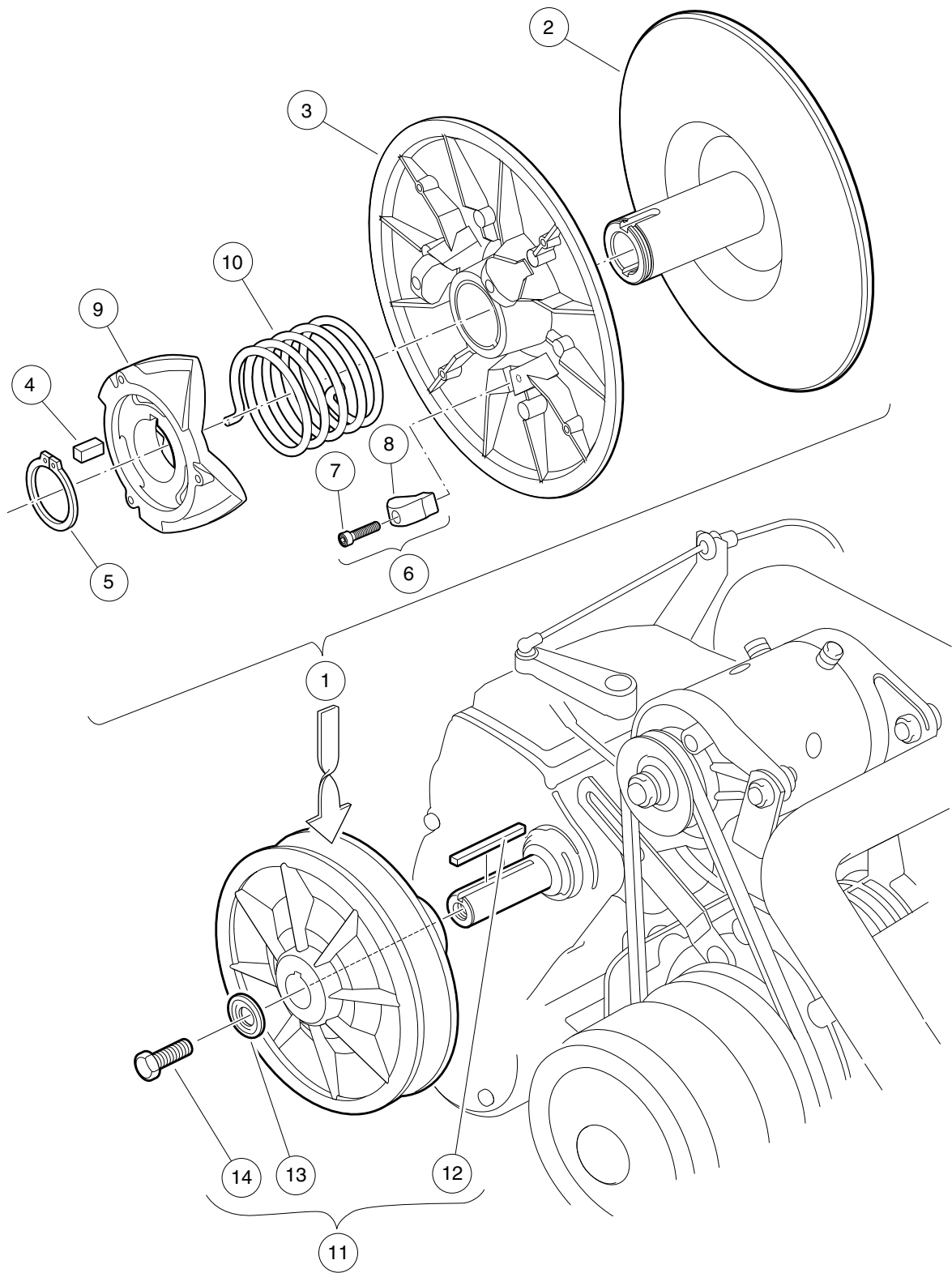


000918-001

DRIVE BELT

ITEM	PART NO.	DESCRIPTION	QTY
1	1017188	1 2 3 4 Belt, Drive (FE350)	1

11
G

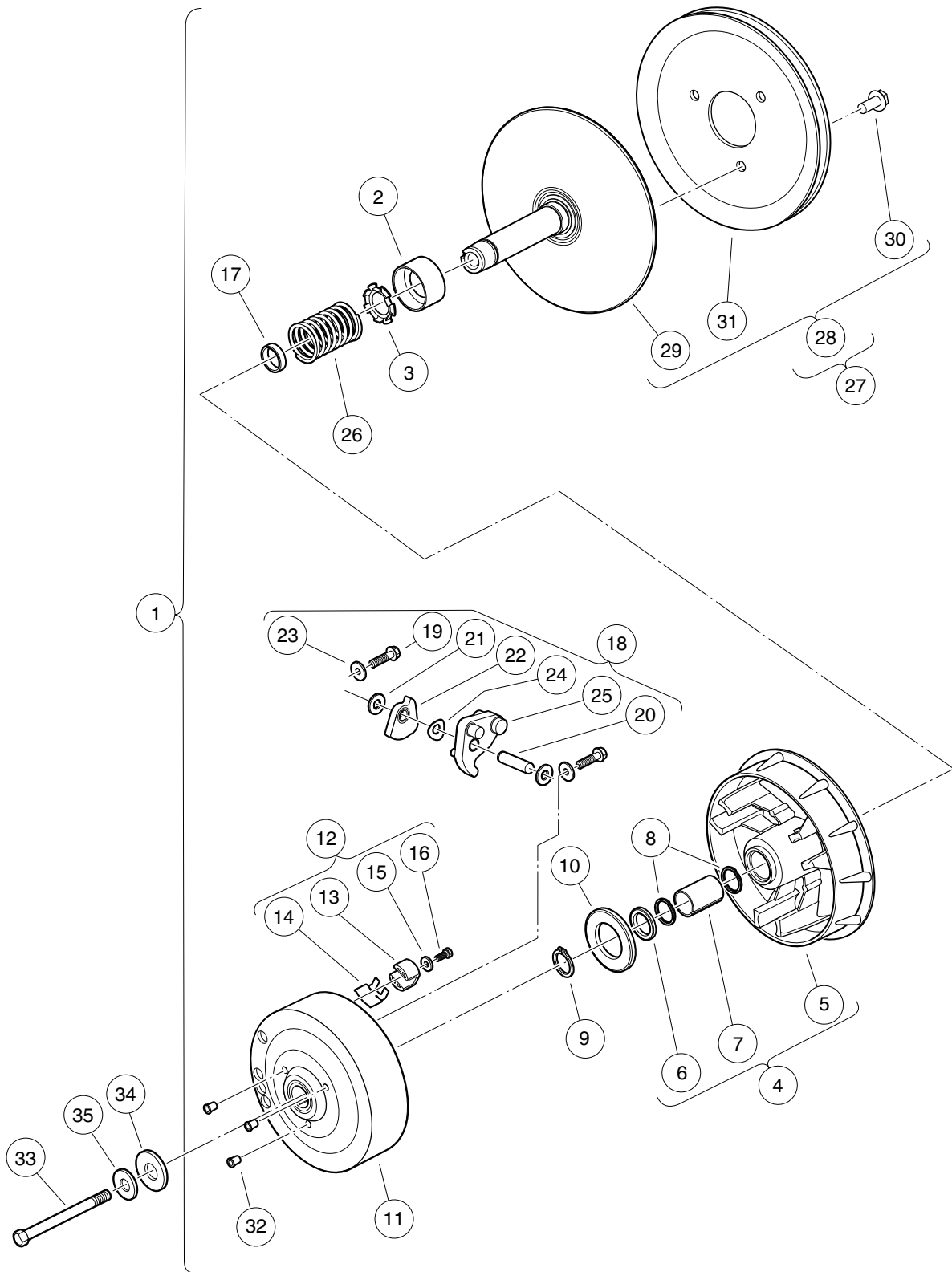


000219-001

DRIVEN CLUTCH

ITEM	PART NO.	DESCRIPTION	QTY
		1 2 3 4	
1	101834001	Assembly, Driven Clutch (includes items 2 through 10)	1
2	1014070	Fixed Face Assy, Driven Clutch	1
3	1014072	Movable-Face Assembly with Bushing	1
4	1014078	Key, Driven Clutch	1
5	1014080	Ring, Retaining	1
6	1014454	Kit, Driven Clutch Button (includes items 7 and 8)	1
7	1012836	Screw, #8-32 X 3/4, Socket-Head Cap	3
8	N/A	Button, Drive	3
9	1017686	Cam, Driven Clutch	1
10	101836201	Spring, Driven Clutch, Reversed	1
11	AM10419	Kit, Clutch Repair (includes items 12 through 14)	1
12	101833401	Key, 3/16 Sq X 1.50"	1
13	102155801	Washer, Driven Clutch	1
14	102242101	Screw, 5/16-18 X 3/4 Hex-Head with Patch	1

11
G



000217-007

DRIVE CLUTCH – CA 2 PLUS/VILL. 6 & 8/TPORTER/XRT850

ITEM	PART NO.	DESCRIPTION	QTY
		1 2 3 4	
1	101833904	Assembly, Drive Clutch (includes items 2 through 32)	1
2	1014049	Bearing, Idler	1
3	1014050	Retainer, Spring	1
4	1014052	Movable-Face Assembly (includes items 5 through 7)	1
5	N/A	Drive Clutch Movable Face	1
6	1014055	Retainer	1
7	N/A	Bushing, Split, Drive Clutch	1
8	1014056	Ring, Spiral Backup	2
9	1014057	Ring, 0.810" Internal Retaining	1
10	1014058	Thrust Washer	1
11	1014059	Drive Hub Assy, Drive Clutch	1
12	1014453	Kit, Drive Clutch Button (includes items 13 through 16)	1
13	1014062	Driver, Drive Clutch	3
14	1014287	Spring, Drive Button	3
15	183	Washer, #10, Type A, Flat	3
16	8450	Screw, #10-24 X 0.50, Hex-Head	3
17	1016289	Spacer, Fixed Face Shaft	1
18	1016801	Kit, Drive Clutch Weight (includes items 19 through 25)	1
19	1014063	Screw, 1/4-20 X 1.00, Hex Head	6
20	N/A	Pin, Dowel, 0.3752 x 1.50	3
21	1014065	Washer, Flat, 0.38" ID, Delrin	6
22	N/A	Clutch Weight, Secondary	3
23	N/A	Washer	6
24	1016201	Washer, Wave	3
25	N/A	Weight, Primary	3
26	1016901	Spring, Drive Clutch	1
27	101738302	Kit, Fixed Face - Drive (includes item 28)	1
28	101738301	Fixed Face Drive (includes items 29 through 31)	1
29	N/A	Fixed Face Assembly, Drive Clutch	1
30	1014288	Screw, 5/16-18 X 0.75, Thread-Forming	3
31	1016011	Pulley, Drive Clutch	1
32	N/A	Cap Plug	3
33	103345701	Screw 3/8-24x5.5 Hex Loc Ptch	1
34	334	Washer, 3/8, Type A, Flat	1
35	808	Washer, 3/8 Type B Flat	1

11

G

11

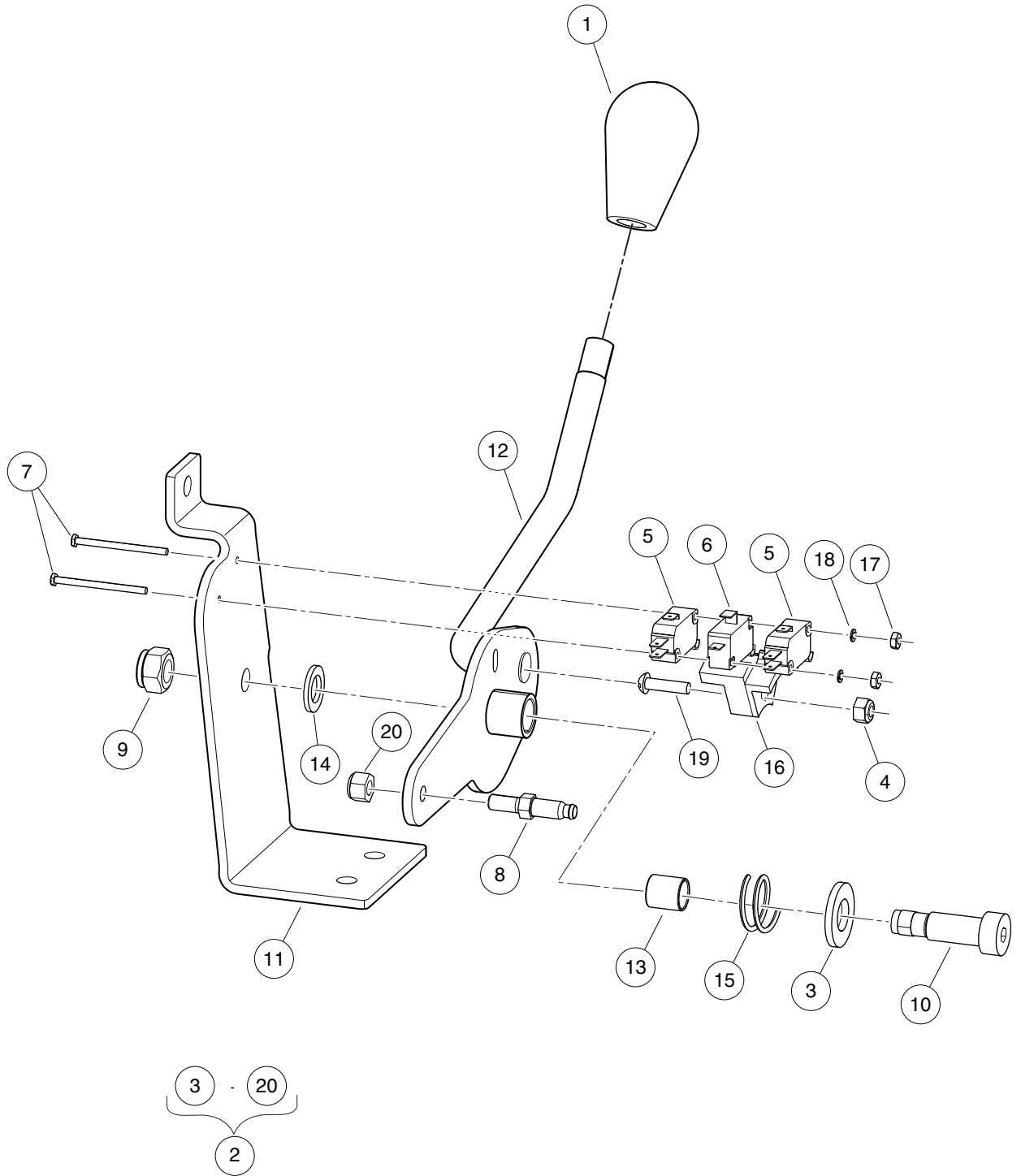
G

UNITIZED TRANSAXLE – CARBURETED GAS VEHICLES

12

G

12
G



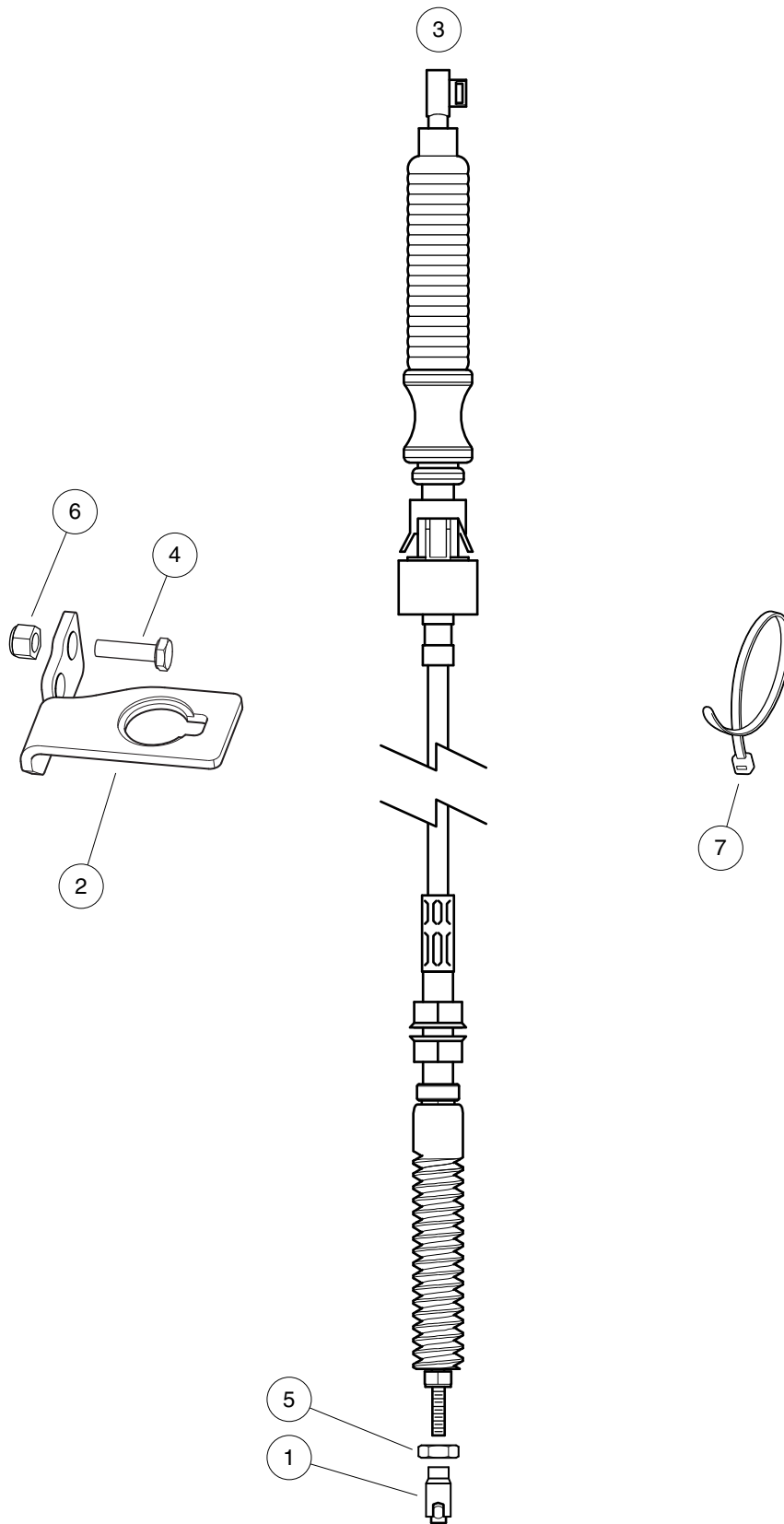
000563-001

FORWARD/REVERSE SHIFTER

ITEM	PART NO.	DESCRIPTION	QTY
		1 2 3 4	
1	102376001	Knob, FNR, Shifter	1
2	102969901	Asm, Shifter, FNR (includes items 3 through 20)	1
3	1010028	Washer, 1/2 Type A Flat	1
4	1013061	Locknut, #10-32 Nylon Insert	1
5	1014807	Switch, Limit	2
6	1014808	Switch, Limit	1
7	1015878	Screw, #4-40 Hex Head Machine	2
8	102526201	Stud, Thread, 1/4-28	1
9	102616701	Locknut, M10x1.5 Nylon Insert	1
10	102684602	Shoulder Bolt, M12 X 25.0	1
11	102969401	Bracket, Shifter, FNR	1
12	102969801	Weldment, Shift Lever, FNR	1
13	103173301	Bushing, Greaseless, 12mm Id	1
14	103177401	Washer, Thrust, Shifter, FNR	1
15	103192701	Spring, Comp, .97 Od X.75 L	1
16	103369501	Cam, Limit Switch, Fnr Shifter	1
17	8057	Nut, #4-40 Hex Machine	2
18	8058	Lockwasher, #4 Split	2
19	8104	Screw, #10-32 X .75 Rd Hd Mach	1
20	8717	Locknut, Nylon Insert, 1/4-28	1

12

G



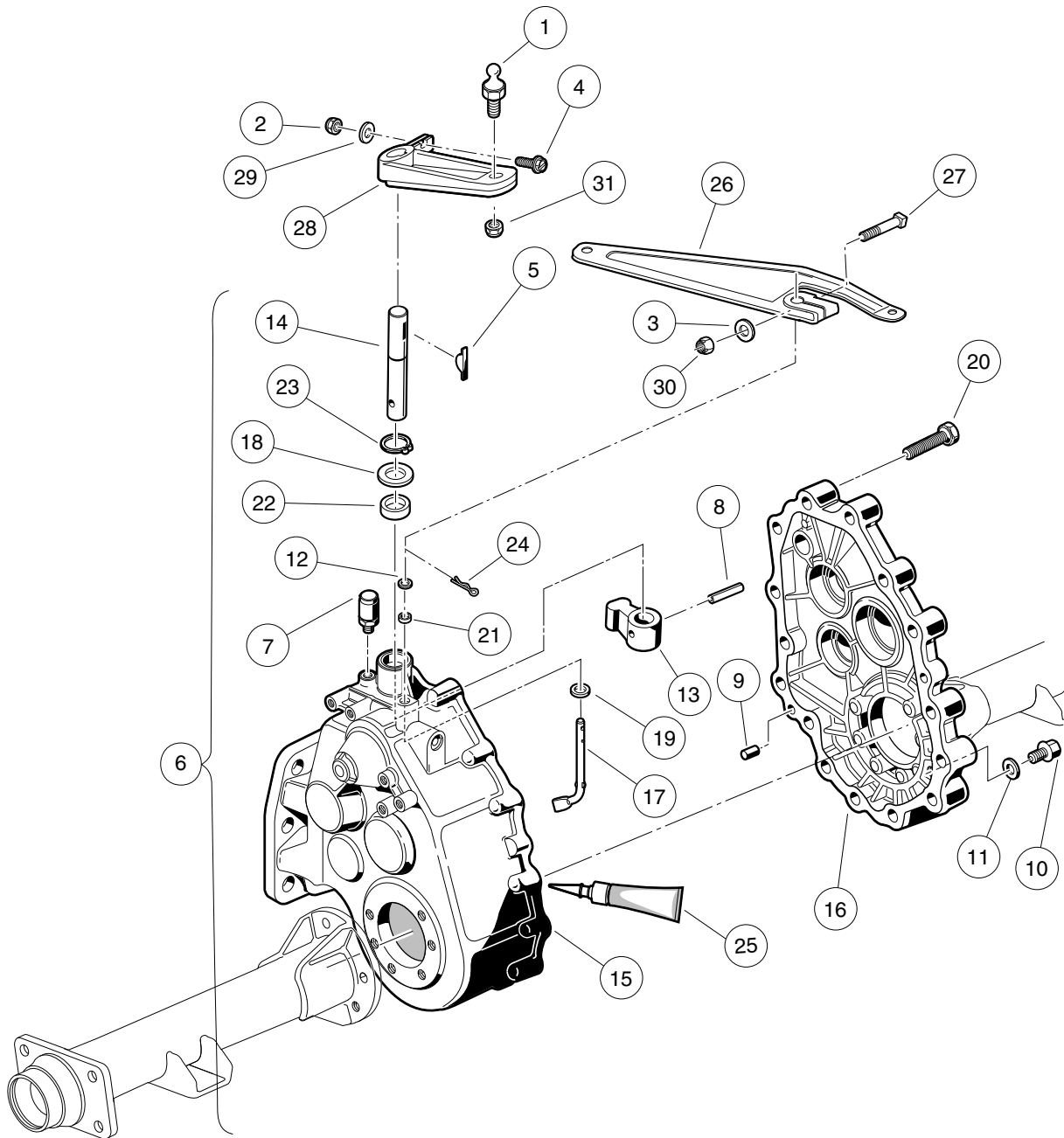
001071-001

SHIFTER CABLE – TURF/CARRYALL 1 AND XRT850

ITEM	PART NO.	DESCRIPTION	QTY
		1 2 3 4	
1	1012333	Joint, #10-32 Ball	1
2	103295101	Brkt, Spt, Cable End, Fnr	1
3	103295201	Cable, Trans, Ball End, 1550mm	1
4	304	Screw, 1/4-20 X 1.0 Hex-Head Cap	2
5	7893	Nut, #10-32 Hex	1
6	8233	Locknut, 1/4-20, Nylon Insert	2
7	8639	Tie Wrap, 11" Nylon	A/R

12

G



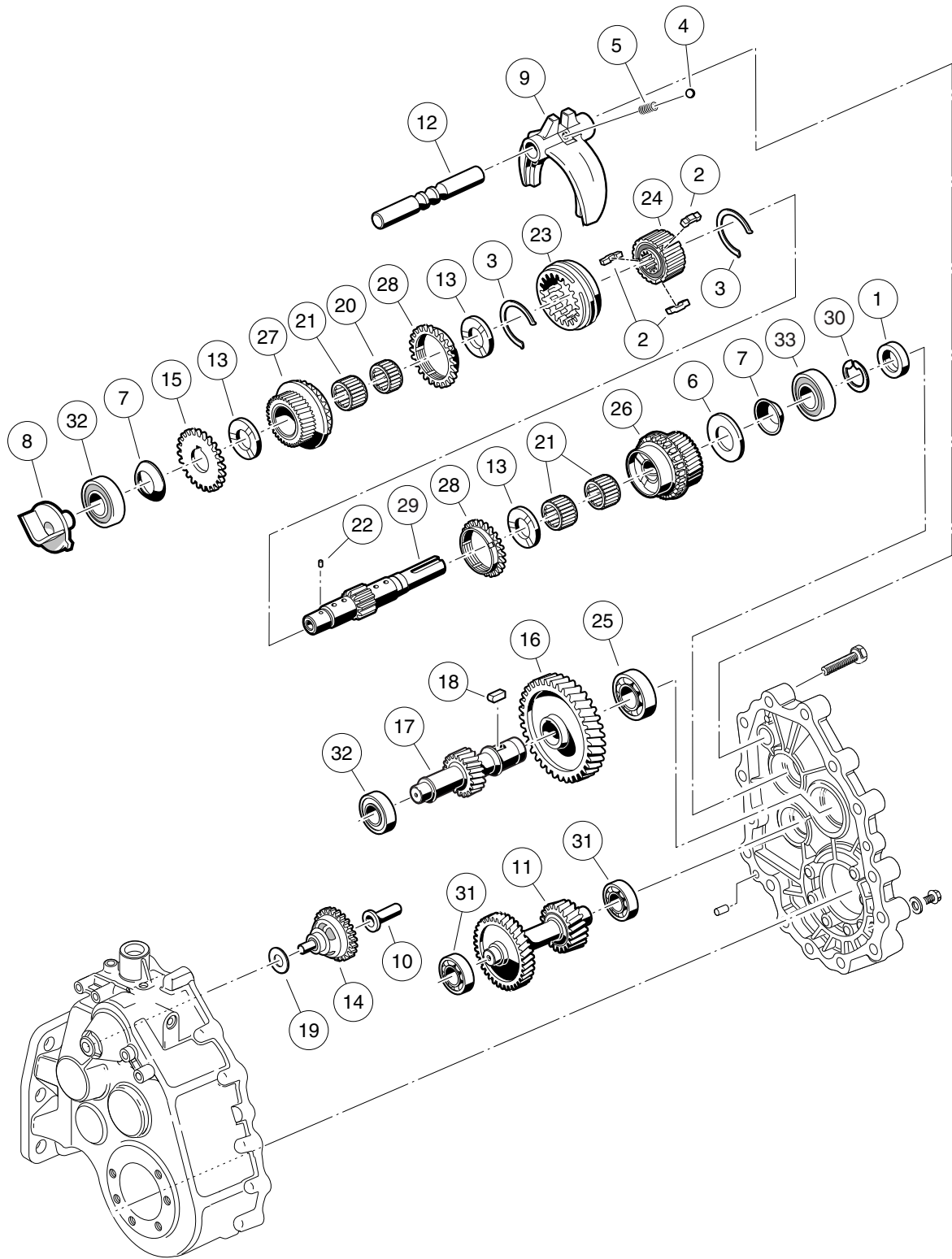
000220-005

KAWASAKI TRANSAXLE – GEAR CASES AND BRACKETS

ITEM	PART NO.	DESCRIPTION	QTY
		1 2 3 4	
1	1010954	Stud, Ball, 1/4-28 X 0.560	1
2	1013061	Locknut, #10-32 Nylon Insert	1
3	1014007	Washer, 1/4, Flat	1
4	1017082	Screw, #10-32 X 0.75, Hex-Head Machine	1
5	1017231	Key, Woodruff	1
6	101833601	Transaxle, 11.77 Ratio (includes items 7 through 25)	1
7	1012711	Breather	1
8	1012752	Roll Pin	1
9	1012896	Pin, Dowel	2
10	1013760	Fill Plug	2
11	1016432	Gasket, Drain Plug	1
12	1016513	Washer, M6 Flat	1
13	101890101	Lever, Drive Selector	1
14	101890201	Shaft, Drive Selector	1
15	101890501	Gear Case (driver side)	1
16	101890601	Gear Case (passenger side)	1
17	101891301	Arm Pivot	1
18	101892901	Washer	1
19	101893801	Washer	1
20	101926901	Screw, M8-1.25 X 40mm Hex-Head	15
21	101927101	Seal, Oil	1
22	101927201	Seal, Oil	1
23	101927301	Snap Ring	1
24	101928601	Pin, Cotter	1
25	101928701	Liquid Gasket (Transaxle case)	1
26	101834801	Arm, Governor	1
27	101886101	Screw, 1/4-20 X 1.00, Square-Head	1
28	102515401	Lever, Transmission Shift	1
29	183	Washer, #10, Type A, Flat	1
30	8233	Locknut, 1/4-20, Nylon Insert	1
31	8717	Locknut, Nylon Insert, 1/4-28	1
		<p>Note: Kawasaki transaxle component listings span three pages. To identify your transaxle, locate the serial number decal on the axle tube.</p>	

12

G



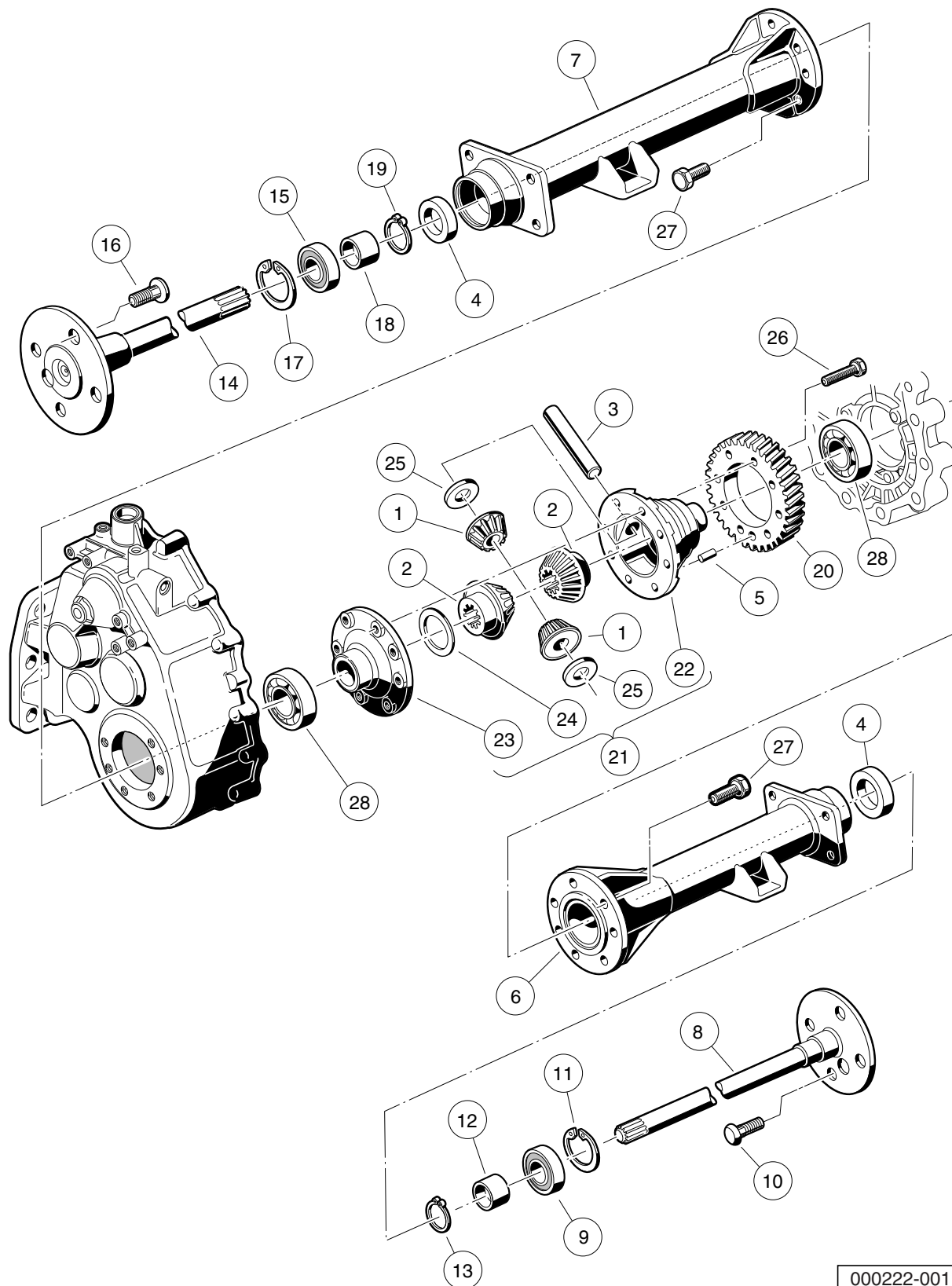
000221-001

KAWASAKI TRANSAXLE – F&R TRANSMISSION AND GEAR REDUCTION

12

G

ITEM	PART NO.	DESCRIPTION	QTY
		1 2 3 4	
1	1012714	Oil Seal	1
2	1012740	Synchro Insert	3
3	1012741	Synchro Spring	2
4	1012747	Shifter Ball	1
5	1012748	Shifter Spring	1
6	1016337	Washer, Thrust	1
7	1016338	Washer, Spring	2
8	101889401	Guide	1
9	101890001	Fork - Shift	1
10	101891601	Sleeve, Governor	1
11	101891901	Gear, Cluster	1
12	101892001	Rod, Shift	1
13	101892201	Plate, Thrust	3
14	101892301	Governor Assembly	1
15	101892401	Gear, Spur	1
16	101892501	Gear, Helical (61 Tooth)	1
17	101892601	Gear, Helical (17 Tooth)	1
18	101893201	Key Sunk	1
19	101893901	Washer	1
20	101927501	Needle Bearing	1
21	101927601	Needle Bearing	3
22	101927701	Pin, .116" Dia X 0.264 Dowel	1
23	101927901	Sleeve, Synchro	1
24	101928001	Hub, Synchro Clutch	1
25	101928101	Bearing, Ball	1
26	101980801	Gear Assembly, 16-Degree Synchro (25 Tooth)	1
27	101980901	Gear Assembly, 16-Degree Rear Synchro (28 Tooth)	1
28	101981001	Ring, 16-Degree Synchronizer	2
29	102453001	Shaft, Trans, with Circlip	1
30	102453101	Circlip	1
31	7335	Bearing	2
32	AM10080	Bearing, Ball, Sealed	2
33	AM10081	Bearing, Ball, Sealed	1
Note: To identify your transaxle, locate the serial number decal on the axle			



000222-001

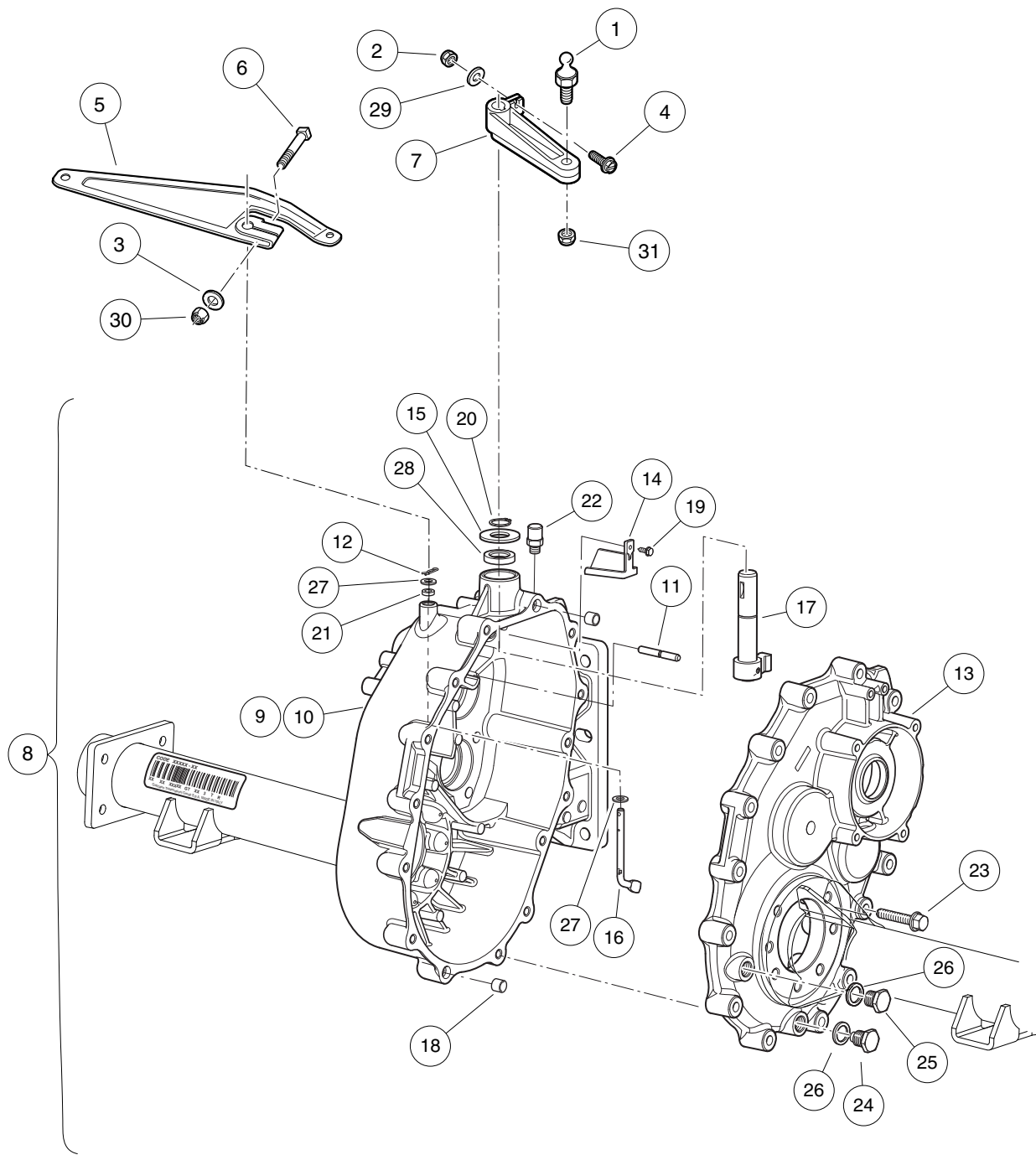
KAWASAKI TRANSAXLE – DIFFERENTIAL AND AXLES

ITEM	PART NO.	DESCRIPTION	QTY
		1 2 3 4	
1	1013770	Differential Idler Gear	2
2	1013771	Gear, Differential	2
3	1013772	Pin, Differential	1
4	1013794	Axle Shaft Oil Seal	2
5	N/A	Dowel Pin	1
6	101890901	Axle Tube (Passenger Side)	1
7	101891001	Axle Tube (Driver Side)	1
8	101891401	Axle Assembly, Passenger Side (includes items 9 through 13)	1
9	1011291	Outer Axle, Tube Bearing	1
10	1013787	Lug Stud	4
11	1013792	Circlip Type C	1
12	1014207	Bushing	1
13	1016672	Retaining Ring	1
14	101891501	Axle Assembly, Driver-Side (includes items 15 through 19)	1
15	1011291	Outer Axle, Tube Bearing	1
16	1013787	Lug Stud	4
17	1013792	Circlip Type C	1
18	1014207	Bushing	1
19	1016672	Retaining Ring	1
20	101892701	Gear, Helical	1
21	101910501	Kit, Differential Gear Case (includes items 22 through 25)	1
22	1013768	Differential Gear Case, Left-Hand	1
23	1013769	Differential Gear Case, Right-Hand	1
24	1013773	Plate, Thrust (Differential Gear)	1
25	1013774	Plate, Thrust (Idler Gear)	2
26	101928301	Screw, M8-1.25 X 35mm Hex Head	8
27	102031901	Bolt, M10 X 1.5 X 30mm	14
28	7330	Inner Axle Tube Bearing	2
Note: To identify your transaxle, locate the serial number decal on the axle			

12

G

12
G

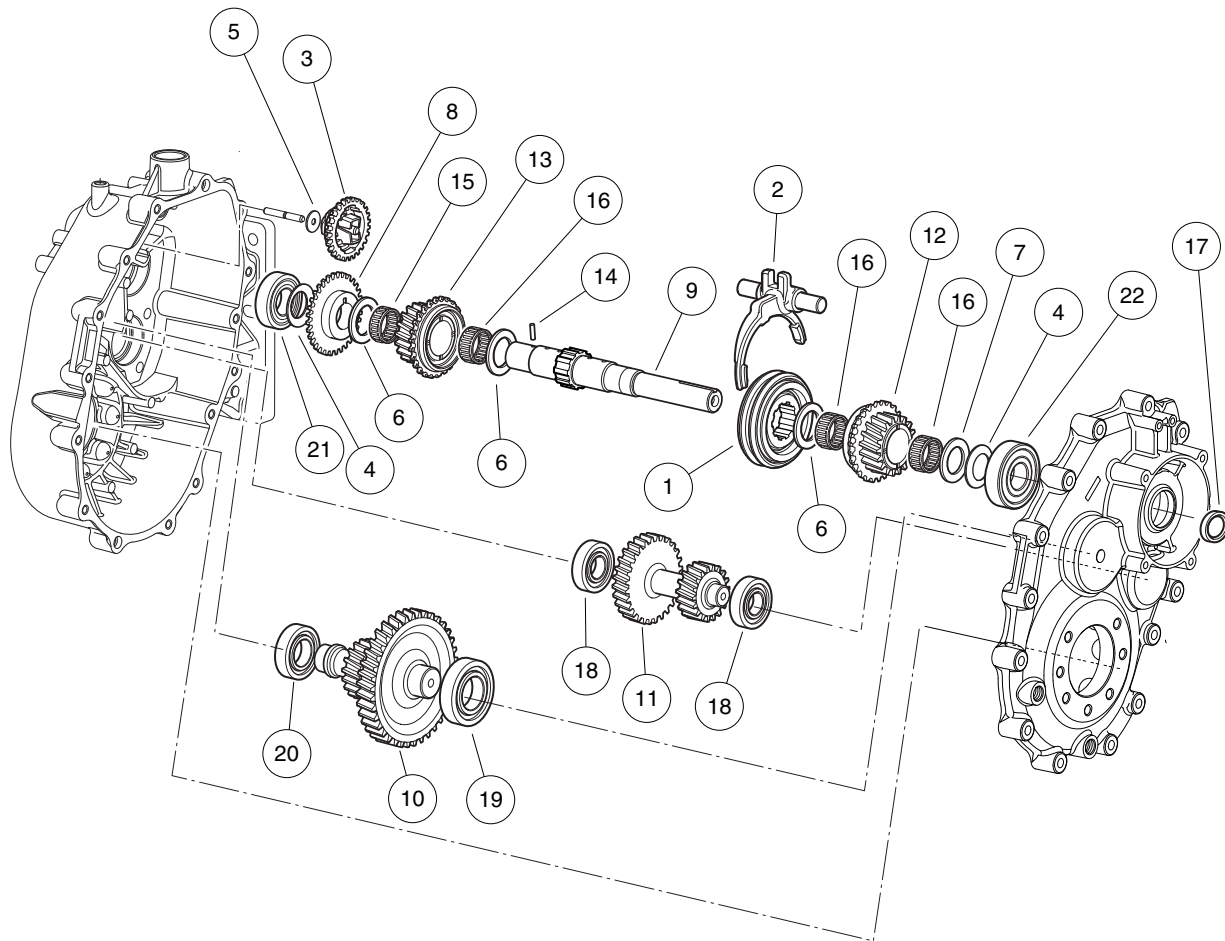


000680-009

GRAZIANO TRANSAXLE – GEAR CASES AND LEVERS

ITEM	PART NO.	DESCRIPTION	QTY
		1 2 3 4	
1	1010954	Stud, Ball, 1/4-28 X 0.560	1
2	1013061	Locknut, #10-32 Nylon Insert	1
3	1014007	Washer, 1/4, Flat	1
4	1017082	Screw, #10-32 X 0.75, Hex-Head Machine	1
5	101834801	Arm, Governor	1
6	101886101	Screw, 1/4-20 X 1.00, Square-Head	1
7	102515401	Lever, Transmission Shift	1
8	102896801	Transaxle, Unitized, Graziano (includes items 9 through 28)	1
9	102896901	Gear Box (Driver-Side) (includes items 10 and 11)	1
10	N/A	Gear Box	1
11	N/A	Pin, Speed Governor	1
12	102897401	Pin, Split	1
13	102897501	Cover, Gear Box (Passenger-Side)	1
14	102897601	Conveyor, Oil	1
15	102897801	Washer, Thrust	1
16	102897901	Lever, Speed Governor	1
17	102898201	Unit, Drive Selector	1
18	102899101	Dowel	2
19	102899201	Screw	1
20	102899401	Ring, Snap	1
21	102899701	Grommet	1
22	102899801	Breather	1
23	102900001	Screw	15
24	102900101	Drain Plug, Magnetic	1
25	102900201	Fill Plug	1
26	102900301	Seal	2
27	102900601	Washer	2
28	102900901	Grommet	1
29	183	Washer, #10, Type A, Flat	1
30	8233	Locknut, 1/4-20, Nylon Insert	1
31	8717	Locknut, Nylon Insert, 1/4-28	1
		<p>Note: Graziano transaxle component listings span three pages. To identify your transaxle, locate the serial number decal on the axle tube.</p>	

12
G



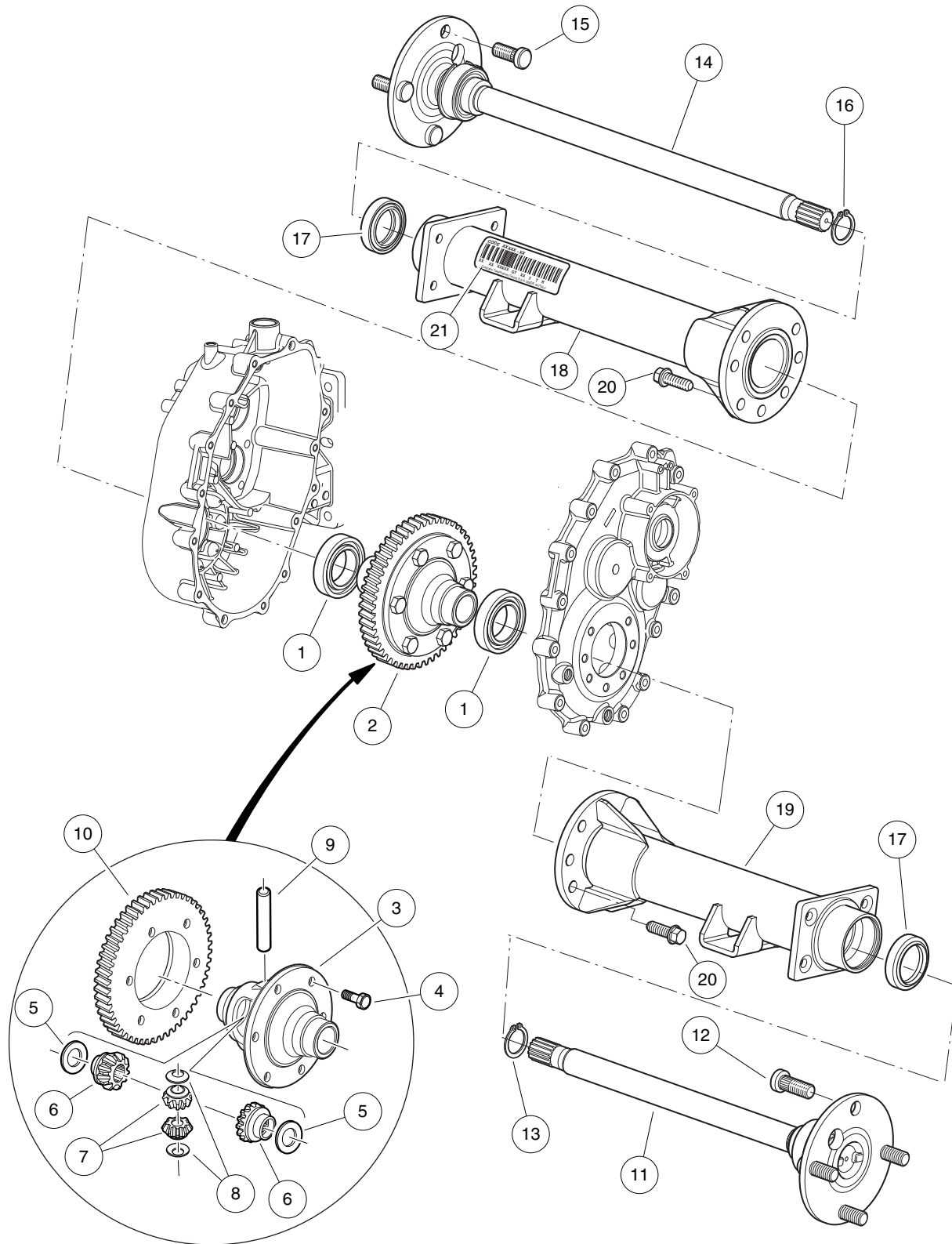
000680-006

GRAZIANO TRANSAXLE – F&R TRANSMISSION AND GEAR REDUCTION

12

G

ITEM	PART NO.	DESCRIPTION	QTY
		1 2 3 4	
1	102897201	Synchronizer, Complete	1
2	102897301	Fork, Complete	1
3	102897701	Assembly, Speed Governor	1
4	102898001	Washer, Belleville	2
5	102898101	Bearing, Thrust	1
6	102898301	Bearing, Thrust	3
7	102898401	Washer, Thrust	1
8	102898501	Gear, Speed Governor	1
9	102898601	Shaft, Main	1
10	102898701	Shaft, Secondary	1
11	102898801	Shaft, Reverse Gear	1
12	102898901	Gear, Complete, 25t	1
13	102899001	Gear, Complete, 28t	1
14	102899301	Pin	1
15	102899501	Cage, Roller	1
16	102899601	Cage, Roller	3
17	102899901	Grommet	1
18	102900401	Bearing	2
19	102900501	Bearing, 62 Od X 30 Id X 16	1
20	102900701	Bearing	1
21	102901001	Bearing	1
22	102901101	Bearing	1
<p style="text-align: center;">Note: To identify your transaxle, locate the serial number decal on the axle tube.</p>			



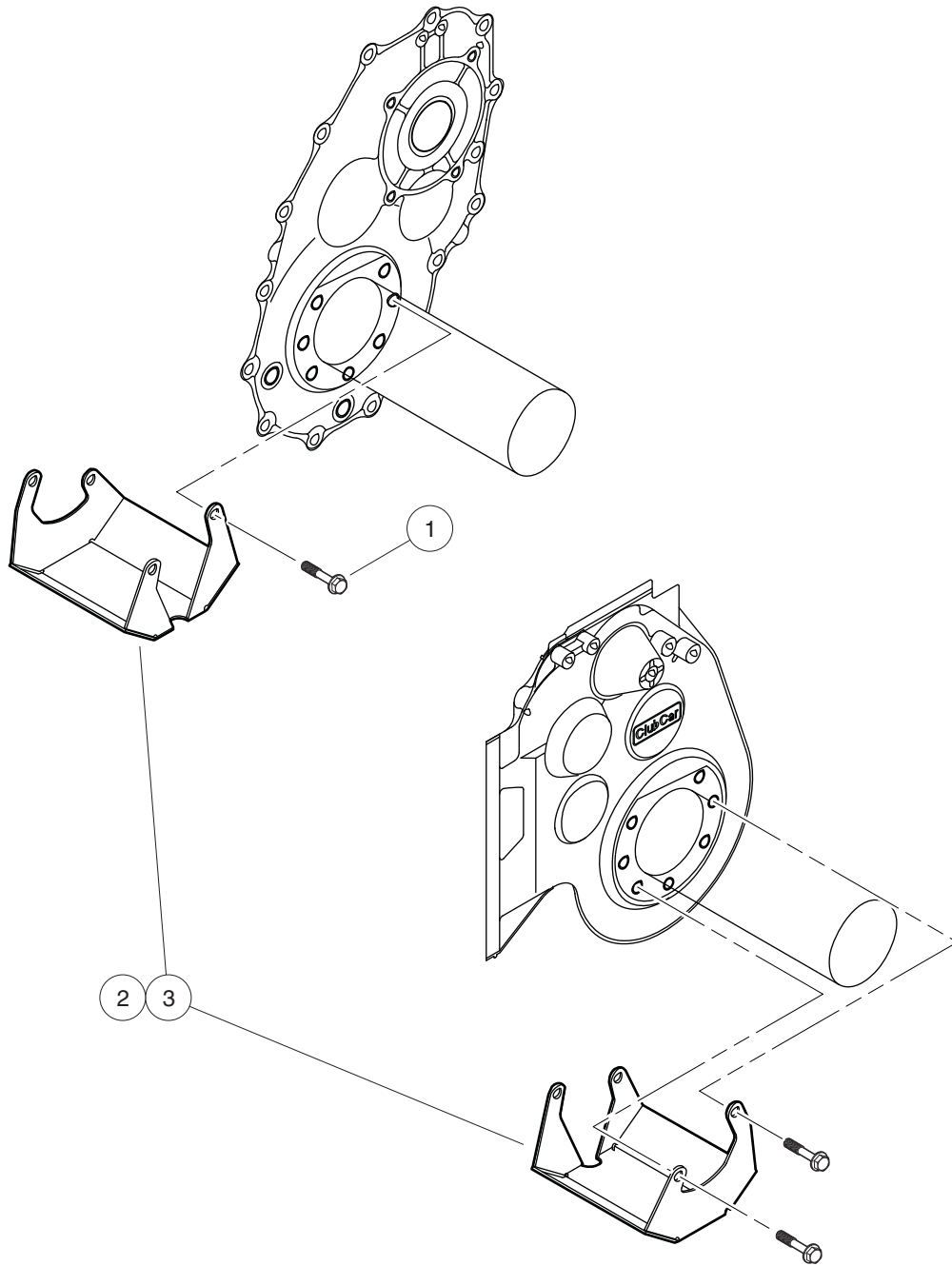
000681-002

GRAZIANO TRANSAXLE -DIFFERENTIAL AND AXLES

ITEM	PART NO.	DESCRIPTION	QTY
		1 2 3 4	
1	102900801	Bearing, 68 Od X 40 Id X 15	2
2	102902001	Assembly, Differential (includes items 3 through 10)	1
3	102901201	Box, Differential	1
4	102901301	Screw, M10 X 25	6
5	102901401	Ring, Sleeve	2
6	102901501	Gear, Sun	2
7	102901601	Gear, Planetary	2
8	102901701	Ring, Sleeve	2
9	102901801	Pin	1
10	102901901	Gear	1
11	102902101	Shaft, Axle, Short, Complete (Passenger-Side) (includes items 12 and 13)	1
12	102902301	Bolt, Stud	4
13	102902401	Snap Ring	1
14	102902201	Shaft, Axle, Long, Complete (Driver-Side) (includes items 15 and 16)	1
15	102902301	Bolt, Stud	4
16	102902401	Snap Ring	1
17	102902501	Seal, Lip	2
18	102902601	Axle Tube, (Driver-Side)	1
19	102902701	Axle Tube, (Passenger-Side)	1
20	102902801	Screw, M10 X 30	14
21	N/A	Tag, Serial	1
<p style="margin-left: 40px;">Note: To identify your transaxle, locate the serial number decal on the axle tube.</p>			

12

G



000366-001

DIFFERENTIAL GUARD – GASOLINE VEHICLE

ITEM	PART NO.	DESCRIPTION	QTY
		1 2 3 4	
1	101926901	Screw, M8-1.25 X 40mm Hex-Head	4
2	101932902	Diff Guard Unitized Kit (Includes Instructions) (includes item 3)	1
3	N/A	Guard, Unitized Differential	1

12

G

12

G

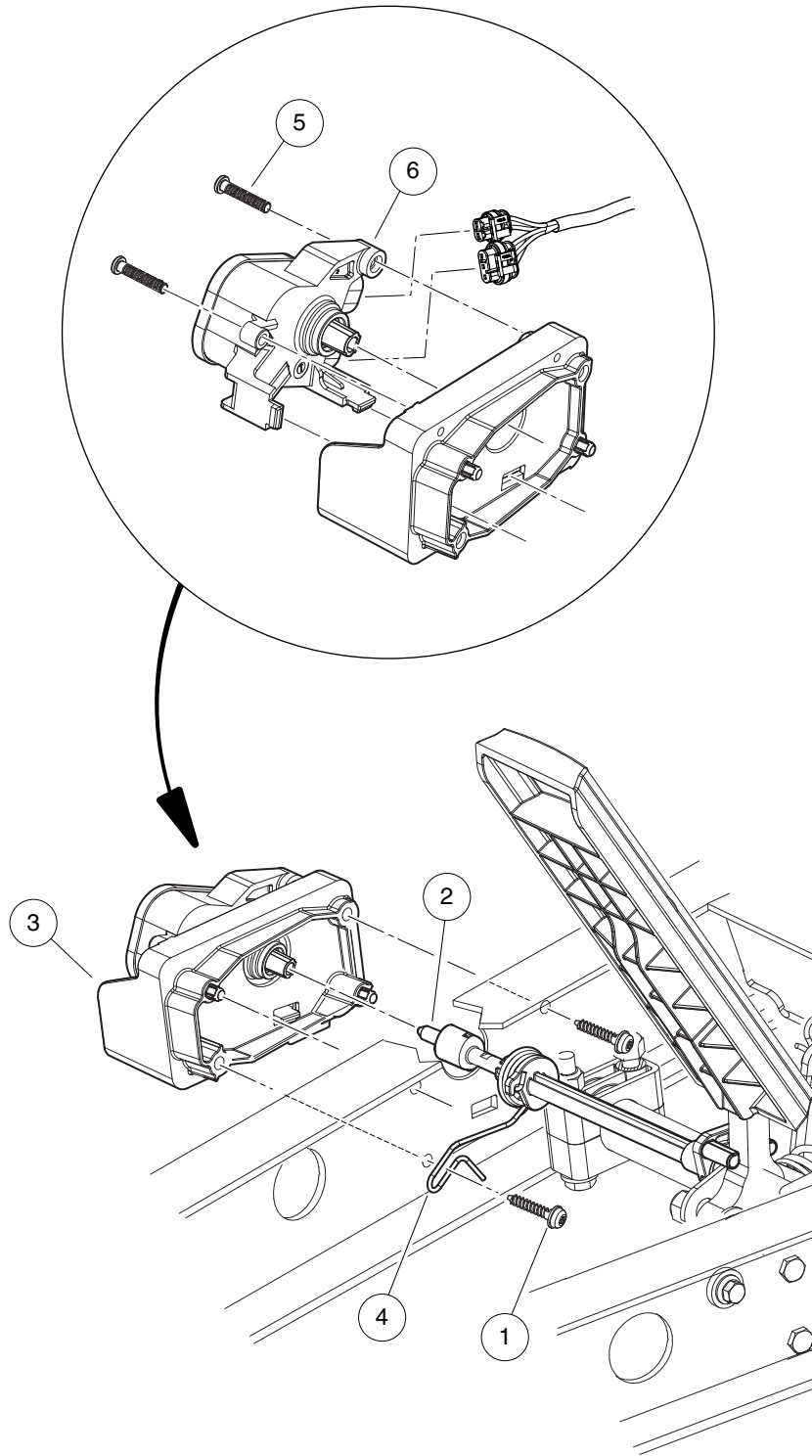
ELECTRICAL SYSTEM – ELECTRIC VEHICLES

13

E

13

E



002522-001

MOTOR CONTROLLER OUTPUT REGULATOR (MCOR)

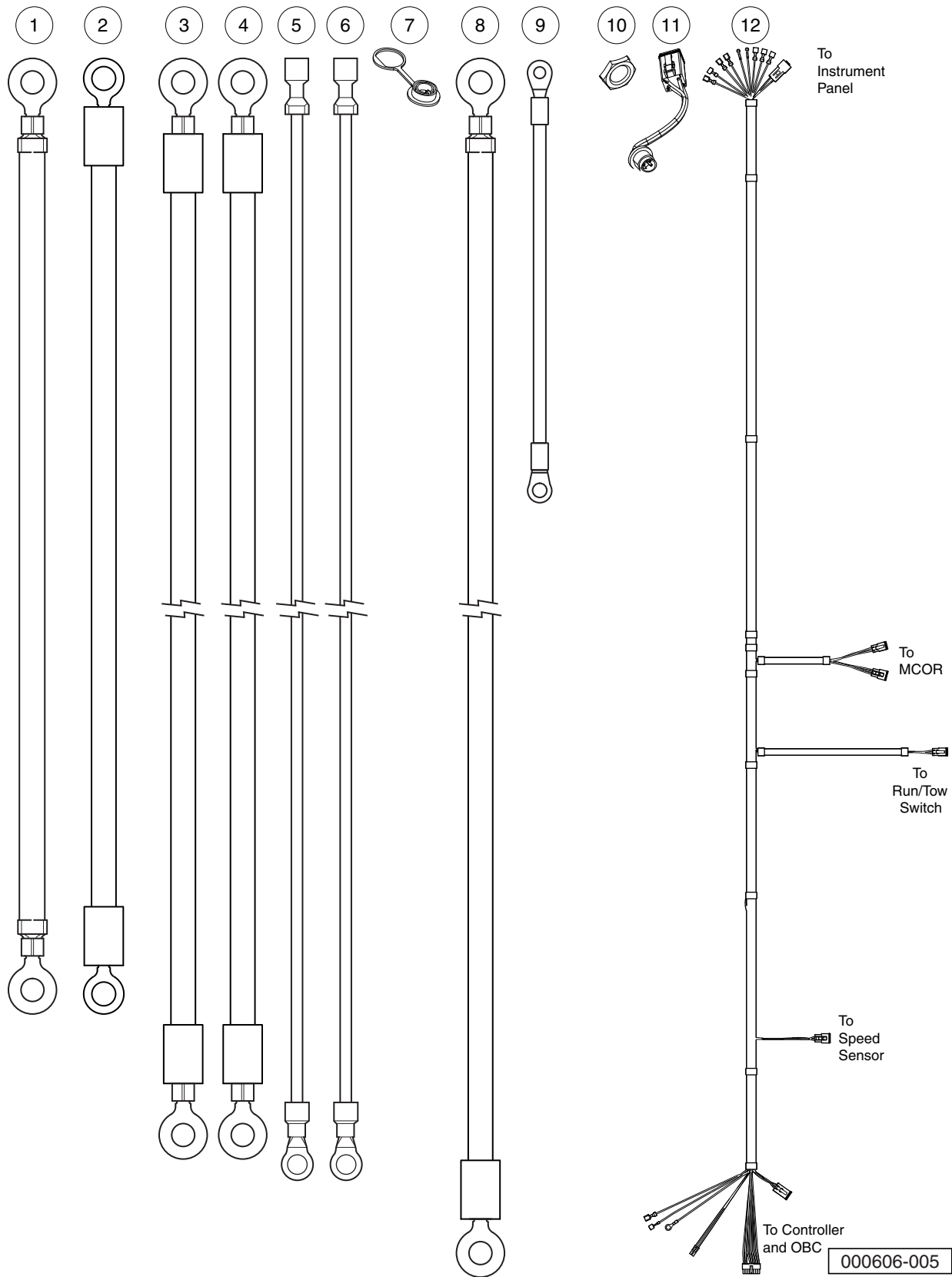
ITEM	PART NO.	DESCRIPTION	QTY
		1 2 3 4	
1	102297230	Screw, M6, Torx, Interlock Thread	2
2	103902101	Bar, Drive, Cast	1
3	103902301	Housing, Mcor	1
4	103902401	Spring, Torsion	1
5	103943401	Screw, Pan, #10 X 1.00 Hi-lo	2
6	105116301	MCOR4, Type 16 Switch	1

13

E

13

E



WIRING – TURF/CA 1 ELECTRIC

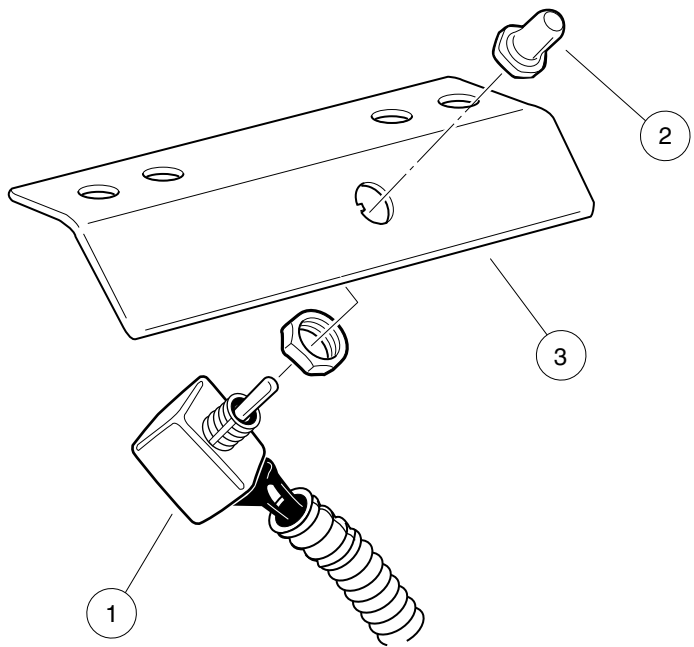
ITEM	PART NO.	DESCRIPTION	QTY
		1 2 3 4	
1	101795701	Asm, Wire, #6blk, 15 In	5
2	101903001	Wire Assembly #6 Yellow	1
3	101968701	Wire Assy, #6 White	1
4	101978001	Wire Assy, #6 Green	1
5	101978102	Asm, Wire, #10 Orange 1/4	1
6	101978202	Asm, Wire, #10 Blue 1/4	1
7	102196901	Dust Cap	1
8	102199601	Wire Asm, #6 Red, 37.7	1
9	102263601	Wire Assy, #10 Black	1
10	102572401	Nut, Diagnostic Port	1
11	103218601	Harness, Diagnostic Port	1
12	103940501	Harness, Ca1, lq, Mc3	1

13

E

13

E



000605-002

TOW/RUN SWITCH – IQ SYSTEM

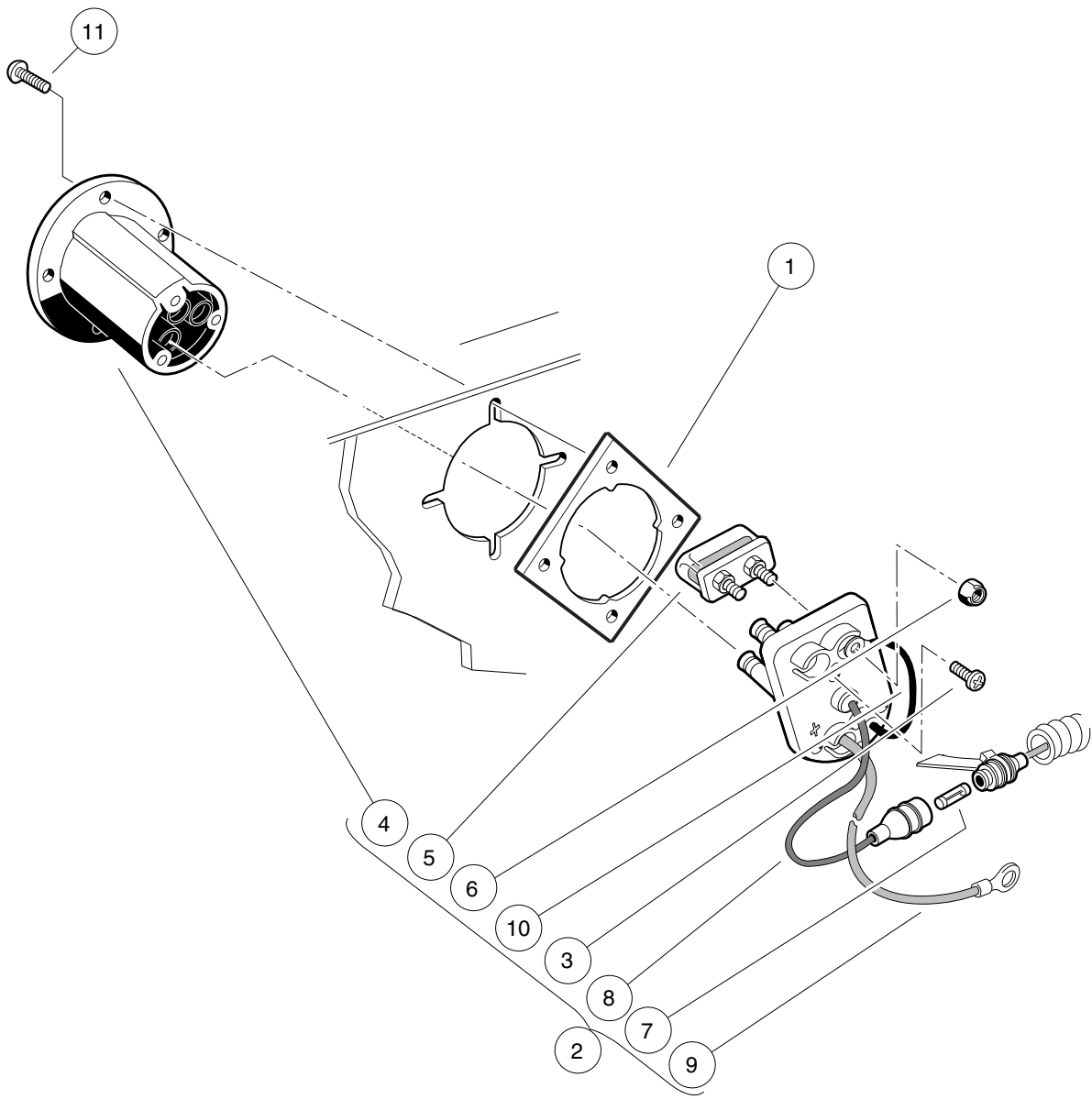
ITEM	PART NO.	DESCRIPTION	QTY
		1 2 3 4	
1	101908101	Switch Assembly, Tow/Run	1
2	101908401	Boot, Switch	1
3	101922501	Bracket, Tow/Run Switch Mounting	1

13

E

13

E



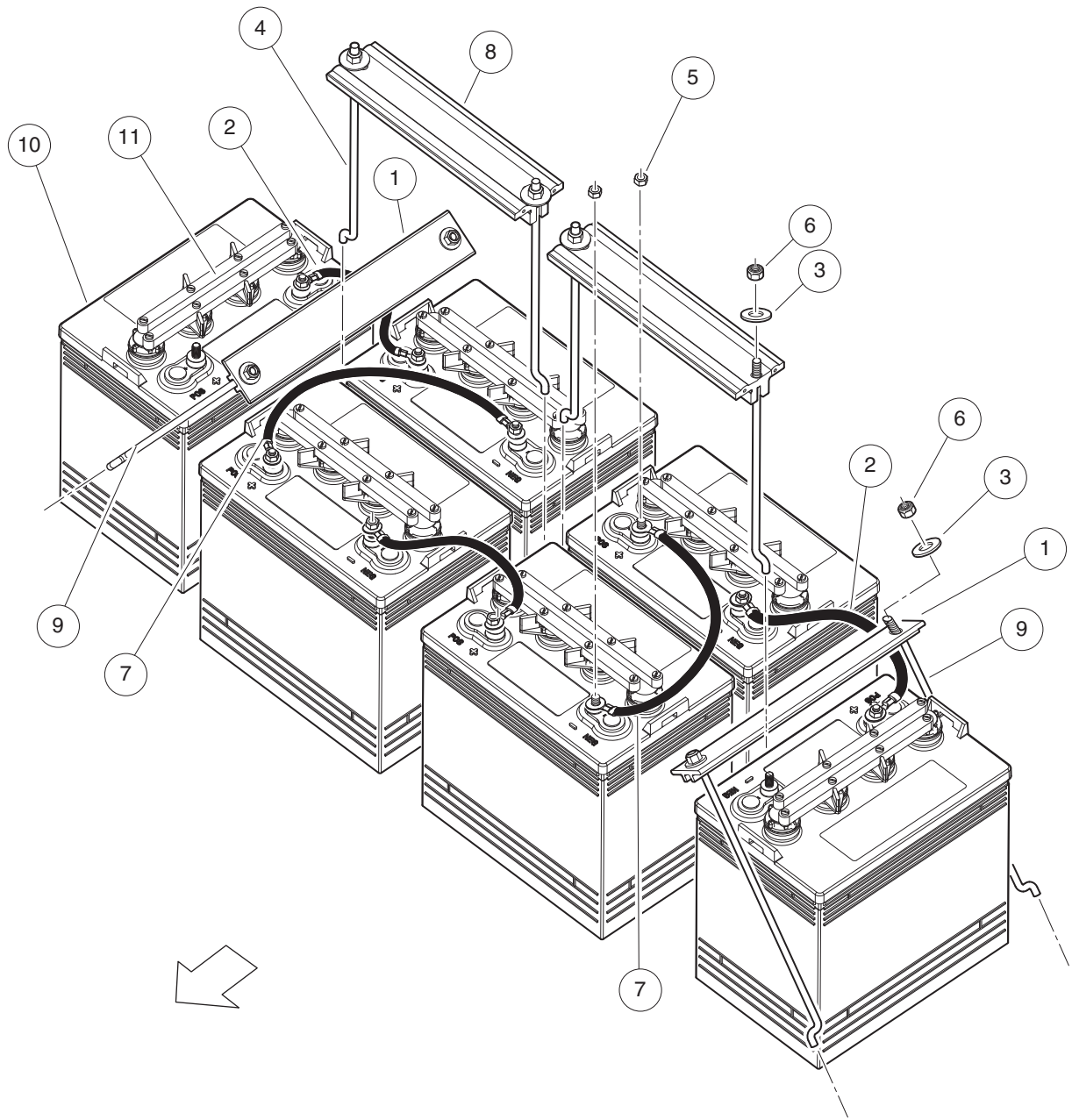
000369-001

BATTERY CHARGER RECEPTACLE

ITEM	PART NO.	DESCRIPTION	QTY
		1 2 3 4	
1	101801001	Plate, Receptacle Backing	1
2	101802101	Fuse and Receptacle Assembly (includes items 3 through 10)	1
3	1017705	Screw, #8 X 5/8 Phillips Pan-Head Type AB	3
4	101796501	Receptacle	1
5	101796801	Fuse Assembly (includes item 6)	1
6	1013061	Locknut, #10-32 Nylon Insert	2
7	101894901	Fuse, 3/8-Amp	1
8	N/A	Wire Assembly, Sense Lead, Gray	1
9	N/A	Wire Assembly, #10 Red	1
10	N/A	Wire Assembly, #10 Black	1
11	101832001	Screw, #7-19 X 0.625 Phillips Pan-Head Tap	4

13

E



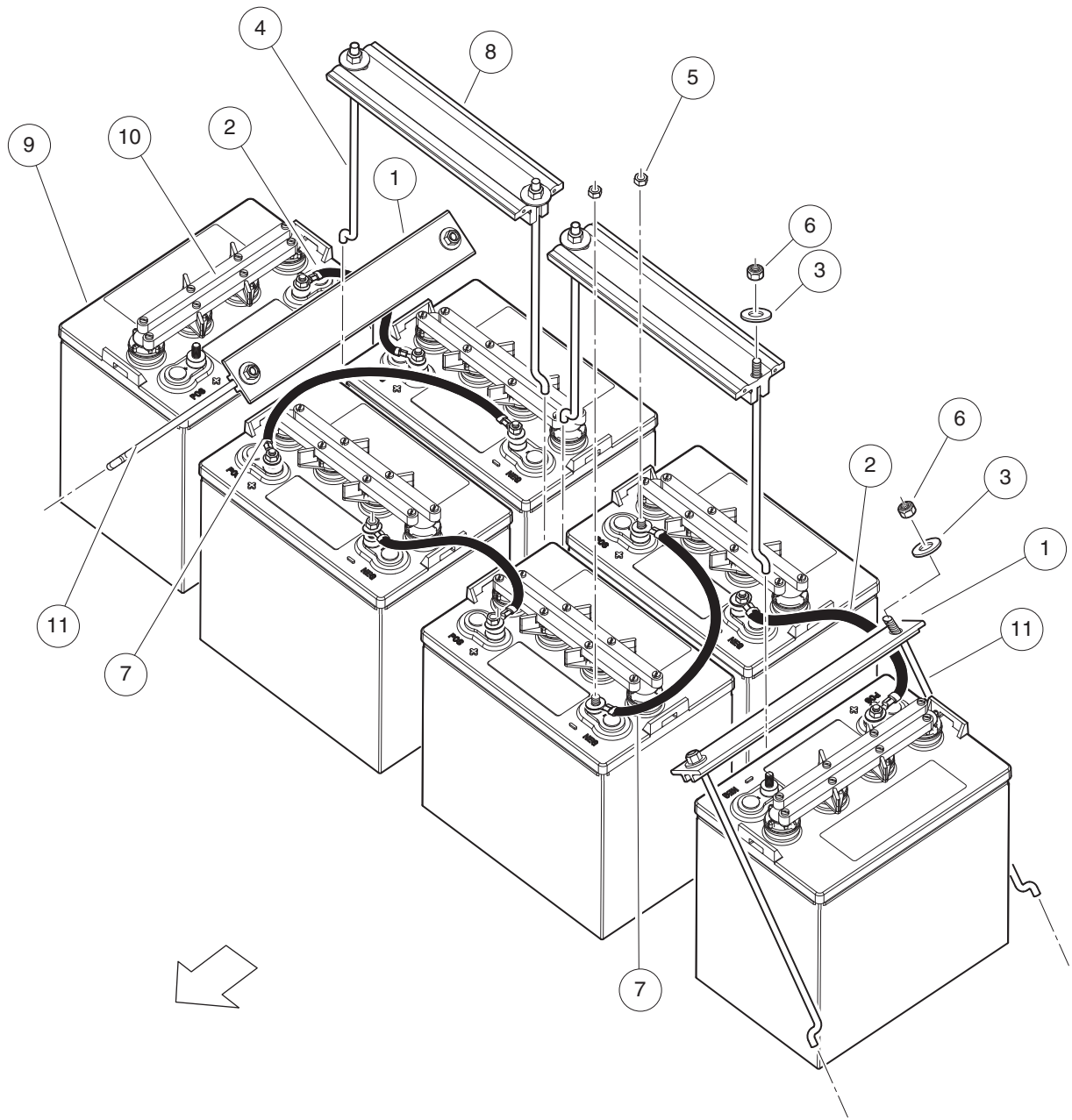
001317-001

BATTERIES, 8-VOLT, CROWN

ITEM	PART NO.	DESCRIPTION	QTY
		1 2 3 4	
1	101090802	Hold-Down, Battery	2
2	1010958	Asm, Wire, #6blk 8in	3
3	1011697	Washer, 5/16 Flat	8
4	1013683	J-Bolt	4
5	1014304	Nut, 5/16-18 Stainless-Steel Hex	12
6	1015072	Locknut, 5/16-18 Nylon Insert	8
7	101795701	Asm, Wire, #6blk, 15 In	2
8	103504301	Tee, Batt Ret Ctr Short	2
9	103696801	J Bolt, Batt Hold Down 12"	4
10	103719701	Battery, 8-Volt, Crown CR165 (includes item 11)	6
11	103878401	Cap, Batt, 8v, Crown, Svc	1

13

E



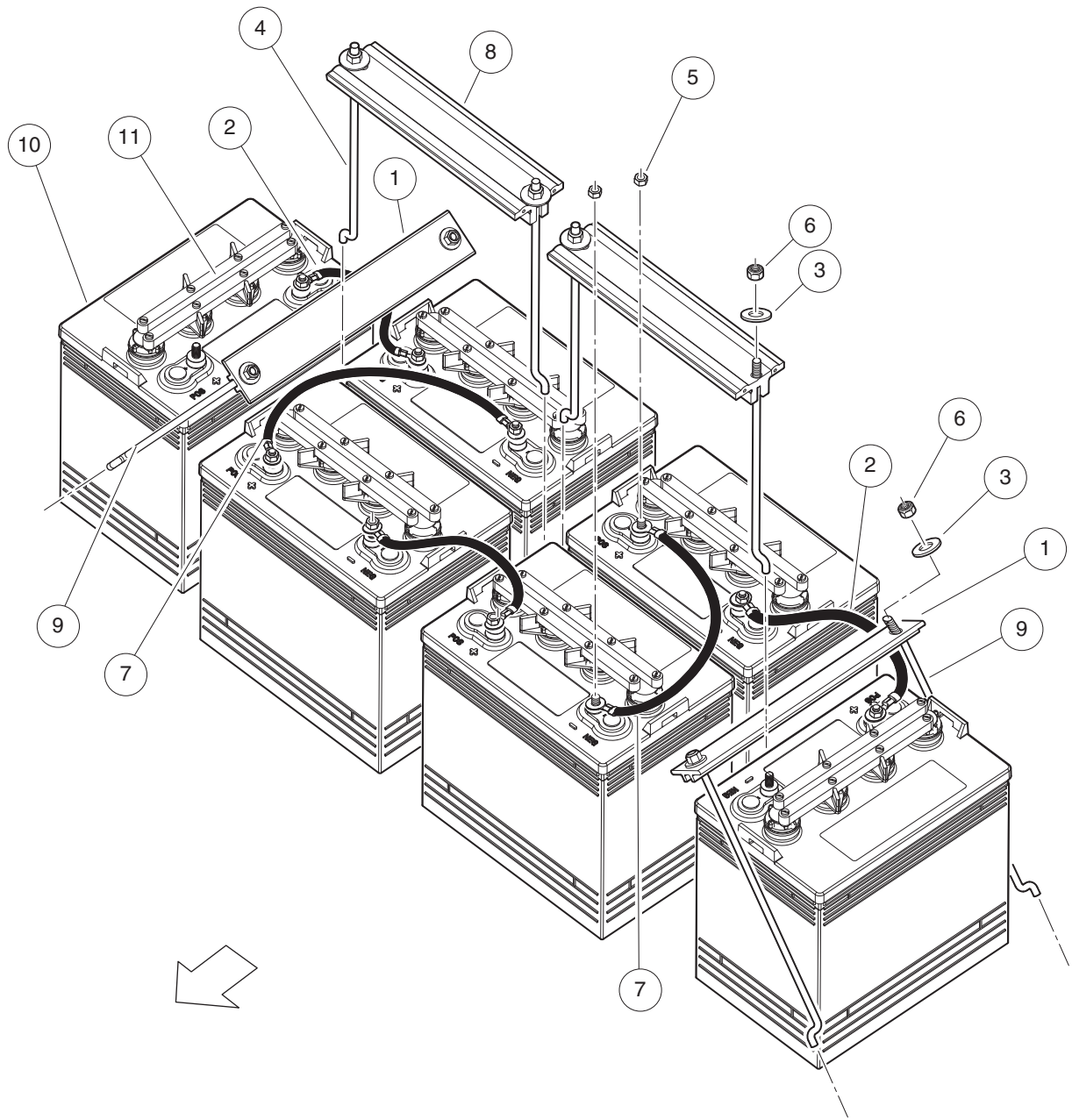
001316-001

BATTERIES, 8-VOLT, U.S. BATTERY

ITEM	PART NO.	DESCRIPTION	QTY
		1 2 3 4	
1	101090802	Hold-Down, Battery	2
2	1010958	Asm, Wire, #6blk 8in	3
3	1011697	Washer, 5/16 Flat	8
4	1013683	J-Bolt	4
5	1014304	Nut, 5/16-18 Stainless-Steel Hex	12
6	1015072	Locknut, 5/16-18 Nylon Insert	8
7	101795701	Asm, Wire, #6blk, 15 In	2
8	103504301	Tee, Batt Ret Ctr Short	2
9	103695801	Battery, 8-Volt, US Battery 8VGCXC (includes item 10)	6
10	103930201	Cap, Battery, Us 8v, Svc	1
11	103696801	J Bolt, Batt Hold Down 12"	4

13

E



001317-001

BATTERIES, 8-VOLT, JCI

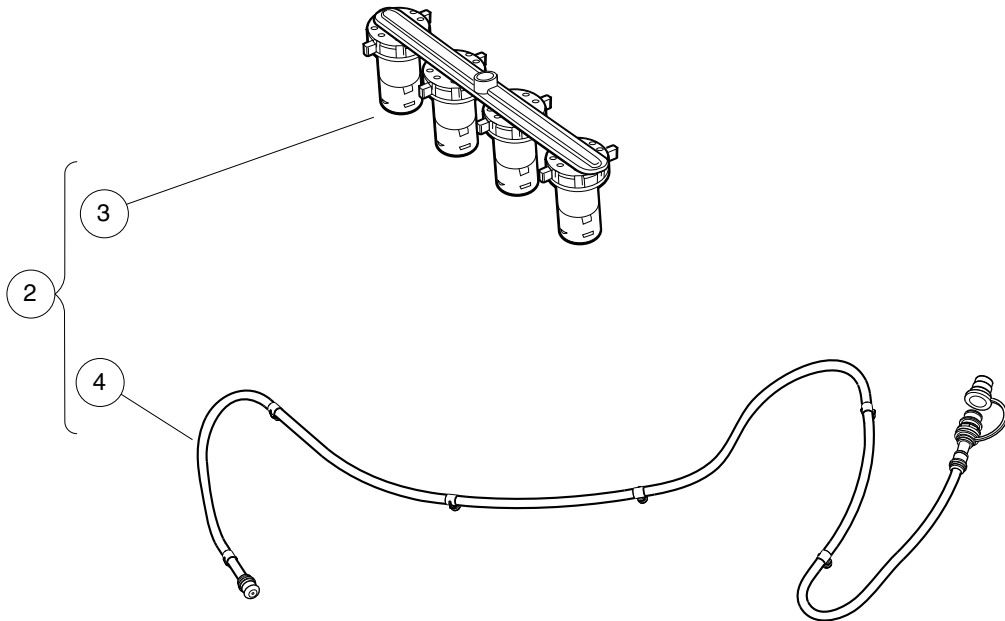
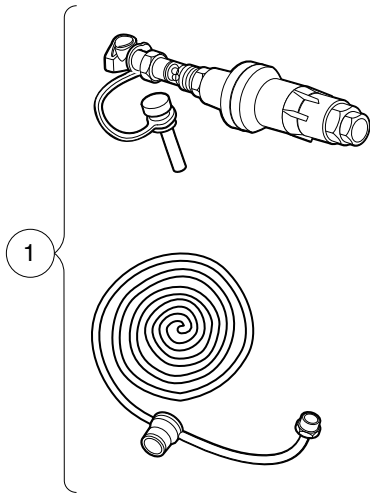
ITEM	PART NO.	DESCRIPTION	QTY
		1 2 3 4	
1	101090802	Hold-Down, Battery	2
2	1010958	Asm, Wire, #6blk 8in	3
3	1011697	Washer, 5/16 Flat	8
4	1013683	J-Bolt	4
5	1014304	Nut, 5/16-18 Stainless-Steel Hex	12
6	1015072	Locknut, 5/16-18 Nylon Insert	8
7	101795701	Asm, Wire, #6blk, 15 In	2
8	103504301	Tee, Batt Ret Ctr Short	2
9	103696801	J Bolt, Batt Hold Down 12"	4
10	103793001	Battery, 8-Volt, JCI GC8 (includes item 11)	6
11	103765601	Cap, Spin, 8-Volt Battery	1

13

E

13

E



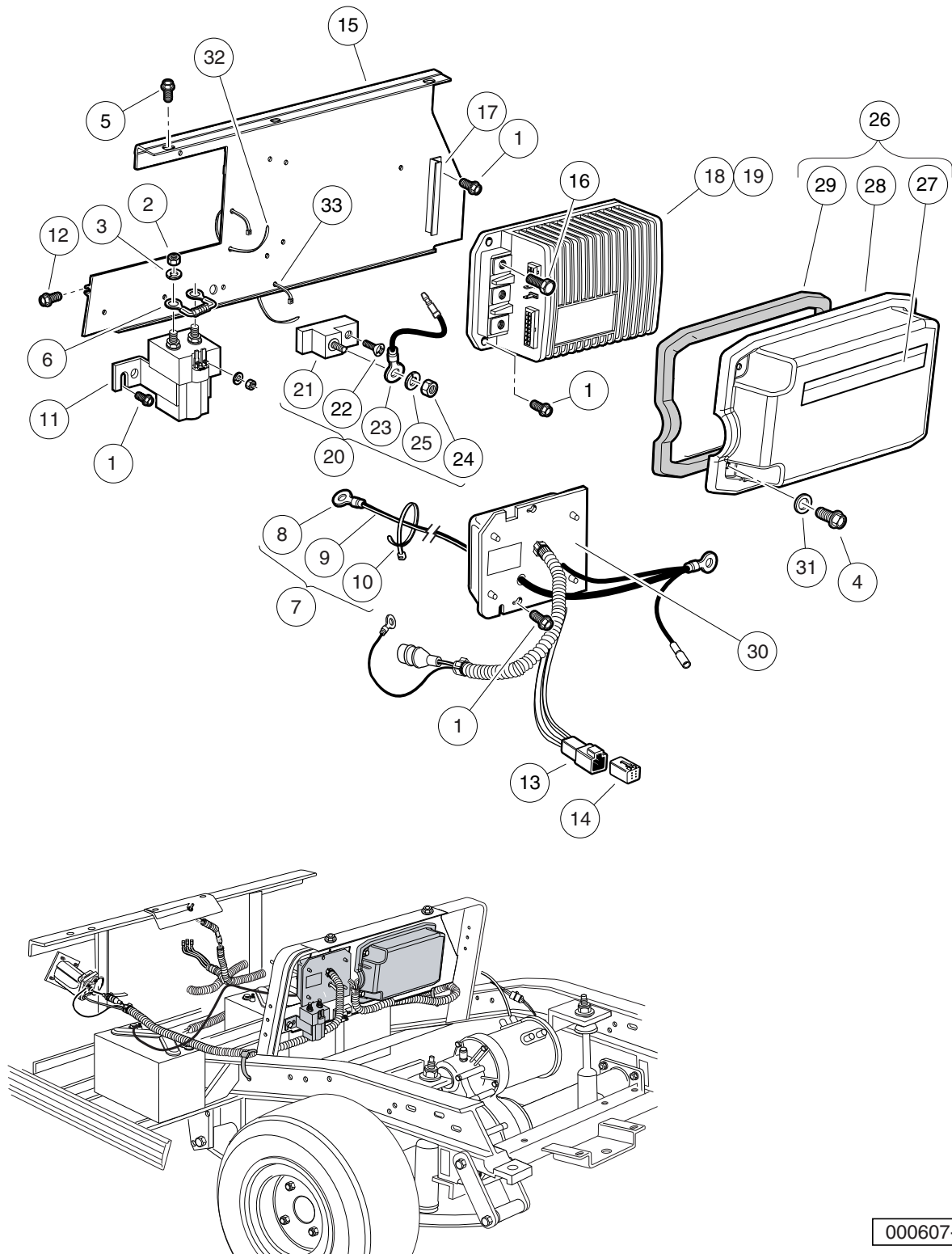
000731-007

SINGLE POINT WATERING SYSTEM, 8V CROWN & JCI

ITEM	PART NO.	DESCRIPTION	QTY
		1 2 3 4	
1	102958001	Kit Regulated Hose Sply Spws	1
2	103395505	Kit, Spws, 8 Volt Non-Trojan (includes items 3 and 4)	1
3	103510602	Spws, Manifold Asm, 8v Non-Trojan	6
4	103774701	Spws, Hose 8v Non-trojan	1
		Note: For Crown and JCI 8-Volt batteries only.	

13

E



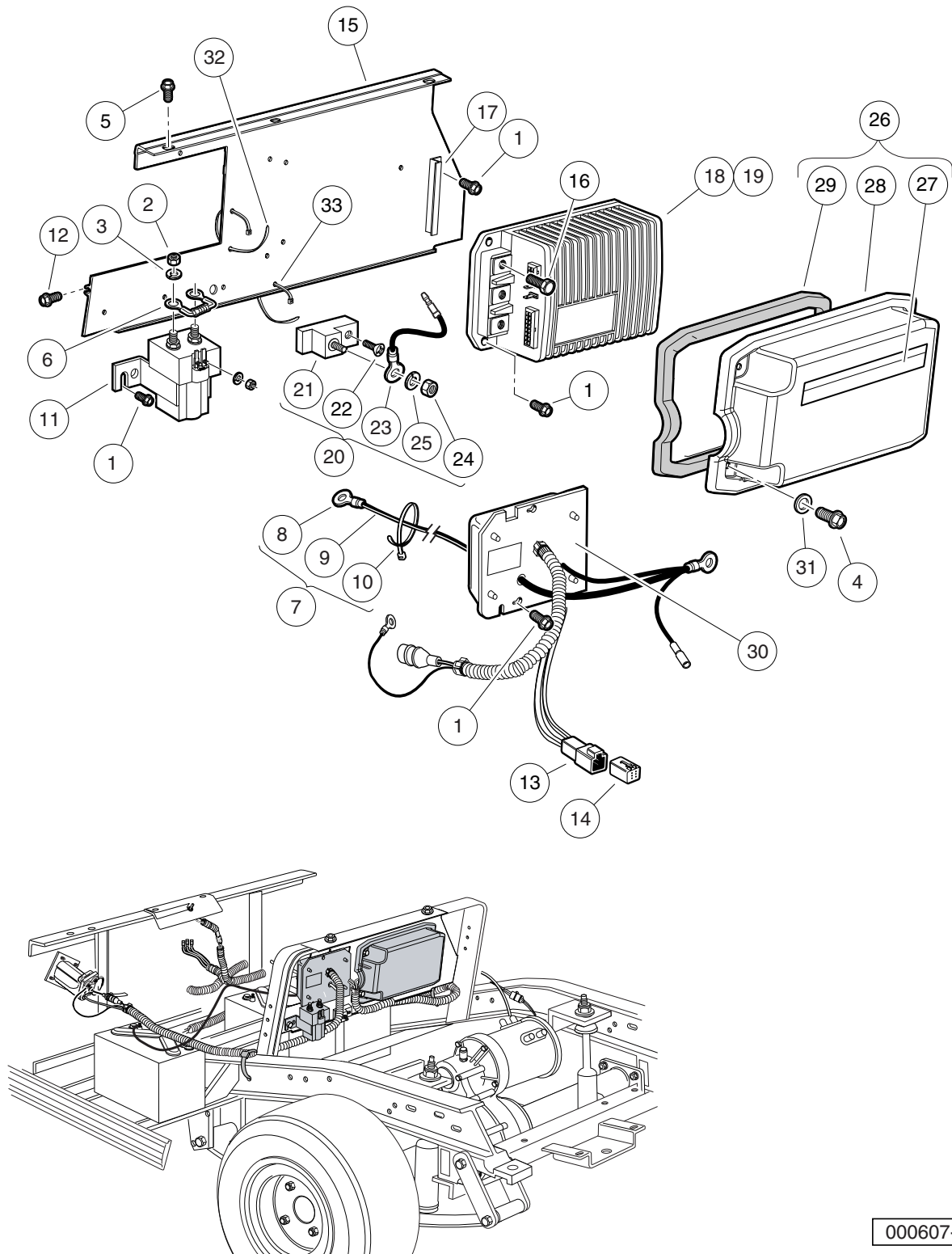
000607-004

COMPUTER, CONTROLLER, AND SOLENOID – FOR TROJAN & CROWN BATTERIES

ITEM	PART NO.	DESCRIPTION	QTY
		1 2 3 4	
1	1012285	Screw, 1/4 X 0.625 Hex-Head	9
2	1012528	Nut, M8-1.25 Hex	2
3	1013734	Lockwasher, 8mm Split	2
4	1014063	Screw, 1/4-20 X 1.00, Hex Head	2
5	1014288	Screw, 5/16-18 X 0.75, Thread-Forming	2
6	1014947	Resistor Assembly	1
7	101827801	Ground Wire Kit, 48-Volt (includes items 8 through 10)	1
8	101826801	Compression Lug	1
9	N/A	Wire Assembly, Black	1
10	8990	Tie Wrap, 8" Nylon	3
11	101908703	Solenoid, 48v W/ Diode	1
12	101910401	Screw, 5/16-18 X 1.25 Thrd Frm	2
13	101932601	Kit, 6-Pin Wedge Lock	1
14	101932701	Kit, 6-Pin Receptacle and Wedge Lock	1
15	101965205	Plate, Component Mounting	1
16	102240501	Bolt, Controller, Terminal	3
17	102243101	Extrusion, Cover Support	1
18	102806201	Controller, IQ, 48-volt	1
19	102806203	Controller, IQ, 48-volt, CE	1
20	103282701	Kit, Terminal Block Ground (includes items 21 through 25)	1
21	102259801	Terminal Block	1
22	102263701	Screw, #10-24 X 0.75 Phillips, Thread-Forming	1
23	103282601	Wire Assembly Black #10	1
24	1242	Nut, 5/16-18 Hex	1
25	7174	Lockwasher, 5/16 Split	1
26	103316901	Cover Asm - Controller (includes items 27 through 29)	1
27	101931501	Decal, Component Cover	1
28	103316701	Cover - Controller, Deep	1
29	103316801	Gasket - Controller Cover	1
30	103697301	Obc, Iq, A1, #6	1
31	332	Washer, 1/4 Type A Narrow Flat	2
32	8639	Tie Wrap, 11" Nylon	1
33	8990	Tie Wrap, 8" Nylon	1

13

E



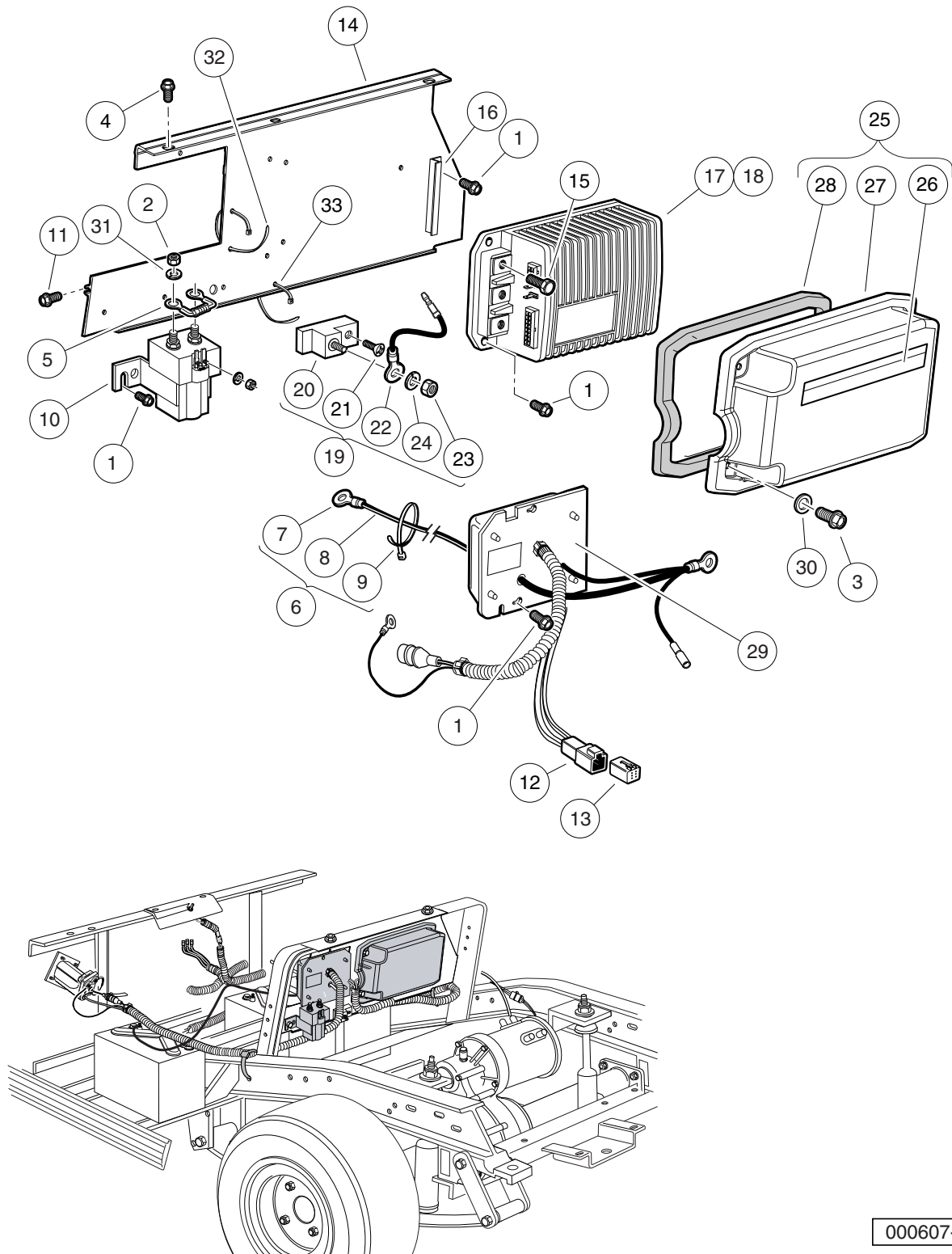
000607-004

COMPUTER, CONTROLLER, AND SOLENOID – FOR U.S. BATTERIES

13

E

ITEM	PART NO.	DESCRIPTION	QTY
		1 2 3 4	
1	1012285	Screw, 1/4 X 0.625 Hex-Head	9
2	1012528	Nut, M8-1.25 Hex	2
3	1013734	Lockwasher, 8mm Split	2
4	1014063	Screw, 1/4-20 X 1.00, Hex Head	2
5	1014288	Screw, 5/16-18 X 0.75, Thread-Forming	2
6	1014947	Resistor Assembly	1
7	101827801	Ground Wire Kit, 48-Volt (includes items 8 through 10)	1
8	101826801	Compression Lug	1
9	N/A	Wire Assembly, Black	1
10	8990	Tie Wrap, 8" Nylon	3
11	101908703	Solenoid, 48v W/ Diode	1
12	101910401	Screw, 5/16-18 X 1.25 Thrd Frm	2
13	101932601	Kit, 6-Pin Wedge Lock	1
14	101932701	Kit, 6-Pin Receptacle and Wedge Lock	1
15	101965205	Plate, Component Mounting	1
16	102240501	Bolt, Controller, Terminal	3
17	102243101	Extrusion, Cover Support	1
18	102806201	Controller, IQ, 48-volt	1
19	102806203	Controller, IQ, 48-volt, CE	1
20	103282701	Kit, Terminal Block Ground (includes items 21 through 25)	1
21	102259801	Terminal Block	1
22	102263701	Screw, #10-24 X 0.75 Phillips, Thread-Forming	1
23	103282601	Wire Assembly Black #10	1
24	1242	Nut, 5/16-18 Hex	1
25	7174	Lockwasher, 5/16 Split	1
26	103316901	Cover Asm - Controller (includes items 27 through 29)	1
27	101931501	Decal, Component Cover	1
28	103316701	Cover - Controller, Deep	1
29	103316801	Gasket - Controller Cover	1
30	103697303	Obc, Iq, A2, #6	1
31	332	Washer, 1/4 Type A Narrow Flat	2
32	8639	Tie Wrap, 11" Nylon	1
33	8990	Tie Wrap, 8" Nylon	1



000607-006

COMPUTER, CONTROLLER, AND SOLENOID – FOR CROWN AND JCI BATTERIES

ITEM	PART NO.	DESCRIPTION	QTY
		1 2 3 4	
1	1012285	Screw, 1/4 X 0.625 Hex-Head	9
2	1012528	Nut, M8-1.25 Hex	2
3	1014063	Screw, 1/4-20 X 1.00, Hex Head	2
4	1014288	Screw, 5/16-18 X 0.75, Thread-Forming	2
5	1014947	Resistor Assembly	1
6	101827801	Ground Wire Kit, 48-Volt (includes items 7 through 9)	1
7	101826801	Compression Lug	1
8	N/A	Wire Assembly, Black	1
9	8990	Tie Wrap, 8" Nylon	3
10	101908703	Solenoid, 48v W/ Diode	1
11	101910401	Screw, 5/16-18 X 1.25 Thrd Frm	2
12	101932601	Kit, 6-Pin Wedge Lock	1
13	101932701	Kit, 6-Pin Receptacle and Wedge Lock	1
14	101965202	Plate, Component Mounting	1
15	102240501	Bolt, Controller, Terminal	3
16	102243101	Extrusion, Cover Support	1
17	102806201	Controller, IQ, 48-volt	1
18	102806203	Controller, IQ, 48-volt, CE	1
19	103282701	Kit, Terminal Block Ground (includes items 20 through 24)	1
20	102259801	Terminal Block	1
21	102263701	Screw, #10-24 X 0.75 Phillips, Thread-Forming	1
22	103282601	Wire Assembly Black #10	1
23	1242	Nut, 5/16-18 Hex	1
24	7174	Lockwasher, 5/16 Split	1
25	103316901	Cover Asm - Controller (includes items 26 through 28)	1
26	101931501	Decal, Component Cover	1
27	103316701	Cover - Controller, Deep	1
28	103316801	Gasket - Controller Cover	1
29	103697301	Obc, Iq, A1, #6	1
30	332	Washer, 1/4 Type A Narrow Flat	2
31	7174	Lockwasher, 5/16 Split	2
32	8639	Tie Wrap, 11" Nylon	1
33	8990	Tie Wrap, 8" Nylon	1

13

E

13

E

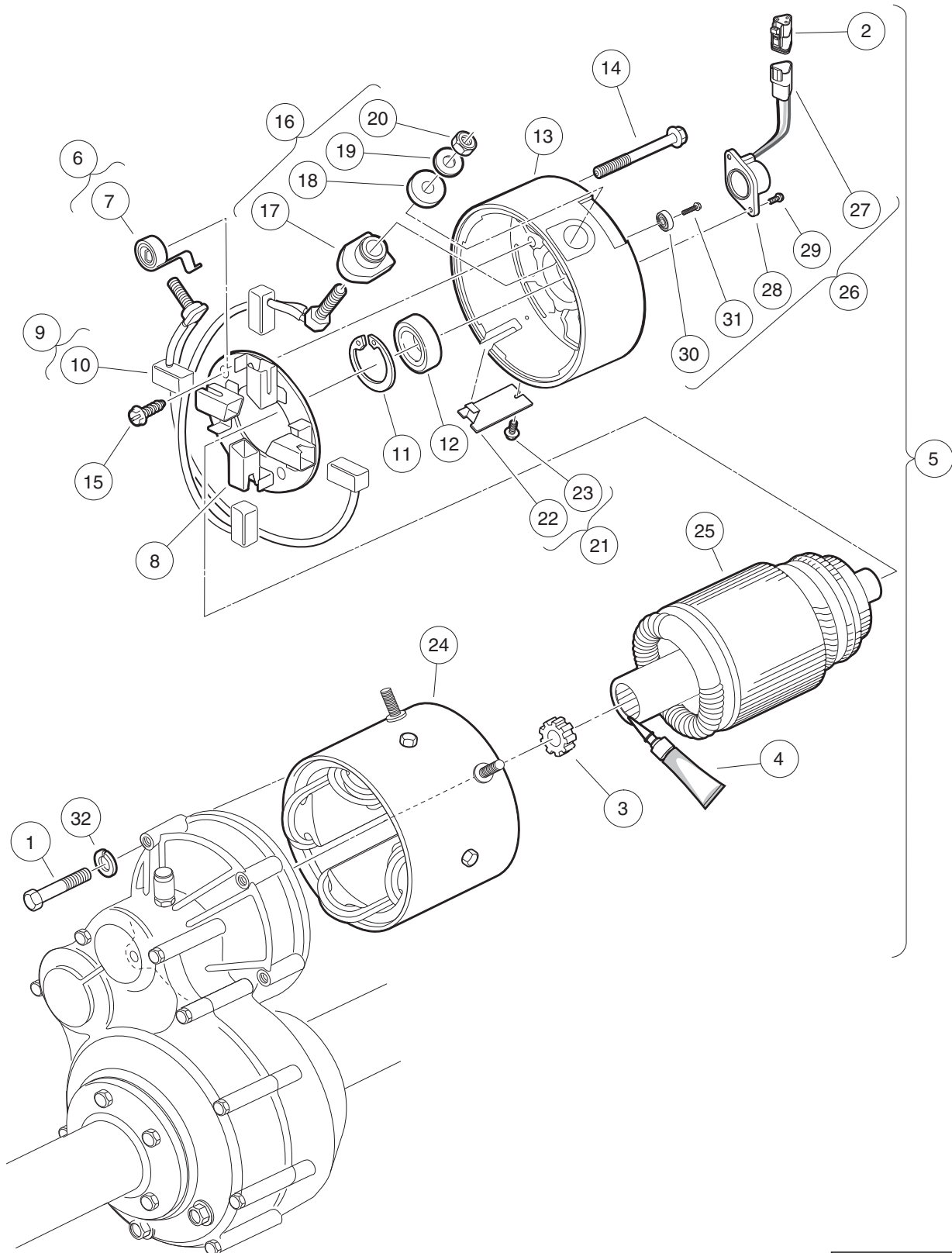
ELECTRIC MOTOR

14

E

14

E



000185-002

MOTOR (MODEL EJ8-4001A) – ELECTRIC VEHICLE

ITEM	PART NO.	DESCRIPTION	QTY
		1 2 3 4	
1	1014201	Screw, 1/4-20 X 2.25 Hex Cap	3
2	101920101	Kit, 3-Pin Wedge Lock	1
3	102235201	Bumper, Drive Unit	1
4	102243403	Lubricant, Moly-Teflon (Single-Use Tube)	1
5	103572501	IQ Electric Motor, 48-VDC 3.3 hp (includes items 6 through 26)	1
6	102186001	Spring Kit, Motor Brush (includes item 7)	1
7	N/A	Spring, Brush, S-g	4
8	102186101	Brush Box Assembly	1
9	102186201	Brush Kit, Motor (includes item 10)	1
10	N/A	Assembly, Brush and Terminal	2
11	N/A	Ring, 2.24" Internal Retaining	1
12	102186401	Bearing, Ball	1
13	102186701	End Cap, Motor	1
14	N/A	Screw, 1/4-20 X 2.25 Hex-Head Washer	2
15	102186901	Screw, #8-32 X .5 Hex-Head	2
16	102187101	Hardware Kit, Motor Terminal (includes items 17 through 20)	2
17	N/A	Bushing, Nylon	2
18	N/A	Washer, Nylon Flat	2
19	N/A	Washer, Flat, 5/16 Steel	2
20	N/A	Nut, Brass Hex, 5/16 - 18	2
21	102187201	Plate Kit, Motor Cover (includes items 22 and 23)	1
22	N/A	Assembly, Cover Plate	1
23	N/A	Screw, #8-32 x 0.375, Taptite Thread	1
24	102704701	Frame and Field Assembly	1
25	102704801	Armature Assembly	1
26	102704901	Kit, Speed Sensor (includes items 27 through 31)	1
27	101942301	Kit, 3-Pin Wedge Lock	1
28	N/A	Sensor, Motor Speed, ADC	1
29	N/A	Screw, #8-32, Taptite Thread	2
30	N/A	Magnet, ADC Motor	1
31	N/A	Screw, 1/4-20 x 0.5	1
32	451	Lockwasher, 1/4 Split	3
Note: The F1 and F2 terminal posts on the EJ8-4001A motor have 1/4 - 20			

14

E

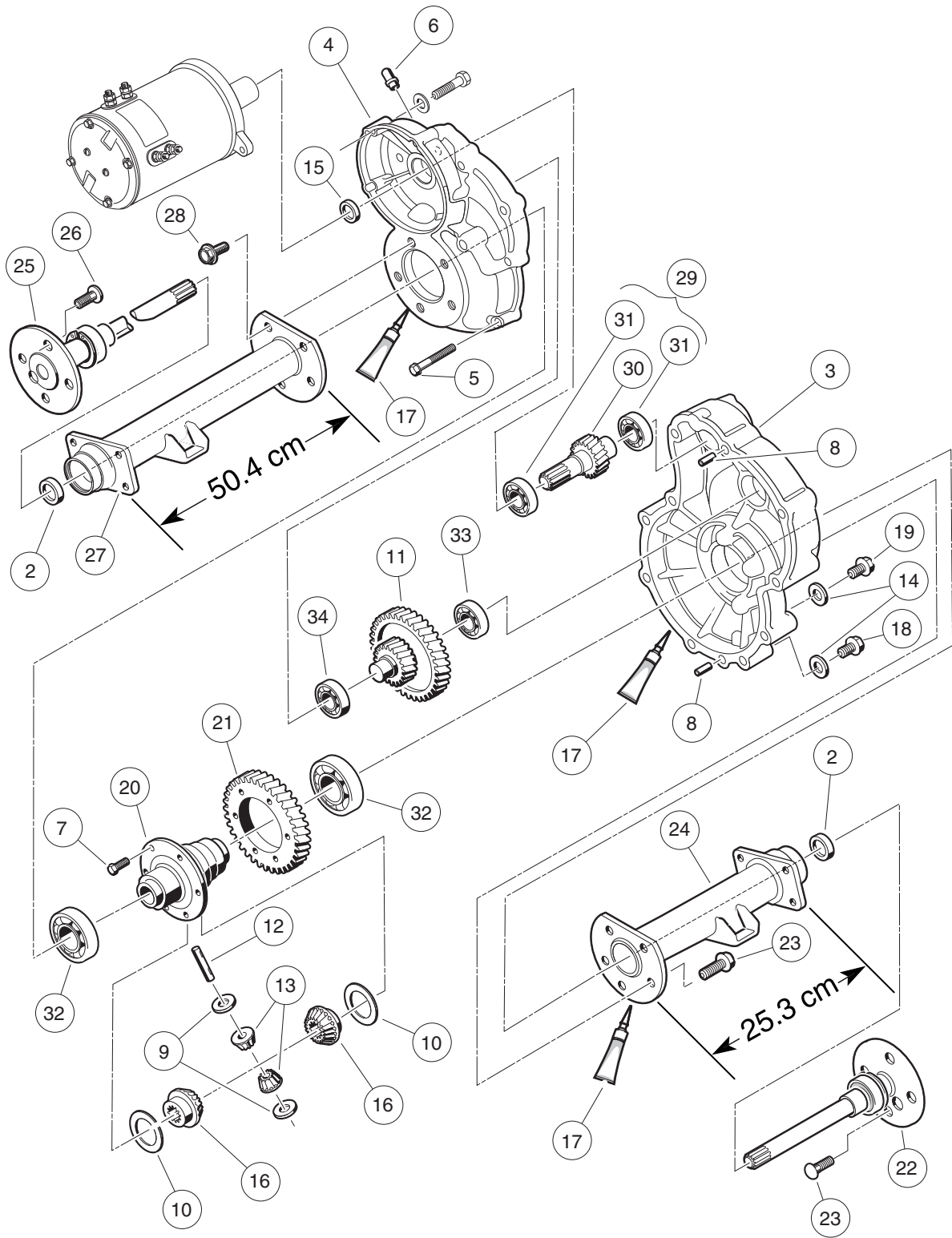
14

E

TRANSAXLE – ELECTRIC VEHICLES

15

E



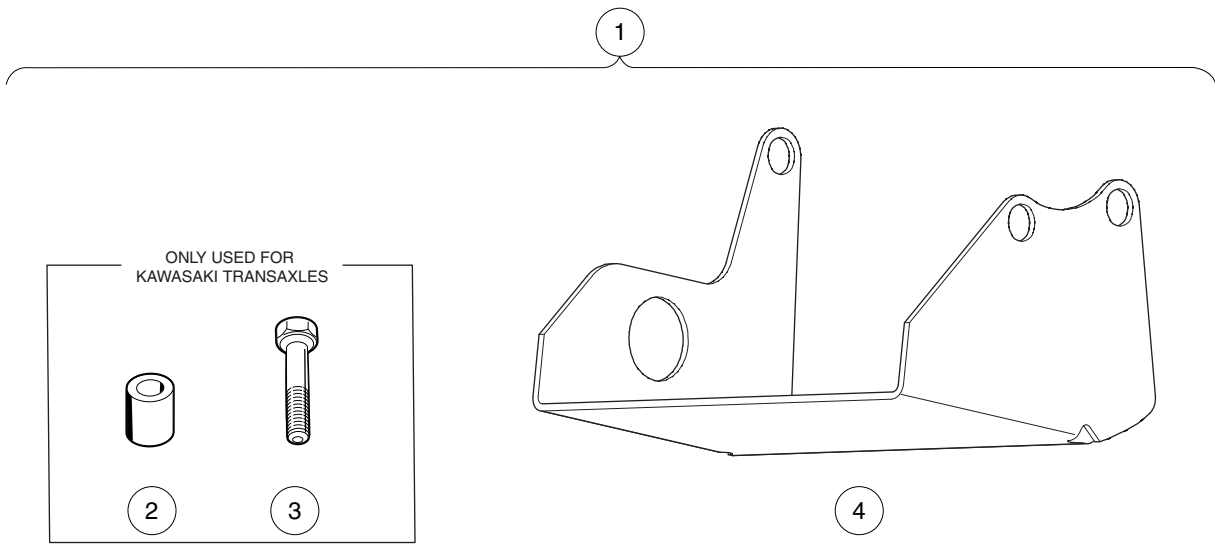
000223-005

TRANSAXLE – ELECTRIC VEHICLES

ITEM	PART NO.	DESCRIPTION	QTY
		1 2 3 4	
1	102771701	Transaxle, Electric (includes items 2 through 34)	1
2	1013794	Axle Shaft Oil Seal	2
3	101895401	Gear Case, Driver-Side	1
4	101895501	Gear Case, Passenger-Side	1
5	101897001	Screw, M8-1.25 X 60mm Hex-Head	11
6	101897201	Breather	1
7	101897401	Screw, M10-1.25 X 25mm	6
8	101897601	Pin, 11mm OD X 8.5mm ID X 10mm	2
9	101903601	Washer, Thrust	2
10	101903701	Washer, Thrust	2
11	101906901	Intermediate Shaft Assembly	1
12	101922101	Pin, 15.99mm X 88.7mm Dowel	1
13	101923001	Gear, Differential Idler	2
14	101923201	Gasket	2
15	101923501	Seal, Lip	1
16	101923901	Gear, Differential	2
17	101928701	Liquid Gasket (Transaxle case)	1
18	101972101	Plug, M14-1.5 X 12mm Magnetic	1
19	101972201	Plug, M14-1.5 X 12mm Hex	1
20	102356601	Housing, Differential, 6 Bolt	6
21	102356801	Gear, Differential Output, 6-Bolt	6
22	102886301	Axle Assembly, Driver-Side (includes item 23)	1
23	101922201	Lug Stud	4
24	102886401	Tube, Axle, Driver-Side	1
25	102886501	Axle Assembly, Passenger-Side (includes item 26)	1
26	101922201	Lug Stud	4
27	102886601	Tube, Axle, Passenger-Side	1
28	102902801	Screw, M10 X 30	10
29	103582801	Asm, E Trans Shaft/bearing (includes items 30 and 31)	1
30	N/A	Shaft, Input	1
31	7335	Bearing	2
32	7330	Inner Axle Tube Bearing	2
33	7335	Bearing	1
34	7336	Bearing	1

15

E



000365-002

DIFFERENTIAL GUARD – ELECTRIC VEHICLES

ITEM	PART NO.	DESCRIPTION	QTY
		1 2 3 4	
1	101611402	Kit, Differential Guard, Elec Vehicles (includes items 2 through 4)	1
2	101914001	Spacer, Steel	2
3	101936101	Screw, M10-1.50 X 60mm Hex Cap	2
4	101978601	Guard, Differential, Electric Vehicle Transaxle	1

15

E

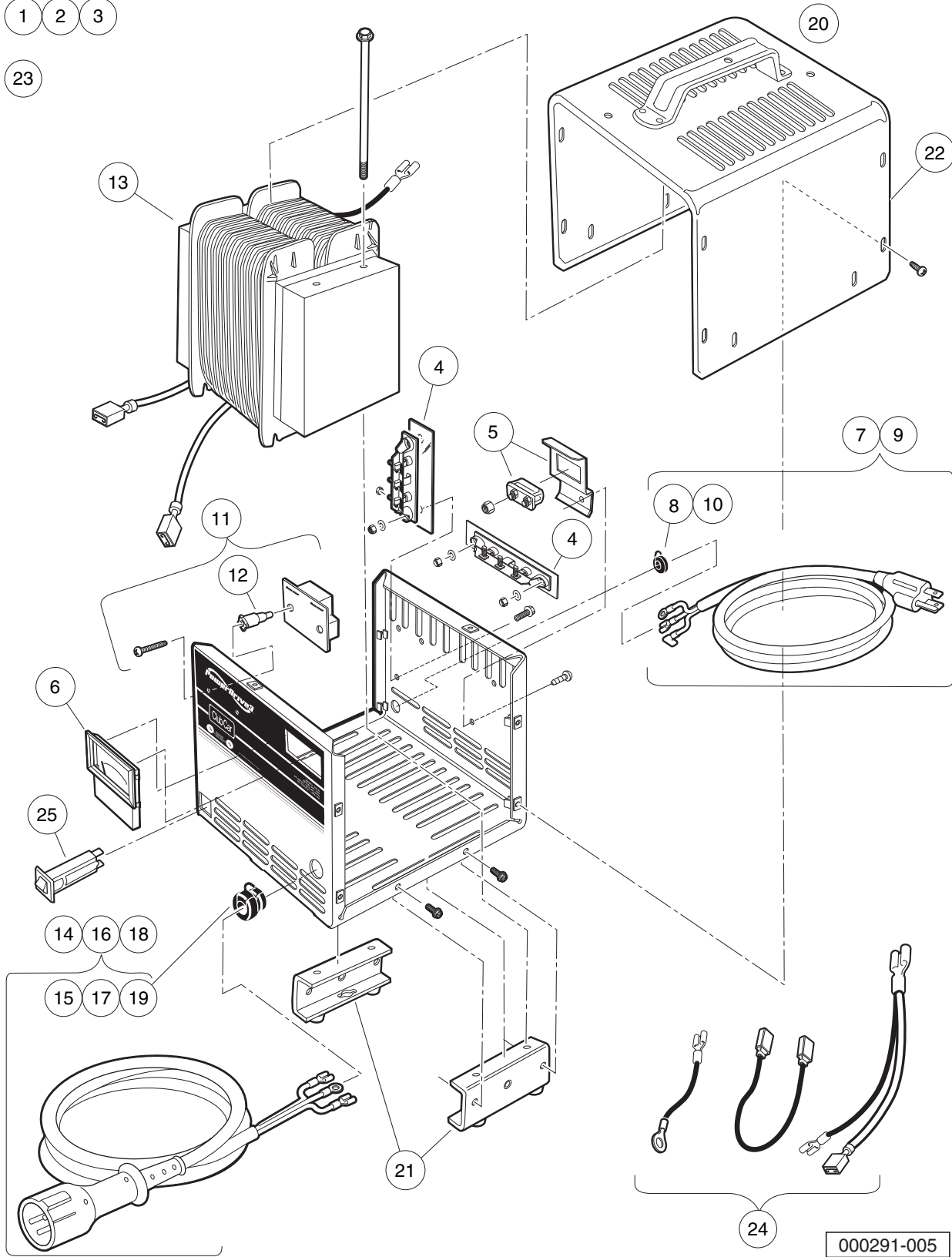
15

E

BATTERY CHARGERS – POWER DRIVE

- 1
- 2
- 3

- 23



000291-005

POWERDRIVE 3 BATTERY CHARGER (MODEL 26580-11,-12,-18,-19), DOMESTIC

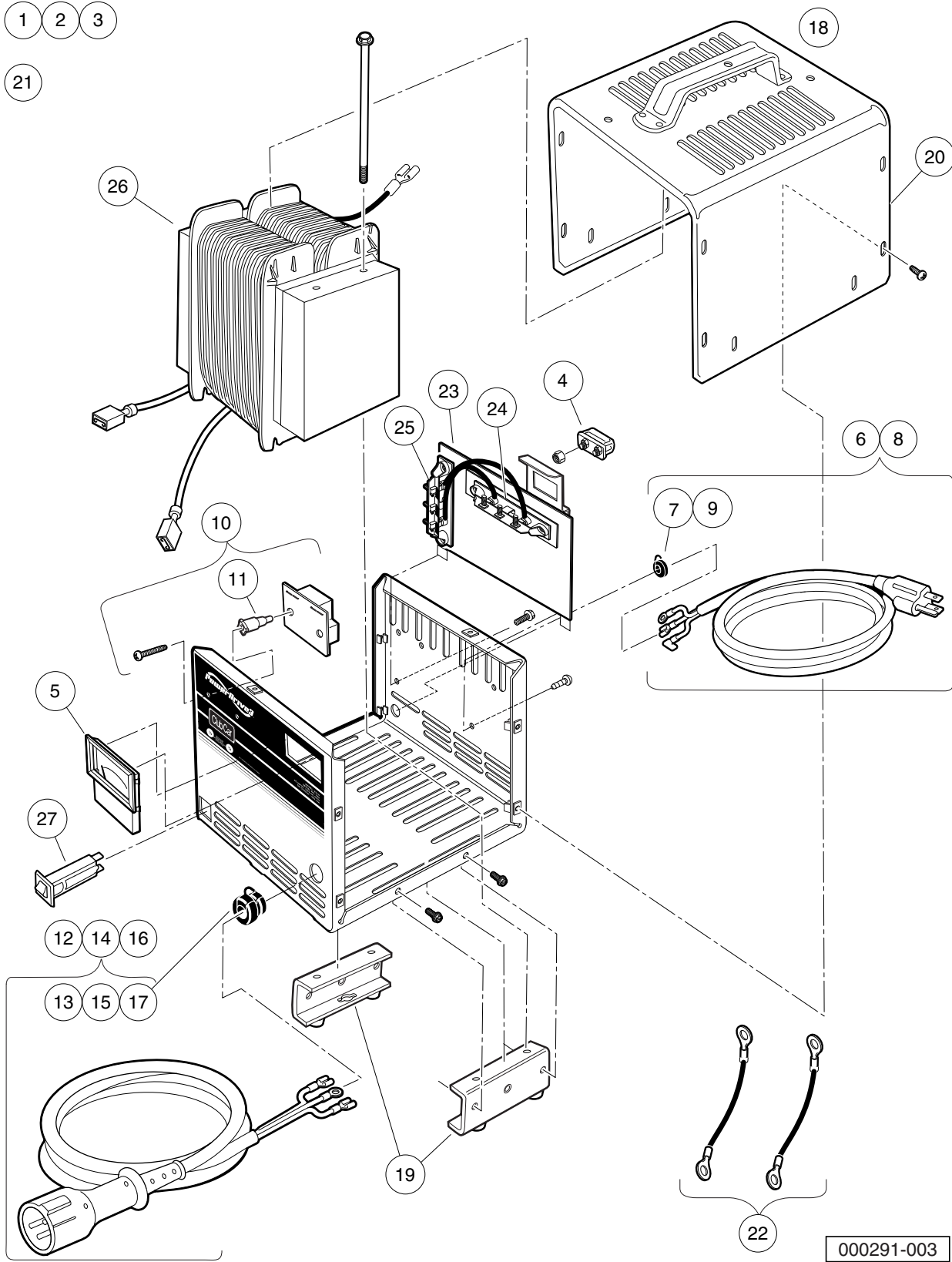
ITEM	PART NO.	DESCRIPTION	QTY
		1 2 3 4	
1	103499101	Charger, PowerDrive 3, 9ft DC, 6ft AC	1
2	103499102	Charger, PowerDrive 3, 12ft DC, 9ft AC	1
3	103499103	Charger, PowerDrive 3, 20ft DC, 9ft AC (includes items 4 through 25)	1
4	1015914	Rectifier with Heatsink Assembly	2
5	102273701	PD2 Fuse Asm	1
6	102273801	PD2 Ammeter	1
7	103428501	Kit, PD3 Cordset - AC 80" (includes item 8)	1
8	102273901	PD2 AC Cord Bushing	1
9	103428601	Kit, PD3 Cordset, - AC 114" (includes item 10)	1
10	102273901	PD2 AC Cord Bushing	1
11	103428701	Asm, PD3 Board Relay (includes item 12)	1
12	103429701	PD3 Plastic Stand-Offs	2
13	103428801	PD3 Transformer	1
14	103429001	PD3 Cordset - DC 113" (includes item 15)	1
15	1012098	Bushing, DC Cord	1
16	103429101	PD3 Cordset - DC 154" (includes item 17)	1
17	1012098	Bushing, DC Cord	1
18	103429201	PD3 Cordset - DC 205" (includes item 19)	1
19	1012098	Bushing, DC Cord	1
20	103429301	Asm, PD3 Case (includes items 21 and 22)	1
21	103434001	Asm, PD3 Legs	1
22	103439901	PD3Case Top (Includes Handle)	1
23	103429501	Kit, PD3 Hardware	1
24	103429601	Kit, PD3 Wires	1
25	CCX8506	Circuit Breaker, 15-Amp/120-Volt	1
Note: Level 1 Battery Charger part numbers include one AC and one DC cord. They do not include all of the level 2 cords listed.			

16

E

1 2 3

21



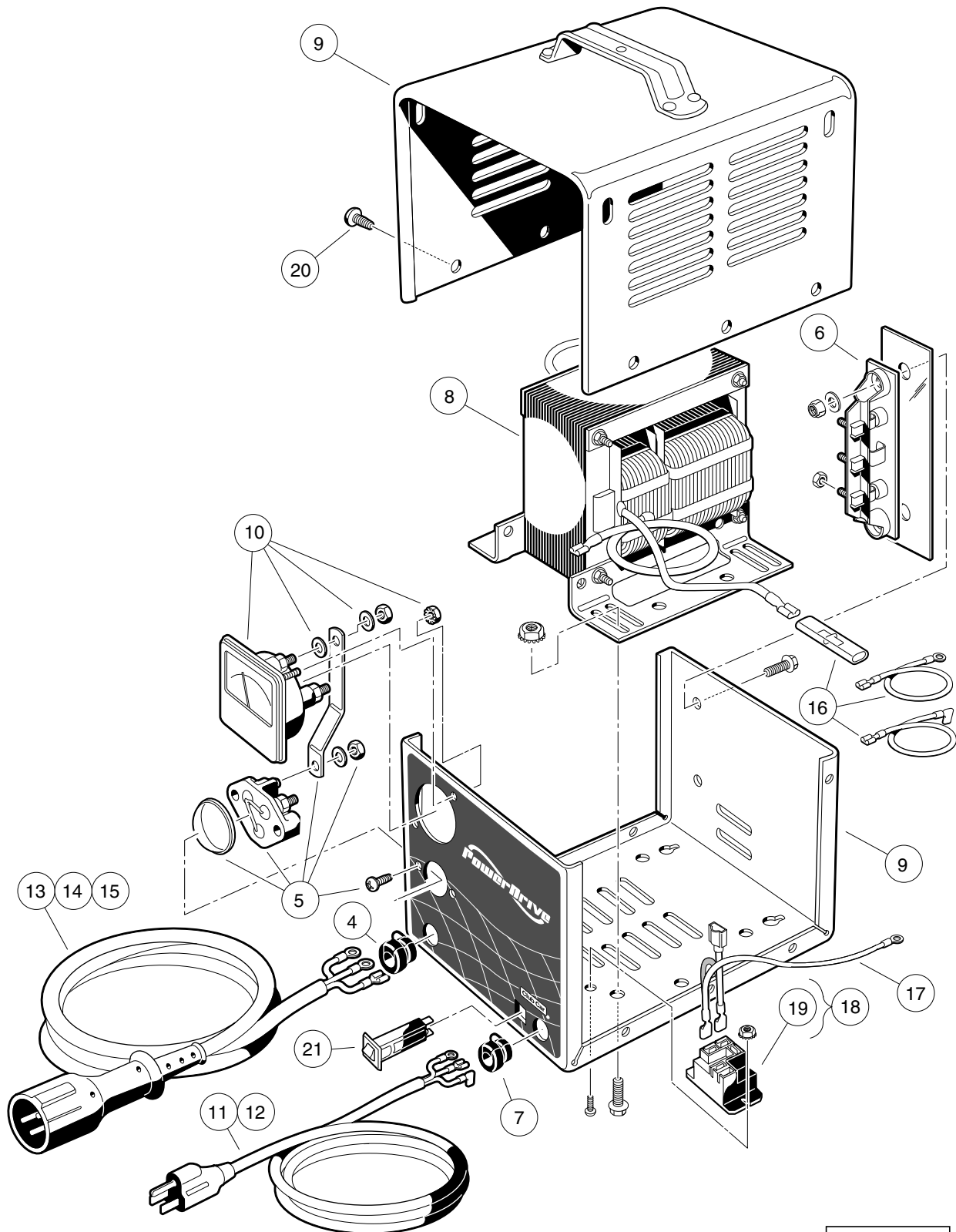
000291-003

POWERDRIVE 3 BATTERY CHARGER (MODEL 26580-31,-38,-39), DOMESTIC

ITEM	PART NO.	DESCRIPTION	QTY
		1 2 3 4	
1	103717001	Charger, PowerDrive 3, 9ft DC, 6ft AC	1
2	103717002	Charger, PowerDrive 3, 12ft DC, 9ft AC	1
3	103717003	Charger, PowerDrive 3, 20ft DC, 9ft AC (includes items 4 through 27)	1
4	102273701	PD2 Fuse Asm	1
5	102273801	PD2 Ammeter	1
6	103428501	Kit, PD3 Cordset - AC 80" (includes item 7)	1
7	102273901	PD2 AC Cord Bushing	1
8	103428601	Kit, PD3 Cordset, - AC 114" (includes item 9)	1
9	102273901	PD2 AC Cord Bushing	1
10	103428701	Asm, PD3 Board Relay (includes item 11)	1
11	103429701	PD3 Plastic Stand-Offs	2
12	103429001	PD3 Cordset - DC 113" (includes item 13)	1
13	1012098	Bushing, DC Cord	1
14	103429101	PD3 Cordset - DC 154" (includes item 15)	1
15	1012098	Bushing, DC Cord	1
16	103429201	PD3 Cordset - DC 205" (includes item 17)	1
17	1012098	Bushing, DC Cord	1
18	103429301	Asm, PD3 Case (includes items 19 and 20)	1
19	103434001	Asm, PD3 Legs	1
20	103439901	PD3Case Top (Includes Handle)	1
21	103429501	Kit, PD3 Hardware	1
22	103513001	Wire Asm Kit Blk Pd3	1
23	103517401	Kit Pd3 Button Diode (includes items 24 and 25)	1
24	N/A	Asm Diode Top	1
25	N/A	Asm Diode Side	1
26	103779601	Transformer, Pd3, AI	1
27	CCX8506	Circuit Breaker, 15-Amp/120-Volt	1
<p style="margin-left: 40px;">Note: Level 1 Battery Charger part numbers include one AC and one DC cord. They do not include all of the level 2 cords listed.</p>			

16

E



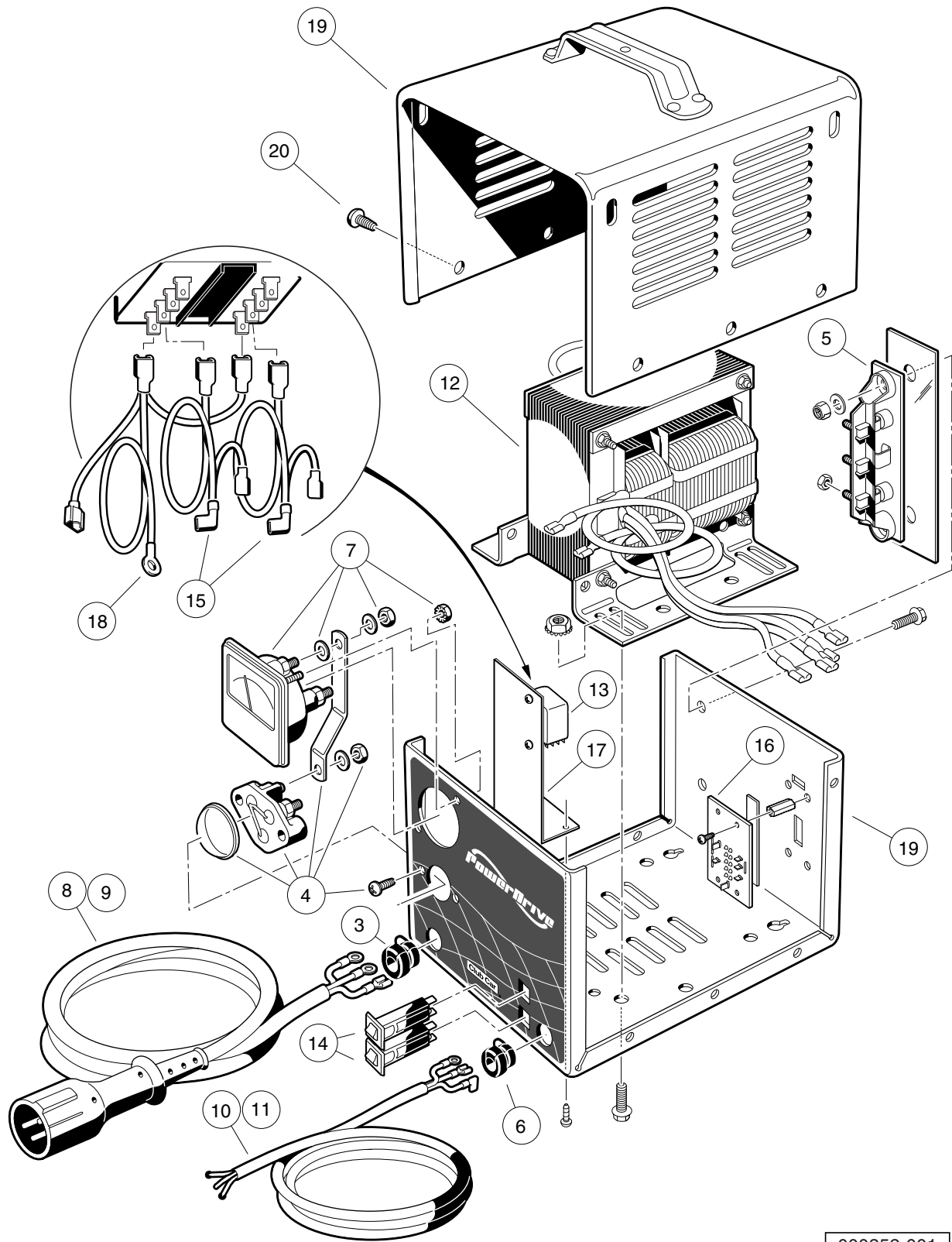
000351-002

POWERDRIVE BATTERY CHARGER (MODEL 17930), DOMESTIC

ITEM	PART NO.	DESCRIPTION	QTY
		1 2 3 4	
1	101802201	Charger, PowerDrive, 48V/17A, 9ft DC, 6ft AC Cord	1
2	101802202	Charger, PowerDrive, 48V/17A, 12ft DC, 9ft AC Cord	1
3	101802203	Charger, PowerDrive, 48V/17A, 20ft DC, 9ft AC Cord (includes items 4 through 21)	1
4	1012098	Bushing, DC Cord	1
5	1012101	Fuse Assembly	1
6	1015914	Rectifier with Heatsink Assembly	1
7	1015917	Bushing, AC Cord	1
8	101819701	Transformer, Battery Charger	1
9	101828301	Case Assembly	1
10	101828501	Ammeter	1
11	101828801	Cord, AC, 80-Inch (203 cm)	1
12	101828802	Cord, AC, 108-Inch (274 cm)	1
13	101828901	Cord, DC, 113-Inch (287 cm)	1
14	101828902	Cord, DC, 154-Inch (391 cm)	1
15	101828903	Cord, DC, 250-Inch (635 cm)	1
16	101831101	Wire Assembly Kit	1
17	101914401	Assembly, Voltage Suppressor	1
18	103414901	Kit, Relay, 48v 30a W/instr (includes item 19)	1
19	103397901	Relay, Spst No, 48v 30a, Pmt	1
20	7577	Screw, #10 X 0.50 Phillips Pan-Head	10
21	CCX8506	Circuit Breaker, 15-Amp/120-Volt	1
<p>Note: Level 1 Battery Charger part numbers include one AC and one DC cord. They do not include all of the level 2 cords listed.</p>			

16

E



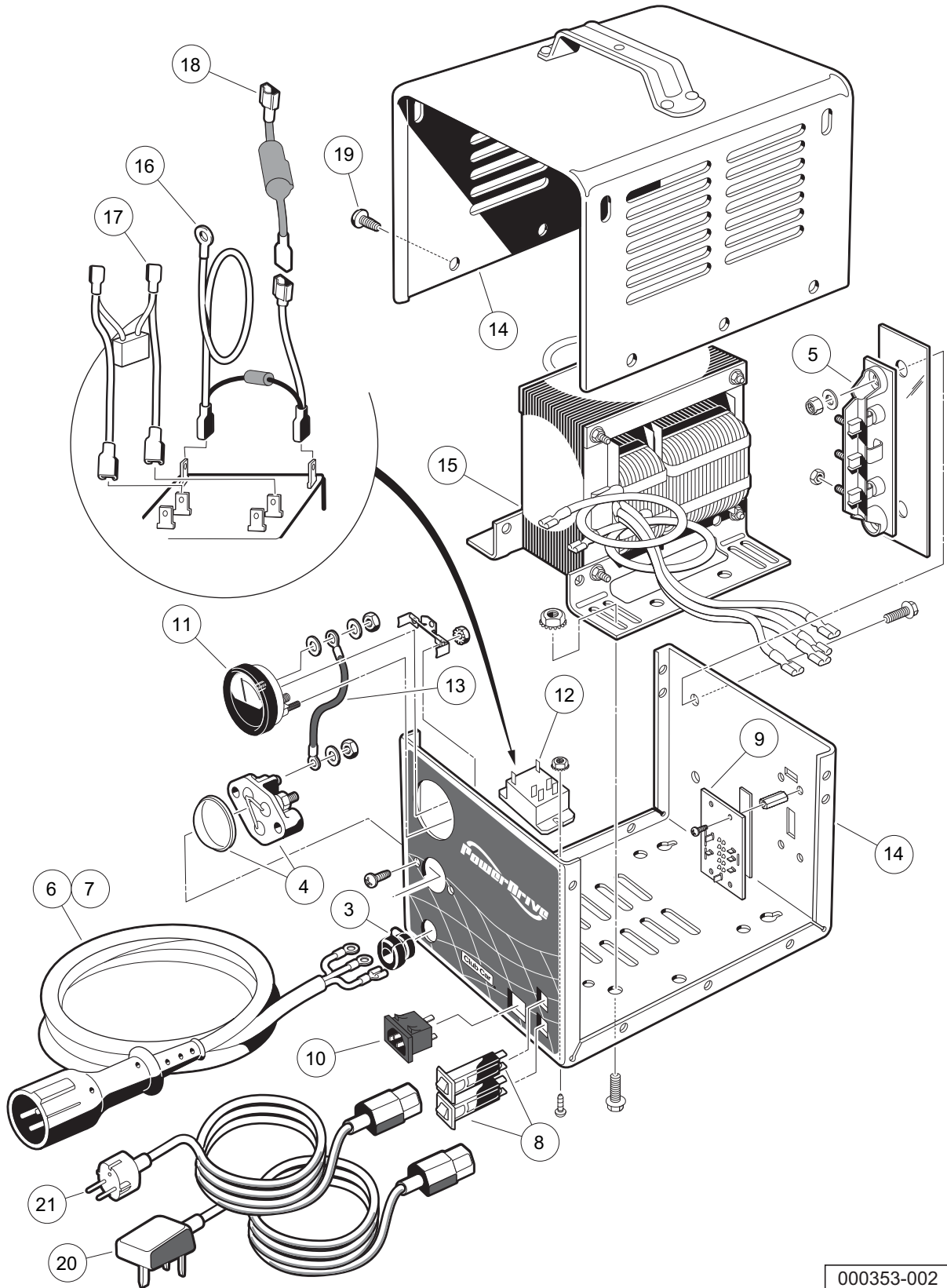
000352-001

POWERDRIVE BATTERY CHARGER (MODEL 18780), EXPORT

ITEM	PART NO.	DESCRIPTION	QTY
		1 2 3 4	
1	101831503	Battery Charger, 48-Volt DC (8.5-ft DC, 6-ft AC)	1
2	101831504	Battery Charger, 48-Volt DC (12-ft DC, 9-ft AC) (includes items 3 through 20)	1
3	1012098	Bushing, DC Cord	1
4	1012101	Fuse Assembly	1
5	1015914	Rectifier with Heatsink Assembly	1
6	1015917	Bushing, AC Cord	1
7	101828501	Ammeter	1
8	101828901	Cord, DC, 113-Inch (287 cm)	1
9	101828902	Cord, DC, 154-Inch (391 cm)	1
10	101831701	Cord, AC, 80-Inch (203 cm), without Plug	1
11	101831702	Cord, AC, 118-Inch (300 cm), without Plug	1
12	101838201	Transformer, Export Battery Charger	1
13	101838301	Relay, Export Charger	1
14	101838401	Circuit Breaker	2
15	101838501	Kit, Wire Assembly	1
16	101838601	Four-Position Switch	1
17	101838701	Mounting Bracket, Relay	1
18	101914401	Assembly, Voltage Suppressor	1
19	N/A	Case, Charger	1
20	7577	Screw, #10 X 0.50 Phillips Pan-Head	10
<p style="margin-left: 40px;">Note: Level 1 Battery Charger part numbers include one AC and one DC cord. They do not include all of the level 2 cords listed.</p>			

16

E



000353-002

POWERDRIVE BATTERY CHARGER (MODEL 20310), EUROPEAN

16

E

ITEM	PART NO.	DESCRIPTION	QTY
		1 2 3 4	
1	101956201	Battery Charger, 48-Volt w/ 4-Position Switch (8.5-ft DC)	1
2	101956202	Battery Charger, 48-Volt w/ 4-Pos. Switch (12-ft DC) (includes items 3 through 19)	1
3	1012098	Bushing, DC Cord	1
4	1012101	Fuse Assembly	1
5	1015914	Rectifier with Heatsink Assembly	1
6	101828901	Cord, DC, 113-Inch (287 cm)	1
7	101828902	Cord, DC, 154-Inch (391 cm)	1
8	101838401	Circuit Breaker	2
9	101838601	Four-Position Switch	1
10	101973501	Receptacle, AC Cord	1
11	101976601	Ammeter with Mounting Bracket	1
12	101987501	Relay	1
13	N/A	Wire, Jumper	1
14	N/A	Case, Charger	1
15	****	Transformer, European Battery Charger	1
16	****	Suppressor, AC Voltage	1
17	****	Assembly, Wire	1
18	N/A	Limiter, Current	1
19	7577	Screw, #10 X 0.50 Phillips Pan-Head	10
20	101958201	Cord, UK, AC, Battery Charger	1
21	101958301	Cord, European AC, Battery Charger	1
		**** Special order item available upon request.	
		Note: Level 1 Battery Charger part numbers include one AC and one DC cord. They do not include all of the level 2 cords listed.	

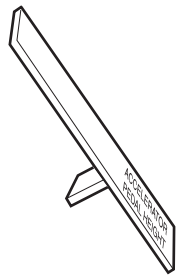
16

E

MAINTENANCE AND SERVICE TOOLS

17
G
E

17
G
E



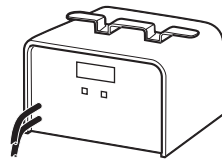
1



2



3



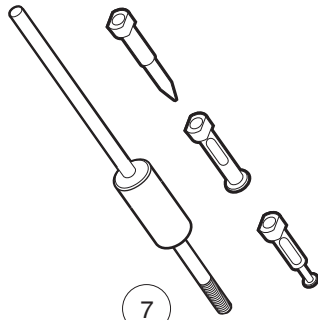
4



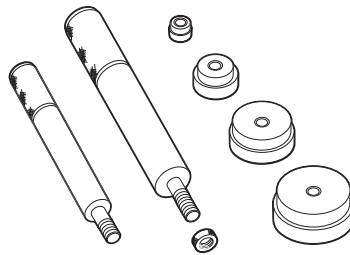
5



6



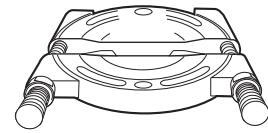
7



8



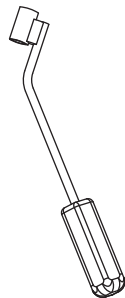
9



10



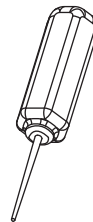
11



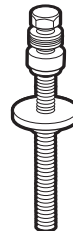
12



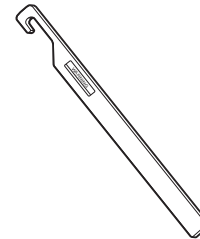
13



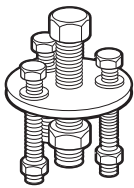
14



15



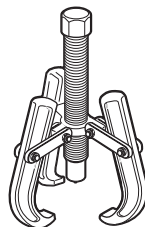
16



17



18



19



20



21

001600-001

MAINTENANCE AND SERVICE TOOLS

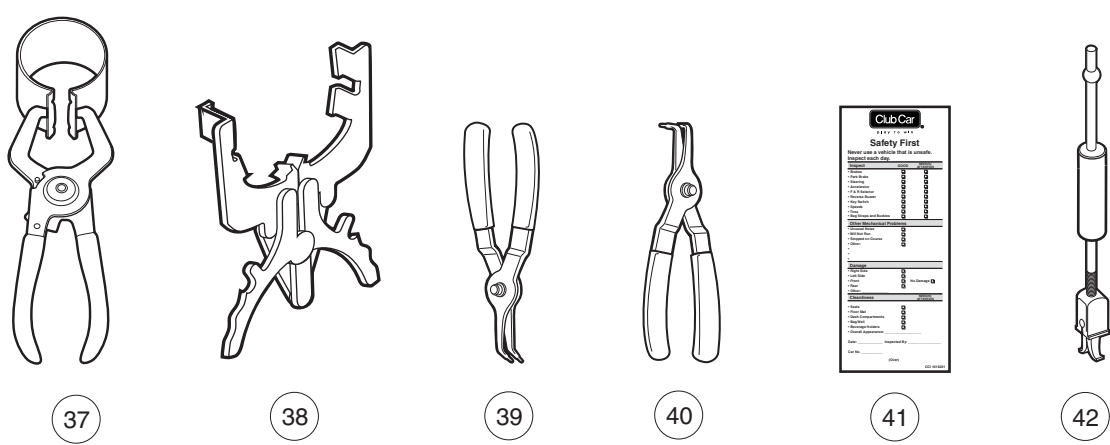
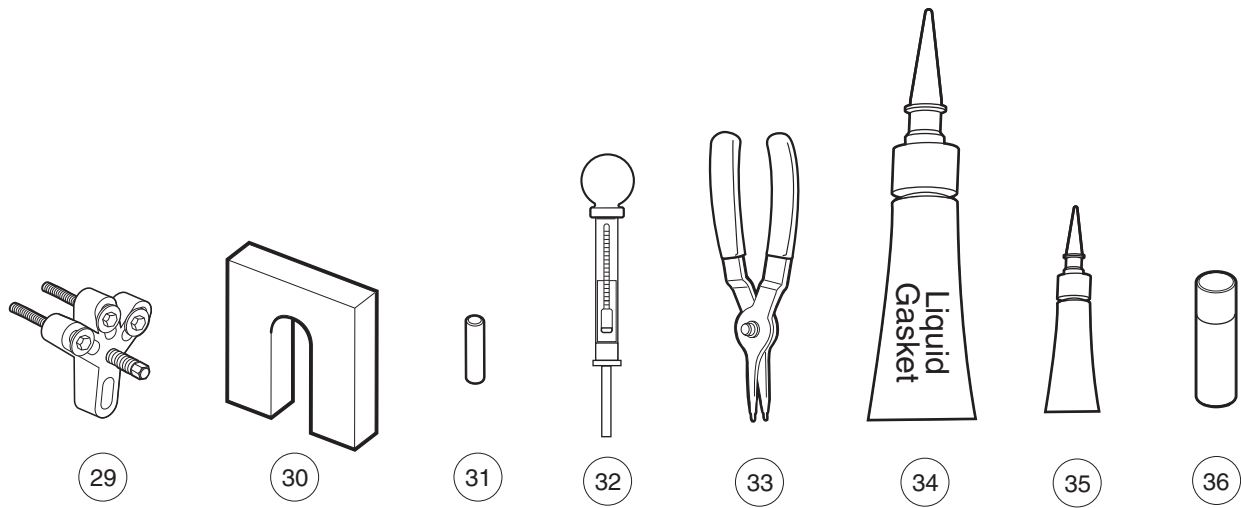
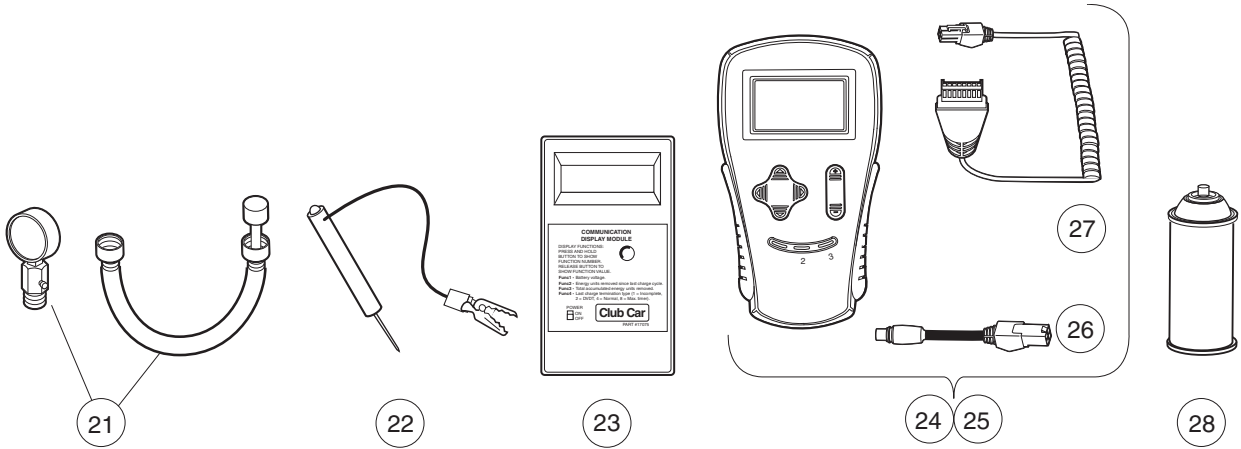
ITEM	PART NO.	DESCRIPTION	QTY GAS	QTY ELEC
		<p>1 2 3 4</p> <p>The following tool list includes all tools available from Club Car to perform maintenance and service procedures on all electric utility vehicles and all gasoline utility vehicles equipped with Kawasaki FE-series engines. Be sure to carefully examine the tool list for applicability to your vehicle before ordering.</p>		
1	101871001	Accelerator Pedal Adjustment Tool (Utility Vehicles).....	1	1
2	101813202	Adhesive, Guide Ring, 3-Gram Tube		1
3	101641202	Arbor	1	
4	101831901	Battery Discharge Machine, 36/48 Volt		1
5	1014305	Battery Terminal Protector Spray	1	1
6	1011767	Battery Thermometer	1	1
7	1016417	Bearing and Oil Seal Remover Assembly	1	1
8	1016416	Bearing Driver Set	1	1
9	1012811	Bearing Puller	1	1
10	1012812	Bearing Puller Wedge Attachment	1	1
11	1013582	Brake Adjustment Tool (used only on vehicles with manually adjusted mechanical brakes)	1	1
12	102555501	Brake Cable Release Tool	1	1
13	101887101	Calibration Test Module		1
14	102562401	Charger Bezel Tool		1
		Clutch Tools (items 14 - 20)	1	
15	101808401	Clutch Cam Installation Tool (for Kawasaki engines)	1	
16	1015524	Drive Clutch Holder Tool Assembly (for Kawasaki engines)	1	
17	1014497	Drive Clutch Hub Puller (for Kawasaki engines)	1	
18	1014496	Drive Clutch Puller (for Kawasaki engines)	1	
19	1014508	Driven Clutch Cam Puller (for Kawasaki engines)	1	
20	1014507	Driven Clutch Puller Plug (for Kawasaki engines)	1	
21	101809101	Press Weldment (for Kawasaki engines)	1	
		<p>Please refer to the maintenance and service manual for proper tool application.</p>		

17

G

E

17
G
E



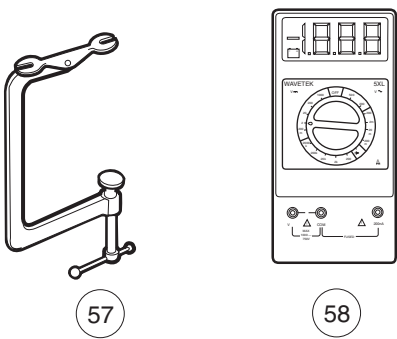
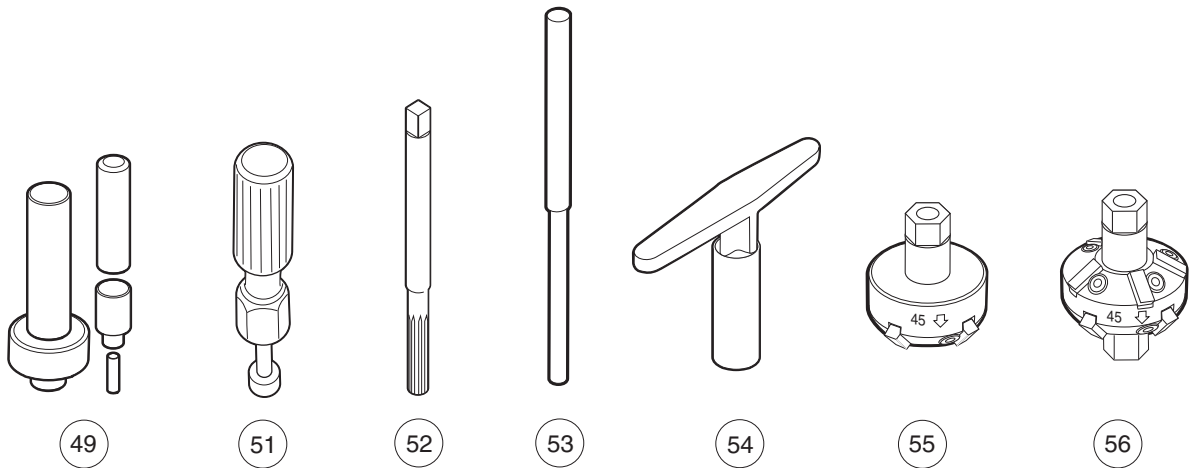
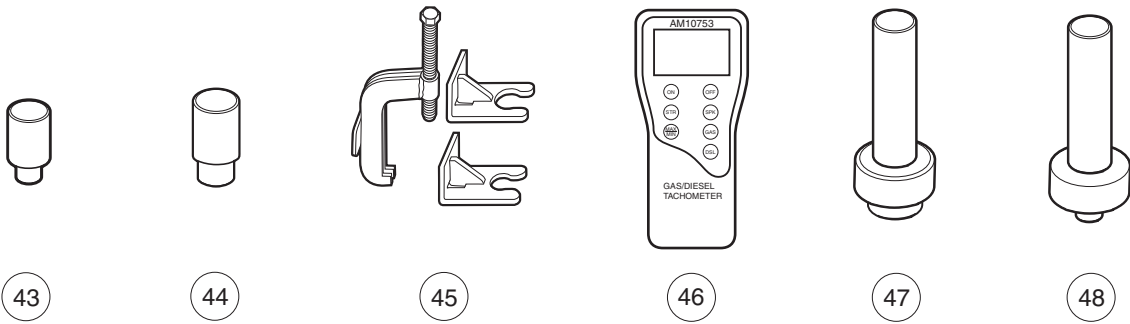
001601-001

MAINTENANCE AND SERVICE TOOLS, CONTINUED

ITEM	PART NO.	DESCRIPTION	QTY GAS	QTY ELEC
		1 2 3 4		
21	101641002	Compression Gauge and Adapter	1	
22	1011273	Continuity Tester	1	1
23	101831801	Communication Display Module		1
24	102248803	IQ Display Module (IQDM) Kit (IQ System and IQ Plus vehicles) (includes items 54 and 55)		1
25	102248804	IQ Display Module (IQDM-P) Kit (IQ System and IQ Plus vehicles)..... (includes items 54 and 55)		1
26	102251501	Adaptor, Cable		1
27	102241502	IQDM Series 2 Cable		1
28	1012151	Dry Moly Lubricant	1	1
29	1016627	Flywheel Puller Kit (for Kawasaki Engines)	1	
30	1016418	Gear Yoke	1	1
31	101933101	Governor Shaft Installation Tool (for Kawasaki Engine Vehicles)	1	
32	1011478	Hydrometer	1	1
33	1013593	Internal Retaining Ring Pliers	1	1
34	101928701	Liquid Gasket (transaxle case)	1	1
35	102243402	Moly-Teflon Lubricant (4-oz. (113-gram) tube)		1
36	101997201	Paint, Touch-Up ,Äi Beige*	1	1
36	101997207	Paint, Touch-Up ,Äi Black*	1	1
36	101997212	Paint, Touch-Up ,Äi Burgundy*	1	1
36	101997211	Paint, Touch-Up ,Äi Classic Blue (Navy)*	1	1
36	101997205	Paint, Touch-Up ,Äi Dark Gray*	1	1
36	101997209	Paint, Touch-Up ,Äi Dark Green*	1	1
36	101997204	Paint, Touch-Up ,Äi Gray*	1	1
36	101997203	Paint, Touch-Up ,Äi Red*	1	1
36	101997206	Paint, Touch-Up ,Äi Royal Blue (Pacific Blue)*	1	1
36	101997202	Paint, Touch-Up ,Äi White*	1	1
37	1016414	Piston Ring Compressor Kit	1	
38	1016415	Piston Ring Pliers	1	
39	1012549	Retaining Ring Pliers, 45→ External	1	1
40	1012560	Retaining Ring Pliers, 90→ Internal	1	1
41	101823101	Safety First Card (50 per pack)	1	1
42	1012809	Seal Puller	1	1
		Please refer to the maintenance and service manual for proper tool application.		

17
G
E

17
G
E



001602-001

MAINTENANCE AND SERVICE TOOLS, CONTINUED

ITEM	PART NO.	DESCRIPTION	QTY GAS	QTY ELEC
		1 2 3 4		
43	1014264	Steering Column Bearing Press Tool	1	1
44	1014259	Steering Column Retaining Ring Tool	1	1
45	102061201	Steering Wheel Puller Tool	1	1
46	AM10753	Tachometer (includes gasoline engine pick up lead only)	1	
47	1014162	Transaxle Axle Seal Tool (for electric vehicles)		1
48	1014161	Transaxle Pinion Seal Tool (for electric vehicles)		1
49	1014115	Transmission Tool Kit (for electric vehicles).....		1
50	101611003	Tune-Up Kit, All OHV (for FE290, FE350, FE400 only) (includes air filter, spark plug, oil filter, fuel filters) (not shown)	1	
51	1016413	Valve Clearance Adjuster Screw Holder (for FE290 engines only)	1	
52	101641201	Valve Guide Reamer (FE290, FE350, and FE400 only).....	1	
53	1016552	Valve Seat Cutter Guide	1	
54	1016551	Valve Seat Cutter T-Wrench	1	
55	1016553	Valve Seat Cutter, 45→× (32 mm diameter) (for FE290 engines only)	1	
56	1016554	Valve Seat Cutter, 45→×/30→× (35 mm diameter)	1	
57	101641101	Valve Spring Compressor	1	
58	1011480	Volt Ohm Meter	1	1
		Please refer to the maintenance and service manual for proper tool application.		

17

G

E

INDEX

Part Number and Page

AM10753	17-7	7336	15-3	1010993	1-49, 1-51
AM10080	12-9	7473	1-3, 1-31, 1-33, 1-35, 1-37, 1-39, 1-45, 1-53, 4-5, 4-7, 5-3, 5-5, 5-7, 5-13, 6-3, 6-27, 7-17, 7-21	1011084	5-9
AM10081	12-9	7577	16-7, 16-9, 16-11	1011098	1-53
AM10419	11-5	7591	4-5, 4-7, 4-29	1011229	4-5, 4-7
AM10622	1-53	7716	5-3	1011273	17-5
AM10639	1-19	7818	7-17	1011280	4-5, 4-7
AM1205602	1-53	7820	4-23, 4-25	1011291	12-11
AM1213901	1-9	7847	1-21, 1-47, 10-3	1011382	4-13, 4-17
AM1225001	1-5	7893	4-5, 4-9, 4-11, 4-21, 7-17, 12-5	1011402	5-3
AM1232301	8-5	7973	1-13, 9-15	1011415	6-23
CCX8506	16-3, 16-5, 16-7	8057	7-17, 7-19, 12-3	1011418	5-3
SVP147801	3-3, 3-5	8058	7-17, 7-19, 12-3	1011439	4-5, 4-7
SVPP230201	1-31	8067	6-15	1011478	17-5
SVPP230901	1-31	8104	4-9, 4-11, 12-3	1011480	17-7
SVPP230902	1-31	8233	1-11, 1-31, 1-33, 1-35, 1-37, 1-39, 1-47, 1-49, 1-51, 4-23, 4-25, 4-27, 5-5, 5-7, 6-27, 7-15, 9-3, 9-5, 9-13, 12-5, 12-7, 12-13	1011497	4-29
SVPP230903	1-31	8248	7-15, 9-3, 9-5	1011522	1-45
SVPP230904	1-31	8251	1-49, 1-51	1011546	1-45
SVPP234001	1-31	8294	4-23, 4-25	1011553	1-45, 3-3, 3-5
SVPP285901	1-31	8450	11-7	1011557	4-5, 4-7, 4-29
183	4-5, 4-7, 4-9, 4-11, 4-21, 9-5, 9-15, 11-7, 12-7, 12-13	8639	12-5, 13-19, 13-21, 13-23	1011558	4-29
304	1-33, 1-35, 1-37, 1-39, 4-23, 4-25, 12-5	8717	5-5, 5-7, 7-17, 12-3, 12-7, 12-13	1011578	1-3, 6-7
320	1-29	8754	1-29, 5-5, 5-7, 6-5, 6-7, 6-17, 6-19, 6-21, 6-25, 7-9, 7-13	1011582	4-29
332	1-11, 1-27, 1-31, 1-33, 1-35, 1-37, 1-39, 1-47, 1-49, 1-51, 4-23, 4-25, 7-15, 9-17, 10-3, 13-19, 13-21, 13-23	8755	6-19, 6-25	1011590	4-9
334	5-5, 5-7, 6-5, 6-7, 8-15, 11-7	8797	9-5	1011652	1-27
343	1-35, 1-39	8861	6-17, 6-27	1011694	5-5, 5-7
357	1-45, 6-21, 6-27	8935	1-3	1011697	1-53, 6-7, 6-13, 8-15, 9-13, 13-11, 13-13, 13-15
451	10-3, 14-3	8963	1-33, 1-35, 1-37, 1-39, 1-53	1011734	5-9
705	7-9, 8-15	8990	4-9, 4-11, 4-19, 4-27, 6-5, 7-17, 13-19, 13-21, 13-23	1011767	17-3
706	1-45, 6-21	1010028	12-3	1011779	5-13
808	1-45, 6-27, 11-7	1010124	6-21	1011825	4-23, 4-25
1016	4-5, 4-9, 4-11, 4-21, 9-5	1010138	6-17	1011843	4-29
1017	4-3	1010145	6-23	1011852	1-33, 1-35, 1-37, 1-39
1028	5-3	1010150	6-19	1011857	6-27
1032	5-3	1010237	1-33, 1-35, 1-37, 1-39	101187702	5-3
1218	1-45, 6-3	1010434	1-7	1011897	1-23
1241	1-11, 1-31, 1-33, 1-35, 1-37, 1-39, 4-5, 4-7, 5-3, 5-5, 5-7, 5-13, 6-3, 7-9, 7-13, 7-17, 7-21, 10-3	1010517	1-33, 1-35, 1-37, 1-39	1011931	5-5, 5-7
1242	4-19, 5-13, 7-9, 7-13, 7-17, 13-19, 13-21, 13-23	1010577	1-31, 8-15	1011942	1-33, 1-37
1606	1-11, 9-15	1010805	5-3	1011964	1-33, 1-35, 1-37, 1-39
1620	4-3	1010829	5-13	1011988	1-31, 9-3, 9-5
1624	1-45, 5-5, 5-7, 6-5, 7-13	1010877	5-3	1011990	1-29
2402	6-19	1010878	5-3	1012008	1-33, 1-35, 1-37, 1-39
4029	4-23, 4-25	10109802	13-11, 13-13, 13-15	1012098	16-3, 16-5, 16-7, 16-9, 16-11
7048	6-15	1010909	4-5, 4-21	1012101	16-7, 16-9, 16-11
7173	1-11, 4-5, 4-7, 6-27, 7-21	1010921	5-3	1012151	17-5
7174	6-9, 6-27, 7-9, 7-13, 9-13, 10-3, 13-19, 13-21, 13-23	1010927	5-3	1012285	4-27, 9-7, 9-13, 13-19, 13-21, 13-23
7310	2-3	1010932	5-3	1012295	7-17
7311	1-31, 1-33, 1-35, 1-37, 1-39, 6-27	1010933	5-3	1012303	6-21, 6-25
7330	12-11, 15-3	1010934	1-53, 7-21	1012333	12-5
7335	12-9, 15-3	1010954	7-17, 12-7, 12-13	1012382	7-3, 7-5
		1010958	13-11, 13-13, 13-15	1012396	4-13, 7-3, 7-5
		1010984	2-3	1012412	1-49, 1-51
				1012431	7-17
				1012438	4-7
				1012505	4-13, 4-17
				1012528	10-3, 13-19, 13-21, 13-23

INDEX

1012549	17-5	1013774	12-11	1014497	17-3
1012560	17-5	1013787	12-11	1014507	17-3
1012571	8-15	1013792	12-11	1014508	17-3
1012604	6-7	1013794	12-11, 15-3	1014530	4-23, 4-25
1012605	6-7	1013832	6-21	1014540	4-27
1012649	9-3, 9-5, 9-7	1013869	5-3	1014555	6-25
1012711	12-7	1013870	5-3	1014807	7-17, 7-19, 12-3
1012714	12-9	1013872	1-35, 1-39	1014808	7-17, 7-19, 12-3
1012740	12-9	1013876	5-3	1014902	6-25
1012741	12-9	1013884	1-35, 1-39	1014928	9-3, 9-5
1012747	12-9	1013924	5-11, 8-15	1014947	13-19, 13-21, 13-23
1012748	12-9	1014007	5-5, 5-7, 9-13, 12-7, 12-13	1014948	7-17
1012752	12-7	1014049	11-7	101503202	1-15
1012809	17-5	1014050	11-7	1015059	1-31
1012811	17-3	1014052	11-7	1015072	1-31, 13-11, 13-13, 13-15
1012812	17-3	1014055	11-7	1015077	1-31
1012830	7-9, 7-13, 9-13, 10-3	1014056	11-7	1015091	1-33, 1-35, 1-37, 1-39
1012836	11-5	1014057	11-7	1015137	9-3, 9-5, 9-7, 9-11
1012896	12-7	1014058	11-7	1015139	9-3, 9-5
1013001	7-7	1014059	11-7	1015143	9-3, 9-5
1013003	7-7	1014062	11-7	101524002	7-9, 7-13
1013005	7-7	1014063	11-7, 13-19, 13-21, 13-23	1015332	7-3, 7-5, 8-3
101301102	7-7	1014065	7-17, 11-7	1015345	7-17
101303202	1-49, 1-51	1014070	11-5	1015371	7-17
1013035	6-5	1014072	11-5	1015372	7-17
1013042	6-5, 6-11	1014078	11-5	1015373	7-17
1013044	6-5	1014080	11-5	1015405	7-17
1013052	6-5	1014115	17-7	1015426	9-17
1013061	12-3, 12-7, 12-13, 13-9	1014116	9-3, 9-5	1015453	6-27
101313402	9-3, 9-5, 9-7	1014119	7-3, 7-5, 7-17	1015457	6-27
1013343	1-13	1014125	6-7	101547601	3-5
1013344	1-13	1014126	6-7	1015524	17-3
1013357	4-5, 4-7	1014145	7-17	1015528	4-13, 4-17
1013461	9-5	1014153	5-11	101553901	3-3, 3-5
1013462	9-5	1014161	17-7	1015583	6-25
1013494	4-13, 4-17	1014162	17-7	101558302	6-21
1013531	5-13	1014201	14-3	1015597	6-15
1013547	4-27	1014207	12-11	1015608	1-3
1013579	4-27	1014213	6-7	1015613	6-27
1013582	17-3	1014214	6-7	1015614	6-27
1013589	7-17	1014217	6-7	1015649	8-3
1013593	17-5	1014259	17-7	1015737	7-3, 7-5, 7-17
1013609	7-17	1014264	17-7	1015741	4-5, 4-7, 7-17
1013677	3-3	1014276	6-21	1015752	7-17, 9-17
1013683	13-11, 13-13, 13-15	1014287	11-7	1015760	6-27
1013687	9-3, 9-5	1014288	6-7, 7-21, 11-7, 13-19, 13-21, 13-23	1015814	10-3
1013700	9-13	1014289	7-7	101584502	9-13
1013734	10-3, 13-19, 13-21	1014304	13-11, 13-13, 13-15	1015878	7-17, 7-19, 12-3
1013746	9-3, 9-5, 9-7, 9-11	1014305	17-3	1015914	16-3, 16-7, 16-9, 16-11
1013760	12-7	1014306	1-49, 1-51, 4-27	1015917	16-7, 16-9
1013768	12-11	1014375	7-21	1015921	9-5
1013769	12-11	1014435	1-23	1015932	7-9, 7-13
1013770	12-11	101444101	1-23	1015969	8-3
1013771	12-11	1014453	11-7	1016003	9-3
1013772	12-11	1014454	11-5	1016004	9-5
1013773	12-11	1014496	17-3	1016011	11-7

INDEX

1016074	7-9, 7-13	1016456	8-3	1016582	9-11
101611003	17-7	1016457	8-7	1016583	8-9
101611402	15-5	1016458	8-9	1016584	8-11
1016183	6-7	1016467	8-7	1016585	9-9
1016201	11-7	1016470	8-13	1016587	8-5
1016269	6-7	1016472	8-11	1016588	8-5
1016289	11-7	1016473	8-7	1016627	17-5
101629008	10-5	1016474	8-9	1016630	4-13
1016337	12-9	1016479	8-9	1016672	12-11
1016338	12-9	101648102	9-11	1016801	11-7
1016346	6-19	101648203	8-7	1016811	1-21
1016349	6-19	1016483	8-9	1016813	6-27
1016350	6-19	1016486	9-9	1016814	6-27
1016351	6-19	1016489	8-9	1016849	4-13, 4-17
1016353	6-19	101649002	9-11	1016851	4-13, 4-17
1016356	4-5, 4-7	1016494	8-11	1016879	4-3
1016363	4-7	1016496	8-11	1016880	4-3
1016365	4-19	1016499	9-9	1016883	7-9, 7-13
1016366	4-7	1016501	9-9	1016901	11-7
1016384	6-19	1016502	8-7	1016904	8-9, 10-3
1016385	6-21	1016506	8-11	1016916	1-27
1016386	6-19	1016507	8-3	1016952	1-21, 1-49, 1-51
1016387	6-19, 6-21	1016510	8-11	1016967	6-13
1016389	6-19	1016513	12-7	1017029	5-3
1016401	7-3, 7-5, 7-17	1016517	8-9	1017035	4-29
101641002	17-5	1016519	8-9	1017062	4-3
101641101	17-7	1016521	8-11	1017064	4-3
101641201	17-7	1016531	8-3	1017065	4-3
101641202	17-3	1016535	8-11	101707402	4-9
1016413	17-7	1016537	8-7	101707405	4-11
1016414	17-5	1016538	8-11	1017075	4-9, 4-11
1016415	17-5	1016539	8-3	1017082	12-7, 12-13
1016416	17-3	1016541	8-13	101708301	1-21
1016417	17-3	1016542	8-9	1017141	1-49, 1-51
1016418	17-5	1016544	8-5, 8-9, 8-11	1017188	11-3
1016423	4-5, 4-7, 7-17	1016545	8-9	1017203	9-3, 9-5
101642575	9-9	1016546	9-13	1017226	6-9
101642578	9-9	1016547	8-3, 8-13, 9-11	1017231	12-7
101642580	9-9	1016549	8-9	1017266	6-19
101642582	9-9	1016551	17-7	1017273	6-13
101642585	9-9	1016552	17-7	1017313	6-7
1016429	8-7	1016553	17-7	1017314	6-7
1016432	8-7, 12-7	1016554	17-7	1017315	6-7
1016436	8-9	1016560	8-9	1017317	6-7
1016437	9-9	1016561	8-5	1017378	5-5, 5-7
1016438	9-11	1016562	8-5, 8-13	1017380	5-5, 5-7
1016440	8-9, 9-11	1016563	8-9	101738301	11-7
1016441	9-11	1016564	8-11	101738302	11-7
1016444	9-11	1016566	8-9	1017424	5-5, 5-7
1016449	8-9	1016569	8-9	1017434	8-9
1016450	8-9	1016570	8-7	1017442	8-7
1016451	8-9	1016571	8-13	1017443	8-9
1016452	8-9	1016572	9-11	1017445	8-9
1016453	8-11	1016576	8-7	1017448	8-5
1016454	8-11	1016578	8-5	101744901	8-13
1016455	8-5	1016581	8-7	101744902	8-13

INDEX

1017450	8-13	1017853	4-5, 4-7	101831801	17-5
101745101	8-13	101791101	5-11	101831901	17-3
101745102	8-13	1017936	1-47	101832001	13-9
1017453	8-13	101795701	13-5, 13-11, 13-13, 13-15	101832202	9-13
1017454	8-9	101796201	5-5, 5-7	101832302	9-13
1017455	8-5	101796501	13-9	101832601	8-15
1017456	8-7	101796801	13-9	101832701	8-15
101745701	8-13	101801001	13-9	101833101	8-15
101745702	8-13	101802101	13-9	101833401	11-5
1017458	8-7	101802201	16-7	101833601	12-7
1017460	8-7	101802202	16-7	101833701	7-7
1017461	9-9	101802203	16-7	101833904	11-7
1017463	8-5	101804301	4-13, 9-17	101834001	11-5
1017466	9-11	101805701	9-15	101834502	4-13, 4-17
1017471	8-13	101806901	1-51	101834601	8-15
1017472	8-11	101808401	17-3	101834801	9-13, 12-7, 12-13
1017473	8-9	101809101	17-3	101835601	4-19
1017474	8-3	101811401	9-15	101836201	11-5
1017475	8-3	101811501	9-15	101837001	1-49
1017476	8-3	101811901	9-17	101837101	9-17
1017486	8-3	101812301	9-17	101837301	7-3, 7-5, 7-9, 7-11
1017487	8-11	101813001	9-17	101838201	16-9
1017490	8-5	101813202	17-3	101838301	16-9
1017501	8-13	101815501	5-11	101838401	16-9, 16-11
1017502	8-13	101815502	5-11	101838501	16-9
1017503	8-13	101816501	5-11	101838601	16-9, 16-11
1017504	8-11	101816502	5-11	101838701	16-9
1017507	8-7	101817401	5-5, 5-7	101841201	1-31
1017508	8-11	101818801	5-7	101841202	1-31
1017510	8-13	101819701	16-7	101841301	1-31
1017512	8-13	101821501	9-17	101850301	9-15
1017513	8-11	101823101	17-5	101851101	4-13, 4-17
1017514	8-11	101823201	5-11	101856002	4-17
101751801	8-11	101823801	5-11	101856102	7-17
101751802	8-11	101823901	5-11	101856201	9-15
101751803	8-11	101824401	9-3, 9-5	101859401	10-3
1017653	7-7	101825101	3-3, 3-5	101861901	5-5, 5-7
1017686	11-5	101826201	4-17	101862001	5-5
1017689	10-3	101826301	4-13	101869302	7-7
1017699	4-29	101826801	13-19, 13-21, 13-23	101871001	17-3
1017705	13-9	101827101	8-15	101874901	7-7
1017721	4-5, 4-21	101827801	13-19, 13-21, 13-23	101875001	7-7
1017724	4-9, 4-11	101828301	16-7	101875101	7-7
101773301	8-13	101828501	16-7, 16-9	101875102	7-7
101773302	8-13	101828801	16-7	101875201	7-7
101773303	8-13	101828802	16-7	101875301	7-7
101773304	8-13	101828901	16-7, 16-9, 16-11	101875401	7-7
101773305	8-13	101828902	16-7, 16-9, 16-11	101875501	7-7
101773306	8-13	101828903	16-7	101875601	7-7
101773307	8-13	101830601	4-13, 4-17	101875701	7-7
101773308	8-13	101830701	4-13, 4-17	101875802	7-7
101773309	8-13	101831101	16-7	101876001	7-7
101773310	8-13	101831503	16-9	101876202	7-7
101773311	8-13	101831504	16-9	101876301	7-7
1017760	1-53	101831701	16-9	101876402	7-7
1017774	1-31	101831702	16-9	101876501	7-7

INDEX

101877601	7-7	101903001	13-5	101953101	5-13
101877701	7-7	101903101	6-19	101954301	1-11, 1-27
101878101	7-7	101903601	15-3	101955101	4-23, 4-25
101878201	5-3	101903701	15-3	101955301	9-3, 9-5
101879001	7-7	101906901	15-3	101956201	16-11
101879401	6-5	101908101	13-7	101956202	16-11
101879501	6-5	101908401	7-15, 13-7	101957101	4-5, 4-7
101879601	6-5	101908601	3-3	101958201	16-11
101879701	6-5	101908703	13-19, 13-21, 13-23	101958301	16-11
101879801	6-5	101910401	1-31, 13-19, 13-21, 13-23	101960501	1-51, 3-5, 7-11
101879901	6-5	101910501	12-11	101960601	3-3, 3-5
101880001	6-5	101912401	5-9	101963401	8-15
101880101	6-5	101914001	15-5	101965202	13-23
101880201	6-5	101914401	4-5, 16-7, 16-9	101965205	13-19, 13-21
101880301	6-5	101915201	3-5	101968701	13-5
101881501	4-27	101916101	8-3	101969701	4-23
101881601	4-27	101916301	8-5	101971301	9-17
101881701	9-17	101916701	7-9, 7-13	101972001	1-53, 17-5
101884801	8-15	101917601	9-17	101972002	17-5
101886101	9-13, 12-7, 12-13	101917701	9-15	101972003	17-5
101887101	17-3	101918501	5-3, 5-5, 5-7	101972004	17-5
101887601	8-3	101919801	5-5, 5-7	101972005	17-5
101889401	12-9	101920101	14-3	101972006	17-5
101890001	12-9	101921501	9-17	101972007	17-5
101890101	12-7	101922101	15-3	101972009	17-5
101890201	12-7	101922201	15-3	101972011	17-5
101890501	12-7	101922501	7-15, 13-7	101972012	17-5
101890601	12-7	101923001	15-3	101972101	15-3
101890901	12-11	101923201	15-3	101972201	15-3
101891001	12-11	101923501	15-3	101972801	9-17
101891301	12-7	101923901	15-3	101973101	9-9
101891401	12-11	101925701	9-17	101973301	9-9
101891501	12-11	101926501	6-25	101973401	9-11
101891601	12-9	101926901	12-7, 12-19	101973501	16-11
101891901	12-9	101927101	12-7	101976601	16-11
101892001	12-9	101927201	12-7	101978001	13-5
101892201	12-9	101927301	12-7	101978102	13-5
101892301	12-9	101927501	12-9	101978202	13-5
101892401	12-9	101927601	12-9	101978601	15-5
101892501	12-9	101927701	12-9	101980801	12-9
101892601	12-9	101927901	12-9	101980901	12-9
101892701	12-11	101928001	12-9	101981001	12-9
101892901	12-7	101928101	12-9	101984801	6-7
101893201	12-9	101928301	12-11	101985502	1-27
101893801	12-7	101928601	12-7	101987501	16-11
101893901	12-9	101928701	12-7, 15-3, 17-5	101987602	1-27
101894901	13-9	101929401	6-25	101987701	9-3, 9-5
101895401	15-3	101931501	3-3, 13-19, 13-21, 13-23	101987901	4-3
101895501	15-3	101932201	4-5, 4-7	101988001	4-3
101896501	7-7	101932601	13-19, 13-21, 13-23	101988002	4-3
101896901	9-3, 9-5	101932701	13-19, 13-21, 13-23	101988101	4-3
101897001	15-3	101932902	12-19	101988201	4-3
101897201	15-3	101933101	17-5	101990801	5-13
101897401	15-3	101936101	15-5	101997802	4-27
101897601	15-3	101939901	7-7	101997803	4-27
101898001	7-21	101942301	14-3	101997902	4-27

INDEX

101997903	4-27	102243101	13-19, 13-21, 13-23	102537802	6-13
101998004	1-27	102243402	17-5	102538101	3-5
101998006	1-27	102243403	14-3	102538201	3-3
101998007	1-27	102248803	17-5	102540301	8-15
101998008	1-27	102251501	17-5	102540802	6-13
101998501	1-27	102259801	13-19, 13-21, 13-23	102541425	1-31
102003201	9-3, 9-5	102263601	13-5	102541445	1-31
102004101	6-9	102263701	13-19, 13-21, 13-23	102541465	1-31
102004201	6-25	102273701	16-3, 16-5	102541501	1-31
102004401	1-7	102273801	16-3, 16-5	102546401	4-11
102005701	1-25	102273901	16-3, 16-5	102555501	17-3
102009402	2-3	102278001	6-7	102562401	17-3
102009403	2-3	102289002	1-3	102572401	4-17, 13-5
102009502	2-3	102289201	6-5, 6-11	102582401	1-31
102009503	2-3	102292801	5-13	102616701	12-3
102022101	5-13	102296020	6-13	102618601	1-3, 1-31
102022601	6-11	102296530	1-27, 1-31	102684602	12-3
102022602	6-5, 6-11	102297230	13-3	102704701	14-3
102025801	1-11	102298240	1-3	102704801	14-3
102026001	5-5, 5-7	102298720	1-3	102704901	14-3
102031901	12-11	102304801	8-9	102711001	7-11
102045001	1-11	102323101	5-3, 5-13	102711201	7-17
102046501	3-7	102323201	5-3, 5-13	102751601	9-3, 9-5
102048401	1-11	102324901	1-31	102753401	8-9
102061201	17-7	102336001	9-13	102771701	15-3
102065901	8-15	102336101	9-13	102778501	1-7
102066201	6-25	102353201	6-15	102778502	1-7
102075801	3-3, 3-5	102353301	6-15	102778503	1-7
102076701	1-53	102354901	4-19	102778504	1-7
102076702	1-33, 1-35, 1-37, 1-39	102355001	4-19	102778505	1-7
102155801	11-5	102355102	1-29	102778507	1-7
102158901	5-5, 5-7	102355301	7-21	102778509	1-7
102163001	1-25	102356601	15-3	102778601	1-11
102163101	1-25	102356801	15-3	102806201	13-19, 13-21, 13-23
102185401	9-15	102357501	4-19	102806203	13-19, 13-21, 13-23
102186001	14-3	102357701	6-15	102829701	1-29
102186101	14-3	102376001	12-3	102829702	1-29
102186201	14-3	102430901	8-13	102829801	1-29
102186401	14-3	102453001	12-9	102830401	6-21
102186701	14-3	102453101	12-9	102830501	1-3
102186901	14-3	102503211	1-31	102838401	8-5
102187101	14-3	102503212	1-31	102838701	7-11
102187201	14-3	102503214	1-31	102838801	7-11
102190702	9-15	102503215	1-31	102838901	7-11
102196901	4-17, 13-5	102503221	1-27	102839001	7-11
102198701	4-5	102503222	1-27	102839301	7-11
102199001	4-5	102503224	1-27	102841101	7-11
102199201	4-5	102503225	1-27	102844601	7-11
102199301	4-5	102508701	4-17	102844701	7-11
102199401	4-5	102515401	12-7, 12-13	102852801	1-41
102199601	13-5	102517501	4-11	102854301	1-33, 1-35, 1-37, 1-39
102235201	14-3	102517601	4-25	102854302	1-33, 1-35, 1-37, 1-39
102240501	13-19, 13-21, 13-23	102522001	9-5	102865101	9-3, 9-5
102241502	17-5	102526201	12-3	102869401	4-5, 4-7, 4-13, 4-17
102242101	11-5	102529201	4-9, 4-11	102871801	6-25
102242401	1-33, 1-35, 1-37, 1-39	102529203	4-25	102886301	15-3

INDEX

102886401	15-3	102902301	12-17	103354401	4-15, 4-17
102886501	15-3	102902401	12-17	103354701	6-11
102886601	15-3	102902501	12-17	103364101	1-11
102896801	12-13	102902601	12-17	103364201	1-11
102896901	12-13	102902701	12-17	103364801	6-27
102897201	12-15	102902801	12-17, 15-3	103365401	1-49
102897301	12-15	102915601	4-29	103365402	1-49
102897401	12-13	102947502	9-3	103365403	1-49
102897501	12-13	102952301	9-5	103365404	1-49
102897601	12-13	102952302	9-3	103365405	1-49
102897701	12-15	102958001	13-17	103365407	1-49
102897801	12-13	102969401	12-3	103365409	1-49
102897901	12-13	102969801	12-3	103365501	1-51
102898001	12-15	102969901	12-3	103365502	1-51
102898101	12-15	102977001	4-13	103365503	1-51
102898201	12-13	102977002	4-17	103365504	1-51
102898301	12-15	103010101	9-3, 9-5	103365505	1-51
102898401	12-15	103173301	12-3	103365507	1-51
102898501	12-15	103177401	12-3	103365509	1-51
102898601	12-15	103180101	4-13, 4-17	103369501	12-3
102898701	12-15	103192701	12-3	103372101	9-3, 9-5
102898801	12-15	103197001	7-3	103372401	9-7
102898901	12-15	103198301	4-17	103372504	9-7
102899001	12-15	103198401	7-15	103372801	9-7
102899101	12-13	103199001	4-13	103378301	1-31
102899201	12-13	103199101	4-13	103378302	1-31
102899301	12-15	103205501	7-15	103380201	5-11
102899401	12-13	103218601	4-17, 13-5	103380202	5-11
102899501	12-15	103255601	4-5	103386202	8-3
102899601	12-15	103255701	4-7	103389101	3-7
102899701	12-13	103256901	4-5	103389201	3-7
102899801	12-13	103257001	4-7	103389301	3-7
102899901	12-15	103257603	4-15	103389401	3-7
102900001	12-13	103257701	4-15	103395101	1-11
102900101	12-13	103257801	4-15	103395505	13-17
102900201	12-13	103282601	13-19, 13-21, 13-23	103397901	4-7, 16-7
102900301	12-13	103282701	13-19, 13-21, 13-23	103405401	1-7
102900401	12-15	103295101	12-5	103405402	1-7
102900501	12-15	103295201	12-5	103405501	6-13
102900601	12-13	103313301	1-11	103407601	1-41
102900701	12-15	103316701	13-19, 13-21, 13-23	103407701	1-43
102900801	12-17	103316801	13-19, 13-21, 13-23	103407801	1-43
102900901	12-13	103316901	13-19, 13-21, 13-23	103410401	1-37
102901001	12-15	103345701	11-7	103410501	1-33
102901101	12-15	103347101	7-11	103410601	1-39
102901201	12-17	103347301	7-11	103410701	1-35
102901301	12-17	103347601	7-11	103410803	1-39
102901401	12-17	103347701	7-11	103410901	1-35, 1-39
102901501	12-17	103347801	7-11	103411001	1-33, 1-37
102901601	12-17	103347901	7-11	103411101	1-33, 1-35, 1-37, 1-39
102901701	12-17	103348201	4-13	103411201	1-33, 1-35, 1-37, 1-39
102901801	12-17	103348202	4-15, 4-17	103411501	1-3
102901901	12-17	103348501	4-13, 7-3, 7-5	103413101	1-3
102902001	12-17	103348601	4-13	103414901	4-7, 16-7
102902101	12-17	103351001	6-17	103418601	9-7
102902201	12-17	103351101	6-23	103428501	16-3, 16-5

INDEX

- 103428601 16-3, 16-5
103428701 16-3, 16-5
103428801 16-3
103429001 16-3, 16-5
103429101 16-3, 16-5
103429201 16-3, 16-5
103429301 16-3, 16-5
103429501 16-3, 16-5
103429601 16-3
103429701 16-3, 16-5
103434001 16-3, 16-5
103439901 16-3, 16-5
103477901 6-15
103483101 5-11
103483102 5-11
103483201 5-11
103483401 5-11
103483601 5-11
103483701 5-11
103496801 7-21
103499101 16-3
103499102 16-3
103499103 16-3
103502601 6-21
103504301 13-11, 13-13, 13-15
103507001 6-21
103507101 9-11
103507201 9-11
103507301 9-11
103510602 13-17
103513001 16-5
103517401 16-5
103520301 9-15
103572501 14-3
103582801 15-3
103601501 6-5
103615601 8-9
103615801 8-13
103615901 8-11
103616301 8-9
103616401 8-11
103616501 8-5
103616601 8-5
103616701 8-5
103617101 9-9
103618001 4-11
103618101 4-25
103628701 6-21
103653401 6-5
103653501 6-5, 6-11
103653601 6-11
103667104 6-15
103667204 6-15
103667302 6-15
103667402 6-15
103677101 1-25
103678402 7-11
103687001 7-5
103695801 13-13
103696801 13-11, 13-13, 13-15
103697301 13-19, 13-23
103697303 13-21
103698701 4-7
103700301 4-19
103717001 16-5
103717002 16-5
103717003 16-5
103718702 7-11
103719701 13-11
103754901 1-25
103765601 13-15
103774701 13-17
103779601 16-5
103781101 9-3, 9-5
103787302 1-33, 1-35, 1-37, 1-39
103793001 13-15
103795503 1-33, 1-35, 1-37, 1-39
103804003 1-33
103804004 1-37
103865101 5-5, 5-7
103878401 13-11
103888101 1-25
103888301 1-25
103902101 13-3
103902301 13-3
103902401 13-3
103930201 13-13
103939201 1-17
103940501 13-5
103943401 13-3
103953301 7-11
105116301 13-3
96704416 8-15
- A**
AC cord 16-3, 16-5, 16-7, 16-9, 16-11
AC cord bushing 16-3, 16-5
AC cord receptacle 16-11
accelerator bracket and bearing assembly 5-5, 5-7
accelerator cable 9-13
accelerator pedal adjustment tool 17-3
accelerator pivot rod 5-5, 5-7
accelerator return spring 5-5, 5-7
accelerator rod 5-9
adapter
 cable (IQDM) 17-5
adhesive, guide ring 17-3
air box 9-17
air box top 9-17
air duct shield 9-15
air filter 9-17
air intake hose 9-17
ammeter 16-3, 16-5, 16-7, 16-9, 16-11
anti-sway bar 6-27
A-plate strap 6-19
A-plate, delta 6-19
arbor 17-3
arm
 governor 9-13, 12-7, 12-13
 pivot 12-7
 rocker 8-9
armature 7-7, 14-3
armature conversion kit 7-7
armrest 1-27, 1-31
assembly
 accelerator bracket and bearing 5-5, 5-7
 accelerator pivot rod 5-5, 5-7
 air box 9-17
 air box top 9-17
 armature 7-7
 axle 12-11
 backrest 1-31
 bearing, steering shaft 6-7
 bell crank and shaft 7-17
 brake lever 5-11
 brush connector 7-7
 brush holder 7-7
 connecting rod 8-13
 cylinder head 8-9
 delta A-plate 6-19
 delta shock and gear support 6-21
 drive clutch 11-7
 drive hub 11-7
 driven clutch 11-5
 driven clutch fixed-face 11-5
 field coil 7-7
 float 9-9
 frame and field (motor) 14-3
 fuel cap 9-3, 9-5
 fuel pump 9-3, 9-5
 fuel tank vent 9-3, 9-5
 governor 12-9, 12-15
 headlight 4-3
 headlight harness 4-3
 idle screw 9-9
 inner ball joint 6-5
 kingpin 6-19
 moveable-face 11-5, 11-7
 pilot air screw 9-9
 plug cap 8-5
 ratchet 5-3, 5-5, 5-7
 secondary clutch weight 11-7
 steering shaft 6-7
 turn signal lens 4-3
axle 12-7, 12-11, 12-17, 15-3
axle guard 12-19, 15-5
axle shaft oil seal 12-11, 12-17, 15-3

INDEX

axle tube 12-11, 12-17, 15-3

B

backing plate, brake 5-11

backrest assembly 1-31

backrest, beige 1-27

backrest, black 1-27

backrest, gray 1-27

backrest, white 1-27

ball bearing 7-11, 8-11

ball joint 5-3, 5-9, 12-5

ball stud 7-17, 12-7, 12-13

ball, bearing 6-15

ball, shifter 12-9

ball, steel pressure relief 8-7

ball, trailer hitch 1-45

bar, nerf 1-29

bar, side 1-29

bar, stabilizer 6-27

barb, vent 9-3, 9-5

barrel, plastic 1-7

battery

12-volt, side-post 7-21

8-volt, 8VGCXC 13-13

8-volt, CR165 13-11

8-volt, GC8 13-15

battery charger 16-3, 16-5, 16-7, 16-9, 16-11

battery charger case 16-3, 16-5, 16-7, 16-9, 16-11

battery charger receptacle 13-9

battery charger transformer 16-5, 16-7, 16-9, 16-11

battery clamp 7-21

battery condition indicator 4-15, 4-17

battery condition indicator kit 4-15

battery discharge machine 17-3

battery hold-down 13-11, 13-13, 13-15

battery insulator 1-49

battery light 4-17

battery terminal protector spray 17-3

battery thermometer 17-3

bearing 15-3

ball 6-15, 7-11, 8-11

ball (motor) 14-3

ball (steering pinion) 6-5

cage roller 12-15

idler 11-7

inner axle tube 12-11, 15-3

lower pinion (steering) 6-5

needle 12-9

outer axle tube 12-11

pivot support 5-5, 5-7

steering shaft 6-7

thrust 6-19

bearing and oil seal remover 17-3

bearing driver set 17-3

bearing puller 17-3

bearing puller wedge 17-3

bearing seat 6-7

bed, box 1-53

bell crank and shaft 7-17

bellows 6-5

belt, drive 11-3

belt, starter/generator 7-9, 7-13

belt, V 7-9, 7-13

beverage holder 1-21

bezel, headlight 4-3

bezel, taillight 4-29

block, brake-mounting 5-3

block, fuse 4-5, 4-7, 7-17

block, terminal 4-5, 4-7

body kick plate 1-49, 1-51

body, front 1-7

bolt, J- 13-11, 13-13, 13-15

bolt, U- 6-25

boot, steering column 6-7

boot, switch 7-15, 13-7

bottom, air box 9-17

box

air 9-17

differential 12-17

electrical component 7-17

steering gear 6-5

box bed 1-53

brace, canopy 1-11

bracket 6-25

accelerator cable 9-13

adjustable starter/generator 7-9, 7-13

brake light switch 4-5, 4-7

FNR shifter 12-3

governor cable 9-13

headlight mounting 4-3

horn 4-23, 4-25

hour meter 4-27

muffler mounting 10-3

oil filter mount 8-7

oil level switch 8-11

relay mounting 16-9

snubber 8-15

stabilizer bar mounting 6-27

starter/generator mounting 7-9, 7-13

steering column 6-7

steering column mounting 6-7

throttle spring return 9-11

Tow/Run switch 7-15, 13-7

bracket, carburetor intake manifold 9-11

brake adjusting mechanism 5-11

brake adjustment tool 17-3

brake backing plate 5-11

brake cable 5-13

brake cable equalizer 5-13

brake cable release tool 17-3

brake cluster 5-11

brake drum 5-11

brake lever 5-11

brake light switch bracket 4-5, 4-7

brake mounting block 5-3

brake pedal 5-3

brake pedal pad 5-3

brake relay kit, 12-volt 4-5

brake return spring 5-13

brake self-adjusting mechanism 5-11

brake shoe 5-11

brake spring 5-11

breaker, circuit 16-3, 16-5, 16-7, 16-9, 16-11

breather 12-7, 12-13, 15-3

brush 14-3

brush and screw set 7-7

brush box assembly 14-3

brush connector 7-7

brush cover kit, starter/generator 7-7, 7-11

brush guard support 6-21

brush holder 7-7

brush inspection port cover 7-7, 7-11

brush plate

starter/generator 7-7

brush port cover 7-7

brush rigging 14-3

brush spring 7-11, 14-3

brush spring set 7-7, 7-11

brush spring, starter/generator 7-7, 7-11

brush terminal, starter/generator 7-7, 7-11

bulb, headlight 4-3

bulb, tail light 4-29

bumper 1-23

cast 1-3

drive unit (motor) 14-3

rubber 5-3

spring return 5-5, 5-7

bushing 7-17, 11-7, 12-3

AC cord 16-3, 16-5

bronze 6-15

nylon 5-3

spindle 6-15

stabilizer bar 6-27

steel 6-21, 6-25

urethane 6-19, 6-21, 6-25

bushing support 6-27

button, choke 9-15

button, drive 11-5

buzzer, reverse 4-13, 4-17

C

cable

accelerator 9-13

brake 5-13

FNR shifter 12-5

governor 9-13

INDEX

- calibration test module 17-3
 - cam
 - driven clutch 11-5
 - electrical component box 7-17
 - cam, FNR shifter 12-3
 - camshaft 8-11
 - camshaft shim 8-11
 - canister, carbon, fuel tank 9-7
 - canopy brace 1-11
 - canopy support 1-33, 1-35, 1-37, 1-39
 - canopy trim plate 1-33, 1-35, 1-37, 1-39
 - cap
 - dust 4-17, 13-5
 - front hub 6-15
 - fuel tank 9-3, 9-5
 - fuel, gas, ratchet 9-3, 9-5
 - key switch 4-13, 4-17
 - plug 8-5
 - carbon canister 9-7
 - carburetor adapter 9-11
 - carburetor gasket 9-11
 - carburetor insulator 9-11
 - carburetor mounting gasket 9-11
 - carburetor, FE350 S27 9-9
 - card, safety first 17-5
 - cargo box 1-53
 - case
 - battery charger 16-3, 16-5, 16-7, 16-9, 16-11
 - differential gear 12-11
 - gear 12-7, 12-13, 15-3
 - rocker 8-9
 - cast bumper 1-3
 - CE mark controller 13-19, 13-21, 13-23
 - charger
 - wire assembly kit 16-7
 - charger bezel tool 17-3
 - charger hardware kit 16-3, 16-5
 - charger receptacle 13-9
 - charger wires 16-3
 - charger, battery, PD3 16-3
 - charger, battery, PowerDrive 16-7
 - charger, battery, PowerDrive 3 16-5
 - charger, battery, PowerDrive European 16-11
 - charger, battery, PowerDrive Export 16-9
 - choke button 9-15
 - choke lever 9-15
 - choke lever guide 9-15
 - choke positioner 9-15
 - choke valve 9-17
 - circuit breaker 16-3, 16-5, 16-7, 16-9, 16-11
 - clamp
 - battery 7-21
 - cable retaining 9-13
 - hose 9-3, 9-5, 9-7, 9-11, 9-17
 - hose, green 9-3, 9-5, 9-7
 - muffler hose 10-3
 - clevis, upper delta 6-19
 - clip
 - meter 4-13
 - cluster idler gear 12-9
 - cluster, brake 5-11
 - clutch cam installation tool 17-3
 - clutch repair kit 11-5
 - clutch tool kit 17-3
 - clutch weight 11-7
 - clutch, driven 11-5
 - coil, field 7-7
 - collet 8-9
 - column, steering 6-7
 - communication display module 17-5
 - component box, electrical 7-17
 - component mounting plate 13-19, 13-21, 13-23
 - compression gauge 17-5
 - compression lug 13-19, 13-21, 13-23
 - compression mount 6-27
 - compression spring 9-15
 - compressor, piston ring 17-5
 - compressor, valve spring 17-7
 - connecting rod 8-13
 - connector, a- 7-7
 - continuity tester 17-5
 - controller cover 13-19, 13-21, 13-23
 - controller cover gasket 13-19, 13-21, 13-23
 - controller, motor speed
 - IQ 13-19, 13-21, 13-23
 - controller, motor speed (CE) 13-19, 13-21, 13-23
 - converter, DC/DC 4-19
 - cord connector 8-11
 - cord set, DC 16-3, 16-5
 - cord, AC 16-3, 16-5, 16-7, 16-9, 16-11
 - cord, DC 16-7, 16-9, 16-11
 - counterbalance guide shaft 8-13
 - counterbalance weight 8-13
 - cover
 - brush inspection port 7-7, 7-11
 - brush port 7-7
 - crankcase 8-11
 - dust 5-11
 - electrical box 7-17
 - fuse block 4-7
 - oil pump 8-7
 - rocker switch hole 4-13, 4-17
 - screw head 4-13, 4-17
 - steering column 6-7
 - cover gasket, controller 13-19, 13-21, 13-23
 - cover plate 14-3
 - cover, controller 13-19, 13-21, 13-23
 - cover, speed controller 13-19, 13-21, 13-23
 - cover, steering column 4-9, 4-11
 - cowl 1-7
 - cowl support 1-11
 - crankcase 8-13
 - crankcase cover 8-11
 - crankcase vent tube 9-11
 - crankshaft 8-13
 - crankshaft rod 8-13
 - crankshaft shim 8-13
 - C-type stop ring 6-5
 - cup holder 1-21
 - cup, spring 5-5, 5-7
 - current limiter 16-11
 - cushion, shock absorber 6-23
 - cutter, valve seat 17-7
 - cylinder head 8-9
- ## D
- dash closeout panel 1-11
 - dash component 1-13
 - dash panel 4-13, 4-17
 - dc converter, 15A 4-19
 - DC cord 16-7, 16-9, 16-11
 - DC cord set 16-3, 16-5
 - DC/DC converter 4-19
 - decal
 - battery danger 3-3
 - bed load warning 3-3, 3-5
 - box bed warning 1-53
 - Club Car name plate 3-7
 - component cover 3-3, 13-19, 13-21, 13-23
 - dash warning 3-3, 3-5
 - driver/passenger 3-5
 - frame ground 3-5
 - maintenance/operate switch 7-15
 - on/off 3-3, 3-5
 - operating instructions 3-3, 3-5
 - operating instructions (electric) 3-3
 - operating instructions (gas) 3-5
 - rotating parts 1-51, 3-5, 7-11
 - Tow/Run switch warning 3-3
 - trailer hitch 1-45, 3-3, 3-5
 - young driver warning 3-3, 3-5
 - delta A-plate 6-19
 - delta A-plate sub-assembly 6-19
 - delta shock and gear support 6-21
 - DF-terminal insulator 7-7
 - diagnostic port 4-17, 13-5
 - differential drive unit 12-7, 15-3
 - differential gear 12-11, 15-3
 - differential gear case 12-11, 12-17
 - differential guard 12-19, 15-5
 - differential housing 15-3
 - differential idler gear 12-11
 - differential pin 12-11
 - diode 7-17
 - dipstick 8-3

INDEX

drain plug 8-7, 12-13
drain plug gasket 8-7, 12-7, 12-13
drain plug, rubber 7-11
drink holder 1-21
drive belt 11-3
drive button 11-5
drive clutch assembly 11-7
drive clutch button 11-7
drive clutch fixed-face 11-7
drive clutch holder tool 17-3
drive clutch hub puller 17-3
drive clutch puller 17-3
drive clutch pulley 11-7
drive clutch spring 11-7
drive clutch weight 11-7
drive hub 11-7
drive selector shaft 12-7, 12-13
drive unit bumper 14-3
drive unit guard 12-19, 15-5
driven clutch 11-5
driven clutch button 11-5
driven clutch cam 11-5
driven clutch cam puller 17-3
driven clutch fixed-face assembly 11-5
driven clutch puller plug 17-3
driver, drive clutch 11-7
drum, brake 5-11
dry moly lubricant 17-5
dust cap 4-17, 13-5
dust cover 5-11

E

eccentric bolt 6-21
E-clip 5-13
electrical box cover 7-17
electrical component box 7-17
enclosure 1-41, 1-43
end bell, commutator 7-7
end bell, output shaft 7-7
end cap, motor 14-3
end, tie rod 6-11
engine mounting plate 8-15
engine shroud 8-3
engine, FE350 S27 8-3
equalizer rod 5-13
equalizer, brake cable 5-13
exhaust system 10-3
exhaust valve 8-9
extrusion, cover support 13-19, 13-21, 13-23
extrusion, fender 1-7
extrusion, plastic 1-23

F

face, moveable 11-5, 11-7
fan housing 8-3

fan shroud 8-3
fan, flywheel 8-5
fender extrusion 1-7
fender, inner 1-47
field coil 7-7
field coil housing 7-7, 7-11
fill plug 12-7, 12-13
fill plug gasket 12-13
filter
 air 9-17
 fuel 9-3, 9-5
 oil 8-7
 oil pump 8-7
fitting, thread-forming grease 6-15
fixed-face, drive clutch 11-7
fixed-face, driven clutch 11-5
flasher, turn signal, 12-volt 4-11
float 9-9
floor mat 1-15
floormat 1-17
flywheel 8-5
flywheel fan 8-5
flywheel fan plate 8-5
flywheel puller 17-5
FNR closeout brush 4-13
FNR shift lever 12-7, 12-13
FNR shifter 12-3
FNR shifter bracket 12-3
FNR shifter cable 12-5
FNR shifter cam 12-3
fork, shift 12-9, 12-15
frame and field assembly (motor) 14-3
frame and field, starter/generator 7-7, 7-11
front body 1-7
front body support 1-49, 1-51
front spring retainer plate 6-21
F-terminal hardware 7-7
f-terminal insulator 7-7
fuel filter 9-3, 9-5
fuel gauge sending unit 9-5
fuel line 9-3, 9-5, 9-7, 9-11
fuel meter 4-13
fuel pump 9-3, 9-5
fuel tank 9-3, 9-5
fuel tank cap 9-3, 9-5
fuel tank strap 9-3, 9-5
fuel tank vent 9-3, 9-5
fuse 13-9, 16-7, 16-9, 16-11
 10-amp 7-17
 20-amp 4-5, 4-7, 7-17
 3/8-amp 13-9
 charger 16-3, 16-5
fuse block 4-5, 4-7, 7-17
fuse block cover 4-7

G

gasket
 carburetor 9-11
 carburetor mounting 9-9, 9-11
 crankcase cover 8-9, 8-11
 drain plug 8-7, 12-7
 drain plug, fill plug 12-13
 exhaust 8-9, 10-3
 head 8-9
 insulator 8-9, 9-11
 liquid 12-7, 15-3, 17-5
 plug 15-3
 rocker case 8-9
 seat 1-27
 sending unit 9-5
 taillight 4-29
gasket kit, FE350 8-9
gasket, controller cover 13-19, 13-21, 13-23
gauge, battery condition 4-15, 4-17
gauge, compression 17-5
gauge, fuel-hour 4-13
gear
 25 tooth 12-15
 28 tooth 12-15
 case 12-13
 cluster idler 12-9
 differential 12-11, 12-17, 15-3
 differential idler 12-11, 15-3
 differential output 15-3
 helical 8-13, 12-9, 12-11
 planetary 12-17
 speed governor 12-15
 spur 8-13, 12-9
 sun 12-17
 synchro 12-9
gear yoke 17-5
gearcase 12-7, 15-3
governor 12-9, 12-15
governor arm 9-13, 12-7, 12-13
governor cable 9-13
governor cable bracket 9-13
governor shaft installation tool 17-5
grommet 1-33, 1-37, 9-3, 9-5
 ignition 8-5
guard, differential 12-19, 15-5
guide
 choke lever 9-15
 intake valve 8-9
 valve seat cutter 17-7
guide ring adhesive 17-3
gun rack, floor mount 1-19

H

hardware kit, charger 16-3, 16-5
hardware, F-terminal 7-7

INDEX

- harness
 - wire 4-25
 - harness, headlight 4-5, 4-7
 - harness, wire 4-19, 4-25, 7-3
 - harness, wire, lighting 4-7
 - head gasket 8-9
 - head, cylinder 8-9
 - headlight 4-3
 - headlight assembly 4-3
 - headlight bulb 4-3
 - headlight harness 4-3
 - headlight retainer 4-3
 - headlight wire harness 4-5, 4-7
 - heatsink and rectifier 16-3, 16-7, 16-9, 16-11
 - helical gear 8-13, 12-9, 12-11
 - hill brake rod 5-3
 - hill brake weld assembly 5-3
 - hinge plate 1-27, 1-49, 1-51
 - hitch, trailer 1-45
 - hitch, trailer, ball 1-45
 - hold-down, battery 13-11, 13-13, 13-15
 - holder, cup 1-21
 - hole plug 4-17
 - horn 4-23, 4-25
 - horn bracket 4-23, 4-25
 - horn button and wire assembly 4-23
 - hose
 - fuel 9-3, 9-5
 - SPWS 13-17
 - vent 9-7
 - vent flare 9-7
 - hose clamp, green 9-3, 9-5, 9-7
 - hose, air intake 9-17
 - hour meter 4-13, 4-27
 - hour meter, 36-48 volt 4-27
 - housing
 - 3-pin 14-3
 - 6-pin 13-19, 13-21, 13-23
 - differential 15-3
 - fan 8-3
 - field coil 7-7, 7-11
 - hub 6-15
 - hub cap 6-15
 - hub, synchronizer clutch 12-9
 - hydrometer 17-5
- I**
- idle screw assembly 9-9
 - idler bearing 11-7
 - idler gear, differential 15-3
 - ignition coil 8-5
 - indicator, battery condition 4-15, 4-17
 - inner frame snubber 8-15
 - input shaft 15-3
 - insert, synchronizer 12-9
 - instrument panel 4-13, 4-17
 - insulator gasket 8-9, 9-11
 - insulator, battery 1-49
 - insulator, carburetor 9-11
 - intake valve 8-9
 - intermediate shaft 15-3
 - internal retaining ring pliers 17-5
 - IQ display module (IQDM) 17-5
- J**
- J-bolt 13-11, 13-13, 13-15
 - jet, main 9-9
 - jet, pilot 9-9
 - joint
 - ball 5-3, 5-9, 12-5
 - steering 6-9
- K**
- key
 - crankshaft 8-5, 8-13
 - driven clutch 11-5
 - On/Off 4-13, 4-17
 - square 11-5
 - starter/generator 7-7
 - woodruff 12-7
 - key switch 4-13
 - key switch cap 4-13, 4-17
 - key switch, On/Off 4-17
 - kick plate, body 1-49, 1-51
 - kingpin 6-19
 - kit
 - 3-pin housing 14-3
 - 6-pin housing 13-19, 13-21, 13-23
 - accelerator pivot rod 5-5, 5-7
 - air duct shield 9-15
 - armature conversion 7-7
 - battery condition indicator 4-15
 - brake cable 5-13
 - brake pedal 5-3
 - brake relay 4-5
 - brake shoe retainer 5-11
 - clutch repair 11-5
 - differential gear case 12-11
 - drive clutch button 11-7
 - drive clutch weight 11-7
 - driven clutch button 11-5
 - enclosure 1-41, 1-43
 - fixed-face drive 11-7
 - flywheel puller 17-5
 - front hub replacement 6-15
 - fuel tank 9-5
 - gasket, FE350 8-9
 - hour meter 4-27
 - IQ display module (IQDM) 17-5
 - motor brush 14-3
 - motor brush spring 14-3
- motor cover plate 14-3
 - motor speed sensor 14-3
 - motor terminal hardware 14-3
 - park brake latch 5-3
 - park brake pedal 5-3
 - PD3 hardware 16-3, 16-5
 - PD3 wiring 16-3
 - piston ring compressor 17-5
 - relay, 48V 4-7, 16-7
 - shock absorber cushion 6-23
 - shoe retainer 5-11
 - steering column mounting bracket 6-7
 - taillight hardware 4-29
 - transmission tool 17-7
 - tune-up 17-7
 - turn signal 4-9
 - windshield, hinged 1-25
 - windshield, one-piece 1-23
 - wire assembly, charger 16-7
- knob, forward/reverse 12-3
- L**
- lamp, turn signal and socket 4-9, 4-11
 - latch, air box 9-17
 - latch, park brake 5-3
 - leaf spring 6-25
 - lens, headlight 4-3
 - lens, taillight 4-29
 - lever
 - choke 9-15, 9-17
 - drive selector 12-7
 - speed governor 12-13
 - transmission shift 12-7, 12-13
 - light
 - battery 4-17
 - oil 4-13
 - limit switch 4-5, 4-7, 7-17, 7-19, 12-3
 - limiter
 - current 16-11
 - voltage 4-5, 4-21
 - line, fuel 9-3, 9-5, 9-7, 9-11
 - link, stabilizer bar 6-27
 - liquid gasket 12-7, 15-3, 17-5
 - low oil warning light 4-13
 - lubricant, dry moly 17-5
 - lubricant, moly-teflon 14-3, 17-5
 - lug nut 2-3
 - lug stud 12-11, 12-17, 15-3
 - lug, compression 13-19, 13-21, 13-23
- M**
- magnet, speed sensor 14-3
 - main jet 9-9
 - mat, floor 1-15
 - MCOR 13-3

INDEX

mechanism, brake adjusting 5-11
meter clip 4-13
meter, hour 4-27
meter, volt ohm 17-7
module
 calibration test 17-3
 communication display 17-5
moly-teflon lubricant 17-5
motor
 48-volt IQ 14-3
 motor brush kit 14-3
 motor brush spring kit 14-3
 motor bumper 14-3
 motor end cap 14-3
 motor magnet, speed sensor 14-3
 motor speed controller
 CE 13-19, 13-21, 13-23
 IQ 13-19, 13-21, 13-23
 motor speed sensor 14-3
 motor speed sensor kit 14-3
 motor terminal hardware kit 14-3
mount, compression 6-27
mounting block, brake 5-3
moveable-face 11-5, 11-7
muffler hose clamp 10-3

N

needle bearing 12-9
nerf bar 1-29
non-skid tape 1-29
nozzle, main 9-9
nut, lug 2-3

O

oil conveyor 12-13
oil filler tube 8-3
oil filter 8-7
oil filter mount bracket 8-7
oil filter screen 8-11
oil filter screen plate 8-11
oil level sensor 8-11
oil level switch bracket 8-11
oil pump and rotor 8-7
oil pump cover 8-7
oil pump filter 8-7
oil pump plate 8-7
oil seal 8-9, 8-11, 8-13, 12-7, 12-9
oil warning light, low 4-13
O-ring 8-3, 8-9, 8-11, 8-13

P

pad
 brake pedal 5-3
 park brake 5-3
paint, touch-up 17-5

panel
 closeout, dash 1-11
panel, instrument 4-13, 4-17
park brake latch 5-3
park brake pedal 5-3
park brake rod sleeve 5-3
park brake spacer 5-3
park brake torsion spring 5-3
pawl 5-3
pedal, brake 5-3
pedal, park brake 5-3
pilot air screw assembly 9-9
pilot jet 9-9
pin
 bow tie locking 5-13
 clevis 5-13
 differential 12-11
 piston 8-13
pinion, steering 6-5
piston 8-13
piston pin 8-13
piston ring 8-13
piston ring compressor 17-5
piston ring pliers 17-5
piston ring set 8-13
pivot arm 12-7
pivot support bearing 5-5, 5-7
plate
 backing (brake) 5-11
 body kick 1-49, 1-51
 component mounting 13-19, 13-21, 13-23
 cover 14-3
 engine mounting 8-15
 flywheel fan 8-5
 front spring retainer 6-21
 hinge 1-27, 1-49, 1-51
 oil filter screen 8-11
 oil pump 8-7
 receptacle backing 13-9
 spring mounting 6-21
 thrust 12-9, 12-11
plate, canopy trim 1-33, 1-35, 1-37, 1-39
plate, steering wheel center 6-13
pliers
 internal retaining ring 17-5
 piston ring 17-5
 retaining ring 17-5
plug
 6-pin 13-19, 13-21, 13-23
 drain 8-7, 12-13
 driven clutch puller 17-3
 fill 12-7, 12-13
 hole 4-17
 rubber drain 7-11
 spark 8-5
plug cap 8-5

plug, carburetor intake manifold 9-11
pole set 7-7
port, diagnostic 4-17, 13-5
positioner, choke 9-15
press weldment 17-3
protector spray, battery terminal 17-3
puller
 bearing 17-3
 drive clutch 17-3
 drive clutch hub 17-3
 driven clutch cam 17-3
 flywheel 17-5
 seal 17-5
pulley
 drive clutch 11-7
 starter-generator 7-7, 7-11
 v-belt 7-7, 7-11
pump
 fuel 9-3, 9-5
push rod 8-9

R

rack guide pressure spring 6-5
rack, steering 6-5
ratchet, park brake 5-3, 5-5, 5-7
reamer, valve guide 17-7
rear spring shackle 6-25
receptacle 13-9
receptacle backing plate 13-9
receptacle, AC cord 16-11
receptacle, battery charger 13-9
rectifier with heatsink 16-3, 16-7, 16-9, 16-11
regulator, voltage 7-17
relay 4-7, 16-3, 16-5, 16-7, 16-9, 16-11
relay mounting bracket 16-9
relay, 12-volt 4-5
relay, 48V 4-7, 16-7
relay, brake, kit, 12-volt 4-5
remover, bearing and oil seal 17-3
resistor assembly 13-19, 13-21, 13-23
retainer
 accelerator pedal spring 5-5, 5-7
 brake shoe 5-11
 headlight 4-3
 shock absorber cushion 6-23
 spring (drive clutch) 11-7
 valve spring 8-9
retaining ring 6-7
retaining ring pliers 17-5
return spring bumper 5-5, 5-7
reverse buzzer 4-13, 4-17
ring
 C-type stop 6-5
 piston 8-13
 retaining 6-7, 7-17, 11-5, 11-7
 snap 6-5, 8-9, 8-13

INDEX

spiral backup 11-7
synchronizer 12-9
rivet, blind push 6-13
rock guard 12-19, 15-5
rocker arm 8-9
rocker case 8-9
rocker case gasket 8-9
rocker shaft 8-9
rocker switch 4-17
rocker switch (lights) 4-5, 4-7, 4-13, 4-17
rod

accelerator 5-9
accelerator pivot 5-5, 5-7
connecting 8-13
crankshaft 8-13
equalizer 5-13
hill brake 5-3
push 8-9
shift 12-9

S

safety decal 3-3, 3-5
safety first card 17-5
score card plate 6-13
screen, oil filter 8-11
screw, valve clearance adjuster 17-7
seal
intake 9-17
lip 15-3
oil 8-9, 8-11, 8-13, 12-7, 12-9, 12-11, 12-17, 15-3
steering pinion dust 6-5
seal puller 17-5
sealant 12-7, 15-3
seat
spring 8-9
valve 8-7
seat back, beige 1-27
seat back, black 1-27
seat back, gray 1-27
seat back, white 1-27
seat bottom assembly 1-27
seat gasket 1-27
seat, bearing 6-7
sending unit, fuel gauge 9-5
sensor, motor speed 14-3
sensor, oil level 8-11
set, brush and screw 7-7
set, pole 7-7
shackle, rear spring 6-25
shaft
counterbalance guide 8-13
drive selector 12-7, 12-13
input 15-3
intermediate 15-3
rocker 8-9

steering column 6-7
transmission 12-9, 12-15
shaft, reverse gear 12-15
shaft, secondary
transmission 12-15
shield, air duct 9-15
shift fork 12-9, 12-15
shift lever 12-7, 12-13
shift rod 12-9
shifter, FNR 12-3
shim, camshaft 8-11
shim, crankshaft 8-13
shock absorber 6-17, 6-23
shock absorber cushion 6-23
shock absorber cushion retainer 6-23
shoe retainer kit 5-11
shoe, brake 5-11
shroud 8-3
shroud, engine 8-3
shroud, fan 8-3
side bar 1-29
signal, turn 4-9
sleeve
delta A-plate 6-19
governor 12-9
park brake rod 5-3
synchronizer 12-9
snap ring 6-5, 8-9, 8-13
snubber bracket 8-15
snubber, inner frame 8-15
solenoid 13-19, 13-21, 13-23
solenoid, 12-volt 7-17
spacer 1-3
accelerator pivot rod 5-5, 5-7
park brake 5-3
spark arrester 10-5
spark plug 8-5
speed controller
CE 13-19, 13-21, 13-23
IQ 13-19, 13-21, 13-23
speed controller cover 13-19, 13-21, 13-23
speed sensor 14-3
speed sensor magnet 14-3
speed sensor, motor 14-3
spiral backup ring 11-7
spray, battery terminal protector 17-3
spring
accelerator return 5-5, 5-7
brake 5-11
brake return 5-13
brush 7-7, 7-11, 14-3
compression 9-15
drive button 11-7
drive clutch 11-7
driven clutch 11-5
extension return 9-17

leaf 6-25
park brake torsion 5-3
rack guide pressure 6-5
shifter 12-9
steering shaft compression 6-7
synchronizer 12-9
throttle return 9-11
valve 8-9
spring cup 5-5, 5-7
spring mounting plate 6-21
spring, leaf 6-21
spur gear 8-13, 12-9
SPWS hose 13-17
stabilizer bar 6-27
stabilizer bar link 6-27
stabilizer bar mounting bracket 6-27
stand-offs, plastic 16-3, 16-5
starter/generator (cw) (model G425419) 7-7
starter/generator belt 7-9, 7-13
starter/generator brush cover kit 7-7, 7-11
starter/generator brush plate 7-7
starter/generator brush spring 7-7, 7-11
starter/generator brush terminal 7-7, 7-11
starter/generator frame and field 7-7, 7-11
starter/generator pulley 7-7, 7-11
steel bushing 6-21, 6-25
steel pressure relief ball 8-7
steering column 6-7
steering column bearing press tool 17-7
steering column cover 4-9, 4-11
steering column retaining ring tool 17-7
steering gear box 6-5
steering joint 6-9
steering pinion 6-5
steering pinion dust seal 6-5
steering rack 6-5
steering shaft assembly 6-7
steering shaft compression spring 6-7
steering wheel 6-13
steering wheel puller tool 17-7
stem, valve 2-3
stiffener, flywheel side 8-15
stiffener, PTO side 8-15
strap, A-plate 6-19
strap, fuel tank 9-3, 9-5
stud 8-15
lug 12-11, 12-17, 15-3
stud, ball 7-17, 12-7, 12-13
support
brush guard 6-21
cowl 1-11
support yoke (steering) 6-5
support, bushing 6-27
support, front body 1-49, 1-51
suppressor, voltage 4-5, 16-7, 16-9, 16-11
switch

INDEX

four-position 16-9, 16-11
key 4-13, 4-17
light rocker 4-5, 4-7, 4-13, 4-17
limit 4-5, 4-7, 7-17, 7-19, 12-3
rocker 4-17
Tow/Run 13-7
turn signal 4-9, 4-11
switch rubber boot 7-15, 13-7
switch, toggle 7-15
synchro gear 12-9
synchronizer clutch hub 12-9
synchronizer insert 12-9
synchronizer sleeve 12-9
synchronizer spring 12-9
synchronizer, complete 12-15
system, exhaust 10-3

T

12-volt solenoid 7-17
tachometer 17-7
tail light bulb 4-29
taillight 4-29
taillight assembly 4-29
taillight base 4-29
taillight bezel 4-29
taillight gasket 4-29
taillight hardware kit 4-29
taillight lens 4-29
tank, fuel 9-3, 9-5
tape 9-15
tape, non-skid 1-29
tappet 8-11
terminal block 4-5, 4-7, 13-19, 13-21, 13-23
terminal, 1/4 quick-disconnect 4-19
tester, continuity 17-5
thermometer, battery 17-3
thread-forming grease fitting 6-15
throttle return spring 9-11
throttle spring return bracket 9-11
thrust bearing 6-19
thrust plate 12-9, 12-11
tie rod 6-11
tie rod end 6-11
tie wrap 4-9, 4-11, 4-19, 4-27, 6-5, 7-17, 12-5,
13-19, 13-21, 13-23
tire 2-3
toggle switch 7-15
tool
accelerator pedal adjustment 17-3
brake adjustment 17-3
brake cable release 17-3
charger bezel 17-3
clutch cam installation 17-3
drive clutch holder 17-3
governor shaft installation 17-5
steering column bearing press 17-7

steering column retaining ring 17-7
steering wheel puller 17-7
transaxle axle seal 17-7
transaxle pinion seal 17-7
transmission 17-7
tool kit, clutch 17-3
touch-up paint 17-5
Tow/Run switch 13-7
Tow/Run switch bracket 7-15, 13-7
trailer hitch 1-45
trailer hitch ball 1-45
transaxle (Electric Vehicle) 15-3
transaxle axle seal tool 17-7
transaxle Graziano (gasoline vehicle), unitized
12-13
transaxle guard 12-19, 15-5
transaxle pinion seal tool 17-7
transaxle, Kawasaki (Gasoline Vehicle) 12-7
transformer 16-3
transformer, battery charger 16-5, 16-7, 16-9,
16-11
transmission secondary shaft 12-15
transmission shaft 12-9, 12-15
transmission tool 17-7
tube
axle 12-11, 12-17, 15-3
crankcase vent 9-11
oil filler 8-3
tune-up kit 17-7
turn signal 4-9
turn signal conversion kit 4-9
turn signal lens 4-3
turn signal socket and lamp 4-9, 4-11
turn signal switch 4-11

U

U-bolt 6-25
unitized transaxle Graziano 12-13
upper delta clevis 6-19
urethane bushing 6-19, 6-21, 6-25

V

valve
choke 9-17
exhaust 8-9
fuel pickup tube 9-3, 9-5
reed 8-9
valve clearance adjuster screw 17-7
valve guide reamer 17-7
valve guide, intake 8-9
valve seat 8-7
valve seat cutter 17-7
valve seat cutter guide 17-7
valve seat t-wrench 17-7
valve spring 8-9
valve spring compressor 17-7

valve spring retainer 8-9
valve stem 2-3
v-belt 7-9, 7-13
vent barb 9-3, 9-5
vent, barb 9-7
volt ohm meter 17-7
voltage limiter 4-5, 4-21
voltage regulator 7-17
voltage suppressor 4-5, 16-7, 16-9, 16-11

W

warning light, low oil 4-13
wedge, bearing puller 17-3
weight
clutch 11-7
counterbalance 8-13
secondary clutch 11-7
weldment
press 17-3
wheel 2-3
wheel, steering 6-13
windshield
one-piece 1-23
windshield channel 1-25
windshield, hinged 1-25
wire harness 4-19, 4-25, 7-3
wire harness, headlight 4-5, 4-7
wire harness, lighting 4-7
wire lead, ignition 8-5
wiring, charger 16-3
woodruff key 12-7
wrap, tie 4-9, 4-11, 4-19, 4-27, 6-5, 7-17, 12-5,
13-19, 13-21, 13-23

Y

yoke, gear 17-5
yoke, support (steering) 6-5



Club Car, Inc.
P.O. Box 204658
Augusta, GA 30917-4658
USA

Web www.clubcar.com
Phone 1.706.863.3000
1.800.ClubCar
Int'l +1 706.863.3000
Fax 1.706.863.5808