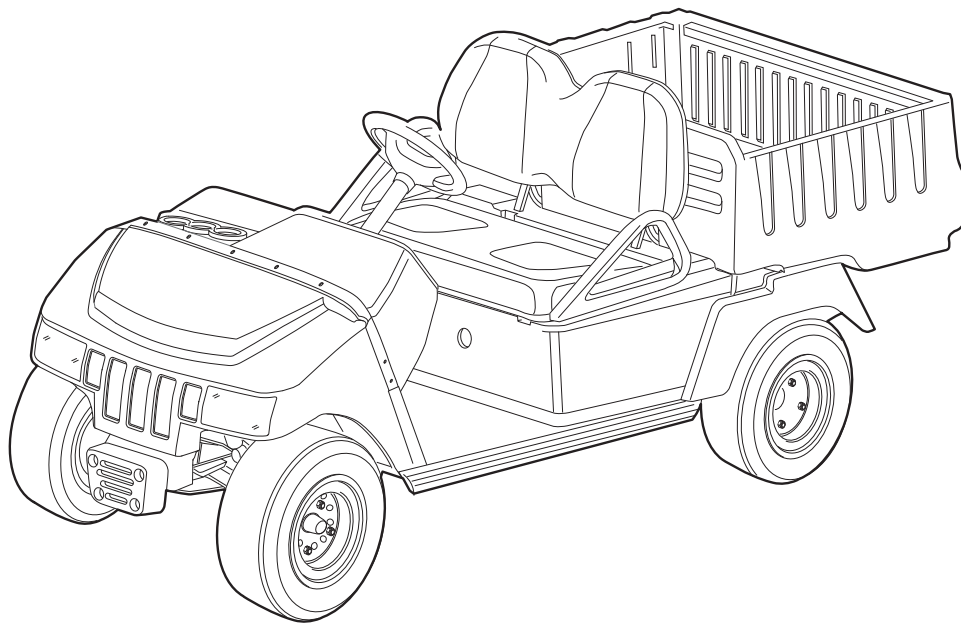




2013 Carryall 242 Illustrated Parts List



Gasoline and Electric Vehicles

Manual Number 103997626
Edition Code B

USING THE ILLUSTRATED PARTS LIST

⚠ WARNING

- **This manual is to be used only for identification and ordering of service parts. Be sure to read and use the maintenance and service manual before attempting any vehicle repairs.**

This manual is divided into several sections. Note that there are flags on the outside edge of each page. The first flag contains the section number of which that page is a part. The other flags contain the letters G or E, signifying that the page pertains to either the gasoline vehicle, the electric vehicle, or both.

Use the Table of Contents to find the sections and pages that contain the parts and assemblies you seek. The Table of Contents lists section numbers, and under them, the individual page titles and numbers to be found in that section. The index can be used to find specific parts and assemblies. The index is divided into numerical and alphabetical listings with the page numbers in italic text.

There is a two-page spread for each individual page title in the Table of Contents. On the left-hand page is an illustration showing the parts in their relative positions; the parts are each tagged with an item number in a balloon. The right-hand page is the parts list page, and gives the page title at the top, then the item numbers (corresponding to the numbers on the illustration), part descriptions, and quantity of parts used.

Note that a part description may be indented. This indentation corresponds to a parts assembly level indicated by the numbers 1, 2, 3, and 4 at the top left corner of the parts description area of the parts list page. A part that is indented to *level 2* is a component of the *level 1* part (assembly) that it is listed under. A *level 3* part is a component of the *level 2* part that it is listed under, and a *level 4* part is a component of the *level 3* part preceding it. In each case, the part quantity given for a level 2, 3, or 4 part is *the quantity used per next higher level assembly of which it is a component*. A part that is not indented is a *level 1* part. This means that the quantity given is the quantity used per the portion of the vehicle illustrated on that particular spread.

HOW TO ORDER PARTS

Replacement parts and accessories can be obtained from our network of authorized dealers and distributors. You can obtain the name and phone number of your closest authorized Club Car dealer or distributor by visiting our web site at www.clubcar.com and clicking on the "Distributor Search" link or by calling our toll-free Service Parts and Technical Assistance hotline at (800) 872-2246 or (706) 863-3000, extension 3887.



**P. O. Box 204658
Augusta, Georgia 30917-4658 USA
Telephone 706-863-3000
Service Parts Fax 706-855-7413
www.clubcar.com**

NOTE: *This illustrated parts list represents the most current information at the time of publication. Club Car, LLC. is continually working to further improve its vehicles and other products. These improvements may affect the parts used to service the vehicle. Any modification and/or significant change in specifications will be forwarded to all Club Car and Carryall distributors/dealers and will, when applicable, appear in future editions of this illustrated parts list.*

Club Car, LLC. reserves the right to change specifications and designs at any time without notice and without the obligation of making changes to units previously sold.

Copyright © 2013 Club Car, LLC.
Club Car and ArmorFlex
are registered trademarks of Club Car, LLC.
This manual effective August 10, 2013.

2013 Carryall 242 Gasoline and Electric Vehicles

CONTENTS

SECTION 1 – BODY AND TRIM

Bumper – Gasoline Vehicles	1-3
Bumper – Electric Vehicles	1-5
Front Body	1-7
Brush Guard	1-9
Side Trim	1-11
Nerf Bar (Optional)	1-13
Dash Components	1-15
Dash Trim	1-17
Rear Body and Fender – Gasoline Vehicle	1-19
Cargo Bed	1-21
Rear Body and Fender – Electric Vehicle	1-23
Bed Hinge	1-25
Access Panel	1-27
Front Seat Bottom and Armrests	1-29
Seat Back	1-31

SECTION 2 – WHEELS AND TIRES

Wheels and Tires	2-3
Hubcap (Optional)	2-5

SECTION 3 – DECALS

Safety Decals – Gasoline Vehicles	3-3
Safety Decals – Gasoline Vehicles, Continued	3-5
Safety Decals – Electric Vehicles	3-7
Safety Decals – Electric Vehicles, Continued	3-9
Logo Decals – Carryall 242	3-11

SECTION 4 – BRAKE SYSTEMS

Accelerator Rod	4-3
Brake Pedal Assembly	4-5
Rear Brake Assembly	4-7
Brake Cables, Equalizer, and Equalizer Rod	4-9
Accelerator Pedal Assembly – Gasoline Vehicles	4-11
Accelerator Pedal Assembly – Electric Vehicles	4-13

SECTION 5 – STEERING AND SUSPENSION

Steering Column	5-3
-----------------------	-----

CONTENTS

Steering Wheel	5-5
Front Suspension, Upper	5-7
Front Spindles and Hubs	5-9
Front Suspension, Lower-Gasoline Vehicles	5-11
Front Suspension, Lower-Electric Vehicles	5-13
Rear Suspension	5-15
Steering Gear Assembly	5-17

SECTION 6 – ELECTRICAL SYSTEM – GASOLINE VEHICLES

Controls and Indicators – Gasoline Vehicles	6-3
Taillights	6-5
Headlights	6-7
FE350 Starter/Generator Mounting – Gasoline Vehicles	6-9
Wiring – Gasoline Vehicles	6-13
Electrical Component Box-Gasoline Vehicles	6-15
Starter/Generator Assembly – Gasoline Vehicles	6-17
Battery – Gasoline Vehicles	6-19

SECTION 7 – FE350 ENGINE – S27

FE350 Engine (AS26) – Ignition Components and Flywheel	7-3
FE350 Engine (AS26) – Oil Circulation	7-5
FE350 Engine (AS26) – Cylinder Head	7-7
FE350 Engine (AS26)- Crankcase, Camshaft and Oil Sensor	7-9
FE350 Engine (AS26) – Crankcase and Crankshaft	7-11
FE350 Engine (AS26) – Mounting	7-13
FE350 Engine without ACR (Automatic Compression Release) – Shrouds and Brackets	7-15

SECTION 8 – FUEL, INTAKE, AND GOVERNOR SYSTEMS

Fuel System	8-3
Fuel Tank with Fuel Level Sending Unit	8-5
Carburetor Assembly – FE350 (AS26)	8-7
Carburetor Installation – FE350	8-9
Governor and Accelerator Cables	8-11
Intake Duct, Choke, and Air Box Assembly	8-13

SECTION 9 – EXHAUST SYSTEM

Exhaust System – FE350	9-3
------------------------------	-----

CONTENTS

SECTION 10 – TORQUE CONVERTER

Driven Clutch	10-3
Drive Clutch	10-5

SECTION 11 – TRANSAXLE AND FNR SHIFTER- GASOLINE VEHICLE

Differential Guard	11-3
Forward/Reverse Shifter Cable – Gasoline Vehicles	11-5
Forward/Reverse Shifter Assembly – Gasoline Vehicles	11-7
Graziano Transaxle – Gear Cases and Levers	11-9
Graziano Transaxle – F&R Transmission and Gear Reduction	11-11
Graziano Transaxle -Differential and Axles	11-13

SECTION 12 – ELECTRICAL SYSTEM – ELECTRIC VEHICLES

Wiring	12-5
Instrument Panel Components	12-7
Motor Controller Output Regulator (MCOR)	12-9
Taillights	12-11
Headlights	12-13
Batteries – 6 X 8V, Electric Vehicle	12-15
OBC, Controller, and Solenoid – Electric Vehicle	12-17
Battery Charger Receptacle	12-19
Forward/Reverse Switch, Tow/Run Switch	12-21

SECTION 13 – ELECTRIC MOTOR

Motor (Model EJ8-4001A) – Electric Vehicle	13-3
--	------

SECTION 14 – TRANSAXLE – ELECTRIC VEHICLES

Transaxle – Electric Vehicles	14-3
Differential Guard	14-5

SECTION 15 – BATTERY CHARGER

PowerDrive 3 Battery Charger, Domestic	15-3
PowerDrive Battery Charger (Model 17930), Domestic	15-5
PowerDrive Battery Charger (Model 20310), European	15-7
PowerDrive Battery Charger (Model 18780), Export	15-9

CONTENTS

SECTION 16 – MAINTENANCE AND SERVICE TOOLS

Maintenance and Service Tools – Golf	16-3
Maintenance and Service Tools – Golf, Continued	16-5
Maintenance and Service Tools – Golf, Continued	16-7

SECTION i – INDEX

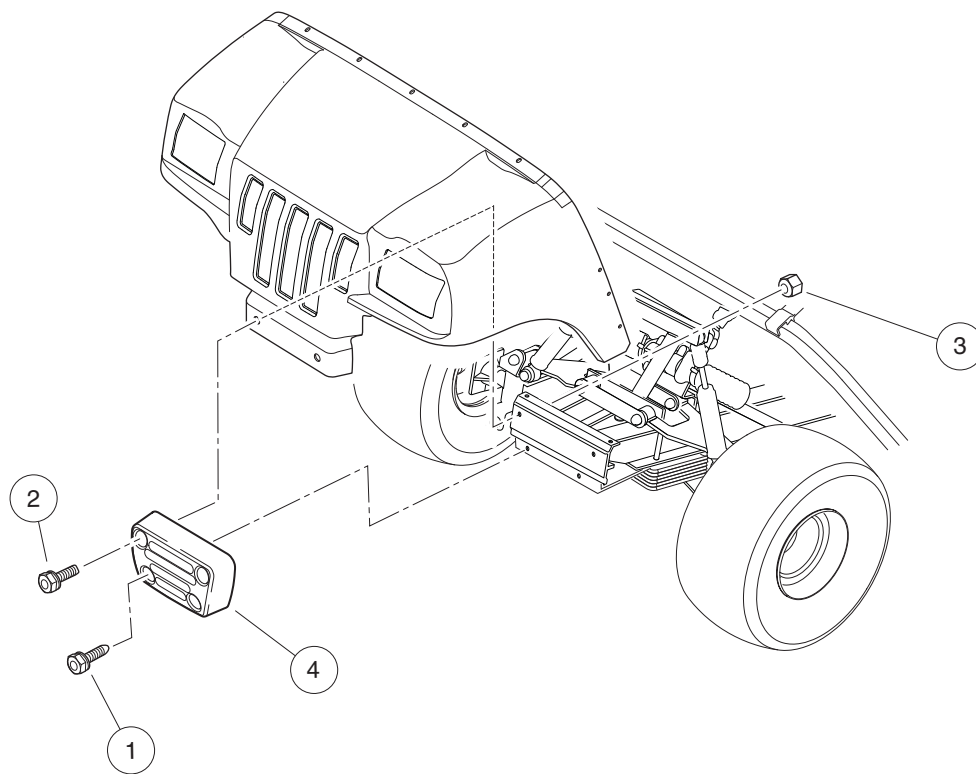
BODY AND TRIM

1

G

E

1
G
E



000357-004

BUMPER – GASOLINE VEHICLES

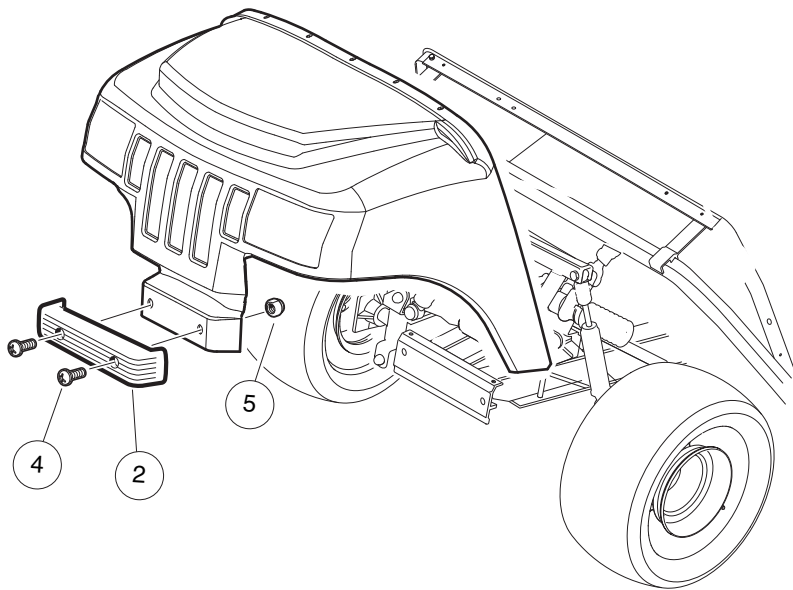
ITEM	PART NO.	DESCRIPTION	QTY
		1 2 3 4	
1	102289002	Screw, M8 X 1.25 X 30 Tri, Blk	2
2	102298240	Bolt, Flange Head, M8-1.25 X 40	2
3	102618601	Lock Nut, Flange, M8 X 1.25 Nylon	2
4	102830501	Bumper, Cast	1

1
G
E

1

G

E

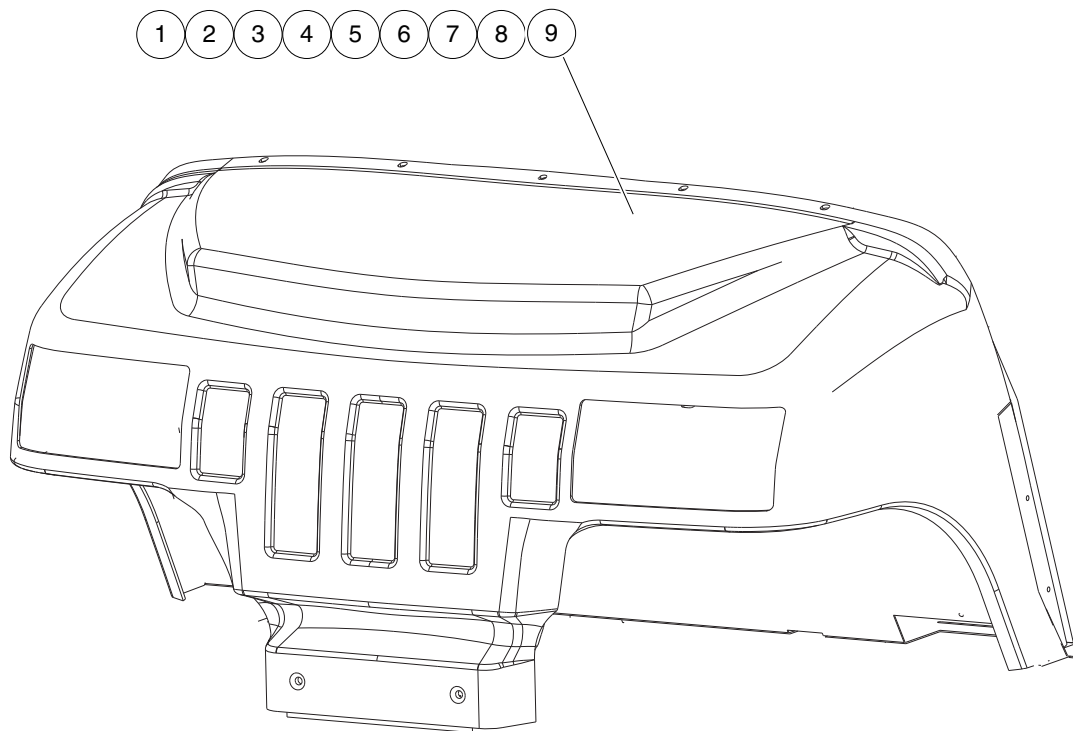


000357-005

BUMPER – ELECTRIC VEHICLES

ITEM	PART NO.	DESCRIPTION	QTY
		1 2 3 4	
1	1017080	Kit, Front Bumper (includes items 2 through 5)	1
2	1016868	Front Bumper	1
3	1016967	Blind Rivet, Push Type	2
4	7251	Screw, 5/16-18 x 1.0 Truss-Head	2
5	7473	Locknut, 5/16-18 Nylon Insert	2
<p style="margin-left: 40px;">Note: Item 3 is not used in this application.</p>			



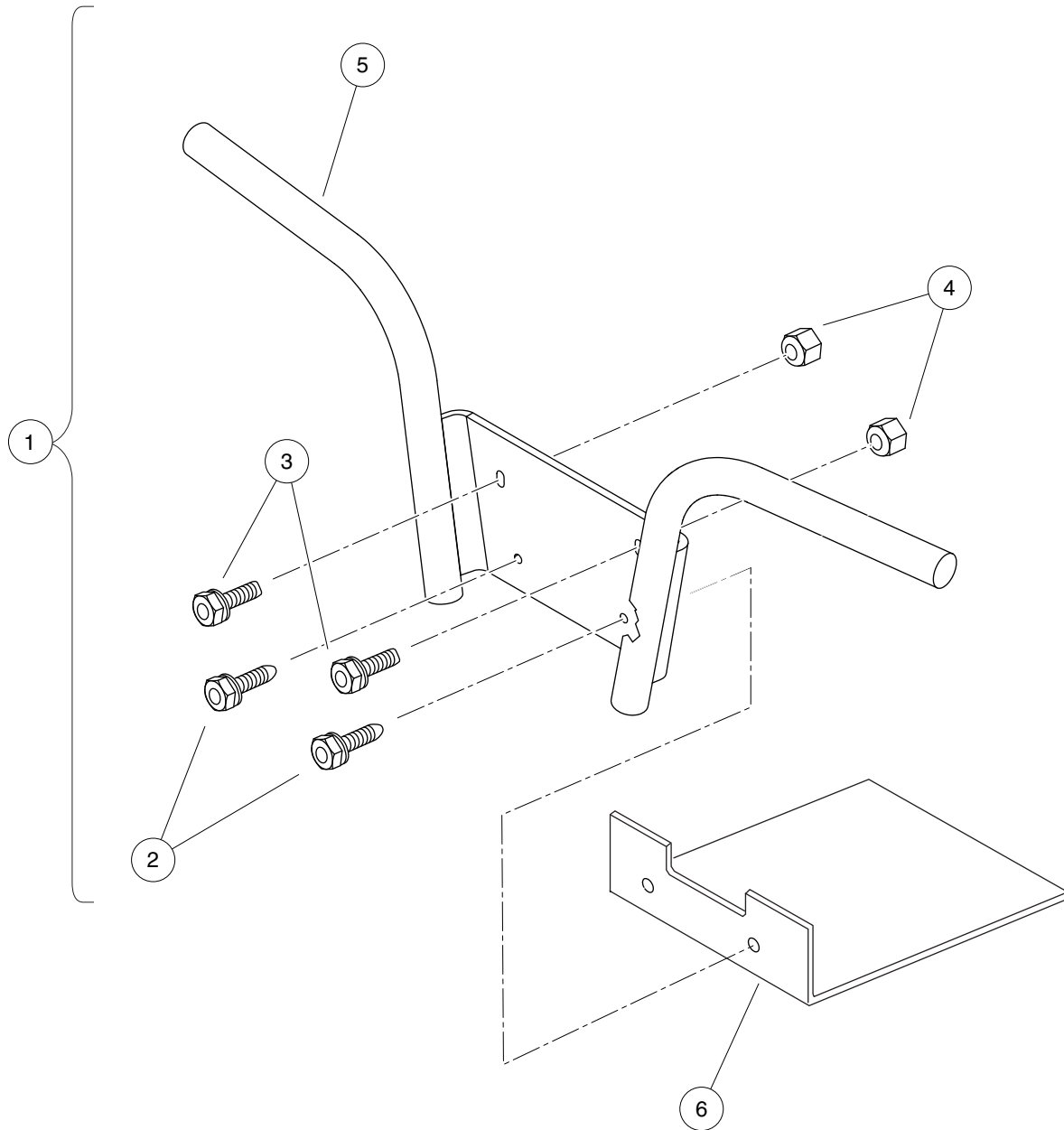


000818-003

FRONT BODY

ITEM	PART NO.	DESCRIPTION	QTY
		1 2 3 4	
1	103984401	Cowl, Red, Common	1
2	103984402	Cowl, Dk Green, Common	1
3	103984404	Cowl, Cl Blue, Common	1
4	103984405	Cowl, Black, Common	1
5	103984407	Cowl, Camo Hwhd, Common	1
6	103984409	Cowl, Silver, Common	1
7	103984410	Cowl, White, Common	1
8	103984411	Cowl, Dk Gray, Common	1
9	103984412	Cowl, Beige, Common	1

1
G
E



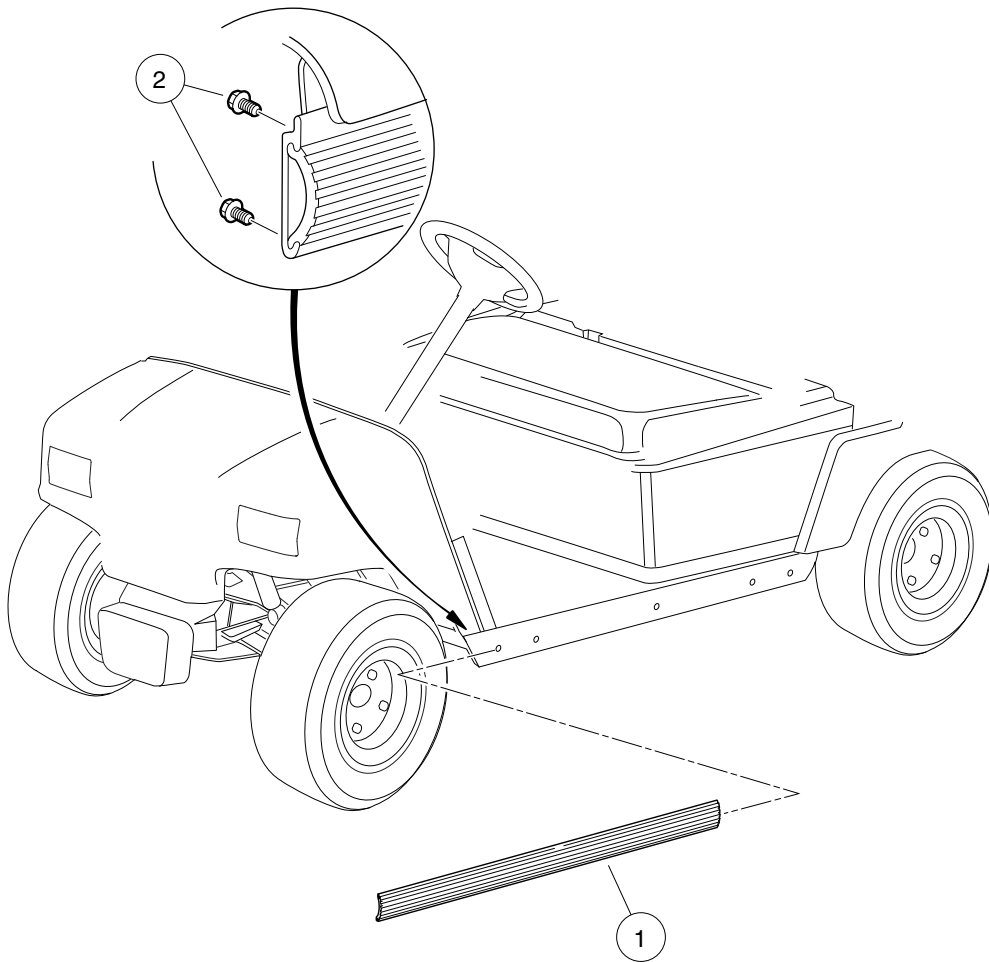
000356-003

BRUSH GUARD

ITEM	PART NO.	DESCRIPTION	QTY
		1 2 3 4	
1	102852401	Kit, Brush Guard (includes items 2 through 6)	1
2	102289002	Screw, M8 X 1.25 X 30 Tri, Blk	2
3	102298240	Bolt, Flange Head, M8-1.25 X 40	2
4	102618601	Lock Nut, Flange, M8 X 1.25 Nylon	2
5	102830201	Guard, Brush	1
6	102830401	Support, Brush Guard	1

1
G
E

1
G
E

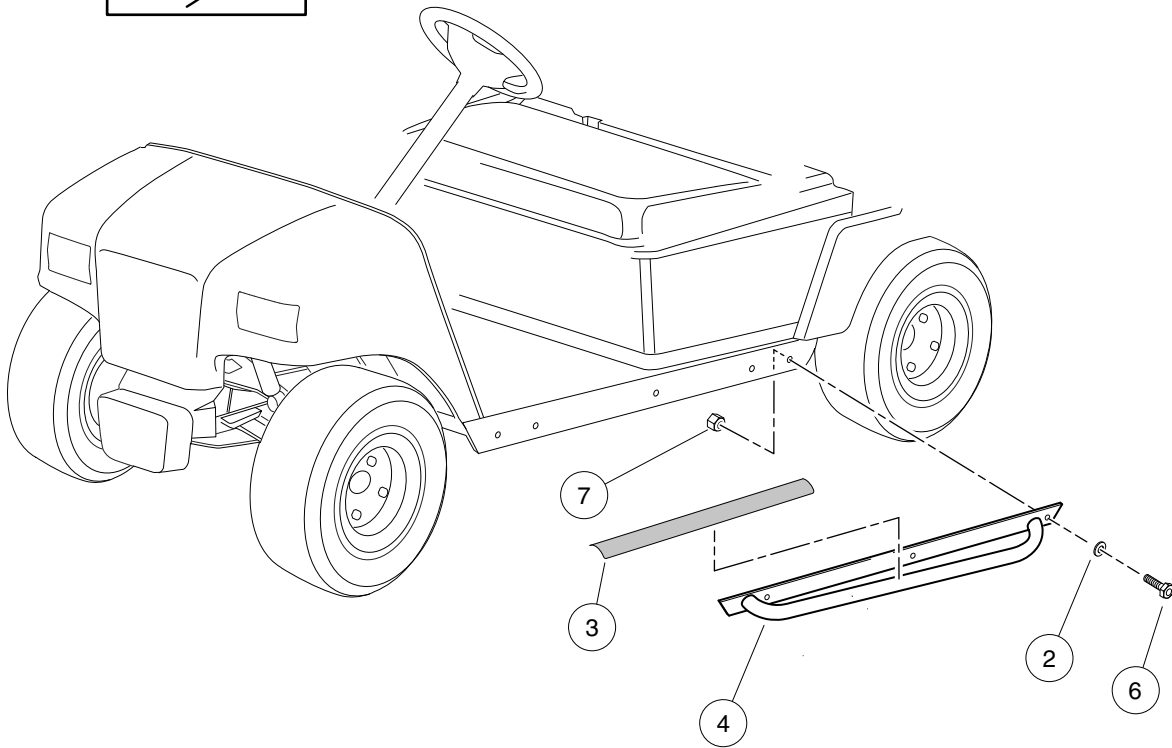
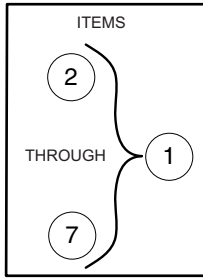


000361-003

SIDE TRIM

ITEM	PART NO.	DESCRIPTION	QTY
1	1013983	1 2 3 4 Bumper, Side Trim	2
2	102310701	Screw, #8-18 x 0.375, Hex-Head Washer	8

1
G
E

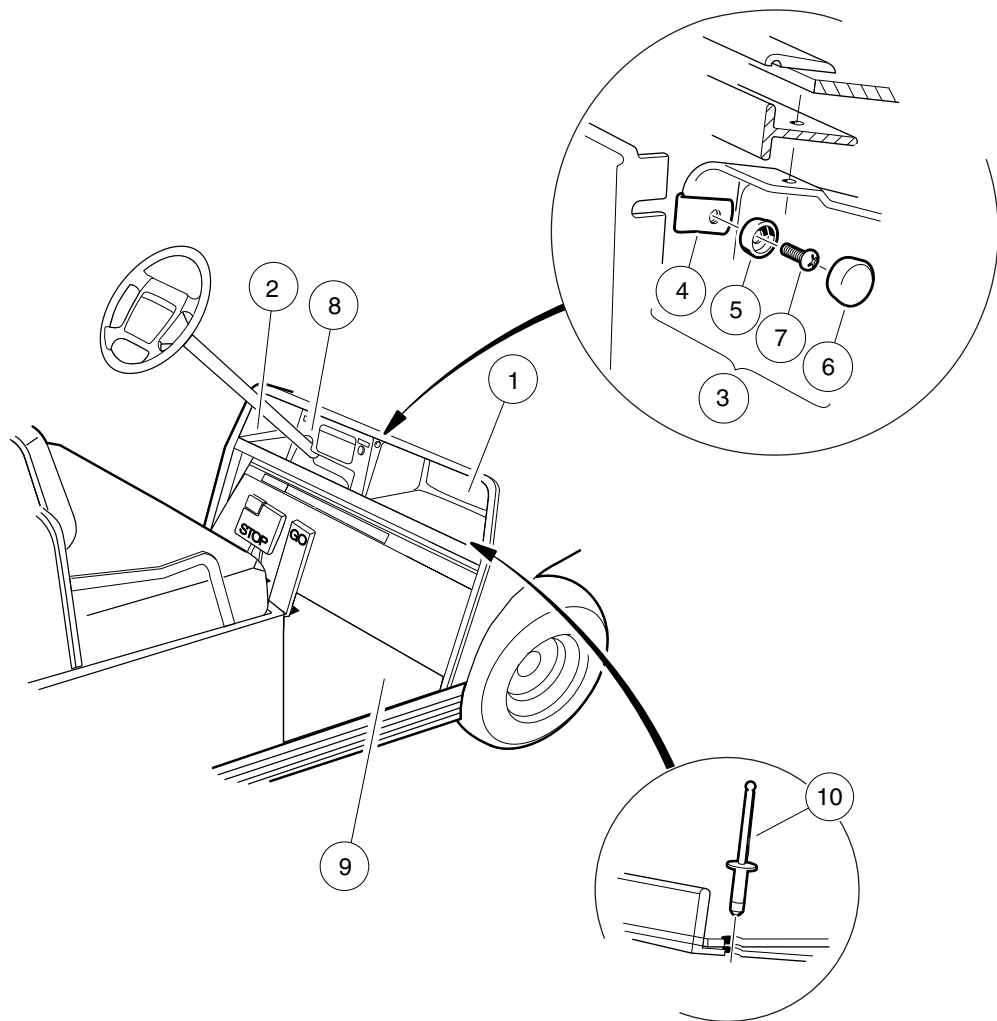


000360-003

NERF BAR (OPTIONAL)

ITEM	PART NO.	DESCRIPTION	QTY
		1 2 3 4	
1	102829802	Kit, Nerf Bar (black) (includes items 2 through 7)	1
2	1011990	Washer, 3/8 Flat	6
3	102355102	Tape, Non-skid	2
4	102829703	Nerf Bar Assy, Driver	1
5	102829704	Nerf Bar Assy, Passenger	1
6	320	Screw, 3/8-16 X 1.00 Hex-Head Cap	6
7	8754	Locknut, 3/8-16 Hex	6

1
G
E

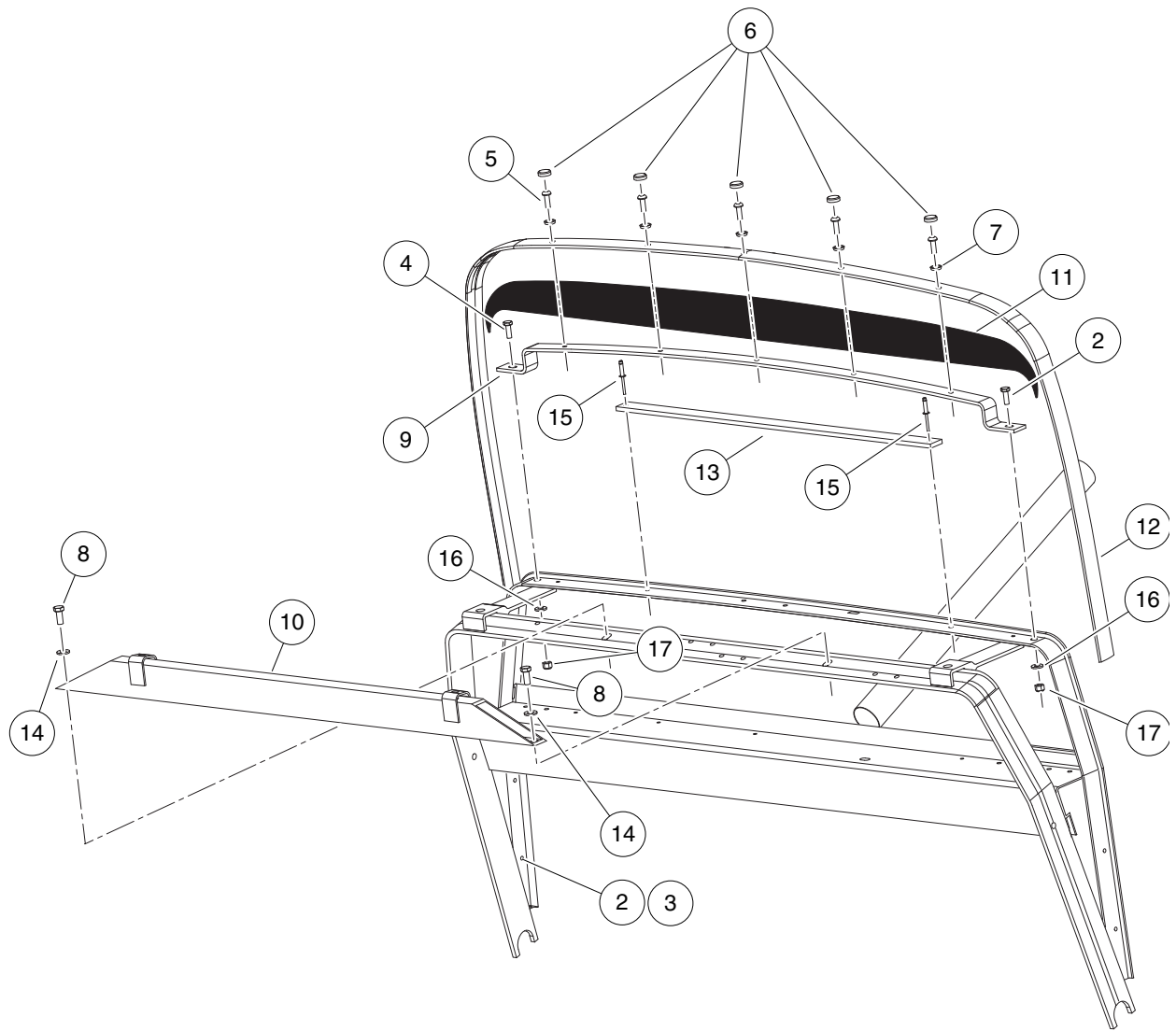


000252-003

DASH COMPONENTS

ITEM	PART NO.	DESCRIPTION	QTY
		1 2 3 4	
1	1013343	Dash Component, Passenger-Side, Black	1
2	1013344	Dash Component, Driver-Side	1
3	1014645	Snap Washer Kit, Black (includes items 4 through 7)	2
4	1011019	Nut, Speed	1
5	1011382	Washer, #10 Pan-Head Screw	1
6	1013494	Cover, Screw Head	1
7	1620	Screw, #10-16 X 0.75 Pan-Head Tap	1
8	101660404	Dash Panel, Black Center	1
9	103939201	Floor Mat, Ds/utl, Std	1
10	7973	Rivet, 3/16 X .400 Blind	5

1
G
E



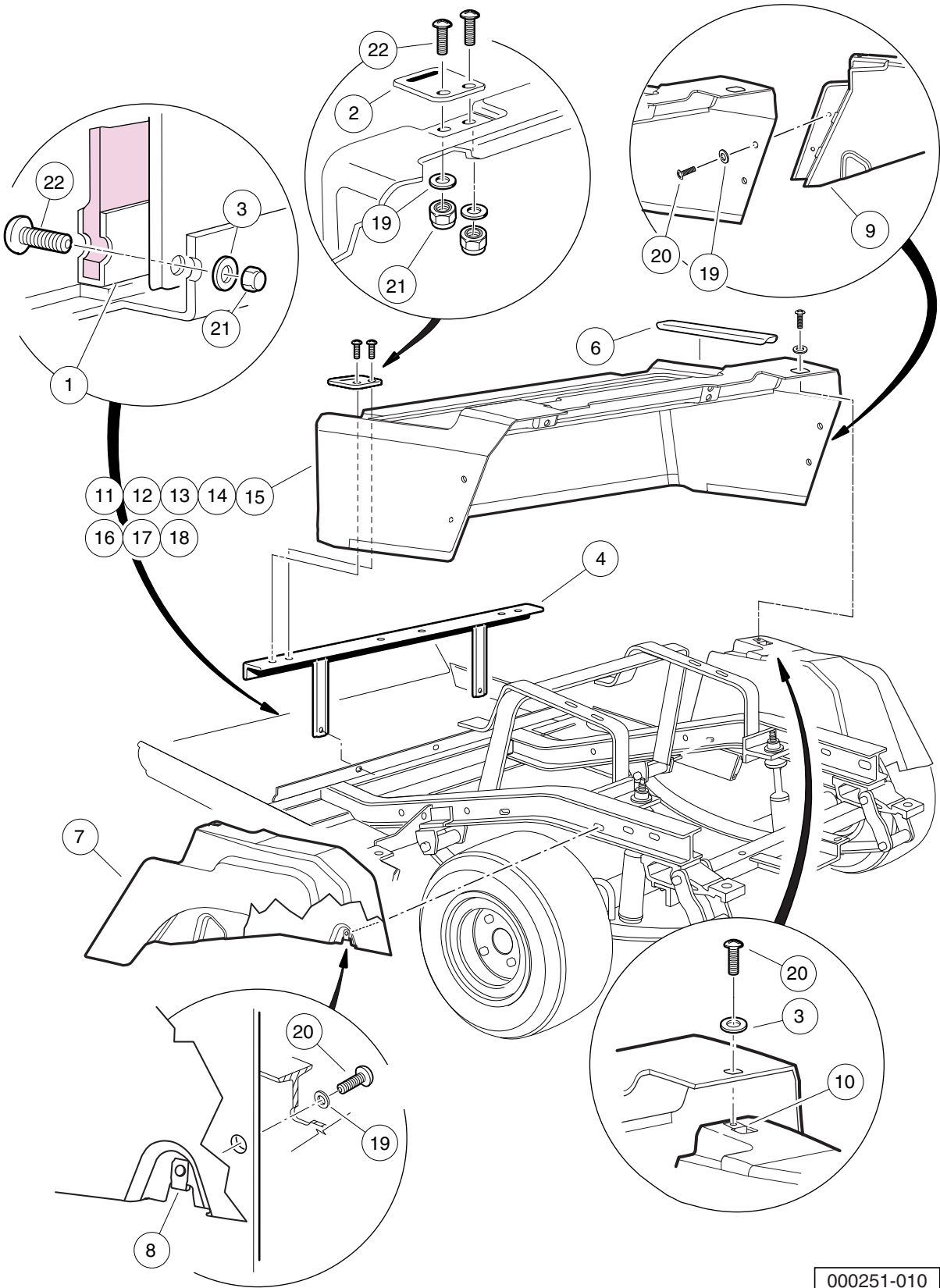
000823-002

DASH TRIM

ITEM	PART NO.	DESCRIPTION	QTY
		1 2 3 4	
1	N/A	Instl, Closeout, Dash (includes items 2 through 17)	1
2	1011017	Screw, #8-32 X 0.375	4
3	1011659	#8-32 Unc-2b Slub Base Teenut	4
4	101954301	Screw, 1/4-20 X 0.75 Hex-Head Cap	2
5	102025801	Screw, 1/4-20 X .75 Torx Pn Hd	5
6	102045001	Cap, 1/4" Plastic Screw Head	5
7	102048401	Washer, 1/4 Id Scalloped Plast	5
8	102242101	Screw, 5/16-18 X 3/4 Hex-Head with Patch	2
9	102778601	Support, Upper Cowl	1
10	103313301	Asm, Brace, Canopy, Tube, Xrt	1
11	103364101	Panel, Closeout, Dash	1
12	103364201	Strip, Trim, Dash, Black	1
13	103395101	Plate, Retention, Closeout	1
14	1241	Washer, 5/16 Type A Flat	2
15	1606	Rivet, 3/16 X .500 Alum Pop	2
16	332	Washer, 1/4 Type A Narrow Flat	2
17	8233	Locknut, 1/4-20, Nylon Insert	2

1
G
E

1
G
E



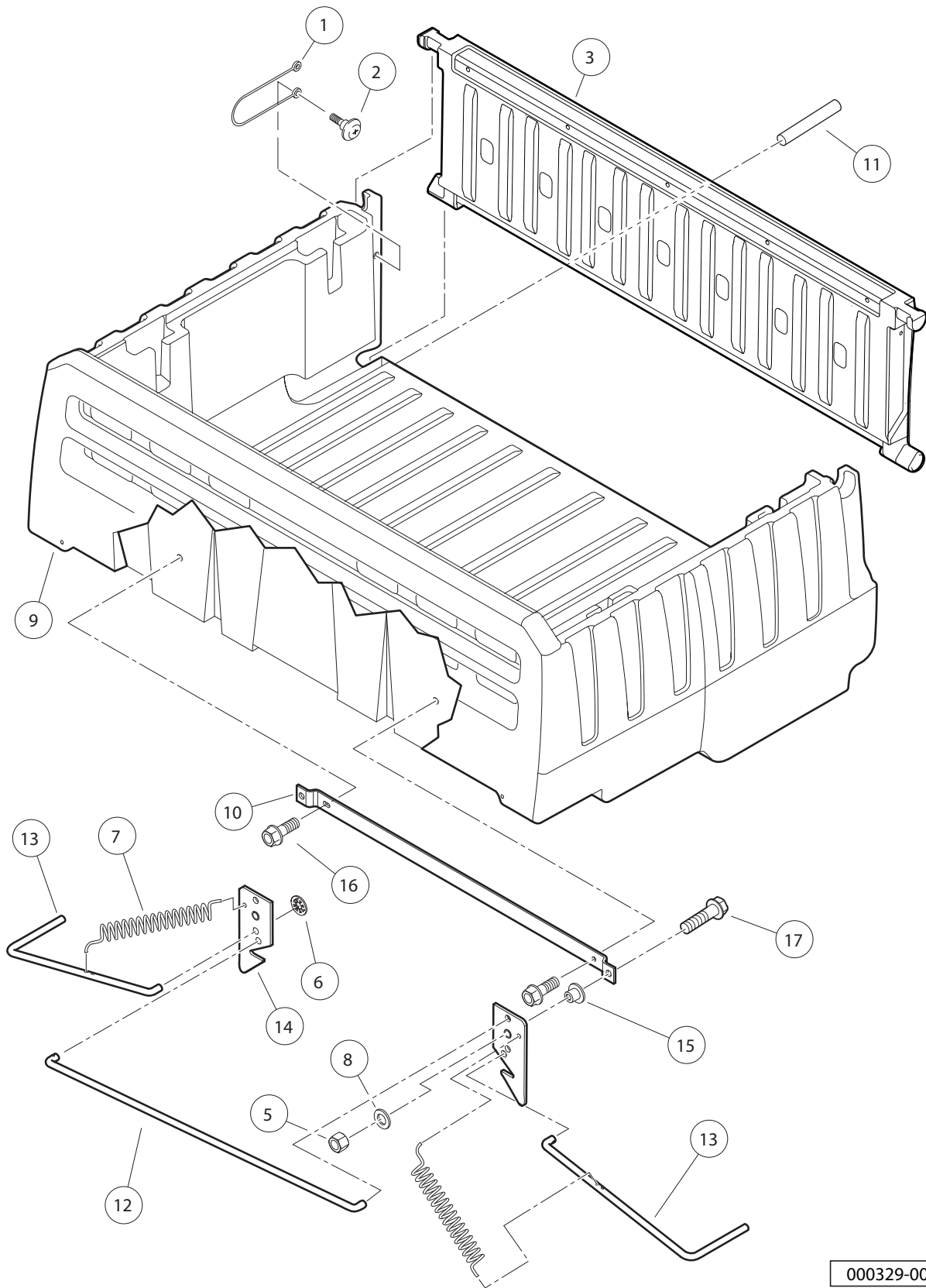
000251-010

REAR BODY AND FENDER – GASOLINE VEHICLE

ITEM	PART NO.	DESCRIPTION	QTY
		1 2 3 4	
1	1010993	Body Kick Plate	1
2	1012412	Body, Hinge Plate	2
3	1014306	Washer, 1/4" Type B Flat	8
4	1017141	Body Support Weldment	1
5	101855801	Cable Retainer	1
6	102221201	Wear Pad	2
7	102777601	Fender, Driver Side (includes item 8)	1
8	1016952	U-Nut, 1/4-20	4
9	102777602	Fender, Passenger Side (includes item 10)	1
10	1016952	U-Nut, 1/4-20	4
11	102796801	Body, Rear, Gas, Red	1
12	102796803	Body, Rear, Gas, Green	1
13	102796804	Body, Rear, Gas, Classic Blue	1
14	102796806	Body, Rear, Gas, Cut, Black	1
15	102796807	Body, Rear, Gas, Cut, White	1
16	102796808	Body, Rear, Gas, Cut, Gray	1
17	102796809	Body, Rear, Gas, Cut, Beige	1
18	102796810	Body, Rear, Gas, Cut, Camo	1
19	332	Washer, 1/4 Type A Narrow Flat	6
20	7847	Screw, 1/4-20 X 0.75 Hex-Head Cap	8
21	8233	Locknut, 1/4-20, Nylon Insert	6
22	8251	Screw, 1/4-20 X 1.0 Truss-Head Machine	6

1
G
E

1
G
E



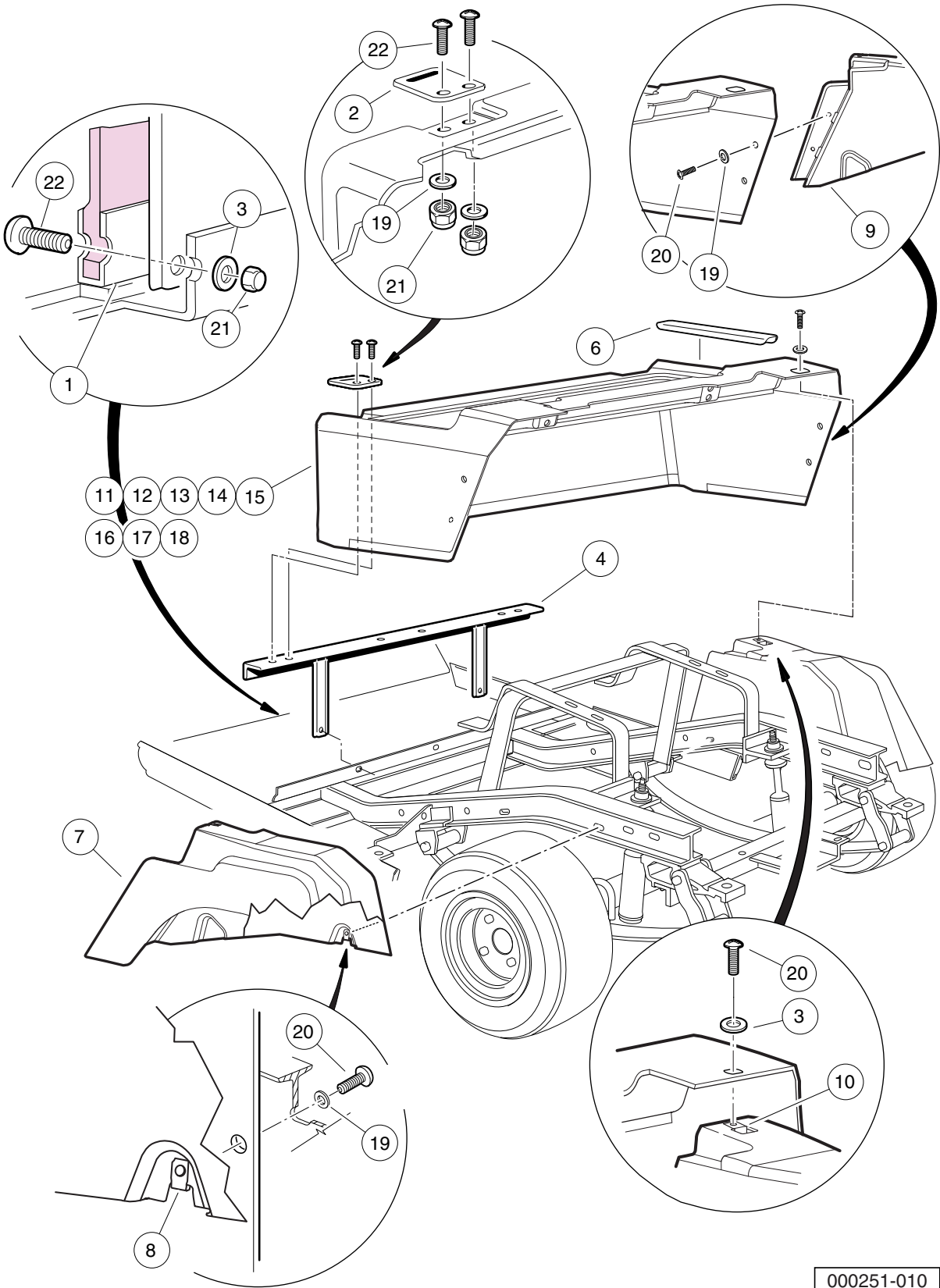
000329-002

CARGO BED

ITEM	PART NO.	DESCRIPTION	QTY
		1 2 3 4	
1	102779001	Lanyard, Tailgate	2
2	102779401	Bolt Lanyard	2
3	102779501	Tailgate	1
4	103189901	Bed Assembly (includes items 5 through 17)	1
5	1010138	Locknut, 3/8-16 Dimpled	2
6	1013876	Pushnut, 3/8	4
7	1015391	Extension, Spring Latch	2
8	N/A	Washer, 3/8 Flat Type A	2
9	N/A	Bed	1
10	102778901	Support, Latch Link	1
11	N/A	Pin, Support	2
12	102779201	Rod, Long Link	1
13	102779301	Rod, Bed Lift, Short Bent	2
14	102779601	Catch, Tilt Bed	2
15	102830701	Bearing, Bronze, 1/2x9/32	2
16	304	Screw, 1/4-20 X 1.0 Hex-Head Cap	2
17	320	Screw, 3/8-16 X 1.00 Hex-Head Cap	1
18	103317501	Kit, Plastic Bed Box Latch (includes items 19 through 21)	1
19	1010545	Screw, Hex Washer Head 1/4-14 X .75	2
20	1011578	Washer, 5/16 Type B Flat	2
21	103293501	Spring, Tilt Latch 3.4 Lb/in	2

1
G
E

1
G
E



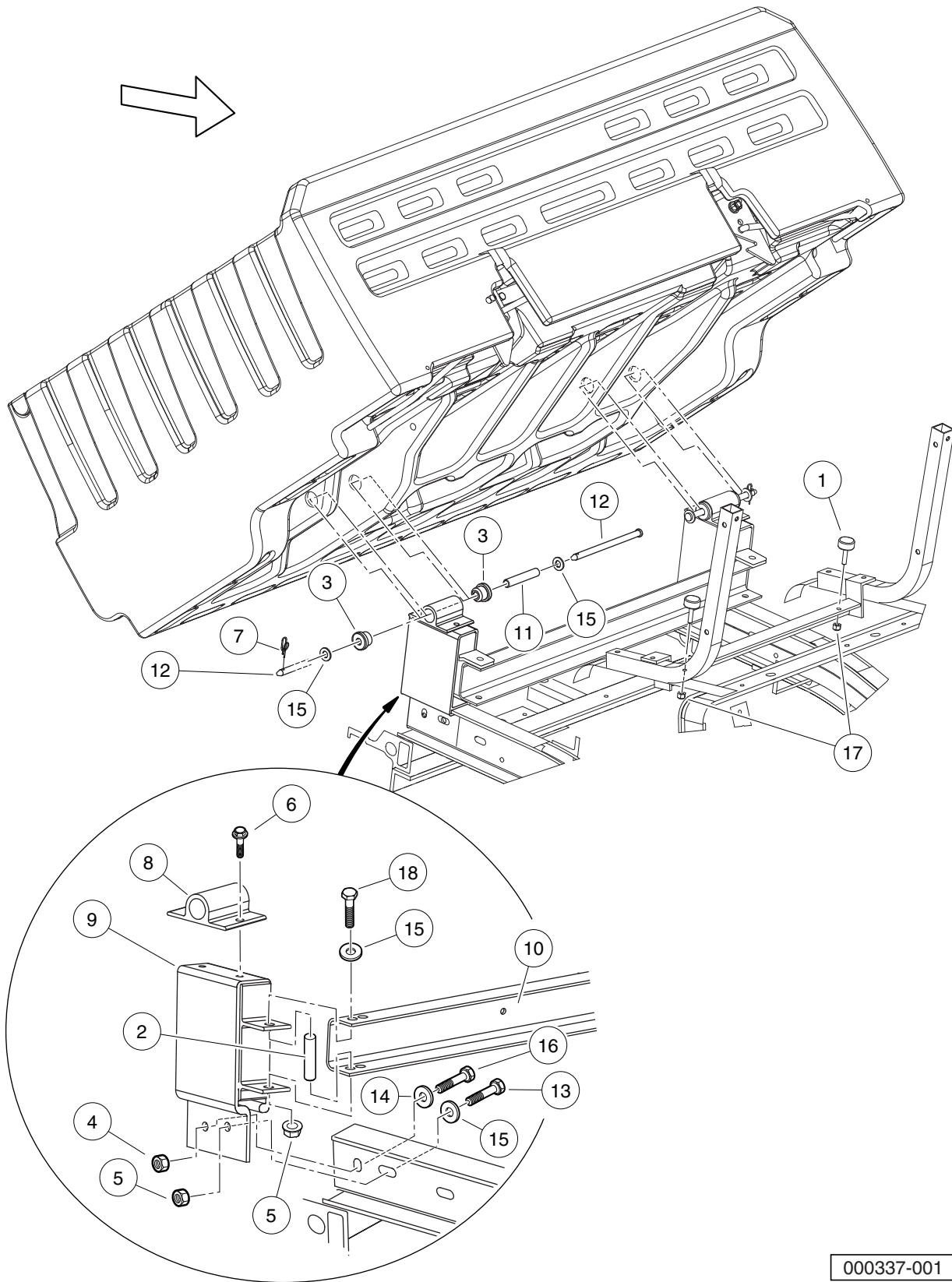
000251-010

REAR BODY AND FENDER – ELECTRIC VEHICLE

ITEM	PART NO.	DESCRIPTION	QTY
		1 2 3 4	
1	1010993	Body Kick Plate	1
2	1012412	Body, Hinge Plate	2
3	1014306	Washer, 1/4" Type B Flat	8
4	1017141	Body Support Weldment	1
5	101855801	Cable Retainer	1
6	102221201	Wear Pad	2
7	102777601	Fender, Driver Side (includes item 8)	1
8	1016952	U-Nut, 1/4-20	4
9	102777602	Fender, Passenger Side (includes item 10)	1
10	1016952	U-Nut, 1/4-20	4
11	103698901	Body, Rear, Cut, El, Red	1
12	103698903	Body, Rear, Cut, El, Grn	1
13	103698904	Body, Rear, Cut, El, Cl Blue	1
14	103698906	Body, Rear, Cut, El, Black	1
15	103698907	Body, Rear, Cut, El, White	1
16	103698908	Body, Rear, Cut, El, Gray	1
17	103698909	Body, Rear, Cut, El, Beige	1
18	103698910	Body, Rear, Cut, El, Camo	1
19	332	Washer, 1/4 Type A Narrow Flat	6
20	7847	Screw, 1/4-20 X 0.75 Hex-Head Cap	8
21	8233	Locknut, 1/4-20, Nylon Insert	6
22	8251	Screw, 1/4-20 X 1.0 Truss-Head Machine	6

1
G
E

1
G
E

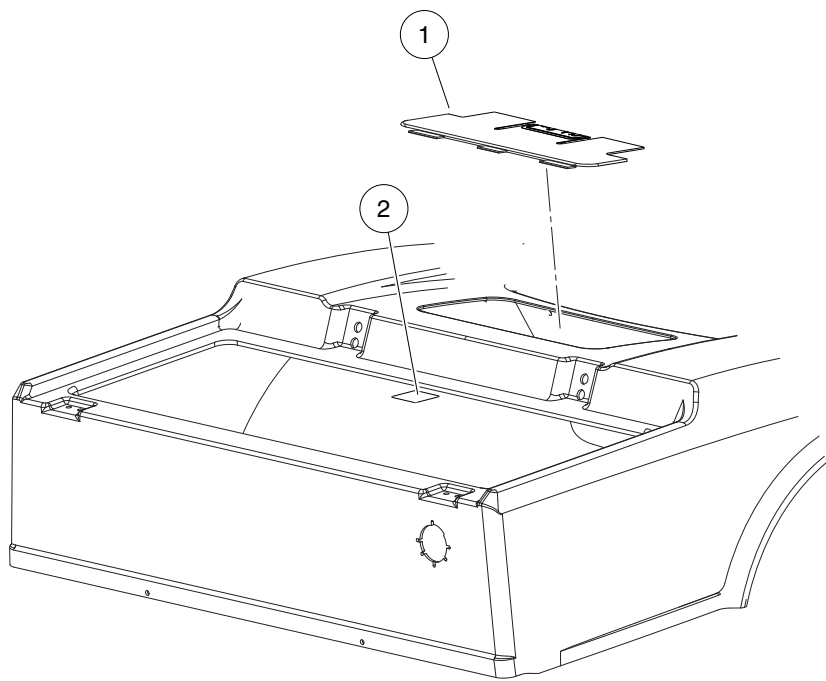


000337-001

BED HINGE

ITEM	PART NO.	DESCRIPTION	QTY
		1 2 3 4	
1	1010878	Bumper, Rubber	2
2	1012303	Bushing, Steel	2
3	1015583	Bushing, Urethane	4
4	101835601	Locknut, 1/4-20 Hex Whiz	2
5	102065901	Locknut, 3/8-16 Flanged Dimple	4
6	102289001	Screw, M8X1.25X30, Hex	4
7	102289301	Rue Ring - 1/2"	2
8	102797201	Hinge, Roto Bed	2
9	102820301	Support, Hinge	2
10	102820501	Stiffener, Bed Support	1
11	102821101	Bushing, Steel	2
12	102823201	Pin, Clevis, 3/8	2
13	320	Screw, 3/8-16 X 1.00 Hex-Head Cap	2
14	332	Washer, 1/4 Type A Narrow Flat	2
15	334	Washer, 3/8, Type A, Flat	8
16	7847	Screw, 1/4-20 X 0.75 Hex-Head Cap	2
17	8233	Locknut, 1/4-20, Nylon Insert	2
18	8755	Screw, 3/8-16 X 3.375 Hex Cap	2

1
G
E



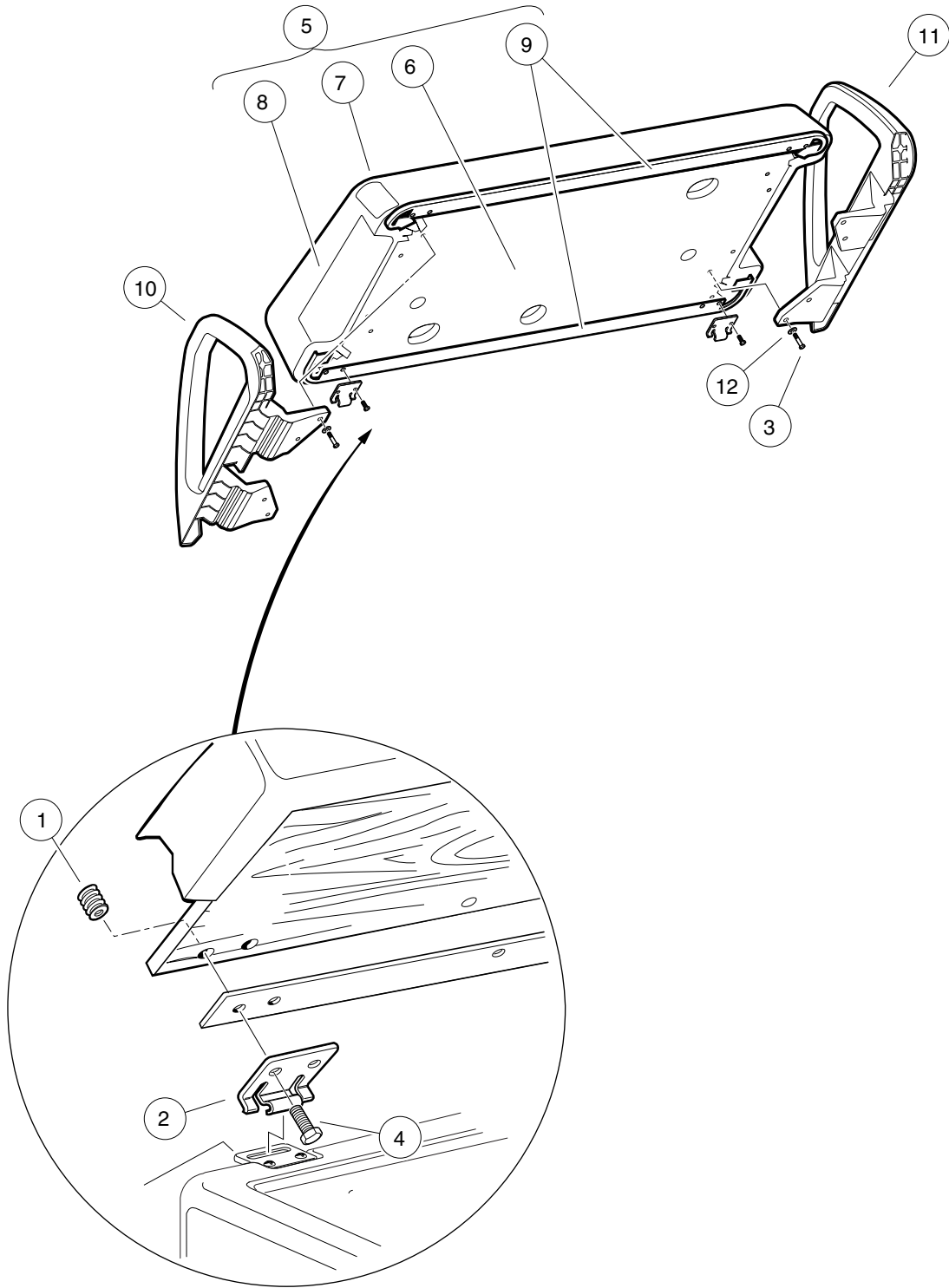
000819-003

ACCESS PANEL

ITEM	PART NO.	DESCRIPTION	QTY
1	101303202	1 2 3 4 Access Panel - Black, Cut	1
2	101960501	Decal, Rotating Parts/Hot Manifold	1

1
G
E

1
G
E



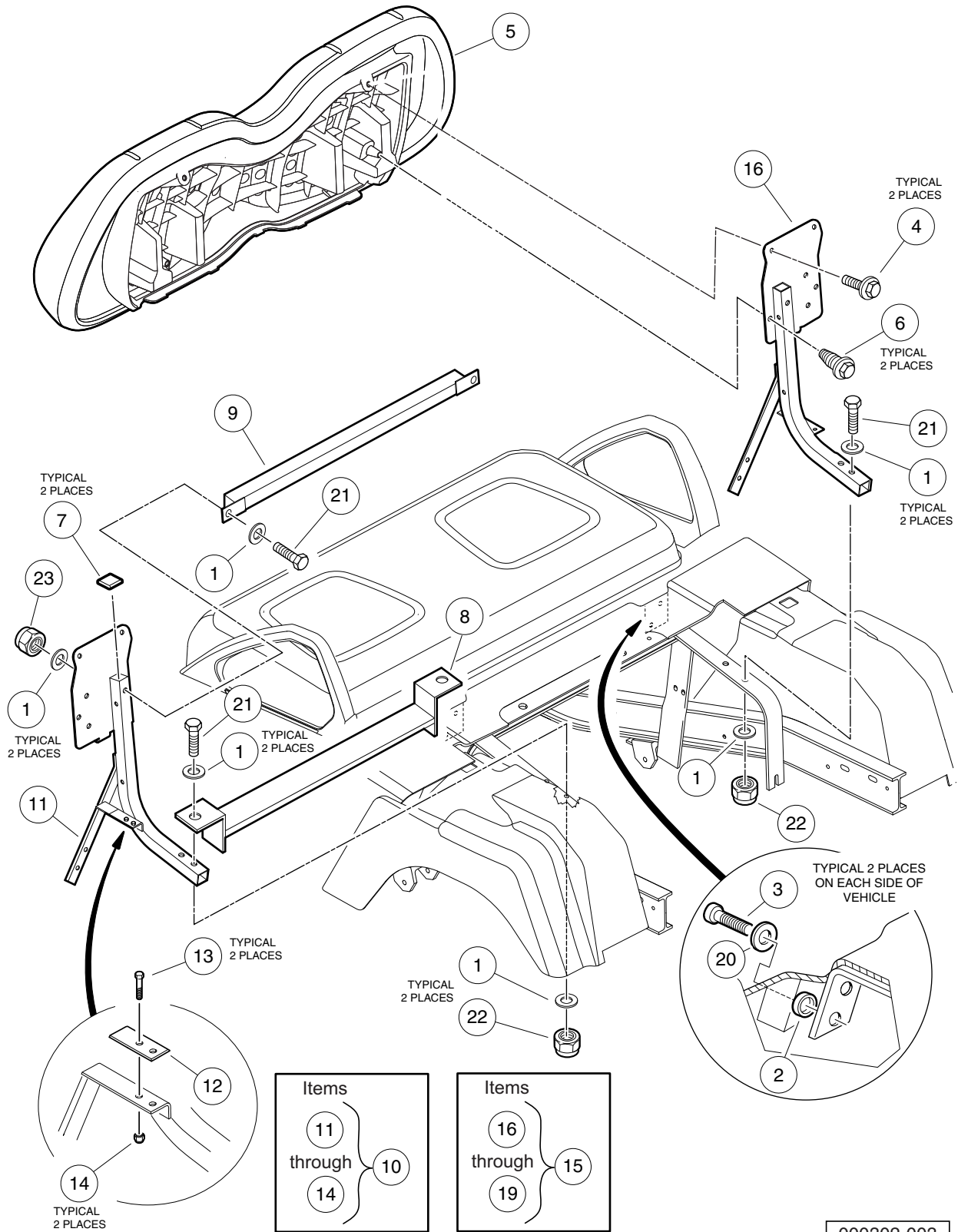
000364-007

FRONT SEAT BOTTOM AND ARMRESTS

ITEM	PART NO.	DESCRIPTION	QTY
		1 2 3 4	
1	1010543	Insert - Wood	4
2	1011652	Hinge Plate	2
3	1016916	Screw, 1/4-20 X 1.50 Hex-Head Cap	8
4	101954301	Screw, 1/4-20 X 0.75 Hex-Head Cap	4
5	102174205	Seat Bottom Assembly, Gray (includes items 6 through 9)	1
6	N/A	Plywood Assy	1
7	101998215	Vinyl Cover, Seat Bottom, Gray	1
8	N/A	Foam, Seat	1
9	101998501	Gasket, Seat	2
10	103246701	Hip Restraint, Drvr Side	1
11	103246801	Hip Restraint, Pass Side	1
12	332	Washer, 1/4 Type A Narrow Flat	8

1
G
E

1
G
E



000302-003

SEAT BACK

ITEM	PART NO.	DESCRIPTION	QTY
		1 2 3 4	
1	1011931	Washer, 1/4 Flat	12
2	1017774	Body Spacer	4
3	101910401	Screw, 5/16-18 X 1.25 Thrd Frm	4
4	102296530	Screw - M6 X 1.0 X 30 Sems	2
5	102503224	Service Backrest Asm, Gray	1
6	102544201	Screw, M6 Hex	2
7	102581201	Plug, Square - 25.4 mm	2
8	102796101	Weldment, Bed Support	1
9	102816201	Seat Support, Cross Brace	1
10	102913101	Seat Support W/striker, Drv (includes items 11 through 14)	1
11	102796301	Seat Support, Driver-Side	1
12	102840301	Striker Plate	1
13	7847	Screw, 1/4-20 X 0.75 Hex-Head Cap	2
14	8233	Locknut, 1/4-20, Nylon Insert	2
15	102913102	Support, Seat, Right (passenger) (includes items 16 through 19)	1
16	102796302	Seat Support, Passenger-Side	1
17	102840301	Striker Plate	1
18	7847	Screw, 1/4-20 X 0.75 Hex-Head Cap	2
19	8233	Locknut, 1/4-20, Nylon Insert	2
20	1241	Washer, 5/16 Type A Flat	4
21	7311	Screw, 1/4-20 X 2.00 Hex-Head Cap	6
22	7473	Locknut, 5/16-18 Nylon Insert	2
23	8233	Locknut, 1/4-20, Nylon Insert	6
24	8963	Screw, 5/16-18 X 1.75 Hex-Head Cap	2

1
G
E

1

G

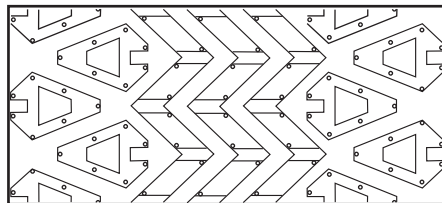
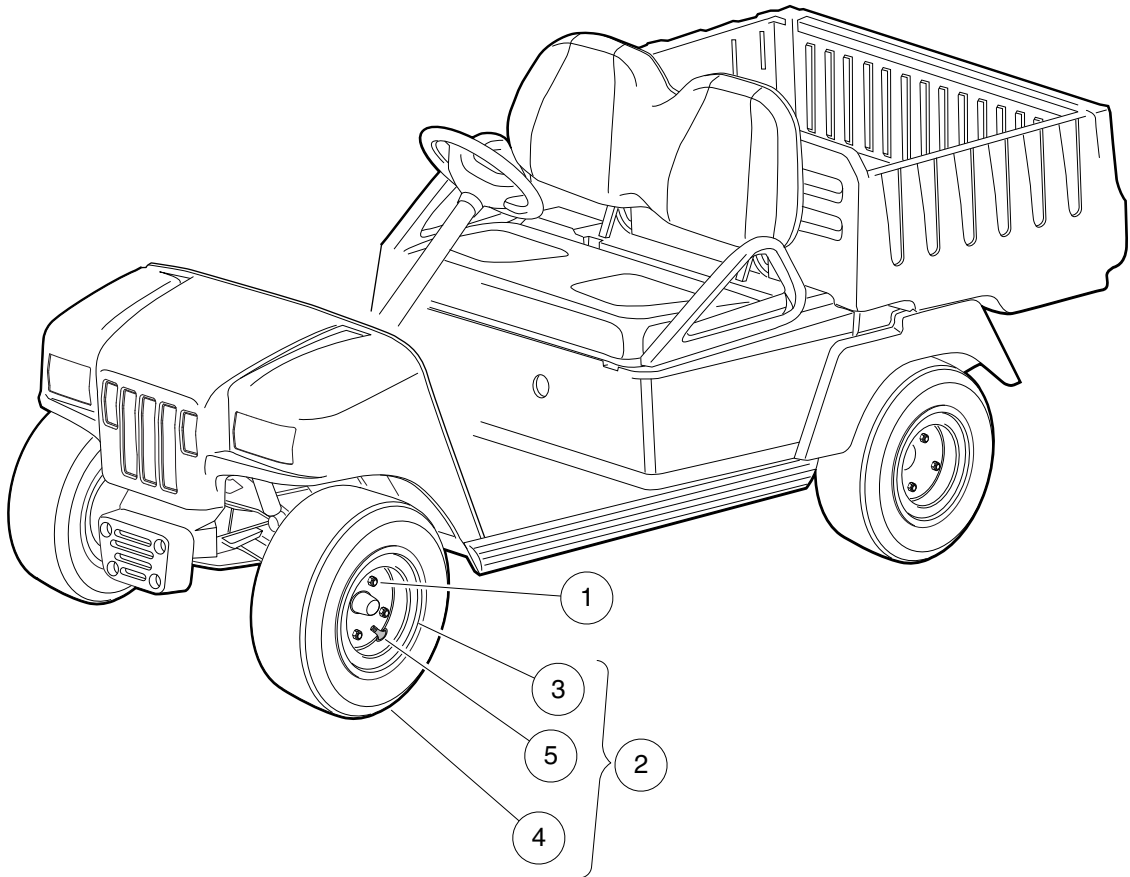
E

WHEELS AND TIRES

2

G

E



000224-004

WHEELS AND TIRES

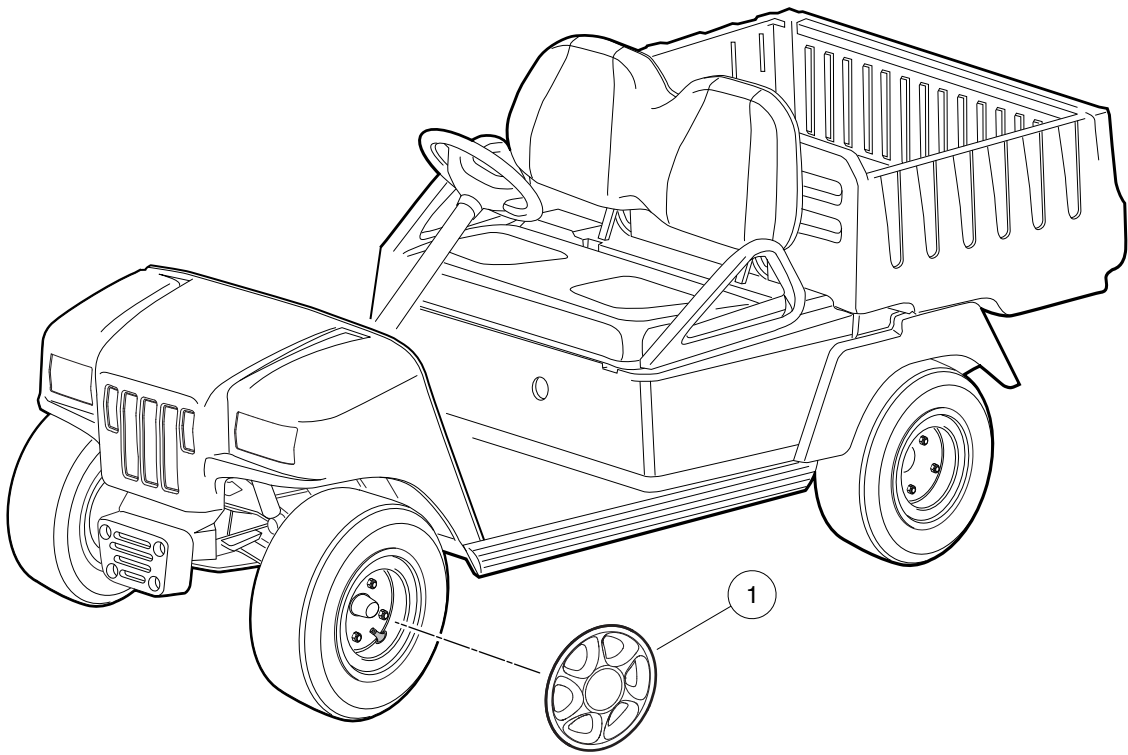
ITEM	PART NO.	DESCRIPTION	QTY
		1 2 3 4	
1	1010984	.500-20 Unf Lug Nut	16
2	102819101	Tire Assembly, All Trail II (includes items 3 through 5)	4
3	102815801	Wheel Rim, Gray	1
4	102815901	Tire, Unmounted, All Trail II	1
5	7310	Valve Stem, Black Plastic	1

2
G
E

2

G

E



000318-003

HUBCAP (OPTIONAL)

ITEM	PART NO.	DESCRIPTION	QTY
1	102559901	1 2 3 4 Hub Cap Kit (includes item 2)	4
2	103694501	Hub Cap, 7 Prong	4

2

G

E

2

G

E

DECALS

3

G

E

WARNING

UNINTENDED MOVEMENT, ROLLOVER, OR FALLING OUT MAY CAUSE SEVERE INJURY OR DEATH.

- Vehicle to be operated by licensed and authorized persons only.
- Use in authorized area only. Do not operate on public roads.
- Two (2) persons per bench seat maximum.
- Operate from driver's seat only.
- Do not start vehicle until all occupants are fully seated.
- Drive slowly in turns and straight up and down slopes.
- Remain fully seated while moving.
- Hold on and keep entire body inside vehicle while moving.
- Do not leave children unattended in vehicle at any time.
- Children requiring a child safety seat must not ride in vehicle.
- Never operate under the influence of alcohol or drugs.
- Never attempt jumps and avoid extreme braking in reverse.

103941601

OPERATING INSTRUCTIONS

Before using vehicle, read owner's manual and vehicle safety warnings. Study and understand controls.

TO OPERATE

- Ensure wheels are turned in desired direction and path is clear.
- Turn key to ON position.
- Select FORWARD or REVERSE only when stopped.
- Release park brake fully.
- Vehicle will start moving when accelerator pedal is pressed.
- Slowly press accelerator pedal to increase speed.
- To stop, release accelerator pedal and press brake pedal.

WARNING

Unintended vehicle movement may cause severe injury or death. Before leaving vehicle:

- Engage park brake to lock wheels.
- Place vehicle in NEUTRAL.
- Turn key to OFF and remove key.

10272390

WARNING

RIDING IN BED CAN CAUSE SERIOUS INJURY OR DEATH.

- Do not ride in cargo bed.

FIRE AND EXPLOSION CAN CAUSE SERIOUS INJURY OR DEATH.

- Static electric spark can ignite gasoline vapors.
- Never fill fuel container in the cargo box or on the machine.
- Always place the fuel container on the ground before filling.
- Keep the nozzle in contact with the fuel container while filling.

ROLLOVER CAN CAUSE SERIOUS INJURY OR DEATH.

- Place cargo forward in the cargo bed and distribute evenly side to side. Secure load.
- On uneven or steep terrain, reduce speed and load.
- Avoid stopping on or backing down steep hills. Avoid top-heavy loads.

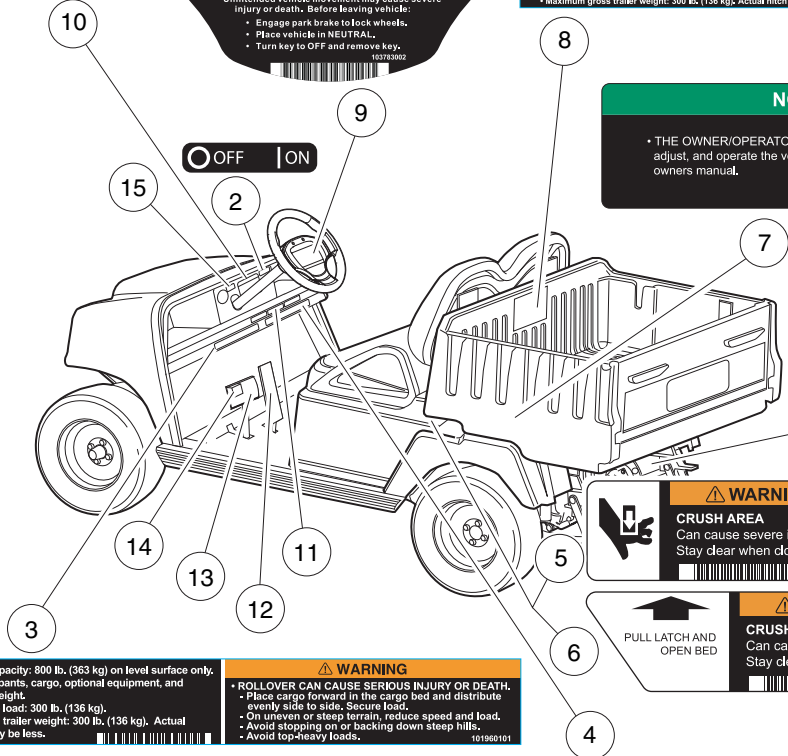
VEHICLE LOADING

- Vehicle rated capacity: 800 lb. (363 kg) on level surface only.
- Includes occupants, cargo, optional equipment, and gross trailer weight. See owner's manual.
- Maximum cargo load: 300 lb. (136 kg).
- Maximum gross trailer weight: 300 lb. (136 kg). Actual hitch rating may be less.

NOTICE

- THE OWNER/OPERATOR should maintain, lubricate, adjust, and operate the vehicle as detailed in the vehicle owners manual.

CCF 10283301



NOTICE

MAXIMUM TONGUE WEIGHT - 150 lbs.

CCI 1017553

VEHICLE LOADING

Read owner's manual and warnings on dash.

- Vehicle rated capacity: 800 lb. (363 kg) on level surface only.
- Includes occupants, cargo, optional equipment, and gross trailer weight.
- Maximum cargo load: 300 lb. (136 kg).
- Maximum gross trailer weight: 300 lb. (136 kg). Actual hitch rating may be less.

101950101

WARNING

ROLLOVER CAN CAUSE SERIOUS INJURY OR DEATH.

- Place cargo forward in the cargo bed and distribute evenly side to side. Secure load.
- On uneven or steep terrain, reduce speed and load.
- Avoid stopping on or backing down steep hills.
- Avoid top-heavy loads.

101950101

WARNING

CRUSH AREA

Can cause severe injury. Stay clear when closing bed.

PULL LATCH AND OPEN BED

102831901

WARNING

CRUSH AREA

Can cause severe injury. Stay clear when closing bed.

PULL LATCH AND OPEN BED

102832001

WARNING

YOUNG DRIVERS INCREASE CHANCE OF DEATH

- Young drivers may not be able to control vehicle.
- No drivers younger than 16 years old.

CCI 102075601

2587

SAFETY DECALS – GASOLINE VEHICLES

ITEM	PART NO.	DESCRIPTION	QTY
		1 2 3 4	
1	1011553	Decal, Trailer Hitch	1
2	101825101	Decal, Off/On	1
3	101960101	Decal, Vehicle Loading	1
4	102075801	Decal, Young Driver Warning	1
5	102831901	Decal, Crush Warning, Driver-Side	1
6	102832001	Decal, Crush Warning, Passenger-Side	1
7	102833301	Decal, Maintenance	1
8	N/A	Decal, Plastic Bed Load Warn	1
9	103783002	Decal, Op Instr, Gas Ps	1
10	103961601	Decal, Warn, Rollover, Ds Utl	1

3
G
E

WARNING

- GASOLINE EXPLOSION / FIRE.
- CAN CAUSE SEVERE INJURY OR DEATH.
- NO SMOKING, SPARKS, OR OPEN FLAME.
- STOP ENGINE, ALLOW TO COOL BEFORE REFUELING.
- TURN FUEL VALVE () ON DURING OPERATION.
- () OFF DURING STORAGE OR TRANSPORT.

CCI 1015476-01

WARNING

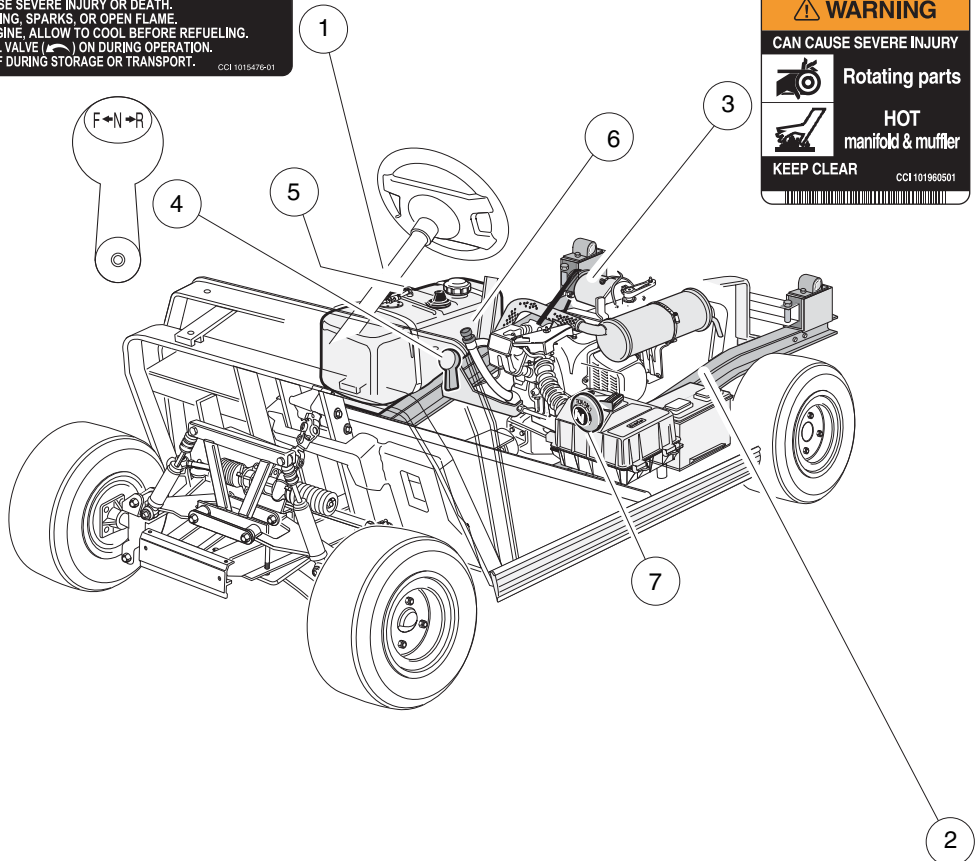
CAN CAUSE SEVERE INJURY

 Rotating parts

 HOT manifold & muffler

KEEP CLEAR

CCI 1019605-01



	<p>WARNING</p> <p>Negative frame ground. Can cause severe injury. Do not contact positive (+) battery post or cable to frame. Disconnect negative battery lead first.</p>		<p>WARNING</p> <p>Excessive speed. Can cause severe injury or death. Do not tamper with engine governor adjustment.</p> <p>CCI 1019162-01</p>
---	--	--	--

SAFETY DECALS – GASOLINE VEHICLES, CONTINUED

ITEM	PART NO.	DESCRIPTION	QTY
		1 2 3 4	
1	101547601	Decal, Gasoline Explosion/Fire Warning	1
2	101915201	Decal, Frame Ground and Governor Warning	1
3	101960501	Decal, Rotating Parts/Hot Manifold	1

3
G
E

⚠ WARNING

UNINTENDED MOVEMENT, ROLLOVER, OR FALLING OUT MAY CAUSE SEVERE INJURY OR DEATH.

- Vehicle to be operated by licensed and authorized persons only.
- Use in authorized area only. Do not operate on public roads.
- Two (2) persons per bench seat maximum.
- Operate from driver's seat only.
- Do not start vehicle until all occupants are fully seated.
- Drive slowly in turns and straight up and down slopes.
- Remain fully seated while moving.
- Hold on and keep entire body inside vehicle while moving.
- Do not leave children unattended in vehicle at any time.
- Children requiring a child safety seat must not ride in vehicle.
- Never operate under the influence of alcohol or drugs.
- Never attempt jumps and avoid extreme braking in reverse.

102782801

OPERATING INSTRUCTIONS

Before using vehicle, read owner's manual and vehicle safety warnings. Study and understand controls.

TO OPERATE

- Ensure wheels are turned in desired direction and path is clear.
- Turn key to ON position.
- Select FORWARD or REVERSE only when stopped.
- Release park brake fully.
- Vehicle will start moving when accelerator pedal is pressed.
- Slowly press accelerator pedal to increase speed.
- During operation, beeping alarm indicates reduction in motor braking.
- To stop, release accelerator pedal and press brake pedal.

⚠ WARNING

Unintended vehicle movement may cause severe injury or death. Before leaving vehicle:

- Engage park brake to lock wheels.
- Place vehicle in NEUTRAL.
- Turn key to OFF and remove key.

102782801

⚠ WARNING

RIDING IN BED CAN CAUSE SERIOUS INJURY OR DEATH.

- Do not ride in cargo bed.

FIRE AND EXPLOSION CAN CAUSE SERIOUS INJURY OR DEATH.

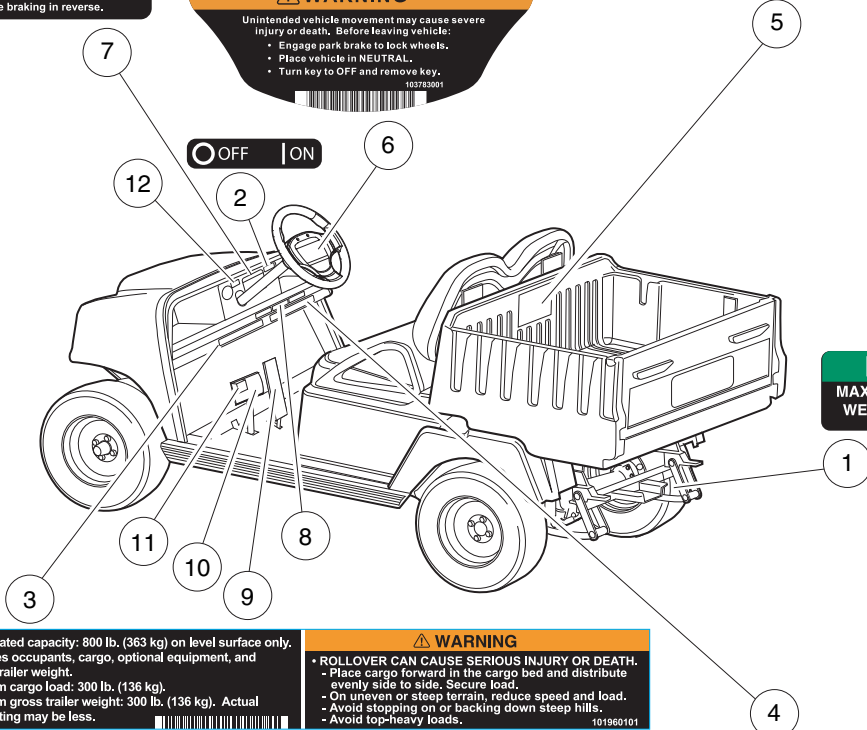
- Static electric spark can ignite gasoline vapors.
- Never fill fuel container in the cargo box or on the machine.
- Always place the fuel container on the ground before filling.
- Keep the nozzle in contact with the fuel container while filling.

ROLLOVER CAN CAUSE SERIOUS INJURY OR DEATH.

- Place cargo forward in the cargo bed and distribute evenly side to side. Secure load.
- On uneven or steep terrain, reduce speed and load.
- Avoid stopping on or backing down steep hills. Avoid top-heavy loads.

VEHICLE LOADING

- Vehicle rated capacity: 800 lb. (363 kg) on level surface only.
- Includes occupants, cargo, optional equipment, and gross trailer weight. See owner's manual.
- Maximum cargo load: 300 lb. (136 kg).
- Maximum gross trailer weight: 300 lb. (136 kg). Actual hitch rating may be less.



VEHICLE LOADING

Read owner's manual and warnings on dash.

- Vehicle rated capacity: 800 lb. (363 kg) on level surface only.
- Includes occupants, cargo, optional equipment, and gross trailer weight.
- Maximum cargo load: 300 lb. (136 kg).
- Maximum gross trailer weight: 300 lb. (136 kg). Actual hitch rating may be less.

101969101

⚠ WARNING

ROLLOVER CAN CAUSE SERIOUS INJURY OR DEATH.

- Place cargo forward in the cargo bed and distribute evenly side to side. Secure load.
- On uneven or steep terrain, reduce speed and load.
- Avoid stopping on or backing down steep hills.
- Avoid top-heavy loads.

101969101

NOTICE

MAXIMUM TONGUE WEIGHT - 150 lbs.

CCI 1011553



⚠ WARNING

YOUNG DRIVERS INCREASE CHANCE OF DEATH

- Young drivers may not be able to control vehicle.
- No drivers younger than 16 years old.

CCI 102075801

2586

SAFETY DECALS – ELECTRIC VEHICLES

ITEM	PART NO.	DESCRIPTION	QTY
		1 2 3 4	
1	1011553	Decal, Trailer Hitch	1
2	101825101	Decal, Off/On	1
3	101960101	Decal, Vehicle Loading	1
4	102075801	Decal, Young Driver Warning	1
5	N/A	Decal, Plastic Bed Load Warn	1
6	103783001	Decal, Op Instr, Ele	1
7	103961601	Decal, Warn, Rollover, Ds Utl	1

3
G
E

WARNING TOW RUN

Place Tow/Run switch in TOW position before:

- Disconnecting or connecting batteries
- Towing
- Extended storage
- Servicing

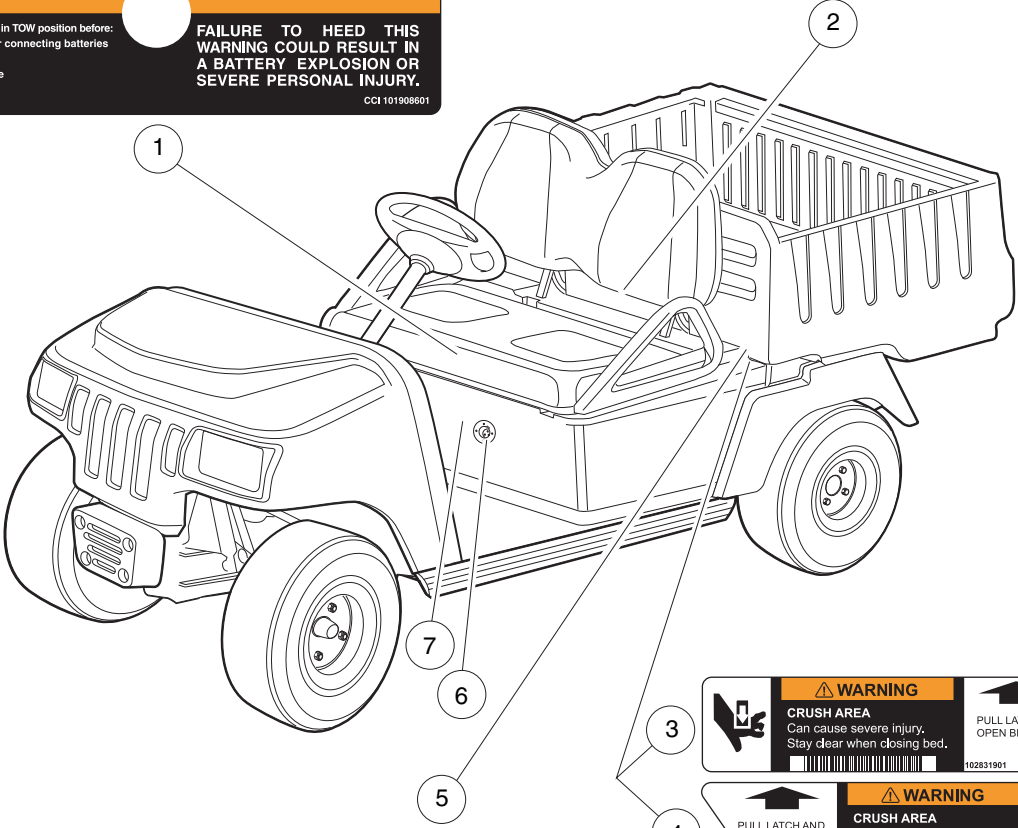
FAILURE TO HEED THIS WARNING COULD RESULT IN A BATTERY EXPLOSION OR SEVERE PERSONAL INJURY.

CCI 101908601

NOTICE

Do not operate vehicle without this cover properly installed. Do not direct water stream in this area; will cause damage to components. See vehicle maintenance and service manual before servicing.

CCI 101931501



NOTICE

• THE OWNER/OPERATOR should maintain, lubricate, adjust, and operate the vehicle as detailed in the vehicle owners manual.

CCI 102833001

WARNING

CRUSH AREA
Can cause severe injury. Stay clear when closing bed.

PULL LATCH AND OPEN BED

102831901

PULL LATCH AND OPEN BED

WARNING

CRUSH AREA
Can cause severe injury. Stay clear when closing bed.

102832001

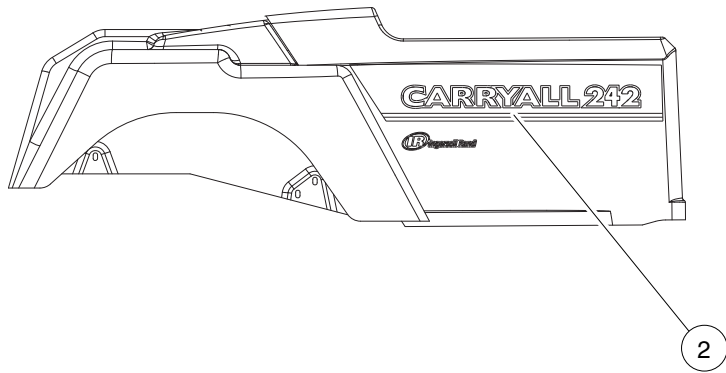
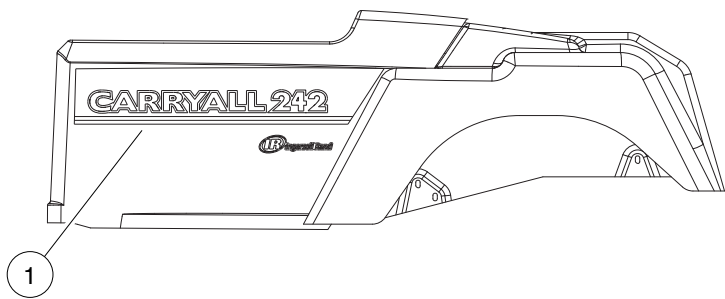
2577

SAFETY DECALS – ELECTRIC VEHICLES, CONTINUED

ITEM	PART NO.	DESCRIPTION	QTY
		1 2 3 4	
1	101908601	Decal, Tow/Run Switch Warning	1
2	101931501	Decal, Component Cover	1
3	102831901	Decal, Crush Warning, Driver-Side	1
4	102832001	Decal, Crush Warning, Passenger-Side	1
5	102833301	Decal, Maintenance	1

3
G
E

3
G
E



000299-005

LOGO DECALS – CARRYALL 242

ITEM	PART NO.	DESCRIPTION	QTY
		1 2 3 4	
1	103974601	Decal, Ca242, Drv	1
2	103974701	Decal, Ca242, Pass	1



3

G

E

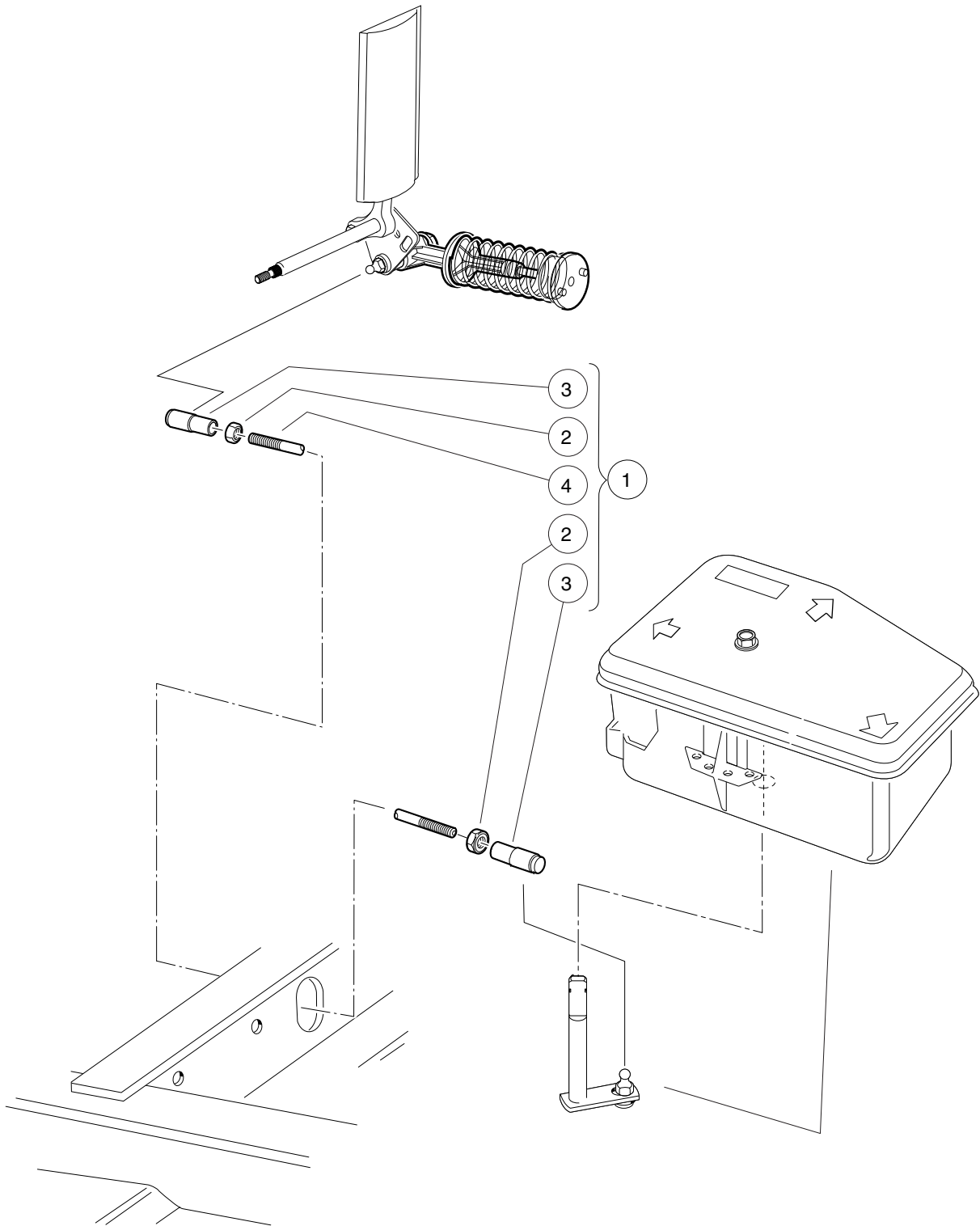
BRAKE SYSTEMS

4

G

E

4
G
E



000362-001

ACCELERATOR ROD

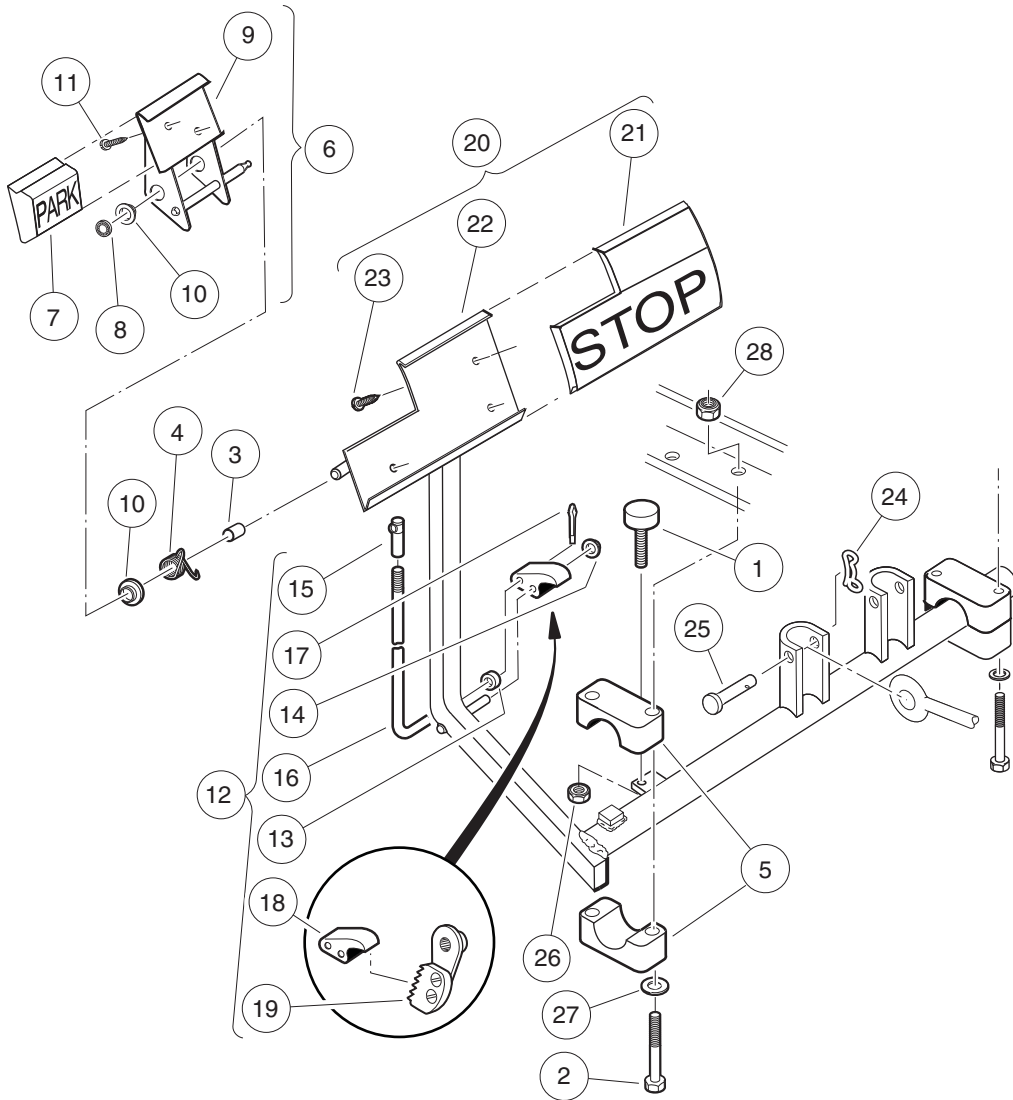
ITEM	PART NO.	DESCRIPTION	QTY
		1 2 3 4	
1	101912401	Rod, Accelerator (includes items 2 through 4)	1
2	1011084	Nut, 1/4-28 Hex Jam	2
3	1011734	Joint, Ball	2
4	N/A	Accelerator Rod	1

4

G

E

4
G
E



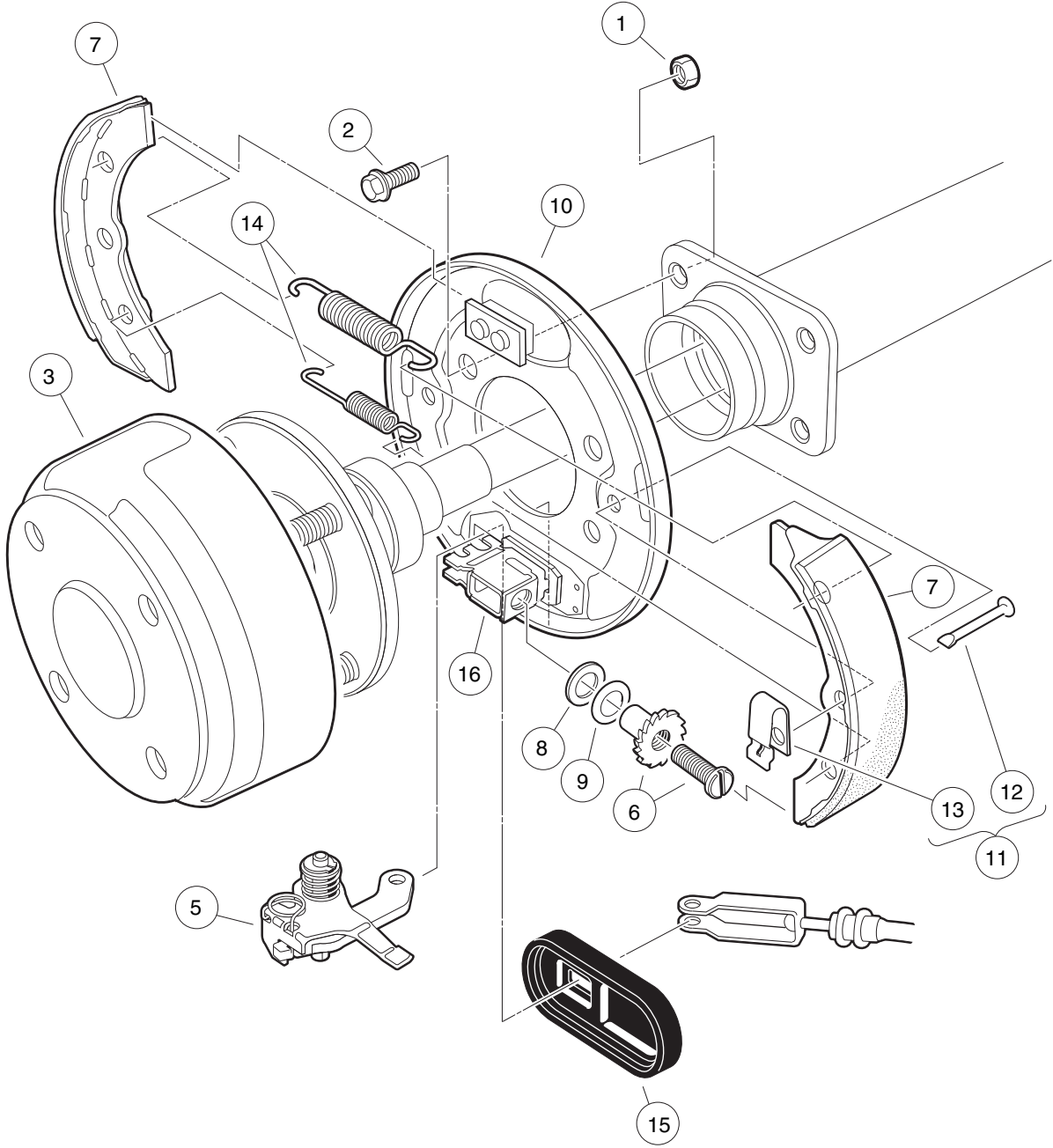
000187-001

BRAKE PEDAL ASSEMBLY

ITEM	PART NO.	DESCRIPTION	QTY
		1 2 3 4	
1	1010878	Bumper, Rubber	1
2	1010921	Screw, 5/16-18 X 2.50 Hex Cap	4
3	1010927	Hill Brake Spacer	1
4	1010933	Spring, Hill Brake Torsion	1
5	1011402	Package, Brake Mounting Block	1
6	1011418	Kit, Hill Brake Pedal (includes items 7 through 11)	1
7	1013870	Pad, Hill Brake	1
8	1013876	Pushnut, 3/8	1
9	N/A	Hill Brake Weld Assembly	1
10	1032	Bushing, Nylon	2
11	7716	Screw, #10-16 Type AB, Sheet Metal	2
12	101187702	Kit, Hill Brake Latch (includes items 13 through 19)	1
13	1010805	Sleeve, Hill Brake Rod	1
14	1010877	Pushnut, 3/8	1
15	1010932	Ball Joint, 1/4-28	1
16	N/A	Rod, Hill Brake	1
17	1017029	Pin, Cotter, 7/64 x 1/2 Stainless-Steel	1
18	N/A	Pawl, Hill Brake	1
19	101918501	Ratchet Assembly	1
20	101878201	Brake Pedal Kit (includes items 21 through 23)	1
21	1013869	Pad, Brake Pedal	1
22	N/A	Weldment, Brake Pedal, 2wr Std	1
23	7716	Screw, #10-16 Type AB, Sheet Metal	3
24	102323101	Pin, Bow Tie Locking	1
25	102323201	Pin, 3/8 X 1-5/16 Clevis	1
26	1028	Nut, 1/4-20 Hex	1
27	1241	Washer, 5/16 Type A Flat	4
28	7473	Locknut, 5/16-18 Nylon Insert	4

4
G
E

4
G
E



000186-003

REAR BRAKE ASSEMBLY

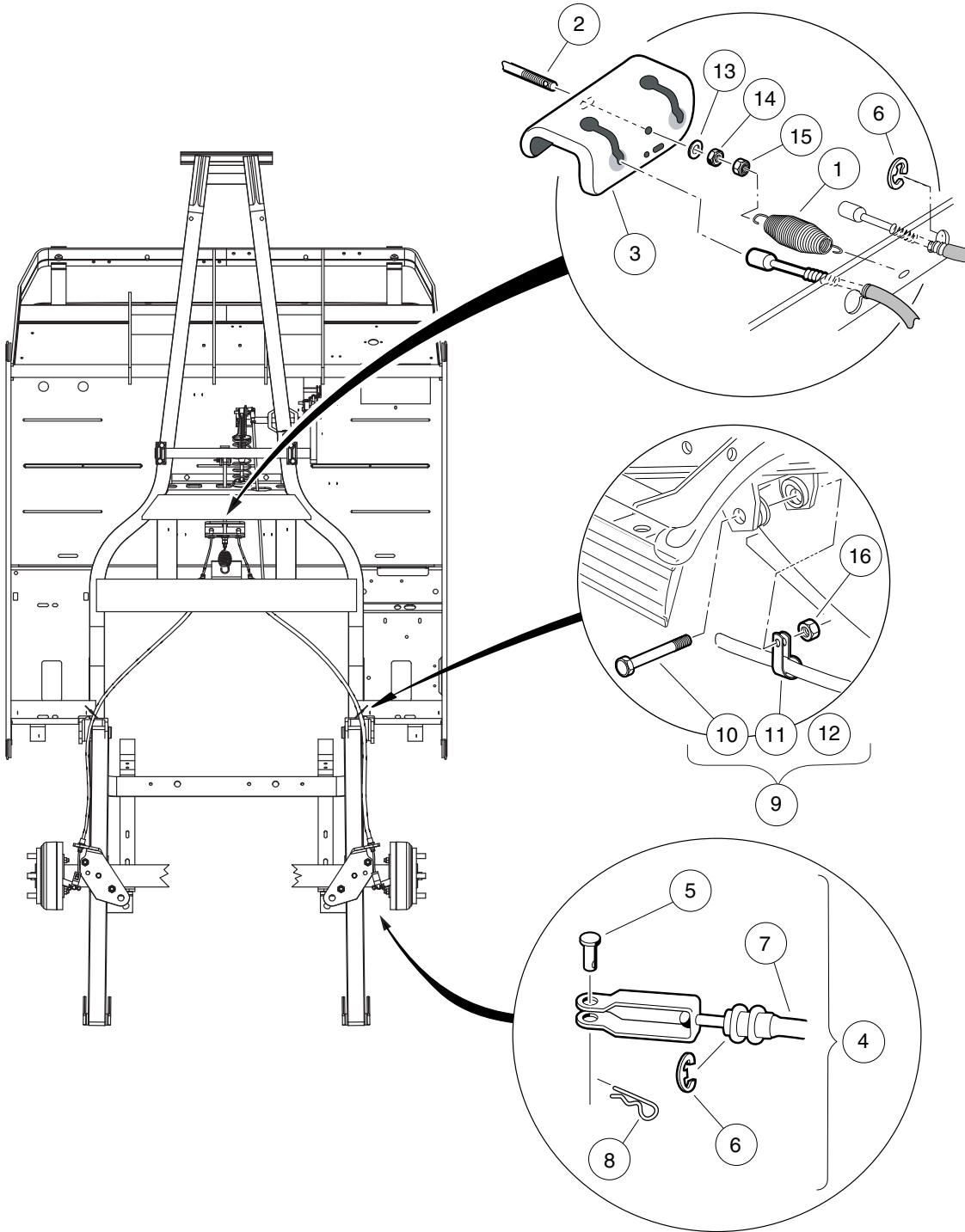
ITEM	PART NO.	DESCRIPTION	QTY
		1 2 3 4	
1	1013924	Nut, 5/16-24, Hex Head Cone	8
2	1014153	Bolt, Brake Cluster Mounting	8
3	101791101	Drum without Center Hole, Brake	2
4	103380201	Asm, Brake Cluster, Mech, Drvr (includes items 5 through 16)	1
5	101815502	Lever Assembly, Self-Adjusting Brake, Left	1
6	101816502	Adjusting Mechanism, Self-Adjusting Brake, Left	1
7	101823201	Package, Brake Shoe, Self-Adjusting	1
8	101823801	Plate, Washer, Brake, Self-Adjusting	1
9	101823901	Washer, Brake, Self-Adjusting	1
10	103483102	Backing Plate, Driver-side	1
11	103483201	Kit, Shoe Retainer (includes items 12 and 13)	1
12	N/A	Pin	2
13	N/A	Spring, Shoe, Clamp	2
14	103483401	Package Brake Spring Self Adj	1
15	103483601	Cover, Dust	1
16	103483701	Brake Block	1
17	103380202	Asm, Brake Cluster, Mech, Pass (includes items 18 through 29)	1
18	101815501	Lever Assembly, Self-Adjusting Brake, Right (Passenger)	1
19	101816501	Adj Mechanism, S.A. Brakes, Right (Passenger)	1
20	101823201	Package, Brake Shoe, Self-Adjusting	1
21	101823801	Plate, Washer, Brake, Self-Adjusting	1
22	101823901	Washer, Brake, Self-Adjusting	1
23	103483101	Backing Plate, Passenger-side	1
24	103483201	Kit, Shoe Retainer (includes items 25 and 26)	1
25	N/A	Pin	2
26	N/A	Spring, Shoe, Clamp	2
27	103483401	Package Brake Spring Self Adj	1
28	103483601	Cover, Dust	1
29	103483701	Brake Block	1
<p>Note: Driver-side brake cluster not shown. Components have a similar appearance to passenger-side brake cluster components.</p>			

4

G

E

4
G
E



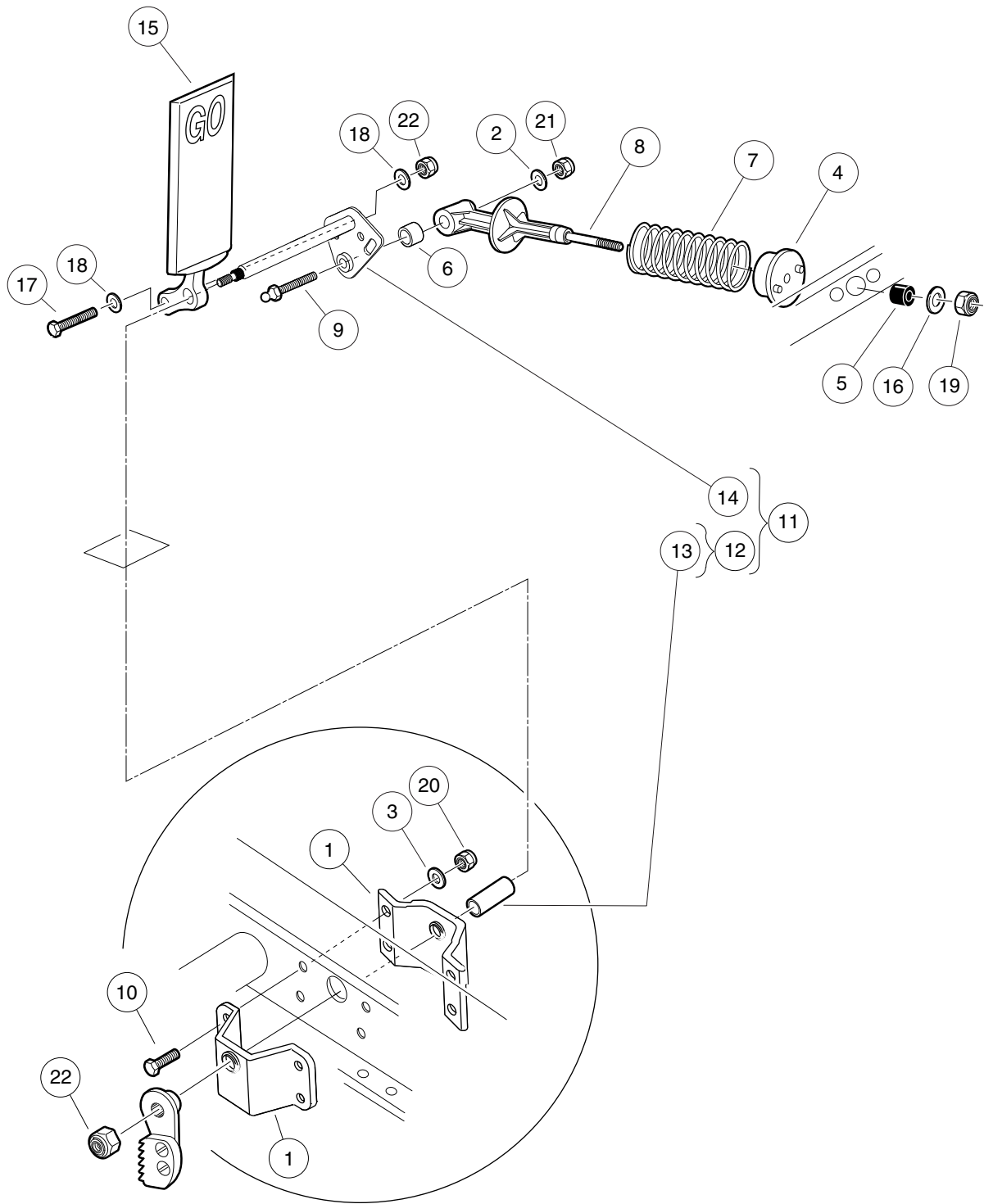
000245-002

BRAKE CABLES, EQUALIZER, AND EQUALIZER ROD

ITEM	PART NO.	DESCRIPTION	QTY
		1 2 3 4	
1	1013531	Spring, Brake Return	1
2	101953101	Rod, Equalizer, 8.91"	1
3	101990801	Equalizer Bracket	1
4	102022101	Brake Cable Kit (includes items 5 through 8)	2
5	1010829	Pin, Clevis, 5/16 X 3/4	1
6	1011779	E-Clip, 1/2	2
7	N/A	Cable, Brake, 41"	1
8	102292801	Pin, Bow Tie Locking - .072	1
9	103377301	Kit, Field P-clamp, Brake Line (includes items 10 through 12)	1
10	102066201	Screw, 3/8-16 X 3.50 Hex Cap	2
11	103377201	P-clamp, Brake Line	2
12	N/A	Instr Fd. P-clamp, Brake Line	1
13	1241	Washer, 5/16 Type A Flat	5
14	1242	Nut, 5/16-18 Hex	1
15	7473	Locknut, 5/16-18 Nylon Insert	5
16	8754	Locknut, 3/8-16 Hex	2

4
G
E

4
G
E



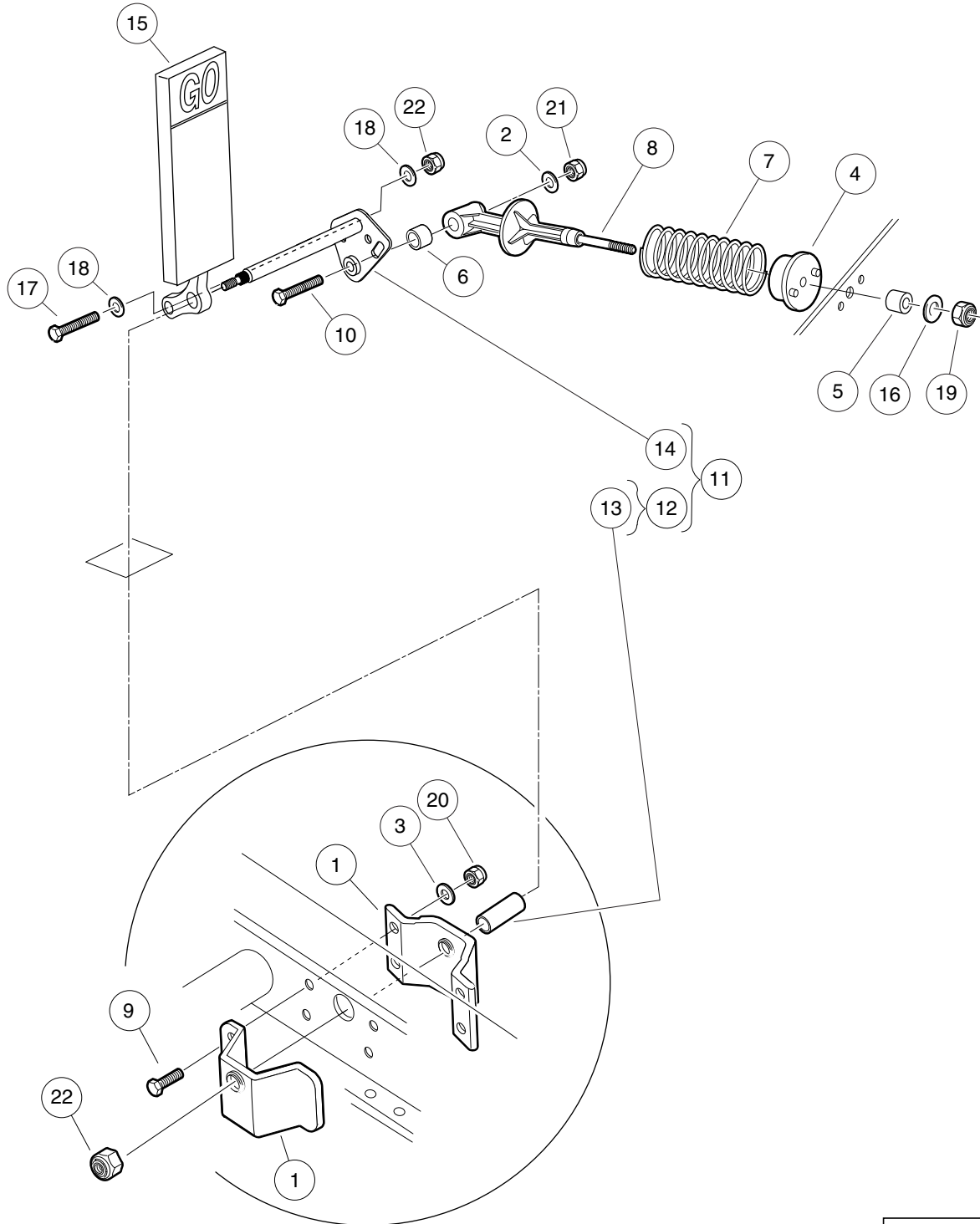
000188-006

ACCELERATOR PEDAL ASSEMBLY – GASOLINE VEHICLES

ITEM	PART NO.	DESCRIPTION	QTY
		1 2 3 4	
1	1011694	Accelerator Bracket and Bearing Assembly	2
2	1011931	Washer, 1/4 Flat	1
3	1014007	Washer, 1/4, Flat	4
4	1017378	Cup, Spring	1
5	1017380	Bumper, Spring Return	1
6	1017424	Bearing, Pivot Support	1
7	101796201	Spring, Accelerator Return	1
8	101817401	Retainer, Spring	1
9	101818801	Stud, 1/4-28 X 1.35 Ball	1
10	101861901	Screw, 1/4-20 X 1.125 Hex Cap	4
11	102026001	Kit, Accelerator Pivot Rod Assembly (includes items 12 and 13)	1
12	101919801	Spacer, Accelerator	1
13	102158901	Pivot Rod Weldment	1
14	103865101	Pedal, Accel, Insert	1
15	1241	Washer, 5/16 Type A Flat	1
16	1624	Screw, 3/8-16 X 1.50, Hex-Head Cap	1
17	334	Washer, 3/8, Type A, Flat	2
18	7473	Locknut, 5/16-18 Nylon Insert	1
19	8233	Locknut, 1/4-20, Nylon Insert	4
20	8717	Locknut, Nylon Insert, 1/4-28	1
21	8754	Locknut, 3/8-16 Hex	2

4
G
E

4
G
E



000188-005

ACCELERATOR PEDAL ASSEMBLY – ELECTRIC VEHICLES

ITEM	PART NO.	DESCRIPTION	QTY
		1 2 3 4	
1	1011694	Accelerator Bracket and Bearing Assembly	2
2	1011931	Washer, 1/4 Flat	1
3	1014007	Washer, 1/4, Flat	4
4	1017378	Cup, Spring	1
5	1017380	Bumper, Spring Return	1
6	1017424	Bearing, Pivot Support	1
7	101796201	Spring, Accelerator Return	1
8	101817401	Retainer, Spring	1
9	101861901	Screw, 1/4-20 X 1.125 Hex Cap	4
10	101862001	Screw, 1/4-20 X 1.500 Flange	1
11	102026001	Kit, Accelerator Pivot Rod Assembly (includes items 12 and 13)	1
12	101919801	Spacer, Accelerator	1
13	102158901	Pivot Rod Weldment	1
14	103865101	Pedal, Accel, Insert	1
15	1241	Washer, 5/16 Type A Flat	1
16	1624	Screw, 3/8-16 X 1.50, Hex-Head Cap	1
17	334	Washer, 3/8, Type A, Flat	2
18	7473	Locknut, 5/16-18 Nylon Insert	1
19	8233	Locknut, 1/4-20, Nylon Insert	4
20	8717	Locknut, Nylon Insert, 1/4-28	1
21	8754	Locknut, 3/8-16 Hex	2

4
G
E

4

G

E

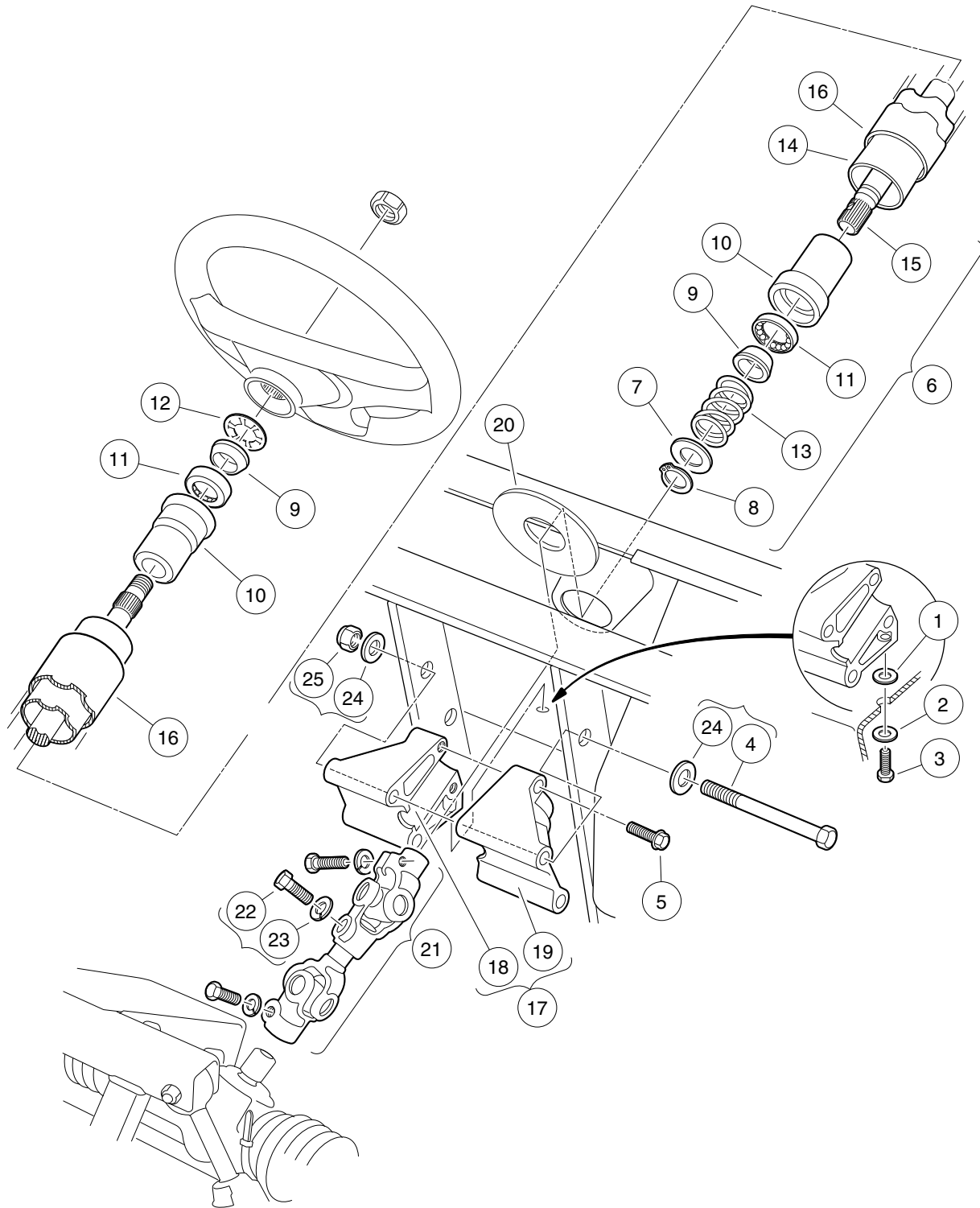
STEERING AND SUSPENSION

5

G

E

5
G
E



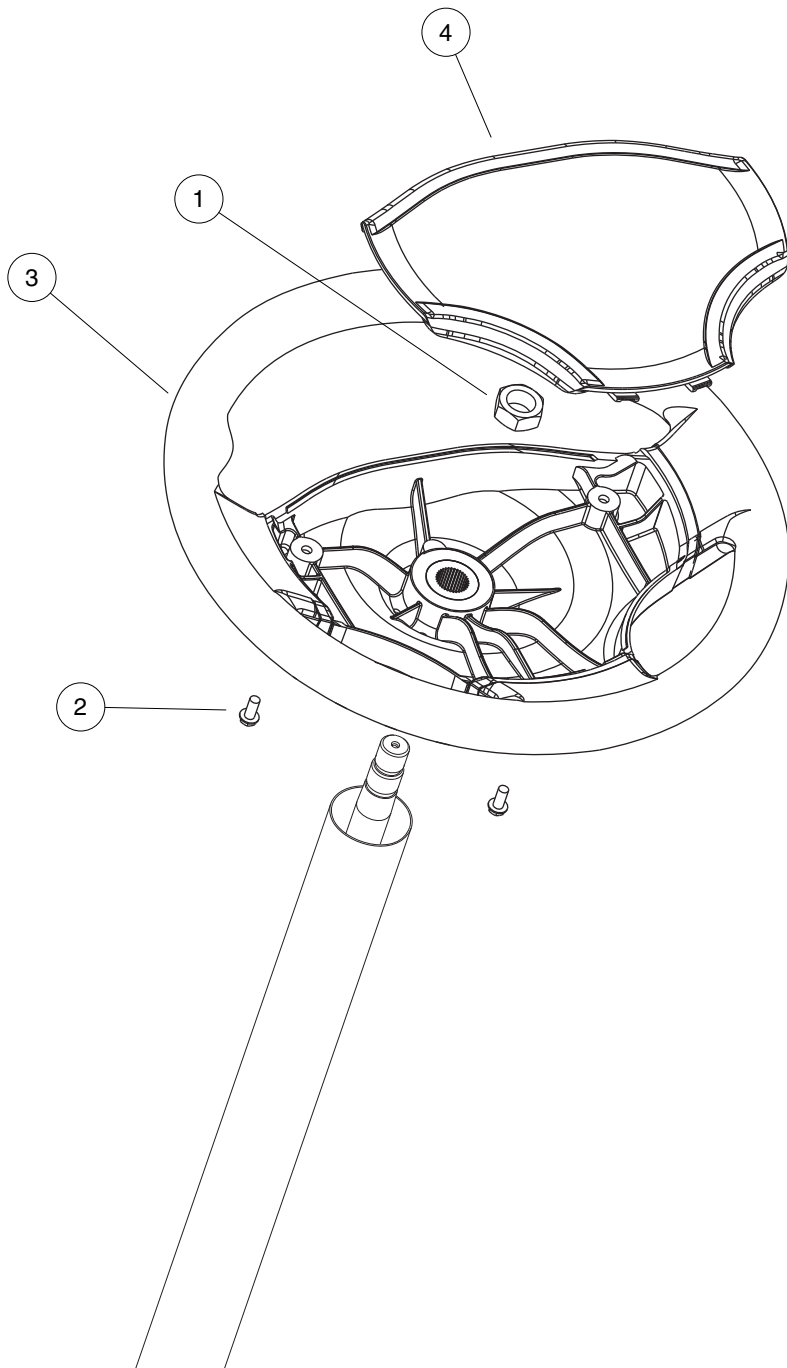
000247-001

STEERING COLUMN

ITEM	PART NO.	DESCRIPTION	QTY
		1 2 3 4	
1	1011578	Washer, 5/16 Type B Flat	1
2	1011697	Washer, 5/16 Flat	1
3	1014288	Screw, 5/16-18 X 0.75, Thread-Forming	1
4	1016183	Screw, 3/8-16 X 7.00 Hex Cap	2
5	1016269	Screw, 5/16-18 Thrd Forming	2
6	1017313	Steering Shaft Assembly (includes items 7 through 15)	1
7	1012604	Washer, 0.675 ID X 1.19 OD	1
8	1012605	Ring, 0.579 Internal Retaining	1
9	1014125	Wedge, Molded	2
10	1014126	Seat, Plastic Bearing	2
11	1014213	Bearing, Ball	2
12	1014214	Ring, Retaining	1
13	1014217	Spring, Steering Shaft	1
14	1017314	Column, Aluminum Steering	1
15	1017315	Shaft Steering Column	1
16	1017317	Tube Cover, Steering Column	1
17	101984801	Kit, Steering Column Mounting Bracket (includes items 18 and 19)	1
18	N/A	Bracket, RH Steering Column Mount	1
19	N/A	Bracket, LH Steering column mount	1
20	102278001	Boot, Steering Column Round	1
21	103601601	Shaft, Intermediate Steering (includes items 22 and 23)	1
22	1017226	Bolt, Hex-Head, 8mm X 1.25 - 30	3
23	7174	Lockwasher, 5/16 Split	3
24	334	Washer, 3/8, Type A, Flat	4
25	8754	Locknut, 3/8-16 Hex	2

5
G
E

5
G
E



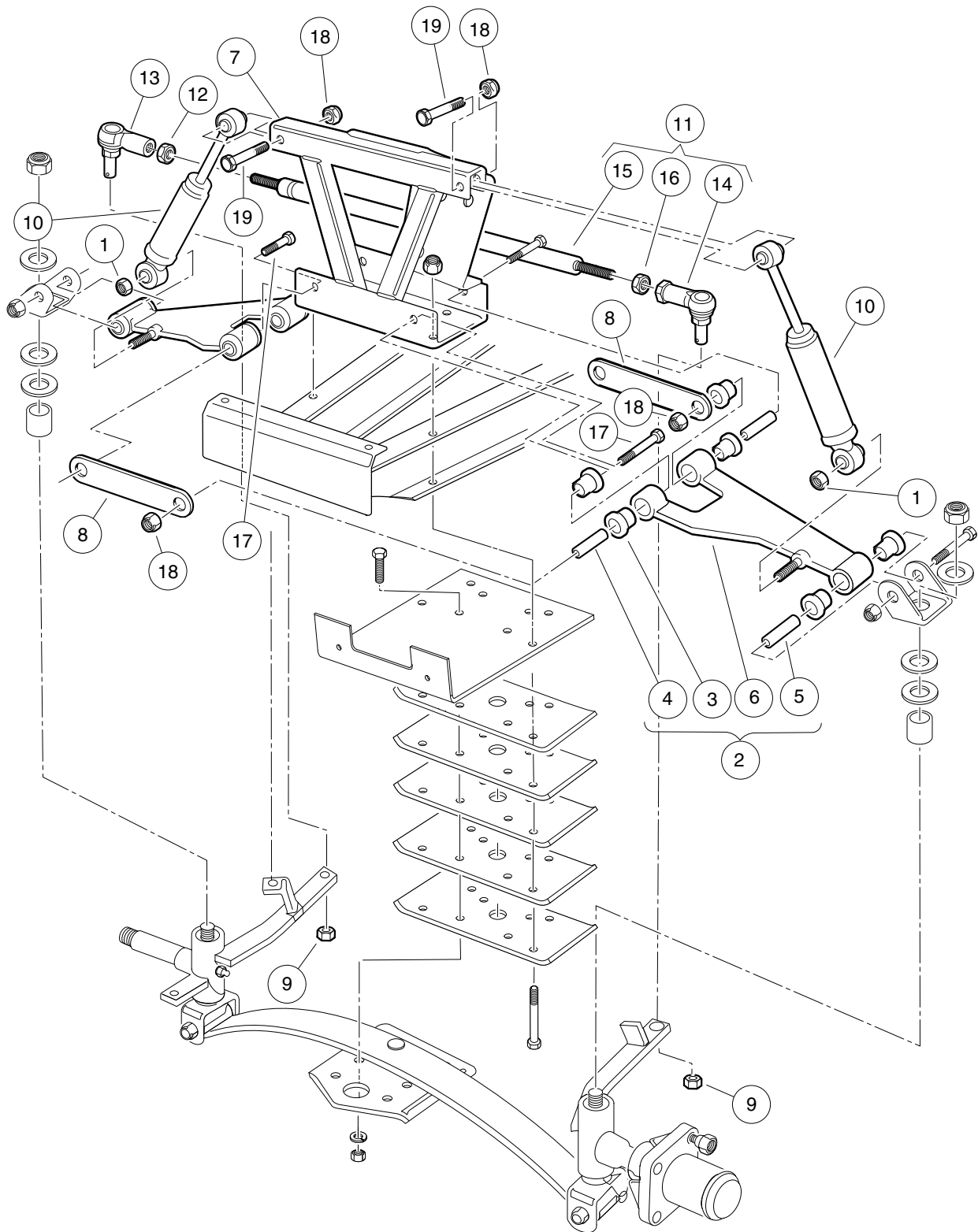
000246-007

STEERING WHEEL

ITEM	PART NO.	DESCRIPTION	QTY
		1 2 3 4	
1	1017273	Nut, 5/8-18 Nylon Insert Jam	1
2	101850301	Screw, #12-16 X 0.50 Washer-Head Hi-Lo	2
3	103724502	Wheel, Steering, Splined	1
4	103724602	Cover, Steering Wheel, Generic	1

5
G
E

5
G
E



000190-002

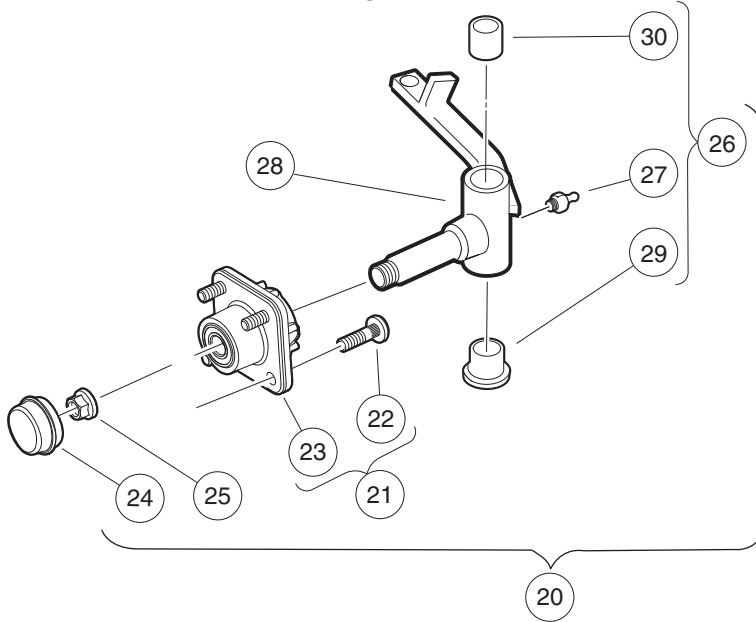
FRONT SUSPENSION, UPPER

ITEM	PART NO.	DESCRIPTION	QTY
		1 2 3 4	
1	1010138	Locknut, 3/8-16 Dimpled	2
2	1016353	Sub-Assembly, Delta A-Plate (includes items 3 through 6)	2
3	1016346	Bushing, Urethane	6
4	1016349	Sleeve, Delta Inner	2
5	1016350	Sleeve, Delta Outer	1
6	1016351	Delta A-Plate	1
7	1016385	Delta Shock and Gear Support Assembly	1
8	1017266	A-Plate Strap	2
9	102289201	Nut - Hex Locking, M12 X 1.25	3
10	103351001	Shock Absorber, Front, Common	2
11	103653601	Asm, Tie Rod (includes items 12 through 16)	1
12	1013042	Nut, 12mm Hex	1
13	102022601	End, Tie Rod M12 X 1.25 Rh	1
14	102022602	End, Tie Rod, M12 X 1.25, Lh	1
15	103354701	Rod, Tie, Male Thd	1
16	103653501	Nut, Jam, M12-1.25, Lh	1
17	2402	Screw, 3/8-16 X 2.25 Hx Hd Cap	4
18	8754	Locknut, 3/8-16 Hex	13
19	8861	Bolt, 3/8-16 X 1.75 Hex	2

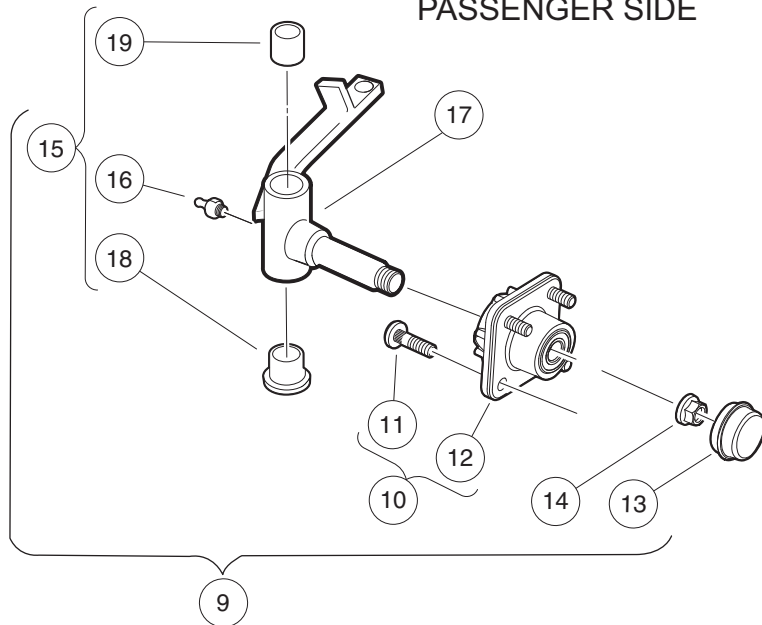
5
G
E

5
G
E

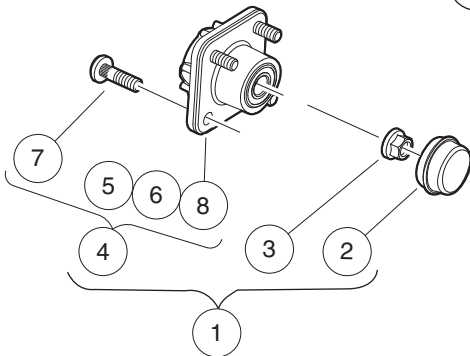
DRIVER SIDE



PASSENGER SIDE



REPLACEMENT HUB
FOR DRIVER OR
PASSENGER SIDE



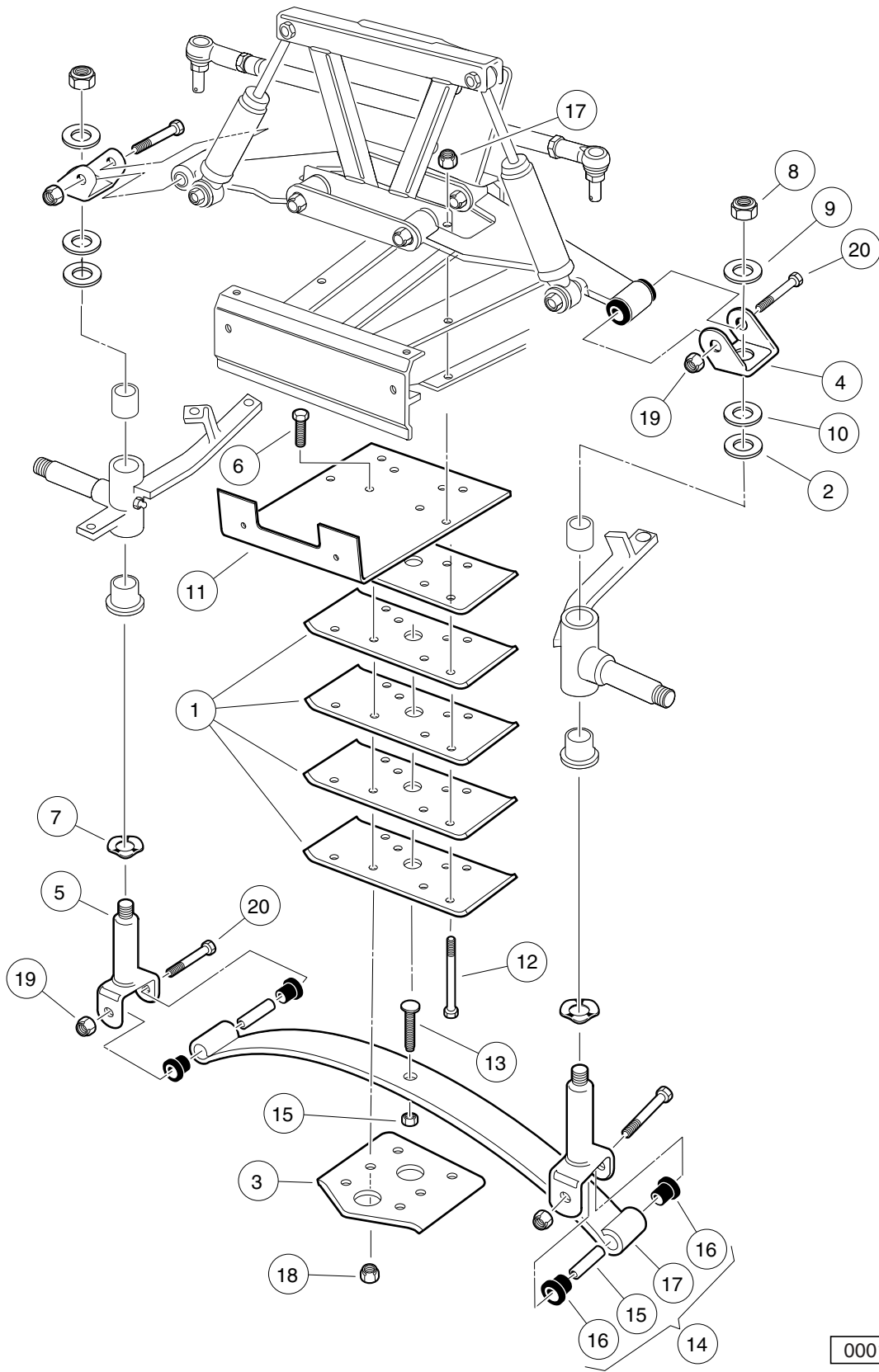
000301-008

FRONT SPINDLES AND HUBS

ITEM	PART NO.	DESCRIPTION	QTY
		1 2 3 4	
1	102357701	Replacement Kit, Front Hub (includes items 2 through 4)	1
2	102353201	Cap, Front Hub	1
3	102353301	Hex Nut, Locking Flange, M14x2	1
4	N/A	Asm, Front Hub, Bb, Long Stud (includes items 5 through 8)	1
5	N/A	Bearing, Ball, 6204	2
6	N/A	Spacer, Bearing, Front Hub, Pm	1
7	103477901	Lug Stud, 1/2-20 Unf, 4037	4
8	N/A	Front Hub, Ball Brg, Long Stud	1
9	N/A	Asm, Hub And Spindle, Left-Hand Ext (includes items 10 through 15)	1
10	N/A	Front Hub Assembly, Ball Bearing (includes items 11 and 12)	1
11	102353401	Lug Stud, 1/2-20 UNF, 4037 Stl	4
12	N/A	Hub, Front	1
13	102353201	Cap, Front Hub	1
14	102353301	Hex Nut, Locking Flange, M14x2	1
15	102354204	Asm, Spindle, LH, Ext (includes items 16 through 19)	1
16	1015597	Fitting, 1/4-28 Thread-Forming Grease	1
17	N/A	Subasm, Spindle, LH, Ext	1
18	7048	Bushing, Flanged Bronze	1
19	8067	Bushing, Bronze Spindle	1
20	N/A	Asm, Hub And Spindle, Right-Hand Ext (includes items 21 through 26)	1
21	N/A	Front Hub Assembly, Ball Bearing (includes items 22 and 23)	1
22	102353401	Lug Stud, 1/2-20 UNF, 4037 Stl	4
23	N/A	Hub, Front	1
24	102353201	Cap, Front Hub	1
25	102353301	Hex Nut, Locking Flange, M14x2	1
26	102354104	Asm, Spindle, RH, Ext (includes items 27 through 30)	1
27	1015597	Fitting, 1/4-28 Thread-Forming Grease	1
28	N/A	Subasm, Spindle, RH, Ext	1
29	7048	Bushing, Flanged Bronze	1
30	8067	Bushing, Bronze Spindle	1

5
G
E

5
G
E



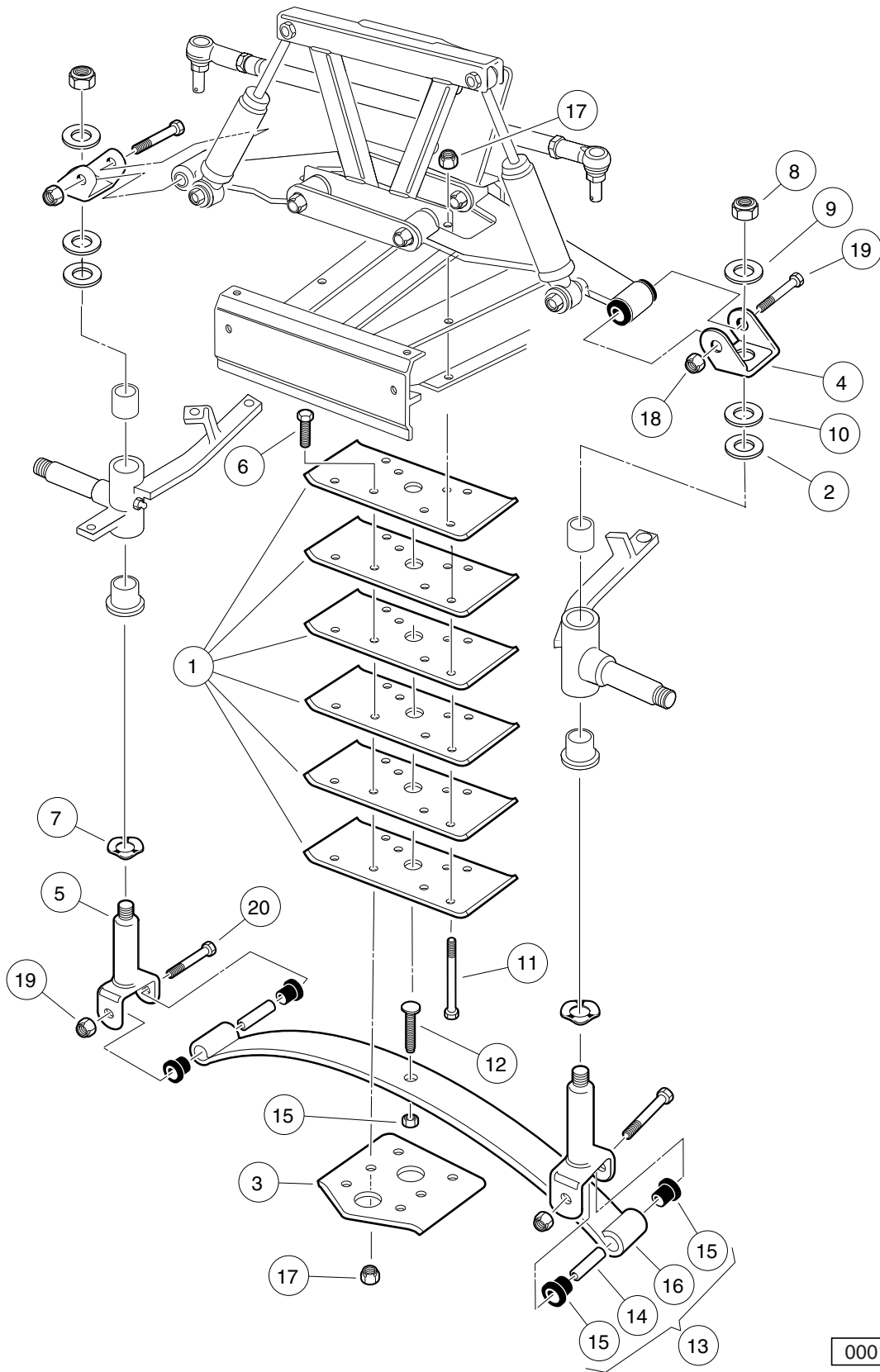
000191-003

FRONT SUSPENSION, LOWER-GASOLINE VEHICLES

ITEM	PART NO.	DESCRIPTION	QTY
		1 2 3 4	
1	1010124	Plate, Spring Mount	5
2	1010150	Bearing, Thrust	2
3	1014276	Plate, Front Spring Retainer	1
4	1016384	Clevis, Delta Upper	2
5	1016386	King Pin Assembly	2
6	1016387	Screw, 3/8-16 X 2.75 Hx Hd Cap	6
7	1016389	Washer, 1.125 Od Wave	2
8	101903101	Locknut, 1/2-20 Nylon Insert	2
9	102564002	Washer-1/2 Conical, Yellow	2
10	102684501	Washer, M12 Hard Regular	2
11	102830401	Support, Brush Guard	1
12	102913601	Screw, 3/8-16 X 5.50 Hx Hd Cap	4
13	103507001	Eccentric Bolt Common	1
14	103628701	Spring Asm, Front, 1 Leaf (includes items 15 through 17)	1
15	1012303	Bushing, Steel	2
16	101558302	Bushing, Urethane, Soft	4
17	103502601	Spring, Front, 1 Leaf	1
18	706	Nut, Hex 3/8-16	1
19	8754	Locknut, 3/8-16 Hex	8
20	8755	Screw, 3/8-16 X 3.375 Hex Cap	2

5
G
E

5
G
E



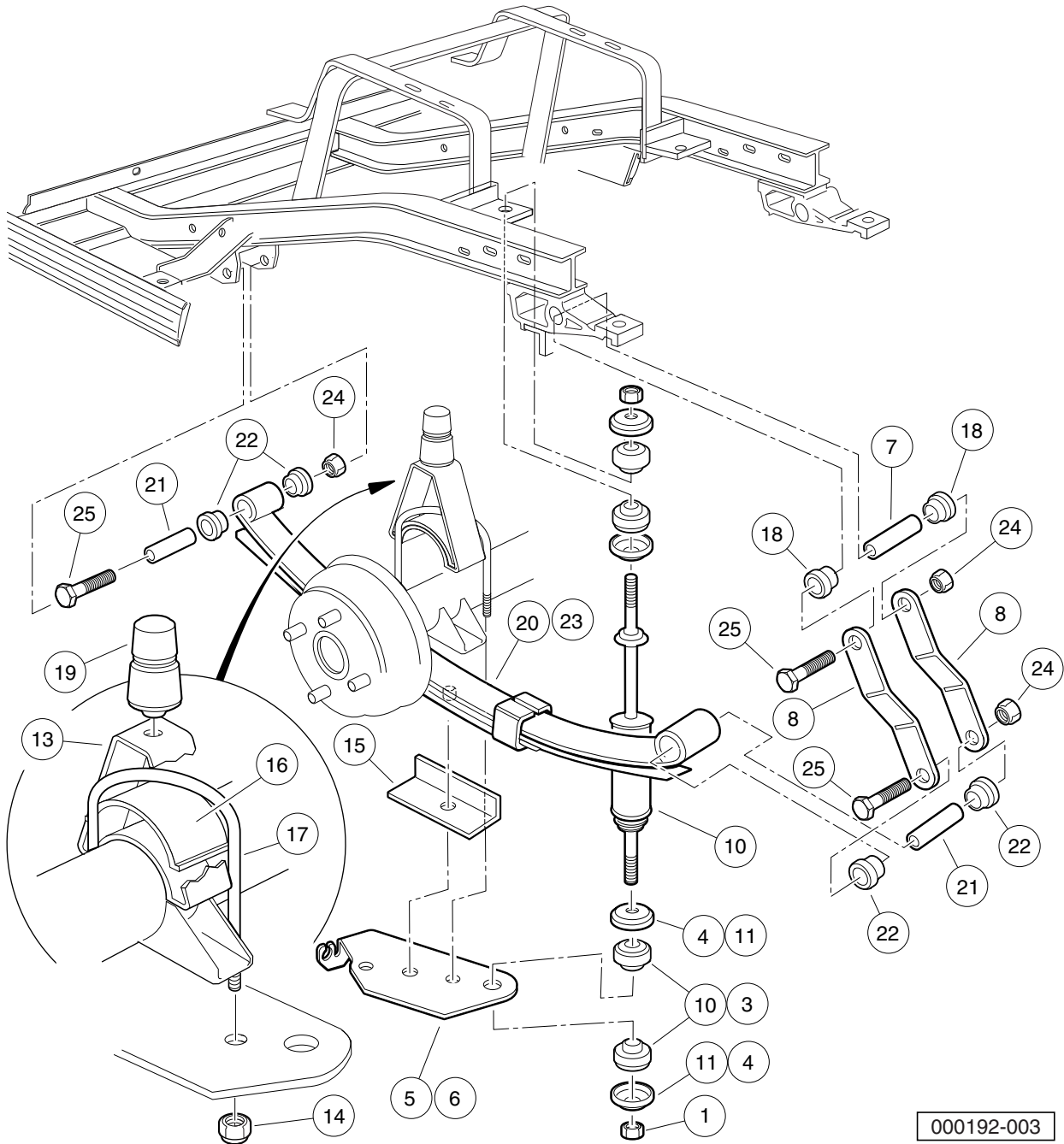
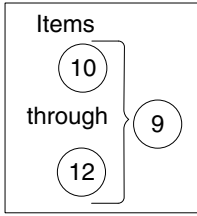
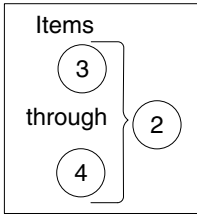
000191-004

FRONT SUSPENSION, LOWER-ELECTRIC VEHICLES

ITEM	PART NO.	DESCRIPTION	QTY
		1 2 3 4	
1	1010124	Plate, Spring Mount	6
2	1010150	Bearing, Thrust	2
3	1014276	Plate, Front Spring Retainer	1
4	1016384	Clevis, Delta Upper	2
5	1016386	King Pin Assembly	2
6	1016387	Screw, 3/8-16 X 2.75 Hx Hd Cap	6
7	1016389	Washer, 1.125 Od Wave	2
8	101903101	Locknut, 1/2-20 Nylon Insert	2
9	102564002	Washer-1/2 Conical, Yellow	2
10	102684501	Washer, M12 Hard Regular	2
11	102913601	Screw, 3/8-16 X 5.50 Hx Hd Cap	4
12	103507001	Eccentric Bolt Common	1
13	103628701	Spring Asm, Front, 1 Leaf (includes items 14 through 16)	1
14	1012303	Bushing, Steel	2
15	101558302	Bushing, Urethane, Soft	4
16	103502601	Spring, Front, 1 Leaf	1
17	706	Nut, Hex 3/8-16	1
18	8754	Locknut, 3/8-16 Hex	8
19	8755	Screw, 3/8-16 X 3.375 Hex Cap	2

5
G
E

5
G
E

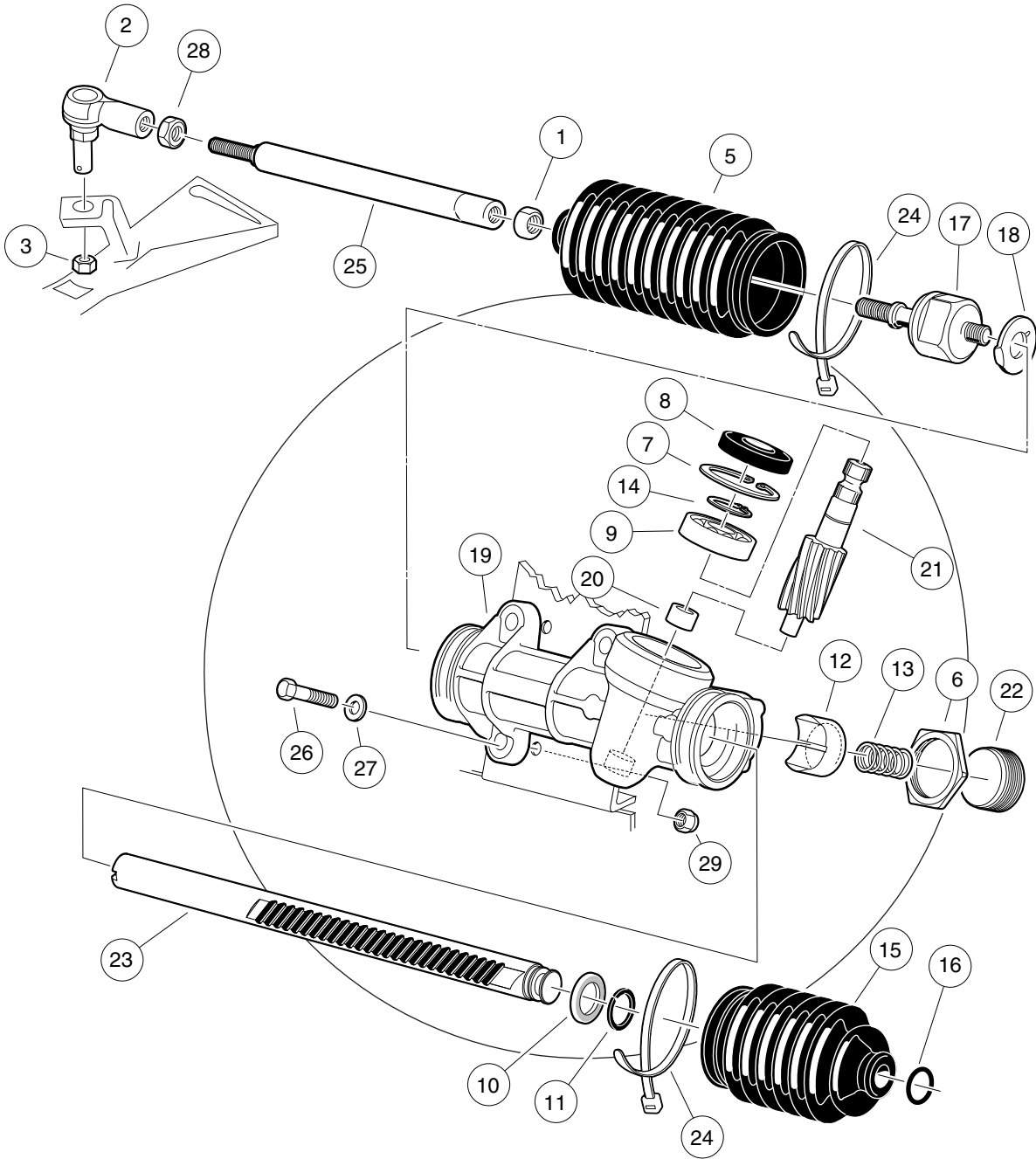


REAR SUSPENSION

ITEM	PART NO.	DESCRIPTION	QTY
		1 2 3 4	
1	1010145	Nut, 3/8-24 Hex	4
2	1011415	Kit, Shock Absorber Cushion (includes items 3 and 4)	4
3	N/A	Cushion, Shock Absorber	2
4	N/A	Retainer, Shock Absorber Cushion	2
5	1012181	Bracket, Shock Mounting, Right (Passenger)	1
6	1012182	Bracket, Shock Mounting, Left (Driver)	1
7	1012303	Bushing, Steel	2
8	1012304	Shackle, Rear Spring	4
9	1013164	Shock Absorber Kit (includes items 10 through 12)	1
10	N/A	Cushion, Shock Absorber	8
11	N/A	Retainer, Shock Absorber Cushion	8
12	102588501	Shock Absorber, Rear	2
13	101454902	Bumper Mount, Angled	2
14	1014555	Locknut, 7/16-14 Nylon Hex	4
15	1014573	Spring Retainer	2
16	1014901	Spacer, Overload Bumper	2
17	1014902	U-Bolt	2
18	1015583	Bushing, Urethane	4
19	1017235	Bumper, Jounce	2
20	103935201	Asm-rear Leaf Spring, Ca1-vill (includes items 21 through 23)	2
21	1012303	Bushing, Steel	2
22	1015583	Bushing, Urethane	4
23	N/A	Leaf Spring, Rear, Ca1-vill	1
24	8754	Locknut, 3/8-16 Hex	6
25	8755	Screw, 3/8-16 X 3.375 Hex Cap	6

5
G
E

5
G
E



000960-001

STEERING GEAR ASSEMBLY

ITEM	PART NO.	DESCRIPTION	QTY
		1 2 3 4	
1	1013042	Nut, 12mm Hex	1
2	102022602	End, Tie Rod, M12 X 1.25, Lh	1
3	102289201	Nut - Hex Locking, M12 X 1.25	3
4	103601501	Asm, Steering Rack And Pinion (includes items 5 through 24)	1
5	1013035	Bellows, Long	1
6	1013044	Rack Screw Locknut	1
7	N/A	Snap Ring	1
8	1013052	Seal, Steering Pinion Dust	1
9	101879401	Bearing, Ball	1
10	101879501	Stop Washer	1
11	101879601	Stop Ring, C-Type	1
12	101879701	Support Yoke	1
13	101879801	Rack Guide Pressure Spring	1
14	101879901	Ring, Stop, C-Type	1
15	101880001	Bellows, Short	1
16	101880101	Dust Seal Retaining Ring	1
17	101880201	Inner Ball Joint Asm	1
18	101880301	Washer, Tab	1
19	N/A	Box, Steering Gear	1
20	N/A	Bearing, Lower Pinion	1
21	N/A	Pinion, Steering	1
22	N/A	Screw, Rack Guide	1
23	N/A	Rack, Steering	1
24	8990	Tie Wrap, 8" Nylon	2
25	103653401	Link, Drag, Male Thd	1
26	1624	Screw, 3/8-16 X 1.50, Hex-Head Cap	3
27	334	Washer, 3/8, Type A, Flat	3
28	7555	Nut, 1/2-20 Hex, Left-Hand Thread	1
29	8754	Locknut, 3/8-16 Hex	3

5
G
E

5

G

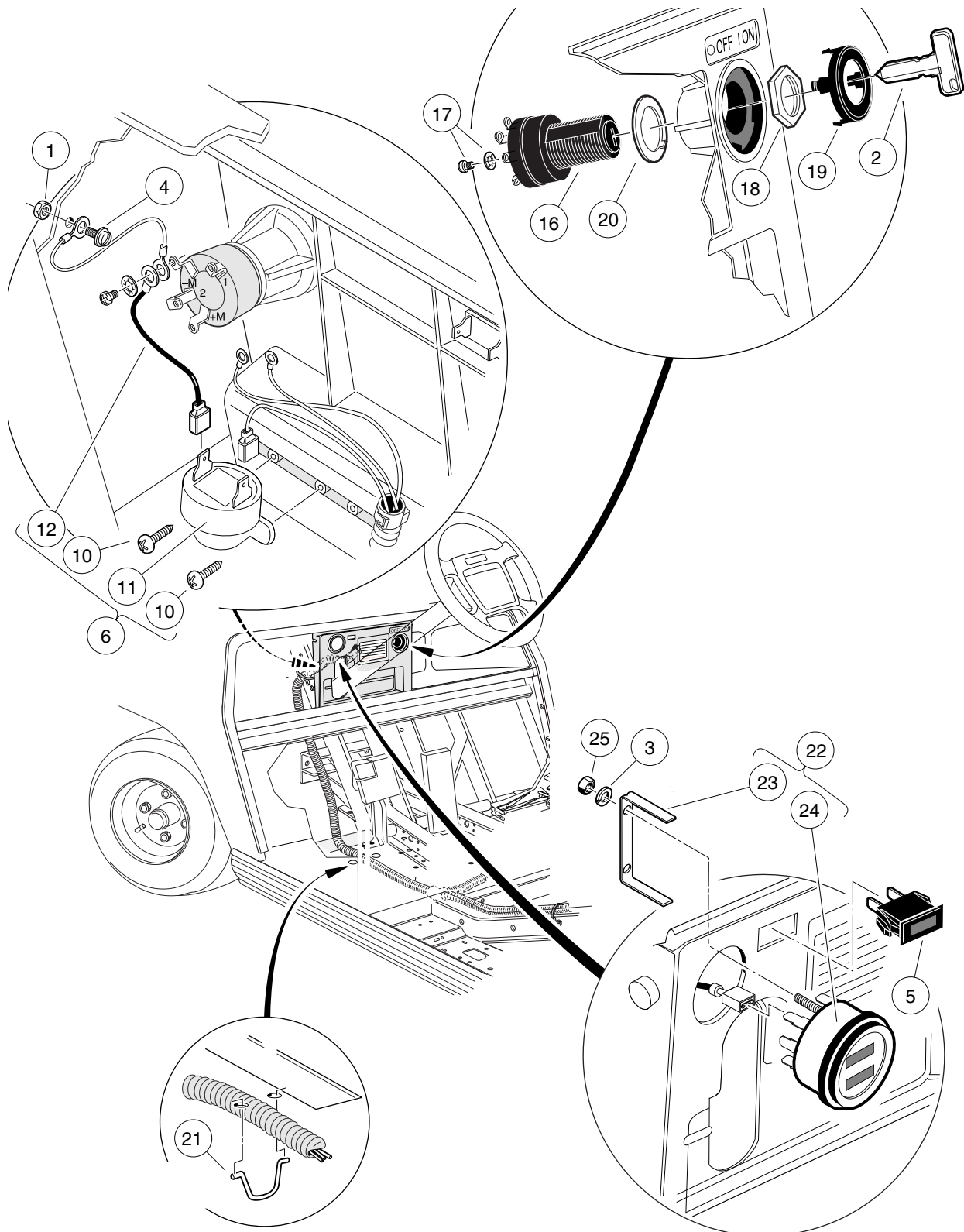
E

ELECTRICAL SYSTEM – GASOLINE VEHICLES

6

G

6
G



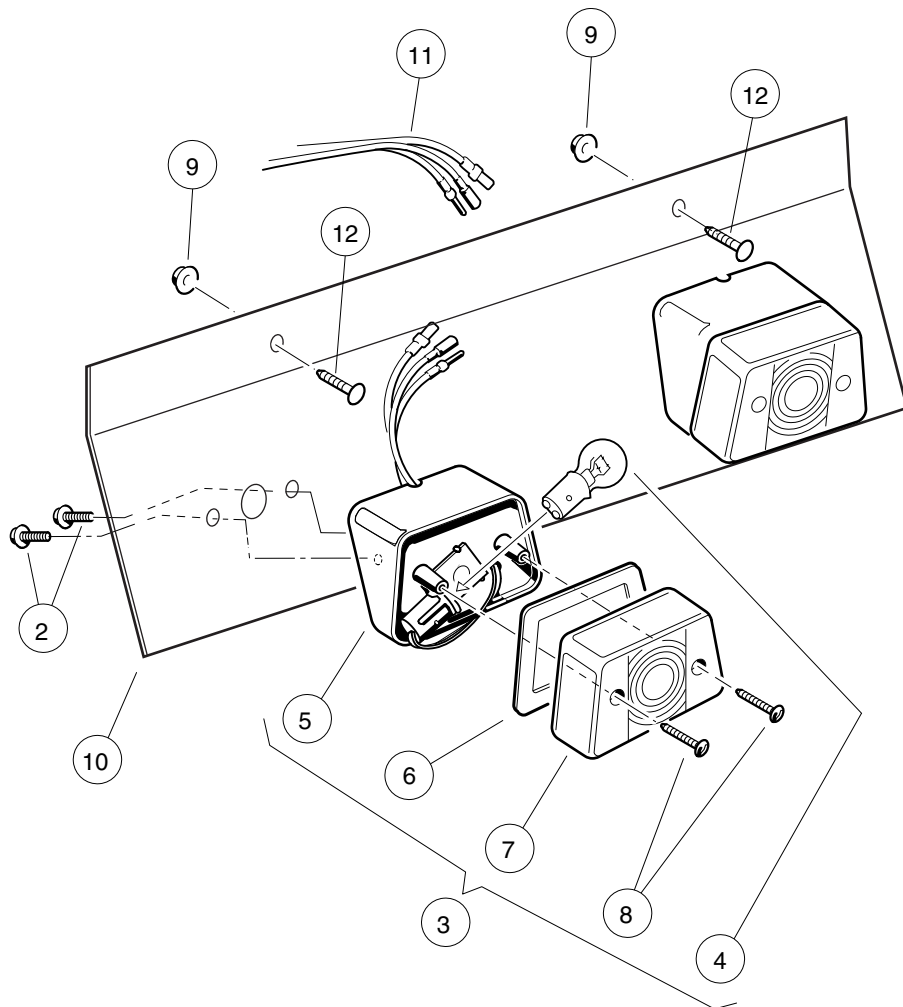
000330-001

CONTROLS AND INDICATORS – GASOLINE VEHICLES

ITEM	PART NO.	DESCRIPTION	QTY
		1 2 3 4	
1	1011229	Locknut, #6-32 Whiz	1
2	1012505	Keys (set of 2)	2
3	1012986	Lockwasher, M4	2
4	1015720	Screw, #6-32 X 1/2 Hex Washer-Head	1
5	1016630	Light, Oil	1
6	1016859	Kit, Reverse Buzzer (includes items 7 through 15)	1
7	1011229	Locknut, #6-32 Whiz	1
8	1012431	Washer, #4 Flat	2
9	1015720	Screw, #6-32 X 1/2 Hex Washer-Head	1
10	1016849	Screw, #4-24 X 0.33, Pan-Head, Machine	2
11	1016851	Buzzer, Reverse (9-48 VDC)	1
12	1016857	Wire Assembly Black #18	1
13	8056	Screw, #4-40 X 0.75 Round-Head Machine	2
14	8057	Nut, #4-40 Hex Machine	2
15	8058	Lockwasher, #4 Split	2
16	101826301	Key Switch, 12-Volt, Off/On	1
17	101830601	Screw and Washer Assembly	4
18	101830701	Nut, Key Switch	1
19	101834502	Cap, Black Key Switch	1
20	101851101	Washer, Key Switch	1
21	101900901	Harness Retainer	3
22	101990703	Gauge, Fuel/Hour, with Bracket (includes items 23 and 24)	1
23	102025901	Bracket, Fuel Gauge/Hour Meter	1
24	N/A	Gauge, Fuel/Hour	1
25	101991101	Nut, M4-0.7	2
<p>Note: Items 7 through 9, and 13 through 15 are included in the reverse buzzer kit, but are not used in this application.</p>			

6
G

6
G

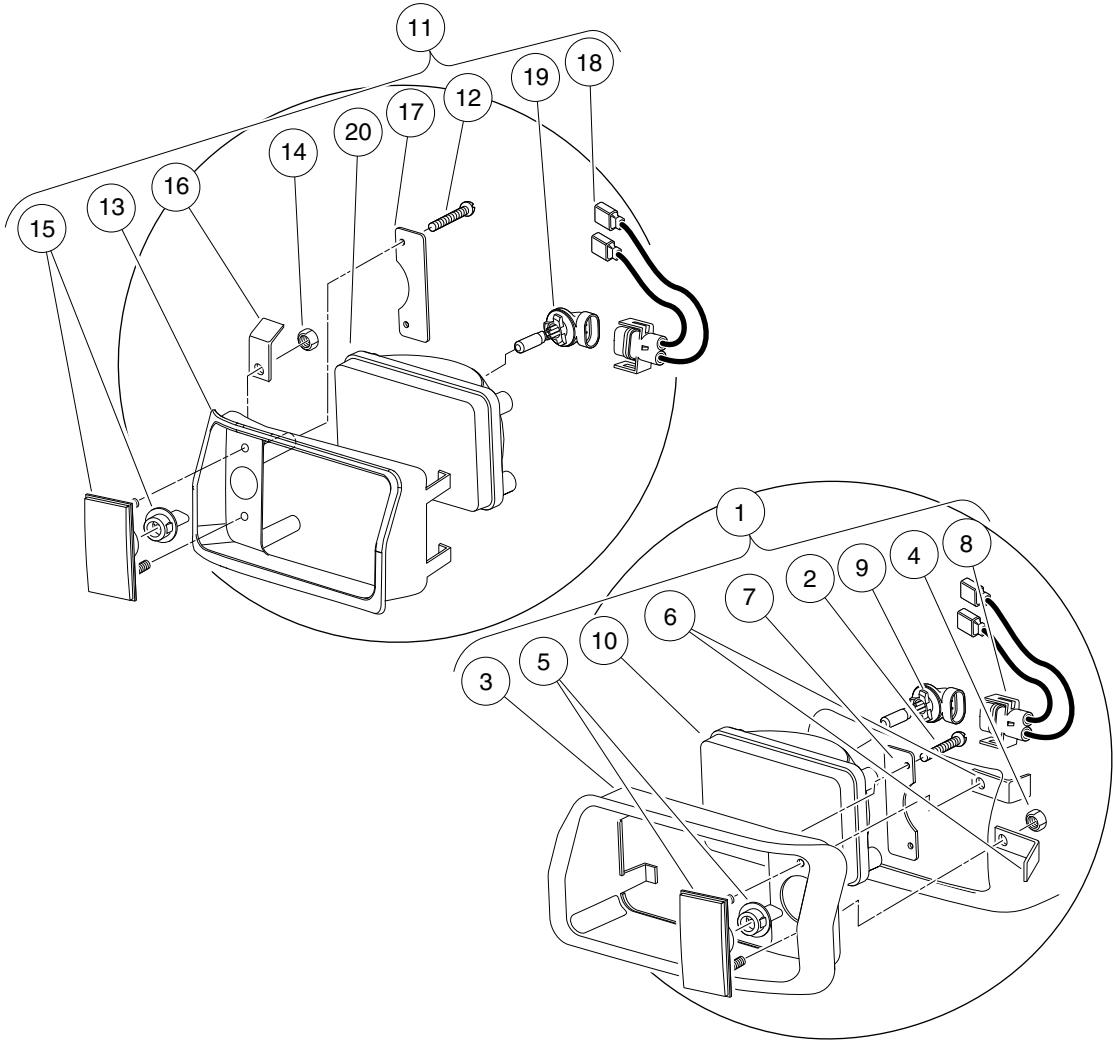


000348-009

TAILLIGHTS

ITEM	PART NO.	DESCRIPTION	QTY
		1 2 3 4	
1	102852501	Kit, Tail Lights (includes items 2 through 12)	1
2	1015752	Screw, #12-16 X 0.625, Hi-Lo	4
3	1016717	Light Assembly, Stop/Taillight (includes items 4 through 8)	2
4	1011582	Taillight Bulb	1
5	N/A	Housing, Taillight	1
6	N/A	Gasket, Taillight	1
7	N/A	Lens, Taillight	1
8	N/A	Screw, Taillight Lens	2
9	101835601	Locknut, 1/4-20 Hex Whiz	2
10	102909901	Support, Tail Light	1
11	102911601	Asm, Wire Harness	1
12	7847	Screw, 1/4-20 X 0.75 Hex-Head Cap	2
<p>Note: Taillights are optional for the Carryall 242 vehicles.</p>			

6
G



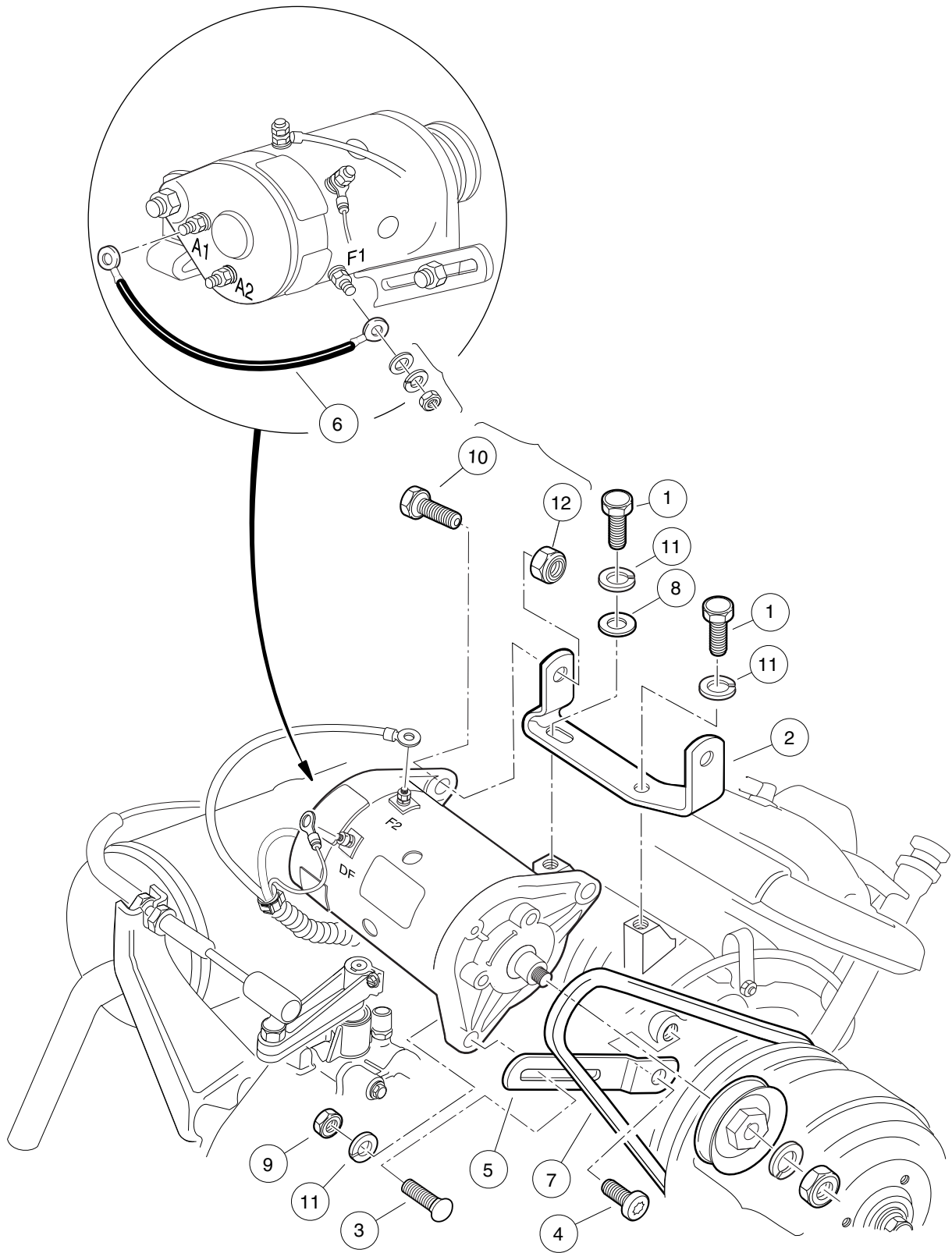
000073-001

HEADLIGHTS

ITEM	PART NO.	DESCRIPTION	QTY
		1 2 3 4	
1	101988001	Headlight Assembly, Driver-Side Single Beam (includes items 2 through 10)	1
2	1013461	Screw, #10-16 Hex-Head Hi-Lo	2
3	1016880	Headlight Bezel, Left	1
4	1017	Nut, #10-24 Stainless-Steel Hex Machine	2
5	1017062	Turn Signal Lens Assy	1
6	1017064	Mounting Bracket	2
7	1017065	Retainer, Headlight	1
8	101987901	Connector, Harness Assembly, Headlight	1
9	101988101	Bulb, Headlight	1
10	101988201	Lens, Headlight	1
11	101988002	Headlight Assy, Passenger-Side Single Beam (includes items 12 through 20)	1
12	1013461	Screw, #10-16 Hex-Head Hi-Lo	2
13	1016879	Headlight Bezel, Right	1
14	1017	Nut, #10-24 Stainless-Steel Hex Machine	2
15	1017062	Turn Signal Lens Assy	1
16	1017064	Mounting Bracket	2
17	1017065	Retainer, Headlight	1
18	101987901	Connector, Harness Assembly, Headlight	1
19	101988101	Bulb, Headlight	1
20	101988201	Lens, Headlight	1

6
G

6
G



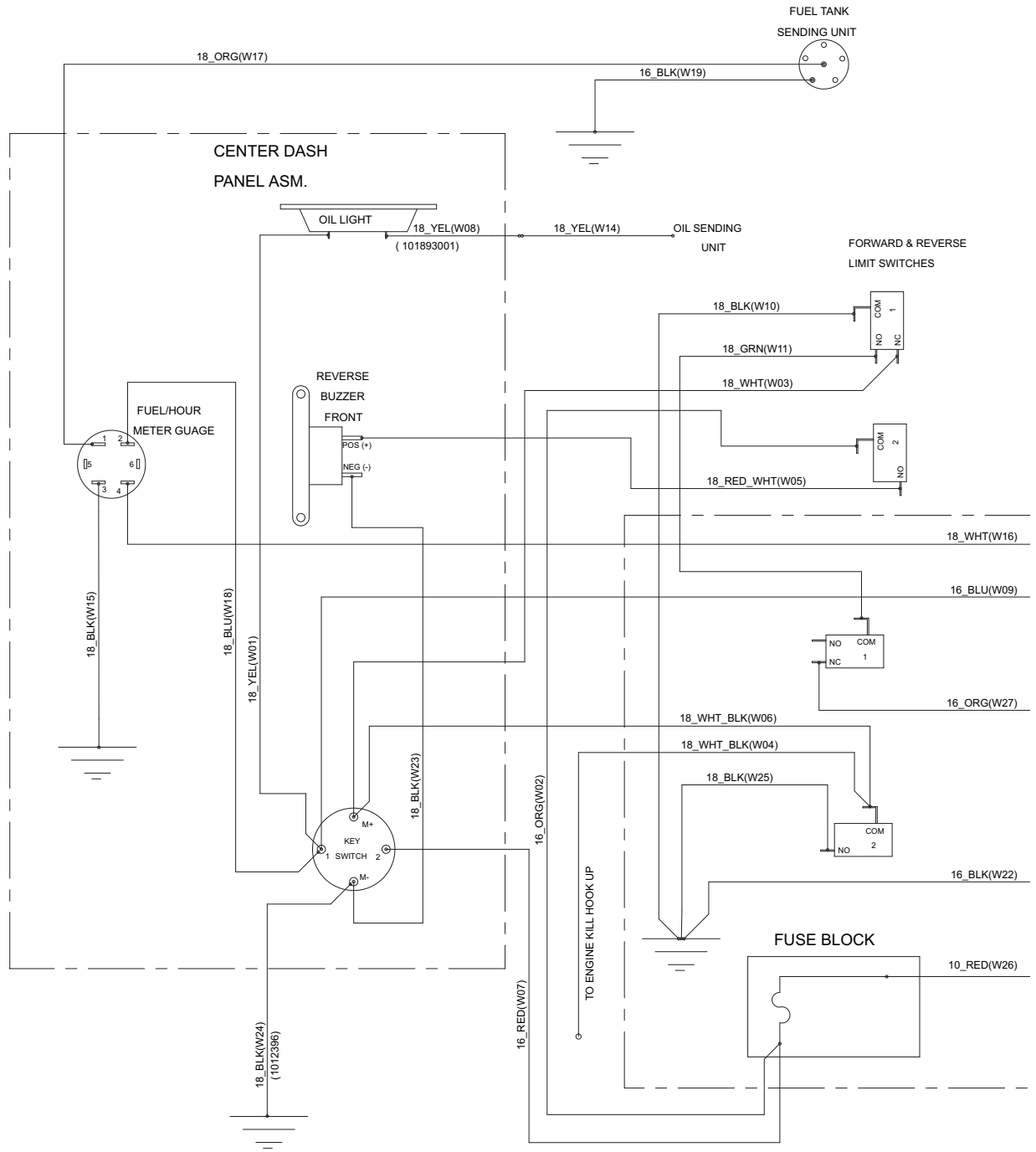
000239-001

FE350 STARTER/GENERATOR MOUNTING – GASOLINE VEHICLES

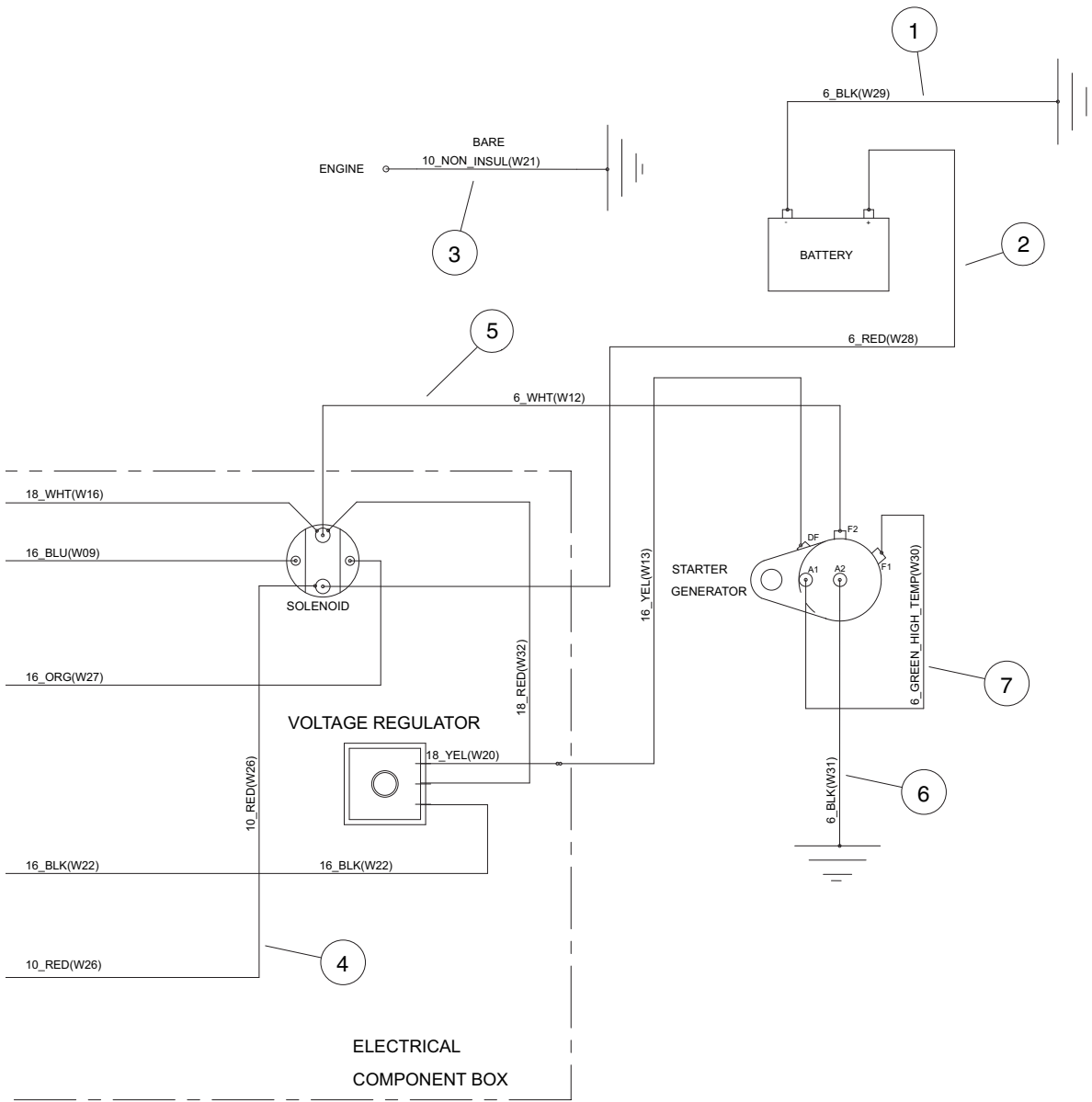
ITEM	PART NO.	DESCRIPTION	QTY
		1 2 3 4	
1	1012830	Screw, M8-125 X 22 Hex-Head	2
2	101524002	Bracket, Starter/Generator Mounting	1
3	1015932	Bolt, Carriage, 5/16-18	1
4	1016074	Screw, M8-1.25 X 18mm Torx	1
5	1016883	Bracket, Starter/Generator Adjustment	1
6	101837301	Wire Assy, #6 Green	1
7	101916701	V-Belt	1
8	1241	Washer, 5/16 Type A Flat	1
9	1242	Nut, 5/16-18 Hex	1
10	705	Screw, Cap-hex Hd 3/8-16x1.25	2
11	7174	Lockwasher, 5/16 Split	3
12	8754	Locknut, 3/8-16 Hex	2

6

G



000372-001



000372-001

6

G

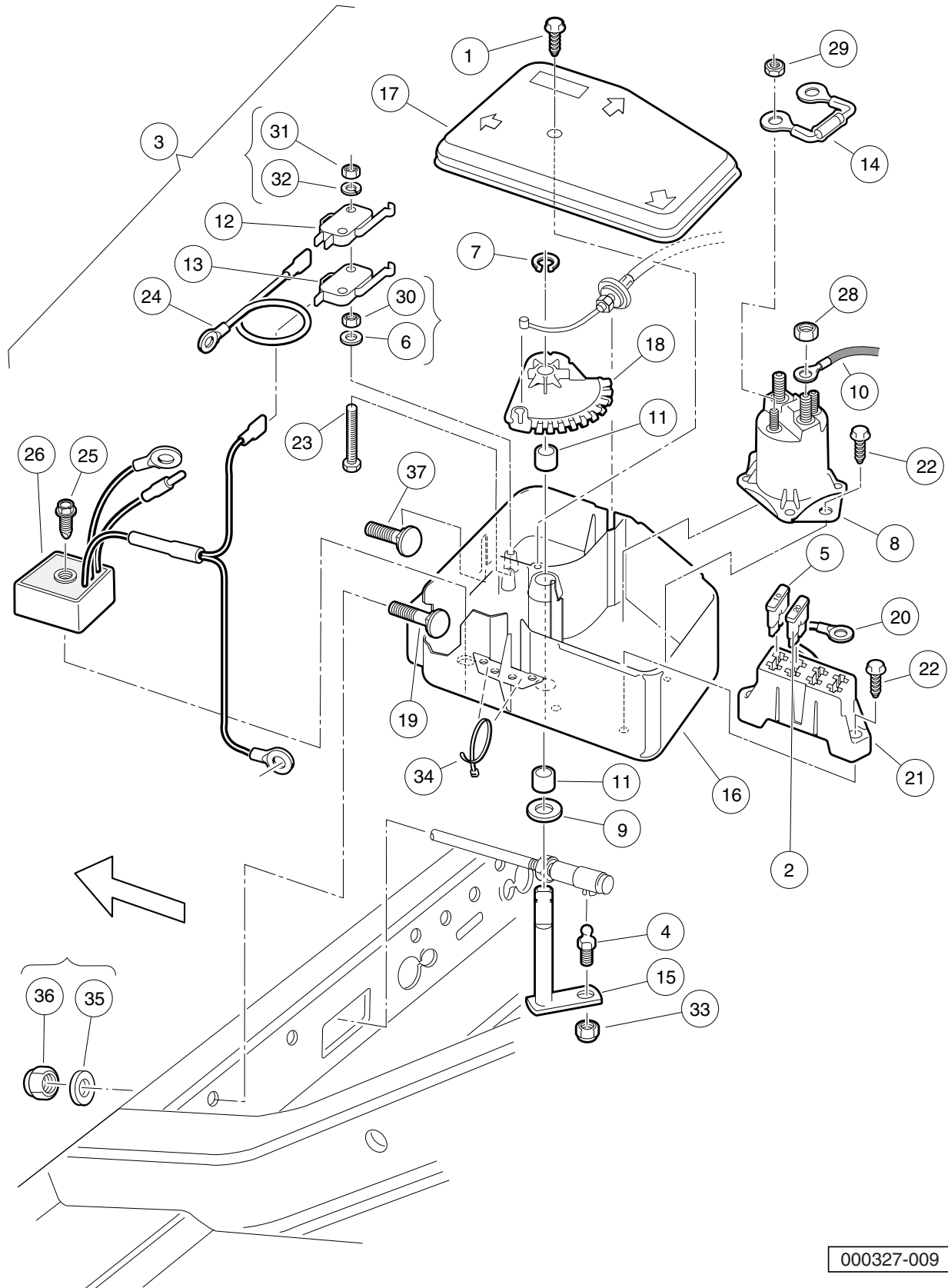
See previous two pages for illustration.

WIRING – GASOLINE VEHICLES

ITEM	PART NO.	DESCRIPTION	QTY
		1 2 3 4	
1	1012382	Wire Assy, #6 Black	1
2	1014119	Wire Assembly #6 Red	1
3	1015332	Wire, Ground, #10, Uninsulated	1
4	1015737	Wire Assy, #10 Red	1
5	1015769	Wire Assy, #6 White	1
6	1015920	Ground Wire Assembly	1
7	103332402	Assy Wire Harness Gas V4 Kit	1

6
G

6
G



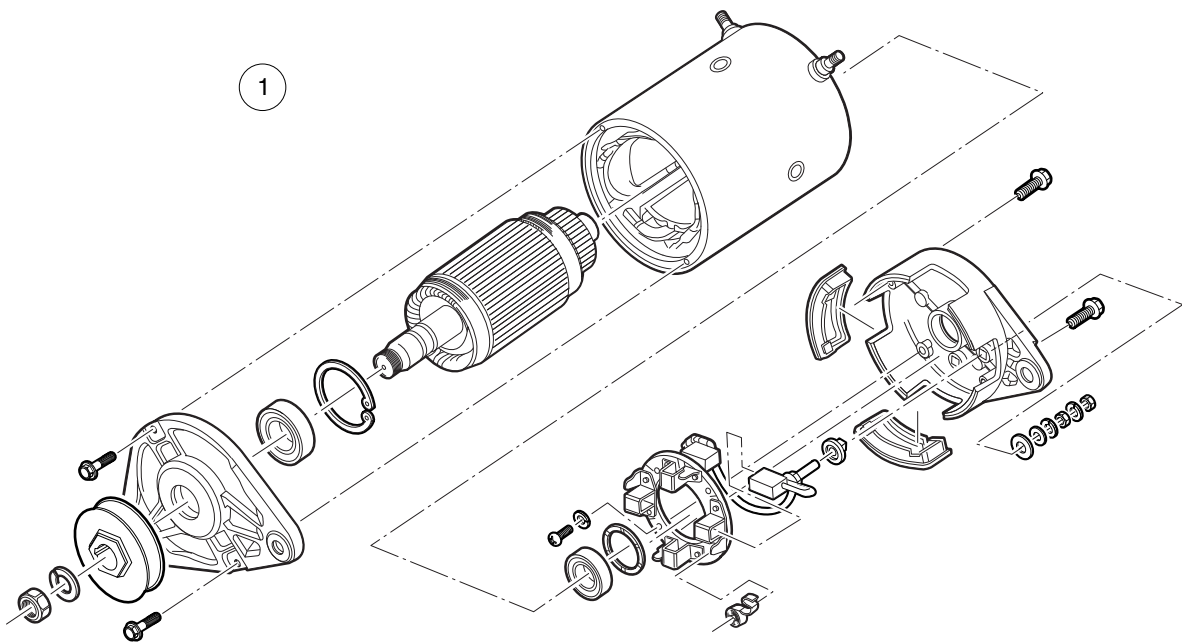
000327-009

ELECTRICAL COMPONENT BOX-GASOLINE VEHICLES

ITEM	PART NO.	DESCRIPTION	QTY
		1 2 3 4	
1	1015752	Screw, #12-16 X 0.625, Hi-Lo	1
2	1016423	Fuse, 20-Amp	1
3	103936601	Asm, Ele Comp Box, 800 Gas Ps (includes items 4 through 34)	1
4	1010954	Stud, Ball, 1/4-28 X 0.560	1
5	1012295	Fuse, 10-Amp	1
6	1012431	Washer, #4 Flat	2
7	1013589	Ring, Retaining, 0.338" Internal	1
8	1013609	Solenoid, 12-Volt	1
9	1014065	Washer, Flat, 0.38" ID, Delrin	1
10	1014119	Wire Assembly #6 Red	1
11	1014145	Bushing, Secondary Weight, Split	2
12	1014807	Switch, Limit	1
13	1014808	Switch, Limit	1
14	1014948	Diode	1
15	1015345	Bell Crank and Shaft Assembly	1
16	1015371	Box, Electrical Component	1
17	1015372	Cover, Electric Box	1
18	1015373	Cam, Electric Box	1
19	1015405	Bolt, Carriage, 5/16-18 X 2.0	1
20	1015737	Wire Assy, #10 Red	1
21	1015741	Fuse Block	1
22	1015752	Screw, #12-16 X 0.625, Hi-Lo	4
23	1015878	Screw, #4-40 Hex Head Machine	2
24	1016401	Wire Assy, #16 Orange	1
25	101856102	Screw, 1/4-15 X 1.50, Hi-lo, Hex	1
26	102711201	Voltage Regulator	1
27	N/A	Washer, Nylon Retaining *	1
28	103332401	Assy Wire Harness Gas V4	1
29	1242	Nut, 5/16-18 Hex	2
30	7893	Nut, #10-32 Hex	2
31	8057	Nut, #4-40 Hex Machine	4
32	8058	Lockwasher, #4 Split	2
33	8717	Locknut, Nylon Insert, 1/4-28	1
34	8990	Tie Wrap, 8" Nylon	2
35	1241	Washer, 5/16 Type A Flat	2
36	7473	Locknut, 5/16-18 Nylon Insert	2
37	7818	Bolt, Carriage, 5/16-18 X 1.5	1
		* Note: Not used. Item is for shipping purposes only.	

6

G



000124-006

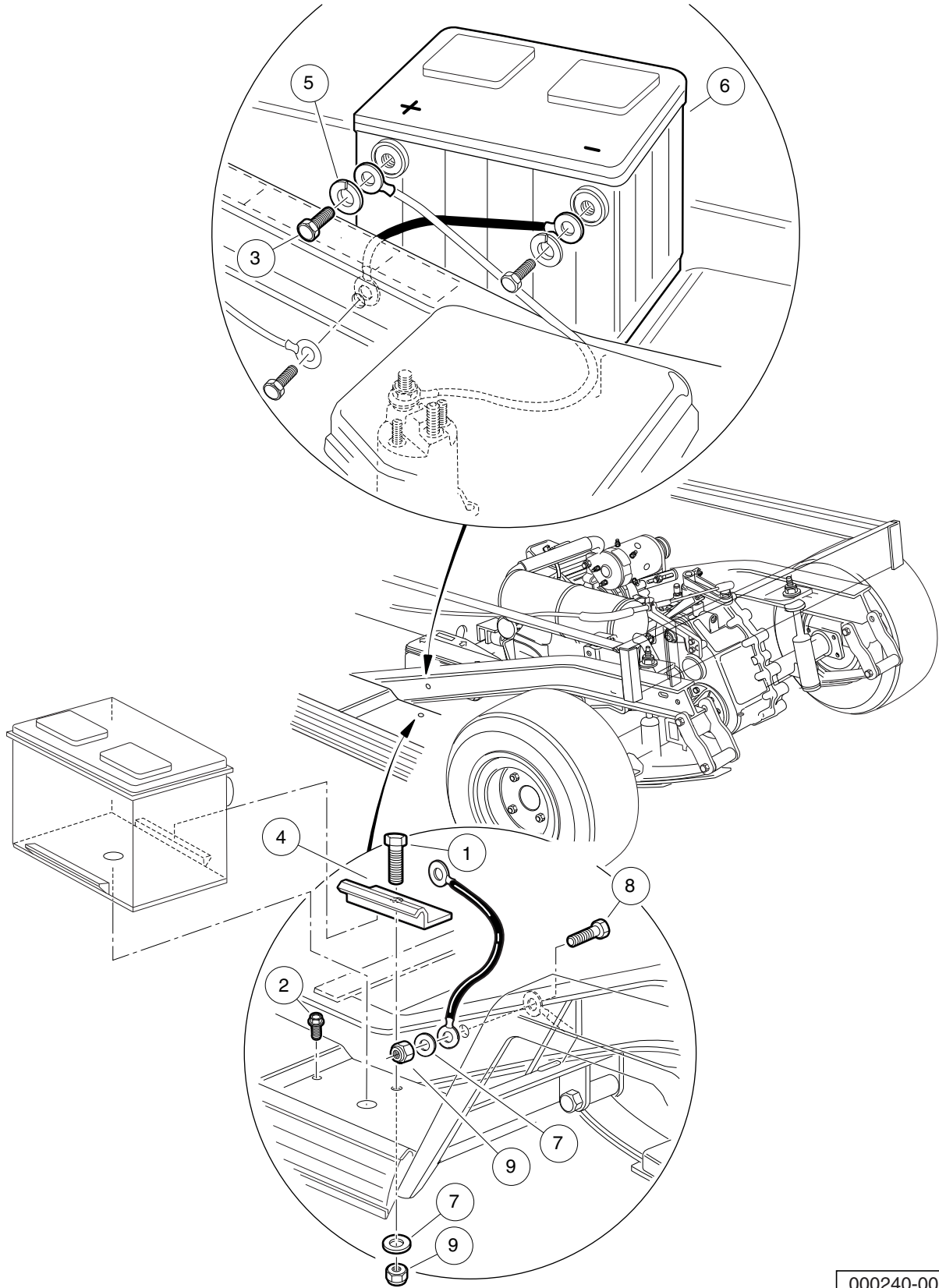
STARTER/GENERATOR ASSEMBLY – GASOLINE VEHICLES

ITEM	PART NO.	DESCRIPTION	QTY
		1 2 3 4	
1	103678502	Asm, St/gen, Bi-rot, Ks, Svc (includes items 2 and 3)	1
2	101960501	Decal, Rotating Parts/Hot Manifold	1
3	N/A	St/gen, Bi-rot, Util, Ks (includes items 4 through 24)	1
4	101837301	Wire Assy, #6 Green	1
5	102711001	Pulley, V-Belt	1
6	102838701	Nut, Hex, M14x2, S/G	1
7	102838801	Retainer, Front, S/G	1
8	102838901	Bearing, Ball, Front, S-g	1
9	102839001	Bearing, Ball, Front, S-g	1
10	102839301	Washer, Lock M14x2, S-g	1
11	102841101	Washer, Wave, S-g	1
12	N/A	Asm, Armature, Starter/Generator	1
13	102844601	Head, Drive End, S-g	1
14	102844701	Asm, Frame and Field, Starter/Generator	1
15	103347101	Kit, Spring Brush, Starter/Generator (includes item 16)	1
16	N/A	Spring, Brush, S-g	4
17	103347301	Set, Brush Term, S-g	1
18	103347601	Head, Comm End, S-g	1
19	103347701	Set, Fastener, Ceh Deh, S-g	1
20	103347801	Set, Term Hardware, S/G	1
21	103347901	Kit, Cover, Brush Insp, Starter/Generator (includes items 22 and 23)	1
22	N/A	Plug, Rubber Drain, Start/Generator	3
23	N/A	Cover, Inspection, S-g	1
24	103953301	Kit, Brush And Brush Holder	1

6

G

6
G



000240-001

BATTERY – GASOLINE VEHICLES

ITEM	PART NO.	DESCRIPTION	QTY
		1 2 3 4	
1	1010934	Screw, 5/16-18 X 1.00 Hex Cap	1
2	1014288	Screw, 5/16-18 X 0.75, Thread-Forming	1
3	1014375	Screw, 3/8-16 X 0.50, Stainless Steel, Hex-Head	2
4	101898001	Clamp, Battery	1
5	102355301	Lockwasher, 3/8 Split Ss	2
6	103496801	Battery, Start, 12v	1
7	1241	Washer, 5/16 Type A Flat	2
8	7173	Screw, 5/16-18 X 0.75, Hex-Head Cap	1
9	7473	Locknut, 5/16-18 Nylon Insert	2

6
G

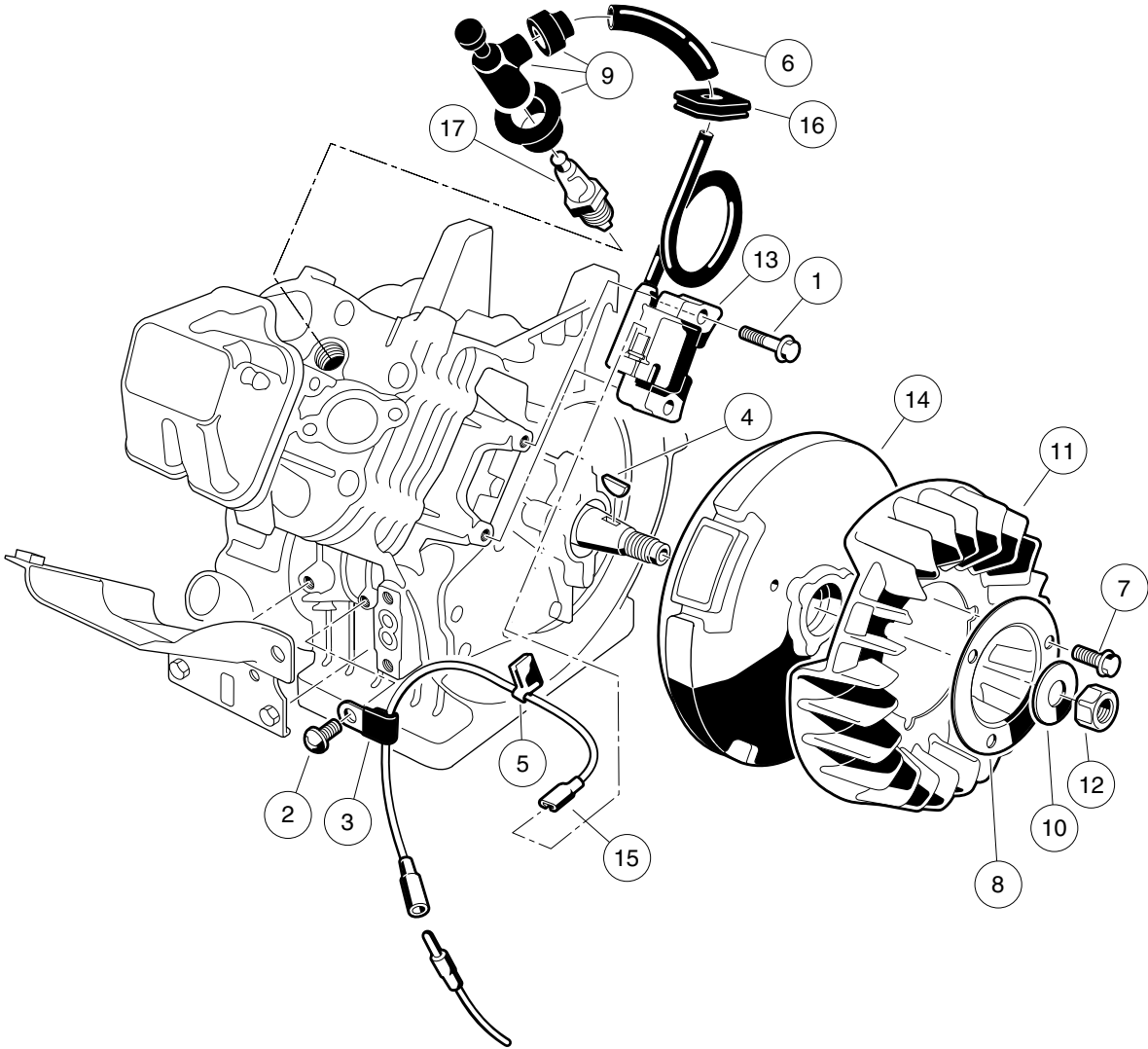
6

G

FE350 ENGINE – S27

7

G



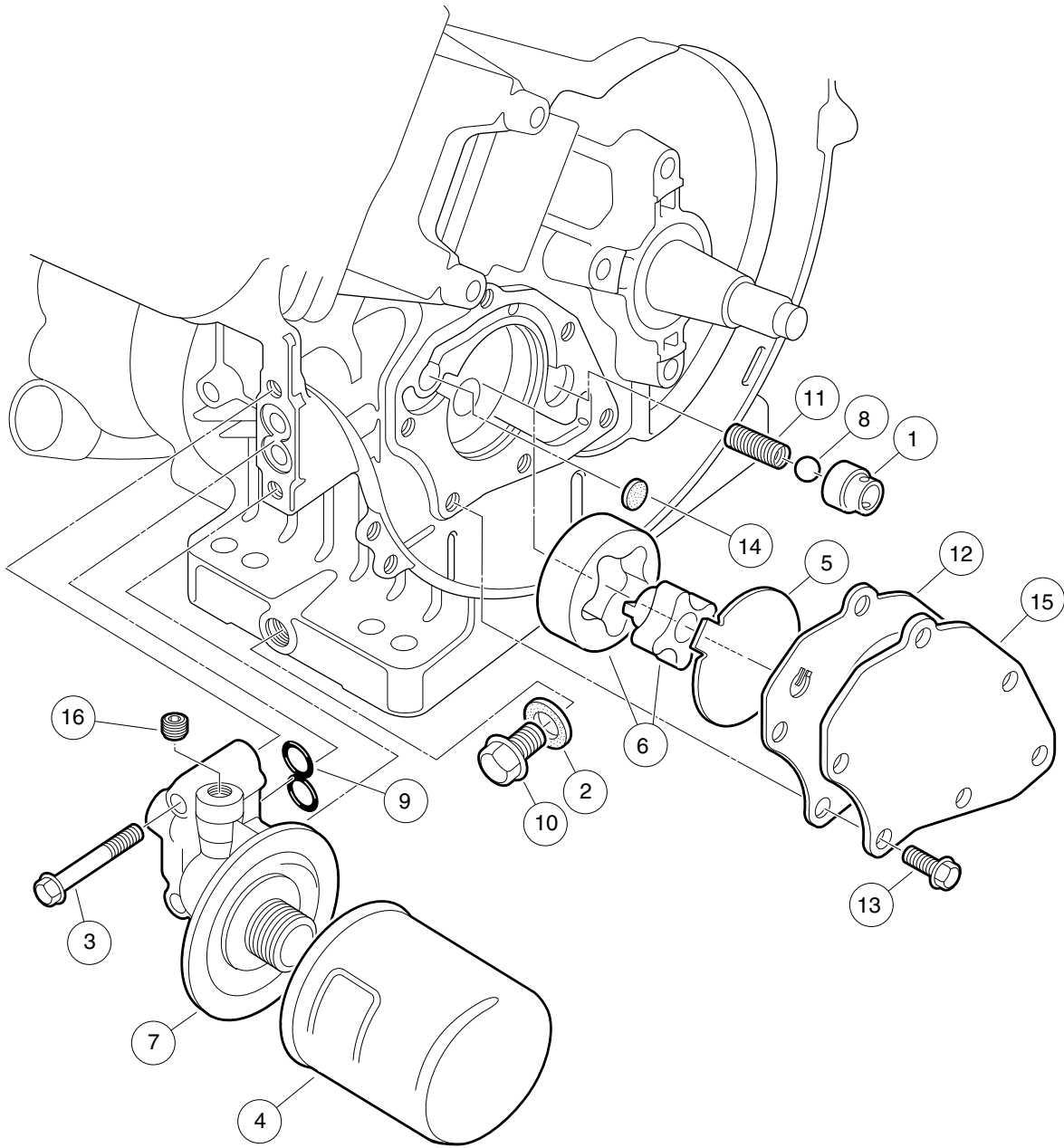
000202-002

FE350 ENGINE (AS26) – IGNITION COMPONENTS AND FLYWHEEL

ITEM	PART NO.	DESCRIPTION	QTY
		1 2 3 4	
1	1016455	Bolt, Flange Head	2
2	1016544	Screw	1
3	1016561	Clamp	1
4	1016562	Key	1
5	1016587	Clamp	1
6	1016588	Tube, 7mm X 10mm X 70mm	1
7	1017448	Bolt, Flanged	3
8	1017455	Plate, Flywheel Fan	1
9	1017463	Cap Asm, Plug	1
10	1017490	Washer, Flat	1
11	101916301	Fan (cw)	1
12	102838401	Nut, Hex, 18 mm Fine	1
13	103616501	Coil Asm, Ignition	1
14	103616601	Flywheel, Complete	1
15	103616701	Wire Lead, Ignition	1
16	103616801	Grommet	1
17	AM1232301	Spark Plug, BPR2ES	1

7

G



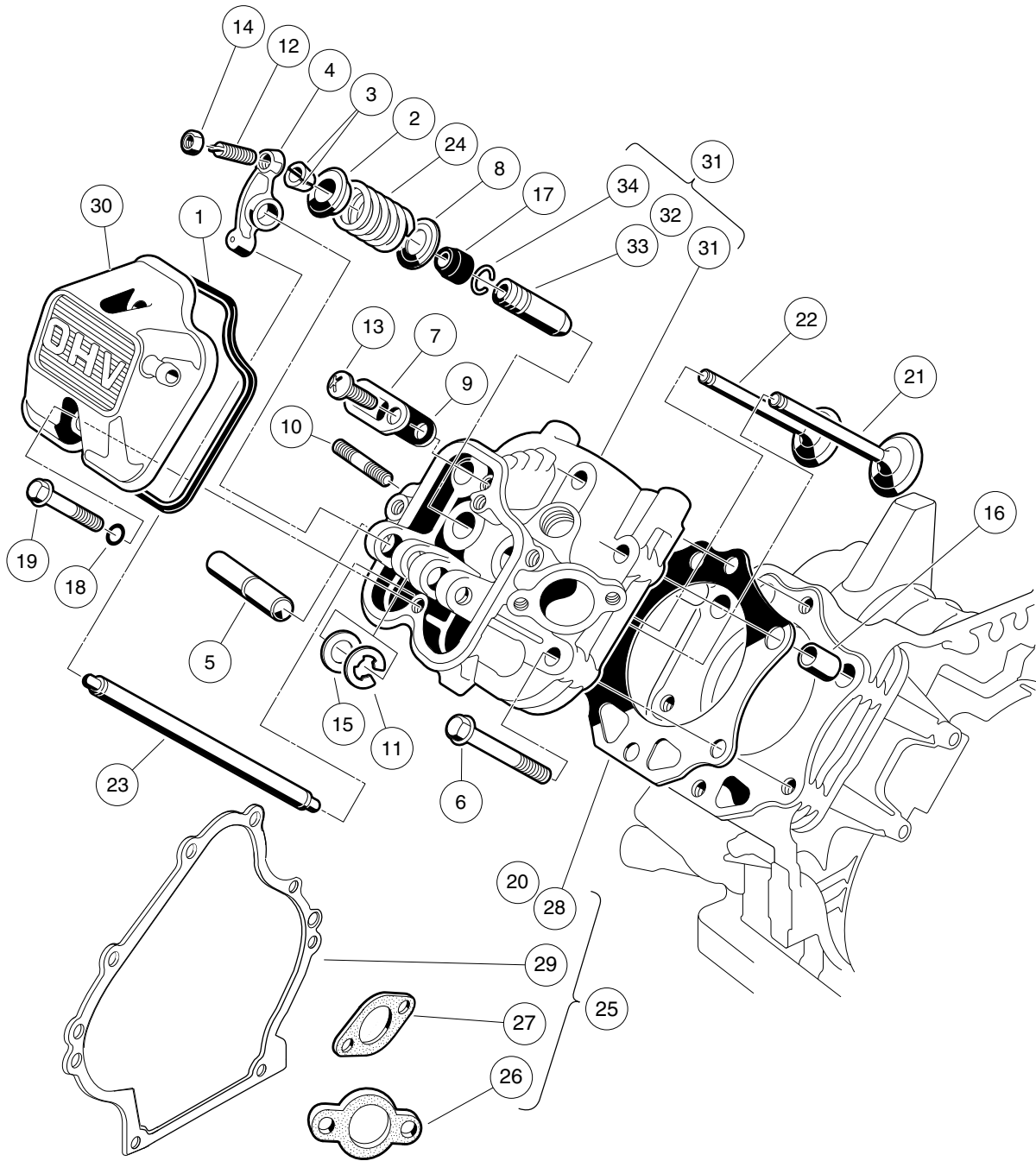
000203-001

FE350 ENGINE (AS26) – OIL CIRCULATION

ITEM	PART NO.	DESCRIPTION	QTY
		1 2 3 4	
1	1016429	Seat, Valve Oil Pressure Relief	1
2	1016432	Gasket, Drain Plug	1
3	1016457	Bolt, Flange Head	2
4	1016467	Filter, Oil	1
5	1016473	Plate, Oil Pump	1
6	101648203	Oil Pump And Rotor	1
7	1016502	Bracket, Oil Filter Mount	1
8	1016537	Ball, Steel, Press, Relief	1
9	1016570	O-Ring	1
10	1016576	Plug, Drain	1
11	1016581	Spring	1
12	1017442	Gasket	1
13	1017456	Bolt, Flanged	6
14	1017458	Filter	1
15	1017460	Cover, Pump	1
16	1017507	Plug	2

7

G



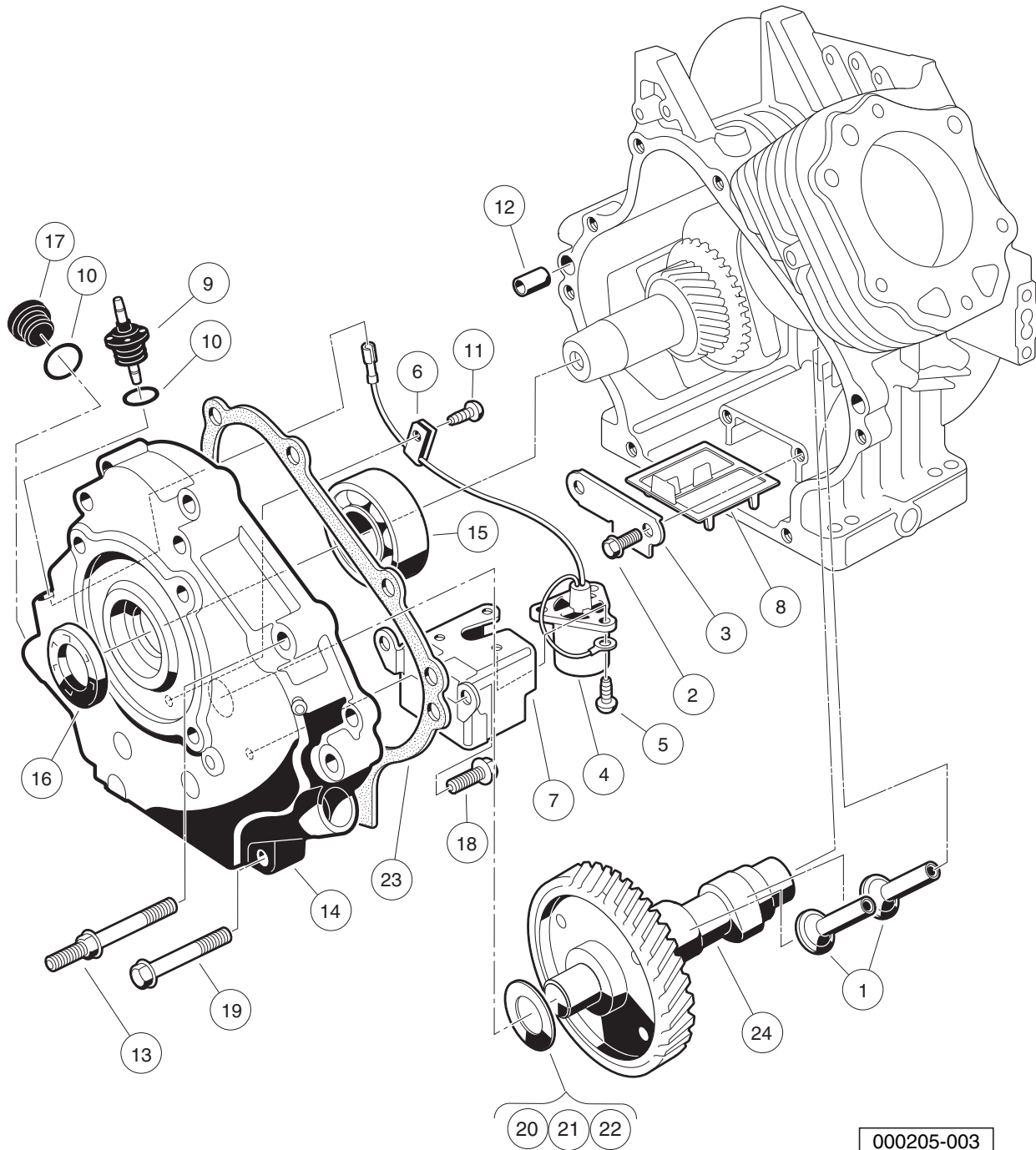
000204-004

FE350 ENGINE (AS26) – CYLINDER HEAD

ITEM	PART NO.	DESCRIPTION	QTY
		1 2 3 4	
1	1016436	Gasket, Rocker Case	1
2	1016449	Retainer, Valve Spring	2
3	1016450	Collet	4
4	1016451	Arm, Rocker	2
5	1016452	Shaft, Rocker	1
6	1016458	Bolt, Flange Head, M8 x 1.25 x 45 mm	6
7	1016474	Plate	1
8	1016479	Seat, Spring	2
9	1016483	Valve	1
10	1016489	Stud, Two-Ended, M8-1.25	2
11	1016517	Circlip, Type-E	1
12	1016542	Screw	2
13	1016544	Screw	1
14	1016545	Nut	2
15	1016549	Washer, 12.1x19x1.8	1
16	1016563	Pin	2
17	1016566	Seal, Oil	2
18	1016569	O-Ring	2
19	1016583	Bolt, 6x35	2
20	1017434	Gasket, Head	1
21	1017445	Valve, Exhaust	1
22	1017454	Rod, Push	2
23	1017473	Spring, Engine Valve	2
24	102304801	Kit, Gasket, FE350 (includes items 25 through 28)	1
25	1016440	Gasket, Engine to Insulator	1
26	1016904	Gasket, Exhaust	1
27	1017434	Gasket, Head	1
28	1017443	Gasket, Crankcase Cover	1
29	103615601	Cylinder Head (includes items 30 and 31)	1
30	1016519	Guide, Valve, Intake, Exhaust	2
31	1016560	Snap Ring	2
32	103615701	Case, Rocker	1
33	103616301	Valve, Intake, Hard Tip	1
		Note: Item 25 is not a component of the FE350 engine.	

7

G

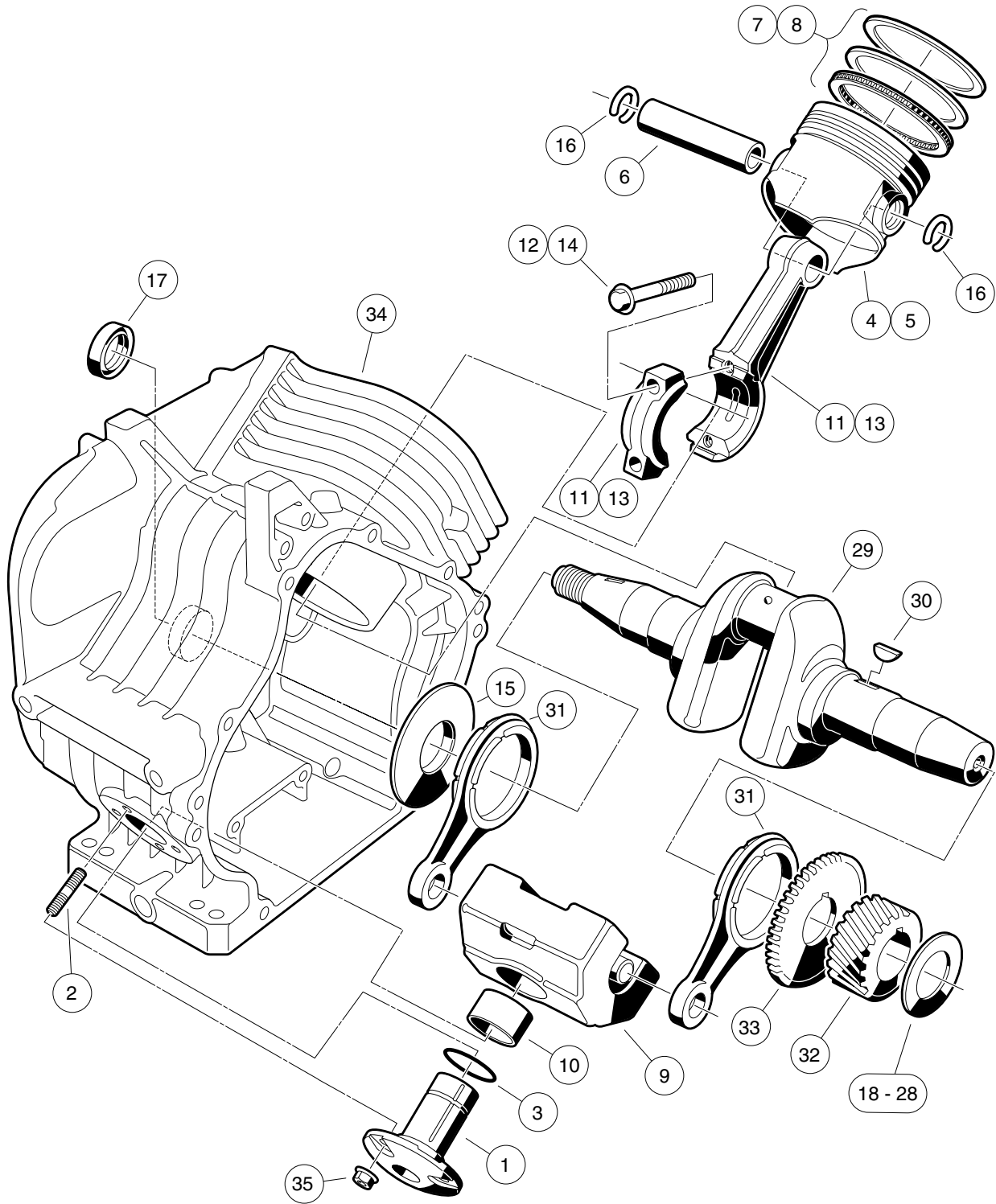


000205-003

FE350 ENGINE (AS26)- CRANKCASE, CAMSHAFT AND OIL SENSOR

ITEM	PART NO.	DESCRIPTION	QTY
		1 2 3 4	
1	1016453	Tappet	2
2	1016454	Bolt, Flange Head, M5 x 0.8 x 8 mm	2
3	1016472	Plate, Oil Filter Screen	1
4	1016494	Sensor, Oil Level	1
5	1016496	Screw, Cross Pan-Head, M4 x 0.7 x 8 mm	3
6	1016506	Clamp	1
7	1016510	Bracket, Switch, Oil Level	1
8	1016521	Screen, Oil Filter	1
9	1016535	Connector, Cord	1
10	1016538	O-Ring	2
11	1016544	Screw	1
12	1016564	Pin	2
13	1016584	Bolt, Two-Ended, M8 x 1.25 x 69 mm	2
14	1017472	Cover Crankcase	1
15	1017487	Bearing, Ball	1
16	1017504	Seal, Oil	1
17	1017508	Plug	1
18	1017513	Bolt Switch Bracket	2
19	1017514	Screw, M8-1.25 X 45mm Hex	6
20	101751801	Shim, 0.3	1
21	101751802	Shim, 0.4	1
22	101751803	Shim, 0.5	1
23	103615901	Gasket, Crankcase Cover	1
24	103616401	Camshaft, Complete	1

7
G



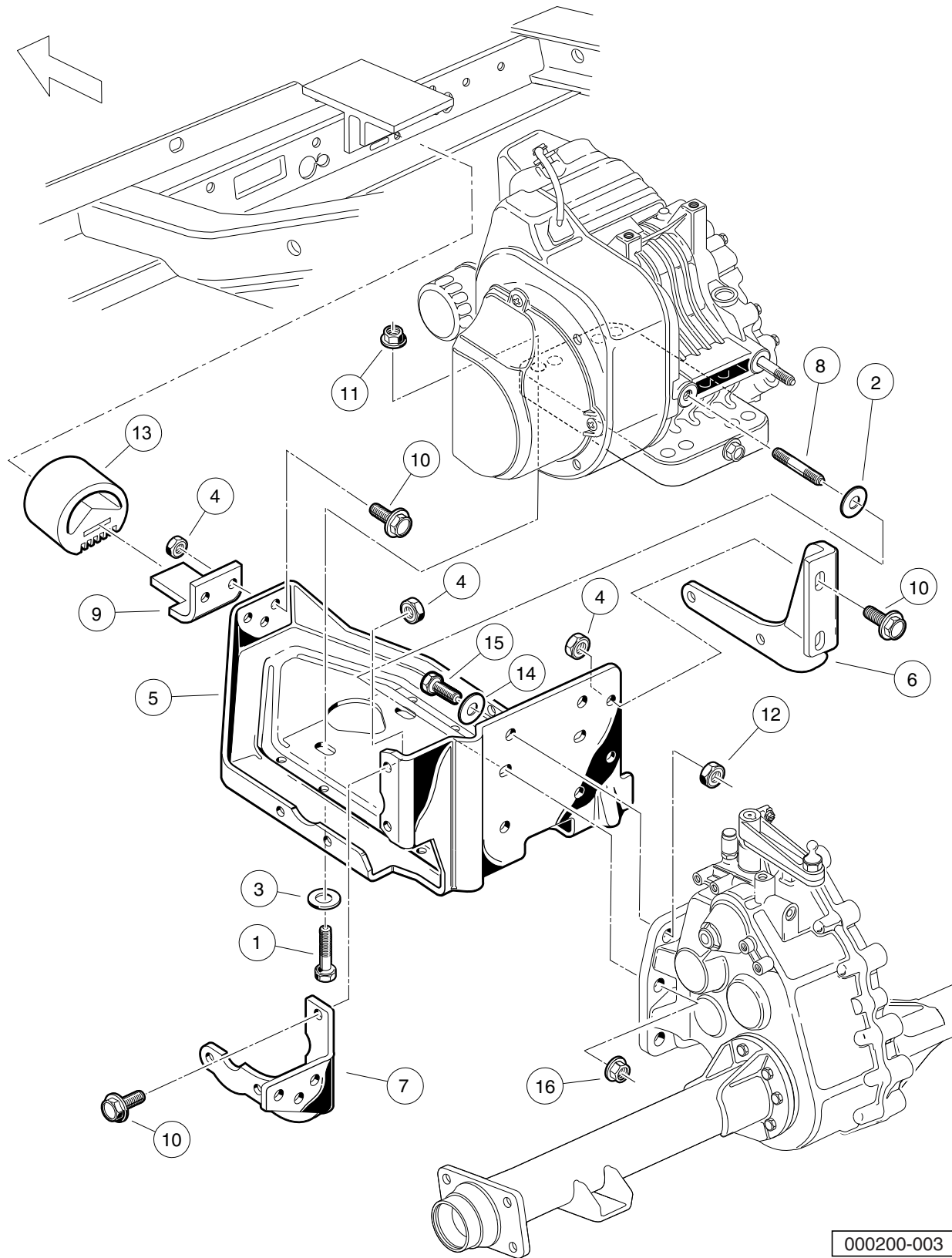
000206-002

FE350 ENGINE (AS26) – CRANKCASE AND CRANKSHAFT

ITEM	PART NO.	DESCRIPTION	QTY
		1 2 3 4	
1	1016470	Shaft, Guide, Counterbalance	1
2	1016541	Stud, 6x14	4
3	1016571	O-Ring	1
4	101744901	Piston, Standard	1
5	101744902	Piston, 0.50 mm Oversize	1
6	1017450	Pin, Piston	1
7	101745101	Ring Set, Standard Piston	1
8	101745102	Ring Set, Piston, 0.50 mm Oversize	1
9	1017453	Counterbalance Weight (includes item 10)	1
10	1017510	Bearing, Plain	1
11	101745701	Asm, Con. Rod Std (includes item 12)	1
12	1017512	Bolt	2
13	101745702	Asm, Con. Rod 0.5mm U/s (includes item 14)	1
14	1017512	Bolt	2
15	1017501	Spacer	1
16	1017502	Snap Ring	2
17	1017503	Seal, Oil	1
18	101773301	Shim, Crankshaft, 1.18mm	1
19	101773302	Shim, Crankshaft, 1.25mm	1
20	101773303	Shim, Crankshaft, 1.32mm	1
21	101773304	Shim, Crankshaft, 1.39mm	1
22	101773305	Shim, Crankshaft, 1.46mm	1
23	101773306	Shim, Crankshaft, 1.53mm	1
24	101773307	Shim, Crankshaft, 1.60mm	1
25	101773308	Shim, Crankshaft, 1.67mm	1
26	101773309	Shim, Crankshaft, 1.74mm	1
27	101773310	Shim, Crankshaft, 1.11mm	1
28	101773311	Shim, Crankshaft, 1.81mm	1
29	103615801	Crankcase, FE350	1
30	N/A	Crankshaft, Complete (includes items 31 through 34)	1
31	1016562	Key	1
32	1017471	Rod	2
33	N/A	Gear, Helical	1
34	N/A	Gear, Spur	1
35	103616201	Nut	4

7
G

7
G



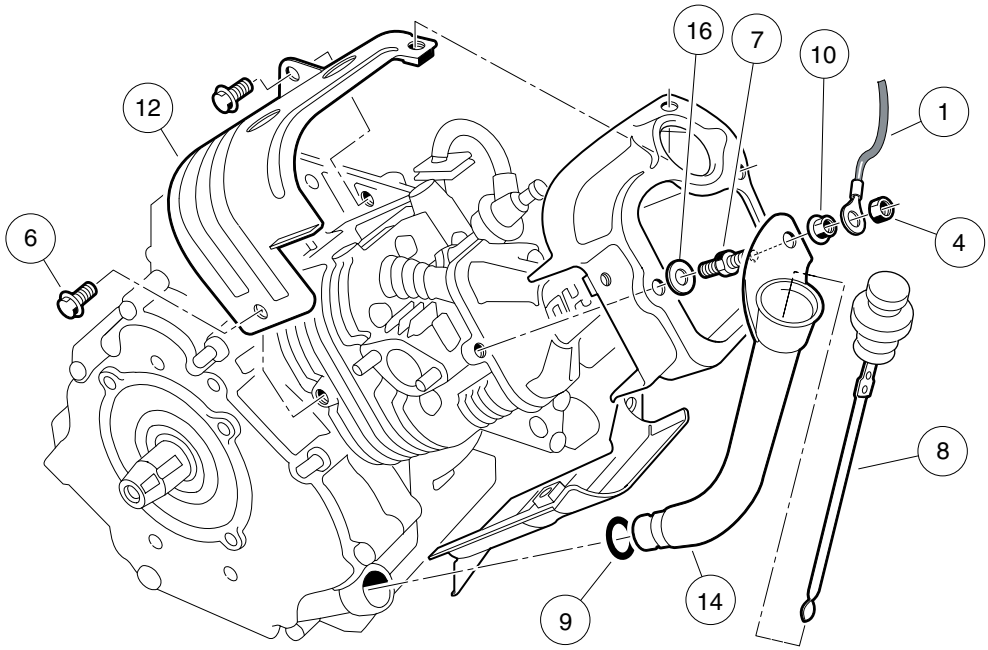
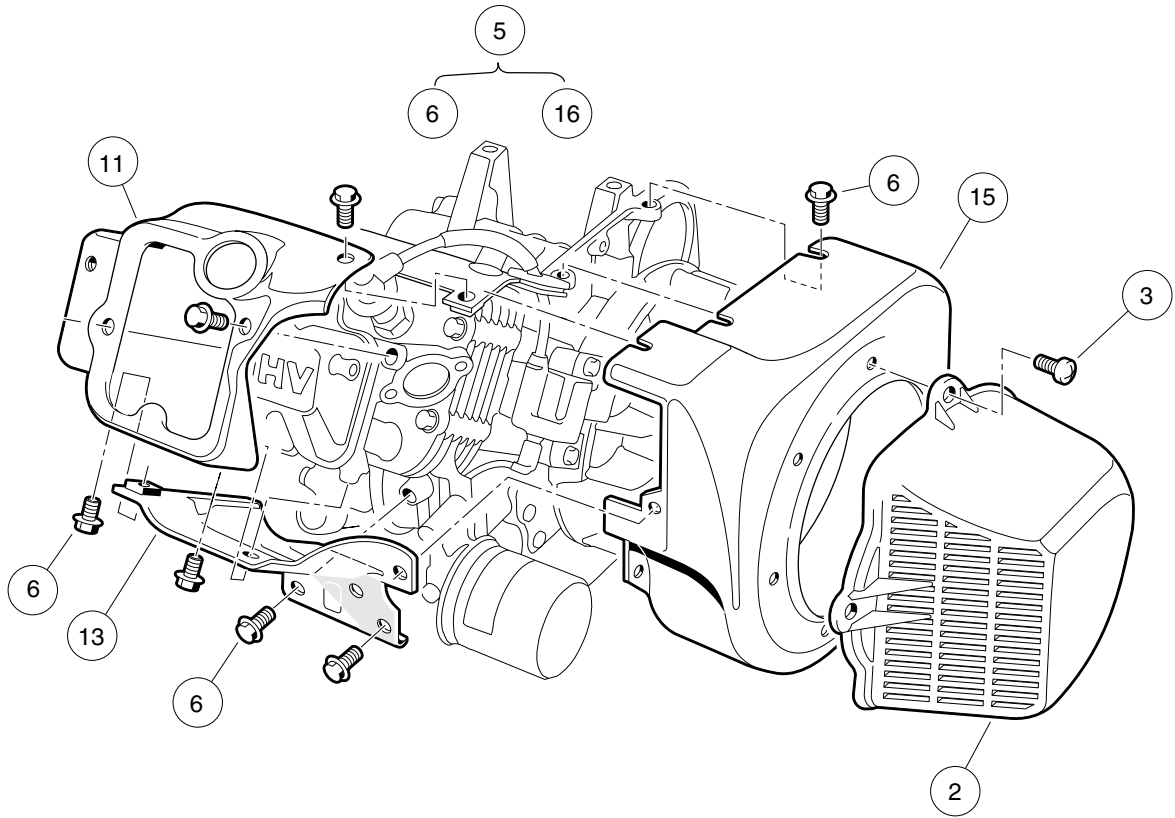
000200-003

FE350 ENGINE (AS26) – MOUNTING

ITEM	PART NO.	DESCRIPTION	QTY
		1 2 3 4	
1	1010577	Bolt, Hex-Head, 5/16-18 X 1.50	4
2	1011697	Washer, 5/16 Flat	2
3	1012571	Washer, 5/16 Extra Thick Flat	4
4	1013924	Nut, 5/16-24, Hex Head Cone	10
5	101827101	Plate, Engine Mounting	1
6	101832601	Stiffener (PTO Side)	1
7	101832701	Stiffener (Flywheel Side)	1
8	101833101	Stud, M8-1.25 X 50 mm Two-Ended	2
9	101834601	Bracket, Snubber	1
10	101884801	Screw, 5/16-24 X 0.875, Grade-8	10
11	101963401	Locknut, 5/16-18 Hex Flange	4
12	102065901	Locknut, 3/8-16 Flanged Dimple	4
13	102540301	Snubber, Inner Frame	1
14	334	Washer, 3/8, Type A, Flat	4
15	705	Screw, Cap-hex Hd 3/8-16x1.25	4
16	96704416	Nut, Flange, M8 X 1.25 Serrated	2

7

G



000201-002

FE350 ENGINE WITHOUT ACR (AUTOMATIC COMPRESSION RELEASE) – SHROUDS AND BRACKETS

ITEM	PART NO.	DESCRIPTION	QTY
		1 2 3 4	
1	1015332	Wire, Ground, #10, Uninsulated	1
2	1015649	Shroud, Fan	1
3	1015969	Screw, M6-1.00 X 10mm, Pan Hd	4
4	101887601	Locknut, M6-1.00 Nylon Insert	1
5	103386202	Engine, FE350 S27 (includes items 6 through 16)	1
6	1016456	Bolt, Flange Head, M6 x 1 x 12 mm	16
7	1016507	Bolt, Two-Ended	1
8	1016531	Dipstick	1
9	1016539	O-Ring	1
10	1016547	Nut, M6 Flange	1
11	1017474	Shroud, Engine	1
12	1017475	Shroud, Engine	1
13	1017476	Shroud, Engine	1
14	1017486	Tube, Oil Filler	1
15	101916101	Housing, FE350 Fan	1
16	N/A	Washer, 6mm Flat	1

7
G

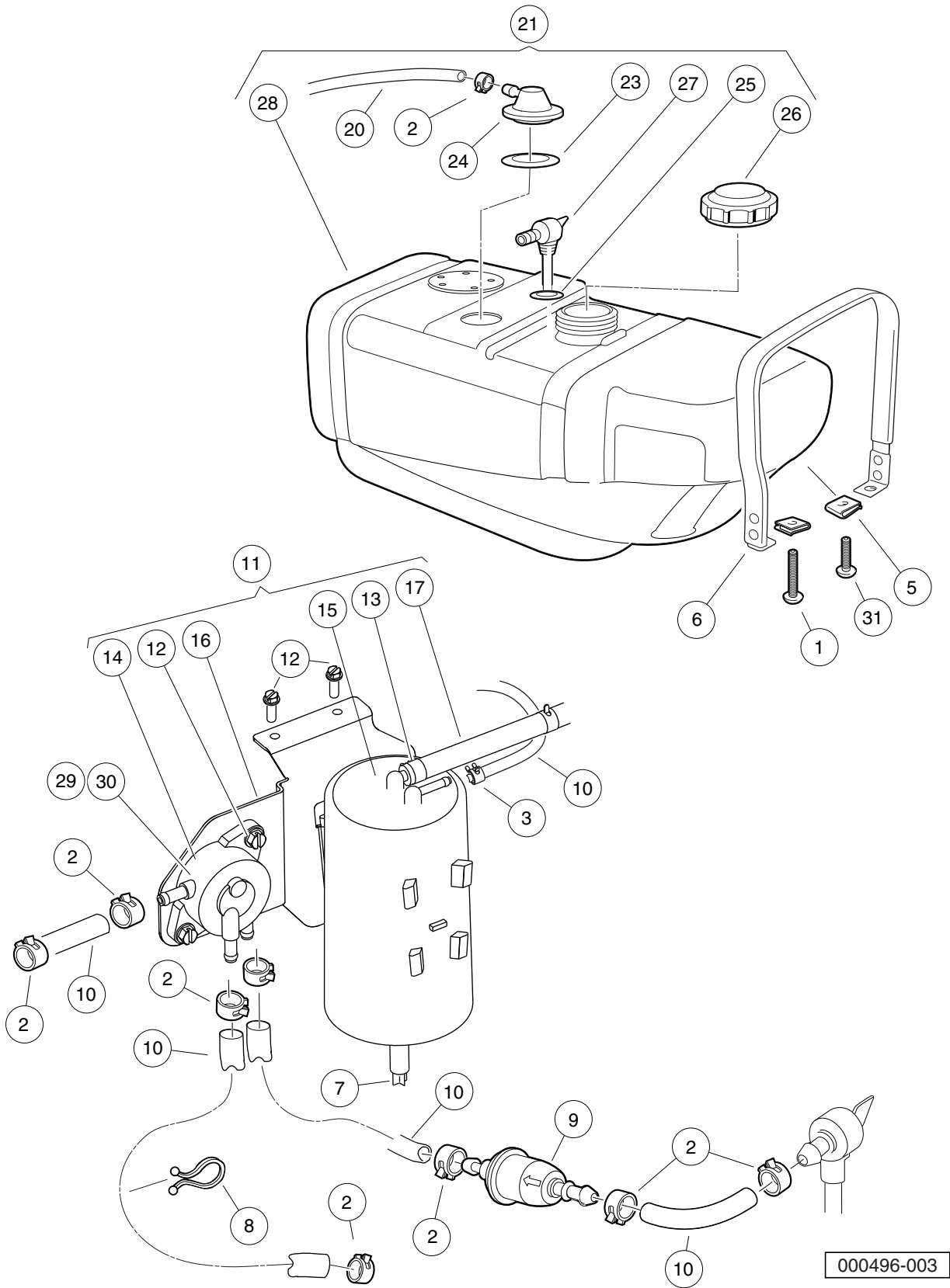
7

G

FUEL, INTAKE, AND GOVERNOR SYSTEMS

8

G



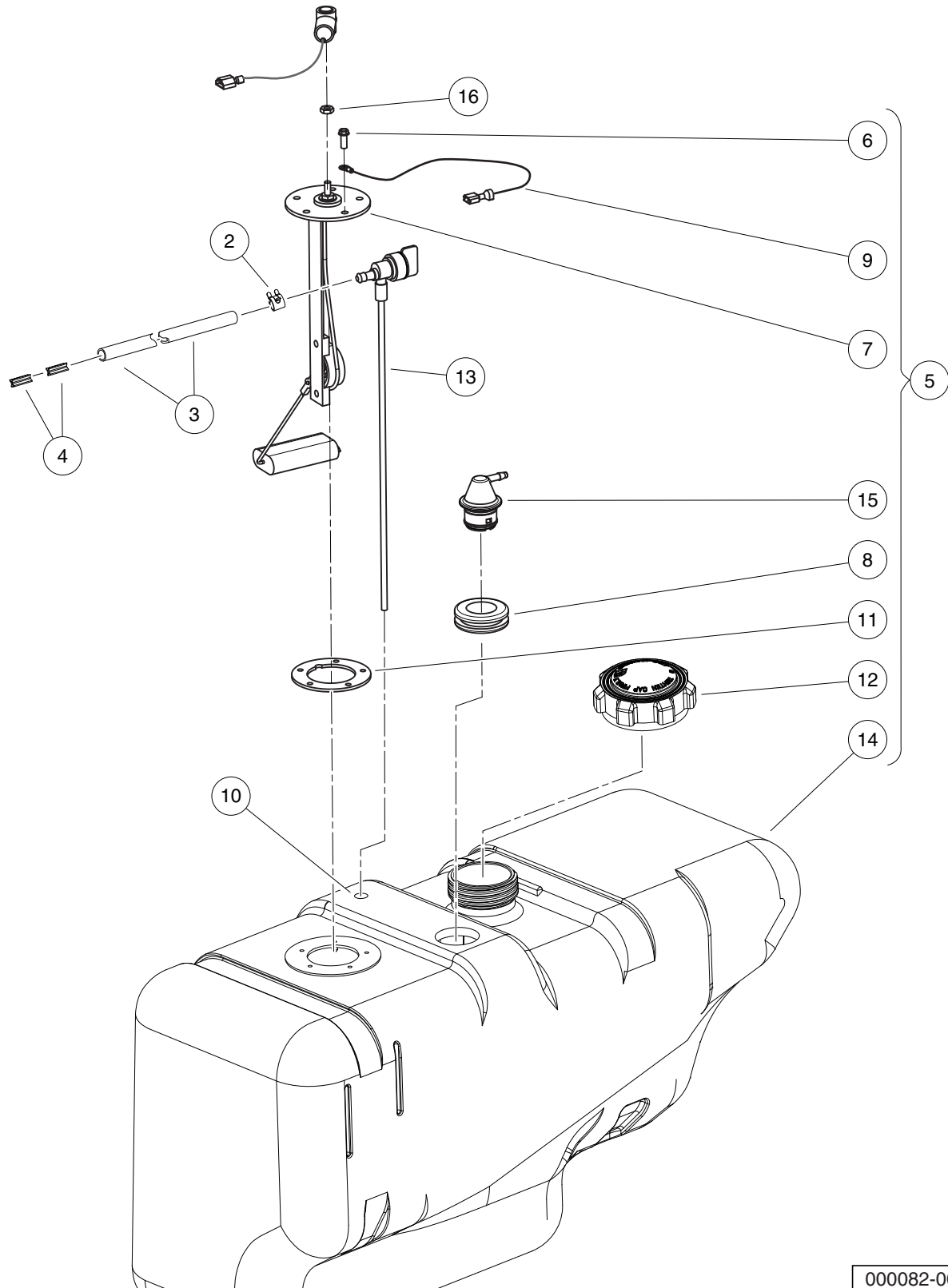
000496-003

FUEL SYSTEM

ITEM	PART NO.	DESCRIPTION	QTY
		1 2 3 4	
1	1011988	Screw, 1/4-20 X 2.00 Phillips Truss-Head	1
2	1012649	Clamp, 0.460 Red Hose	7
3	1013687	Clamp, 3/8" Hose (screw type)	1
4	1013746	Clamp, 0.301 ID Hose	2
5	1014116	Nut, 1/4-20 Speed	2
6	1014928	Fuel Strap Assembly Rear	1
7	101824401	Vent Barb	1
8	101987701	Clamp, Plastic Tie	1
9	102003201	Filter, Fuel, 30 Micron	1
10	102865101	Fuel Line, 1/4 (available by the foot)	1
11	103446501	Asm, Carbon Canister (includes items 12 through 20)	1
12	1012285	Screw, 1/4 X 0.625 Hex-Head	2
13	1012649	Clamp, 0.460 Red Hose	2
14	103010101	Pump, Fuel, Impulse, Fh	A/R
15	103372401	Canister, Carbon	1
16	103372801	Bracket, Carbon Canister, Sw	1
17	103756401	Asm, Vent Line, Carbon Canister (includes items 18 and 19)	1
18	N/A	Hose, Vent, 5/16 I.D., Bulk	1
19	N/A	Vent, Barb, 5/16 I.D. Hose	1
20	103896601	Hose, Vent, 1/4" ID, 9" Long	1
21	103651902	Asm, Tank, Ds Utl Wo/sut Nano (includes items 22 through 27)	1
22	1015139	Insulation Grommet	1
23	1015143	Vent, Fuel Tank	1
24	102406701	Bushing, Line, Return	1
25	103372101	Cap, Fuel Tank, Gas, Ratchet	1
26	103372302	Fuel Pickup w/Shut-Off Valve, 288mm	1
27	103776902	Tank, Fuel, Top, Wo/su Nano	1
28	103781101	Kit, Fuel Pump Retrofit (includes item 29)	1
29	103010101	Pump, Fuel, Impulse, Fh	1
30	8248	Screw, 1/4-20 X 0.75, Truss-Head Machine	1

8

G

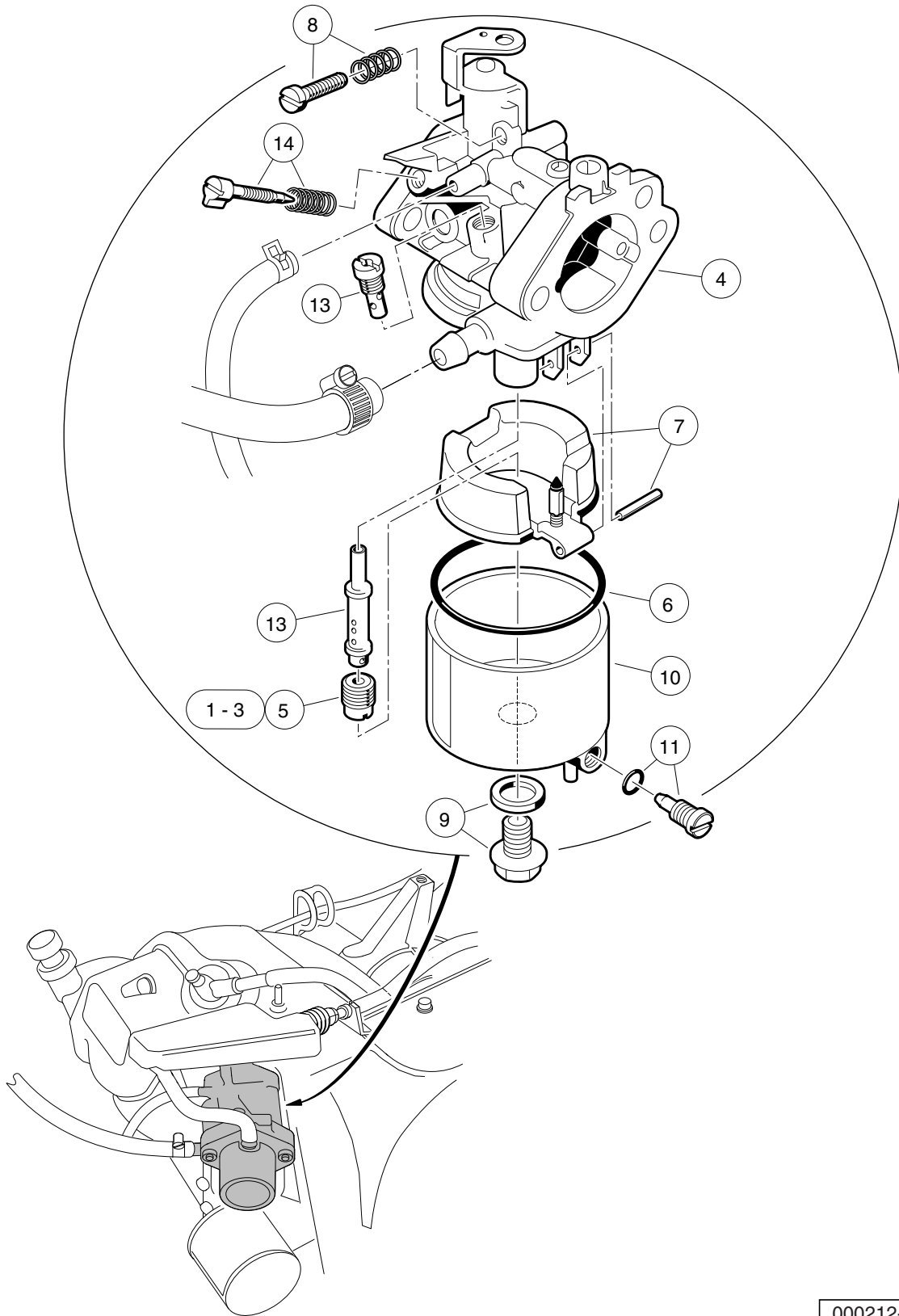


000082-007

FUEL TANK WITH FUEL LEVEL SENDING UNIT

ITEM	PART NO.	DESCRIPTION	QTY
		1 2 3 4	
1	1016004	Tank Kit w/Sending Unit (includes items 2 through 18)	1
2	1013746	Clamp, 0.301 ID Hose	2
3	101587703	Hose, Fuel, Vent, 22" Long	1
4	101824401	Vent Barb	2
5	103651901	Asm, Tank, Ds Utl W/su+ Nano (includes items 6 through 15)	1
6	1013461	Screw, #10-16 Hex-Head Hi-Lo	5
7	1013462	Sending Unit, Fuel Level *	1
8	1015139	Insulation Grommet	1
9	1015143	Vent, Fuel Tank	1
10	1015921	Wire Assembly #16 Black	1
11	102406701	Bushing, Line, Return	1
12	102522001	Gasket, Rubber	1
13	103372101	Cap, Fuel Tank, Gas, Ratchet	1
14	103372302	Fuel Pickup w/Shut-Off Valve, 288mm	1
15	103776901	Tank, Fuel, Top, W/su Nano	1
16	1241	Washer, 5/16 Type A Flat	1
17	7173	Screw, 5/16-18 X 0.75, Hex-Head Cap	1
18	7473	Locknut, 5/16-18 Nylon Insert	1
		* Note: Must replace fuel sending unit gasket when servicing this component.	

8
G



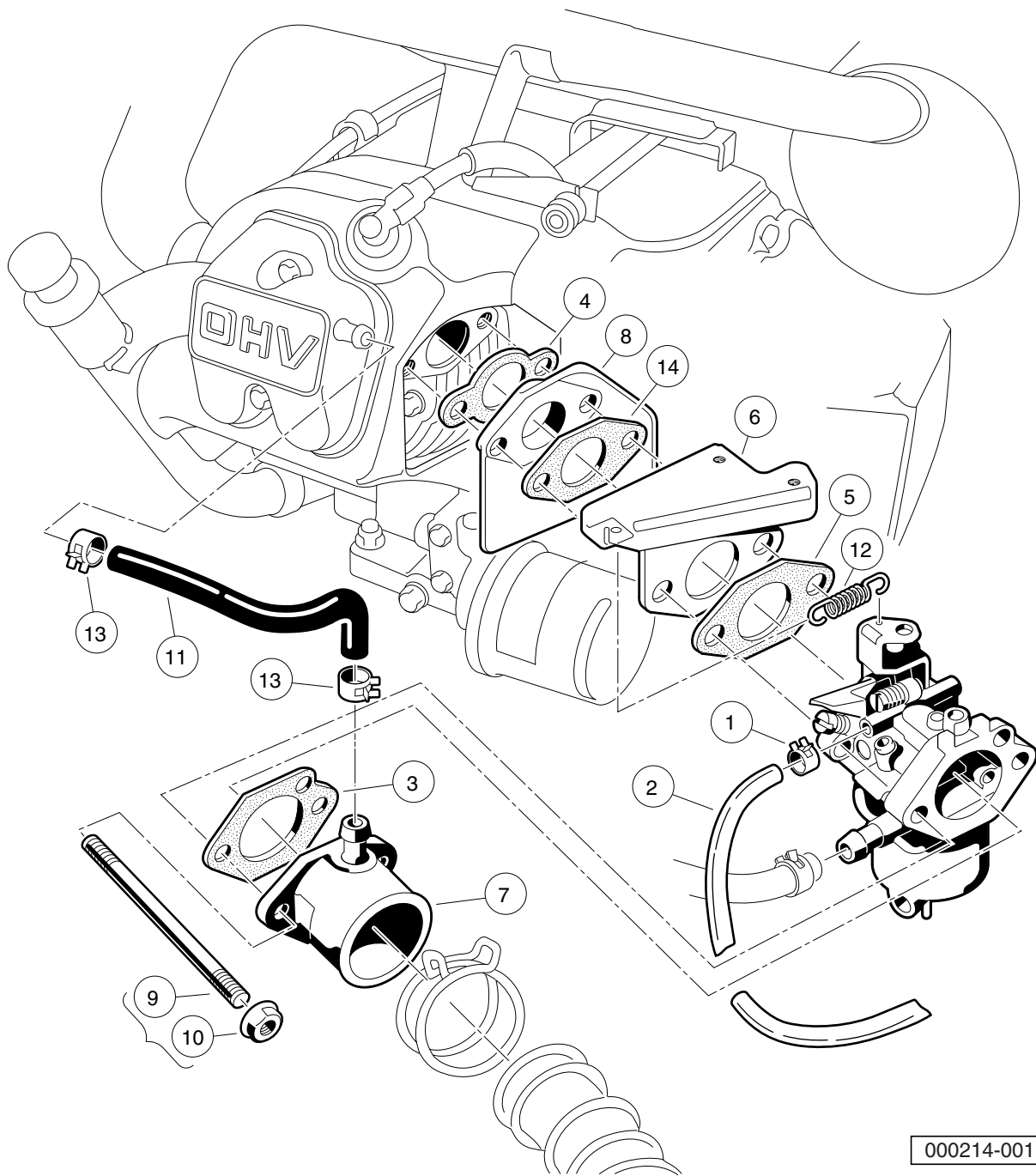
000212-004

CARBURETOR ASSEMBLY – FE350 (AS26)

ITEM	PART NO.	DESCRIPTION	QTY
		1 2 3 4	
1	101642578	Jet, Altitude, # 78	1
2	101642580	Jet, Altitude, # 80	1
3	101642582	Jet, Altitude, # 82	1
4	103524501	Carburetor, Fe350d Hs (includes items 5 through 14)	1
5	101642585	Jet, Altitude, # 85	1
6	1016437	Gasket, Carburetor Bowl OHV	1
7	1016486	Float Assembly	1
8	1016501	Screw Assembly	1
9	1016585	Bolt	1
10	1017461	Chamber Assembly, Float (includes item 11)	1
11	1016499	Screw Assembly	1
12	101973101	Jet, #40 Pilot	1
13	101973301	Nozzle, Main	1
14	N/A	Assembly, Pilot Air Screw	1
Note: Jets:101642585 for 0 - 3,000 feet; 101642582 for 3,000 - 5,000 feet; 101642580 for 5,000 - 8,000 feet; 101642578 for 8,000 - 10,000 feet.			

8

G



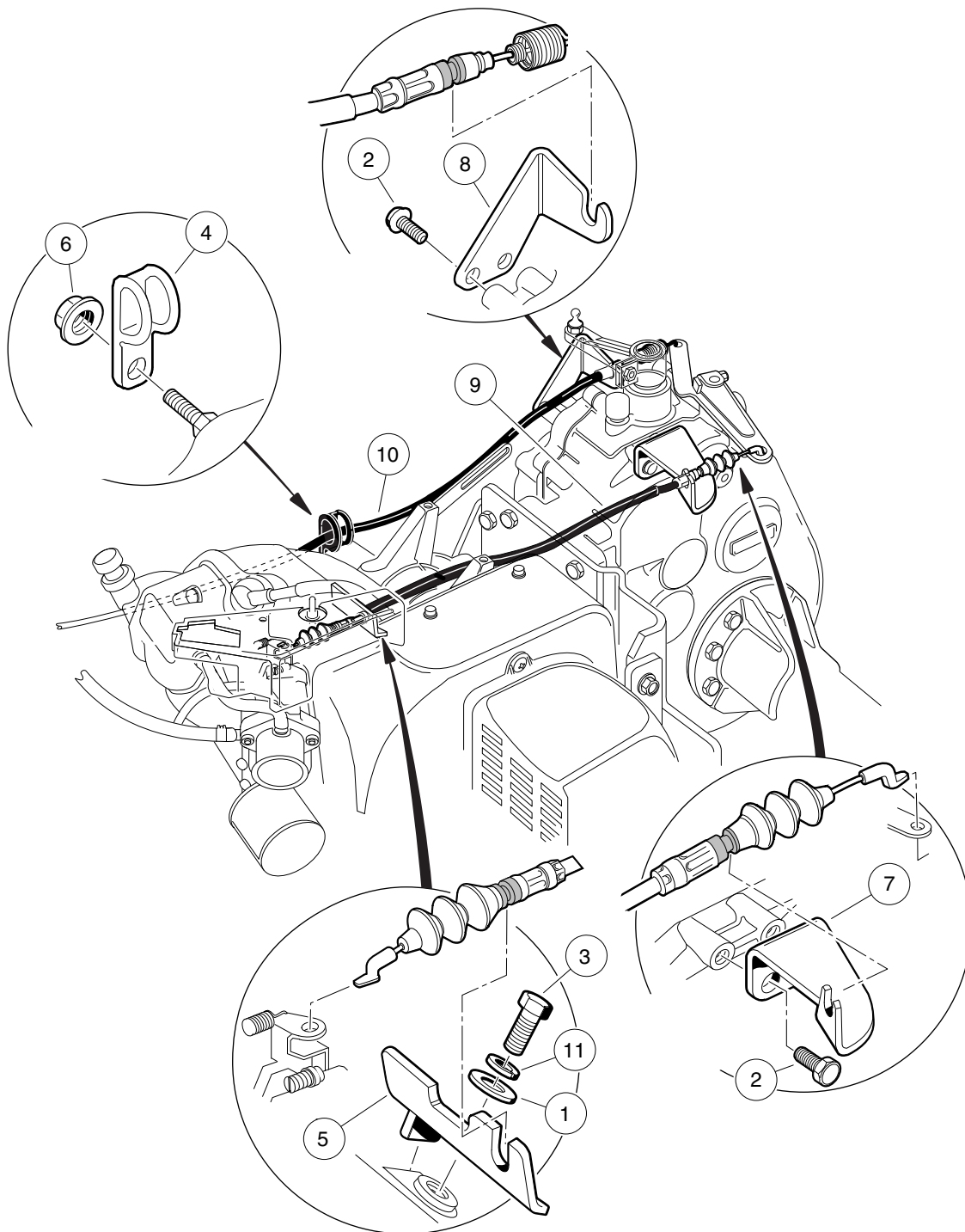
000214-001

CARBURETOR INSTALLATION – FE350

ITEM	PART NO.	DESCRIPTION	QTY
		1 2 3 4	
1	1013746	Clamp, 0.301 ID Hose	1
2	1015137	Fuel Line, 3/16 (available by the foot)	1
3	1016438	Gasket, Carb To Intake Manifold	1
4	1016440	Gasket, Engine to Insulator	1
5	1016441	Gasket, Sprg Brkt To Carb OHV	1
6	1016444	Bracket, Throttle Spring Return	1
7	1016480	Pipe, Intake Manifold	1
8	101648102	Insulator, Carburetor	1
9	101649002	Stud, M6-1.00 Two-Ended	2
10	1016547	Nut, M6 Flange	2
11	1016572	Tube, Crankcase Vent	1
12	1016582	Spring, Throttle Return	1
13	1017466	Clamp	2
14	101973401	Gasket, Insulator To Bracket	1

8

G



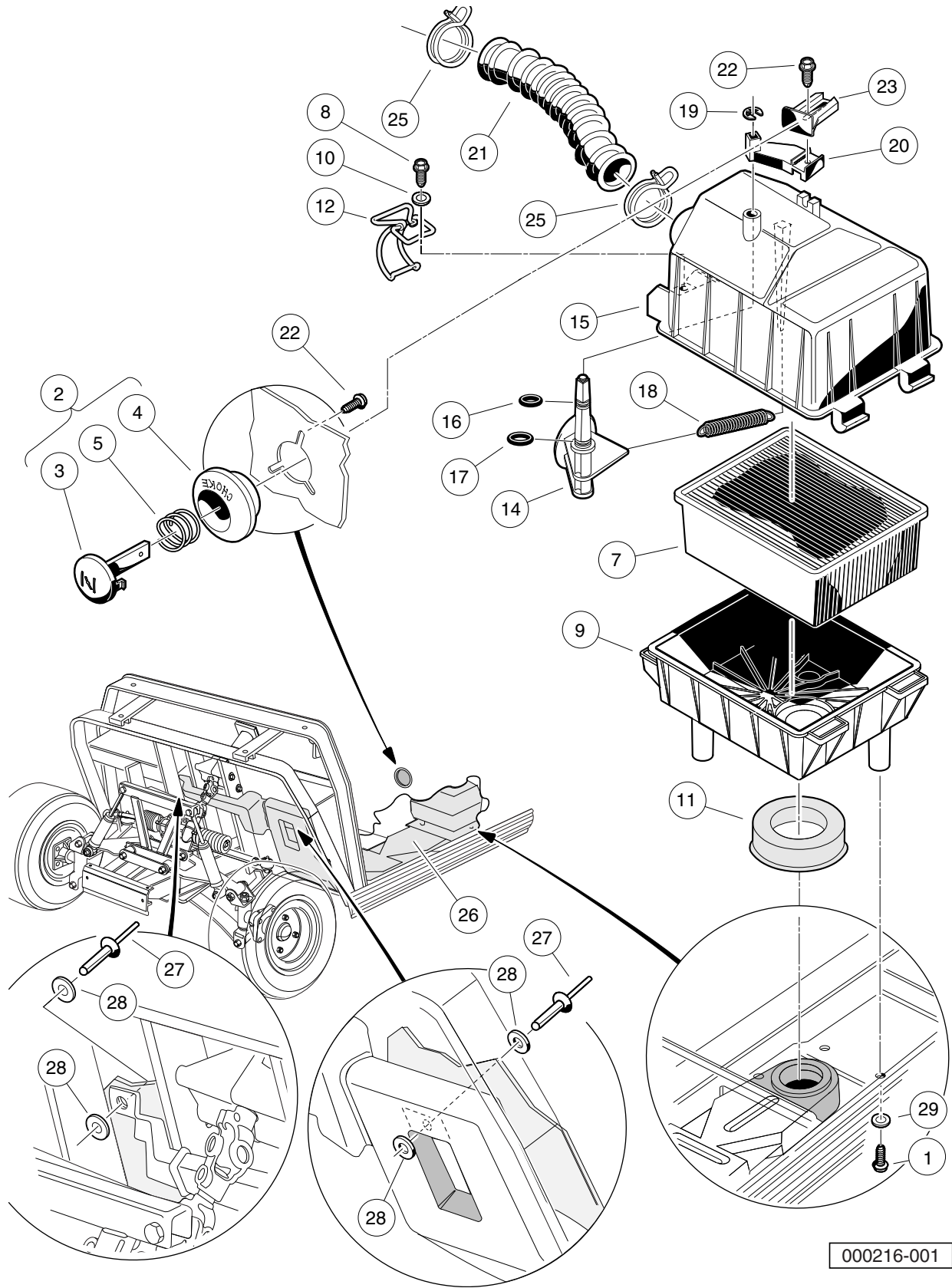
000215-001

GOVERNOR AND ACCELERATOR CABLES

ITEM	PART NO.	DESCRIPTION	QTY
		1 2 3 4	
1	1011697	Washer, 5/16 Flat	1
2	1012285	Screw, 1/4 X 0.625 Hex-Head	4
3	1012830	Screw, M8-125 X 22 Hex-Head	1
4	1013700	Clamp	2
5	101584502	Bracket, Governor Cable Snap-In	1
6	1016546	Nut	2
7	101832202	Bracket, Rear Governor Cable Snap-In	1
8	101832302	Bracket, Rear Accelerator Cable Snap-In	1
9	102336001	Cable, Governor, Snap-In	1
10	102336101	Cable, Accelerator, Snap-In	1
11	7174	Lockwasher, 5/16 Split	1

8

G



INTAKE DUCT, CHOKE, AND AIR BOX ASSEMBLY

ITEM	PART NO.	DESCRIPTION	QTY
		1 2 3 4	
1	1015752	Screw, #12-16 X 0.625, Hi-Lo	3
2	101805701	Button Assembly, Choke (includes items 3 through 5)	1
3	101811401	Lever, Choke	1
4	101811501	Guide, Choke Lever	1
5	101856201	Compression Spring	1
6	101821501	Assembly, Air Box (includes items 7 through 13)	1
7	1015426	Filter, Air	1
8	101804301	Screw, #8 X 0.500, Hex-Head Hi-Lo	2
9	101811901	Bottom, Air Box	1
10	101881701	Washer, #8 Stainless-Steel Flat	2
11	101921501	Seal, Intake	1
12	101925701	Latch, Wireform	2
13	101972801	Top Assy, Air Box (includes items 14 through 20)	1
14	N/A	Valve, Choke	1
15	N/A	Top, Air Box	1
16	N/A	O-Ring, 5/16	1
17	N/A	O-Ring, 3/8	1
18	101812301	Spring, Extension Return	1
19	101813001	Retaining Ring 0.25, Shaft	1
20	101917601	Lever, Choke	1
21	101837101	Hose, Air Intake	1
22	101850301	Screw, #12-16 X 0.50 Washer-Head Hi-Lo	4
23	101917701	Choke Positioner	1
24	N/A	Tape Kit, Air Duct Repair	1
25	101971301	Clamp, 1.58" ID Hose	2
26	103520301	Duct, Air Intake, Ds	1
27	1606	Rivet, 3/16 X .500 Alum Pop	2
28	183	Washer, #10, Type A, Flat	4
29	332	Washer, 1/4 Type A Narrow Flat	3
		Note: Item 25 is not illustrated.	

8
G

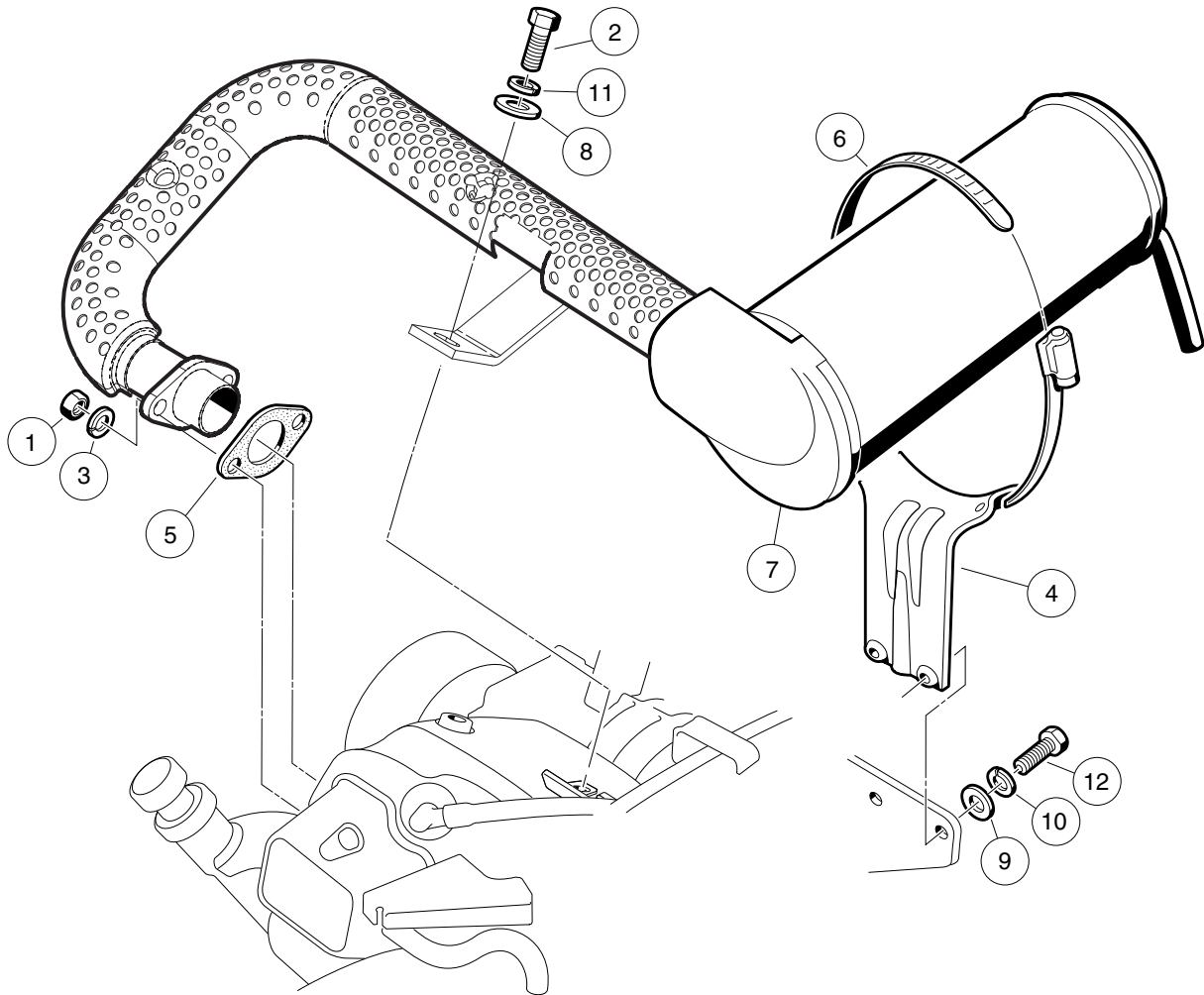
8

G

EXHAUST SYSTEM

9

G



000491-001

EXHAUST SYSTEM – FE350

ITEM	PART NO.	DESCRIPTION	QTY
		1 2 3 4	
1	1012528	Nut, M8-1.25 Hex	2
2	1012830	Screw, M8-125 X 22 Hex-Head	1
3	1013734	Lockwasher, 8mm Split	2
4	1015814	Bracket, Muffler Mounting	1
5	1016904	Gasket, Exhaust	1
6	1017689	Clamp, 5" Muffler Hose	1
7	102585901	Exhaust System, FE350, Precedent	1
8	1241	Washer, 5/16 Type A Flat	1
9	332	Washer, 1/4 Type A Narrow Flat	2
10	451	Lockwasher, 1/4 Split	2
11	7174	Lockwasher, 5/16 Split	1
12	7847	Screw, 1/4-20 X 0.75 Hex-Head Cap	2

9

G

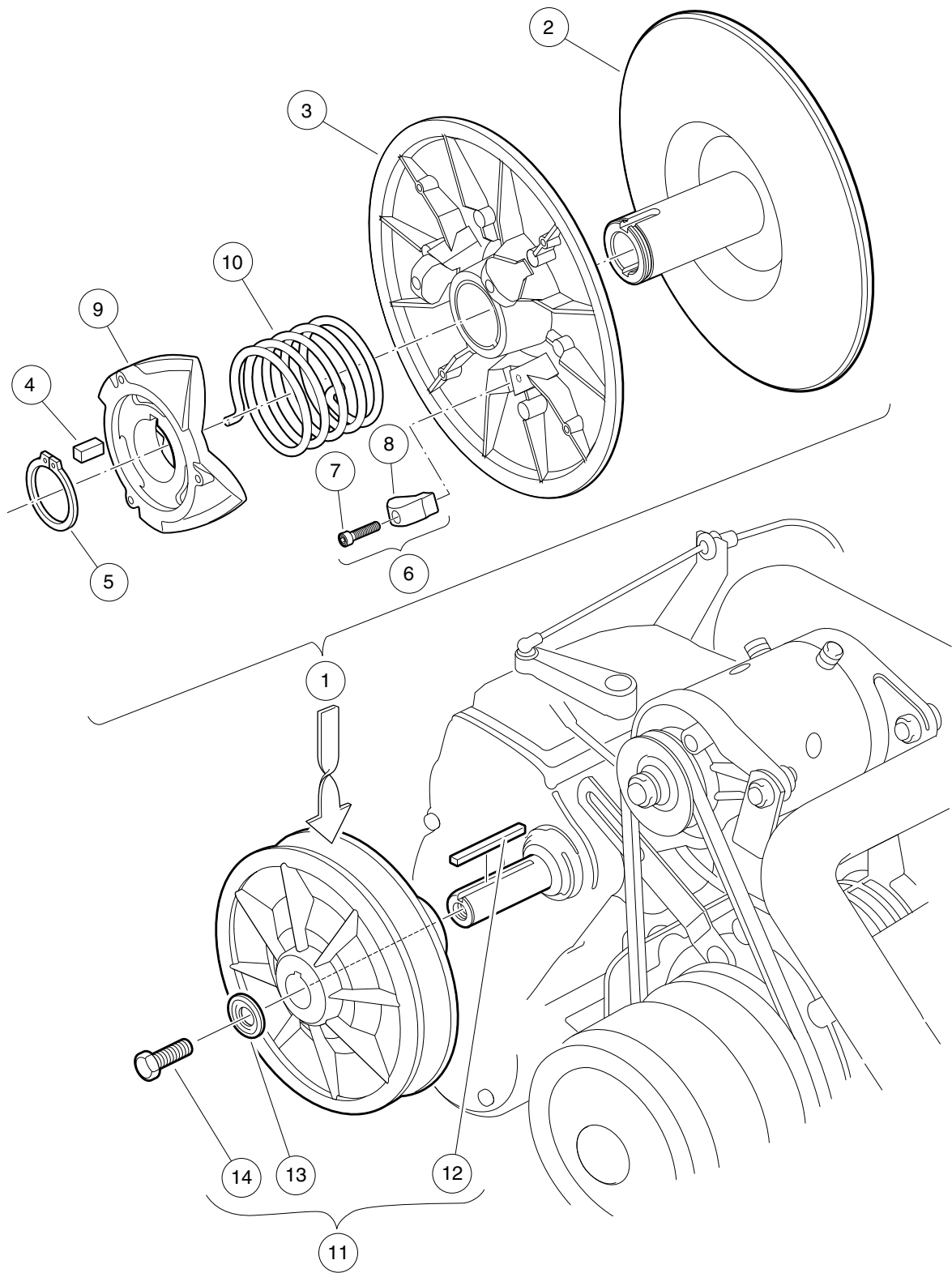
9

G

TORQUE CONVERTER

10

G

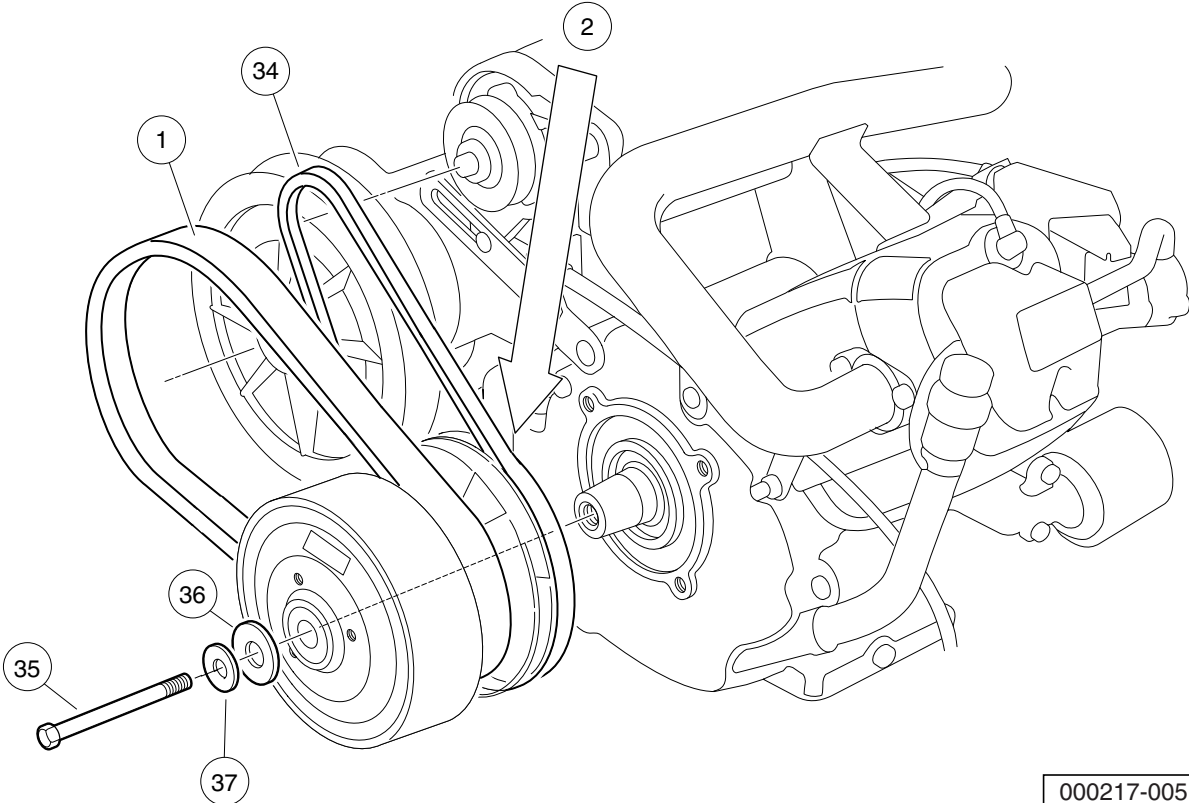
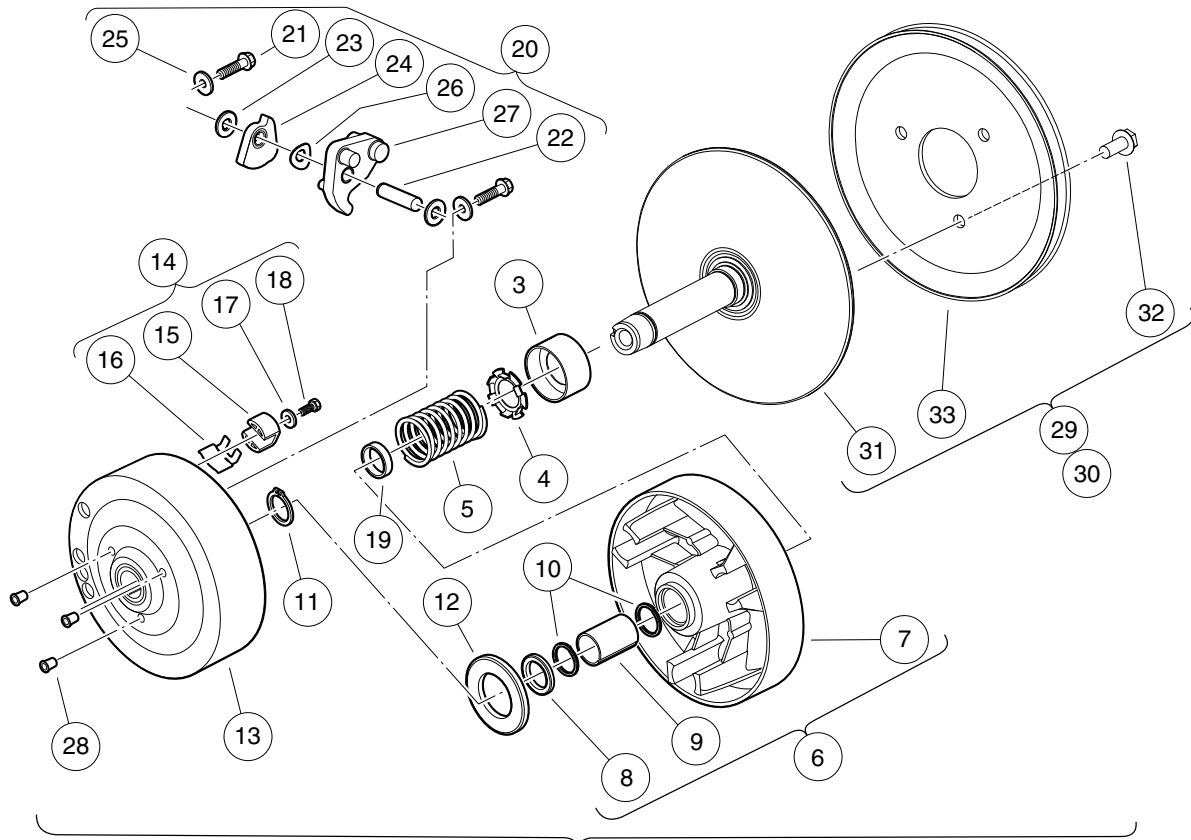


000219-001

DRIVEN CLUTCH

ITEM	PART NO.	DESCRIPTION	QTY
		1 2 3 4	
1	101834001	Assembly, Driven Clutch (includes items 2 through 10)	1
2	1014070	Fixed Face Assy, Driven Clutch	1
3	1014072	Movable-Face Assembly with Bushing	1
4	1014078	Key, Driven Clutch	1
5	1014080	Ring, Retaining	1
6	1014454	Kit, Driven Clutch Button (includes items 7 and 8)	1
7	1012836	Screw, #8-32 X 3/4, Socket-Head Cap	3
8	N/A	Button, Drive	3
9	1017686	Cam, Driven Clutch	1
10	101836201	Spring, Driven Clutch, Reversed	1
11	AM10419	Kit, Clutch Repair (includes items 12 through 14)	1
12	101833401	Key, 3/16 Sq X 1.50"	1
13	102155801	Washer, Driven Clutch	1
14	102242101	Screw, 5/16-18 X 3/4 Hex-Head with Patch	1

10
G



000217-005

DRIVE CLUTCH

10
G

ITEM	PART NO.	DESCRIPTION	QTY
		1 2 3 4	
1	1017188	Belt, Drive (FE350)	1
2	101833902	Clutch, Drive (includes items 3 through 29)	1
3	1014049	Bearing, Idler	1
4	1014050	Retainer, Spring	1
5	1014051	Spring, Drive Clutch	1
6	1014052	Movable-Face Assembly (includes items 7 through 9)	1
7	N/A	Drive Clutch Movable Face	1
8	1014055	Retainer	1
9	N/A	Bushing, Split, Drive Clutch	1
10	1014056	Ring, Spiral Backup	2
11	1014057	Ring, 0.810" Internal Retaining	1
12	1014058	Thrust Washer	1
13	1014059	Drive Hub Assy, Drive Clutch	1
14	1014453	Kit, Drive Clutch Button (includes items 15 through 18)	1
15	1014062	Driver, Drive Clutch	3
16	1014287	Spring, Drive Button	3
17	183	Washer, #10, Type A, Flat	3
18	8450	Screw, #10-24 X 0.50, Hex-Head	3
19	1016289	Spacer, Fixed Face Shaft	1
20	1016801	Kit, Drive Clutch Weight (includes items 21 through 27)	1
21	1014063	Screw, 1/4-20 X 1.00, Hex Head	6
22	N/A	Pin, Dowel, 0.3752 x 1.50	3
23	1014065	Washer, Flat, 0.38" ID, Delrin	6
24	N/A	Clutch Weight, Secondary	3
25	N/A	Washer	6
26	1016201	Washer, Wave	3
27	N/A	Weight, Primary	3
28	101925601	Plug, Drive Clutch	3
29	101929802	Kit, Fxd Face Dr Asm Fe290/350 (includes item 30)	1
30	N/A	Assembly, Fixed-Face Drive (includes items 31 through 33)	1
31	N/A	Fixed Face Assembly, Drive Clutch	1
32	1014288	Screw, 5/16-18 X 0.75, Thread-Forming	3
33	N/A	Pulley, Clutch	1
34	101916701	V-Belt	1
35	103345701	Screw 3/8-24x5.5 Hex Loc Ptch	1
36	334	Washer, 3/8, Type A, Flat	1
37	808	Washer, 3/8 Type B Flat	1

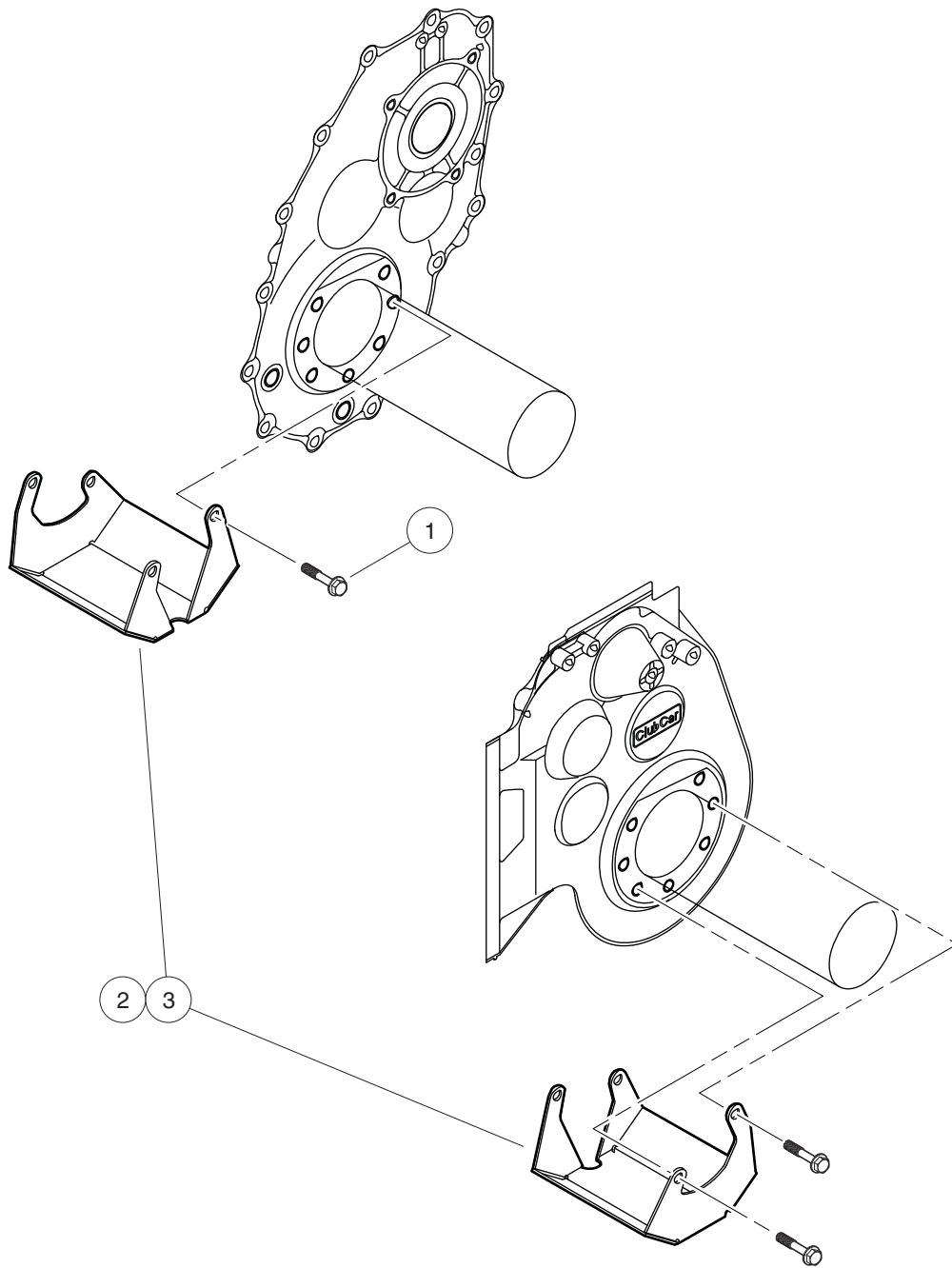
10

G

TRANSAXLE AND FNR SHIFTER- GASOLINE VEHICLE

11

G



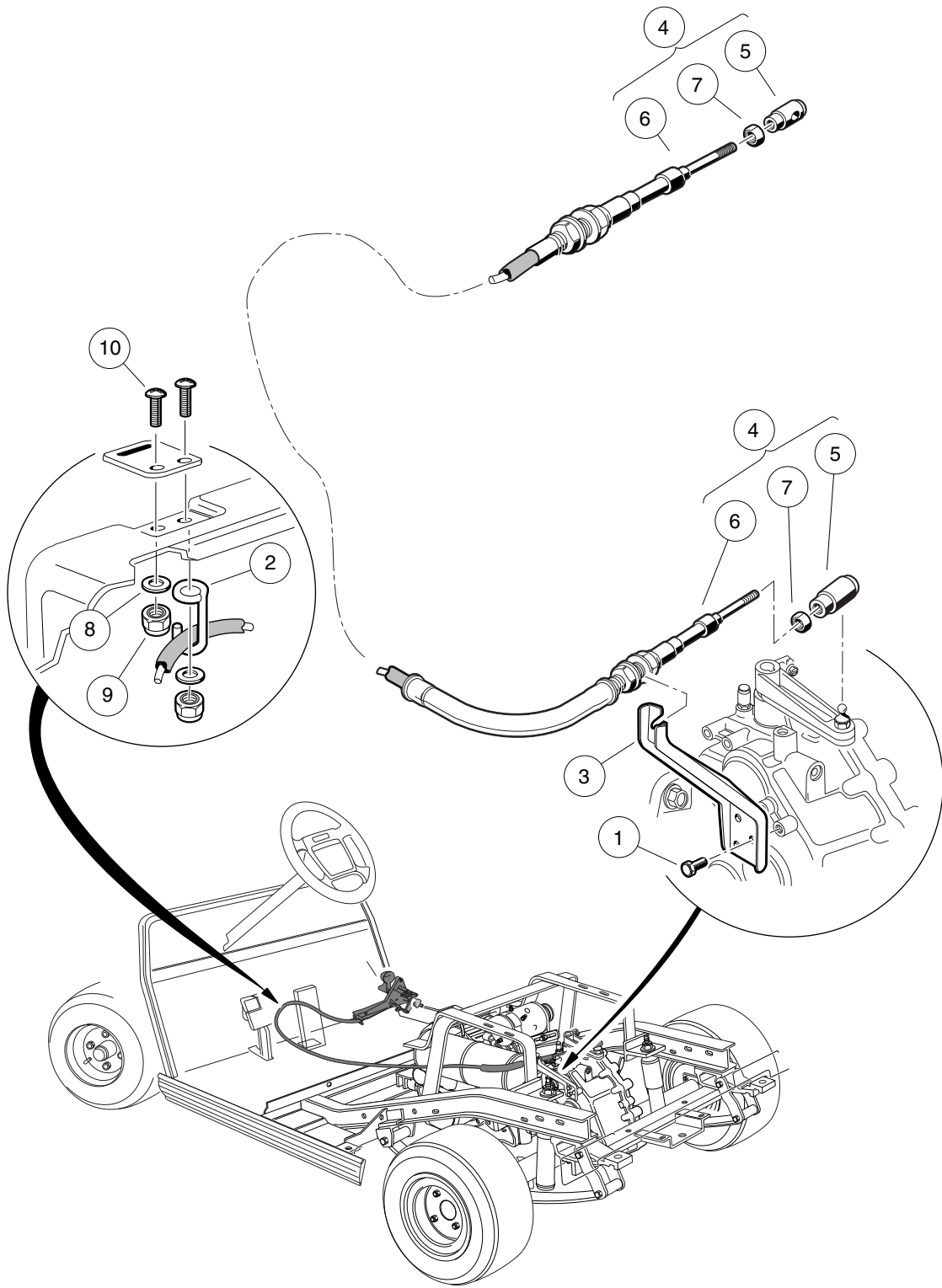
000366-001

DIFFERENTIAL GUARD

ITEM	PART NO.	DESCRIPTION	QTY
		1 2 3 4	
1	101926901	Screw, M8-1.25 X 40mm Hex-Head	4
2	101932902	Diff Guard Unitized Kit (Includes Instructions) (includes item 3)	1
3	N/A	Guard, Unitized Differential	1

11

G



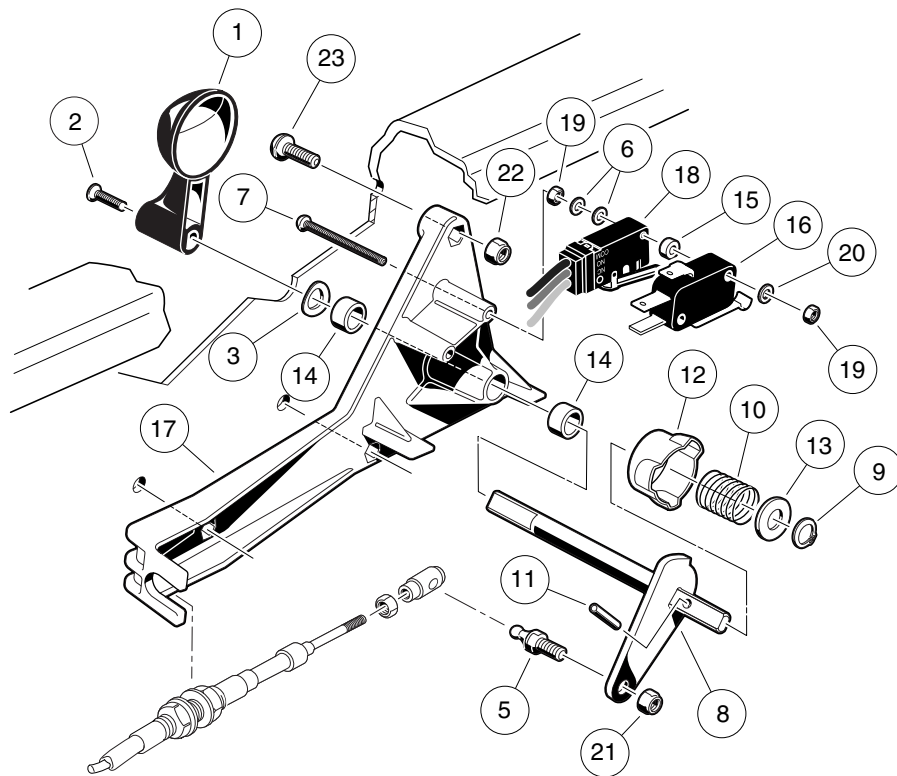
000248-001

FORWARD/REVERSE SHIFTER CABLE – GASOLINE VEHICLES

ITEM	PART NO.	DESCRIPTION	QTY
		1 2 3 4	
1	1012285	Screw, 1/4 X 0.625 Hex-Head	3
2	101855801	Cable Retainer	1
3	101922601	Bracket, Shifter	1
4	101951501	FNR Shifter Cable (includes items 5 through 7)	1
5	1012333	Joint, #10-32 Ball	2
6	103379501	Cable, Transmission Shifter Ds	1
7	7893	Nut, #10-32 Hex	2
8	332	Washer, 1/4 Type A Narrow Flat	4
9	8233	Locknut, 1/4-20, Nylon Insert	4
10	8251	Screw, 1/4-20 X 1.0 Truss-Head Machine	4

11

G

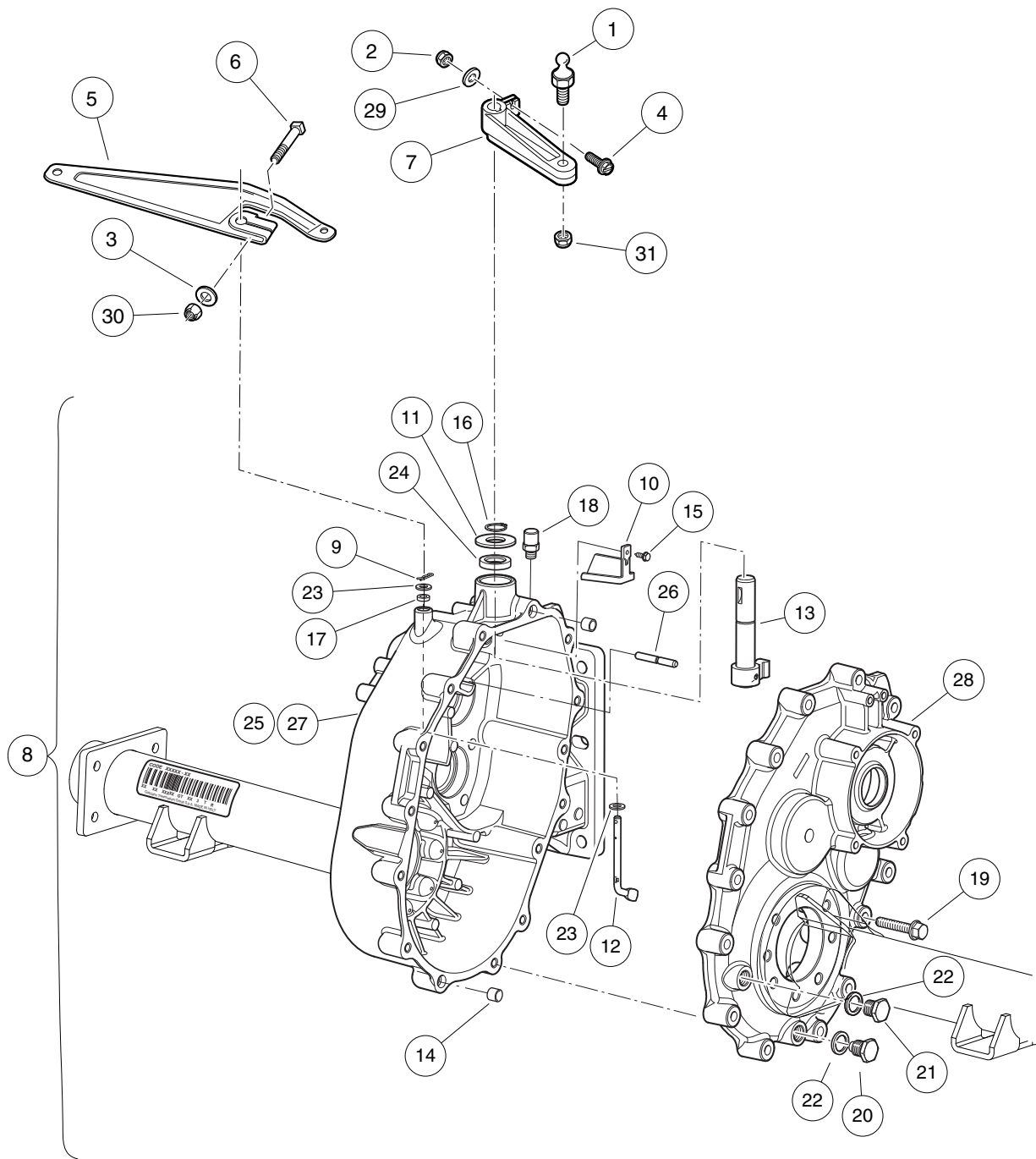


000236-001

FORWARD/REVERSE SHIFTER ASSEMBLY – GASOLINE VEHICLES

ITEM	PART NO.	DESCRIPTION	QTY
		1 2 3 4	
1	1012987	Handle, FNR	1
2	1015064	Screw, #8-32 X 0.63 Machine	1
3	1016201	Washer, Wave	1
4	1016947	Assembly, FNR Shifter (includes items 5 through 22)	1
5	1010954	Stud, Ball, 1/4-28 X 0.560	1
6	1012431	Washer, #4 Flat	4
7	1012594	Screw, #4-40 Machine	2
8	1013587	FNR Bell Crank Weldment	1
9	1013589	Ring, Retaining, 0.338" Internal	1
10	1013590	Spring, FNR Cam	1
11	1013591	Pin, Roll, 1/8 X 1/2	1
12	1014089	Neutral Lockout Cam Kit (includes items 13 and 14)	1
13	N/A	Cam, Neutral Lockout	1
14	1014065	Washer, Flat, 0.38" ID, Delrin	1
15	1014145	Bushing, Secondary Weight, Split	2
16	1014727	Washer, Flat, #4, Nylon	2
17	1014807	Switch, Limit	1
18	1016342	FNR Shifter Base	1
19	101979101	Switch, Limit, Assembly, Sealed	1
20	8057	Nut, #4-40 Hex Machine	4
21	8058	Lockwasher, #4 Split	2
22	8717	Locknut, Nylon Insert, 1/4-28	1
23	8233	Locknut, 1/4-20, Nylon Insert	4
24	8248	Screw, 1/4-20 X 0.75, Truss-Head Machine	4

11
G



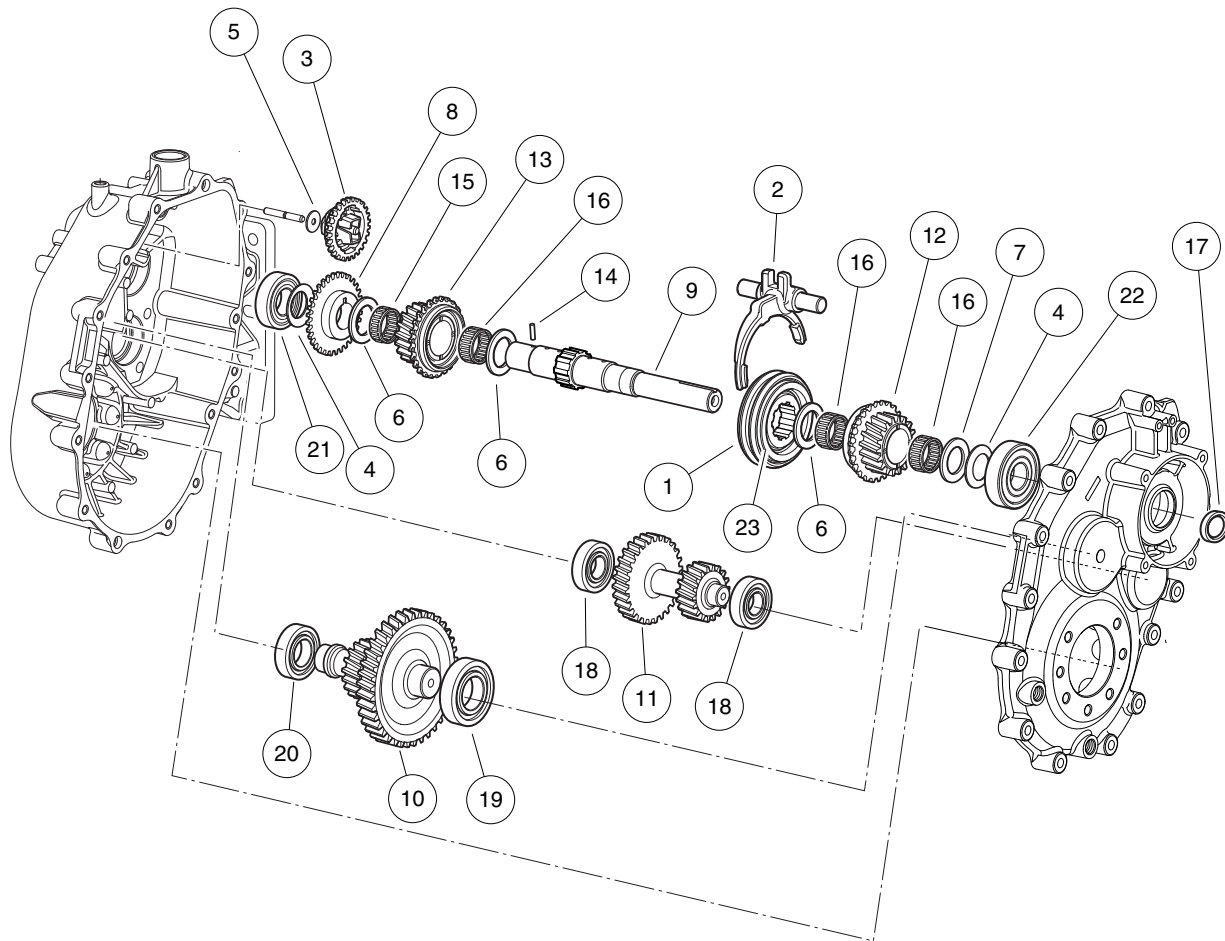
000680-010

GRAZIANO TRANSAXLE – GEAR CASES AND LEVERS

ITEM	PART NO.	DESCRIPTION	QTY
		1 2 3 4	
1	1010954	Stud, Ball, 1/4-28 X 0.560	1
2	1013061	Locknut, #10-32 Nylon Insert	1
3	1014007	Washer, 1/4, Flat	1
4	1017082	Screw, #10-32 X 0.75, Hex-Head Machine	1
5	101834801	Arm, Governor	1
6	101886101	Screw, 1/4-20 X 1.00, Square-Head	1
7	102515401	Lever, Transmission Shift	1
8	103874201	Transaxle, Gas, 11.77:1, Gtg (includes items 9 through 28)	1
9	102897401	Pin, Split	1
10	102897601	Conveyor, Oil	1
11	102897801	Washer, Thrust	1
12	102897901	Lever, Speed Governor	1
13	102898201	Unit, Drive Selector	1
14	102899101	Dowel	2
15	102899201	Screw	1
16	102899401	Ring, Snap	1
17	102899701	Grommet	1
18	102899801	Breather	1
19	102900001	Screw	15
20	102900101	Drain Plug, Magnetic	1
21	102900201	Fill Plug	1
22	102900301	Seal	2
23	102900601	Washer	2
24	102900901	Grommet	1
25	103882101	Case, Transaxle, W/gov Pin (includes items 26 and 27)	1
26	N/A	Pin, Speed Governor	1
27	N/A	Cover, Gear Box (Driver-Side)	1
28	103882301	Cover, Gear Box (Passenger-Side)	1
29	183	Washer, #10, Type A, Flat	1
30	8233	Locknut, 1/4-20, Nylon Insert	1
31	8717	Locknut, Nylon Insert, 1/4-28	1
<p>Note: Graziano transaxle component listings span three pages. To identify your transaxle, locate the serial number decal on the axle tube. 103874201 is used on vehicles with serial numbers 1235-307250 and greater and is backwards compatible. However, some service parts are not compatible with other transaxles.</p>			

11

G



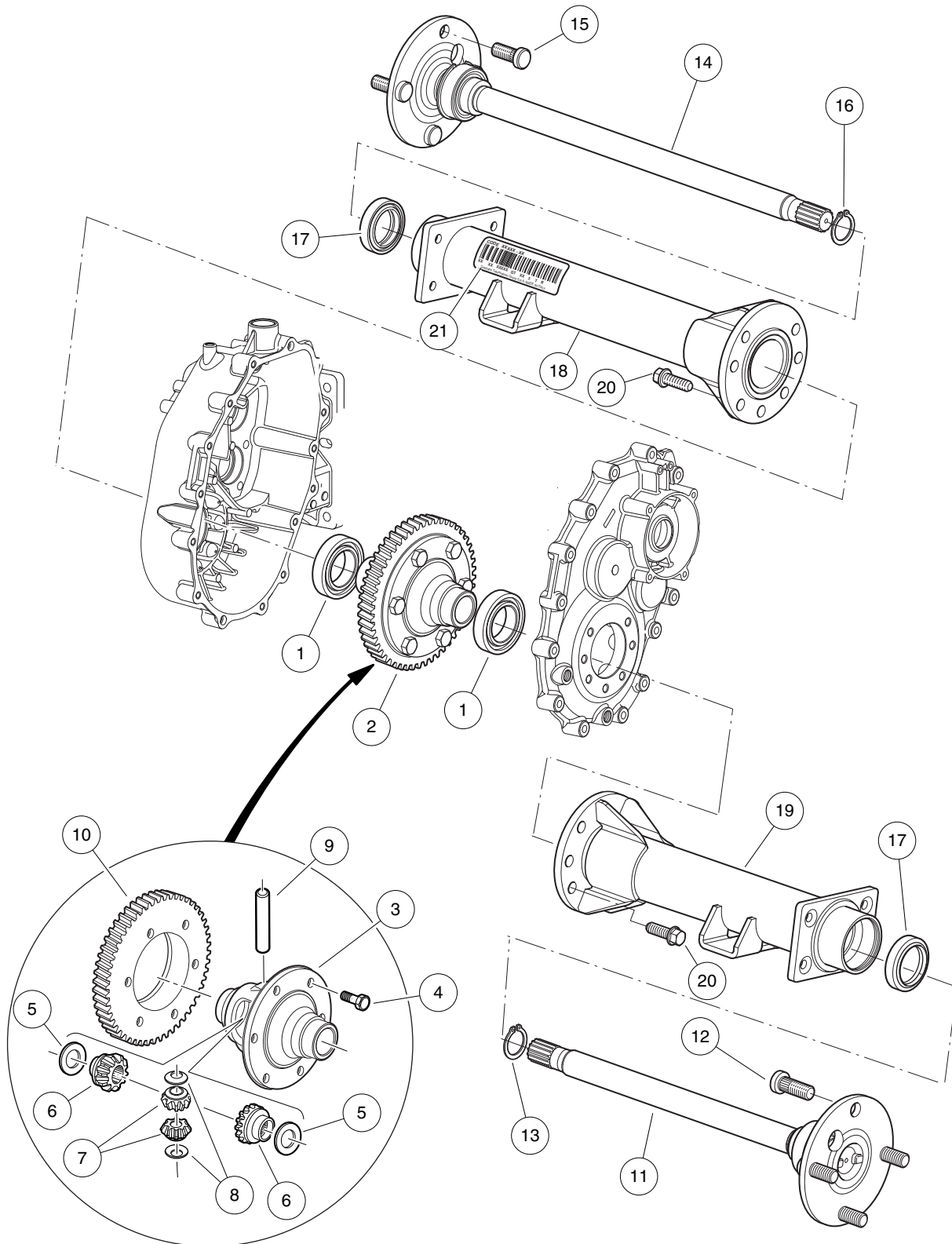
000680-008

GRAZIANO TRANSAXLE – F&R TRANSMISSION AND GEAR REDUCTION

11

G

ITEM	PART NO.	DESCRIPTION	QTY
		1 2 3 4	
1	102897201	Synchronizer, Complete	1
2	102897301	Fork, Complete	1
3	102897701	Assembly, Speed Governor	1
4	102898001	Washer, Belleville	2
5	102898101	Bearing, Thrust	1
6	102898301	Bearing, Thrust	3
7	102898401	Washer, Thrust	1
8	102898501	Gear, Speed Governor	1
9	102898601	Shaft, Main	1
10	102898701	Shaft, Secondary	1
11	102898801	Shaft, Reverse Gear	1
12	102898901	Gear, Complete, 25t	1
13	102899001	Gear, Complete, 28t	1
14	102899301	Pin	1
15	102899501	Cage, Roller	1
16	102899601	Cage, Roller	3
17	102899901	Grommet	1
18	102900401	Bearing	2
19	102900501	Bearing, 62 Od X 30 Id X 16	1
20	102900701	Bearing	1
21	102901001	Bearing	1
22	102901101	Bearing	1
23	103882001	Washer, Wave, Trans Synchro	2
<p>Note: To identify your transaxle, locate the serial number decal on the axle tube.</p>			



000681-002

GRAZIANO TRANSAXLE -DIFFERENTIAL AND AXLES

ITEM	PART NO.	DESCRIPTION	QTY
		1 2 3 4	
1	102900801	Bearing, 68 Od X 40 Id X 15	2
2	102902001	Assembly, Differential (includes items 3 through 10)	1
3	102901201	Box, Differential	1
4	102901301	Screw, M10 X 25	6
5	102901401	Ring, Sleeve	2
6	102901501	Gear, Sun	2
7	102901601	Gear, Planetary	2
8	102901701	Ring, Sleeve	2
9	102901801	Pin	1
10	102901901	Gear	1
11	102902101	Shaft, Axle, Short, Complete (Passenger-Side) (includes items 12 and 13)	1
12	102902301	Bolt, Stud	4
13	102902401	Snap Ring	1
14	102902201	Shaft, Axle, Long, Complete (Driver-Side) (includes items 15 and 16)	1
15	102902301	Bolt, Stud	4
16	102902401	Snap Ring	1
17	102902501	Seal, Lip	2
18	102902601	Axle Tube, (Driver-Side)	1
19	102902701	Axle Tube, (Passenger-Side)	1
20	102902801	Screw, M10 X 30	14
21	N/A	Tag, Serial	1
		<p>Note: To identify your transaxle, locate the serial number decal on the axle tube.</p>	

11
G

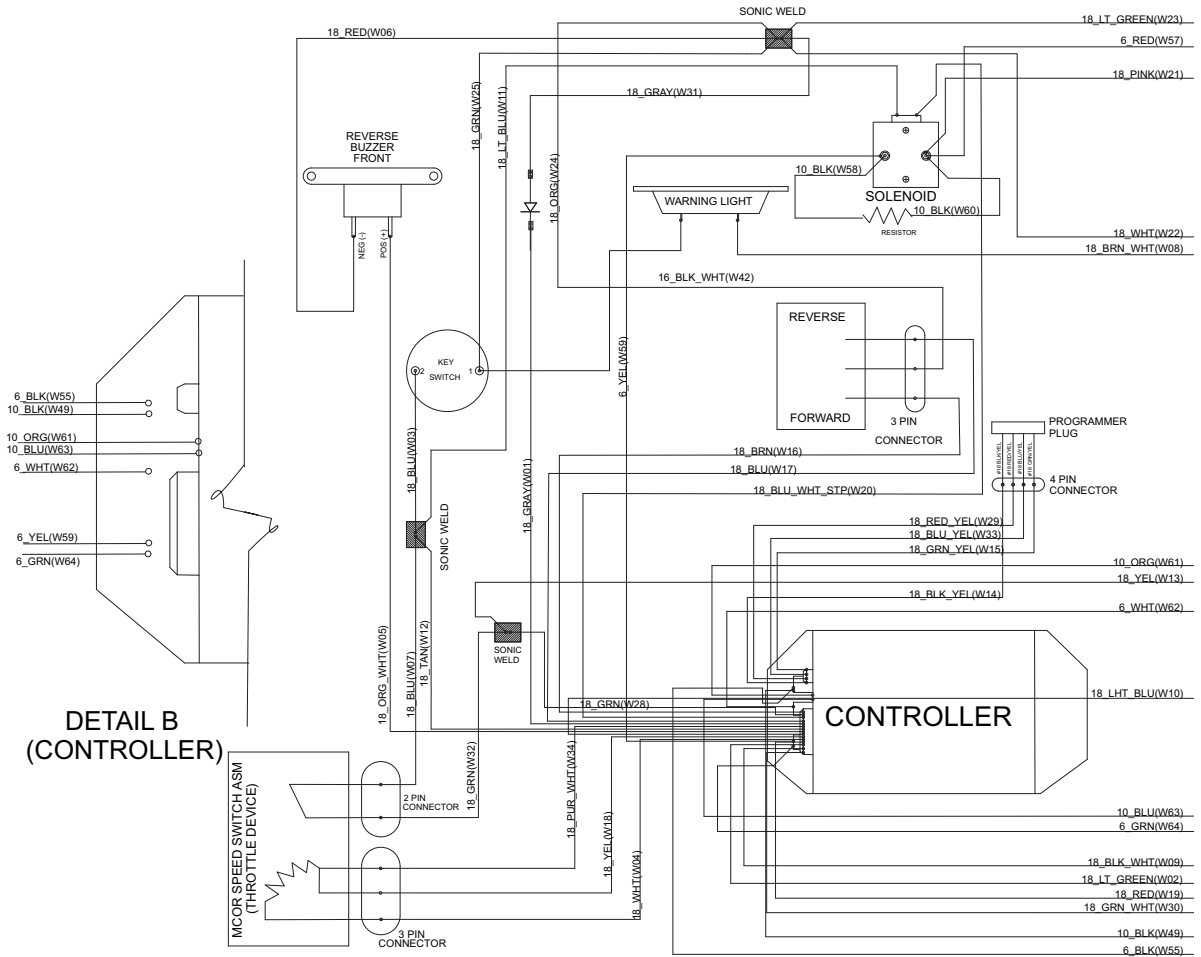
11

G

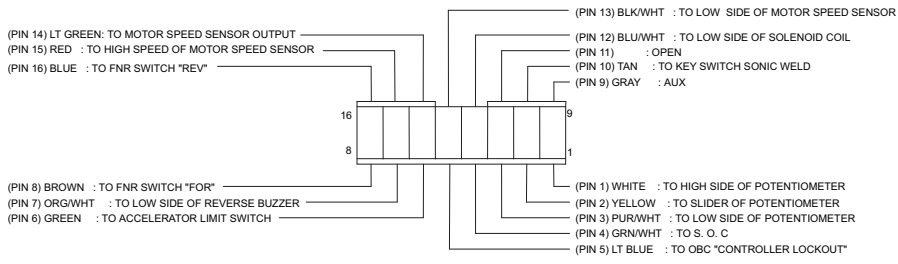
ELECTRICAL SYSTEM – ELECTRIC VEHICLES

12

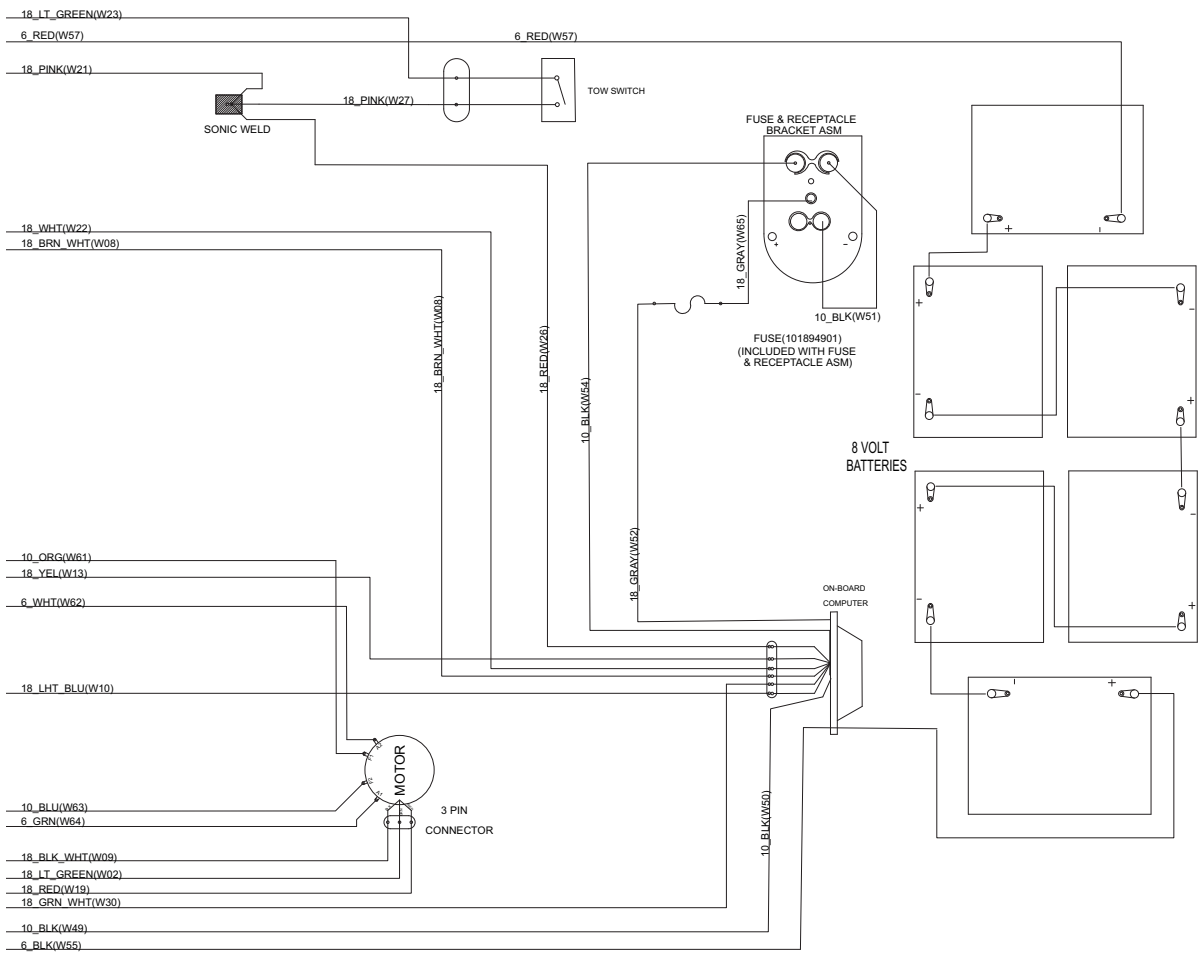
E



DETAIL B (CONTROLLER)



000412-003



000412-003

12

E

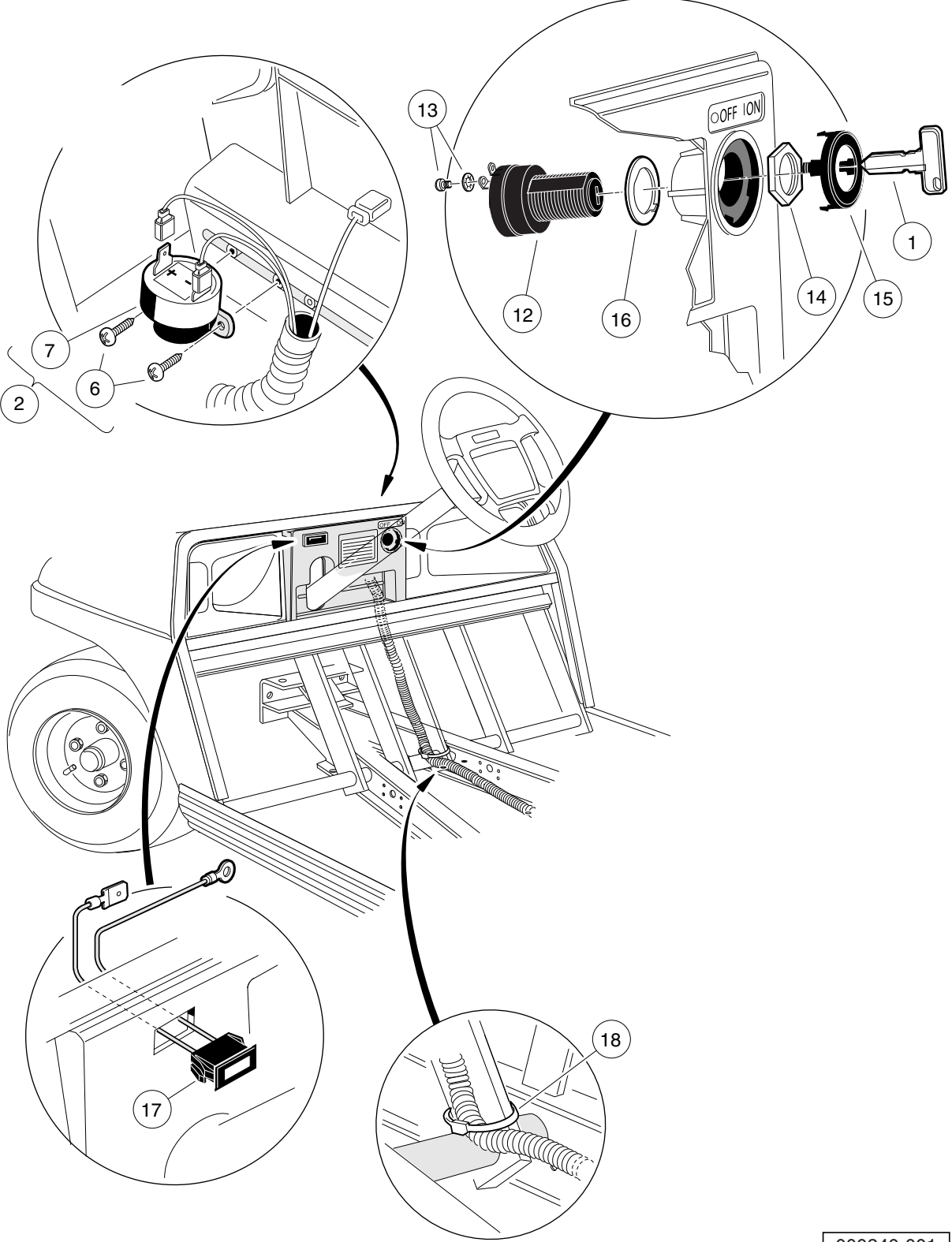
See previous two pages for illustration.

WIRING

ITEM	PART NO.	DESCRIPTION	QTY
1	103689601	1 2 3 4 Wire Harness Elec Ds 6x8v	1

12

E



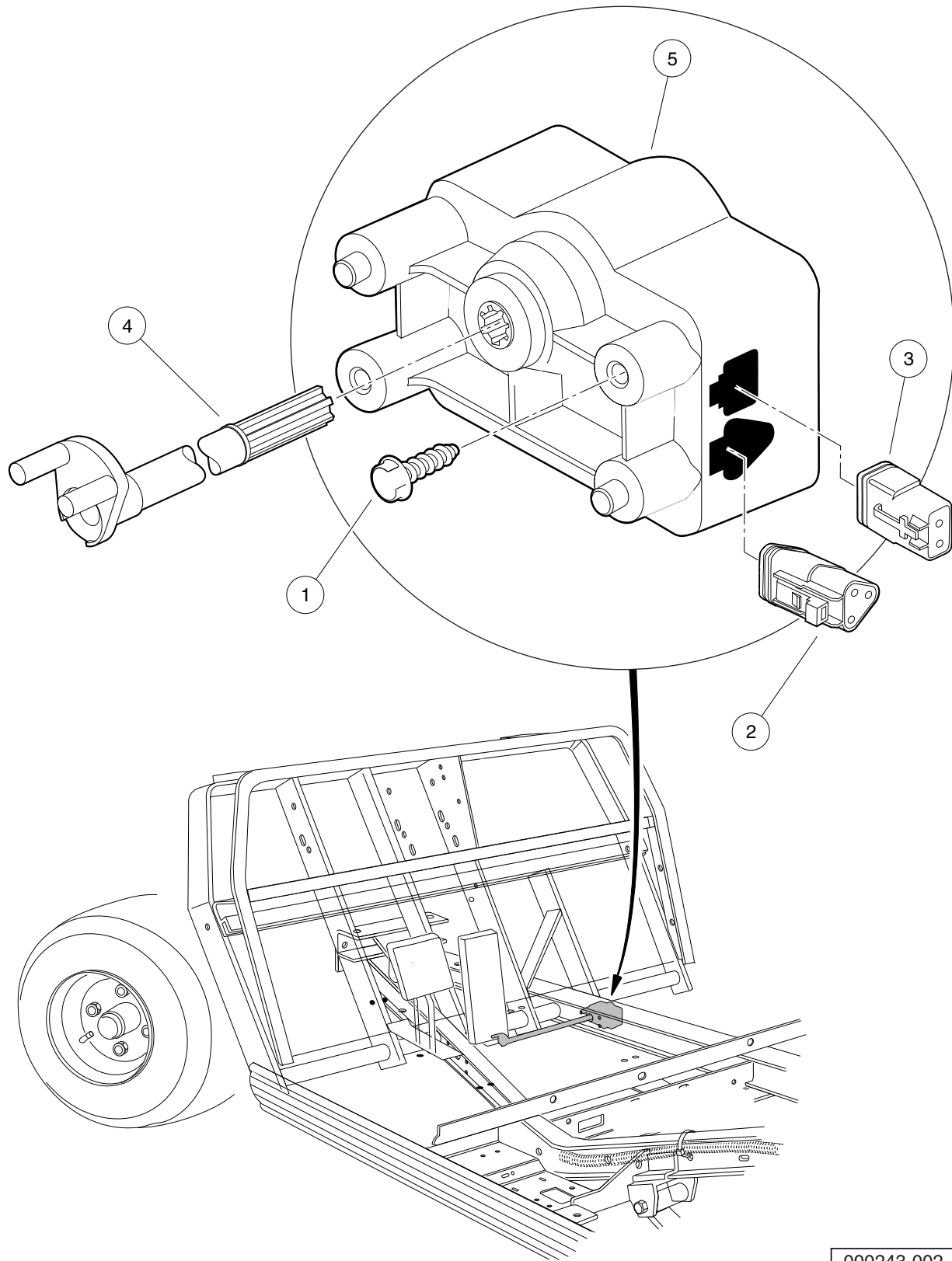
000340-001

INSTRUMENT PANEL COMPONENTS

ITEM	PART NO.	DESCRIPTION	QTY
		1 2 3 4	
1	1012505	Keys (set of 2)	1
2	1016859	Kit, Reverse Buzzer (includes items 3 through 11)	1
3	1011229	Locknut, #6-32 Whiz	1
4	1012431	Washer, #4 Flat	2
5	1015720	Screw, #6-32 X 1/2 Hex Washer-Head	1
6	1016849	Screw, #4-24 X 0.33, Pan-Head, Machine	2
7	1016851	Buzzer, Reverse (9-48 VDC)	1
8	1016857	Wire Assembly Black #18	1
9	8056	Screw, #4-40 X 0.75 Round-Head Machine	2
10	8057	Nut, #4-40 Hex Machine	2
11	8058	Lockwasher, #4 Split	2
12	101826201	Key Switch, On/Off	1
13	101830601	Screw and Washer Assembly	2
14	101830701	Nut, Key Switch	1
15	101834502	Cap, Black Key Switch	1
16	101851101	Washer, Key Switch	1
17	101935501	Light, Battery (Amber)	1
18	8990	Tie Wrap, 8" Nylon	2
Note: Item 2, Reverse Buzzer Kit, contains parts not used in this application.			

12

E



000243-002

MOTOR CONTROLLER OUTPUT REGULATOR (MCOR)

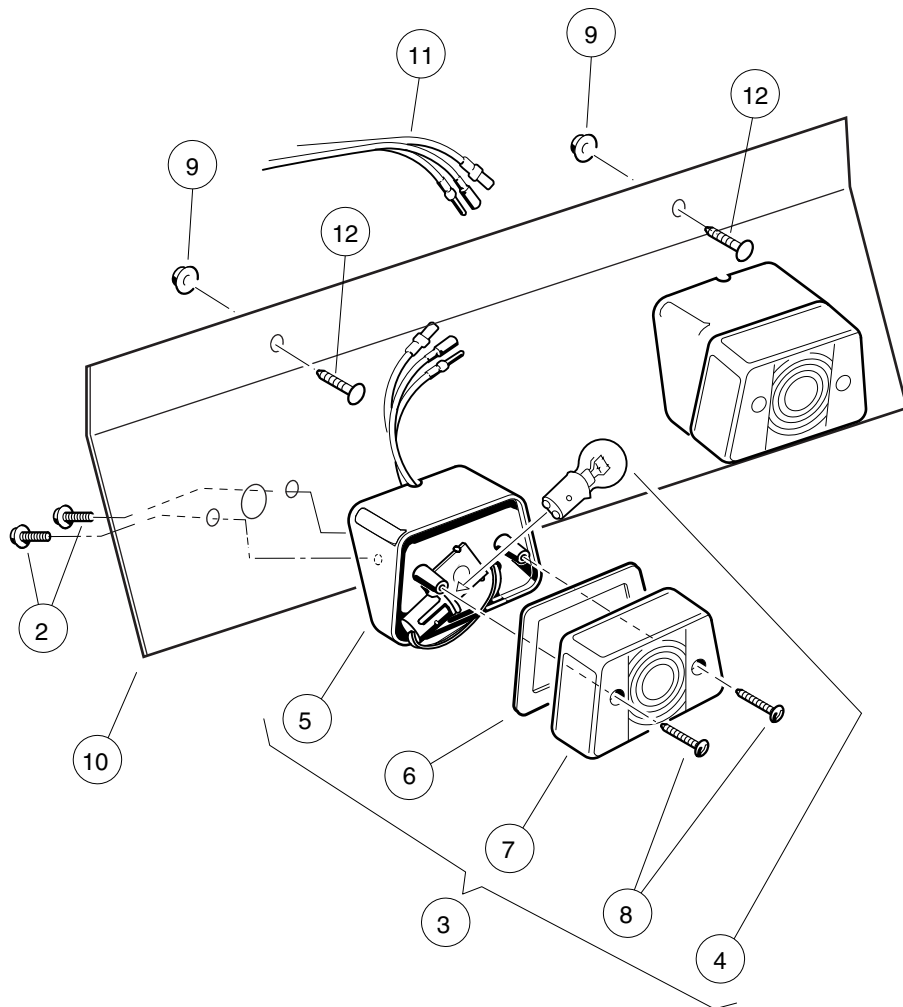
ITEM	PART NO.	DESCRIPTION	QTY
		1 2 3 4	
1	1015752	Screw, #12-16 X 0.625, Hi-Lo	2
2	101920101	Kit, 3-Pin Wedge Lock	1
3	101936801	Kit, 2-Pin Wedge Lock	1
4	102101001	Bar, Drive, Cast	1
5	102101101	MCOR	1

12

E

12

E



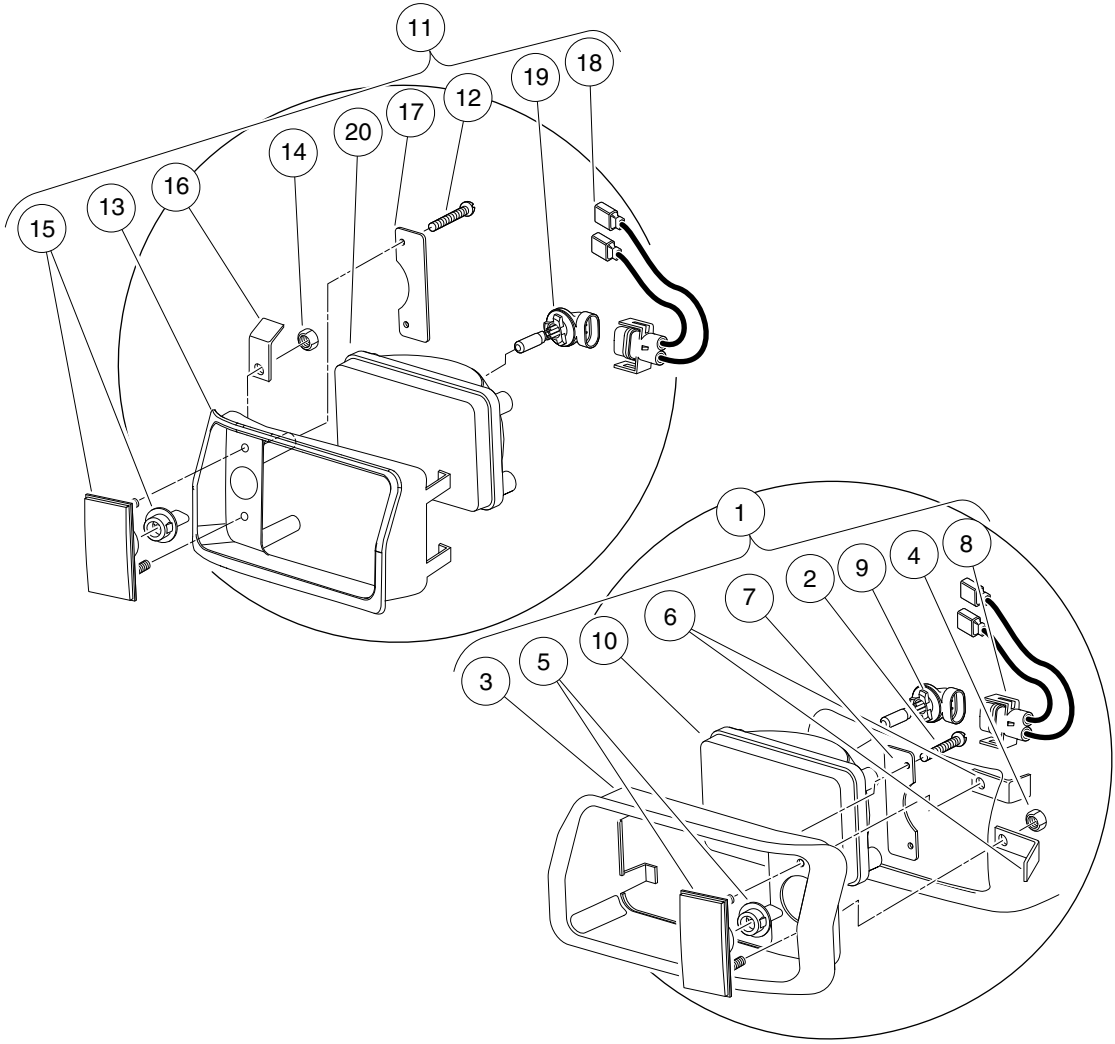
000348-009

TAILLIGHTS

12

E

ITEM	PART NO.	DESCRIPTION	QTY
		1 2 3 4	
1	102852501	Kit, Tail Lights (includes items 2 through 12)	1
2	1015752	Screw, #12-16 X 0.625, Hi-Lo	4
3	1016717	Light Assembly, Stop/Taillight (includes items 4 through 8)	2
4	1011582	Taillight Bulb	1
5	N/A	Housing, Taillight	1
6	N/A	Gasket, Taillight	1
7	N/A	Lens, Taillight	1
8	N/A	Screw, Taillight Lens	2
9	101835601	Locknut, 1/4-20 Hex Whiz	2
10	102909901	Support, Tail Light	1
11	102911601	Asm, Wire Harness	1
12	7847	Screw, 1/4-20 X 0.75 Hex-Head Cap	2
<p>Note: Taillights are optional for the Carryall 242 vehicles.</p>			



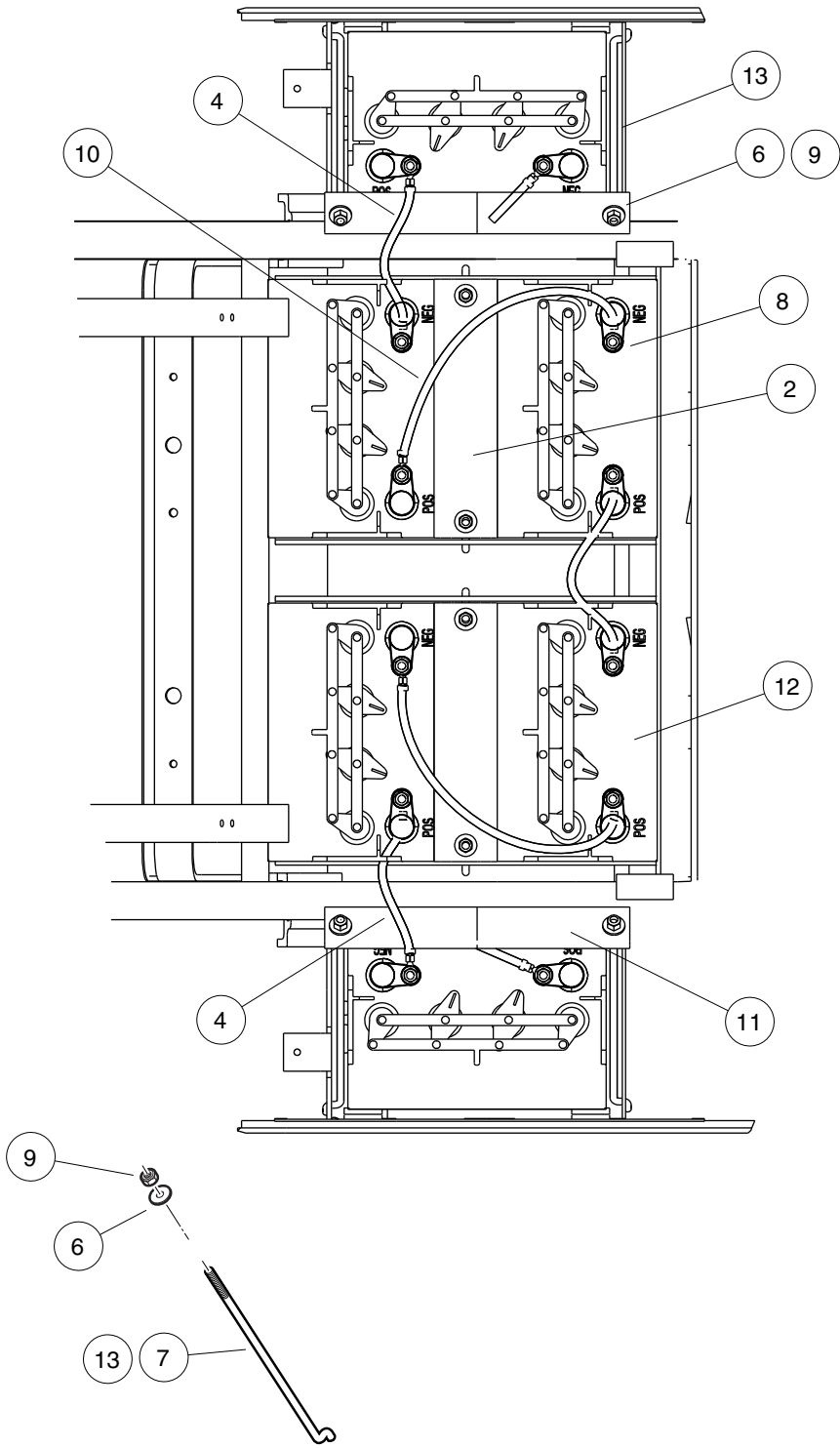
000073-001

HEADLIGHTS

12

E

ITEM	PART NO.	DESCRIPTION	QTY
		1 2 3 4	
1	101988001	Headlight Assembly, Driver-Side Single Beam (includes items 2 through 10)	1
2	1013461	Screw, #10-16 Hex-Head Hi-Lo	2
3	1016880	Headlight Bezel, Left	1
4	1017	Nut, #10-24 Stainless-Steel Hex Machine	2
5	1017062	Turn Signal Lens Assy	1
6	1017064	Mounting Bracket	2
7	1017065	Retainer, Headlight	1
8	101987901	Connector, Harness Assembly, Headlight	1
9	101988101	Bulb, Headlight	1
10	101988201	Lens, Headlight	1
11	101988002	Headlight Assy, Passenger-Side Single Beam (includes items 12 through 20)	1
12	1013461	Screw, #10-16 Hex-Head Hi-Lo	2
13	1016879	Headlight Bezel, Right	1
14	1017	Nut, #10-24 Stainless-Steel Hex Machine	2
15	1017062	Turn Signal Lens Assy	1
16	1017064	Mounting Bracket	2
17	1017065	Retainer, Headlight	1
18	101987901	Connector, Harness Assembly, Headlight	1
19	101988101	Bulb, Headlight	1
20	101988201	Lens, Headlight	1



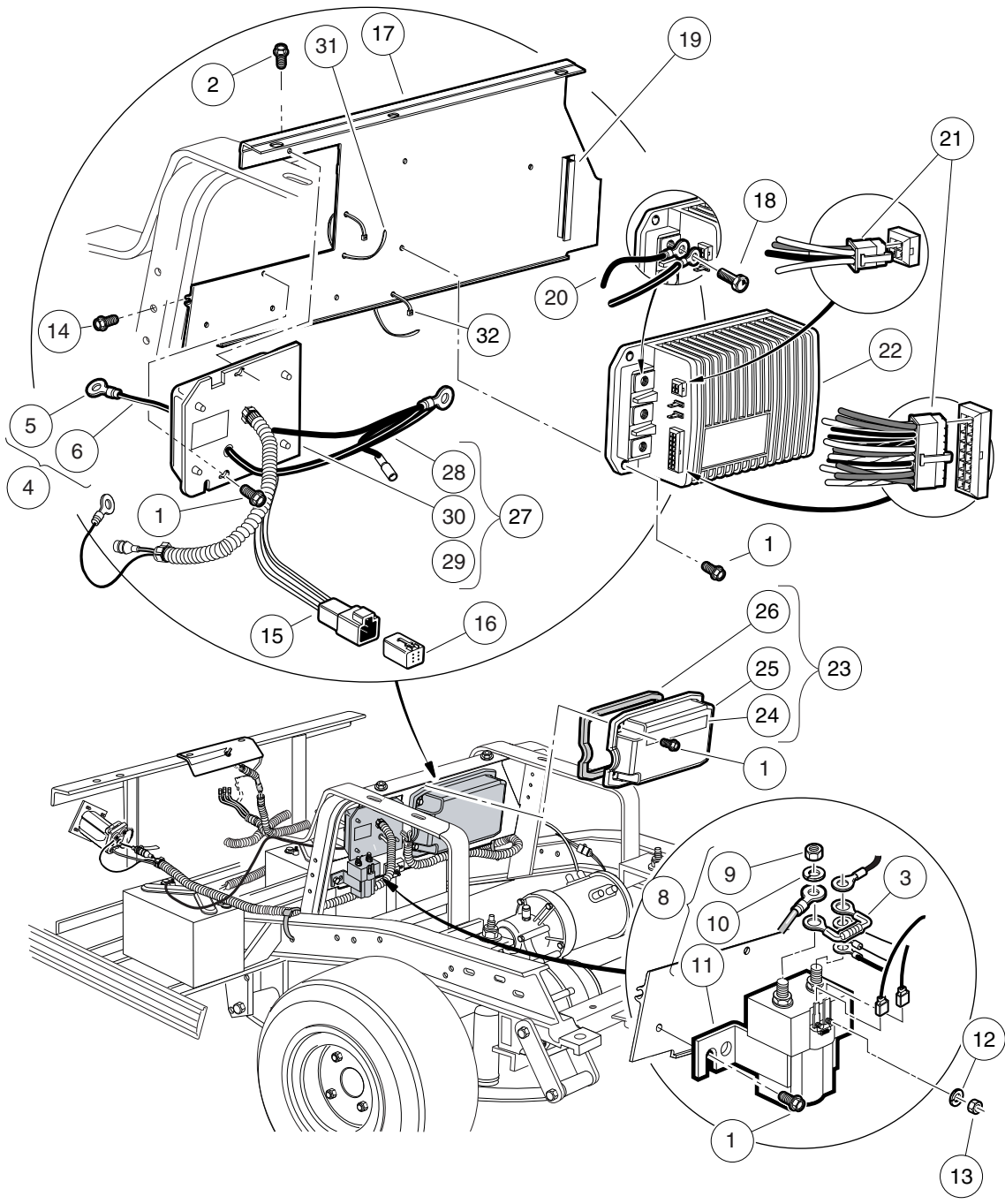
000241-004

BATTERIES – 6 X 8V, ELECTRIC VEHICLE

ITEM	PART NO.	DESCRIPTION	QTY
		1 2 3 4	
1	N/A	Instl, 8v Batt Us 48v Elec 6ga (includes items 2 through 13)	1
2	101090801	Hold-Down, Battery	2
3	101090802	Hold-Down, Battery	2
4	1010958	Asm, Wire, #6blk 8in	3
5	1011578	Washer, 5/16 Type B Flat	4
6	1011697	Washer, 5/16 Flat	4
7	1013683	J-Bolt	4
8	1014304	Nut, 5/16-18 Stainless-Steel Hex	12
9	1015072	Locknut, 5/16-18 Nylon Insert	8
10	101795701	Asm, Wire, #6blk 13in	2
11	103504301	Tee, Batt Ret Ctr Short	2
12	103695801	Battery, 8-Volt, US Battery 8VGCXC	6
13	103696801	J Bolt, Batt Hold Down 12"	4

12

E



000242-005

OBC, CONTROLLER, AND SOLENOID – ELECTRIC VEHICLE

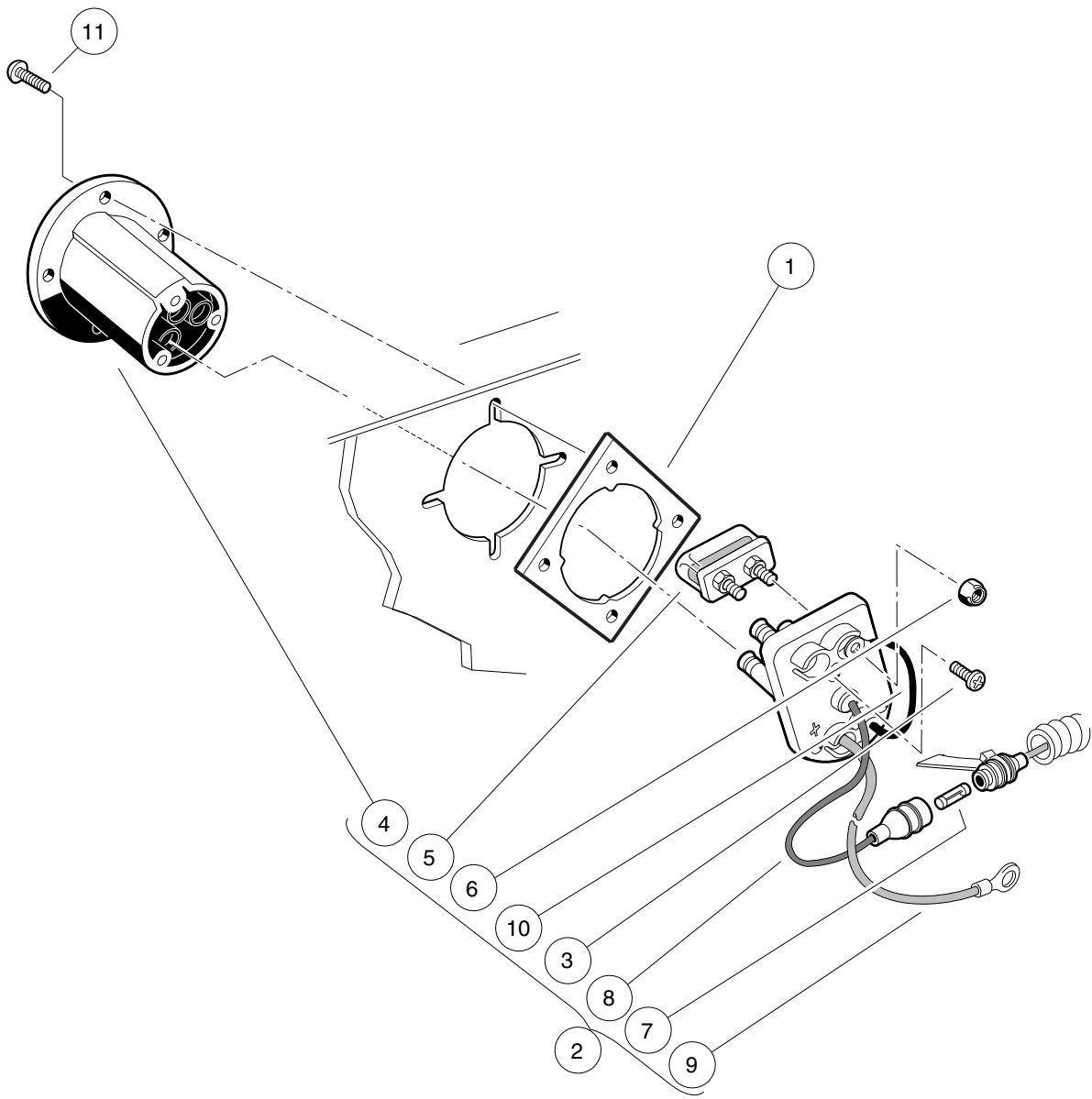
ITEM	PART NO.	DESCRIPTION	QTY
		1 2 3 4	
1	1012285	Screw, 1/4 X 0.625 Hex-Head	9
2	1014288	Screw, 5/16-18 X 0.75, Thread-Forming	2
3	1014947	Resistor Assembly	1
4	101827801	Ground Wire Kit, 48-Volt (includes items 5 through 7)	1
5	101826801	Compression Lug	1
6	N/A	Wire Assembly, Black	1
7	8990	Tie Wrap, 8" Nylon	3
8	101908701	Solenoid, 48-Volt (includes items 9 through 13)	1
9	1012528	Nut, M8-1.25 Hex	2
10	1013734	Lockwasher, 8mm Split	2
11	N/A	Solenoid, 48-Volt	1
12	N/A	Washer, Lock	2
13	N/A	Nut	2
14	101910401	Screw, 5/16-18 X 1.25 Thrd Frm	2
15	101932601	Kit, 6-Pin Wedge Lock	1
16	101932701	Kit, 6-Pin Receptacle and Wedge Lock	1
17	101965205	Plate, Component Mounting	1
18	102240501	Bolt, Controller, Terminal	3
19	102243101	Extrusion, Cover Support	1
20	102263601	Wire Assy, #10 Black	1
21	102266501	Kit, Connector, IQ Controller	1
22	102806201	Controller, IQ, 48-volt	1
23	103316901	Cover Asm - Controller (includes items 24 through 26)	1
24	101931501	Decal, Component Cover	1
25	103316701	Cover - Controller, Deep	1
26	103316801	Gasket - Controller Cover	1
27	103359401	Kit, OBC, DS and Util IQ (includes items 28 and 29)	1
28	103282601	Wire Assembly Black #10	1
29	103697301	Obc, Iq, A1, #6	1
30	8639	Tie Wrap, 11" Nylon	1
31	8990	Tie Wrap, 8" Nylon	1

12

E

12

E



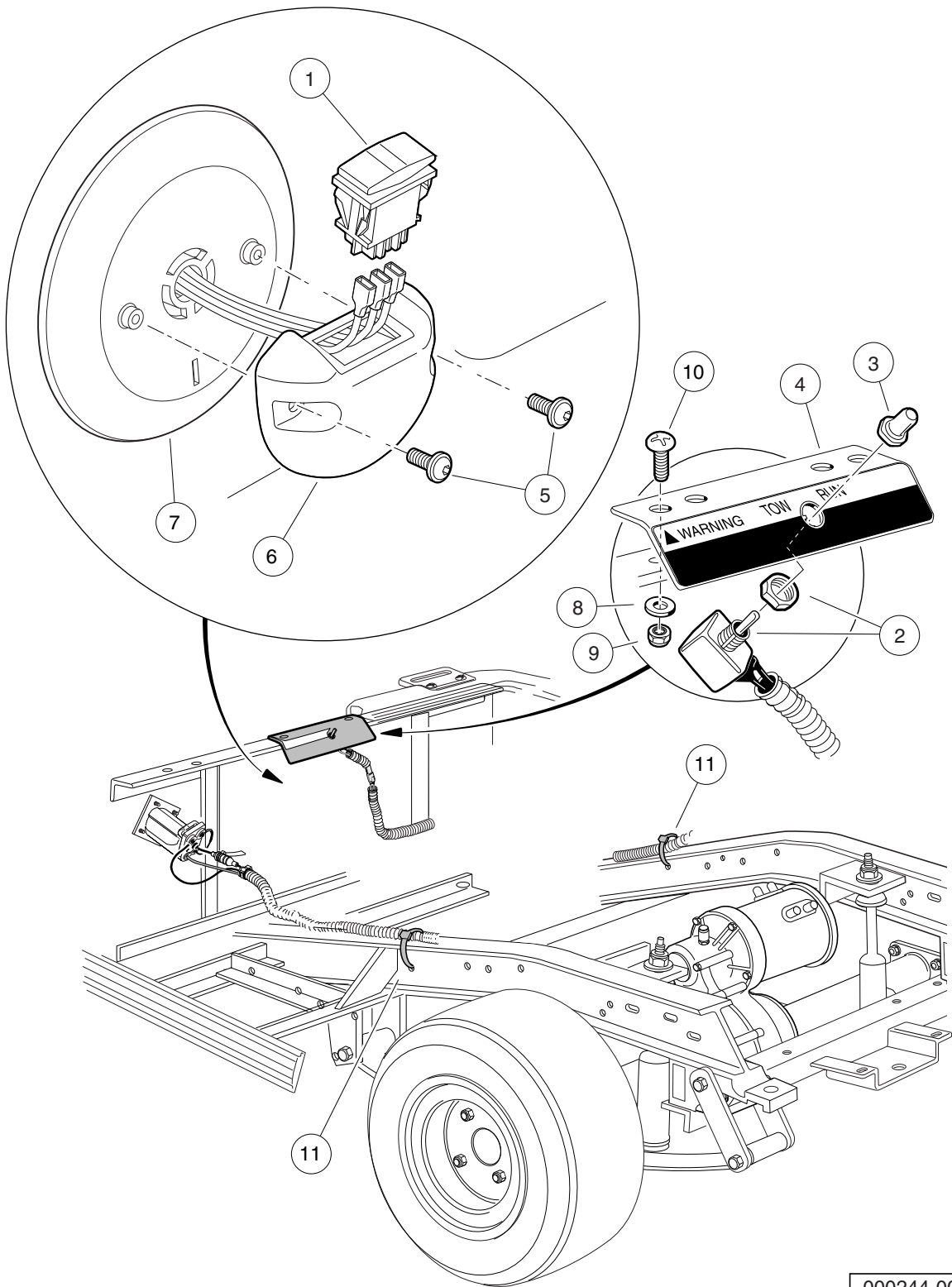
000369-001

BATTERY CHARGER RECEPTACLE

ITEM	PART NO.	DESCRIPTION	QTY
		1 2 3 4	
1	101801001	Plate, Receptacle Backing	1
2	101802101	Fuse and Receptacle Assembly (includes items 3 through 10)	1
3	1017705	Screw, #8 X 5/8 Phillips Pan-Head Type AB	3
4	101796501	Receptacle	1
5	101796801	Fuse Assembly (includes item 6)	1
6	1013061	Locknut, #10-32 Nylon Insert	2
7	101894901	Fuse, 3/8-Amp	1
8	N/A	Wire Assembly, Sense Lead, Gray	1
9	N/A	Wire Assembly, #10 Red	1
10	N/A	Wire Assembly, #10 Black	1
11	101832001	Screw, #7-19 X 0.625 Phillips Pan-Head Tap	4

12

E



000244-005

FORWARD/REVERSE SWITCH, TOW/RUN SWITCH

ITEM	PART NO.	DESCRIPTION	QTY
		1 2 3 4	
1	101856002	Switch, Rocker, Single-Pole	1
2	101908101	Switch Assembly, Tow/Run	1
3	101908401	Boot, Switch	1
4	101922501	Bracket, Tow/Run Switch Mounting	1
5	102296920	Screw, M6, Torx Button Head, Sems	2
6	102508401	Housing, FNR Electric	1
7	103262701	Bezel Adapter Fnr	1
8	332	Washer, 1/4 Type A Narrow Flat	2
9	8233	Locknut, 1/4-20, Nylon Insert	2
10	8248	Screw, 1/4-20 X 0.75, Truss-Head Machine	2
11	8990	Tie Wrap, 8" Nylon	1

12

E

12

E

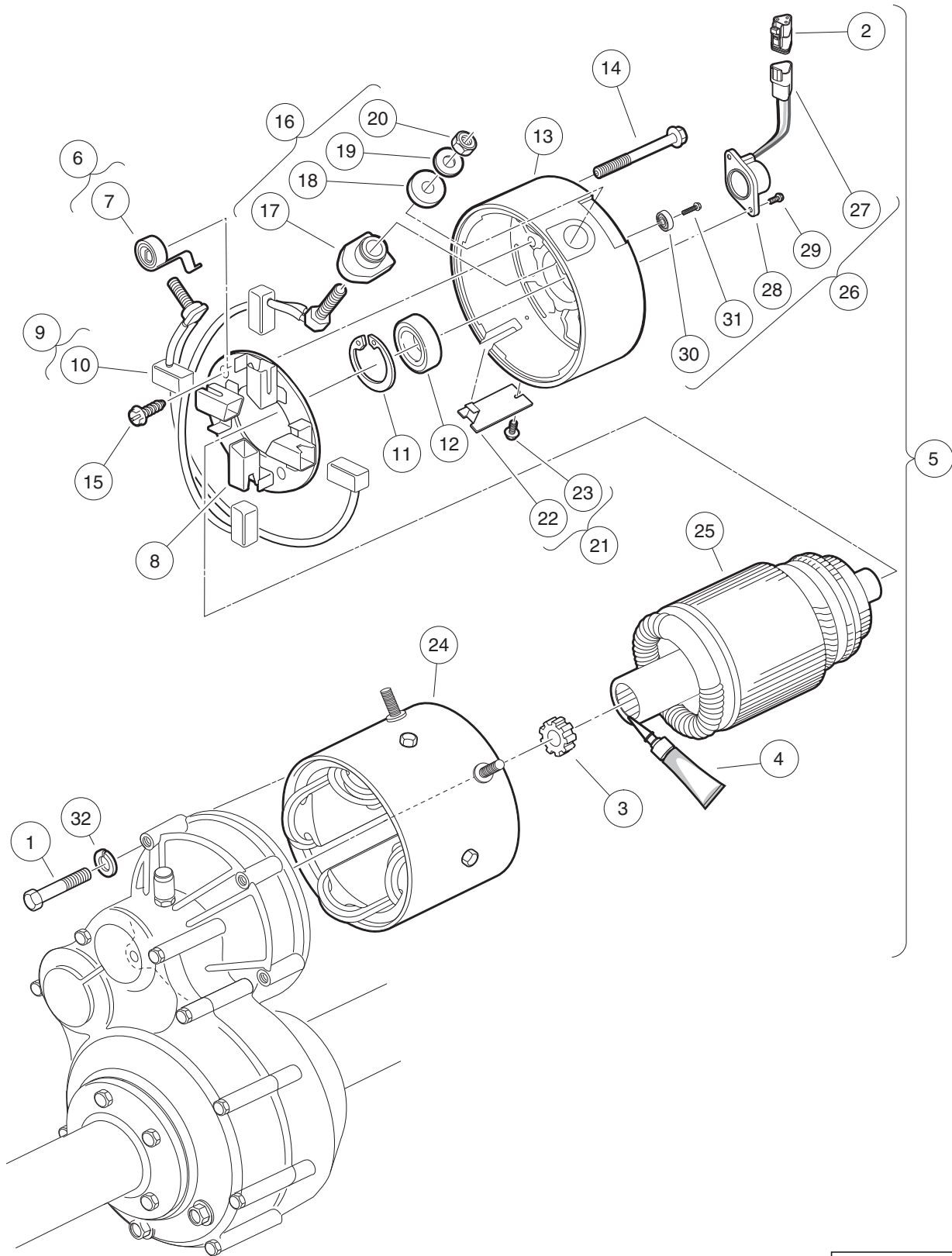
ELECTRIC MOTOR

13

E

13

E



000185-002

MOTOR (MODEL EJ8-4001A) – ELECTRIC VEHICLE

ITEM	PART NO.	DESCRIPTION	QTY
		1 2 3 4	
1	1014201	Screw, 1/4-20 X 2.25 Hex Cap	3
2	101920101	Kit, 3-Pin Wedge Lock	1
3	102235201	Bumper, Drive Unit	1
4	102243403	Lubricant, Moly-Teflon (Single-Use Tube)	1
5	103572501	IQ Electric Motor, 48-VDC 3.3 hp (includes items 6 through 26)	1
6	102186001	Spring Kit, Motor Brush (includes item 7)	1
7	N/A	Spring, Brush, S-g	4
8	102186101	Brush Box Assembly	1
9	102186201	Brush Kit, Motor (includes item 10)	1
10	N/A	Assembly, Brush and Terminal	2
11	N/A	Ring, 2.24" Internal Retaining	1
12	102186401	Bearing, Ball	1
13	102186701	End Cap, Motor	1
14	N/A	Screw, 1/4-20 X 2.25 Hex-Head Washer	2
15	102186901	Screw, #8-32 X .5 Hex-Head	2
16	102187101	Hardware Kit, Motor Terminal (includes items 17 through 20)	2
17	N/A	Bushing, Nylon	2
18	N/A	Washer, Nylon Flat	2
19	N/A	Washer, Flat, 5/16 Steel	2
20	N/A	Nut, Brass Hex, 5/16 - 18	2
21	102187201	Plate Kit, Motor Cover (includes items 22 and 23)	1
22	N/A	Assembly, Cover Plate	1
23	N/A	Screw, #8-32 x 0.375, Taptite Thread	1
24	102704701	Frame and Field Assembly	1
25	102704801	Armature Assembly	1
26	102704901	Kit, Speed Sensor (includes items 27 through 31)	1
27	101942301	Kit, 3-Pin Wedge Lock	1
28	N/A	Sensor, Motor Speed, ADC	1
29	N/A	Screw, #8-32, Taptite Thread	2
30	N/A	Magnet, ADC Motor	1
31	N/A	Screw, 1/4-20 x 0.5	1
32	451	Lockwasher, 1/4 Split	3
Note: The F1 and F2 terminal posts on the EJ8-4001A motor have 1/4 - 20			

13

E

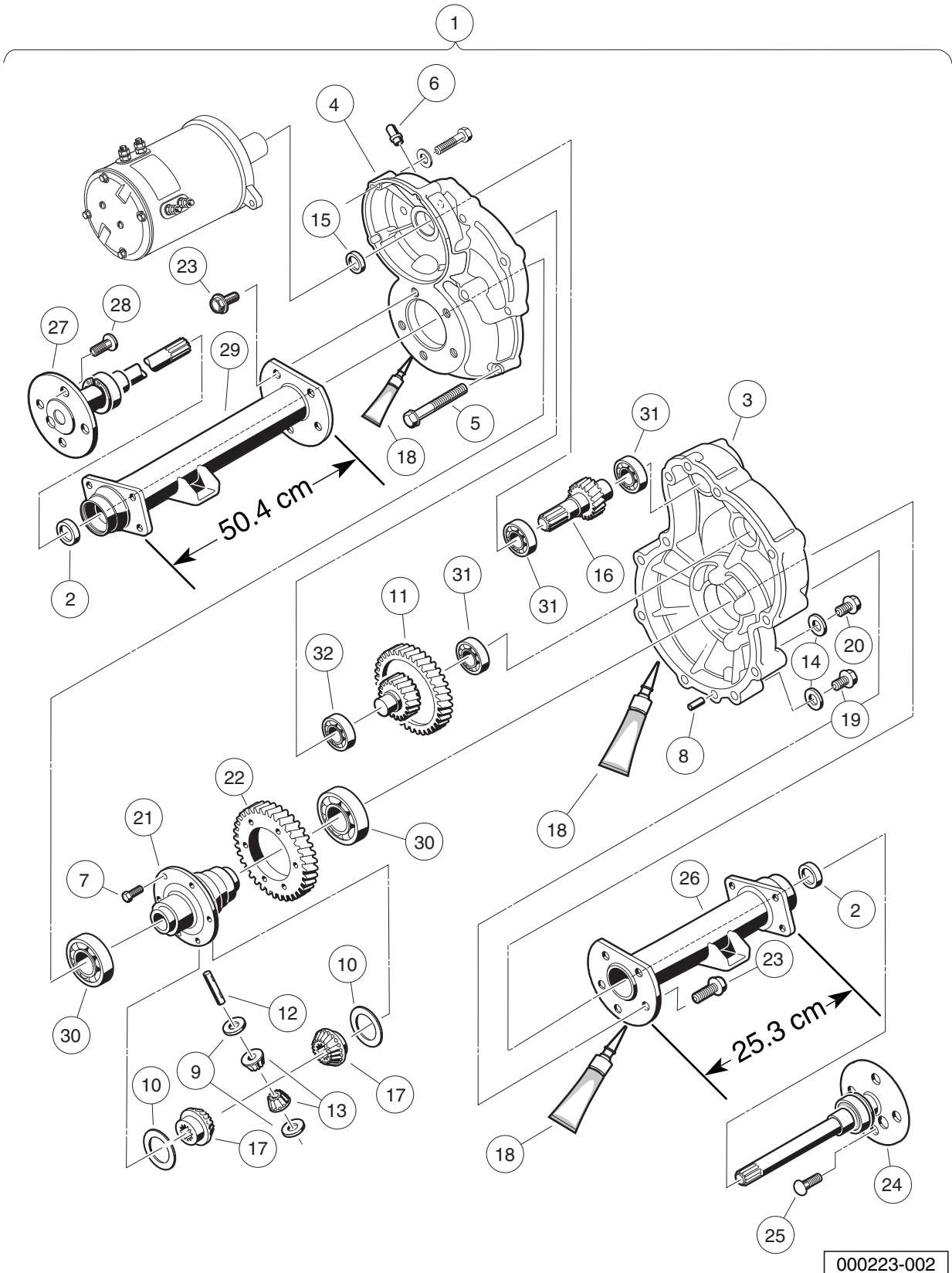
13

E

TRANSAXLE – ELECTRIC VEHICLES

14

E



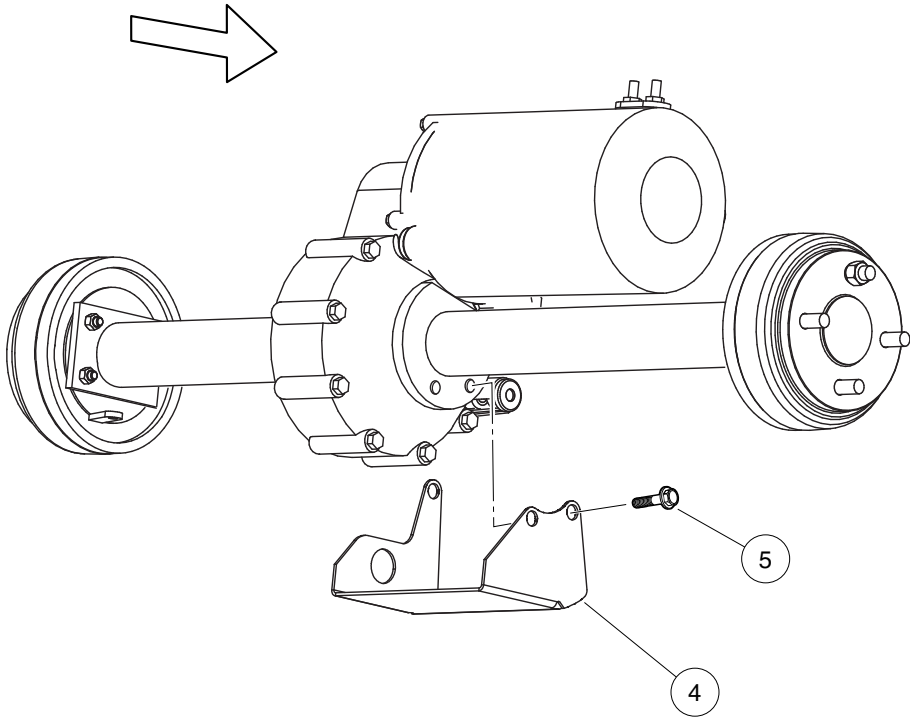
000223-002

TRANSAXLE – ELECTRIC VEHICLES

ITEM	PART NO.	DESCRIPTION	QTY
		1 2 3 4	
1	102771701	Transaxle, Electric (includes items 2 through 32)	1
2	1013794	Axle Shaft Oil Seal	2
3	101895401	Gear Case, Driver-Side	1
4	101895501	Gear Case, Passenger-Side	1
5	101897001	Screw, M8-1.25 X 60mm Hex-Head	11
6	101897201	Breather	1
7	101897401	Screw, M10-1.25 X 25mm	6
8	101897601	Pin, 11mm OD X 8.5mm ID X 10mm	2
9	101903601	Washer, Thrust	2
10	101903701	Washer, Thrust	2
11	101906901	Intermediate Shaft Assembly	1
12	101922101	Pin, 15.99mm X 88.7mm Dowel	1
13	101923001	Gear, Differential Idler	2
14	101923201	Gasket	2
15	101923501	Seal, Lip	1
16	N/A	Shaft, Input	1
17	101923901	Gear, Differential	2
18	101928701	Liquid Gasket (Transaxle case)	1
19	101972101	Plug, M14-1.5 X 12mm Magnetic	1
20	101972201	Plug, M14-1.5 X 12mm Hex	1
21	102356601	Housing, Differential, 6 Bolt	1
22	102356801	Gear, Differential Output, 6-Bolt	1
23	102357001	Screw, Flg Hd M10 X 1.5 X 30	10
24	102886301	Axle Assembly, Driver-Side (includes item 25)	1
25	101922201	Lug Stud	4
26	102886401	Tube, Axle, Driver-Side	1
27	102886501	Axle Assembly, Passenger-Side (includes item 28)	1
28	101922201	Lug Stud	4
29	102886601	Tube, Axle, Passenger-Side	1
30	7330	Inner Axle Tube Bearing	2
31	7335	Bearing	3
32	7336	Bearing	1

14

E



000365-001

DIFFERENTIAL GUARD

ITEM	PART NO.	DESCRIPTION	QTY
		1 2 3 4	
1	101611402	Kit, Differential Guard, Elec Vehicles (includes items 2 through 4)	1
2	101914001	Spacer, Steel	2
3	101936101	Screw, M10-1.50 X 60mm Hex Cap	2
4	101978601	Guard, Differential, Electric Vehicle Transaxle	1
5	102357001	Screw, Flg Hd M10 X 1.5 X 30	3

14

E

14

E

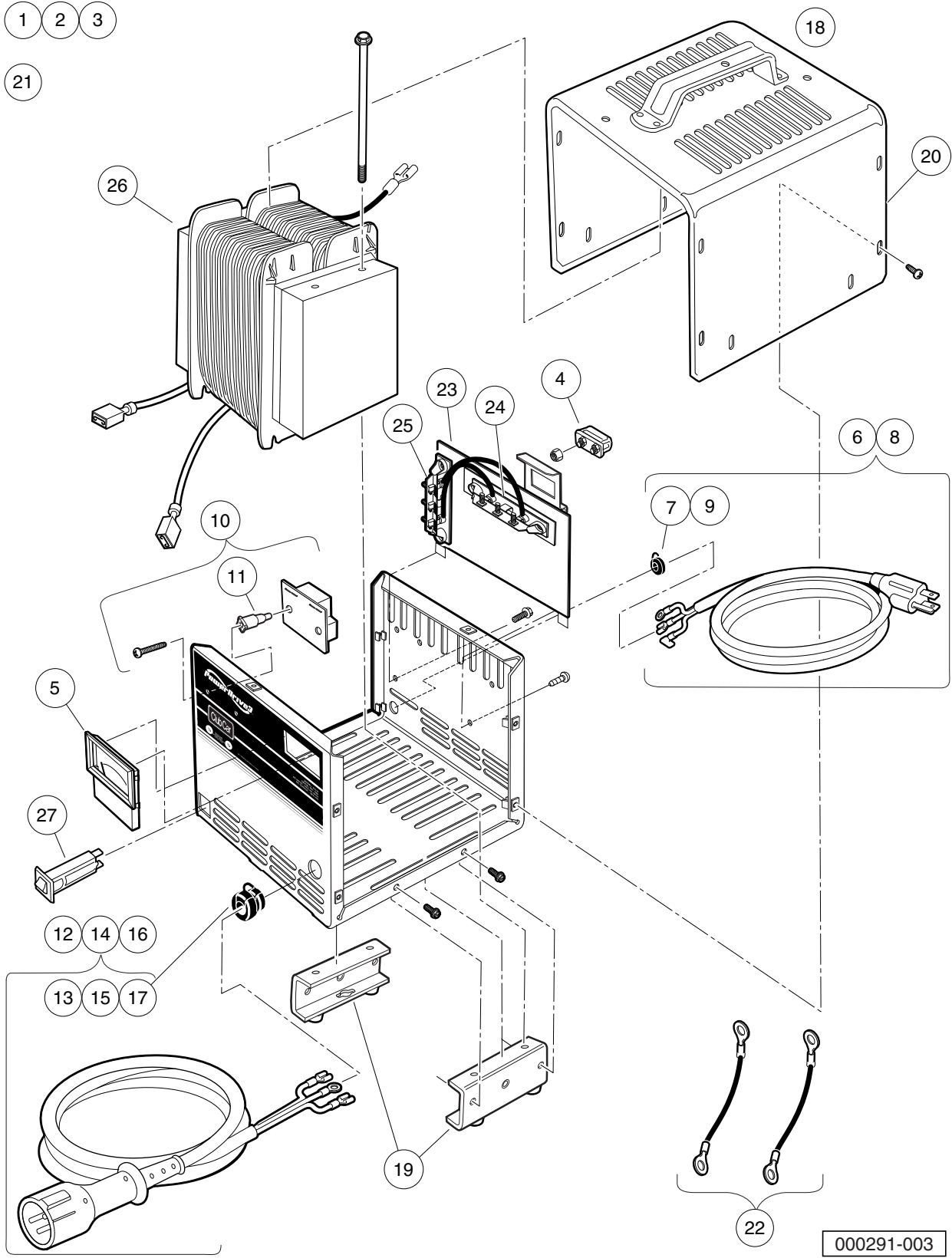
BATTERY CHARGER

15

E

- 1
- 2
- 3

- 21



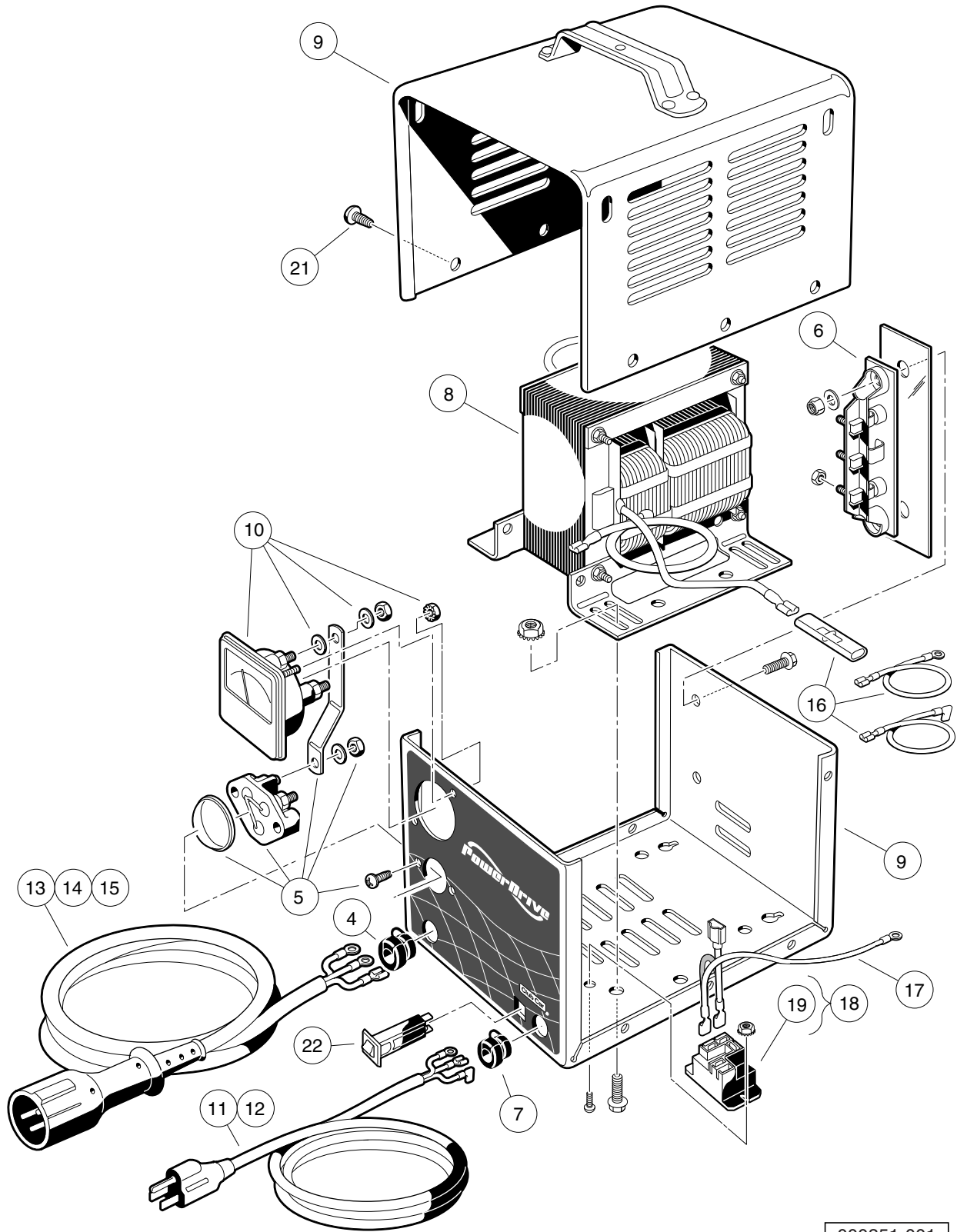
000291-003

POWERDRIVE 3 BATTERY CHARGER, DOMESTIC

ITEM	PART NO.	DESCRIPTION	QTY
		1 2 3 4	
1	103717001	Charger, PowerDrive 3, 9ft DC, 6ft AC	1
2	103717002	Charger, PowerDrive 3, 12ft DC, 9ft AC	1
3	103717003	Charger, PowerDrive 3, 20ft DC, 9ft AC (includes items 4 through 27)	1
4	102273701	PD2 Fuse Asm	1
5	102273801	PD2 Ammeter	1
6	103428501	Kit, PD3 Cordset - AC 80" (includes item 7)	1
7	102273901	PD2 AC Cord Bushing	1
8	103428601	Kit, PD3 Cordset, - AC 114" (includes item 9)	1
9	102273901	PD2 AC Cord Bushing	1
10	103428701	Asm, PD3 Board Relay (includes item 11)	1
11	103429701	PD3 Plastic Stand-Offs	2
12	103429001	PD3 Cordset - DC 113" (includes item 13)	1
13	1012098	Bushing, DC Cord	1
14	103429101	PD3 Cordset - DC 154" (includes item 15)	1
15	1012098	Bushing, DC Cord	1
16	103429201	PD3 Cordset - DC 205" (includes item 17)	1
17	1012098	Bushing, DC Cord	1
18	103429301	Asm, PD3 Case (includes items 19 and 20)	1
19	103434001	Asm, PD3 Legs	1
20	103439901	PD3Case Top (Includes Handle)	1
21	103429501	Kit, PD3 Hardware	1
22	103513001	Wire Asm Kit Blk Pd3	1
23	103517401	Kit Pd3 Button Diode (includes items 24 and 25)	1
24	N/A	Asm Diode Top	1
25	N/A	Asm Diode Side	1
26	103779601	Transformer, Pd3, Al	1
27	CCX8506	Circuit Breaker, 15-Amp/120-Volt	1

15

E



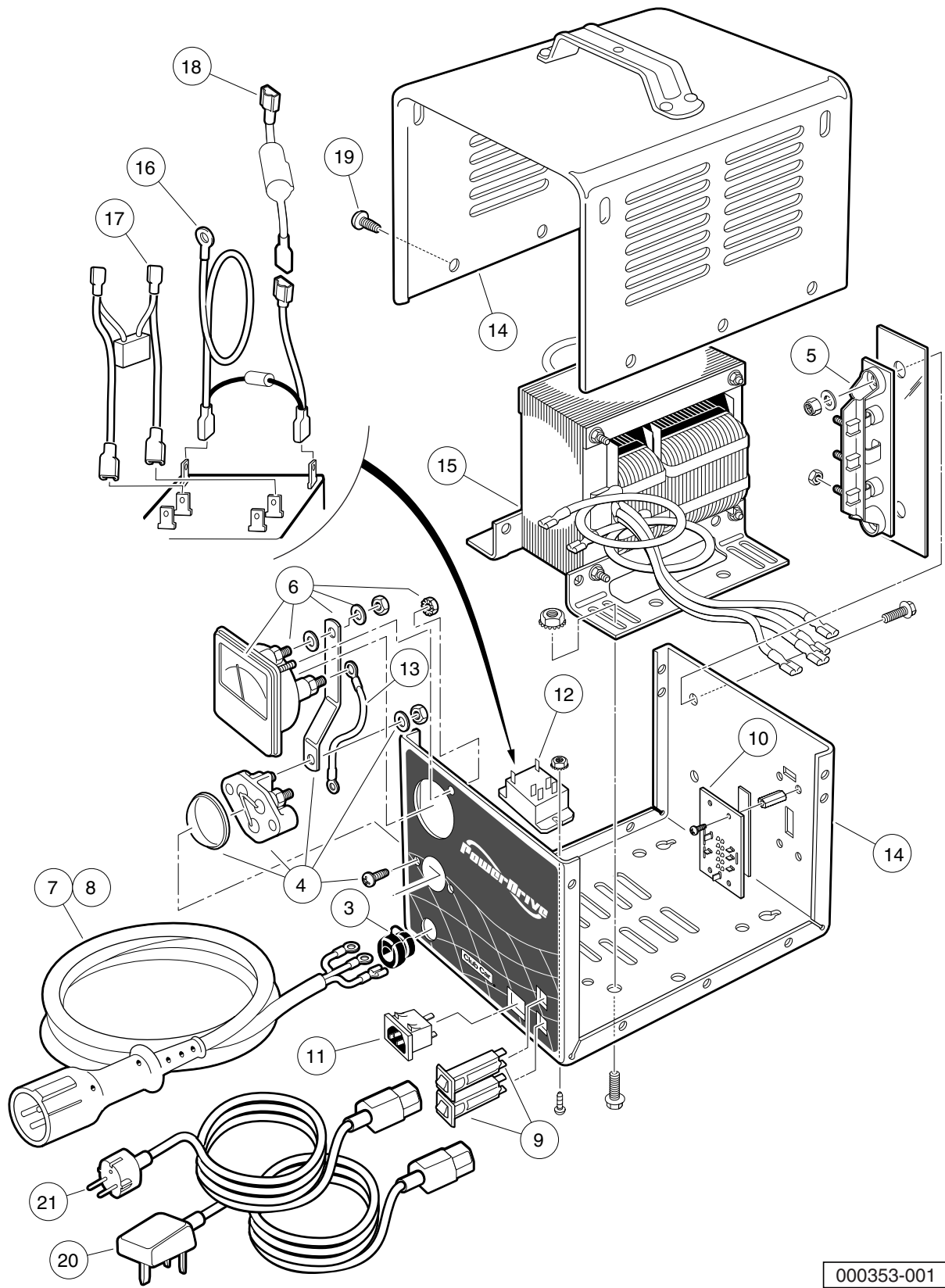
000351-001

POWERDRIVE BATTERY CHARGER (MODEL 17930), DOMESTIC

ITEM	PART NO.	DESCRIPTION	QTY
		1 2 3 4	
1	101802201	Charger, PowerDrive, 48V/17A, 9ft DC, 6ft AC Cord	1
2	101802202	Charger, PowerDrive, 48V/17A, 12ft DC, 9ft AC Cord	1
3	101802203	Charger, PowerDrive, 48V/17A, 20ft DC, 9ft AC Cord (includes items 4 through 21)	1
4	1012098	Bushing, DC Cord	1
5	1012101	Fuse Assembly	1
6	1015914	Rectifier with Heatsink Assembly	1
7	1015917	Bushing, AC Cord	1
8	101819701	Transformer, Battery Charger	1
9	101828301	Case Assembly	1
10	101828501	Ammeter	1
11	101828801	Cord, AC, 80-Inch (203 cm)	1
12	101828802	Cord, AC, 108-Inch (274 cm)	1
13	101828901	Cord, DC, 113-Inch (287 cm)	1
14	101828902	Cord, DC, 154-Inch (391 cm)	1
15	101828903	Cord, DC, 250-Inch (635 cm)	1
16	101831101	Wire Assembly Kit	1
17	101914401	Assembly, Voltage Suppressor	1
18	103414901	Kit, Relay, 48v 30a W/instr (includes item 19)	1
19	103397901	Relay, Spst No, 48v 30a, Pmt	1
20	7577	Screw, #10 X 0.50 Phillips Pan-Head	10
21	CCX8506	Circuit Breaker, 15-Amp/120-Volt	1
<p>Note: Level 1 Battery Charger part numbers include one AC and one DC cord. They do not include all of the level 2 cords listed.</p>			

15

E



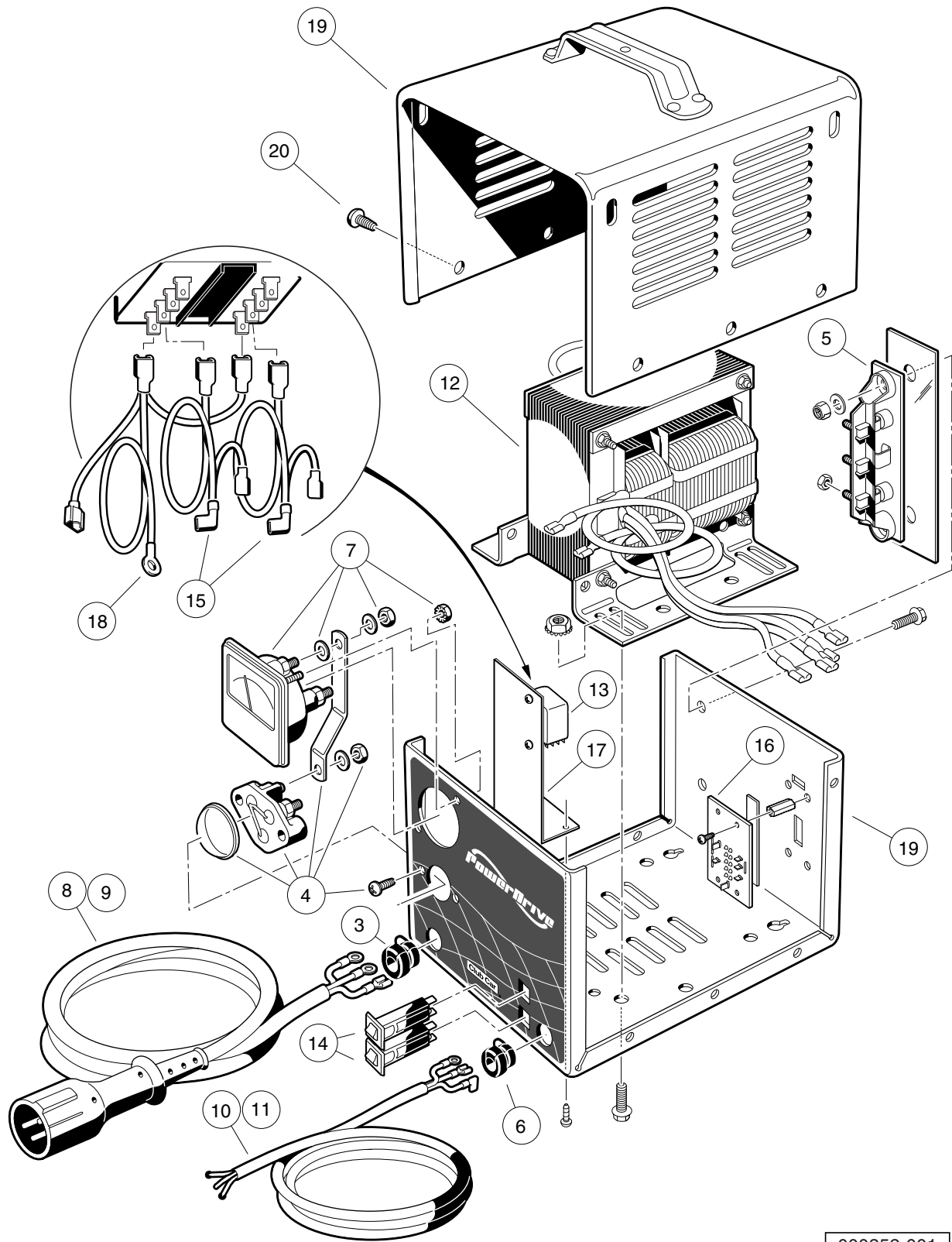
000353-001

POWERDRIVE BATTERY CHARGER (MODEL 20310), EUROPEAN

15

E

ITEM	PART NO.	DESCRIPTION	QTY
		1 2 3 4	
1	101956201	Battery Charger, 48-Volt w/ 4-Position Switch (8.5-ft DC)	1
2	101956202	Battery Charger, 48-Volt w/ 4-Pos. Switch (12-ft DC) (includes items 3 through 19)	1
3	1012098	Bushing, DC Cord	1
4	1012101	Fuse Assembly	1
5	1015914	Rectifier with Heatsink Assembly	1
6	101828901	Cord, DC, 113-Inch (287 cm)	1
7	101828902	Cord, DC, 154-Inch (391 cm)	1
8	101838401	Circuit Breaker	2
9	101838601	Four-Position Switch	1
10	101973501	Receptacle, AC Cord	1
11	101976601	Ammeter with Mounting Bracket	1
12	101987501	Relay	1
13	N/A	Wire, Jumper	1
14	N/A	Case, Charger	1
15	****	Transformer, European Battery Charger	1
16	****	Suppressor, AC Voltage	1
17	****	Assembly, Wire	1
18	N/A	Limiter, Current	1
19	7577	Screw, #10 X 0.50 Phillips Pan-Head	10
20	101958201	Cord, UK, AC, Battery Charger	1
21	101958301	Cord, European AC, Battery Charger	1
<p>**** Special order item available upon request.</p> <p>Note: Level 1 Battery Charger part numbers include one AC and one DC cord. They do not include all of the level 2 cords listed.</p>			



000352-001

POWERDRIVE BATTERY CHARGER (MODEL 18780), EXPORT

ITEM	PART NO.	DESCRIPTION	QTY
		1 2 3 4	
1	101831503	Battery Charger, 48-Volt DC (8.5-ft DC, 6-ft AC)	1
2	101831504	Battery Charger, 48-Volt DC (12-ft DC, 9-ft AC) (includes items 3 through 20)	1
3	1012098	Bushing, DC Cord	1
4	1012101	Fuse Assembly	1
5	1015914	Rectifier with Heatsink Assembly	1
6	1015917	Bushing, AC Cord	1
7	101828501	Ammeter	1
8	101828901	Cord, DC, 113-Inch (287 cm)	1
9	101828902	Cord, DC, 154-Inch (391 cm)	1
10	101831701	Cord, AC, 80-Inch (203 cm), without Plug	1
11	101831702	Cord, AC, 118-Inch (300 cm), without Plug	1
12	101838201	Transformer, Export Battery Charger	1
13	101838301	Relay, Export Charger	1
14	101838401	Circuit Breaker	2
15	101838501	Kit, Wire Assembly	1
16	101838601	Four-Position Switch	1
17	101838701	Mounting Bracket, Relay	1
18	101914401	Assembly, Voltage Suppressor	1
19	N/A	Case, Charger	1
20	7577	Screw, #10 X 0.50 Phillips Pan-Head	10
<p style="margin-left: 40px;">Note: Level 1 Battery Charger part numbers include one AC and one DC cord. They do not include all of the level 2 cords listed.</p>			

15

E

15

E

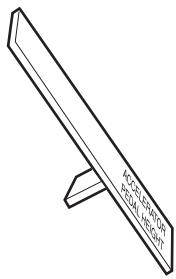
MAINTENANCE AND SERVICE TOOLS

16

G

E

16
G
E



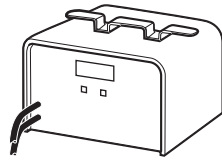
1



2



3



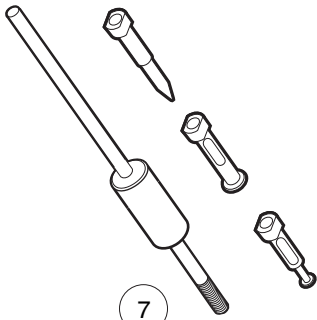
4



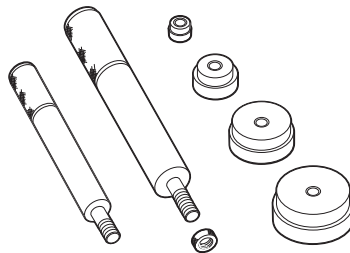
5



6



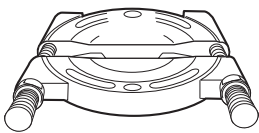
7



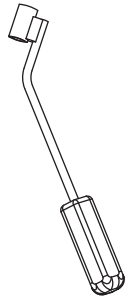
8



9



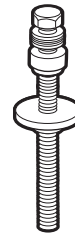
10



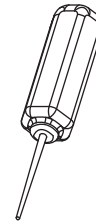
11



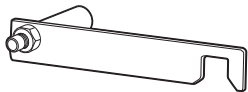
12



13



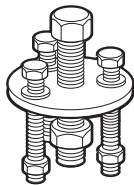
14



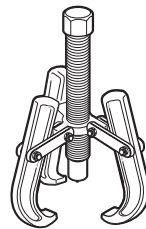
16



17



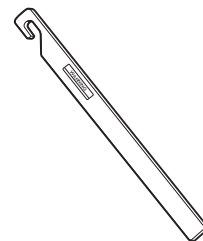
18



19



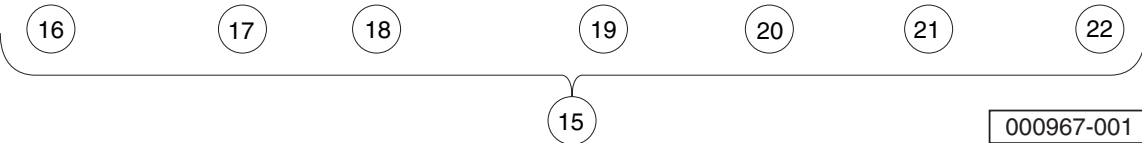
20



21



22



15

000967-001

MAINTENANCE AND SERVICE TOOLS – GOLF

ITEM	PART NO.	DESCRIPTION	QTY GAS	QTY ELEC
		<p>1 2 3 4</p> <p>The following tool list includes all tools available from Club Car for maintenance and service procedures for gasoline and electric golf cars, both past and present models. Be sure to carefully examine the tool list for applicability to your vehicle before ordering.</p>		
1	101871001	Accelerator Pedal Adjustment Tool	1	1
2	101813202	Adhesive, Guide Ring, 3-Gram Tube		1
3	101641202	Arbor	1	
4	101831901	Battery Discharge Machine, 36/48 Volt		1
5	1014305	Battery Terminal Protector Spray	1	1
6	1011767	Battery Thermometer	1	1
7	1016417	Bearing and Oil Seal Remover Assembly	1	1
8	1016416	Bearing Driver Set	1	1
9	1012811	Bearing Puller	1	1
10	1012812	Bearing Puller Wedge Attachment	1	1
11	102555501	Brake Cable Release Tool	1	1
12	101887101	Calibration Test Module		1
13	101808401	Cam Installation Tool	1	
14	102562401	Charger Bezel Tool		1
15	1014510	Clutch Tool Kit (includes items 16 - 22)	1	
16	1014498	Clutch Alignment Tool (for pre-unitized transaxle vehicles built prior to 1997 model year)	1	
17	1014496	Drive Clutch Puller (for Kawasaki engines only)	1	
18	1014497	Drive Clutch Hub Puller (for Kawasaki engines only)	1	
19	1014508	Driven Clutch Cam Puller (for Kawasaki engines only)	1	
20	1014507	Driven Clutch Puller Plug (for Kawasaki engines only)	1	
21	1015524	Drive Clutch Holder Tool Assembly (for Kawasaki engines only)	1	
22	101809101	Press Weldment (for Kawasaki engines only)	1	
		<p>Please refer to the maintenance and service manual for proper tool application.</p>		

16

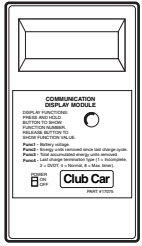
G

E

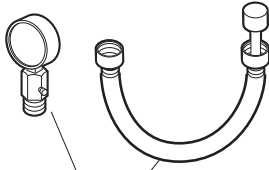
16

G

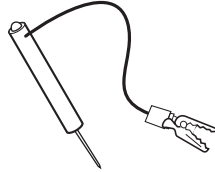
E



23



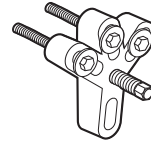
24



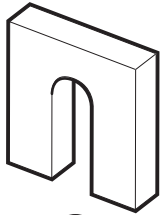
25



26



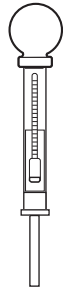
27



28



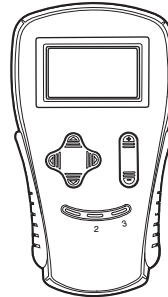
29



30

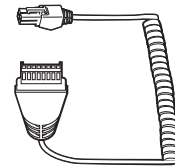


31

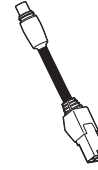


32

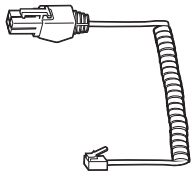
33



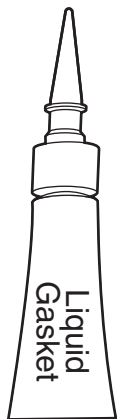
35



34



36



37



38



39

40



41

000968-001

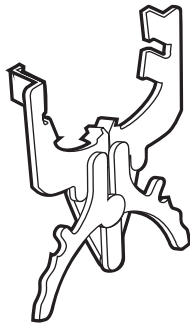
MAINTENANCE AND SERVICE TOOLS – GOLF, CONTINUED

ITEM	PART NO.	DESCRIPTION	QTY GAS	QTY ELEC	16
		1 2 3 4			G
23	101831801	Communication Display Module		1	E
24	101641002	Compression Gauge and Adapter	1		
25	1011273	Continuity Tester	1	1	
26	1012151	Dry Moly Lubricant	1	1	
27	1016627	Flywheel Puller Kit (for Kawasaki Engines)	1		
28	1016418	Gear Yoke	1	1	
29	101933101	Governor Shaft Installation Tool (for Kawasaki Engine Vehicles)	1		
30	1011478	Hydrometer	1	1	
31	1013593	Internal Retaining Ring Pliers	1	1	
32	102248803	IQ Display Module (IQDM) Kit (IQ System, Excel and IQ Plus vehicles)		1	
		(includes items 34 and 35)			
33	102248804	IQ Display Module (IQDM-P) Kit (IQ System, Excel and IQ Plus vehicles).....		1	
		(includes items 34 and 35)			
34	102251501	Adaptor, Cable		1	
35	102241502	IQDM Series 2 Cable		1	
36	102241501	IQDM Series 1 Cable (replacement)		1	
37	101928701	Liquid Gasket (transaxle case)	1	1	
38	102243402	Moly-Teflon Lubricant (4-oz. (113-gram) tube)		1	
39	101997201	Paint, Touch-Up – Beige*	1	1	
39	101997207	Paint, Touch-Up – Black*	1	1	
39	101997212	Paint, Touch-Up – Burgundy*	1	1	
39	101997211	Paint, Touch-Up – Classic Blue (Navy)*	1	1	
39	101997205	Paint, Touch-Up – Dark Gray*	1	1	
39	101997209	Paint, Touch-Up – Dark Green*	1	1	
39	101997204	Paint, Touch-Up – Gray*	1	1	
39	101997203	Paint, Touch-Up – Red*	1	1	
39	101997206	Paint, Touch-Up – Royal Blue (Pacific Blue)*	1	1	
39	101997202	Paint, Touch-Up – White*	1	1	
40	102562301	Paint, Precedent Underbody – Gray	1	1	
41	102587201	Paint Pen, Touch-Up, Precedent Underbody – Black	1	1	
		Please refer to the maintenance and service manual for proper tool application.			
		* Item 39 is not for use on Surlyn® body material, which is used on Precedent vehicles.			

16
G
E



42



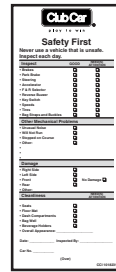
43



44



45



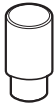
46



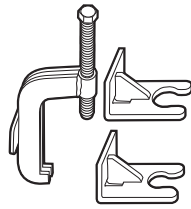
47



48



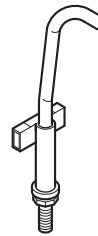
49



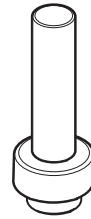
50



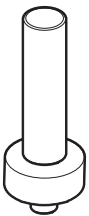
51



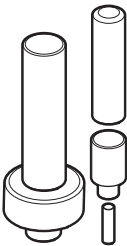
52



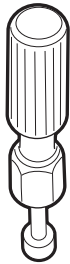
53



54



55



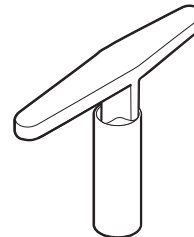
58



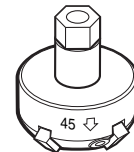
59



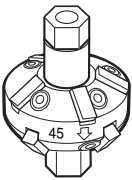
60



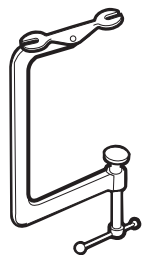
61



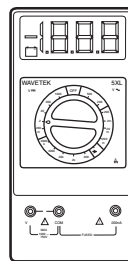
62



63



64



65

000969-001

MAINTENANCE AND SERVICE TOOLS – GOLF, CONTINUED

ITEM	PART NO.	DESCRIPTION	QTY GAS	QTY ELEC
		1 2 3 4		
42	1016414	Piston Ring Compressor Kit (FE290, FE350 and FE400 engines)	1	
43	1016415	Piston Ring Pliers (for Kawasaki Engines)	1	
44	1012549	Retaining Ring Pliers, 45° External	1	1
45	1012560	Retaining Ring Pliers, 90° Internal	1	1
46	101823101	Safety First Card (50 per pack)	1	1
47	1012809	Seal Puller	1	1
48	1014264	Steering Column Bearing Press Tool	1	1
49	1014259	Steering Column Retaining Ring Tool	1	1
50	102061201	Steering Wheel Puller Tool	1	1
51	AM10753	Tachometer (includes gasoline engine pick up lead only)	1	
52	102570401	Tool, Tensioning, Starter Generator (For Precedent vehicles)	1	
53	1014162	Transaxle Axle Seal Tool	1	
54	1014161	Transaxle Pinion Seal Tool	1	
55	1014115	Transmission Tool Kit	1	
56	101611003	Tune-Up Kit, DS (for FE290/350 Engines) (includes air filter, spark plug, oil filter, fuel filters) (not shown)	1	
57	AM1220301	Tune-Up Kit, Precedent (for FE290/350 Engines) (includes air filter, spark plug, oil filter, fuel filters) (not shown)	1	
58	1016413	Valve Clearance Adjuster Screw Holder (for FE290 engines only)	1	
59	101641201	Valve Guide Reamer (FE290, FE350, and FE400 only)	1	
60	1016552	Valve Seat Cutter Guide	1	
61	1016551	Valve Seat Cutter T-Wrench	1	
62	1016553	Valve Seat Cutter, 45° (32 mm diameter) (for FE290 engines only)	1	
63	1016554	Valve Seat Cutter, 45°/30° (35 mm diameter)	1	
64	101641101	Valve Spring Compressor	1	
65	1011480	Volt Ohm Meter	1	1
		Please refer to the maintenance and service manual for proper tool application.		

16
G
E

INDEX

Part Number and Page

AM10753	16-7	8755	1-25, 5-11, 5-13, 5-15	1012285	8-3, 8-11, 11-5, 12-17
AM10419	10-3	8861	5-7	1012295	6-15
AM1232301	7-3	8963	1-31	1012303	1-25, 5-11, 5-13, 5-15
CCX8506	15-3, 15-5	8990	5-17, 6-15, 12-7, 12-17, 12-21	1012304	5-15
183	8-13, 10-5, 11-9	1010124	5-11, 5-13	1012333	11-5
304	1-21	1010138	1-21, 5-7	1012382	6-13
320	1-13, 1-21, 1-25	1010145	5-15	1012412	1-19, 1-23
332	1-17, 1-19, 1-23, 1-25, 1-29, 8-13, 9-3, 11-5, 12-21	1010150	5-11, 5-13	1012431	6-3, 6-15, 11-7, 12-7
334	1-25, 4-11, 4-13, 5-3, 5-17, 7-13, 10-5	1010543	1-29	1012505	6-3, 12-7
451	9-3, 13-3	1010545	1-21	1012528	9-3, 12-17
705	6-9, 7-13	1010577	7-13	1012549	16-7
706	5-11, 5-13	1010805	4-5	1012560	16-7
808	10-5	1010829	4-9	1012571	7-13
1017	6-7, 12-13	1010877	4-5	1012594	11-7
1028	4-5	1010878	1-25, 4-5	1012604	5-3
1032	4-5	101090801	12-15	1012605	5-3
1241	1-17, 1-31, 4-5, 4-9, 4-11, 4-13, 6-9, 6-15, 6-19, 8-5, 9-3	101090802	12-15	1012649	8-3
1242	4-9, 6-9, 6-15	1010921	4-5	1012809	16-7
1606	1-17, 8-13	1010927	4-5	1012811	16-3
1620	1-15	1010932	4-5	1012812	16-3
1624	4-11, 4-13, 5-17	1010933	4-5	1012830	6-9, 8-11, 9-3
2402	5-7	1010934	6-19	1012836	10-3
7048	5-9	1010954	6-15, 11-7, 11-9	1012986	6-3
7173	6-19, 8-5	1010958	12-15	1012987	11-7
7174	5-3, 6-9, 8-11, 9-3	1010984	2-3	101303202	1-27
7251	1-5	1010993	1-19, 1-23	1013035	5-17
7310	2-3	1011017	1-17	1013042	5-7, 5-17
7311	1-31	1011019	1-15	1013044	5-17
7330	14-3	1011084	4-3	1013052	5-17
7335	14-3	1011229	6-3, 12-7	1013061	11-9, 12-19
7336	14-3	1011273	16-5	1013164	5-15
7473	1-5, 1-31, 4-5, 4-9, 4-11, 4-13, 6-15, 6-19, 8-5	1011382	1-15	1013343	1-15
7555	5-17	1011402	4-5	1013344	1-15
7577	15-5, 15-7, 15-9	1011415	5-15	1013461	6-7, 8-5, 12-13
7716	4-5	1011418	4-5	1013462	8-5
7818	6-15	1011478	16-5	1013494	1-15
7847	1-19, 1-23, 1-25, 1-31, 6-5, 9-3, 12-11	1011480	16-7	1013531	4-9
7893	6-15, 11-5	1011553	3-3, 3-7	1013587	11-7
7973	1-15	1011578	1-21, 5-3, 12-15	1013589	6-15, 11-7
8056	6-3, 12-7	1011582	6-5, 12-11	1013590	11-7
8057	6-3, 6-15, 11-7, 12-7	1011652	1-29	1013591	11-7
8058	6-3, 6-15, 11-7, 12-7	1011659	1-17	1013593	16-5
8067	5-9	1011694	4-11, 4-13	1013609	6-15
8233	1-17, 1-19, 1-23, 1-25, 1-31, 4-11, 4-13, 11-5, 11-7, 11-9, 12-21	1011697	5-3, 7-13, 8-11, 12-15	1013683	12-15
8248	8-3, 11-7, 12-21	1011734	4-3	1013687	8-3
8251	1-19, 1-23, 11-5	1011767	16-3	1013700	8-11
8450	10-5	1011779	4-9	1013734	9-3, 12-17
8639	12-17	101187702	4-5	1013746	8-3, 8-5, 8-9
8717	4-11, 4-13, 6-15, 11-7, 11-9	1011931	1-31, 4-11, 4-13	1013794	14-3
8754	1-13, 4-9, 4-11, 4-13, 5-3, 5-7, 5-11, 5-13, 5-15, 5-17, 6-9	1011988	8-3	1013869	4-5
		1011990	1-13	1013870	4-5
		1012098	15-3, 15-5, 15-7, 15-9	1013876	1-21, 4-5
		1012101	15-5, 15-7, 15-9	1013924	4-7, 7-13
		1012151	16-5	1013983	1-11
		1012181	5-15	1014007	4-11, 4-13, 11-9
		1012182	5-15	1014049	10-5

INDEX

1014050	10-5	1014947	12-17	1016401	6-15
1014051	10-5	1014948	6-15	101641002	16-5
1014052	10-5	1015064	11-7	101641101	16-7
1014055	10-5	1015072	12-15	101641201	16-7
1014056	10-5	1015137	8-9	101641202	16-3
1014057	10-5	1015139	8-3, 8-5	1016413	16-7
1014058	10-5	1015143	8-3, 8-5	1016414	16-7
1014059	10-5	101524002	6-9	1016415	16-7
1014062	10-5	1015332	6-13, 7-15	1016416	16-3
1014063	10-5	1015345	6-15	1016417	16-3
1014065	6-15, 10-5, 11-7	1015371	6-15	1016418	16-5
1014070	10-3	1015372	6-15	1016423	6-15
1014072	10-3	1015373	6-15	101642578	8-7
1014078	10-3	1015391	1-21	101642580	8-7
1014080	10-3	1015405	6-15	101642582	8-7
1014089	11-7	1015426	8-13	101642585	8-7
1014115	16-7	101547601	3-5	1016429	7-5
1014116	8-3	1015524	16-3	1016432	7-5
1014119	6-13, 6-15	1015583	1-25, 5-15	1016436	7-7
1014125	5-3	101558302	5-11, 5-13	1016437	8-7
1014126	5-3	1015597	5-9	1016438	8-9
1014145	6-15, 11-7	1015649	7-15	1016440	7-7, 8-9
1014153	4-7	1015720	6-3, 12-7	1016441	8-9
1014161	16-7	1015737	6-13, 6-15	1016444	8-9
1014162	16-7	1015741	6-15	1016449	7-7
1014201	13-3	1015752	6-5, 6-15, 8-13, 12-9, 12-11	1016450	7-7
1014213	5-3	1015769	6-13	1016451	7-7
1014214	5-3	1015814	9-3	1016452	7-7
1014217	5-3	101584502	8-11	1016453	7-9
1014259	16-7	101587703	8-5	1016454	7-9
1014264	16-7	1015878	6-15	1016455	7-3
1014276	5-11, 5-13	1015914	15-5, 15-7, 15-9	1016456	7-15
1014287	10-5	1015917	15-5, 15-9	1016457	7-5
1014288	5-3, 6-19, 10-5, 12-17	1015920	6-13	1016458	7-7
1014304	12-15	1015921	8-5	1016467	7-5
1014305	16-3	1015932	6-9	1016470	7-11
1014306	1-19, 1-23	1015969	7-15	1016472	7-9
1014375	6-19	1016004	8-5	1016473	7-5
1014453	10-5	1016074	6-9	1016474	7-7
1014454	10-3	101611003	16-7	1016479	7-7
1014496	16-3	101611402	14-5	1016480	8-9
1014497	16-3	1016183	5-3	101648102	8-9
1014498	16-3	1016201	10-5, 11-7	101648203	7-5
1014507	16-3	1016269	5-3	1016483	7-7
1014508	16-3	1016289	10-5	1016486	8-7
1014510	16-3	1016342	11-7	1016489	7-7
101454902	5-15	1016346	5-7	101649002	8-9
1014555	5-15	1016349	5-7	1016494	7-9
1014573	5-15	1016350	5-7	1016496	7-9
1014645	1-15	1016351	5-7	1016499	8-7
1014727	11-7	1016353	5-7	1016501	8-7
1014807	6-15, 11-7	1016384	5-11, 5-13	1016502	7-5
1014808	6-15	1016385	5-7	1016506	7-9
1014901	5-15	1016386	5-11, 5-13	1016507	7-15
1014902	5-15	1016387	5-11, 5-13	1016510	7-9
1014928	8-3	1016389	5-11, 5-13	1016517	7-7

INDEX

1016519	7-7	1017064	6-7, 12-13	1017514	7-9
1016521	7-9	1017065	6-7, 12-13	101751801	7-9
1016531	7-15	1017080	1-5	101751802	7-9
1016535	7-9	1017082	11-9	101751803	7-9
1016537	7-5	1017141	1-19, 1-23	1017686	10-3
1016538	7-9	1017188	10-5	1017689	9-3
1016539	7-15	1017226	5-3	1017705	12-19
1016541	7-11	1017235	5-15	101773301	7-11
1016542	7-7	1017266	5-7	101773302	7-11
1016544	7-3, 7-7, 7-9	1017273	5-5	101773303	7-11
1016545	7-7	1017313	5-3	101773304	7-11
1016546	8-11	1017314	5-3	101773305	7-11
1016547	7-15, 8-9	1017315	5-3	101773306	7-11
1016549	7-7	1017317	5-3	101773307	7-11
1016551	16-7	1017378	4-11, 4-13	101773308	7-11
1016552	16-7	1017380	4-11, 4-13	101773309	7-11
1016553	16-7	1017424	4-11, 4-13	101773310	7-11
1016554	16-7	1017434	7-7	101773311	7-11
1016560	7-7	1017442	7-5	1017774	1-31
1016561	7-3	1017443	7-7	101791101	4-7
1016562	7-3, 7-11	1017445	7-7	101795701	12-15
1016563	7-7	1017448	7-3	101796201	4-11, 4-13
1016564	7-9	101744901	7-11	101796501	12-19
1016566	7-7	101744902	7-11	101796801	12-19
1016569	7-7	1017450	7-11	101801001	12-19
1016570	7-5	101745101	7-11	101802101	12-19
1016571	7-11	101745102	7-11	101802201	15-5
1016572	8-9	1017453	7-11	101802202	15-5
1016576	7-5	1017454	7-7	101802203	15-5
1016581	7-5	1017455	7-3	101804301	8-13
1016582	8-9	1017456	7-5	101805701	8-13
1016583	7-7	101745701	7-11	101808401	16-3
1016584	7-9	101745702	7-11	101809101	16-3
1016585	8-7	1017458	7-5	101811401	8-13
1016587	7-3	1017460	7-5	101811501	8-13
1016588	7-3	1017461	8-7	101811901	8-13
101660404	1-15	1017463	7-3	101812301	8-13
1016627	16-5	1017466	8-9	101813001	8-13
1016630	6-3	1017471	7-11	101813202	16-3
1016717	6-5, 12-11	1017472	7-9	101815501	4-7
1016801	10-5	1017473	7-7	101815502	4-7
1016849	6-3, 12-7	1017474	7-15	101816501	4-7
1016851	6-3, 12-7	1017475	7-15	101816502	4-7
1016857	6-3, 12-7	1017476	7-15	101817401	4-11, 4-13
1016859	6-3, 12-7	1017486	7-15	101818801	4-11
1016868	1-5	1017487	7-9	101819701	15-5
1016879	6-7, 12-13	1017490	7-3	101821501	8-13
1016880	6-7, 12-13	1017501	7-11	101823101	16-7
1016883	6-9	1017502	7-11	101823201	4-7
1016904	7-7, 9-3	1017503	7-11	101823801	4-7
1016916	1-29	1017504	7-9	101823901	4-7
1016947	11-7	1017507	7-5	101824401	8-3, 8-5
1016952	1-19, 1-23	1017508	7-9	101825101	3-3, 3-7
1016967	1-5	1017510	7-11	101826201	12-7
1017029	4-5	1017512	7-11	101826301	6-3
1017062	6-7, 12-13	1017513	7-9	101826801	12-17

INDEX

101827101	7-13	101880001	5-17	101932902	11-3
101827801	12-17	101880101	5-17	101933101	16-5
101828301	15-5	101880201	5-17	101935501	12-7
101828501	15-5, 15-9	101880301	5-17	101936101	14-5
101828801	15-5	101881701	8-13	101936801	12-9
101828802	15-5	101884801	7-13	101942301	13-3
101828901	15-5, 15-7, 15-9	101886101	11-9	101951501	11-5
101828902	15-5, 15-7, 15-9	101887101	16-3	101953101	4-9
101828903	15-5	101887601	7-15	101954301	1-17, 1-29
101830601	6-3, 12-7	101894901	12-19	101956201	15-7
101830701	6-3, 12-7	101895401	14-3	101956202	15-7
101831101	15-5	101895501	14-3	101958201	15-7
101831503	15-9	101897001	14-3	101958301	15-7
101831504	15-9	101897201	14-3	101960101	3-3, 3-7
101831701	15-9	101897401	14-3	101960501	1-27, 3-5, 6-17
101831702	15-9	101897601	14-3	101963401	7-13
101831801	16-5	101898001	6-19	101965205	12-17
101831901	16-3	101900901	6-3	101971301	8-13
101832001	12-19	101903101	5-11, 5-13	101972001	16-5
101832202	8-11	101903601	14-3	101972002	16-5
101832302	8-11	101903701	14-3	101972003	16-5
101832601	7-13	101906901	14-3	101972004	16-5
101832701	7-13	101908101	12-21	101972005	16-5
101833101	7-13	101908401	12-21	101972006	16-5
101833401	10-3	101908601	3-9	101972007	16-5
101833902	10-5	101908701	12-17	101972009	16-5
101834001	10-3	101910401	1-31, 12-17	101972011	16-5
101834502	6-3, 12-7	101912401	4-3	101972012	16-5
101834601	7-13	101914001	14-5	101972101	14-3
101834801	11-9	101914401	15-5, 15-9	101972201	14-3
101835601	1-25, 6-5, 12-11	101915201	3-5	101972801	8-13
101836201	10-3	101916101	7-15	101973101	8-7
101837101	8-13	101916301	7-3	101973301	8-7
101837301	6-9, 6-17	101916701	6-9, 10-5	101973401	8-9
101838201	15-9	101917601	8-13	101973501	15-7
101838301	15-9	101917701	8-13	101976601	15-7
101838401	15-7, 15-9	101918501	4-5	101978601	14-5
101838501	15-9	101919801	4-11, 4-13	101979101	11-7
101838601	15-7, 15-9	101920101	12-9, 13-3	101984801	5-3
101838701	15-9	101921501	8-13	101987501	15-7
101850301	5-5, 8-13	101922101	14-3	101987701	8-3
101851101	6-3, 12-7	101922201	14-3	101987901	6-7, 12-13
101855801	1-19, 1-23, 11-5	101922501	12-21	101988001	6-7, 12-13
101856002	12-21	101922601	11-5	101988002	6-7, 12-13
101856102	6-15	101923001	14-3	101988101	6-7, 12-13
101856201	8-13	101923201	14-3	101988201	6-7, 12-13
101861901	4-11, 4-13	101923501	14-3	101990703	6-3
101862001	4-13	101923901	14-3	101990801	4-9
101871001	16-3	101925601	10-5	101991101	6-3
101878201	4-5	101925701	8-13	101998215	1-29
101879401	5-17	101926901	11-3	101998501	1-29
101879501	5-17	101928701	14-3, 16-5	102003201	8-3
101879601	5-17	101929802	10-5	102022101	4-9
101879701	5-17	101931501	3-9, 12-17	102022601	5-7
101879801	5-17	101932601	12-17	102022602	5-7, 5-17
101879901	5-17	101932701	12-17	102025801	1-17

INDEX

102025901	6-3	102354104	5-9	102815801	2-3
102026001	4-11, 4-13	102354204	5-9	102815901	2-3
102045001	1-17	102355102	1-13	102816201	1-31
102048401	1-17	102355301	6-19	102819101	2-3
102061201	16-7	102356601	14-3	102820301	1-25
102065901	1-25, 7-13	102356801	14-3	102820501	1-25
102066201	4-9	102357001	14-3, 14-5	102821101	1-25
102075801	3-3, 3-7	102357701	5-9	102823201	1-25
102101001	12-9	102406701	8-3, 8-5	102829703	1-13
102101101	12-9	102503224	1-31	102829704	1-13
102155801	10-3	102508401	12-21	102829802	1-13
102158901	4-11, 4-13	102515401	11-9	102830201	1-9
102174205	1-29	102522001	8-5	102830401	1-9, 5-11
102186001	13-3	102540301	7-13	102830501	1-3
102186101	13-3	102544201	1-31	102830701	1-21
102186201	13-3	102555501	16-3	102831901	3-3, 3-9
102186401	13-3	102559901	2-5	102832001	3-3, 3-9
102186701	13-3	102562301	16-5	102833301	3-3, 3-9
102186901	13-3	102562401	16-3	102838401	7-3
102187101	13-3	102564002	5-11, 5-13	102838701	6-17
102187201	13-3	102570401	16-7	102838801	6-17
102221201	1-19, 1-23	102581201	1-31	102838901	6-17
102235201	13-3	102585901	9-3	102839001	6-17
102240501	12-17	102587201	16-5	102839301	6-17
102241501	16-5	102588501	5-15	102840301	1-31
102241502	16-5	102618601	1-3, 1-9	102841101	6-17
102242101	1-17, 10-3	102684501	5-11, 5-13	102844601	6-17
102243101	12-17	102704701	13-3	102844701	6-17
102243402	16-5	102704801	13-3	102852401	1-9
102243403	13-3	102704901	13-3	102852501	6-5, 12-11
102248803	16-5	102711001	6-17	102865101	8-3
102248804	16-5	102711201	6-15	102886301	14-3
102251501	16-5	102771701	14-3	102886401	14-3
102263601	12-17	102777601	1-19, 1-23	102886501	14-3
102266501	12-17	102777602	1-19, 1-23	102886601	14-3
102273701	15-3	102778601	1-17	102897201	11-11
102273801	15-3	102778901	1-21	102897301	11-11
102273901	15-3	102779001	1-21	102897401	11-9
102278001	5-3	102779201	1-21	102897601	11-9
102289001	1-25	102779301	1-21	102897701	11-11
102289002	1-3, 1-9	102779401	1-21	102897801	11-9
102289201	5-7, 5-17	102779501	1-21	102897901	11-9
102289301	1-25	102779601	1-21	102898001	11-11
102292801	4-9	102796101	1-31	102898101	11-11
102296530	1-31	102796301	1-31	102898201	11-9
102296920	12-21	102796302	1-31	102898301	11-11
102298240	1-3, 1-9	102796801	1-19	102898401	11-11
102304801	7-7	102796803	1-19	102898501	11-11
102310701	1-11	102796804	1-19	102898601	11-11
102323101	4-5	102796806	1-19	102898701	11-11
102323201	4-5	102796807	1-19	102898801	11-11
102336001	8-11	102796808	1-19	102898901	11-11
102336101	8-11	102796809	1-19	102899001	11-11
102353201	5-9	102796810	1-19	102899101	11-9
102353301	5-9	102797201	1-25	102899201	11-9
102353401	5-9	102806201	12-17	102899301	11-11

INDEX

102899401	11-9	103347301	6-17	103615901	7-9
102899501	11-11	103347601	6-17	103616201	7-11
102899601	11-11	103347701	6-17	103616301	7-7
102899701	11-9	103347801	6-17	103616401	7-9
102899801	11-9	103347901	6-17	103616501	7-3
102899901	11-11	103351001	5-7	103616601	7-3
102900001	11-9	103354701	5-7	103616701	7-3
102900101	11-9	103359401	12-17	103616801	7-3
102900201	11-9	103364101	1-17	103628701	5-11, 5-13
102900301	11-9	103364201	1-17	103651901	8-5
102900401	11-11	103372101	8-3, 8-5	103651902	8-3
102900501	11-11	103372302	8-3, 8-5	103653401	5-17
102900601	11-9	103372401	8-3	103653501	5-7
102900701	11-11	103372801	8-3	103653601	5-7
102900801	11-13	103377201	4-9	103678502	6-17
102900901	11-9	103377301	4-9	103689601	12-5
102901001	11-11	103379501	11-5	103694501	2-5
102901101	11-11	103380201	4-7	103695801	12-15
102901201	11-13	103380202	4-7	103696801	12-15
102901301	11-13	103386202	7-15	103697301	12-17
102901401	11-13	103395101	1-17	103698901	1-23
102901501	11-13	103397901	15-5	103698903	1-23
102901601	11-13	103414901	15-5	103698904	1-23
102901701	11-13	103428501	15-3	103698906	1-23
102901801	11-13	103428601	15-3	103698907	1-23
102901901	11-13	103428701	15-3	103698908	1-23
102902001	11-13	103429001	15-3	103698909	1-23
102902101	11-13	103429101	15-3	103698910	1-23
102902201	11-13	103429201	15-3	103717001	15-3
102902301	11-13	103429301	15-3	103717002	15-3
102902401	11-13	103429501	15-3	103717003	15-3
102902501	11-13	103429701	15-3	103724502	5-5
102902601	11-13	103434001	15-3	103724602	5-5
102902701	11-13	103439901	15-3	103756401	8-3
102902801	11-13	103446501	8-3	103776901	8-5
102909901	6-5, 12-11	103477901	5-9	103776902	8-3
102911601	6-5, 12-11	103483101	4-7	103779601	15-3
102913101	1-31	103483102	4-7	103781101	8-3
102913102	1-31	103483201	4-7	103783001	3-7
102913601	5-11, 5-13	103483401	4-7	103783002	3-3
103010101	8-3	103483601	4-7	103865101	4-11, 4-13
103189901	1-21	103483701	4-7	103874201	11-9
103246701	1-29	103496801	6-19	103882001	11-11
103246801	1-29	103502601	5-11, 5-13	103882101	11-9
103262701	12-21	103504301	12-15	103882301	11-9
103282601	12-17	103507001	5-11, 5-13	103896601	8-3
103293501	1-21	103513001	15-3	103935201	5-15
103313301	1-17	103517401	15-3	103936601	6-15
103316701	12-17	103520301	8-13	103939201	1-15
103316801	12-17	103524501	8-7	103953301	6-17
103316901	12-17	103572501	13-3	103961601	3-3, 3-7
103317501	1-21	103601501	5-17	103974601	3-11
103332401	6-15	103601601	5-3	103974701	3-11
103332402	6-13	103615601	7-7	103984401	1-7
103345701	10-5	103615701	7-7	103984402	1-7
103347101	6-17	103615801	7-11	103984404	1-7

INDEX

103984405 1-7
103984407 1-7
103984409 1-7
103984410 1-7
103984411 1-7
103984412 1-7
96704416 7-13

A

absorber, rear shock 5-15
AC cord 15-3, 15-5, 15-7, 15-9
AC cord bushing 15-3
AC cord receptacle 15-7
accelerator bracket and bearing assembly 4-11, 4-13
accelerator cable 8-11
accelerator pedal adjustment tool 16-3
accelerator pivot rod 4-11, 4-13
accelerator return spring 4-11, 4-13
accelerator rod 4-3
adapter
 cable (IQDM) 16-5
adhesive, guide ring 16-3
air box 8-13
air box top 8-13
air filter 8-13
air intake hose 8-13
AM1220301 16-7
ammeter 15-3, 15-5, 15-7, 15-9
angled bumper mount 5-15
A-plate strap 5-7
A-plate, delta 5-7
arbor 16-3
arm
 governor 11-9
 rocker 7-7
armature 13-3
assembly
 accelerator bracket and bearing 4-11, 4-13
 accelerator pivot rod 4-11, 4-13
 air box 8-13
 air box top 8-13
 bearing, steering shaft 5-3
 bell crank and shaft 6-15
 brake lever 4-7
 connecting rod 7-11
 cylinder head 7-7
 delta A-plate 5-7
 delta shock and gear support 5-7
 drive hub 10-5
 driven clutch 10-3
 driven clutch fixed-face 10-3
 float 8-7
 Forward/Reverse shifter 11-7
 frame and field (motor) 13-3
 fuel cap 8-3, 8-5

fuel pump 8-3
fuel tank vent 8-3, 8-5
governor 11-11
headlight 6-7, 12-13
headlight harness 6-7, 12-13
idle screw 8-7
inner ball joint 5-17
kingpin 5-11, 5-13
moveable-face 10-3, 10-5
pilot air screw 8-7
plug cap 7-3
ratchet 4-5
secondary clutch weight 10-5
steering shaft 5-3
turn signal lens 6-7, 12-13
axle 11-9, 11-13, 14-3
axle guard 11-3, 14-5
axle shaft oil seal 11-13, 14-3
axle tube 11-13, 14-3

B

backing plate, brake 4-7
backrest, gray 1-31
ball bearing 6-17, 7-9
ball joint 4-3, 4-5, 11-5
ball stud 6-15, 11-7, 11-9
ball, bearing 5-9
ball, steel pressure relief 7-5
bar, drive 12-9
barb, vent 8-3, 8-5
battery
 12-volt, side-post 6-19
 8-volt, 8VGCXC 12-15
battery charger 15-3, 15-5, 15-7, 15-9
battery charger case 15-3, 15-5, 15-7, 15-9
battery charger receptacle 12-19
battery charger transformer 15-3, 15-5, 15-7, 15-9
battery clamp 6-19
battery discharge machine 16-3
battery hold-down 12-15
battery terminal protector spray 16-3
battery thermometer 16-3
battery warning light 12-7
bearing 14-3
 ball 5-9, 6-17, 7-9
 ball (motor) 13-3
 ball (steering pinion) 5-17
 cage roller 11-11
 idler 10-5
 inner axle tube 14-3
 lower pinion (steering) 5-17
 pivot support 4-11, 4-13
 steering shaft 5-3
 thrust 5-11, 5-13
bearing and oil seal remover 16-3

bearing driver set 16-3
bearing puller 16-3
bearing puller wedge 16-3
bearing seat 5-3
bed support 1-31
bed support stiffener 1-25
bed, cargo 1-21
bell crank 11-7
bell crank and shaft 6-15
bellows 5-17
belt, drive 10-5
belt, starter/generator 6-9, 10-5
belt, V 6-9, 10-5
bezel, headlight 6-7, 12-13
block, brake-mounting 4-5
block, fuse 6-15
body kick plate 1-19, 1-23
body, rear 1-19
bolt, J- 12-15
bolt, U- 5-15
boot, steering column 5-3
boot, switch 12-21
bottom, air box 8-13
box
 air 8-13
 differential 11-13
 electrical component 6-15
 steering gear 5-17
brace, canopy 1-17
brace, seat support cross 1-31
bracket 6-3
 accelerator cable 8-11
 adjustable starter/generator 6-9
 governor cable 8-11
 headlight mounting 6-7, 12-13
 muffler mounting 9-3
 oil filter mount 7-5
 oil level switch 7-9
 relay mounting 15-9
 shifter 11-5
 shock mounting, drv 5-15
 shock mounting, pas 5-15
 snubber 7-13
 starter/generator mounting 6-9
 steering column 5-3
 steering column mounting 5-3
 throttle spring return 8-9
 Tow/Run switch 12-21
brake adjusting mechanism 4-7
brake backing plate 4-7
brake cable 4-9
brake cable equalizer 4-9
brake cable release tool 16-3
brake cluster 4-7
brake drum 4-7
brake lever 4-7

INDEX

- brake mounting block 4-5
- brake pedal 4-5
- brake pedal pad 4-5
- brake return spring 4-9
- brake self-adjusting mechanism 4-7
- brake shoe 4-7
- brake spring 4-7
- breaker, circuit 15-3, 15-5, 15-7, 15-9
- breather 11-9, 14-3
- brush 13-3
- brush box assembly 13-3
- brush cover kit, starter/generator 6-17
- brush guard 1-9
- brush guard support 1-9, 5-11
- brush inspection port cover 6-17
- brush rigging 13-3
- brush spring 6-17, 13-3
- brush spring set 6-17
- brush spring, starter/generator 6-17
- brush terminal, starter/generator 6-17
- bulb, headlight 6-7, 12-13
- bulb, tail light 6-5, 12-11
- bumper
 - cast 1-3
 - drive unit (motor) 13-3
 - front 1-5
 - front, kit 1-5
 - jounce 5-15
 - rubber 1-25, 4-5
 - side trim 1-11
 - spring return 4-11, 4-13
- bumper mount, angled 5-15
- bushing 6-15, 10-5, 11-7
 - AC cord 15-3
 - bronze 5-9
 - nylon 4-5
 - return line 8-3, 8-5
 - spindle 5-9
 - steel 1-25, 5-11, 5-13, 5-15
 - urethane 1-25, 5-7, 5-11, 5-13, 5-15
- button, choke 8-13
- button, drive 10-3
- buzzer, reverse 6-3, 12-7
- C**
- cable
 - accelerator 8-11
 - brake 4-9
 - governor 8-11
 - IQDM 16-5
 - transmission 11-5
- cable retainer 1-19, 1-23, 11-5
- cable, cargo bed 1-21
- calibration test module 16-3
- cam
 - driven clutch 10-3
 - electrical component box 6-15
 - neutral lockout 11-7
- cam installation tool 16-3
- cam, neutral lockout 11-7
- camshaft 7-9
- camshaft shim 7-9
- canister, carbon, fuel tank 8-3
- canopy brace 1-17
- cap
 - front hub 5-9
 - fuel, gas, ratchet 8-3, 8-5
 - key switch 6-3, 12-7
 - plug 7-3
- cap, hub, 7 prong 2-5
- carbon canister 8-3
- carburetor 8-7
- carburetor air vent tube 8-5
- carburetor gasket 8-9
- carburetor insulator 8-9
- carburetor mounting gasket 8-9
- card, safety first 16-7
- cargo bed 1-21
- cargo bed hinge 1-25
- case
 - battery charger 15-3, 15-5, 15-7, 15-9
 - gear 14-3
- cast bumper 1-3
- catch, tilt bed 1-21
- charger
 - wire assembly kit 15-5
- charger bezel tool 16-3
- charger hardware kit 15-3
- charger receptacle 12-19
- charger, battery, PowerDrive 15-5
- charger, battery, PowerDrive 3 15-3
- charger, battery, PowerDrive European 15-7
- charger, battery, PowerDrive Export 15-9
- choke button 8-13
- choke lever 8-13
- choke lever guide 8-13
- choke positioner 8-13
- choke valve 8-13
- circuit breaker 15-3, 15-5, 15-7, 15-9
- clamp
 - battery 6-19
 - cable retaining 8-11
 - hose 8-3, 8-5, 8-9, 8-13
 - muffler hose 9-3
- clevis, upper delta 5-11, 5-13
- cluster, brake 4-7
- clutch alignment tool 16-3
- clutch pulley 10-5
- clutch repair kit 10-3
- clutch tool kit 16-3
- clutch weight 10-5
- clutch, drive 10-5
- clutch, driven 10-3
- collet 7-7
- column, steering 5-3
- communication display module 16-5
- component box, electrical 6-15
- component mounting plate 12-17
- compression gauge 16-5
- compression lug 12-17
- compression spring 8-13
- compressor, piston ring 16-7
- compressor, valve spring 16-7
- computer, onboard 12-17
- connecting rod 7-11
- connector, speed controller 12-17
- continuity tester 16-5
- controller cover 12-17
- controller cover gasket 12-17
- controller, motor speed
 - IQ 12-17
- cord connector 7-9
- cord set, DC 15-3
- cord, AC 15-3, 15-5, 15-7, 15-9
- cord, DC 15-5, 15-7, 15-9
- counterbalance guide shaft 7-11
- counterbalance weight 7-11
- cover
 - brush inspection port 6-17
 - crankcase 7-9
 - dust 4-7
 - electrical box 6-15
 - oil pump 7-5
 - screw head 1-15
 - steering column 5-3
- cover gasket, controller 12-17
- cover plate 13-3
- cover, controller 12-17
- cover, speed controller 12-17
- cowl support 1-17
- crank, bell 11-7
- crankcase 7-11
- crankcase cover 7-9
- crankcase vent tube 8-9
- crankshaft 7-11
- crankshaft rod 7-11
- crankshaft shim 7-11
- cross brace, seat support 1-31
- C-type stop ring 5-17
- cup, spring 4-11, 4-13
- current limiter 15-7
- cushion, shock absorber 5-15
- cutter, valve seat 16-7
- cylinder head 7-7
- D**
- dash closeout panel 1-17
- dash component 1-15

INDEX

dash panel 1-15
DC cord 15-5, 15-7, 15-9
DC cord set 15-3
decal
 component cover 3-9, 12-17
 crush area 3-3, 3-9
 crush warning 3-3, 3-9
 driver/passenger 3-5
 frame ground 3-5
 on/off 3-3, 3-7
 operating instructions 3-3, 3-7
 owner notice 3-3, 3-9
 rotating parts 1-27, 3-5, 6-17
 Tow/Run switch warning 3-9
 trailer hitch 3-3, 3-7
 vehicle loading 3-3, 3-7
 young driver warning 3-3, 3-7
delta A-plate 5-7
delta A-plate sub-assembly 5-7
delta shock and gear support 5-7
differential drive unit 11-9, 14-3
differential gear 14-3
differential gear case 11-13
differential guard 11-3, 14-5
differential housing 14-3
diode 6-15
dipstick 7-15
drain plug 7-5, 11-9
drain plug gasket 7-5, 11-9
drain plug, rubber 6-17
drive bar 12-9
drive belt 10-5
drive button 10-3
drive clutch 10-5
drive clutch button 10-5
drive clutch fixed-face 10-5
drive clutch holder tool 16-3
drive clutch hub puller 16-3
drive clutch puller 16-3
drive clutch spring 10-5
drive clutch weight 10-5
drive hub 10-5
drive selector shaft 11-9
drive unit bumper 13-3
drive unit guard 11-3, 14-5
driven clutch 10-3
driven clutch button 10-3
driven clutch cam 10-3
driven clutch cam puller 16-3
driven clutch fixed-face assembly 10-3
driven clutch puller plug 16-3
driver, drive clutch 10-5
drum, brake 4-7
dry moly lubricant 16-5
dust cover 4-7

E

eccentric bolt 5-11, 5-13
E-clip 4-9
electrical box cover 6-15
electrical component box 6-15
end cap, motor 13-3
end, tie rod 5-7
engine mounting plate 7-13
engine shroud 7-15
engine, FE350 S27 7-15
equalizer rod 4-9
equalizer, brake cable 4-9
exhaust system 9-3
exhaust valve 7-7
extension, spring latch 1-21
extrusion, cover support 12-17

F

face, moveable 10-3, 10-5
fan housing 7-15
fan shroud 7-15
fan, flywheel 7-3
fender 1-19, 1-23
field coil housing 6-17
fill plug 11-9
fill plug gasket 11-9
filter
 air 8-13
 fuel 8-3
 oil 7-5
 oil pump 7-5
fitting, thread-forming grease 5-9
fixed-face, drive clutch 10-5
fixed-face, driven clutch 10-3
float 8-7
floor mat 1-15
flywheel 7-3
flywheel fan 7-3
flywheel fan plate 7-3
flywheel puller 16-5
FNR handle 11-7
FNR housing 12-21
FNR shift lever 11-9
FNR shifter base 11-7
foam, seat 1-29
fork, shift 11-11
Forward/Reverse shifter 11-7
frame and field assembly (motor) 13-3
frame and field, starter/generator 6-17
front body support 1-19, 1-23
front bumper 1-5
front bumper kit 1-5
front hub 5-9
front spring retainer plate 5-11, 5-13
fuel filter 8-3

fuel gauge sending unit 8-5
fuel gauge/hour meter 6-3
fuel line 8-3, 8-9
fuel pump 8-3
fuel tank 8-5
fuel tank strap 8-3
fuel tank vent 8-3, 8-5
fuse 12-19, 15-5, 15-7, 15-9
 10-amp 6-15
 20-amp 6-15
 3/8-amp 12-19
 charger 15-3
fuse block 6-15

G

gasket
 carburetor 8-9
 carburetor mounting 8-7, 8-9
 crankcase cover 7-7, 7-9
 drain plug 7-5
 drain plug, fill plug 11-9
 exhaust 7-7, 9-3
 head 7-7
 insulator 7-7, 8-9
 liquid 14-3, 16-5
 plug 14-3
 rocker case 7-7
 seat 1-29
 sending unit 8-5
 taillight 6-5, 12-11
gasket kit, FE350 7-7
gasket, controller cover 12-17
gauge, compression 16-5
gauge, fuel/hour 6-3
gear
 25 tooth 11-11
 28 tooth 11-11
 differential 11-13, 14-3
 differential idler 14-3
 differential output 14-3
 helical 7-11
 planetary 11-13
 speed governor 11-11
 spur 7-11
 sun 11-13
gear yoke 16-5
gearcase 14-3
governor 11-11
governor arm 11-9
governor cable 8-11
governor cable bracket 8-11
governor shaft installation tool 16-5
grommet 8-3, 8-5
grommet, ignition 7-3
guard, brush 1-9
guard, differential 11-3, 14-5

INDEX

guide
choke lever 8-13
intake valve 7-7
valve seat cutter 16-7
guide ring adhesive 16-3

H

handle, FNR 11-7
hardware kit, charger 15-3
harness, wire 6-5, 6-13, 12-11
head gasket 7-7
head, cylinder 7-7
headlight 6-7, 12-13
headlight assembly 6-7, 12-13
headlight bulb 6-7, 12-13
headlight harness 6-7, 12-13
headlight retainer 6-7, 12-13
heatsink and rectifier 15-5, 15-7, 15-9
helical gear 7-11
hill brake rod 4-5
hill brake weld assembly 4-5
hinge plate 1-19, 1-23, 1-29
hinge support 1-25
hinge, cargo bed 1-25
hold-down, battery 12-15
hose
fuel 8-3
vent 8-3
hose, air intake 8-13
hour meter/fuel gauge 6-3
housing
2-pin 12-9
3-pin 12-9, 13-3
6-pin 12-17
differential 14-3
fan 7-15
field coil 6-17
hub 5-9
hub and spindle 5-9
hub cap 2-5, 5-9
hub cap, 7 prong 2-5
hub, front 5-9
hydrometer 16-5

I

idle screw assembly 8-7
idler bearing 10-5
idler gear, differential 14-3
ignition coil 7-3
inner frame snubber 7-13
input shaft 14-3
instrument panel 1-15
insulator gasket 7-7, 8-9
insulator, carburetor 8-9
intake pipe 8-9

intake valve 7-7
intermediate shaft 14-3
internal retaining ring pliers 16-5
IQ display module (IQDM) 16-5
IQ display module (IQDM-P) 16-5

J

J-bolt 12-15
jet, main 8-7
jet, pilot 8-7
joint
ball 4-3, 4-5, 11-5
jounce bumper 5-15

K

key
crankshaft 7-3, 7-11
driven clutch 10-3
On/Off 6-3, 12-7
square 10-3
key switch 6-3
key switch cap 6-3, 12-7
key switch, On/Off 12-7
kick plate, body 1-19, 1-23
kingpin 5-11, 5-13
kit
2-pin housing 12-9
3-pin housing 12-9, 13-3
6-pin housing 12-17
accelerator pivot rod 4-11, 4-13
air duct repair tape 8-13
brake cable 4-9
brake pedal 4-5
brake shoe retainer 4-7
clutch repair 10-3
drive clutch button 10-5
drive clutch weight 10-5
driven clutch button 10-3
fixed-face drive 10-5
front bumper 1-5
front hub replacement 5-9
fuel tank 8-5
gasket, FE350 7-7
hub cap 2-5
IQ display module (IQDM) 16-5
IQ display module (IQDM-P) 16-5
motor brush 13-3
motor brush spring 13-3
motor cover plate 13-3
motor speed sensor 13-3
motor terminal hardware 13-3
neutral lockout cam 11-7
park brake latch 4-5
park brake pedal 4-5
PD3 hardware 15-3

relay, 48V 15-5
reverse buzzer 6-3, 12-7
shock absorber 5-15
shock absorber cushion 5-15
shoe retainer 4-7
steering column mounting bracket 5-3
tune-up 16-7
wire assembly, charger 15-5

L

latch spring 1-21
latch, air box 8-13
latch, park brake 4-5
lens, headlight 6-7, 12-13
lens, taillight 6-5, 12-11
lever
choke 8-13
speed governor 11-9
transmission shift 11-9
light
battery warning 12-7
oil 6-3
tail 6-5, 12-11
limit switch 6-15, 11-7
limiter
current 15-7
line, fuel 8-9
link, rod 1-21
liquid gasket 14-3, 16-5
low oil warning light 6-3
lubricant, dry moly 16-5
lubricant, moly-teflon 13-3, 16-5
lug nut 2-3
lug stud 5-9, 11-13, 14-3
lug, compression 12-17

M

magnet, speed sensor 13-3
main jet 8-7
MCOR 12-9
mechanism, brake adjusting 4-7
meter, volt ohm 16-7
module
calibration test 16-3
communication display 16-5
moly-teflon lubricant 16-5
motor
48-volt IQ 13-3
motor brush kit 13-3
motor brush spring kit 13-3
motor bumper 13-3
motor end cap 13-3
motor magnet, speed sensor 13-3
motor speed controller
IQ 12-17

INDEX

motor speed sensor 13-3
motor speed sensor kit 13-3
motor terminal hardware kit 13-3
mounting block, brake 4-5
moveable-face 10-3, 10-5
muffler hose clamp 9-3

N

nerf bar 1-13
neutral lockout cam 11-7
non-skid tape 1-13
nozzle, main 8-7
nut, lug 2-3

O

OBC, onboard computer 12-17
oil conveyor 11-9
oil filler tube 7-15
oil filter 7-5
oil filter mount bracket 7-5
oil filter screen 7-9
oil filter screen plate 7-9
oil level sensor 7-9
oil level switch bracket 7-9
oil pump and rotor 7-5
oil pump cover 7-5
oil pump filter 7-5
oil pump plate 7-5
oil seal 7-7, 7-9, 7-11
oil warning light, low 6-3
O-ring 7-7, 7-9, 7-11, 7-15
overload bumper spacer 5-15

P

pad
 brake pedal 4-5
 park brake 4-5
 wear 1-19, 1-23
paint, touch-up 16-5
paint, underbody (black) 16-5
paint, underbody (gray) 16-5
panel
 closeout, dash 1-17
park brake latch 4-5
park brake pedal 4-5
park brake rod sleeve 4-5
park brake spacer 4-5
park brake torsion spring 4-5
pawl 4-5
pedal, brake 4-5
pedal, park brake 4-5
pilot air screw assembly 8-7
pilot jet 8-7
pin
 bow tie locking 4-9

 clevis 4-9
 piston 7-11
pinion, steering 5-17
pipe, intake 8-9
piston 7-11
piston pin 7-11
piston ring 7-11
piston ring compressor 16-7
piston ring pliers 16-7
piston ring set 7-11
pivot support bearing 4-11, 4-13
plate
 backing (brake) 4-7
 body kick 1-19, 1-23
 component mounting 12-17
 cover 13-3
 engine mounting 7-13
 flywheel fan 7-3
 front spring retainer 5-11, 5-13
 hinge 1-19, 1-23, 1-29
 oil filter screen 7-9
 oil pump 7-5
 receptacle backing 12-19
 spring mounting 5-11, 5-13
pliers
 internal retaining ring 16-5
 piston ring 16-7
 retaining ring 16-7
plug
 6-pin 12-17
 drain 7-5, 11-9
 drive clutch 10-5
 driven clutch puller 16-3
 fill 11-9
 rubber drain 6-17
 spark 7-3
plug cap 7-3
positioner, choke 8-13
press weldment 16-3
protector spray, battery terminal 16-3
puller
 bearing 16-3
 drive clutch 16-3
 drive clutch hub 16-3
 driven clutch cam 16-3
 flywheel 16-5
 seal 16-7
pulley
 clutch 10-5
 starter-generator 6-17
 v-belt 6-17
pump
 fuel 8-3
push rod 7-7

R

rack guide pressure spring 5-17
rack, steering 5-17
ratchet, park brake 4-5
reamer, valve guide 16-7
rear body 1-19
rear spring shackle 5-15
receptacle 12-19
receptacle backing plate 12-19
receptacle, AC cord 15-7
receptacle, battery charger 12-19
rectifier with heatsink 15-5, 15-7, 15-9
regulator, voltage 6-15
relay 15-3, 15-5, 15-7, 15-9
relay mounting bracket 15-9
relay, 48V 15-5
remover, bearing and oil seal 16-3
resistor assembly 12-17
retainer
 accelerator pedal spring 4-11, 4-13
 brake shoe 4-7
 cable 1-19, 1-23, 11-5
 headlight 6-7, 12-13
 shock absorber cushion 5-15
 spring 5-15
 spring (drive clutch) 10-5
 valve spring 7-7
retaining ring 5-3
retaining ring pliers 16-7
return spring bumper 4-11, 4-13
reverse buzzer 6-3, 12-7
rim, wheel 2-3
ring
 C-type stop 5-17
 piston 7-11
 retaining 5-3, 6-15, 10-3, 10-5, 11-7
 snap 5-17, 7-7, 7-11
 spiral backup 10-5
rivet, blind push 1-5
rock guard 11-3, 14-5
rocker arm 7-7
rocker case 7-7
rocker case gasket 7-7
rocker shaft 7-7
rocker switch 12-21
rod
 accelerator 4-3
 accelerator pivot 4-11, 4-13
 connecting 7-11
 crankshaft 7-11
 equalizer 4-9
 hill brake 4-5
 link 1-21
 push 7-7

INDEX

S

safety first card 16-7
screen, oil filter 7-9
screw, valve clearance adjuster 16-7
seal
 intake 8-13
 lip 14-3
 oil 7-7, 7-9, 7-11, 11-13, 14-3
 steering pinion dust 5-17
seal puller 16-7
sealant 14-3
seat
 spring 7-7
 valve 7-5
seat back, gray 1-31
seat bottom assembly 1-29
seat cover, vinyl 1-29
seat foam 1-29
seat gasket 1-29
seat support 1-31
seat support cross brace 1-31
seat, bearing 5-3
sending unit, fuel gauge 8-5
sensor, motor speed 13-3
sensor, oil level 7-9
shackle, rear spring 5-15
shaft
 counterbalance guide 7-11
 drive selector 11-9
 input 14-3
 intermediate 14-3
 rocker 7-7
 steering column 5-3
 transmission 11-11
shaft, reverse gear 11-11
shaft, secondary
 transmission 11-11
shift fork 11-11
shift lever 11-9
shifter base, FNR 11-7
shifter bracket 11-5
shim, camshaft 7-9
shim, crankshaft 7-11
shock absorber 5-7
shock absorber (rear) 5-15
shock absorber cushion 5-15
shock absorber cushion retainer 5-15
shock mounting bracket, drv 5-15
shock mounting bracket, pas 5-15
shoe retainer kit 4-7
shoe, brake 4-7
shroud 7-15
shroud, engine 7-15
shroud, fan 7-15
side bar 1-13

sleeve
 delta A-plate 5-7
 park brake rod 4-5
snap ring 5-17, 7-7, 7-11
snubber bracket 7-13
snubber, inner frame 7-13
solenoid, 12-volt 6-15
solenoid, 48-volt 12-17
spacer
 accelerator pivot rod 4-11, 4-13
 overload bumper 5-15
 park brake 4-5
spark plug 7-3
speed controller
 IQ 12-17
speed controller connector 12-17
speed controller cover 12-17
speed sensor 13-3
speed sensor magnet 13-3
speed sensor, motor 13-3
spindle 5-9
spindle and hub 5-9
spiral backup ring 10-5
spray, battery terminal protector 16-3
spring 1-21
 accelerator return 4-11, 4-13
 brake 4-7
 brake return 4-9
 brush 6-17, 13-3
 compression 8-13
 drive button 10-5
 drive clutch 10-5
 driven clutch 10-3
 extension 1-21
 extension return 8-13
 forward/reverse cam 11-7
 park brake torsion 4-5
 rack guide pressure 5-17
 steering shaft compression 5-3
 throttle return 8-9
 valve 7-7
spring cup 4-11, 4-13
spring mounting plate 5-11, 5-13
spring retainer 5-15
spring, leaf 5-11, 5-13
spur gear 7-11
stand-offs, plastic 15-3
starter/generator (bi-rotational) 6-17
starter/generator belt 6-9, 10-5
starter/generator brush cover kit 6-17
starter/generator brush spring 6-17
starter/generator brush terminal 6-17
starter/generator frame and field 6-17
starter/generator pulley 6-17
steel bushing 1-25, 5-11, 5-13, 5-15
steel pressure relief ball 7-5

steering column 5-3
steering column bearing press tool 16-7
steering column retaining ring tool 16-7
steering gear box 5-17
steering pinion 5-17
steering pinion dust seal 5-17
steering rack 5-17
steering shaft assembly 5-3
steering shaft compression spring 5-3
steering wheel 5-5
steering wheel puller tool 16-7
stem, valve 2-3
stiffener, bed support 1-25
stiffener, flywheel side 7-13
stiffener, PTO side 7-13
strap, A-plate 5-7
strap, fuel tank 8-3
stud 7-13
 lug 5-9, 11-13, 14-3
stud, ball 6-15, 11-7, 11-9
support
 bed 1-31
 brush guard 1-9, 5-11
 cowl 1-17
 hinge 1-25
 latch link 1-21
 seat 1-31
support yoke (steering) 5-17
support, front body 1-19, 1-23
support, seat 1-31
suppressor, voltage 15-5, 15-7, 15-9
switch
 four-position 15-7, 15-9
 key 6-3, 12-7
 limit 6-15, 11-7
 rocker 12-21
 Tow/Run 12-21
switch rubber boot 12-21
synchronizer, complete 11-11

T

12-volt solenoid 6-15
tachometer 16-7
tail light bulb 6-5, 12-11
taillight 6-5, 12-11
taillight gasket 6-5, 12-11
taillight kit 6-5, 12-11
taillight lens 6-5, 12-11
taligate 1-21
tank, fuel 8-5
tape, non-skid 1-13
tappet 7-9
tester, continuity 16-5
thermometer, battery 16-3
thread-forming grease fitting 5-9
throttle return spring 8-9

INDEX

throttle spring return bracket 8-9
thrust bearing 5-11, 5-13
tie rod 5-7
tie rod end 5-7
tie wrap 5-17, 6-15, 12-7, 12-17, 12-21
tilt bed catch 1-21
tilt latch 1-21
tire 2-3
tool
 accelerator pedal adjustment 16-3
 belt tensioning, starter/generator 16-7
 brake cable release 16-3
 cam installation 16-3
 charger bezel 16-3
 clutch alignment 16-3
 drive clutch holder 16-3
 governor shaft installation 16-5
 steering column bearing press 16-7
 steering column retaining ring 16-7
 steering wheel puller 16-7
 transaxle axle seal 16-7
 transaxle pinion seal 16-7
 transmission 16-7
tool kit, clutch 16-3
touch-up paint 16-5
Tow/Run switch 12-21
Tow/Run switch bracket 12-21
transaxle (Electric Vehicle) 14-3
transaxle axle seal tool 16-7
transaxle guard 11-3, 14-5
transaxle pinion seal tool 16-7
transaxle, Gaziano (Gasoline Vehicle) 11-9
transformer, battery charger 15-3, 15-5, 15-7, 15-9
transmission cable 11-5
transmission secondary shaft 11-11
transmission shaft 11-11
transmission tool 16-7
tube
 axle 11-13, 14-3
 carburetor air vent 8-5
 crankcase vent 8-9
 oil filler 7-15
tune-up kit 16-7
turn signal lens 6-7, 12-13

U

U-bolt 5-15
upper delta clevis 5-11, 5-13
urethane bushing 1-25, 5-7, 5-11, 5-13, 5-15

V

valve
 choke 8-13
 exhaust 7-7
 reed 7-7

valve clearance adjuster screw 16-7
valve guide reamer 16-7
valve guide, intake 7-7
valve seat 7-5
valve seat cutter 16-7
valve seat cutter guide 16-7
valve seat t-wrench 16-7
valve spring 7-7
valve spring compressor 16-7
valve spring retainer 7-7
valve stem 2-3
v-belt 6-9, 10-5
vent barb 8-3, 8-5
vent, barb 8-3
volt ohm meter 16-7
voltage regulator 6-15
voltage suppressor 15-5, 15-7, 15-9

W

warning light, low oil 6-3
wear pad 1-19, 1-23
wedge, bearing puller 16-3
weight
 clutch 10-5
 counterbalance 7-11
 secondary clutch 10-5
weldment
 press 16-3
wheel
 steering 5-5
wheel rim 2-3
wire harness 6-5, 6-13, 12-11
wire lead, ignition 7-3
wrap, tie 5-17, 6-15, 12-7, 12-17, 12-21

Y

yoke, gear 16-5
yoke, support (steering) 5-17



Club Car, Inc.
P.O. Box 204658
Augusta, GA 30917-4658
USA

Web www.clubcar.com
Phone 1.706.863.3000
1.800.ClubCar
Int'l +1 706.863.3000
Fax 1.706.863.5808