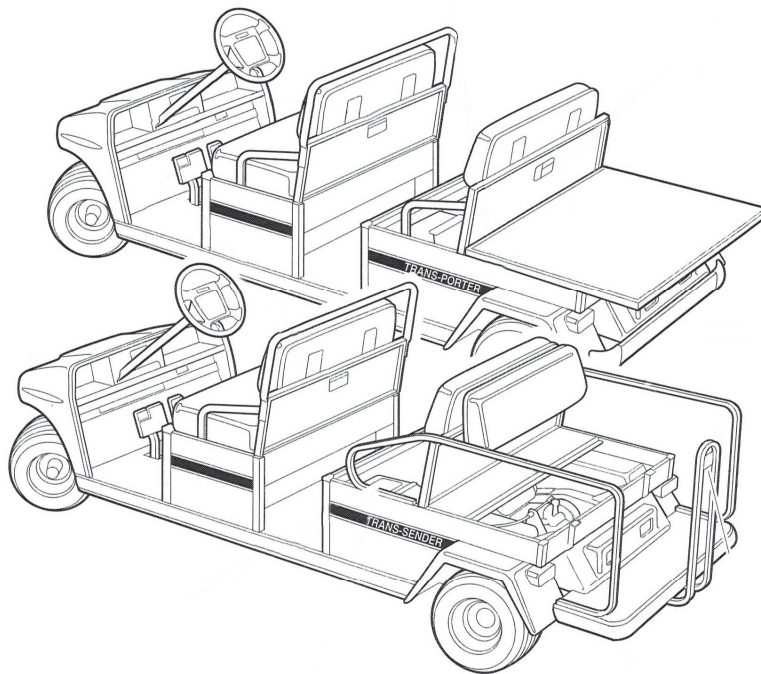


1994 Transportation Illustrated Parts List



**Trans-Porter, Trans-Sender, and Carryall VI
Gasoline and Electric Vehicles**

Manual Number 101770107
Edition Code 0893B1008A

USING THE ILLUSTRATED PARTS LIST

⚠ WARNING

- **This manual is to be used only for identification and ordering of service parts. Be sure to read and use the maintenance and service manual before attempting any vehicle repairs.**

Use the Table of Contents to find the sections and pages that contain the parts and assemblies you seek. The Table of Contents lists section numbers, and under them, the individual page titles and numbers to be found in that section. The index can be used to find specific parts and assemblies. The index is divided into numerical and alphabetical listings with the page numbers in italic text.

There is a two-page spread for each individual page title in the Table of Contents. On the left-hand page is an illustration showing the parts in their relative positions; the parts are each tagged with an item number in a balloon. The right-hand page is the parts list page, and gives the page title at the top, then the item numbers (corresponding to the numbers on the illustration), part descriptions, and quantity of parts used.

Note that a part description may be indented. This indentation corresponds to a parts assembly level indicated by the numbers 1, 2, 3, and 4 at the top left corner of the parts description area of the parts list page. A part that is indented to *level 2* is a component of the *level 1* part (assembly) that it is listed under. A *level 3* part is a component of the *level 2* part that it is listed under, and a *level 4* part is a component of the *level 3* part preceding it. In each case, the part quantity given for a level 2, 3, or 4 part *is the quantity used per next higher level assembly of which it is a component*. A part that is not indented is a *level 1* part. This means that the quantity given is the quantity used per the portion of the vehicle illustrated on that particular spread.

HOW TO ORDER PARTS

Replacement parts and accessories can be obtained from our network of authorized dealers and distributors. You can obtain the name and phone number of your closest authorized Club Car dealer or distributor by visiting our web site at www.clubcar.com and clicking on the "*Distributor Search*" link or by calling our toll-free Service Parts and Technical Assistance hotline at (800) 872-2246 or (706) 863-3000, extension 3887.

Copyright © 1993, 2008 Club Car, Inc.
Club Car and Carryall are registered
trademarks of Club Car, Inc



P. O. Box 204658
Augusta, Georgia 30917-4658 USA
Telephone 706-863-3000
Service Parts Fax 706-855-7413
www.clubcar.com

CONTENTS

MAINTENANCE AND SERVICE TOOLS

BODY AND TRIM

SECTION 1

Body and Trim Trans-Porter/Trans-Sender	1-3
Body and Trim Carryall-VI	1-5
Front Body and Bumpers	1-7
Rear Cover	1-9
Rear Footrest and Handrails - Trans-Sender	1-11
Rear Cargo Bed - Trans-Porter	1-13
Flatbed Assembly - Carryall-VI	1-14
Flatbed Trim - Carryall-VI	1-15
Flatbed Installation - Carryall-VI	1-17
Access Door and Side Doors - Carryall-VI	1-19
Seat Bottoms and Seat Backs	1-20
Seat Backs and Parts	1-21
Rear Seat and Parts - Trans-Sender	1-23

TRANSAXLE

SECTION 2

Transaxle	2-3
-----------------	-----

BRAKES, PEDAL, AND CABLE ASSEMBLY

SECTION 3

Brake Cluster, Right and Left	3-3
Brake Pedal and Cable Assembly	3-5
Accelerator Pedal Assembly	3-7

STEERING AND FRONT SUSPENSION

SECTION 4

Steering Column - Aluminum	4-3
Steering Assembly	4-5
Front Suspension Assembly - Delta A-Plate	4-7

ELECTRICAL AND BATTERY

SECTION 5

Wiring - '93 Vehicle with 290 Engine	5-3
Wiring - '94 Vehicle with 350 Engine	5-5
Electrical Component Box - '93 Vehicle with 290 Engine	5-7
Electrical Component Box - '94 Vehicle with 350 Engine	5-9
F&R Shifter Assembly	5-11
Starter Generator Assembly	5-13
Starter Generator - Mounting	5-14
Reverse Buzzer	5-15
Battery	5-16

ENGINE

SECTION 6

290 Engine	6-3 - 6-13
350 Engine	6-14 - 6-25

FUEL AND INTAKE SYSTEM

SECTION 7

Fuel System Assembly	7-3
Carburetor Assembly - '93 Vehicle with 290 Engine	7-5
Carburetor Assembly - '94 Vehicle with 350 Engine	7-7
Governor Guard and Intake Hose	7-9
Expansion Chamber, Choke, and Filter	7-11
Governor and Accelerator Cables	7-13

EXHAUST SYSTEM

SECTION 8

Exhaust System - '93 Vehicle with 290 Engine	8-3
Exhaust System - '94 Vehicle with 350 Engine	8-5

TORQUE CONVERTER

SECTION 9

Drive Clutch Assembly	9-3
Driven Clutch Assembly	9-5

TRANSMISSION AND GOVERNOR

SECTION 10

Transmission Assembly	10-3
-----------------------------	------

REAR SUSPENSION - GASOLINE VEHICLE

SECTION 11

Rear Suspension Assembly	11-3
Inner Frame Assembly	11-5
Stabilizer Bar - '93 Vehicle with 290 Engine	11-7
Stabilizer Bar - '94 Vehicle with 350 Engine	11-9

ELECTRICAL - ELECTRICAL VEHICLE

SECTION 12

Power Wiring - Solid State Controller	12-3 - 12-7
Forward and Reverse Switch - Solid State Controller	12-9
V-Glide Wiper Switch - Solid State Controller	12-11
Reverse Buzzer	12-12

CONTENTS CONT.

CHARGER	SECTION 13
Model 14800 Accu-Power	13-3
MOTOR	SECTION 14
CLUB CAR Model #1012191 and #1014678	14-3
REAR SUSPENSION ASSEMBLY - ELECTRIC VEHICLE	SECTION 15
Rear Suspension Assembly - Electric Vehicle	15-3

MAINTENANCE AND SERVICE TOOLS

DESCRIPTION	PART NO.
Internal Retaining Pliers	1013593
Brake Adjusting Tool	1013582
Volt Ohm Meter	1011480
Continuity Tester	1011273
Retaining Ring Pliers (45° External)	1012549
Retaining Ring Pliers (90° Internal)	1012560
Keyswitch Tool	1012801
Seal Puller	1012809
Bearing Puller	1012811
Bearing Puller Wedge Attachment	1012812
Tachometer	1016112
Drive Clutch Puller	1014496
Clutch Alignment Tool	1014498
Touch-up Paint- Grey	1017097-04
Transmission Tool Kit	1014115
TransAxle Pinion Seal Tool	1014161
TransAxle Axle Seal Tool	1014162
Steering Column Bearing Press Tool	1014264
Steering Column Retaining Ring Tool	1014259
Battery Terminal Protector	1014305
Dry Moly Lubricant	1012151
Flexible Body Repair Kit	1014963
Hydrometer	1011478
Battery Tester (Discharge Machine)	1010687
Battery Thermometer	1011767
Fly Wheel Puller Kit	1016627
Valve Seat Cutter 45° (32mm Diameter)	1016553
Valve Seat Cutter 45° (32mm Diameter)	1016554
Valve Seat Cutter 32° (35mm Diameter)	1016555
Clutch Tool Kit	1014510
Spring Tune-Up Kit (OHV Engine)	1016110-02
Compression Gauge	1016410-01
Adapter	1016410-02
Valve Spring Compressor	1016411-01
Adapter	1016411-02
Valve Guide Reamer	1016412-01
Arbor	1016412-02
Valve Clearance Adjuster Screw Holder	1016413
Piston Ring Compressor Kit	1016414
Piston Ring Plier	1016415
Bearing Driver Set	1016416
Bearing and Oil Seal Remover Assembly	1016417
Gear Yoke	1016418
Generator Belt Tension Tool	1016867
Muffler Spring Tool	1016712
Armorflex Repair Kit	1017295
Adhesion Promoter - Armorflex	1016985

Please refer to the Maintenance and Service Manual for proper tool application.

INDEX

GASOLINE



G

ELECTRIC



E

BODY AND TRIM - FRONT AND REAR



1

TRANSAXLE



2

BRAKES, PEDAL, AND CABLE ASSEMBLY



3

STEERING AND FRONT SUSPENSION










4

INDEX

GASOLINE



G

ELECTRICAL AND BATTERY		5
ENGINE		6
FUEL, INTAKE, AND GOVERNOR SYSTEM		7
EXHAUST SYSTEM		8
TORQUE CONVERTER		9
TRANSMISSION AND GOVERNOR		10
REAR SUSPENSION - GASOLINE VEHICLE		11

INDEX

ELECTRIC



E

ELECTRICAL - ELECTRIC VEHICLE



12

BATTERY CHARGER



13

MOTOR



14

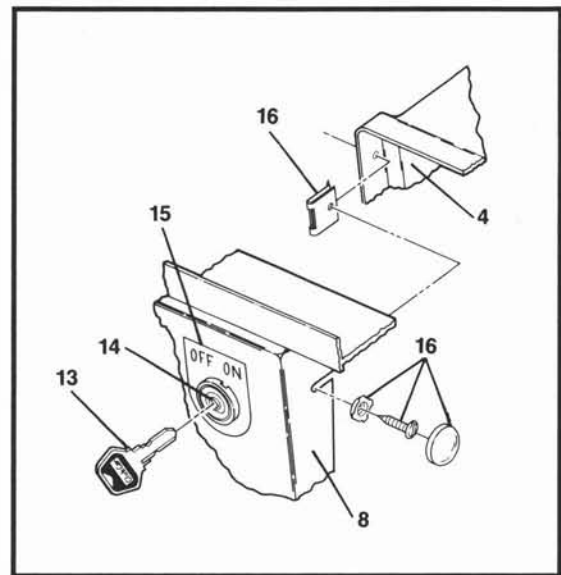
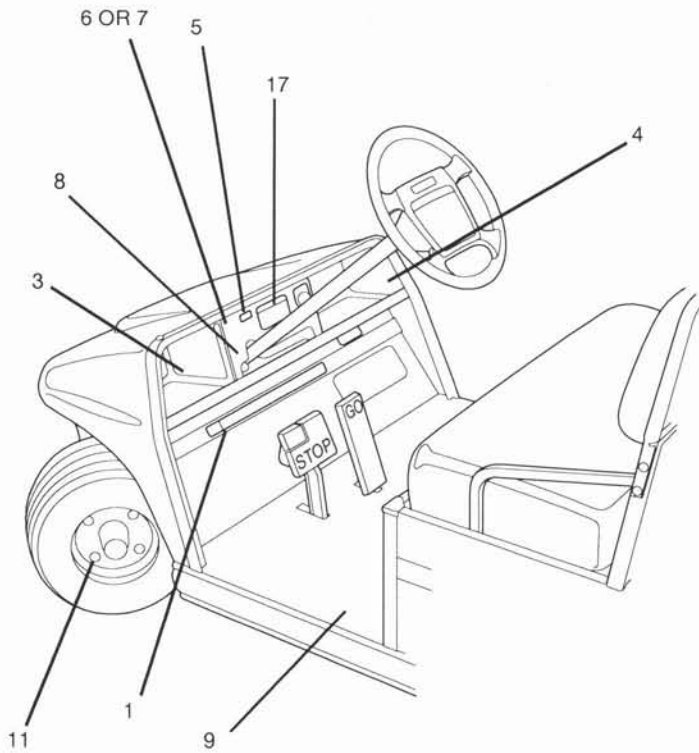
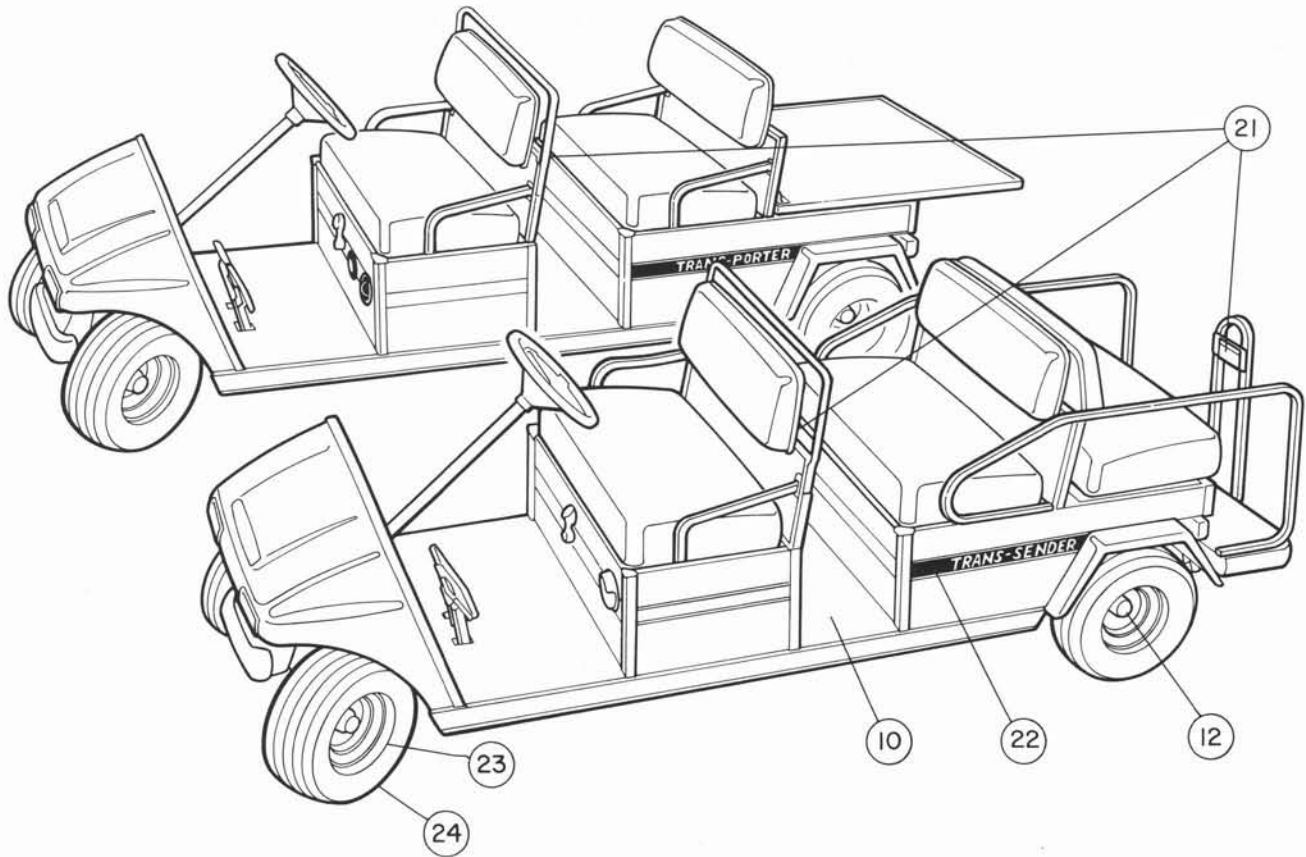
REAR SUSPENSION - ELECTRIC VEHICLE



15

Section 1

**BODY AND TRIM
FRONT AND REAR COVERS**



BODY AND TRIM - TRANSPORTER/TRANS-SENDER

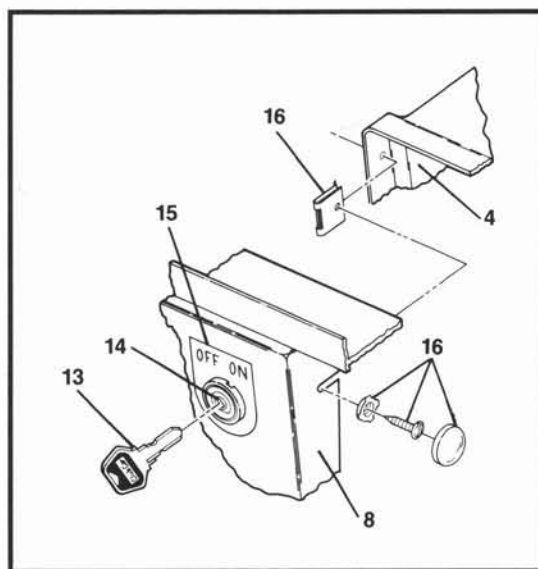
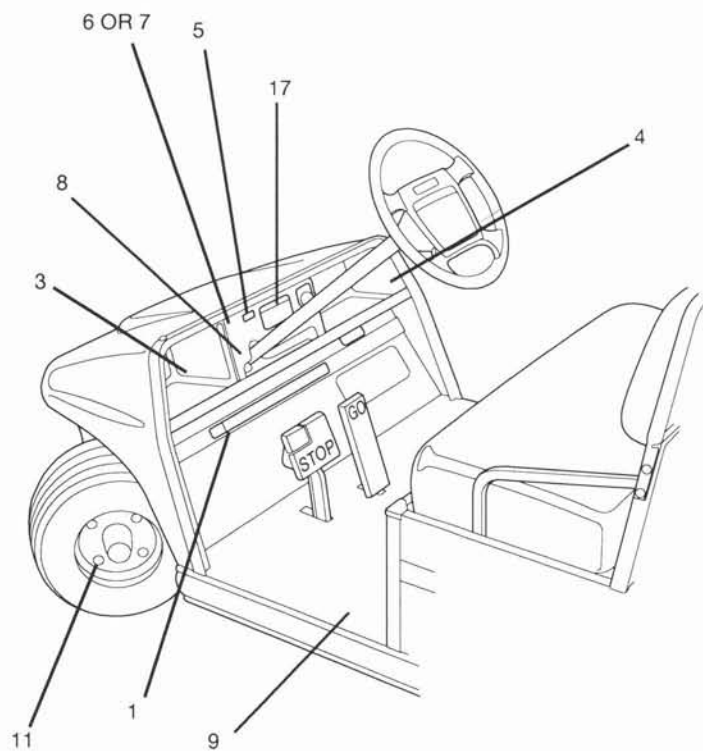
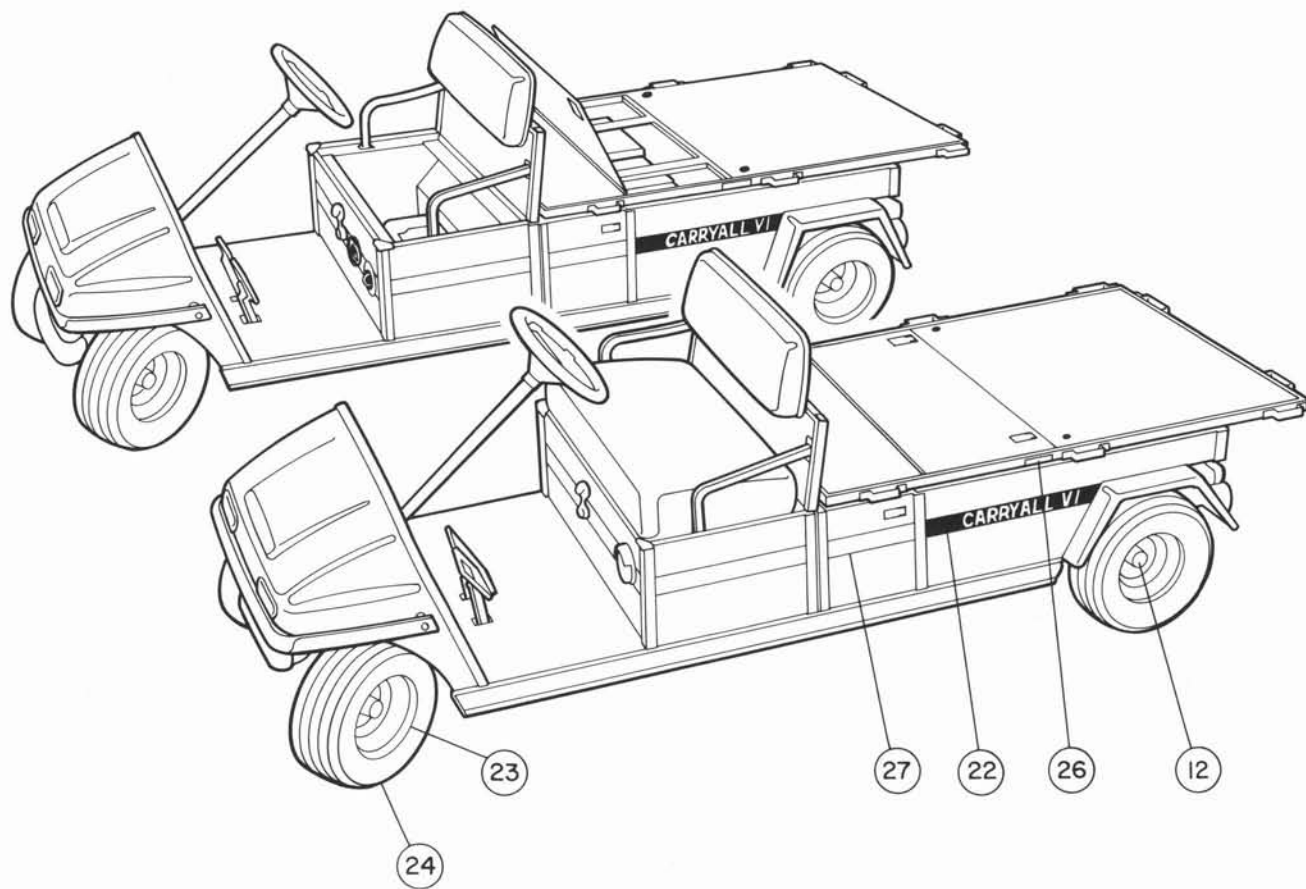
BODY AND TRIM - TRANSPORTER/TRANS-SENDER

ITEM NUMBER	PART NUMBER	DESCRIPTION	UNITS PER VEHICLE	UNITS PER VEHICLE	UNITS PER VEHICLE	UNITS PER VEHICLE
			TRANS-SENDER GAS	TRANS-SENDER ELEC.	TRANS-PORTER GAS	TRANS-PORTER ELEC.
1	1014883	DASH WARNING DECAL	1	1	1	1
3	1013344	DASH COMPONENT, LEFT (BLACK)	1	1	1	1
4	1013343	DASH COMPONENT, RIGHT (BLACK)	1	1	1	1
5	1016630	OIL LIGHT WITH INTERNAL RESISTOR	1		1	
6	1015103	FUEL GAUGE (NOT SHOWN)	1		1	
7	1016101	BATTERY CONDITION INDICATOR KIT (NOT SHOWN)		1		1
8	1017410-01	CENTER DASH PANEL WITH BATTERY INDICATOR OPENING (36V) (BLACK)		1		1
8	1016620-03	CENTER DASH PANEL WITH OIL AND FUEL GAUGE HOLE (BLACK)	1		1	
9	1017025	MOLDED FLOOR MAT, FRONT	1	1	1	1
10	1016718	MOLDED FLOOR MAT, REAR	1	1	1	1
11	1011390	LUG NUT PACKAGE (8 PIECES)	2	2	2	2
12	1012186	DUST SEAL	2	2	2	2
13	1012505	KEY, PAIR	1	1	1	1
14	1012415	SWITCH, KEY (INCLUDES 2 KEYS) 12 VOLT INCLUDES ITEM 13	1 ('93)		1 ('93)	
14	1012531	SWITCH, KEY (INCLUDES 2 KEYS) 36 VOLT INCLUDES ITEM 13		1		1
14	1016833	SWITCH, IGNITION (INCLUDES 2 KEYS) 12 VOLT, FE 350 ONLY	1 ('94)		1 ('94)	
15	1012530	DECAL, ON/OFF	1	1	1	1
15	1016906	DECAL, ON/OFF/START	1 ('94)		1 ('94)	
16	1014645	SNAP WASHER KIT, (BLACK)	2	2	2	2
17	1015539	BED LOAD DECAL			1	1
19	1015475	MOVING PARTS DECAL - GASOLINE VEHICLE (NOT SHOWN)	1		1	
20	1015476	DANGER DECAL - GASOLINE (NOT SHOWN)	1		1	
21	1016789	PASSENGER WARNING DECAL	2	2	1	1
22	1016726-02	DECAL - LEFT SIDE TRANS-SENDER	1	1		
22	1016726-01	DECAL - RIGHT SIDE TRANS-SENDER	1	1		
22	1016725-02	DECAL - LEFT SIDE TRANS-PORTER			1	1
22	1016725-01	DECAL - RIGHT SIDE TRANS-PORTER			1	1
23	1016514-06	TIRE AND WHEEL ASSEMBLY, WHITE, POWER CUSHION 6 PLY	4	4	4	4
23	1016514-07	TIRE AND WHEEL ASSEMBLY, WHITE, SOFTRAC 6 PLY	4	4	4	4
24	1017370	UNMOUNTED TIRE, POWER CUSHION 6 PLY	A/R	A/R	A/R	A/R
24	1017693	UNMOUNTED TIRE, SOFTRAC 6 PLY	A/R	A/R	A/R	A/R
25	1014771	WHEEL RIM, WHITE (UNMOUNTED RIM NOT SHOWN)	A/R	A/R	A/R	A/R

G

E

1



BODY AND TRIM - CARRYALL-VI

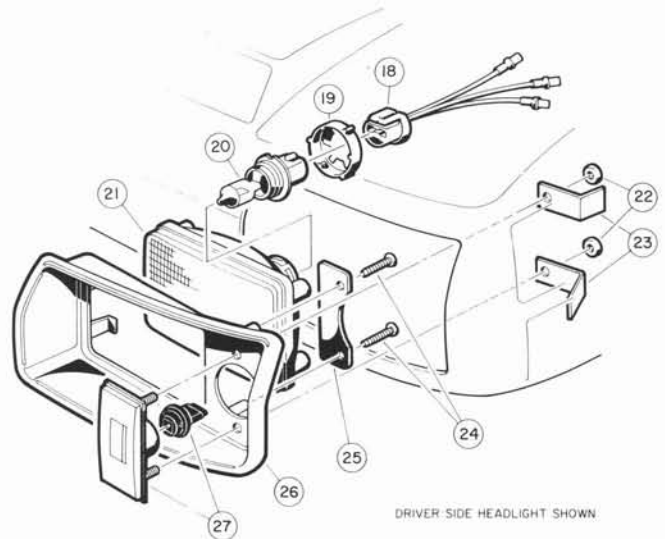
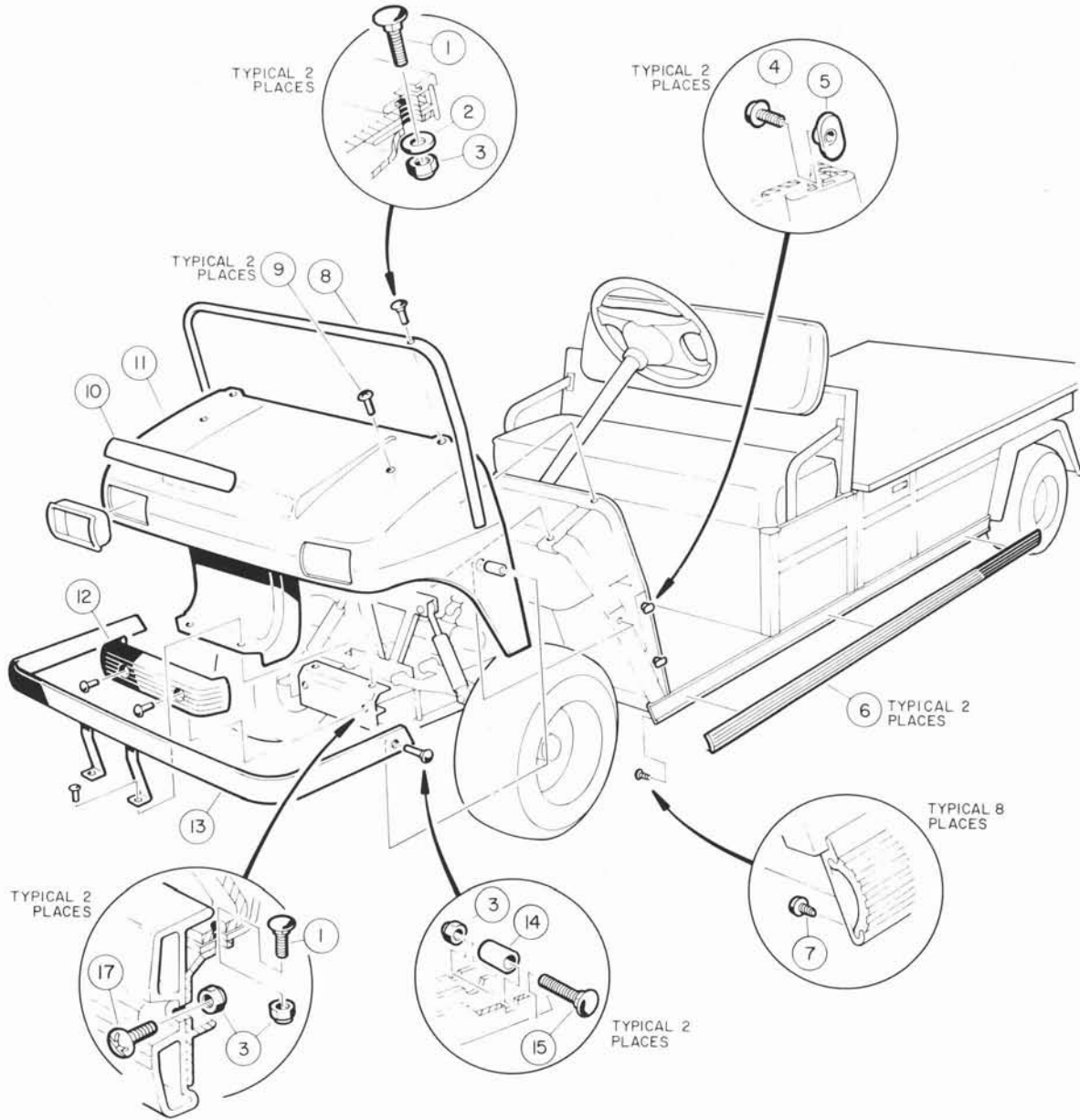
BODY AND TRIM - CARRYALL-VI

ITEM NUMBER	PART NUMBER	1 2 3 4	DESCRIPTION	UNITS PER VEHICLE	UNITS PER VEHICLE
				CARRY-ALL-VI GAS	CARRY-ALL-VI ELEC.
1	1014883		DASH WARNING DECAL	1	1
3	1013344		DASH COMPONENT, LEFT (BLACK)	1	1
4	1013343		DASH COMPONENT, RIGHT (BLACK)	1	1
5	1016630		OIL LIGHT	1	
6	1015103		FUEL GUAGE WITH INTERNAL RESISTOR (NOT SHOWN)	1	
7	1016101		BATTERY CONDITION INDICATOR KIT (NOT SHOWN)		1
8	1017410-01		CENTER DASH PANEL WITH BATTERY INDICATOR OPENING (36V) (BLACK)		1
8	1016620-03		CENTER DASH PANEL WITH OIL AND FUEL GUAGE HOLE (BLACK)	1	
9	1017025		MOLDED FLOOR MAT, FRONT	1	1
11	1011390		LUG NUT PACKAGE (8 PIECES)	2	2
12	1012186		DUST SEAL	2	2
13	1012505		KEY, PAIR	1	1
14	1012415		SWITCH, KEY (INCLUDES 2 KEYS) 12 VOLT INCLUDES 13	1	
14	1012531		SWITCH, KEY (INCLUDES 2 KEYS) 36 VOLT INCLUDES 13		1
15	1012530		DECAL, ON/OFF	1	1
16	1014645		SNAP WASHER KIT, (BLACK)	2	2
17	1017160		VEHICLE LOADING DECAL CARRYALL-VI	1	1
19	1015475		MOVING PARTS DECAL - GASOLINE (ON FRAME)	1	
20	1015476		DANGER DECAL - GASOLINE (NOT SHOWN)	1	
22	1016971-02		DECAL - LEFT SIDE CARRYALL-VI	1	1
22	1016971-01		DECAL - RIGHT SIDE CARRYALL-VI	1	1
23	1016514-06		TIRE AND WHEEL ASSEMBLY, WHITE, POWER CUSHION 6 PLY	4	4
23	1016514-07		TIRE AND WHEEL ASSEMBLY, WHITE, SOFTRAC 6 PLY	4	4
24	1017370		UNMOUNTED TIRE, POWER CUSHION 6 PLY	A/R	A/R
24	1017693		UNMOUNTED TIRE, SOFTRAC 6 PLY	A/R	A/R
25	1014771		WHEEL RIM, WHITE (UNMOUNTED RIM NOT SHOWN)	A/R	A/R
26	1017078		BED HOLD DOWN DECAL	1	1
27	1016757		SIDE DECAL FRONT	2	2

G

E

1

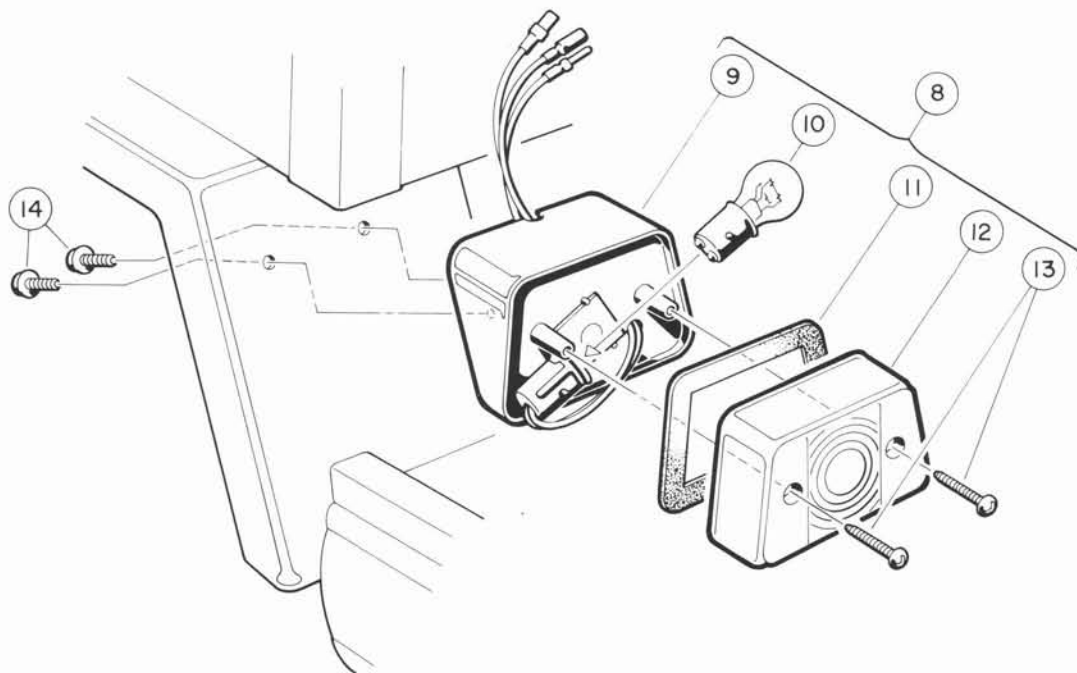
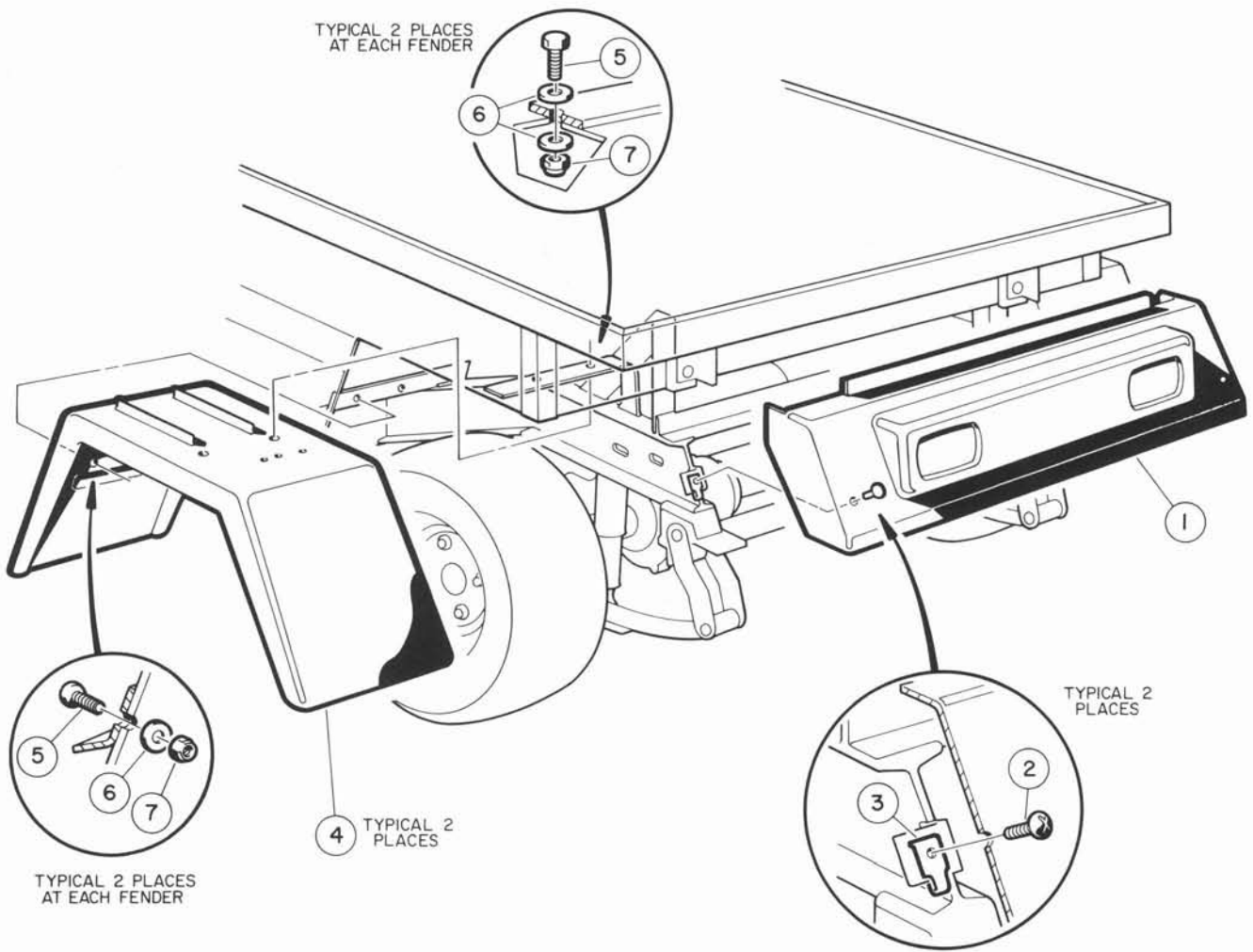


FRONT BODY & BUMPERS

FRONT BODY & BUMPERS

ITEM NUMBER	PART NUMBER	DESCRIPTION	UNITS PER VEHICLE	
			GAS	ELEC.
1	1010435	ROUND HEAD SQUARE NECK BOLT, 5/16-18 X 1"	2	2
2	1241	FLATWASHER, 5/16 DIAMETER	2	2
3	7473	NYLON INSERT LOCKNUT, 5/16-18	2	2
4	1011017	FLANGE LOCK SCREW	6	6
5	1011394	SLAB BASE "T" NUT PACKAGE (4 PIECES)	1	1
6	1016711	BUMPER GUARD SIDE TRIM	2	2
7	1012047	SELF TAPPING SCREW, #8-32	8	8
8	1011014	FRONT BODY, TRIM	1	1
9	1017177	PHILLIPS TRUSS HEAD SCREW, 5/16-18 X 1"	2	2
10	1016702	NAMEPLATE CLEAR	1	1
11	1016939-04	FRONT BODY WITH HEADLIGHT OPENING, GRAY	1	1
12	1016868	BUMPER FRONT	1	1
13	1017348-02	HEAVY DUTY BUMPER KIT INCLUDES ITEMS 1, 3, 14 AND 15	1	1
14	1010546	STANDARD WASHER (CARRYALL-VI ONLY)	2	2
15	1015405	ROUND HEAD SQUARE NECK BOLT, 5/16-18 X 2"	2	2
16	1016967	BLIND RIVET PUSH TYPE (TRANS-PORTER & TRANS-SENDER ONLY)	2	2
17	1017177	PHILLIPS TRUSS HEAD SCREW (BLACK), 5/16-18 X 1"	2	2
18	1017066	HEADLIGHT WIRE HARNESS	2	2
19	1017059	BULB COLLAR LOCK	2	2
20	1017060	HALOGEN BULB	2	2
21	1017061	HEADLIGHT LENS	2	2
22	7893	HEX NUT, #10-32	4	4
23	1017064	MOUNTING BRACKET	4	4
24	1013461	HI-LO SCREW, #10-16	4	4
25	1017065	HEADLIGHT RETAINER	2	2
26	1016880	HEADLIGHT BEZEL, LEFT (DRIVER SIDE)	1	1
26	1016879	HEADLIGHT BEZEL, RIGHT (PASSENGER SIDE)	1	1
27	1017062	TURN SIGNAL LENS ASSEMBLY	2	2
	1016897-01	HEADLIGHT ASSEMBLY, LEFT (DRIVER SIDE) INCLUDES ITEMS 18-27	1	1
	1016897-02	HEADLIGHT ASSEMBLY, RIGHT (PASSENGER SIDE) INCLUDES ITEMS 18-27	1	1
	1017080	FRONT BUMPER KIT INCLUDES ITEMS 3, 12 AND 17		

G
E
1



REAR COVER

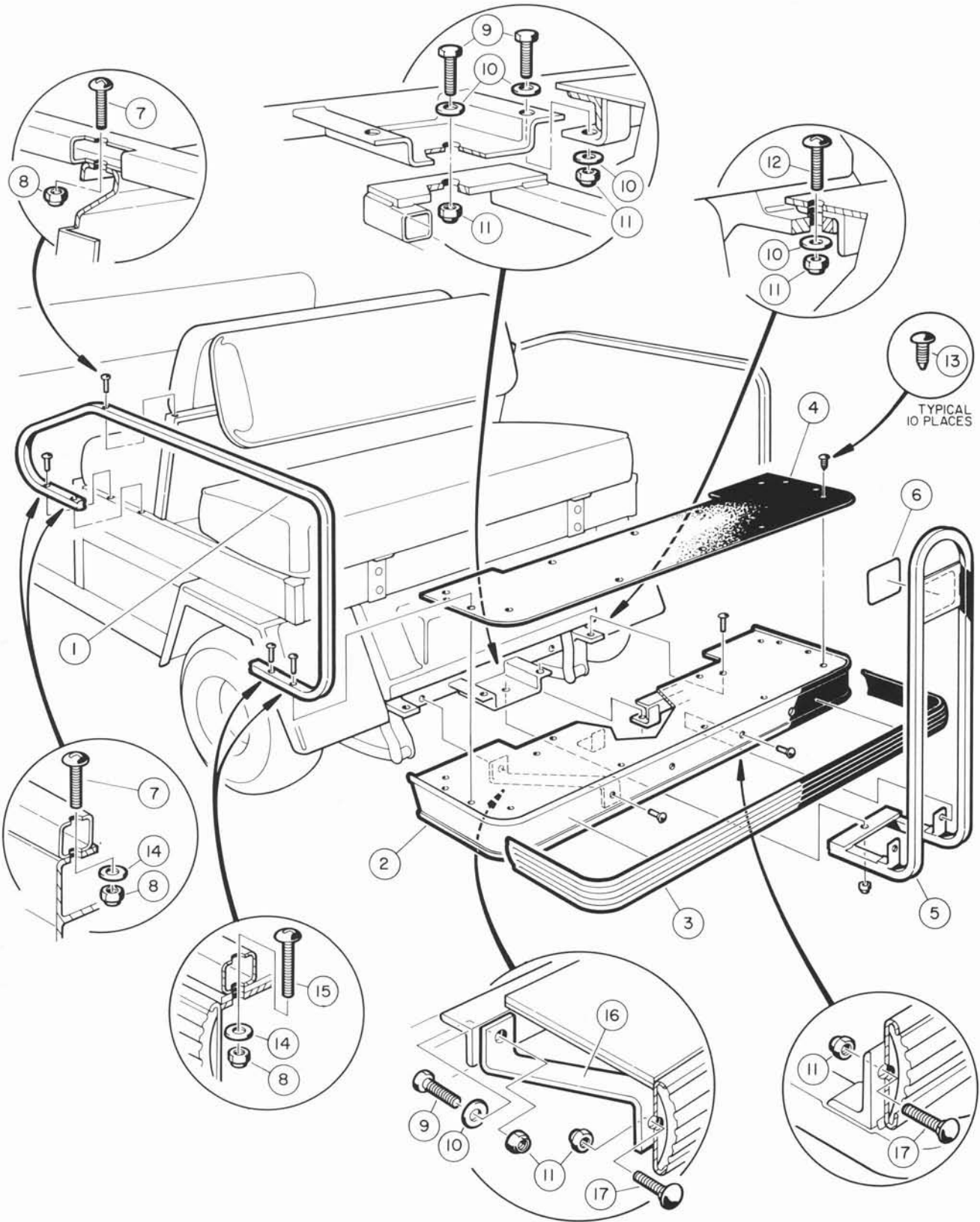
REAR COVER

ITEM NUMBER	PART NUMBER	1 2 3 4	DESCRIPTION	UNITS PER VEHICLE
1	1015530		TAILSKIRT, TILT BED	1
2	8248		PHILLIPS HEAD SCREW, 1/4-20 X 3/4"	2
3	1015529		TINNERMAN U-TYPE NUT, 1/4-20	2
4	1016679		REAR FENDER	2
5	304		HEX HEAD CAP SCREW, 1/4-20 X 1"	8
6	1014306		FLATWASHER, 1/4 DIAMETER	12
7	8233		NYLON INSERT LOCKNUT, 1/4-20	8
8	1016717		STOP/TAIL LIGHT ASSEMBLY INCLUDES ITEMS 9 THRU 14	2
9	NO #		TAIL LIGHT HOUSING	2
10	1011582		BULB	2
11	NO #		GASKET	2
12	NO #		LENS	2
13	NO #		LENS SCREW	2
14	1015752		HEX WASH HEAD SCREW, #12-16 X 1/2"	4
				4

G

E

1



REAR FOOTREST AND HANDRAILS - TRANS-SENDER

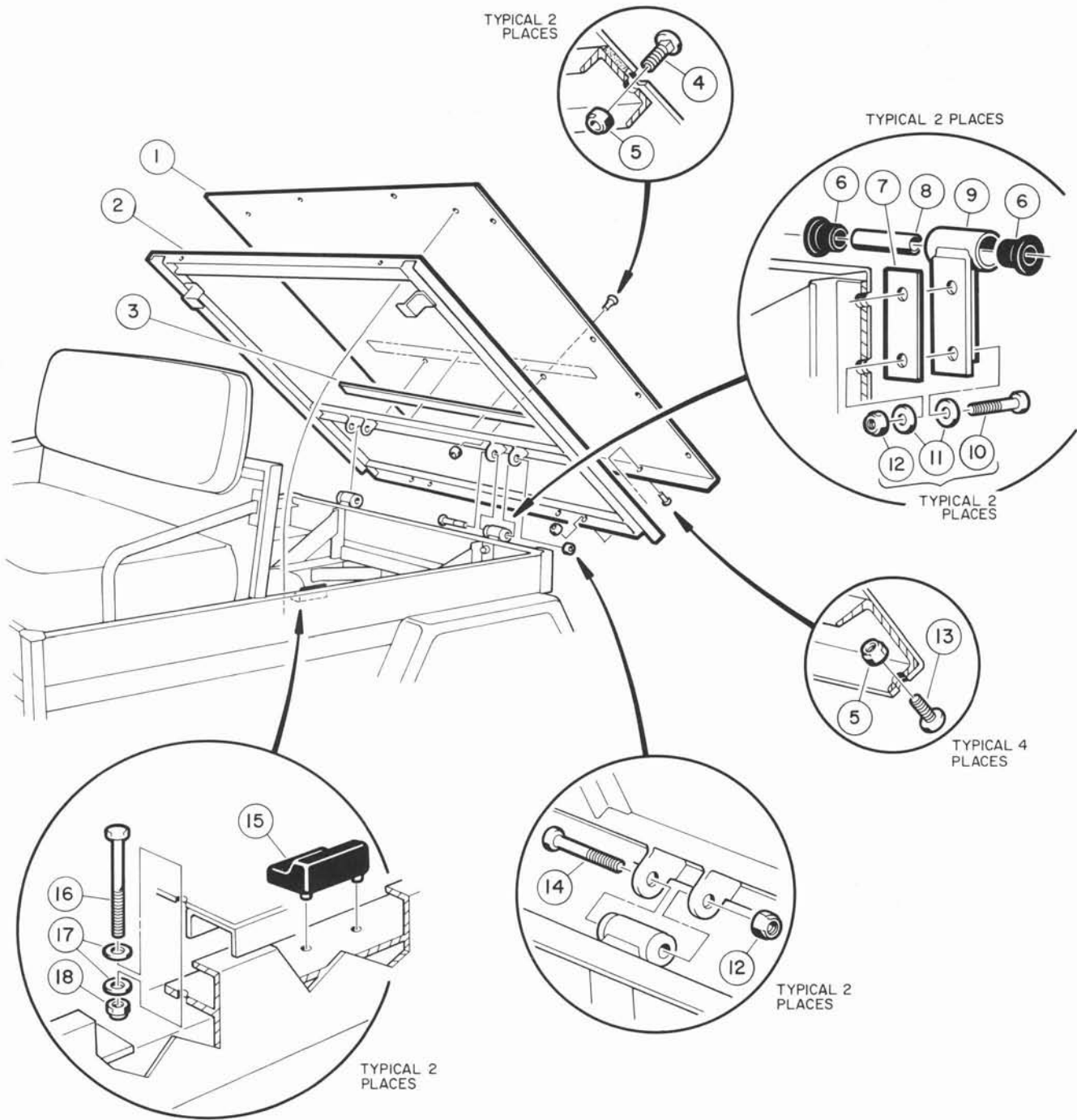
REAR FOOTREST AND HANDRAILS - TRANS-SENDER

ITEM NUMBER	PART NUMBER	1 2 3 4	DESCRIPTION	UNITS PER VEHICLE
1	1016826		REAR SEAT ARMREST	2
2	1016843		REAR FOOTREST ASSEMBLY INCLUDES ITEMS 2 THRU 4, 2 OF ITEM 11, AND ITEMS 13, 16 AND 17	1
3	1016835		BUMPER GUARD	1
4	1016838		FOOTREST MAT	1
5	1016842		REAR SEAT HANDRAIL	1
6	1016789		WARNING DECAL	1
7	1017172		PHILLIPS TRUSS HEAD SCREW, 1/4-20 X 1-1/2"	6
8	8233		NYLON INSERT LOCKNUT, 1/4-20	10
9	1218		HEX HEAD CAP SCREW, 5/16-18 X 1-1/4"	5
10	1241		FLAT WASHER, 5/16 DIAMETER	9
11	7473		NYLON INSERT LOCKNUT, 5/16-18	11
12	7410		TRUSS HEAD SCREW, 5/16-18 X 1-1/4"	2
13	1010434		PLASTIC BARREL	10
14	332		FLAT WASHER, 1/4 DIAMETER	8
15	1017181		PHILLIPS TRUSS HEAD SCREW, 1/4-20 X 2"	4
16	1016668		CONNECTING BAR	2
17	1010435		ROUND HEAD SQUARE NECK BOLT, 5/16-18 X 1"	4

G

E

1



REAR CARGO BED - TRANS-PORTER

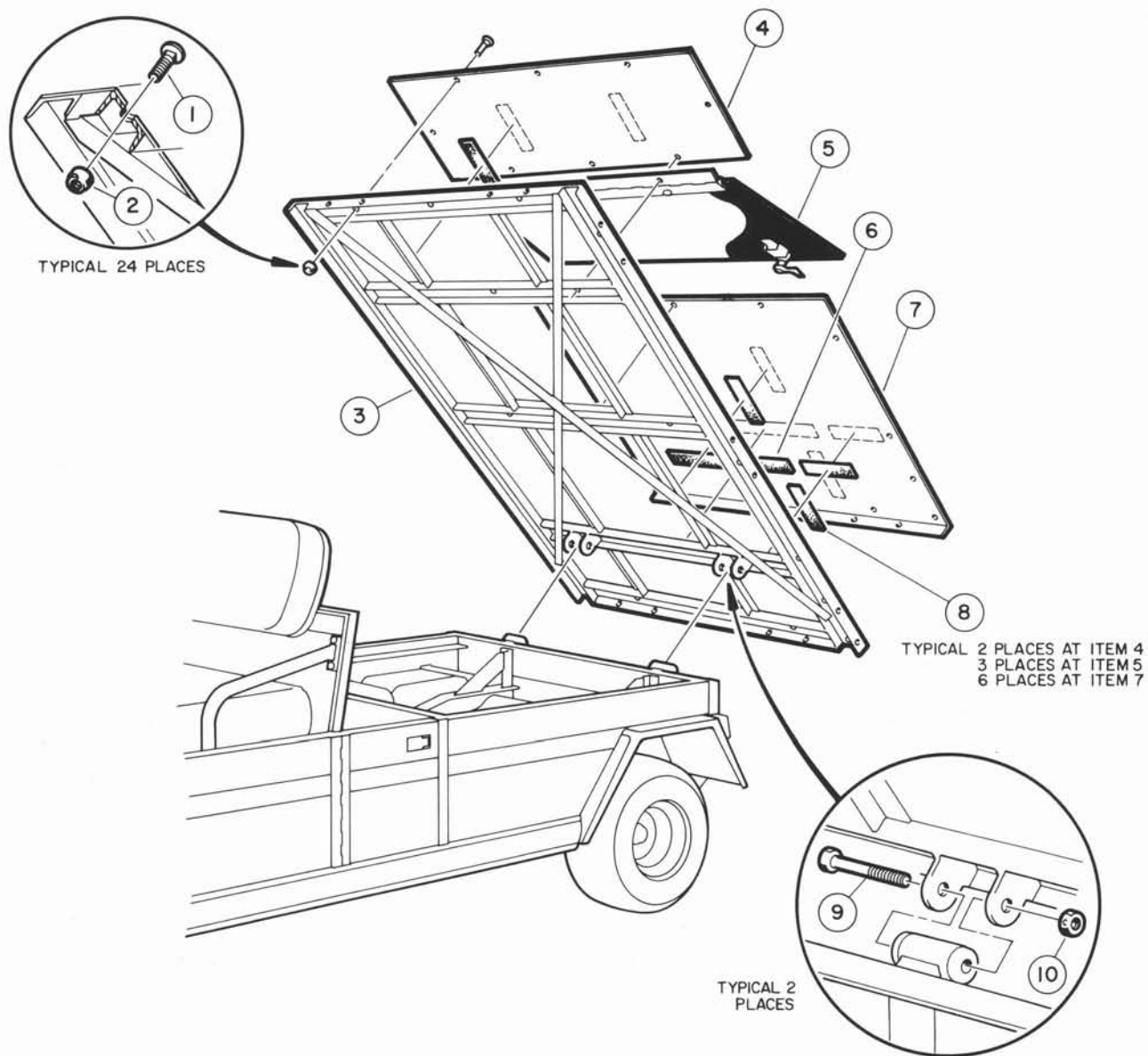
REAR CARGO BED - TRANS-PORTER

ITEM NUMBER	PART NUMBER	DESCRIPTION				UNITS PER VEHICLE
		1	2	3	4	
1	1016724	TILT BED ASSEMBLY INCLUDES ITEMS 1 THRU 5 AND 13				1
2	NO #	WELD ASSEMBLY TILT BED				1
3	1014471	INSULATION X 42"				1
4	1010435	ROUND HEAD SQUARE NECK BOLT, 5/16-18 X 1"				2
5	7473	NYLON INSERT LOCKNUT, 5/16-18				6
6	1015583	URETHANE BUSHING				4
7	1015507	SHIM, TILT BED PIVOT				2
8	1012303	STEEL BUSHING				2
9	1015356	HINGE WELD ASSEMBLY, TILT BED				2
10	705	HEX HEAD CAP SCREW, 3/8-16 X 1-1/4" ZINC				4
11	1011990	FLAT WASHER, 3/8 DIAMETER				8
12	8754	NYLON INSERT LOCKNUT, 3/8-16				4
13	1015399	TORX TRUSS HEAD SCREW, 5/16-18 X 3/4"				4
14	8755	HEX HEAD CAP SCREW, 3/8-16 X 3-3/8"				2
15	1015242	BED BUMPER				2
16	1013872	HEX HEAD CAP SCREW, 1/4-20 X 4"				2
17	332	FLATWASHER, 1/4 DIAMETER				4
18	8233	NYLON INSERT LOCKNUT, 1/4-20				2

G

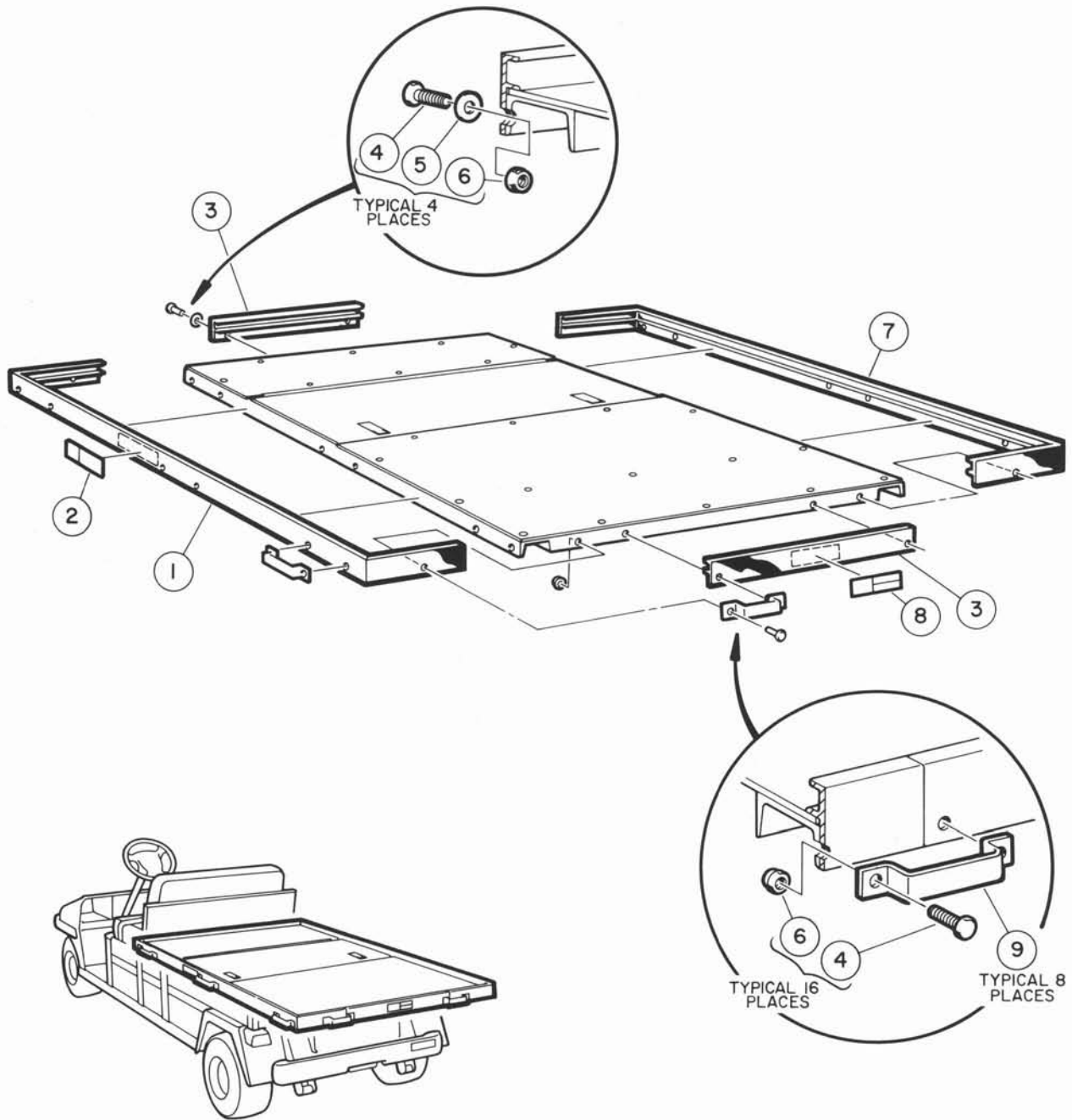
E

1



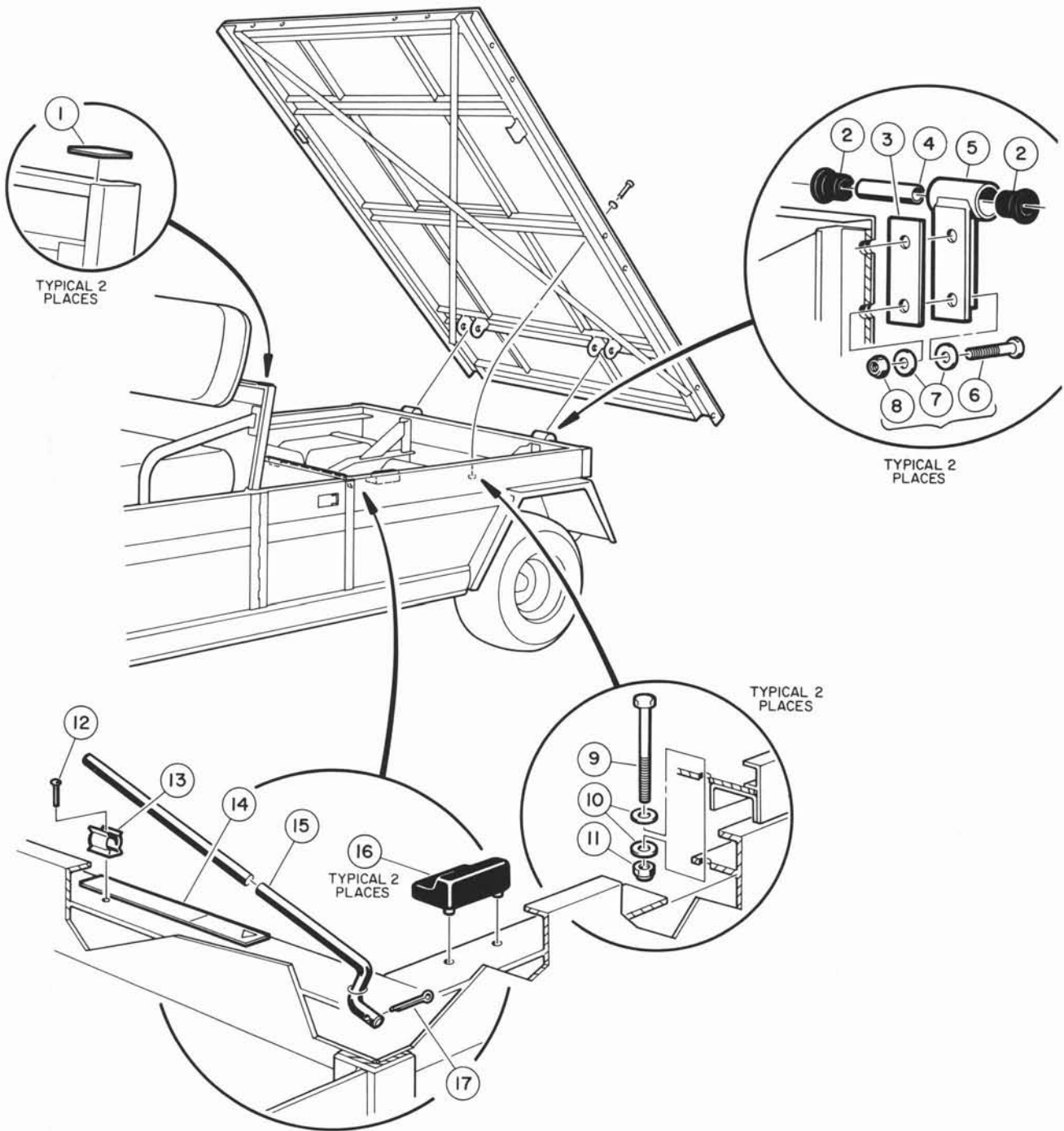
FLAT BED ASSEMBLY - CARRYALL-VI

ITEM NUMBER	PART NUMBER	1 2 3 4	DESCRIPTION	UNITS PER VEHICLE
1	1010435		ROUND HEAD SQUARE NECK BOLT, 5/16-18 X 1"	24
2	7473		NYLON INSERT LOCKNUT, 5/16-18	24
3	1016878		BED FRAME	1
4	1016892		FORWARD FLOOR PLATE	1
5			ACCESS DOOR (SEE PAGE 1-18 & 1-19)	1
6	1014471		INSULATION X 20"	1
7	1016893		REAR FLOOR PLATE	1
8	1014471		INSULATION X 8"	11
9	8755		HEX HEAD CAP SCREW, 3/8-16 X 3-3/8"	2
10	1010138		DIMPLED LOCKNUT, 3/8-16	2
	1016942		FLAT BED ASSEMBLY INCLUDES ITEMS 1 THRU 8	



FLAT BED TRIM - CARRYALL-VI

ITEM NUMBER	PART NUMBER	1 2 3 4	DESCRIPTION	UNITS PER VEHICLE
1	1016944		LONG BED TRIM, LEFT	1
2	1017078		BED HOLD DOWN DECAL	1
3	1016943		LONG BED TRIM, FRONT AND REAR	2
4	1010934		HEX HEAD BOLT 5/16-18 X 1"	20
5	1241		FLAT WASHER, 5/16 DIAMETER	4
6	7473		NYLON INSERT LOCKNUT, 5/16-18	20
7	1016948		LONG BED TRIM, RIGHT	1
8	1015539		BED LOAD DECAL	1
9	1016077		STAKE SIDE BRACKET	8

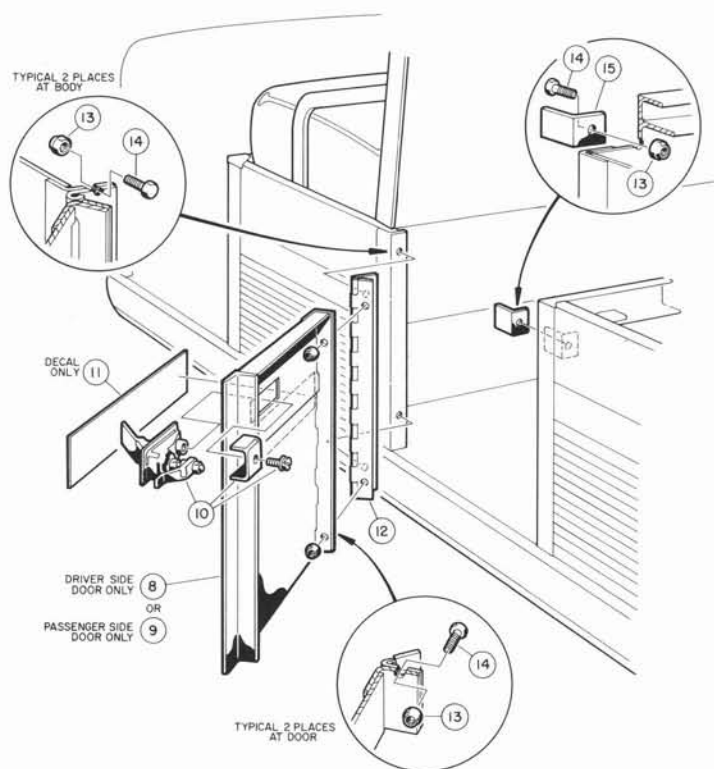
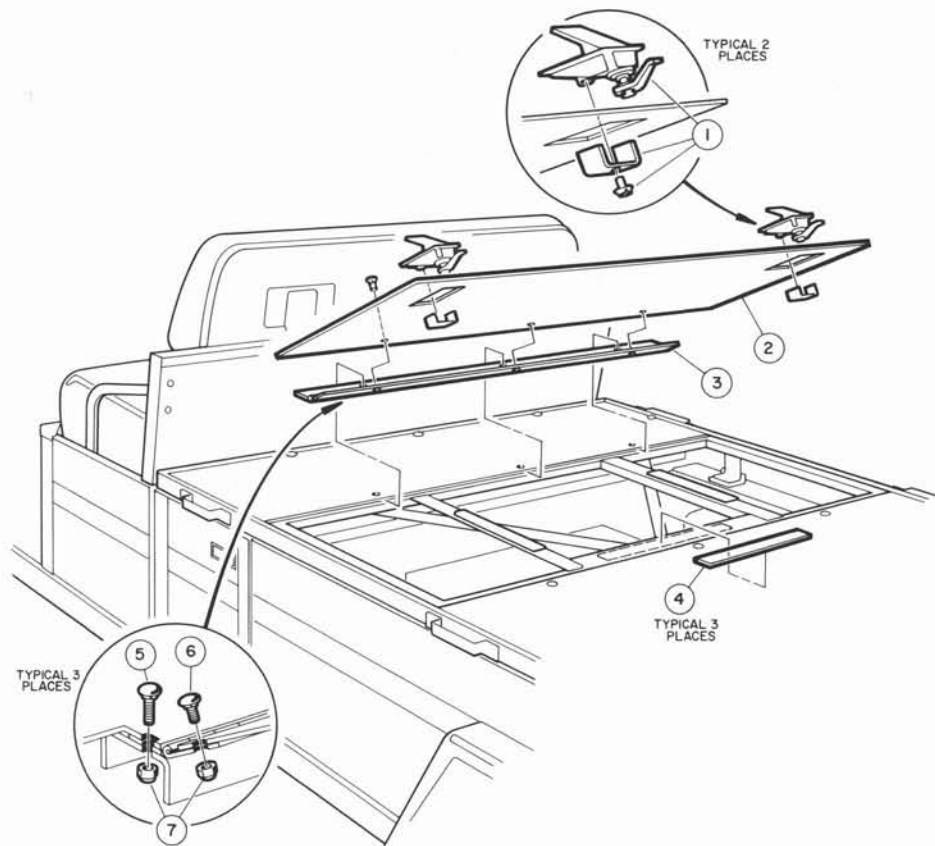


FLAT BED INSTALLATION - CARRYALL-VI

FLAT BED INSTALLATION - CARRYALL-VI

ITEM NUMBER	PART NUMBER	1 2 3 4	DESCRIPTION	UNITS PER VEHICLE
1	1016094		PINCH POINT WARNING DECAL	2
2	1015583		URETHANE BUSHING	4
3	1015507		SHIM TILT BED PIVOT	2
4	1012303		STEEL BUSHING	2
5	1015356		HINGE WELD ASSEMBLY TILT BED	2
6	8861		HEX HEAD CAP SCREW, 3/8-16 X 3/4"	4
7	1011990		FLAT WASHER, 3/8 DIAMETER	8
8	8754		NYLON INSERT LOCKNUT, 3/8-16	4
9	1013872		HEX HEAD CAP SCREW, 1/4-20 X 4"	2
10	332		FLAT WASHER, 1/4 DIAMETER	4
11	8233		NYLON INSERT LOCKNUT, 1/4-20	2
12	1015727		RIVET	1
13	1013413		ROD CLIP CARRYALL, 3/8" DIAMETER	1
14	1017257		MANIFOLD WARNING DECAL (GASOLINE ONLY)	1
15	1017032		PROP ROD, LONG BED	1
16	1015242		BED BUMPER CARRYALL	2
17	1035		COTTER PIN, 3/32 DIAMETER X 1"	1

G
E
1



ACCESS DOOR AND SIDE DOORS - CARRYALL-VI

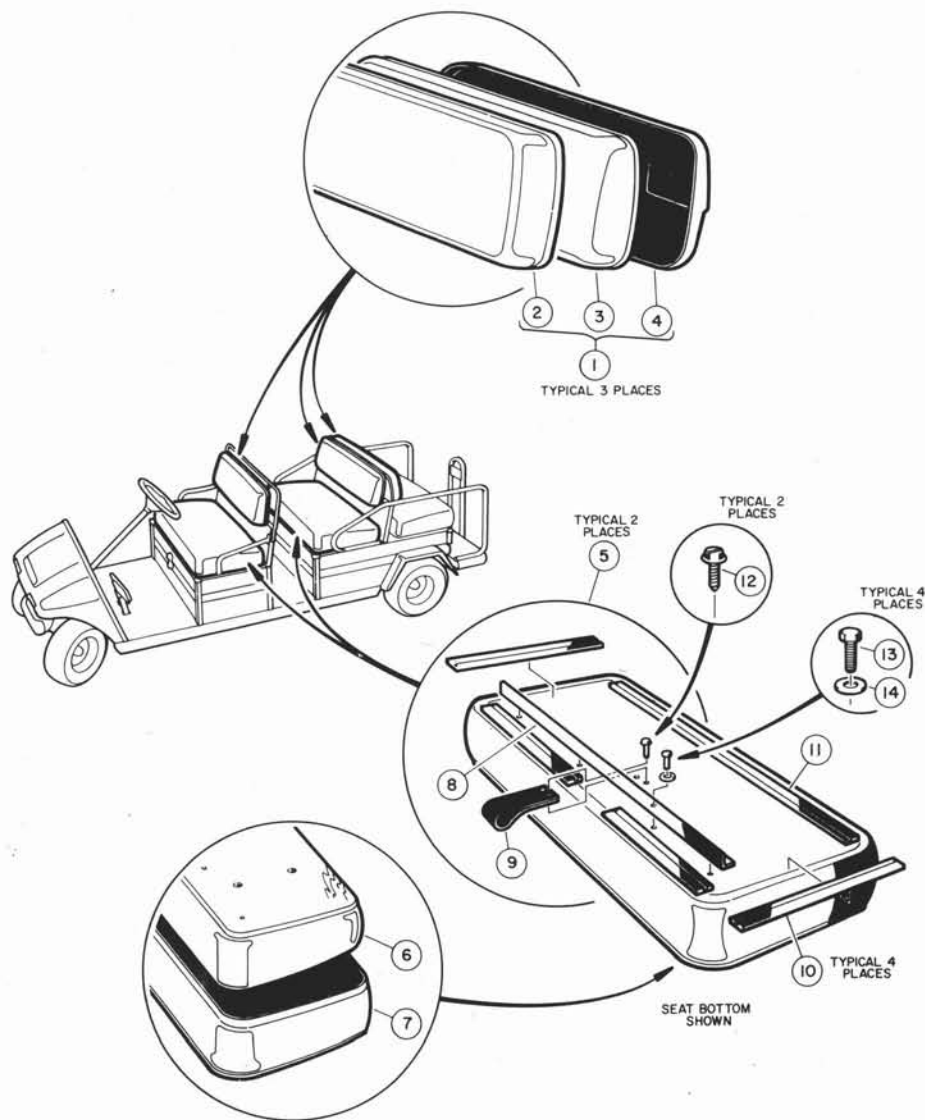
ACCESS DOOR AND SIDE DOORS - CARRYALL-VI

ITEM NUMBER	PART NUMBER	1 2 3 4	DESCRIPTION	UNITS PER VEHICLE
1	1016914		COMPARTMENT DOOR LATCH	2
2	1016891		ACCESS DOOR PLATE, LONG BED	1
3	1016881		ACCESS DOOR HINGE, LONG BED	1
4	1014471		BOX INSULATION X 8-1/2"	3
5	1010435		ROUND HEAD SQUARE NECK BOLT, 5/16-18 X 1"	3
6	1017077		ROUND HEAD SQUARE NECK BOLT, 5/16-18 X 5/8"	3
7	7473		NYLON INSERT LOCKNUT, 5/16-18	6
8	1016918		COMPARTMENT DOOR WELD ASSEMBLY LEFT (DRIVER SIDE)	1
9	1016909		COMPARTMENT DOOR WELD ASSEMBLY RIGHT (PASSENGER SIDE)	1
10	1016914		COMPARTMENT DOOR LATCH	2
11	1016757		SIDE DECAL FRONT	2
12	1016920		COMPARTMENT DOOR HINGE	2
13	8233		NYLON INSERT LOCKNUT, 1/4-20	10
14	403		HEX HEAD CAP SCREW, 1/4-20 X 5/8"	10
15	1013280		ANGLE CLIP, CARRYALL	2
	1016955		COMPARTMENT DOOR ASSEMBLY LEFT (DRIVER SIDE) INCLUDES ITEMS 8, 10 THRU 12, AND TWO OF ITEM 13 AND 14	1
	1016954		COMPARTMENT DOOR ASSEMBLY RIGHT (PASSENGER SIDE) INCLUDES ITEMS 9 THRU 12, AND TWO OF ITEM 13 AND 14	1

G

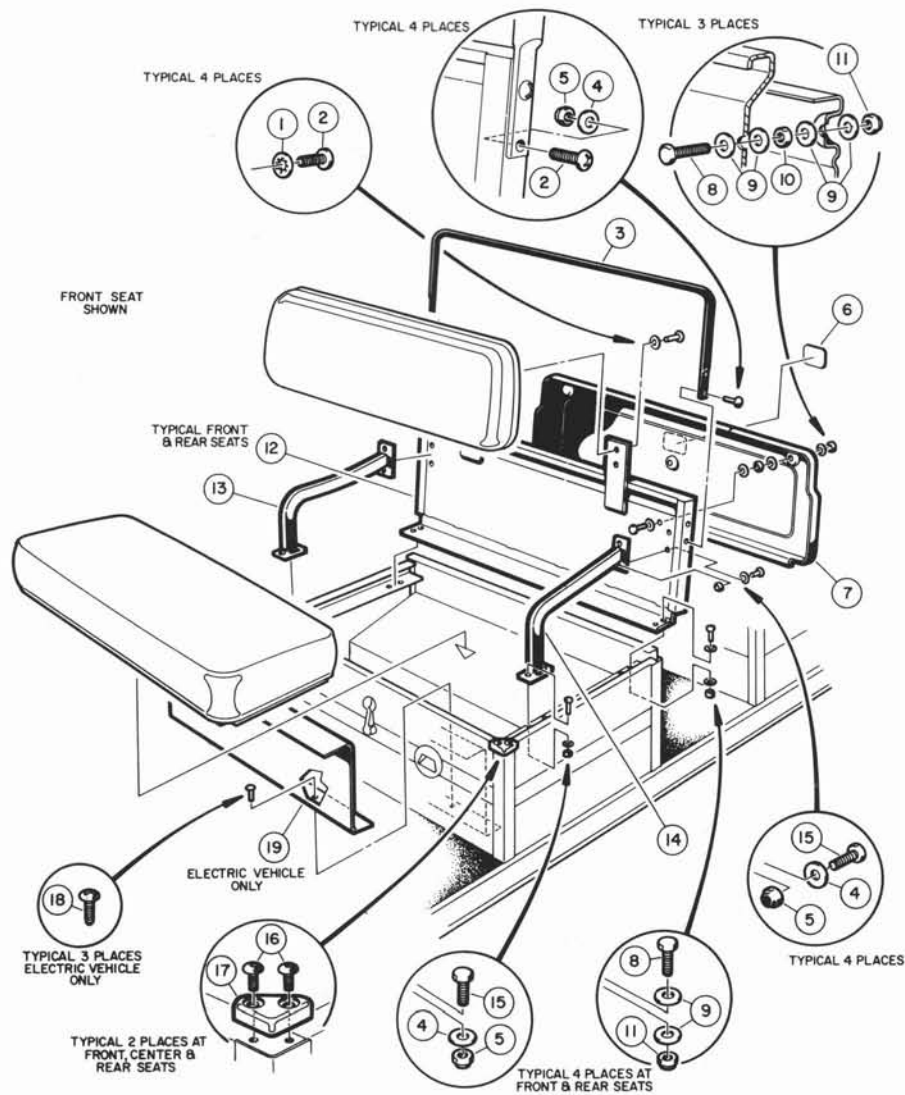
E

1



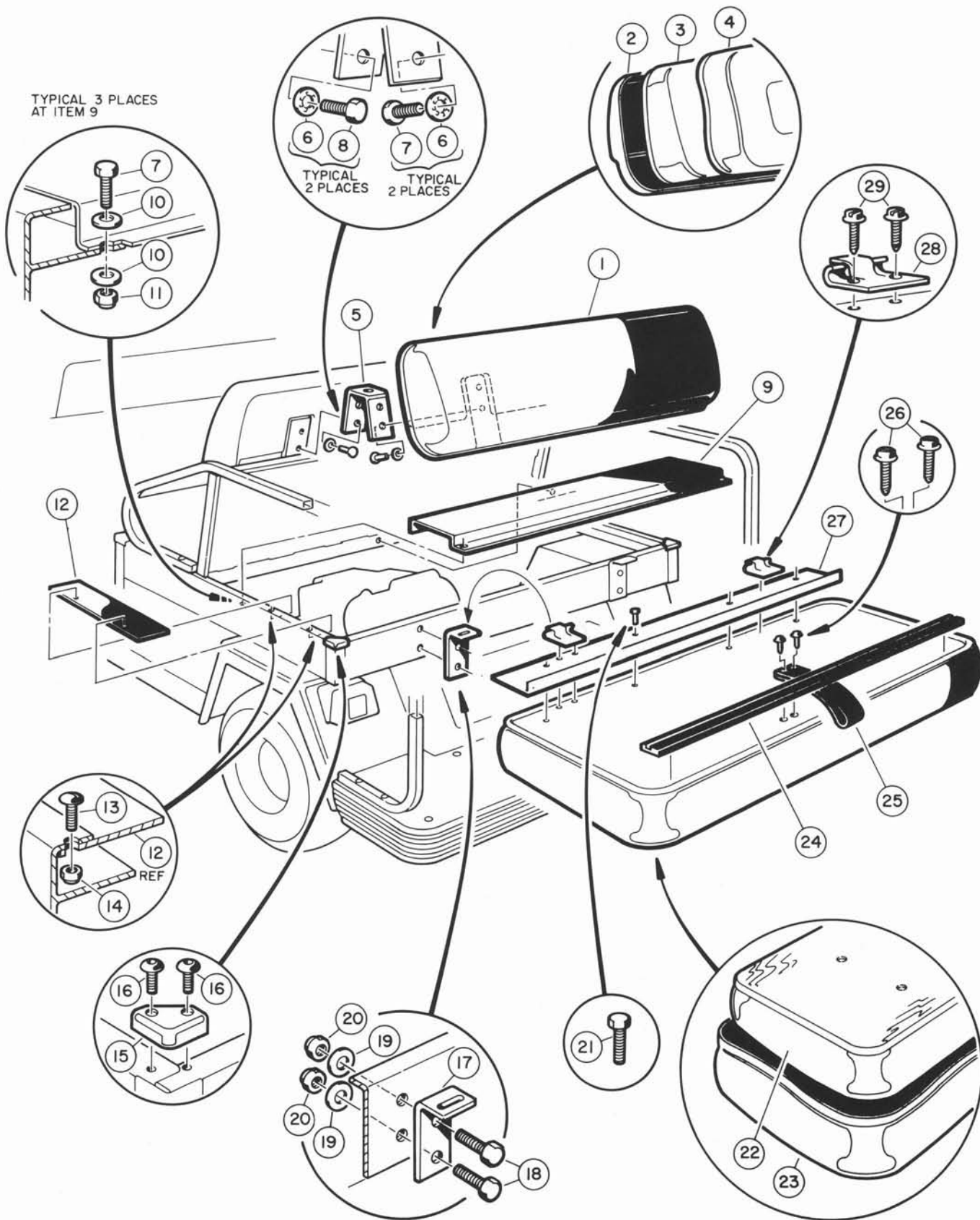
SEAT BOTTOMS AND BACKS

ITEM NUMBER	PART NUMBER	1 2 3 4	DESCRIPTION	UNITS PER VEHICLE	UNITS PER VEHICLE	UNITS PER VEHICLE
				TRANS-SENDER	TRANS-PORTER	CARRY-ALL-VI
1	1016777-01		SEAT BACK ASSEMBLY INCLUDES ITEMS 2 THRU 4	3	2	1
2	1016755		SEAT BACK COVER	3	2	1
3	NO #		SEAT BACK FOAM/WOOD ASSEMBLY	3	2	1
4	1016751		SEAT BACK CAP	3	2	1
5	1015645-02		SEAT BOTTOM ASSEMBLY INCLUDES ITEMS 6 THRU 14	2	2	1
6	NO #		SEAT BOTTOM FOAM/WOOD ASSEMBLY	2	2	1
7	1015627-02		SEAT BOTTOM COVER	2	2	1
9	1013309		BAG STRAP	2	2	1
10	1013311		SHORT SEAT BUMPER	8	8	4
11	1013312		LONG SEAT BUMPER	2	2	1
12	1010545		TYPE AB SCREW, 1/4-14 X 3/4"	4	4	2
13	304		HEX HEAD CAP SCREW, 1/4-20 X 1"	8	8	4
14	332		FLAT WASHER, 1/4 DIAMETER	8	8	4



SEAT BACKS AND PARTS

ITEM NUMBER	PART NUMBER	DESCRIPTION	UNITS PER VEHICLE					
			1	2	3	4		
						TRANS-SENDER	TRANS-PORTER	CARRY-ALL-VI
1	8304	INTERNAL TOOTH LOCK WASHER, 1/4 DIAMETER				16	16	8
2	8248	PHILLIPS TRUSS HEAD SCREW, 1/4-20 X 3/4"				8	8	4
3	1016670	HANDRAIL				1	1	1
4	332	FLAT WASHER, 1/4 DIAMETER				12	12	12
5	8233	NYLON INSERT LOCKNUT, 1/4-20				12	12	12
6	1016789	WARNING DECAL				1	1	
7	1016970	COVER SEAT BACK SUPPORT				1	1	1
8	1010934	HEX HEAD CAP SCREW, 5/16-18 X 1"				11	11	7
9	1241	FLAT WASHER, 5/16 DIAMETER				28	28	20
10	1242	HEX NUT, 5/16-18				3	3	3
11	7473	NYLON INSERT LOCKNUT, 5/16-18				11	11	7
12	1016723	SEAT SUPPORT PANEL ASSEMBLY				2	2	1
13	1016807	ARM REST, RIGHT ASSEMBLY				1	1	1
14	1015941	ARM REST, LEFT ASSEMBLY				1	1	1
15	1017178	HEX HEAD CAP SCREW, 1/4-20 X 1"				8	8	8
16	1014321	TORX TRUSS HEAD SCREW, #10-24 X 3/8"				12	8	4
17	1014387	CORNER CAP				6	4	2
18	1620	SHEET METAL SCREW, #10 X 3/4" (ELECTRIC VEHICLES ONLY)				3	3	3
19	1016701	SWITCH GUARD, FORWARD & REVERSE (ELECTRIC VEHICLES ONLY)				1	1	1



REAR SEAT AND PARTS - TRANS-SENDER

REAR SEAT AND PARTS - TRANS-SENDER

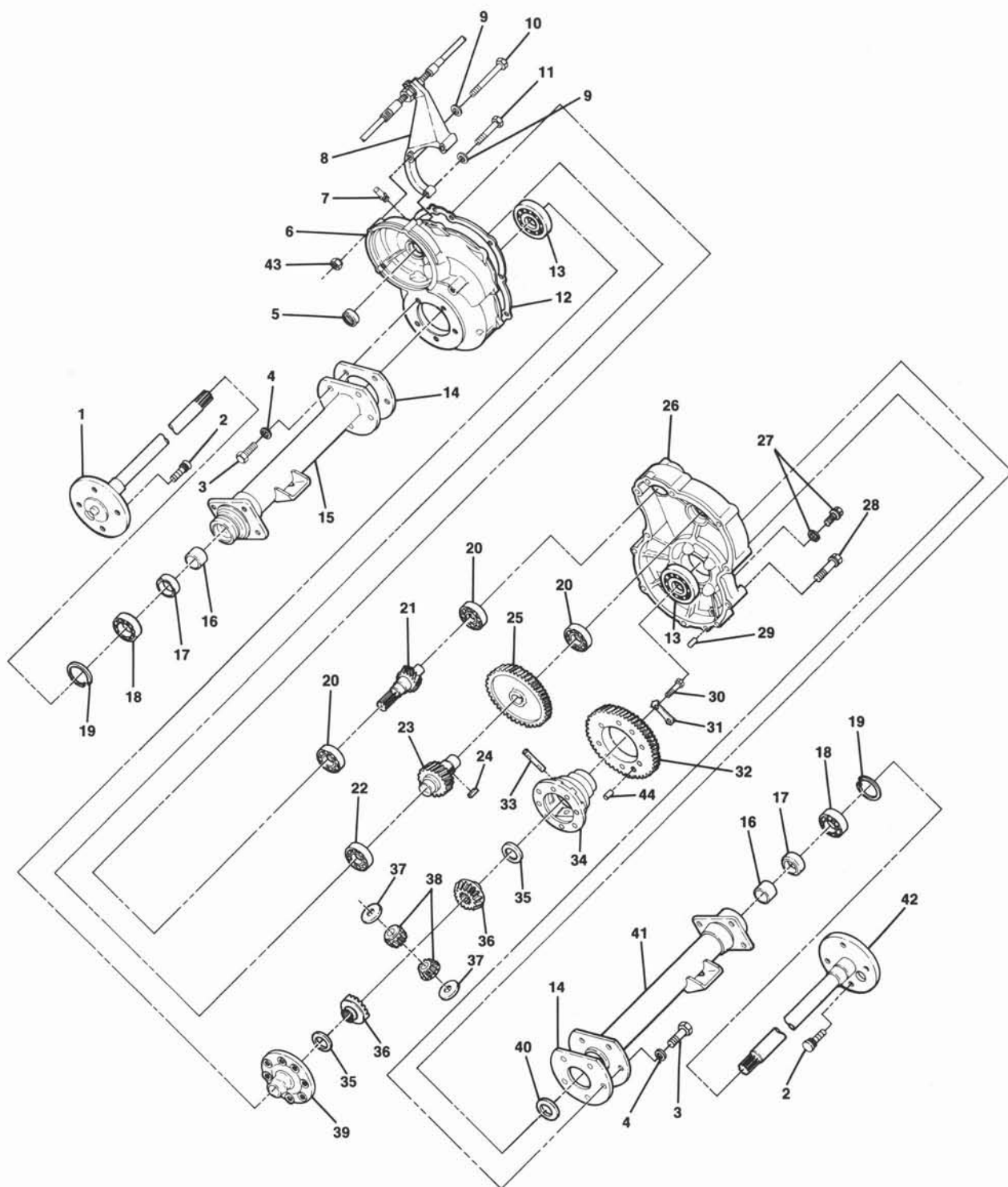
ITEM NUMBER	PART NUMBER	DESCRIPTION				UNITS PER VEHICLE
		1	2	3	4	
1	1016777-01	SEAT BACK ASSEMBLY INCLUDES ITEMS 2 THRU 4				1
2	1016751	SEAT BACK CAP				1
3	NO #	SEAT BACK FOAM/WOOD ASSEMBLY				1
4	1016755-02	SEAT BACK COVER - VINYL, WHITE				1
5	1016839	SEAT BACK BRACKET MOUNT				2
6	8304	INTERNAL TOOTH LOCK WASHER, 1/4 DIAMETER				8
7	7847	HEX HEAD CAP SCREW, 1/4-20 X 3/4"				7
8	7479	HEX HEAD CAP SCREW, 1/4-20 X 1-1/4"				4
9	1016816	REAR SEAT SUPPORT				1
10	332	FLAT WASHER, 1/4 DIAMETER				6
11	8233	NYLON INSERT LOCKNUT, 1/4-20				3
12	1016930	FRAME PANEL REAR SEAT				2
13	1013169	ROUND SLOT HEAD MACHINE SCREW, #10-32 X 1/2"				4
14	1013061	NYLON INSERT LOCKNUT, #10-32				4
15	1014387	CORNER CAP				2
16	1014321	TORX TRUSS HEAD SCREW, #10-24 X 3/8"				4
17	1016819	SEAT HINGE BODY				2
18	8861	HEX HEAD CAP SCREW, 3/8-16 X 1-3/4"				4
19	1011990	FLAT WASHER, 3/8 DIAMETER				4
20	8754	NYLON INSERT LOCKNUT, 3/8-16				4
21	304	HEX HEAD CAP SCREW, 1/4-20 X 1"				4
22	NO #	SEAT BOTTOM FOAM/WOOD ASSEMBLY				1
23	1015627-02	SEAT BOTTOM COVER - VINYL, WHITE				1
24	1013312	LONG SEAT BUMPER				1
25	1013309	SEAT BOTTOM STRAP				1
26	1010545	HEX WASH HEAD SCREW, 1/4-14 X 3/4"				2
27	1016824	SEAT HINGE ANGLE				1
28	1011652	SEAT HINGE PLATE				2
29	1011451	HEX WASHER HEAD SCREW, #12 X 3/4"				4
	1016841-02	REAR SEAT BOTTOM ASSEMBLY INCLUDES ITEMS 21 THRU 29				1

G

E

1

Section 2
TRANSAXLE



TRANSAXLE

TRANSAXLE

ITEM NUMBER	PART NUMBER	DESCRIPTION				UNITS PER VEHICLE
		1	2	3	4	
	1016938	TRANSAXLE, UTILITY				1
		INCLUDES ALL ITEMS EXCEPT 8, 9, 10, 11, AND 43				
1	1013785	AXLE ASSEMBLY, RIGHT				1
		INCLUDES ITEMS 2, 16, 18, 19, and 45				
2	1013787	LUG STUD				8
3	1013790	BOLT (10 X 30)				10
4	1013791	LOCKWASHER				10
5	1013775	INPUT SHAFT OIL SEAL				1
6	1013756	GEAR CASE - RIGHT				1
7	1012711	BREATHER PLUG				1
8	1013866	SHIFT CABLE SUPPORT BRACKET KIT (GASOLINE VEHICLE ONLY)				1
		INCLUDES ITEMS 9, 10, 11, AND 43				
9	332	FLATWASHER, 1/4 DIAMETER				6
10	1013872	HEX HEAD CAP SCREW, 1/4-20 X 4				2
11	1012462	HEX HEAD CAP SCREW, 1/4-20 X 3-1/2				1
12	1013758	GASKET				1
13	7330	INNER AXLE, TUBE BEARING				2
14	1013789	GASKET - AXLE TUBE				2
15	1014209	AXLE TUBE ASSEMBLY - RIGHT				1
16	1014207	BUSHING WITH GROOVE IN END				1
17	1013794	AXLE SHAFT OIL SEAL				2
18	1011291	OUTER AXLE, TUBE BEARING				2
19	1013792	CIRCLIP, TYPE C				2
20	7335	INPUT GEAR BEARING				3
21	1013764	SHAFT, INPUT				1
22	7336	INTERMEDIATE GEAR BEARING				1
23	1013766	INTERMEDIATE GEAR - SMALL				1
24	1013780	KEY, SUNK				1
25	1013765	INTERMEDIATE GEAR - LARGE				1
26	1013757	GEAR CASE - LEFT				1
27	1013759	FILL PLUG WITH GASKET				2
28	1013763	BOLT (6 X 50)				10
29	1012710	PIN, DOWEL				2
30	1013779	BOLT (8 X 37)				8
31	1013782	PLATE, LOCK				4
32	1013767	OUTPUT GEAR				1
33	1013772	DIFFERENTIAL PIN				1
34	1013768	DIFFERENTIAL GEAR CASE - LEFT				1
35	1013773	PLATE, THRUST (DIFFERENTIAL GEAR)				2
36	1013771	DIFFERENTIAL GEAR				2
37	1013774	PLATE, THRUST (IDLER GEAR)				2
38	1013770	DIFFERENTIAL IDLER GEAR				1
39	1013769	DIFFERENTIAL GEAR CASE - RIGHT				A/R
40	1013781	SHIM				1
41	1014210	AXLE TUBE ASSEMBLY - LEFT				1
42	1013786	AXLE ASSEMBLY, LEFT				
		INCLUDES ITEM 2, 16, 18, 19, and 45				3
43	8233	NYLON INSERT LOCKNUT, 1/4-20				1
44	1014193	PIN, DOWEL				2
45	1016672	RETAINING RING (NOT SHOWN)				

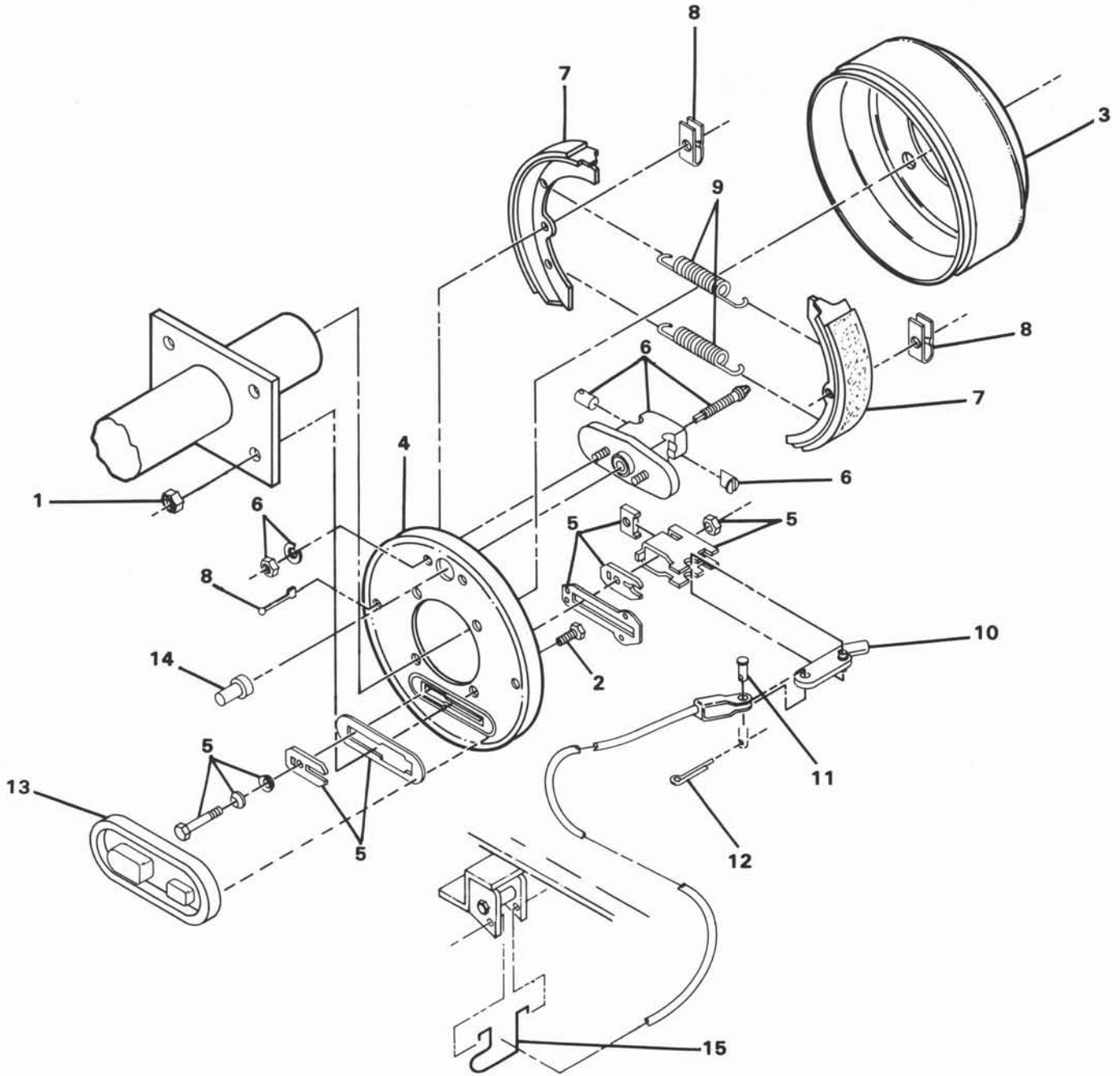
G

E

2

Section 3

BRAKES, PEDAL AND CABLE ASSEMBLY



BRAKE CLUSTER, RIGHT AND LEFT

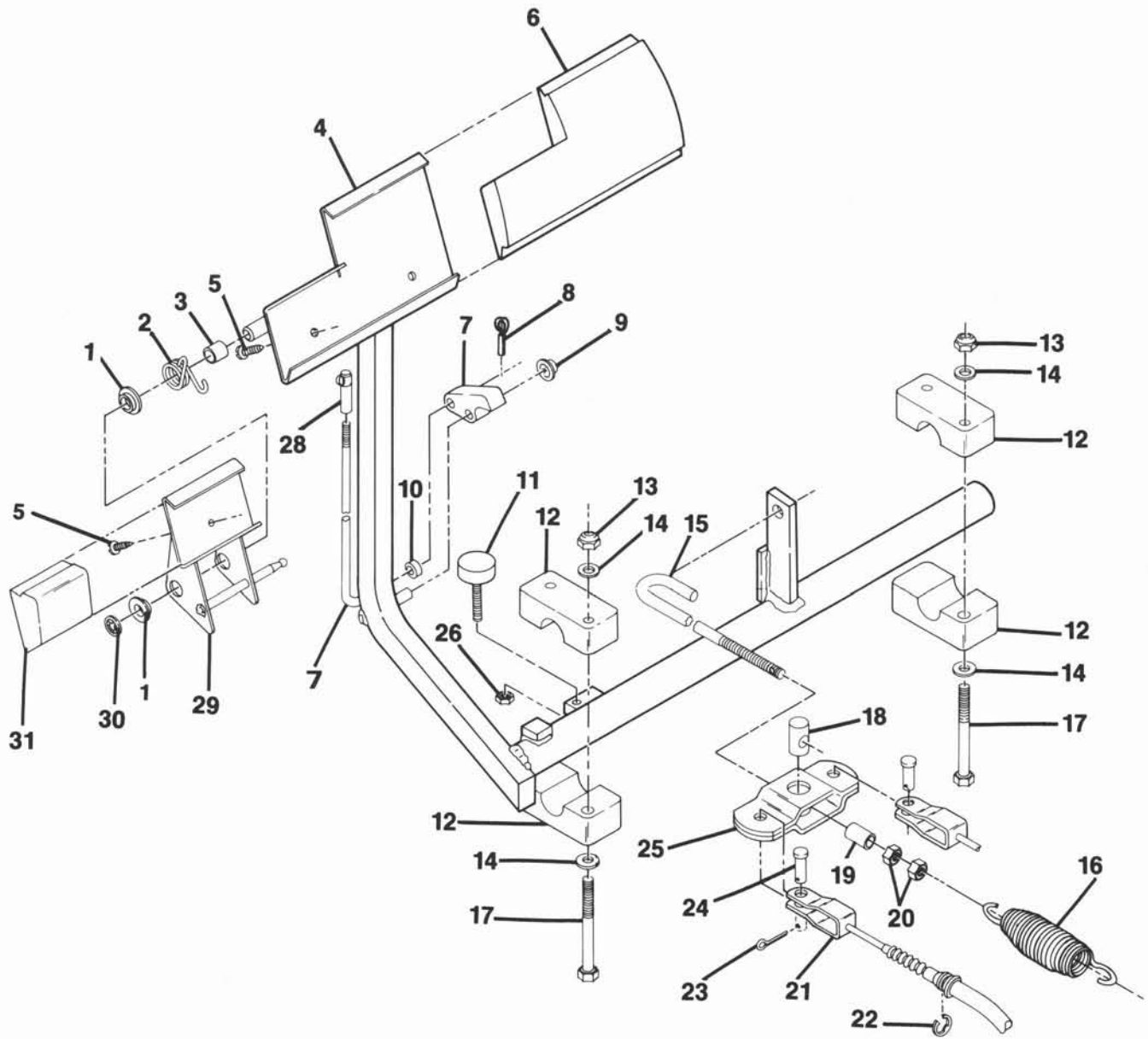
BRAKE CLUSTER, RIGHT AND LEFT

ITEM NUMBER	PART NUMBER	1 2 3 4	DESCRIPTION	UNITS PER VEHICLE
	1011145		RIGHT CLUSTER W/O BRAKE DRUM INCLUDES ITEMS 4 THRU 14	1
	1011146		LEFT CLUSTER W/O BRAKE DRUM INCLUDES ITEMS 4 THRU 14	1
1	1013924		LOCKNUT, 5/16-24 GRADE 8	8
2	1014153		BOLT, BRAKE CLUSTER MOUNTING	8
3	1011137		DRUM, BRAKE	2
4	1011494		PLATE BACKING, LEFT	1
4	1011154		PLATE BACKING, RIGHT	1
5	1011465		BRAKE ACTUATOR KIT	1
6	1011467		ANCHOR BODY KIT	1
7	1011463		BRAKE SHOE PACKAGE (4 PIECES)	1
8	1011466		SHOE RETAINER KIT	1
9	1011464		BRAKE SPRING PACKAGE (4 PIECES)	1
10	NO #		ARM, BRAKE LEVER	2
11	1010829		PIN, 5/16 CLEVIS	2
12	1035		PIN, COTTER	2
13	1010850		COVER, DUST	2
14	1011303		CAP, ADJUSTMENT BOLT	2
15	1013207		BRAKE CABLE HANGER	2

G

E

3

**BRAKE PEDAL AND CABLE ASSEMBLY**

BRAKE PEDAL AND CABLE ASSEMBLY

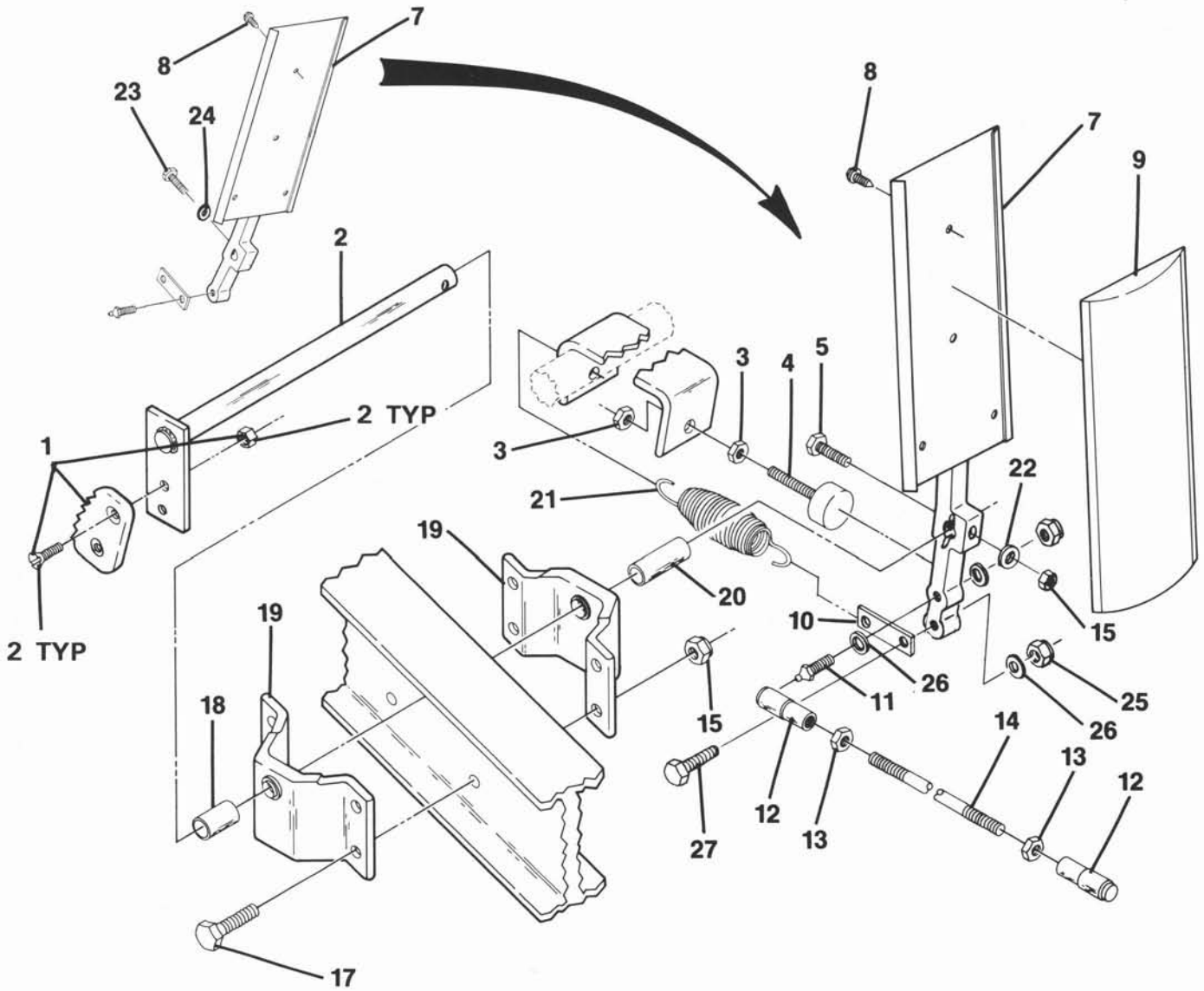
ITEM NUMBER	PART NUMBER	DESCRIPTION				UNITS PER VEHICLE
		1	2	3	4	
1	1032	NYLON BUSHING				2
2	1010933	HILL BRAKE TORSION SPRING				1
3	1010927	HILL BRAKE SPACER				1
4	1011406	BRAKE PEDAL KIT INCLUDES ITEMS 5 & 6				1
5	7716	SCREW, NO. 10-16 SHEET METAL				6
6	1013869	BRAKE PEDAL PAD				1
7	1016173	HILL BRAKE ROD AND PAWL KIT INCLUDES ITEM 7, 8, 9, AND 10				1
8	1017029	PIN - COTTER, 7/64 X 1/2, 302 STAINLESS STEEL				1
9	1010877	NUT, 5/16 PUSH				1
10	1010805	HILL BRAKE ROD SLEEVE				1
11	1010878	BRAKE STOP				1
12	1011402	BRAKE MOUNTING BLOCK PACKAGE (INCLUDES 4 PIECES)				1
13	7473	NYLON INSERT LOCKNUT, 5/16-18				4
14	1241	WASHER, 5/16 FLAT				8
15	1016708-01	EQUALIZER ROD				1
16	1013532	SPRING, BRAKE RETURN - GASOLINE VEHICLE				1
16	1013531	SPRING, BRAKE RETURN - ELECTRICAL VEHICLE				1
17	1010921	HEX HEAD CAP SCREW, 5/16-18				4
18	NO #	PIN, EQUALIZER PIVOT (SEE ITEM 25)				1
19	1013855	SPACER EQUALIZER STANDARD				1
20	1242	NUT, 5/16-18 HEX				2
21	1011403	BRAKE CABLE KIT INCLUDES ITEMS 22, 23, AND 24				2
22	1011779	E-50 1/2 ROTOR CLIP				4
23	1035	PIN, COTTER, 3/32 X 1"				2
24	1010829	PIN, 5/16 CLEVIS				2
25	1017211	EQUALIZER AND PIVOT LIMITER KIT INCLUDES ITEM 18 AND 25				1
26	1028	NUT, 1/4-20 HEX				1
28	1010932	UNF BALL JOINT, 1/4-28				1
29	1011418	HILL BRAKE KIT INCLUDES ITEMS 1, 5, 29, 30, AND 31				1
30	1013876	NUT, 3/8 PUSH				1
31	1013870	PAD, HILL BRAKE				1

G

E

3

ELECTRIC VEHICLE ONLY



ACCERATOR PEDAL ASSEMBLY

ACCELERATOR PEDAL ASSEMBLY

ITEM NUMBER	PART NUMBER	DESCRIPTION				UNITS PER VEHICLE
		1	2	3	4	
1	1011877	LATCH, HILL BRAKE KIT				1
2	1016166	ROD, ACCELERATOR PIVOT SUB-ASSEMBLY (GASOLINE VEHICLE)				1
2	1016116	ROD, ACCELERATOR PIVOT SUB-ASSEMBLY (ELECTRIC VEHICLE)				1
3	1028	NUT, 1/4-20 HEX				2
4	1010878	STOP, BRAKE				1
5	1016619	HEX HEAD CAP SCREW, 1/4-20				1
6	1014007	FLATWASHER, 1/4 DIAMETER				1
7	1016377-01	ACCELERATOR PEDAL ASSEMBLY (GAS VEHICLE) INCLUDES ITEMS 8, 9, 10, 11, 25, 26, AND 27				1
7	1016377-02	ACCELERATOR PEDAL ASSEMBLY (ELECTRIC VEHICLE) INCLUDES ITEMS 8, 9, 10, 11, 25, 26, AND 27				1
8	7716	SHEET METAL SCREW, #10-16				4
9	1013871	PAD, ACCELERATOR PEDAL				1
10	1011691	HANGER, ACCELERATOR PEDAL SPRING				1
11	1016157	BALL STUD OHV, 1/4-28 X 1.00 (GASOLINE VEHICLE)				1
11	1010954	BALL STUD UNF, 1/4-28 (ELECTRIC VEHICLE)				1
12	1011734	BALL JOINT, 1/4-28 SPRING LOADED				2
13	1011084	HEX NUT UNF 2B, 1/4-28				2
14	1016747-01	ROD, ACCELERATOR (ELECTRIC VEHICLE) INCLUDES ITEMS 12 AND 13				1
14	1016747-02	ROD, ACCELERATOR (GASOLINE VEHICLE) INCLUDES ITEMS 12 AND 13				1
15	8233	NYLON INSERT LOCKNUT, 1/4-20				5
17	7479	HEX HEAD CAP SCREW, 1/4-20				4
18	1011699	SPACER, 1/2				1
19	1011694	BRACKET, ACCELERATOR BEARING				2
20	1011700	SPACER, ACCELERATOR				1
21	1012075	SPRING EXTENSION				1
22	332	FLATWASHER, 1/4 DIAMETER				1
23	403	HEX HEAD CAP SCREW, 1/4-20 X 5/8" (ELECTRIC VEHICLE ONLY)				1
24	8304	WASHER, 1/4 DIAMETER INTERNAL TOOTH LOCK (ELECTRIC VEHICLE ONLY)				1
25	8717	NYLON INSERT LOCKNUT, 1/4-28 (GASOLINE VEHICLE)				2
26	1014007	FLATWASHER, 1/4 DIAMETER (GASOLINE VEHICLE)				3
27	7510	HEX HEAD CAP SCREW, 1/4-28 X 1-1/4 (GASOLINE VEHICLE)				1

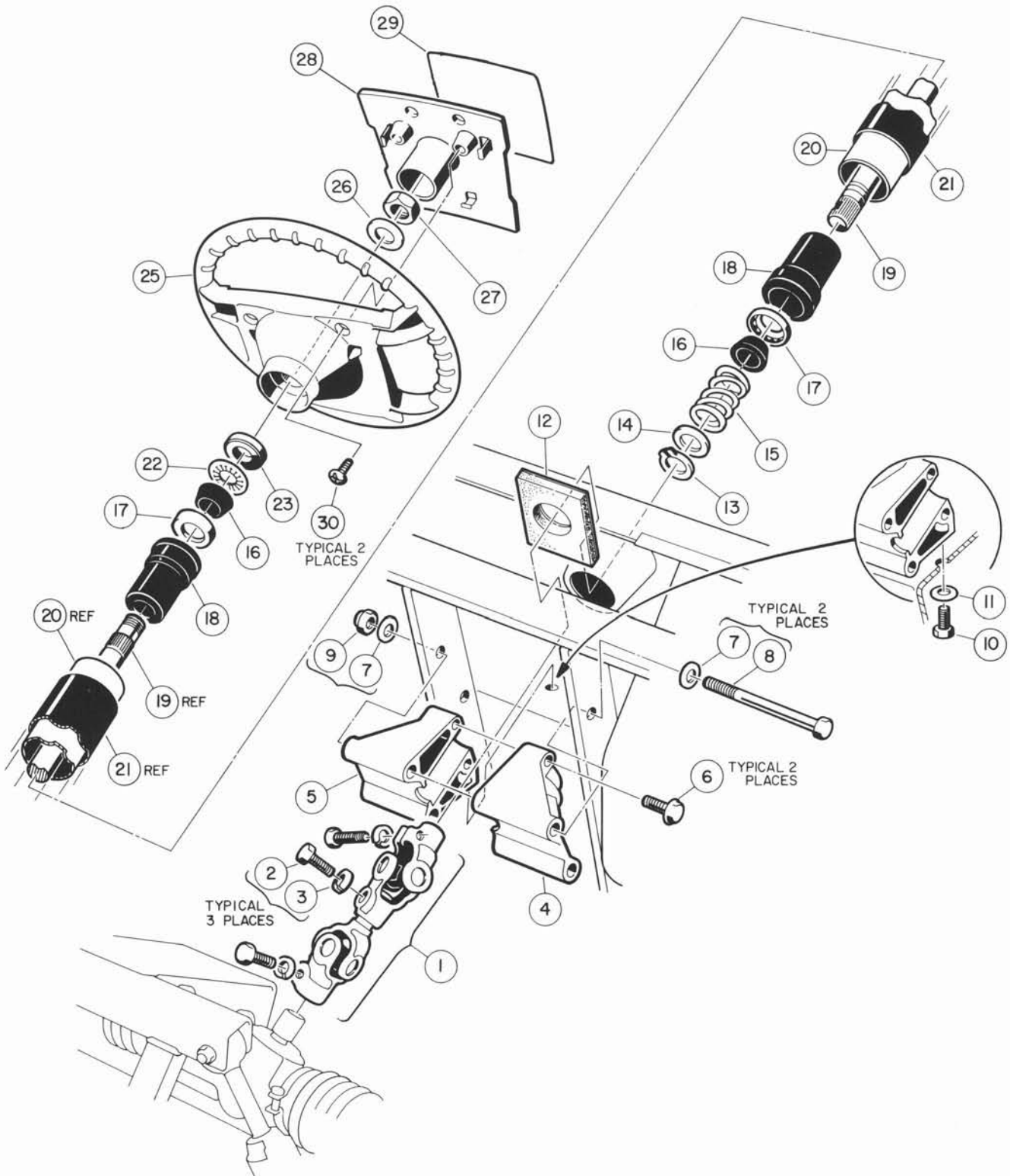
G

E

3

Section 4

STEERING AND FRONT SUSPENSION



STEERING COLUMN -- ALUMINUM

STEERING COLUMN -- ALUMINUM

ITEM NUMBER	PART NUMBER	1 2 3 4	DESCRIPTION	UNITS PER VEHICLE
1	1013861		COMPOUND STEERING JOINT INCLUDES ITEMS 2 AND 3	1
2	1017226		HEX HEAD CAP SCREW, 8MM X 1.25-30	3
3	7174		LOCKWASHER, 5/16 DIAMETER	3
4	1016185		STEERING COLUMN MOUNT, LEFT	1
5	1016184		STEERING COLUMN MOUNT, RIGHT	1
6	1016269		HEX WASHER HEAD THREAD FORMING SCREW, 5/16-18 X 2"	2
7	334		FLATWASHER, 3/8 DIAMETER	4
8	1016183		HEX HEAD CAP SCREW, 3/8-16 X 6-1/2"	2
9	8754		NYLON INSERT LOCKNUT, 3/8-16	2
10	1014288		HEX WASHER HEAD MACHINE SCREW, 5/16-18 X 3/4"	2
11	1011697		FLATWASHER, 5/16 DIAMETER	1
12	1012499		STEERING COLUMN BOOT	1
13	1012605		RETAINING RING	1
14	1012604		STEEL WASHER, 5/8 DIAMETER	1
15	1014217		COMPRESSION SPRING	1
16	1014125		WEDGE	2
17	1014213		BEARING ASSEMBLY	2
18	1014126		BEARING SEAT	2
19	1015545		STEERING COLUMN SHAFT	1
20	1016622		ALUMINUM STEERING COLUMN	1
21	1016263		TUBE COVER, STEERING COLUMN	1
22	1014214		RETAINING RING	1
23	1014211		BEARING SEAL	1
25	1016156		STEERING WHEEL	1
26	1012604		STEEL WASHER, 5/8 DIAMETER	1
27	1017273		HEX JAM NUT, 5/16-18	1
28	1016155-02		PLATE ASSEMBLY	1
29	1016216		OPERATING INSTRUCTIONS DECAL	1
30	1010715		PHILLIPS SCREW, #10-14 X 3/8"	2
	1016181		STEERING COLUMN ASSEMBLY INCLUDES ITEMS 13 THRU 20, 22, AND 23	

G

E

4

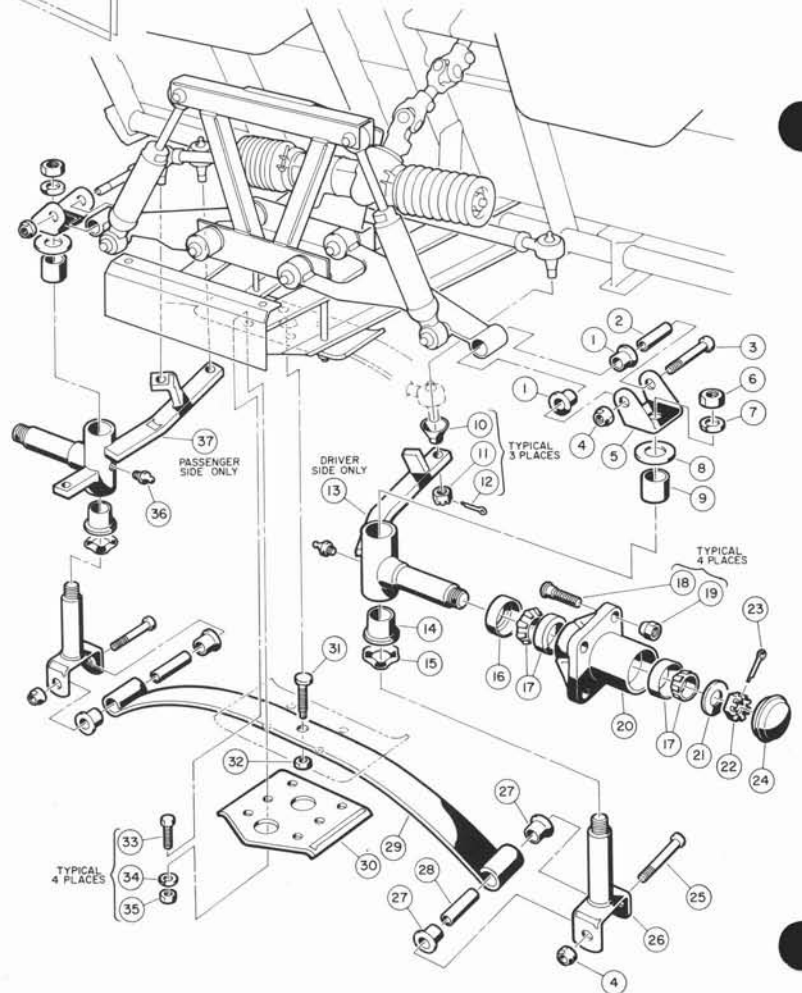
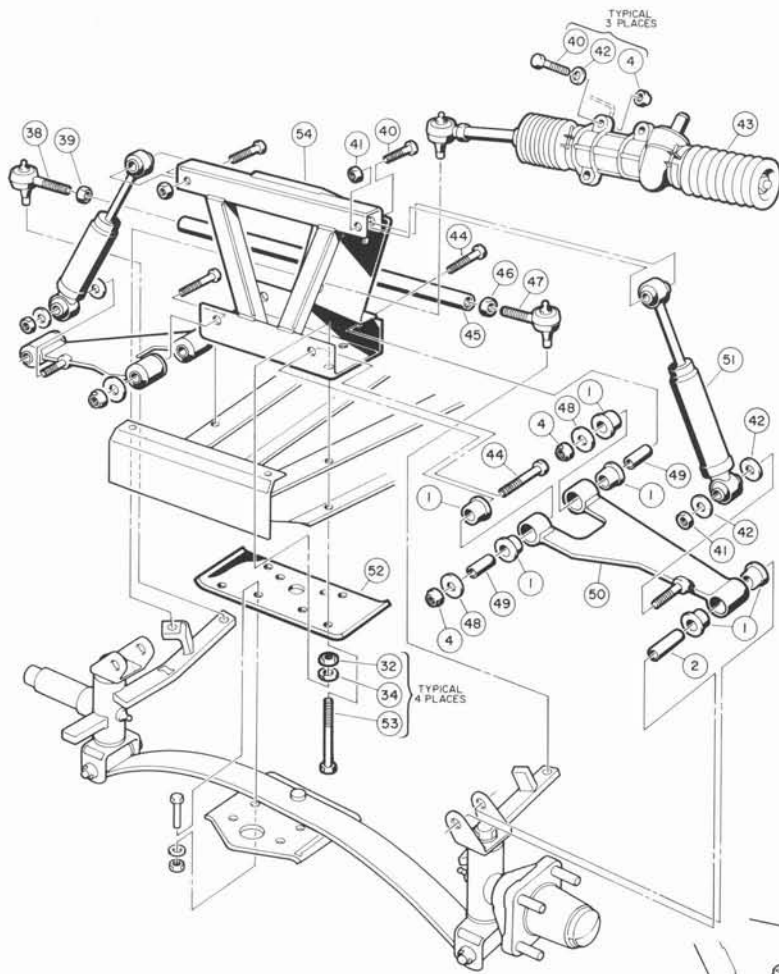
STEERING ASSEMBLY

ITEM NUMBER	PART NUMBER	DESCRIPTION				UNITS PER VEHICLE
		1	2	3	4	
1	1013053	BOLT, STOPPER, 12MM				1
2	1013040	LOCKWASHER, TIE ROD				2
3	1013039	WASHER, TIE ROD STOPPER				2
4	1013034	BAND, BELLOWS				2
5	1013035	SEAL, DUST				2
6	8754	NYLON INSERT LOCKNUT, 3/8-16				3
7	1013036	BUSHING, RACK				1
8	1013037	RING, SNAP				1
9	NO #	RACK, STEERING (SEE ITEM 20)				1
10	1013041	END, RACK				1
11	1013042	HEX NUT, 12MM				2
12	1015597	THREADED FORM GREASE FITTING, 1/4-28				1
13	7540	BALL JOINT, LEFT				1
		INCLUDES ITEMS 12 AND 15				
14	1035	PIN, COTTER, 3/32 X 1"				1
15	7602	HEX NUT, SLOTTED, 3/8-24				1
16	7555	HEX NUT, 1/2-20				1
17	1012467	RACK AND PINION DRAG LINK				1
18	1624	HEX HEAD CAP SCREW, 3/8-16				3
19	334	FLATWASHER, 3/8 DIAMETER				3
20	1012452	STEERING GEAR BOX ASSEMBLY				1
		INCLUDES ITEMS 1 THRU 5, 7 THRU 11, AND 21 THRU 30				
21	NO #	SCREW, RACK GUIDE (SEE ITEM 20)				1
22	1013044	LOCKNUT, RACK SCREW				1
23	1013045	SPRING, RACK GUIDE PRESSURE				1
24	1013046	GUIDE, STEERING RACK				1
25	1013047	BOX, STEERING GEAR				1
26	1013048	BUSHING, PINION				1
27	NO #	PINION, STEERING (SEE ITEM 20)				1
28	1012884	BALL BEARING				1
29	1013051	SNAP RING				1
30	1013052	DUST SEAL, STEERING PINION				1
31	1013031	RING-RETAINING, EXTERNAL				1
32	1013030	WASHER, END				1
33	1011930	DUST SEAL				1

G

E

4



FRONT SUSPENSION ASSEMBLY -- DELTA A-PLATE

FRONT SUSPENSION ASSEMBLY -- DELTA A-PLATE

ITEM NUMBER	PART NUMBER	DESCRIPTION				UNITS PER VEHICLE
		1	2	3	4	
1	1016346	URETHANE BUSHING				12
2	1016350	DELTA OUTER SLEEVE				2
3	1016387	HEX HEAD CAP SCREW, 3/8-16 X 2-3/4"				2
4	8754	NYLON LOCKNUT, 3/8-16				11
5	1016384	UPPER DELTA CLEVIS				2
6	1308	HEX NUT, 1/2-20				2
7	209	SPLIT LOCKWASHER, 1/2 DIAMETER				2
8	1010150	THRUST BEARING				2
9	8067	BRONZE SPINDLE BUSHING				2
10	1011930	DUST SEAL				3
11	7602	HEX NUT, SLOTTED, 3/8-24				3
12	1035	COTTER PIN, 3/32 DIAMETER X 1"				3
13	1010348	SPINDLE SUB ASSEMBLY, LEFT INCLUDES ITEMS 9, 14, AND 36				1
14	7048	BRONZE BUSHING				2
15	1016389	KINGPIN WAVE WASHER				2
16	1013135	DOUBLE LIP SEAL				2
17	1011393	HUB BEARING PACKAGE AND RACE				4
18	1011304	LUG STUD 50-20				8
19	1011390	LUG NUT PACKAGE (8 PIECES)				2
20	1011892	HUB ASSEMBLY INCLUDES ITEMS 16, 17, 18 AND 20				2
21	1010005	FLATWASHER, 3/4 DIAMETER				2
22	7840	HEX NUT, SLOTTED, 3/4-16				2
23	7910	COTTER PIN, 5/32 X 1"				2
24	1011887	DUST COVER				2
25	8755	HEX HEAD CAP SCREW, 3/8-16 X 3-3/8"				2
26	1016386	KINGPIN ASSEMBLY				2
27	1015583	URETHANE BUSHING				4
28	1012303	STEEL BUSHING				2
29	1015828	FRONT SPRING ASSEMBLY (GASOLINE VEHICLE) INCLUDES ITEMS 29, 31 AND 32				1
29	1013867	FRONT SPRING ASSEMBLY (ELECTRIC VEHICLE) INCLUDES ITEMS 29, 31 AND 32				1
30	1014276	RETAINER PLATE				1
31	8745	ECCENTRIC ASSEMBLY				1
32	706	HEX NUT, 3/8-16				5
33	1624	HEX HEAD CAP SCREW, 3/8-16 X 1-1/2"				4
34	357	LOCKWASHER, 3/8 DIAMETER				8
35	706	HEX NUT, 3/8-16				4
36	1015597	GREASE FITTING				2
37	1010347	SPINDLE SUB ASSEMBLY, RIGHT INCLUDES ITEMS 9, 14, AND 36				1
38	7539	BALL JOINT, RIGHT				1
39	1308	HEX NUT, 1/2-20, RIGHT				1
40	1624	HEX HEAD CAP SCREW, 3/8-16 X 1-1/2"				5
41	8754	NYLON INSERT LOCKNUT, 3/8-16				4
42	1011990 334	FLATWASHER, 3/8 DIAMETER				7
43	1012452	STEERING GEAR BOX AND SOCKET ASSEMBLY (SEE PAGE 4-5)				1
44	2402	HEX HEAD CAP SCREW, 3/8-16 X 2-1/4"				4
45	1010219	TIE ROD				1
46	7555	HEX NUT, 1/2-20, LEFT				1
47	7540	BALL JOINT, LEFT				1
48	808	FLATWASHER, 3/8 DIAMETER				4
49	1016349	DELTA INNER SLEEVE				4
50	1016353	DELTA A-PLATE ASSEMBLY INCLUDES ITEMS 1, 2, AND 49				2
51	1015813	FRONT SHOCK ABSORBER (GASOLINE VEHICLE)				2
51	1014235	FRONT SHOCK ABSORBER (ELECTRIC VEHICLE)				2
52	1010124	SPRING MOUNTING PLATE				1
53	1010200	HEX HEAD CAP SCREW, 3/8-16 X 4-1/4"				4
54	1016385	DELTA SHOCK AND GEAR SUPPORT ASSEMBLY				1

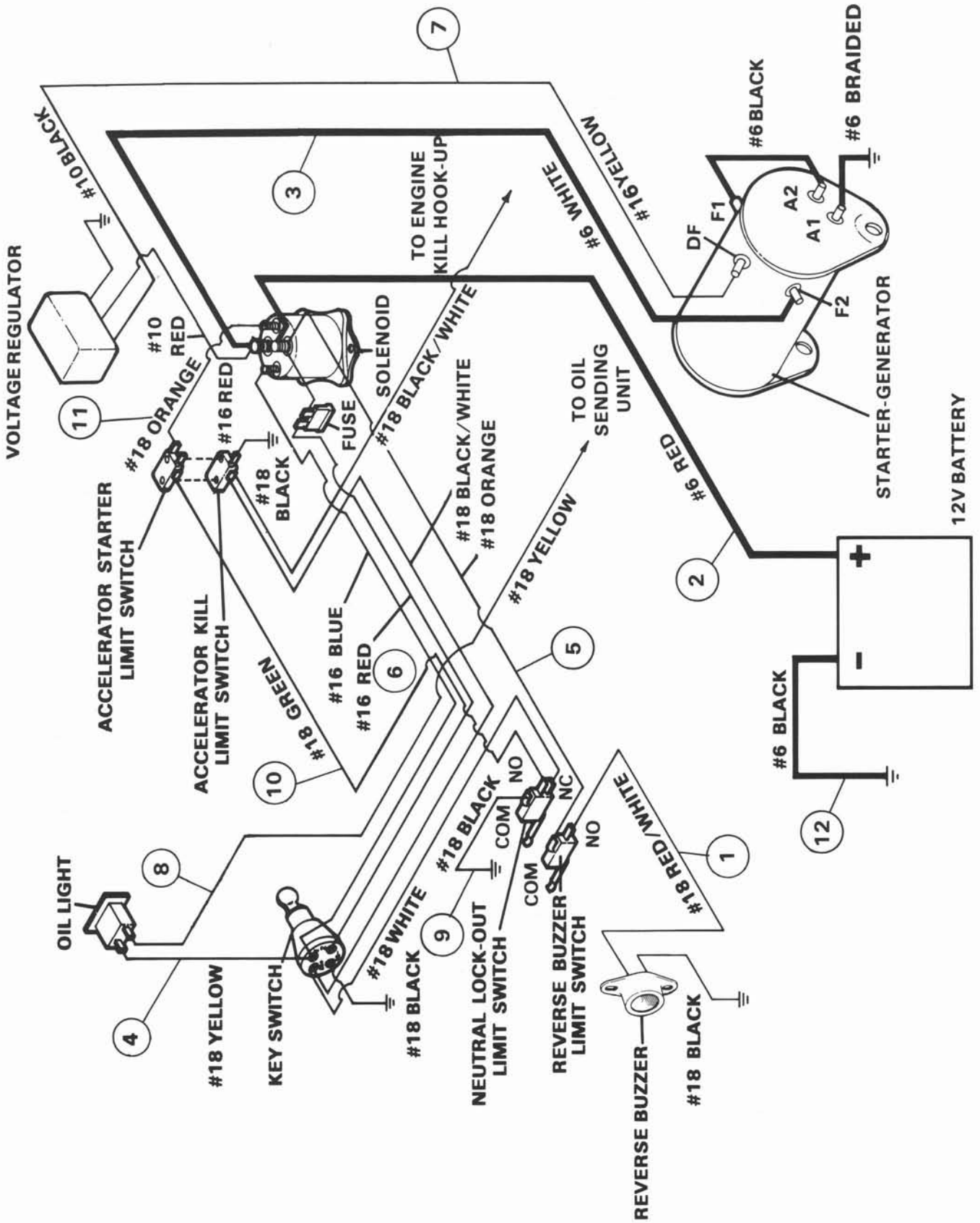
G

E

4

Section 5

ELECTRICAL AND BATTERY



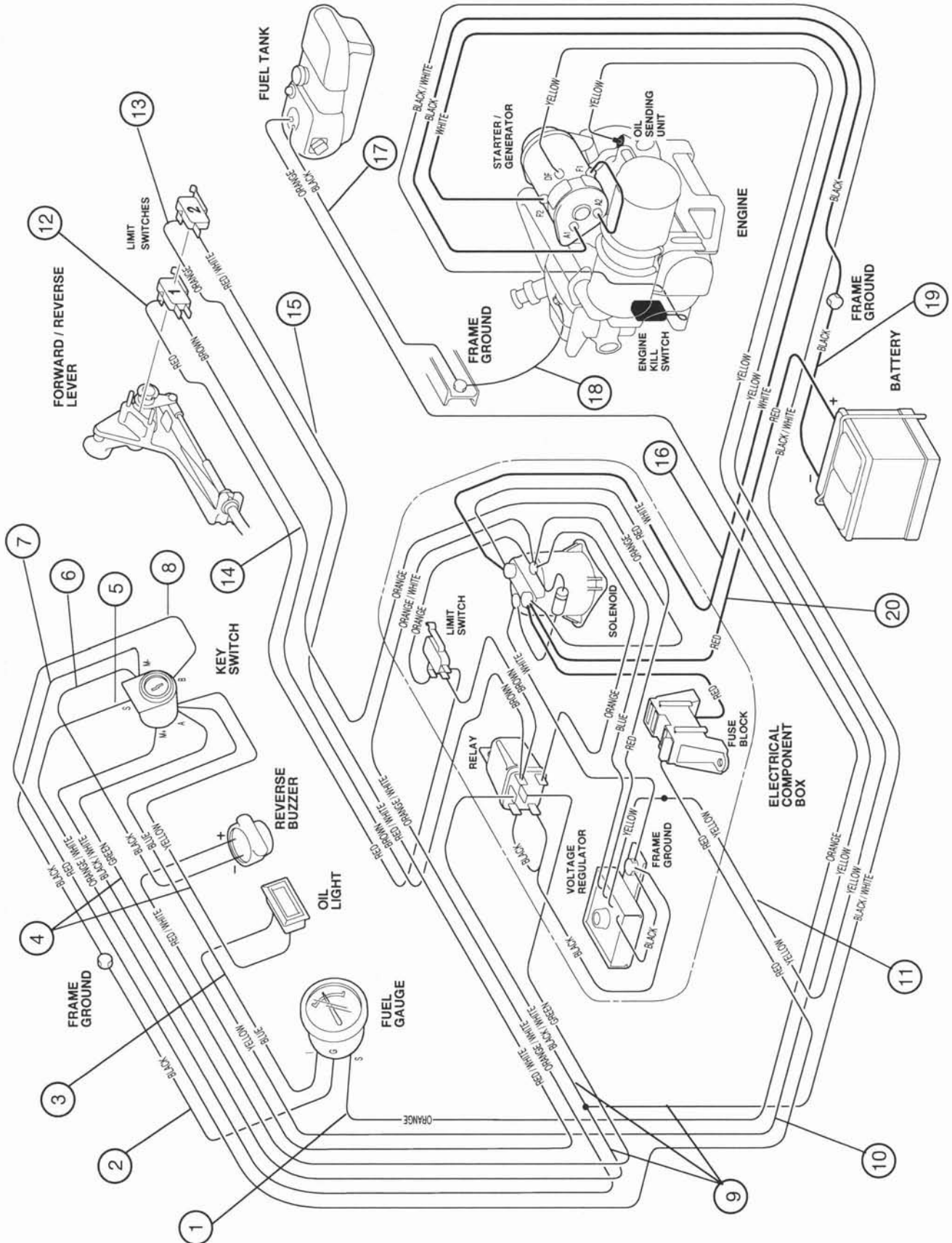
WIRING - '93 VEHICLE WITH 290 ENGINE

WIRING - '93 VEHICLE WITH 290 ENGINE

G

ITEM NUMBER	PART NUMBER	1 2 3 4	DESCRIPTION	UNITS PER VEHICLE
	1017071		WIRE HARNESS ASSEMBLY	1
1	1016765		WIRE ASSEMBLY, #18 RED/WHITE	1
2	1014119		WIRE ASSEMBLY, #6 RED	1
3	1015769		WIRE ASSEMBLY, #6 WHITE	1
4	1016768		WIRE ASSEMBLY, #18 YELLOW	1
5	1015767		WIRE ASSEMBLY, #18 ORANGE	1
6	1016767		WIRE ASSEMBLY, #16 RED	1
7	1015738		WIRE ASSEMBLY, #16 YELLOW	1
8	1016763		WIRE ASSEMBLY, #18 YELLOW	1
9	1015766		WIRE ASSEMBLY, #18 BLACK	1
10	1016766		WIRE ASSEMBLY, #18 GREEN	1
11	1016764		WIRE ASSEMBLY, #18 ORANGE	1
12	1012382		WIRE ASSEMBLY, #6 BLACK	1
(REFER TO SECTION 12 FOR THE LIGHTING PACKAGE WIRING)				

5

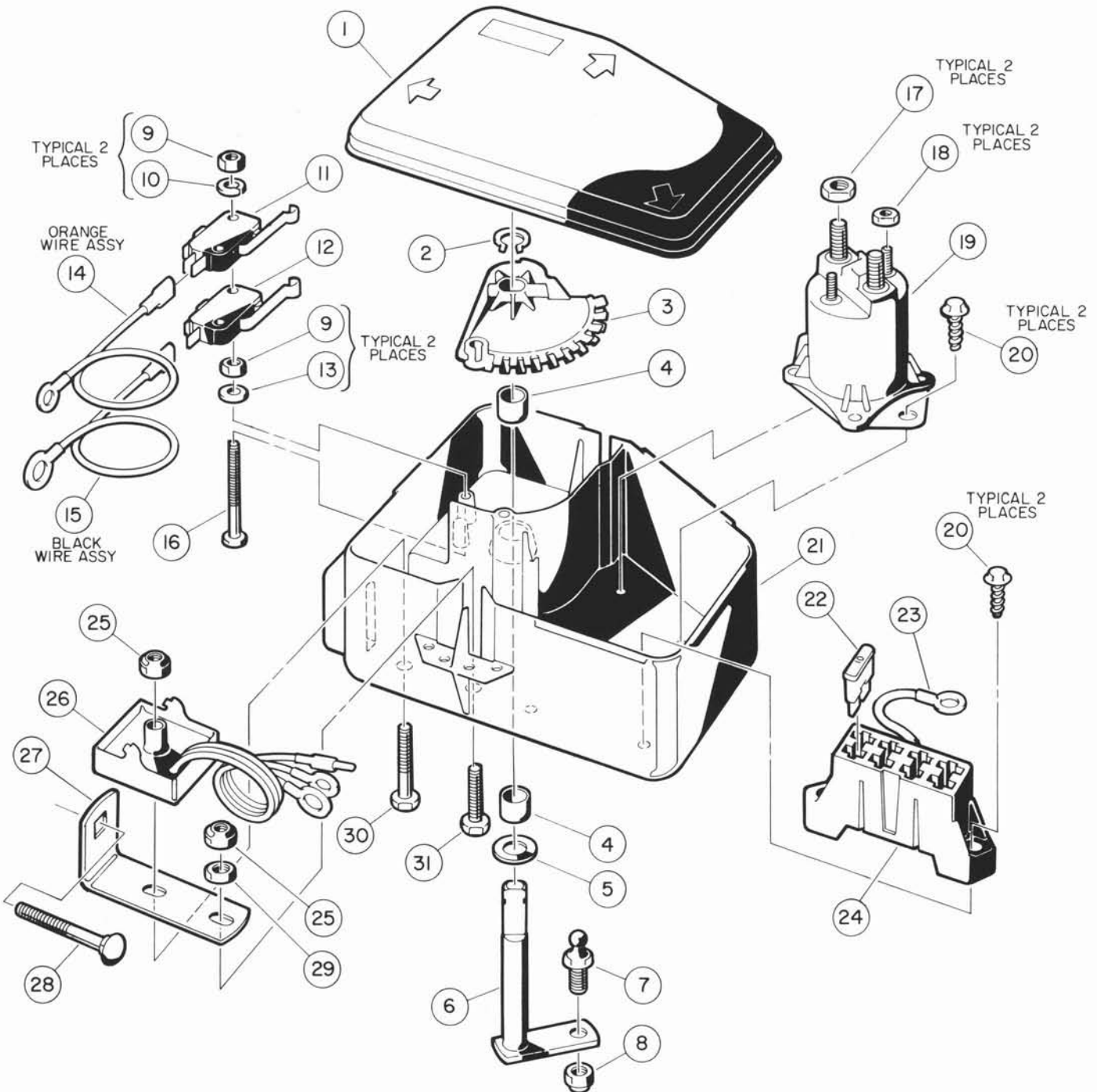


WIRING - '94 VEHICLE WITH 350 ENGINE

WIRING - '94 VEHICLE WITH 350 ENGINE

ITEM NUMBER	PART NUMBER	DESCRIPTION				UNITS PER VEHICLE
		1	2	3	4	
	1017669	WIRE HARNESS ASSEMBLY				1
1	1016778	WIRE ASSEMBLY, #18 ORANGE				1
2	1013469	WIRE ASSEMBLY, #18 BLACK				1
3	1013463	WIRE ASSEMBLY, #18 BLUE				1
4	1017676	WIRE ASSEMBLY, #18 GREEN AND YELLOW				1
5	1017679	WIRE ASSEMBLY, #16 ORANGE/WHITE				1
6	1016857	WIRE ASSEMBLY, #16 BLACK				1
7	1012396	WIRE ASSEMBLY, #18 BLACK				1
8	1016767	WIRE ASSEMBLY, #18 RED				1
9	1017678	WIRE ASSEMBLY, #18 BLACK/WHITE				1
10	1016763	WIRE ASSEMBLY, #18 YELLOW				1
11	1015738	WIRE ASSEMBLY, #18 YELLOW				1
12	1017681	WIRE ASSEMBLY, #18 RED				1
13	1016764	WIRE ASSEMBLY, #18 ORANGE				1
14	1017677	WIRE ASSEMBLY, #18 BROWN				1
15	1016765	WIRE ASSEMBLY, #18 RED/WHITE				1
16	1015769	WIRE ASSEMBLY, #6 WHITE				1
17	1015921	WIRE ASSEMBLY, #18 BLACK				1
18	1015332	WIRE ASSEMBLY, #6 (BARE)				1
19	1012382	WIRE ASSEMBLY, #6 BLACK				1
20	1014119	WIRE ASSEMBLY, #6 RED				1
(REFER TO SECTION 12 FOR THE LIGHTING PACKAGE WIRING)						

**NOTE: ITEM #30 BOX COVER
MOUNTING SCREW NOT SHOWN**



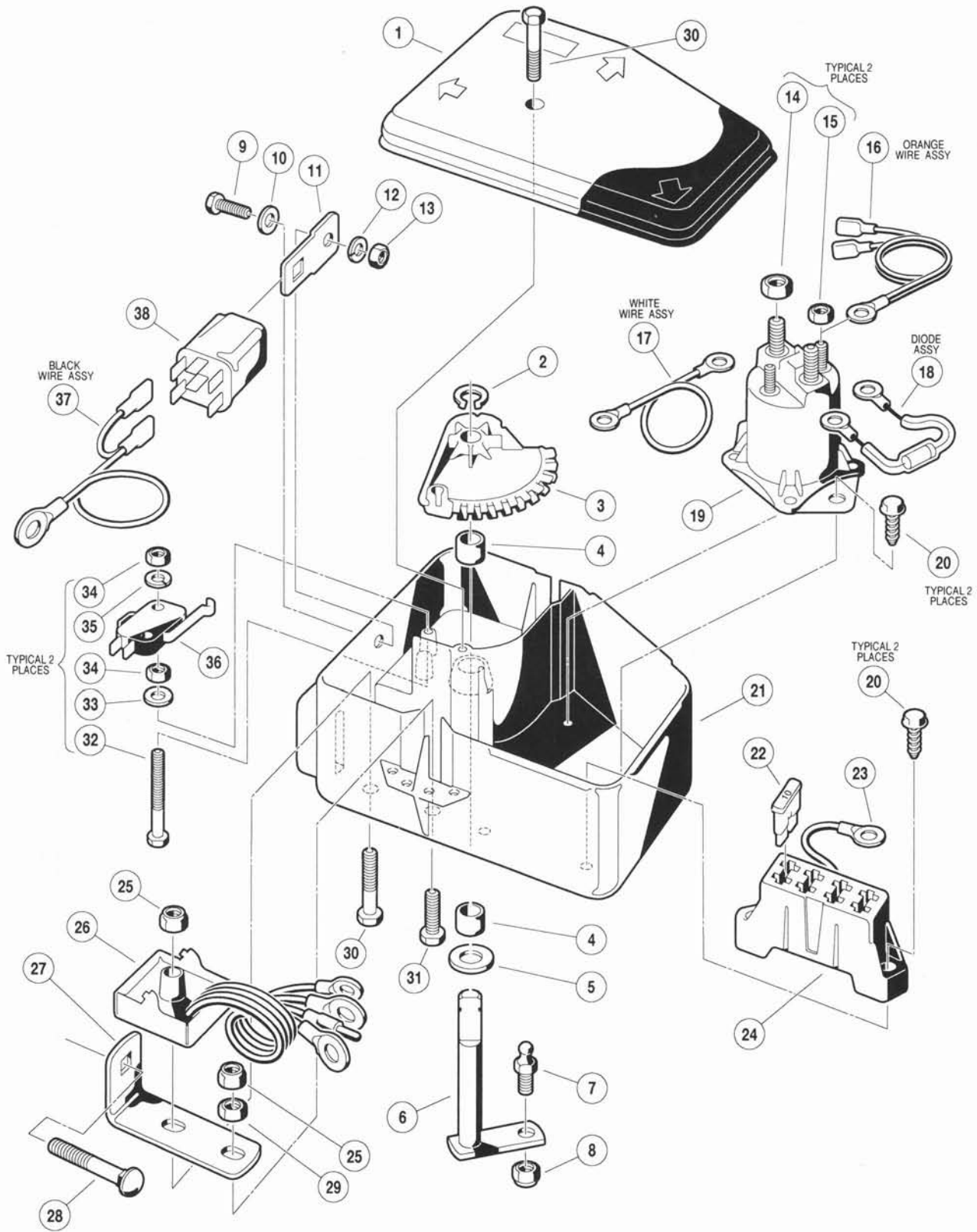
ELECTRICAL COMPONENT BOX - '93 VEHICLE WITH 290 ENGINE

ELECTRICAL COMPONENT BOX - '93 VEHICLE WITH 290 ENGINE

G

ITEM NUMBER	PART NUMBER	1 2 3 4	DESCRIPTION	UNITS PER VEHICLE
1	1015372		ELECTRICAL COMPONENT BOX COVER	1
2	1013589		RETAINING RING	1
3	1015373		ELECTRICAL BOX CAM	1
4	1014145		BRONZE BUSHING, SECONDARY WEIGHT	2
5	1014065		FLATWASHER (DELRIN)	1
6	1015345		BELL CRANK SHAFT ASSEMBLY	1
7	1010954		BALL STUD, 1/4-28	1
8	8717		NYLON INSERT LOCKNUT, 1/4-28	1
9	8057		UNC HEX NUT, #4-40	4
10	8058		LOCKWASHER #4	2
11	1014807		LIMIT SWITCH	1
12	1014808		LIMIT SWITCH	1
13	1012431		FLATWASHER #4	2
14	1015767		WIRE ASSEMBLY, #18 ORANGE	1
15	1015766		WIRE ASSEMBLY, #18 BLACK	1
16	1015878		HEX HEAD MACHINE SCREW, #4-40	2
17	1242		UNC HEX NUT, 5/16-18	2
18	7893		UNF HEX NUT, #10-32	2
19	1013609		12 VOLT SOLENOID	1
20	1015752		HI-LO SCREW, #12-16 X 1/2"	4
21	1015371		ELECTRICAL COMPONENT BOX	1
22	1012295		FUSE 10 AMP	1
23	1015737		WIRE ASSEMBLY	1
24	1015741		FUSE BLOCK	1
25	8233		NYLON INSERT LOCKNUT, 1/4-20	2
26	1015777		VOLTAGE REGULATOR ASSEMBLY OHV	1
27	1015343		GROUND STRAP	1
28	1015405		ROUND HEAD SQUARE NECK SCREW, 5/16-18 X 2"	1
29	1015919		JAM NUT, 1/4-20	1
30	1703		HEX HEAD CAP SCREW, 1/4-20 X 1-1/2"	1
31	304		HEX HEAD CAP SCREW, 1/4-20 X 1"	1
32	8168		WIRE TIE WRAP (NOT SHOWN)	2

5



ELECTRICAL COMPONENT BOX - '94 VEHICLE WITH 350 ENGINE

ELECTRICAL COMPONENT BOX - '94 VEHICLE WITH 350 ENGINE

G

ITEM NUMBER	PART NUMBER	DESCRIPTION				UNITS PER VEHICLE
		1	2	3	4	
1	1015372	ELECTRICAL COMPONENT BOX COVER				1
2	1013589	RETAINING RING				1
3	1015373	ELECTRICAL BOX CAM				1
4	1014145	BRONZE BUSHING, SECONDARY WEIGHT				2
5	1014065	FLATWASHER (DELRIN)				1
6	1015345	BELL CRANK SHAFT ASSEMBLY				1
7	1010954	BALL STUD, 1/4-28				1
8	8717	NYLON INSERT LOCKNUT, 1/4-28				1
9	8450	HEX HEAD MACHINE SCREW, #10-24 X 1/2"				1
10	183	FLATWASHER, #10				1
11	1017243	RELAY MOUNTING BRACKET				1
12	1016	LOCKWASHER, #10				1
13	1017	HEX NUT, #10-24				1
14	1242	HEX NUT, 5/16-18				2
15	7893	HEX NUT, #10-32				2
16	1017006	WIRE ASSEMBLY, #18 ORANGE				1
17	1017010	WIRE ASSEMBLY, #18 WHITE				1
18	1014948	DIODE ASSEMBLY				1
19	1013609	12 VOLT SOLENOID				1
20	1015752	HI-LO SCREW, #12-16 X 1/2"				4
21	1016997	ELECTRICAL COMPONENT BOX				1
22	1012295	FUSE 10 AMP				1
23	1015737	WIRE ASSEMBLY, #18 RED				1
24	1015741	FUSE BLOCK				1
25	8233	NYLON INSERT LOCKNUT, 1/4-20				2
26	1017238	VOLTAGE REGULATOR ASSEMBLY				1
27	1015343	GROUND STRAP				1
28	1015405	ROUND HEAD SQUARE NECK SCREW, 5/16-18 X 2"				1
29	1015919	JAM NUT, 1/4-20				1
30	1703	HEX HEAD CAP SCREW, 1/4-20 X 1-1/2"				2
31	304	HEX HEAD CAP SCREW, 1/4-20 X 1"				1
32	1016896	HEX HEAD MACHINE SCREW, #4-40 X 1-1/8"				2
33	1012431	FLATWASHER, #4				2
34	8057	HEX NUT, #4-40				4
35	8058	LOCKWASHER, #4				2
36	1014807	LIMIT SWITCH				1
37	1017005	WIRE ASSEMBLY, #18 BLACK				1
38	1017239	RELAY				1

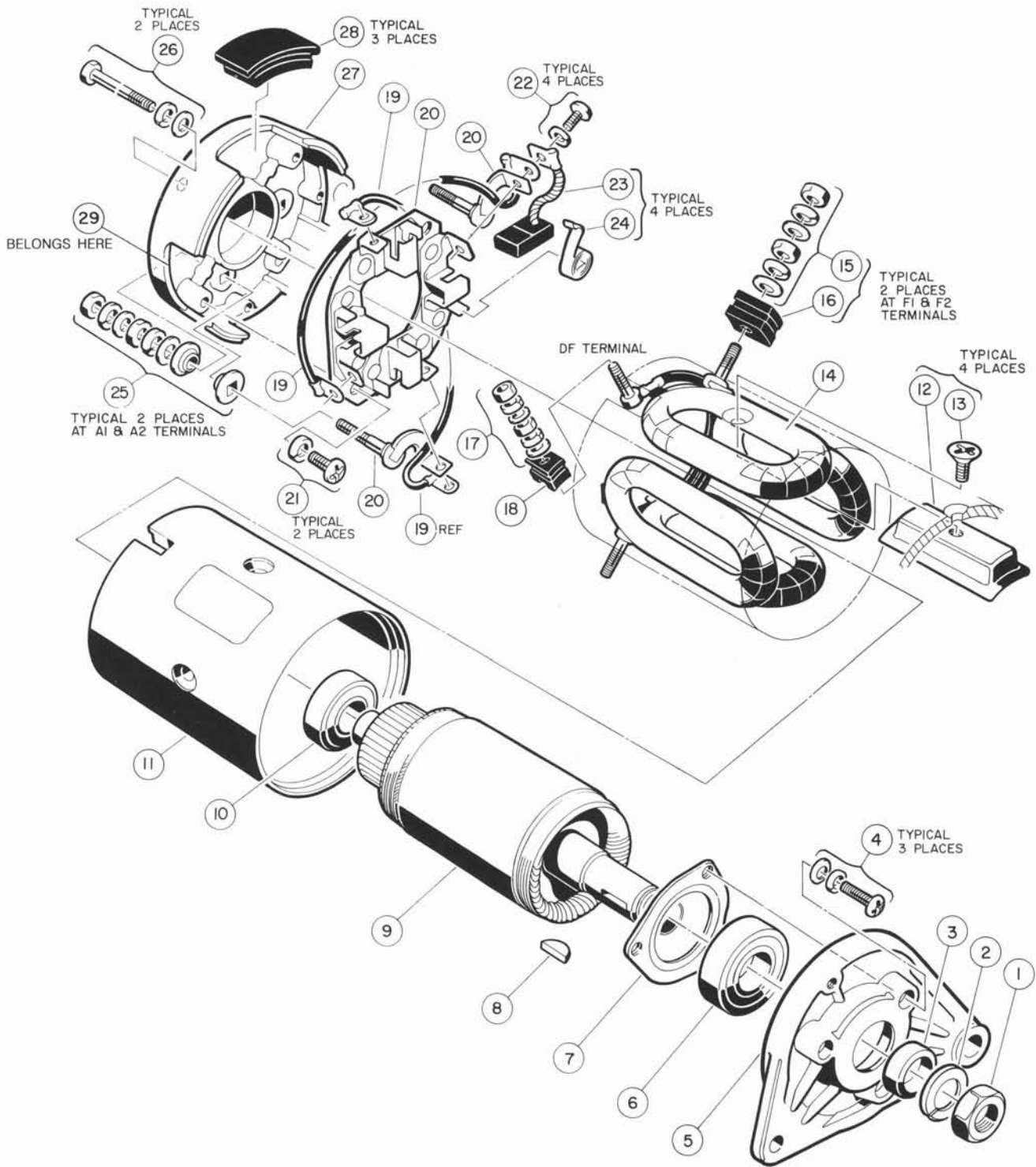
5

F&R SHIFTER ASSEMBLY

ITEM NUMBER	PART NUMBER	1 2 3 4	DESCRIPTION	UNITS PER VEHICLE
1	1016947		F&R SHIFTER ASSEMBLY INCLUDES ITMES 5 THRU 22	1
2	1013198		OVAL COUNTERSUNK PHILLIPS MACHINE SCREW, #8-32	1
3	1012987		F&R HANDLE	1
4	8248		PHILLIPS TRUSS HEAD MACHINE SCREW, 1/4-20 X 3/4	4
5	1012594		MACHINE SCREW, #4-40 X 1.00	2
6	8057		UNC HEX HEAD, #4-40	4
7	1012431		FLATWASHER, #4	2
8	1014808		LIMIT SWITCH	1
9	1014807		LIMIT SWITCH	1
10	8058		LOCKWASHER, #4	2
11	1013591		ROLL PIN, 1/8 DIAMETER	1
12	8233		NYLON INSERT LOCKNUT, 1/4-20	4
13	1014145		BRONZE BUSHING, SECONDARY WEIGHT	2
14	1014727		FLATWASHER (NYLON), #4	2
15	1016342		F&R SHIFTER BASE	1
16	1014089		NEUTRAL LOCK-OUT CAM KIT INCLUDES ITEM 18	1
17	1013590		SPRING - F&R CAM	1
18	1014065		FLATWASHER (DELTRIN)	1
19	1013589		RETAINING RING	1
20	8717		NYLON INSERT LOCKNUT, 1/4-28	2
21	1013587		F&R BELL CRANK WELDMENT	1
22	1010954		BALL STUD, 1/4-28 UNF X .25	2
23	1012333		BALL JOINT	2
24	7893		UNF HEX NUT, #10-32	2
25	1016727-01		TRANSMISSION SHIFT CABLE	1
26	1016341		TRANSMISSION SHIFT LEVER	1

G

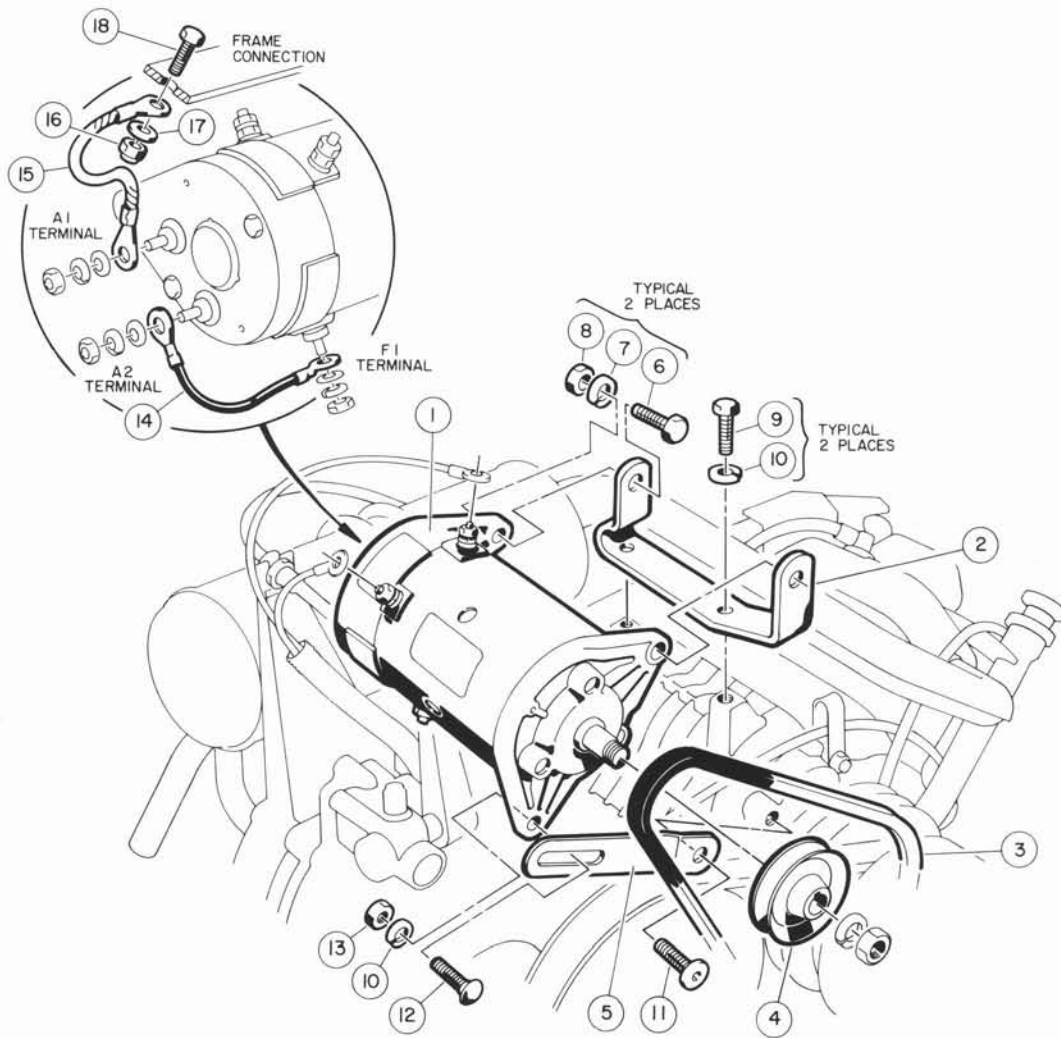
5



STARTER-GENERATOR ASSEMBLY

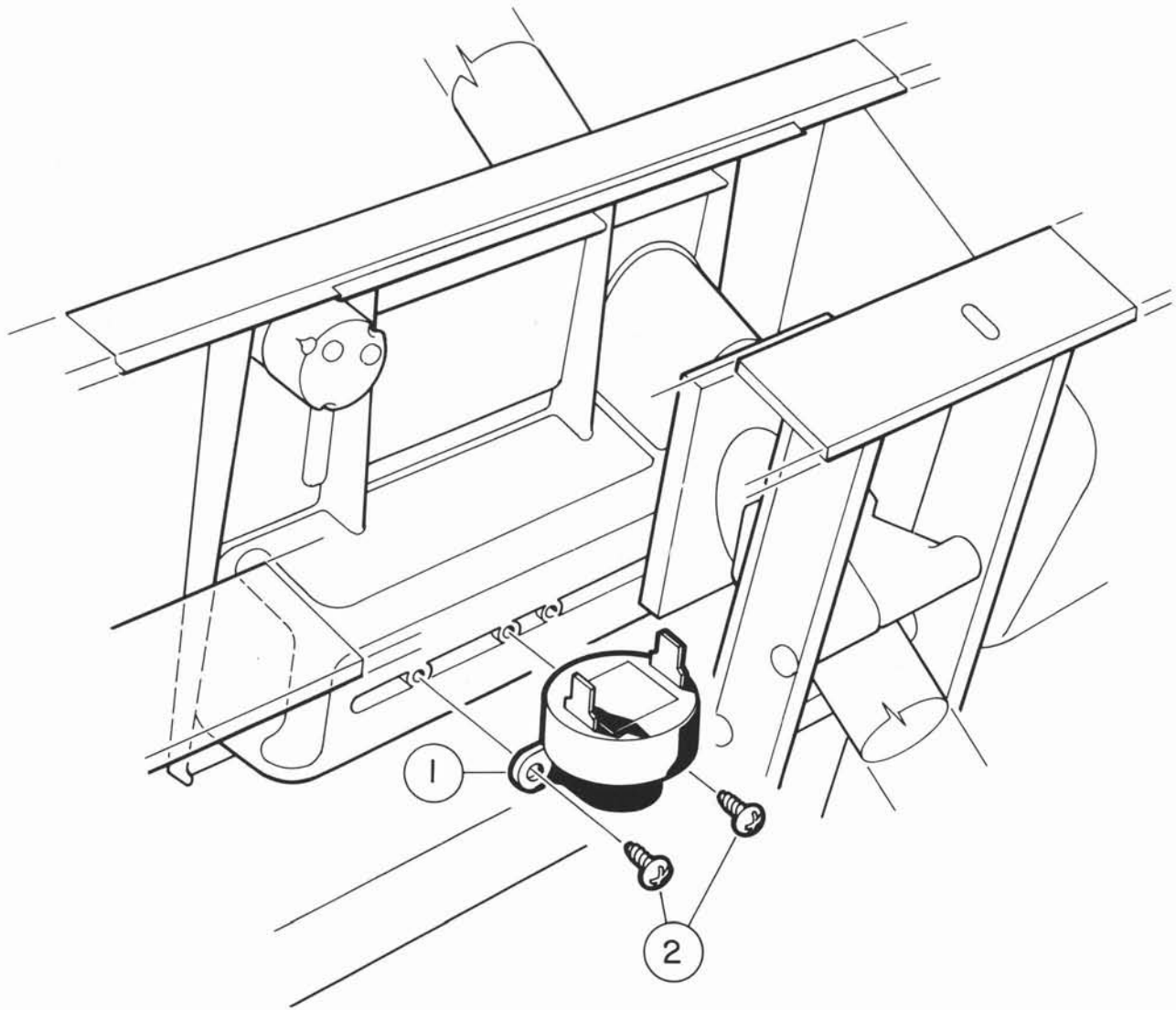
STARTER-GENERATOR ASSEMBLY

ITEM NUMBER	PART NUMBER	DESCRIPTION				UNITS PER VEHICLE
		1	2	3	4	
	1012316	STARTER/GENERATOR				
1	NO #	HEX NUT, M14 X 1.5 (SEE ITEM 29)				1
2	NO #	LOCKWASHER, M14 (SEE ITEM 29)				1
3	1013000	SPACER				1
4	NO #	CROSS-RECESSED SCREW, M5 X 18 WITH LOCKWASHERS AND FLATWASHERS (SEE ITEM 29)				3
5	1012999	OUTPUT SHAFT END BELL				1
6	1013001	BALL BEARING OUTPUT SHAFT				1
7	1013002	BEARING RETAINER				1
8	1013003	KEY				1
9	1013004	ARMATURE ASSEMBLY INCLUDES ITEMS 3, 6, 7, 10, AND, ARMATURE				1
10	1013005	BALL BEARING COMMUTATOR				1
11	1013006	FRAME ASSEMBLY INCLUDES ITEMS 12 THRU 18 AND FRAME				1
12	NO #	POLE PIECE (SEE ITEM 11)				4
13	1013009	POLE PIECE SCREW				4
14	1013010	FIELD COIL ASSEMBLY				1
15	1013007	TERMINAL HARDWARE KIT INCLUDES NUTS, LOCKWASHERS, AND FLATWASHERS				2
16	NO #	INSULATOR (SEE ITEM 11)				2
17	1013017	TERMINAL HARDWARE KIT INCLUDES NUTS, LOCKWASHERS, AND FLATWASHERS				1
18	NO #	INSULATOR (SEE ITEM 11)				
19	1013013	CROSSOVER LEAD				2
20	1013011	BRUSH HOLDER KIT				1
21	NO #	SCREW, M5 X 16 WITH LOCKWASHER (SEE ITEM 29)				2
22	NO #	SCREW, M4 X 10 WITH LOCKWASHER (SEE ITEM 29)				4
23	1014699	BRUSH PACKAGE INCLUDES 4 BRUSHES				1
24	1013016	BRUSH SPRING				4
25	1012990	TERMINAL HARDWARE KIT INCLUDES NUTS, LOCKWASHERS, FLATWASHERS, AND INSULATORS				2
26	1012992	CLAMP BOLT, 6 X 180				2
27	1012993	COMMUTATOR END BELL				1
28	1012991	BRUSH INSPECTION PORT COVER				3
29	1017653	BRUSH INSPECTION PORT COVER				1
30	1013018	PULLEY NUT AND SCREW KIT INCLUDES ITEMS 1,2, 4, 21, AND 22				1



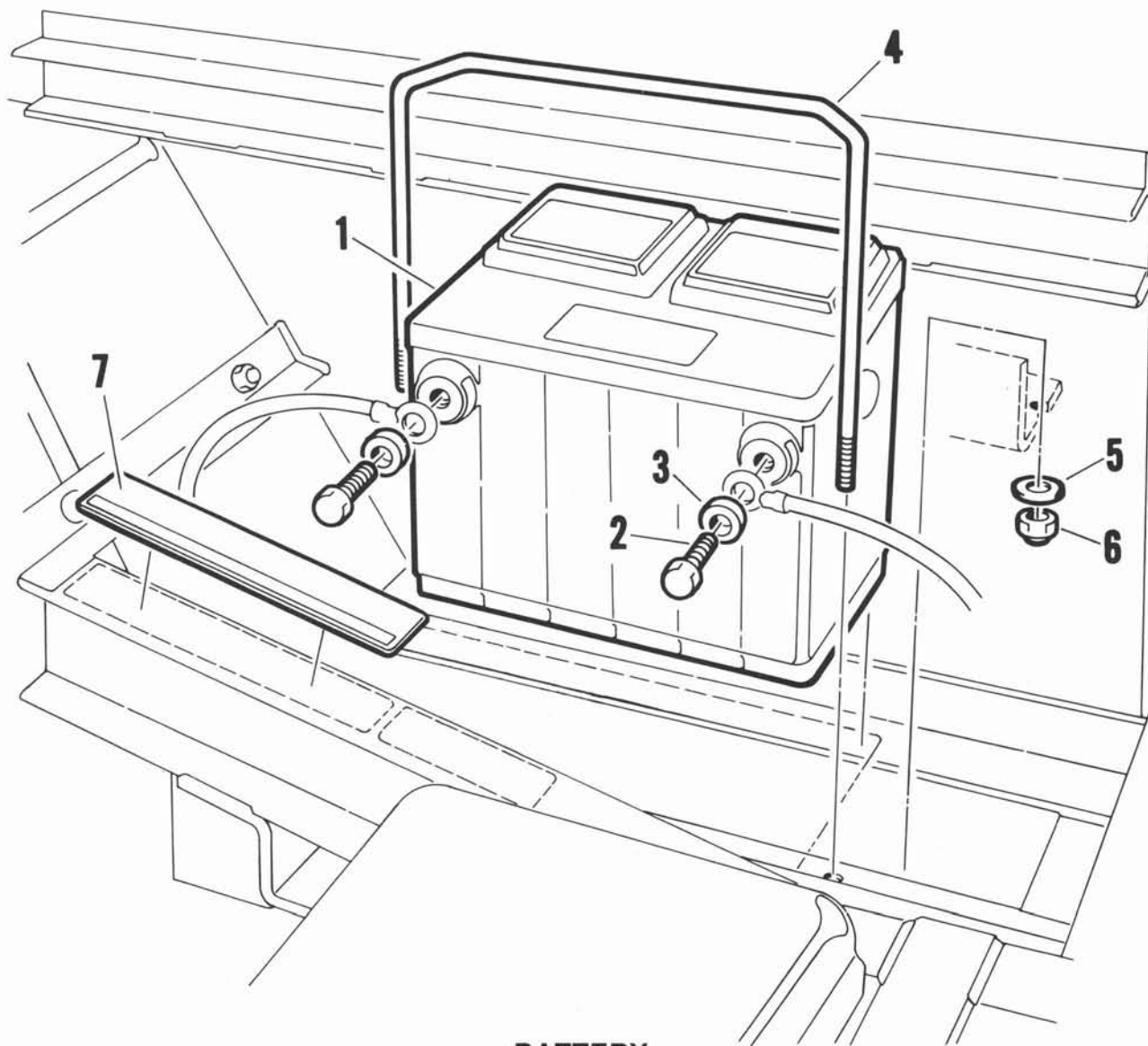
STARTER-GENERATOR MOUNTING

ITEM NUMBER	PART NUMBER	DESCRIPTION				UNITS PER VEHICLE
		1	2	3	4	
1	1012316					1
2	1015240-01					1
2	1015240-02					1
3	1014290					1
4	1014289					1
5	1012335					1
6	705					2
7	357					2
8	706					2
9	1015331					2
10	7174					2
11	1016074					2
12	1015932					1
13	1242					1
14	1012384					1
15	1016380					1
16	7473					1
17	1241					1
18	7173					1



REVERSE BUZZER

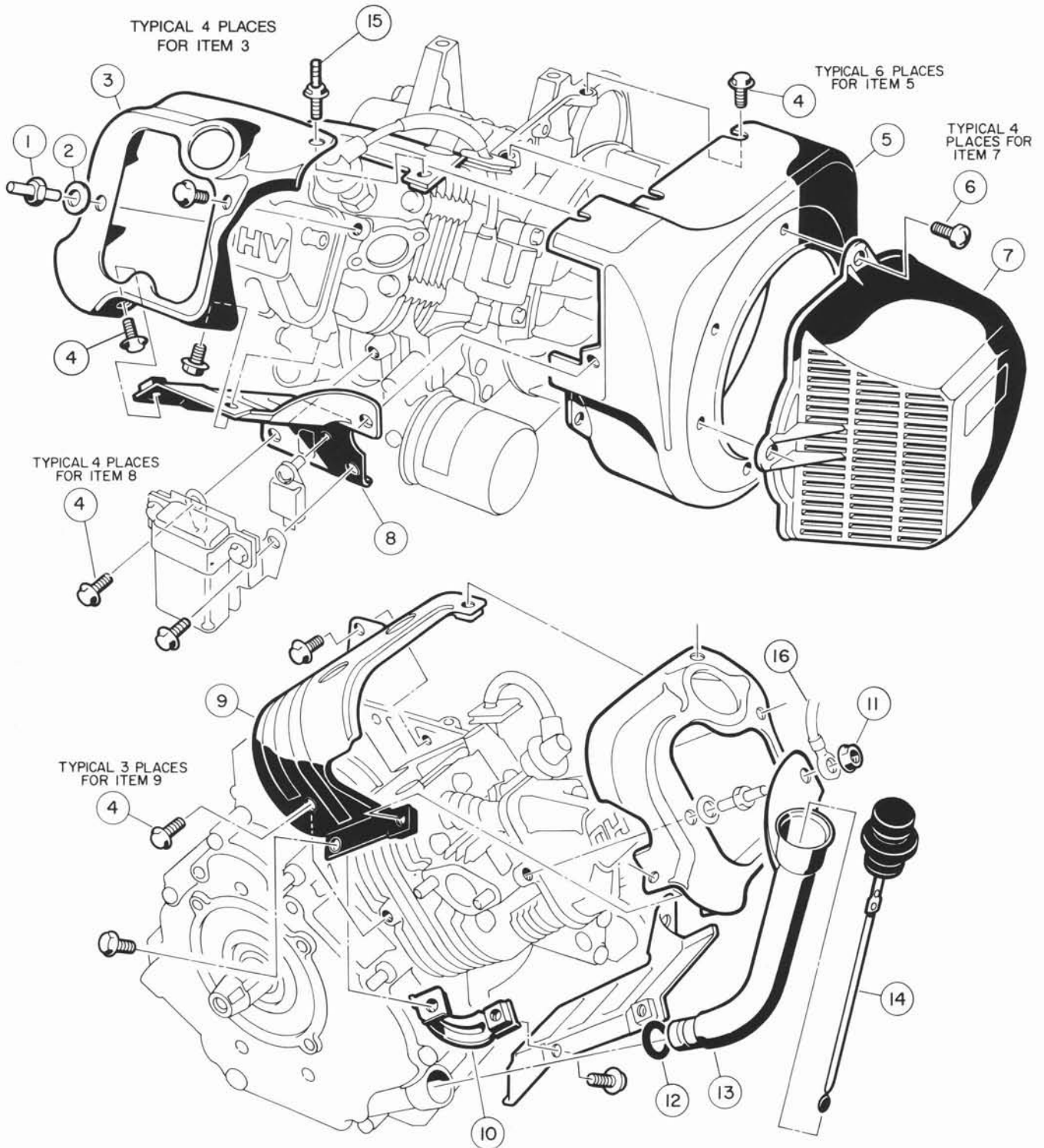
ITEM NUMBER	PART NUMBER	1 2 3 4	DESCRIPTION	UNITS PER VEHICLE
1	1016859		REVERSE BUZZER KIT (DASH MOUNTED SHOWN)	2
2	1016849		SCREW PAN HEAD HI-LO, #4-24 X .330	4
3	1016857		WIRE ASSEMBLY, BLACK (GAS VEHICLE ONLY - NOT SHOWN)	2



BATTERY

ITEM NUMBER	PART NUMBER	1 2 3 4	DESCRIPTION	UNITS PER VEHICLE
1	1012328		12 VOLT BATTERY	1
2	1014375		HEX HEAD CAP SCREW, SS, 3/8-16 X 1/2	2
3	1014374		SPACER, BATTERY TERMINAL BOLT	2
4	1013882		BATTERY HOLD DOWN	1
5	1011964		FLATWASHER, SS, 1/4 DIAMETER	2
6	1015068		NYLON INSERT LOCKNUT, SS, 1/4-20	2
7	1015474		FRAME GROUND DECAL	1

Section 6
ENGINE



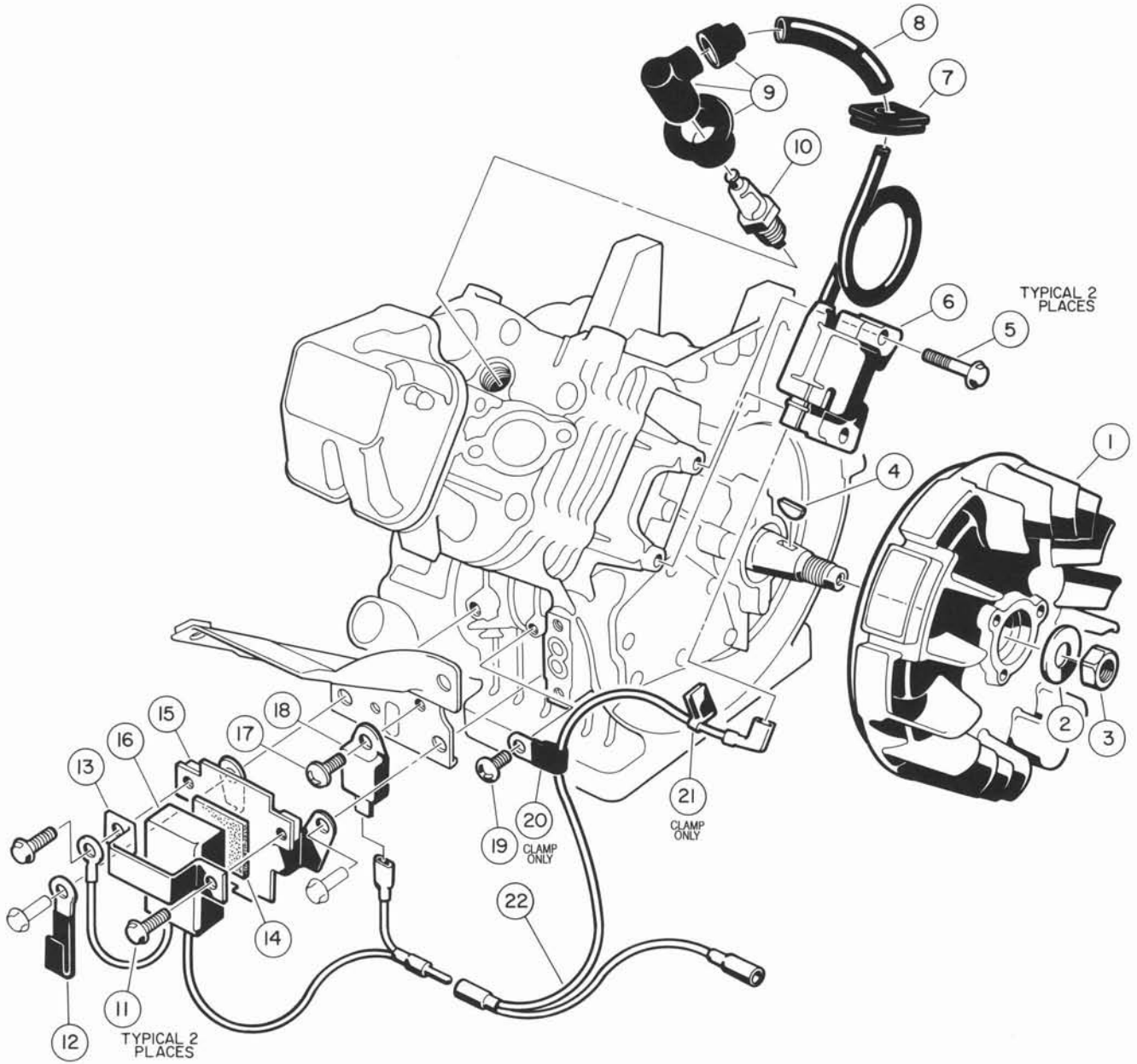
'93 VEHICLE WITH 290 ENGINE

'93 VEHICLE WITH 290 ENGINE

G

ITEM NUMBER	PART NUMBER	DESCRIPTION	UNITS PER VEHICLE
		1 2 3 4	
1	1015731	FE 290 OHV GASOLINE ENGINE - COMPLETE	
2	1016507	BOLT, 2-ENDED, M6 X 1.0	1
3	1016512	PLAIN WASHER, 6MM DIAMETER	1
4	1016524	ENGINE SHROUD, FE 290	1
5	1016456	FLANGED BOLT, M6 X 1.0 X 12 MM	17
6	1016534	FAN HOUSING	1
7	1015969	PAN HEAD SCREW, M6 X 1.0 X 14MM	4
8	1015649	FAN SHROUD	1
9	1016526	ENGINE SHROUD, FE 290	1
10	1016525	ENGINE SHROUD, FE 290	1
11	1016443	BRACKET	1
12	1016547	NUT, M6 X 1	1
13	1016539	O-RING	1
14	1016536	OIL FILLER TUBE, FE 290	1
15	1016531	DIPSTICK, FE 290	1
16	1017221	BOLT, 2-ENDED, M6 X 1.0	1
	1015332	WIRE ASSEMBLY, #6 BRAIDED	1

6



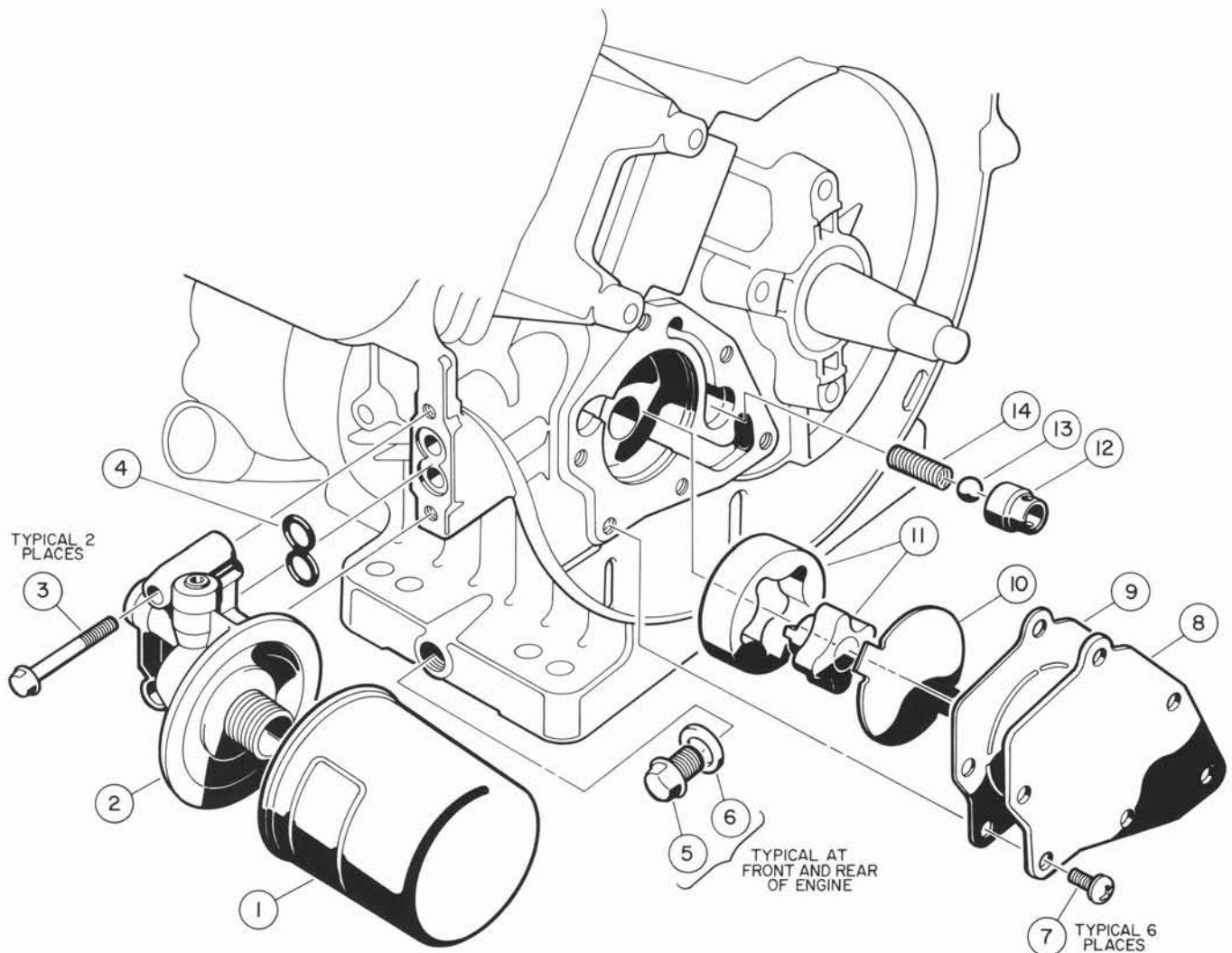
'93 VEHICLE WITH 290 ENGINE

'93 VEHICLE WITH 290 ENGINE

G

ITEM NUMBER	PART NUMBER	1 2 3 4	DESCRIPTION	UNITS PER VEHICLE
1	1016495		COMPOSITE FLYWHEEL OHV	1
2	1016548		FLATWASHER, 16MM DIAMETER	1
3	1016505		HEX NUT, M16 X 1.5	1
4	1016562		KEY	1
5	1016455		FLANGED BOLT, M5 X 0.8 X 25MM	2
6	1016492		IGNITION COIL	1
7	1016578		GROMMET	1
8	1016588		TUBE, 7MM X 10MM X 70MM	1
9	1016493		PLUG CAP ASSEMBLY	1
10	1016111		SPARK PLUG OHV, BP5ES	1
11	1016456		FLANGED BOLT, M6 X 1.0 X 12MM	2
12	1012981		CLAMP	1
13	1016579		RPM LIMITER MOUNT	1
14	1016586		DAMPER	1
15	1016445		BRACKET	1
16	1016511		RPM LIMITER	1
17	1016497		CROSS PAN HEAD SCREW, M5 X 0.8 X 8MM	1
18	1016491		IGNITER	1
19	1016544		CROSS PAN HEAD SELF TAP SCREW, M5 X 12MM	1
20	1016561		CLAMP	1
21	1016587		CLAMP	1
22	1016503		LEAD WIRE	1

6



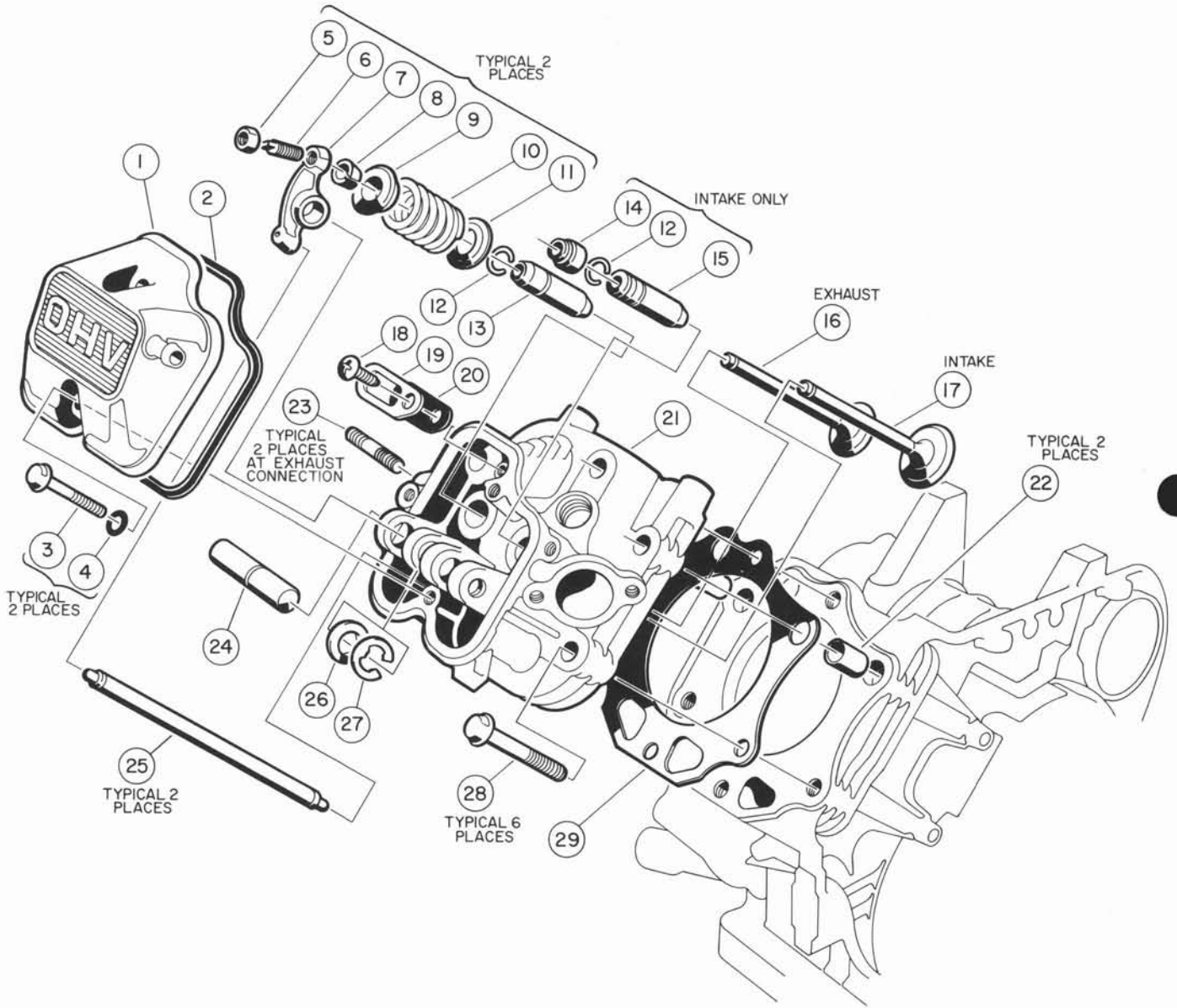
'93 VEHICLE WITH 290 ENGINE

'93 VEHICLE WITH 290 ENGINE

G

ITEM NUMBER	PART NUMBER	DESCRIPTION				UNITS PER VEHICLE
		1	2	3	4	
1	1016467	OIL FILTER, OHV				1
2	1016502	OIL FILTER BRACKET				1
3	1016457	FLANGED HEX HEAD BOLT, M6 X 1.0 X 40MM				2
4	1016570	O-RING				1
5	1016576	DRAIN PLUG, FE 290				2
6	1016432	GASKET, DRAIN PLUG				2
7	1016498	CROSS PAN HEAD SCREW, M6 X 1.0 X 12MM				6
8	1016484	PUMP COVER				1
9	1016435	OIL PUMP GASKET				1
10	1016473	OIL PUMP PLATE				1
11	1016482-03	OIL PUMP AND ROTOR				1
12	1016429	VALVE SEAT				1
13	1016537	STEEL BALL				1
14	1016581	SPRING				1

6



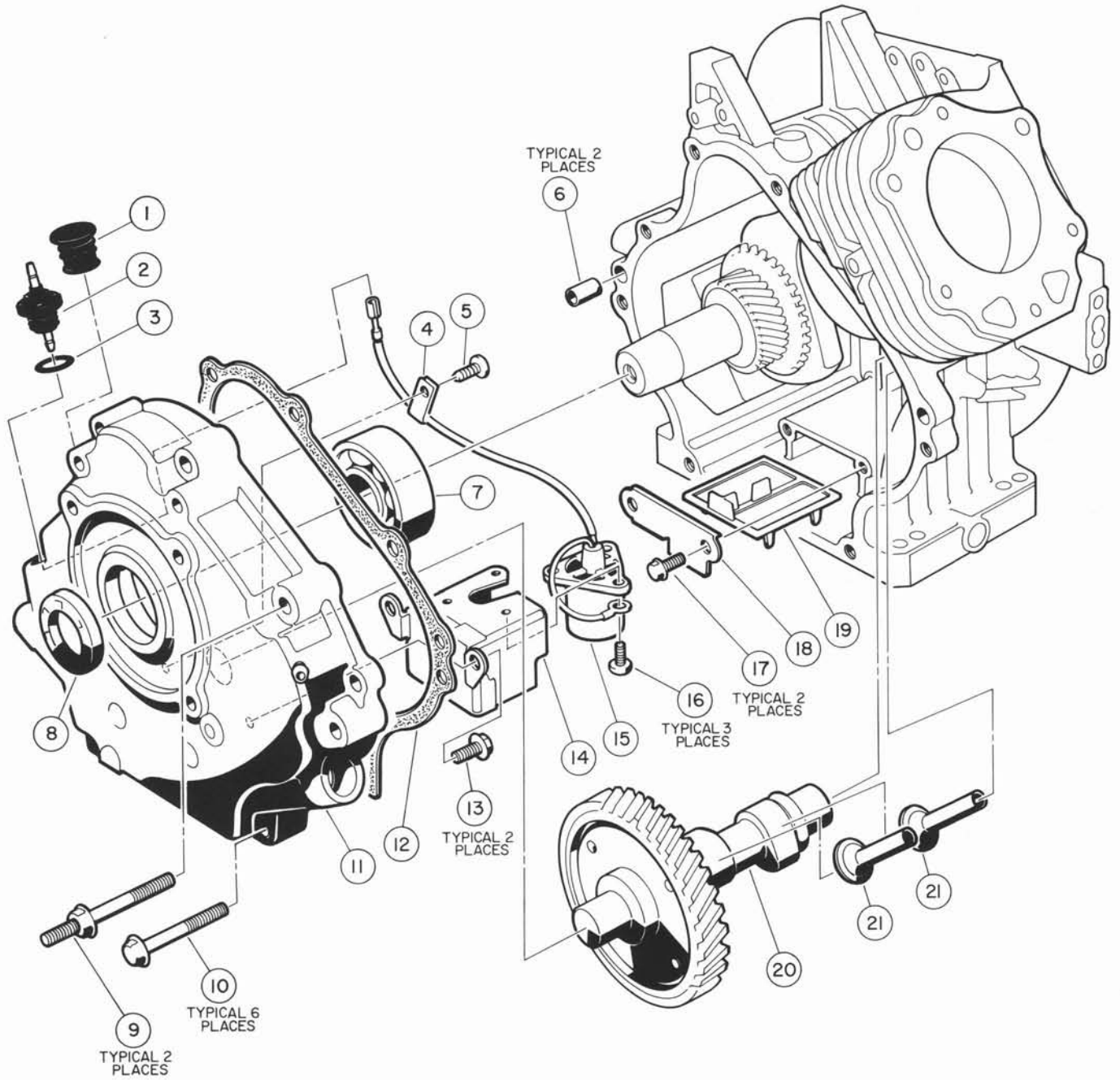
'93 VEHICLE WITH 290 ENGINE

'93 VEHICLE WITH 290 ENGINE

G

ITEM NUMBER	PART NUMBER	DESCRIPTION	UNITS PER VEHICLE
1	1016442	ROCKER CASE	1
2	1016436	ROCKER CASE GASKET	1
3	1016583	FLANGED BOLT, M6 X 1.0 X 35MM	2
4	1016569	O-RING	2
5	1016545	HEX NUT, M5 X .5	2
6	1016542	SCREW	2
7	1016451	ROCKER ARM	2
8	1016450	COLLET	2
9	1016449	VALVE SPRING RETAINER	2
10	1016523	ENGINE VALVE SPRING	2
11	1016479	SPRING SEAT	2
12	1016560	SNAP RING	2
13	1016518	VALVE GUIDE (EXHAUST)	1
14	1016566	VALVE OIL SEAL, INTAKE	1
15	1016519	VALVE GUIDE (INTAKE)	1
16	1016448	EXHAUST VALVE	1
17	1016447	INTAKE VALVE	1
18	1016544	SCREW	1
19	1016474	PLATE	1
20	1016483	VALVE	1
21	1016431	CYLINDER HEAD COMPLETE OHV INCLUDES ITEMS 12, 13, AND 15	1
22	1016563	PIN	2
23	1016489	STUD BOLT, M8 X 1.25 X 29MM	2
24	1016452	ROCKER SHAFT	1
25	1016471	PUSH ROD	2
26	1016549	WASHER	1
27	1016517	TYPE-E CIRCLIP	1
28	1016458	FLANGED BOLT, M8 X 1.25 X 45MM LONG	6
29	1016430	HEAD GASKET FE 290	1
30	1017742	VALVE OIL SEAL, EXHAUST (NOT SHOWN)	1

6



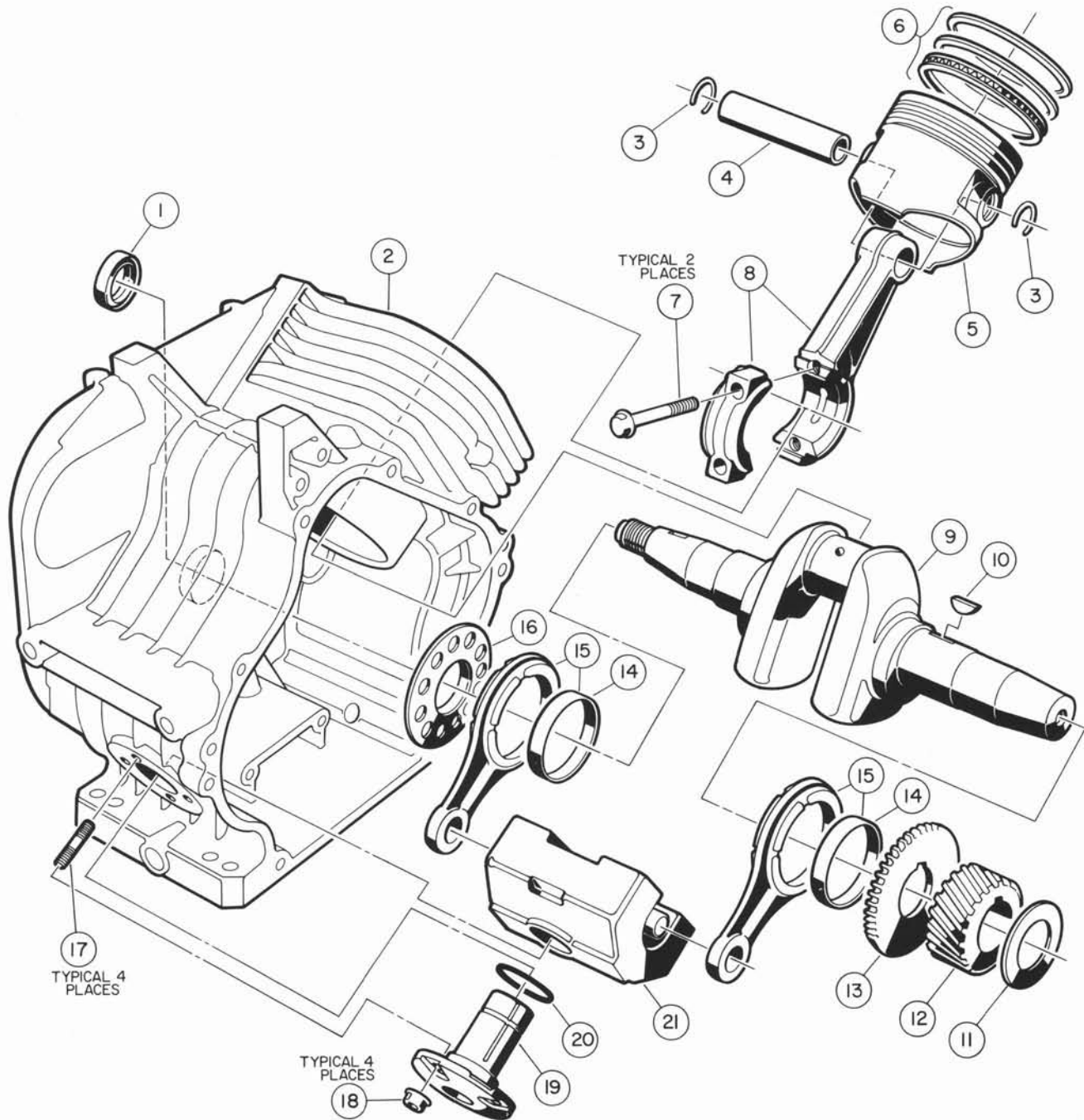
'93 VEHICLE WITH 290 ENGINE

'93 VEHICLE WITH 290 ENGINE

G

ITEM NUMBER	PART NUMBER	DESCRIPTION	UNITS PER VEHICLE
1	1016596	PLUG	1
2	1016535	CORD CONNECTOR	1
3	1016538	O-RING	1
4	1016506	CLAMP	1
5	1016544	CROSS PAN HEAD SELF TAPPING SCREW, 5MM DIAMETER X 12MM LONG	1
6	1016564	PIN	2
7	1016565	BALL BEARING	1
8	1016567	CRANKSHAFT SEAL	1
9	1016584	BOLT, 2-ENDED, M8 X 1.25	2
10	1016458	FLANGED BOLT, M8 X 1.25	6
11	1016520	CRANKCASE COVER	1
12	1016446	CRANKCASE COVER GASKET	1
13	1016456	FLANGED BOLT, M5 X 1.0 X 12MM	2
14	1016510	SWITCH BRACKET, OIL LEVEL	1
15	1016494	SENSOR, OIL LEVEL	1
16	1016496	CROSS PAN HEAD SCREW, M4 X 0.7 X 8MM	3
17	1016454	FLANGED BOLT, M5 X 0.8 X 8MM	2
18	1016472	OIL FILTER SCREEN PLATE	1
19	1016521	OIL FILTER, SCREEN	1
20	1016528	COMPOSITE CAMSHAFT	1
21	1016453	TAPPET	2

6



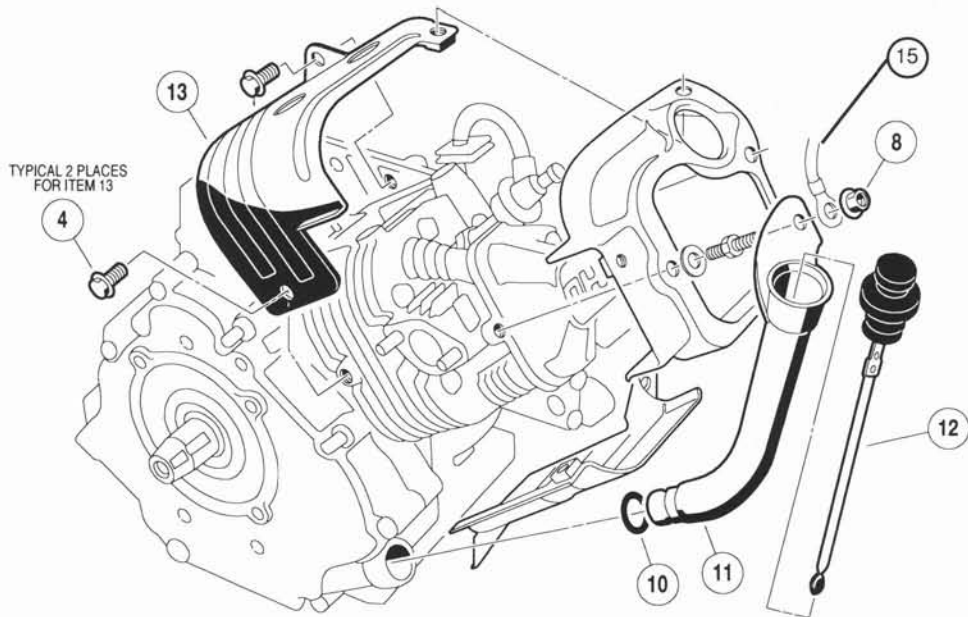
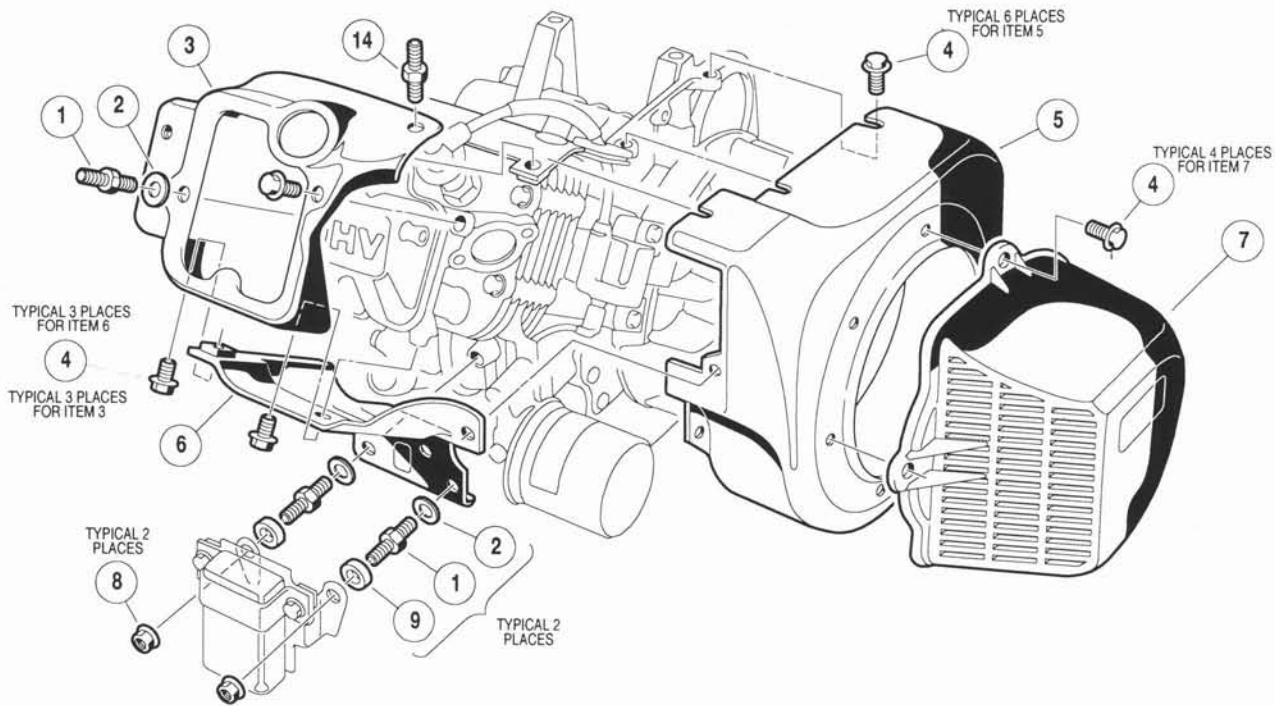
'93 VEHICLE WITH 290 ENGINE

'93 VEHICLE WITH 290 ENGINE

G

ITEM NUMBER	PART NUMBER	1	2	3	4	DESCRIPTION	UNITS PER VEHICLE
1	1016568					OIL SEAL	1
2	1016529					CRANKCASE, COMPLETE FE 290	1
3	1016558					SNAP RING	2
4	1016460					PISTON PIN	1
5	1016459-01					PISTON - STANDARD	1
5	1016459-02					PISTON - .25MM OVERSIZE	1
5	1016459-03					PISTON - .50MM OVERSIZE	1
5	1016459-04					PISTON - .75MM OVERSIZE	1
6	1016461-01					PISTON RING SET - STANDARD	1
6	1016461-02					PISTON RING SET - .25MM OVERSIZE	1
6	1016461-03					PISTON RING SET - .50MM OVERSIZE	1
6	1016461-04					PISTON RING SET - .75MM OVERSIZE	1
7	1016509					BOLT	2
8	1016475-01					CONNECTING ROD ASSEMBLY - STANDARD INCLUDES 2 EACH ITEM 7	1
8	1016475-02					CONNECTING ROD ASSEMBLY - .50MM UNDERSIZE INCLUDES 2 EACH ITEM 7	1
9	1016468					CRANKSHAFT, FE 290 INCLUDES 1 EACH ITEMS 10, 12, 13, 14 AND 15	1
10	1016562					KEY	1
11	1016550-01					SHIM 1.13MM	1
11	1016550-02					SHIM 1.18MM	1
11	1016550-03					SHIM 1.23MM	1
11	1016550-04					SHIM 1.28MM	1
11	1016550-05					SHIM 1.33MM	1
11	1016550-06					SHIM 1.38MM	1
11	1016550-07					SHIM 1.43MM	1
11	1016550-08					SHIM 1.48MM	1
11	1016550-09					SHIM 1.53MM	1
12	1016533					HELICAL GEAR	1
13	1016532					SPUR GEAR	1
14	1016580					PLAIN BEARING	2
15	1016516					CONNECTING ROD ASSEMBLY INCLUDES ITEM 14	2
16	1016559					SPACER	1
17	1016541					STUD M6 X 1.0 X 22MM	4
18	1016547					FLANGED NUT M6 X 1.0	4
19	1016470					SHAFT, GUIDE COUNTER BALANCE	1
20	1016571					O-RING	1
21	1016469					COUNTER BALANCE, WEIGHT	1

6



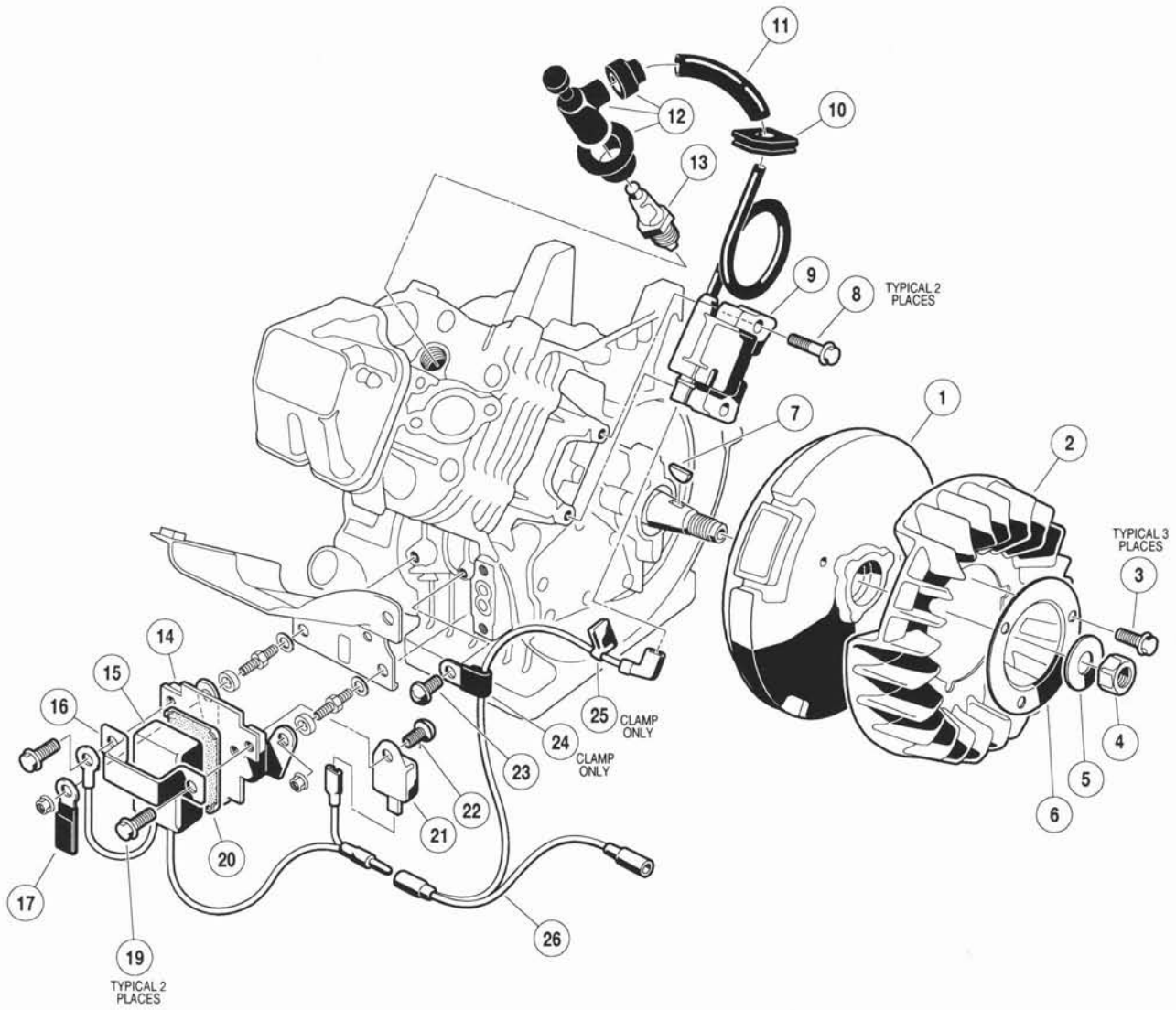
'94 VEHICLE WITH 350 ENGINE

'94 VEHICLE WITH 350 ENGINE

G

ITEM NUMBER	PART NUMBER	DESCRIPTION	UNITS PER VEHICLE
		1 2 3 4	
	1016809	FE 350 OHV GASOLINE ENGINE - COMPLETE	
1	1016507	HEX BOLT, 2-ENDED, M6 X 1	3
2	1016512	FLATWASHER, 6MM DIAMETER	3
3	1017474	ENGINE SHROUD, FE 350	1
4	1016456	FLANGED HEX HEAD BOLT, M6 X 1 X 12 MM LONG	16
5	1017485	FAN HOUSING	1
6	1017476	ENGINE SHROUD, FE 350	1
7	1015649	FAN SHROUD	1
8	1016547	NUT, M6 X 1	3
9	1017500	SPACER	2
10	1016539	O-RING	1
11	1017486	OIL FILLER TUBE, FE 350	1
12	1017481	DIPSTICK	1
13	1017475	ENGINE SHROUD, FE 350	1
14	1017221	HEX BOLT, 2-ENDED	1
15	1015332	WIRE ASSEMBLY, #6 BRAIDED	1

6

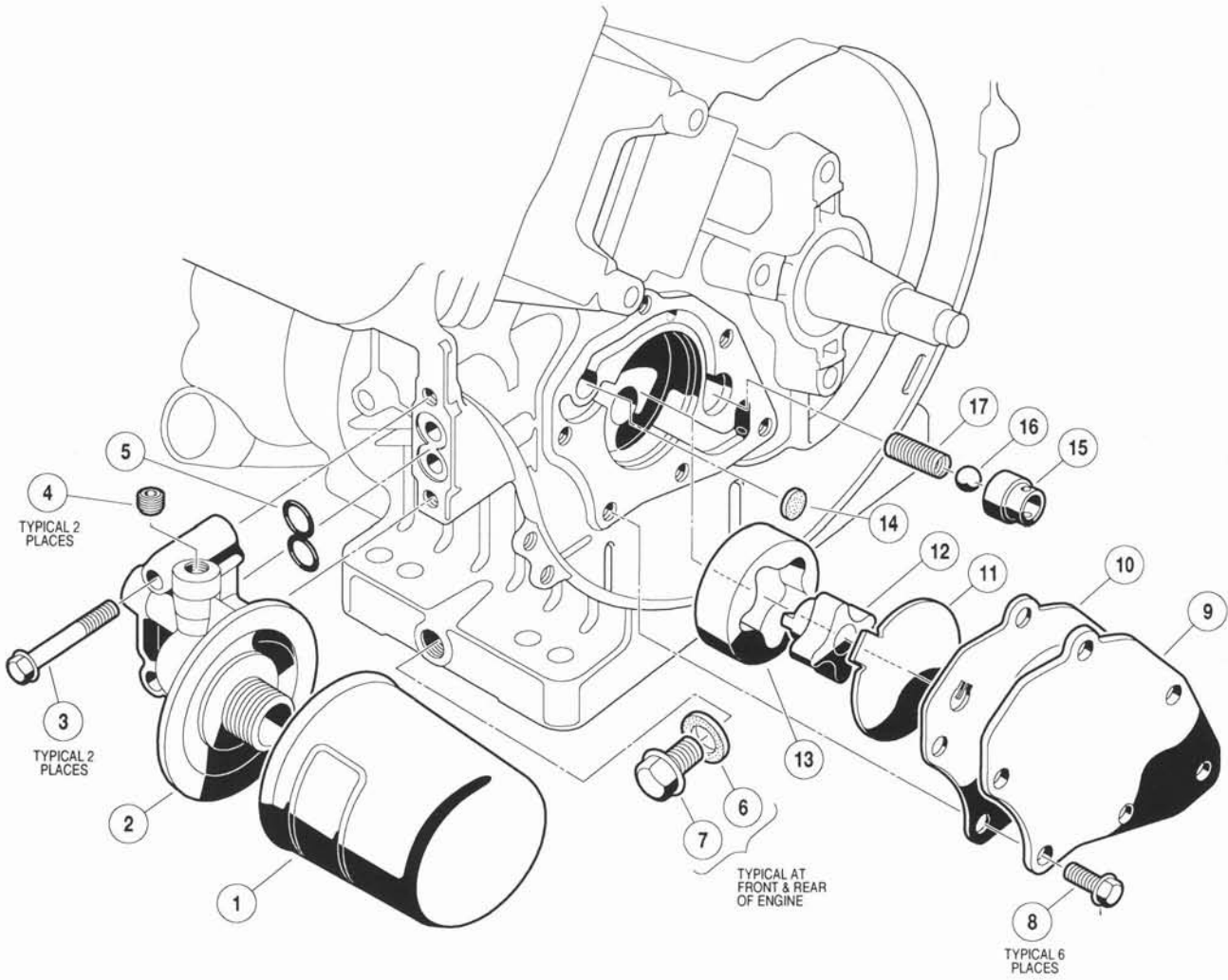


'94 VEHICLE WITH 350 ENGINE

'94 VEHICLE WITH 350 ENGINE**G**

ITEM NUMBER	PART NUMBER	DESCRIPTION	UNITS PER VEHICLE
1	1017464	COMPOSITE FLYWHEEL OHV	1
2	1017482	FLYWHEEL FAN	1
3	1017448	FLANGED HEX HEAD SCREW, M6 X 1.0 X 10MM LONG	3
4	1017467	HEX NUT	1
5	1017490	FLATWASHER	1
6	1017455	FLYWHEEL FAN PLATE	1
7	1016562	KEY	1
8	1016455	FLANGED HEX HEAD SCREW, M5 X 0.8 X 25MM LONG	2
9	1016492	IGNITION COIL	1
10	1016578	GROMMET	1
11	1016588	TUBE, 7MM X 10MM X 70MM	1
12	1017463	PLUG CAP ASSEMBLY	1
13	1017509	SPARK PLUG OHV	1
14	1016445	RPM LIMITER BRACKET	1
15	1016511	RPM LIMITER	1
16	1016579	RPM LIMITER MOUNT	1
17	1012981	CLAMP	1
19	1016456	FLANGED HEX HEAD SCREW, M6 X 1.0 X 12MM LONG	2
20	1016586	DAMPER	1
21	1016491	IGNITER	1
22	1016497	CROSS PAN HEAD SCREW, M5 X 0.8 X 8MM LONG	1
23	1016544	CROSS PAN HEAD SELF TAP SCREW, M5 X 12MM LONG	1
24	1016561	CLAMP	1
25	1016587	CLAMP	1
26	1016503	LEAD WIRE	1

6



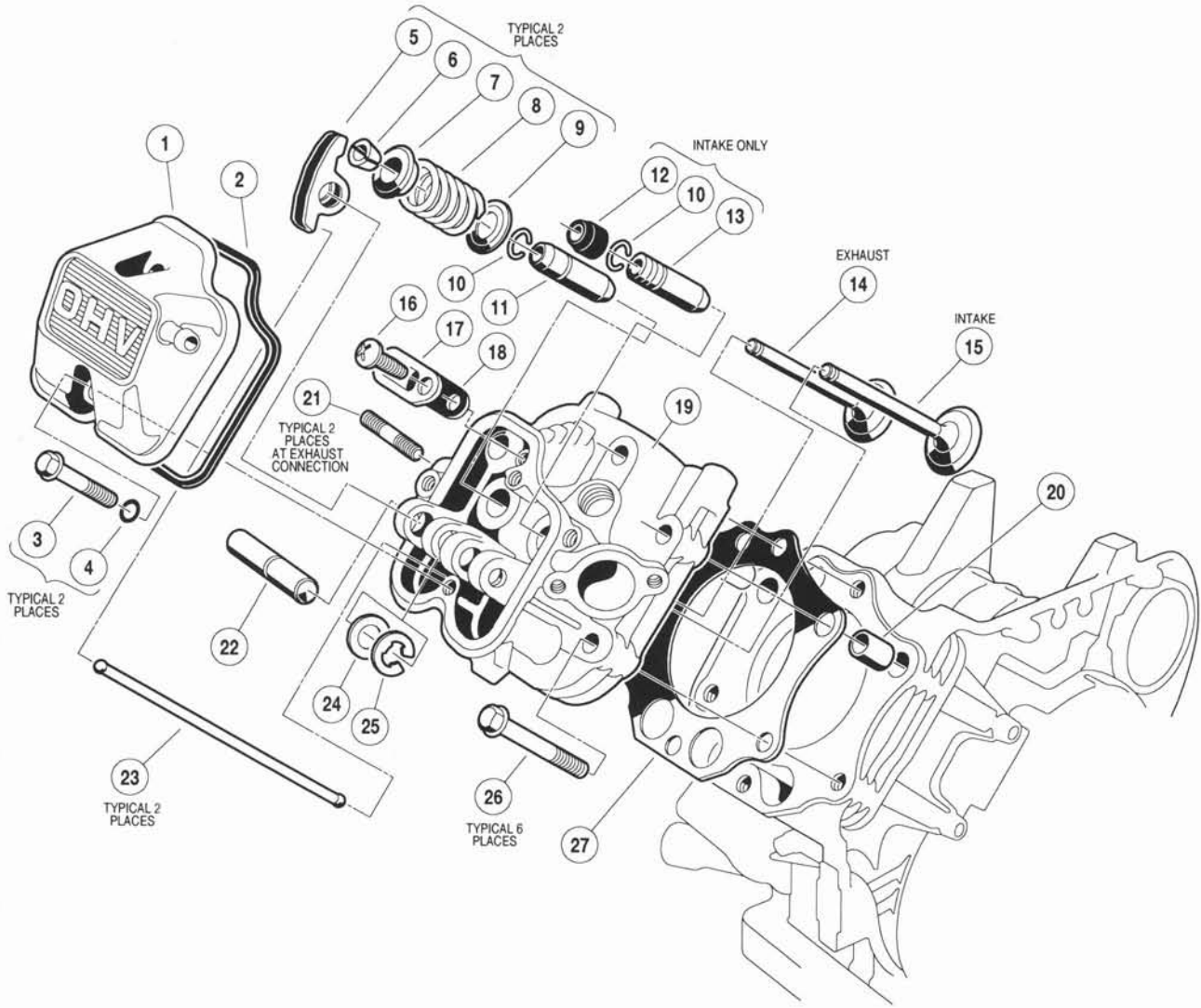
'94 VEHICLE WITH 350 ENGINE

'94 VEHICLE WITH 350 ENGINE

G

ITEM NUMBER	PART NUMBER	DESCRIPTION	UNITS PER VEHICLE
1	1016467	OIL FILTER ASSEMBLY OHV	1
2	1016502	OIL FILTER BRACKET (INCLUDES 2 EACH OF ITEM 4)	1
3	1016457	FLANGED HEX HEAD SCREW, M6 X 1.0 X 40MM LONG	2
4	1017507	PLUG	2
5	1016570	O-RING	1
6	1016432	GASKET, DRAIN PLUG	2
7	1016576	DRAIN PLUG	2
8	1017456	FLANGED HEX HEAD SCREW, M6 X 1.0 X 12MM LONG	6
9	1016484	PUMP COVER	1
10	1016435	OIL PUMP GASKET	1
11	1016473	OIL PUMP PLATE	1
12	1016482-03	OIL PUMP AND ROTOR	1
14	1017458	FILTER	1
15	1016429	VALVE SEAT	1
16	1016537	STEEL BALL	1
17	1016581	SPRING	1

6



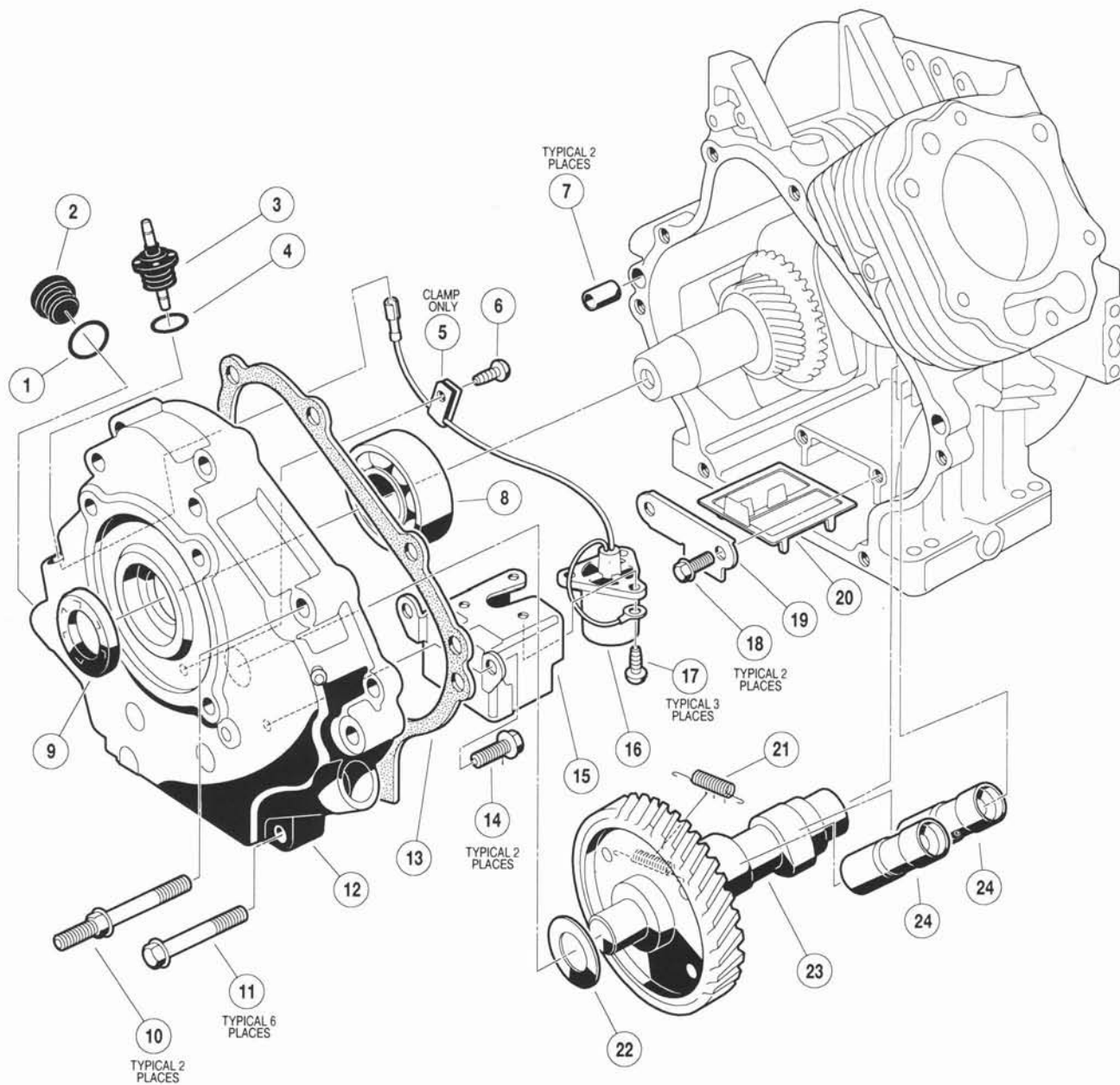
'94 VEHICLE WITH 350 ENGINE

'94 VEHICLE WITH 350 ENGINE

G

ITEM NUMBER	PART NUMBER	DESCRIPTION				UNITS PER VEHICLE
		1	2	3	4	
1	1017439					1
2	1016436					1
3	1016583					2
4	1016569					2
5	1017446					2
6	1016450					4
7	1016449					2
8	1017473					2
9	1016479					2
10	1016560					2
11	1016518					1
12	1016566					1
13	1016519					1
14	1017445					1
15	1017444					1
16	1016544					1
17	1016474					1
18	1016483					1
19	1017435					1
20	1016563					2
21	1016489					2
22	1016452					1
23	1017454					2
24	1016549					1
25	1016517					1
26	1016458					6
27	1017434					1

6



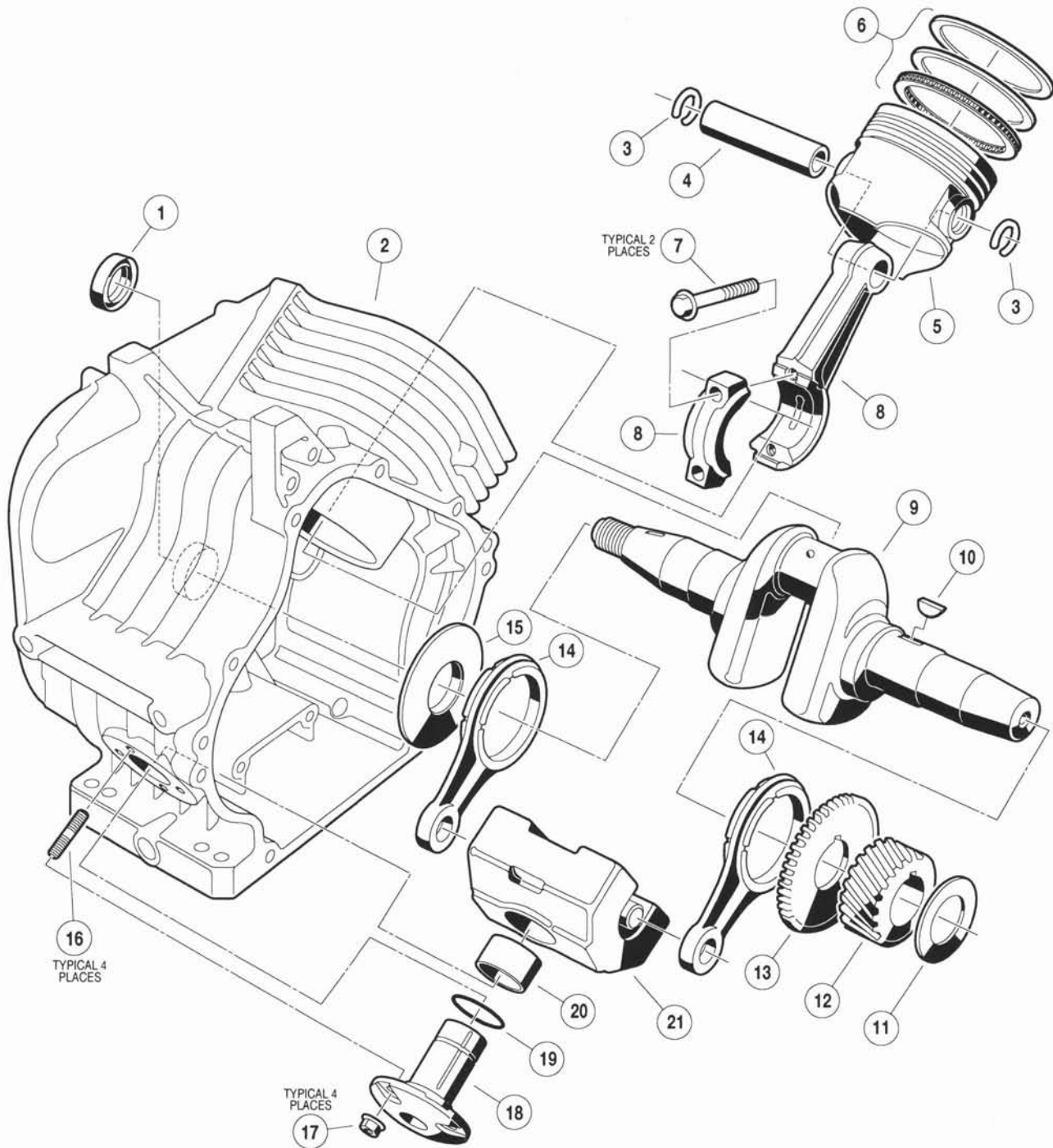
'94 VEHICLE WITH 350 ENGINE

'94 VEHICLE WITH 350 ENGINE

G

ITEM NUMBER	PART NUMBER	DESCRIPTION	UNITS PER VEHICLE
1	1016538	O-RING	1
2	1017508	PLUG	1
3	1016535	CORD CONNECTOR	1
4	1016538	O-RING	1
5	1016506	CLAMP	1
6	1016544	CROSS PAN HEAD SELF TAPPING SCREW, 5MM DIAMETER X 12MM LONG	1
7	1016564	PIN	2
8	1017487	BALL BEARING	1
9	1017504	OIL SEAL	1
10	1016584	FLANGED 2-ENDED BOLT, M8 X 1.25	2
11	1017514	BOLT, 8 X 45	6
12	1017472	CRANKCASE COVER	1
13	1017443	CRANKCASE COVER GASKET	1
14	1017513	BOLT	2
15	1016510	SWITCH BRACKET, OIL LEVEL	1
16	1016494	SENSOR, OIL LEVEL	1
17	1016496	CROSS PAN HEAD SCREW, M4 X 0.7 X 8MM LONG	2
18	1016454	FLANGED BOLT, M5 X 0.8 X 8MM LONG	2
19	1016472	OIL FILTER SCREEN PLATE	1
20	1016521	OIL FILTER, SCREEN	1
21	1017511	SPRING	1
22	1017518-01	SHIM, 0.3MM THICK	A/R
22	1017518-02	SHIM, 0.4MM THICK	A/R
22	1017518-03	SHIM, .05MM THICK	A/R
23	1017478	CAMSHAFT, COMPOSITE	1
		INCLUDES ITEMS 21 AND 24	
24	1017511	HYDRAULIC LIFTER	1

6



'94 VEHICLE WITH 350 ENGINE

'94 VEHICLE WITH 350 ENGINE

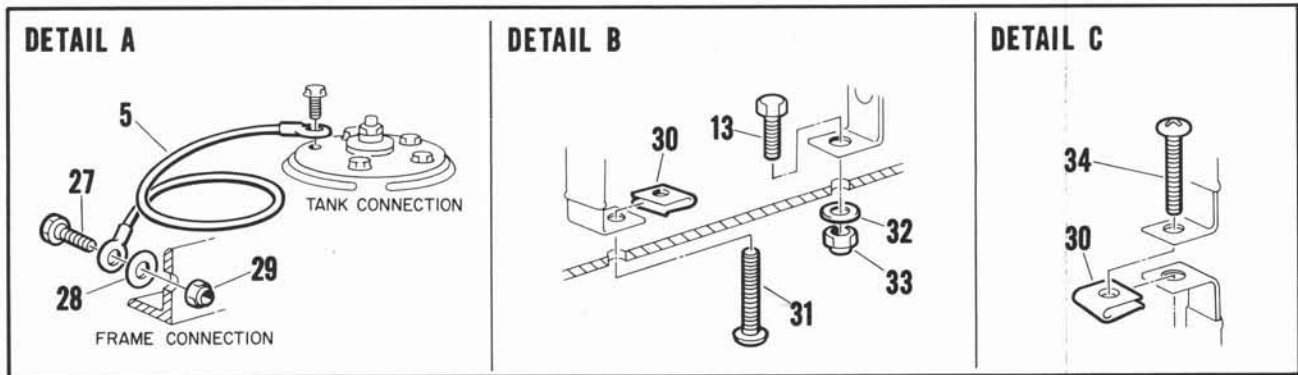
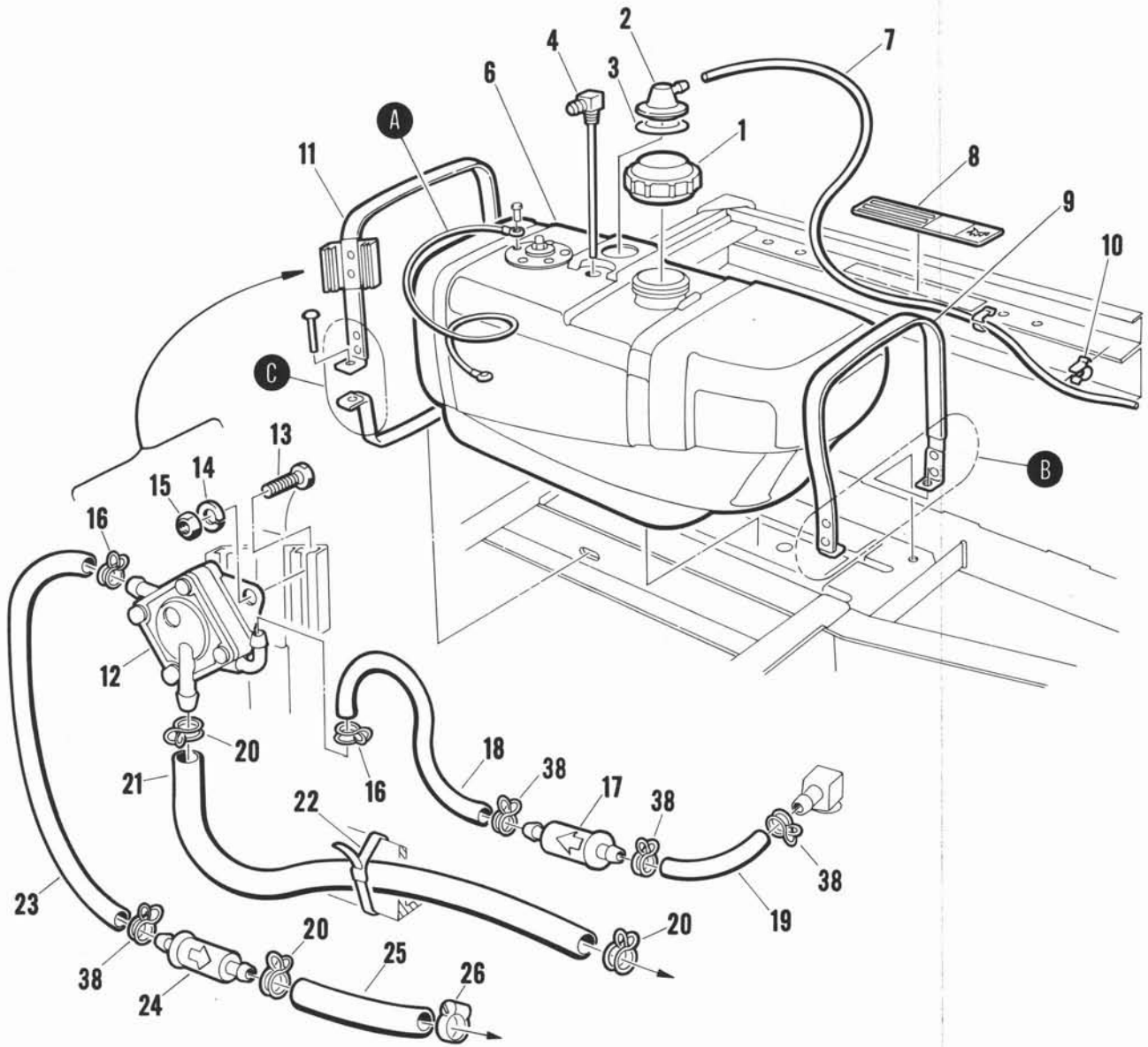
G

ITEM NUMBER	PART NUMBER	1 2 3 4	DESCRIPTION	UNITS PER VEHICLE
1	1017503		OIL SEAL	1
2	1017479		CRANKCASE, COMPLETE OHV	1
3	1017502		SNAP RING	2
4	1017450		PISTON PIN	1
5	1017449-01		PISTON - STANDARD	1
5	1017449-02		PISTON - .50MM OVERSIZE	1
6	1017451-01		PISTON RING SET - STANDARD	1
6	1017451-02		PISTON RING SET - .50MM OVERSIZE	1
7	1017512		BOLT	2
8	1017457		CONNECTING ROD ASSEMBLY - STANDARD INCLUDES 2 EACH OF ITEM 7	1
9	1017452		CRANKSHAFT COMPLETE, OHV INCLUDES 1 EACH ITEMS 10, 12, 13, AND 14	1
10	1016562		KEY	1
11	1017733-01		SHIM 1.18MM THICK	A/R
11	1017733-02		SHIM 1.25MM THICK	A/R
11	1017733-03		SHIM 1.32MM THICK	A/R
11	1017733-04		SHIM 1.39MM THICK	A/R
11	1017733-05		SHIM 1.46MM THICK	A/R
11	1017733-06		SHIM 1.53MM THICK	A/R
11	1017733-07		SHIM 1.60MM THICK	A/R
11	1017733-08		SHIM 1.67MM THICK	A/R
11	1017733-09		SHIM 1.74MM THICK	A/R
11	1017733-10		SHIM 1.11MM THICK	A/R
11	1017733-11		SHIM 1.81MM THICK	A/R
12	1017484		HELICAL GEAR	1
13	1017483		SPUR GEAR	1
14	1017457		ROD	2
15	1017501		SPACER	1
16	1016541		STUD M6 X 1.0	4
17	1016547		FLANGED NUT M6 X 1.0	4
18	1016420		SHAFT, GUIDE COUNTER BALANCE	1
19	1016571		O-RING	1
20	1017510		BEARING	1
21	1017453		COUNTER BALANCE, WEIGHT INCLUDES ITEM 20	1

6

Section 7

FUEL, INTAKE, AND GOVERNOR SYSTEM



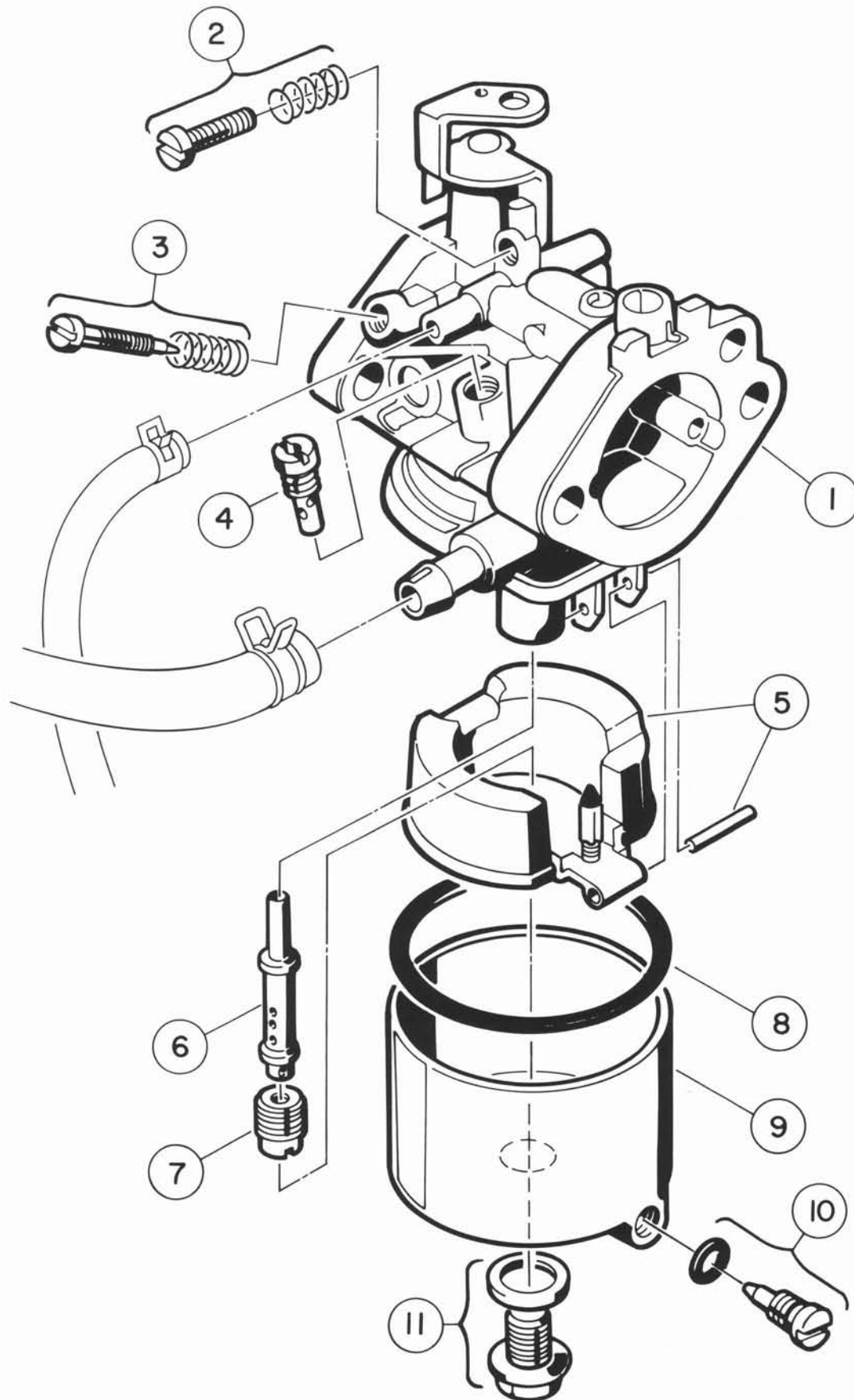
FUEL SYSTEM ASSEMBLY

FUEL SYSTEM ASSEMBLY

G

ITEM NUMBER	PART NUMBER	1	2	3	4	DESCRIPTION	UNITS PER VEHICLE
1	1015188					FUEL TANK CAP, NONVENTED	1
2	1015143					FUEL TANK VENT ASSEMBLY	1
3	1015139					INSULATION GROMMET	1
4	1012619					FUEL TUBE & FITTING ASSEMBLY	1
5	1015921					WIRE ASSEMBLY, #16 BLACK	1
6	1016003					FUEL TANK KIT INCLUDES ITEMS 1 THRU 3 AND ITEM 7	1
7	NO #					VENT FUEL LINE, 45" SEE ITEM 37	1
9	1014928					REAR FUEL STRAP ASSEMBLY	1
11	1014927					FRONT FUEL STRAP ASSEMBLY	1
12	1014523					IMPULSE FUEL PUMP, SQUARE BODY	1
12A	1014524					IMPULSE FUEL PUMP, SQUARE BODY REBUILD KIT	A/R
13	7847					HEX HEAD CAP SCREW, 1/4-20 X 3/4"	3
14	451					LOCKWASHER, 1/4 DIAMETER	2
15	1028					HEX NUT, 1/4-20	2
16	1013134-01					HOSE CLAMP (RED)	2
17	1013684					PRIMARY FUEL FILTER (WHITE)	1
18	NO #					FUEL LINE SEE ITEM 35	1
19	NO #					FUEL LINE SEE ITEM 35	1
20	1012649					HOSE CLAMP (RED)	3
21	NO #					IMPULSE LINE SEE ITEM 36	1
22	8639					TIE WRAP	1
23	NO #					FUEL LINE SEE ITEM 35	1
24	1014522					SECONDARY FUEL FILTER (BLUE)	1
25	NO #					FUEL LINE SEE ITEM 36	1
26	1013687					HOSE CLAMP, 3/8 DIAMETER	1
30	1014116					SPEED NUT, U-TYPE, 1/4-20	2
31	1013176					PHILLIP TRUSS HEAD SCREW, 1/4-20 X 2-1/2"	1
32	332					FLATWASHER, 1/4 DIAMETER	1
33	8233					NYLON INSERT LOCKNUT, 1/4-20	1
34	1011988					PHILLIP TRUSS HEAD SCREW, 1/4-20 X 2"	1
35	1012293					FUEL LINE BULK	A/R
36	1013692					FUEL LINE BULK	A/R
37	1015137					FUEL LINE BULK	A/R
38	1013134-02					HOSE CLAMP (GOLD)	4

7



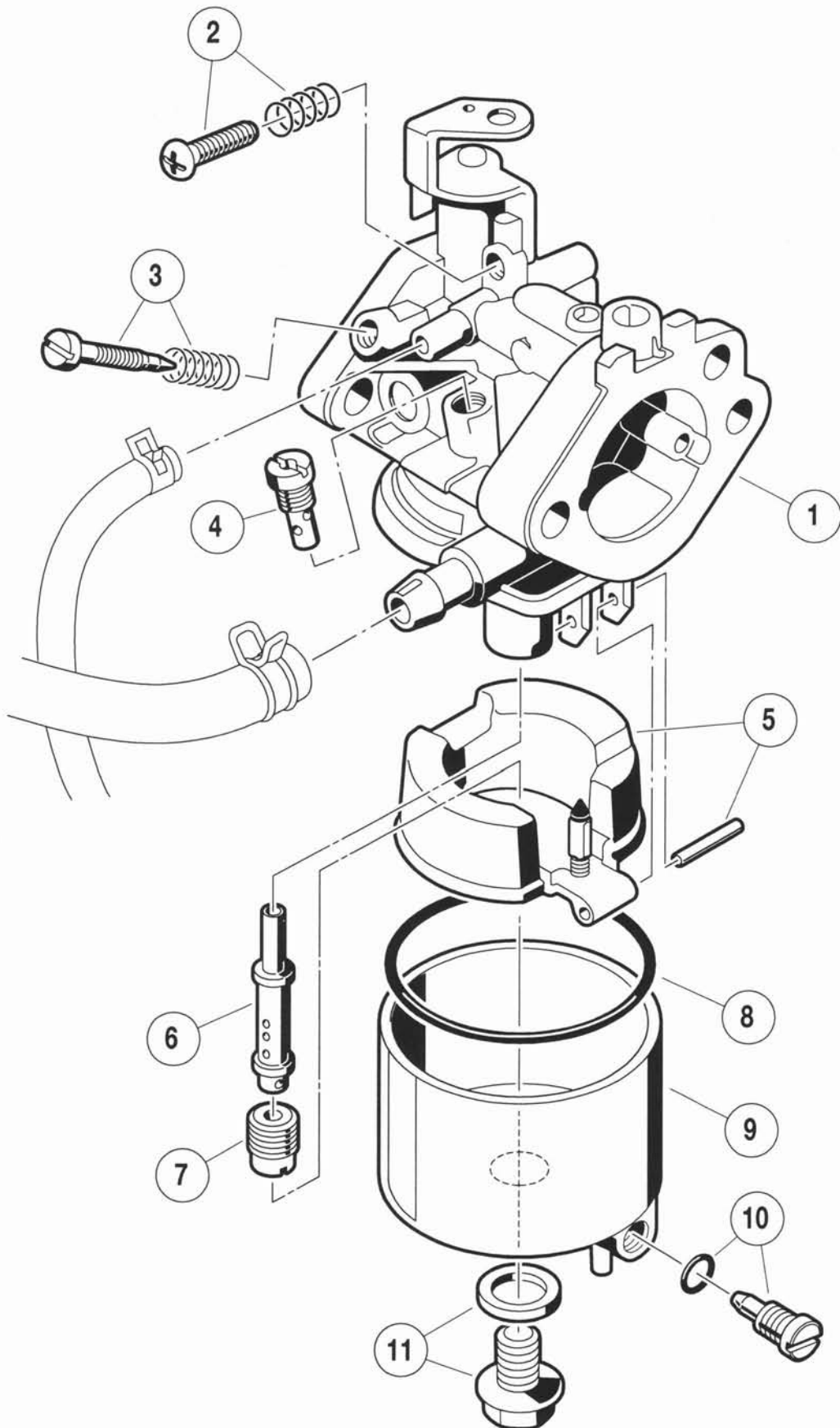
CARBURETOR ASSEMBLY - '93 VEHICLE WITH 290 ENGINE

CARBURETOR ASSEMBLY - '93 VEHICLE WITH 290 ENGINE

G

ITEM NUMBER	PART NUMBER	DESCRIPTION				UNITS PER VEHICLE
		1	2	3	4	
1	1016478	CARBURETOR ASSEMBLY FE290 INCLUDES ITEMS 2 THRU 11 AND CARBURETOR BODY WITH THROTTLE VALVE				1
2	1016501	SCREW ASSEMBLY				1
3	1016500	SCREW ASSEMBLY				1
4	1016574	PILOT JET, #45				1
5	1016486	FLOAT ASSEMBLY				1
6	1016530	MAIN NOZZLE				1
7	1016425-92	MAIN JET (IF ABOVE 3000 FT., CONTACT YOUR DEALER FOR PROPER JETTING.)				1
8	1016437	GASKET, CARBURETOR BOWL OHV				1
9	1016487	FLOAT CHAMBER ASSEMBLY INCLUDES ITEM 10 AND FLOAT CHAMBER				1
10	1016499	SCREW ASSEMBLY				1
11	1016585	BOLT, M8 X .5 X 10MM				1

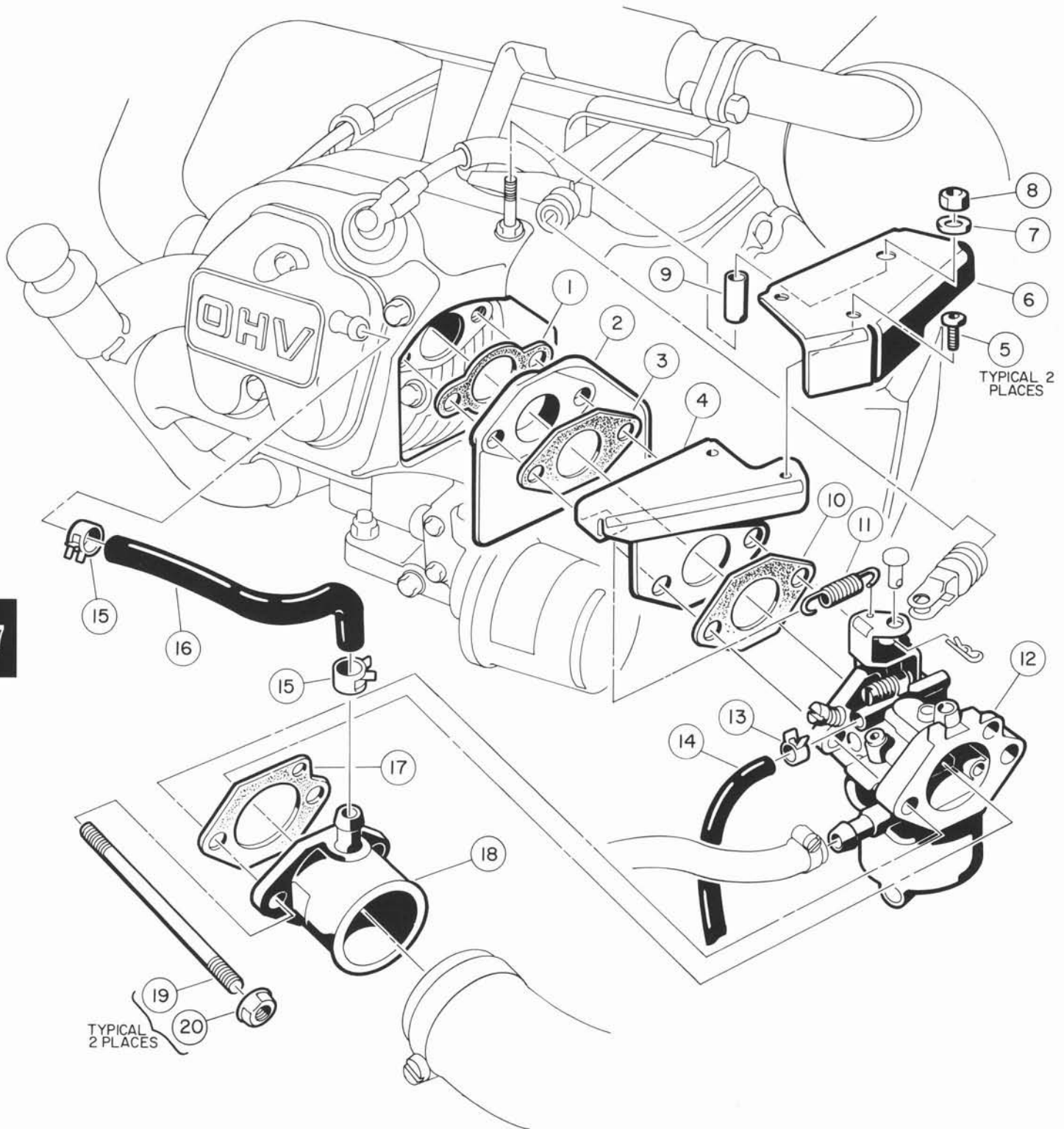
7



CARBURETOR ASSEMBLY - '94 VEHICLE WITH 350 ENGINE

CARBURETOR ASSEMBLY - '94 VEHICLE WITH 350 ENGINE

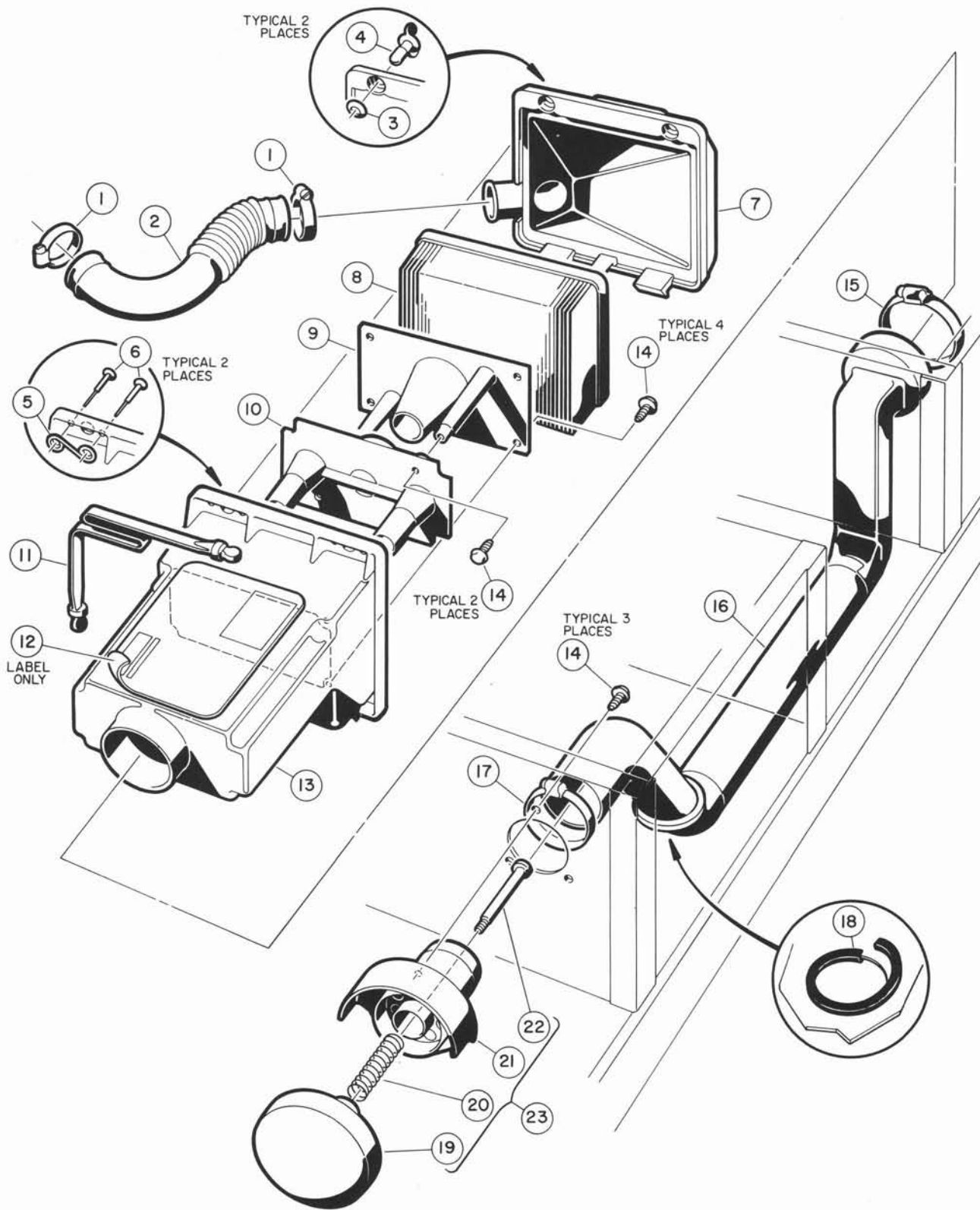
ITEM NUMBER	PART NUMBER	1 2 3 4	DESCRIPTION	UNITS PER VEHICLE
1	1017459		CARBURETOR ASSEMBLY FE350 INCLUDES ITEMS 2 THRU 11 AND CARBURETOR BODY WITH THROTTLE VALVE	1
2	1017465		SCREW ASSEMBLY	1
3	1016500		SCREW ASSEMBLY	1
4	1017506		PILOT JET, #48	1
5	1016486		FLOAT ASSEMBLY	1
6	1017480		MAIN NOZZLE	1
7	1016425-85		MAIN JET (IF ABOVE 3000 FT., CONTACT YOUR DEALER FOR PROPER JETTING.)	1
8	1016437		GASKET, CARBURETOR BOWL OHV	1
9	1017461		FLOAT CHAMBER ASSEMBLY INCLUDES ITEM 10 AND FLOAT CHAMBER	1
10	1016499		SCREW ASSEMBLY	1
11	1016585		BOLT, M8 X .5 X 10MM	1



GOVERNOR GUARD AND INTAKE HOSE

GOVERNOR GUARD AND INTAKE HOSE

ITEM NUMBER	PART NUMBER	1 2 3 4	DESCRIPTION	UNITS PER VEHICLE
1	1016440		GASKET, ENGINE TO CARBURETOR INSULATOR	1
2	1016481		INSULATOR, CARBURETOR	1
3	1016439		GASKET, CARBURETOR INSULATOR TO SPRING BRACKET	1
4	1016444		SPRING BRACKET	1
5	1016103		PAN HEAD, TORX HEAD, SELF-TAPPING SCREW, #6-32 X 1/4 (FE 290 ONLY)	2
6	1016102		GOVERNOR GUARD (FE 290 ONLY)	1
7	451		LOCKWASHER, 1/4 DIAMETER (FE 290 ONLY)	1
8	1011114		HEX NUT, M6 X 1" (FE 290 ONLY)	1
9	1016848		SPACER, GOVERNOR GUARD (FE 290 ONLY)	1
10	1016441		GASKET, SPRING BRACKET TO CARBURETOR	1
11	1016582		SPRING, THROTTLE RETURN	1
12	1016478		CARBURETOR, FE 290	1
12	1017459		CARBURETOR, FE 350	1
13	1013746		HOSE CLAMP	1
14	1015877-01		AIR VENT TUBE	1
15	1013746		HOSE CLAMP	2
16	1016572		TUBE, CRANKCASE VENT	1
17	1016438		GASKET, INTAKE MANIFOLD	1
18	1016480		INTAKE PIPE MANIFOLD	1
19	1016490		STUD BOLT, M6 X 1.0 X 92MM	2
20	1016547		FLANGED NUT, M6 X 1.0 X 6MM	2



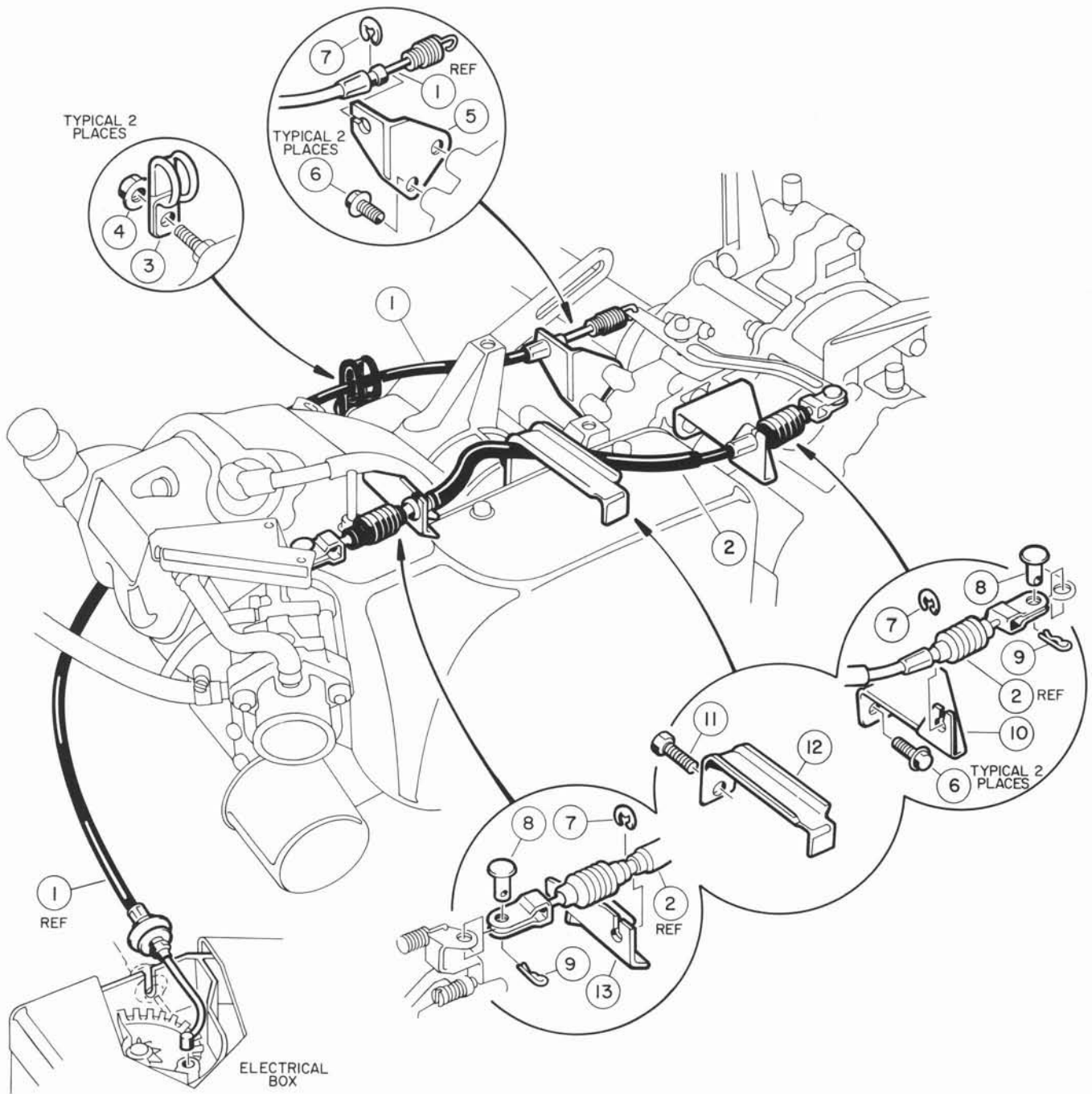
EXPANSION CHAMBER, CHOKE, AND FILTER

EXPANSION CHAMBER, CHOKE, AND FILTER

G

ITEM NUMBER	PART NUMBER	1	2	3	4	DESCRIPTION	UNITS PER VEHICLE
1	1015430					HOSE CLAMP, AIR INTAKE, 1-3/4 DIAMETER	2
2	1016228					AIR INTAKE HOSE	1
3	1015291					STUD RETAINER, SIZE 6	2
4	1015290					WING HEAD STUD, SIZE 6	2
5	1015292					SPRING RECEPTACLE, SIZE 6	2
6	1015727					POP RIVET, 1/8 DIAMETER	4
7	1015293					EXPANSION CHAMBER COVER	1
8	1015426					AIR FILTER OHV	1
9	1015542					SECONDARY AIR BOX BAFFLE	1
10	1015541					PRIMARY AIR BOX BAFFLE	1
11	1015577					EXPANSION CHAMBER RETENTION STRAP	1
12	1016062					SERVICE DECAL	1
13	1015540					INTAKE EXPANSION CHAMBER	1
14	1015289					HI-LO HEX SCREW, #10-16 X 5/8"	9
15	1015716					HOSE CLAMP, AIR INTAKE, 3-1/4" DIAMETER	1
16	1016786					AIR INTAKE PLENUM	1
17	1012349					HOSE CLAMP, 2-1/2" DIAMETER	1
18	1016804					FLEXIBLE GROMMET, 9-3/8"	1
19	1012629					CHOKE COVER	1
20	1012633					CHOKE SPRING	1
21	1015485					CHOKE BASE	1
22	1012634					SHOULDER SCREW, 1/4-20 X 2"	1
23	1015745					CHOKE ASSEMBLY INCLUDES ITEMS 19 THRU 22	1

7



GOVERNOR AND ACCELERATOR CABLES

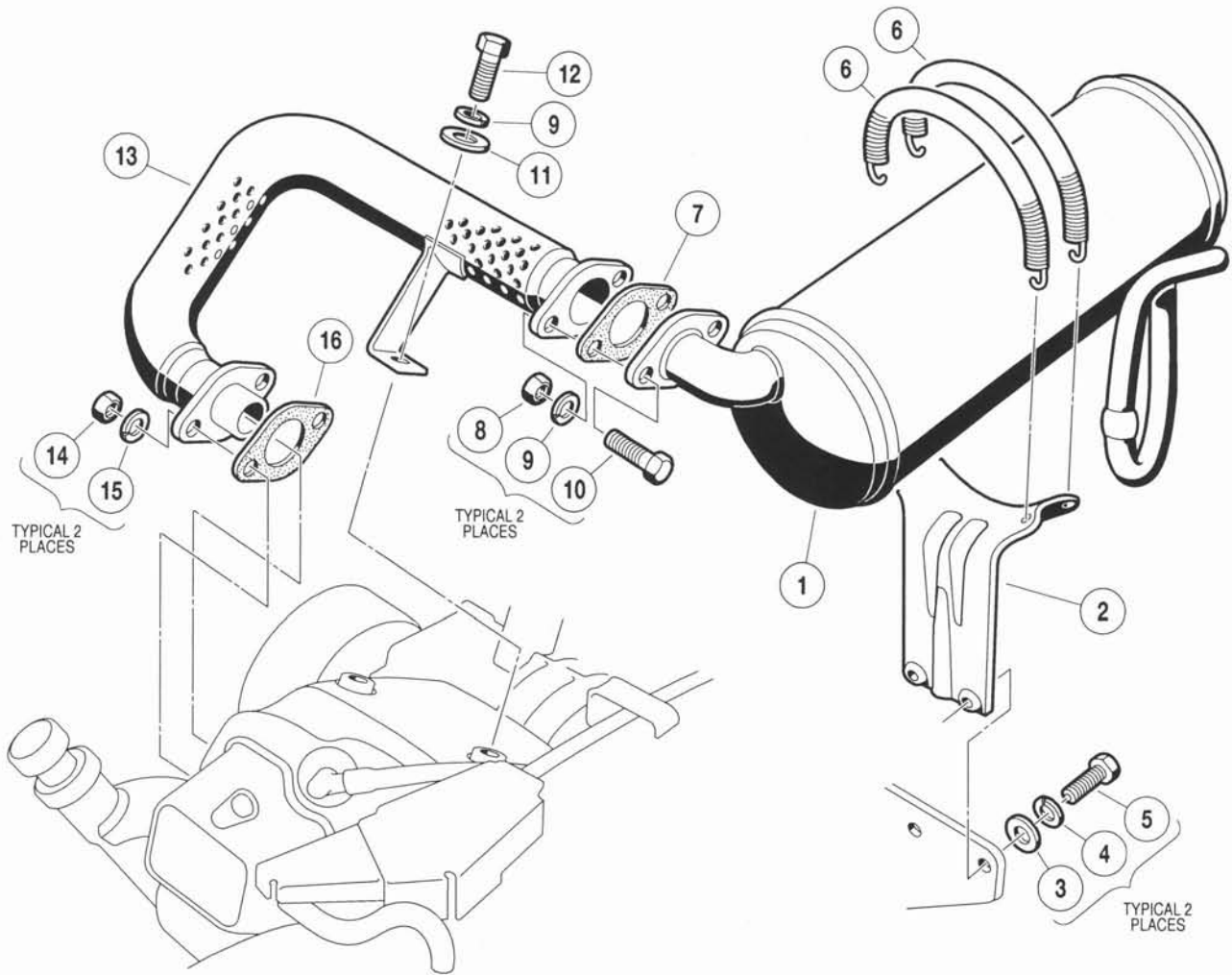
GOVERNOR AND ACCELERATOR CABLES

G

ITEM NUMBER	PART NUMBER	DESCRIPTION	UNITS PER VEHICLE
1	1015225	ACCELERATOR CABLE	1
2	1015226-01	GOVERNOR CABLE FE 290	1
2	1015226-02	GOVERNOR CABLE FE 350	1
3	1013700	CLAMP - HOSE RETAINING	2
4	1016546	NUT	2
5	1015410	ACCELERATOR SUPPORT BRACKET	1
6	1015746	MACHINE HEX WASHER HEAD SCREW, 1/4-20 X 5/8"	4
7	1016202	"E"-RING	3
8	1015408	GOVERNOR CABLE CLEVIS PIN	2
9	1014413	HAIR SPRING COTTER - 1/8 I.D. X 5/8"	2
10	1015411	SUPPORT BRACKET GOVERNOR CABLE	1
11	1016456	FLANGED BOLT, M6 X 1.0 X 12MM	1
12	1016057	THROTTLE CABLE CLAMP	1
13	1015845	GOVERNOR CABLE ENGINE BRACKET	1

7

Section 8
EXHAUST SYSTEM



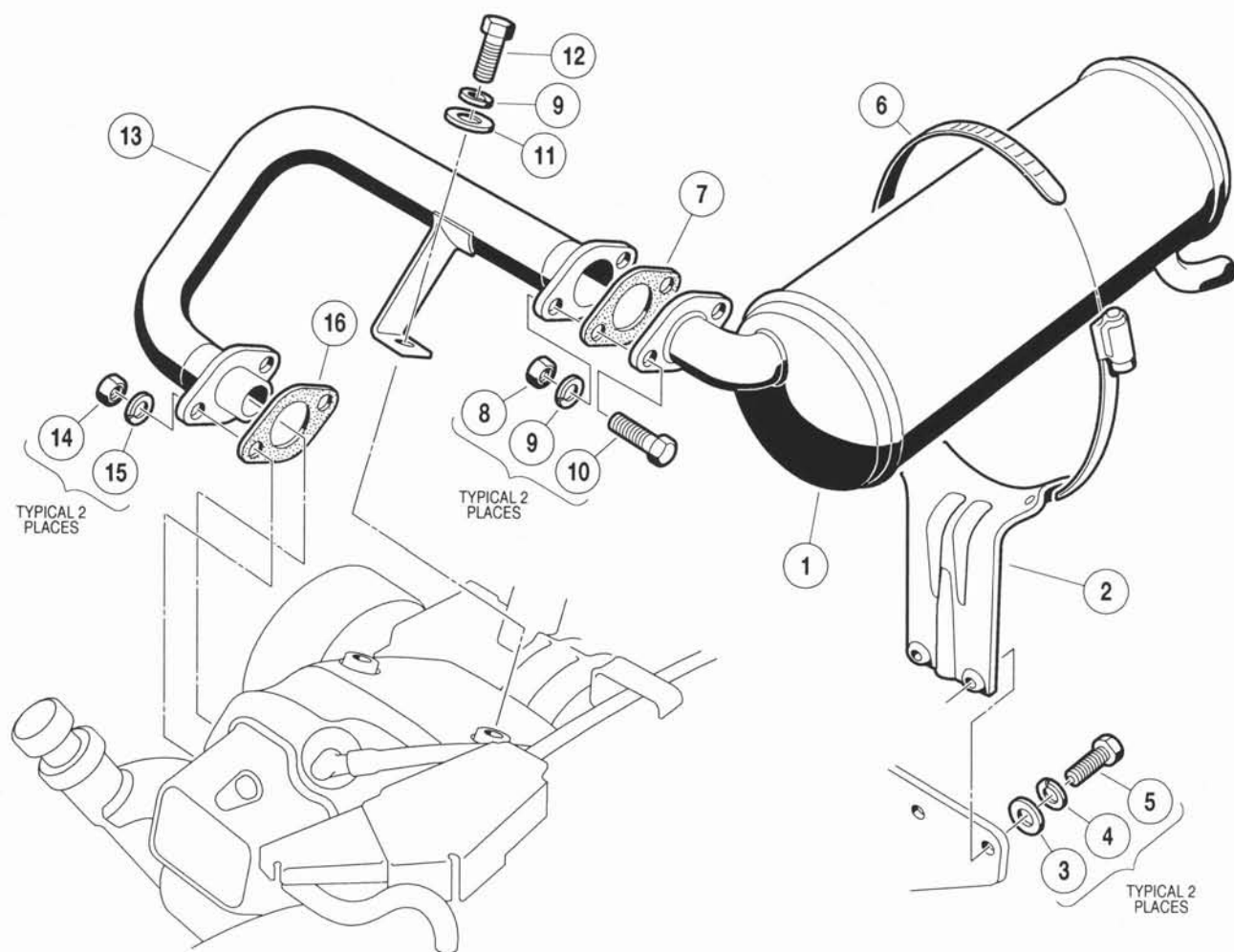
EXHAUST SYSTEM - '93 VEHICLE WITH 290 ENGINE

EXHAUST SYSTEM - '93 VEHICLE WITH 290 ENGINE

ITEM NUMBER	PART NUMBER	1 2 3 4	DESCRIPTION	UNITS PER VEHICLE
1	1016821		MUFFLER	1
2	1015814		MUFFLER MOUNTING BRACKET	1
3	332		FLATWASHER, 1/4 DIAMETER	2
4	451		LOCKWASHER, 1/4 DIAMETER	2
5	7847		HEX HEAD CAP SCREW, 1/4-20 X 3/4"	2
6	1015881		MUFFLER SPRING	2
7	1015450		GASKET, MUFFLER INLET	1
8	1242		HEX NUT, 5/16-18	2
9	7174		LOCKWASHER, 5/16 DIAMETER	2
10	1010934		HEX HEAD CAP SCREW, 5/16-18 X 1"	2
11	1011697		FLATWASHER, 5/16 DIAMETER	1
12	1012830		HEX HEAD CAP SCREW, M8-1.25 X 22MM	1
13	1015247		EXHAUST HEADER OHV	1
14	1012528		HEX NUT, 8MM	2
15	1013734		LOCKWASHER, 8MM	2
16	1015330		GASKET, EXHAUST OHV	1

G

8

**EXHAUST SYSTEM - '94 VEHICLE WITH 350 ENGINE**

EXHAUST SYSTEM - '94 VEHICLE WITH 350 ENGINE

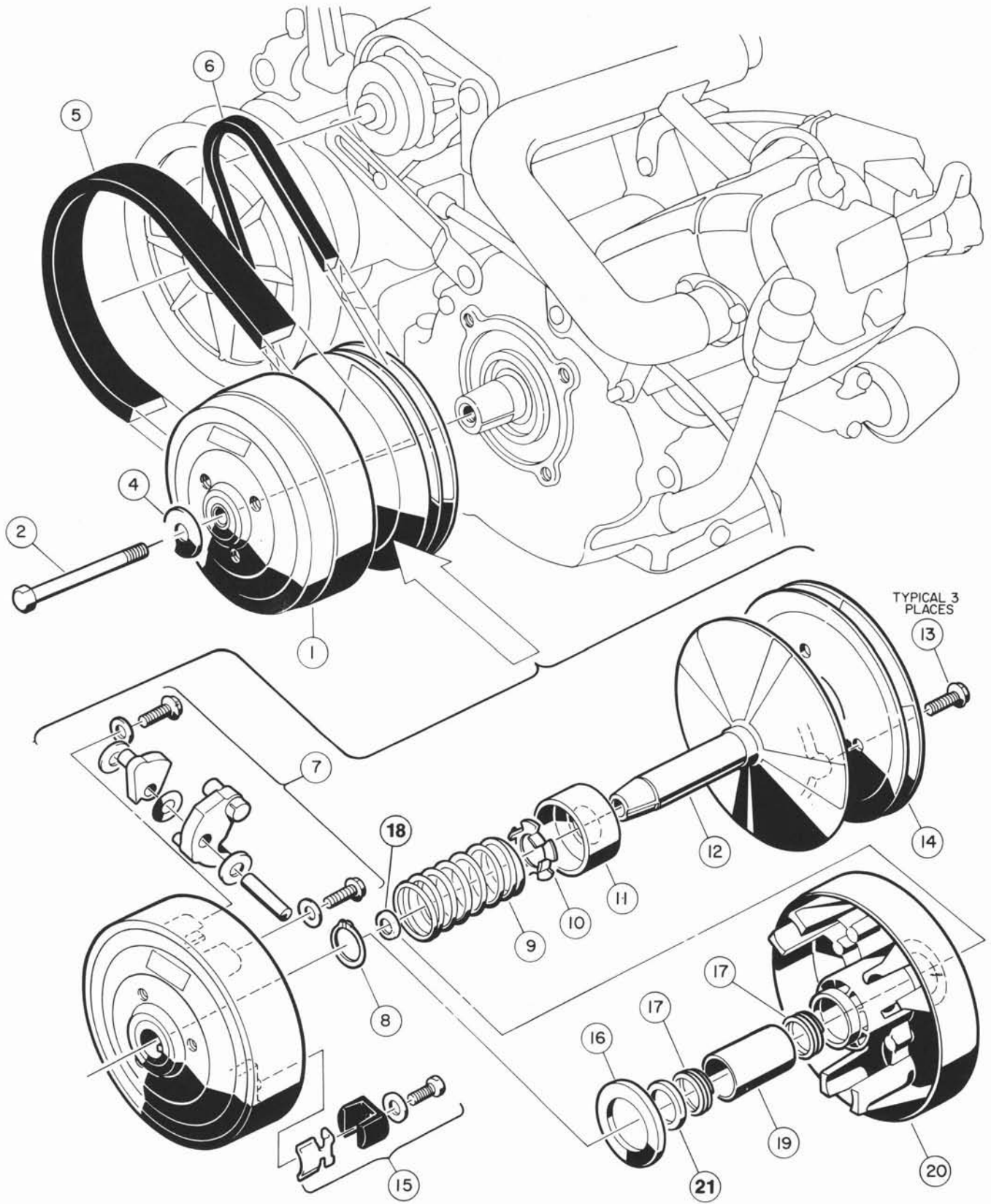
G

ITEM NUMBER	PART NUMBER	1	2	3	4	DESCRIPTION	UNITS PER VEHICLE
1	1016887					MUFFLER	1
2	1015814					MUFFLER MOUNTING BRACKET	1
3	332					FLATWASHER, 1/4 DIAMETER	2
4	451					LOCKWASHER, 1/4 DIAMETER	2
5	7847					HEX HEAD CAP SCREW, 1/4-20 X 3/4"	2
6	1017689					MUFFLER CLAMP	1
7	1015450					GASKET, MUFFLER INLET	1
8	1242					HEX NUT, 5/16-18	2
9	7174					LOCKWASHER, 5/16 DIAMETER	2
10	1010934					HEX HEAD CAP SCREW, 5/16-18 X 1"	2
11	1011697					FLATWASHER, 5/16 DIAMETER	1
12	1012830					HEX HEAD CAP SCREW, M8-1.25 X 22MM	1
13	1016886					EXHAUST HEADER	1
14	1012528					HEX NUT, 8MM	2
15	1013734					LOCKWASHER, 8MM	2
16	1016904					GASKET, EXHAUST	1

8

Section 9

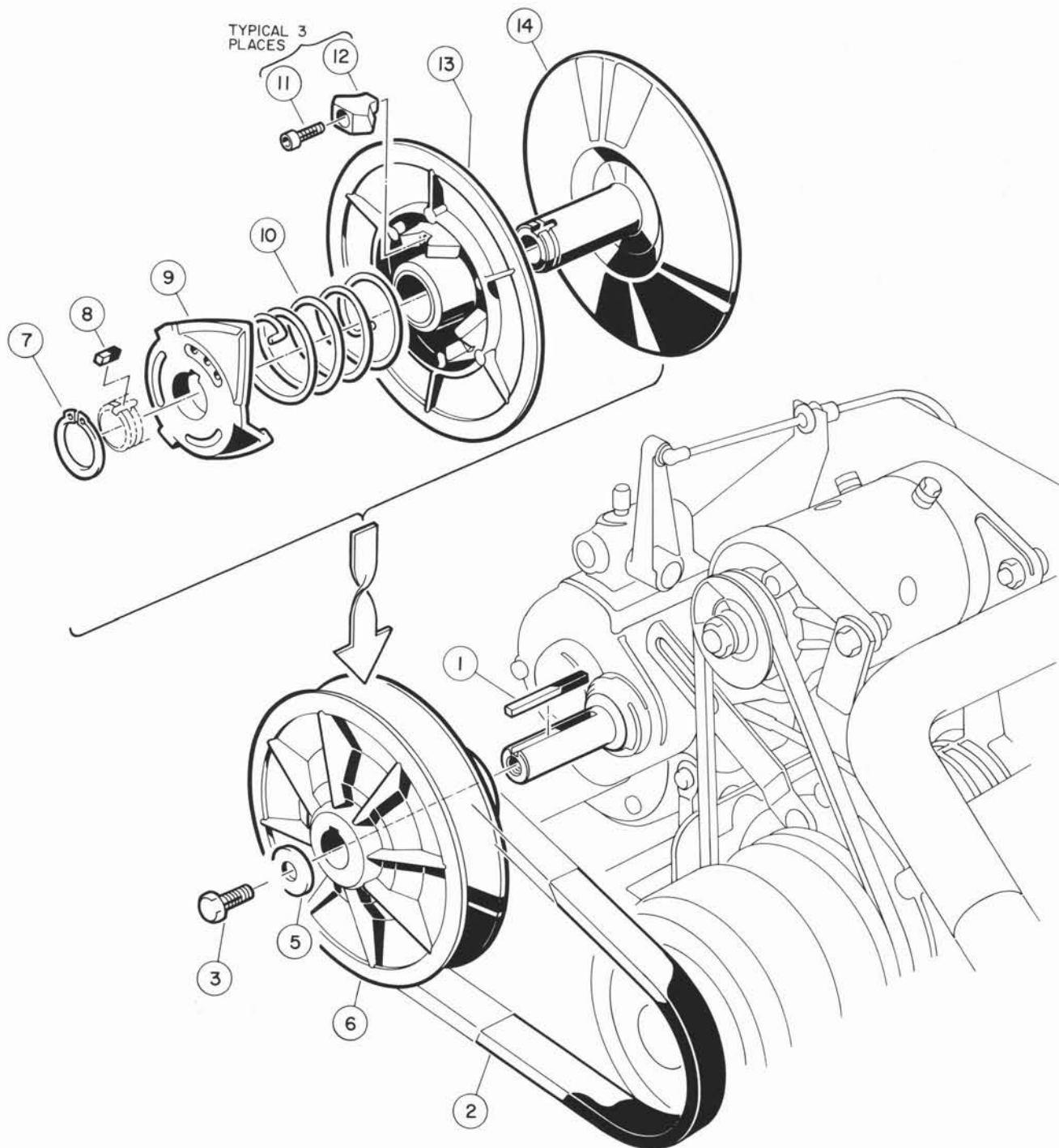
TORQUE CONVERTER



DRIVE CLUTCH ASSEMBLY

DRIVE CLUTCH ASSEMBLY

ITEM NUMBER	PART NUMBER	1 2 3 4	DESCRIPTION	UNITS PER VEHICLE
	1016378-03		DRIVE CLUTCH ASSEMBLY - '93 VEHICLE WITH 290 ENGINE	
	1016378-04		DRIVE CLUTCH ASSEMBLY - '94 VEHICLE WITH 350 ENGINE	
1	1014059		DRIVE HUB ASSEMBLY, DRIVE CLUTCH	1
2	1012441		HEX HEAD CAP SCREW, 3/8-24 X 5-1/2	1
4	1017328		DRIVE CLUTCH MOUNTING WASHER	1
5	1014081		DRIVE BELT - '93 VEHICLE WITH 290 ENGINE	1
5	1017188		DRIVE BELT - '94 VEHICLE WITH 350 ENGINE	1
6	1015241		STARTER/GENERATOR BELT	1
7	1014455		DRIVE CLUTCH WEIGHT KIT	1
8	1014057		RETAINING RING	1
9	1014051		SPRING - DRIVE CLUTCH - '93 VEHICLE WITH 290 ENGINE	1
9	1017145		SPRING - DRIVE CLUTCH - '94 VEHICLE WITH 350 ENGINE	1
10	1014050		SPRING RETAINING	1
11	1014049		IDLER RETAINER	1
12	1017383-01		FIXED FACE - DRIVE FE290 INCLUDES ITEMS 12, 13, AND 14	1
12	1017383-02		FIXED FACE - DRIVE FE350 INCLUDES ITEMS 12, 13, AND 14	1
15	1014453		DRIVE CLUTCH BUTTON KIT	1
16	1014058		THRUST WASHER	1
17	1014056		SPIRAL - BACK-UP RING	2
18	1016289		FIXED FACE SHAFT SPACER	1
20	1014052		MOVABLE FACE ASSEMBLY INCLUDES ITEMS 19 AND 21	1
21	1014055		RETAINER	1



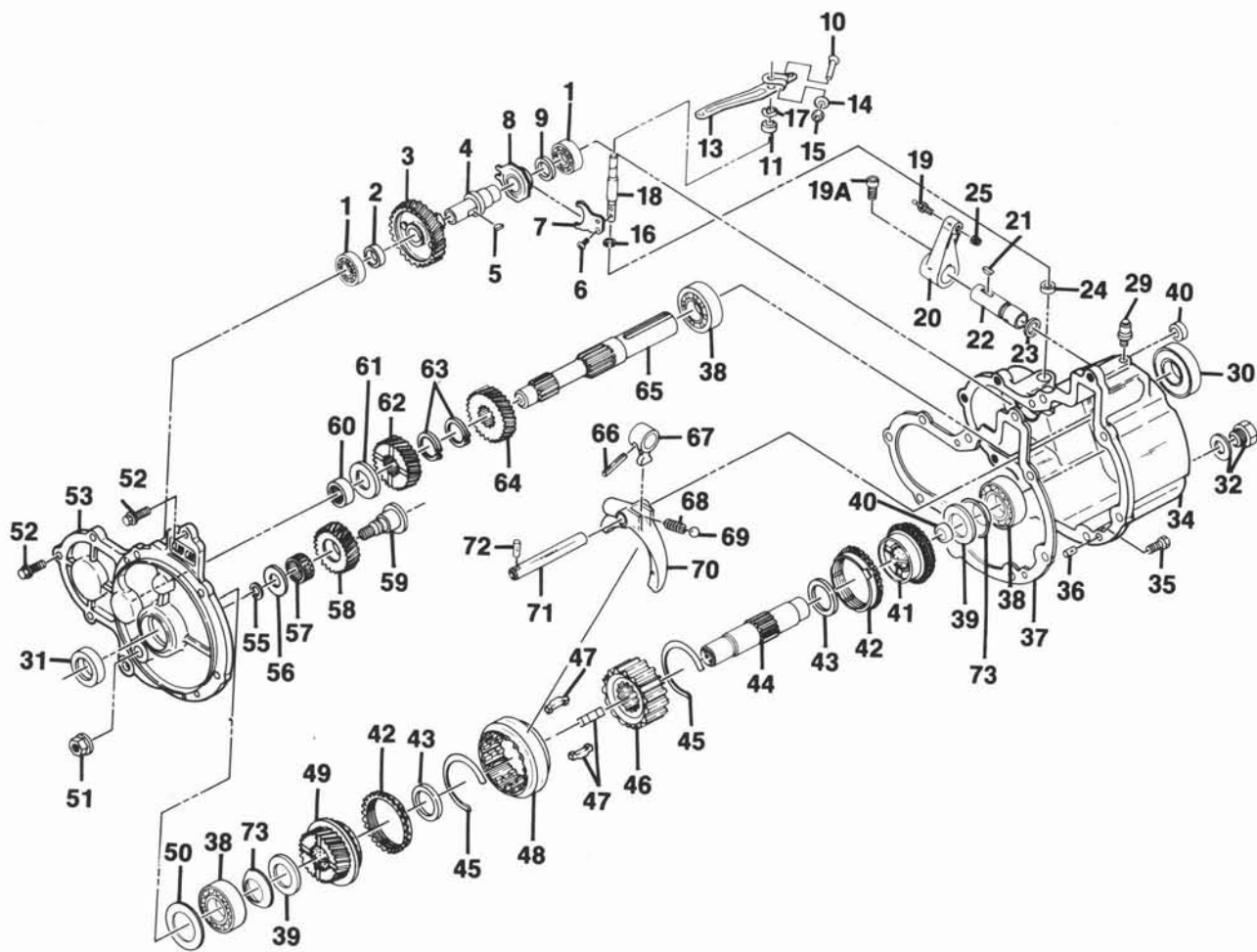
DRIVEN CLUTCH ASSEMBLY

DRIVEN CLUTCH ASSEMBLY

ITEM NUMBER	PART NUMBER	1 2 3 4	DESCRIPTION	UNITS PER VEHICLE
1	1012455		SQUARE KEY, TRANSMISSION	1
2	1014081		DRIVE BELT - '93 VEHICLE WITH 290 ENGINE	1
2	1017188		DRIVE BELT - '94 VEHICLE WITH 350 ENGINE	1
3	7173		HEX HEAD CAP SCREW, 5/16-18 X 3/4"	1
5	1017327		DRIVEN CLUTCH MOUNTING WASHER	1
6	1016360-01		DRIVEN CLUTCH ASSEMBLY (FE 290) INCLUDES ITEMS 7 THRU 14	1
6	1016360-03		DRIVEN CLUTCH ASSEMBLY (FE 350) INCLUDES ITEMS 7 THRU 14	1
7	1014080		RETAINING RING	1
8	1014078		SHORT KEY - DRIVEN CLUTCH	1
9	1017686		CAM	1
10	1017732		SPRING - DRIVEN CLUTCH (FE 290 - WHITE)	1
10	1017145		SPRING - DRIVEN CLUTCH (FE 350 - BLUE)	1
11	NO #		SOC HEAD CAP SCREW, #8-32 X 3/4" (SEE ITEM 12)	3
12	1014454		DRIVE CLUTCH BUTTON KIT INCLUDES ITEM 11	1
13	1014072		MOVABLE FACE ASSEMBLY W/BUSHING	1
14	1014458		FIXED FACE DRIVEN	1

Section 10

TRANSMISSION AND GOVERNOR



TRANSMISSION ASSEMBLY

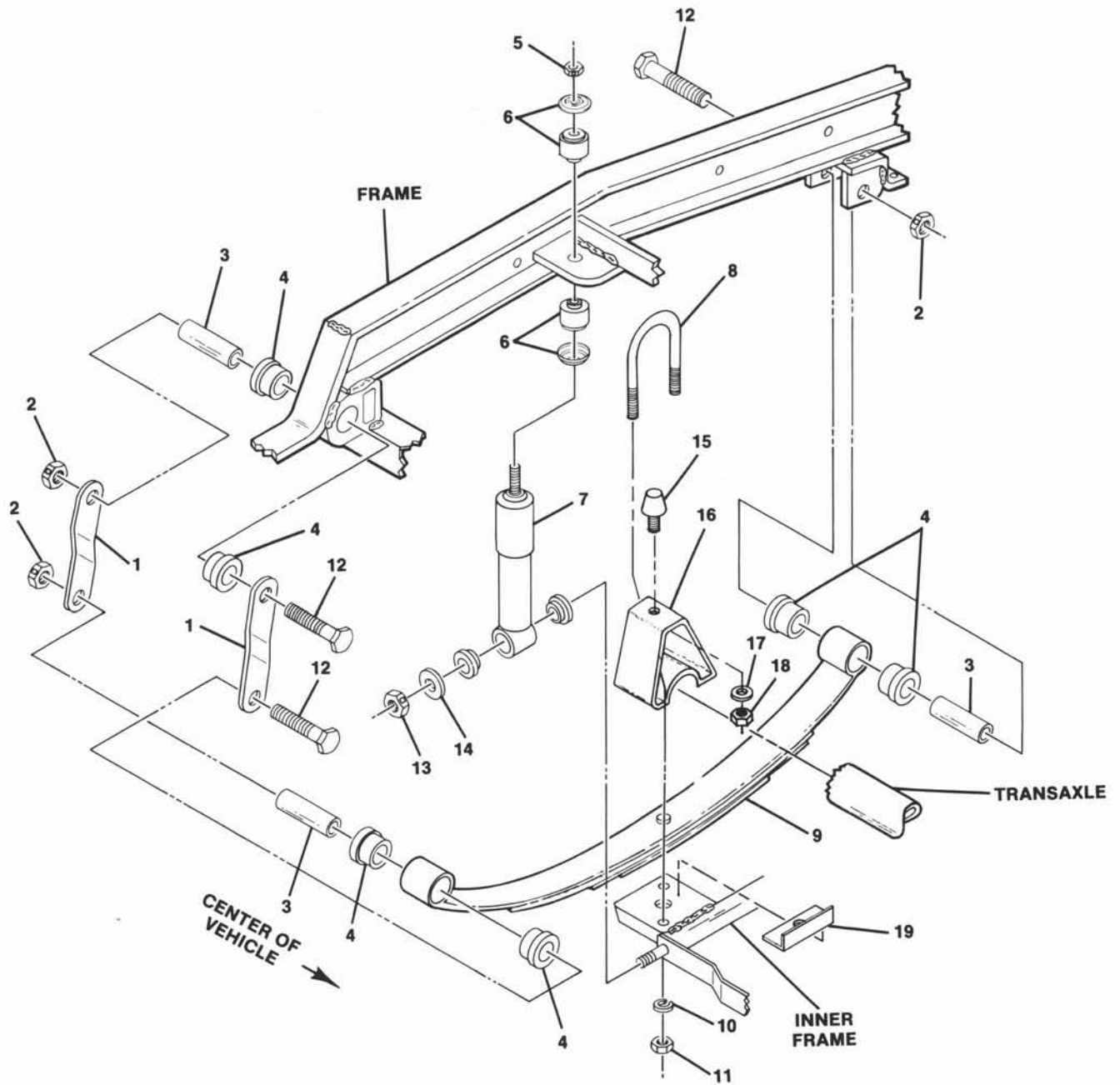
TRANSMISSION ASSEMBLY

G

ITEM NUMBER	PART NUMBER	1 2 3 4	DESCRIPTION	UNITS PER VEHICLE
	1015747		TRANSMISSION ASSEMBLY	1
1	1012761		BALL BEARING	2
2	1012759		SPACER-THICK	1
3	1012755		GOVERNOR GEAR, 41 TOOTH	1
4	1016598		GOVERNOR SHAFT	1
5	1012760		GOVERNOR SHAFT KEY	1
6	1012764		SCREW, M4 X 0.7 X 6MM	2
7	1012763		GOVERNOR ARM, INTERNAL	1
8	1012757		GOVERNOR SLEEVE	1
9	1012758		SPACER-THIN	1
10	1016540		BOLT, M6 X 1 X 25MM	1
11	1012772		GOVERNOR ARM PIVOT	1
13	1015710		GOVERNOR LEVER ARM OHV	1
14	1016513		WASHER	1
15	1012770		NUT, M6 X 1.0	1
16	1012766		SNAP RING	2
17	1012765		WASHER	1
18	1012762		GOVERNOR ARM SHAFT	1
19	1010954		BALL STUD, 1/4-28	1
19A	1017082		MACHINE HEX HEAD SCREW, #10-32 X 3/4"	1
19A	183		FLATWASHER, 3/16 DIAMETER	1
19A	1013061		NYLON INSERT LOCKNUT, #10-32	1
20	1016341		TRANSMISSION SHIFTER LEVER	1
21	1017231		SHIFTER SHAFT KEY	1
22	1012751		SHIFTER SHAFT	1
23	1012754		O-RING	1
24	1012767		OIL SEAL	1
25	8717		NYLON INSERT LOCKNUT, 1/4-28	1
29	1012711		BREATHER	1
30	1012714		OIL SEAL	2
32	1013759		FILL PLUG WITH GASKET	1
34	1013960		GEAR CASE W/O LOCKOUT OPENING	1
35	1012719		HEX HEAD CAP SCREW, M6 X 1 X 14MM	1
36	1012710		DOWEL PIN	2
37	1012717		CASE GASKET	1
38	7336		BEARING	3
39	1016337		THRUST WASHER	2
40	1012735		PLUG	2
41	1016591		GEAR ASSEMBLY, 29 TOOTH	1
42	1012742		SYNCHRO RING	2
43	1012743		THRUST WASHER	2
44	1012734		OUTPUT SHAFT	1
45	1012741		SYNCHRO RING	2
46	1012738		CLUTCH HUB	1
47	1012740		SYNCHRO INSERT	3
48	1012739		SLEEVE	1
49	1012737		GEAR ASSEMBLY, 34 TOOTH	1
50	1012783		SHIM 0.2MM	A/R
50	1012784		SHIM 0.1MM	A/R
51	1012733		FLANGE NUT, M8 X 1.25	1
52	1012718		HEX HEAD CAP SCREW, M6 X 1 X 20MM LONG	4
53	1016592		COVER	1
55	1012732		O-RING	1
56	1012730		THRUST WASHER	1
57	1012731		NEEDLE BEARING	1
58	1012729		REVERSE IDLER GEAR	1
59	1012728		IDLER SHAFT	1
60	1012716		NEEDLER BEARING	1
61	1012723		THRUST WASHER, 3.0MM	A/R
61	1012724		THRUST WASHER, 3.3MM WHITE	A/R
61	1012725		THRUST WASHER, 3.6MM YELLOW	A/R
62	1012722		GEAR, 25 TOOTH	1
63	1012727		SNAP RING	2
64	1016594		GEAR, 29 TOOTH	1
65	1012720		INPUT SHAFT	1
66	1012752		ROLL PIN	1
67	1012750		SHIFTER ARM LEVER, INSIDE	1
68	1012748		SHIFTER SPRING	1
69	1012747		SHIFTER BALL	1
70	1012746		SLEEVE SHIFT ARM	1
71	1012745		SHIFT ROD	1
72	1012749		ROLL PIN	1
73	1016338		SPRING WASHER	2

10

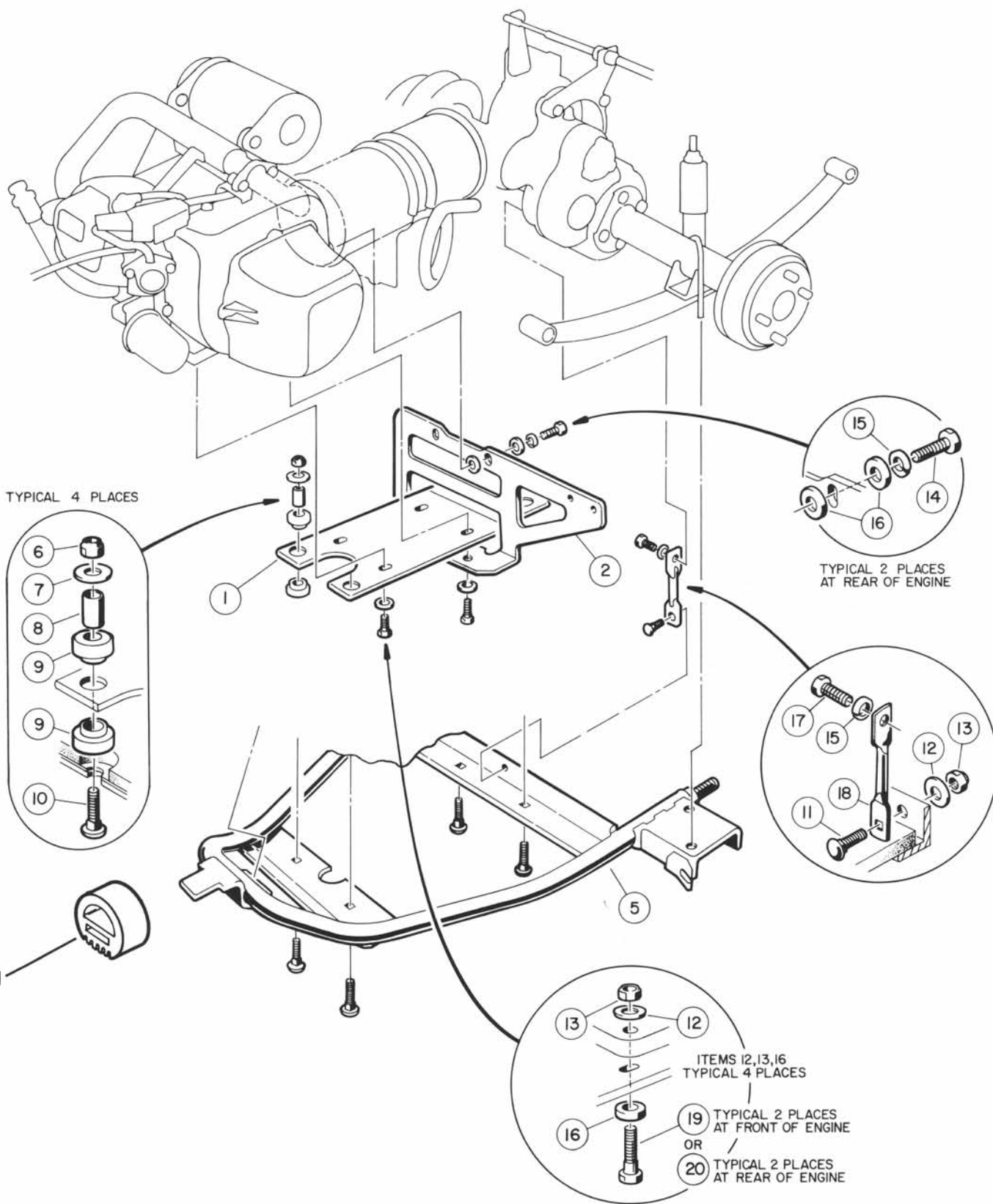
Section 11
REAR SUSPENSION



REAR SUSPENSION ASSEMBLY

REAR SUSPENSION ASSEMBLY

ITEM NUMBER	PART NUMBER	DESCRIPTION				UNITS PER VEHICLE
		1	2	3	4	
1	1012304	REAR SPRING SHACKLE				4
2	8754	NYLON LOCKNUT, 3/8-16				6
3	1012303	STEEL BUSHING				4
4	1015583	URETHANE BUSHING				12
5	1010145	HEX NUT, 3/8-24				2
6	1011415	SHOCK ABSORBER CUSHION KIT				2
7	1012781	SHOCK ABSORBER KIT, GASOLINE VEHICLE INCLUDES ITEM 6				1
8	1014902	"U" BOLT				2
9	1014675	REAR LEAF SPRING				2
10	1014557	FLATWASHER, 7/16 DIAMETER				4
11	1014555	NYLON LOCKNUT, 7/16-14				4
12	8755	HEX HEAD CAP SCREW, 3/8-16 X 3-3/8"				6
13	1010188	DIMPLED LOCKNUT, 5/8-11				2
14	1010193	FLATWASHER, 5/8 DIAMETER				2
15	1017235	OVERLOAD BUMPER				2
16	1014546-02	OVERLOAD BUMPER MOUNT				2
17	1241	FLATWASHER, 5/16				2
18	7473	NYLON LOCKNUT, 5/16-18				2
19	1014573	SPRING RETAINER				2
20	1014901	SPACER - OVERLOAD BUMPER (NOT SHOWN)				2



INNER FRAME ASSEMBLY

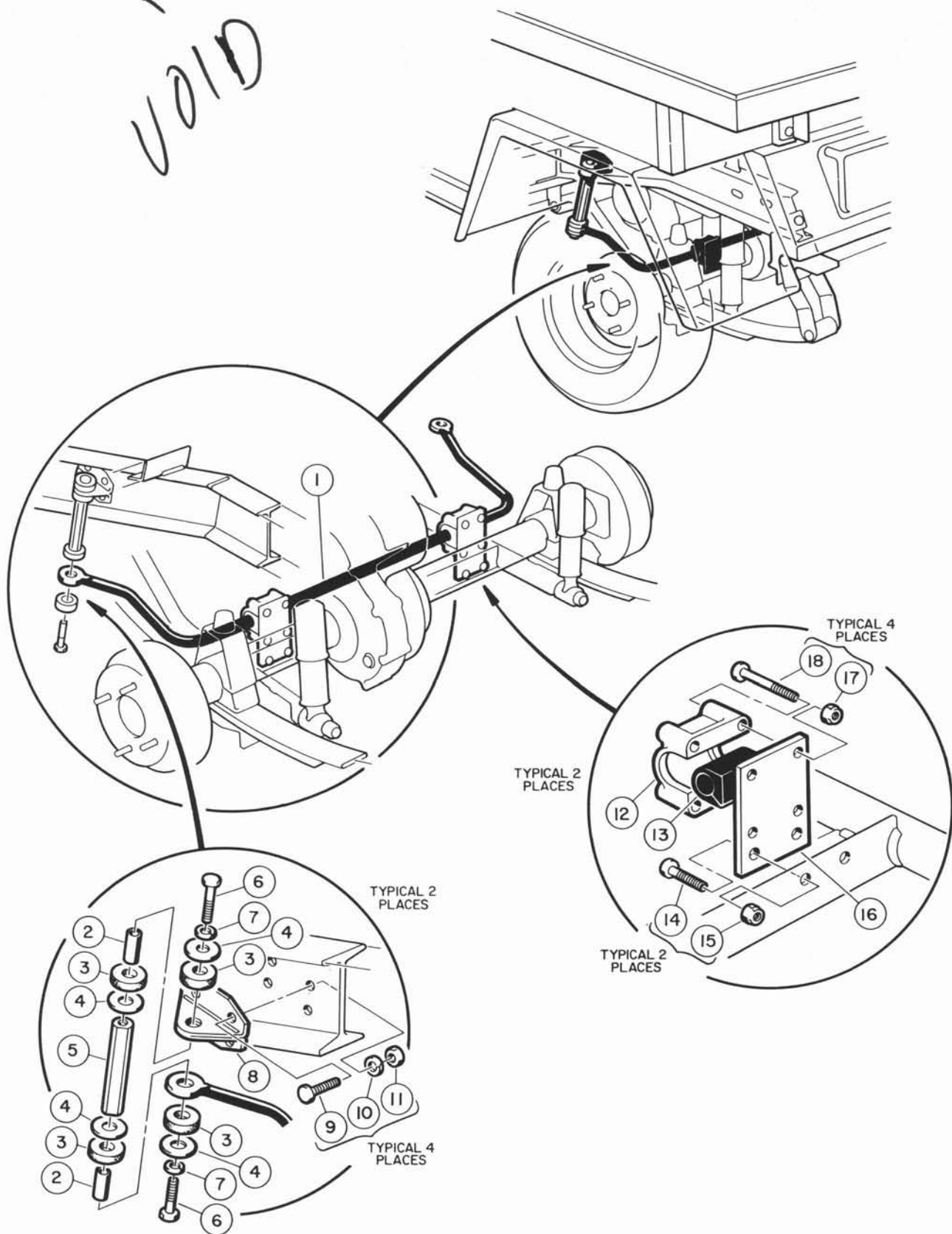
INNER FRAME ASSEMBLY

G

ITEM NUMBER	PART NUMBER	1	2	3	4	DESCRIPTION	UNITS PER VEHICLE
1	1016869					INNER FRAME MOUNTING PLATE	1
2	1016206					MUFFLER MOUNTING PLATE	1
5	1016870					INNER FRAME WELD ASSEMBLY	1
6	8754					NYLON INSERT LOCKNUT, 3/8-16	4
7	808					FLATWASHER, 3/8 DIAMETER	4
8	1017033					STEEL BUSHING	4
9	1016810					ENGINE MOUNTS	8
10	1012428					ROUND HEAD SQUARE NECK BOLT, 3/8-16 X 2-1/4"	4
11	1015932					ROUND HEAD SQUARE NECK BOLT, 5/16-18 X 1"	1
12	1241					FLATWASHER, 5/16 DIAMETER	5
13	7473					NYLON INSERT LOCKNUT, 5/16-18	5
14	1015709					HEX HEAD CAP SCREW, M8 X 1.25 X 30MM	2
15	7174					LOCKWASHER, 5/16 DIAMETER	3
16	1012571					HEAVY FLATWASHER, 5/16 DIAMETER	8
17	1010577					HEX HEAD CAP SCREW, 5/16-18 X 1-1/2"	1
18	1016200-02					TRANSMISSION STRAP SUPPORT	1
19	8963					HEX HEAD CAP SCREW, 5/16-18 X 1-3/4"	2
20	8916					HEX HEAD CAP SCREW, 5/16-18 X 2"	2
21	1012164					INNER FRAME SNUBBER	1

11

VOID

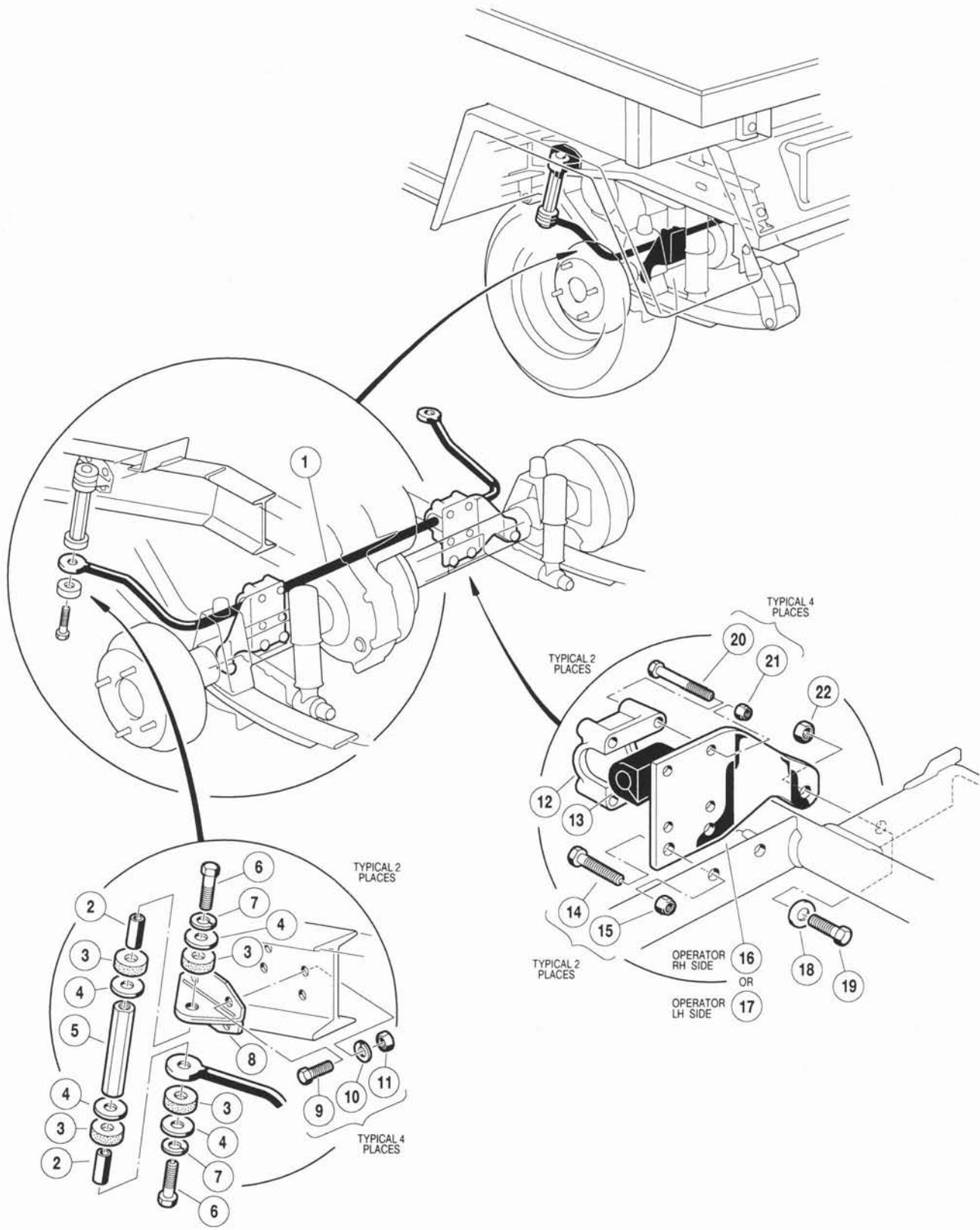


STABILIZER BAR - '93 VEHICLE WITH 290 ENGINE

STABILIZER BAR - '93 VEHICLE WITH 290 ENGINE

ITEM NUMBER	PART NUMBER	1 2 3 4	DESCRIPTION	UNITS PER VEHICLE
1	1015760		STABILIZER BAR, 3/4 DIAMETER	1
2	1015457		SPACER	4
3	1015453		COMPRESSION MOUNT	8
4	808		FLATWASHER, 3/8 DIAMETER	8
5	1016814		STABILIZER BAR LINK	2
6	8861		HEX HEAD CAP SCREW, 3/8-16 X 1-3/4"	4
7	357		LOCKWASHER, 3/8 DIAMETER	4
8	1016813		MOUNTING BRACKET, STABILIZER BAR	2
9	1010934		HEX HEAD CAP SCREW, 5/16-18 X 1"	8
10	7174		LOCKWASHER, 5/16 DIAMETER	8
11	1242		HEX NUT, 5/16-18	8
12	1015614		BUSHING SUPPORT, STABILIZER BAR	2
13	1015613		BUSHING, STABILIZER BAR	2
14	705		HEX HEAD CAP SCREW, 3/8-16 X 1-1/4"	4
15	8754		NYLON INSERT LOCKNUT, 3/8-16	4
16	1016812		MOUNTING PLATE, STABILIZER	2
17	8233		NYLON INSERT LOCKNUT, 1/4-20	8
18	7311		HEX HEAD CAP SCREW, 1/4-20 X 2"	8

void



STABILIZER BAR - '94 VEHICLE WITH 350 ENGINE

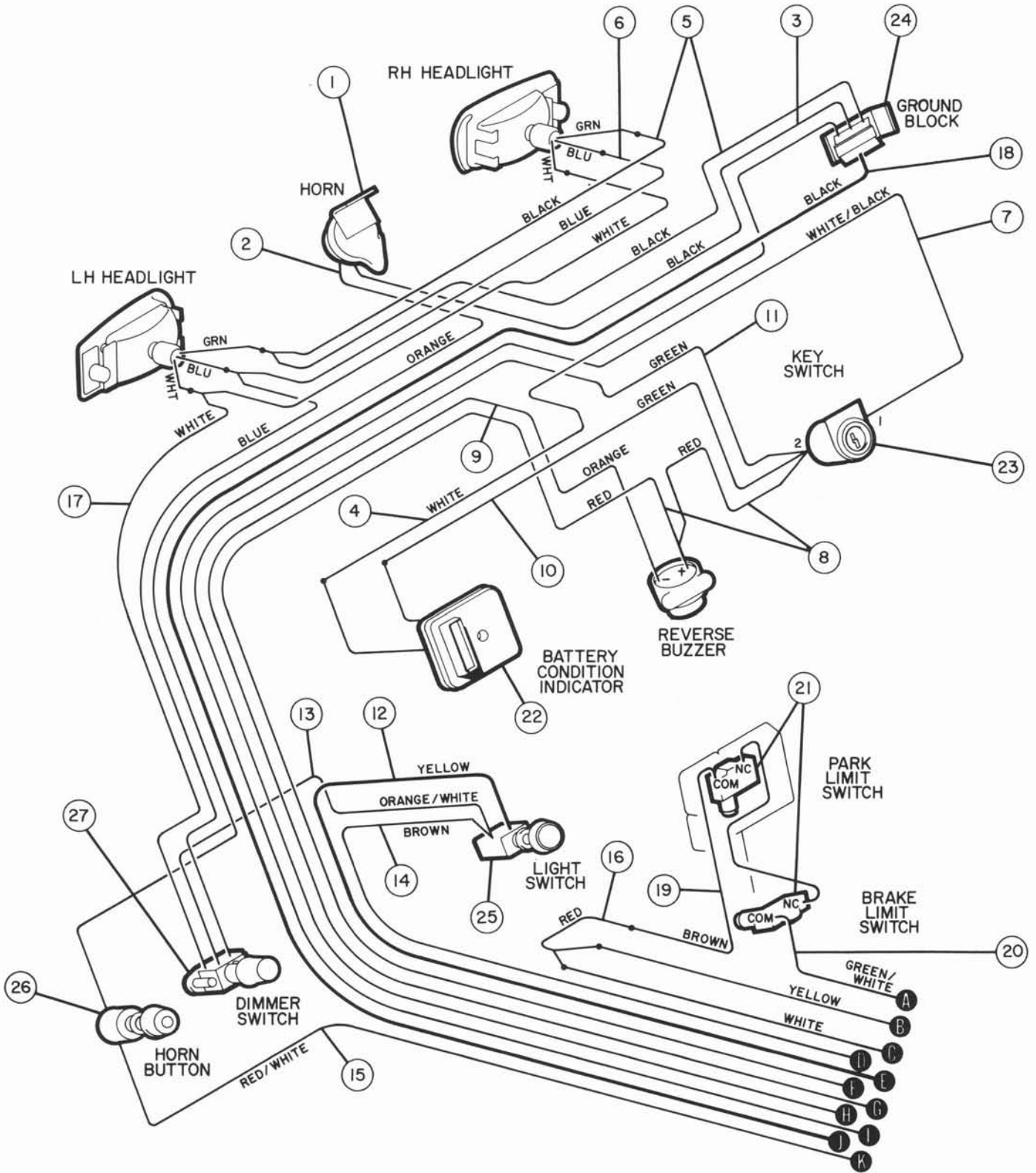
STABILIZER BAR - '94 VEHICLE WITH 350 ENGINE

G

ITEM NUMBER	PART NUMBER	DESCRIPTION	UNITS PER VEHICLE
1	1015760	STABILIZER BAR, 3/4 DIAMETER	1
2	1015457	SPACER	4
3	1015453	COMPRESSION MOUNT	8
4	808	FLATWASHER, 3/8 DIAMETER	8
5	1016814	STABILIZER BAR LINK	2
6	8861	HEX HEAD CAP SCREW, 3/8-16 X 1-3/4"	4
7	357	LOCKWASHER, 3/8 DIAMETER	4
8	1016813	MOUNTING BRACKET, STABILIZER BAR	2
9	1010934	HEX HEAD CAP SCREW, 5/16-18 X 1"	8
10	7174	LOCKWASHER, 5/16 DIAMETER	8
11	1242	HEX NUT, 5/16-18	8
12	1015614	BUSHING SUPPORT, STABILIZER BAR	2
13	1015613	BUSHING, STABILIZER BAR	2
14	705	HEX HEAD CAP SCREW, 3/8-16 X 1-1/4"	4
15	8754	NYLON INSERT LOCKNUT, 3/8-16	4
16	1017144	TRUSS PLATE, RIGHT	1
17	1017143	TRUSS PLATE, LEFT	1
18	1017233	HARDENED WASHER	2
19	1017232	HEX HEAD CAP SCREW, 5/16-24 X 1"	2
20	7311	HEX HEAD CAP SCREW, 1/4-20 X 2"	8
21	8233	NYLON INSERT LOCKNUT, 1/4-20	8
22	1017237	HEX WHIZ NUT, 5/16-24	2

11

Section 12
ELECTRICAL



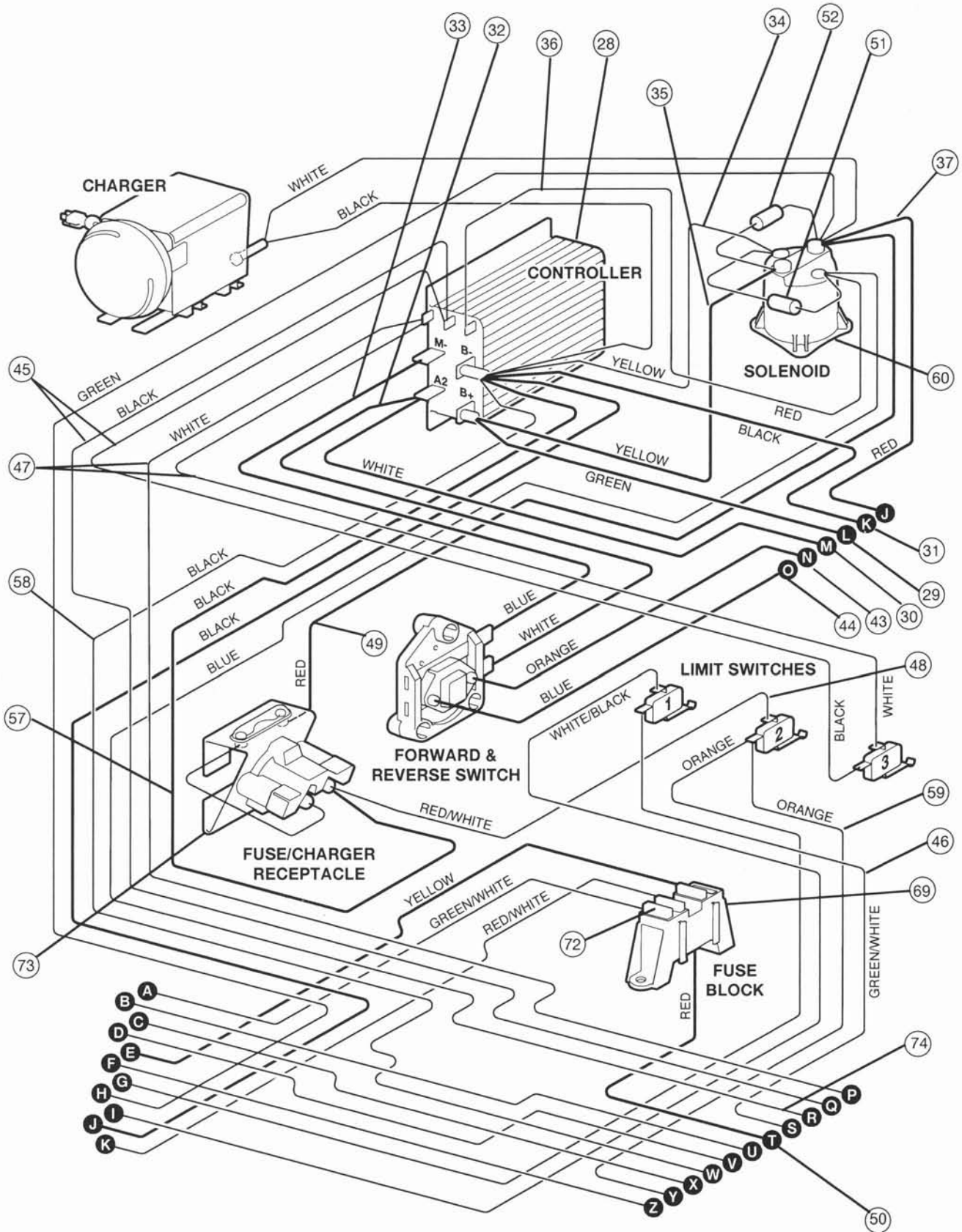
POWER WIRING - SOLID STATE CONTROLLER

POWER WIRING - SOLID STATE CONTROLLER

ITEM NUMBER	PART NUMBER	DESCRIPTION				UNITS PER VEHICLE
		1	2	3	4	
1	1017685	HORN KIT				1
2	1016307	WIRE ASSEMBLY #16 ORANGE				1
3	1016308	WIRE ASSEMBLY #16 BLACK				1
4	1016704	WIRE ASSEMBLY #16 WHITE				1
5	1016326	WIRE ASSEMBLY #16 BLACK				1
6	1017052	WIRE ASSEMBLY #18 BLUE				1
7	1016693	WIRE ASSEMBLY #18 WHITE/BLACK				1
8	1016748	WIRE ASSEMBLY #18 RED				1
9	1016688	WIRE ASSEMBLY #18 ORANGE				1
10	1015809	WIRE ASSEMBLY #18 GREEN				1
11	1016687	WIRE ASSEMBLY #18 GREEN				1
12	1016697	WIRE ASSEMBLY #14 YELLOW				1
13	1016315	WIRE ASSEMBLY #16 ORANGE/WHITE				1
14	1016699	WIRE ASSEMBLY #18 BROWN				1
15	1016696	WIRE ASSEMBLY #16 RED/WHITE				1
16	1016409	WIRE ASSEMBLY #18 RED				1
17	1016323	WIRE ASSEMBLY #16 WHITE				1
18	1016710	WIRE ASSEMBLY #18 BLACK				1
19	1016314	WIRE ASSEMBLY #16 BROWN				1
20	1016700	WIRE ASSEMBLY #18 GREEN/WHITE & BLUE				1
21	1011439	LIMIT SWITCH				2
22	1016101	BATTERY CONDITION INDICATOR KIT				1
23	1012531	KEY SWITCH 36 VOLT				1
24	1016358	GROUND BLOCK ASSEMBLY				1
25	4034	LIGHT SWITCH				1
26	1013443	HORN BUTTON				1
27	1010889	DIMMER SWITCH				1

E

12



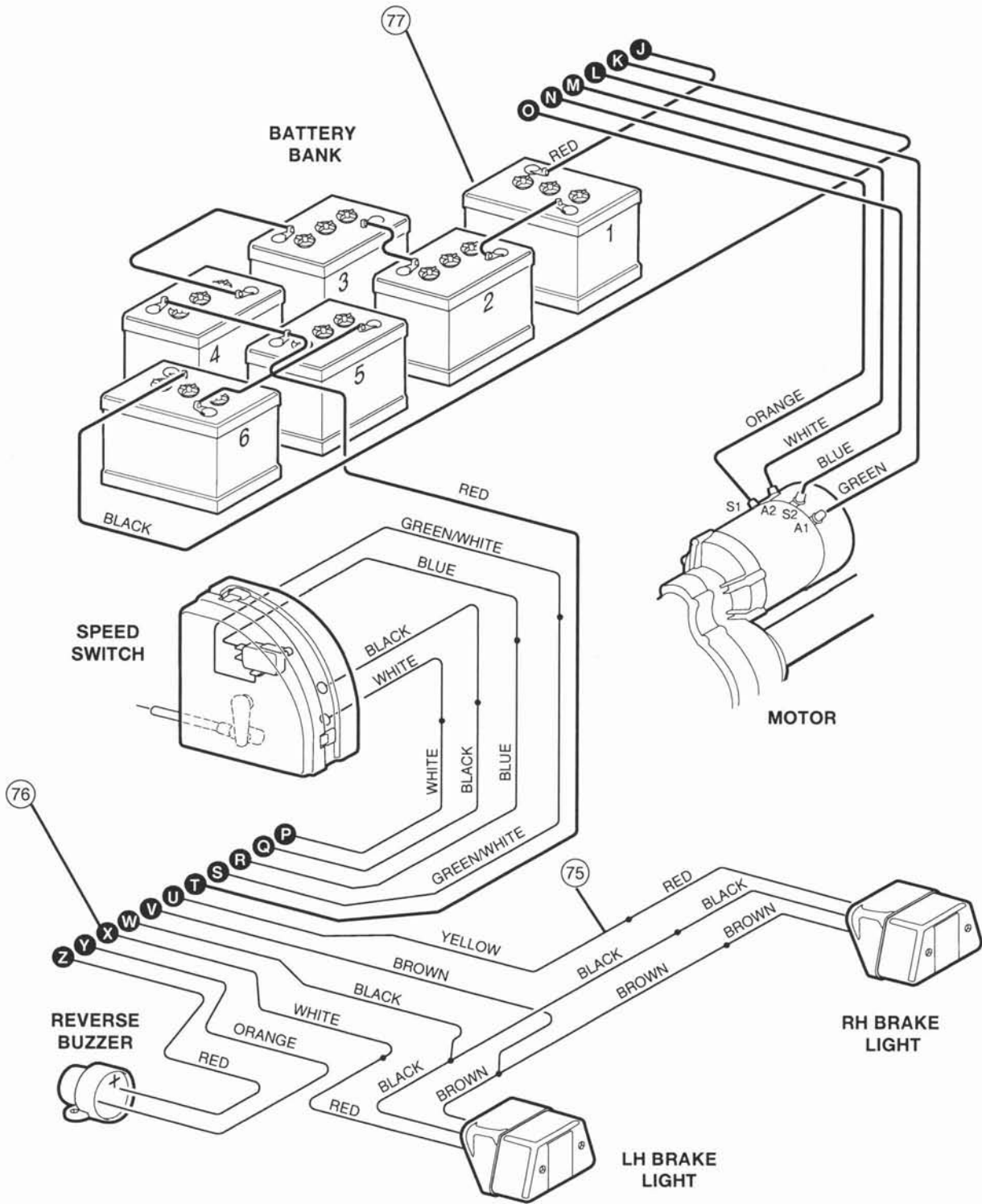
POWER WIRING - SOLID STATE CONTROLLER

POWER WIRING - SOLID STATE CONTROLLER

ITEM NUMBER	PART NUMBER	1 2 3 4	DESCRIPTION	UNITS PER VEHICLE
	1016741		CONTROLLER WIRING ASSEMBLY INCLUDES ITEMS 28-44	1
28	1016674		ELECTRONIC CONTROLLER	1
29	1016731		WIRE ASSEMBLY #6 GREEN	1
30	1016730		WIRE ASSEMBLY #6 WHITE	1
31	1016733		WIRE ASSEMBLY #6 BLACK	1
32	1016729		WIRE ASSEMBLY #6 WHITE	1
33	1016728		WIRE ASSEMBLY #6 BLUE	1
34	1016737		WIRE ASSEMBLY #18 YELLOW	1
35	1016732		WIRE ASSEMBLY #6 YELLOW	1
36	1016738		WIRE ASSEMBLY #18 RED	1
37	1016734		WIRE ASSEMBLY #6 RED	1
38	1218		HEX HEAD CAP SCREW, 5/16-18 X 1-1/4" (NOT SHOWN)	2
39	1241		FLATWASHER, 5/16 DIAMETER (NOT SHOWN)	1
40	7174		LOCKWASHER, 5/16 DIAMETER (NOT SHOWN)	8
41	1242		HEX NUT, 5/16-18 (NOT SHOWN)	4
42	403		HEX HEAD CAP SCREW, 1/4-20 x 5/8" (NOT SHOWN)	4
43	1016736		WIRE ASSEMBLY #6 ORANGE	1
44	1016735		WIRE ASSEMBLY #6 BLUE	1
45	1016709		WIRE ASSEMBLY #18 BLACK W/5.1 KΩ RESISTOR IN LINE	1
46	1016690		WIRE ASSEMBLY #18 GREEN/WHITE	1
47	1016691		WIRE ASSEMBLY #18 WHITE	1
48	1014845		WIRE ASSEMBLY #18 RED/WHITE	1
49	1016739		WIRE ASSEMBLY #10 RED	1
50	1016698		WIRE ASSEMBLY #10 RED	1
51	1014948		DIODE ASSEMBLY	1
52	1014947		RESISTOR ASSEMBLY	1
53	1015521		HEX HEAD CAP SCREW, 1/4-20 X 7/8" (NOT SHOWN)	2
54	332		FLATWASHER, 1/4 DIAMETER (NOT SHOWN)	2
55	451		LOCKWASHER, 1/4 DIAMETER (NOT SHOWN)	2
56	1028		HEX NUT, 1/4-20 (NOT SHOWN)	2
57	1016740		WIRE ASSEMBLY #10 BLACK	1
58	1016710		WIRE ASSEMBLY #18 BLACK	1
59	1016688		WIRE ASSEMBLY #18 ORANGE	1
60	1016072		SOLENOID - 36 VOLT	1
61	1015521		HEX HEAD CAP SCREW, 1/4-20 X 7/8" (NOT SHOWN)	2
62	332		FLATWASHER, 1/4 DIAMETER (NOT SHOWN)	2
63	451		LOCKWASHER, 1/4 DIAMETER (NOT SHOWN)	2
64	1028		HEX NUT, 1/4 DIAMETER (NOT SHOWN)	2
65	451		LOCKWASHER, 1/4 DIAMETER (NOT SHOWN)	2
66	1028		HEX NUT, 1/4-20 (NOT SHOWN)	2
67	1606		POP RIVET, 3/16 (NOT SHOWN)	3
68	1012022		CABLE CLAMP (NOT SHOWN)	3
69	1015741		FUSE BLOCK	1
70	1013061		NYLON LOCKNUT, #10-32 (NOT SHOWN)	2
71	1010909		ROUND HEAD SCREW, #10-32 X 1-1/4" (NOT SHOWN)	2
72	1016423		20 AMP FUSE	3
73	1016749		FUSE AND RECEPTACLE ASSEMBLY	1
74	1016689		WIRE ASSEMBLY, #18 BLUE	1

E

12



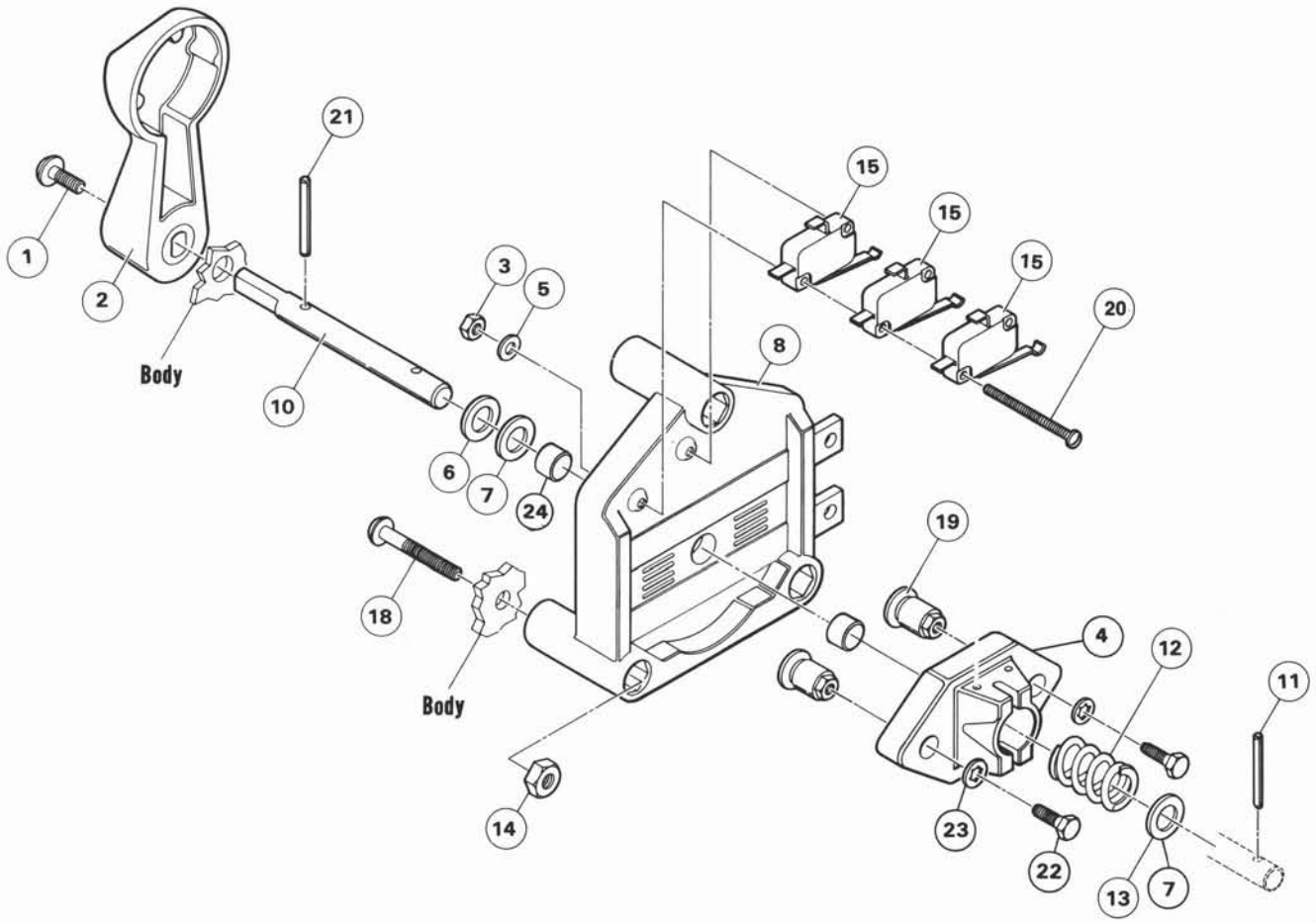
POWER WIRING - SOLID STATE CONTROLLER

POWER WIRING - SOLID STATE CONTROLLER

ITEM NUMBER	PART NUMBER	DESCRIPTION 1 2 3 4	UNITS PER VEHICLE
75	1016774	WIRE ASSEMBLY #18 YELLOW	1
76	1016695	WIRE ASSEMBLY #18 WHITE	1
77	1016616-01	TROJAN T-105 6 VOLT BATTERY	6
78	1010908	BATTERY HOLD DOWN (NOT SHOWN)	3
79	1013683	J BOLT (NOT SHOWN)	6
80	1014304	UNC STAINLESS STEEL HEX NUT, 5/16-18 (NOT SHOWN)	18
81	1011578	PLAIN WASHER, 5/16 DIAMETER (NOT SHOWN)	6

E

12



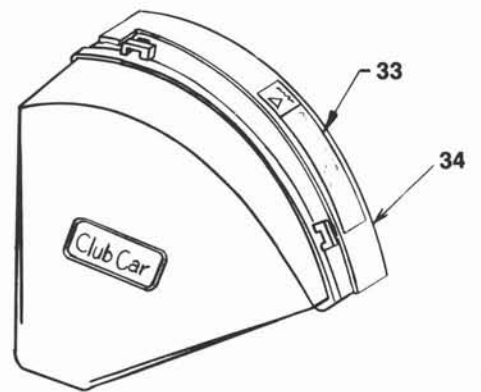
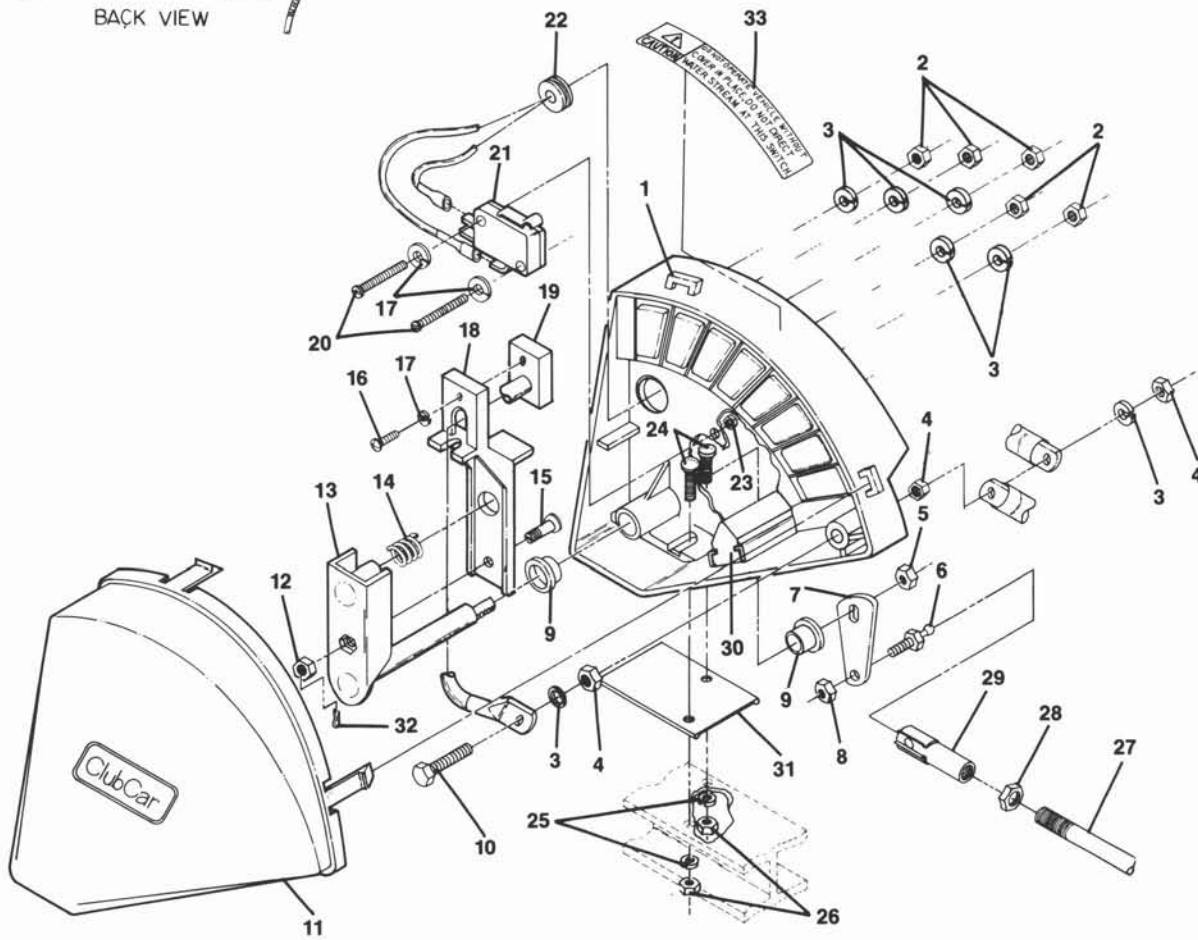
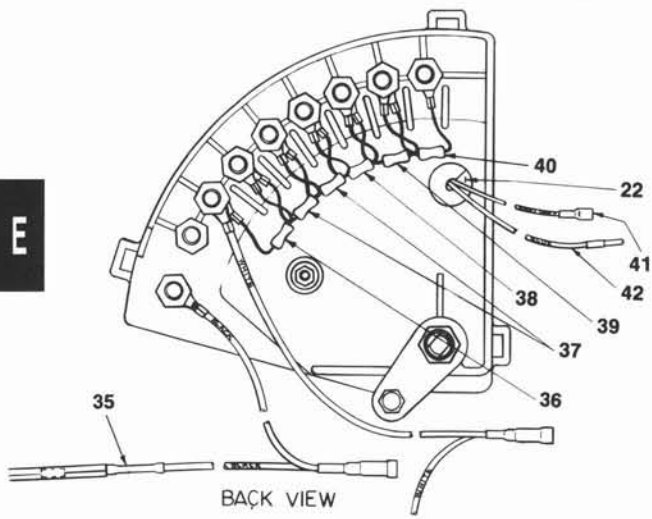
F&R SWITCH - SOLID STATE CONTROLLER

F&R SWITCH - SOLID STATE CONTROLLER

ITEM NUMBER	PART NUMBER	1 2 3 4	DESCRIPTION	UNITS PER VEHICLE
1	1015846		F&R SWITCH ASSEMBLY, ELECTRONIC CONTROLLER	1
2	1013198		PHILLIPS OVAL COUNTERSUNK MACHINE SCREW, #8-32	1
3	1012987		F&R SWITCH HANDLE	2
4	8057		UNC HEX NUT, #4-40	1
5	1017528		F&R SWITCH ROTOR	2
6	8058		#4 LOCKWASHER	1
7	1014065		DELTRIN FLATWASHER	2
8	1011990		FLATWASHER, 3/8 DIAMETER	1
10	1017527		F&R SWITCH CASE	2
11	1017529		F&R SWITCH SHAFT	1
12	1011993		ROLL PIN, 3/16 X 1.38	1
15	7627		F&R SHAFT SPRING	1
18	1014808		LIMIT SWITCH	3
19	1011988		TRUSS HEAD PHILLIPS SCREW, 1/4-20 X 2"	3
20	8793		F&R ROTOR CONTACT	2
21	1014871		HEX WASHER HEAD SCREW, #4-40 X 2"	2
22	1231		ROLL PIN, 1/8 X 1.00	1
23	8450		HEX HEAD CAP SCREW, #10-34	2
24	8049		INTERNAL TOOTH LOCKWASHER, #10	2
	1014145		BRONZE BUSHING, SECONDARY WEIGHT	2

E

12



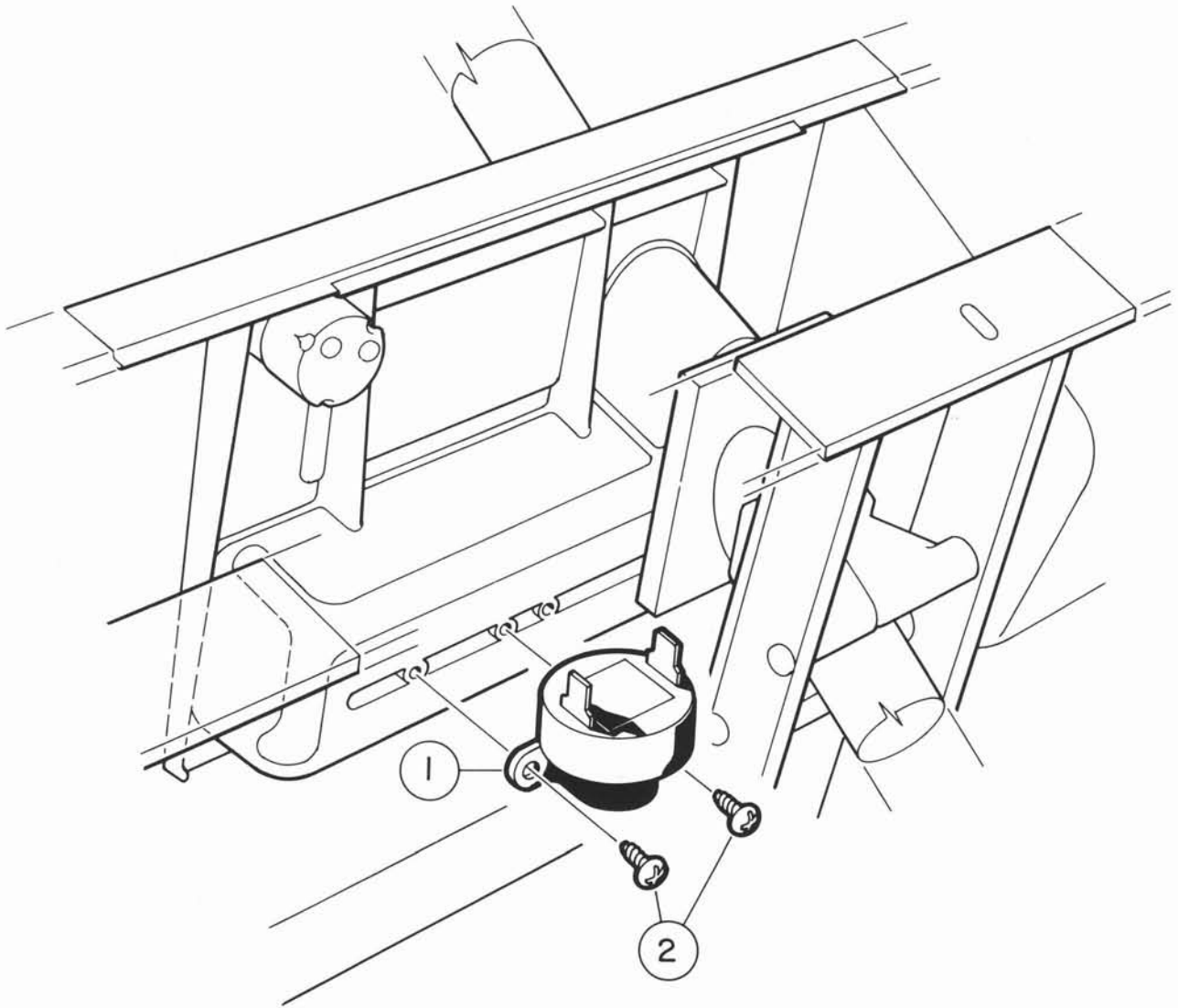
V-GLIDE WIPER SWITCH - SOLID STATE CONTROLLER

V-GLIDE WIPER SWITCH - SOLID STATE CONTROLLER

ITEM NUMBER	PART NUMBER	1 2 3 4	DESCRIPTION	UNITS PER VEHICLE
			V-GLIDE WIPER SWITCH - SOLID STATE CONTROLLER	
1	1014999		SPEED CONTROLLER CASE	1
2	1014		UNC BRASS HEX NUT, 1/4-20	5
3	451		SPLIT LOCKWASHER, 1/4 DIAMETER	7
4	1014253		BRASS JAM NUT, 1/4-20	3
5	7473		NYLON INSERT LOCKNUT, 5/16-18	1
6	1012353		SHORT BALL STUD, 1/4 X 1/4-28	1
7	1014003		SWITCH CRANK	1
8	8449		DIMPLED LOCKNUT, 1/4-28	1
9	1012903		BRONZE BEARING, 3/8 X 1/2	2
10	1014189		BRONZE HEX HEAD CAP SCREW, 1/4-20 X 2.00	1
11	1013886		SWITCH COVER	1
12	7893		UNF HEX NUT, #10-32	1
13	1014017		WIPER SWITCH ARM CARRIER	1
14	1013998		WIPER SWITCH BRUSH SPRING	1
15	1014000		SPEED CONTROLLER ADJUSTING STUD	1
16	1014019		SELF TAPPING SCREW, #4-40 X 3/8"	1
17	8058		SPLIT LOCKWASHER, #4	3
18	1013887		SPEED SWITCH ARM	1
19	1013860		SWITCH BRUSH ASSEMBLY	1
20	8056		UNC ROUND HEAD SCREW, #4-40 X 3/4	2
21	1014807		LIMIT SWITCH	1
22	1014010		SPLIT GROMMET	1
23	8057		UNC HEX NUT, #4-40	2
24	1014109		ROUND HEAD BOLT, #10-24 X 3/4	2
25	1016175		HELICAL SPRING LOCKWASHER, #10	2
26	1017		HEX NUT, #10	2
27	1016703-01		ACCELERATOR ROD, ELECTRIC VEHICLE	1
28	1011084		JAM HEX NUT, 1/4-28	2
29	1011734		BALL JOINT	2
30	1014414		WIPER SWITCH BUMPER	1
31	1014367		WIPER SWITCH SHIM	1
32	1014413		HAIR SPRING COTTER PIN	1
33	1016109		DECAL WIPER SWITCH ELECTRIC CONTROLLER	2
34	1016061		WIPER SWITCH RESISTOR PROTECTOR	1
35	1016018		WIRE ASSEMBLY #18 BLACK	1
36	1016017		RESISTOR ASSEMBLY 910Ω	1
37	1016016		RESISTOR ASSEMBLY 620Ω	2
38	1016015		RESISTOR ASSEMBLY 750Ω	1
39	1016014		RESISTOR ASSEMBLY 820Ω	1
40	1016013		RESISTOR ASSEMBLY 1100Ω	1
41	1014839		WIRE ASSEMBLY #18 GREEN/WHITE	1
42	1016142		WIRE ASSEMBLY #18 BLUE	1
44	1016092		PAN HEAD SCREW (NOT SHOWN), #8-32 X .44 (ATTACHES RESISTOR PROTECTOR #34 TO WIPER SWITCH CASE)	2
45	1013529		FLAT WASHER (NOT SHOWN), #8 (ATTACHES RESISTOR PROTECTOR #34 TO WIPER SWITCH CASE)	4
46	1011571		HEX NUT (NOT SHOWN), #8-32 (ATTACHES RESISTOR PROTECTOR #34 TO WIPER SWITCH CASE)	2
47	1016090		HEX MALE/FEMALE STAND OFF (NOT SHOWN), #8-32 (ATTACHES RESISTOR PROTECTOR #34 TO WIPER SWITCH CASE)	2
48	1012076		EXTERNAL TOOTH LOCKWASHER (NOT SHOWN), #8 (ATTACHES RESISTOR PROTECTOR #34 TO WIPER SWITCH CASE)	4

E

12

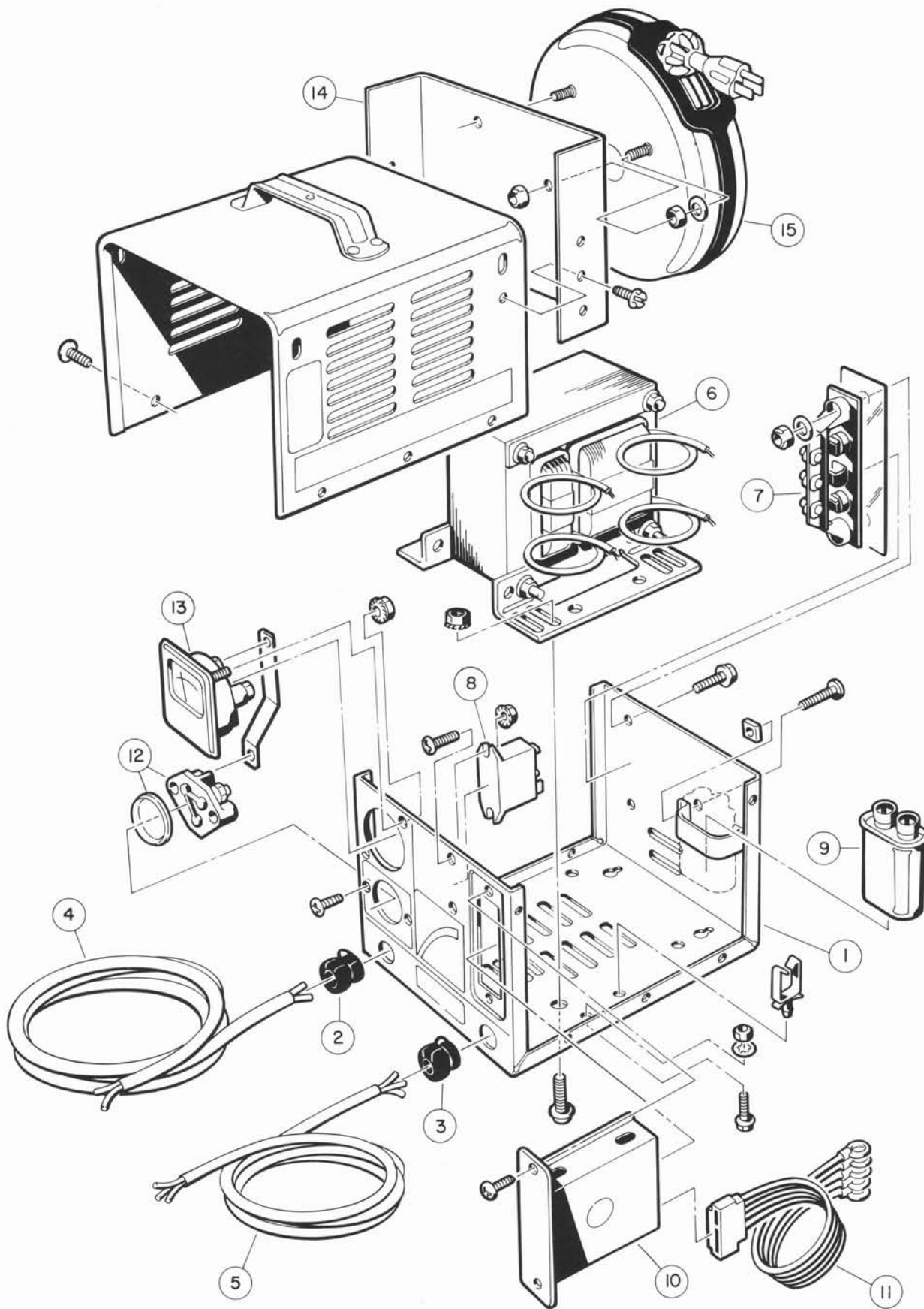


REVERSE BUZZER

ITEM NUMBER	PART NUMBER	1 2 3 4	DESCRIPTION	UNITS PER VEHICLE
1	1016859		REVERSE BUZZER KIT (DASH MOUNTED SHOWN)	2
2	1016849		PAN HEAD HI-LO SCREW, #4-24 X .330	4

Section 13

BATTERY CHARGER



MODEL 1016169 ACCU-POWER CHARGER

MODEL 1016169 ACCU-POWER CHARGER

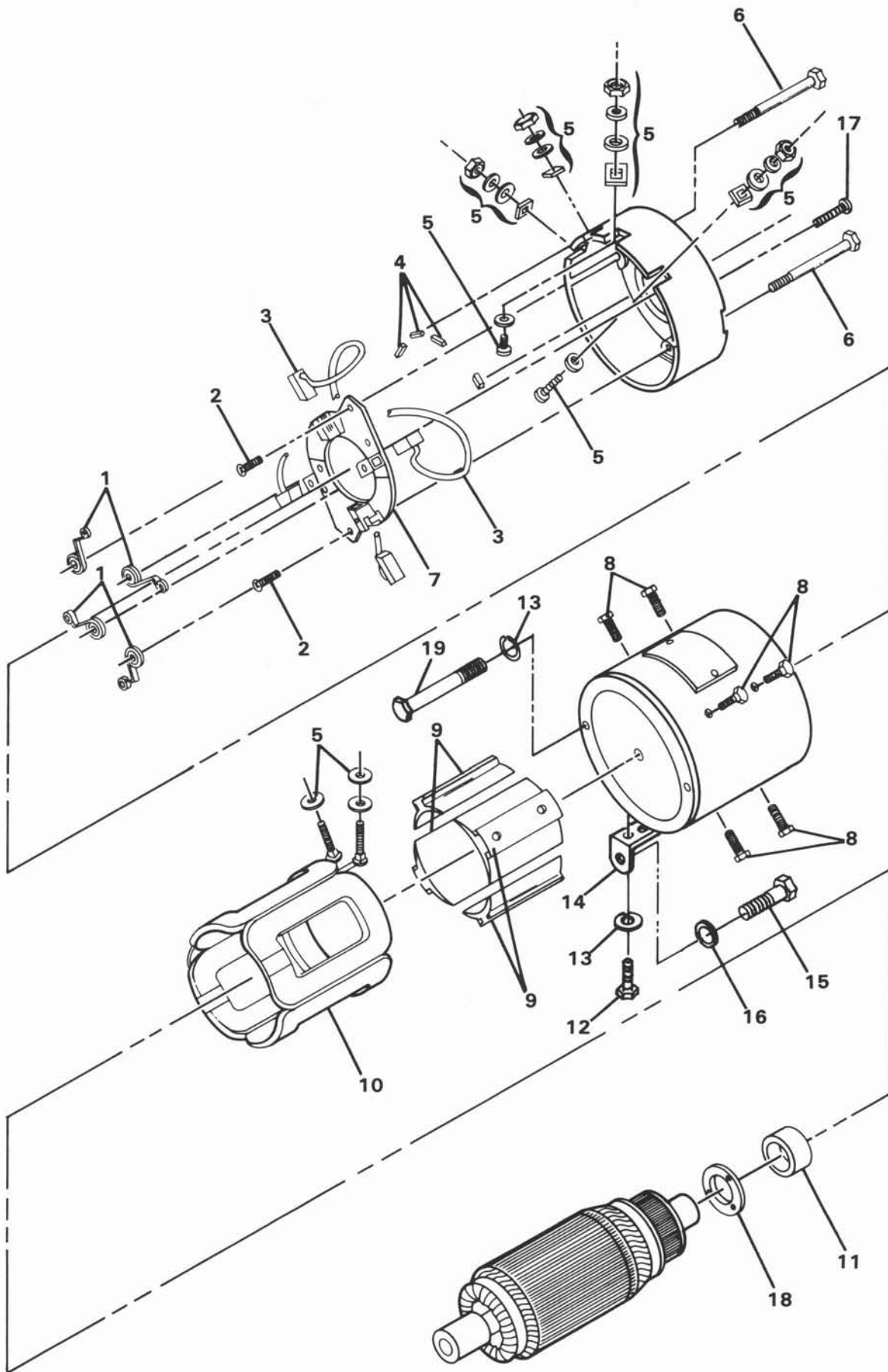
ITEM NUMBER	PART NUMBER	1 2 3 4	DESCRIPTION	UNITS PER VEHICLE
	1016169-01		ACCU-POWER CHARGER AND REEL ASSEMBLY INCLUDES ITEMS 2 THRU 15	
2	1012098		BUSHING STRAIN RELIEF, DC CORD	1
3	1015917		BUSHING STRAIN RELIEF, AC CORD	1
4	1016281		DC CORD SET	1
5	1017217		AC CORD SET	1
6	1015912		TRANSFORMER, ASSEMBLY	1
7	1015914		HEATSINK ASSEMBLY WITH DIODES	1
8	1015911		36 VOLT DC RELAY	1
9	1015910		CAPACITOR	1
10	1016279		TIMER KIT ASSEMBLY	1
11	1016280		CONTROL CABLE ASSEMBLY	1
12	1012101		FUSE ASSEMBLY	1
13	1015905		AMMETER	1
14	NO #		REEL MOUNTING BRACKET	1
15	1017187		RETRACTABLE CORD REEL ASSEMBLY INCLUDES ITEM 14	1

E

13

Section 14

MOTOR



MOTOR ASSEMBLY FOR MOTOR MODELS 5BC48JB764 AND 5BC48JB771

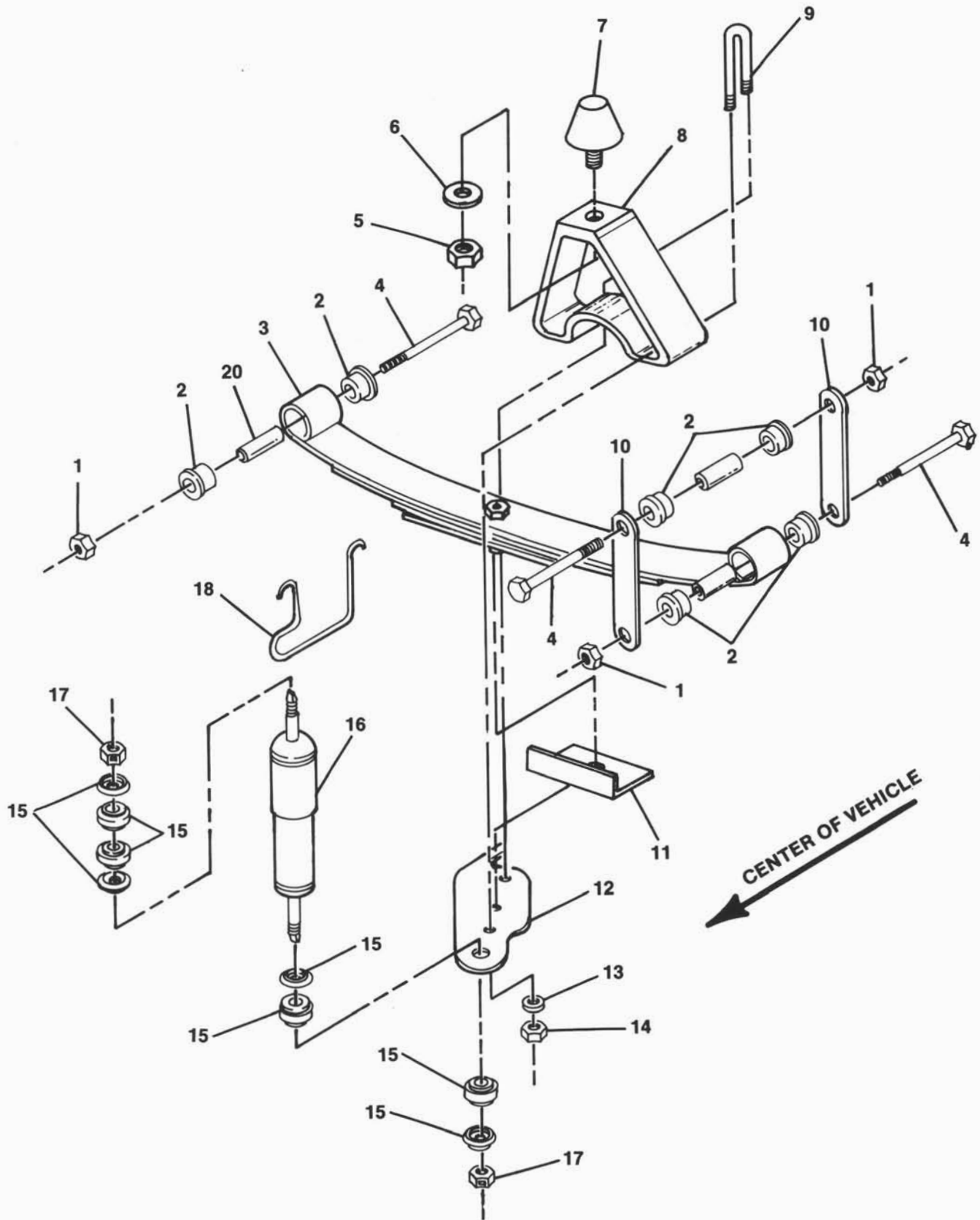
MOTOR ASSEMBLY FOR MOTOR MODELS 5BC48JB764 AND 5BC48JB771

ITEM NUMBER	PART NUMBER	1 2 3 4	DESCRIPTION	UNITS PER VEHICLE
	1012191		MOTOR ASSEMBLY COMPLETE	1
1	1011411		BRUSH SPRING PACKAGE (4 PIECES)	1
2	1011283		SCREW, BRUSH RIGGING	2
3	1011410		BRUSH PACKAGE (4 PIECES)	1
4	1011409		RUBBER GASKET PACKAGE (4 PIECES)	2
5	1011407		HARDWARE KIT	4
6	NO #		MOTOR CLAMP SCREW (CE)	2
7	1011284		BRUSH RIGGING	1
8	1011412		SCREW, POLE PIECE PACKAGE (8 PIECES)	1
9	1011413		FIELD POLE PIECE PACKAGE (4 PIECES)	1
10	1011288		FIELD COILS, MODEL 5BC48JB764 - 2 HP	1
10	1011289		FIELD COILS, MODEL 5BC48JB771 - 3-1/2 HP	1
11	1011290		BALL BEARING, DOUBLE SHIELD	1
12	7847		HEX HEAD CAP SCREW, 1/4-20 X 3/4	2
13	451		LOCKWASHER, 1/4 DIAMETER	5
14	1012177		MOTOR/AXLE CLIP	1
15	1010934		HEX HEAD CAP SCREW, 5/16-18 X 1	1
16	7174		LOCKWASHER, 5/16 DIAMETER	1
17	1013893		FILL HEAD SCREW, #8-32	3
18	1013894		RETAINING-BEARING	1
19	1014201		HEX HEAD CAP SCREW, 1/4-20 X 2-1/4	3

E

14

Section 15
REAR SUSPENSION



REAR SUSPENSION ASSEMBLY - ELECTRIC VEHICLE

REAR SUSPENSION ASSEMBLY - ELECTRIC VEHICLE

ITEM NUMBER	PART NUMBER	DESCRIPTION				UNITS PER VEHICLE
		1	2	3	4	
1	8754	NYLON INSERT LOCKNUT, 3/8-16				6
2	1015583	URETHANE BUSHING				12
3	1014675	REAR LEAF SPRING				2
4	8755	HEX HEAD CAP SCREW, 3/8-16 X 3-3/8"				6
5	7473	NYLON INSERT LOCKNUT, 5/16-18				2
6	1241	FLATWASHER, 5/16 DIAMETER				2
7	1017235	OVERLOAD BUMPER				2
8	1014546-02	OVERLOAD BUMPER MOUNT - ANGLED				2
9	1014902	"U" BOLT				2
10	7569	SPRING SHACKLE PLATE				4
11	1014573	SPRING RETAINER				2
12	1012181	SHOCK MOUNT, RIGHT (NOT SHOWN)				1
12	1012182	SHOCK MOUNT, LEFT				1
13	1014557	FLATWASHER, 7/16 DIAMETER				4
14	1014555	NYLON INSERT LOCKNUT, 7/16-14				4
15	1011415	SHOCK ABSORBER CUSHION KIT				4
16	1014236	SHOCK ABSORBER, REAR ELECTRIC				2
17	1010145	SHOCK ABSORBER HEX NUT, 3/8-24				4
18	1013207	BRAKE CABLE HANGER				2
19	1013164	SHOCK ABSORBER KIT				1
		INCLUDES ITEMS 15 (4) AND 16 (2)				
20	1012303	STEEL BUSHING				6

E



Club Car, Inc.
P.O. Box 204658
Augusta, GA 30917-4658
USA

Web www.clubcar.com
Phone 1.706.863.3000
1.800.ClubCar
Int'l +1 706.863.3000
Fax 1.706.863.5808