



ELECTRIC POWERED
GOLF CAR

SERVICE PARTS MANUAL



SERVICE PARTS MANUAL

ELECTRIC POWERED GOLF CAR

MODEL YEAR: 1993/1994

MANUAL NO. 27648-G01 ISSUED: 06/10/93

GOLF CARS

X - 440

X - 444

X - 444F (FREEDOM)

CUSTOMER SERVICE DEPARTMENT PHONE 1-800-227-7029 FAX 1-800-752-6175
E-Z-GO DIVISION OF TEXTRON, INC., P.O. BOX 388, AUGUSTA, GEORGIA 30913-2699, 1-800-241-5855

LIMITED WARRANTY

WARRANTY

TO OBTAIN A COPY OF THE LIMITED WARRANTY THAT IS APPLICABLE TO YOUR VEHICLE, CALL OR WRITE YOUR LOCAL DISTRIBUTOR, BRANCH, OR E-Z-GO WARRANTY DEPARTMENT.

THE USE OF NON E-Z-GO PARTS MAY VOID YOUR WARRANTY

OVERFILLING OF BATTERIES MAY VOID YOUR WARRANTY

GENERAL INDEX

SECTIONS	Page No.
How to use the E-Z-GO Service Manual	vii
Illustration	Page No.
ACCELERATOR AND HILL BRAKE LINKAGE	A-1
Accelerator Pedal	
Accelerator Rod	
BATTERY CHARGER, TOTAL CHARGE III [®] , 36 VOLT (U.L.) C.S.A	B-1
BODY AND ASSOCIATED PARTS	C-1
Bagwell	
Battery Racks	
Center Console	
Floorboard	
Direction Selector	
Hip Handhold	
Seat Wrap	
Vinyl Bumper Body Trim	
BRAKE LINKAGE	D-1
Brake Linkage Assembly	
Brake Pedal Assembly	
Compensating Link Assembly	
FORWARD-NEUTRAL-REVERSE LEVER	E-1
Buzzer	
Contact Board Assembly	
Switch Handle Kit	
Micro Switch	
FORK ASSEMBLY	F-1
FORK	
SHOCK ABSORBER	
COIL SPRING	
FRONT AXLE	
HUB ASSEMBLY	
FOUR WHEEL FRONT SUSPENSION	G-1
Front Axle Assembly	
Hub Assembly	
Idler Assembly	
Leaf Springs	
Spindle Assembly	
Tie Rod Assembly	
FRONT SHIELD	H-1

GENERAL INDEX

Illustration	Page No.
HORN AND ACCESSORY WIRING	J-1
Headlamp	
Horn	
Rear Lamp Assembly	
State of Charge Meter	
Turn Signal Assembly	
Wire Harness	
MOTOR	K-1
POWER WIRING	L-1
Charger Wiring Harness	
Control Wiring Harness	
Direction Selector Lever Wiring Harness	
Ignition Switch Kit	
REAR AXLE	M-1
Adjusting Rod Assembly	
Differential Assembly	
Rear Axle and Brake Assembly	
Rear Axle Assembly	
Rear Axle, Motor and Brake Assembly	
Vent Tube Assembly	
REAR SUSPENSION	N-1
Leaf Springs	
Shock Absorber	
Spring Shackle	
SOLID STATE SPEED CONTROL	P-1
Control Rod	
Electronic Speed Control Assembly	
Mounting Assembly	
Solenoid	
Speed Control Cover	
SEATS AND BAG HOLDER	Q-1
STEERING	R-1
Rack and Rod Assembly	
Scorecard Holder Assembly	
Steering Unit Assembly	
Steering Wheel	

GENERAL INDEX

Illustration	Page No.
WHEEL BRAKE	S-1
Brake Assembly	
Brake Drum Assembly	
Brake Shoe Set	
Lug Bolt	
WHEELS AND TIRES	T-1
Tire	
Tire and Wheel Rim Assembly	
Valve Stem	
Wheel Rim	
APPENDIX	
SERVICE ACCESSORIES AND SPECIAL TOOLS	Appendix-1

GENERAL INDEX

HOW TO USE THE E-Z-GO SERVICE PARTS MANUAL

This manual is divided into several sections:

1. GENERAL INFORMATION
2. ILLUSTRATED PARTS BREAKDOWN FOR ELECTRIC POWERED GOLF CARS
3. APPENDIX A

The first section, **GENERAL INFORMATION**, contains the following informations:

1. WARRANTY INFORMATION
2. GENERAL INDEX
3. HOW TO USE THE E-Z-GO SERVICE PARTS MANUAL

The second section, **ILLUSTRATED PARTS BREAKDOWN (IPB) FOR ELECTRIC POWERED GOLF CARS**, contains illustrations and parts lists for all systems of the electric powered golf car.

The third section, **SERVICE ACCESSORIES AND SPECIAL TOOLS**, contains a listing of E-Z-GO service accessories and special tools that may be purchased from the company to aid in the servicing of the vehicle.

USE OF THE MANUAL

To use this manual, consult the **GENERAL INDEX** (located in the first section) to locate the information or illustration required.

E-Z-GO manuals are revised annually to coincide with the model year change. The manual will cover all models and model years stated on the cover page. Sections that remain unchanged have the last date that they were revised in the lower inside margin. New components that are interchangeable with the previous year are automatically revised and the issue date is changed.

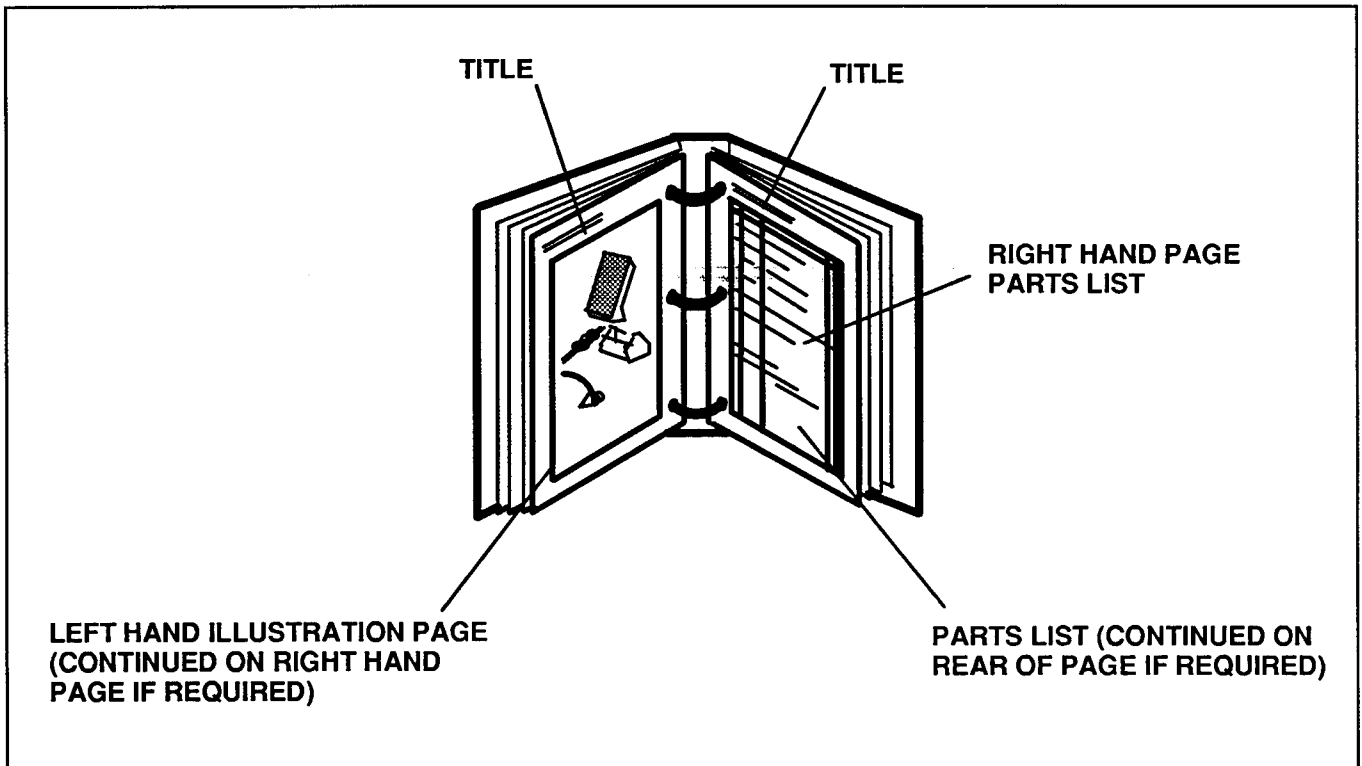
Introduction of some revisions varies due to supply of components; therefore, it is possible that various combinations of components may be found that are not directly reflected by each illustration. Consult the illustration that best suits your situation and contact the Service Parts Department. It is important that the serial number of your vehicle and its model number be supplied to Service Parts when ordering any replacement components.

Locate the serial number plate (see Body and Associated Parts located in the IPB section of this manual for its location) and note the complete number shown on the plate.

Each system is listed in the index and has an alphabetical prefix. The illustration always appears first and is followed by its related parts list. Additional illustrations and parts lists with the same prefix indicate significant changes that have taken place since the last issue.

Note that many alphabetical prefixes are omitted. These prefixes have been assigned to systems that are not relevant to your vehicle. The index lists all relevant sections that pertain to your vehicle.

HOW TO USE THE E-Z-GO SERVICE PARTS MANUAL



1. WHEN THE PART NUMBER IS *NOT* KNOWN.

- a. Determine the function and application of the part required. Turn to the General Index and select the most appropriate title.
- b. Turn to the page number indicated and locate the desired part on the illustration.
- c. From the illustration, obtain the item number assigned to the desired part. Refer to the accompanying description for specific information regarding the part.

2. IF YOU KNOW THE PART NUMBER.

Locate the part number or description in the appropriate column on the parts list page.

NOTE: It is suggested that you confirm that the part selected is correct by verifying it with the pictorial representation on the illustration page.

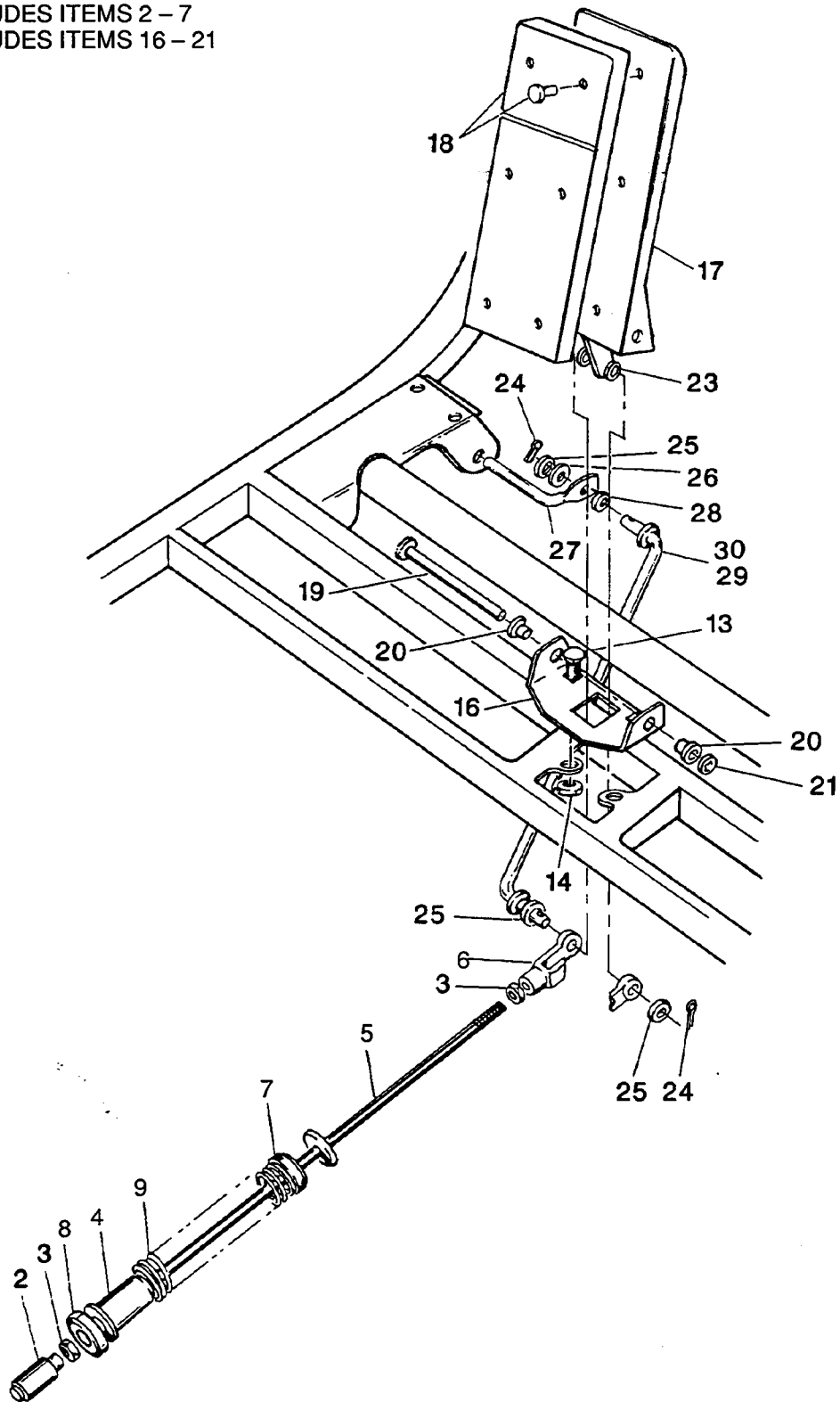
Should an asterisk (*) appear in the part number column on the parts list page, read upwards until a part number is found. The part number is the *lowest* assembly sold by E-Z-GO and the asterisk (*) indicates that the part depicted is not available for sale by E-Z-GO.

NOTE: Descriptions are *indented* under the assembly that they are used on. That assembly is, in turn, listed under the assembly that it is used on. This process is repeated until the highest or *final assembly* is reached.

To facilitate the maintenance and repair of vehicle, an Operation and Service Manual is available from the E-Z-GO Service Parts Department.

**ILLUSTRATED PARTS BREAKDOWN
ELECTRIC POWERED GOLF CARS**

1 - INCLUDES ITEMS 2 - 7
15 - INCLUDES ITEMS 16 - 21



ACCELERATOR AND HILL BRAKE LINKAGE

ELECTRIC POWERED VEHICLE

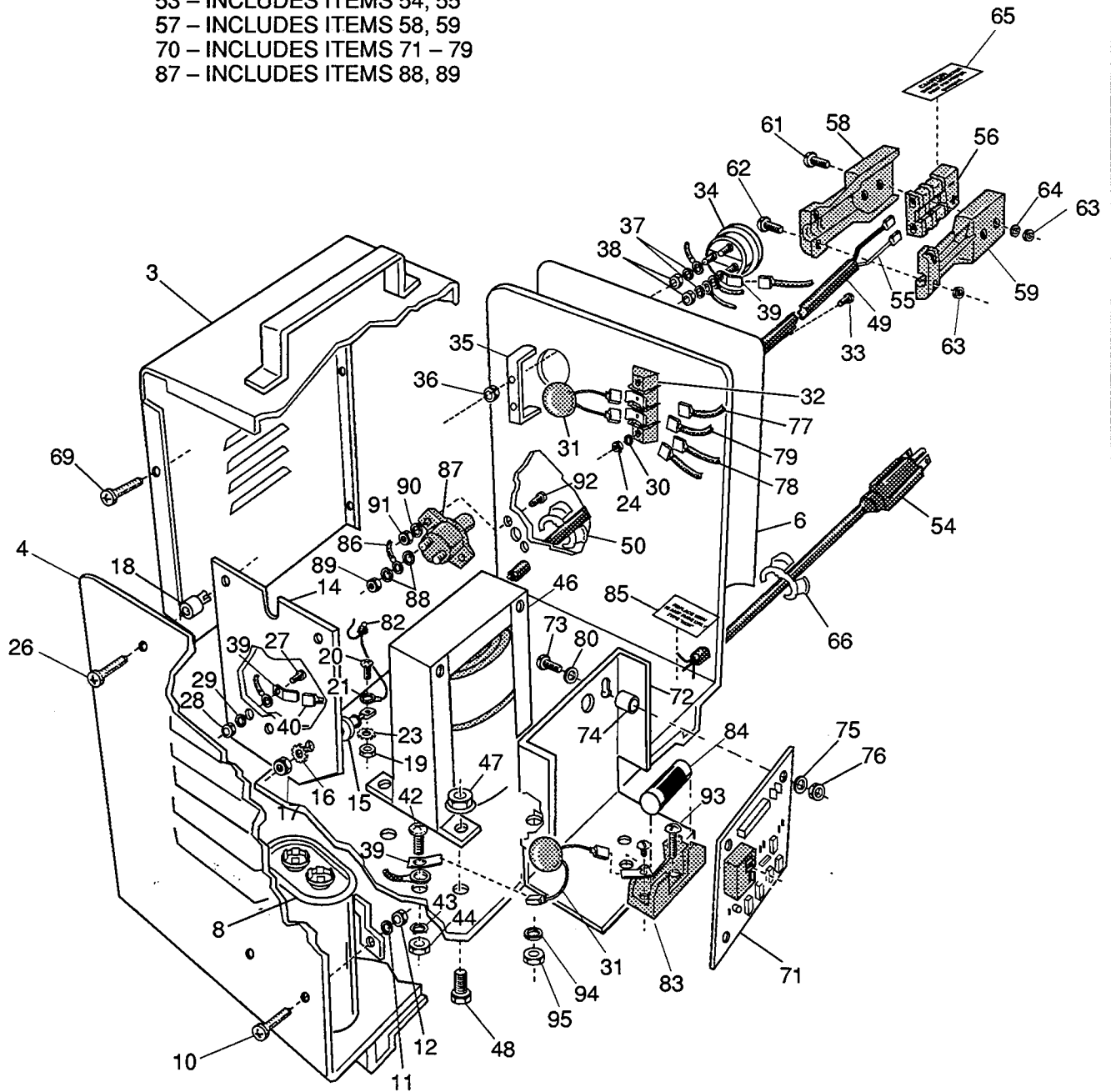
THE USE OF NON U.L. PARTS WILL VOID ANY U.L. LISTING.

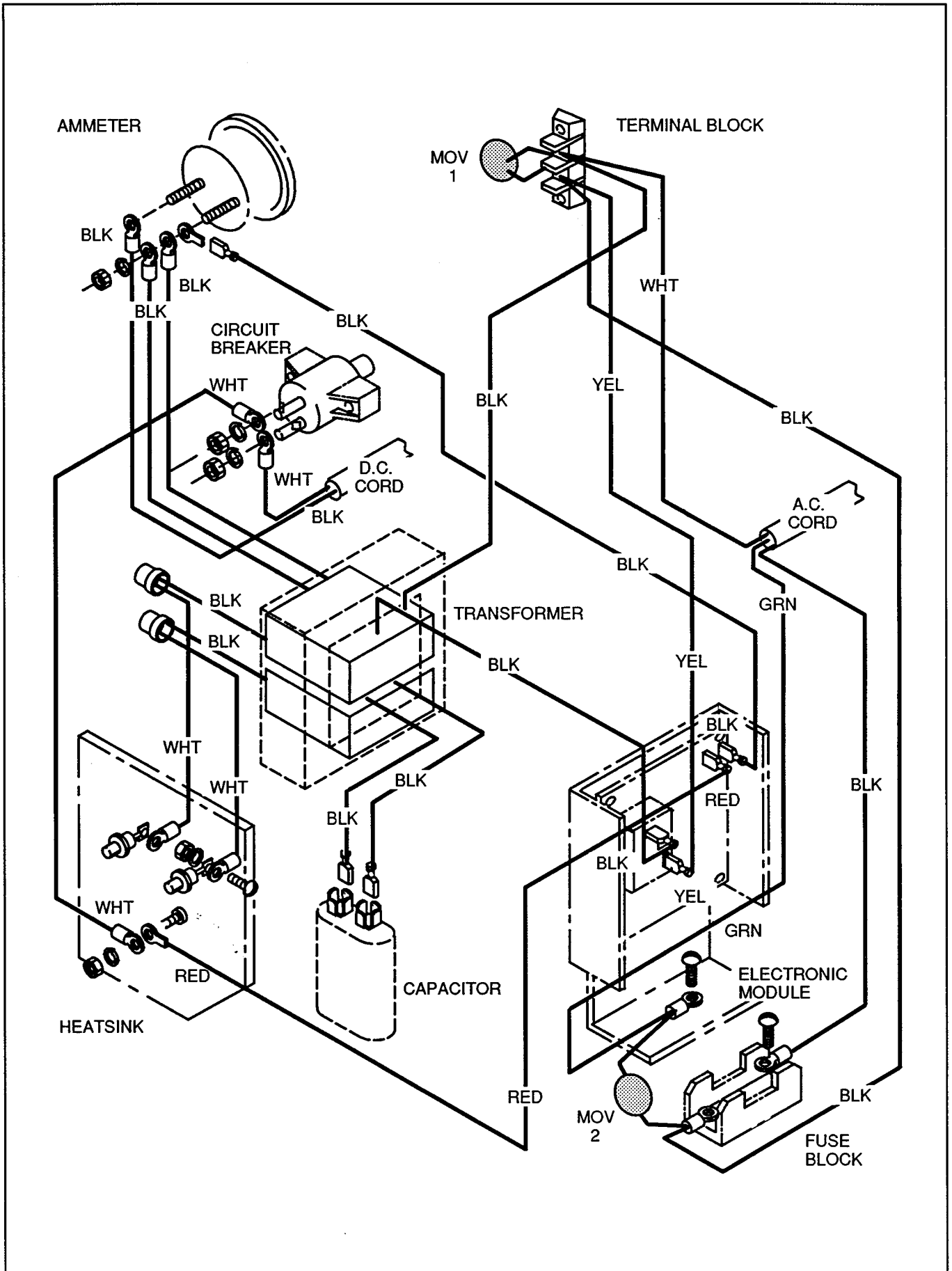
When ordering parts, please specify the model and serial number of the product.

* Indicates a component that is not available as an individual part.

ITEM	PART NO.	1	2	3	4	5	DESCRIPTION	3 WHEEL	4 WHEEL
								QTY	QTY
1	25780-G1						ACCELERATOR ROD ASSEMBLY (INCLUDES ITEMS 2 - 7)	1	1
2	14444-G3						BALL JOINT, SOCKET	1	1
3	00544-G4						NUT, 5/16 - 24	2	2
4	17979-G1						BUSHING, ACCELERATOR ROD	1	1
5	23613-G1						ROD, ACCELERATOR	1	1
6	10385-G4						YOKE, CLEVIS	1	1
7	17677-G1						RETAINER, SPRING	2	2
8	18034-G1						RETAINER, SPRING	1	1
9	17675-G1						SPRING, COMPRESSION	1	1
10									
11									
12									
13	00414-G6						BOLT, CARRIAGE, 1/4 - 20 X 3/4 LG.	2	2
14	11027-G2						NUT, LOCK, 1/4 - 20	2	2
15	18083-G2						ACCELERATOR PEDAL ASSEMBLY (INCLUDES ITEMS 16 - 21)	1	1
16	12511-G1						BASE PLATE, ACCELERATOR	1	1
17	18084-G1						PEDAL, ACCELERATOR	1	1
18	27844-G01						PAD KIT, ACCELERATOR PEDAL (INCLUDES RIVETS)	1	1
19	12512-G1						PIN, ACCELERATOR PEDAL	1	1
20	12513-G1						BEARING, PLASTIC	2	2
21	12064-G2						NUT, PUSH	1	1
22									
23	17255-G1						WASHER, TEFLON	1	1
24	10387-G3						PIN, COTTER, 3/16 X 3/4 LG.	1	1
25	00559-G8						WASHER, 5/16	1	1
26	20835G1						WASHER, NYLON	1	1
27	19708-G1						ARM, PIVOT	1	1
28	17838-G1						BUSHING	1	1
29	24030-G1						ROD, LINKAGE	-	1
30	19707-G1						ROD, LINKAGE	1	-

- 1 - INCLUDES ITEMS 3 - 95
- 34 - INCLUDES ITEM 35
- 53 - INCLUDES ITEMS 54, 55
- 57 - INCLUDES ITEMS 58, 59
- 70 - INCLUDES ITEMS 71 - 79
- 87 - INCLUDES ITEMS 88, 89





BATTERY CHARGER, TOTAL CHARGE[®] III

ELECTRIC POWERED VEHICLE

THE USE OF NON U.L. PARTS WILL VOID ANY U.L. LISTING.

When ordering parts, please specify the model and serial number of the product.

* Indicates a component that is not available as an individual part.

ITEM	PART NO.	1	2	3	4	5	DESCRIPTION	QTY	
								3 WHEEL	4 WHEEL
1	26984-G01						BATTERY CHARGER ASSEMBLY, TOTAL CHARGE III, PORTABLE, 36V, 10 FT. D.C. CORD (INCLUDES ITEMS 3 - 95)	1	1
2									
3	19096-G1						TOP COVER	1	1
4	24919-G1						CHASSIS	1	1
5									
6	*						LABEL, OPERATING INSTRUCTIONS (SERIALIZED)	1	1
7									
8	17077-G1						CAPACITOR	1	1
9									
10	00372-G4						SCREW, #8 - 32 X 1/2 LG.	2	2
11	00565-G4						WASHER, LOCK, #8	2	2
12	00526-G1						NUT, #8 - 32	2	2
13									
14	18489-G1						HEAT SINK	1	1
15	18488-G1						DIODE, SILICONE RECTIFIER	2	2
16	00567-G7						WASHER, LOCK, 1/4	2	2
17	00532-G2						NUT, 1/4 - 28	2	2
18	11572-G2						NUT, PLASTIC EXPANSION	3	3
19	00525-G5						NUT, #6-32	2	2
20	00138-G3						SCREW, #6 - 32 X 3/8 LG.	2	2
21	18769-G2						WIRE	2	2
22									
23	00567-G3						WASHER, LOCK, EXTERNAL TOOTH, #6	2	2
24	00525-G5						NUT, #6 - 32	2	2
25									
26	00512-G7						SCREW, SELF-TAPPING, #8 X 7/8 LG.	3	3
27	00378-G4						SCREW, #10 - 24 X 1/2 LG.	1	1
28	00526-G3						NUT, #10 - 24	1	1
29	00565-G5						WASHER, LOCK, #10	1	1
30	00565-G3						WASHER, #6 - 32	2	2
31	26320-G01						VARISTOR, MOV	2	2
32	26962-G01						BLOCK, TERMINAL	1	1
33	00987-G06						SCREW, #6 - 32 X 3/4 LG.	2	2

BATTERY CHARGER, TOTAL CHARGE® III

ELECTRIC POWERED VEHICLE

THE USE OF NON U.L. PARTS WILL VOID ANY U.L. LISTING.

When ordering parts, please specify the model and serial number of the product.

* Indicates a component that is not available as an individual part.

ITEM	PART NO.	1	2	3	4	5	DESCRIPTION	3 WHEEL	4 WHEEL
								QTY	QTY
34	24243-G1						AMMETER (INCLUDES ITEM 35)	1	1
35	*						BRACKET, AMMETER	1	1
36	00525-G5						NUT, #6 - 32	2	2
37	00565-G5						WASHER, LOCK, #10	2	2
38	00526-G4						NUT, #10 - 32	2	2
39	12914-G1						FASTON TAB	2	2
40	19952-G1						WIRE	1	1
41									
42	00372-G3						SCREW, #8 - 32 X 3/8 LG.	1	1
43	00565-G4						WASHER, LOCK, #8	1	1
44	00526-G1						NUT, #8 - 32	1	1
45									
46	19928-G1						TRANSFORMER	1	1
47	11027-G2						NUT, LOCK, 1/4 - 20	4	4
48	00414-G5						SCREW, 1/4 - 20 X 5/8 LG.	4	4
49	19388-G1						A.C. CORD	1	1
50	13557-G2						STRAIN RELIEF, PLASTIC (A.C. CORD)	1	1
51									
52									
53	18747-G1						D.C. CORD ASSEMBLY, 10 FT. (INCLUDES ITEMS 54 - 56)	1	1
54	*						D.C. CORD	1	1
55	13802-G1						CONTACT, CONNECTOR	2	2
56	27815-G01						CONNECTOR	1	1
57	18972-G1						KIT, CHARGER RECEPTACLE HANDLE (INCLUDES ITEMS 58, 59) .	1	1
58	*						HANDLE, HALF, L.H.	1	1
59	*						HANDLE, HALF, R.H.	1	1
60									
61	00647-G8						SCREW, STAINLESS STEEL, #6 - 32 X 29/32 LG.	2	2
62	00647-G3						SCREW, STAINLESS STEEL, #6 - 32 X 3/8 LG.	2	2
63	13521-G5						NUT, LOCK, #6 - 32	4	4
64	00650-G2						WASHER, FLAT, #5	2	2
65	20628-G1						LABEL, CAUTION	1	1
66	13557-G3						STRAIN RELIEF, PLASTIC (D.C. CORD)	1	1

BATTERY CHARGER, TOTAL CHARGE[®] III

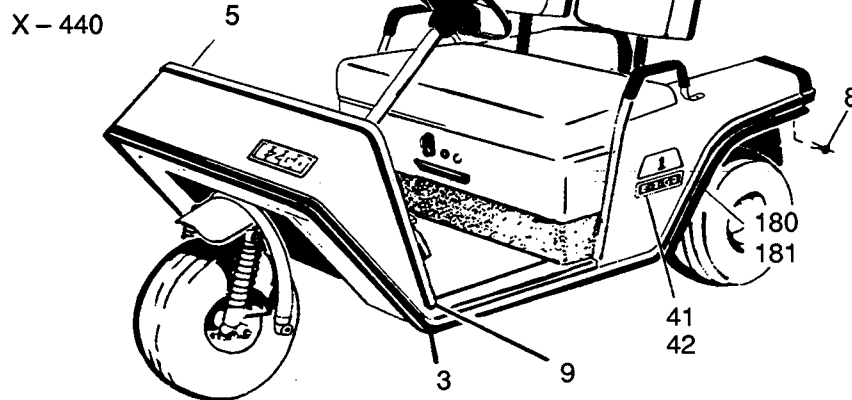
ELECTRIC POWERED VEHICLE

THE USE OF NON U.L. PARTS WILL VOID ANY U.L. LISTING.

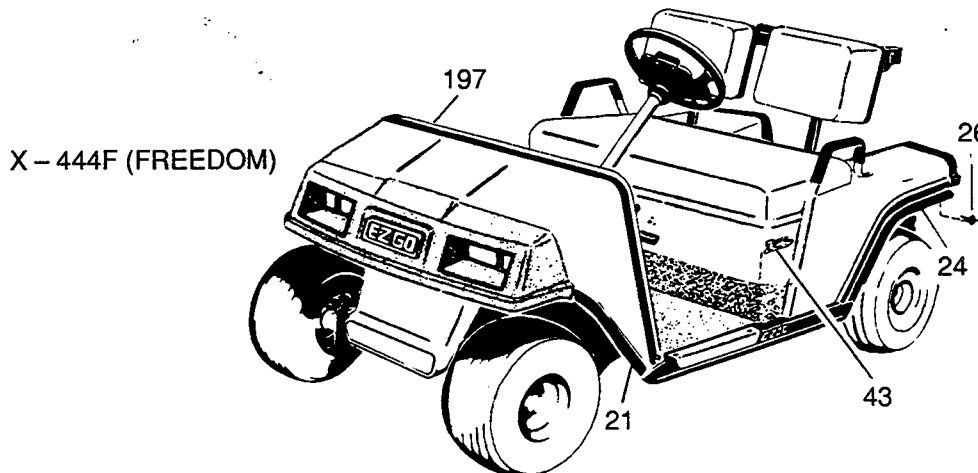
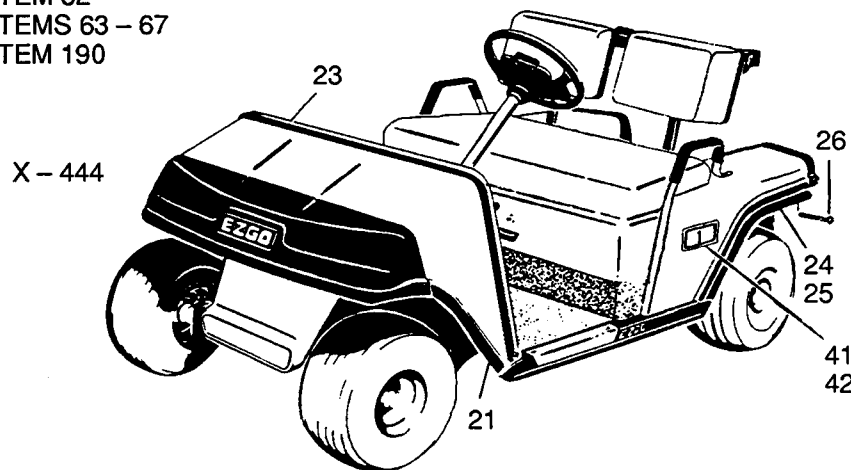
When ordering parts, please specify the model and serial number of the product.

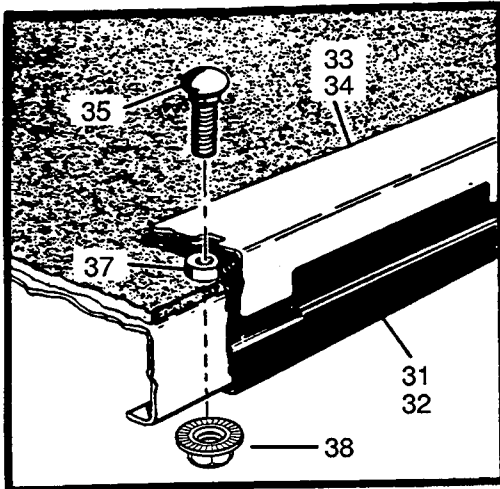
* Indicates a component that is not available as an individual part.

ITEM	PART NO.	1	2	3	4	5	DESCRIPTION	3 WHEEL	4 WHEEL
								QTY	QTY
67									
68									
69	00614-G4						SCREW, SELF-TAPPING, #8 X 1/2 LG.	10	10
70	19461-G1						ELECTRONIC MODULE ASSEMBLY (INCLUDES ITEMS 71 - 80) ...	1	1
71	19460-G1						MODULE	1	1
72	19459-G1						BRACKET	1	1
73	00138-G5						SCREW, #6 - 32 X 5/8 LG.	4	4
74	19081-G1						STANDOFF	4	4
75	00736-G1						WASHER, NYLON, 5/16	4	4
76	00735-G1						NUT, NYLON, #6 - 32	4	4
77	32519-G01						WIRE	1	1
78	19949-G1						WIRE	1	1
79	19954-G1						WIRE	1	1
80	00559-G3						WASHER, #8	2	2
81									
82	19360-G1						SPLICE, WIRE, CLOSED END	2	2
83	19363-G1						FUSE BLOCK	1	1
84	19361-G1						FUSE, 15 AMP, AC	1	1
85	19434-G1						LABEL, IDENTIFICATION	1	1
86	19441-G1						WIRE	1	1
87	19362-G1						CIRCUIT BREAKER, 50 AMP (INCLUDES ITEMS 88, 89)	2	2
88	00559-G5						WASHER, #10	4	4
89	00526-G4						NUT, #10 - 32	2	2
90	00565-G4						WASHER, LOCK, #8	2	2
91	00526-G1						NUT, #8 - 32	2	2
92	00372-G6						SCREW, #8 - 32 X 3/4 LG.	2	2
93	00372-G5						SCREW, #8 - 32 X 5/8 LG.	2	2
94	00565-G4						WASHER, #8	2	2
95	00526-G1						NUT, #8 - 32	2	2

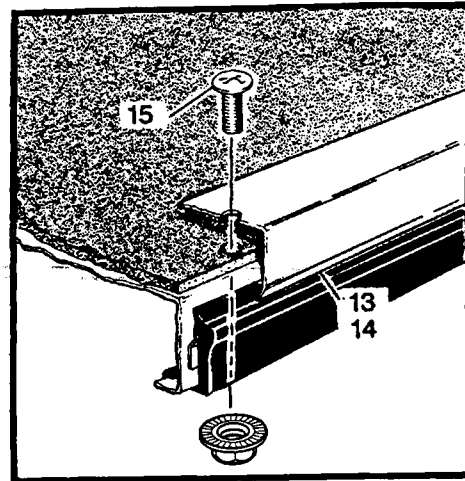


- 1 - INCLUDES ITEMS 2 - 17
- 2 - INCLUDES ITEMS 3, 4
- 19 - INCLUDES ITEMS 20 - 38
- 20 - INCLUDES ITEMS 21, 22
- 46 - INCLUDES ITEM 48
- 50 - INCLUDES ITEM 52
- 61 - INCLUDES ITEMS 63 - 67
- 189 - INCLUDES ITEM 190

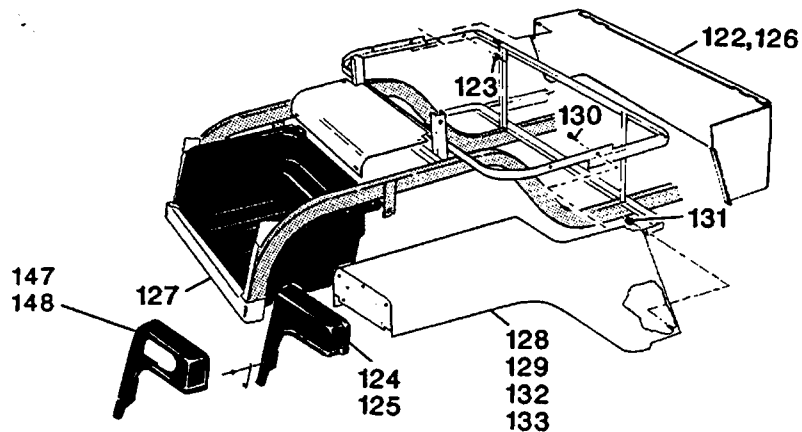
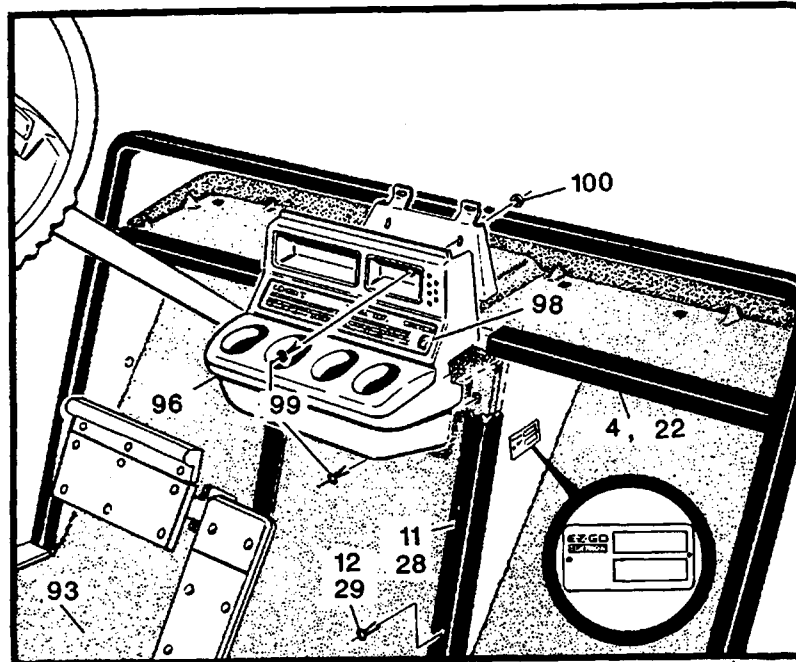


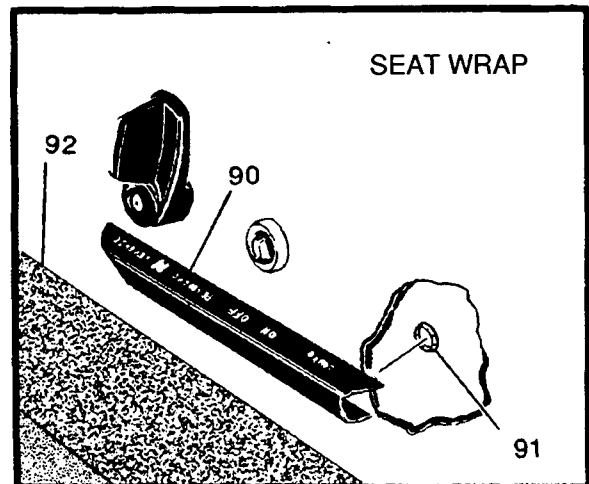
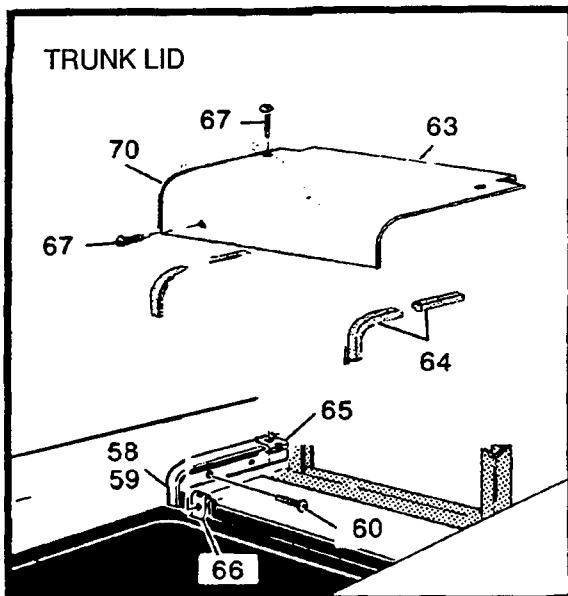
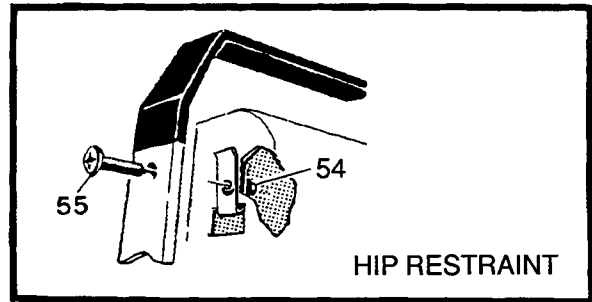
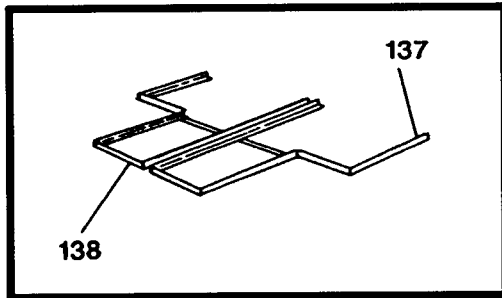
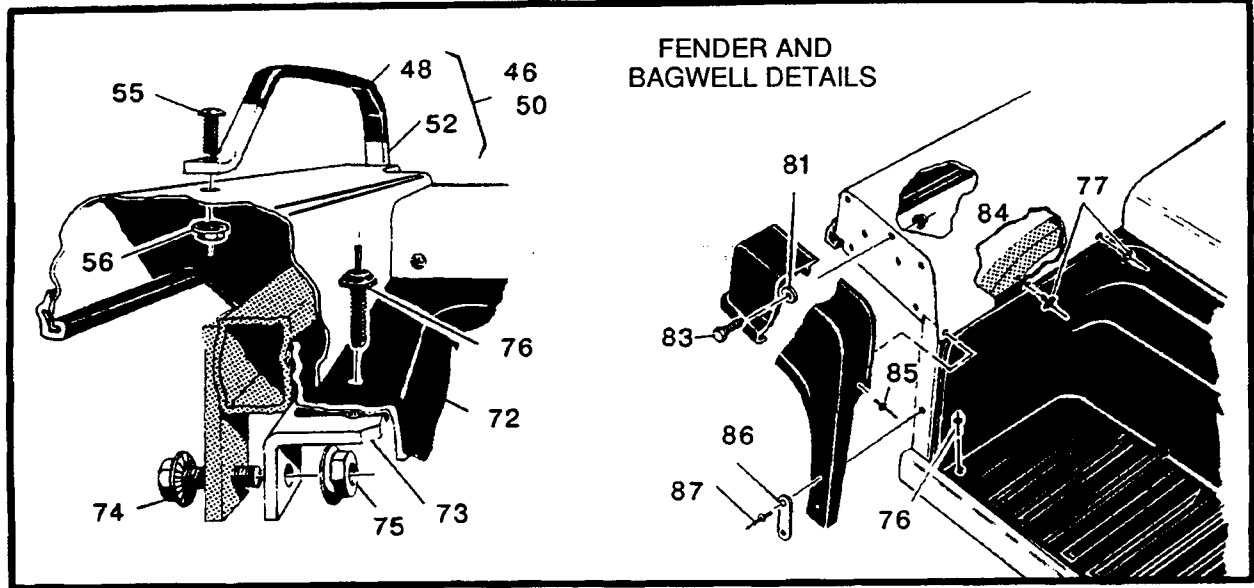


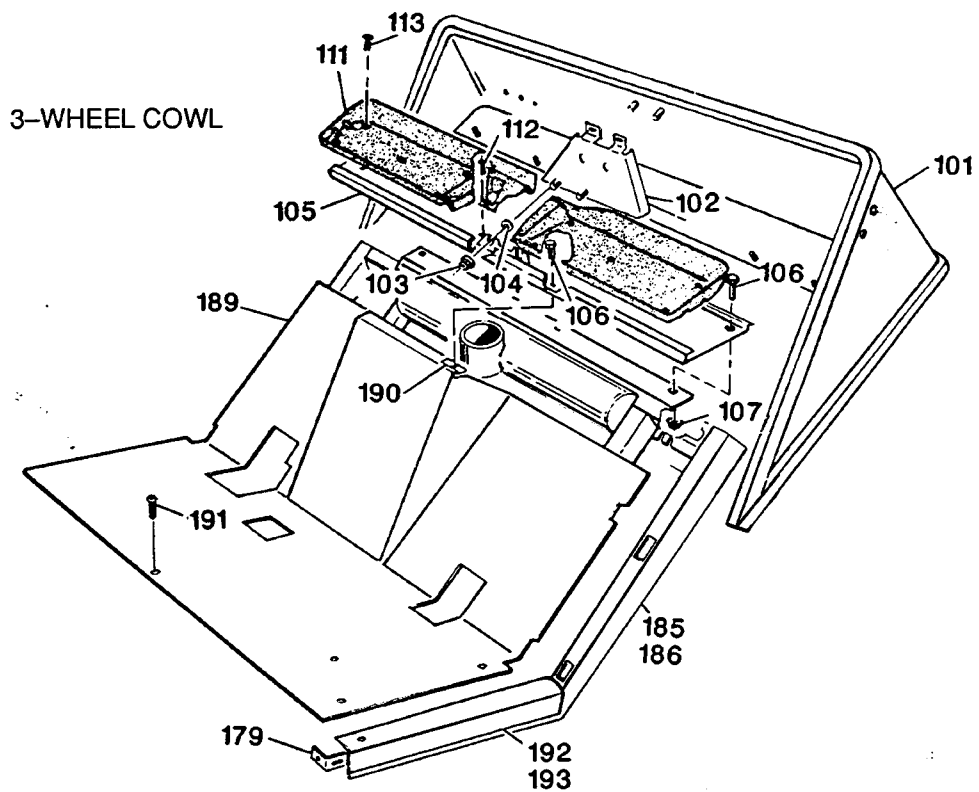
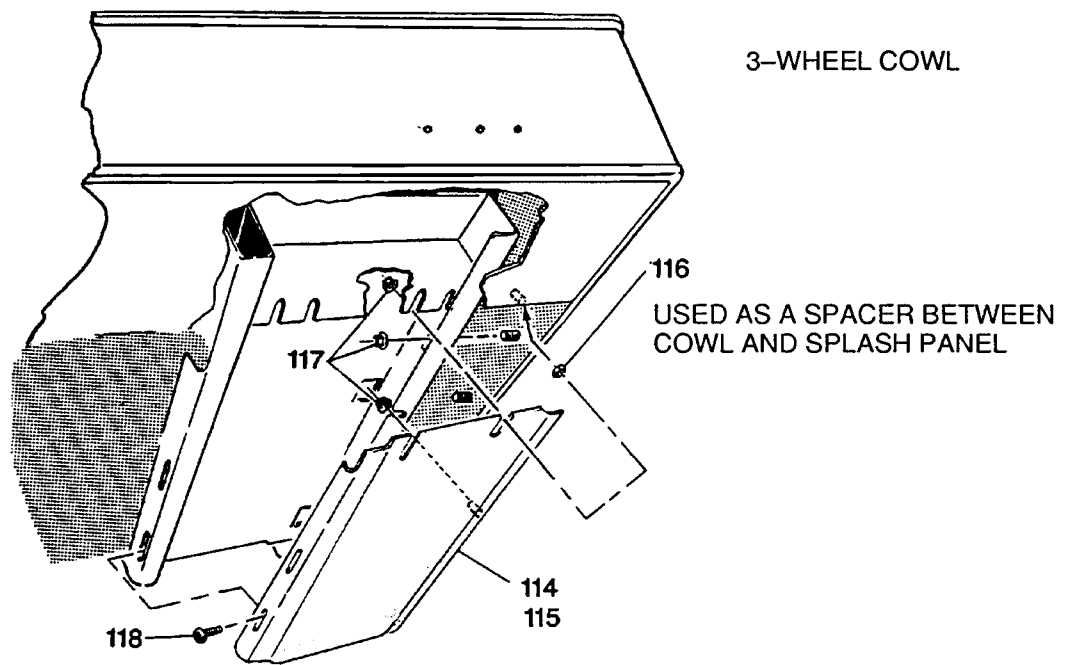
4-WHEEL ROCKER
PANEL DETAIL

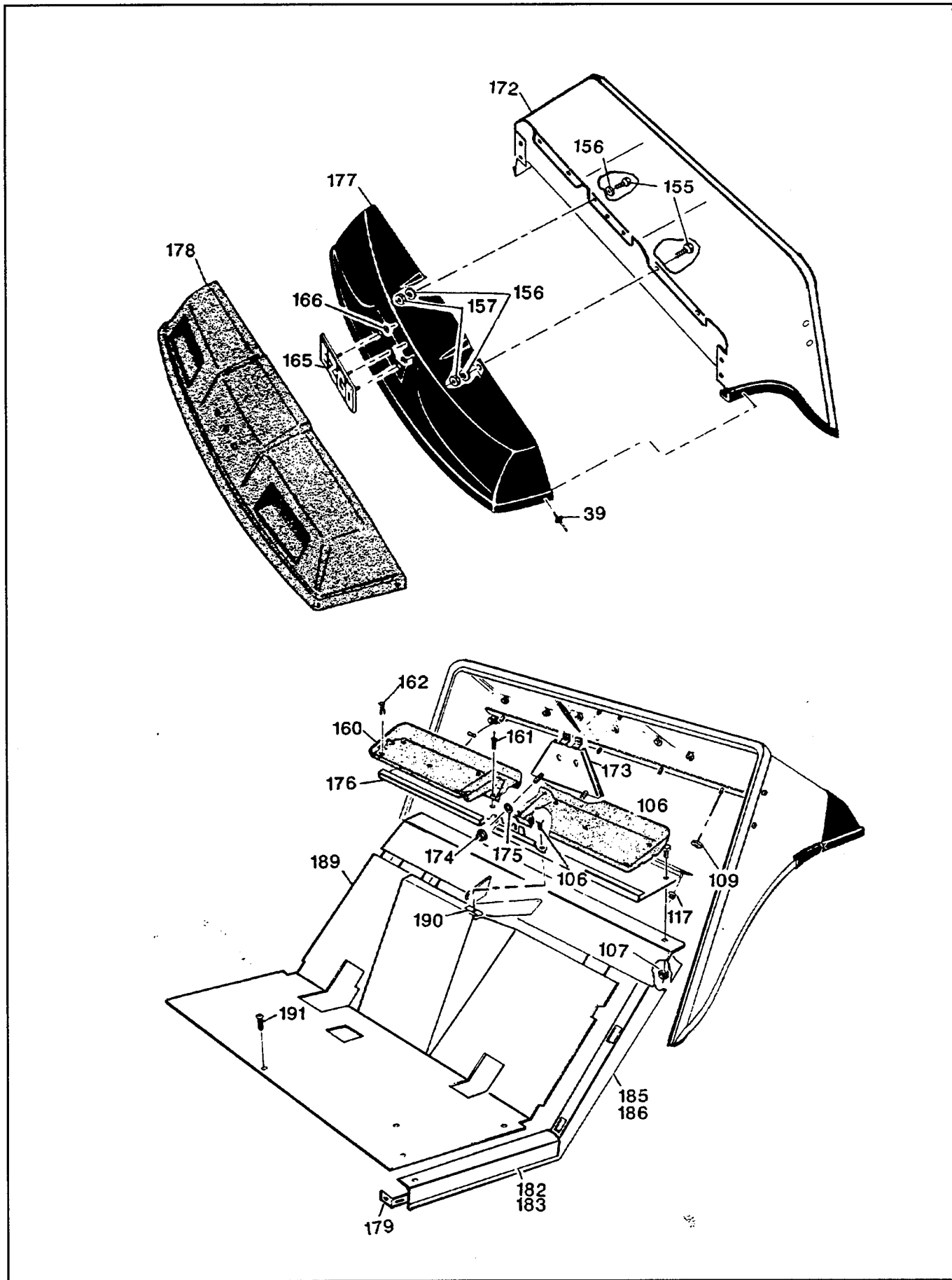


3-WHEEL ROCKER
PANEL DETAIL









BODY AND ASSOCIATED PARTS

ELECTRIC POWERED VEHICLE

THE USE OF NON U.L. PARTS WILL VOID ANY U.L. LISTING.

When ordering parts, please specify the model and serial number of the product.

* Indicates a component that is not available as an individual part.

ITEM	PART NO.	1	2	3	4	5	DESCRIPTION	QTY	
								3 WHEEL	4 WHEEL
1	24578-G1						VINYL BUMPER TRIM KIT, 3-WHEEL VEHICLE ONLY (INCLUDES ITEMS 2 - 17)	1	-
2	22888-G1						VINYL BUMPER, BULK LENGTH, 180 LG. (INCLUDES MATERIAL TO MAKE ITEMS 3, 4)	1	-
3	22888-G3						VINYL BUMPER, BODY TRIM, SIDES AND FRONT, 144 LG.	1	-
4	17203-G9						VINYL BUMPER, BODY TRIM, DASH TRAY	2	-
5	22273-G1						VINYL BUMPER, BODY TRIM, BACK OF COWL	1	-
6	23931-G5						TRIM, FENDER, PASSENGER SIDE	1	-
7	23931-G4						TRIM, FENDER, DRIVER'S SIDE	1	-
8	15058-G2						RIVET	10	-
9	15058-G2						RIVET, ALUMINUM, BLACK, 3/16	4	-
10									
11	24620-G3						TRIM, FLOORMAT (CUT TO LENGTH)	2	-
12	18436-G1						RIVET, PLASTIC DRIVE, 1/4	6	-
13	22223-G1						TRIM, ROCKER PANEL, PASSENGER SIDE	1	-
14	22223-G2						TRIM, ROCKER PANEL, DRIVER'S SIDE	1	-
15	00827-G8						BOLT, CARRIAGE, STAINLESS STEEL, 1/4 - 20 X 1 LG.	4	-
16									
17	11027-G2						NUT, LOCK, 1/4 - 20	4	-
18									
19	24579-G1						VINYL BUMPER, TRIM KIT, 4-WHEEL VEHICLE ONLY (INCLUDES ITEMS 20 - 38)	-	1
20	22888-G4						VINYL BUMPER, BULK LENGTH, 144 LG. (INCLUDES MATERIALS TO MAKE ITEMS 21, 22)	-	1
21	17203-G1						VINYL BUMPER, BODY TRIM, SIDES	-	1
22	17203-G9						VINYL BUMPER, DASH TRAY	-	2
23	22273-G1						VINYL BUMPER, BODY TRIM, SIDES	-	1
24	23931-G1						TRIM, FENDER, PASSENGER SIDE	-	1
25	23931-G2						TRIM, FENDER, DRIVER'S SIDE	-	1
26	15058-G2						FASTENER, RATCHET	-	8
27									
28	24620-G3						TRIM, FLOORMAT (CUT TO LENGTH)	-	2
29	18436-G1						RIVET, PLASTIC DRIVE, 1/4	-	4
30									
31	27165-G01						ROCKER PANEL, PASSENGER SIDE	-	1

BODY AND ASSOCIATED PARTS

ELECTRIC POWERED VEHICLE

THE USE OF NON U.L. PARTS WILL VOID ANY U.L. LISTING.

When ordering parts, please specify the model and serial number of the product.

* Indicates a component that is not available as an individual part.

3 WHEEL	4 WHEEL
---------	---------

ITEM	PART NO.	1	2	3	4	5	DESCRIPTION	QTY	
								3 WHEEL	4 WHEEL
32	27165-G02						ROCKER PANEL, DRIVER'S SIDE	-	1
33	23850-G1						SILL PLATE, ROCKER PANEL, PASSENGER SIDE	-	1
34	23850-G2						SILL PLATE, ROCKER PANEL, DRIVER'S SIDE	-	1
35	00827-G8						BOLT, CARRIAGE, STAINLESS STEEL, 1/4 - 20 X 1 LG.	-	1
36									
37	23726-G4						SPACER	-	4
38	11027-G2						NUT, LOCK, 1/4 - 20	-	4
39	15058-G4						RIVET, ALUMINUM, BLACK, 3/16	-	2
40									
41	20514-G1						DECAL INSTALLATION KIT, TRAPEZOID (SPECIFY NO. 1 - 200)	AR	AR
42	22530-G1						DECAL INSTALLATION KIT, RECTANGULAR (SPECIFY NO. 1 - 200) ...	AR	AR
43	23676-G1						LABEL, FREEDOM	-	2
44									
45									
46	22229-G1						RESTRAINT, HIP HANDHOLD ASSEMBLY, PASSENGER SIDE (INCLUDES ITEM 48)	1	1
47									
48	23152-G1						HANDGRIP	1	1
49									
50	24004-G1						RESTRAINT, HIP HANDHOLD ASSEMBLY, DRIVER'S SIDE (INCLUDES ITEM 52)	1	1
51									
52	23152-G1						HANDGRIP	1	1
53	16705-G3						SCREW, 1/4 - 20 X 3/4 LG.	6	6
54	14776-G1						NUT, 1/4 - 20	4	4
55	16705-G1						SCREW, 1/4 - 20 X 1 LG.	6	6
56	11027-G2						NUT, LOCK, 1/4 - 20	2	2
57									
58	19534-G3						FILLET, TRUNK, PASSENGER SIDE	1	1
59	19534-G4						FILLET, TRUNK, DRIVER'S SIDE	1	1
60	00106-G6						SCREW, SELF DRILL AND TAP, #12 - 24 X 3/4 LG.	4	4
61	19533-G4						TRUNK LID INSTALLATION KIT (INCLUDES ITEMS 63 - 67)	1	1
62									
63	19554-G2						TRUNK LID	1	1

BODY AND ASSOCIATED PARTS

ELECTRIC POWERED VEHICLE

THE USE OF NON U.L. PARTS WILL VOID ANY U.L. LISTING.

When ordering parts, please specify the model and serial number of the product.

* Indicates a component that is not available as an individual part.

ITEM	PART NO.	1	2	3	4	5	DESCRIPTION	3 WHEEL	4 WHEEL
								QTY	QTY
64	19554-G1						NOISE SUPPRESSOR, TRUNK LID	4	4
65	24722-G1						NUT, "U" TYPE, #10 - 12 X 1/32 THK.	2	2
66	24722-G2						NUT, "U" TYPE, #10 - 12 X 1/8 THK.	2	2
67	00923-G6						SCREW, SELF DRILL AND TAP, #10 - 12 X 3/4 LG.	4	4
68									
69									
70									
71									
72	19034-G1						BAGWELL, PLASTIC	1	1
73	19524-G1						MOUNT, BAGWELL	2	2
74	13437-G1						SCREW, LOCK, 3/8 - 16 X 1 LG.	2	2
75	11027-G5						NUT, LOCK, 3/8 - 16	2	2
76	18436-G1						RIVET, PLASTIC DRIVE, 1/4	4	4
77	15058-G2						RIVET, ALUMINUM, BLACK, 3/16	4	4
78									
79									
80									
81	00642-G7						WASHER, 1/4	6	6
82									
83	00414-G6						SCREW, 1/4 - 20 X 3/4 LG.	6	6
84	11027-G2						NUT, LOCK, 1/4 - 20	6	6
85	15058-G1						RIVET, ALUMINUM, BLACK, 3/16	2	2
86									
87	15058-G2						RIVET, ALUMINUM	4	4
88									
89									
90	19882-G1						INDICATOR, FORWARD-NEUTRAL-REVERSE	1	1
91	12064-G3						RETAINER, PUSHON, 3/16	3	3
92	18786-G1						SCUFFGUARD, SEATWRAP	1	1
93	25091-G1						FLOORMAT, 3/16	1	1
94									
95									
96	27167-G *						CONSOLE, 4-CUP (REQUIRES DECAL)	1	1
97									

BODY AND ASSOCIATED PARTS

ELECTRIC POWERED VEHICLE

THE USE OF NON U.L. PARTS WILL VOID ANY U.L. LISTING.

When ordering parts, please specify the model and serial number of the product.

* Indicates a component that is not available as an individual part.

ITEM	PART NO.	1	2	3	4	5	DESCRIPTION	3 WHEEL	4 WHEEL
								QTY	QTY
98	*						DECAL, SAFETY (SPECIFY MODEL WHEN ORDERING)	1	1
99	18436-G1						RIVET, PLASTIC DRIVE, 1/4	4	4
100	00559-G7						WASHER, 1/4	2	2
101	20211-G2						COWL	1	-
102	17118-G1						SUPPORT, COWL	1	-
103	11027-G2						NUT, LOCK, 1/4 - 20	4	-
104	00560-G1						WASHER, 3/8	2	-
105	18352-G2						TRAY, DASH	1	-
106	00414-G6						SCREW, 1/4 - 20 X 3/4 LG.	5	5
107	11027-G2						NUT, LOCK, 1/4 - 20	3	3
108									
109	00599-G8						WASHER, 5/16	5	5
110									
111	22911-G1						LINER, DASH TRAY	1	-
112	18436-G1						RIVET, PLASTIC DRIVE, 1/4	2	-
113	16816-G1						FASTENER, RATCHET	2	-
114	15680-G2						SPLASH PANEL, PASSENGER SIDE	1	-
115	15681-G2						SPLASH PANEL, DRIVER'S SIDE	1	-
116	00544-G3						NUT, 5/16 - 18	4	-
117	11027-G2						NUT, LOCK, 1/4 - 20	16	13
118	00106-G6						SCREW, SELF DRILL AND TAP, #12 - 24 X 3/4 LG.	4	-
119									
120									
121									
122	20297-G2						SEAT WRAP	1	1
123	11027-G2						NUT, LOCK, 1/4 - 20	8	8
124	27163-G01						FENDER CAP, PASSENGER SIDE	1	1
125	27163-G02						FENDER CAP, DRIVER'S SIDE	1	1
126	20297-G4						SEAT WRAP (FREEDOM ONLY)	-	1
127	23800-G3						BUMPER, REAR	1	1
128	27163-G01						FENDER, PASSENGER SIDE	1	-
129	27163-G02						FENDER, DRIVER'S SIDE	1	-
130	00106-G6						SCREW, SELF DRILL AND TAP, #12 - 24 X 3/4 LG.	6	6
131	11027-G2						NUT, LOCK, 1/4 - 20	4	4

BODY AND ASSOCIATED PARTS

ELECTRIC POWERED VEHICLE

THE USE OF NON U.L. PARTS WILL VOID ANY U.L. LISTING.

When ordering parts, please specify the model and serial number of the product.

* Indicates a component that is not available as an individual part.

ITEM	PART NO.	1	2	3	4	5	DESCRIPTION	3 WHEEL	4 WHEEL
								QTY	QTY
132	24070-G3						FENDER, PASSENGER SIDE	-	1
133	24070-G4						FENDER, DRIVER'S SIDE	-	1
134									
135									
136									
137	25457-G2						BATTERY RACK, PASSENGER SIDE	1	1
138	25457-G3						BATTERY RACK, DRIVER'S SIDE	1	1
139									
140									
141									
142									
143									
144									
145									
146									
147	21748-G1						FLEXIBLE FENDER CAP, PASSENGER SIDE, FREEDOM ONLY	-	1
148	21748-G2						FLEXIBLE FENDER CAP, DRIVER'S SIDE, FREEDOM ONLY	-	1
149									
150									
151									
152									
153									
154									
155	00414-G6						SCREW, 1/4 - 20 X 3/4 LG.	-	9
156	00559-G7						WASHER, 1/4	-	18
157	14390-G4						NUT, LOCK, 1/4 - 20	-	9
158									
159									
160	22911-G1						LINER, DASH TRAY	1	1
161	18436-G1						RIVET, PLASTIC DRIVE, 1/4	2	2
162	16816-G1						FASTENER, RATCHET	2	2
163									
164									
165	19817-G1						NAMEPLATE, E-Z-GO	1	1

BODY AND ASSOCIATED PARTS

ELECTRIC POWERED VEHICLE

THE USE OF NON U.L. PARTS WILL VOID ANY U.L. LISTING.

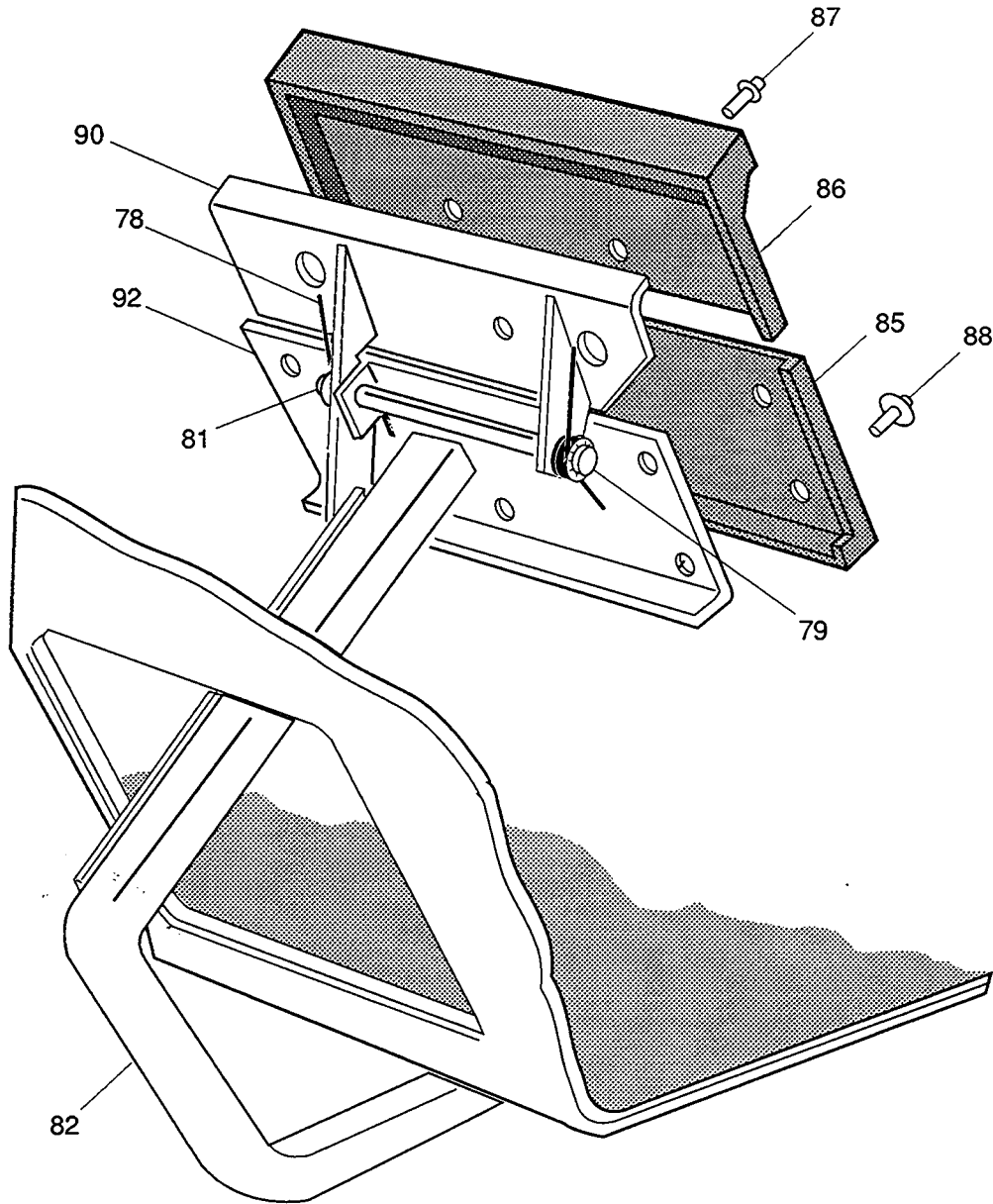
When ordering parts, please specify the model and serial number of the product.

* Indicates a component that is not available as an individual part.

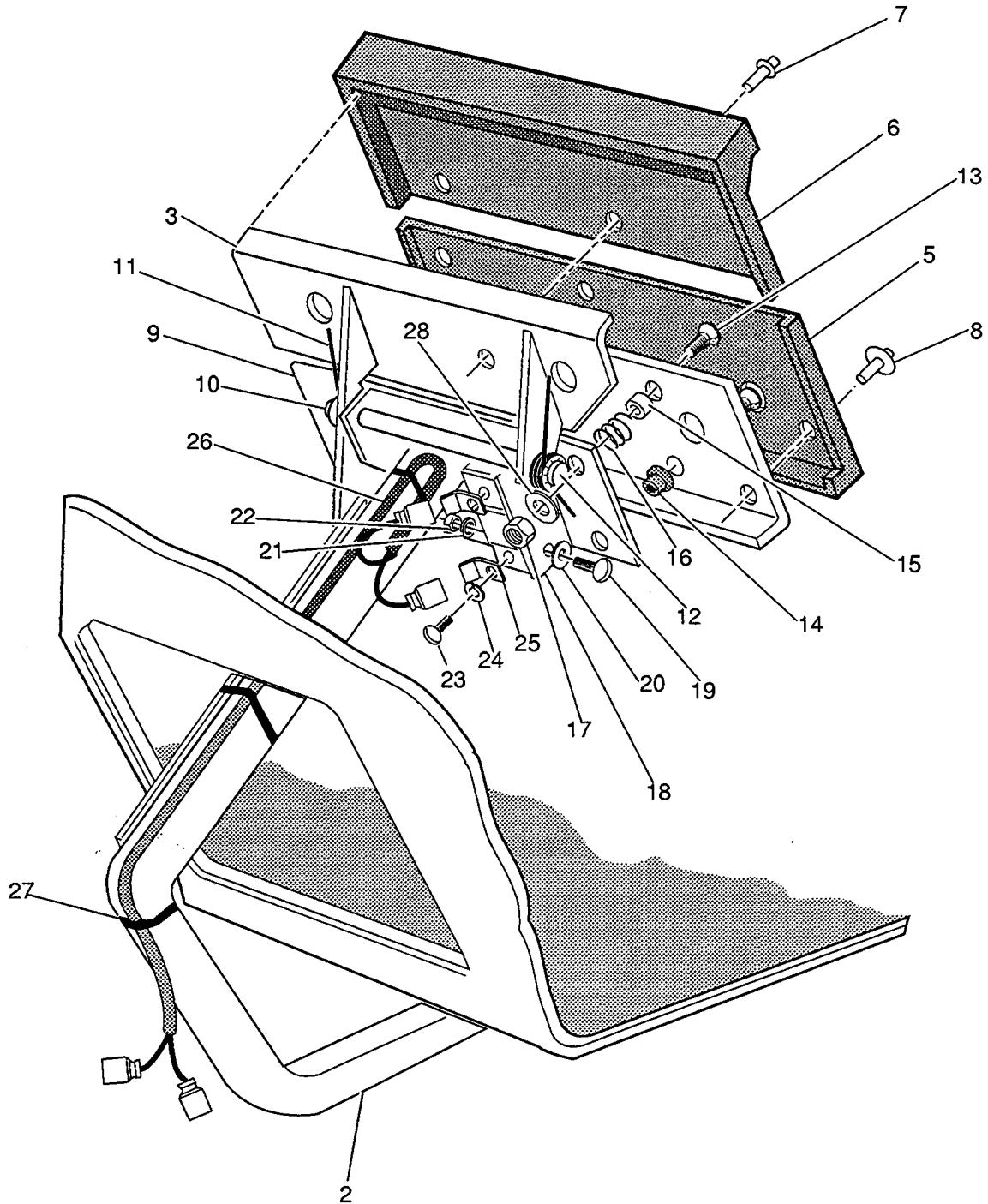
ITEM	PART NO.	1	2	3	4	5	DESCRIPTION	3 WHEEL	4 WHEEL
								QTY	QTY
166	12064-G1						NUT, PUSHON	3	3
167									
168									
169									
170									
171									
172	23063-G5						COWL	-	1
173	23148-G1						COWL SUPPORT	-	1
174	11027-G2						NUT, LOCK, 1/4 - 20	-	4
175	00560-G1						WASHER, 3/8	-	2
176	18353-G2						DASH TRAY	-	1
177	27164-G01						CAP, COWL	-	1
178	27147-G01						CAP, COWL, FREEDOM ONLY	-	1
179	19013-G2						ANGLE, RAIL	2	2
180	23931-G5						TRIM, FENDER, PASSENGER SIDE	1	-
181	23931-G4						TRIM, FENDER, DRIVER'S SIDE	1	-
182	24081-G1						SIDE RAIL, PASSENGER SIDE	-	1
183	24081-G2						SIDE RAIL, DRIVER'S SIDE	-	1
184									
185	15536-G1						TOP RAIL, PASSENGER SIDE	1	1
186	15536-G2						TOP RAIL, DRIVER'S SIDE	1	1
187									
188									
189	15671-G2						FLOORBOARD ASSEMBLY (INCLUDES ITEM 190)	1	1
190	14776-G1						NUT, "J" TYPE, 1/4 - 20	2	2
191	00106-G6						SCREW, SELF DRILL AND TAP, #12 - 24 X 3/4 LG.	23	23
192	25479-G1						SIDE RAIL, PASSENGER SIDE	1	-
193	25479-G2						SIDE RAIL, DRIVER'S SIDE	1	-

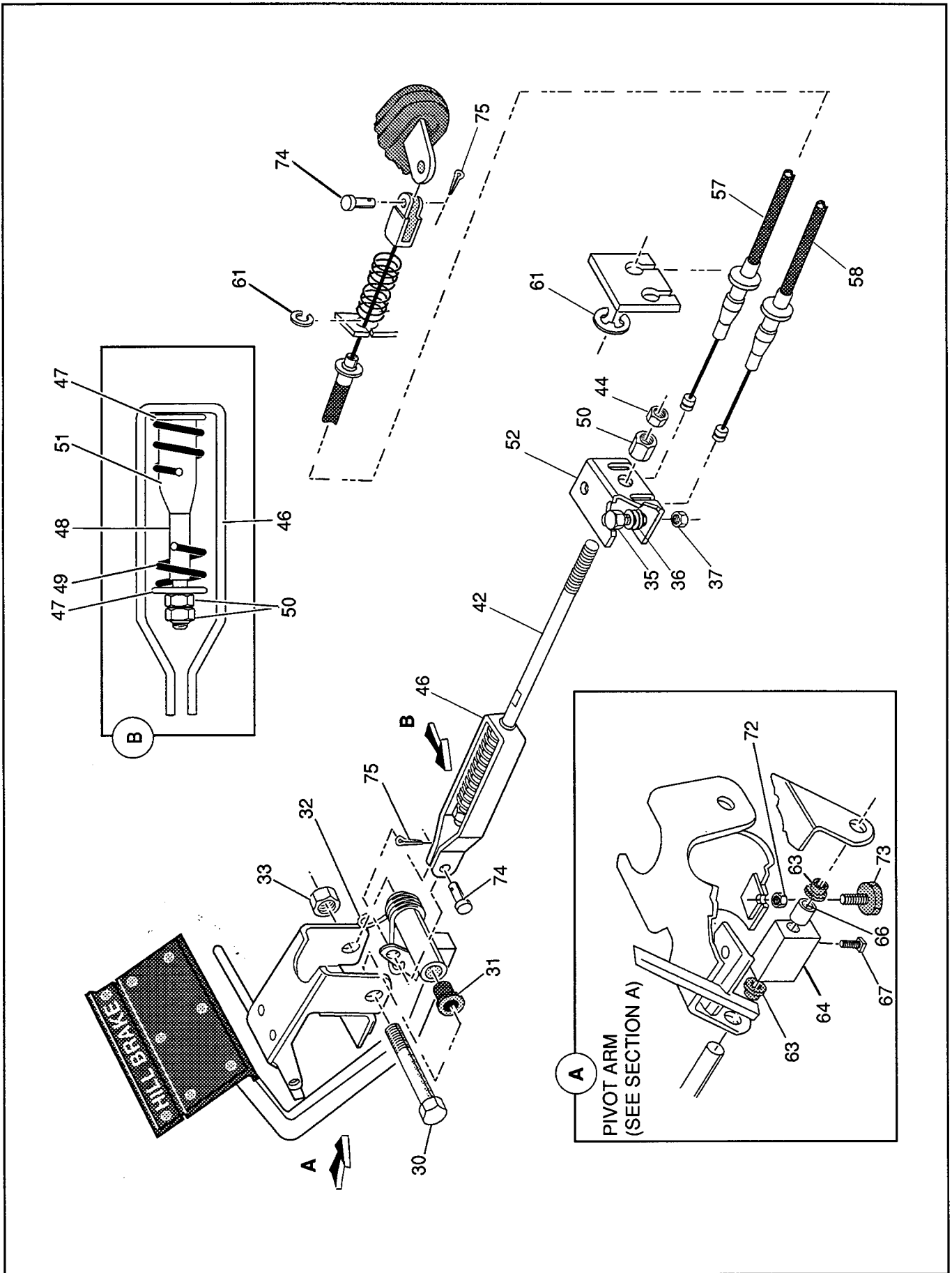
- 1 – INCLUDES ITEMS 2 – 28
- 4 – INCLUDES ITEMS 5 – 8
- 39 – INCLUDES ITEMS 43 – 56
- 77 – INCLUDES ITEMS 78 – 90

VEHICLES WITHOUT BRAKE LIGHTS



VEHICLES WITH BRAKE LIGHTS





BRAKE LINKAGE – EARLY PRODUCTION

ELECTRIC POWERED VEHICLE

THE USE OF NON U.L. PARTS WILL VOID ANY U.L. LISTING.

When ordering parts, please specify the model and serial number of the product.

* Indicates a component that is not available as an individual part.

ITEM	PART NO.	1	2	3	4	5	DESCRIPTION	3 WHEEL	4 WHEEL
								QTY	QTY
1	22449-G1						BRAKE PEDAL ASSEMBLY (INCLUDES ITEMS 2 – 28)	1	1
2	22357-G1						ARM, BRAKE PEDAL (WITH PAD, ITEM 5)	1	1
3	15813-G2						PEDAL, HILL BRAKE (WITH PAD, ITEM 6)	1	1
4	15826-G1						BRAKE/HILL BRAKE PEDAL PAD KIT (INCLUDES ITEMS 5 – 7)	1	1
5	*						PAD, BRAKE PEDAL	1	1
6	*						PAD, HILL BRAKE PEDAL	1	1
7	15766-G1						RIVET, SMALL HEAD	3	3
8	10409-G1						RIVET, LARGE HEAD	6	6
9	27513-G02						PLATE, BRAKE PEDAL	1	1
10	15932-G1						PIN, HILL BRAKE PEDAL	1	1
11	11737-G1						SPRING, TORSION	2	2
12	12064-G1						NUT, PUSH	1	1
13	00737-G8						SCREW, #10 – 24 X 1 LG.	4	4
14	00739-G1						NUT, CAPTIVE, #10 – 24	2	2
15	22362-G3						STANDOFF, BRAKE PEDAL	2	2
16	27137-G01						SPRING, CONICAL	2	2
17	11098-G7						NUT, LOCK, #10– 24	2	2
18	10606-G1						SWITCH, MICRO	1	1
19	00139-G2						SCREW, #6 – 32 X 1 1/4 LG.	2	2
20	00559-G3						WASHER, #6	4	4
21	00565-G3						WASHER, LOCK, #6	2	2
22	00525-G5						NUT, #6 – 32	2	2
23	*						SCREW, BRASS	2	2
24	00567-G3						WASHER, LOCK, #6	2	2
25	14628-G1						TAB, FASTON	2	2
26	22447-G1						WIRE HARNESS, BRAKE	1	1
27	17618-G1						CLAMP, NYLON	3	3
28	00559-G5						WASHER, #10	2	2
29									
30	14158-G1						BOLT, SHOULDER, 3/8 – 16	1	1
31	11079-G1						BUSHING, FLANGED, NYLON	2	2
32	25292-G1						SPRING, TORSION	1	1
33	13521-G4						NUT, LOCK, 3/8 – 16	1	1
34									

BRAKE LINKAGE – EARLY PRODUCTION

ELECTRIC POWERED VEHICLE

THE USE OF NON U.L. PARTS WILL VOID ANY U.L. LISTING.

When ordering parts, please specify the model and serial number of the product.

* Indicates a component that is not available as an individual part.

ITEM	PART NO.	1	2	3	4	5	DESCRIPTION	3 WHEEL	4 WHEEL
								QTY	QTY
35	00737-G8						SCREW, #10 - 24	1	1
36	00559-G5						WASHER, #10	3	3
37	11098-G7						NUT, LOCK, #10 - 24	1	1
38									
39	25880-G02						COMPENSATING LINK ASSEMBLY (INCLUDES ITEMS 42 - 58)	1	1
40									
41									
42	25882-G02						ROD, LINK	1	1
43									
44	11098-G9						NUT, LOCK, 5/16 - 24	1	1
45									
46	23030-G1						YOKE, BRAKE	1	1
47	15121-G1						WASHER, 5/16	2	2
48	23061-G2						TUBE	1	1
49	23463-G1						SPRING, COMPRESSION	1	1
50	00963-G01						NUT, 5/16 - 24	2	2
51	17979-G1						BUSHING, ACCELERATOR ROD	1	1
52	25781-G01						BRACKET, EQUALIZER	1	1
53									
54									
55									
56									
57	25884-G01						CABLE, BRAKE, PASSENGER SIDE	1	1
58	25884-G03						CABLE, BRAKE, DRIVER'S SIDE	1	1
59									
60									
61	12305-G1						RING, RETAINING	2	2
62									
63	10097-G6						BEARING, FLANGED	2	2
64	25103-G1						CAM, HILL BRAKE	1	1
65									
66	14134-G2						SPACER	1	1
67	00491-G4						SETSCREW, 1/4 - 20 X 3/8 LG.	2	2
68									

BRAKE LINKAGE – EARLY PRODUCTION

ELECTRIC POWERED VEHICLE

THE USE OF NON U.L. PARTS WILL VOID ANY U.L. LISTING.

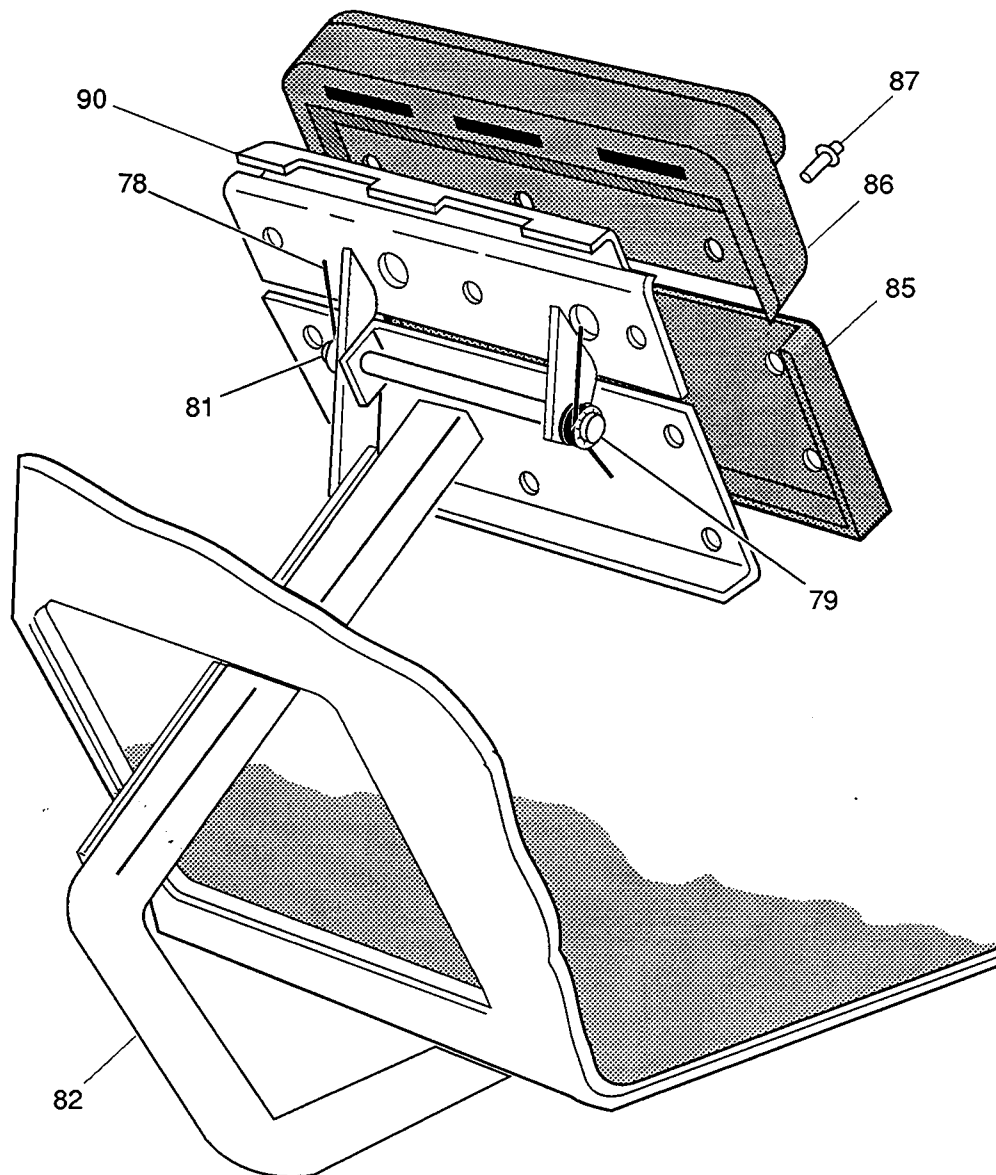
When ordering parts, please specify the model and serial number of the product.

* Indicates a component that is not available as an individual part.

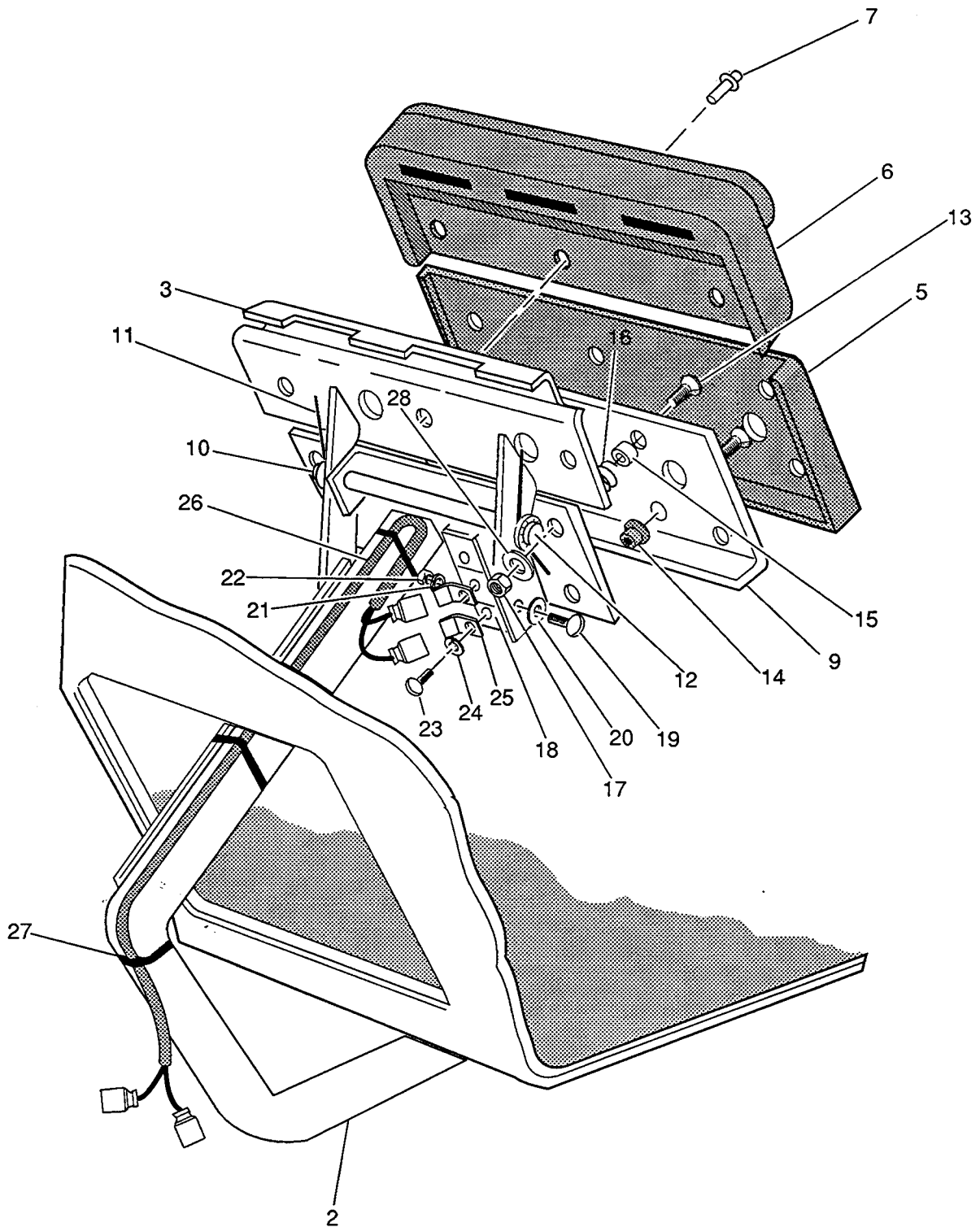
ITEM	PART NO.	1	2	3	4	5	DESCRIPTION	3 WHEEL	4 WHEEL
								QTY	QTY
69									
70									
71									
72	11027-G1						NUT, LOCK, 5/16 – 18	1	1
73	70113-G01						BUMPER, THREADED	1	1
74	10386-G3						PIN, CLEVIS	2	2
75	10387-G3						PIN, COTTER, 3/32 X 3/4 LG.	2	2
76									
77	27585-G01						BRAKE PEDAL ASSEMBLY (INCLUDES ITEMS 78 – 90)	1	1
78	11737-G1						SPRING, TORSION HILL BRAKE	2	2
79	12064-G1						NUT, PUSH	1	1
80									
81	15932-G1						PIN, HILL BRAKE PEDAL	1	1
82	27524-G01						ARM, BRAKE PEDAL ASSEMBLY	1	1
83									
84	27843-G01						BRAKE/HILL BRAKE PEDAL PAD KIT (INCLUDES ITEMS 85 – 87) ..	1	1
85	*						PAD, BRAKE PEDAL	1	1
86	*						PAD, HILL BRAKE PEDAL	1	1
87	15766-G1						RIVET, SMALL HEAD	9	9
88									
89									
90	15813-G1						ASSEMBLY, HILL BRAKE PEDAL	1	1

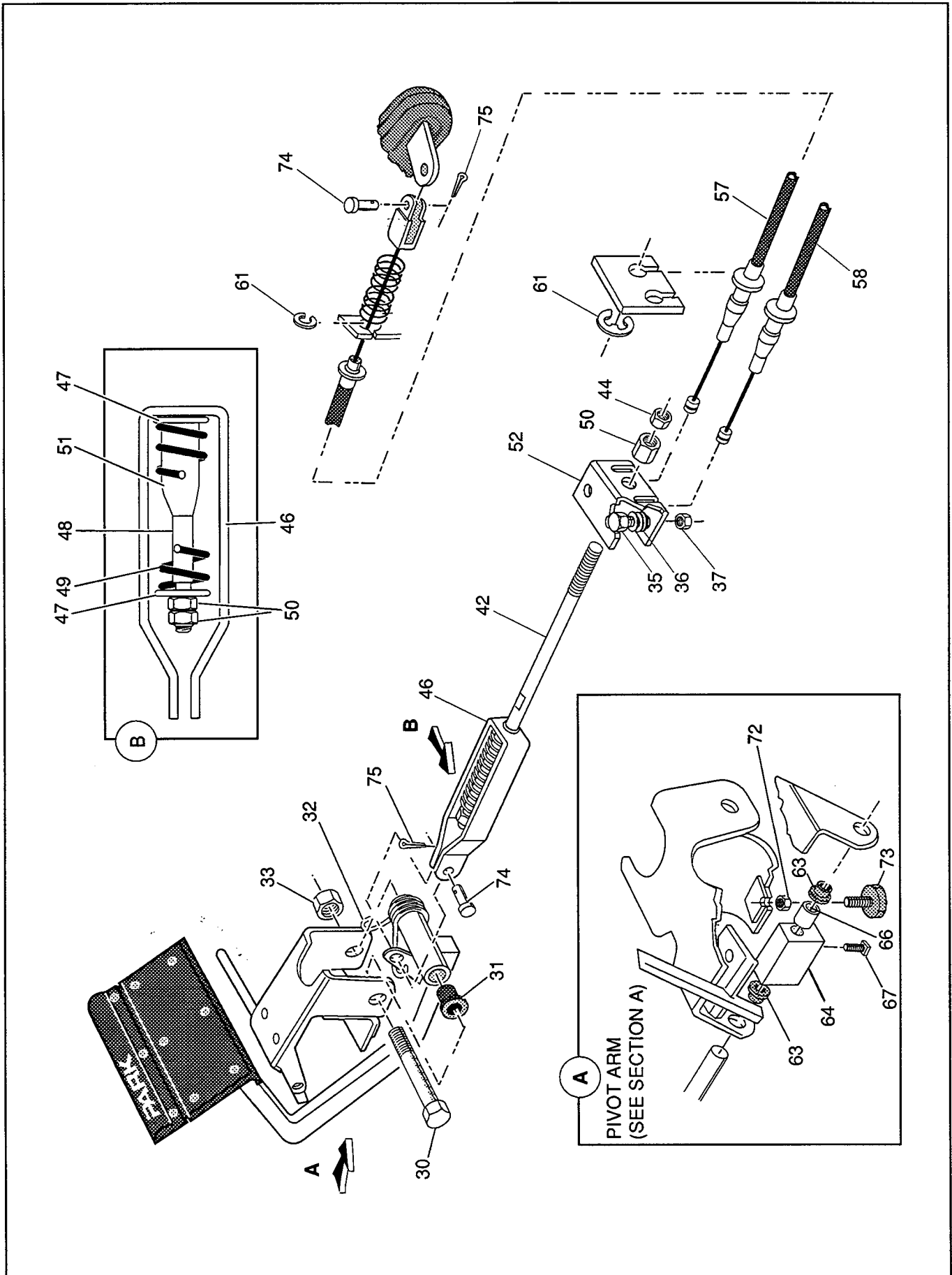
- 1 - INCLUDES ITEMS 2 - 28
- 4 - INCLUDES ITEMS 5 - 8
- 40 - INCLUDES ITEMS 42 - 58
- 77 - INCLUDES ITEMS 78 - 92
- 84 - INCLUDES ITEMS 85 - 88

VEHICLES WITHOUT BRAKE LIGHTS



VEHICLES WITH BRAKE LIGHTS





BRAKE LINKAGE

ELECTRIC POWERED VEHICLE

THE USE OF NON U.L. PARTS WILL VOID ANY U.L. LISTING.

When ordering parts, please specify the model and serial number of the product.

* Indicates a component that is not available as an individual part.

ITEM	PART NO.	1	2	3	4	5	DESCRIPTION	3 WHEEL	4 WHEEL
								QTY	
1	27581-G01						BRAKE PEDAL ASSEMBLY (INCLUDES ITEMS 2 - 28)	1	1
2	27522-G01						ARM, BRAKE PEDAL (WITH PAD, ITEM 5)	1	1
3	27584-G01						PEDAL, PARK BRAKE (WITH PAD, ITEM 6)	1	1
4	27843-G01						BRAKE/PARK BRAKE PEDAL PAD KIT (INCLUDES ITEMS 5 - 7)	1	1
5	*						PAD, BRAKE PEDAL	1	1
6	*						PAD, PARK BRAKE PEDAL	1	1
7	15766-G1						RIVET, SMALL HEAD	9	9
8									
9	27513-G02						PLATE, BRAKE PEDAL	1	1
10	15932-G1						PIN, PARK BRAKE PEDAL	1	1
11	11737-G1						SPRING, TORSION	2	2
12	12064-G1						NUT, PUSH	1	1
13	00737-G8						SCREW, #10 - 24 X 1 LG.	4	4
14	00739-G1						NUT, CAPTIVE, #10 - 24	2	2
15	22362-G3						STANDOFF, BRAKE PEDAL	2	2
16	27137-G01						SPRING, CONICAL	2	2
17	11098-G7						NUT, LOCK, #10- 24	2	2
18	10606-G1						SWITCH, MICRO	1	1
19	00139-G2						SCREW, #6 - 32 X 1 1/4 LG.	2	2
20	00559-G3						WASHER, #6	4	4
21	00565-G3						WASHER, LOCK, #6	2	2
22	00525-G5						NUT, #6 - 32	2	2
23	*						SCREW, BRASS	2	2
24	00567-G3						WASHER, LOCK, #6	2	2
25	14628-G1						TAB, FASTON	2	2
26	22447-G1						WIRE HARNESS, BRAKE	1	1
27	17618-G1						CLAMP, NYLON	3	3
28	00559-G5						WASHER, #10	2	2
29									
30	14158-G1						BOLT, SHOULDER, 3/8 - 16	1	1
31	11079-G1						BUSHING, FLANGED, NYLON	2	2
32	25292-G1						SPRING, TORSION	1	1
33	13521-G4						NUT, LOCK, 3/8 - 16	1	1
34									

BRAKE LINKAGE

ELECTRIC POWERED VEHICLE

THE USE OF NON U.L. PARTS WILL VOID ANY U.L. LISTING.

When ordering parts, please specify the model and serial number of the product.

* Indicates a component that is not available as an individual part.

ITEM	PART NO.	1	2	3	4	5	DESCRIPTION	QTY	
								3 WHEEL	4 WHEEL
35	00737-G8						SCREW, #10 - 24	1	1
36	00559-G5						WASHER, #10	3	3
37	11098-G7						NUT, LOCK, #10 - 24	1	1
38									
39	25880-G02						COMPENSATING LINK ASSEMBLY (INCLUDES ITEMS 42 - 58)	1	1
40									
41									
42	25882-G02						ROD, LINK	1	1
43									
44	11098-G9						NUT, LOCK, 5/16 - 24	1	1
45									
46	23030-G1						YOKE, BRAKE	1	1
47	15121-G1						WASHER, 5/16	2	2
48	23061-G2						TUBE	1	1
49	23463-G1						SPRING, COMPRESSION	1	1
50	00532-G4						NUT, 5/16 - 24	2	2
51	17979-G1						BUSHING, ACCELERATOR ROD	1	1
52	25781-G01						BRACKET, EQUALIZER	1	1
53									
54									
55									
56									
57	25884-G01						CABLE, BRAKE, PASSENGER SIDE	1	1
58	25884-G03						CABLE, BRAKE, DRIVER'S SIDE	1	1
59									
60									
61	12305-G1						RING, RETAINING	2	2
62									
63	10097-G6						BEARING, FLANGED	2	2
64	25103-G1						CAM, PARK BRAKE	1	1
65									
66	14134-G2						SPACER	1	1
67	00491-G4						SETSCREW, 1/4 - 20 X 3/8 LG.	2	2
68									

BRAKE LINKAGE

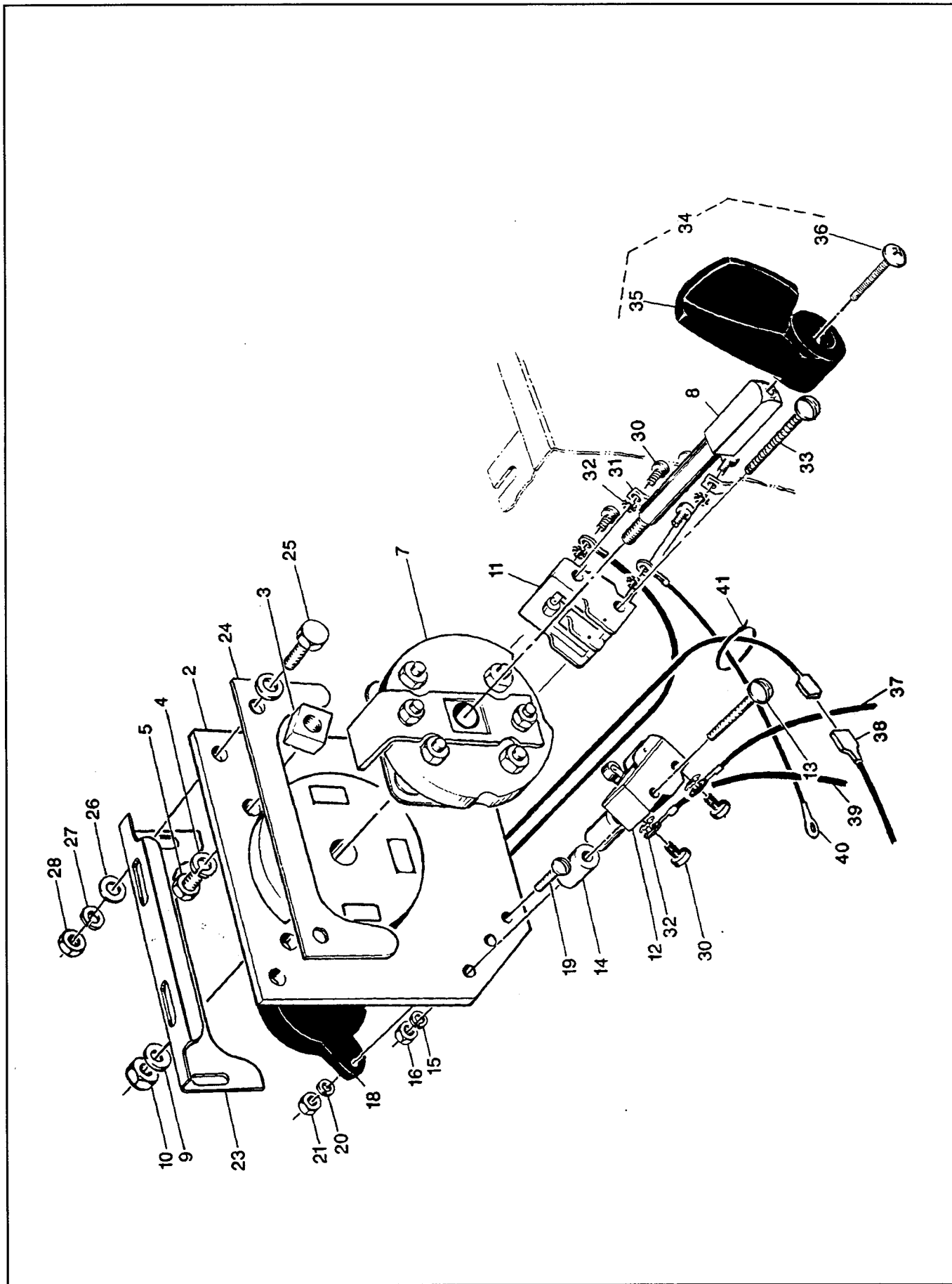
ELECTRIC POWERED VEHICLE

THE USE OF NON U.L. PARTS WILL VOID ANY U.L. LISTING.

When ordering parts, please specify the model and serial number of the product.

* Indicates a component that is not available as an individual part.

ITEM	PART NO.	1	2	3	4	5	DESCRIPTION	QTY	
								3 WHEEL	4 WHEEL
69									
70									
71									
72	11027-G1						NUT, LOCK, 5/16 - 18	1	1
73	70113-G01						BUMPER, THREADED	1	1
74	10386-G3						PIN, CLEVIS	2	2
75	10387-G3						PIN, COTTER, 3/32 X 3/4 LG.	2	2
76									
77	27585-G01						BRAKE PEDAL ASSEMBLY (INCLUDES ITEMS 78 - 90)	1	1
78	11737-G1						SPRING, TORSION HILL BRAKE	2	2
79	12064-G1						NUT, PUSH	1	1
80									
81	15932-G1						PIN, HILL BRAKE PEDAL	1	1
82	27524-G01						ARM, BRAKE PEDAL ASSEMBLY	1	1
83									
84	27843-G01						BRAKE/HILL BRAKE PEDAL PAD KIT (INCLUDES ITEMS 85 - 87) ..	1	1
85	*						PAD, BRAKE PEDAL	1	1
86	*						PAD, HILL BRAKE PEDAL	1	1
87	15766-G1						RIVET, SMALL HEAD	9	9
88									
89									
90	15813-G1						ASSEMBLY, PARK BRAKE PEDAL	1	1



FORWARD-NEUTRAL-REVERSE LEVER

ELECTRIC POWERED VEHICLE

THE USE OF NON U.L. PARTS WILL VOID ANY U.L. LISTING.

When ordering parts, please specify the model and serial number of the product.

* Indicates a component that is not available as an individual part.

ITEM	PART NO.	1	2	3	4	5	DESCRIPTION	8 WHEEL	4 WHEEL
								QTY	QTY
1	25396-G2						F-N-R LEVER ASSEMBLY (INCLUDES ITEMS 2 - 41)	1	1
2	14651-G1						CONTACT BOARD ASSEMBLY (INCLUDES ITEMS 3 - 5)	1	1
3	24940-G1						STOP	2	2
4	00565-G7						WASHER, LOCK, 1/4	2	2
5	00414-G6						SCREW, 1/4 - 20 X 3/4 LG.	2	2
6									
7	12835-G1						CAM UNIT	1	1
8	19470-G1						SHAFT, F-N-R	1	1
9	00560-G1						WASHER, 3/8	1	1
10	14390-G1						NUT, LOCK, 3/8 - 24	1	1
11	12796-G2						SWITCH, MICRO, DOUBLE	1	1
12	10606-G4						SWITCH, MICRO	1	1
13	00139-G6						SCREW, #6 - 32 X 1 3/4 LG.	2	2
14	12806-G1						SPACER, MICRO SWITCH	2	2
15	00565-G3						WASHER, LOCK, #6	4	4
16	00525-G5						NUT, #6 - 32	4	4
17									
18	17940-G1						BUZZER	1	1
19	00138-G5						SCREW, #6 - 32 X 5/8 LG.	2	2
20	00565-G3						WASHER, LOCK, #6	2	2
21	00525-G5						NUT, #6 - 32	2	2
22									
23	12863-G1						BRACKET, MOUNTING	1	1
24	15461-G1						SUPPORT, BRACKET MOUNTING	1	1
25	00414-G8						SCREW, 1/4 - 20 X 1 LG.	2	2
26	00559-G7						WASHER, 1/4	2	2
27	00565-G7						WASHER, LOCK, 1/4	2	2
28	00532-G1						NUT, 1/4 - 20	2	2
29									
30	13514-G1						SCREW, BRASS, #6 - 32 X .22 LG.	6	6
31	14628-G1						TAB, FASTON	2	2
32	00567-G3						WASHER, LOCK, #6	6	6
33	00139-G6						SCREW, #6 - 32 X 1 3/4 LG.	2	2
34	20325-G1						SWITCH HANDLE KIT (INCLUDES ITEMS 35, 36)	1	1

FORWARD-NEUTRAL-REVERSE LEVER

ELECTRIC POWERED VEHICLE

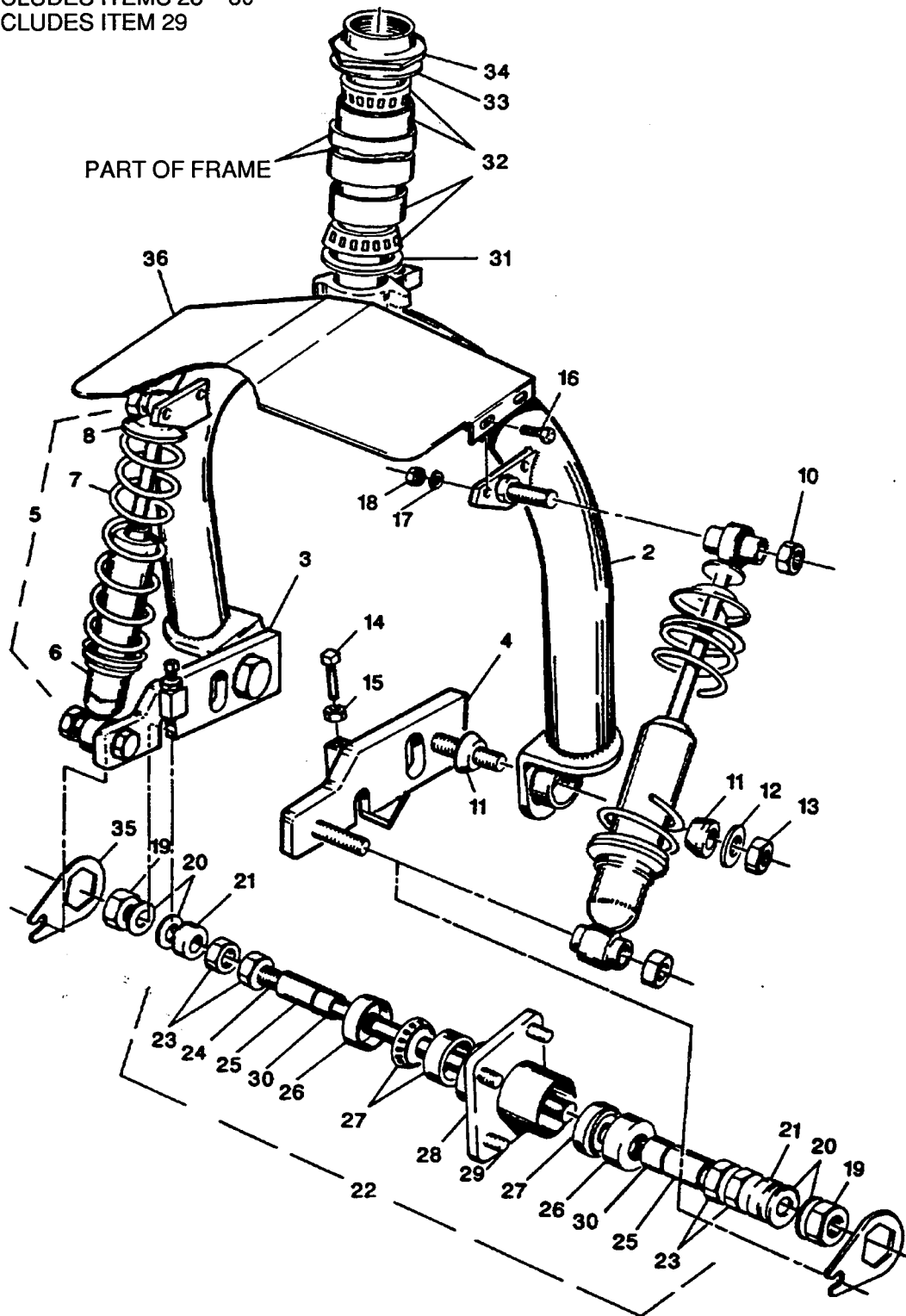
THE USE OF NON U.L. PARTS WILL VOID ANY U.L. LISTING.

When ordering parts, please specify the model and serial number of the product.

* Indicates a component that is not available as an individual part.

ITEM	PART NO.	1	2	3	4	5	DESCRIPTION	3 WHEEL	4 WHEEL
								QTY	QTY
35	19886-G1						HANDLE, PLASTIC	1	1
36	00740-G4						SCREW, #10 - 32 X 1/2 LG.	1	1
37	14619-G2						WIRE	1	1
38	21743-G1						WIRE	1	1
39	23862-G2						WIRE	1	1
40	23645-G1						WIRE	1	1
41	17618-G1						CLAMP, NYLON	3	3

- 1 - INCLUDES ITEMS 2 - 15
- 5 - INCLUDES ITEMS 6 - 8
- 22 - INCLUDES ITEMS 23 - 30
- 28 - INCLUDES ITEM 29



FORK

ELECTRIC POWERED VEHICLE

THE USE OF NON U.L. PARTS WILL VOID ANY U.L. LISTING.

When ordering parts, please specify the model and serial number of the product.

* Indicates a component that is not available as an individual part.

ITEM	PART NO.	1	2	3	4	5	DESCRIPTION	3 WHEEL	4 WHEEL
								QTY	QTY
1	17533-G3						FORK ASSEMBLY (INCLUDES ITEMS 2 - 15)	1	-
2	17537-G1						FORK	1	-
3	17542-G1						AXLE BRACKET, PASSENGER SIDE	1	-
4	17542-G2						AXLE BRACKET, DRIVER'S SIDE	1	-
5	19796-G3						SHOCK ABSORBER ASSEMBLY (INCLUDES ITEMS 6 - 8)	2	-
6	17907-G1						SHOCK ABSORBER	1	-
7	19795-G2						SPRING, COMPRESSION	1	-
8	17816-G2						RETAINER, SPRING	1	-
9									
10	00897-G1						NUT, LOCK, 1/2 - 13	4	-
11	15588-G1						BUSHING, PIVOT	4	-
12	00653-G5						WASHER, 5/8	2	-
13	00654-G7						NUT, LOCK, 5/8 - 11	2	-
14	00655-G4						SETSCREW, SQUARE HEAD, SS, 1/4 - 20 X 1 1/2 LG.	2	-
15	00898-G1						NUT, 1/4 - 20	2	-
16	00671-G4						SCREW, #10 - 24 X 1/2 LG.	4	-
17	00882-G5						WASHER, LOCK, #10	4	-
18	00896-G3						NUT, #10 - 24	4	-
19	00894-G1						NUT, LOCK, 3/4 - 16	2	-
20	00895-G6						WASHER, 3/4	4	-
21	17650-G2						RING, ADJUSTER	2	-
22	17535-G2						HUB AND AXLE ASSEMBLY (INCLUDES ITEMS 23 - 30)	1	-
23	00899-G8						NUT, 3/4 - 16	4	-
24	10223-G5						AXLE, FRONT	1	-
25	17536-G2						SPACER, AXLE	2	-
26	19471-G1						SEAL, GREASE	2	-
27	50908-G1						BEARING, RACE	2	-
28	19888-G1						HUB ASSEMBLY (INCLUDES ITEM 29)	1	-
29	19862-G1						BOLT, HUB, 1/2 - 20	4	-
30	11655-G1						SPACER, AXLE	2	-
31	13136-G1						SPACER	1	-
32	13756-G1						BEARING, ROLLER	2	-
33	10669-G3						WASHER, SPECIAL	1	-
34	11098-G1						NUT, LOCK, 1 3/8 - 12	1	-

THE USE OF NON U.L. PARTS WILL VOID ANY U.L. LISTING.

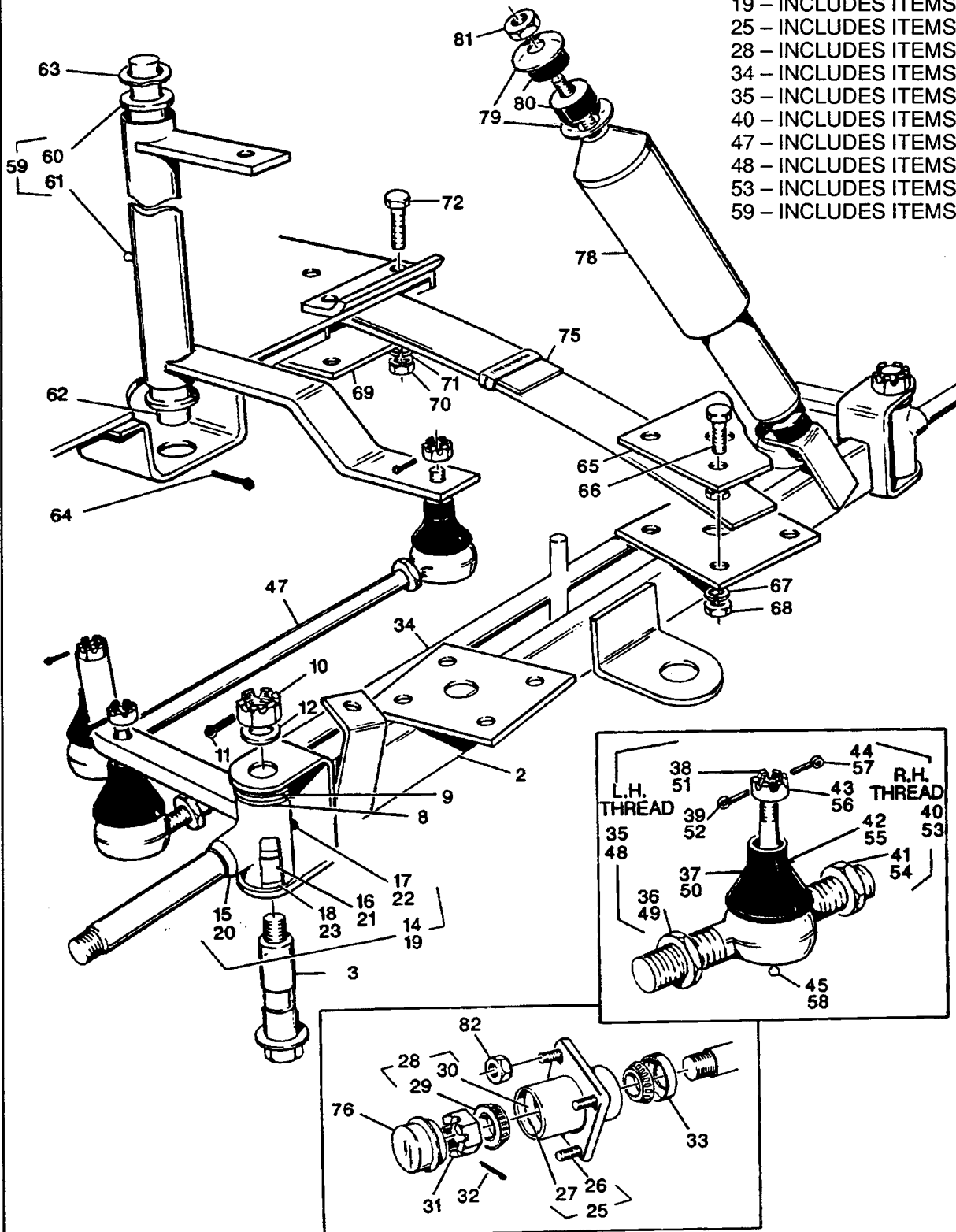
When ordering parts, please specify the model and serial number of the product.

*** Indicates a component that is not available as an individual part.**

8 WHEEL	4 WHEEL
QTY	
2	-
1	-

ITEM	PART NO.	1	2	3	4	5	DESCRIPTION		
35	18256-G2						RETAINER, AXLE NUT	2	-
36	1 5643-G1						SHIELD	1	-

- 1 - INCLUDES ITEMS 2 - 45
- 14 - INCLUDES ITEMS 15 - 18
- 19 - INCLUDES ITEMS 20 - 23
- 25 - INCLUDES ITEMS 26, 27
- 28 - INCLUDES ITEMS 29, 30
- 34 - INCLUDES ITEMS 35 - 45
- 35 - INCLUDES ITEMS 36 - 39
- 40 - INCLUDES ITEMS 41 - 44
- 47 - INCLUDES ITEMS 48 - 58
- 48 - INCLUDES ITEMS 49 - 52
- 53 - INCLUDES ITEMS 54 - 57
- 59 - INCLUDES ITEMS 60, 61



FOUR WHEEL FRONT SUSPENSION

ELECTRIC POWERED VEHICLE

THE USE OF NON U.L. PARTS WILL VOID ANY U.L. LISTING.

When ordering parts, please specify the model and serial number of the product.

* Indicates a component that is not available as an individual part.

ITEM	PART NO.	1	2	3	4	5	DESCRIPTION	QTY	
								3 WHEEL	4 WHEEL
1	25840-G03						FRONT AXLE ASSEMBLY (INCLUDES ITEMS 2 - 45)	-	1
2	23918-G2						AXLE	-	1
3	25177-G2						PIN, KING	-	1
4									
5									
6									
7									
8	16982-G1						BEARING, THRUST	-	2
9	00879-G7						WASHER, 7/8	-	2
10	00886-G1						NUT, SLOTTED, 5/8 - 18	-	2
11	19069-G1						PIN, COTTER, 1/4 X 1 1/2 LG.	-	2
12	00879-G5						WASHER, 5/8	-	2
13									
14	25837-G01						SPINDLE ASSEMBLY, DRIVER'S SIDE (INCLUDES ITEMS 15 - 18)	-	1
15	*						SPINDLE	-	1
16	16623-G1						BEARING, BRONZE	-	2
17	10389-G3						FITTING, GREASE	-	1
18	16626-G1						SEAL	-	1
19	25836-G01						SPINDLE ASSEMBLY, PASSENGER SIDE (INCLUDES ITEMS 20 - 23)	-	1
20	*						SPINDLE	-	1
21	16623-G1						BEARING, BRONZE	-	2
22	10389-G3						FITTING, GREASE	-	1
23	16626-G1						SEAL	-	1
24									
25	19932-G1						HUB ASSEMBLY (INCLUDES ITEMS 26 AND 27)	-	2
26	19862-G1						BOLT, HUB, 1/2 - 20	-	4
27	*						RACE, BEARING	-	2
28	50892-G1						BEARING AND RACE ASSEMBLY (INCLUDES ITEMS 29 AND 30) ..	-	2
29	11750-G2						BEARING, ROLLER	-	2
30	11752-G1						BEARING, RACE	-	2
31	12093-G1						NUT, SLOTTED,	-	2
32	00798-G8						PIN, COTTER, 1/4 X 1 1/2 LG.	-	2

FOUR WHEEL FRONT SUSPENSION

ELECTRIC POWERED VEHICLE

THE USE OF NON U.L. PARTS WILL VOID ANY U.L. LISTING.

When ordering parts, please specify the model and serial number of the product.

* Indicates a component that is not available as an individual part.

ITEM	PART NO.	1	2	3	4	5	DESCRIPTION	3 WHEEL	4 WHEEL
								QTY	QTY
33	25146-G1						SEAL	-	1
34	27365-G01						TIE ROD ASSEMBLY (INCLUDES ITEMS 35 - 45)	-	1
35	20795-G1						TIE ROD ASSEMBLY, L.H. THREAD (INCLUDES ITEMS 36 - 39)	-	1
36	18434-G1						NUT, 9/16 - 18, L.H. THREAD	-	1
37	50641-G1						BOOT, RUBBER	-	1
38	50209-G1						NUT, SLOTTED, 7 / 16 - 20	-	1
39	10387-G2						PIN, COTTER, 3/16 X 1 LG.	-	1
40	20795-G2						TIE ROD ASSEMBLY, R.H. THREAD (INCLUDES ITEMS 41 - 44)	-	1
41	18434-G1						NUT, 9/16 - 18, R.H. THREAD	-	1
42	50641-G1						BOOT, RUBBER	-	1
43	50209-G1						NUT, SLOTTED, 7 / 16 - 20	-	1
44	10387-G2						PIN, COTTER, 3/16 X 1 LG.	-	1
45	10389-G3						FITTING, GREASE	-	2
46									
47	18377-G1						TIE ROD ASSEMBLY (INCLUDES ITEMS 48 - 58)	-	1
48	20795-G1						TIE ROD END ASSEMBLY, L.H. THREAD (INCLUDES ITEMS 49 - 52)	-	1
49	18434-G1						NUT, 9/16 - 18, L.H. THREAD	-	1
50	50641-G1						BOOT, RUBBER	-	1
51	50209-G1						NUT, SLOTTED, 7 / 16 - 20	-	1
52	10387-G2						PIN, COTTER, 3/16 X 1 LG.	-	1
53	20795-G2						TIE ROD END ASSEMBLY, R.H. THREAD (INCLUDES ITEMS 54 - 57)	-	1
54	18434-G2						NUT, 9/16 - 18, R.H. THREAD	-	1
55	50641-G1						BOOT, RUBBER	-	1
56	50209-G1						NUT, SLOTTED, 7 / 16 - 20	-	1
57	10387-G2						PIN, COTTER, 3/16 X 1 LG.	-	1
58	10389-G3						FITTING, GREASE	-	2
59	23929-G1						IDLER ASSEMBLY (INCLUDES ITEMS 60, 61)	-	1
60	15012-G1						BUSHING, FLANGED	-	2
61	10389-G3						FITTING, GREASE	-	1
62	16417-G2						SHAFT, IDLER	-	1
63	13221-G1						WASHER, WAVE, SPRING	-	1
64	10387-G1						PIN, COTTER, 1/4 X 1 1/2 LG.	-	1

FOUR WHEEL FRONT SUSPENSION

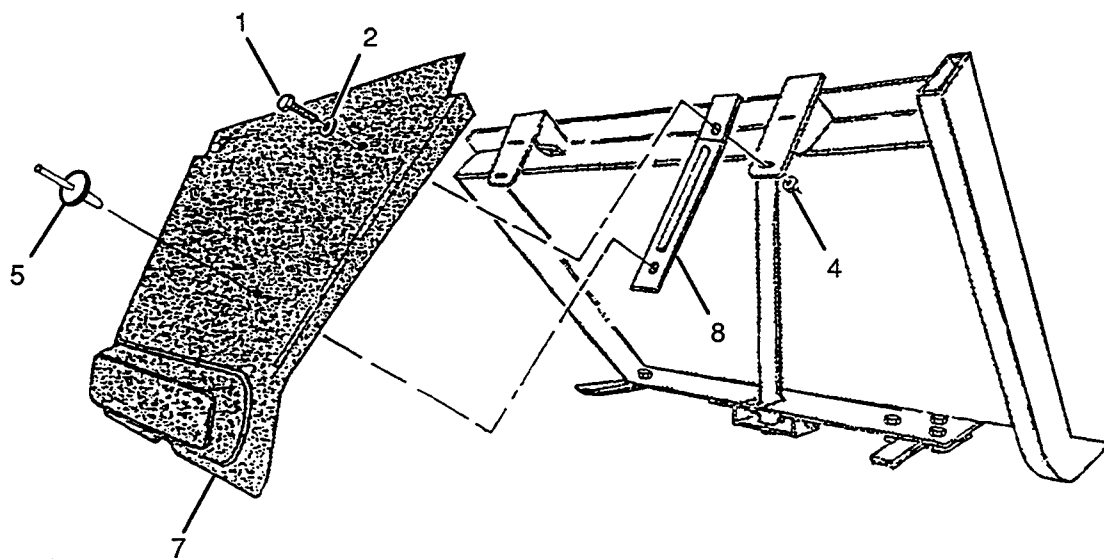
ELECTRIC POWERED VEHICLE

THE USE OF NON U.L. PARTS WILL VOID ANY U.L. LISTING.

When ordering parts, please specify the model and serial number of the product.

* Indicates a component that is not available as an individual part.

ITEM	PART NO.	1	2	3	4	5	DESCRIPTION	3 WHEEL	4 WHEEL
								QTY	QTY
65	15023-G2						RETAINER, SPRING	-	2
66	00876-G4						SCREW, 3/8 - 16 X 1 1/2 LG.	-	8
67	00878-G1						WASHER, LOCK, 3/8	-	8
68	00877-G5						NUT, 3/8 - 16	-	8
69	15023-G2						RETAINER, SPRING	-	2
70	00532-G5						NUT, 3/8 - 16	-	6
71	00566-G1						WASHER, LOCK, 3/8	-	6
72	00428-G2						SCREW, 3/8 - 16 X 2 1/4 LG.	-	6
73									
74									
75	24025-G1						SPRING, LEAF	-	2
76	12091-G1						CAP, SPINDLE	-	2
77									
78	27538-G01						SHOCK ABSORBER	-	2
79	10435-G1						WASHER, 13/32	-	8
80	10194-G1						BUSHING, RUBBER	-	8
81	00532-G6						NUT, 3/8 - 24	-	4
82	14723-G1						NUT, LUG, 1/2 - 20	-	8



FRONT SHIELD

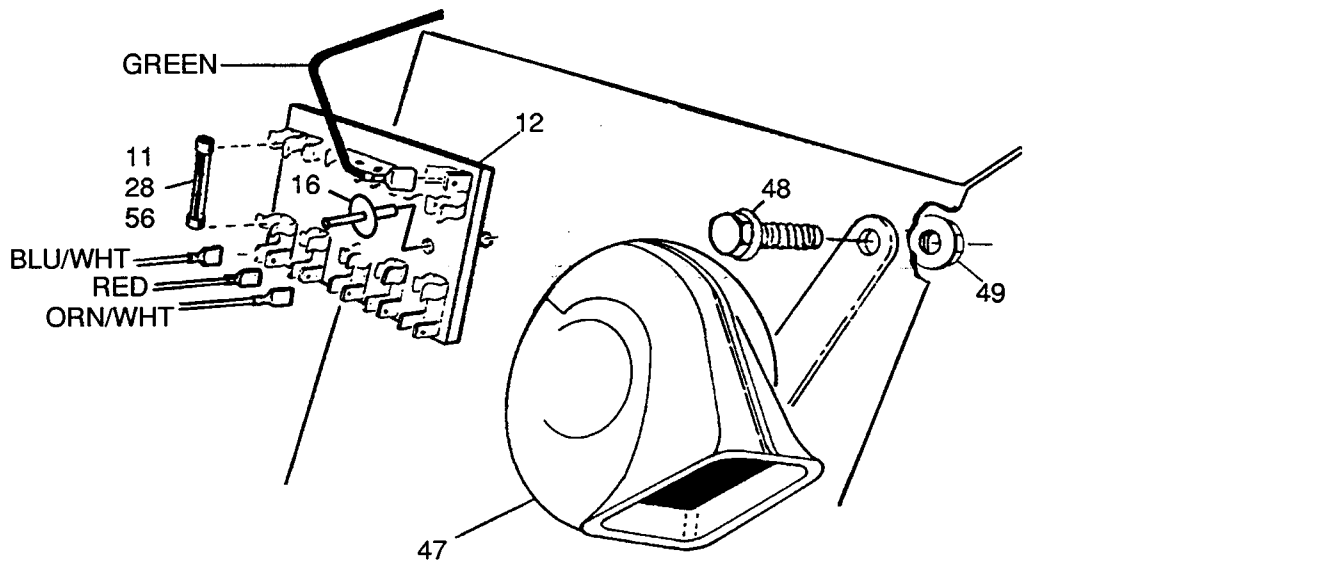
ELECTRIC POWERED VEHICLE

THE USE OF NON U.L. PARTS WILL VOID ANY U.L. LISTING.

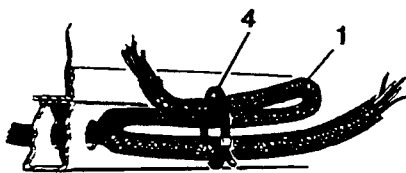
When ordering parts, please specify the model and serial number of the product.

* Indicates a component that is not available as an individual part.

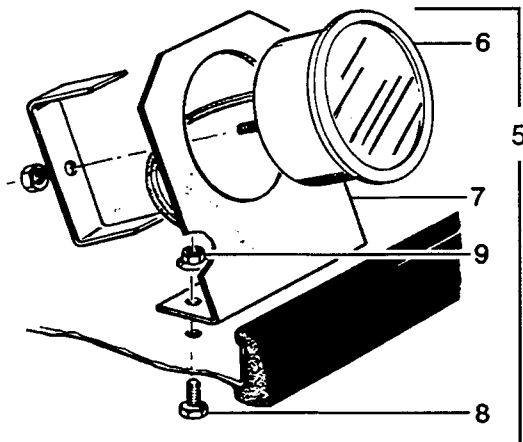
ITEM	PART NO.	1	2	3	4	5	DESCRIPTION	QTY	
								8 WHEEL	4 WHEEL
1	00414-G8						SCREW, 1/4 - 20 X 1 LG.	2	2
2	00559-G7						WASHER, FLAT, 1/4	2	2
3									
4	14390-G4						NUT, LOCK, 1/4 - 20	2	2
5	18436-G1						RIVET, DRIVE	2	2
6									
7	27166-G02						SHIELD	1	1
8	27252-G01						SUPPORT, FRONT SHIELD	2	2



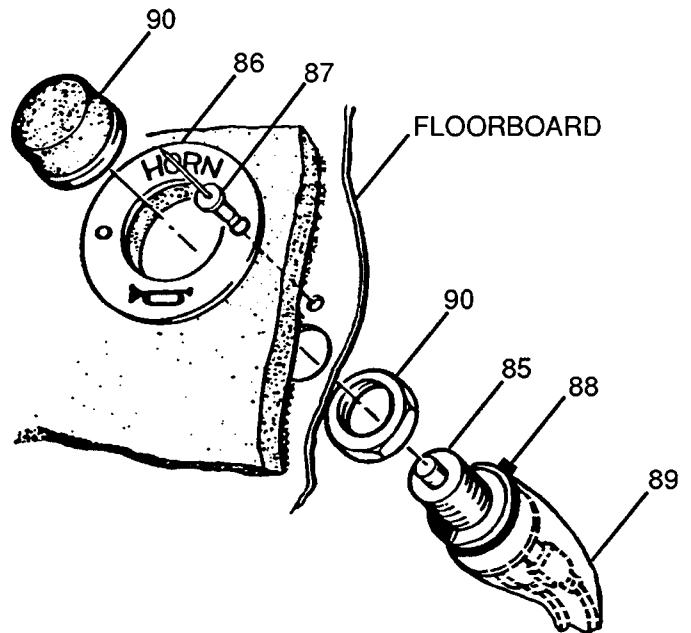
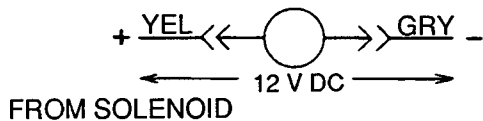
ACCESSORY WIRING HARNESS



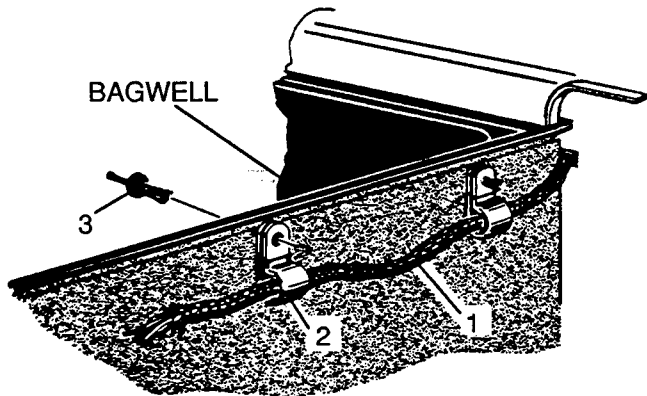
HOUR METER



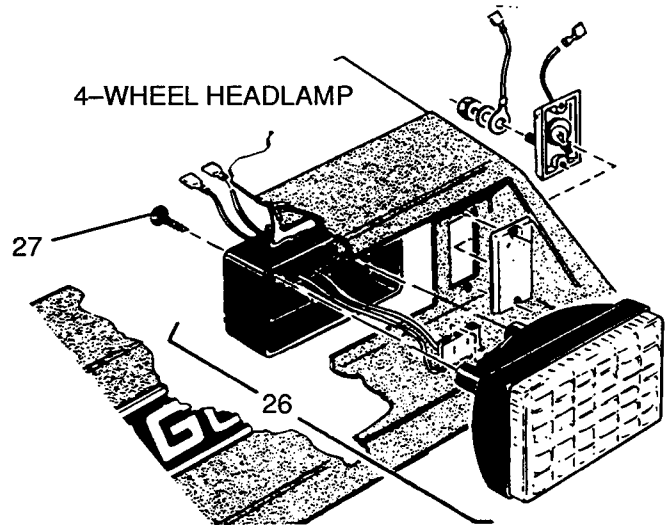
HOUR METER WIRING



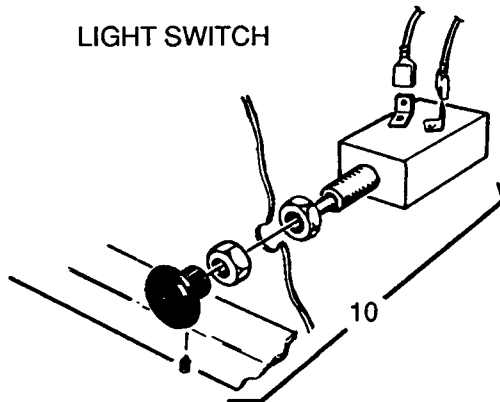
- 5 - INCLUDES ITEMS 6 - 9
- 26 - INCLUDES ITEM 27
- 50 - INCLUDES ITEM 51
- 60 - INCLUDES ITEMS 61 - 66
- 62 - INCLUDES ITEMS 63 - 66
- 73 - INCLUDES ITEMS 74 - 78



SEE PAGE J-3 FOR
TURN SIGNAL PART
NUMBERS

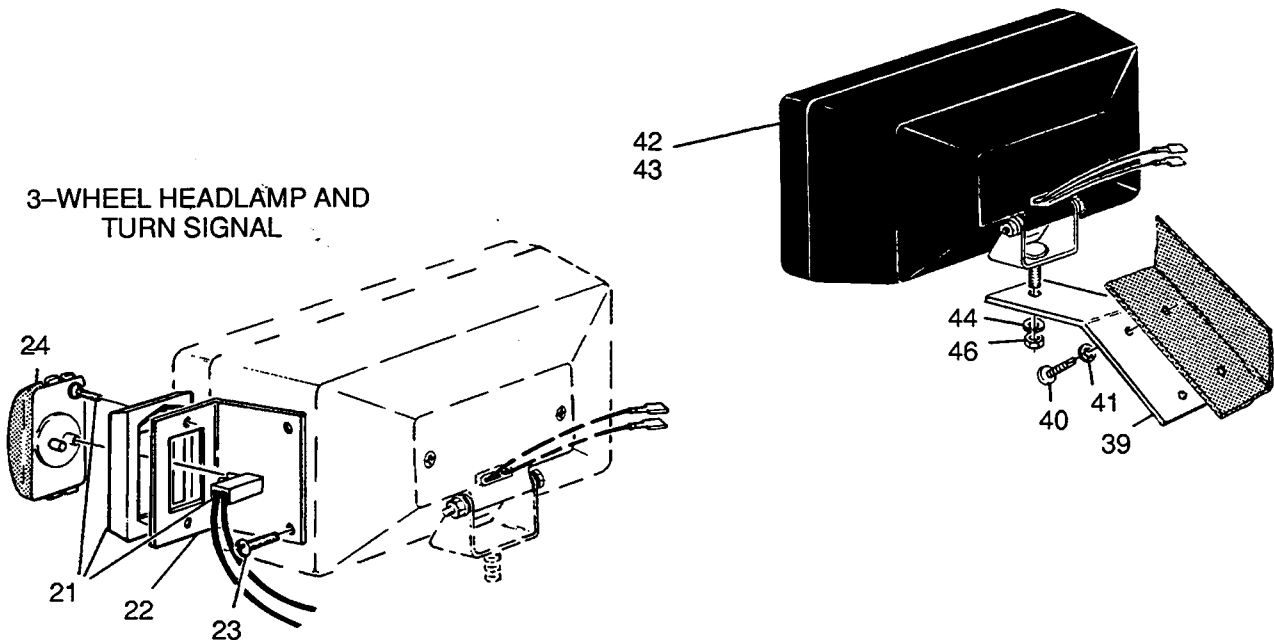


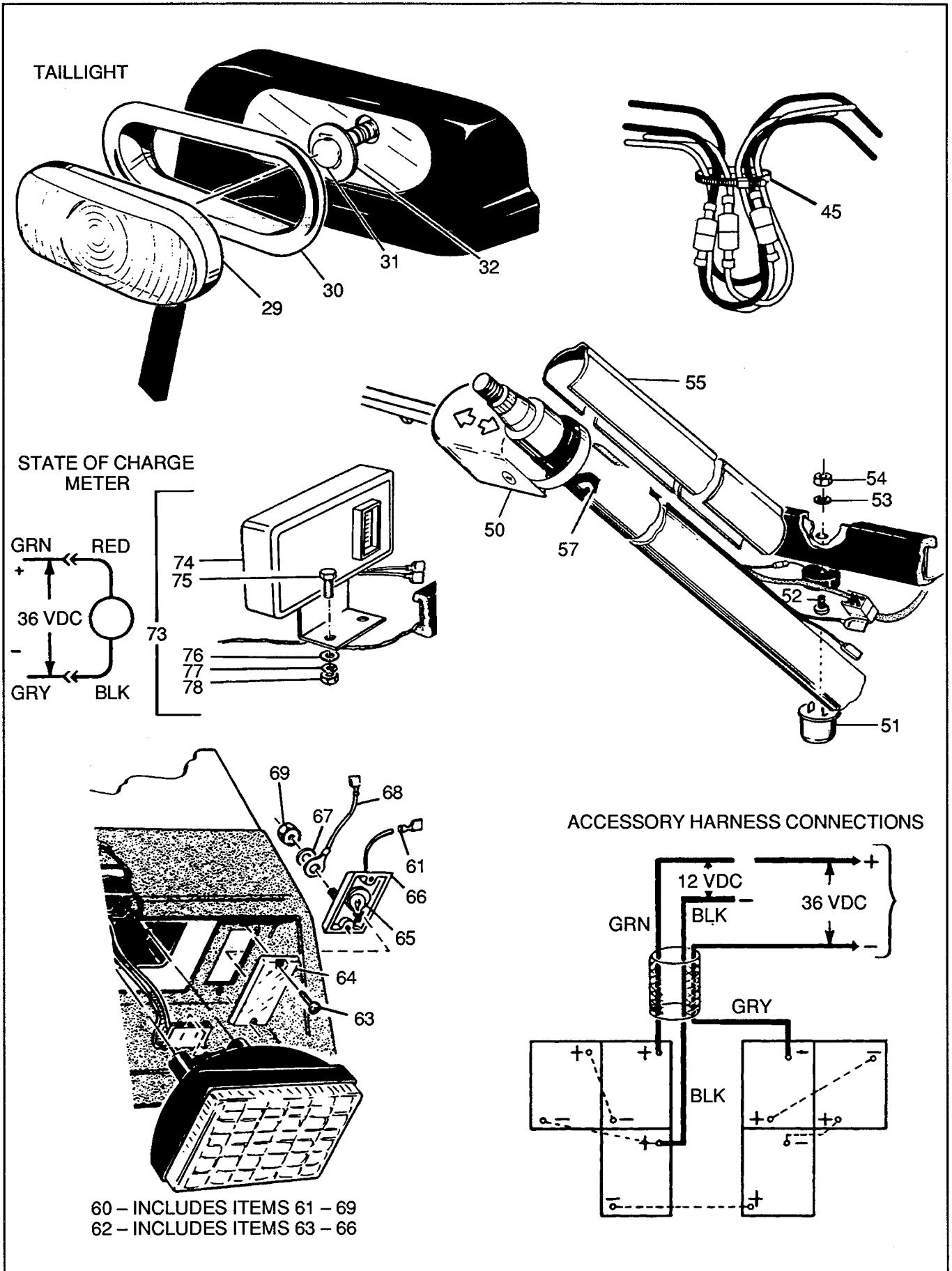
LIGHT SWITCH



NOTE: TO INSTALL HEADLIGHT, REMOVE
AND DISCARD EXISTING SCREWS AND REPLACE
THEM WITH ITEM 21 AFTER INSTALLATION

3-WHEEL HEADLAMP AND
TURN SIGNAL





HORN AND ACCESSORY WIRING

ELECTRIC POWERED VEHICLE

THE USE OF NON U.L. PARTS WILL VOID ANY U.L. LISTING.

When ordering parts, please specify the model and serial number of the product.

* Indicates a component that is not available as an individual part.

ITEM	PART NO.	1	2	3	4	5	DESCRIPTION	QTY	
								3 WHEEL	4 WHEEL
1	22069-G1						WIRING HARNESS	1	1
2	11845-G5						CLIP, CABLE, INSULATED	3	3
3	18436-G1						RIVET, PLASTIC, DRIVE	3	3
4	17618-G1						CLAMP, NYLON	5	5
5	19318-G2						HOUR METER KIT (INCLUDES ITEMS 6 - 9)	1	1
6	21573-G1						HOUR METER (INCLUDES MOUNTING HARDWARE)	1	1
7	18001-G1						BRACKET, HOUR METER	1	1
8	00414-G4						SCREW, 1/4 - 20 X 1/2 LG.	2	2
9	11027-G2						NUT, LOCK, 1/4 - 20	2	2
10	18431-G1						SWITCH, HEADLAMP	1	1
11	18392-G1						FUSE, 15 AMP (HOUR METER)	1	1
12	22674-G1						BLOCK, FUSE	1	1
13									
14									
15									
16	10570-G3						RIVET, 1/4	2	2
17									
18									
19									
20									
21	18927-G1						MOUNT KIT, TURN SIGNAL	2	2
22	21806-G1						BRACKET, TURN SIGNAL	2	2
23	00598-G4						SCREW, SELF DRILL AND TAP, #8 - 18 X 1/2 LG.	4	4
24	19180-G2						SIGNAL LAMP, YELLOW	2	2
25									
26	20209-G3						HEADLAMP (REQUIRES ITEM 27 FOR INSTALLATION)	-	2
27	00906-G6						SCREW, #10 - 16 X 1 LG.	-	2
28	18392-G1						FUSE, 15 AMP (HEADLAMP AND TAILLAMP)	1	1
29	22000-G1						LENS, TAILLAMP	-	1
30	21999-G1						GROMMET	-	1
31	21759-G1						BULB	-	1
32	21998-G2						SOCKET	-	1
33									
34									

HORN AND ACCESSORY WIRING

ELECTRIC POWERED VEHICLE

THE USE OF NON U.L. PARTS WILL VOID ANY U.L. LISTING.

When ordering parts, please specify the model and serial number of the product.

* Indicates a component that is not available as an individual part.

ITEM	PART NO.	1	2	3	4	5	DESCRIPTION	QTY	
								8 WHEEL	4 WHEEL
35									
36									
37	20961-G3						COVER, STEERING WHEEL (WITHOUT TURN SIGNALS)	1	1
38									
39	22274-G1						BRACKET, HEADLAMP MOUNTING	2	-
40	00106-G6						SCREW, SELF DRILL AND TAP, #12 - 24 X 3/4 LG.	4	-
41	00594-G7						WASHER, LOCK, 1/4	4	-
42	20209-G2						HEADLAMP ASSEMBLY	2	-
43	22523-G1						BULB, HALOGEN, REPLACEMENT	2	-
44	00566-G3						WASHER, LOCK, 1/2	4	-
45	16172-G1						CLAMP, NYLON	4	-
46	00533-G1						NUT, 1/2 - 13	4	-
47	32860-G1						HORN	1	1
48	13437-G9						SCREW, 1/4 - 20 X 3/4 LG.	1	1
49	11027-G2						NUT, LOCK, 1/4 - 20	1	1
50	17861-G1						SWITCH, TURN SIGNAL ASSEMBLY (INCLUDES ITEM 51)	1	1
51	21640-G1						FLASHER, TURN SIGNAL	1	1
52	00372-G4						SCREW, #8 - 32 X 1/2 LG.	1	1
53	00565-G4						WASHER, LOCK, #8	1	1
54	00526-G1						NUT, #8 - 32	1	1
55	20965-G3						COVER, STEERING COLUMN (WITH TURN SIGNALS)	1	1
56	18392-G1						FUSE, 15 AMP (TURNSIGNALS)	1	1
57	19344-G1						TAPE, VINYL	AR	AR
58									
59									
60	20570-G2						TURN SIGNAL ASSEMBLY, FREEDOM ONLY (INCLUDES ITEMS 61 - 66)	-	2
61	18995-G1						TERMINAL, MALE	-	1
62	20574-G2						TURN SIGNAL, AMBER (INCLUDES ITEMS 63 - 66)	-	1
63	*						SCREW	-	2
64	*						LENS, TURN SIGNAL	-	1
65	21760-G1						BULB	-	1
66	*						HOUSING, TURN SIGNAL	-	1
67	00563-G7						WASHER, LOCK, 1/4	-	1

HORN AND ACCESSORY WIRING

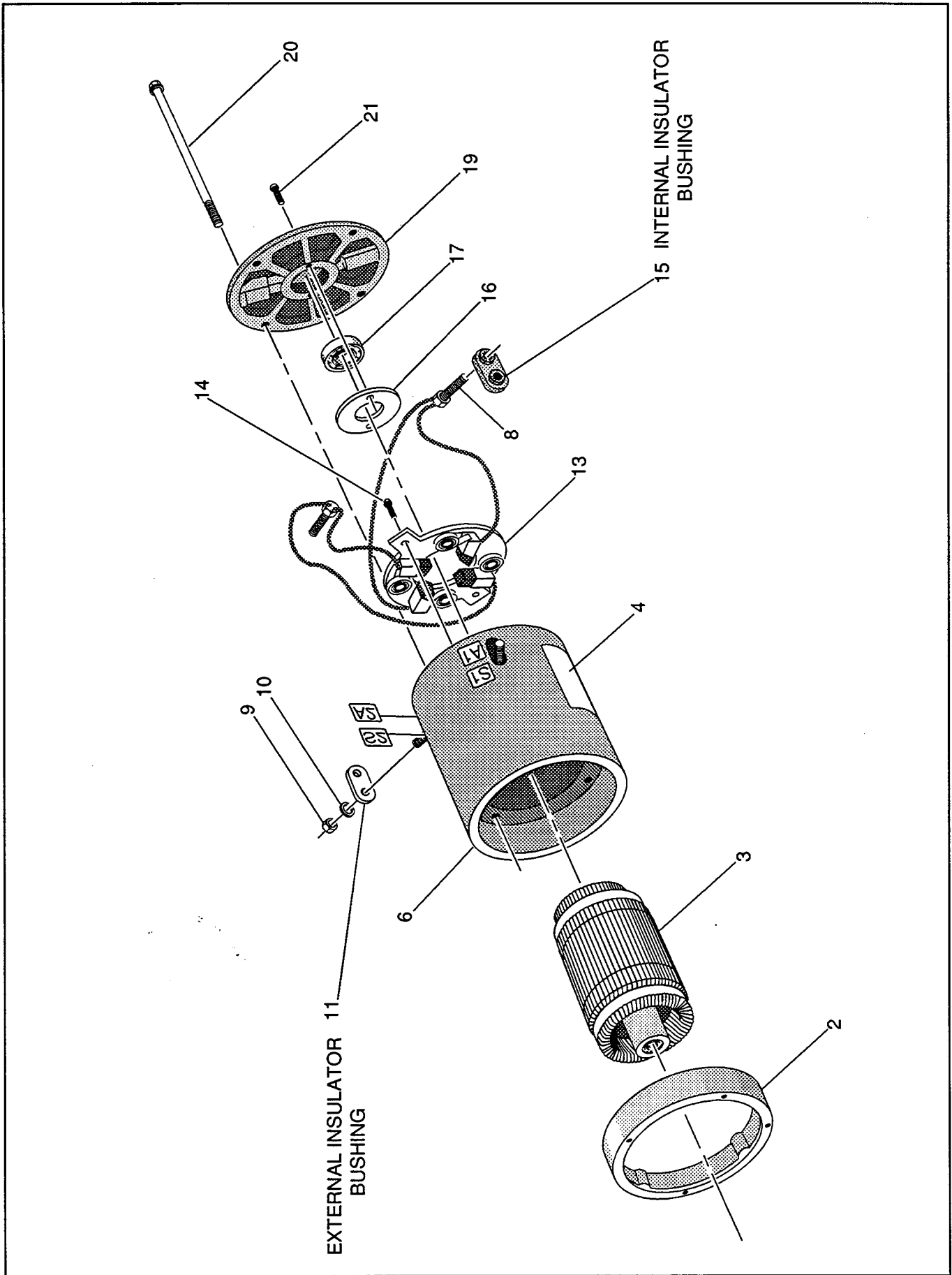
ELECTRIC POWERED VEHICLE

THE USE OF NON U.L. PARTS WILL VOID ANY U.L. LISTING.

When ordering parts, please specify the model and serial number of the product.

* Indicates a component that is not available as an individual part.

ITEM	PART NO.	1	2	3	4	5	DESCRIPTION	QTY	
								3 WHEEL	4 WHEEL
68	20606-G1						WIRE, JUMPER	-	1
69	00532-G1						NUT, LOCK, 1/4 - 20	-	1
70									
71									
72									
73	19197-G3						METER KIT, STATE OF CHARGE,SQUARE (INCLUDES ITEMS 74 - 78) .	1	1
74	19196-G2						METER, STATE OF CHARGE	1	1
75	00372-G5						SCREW, #8 - 32 X 5/8 LG.	2	2
76	00559-G4						WASHER, #8	2	2
77	00565-G4						WASHER, LOCK, #8	2	2
78	00526-G1						NUT, #8 - 32	2	2
79									
80									
81									
82									
83									
84									
85	17318-G1						SWITCH, HORN	1	1
86	19233-G1						DECAL, HORN	1	1
87	14601-G9						RIVET	2	2
88	17618-G1						CLAMP, NYLON	2	2
89	27068-G01						BOOT, HORN	1	1
90	17318-G2						CAP AND NUT, HORN SWITCH	1	1



MOTOR, 2 H.P.

ELECTRIC POWERED VEHICLE

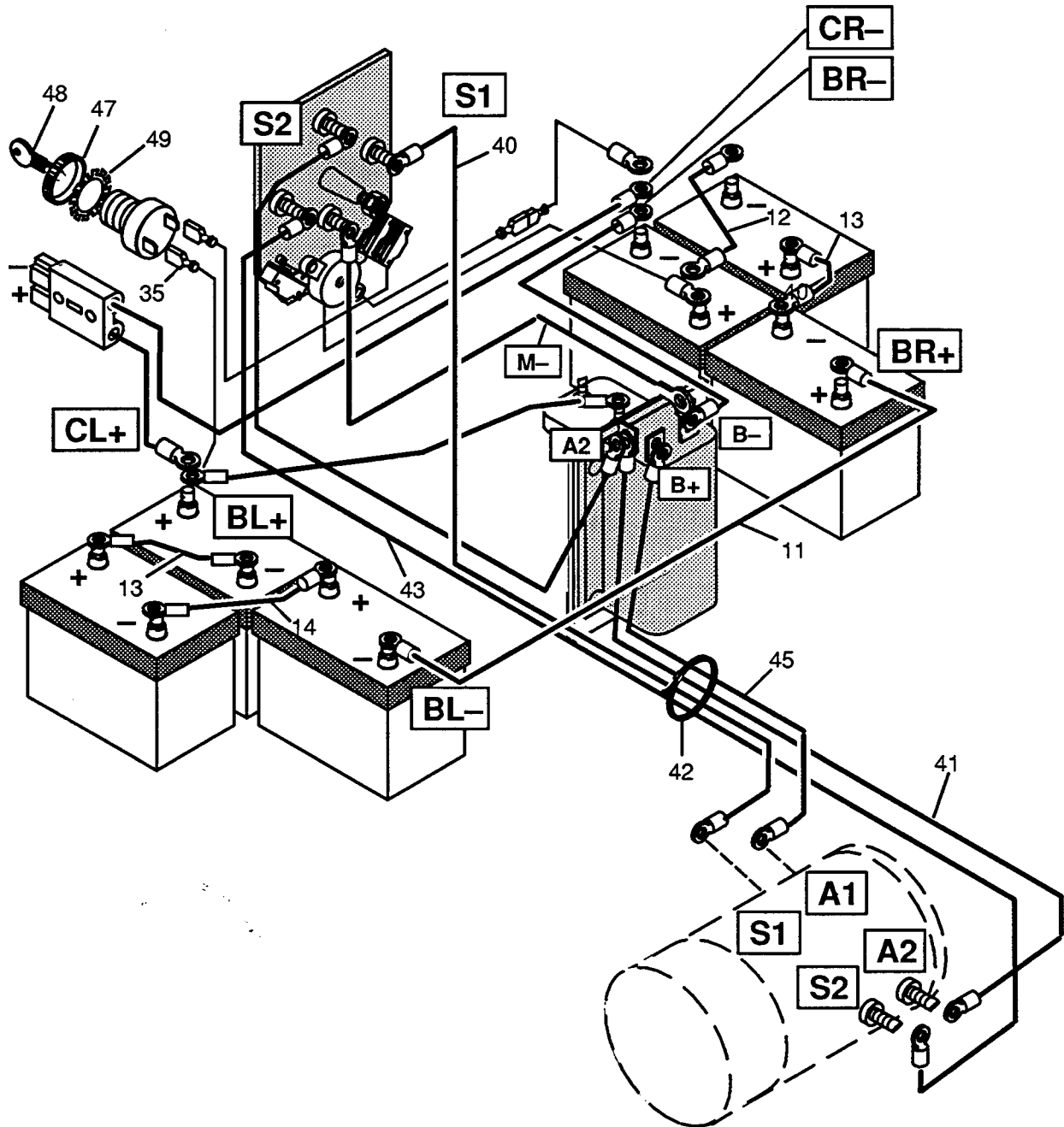
THE USE OF NON U.L. PARTS WILL VOID ANY U.L. LISTING.

When ordering parts, please specify the model and serial number of the product.

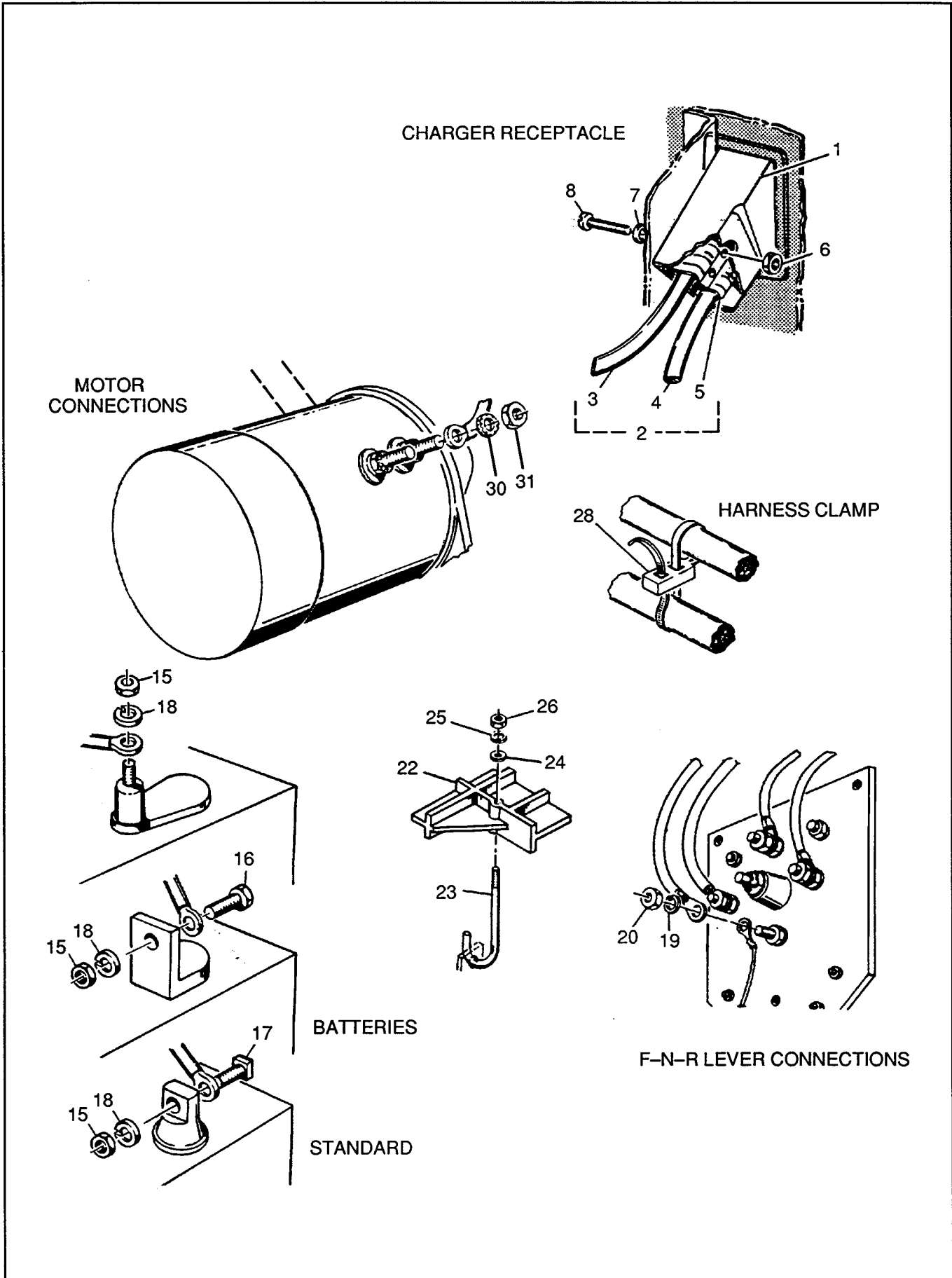
* Indicates a component that is not available as an individual part.

ITEM	PART NO.	1	2	3	4	5	DESCRIPTION	QTY	
								8 WHEEL	4 WHEEL
1	27045-G01	MOTOR, 2 H.P. (INCLUDES ITEMS 2 - 21)					1	1	
2	27630-G01	END SHIELD					1	1	
3	*	ARMATURE					1	1	
4	*	STATOR COMPLETE (INCLUDES ITEMS 6 AND 13)					1	1	
5									
6	*	STATOR SHELL AND WINDING					1	1	
7									
8	27630-G05	BRUSH (WITH TERM SCREW)					2	2	
9	27630-G06	NUT					4	4	
10	27630-G07	WASHER					4	4	
11	27630-G08	BUSHING, INSULATED					2	2	
12									
13	27630-G09	BRUSH MECHANISM					1	1	
14	27630-G10	SCREW - BRUSH HOLDER					2	2	
15	27630-G11	BUSHING, INSULATED					2	2	
16	27630-G12	RETAINER, BEARING					1	1	
17	27630-G13	BALL BEARING					1	1	
18									
19	27630-G14	END SHIELD					1	1	
20	27630-G15	SCREW, CLAMP					4	4	
21	27630-G16	SCREW - BEARING RETAINER					2	2	

- 2 - INCLUDES ITEMS 3 - 5
- 39 - INCLUDES ITEMS 40 - 45
- 46 - INCLUDES ITEMS 47 - 49



NOTE: THIS IS NOT A COMPLETE WIRING DIAGRAM.
 USE FOR WIRE PART NUMBER IDENTIFICATION ONLY.
 SEE F-N-R LEVER AND SPEED CONTROL SECTIONS
 FOR ADDITIONAL WIRES.



POWER WIRING

ELECTRIC POWERED VEHICLE

THE USE OF NON U.L. PARTS WILL VOID ANY U.L. LISTING.

When ordering parts, please specify the model and serial number of the product.

* Indicates a component that is not available as an individual part.

ITEM	PART NO.	1	2	3	4	5	DESCRIPTION	QTY	
								3 WHEEL	4 WHEEL
1	18724-G1						CHARGER RECEPTACLE HOLDER	1	1
2	18784-G1						WIRING HARNESS CHARGER CONNECTOR (INCLUDES ITEMS 3 - 5) .	1	1
3	14852-G1						WIRE (CR-)	1	1
4	14852-G2						WIRE (CL+)	1	1
5	27815-G02						CONNECTOR	1	1
6	14390-G9						NUT, LOCK, #6 - 32	2	2
7	00559-G3						WASHER, #6	2	2
8	00645-G2						SCREW, #6 - 32 x 1 1/4 LG.	2	2
9									
10									
11	11885-G4						WIRE	1	1
12	23540-G1						WIRE	1	1
13	11893-G1						WIRE	2	2
14	11894-G1						WIRE	1	1
15	00994-G01						NUT, 5/16 - 18	12	12
16	00270-G6						BOLT, 5/16 - 18 X 3/4 LG.	12	12
17	12649-G1						BOLT, BATTERY, SQUARE HEAD, 5/16 - 18 X 1 LG.	12	12
18	00993-G01						WASHER, SILICON BRONZE	12	12
19	00565-G8						WASHER, LOCK, 5/16	2	2
20	00702-G2						NUT, 5/16 - 18	1	1
21									
22	15736-G1						BATTERY HOLD DOWN	2	2
23	15734-G2						J-BOLT, BATTERY	2	2
24	00559-G8						WASHER, 5/16	2	2
25	00565-G8						WASHER, LOCK, 5/16	2	2
26	00702-G2						NUT, 5/16 - 18	2	2
27									
28	23544-G1						CLAMP, NYLON, DOUBLE	4	4
29									
30	00567-G8						WASHER, LOCK, 5/16	2	2
31	00532-G3						NUT, 5/16 - 18	4	4
32									
33									
34									

POWER WIRING

ELECTRIC POWERED VEHICLE

THE USE OF NON U.L. PARTS WILL VOID ANY U.L. LISTING.

When ordering parts, please specify the model and serial number of the product.

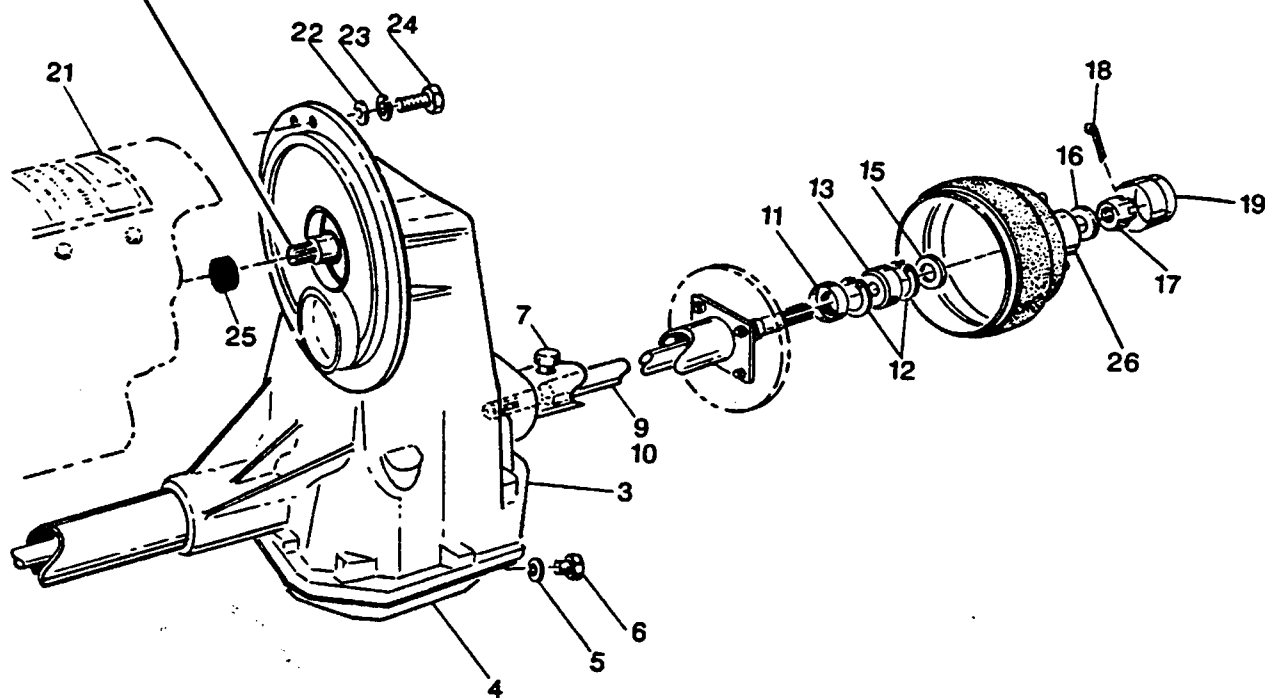
* Indicates a component that is not available as an individual part.

		8 WHEEL	4 WHEEL
--	--	---------	---------

ITEM	PART NO.	1	2	3	4	5	DESCRIPTION	QTY	
35	23968-G1						WIRE	1	1
36									
37									
38									
39	25772-G02						WIRING HARNESS, F-N-R LEVER (INCLUDES ITEMS 40 - 45)	1	1
40	25559-G04						WIRE (S1)	1	1
41	23793-G7						WIRE (A2)	1	1
42	17618-G1						CLAMP, NYLON, BLACK	5	5
43	25559-G03						WIRE (S2)	1	1
44									
45	23793-G6						WIRE (A1)	1	1
46	17421-G1						IGNITION SWITCH KIT (INCLUDES ITEMS 47 - 49)	1	1
47	17137-G1						NUT, FACE	1	1
48	17063-G1						KEY, IGNITION	2	2
49	00568-G6						WASHER, LOCK, 3/4	1	1
50									
51	17618-G1						CLAMP, NYLON	2	2
	**						INDICTOR, CURRENT		
	**						TESTER, BATTERY (DISCHARGE MACHINE)		
	**						HYDROMETER		
	**						OHMMETER (MULTI-METER)		
	**						SEE APPENDIX FOR SERVICE ACCESSORIES AND SPECIAL TOOLS		

2 - INCLUDES ITEMS 4 - 13

NOTE: APPLY A LIGHT COAT OF MOLY GREASE TO MALE SPLINE BEFORE ASSEMBLY. THIS MAY BE PURCHASED AT ANY AUTOMOTIVE STORE.



REAR AXLE

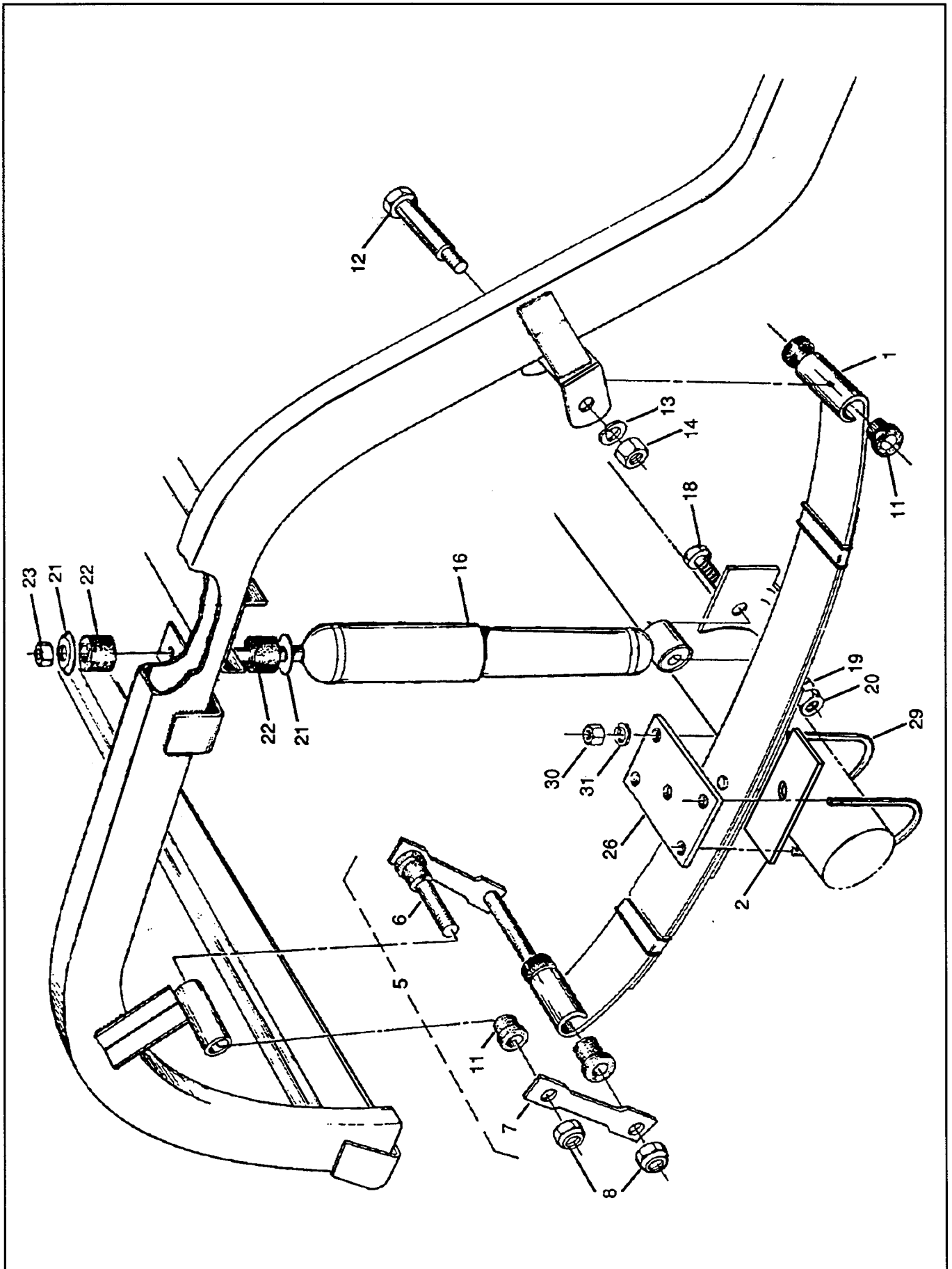
ELECTRIC POWERED VEHICLE

THE USE OF NON U.L. PARTS WILL VOID ANY U.L. LISTING.

When ordering parts, please specify the model and serial number of the product.

* Indicates a component that is not available as an individual part.

ITEM	PART NO.	1	2	3	4	5	DESCRIPTION	QTY	
								8 WHEEL	4 WHEEL
1	XXXXX-XX						WHEEL BRAKE SET (SEE SECTION S FOR PART NUMBER AND QUANTITY)		
2	27120-G01						REAR AXLE ASSEMBLY (INCLUDES ITEMS 4 - 13)	1	1
3									
4	25228-G1						COVER	1	1
5	25227-G1						WASHER	1	1
6	25226-G1						PLUG, FILL/CHECK	1	1
7	25229-G1						VENT, VALVE	1	1
8									
9	20377-G4						SHAFT, AXLE, PASSENGER SIDE	1	1
10	20377-G3						SHAFT, AXLE, DRIVER'S SIDE	1	1
11	15114-G1						SEAL, AXLE	2	2
12	15113-G1						RING, RETAINING	4	4
13	15112-G1						BALL, BEARING, AXLE	2	2
14									
15	15485-G1						WASHER, 20 MM	2	2
16	15487-G1						WASHER, BRAKE DRUM, 5/8	2	2
17	15483-G1						NUT, SLOTTED, 5/8 - 18	2	2
18	10387-G1						PIN, COTTER, 1/8 X 1/2 LG.	2	2
19	12091-G1						CAP, SPINDLE	2	2
20									
21	XXXXX-XX						MOTOR (SEE SECTION K FOR PART NUMBER AND QUANTITY)		
22	00559-G7						WASHER, 1/4	3	3
23	00565-G7						WASHER, LOCK, 1/4	3	3
24	00797-G2						BOLT, 1/4 - 20 X 1 1/4 LG.	3	3
25	24261-G1						BUMPER, SPLINE	1	1
26	24939-G1						ADAPTER, SPINDLE CAP	2	2



REAR SUSPENSION

ELECTRIC POWERED VEHICLE

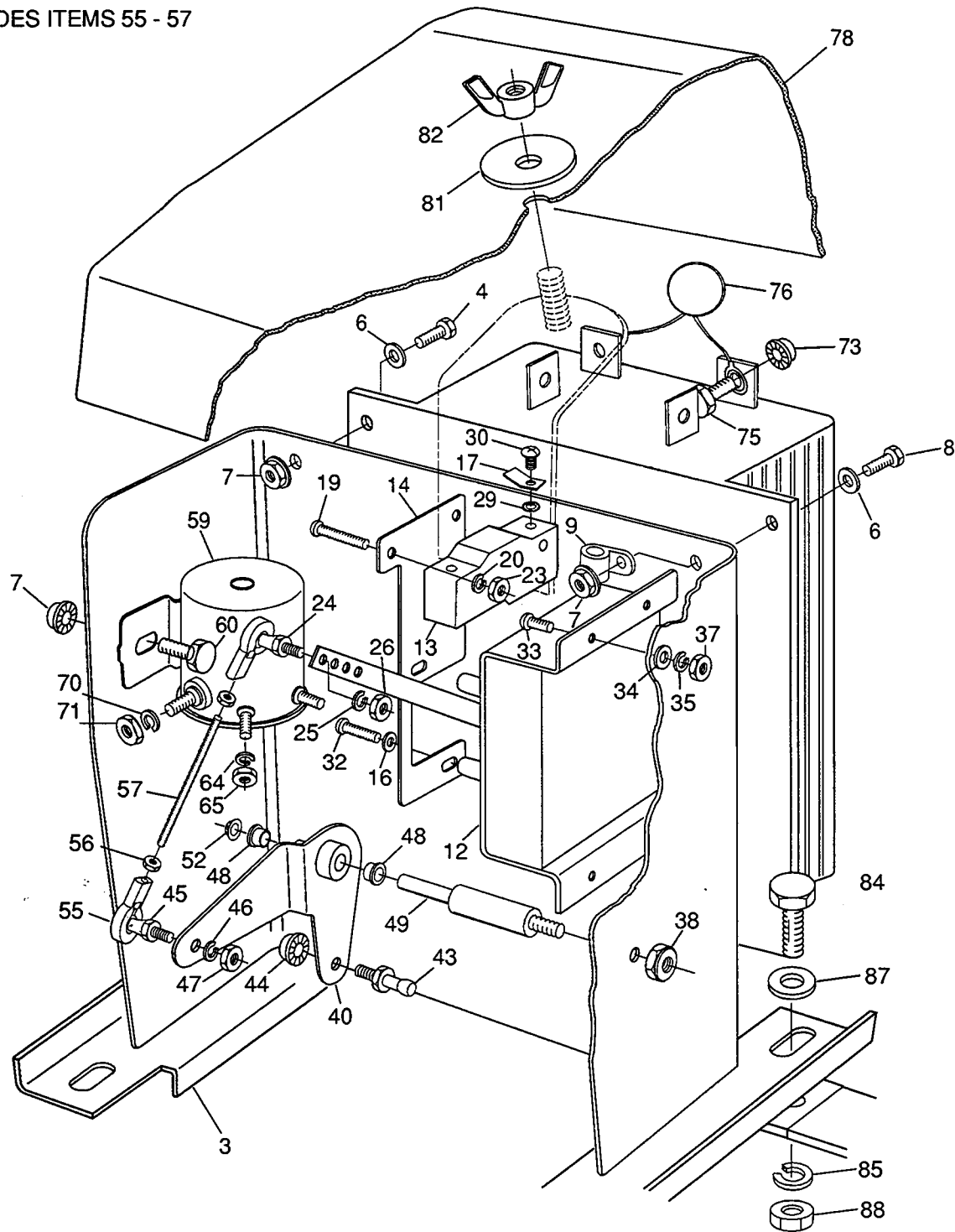
THE USE OF NON U.L. PARTS WILL VOID ANY U.L. LISTING.

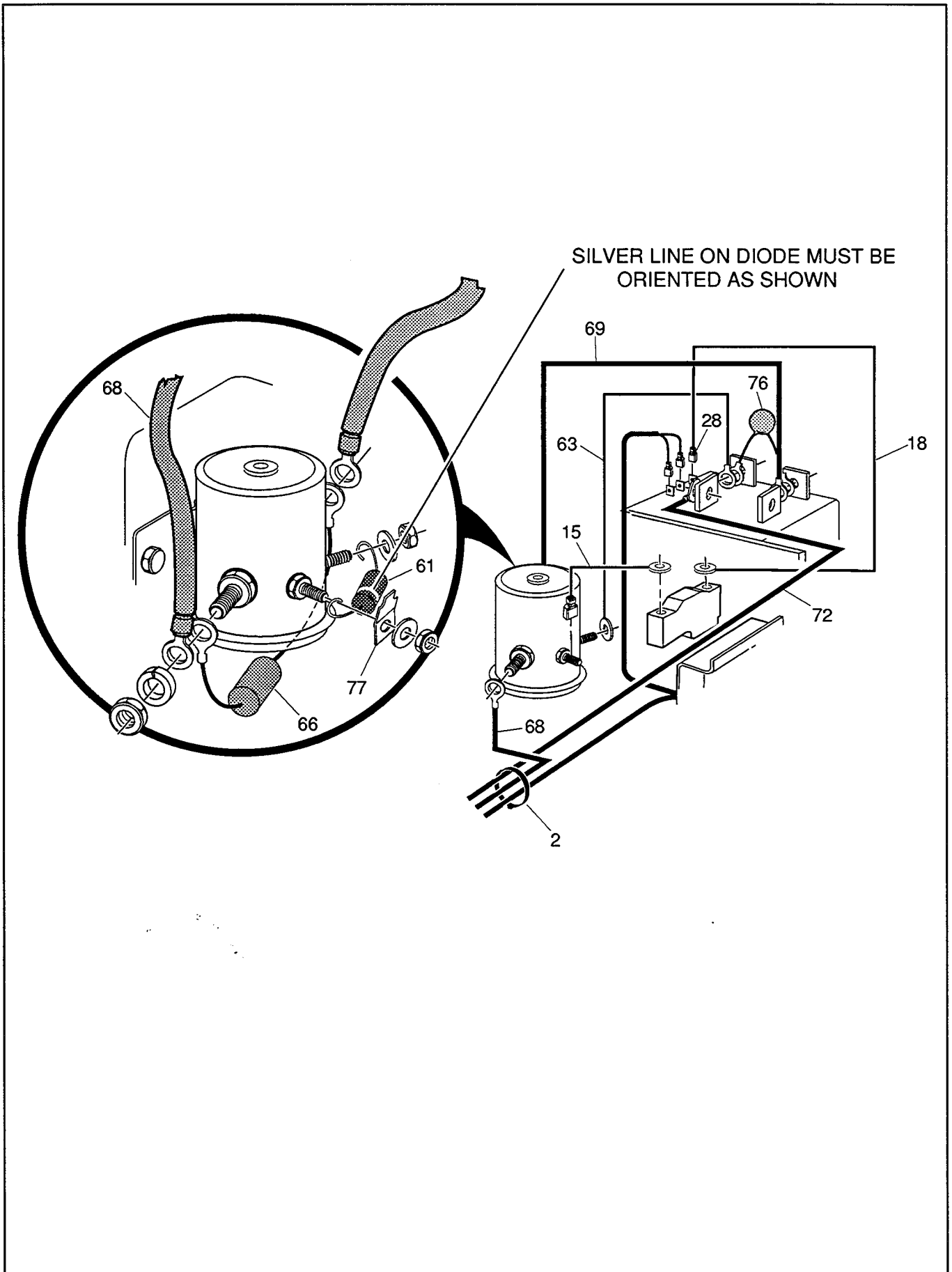
When ordering parts, please specify the model and serial number of the product.

* Indicates a component that is not available as an individual part.

ITEM	PART NO.	1	2	3	4	5	DESCRIPTION	3 WHEEL	4 WHEEL
								QTY	QTY
1	20398-G1						LEAF SPRING	2	2
2	27859-G01						SPACER, LEAF SPRING	2	2
3									
4									
5	19675-G1						SPRING, SHACKLE (INCLUDES ITEMS 6 - 8)	2	2
6	*						STUD PLATE, SHACKLE	2	2
7	*						PLATE, SHACKLE	2	2
8	*						NUT, 3/8 - 24	4	4
9									
10									
11	20098-G1						BUSHING, RUBBER	12	12
12	15727-G1						BOLT, SHOULDER 3/8 - 16	2	2
13	00566-G1						WASHER, LOCK, 3/8	2	2
14	00532-G5						NUT, 3/8 - 16	2	2
15									
16	20278-G1						SHOCK ABSORBER	2	2
17									
18	00428-G4						BOLT, 3/8 - 16 X 2 1/2 LG.	2	2
19	00560-G1						WASHER, 3/8	2	2
20	00550-G5						NUT, LOCK, 3/8 - 16	2	2
21	10435-G1						WASHER, SHOCK ABSORBER	4	4
22	10194-G1						BUSHING, SHOCK ABSORBER	4	4
23	00532-G6						NUT, 3/8 - 24	2	2
24									
25									
26	17034-G1						PLATE, SPRING RETAINER	2	2
27									
28									
29	13716-G2						"U" BOLT, AXLE	4	4
30	00532-G5						NUT, 3/8 - 16	8	8
31	00566-G1						WASHER, LOCK, 3/8	8	8

- 1 - INCLUDES ITEMS 2 - 77
- 11 - INCLUDES ITEMS 12 - 30
- 39 - INCLUDES ITEMS 40 - 52
- 54 - INCLUDES ITEMS 55 - 57





SOLID STATE SPEED CONTROL

ELECTRIC POWERED VEHICLE

THE USE OF NON U.L. PARTS WILL VOID ANY U.L. LISTING.

When ordering parts, please specify the model and serial number of the product.

* Indicates a component that is not available as an individual part.

ITEM	PART NO.	1	2	3	4	5	DESCRIPTION	QTY	
								8 WHEEL	4 WHEEL
1	27659-G01						SOLID STATE SPEED CONTROL ASSY, LDI (INCLUDES ITEMS 2 - 77)	1	1
2	17618-G1						WIRE TIE	1	1
3	25378-G01						BRACKET, ELECTRONIC SPEED CONTROL	1	1
4	00414-G5						SCREW, 1/4 20 X 5/8 LG.	3	3
5									
6	00660-G7						WASHER, STAINLESS STEEL, 1/4	4	4
7	11027-G2						NUT, LOCK, 1/4 20	6	6
8	00414-G6						SCREW, 1/4 - 20 X 3/4 LG.	1	1
9	11845-G5						CLIP, CABLE, INSULATED	1	1
10									
11	25399-G3						POTENTIOMETER ASSY (INCLUDES ITEMS 12 - 32)	1	1
12	25398-G1						POTENTIOMETER	1	1
13	10606-G5						MICRO SWITCH	1	1
14	26937-G01						MICRO SWITCH, POTENTIOMETER BRACKET	1	1
15	25977-G19						WIRE ASSY	1	1
16	00559-G4						WASHER, #8	2	2
17	14628-G1						TAB, FASTON	1	1
18	24019-G2						WIRE ASSY	1	1
19	00138-G8						SCREW, #6 - 32	2	2
20	00565-G3						WASHER, LOCK, #6	2	2
21									
22									
23	00525-G5						NUT, #6 - 32	2	2
24	24479-G1						BALL	1	1
25	00565-G5						WASHER, #10	1	1
26	00526-G4						NUT, #10 - 32	1	1
27									
28	17064 - G1						TERMINAL, PUSHON	4	4
29	00567-G3						WASHER, LOCK, #6	2	2
30	*						SCREW	2	2
31									
32	00372-G3						SCREW, #8 - 32 X 3/8 LG.	2	2
33	00150-G4						SCREW, #10 - 24 X 1/2 LG.	3	3

SOLID STATE SPEED CONTROL

ELECTRIC POWERED VEHICLE

THE USE OF NON U.L. PARTS WILL VOID ANY U.L. LISTING.

When ordering parts, please specify the model and serial number of the product.

* Indicates a component that is not available as an individual part.

ITEM	PART NO.	1	2	3	4	5	DESCRIPTION	3 WHEEL	4 WHEEL
								QTY	QTY
34	00559-G5						WASHER, #10	3	3
35	00565-G5						WASHER, LOCK, #10	3	3
36									
37	00526-G3						NUT, #10 - 24	3	3
38	14390-G1						NUT, LOCK, 3/8 - 24	1	1
39	25332-G1						PIVOT ARM ASSY (INCLUDES ITEMS 40 - 52)	1	1
40	25331-G1						ARM, PIVOT	1	1
41									
42									
43	15944-G3						BALL, BALL JOINT	1	1
44	11098-G9						NUT, LOCK, 5/16 - 24	1	1
45	24479-G1						BALL	1	1
46	00565-G5						WASHER, #10	1	1
47	00526-G4						NUT, #10 - 32	1	1
48	24621-G1						WASHER, NYLON	2	2
49	25328-G1						ROD, PIVOT	1	1
50									
51									
52	12064-G1						PUSHNUT	1	1
53									
54	22587-G8						ADJUSTING ROD ASSY (INCLUDES ITEMS 55 - 57)	1	1
55	24465-G1						SOCKET	2	2
56	00526-G4						NUT, #10 - 32	2	2
57	23722-G1						ROD, CONTROL	1	1
58									
59	27855-G01						SOLENOID, 36V	1	1
60	00414-G4						SCREW, 1/4 - 20 X 1/2 LG.	2	2
61	30353-G1						DIODE, 3 AMPS	1	1
62									
63	24021-G1						WIRE ASSY	1	1
64	*						WASHER, LOCK, #10	2	2
65	*						NUT, #10 - 32	2	2
66	21764-G1						RESISTOR ASSY	1	1
67									

SOLID STATE SPEED CONTROL

ELECTRIC POWERED VEHICLE

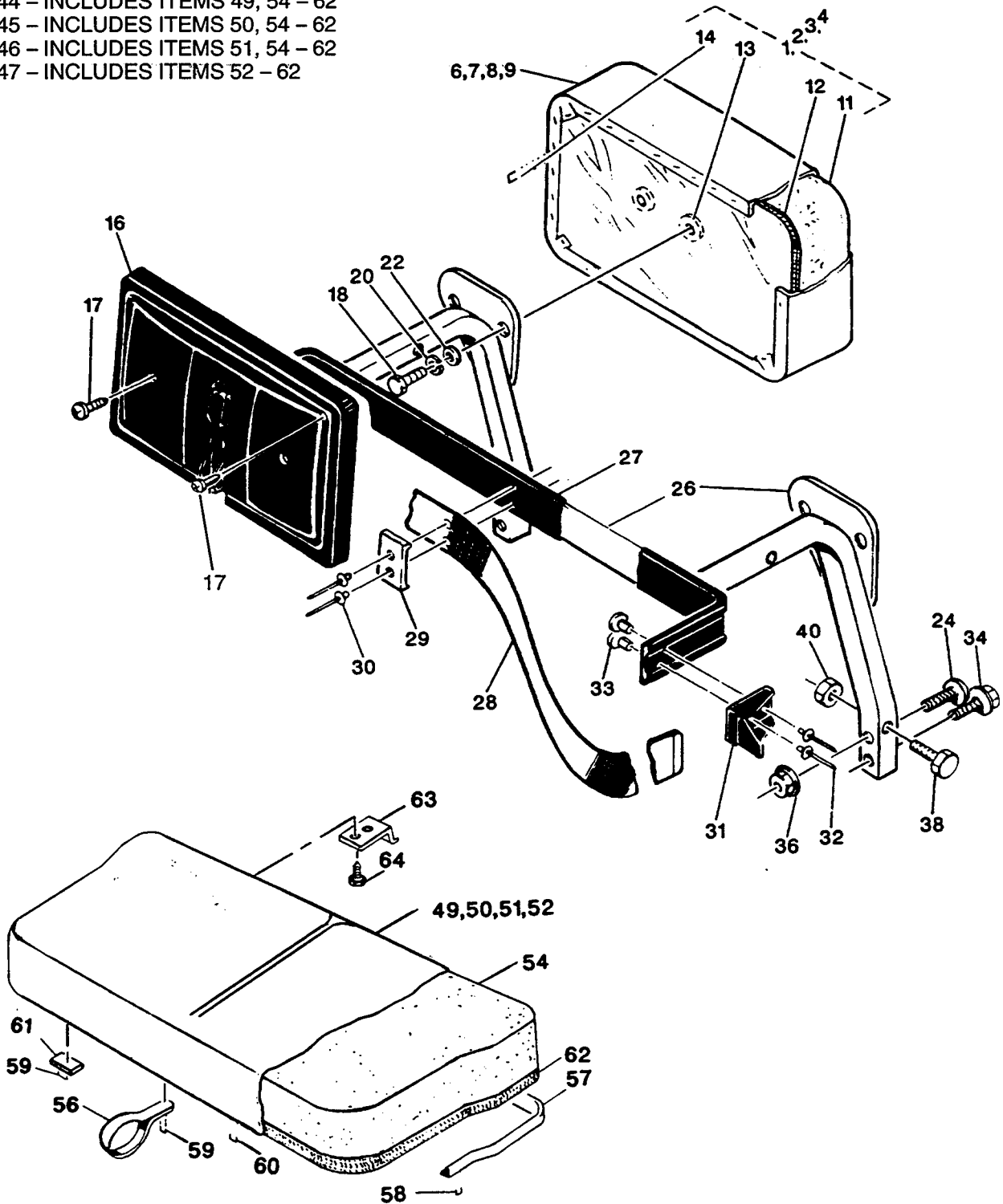
THE USE OF NON U.L. PARTS WILL VOID ANY U.L. LISTING.

When ordering parts, please specify the model and serial number of the product.

* Indicates a component that is not available as an individual part.

ITEM	PART NO.	1	2	3	4	5	DESCRIPTION	QTY	
								3 WHEEL	4 WHEEL
68	23793-G3						WIRE ASSY	1	1
69	23793-G1						WIRE ASSY	1	1
70	*						WASHER, LOCK, 5/16	2	2
71	*						NUT, 5/16 - 24	2	2
72	23793-G4						WIRE ASSY	1	1
73	11027-G1						NUT, LOCK, 5/16 - 18	4	4
74									
75	00270-G5						SCREW, 5/8	4	4
76	25949-G01						VARISTOR, MOV	1	1
77	14628-G1						TAB, FASTON	1	1
78	23723-G2						COVER, ESC	1	1
79									
80									
81	16469-G1						WASHER, FENDER	1	1
82	14419-G1						WINGNUT	1	1
83									
84	00661-G5						SCREW, STAINLESS STEEL, 1/4 - 20 X 5/8 LG.	4	4
85	00565-G7						WASHER, LOCK, 1/4	4	4
86									
87	00559-G7						WASHER, 1/4	4	4
88	00532-G1						NUT, 1/4 - 20	4	4

- 1 - INCLUDES ITEMS 6, 11 - 14
- 2 - INCLUDES ITEMS 7, 11 - 14
- 3 - INCLUDES ITEMS 8, 11 - 14
- 4 - INCLUDES ITEMS 9, 11 - 14
- 44 - INCLUDES ITEMS 49, 54 - 62
- 45 - INCLUDES ITEMS 50, 54 - 62
- 46 - INCLUDES ITEMS 51, 54 - 62
- 47 - INCLUDES ITEMS 52 - 62



SEATS AND BAG HOLDER

ELECTRIC POWERED VEHICLE

THE USE OF NON U.L. PARTS WILL VOID ANY U.L. LISTING.

When ordering parts, please specify the model and serial number of the product.

* Indicates a component that is not available as an individual part.

ITEM	PART NO.	1	2	3	4	5	DESCRIPTION	3 WHEEL	4 WHEEL
								QTY	QTY
1	24115-G2						BACK REST ASSEMBLY, WHITE (INCLUDES ITEMS 6, 11 - 14)	2	2
2	24115-G6						BACK REST ASSEMBLY, OYSTER (INCLUDES ITEMS 7, 11 - 14)	2	2
3	24115-G7						BACK REST ASSEMBLY, TAN (INCLUDES ITEMS 8, 11 - 14)	2	2
4	24115-G8						BACK REST ASSEMBLY, GRAY (INCLUDES ITEMS 9, 11 - 14)	2	2
5									
6	14371-G1						COVER, BACK REST CUSHION, WHITE	1	1
7	14371-G4						COVER, BACK REST CUSHION, OYSTER	1	1
8	14371-G5						COVER, BACK REST CUSHION, TAN	1	1
9	14371-G6						COVER, BACK REST CUSHION, GRAY	1	1
10									
11	25433-G1						CUSHION FOAM, BACK REST	1	1
12	19226-G1						PLYWOOD SEAT BACK	1	1
13	*						NUT, TEE	2	2
14	*						STAPLE, FLAT	60	60
15									
16	19056-G3						COVER, BACK REST, BLACK	2	2
17	00923-G6						SCREW, SELF-TAPPING, STAINLESS STEEL, #8 - 15 X 3/4 LG.	8	8
18	00414-G8						SCREW, 1/4 - 20 X 1 LG.	4	4
19									
20	00565-G7						WASHER, LOCK, 1/4	4	4
21									
22	00559-G7						WASHER, 1/4	4	4
23									
24	00763-G4						SCREW, TRUSS, 5/16 - 18 X 1 1/2 LG.	2	2
25									
26	16924-G2						SEAT BACK BRACKET AND BAG HOLDER	1	1
27	14643-G1						EXTRUSION, VINYL (ORDER TO THE NEAREST FOOT)	1	1
28	15902-G1						STRAP, RETAINER	1	1
29	16610-G1						ANCHOR, PLATE	1	1
30	17226-G1						RIVET	2	2
31	16920-G1						RETAINER, STRAP	2	2
32	15058-G1						RIVET, ALUMINUM BLACK	4	4
33	16935-G1						NUT, TEE	4	4
34	00439-G6						SCREW, LOCK, 5/16 - 18 X 1 3/4 LG.	4	4

SEATS AND BAG HOLDER

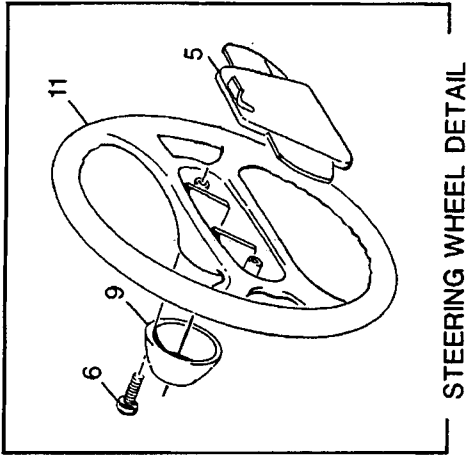
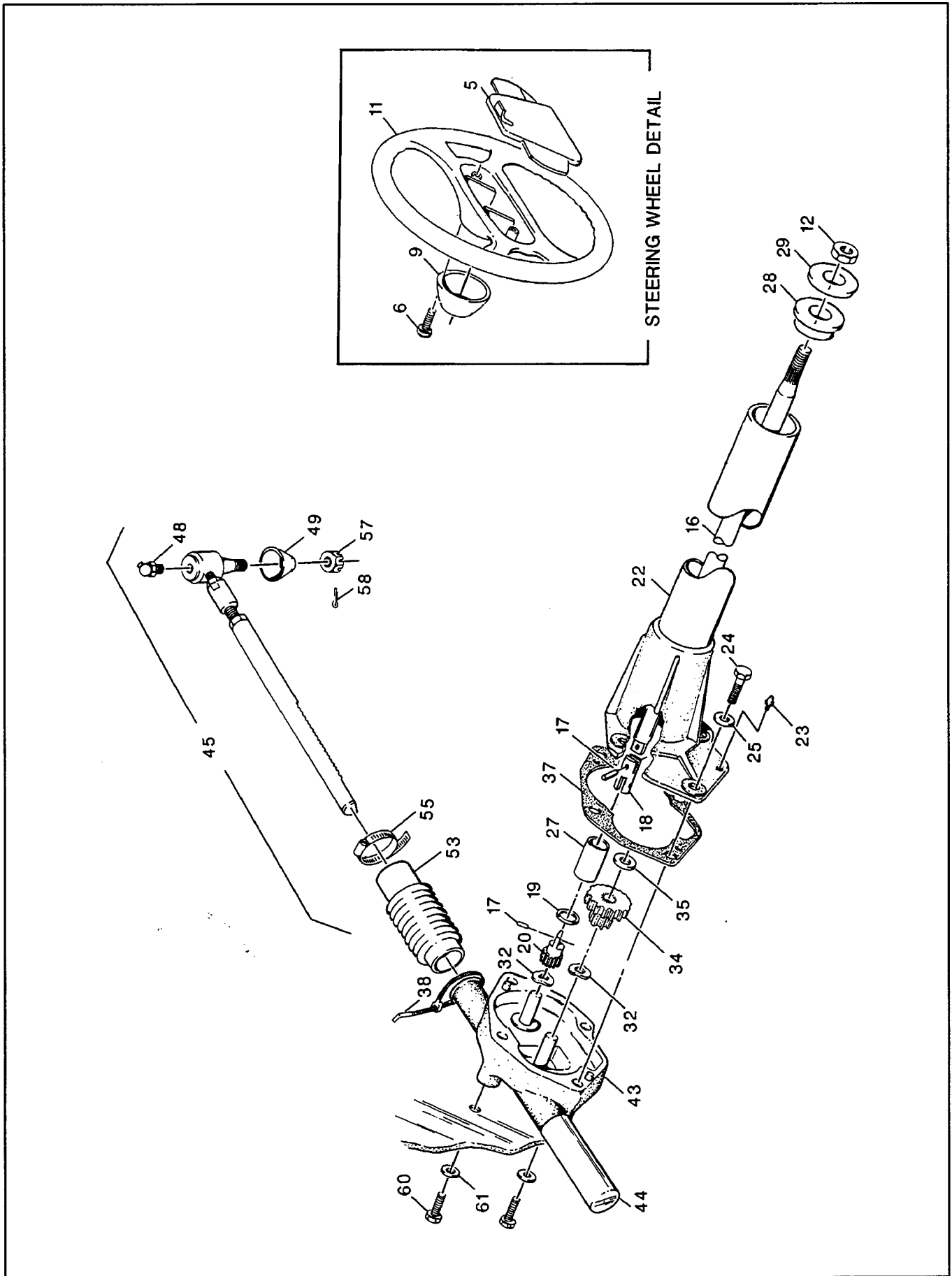
ELECTRIC POWERED VEHICLE

THE USE OF NON U.L. PARTS WILL VOID ANY U.L. LISTING.

When ordering parts, please specify the model and serial number of the product.

* Indicates a component that is not available as an individual part.

ITEM	PART NO.	1	2	3	4	5	DESCRIPTION	QTY	
								3 WHEEL	4 WHEEL
35									
36	11027-G1						NUT, LOCK, 5/16 - 18	4	4
37									
38	00427-G4						SCREW, 3/8 - 16 X 1 1/2 LG.	2	2
39									
40	11027-G5						NUT, LOCK, 3/8 - 16	2	2
41									
42									
43									
44	25503-G16						SEAT BOTTOM ASSEMBLY, WHITE, (INCLUDES ITEMS 49, 54 - 62) ...	1	1
45	25503-G17						SEAT BOTTOM ASSEMBLY, OYSTER, (INCLUDES ITEMS 50, 54- 62) ..	1	1
46	25503-G18						SEAT BOTTOM ASSEMBLY, TAN,(INCLUDES ITEMS 51, 54 - 62)	1	1
47	25503-G19						SEAT BOTTOM ASSEMBLY, GRAY, (INCLUDES ITEMS 52 - 62)	1	1
48									
49	15146-G1						COVER, SEAT BOTTOM CUSHION, WHITE	1	1
50	15146-G2						COVER, SEAT BOTTOM CUSHION, OYSTER	1	1
51	15146-G3						COVER, SEAT BOTTOM CUSHION, TAN	1	1
52	15146-G4						COVER, SEAT BOTTOM CUSHION, GRAY	1	1
53									
54	25432-G1						CUSHION FOAM	1	1
55									
56	11394-G1						WEBBING	1	1
57	17113-G1						TRIM, VINYL	1	1
58	*						STAPLE	24	24
59	*						STAPLE	4	4
60	*						STAPLE, FLAT	110	110
61	17074-G1						SOILING SLAB	2	2
62	12441-G2						PLYWOOD, SEAT BOTTOM	1	1
63	18250-G1						HINGE, SEAT	2	2
64	00114-G6						SCREW, SELF-TAPPING, 1/4 - 10 X 3/4 LG.	4	4



STEERING

ELECTRIC POWERED VEHICLE

THE USE OF NON U.L. PARTS WILL VOID ANY U.L. LISTING.

When ordering parts, please specify the model and serial number of the product.

* Indicates a component that is not available as an individual part.

3 WHEEL	4 WHEEL
---------	---------

ITEM	PART NO.	1	2	3	4	5	DESCRIPTION	QTY	
								3 WHEEL	4 WHEEL
1									
2									
3									
4									
5	27102-G01						HOLDER, SCORECARD	1	1
6	18464-G1						SCREW, SELF-TAPPING, #8 X 7/8 LG.	2	2
7									
8									
9	23225-G1						HUB, COVER EXTENSION	1	1
10									
11	23172-G1						WHEEL, STEERING	1	1
12	14390-G2						NUT, LOCK, 5/8 - 18	1	1
13									
14	19152-G1						STEERING UNIT ASSEMBLY (INCLUDES ITEMS 15 - 57)	1	1
15	17163-G1						STEERING, SHAFT ASSEMBLY (INCLUDES ITEMS 16 - 20)	1	1
16	*						SHAFT, STEERING	1	1
17	*						PIN, DOWEL, 1/4	2	2
18	*						COUPLING	1	1
19	*						WASHER, THRUST	1	1
20	*						PINION, STEERING	1	1
21	19153-G1						STEERING COLUMN UNIT	1	1
22									
23	*						FITTING, GREASE	1	1
24	00448-G8						SCREW, 5/16 - 24 X 1 LG.	4	4
25	00565-G8						WASHER, LOCK, 5/16	4	4
26									
27	17140-G1						SLEEVE	1	1
28	17161-G1						BUSHING	1	1
29	16772-G1						SEAL	1	1
30									
31									
32	51294-G1						WASHER, WAVE TYPE, SPRING	2	2
33									



STEERING

ELECTRIC POWERED VEHICLE

THE USE OF NON U.L. PARTS WILL VOID ANY U.L. LISTING.

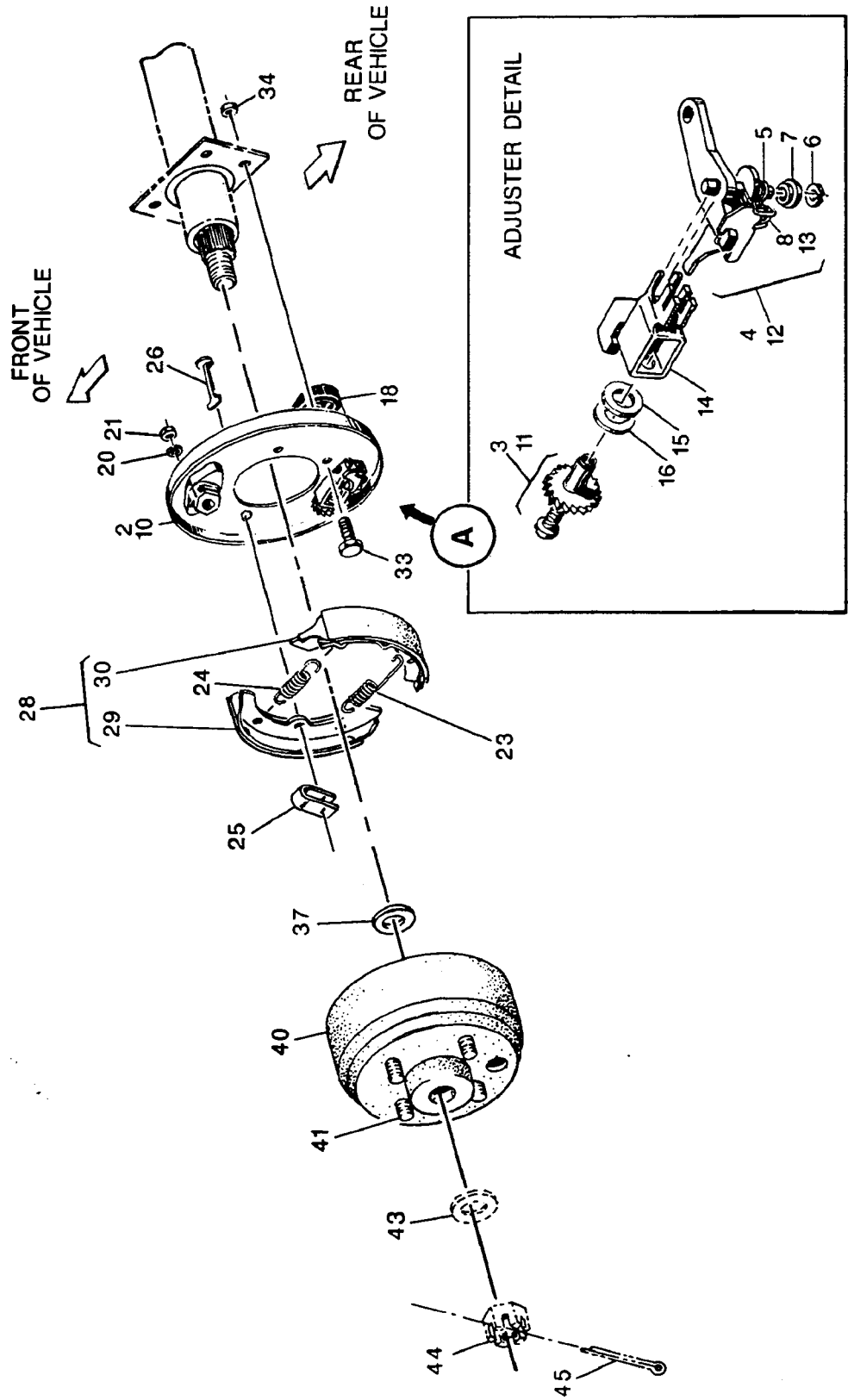
When ordering parts, please specify the model and serial number of the product.

* Indicates a component that is not available as an individual part.

3 WHEEL	4 WHEEL
---------	---------

ITEM	PART NO.	1	2	3	4	5	DESCRIPTION	QTY	
								3 WHEEL	4 WHEEL
34	23279-G1						GEAR REDUCTION	1	1
35	13059-G2						WASHER, THRUST	1	1
36									
37	19154-G1						GASKET, HOUSING	1	1
38	17618-G1						CLAMP, NYLON	1	1
39									
40									
41									
42									
43	13097-G1						HOUSING ASSEMBLY (INCLUDES ITEM 44)	1	1
44	13570-G1						COVER, RACK	1	1
45	15407-G1						RACK AND ROD ASSEMBLY (INCLUDES ITEMS 48 - 57)	1	1
46									
47									
48	18456-G1						FITTING, GREASE	1	1
49	50641-G1						RUBBER BOOT, TIE ROD END	1	1
50									
51									
52									
53	17617-G1						BELLOWS	1	1
54									
55	11391-G1						CLAMP, HOSE	1	1
56									
57	50209-G1						NUT, SLOTTED, 7/16 - 20	1	1
58	10387-G2						PIN, COTTER, 3/16 X 1 LG.	1	1
59									
60	00276-G6						SCREW, 5/16 - 24 X 3/4 LG.	3	3
61	00565-G8						WASHER, LOCK, 5/16	3	3

SELF-ADJUSTING BRAKES
(DRIVER'S SIDE SHOWN)



WHEEL BRAKE

ELECTRIC POWERED VEHICLE

THE USE OF NON U.L. PARTS WILL VOID ANY U.L. LISTING.

When ordering parts, please specify the model and serial number of the product.

* Indicates a component that is not available as an individual part.

3 WHEEL	4 WHEEL
---------	---------

ITEM	PART NO.	1	2	3	4	5	DESCRIPTION	QTY	
								3 WHEEL	4 WHEEL
1	27247-G01						BRAKE ASSEMBLY, PASSENGER SIDE (INCLUDES ITEMS 2 - 8, 14 - 30)	1	1
2	22518-G1						PLATE, BACKING	1	1
3	23360-G1						ADJUSTER	1	1
4	23357-G1						ASSEMBLY, LEVER (INCLUDES ITEMS 5 - 8)	1	1
5	*						SPRING	1	1
6	*						RETAINER	1	1
7	*						WASHER, SHOULDER	1	1
8	23536-G1						SPRING, TORSION	1	1
9	27247-G02						BRAKE ASSEMBLY, DRIVER'S SIDE (INCLUDES ITEMS 10 - 30)	1	1
10	22519-G1						PLATE, BACKING	1	1
11	23361-G1						ADJUSTER	1	1
12	23358-G1						ASSEMBLY, LEVER (INCLUDES ITEMS 13 - 16)	1	1
13	23537-G1						SPRING, TORSION	1	1
14	23363-G1						BODY, ADJUSTER	1	1
15	23382-G1						WASHER	1	1
16	23362-G1						WASHER, THRUST	1	1
17									
18	22519-G1						COVER, DUST	1	1
19	23356-G1						BLOCK, ANCHOR	1	1
20	00565-G1						WASHER, LOCK, 1/4	2	2
21	13632-G1						NUT, 6 MM	2	2
22									
23	23359-G1						SPRING, BRAKE, ADJUSTER	1	1
24	17290-G1						SPRING, BRAKE, ANCHOR	1	1
25	17291-G1						SPRING, SHOE, CLAMP	2	2
26	17292-G1						PIN, TENSION	2	2
27									
28	27249-G01						BRAKE SHOE SET (INCLUDES ITEMS 29, 30)	1	1
29	27250-G01						SHOE, BRAKE, TRAILING	1	1
30	27251-G01						SHOE, BRAKE, LEADING	1	1
31									
32									
33	17083-G1						BOLT, 5/16 - 24 X 3/4 LG.	8	8

WHEEL BRAKE

ELECTRIC POWERED VEHICLE

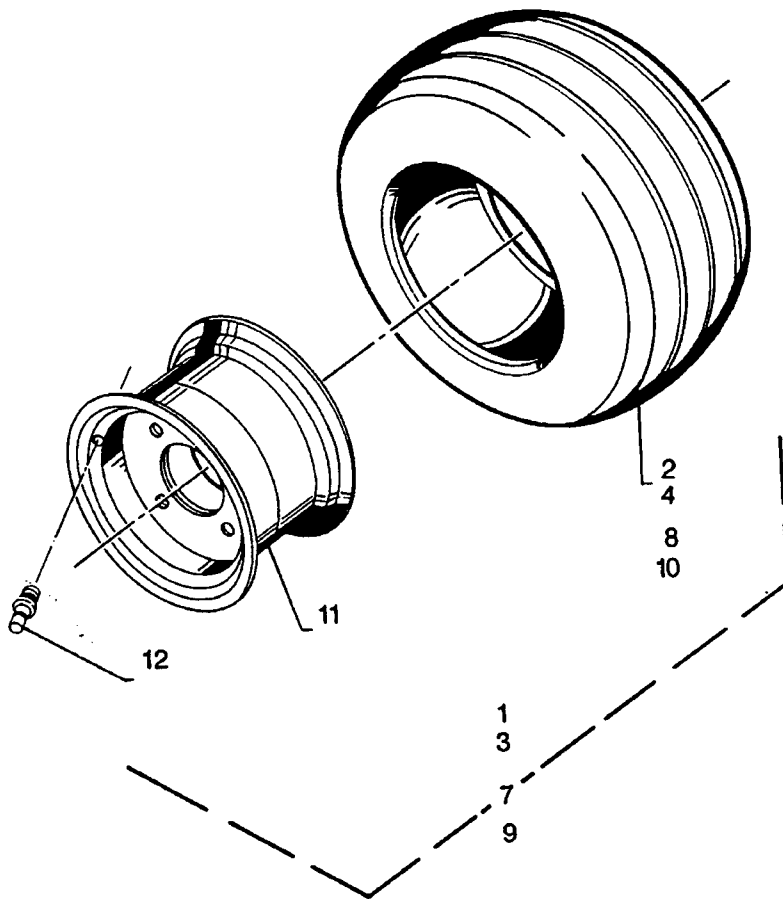
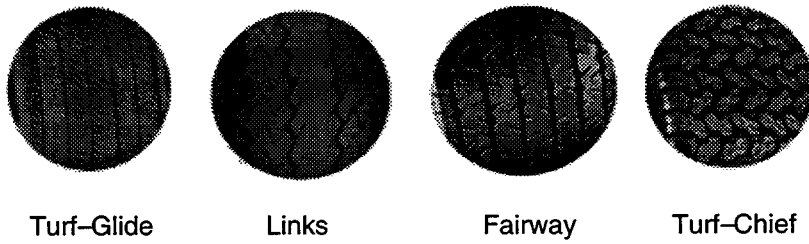
THE USE OF NON U.L. PARTS WILL VOID ANY U.L. LISTING.

When ordering parts, please specify the model and serial number of the product.

* Indicates a component that is not available as an individual part.

ITEM	PART NO.	1	2	3	4	5	DESCRIPTION	3 WHEEL	4 WHEEL
								QTY	QTY
34	15126-G1						NUT, LOCK, 5/16 - 24	8	8
35									
36									
37	15485-G1						WASHER, 1.161 O.D. / .787 I.D.	2	2
38									
39									
40	19186-G1						BRAKE DRUM ASSEMBLY (INCLUDES ITEM 41)	2	2
41	19862-G1						BOLT, LUG, 1/2 - 20 X 1 5/32 LG.	4	4
42									
43	XXXXX-XX						WASHER (SEE SECTION M FOR PART NUMBER AND QUANTITY)		
44	XXXXX-XX						NUT, SLOTTED (SEE SECTION M FOR PART NUMBER AND QUANTITY)		
45	XXXXX-XX						PIN, COTTER (SEE SECTION M FOR PART NUMBER AND QUANTITY)		

TIRE TREAD TYPES:



WHEELS AND TIRES

ELECTRIC POWERED VEHICLE

THE USE OF NON U.L. PARTS WILL VOID ANY U.L. LISTING.

When ordering parts, please specify the model and serial number of the product.

* Indicates a component that is not available as an individual part.

ITEM	PART NO.	1	2	3	4	5	DESCRIPTION	QTY	
								3 WHEEL	4 WHEEL
1	27772-G01						18 X 8.5 - 8 CARLISLE TIRE AND WHEEL RIM ASSEMBLY, LINKS		AR
2	27772-G05						18 X 8.5 - 8 CARLISLE TIRE, LINKS		AR
3	27772-G02						18 X 8.5 - 8 CARLISLE TIRE AND WHEEL RIM ASSEMBLY, TURF GLIDE		AR
4	27772-G06						18 X 8.5 - 8 CARLISLE TIRE, TURF GLIDE		AR
5									
6									
7	27772-G03						18 X 8.5 - 8 CARLISLE TIRE AND WHEEL RIM ASSEMBLY, TURF CHIEF		AR
8	27772-G07						18 X 8.5 - 8 CARLISLE TIRE, TURF CHIEF		AR
9	27772-G04						18 X 8.5 - 8 CARLISLE TIRE AND WHEEL RIM ASSEMBLY, FAIRWAY .		AR
10	27772-G08						18 X 8.5 - 8 CARLISLE TIRE, FAIRWAY		AR
11	15169-G1						WHEEL RIM, 4 LUG, STANDARD		AR
12	11657-G1						VALVE STEM (INCLUDED IN ITEMS 1,3,7 AND 9)		AR

APPENDIX

SERVICE ACCESSORIES AND SPECIAL TOOLS

SPECIAL TOOLS

PART NO.

CURRENT INDICATOR	16489-G1
MULTI-METER, DIGITAL	27481-G01
SEAL INSTALLATION TOOL (REAR AXLE SHAFT SEAL)	18739-G1
SLIDE HAMMER KIT (AXLE PULLER)	18753-G1
CRIMPING TOOL	27765-G01

PAINT

CONTACT CUSTOMER REPRESENTATIVE FOR COLOR SPECIFICATIONS AND PART NUMBERS



E-Z-GO Division of Textron Inc.
P.O. BOX 388 Augusta, Georgia 30913-2699
Telephone 1-800-241-5855

Copyright 1993
This manual may not be reproduced in whole or
in part without the express written permission of
E-Z-GO Division of Textron Inc.
Technical Communications Department