



PARTS CATALOGUE

YDRAX6F (JC24) CANADA, EUROPE, OTHERS



1RJC2-100E1

()

YDRAX6F
PARTS CATALOGUE
©2015 by Yamaha Motor Co., Ltd.
1st edition, June 2015
All rights reserved.
Any reprinting or unauthorized use
without the written permission of
Yamaha Motor Co., Ltd.
is expressly prohibited.
Printed in Japan.

FOREWORD

This Parts Catalogue is related to the parts for the model(s) on the cover page. When you are ordering replacement parts, please refer to this Parts Catalogue and quote both part numbers and part names correctly.

1. Modifications or additions which have been made after the issue of the Parts Catalogue will be announced in the Parts News.

It is advisable that you make the necessary corrections to the Parts Catalogue according to the Parts News.

2. Abbreviations

The following abbreviations are used in this Parts Catalogue.

“UR” Use specified parts number.

“UN” Use as many as needed.

“AP” Alternate Parts

“LM” Locally Made (Parts need to be ordered locally)

“F#” Frame No. (Applicable machine No.)

“O/S” Over Size

3. The number of components for assembly

- Parts, which are to be supplied in an assembly, are listed with a dot (.) in front of the part name as shown below.
- The numeral appearing to the right of each component part indicates the quantity of parts for each assembly unit.

PART NO.	DESCRIPTION	Q'TY	REMARKS
2F5-83310-60	FRONT FLASHER LIGHT ASSY	2	
115-83311-60	.BULB (6V-18W)	1	

4. Applicable colours of graphics are represented in the “REMARKS” as shown below.

PART NO.	DESCRIPTION	Q'TY	REMARKS
2N4-24110-00-X5	FUEL TANK COMP.	2	MXR
3J1-24240-10	.GRAPHIC, FUEL TANK	1	FOR MXR

5. Note that the illustrations for reference in finding parts numbers are not to be used for assembling. When assembling, please use the applicable service manual.

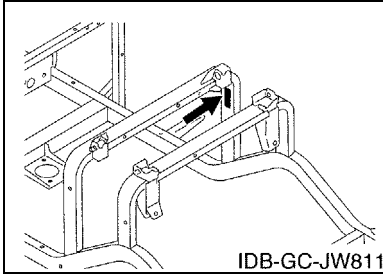
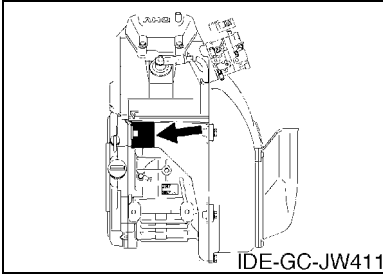
6. The asterisk (*) before a reference number indicates modified items after the first edition.

FOREWORD

7. Applicable Serial No.

Engine Serial No.

Frame Serial No.



10. Applicable Starting Serial No.

Frame Serial No.

Serial No.	Name Of Q'ty Column	Model Code
JC2-300101	JC24	JC24

8. Applicable Colour Code (The (*) mark shows Model colour.)

Abbreviation	Colour Name	Colour Code
DPBST(*)	DARK PURPLISH BLUE SOLID T	1220
HTR(*)	HEAT RED	00EY
LNMP(*)	LIGHT GRAY METALLIC P	0925
LN YM8(*)	LIGHT GRAYISH YELLOW ME 8	1047
NYS4(*)	GRAYISH YELLOW SOLID 4	1459
VDGS1(*)	VERY DARK GREEN SOLID 1	0614
WS7(*)	WHITE SOLID 7	1045

9. Quantity Column Information

Column No.	Name Of Q'ty Column	Destination
1	JC24	CANADA, EUROPE, OTHERS

CONTENTS

ENGINE 1	1
----------------	---

ENGINE

CYLINDER HEAD	2
CRANKSHAFT & PISTON	3
CAMSHAFT & VALVE	4
AIR SHROUD & FAN	5
INTAKE 1	6
INTAKE 2	7
EXHAUST	8
CRANKCASE	9

BODY

ENGINE BRACKET	10
REAR ARM & SUSPENSION	11
FRAME	12
FRONT SUSPENSION	13
STEERING	15
FUEL TANK	17
PEDAL WIRE	18
PEDAL ASSEMBLY	19
BRAKE	22
GOVERNOR	23

DRIVE

PRIMARY SHEAVE	24
SECONDARY SHEAVE	25
TRANSAXLE	26
SHIFTER & CABLES	29
WHEEL	30
BUMPER	31
BODY	32
BODY 2	34
BODY FITTING	35
CARRIER	36
SEAT	37

ELECTRICAL

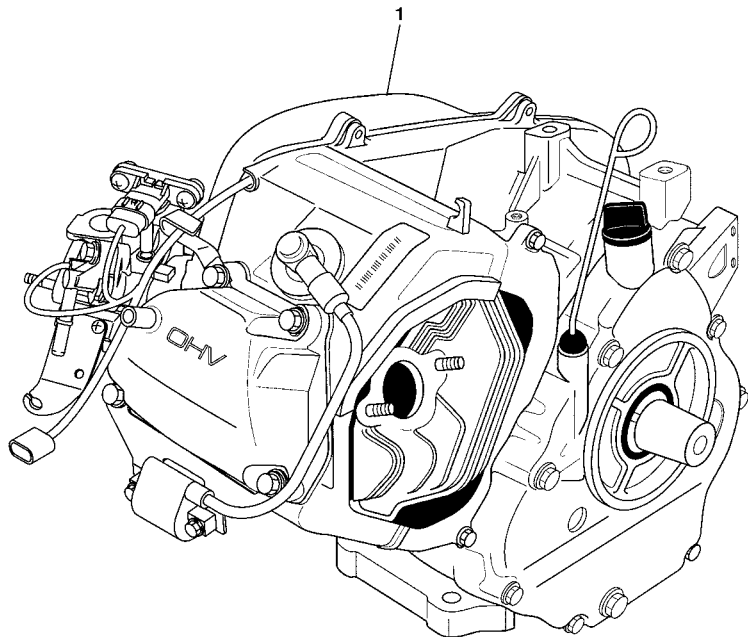
STARTING MOTOR	38
ELECTRICAL 1	40
ELECTRICAL 2	42

ALTERNATE FOR WINDSHIELD	44
ALTERNATE FOR SUN ROOF	45

INDEX

NUMERICAL INDEX	46
-----------------------	----

FIG. 1 ENGINE 1

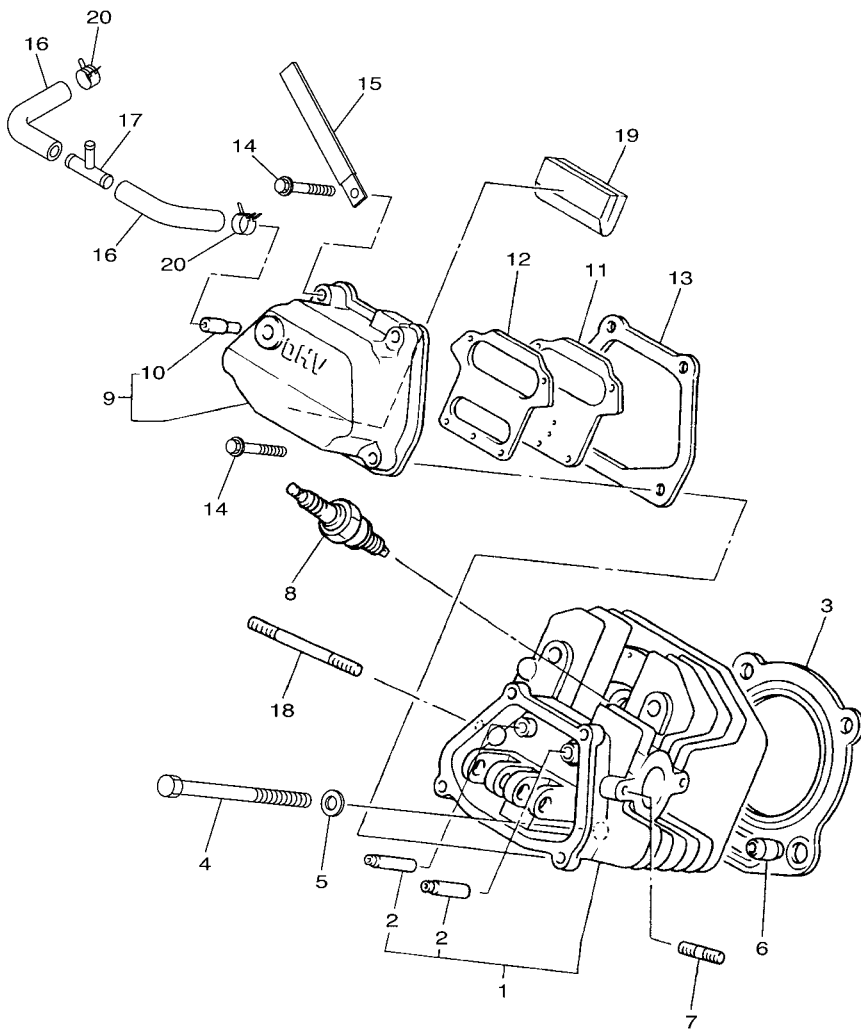


REF. NO.	PART NO.	DESCRIPTION	JC24				REMARKS
1	JC0-19001-70	ENGINE ASSEMBLY	1				

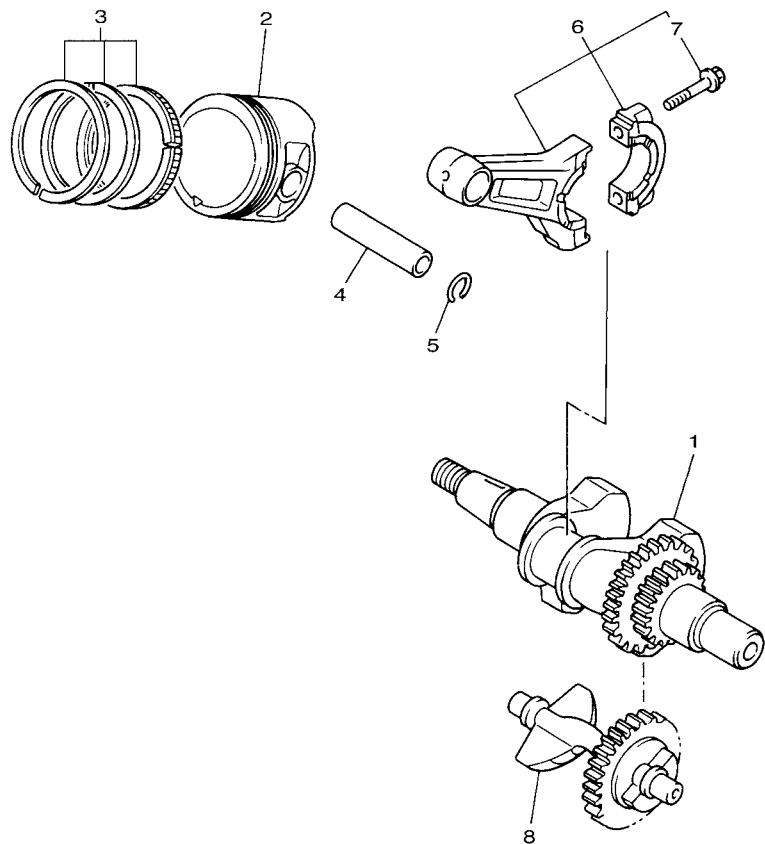

 JC04110-L010

FIG. 2 CYLINDER HEAD

REF. NO.	PART NO.	DESCRIPTION	JC24				REMARKS
1	JT0-11111-00	HEAD, CYLINDER 1	1				
2	JN6-11133-10	.GUIDE, VALVE 1	2				
3	JT0-11181-00	GASKET, CYLINDER HEAD 1	1				
4	97012-10070	BOLT	4				
5	90201-10057	WASHER, PLATE	4				
6	99530-14016	PIN, DOWEL	2				
7	95622-08618	BOLT, STUD	2				
8	94702-00348	PLUG, SPARK (NGK-BPR2ES)	1				STD
	94702-00343	PLUG, SPARK (NGK BP4ES)	1				AP
9	JN6-11191-01	COVER, CYLINDER HEAD 1	1				
10	JN6-11116-00	.JOINT, BREATHER	1				
11	JN6-11168-00	COVER, BREATHER	1				
12	JN6-11169-00	GASKET, BREATHER COVER	1				
13	JN6-11193-00	GASKET, HEAD COVER 1	1				
14	95822-06030	BOLT, FLANGE	4				
15	90462-05061	CLAMP	1				
16	JW1-E1166-00	PIPE, BREATHER 1	2				
17	JW1-E1116-00	JOINT, BREATHER	1				
18	95602-08710	BOLT, STUD	2				
19	JR7-11163-10	ELEMENT	1				
20	90467-13847	CLIP	2				



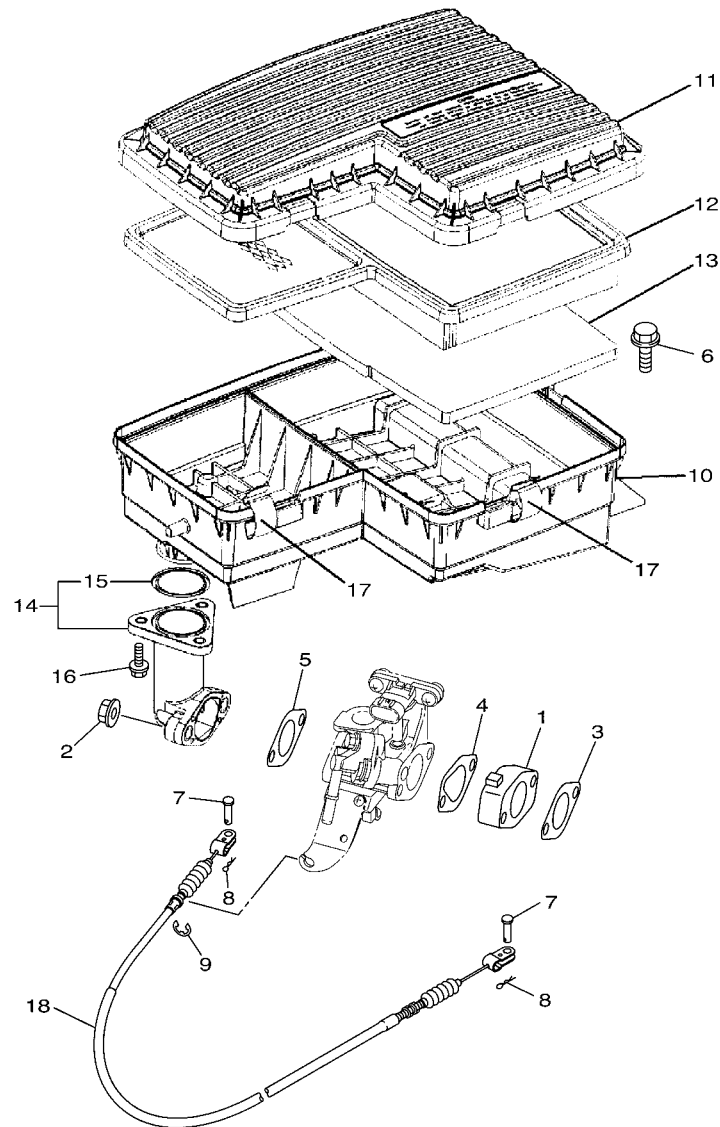
JC04110-L020



JN7010-6021

FIG. 3 CRANKSHAFT & PISTON

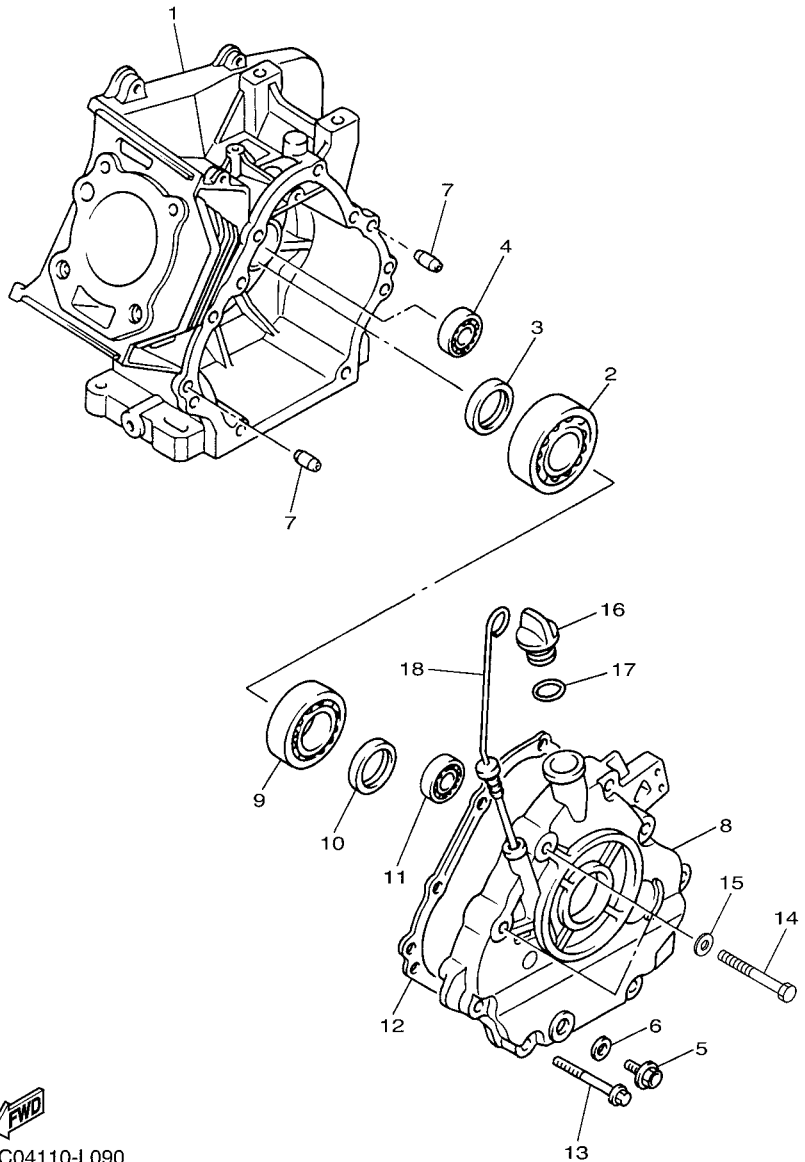
REF. NO.	PART NO.	DESCRIPTION	JC24				REMARKS
1	JN6-11400-00	CRANKSHAFT ASSY	1				
2	JR7-11631-00-A0	PISTON (STD)	1				
	JR7-11635-00	PISTON (0.25MM O/S)	1				AP
	JR7-11636-00	PISTON (0.50MM O/S)	1				AP
3	JR7-11610-00	PISTON RING SET (STD)	1				
	JR7-11610-10	PISTON RING SET (0.25MM O/S)	1				AP
	JR7-11610-20	PISTON RING SET (0.50MM O/S)	1				AP
4	583-11633-00	PIN, PISTON	1				
5	93450-21053	CIRCLIP	2				
6	JN6-11650-10	CONNECTING ROD ASSY	1				
7	JN6-11654-10	BOLT, CONNECTING ROD	2				
8	JN6-11454-10	WEIGHT 1	1				



JC04110-L060

FIG. 6 INTAKE 1

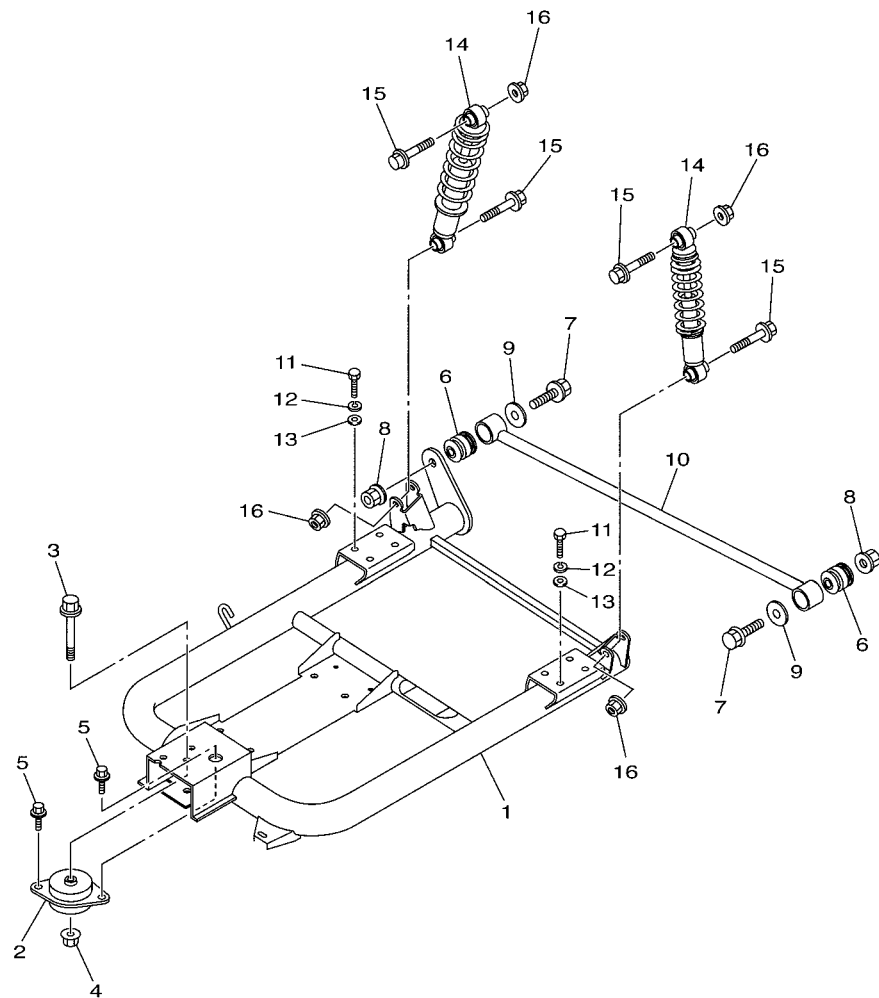
REF. NO.	PART NO.	DESCRIPTION	JC24				REMARKS
1	JC0-13595-00	JOINT	1				
2	95702-08500	NUT, FLANGE	2				
3	JN6-13567-00	GASKET	1				
4	JC0-13567-00	GASKET	1				
5	JN6-13567-00	GASKET	1				
6	90119-06884	BOLT, WITH WASHER	2				
7	91702-05010	PIN, CLEVIS	2				
8	90468-10049	CLIP	2				
9	99001-07600	CIRCLIP	1				
10	JU0-E4411-00	CASE, AIR CLEANER 1	1				
11	JU0-E4412-00	CAP, CLEANER CASE 1	1				
12	JU0-E4450-00	ELEMENT ASSY, AIR CLEANER	1				
13	JU0-E445E-00	FILTER 1	1				
14	JU0-E3505-09	JOINT COMP.	1				
15	93210-398D6	.O-RING	1				
16	90105-06862	BOLT, FLANGE	3				
17	5UH-E4424-00	CLIP, CAP FITTING	5				
18	JC0-F6312-20	CABLE, THROTTLE 2	1				



JC04110-L090

FIG. 9 CRANKCASE

REF. NO.	PART NO.	DESCRIPTION	JC24				REMARKS
1	JC0-15111-00	CRANKCASE 1	1				
2	93306-30709	BEARING	1				
3	93102-35014	OIL SEAL	1				
4	93306-20201	BEARING	1				
5	90340-12097	PLUG, STRAIGHT SCREW	1				
6	812-11198-00	GASKET	1				
7	99530-08016	PIN, DOWEL	2				
8	JN6-15411-01	COVER, CRANKCASE 1	1				
9	93306-20714	BEARING	1				
10	93102-35014	OIL SEAL	1				
11	93306-20201	BEARING	1				
12	JY2-15451-00	GASKET, CRANKCASE COVER 1	1				
13	95812-08045	BOLT, FLANGE	6				
14	97012-10050	BOLT	2				
15	90201-10057	WASHER, PLATE	2				
16	796-15363-01	PLUG, OIL	1				
17	93210-22344	O-RING	1				
18	J38-15361-00	GAUGE, LEVEL	1				



JW69110-R110

FIG. 11 REAR ARM & SUSPENSION

REF. NO.	PART NO.	DESCRIPTION	JC24				REMARKS
1	JW8-F2110-30	REAR ARM COMP.	1				
2	JN6-F2123-10	BUSH 1	1				
3	90105-13800	BOLT, FLANGE	1				
4	90179-13800	NUT	1				
5	90119-10044	BOLT, WITH WASHER	2				
6	JN6-F2124-10	BUSH 2	2				
7	95812-12065	BOLT, FLANGE	2				
8	95602-12200	NUT, SELF-LOCKING	2				
9	90201-128S4	WASHER, PLATE	2				
10	JW1-F217G-10	ROD, CONNECTING 2	1				
11	97012-10020	BOLT	8				
12	92902-10100	WASHER, SPRING	8				
13	92902-10600	WASHER, PLATE	8				
14	JW1-F2210-10	SHOCK ABSORBER ASSY, REAR	2				
15	95812-10055	BOLT, FLANGE	4				
16	95602-10200	NUT, U FLANGE	4				

FIG. 12 FRAME

REF. NO.	PART NO.	DESCRIPTION	JC24			REMARKS
1	JW8-F2501-01	FRAME COMP.	1			
2	JW8-F4425-00	BRACKET, FUEL PUMP 1	1			
3	JW8-F4619-01	RIVET	2			
4	JW8-F253B-00	STAY, RELAY	1			
5	JW8-F1153-00	BRACKET, REAR FOOTREST	2			
6	JW1-F1738-00	BOLT	2			
7	JW1-F7411-20	FOOTREST 1	1			
8	JW1-F1738-00	BOLT	14			
9	JW1-F258G-02	BRACKET, DASH UPPER 1	1			
10	90105-06831	BOLT, FLANGE	6			
11	90105-08867	BOLT, FLANGE	1			

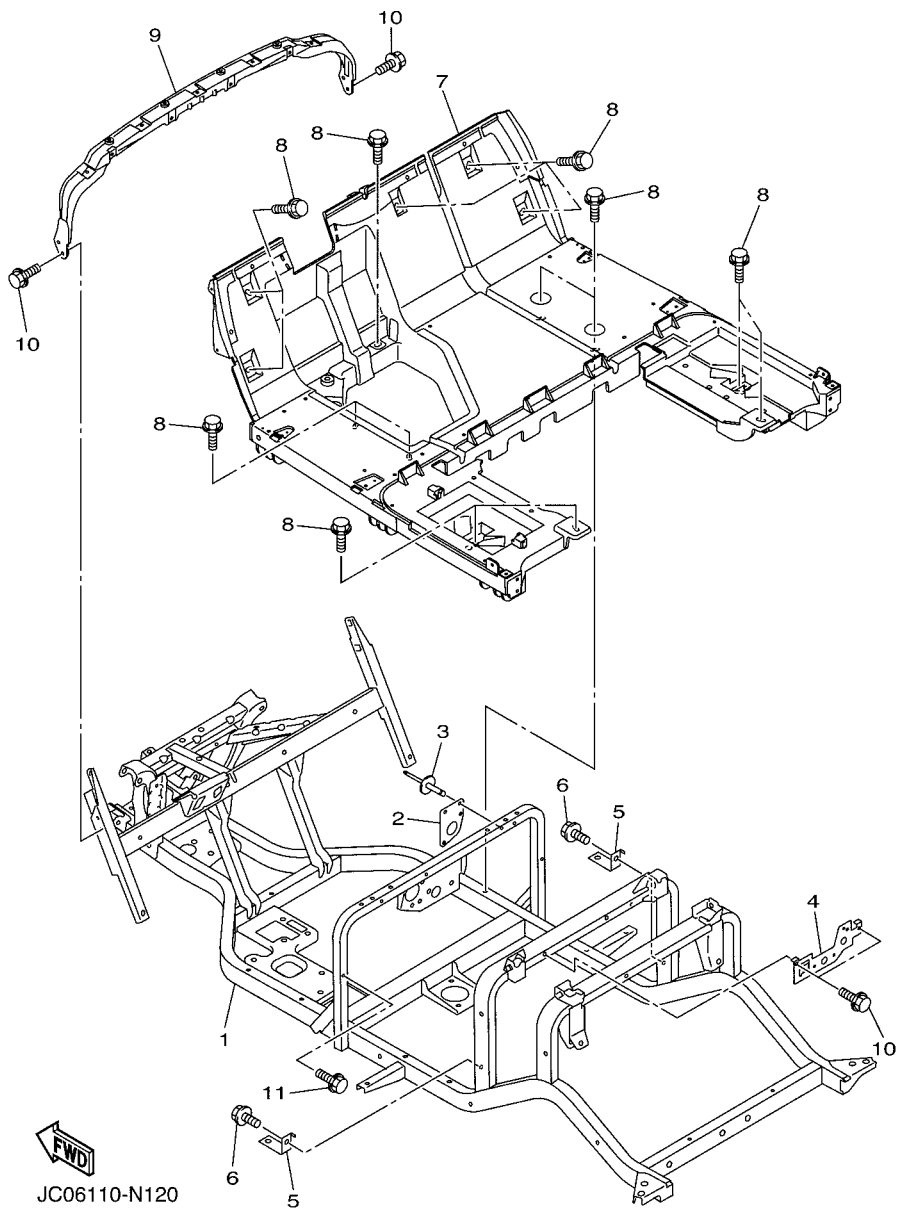
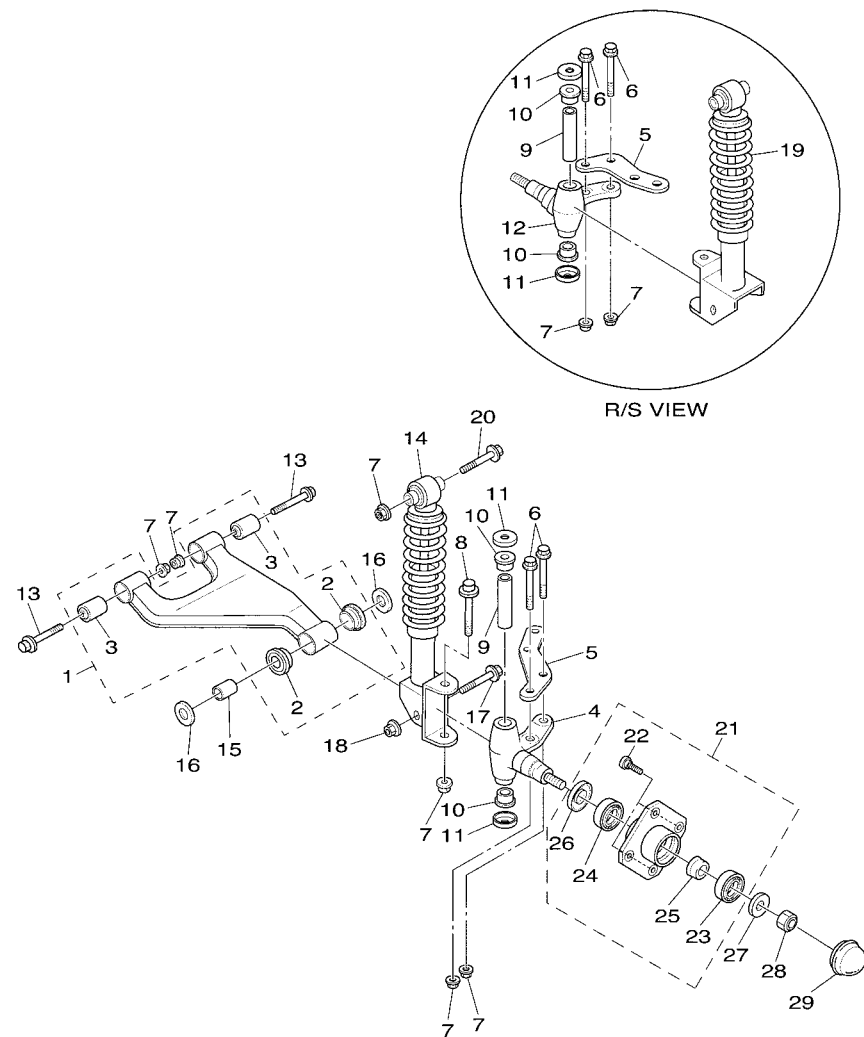


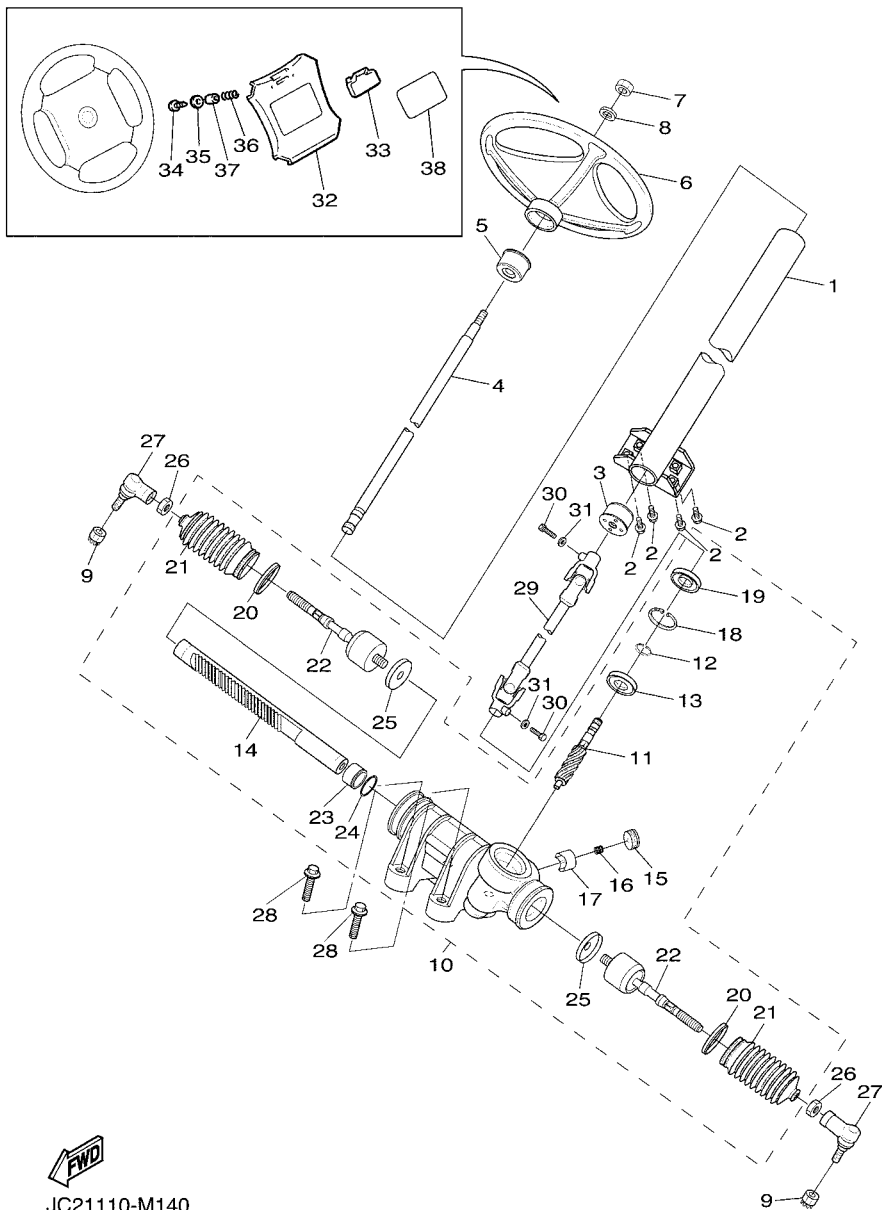
FIG. 13 FRONT SUSPENSION



JW69110-R130

REF. NO.	PART NO.	DESCRIPTION	JC24				REMARKS
1	JU0-F3570-20	FRONT LOWER ARM COMP.	2				
2	90381-18001	.BUSH, SOLID	2				
3	2HR-23526-00	.BUSH	2				
4	JU0-F3511-10	KNUCKLE, STEERING 1	1				
5	JW1-F3512-00	ARM, KNUCKLE 1	2				
6	90105-10373	BOLT, FLANGE	4				
7	95602-10200	NUT, U FLANGE	12				
8	90105-10219	BOLT, FLANGE	2				
9	2NL-23448-00	SPACER	2				
10	90381-17067	BUSH, SOLID	4				
11	2NL-23517-00	COVER, THRUST 1	4				
12	JU0-F3521-10	KNUCKLE, STEERING 2	1				
13	90105-10267	BOLT, FLANGE	4				
14	JW1-F3350-10	SHOCK ABSORBER ASSY	1				
15	90387-12016	COLLAR	2				
16	401-22128-01	COVER, THRUST 1	4				
17	95812-12080	BOLT, FLANGE	2				
18	95612-12100	NUT, U	2				
19	JW1-F3390-10	SHOCK ABSORBER ASSY 2	1				
20	90105-10267	BOLT, FLANGE	2				
21	JW8-F5103-00	HUB BEARING UNIT ASSY	2				
22	90114-12806	.BOLT, SERRATION	4				
23	93306-204X0	.BEARING	1				
24	93306-005Y3	.BEARING	1				
25	90387-241M7	.COLLAR	1				
26	93102-30083	.OIL SEAL	1				
27	90208-14801	WASHER, CONICAL SPRING	2				

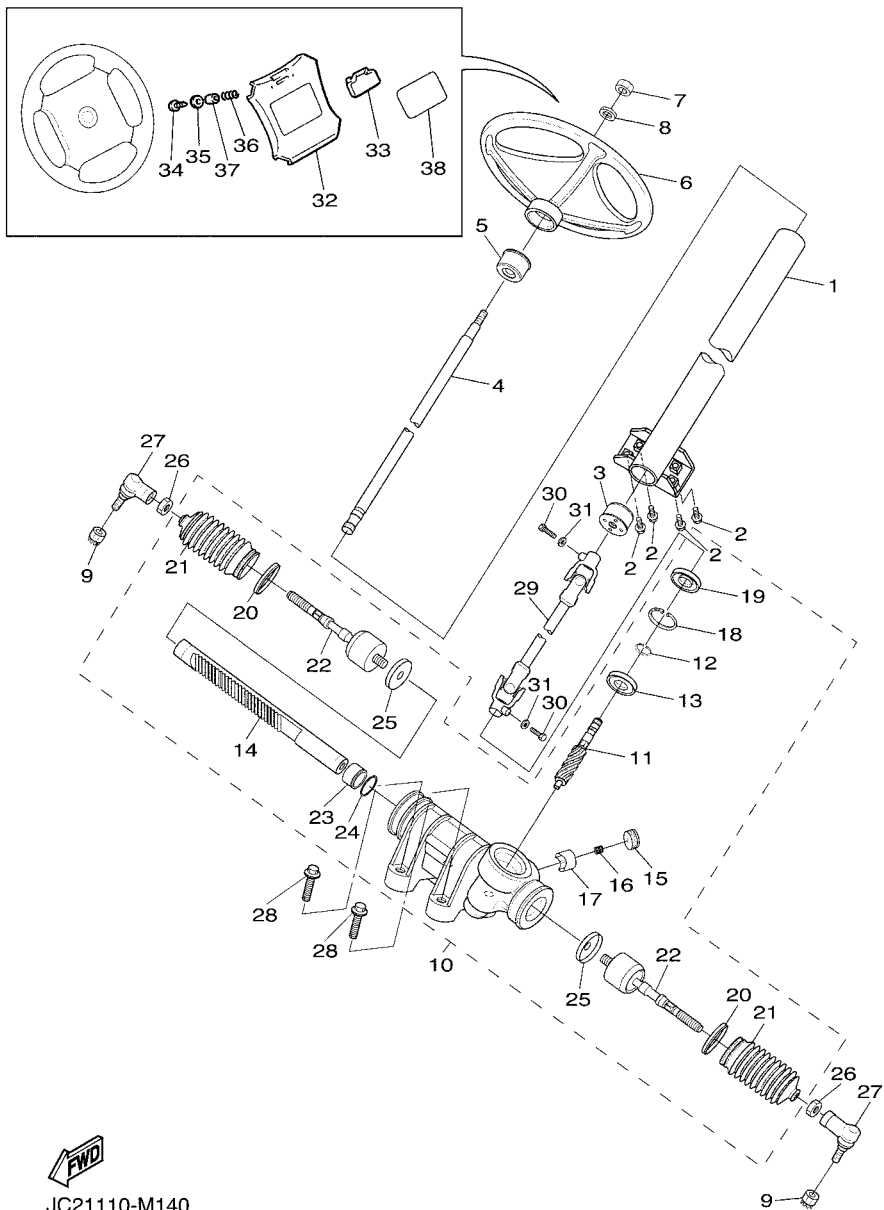
FIG. 14 STEERING



JC21110-M140

REF. NO.	PART NO.	DESCRIPTION	JC24				REMARKS
1	JW1-F3811-03	COLUMN, STEERING	1				
2	95812-08020	BOLT, FLANGE	4				
3	JU0-F3857-11	HOLDER	1				
4	JU0-F3828-10	ROD, STEERING	1				
5	JU0-F3857-11	HOLDER	1				
6	JN3-F3838-00	WHEEL, STEERING	1				
7	90185-12008	NUT, SELF-LOCKING	1				
8	92902-12200	WASHER	1				
9	95602-12200	NUT, SELF-LOCKING	2				
10	JW1-F3400-00	STEERING ASSY	1				
11	JW1-F387A-00	.GEAR,PINION	1				
12	JW1-F3183-00	.CIRCLIP	1				
13	JW1-F3812-00	.BEARING, STEERING	1				
14	JW1-F387E-00	.GEAR, RACK	1				
15	5UG-F387G-00	.COVER, ADJUST	1				
16	5UG-F387K-00	.SPRING, PRESSURE	1				
17	5UG-F387F-00	.PAD, PRESSURE	1				
18	5UG-F387J-00	.RING, STOPPER	1				
19	5UG-F3844-00	.SEAL	1				
20	5UG-F3489-00	.BAND	2				
21	5UG-F3527-00	.SEAL, DUST 1	2				
22	JW1-F3837-00	.ROD, TIE 2	2				
23	JW1-F467K-00	.BUSH, CAP	1				
24	JW1-F3866-00	.CIRCLIP	1				
25	JW1-F3894-00	.WASHER, LOCK 1	2				
26	1P0-F3833-00	NUT 1	2				
27	JW8-23841-01	JOINT, UNIVERSAL 1	2				

FIG. 14 STEERING

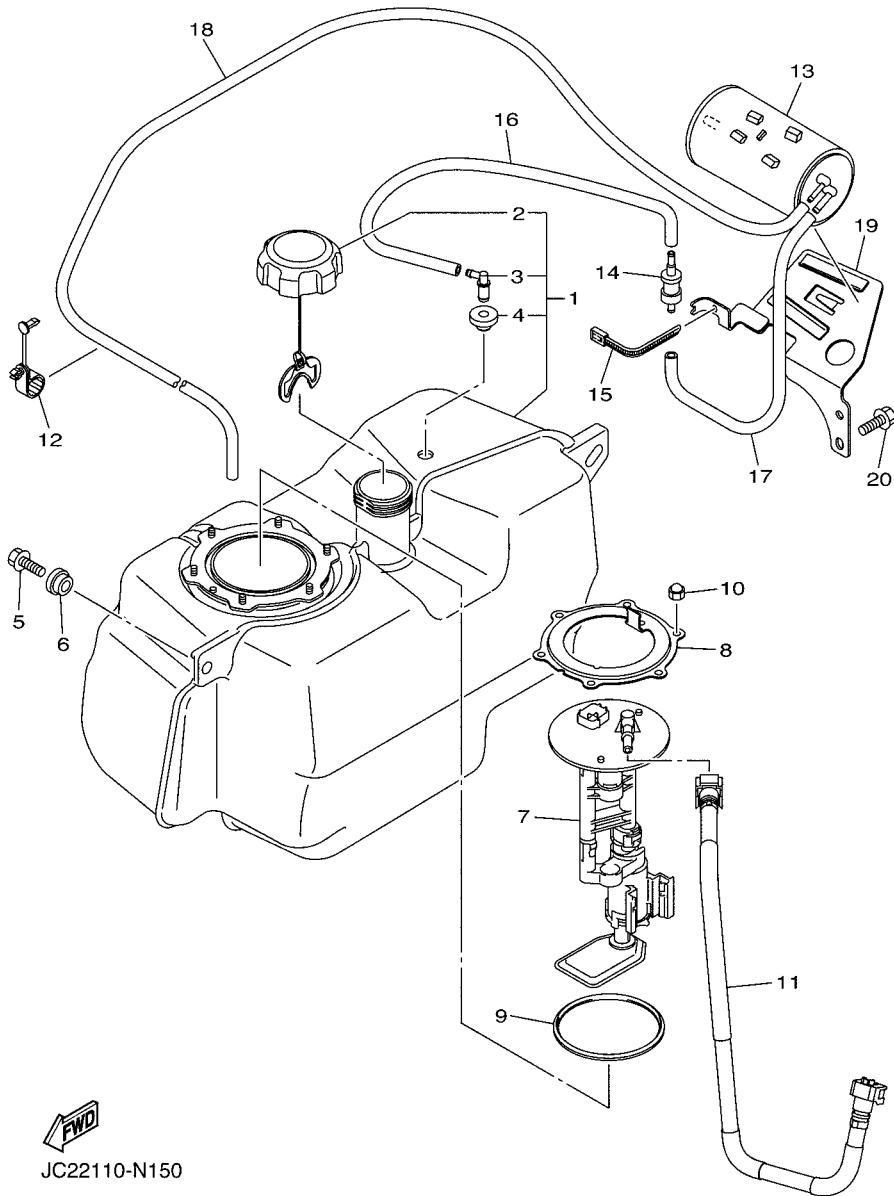


JC21110-M140

REF. NO.	PART NO.	DESCRIPTION	JC24				REMARKS
28	90105-10847	BOLT, FLANGE	4				
29	JW1-F3822-01	JOINT 1	1				
30	97012-08030	BOLT	2				
31	92902-08600	WASHER, PLATE	2				
32	JW8-K8357-00	HOLDER 1	1				
33	JN6-K8358-01	HOLDER 2	1				
34	97702-40525	SCREW, TAPPING	2				
35	90201-04810	WASHER, PLATE	2				
36	90502-10013	SPRING, CONICAL	2				
37	90387-046N7	COLLAR	2				
38	JW8-K7762-00	LABEL, WARNING 2	1				CAN
	JW8-K7762-11	LABEL, WARNING 2 (E, F)	1				EXCEPT CAN
	JW8-K7762-21	LABEL, WARNING 2 (G, S)	1				EXCEPT CAN

FIG. 15 FUEL TANK

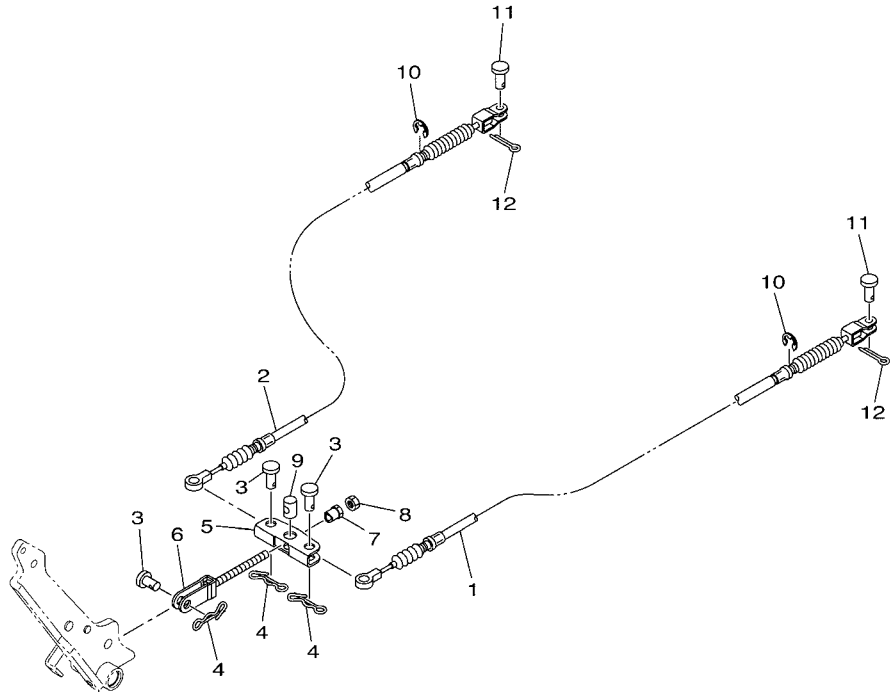
REF. NO.	PART NO.	DESCRIPTION	JC24				REMARKS
1	JC0-F4111-01	TANK, FUEL	1				
2	JW1-F4610-00	.CAP ASSY	1				
3	JW1-F4112-00	.PIPE	1				
4	JU5-F4375-00	.GROMMET	1				
5	JW1-F1738-00	BOLT	2				
6	90560-08251	SPACER	2				
7	JC0-13907-00	FUEL PUMP COMP.	1				
8	18P-24491-00	BRACKET, FUEL PUMP	1				
9	1S3-24486-00	O-RING	1				
10	95302-06800	NUT, CROWN	6				
11	JC0-13971-00	PIPE, FUEL 1	1				
12	JW7-F312H-00	CLAMP	1				
13	7CC-F4170-01	CANISTER ASSY	1				
14	4WM-24180-00	ROLL OVER VALVE ASSY	1				
15	90464-40825	CLAMP	1				
16	JW7-F4314-10	PIPE 4	1				
17	JW1-F4316-00	PIPE 6	1				
18	JW1-F4317-00	PIPE 7	1				
19	JW1-F419A-11	HOLDER	1				
20	JW1-F1738-00	BOLT	2				



FWD
JC22110-N150

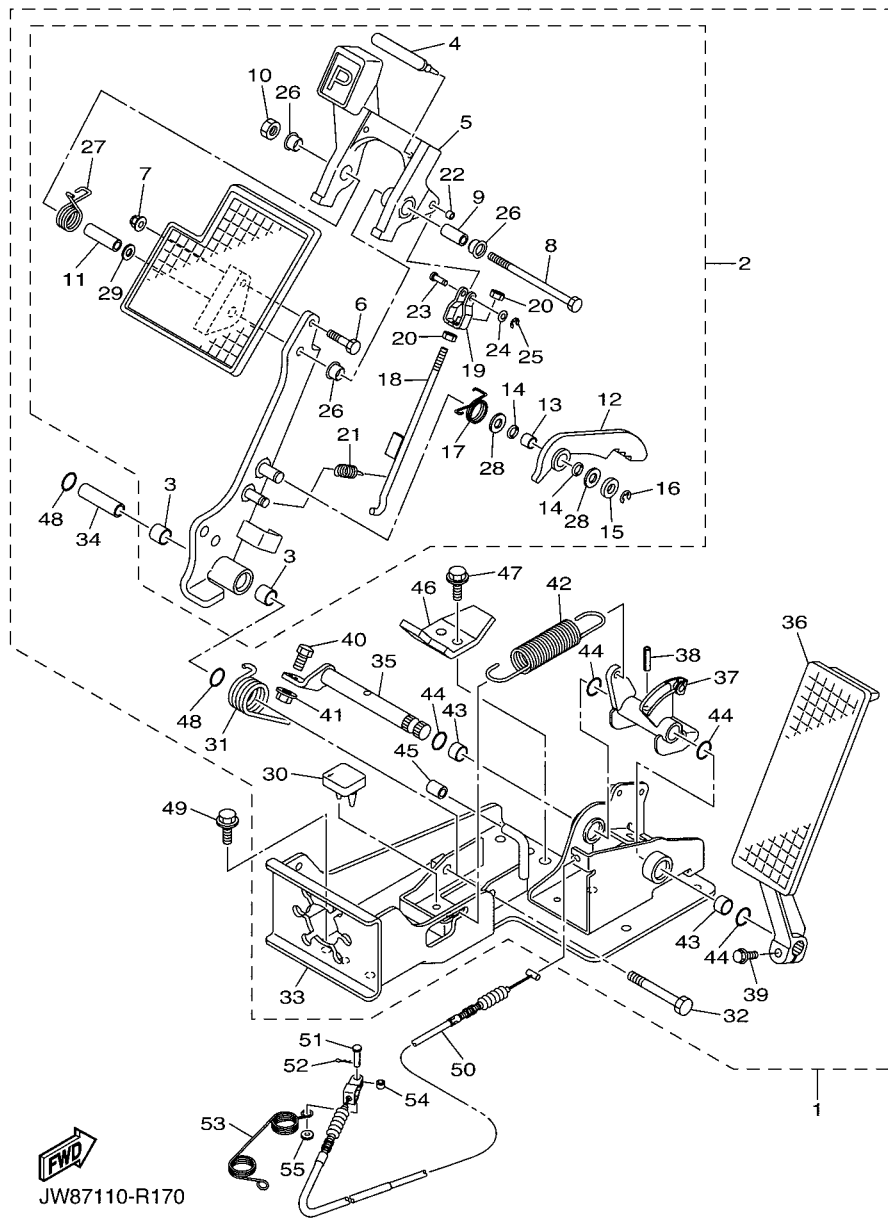
FIG. 16 PEDAL WIRE

REF. NO.	PART NO.	DESCRIPTION	JC24				REMARKS
1	JW8-F6341-10	WIRE, BRAKE 1	1				
2	JW8-F6351-10	CABLE, BRAKE	1				
3	91702-10026	PIN, CLEVIS	3				
4	90468-20196	CLIP	3				
5	JW8-F5681-10	EQUALIZER, BRAKE	1				
6	JN6-F5685-01	ROD	1				
7	90179-08822	NUT	1				
8	95307-08700	NUT	1				
9	90249-14129	PIN	1				
10	99001-09600	CIRCLIP	2				
11	91702-08018	PIN, CLEVIS	2				
12	91490-25015	PIN. COTTER	2				



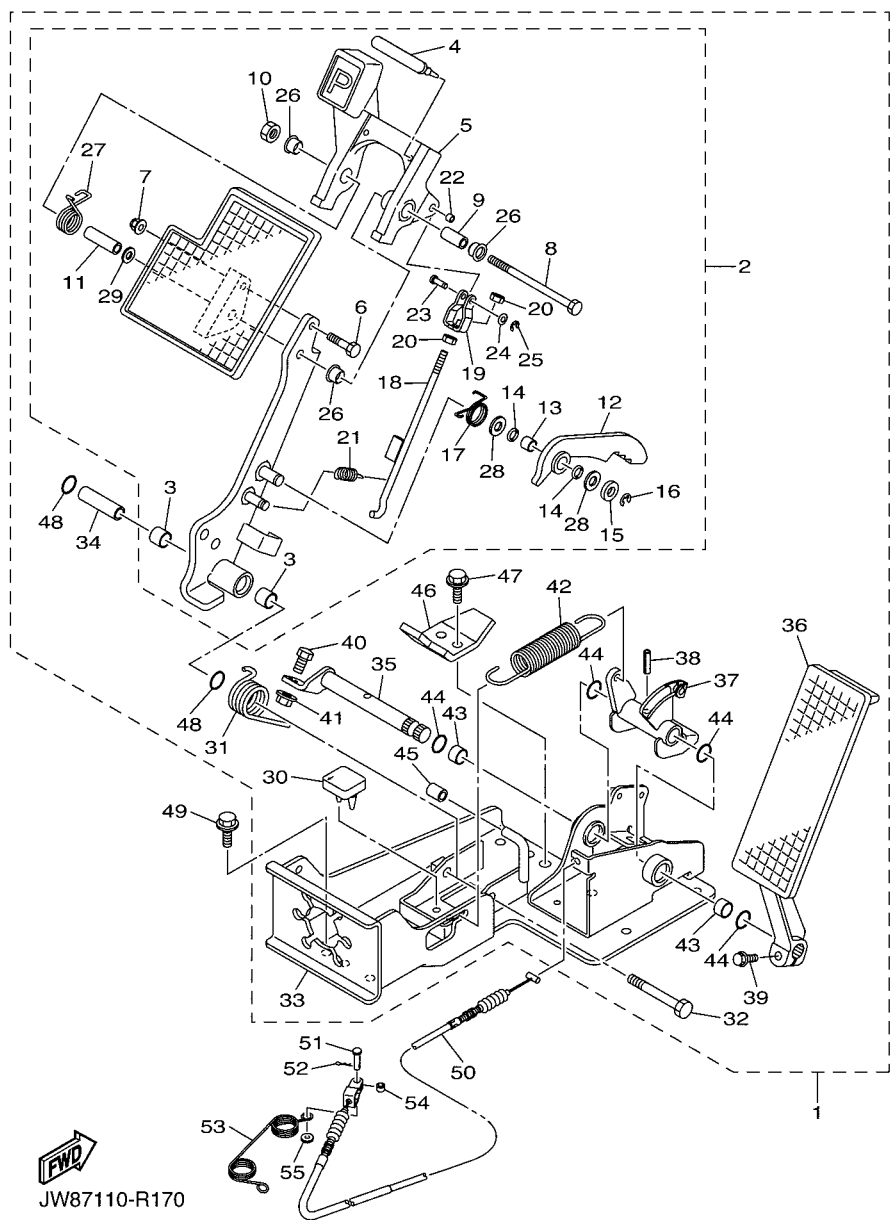
JC23100-P160

FIG. 17 PEDAL ASSEMBLY



REF. NO.	PART NO.	DESCRIPTION	JC24				REMARKS
1	JW8-F7850-31	PEDAL ASSY (L.H)	1				
2	JW9-F7200-21	.PEDAL, BRAKE	1				
3	JW8-F7814-21	..BUSH, PEDAL	2				
4	JW9-F5672-00	..PAD, PARKING PEDAL	1				
5	JW9-F5671-00	..PEDAL, PARKING BRAKE	1				
6	JW8-F7117-00	..BOLT, MAIN STAND	1				
7	JW8-F8363-00	..NUT	1				
8	JW8-F7416-00	..BOLT, FOOTREST	1				
9	JW8-F639N-00	..COLLAR	1				
10	JW8-F7218-00	..NUT	1				
11	JW8-F7113-00	..COLLAR, MAIN STAND	1				
12	JW9-F5666-00	..SECTOR, PARKING BRAKE	1				
13	JW8-F7121-00	..BUSH	1				
14	JW9-F7221-00	..SEAL, SHAFT	2				
15	JW8-F7322-00	..WASHER	1				
16	JW8-F3183-00	..CIRCLIP	1				
17	JW8-F7426-01	..SPRING, RETURN	1				
18	JW9-F7231-10	..ROD, BRAKE	1				
19	JW9-F7232-00	..END, ROD 2	1				
20	JW8-F7318-00	..NUT	2				
21	JW8-F6314-00	..SPRING	1				
22	JW8-F639L-00	..BUSH 1	1				
23	JW9-F7228-00	..PIN, JOINT	1				
24	JW8-F8323-00	..WASHER, LEG SHIELD	1				
25	JW8-F5415-00	..CIRCLIP	1				
26	90386-12800	..BUSH	3				
27	JW8-F7825-01	..SPRING, RETURN	1				

FIG. 17 PEDAL ASSEMBLY

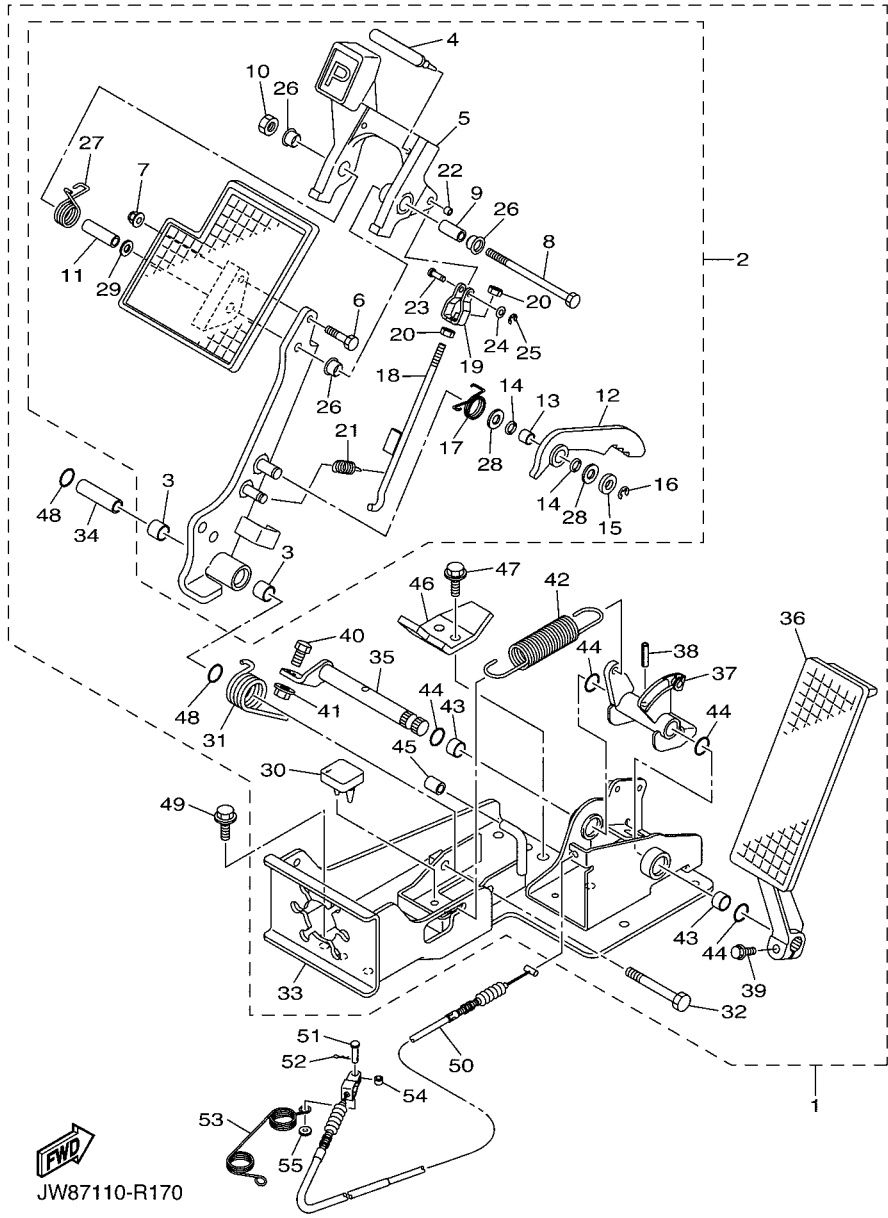


JW87110-R170

REF. NO.	PART NO.	DESCRIPTION	JC24				REMARKS
28	JW8-F7119-00	..WASHER	2				
29	JW8-F8319-00	..WASHER	1				
30	JW9-F7245-10	.PAD, BRAKE PEDAL	1				
31	JW8-F7316-01	.SPRING, SIDE STAND	1				
32	JW8-F7217-00	.BOLT	1				
33	JW8-F7445-31	.PLATE 1	1				
34	JW8-F7213-20	.COLLAR	1				
35	JW8-F7853-10	.SHAFT, PEDAL 1	1				
36	JW9-F7871-10	.PEDAL, ACCELERATOR	1				
37	JW8-F7872-30	.ARM, ACCELERATOR PEDAL	1				
38	JW8-F7438-00	.PIN, CLEVIS	1				
39	JW8-F7434-00	.BOLT	1				
40	JW8-F7317-00	.BOLT	1				
41	JW8-F7118-00	.NUT	1				
42	JW8-F815H-01	.SPRING	1				
43	JW8-F7814-21	.BUSH, PEDAL	2				
44	JW8-F4486-00	.O-RING	4				
45	JW9-F5673-00	.DAMPER, BRAKE	1				
46	JW9-F7246-20	.NAIL, BRAKE	1				
47	JW8-F8331-00	.BOLT, LEG SHIELD	2				
48	JW8-F4486-00	.O-RING	2				
49	95812-08020	BOLT, FLANGE	6				
50	JW8-F6311-20	CABLE, THROTTLE 1	1				
51	91702-05014	PIN, CLEVIS	1				
52	90468-10050	CLIP	1				
53	90508-16460	SPRING, TORSION	1				
54	90560-05001	SPACER	1				

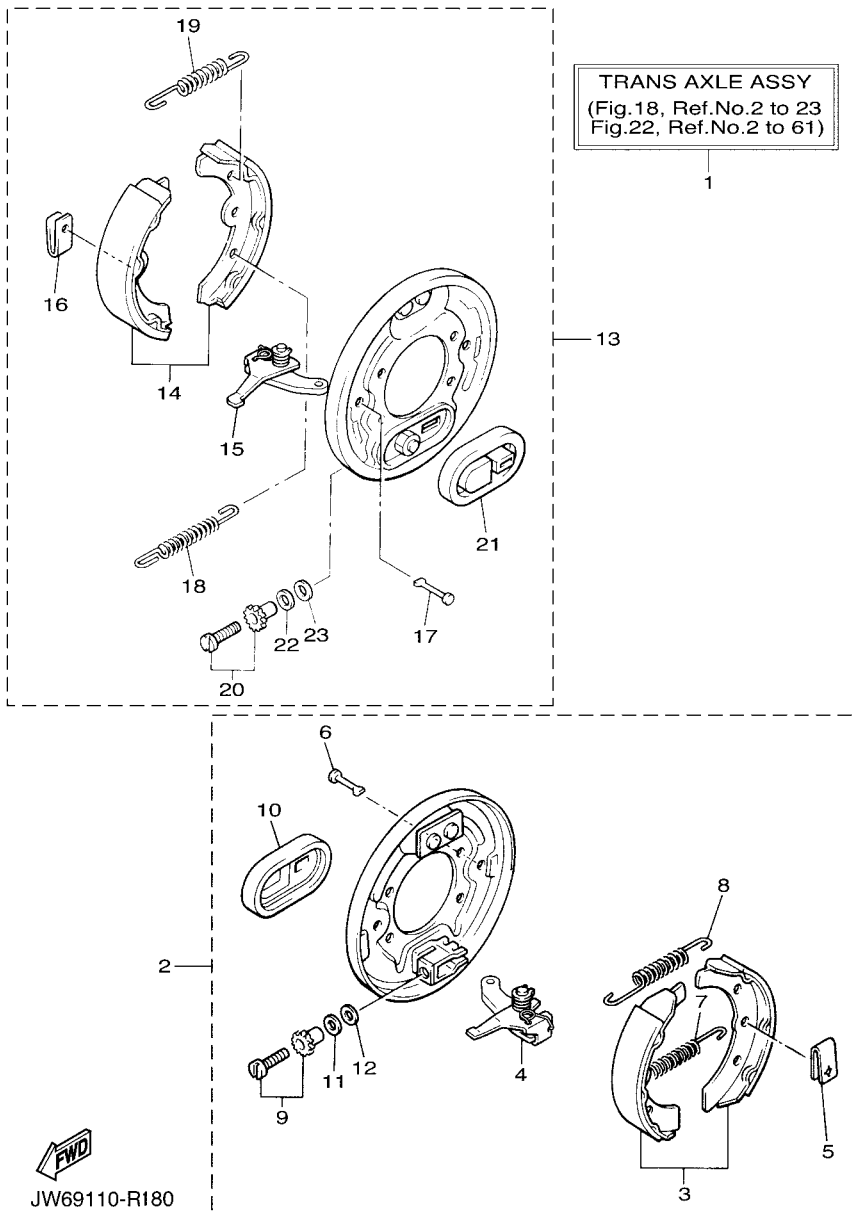
FIG. 17 PEDAL ASSEMBLY

REF. NO.	PART NO.	DESCRIPTION	JC24	REMARKS
55	JW8-G2181-00	WASHER	1	



JW87110-R170

FIG. 18 BRAKE



REF. NO.	PART NO.	DESCRIPTION	JC24				REMARKS
1	JW8-G6300-20	TRANS AXLE ASSY	1				
2	JW8-F7290-00	..BACKING PLATE ASSY 2	1				
3	JN9-W2536-00	..BRAKE SHOE SET	1				
4	J38-27205-00	..LEVER ASSY 2	1				
5	JW8-F7281-00	..SPRING, SHOE CLAMP	2				
6	J10-27282-00	..PIN, SHOE HOLD DOWN	2				
7	90506-20281	..SPRING, TENSION	1				
8	90506-14001	..SPRING, TENSION	1				
9	J55-27260-00	..ADJUSTER ASSY	1				
10	JW8-F7286-00	..COVER, DUST	1				
11	90201-121H9	..WASHER, PLATE	1				
12	90201-121H8	..WASHER, PLATE	1				
13	JW8-F7280-00	..BACKING PLATE ASSY 1	1				
14	JN9-W2536-00	..BRAKE SHOE SET	1				
15	J38-27204-00	..LEVER ASSY 1	1				
16	JW8-F7281-00	..SPRING, SHOE CLAMP	2				
17	J10-27282-00	..PIN, SHOE HOLD DOWN	2				
18	90506-20281	..SPRING, TENSION	1				
19	90506-14001	..SPRING, TENSION	1				
20	J55-27270-00	..ADJUSTER ASSY	1				
21	JW8-F7286-00	..COVER, DUST	1				
22	90201-121H9	..WASHER, PLATE	1				
23	90201-121H8	..WASHER, PLATE	1				

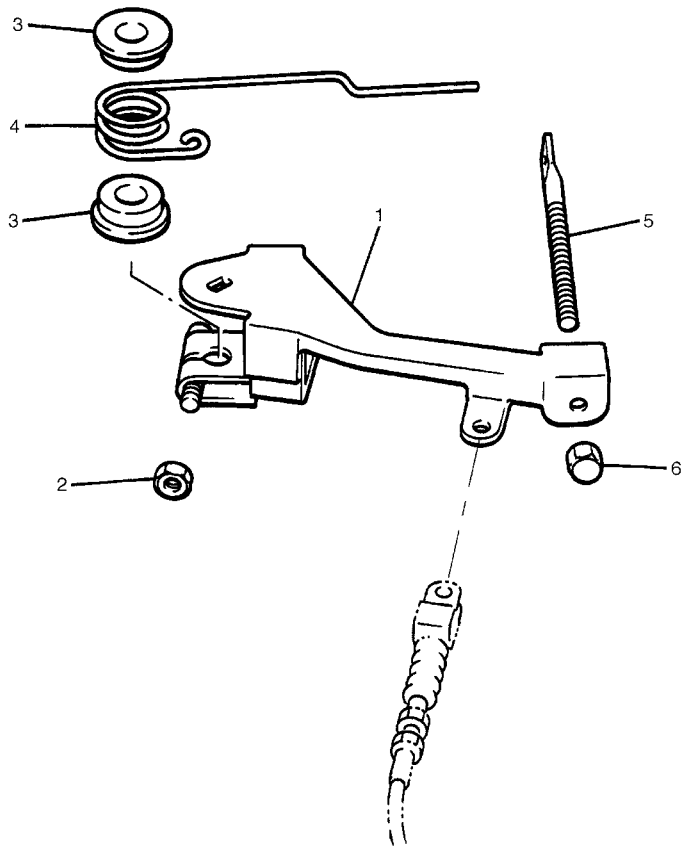


FIG. 19 GOVERNOR

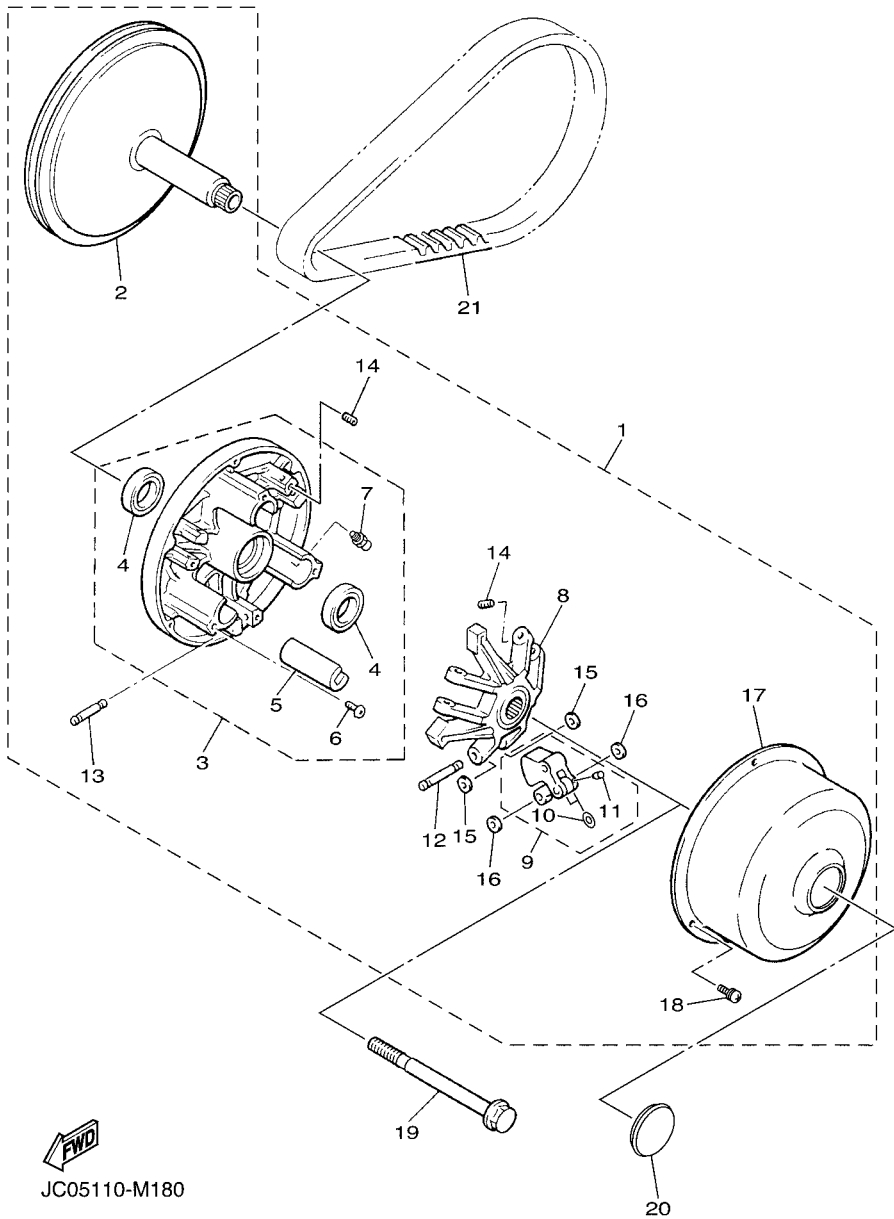
REF. NO.	PART NO.	DESCRIPTION	JC24				REMARKS
1	J38-27951-00	LEVER, SPEED LIMITER	1				
2	95380-06600	NUT, HEXAGON	1				
3	90386-08141	BUSH	2				
4	90508-40678	SPRING, TORSION	1				
5	J38-27959-00	SCREW, ADJUSTING	1				
6	95602-06200	NUT, SELF-LOCKING	1				



JT71010-B190

FIG. 20 PRIMARY SHEAVE

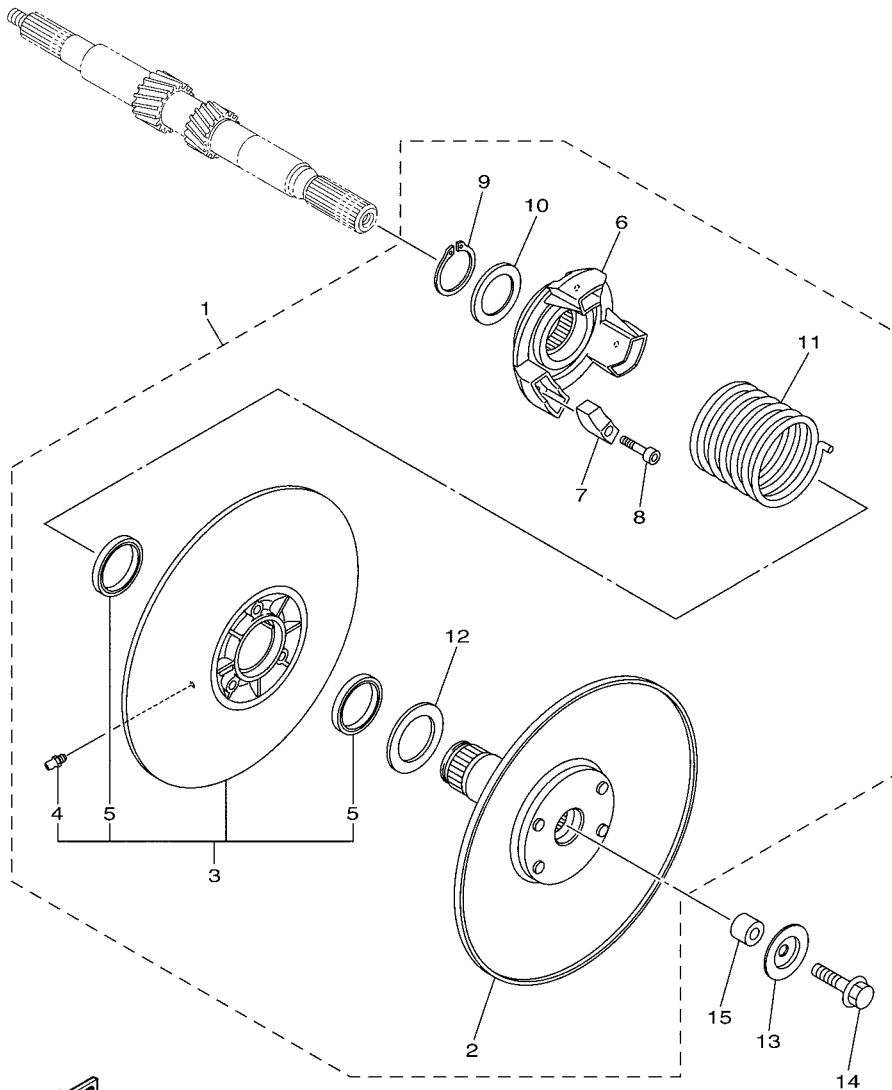
REF. NO.	PART NO.	DESCRIPTION	JC24				REMARKS
1	JW8-G6201-22	PRIMARY CLUTCH ASSY	1				
2	JW8-G6210-00	.PRIMARY FIXED SHEAVE COMP.	1				
3	JW8-G6220-22	.PRIMARY SLIDING SHEAVE COMP.	1				
4	JW8-G624A-00	..OIL SEAL 1	2				
5	JW8-G6253-00	..SLIDER	3				
6	JW8-G4189-00	..SCREW	3				
7	JW8-F135J-00	..NIPPLE	1				
8	JW8-G6251-21	.SPIDER	1				
9	JW8-G6205-21	.WEIGHT LINK ASSY	3				
10	JW8-G5618-00	..WASHER, 1	2				
11	90113-04803	..BOLT, SET	1				
12	JW8-G6236-20	.PIN, WEIGHT	3				
13	JW8-G6237-20	.PIN, WEIGHT 2	3				
14	90113-04803	.BOLT, SET	6				
15	JW8-G5618-00	.WASHER, 1	6				
16	JW8-G5621-00	.WASHER, 2	6				
17	JW8-G6231-21	.CAP	1				
18	JW8-G5282-00	.SCREW	3				
19	JW8-G6249-00	BOLT	1				
20	JW8-G7339-00	PLUG	1				
21	J55-G6241-01	V-BELT	1				



JC05110-M180

FIG. 21 SECONDARY SHEAVE

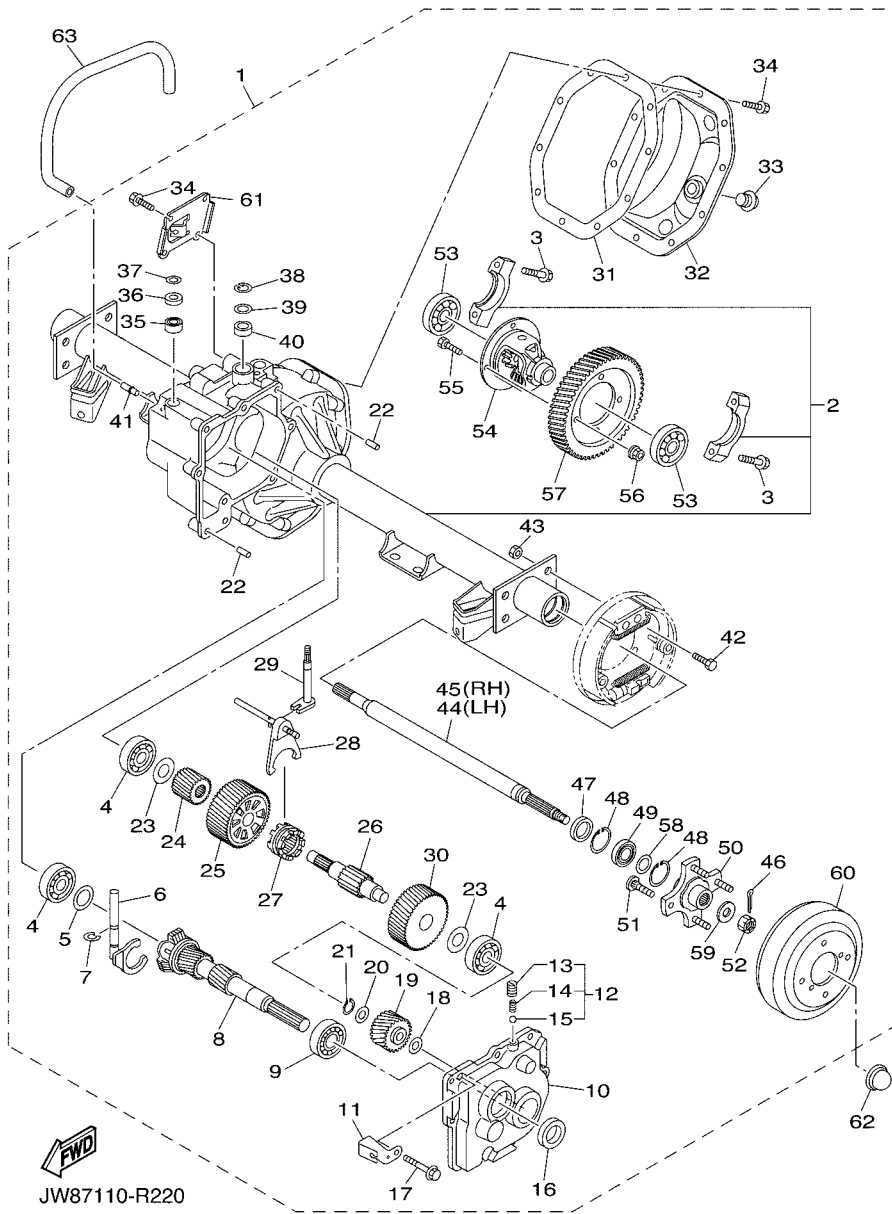
REF. NO.	PART NO.	DESCRIPTION	JC24				REMARKS
1	JW8-G6202-22	SECONDARY SHEAVE ASSY	1				
2	JW8-G6260-22	.SECONDARY FIXED SHEAVE COMP.	1				
3	JW8-G6270-21	.SECONDARY SLIDING SHEAVE COMP.	1				
4	JW8-F135J-00	..NIPPLE	1				
5	JW8-G624B-00	..OIL SEAL 2	2				
6	JW8-G6284-00	..SEAT, SECONDARY SPRING	1				
7	JW8-E7688-00	.SHOE, RAMP	3				
8	JW8-G6159-00	.BOLT 3	3				
9	JW8-G5531-00	.CLIP, DRIVE SHAFT	1				
10	JW8-G6374-00	.COLLAR, SPRING	1				
11	JW8-G6275-10	.SPRING, CLUTCH 1	1				
12	JW8-G5677-00	.WASHER	1				
13	90209-08018	WASHER	1				
14	90105-08002	BOLT, FLANGE	1				
15	JW8-G5697-20	COLLAR	1				



JC05110-M190

FIG. 22 TRANSAXLE

REF. NO.	PART NO.	DESCRIPTION	JC24				REMARKS
1	JW8-G6300-20	TRANS AXLE ASSY	1				
2	JW8-G6290-20	.CASE ASSY	1				
3	90105-10840	.BOLT, FLANGE	4				
4	93306-303Y6	.BEARING	3				
5	JN3-G6344-00	.SHIM, 0.76MM (0.030IN)	1				
6	JW8-G633E-00	.BAR 1	1				
7	JU0-F722H-00	.RETAINER	1				
8	JW8-G6320-00	.INPUT SHAFT ASSY	1				
9	93306-005Y1	.BEARING	1				
10	JW8-G6313-10	.COVER, TRNSMISSION	1				
11	JW8-G6555-00	.BRACKET 2	1				
12	JU0-G6376-00	.SPRING SET	1				
13	90113-08803	..BOLT, SET	1				
14	90501-10852	..SPRING, COMPRESSION	1				
15	93500-06826	..BALL	1				
16	93102-25868	.OIL SEAL	1				
17	90105-08859	.BOLT, FLANGE	7				
18	90201-208H9	.WASHER, PLATE	1				
19	JN3-G6356-00	.GEAR, IDLER	1				
20	90201-208J0	.WASHER, PLATE	1				
21	JW8-F47E3-00	.CIRCLIP	1				
22	93606-10842	.PIN, DOWEL	2				
23	90201-178H8	.WASHER, PLATE	2				
24	JN3-G6316-00	.GEAR, PINION 1	1				
25	JN3-G6326-00	.GEAR, WHEEL 1	1				
26	JN3-G633G-00	.SHAFT	1				
27	JN3-G6153-00	.COLLAR, GUIDE	1				



JW87110-R220

FIG. 22 TRANSAXLE

REF. NO.	PART NO.	DESCRIPTION	JC24				REMARKS
28	JN6-G638E-00	.BAR, SHIFT 2	1				
29	JW8-G638A-00	.BAR, SHIFT 1	1				
30	JN3-G6327-00	.GEAR, WHEEL 2	1				
31	JU0-G631A-00	.GSKT., CASE	1				
32	JW8-G6314-00	.COVER, TRANSMISSION	1				
33	JN3-G6432-00	.STOPPER	1				
34	90101-08856	.BOLT	12				
35	JU0-G6164-00	.BEARING 1	1				
36	93109-10820	.OIL SEAL	1				
37	JU0-F723F-00	.WASHER, SPECIAL	1				
38	93410-12822	.CIRCLIP	1				
39	90202-12807	.WASHER, PLATE	1				
40	93104-11829	.OIL SEAL	1				
41	JW8-G5378-00	.NIPPLE, HOSE	1				
42	90101-08855	.BOLT	8				
43	90170-08841	.NUT	8				
44	JN3-G6511-00	.SHAFT, REAR AXLE 1 (L.H)	1				
45	JN3-G6512-00	.SHAFT, REAR AXLE 2 (R.H)	1				
46	91490-30030	.PIN, COTTER	2				
47	93101-24822	.OIL SEAL	2				
48	93420-44805	.CIRCLIP	4				
49	93306-00440	.BEARING	2				
50	JW8-G6514-00	.HUB, REAR AXLE	2				
51	JW8-G4178-00	.BOLT, STUD	8				
52	JW8-G5244-00	.NUT	2				
53	93306-007Y0	.BEARING	2				
54	JN6-G6410-00	.DIFFERENTIAL ASSY.	1				

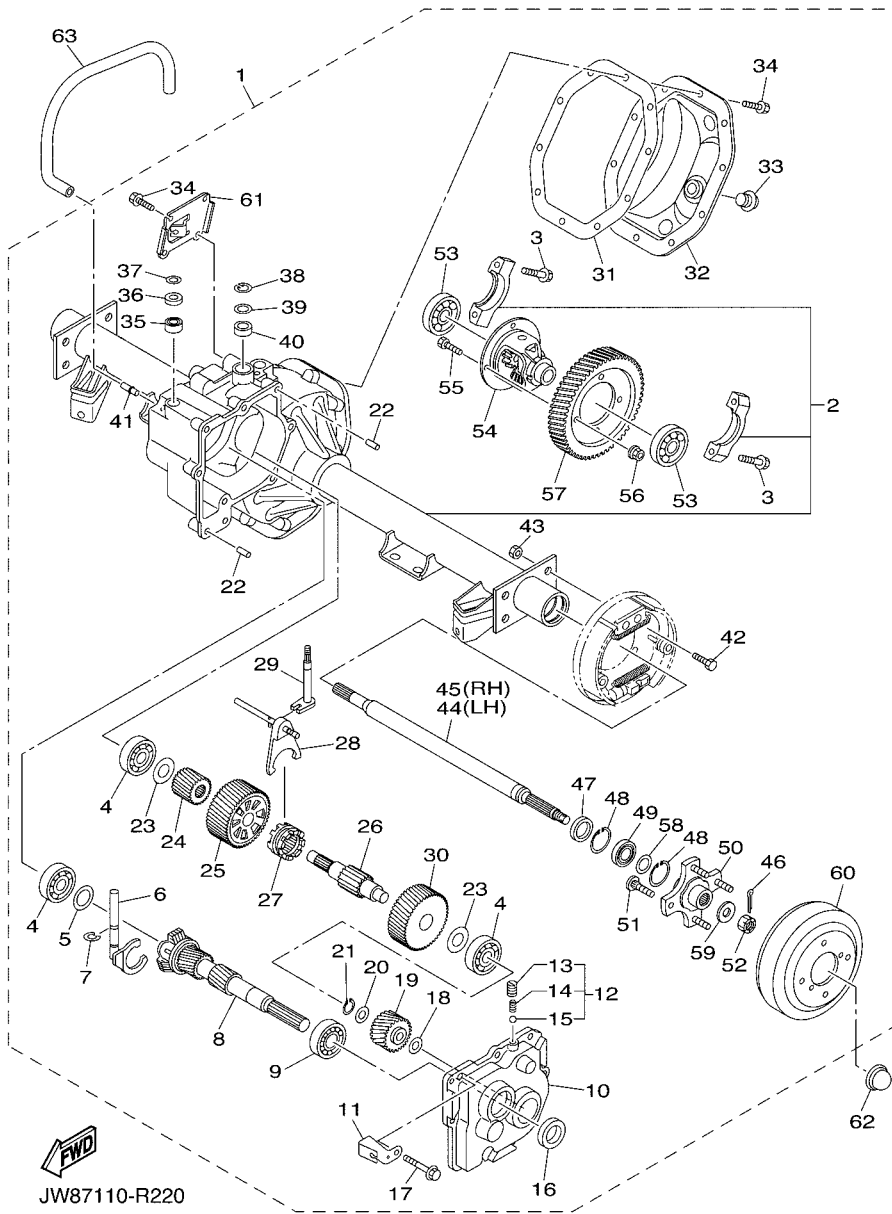
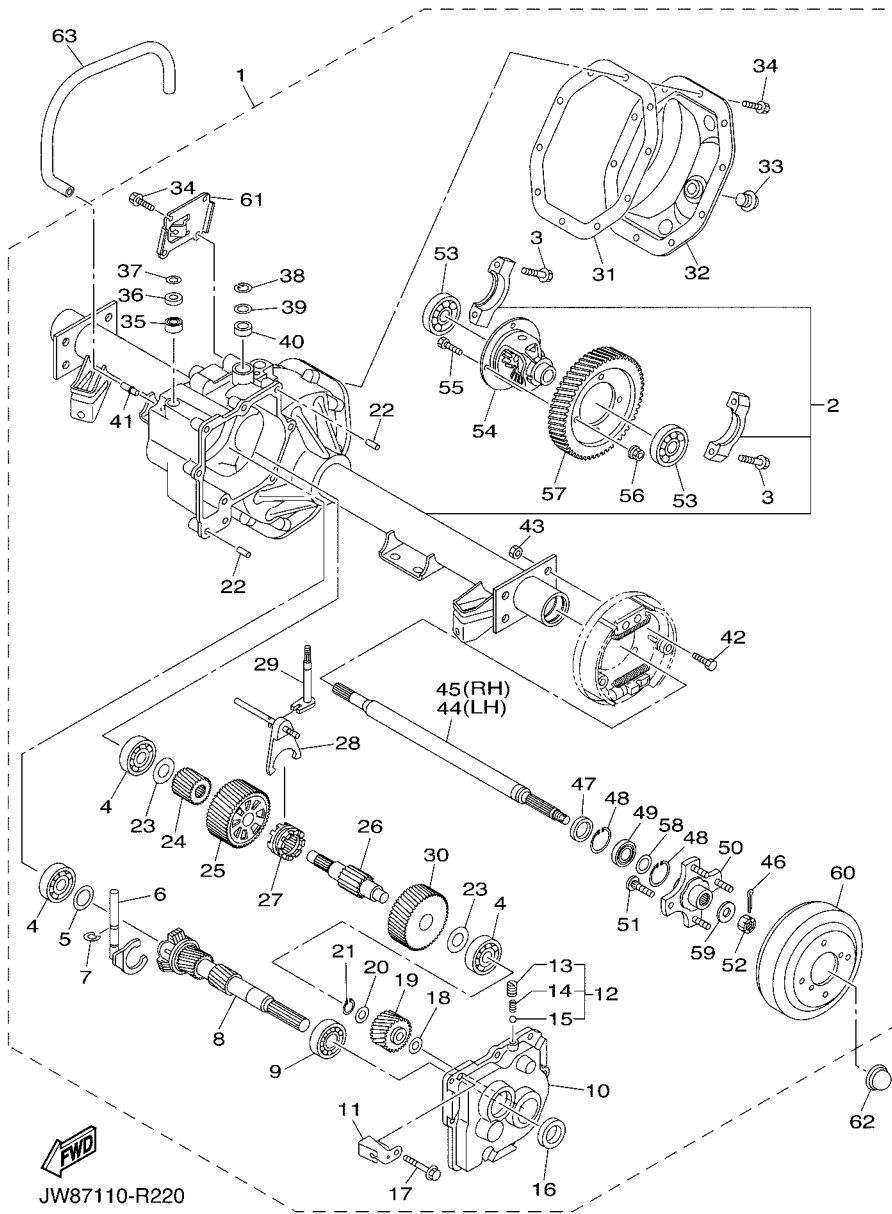


FIG. 22 TRANSAXLE

REF. NO.	PART NO.	DESCRIPTION	JC24				REMARKS
55	90101-10854	.BOLT	4				
56	90170-10840	.NUT	4				
57	JN3-G6355-00	.GEAR, PRIMARY	1				
58	JW8-G2535-00	.WASHER, THRUST	2				
59	JW8-G2536-00	.WASHER, THRUST 2	2				
60	JW8-G6521-00	.DRUM	2				
61	JW8-G1661-00	.BRACKET 1	1				
62	JW8-F5118-00	COVER, HUB DUST	2				
63	JW8-G2541-00	PIPE 1	1				



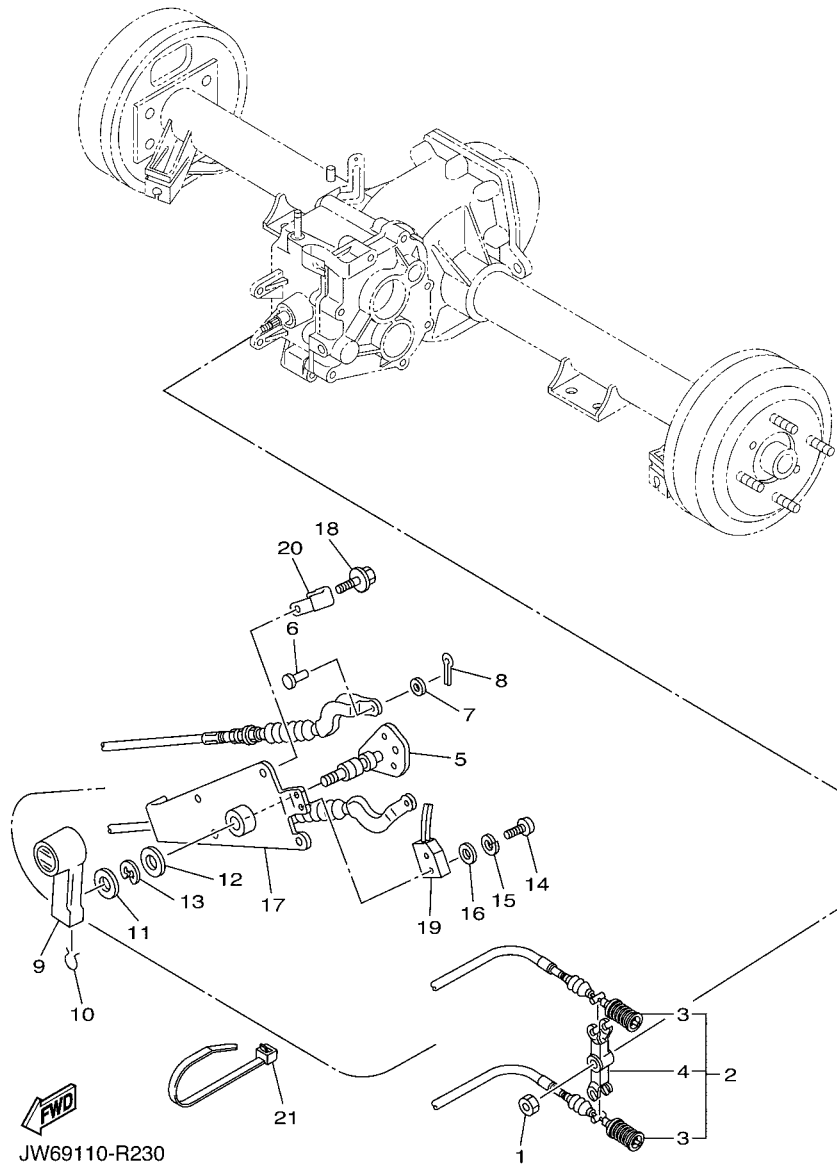
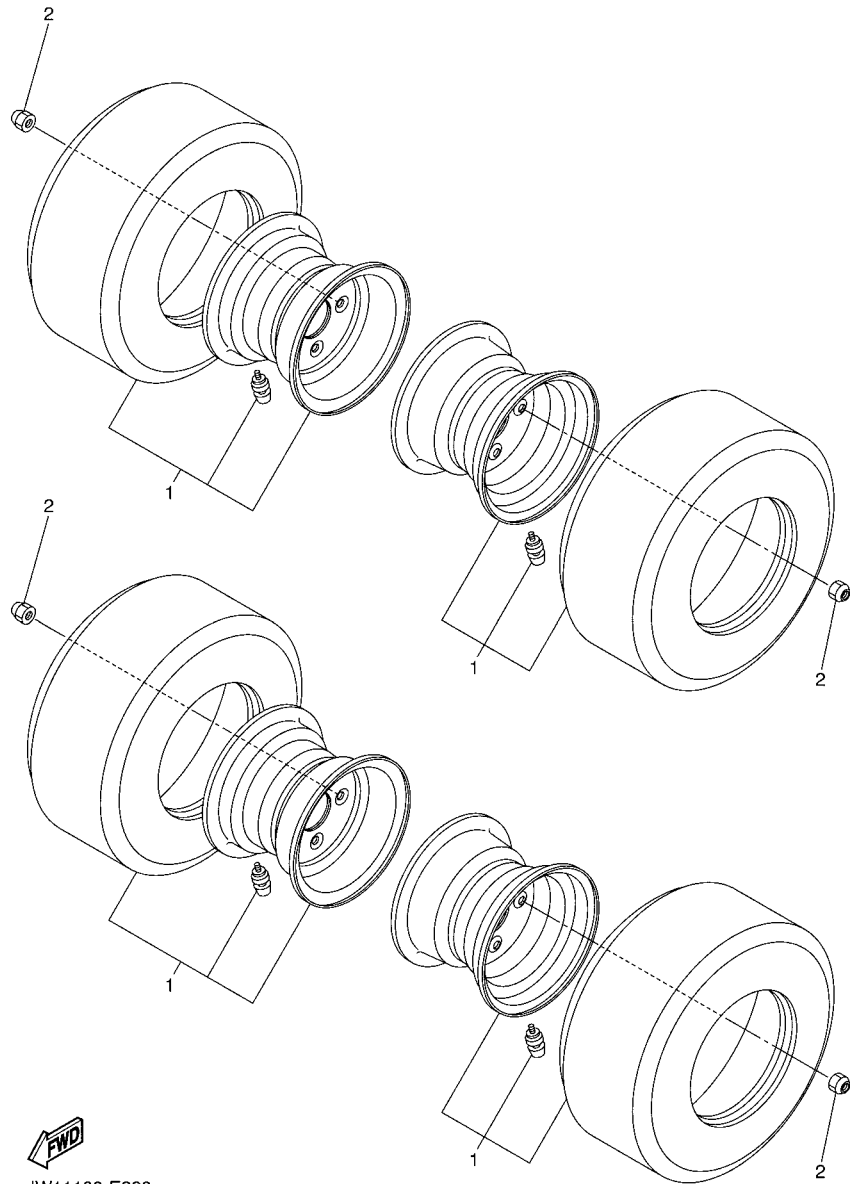


FIG. 23 SHIFTER & CABLES

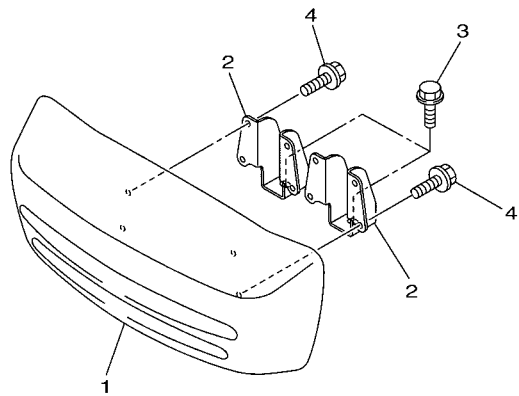
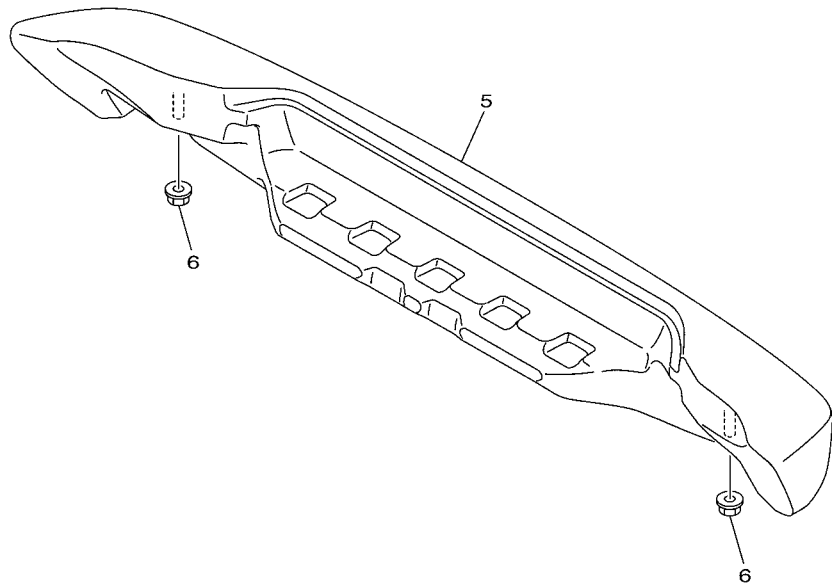
REF. NO.	PART NO.	DESCRIPTION	JC24				REMARKS
1	95602-08100	NUT, U	1				
2	JW8-G8330-10	CABLE END ASSY	1				
3	JW8-G6371-10	.WIRE, SHIFT	2				
4	JW8-G6383-10	.LEVER, SHIFT 2	1				
5	JW8-G6382-00	LEVER, SHIFT 1	1				
6	91702-06014	PIN, CLEVIS	2				
7	92902-06600	WASHER, PLATE	2				
8	91402-20012	PIN, COTTER	2				
9	JN3-G6381-00	KNOB, SHIFT	1				
10	JN3-G6376-00	SPRING SET	1				
11	90201-208S8	WASHER, PLATE	1				
12	90201-198S7	WASHER, PLATE	1				
13	99009-19400	CIRCLIP	1				
14	98502-04016	SCREW, PAN HEAD	2				
15	92902-04100	WASHER, SPRING	2				
16	92902-04600	WASHER, PLATE	2				
17	JN3-G6372-00	BRACKET, SHIFT WIRE	1				
18	90105-06831	BOLT, FLANGE	3				
19	JN3-82617-01	SWITCH	1				
20	90465-06038	CLAMP	1				
21	90464-76800	CLAMP	1				



JW11100-E220

FIG. 24 WHEEL

REF. NO.	PART NO.	DESCRIPTION	JC24				REMARKS
1	JW1-F5100-01	WHEEL ASSY (18X8.50-8-4PLY)	4				
2	90179-12262	NUT	16				



JC06110-N230

FIG. 25 BUMPER

REF. NO.	PART NO.	DESCRIPTION	JC24				REMARKS
1	JW1-K7510-01	FRONT BUMPER COMP.	1				
2	JW1-K8164-00	STAY, FRONT BUMPER (L.H)	2				
3	90105-088B0	BOLT, FLANGE	2				
4	95822-06012	BOLT, FLANGE	4				
5	JW8-K7540-00	REAR BUMPER COMP.	1				
6	95602-10200	NUT, U FLANGE	2				
<hr/>							
<hr/>							
<hr/>							
<hr/>							
<hr/>							
<hr/>							
<hr/>							
<hr/>							
<hr/>							

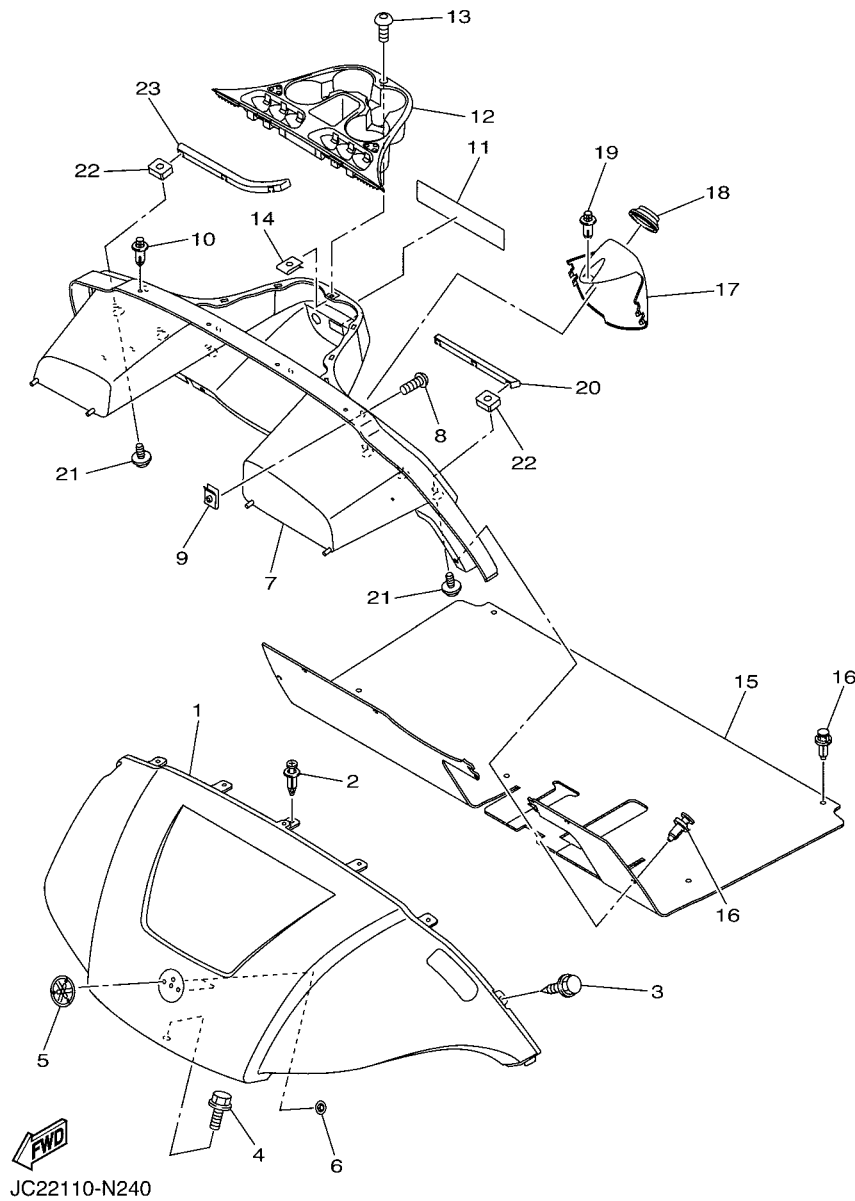


FIG. 26 BODY

REF. NO.	PART NO.	DESCRIPTION	JC24			REMARKS
1	JW1-K8115-01	COWL, FRONT	1			UR FOR WS7
	JW1-K8115-11	COWL, FRONT	1			UR FOR VDGS1
	JW1-K8115-21	COWL, FRONT	1			UR FOR HTR
	JW1-K8115-31	COWL, FRONT	1			UR FOR LNYM8
	JW1-K8115-90	COWL, FRONT	1			UR FOR LNMP
	JW1-K8115-80	COWL, FRONT	1			UR FOR DPBST
	JW1-K8115-W0	COWL, FRONT	1			UR FOR NYS4
2	90269-06800	RIVET	5			
3	JW1-F3396-01	SCREW, SPECIAL	2			
4	90105-06870	BOLT, FLANGE	1			
5	JW1-F4161-10	EMBLEM 1	1			
6	90183-06071	NUT, SPRING	2			
7	JW2-K8114-02	PANEL, FRONT	1			
8	90111-05805	BOLT,HEX. SOCKET BUTTON	4			
9	90183-05008	NUT, SPRING	4			
10	90269-07001	RIVET	5			
11	JW8-K7768-30	LABEL, WARNING 8	1			(E) CAN
	JW8-K7768-40	LABEL, WARNING 8	1			(E,F) EXCEPT CAN
	JW8-K7768-50	LABEL, WARNING 8	1			(G,S) EXCEPT CAN
12	JW8-K835E-00	HOLDER, BEVERAGE	1			
13	90111-05805	BOLT,HEX. SOCKET BUTTON	1			
14	90183-05008	NUT, SPRING	1			
15	JW1-K8233-30	MAT, MAIN FLOOR 3	1			
16	90269-09003	RIVET	10			
17	JW1-K8273-00	COVER, HOLE	1			
18	JW1-K8245-00	SEAL 1	1			
19	90269-06804	RIVET	1			

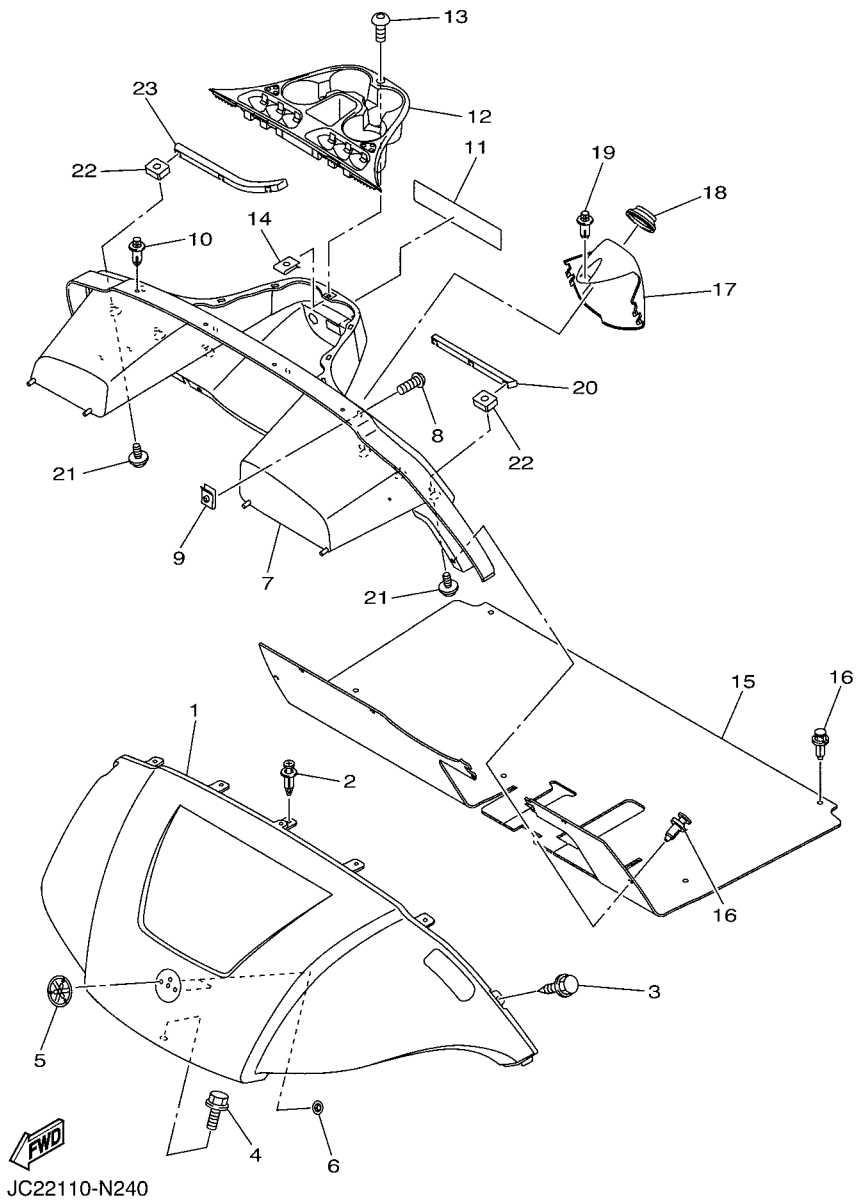
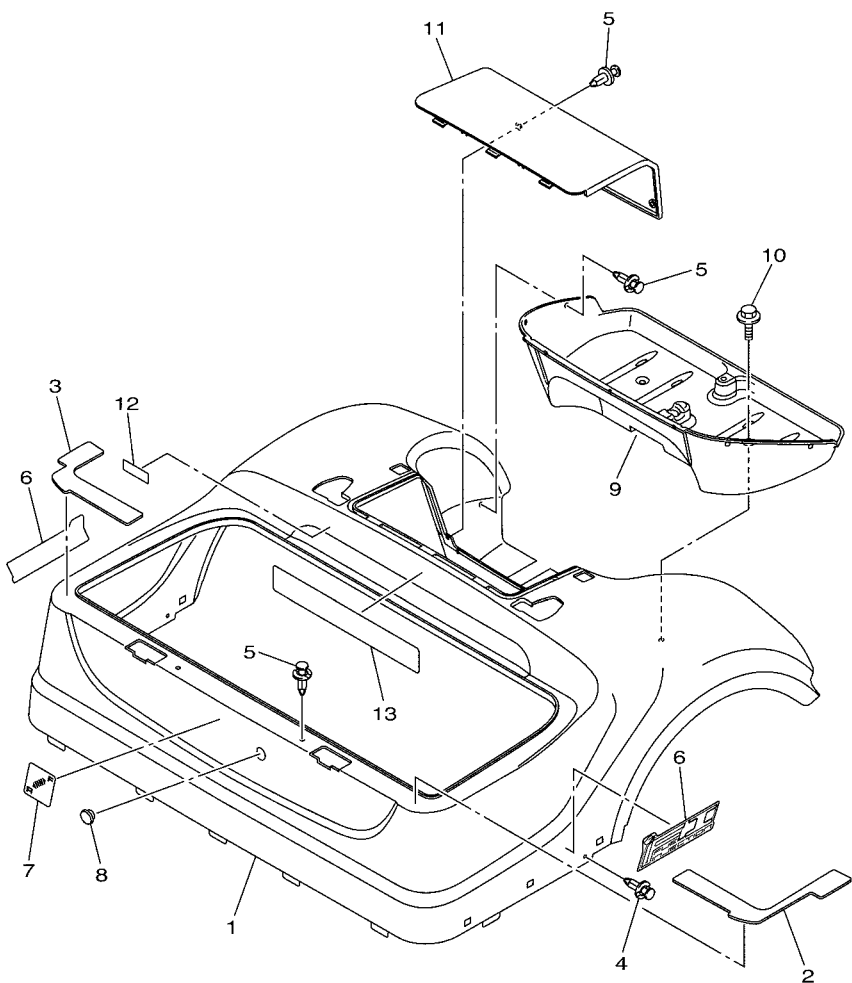


FIG. 26 BODY

REF. NO.	PART NO.	DESCRIPTION	JC24				REMARKS
20	JW1-K8261-00	PLATE, BODY PROTECT 1	1				
21	90119-06244	BOLT, WITH WASHER	6				
22	90173-06010	NUT, SQUARE	6				
23	JW1-K8262-00	PLATE, BODY PROTECT 2	1				

FIG. 27 BODY 2

REF. NO.	PART NO.	DESCRIPTION	JC24				REMARKS
1	JW1-K8142-00	PANEL, REAR BODY	1				UR FOR WS7
	JW1-K8142-10	PANEL, REAR BODY	1				UR FOR VDGS1
	JW1-K8142-20	PANEL, REAR BODY	1				UR FOR HTR
	JW1-K8142-30	PANEL, REAR BODY	1				UR FOR LNYM8
	JW1-K8142-90	PANEL, REAR BODY	1				UR FOR LNMP
	JW1-K8142-80	PANEL, REAR BODY	1				UR FOR DPBST
	JW1-K8142-W0	PANEL, REAR BODY	1				UR FOR NYS4
2	JW1-F2873-10	SEAL 1	1				
3	JW1-F2874-10	SEAL 2	1				
4	90269-06804	RIVET	2				
5	90269-08813	RIVET	11				
6	JC2-F1781-00	EMBLEM 1	2				
7	JW1-K7741-00	INDICATOR 1	1				
8	JR1-K8139-00	CAP, END	1				
9	JW1-K8237-10	COVER, REAR FLOOR	1				
10	JW1-K6179-01	BOLT, SPECIAL 1	2				
11	JW1-K8151-00	PANEL, INSPECTION LID 1	1				
12	JN6-H2377-00	LABEL	1				
13	JW1-K8297-01	PLATE, CAUTION 1 (E,F)	1				UR FOR CAN
	JW1-K8297-10	PLATE, CAUTION 1 (G,S)	1				UR EXCEPT FOR CAN



JC21110-M270

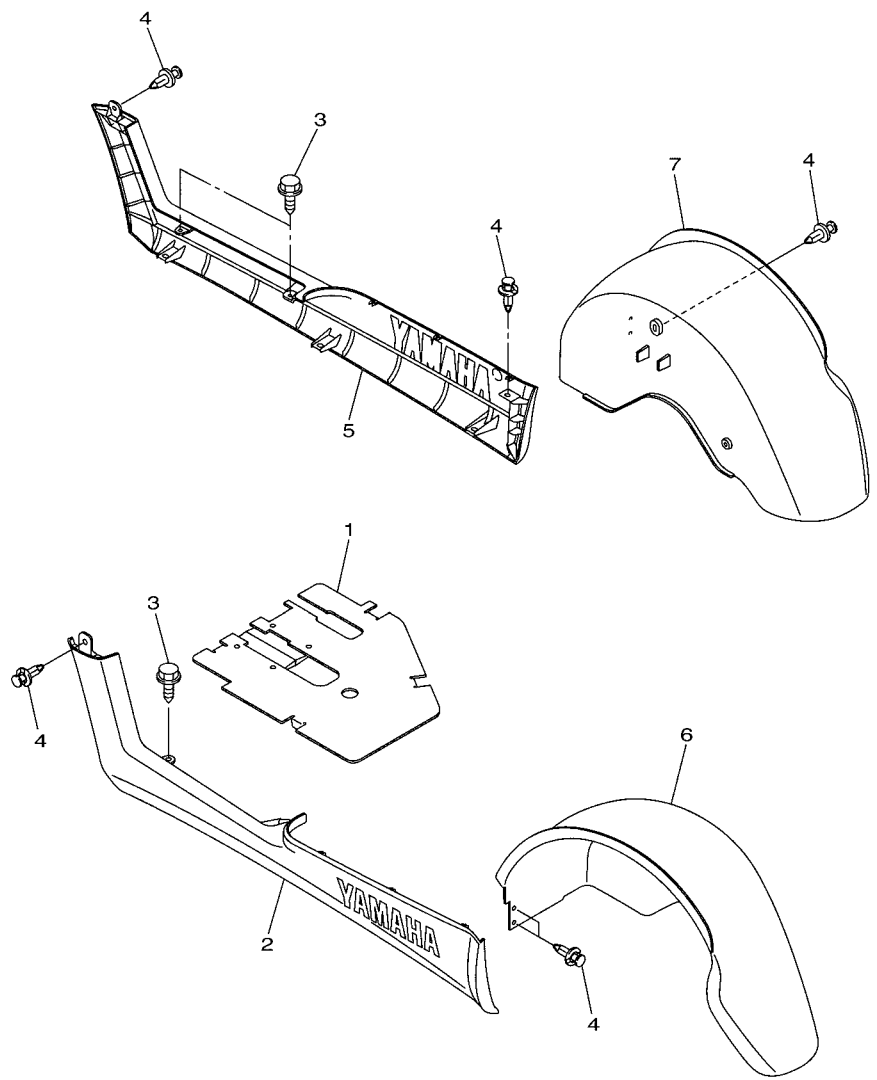


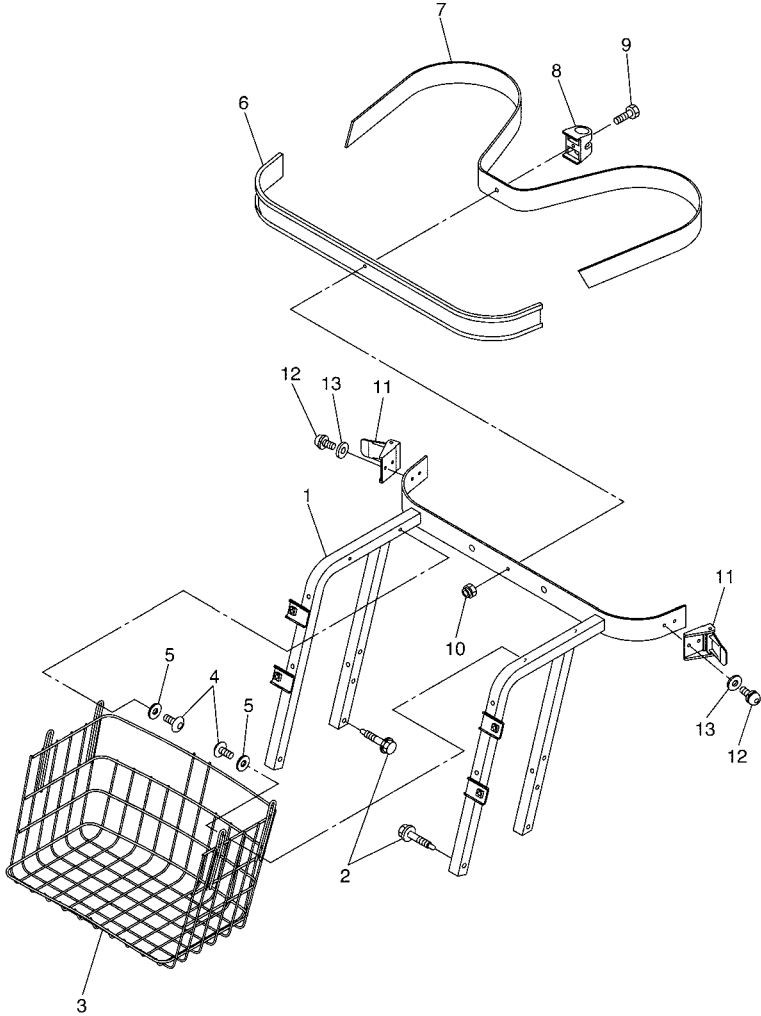
FIG. 28 BODY FITTING

REF. NO.	PART NO.	DESCRIPTION	JC24					REMARKS
1	JW1-K8270-11	LID ASSY	1					
2	JW1-K818A-00	PROTECTOR, SIDE PLATE	1					
3	JW1-F3396-01	SCREW, SPECIAL	4					
4	90269-06804	RIVET	12					
5	JW1-K818B-00	PROTECTOR, SIDE PLATE 2	1					
6	JW1-K8191-00	PANEL, REAR FENDER 1	1					
7	JW1-K8192-00	PANEL, REAR FENDER 2	1					



JC23100-P280

FIG. 29 CARRIER



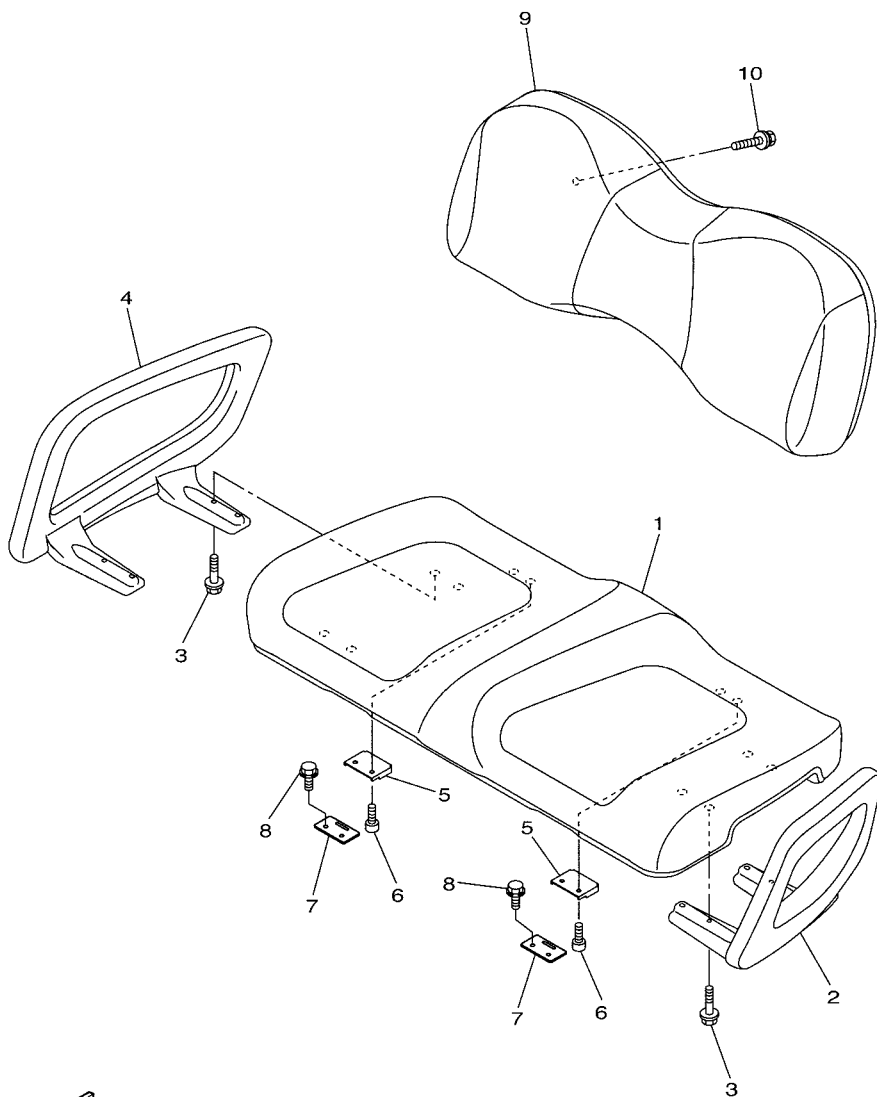
REF. NO.	PART NO.	DESCRIPTION	JC24				REMARKS
1	JW1-K8423-10	SUPPORT, SEAT BACK	1				
2	90109-08002	BOLT	4				
3	JW1-K8340-00	LUGGAGE RACK ASSY., REAR	1				
4	90110-06102	BOLT, HEXAGON SOCKET HEAD	4				
5	90201-068G7	WASHER, PLATE	4				
6	JF2-K8356-00	PAD, BAG SUPPORT	1				
7	JN6-K8355-20	BAND	1				
8	JW1-K834G-00	HOLDER, RAKE SAND	1				
9	9708R-06020	BOLT	1				
10	90185-06836	NUT, SELF-LOCKING	1				
11	JN6-K8380-00	LOCK ASSY	2				
12	90159-06845	SCREW, WITH WASHER	4				
13	9299R-06200	WASHER	4				



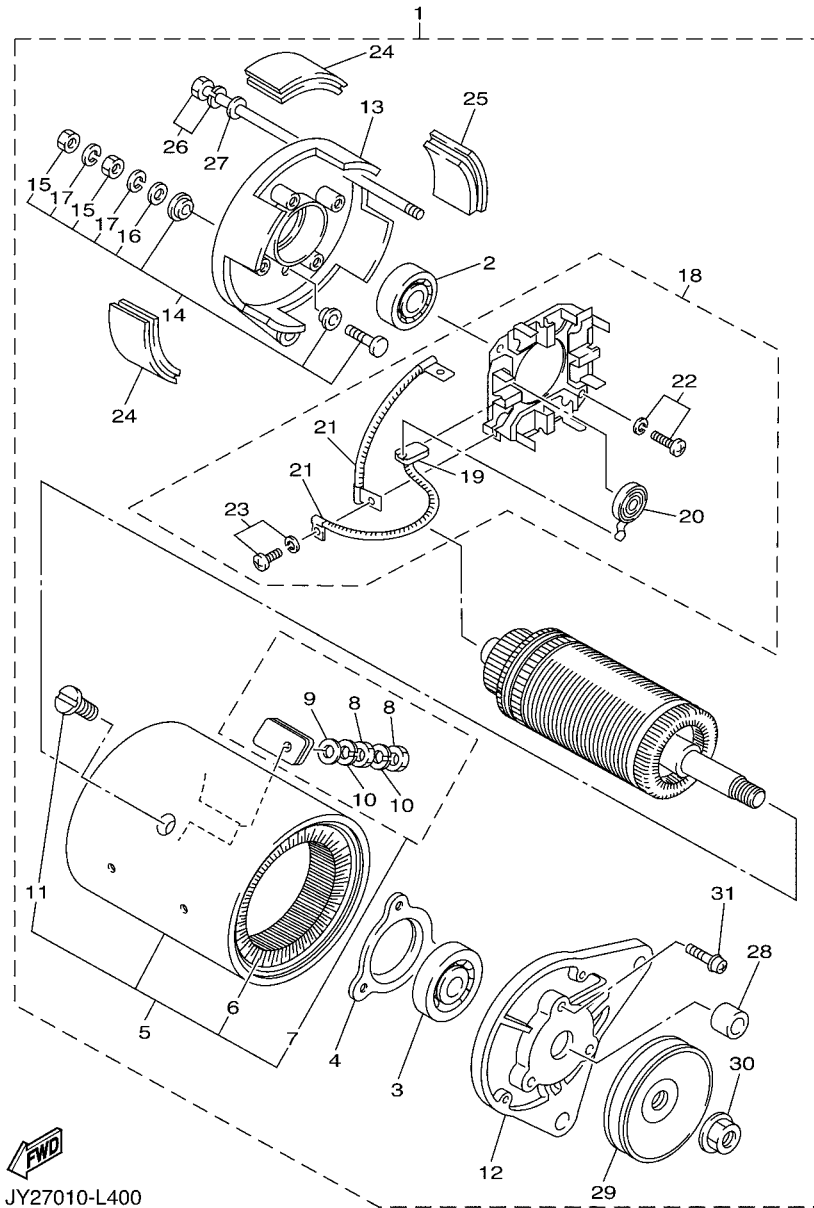
JW11100-E270

FIG. 30 SEAT

REF. NO.	PART NO.	DESCRIPTION	JC24				REMARKS
1	JW1-K8401-12	SEAT SUB-ASSY,CUSHION	1				
2	JW1-K8361-00	ARM REST 1	1				
3	90105-06129	BOLT, FLANGE	8				
4	JW1-K8362-00	ARM REST 2	1				
5	JW1-K8426-00	HINGE, SEAT 1	2				
6	90110-06125	BOLT, HEXAGON SOCKET HEAD	4				
7	JW1-K8427-00	HINGE, SEAT 2	2				
8	90163-06802	SCREW, TAPPING	4				
9	JW1-K8402-10	SEAT SUB ASSY, BACK	1				
10	90119-06808	BOLT, WITH WASHER	4				



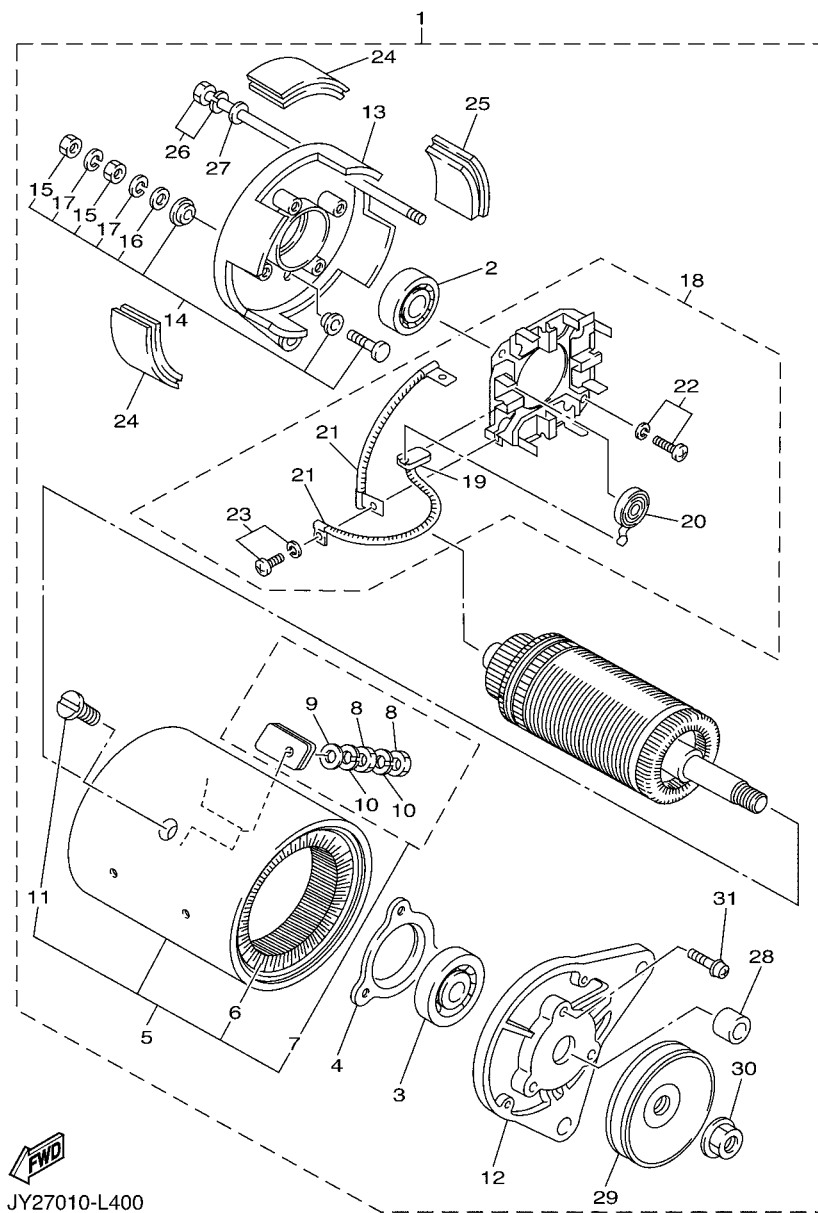
JC21110-M300



JY27010-L400

FIG. 31 STARTING MOTOR

REF. NO.	PART NO.	DESCRIPTION	JC24				REMARKS
1	JN6-H1100-04	STARTER GENERATOR ASSY	1				
2	J10-H1157-10	.BEARING 1	1				
3	J10-H1158-10	.BEARING 2	1				
4	J10-81159-10	.HOLDER, BEARING	1				
5	JN6-H1110-10	.STATOR ASSY	1				
6	JN6-H1160-10	..FIELD COIL ASSY	1				
7	J10-81148-10	..SCREW SET 4	2				
8	9530N-06600	...NUT,HEX	2				
9	9290N-06600	...WASHER	1				
10	92907-06100	...WASHER, SPRING	2				
11	J10-81146-10	..SCREW 2	4				
12	JN6-H1165-00	.BRACKET, STARTER GENERATOR 1	1				
13	J10-H1166-10	.BRACKET, STARTER GENERATOR 2	1				
14	J10-81147-10	.SCREW SET 3	2				
15	9530N-06600	..NUT,HEX	2				
16	9290N-06600	..WASHER	1				
17	92907-06100	..WASHER, SPRING	2				
18	JN6-H1119-00	.BRUSH HOLDER ASSY	1				
19	JF2-H1111-00	..BRUSH	4				
20	JN6-H1113-00	..SPRING, BRUSH	4				
21	J10-81115-10	..WIRE, LEAD	2				
22	9850N-05016	..SCREW, PAN HEAD	2				
23	9850N-04010	..SCREW, PAN HEAD	4				
24	J10-81129-10	.COVER, BRUSH	3				
25	J10-81139-10	.COVER, BRUSH 2	1				
26	J10-H1145-10	.SCREW 1	2				
27	9290N-06600	.WASHER	2				



JY27010-L400

FIG. 31 STARTING MOTOR

REF. NO.	PART NO.	DESCRIPTION	JC24				REMARKS
28	JN3-H1661-00	.SPACER	1				
29	JN6-H1161-00	.PULLEY	1				
30	90179-16889	.NUT	1				
31	9850N-05018	.SCREW, PAN HEAD	3				

FIG. 32 ELECTRICAL 1

REF. NO.	PART NO.	DESCRIPTION	JC24				REMARKS
1	95812-12030	BOLT, FLANGE	2				
2	JW1-H1170-11	TENSIONER ASSY	1				
3	95822-08020	BOLT, FLANGE	2				
4	90109-08827	BOLT	1				
5	95702-08500	NUT, FLANGE	1				
6	92012-06030	BOLT, BUTTON HEAD	1				
7	95302-06600	NUT, HEXAGON	1				
8	JC0-H1171-00	BRACKET, STARTER GENERATOR	1				
9	95822-08020	BOLT, FLANGE	2				
10	JW1-H1173-01	BELT	1				
11	JC0-85650-10	ROTOR ASSY	1				
12	JC0-81670-10	PICK-UP ASSY	1				
13	90480-20564	GROMMET	1				
14	95822-06016	BOLT, FLANGE	2				
15	1S4-82310-00	IGNITION COIL ASSY	1				
16	JC0-82316-00	BRACKET, IGNITION COIL	1				
17	95822-06016	BOLT, FLANGE	2				
18	95302-18600	NUT, HEXAGON	1				
19	90201-18620	WASHER, PLATE	1				
20	90280-04052	KEY, WOODRUFF	1				
21	JN6-82370-00	PLUG CAP ASSY	1				
22	JE8-82372-00	SEAL, PLUG CAP	1				
23	JT0-85720-00	OIL LEVEL GAUGE ASSY	1				
24	95817-06012	BOLT, FLANGE	3				
25	JT0-85724-00	CLAMP	1				
26	JT0-15362-00	PLUG, OIL LEVEL	1				
27	93210-15566	O-RING	1				

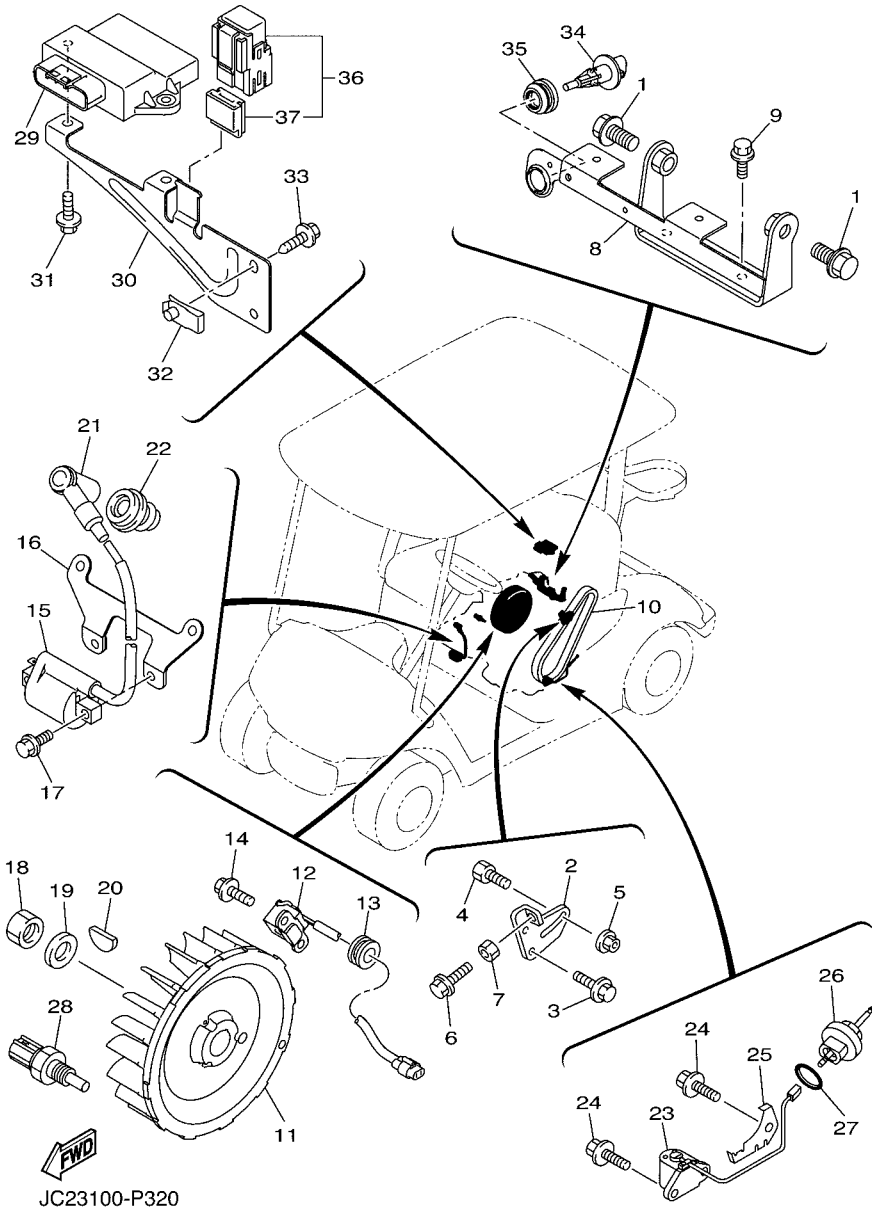


FIG. 32 ELECTRICAL 1

REF. NO.	PART NO.	DESCRIPTION	JC24				REMARKS
28	4P9-83591-00	THERMO UNIT	1				
29	JC0-8591A-02	ENGINE CONTROL UNIT ASSY	1				
30	JC0-F253B-00	STAY, RELAY	1				
31	90119-06156	BOLT, WITH WASHER	2				
32	90183-06811	NUT, SPRING	2				
33	JW1-K6179-01	BOLT, SPECIAL 1	2				
34	5CA-85886-00	SENSOR, AIR TEMPRATURE	1				
35	5CA-14435-00	GROMMET	1				
36	1TP-81950-00	RELAY ASSY (1TP-00)	1				
37	5EA-81952-00	.HOLDER, RELAY	1				
<hr/>							
<hr/>							
<hr/>							
<hr/>							
<hr/>							
<hr/>							
<hr/>							
<hr/>							
<hr/>							
<hr/>							

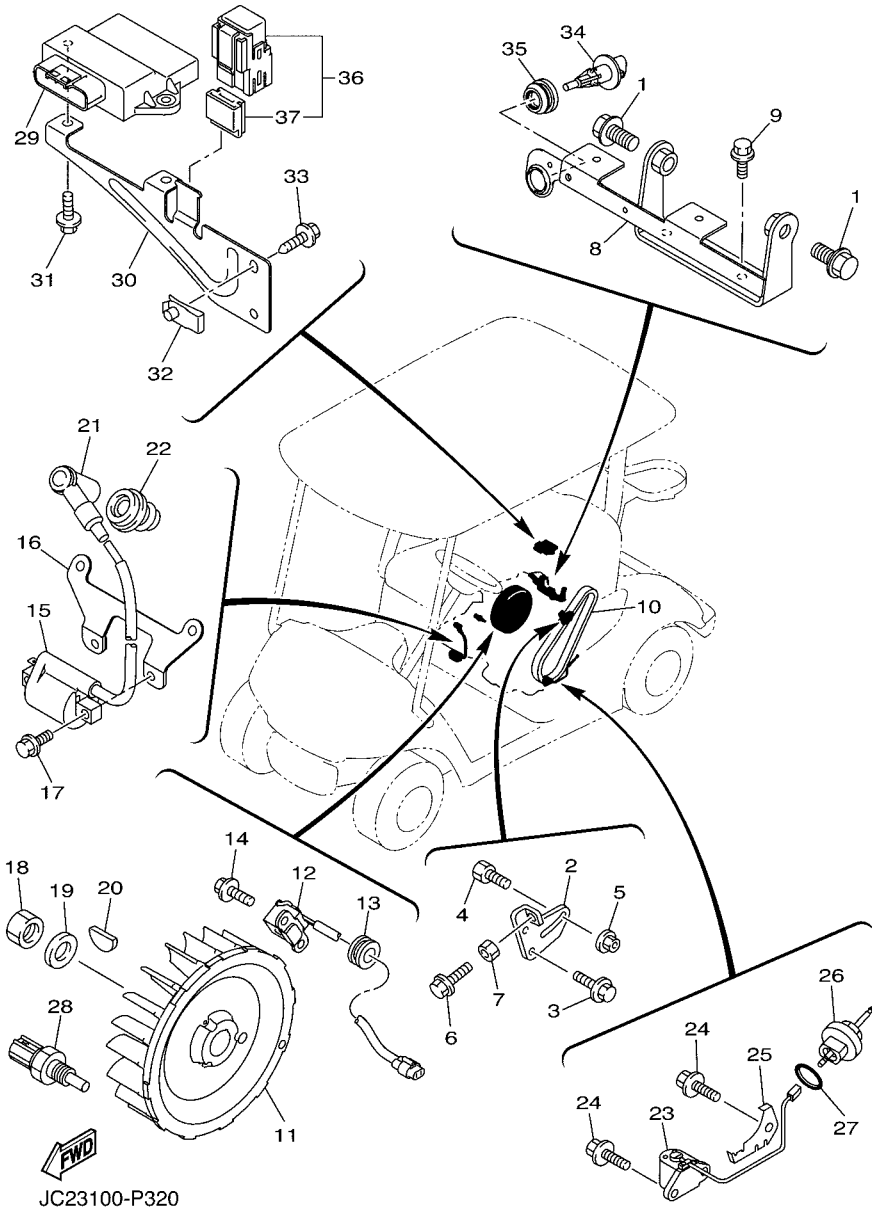


FIG. 33 ELECTRICAL 2

REF. NO.	PART NO.	DESCRIPTION	JC24	REMARKS
1	JW1-H2133-00	SCREW, FITTING	2	
2	J55-H2136-00	PLATE, BATTERY FITTING	1	
3	92902-06200	WASHER	2	
4	95702-06500	NUT, FLANGE	2	
5	JW1-H2115-01	WIRE, PLUS LEAD	1	
6	JW1-H2116-02	WIRE, MINUS LEAD	1	
7	JW1-H2117-00	WIRE, LEAD	1	
8	JC2-H2590-10	WIRE HARNESS ASSY	1	
9	JN6-H2151-00	.FUSE (10 A)	1	
10	JU7-H2151-00	.FUSE (20 A)	1	
11	JC0-82149-00	WIRE, LEAD 3	1	
12	JW1-H1950-00	RELAY ASSY	1	
13	90179-05807	.NUT	2	
14	90179-08824	.NUT	2	
15	90105-06831	BOLT, FLANGE	2	
16	JF2-81910-10	VOLTAGE REGULATOR ASSY	1	
17	90105-06870	BOLT, FLANGE	1	
18	JF7-82817-22	SWITCH	1	
19	98502-05025	SCREW, PAN HEAD	2	
20	92902-05600	WASHER, PLATE	2	
21	JR1-H3383-02	BUZZER	1	
22	JN6-H3386-01	STAY, BUZZER	1	
23	*	BATTERY ASSY	1	LM
24	90464-20237	CLAMP	5	
25	90461-14108	CLAMP	1	
26	90464-09823	CLAMP	1	
27	90464-20005	CLAMP	3	

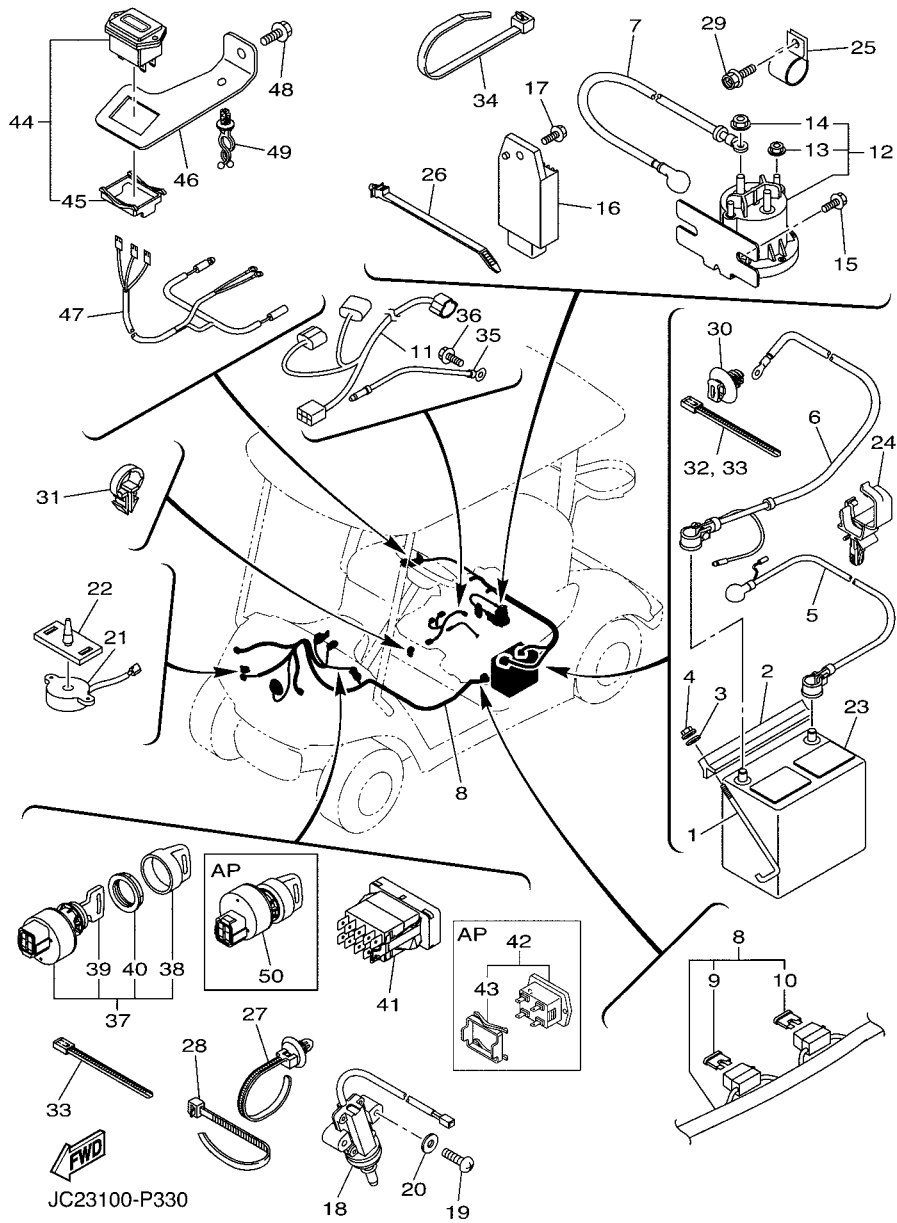
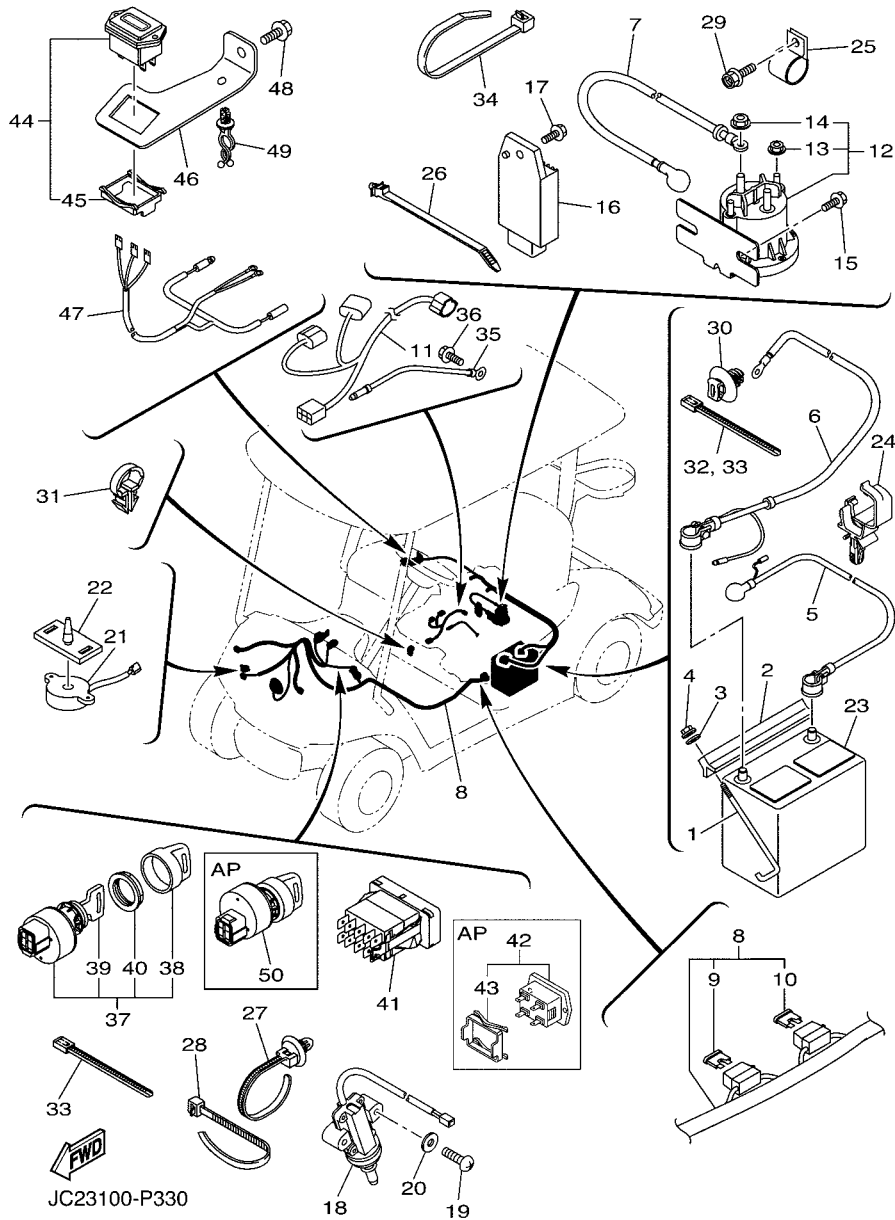
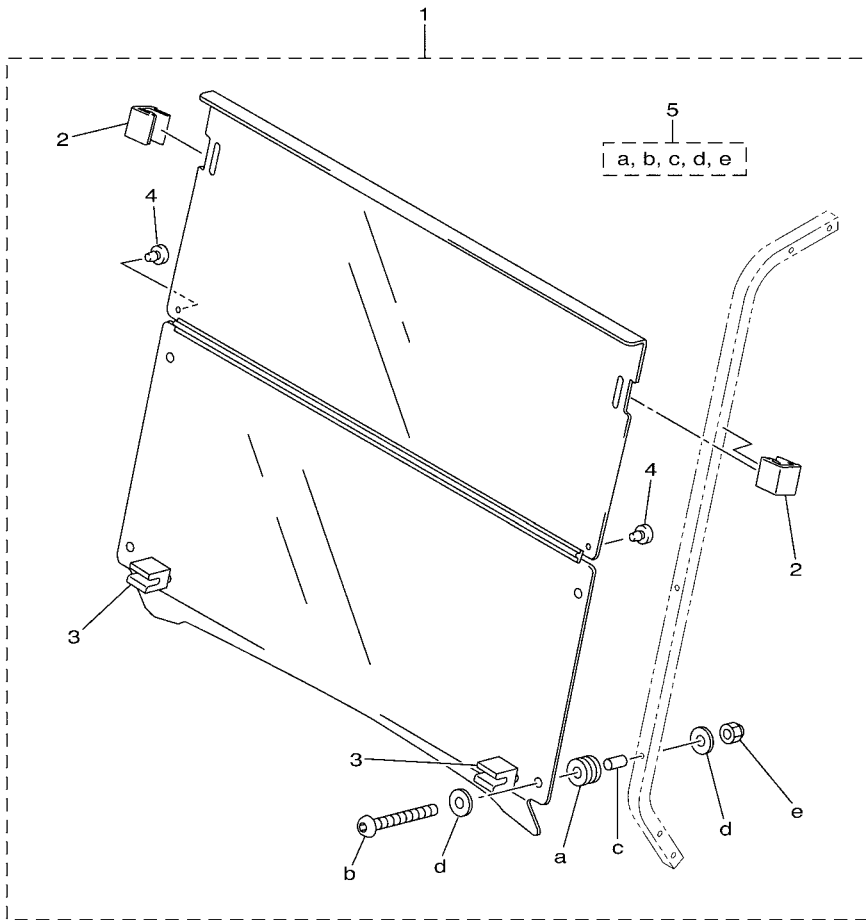


FIG. 33 ELECTRICAL 2

REF. NO.	PART NO.	DESCRIPTION	JC24				REMARKS
28	90464-48800	CLAMP	3				
29	90105-08867	BOLT, FLANGE	1				
30	5UG-F2465-10	HOLDER	2				
31	90464-19815	CLAMP	1				
32	90464-40825	CLAMP	1				
33	90464-40825	CLAMP	3				
34	90464-76800	CLAMP	2				
35	JC0-82519-00	WIRE, EARTH LEAD	1				
36	95822-06012	BOLT, FLANGE	1				
37	JW1-H2510-00	MAIN SWITCH ASSY	1				STD
38	5UG-H2579-00	.CAP, KEY	1				
39	JU2-H2511-00	.KEY, MAIN SWITCH	2				
40	JU6-H2569-00	.NUT, MAIN SWITCH	1				
41	JW8-H3530-00	PILOT LIGHT ASSY	1				STD
42	JN6-H351C-10	GAUGE 1	1				AP
43	JW1-H1128-00	.CLAMP	1				
44	JN6-H351C-10	GAUGE 1	1				STD
45	JW1-H1128-00	.CLAMP	1				
46	JW1-F4881-00	BRKT., METER	1				
47	JW1-H2386-10	EXTENSION, WIRE HARNESS	1				
48	90105-06831	BOLT, FLANGE	1				
49	90464-12836	CLAMP	1				
50	JU2-H2510-20	MAIN SWITCH ASSY	1				AP RANDOMKEY



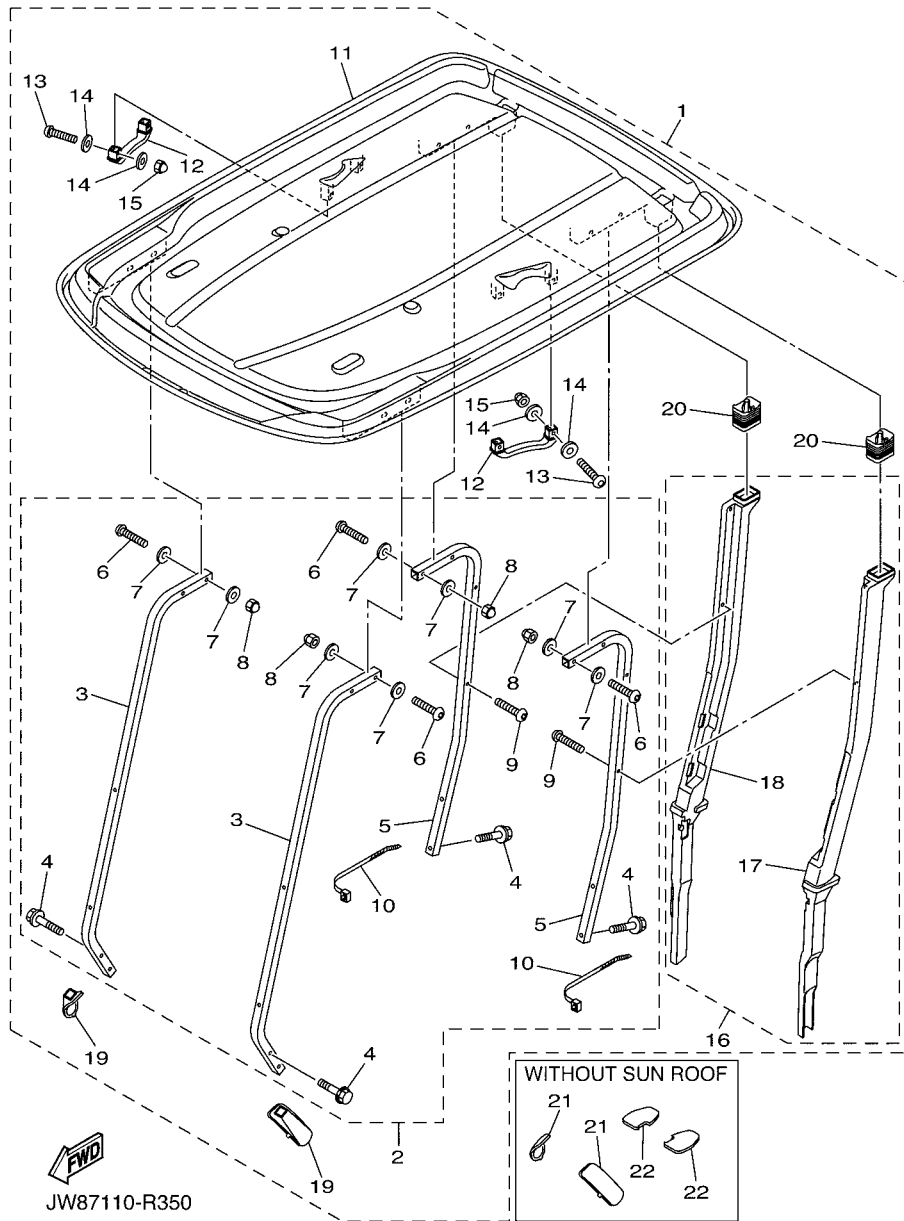


JC23100-P340

FIG. 34 ALTERNATE FOR WINDSHIELD

REF. NO.	PART NO.	DESCRIPTION	JC24				REMARKS
1	JW8-K7200-21	WINDSHIELD ASSY, HINGED(CLEAR)	1				UR AP
	JW8-K7200-31	WINDSHIELD ASSY, HINGED(SMOKE)	1				UR AP
2	JW8-K7173-00	.LEVER, LATCH 1	2				
3	JW8-K7222-10	.BRACKET, WINDSHIELD(R.H)	2				
4	JW8-K8167-00	.BUMPER, RUBBER 1	2				
5	GCA-JW122-00	.HARDWARE KIT	1				

FIG. 35 ALTERNATE FOR SUN ROOF



FWD
JW87110-R350

REF. NO.	PART NO.	DESCRIPTION	JC24		REMARKS
1	JW1-K84A0-01	SUN TOP KIT	1		UR AP TAN
	JW1-K84A0-20	SUN TOP KIT	1		UR AP BLACK
2	JW1-K84A2-01	..HARDWARE KIT, SUN TOP	1		
3	JW1-K8312-00	..SUPPORT, SUN ROOF 1	2		
4	JW1-K8388-00	..BOLT, ROOF 1	8		
5	JW1-K8313-01	..SUPPORT, SUN ROOF 2	2		
6	JU0-K8388-00	..BOLT, ROOF 1	8		
7	JW1-F1549-01	..WASHER, FENDER MOLD	16		
8	JU0-K8398-00	..NUT, ROOF 1	8		
9	JW1-K7387-00	..SCREW	4		
10	90464-76800	..CLAMP	2		
11	JW1-K8314-10	..COVER, SUN ROOF	1		UR TAN
	JW1-K8314-20	..COVER, SUN ROOF	1		UR BLACK
12	JW1-K8214-00	..GRIP, HAND	2		
13	JU0-K8388-00	..BOLT, ROOF 1	4		
14	JW1-F1549-01	..WASHER, FENDER MOLD	8		
15	JU0-K8398-00	..NUT, ROOF 1	4		
16	JW1-F417A-00	..DRAIN TUBE ASSY	1		
17	JW1-F413G-00	..TUBE, DRAIN	1		
18	JW1-F413J-00	..TUBE, DRAIN 2	1		
19	JW1-K832F-10	..GROMMET, ROOF SUPPORT 1	2		
20	JW1-F414G-10	..SEAL	2		
21	JW1-K832H-00	GROMMET, ROOF SUPPORT 3	2		AP
22	JW1-K833H-00	GROMMET, ROOF SUPPORT 4	2		AP

NUMERICAL INDEX

PART NO.	REF. NO.	PART NO.	REF. NO.	PART NO.	REF. NO.	PART NO.	REF. NO.	PART NO.	REF. NO.	PART NO.	REF. NO.
JT0-11111-00	2 - 1	5CA-14435-00	32 - 35	JT0-85720-00	32 - 23	JW1-F3512-00	13 - 5	JW9-F5666-00	17 - 12	JW8-F7825-01	17 - 27
JN6-11116-00	2 - 10	7KY-14613-01	8 - 3	JT0-85724-00	32 - 25	JU0-F3521-10	13 - 12	JW9-F5671-00	17 - 5	JW8-F7850-31	17 - 1
JN6-11133-10	2 - 2	JC0-15111-00	9 - 1	5CA-85886-00	32 - 34	5UG-F3527-00	14 - 21	JW9-F5672-00	17 - 4	JW8-F7853-10	17 - 35
JR7-11163-10	2 - 19	J38-15361-00	9 - 18	JC0-8591A-02	32 - 29	JU0-F3570-20	13 - 1	JW9-F5673-00	17 - 45	JW9-F7871-10	17 - 36
JN6-11168-00	2 - 11	JT0-15362-00	32 - 26	JW1-E1116-00	2 - 17	JW1-F3811-03	14 - 1	JW8-F5681-10	16 - 5	JW8-F7872-30	17 - 37
JN6-11169-00	2 - 12	796-15363-01	9 - 16	JW1-E1166-00	2 - 16	JW1-F3812-00	14 - 13	JN6-F5685-01	16 - 6	JW8-F815H-01	17 - 42
JT0-11181-00	2 - 3	JN6-15411-01	9 - 8	JU0-E3505-09	6 - 14	JW1-F3822-01	14 - 29	JW8-F6311-20	17 - 50	JW8-F8319-00	17 - 29
JN6-11191-01	2 - 9	JY2-15451-00	9 - 12	JU0-E4411-00	6 - 10	JU0-F3828-10	14 - 4	JC0-F6312-20	6 - 18	JW8-F8323-00	17 - 24
JN6-11193-00	2 - 13	JC0-19001-70	1 - 1	JU0-E4412-00	6 - 11	1P0-F3833-00	14 - 26	JW8-F6314-00	17 - 21	JW8-F8331-00	17 - 47
812-11198-00	9 - 6	JT0-21481-00	10 - 3	5UH-E4424-00	6 - 17	JW1-F3837-00	14 - 22	JW8-F6341-10	16 - 1	JW8-F8363-00	17 - 7
JN6-11400-00	3 - 1	401-22128-01	13 - 16	JU0-E4450-00	6 - 12	JN3-F3838-00	14 - 6	JW8-F6351-10	16 - 2	JW8-G1661-00	22 - 61
JN6-11454-10	3 - 8	2NL-23448-00	13 - 9	JU0-E445E-00	6 - 13	5UG-F3844-00	14 - 19	JW8-F639L-00	17 - 22	JW8-G2181-00	17 - 55
JR7-11610-00	3 - 3	2NL-23517-00	13 - 11	JW8-E4710-01	8 - 1	JU0-F3857-11	14 - 3	JW8-F639N-00	17 - 9	JW8-G2535-00	22 - 58
JR7-11610-10	3 - 3	2HR-23526-00	13 - 3	JW1-E4713-00	8 - 4			JW8-F7113-00	17 - 11	JW8-G2536-00	22 - 59
JR7-11610-20	3 - 3	JW8-23841-01	14 - 27	JW8-E7688-00	21 - 7	JW1-F3866-00	14 - 24	JW8-F7117-00	17 - 6	JW8-G2541-00	22 - 63
JR7-11631-00-A0	3 - 2	4WM-24180-00	15 - 14	JW8-F1153-00	12 - 5	JW1-F387A-00	14 - 11	JW8-F7118-00	17 - 41	JW8-G4178-00	22 - 51
583-11633-00	3 - 4	1S3-24486-00	15 - 9	JW8-F135J-00	20 - 7	JW1-F387E-00	14 - 14	JW8-F7119-00	17 - 28	JW8-G4189-00	20 - 6
JR7-11635-00	3 - 2	18P-24491-00	15 - 8		21 - 4	5UG-F387F-00	14 - 17	JW8-F7121-00	17 - 13	JW8-G5244-00	22 - 52
JR7-11636-00	3 - 2	J38-27204-00	18 - 15	JW8-F1436-00	8 - 2	5UG-F387G-00	14 - 15	JW9-F7200-21	17 - 2	JW8-G5282-00	20 - 18
JN6-11650-10	3 - 6	J38-27205-00	18 - 4	JW1-F1549-01	35 - 7	5UG-F387J-00	14 - 18	JW8-F7213-20	17 - 34	JW8-G5378-00	22 - 41
JN6-11654-10	3 - 7	J55-27260-00	18 - 9		35 - 14	5UG-F387K-00	14 - 16	JW8-F7217-00	17 - 32	JW8-G5331-00	21 - 9
JN6-12111-10	4 - 2	J55-27270-00	18 - 20	JW1-F1738-00	12 - 6	JW1-F3894-00	14 - 25	JW8-F7218-00	17 - 10	JW8-G5618-00	20 - 10
J38-12117-01	4 - 6	J10-27282-00	18 - 6		12 - 8	JC0-F4111-01	15 - 1	JW9-F7221-00	17 - 14		20 - 15
J38-12118-00	4 - 7		18 - 17		15 - 5	JW1-F4112-00	15 - 3	JW9-F7228-00	17 - 23	JW8-G5621-00	20 - 16
4G0-12119-00	4 - 13	J38-27951-00	19 - 1		15 - 20	JW1-F413G-00	35 - 17	JU0-F722H-00	22 - 7	JW8-G5677-00	21 - 12
7RH-12121-10	4 - 3	J38-27959-00	19 - 5	JC2-F1781-00	27 - 6	JW1-F413J-00	35 - 18	JW9-F7231-10	17 - 18	JW8-G5697-20	21 - 15
JN6-12151-10	4 - 8	J10-81115-10	31 - 21	JW8-F2110-30	11 - 1	JW1-F414G-10	35 - 20	JW9-F7232-00	17 - 19	JN3-G6153-00	22 - 27
JN6-12153-10	4 - 4	J10-81129-10	31 - 24	JN6-F2123-10	11 - 2	JW1-F4161-10	26 - 5	JU0-F723F-00	22 - 37	JW8-G6159-00	21 - 8
JR7-12154-10	4 - 12	J10-81139-10	31 - 25	JN6-F2124-10	11 - 6	7CC-F4170-01	15 - 13	JW9-F7245-10	17 - 30	JU0-G6164-00	22 - 35
J38-12156-20	4 - 11	J10-81146-10	31 - 11	JW1-F217G-10	11 - 10	JW1-F417A-00	35 - 16	JW9-F7246-20	17 - 46	JW8-G6201-22	20 - 1
22F-12159-10	4 - 9	J10-81147-10	31 - 14	JW1-F2210-10	11 - 14	JW1-F419A-11	15 - 19	JW8-F7280-00	18 - 13	JW8-G6202-22	21 - 1
JR7-12170-00	4 - 1	J10-81148-10	31 - 7	5UG-F2465-10	33 - 30	JW7-F4314-10	15 - 16	JW8-F7281-00	18 - 5	JW8-G6205-21	20 - 9
JN6-12616-00	5 - 3	J10-81159-10	31 - 4	JW8-F2501-01	12 - 1	JW1-F4316-00	15 - 17		18 - 16	JW8-G6210-00	20 - 2
JN6-12621-02	5 - 1	JC0-81670-10	32 - 12	JC0-F253B-00	32 - 30	JW1-F4317-00	15 - 18	JW8-F7286-00	18 - 10	JW8-G6220-22	20 - 3
JR7-12634-00	5 - 11	JF2-81910-10	33 - 16	JW8-F253B-00	12 - 4	JU5-F4375-00	15 - 4		18 - 21	JW8-G6231-21	20 - 17
JN6-12651-01	5 - 5	1TP-81950-00	32 - 36	JW1-F258G-02	12 - 9	JW8-F4425-00	12 - 2	JW8-F7290-00	18 - 2	JW8-G6236-20	20 - 12
JN6-12652-00	5 - 7	5EA-81952-00	32 - 37	JW1-F2873-10	27 - 2	JW8-F4486-00	17 - 44	JW8-F7316-01	17 - 31	JW8-G6237-20	20 - 13
JR7-12658-00	5 - 6	JC0-82149-00	33 - 11	JW1-F2874-10	27 - 3			JW8-F7317-00	17 - 40	J55-G6241-01	20 - 21
JX4-12691-00	5 - 9	1S4-82310-00	32 - 15	JW7-F312H-00	15 - 12	JW1-F4610-00	15 - 2	JW8-F7318-00	17 - 20	JW8-G6249-00	20 - 19
JC0-13567-00	6 - 4	JC0-82316-00	32 - 16	JW1-F3183-00	14 - 12	JW8-F4619-01	12 - 3	JW8-F7322-00	17 - 15	JW8-G624A-00	20 - 4
JN6-13567-00	6 - 3	JN6-82370-00	32 - 21	JW8-F3183-00	17 - 16	JW1-F467K-00	14 - 23	JW1-F7411-20	12 - 7	JW8-G624B-00	21 - 5
	6 - 5	JE8-82372-00	32 - 22	JW1-F3350-10	13 - 14	JW8-F47E3-00	22 - 21	JW8-F7416-00	17 - 8	JW8-G6251-21	20 - 8
JC0-13595-00	6 - 1	1C7-82380-00	7 - 2	JW1-F3390-10	13 - 19	JW1-F4881-00	33 - 46	JW8-F7426-01	17 - 17	JW8-G6253-00	20 - 5
JC0-13750-00	7 - 1	JC0-82519-00	33 - 35	JW1-F3396-01	26 - 3	JW1-F5100-01	24 - 1	JW8-F7434-00	17 - 39	JW8-G6260-22	21 - 2
JC0-13770-00	7 - 4	JN3-82617-01	23 - 19		28 - 3	JW8-F5103-00	13 - 21	JW8-F7438-00	17 - 38	JW8-G6270-21	21 - 3
JC0-13907-00	15 - 7	JF7-82817-22	33 - 18	JW1-F3400-00	14 - 10	JW8-F5118-00	22 - 62	JW8-F7445-31	17 - 33	JW8-G6275-10	21 - 11
JC0-13971-00	15 - 11	4P9-83591-00	32 - 28	5UG-F3489-00	14 - 20	JN6-F5118-01	13 - 29	JW8-F7814-21	17 - 3	JW8-G6284-00	21 - 6
5CA-14147-00	7 - 5	JC0-85650-10	32 - 11	JU0-F3511-10	13 - 4	JW8-F5415-00	17 - 25		17 - 43	JW8-G6290-20	22 - 2

NUMERICAL INDEX

PART NO.	REF. NO.	PART NO.	REF. NO.	PART NO.	REF. NO.	PART NO.	REF. NO.	PART NO.	REF. NO.	PART NO.	REF. NO.
JW8-G6300-20	18 - 1	JC0-H1171-00	32 - 8	JW1-K8115-W0	26 - 1	JW1-K8401-12	30 - 1	90159-06845	29 - 12	90381-18001	13 - 2
	22 - 1	JW1-H1173-01	32 - 10	JR1-K8139-00	27 - 8	JW1-K8402-10	30 - 9	90163-06802	30 - 8	90386-08141	19 - 3
JW8-G6313-10	22 - 10	JN3-H1661-00	31 - 28	JW1-K8142-00	27 - 1	JW1-K8423-10	29 - 1	90170-05302	4 - 10	90386-12800	17 - 26
JW8-G6314-00	22 - 32	JW1-H1950-00	33 - 12	JW1-K8142-10	27 - 1	JW1-K8426-00	30 - 5	90170-08841	22 - 43	90387-046N7	14 - 37
JN3-G6316-00	22 - 24	JW1-H2115-01	33 - 5	JW1-K8142-20	27 - 1	JW1-K8427-00	30 - 7	90170-10840	22 - 56	90387-12016	13 - 15
JU0-G631A-00	22 - 31	JW1-H2116-02	33 - 6	JW1-K8142-30	27 - 1	JW1-K84A0-01	35 - 1	90173-06010	26 - 22	90387-241M7	13 - 25
JW8-G6320-00	22 - 8	JW1-H2117-00	33 - 7	JW1-K8142-80	27 - 1	JW1-K84A0-20	35 - 1	90179-05807	33 - 13	90461-14108	33 - 25
JN3-G6326-00	22 - 25	JW1-H2133-00	33 - 1	JW1-K8142-90	27 - 1	JW1-K84A2-01	35 - 2	90179-08822	16 - 7	90462-05061	2 - 15
JN3-G6327-00	22 - 30	J55-H2136-00	33 - 2	JW1-K8142-W0	27 - 1	JN9-W2536-00	18 - 3	90179-08824	33 - 14	90464-09823	33 - 26
JW8-G633E-00	22 - 6	JN6-H2151-00	33 - 9	JW1-K8151-00	27 - 11		18 - 14	90179-12262	24 - 2	90464-12836	33 - 49
JN3-G633G-00	22 - 26	JU7-H2151-00	33 - 10	JW1-K8164-00	25 - 2	90101-08855	22 - 42	90179-13800	11 - 4	90464-19815	33 - 31
JN3-G6344-00	22 - 5	JN6-H2377-00	27 - 12	JW8-K8167-00	34 - 4	90101-08856	22 - 34	90179-16889	31 - 30	90464-20005	33 - 27
JN3-G6355-00	22 - 57	JW1-H2386-10	33 - 47	JW1-K818A-00	28 - 2	90101-10854	22 - 55	90183-05008	26 - 9	90464-20237	33 - 24
JN3-G6356-00	22 - 19	JW1-H2510-00	33 - 37	JW1-K818B-00	28 - 5	90105-06129	30 - 3		26 - 14	90464-40825	15 - 15
JW8-G6371-10	23 - 3	JU2-H2510-20	33 - 50	JW1-K8191-00	28 - 6	90105-06831	12 - 10	90183-06071	26 - 6		33 - 32
JN3-G6372-00	23 - 17	JU2-H2511-00	33 - 39	JW1-K8192-00	28 - 7		23 - 18	90183-06811	32 - 32		33 - 33
JW8-G6374-00	21 - 10	JU6-H2569-00	33 - 40	JW1-K8214-00	35 - 12		33 - 15	90185-06836	29 - 10	90464-48800	33 - 28
JN3-G6376-00	23 - 10	5UG-H2579-00	33 - 38	JW1-K8233-30	26 - 15		33 - 48	90185-12008	14 - 7	90464-76800	23 - 21
JU0-G6376-00	22 - 12	JC2-H2590-10	33 - 8	JW1-K8237-10	27 - 9	90105-06862	6 - 16	90201-04810	14 - 35		33 - 34
JN3-G6381-00	23 - 9	JR1-H3383-02	33 - 21	JW1-K8245-00	26 - 18	90105-06870	26 - 4	90201-068G7	29 - 5		35 - 10
JW8-G6382-00	23 - 5	JN6-H3386-01	33 - 22	JW1-K8261-00	26 - 20		33 - 17	90201-10057	2 - 5	90465-06038	23 - 20
JW8-G6383-10	23 - 4	JN6-H351C-10	33 - 42	JW1-K8262-00	26 - 23	90105-08002	21 - 14		9 - 15	90467-13847	2 - 20
JW8-G638A-00	22 - 29		33 - 44	JW1-K8270-11	28 - 1	90105-08859	22 - 17	90201-121H8	18 - 12	90468-10049	6 - 8
JN6-G638E-00	22 - 28	JW8-H3530-00	33 - 41	JW1-K8273-00	26 - 17	90105-08867	12 - 11		18 - 23	90468-10050	17 - 52
JN6-G6410-00	22 - 54	GCA-JW122-00	34 - 5	JW1-K8297-01	27 - 13		33 - 29	90201-121H9	18 - 11	90468-20196	16 - 4
JN3-G6432-00	22 - 33	JW1-K6179-01	27 - 10	JW1-K8297-10	27 - 13	90105-088B0	25 - 3		18 - 22	90480-20564	32 - 13
JN3-G6511-00	22 - 44		32 - 33	JW1-K8312-00	35 - 3	90105-10219	13 - 8	90201-128S4	11 - 9	90501-10852	22 - 14
JN3-G6512-00	22 - 45	JW8-K7173-00	34 - 2	JW1-K8313-01	35 - 5	90105-10267	13 - 13	90201-178H8	22 - 23	90501-264A9	4 - 5
JW8-G6514-00	22 - 50	JW8-K7200-21	34 - 1	JW1-K8314-10	35 - 11		13 - 20	90201-18620	32 - 19	90502-10013	14 - 36
JW8-G6521-00	22 - 60	JW8-K7200-31	34 - 1	JW1-K8314-20	35 - 11	90105-10373	13 - 6	90201-198S7	23 - 12	90506-14001	18 - 8
JW8-G6555-00	22 - 11	JW8-K7222-10	34 - 3	JW1-K832F-10	35 - 19	90105-10840	22 - 3	90201-208H9	22 - 18		18 - 19
JW8-G7339-00	20 - 20	JW1-K7387-00	35 - 9	JW1-K832H-00	35 - 21	90105-10847	14 - 28	90201-208J0	22 - 20	90506-20281	18 - 7
JW8-G8330-10	23 - 2	JW1-K7510-01	25 - 1	JW1-K833H-00	35 - 22	90105-13800	11 - 3	90201-208S8	23 - 11		18 - 18
JN6-H1100-04	31 - 1	JW8-K7540-00	25 - 5	JW1-K8340-00	29 - 3	90109-08002	29 - 2	90202-12807	22 - 39	90508-16460	17 - 53
JN6-H1110-10	31 - 5	JW1-K7741-00	27 - 7	JW1-K834G-00	29 - 8	90109-08827	32 - 4	90208-14801	13 - 27	90508-40678	19 - 4
JF2-H1111-00	31 - 19	JW8-K7762-00	14 - 38	JN6-K8355-20	29 - 7	90110-06102	29 - 4	90209-08018	21 - 13	90560-05001	17 - 54
JN6-H1113-00	31 - 20	JW8-K7762-11	14 - 38	JF2-K8356-00	29 - 6	90110-06125	30 - 6	90249-14129	16 - 9	90560-08251	15 - 6
JN6-H1119-00	31 - 18	JW8-K7762-21	14 - 38	JW8-K8357-00	14 - 32	90111-05805	26 - 8	90269-06800	26 - 2	91402-20012	23 - 8
JW1-H1128-00	33 - 43	JW8-K7768-30	26 - 11	JN6-K8358-01	14 - 33		26 - 13	90269-06804	26 - 19	91490-25015	16 - 12
	33 - 45	JW8-K7768-40	26 - 11	JW8-K835E-00	26 - 12	90113-04803	20 - 11		27 - 4	91490-30030	22 - 46
J10-H1145-10	31 - 26	JW8-K7768-50	26 - 11	JW1-K8361-00	30 - 2		20 - 14		28 - 4	91702-05010	6 - 7
J10-H1157-10	31 - 2	JW2-K8114-02	26 - 7	JW1-K8362-00	30 - 4	90113-08803	22 - 13	90269-07001	26 - 10	91702-05014	17 - 51
J10-H1158-10	31 - 3	JW1-K8115-01	26 - 1	JN6-K8380-00	29 - 11	90114-12806	13 - 22	90269-08813	27 - 5	91702-06014	23 - 6
JN6-H1160-10	31 - 6	JW1-K8115-11	26 - 1	JU0-K8388-00	35 - 6	90119-06156	32 - 31	90269-09003	26 - 16	91702-08018	16 - 11
JN6-H1161-00	31 - 29	JW1-K8115-21	26 - 1		35 - 13	90119-06244	26 - 21	90269-10001	5 - 10	91702-10026	16 - 3
JN6-H1165-00	31 - 12	JW1-K8115-31	26 - 1	JW1-K8388-00	35 - 4	90119-06808	30 - 10	90280-04052	32 - 20	92012-06030	32 - 6
J10-H1166-10	31 - 13	JW1-K8115-80	26 - 1	JU0-K8398-00	35 - 8	90119-06884	6 - 6	90340-12097	9 - 5	92902-04100	23 - 15
JW1-H1170-11	32 - 2	JW1-K8115-90	26 - 1		35 - 15	90119-10044	11 - 5	90381-17067	13 - 10	92902-04600	23 - 16

NUMERICAL INDEX

PART NO.	REF. NO.	PART NO.	REF. NO.	PART NO.	REF. NO.	PART NO.	REF. NO.	PART NO.	REF. NO.	PART NO.	REF. NO.
92902-05600	33 - 20	9530N-06600	31 - 15	9850N-05016	31 - 22						
92902-06200	33 - 3	95380-06600	19 - 2	9850N-05018	31 - 31						
92902-06600	23 - 7	95602-06200	19 - 6	99001-07600	6 - 9						
92902-08100	8 - 7	95602-08100	23 - 1	99001-09600	16 - 10						
92902-08600	8 - 8	95602-08200	8 - 5	99009-19400	23 - 13						
	14 - 31	95602-08710	2 - 18	99530-08016	9 - 7						
92902-10100	11 - 12	95602-10200	10 - 1	99530-14016	2 - 6						
92902-10200	10 - 2										
92902-10600	11 - 13										
92902-12200	14 - 8										
92907-06100	31 - 10	95602-12200	11 - 8								
	31 - 17										
9290N-06600	31 - 9	95602-14100	13 - 28								
	31 - 16	95612-12100	13 - 18								
	31 - 27	95622-08618	2 - 7								
9299R-06200	29 - 13	95702-06500	33 - 4								
93101-24822	22 - 47	95702-08500	6 - 2								
93102-25868	22 - 16										
93102-30083	13 - 26	95802-06020	5 - 2								
93102-35014	9 - 3										
	9 - 10	95812-06025	5 - 8								
93104-11829	22 - 40	95812-08020	7 - 6								
93109-10820	22 - 36										
93210-15566	32 - 27	95812-08045	14 - 2								
93210-22344	9 - 17										
93210-398D6	6 - 15	95812-10055	17 - 49								
93306-00440	22 - 49	95812-12030	9 - 13								
93306-005Y1	22 - 9	95812-12065	11 - 15								
93306-005Y3	13 - 24	95812-12080	32 - 1								
93306-007Y0	22 - 53	95817-06012	11 - 7								
93306-20201	9 - 4	95822-06012	13 - 17								
	9 - 11										
93306-204X0	13 - 23	95822-06016	25 - 4								
93306-20714	9 - 9										
93306-303Y6	22 - 4	95822-06030	33 - 36								
93306-30709	9 - 2	95822-08020	32 - 14								
93410-12822	22 - 38										
93420-44805	22 - 48	97002-08025	32 - 17								
93450-21053	3 - 5	97012-08030	2 - 14								
93500-06826	22 - 15	97012-10020	32 - 3								
93606-10842	22 - 22	97012-10050	32 - 9								
94702-00343	2 - 8	97012-10070	8 - 6								
94702-00348	2 - 8	9708R-06020	14 - 30								
95302-06600	32 - 7	97702-40525	11 - 11								
95302-06800	15 - 10	97702-60420	9 - 14								
95302-18600	32 - 18										
95307-08700	16 - 8	98502-04016	29 - 9								
9530N-06600	31 - 8	98502-05025	2 - 4								
		98502-06014	8 - 6								
		9850N-04010	14 - 34								
			5 - 4								
			23 - 14								
			33 - 19								
			7 - 3								
			31 - 23								