



PARTS CATALOGUE

YDRAX4 PTV (JC06) CANADA, EUROPE, OTHERS

1NJC0-100E1

()



NEWS No.	DATE	COMMENT
PE0-GC-130009	Oct.,29,2013	MOD: ALTERNATE FOR SUN ROOF LIST&ILLUST REVISION

2013/11/07

YDRAX4 PTV
PARTS CATALOGUE
©2013 by Yamaha Motor Co., Ltd.
1st edition, June 2013
All rights reserved.
Any reprinting or unauthorized use
without the written permission of
Yamaha Motor Co., Ltd.
is expressly prohibited.
Printed in Japan.

FOREWORD

This Parts Catalogue is related to the parts for the model(s) on the cover page. When you are ordering replacement parts, please refer to this Parts Catalogue and quote both part numbers and part names correctly.

1. Modifications or additions which have been made after the issue of the Parts Catalogue will be announced in the Parts News.

It is advisable that you make the necessary corrections to the Parts Catalogue according to the Parts News.

2. Abbreviations

The following abbreviations are used in this Parts Catalogue.

“UR” Use specified parts number.

“UN” Use as many as needed.

“AP” Alternate Parts

“LM” Locally Made (Parts need to be ordered locally)

“F#” Frame No. (Applicable machine No.)

“O/S” Over Size

3. The number of components for assembly

- Parts, which are to be supplied in an assembly, are listed with a dot (.) in front of the part name as shown below.
- The numeral appearing to the right of each component part indicates the quantity of parts for each assembly unit.

PART NO.	DESCRIPTION	Q'TY	REMARKS
2F5-83310-60	FRONT FLASHER LIGHT ASSY	2	
115-83311-60	.BULB (6V-18W)	1	

4. Applicable colours of graphics are represented in the “REMARKS” as shown below.

PART NO.	DESCRIPTION	Q'TY	REMARKS
2N4-24110-00-X5	FUEL TANK COMP.	2	MXR
3J1-24240-10	.GRAPHIC, FUEL TANK	1	FOR MXR

5. Note that the illustrations for reference in finding parts numbers are not to be used for assembling. When assembling, please use the applicable service manual.

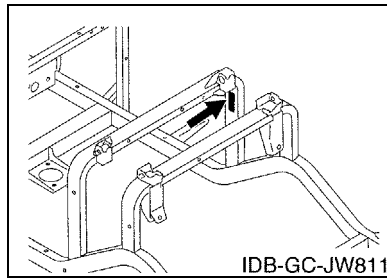
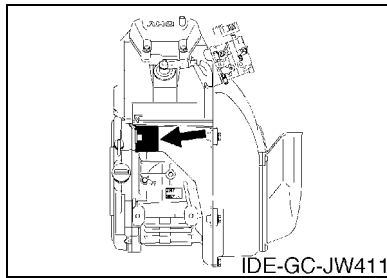
6. The asterisk (*) before a reference number indicates modified items after the first edition.

FOREWORD

7. Applicable Serial No.

Engine Serial No.

Frame Serial No.



10. Applicable Starting Serial No.

Frame Serial No.

Serial No.	Name Of Q'ty Column	Model Code
JC0-500101	JC06	JC06

8. Applicable Colour Code (The (*) mark shows Model colour.)

Abbreviation	Colour Name	Colour Code
BMG(*)	BLACK METALLIC G	1050
DPBST(*)	DARK PURPLISH BLUE SOLID T	1220
HTR(*)	HEAT RED	00EY
LNMP(*)	LIGHT GRAY METALLIC P	0925
LN YM8(*)	LIGHT GRAYISH YELLOW ME 8	1047
VDGS1(*)	VERY DARK GREEN SOLID 1	0614
WS7(*)	WHITE SOLID 7	1045

9. Quantity Column Information

Column No.	Name Of Q'ty Column	Destination
1	JC06	CANADA, EUROPE, OTHERS

CONTENTS

ENGINE 1	1
----------------	---

ENGINE

CYLINDER HEAD	2
CRANKSHAFT & PISTON	3
CAMSHAFT & VALVE	4
AIR SHROUD & FAN	5
INTAKE 1	6
INTAKE 2	7
EXHAUST	8
CRANKCASE	9

BODY

ENGINE BRACKET	10
REAR ARM & SUSPENSION	11
FRAME	12
FRONT SUSPENSION	13
STEERING	15
FUEL TANK	17
PEDAL ASSEMBLY	18
GOVERNOR	21

DRIVE

PRIMARY SHEAVE	22
SECONDARY SHEAVE	23
TRANSAXLE & BRAKE	24
SHIFTER & CABLES	27
WHEEL	28
BUMPER	29
BODY	30
BODY 2	32
BODY FITTING	33
CARRIER	34
REAR VIEW MIRROR	35
SEAT	36

ELECTRICAL

STARTING MOTOR	37
HEAD & TAIL LIGHT	39
ELECTRICAL 1	41
ELECTRICAL 2	43

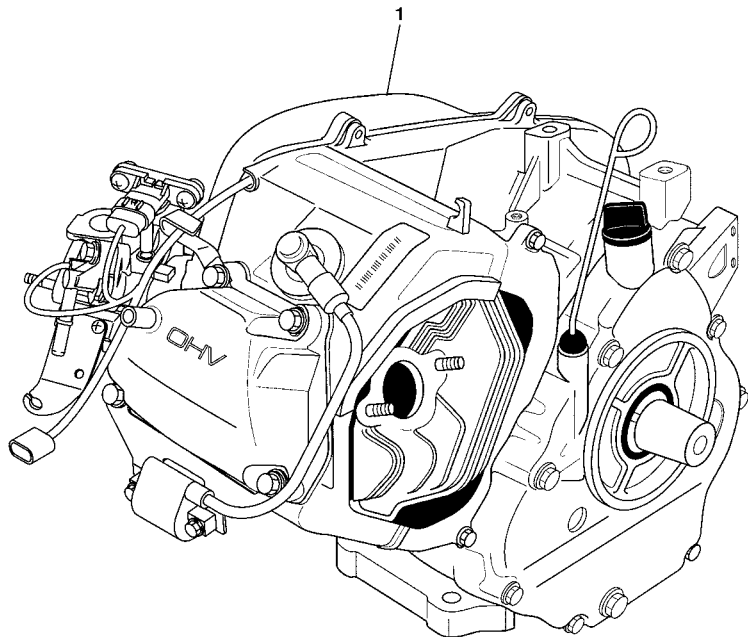
ALTERNATE FOR WINDSHIELD	45
--------------------------------	----

ALTERNATE FOR SUN ROOF	46
------------------------------	----

INDEX

NUMERICAL INDEX	47
-----------------------	----

FIG. 1 ENGINE 1

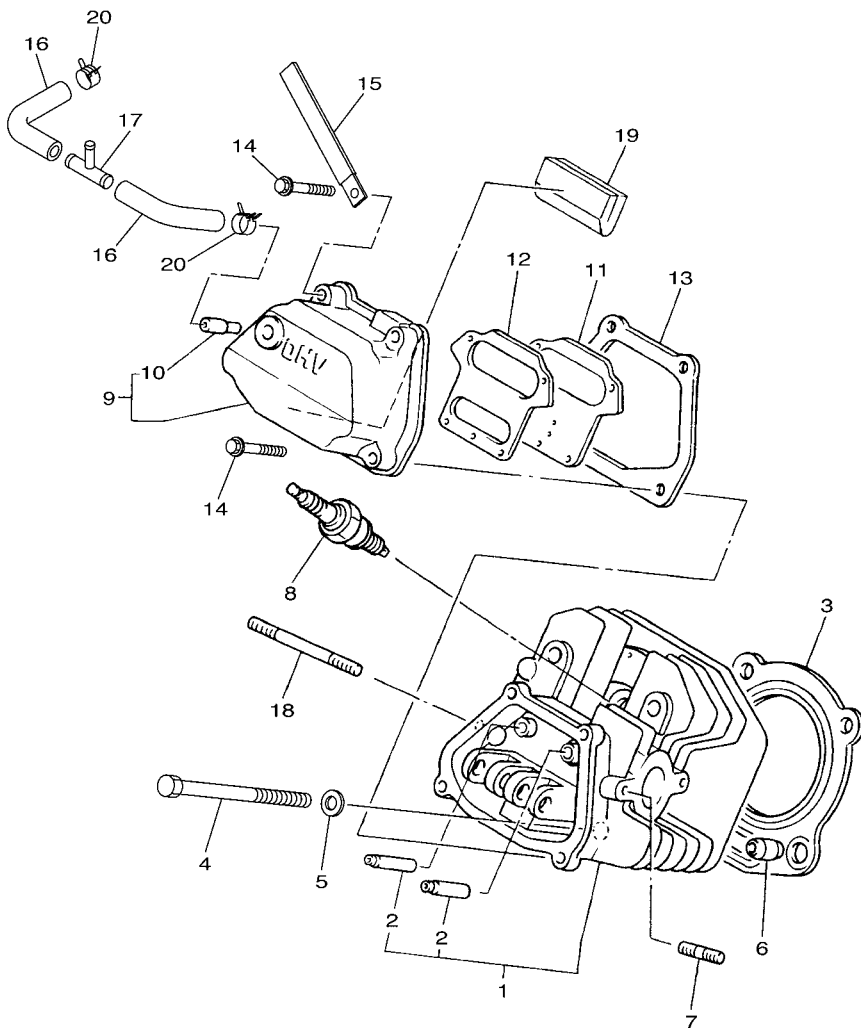


REF. NO.	PART NO.	DESCRIPTION	JC06				REMARKS
1	JC0-19001-40	ENGINE ASSEMBLY	1				

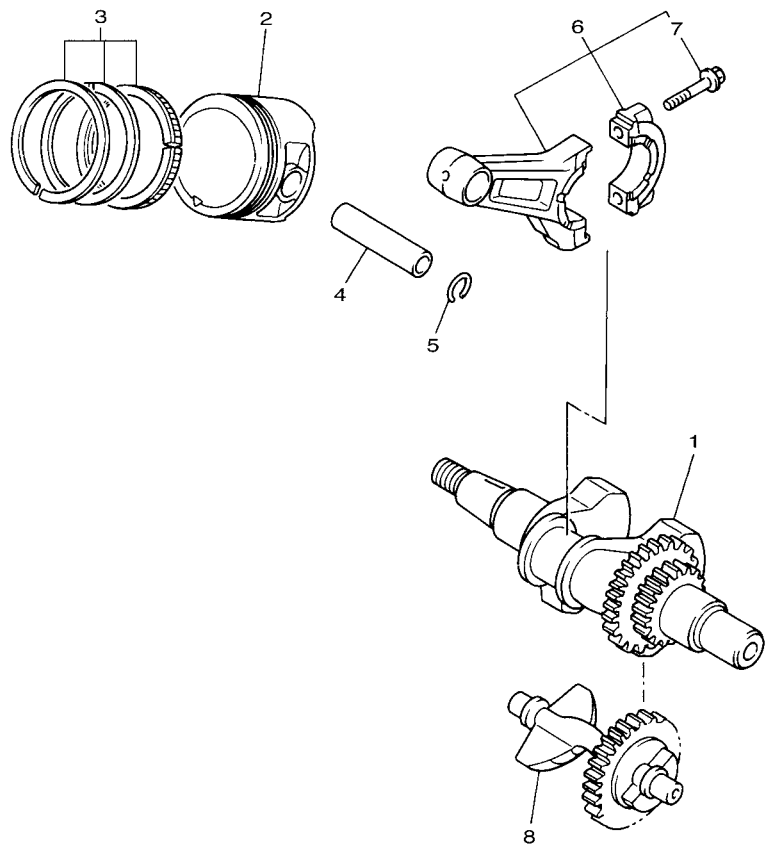
 JC04110-L010

FIG. 2 CYLINDER HEAD

REF. NO.	PART NO.	DESCRIPTION	JC06				REMARKS
1	JT0-11111-00	HEAD, CYLINDER 1	1				
2	JN6-11133-10	.GUIDE, VALVE 1	2				
3	JT0-11181-00	GASKET, CYLINDER HEAD 1	1				
4	97012-10070	BOLT	4				
5	90201-10057	WASHER, PLATE	4				
6	99530-14016	PIN, DOWEL	2				
7	95622-08618	BOLT, STUD	2				
8	94702-00348	PLUG, SPARK (NGK-BPR2ES)	1				STD
	94702-00343	PLUG, SPARK (NGK BP4ES)	1				AP
9	JN6-11191-01	COVER, CYLINDER HEAD 1	1				
10	JN6-11116-00	.JOINT, BREATHER	1				
11	JN6-11168-00	COVER, BREATHER	1				
12	JN6-11169-00	GASKET, BREATHER COVER	1				
13	JN6-11193-00	GASKET, HEAD COVER 1	1				
14	95822-06030	BOLT, FLANGE	4				
15	90462-05061	CLAMP	1				
16	JW1-E1166-00	PIPE, BREATHER 1	2				
17	JW1-E1116-00	JOINT, BREATHER	1				
18	95602-08710	BOLT, STUD	2				
19	JR7-11163-10	ELEMENT	1				
20	90467-13847	CLIP	2				



JC04110-L020



JN7010-6021

FIG. 3 CRANKSHAFT & PISTON

REF. NO.	PART NO.	DESCRIPTION	JC06				REMARKS
1	JN6-11400-00	CRANKSHAFT ASSY	1				
2	JR7-11631-00-A0	PISTON (STD)	1				
	JR7-11635-00	PISTON (0.25MM O/S)	1				AP
	JR7-11636-00	PISTON (0.50MM O/S)	1				AP
3	JR7-11610-00	PISTON RING SET (STD)	1				
	JR7-11610-10	PISTON RING SET (0.25MM O/S)	1				AP
	JR7-11610-20	PISTON RING SET (0.50MM O/S)	1				AP
4	583-11633-00	PIN, PISTON	1				
5	93450-21053	CIRCLIP	2				
6	JN6-11650-10	CONNECTING ROD ASSY	1				
7	JN6-11654-10	BOLT, CONNECTING ROD	2				
8	JN6-11454-10	WEIGHT 1	1				

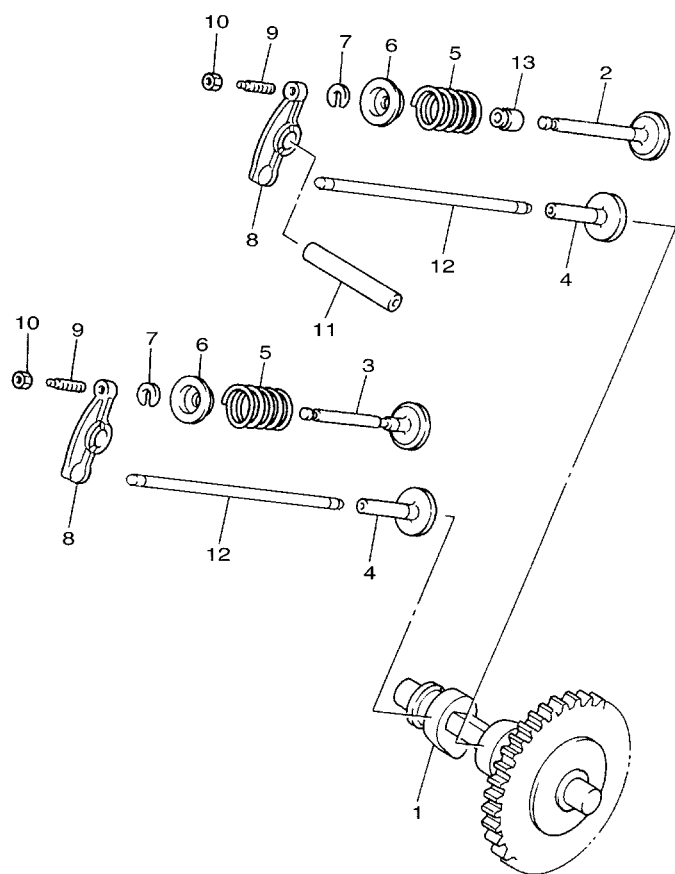
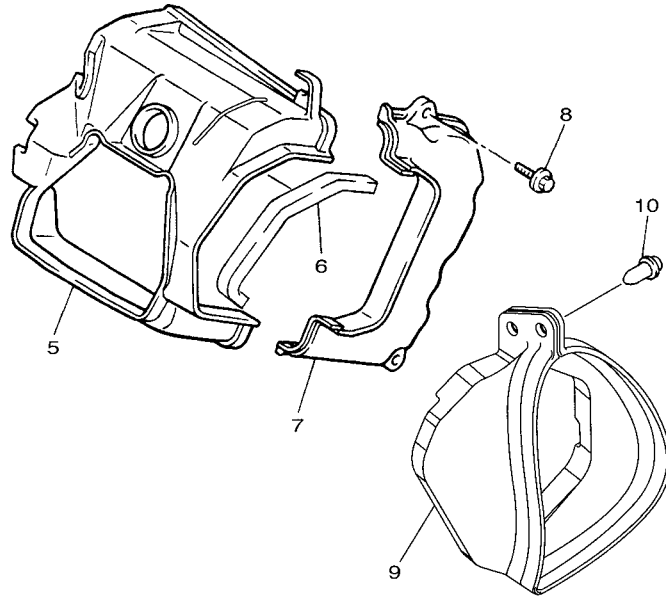
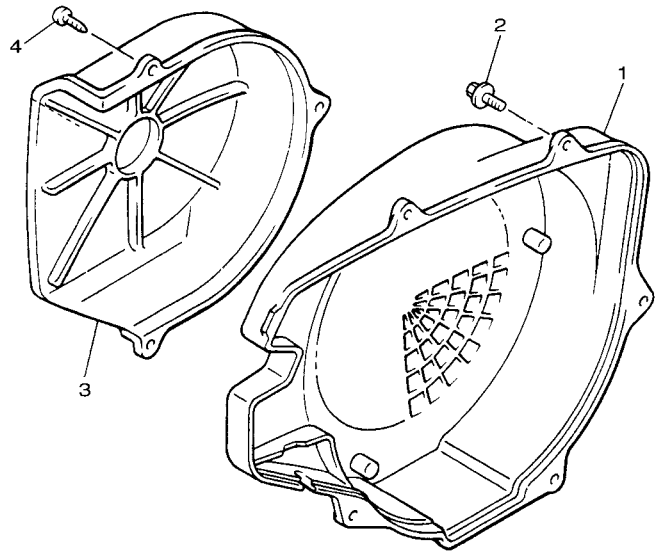


FIG. 4 CAMSHAFT & VALVE

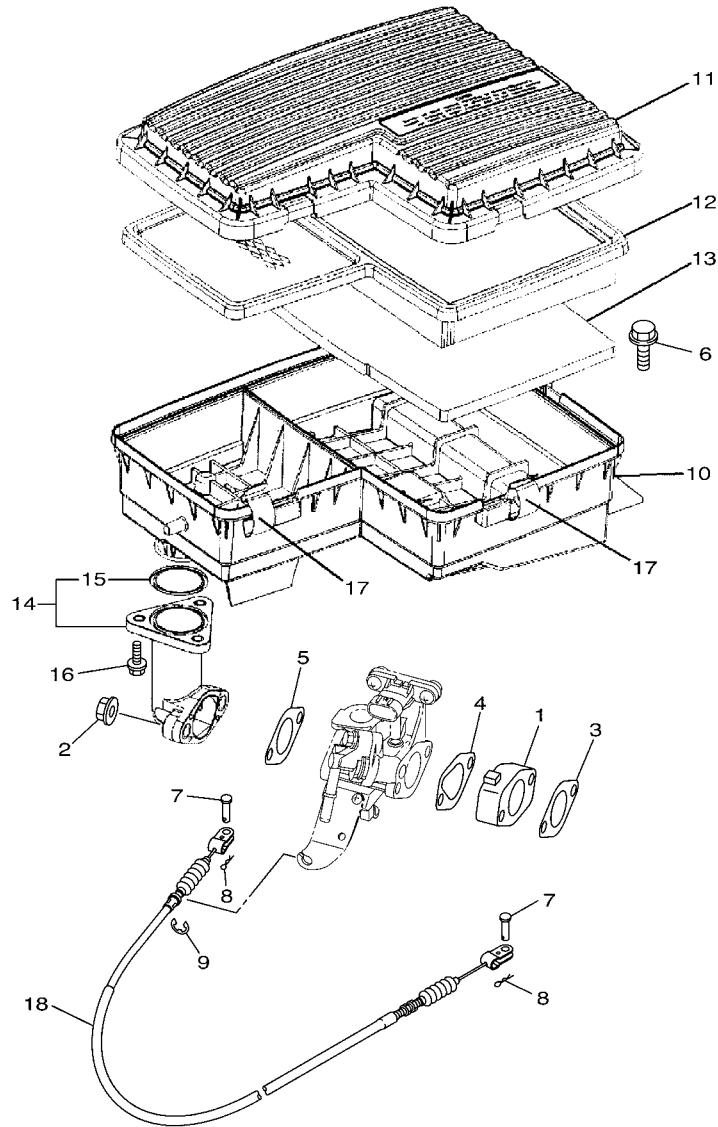
REF. NO.	PART NO.	DESCRIPTION	JC06				REMARKS
1	JR7-12170-00	CAMSHAFT ASSY 1	1				
2	JN6-12111-10	VALVE, INTAKE	1				
3	7RH-12121-10	VALVE, EXHAUST	1				
4	JN6-12153-10	LIFTER, VALVE	2				
5	90501-264A9	SPRING, COMPRESSION	2				
6	J38-12117-01	RETAINER, VALVE SPRING	2				
7	J38-12118-00	LOCK, VALVE SPRING RETAINER	2				
8	JN6-12151-10	ARM, VALVE ROCKER	2				
9	22F-12159-10	SCREW, VALVE ADJUSTING	2				
10	90170-05302	NUT	2				
11	J38-12156-20	SHAFT, ROCKER 2	1				
12	JR7-12154-10	ROD, VALVE PUSH	2				
13	4G0-12119-00	SEAL, VALVE STEM	1				



JP21110-M050

FIG. 5 AIR SHROUD & FAN

REF. NO.	PART NO.	DESCRIPTION	JC06				REMARKS
1	JN6-12621-02	CASE, FAN	1				
2	95802-06020	BOLT, FLANGE	4				
3	JN6-12616-00	COVER, FAN CASE	1				
4	97702-60420	SCREW, TAPPING	3				
5	JN6-12651-01	AIR SHROUD, CYLINDER 1	1				
6	JR7-12658-00	DAMPER, AIR SHROUD 1	1				
7	JN6-12652-00	AIR SHROUD, CYLINDER 2	1				
8	95802-06020	BOLT, FLANGE	2				
9	JW1-E2691-00	DUCT 1	1				
10	90269-08813	RIVET	2				



JC04110-L060

FIG. 6 INTAKE 1

REF. NO.	PART NO.	DESCRIPTION	JC06				REMARKS
1	JC0-13595-00	JOINT	1				
2	95702-08500	NUT, FLANGE	2				
3	JN6-13567-00	GASKET	1				
4	JC0-13567-00	GASKET	1				
5	JN6-13567-00	GASKET	1				
6	90119-06884	BOLT, WITH WASHER	2				
7	91702-05010	PIN, CLEVIS	2				
8	90468-10049	CLIP	2				
9	99001-07600	CIRCLIP	1				
10	JU0-E4411-00	CASE, AIR CLEANER 1	1				
11	JU0-E4412-00	CAP, CLEANER CASE 1	1				
12	JU0-E4450-00	ELEMENT ASSY, AIR CLEANER	1				
13	JU0-E445E-00	FILTER 1	1				
14	JU0-E3505-09	JOINT COMP.	1				
15	93210-398D6	.O-RING	1				
16	90105-06862	BOLT, FLANGE	3				
17	5UH-E4424-00	CLIP, CAP FITTING	5				
18	JC0-F6312-01	CABLE, THROTTLE 2	1				

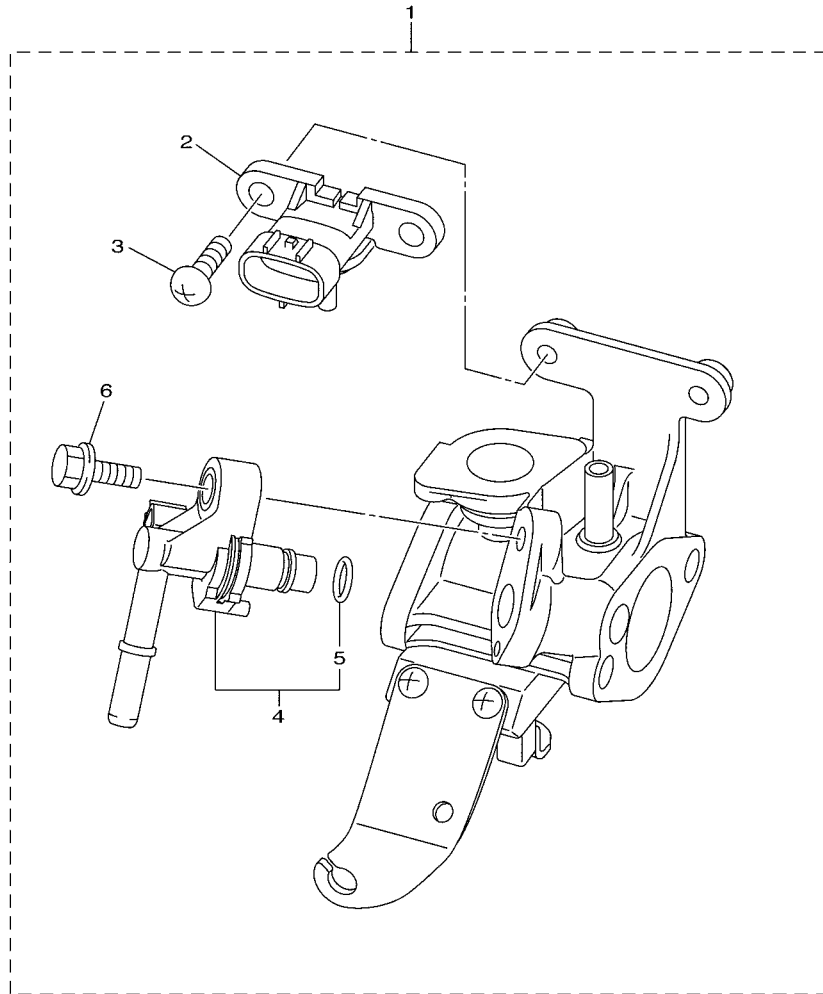


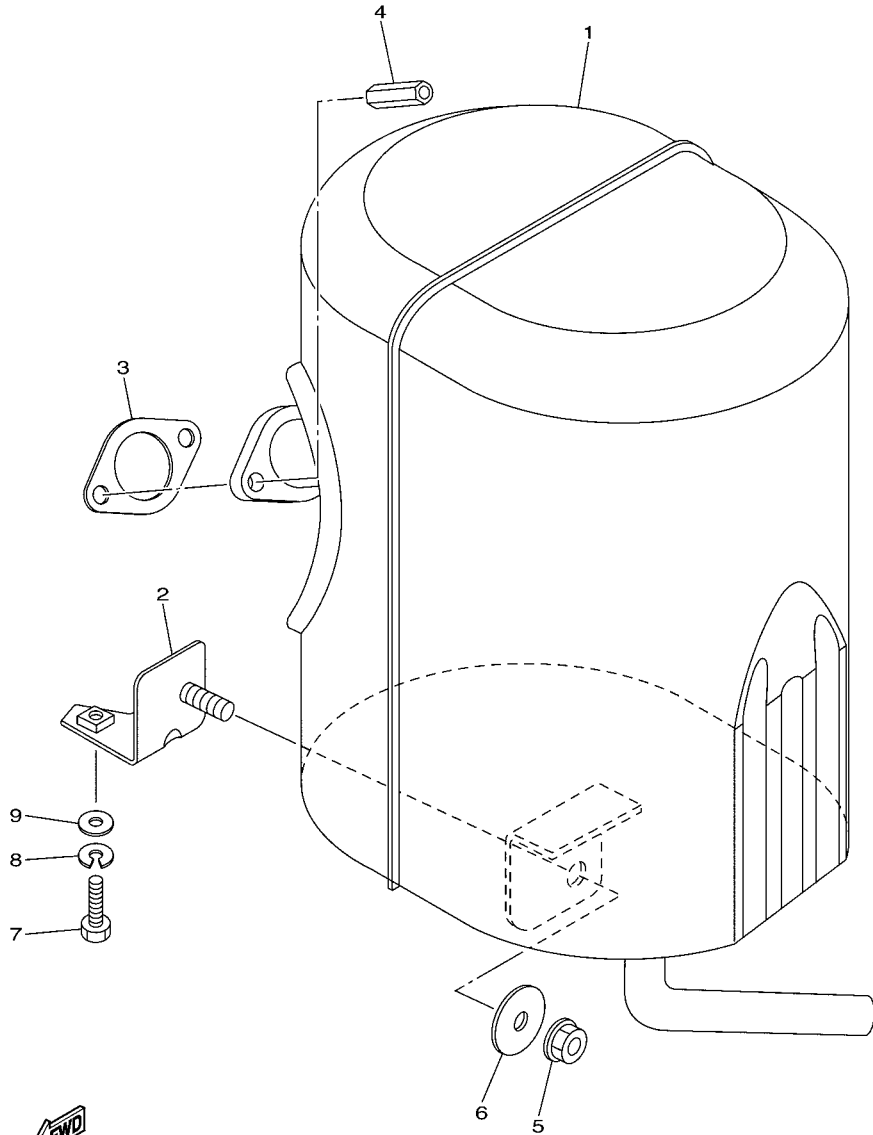
FIG. 7 INTAKE 2

REF. NO.	PART NO.	DESCRIPTION	JC06			REMARKS
1	JC0-13750-00	THROTTLE BODY ASSY	1			
2	1C7-82380-00	.SENSOR, PRESSURE	1			
3	98502-06014	.SCREW, PAN HEAD	2			
4	JC0-13770-00	.INJECTOR ASSY	1			
5	5CA-14147-00	..O-RING	1			
6	95812-06025	.BOLT, FLANGE	1			



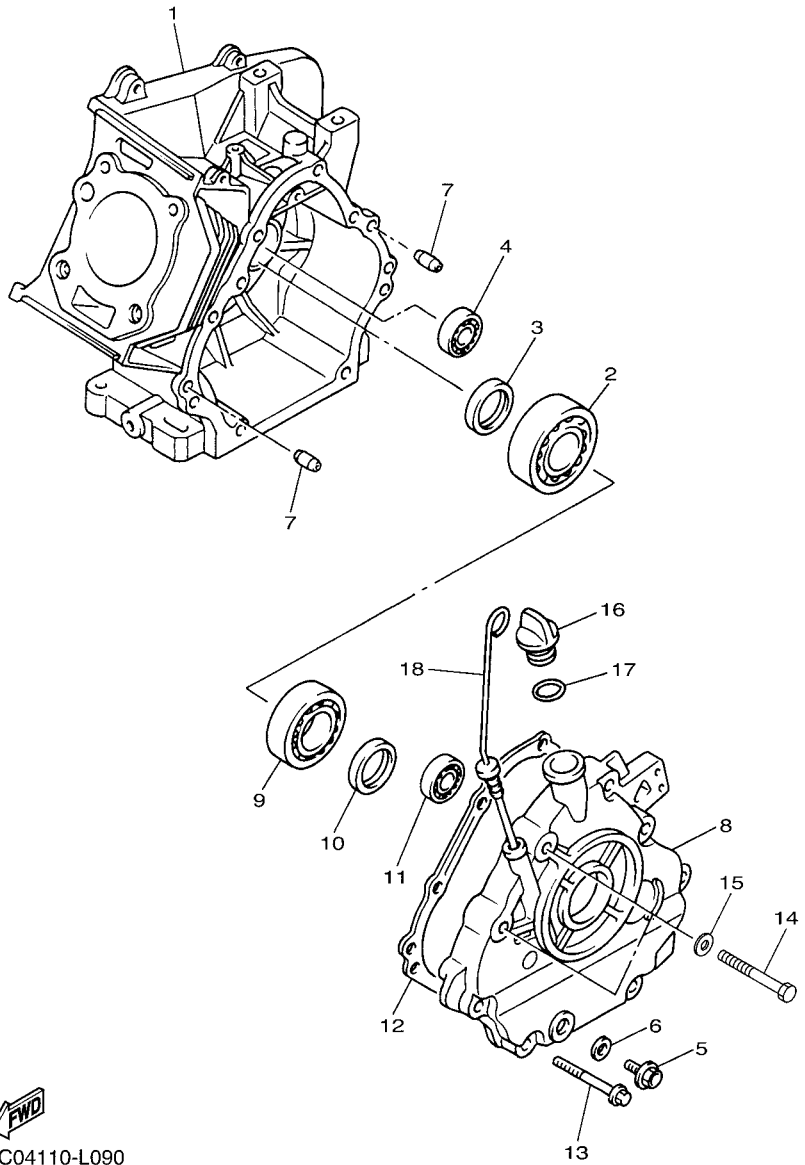
JC04110-L070

FIG. 8 EXHAUST



JW15110-J080

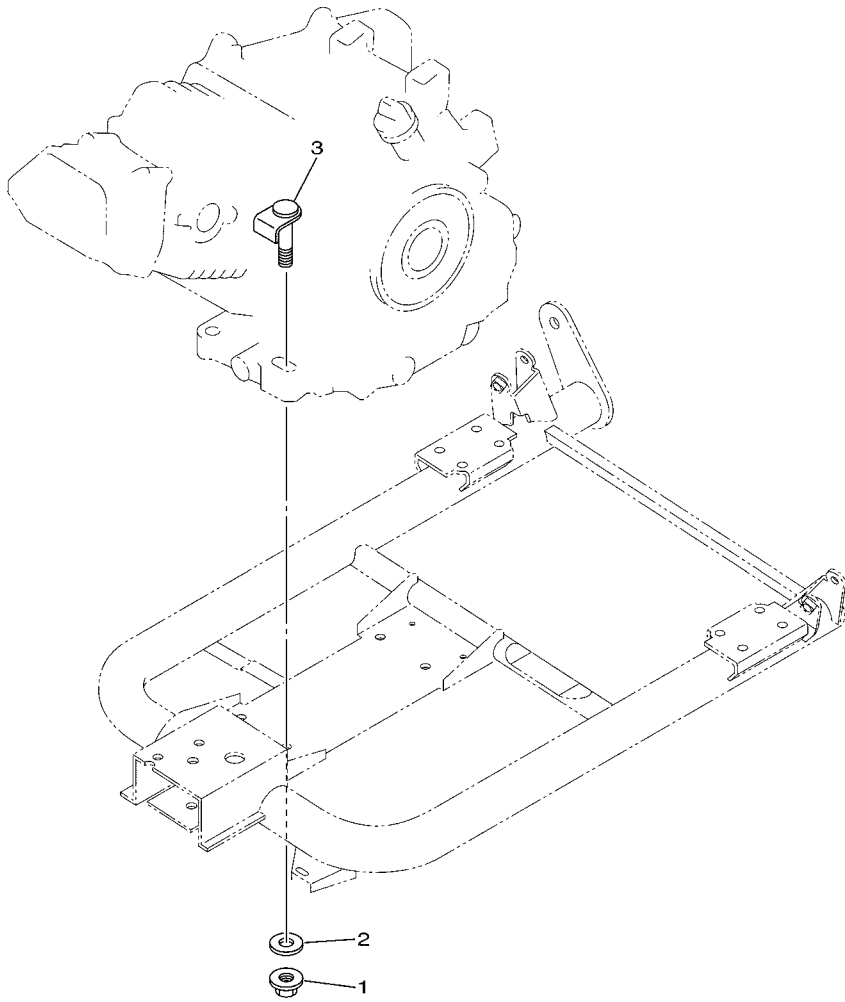
REF. NO.	PART NO.	DESCRIPTION	JC06				REMARKS
1	JW1-E4710-20	MUFFLER ASSY 1	1				
2	JU0-F1436-00	BRKT., MUFF. 2	1				
3	7KY-14613-01	GASKET, EXHAUST 1	1				
4	JW1-E4713-00	NUT, MUFFLER JOINT	2				
5	95602-08200	NUT, SELF-LOCKING	1				
6	90201-080E4	WASHER, PLATE	1				
7	97002-08025	BOLT	1				
8	92902-08100	WASHER, SPRING	1				
9	92902-08600	WASHER, PLATE	1				



JC04110-L090

FIG. 9 CRANKCASE

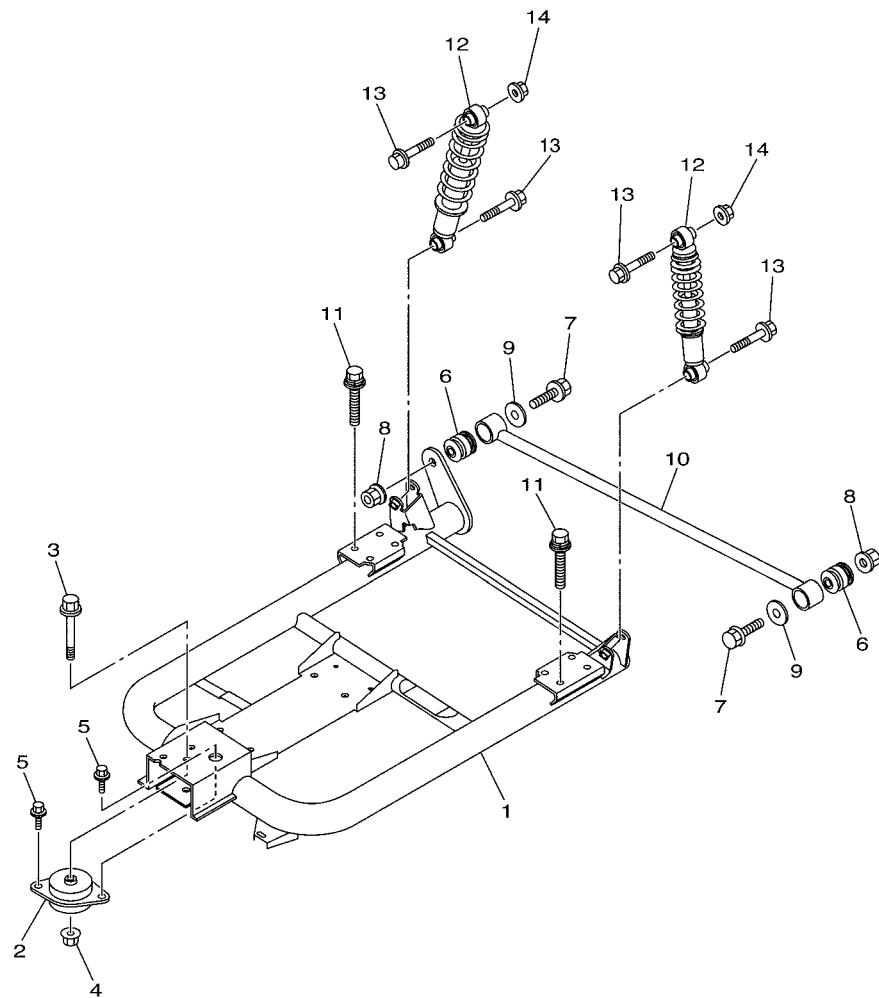
REF. NO.	PART NO.	DESCRIPTION	JC06				REMARKS
1	JC0-15111-00	CRANKCASE 1	1				
2	93306-30709	BEARING	1				
3	93102-35014	OIL SEAL	1				
4	93306-20201	BEARING	1				
5	90340-12097	PLUG, STRAIGHT SCREW	1				
6	812-11198-00	GASKET	1				
7	99530-08016	PIN, DOWEL	2				
8	JN6-15411-01	COVER, CRANKCASE 1	1				
9	93306-20714	BEARING	1				
10	93102-35014	OIL SEAL	1				
11	93306-20201	BEARING	1				
12	JY2-15451-00	GASKET, CRANKCASE COVER 1	1				
13	95812-08045	BOLT, FLANGE	6				
14	97012-10050	BOLT	2				
15	90201-10057	WASHER, PLATE	2				
16	796-15363-01	PLUG, OIL	1				
17	93210-22344	O-RING	1				
18	J38-15361-00	GAUGE, LEVEL	1				



JD03100-K100

FIG. 10 ENGINE BRACKET

REF. NO.	PART NO.	DESCRIPTION	JC06				REMARKS
1	95602-10200	NUT, U FLANGE	4				
2	92902-10200	WASHER	4				
3	JT0-21481-00	BOLT, ENGINE MOUNTING 1	4				



JC06110-N110

FIG. 11 REAR ARM & SUSPENSION

REF. NO.	PART NO.	DESCRIPTION	JC06				REMARKS
1	JW1-F2110-12	REAR ARM COMP.	1				
2	JN6-F2123-10	BUSH 1	1				
3	90105-13800	BOLT, FLANGE	1				
4	90179-13800	NUT	1				
5	90119-10044	BOLT, WITH WASHER	2				
6	JN6-F2124-10	BUSH 2	2				
7	95812-12065	BOLT, FLANGE	2				
8	95602-12200	NUT, SELF-LOCKING	2				
9	90201-128S4	WASHER, PLATE	2				
10	JW1-F217G-10	ROD, CONNECTING 2	1				
11	JW1-F2277-00	BOLT	8				
12	JW1-F2210-10	SHOCK ABSORBER ASSY, REAR	2				
13	95812-10055	BOLT, FLANGE	4				
14	95602-10200	NUT, U FLANGE	2				

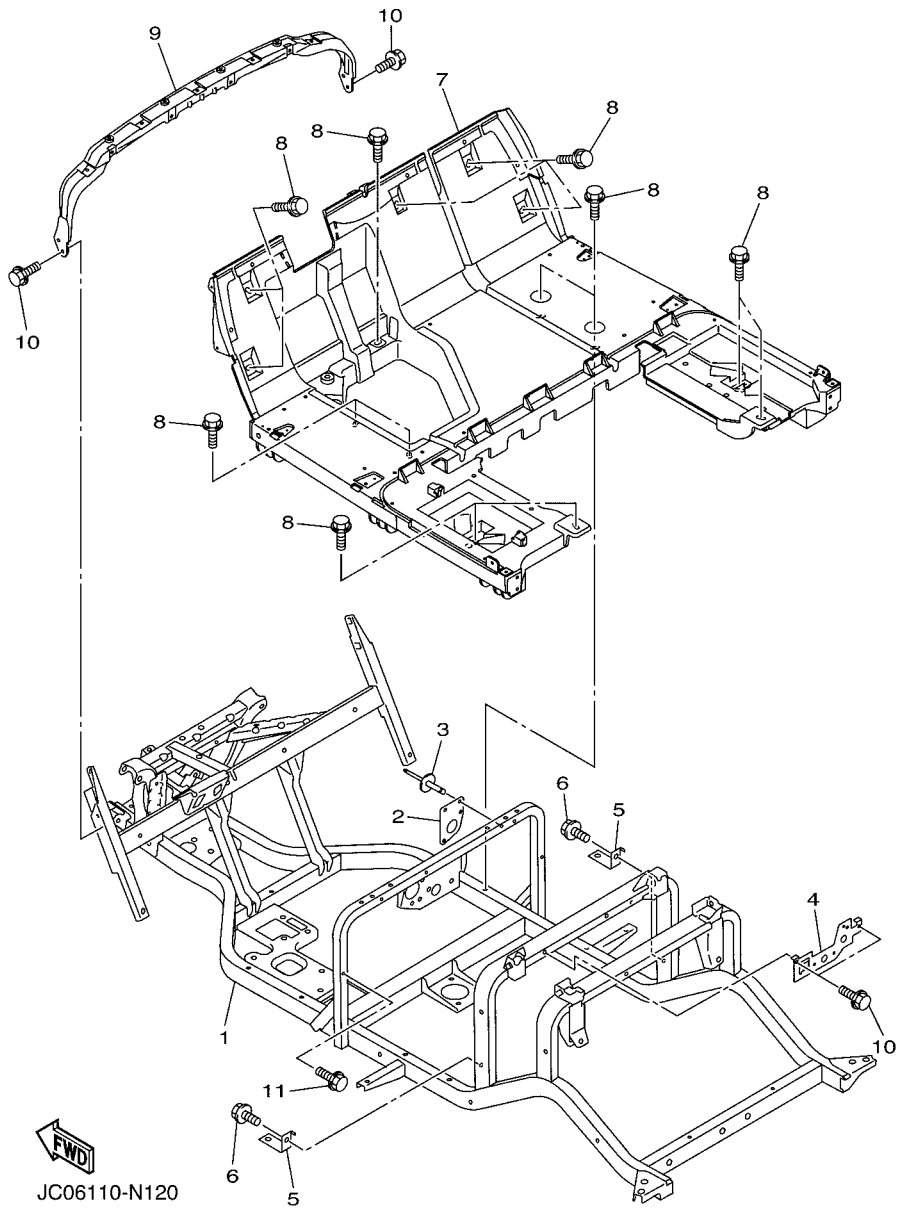
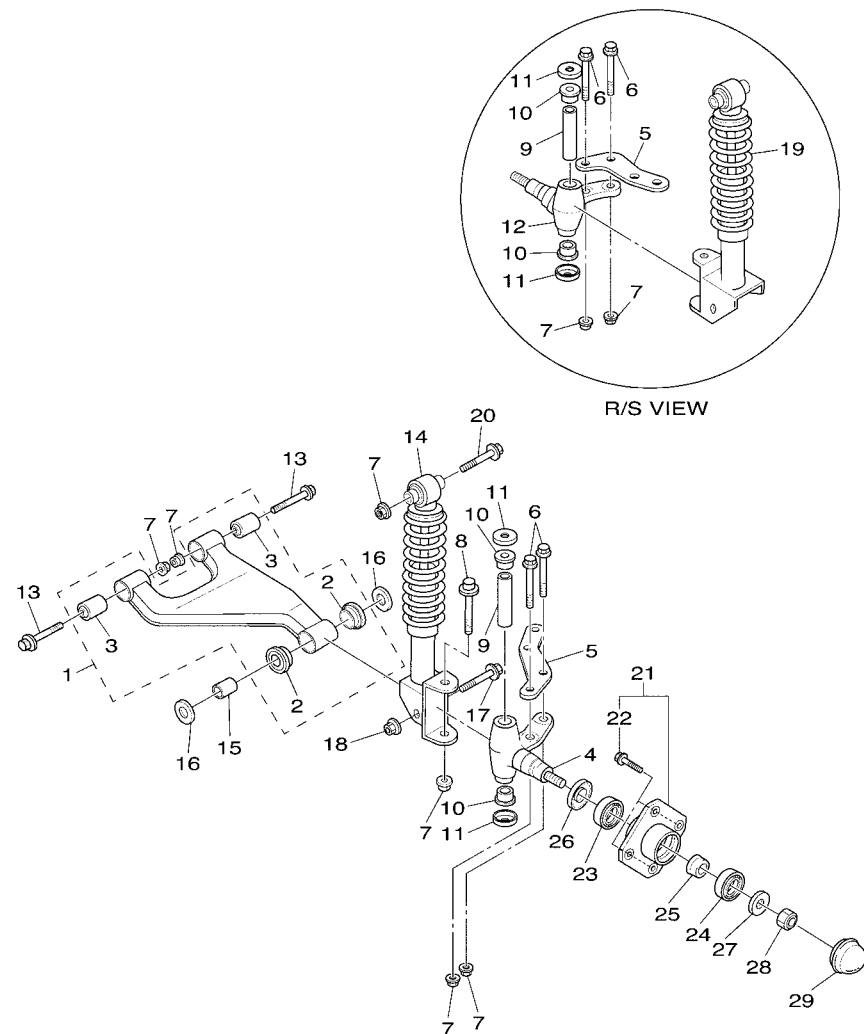


FIG. 12 FRAME

REF. NO.	PART NO.	DESCRIPTION	JC06			REMARKS
1	JW8-F2501-01	FRAME COMP.	1			
2	JW8-F4425-00	BRACKET, FUEL PUMP 1	1			
3	JW8-F4619-01	RIVET	2			
4	JW8-F253B-00	STAY, RELAY	1			
5	JW8-F1153-00	BRACKET, REAR FOOTREST	2			
6	JW1-F1738-00	BOLT	2			
7	JW7-F7411-20	FOOTREST 1	1			
8	JW1-F1738-00	BOLT	14			
9	JW1-F258G-02	BRACKET, DASH UPPER 1	1			
10	90105-06831	BOLT, FLANGE	6			
11	90105-08867	BOLT, FLANGE	1			

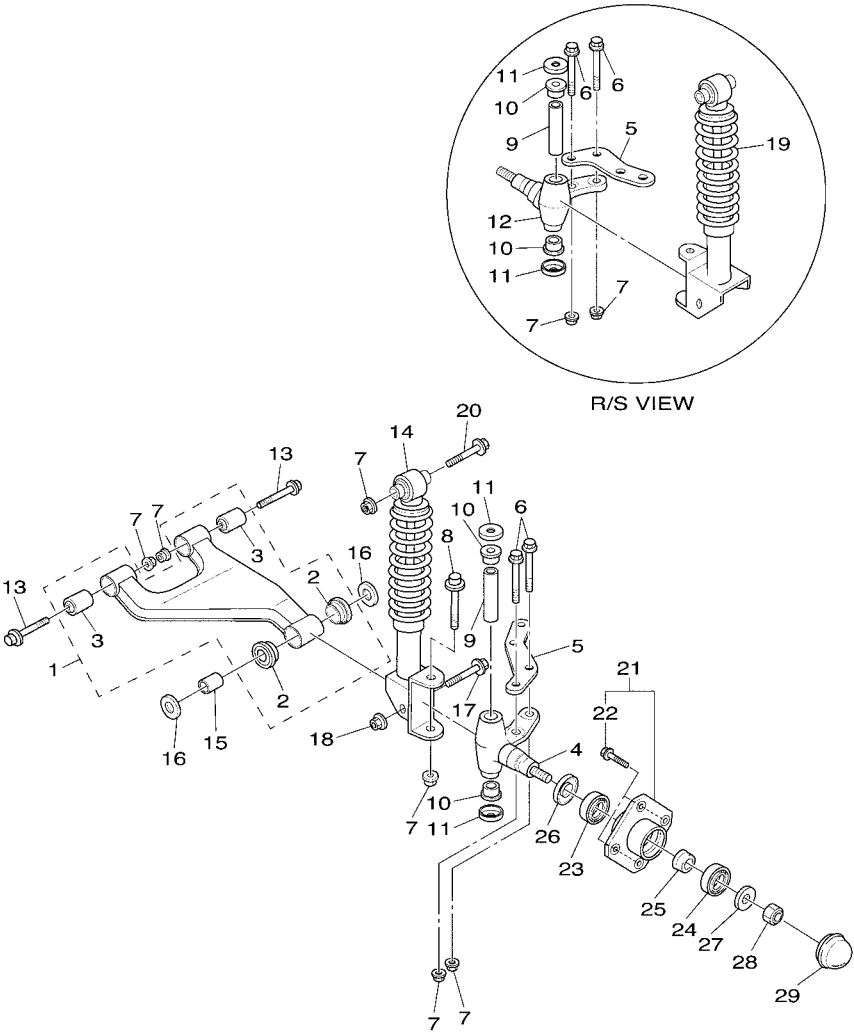
FIG. 13 FRONT SUSPENSION



JC06110-N130

REF. NO.	PART NO.	DESCRIPTION	JC06				REMARKS
1	JU0-F3570-20	FRONT LOWER ARM COMP.	2				
2	90381-18001	.BUSH, SOLID	2				
3	2HR-23526-00	.BUSH	2				
4	JU0-F3511-10	KNUCKLE, STEERING 1	1				
5	JW1-F3512-00	ARM, KNUCKLE 1	2				
6	90105-10373	BOLT, FLANGE	4				
7	95602-10200	NUT, U FLANGE	12				
8	90105-10219	BOLT, FLANGE	2				
9	2NL-23448-00	SPACER	2				
10	90381-17067	BUSH, SOLID	4				
11	2NL-23517-00	COVER, THRUST 1	4				
12	JU0-F3521-10	KNUCKLE, STEERING 2	1				
13	90105-10267	BOLT, FLANGE	4				
14	JW1-F3350-10	SHOCK ABSORBER ASSY	1				
15	90387-12016	COLLAR	2				
16	401-22128-01	COVER, THRUST 1	4				
17	95812-12080	BOLT, FLANGE	2				
18	95612-12100	NUT, U	2				
19	JW1-F3390-10	SHOCK ABSORBER ASSY 2	1				
20	90105-10267	BOLT, FLANGE	2				
21	JG5-WF511-10	HUB, FRONT	2				
22	90114-12806	.BOLT, SERRATION	4				
23	93306-204X0	BEARING	2				
24	93306-005Y3	BEARING	2				
25	90387-241M7	COLLAR	2				
26	93102-30083	OIL SEAL	2				
27	90208-14801	WASHER, CONICAL SPRING	2				

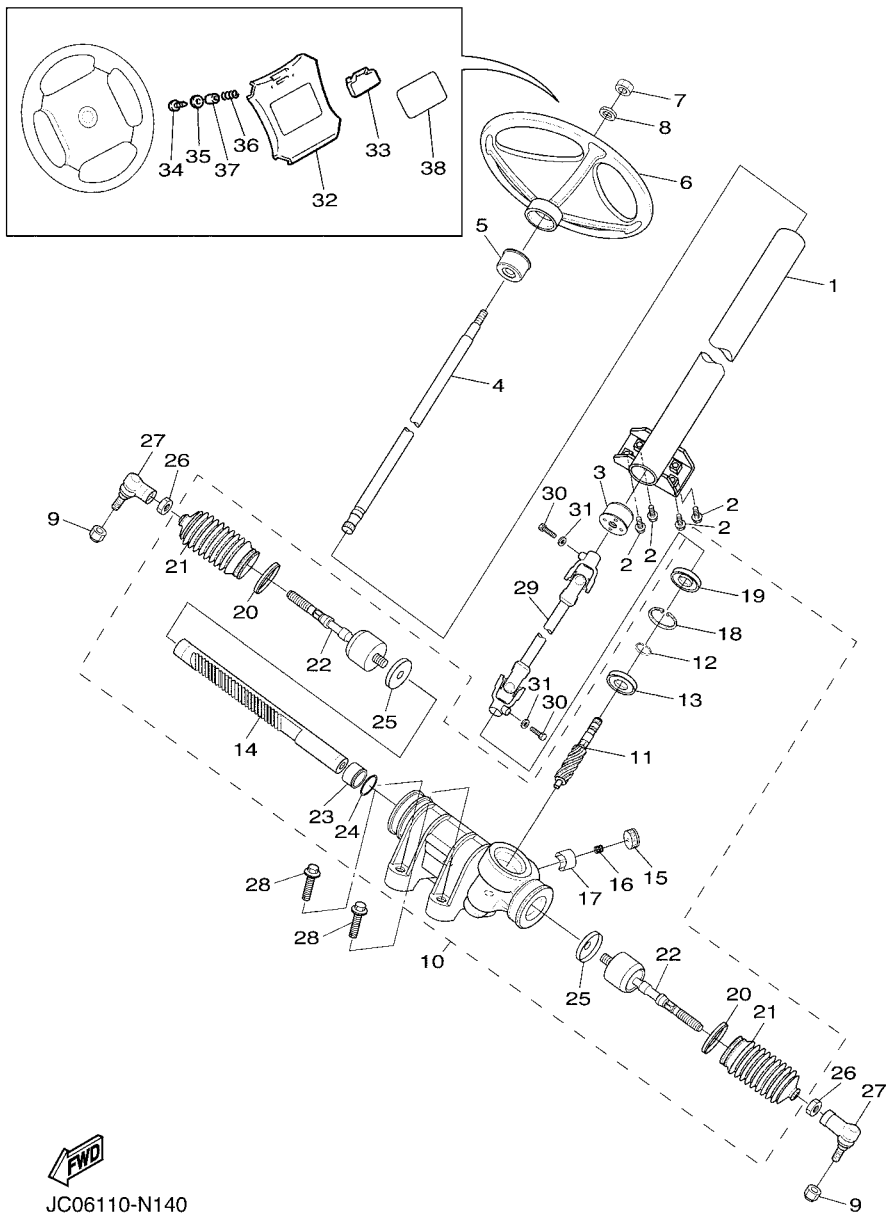
FIG. 13 FRONT SUSPENSION



JC06110-N130

REF. NO.	PART NO.	DESCRIPTION	JC06				REMARKS
28	95602-14100	NUT, U	2				
29	JN6-F5118-01	COVER, HUB DUST	2				

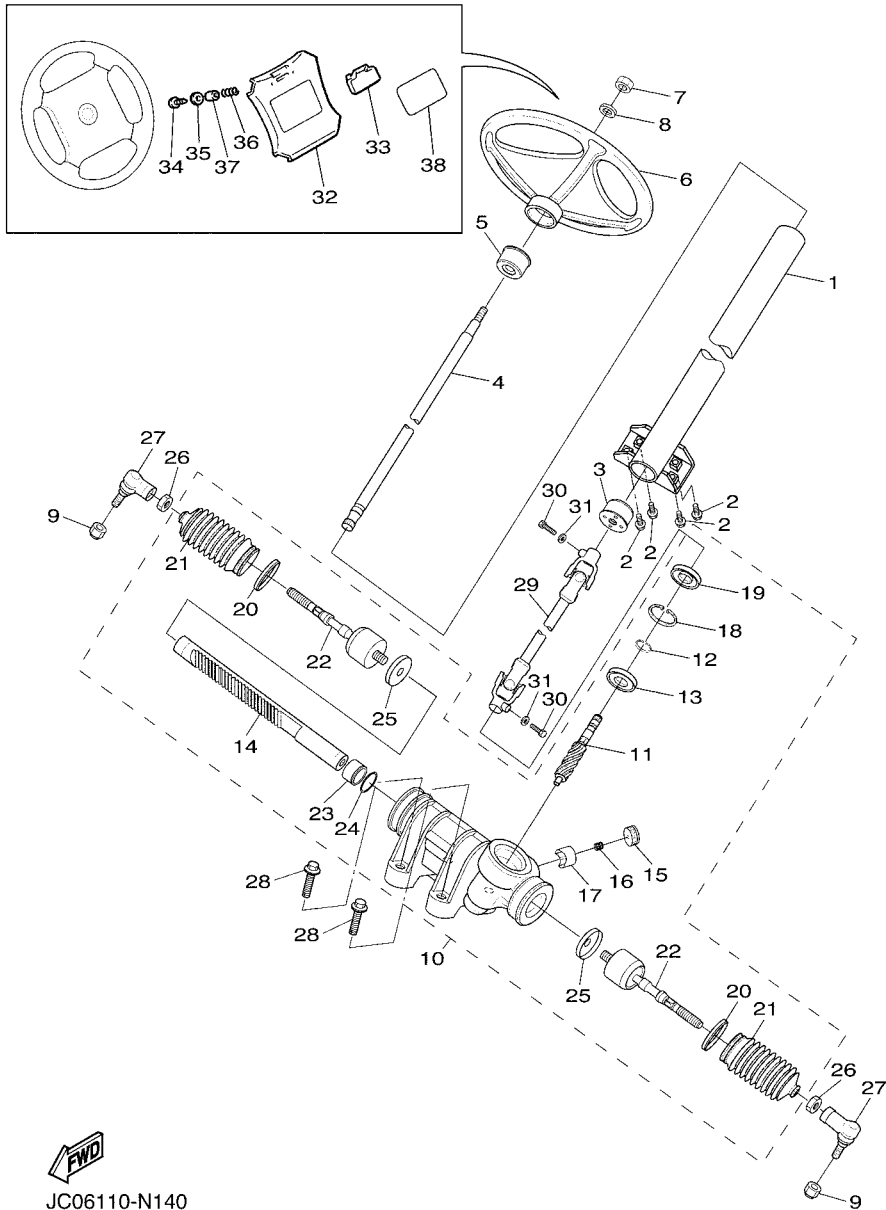
FIG. 14 STEERING



JC06110-N140

REF. NO.	PART NO.	DESCRIPTION	JC06				REMARKS
1	JW1-F3811-02	COLUMN, STEERING	1				
2	95812-08020	BOLT, FLANGE	4				
3	JU0-F3857-11	HOLDER	1				
4	JU0-F3828-10	ROD, STEERING	1				
5	JU0-F3857-11	HOLDER	1				
6	JN3-F3838-00	WHEEL, STEERING	1				
7	90185-12008	NUT, SELF-LOCKING	1				
8	92902-12200	WASHER	1				
9	95602-12200	NUT, SELF-LOCKING	2				
10	JW1-F3400-00	STEERING ASSY	1				
11	JW1-F387A-00	.GEAR, PINION	1				
12	JW1-F3183-00	.CIRCLIP	1				
13	JW1-F3812-00	.BEARING, STEERING	1				
14	JW1-F387E-00	.GEAR, RACK	1				
15	5UG-F387G-00	.COVER, ADJUST	1				
16	5UG-F387K-00	.SPRING, PRESSURE	1				
17	5UG-F387F-00	.PAD, PRESSURE	1				
18	5UG-F387J-00	.RING, STOPPER	1				
19	5UG-F3844-00	.SEAL	1				
20	5UG-F3489-00	.BAND	2				
21	5UG-F3527-00	.SEAL, DUST 1	2				
22	JW1-F3837-00	.ROD, TIE 2	2				
23	JW1-F467K-00	.BUSH, CAP	1				
24	JW1-F3866-00	.CIRCLIP	1				
25	JW1-F3894-00	.WASHER, LOCK 1	2				
26	1P0-F3833-00	NUT 1	2				
27	JW8-23841-00	JOINT, UNIVERSAL 1	2				

FIG. 14 STEERING

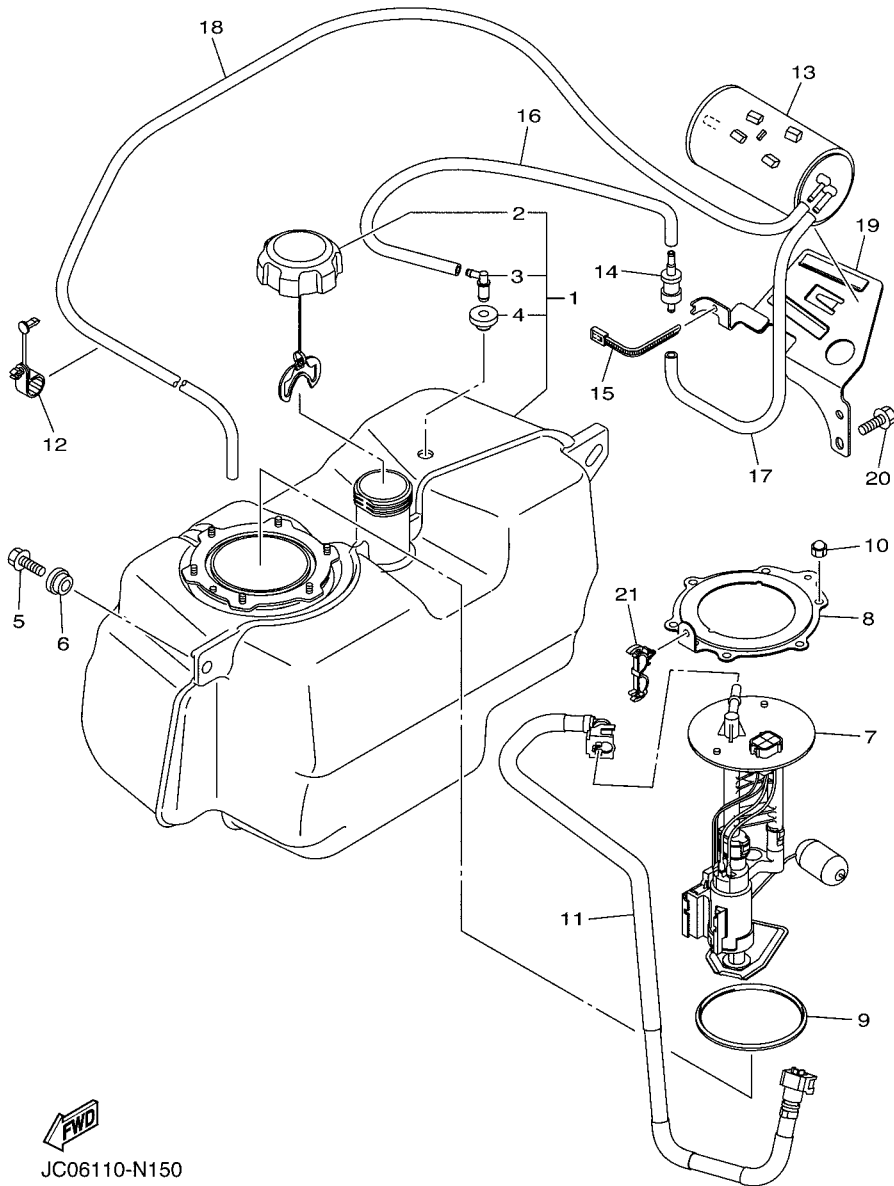


JC06110-N140

REF. NO.	PART NO.	DESCRIPTION	JC06				REMARKS
28	90105-10847	BOLT, FLANGE	4				
29	JW1-F3822-01	JOINT 1	1				
30	97012-08030	BOLT	2				
31	92902-08600	WASHER, PLATE	2				
32	JW8-K8357-00	HOLDER 1	1				
33	JN6-K8358-01	HOLDER 2	1				
34	97702-40525	SCREW, TAPPING	2				
35	90201-04810	WASHER, PLATE	2				
36	90502-10013	SPRING, CONICAL	2				
37	90387-046N7	COLLAR	2				
38	JC0-K7762-00	LABEL, WARNING 2	1				(E) CAN
	JC0-K7762-11	LABEL, WARNING 2	1				(E,F) EXCEPT CAN
	JC0-K7762-21	LABEL, WARNING 2	1				(G,S) EXCEPT CAN

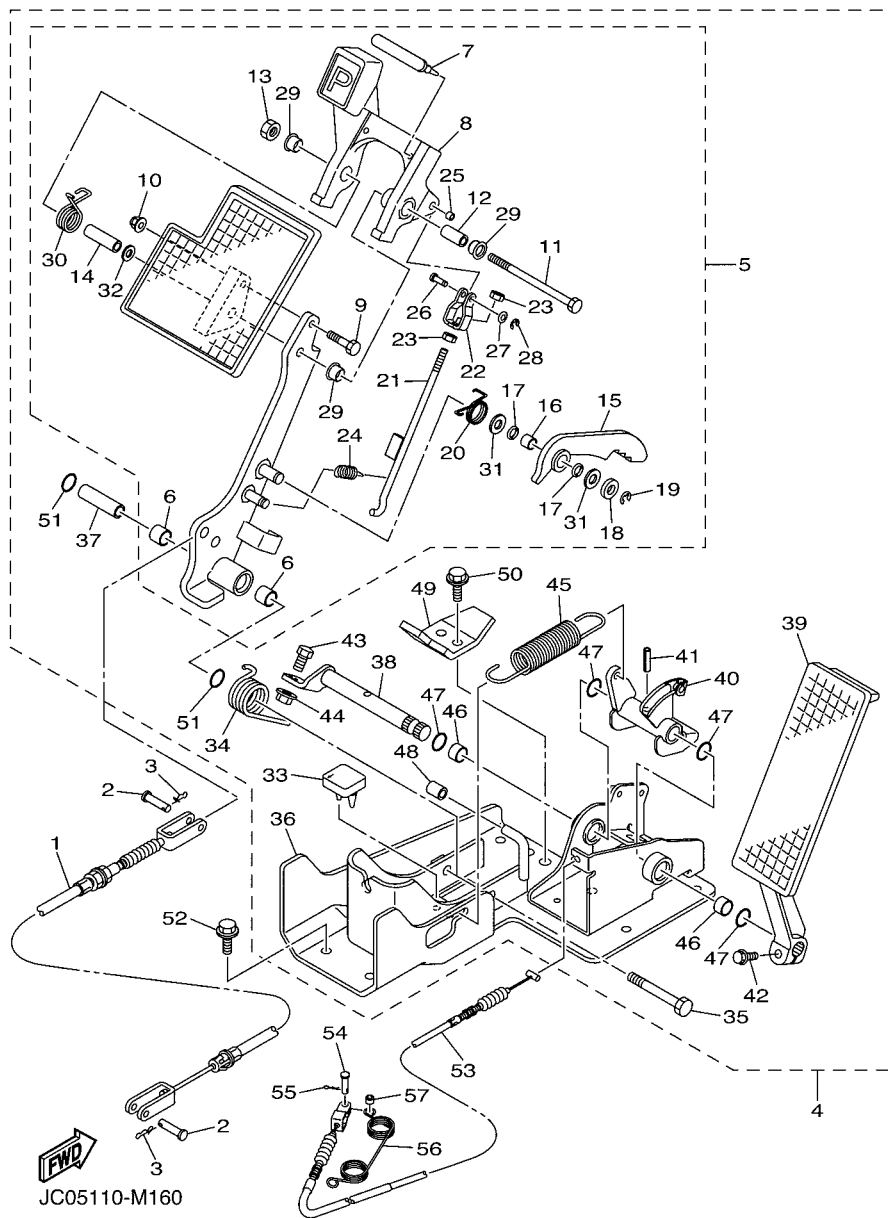
FIG. 15 FUEL TANK

REF. NO.	PART NO.	DESCRIPTION	JC06				REMARKS
1	JC0-F4111-01	TANK, FUEL	1				
2	JW1-F4610-00	.CAP ASSY	1				
3	JW1-F4112-00	.PIPE	1				
4	JU5-F4375-00	.GROMMET	1				
5	JW1-F1738-00	BOLT	2				
6	90560-08251	SPACER	2				
7	JC0-13907-10	FUEL PUMP COMP.	1				
8	JC0-24491-00	BRACKET, FUEL PUMP	1				
9	1S3-24486-00	O-RING	1				
10	95302-06800	NUT, CROWN	6				
11	JC0-13971-10	PIPE, FUEL 1	1				
12	JW7-F312H-00	CLAMP	1				
13	7CC-F4170-00	CANISTER ASSY	1				
14	4WM-24180-00	ROLL OVER VALVE ASSY	1				
15	90464-40825	CLAMP	1				
16	JW7-F4314-10	PIPE 4	1				
17	JW1-F4316-00	PIPE 6	1				
18	JW1-F4317-00	PIPE 7	1				
19	JW1-F419A-10	HOLDER	1				
20	JW1-F1738-00	BOLT	2				
21	90464-18246	CLAMP	1				



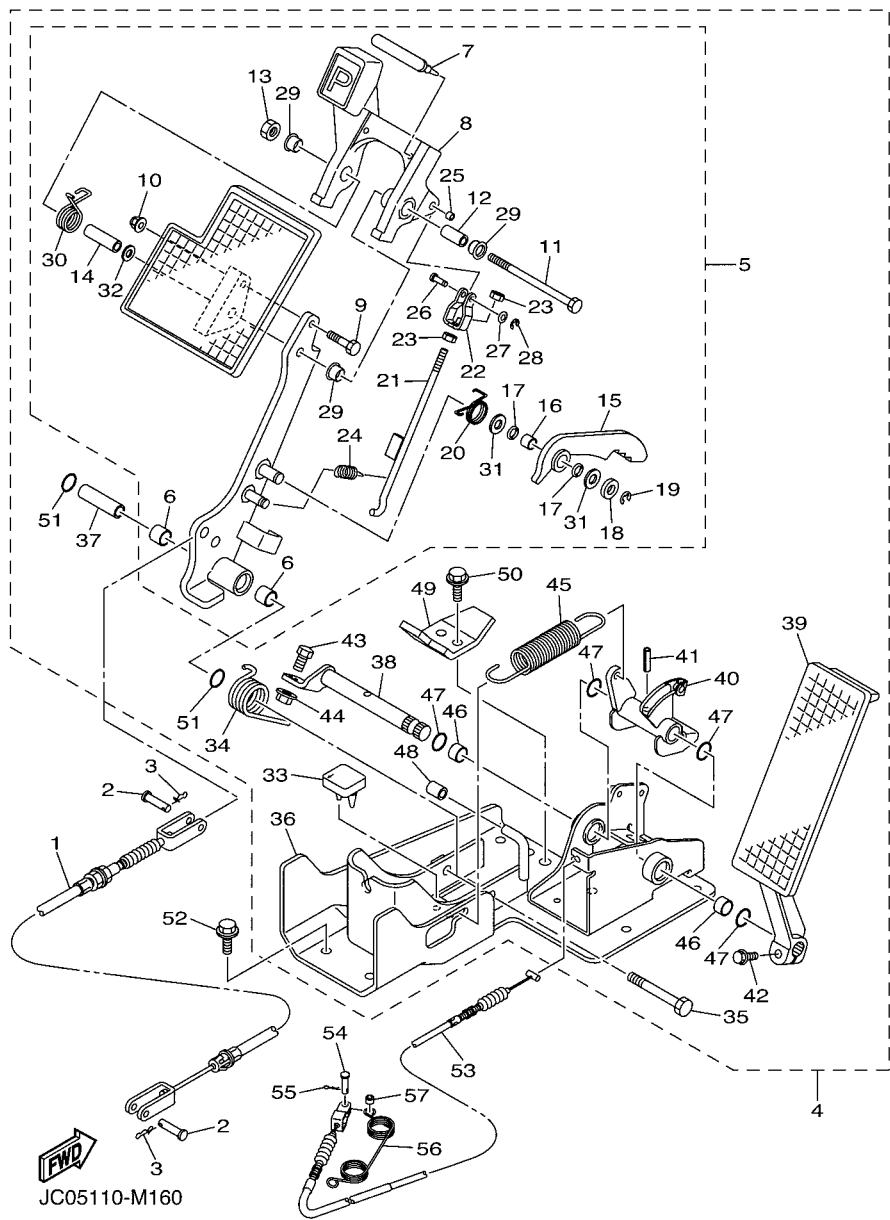
JC06110-N150

FIG. 16 PEDAL ASSEMBLY



REF. NO.	PART NO.	DESCRIPTION	JC06				REMARKS
1	JW1-F6341-31	WIRE, BRAKE 1	1				
2	91702-10028	PIN, CLEVIS	2				
3	90468-20196	CLIP	2				
4	JW8-F7850-21	PEDAL ASSY (L.H)	1				
5	JW9-F7200-21	.PEDAL, BRAKE	1				
6	JW8-F7814-20	.BUSH, PEDAL	2				
7	JW9-F5672-00	..PAD, PARKING PEDAL	1				
8	JW9-F5671-00	..PEDAL, PARKING BRAKE	1				
9	JW8-F7117-00	..BOLT, MAIN STAND	1				
10	JW8-F8363-00	..NUT	1				
11	JW8-F7416-00	..BOLT, FOOTREST	1				
12	JW8-F639N-00	..COLLAR	1				
13	JW8-F7218-00	..NUT	1				
14	JW8-F7113-00	..COLLAR, MAIN STAND	1				
15	JW9-F5666-00	..SECTOR, PARKING BRAKE	1				
16	JW8-F7121-00	..BUSH	1				
17	JW9-F7221-00	..SEAL, SHAFT	2				
18	JW8-F7322-00	..WASHER	1				
19	JW8-F3183-00	..CIRCLIP	1				
20	JW8-F7426-01	..SPRING, RETURN	1				
21	JW9-F7231-10	..ROD, BRAKE	1				
22	JW9-F7232-00	..END, ROD 2	1				
23	JW8-F7318-00	..NUT	2				
24	JW8-F6314-00	..SPRING	1				
25	JW8-F639L-00	..BUSH 1	1				
26	JW9-F7228-00	..PIN, JOINT	1				
27	JW8-F8323-00	..WASHER, LEG SHIELD	1				

FIG. 16 PEDAL ASSEMBLY



REF. NO.	PART NO.	DESCRIPTION	JC06				REMARKS
28	JW8-F5415-00	..CIRCLIP	1				
29	90386-12800	..BUSH	3				
30	JW8-F7825-01	..SPRING, RETURN	1				
31	JW8-F7119-00	..WASHER	2				
32	JW8-F8319-00	..WASHER	1				
33	JW9-F7245-10	.PAD, BRAKE PEDAL	1				
34	JW8-F7316-01	.SPRING, SIDE STAND	1				
35	JW8-F7217-00	.BOLT	1				
36	JW8-F7445-20	.PLATE 1	1				
37	JW8-F7213-20	.COLLAR	1				
38	JW8-F7853-10	.SHAFT, PEDAL 1	1				
39	JW9-F7871-10	.PEDAL, ACCELERATOR	1				
40	JW8-F7872-20	.ARM, ACCELERATOR PEDAL	1				
41	JW8-F7438-00	.PIN, CLEVIS	1				
42	JW8-F7434-00	.BOLT	1				
43	JW8-F7317-00	.BOLT	1				
44	JW8-F7118-00	.NUT	1				
45	JW8-F815H-01	.SPRING	1				
46	JW8-F7814-21	.BUSH, PEDAL	2				
47	JW8-F4486-00	.O-RING	4				
48	JW9-F5673-00	.DAMPER, BRAKE	1				
49	JW9-F7246-20	.NAIL, BRAKE	1				
50	JW8-F8331-00	.BOLT, LEG SHIELD	2				
51	JW8-F4486-00	.O-RING	2				
52	95812-08020	BOLT, FLANGE	6				
53	JW8-F6311-01	CABLE, THROTTLE 1	1				
54	91702-05014	PIN, CLEVIS	1				

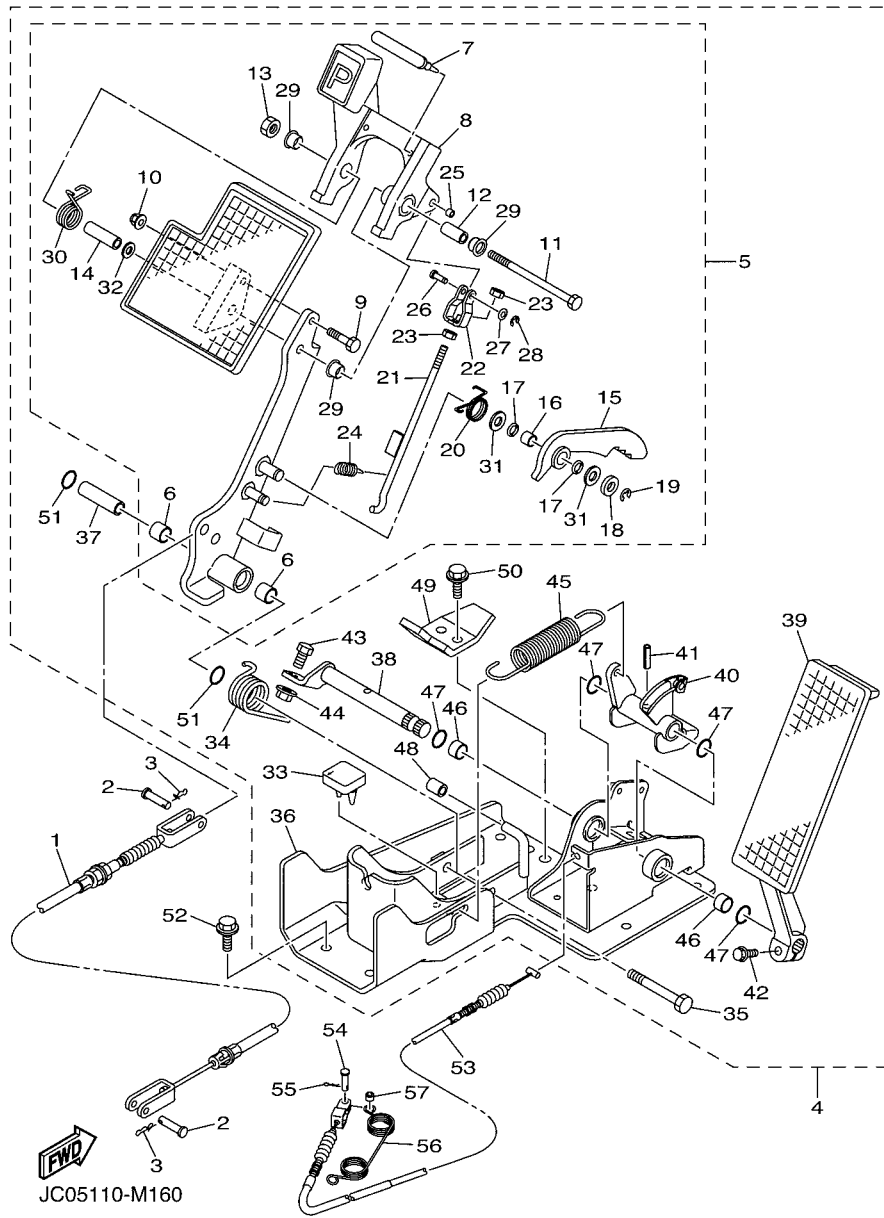
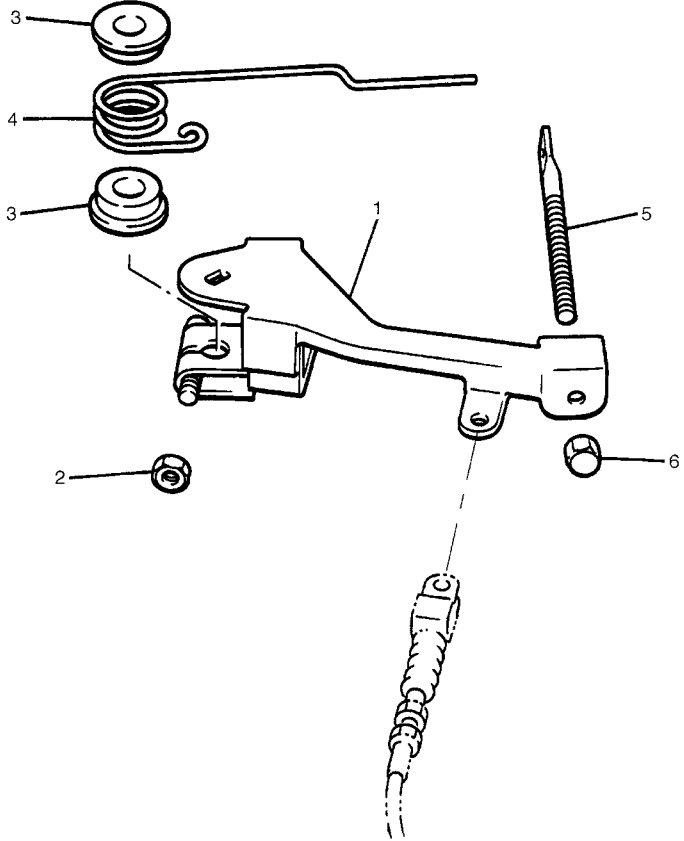


FIG. 16 PEDAL ASSEMBLY

REF. NO.	PART NO.	DESCRIPTION	JC06				REMARKS
55	90468-10050	CLIP	1				
56	90508-16460	SPRING, TORSION	1				
57	90560-05001	SPACER	1				
<hr/>							
<hr/>							
<hr/>							
<hr/>							
<hr/>							
<hr/>							
<hr/>							
<hr/>							
<hr/>							
<hr/>							
<hr/>							
<hr/>							
<hr/>							
<hr/>							
<hr/>							
<hr/>							
<hr/>							
<hr/>							
<hr/>							

FIG. 17 GOVERNOR



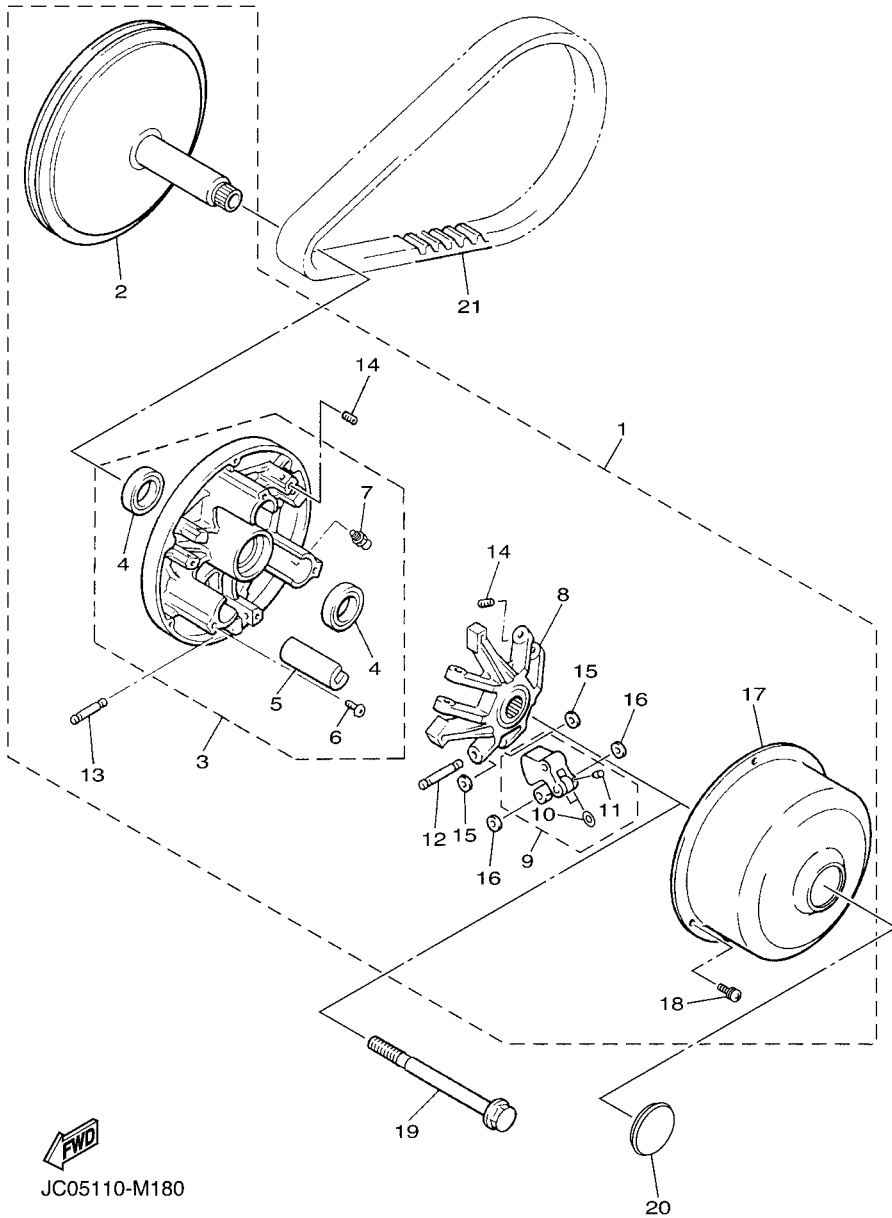
REF. NO.	PART NO.	DESCRIPTION	JC06				REMARKS
1	J38-27951-00	LEVER, SPEED LIMITER	1				
2	95380-06600	NUT, HEXAGON	1				
3	90386-08141	BUSH	2				
4	90508-40678	SPRING, TORSION	1				
5	J38-27959-00	SCREW, ADJUSTING	1				
6	95602-06200	NUT, SELF-LOCKING	1				



JT71010-B190

FIG. 18 PRIMARY SHEAVE

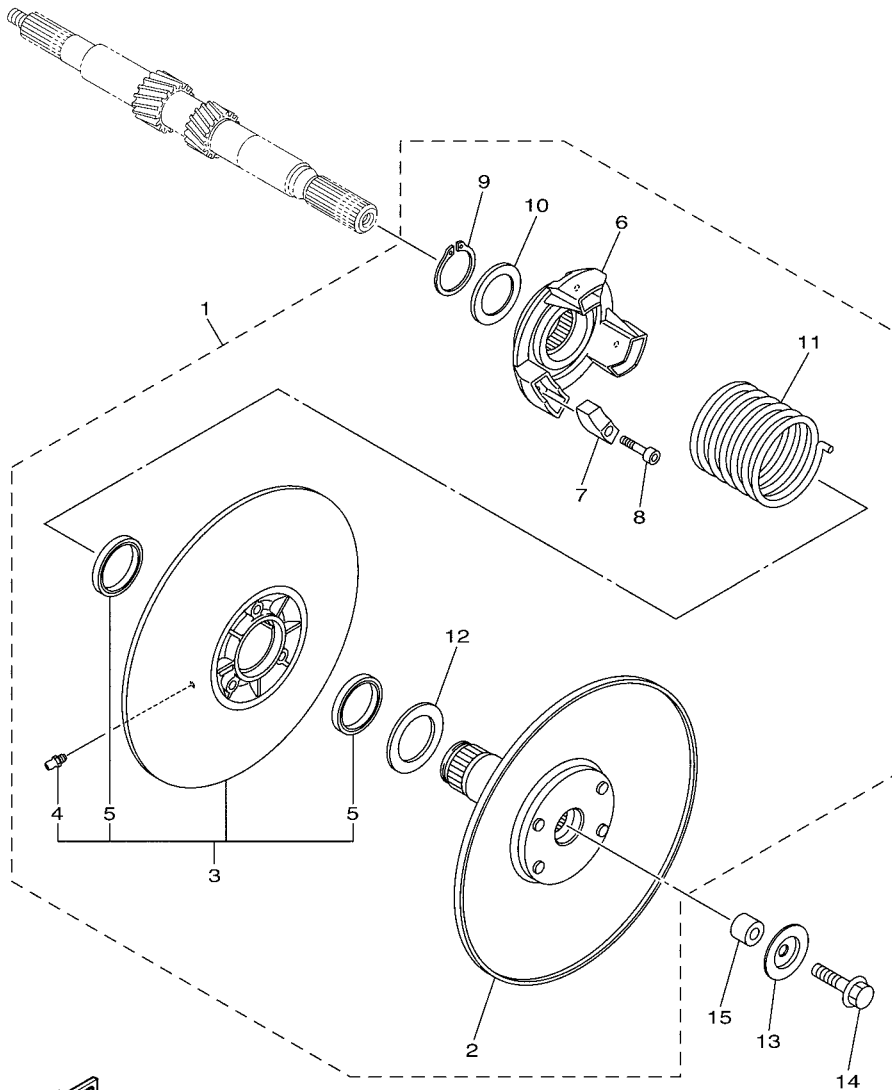
REF. NO.	PART NO.	DESCRIPTION	JC06				REMARKS
1	JW8-G6201-22	PRIMARY CLUTCH ASSY	1				
2	JW8-G6210-00	.PRIMARY FIXED SHEAVE COMP.	1				
3	JW8-G6220-22	.PRIMARY SLIDING SHEAVE COMP.	1				
4	JW8-G624A-00	..OIL SEAL 1	2				
5	JW8-G6253-00	..SLIDER	3				
6	JW8-G4189-00	..SCREW	3				
7	JW8-F135J-00	..NIPPLE	1				
8	JW8-G6251-21	.SPIDER	1				
9	JW8-G6205-21	.WEIGHT LINK ASSY	3				
10	JW8-G5618-00	..WASHER, 1	2				
11	90113-04803	..BOLT, SET	1				
12	JW8-G6236-20	.PIN, WEIGHT	3				
13	JW8-G6237-20	.PIN, WEIGHT 2	3				
14	90113-04803	.BOLT, SET	6				
15	JW8-G5618-00	.WASHER, 1	6				
16	JW8-G5621-00	.WASHER, 2	6				
17	JW8-G6231-21	.CAP	1				
18	JW8-G5282-00	.SCREW	3				
19	JW8-G6249-00	BOLT	1				
20	JW8-G7339-00	PLUG	1				
21	J55-G6241-00	V-BELT	1				



FWD
JC05110-M180

FIG. 19 SECONDARY SHEAVE

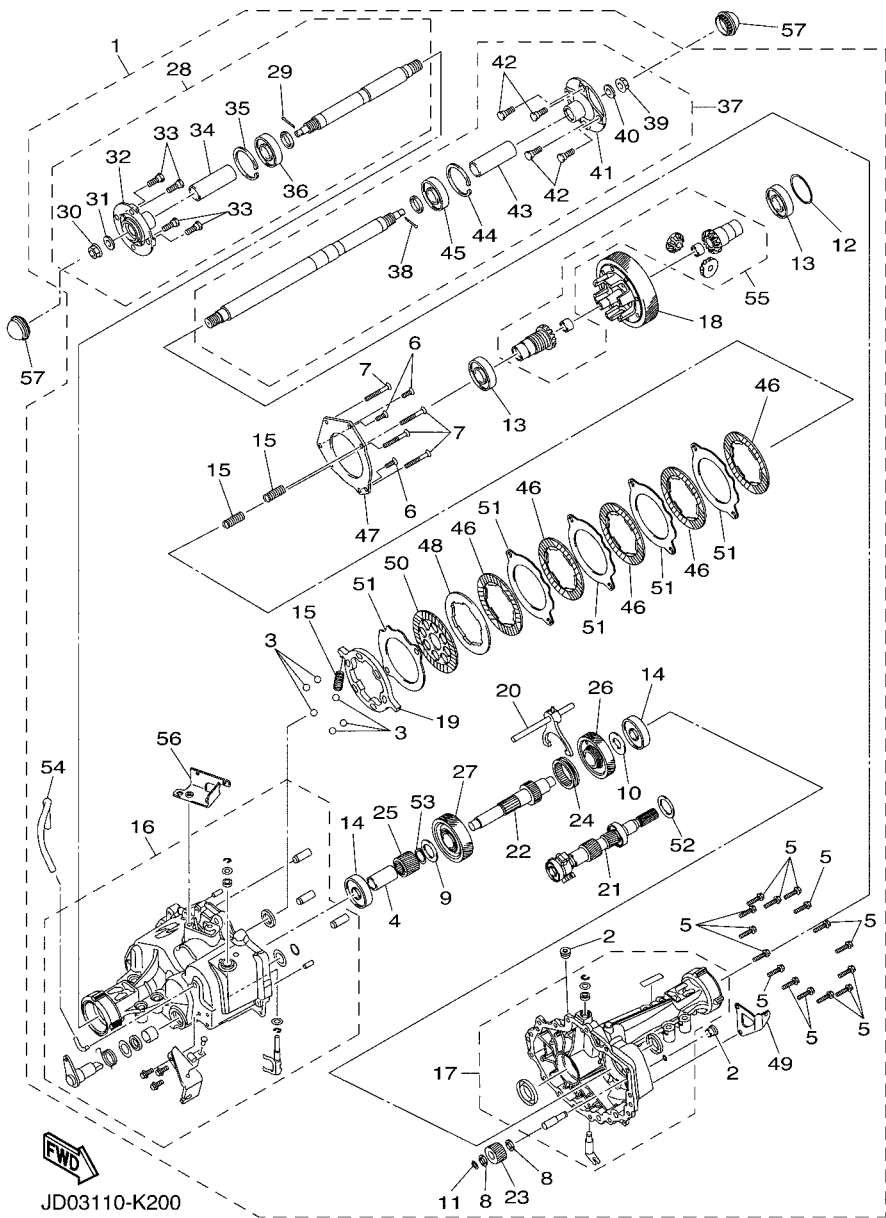
REF. NO.	PART NO.	DESCRIPTION	JC06				REMARKS
1	JW8-G6202-20	SECONDARY SHEAVE ASSY	1				
2	JW8-G6260-20	.SECONDARY FIXED SHEAVE COMP.	1				
3	JW8-G6270-20	.SECONDARY SLIDING SHEAVE COMP.	1				
4	JW8-F135J-00	..NIPPLE	1				
5	JW8-G624B-00	..OIL SEAL 2	2				
6	JW8-G6284-00	..SEAT, SECONDARY SPRING	1				
7	JW8-E7688-00	.SHOE, RAMP	3				
8	JW8-G6159-00	.BOLT 3	3				
9	JW8-G5531-00	.CLIP, DRIVE SHAFT	1				
10	JW8-G6374-00	.COLLAR, SPRING	1				
11	JW8-G6275-10	.SPRING, CLUTCH 1	1				
12	JW8-G5677-00	.WASHER	1				
13	90209-08018	WASHER	1				
14	90105-08002	BOLT, FLANGE	1				
15	JW8-G5697-20	COLLAR	1				



JC05110-M190

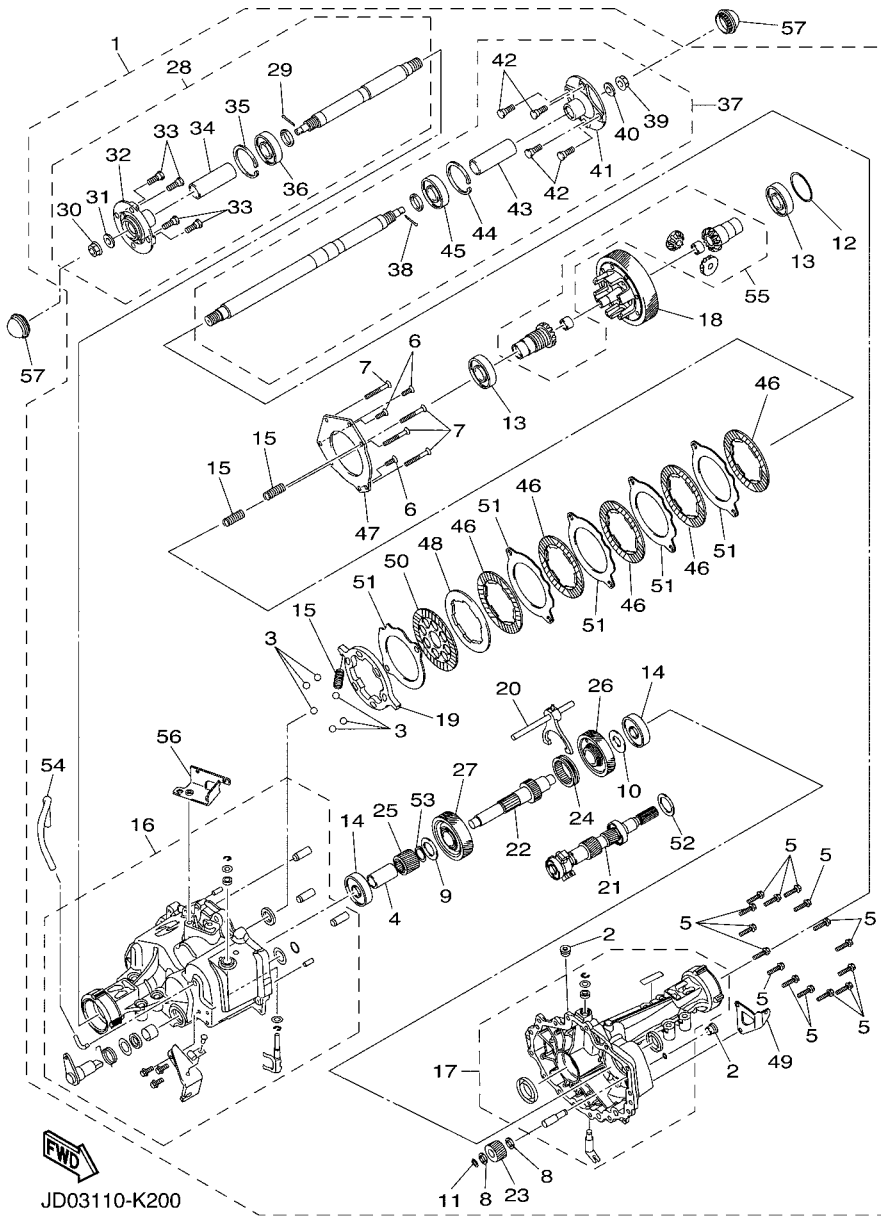
FIG. 20 TRANSAXLE & BRAKE

REF. NO.	PART NO.	DESCRIPTION	JC06				REMARKS
1	JW1-G6300-02	TRANS AXLE ASSY	1				
2	JW1-G6168-00	.PLUG, DRAIN 1	2				
3	JW1-F4684-00	.BALL	6				
4	JW1-G4132-00	.BUSHING	1				
5	JW1-G4582-00	.BOLT, 2	15				
6	JW1-G4189-00	.SCREW	3				
7	JW1-G6158-00	.BOLT 2	4				
8	JW1-G4188-00	.WASHER	2				
9	JW1-G5677-00	.WASHER	1				
10	JW1-G5618-00	.WASHER, 1	1				
11	JW1-G6443-00	.RING, HOLDOUT	1				
12	JW1-G6117-00	.SHIM, RING GEAR	1				UN
13	JW1-G6164-00	.BEARING 1	2				
14	JW1-G6165-00	.BEARING 2	2				
15	JW1-G4135-00	.SPRING	3				
16	JW1-G6540-02	.REAR AXLE HOUSING COMP.	1				
17	JW1-G6550-02	.REAR AXLE HOUSING COMP. 2	1				
18	JW1-G6110-00	.RING GEAR COMP.	1				
19	JW1-F384K-00	.BALL, SEAT	1				
20	JW1-G4120-00	.HANDLE GEAR SHIFT ASSY	1				
21	JW1-G6320-00	.INPUT SHAFT ASSY	1				
22	JW1-G6348-00	.SHAFT 2	1				
23	JW1-G6356-00	.GEAR, IDLER	1				
24	JW1-G6328-00	.GEAR, WHEEL 3	1				
25	JW1-G6131-00	.GEAR, RING 2	1				
26	JW1-G6361-00	.GEAR, COUNTER 1	1				
27	JW1-G6362-00	.GEAR, COUNTER 2	1				



JD03110-K200

FIG. 20 TRANSAXLE & BRAKE

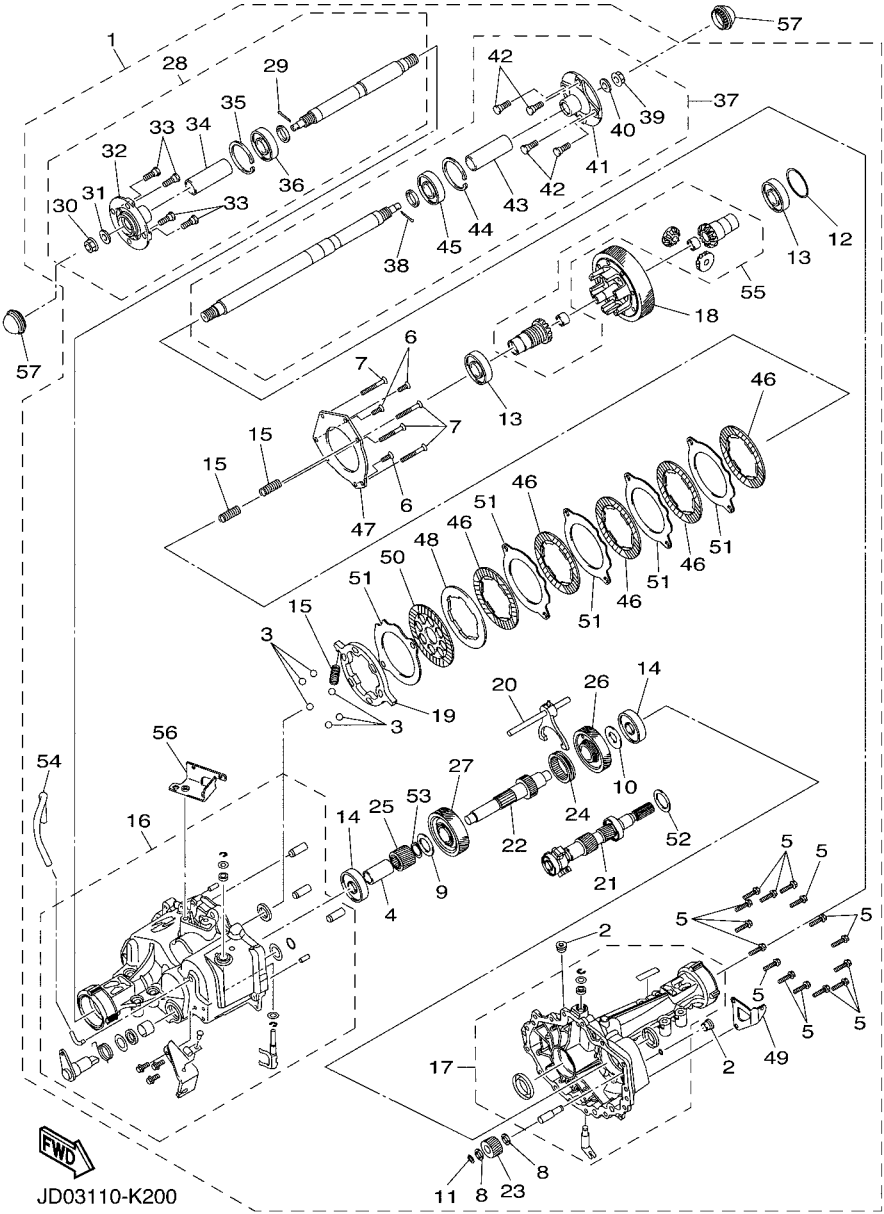


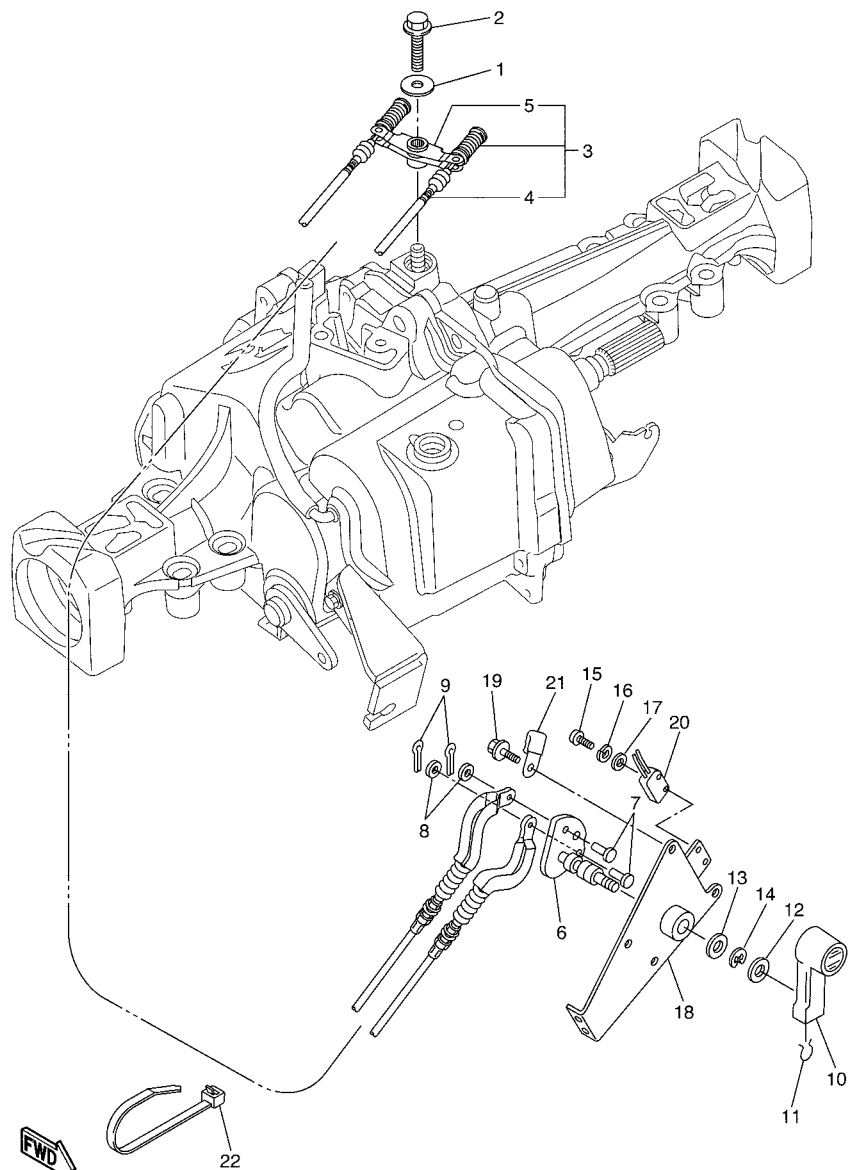
JD03110-K200

REF. NO.	PART NO.	DESCRIPTION	JC06				REMARKS
28	JW1-G6510-01	..REAR AXLE SHAFT COMP.	1				
29	JW1-G633J-00	..PIN, COTTER	1				
30	JW1-G4583-10	..NUT	1				
31	JW1-G2376-00	..WASHER, SPECIAL	1				
32	JW1-G6542-10	..HUB	1				
33	JW1-G4178-00	..BOLT, STUD	4				
34	JW1-G6128-01	..SPACER, BEARING	1				
35	JW1-G4156-00	..RING, SNAP	1				
36	JW1-F2176-00	..BEARING	1				
37	JW1-G6520-01	..REAR AXLE SHAFT COMP. 2	1				
38	JW1-G633J-00	..PIN, COTTER	1				
39	JW1-G4583-10	..NUT	1				
40	JW1-G2376-00	..WASHER, SPECIAL	1				
41	JW1-G6542-10	..HUB	1				
42	JW1-G4178-00	..BOLT, STUD	4				
43	JW1-G6128-01	..SPACER, BEARING	1				
44	JW1-G4156-00	..RING, SNAP	1				
45	JW1-F2176-00	..BEARING	1				
46	JW1-G6336-00	..PLATE 1	5				
47	JW1-G6114-00	..PLATE, COVER	1				
48	JW1-G4526-00	..PLATE	1				
49	JW1-G6554-00	..BRACKET 1	1				
50	JW1-G6345-00	..DISC, FRICTION	1				
51	JW1-G633H-00	..PLATE 2	5				
52	JW1-G6344-00	..SHIM	1				UN
53	JW1-G6854-00	..RING	1				
54	JW1-G6894-00	..HOSE	1				

FIG. 20 TRANSAXLE & BRAKE

REF. NO.	PART NO.	DESCRIPTION	JC06				REMARKS
55	JW1-G6410-20	.DIFFERENTIAL ASSY.	1				
56	JW1-G1661-00	.BRACKET 1	1				
57	JN6-F5118-01	COVER, HUB DUST	2				

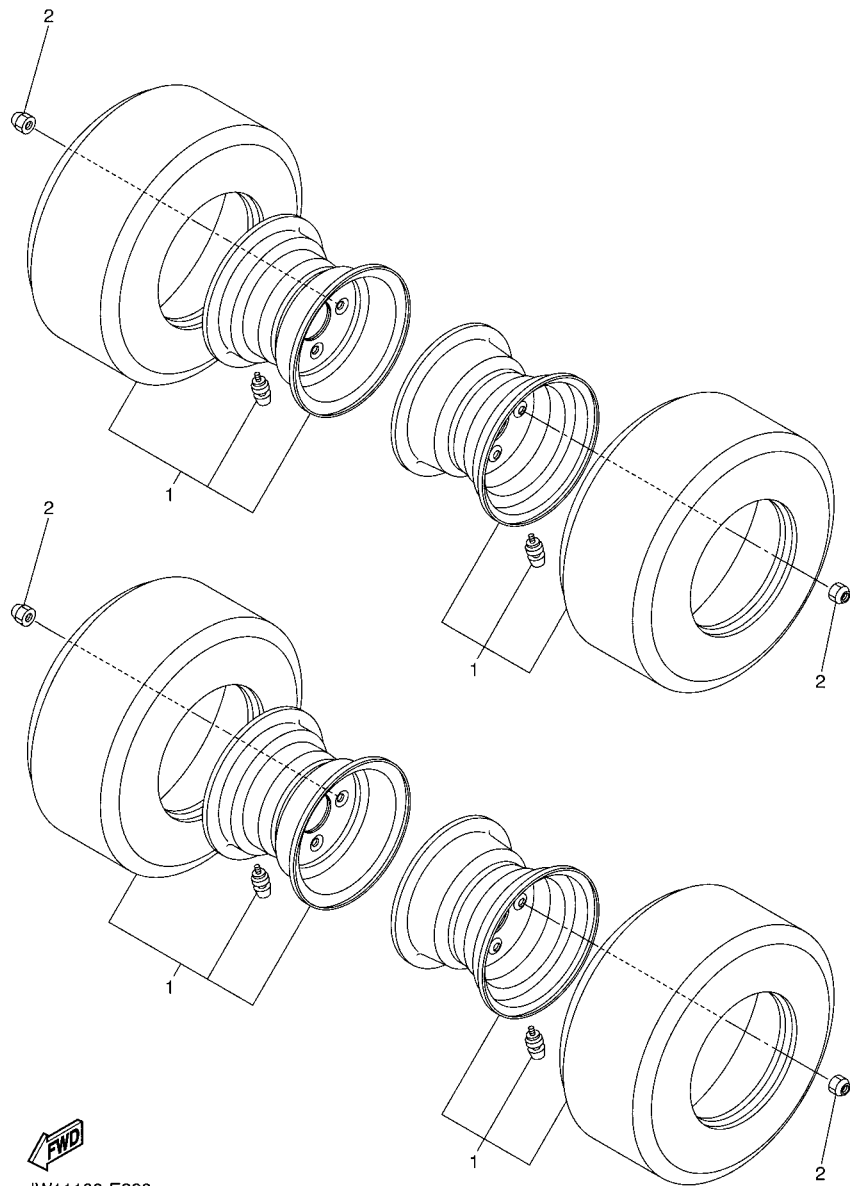




JW61100-H210

FIG. 21 SHIFTER & CABLES

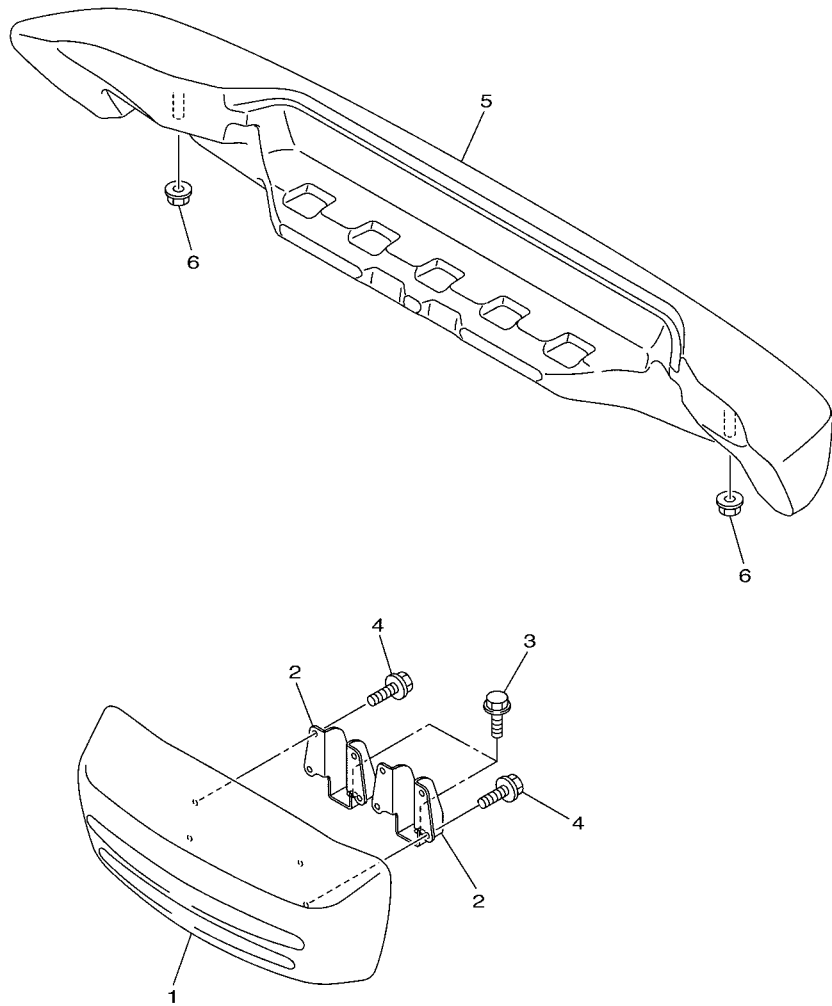
REF. NO.	PART NO.	DESCRIPTION	JC06				REMARKS
1	90201-05800	WASHER, PLATE	1				
2	90105-05005	BOLT, FLANGE	1				
3	JW1-G8330-01	CABLE END ASSY	1				
4	JW1-G6371-01	.WIRE, SHIFT	2				
5	JW1-G6383-01	.LEVER, SHIFT 2	1				
6	JW8-G6382-00	LEVER, SHIFT 1	1				
7	91702-06014	PIN, CLEVIS	2				
8	92902-06600	WASHER, PLATE	2				
9	91402-20012	PIN, COTTER	2				
10	JN3-G6381-00	KNOB, SHIFT	1				
11	JN3-G6376-00	SPRING SET	1				
12	90201-208S8	WASHER, PLATE	1				
13	90201-198S7	WASHER, PLATE	1				
14	99009-19400	CIRCLIP	1				
15	98502-04016	SCREW, PAN HEAD	2				
16	92902-04100	WASHER, SPRING	2				
17	92902-04600	WASHER, PLATE	2				
18	JN3-G6372-00	BRACKET, SHIFT WIRE	1				
19	90105-06831	BOLT, FLANGE	3				
20	JN3-82617-01	SWITCH	1				
21	90465-06038	CLAMP	1				
22	90464-76800	CLAMP	1				



JW11100-E220

FIG. 22 WHEEL

REF. NO.	PART NO.	DESCRIPTION	JC06				REMARKS
1	JW1-F5100-01	WHEEL ASSY (18X8.50-8-4PLY)	4				
2	90179-12262	NUT	16				




 JC06110-N230

FIG. 23 BUMPER

REF. NO.	PART NO.	DESCRIPTION	JC06				REMARKS
1	JW1-K7510-01	FRONT BUMPER COMP.	1				
2	JW1-K8164-00	STAY, FRONT BUMPER (L.H)	2				
3	90105-088B0	BOLT, FLANGE	2				
4	95822-06012	BOLT, FLANGE	4				
5	JW8-K7540-00	REAR BUMPER COMP.	1				
6	95602-10200	NUT, U FLANGE	2				
<hr/>							
<hr/>							
<hr/>							
<hr/>							
<hr/>							
<hr/>							
<hr/>							
<hr/>							
<hr/>							

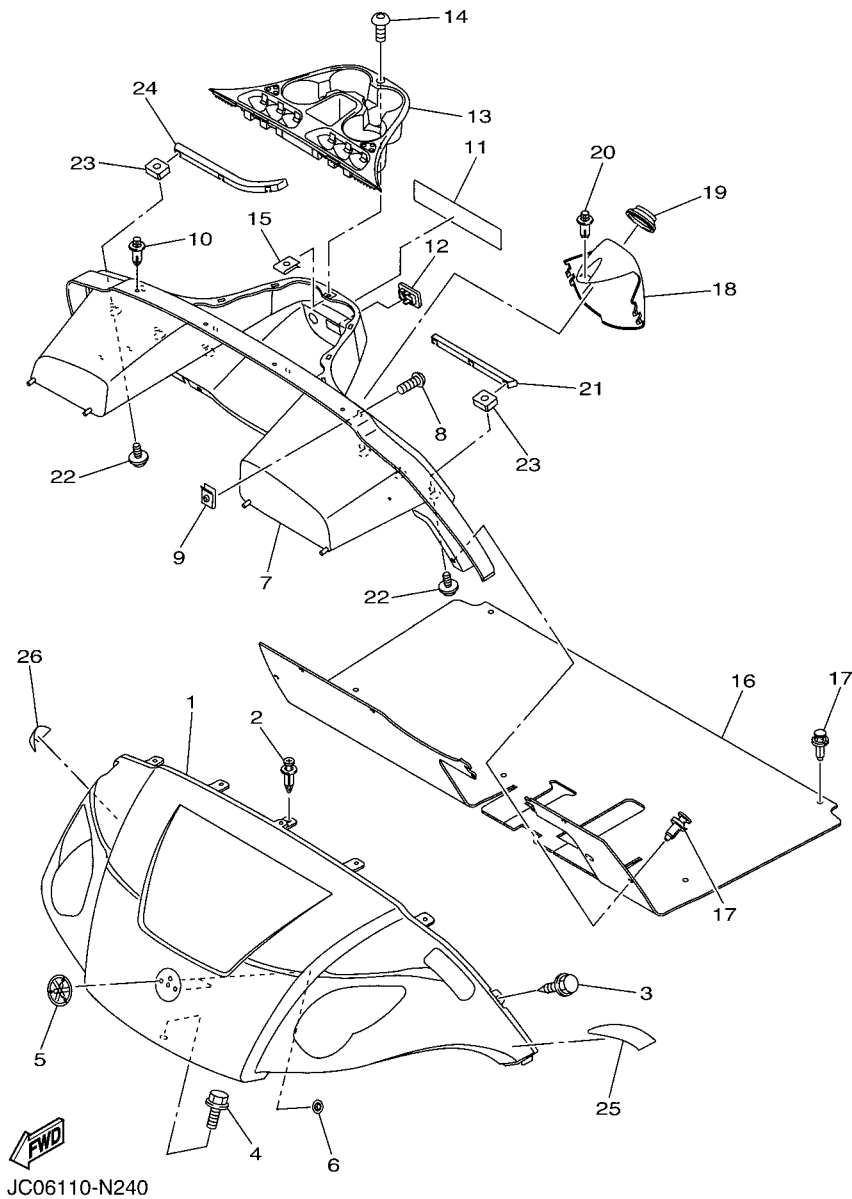


FIG. 24 BODY

REF. NO.	PART NO.	DESCRIPTION	JC06			REMARKS
1	JW1-K8115-01	COWL, FRONT	1			UR FOR WS7
	JW1-K8115-11	COWL, FRONT	1			UR FOR VDGS1
	JW1-K8115-21	COWL, FRONT	1			UR FOR HTR
	JW1-K8115-31	COWL, FRONT	1			UR FOR LNYM8
	JW1-K8115-90	COWL, FRONT	1			UR FOR LNMP
	JW1-K8115-51	COWL, FRONT	1			UR FOR BMG
	JW1-K8115-80	COWL, FRONT	1			UR FOR DPBST
2	90269-06800	RIVET	5			
3	JW1-F3396-01	SCREW, SPECIAL	2			
4	90105-06870	BOLT, FLANGE	1			
5	JW1-F4161-10	EMBLEM 1	1			
6	90183-06071	NUT, SPRING	2			
7	JC0-K8114-00	PANEL, FRONT	1			
8	90111-05805	BOLT,HEX. SOCKET BUTTON	4			
9	90183-05008	NUT, SPRING	4			
10	90269-07001	RIVET	5			
11	JC0-K7768-60	LABEL, WARNING	1			(E)CAN
	JC0-K7768-71	LABEL, WARNING	1			(E,F)EXCEPT CAN
	JC0-K7768-81	LABEL, WARNING	1			(G,S)EXCEPT CAN
12	JW1-F312G-00	PLUG	1			
13	JW8-K835E-00	HOLDER, BEVERAGE	1			
14	90111-05805	BOLT,HEX. SOCKET BUTTON	1			
15	90183-05008	NUT, SPRING	1			
16	JW6-K8233-10	MAT, MAIN FLOOR 3	1			
17	90269-09003	RIVET	11			
18	JW1-K8273-00	COVER, HOLE	1			
19	JW1-K8245-00	SEAL 1	1			

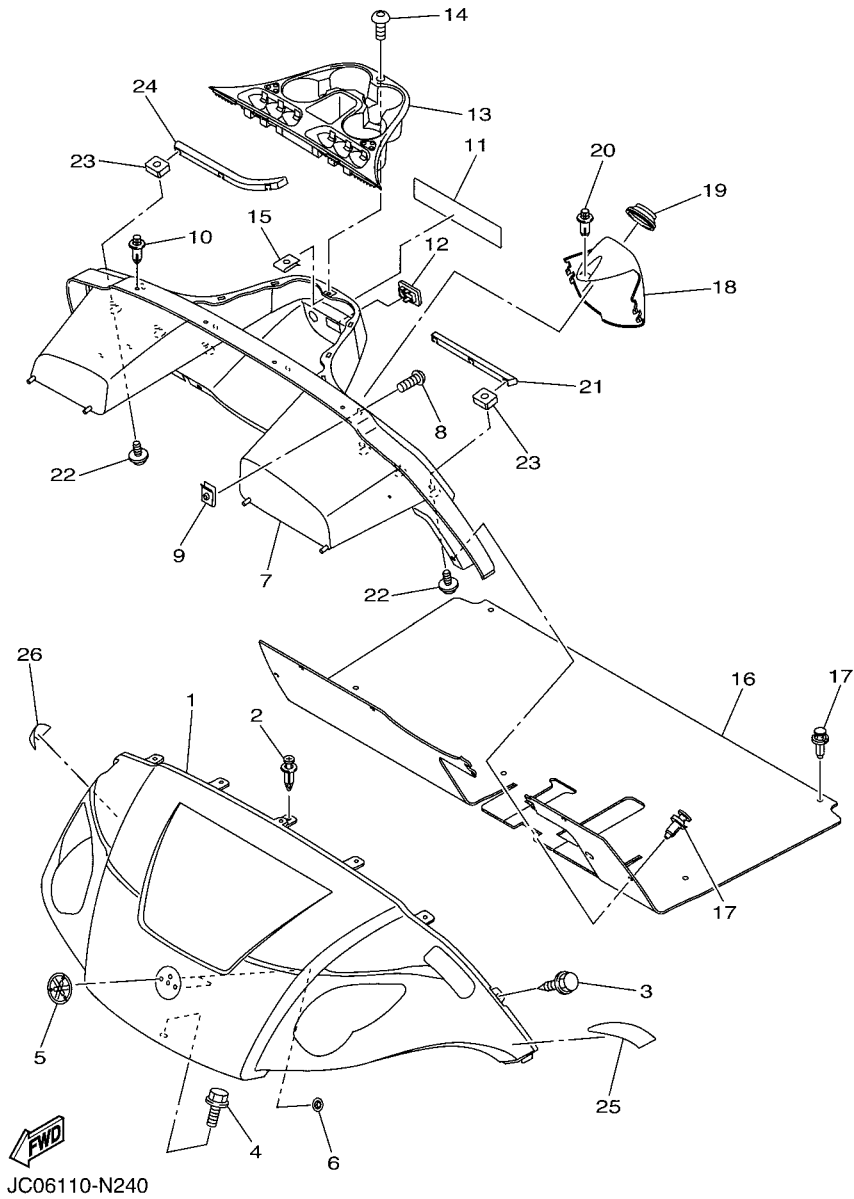
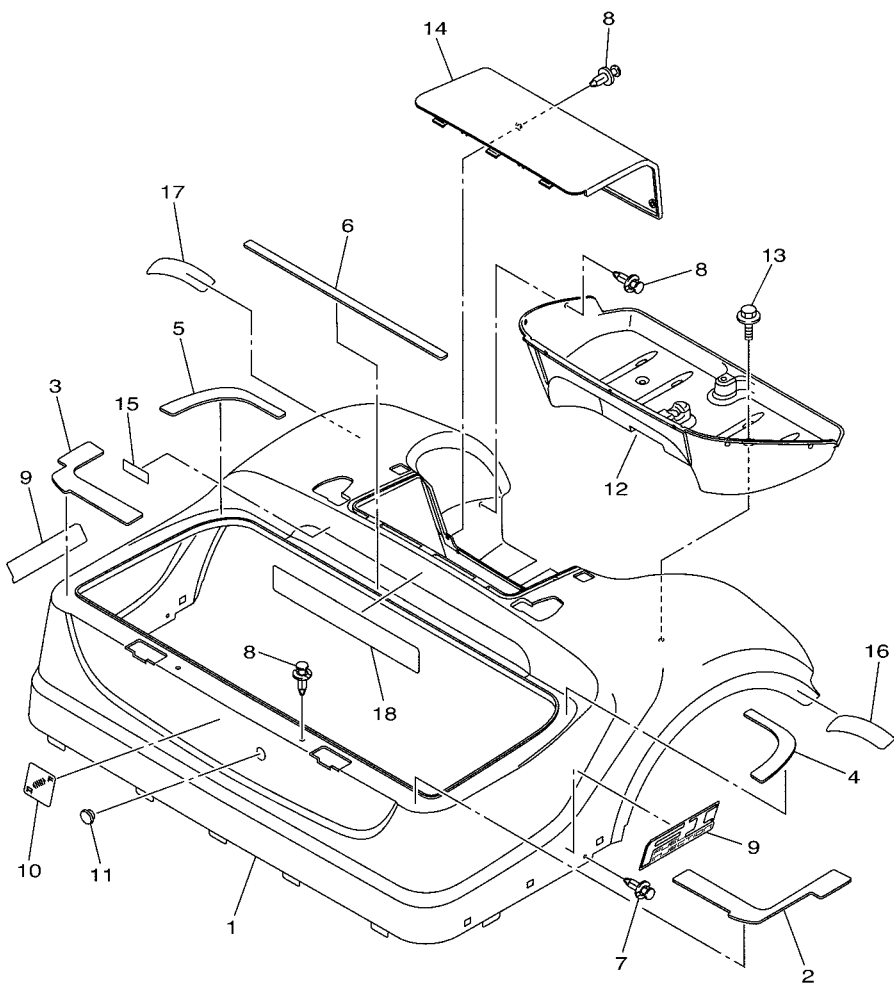


FIG. 24 BODY

REF. NO.	PART NO.	DESCRIPTION	JC06				REMARKS
20	90269-06804	RIVET	1				
21	JW1-K8261-00	PLATE, BODY PROTECT 1	1				
22	90119-06244	BOLT, WITH WASHER	6				
23	90173-06010	NUT, SQUARE	6				
24	JW1-K8262-00	PLATE, BODY PROTECT 2	1				
25	JC0-H333B-10	REFLECTOR 1	1				
26	JC0-H334B-10	REFLECTOR, 2	1				

FIG. 25 BODY 2

REF. NO.	PART NO.	DESCRIPTION	JC06				REMARKS
1	JC0-K8142-P0	PANEL, REAR BODY	1				UR FOR WS7
	JC0-K8142-R0	PANEL, REAR BODY	1				UR FOR VDGS1
	JC0-K8142-S0	PANEL, REAR BODY	1				UR FOR HTR
	JC0-K8142-T0	PANEL, REAR BODY	1				UR FOR LNYM8
	JC0-K8142-U0	PANEL, REAR BODY	1				UR FOR LNMP
	JC0-K8142-V0	PANEL, REAR BODY	1				UR FOR BMG
	JC0-K8142-W0	PANEL, REAR BODY	1				UR FOR DPBST
2	JW1-F2873-10	SEAL 1	1				
3	JW1-F2874-10	SEAL 2	1				
4	JW1-F2875-10	SEAL 3	1				
5	JW1-F2876-10	SEAL 4	1				
6	JW1-F2877-10	SEAL, 5	1				
7	90269-06804	RIVET	2				
8	90269-08813	RIVET	11				
9	JC0-F1781-00	EMBLEM 1	2				
10	JW1-K7741-00	INDICATOR 1	1				
11	JR1-K8139-00	CAP, END	1				
12	JW1-K8237-10	COVER, REAR FLOOR	1				
13	JW1-K6179-01	BOLT, SPECIAL 1	2				
14	JW1-K8151-00	PANEL, INSPECTION LID 1	1				
15	JN6-H2377-00	LABEL	1				
16	JC0-H360G-10	REFLECTOR 3	1				
17	JC0-H360H-10	REFLECTOR 4	1				
18	JW1-K8297-01	PLATE, CAUTION 1 (E,F)	1				UR FOR CAN
	JW1-K8297-10	PLATE, CAUTION 1 (G,S)	1				UR EXCEPT FOR CAN



JC04110-L250

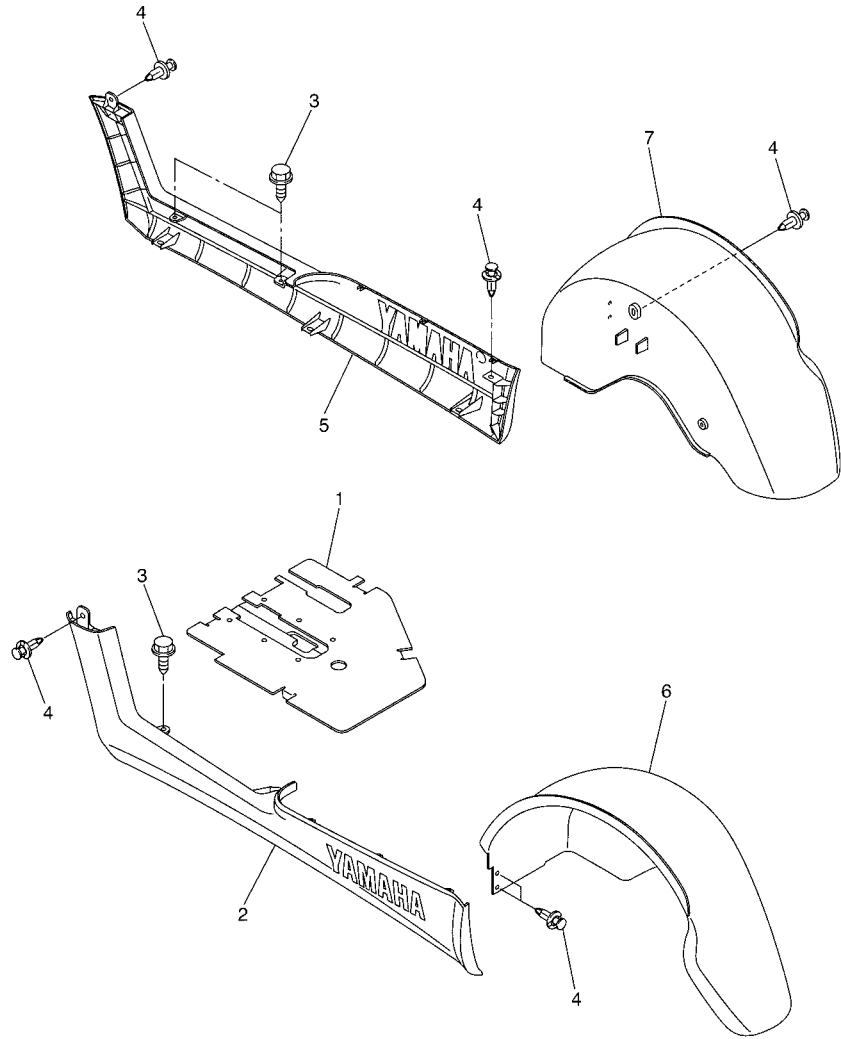


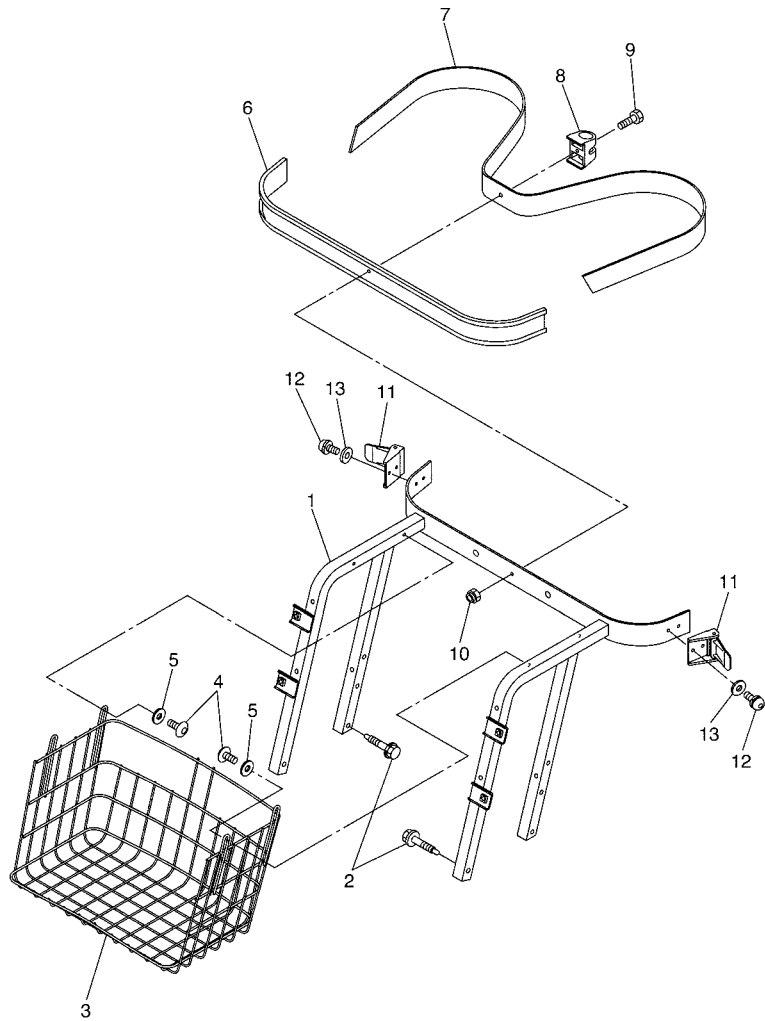
FIG. 26 BODY FITTING

REF. NO.	PART NO.	DESCRIPTION	JC06				REMARKS
1	JW1-K8270-00	LID ASSY	1				
2	JW1-K818A-00	PROTECTOR, SIDE PLATE	1				
3	JW1-F3396-01	SCREW, SPECIAL	4				
4	90269-06804	RIVET	12				
5	JW1-K818B-00	PROTECTOR, SIDE PLATE 2	1				
6	JW1-K8191-00	PANEL, REAR FENDER 1	1				
7	JW1-K8192-00	PANEL, REAR FENDER 2	1				



JW11100-E260

FIG. 27 CARRIER

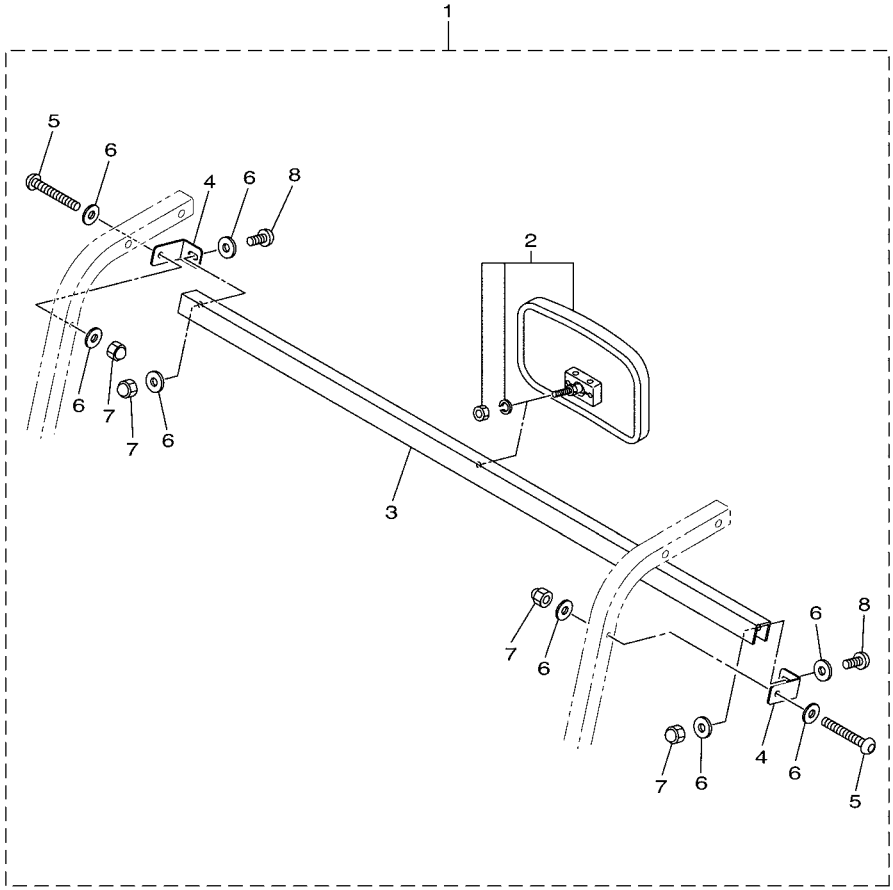


JW11100-E270

REF. NO.	PART NO.	DESCRIPTION	JC06				REMARKS
1	JW1-K8423-10	SUPPORT, SEAT BACK	1				
2	90109-08002	BOLT	4				
3	JW1-K8340-00	LUGGAGE RACK ASSY., REAR	1				
4	90110-06102	BOLT, HEXAGON SOCKET HEAD	4				
5	90201-068G7	WASHER, PLATE	4				
6	JF2-K8356-00	PAD, BAG SUPPORT	1				
7	JN6-K8355-20	BAND	1				
8	JW1-K834G-00	HOLDER, RAKE SAND	1				
9	9708R-06020	BOLT	1				
10	90185-06836	NUT, SELF-LOCKING	1				
11	JN6-K8380-00	LOCK ASSY	2				
12	90159-06845	SCREW, WITH WASHER	4				
13	9299R-06200	WASHER	4				

FIG. 28 REAR VIEW MIRROR

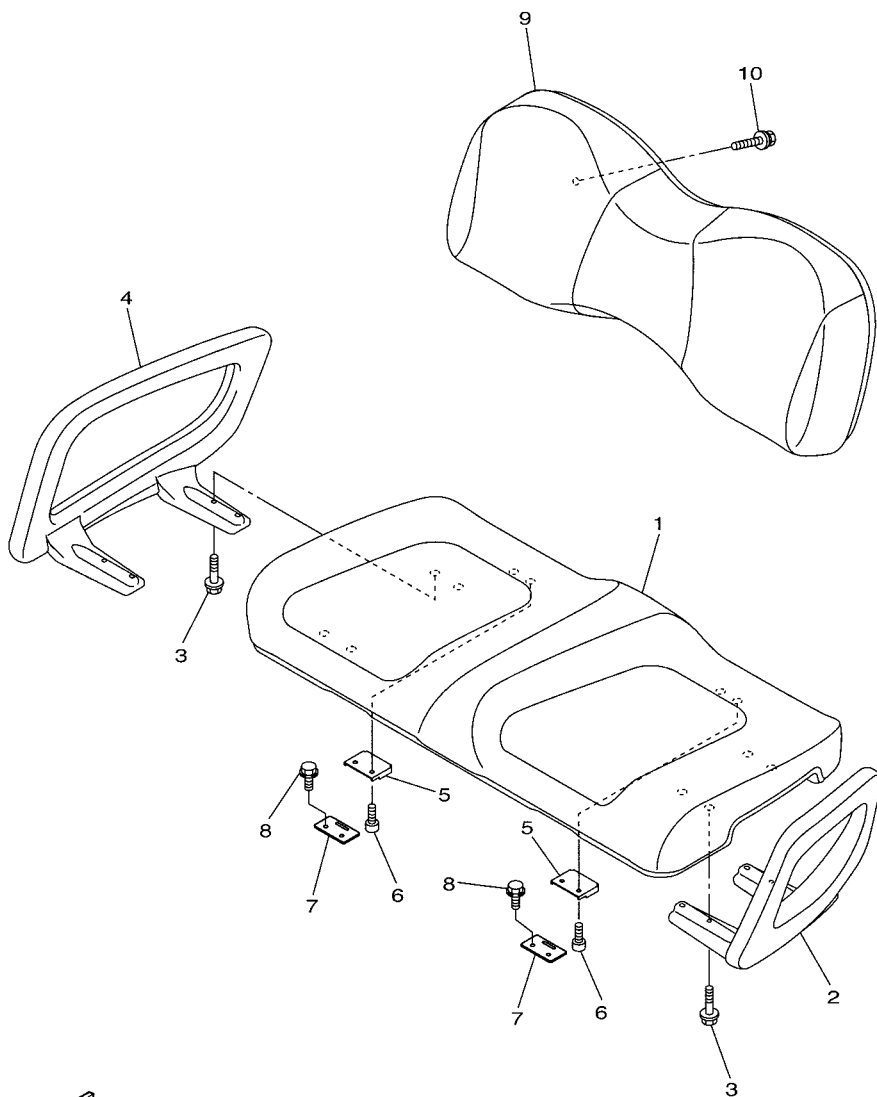
REF. NO.	PART NO.	DESCRIPTION	JC06					REMARKS
1	JC0-F6280-00	REAR VIEW MIRROR ASSY (LEFT)	1					
2	JC0-F6291-00	.MIRROR	1					
3	JC0-F831W-00	.STAY, MIRROR 1	1					
4	JC0-F834N-00	.BRACKET, MIRROR 1	2					
5	JW1-K7387-10	.SCREW	2					
6	90201-068G7	.WASHER, PLATE	8					
7	JW1-K7217-00	.NUT, WIND SHIELD	4					
8	JC0-K7212-00	.BOLT, WIND SHIELD	2					



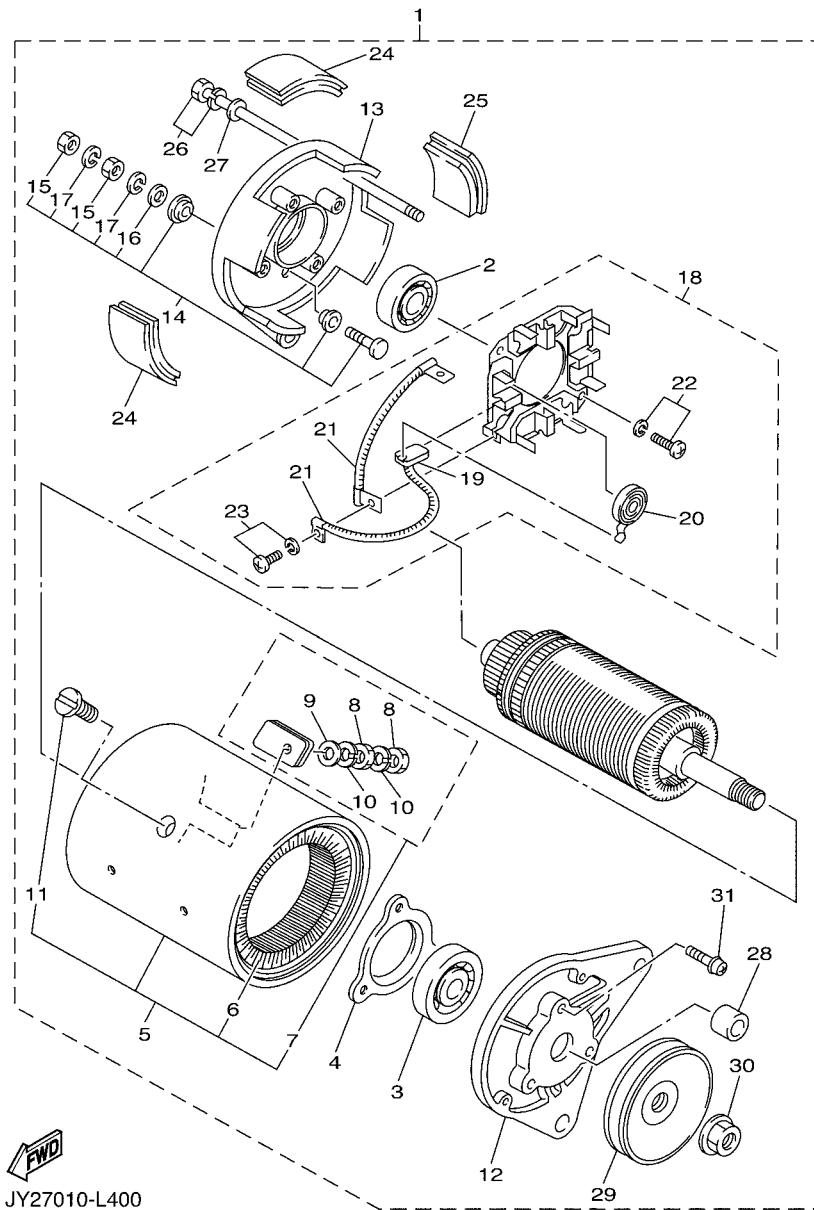
JC06110-N280

FIG. 29 SEAT

REF. NO.	PART NO.	DESCRIPTION	JC06				REMARKS
1	JW1-K8401-12	SEAT SUB-ASSY,CUSHION	1				
2	JW1-K8361-00	ARM REST 1	1				
3	90105-06129	BOLT, FLANGE	8				
4	JW1-K8362-00	ARM REST 2	1				
5	JW1-K8426-00	HINGE, SEAT 1	2				
6	90110-06125	BOLT, HEXAGON SOCKET HEAD	4				
7	JW1-K8427-00	HINGE, SEAT 2	2				
8	90163-06802	SCREW, TAPPING	4				
9	JW1-K8402-10	SEAT SUB ASSY, BACK	1				
10	90119-06808	BOLT, WITH WASHER	4				



JC21110-M300

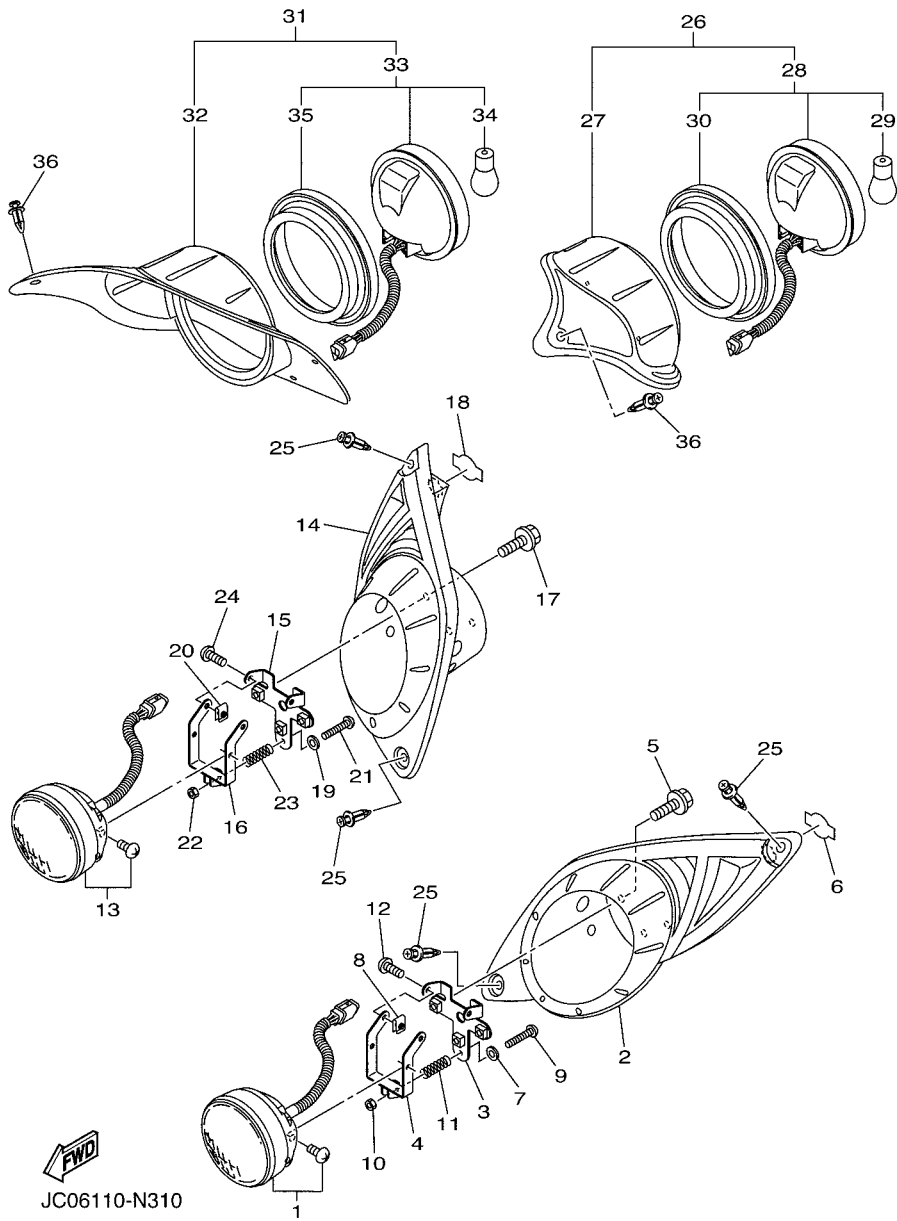


JY27010-L400

FIG. 30 STARTING MOTOR

REF. NO.	PART NO.	DESCRIPTION	JC06				REMARKS
1	JN6-H1100-04	STARTER GENERATOR ASSY	1				
2	J10-H1157-10	.BEARING 1	1				
3	J10-H1158-10	.BEARING 2	1				
4	J10-81159-10	.HOLDER, BEARING	1				
5	JN6-H1110-10	.STATOR ASSY	1				
6	JN6-H1160-10	..FIELD COIL ASSY	1				
7	J10-81148-10	..SCREW SET 4	2				
8	9530N-06600	...NUT,HEX	2				
9	9290N-06600	...WASHER	1				
10	92907-06100	...WASHER, SPRING	2				
11	J10-81146-10	..SCREW 2	4				
12	JN6-H1165-00	.BRACKET, STARTER GENERATOR 1	1				
13	J10-H1166-10	.BRACKET, STARTER GENERATOR 2	1				
14	J10-81147-10	.SCREW SET 3	2				
15	9530N-06600	..NUT,HEX	2				
16	9290N-06600	..WASHER	1				
17	92907-06100	..WASHER, SPRING	2				
18	JN6-H1119-00	.BRUSH HOLDER ASSY	1				
19	JF2-H1111-00	..BRUSH	4				
20	JN6-H1113-00	..SPRING, BRUSH	4				
21	J10-81115-10	..WIRE, LEAD	2				
22	9850N-05016	..SCREW, PAN HEAD	2				
23	9850N-04010	..SCREW, PAN HEAD	4				
24	J10-81129-10	.COVER, BRUSH	3				
25	J10-81139-10	.COVER, BRUSH 2	1				
26	J10-H1145-10	.SCREW 1	2				
27	9290N-06600	.WASHER	2				

FIG. 31 HEAD & TAIL LIGHT



REF. NO.	PART NO.	DESCRIPTION	JC06		REMARKS
1	JW6-H4300-10	HEADLIGHT ASSY	1		HALOGEN (12V 35W)
2	JC0-H4111-00	BODY, HEADLIGHT	1		
3	JW6-H4318-00	STAY, HEADLIGHT 1	1		
4	JW6-H4319-00	STAY, HEADLIGHT 2	1		
5	90119-06884	BOLT, WITH WASHER	3		
6	JU7-H3547-10	COVER, SOCKET	1		
7	90201-03008	WASHER, PLATE	1		
8	90183-050A6	NUT, SPRING	2		
9	JW6-H433E-01	SCREW, ADJUSTING	1		
10	2GU-84334-00	NUT, ADJUSTING	1		
11	2GU-84332-00	SPRING, SCREW	1		
12	98902-05016	SCREW, BIND	2		
13	JW6-H4300-10	HEADLIGHT ASSY	1		HALOGEN (12V 35W)
14	JC0-H4311-00	BODY, HEADLIGHT	1		
15	JW6-H4318-00	STAY, HEADLIGHT 1	1		
16	JW6-H4319-00	STAY, HEADLIGHT 2	1		
17	90119-06884	BOLT, WITH WASHER	3		
18	JU7-H3547-10	COVER, SOCKET	1		
19	90201-03008	WASHER, PLATE	1		
20	90183-050A6	NUT, SPRING	2		
21	JW6-H433E-01	SCREW, ADJUSTING	1		
22	2GU-84334-00	NUT, ADJUSTING	1		
23	2GU-84332-00	SPRING, SCREW	1		
24	98902-05016	SCREW, BIND	2		
25	90269-06800	RIVET	4		
26	JC0-H4710-20	TAILLIGHT UNIT ASSY	1		
27	JC0-H431U-10	.HOLDER	1		

FIG. 31 HEAD & TAIL LIGHT

REF. NO.	PART NO.	DESCRIPTION	JC06				REMARKS
28	JC0-H4700-00	.TAILLIGHT ASSY	1				
29	JC0-H4514-00	..BULB	1				(12V-7W/27W)
30	JC0-H4718-00	..GROMMET	1				
31	JC0-H4730-20	TAILLIGHT UNIT ASSY	1				
32	JC0-H4387-10	.HOLDER	1				
33	JC0-H4700-00	.TAILLIGHT ASSY	1				
34	JC0-H4514-00	..BULB	1				(12V-7W/27W)
35	JC0-H4718-00	..GROMMET	1				
36	90269-06800	RIVET	6				

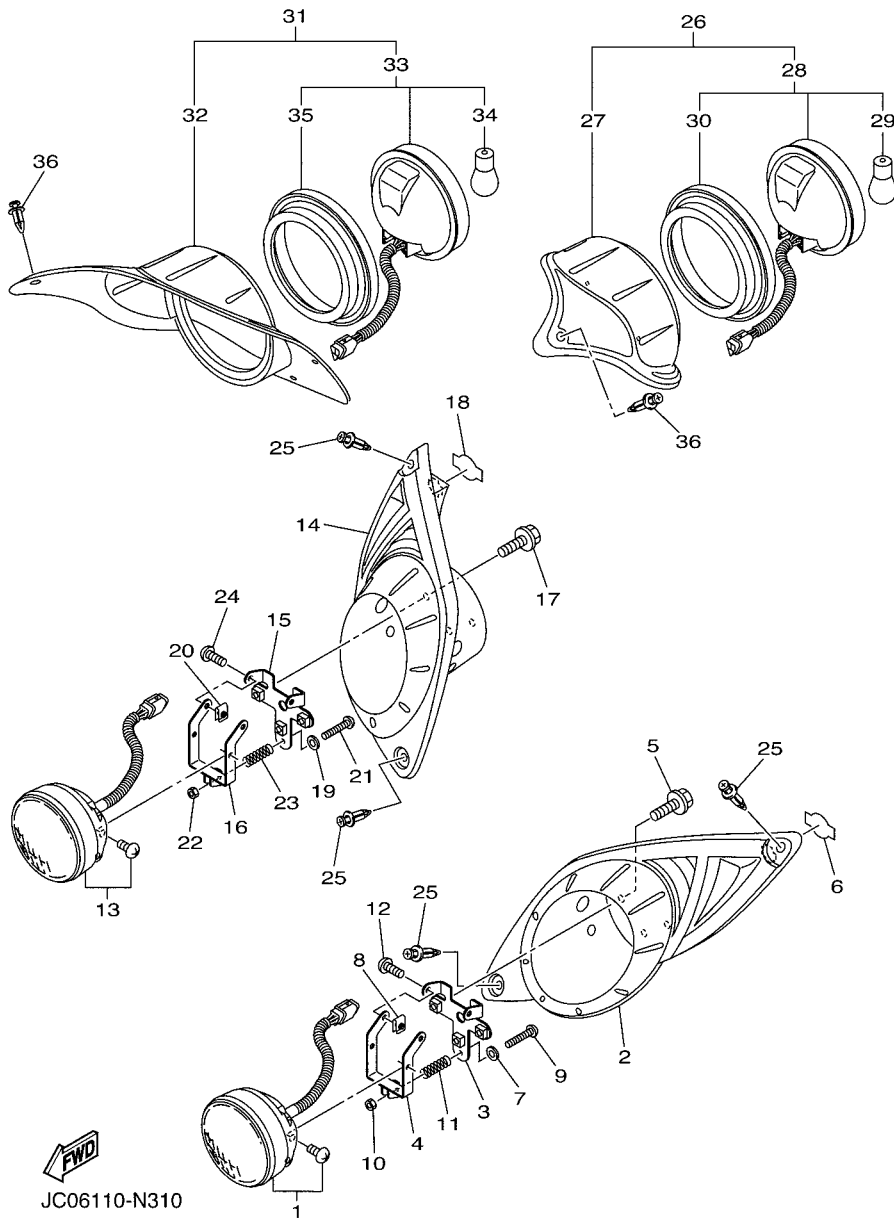


FIG. 32 ELECTRICAL 1

REF. NO.	PART NO.	DESCRIPTION	JC06				REMARKS
1	95812-12030	BOLT, FLANGE	2				
2	JW1-H1170-11	TENSIONER ASSY	1				
3	95822-08020	BOLT, FLANGE	2				
4	90109-08827	BOLT	1				
5	95702-08500	NUT, FLANGE	1				
6	90101-06053	BOLT	1				
7	95302-06600	NUT	1				
8	JC0-H1171-00	BRACKET, STARTER GENERATOR	1				
9	95822-08020	BOLT, FLANGE	2				
10	JW1-H1173-00	BELT	1				
11	JC0-85650-00	ROTOR ASSY	1				
12	JC0-81670-00	PICK-UP ASSY	1				
13	90480-20564	GROMMET	1				
14	95822-06016	BOLT, FLANGE	2				
15	1S4-82310-00	IGNITION COIL ASSY	1				
16	JC0-82316-00	BRACKET, IGNITION COIL	1				
17	95822-06016	BOLT, FLANGE	2				
18	95302-18600	NUT	1				
19	90201-18620	WASHER, PLATE	1				
20	90280-04052	KEY, WOODRUFF	1				
21	JN6-82370-00	PLUG CAP ASSY	1				
22	JE8-82372-00	SEAL, PLUG CAP	1				
23	JT0-85720-00	OIL LEVEL GAUGE ASSY	1				
24	95817-06012	BOLT, FLANGE	3				
25	JT0-85724-00	CLAMP	1				
26	JT0-15362-00	PLUG, OIL LEVEL	1				
27	93210-15566	O-RING	1				

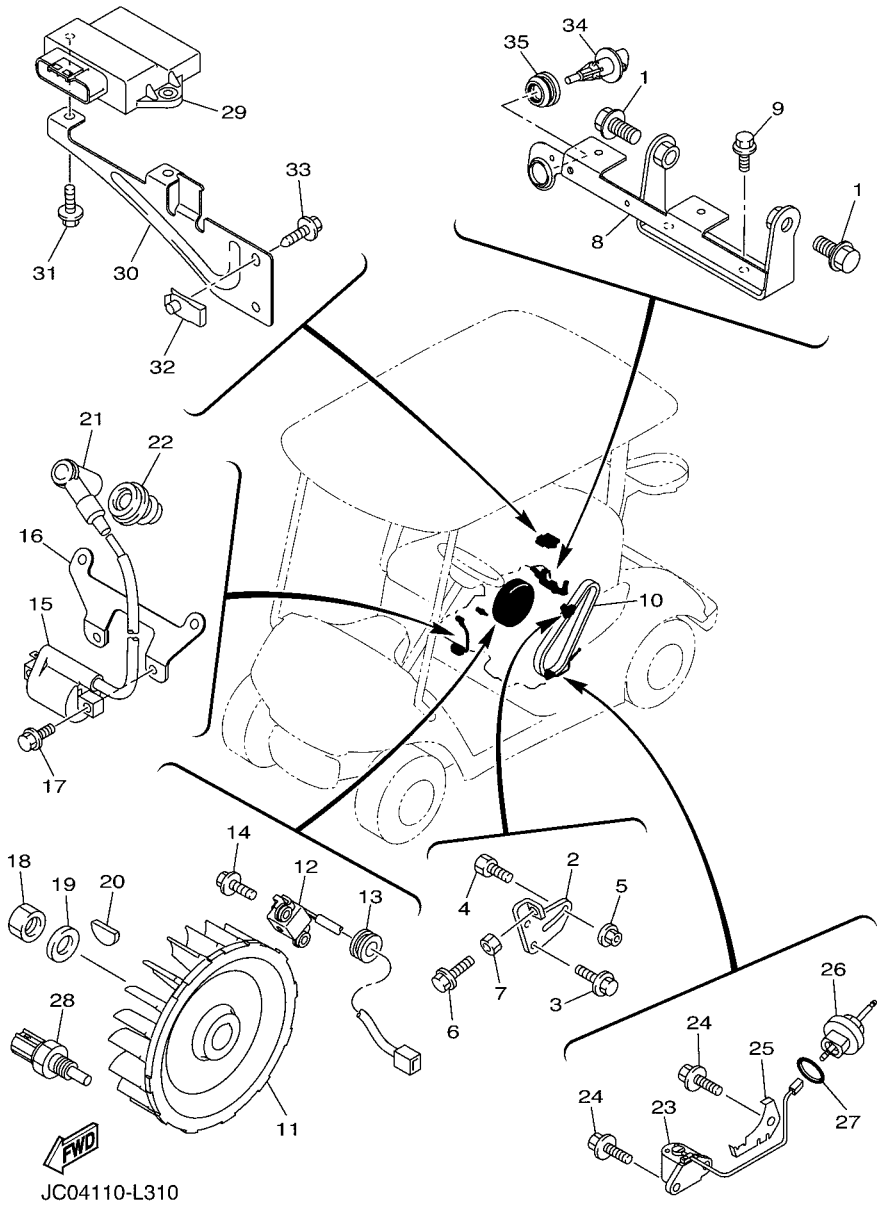


FIG. 32 ELECTRICAL 1

REF. NO.	PART NO.	DESCRIPTION	JC06				REMARKS
28	4P9-83591-00	THERMO UNIT	1				
29	JC0-8591A-02	ENGINE CONTROL UNIT ASSY	1				
30	JC0-F253B-00	STAY, RELAY	1				
31	90119-06156	BOLT, WITH WASHER	2				
32	90183-06811	NUT, SPRING	2				
33	JW1-K6179-01	BOLT, SPECIAL 1	2				
34	5CA-85886-00	SENSOR, AIR TEMPRATURE	1				
35	5CA-14435-00	GROMMET	1				
<hr/>							
<hr/>							
<hr/>							
<hr/>							
<hr/>							
<hr/>							
<hr/>							
<hr/>							
<hr/>							
<hr/>							

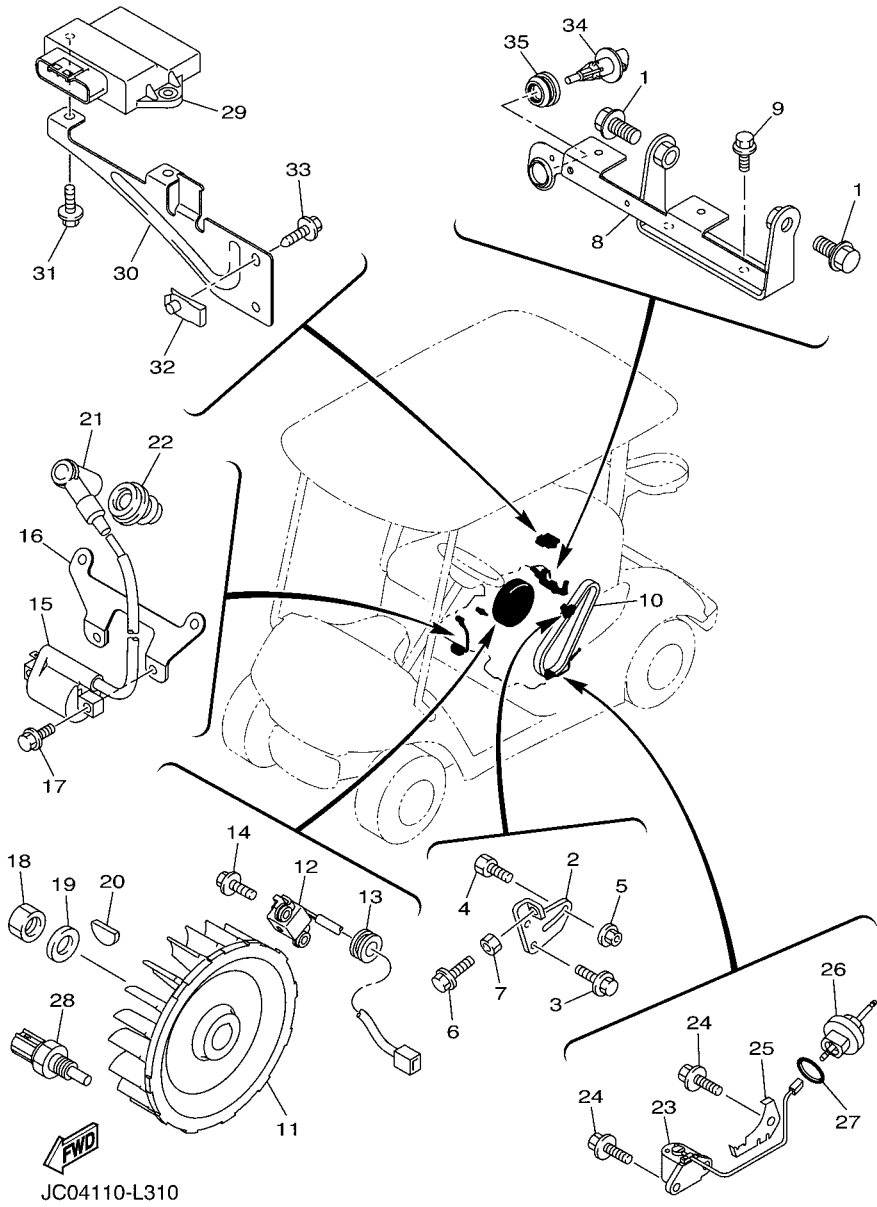
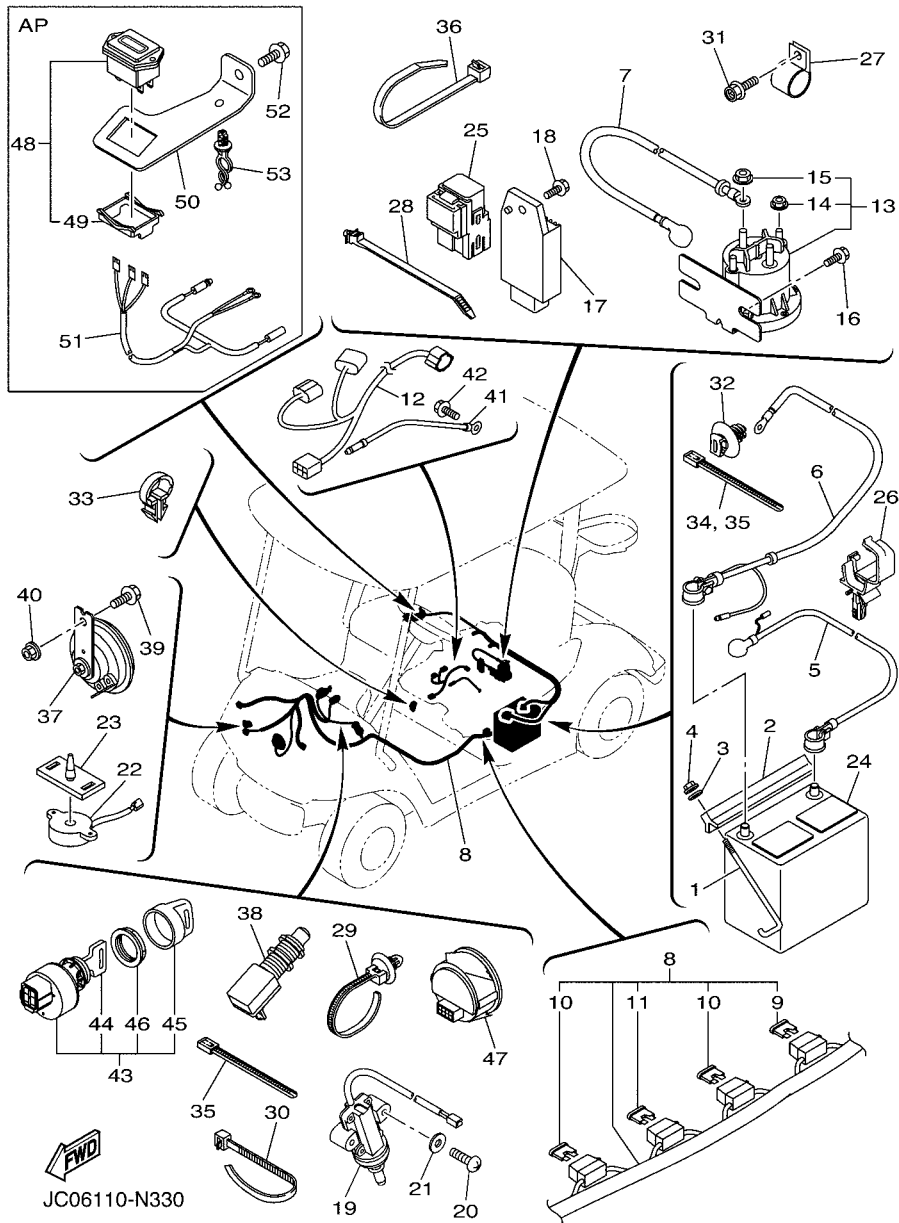
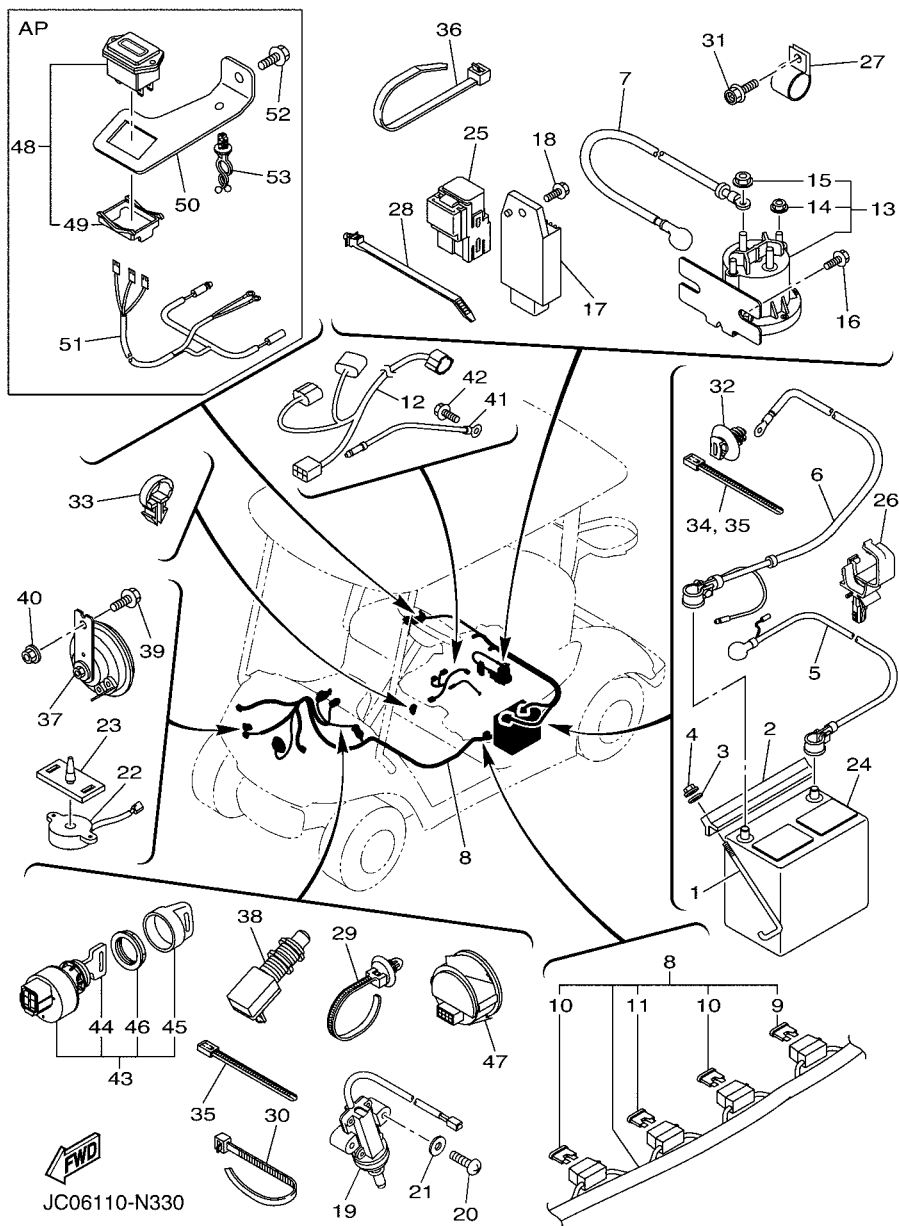


FIG. 33 ELECTRICAL 2



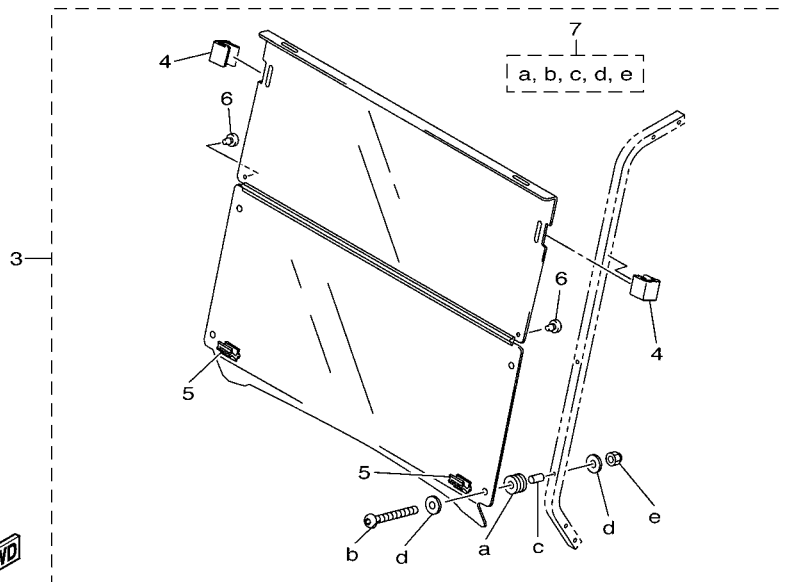
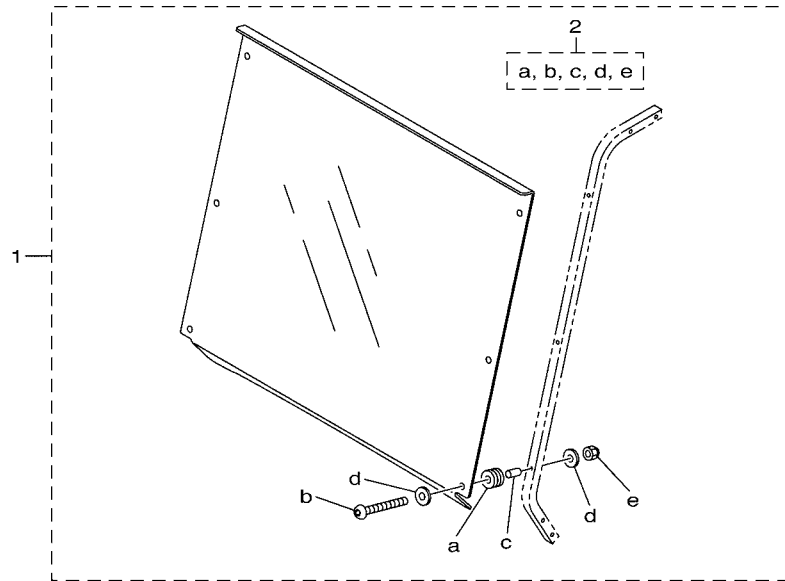
REF. NO.	PART NO.	DESCRIPTION	JC06				REMARKS
1	JW1-H2133-00	SCREW, FITTING	2				
2	J55-H2136-00	PLATE, BATTERY FITTING	1				
3	92902-06200	WASHER	2				
4	95702-06500	NUT, FLANGE	2				
5	JW1-H2115-01	WIRE, PLUS LEAD	1				
6	JW1-H2116-02	WIRE, MINUS LEAD	1				
7	JW1-H2117-00	WIRE, LEAD	1				
8	JC0-H2590-30	WIRE HARNESS ASSY	1				
9	JC0-H2151-00	.FUSE (25A)	1				
10	JN6-H2151-00	.FUSE (10 A)	2				
11	JW6-H2151-00	.FUSE (15A)	1				
12	JC0-82149-00	WIRE, LEAD 3	1				
13	JW1-H1950-00	RELAY ASSY	1				
14	90179-05807	.NUT	2				
15	90179-08824	.NUT	2				
16	90105-06831	BOLT, FLANGE	2				
17	JF2-81910-10	VOLTAGE REGULATOR ASSY	1				
18	90105-06870	BOLT, FLANGE	1				
19	JF7-82817-22	SWITCH	1				
20	98502-05025	SCREW, PAN HEAD	2				
21	92902-05600	WASHER, PLATE	2				
22	JR1-H3383-02	BUZZER	1				
23	JN6-H3386-01	STAY, BUZZER	1				
24	*	BATTERY ASSY (GC-24, 12V)	1				LM
25	5EA-81950-20	RELAY ASSY (5EA-02)	1				
26	90464-20237	CLAMP	5				
27	90461-14108	CLAMP	1				

FIG. 33 ELECTRICAL 2



REF. NO.	PART NO.	DESCRIPTION	JC06				REMARKS
28	90464-09823	CLAMP	1				
29	90464-20005	CLAMP	6				
30	90464-48800	CLAMP	4				
31	90105-08867	BOLT, FLANGE	1				
32	5UG-F2465-10	HOLDER	2				
33	90464-19815	CLAMP	1				
34	90464-40825	CLAMP	1				
35	90464-40825	CLAMP	3				
36	90464-76800	CLAMP	3				
37	4LR-83371-11	HORN	1				
38	JR6-H270X-00	SWITCH	1				
39	95822-06016	BOLT, FLANGE	1				
40	95702-06500	NUT, FLANGE	1				
41	JC0-82519-00	WIRE, EARTH LEAD	1				
42	95822-06012	BOLT, FLANGE	1				
43	JW6-H2510-00	MAIN SWITCH ASSY	1				
44	JU6-H2511-10	.KEY, MAIN SWITCH	2				
45	5UG-H2579-00	.CAP, KEY	1				
46	JU6-H2569-00	.NUT, MAIN SWITCH	1				
47	JC0-H351C-00	GAUGE 1	1				
48	JN6-H351C-10	GAUGE 1	1				AP
49	JW1-H1128-00	.CLAMP	1				AP
50	JW1-F4881-00	BRKT., METER	1				AP
51	JW1-H2386-10	EXTENSION, WIRE HARNESS	1				AP
52	90105-06831	BOLT, FLANGE	1				AP
53	90464-12836	CLAMP	1				AP

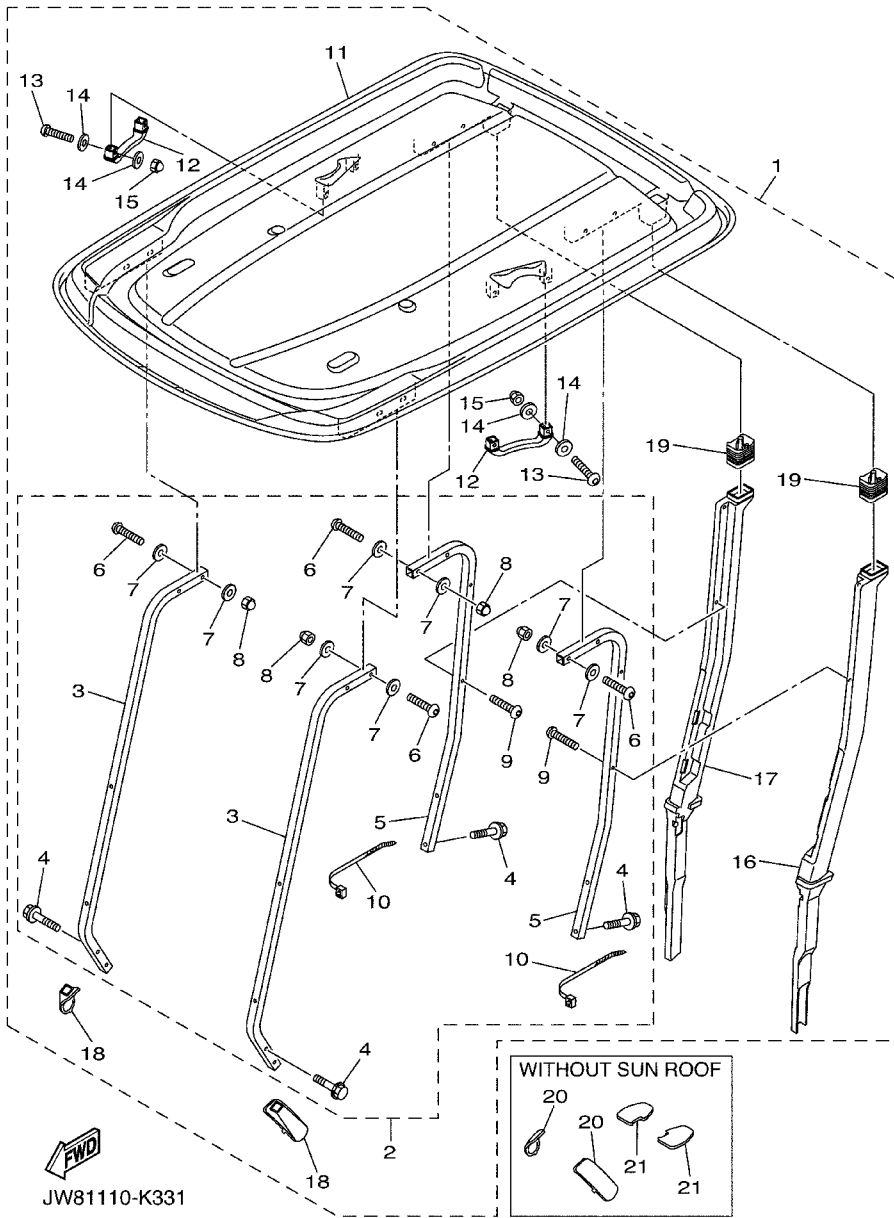
FIG. 34 ALTERNATE FOR WINDSHIELD



JC06110-N340

REF. NO.	PART NO.	DESCRIPTION	JC06				REMARKS
1	JW8-K7200-00	WINDSHIELD ASSY, SOLID(CLEAR)	1				UR AP
	JW8-K7200-10	WINDSHIELD ASSY, SOLID(SMOKE)	1				UR AP
2	GCA-JW121-00	.HARDWARE KIT	1				
3	JW8-K7200-20	WINDSHIELD ASSY, HINGED(CLEAR)	1				UR AP
	JW8-K7200-30	WINDSHIELD ASSY, HINGED(SMOKE)	1				UR AP
4	JW8-K7173-00	.LEVER, LATCH 1	2				
5	JW8-K7222-00	.BRACKET, WINDSHIELD(R.H)	2				
6	JW8-K8167-00	.BUMPER, RUBBER 1	2				
7	GCA-JW122-00	.HARDWARE KIT	1				

FIG. 35 ALTERNATE FOR SUN ROOF



REF. NO.	PART NO.	DESCRIPTION	JC06			REMARKS
1	JW1-K84A0-01	SUN TOP KIT	1			AP
2	JW1-K84A2-01	.HARDWARE KIT, SUN TOP	1			
3	JW1-K8312-00	..SUPPORT, SUN ROOF 1	2			
4	JW1-K8388-00	..BOLT, ROOF 1	8			
5	JW1-K8313-01	..SUPPORT, SUN ROOF 2	2			
6	JU0-K8388-00	..BOLT, ROOF 1	8			
7	JW1-F1549-01	..WASHER, FENDER MOLD	16			
8	JU0-K8398-00	..NUT, ROOF 1	8			
9	JW1-K7387-00	..SCREW	4			
10	90464-76800	..CLAMP	2			
11	JW1-K8314-10	.COVER, SUN ROOF	1			
12	JW1-K8214-00	.GRIP, HAND	2			
13	JU0-K8388-00	.BOLT, ROOF 1	4			
14	JW1-F1549-01	.WASHER, FENDER MOLD	8			
15	JU0-K8398-00	.NUT, ROOF 1	4			
16	JW1-F413G-00	.TUBE, DRAIN	1			
17	JW1-F413J-00	.TUBE, DRAIN 2	1			
18	JW1-K832F-10	.GROMMET, ROOF SUPPORT 1	2			AP
19	JW1-F414G-10	.SEAL	2			
20	JW1-K832H-00	GROMMET, ROOF SUPPORT 3	2			AP
21	JW1-K833H-00	GROMMET, ROOF SUPPORT 4	2			AP

NUMERICAL INDEX

PART NO.	REF. NO.	PART NO.	REF. NO.	PART NO.	REF. NO.	PART NO.	REF. NO.	PART NO.	REF. NO.	PART NO.	REF. NO.
JT0-11111-00	2 - 1	JC0-15111-00	9 - 1	JW1-E1116-00	2 - 17	JW1-F3396-01	26 - 3	JN6-F5118-01	13 - 29	JW8-F8319-00	16 - 32
JN6-11116-00	2 - 10	J38-15361-00	9 - 18	JW1-E1166-00	2 - 16	JW1-F3400-00	14 - 10		20 - 57	JC0-F831W-00	28 - 3
JN6-11133-10	2 - 2	JT0-15362-00	32 - 26	JW1-E2691-00	5 - 9	5UG-F3489-00	14 - 20	JW8-F5415-00	16 - 28	JW8-F8323-00	16 - 27
JR7-11163-10	2 - 19	796-15363-01	9 - 16	JU0-E3505-09	6 - 14	JU0-F3511-10	13 - 4	JW9-F5666-00	16 - 15	JW8-F8331-00	16 - 50
JN6-11168-00	2 - 11	JN6-15411-01	9 - 8	JU0-E4411-00	6 - 10	JW1-F3512-00	13 - 5	JW9-F5671-00	16 - 8	JC0-F834N-00	28 - 4
JN6-11169-00	2 - 12	JY2-15451-00	9 - 12	JU0-E4412-00	6 - 11	JU0-F3521-10	13 - 12	JW9-F5672-00	16 - 7	JW8-F8363-00	16 - 10
JT0-11181-00	2 - 3	JC0-19001-40	1 - 1	5UH-E4424-00	6 - 17	5UG-F3527-00	14 - 21	JW9-F5673-00	16 - 48	JW1-G1661-00	20 - 56
JN6-11191-01	2 - 9	JT0-21481-00	10 - 3	JU0-E4450-00	6 - 12	JU0-F3570-20	13 - 1	JW9-F5673-00	28 - 1	JW1-G2376-00	20 - 31
JN6-11193-00	2 - 13	401-22128-01	13 - 16	JU0-E445E-00	6 - 13	JW1-F3811-02	14 - 1	JC0-F6291-00	28 - 2		20 - 40
812-11198-00	9 - 6	2NL-23448-00	13 - 9	JW1-E4710-20	8 - 1	JW1-F3812-00	14 - 13	JW8-F6311-01	16 - 53	JW1-G4120-00	20 - 20
JN6-11400-00	3 - 1	2NL-23517-00	13 - 11	JW1-E4713-00	8 - 4	JW1-F3822-01	14 - 29	JC0-F6312-01	6 - 18	JW1-G4132-00	20 - 4
JN6-11454-10	3 - 8	2HR-23526-00	13 - 3	JW8-E7688-00	19 - 7	JU0-F3828-10	14 - 4	JW8-F6314-00	16 - 24	JW1-G4135-00	20 - 15
JR7-11610-00	3 - 3	JW8-23841-00	14 - 27	JW8-F1153-00	12 - 5	1P0-F3833-00	14 - 26	JW1-F6341-31	16 - 1	JW1-G4156-00	20 - 35
JR7-11610-10	3 - 3	4WM-24180-00	15 - 14	JW8-F135J-00	18 - 7	JW1-F3837-00	14 - 22	JW8-F639L-00	16 - 25		20 - 44
JR7-11610-20	3 - 3	1S3-24486-00	15 - 9		19 - 4	JN3-F3838-00	14 - 6	JW8-F639N-00	16 - 12	JW1-G4178-00	20 - 33
JR7-11631-00-A0	3 - 2	JC0-24491-00	15 - 8	JU0-F1436-00	8 - 2	5UG-F3844-00	14 - 19	JW8-F7113-00	16 - 14		20 - 42
583-11633-00	3 - 4	J38-27951-00	17 - 1	JW1-F1549-01	35 - 7	JW1-F384K-00	20 - 19	JW8-F7117-00	16 - 9	JW1-G4188-00	20 - 8
JR7-11635-00	3 - 2	J38-27959-00	17 - 5		35 - 14	JU0-F3857-11	14 - 3	JW8-F7118-00	16 - 44	JW1-G4189-00	20 - 6
JR7-11636-00	3 - 2	J10-81115-10	30 - 21	JW1-F1738-00	12 - 6		14 - 5	JW8-F7119-00	16 - 31	JW8-G4189-00	18 - 6
JN6-11650-10	3 - 6	J10-81129-10	30 - 24		12 - 8	JW1-F3866-00	14 - 24	JW8-F7121-00	16 - 16	JW1-G4526-00	20 - 48
JN6-11654-10	3 - 7	J10-81139-10	30 - 25		15 - 5	JW1-F387A-00	14 - 11	JW9-F7200-21	16 - 5	JW1-G4582-00	20 - 5
JN6-12111-10	4 - 2	J10-81146-10	30 - 11		15 - 20	JW1-F387E-00	14 - 14	JW8-F7213-20	16 - 37	JW1-G4583-10	20 - 30
J38-12117-01	4 - 6	J10-81147-10	30 - 14	JC0-F1781-00	25 - 9	5UG-F387F-00	14 - 17	JW8-F7217-00	16 - 35		20 - 39
J38-12118-00	4 - 7	J10-81148-10	30 - 7	JW1-F2110-12	11 - 1	5UG-F387G-00	14 - 15	JW8-F7218-00	16 - 13	JW8-G5282-00	18 - 18
4G0-12119-00	4 - 13	J10-81159-10	30 - 4	JN6-F2123-10	11 - 2	5UG-F387J-00	14 - 18	JW9-F7221-00	16 - 17	JW8-G5531-00	19 - 9
7RH-12121-10	4 - 3	JC0-81670-00	32 - 12	JN6-F2124-10	11 - 6	5UG-F387K-00	14 - 16	JW9-F7228-00	16 - 26	JW1-G5618-00	20 - 10
JN6-12151-10	4 - 8	JF2-81910-10	33 - 17	JW1-F2176-00	20 - 36	JW1-F3894-00	14 - 25	JW9-F7231-10	16 - 21	JW8-G5618-00	18 - 10
JN6-12153-10	4 - 4	5EA-81950-20	33 - 25		20 - 45	JC0-F4111-01	15 - 1	JW9-F7232-00	16 - 22		18 - 15
JR7-12154-10	4 - 12	JC0-82149-00	33 - 12	JW1-F217G-10	11 - 10	JW1-F4112-00	15 - 3	JW9-F7245-10	16 - 33	JW8-G5621-00	18 - 16
J38-12156-20	4 - 11	1S4-82310-00	32 - 15	JW1-F2210-10	11 - 12	JW1-F413G-00	35 - 16	JW9-F7246-20	16 - 49	JW1-G5677-00	20 - 9
22F-12159-10	4 - 9	JC0-82316-00	32 - 16	JW1-F2277-00	11 - 11	JW1-F413J-00	35 - 17	JW8-F7316-01	16 - 34	JW8-G5677-00	19 - 12
JR7-12170-00	4 - 1	JN6-82370-00	32 - 21	5UG-F2465-10	33 - 32	JW1-F414G-10	35 - 19	JW8-F7317-00	16 - 43	JW8-G5697-20	19 - 15
JN6-12616-00	5 - 3	JE8-82372-00	32 - 22	JW8-F2501-01	12 - 1	JW1-F4161-10	24 - 5	JW8-F7318-00	16 - 23	JW1-G6110-00	20 - 18
JN6-12621-02	5 - 1	1C7-82380-00	7 - 2	JC0-F253B-00	32 - 30	7CC-F4170-00	15 - 13	JW8-F7322-00	16 - 18	JW1-G6114-00	20 - 47
JN6-12651-01	5 - 5	JC0-82519-00	33 - 41	JW8-F253B-00	12 - 4	JW1-F419A-10	15 - 19	JW7-F7411-20	12 - 7	JW1-G6117-00	20 - 12
JN6-12652-00	5 - 7	JN3-82617-01	21 - 20	JW1-F258G-02	12 - 9	JW7-F4314-10	15 - 16	JW8-F7416-00	16 - 11	JW1-G6128-01	20 - 34
JR7-12658-00	5 - 6	JF7-82817-22	33 - 19	JW1-F2873-10	25 - 2	JW1-F4316-00	15 - 17	JW8-F7426-01	16 - 20		20 - 43
JC0-13567-00	6 - 4	4LR-83371-11	33 - 37	JW1-F2874-10	25 - 3	JW1-F4317-00	15 - 18	JW8-F7434-00	16 - 42	JW1-G6131-00	20 - 25
JN6-13567-00	6 - 3	4P9-83591-00	32 - 28	JW1-F2875-10	25 - 4	JU5-F4375-00	15 - 4	JW8-F7438-00	16 - 41	JW1-G6158-00	20 - 7
	6 - 5	2GU-84332-00	31 - 11	JW1-F2876-10	25 - 5	JW8-F4425-00	12 - 2	JW8-F7445-20	16 - 36	JW8-G6159-00	19 - 8
JC0-13595-00	6 - 1		31 - 23	JW1-F2877-10	25 - 6	JW8-F4486-00	16 - 47	JW8-F7814-20	16 - 6	JW1-G6164-00	20 - 13
JC0-13750-00	7 - 1	2GU-84334-00	31 - 10	JW1-F312G-00	24 - 12		16 - 51	JW8-F7814-21	16 - 46	JW1-G6165-00	20 - 14
JC0-13770-00	7 - 4		31 - 22	JW7-F312H-00	15 - 12	JW1-F4610-00	15 - 2	JW8-F7825-01	16 - 30	JW1-G6168-00	20 - 2
JC0-13907-10	15 - 7	JC0-85650-00	32 - 11	JW1-F3183-00	14 - 12	JW8-F4619-01	12 - 3	JW8-F7850-21	16 - 4	JW8-G6201-22	18 - 1
JC0-13971-10	15 - 11	JT0-85720-00	32 - 23	JW8-F3183-00	16 - 19	JW1-F467K-00	14 - 23	JW8-F7853-10	16 - 38	JW8-G6202-20	19 - 1
5CA-14147-00	7 - 5	JT0-85724-00	32 - 25	JW1-F3350-10	13 - 14	JW1-F4684-00	20 - 3	JW9-F7871-10	16 - 39	JW8-G6205-21	18 - 9
5CA-14435-00	32 - 35	5CA-85886-00	32 - 34	JW1-F3390-10	13 - 19	JW1-F4881-00	33 - 50	JW8-F7872-20	16 - 40	JW8-G6210-00	18 - 2
7KY-14613-01	8 - 3	JC0-8591A-02	32 - 29	JW1-F3396-01	24 - 3	JW1-F5100-01	22 - 1	JW8-F815H-01	16 - 45	JW8-G6220-22	18 - 3

NUMERICAL INDEX

PART NO.	REF. NO.	PART NO.	REF. NO.	PART NO.	REF. NO.	PART NO.	REF. NO.	PART NO.	REF. NO.	PART NO.	REF. NO.
JW8-G6231-21	18 - 17	JF2-H1111-00	30 - 19	JW6-H4319-00	31 - 4	JC0-K8142-S0	25 - 1	JW1-K8482-00	35 - 22	90179-16889	30 - 30
JW8-G6236-20	18 - 12	JN6-H1113-00	30 - 20		31 - 16	JC0-K8142-T0	25 - 1	JW1-K84A0-01	35 - 1	90183-05008	24 - 9
JW8-G6237-20	18 - 13	JN6-H1119-00	30 - 18	JC0-H431U-10	31 - 27	JC0-K8142-U0	25 - 1	JW1-K84A2-01	35 - 2		24 - 15
J55-G6241-00	18 - 21	JW1-H1128-00	33 - 49	JW6-H433E-01	31 - 9	JC0-K8142-V0	25 - 1	JG5-WF511-10	13 - 21	90183-050A6	31 - 8
JW8-G6249-00	18 - 19	J10-H1145-10	30 - 26		31 - 21	JC0-K8142-W0	25 - 1	90101-06053	32 - 6		31 - 20
JW8-G624A-00	18 - 4	J10-H1157-10	30 - 2	JC0-H4387-10	31 - 32	JW1-K8151-00	25 - 14	90105-05005	21 - 2	90183-06071	24 - 6
JW8-G624B-00	19 - 5	J10-H1158-10	30 - 3	JC0-H4514-00	31 - 29	JW1-K8164-00	23 - 2	90105-06129	29 - 3	90183-06811	32 - 32
JW8-G6251-21	18 - 8	JN6-H1160-10	30 - 6		31 - 34	JW8-K8167-00	34 - 6	90105-06831	12 - 10	90185-06836	27 - 10
JW8-G6253-00	18 - 5	JN6-H1161-00	30 - 29	JC0-H4700-00	31 - 28	JW1-K818A-00	26 - 2		21 - 19	90185-12008	14 - 7
JW8-G6260-20	19 - 2	JN6-H1165-00	30 - 12		31 - 33	JW1-K818B-00	26 - 5		33 - 16	90201-03008	31 - 7
JW8-G6270-20	19 - 3	J10-H1166-10	30 - 13	JC0-H4710-20	31 - 26	JW1-K8191-00	26 - 6		33 - 52		31 - 19
JW8-G6275-10	19 - 11	JW1-H1170-11	32 - 2	JC0-H4718-00	31 - 30	JW1-K8192-00	26 - 7	90105-06862	6 - 16	90201-04810	14 - 35
JW8-G6284-00	19 - 6	JC0-H1171-00	32 - 8		31 - 35	JW1-K8214-00	35 - 12	90105-06870	24 - 4	90201-05800	21 - 1
JW1-G6300-02	20 - 1	JW1-H1173-00	32 - 10	JC0-H4730-20	31 - 31	JW6-K8233-10	24 - 16		33 - 18	90201-068G7	27 - 5
JW1-G6320-00	20 - 21	JN3-H1661-00	30 - 28	GCA-JW121-00	34 - 2	JW1-K8237-10	25 - 12	90105-08002	19 - 14		28 - 6
JW1-G6328-00	20 - 24	JW1-H1950-00	33 - 13	GCA-JW122-00	34 - 7	JW1-K8245-00	24 - 19	90105-08867	12 - 11	90201-080E4	8 - 6
JW1-G6336-00	20 - 46	JW1-H2115-01	33 - 5	JW1-K6179-01	25 - 13	JW1-K8261-00	24 - 21		33 - 31	90201-10057	2 - 5
JW1-G633H-00	20 - 51	JW1-H2116-02	33 - 6		32 - 33	JW1-K8262-00	24 - 24	90105-088B0	23 - 3		9 - 15
JW1-G633J-00	20 - 29	JW1-H2117-00	33 - 7	JW8-K7173-00	34 - 4	JW1-K8270-00	26 - 1	90105-10219	13 - 8	90201-128S4	11 - 9
	20 - 38	JW1-H2133-00	33 - 1	JW8-K7200-00	34 - 1	JW1-K8273-00	24 - 18	90105-10267	13 - 13	90201-18620	32 - 19
JW1-G6344-00	20 - 52	J55-H2136-00	33 - 2	JW8-K7200-10	34 - 1	JW1-K8297-01	25 - 18		13 - 20	90201-198S7	21 - 13
JW1-G6345-00	20 - 50	JC0-H2151-00	33 - 9	JW8-K7200-20	34 - 3	JW1-K8297-10	25 - 18	90105-10373	13 - 6	90201-208S8	21 - 12
JW1-G6348-00	20 - 22	JN6-H2151-00	33 - 10	JW8-K7200-30	34 - 3	JW1-K8312-00	35 - 3	90105-10847	14 - 28	90208-14801	13 - 27
JW1-G6356-00	20 - 23	JW6-H2151-00	33 - 11	JC0-K7212-00	28 - 8	JW1-K8313-01	35 - 5	90105-13800	11 - 3	90209-08018	19 - 13
JW1-G6361-00	20 - 26	JN6-H2377-00	25 - 15	JW1-K7217-00	28 - 7	JW1-K8314-10	35 - 11	90109-08002	27 - 2	90269-06800	24 - 2
JW1-G6362-00	20 - 27	JW1-H2386-10	33 - 51	JW8-K7222-00	34 - 5	JW1-K832F-10	35 - 18	90109-08827	32 - 4		31 - 25
JW1-G6371-01	21 - 4	JW6-H2510-00	33 - 43	JW1-K7387-00	35 - 9	JW1-K832H-00	35 - 20	90110-06102	27 - 4		31 - 36
JN3-G6372-00	21 - 18	JU6-H2511-10	33 - 44	JW1-K7387-10	28 - 5	JW1-K833H-00	35 - 21	90110-06125	29 - 6	90269-06804	24 - 20
JW8-G6374-00	19 - 10	JU6-H2569-00	33 - 46	JW1-K7510-01	23 - 1	JW1-K8340-00	27 - 3	90111-05805	24 - 8		25 - 7
JN3-G6376-00	21 - 11	5UG-H2579-00	33 - 45	JW8-K7540-00	23 - 5	JW1-K834G-00	27 - 8		24 - 14		26 - 4
JN3-G6381-00	21 - 10	JC0-H2590-30	33 - 8	JW1-K7741-00	25 - 10	JN6-K8355-20	27 - 7	90113-04803	18 - 11	90269-07001	24 - 10
JW8-G6382-00	21 - 6	JR6-H270X-00	33 - 38	JC0-K7762-00	14 - 38	JF2-K8356-00	27 - 6		18 - 14	90269-08813	5 - 10
JW1-G6383-01	21 - 5	JC0-H333B-10	24 - 25	JC0-K7762-11	14 - 38	JW8-K8357-00	14 - 32	90114-12806	13 - 22		25 - 8
JW1-G6410-20	20 - 55	JC0-H334B-10	24 - 26	JC0-K7762-21	14 - 38	JN6-K8358-01	14 - 33	90119-06156	32 - 31	90269-09003	24 - 17
JW1-G6443-00	20 - 11	JR1-H3383-02	33 - 22	JC0-K7768-60	24 - 11	JW8-K835E-00	24 - 13	90119-06244	24 - 22	90280-04052	32 - 20
JW1-G6510-01	20 - 28	JN6-H3386-01	33 - 23	JC0-K7768-71	24 - 11	JW1-K8361-00	29 - 2	90119-06808	29 - 10	90340-12097	9 - 5
JW1-G6520-01	20 - 37	JC0-H351C-00	33 - 47	JC0-K7768-81	24 - 11	JW1-K8362-00	29 - 4	90119-06884	6 - 6	90381-17067	13 - 10
JW1-G6540-02	20 - 16	JN6-H351C-10	33 - 48	JC0-K8114-00	24 - 7	JN6-K8380-00	27 - 11		31 - 5	90381-18001	13 - 2
JW1-G6542-10	20 - 32	JU7-H3547-10	31 - 6	JW1-K8115-01	24 - 1	JU0-K8388-00	35 - 6		31 - 17	90386-08141	17 - 3
	20 - 41		31 - 18	JW1-K8115-11	24 - 1		35 - 13	90119-10044	11 - 5	90386-12800	16 - 29
JW1-G6550-02	20 - 17	JC0-H360G-10	25 - 16	JW1-K8115-21	24 - 1	JW1-K8388-00	35 - 4	90159-06845	27 - 12	90387-046N7	14 - 37
JW1-G6554-00	20 - 49	JC0-H360H-10	25 - 17	JW1-K8115-31	24 - 1	JU0-K8398-00	35 - 8	90163-06802	29 - 8	90387-12016	13 - 15
JW1-G6854-00	20 - 53	JC0-H4111-00	31 - 2	JW1-K8115-51	24 - 1		35 - 15	90170-05302	4 - 10	90387-241M7	13 - 25
JW1-G6894-00	20 - 54	JW6-H4300-10	31 - 1	JW1-K8115-80	24 - 1	JW1-K8401-12	29 - 1	90173-06010	24 - 23	90461-14108	33 - 27
JW8-G7339-00	18 - 20		31 - 13	JW1-K8115-90	24 - 1	JW1-K8402-10	29 - 9	90179-05807	33 - 14	90462-05061	2 - 15
JW1-G8330-01	21 - 3	JC0-H4311-00	31 - 14	JR1-K8139-00	25 - 11	JW1-K8423-10	27 - 1	90179-08824	33 - 15	90464-09823	33 - 28
JN6-H1100-04	30 - 1	JW6-H4318-00	31 - 3	JC0-K8142-P0	25 - 1	JW1-K8426-00	29 - 5	90179-12262	22 - 2	90464-12836	33 - 53
JN6-H1110-10	30 - 5		31 - 15	JC0-K8142-R0	25 - 1	JW1-K8427-00	29 - 7	90179-13800	11 - 4	90464-18246	15 - 21

NUMERICAL INDEX

PART NO.	REF. NO.	PART NO.	REF. NO.	PART NO.	REF. NO.	PART NO.	REF. NO.	PART NO.	REF. NO.	PART NO.	REF. NO.
90464-19815	33 - 33	93210-398D6	6 - 15	95822-06030	2 - 14						
90464-20005	33 - 29	93306-005Y3	13 - 24	95822-08020	32 - 3						
90464-20237	33 - 26	93306-20201	9 - 4		32 - 9						
90464-40825	15 - 15		9 - 11	97002-08025	8 - 7						
	33 - 34	93306-204X0	13 - 23	97012-08030	14 - 30						
	33 - 35	93306-20714	9 - 9	97012-10050	9 - 14						
90464-48800	33 - 30	93306-30709	9 - 2	97012-10070	2 - 4						
90464-76800	21 - 22	93450-21053	3 - 5	9708R-06020	27 - 9						
	33 - 36	94702-00343	2 - 8	97702-40525	14 - 34						
	35 - 10	94702-00348	2 - 8	97702-60420	5 - 4						
90465-06038	21 - 21	95302-06600	32 - 7	98502-04016	21 - 15						
90467-13847	2 - 20	95302-06800	15 - 10	98502-05025	33 - 20						
90468-10049	6 - 8	95302-18600	32 - 18	98502-06014	7 - 3						
90468-10050	16 - 55	9530N-06600	30 - 8	9850N-04010	30 - 23						
90468-20196	16 - 3		30 - 15	9850N-05016	30 - 22						
90480-20564	32 - 13	95380-06600	17 - 2	9850N-05018	30 - 31						
90501-264A9	4 - 5	95602-06200	17 - 6	98902-05016	31 - 12						
90502-10013	14 - 36	95602-08200	8 - 5		31 - 24						
90508-16460	16 - 56	95602-08710	2 - 18	99001-07600	6 - 9						
90508-40678	17 - 4	95602-10200	10 - 1	99009-19400	21 - 14						
90560-05001	16 - 57		11 - 14	99530-08016	9 - 7						
90560-08251	15 - 6		13 - 7	99530-14016	2 - 6						
91402-20012	21 - 9		23 - 6								
91702-05010	6 - 7	95602-12200	11 - 8								
91702-05014	16 - 54		14 - 9								
91702-06014	21 - 7	95602-14100	13 - 28								
91702-10028	16 - 2	95612-12100	13 - 18								
92902-04100	21 - 16	95622-08618	2 - 7								
92902-04600	21 - 17	95702-06500	33 - 4								
92902-05600	33 - 21		33 - 40								
92902-06200	33 - 3	95702-08500	6 - 2								
92902-06600	21 - 8		32 - 5								
92902-08100	8 - 8	95802-06020	5 - 2								
92902-08600	8 - 9		5 - 8								
	14 - 31	95812-06025	7 - 6								
92902-10200	10 - 2	95812-08020	14 - 2								
92902-12200	14 - 8		16 - 52								
92907-06100	30 - 10	95812-08045	9 - 13								
	30 - 17	95812-10055	11 - 13								
9290N-06600	30 - 9	95812-12030	32 - 1								
	30 - 16	95812-12065	11 - 7								
	30 - 27	95812-12080	13 - 17								
9299R-06200	27 - 13	95817-06012	32 - 24								
93102-30083	13 - 26	95822-06012	23 - 4								
93102-35014	9 - 3		33 - 42								
	9 - 10	95822-06016	32 - 14								
93210-15566	32 - 27		32 - 17								
93210-22344	9 - 17		33 - 39								