



PARTS CATALOGUE

YTF2 (JW71) U.S.A., CANADA, EUROPE, OTHERS

YTF2P (JW72) CALIFORNIA



1JJW7-100E1



YTF2/YTF2P
PARTS CATALOGUE
©2010 by Yamaha Motor Co., Ltd.
1st edition, January 2010
All rights reserved.
Any reprinting or unauthorized use
without the written permission of
Yamaha Motor Co., Ltd.
is expressly prohibited.
Printed in Japan.

FOREWORD

This Parts Catalogue is related to the parts for the model(s) on the cover page. When you are ordering replacement parts, please refer to this Parts Catalogue and quote both part numbers and part names correctly.

1. Modifications or additions which have been made after the issue of the Parts Catalogue will be announced in the Parts News.

It is advisable that you make the necessary corrections to the Parts Catalogue according to the Parts News.

2. Abbreviations

The following abbreviations are used in this Parts Catalogue.

“UR” Use specified parts number.

“UN” Use as many as needed.

“AP” Alternate Parts

“LM” Locally Made (Parts need to be ordered locally)

“F#” Frame No. (Applicable machine No.)

“O/S” Over Size

3. The number of components for assembly

- Parts, which are to be supplied in an assembly, are listed with a dot (.) in front of the part name as shown below.
- The numeral appearing to the right of each component part indicates the quantity of parts for each assembly unit.

PART NO.	DESCRIPTION	Q'TY	REMARKS
2F5-83310-60	FRONT FLASHER LIGHT ASSY	2	
115-83311-60	.BULB (6V-18W)	1	

4. Applicable colours of graphics are represented in the “REMARKS” as shown below.

PART NO.	DESCRIPTION	Q'TY	REMARKS
2N4-24110-00-X5	FUEL TANK COMP.	2	MXR
3J1-24240-10	.GRAPHIC, FUEL TANK	1	FOR MXR

5. Note that the illustrations for reference in finding parts numbers are not to be used for assembling. When assembling, please use the applicable service manual.

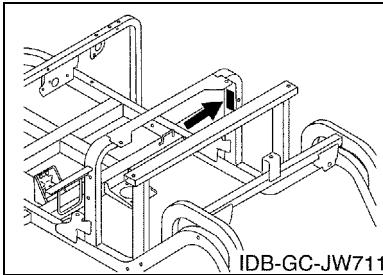
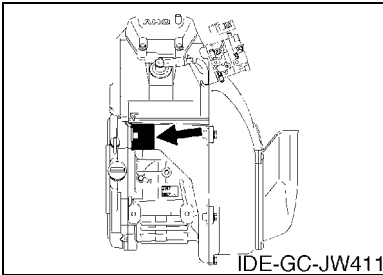
6. The asterisk (*) before a reference number indicates modified items after the first edition.

FOREWORD

7. Applicable Serial No.

Engine Serial No.

Frame Serial No.



10. Applicable Starting Serial No.

Frame Serial No.

Serial No.	Name Of Q'ty Column	Model Code
JW7-000101	JW71	JW71
JW7-000401	JW72	JW72

8. Applicable Colour Code (The (*) mark shows Model colour.)

Abbreviation	Colour Name	Colour Code
VDGS1(*)	VERY DARK GREEN SOLID 1	0614

9. Quantity Column Information

Column No.	Name Of Q'ty Column	Destination
1	JW71	U.S.A., CANADA, EUROPE, OTHERS
2	JW72	CALIFORNIA

CONTENTS

ENGINE 1	1
ENGINE	
CYLINDER HEAD	2
CRANKSHAFT & PISTON	3
CAMSHAFT & VALVE	4
AIR SHROUD & FAN	5
INTAKE	6
CARBURETOR	7
EXHAUST	8
CRANKCASE	9
BODY	
ENGINE BRACKET	10
REAR ARM & SUSPENSION	11
FRAME	12
FRONT SUSPENSION & WHEEL	13
STEERING	15
FUEL TANK	17
FUEL TANK 2	18
PEDAL ASSEMBLY	20
BRAKE 1	23
BRAKE 2	25
GOVERNOR	26
DRIVE	
PRIMARY SHEAVE	27
SECONDARY SHEAVE	28
TRANSAXLE	29
REAR AXLE & WHEEL	32
SHIFTER & CABLES	33
BUMPER	34
BODY	35
BODY 2	37
BODY FITTING	38
CARRIER	39
SEAT	41
ELECTRICAL	
STARTING MOTOR	42
HEADLIGHT	44

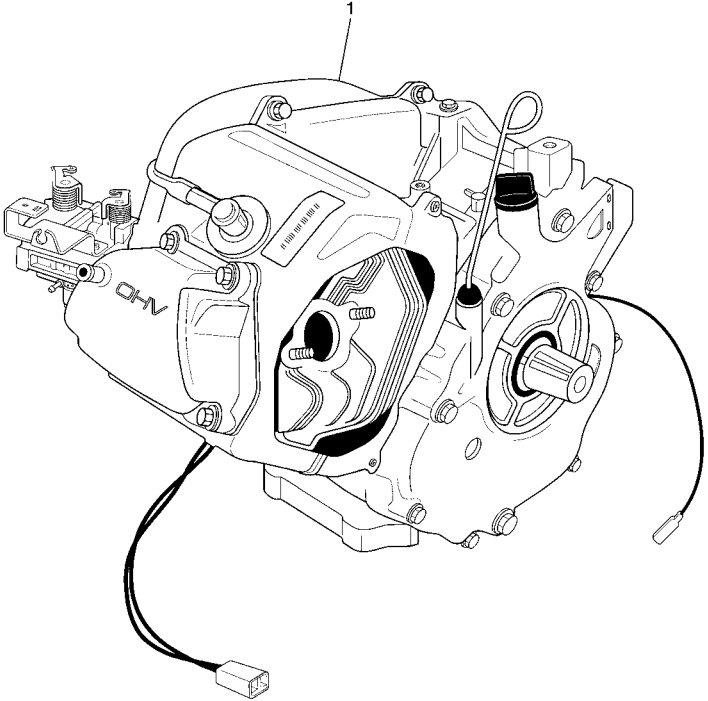
ELECTRICAL 1	46
ELECTRICAL 2	47
ALTERNATE FOR WINDSHIELD	49
ALTERNATE FOR SUN ROOF	50

INDEX

NUMERICAL INDEX	51
-----------------------	----

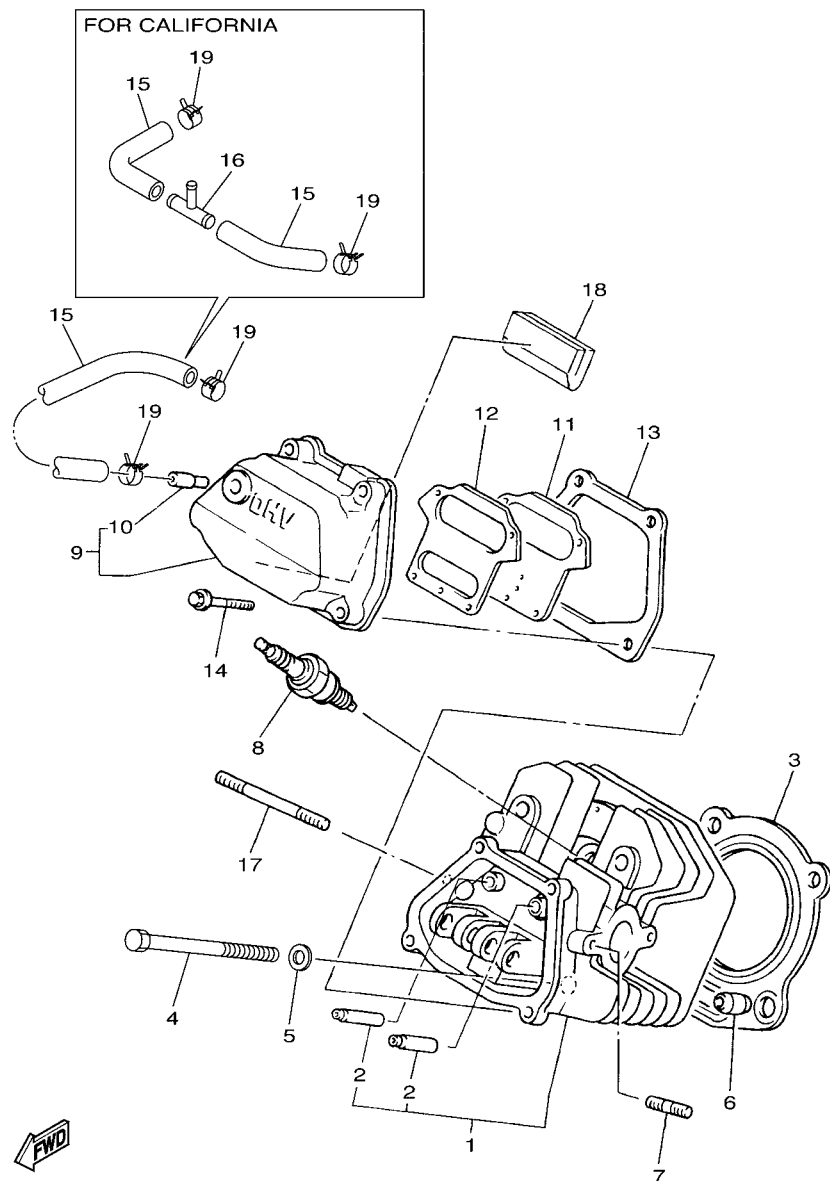
FIG. 1 ENGINE 1

REF. NO.	PART NO.	DESCRIPTION	JW71	JW72				REMARKS
1	JR6-19001-00	ENGINE ASSEMBLY	1	1				



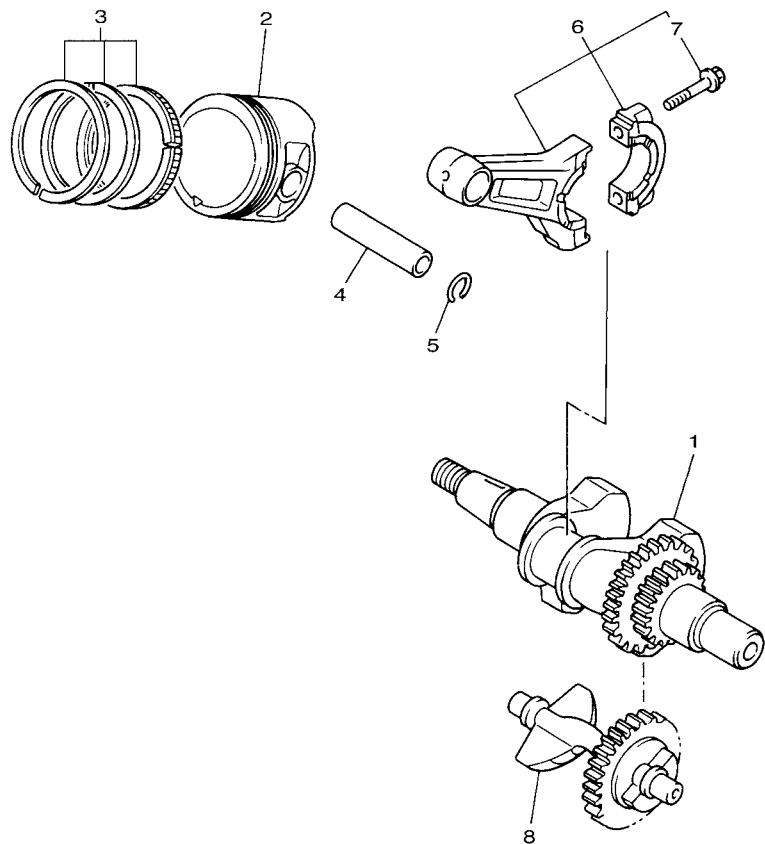
JW41110-C010

FIG. 2 CYLINDER HEAD



JW71100-J020

REF. NO.	PART NO.	DESCRIPTION	JW71	JW72	REMARKS
1	JT0-11111-00	HEAD, CYLINDER 1	1	1	
2	JN6-11133-10	.GUIDE, VALVE 1	2	2	
3	JT0-11181-00	GASKET, CYLINDER HEAD 1	1	1	
4	97012-10070	BOLT	4	4	
5	90201-10057	WASHER, PLATE	4	4	
6	99530-14016	PIN, DOWEL	2	2	
7	95622-08618	BOLT, STUD	2	2	
8	94702-00348	PLUG, SPARK (NGK-BPR2ES)	1	1	STD
	94702-00343	PLUG, SPARK (NGK BP4ES)	1	1	AP
9	JN6-11191-01	COVER, CYLINDER HEAD 1	1	1	
10	JN6-11116-00	.JOINT, BREATHER	1	1	
11	JN6-11168-00	COVER, BREATHER	1	1	
12	JN6-11169-00	GASKET, BREATHER COVER	1	1	
13	JN6-11193-00	GASKET, HEAD COVER 1	1	1	
14	95822-06030	BOLT, FLANGE	4	4	
15	JN6-E1166-00	PIPE, BREATHER 1	1		FOR CALIFORNIA
	JW1-E1166-00	PIPE, BREATHER 1		2	FOR CALIFORNIA
16	JW1-E1116-00	JOINT, BREATHER		1	FOR CALIFORNIA
17	95602-08710	BOLT, STUD	2	2	
18	JR7-11163-00	ELEMENT	1	1	
19	90467-13847	CLIP	2	2	

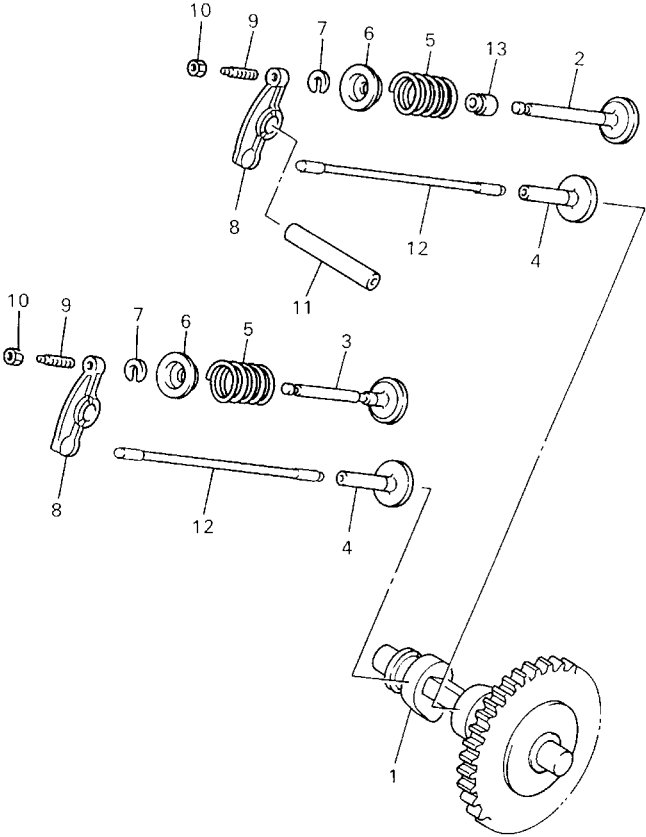


JN7010-6021

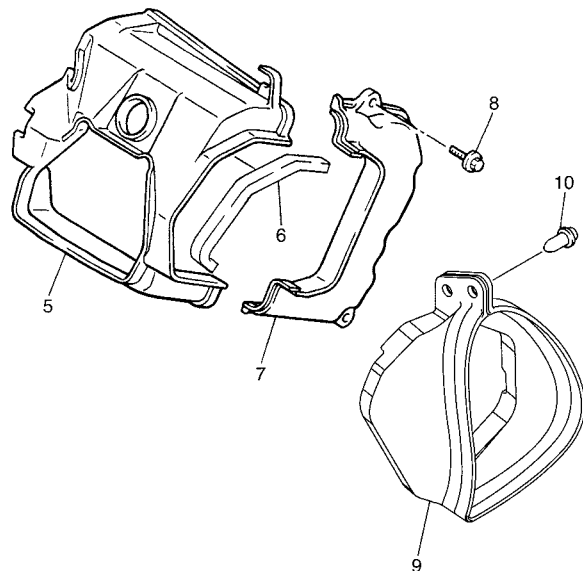
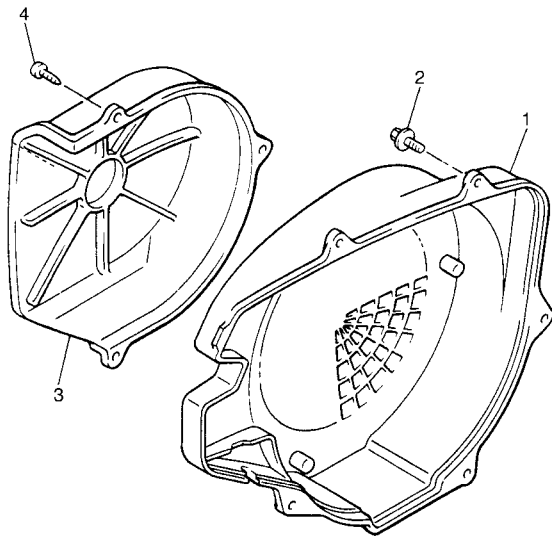
FIG. 3 CRANKSHAFT & PISTON

REF. NO.	PART NO.	DESCRIPTION	JW71	JW72		REMARKS
1	JN6-11400-00	CRANKSHAFT ASSY	1	1		
2	JR7-11631-00-A0	PISTON (STD)	1	1		
	JR7-11635-00	PISTON (0.25MM O/S)	1	1		AP
	JR7-11636-00	PISTON (0.50MM O/S)	1	1		AP
3	JR7-11610-00	PISTON RING SET (STD)	1	1		
	JR7-11610-10	PISTON RING SET (0.25MM O/S)	1	1		AP
	JR7-11610-20	PISTON RING SET (0.50MM O/S)	1	1		AP
4	583-11633-00	PIN, PISTON	1	1		
5	93450-21053	CIRCLIP	2	2		
6	JN6-11650-00	CONNECTING ROD ASSY	1	1		
7	JN6-11654-00	BOLT, CONNECTING ROD	2	2		
8	JN6-11454-00	WEIGHT 1	1	1		

FIG. 4 CAMSHAFT & VALVE



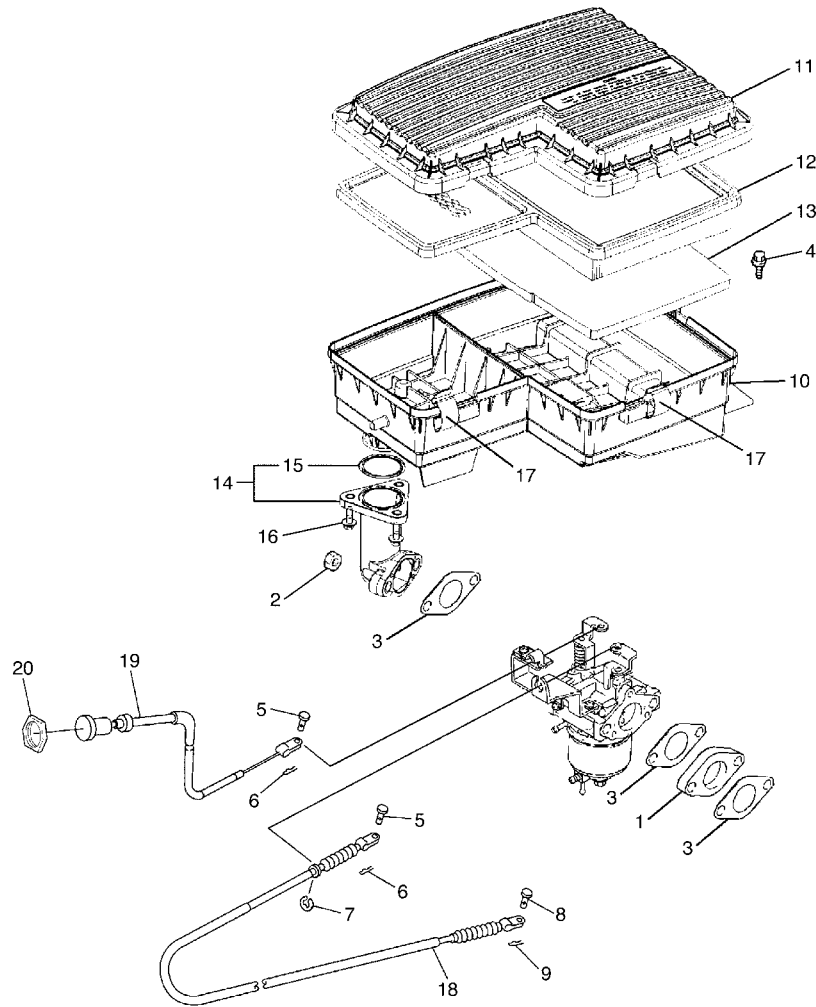
REF. NO.	PART NO.	DESCRIPTION	JW71	JW72	REMARKS
1	JR7-12170-00	CAMSHAFT ASSY 1	1	1	
2	JN6-12111-01	VALVE, INTAKE	1	1	
3	7RH-12121-00	VALVE, EXHAUST	1	1	
4	JN6-12153-00	LIFTER, VALVE	2	2	
5	90501-264A9	SPRING, COMPRESSION	2	2	
6	J38-12117-01	RETAINER, VALVE SPRING	2	2	
7	J38-12118-00	COTTER, VALVE	2	2	
8	JN6-12151-00	ARM, VALVE ROCKER	2	2	
9	22F-12159-00	SCREW, VALVE ADJUSTING	2	2	
10	90170-05302	NUT	2	2	
11	J38-12156-00	SHAFT, ROCKER 2	1	1	
12	JR7-12154-01	ROD, VALVE PUSH	2	2	
13	4G0-12119-00	SEAL, VALVE STEM	1	1	



JY01010-F050

FIG. 5 AIR SHROUD & FAN

REF. NO.	PART NO.	DESCRIPTION	JW71	JW72				REMARKS
1	JN6-12621-02	CASE, FAN	1	1				
2	95802-06020	BOLT, FLANGE	4	4				
3	JN6-12616-00	COVER, FAN CASE	1	1				
4	97702-60520	SCREW, TAPPING	3	3				
5	JN6-12651-00	AIR SHROUD, CYLINDER 1	1	1				
6	JR7-12658-00	DAMPER, AIR SHROUD 1	1	1				
7	JN6-12652-00	AIR SHROUD, CYLINDER 2	1	1				
8	95802-06020	BOLT, FLANGE	2	2				
9	JW1-E2691-00	DUCT, 1	1	1				
10	90269-08813	RIVET	2	2				



JW71100-H060

FIG. 6 INTAKE

REF. NO.	PART NO.	DESCRIPTION	JW71	JW72			REMARKS
1	JN6-13595-00	JOINT	1	1			
2	95702-08500	NUT, FLANGE	2	2			
3	JN6-13567-00	GASKET	3	3			
4	90119-06884	BOLT, WITH WASHER	2	2			
5	91702-05010	PIN, CLEVIS	2	2			
6	90468-10049	CLIP	2	2			
7	99001-07600	CIRCLIP	1	1			
8	91702-05010	PIN, CLEVIS	1	1			
9	90468-10049	CLIP	1	1			
10	JU0-E4411-00	CASE, AIR CLEANER 1	1	1			
11	JU0-E4412-00	CAP, CLEANER CASE 1	1	1			
12	JU0-E4450-00	ELEMENT ASSY, AIR CLEANER	1	1			
13	JU0-E445E-00	FILTER 1	1	1			
14	JU0-E3505-09	JOINT COMP.	1	1			
15	93210-398D6	.O-RING	1	1			
16	90105-06862	BOLT, FLANGE	3	3			
17	5UH-E4424-00	CLIP, CAP FITTING	5	5			
18	JU0-F6312-00	CABLE, THROTTLE 2	1	1			
19	JW7-F6331-00	CABLE, STARTER 1	1	1			
20	JU0-F6333-00	NUT	1	1			

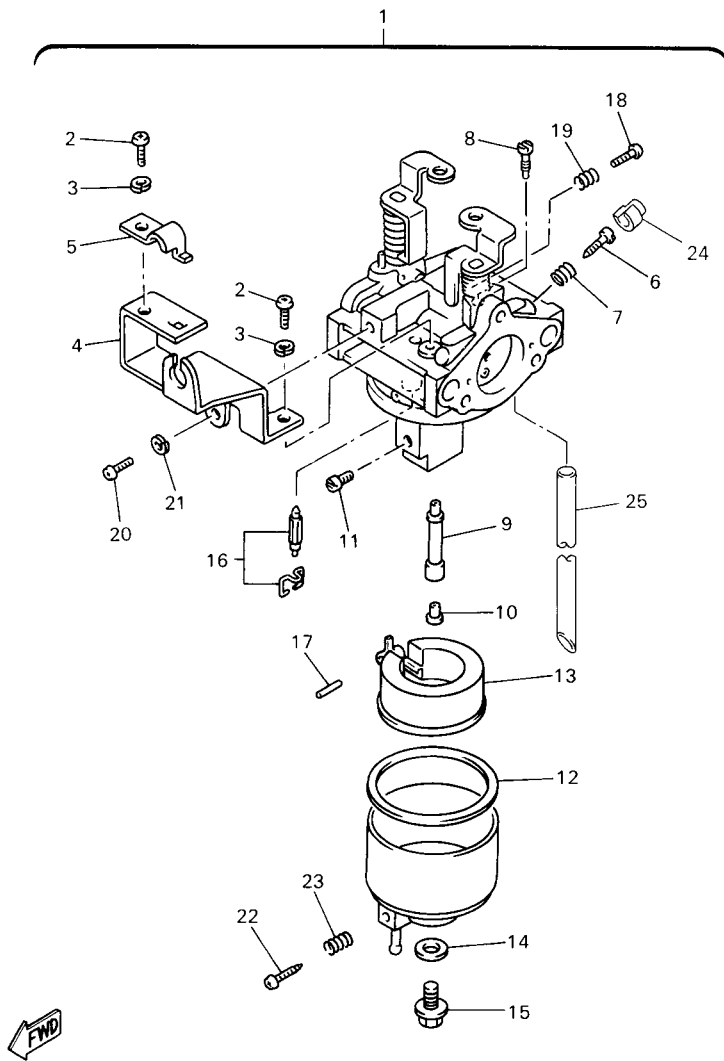
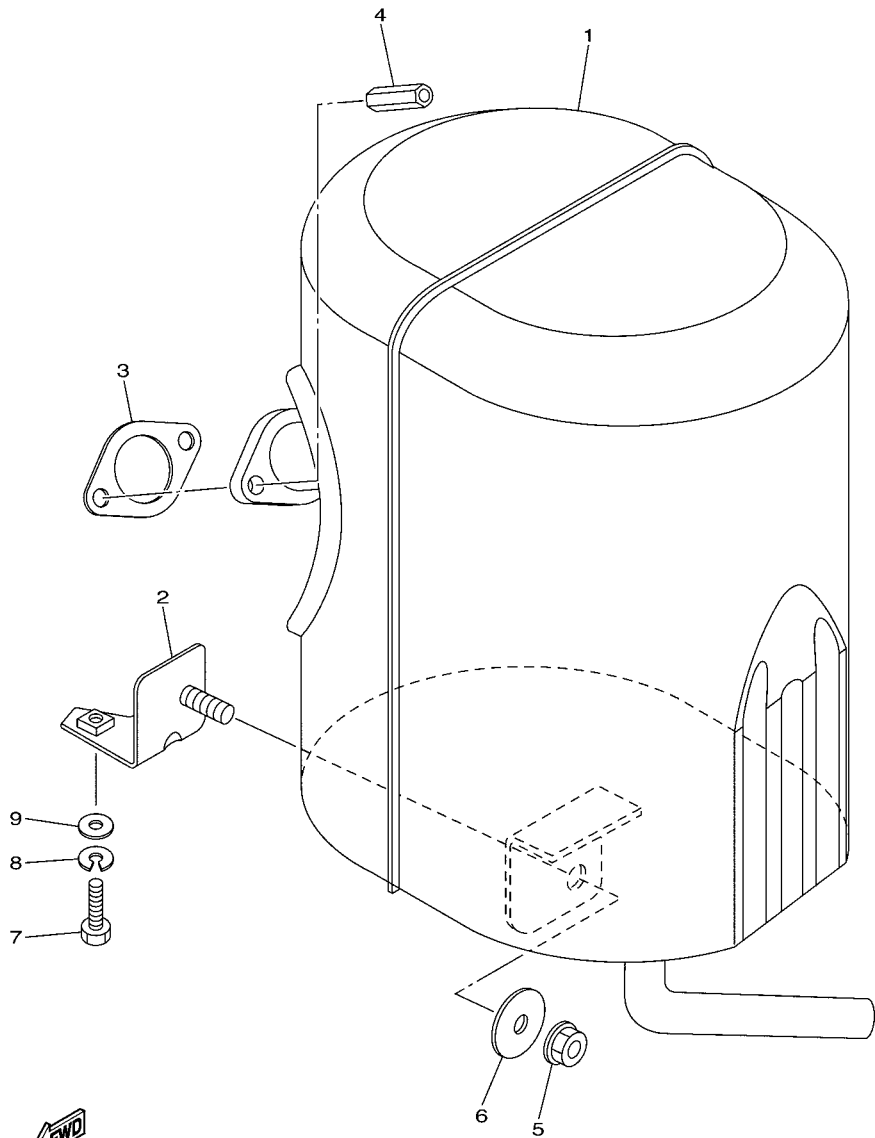


FIG. 7 CARBURETOR

REF. NO.	PART NO.	DESCRIPTION	JW71	JW72	REMARKS
1	JR6-14101-00	CARBURETOR ASSY 1	1	1	
2	98507-05008	.SCREW, PAN HEAD	2	2	
3	92990-05100	.WASHER, SPRING	2	2	
4	JN6-14291-00	.BRACKET 1	1	1	
5	J10-14227-00	.PLATE	1	1	
6	7NJ-14211-00	.SCREW, PILOT ADJUSTING	1	1	
7	73A-14212-10	.SPRING	1	1	
8	732-14142-65-A0	.JET, PILOT (# 65)	1	1	
9	JN6-1495H-3B	.NOZZLE, MAIN	1	1	
10	73A-1414G-00	.PIPE, MAIN BLEED	1	1	
11	3G2-1423A-68-A0	.JET, MAIN (# 87.5)	1	1	STD
	3G2-1423A-67	.JET, MAIN (# 82.5)	1	1	AP
	3G2-1423E-33-A0	.JET, MAIN (#83.8)	1	1	AP
12	796-14184-00	.GASKET, FLOAT CHAMBER	1	1	
13	JN6-14185-00	.FLOAT	1	1	
14	127-14198-00	.GASKET	1	1	
15	7R1-14162-00	.BOLT, HOLDING	1	1	
16	JN5-14150-00	.NEEDLE ASSY (WITH CLIP)	1	1	
17	22F-14186-00	.PIN, FLOAT	1	1	
18	1WG-14922-00	.SCREW, THROTTLE	1	1	
19	73A-14212-10	.SPRING	1	1	
20	98507-04010	.SCREW, PAN HEAD	1	1	
21	92902-04100	.WASHER, SPRING	1	1	
22	7E1-14191-00	.PLUG, DRAIN	1	1	
23	73A-14212-00	.SPRING	1	1	
24	7LV-14118-00	.CAP	1	1	
25	1KT-14197-01	.PIPE	1	1	

FIG. 8 EXHAUST



JW15110-J080

REF. NO.	PART NO.	DESCRIPTION	JW71	JW72	REMARKS
1	JW1-E4710-10	MUFFLER ASSY 1	1	1	
2	JU0-F1436-00	BRKT., MUFF. 2	1	1	
3	7KY-14613-01	GASKET, EXHAUST 1	1	1	
4	JW1-E4713-00	NUT, MUFFLER JOINT	2	2	
5	95602-08200	NUT, SELF-LOCKING	1	1	
6	90201-080E4	WASHER, PLATE	1	1	
7	97002-08025	BOLT	1	1	
8	92902-08100	WASHER, SPRING	1	1	
9	92902-08600	WASHER, PLATE	1	1	

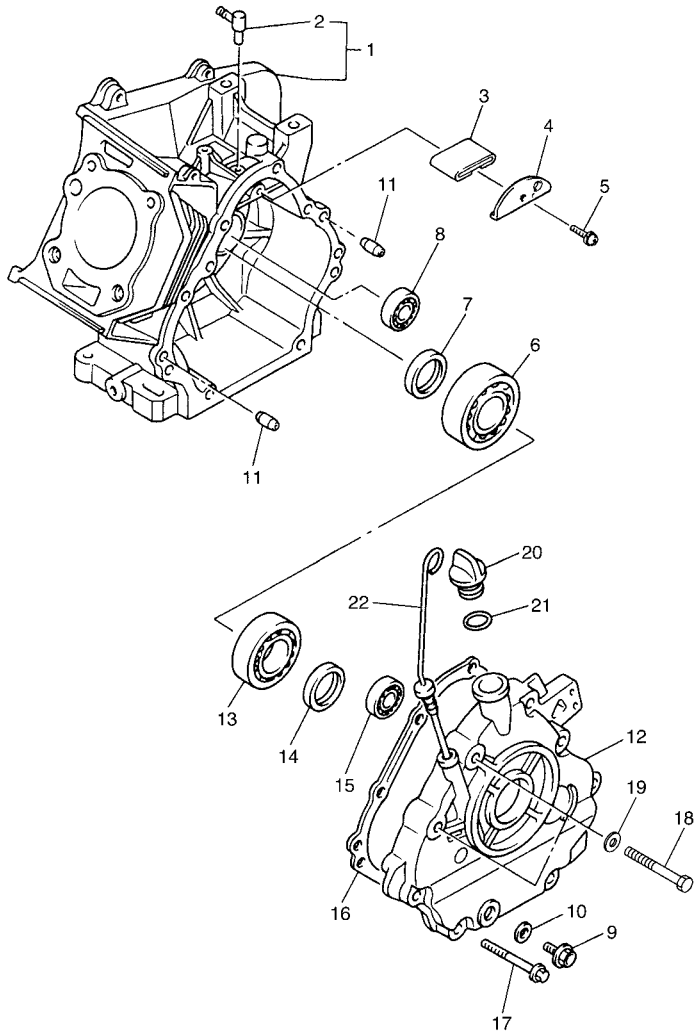


FIG. 9 CRANKCASE

REF. NO.	PART NO.	DESCRIPTION	JW71	JW72	REMARKS
1	JR7-15100-00	CRANKCASE ASSY	1	1	
2	JN6-15155-00	.NOZZLE 3	1	1	
3	JR7-15407-00	ELEMENT 1	1	1	
4	JR7-15123-00	PLATE, BAFFLE 1	1	1	
5	90159-06107	SCREW, WITH WASHER	1	1	
6	93306-30709	BEARING	1	1	
7	93102-35014	OIL SEAL	1	1	
8	93306-20201	BEARING	1	1	
9	90340-12097	PLUG, STRAIGHT SCREW	1	1	
10	812-11198-00	GASKET	1	1	
11	99530-08016	PIN, DOWEL	2	2	
12	JN6-15411-01	COVER, CRANKCASE 1	1	1	
13	93306-20714	BEARING	1	1	
14	93102-35014	OIL SEAL	1	1	
15	93306-20201	BEARING	1	1	
16	JY2-15451-00	GASKET, CRANKCASE COVER 1	1	1	
17	95812-08045	BOLT, FLANGE	6	6	
18	97012-10050	BOLT	2	2	
19	90201-10057	WASHER, PLATE	2	2	
20	796-15363-01	PLUG, OIL	1	1	
21	93210-22344	O-RING	1	1	
22	J38-15361-00	GAUGE, LEVEL	1	1	



JW61100-H090

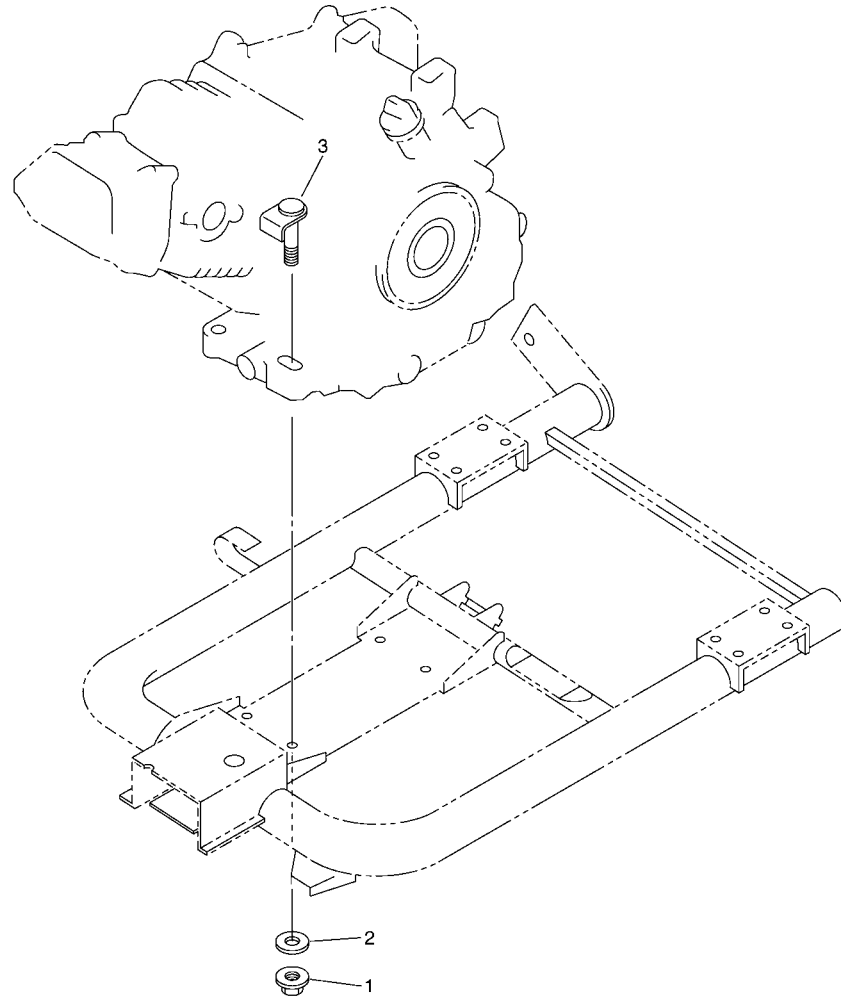


FIG. 10 ENGINE BRACKET

REF. NO.	PART NO.	DESCRIPTION	JW71	JW72						REMARKS
1	95602-10200	NUT, U FLANGE	4	4						
2	92902-10200	WASHER	4	4						
3	JT0-21481-00	BOLT, ENGINE MOUNTING 1	4	4						

FIG. 11 REAR ARM & SUSPENSION

REF. NO.	PART NO.	DESCRIPTION	JW71	JW72	REMARKS
1	JW7-F2110-10	REAR ARM COMP.	1	1	
2	JN6-F2123-10	BUSH 1	1	1	
3	90105-13800	BOLT, FLANGE	1	1	
4	90179-13800	NUT	1	1	
5	97012-10020	BOLT	2	2	
6	92902-10100	WASHER, SPRING	2	2	
7	92902-10600	WASHER, PLATE	2	2	
8	JN6-F2124-10	BUSH 2	2	2	
9	95812-12065	BOLT, FLANGE	2	2	
10	95602-12200	NUT, SELF-LOCKING	2	2	
11	90201-128S4	WASHER, PLATE	2	2	
12	JW1-F217G-10	ROD, CONNECTING 2	1	1	
13	JW7-F2210-00	SHOCK ABSORBER ASSY, REAR	2	2	
14	95812-12055	BOLT, FLANGE	4	4	
15	90185-12002	NUT, SELF-LOCKING	4	4	
16	1D9-G7491-00	BAR, STABILIZER	1	1	
17	JW7-2385L-00	JOINT, STABILIZER 1	1	1	
18	JW7-2385M-00	JOINT, STABILIZER 2	1	1	
19	95602-10200	NUT, U FLANGE	4	4	
20	1D9-F386G-00	BUSH, STABILIZER FRONT	2	2	
21	1D9-F386H-01	COVER, STABILIZER FRONT	2	2	
22	95812-08012	BOLT, FLANGE	4	4	
23	97012-10020	BOLT	8	8	
24	92902-10100	WASHER, SPRING	8	8	
25	92902-10600	WASHER, PLATE	8	8	

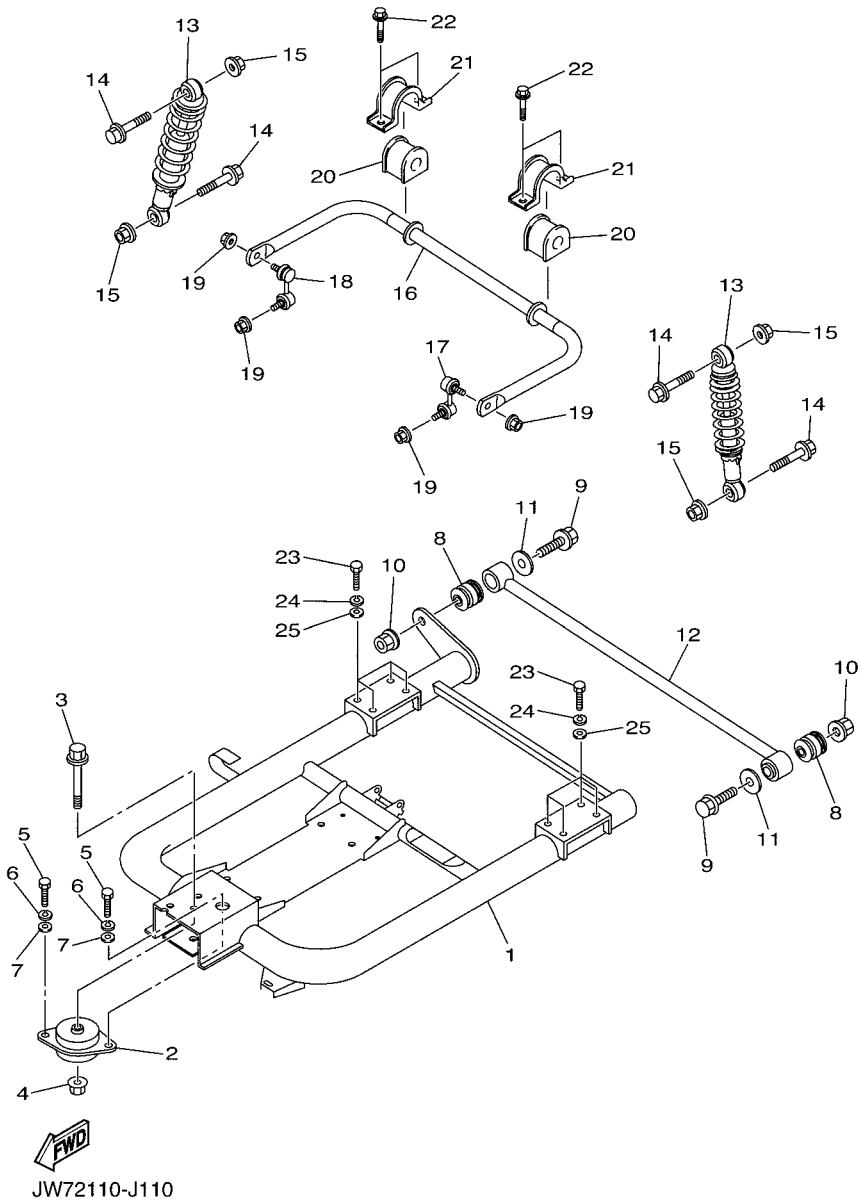
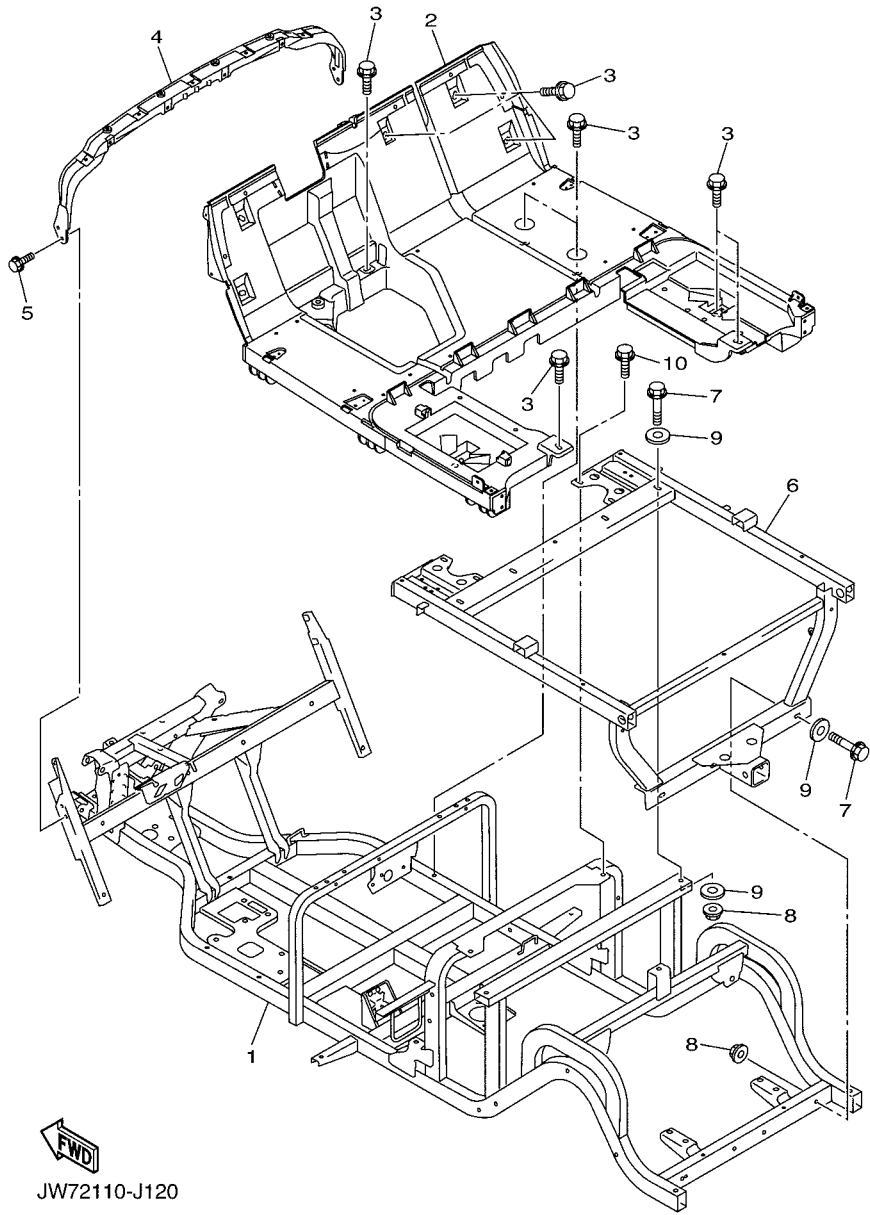
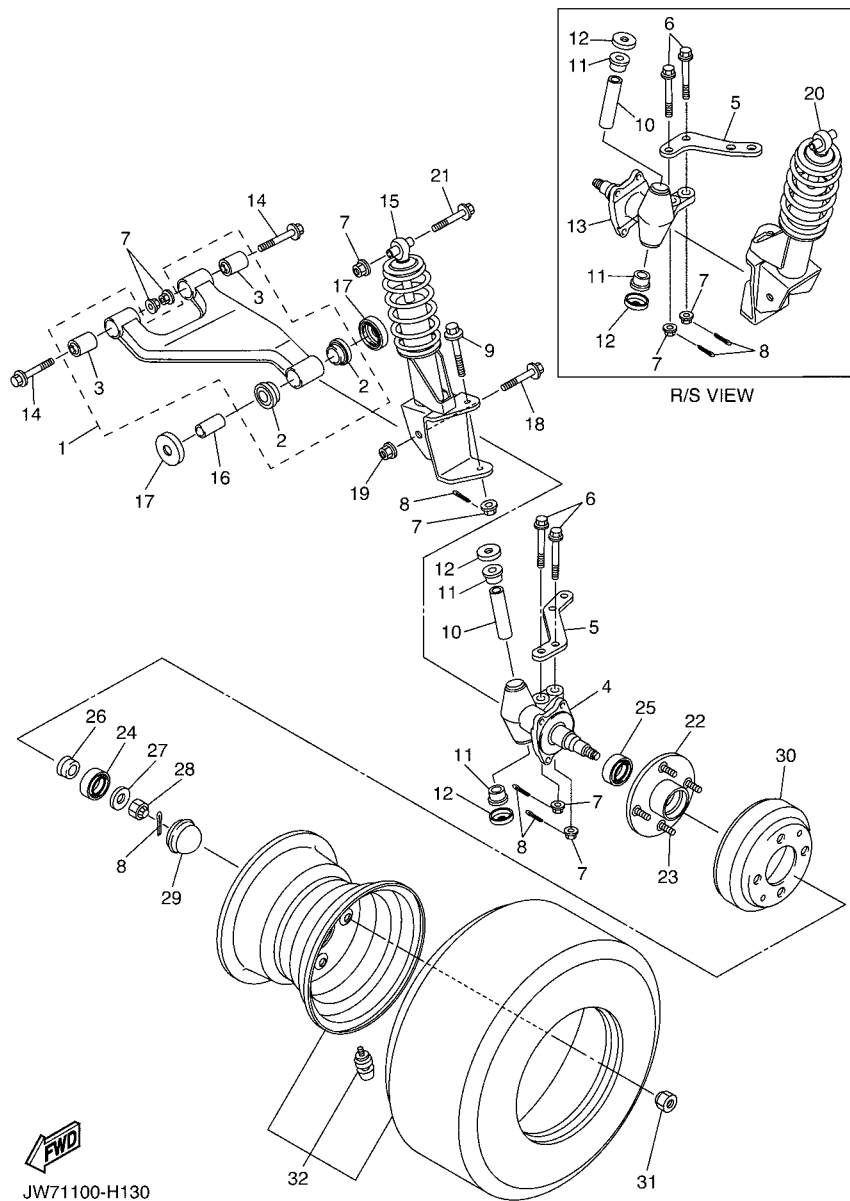


FIG. 12 FRAME

REF. NO.	PART NO.	DESCRIPTION	JW71	JW72	REMARKS
1	JW7-F2501-10	FRAME COMP.	1	1	
2	JW7-F7411-10	FOOTREST 1	1	1	
3	JW1-F1738-00	BOLT	14	14	
4	JW1-F258G-02	BRACKET, DASH UPPER 1	1	1	
5	90105-06831	BOLT, FLANGE	4	4	
6	JW7-F2504-00	RR. SUB-FRAME COMP.	1	1	
7	90105-088A7	BOLT, FLANGE	6	6	
8	95602-08200	NUT, SELF-LOCKING	6	6	
9	90201-08843	WASHER, PLATE	8	8	
10	90105-08171	BOLT, FLANGE	2	2	



JW72110-J120

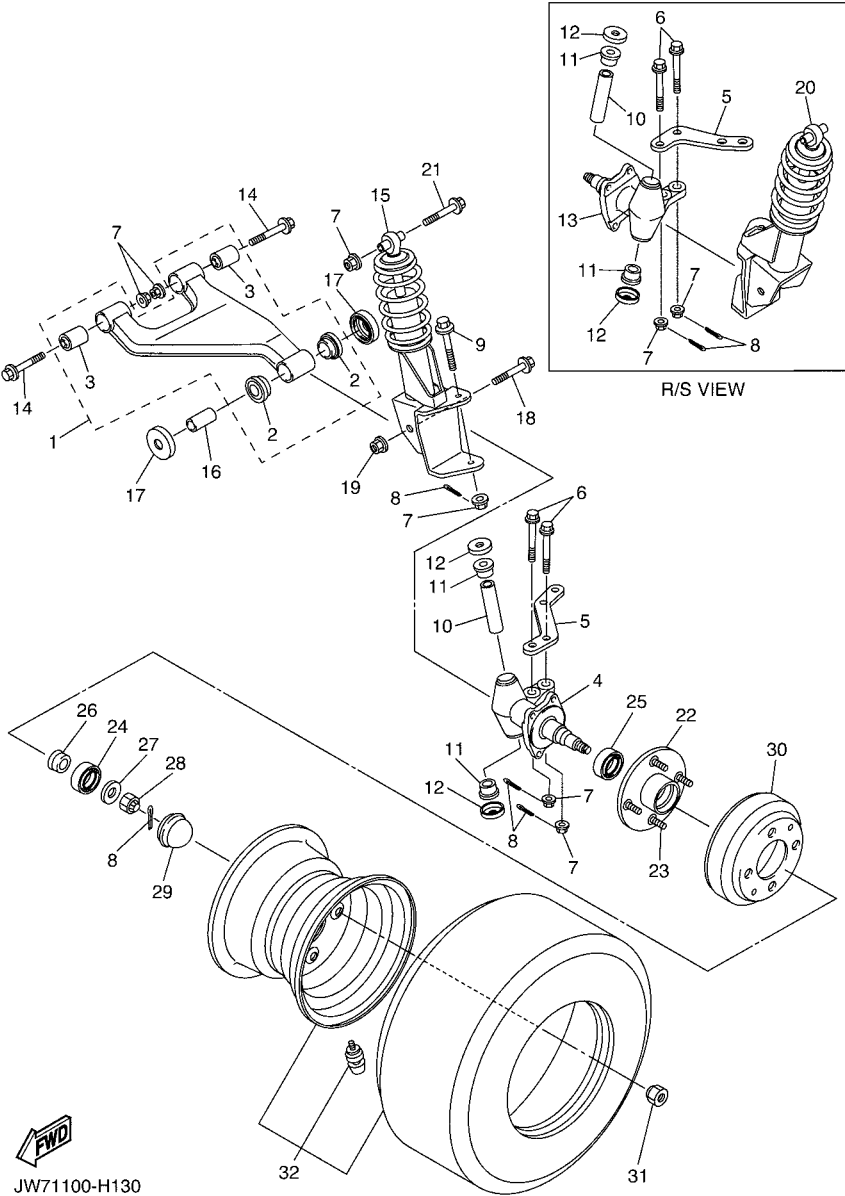


JW71100-H130

FIG. 13 FRONT SUSPENSION & WHEEL

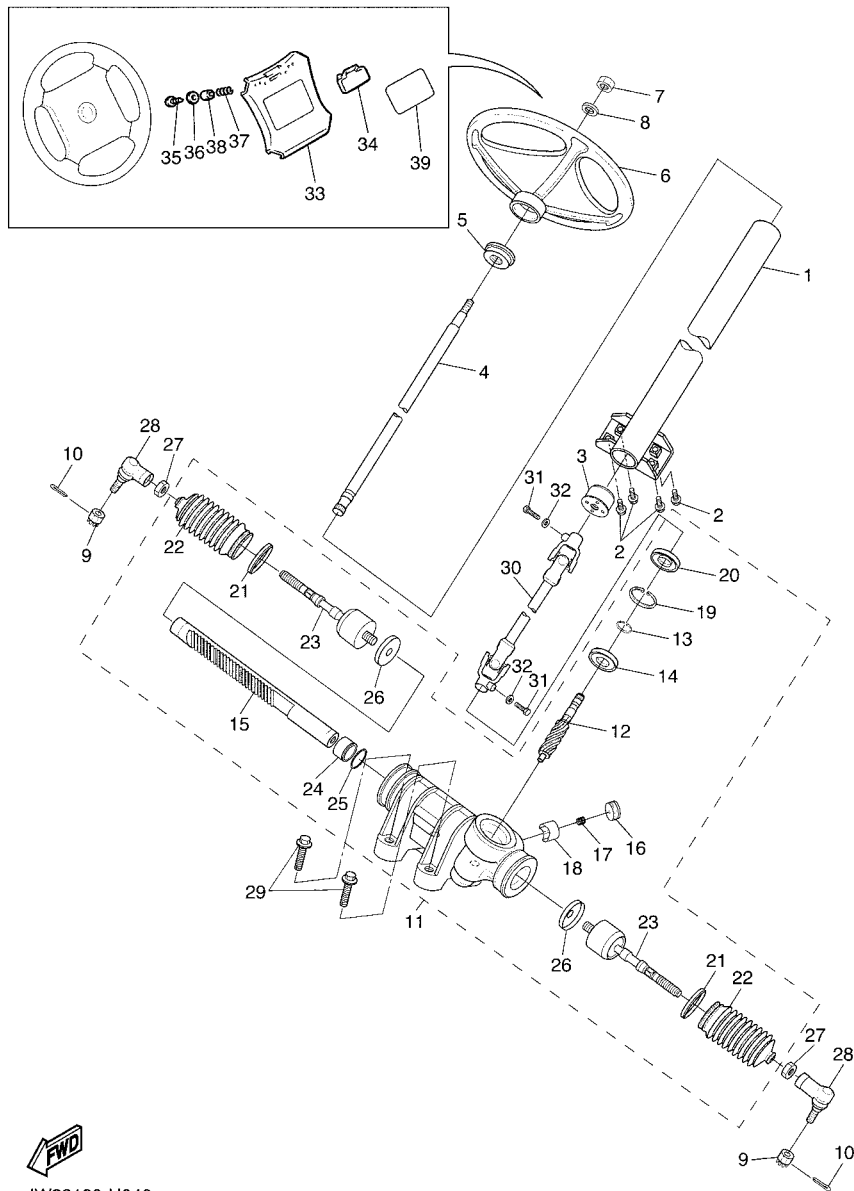
REF. NO.	PART NO.	DESCRIPTION	JW71	JW72	REMARKS
1	JU0-F3570-20	FRONT LOWER ARM COMP.	2	2	
2	90381-18001	.BUSH, SOLID	2	2	
3	2HR-23526-00	.BUSH	2	2	
4	JW7-F3511-00	KNUCKLE, STEERING 1	1	1	
5	JW1-F3512-00	ARM, KNUCKLE 1	2	2	
6	90105-10728	BOLT, FLANGE	4	4	
7	95602-10200	NUT, U FLANGE	12	12	
8	91402-25020	PIN, COTTER	8	8	
9	90105-10064	BOLT, FLANGE	2	2	
10	2NL-23448-00	SPACER	2	2	
11	90381-17067	BUSH, SOLID	4	4	
12	2NL-23517-00	COVER, THRUST 1	4	4	
13	JW7-F3521-00	KNUCKLE, STEERING 2	1	1	
14	90105-10267	BOLT, FLANGE	4	4	
15	JW7-F3350-00	SHOCK ABSORBER ASSY	1	1	
16	90387-12016	COLLAR	2	2	
17	401-22128-01	COVER, THRUST 1	4	4	
18	95812-12080	BOLT, FLANGE	2	2	
19	95612-12100	NUT, U	2	2	
20	JW7-F3390-00	SHOCK ABSORBER ASSY 2	1	1	
21	90105-10267	BOLT, FLANGE	2	2	
22	JR6-F5110-01	HUB ASSY, FRONT	2	2	
23	90114-12805	BOLT, SERRATION	8	8	
24	93306-204X0	BEARING	2	2	
25	93306-005Y3	BEARING	2	2	
26	90387-241M7	COLLAR	2	2	
27	90208-14801	WASHER, CONICAL SPRING	2	2	

FIG. 13 FRONT SUSPENSION & WHEEL



JW71100-H130

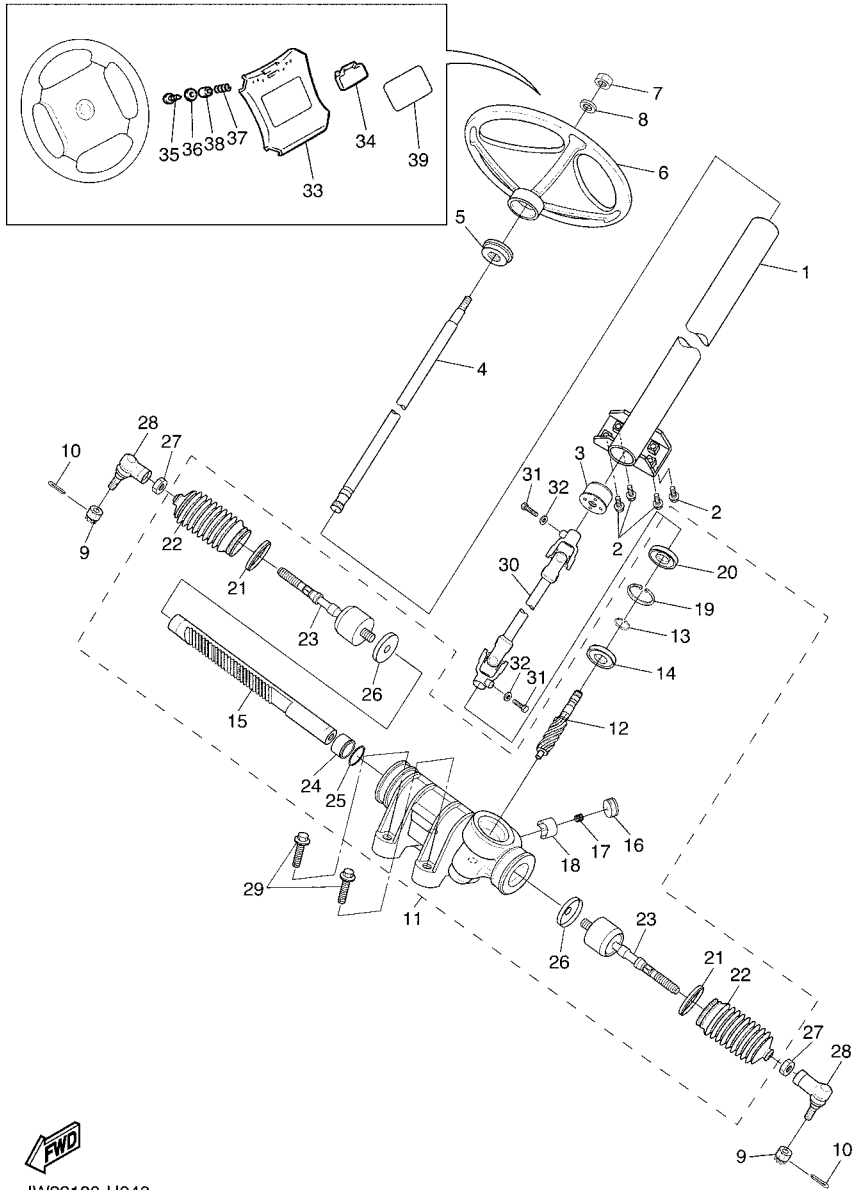
REF. NO.	PART NO.	DESCRIPTION	JW71	JW72	REMARKS
28	95602-14100	NUT, U	2	2	
29	JN6-F5118-01	COVER, HUB DUST	2	2	
30	JU0-G6521-00	DRUM	2	2	
31	90179-12262	NUT	8	8	
32	JW1-F5100-00	WHEEL ASSY (18X8.50-8-4PR)	2	2	



JW22100-H040

FIG. 14 STEERING

REF. NO.	PART NO.	DESCRIPTION	JW71	JW72	REMARKS
1	JW1-F3811-01	COLUMN, STEERING	1	1	
2	95812-08020	BOLT, FLANGE	4	4	
3	JU0-F3857-11	HOLDER	1	1	
4	JU0-F3828-10	ROD, STEERING	1	1	
5	JN3-F3814-01	HOLDER, HANDLE UPPER	1	1	
6	JN3-F3838-00	WHEEL, STEERING	1	1	
7	90185-12061	NUT, SELF-LOCKING	1	1	
8	92902-12200	WASHER	1	1	
9	95602-12200	NUT, SELF-LOCKING	2	2	
10	91402-25020	PIN, COTTER	2	2	
11	JW1-F3400-00	STEERING ASSY	1	1	
12	JW1-F387A-00	.GEAR, PINION	1	1	
13	JW1-F3183-00	.CIRCLIP	1	1	
14	JW1-F339Y-00	.BEARING	1	1	
15	JW1-F387E-00	.GEAR, RACK	1	1	
16	5UG-F387G-00	.COVER, ADJUST	1	1	
17	5UG-F387K-00	.SPRING, PRESSURE	1	1	
18	5UG-F387F-00	.PAD, PRESSURE	1	1	
19	5UG-F387J-00	.RING, STOPPER	1	1	
20	5UG-F3844-00	.SEAL	1	1	
21	5UG-F3489-00	.BAND	2	2	
22	5UG-F3527-00	.SEAL, DUST 1	2	2	
23	JW1-F3837-00	.ROD, TIE 2	2	2	
24	JW1-F467K-00	.BUSH, CAP	1	1	
25	JW1-F3866-00	.CIRCLIP	1	1	
26	JW1-F3894-00	.WASHER, LOCK 1	2	2	
27	1P0-F3833-00	NUT 1	2	2	



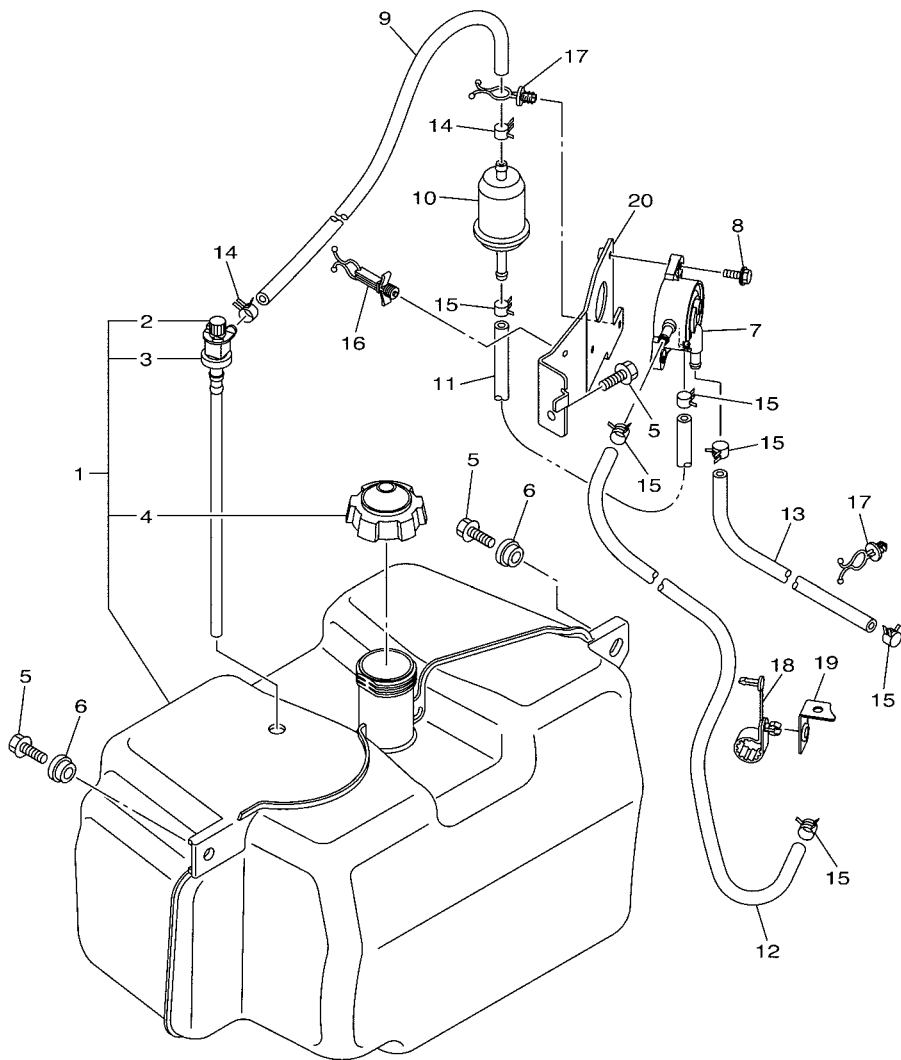
JW22100-H040

FIG. 14 STEERING

REF. NO.	PART NO.	DESCRIPTION	JW71	JW72	REMARKS
28	JU0-23841-10	JOINT, UNIVERSAL 1	2	2	
29	90105-10847	BOLT, FLANGE	4	4	
30	JW1-F3822-00	JOINT 1	1	1	
31	97012-08030	BOLT	2	2	
32	92902-08600	WASHER, PLATE	2	2	
33	JN3-K8357-00	HOLDER 1	1	1	
34	JN6-K8358-01	HOLDER 2	1	1	
35	97702-40525	SCREW, TAPPING	2	2	
36	90201-04810	WASHER, PLATE	2	2	
37	90502-10013	SPRING, CONICAL	2	2	
38	90387-046N7	COLLAR	2	2	
39	JU0-K7762-00	LABEL, WARNING 2 (E)	1	1	

FIG. 15 FUEL TANK

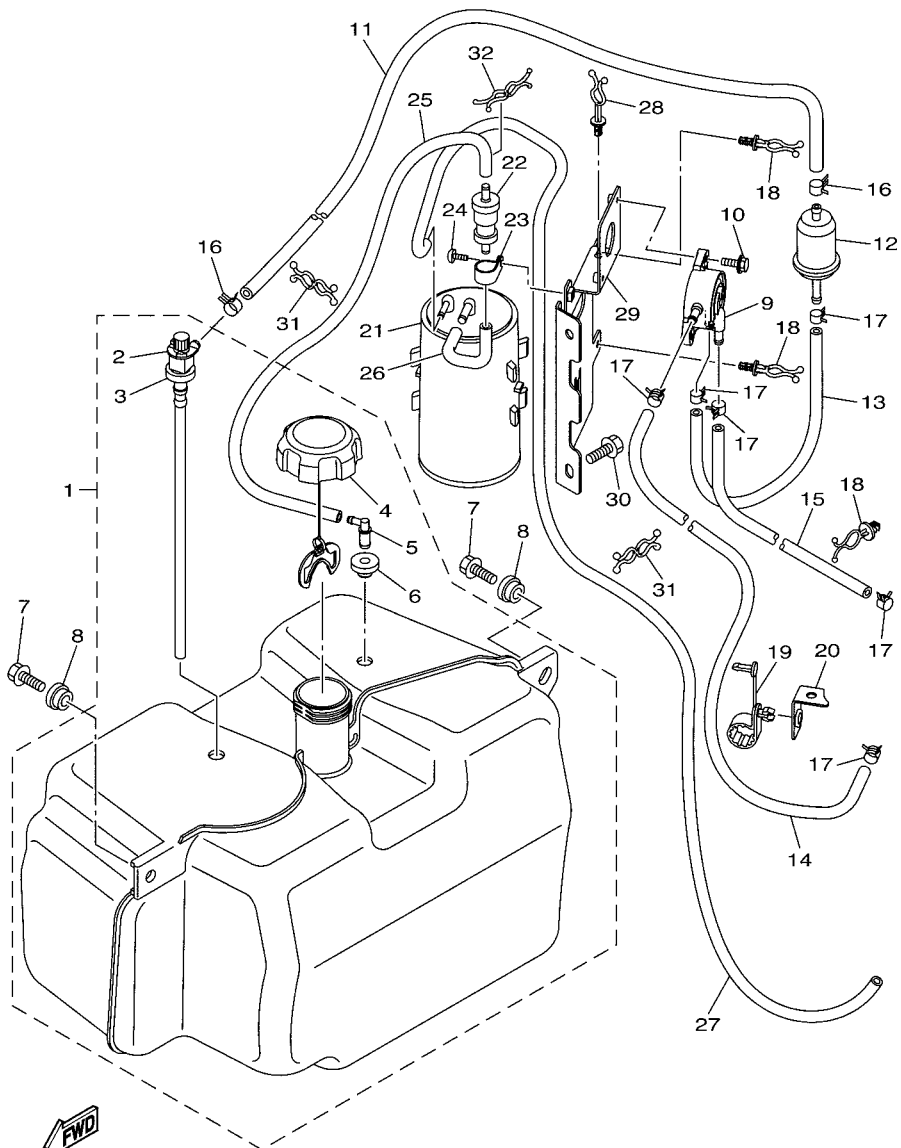
REF. NO.	PART NO.	DESCRIPTION	JW71	JW72	REMARKS
1	JW1-F4111-02	TANK, FUEL	1		
2	JW1-F4300-00	.FUEL PIPE JOINT	1		
3	JU5-F4375-00	.GROMMET	1		
4	JN6-F4610-00	.CAP ASSY	1		
5	JW1-F1738-00	BOLT	3		
6	90560-08251	SPACER	2		
7	JN6-F4410-11	FUEL PUMP ASSY	1		
8	JW1-F3394-00	BOLT, SPECIAL	2		
9	JW7-F4312-00	PIPE 2	1		
10	JN6-F4560-00	FILTER ASSY	1		
11	JW7-F4311-00	PIPE, FUEL 1	1		
12	JW7-F4313-00	PIPE 3	1		
13	JW7-F4314-10	PIPE 4	1		
14	90467-12845	CLIP	2		RED
15	90467-10846	CLIP	6		GREEN
16	JW1-F1977-01	CLAMP, FUEL PIPE	1		
17	90464-12836	CLAMP	2		
18	JW7-F4368-00	CLAMP, FUEL PIPE 3	1		
19	JW7-F2957-01	BRACKET, HOSE	1		
20	JW7-F4425-00	BRACKET, FUEL PUMP 1	1		



JW71100-J150

FIG. 16 FUEL TANK 2

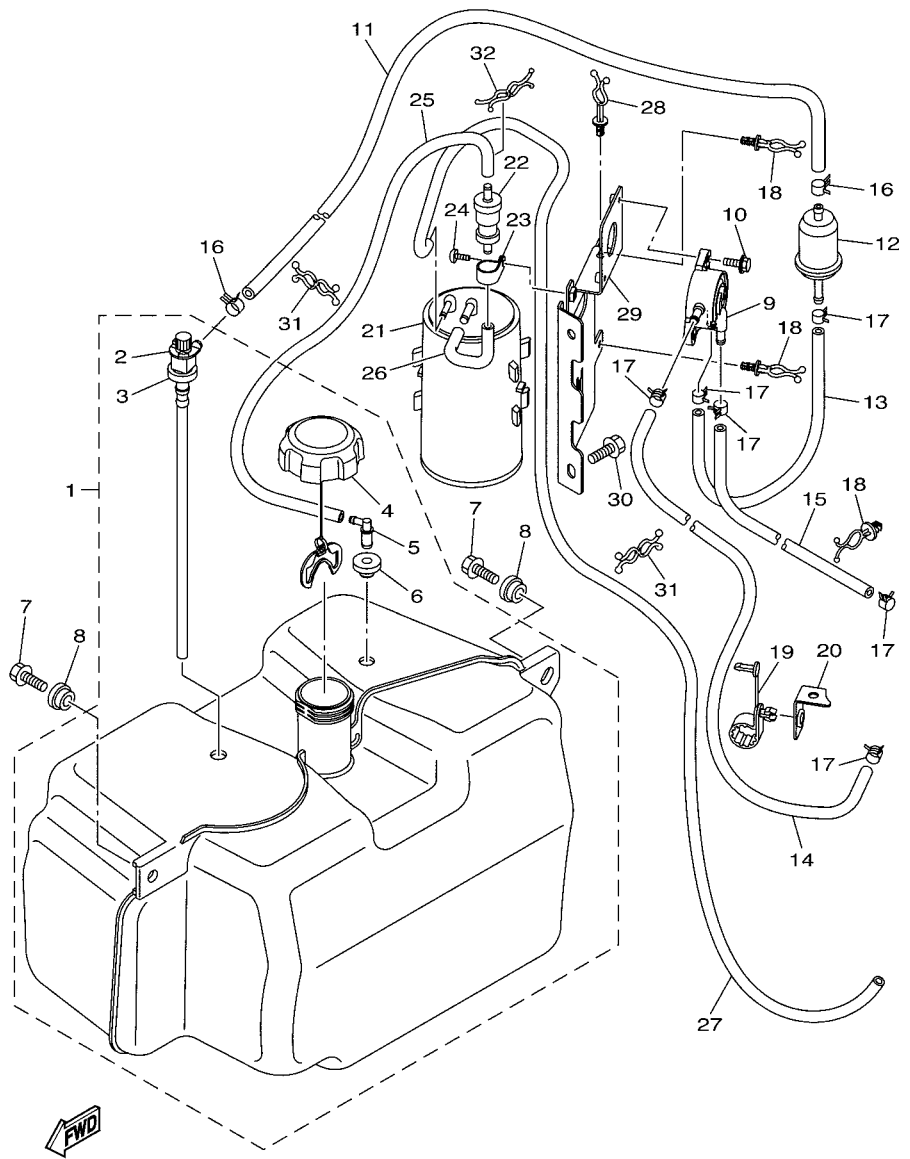
REF. NO.	PART NO.	DESCRIPTION	JW71	JW72	REMARKS
1	JW1-F4111-20	TANK, FUEL		1	FOR CALIFORNIA
2	JW1-F4300-00	.FUEL PIPE JOINT		1	FOR CALIFORNIA
3	JU5-F4375-00	.GROMMET		1	FOR CALIFORNIA
4	JW1-F4610-00	.CAP ASSY		1	FOR CALIFORNIA
5	JW1-F4112-00	.PIPE		1	FOR CALIFORNIA
6	JU5-F4375-00	.GROMMET		1	FOR CALIFORNIA
7	JW1-F1738-00	BOLT		2	FOR CALIFORNIA
8	90560-08251	SPACER		2	FOR CALIFORNIA
9	JN6-F4410-11	FUEL PUMP ASSY		1	FOR CALIFORNIA
10	JW1-F3394-00	BOLT, SPECIAL		2	FOR CALIFORNIA
11	JW7-F4312-00	PIPE 2		1	FOR CALIFORNIA
12	JN6-F4560-00	FILTER ASSY		1	FOR CALIFORNIA
13	JW7-F4311-00	PIPE, FUEL 1		1	FOR CALIFORNIA
14	JW7-F4313-00	PIPE 3		1	FOR CALIFORNIA
15	JW7-F4314-10	PIPE 4		1	FOR CALIFORNIA
16	90467-12845	CLIP		2	FOR CALIFORNIA
17	90467-10846	CLIP		6	FOR CALIFORNIA
18	90464-12836	CLAMP		3	FOR CALIFORNIA
19	JW7-F312H-00	CLAMP		1	FOR CALIFORNIA
20	JW7-F2957-01	BRACKET, HOSE		1	FOR CALIFORNIA
21	7CC-F4170-00	CANISTER ASSY		1	FOR CALIFORNIA
22	5PX-24180-00	ROLL OVER VALVE ASSY		1	FOR CALIFORNIA
23	90461-15139	CLAMP		1	FOR CALIFORNIA
24	98502-05010	SCREW, PAN HEAD		1	FOR CALIFORNIA
25	JW7-F4314-10	PIPE 4		1	FOR CALIFORNIA
26	JW7-F4316-00	PIPE 6		1	FOR CALIFORNIA
27	JW7-F4317-00	PIPE 7		1	FOR CALIFORNIA



JW72110-J150

FIG. 16 FUEL TANK 2

REF. NO.	PART NO.	DESCRIPTION	JW71	JW72	REMARKS
28	JW1-F1977-01	CLAMP, FUEL PIPE		1	FOR CALIFORNIA
29	JW7-F419A-00	HOLDER		1	FOR CALIFORNIA
30	JW1-F1738-00	BOLT		2	FOR CALIFORNIA
31	90464-14134	CLAMP		2	FOR CALIFORNIA
32	JW7-F1977-00	CLAMP, FUEL PIPE		1	FOR CALIFORNIA



JW72110-J150

FIG. 17 PEDAL ASSEMBLY

REF. NO.	PART NO.	DESCRIPTION	JW71	JW72	REMARKS
1	JW7-F5685-00	ROD	2	2	
2	91702-10022	PIN, CLEVIS	2	2	
3	91702-10028	PIN, CLEVIS	1	1	
4	90468-20196	CLIP	3	3	
5	JX4-25681-00	EQUALIZER, BRAKE	2	2	
6	90249-14129	PIN	2	2	
7	90179-08822	NUT	2	2	
8	95302-08700	NUT	2	2	
9	JW7-26341-00	WIRE, BRAKE 1	1	1	
10	JW7-26351-00	CABLE, BRAKE	1	1	
11	99002-09600	CLIP	8	8	
12	91702-08018	PIN, CLEVIS	4	4	
13	91490-25020	PIN, COTTER	4	4	
14	JR6-F7215-01	LINK	1	1	
15	JW7-26361-00	CABLE, BRAKE	1	1	
16	JW7-26373-00	CABLE, BRAKE 4	1	1	
17	90461-08072	CLAMP	1	1	
18	JW7-F312H-00	CLAMP	2	2	
19	J46-27250-03	BRAKE ARM COMP.	1	1	
20	90384-14080	.BUSH, BIMETAL FORMED	2	2	
21	JU0-27211-01	PEDAL, BRAKE	1	1	
22	J17-25672-01	PAD, PARKING PEDAL	1	1	
23	J17-25673-00	DAMPER, BRAKE	1	1	
24	JU0-25671-00	PEDAL, PARKING BRAKE	1	1	
25	97022-06035	BOLT	1	1	
26	90179-07564	NUT	1	1	
27	97022-08100	BOLT	1	1	

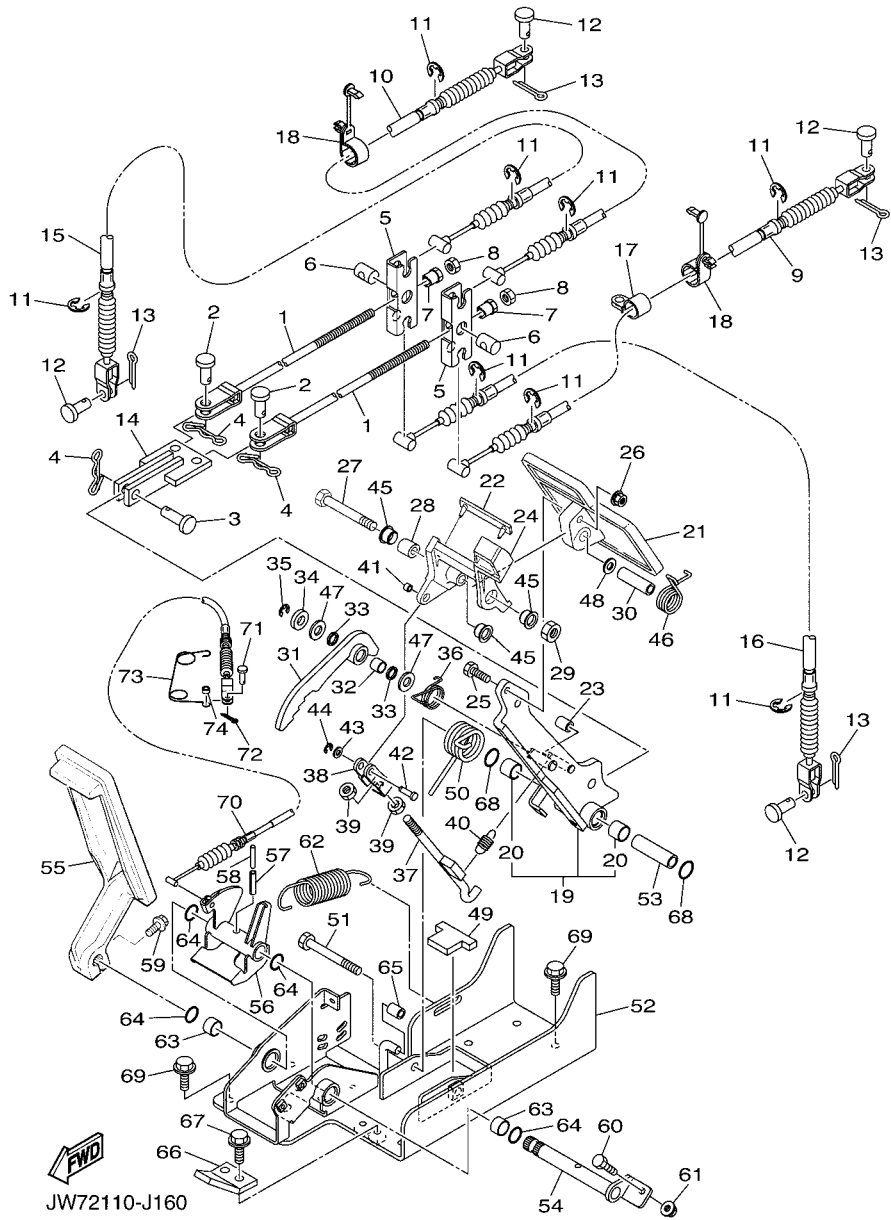
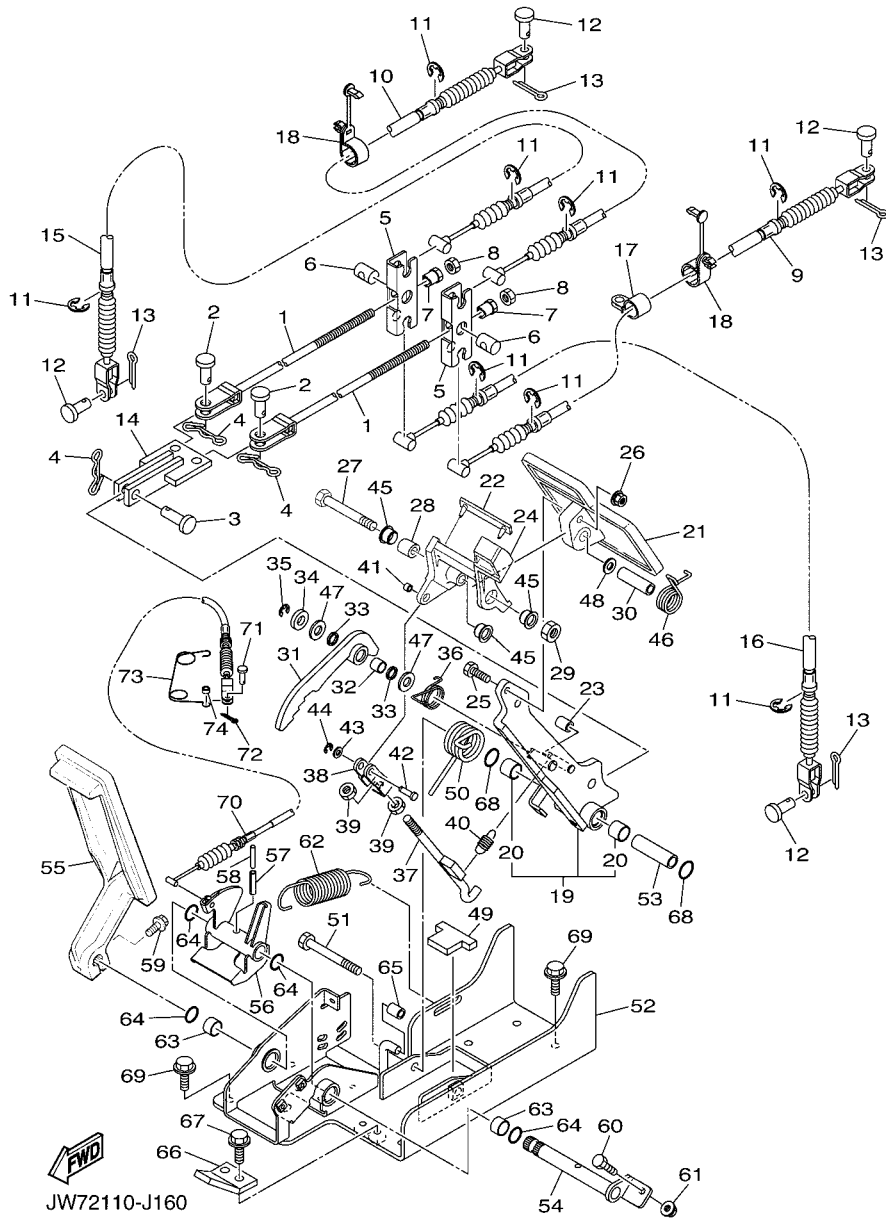


FIG. 17 PEDAL ASSEMBLY

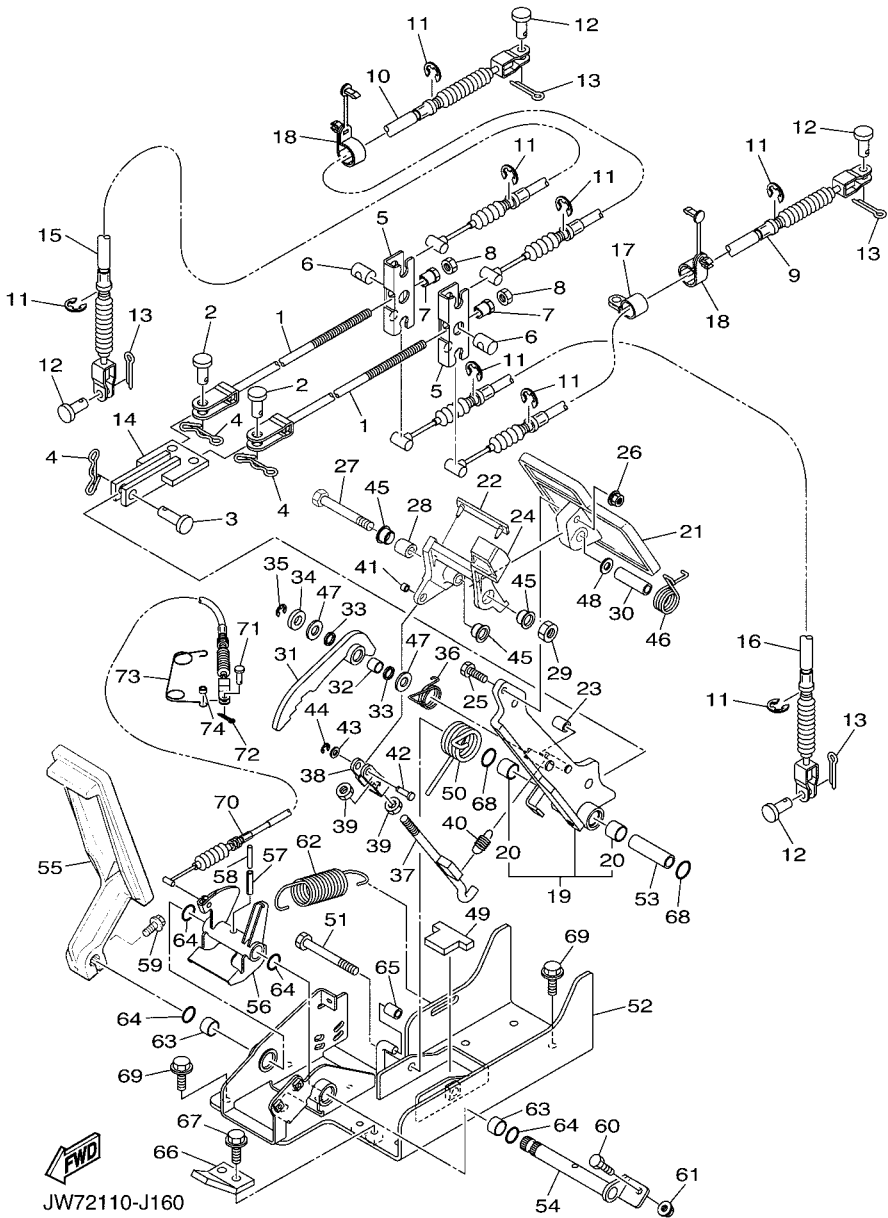


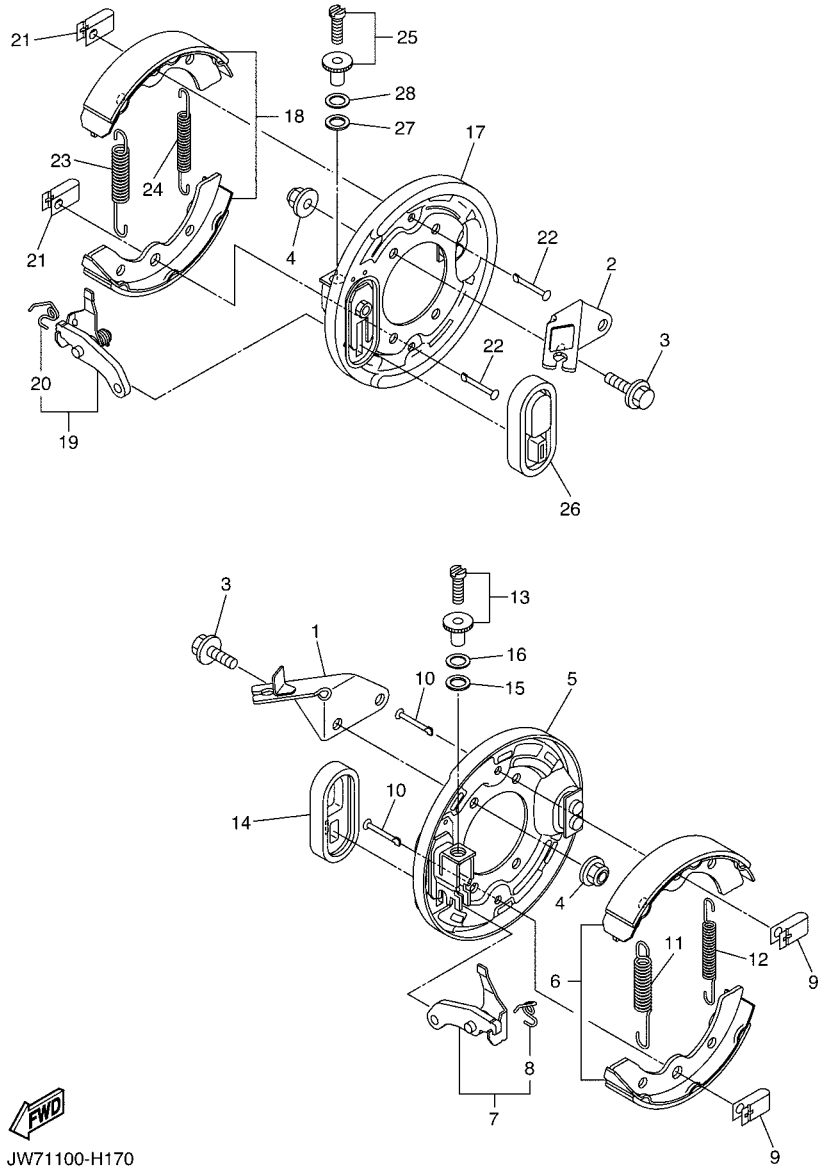
JW72110-J160

REF. NO.	PART NO.	DESCRIPTION	JW71	JW72	REMARKS
28	90387-08013	COLLAR	1	1	
29	95302-08600	NUT	1	1	
30	90387-08014	COLLAR	1	1	
31	J17-25666-02	SECTOR, PARKING BRAKE	1	1	
32	90384-10162	BUSH, BIMETAL FORMED	1	1	
33	J17-27221-00	SEAL, SHAFT	2	2	
34	92902-10600	WASHER, PLATE	1	1	
35	99002-07600	CLIP	1	1	
36	90508-14548	SPRING, TORSION	1	1	
37	J17-27231-03	ROD, BRAKE	1	1	
38	J17-27232-00	END, ROD 2	1	1	
39	95302-06700	NUT	2	2	
40	90506-09001	SPRING, TENSION	1	1	
41	90384-05163	BUSH, BIMETAL FORMED	1	1	
42	J17-27228-00	PIN, JOINT	1	1	
43	92902-05600	WASHER, PLATE	1	1	
44	99002-04600	CIRCLIP	1	1	
45	90387-12009	COLLAR	3	3	
46	90508-32015	SPRING, TORSION	1	1	
47	90201-104G8	WASHER, PLATE	2	2	
48	92902-08200	WASHER	1	1	
49	JW7-27245-00	PAD, BRAKE PEDAL	1	1	
50	90508-40007	SPRING, TORSION	1	1	
51	90101-10447	BOLT	1	1	
52	JW7-27445-00	PLATE 1	1	1	
53	90387-107F8	COLLAR	1	1	
54	J17-27853-01	SHAFT, PEDAL 1	1	1	

FIG. 17 PEDAL ASSEMBLY

REF. NO.	PART NO.	DESCRIPTION	JW71	JW72	REMARKS
55	J10-27871-01	PEDAL, ACCELERATOR	1	1	
56	JW7-27872-00	ARM, ACCELERATOR PEDAL	1	1	
57	91609-60028	PIN, SPRING	1	1	
58	91609-35028	PIN, SPRING	1	1	
59	95802-06025	BOLT, FLANGE	1	1	
60	90106-08040	BOLT	1	1	
61	95702-08500	NUT, FLANGE	1	1	
62	90506-26282	SPRING, TENSION	1	1	
63	90384-14080	BUSH, BIMETAL FORMED	2	2	
64	93210-14104	O-RING	4	4	
65	J17-25673-00	DAMPER, BRAKE	1	1	
66	JW7-27246-00	NAIL, BRAKE	1	1	
67	95802-08020	BOLT, FLANGE	2	2	
68	93210-132A8	O-RING	2	2	
69	95812-08020	BOLT, FLANGE	7	7	
70	JW7-F6311-00	CABLE, THROTTLE 1	1	1	
71	91702-05014	PIN, CLEVIS	1	1	
72	90468-10049	CLIP	1	1	
73	90508-16460	SPRING, TORSION	1	1	
74	90560-05001	SPACER	1	1	

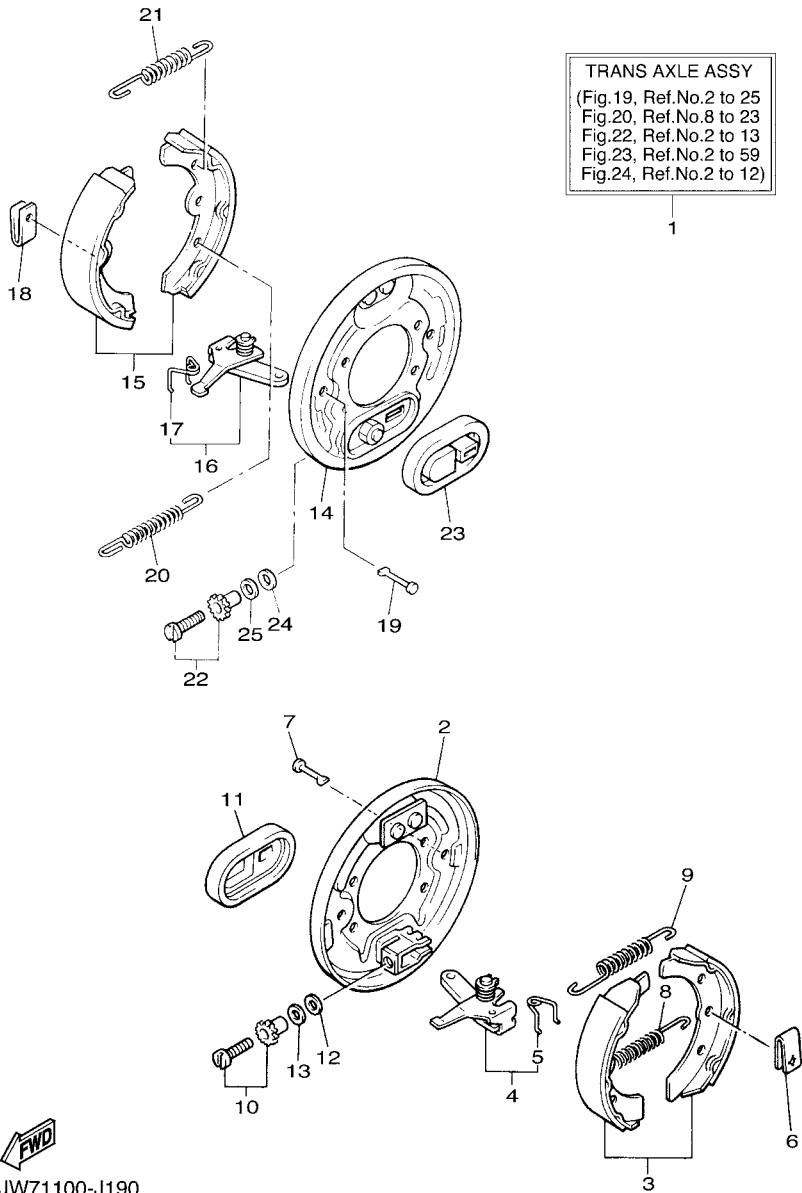




JW71100-H170

FIG. 18 BRAKE 1

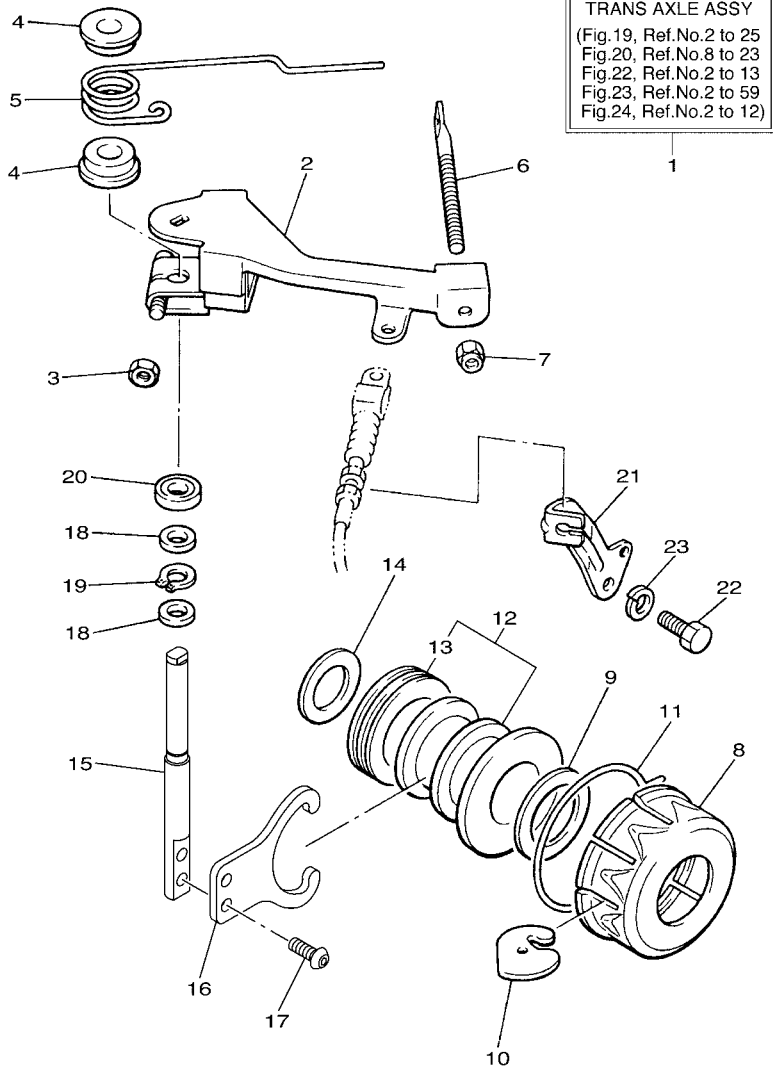
REF. NO.	PART NO.	DESCRIPTION	JW71	JW72	REMARKS
1	JW7-F7263-00	BRACKET 1	1	1	
2	JW7-F7264-00	BRACKET 2	1	1	
3	90105-08054	BOLT, FLANGE	8	8	
4	95602-08200	NUT, SELF-LOCKING	8	8	
5	JH2-27208-01	BACKING PLATE SUB ASSY 1	1	1	
6	JX4-W2536-00	BRAKE SHOE SET	1	1	
7	J38-27204-00	LEVER ASSY 1	1	1	
8	J55-25358-00	.SPRING, RETURN	1	1	
9	J10-27281-00	SPRING, SHOE CLAMP	2	2	
10	J10-27282-00	PIN, SHOE HOLD DOWN	2	2	
11	90506-20281	SPRING, TENSION	1	1	
12	90506-14001	SPRING, TENSION	1	1	
13	J55-27270-00	ADJUSTER ASSY	1	1	
14	J10-27286-00	COVER, DUST	1	1	
15	90201-121H8	WASHER, PLATE	1	1	
16	90201-121H9	WASHER, PLATE	1	1	
17	JH2-27209-01	BACKING PLATE SUB ASSY 2	1	1	
18	JX4-W2536-00	BRAKE SHOE SET	1	1	
19	J38-27205-00	LEVER ASSY 2	1	1	
20	J55-25357-00	.SPRING, LEVER RETURN	1	1	
21	J10-27281-00	SPRING, SHOE CLAMP	2	2	
22	J10-27282-00	PIN, SHOE HOLD DOWN	2	2	
23	90506-20281	SPRING, TENSION	1	1	
24	90506-14001	SPRING, TENSION	1	1	
25	J55-27260-00	ADJUSTER ASSY	1	1	
26	J10-27286-00	COVER, DUST	1	1	
27	90201-121H8	WASHER, PLATE	1	1	



JW71100-J190

FIG. 19 BRAKE 2

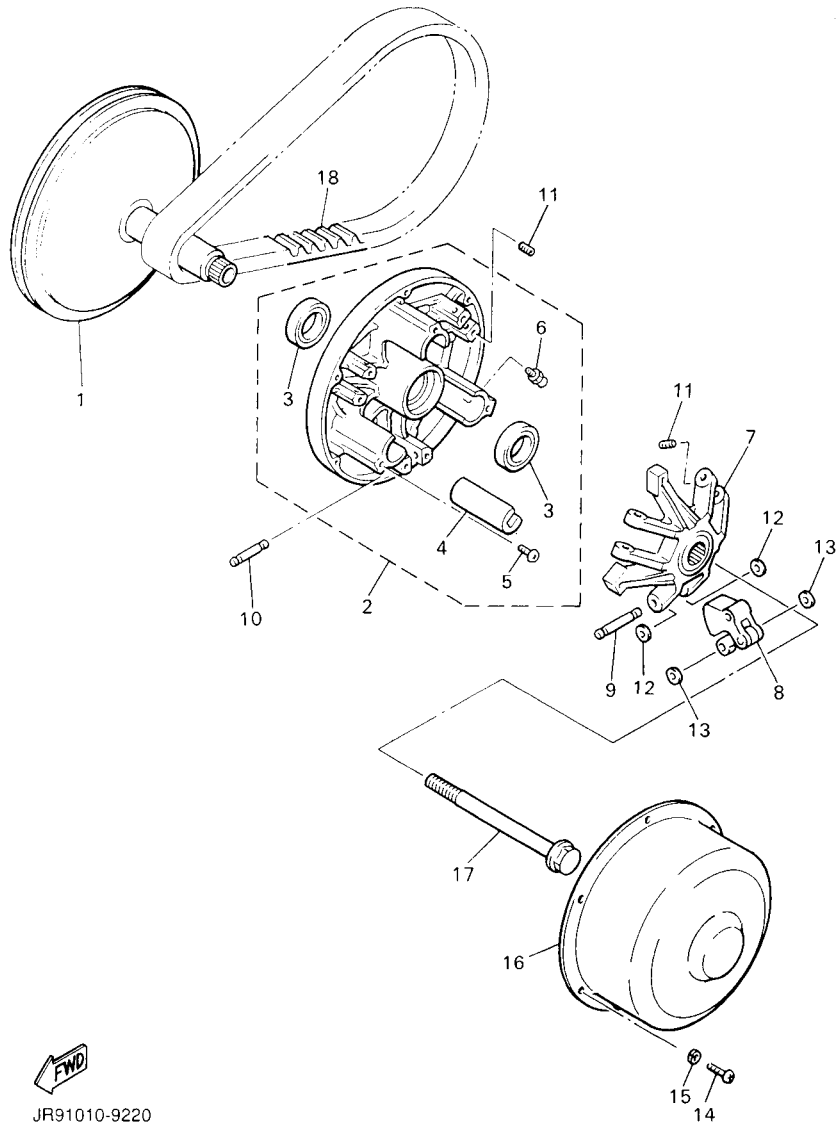
REF. NO.	PART NO.	DESCRIPTION	JW71	JW72	REMARKS
1	JW7-46300-02	TRANS AXLE ASSY	1	1	
2	JH2-27208-01	BACKING PLATE SUB ASSY 1	1	1	
3	JX4-W2536-00	BRAKE SHOE SET	1	1	
4	J38-27204-00	LEVER ASSY 1	1	1	
5	J55-25358-00	.SPRING, RETURN	1	1	
6	J10-27281-00	SPRING, SHOE CLAMP	2	2	
7	J10-27282-00	PIN, SHOE HOLD DOWN	2	2	
8	90506-20281	SPRING, TENSION	1	1	
9	90506-14001	SPRING, TENSION	1	1	
10	J55-27270-00	ADJUSTER ASSY	1	1	
11	J10-27286-00	COVER, DUST	1	1	
12	90201-121H8	WASHER, PLATE	1	1	
13	90201-121H9	WASHER, PLATE	1	1	
14	JH2-27209-01	BACKING PLATE SUB ASSY 2	1	1	
15	JX4-W2536-00	BRAKE SHOE SET	1	1	
16	J38-27205-00	LEVER ASSY 2	1	1	
17	J55-25357-00	.SPRING, LEVER RETURN	1	1	
18	J10-27281-00	SPRING, SHOE CLAMP	2	2	
19	J10-27282-00	PIN, SHOE HOLD DOWN	2	2	
20	90506-20281	SPRING, TENSION	1	1	
21	90506-14001	SPRING, TENSION	1	1	
22	J55-27260-00	ADJUSTER ASSY	1	1	
23	J10-27286-00	COVER, DUST	1	1	
24	90201-121H8	WASHER, PLATE	1	1	
25	90201-121H9	WASHER, PLATE	1	1	



JW71100-J200

FIG. 20 GOVERNOR

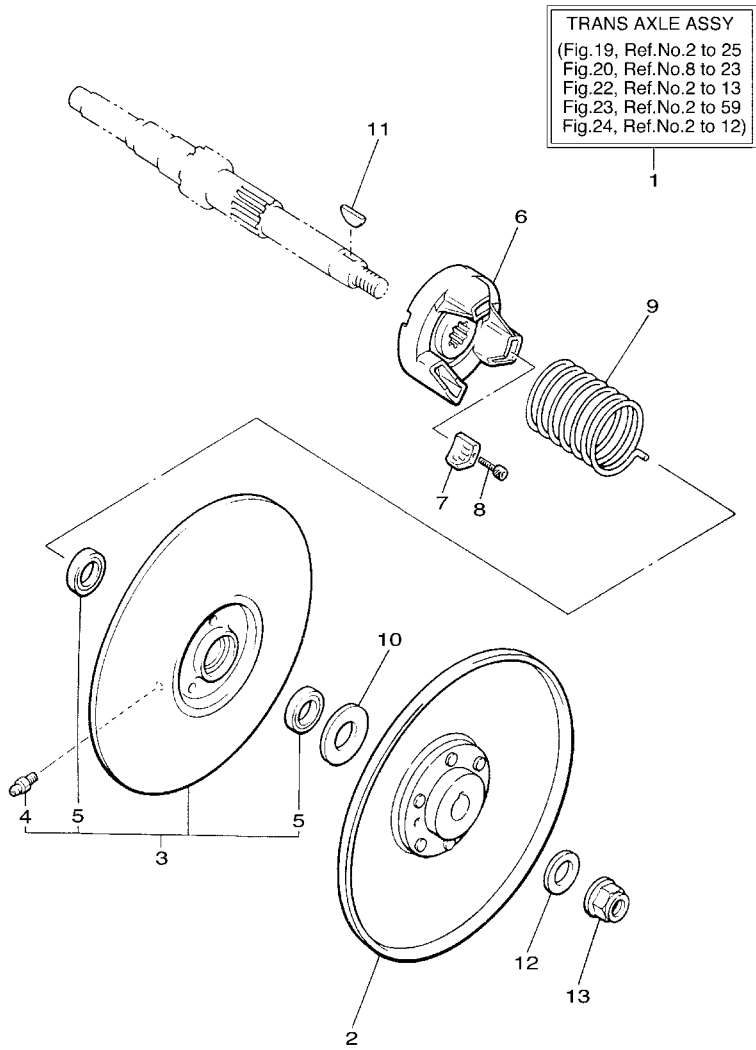
REF. NO.	PART NO.	DESCRIPTION	JW71	JW72	REMARKS
1	JW7-46300-02	TRANS AXLE ASSY	1	1	
2	J38-27951-00	LEVER, SPEED LIMITER	1	1	
3	95302-06600	NUT	1	1	
4	90386-08141	BUSH	2	2	
5	90508-40678	SPRING, TORSION	1	1	
6	J38-27959-00	SCREW, ADJUSTING	1	1	
7	95602-06200	NUT, SELF-LOCKING	1	1	
8	J10-27912-01	RETAINER	1	1	
9	90387-21690	COLLAR	1	1	
10	J10-27913-00	WEIGHT	8	8	
11	J10-27911-00	HOLDER	1	1	
12	JN7-27927-01	LIFTER	1	1	
13	93342-22518	.BEARING	1	1	
14	90201-20275	WASHER, PLATE	1	1	
15	JW7-27921-00	SHAFT, GOVERNOR	1	1	
16	JW7-27922-00	FORK, GOVERNOR	1	1	
17	92012-06010	BOLT, BUTTON HEAD	2	2	
18	90202-08110	WASHER, PLATE	2	2	
19	99001-06600	CIRCLIP	1	1	
20	93104-08058	OIL SEAL	1	1	
21	JN7-27982-00	BRACKET, WIRE	1	1	
22	97002-08016	BOLT	1	1	
23	92902-08100	WASHER, SPRING	1	1	



JR91010-9220

FIG. 21 PRIMARY SHEAVE

REF. NO.	PART NO.	DESCRIPTION	JW71	JW72	REMARKS
1	JX4-46210-00	PRIMARY FIXED SHEAVE COMP.	1	1	
2	JR7-46220-00	PRIMARY SLIDING SHEAVE COMP.	1	1	
3	93102-28457	.OIL SEAL	2	2	
4	J38-46253-00	.SLIDER	3	3	
5	98907-05008	.SCREW, BIND	3	3	
6	93700-06004	.NIPPLE, GREASE	1	1	
7	J38-46251-00	SPIDER	1	1	
8	JR7-46205-00	WEIGHT LINK ASSY	3	3	
9	J38-46236-00	PIN, WEIGHT	3	3	
10	J38-46237-00	PIN, WEIGHT 2	3	3	
11	90113-04050	BOLT, SET	12	12	
12	90202-07164	WASHER, PLATE	6	6	
13	90202-07186	WASHER, PLATE	6	6	
14	98502-05008	SCREW, PAN HEAD	6	6	
15	92902-05100	WASHER, SPRING	6	6	
16	J38-46231-00	CAP	1	1	
17	JX4-46249-00	BOLT	1	1	
18	J55-G6241-00	V-BELT	1	1	



TRANS AXLE ASSY
 (Fig.19, Ref.No.2 to 25
 Fig.20, Ref.No.8 to 23
 Fig.22, Ref.No.2 to 13
 Fig.23, Ref.No.2 to 59
 Fig.24, Ref.No.2 to 12)

FIG. 22 SECONDARY SHEAVE

REF. NO.	PART NO.	DESCRIPTION			REMARKS
			JW71	JW72	
1	JW7-46300-02	TRANS AXLE ASSY	1	1	
2	J38-46260-00	SECONDARY FIXED SHEAVE COMP.	1	1	
3	JR7-46270-00	SECONDARY SLIDING SHEAVE COMP.	1	1	
4	93700-06004	.NIPPLE, GREASE	1	1	
5	93109-20069	.OIL SEAL	2	2	
6	JH2-46284-00	SEAT, SECONDARY SPRING	1	1	
7	JF7-17688-00	SHOE, RAMP	3	3	
8	91317-04025	BOLT	3	3	
9	90508-45679	SPRING, TORSION	1	1	
10	90202-20130	WASHER, PLATE	1	1	
11	90280-05022	KEY, WOODRUFF	1	1	
12	90201-12588	WASHER, PLATE	1	1	
13	95602-12200	NUT, SELF-LOCKING	1	1	



JW71100-J220

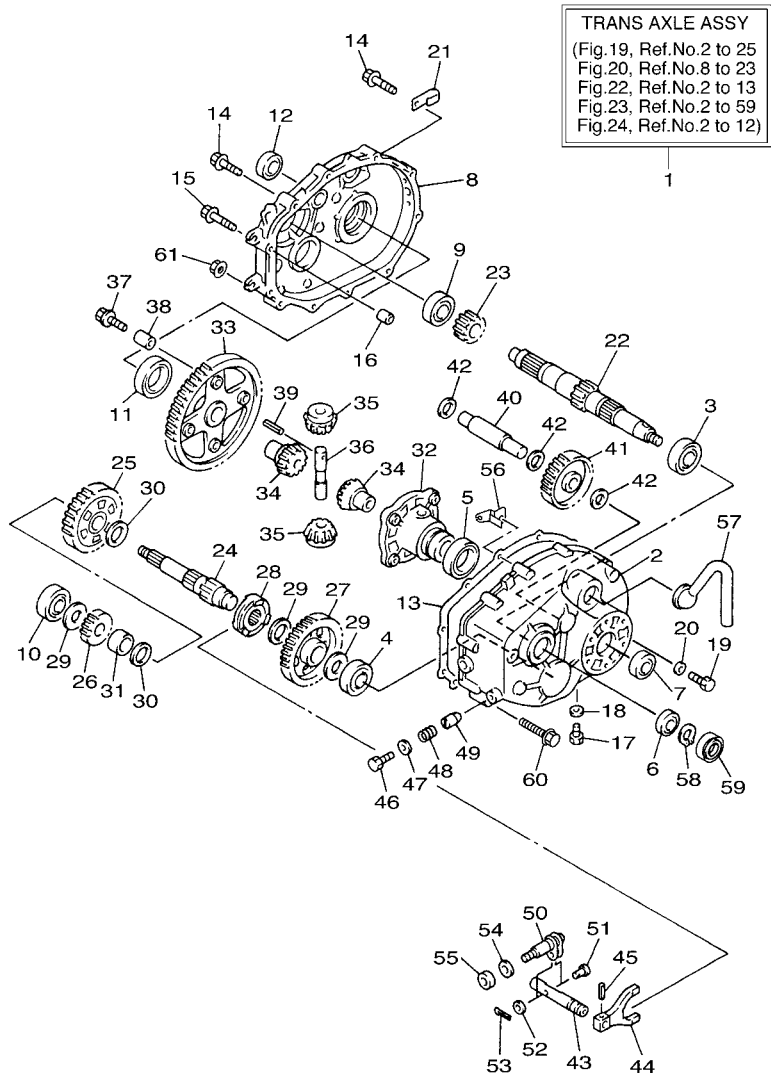
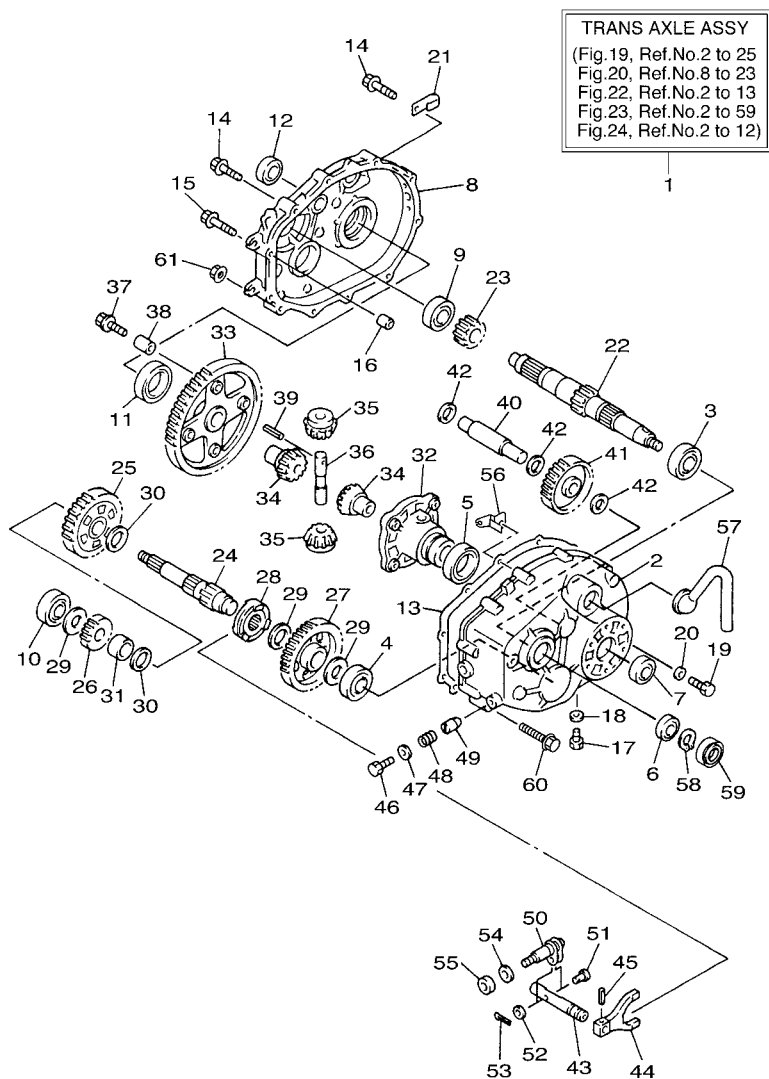


FIG. 23 TRANSAXLE

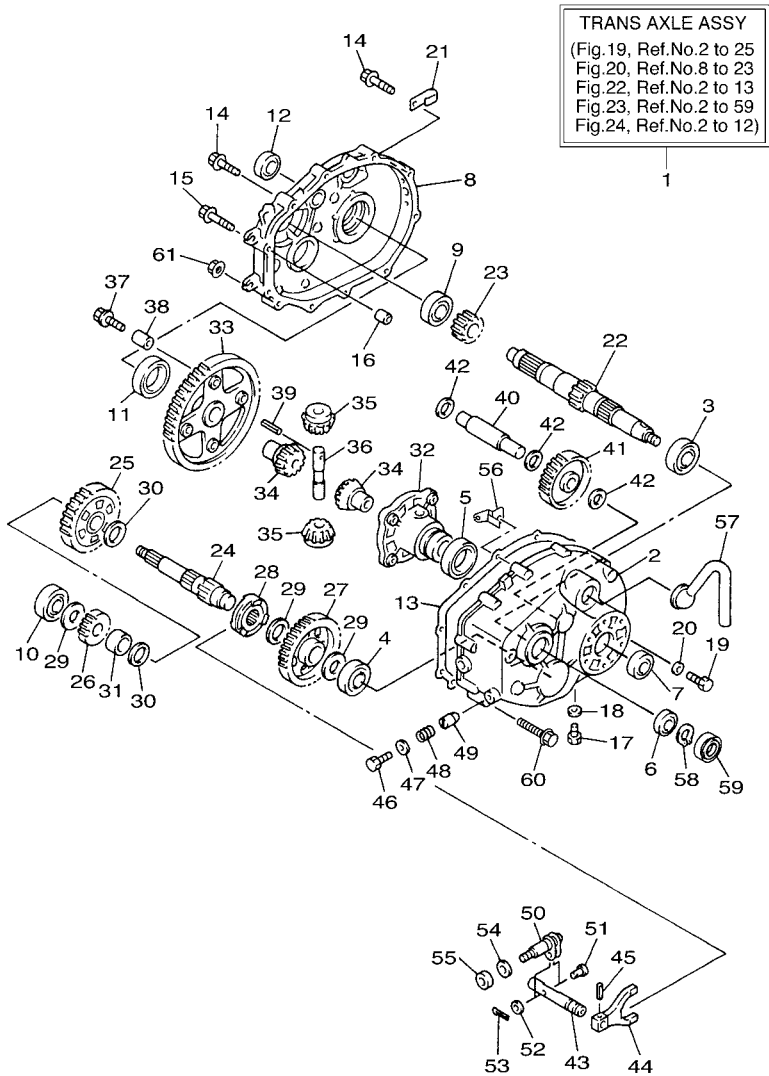
REF. NO.	PART NO.	DESCRIPTION	JW71	JW72	REMARKS
1	JW7-46300-02	TRANS AXLE ASSY	1	1	
2	JW7-46311-00	CASE, TRANSMISSION 1	1	1	
3	93306-20501	BEARING	1	1	
4	93306-20401	BEARING	1	1	
5	93306-00803	BEARING	1	1	
6	93102-25017	OIL SEAL	1	1	
7	93102-25360	OIL SEAL	1	1	
8	JW7-46312-01	CASE, TRANSMISSION 2	1	1	
9	93306-30311	BEARING	1	1	
10	93306-20401	BEARING	1	1	
11	93306-00803	BEARING	1	1	
12	93102-25360	OIL SEAL	1	1	
13	J38-46319-01	GASKET	1	1	
14	95827-08040	BOLT, FLANGE	8	8	
15	95827-08050	BOLT, FLANGE	2	2	
16	99530-12016	PIN, DOWEL	2	2	
17	90340-14036	PLUG, STRAIGHT SCREW	1	1	
18	90430-14043	GASKET	1	1	
19	90101-08344	BOLT	1	1	
20	90430-08119	GASKET	1	1	
21	90465-06011	CLAMP	1	1	
22	JN7-46321-00	SHAFT, INPUT	1	1	
23	J38-46331-01	GEAR, INPUT 1	1	1	
24	J38-46351-00	SHAFT, COUNTER	1	1	
25	J38-46361-01	GEAR, COUNTER 1	1	1	
26	J38-46362-00	GEAR, COUNTER 2	1	1	
27	J38-46363-00	GEAR, REVERSE	1	1	

FIG. 23 TRANSAXLE



JW71100-J230

REF. NO.	PART NO.	DESCRIPTION	JW71	JW72	REMARKS
28	J38-4636A-00	DOG, CLUTCH	1	1	
29	90201-20611	WASHER, PLATE	2	2	
30	90201-257J2	WASHER, PLATE	3	3	
31	90387-252M8	COLLAR	1	1	
32	JJ3-46411-00	CASE, DIFFERENTIAL	1	1	
33	JJ3-46421-00	GEAR, RING	1	1	
34	JX4-46414-00	GEAR, DIFFERENTIAL SIDE	2	2	
35	JX4-46415-00	PINION, DIFFERENTIAL	2	2	
36	J38-46417-02	PIN, DIFFERENTIAL	1	1	
37	90105-08056	BOLT, FLANGE	4	4	
38	99530-12016	PIN, DOWEL	2	2	
39	91609-40040	PIN, SPRING	1	1	
40	J38-46348-00	SHAFT 2	1	1	
41	J38-46356-00	GEAR, IDLER	1	1	
42	90201-17713	WASHER, PLATE	3	3	
43	J38-4633A-00	BAR, SHIFT FORK GUIDE	1	1	
44	J38-46338-00	FORK, SHIFT	1	1	
45	91609-40020	PIN, SPRING	1	1	
46	90101-08344	BOLT	1	1	
47	90430-08119	GASKET	1	1	
48	90501-10060	SPRING, COMPRESSION	1	1	
49	90249-07190	PIN	1	1	
50	J38-46384-00	LEVER, SHIFT 3	1	1	
51	91701-06022	PIN	1	1	
52	92907-06200	WASHER	1	1	
53	91401-20012	PIN, COTTER	1	1	
54	90201-12166	WASHER, PLATE	1	1	



JW71100-J230

FIG. 23 TRANSAXLE

REF. NO.	PART NO.	DESCRIPTION	JW71	JW72	REMARKS
55	93102-12224	OIL SEAL	1	1	
56	J38-27981-00	BRACKET, THROTTLE	1	1	
57	JN3-47559-00	CAP 2	1	1	
58	93410-25017	CIRCLIP	1	1	
59	JT0-46374-00	COLLAR, SPRING	1	1	
60	95812-08075	BOLT, FLANGE	1	1	
61	95702-08500	NUT, FLANGE	1	1	

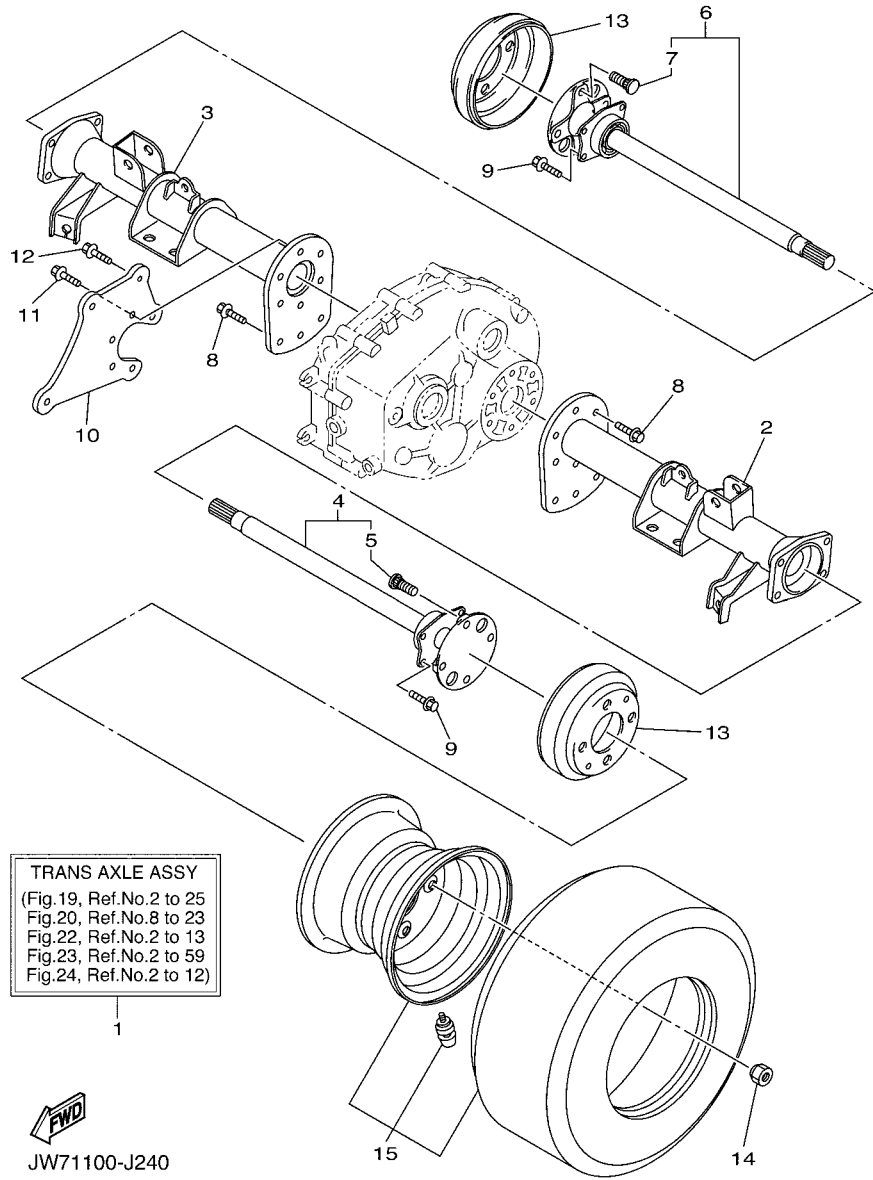
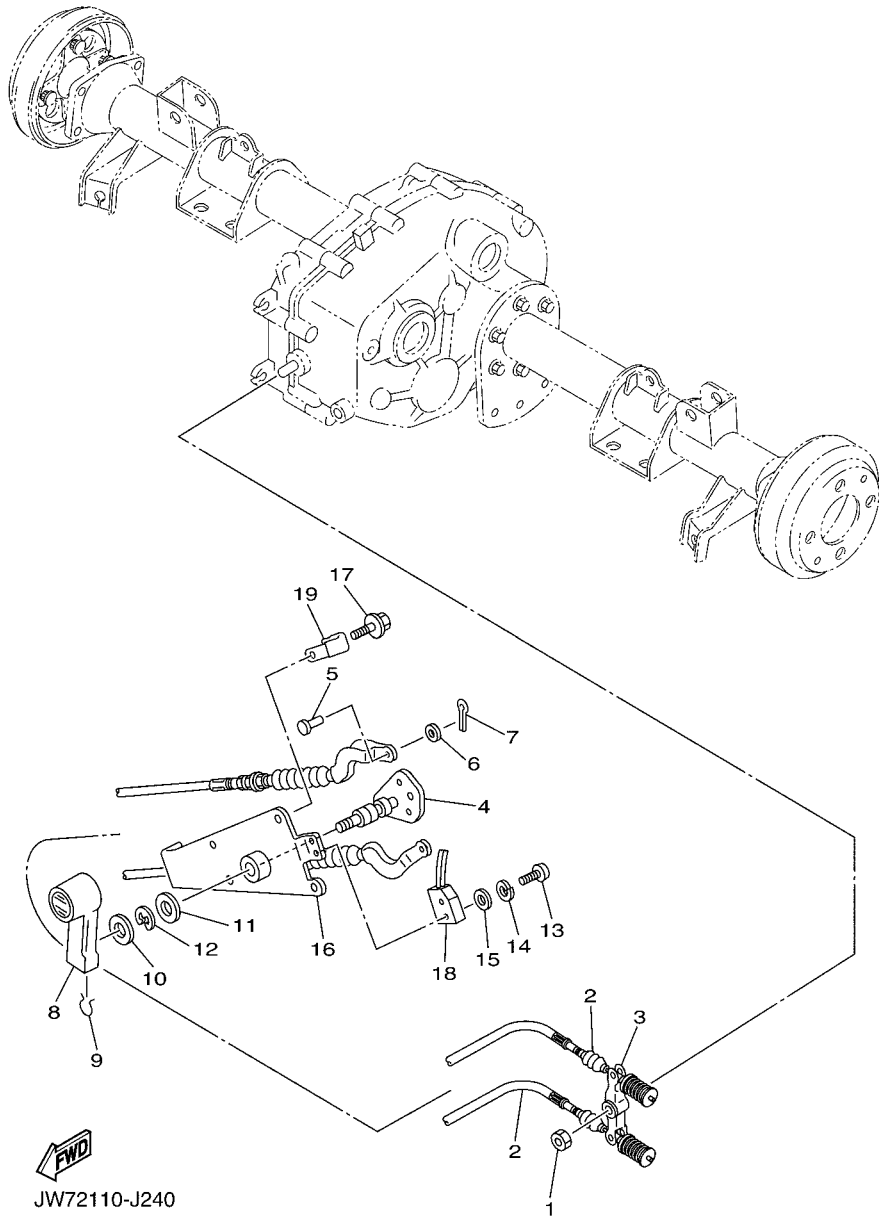


FIG. 24 REAR AXLE & WHEEL

REF. NO.	PART NO.	DESCRIPTION	JW71	JW72	REMARKS
1	JW7-46300-02	TRANS AXLE ASSY	1	1	
2	JW7-46540-02	REAR AXLE HOUSING COMP.	1	1	
3	JW7-46550-02	REAR AXLE HOUSING COMP. 2	1	1	
4	JW7-46510-00	REAR AXLE SHAFT COMP.	1	1	
5	90114-12004	.BOLT, SERRATION	4	4	
6	JW7-46520-00	REAR AXLE SHAFT COMP. 2	1	1	
7	90114-12004	.BOLT, SERRATION	4	4	
8	90105-081A7	BOLT, FLANGE	13	13	
9	90105-082A0	BOLT, FLANGE	8	8	
10	JW7-22341-01	PLATE, GUIDE 1	1	1	
11	90105-08150	BOLT, FLANGE	7	7	
12	90105-06122	BOLT, FLANGE	1	1	
13	JU0-G6521-00	DRUM	2	2	
14	90179-12262	NUT	8	8	
15	JW7-F5300-00	REAR WHEEL ASSY	2	2	

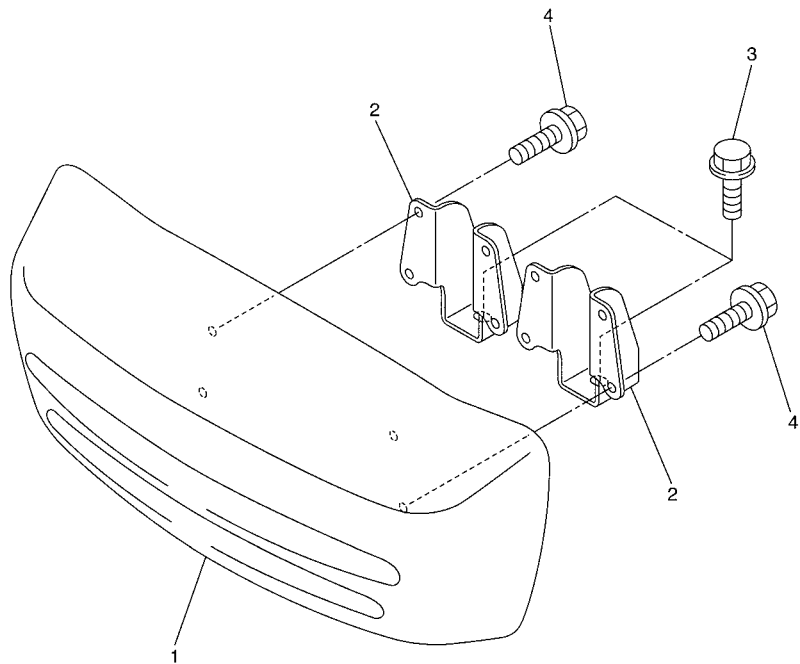
FIG. 25 SHIFTER & CABLES

REF. NO.	PART NO.	DESCRIPTION	JW71	JW72	REMARKS
1	95602-08100	NUT, U	1	1	
2	JW7-G6371-00	WIRE, SHIFT	2	2	
3	J55-G6383-00	LEVER, SHIFT 2	1	1	
4	JF2-46382-00	LEVER, SHIFT 1	1	1	
5	91702-06014	PIN, CLEVIS	2	2	
6	92902-06600	WASHER, PLATE	2	2	
7	91402-20012	PIN, COTTER	2	2	
8	JN3-G6381-00	KNOB, SHIFT	1	1	
9	JN3-G6376-00	SPRING SET	1	1	
10	90201-208S8	WASHER, PLATE	1	1	
11	90201-198S7	WASHER, PLATE	1	1	
12	99009-19400	CIRCLIP	1	1	
13	98502-04016	SCREW, PAN HEAD	2	2	
14	92902-04100	WASHER, SPRING	2	2	
15	92902-04600	WASHER, PLATE	2	2	
16	JN3-G6372-00	BRACKET, SHIFT WIRE	1	1	
17	90105-06870	BOLT, FLANGE	3	3	
18	JN3-82617-01	SWITCH	1	1	
19	90465-06038	CLAMP	1	1	



JW72110-J240

FIG. 26 BUMPER



REF. NO.	PART NO.	DESCRIPTION	JW71	JW72	REMARKS
1	JW1-K7510-00	FRONT BUMPER COMP.	1	1	
2	JW1-K8164-00	STAY, FRONT BUMPER (L.H)	2	2	
3	90105-088B0	BOLT, FLANGE	2	2	
4	95822-06012	BOLT, FLANGE	4	4	



JW61100-H230

FIG. 27 BODY

REF. NO.	PART NO.	DESCRIPTION	JW71	JW72	REMARKS
1	JW7-K8115-10	COWL, FRONT	1	1	
2	90267-63047	RIVET, BLIND	5	5	
3	JW1-F3396-00	SCREW, SPECIAL	2	2	
4	90105-06870	BOLT, FLANGE	1	1	
5	JW1-F4161-00	EMBLEM 1	1	1	
6	JW7-F1551-00	FENDER, OVER	1	1	
7	JW7-F1555-00	FENDER, OVER 2	1	1	
8	90179-05523	NUT	8	8	
9	98902-05020	SCREW, BIND	8	8	
10	JW1-K8114-01	PANEL, FRONT	1	1	
11	90111-05805	BOLT,HEX. SOCKET BUTTON	5	5	
12	90183-05008	NUT, SPRING	5	5	
13	90269-07001	RIVET	5	5	
14	JW1-F312G-00	PLUG	1	1	
15	JW6-K835E-00	HOLDER, BEVERAGE	1	1	
16	JW7-K7768-00	LABEL, WARNING	1	1	UR (E)
	JW7-K7768-10	LABEL, WARNING	1		UR (E,F)
	JW7-K7768-20	LABEL, WARNING	1		UR (G,S)
17	JW7-K8233-00	MAT, MAIN FLOOR 3	1	1	
18	90269-09003	RIVET	11	11	
19	98902-08040	SCREW, BIND	2	2	
20	JW1-K8273-00	COVER, HOLE	1	1	
21	JW1-K8245-00	SEAL 1	1	1	
22	90269-06804	RIVET	1	1	
23	JW1-K8261-00	PLATE, BODY PROTECT 1	1	1	
24	90110-06007	BOLT, HEXAGON SOCKET HEAD	6	6	
25	90173-06001	NUT, SQUARE	6	6	

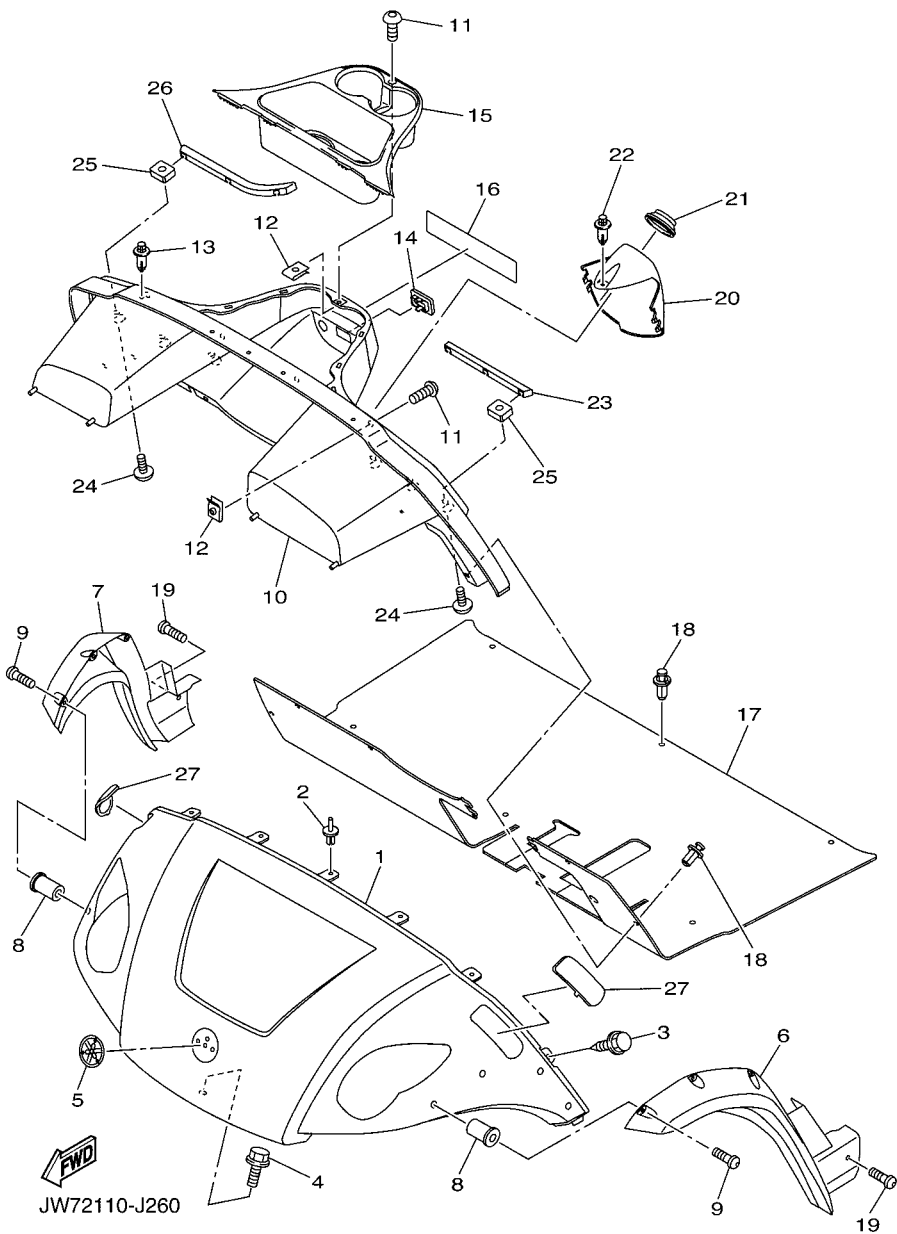


FIG. 27 BODY

REF. NO.	PART NO.	DESCRIPTION	JW71	JW72			REMARKS
26	JW1-K8262-00	PLATE, BODY PROTECT 2	1	1			
27	JW1-K832H-00	GROMMET, ROOF SUPPORT 3	2	2			

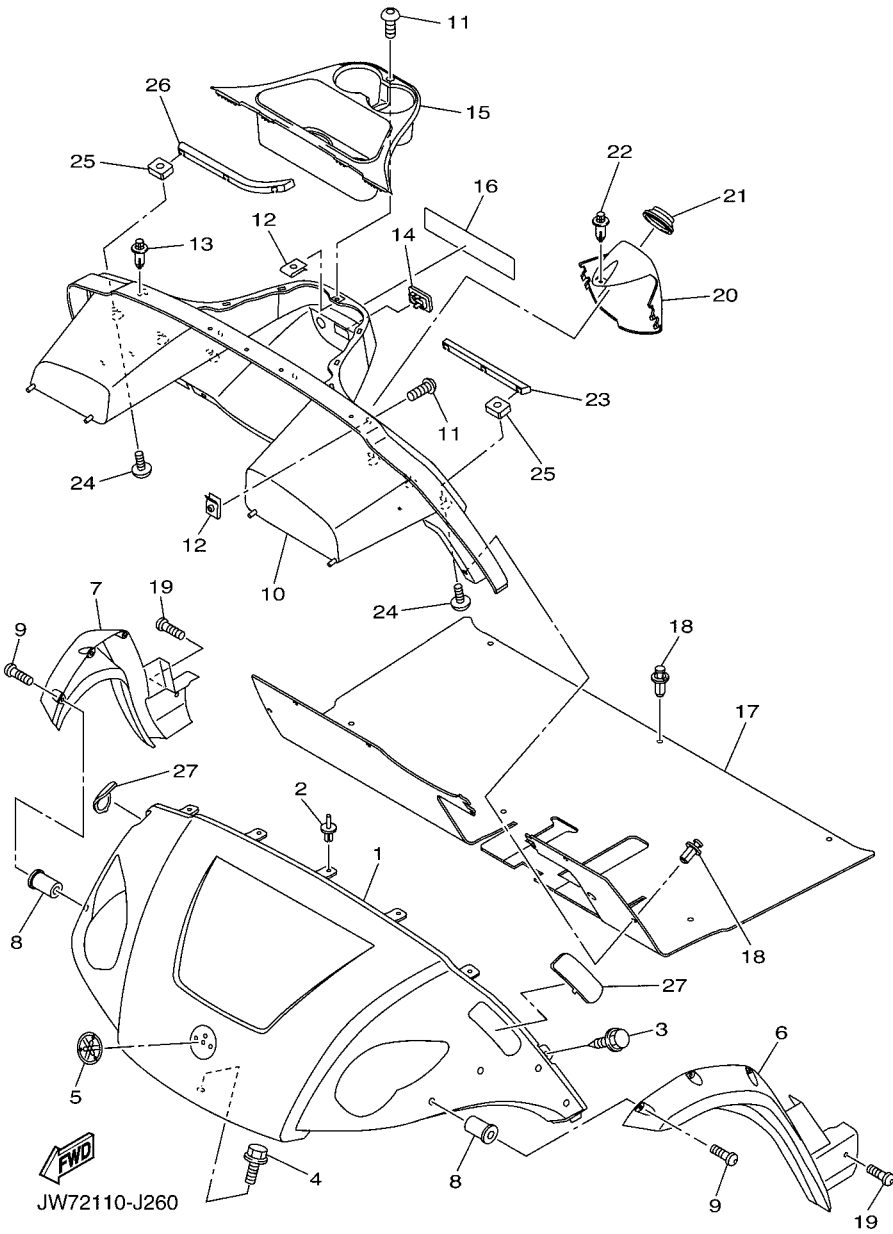
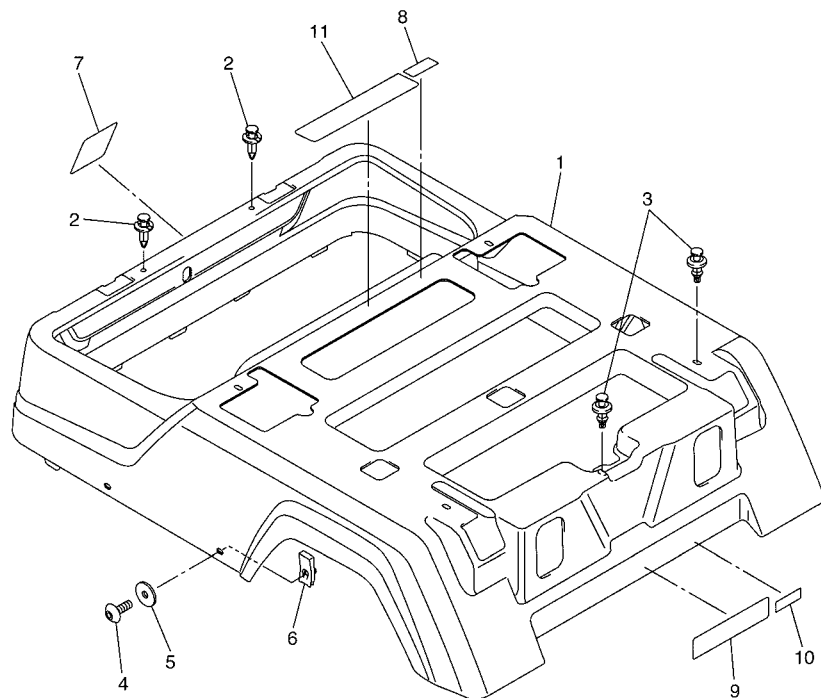


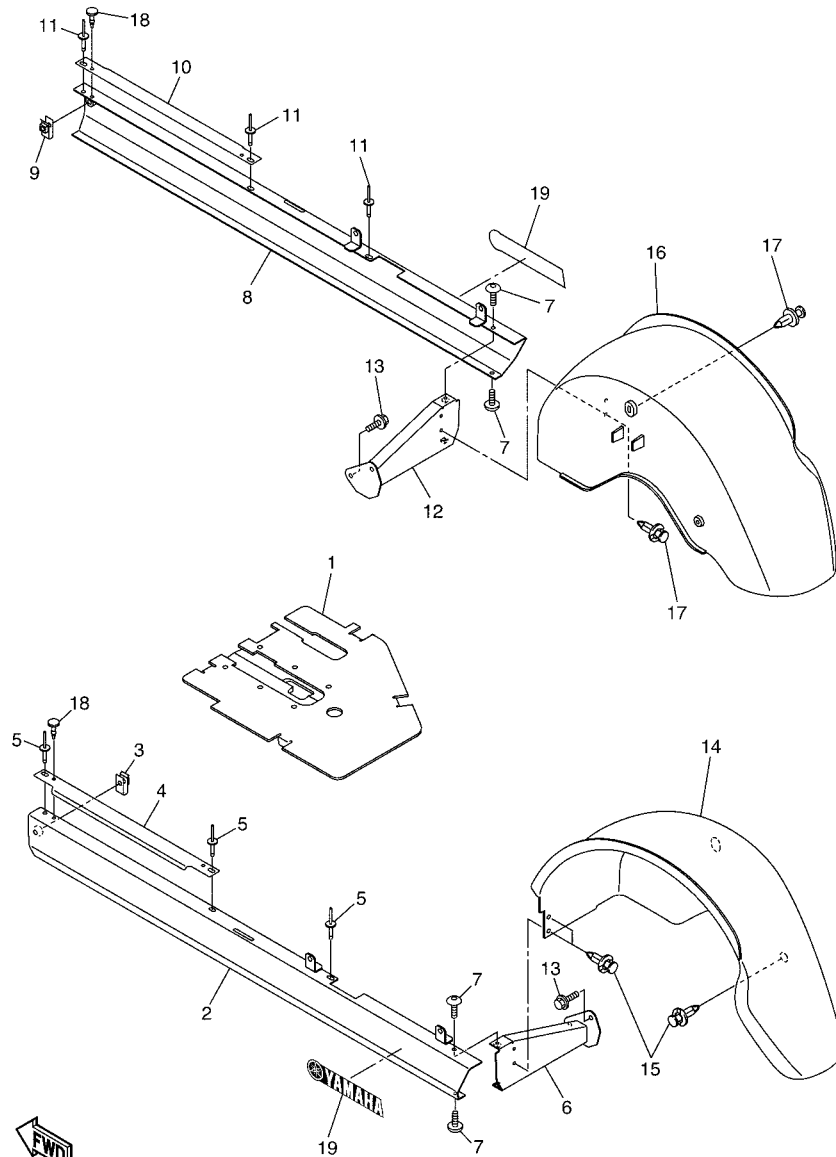
FIG. 28 BODY 2



REF. NO.	PART NO.	DESCRIPTION	JW71	JW72	REMARKS
1	JW7-K8142-10	PANEL, REAR BODY	1	1	
2	90269-08813	RIVET	2	2	
3	JW6-K7449-00	RIVET 1	5	5	
4	90111-06814	BOLT,HEX. SOCKET BUTTON	4	4	
5	90201-06863	WASHER, PLATE	4	4	
6	90183-06811	NUT, SPRING	4	4	
7	JW1-K7741-00	INDICATOR 1	1	1	
8	JN6-H2377-00	LABEL	1	1	
9	JW7-F1696-00	LABEL, CAUTION	1	1	UR (E)
	JW7-F1696-10	LABEL, CAUTION	1		UR (E,F)
	JW7-F1696-20	LABEL, CAUTION	1		UR (G,S)
10	JW6-K7765-00	LABEL, WARNING 5	1	1	
11	JW1-K8297-01	PLATE, CAUTION 1 (E,F)	1	1	UR
	JW1-K8297-10	PLATE, CAUTION 1 (G,S)	1		UR



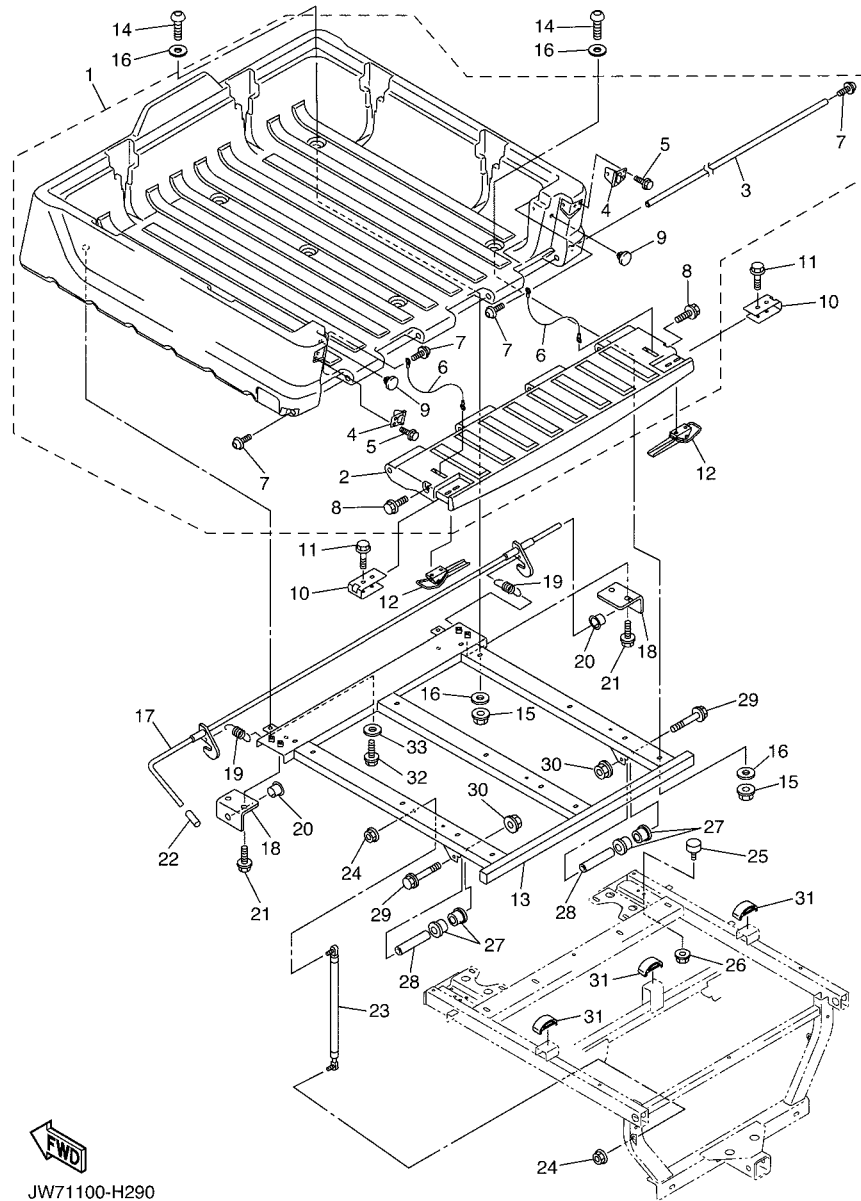
JW71100-H270



JW71100-H280

FIG. 29 BODY FITTING

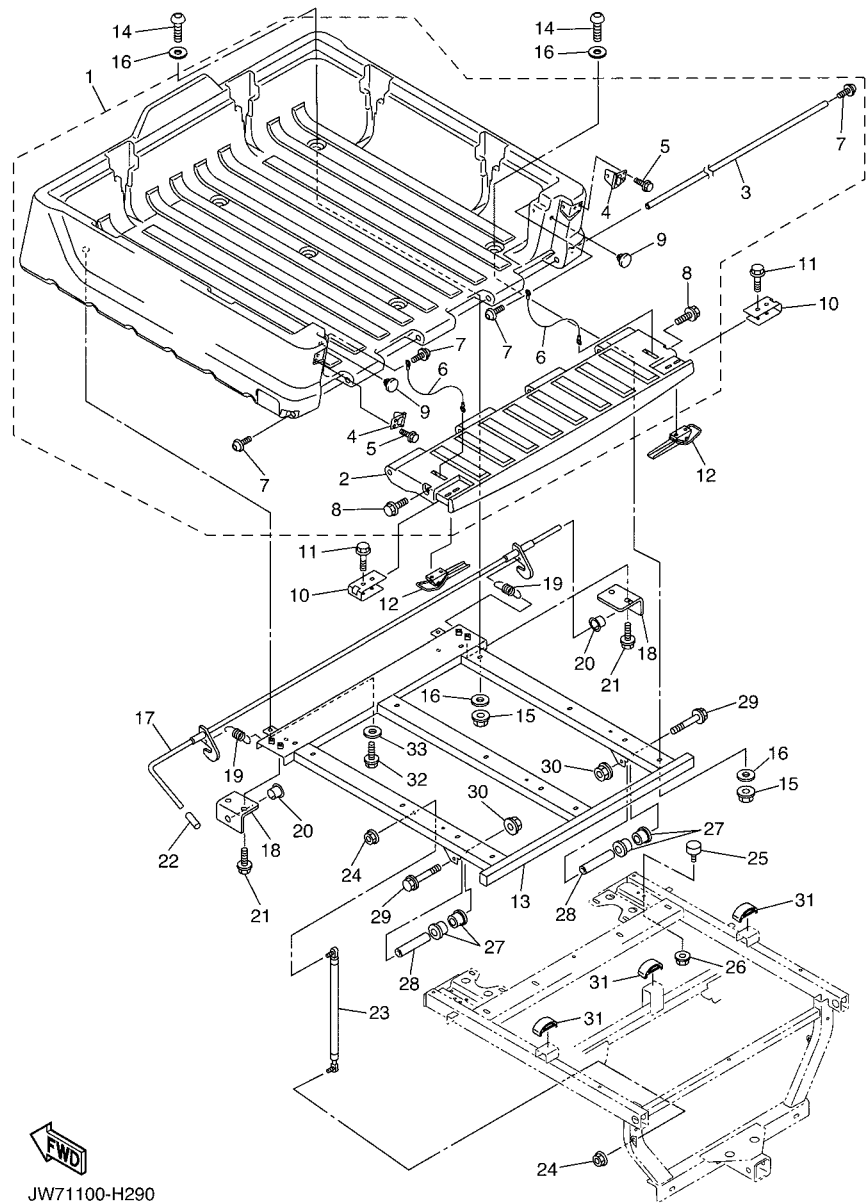
REF. NO.	PART NO.	DESCRIPTION	JW71	JW72	REMARKS
1	JW1-K8270-00	LID ASSY	1	1	
2	JW7-K818A-00	PROTECTOR, SIDE PLATE	1	1	
3	JW7-K811K-00	NUT, TRIM FITTING	1	1	
4	JW7-K8215-00	PLATE, SIDE TRIM	1	1	
5	JW7-K7329-00	RIVET	3	3	
6	JW7-K818E-00	CAP, PROTECTOR END 1	1	1	
7	90111-06814	BOLT, HEX. SOCKET BUTTON	4	4	
8	JW7-K818B-00	PROTECTOR, SIDE PLATE 2	1	1	
9	JW7-K811K-00	NUT, TRIM FITTING	1	1	
10	JW7-K8215-00	PLATE, SIDE TRIM	1	1	
11	JW7-K7329-00	RIVET	3	3	
12	JW7-K818F-00	CAP, PROTECTOR END 2	1	1	
13	90105-08867	BOLT, FLANGE	4	4	
14	JW1-K8191-00	PANEL, REAR FENDER 1	1	1	
15	90269-06804	RIVET	4	4	
16	JW1-K8192-00	PANEL, REAR FENDER 2	1	1	
17	90269-06804	RIVET	4	4	
18	JW1-K7449-00	RIVET 1	2	2	
19	F1X-U411C-10	EMBLEM, YAMAHA	2	2	



JW71100-H290

FIG. 30 CARRIER

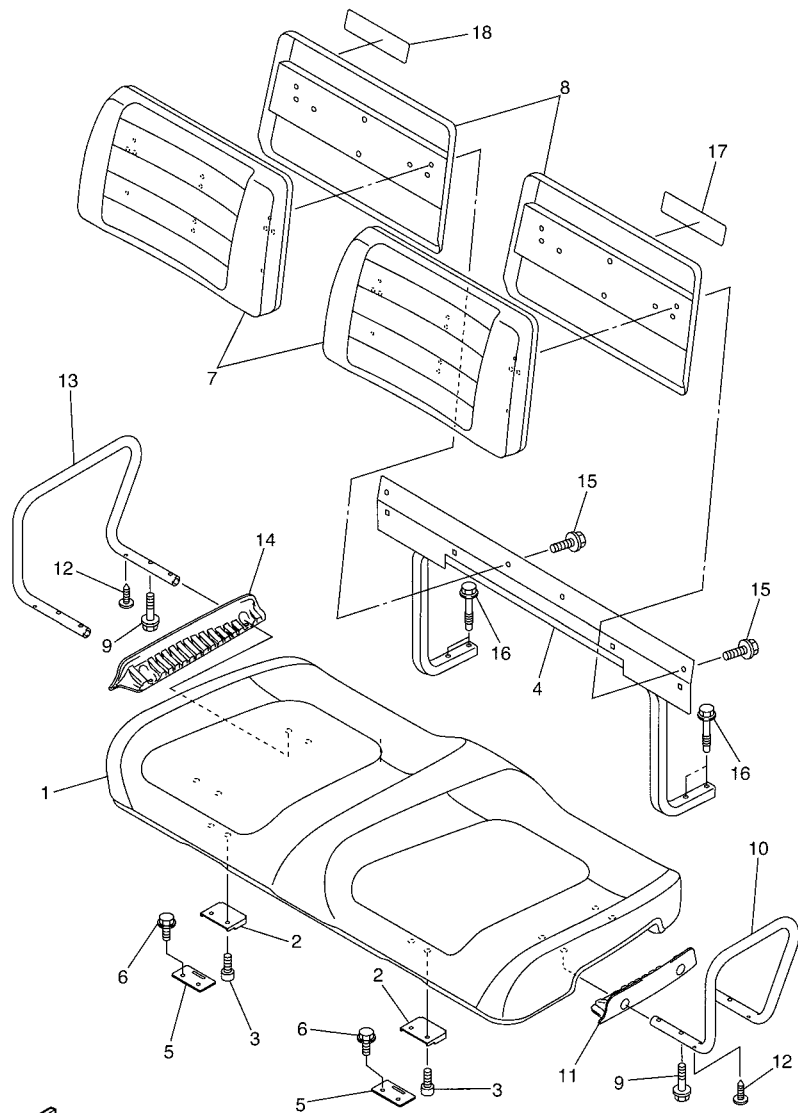
REF. NO.	PART NO.	DESCRIPTION	JW71	JW72	REMARKS
1	JW7-K810M-00	REAR STORAGE BOX COMP.	1	1	
2	JU9-K819K-00	.SHELL, RR. STORAGE LID	1	1	
3	JU9-K8564-00	.PIN, HINGE	1	1	
4	JU9-K7172-00	.BODY, LATCH 2	2	2	
5	90119-06830	.BOLT, WITH WASHER	6	6	
6	JU9-K7195-00	.HOLDER, CABLE	2	2	
7	JU9-K6179-00	.BOLT, SPECIAL 1	4	4	
8	JU9-K6189-00	.BOLT, SPECIAL 2	2	2	
9	JU9-K7739-10	.DAMPER, LID	2	2	
10	JU9-K7171-00	BODY, LATCH 1	2	2	
11	JU9-K8384-00	BOLT	4	4	
12	5UG-F389E-00	LATCH	2	2	
13	JW7-K818N-00	BED, BOX	1	1	
14	90111-10800	BOLT,HEX. SOCKET BUTTON	7	7	
15	95602-10200	NUT, U FLANGE	7	7	
16	90201-10830	WASHER, PLATE	14	14	
17	JW6-K7180-00	LATCH ASSY	1	1	
18	JW6-K7185-00	PLATE 1	2	2	
19	90506-16451	SPRING, TENSION	2	2	
20	2P5-K7515-00	BUSH, RUBBER 1	2	2	
21	95822-08016	BOLT, FLANGE	4	4	
22	JJ3-K818M-00	CAP, PROTECTOR END 4	1	1	
23	5UG-F8415-00	DAMPER 1	2	2	
24	95602-08200	NUT, SELF-LOCKING	4	4	
25	JU5-K8167-11	BUMPER, RUBBER 1	2	2	
26	95602-08200	NUT, SELF-LOCKING	2	2	
27	JW6-F2123-00	BUSH 1	4	4	



JW71100-H290

FIG. 30 CARRIER

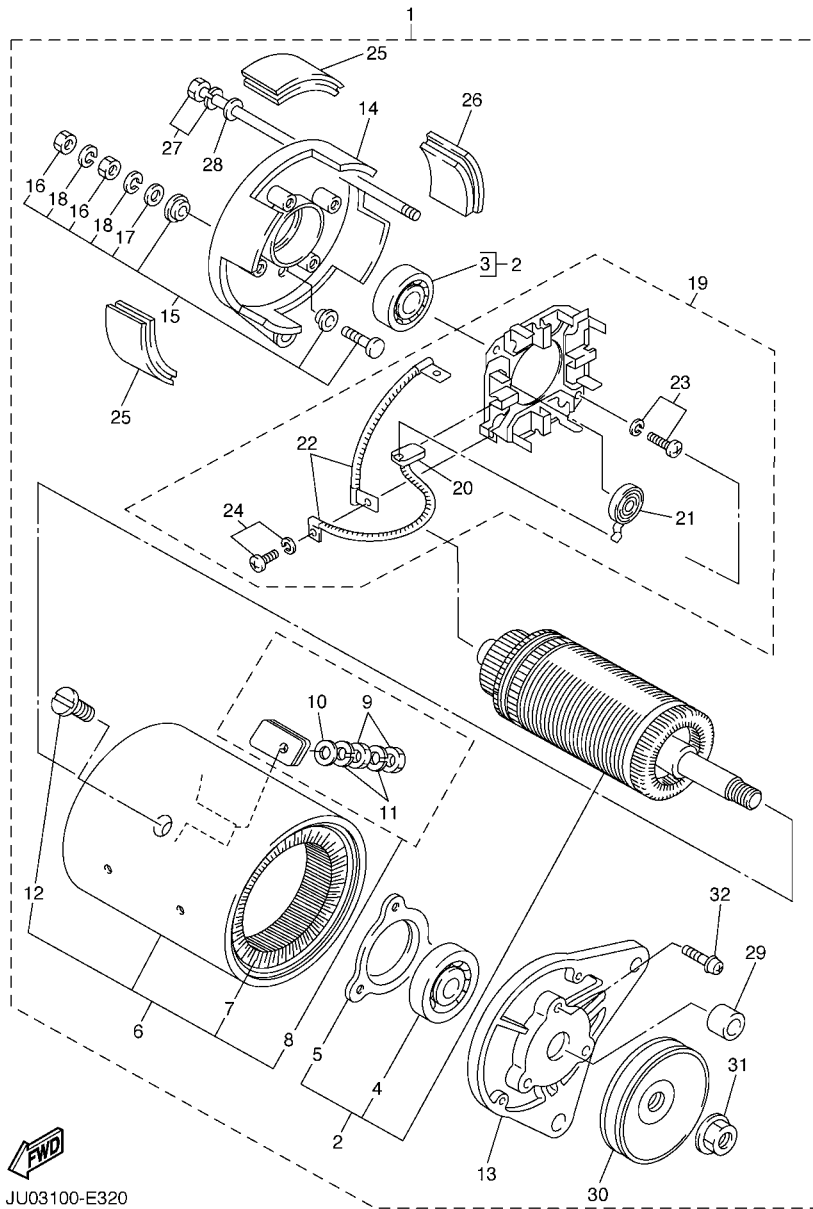
REF. NO.	PART NO.	DESCRIPTION	JW71	JW72	REMARKS
28	JW6-F1633-00	COLLAR, 1	2	2	
29	95812-08070	BOLT, FLANGE	2	2	
30	95602-08200	NUT, SELF-LOCKING	2	2	
31	JJ3-K815H-01	DAMPER, LOCK	3	3	
32	95822-08020	BOLT, FLANGE	2	2	
33	90201-08053	WASHER, PLATE	2	2	



JW61100-H280

FIG. 31 SEAT

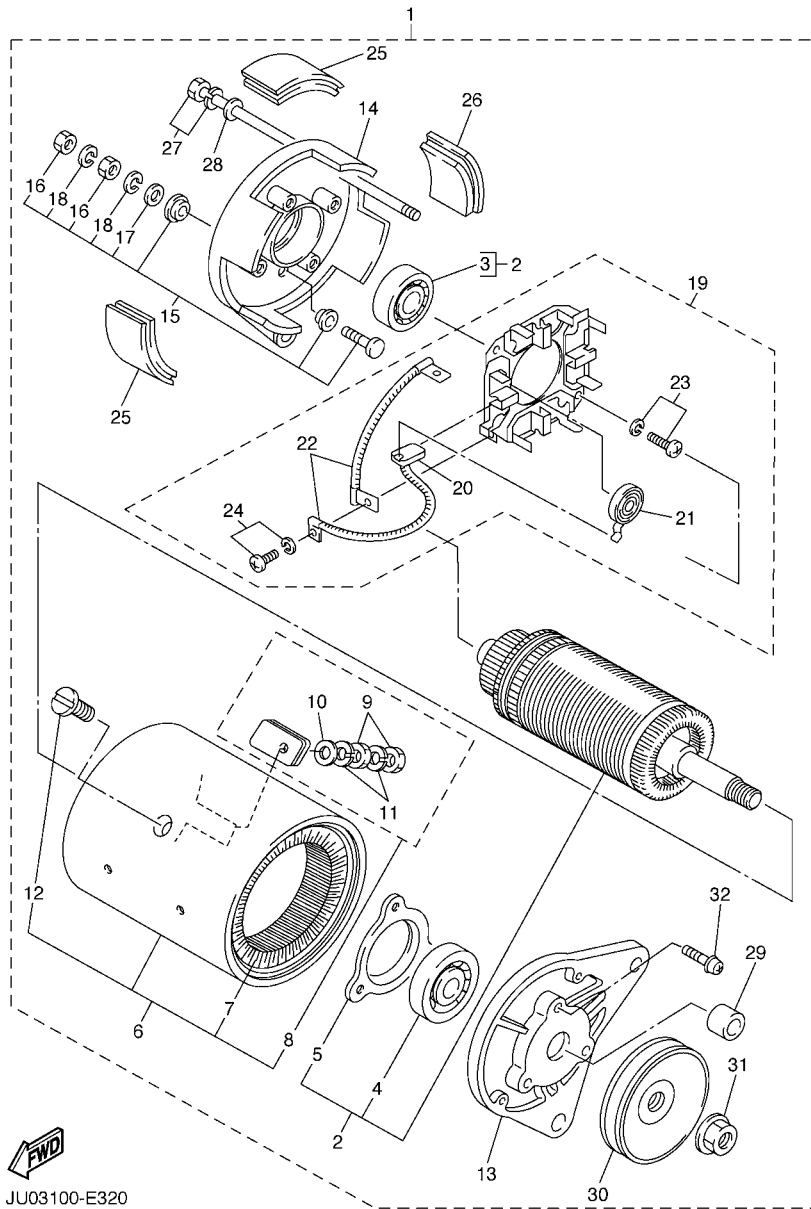
REF. NO.	PART NO.	DESCRIPTION	JW71	JW72	REMARKS
1	JW1-K8401-10	SEAT SUB-ASSY,CUSHION	1	1	
2	JW1-K8426-00	HINGE, SEAT 1	2	2	
3	90110-06125	BOLT, HEXAGON SOCKET HEAD	4	4	
4	JW6-K8423-00	SUPPORT, SEAT BACK	1	1	
5	JW1-K8427-00	HINGE, SEAT 2	2	2	
6	90163-06802	SCREW, TAPPING	4	4	
7	JW6-K8402-00	SEAT SUB ASSY, BACK	2	2	
8	JJ3-K8413-10	COVER, SEAT BACK	2	2	
9	90105-06042	BOLT, FLANGE	8	8	
10	JW6-K8361-00	ARM REST 1	1	1	
11	JW6-K7213-00	TRIM, UPPER	1	1	
12	JW6-K7329-00	RIVET	4	4	
13	JW6-K8362-00	ARM REST 2	1	1	
14	JW6-K7214-00	TRIM, LOWER	1	1	
15	90119-06837	BOLT, WITH WASHER	4	4	
16	90105-088A4	BOLT, FLANGE	4	4	
17	JW7-K7766-00	LABEL, WARNING 6	1	1	UR (E)
	JW7-K7766-10	LABEL, WARNING 6	1		UR (E,F)
	JW7-K7766-20	LABEL, WARNING 6	1		UR (G,S)
18	JW6-K7767-01	LABEL, WARNING 7	1	1	UR (E)
	JW6-K7767-10	LABEL, WARNING 7	1		UR (E,F)
	JW6-K7767-20	LABEL, WARNING 7	1		UR (G,S)



JU03100-E320

FIG. 32 STARTING MOTOR

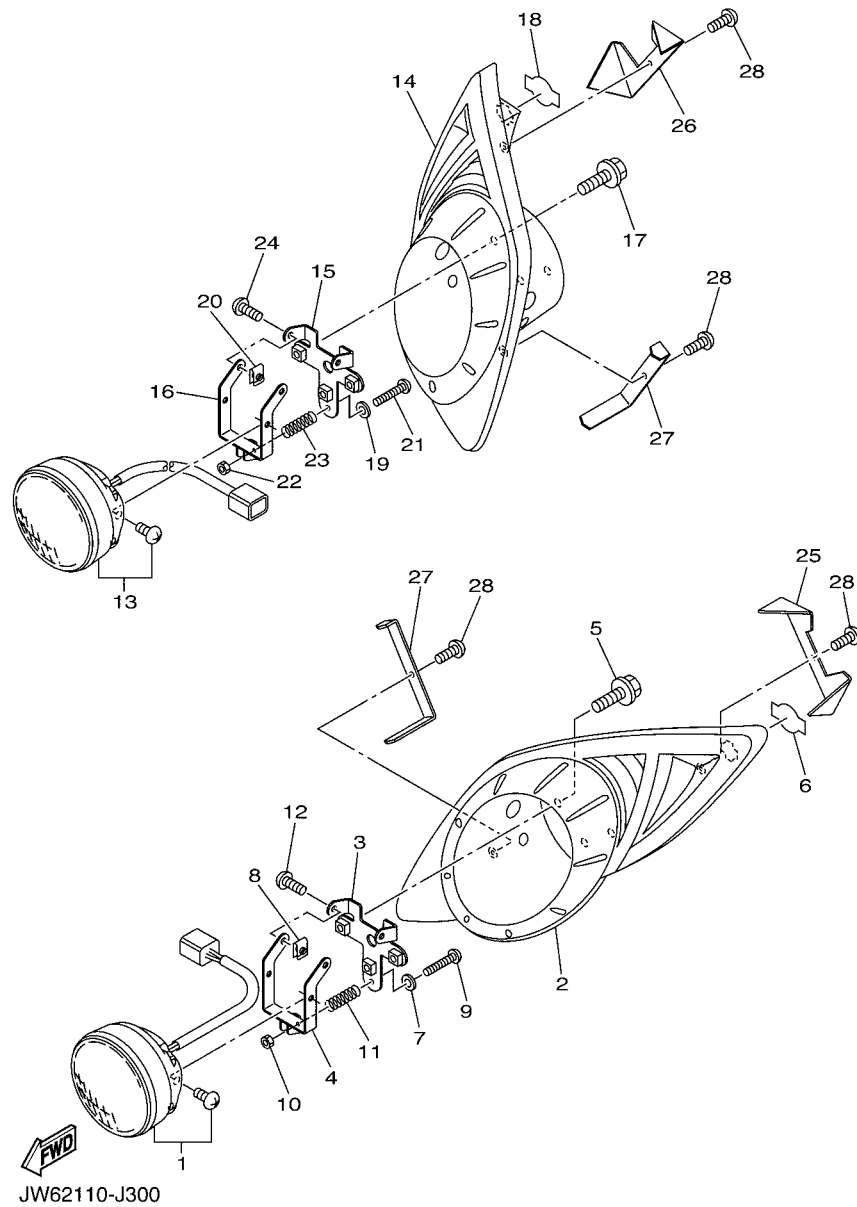
REF. NO.	PART NO.	DESCRIPTION	JW71	JW72	REMARKS
1	JN6-H1100-04	STARTER GENERATOR ASSY	1	1	
2	JN3-H1150-00	..ARMATURE ASSY	1	1	
3	J10-H1157-10	..BEARING 1	1	1	
4	J10-H1158-10	..BEARING 2	1	1	
5	J10-81159-10	..HOLDER, BEARING	1	1	
6	JN6-H1110-10	..STATOR ASSY	1	1	
7	JN6-H1160-10	..FIELD COIL ASSY	1	1	
8	J10-81148-10	..SCREW SET 4	2	2	
9	9530N-06600	...NUT	2	2	
10	9290N-06600	...WASHER	1	1	
11	9290N-06100	...WASHER, SPRING	2	2	
12	J10-H1146-10	..SCREW 2	4	4	
13	JN6-H1165-00	..BRACKET, STARTER GENERATOR 1	1	1	
14	J10-H1166-10	..BRACKET, STARTER GENERATOR 2	1	1	
15	J10-81147-10	..SCREW SET 3	2	2	
16	9530N-06600	..NUT	2	2	
17	9290N-06600	..WASHER	1	1	
18	9290N-06100	..WASHER, SPRING	2	2	
19	JN6-H1119-00	..BRUSH HOLDER ASSY	1	1	
20	JF2-H1111-00	..BRUSH	4	4	
21	JN6-H1113-00	..SPRING, BRUSH	4	4	
22	J10-H1115-10	..WIRE, LEAD	2	2	
23	9850N-05016	..SCREW, PAN HEAD	2	2	
24	9850N-04010	..SCREW, PAN HEAD	4	4	
25	J10-81129-10	..COVER, BRUSH	3	3	
26	J10-H1139-10	..COVER, BRUSH 2	1	1	
27	J10-H1145-10	..SCREW 1	2	2	



JU03100-E320

FIG. 32 STARTING MOTOR

REF. NO.	PART NO.	DESCRIPTION	JW71	JW72	REMARKS
28	9290N-06600	.WASHER	2	2	
29	JN3-H1661-00	.SPACER	1	1	
30	JN6-H1161-00	.PULLEY	1	1	
31	*	.NUT	1	1	LM
32	9850N-05018	.SCREW, PAN HEAD	3	3	



JW62110-J300

FIG. 33 HEADLIGHT

REF. NO.	PART NO.	DESCRIPTION	JW71	JW72	REMARKS
1	JW6-H4300-02	HEADLIGHT ASSY	1	1	HALOGEN (12V35W)
2	JW6-H4111-00	BODY, HEADLIGHT	1	1	
3	JW6-H4318-00	STAY, HEADLIGHT 1	1	1	
4	JW6-H4319-00	STAY, HEADLIGHT 2	1	1	
5	90119-06884	BOLT, WITH WASHER	3	3	
6	JU7-H3547-10	COVER, SOCKET	1	1	
7	90201-03008	WASHER, PLATE	1	1	
8	90183-050A6	NUT, SPRING	2	2	
9	JW6-H433E-01	SCREW, ADJUSTING	1	1	
10	2GU-84334-00	NUT, ADJUSTING	1	1	
11	2GU-84332-00	SPRING, SCREW	1	1	
12	98902-05016	SCREW, BIND	2	2	
13	JW6-H4300-02	HEADLIGHT ASSY	1	1	HALOGEN (12V35W)
14	JW6-H4311-00	BODY, HEADLIGHT	1	1	
15	JW6-H4318-00	STAY, HEADLIGHT 1	1	1	
16	JW6-H4319-00	STAY, HEADLIGHT 2	1	1	
17	90119-06884	BOLT, WITH WASHER	3	3	
18	JU7-H3547-10	COVER, SOCKET	1	1	
19	90201-03008	WASHER, PLATE	1	1	
20	90183-050A6	NUT, SPRING	2	2	
21	JW6-H433E-01	SCREW, ADJUSTING	1	1	
22	2GU-84334-00	NUT, ADJUSTING	1	1	
23	2GU-84332-00	SPRING, SCREW	1	1	
24	98902-05016	SCREW, BIND	2	2	
25	JW6-H431R-00	STAY, SETTING	1	1	
26	JW6-H431T-00	METAL, ADJUSTING	1	1	
27	JW6-H4119-00	STAY, HEADLIGHT 2	2	2	

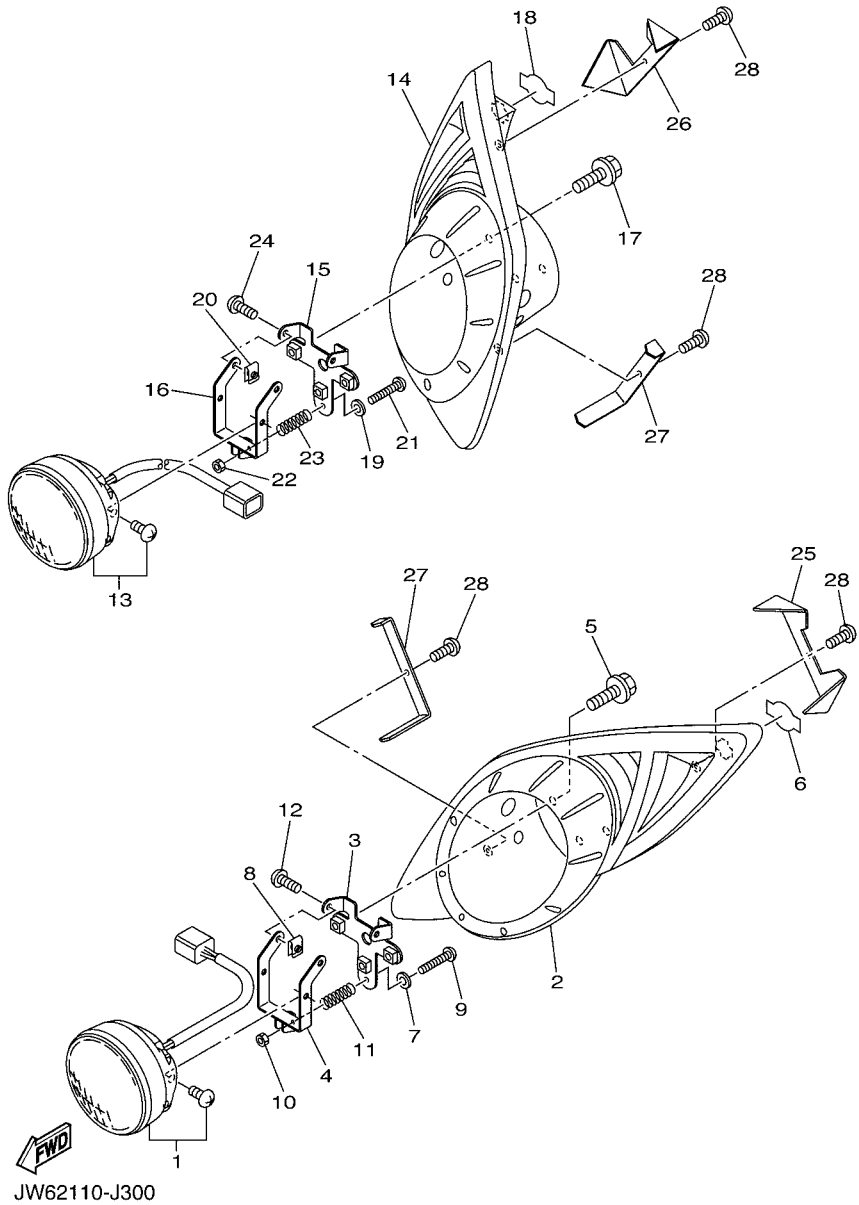


FIG. 33 HEADLIGHT

REF. NO.	PART NO.	DESCRIPTION	JW71	JW72		REMARKS
28	90164-04800	SCREW, TAPPING	4	4		

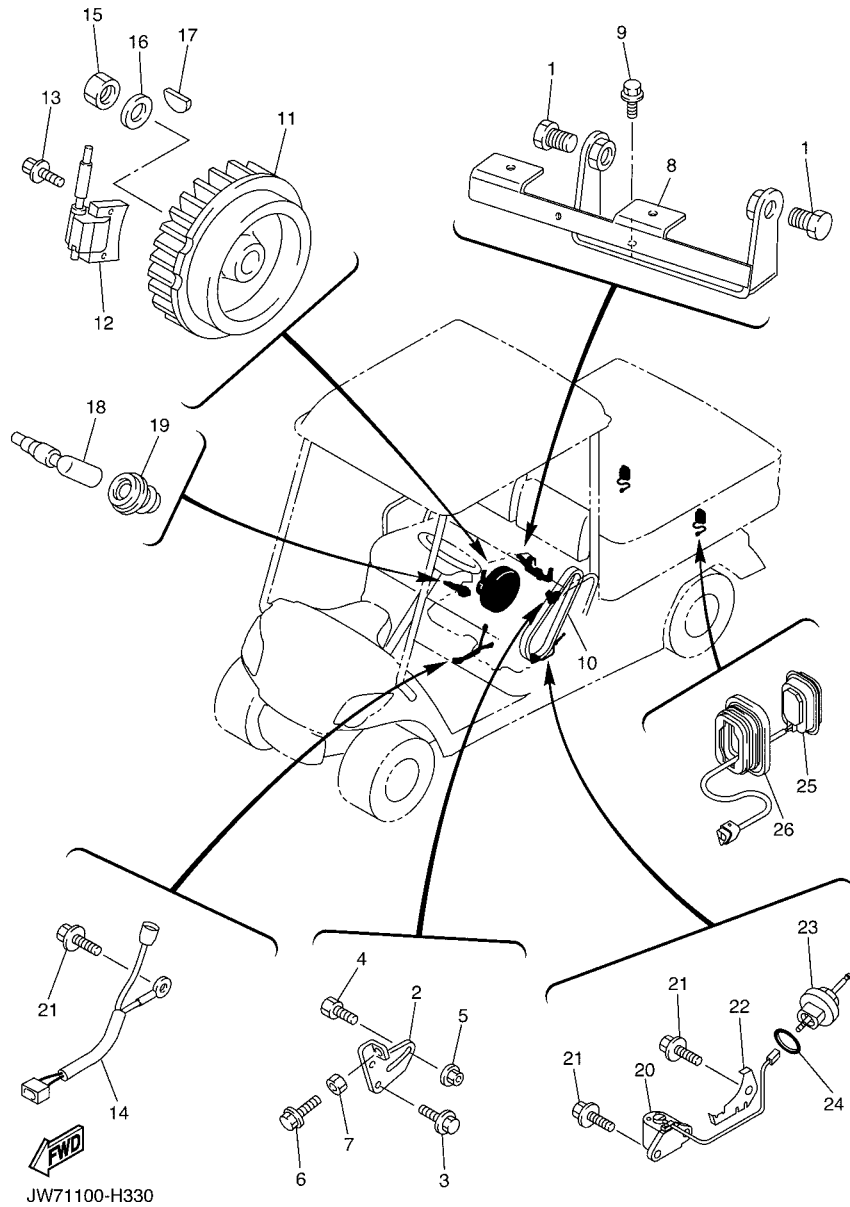


FIG. 34 ELECTRICAL 1

REF. NO.	PART NO.	DESCRIPTION	JW71	JW72	REMARKS
1	95812-12030	BOLT, FLANGE	2	2	
2	JW1-H1170-11	TENSIONER ASSY	1	1	
3	95822-08020	BOLT, FLANGE	2	2	
4	90109-08827	BOLT	1	1	
5	95702-08500	NUT, FLANGE	1	1	
6	90101-06478	BOLT	1	1	
7	95302-06600	NUT	1	1	
8	JN6-H1171-10	BRACKET, STARTER GENERATOR	1	1	
9	95822-08020	BOLT, FLANGE	2	2	
10	JW1-H1173-00	BELT	1	1	
11	JR7-85650-00	ROTOR ASSY	1	1	
12	JN6-85640-01	T.C.I. UNIT ASSY	1	1	
13	95822-06025	BOLT, FLANGE	2	2	
14	JN6-82318-00	WIRE, SUB-LEAD	1	1	
15	95302-18600	NUT	1	1	
16	90201-18620	WASHER, PLATE	1	1	
17	90280-04052	KEY, WOODRUFF	1	1	
18	JN6-82370-00	PLUG CAP ASSY	1	1	
19	JE8-82372-00	SEAL, PLUG CAP	1	1	
20	JT0-85720-00	OIL LEVEL GAUGE ASSY	1	1	
21	95822-06012	BOLT, FLANGE	4	4	
22	JT0-85724-00	CLAMP	1	1	
23	JT0-15362-00	PLUG, OIL LEVEL	1	1	
24	93210-15414	O-RING	1	1	
25	JU5-H4700-10	TAILLIGHT ASSY	2	2	
26	JU5-H4718-00	GROMMET	2	2	

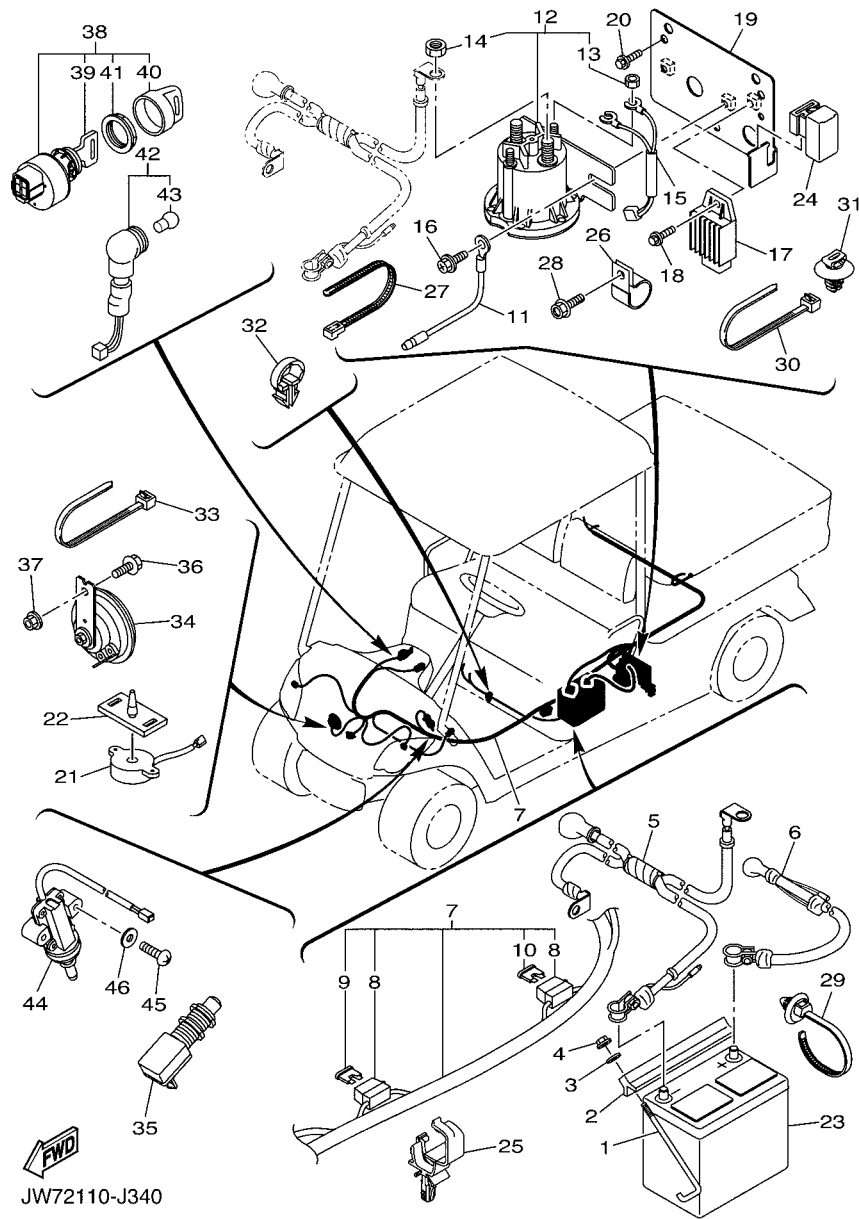
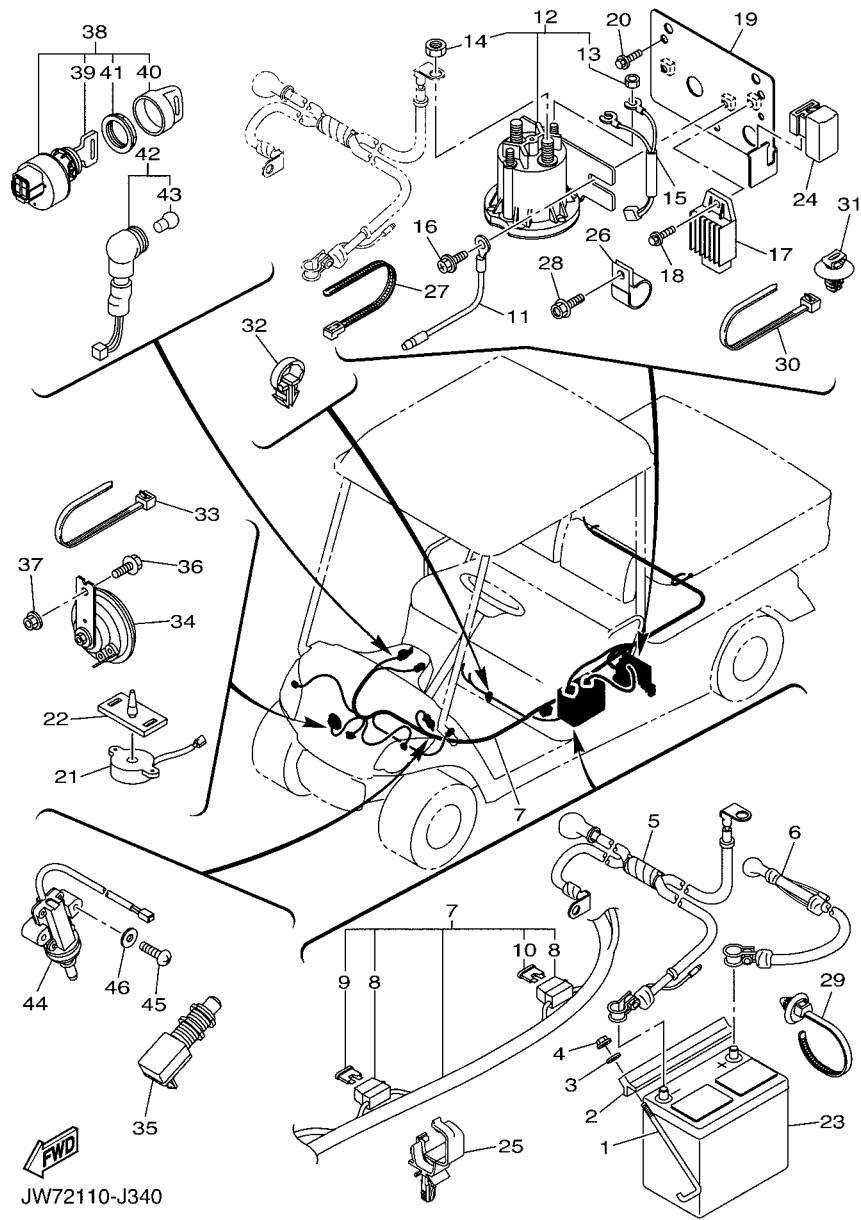


FIG. 35 ELECTRICAL 2

REF. NO.	PART NO.	DESCRIPTION	JW71	JW72	REMARKS
1	JW1-H2133-00	SCREW, FITTING	2	2	
2	J55-H2136-00	PLATE, BATTERY FITTING	1	1	
3	92902-06200	WASHER	2	2	
4	95702-06500	NUT, FLANGE	2	2	
5	JW7-H1441-01	LEAD WIRE ASSY	1	1	
6	JW7-H2115-00	WIRE, PLUS LEAD	1	1	
7	JW7-H2590-00	WIRE HARNESS ASSY	1	1	
8	JR1-H2150-00	.FUSE HOLDER ASSY	2	2	
9	JW6-H2151-00	.FUSE (15A)	1	1	
10	JW7-H2151-00	.FUSE (25A)	1	1	
11	JW6-H232Y-00	WIRE, EARTH LEAD	1	1	
12	JW1-H1950-00	RELAY ASSY	1	1	
13	90179-05807	.NUT	2	2	
14	90179-08824	.NUT	2	2	
15	JN6-H2105-00	WIRE HARNESS	1	1	
16	90163-06005	SCREW, TAPPING	2	2	
17	JF2-81910-01	VOLTAGE REGULATOR ASSY	1	1	
18	90105-06870	BOLT, FLANGE	1	1	
19	JW6-F253B-01	STAY, RELAY	1	1	
20	90105-088A3	BOLT, FLANGE	2	2	
21	JR1-H3383-02	BUZZER	1	1	
22	JN6-H3386-01	STAY, BUZZER	1	1	
23	*	BATTERY ASSY (GC-24, 12V)	1	1	LM
24	4U8-81950-02	RELAY ASSY	1	1	
25	90464-20237	CLAMP	5	5	
26	90461-14108	CLAMP	1	1	
27	90464-09823	CLAMP	1	1	

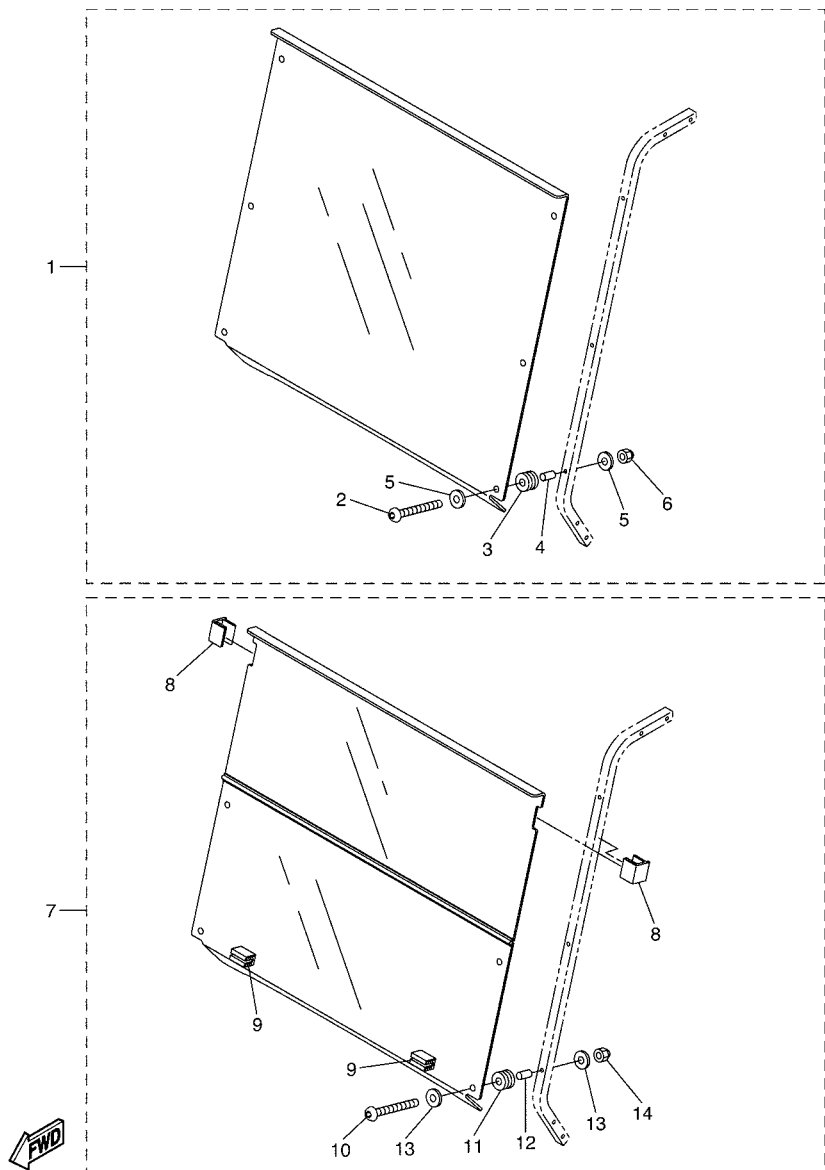


JW72110-J340

FIG. 35 ELECTRICAL 2

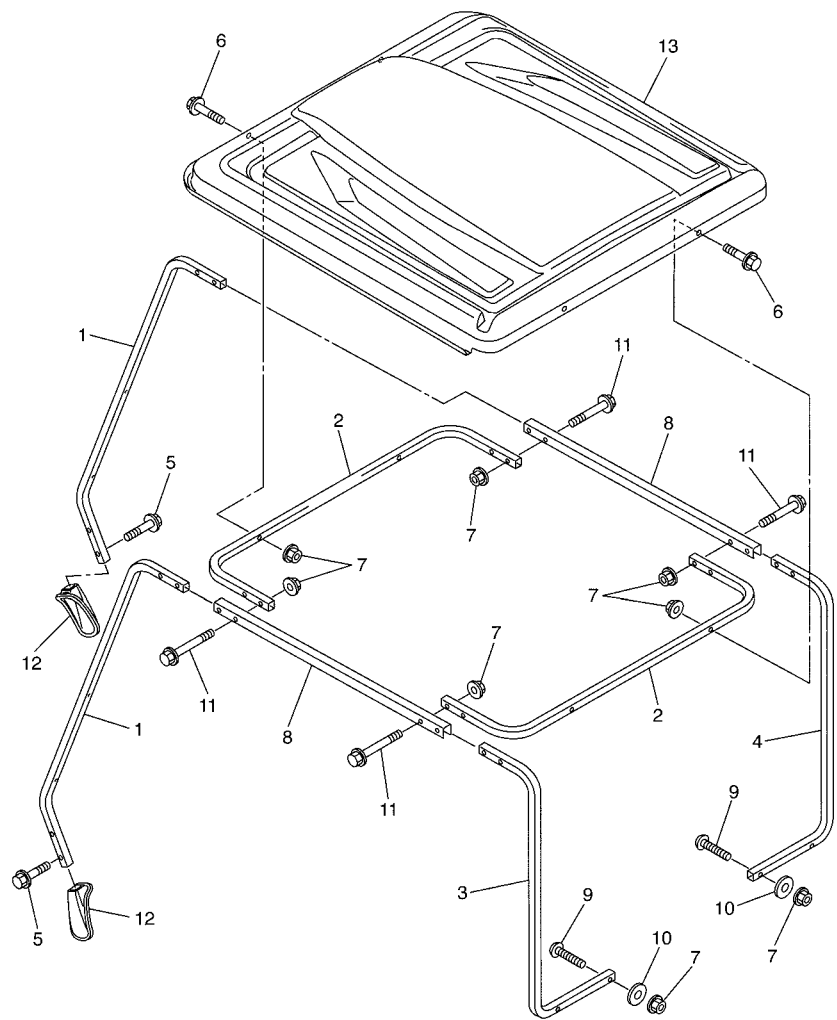
REF. NO.	PART NO.	DESCRIPTION	JW71	JW72	REMARKS
28	90105-06870	BOLT, FLANGE	1	1	
29	90464-20005	CLAMP	8	8	
30	90464-48800	CLAMP	6	6	
31	5UG-F2465-10	HOLDER	3	3	
32	90464-19815	CLAMP	1	1	
33	90464-48800	CLAMP	2	2	
34	4LR-83371-11	HORN	1	1	
35	JR6-H270X-00	SWITCH	1	1	
36	95822-06016	BOLT, FLANGE	1	1	
37	95702-06500	NUT, FLANGE	1	1	
38	JW6-H2510-00	MAIN SWITCH ASSY	1	1	
39	JU6-H2511-10	.KEY, MAIN SWITCH	2	2	
40	5UG-H2579-00	.CAP, KEY	1	1	
41	JU6-H2569-00	.NUT, MAIN SWITCH	1	1	
42	JN6-83530-00	PILOT LIGHT ASSY	1	1	
43	123-83516-21	.BULB (12V-3.4W)	1	1	
44	JF7-82817-20	SWITCH	1	1	
45	98502-05025	SCREW, PAN HEAD	2	2	
46	92902-05600	WASHER, PLATE	2	2	

FIG. 36 ALTERNATE FOR WINDSHIELD



JW14100-H320

REF. NO.	PART NO.	DESCRIPTION	JW71	JW72		REMARKS
1	JW1-K7200-01	WINDSHIELD ASSY, SOLID (CLEAR)	1	1		UR AP
	JW1-K7200-11	WINDSHIELD ASSY, SOLID(SMOKE)	1	1		UR AP
2	JW1-K7237-01	.GROMMET	6	6		
3	JW1-K7212-00	.BOLT (L: 45MM)	6	6		UR
	JW1-K7481-00	.BOLT (L: 50MM)	6	6		UR
4	JW1-K7115-00	.COLLAR	6	6		
5	90201-068G7	.WASHER, PLATE	12	12		
6	JW1-K7217-00	.NUT, WIND SHIELD	6	6		
7	JW1-K7200-21	WINDSHIELD ASSY, HINGED(CLEAR)	1	1		UR AP
	JW1-K7200-31	WINDSHIELD ASSY, HINGED(SMOKE)	1	1		UR AP
8	JW1-K7173-00	.LEVER, LATCH 1	2	2		
9	JW1-K7222-00	.BRACKET, WINDSHIELD(R.H)	2	2		
10	JW1-K7237-01	.GROMMET	4	4		
11	JW1-K7212-00	.BOLT (L: 45MM)	4	4		UR
	JW1-K7481-00	.BOLT (L: 50MM)	4	4		UR
12	JW1-K7115-00	.COLLAR	4	4		
13	90201-068G7	.WASHER, PLATE	8	8		
14	JW1-K7217-00	.NUT, WIND SHIELD	4	4		



JW61100-H341

FIG. 37 ALTERNATE FOR SUN ROOF

REF. NO.	PART NO.	DESCRIPTION	JW71	JW72	REMARKS
1	JW6-K8312-00	SUPPORT, SUN ROOF 1	2	2	
2	JW6-K8313-01	SUPPORT, SUN ROOF 2	2	2	
3	JW6-K831A-00	SUPPORT, ROOF 3	1	1	
4	JW6-K831E-00	SUPPORT, ROOF 4	1	1	
5	JW1-K8388-00	BOLT, ROOF 1	4	4	
6	JW1-K8388-00	BOLT, ROOF 1	4	4	
7	95602-08200	NUT, SELF-LOCKING	16	16	
8	JW6-K831F-00	SUPPORT, ROOF 5	2	2	
9	JW6-K8384-00	BOLT	4	4	
10	90201-08M54	WASHER, PLATE	4	4	
11	90105-088A8	BOLT, FLANGE	8	8	
12	JW1-K832F-01	GROMMET, ROOF SUPPORT 1	2	2	
13	JW6-K8314-00	COVER, SUN ROOF	1	1	

NUMERICAL INDEX

PART NO.	REF. NO.	PART NO.	REF. NO.	PART NO.	REF. NO.	PART NO.	REF. NO.	PART NO.	REF. NO.	PART NO.	REF. NO.
JT0-11111-00	2 - 1	7E1-14191-00	7 - 22	JW7-26361-00	17 - 15	JR7-46205-00	21 - 8	JF2-81910-01	35 - 17	JW1-F217G-10	11 - 12
JN6-11116-00	2 - 10	1KT-14197-01	7 - 25	JW7-26373-00	17 - 16	JX4-46210-00	21 - 1	4U8-81950-02	35 - 24	JW7-F2210-00	11 - 13
JN6-11133-10	2 - 2	127-14198-00	7 - 14	J38-27204-00	18 - 7	JR7-46220-00	21 - 2	JN6-82318-00	34 - 14	5UG-F2465-10	35 - 31
JR7-11163-00	2 - 18	7NJ-14211-00	7 - 6		19 - 4	J38-46231-00	21 - 16	JN6-82370-00	34 - 18	JW7-F2501-10	12 - 1
JN6-11168-00	2 - 11	73A-14212-00	7 - 23	J38-27205-00	18 - 19	J38-46236-00	21 - 9	JE8-82372-00	34 - 19	JW7-F2504-00	12 - 6
JN6-11169-00	2 - 12	73A-14212-10	7 - 7		19 - 16	J38-46237-00	21 - 10	JN3-82617-01	25 - 18	JW6-F253B-01	35 - 19
JT0-11181-00	2 - 3		7 - 19	JH2-27208-01	18 - 5	JX4-46249-00	21 - 17	JF7-82817-20	35 - 44	JW1-F258G-02	12 - 4
JN6-11191-01	2 - 9	J10-14227-00	7 - 5		19 - 2	J38-46251-00	21 - 7	4LR-83371-11	35 - 34	JW7-F2957-01	15 - 19
JN6-11193-00	2 - 13	3G2-1423A-67	7 - 11	JH2-27209-01	18 - 17	J38-46253-00	21 - 4	123-83516-21	35 - 43		16 - 20
812-11198-00	9 - 10	3G2-1423A-68-A0	7 - 11		19 - 14	J38-46260-00	22 - 2	JN6-83530-00	35 - 42	JW1-F312G-00	27 - 14
JN6-11400-00	3 - 1	3G2-1423E-33-A0	7 - 11	JU0-27211-01	17 - 21	JR7-46270-00	22 - 3	2GU-84332-00	33 - 11	JW7-F312H-00	16 - 19
JN6-11454-00	3 - 8	JN6-14291-00	7 - 4	J17-27221-00	17 - 33	JH2-46284-00	22 - 6		33 - 23		17 - 18
JR7-11610-00	3 - 3	7KY-14613-01	8 - 3	J17-27228-00	17 - 42	JW7-46300-02	19 - 1	2GU-84334-00	33 - 10	JW1-F3183-00	14 - 13
JR7-11610-10	3 - 3	1WG-14922-00	7 - 18	J17-27231-03	17 - 37		20 - 1		33 - 22	JW7-F3350-00	13 - 15
JR7-11610-20	3 - 3	JN6-1495H-3B	7 - 9	J17-27232-00	17 - 38		22 - 1	JN6-85640-01	34 - 12	JW7-F3390-00	13 - 20
JR7-11631-00-A0	3 - 2	JR7-15100-00	9 - 1	JW7-27245-00	17 - 49		23 - 1	JR7-85650-00	34 - 11	JW1-F3394-00	15 - 8
583-11633-00	3 - 4	JR7-15123-00	9 - 4	JW7-27246-00	17 - 66		24 - 1	JT0-85720-00	34 - 20		16 - 10
JR7-11635-00	3 - 2	JN6-15155-00	9 - 2	J46-27250-03	17 - 19	JW7-46311-00	23 - 2	JT0-85724-00	34 - 22	JW1-F3396-00	27 - 3
JR7-11636-00	3 - 2	J38-15361-00	9 - 22	J55-27260-00	18 - 25	JW7-46312-01	23 - 8	JW1-E1116-00	2 - 16	JW1-F339Y-00	14 - 14
JN6-11650-00	3 - 6	JT0-15362-00	34 - 23		19 - 22	J38-46319-01	23 - 13	JN6-E1166-00	2 - 15	JW1-F3400-00	14 - 11
JN6-11654-00	3 - 7	796-15363-01	9 - 20	J55-27270-00	18 - 13	JN7-46321-00	23 - 22	JW1-E1166-00	2 - 15	5UG-F3489-00	14 - 21
JN6-12111-01	4 - 2	JR7-15407-00	9 - 3		19 - 10	J38-46331-01	23 - 23	JW1-E2691-00	5 - 9	JW7-F3511-00	13 - 4
J38-12117-01	4 - 6	JN6-15411-01	9 - 12	J10-27281-00	18 - 9	J38-46338-00	23 - 44	JU0-E3505-09	6 - 14	JW1-F3512-00	13 - 5
J38-12118-00	4 - 7	JY2-15451-00	9 - 16		18 - 21	J38-4633A-00	23 - 43	JU0-E4411-00	6 - 10	JW7-F3521-00	13 - 13
4G0-12119-00	4 - 13	JF7-17688-00	22 - 7		19 - 6	J38-46348-00	23 - 40	JU0-E4412-00	6 - 11	5UG-F3527-00	14 - 22
7RH-12121-00	4 - 3	JR6-19001-00	1 - 1		19 - 18	J38-46351-00	23 - 24	5UH-E4424-00	6 - 17	JU0-F3570-20	13 - 1
JN6-12151-00	4 - 8	JT0-21481-00	10 - 3	J10-27282-00	18 - 10	J38-46356-00	23 - 41	JU0-E4450-00	6 - 12	JW1-F3811-01	14 - 1
JN6-12153-00	4 - 4	401-22128-01	13 - 17		18 - 22	J38-46361-01	23 - 25	JU0-E445E-00	6 - 13	JN3-F3814-01	14 - 5
JR7-12154-01	4 - 12	JW7-22341-01	24 - 10		19 - 7	J38-46362-00	23 - 26	JW1-E4710-10	8 - 1	JW1-F3822-00	14 - 30
J38-12156-00	4 - 11	2NL-23448-00	13 - 10		19 - 19	J38-46363-00	23 - 27	JW1-E4713-00	8 - 4	JU0-F3828-10	14 - 4
22F-12159-00	4 - 9	2NL-23517-00	13 - 12	J10-27286-00	18 - 14	J38-4636A-00	23 - 28	JU0-F1436-00	8 - 2	1P0-F3833-00	14 - 27
JR7-12170-00	4 - 1	2HR-23526-00	13 - 3		18 - 26	JT0-46374-00	23 - 59	JW7-F1551-00	27 - 6	JW1-F3837-00	14 - 23
JN6-12616-00	5 - 3	JU0-23841-10	14 - 28		19 - 11	JF2-46382-00	25 - 4	JW7-F1555-00	27 - 7	JN3-F3838-00	14 - 6
JN6-12621-02	5 - 1	JW7-2385L-00	11 - 17		19 - 23	J38-46384-00	23 - 50	JW6-F1633-00	30 - 28	5UG-F3844-00	14 - 20
JN6-12651-00	5 - 5	JW7-2385M-00	11 - 18	JW7-27445-00	17 - 52	JJ3-46411-00	23 - 32	JW7-F1696-00	28 - 9	JU0-F3857-11	14 - 3
JN6-12652-00	5 - 7	5PX-24180-00	16 - 22	J17-27853-01	17 - 54	JX4-46414-00	23 - 34	JW7-F1696-10	28 - 9	JW1-F3866-00	14 - 25
JR7-12658-00	5 - 6	J55-25357-00	18 - 20	J10-27871-01	17 - 55	JX4-46415-00	23 - 35	JW7-F1696-20	28 - 9	1D9-F386G-00	11 - 20
JN6-13567-00	6 - 3		19 - 17	JW7-27872-00	17 - 56	J38-46417-02	23 - 36	JW1-F1738-00	12 - 3	1D9-F386H-01	11 - 21
JN6-13595-00	6 - 1	J55-25358-00	18 - 8	J10-27911-00	20 - 11	JJ3-46421-00	23 - 33		15 - 5	JW1-F387A-00	14 - 12
JR6-14101-00	7 - 1		19 - 5	J10-27912-01	20 - 8	JW7-46510-00	24 - 4		16 - 7	JW1-F387E-00	14 - 15
7LV-14118-00	7 - 24	J17-25666-02	17 - 31	J10-27913-00	20 - 10	JW7-46520-00	24 - 6		16 - 30	5UG-F387F-00	14 - 18
732-14142-65-A0	7 - 8	JU0-25671-00	17 - 24	JW7-27921-00	20 - 15	JW7-46540-02	24 - 2	JW7-F1977-00	16 - 32	5UG-F387G-00	14 - 16
73A-1414G-00	7 - 10	J17-25672-01	17 - 22	JW7-27922-00	20 - 16	JW7-46550-02	24 - 3	JW1-F1977-01	15 - 16	5UG-F387J-00	14 - 19
JN5-14150-00	7 - 16	J17-25673-00	17 - 23	JN7-27927-01	20 - 12	JN3-47559-00	23 - 57		16 - 28	5UG-F387K-00	14 - 17
7R1-14162-00	7 - 15		17 - 65	J38-27951-00	20 - 2	J10-81129-10	32 - 25	JW7-F2110-10	11 - 1	JW1-F3894-00	14 - 26
796-14184-00	7 - 12	JX4-25681-00	17 - 5	J38-27959-00	20 - 6	J10-81147-10	32 - 15	JW6-F2123-00	30 - 27	5UG-F389E-00	30 - 12
JN6-14185-00	7 - 13	JW7-26341-00	17 - 9	J38-27981-00	23 - 56	J10-81148-10	32 - 8	JN6-F2123-10	11 - 2	JW1-F4111-02	15 - 1
22F-14186-00	7 - 17	JW7-26351-00	17 - 10	JN7-27982-00	20 - 21	J10-81159-10	32 - 5	JN6-F2124-10	11 - 8	JW1-F4111-20	16 - 1

NUMERICAL INDEX

PART NO.	REF. NO.	PART NO.	REF. NO.	PART NO.	REF. NO.	PART NO.	REF. NO.	PART NO.	REF. NO.	PART NO.	REF. NO.
JW1-F4112-00	16 - 5	J55-G6383-00	25 - 3	JW6-H4300-02	33 - 13	JW7-K7766-00	31 - 17	JW6-K8361-00	31 - 10	90106-08040	17 - 60
JW1-F4161-00	27 - 5	JU0-G6521-00	13 - 30	JW6-H4311-00	33 - 14	JW7-K7766-10	31 - 17	JW6-K8362-00	31 - 13	90109-08827	34 - 4
7CC-F4170-00	16 - 21		24 - 13	JW6-H4318-00	33 - 3	JW7-K7766-20	31 - 17	JU9-K8384-00	30 - 11	90110-06007	27 - 24
JW7-F419A-00	16 - 29	1D9-G7491-00	11 - 16		33 - 15	JW6-K7767-01	31 - 18	JW6-K8384-00	37 - 9	90110-06125	31 - 3
JW1-F4300-00	15 - 2	JN6-H1100-04	32 - 1	JW6-H4319-00	33 - 4	JW6-K7767-10	31 - 18	JW1-K8388-00	37 - 5	90111-05805	27 - 11
	16 - 2	JN6-H1110-10	32 - 6		33 - 16	JW6-K7767-20	31 - 18		37 - 6	90111-06814	28 - 4
JW7-F4311-00	15 - 11	JF2-H1111-00	32 - 20	JW6-H431R-00	33 - 25	JW7-K7768-00	27 - 16	JW1-K8401-10	31 - 1		29 - 7
	16 - 13	JN6-H1113-00	32 - 21	JW6-H431T-00	33 - 26	JW7-K7768-10	27 - 16	JW6-K8402-00	31 - 7	90111-10800	30 - 14
JW7-F4312-00	15 - 9	J10-H1115-10	32 - 22	JW6-H433E-01	33 - 9	JW7-K7768-20	27 - 16	JJ3-K8413-10	31 - 8	90113-04050	21 - 11
	16 - 11	JN6-H1119-00	32 - 19		33 - 21	JW7-K810M-00	30 - 1	JW6-K8423-00	31 - 4	90114-12004	24 - 5
JW7-F4313-00	15 - 12	J10-H1139-10	32 - 26	JU5-H4700-10	34 - 25	JW1-K8114-01	27 - 10	JW1-K8426-00	31 - 2		24 - 7
	16 - 14	J10-H1145-10	32 - 27	JU5-H4718-00	34 - 26	JW7-K8115-10	27 - 1	JW1-K8427-00	31 - 5	90114-12805	13 - 23
JW7-F4314-10	15 - 13	J10-H1146-10	32 - 12	JU9-K6179-00	30 - 7	JW7-K811K-00	29 - 3	JU9-K8564-00	30 - 3	90119-06830	30 - 5
	16 - 15	JN3-H1150-00	32 - 2	JU9-K6189-00	30 - 8		29 - 9	F1X-U411C-10	29 - 19	90119-06837	31 - 15
	16 - 25	J10-H1157-10	32 - 3	JW1-K7115-00	36 - 4	JW7-K8142-10	28 - 1	JX4-W2536-00	18 - 6	90119-06884	6 - 4
JW7-F4316-00	16 - 26	J10-H1158-10	32 - 4		36 - 12	JJ3-K815H-01	30 - 31		18 - 18		33 - 5
JW7-F4317-00	16 - 27	JN6-H1160-10	32 - 7	JU9-K7171-00	30 - 10	JW1-K8164-00	26 - 2		19 - 3		33 - 17
JW7-F4368-00	15 - 18	JN6-H1161-00	32 - 30	JU9-K7172-00	30 - 4	JU5-K8167-11	30 - 25		19 - 15	90159-06107	9 - 5
JU5-F4375-00	15 - 3	JN6-H1165-00	32 - 13	JW1-K7173-00	36 - 8	JW7-K818A-00	29 - 2	90101-06478	34 - 6	90163-06005	35 - 16
	16 - 3	J10-H1166-10	32 - 14	JW6-K7180-00	30 - 17	JW7-K818B-00	29 - 8	90101-08344	23 - 19	90163-06802	31 - 6
	16 - 6	JW1-H1170-11	34 - 2	JW6-K7185-00	30 - 18	JW7-K818E-00	29 - 6		23 - 46	90164-04800	33 - 28
JN6-F4410-11	15 - 7	JN6-H1171-10	34 - 8	JU9-K7195-00	30 - 6	JW7-K818F-00	29 - 12	90101-10447	17 - 51	90170-05302	4 - 10
	16 - 9	JW1-H1173-00	34 - 10	JW1-K7200-01	36 - 1	JJ3-K818M-00	30 - 22	90105-06042	31 - 9	90173-06001	27 - 25
JW7-F4425-00	15 - 20	JW7-H1441-01	35 - 5	JW1-K7200-11	36 - 1	JW7-K818N-00	30 - 13	90105-06122	24 - 12	90179-05523	27 - 8
JN6-F4560-00	15 - 10	JN3-H1661-00	32 - 29	JW1-K7200-21	36 - 7	JW1-K8191-00	29 - 14	90105-06831	12 - 5	90179-05807	35 - 13
	16 - 12	JW1-H1950-00	35 - 12	JW1-K7200-31	36 - 7	JW1-K8192-00	29 - 16	90105-06862	6 - 16	90179-07564	17 - 26
JN6-F4610-00	15 - 4	JN6-H2105-00	35 - 15	JW1-K7212-00	36 - 3	JU9-K819K-00	30 - 2	90105-06870	25 - 17	90179-08822	17 - 7
JW1-F4610-00	16 - 4	JW7-H2115-00	35 - 6		36 - 11	JW7-K8215-00	29 - 4		27 - 4	90179-08824	35 - 14
JW1-F467K-00	14 - 24	JW1-H2133-00	35 - 1	JW6-K7213-00	31 - 11		29 - 10		35 - 18	90179-12262	13 - 31
JW1-F5100-00	13 - 32	J55-H2136-00	35 - 2	JW6-K7214-00	31 - 14	JW7-K8233-00	27 - 17		35 - 28		24 - 14
JR6-F5110-01	13 - 22	JR1-H2150-00	35 - 8	JW1-K7217-00	36 - 6	JW1-K8245-00	27 - 21	90105-08054	18 - 3	90179-13800	11 - 4
JN6-F5118-01	13 - 29	JW6-H2151-00	35 - 9		36 - 14	JW1-K8261-00	27 - 23	90105-08056	23 - 37	90183-05008	27 - 12
JW7-F5300-00	24 - 15	JW7-H2151-00	35 - 10	JW1-K7222-00	36 - 9	JW1-K8262-00	27 - 26	90105-08150	24 - 11	90183-050A6	33 - 8
JW7-F5685-00	17 - 1	JW6-H232Y-00	35 - 11	JW1-K7237-01	36 - 2	JW1-K8270-00	29 - 1	90105-08171	12 - 10		33 - 20
JW7-F6311-00	17 - 70	JN6-H2377-00	28 - 8		36 - 10	JW1-K8273-00	27 - 20	90105-081A7	24 - 8	90183-06811	28 - 6
JU0-F6312-00	6 - 18	JW6-H2510-00	35 - 38	JW6-K7329-00	31 - 12	JW1-K8297-01	28 - 11	90105-082A0	24 - 9	90185-12002	11 - 15
JW7-F6331-00	6 - 19	JU6-H2511-10	35 - 39	JW7-K7329-00	29 - 5	JW1-K8297-10	28 - 11	90105-08867	29 - 13	90185-12061	14 - 7
JU0-F6333-00	6 - 20	JU6-H2569-00	35 - 41		29 - 11	JW6-K8312-00	37 - 1	90105-088A3	35 - 20	90201-03008	33 - 7
JR6-F7215-01	17 - 14	5UG-H2579-00	35 - 40	JW1-K7449-00	29 - 18	JW6-K8313-01	37 - 2	90105-088A4	31 - 16		33 - 19
JW7-F7263-00	18 - 1	JW7-H2590-00	35 - 7	JW6-K7449-00	28 - 3	JW6-K8314-00	37 - 13	90105-088A7	12 - 7	90201-04810	14 - 36
JW7-F7264-00	18 - 2	JR6-H270X-00	35 - 35	JW1-K7481-00	36 - 3	JW6-K831A-00	37 - 3	90105-088A8	37 - 11	90201-06863	28 - 5
JW7-F7411-10	12 - 2	JR1-H3383-02	35 - 21		36 - 11	JW6-K831E-00	37 - 4	90105-088B0	26 - 3	90201-068G7	36 - 5
5UG-F8415-00	30 - 23	JN6-H3386-01	35 - 22	JW1-K7510-00	26 - 1	JW6-K831F-00	37 - 8	90105-10064	13 - 9		36 - 13
J55-G6241-00	21 - 18	JU7-H3547-10	33 - 6	2P5-K7515-00	30 - 20	JW1-K832F-01	37 - 12	90105-10267	13 - 14	90201-08053	30 - 33
JW7-G6371-00	25 - 2		33 - 18	JU9-K7739-10	30 - 9	JW1-K832H-00	27 - 27		13 - 21	90201-080E4	8 - 6
JN3-G6372-00	25 - 16	JW6-H4111-00	33 - 2	JW1-K7741-00	28 - 7	JN3-K8357-00	14 - 33	90105-10728	13 - 6	90201-08843	12 - 9
JN3-G6376-00	25 - 9	JW6-H4119-00	33 - 27	JU0-K7762-00	14 - 39	JN6-K8358-01	14 - 34	90105-10847	14 - 29	90201-08M54	37 - 10
JN3-G6381-00	25 - 8	JW6-H4300-02	33 - 1	JW6-K7765-00	28 - 10	JW6-K835E-00	27 - 15	90105-13800	11 - 3	90201-10057	2 - 5

NUMERICAL INDEX

PART NO.	REF. NO.	PART NO.	REF. NO.	PART NO.	REF. NO.	PART NO.	REF. NO.	PART NO.	REF. NO.	PART NO.	REF. NO.
90201-10057	9 - 19	90387-08013	17 - 28	90508-14548	17 - 36	92907-06200	23 - 52	95602-06200	20 - 7	95822-08020	34 - 9
90201-104G8	17 - 47	90387-08014	17 - 30	90508-16460	17 - 73	9290N-06100	32 - 11	95602-08100	25 - 1	95827-08040	23 - 14
90201-10830	30 - 16	90387-107F8	17 - 53	90508-32015	17 - 46		32 - 18	95602-08200	8 - 5	95827-08050	23 - 15
90201-12166	23 - 54	90387-12009	17 - 45	90508-40007	17 - 50	9290N-06600	32 - 10		12 - 8	97002-08016	20 - 22
90201-121H8	18 - 15	90387-12016	13 - 16	90508-40678	20 - 5		32 - 17		18 - 4	97002-08025	8 - 7
	18 - 27	90387-21690	20 - 9	90508-45679	22 - 9		32 - 28		30 - 24	97012-08030	14 - 31
	19 - 12	90387-241M7	13 - 26	90560-05001	17 - 74	92990-05100	7 - 3		30 - 26	97012-10020	11 - 5
	19 - 24	90387-252M8	23 - 31	90560-08251	15 - 6	93102-12224	23 - 55		30 - 30		11 - 23
90201-121H9	18 - 16	90430-08119	23 - 20		16 - 8	93102-25017	23 - 6		37 - 7	97012-10050	9 - 18
	18 - 28		23 - 47	91317-04025	22 - 8	93102-25360	23 - 7	95602-08710	2 - 17	97012-10070	2 - 4
	19 - 13	90430-14043	23 - 18	91401-20012	23 - 53		23 - 12	95602-10200	10 - 1	97022-06035	17 - 25
	19 - 25	90461-08072	17 - 17	91402-20012	25 - 7	93102-28457	21 - 3		11 - 19	97022-08100	17 - 27
90201-12588	22 - 12	90461-14108	35 - 26	91402-25020	13 - 8	93102-35014	9 - 7		13 - 7	97702-40525	14 - 35
90201-128S4	11 - 11	90461-15139	16 - 23		14 - 10		9 - 14		30 - 15	97702-60520	5 - 4
90201-17713	23 - 42	90464-09823	35 - 27	91490-25020	17 - 13	93104-08058	20 - 20	95602-12200	11 - 10	98502-04016	25 - 13
90201-18620	34 - 16	90464-12836	15 - 17	91609-35028	17 - 58	93109-20069	22 - 5		14 - 9	98502-05008	21 - 14
90201-198S7	25 - 11		16 - 18	91609-40020	23 - 45	93210-132A8	17 - 68		22 - 13	98502-05010	16 - 24
90201-20275	20 - 14	90464-14134	16 - 31	91609-40040	23 - 39	93210-14104	17 - 64	95602-14100	13 - 28	98502-05025	35 - 45
90201-20611	23 - 29	90464-19815	35 - 32	91609-60028	17 - 57	93210-15414	34 - 24	95612-12100	13 - 19	98507-04010	7 - 20
90201-208S8	25 - 10	90464-20005	35 - 29	91701-06022	23 - 51	93210-22344	9 - 21	95622-08618	2 - 7	98507-05008	7 - 2
90201-257J2	23 - 30	90464-20237	35 - 25	91702-05010	6 - 5	93210-398D6	6 - 15	95702-06500	35 - 4	9850N-04010	32 - 24
90202-07164	21 - 12	90464-48800	35 - 30		6 - 8	93306-005Y3	13 - 25		35 - 37	9850N-05016	32 - 23
90202-07186	21 - 13		35 - 33	91702-05014	17 - 71	93306-00803	23 - 5	95702-08500	6 - 2	9850N-05018	32 - 32
90202-08110	20 - 18	90465-06011	23 - 21	91702-06014	25 - 5		23 - 11		17 - 61	98902-05016	33 - 12
90202-20130	22 - 10	90465-06038	25 - 19	91702-08018	17 - 12	93306-20201	9 - 8		23 - 61		33 - 24
90208-14801	13 - 27	90467-10846	15 - 15	91702-10022	17 - 2		9 - 15		34 - 5	98902-05020	27 - 9
90249-07190	23 - 49		16 - 17	91702-10028	17 - 3	93306-20401	23 - 4	95802-06020	5 - 2	98902-08040	27 - 19
90249-14129	17 - 6	90467-12845	15 - 14	92012-06010	20 - 17		23 - 10		5 - 8	98907-05008	21 - 5
90267-63047	27 - 2		16 - 16	92902-04100	7 - 21	93306-204X0	13 - 24	95802-06025	17 - 59	99001-06600	20 - 19
90269-06804	27 - 22	90467-13847	2 - 19		25 - 14	93306-20501	23 - 3	95802-08020	17 - 67	99001-07600	6 - 7
	29 - 15	90468-10049	6 - 6	92902-04600	25 - 15	93306-20714	9 - 13	95812-08012	11 - 22	99002-04600	17 - 44
	29 - 17		6 - 9	92902-05100	21 - 15	93306-30311	23 - 9	95812-08020	14 - 2	99002-07600	17 - 35
90269-07001	27 - 13		17 - 72	92902-05600	17 - 43	93306-30709	9 - 6		17 - 69	99002-09600	17 - 11
90269-08813	5 - 10	90468-20196	17 - 4		35 - 46	93342-22518	20 - 13	95812-08045	9 - 17	99009-19400	25 - 12
	28 - 2	90501-10060	23 - 48	92902-06200	35 - 3	93410-25017	23 - 58	95812-08070	30 - 29	99530-08016	9 - 11
90269-09003	27 - 18	90501-264A9	4 - 5	92902-06600	25 - 6	93450-21053	3 - 5	95812-08075	23 - 60	99530-12016	23 - 16
90280-04052	34 - 17	90502-10013	14 - 37	92902-08100	8 - 8	93700-06004	21 - 6	95812-12030	34 - 1		23 - 38
90280-05022	22 - 11	90506-09001	17 - 40		20 - 23		22 - 4	95812-12055	11 - 14	99530-14016	2 - 6
90340-12097	9 - 9	90506-14001	18 - 12	92902-08200	17 - 48	94702-00343	2 - 8	95812-12065	11 - 9		
90340-14036	23 - 17		18 - 24	92902-08600	8 - 9	94702-00348	2 - 8	95812-12080	13 - 18		
90381-17067	13 - 11		19 - 9		14 - 32	95302-06600	20 - 3	95822-06012	26 - 4		
90381-18001	13 - 2		19 - 21	92902-10100	11 - 6		34 - 7		34 - 21		
90384-05163	17 - 41	90506-16451	30 - 19		11 - 24	95302-06700	17 - 39	95822-06016	35 - 36		
90384-10162	17 - 32	90506-20281	18 - 11	92902-10200	10 - 2	95302-08600	17 - 29	95822-06025	34 - 13		
90384-14080	17 - 20		18 - 23	92902-10600	11 - 7	95302-08700	17 - 8	95822-06030	2 - 14		
	17 - 63		19 - 8		11 - 25	95302-18600	34 - 15	95822-08016	30 - 21		
90386-08141	20 - 4		19 - 20		17 - 34	9530N-06600	32 - 9	95822-08020	30 - 32		
90387-046N7	14 - 38	90506-26282	17 - 62	92902-12200	14 - 8		32 - 16		34 - 3		