



# PARTS CATALOGUE

## YTF2 (JW71) U.S.A., CANADA, EUROPE, OTHERS

---



1HJW7-100E1

( )

YTF2  
PARTS CATALOGUE  
©2008 by Yamaha Motor Co., Ltd.  
1st edition, October 2008  
All rights reserved.  
Any reprinting or unauthorized use  
without the written permission of  
Yamaha Motor Co., Ltd.  
is expressly prohibited.  
Printed in Japan.

# FOREWORD

This Parts Catalogue is related to the parts for the model(s) on the cover page. When you are ordering replacement parts, please refer to this Parts Catalogue and quote both part numbers and part names correctly.

1. Modifications or additions which have been made after the issue of the Parts Catalogue will be announced in the Parts News.

It is advisable that you make the necessary corrections to the Parts Catalogue according to the Parts News.

2. Abbreviations

The following abbreviations are used in this Parts Catalogue.

“UR” Use specified parts number.

“UN” Use as many as needed.

“AP” Alternate Parts

“LM” Locally Made (Parts need to be ordered locally)

“F#” Frame No. (Applicable machine No.)

“O/S” Over Size

3. The number of components for assembly

- Parts, which are to be supplied in an assembly, are listed with a dot (.) in front of the part name as shown below.
- The numeral appearing to the right of each component part indicates the quantity of parts for each assembly unit.

PART NO.	DESCRIPTION	Q'TY	REMARKS
2F5-83310-60	FRONT FLASHER LIGHT ASSY	2	
115-83311-60	.BULB (6V-18W)	1	

4. Applicable colours of graphics are represented in the “REMARKS” as shown below.

PART NO.	DESCRIPTION	Q'TY	REMARKS
2N4-24110-00-X5	FUEL TANK COMP.	2	MXR
3J1-24240-10	.GRAPHIC, FUEL TANK	1	FOR MXR

5. Note that the illustrations for reference in finding parts numbers are not to be used for assembling. When assembling, please use the applicable service manual.

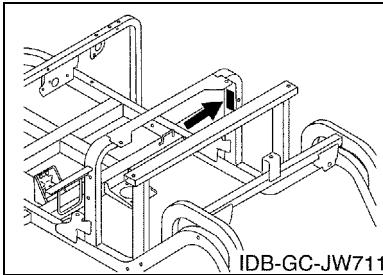
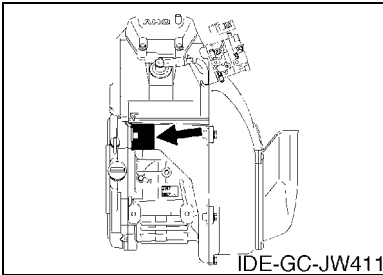
6. The asterisk (\*) before a reference number indicates modified items after the first edition.

# FOREWORD

7. Applicable Serial No.

Engine Serial No.

Frame Serial No.



10. Applicable Starting Serial No.

Frame Serial No.

Serial No.	Name Of Q'ty Column	Model Code
JW7-000101	JW71	JW71

8. Applicable Colour Code (The (\*) mark shows Model colour.)

Abbreviation	Colour Name	Colour Code
VDGS1(*)	VERY DARK GREEN SOLID 1	0614

9. Quantity Column Information

Column No.	Name Of Q'ty Column	Destination
1	JW71	U.S.A., CANADA, EUROPE, OTHERS

# CONTENTS

ENGINE 1 .....	1
<b>ENGINE</b>	
CYLINDER HEAD .....	2
CRANKSHAFT & PISTON .....	3
CAMSHAFT & VALVE .....	4
AIR SHROUD & FAN .....	5
INTAKE .....	6
CARBURETOR .....	7
EXHAUST .....	8
CRANKCASE .....	9
<b>BODY</b>	
ENGINE BRACKET .....	10
REAR ARM & SUSPENSION .....	11
FRAME .....	12
FRONT SUSPENSION & WHEEL .....	13
STEERING .....	15
FUEL TANK .....	17
PEDAL ASSEMBLY .....	18
BRAKE 1 .....	21
BRAKE 2 .....	23
GOVERNOR .....	24
<b>DRIVE</b>	
PRIMARY SHEAVE .....	25
SECONDARY SHEAVE .....	26
TRANSAXLE .....	27
REAR AXLE & WHEEL .....	30
SHIFTER & CABLES .....	31
BUMPER .....	32
BODY .....	33
BODY 2 .....	34
BODY FITTING .....	35
CARRIER .....	36
SEAT .....	38
<b>ELECTRICAL</b>	
STARTING MOTOR .....	39
HEADLIGHT .....	41
ELECTRICAL 1 .....	43

ELECTRICAL 2 .....	44
ALTERNATE FOR WINDSHIELD .....	46
ALTERNATE FOR SUN ROOF .....	47

## INDEX

NUMERICAL INDEX .....	48
-----------------------	----

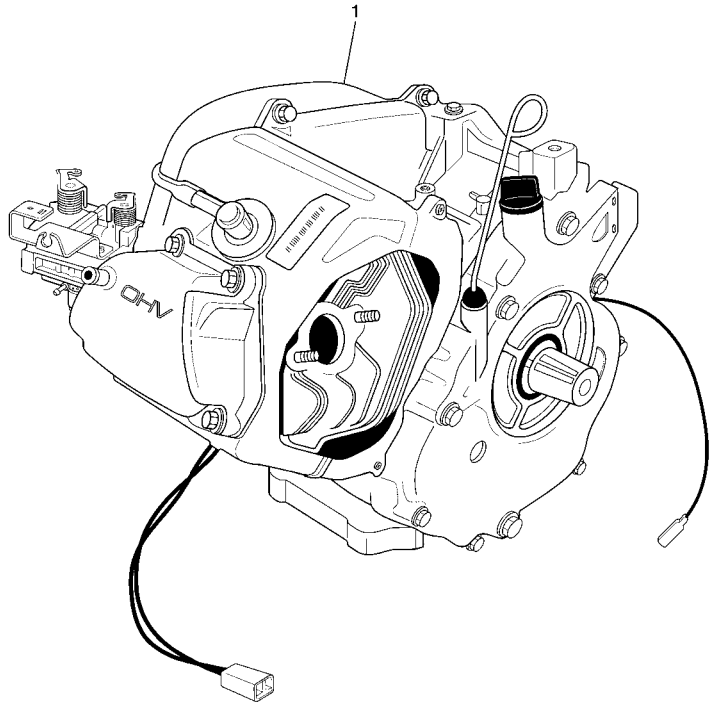
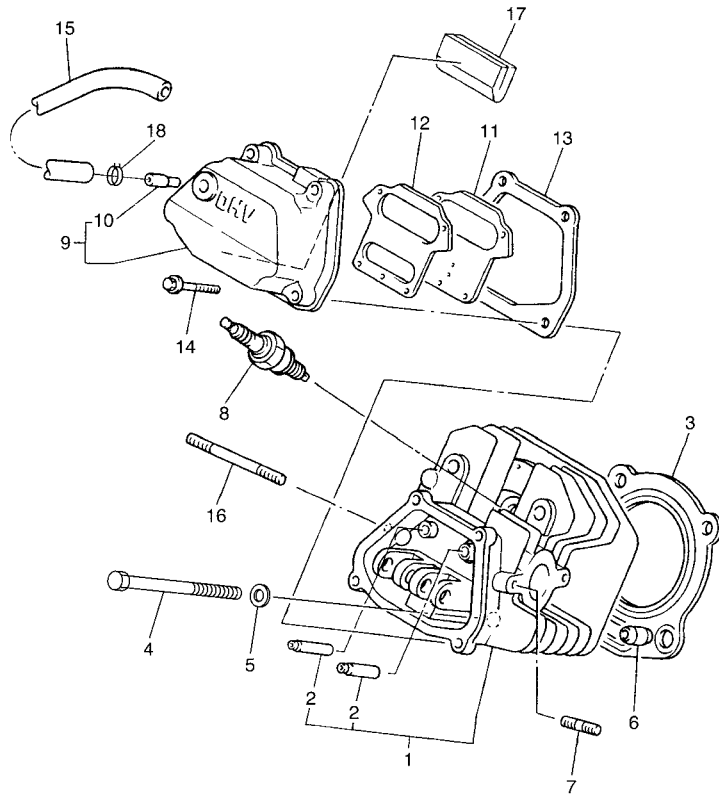


FIG. 1 ENGINE 1

REF. NO.	PART NO.	DESCRIPTION	JW71					REMARKS
1	JR6-19001-00	ENGINE ASSEMBLY	1					

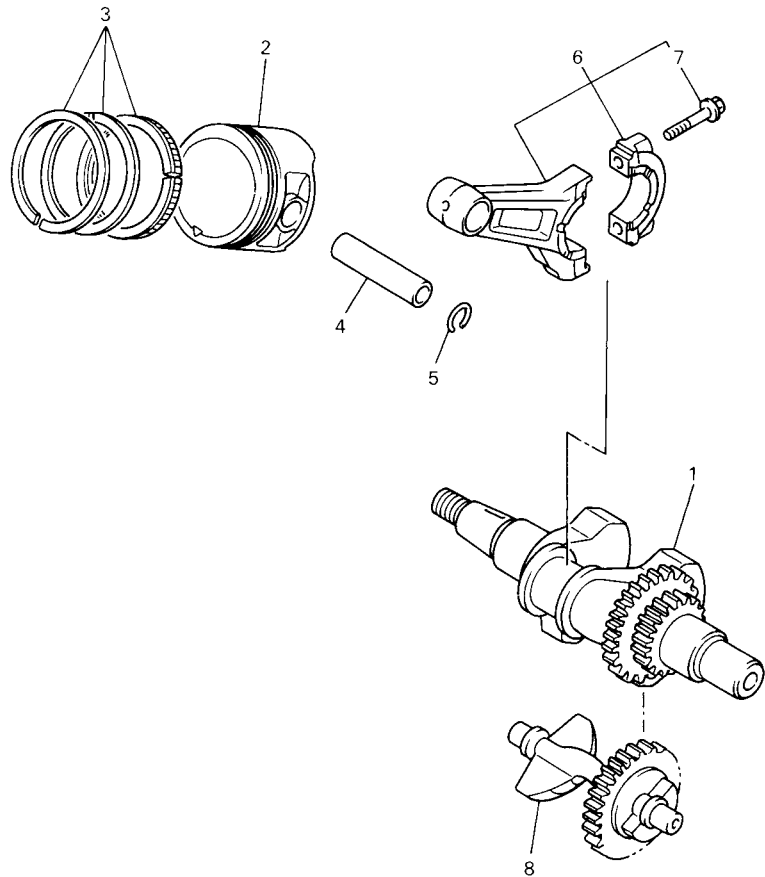


**FIG. 2 CYLINDER HEAD**

REF. NO.	PART NO.	DESCRIPTION	JW71				REMARKS
1	JT0-11111-00	HEAD, CYLINDER 1	1				
2	JN6-11133-10	.GUIDE, VALVE 1	2				
3	JT0-11181-00	GASKET, CYLINDER HEAD 1	1				
4	97012-10070	BOLT	4				
5	90201-10057	WASHER, PLATE	4				
6	99530-14016	PIN, DOWEL	2				
7	95622-08618	BOLT, STUD	2				
8	94702-00348	PLUG, SPARK (NGK-BPR2ES)	1				STD
	94702-00343	PLUG, SPARK (NGK BP4ES)	1				AP
9	JN6-11191-01	COVER, CYLINDER HEAD 1	1				
10	JN6-11116-00	.JOINT, BREATHER	1				
11	JN6-11168-00	COVER, BREATHER	1				
12	JN6-11169-00	GASKET, BREATHER COVER	1				
13	JN6-11193-00	GASKET, HEAD COVER 1	1				
14	95822-06030	BOLT, FLANGE	4				
15	JN6-E1166-00	PIPE, BREATHER 1	1				
16	95602-08710	BOLT, STUD	2				
17	JR7-11163-00	ELEMENT	1				
18	90467-13847	CLIP	2				



JW61100-H020



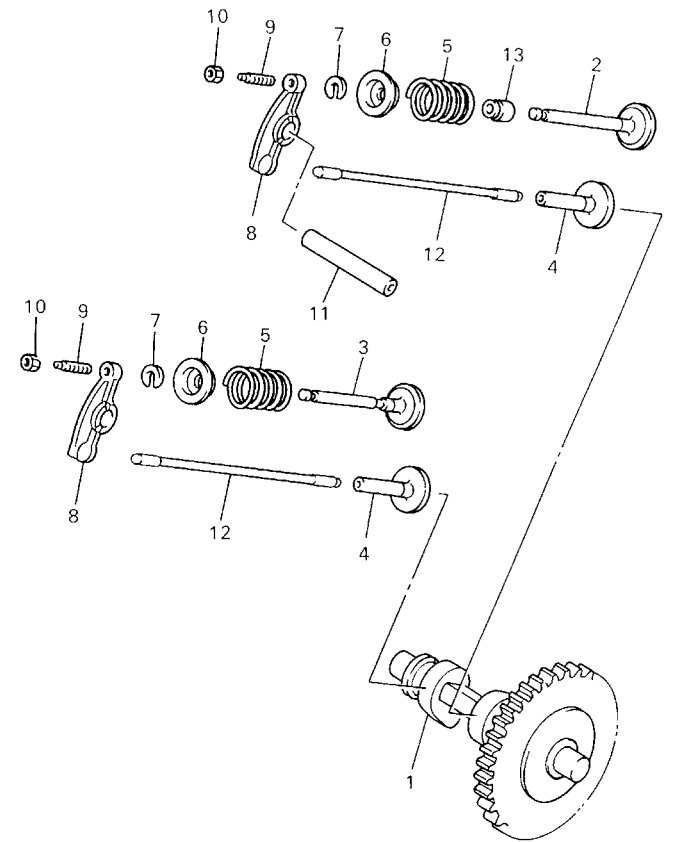
  
JN7010-6020

**FIG. 3 CRANKSHAFT & PISTON**

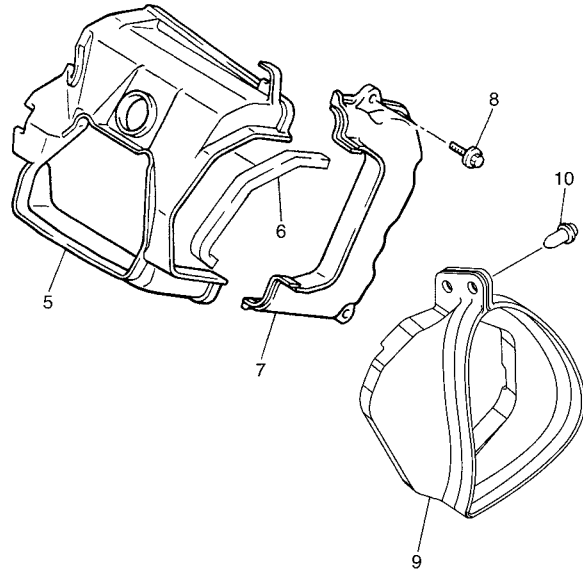
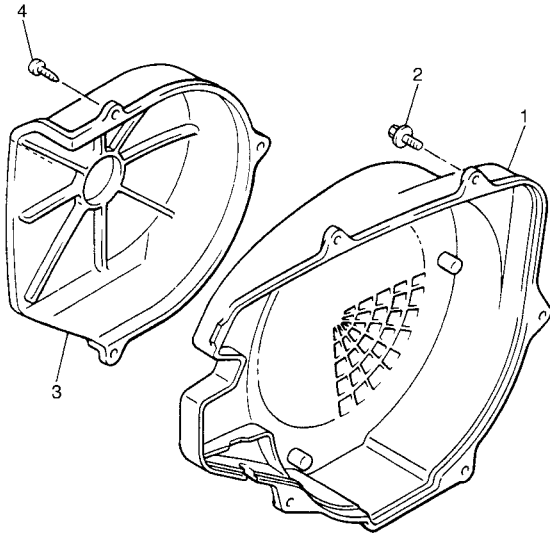
REF. NO.	PART NO.	DESCRIPTION	JW71				REMARKS
1	JN6-11400-00	CRANKSHAFT ASSY	1				
2	JR7-11631-00-A0	PISTON (STD)	1				
	JR7-11635-00	PISTON (0.25MM O/S)	1				AP
	JR7-11636-00	PISTON (0.50MM O/S)	1				AP
3	JR7-11610-00	PISTON RING SET (STD)	1				
	JR7-11610-10	PISTON RING SET (0.25MM O/S)	1				AP
	JR7-11610-20	PISTON RING SET (0.50MM O/S)	1				AP
4	583-11633-00	PIN, PISTON	1				
5	93450-21053	CIRCLIP	2				
6	JN6-11650-00	CONNECTING ROD ASSY	1				
7	JN6-11654-00	BOLT, CONNECTING ROD	2				
8	JN6-11454-00	WEIGHT 1	1				



**FIG. 4 CAMSHAFT & VALVE**



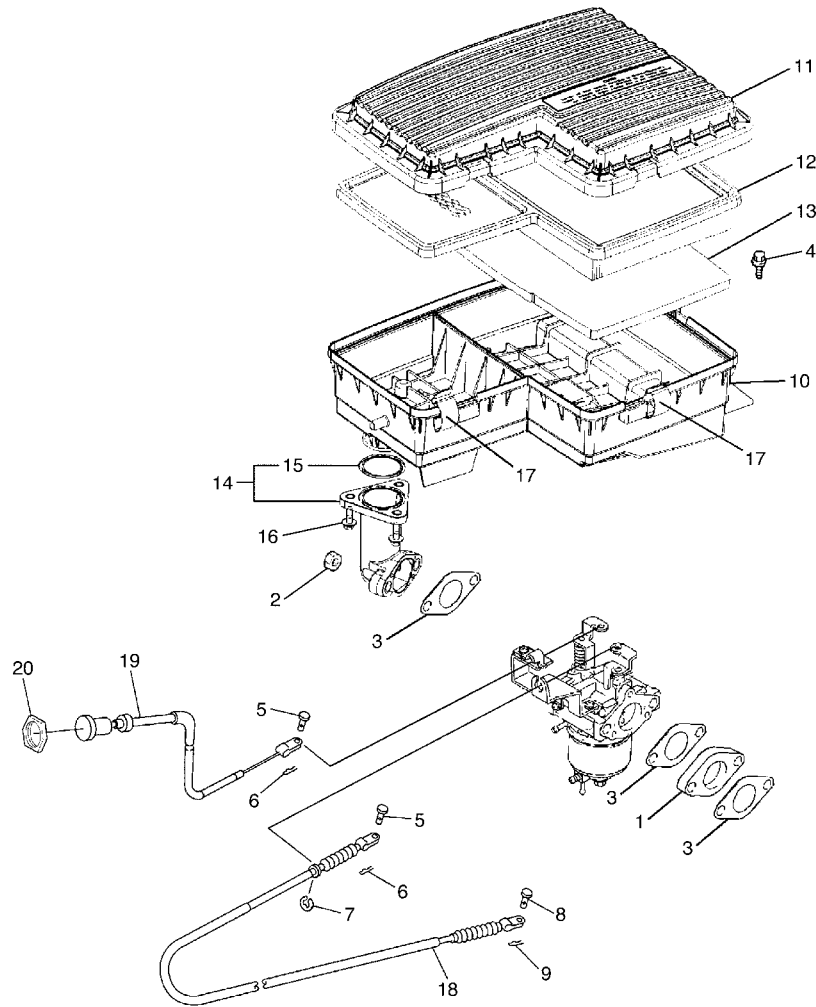
REF. NO.	PART NO.	DESCRIPTION	JW71				REMARKS
1	JR7-12170-00	CAMSHAFT ASSY 1	1				
2	JN6-12111-01	VALVE, INTAKE	1				
3	7RH-12121-00	VALVE, EXHAUST	1				
4	JN6-12153-00	LIFTER, VALVE	2				
5	90501-264A9	SPRING, COMPRESSION	2				
6	J38-12117-01	RETAINER, VALVE SPRING	2				
7	J38-12118-00	COTTER, VALVE	2				
8	JN6-12151-00	ARM, VALVE ROCKER	2				
9	22F-12159-00	SCREW, VALVE ADJUSTING	2				
10	90170-05302	NUT	2				
11	J38-12156-00	SHAFT, ROCKER 2	1				
12	JR7-12154-01	ROD, VALVE PUSH	2				
13	4G0-12119-00	SEAL, VALVE STEM	1				



**FWD**  
JY01010-F050

**FIG. 5 AIR SHROUD & FAN**

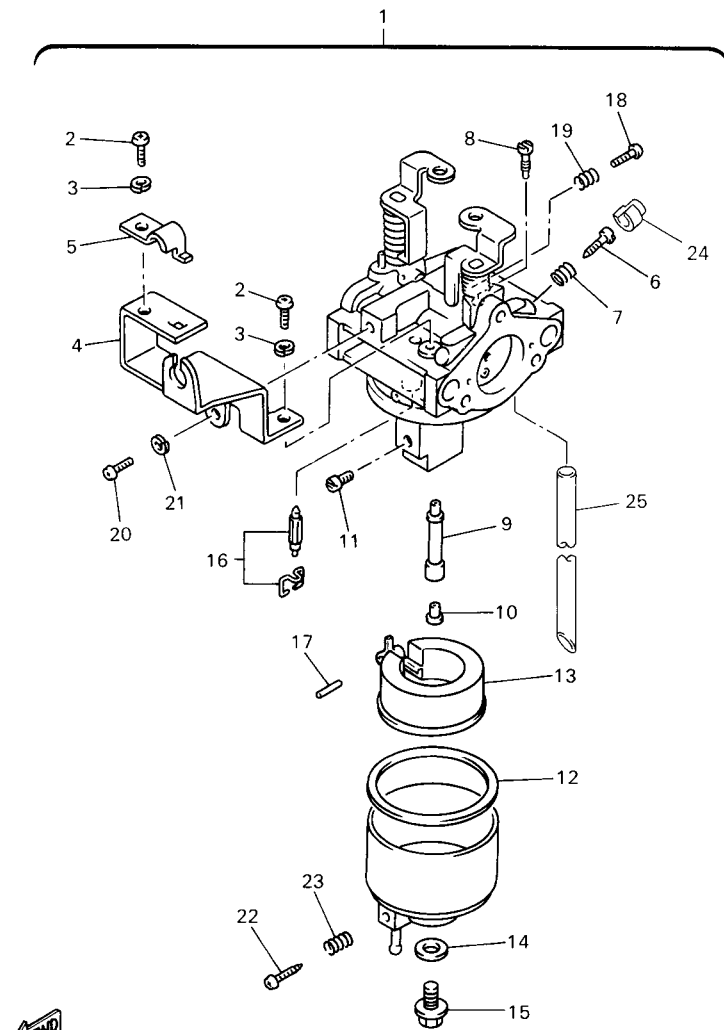
REF. NO.	PART NO.	DESCRIPTION	JW71				REMARKS
1	JN6-12621-02	CASE, FAN	1				
2	95802-06020	BOLT, FLANGE	4				
3	JN6-12616-00	COVER, FAN CASE	1				
4	97702-60520	SCREW, TAPPING	3				
5	JN6-12651-00	AIR SHROUD, CYLINDER 1	1				
6	JR7-12658-00	DAMPER, AIR SHROUD 1	1				
7	JN6-12652-00	AIR SHROUD, CYLINDER 2	1				
8	95802-06020	BOLT, FLANGE	2				
9	JW1-E2691-00	DUCT, 1	1				
10	90269-08813	RIVET	2				



JW71100-H060

**FIG. 6 INTAKE**

REF. NO.	PART NO.	DESCRIPTION	JW71				REMARKS
1	JN6-13595-00	JOINT	1				
2	95702-08500	NUT, WITH WASHER	2				
3	JN6-13567-00	GASKET	3				
4	90119-06884	BOLT, WITH WASHER	2				
5	91702-05010	PIN, CLEVIS	2				
6	90468-10049	CLIP	2				
7	99001-07600	CIRCLIP	1				
8	91702-05010	PIN, CLEVIS	1				
9	90468-10049	CLIP	1				
10	JU0-E4411-00	CASE, AIR CLEANER 1	1				
11	JU0-E4412-00	CAP, CLEANER CASE 1	1				
12	JU0-E4450-00	ELEMENT ASSY, AIR CLEANER	1				
13	JU0-E445E-00	FILTER 1	1				
14	JU0-E3505-09	JOINT COMP.	1				
15	93210-398D6	.O-RING	1				
16	90105-06862	BOLT, FLANGE	3				
17	5UH-E4424-00	CLIP, CAP FITTING	5				
18	JU0-F6312-00	CABLE, THROTTLE 2	1				
19	JW7-F6331-00	CABLE, STARTER 1	1				
20	JU0-F6333-00	NUT	1				

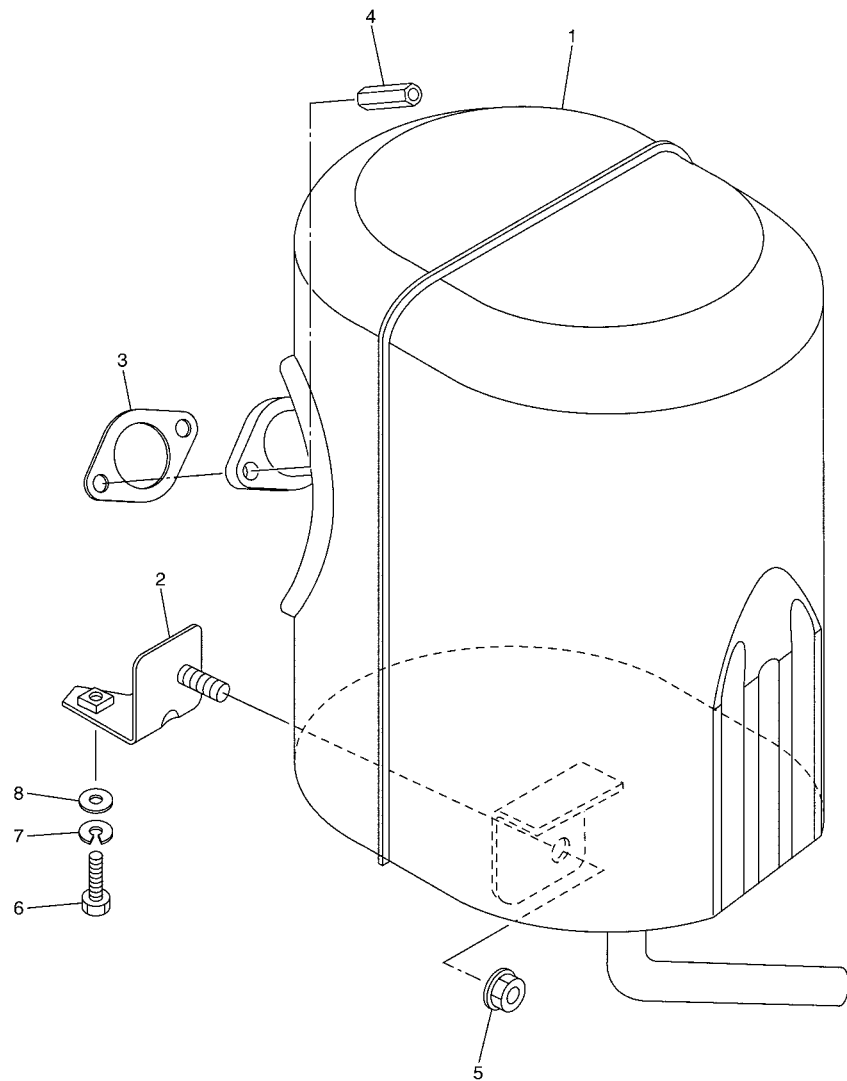


JR61100-1060

FIG. 7 CARBURETOR

REF. NO.	PART NO.	DESCRIPTION	JW71				REMARKS
1	JR6-14101-00	CARBURETOR ASSY 1	1				
2	98507-05008	.SCREW, PAN HEAD	2				
3	92990-05100	.WASHER, SPRING	2				
4	JN6-14291-00	.BRACKET 1	1				
5	J10-14227-00	.PLATE	1				
6	7NJ-14211-00	.SCREW, PILOT ADJUSTING	1				
7	73A-14212-10	.SPRING	1				
8	732-14142-65-A0	.JET, PILOT (# 65)	1				
9	JN6-1495H-3B	.NOZZLE, MAIN	1				
10	73A-1414G-00	.PIPE, MAIN BLEED	1				
11	3G2-1423A-68-A0	.JET, MAIN (# 87.5)	1				STD
	3G2-1423A-67	.JET, MAIN (# 82.5)	1				AP
	3G2-1423E-33-A0	.JET, MAIN (#83.8)	1				AP
12	796-14184-00	.GASKET, FLOAT CHAMBER	1				
13	JN6-14185-00	.FLOAT	1				
14	127-14198-00	.GASKET	1				
15	7R1-14162-00	.BOLT, HOLDING	1				
16	JN5-14150-00	.NEEDLE ASSY (WITH CLIP)	1				
17	22F-14186-00	.PIN, FLOAT	1				
18	1WG-14922-00	.SCREW, THROTTLE	1				
19	73A-14212-10	.SPRING	1				
20	98507-04010	.SCREW, PAN HEAD	1				
21	92902-04100	.WASHER, SPRING	1				
22	7E1-14191-00	.PLUG, DRAIN	1				
23	73A-14212-00	.SPRING	1				
24	7LV-14118-00	.CAP	1				
25	1KT-14197-01	.PIPE	1				

**FIG. 8 EXHAUST**



JW71100-H080

REF. NO.	PART NO.	DESCRIPTION	JW71				REMARKS
1	JW1-E4710-10	MUFFLER ASSY 1	1				
2	JU0-F1436-00	BRKT., MUFF. 2	1				
3	7KY-14613-01	GASKET, EXHAUST 1	1				
4	90179-08825	NUT	2				
5	90185-08805	NUT, SELF-LOCKING	1				
6	97002-08025	BOLT	1				
7	92902-08100	WASHER, SPRING	1				
8	92902-08600	WASHER, PLATE	1				

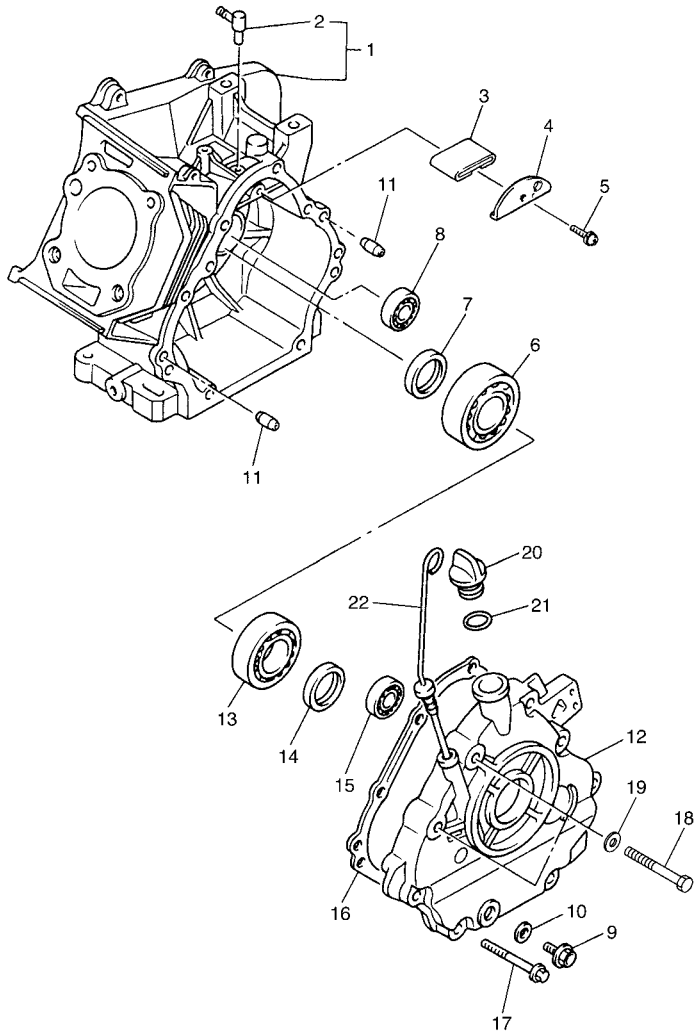
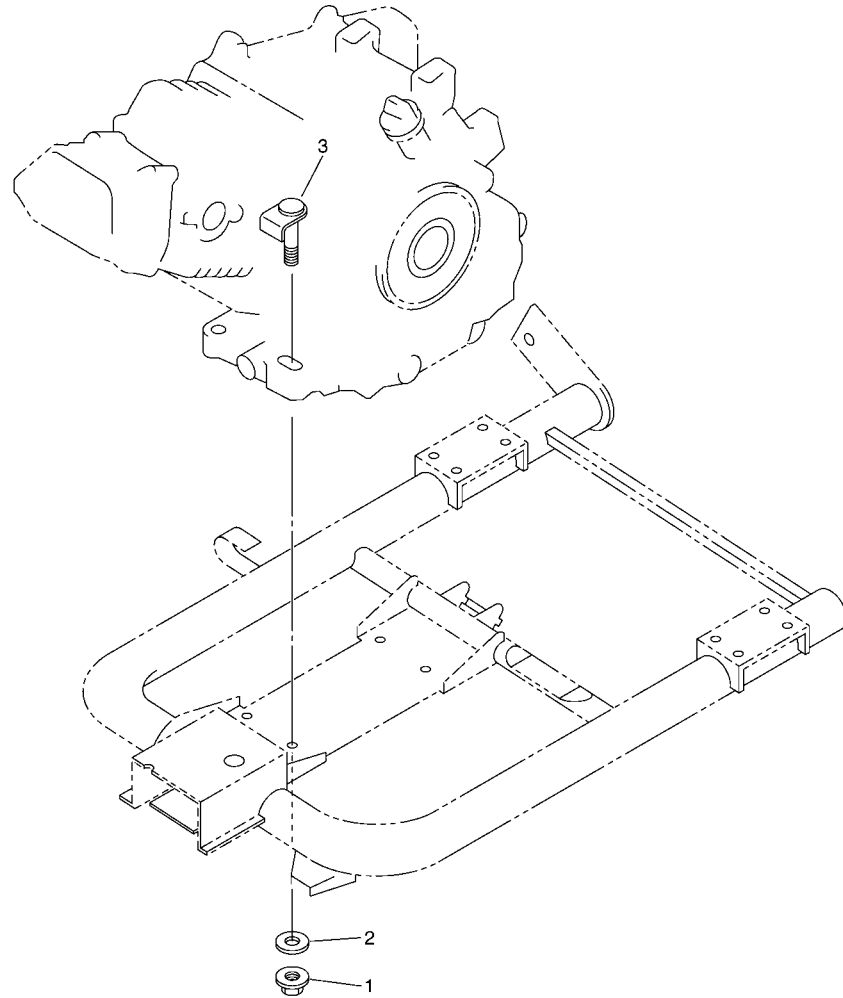


FIG. 9 CRANKCASE

REF. NO.	PART NO.	DESCRIPTION	JW71				REMARKS
1	JR7-15100-00	CRANKCASE ASSY	1				
2	JN6-15155-00	.NOZZLE 3	1				
3	JR7-15407-00	ELEMENT 1	1				
4	JR7-15123-00	PLATE, BAFFLE 1	1				
5	90159-06107	SCREW, WITH WASHER	1				
6	93306-30709	BEARING	1				
7	93102-35014	OIL SEAL	1				
8	93306-20201	BEARING	1				
9	90340-12097	PLUG, STRAIGHT SCREW	1				
10	812-11198-00	GASKET	1				
11	99530-08016	PIN, DOWEL	2				
12	JN6-15411-01	COVER, CRANKCASE 1	1				
13	93306-20714	BEARING	1				
14	93102-35014	OIL SEAL	1				
15	93306-20201	BEARING	1				
16	JY2-15451-00	GASKET, CRANKCASE COVER 1	1				
17	95812-08045	BOLT, FLANGE	6				
18	97012-10050	BOLT	2				
19	90201-10057	WASHER, PLATE	2				
20	796-15363-01	PLUG, OIL	1				
21	93210-22344	O-RING	1				
22	J38-15361-00	GAUGE, LEVEL	1				



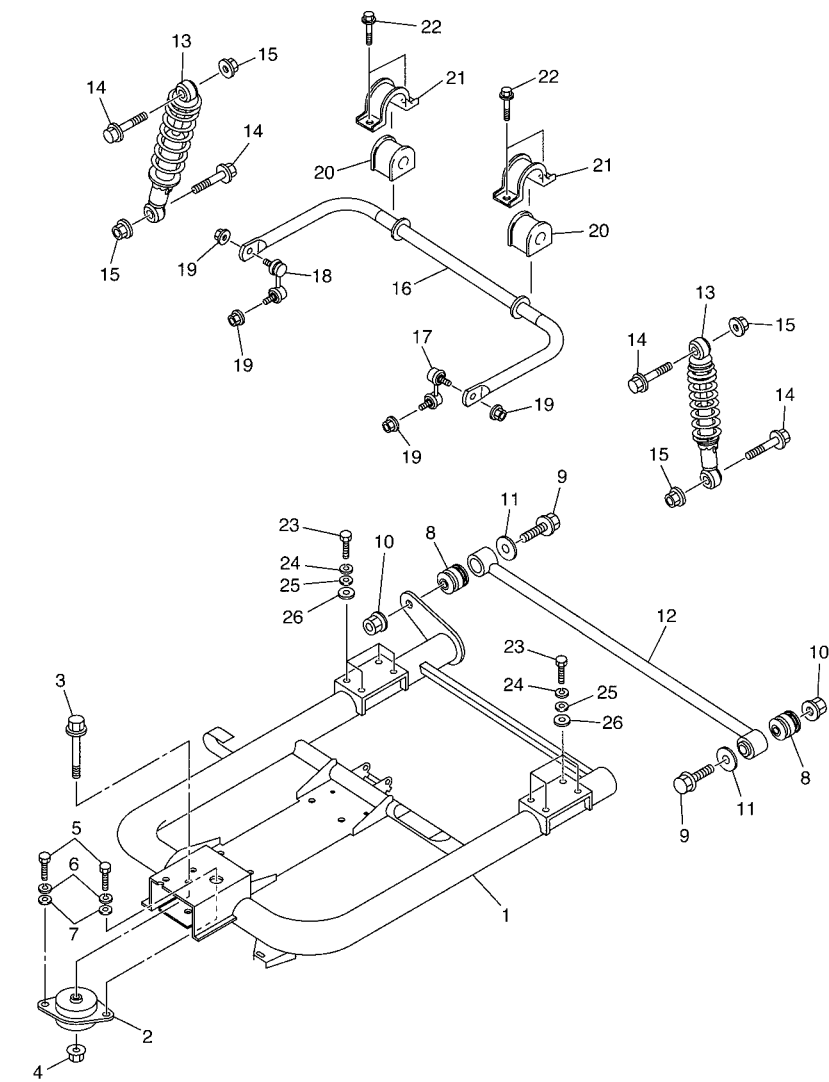
JW61100-H090



JU02100-D100

FIG. 10 ENGINE BRACKET

REF. NO.	PART NO.	DESCRIPTION	JW71				REMARKS
1	95602-10200	NUT, U FLANGE	4				
2	92902-10200	WASHER	4				
3	JT0-21481-00	BOLT, ENGINE MOUNTING 1	4				

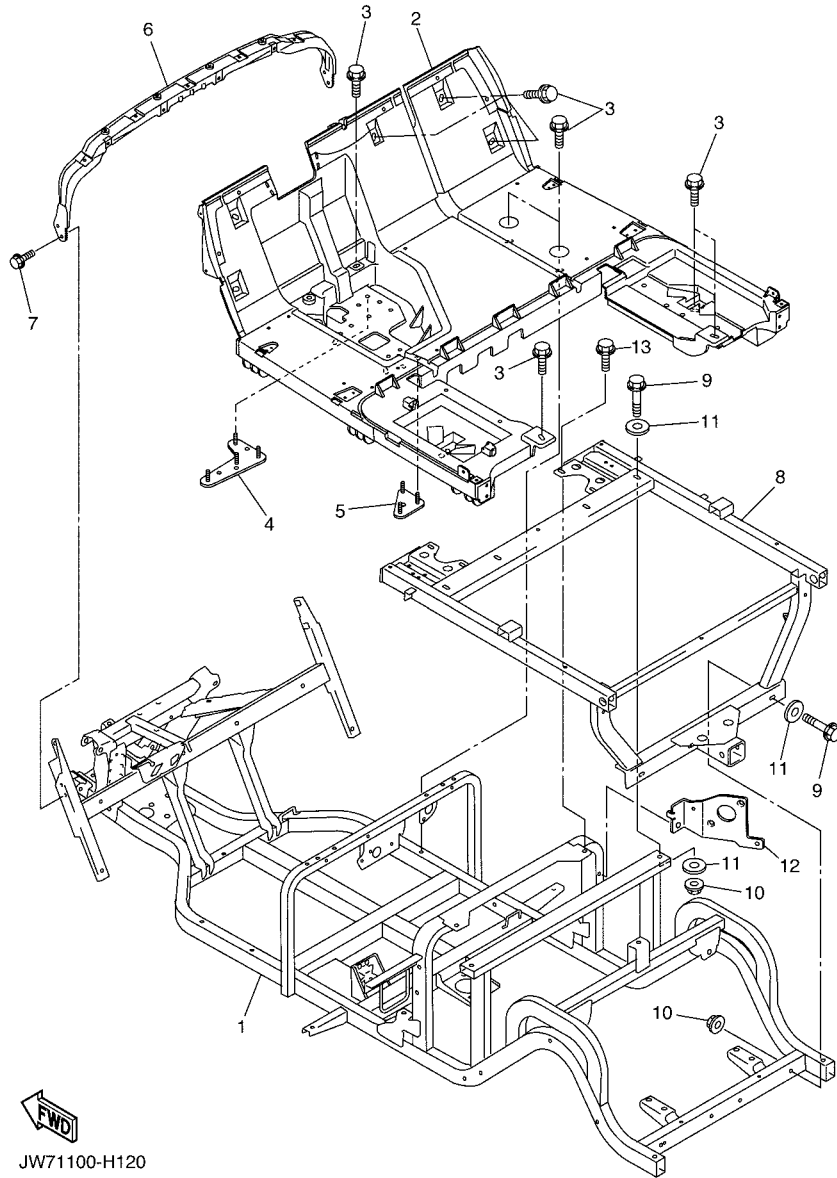


JW71100-H110

**FIG. 11 REAR ARM & SUSPENSION**

REF. NO.	PART NO.	DESCRIPTION	JW71				REMARKS
1	JW7-F2110-00	REAR ARM COMP.	1				
2	JN6-F2123-10	BUSH 1	1				
3	90105-13800	BOLT, FLANGE	1				
4	90179-13800	NUT	1				
5	97012-10020	BOLT	2				
6	92902-10100	WASHER, SPRING	2				
7	92902-10600	WASHER, PLATE	2				
8	JN6-F2124-10	BUSH 2	2				
9	95812-12065	BOLT, FLANGE	2				
10	95602-12200	NUT, SELF-LOCKING	2				
11	90201-128S4	WASHER, PLATE	2				
12	JW1-F217G-10	ROD, CONNECTING 2	1				
13	JW7-F2210-00	SHOCK ABSORBER ASSY, REAR	2				
14	95812-12055	BOLT, FLANGE	4				
15	90185-12072	NUT, SELF-LOCKING	4				
16	1D9-G7491-00	BAR, STABILIZER	1				
17	5KM-2385L-01	JOINT, STABILIZER 1	1				
18	5KM-2385M-01	JOINT, STABILIZER 2	1				
19	95602-10200	NUT, U FLANGE	4				
20	1D9-F386G-00	BUSH, STABILIZER FRONT	2				
21	1D9-F386H-01	COVER, STABILIZER FRONT	2				
22	95812-08012	BOLT, FLANGE	4				
23	97012-10020	BOLT	8				
24	92902-10100	WASHER, SPRING	8				
25	92902-10600	WASHER, PLATE	8				
26	90201-101A4	WASHER, PLATE	8				

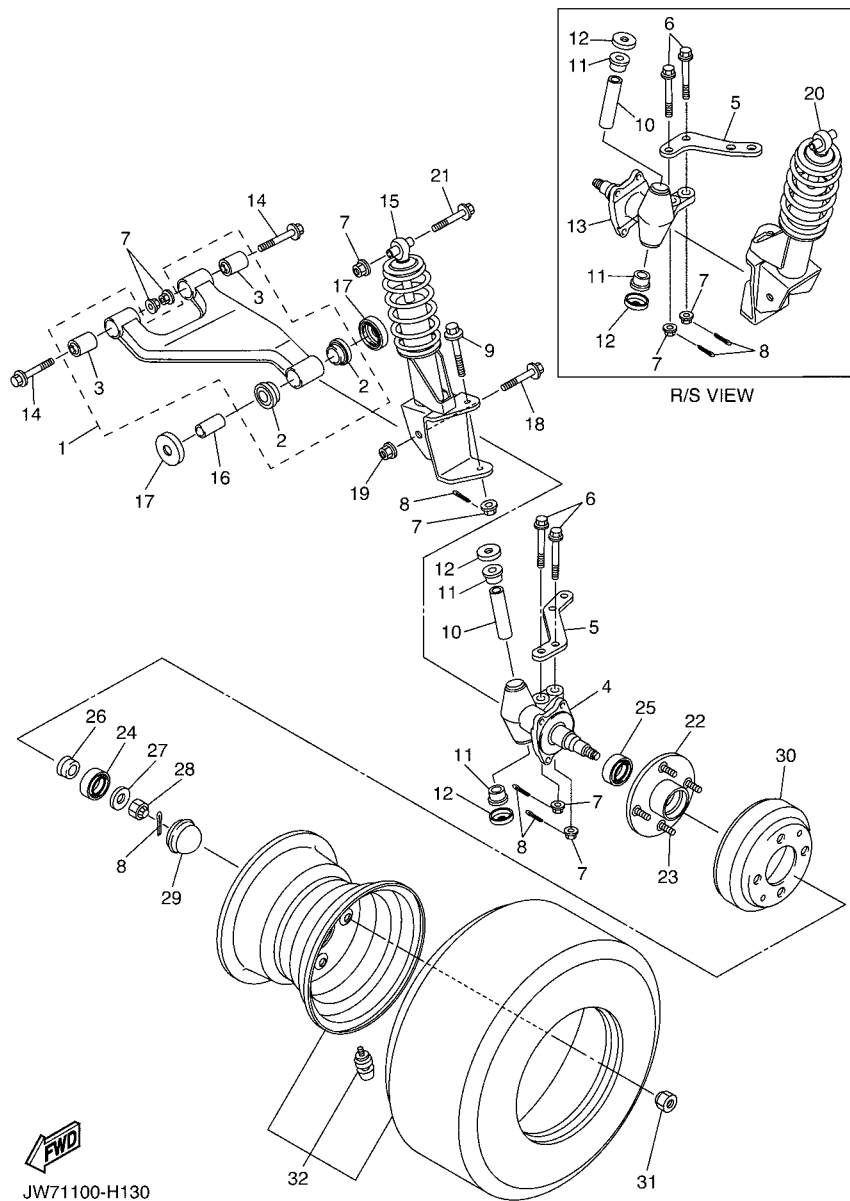




JW71100-H120

FIG. 12 FRAME

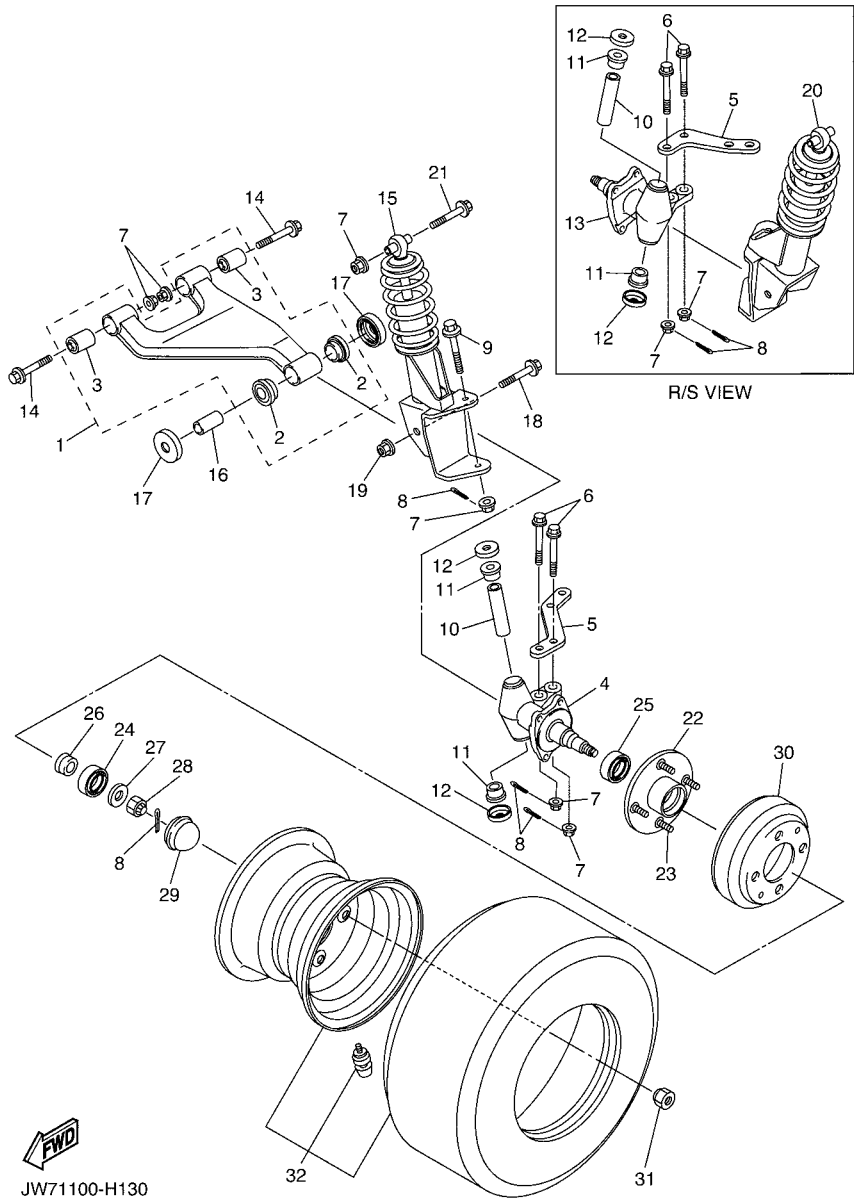
REF. NO.	PART NO.	DESCRIPTION	JW71				REMARKS
1	JW7-F2501-00	FRAME COMP.	1				
2	JW7-F7411-00	FOOTREST 1	1				
3	JW1-F1738-00	BOLT	14				
4	JW1-F2545-01	SUPPORT, PEDAL BRACKET	1				
5	JW7-F2588-00	BRACKET, BRAKE PEDAL	1				
6	JW1-F258G-02	BRACKET, DASH UPPER 1	1				
7	90105-06831	BOLT, FLANGE	4				
8	JW7-F2504-00	RR. SUB-FRAME COMP.	1				
9	90105-088A7	BOLT, FLANGE	6				
10	95602-08200	NUT, SELF-LOCKING	6				
11	90201-08843	WASHER, PLATE	8				
12	JW7-F4425-00	BRACKET, FUEL PUMP 1	1				
13	90105-08171	BOLT, FLANGE	2				



JW71100-H130

FIG. 13 FRONT SUSPENSION & WHEEL

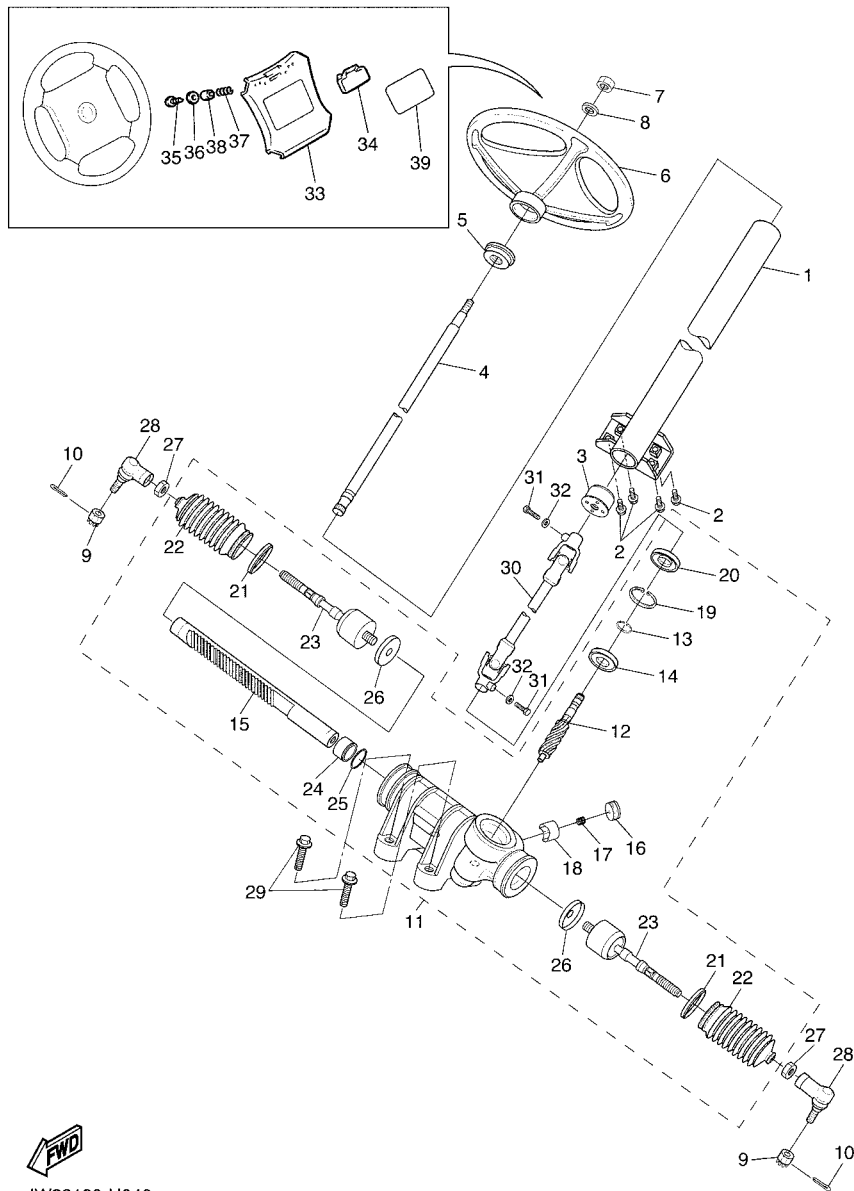
REF. NO.	PART NO.	DESCRIPTION	JW71				REMARKS
1	JU0-F3570-20	FRONT LOWER ARM COMP.	2				
2	90381-18001	.BUSH, SOLID	2				
3	2HR-23526-00	.BUSH	2				
4	JW7-F3511-00	KNUCKLE, STEERING 1	1				
5	JW1-F3512-00	ARM, KNUCKLE 1	2				
6	90105-10728	BOLT, FLANGE	4				
7	95602-10200	NUT, U FLANGE	12				
8	91402-25020	PIN, COTTER	8				
9	90105-10064	BOLT, FLANGE	2				
10	2NL-23448-00	SPACER	2				
11	90381-17067	BUSH, SOLID	4				
12	2NL-23517-00	COVER, THRUST 1	4				
13	JW7-F3521-00	KNUCKLE, STEERING 2	1				
14	90105-10267	BOLT, FLANGE	4				
15	JW7-F3350-00	SHOCK ABSORBER ASSY	1				
16	90387-12016	COLLAR	2				
17	401-22128-01	COVER, THRUST 1	4				
18	95812-12080	BOLT, FLANGE	2				
19	95612-12100	NUT, U	2				
20	JW7-F3390-00	SHOCK ABSORBER ASSY 2	1				
21	95802-10065	BOLT, FLANGE	2				
22	JR6-F5110-01	HUB ASSY, FRONT	2				
23	90114-12805	BOLT, SERRATION	8				
24	93306-204X0	BEARING	2				
25	93306-005Y3	BEARING	2				
26	90387-241M7	COLLAR	2				
27	90208-14801	WASHER, CONICAL SPRING	2				



JW71100-H130

FIG. 13 FRONT SUSPENSION & WHEEL

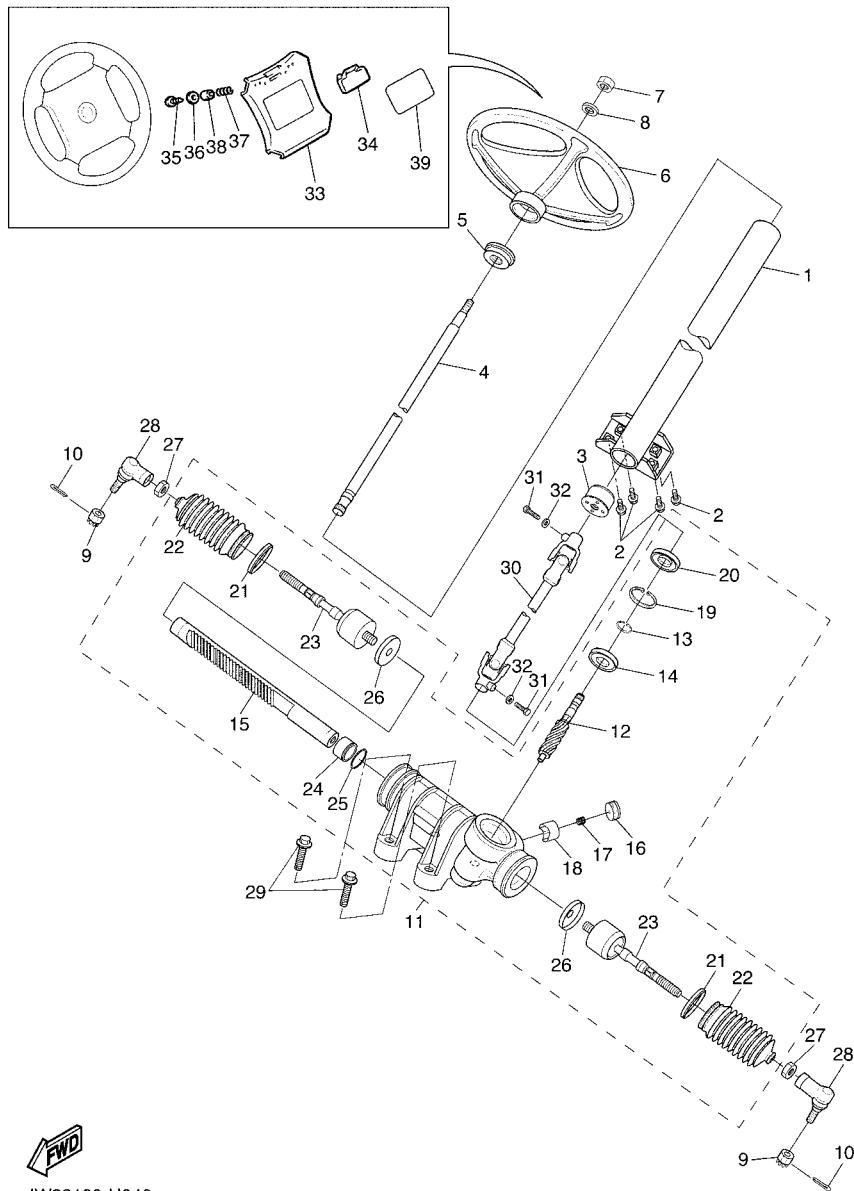
REF. NO.	PART NO.	DESCRIPTION	JW71				REMARKS
28	95602-14100	NUT, U	2				
29	JN6-F5118-00	COVER, HUB DUST	2				
30	JU0-G6521-00	DRUM	2				
31	90179-12262	NUT	8				
32	JW1-F5100-00	WHEEL ASSY	2				
-----							
-----							
-----							
-----							
-----							
-----							
-----							
-----							
-----							
-----							



JW22100-H040

FIG. 14 STEERING

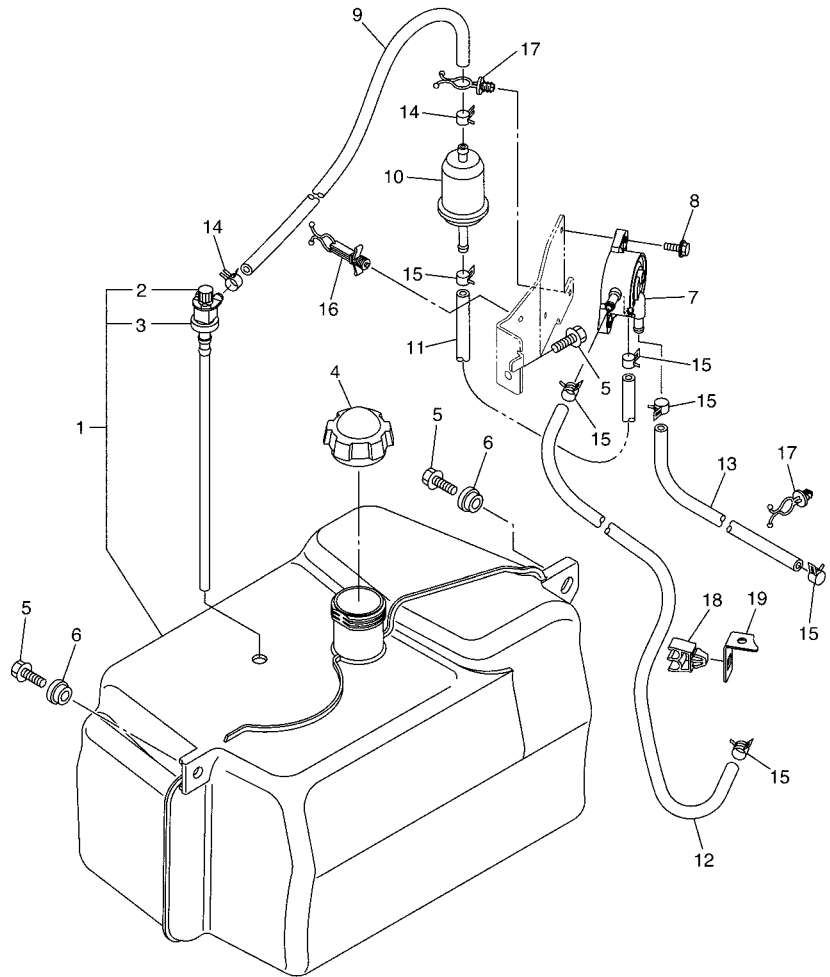
REF. NO.	PART NO.	DESCRIPTION	JW71				REMARKS
1	JW1-F3811-01	COLUMN, STEERING	1				
2	95812-08016	BOLT, FLANGE	4				
3	JU0-F3857-10	HOLDER	1				
4	JU0-F3828-00	ROD, STEERING	1				
5	JN3-F3814-00	HOLDER, HANDLE UPPER	1				
6	JN3-F3838-00	WHEEL, STEERING	1				
7	90185-12061	NUT, SELF-LOCKING	1				
8	92902-12200	WASHER	1				
9	95602-12200	NUT, SELF-LOCKING	2				
10	91402-25020	PIN, COTTER	2				
11	JW1-F3400-00	STEERING ASSY	1				
12	JW1-F387A-00	.GEAR, PINION	1				
13	JW1-F3183-00	.CIRCLIP	1				
14	JW1-F339Y-00	.BEARING	1				
15	JW1-F387E-00	.GEAR, RACK	1				
16	5UG-F387G-00	.COVER, ADJUST	1				
17	5UG-F387K-00	.SPRING, PRESSURE	1				
18	5UG-F387F-00	.PAD, PRESSURE	1				
19	5UG-F387J-00	.RING, STOPPER	1				
20	5UG-F3844-00	.SEAL	1				
21	5UG-F3489-00	.BAND	2				
22	5UG-F3527-00	.SEAL, DUST 1	2				
23	JW1-F3837-00	.ROD, TIE 2	2				
24	JW1-F467K-00	.BUSH, CAP	1				
25	JW1-F3866-00	.GEAR SUB-ASSY, 2	1				
26	JW1-F3894-00	.WASHER, LOCK 1	2				
27	4XE-F3833-00	NUT 1	2				



JW22100-H040

FIG. 14 STEERING

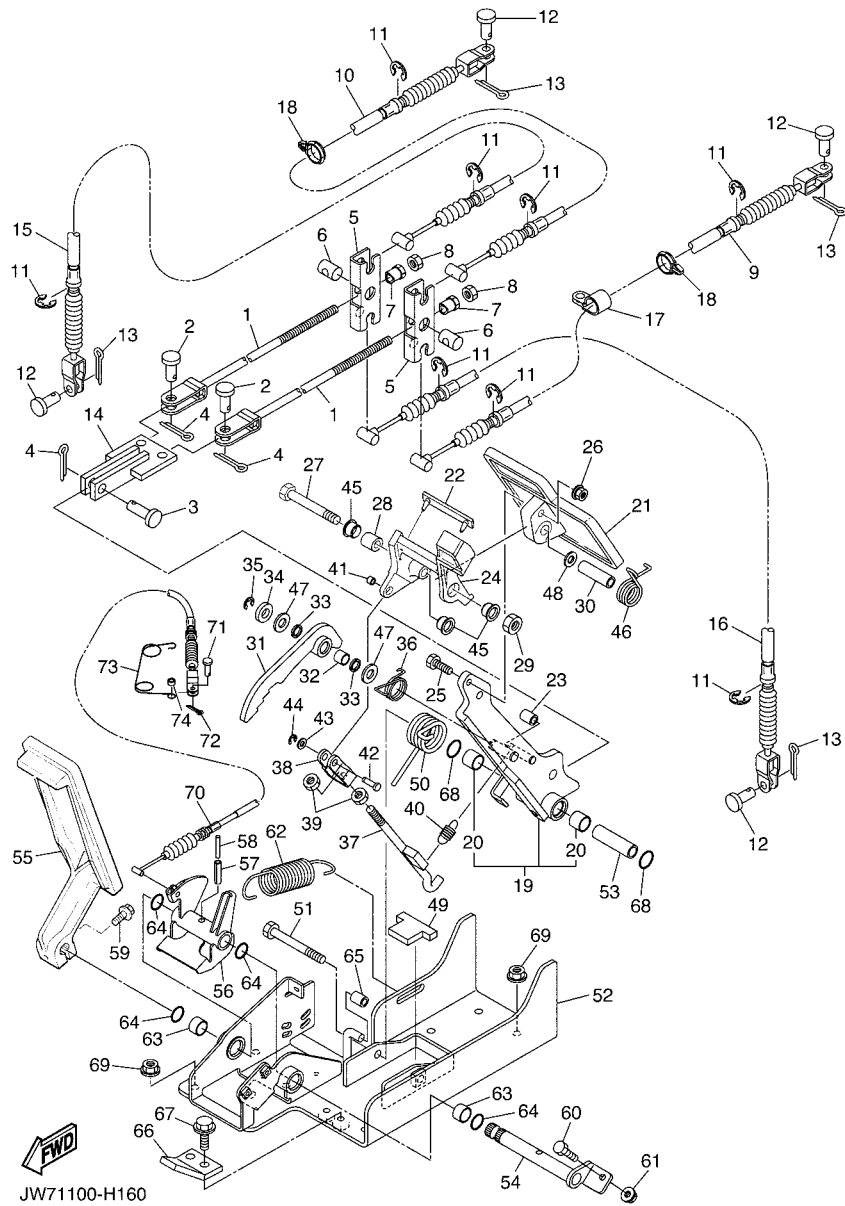
REF. NO.	PART NO.	DESCRIPTION	JW71				REMARKS
28	JU0-F3841-00	JOINT, UNIVERSAL 1	2				
29	90105-10847	BOLT, FLANGE	4				
30	JW1-F3822-00	JOINT 1	1				
31	97012-08030	BOLT	2				
32	92902-08600	WASHER, PLATE	2				
33	JN3-K8357-00	HOLDER 1	1				
34	JN6-K8358-01	HOLDER 2	1				
35	97702-40525	SCREW, TAPPING	2				
36	90201-04810	WASHER, PLATE	2				
37	90502-10013	SPRING, CONICAL	2				
38	90387-046N7	COLLAR	2				
39	JU0-K7762-00	LABEL, WARNING 2 (E)	1				



JW71100-H150

FIG. 15 FUEL TANK

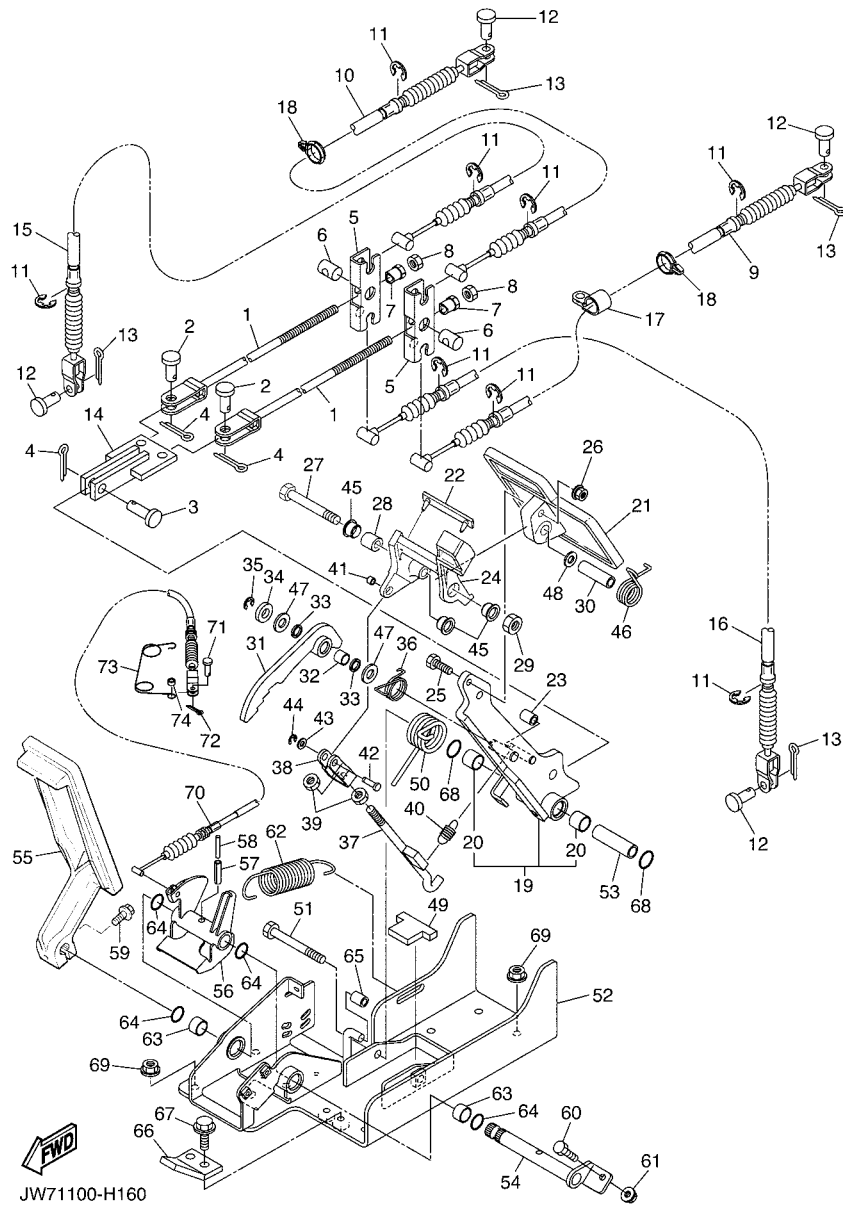
REF. NO.	PART NO.	DESCRIPTION	JW71				REMARKS
1	JW1-F4111-00	TANK, FUEL	1				
2	JW1-F4300-00	.FUEL PIPE JOINT	1				
3	JU5-F4375-00	.GROMMET	1				
4	JN6-F4610-00	CAP ASSY	1				
5	JW1-F1738-00	BOLT	3				
6	90560-08251	SPACER	2				
7	JN6-F4410-11	FUEL PUMP ASSY	1				
8	JW1-F3394-00	BOLT, SPECIAL	2				
9	JW7-F4312-00	PIPE 2	1				
10	JN6-F4560-00	FILTER ASSY	1				
11	JW7-F4311-00	PIPE, FUEL 1	1				
12	JW7-F4313-00	PIPE 3	1				
13	JW7-F4314-00	PIPE 4	1				
14	90467-12845	CLIP	2				
15	90467-10846	CLIP	6				
16	JW1-F1977-01	CLAMP, FUEL PIPE	1				
17	90464-12836	CLAMP	2				
18	90464-09221	CLAMP	1				
19	JW7-F2957-00	BRACKET, HOSE	1				



JW71100-H160

FIG. 16 PEDAL ASSEMBLY

REF. NO.	PART NO.	DESCRIPTION	JW71				REMARKS
1	JW7-F5685-00	ROD	2				
2	91702-10022	PIN, CLEVIS	2				
3	91702-10028	PIN, CLEVIS	1				
4	91490-30020	PIN, COTTER	3				
5	JX4-25681-00	EQUALIZER, BRAKE	2				
6	90249-14129	PIN	2				
7	90179-08822	NUT	2				
8	95302-08700	NUT	2				
9	JW7-26341-00	WIRE, BRAKE 1	1				
10	JW7-26351-00	CABLE, BRAKE	1				
11	99002-09600	CLIP	8				
12	91702-08018	PIN, CLEVIS	4				
13	91490-25020	PIN, COTTER	4				
14	JR6-F7215-01	LINK	1				
15	JW7-26361-00	CABLE, BRAKE	1				
16	JW7-26373-00	CABLE, BRAKE 4	1				
17	90461-08072	CLAMP	1				
18	90464-19815	CLAMP	2				
19	J46-27250-03	BRAKE ARM COMP.	1				
20	90384-14080	.BUSH, BIMETAL FORMED	2				
21	JU0-27211-01	PEDAL, BRAKE	1				
22	J17-25672-01	PAD, PARKING PEDAL	1				
23	J17-25673-00	DAMPER, BRAKE	1				
24	JU0-25671-00	PEDAL, PARKING BRAKE	1				
25	97022-06035	BOLT	1				
26	90179-07564	NUT	1				
27	97022-08100	BOLT	1				



JW71100-H160

FIG. 16 PEDAL ASSEMBLY

REF. NO.	PART NO.	DESCRIPTION	JW71				REMARKS
28	90387-08013	COLLAR	1				
29	95302-08600	NUT	1				
30	90387-08014	COLLAR	1				
31	J17-25666-02	SECTOR, PARKING BRAKE	1				
32	90384-10162	BUSH, BIMETAL FORMED	1				
33	J17-27221-00	SEAL, SHAFT	2				
34	92902-10600	WASHER, PLATE	1				
35	99002-07600	CLIP	1				
36	90508-14548	SPRING, TORSION	1				
37	J17-27231-03	ROD, BRAKE	1				
38	J17-27232-00	END, ROD 2	1				
39	95302-06700	NUT	2				
40	90506-09001	SPRING, TENSION	1				
41	90384-05163	BUSH, BIMETAL FORMED	1				
42	J17-27228-00	PIN, JOINT	1				
43	92902-05600	WASHER, PLATE	1				
44	99002-04600	CIRCLIP	1				
45	90387-12009	COLLAR	3				
46	90508-32015	SPRING, TORSION	1				
47	90201-104G8	WASHER, PLATE	2				
48	92902-08200	WASHER	1				
49	JW7-27245-00	PAD, BRAKE PEDAL	1				
50	90508-40007	SPRING, TORSION	1				
51	90101-10447	BOLT	1				
52	JW7-27445-00	PLATE 1	1				
53	90387-107F8	COLLAR	1				
54	J17-27853-01	SHAFT, PEDAL 1	1				



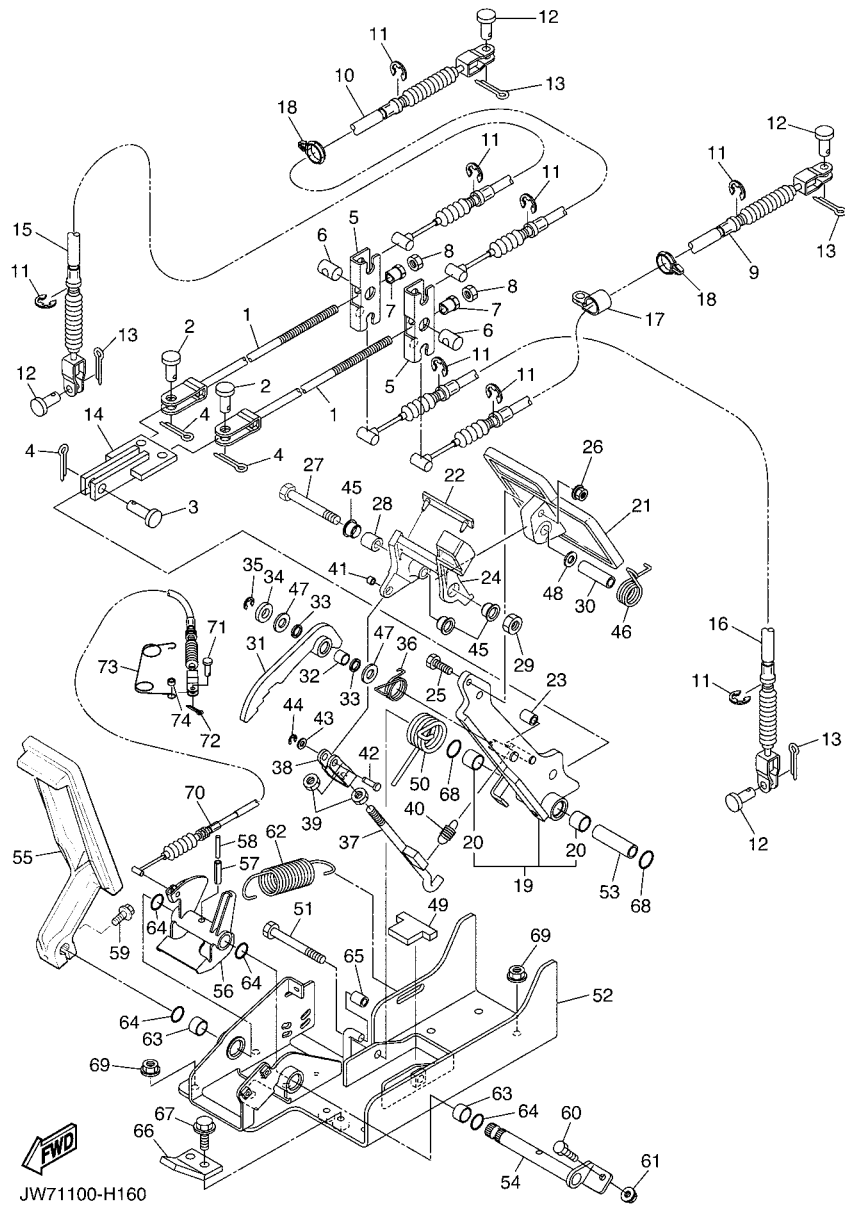
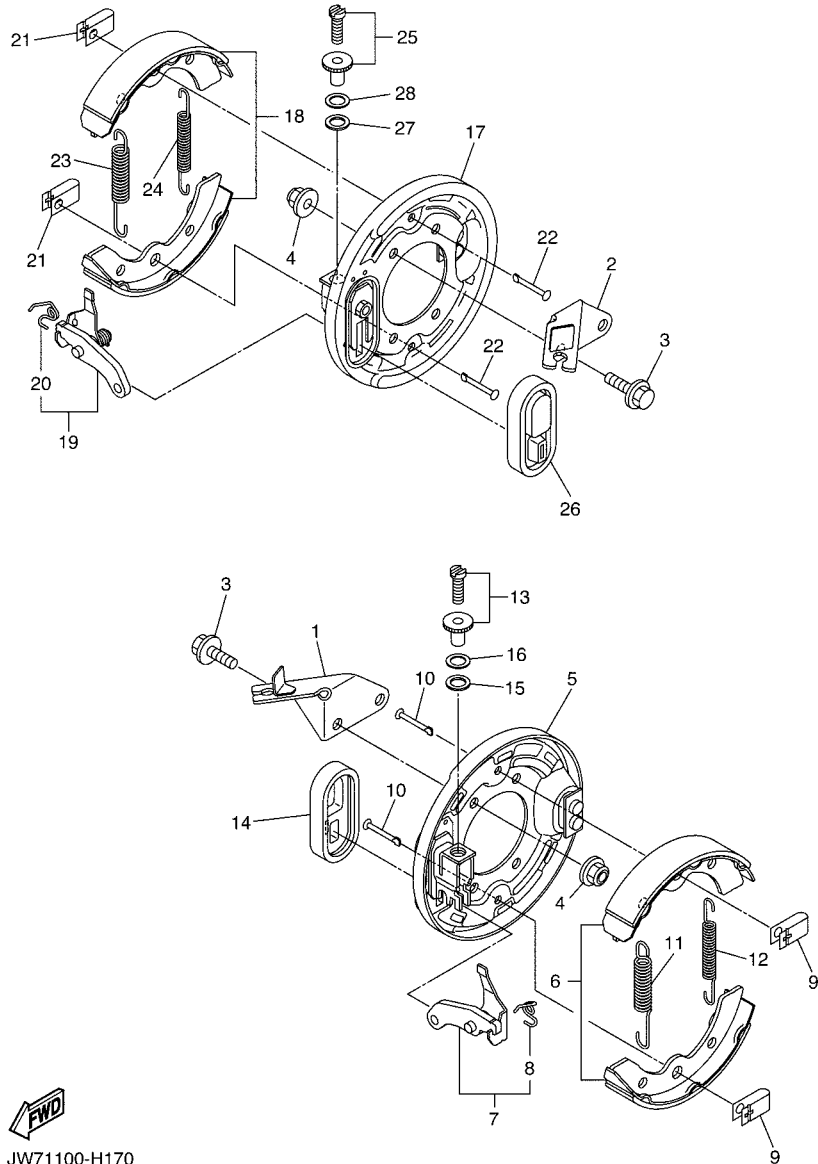


FIG. 16 PEDAL ASSEMBLY

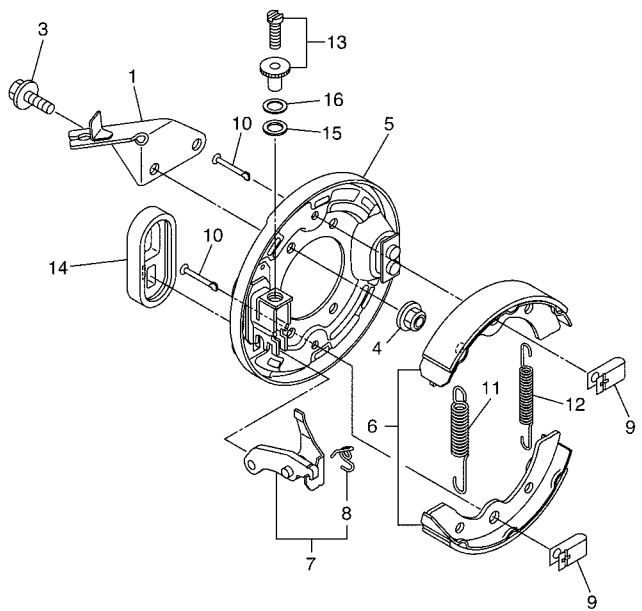
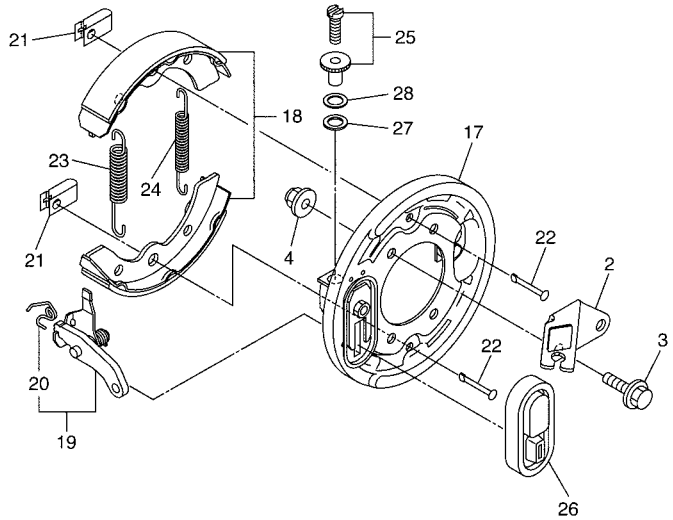
REF. NO.	PART NO.	DESCRIPTION	JW71				REMARKS
55	J10-27871-01	PEDAL, ACCELERATOR	1				
56	JW7-27872-00	ARM, ACCELERATOR PEDAL	1				
57	91609-60028	PIN, SPRING	1				
58	91609-35028	PIN, SPRING	1				
59	95802-06025	BOLT, FLANGE	1				
60	90106-08040	BOLT	1				
61	95702-08500	NUT, WITH WASHER	1				
62	90506-26282	SPRING, TENSION	1				
63	90384-14080	BUSH, BIMETAL FORMED	2				
64	93210-14104	O-RING	4				
65	J17-25673-00	DAMPER, BRAKE	1				
66	JW7-27246-00	NAIL, BRAKE	1				
67	95802-08020	BOLT, FLANGE	2				
68	93210-132A8	O-RING	2				
69	95602-08200	NUT, SELF-LOCKING	7				
70	JW7-F6311-00	CABLE, THROTTLE 1	1				
71	91702-05014	PIN, CLEVIS	1				
72	90468-10049	CLIP	1				
73	90508-16460	SPRING, TORSION	1				
74	90560-05001	SPACER	1				



JW71100-H170

FIG. 17 BRAKE 1

REF. NO.	PART NO.	DESCRIPTION	JW71				REMARKS
1	JW7-F7263-00	BRACKET 1	1				
2	JW7-F7264-00	BRACKET 2	1				
3	90105-08054	BOLT, FLANGE	8				
4	95602-08200	NUT, SELF-LOCKING	8				
5	JH2-27208-01	BACKING PLATE SUB ASSY 1	1				
6	JX4-W2536-00	BRAKE SHOE SET	1				
7	J38-27204-00	LEVER ASSY 1	1				
8	J55-25358-00	.SPRING, RETURN	1				
9	J10-27281-00	SPRING, SHOE CLAMP	2				
10	J10-27282-00	PIN, SHOE HOLD DOWN	2				
11	90506-20281	SPRING, TENSION	1				
12	90506-14001	SPRING, TENSION	1				
13	J55-27270-00	ADJUSTER ASSY	1				
14	J10-27286-00	COVER, DUST	1				
15	90201-121H8	WASHER, PLATE	1				
16	90201-121H9	WASHER, PLATE	1				
17	JH2-27209-01	BACKING PLATE SUB ASSY 2	1				
18	JX4-W2536-00	BRAKE SHOE SET	1				
19	J38-27205-00	LEVER ASSY 2	1				
20	J55-25357-00	.SPRING, LEVER RETURN	1				
21	J10-27281-00	SPRING, SHOE CLAMP	2				
22	J10-27282-00	PIN, SHOE HOLD DOWN	2				
23	90506-20281	SPRING, TENSION	1				
24	90506-14001	SPRING, TENSION	1				
25	J55-27260-00	ADJUSTER ASSY	1				
26	J10-27286-00	COVER, DUST	1				
27	90201-121H8	WASHER, PLATE	1				



**FWD**  
 JW71100-H170

**FIG. 17 BRAKE 1**

REF. NO.	PART NO.	DESCRIPTION	JW71				REMARKS
28	90201-121H9	WASHER, PLATE	1				
-----							
-----							
-----							
-----							
-----							
-----							
-----							
-----							

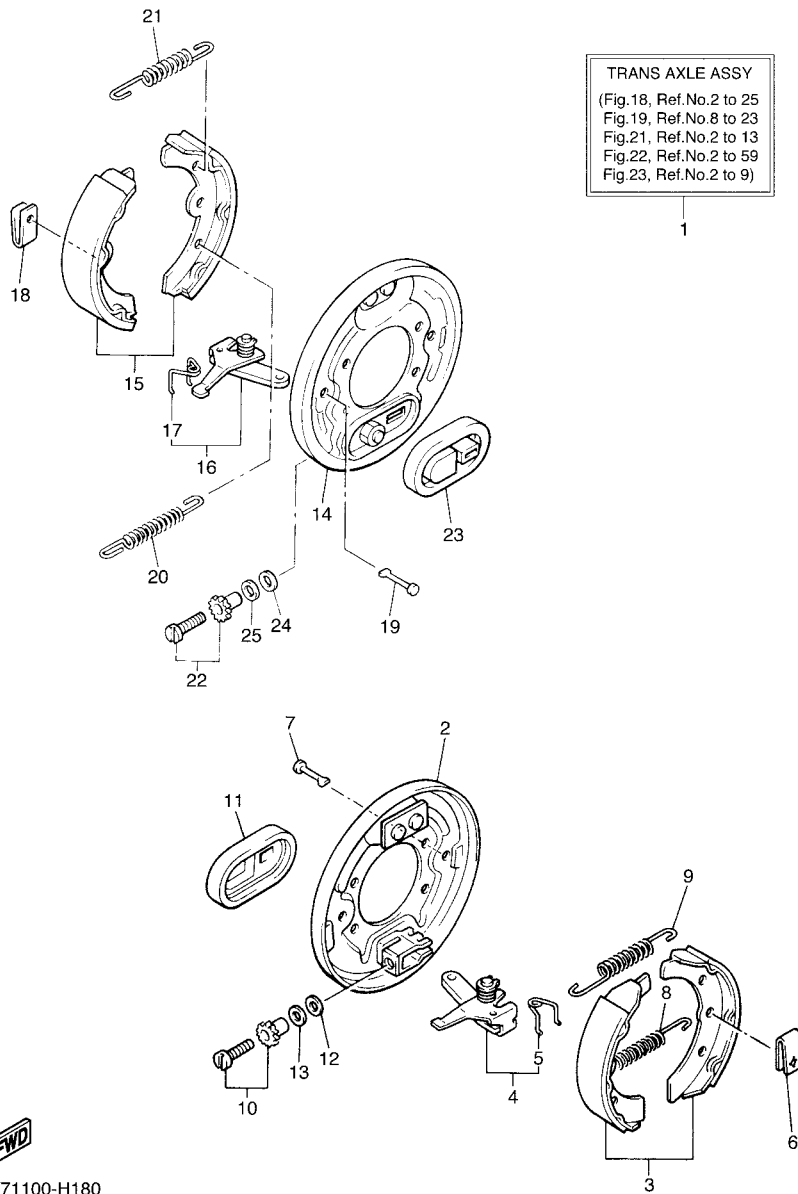
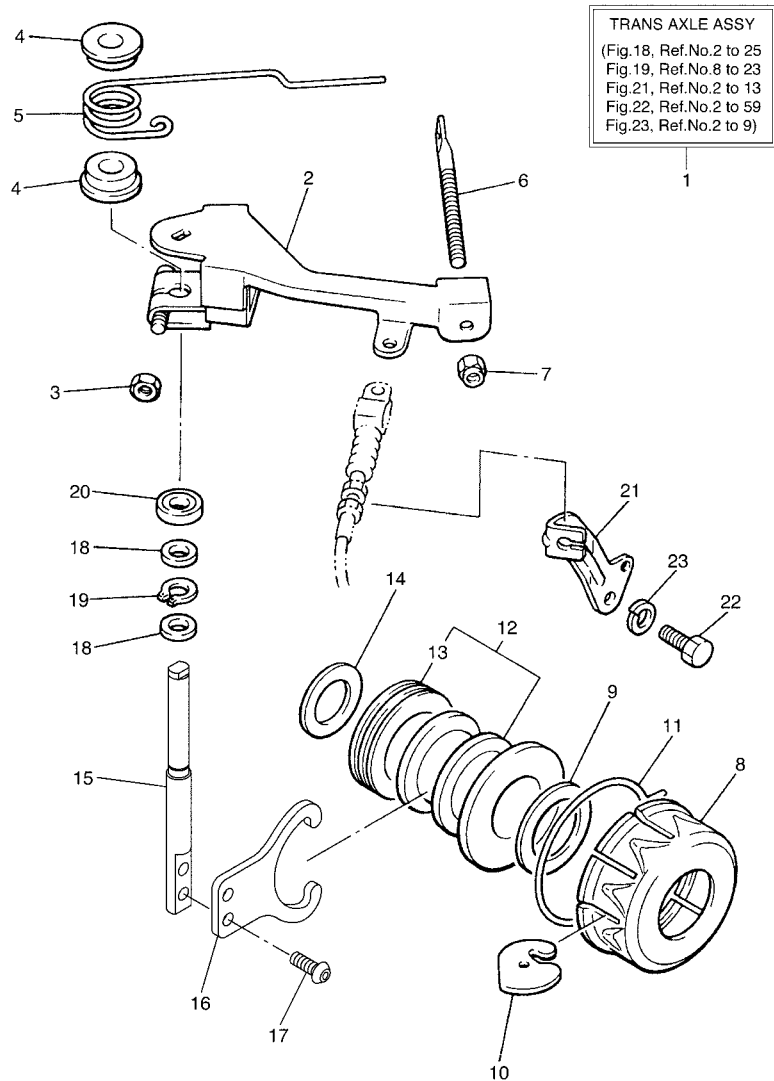


FIG. 18 BRAKE 2

REF. NO.	PART NO.	DESCRIPTION	JW71				REMARKS
1	JW7-46300-00	TRANS AXLE ASSY	1				
2	JH2-27208-01	BACKING PLATE SUB ASSY 1	1				
3	JX4-W2536-00	BRAKE SHOE SET	1				
4	J38-27204-00	LEVER ASSY 1	1				
5	J55-25358-00	.SPRING, RETURN	1				
6	J10-27281-00	SPRING, SHOE CLAMP	2				
7	J10-27282-00	PIN, SHOE HOLD DOWN	2				
8	90506-20281	SPRING, TENSION	1				
9	90506-14001	SPRING, TENSION	1				
10	J55-27270-00	ADJUSTER ASSY	1				
11	J10-27286-00	COVER, DUST	1				
12	90201-121H8	WASHER, PLATE	1				
13	90201-121H9	WASHER, PLATE	1				
14	JH2-27209-01	BACKING PLATE SUB ASSY 2	1				
15	JX4-W2536-00	BRAKE SHOE SET	1				
16	J38-27205-00	LEVER ASSY 2	1				
17	J55-25357-00	.SPRING, LEVER RETURN	1				
18	J10-27281-00	SPRING, SHOE CLAMP	2				
19	J10-27282-00	PIN, SHOE HOLD DOWN	2				
20	90506-20281	SPRING, TENSION	1				
21	90506-14001	SPRING, TENSION	1				
22	J55-27260-00	ADJUSTER ASSY	1				
23	J10-27286-00	COVER, DUST	1				
24	90201-121H8	WASHER, PLATE	1				
25	90201-121H9	WASHER, PLATE	1				

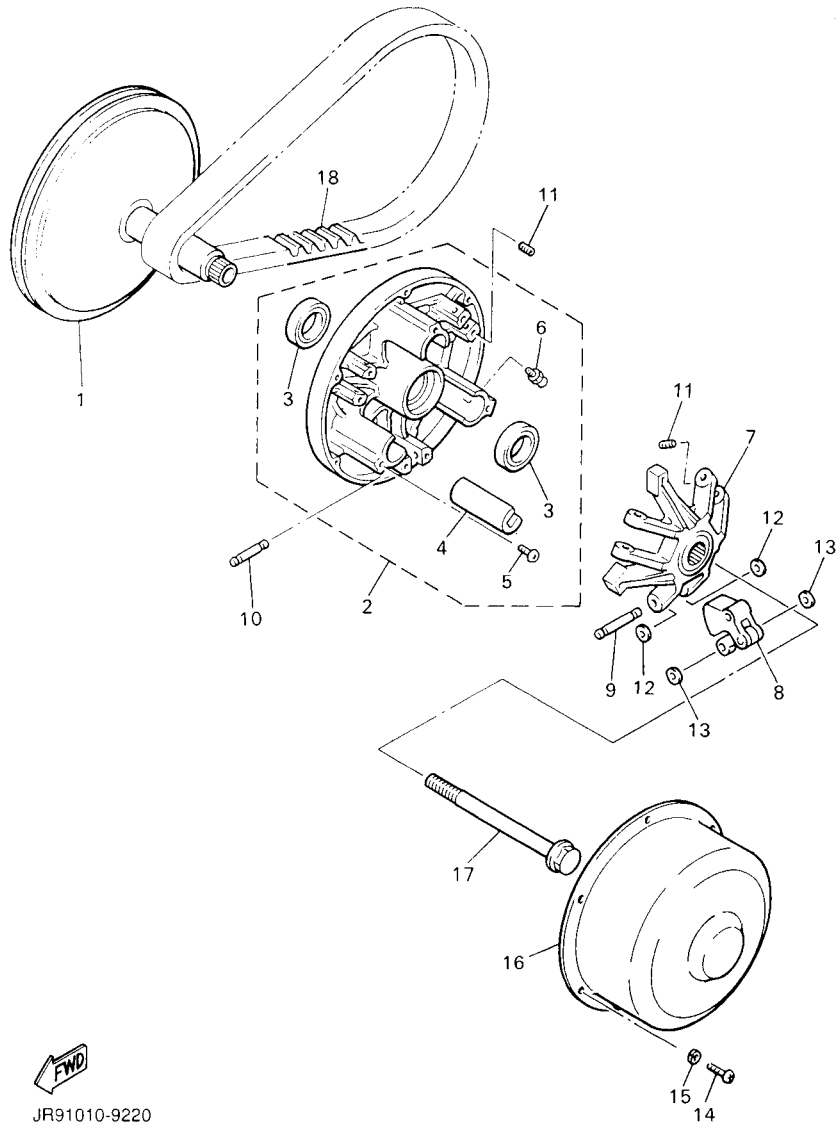
FWD  
JW71100-H180



JW71100-H190

FIG. 19 GOVERNOR

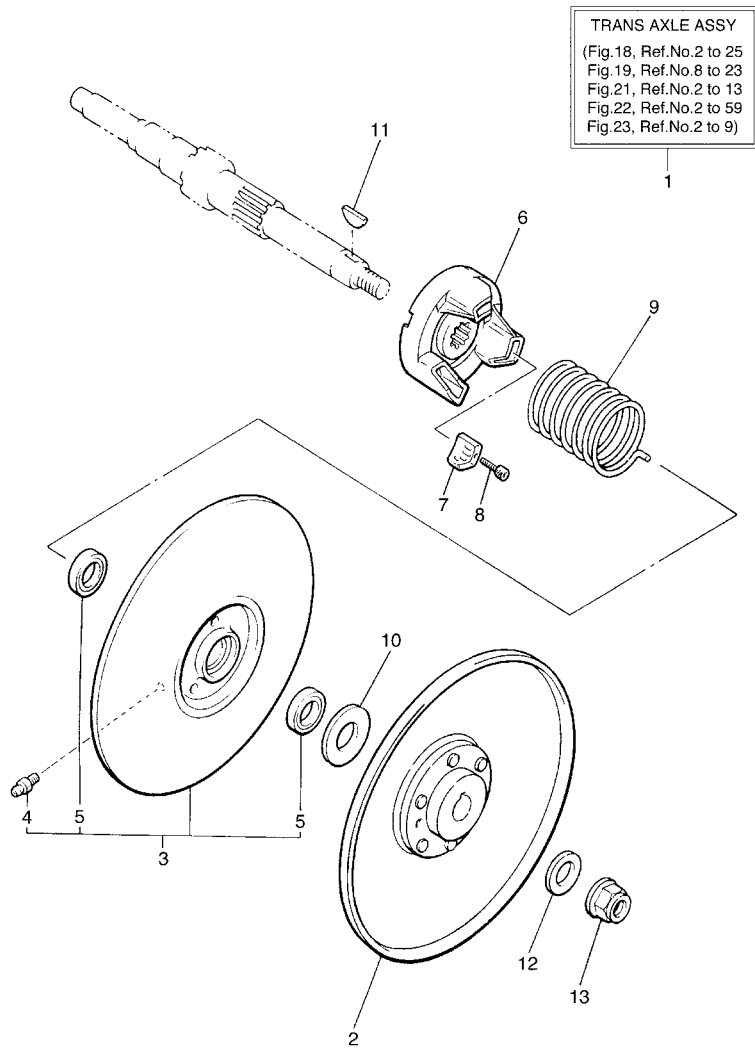
REF. NO.	PART NO.	DESCRIPTION	JW71				REMARKS
1	JW7-46300-00	TRANS AXLE ASSY	1				
2	J38-27951-00	LEVER, SPEED LIMITER	1				
3	95302-06600	NUT	1				
4	90386-08141	BUSH	2				
5	90508-40678	SPRING, TORSION	1				
6	J38-27959-00	SCREW, ADJUSTING	1				
7	95602-06200	NUT, SELF-LOCKING	1				
8	J10-27912-01	RETAINER	1				
9	90387-21690	COLLAR	1				
10	J10-27913-00	WEIGHT	8				
11	J10-27911-00	HOLDER	1				
12	JN7-27927-01	LIFTER	1				
13	93342-22518	.BEARING	1				
14	90201-20275	WASHER, PLATE	1				
15	JW7-27921-00	SHAFT, GOVERNOR	1				
16	JW7-27922-00	FORK, GOVERNOR	1				
17	92012-06010	BOLT, BUTTON HEAD	2				
18	90202-08110	WASHER, PLATE	2				
19	99001-06600	CIRCLIP	1				
20	93104-08058	OIL SEAL	1				
21	JN7-27982-00	BRACKET, WIRE	1				
22	97002-08016	BOLT	1				
23	92902-08100	WASHER, SPRING	1				



JR91010-9220

FIG. 20 PRIMARY SHEAVE

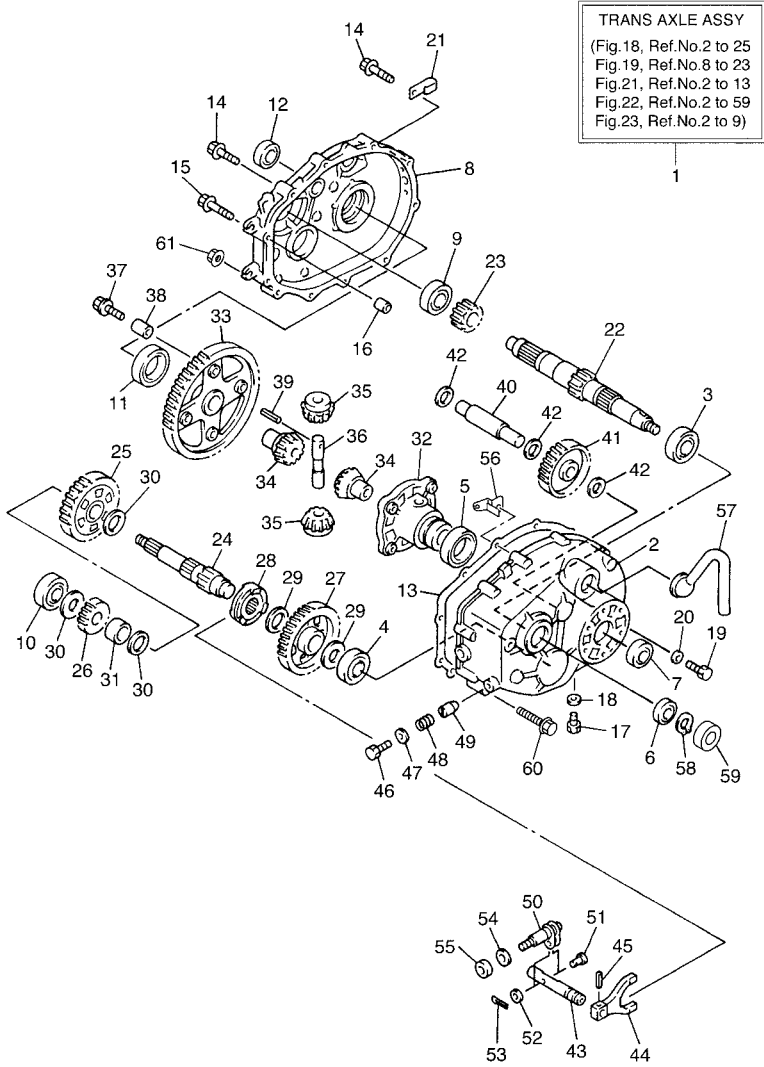
REF. NO.	PART NO.	DESCRIPTION	JW71				REMARKS
1	JX4-46210-00	PRIMARY FIXED SHEAVE COMP.	1				
2	JR7-46220-00	PRIMARY SLIDING SHEAVE COMP.	1				
3	93102-28457	.OIL SEAL	2				
4	J38-46253-00	.SLIDER	3				
5	98907-05008	.SCREW, BIND	3				
6	93700-06004	.NIPPLE, GREASE	1				
7	J38-46251-00	SPIDER	1				
8	JR7-46205-00	WEIGHT LINK ASSY	3				
9	J38-46236-00	PIN, WEIGHT	3				
10	J38-46237-00	PIN, WEIGHT 2	3				
11	90113-04050	BOLT, SET	12				
12	90202-07164	WASHER, PLATE	6				
13	90202-07186	WASHER, PLATE	6				
14	98502-05008	SCREW, PAN HEAD	6				
15	92902-05100	WASHER, SPRING	6				
16	J38-46231-00	CAP	1				
17	JX4-46249-00	BOLT	1				
18	J55-G6241-00	V-BELT	1				



JW71100-H210

**FIG. 21 SECONDARY SHEAVE**

REF. NO.	PART NO.	DESCRIPTION	JW71				REMARKS
1	JW7-46300-00	TRANS AXLE ASSY	1				
2	J38-46260-00	SECONDARY FIXED SHEAVE COMP.	1				
3	JR7-46270-00	SECONDARY SLIDING SHEAVE COMP.	1				
4	93700-06004	.NIPPLE, GREASE	1				
5	93109-20069	.OIL SEAL	2				
6	JH2-46284-00	SEAT, SECONDARY SPRING	1				
7	JF7-17688-00	SHOE, RAMP	3				
8	91317-04025	BOLT	3				
9	90508-45679	SPRING, TORSION	1				
10	90202-20130	WASHER, PLATE	1				
11	90280-05022	KEY, WOODRUFF	1				
12	90201-12588	WASHER, PLATE	1				
13	95602-12200	NUT, SELF-LOCKING	1				



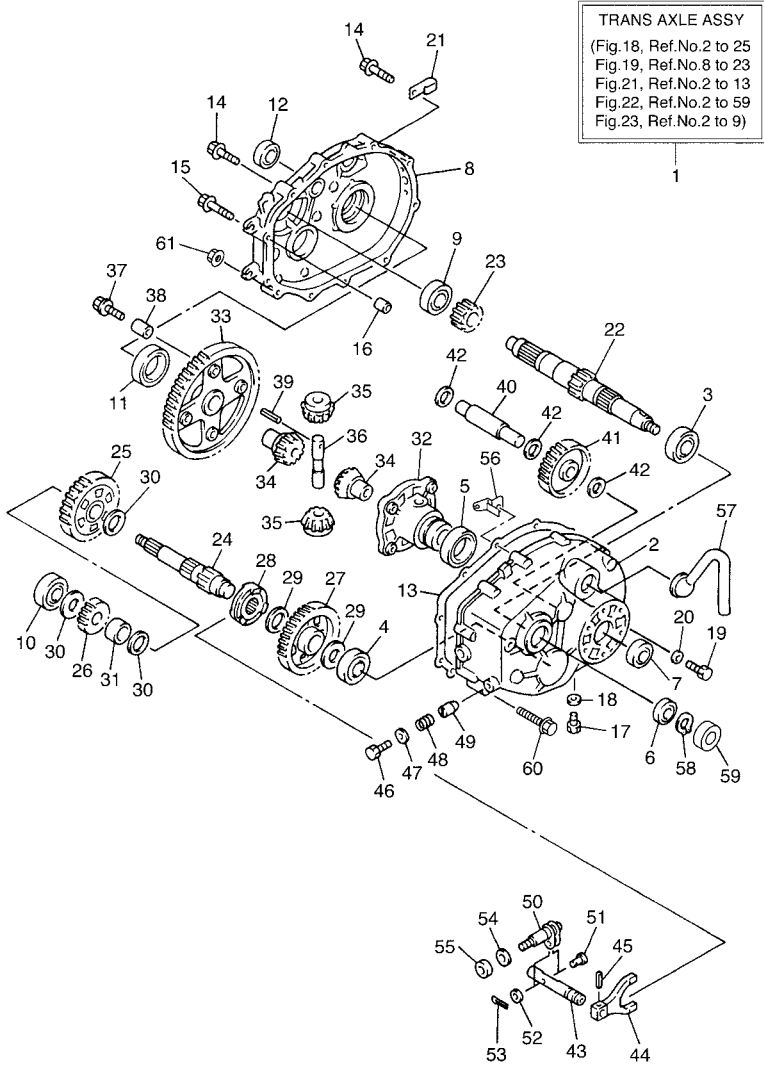
**FIG. 22 TRANSAXLE**

REF. NO.	PART NO.	DESCRIPTION	JW71				REMARKS
1	JW7-46300-00	TRANS AXLE ASSY	1				
2	J38-46311-00	CASE, TRANSMISSION 1	1				
3	93306-20501	BEARING	1				
4	93306-20401	BEARING	1				
5	93306-00803	BEARING	1				
6	93102-25017	OIL SEAL	1				
7	93102-25360	OIL SEAL	1				
8	JW7-46312-00	CASE, TRANSMISSION 2	1				
9	93306-30311	BEARING	1				
10	93306-20401	BEARING	1				
11	93306-00803	BEARING	1				
12	93102-25360	OIL SEAL	1				
13	J38-46319-01	GASKET	1				
14	95827-08040	BOLT, FLANGE	8				
15	95827-08050	BOLT, FLANGE	2				
16	99530-12016	PIN, DOWEL	2				
17	90340-14036	PLUG, STRAIGHT SCREW	1				
18	90430-14043	GASKET	1				
19	90101-08344	BOLT	1				
20	90430-08119	GASKET	1				
21	90465-06011	CLAMP	1				
22	JN7-46321-00	SHAFT, INPUT	1				
23	J38-46331-01	GEAR, INPUT 1	1				
24	J38-46351-00	SHAFT, COUNTER	1				
25	J38-46361-01	GEAR, COUNTER 1	1				
26	J38-46362-00	GEAR, COUNTER 2	1				
27	J38-46363-00	GEAR, REVERSE	1				



JW71100-H220



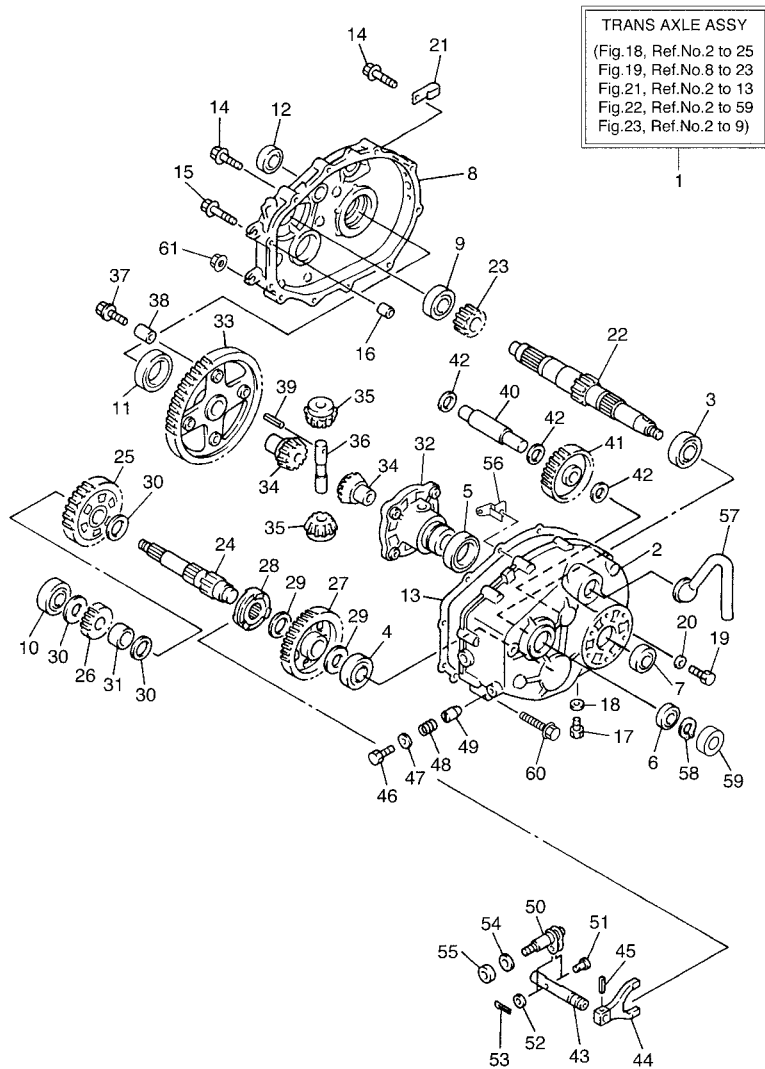


TRANS AXLE ASSY  
 (Fig.18, Ref.No.2 to 25  
 Fig.19, Ref.No.8 to 23  
 Fig.21, Ref.No.2 to 13  
 Fig.22, Ref.No.2 to 59  
 Fig.23, Ref.No.2 to 9)

**FWD**  
 JW71100-H220

**FIG. 22 TRANSAXLE**

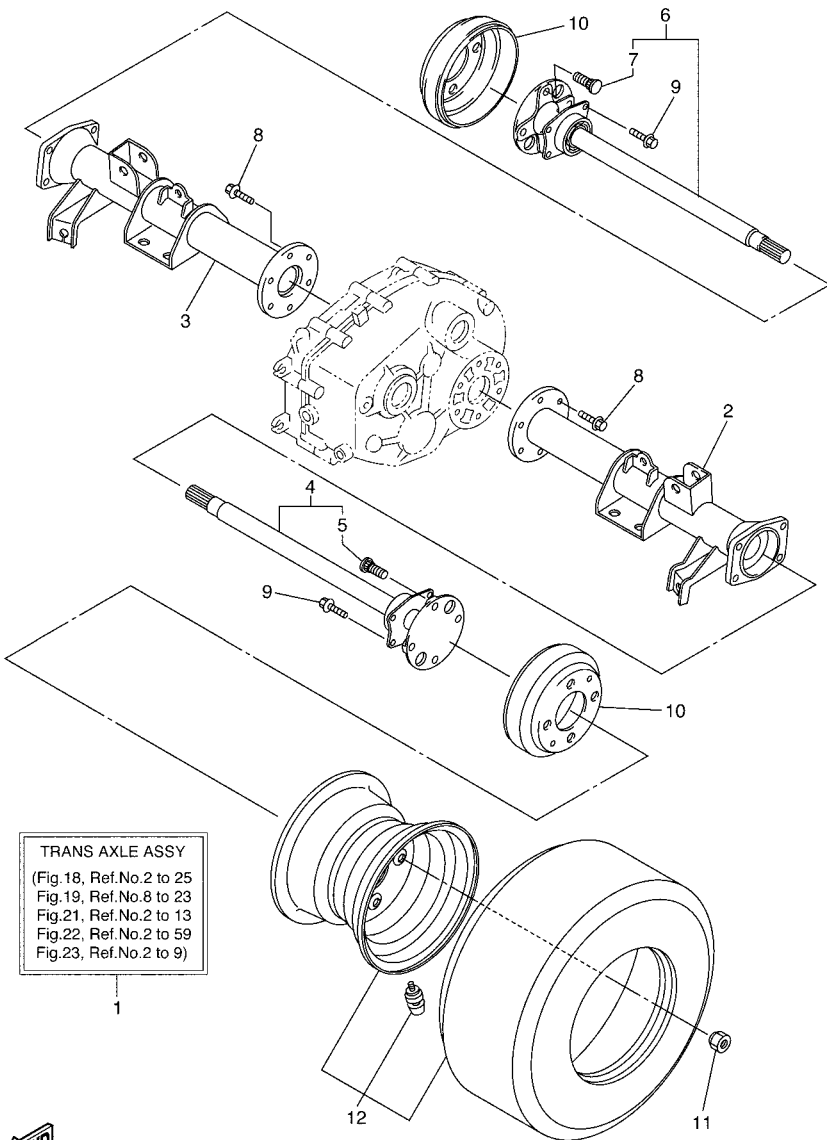
REF. NO.	PART NO.	DESCRIPTION	JW71				REMARKS
28	J38-4636A-00	DOG, CLUTCH	1				
29	90201-20611	WASHER, PLATE	2				
30	90201-257J2	WASHER, PLATE	3				
31	90387-252M8	COLLAR	1				
32	JJ3-46411-00	CASE, DIFFERENTIAL	1				
33	JJ3-46421-00	GEAR, RING	1				
34	JX4-46414-00	GEAR, DIFFERENTIAL SIDE	2				
35	JX4-46415-00	PINION, DIFFERENTIAL	2				
36	J38-46417-02	PIN, DIFFERENTIAL	1				
37	90105-08056	BOLT, FLANGE	4				
38	99530-12016	PIN, DOWEL	2				
39	91609-40040	PIN, SPRING	1				
40	J38-46348-00	SHAFT 2	1				
41	J38-46356-00	GEAR, IDLER	1				
42	90201-17713	WASHER, PLATE	3				
43	J38-4633A-00	BAR, SHIFT FORK GUIDE	1				
44	J38-46338-00	FORK, SHIFT	1				
45	91609-40020	PIN, SPRING	1				
46	90101-08344	BOLT	1				
47	90430-08119	GASKET	1				
48	90501-10060	SPRING, COMPRESSION	1				
49	90249-07190	PIN	1				
50	J38-46384-00	LEVER, SHIFT 3	1				
51	91701-06022	PIN	1				
52	92907-06200	WASHER	1				
53	91401-20012	PIN, COTTER	1				
54	90201-12166	WASHER, PLATE	1				



JW71100-H220

FIG. 22 TRANSAXLE

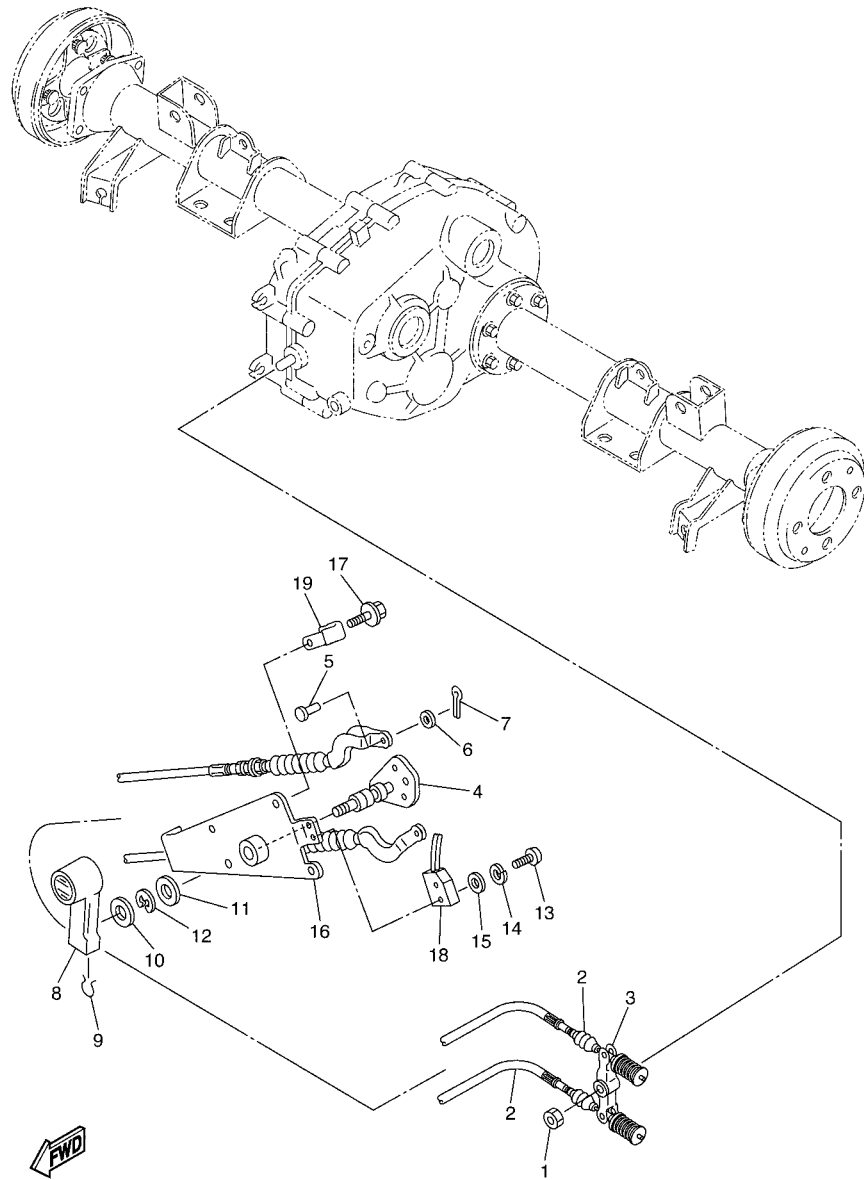
REF. NO.	PART NO.	DESCRIPTION	JW71				REMARKS
55	93102-12224	OIL SEAL	1				
56	J38-27981-00	BRACKET, THROTTLE	1				
57	JN3-47559-00	CAP 2	1				
58	93410-25017	CIRCLIP	1				
59	JT0-46374-00	COLLAR, SPRING	1				
60	95812-08075	BOLT, FLANGE	1				
61	95702-08500	NUT, WITH WASHER	1				



JW71100-H230

**FIG. 23 REAR AXLE & WHEEL**

REF. NO.	PART NO.	DESCRIPTION	JW71				REMARKS
1	JW7-46300-00	TRANS AXLE ASSY	1				
2	JW7-46540-01	REAR AXLE HOUSING COMP.	1				
3	JW7-46550-01	REAR AXLE HOUSING COMP. 2	1				
4	JW7-46510-00	REAR AXLE SHAFT COMP.	1				
5	90114-12004	.BOLT, SERRATION	4				
6	JW7-46520-00	REAR AXLE SHAFT COMP. 2	1				
7	90114-12004	.BOLT, SERRATION	4				
8	90105-081A7	BOLT, FLANGE	12				
9	90105-082A0	BOLT, FLANGE	8				
10	JU0-G6521-00	DRUM	2				
11	90179-12262	NUT	8				
12	JW7-F5300-00	REAR WHEEL ASSY	2				
<hr/>							
<hr/>							
<hr/>							
<hr/>							
<hr/>							
<hr/>							
<hr/>							

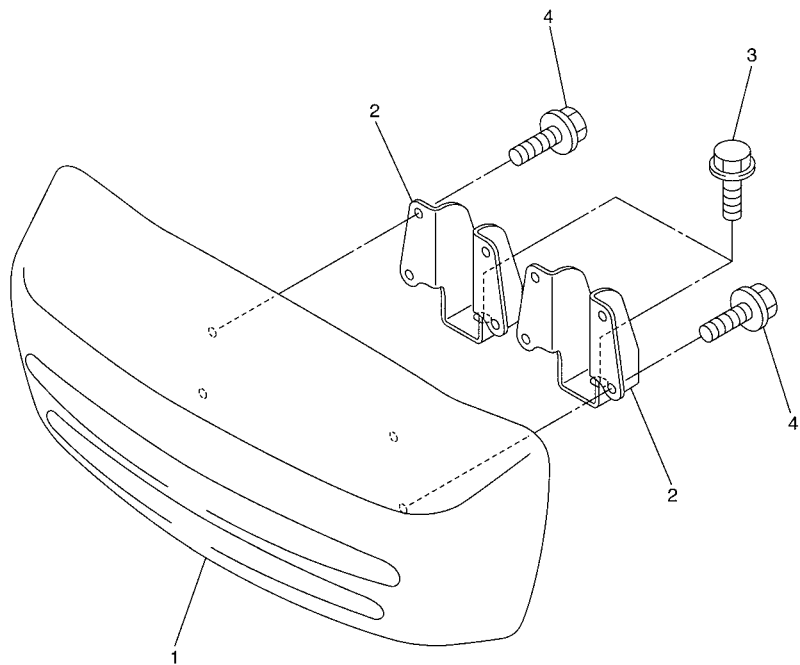


JW71100-H240

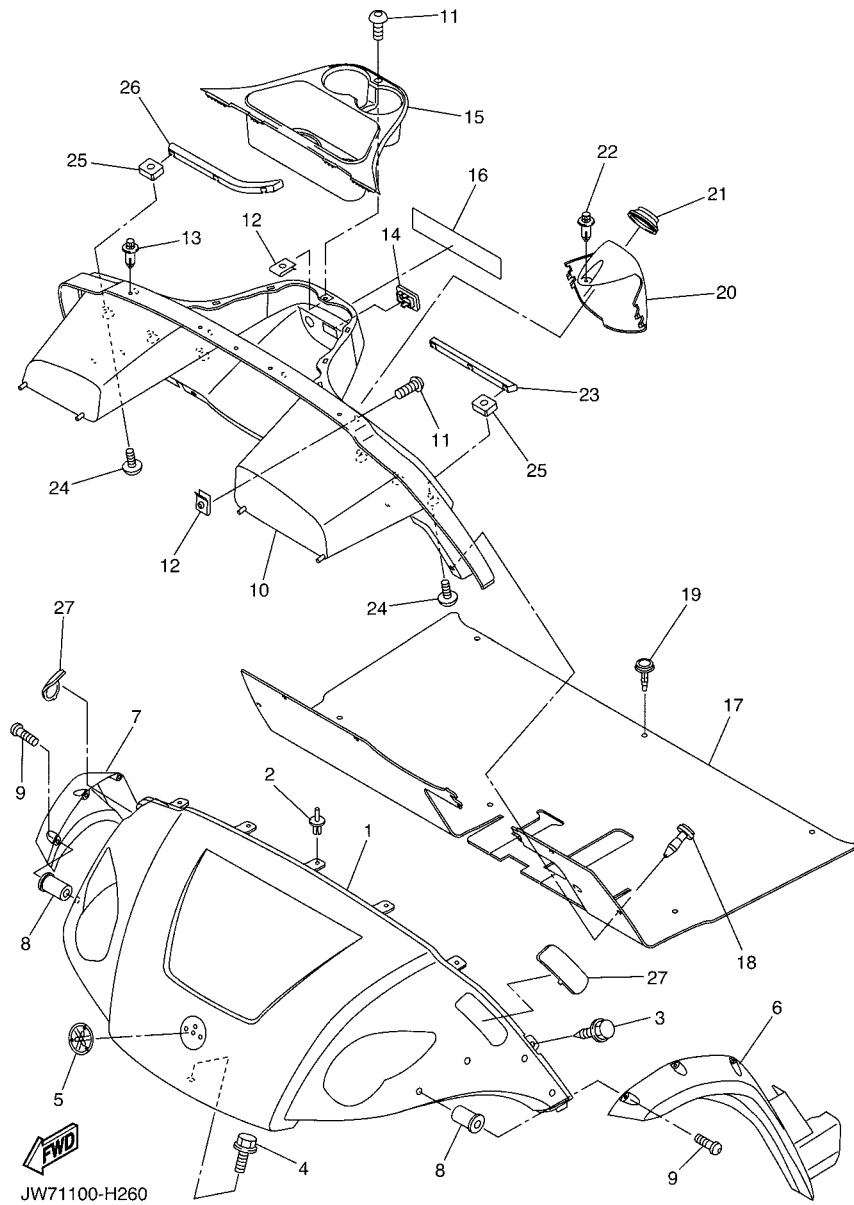
FIG. 24 SHIFTER & CABLES

REF. NO.	PART NO.	DESCRIPTION	JW71				REMARKS
1	95602-08100	NUT, U	1				
2	JW7-G6371-00	WIRE, SHIFT	2				
3	J55-G6383-00	LEVER, SHIFT 2	1				
4	JF2-46382-00	LEVER, SHIFT 1	1				
5	91702-06014	PIN, CLEVIS	2				
6	92902-06600	WASHER, PLATE	2				
7	91402-20012	PIN, COTTER	2				
8	JN3-G6381-00	KNOB, SHIFT	1				
9	JN3-G6376-00	SPRING SET	1				
10	90201-208S8	WASHER, PLATE	1				
11	90201-198S7	WASHER, PLATE	1				
12	99009-19400	CIRCLIP	1				
13	98502-04016	SCREW, PAN HEAD	2				
14	92902-04100	WASHER, SPRING	2				
15	92902-04600	WASHER, PLATE	2				
16	JN3-G6372-00	BRACKET, SHIFT WIRE	1				
17	90105-06870	BOLT, FLANGE	3				
18	JN3-82617-01	SWITCH	1				
19	90465-06038	CLAMP	1				

**FIG. 25 BUMPER**



REF. NO.	PART NO.	DESCRIPTION	JW71				REMARKS
1	JW1-K7510-00	FRONT BUMPER COMP.	1				
2	JW1-K8164-00	STAY, FRONT BUMPER (L.H)	2				
3	90105-088B0	BOLT, FLANGE	2				
4	95822-06012	BOLT, FLANGE	4				

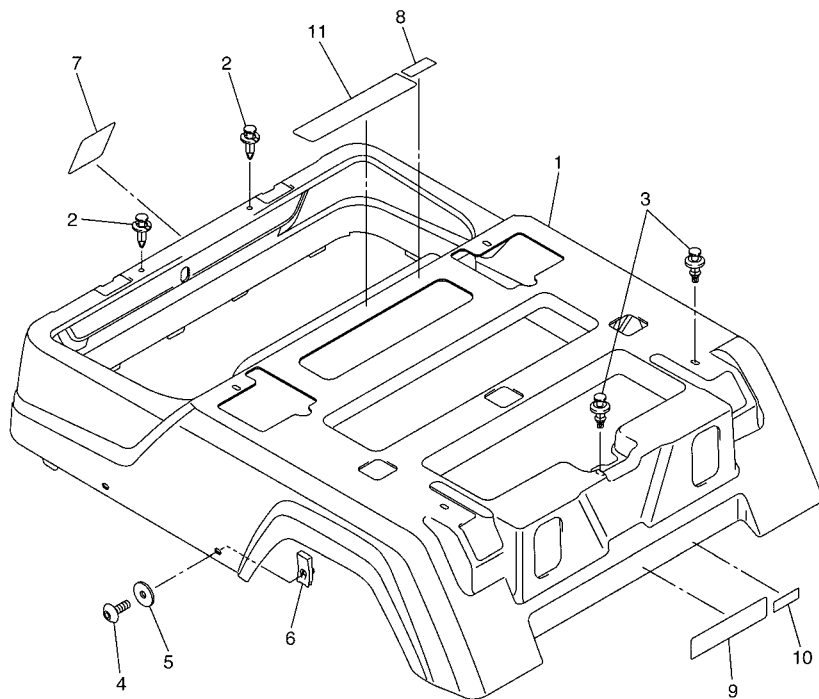


JW71100-H260

FIG. 26 BODY

REF. NO.	PART NO.	DESCRIPTION	JW71				REMARKS
1	JW7-K8115-10	COWL, FRONT	1				
2	90267-63047	RIVET, BLIND	5				
3	JW1-F3396-00	SCREW, SPECIAL	2				
4	90105-06870	BOLT, FLANGE	1				
5	JW1-F4161-00	EMBLEM 1	1				
6	JW7-F1551-00	FENDER, OVER	1				
7	JW7-F1555-00	FENDER, OVER 2	1				
8	90179-05523	NUT	8				
9	98902-05020	SCREW, BIND	8				
10	JW1-K8114-01	PANEL, FRONT	1				
11	90111-05805	BOLT, HEX. SOCKET BUTTON	5				
12	90183-05008	NUT, SPRING	5				
13	90269-07001	RIVET	5				
14	JW1-F312G-00	PLUG	1				
15	JW6-K835E-00	HOLDER, BEVERAGE	1				
16	JW7-K7768-00	LABEL, WARNING	1				
17	JW7-K8233-00	MAT, MAIN FLOOR 3	1				
18	JW1-K7329-00	RIVET	5				
19	JW1-K7449-00	RIVET 1	6				
20	JW1-K8273-00	COVER, HOLE	1				
21	JW1-K8245-00	SEAL 1	1				
22	90269-06804	RIVET	1				
23	JW1-K8261-00	PLATE, BODY PROTECT 1	1				
24	90110-06102	BOLT, HEXAGON SOCKET HEAD	6				
25	90173-06001	NUT, SQUARE	6				
26	JW1-K8262-00	PLATE, BODY PROTECT 2	1				
27	JW1-K832H-00	GROMMET, ROOF SUPPORT 3	2				

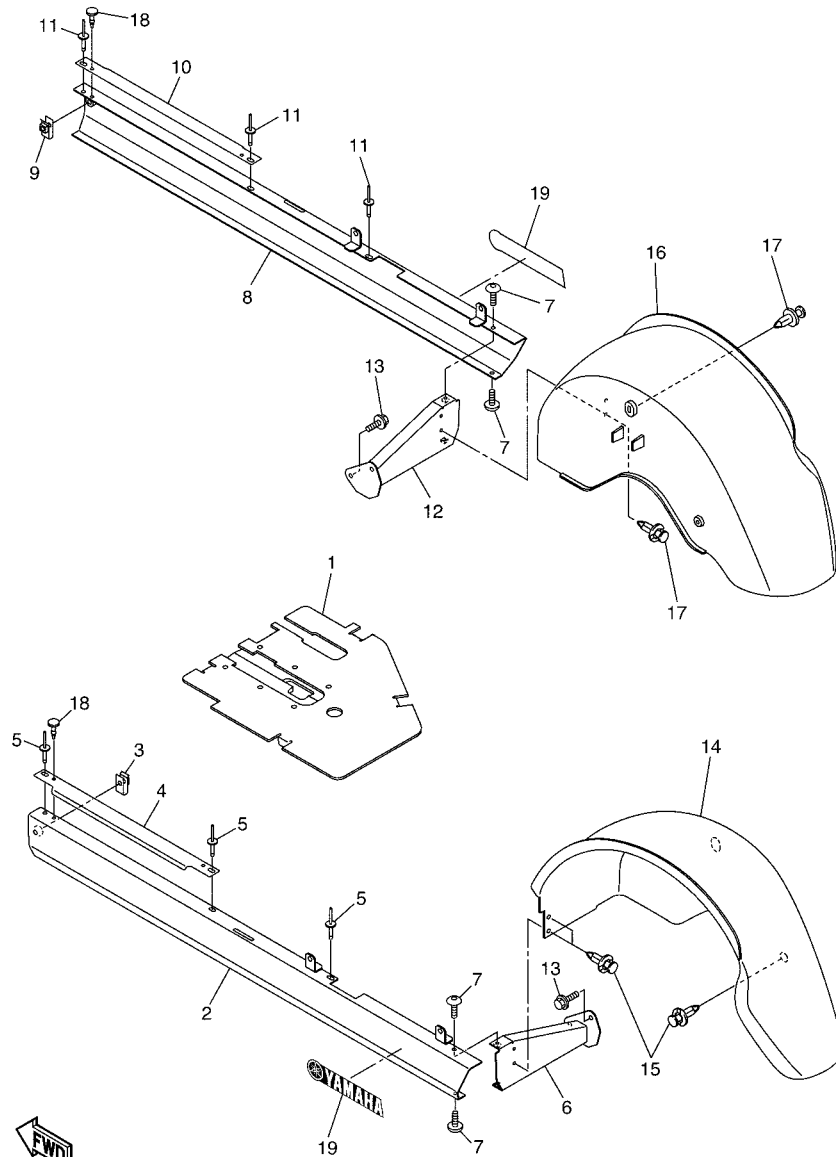
FIG. 27 BODY 2



REF. NO.	PART NO.	DESCRIPTION	JW71				REMARKS
1	JW7-K8142-00	PANEL, REAR BODY	1				
2	90269-08813	RIVET	2				
3	JW6-K7449-00	RIVET 1	5				
4	90111-06814	BOLT,HEX. SOCKET BUTTON	4				
5	90201-06863	WASHER, PLATE	4				
6	90183-06811	NUT, SPRING	4				
7	JW1-K7741-00	INDICATOR 1	1				
8	JN6-H2377-00	LABEL	1				
9	JW7-F1696-00	LABEL, CAUTION	1				
10	JW6-K7765-00	LABEL, WARNING 5	1				
11	JW6-K8297-00	PLATE, CAUTION 1	1				



JW71100-H270

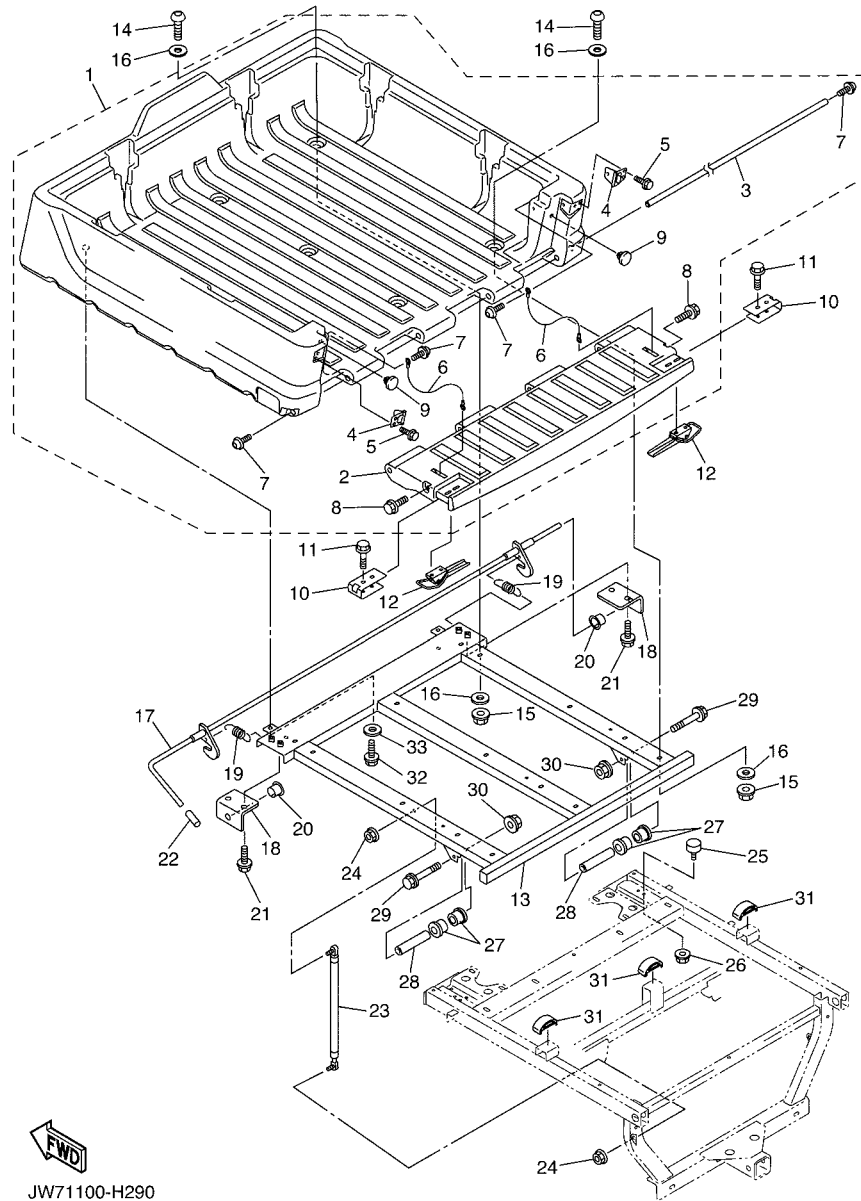


JW71100-H280

FIG. 28 BODY FITTING

REF. NO.	PART NO.	DESCRIPTION	JW71				REMARKS
1	JW1-K8270-00	LID ASSY	1				
2	JW7-K818A-00	PROTECTOR, SIDE PLATE	1				
3	JW7-K811K-00	NUT, TRIM FITTING	1				
4	JW7-K8215-00	PLATE, SIDE TRIM	1				
5	JW7-K7329-00	RIVET	3				
6	JW7-K818E-00	CAP, PROTECTOR END 1	1				
7	90111-06814	BOLT, HEX. SOCKET BUTTON	4				
8	JW7-K818B-00	PROTECTOR, SIDE PLATE 2	1				
9	JW7-K811K-00	NUT, TRIM FITTING	1				
10	JW7-K8215-00	PLATE, SIDE TRIM	1				
11	JW7-K7329-00	RIVET	3				
12	JW7-K818F-00	CAP, PROTECTOR END 2	1				
13	90105-08867	BOLT, FLANGE	4				
14	JW1-K8191-00	PANEL, REAR FENDER 1	1				
15	90269-06804	RIVET	4				
16	JW1-K8192-00	PANEL, REAR FENDER 2	1				
17	90269-06804	RIVET	4				
18	JW1-K7449-00	RIVET 1	2				
19	F1X-U411C-10	EMBLEM, YAMAHA	2				

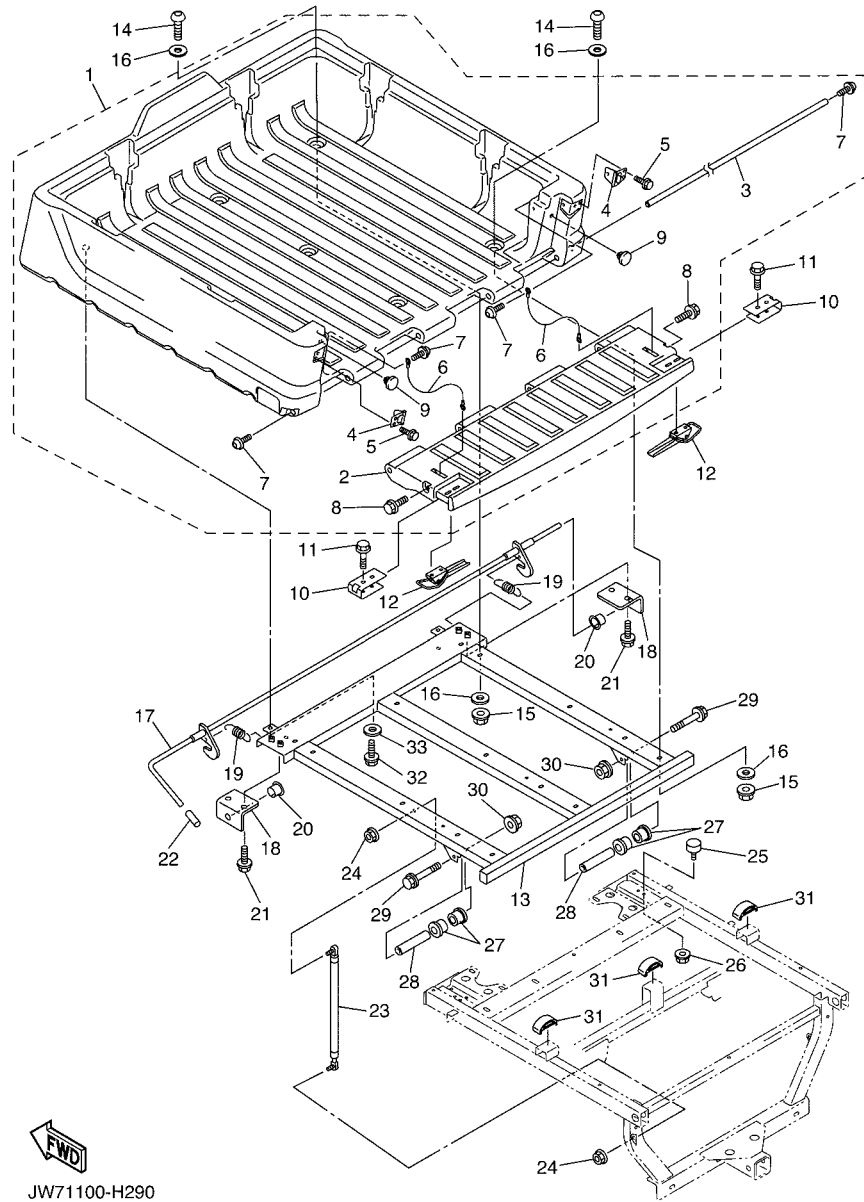




JW71100-H290

FIG. 29 CARRIER

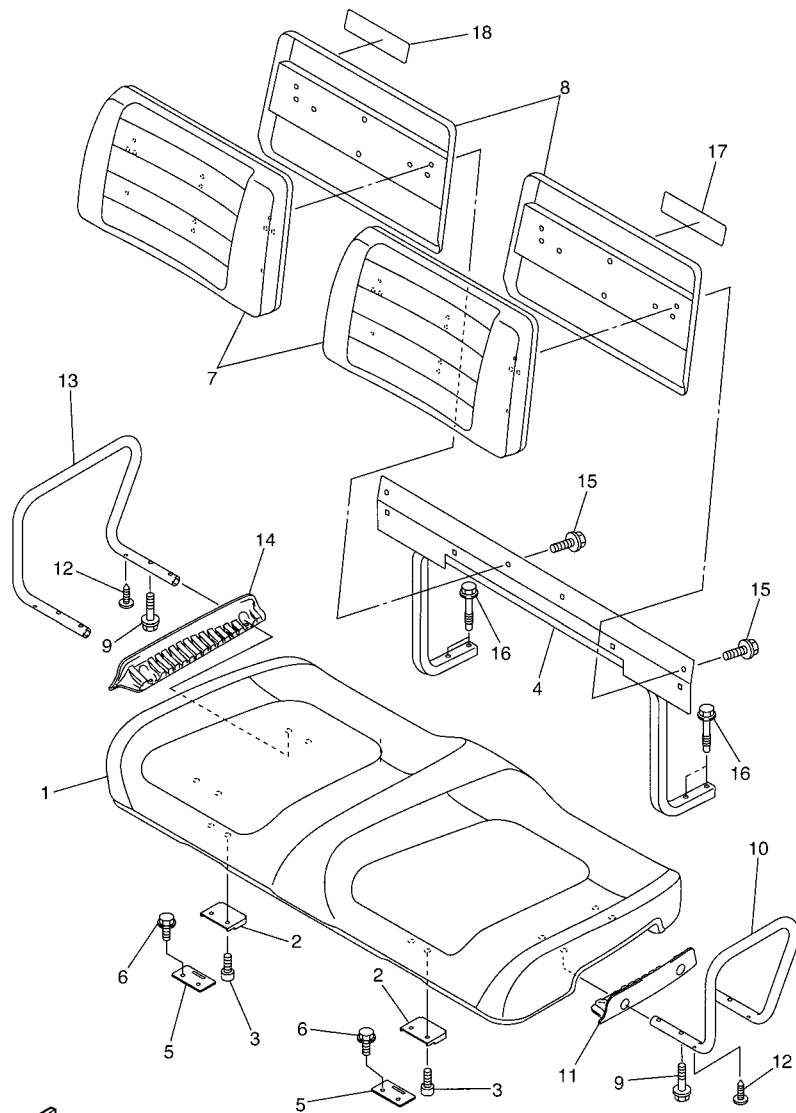
REF. NO.	PART NO.	DESCRIPTION	JW71				REMARKS
1	JW7-K810M-00	REAR STORAGE BOX COMP.	1				
2	JU9-K819K-00	.SHELL, RR. STORAGE LID	1				
3	JU9-K8564-00	.PIN, HINGE	1				
4	JU9-K7172-00	.BODY, LATCH 2	2				
5	90119-06830	.BOLT, WITH WASHER	6				
6	JU9-K7195-00	.HOLDER, CABLE	2				
7	JU9-K6179-00	.BOLT, SPECIAL 1	4				
8	JU9-K6189-00	.BOLT, SPECIAL 2	2				
9	JU9-K7739-10	.DAMPER, LID	2				
10	JU9-K7171-00	BODY, LATCH 1	2				
11	JU9-K8384-00	BOLT	4				
12	5UG-F389E-00	LATCH	2				
13	JW7-K818N-00	BED, BOX	1				
14	90111-10800	BOLT,HEX. SOCKET BUTTON	7				
15	95602-10200	NUT, U FLANGE	7				
16	90201-10830	WASHER, PLATE	14				
17	JW6-K7180-00	LATCH ASSY	1				
18	JW6-K7185-00	PLATE 1	2				
19	90506-16451	SPRING, TENSION	2				
20	2P5-K7515-00	BUSH, RUBBER 1	2				
21	95822-08016	BOLT, FLANGE	4				
22	JJ3-K818M-00	CAP, PROTECTOR END 4	1				
23	5UG-F8415-00	DAMPER 1	2				
24	95602-08200	NUT, SELF-LOCKING	4				
25	JU5-K8167-11	BUMPER, RUBBER 1	2				
26	95602-08200	NUT, SELF-LOCKING	2				
27	JW6-F2123-00	BUSH 1	4				



JW71100-H290

**FIG. 29 CARRIER**

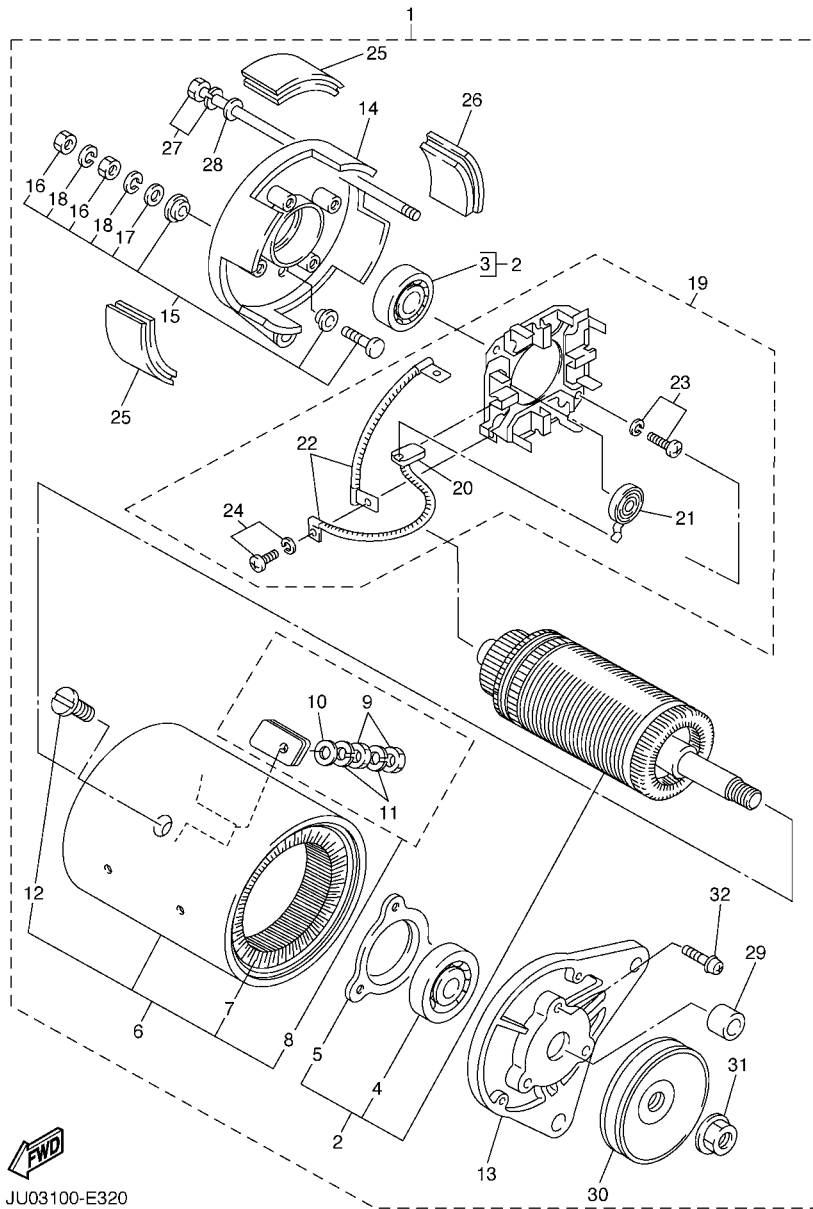
REF. NO.	PART NO.	DESCRIPTION	JW71				REMARKS
28	JW6-F1633-00	COLLAR, 1	2				
29	95812-08070	BOLT, FLANGE	2				
30	95602-08200	NUT, SELF-LOCKING	2				
31	JJ3-K815H-01	DAMPER, LOCK	3				
32	95822-08020	BOLT, FLANGE	2				
33	90201-08053	WASHER, PLATE	2				



JW61100-H280

FIG. 30 SEAT

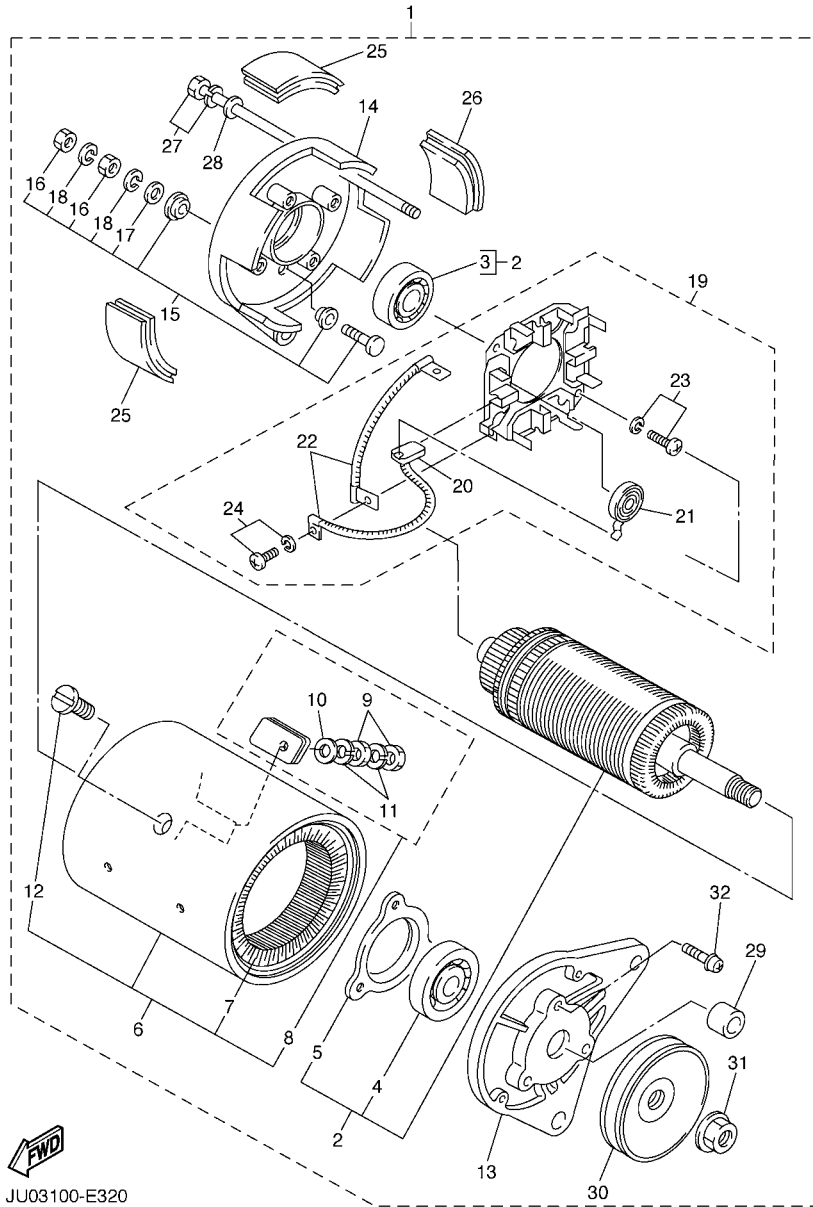
REF. NO.	PART NO.	DESCRIPTION	JW71				REMARKS
1	JW1-K8401-00	SEAT SUB-ASSY,CUSHION	1				
2	JW1-K8426-00	HINGE, SEAT 1	2				
3	90110-06854	BOLT, HEXAGON SOCKET HEAD	4				
4	JW6-K8423-00	SUPPORT, SEAT BACK	1				
5	JW1-K8427-00	HINGE, SEAT 2	2				
6	90105-06861	BOLT, FLANGE	4				
7	JW6-K8402-00	SEAT SUB ASSY, BACK	2				
8	JJ3-K8413-10	COVER, SEAT BACK	2				
9	90105-06042	BOLT, FLANGE	8				
10	JW6-K8361-00	ARM REST 1	1				
11	JW6-K7213-00	TRIM, UPPER	1				
12	JW6-K7329-00	RIVET	4				
13	JW6-K8362-00	ARM REST 2	1				
14	JW6-K7214-00	TRIM, LOWER	1				
15	90119-06837	BOLT, WITH WASHER	4				
16	90109-08178	BOLT	4				
17	JW7-K7766-00	LABEL, WARNING 6	1				
18	JW6-K7767-01	LABEL, WARNING 7	1				



JU03100-E320

FIG. 31 STARTING MOTOR

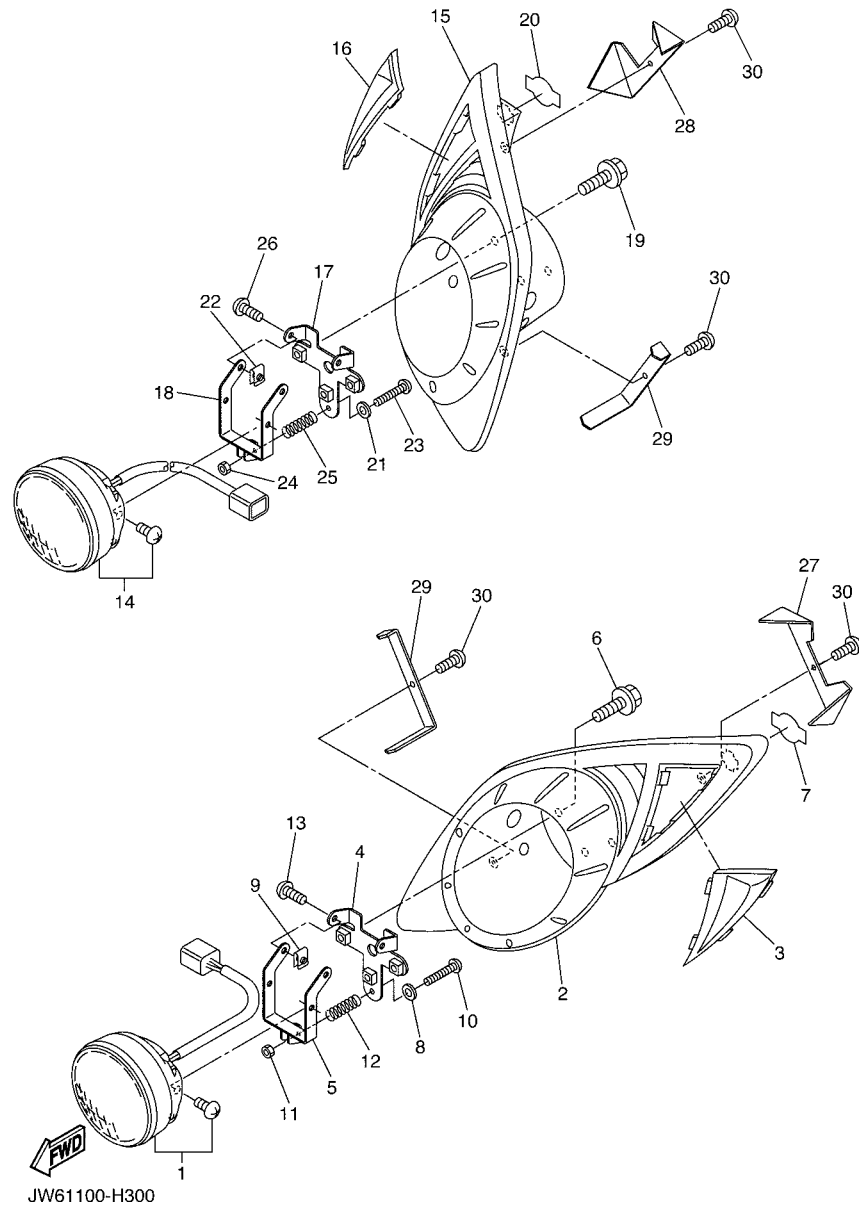
REF. NO.	PART NO.	DESCRIPTION	JW71				REMARKS
1	JN6-H1100-03	STARTER GENERATOR ASSY	1				
2	JN5-H1150-00	.ARMATURE ASSY	1				
3	93306-20226	..BEARING	1				KOYO
4	93306-30317	..BEARING	1				
5	J10-81159-10	..HOLDER, BEARING	1				
6	JN6-H1110-10	..STATOR ASSY	1				
7	JN6-H1160-10	..FIELD COIL ASSY	1				
8	J10-81148-10	..SCREW SET 4	2				
9	9530N-06600	...NUT	2				
10	9290N-06600	...WASHER	1				
11	9290N-06100	...WASHER, SPRING	2				
12	J10-81146-10	..SCREW 2	4				
13	JN6-H1165-00	.BRACKET, STARTER GENERATOR 1	1				
14	J10-81166-10	.BRACKET, STARTER GENERATOR 2	1				
15	J10-81147-10	.SCREW SET 3	2				
16	9530N-06600	..NUT	2				
17	9290N-06600	..WASHER	1				
18	9290N-06100	..WASHER, SPRING	2				
19	JN6-H1119-00	.BRUSH HOLDER ASSY	1				
20	JF2-H1111-00	..BRUSH	4				
21	JN6-H1113-00	..SPRING, BRUSH	4				
22	J10-H1115-10	..WIRE, LEAD	2				
23	9850N-05016	..SCREW, PAN HEAD	2				
24	9850N-04010	..SCREW, PAN HEAD	4				
25	J10-81129-10	.COVER, BRUSH	3				
26	J10-H1139-10	.COVER, BRUSH 2	1				
27	J10-81145-10	.SCREW 1	2				



JU03100-E320

FIG. 31 STARTING MOTOR

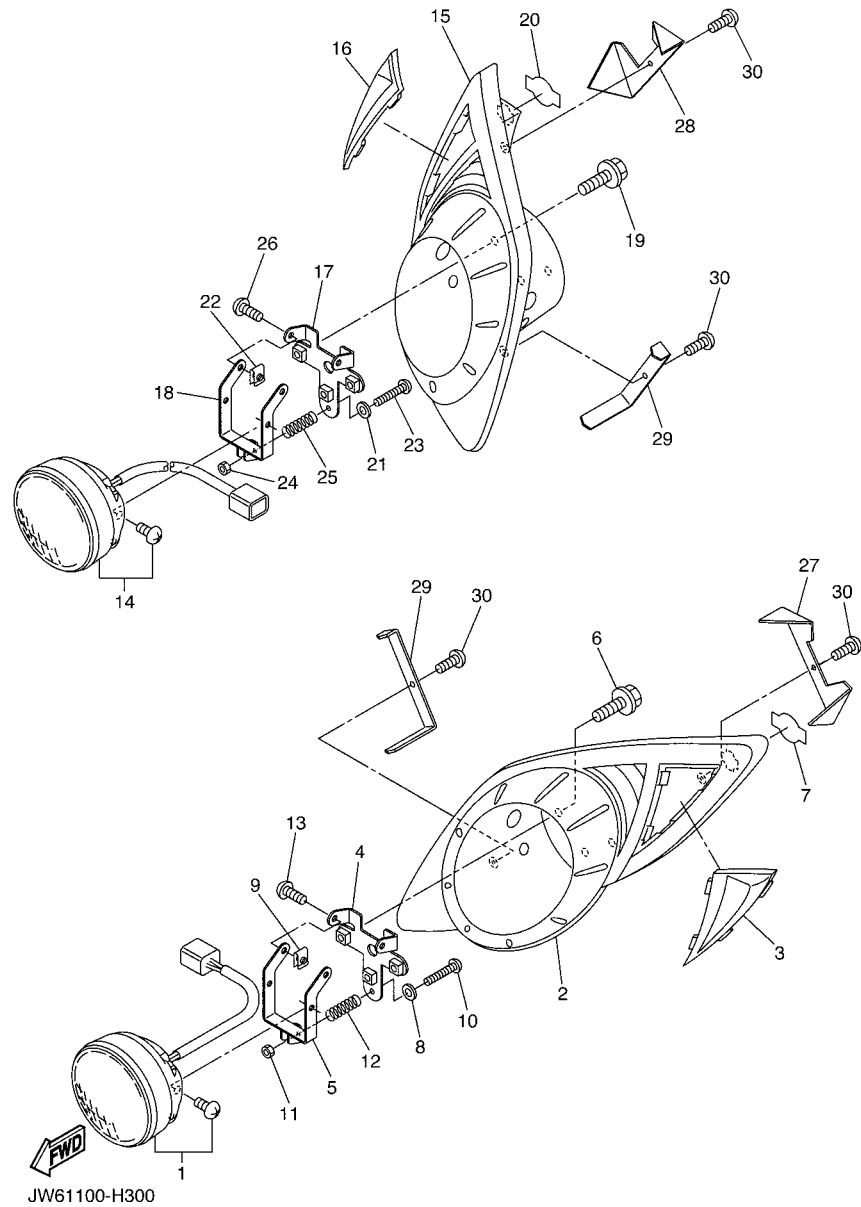
REF. NO.	PART NO.	DESCRIPTION	JW71				REMARKS
28	9290N-06600	.WASHER	2				
29	JN3-H1661-00	.SPACER	1				
30	JN6-H1161-00	.PULLEY	1				
31	*	.NUT	1				LM
32	9850N-05018	.SCREW, PAN HEAD	3				



JW61100-H300

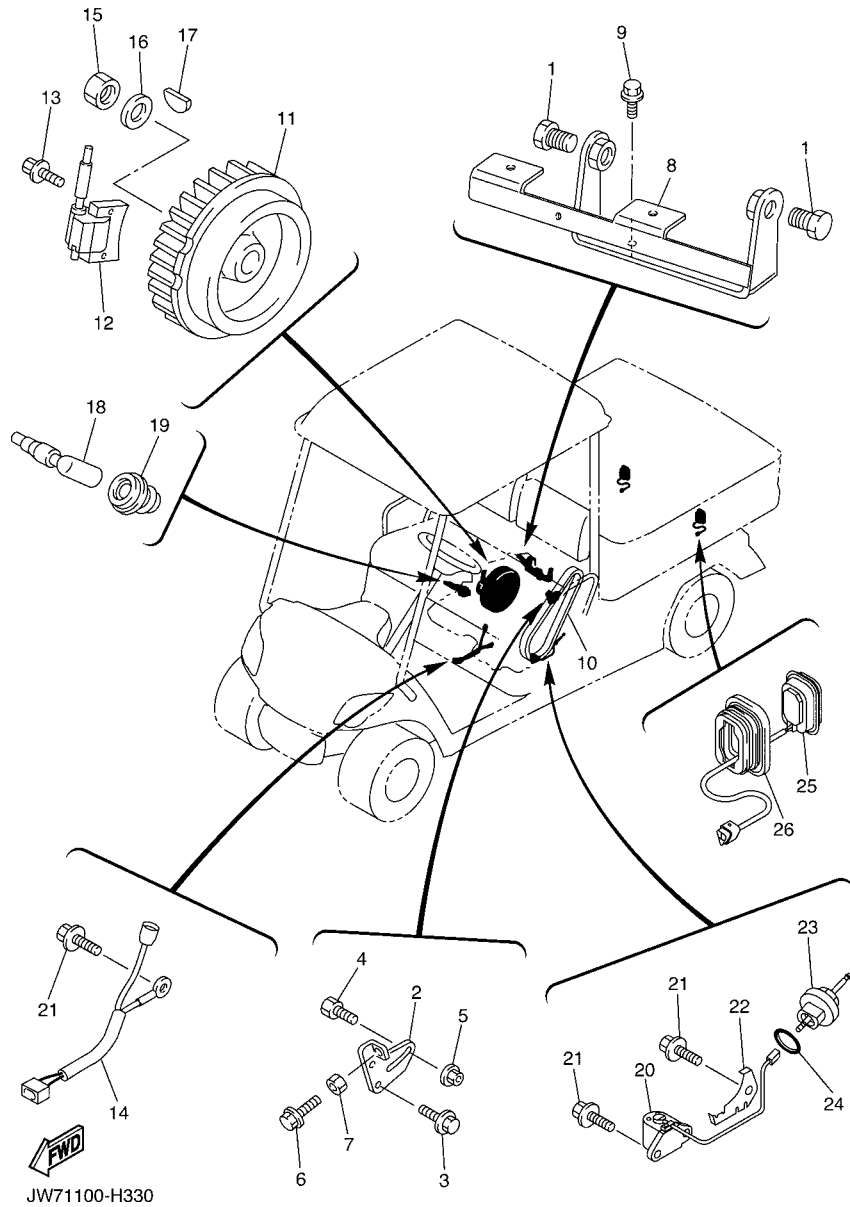
FIG. 32 HEADLIGHT

REF. NO.	PART NO.	DESCRIPTION	JW71				REMARKS
1	JW6-H4300-02	HEADLIGHT ASSY	1				
2	JW6-H411T-00	HOLDER, 1	1				
3	JW6-H4385-00	CAP,1	1				
4	JW6-H4318-00	STAY, HEADLIGHT 1	1				
5	JW6-H4319-00	STAY, HEADLIGHT 2	1				
6	90119-06884	BOLT, WITH WASHER	3				
7	JU7-H3547-10	COVER, SOCKET	1				
8	90201-03008	WASHER, PLATE	1				
9	90183-050A6	NUT, SPRING	2				
10	JW6-H433E-01	SCREW, ADJUSTING	1				
11	2GU-84334-00	NUT, ADJUSTING	1				
12	2GU-84332-00	SPRING, SCREW	1				
13	98902-05016	SCREW, BIND	2				
14	JW6-H4300-02	HEADLIGHT ASSY	1				
15	JW6-H411U-00	HOLDER, 2	1				
16	JW6-H4386-00	CAP,2	1				
17	JW6-H4318-00	STAY, HEADLIGHT 1	1				
18	JW6-H4319-00	STAY, HEADLIGHT 2	1				
19	90119-06884	BOLT, WITH WASHER	3				
20	JU7-H3547-10	COVER, SOCKET	1				
21	90201-03008	WASHER, PLATE	1				
22	90183-050A6	NUT, SPRING	2				
23	JW6-H433E-01	SCREW, ADJUSTING	1				
24	2GU-84334-00	NUT, ADJUSTING	1				
25	2GU-84332-00	SPRING, SCREW	1				
26	98902-05016	SCREW, BIND	2				
27	JW6-H431R-00	STAY, SETTING	1				



**FIG. 32 HEADLIGHT**

REF. NO.	PART NO.	DESCRIPTION	JW71				REMARKS
28	JW6-H431T-00	METAL, ADJUSTING	1				
29	JW6-H4119-00	STAY, HEADLIGHT 2	2				
30	90164-04800	SCREW, TAPPING	4				

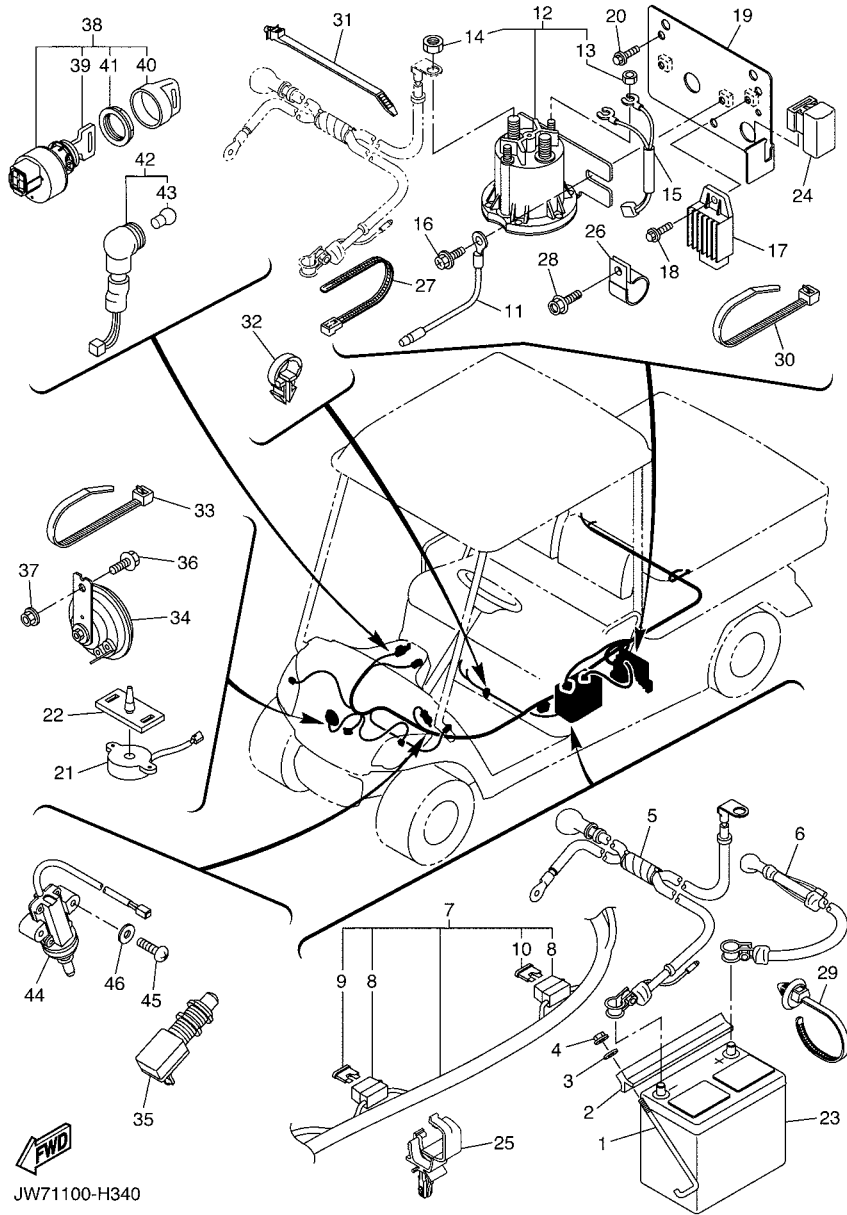


JW71100-H330

FIG. 33 ELECTRICAL 1

REF. NO.	PART NO.	DESCRIPTION	JW71				REMARKS
1	95812-12030	BOLT, FLANGE	2				
2	JW1-H1170-11	TENSIONER ASSY	1				
3	95822-08020	BOLT, FLANGE	2				
4	90109-08827	BOLT	1				
5	95702-08500	NUT, WITH WASHER	1				
6	90101-06478	BOLT	1				
7	95302-06600	NUT	1				
8	JN6-H1171-10	BRACKET, STARTER GENERATOR	1				
9	95822-08020	BOLT, FLANGE	2				
10	JW1-H1173-00	BELT	1				
11	JR7-85650-00	ROTOR ASSY	1				
12	JN6-85640-01	T.C.I. UNIT ASSY	1				
13	95822-06025	BOLT, FLANGE	2				
14	JN6-82318-00	WIRE, SUB-LEAD	1				
15	95302-18600	NUT	1				
16	90201-18620	WASHER, PLATE	1				
17	90280-04052	KEY, WOODRUFF	1				
18	JN6-82370-00	PLUG CAP ASSY	1				
19	JE8-82372-00	SEAL, PLUG CAP	1				
20	JT0-85720-00	OIL LEVEL GAUGE ASSY	1				
21	95822-06012	BOLT, FLANGE	4				
22	JT0-85724-00	CLAMP	1				
23	JT0-15362-00	PLUG, OIL LEVEL	1				
24	93210-15414	O-RING	1				
25	JU5-H4700-10	TAILLIGHT ASSY	2				
26	JU5-H4718-00	GROMMET	2				

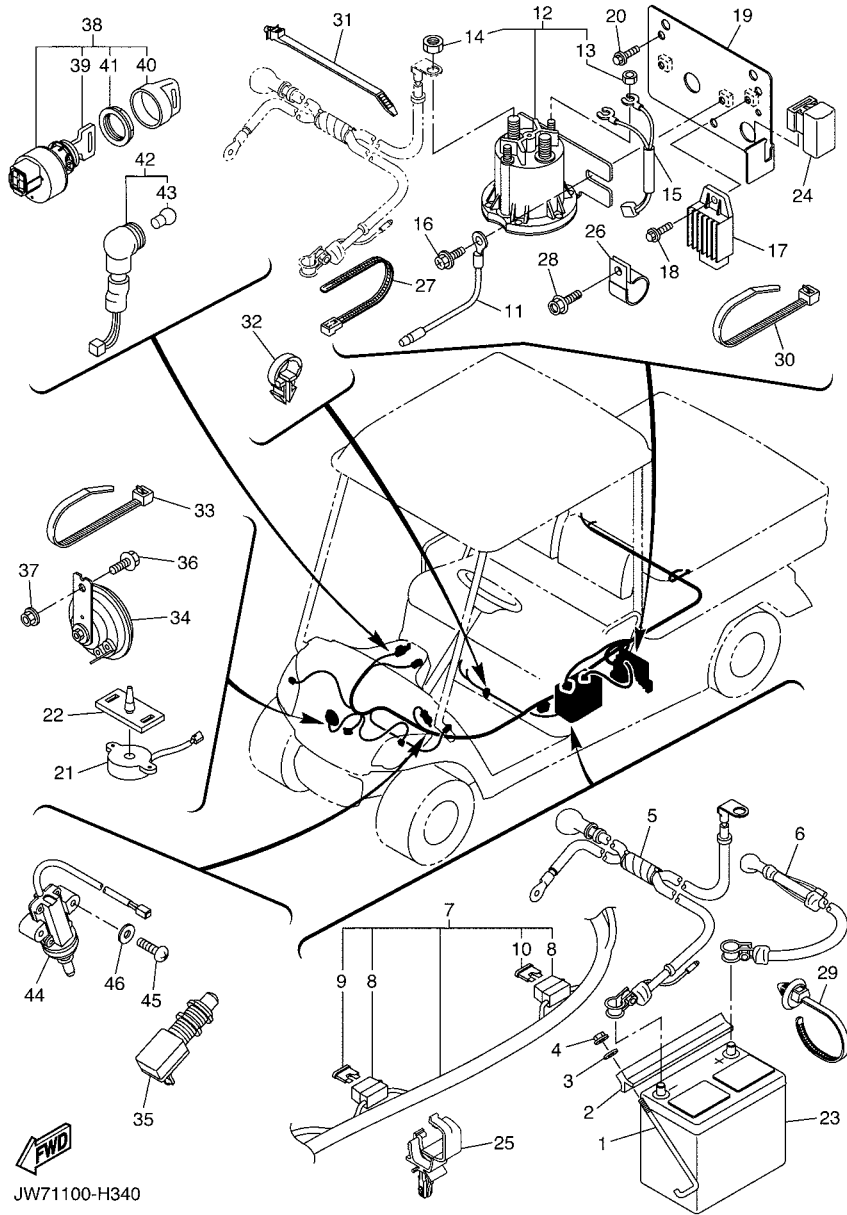




JW71100-H340

FIG. 34 ELECTRICAL 2

REF. NO.	PART NO.	DESCRIPTION	JW71			REMARKS
1	JW1-H2133-00	SCREW, FITTING	2			
2	J55-H2136-00	PLATE, BATTERY FITTING	1			
3	92902-06200	WASHER	2			
4	95702-06500	NUT, FLANGE	2			
5	JW7-H1441-00	LEAD WIRE ASSY	1			
6	JW7-H2115-00	WIRE, PLUS LEAD	1			
7	JW7-H2590-00	WIRE HARNESS ASSY	1			
8	JR1-H2150-00	.FUSE HOLDER ASSY	2			
9	JW6-H2151-00	.FUSE (15A)	1			
10	JW7-H2151-00	.FUSE (25A)	1			
11	JW6-H232Y-00	WIRE, EARTH LEAD	1			
12	JW1-H1950-00	RELAY ASSY	1			
13	90179-05807	.NUT	2			
14	90179-08824	.NUT	2			
15	JN6-H2105-00	WIRE HARNESS	1			
16	90163-06005	SCREW, TAPPING	2			
17	JF2-81910-01	VOLTAGE REGULATOR ASSY	1			
18	90105-06870	BOLT, FLANGE	1			
19	JW6-F253B-00	STAY, RELAY	1			
20	90105-088A3	BOLT, FLANGE	2			
21	JR1-H3383-01	BUZZER	1			
22	JN6-H3386-01	STAY, BUZZER	1			
23	*	BATTERY ASSY (GC-24, 12V)	1			LM
24	4U8-81950-02	RELAY ASSY	1			
25	90464-20237	CLAMP	5			
26	90461-14108	CLAMP	1			
27	90464-09823	CLAMP	1			

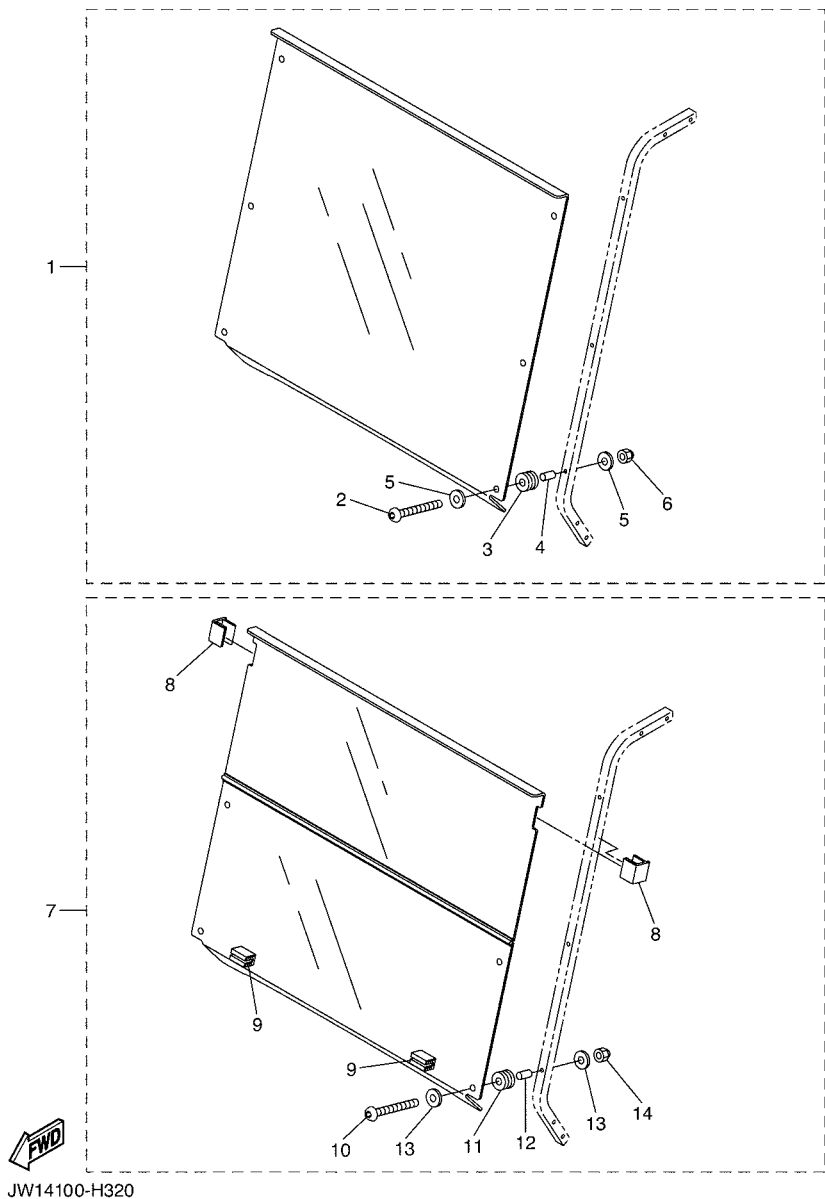


JW71100-H340

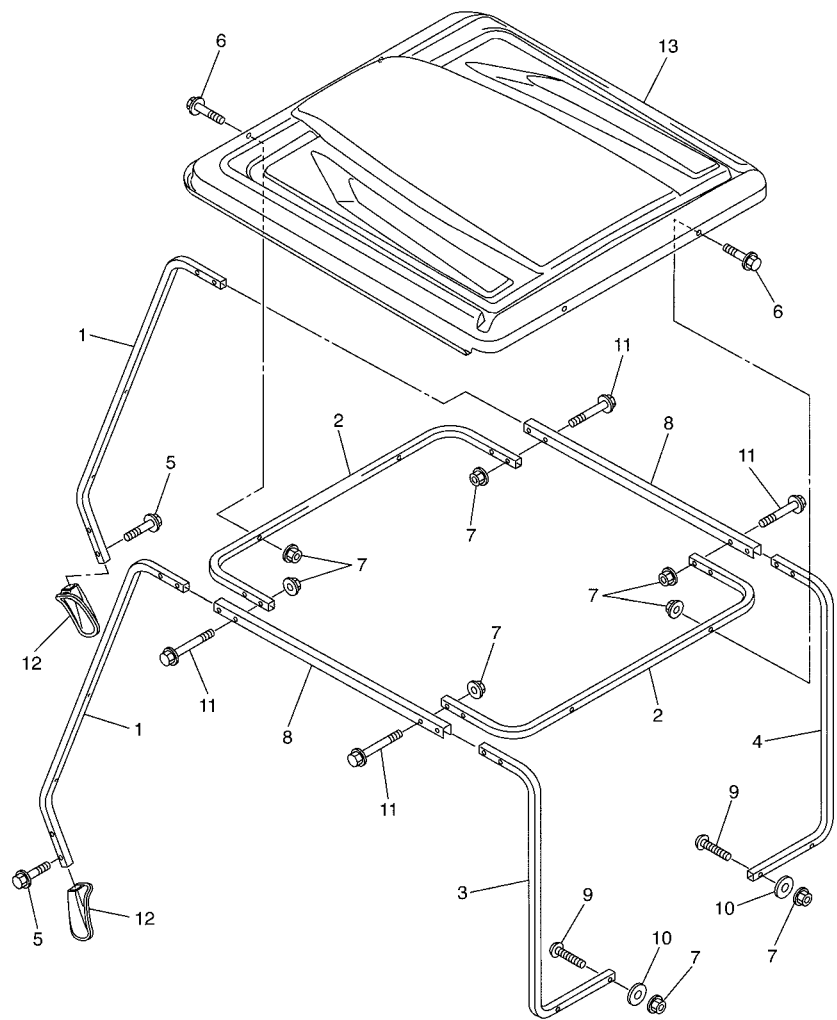
FIG. 34 ELECTRICAL 2

REF. NO.	PART NO.	DESCRIPTION	JW71				REMARKS
28	90105-06870	BOLT, FLANGE	1				
29	90464-20005	CLAMP	9				
30	90464-48800	CLAMP	2				
31	90464-25800	CLAMP	2				
32	90464-19815	CLAMP	1				
33	90464-48800	CLAMP	3				
34	4LR-83371-11	HORN	1				
35	JR6-H270X-00	SWITCH	1				
36	95822-06016	BOLT, FLANGE	1				
37	95702-06500	NUT, FLANGE	1				
38	JW6-H2510-00	MAIN SWITCH ASSY	1				
39	JU6-H2511-10	.KEY, MAIN SWITCH	2				
40	5UG-H2579-00	.CAP, KEY	1				
41	JU6-H2569-00	.NUT, MAIN SWITCH	1				
42	JN6-83530-00	PILOT LIGHT ASSY	1				
43	123-83516-21	.BULB (12V-3.4W)	1				
44	JF7-82817-20	SWITCH	1				
45	98502-05025	SCREW, PAN HEAD	2				
46	92902-05600	WASHER, PLATE	2				

FIG. 35 ALTERNATE FOR WINDSHIELD



REF. NO.	PART NO.	DESCRIPTION	JW71				REMARKS
1	JW1-K7200-01	WINDSHIELD ASSY, SOLID (CLEAR)	1				UR AP
	JW1-K7200-11	WINDSHIELD ASSY, SOLID(SMOKE)	1				UR AP
2	JW1-K7212-00	.BOLT (L: 45MM)	6				UR
	JW1-K7481-00	.BOLT (L: 50MM)	6				UR
3	JW1-K7237-01	.GROMMET	6				
4	JW1-K7115-00	.COLLAR	6				
5	90201-068G7	.WASHER, PLATE	12				
6	JW1-K7217-00	.NUT, WIND SHIELD	6				
7	JW1-K7200-21	WINDSHIELD ASSY, HINGED(CLEAR)	1				UR AP
	JW1-K7200-31	WINDSHIELD ASSY, HINGED(SMOKE)	1				UR AP
8	JW1-K7173-00	.LEVER, LATCH 1	2				
9	JW1-K7222-00	.BRACKET, WINDSHIELD(R.H)	2				
10	JW1-K7212-00	.BOLT (L: 45MM)	4				UR
	JW1-K7481-00	.BOLT (L: 50MM)	4				UR
11	JW1-K7237-01	.GROMMET	4				
12	JW1-K7115-00	.COLLAR	4				
13	90201-068G7	.WASHER, PLATE	8				
14	JW1-K7217-00	.NUT, WIND SHIELD	4				



JW61100-H341

FIG. 36 ALTERNATE FOR SUN ROOF

REF. NO.	PART NO.	DESCRIPTION	JW71				REMARKS
1	JW6-K8312-00	SUPPORT, SUN ROOF 1	2				
2	JW6-K8313-01	SUPPORT, SUN ROOF 2	2				
3	JW6-K831A-00	SUPPORT, ROOF 3	1				
4	JW6-K831E-00	SUPPORT, ROOF 4	1				
5	JW1-K8388-00	BOLT, ROOF 1	4				
6	JW1-K8388-00	BOLT, ROOF 1	4				
7	95602-08200	NUT, SELF-LOCKING	16				
8	JW6-K831F-00	SUPPORT, ROOF 5	2				
9	JW6-K8384-00	BOLT	4				
10	90201-08M54	WASHER, PLATE	4				
11	90105-088A8	BOLT, FLANGE	8				
12	JW1-K832F-01	GROMMET, ROOF SUPPORT 1	2				
13	JW6-K8314-00	COVER, SUN ROOF	1				

NUMERICAL INDEX

PART NO.	REF. NO.	PART NO.	REF. NO.	PART NO.	REF. NO.	PART NO.	REF. NO.	PART NO.	REF. NO.	PART NO.	REF. NO.
JT0-11111-00	2 - 1	7E1-14191-00	7 - 22	J38-27204-00	18 - 4	J38-46231-00	20 - 16	JF2-81910-01	34 - 17	JW1-F312G-00	26 - 14
JN6-11116-00	2 - 10	1KT-14197-01	7 - 25	J38-27205-00	17 - 19	J38-46236-00	20 - 9	4U8-81950-02	34 - 24	JW1-F3183-00	14 - 13
JN6-11133-10	2 - 2	127-14198-00	7 - 14		18 - 16	J38-46237-00	20 - 10	JN6-82318-00	33 - 14	JW7-F3350-00	13 - 15
JR7-11163-00	2 - 17	7NJ-14211-00	7 - 6	JH2-27208-01	17 - 5	JX4-46249-00	20 - 17	JN6-82370-00	33 - 18	JW7-F3390-00	13 - 20
JN6-11168-00	2 - 11	73A-14212-00	7 - 23		18 - 2	J38-46251-00	20 - 7	JE8-82372-00	33 - 19	JW1-F3394-00	15 - 8
JN6-11169-00	2 - 12	73A-14212-10	7 - 7	JH2-27209-01	17 - 17	J38-46253-00	20 - 4	JN3-82617-01	24 - 18	JW1-F3396-00	26 - 3
JT0-11181-00	2 - 3		7 - 19		18 - 14	J38-46260-00	21 - 2	JF7-82817-20	34 - 44	JW1-F339Y-00	14 - 14
JN6-11191-01	2 - 9	J10-14227-00	7 - 5	JU0-27211-01	16 - 21	JR7-46270-00	21 - 3	4LR-83371-11	34 - 34	JW1-F3400-00	14 - 11
JN6-11193-00	2 - 13	3G2-1423A-67	7 - 11	J17-27221-00	16 - 33	JH2-46284-00	21 - 6	123-83516-21	34 - 43	5UG-F3489-00	14 - 21
812-11198-00	9 - 10	3G2-1423A-68-A0	7 - 11	J17-27228-00	16 - 42	JW7-46300-00	18 - 1	JN6-83530-00	34 - 42	JW7-F3511-00	13 - 4
JN6-11400-00	3 - 1	3G2-1423E-33-A0	7 - 11	J17-27231-03	16 - 37		19 - 1	2GU-84332-00	32 - 12	JW1-F3512-00	13 - 5
JN6-11454-00	3 - 8	JN6-14291-00	7 - 4	J17-27232-00	16 - 38		21 - 1		32 - 25	JW7-F3521-00	13 - 13
JR7-11610-00	3 - 3	7KY-14613-01	8 - 3	JW7-27245-00	16 - 49		22 - 1	2GU-84334-00	32 - 11	5UG-F3527-00	14 - 22
JR7-11610-10	3 - 3	1WG-14922-00	7 - 18	JW7-27246-00	16 - 66		23 - 1		32 - 24	JU0-F3570-20	13 - 1
JR7-11610-20	3 - 3	JN6-1495H-3B	7 - 9	J46-27250-03	16 - 19	J38-46311-00	22 - 2	JN6-85640-01	33 - 12	JW1-F3811-01	14 - 1
JR7-11631-00-A0	3 - 2	JR7-15100-00	9 - 1	J55-27260-00	17 - 25	JW7-46312-00	22 - 8	JR7-85650-00	33 - 11	JN3-F3814-00	14 - 5
583-11633-00	3 - 4	JR7-15123-00	9 - 4		18 - 22	J38-46319-01	22 - 13	JT0-85720-00	33 - 20	JW1-F3822-00	14 - 30
JR7-11635-00	3 - 2	JN6-15155-00	9 - 2	J55-27270-00	17 - 13	JN7-46321-00	22 - 22	JT0-85724-00	33 - 22	JU0-F3828-00	14 - 4
JR7-11636-00	3 - 2	J38-15361-00	9 - 22		18 - 10	J38-46331-01	22 - 23	JN6-E1166-00	2 - 15	4XE-F3833-00	14 - 27
JN6-11650-00	3 - 6	JT0-15362-00	33 - 23	J10-27281-00	17 - 9	J38-46338-00	22 - 44	JW1-E2691-00	5 - 9	JW1-F3837-00	14 - 23
JN6-11654-00	3 - 7	796-15363-01	9 - 20		17 - 21	J38-4633A-00	22 - 43	JU0-E3505-09	6 - 14	JN3-F3838-00	14 - 6
JN6-12111-01	4 - 2	JR7-15407-00	9 - 3		18 - 6	J38-46348-00	22 - 40	JU0-E4411-00	6 - 10	JU0-F3841-00	14 - 28
J38-12117-01	4 - 6	JN6-15411-01	9 - 12		18 - 18	J38-46351-00	22 - 24	JU0-E4412-00	6 - 11	5UG-F3844-00	14 - 20
J38-12118-00	4 - 7	JY2-15451-00	9 - 16	J10-27282-00	17 - 10	J38-46356-00	22 - 41	5UH-E4424-00	6 - 17	JU0-F3857-10	14 - 3
4G0-12119-00	4 - 13	JF7-17688-00	21 - 7		17 - 22	J38-46361-01	22 - 25	JU0-E4450-00	6 - 12	JW1-F3866-00	14 - 25
7RH-12121-00	4 - 3	JR6-19001-00	1 - 1		18 - 7	J38-46362-00	22 - 26	JU0-E445E-00	6 - 13	1D9-F386G-00	11 - 20
JN6-12151-00	4 - 8	JT0-21481-00	10 - 3		18 - 19	J38-46363-00	22 - 27	JW1-E4710-10	8 - 1	1D9-F386H-01	11 - 21
JN6-12153-00	4 - 4	401-22128-01	13 - 17	J10-27286-00	17 - 14	J38-4636A-00	22 - 28	JU0-F1436-00	8 - 2	JW1-F387A-00	14 - 12
JR7-12154-01	4 - 12	2NL-23448-00	13 - 10		17 - 26	JT0-46374-00	22 - 59	JW7-F1551-00	26 - 6	JW1-F387E-00	14 - 15
J38-12156-00	4 - 11	2NL-23517-00	13 - 12		18 - 11	JF2-46382-00	24 - 4	JW7-F1555-00	26 - 7	5UG-F387F-00	14 - 18
22F-12159-00	4 - 9	2HR-23526-00	13 - 3		18 - 23	J38-46384-00	22 - 50	JW6-F1633-00	29 - 28	5UG-F387G-00	14 - 16
JR7-12170-00	4 - 1	5KM-2385L-01	11 - 17	JW7-27445-00	16 - 52	JJ3-46411-00	22 - 32	JW7-F1696-00	27 - 9	5UG-F387J-00	14 - 19
JN6-12616-00	5 - 3	5KM-2385M-01	11 - 18	J17-27853-01	16 - 54	JX4-46414-00	22 - 34	JW1-F1738-00	12 - 3	5UG-F387K-00	14 - 17
JN6-12621-02	5 - 1	J55-25357-00	17 - 20	J10-27871-01	16 - 55	JX4-46415-00	22 - 35		15 - 5	JW1-F3894-00	14 - 26
JN6-12651-00	5 - 5		18 - 17	JW7-27872-00	16 - 56	J38-46417-02	22 - 36	JW1-F1977-01	15 - 16	5UG-F389E-00	29 - 12
JN6-12652-00	5 - 7	J55-25358-00	17 - 8	J10-27911-00	19 - 11	JJ3-46421-00	22 - 33	JW7-F2110-00	11 - 1	JW1-F4111-00	15 - 1
JR7-12658-00	5 - 6		18 - 5	J10-27912-01	19 - 8	JW7-46510-00	23 - 4	JW6-F2123-00	29 - 27	JW1-F4161-00	26 - 5
JN6-13567-00	6 - 3	J17-25666-02	16 - 31	J10-27913-00	19 - 10	JW7-46520-00	23 - 6	JN6-F2123-10	11 - 2	JW1-F4300-00	15 - 2
JN6-13595-00	6 - 1	JU0-25671-00	16 - 24	JW7-27921-00	19 - 15	JW7-46540-01	23 - 2	JN6-F2124-10	11 - 8	JW7-F4311-00	15 - 11
JR6-14101-00	7 - 1	J17-25672-01	16 - 22	JW7-27922-00	19 - 16	JW7-46550-01	23 - 3	JW1-F217G-10	11 - 12	JW7-F4312-00	15 - 9
7LV-14118-00	7 - 24	J17-25673-00	16 - 23	JN7-27927-01	19 - 12	JN3-47559-00	22 - 57	JW7-F2210-00	11 - 13	JW7-F4313-00	15 - 12
732-14142-65-A0	7 - 8		16 - 65	J38-27951-00	19 - 2	J10-81129-10	31 - 25	JW7-F2501-00	12 - 1	JW7-F4314-00	15 - 13
73A-1414G-00	7 - 10	JX4-25681-00	16 - 5	J38-27959-00	19 - 6	J10-81145-10	31 - 27	JW7-F2504-00	12 - 8	JU5-F4375-00	15 - 3
JN5-14150-00	7 - 16	JW7-26341-00	16 - 9	J38-27981-00	22 - 56	J10-81146-10	31 - 12	JW6-F253B-00	34 - 19	JN6-F4410-11	15 - 7
7R1-14162-00	7 - 15	JW7-26351-00	16 - 10	JN7-27982-00	19 - 21	J10-81147-10	31 - 15	JW1-F2545-01	12 - 4	JW7-F4425-00	12 - 12
796-14184-00	7 - 12	JW7-26361-00	16 - 15	JR7-46205-00	20 - 8	J10-81148-10	31 - 8	JW7-F2588-00	12 - 5	JN6-F4560-00	15 - 10
JN6-14185-00	7 - 13	JW7-26373-00	16 - 16	JX4-46210-00	20 - 1	J10-81159-10	31 - 5	JW1-F258G-02	12 - 6	JN6-F4610-00	15 - 4
22F-14186-00	7 - 17	J38-27204-00	17 - 7	JR7-46220-00	20 - 2	J10-81166-10	31 - 14	JW7-F2957-00	15 - 19	JW1-F467K-00	14 - 24

NUMERICAL INDEX

PART NO.	REF. NO.	PART NO.	REF. NO.	PART NO.	REF. NO.	PART NO.	REF. NO.	PART NO.	REF. NO.	PART NO.	REF. NO.
JW1-F5100-00	13 - 32	JN6-H2377-00	27 - 8	JW1-K7222-00	35 - 9	JW6-K8312-00	36 - 1	90105-088A7	12 - 9	90201-03008	32 - 21
JR6-F5110-01	13 - 22	JW6-H2510-00	34 - 38	JW1-K7237-01	35 - 3	JW6-K8313-01	36 - 2	90105-088A8	36 - 11	90201-04810	14 - 36
JN6-F5118-00	13 - 29	JU6-H2511-10	34 - 39		35 - 11	JW6-K8314-00	36 - 13	90105-088B0	25 - 3	90201-06863	27 - 5
JW7-F5300-00	23 - 12	JU6-H2569-00	34 - 41	JW1-K7329-00	26 - 18	JW6-K831A-00	36 - 3	90105-10064	13 - 9	90201-068G7	35 - 5
JW7-F5685-00	16 - 1	5UG-H2579-00	34 - 40	JW6-K7329-00	30 - 12	JW6-K831E-00	36 - 4	90105-10267	13 - 14		35 - 13
JW7-F6311-00	16 - 70	JW7-H2590-00	34 - 7	JW7-K7329-00	28 - 5	JW6-K831F-00	36 - 8	90105-10728	13 - 6	90201-08053	29 - 33
JU0-F6312-00	6 - 18	JR6-H270X-00	34 - 35		28 - 11	JW1-K832F-01	36 - 12	90105-10847	14 - 29	90201-08843	12 - 11
JW7-F6331-00	6 - 19	JR1-H3383-01	34 - 21	JW1-K7449-00	26 - 19	JW1-K832H-00	26 - 27	90105-13800	11 - 3	90201-08M54	36 - 10
JU0-F6333-00	6 - 20	JN6-H3386-01	34 - 22		28 - 18	JN3-K8357-00	14 - 33	90106-08040	16 - 60	90201-10057	2 - 5
JR6-F7215-01	16 - 14	JU7-H3547-10	32 - 7	JW6-K7449-00	27 - 3	JN6-K8358-01	14 - 34	90109-08178	30 - 16		9 - 19
JW7-F7263-00	17 - 1		32 - 20	JW1-K7481-00	35 - 2	JW6-K835E-00	26 - 15	90109-08827	33 - 4	90201-101A4	11 - 26
JW7-F7264-00	17 - 2	JW6-H4119-00	32 - 29		35 - 10	JW6-K8361-00	30 - 10	90110-06102	26 - 24	90201-104G8	16 - 47
JW7-F7411-00	12 - 2	JW6-H411T-00	32 - 2	JW1-K7510-00	25 - 1	JW6-K8362-00	30 - 13	90110-06854	30 - 3	90201-10830	29 - 16
5UG-F8415-00	29 - 23	JW6-H411U-00	32 - 15	2P5-K7515-00	29 - 20	JU9-K8384-00	29 - 11	90111-05805	26 - 11	90201-12166	22 - 54
J55-G6241-00	20 - 18	JW6-H4300-02	32 - 1	JU9-K7739-10	29 - 9	JW6-K8384-00	36 - 9	90111-06814	27 - 4	90201-121H8	17 - 15
JW7-G6371-00	24 - 2		32 - 14	JW1-K7741-00	27 - 7	JW1-K8388-00	36 - 5		28 - 7		17 - 27
JN3-G6372-00	24 - 16	JW6-H4318-00	32 - 4	JU0-K7762-00	14 - 39		36 - 6	90111-10800	29 - 14		18 - 12
JN3-G6376-00	24 - 9		32 - 17	JW6-K7765-00	27 - 10	JW1-K8401-00	30 - 1	90113-04050	20 - 11		18 - 24
JN3-G6381-00	24 - 8	JW6-H4319-00	32 - 5	JW7-K7766-00	30 - 17	JW6-K8402-00	30 - 7	90114-12004	23 - 5	90201-121H9	17 - 16
J55-G6383-00	24 - 3		32 - 18	JW6-K7767-01	30 - 18	JJ3-K8413-10	30 - 8		23 - 7		17 - 28
JU0-G6521-00	13 - 30	JW6-H431R-00	32 - 27	JW7-K7768-00	26 - 16	JW6-K8423-00	30 - 4	90114-12805	13 - 23		18 - 13
	23 - 10	JW6-H431T-00	32 - 28	JW7-K810M-00	29 - 1	JW1-K8426-00	30 - 2	90119-06830	29 - 5		18 - 25
1D9-G7491-00	11 - 16	JW6-H433E-01	32 - 10	JW1-K8114-01	26 - 10	JW1-K8427-00	30 - 5	90119-06837	30 - 15	90201-12588	21 - 12
JN6-H1100-03	31 - 1		32 - 23	JW7-K8115-10	26 - 1	JU9-K8564-00	29 - 3	90119-06884	6 - 4	90201-128S4	11 - 11
JN6-H1110-10	31 - 6	JW6-H4385-00	32 - 3	JW7-K811K-00	28 - 3	F1X-U411C-10	28 - 19		32 - 6	90201-17713	22 - 42
JF2-H1111-00	31 - 20	JW6-H4386-00	32 - 16		28 - 9	JX4-W2536-00	17 - 6		32 - 19	90201-18620	33 - 16
JN6-H1113-00	31 - 21	JU5-H4700-10	33 - 25	JW7-K8142-00	27 - 1		17 - 18	90159-06107	9 - 5	90201-198S7	24 - 11
J10-H1115-10	31 - 22	JU5-H4718-00	33 - 26	JJ3-K815H-01	29 - 31		18 - 3	90163-06005	34 - 16	90201-20275	19 - 14
JN6-H1119-00	31 - 19	JU9-K6179-00	29 - 7	JW1-K8164-00	25 - 2		18 - 15	90164-04800	32 - 30	90201-20611	22 - 29
J10-H1139-10	31 - 26	JU9-K6189-00	29 - 8	JU5-K8167-11	29 - 25	90101-06478	33 - 6	90170-05302	4 - 10	90201-208S8	24 - 10
JN5-H1150-00	31 - 2	JW1-K7115-00	35 - 4	JW7-K818A-00	28 - 2	90101-08344	22 - 19	90173-06001	26 - 25	90201-257J2	22 - 30
JN6-H1160-10	31 - 7		35 - 12	JW7-K818B-00	28 - 8		22 - 46	90179-05523	26 - 8	90202-07164	20 - 12
JN6-H1161-00	31 - 30	JU9-K7171-00	29 - 10	JW7-K818E-00	28 - 6	90101-10447	16 - 51	90179-05807	34 - 13	90202-07186	20 - 13
JN6-H1165-00	31 - 13	JU9-K7172-00	29 - 4	JW7-K818F-00	28 - 12	90105-06042	30 - 9	90179-07564	16 - 26	90202-08110	19 - 18
JW1-H1170-11	33 - 2	JW1-K7173-00	35 - 8	JJ3-K818M-00	29 - 22	90105-06831	12 - 7	90179-08822	16 - 7	90202-20130	21 - 10
JN6-H1171-10	33 - 8	JW6-K7180-00	29 - 17	JW7-K818N-00	29 - 13	90105-06861	30 - 6	90179-08824	34 - 14	90208-14801	13 - 27
JW1-H1173-00	33 - 10	JW6-K7185-00	29 - 18	JW1-K8191-00	28 - 14	90105-06862	6 - 16	90179-08825	8 - 4	90249-07190	22 - 49
JW7-H1441-00	34 - 5	JU9-K7195-00	29 - 6	JW1-K8192-00	28 - 16	90105-06870	24 - 17	90179-12262	13 - 31	90249-14129	16 - 6
JN3-H1661-00	31 - 29	JW1-K7200-01	35 - 1	JU9-K819K-00	29 - 2		26 - 4		23 - 11	90267-63047	26 - 2
JW1-H1950-00	34 - 12	JW1-K7200-11	35 - 1	JW7-K8215-00	28 - 4		34 - 18	90179-13800	11 - 4	90269-06804	26 - 22
JN6-H2105-00	34 - 15	JW1-K7200-21	35 - 7		28 - 10		34 - 28	90183-05008	26 - 12		28 - 15
JW7-H2115-00	34 - 6	JW1-K7200-31	35 - 7	JW7-K8233-00	26 - 17	90105-08054	17 - 3	90183-050A6	32 - 9		28 - 17
JW1-H2133-00	34 - 1	JW1-K7212-00	35 - 2	JW1-K8245-00	26 - 21	90105-08056	22 - 37		32 - 22	90269-07001	26 - 13
J55-H2136-00	34 - 2		35 - 10	JW1-K8261-00	26 - 23	90105-08171	12 - 13	90183-06811	27 - 6	90269-08813	5 - 10
JR1-H2150-00	34 - 8	JW6-K7213-00	30 - 11	JW1-K8262-00	26 - 26	90105-081A7	23 - 8	90185-08805	8 - 5		27 - 2
JW6-H2151-00	34 - 9	JW6-K7214-00	30 - 14	JW1-K8270-00	28 - 1	90105-082A0	23 - 9	90185-12061	14 - 7	90280-04052	33 - 17
JW7-H2151-00	34 - 10	JW1-K7217-00	35 - 6	JW1-K8273-00	26 - 20	90105-08867	28 - 13	90185-12072	11 - 15	90280-05022	21 - 11
JW6-H232Y-00	34 - 11		35 - 14	JW6-K8297-00	27 - 11	90105-088A3	34 - 20	90201-03008	32 - 8	90340-12097	9 - 9

NUMERICAL INDEX

PART NO.	REF. NO.	PART NO.	REF. NO.	PART NO.	REF. NO.	PART NO.	REF. NO.	PART NO.	REF. NO.	PART NO.	REF. NO.
90340-14036	22 - 17	90506-16451	29 - 19	92902-10100	11 - 24	95302-06600	19 - 3	95822-06012	25 - 4		
90381-17067	13 - 11	90506-20281	17 - 11	92902-10200	10 - 2		33 - 7		33 - 21		
90381-18001	13 - 2		17 - 23	92902-10600	11 - 7	95302-06700	16 - 39	95822-06016	34 - 36		
90384-05163	16 - 41		18 - 8		11 - 25	95302-08600	16 - 29	95822-06025	33 - 13		
90384-10162	16 - 32		18 - 20		16 - 34	95302-08700	16 - 8	95822-06030	2 - 14		
90384-14080	16 - 20	90506-26282	16 - 62	92902-12200	14 - 8	95302-18600	33 - 15	95822-08016	29 - 21		
	16 - 63	90508-14548	16 - 36	92907-06200	22 - 52	9530N-06600	31 - 9	95822-08020	29 - 32		
90386-08141	19 - 4	90508-16460	16 - 73	9290N-06100	31 - 11		31 - 16		33 - 3		
90387-046N7	14 - 38	90508-32015	16 - 46		31 - 18	95602-06200	19 - 7		33 - 9		
90387-08013	16 - 28	90508-40007	16 - 50	9290N-06600	31 - 10	95602-08100	24 - 1	95827-08040	22 - 14		
90387-08014	16 - 30	90508-40678	19 - 5		31 - 17	95602-08200	12 - 10	95827-08050	22 - 15		
90387-107F8	16 - 53	90508-45679	21 - 9		31 - 28		16 - 69	97002-08016	19 - 22		
90387-12009	16 - 45	90560-05001	16 - 74	92990-05100	7 - 3		17 - 4	97002-08025	8 - 6		
90387-12016	13 - 16	90560-08251	15 - 6	93102-12224	22 - 55		29 - 24	97012-08030	14 - 31		
90387-21690	19 - 9	91317-04025	21 - 8	93102-25017	22 - 6		29 - 26	97012-10020	11 - 5		
90387-241M7	13 - 26	91401-20012	22 - 53	93102-25360	22 - 7		29 - 30		11 - 23		
90387-252M8	22 - 31	91402-20012	24 - 7		22 - 12		36 - 7	97012-10050	9 - 18		
90430-08119	22 - 20	91402-25020	13 - 8	93102-28457	20 - 3	95602-08710	2 - 16	97012-10070	2 - 4		
	22 - 47		14 - 10	93102-35014	9 - 7	95602-10200	10 - 1	97022-06035	16 - 25		
90430-14043	22 - 18	91490-25020	16 - 13		9 - 14		11 - 19	97022-08100	16 - 27		
90461-08072	16 - 17	91490-30020	16 - 4	93104-08058	19 - 20		13 - 7	97702-40525	14 - 35		
90461-14108	34 - 26	91609-35028	16 - 58	93109-20069	21 - 5		29 - 15	97702-60520	5 - 4		
90464-09221	15 - 18	91609-40020	22 - 45	93210-132A8	16 - 68	95602-12200	11 - 10	98502-04016	24 - 13		
90464-09823	34 - 27	91609-40040	22 - 39	93210-14104	16 - 64		14 - 9	98502-05008	20 - 14		
90464-12836	15 - 17	91609-60028	16 - 57	93210-15414	33 - 24		21 - 13	98502-05025	34 - 45		
90464-19815	16 - 18	91701-06022	22 - 51	93210-22344	9 - 21	95602-14100	13 - 28	98507-04010	7 - 20		
	34 - 32	91702-05010	6 - 5	93210-398D6	6 - 15	95612-12100	13 - 19	98507-05008	7 - 2		
90464-20005	34 - 29		6 - 8	93306-005Y3	13 - 25	95622-08618	2 - 7	9850N-04010	31 - 24		
90464-20237	34 - 25	91702-05014	16 - 71	93306-00803	22 - 5	95702-06500	34 - 4	9850N-05016	31 - 23		
90464-25800	34 - 31	91702-06014	24 - 5		22 - 11		34 - 37	9850N-05018	31 - 32		
90464-48800	34 - 30	91702-08018	16 - 12	93306-20201	9 - 8	95702-08500	6 - 2	98902-05016	32 - 13		
	34 - 33	91702-10022	16 - 2		9 - 15		16 - 61		32 - 26		
90465-06011	22 - 21	91702-10028	16 - 3	93306-20226	31 - 3		22 - 61	98902-05020	26 - 9		
90465-06038	24 - 19	92012-06010	19 - 17	93306-20401	22 - 4		33 - 5	98907-05008	20 - 5		
90467-10846	15 - 15	92902-04100	7 - 21		22 - 10	95802-06020	5 - 2	99001-06600	19 - 19		
90467-12845	15 - 14		24 - 14	93306-204X0	13 - 24		5 - 8	99001-07600	6 - 7		
90467-13847	2 - 18	92902-04600	24 - 15	93306-20501	22 - 3	95802-06025	16 - 59	99002-04600	16 - 44		
90468-10049	6 - 6	92902-05100	20 - 15	93306-20714	9 - 13	95802-08020	16 - 67	99002-07600	16 - 35		
	6 - 9	92902-05600	16 - 43	93306-30311	22 - 9	95802-10065	13 - 21	99002-09600	16 - 11		
	16 - 72		34 - 46	93306-30317	31 - 4	95812-08012	11 - 22	99009-19400	24 - 12		
90501-10060	22 - 48	92902-06200	34 - 3	93306-30709	9 - 6	95812-08016	14 - 2	99530-08016	9 - 11		
90501-264A9	4 - 5	92902-06600	24 - 6	93342-22518	19 - 13	95812-08045	9 - 17	99530-12016	22 - 16		
90502-10013	14 - 37	92902-08100	8 - 7	93410-25017	22 - 58	95812-08070	29 - 29		22 - 38		
90506-09001	16 - 40		19 - 23	93450-21053	3 - 5	95812-08075	22 - 60	99530-14016	2 - 6		
90506-14001	17 - 12	92902-08200	16 - 48	93700-06004	20 - 6	95812-12030	33 - 1				
	17 - 24	92902-08600	8 - 8		21 - 4	95812-12055	11 - 14				
	18 - 9		14 - 32	94702-00343	2 - 8	95812-12065	11 - 9				
	18 - 21	92902-10100	11 - 6	94702-00348	2 - 8	95812-12080	13 - 18				