



# PARTS CATALOGUE

## YDRE (JW21) U.S.A., CANADA, EUROPE, MEXICO, JAPAN, OTHERS



2008-04-01

1EJW2-100E1

( 2EJW2-100E1 )

NEWS No.	DATE	COMMENT
PE0-GC-080001 Revise	Mar.,21,2008	FIG.17: BATTERY CHARGER LIST/ILLUSTRATION CORRECTION
PE0-GC-080004	Mar.,21,2008	FIG.16: ELECTRICAL 1 LIST/ILLUSTRATION CORRECTION
PE0-GC-080003	Mar.,20,2008	FIG.18: WINDSHIELD LIST/ILLUSTRATION CORRECTION

YDRE  
PARTS CATALOGUE  
©2006 by Yamaha Motor Co., Ltd.  
1st edition, September 2006  
All rights reserved.  
Any reprinting or unauthorized use  
without the written permission of  
Yamaha Motor Co., Ltd.  
is expressly prohibited.  
Printed in Japan.

**A3**

# FOREWORD

This Parts Catalogue is related to the parts for the model(s) on the cover page. When you are ordering replacement parts, please refer to this Parts Catalogue and quote both part numbers and part names correctly.

1. Modifications or additions which have been made after the issue of the Parts Catalogue will be announced in the Parts News.

It is advisable that you make the necessary corrections to the Parts Catalogue according to the Parts News.

2. Abbreviations

The following abbreviations are used in this Parts Catalogue.

“UR” Use specified parts number.

“UN” Use as many as needed.

“AP” Alternate Parts

“LM” Locally Made (Parts need to be ordered locally)

“F#” Frame No. (Applicable machine No.)

“O/S” Over Size

3. The number of components for assembly

- Parts, which are to be supplied in an assembly, are listed with a dot (.) in front of the part name as shown below.
- The numeral appearing to the right of each component part indicates the quantity of parts for each assembly unit.

PART NO.	DESCRIPTION	Q'TY	REMARKS
2F5-83310-60	FRONT FLASHER LIGHT ASSY	2	
115-83311-60	.BULB (6V-18W)	1	

4. Applicable colours of graphics are represented in the “REMARKS” as shown below.

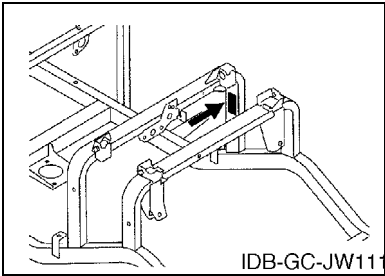
PART NO.	DESCRIPTION	Q'TY	REMARKS
2N4-24110-00-X5	FUEL TANK COMP.	2	MXR
3J1-24240-10	.GRAPHIC, FUEL TANK	1	FOR MXR

5. Note that the illustrations for reference in finding parts numbers are not to be used for assembling. When assembling, please use the applicable service manual.

6. The asterisk (\*) before a reference number indicates modified items after the first edition.

# FOREWORD

7. Applicable Serial No.  
Frame Serial No.



10. Applicable Starting Serial No.  
Frame Serial No.

Serial No.	Name Of Q'ty Column	Model Code
JW2-000101	JW21	JW21

8. Applicable Colour Code (The (\*) mark shows Model colour.)

Abbreviation	Colour Name	Colour Code
BMG(*)	BLACK METALLIC G	1050
DPBMT(*)	DEEP PURPLISH BLUE METALLIC T	0978
HTR(*)	HEAT RED	00EY
LN YM8(*)	LIGHT GRAYISH YELLOW ME 8	1047
NBM7(*)	GRAYISH BLUE METALLIC 7	1046
VDGS1(*)	VERY DARK GREEN SOLID 1	0614
WS7(*)	WHITE SOLID 7	1045

9. Quantity Column Information

Column No.	Name Of Q'ty Column	Destination
1	JW21	U.S.A., CANADA, EUROPE, MEX-ICO, JAPAN, OTHERS

# CONTENTS

## BODY

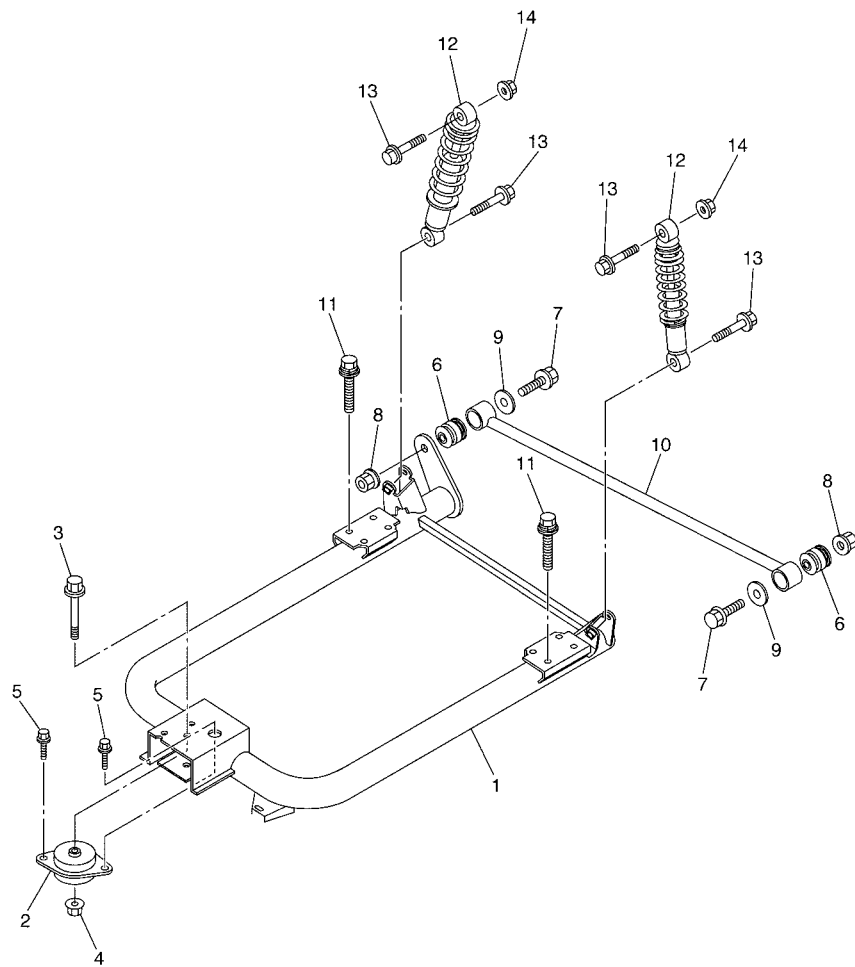
REAR ARM & SUSPENSION .....	B2
FRAME .....	B3
FRONT SUSPENSION .....	B4
STEERING .....	B6
PEDAL ASSEMBLY .....	B8
TRANSAXLE & BRAKE .....	B10
WHEEL .....	B13
BUMPER .....	B14
BODY .....	B15
BODY 2 .....	C3
BODY FITTING .....	C4
CARRIER .....	C5
SEAT .....	C6

## ELECTRICAL

ELECTRIC MOTOR .....	C7
CONTROLLER 1 .....	C9
ELECTRICAL 1 .....	C10
BATTERY CHARGER .....	C12
ALTERNATE FOR WINDSHIELD .....	C13
ALTERNATE FOR SUN ROOF .....	C14

## INDEX

NUMERICAL INDEX .....	M1
-----------------------	----

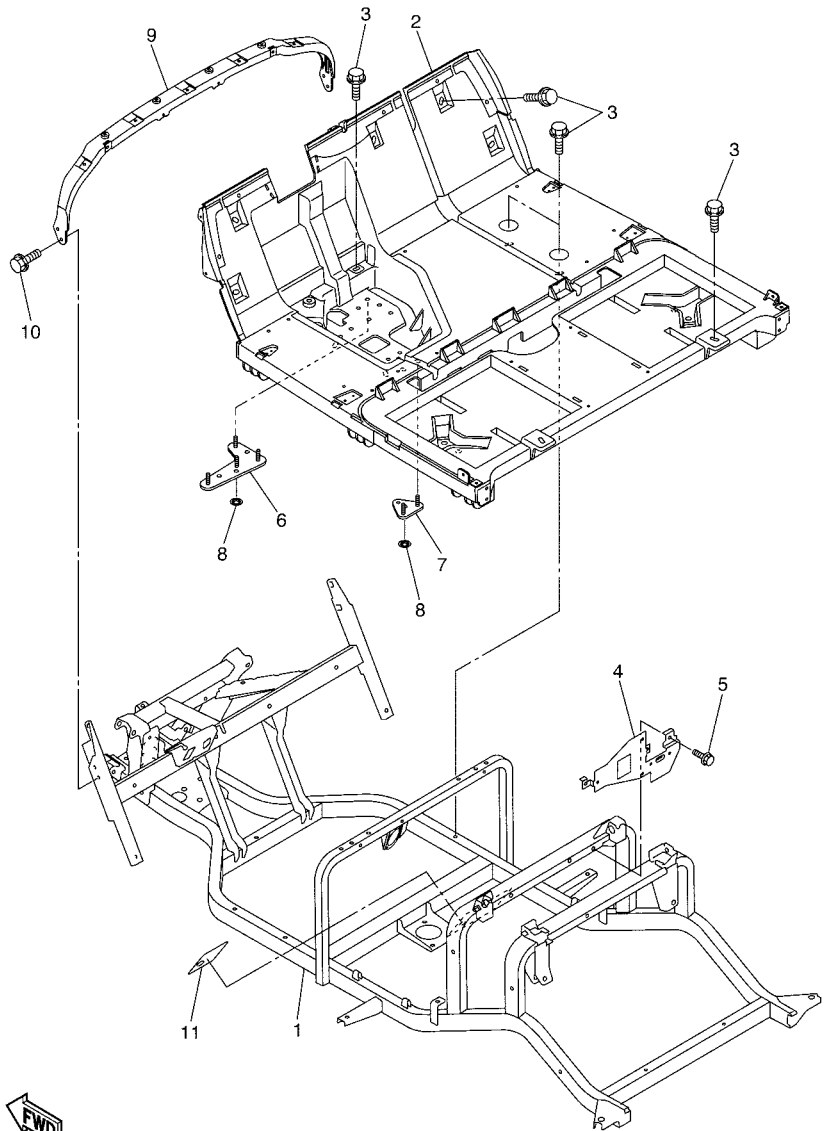


**FIG. 1 REAR ARM & SUSPENSION**

REF. NO.	PART NO.	DESCRIPTION	JW21				REMARKS
1	JW2-F2110-00	REAR ARM COMP.	1				
2	JN6-F2123-10	BUSH 1	1				
3	90105-13864	BOLT, FLANGE	1				
4	90179-13878	NUT	1				
5	JW1-F1531-00	BOLT	2				
6	JN6-F2124-10	BUSH 2	2				
7	95817-12065	BOLT, FLANGE	2				
8	95607-12200	NUT, SELF-LOCKING	2				
9	90201-128S4	WASHER, PLATE	2				
10	JW1-F217G-00	ROD, CONNECTING 2	1				
11	9751P-10650	BOLT, WITH WASHER	8				
12	JW1-F2210-00	SHOCK ABSORBER ASSY, REAR	2				
13	95807-10055	BOLT, FLANGE	4				
14	9560P-10200	NUT, FLANGE	2				



JW21100-E010

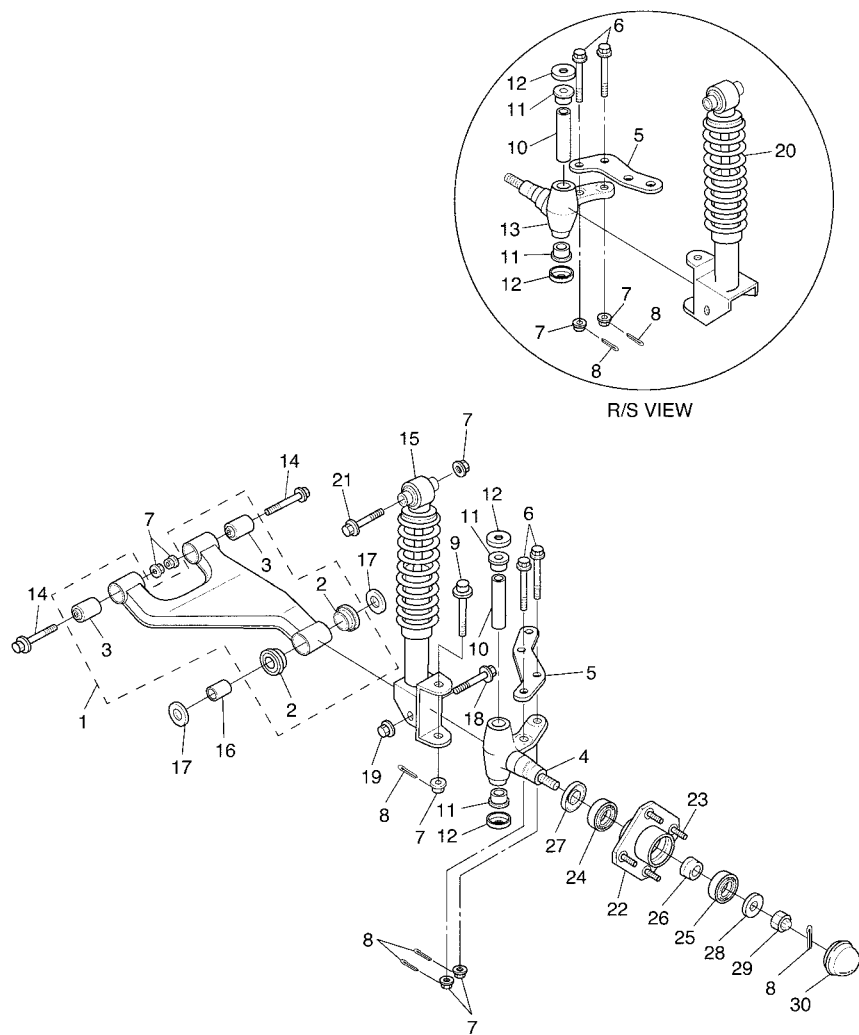


JW21100-E020

FIG. 2 FRAME

REF. NO.	PART NO.	DESCRIPTION	JW21				REMARKS
1	JW2-F2501-00	FRAME COMP.	1				
2	JW2-F7411-00	FOOTREST 1	1				
3	JW1-F1738-00	BOLT	12				
4	JW2-F252M-00	BRACKET, 3	1				
5	90105-06831	BOLT, FLANGE	3				
6	JW1-F2545-00	SUPPORT, PEDAL BRACKET	1				
7	JW1-F2588-00	BRACKET, BRAKE PEDAL	1				
8	90183-08800	NUT, SPRING	2				
9	JW1-F258G-00	BRACKET, DASH UPPER 1	1				
10	90105-06831	BOLT, FLANGE	4				
11	JR1-K8298-10	PLATE, CAUTION 2 (E,F)	1				FOR USA,CAN,JPN
	JR1-K8298-20	PLATE, CAUTION 2 (G,S)	1				FOR MEX,OTHERS

**FIG. 3 FRONT SUSPENSION**

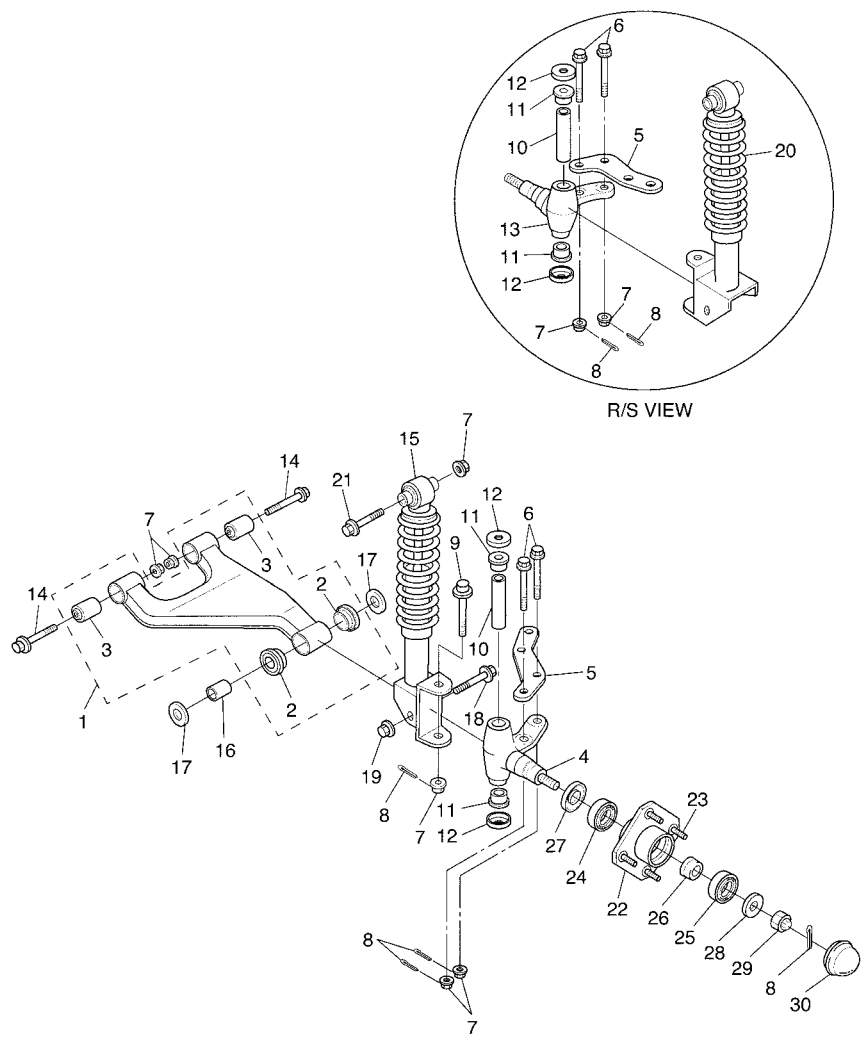


JW11100-E130

REF. NO.	PART NO.	DESCRIPTION	JW21				REMARKS
1	JU0-F3570-20	FRONT LOWER ARM COMP.	2				
2	90381-18001	.BUSH, SOLID	2				
3	2HR-23526-00	.BUSH	2				
4	JU0-F3511-00	KNUCKLE, STEERING 1	1				
5	JW1-F3512-00	ARM, KNUCKLE 1	2				
6	90105-10728	BOLT, FLANGE	4				
7	95607-10200	NUT, U FLANGE	12				
8	91401-25020	PIN, COTTER	8				
9	90105-10064	BOLT, FLANGE	2				
10	2NL-23448-00	SPACER	2				
11	90381-17067	BUSH, SOLID	4				
12	2NL-23517-00	COVER, THRUST 1	4				
13	JU0-F3521-00	KNUCKLE, STEERING 2	1				
14	90105-10890	BOLT, FLANGE	4				
15	JW1-F3350-00	SHOCK ABSORBER ASSY	1				
16	90387-12016	COLLAR	2				
17	401-22128-01	COVER, THRUST 1	4				
18	95817-12080	BOLT, FLANGE	2				
19	9561P-12100	NUT	2				
20	JW1-F3390-00	SHOCK ABSORBER ASSY 2	1				
21	95807-10065	BOLT, FLANGE	2				
22	JG5-WF511-10	HUB, FRONT	2				
23	90114-12800	BOLT, SERRATION	8				
24	93306-204X0	BEARING	2				
25	93306-005Y3	BEARING	2				
26	90387-241M7	COLLAR	2				
27	93102-30083	OIL SEAL	2				



**FIG. 3 FRONT SUSPENSION**



JW11100-E130

REF. NO.	PART NO.	DESCRIPTION	JW21				REMARKS
28	90209-32832	WASHER	2				
29	95607-14100	NUT, U	2				
30	JN6-F5118-00	COVER, HUB DUST	2				
-----							
-----							
-----							
-----							
-----							
-----							
-----							
-----							
-----							

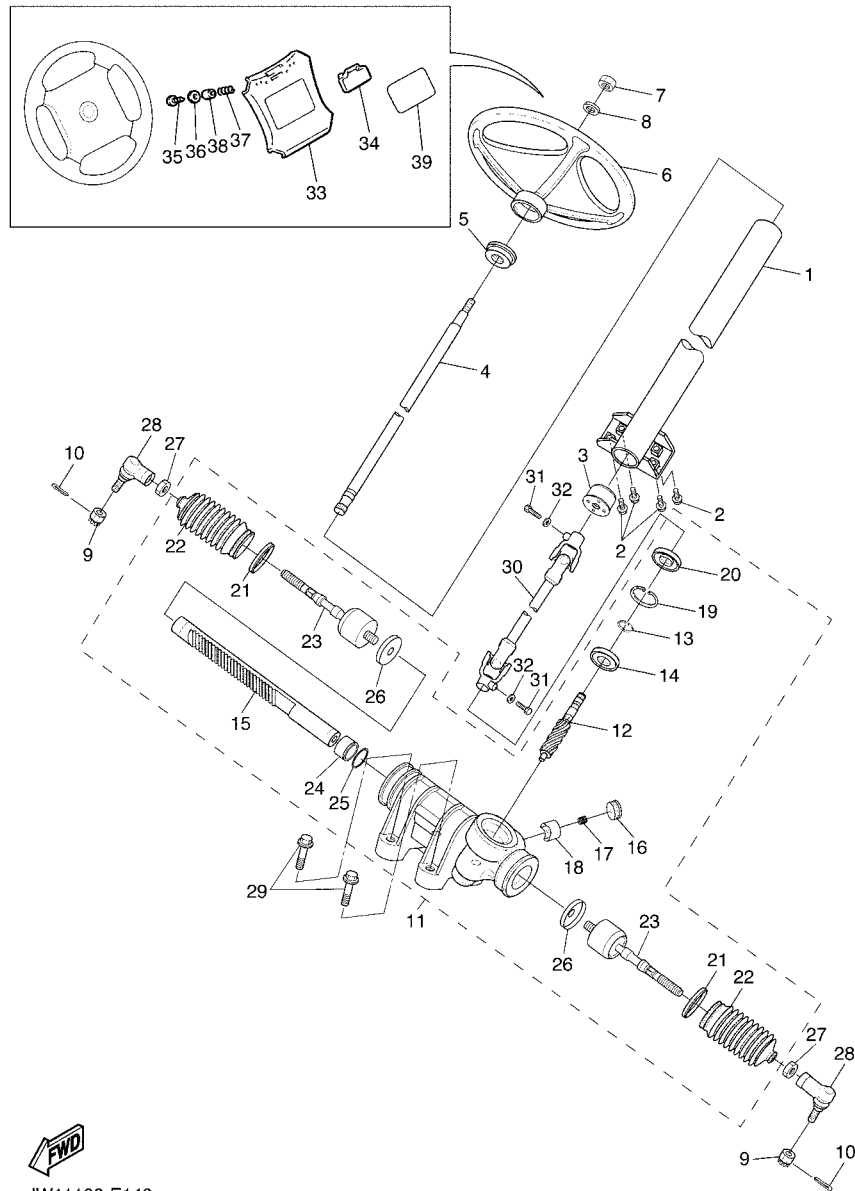


FIG. 4 STEERING

REF. NO.	PART NO.	DESCRIPTION	JW21				REMARKS
1	JW1-F3811-00	COLUMN, STEERING	1				
2	9581P-08016	BOLT, FLANGE	4				
3	JU0-F3857-10	HOLDER	1				
4	JU0-F3828-00	ROD, STEERING	1				
5	JN3-F3814-00	HOLDER, HANDLE UPPER	1				
6	JN3-F3838-00	WHEEL, STEERING	1				
7	90185-12061	NUT, SELF-LOCKING	1				
8	9290P-12200	WASHER	1				
9	95607-12200	NUT, SELF-LOCKING	2				
10	91401-25020	PIN, COTTER	2				
11	JW1-F3400-00	STEERING ASSY	1				
12	JW1-F387A-00	.GEAR, PINION	1				
13	JW1-F3183-00	.CIRCLIP	1				
14	JW1-F339Y-00	.BEARING	1				
15	JW1-F387E-00	.GEAR, RACK	1				
16	5UG-F387G-00	.COVER, ADJUST	1				
17	5UG-F387K-00	.SPRING, PRESSURE	1				
18	5UG-F387F-00	.PAD, PRESSURE	1				
19	5UG-F387J-00	.RING, STOPPER	1				
20	5UG-F3844-00	.SEAL	1				
21	5UG-F3489-00	.BAND	2				
22	5UG-F3527-00	.SEAL, DUST 1	2				
23	JW1-F3837-00	.ROD, TIE 2	2				
24	JW1-F467K-00	.BUSH, CAP	1				
25	JW1-F3866-00	.GEAR SUB-ASSY, 2	1				
26	JW1-F3894-00	.WASHER, LOCK 1	2				
27	4XE-F3833-00	NUT 1	2				



JW11100-E140

**B6**

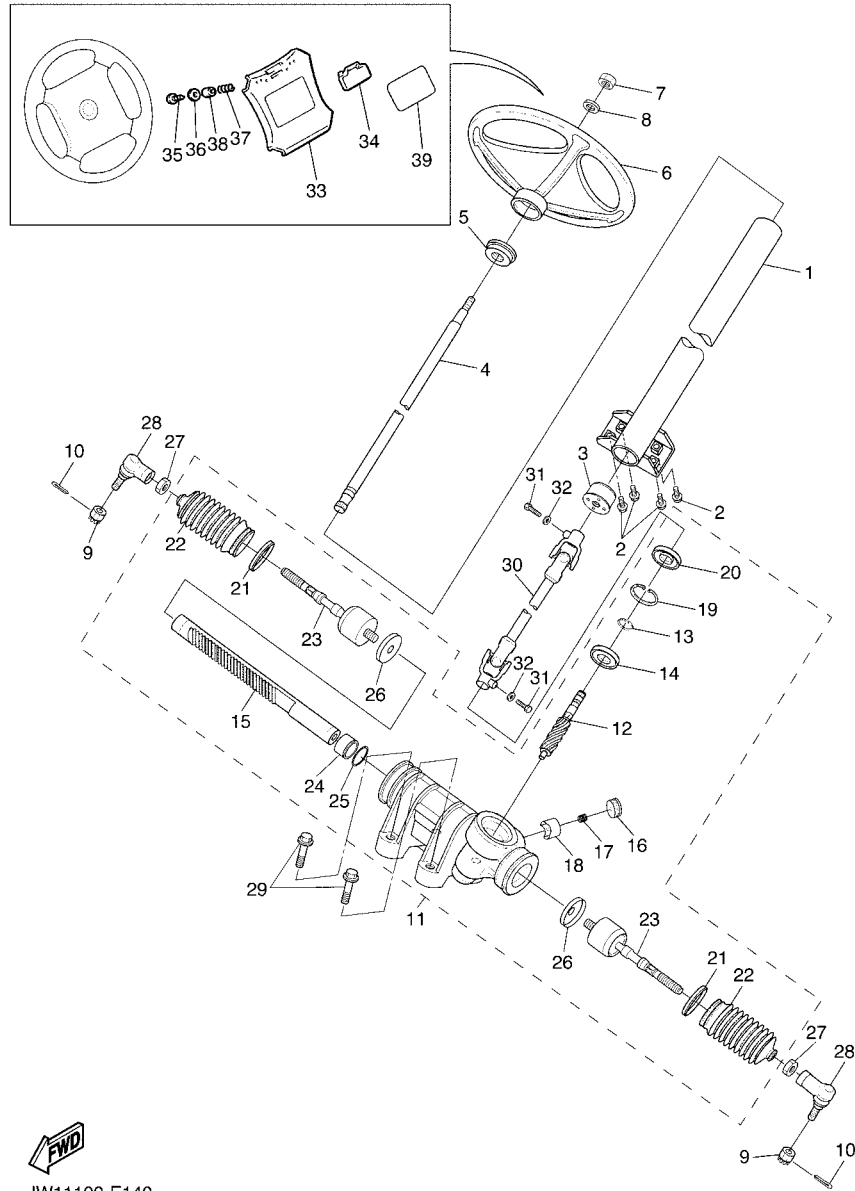
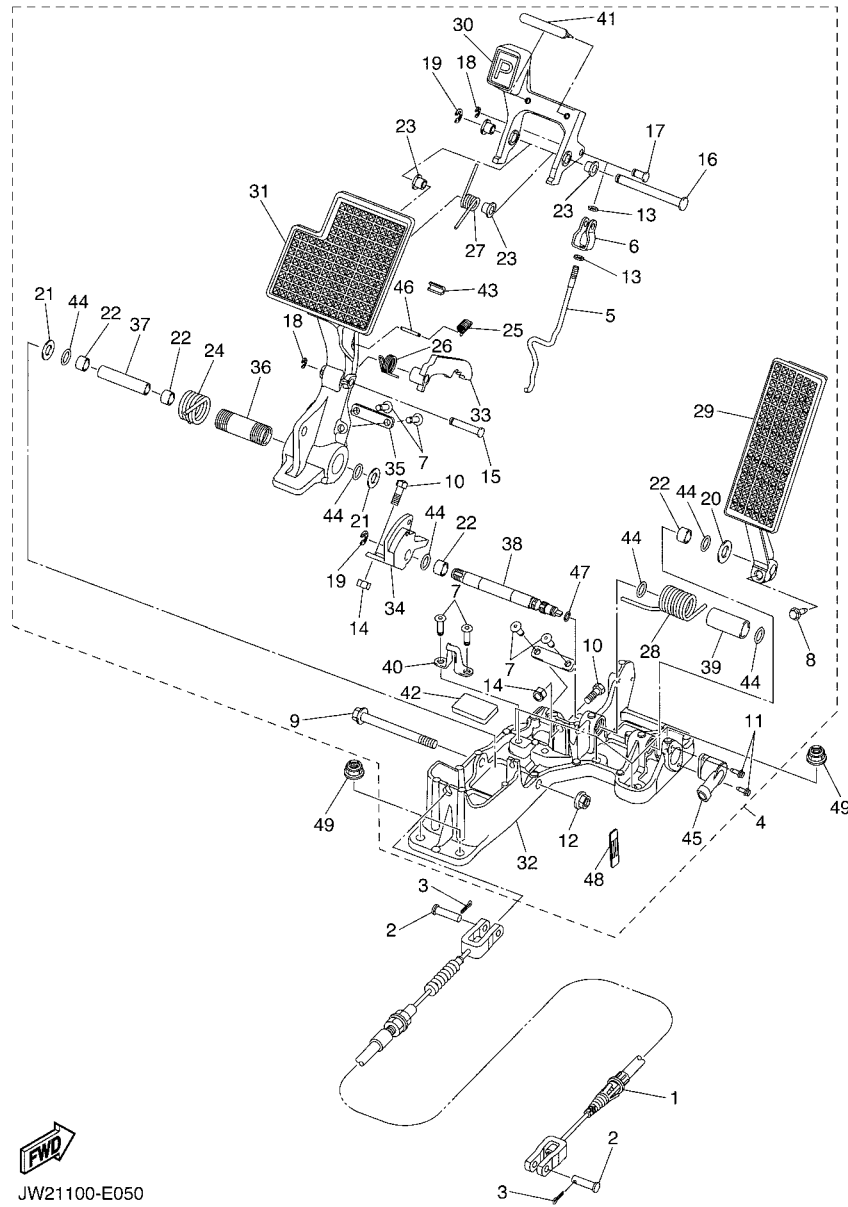


FIG. 4 STEERING

REF. NO.	PART NO.	DESCRIPTION	JW21				REMARKS
28	JU0-F3841-00	JOINT, UNIVERSAL 1	2				
29	90105-10810	BOLT, FLANGE	4				
30	JW1-F3822-00	JOINT 1	1				
31	97017-08030	BOLT	2				
32	92907-08600	WASHER, PLATE	2				
33	JN3-K8357-00	HOLDER 1	1				
34	JN6-K8358-01	HOLDER 2	1				
35	97707-40525	SCREW, TAPPING	2				
36	90201-048R5	WASHER, PLATE	2				
37	90502-10013	SPRING, CONICAL	2				
38	90387-046N7	COLLAR	2				
39	JU0-K7762-00	LABEL, WARNING 2 (E)	1				FOR USA,CAN,JPN
	JU0-K7762-10	LABEL, WARNING 2 (E,F)	1				FOR MEX,OTHERS
	JU0-K7762-20	LABEL, WARNING 2 (G,S)	1				FOR MEX,OTHERS
	JU2-K7458-00	LABEL, WARNING(OVER 15MPH REG)	1				AP FOR OP:KIT



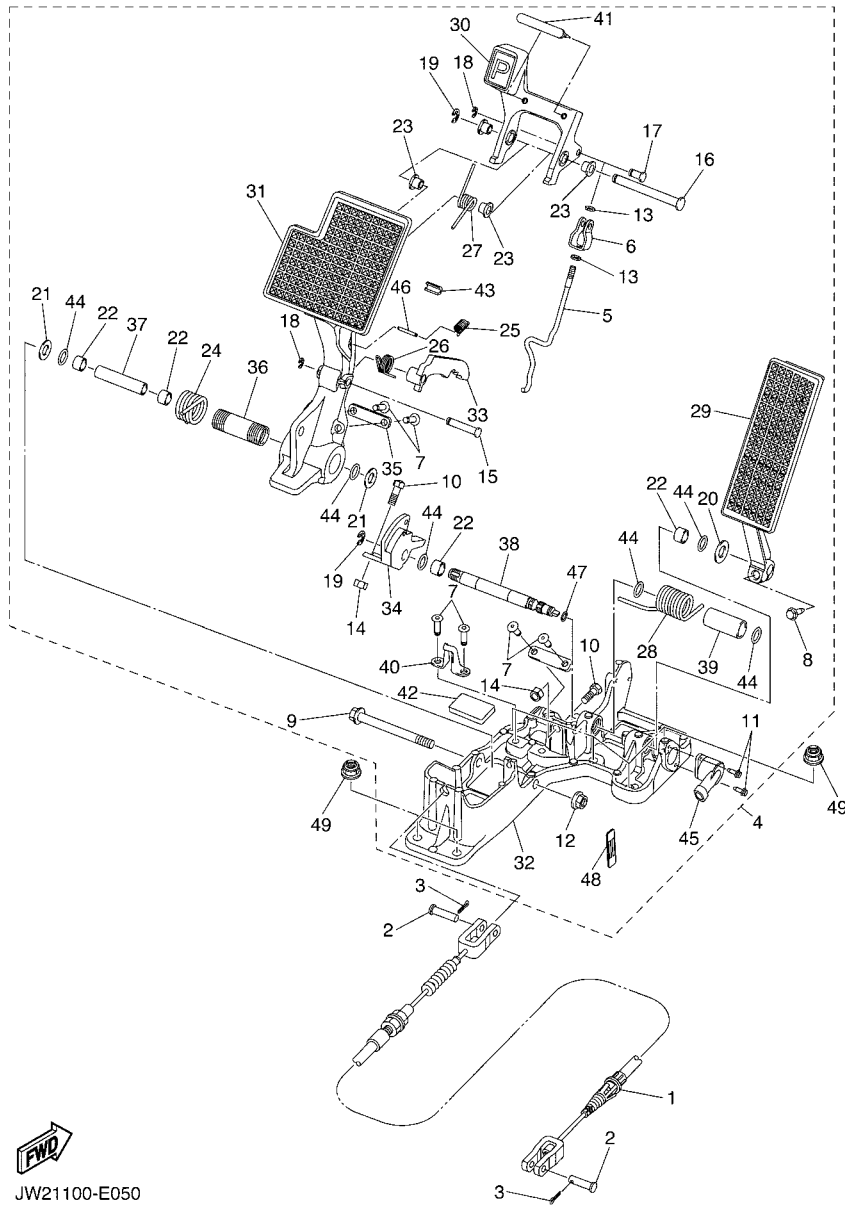
JW11100-E140



JW21100-E050

FIG. 5 PEDAL ASSEMBLY

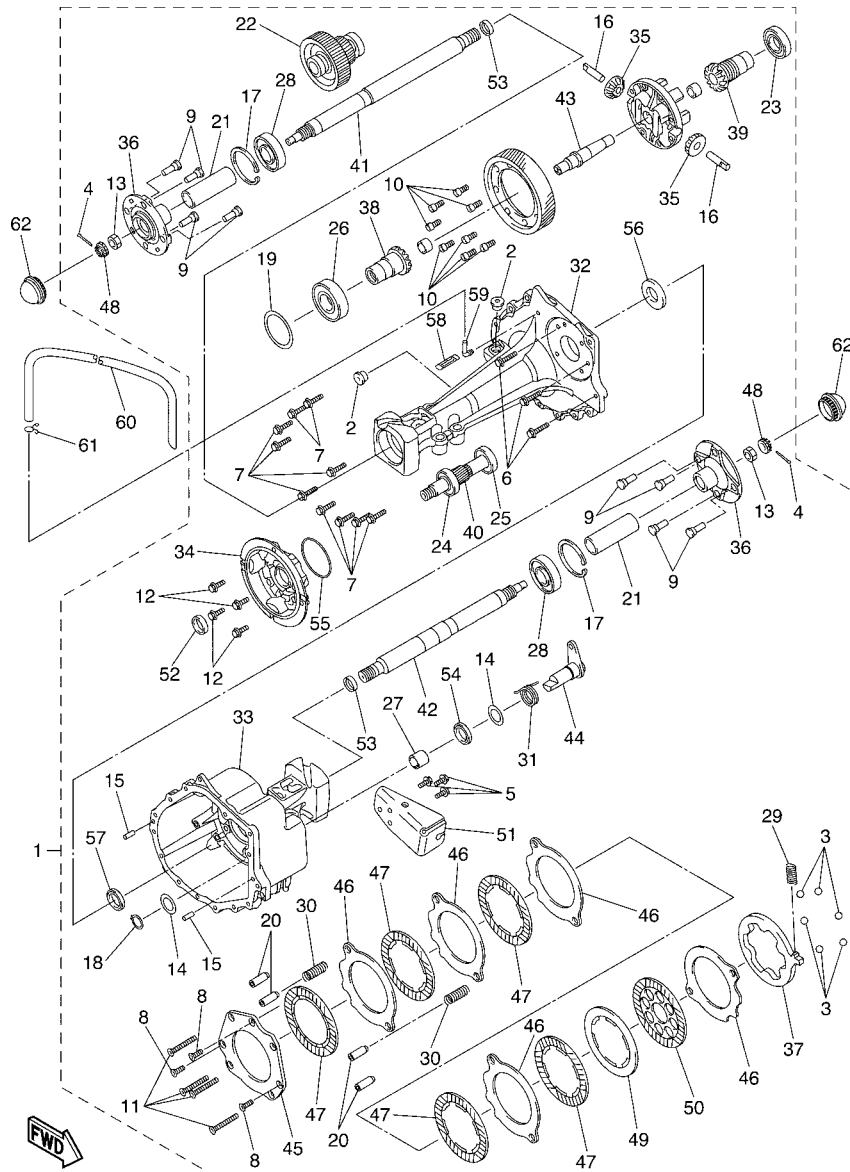
REF. NO.	PART NO.	DESCRIPTION	JW21				REMARKS
1	JW2-F6341-00	WIRE, BRAKE 1	1				
2	91701-10028	PIN, CLEVIS	2				
3	91490-30015	PIN, COTTER	2				
4	JW2-F7850-00	PEDAL ASSY (L.H)	1				
5	JW1-F720G-00	.PUSH ROD ASSY	1				
6	JW1-F7232-00	.END, ROD 2	1				
7	JW1-F1128-00	.RIVET	6				
8	JW1-F7117-00	.BOLT, MAIN STAND	1				
9	JW1-F7217-00	.BOLT	1				
10	JW1-F7227-00	.BOLT, AJUSTING	2				
11	JW2-F7317-00	.BOLT	2				
12	JW1-F7218-00	.NUT	1				
13	JW1-F7855-00	.NUT, RING	2				
14	JW1-F7238-00	.NUT, ADJUSTING	2				
15	JW1-F5734-00	.PIN 1	1				
16	JW1-F5744-00	.PIN 2	1				
17	JW1-F5754-00	.PIN 3	1				
18	JW1-F5866-00	.CIRCLIP	2				
19	JW1-F6466-00	.RING, SNAP	2				
20	JW1-F723F-00	.WASHER, SPECIAL	1				
21	JW1-F723G-00	.WASHER, SPECIAL	2				
22	JW1-F582M-00	.BEARING	4				
23	JW1-F339Y-00	.BEARING	4				
24	JW1-F7825-00	.SPRING, RETURN	1				
25	JW1-F5659-00	.HOOK, SPRING 2	1				
26	JW1-F5658-00	.HOOK, SPRING 1	1				
27	JW1-F7216-00	.SPRING, RETURN	1				



JW21100-E050

FIG. 5 PEDAL ASSEMBLY

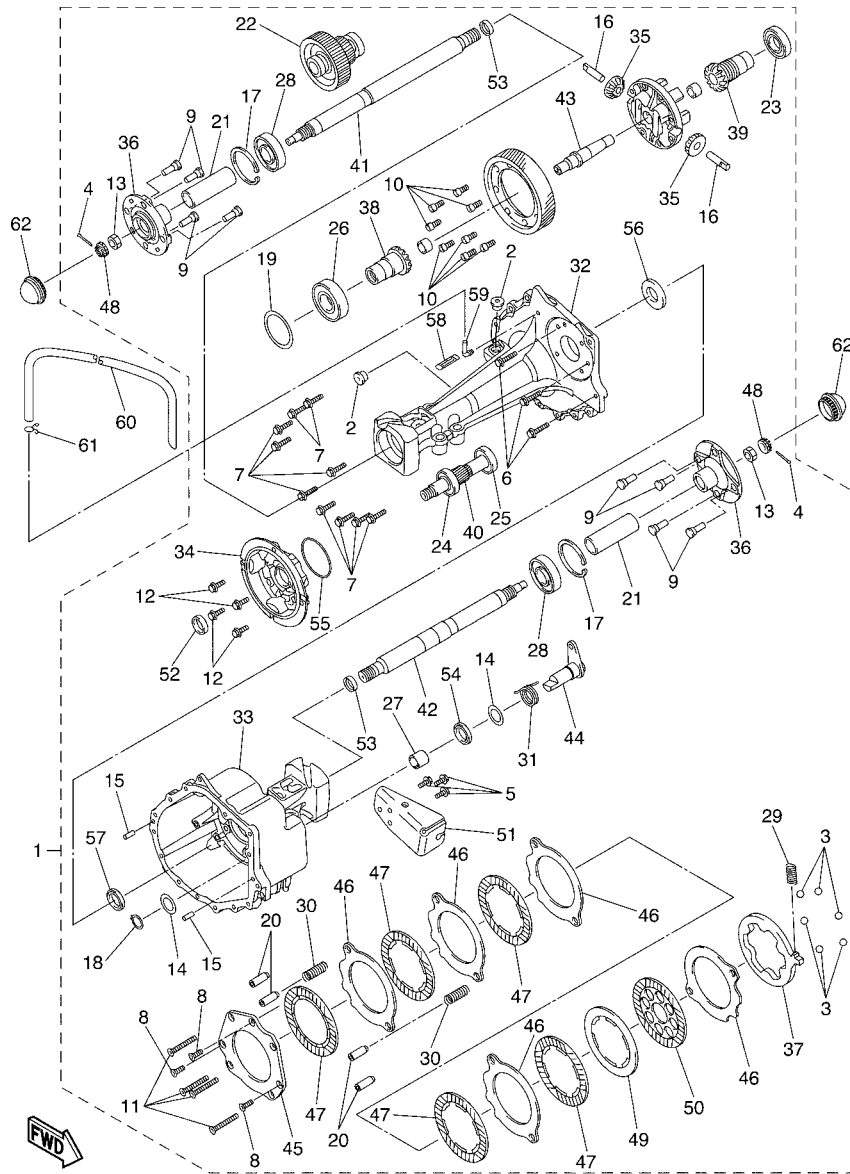
REF. NO.	PART NO.	DESCRIPTION	JW21				REMARKS
28	JW1-F5735-00	.SPRING, RETURN 1	1				
29	JW1-F7871-00	.PEDAL, ACCELERATOR	1				
30	JW1-F7252-00	.LEVER, BRAKE PEDAL	1				
31	JW1-F7211-00	.PEDAL, BRAKE	1				
32	JW1-F785A-00	.PEDAL SET	1				
33	JW1-F5666-00	.SECTOR, PARKING BRAKE	1				
34	JW1-F7249-00	.PEDAL, LOCK	1				
35	JW1-F7275-00	.PLATE	2				
36	JW1-F7243-00	.BOSS, BRAKE PEDAL	1				
37	JW1-F7213-00	.COLLAR	1				
38	JW1-F7853-00	.SHAFT, PEDAL 1	1				
39	JW1-F7814-00	.BUSH, PEDAL	1				
40	JW1-F7254-00	.HOOK	1				
41	JW1-F5672-00	.PAD, PARKING PEDAL	1				
42	JW1-F7257-00	.PAD, BRAKE	1				
43	JW1-F5673-00	.DAMPER, BRAKE	1				
44	JW1-F3147-00	.O-RING	6				
45	JW2-H5885-00	.THROTTLE SENSOR ASSY	1				
46	JW1-F5677-00	.PIN, HOLD 1	1				
47	JW1-F3188-00	.O-RING	1				
48	JW2-F118L-00	.LABEL, BRAKE	1				
49	9560P-08200	NUT	6				



JW21100-E060

FIG. 6 TRANSAXLE & BRAKE

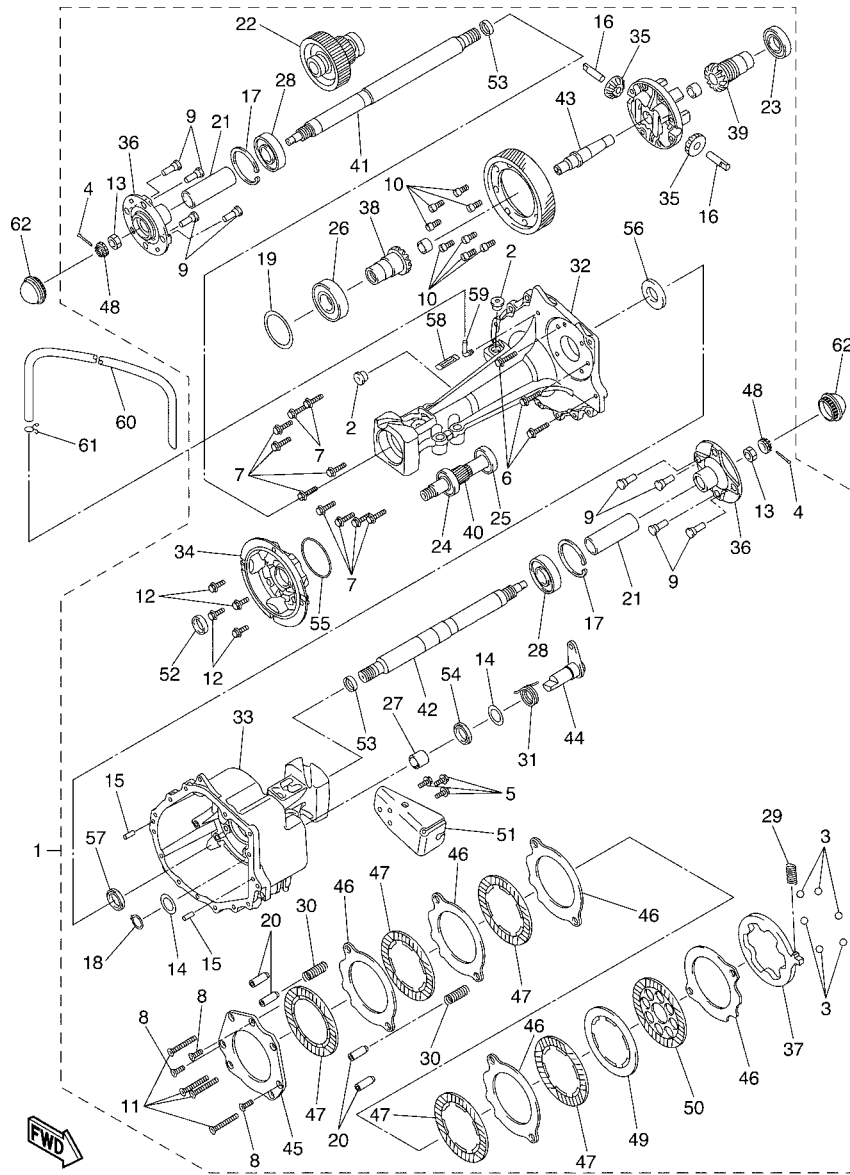
REF. NO.	PART NO.	DESCRIPTION	JW21				REMARKS
1	JW2-G6300-00	TRANS AXLE ASSY	1				
2	JW1-G6168-00	.PLUG, DRAIN 1	2				
3	JW1-F4684-00	.BALL	6				
4	JW1-G633J-00	.PIN, COTTER	2				
5	JW1-G4581-00	.BOLT	3				
6	JW2-G6159-00	.BOLT 3	4				
7	JW1-G4582-00	.BOLT, 2	10				
8	JW1-G4189-00	.SCREW	3				
9	JW1-G4178-00	.BOLT, STUD	8				
10	JW1-G6155-00	.BOLT 1	8				
11	JW1-G6158-00	.BOLT 2	4				
12	JW2-G4165-00	.SCREW, DETENT	4				
13	JW1-G4583-00	.NUT	2				
14	JW1-G4138-00	.WASHER	2				
15	JW1-F536G-00	.PIN	2				
16	JW1-G4184-00	.PIN	2				
17	JW1-G4156-00	.RING, SNAP	2				
18	JW1-G5239-00	.RING	1				
19	JW2-G6117-00	.SHIM, RING GEAR	1				
20	JW1-G6153-00	.COLLAR, GUIDE	4				
21	JW1-G6128-00	.SPACER, BEARING	2				
22	JW1-G6387-00	.BEARING, PLAIN 1	1				
23	JW2-G6164-00	.BEARING 1	1				
24	JW1-G6388-00	.BEARING, PLAIN 2	1				
25	JW2-G6165-00	.BEARING 2	1				
26	JW2-G6167-00	.BEARING 4	1				
27	JW1-G6166-00	.BEARING 3	1				



JW21100-E060

FIG. 6 TRANSAXLE & BRAKE

REF. NO.	PART NO.	DESCRIPTION	JW21				REMARKS
28	JW1-F2176-00	.BEARING	2				
29	JW2-G4116-00	.SPRING	1				
30	JW1-G4135-00	.SPRING	2				
31	JW2-G6375-00	.SPRING, RETURN 1	1				
32	JW2-G6312-00	.CASE, TRANSMISSION 2	1				
33	JW2-G6311-00	.CASE, TRANSMISSION 1	1				
34	JW2-G6544-00	.FLANGE 1	1				
35	JW1-G6415-00	.PINION, DIFFERENTIAL	2				
36	JW1-G6542-00	.HUB	2				
37	JW2-F384K-00	.BALL, SEAT	1				
38	JW1-G6326-00	.GEAR, WHEEL 1	1				
39	JW1-G6327-00	.GEAR, WHEEL 2	1				
40	JW2-G6335-00	.SHAFT 1	1				
41	JW2-G6512-00	.SHAFT, REAR AXLE 2 (R.H)	1				
42	JW2-G6511-00	.SHAFT, REAR AXLE 1 (L.H)	1				
43	JW1-G6112-00	.SHAFT, RING GEAR	1				
44	JW2-G633G-00	.SHAFT	1				
45	JW2-G6114-00	.PLATE, COVER	1				
46	JW1-G633H-00	.PLATE 2	5				
47	JW1-G6336-00	.PLATE 1	5				
48	JW1-G4127-00	.NUT, 1	2				
49	JW1-G4526-00	.PLATE	1				
50	JW1-G6345-00	.DISC, FRICTION	1				
51	JW2-G6555-00	.BRACKET 2	1				
52	JW2-G6163-00	.SEAL,OIL 1	1				
53	JW1-G5874-00	.RING, SEAL	2				
54	JW1-G6137-00	.SEAL 2	1				

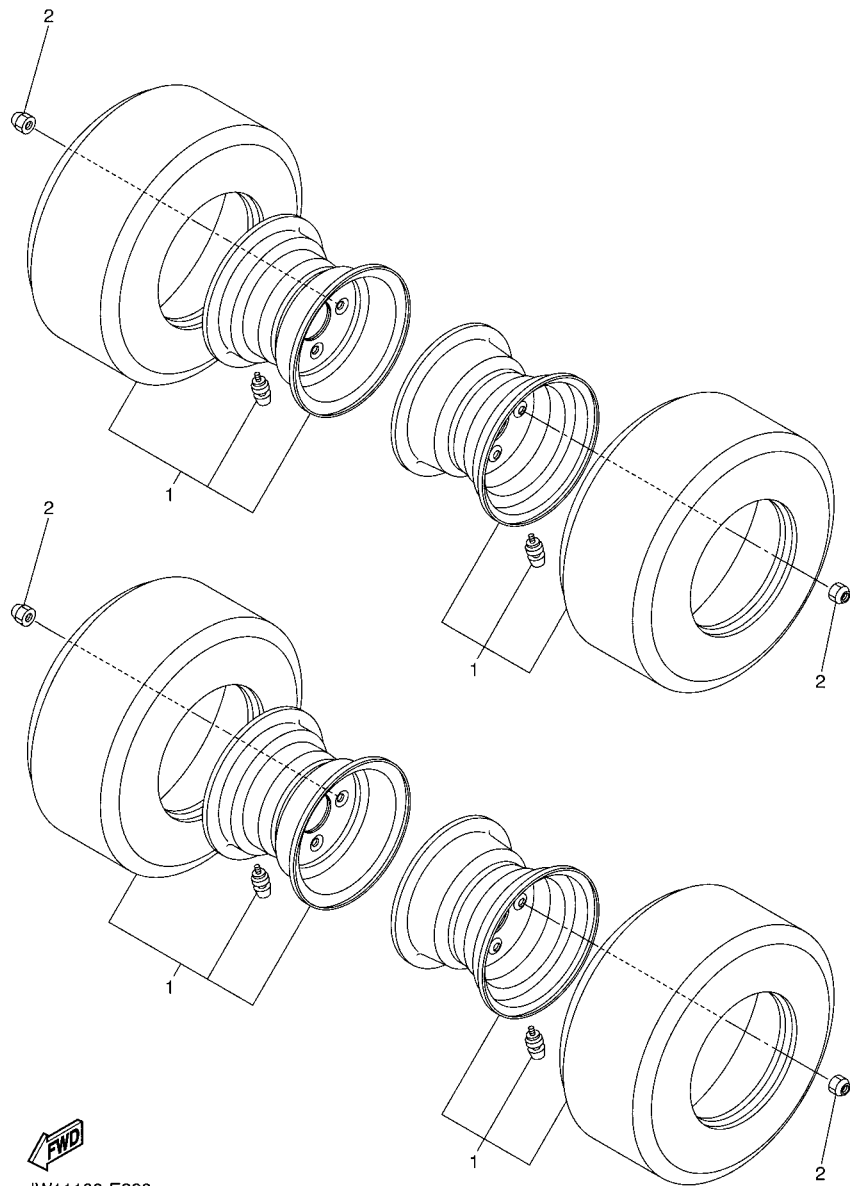


JW21100-E060

FIG. 6 TRANSAXLE & BRAKE

REF. NO.	PART NO.	DESCRIPTION	JW21				REMARKS
55	JW2-G6134-00	.O-RING 1	1				
56	JW1-F16A2-00	.SEAL, 2	1				
57	JW1-F16A3-00	.SEAL, 3	1				
58	JW2-G5161-00	.MARK, UPR. CASING 1	1				
59	JW1-G4391-00	.NIPPLE, HOSE	1				
60	90445-11032	HOSE	1				
61	90467-10008	CLIP	1				
62	JN6-F5118-00	COVER, HUB DUST	2				

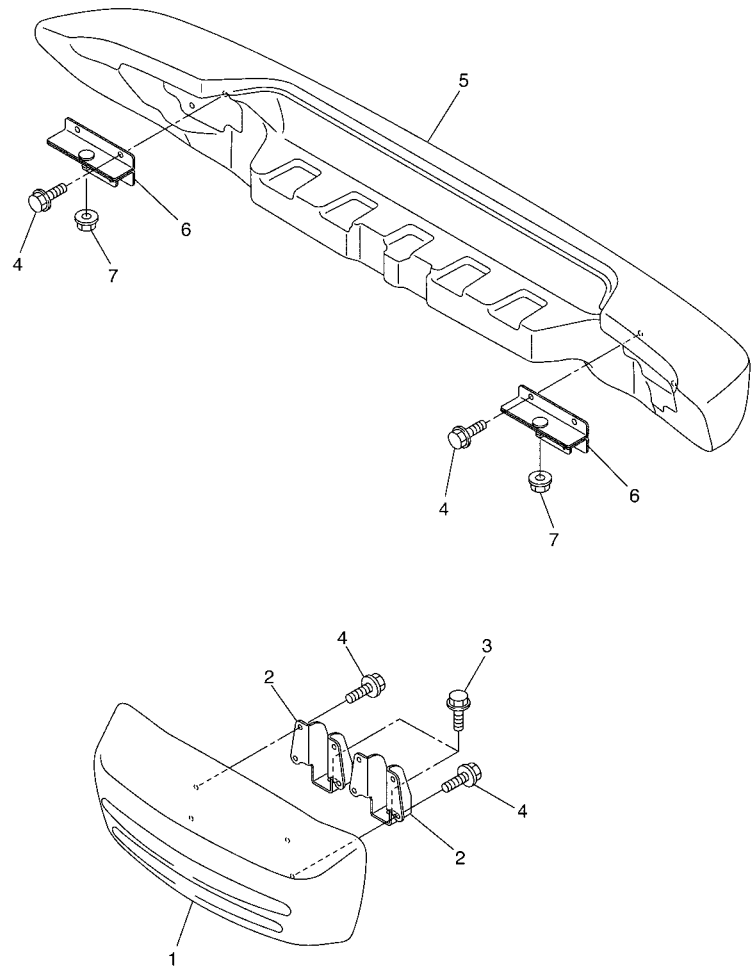




JW11100-E220

**FIG. 7 WHEEL**

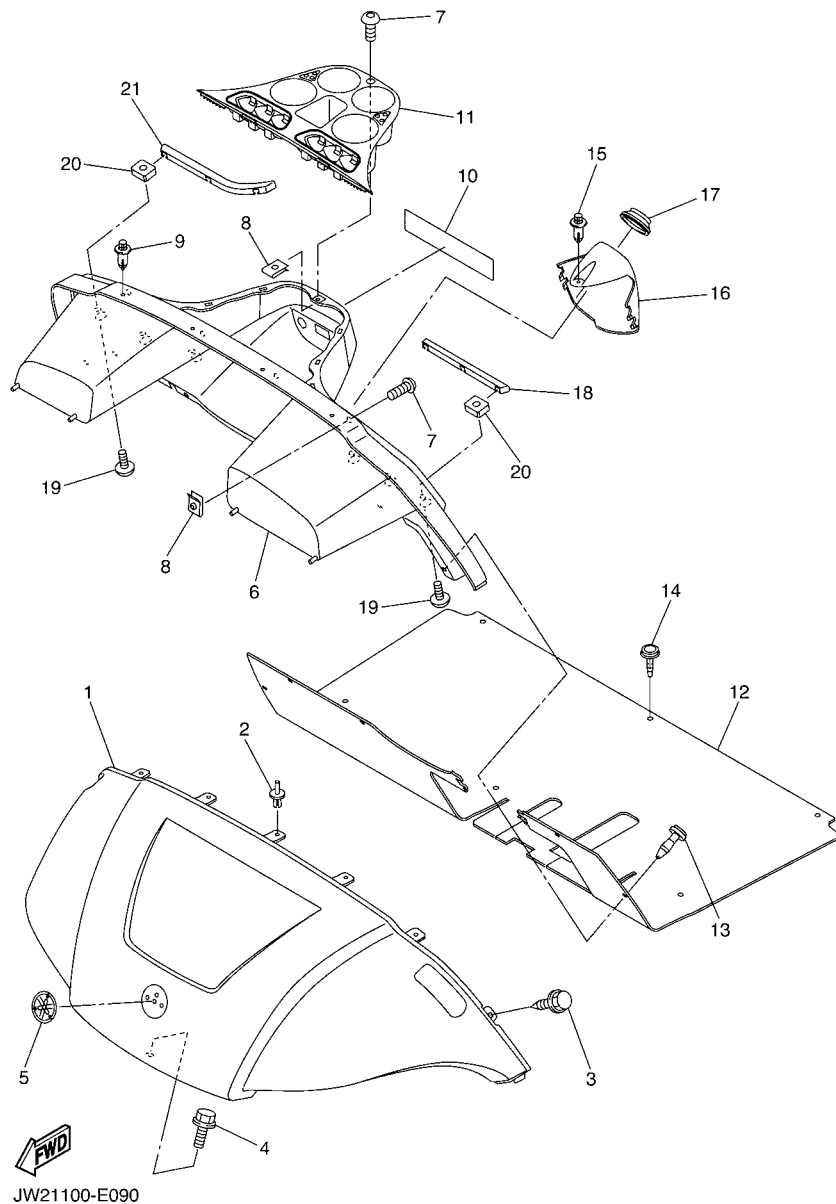
REF. NO.	PART NO.	DESCRIPTION	JW21				REMARKS
1	JW1-F5100-00	WHEEL ASSY	4				
2	90179-12262	NUT	16				



**FIG. 8 BUMPER**

REF. NO.	PART NO.	DESCRIPTION	JW21				REMARKS
1	JW1-K7510-00	FRONT BUMPER COMP.	1				
2	JW1-K8164-00	STAY, FRONT BUMPER (L.H)	2				
3	90105-08878	BOLT, FLANGE	2				
4	9582P-06012	BOLT, FLANGE	8				
5	JW1-K7540-00	REAR BUMPER COMP.	1				
6	JW1-K8174-00	STAY, REAR BUMPER	2				
7	9560P-10200	NUT, FLANGE	2				

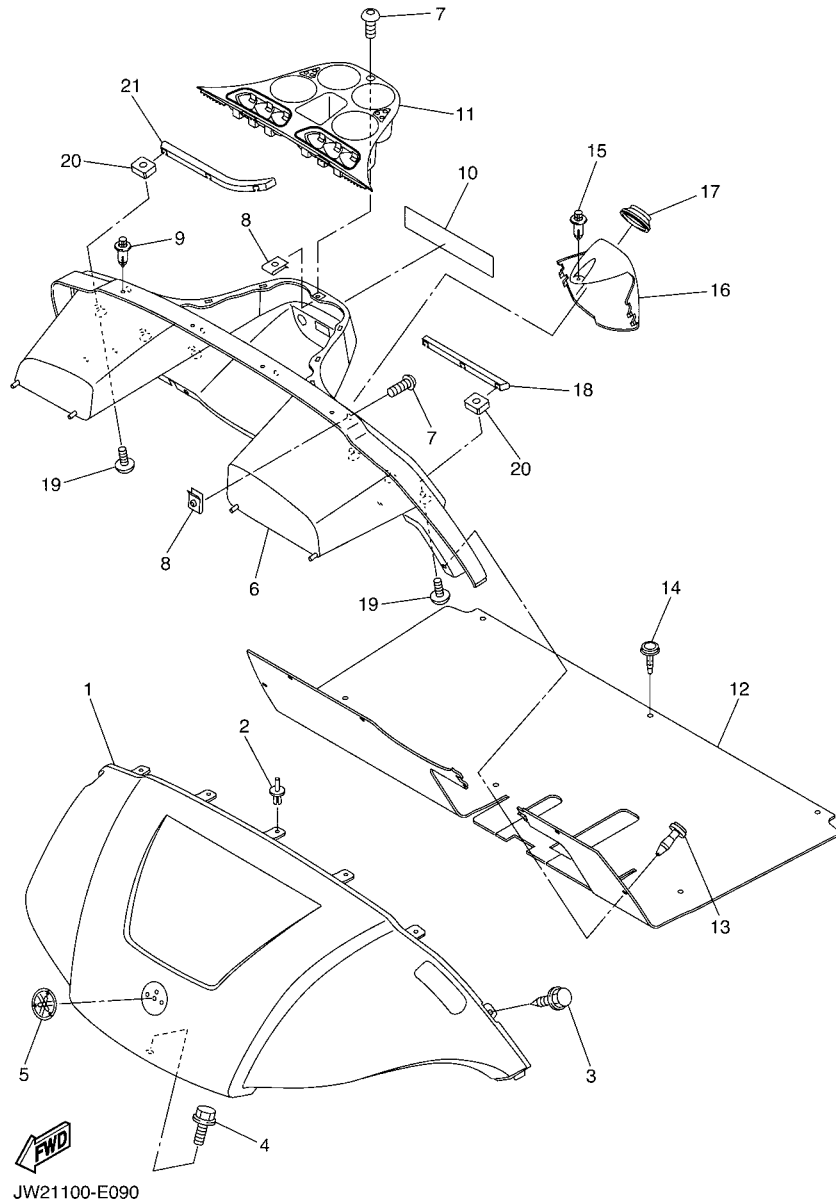
 JW11100-E230



**FIG. 9 BODY**

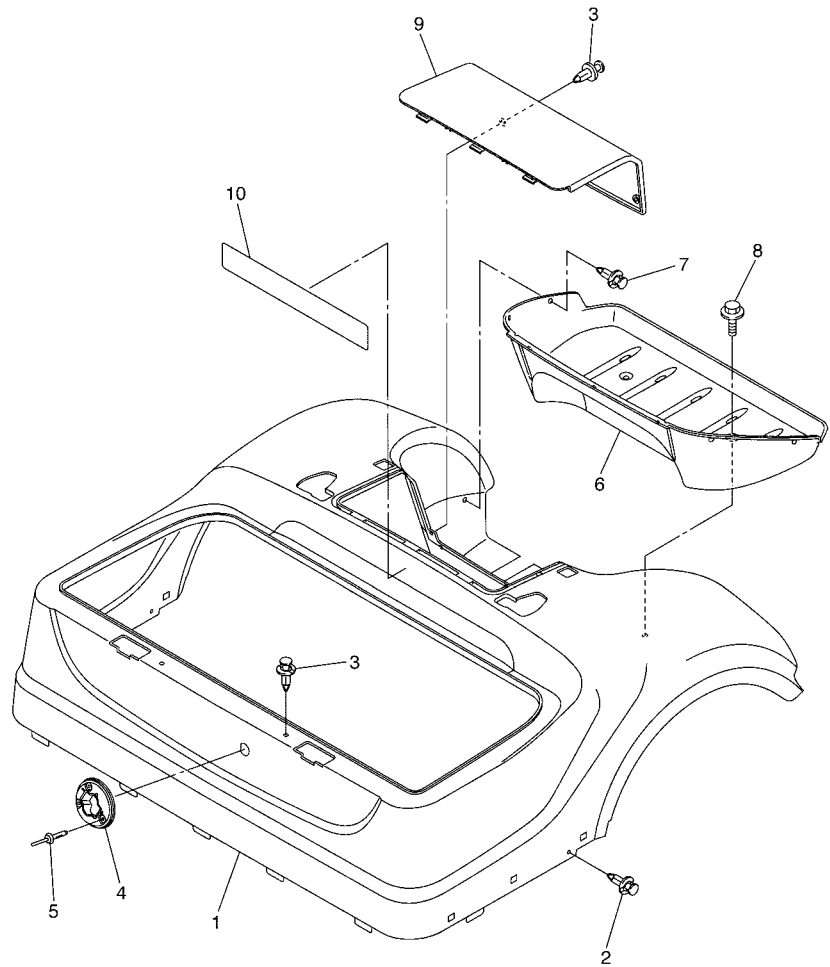
REF. NO.	PART NO.	DESCRIPTION	JW21		REMARKS
1	JW1-K8115-00	COWL, FRONT	1		UR FOR WS7
	JW1-K8115-10	COWL, FRONT	1		UR FOR VDGS1
	JW1-K8115-20	COWL, FRONT	1		UR FOR HTR
	JW1-K8115-30	COWL, FRONT	1		UR FOR LNYM8
	JW1-K8115-40	COWL, FRONT	1		UR FOR NBM7
	JW1-K8115-50	COWL, FRONT	1		UR FOR BMG
	JW1-K8115-60	COWL, FRONT	1		UR FOR DPBMT
2	90267-63047	RIVET, BLIND	5		
3	JW1-F3396-00	SCREW, SPECIAL	2		
4	90105-06876	BOLT, FLANGE	1		
5	JW1-F4161-00	EMBLEM 1	1		
6	JW2-K8114-00	PANEL, FRONT	1		
7	90111-05801	BOLT,HEX. SOCKET BUTTON	5		
8	90183-05008	NUT, SPRING	5		
9	90269-07001	RIVET	4		
10	JW2-K7768-00	LABEL, WARNING (E)	1		FOR USA,CAN,JPN
	JW2-K7768-10	LABEL, WARNING (E,F)	1		FOR MEX,OTHERS
	JW2-K7768-20	LABEL, WARNING (G,S)	1		FOR MEX,OTHERS
11	JW1-K835E-00	HOLDER, BEVERAGE	1		
12	JW1-K8233-10	MAT, MAIN FLOOR 3	1		
13	JW1-K7329-00	RIVET	5		
14	JW1-K7449-00	RIVET 1	6		
15	90269-06804	RIVET	1		
16	JW1-K8273-00	COVER, HOLE	1		
17	JW1-K8245-00	SEAL 1	1		
18	JW1-K8261-00	PLATE, BODY PROTECT 1	1		
19	90110-06102	BOLT, HEXAGON SOCKET HEAD	6		

**FIG. 9 BODY**



REF. NO.	PART NO.	DESCRIPTION	JW21				REMARKS
20	90173-06001	NUT, SQUARE	6				
21	JW1-K8262-00	PLATE, BODY PROTECT 2	1				

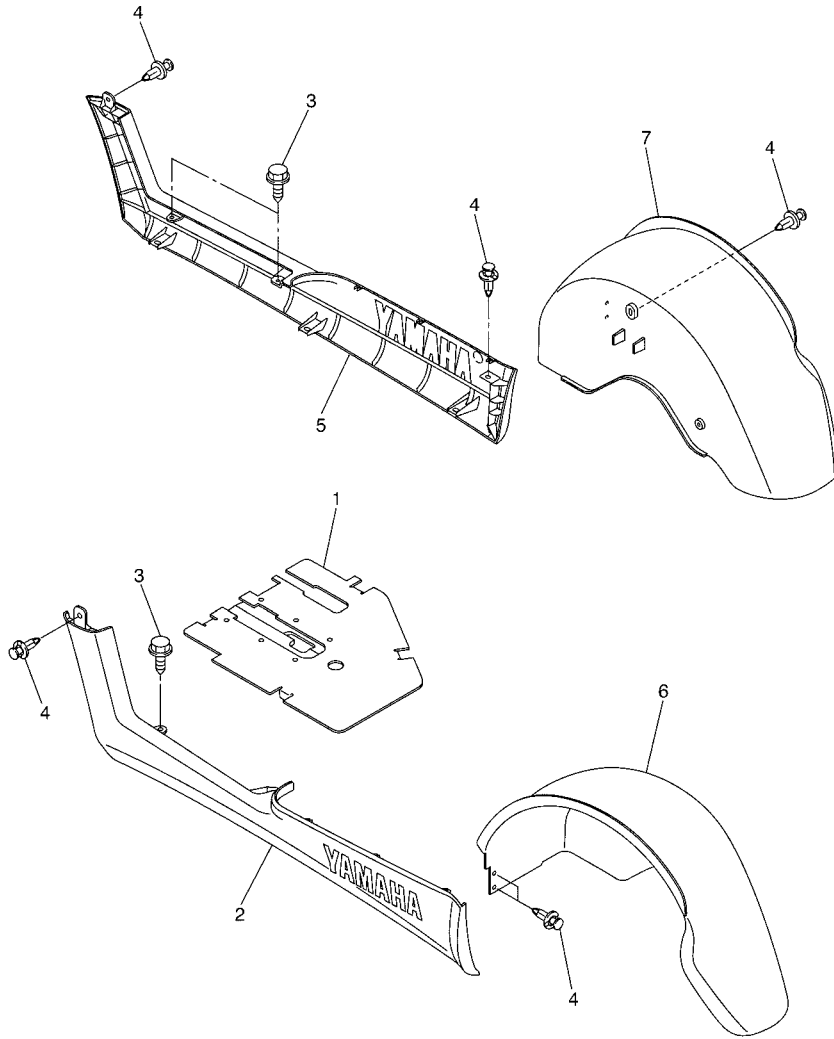
FIG. 10 BODY 2



REF. NO.	PART NO.	DESCRIPTION	JW21				REMARKS
1	JW1-K8142-00	PANEL, REAR BODY	1				UR FOR WS7
	JW1-K8142-10	PANEL, REAR BODY	1				UR FOR VDGS1
	JW1-K8142-20	PANEL, REAR BODY	1				UR FOR HTR
	JW1-K8142-30	PANEL, REAR BODY	1				UR FOR LNYM8
	JW1-K8142-40	PANEL, REAR BODY	1				UR FOR NBM7
	JW1-K8142-50	PANEL, REAR BODY	1				UR FOR BMG
	JW1-K8142-60	PANEL, REAR BODY	1				UR FOR DPBMT
2	90269-06804	RIVET	2				
3	90269-08813	RIVET	4				
4	JN4-K827A-00	GUIDE 1	1				
5	90267-60840	RIVET, BLIND	3				
6	JW1-K8237-00	COVER, REAR FLOOR	1				
7	90269-08813	RIVET	7				
8	90119-06868	BOLT, WITH WASHER	2				
9	JW1-K8151-00	PANEL, INSPECTION LID 1	1				
10	JW2-K8297-00	PLATE, CAUTION 1	1				



JW21100-E100



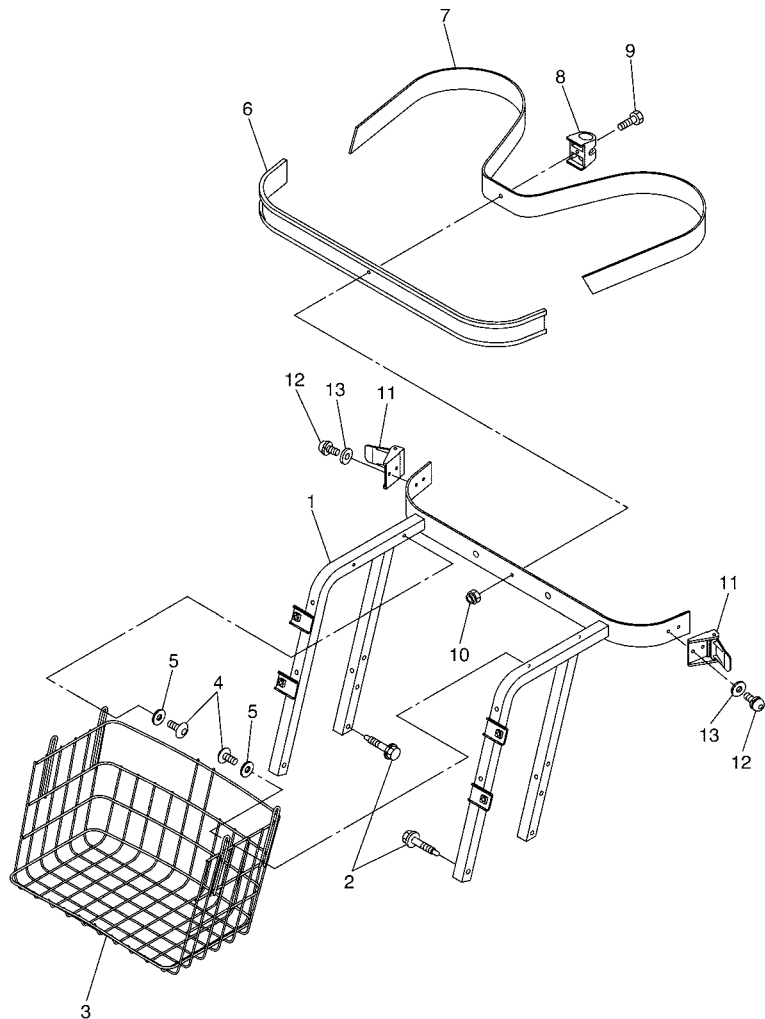
**FIG. 11 BODY FITTING**

REF. NO.	PART NO.	DESCRIPTION	JW21				REMARKS
1	JW1-K8270-00	LID ASSY	1				
2	JW1-K818A-00	PROTECTOR, SIDE PLATE	1				
3	JW1-F3396-00	SCREW, SPECIAL	4				
4	90269-06804	RIVET	12				
5	JW1-K818B-00	PROTECTOR, SIDE PLATE 2	1				
6	JW1-K8191-00	PANEL, REAR FENDER 1	1				
7	JW1-K8192-00	PANEL, REAR FENDER 2	1				



JW11100-E260

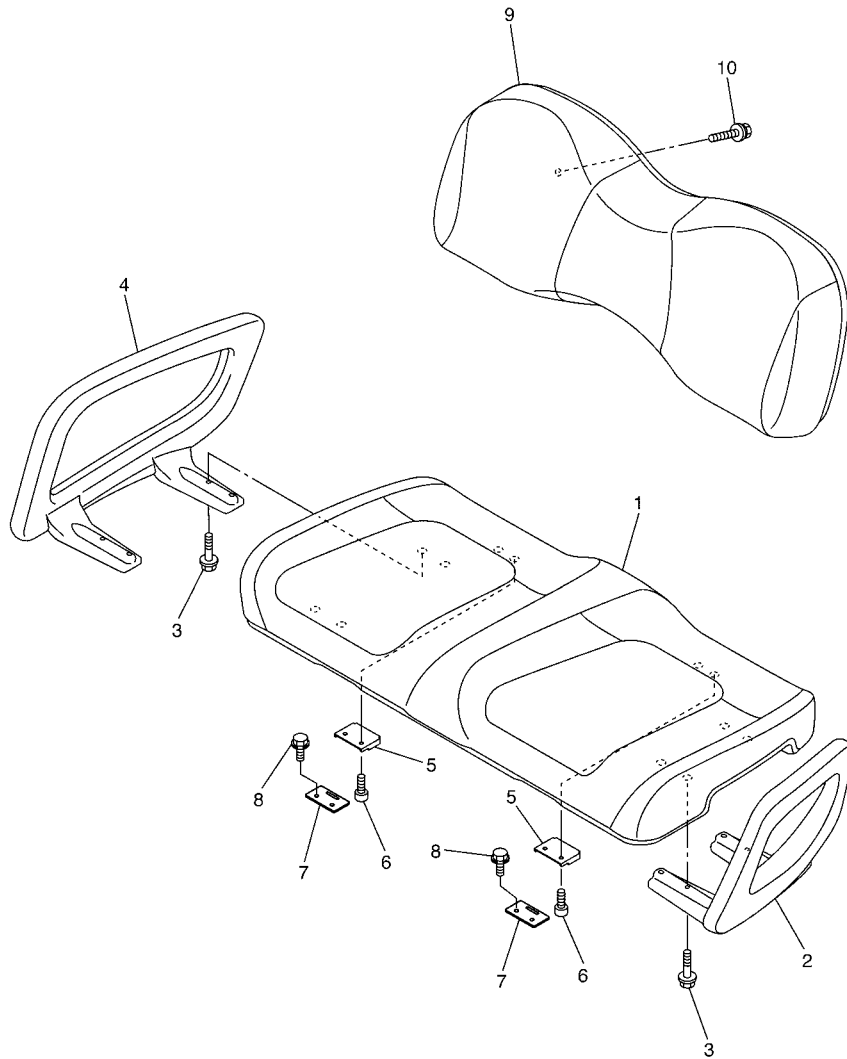
FIG. 12 CARRIER



REF. NO.	PART NO.	DESCRIPTION	JW21				REMARKS
1	JW1-K8423-00	SUPPORT, SEAT BACK	1				
2	90109-08169	BOLT	4				
3	JW1-K8340-00	LUGGAGE RACK ASSY., REAR	1				
4	90110-06102	BOLT, HEXAGON SOCKET HEAD	4				
5	90201-068G7	WASHER, PLATE	4				
6	JF2-K8356-00	PAD, BAG SUPPORT	1				
7	JN6-K8355-00	BAND	1				
8	JW1-K834G-00	HOLDER, RAKE SAND	1				
9	9708R-06020	BOLT	1				
10	90185-06836	NUT, SELF-LOCKING	1				
11	JN6-K8380-00	LOCK ASSY	2				
12	90159-06845	SCREW, WITH WASHER	4				
13	9299R-06200	WASHER	4				



JW11100-E270



**FIG. 13 SEAT**

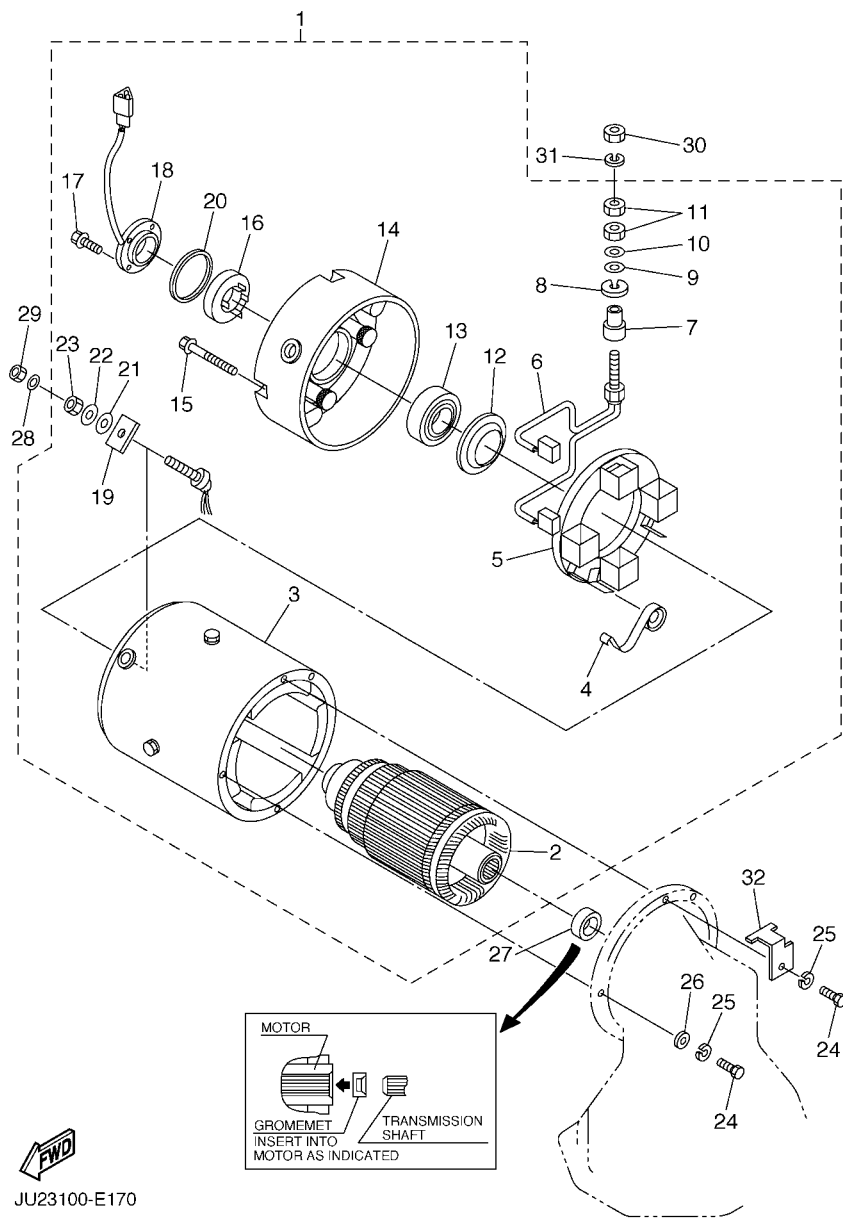
REF. NO.	PART NO.	DESCRIPTION	JW21				REMARKS
1	JW1-K8401-00	SEAT SUB-ASSY,CUSHION	1				
2	JW1-K8361-00	ARM REST 1	1				
3	9582P-06040	BOLT, FLANGE	8				
4	JW1-K8362-00	ARM REST 2	1				
5	JW1-K8426-00	HINGE, SEAT 1	2				
6	90110-06041	BOLT, HEXAGON SOCKET HEAD	4				
7	JW1-K8427-00	HINGE, SEAT 2	2				
8	90105-06861	BOLT, FLANGE	4				
9	JW1-K8402-00	SEAT SUB ASSY, BACK	1				
10	90119-06808	BOLT, WITH WASHER	4				
-----							
-----							
-----							
-----							
-----							
-----							
-----							
-----							
-----							



JW11100-E280

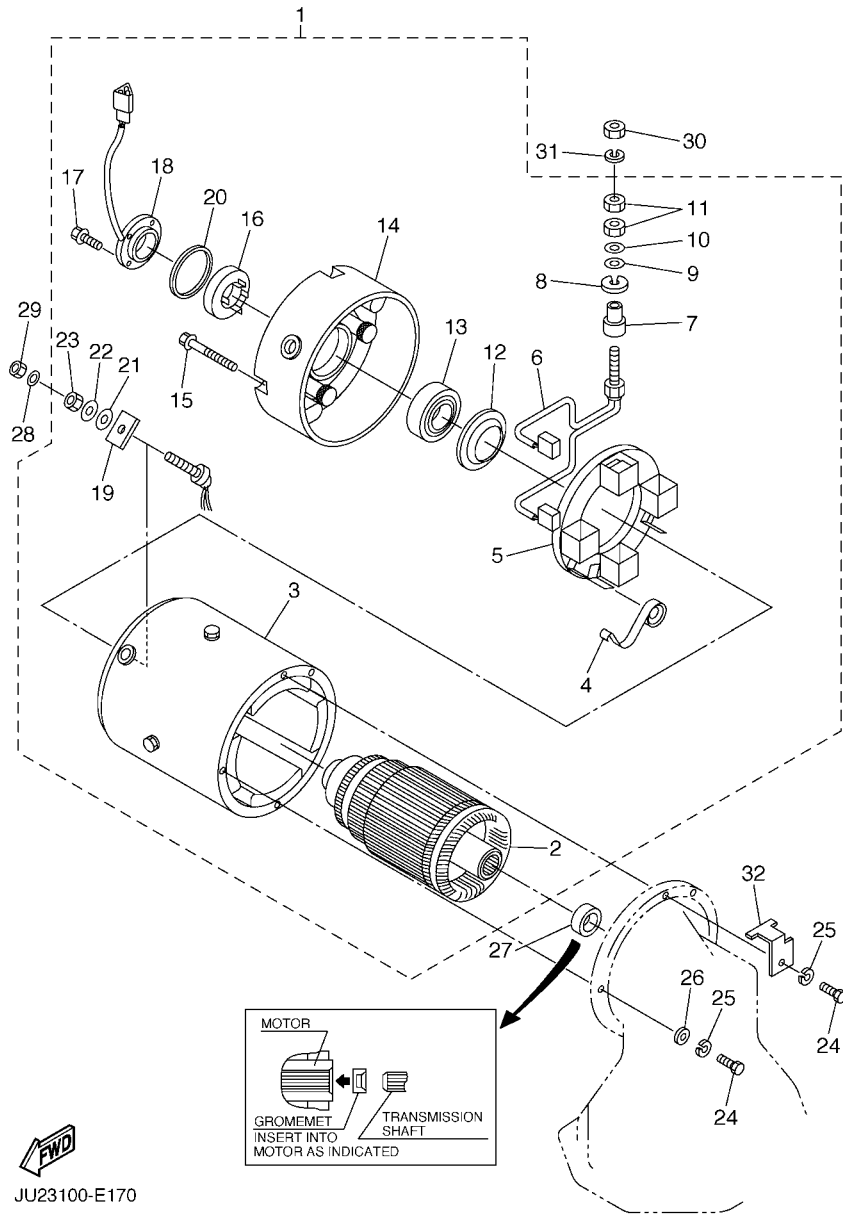


FIG. 14 ELECTRIC MOTOR



REF. NO.	PART NO.	DESCRIPTION	JW21				REMARKS
1	JU2-H1890-20	MOTOR ASSY	1				
2	JU2-H1850-20	.ARMATURE ASSY	1				
3	JU2-H1160-20	.FIELD COIL ASSY	1				
4	JU2-H1617-20	.SPRING, BRUSH	4				
5	JU2-H1840-20	.BRUSH HOLDER ASSY	1				
6	JU2-H1801-20	.BRUSH SET	2				
7	JU2-H182G-20	.BUSH, TERMINAL	2				
8	JU2-H1843-20	.WASHER 1	2				
9	JU2-H1824-20	.WASHER 2	2				
10	JU2-H181L-20	.WASHER, PLAIN	2				
11	JU2-H182K-20	.NUT	4				
12	JU2-H1856-20	.BEARING	1				
13	JU2-H185B-20	.BEARING 1	1				
14	JU2-H183J-20	.BRACKET, FRONT	1				
15	JU2-H1828-20	.BOLT 2	4				
16	JU2-H181K-20	.MAGNET	1				
17	JU2-H2113-20	.SCREW	4				
18	JU2-H1670-20	.PICK-UP ASSY	1				
19	JU2-H272L-20	.INSULATOR, 1	1				
20	JU2-H5722-20	.INSULATOR	1				
21	JU2-H2517-20	.WASHER, SPECIAL	2				
22	JU2-H332D-20	.WASHER, SPECIAL 2	2				
23	JU2-H191B-20	.NUT	4				
24	90101-069U0	BOLT	3				
25	90215-06811	WASHER, LOCK	3				
26	90201-068E2	WASHER, PLATE	2				
27	JH7-H1829-00	GROMMET	1				

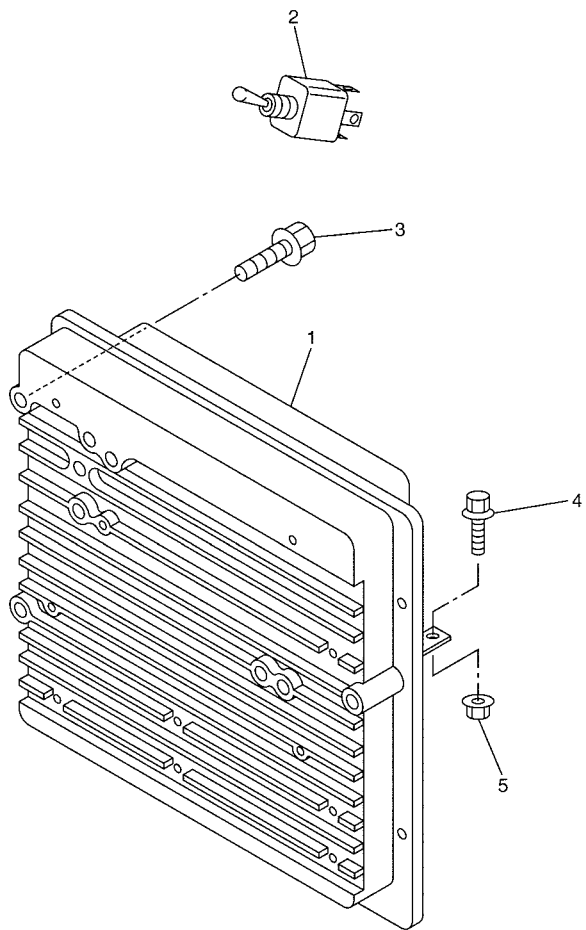
FIG. 14 ELECTRIC MOTOR



JU23100-E170

REF. NO.	PART NO.	DESCRIPTION	JW21				REMARKS
28	JU2-H185A-20	WASHER, PLATE	2				
29	JU2-H182A-20	NUT	2				
30	JU2-H1872-20	NUT, SPECIAL	2				
31	JU2-H1835-20	WASHER	2				
32	JU2-H218E-00	RELIEF, STRAIN 1	1				

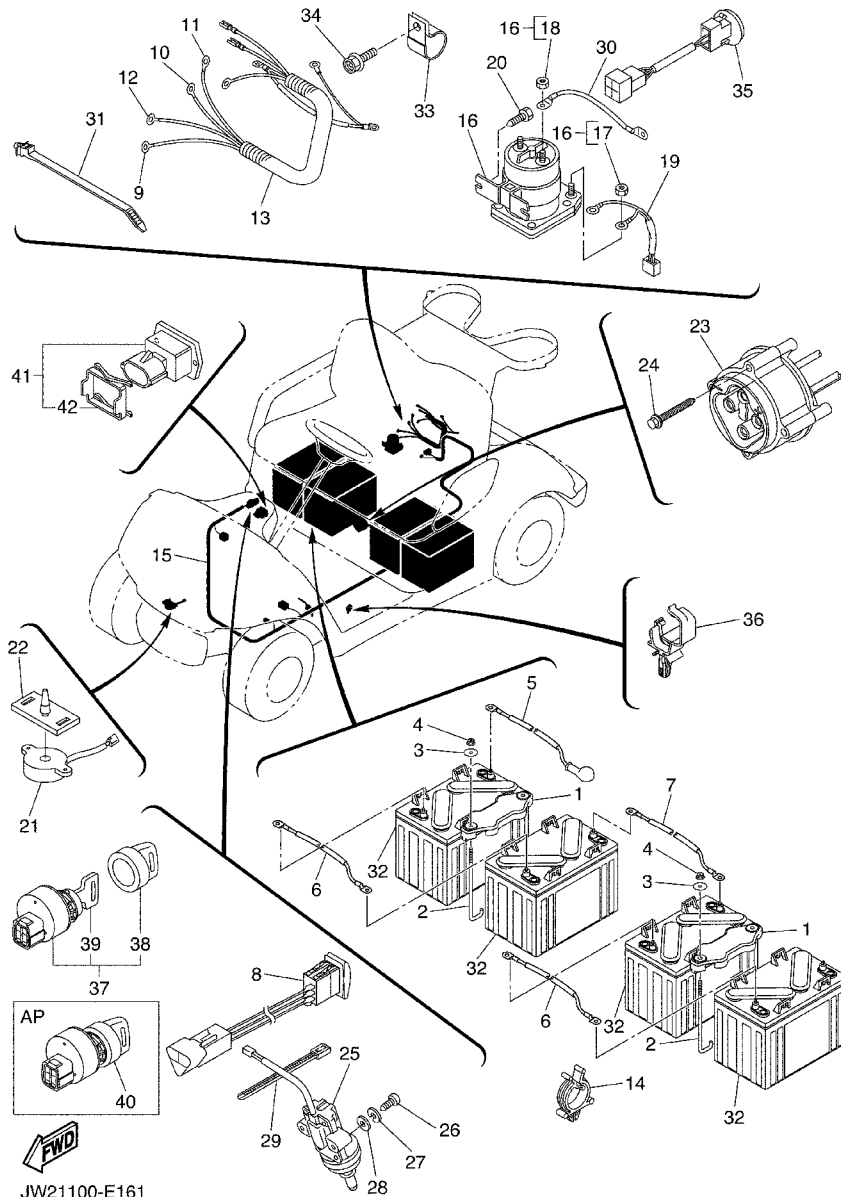
FIG. 15 CONTROLLER 1



REF. NO.	PART NO.	DESCRIPTION	JW21				REMARKS
1	JW2-H6510-00	MOTOR CONTROL UNIT ASSY	1				
2	JU2-H2727-00	SWITCH	1				
3	9582P-06040	BOLT, FLANGE	3				
4	9582P-06016	BOLT, FLANGE	3				
5	9560P-06200	NUT, FLANGE	3				
-----							
-----							
-----							
-----							
-----							
-----							
-----							
-----							
-----							
-----							



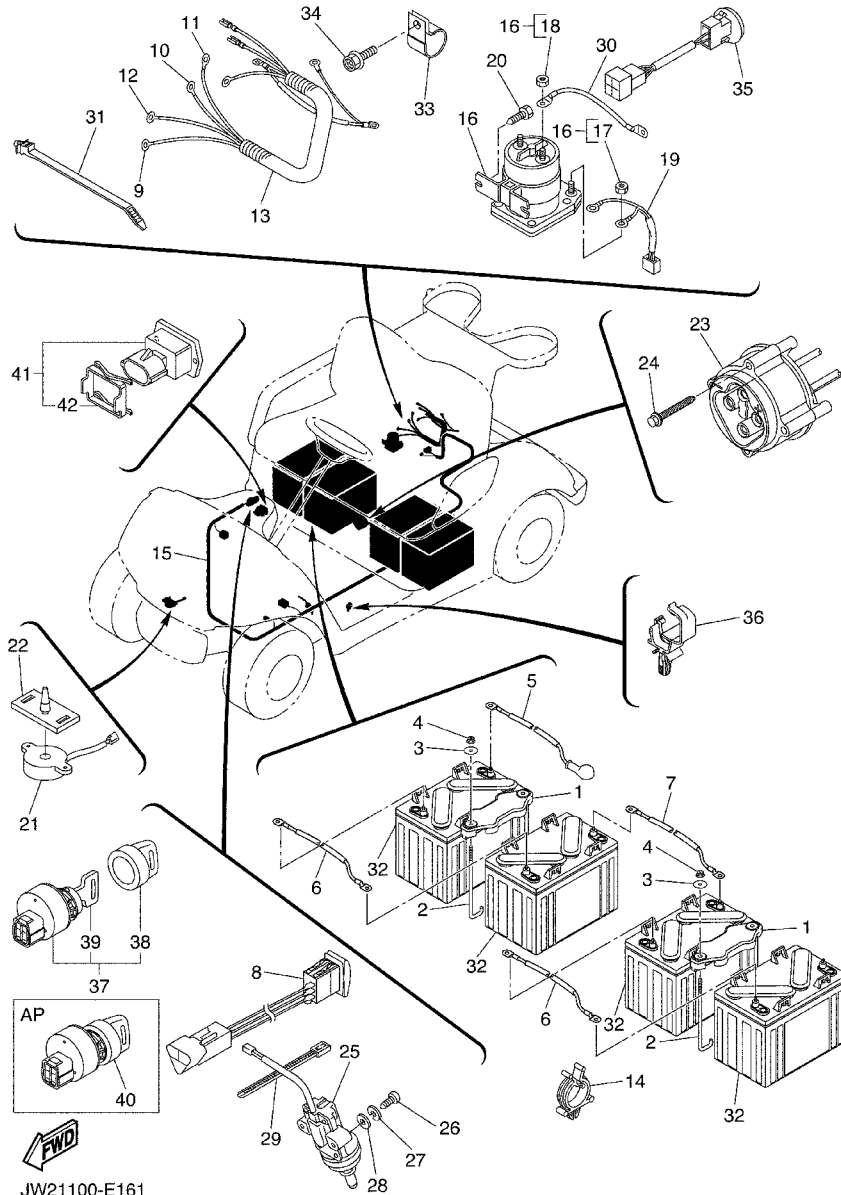
JW21100-E150



JW21100-E161

FIG. 16 ELECTRICAL 1

REF. NO.	PART NO.	DESCRIPTION	JW21				REMARKS
1	JW2-H2136-00	PLATE, BATTERY FITTING	2				
2	JW2-H2133-00	SCREW, FITTING	4				
3	90201-08310	WASHER, PLATE	4				
4	95707-08500	NUT, FLANGE	4				
5	JW2-H2115-00	WIRE, PLUS LEAD	1				
6	JW2-H2127-00	WIRE, LEAD 2	2				
7	JW2-H2149-00	WIRE, LEAD 3	1				
8	JU2-H2917-00	SWITCH	1				
9	JU2-H2521-20	WIRE, LEAD	1				(F1)
10	JU2-H2531-20	WIRE, LEAD	1				(F2)
11	JU2-H6171-20	WIRE, LEAD 1	1				(A1)
12	JW2-H6172-00	WIRE, LEAD 2	1				(A2)
13	JU2-H7196-20	TUBE 1	1				
14	90464-25826	CLAMP	2				
15	JW2-H2590-00	WIRE HARNESS ASSY	1				UR USA,CANADA
16	JW2-H2590-10	WIRE HARNESS ASSY	1				UR EXCEPT USA,CANADA
16	JU6-H1950-00	RELAY ASSY	1				
17	90179-05886	.NUT	2				
18	90179-08887	.NUT	2				
19	JN6-H2105-00	WIRE HARNESS	1				
20	90163-06005	SCREW, TAPPING	2				
21	JR1-H3383-01	BUZZER	1				
22	JN6-H3386-01	STAY, BUZZER	1				
23	JW2-H6181-00	RECEPTACLE	1				
24	JW2-F8382-00	SCREW, SPECIAL	4				
25	JF7-82817-20	SWITCH	1				
26	98507-05025	SCREW, PAN HEAD	2				
27	92907-05100	WASHER, SPRING	2				

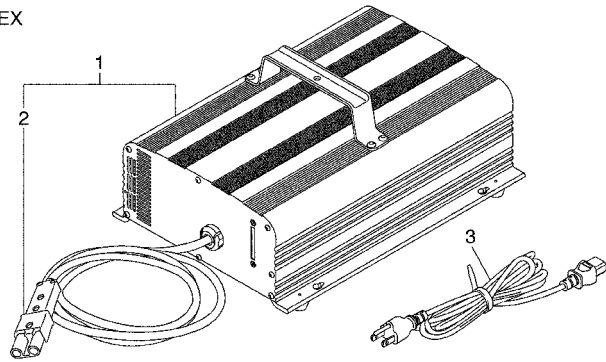


JW21100-E161

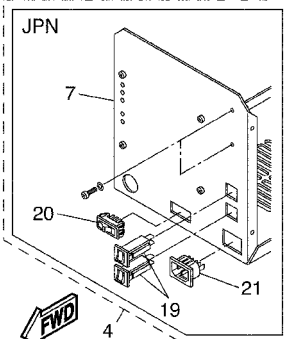
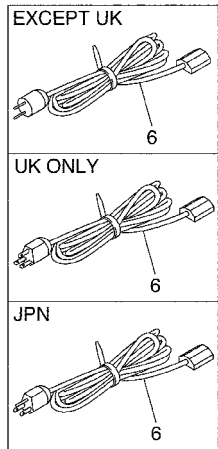
FIG. 16 ELECTRICAL 1

REF. NO.	PART NO.	DESCRIPTION	JW21				REMARKS
28	92907-05600	WASHER, PLATE	2				
29	90464-40825	CLAMP	8				
30	JW2-H6527-00	WIRE 7	1				
31	90464-38800	CLAMP	7				
32	*	BATTERY ASSY (12 VOLT T-1275)	4				LM
33	90461-14108	CLAMP	1				
34	90105-08867	BOLT, FLANGE	1				
35	JU2-HA2F0-00	TRANSMITTER UNIT	1				AP
36	90464-20237	CLAMP	3				
37	JU2-H2510-10	MAIN SWITCH ASSY	1				STD
38	5UG-H2579-00	.CAP, KEY	1				
39	JU2-H2511-00	.KEY, MAIN SWITCH	1				
40	JU2-H2510-20	MAIN SWITCH ASSY	1				AP RANDOMKEY
41	JW2-H351B-00	GAUGE, BATTERY	1				EXCEPT USA,CANADA
42	JW1-H1128-00	.CLAMP	1				EXCEPT USA,CANADA

USA, CAN, MEX



EUR, JPN



JW21100E1701

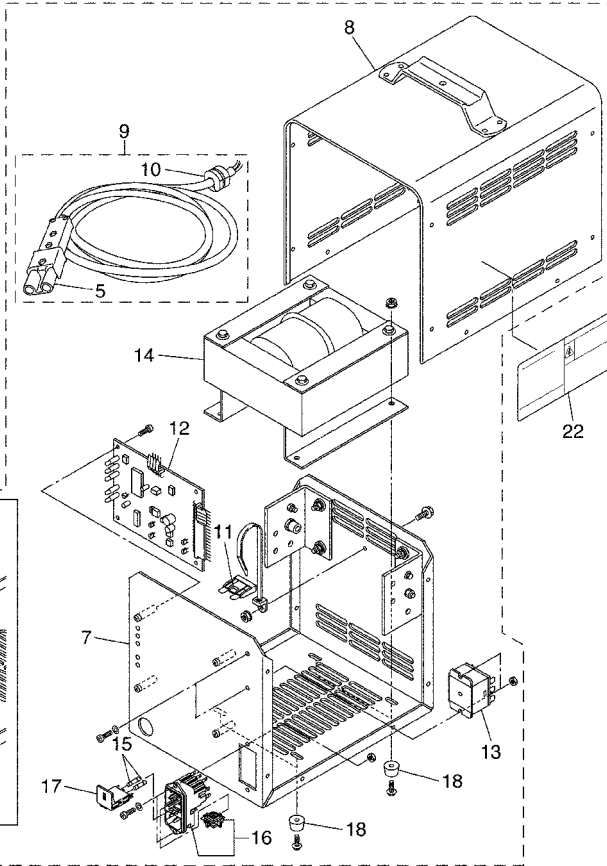
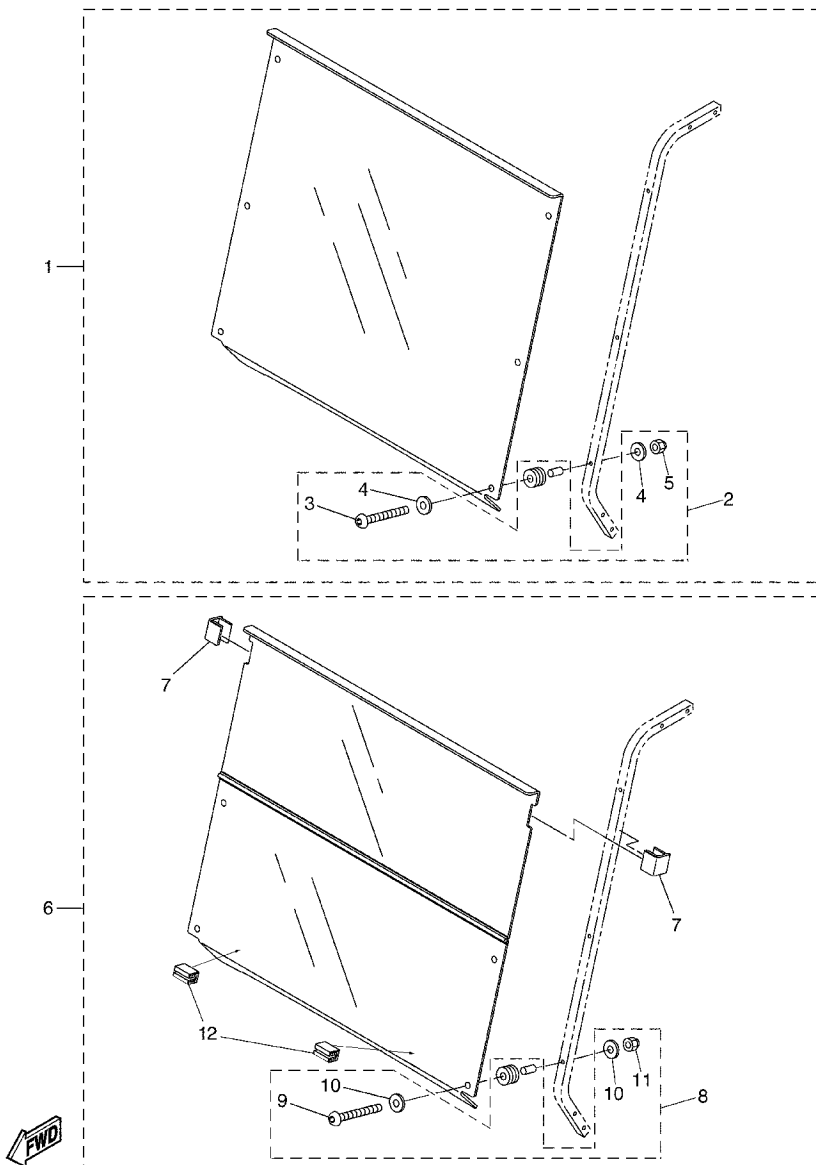


FIG. 17 BATTERY CHARGER

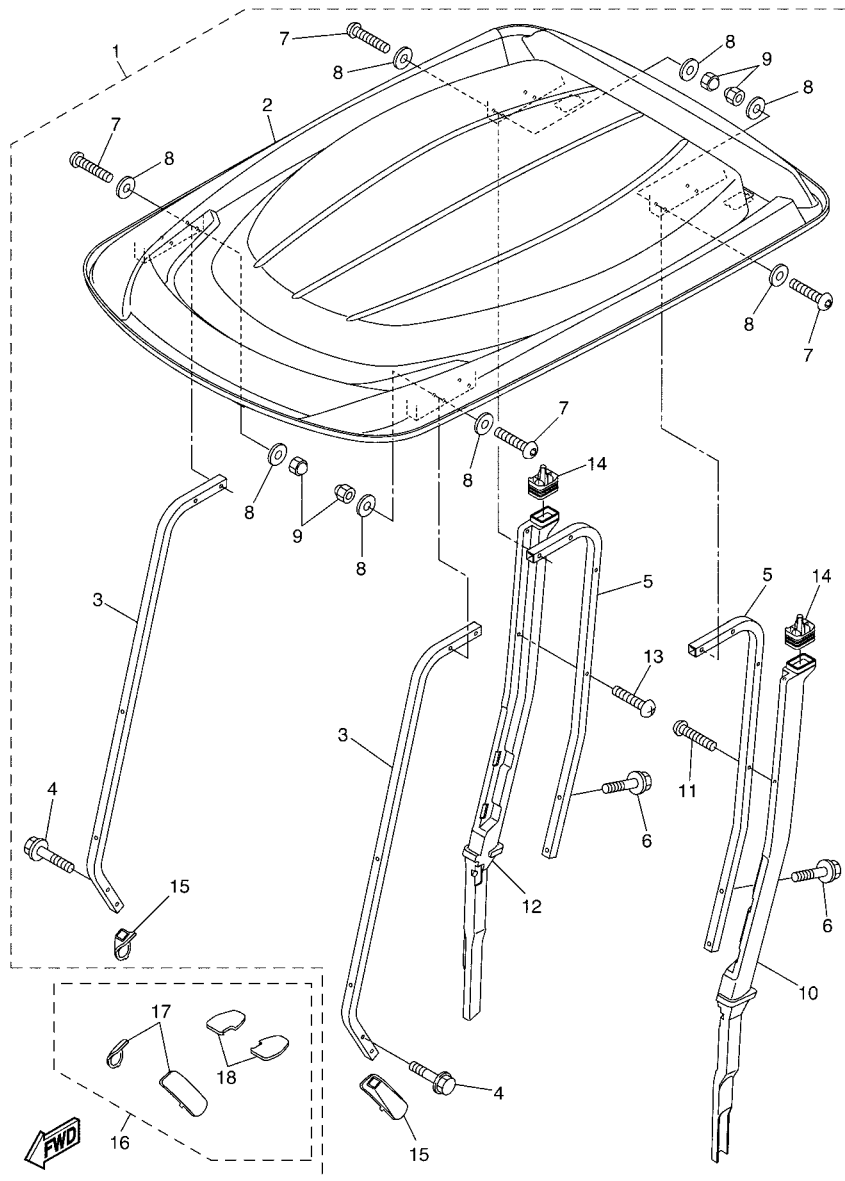
REF. NO.	PART NO.	DESCRIPTION	JW21		REMARKS
1	JW2-H2107-01	CHARGER, BATTERY(AC120V)	1		USA,CAN,MEX
2	JW2-H7234-00	.PLUG, DC RECEPTACLE	1		
3	JU2-H1962-20	CHARGER, CORD AC	1		USA,CAN,MEX
4	JR1-H2107-23	CHARGER, BATTERY(AC120/200/230V)	1		UR EUR
	JR1-H2107-30	CHARGER, BATTERY(AC120/200/230V)	1		UR JPN
5	JR1-H235A-00	.CASE, T	1		
6	JU2-H1962-00	CORD COMP. (220V)	1		UR EXCEPT UK
	JU2-H1962-10	CORD COMP. (240V)	1		UR UK ONLY
	JX5-81962-00	CORD COMP. (100V)	1		UR JPN
7	JR1-H353H-00	.CASE, UNDER	1		UR EUR
	JR1-H353H-10	.CASE, UNDER	1		UR JPN
8	JR1-H353G-00	.CASE, UPPER	1		
9	JU2-H7234-00	.PLUG, DC RECEPTACLE	1		
10	JR1-H6169-00	.BUSH, SPECIAL	1		
11	JR1-H554E-00	.FUSE	1		
12	JR1-H6533-00	.BOARD, CIRCUIT 3	1		
13	JR1-H2185-00	.RELAY, 1	1		
14	JR1-H218H-00	.TRANSFORMER 1	1		UR EUR
	JR1-H218H-10	.TRANSFORMER 1	1		UR JPN
15	JR1-H2151-20	.FUSE	2		EUR
16	JR1-HA4P0-00	.SWITCH MODULE	1		EUR
17	JR1-H2152-00	.HOLDER, FUSE	1		EUR
18	JR1-H2176-00	.DAMPER	4		
19	JR1-H2180-00	.CIRCUIT BREAKER ASSY.	2		JPN
20	JR1-H7280-10	.SWITCH, SELECT	1		JPN
21	JR1-H7236-10	.PLUG, AC RECEPTACLE	1		JPN
22	JT8-77766-00	LABEL, 1	1		JPN

**FIG. 18 ALTERNATE FOR WINDSHIELD**



JW11100E3201

REF. NO.	PART NO.	DESCRIPTION	JW21				REMARKS
1	GCA-JW101-10	WINDSHIELD ASSY, SOLID (CLEAR)	1				UR AP
	GCA-JW101-00	WINDSHIELD ASSY, SOLID (SMOKE)	1				UR AP
2	GCA-JW121-00	.HARDWARE KIT	1				
3	JW1-K7212-00	..BOLT, WIND SHIELD	6				
4	90201-068G7	..WASHER, PLATE	12				
5	JW1-K7217-00	..NUT, WIND SHIELD	6				
6	GCA-JW102-10	WINDSHIELD ASSY, HINGED (CLEAR)	1				UR AP
	GCA-JW102-00	WINDSHIELD ASSY, HINGED (SMOKE)	1				UR AP
7	ACC-CCGLU-ES-ET	.LEVER, LATCH 1	1				INCLUDES GLUE
8	GCA-JW122-00	.HARDWARE KIT	1				
9	JW1-K7212-00	..BOLT, WIND SHIELD	4				
10	90201-068G7	..WASHER, PLATE	8				
11	JW1-K7217-00	..NUT, WIND SHIELD	4				
12	GCA-JW124-00-00	.KIT, BOTTOM RETAINER	1				INCLUDES GLUE



JW11100-E330

FIG. 19 ALTERNATE FOR SUN ROOF

REF. NO.	PART NO.	DESCRIPTION	JW21				REMARKS
1	JW1-K8310-00	SUN ROOF ASSY	1				AP
2	JW1-K8314-00	.COVER, SUN ROOF	1				
3	JW1-K8312-00	.SUPPORT, SUN ROOF 1	2				
4	90105-08892	.BOLT, FLANGE	4				
5	JW1-K8313-00	.SUPPORT, SUN ROOF 2	2				
6	90105-08892	.BOLT, FLANGE	4				
7	JU0-K8388-00	.BOLT, ROOF 1	8				
8	90201-088T2	.WASHER, PLATE	16				
9	JU0-K8398-00	.NUT, ROOF 1	8				
10	JW1-F413G-00	.TUBE, DRAIN	1				
11	90157-06814	.SCREW, PAN HEAD	2				
12	JW1-F413J-00	.TUBE, DRAIN 2	1				
13	90157-06814	.SCREW, PAN HEAD	2				
14	JW1-F414G-00	.SEAL	2				
15	JW1-K832F-00	.GROMMET, ROOF SUPPORT 1	2				
16	JW1-F8108-00	COVER ASSY	1				AP
17	JW1-K832H-00	.GROMMET, ROOF SUPPORT 3	2				
18	JW1-K833H-00	.GROMMET, ROOF SUPPORT 4	2				



NUMERICAL INDEX

PART NO.	GRID NO.	PART NO.	GRID NO.	PART NO.	GRID NO.	PART NO.	GRID NO.	PART NO.	GRID NO.	PART NO.	GRID NO.
401-22128-01	B - 4	JU0-F3857-10	B - 6	JW1-F7254-00	B - 9	JW2-G6311-00	B - 11	JR1-H2107-22	C - 12	JW1-K7540-00	B - 14
2NL-23448-00	B - 4	JW1-F3866-00	B - 6	JW1-F7257-00	B - 9	JW2-G6312-00	B - 11	JU2-H2113-20	C - 7	JU0-K7762-00	B - 7
2NL-23517-00	B - 4	JW1-F387A-00	B - 6	JW1-F7275-00	B - 9	JW1-G6326-00	B - 11	JW2-H2115-00	C - 10	JU0-K7762-10	B - 7
2HR-23526-00	B - 4	JW1-F387E-00	B - 6	JW2-F7317-00	B - 8	JW1-G6327-00	B - 11	JW2-H2127-00	C - 10	JU0-K7762-20	B - 7
JF7-82817-20	C - 10	5UG-F387F-00	B - 6	JW2-F7411-00	B - 3	JW2-G6335-00	B - 11	JW2-H2133-00	C - 10	JW2-K7768-00	B - 15
JW1-F1128-00	B - 8	5UG-F387G-00	B - 6	JW1-F7814-00	B - 9	JW1-G6336-00	B - 11	JW2-H2136-00	C - 10	JW2-K7768-10	B - 15
JW2-F118L-00	B - 9	5UG-F387J-00	B - 6	JW1-F7825-00	B - 8	JW2-G633G-00	B - 11	JW2-H2149-00	C - 10	JW2-K7768-20	B - 15
JW1-F1531-00	B - 2	5UG-F387K-00	B - 6	JW2-F7850-00	B - 8	JW1-G633H-00	B - 11	JU2-H218E-00	C - 8	JW2-K8114-00	B - 15
JW1-F16A2-00	B - 12	JW1-F3894-00	B - 6	JW1-F7853-00	B - 9	JW1-G633J-00	B - 10	JR1-H235A-00	C - 12	JW1-K8115-00	B - 15
JW1-F16A3-00	B - 12	JW1-F413G-00	C - 14	JW1-F7855-00	B - 8	JW1-G6345-00	B - 11	JU2-H2510-10	C - 11	JW1-K8115-10	B - 15
JW1-F1738-00	B - 3	JW1-F413J-00	C - 14	JW1-F785A-00	B - 9	JW2-G6375-00	B - 11	JU2-H2510-20	C - 11	JW1-K8115-20	B - 15
JW2-F2110-00	B - 2	JW1-F414G-00	C - 14	JW1-F7871-00	B - 9	JW1-G6387-00	B - 10	JU2-H2511-00	C - 11	JW1-K8115-30	B - 15
JN6-F2123-10	B - 2	JW1-F4161-00	B - 15	JW1-F8108-00	C - 14	JW1-G6388-00	B - 10	JU2-H2517-20	C - 7	JW1-K8115-40	B - 15
JN6-F2124-10	B - 2	JW1-F467K-00	B - 6	JW2-F8382-00	C - 10	JW1-G6415-00	B - 11	JU2-H2521-20	C - 10	JW1-K8115-50	B - 15
JW1-F2176-00	B - 11	JW1-F4684-00	B - 10	JW2-G4116-00	B - 11	JW2-G6511-00	B - 11	JU2-H2531-20	C - 10	JW1-K8115-60	B - 15
JW1-F217G-00	B - 2	JW1-F5100-00	B - 13	JW1-G4127-00	B - 11	JW2-G6512-00	B - 11	5UG-H2579-00	C - 11	JW1-K8142-00	C - 3
JW1-F2210-00	B - 2	JN6-F5118-00	B - 5	JW1-G4135-00	B - 11	JW1-G6542-00	B - 11	JW2-H2590-00	C - 10	JW1-K8142-10	C - 3
JW2-F2501-00	B - 3		B - 12	JW1-G4138-00	B - 10	JW2-G6544-00	B - 11	JU2-H2727-00	C - 9	JW1-K8142-20	C - 3
JW2-F252M-00	B - 3	JW1-F536G-00	B - 10	JW1-G4156-00	B - 10	JW2-G6555-00	B - 11	JU2-H272L-20	C - 7	JW1-K8142-30	C - 3
JW1-F2545-00	B - 3	JW1-F5658-00	B - 8	JW2-G4165-00	B - 10	JU2-H1160-20	C - 7	JU2-H2917-00	C - 10	JW1-K8142-40	C - 3
JW1-F2588-00	B - 3	JW1-F5659-00	B - 8	JW1-G4178-00	B - 10	JU2-H1617-20	C - 7	JU2-H332D-20	C - 7	JW1-K8142-50	C - 3
JW1-F258G-00	B - 3	JW1-F5666-00	B - 9	JW1-G4184-00	B - 10	JU2-H1670-20	C - 7	JR1-H3383-01	C - 10	JW1-K8142-60	C - 3
JW1-F3147-00	B - 9	JW1-F5672-00	B - 9	JW1-G4189-00	B - 10	JU2-H1801-20	C - 7	JN6-H3386-01	C - 10	JW1-K8151-00	C - 3
JW1-F3183-00	B - 6	JW1-F5673-00	B - 9	JW1-G4391-00	B - 12	JU2-H431K-20	C - 7	JW2-H4312-00	C - 12	JW1-K8164-00	B - 14
JW1-F3188-00	B - 9	JW1-F5677-00	B - 9	JW1-G4526-00	B - 11	JU2-H181L-20	C - 7	JU2-H5722-20	C - 7	JW1-K8174-00	B - 14
JW1-F3350-00	B - 4	JW1-F5734-00	B - 8	JW1-G4581-00	B - 10	JU2-H1824-20	C - 7	JW2-H5885-00	B - 9	JW1-K818A-00	C - 4
JW1-F3390-00	B - 4	JW1-F5735-00	B - 9	JW1-G4582-00	B - 10	JU2-H1828-20	C - 7	JU2-H6171-20	C - 10	JW1-K818B-00	C - 4
JW1-F3396-00	B - 15	JW1-F5744-00	B - 8	JW1-G4583-00	B - 10	JH7-H1829-00	C - 7	JW2-H6172-00	C - 10	JW1-K8191-00	C - 4
	C - 4	JW1-F5754-00	B - 8	JW2-G5161-00	B - 12	JU2-H182A-20	C - 8	JW2-H6181-00	C - 10	JW1-K8192-00	C - 4
JW1-F339Y-00	B - 6	JW1-F582M-00	B - 8	JW1-G5239-00	B - 10	JU2-H182G-20	C - 7	JW2-H6510-00	C - 9	JW1-K8233-10	B - 15
	B - 8	JW1-F5866-00	B - 8	JW1-G5874-00	B - 11	JU2-H182K-20	C - 7	JW2-H6527-00	C - 11	JW1-K8237-00	C - 3
JW1-F3400-00	B - 6	JW2-F6341-00	B - 8	JW1-G6112-00	B - 11	JU2-H1835-20	C - 8	JU2-H7196-20	C - 10	JW1-K8245-00	B - 15
5UG-F3489-00	B - 6	JW1-F6466-00	B - 8	JW2-G6114-00	B - 11	JU2-H183J-20	C - 7	JU2-HA2F0-00	C - 11	JW1-K8261-00	B - 15
JU0-F3511-00	B - 4	JW1-F7117-00	B - 8	JW2-G6117-00	B - 10	JU2-H1840-20	C - 7	JW1-K7115-00	C - 13	JW1-K8262-00	C - 2
JW1-F3512-00	B - 4	JW1-F720G-00	B - 8	JW1-G6128-00	B - 10	JU2-H1843-20	C - 7	JW1-K7173-00	C - 13	JW1-K8270-00	C - 4
JU0-F3521-00	B - 4	JW1-F7211-00	B - 9	JW2-G6134-00	B - 12	JU2-H1850-20	C - 7	JW1-K7200-00	C - 13	JW1-K8273-00	B - 15
5UG-F3527-00	B - 6	JW1-F7213-00	B - 9	JW1-G6137-00	B - 11	JU2-H1856-20	C - 7	JW1-K7200-10	C - 13	JN4-K827A-00	C - 3
JU0-F3570-20	B - 4	JW1-F7216-00	B - 8	JW1-G6153-00	B - 10	JU2-H185A-20	C - 8	JW1-K7200-20	C - 13	JW2-K8297-00	C - 3
JW1-F3811-00	B - 6	JW1-F7217-00	B - 8	JW1-G6155-00	B - 10	JU2-H185B-20	C - 7	JW1-K7200-30	C - 13	JR1-K8298-10	B - 3
JN3-F3814-00	B - 6	JW1-F7218-00	B - 8	JW1-G6158-00	B - 10	JU2-H1872-20	C - 8	JW1-K7212-00	C - 13	JR1-K8298-20	B - 3
JW1-F3822-00	B - 7	JW1-F7227-00	B - 8	JW2-G6159-00	B - 10	JU2-H1890-20	C - 7	JW1-K7217-00	C - 13	JW1-K8310-00	C - 14
JU0-F3828-00	B - 6	JW1-F7232-00	B - 8	JW2-G6163-00	B - 11	JU2-H191B-20	C - 7	JW1-K7222-00	C - 13	JW1-K8312-00	C - 14
4XE-F3833-00	B - 6	JW1-F7238-00	B - 8	JW2-G6164-00	B - 10	JU6-H1950-00	C - 10	JW1-K7237-00	C - 13	JW1-K8313-00	C - 14
JW1-F3837-00	B - 6	JW1-F723F-00	B - 8	JW2-G6165-00	B - 10	JU2-H1962-00	C - 12	JW1-K7329-00	B - 15	JW1-K8314-00	C - 14
JN3-F3838-00	B - 6	JW1-F723G-00	B - 8	JW1-G6166-00	B - 10	JU2-H1962-10	C - 12	JW1-K7449-00	B - 15	JW1-K832F-00	C - 14
JU0-F3841-00	B - 7	JW1-F7243-00	B - 9	JW2-G6167-00	B - 10	JU2-H1962-20	C - 12	JU0-K7458-00	C - 13	JW1-K832H-00	C - 14
5UG-F3844-00	B - 6	JW1-F7249-00	B - 9	JW1-G6168-00	B - 10	JN6-H2105-00	C - 10	JU2-K7458-00	B - 7	JW1-K833H-00	C - 14
JW2-F384K-00	B - 11	JW1-F7252-00	B - 9	JW2-G6300-00	B - 10	JW2-H2107-00	C - 12	JW1-K7510-00	B - 14	JW1-K8340-00	C - 5

NUMERICAL INDEX

PART NO.	GRID NO.	PART NO.	GRID NO.	PART NO.	GRID NO.	PART NO.	GRID NO.	PART NO.	GRID NO.	PART NO.	GRID NO.
JW1-K834G-00	C - 5	90185-12061	B - 6	9560P-10200	B - 2						
JN6-K8355-00	C - 5	90201-048R5	B - 7	90201-048R5	B - 14						
JF2-K8356-00	C - 5	90201-068E2	C - 7	9561P-12100	B - 4						
JN3-K8357-00	B - 7	90201-068G7	C - 5	95707-08500	C - 10						
JN6-K8358-01	B - 7		C - 13	95807-10055	B - 2						
JW1-K835E-00	B - 15	90201-08310	C - 10	95807-10065	B - 4						
JW1-K8361-00	C - 6	90201-088T2	C - 14	95817-12065	B - 2						
JW1-K8362-00	C - 6	90201-128S4	B - 2	95817-12080	B - 4						
JN6-K8380-00	C - 5	90209-32832	B - 5	9581P-08016	B - 6						
JU0-K8388-00	C - 14	90215-06811	C - 7	9582P-06012	B - 14						
JU0-K8398-00	C - 14	90267-60840	C - 3	9582P-06016	C - 9						
JW1-K8401-00	C - 6	90267-63047	B - 15	9582P-06040	C - 6						
JW1-K8402-00	C - 6	90269-06804	B - 15		C - 9						
JW1-K8423-00	C - 5		C - 3	97017-08030	B - 7						
JW1-K8426-00	C - 6		C - 4	9708R-06020	C - 5						
JW1-K8427-00	C - 6	90269-07001	B - 15	9751P-10650	B - 2						
JG5-WF511-10	B - 4	90269-08813	C - 3	97707-40525	B - 7						
90101-069U0	C - 7	90381-17067	B - 4	98507-05025	C - 10						
90105-06831	B - 3	90381-18001	B - 4								
90105-06861	C - 6	90387-046N7	B - 7								
90105-06876	B - 15	90387-12016	B - 4								
90105-08867	C - 11	90387-241M7	B - 4								
90105-08878	B - 14	90445-11032	B - 12								
90105-08892	C - 14	90461-14108	C - 11								
90105-10064	B - 4	90464-20237	C - 11								
90105-10728	B - 4	90464-25826	C - 10								
90105-10810	B - 7	90464-38800	C - 11								
90105-10890	B - 4	90464-40825	C - 11								
90105-13864	B - 2	90467-10008	B - 12								
90109-08169	C - 5	90502-10013	B - 7								
90110-06041	C - 6	91401-25020	B - 4								
90110-06102	B - 15		B - 6								
	C - 5	91490-30015	B - 8								
90111-05801	B - 15	91701-10028	B - 8								
90114-12800	B - 4	92907-05100	C - 10								
90119-06808	C - 6	92907-05600	C - 11								
90119-06868	C - 3	92907-08600	B - 7								
90157-06814	C - 14	9290P-12200	B - 6								
90159-06845	C - 5	9299R-06200	C - 5								
90163-06005	C - 10	93102-30083	B - 4								
90173-06001	C - 2	93306-005Y3	B - 4								
90179-05886	C - 10	93306-204X0	B - 4								
90179-08887	C - 10	95607-10200	B - 4								
90179-12262	B - 13	95607-12200	B - 2								
90179-13878	B - 2		B - 6								
90183-05008	B - 15	95607-14100	B - 5								
90183-08800	B - 3	9560P-06200	C - 9								
90185-06836	C - 5	9560P-08200	B - 9								