



# PARTS CATALOGUE

## YDRA (JW11) U.S.A., CANADA, JAPAN, OTHERS

---



2007-02-21

1EJW1-100E1

( 2EJW1-100E1 )

NEWS No.	DATE	COMMENT
PE0-GC-070003	Feb.,20,2007	FIG.19 SECONDARY SHEAVE LIST/ILLUSTRATION MODIFICATION
PE0-GC-070004	Feb.,20,2007	FIG.21 SHIFTER & CABLES LIST/ILLUSTRATION MODIFICATION
PE0-GC-070005	Feb.,20,2007	FIG.25 BODY 2 LIST/ILLUSTRATION MODIFICATION

YDRA  
PARTS CATALOGUE  
©2006 by Yamaha Motor Co., Ltd.  
1st edition, September 2006  
All rights reserved.  
Any reprinting or unauthorized use  
without the written permission of  
Yamaha Motor Co., Ltd.  
is expressly prohibited.  
Printed in Japan.

**A3**

# FOREWORD

This Parts Catalogue is related to the parts for the model(s) on the cover page. When you are ordering replacement parts, please refer to this Parts Catalogue and quote both part numbers and part names correctly.

1. Modifications or additions which have been made after the issue of the Parts Catalogue will be announced in the Parts News.

It is advisable that you make the necessary corrections to the Parts Catalogue according to the Parts News.

2. Abbreviations

The following abbreviations are used in this Parts Catalogue.

“UR” Use specified parts number.

“UN” Use as many as needed.

“AP” Alternate Parts

“LM” Locally Made (Parts need to be ordered locally)

“F#” Frame No. (Applicable machine No.)

“O/S” Over Size

3. The number of components for assembly

- Parts, which are to be supplied in an assembly, are listed with a dot (.) in front of the part name as shown below.
- The numeral appearing to the right of each component part indicates the quantity of parts for each assembly unit.

PART NO.	DESCRIPTION	Q'TY	REMARKS
2F5-83310-60	FRONT FLASHER LIGHT ASSY	2	
115-83311-60	.BULB (6V-18W)	1	

4. Applicable colours of graphics are represented in the “REMARKS” as shown below.

PART NO.	DESCRIPTION	Q'TY	REMARKS
2N4-24110-00-X5	FUEL TANK COMP.	2	MXR
3J1-24240-10	.GRAPHIC, FUEL TANK	1	FOR MXR

5. Note that the illustrations for reference in finding parts numbers are not to be used for assembling. When assembling, please use the applicable service manual.

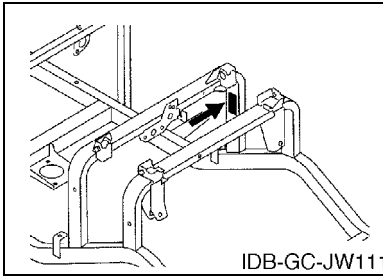
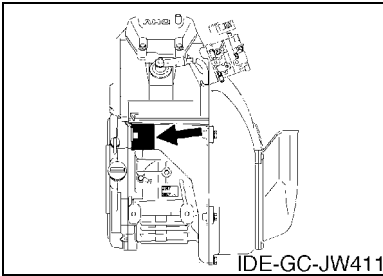
6. The asterisk (\*) before a reference number indicates modified items after the first edition.

# FOREWORD

7. Applicable Serial No.

Engine Serial No.

Frame Serial No.



10. Applicable Starting Serial No.

Frame Serial No.

Serial No.	Name Of Q'ty Column	Model Code
JW1-000101	JW11	JW11

8. Applicable Colour Code (The (\*) mark shows Model colour.)

Abbreviation	Colour Name	Colour Code
BMG(*)	BLACK METALLIC G	1050
DPBMT(*)	DEEP PURPLISH BLUE METALLIC T	0978
HTR(*)	HEAT RED	00EY
LN YM8(*)	LIGHT GRAYISH YELLOW ME 8	1047
NBM7(*)	GRAYISH BLUE METALLIC 7	1046
VDGS1(*)	VERY DARK GREEN SOLID 1	0614
WS7(*)	WHITE SOLID 7	1045

9. Quantity Column Information

Column No.	Name Of Q'ty Column	Destination
1	JW11	U.S.A., CANADA, JAPAN, OTHERS

# CONTENTS

ENGINE 1 ..... B2

## ENGINE

CYLINDER HEAD ..... B3  
CRANKSHAFT & PISTON ..... B4  
CAMSHAFT & VALVE ..... B5  
AIR SHROUD & FAN ..... B6  
INTAKE ..... B7  
CARBURETOR ..... B8  
EXHAUST ..... B9  
CRANKCASE ..... B10

## BODY

ENGINE BRACKET ..... B11  
REAR ARM & SUSPENSION ..... B12  
FRAME ..... B13  
FRONT SUSPENSION ..... B14  
STEERING ..... C2  
FUEL TANK ..... C4  
PEDAL ASSEMBLY ..... C5  
GOVERNOR ..... C7

## DRIVE

PRIMARY SHEAVE ..... C8  
SECONDARY SHEAVE ..... C9  
TRANSAXLE & BRAKE ..... C10  
SHIFTER & CABLES ..... C14  
WHEEL ..... C15  
BUMPER ..... D2  
BODY ..... D3  
BODY 2 ..... D5  
BODY FITTING ..... D6  
CARRIER ..... D7  
SEAT ..... D8

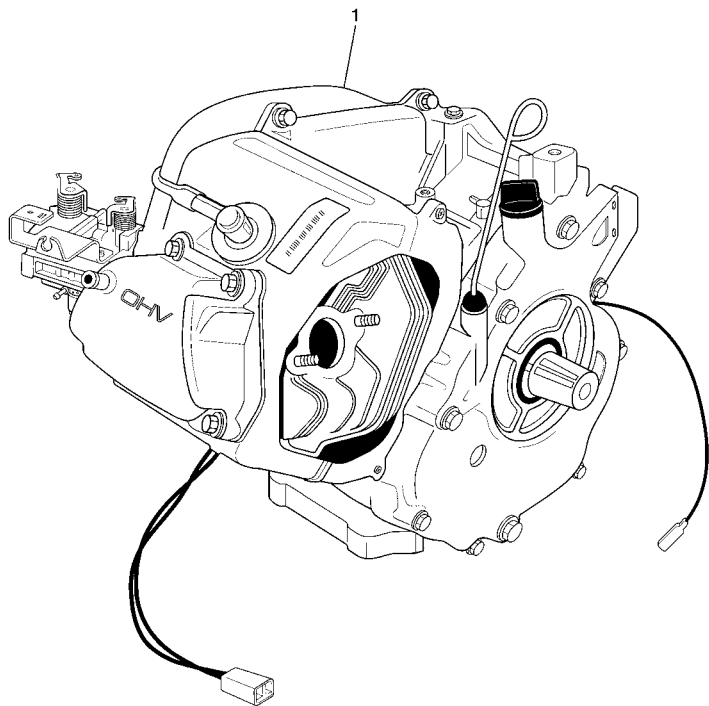
## ELECTRICAL

STARTING MOTOR ..... D9  
ELECTRICAL 1 ..... D11  
ELECTRICAL 2 ..... D12  
ALTERNATE FOR WINDSHIELD ..... D14  
ALTERNATE FOR SUN ROOF ..... D15

## INDEX

NUMERICAL INDEX ..... M1

FIG. 1 ENGINE 1



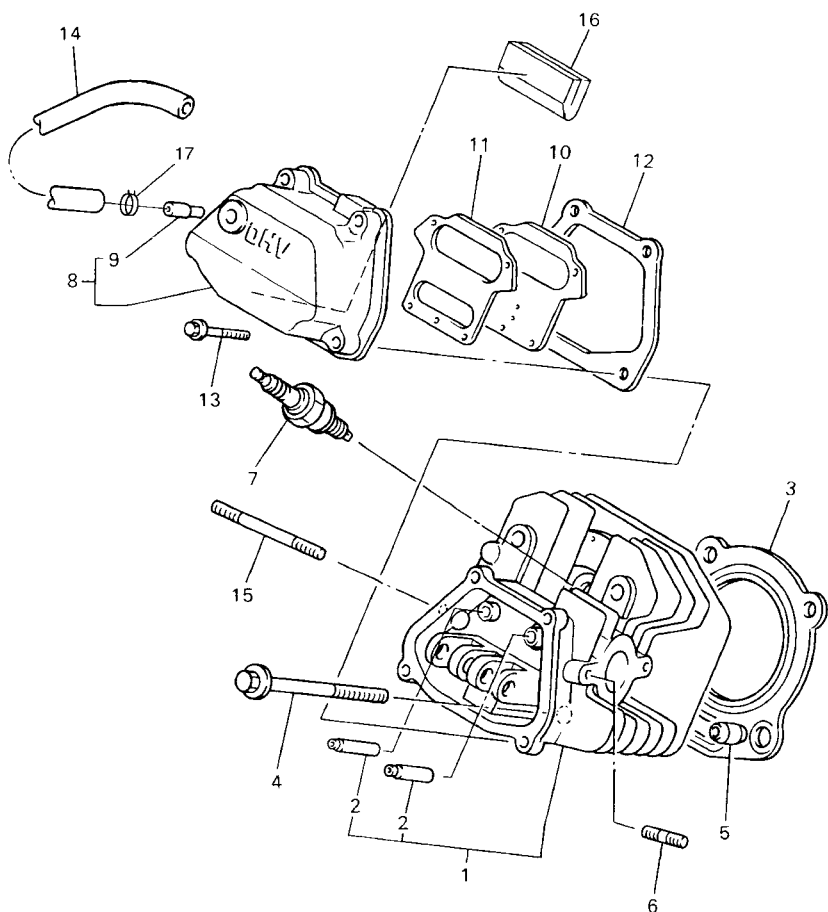
REF. NO.	PART NO.	DESCRIPTION	JW11				REMARKS
1	JR6-19001-00	ENGINE ASSEMBLY	1				



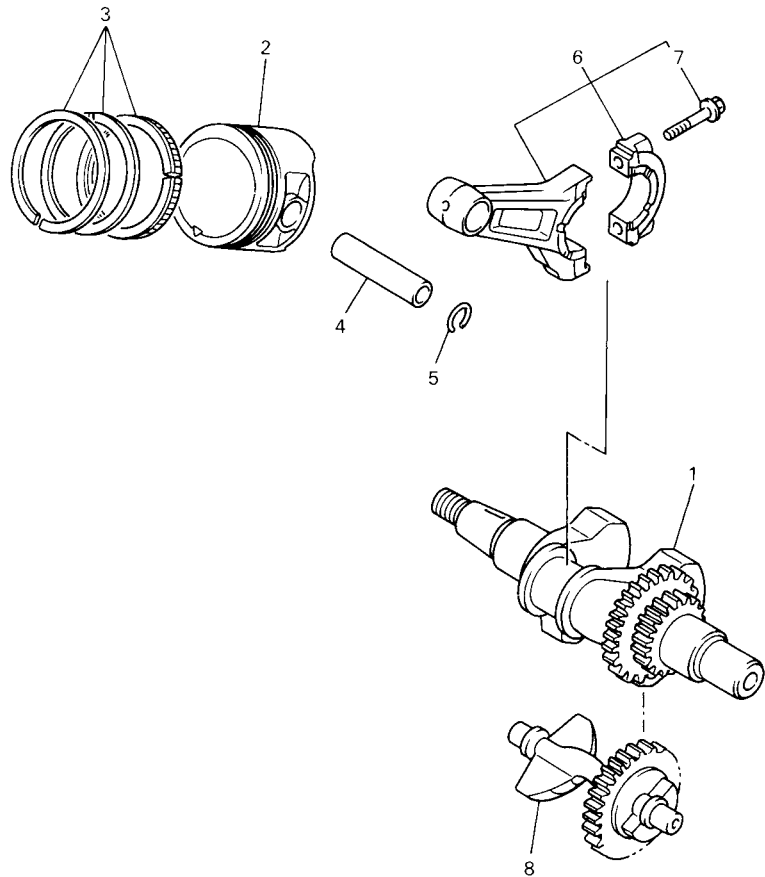
JW41110-C010

FIG. 2 CYLINDER HEAD

REF. NO.	PART NO.	DESCRIPTION	JW11				REMARKS
1	JT0-11111-00	HEAD, CYLINDER 1	1				
2	JN6-11133-10	.GUIDE, VALVE 1	2				
3	JT0-11181-00	GASKET, CYLINDER HEAD 1	1				
4	95817-10070	BOLT, FLANGE	4				
5	99530-14016	PIN, DOWEL	2				
6	95627-08618	BOLT, STUD	2				
7	94702-00348	PLUG, SPARK (NGK-BPR2ES)	1				STD
	94702-00343	PLUG, SPARK (NGK BP4ES)	1				AP
8	JN6-11191-01	COVER, CYLINDER HEAD 1	1				
9	JN6-11116-00	.JOINT, BREATHER	1				
10	JN6-11168-00	COVER, BREATHER	1				
11	JN6-11169-00	GASKET, BREATHER COVER	1				
12	JN6-11193-00	GASKET, HEAD COVER 1	1				
13	95827-06030	BOLT, FLANGE	4				
14	JN6-E1166-00	PIPE, BREATHER 1	1				
15	95607-08710	BOLT, STUD	2				
16	JR7-11163-00	ELEMENT	1				
17	90467-13847	CLIP	2				



JT01010-0011



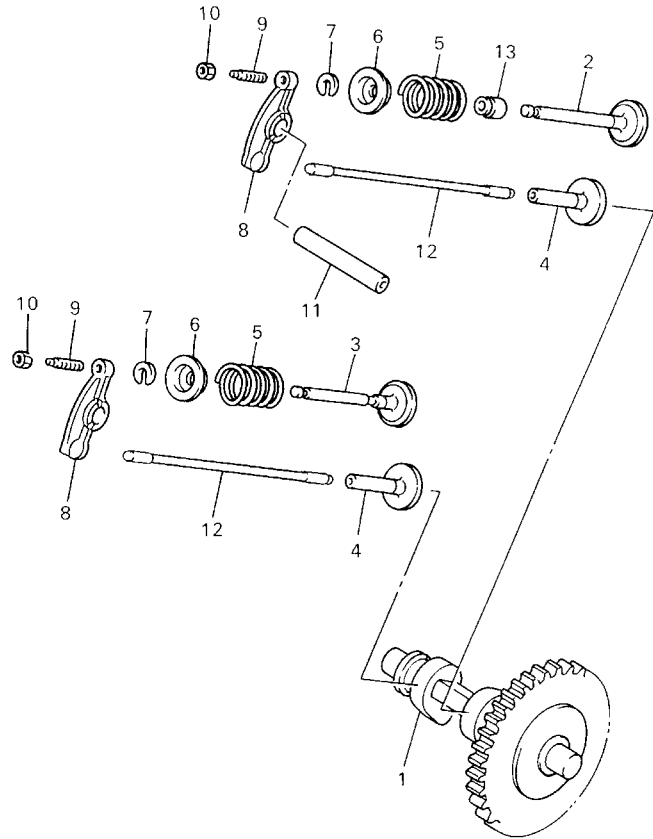
  
JN7010-6020

**FIG. 3 CRANKSHAFT & PISTON**

REF. NO.	PART NO.	DESCRIPTION	JW11				REMARKS
1	JN6-11400-00	CRANKSHAFT ASSY	1				
2	JR7-11631-00-A0	PISTON (STD)	1				
	JR7-11635-00	PISTON (0.25MM O/S)	1				AP
	JR7-11636-00	PISTON (0.50MM O/S)	1				AP
3	JR7-11610-00	PISTON RING SET (STD)	1				
	JR7-11610-10	PISTON RING SET (0.25MM O/S)	1				AP
	JR7-11610-20	PISTON RING SET (0.50MM O/S)	1				AP
4	583-11633-00	PIN, PISTON	1				
5	93450-21053	CIRCLIP	2				
6	JN6-11650-00	CONNECTING ROD ASSY	1				
7	JN6-11654-00	BOLT, CONNECTING ROD	2				
8	JN6-11454-00	WEIGHT 1	1				



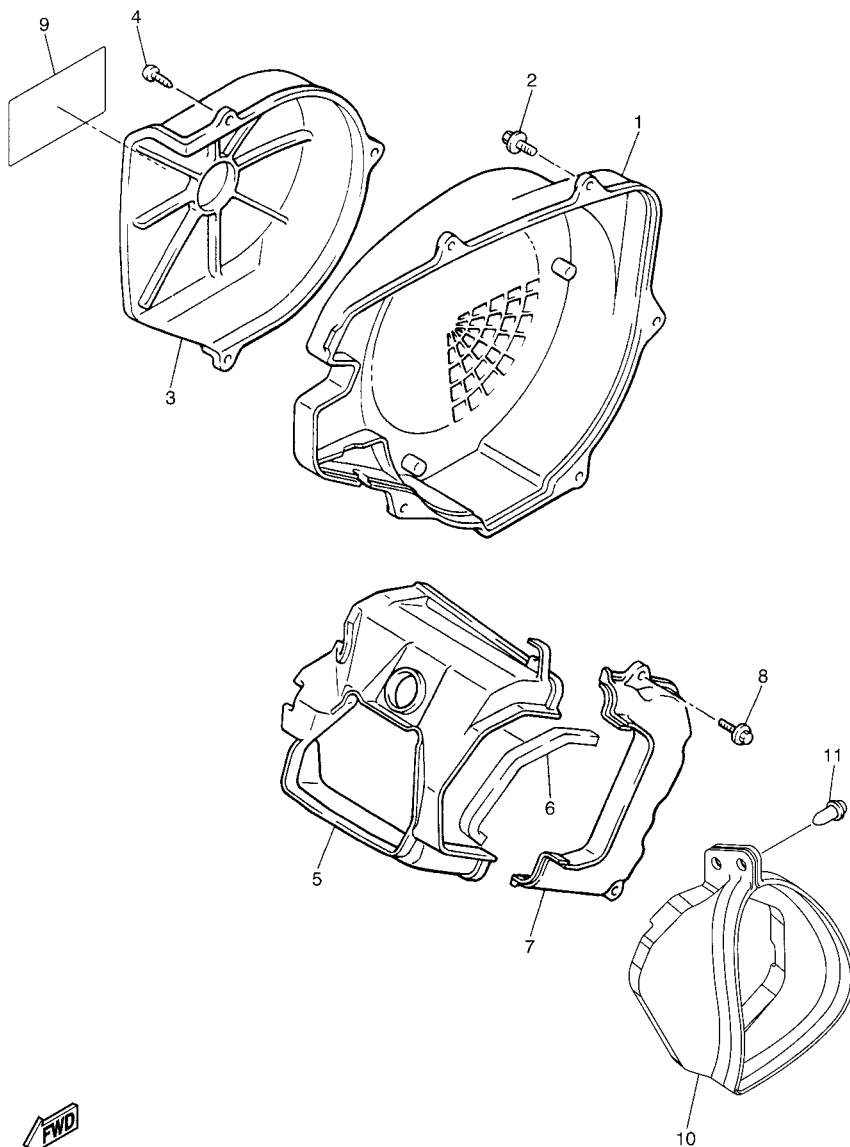
FIG. 4 CAMSHAFT & VALVE



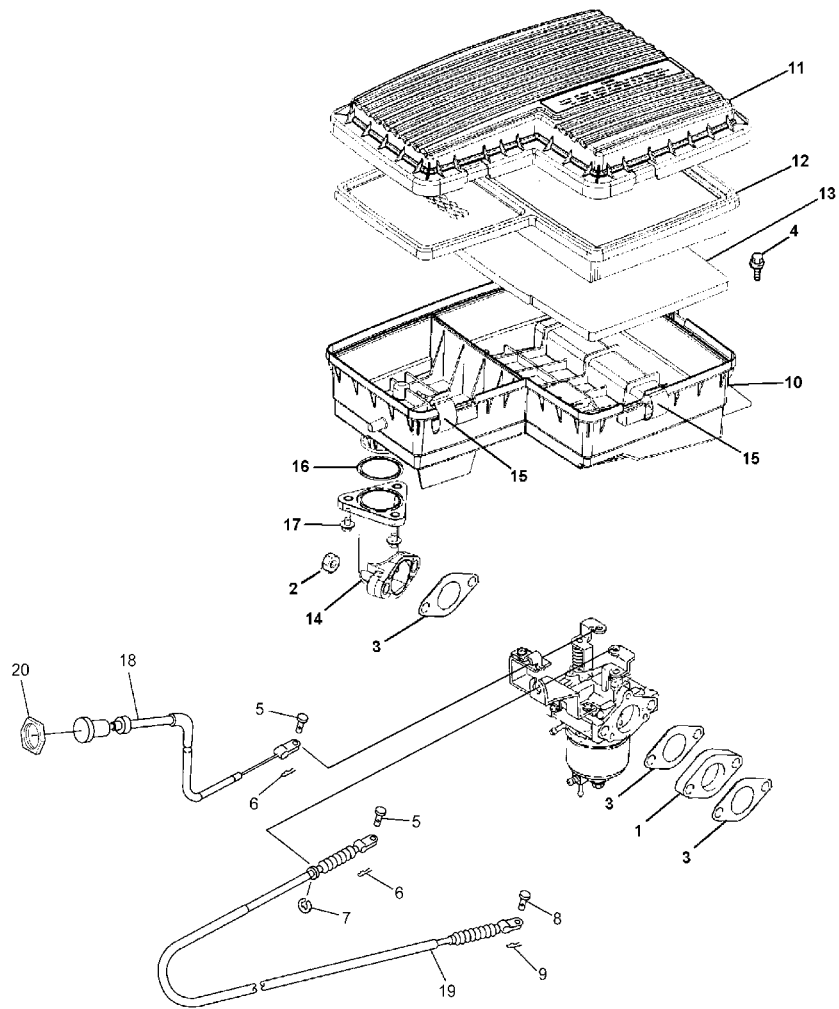
REF. NO.	PART NO.	DESCRIPTION	JW11				REMARKS
1	JR7-12170-00	CAMSHAFT ASSY 1	1				
2	JN6-12111-01	VALVE, INTAKE	1				
3	7RH-12121-00	VALVE, EXHAUST	1				
4	JN6-12153-00	LIFTER, VALVE	2				
5	90501-264A9	SPRING, COMPRESSION	2				
6	J38-12117-01	RETAINER, VALVE SPRING	2				
7	J38-12118-00	COTTER, VALVE	2				
8	JN6-12151-00	ARM, VALVE ROCKER	2				
9	22F-12159-00	SCREW, VALVE ADJUSTING	2				
10	90170-05302	NUT	2				
11	J38-12156-00	SHAFT, ROCKER 2	1				
12	JR7-12154-01	ROD, VALVE PUSH	2				
13	4G0-12119-00	SEAL, VALVE STEM	1				

FWD  
JT01010-0030

FIG. 5 AIR SHROUD & FAN



REF. NO.	PART NO.	DESCRIPTION	JW11				REMARKS
1	JN6-12621-02	CASE, FAN	1				
2	95807-06020	BOLT, FLANGE	4				
3	JN6-12616-00	COVER, FAN CASE	1				
4	97707-60520	SCREW, TAPPING	3				
5	JN6-12651-00	AIR SHROUD, CYLINDER 1	1				
6	JR7-12658-00	DAMPER, AIR SHROUD 1	1				
7	JN6-12652-00	AIR SHROUD, CYLINDER 2	1				
8	95807-06020	BOLT, FLANGE	2				
9	JU0-2179R-00	PLATE, EPA 2 (CALIFORNIA)	1				
10	JW1-E2691-00	DUCT, 1	1				
11	90269-08813	RIVET	2				

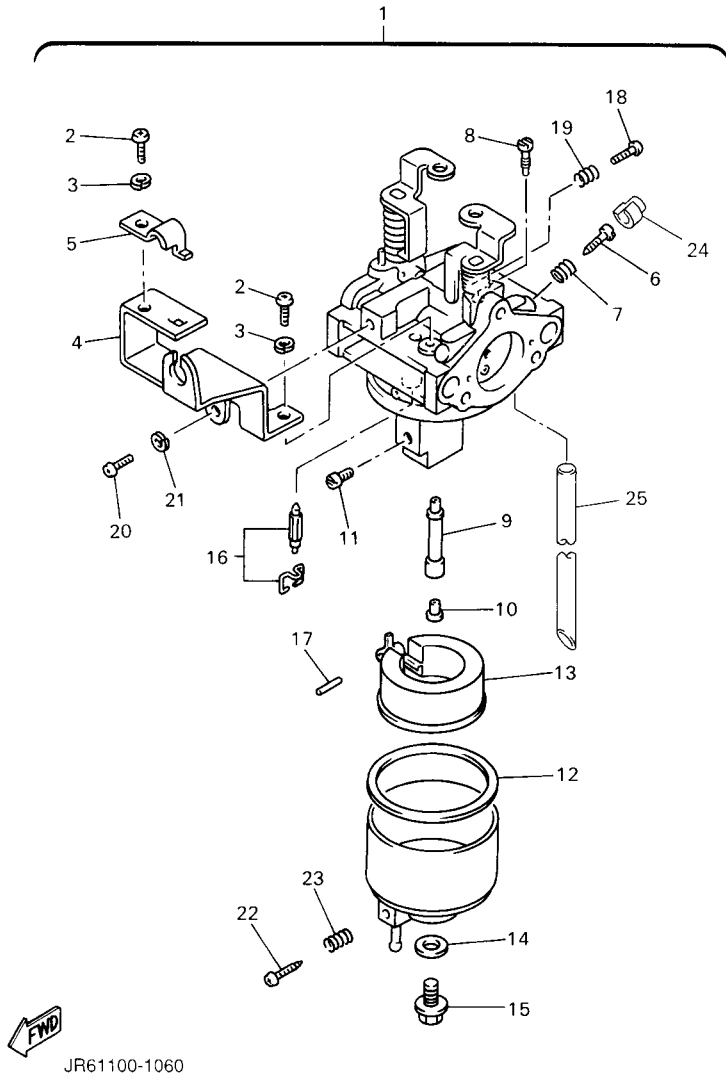


JU0100-5050

FIG. 6 INTAKE

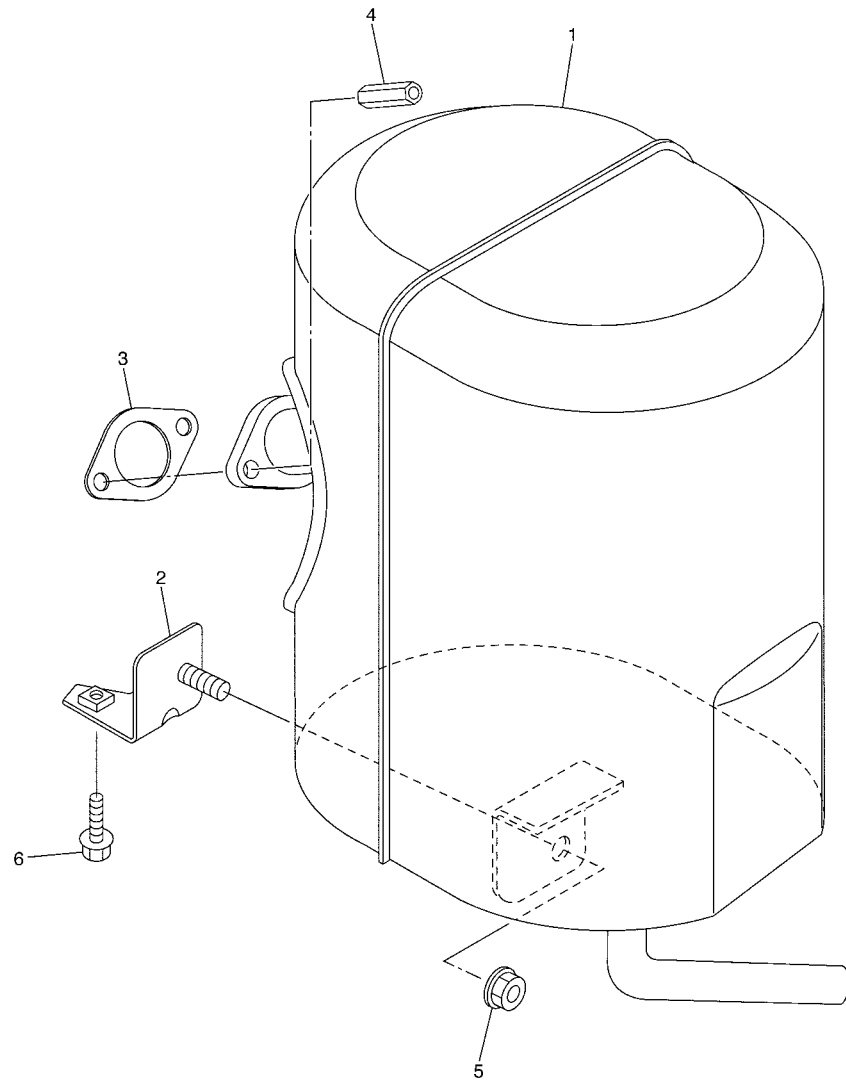
REF. NO.	PART NO.	DESCRIPTION	JW11				REMARKS
1	JN6-13595-00	JOINT	1				
2	95707-08500	NUT, FLANGE	2				
3	JN6-13567-00	GASKET	3				
4	90119-06838	BOLT, WITH WASHER	2				
5	91701-05010	PIN, CLEVIS	2				
6	90468-10049	CLIP	2				
7	99001-07600	CIRCLIP	1				
8	91701-05010	PIN, CLEVIS	1				
9	90468-10049	CLIP	1				
10	JU0-E4411-00	CASE, AIR CLEANER 1	1				
11	JU0-E4412-00	CAP, CLEANER CASE 1	1				
12	JU0-E4450-00	ELEMENT ASSY, AIR CLEANER	1				
13	JU0-E445E-00	FILTER 1	1				
14	JU0-E3586-00	JOINT, CARBURETOR 1	1				
15	5UH-E4424-00	CLIP, CAP FITTING	5				
16	93210-398D6	O-RING	1				
17	90105-06862	BOLT, FLANGE	3				
18	JW1-F6312-00	CABLE, THROTTLE 2	1				
19	JW1-F6331-00	CABLE, STARTER 1	1				
20	JU0-F6333-00	NUT	1				

FIG. 7 CARBURETOR



REF. NO.	PART NO.	DESCRIPTION	JW11				REMARKS
1	JR6-14101-00	CARBURETOR ASSY 1	1				
2	98507-05008	.SCREW, PAN HEAD	2				
3	92990-05100	.WASHER, SPRING	2				
4	JN6-14291-00	.BRACKET 1	1				
5	J10-14227-00	.PLATE	1				
6	7NJ-14211-00	.SCREW, PILOT ADJUSTING	1				
7	73A-14212-10	.SPRING	1				
8	732-14142-65-A0	.JET, PILOT (# 65)	1				
9	JN6-1495H-3B	.NOZZLE, MAIN	1				
10	73A-1414G-00	.PIPE, MAIN BLEED	1				
11	3G2-1423A-68-A0	.JET, MAIN (# 87.5)	1				STD
	3G2-1423A-67	.JET, MAIN (# 82.5)	1				AP
	3G2-1423E-33-A0	.JET, MAIN (#83.8)	1				AP
12	796-14184-00	.GASKET, FLOAT CHAMBER	1				
13	JN6-14185-00	.FLOAT	1				
14	127-14198-00	.GASKET	1				
15	7R1-14162-00	.BOLT, HOLDING	1				
16	JN5-14150-00	.NEEDLE ASSY (WITH CLIP)	1				
17	22F-14186-00	.PIN, FLOAT	1				
18	1WG-14922-00	.SCREW, THROTTLE	1				
19	73A-14212-10	.SPRING	1				
20	98507-04010	.SCREW, PAN HEAD	1				
21	92902-04100	.WASHER, SPRING	1				
22	7E1-14191-00	.PLUG, DRAIN	1				
23	73A-14212-00	.SPRING	1				
24	7LV-14118-00	.CAP	1				
25	1KT-14197-01	.PIPE	1				

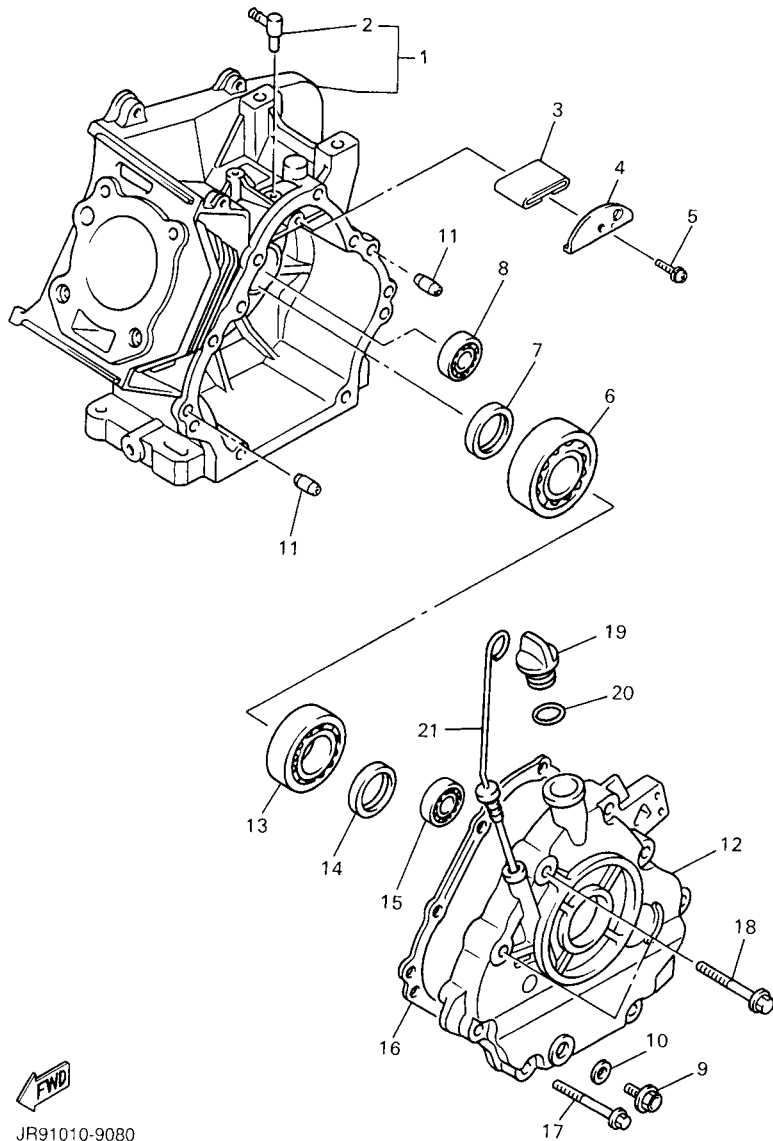
**FIG. 8 EXHAUST**



REF. NO.	PART NO.	DESCRIPTION	JW11				REMARKS
1	JW1-E4710-00	MUFFLER ASSY 1	1				
2	JU0-F1436-00	BRKT., MUFF. 2	1				
3	7KY-14613-01	GASKET, EXHAUST 1	1				
4	90179-08879	NUT	2				
5	90185-08841	NUT, SELF-LOCKING	1				
6	90119-08825	BOLT, WITH WASHER	1				



JW11100-E080

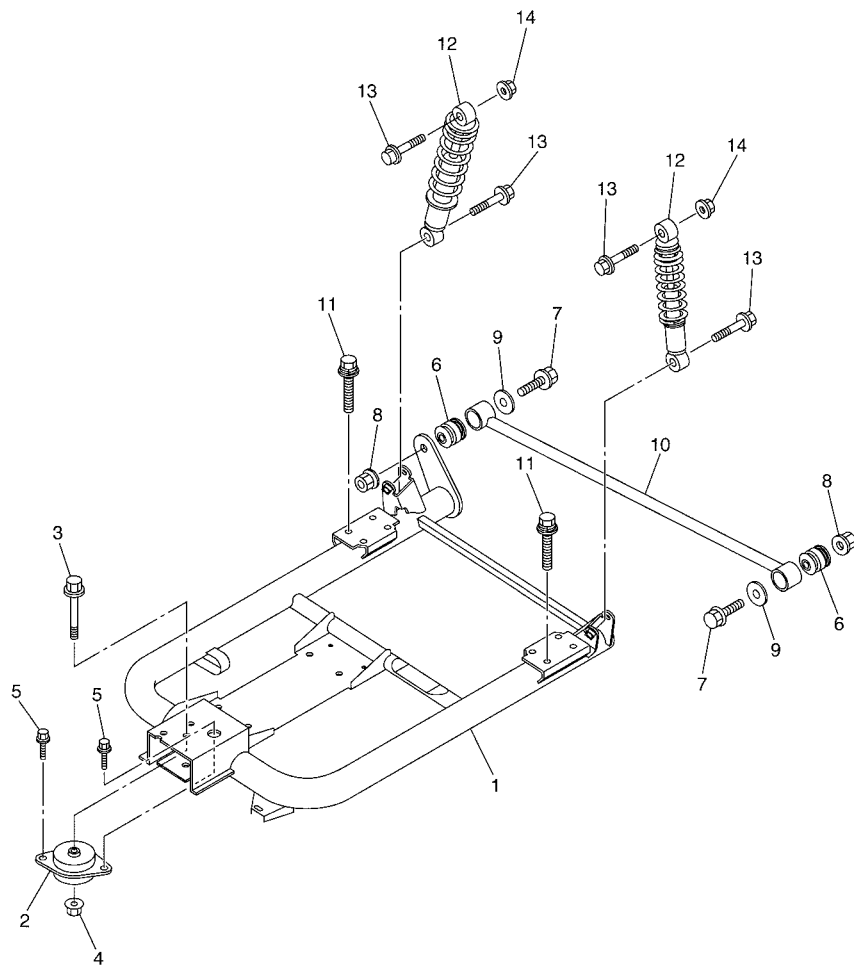


JR91010-9080

FIG. 9 CRANKCASE

REF. NO.	PART NO.	DESCRIPTION	JW11				REMARKS
1	JR7-15100-00	CRANKCASE ASSY	1				
2	JN6-15155-00	.NOZZLE 3	1				
3	JR7-15407-00	ELEMENT 1	1				
4	JR7-15123-00	PLATE, BAFFLE 1	1				
5	90159-06107	SCREW, WITH WASHER	1				
6	93306-30709	BEARING	1				
7	93102-35014	OIL SEAL	1				
8	93306-20201	BEARING	1				
9	90340-12097	PLUG, STRAIGHT SCREW	1				
10	812-11198-00	GASKET	1				
11	99530-08016	PIN, DOWEL	2				
12	JN6-15411-01	COVER, CRANKCASE 1	1				
13	93306-20714	BEARING	1				
14	93102-35014	OIL SEAL	1				
15	93306-20201	BEARING	1				
16	JN6-15451-02	GASKET, CRANKCASE COVER 1	1				
17	95817-08045	BOLT, FLANGE	6				
18	95817-10050	BOLT, FLANGE	2				
19	796-15363-01	PLUG, OIL	1				
20	93210-22344	O-RING	1				
21	J38-15361-00	GAUGE, LEVEL	1				





**FIG. 11 REAR ARM & SUSPENSION**

REF. NO.	PART NO.	DESCRIPTION	JW11				REMARKS
1	JW1-F2110-00	REAR ARM COMP.	1				
2	JN6-F2123-10	BUSH 1	1				
3	90105-13864	BOLT, FLANGE	1				
4	90179-13878	NUT	1				
5	JW1-F1531-00	BOLT	2				
6	JN6-F2124-10	BUSH 2	2				
7	95817-12065	BOLT, FLANGE	2				
8	95607-12200	NUT, SELF-LOCKING	2				
9	90201-128S4	WASHER, PLATE	2				
10	JW1-F217G-00	ROD, CONNECTING 2	1				
11	9751P-10650	BOLT, WITH WASHER	8				
12	JW1-F2210-00	SHOCK ABSORBER ASSY, REAR	2				
13	95807-10055	BOLT, FLANGE	4				
14	9560P-10200	NUT, FLANGE	2				

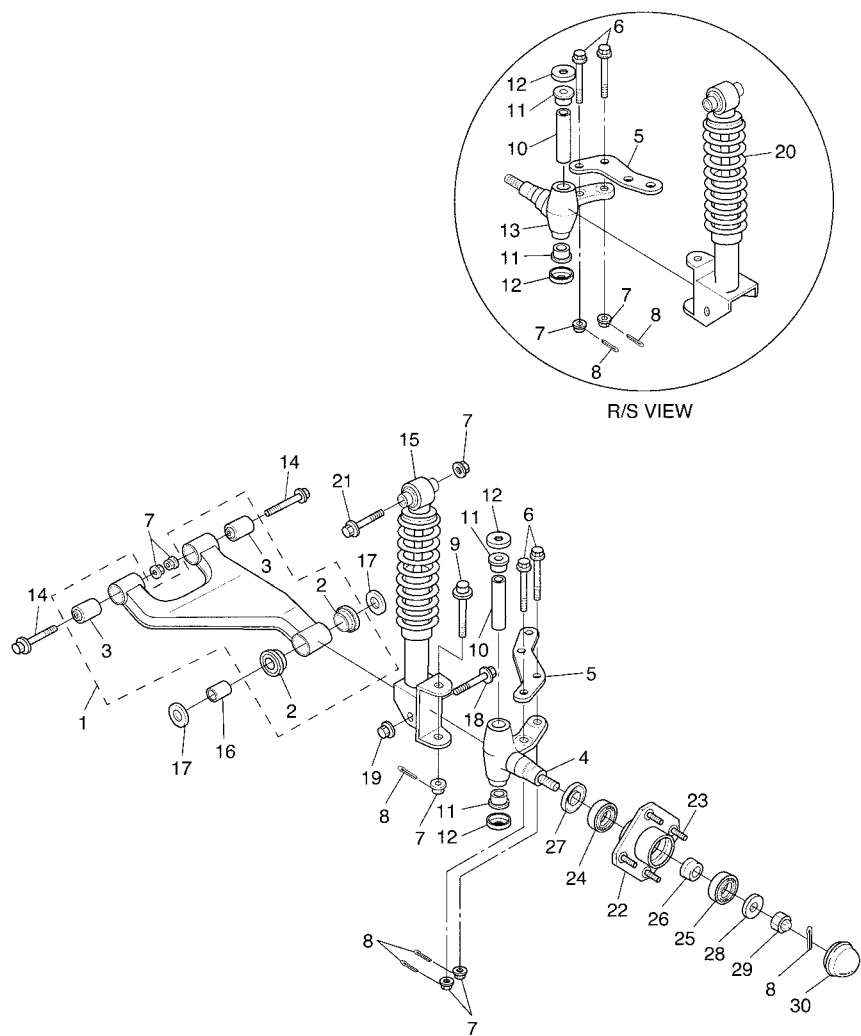


JW11100-E110





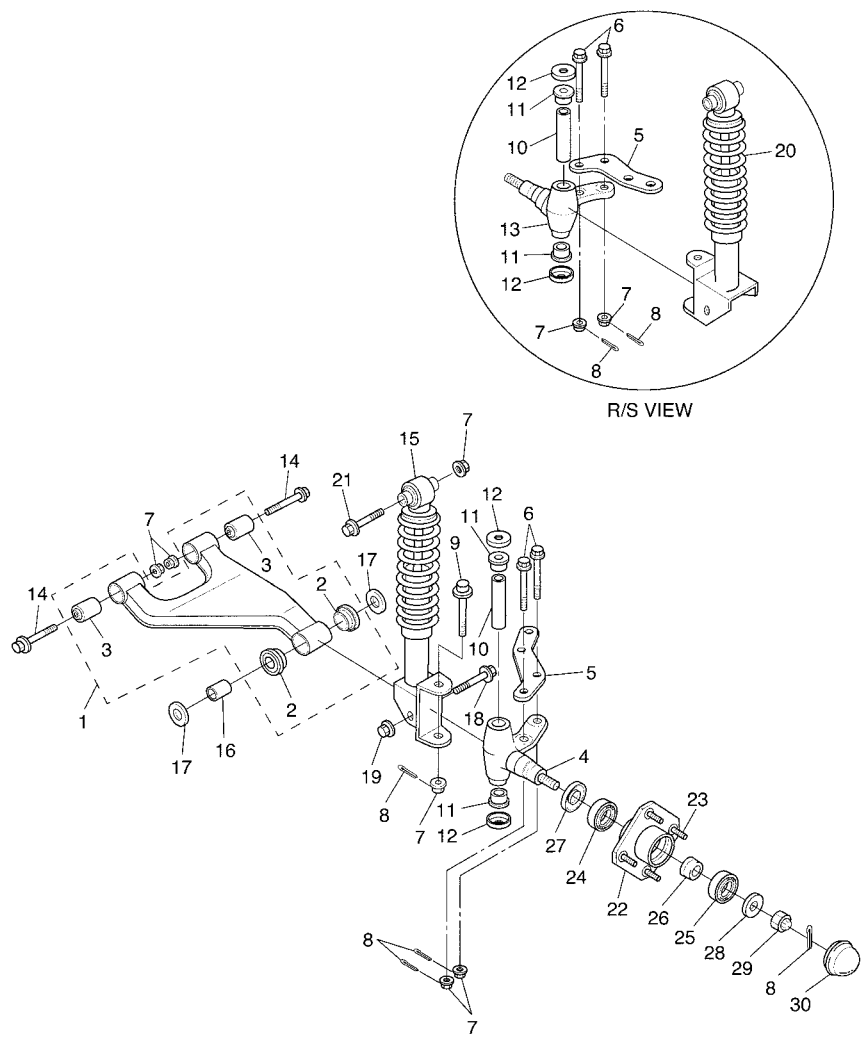
**FIG. 13 FRONT SUSPENSION**



JW11100-E130

REF. NO.	PART NO.	DESCRIPTION	JW11				REMARKS
1	JU0-F3570-20	FRONT LOWER ARM COMP.	2				
2	90381-18001	.BUSH, SOLID	2				
3	2HR-23526-00	.BUSH	2				
4	JU0-F3511-00	KNUCKLE, STEERING 1	1				
5	JW1-F3512-00	ARM, KNUCKLE 1	2				
6	90105-10728	BOLT, FLANGE	4				
7	95607-10200	NUT, U FLANGE	12				
8	91401-25020	PIN, COTTER	8				
9	90105-10064	BOLT, FLANGE	2				
10	2NL-23448-00	SPACER	2				
11	90381-17067	BUSH, SOLID	4				
12	2NL-23517-00	COVER, THRUST 1	4				
13	JU0-F3521-00	KNUCKLE, STEERING 2	1				
14	90105-10890	BOLT, FLANGE	4				
15	JW1-F3350-00	SHOCK ABSORBER ASSY	1				
16	90387-12016	COLLAR	2				
17	401-22128-01	COVER, THRUST 1	4				
18	95817-12080	BOLT, FLANGE	2				
19	9561P-12100	NUT	2				
20	JW1-F3390-00	SHOCK ABSORBER ASSY 2	1				
21	95807-10065	BOLT, FLANGE	2				
22	JG5-WF511-10	HUB, FRONT	2				
23	90114-12800	BOLT, SERRATION	8				
24	93306-204X0	BEARING	2				
25	93306-005Y3	BEARING	2				
26	90387-241M7	COLLAR	2				
27	93102-30083	OIL SEAL	2				

FIG. 13 FRONT SUSPENSION



JW11100-E130

REF. NO.	PART NO.	DESCRIPTION	JW11				REMARKS
28	90209-32832	WASHER	2				
29	95607-14100	NUT, U	2				
30	JN6-F5118-00	COVER, HUB DUST	2				
-----							
-----							
-----							
-----							
-----							
-----							
-----							

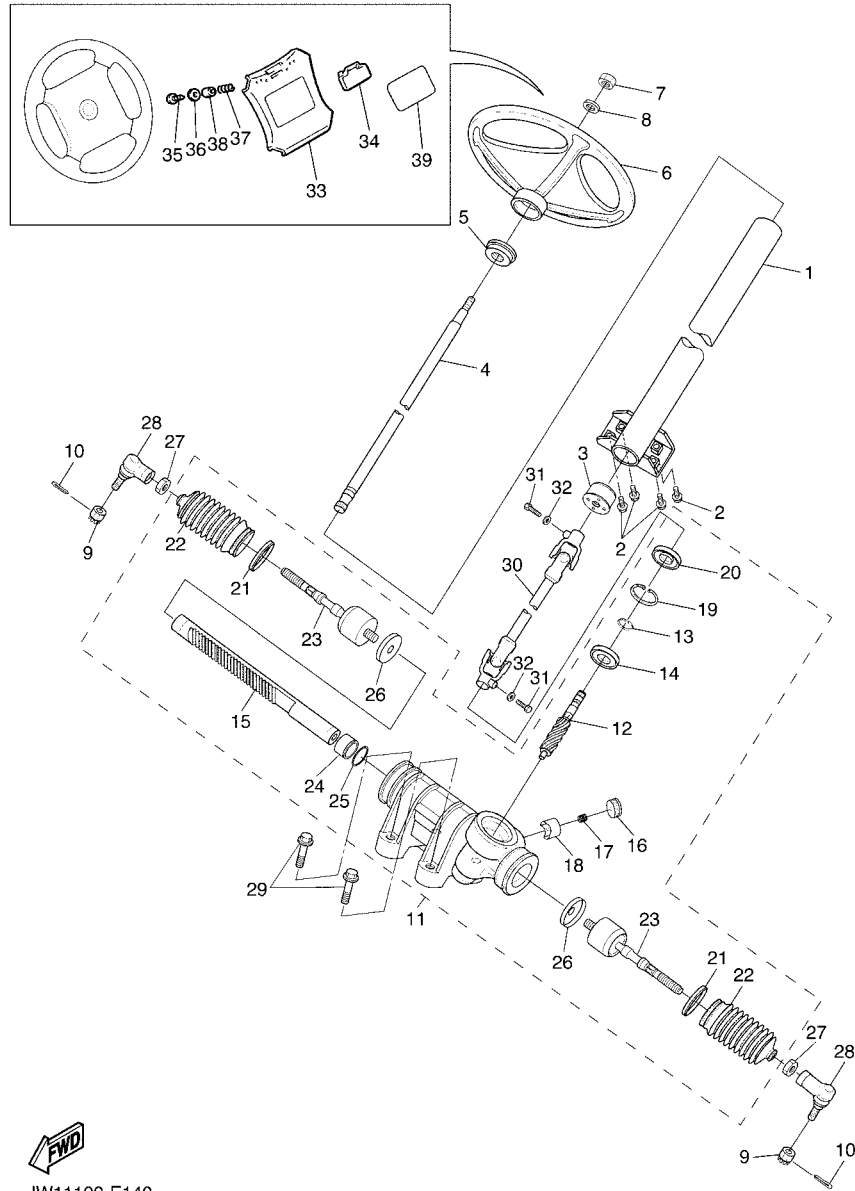


FIG. 14 STEERING

REF. NO.	PART NO.	DESCRIPTION	JW11				REMARKS
1	JW1-F3811-00	COLUMN, STEERING	1				
2	9581P-08016	BOLT, FLANGE	4				
3	JU0-F3857-10	HOLDER	1				
4	JU0-F3828-00	ROD, STEERING	1				
5	JN3-F3814-00	HOLDER, HANDLE UPPER	1				
6	JN3-F3838-00	WHEEL, STEERING	1				
7	90185-12061	NUT, SELF-LOCKING	1				
8	9290P-12200	WASHER	1				
9	95607-12200	NUT, SELF-LOCKING	2				
10	91401-25020	PIN, COTTER	2				
11	JW1-F3400-00	STEERING ASSY	1				
12	JW1-F387A-00	.GEAR, PINION	1				
13	JW1-F3183-00	.CIRCLIP	1				
14	JW1-F339Y-00	.BEARING	1				
15	JW1-F387E-00	.GEAR, RACK	1				
16	5UG-F387G-00	.COVER, ADJUST	1				
17	5UG-F387K-00	.SPRING, PRESSURE	1				
18	5UG-F387F-00	.PAD, PRESSURE	1				
19	5UG-F387J-00	.RING, STOPPER	1				
20	5UG-F3844-00	.SEAL	1				
21	5UG-F3489-00	.BAND	2				
22	5UG-F3527-00	.SEAL, DUST 1	2				
23	JW1-F3837-00	.ROD, TIE 2	2				
24	JW1-F467K-00	.BUSH, CAP	1				
25	JW1-F3866-00	.GEAR SUB-ASSY, 2	1				
26	JW1-F3894-00	.WASHER, LOCK 1	2				
27	4XE-F3833-00	NUT 1	2				



JW11100-E140

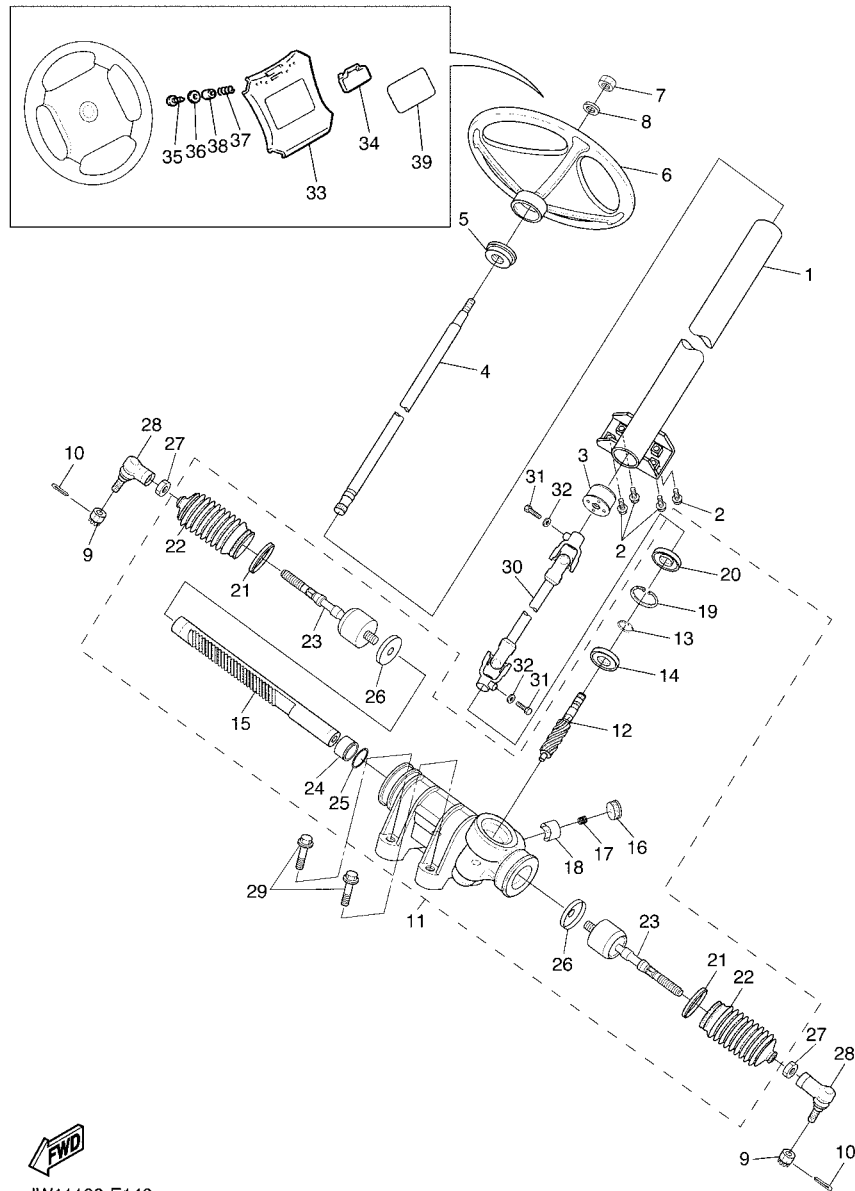
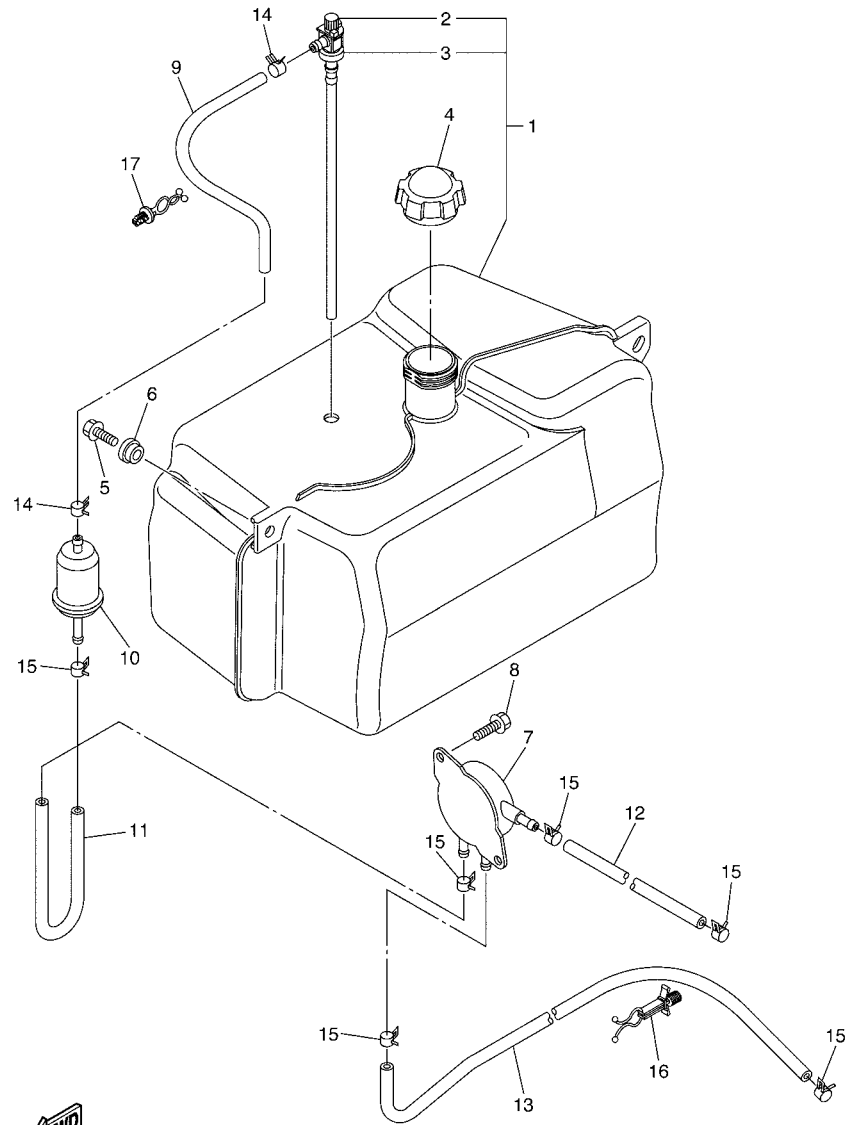


FIG. 14 STEERING

REF. NO.	PART NO.	DESCRIPTION	JW11				REMARKS
28	JU0-F3841-00	JOINT, UNIVERSAL 1	2				
29	90105-10810	BOLT, FLANGE	4				
30	JW1-F3822-00	JOINT 1	1				
31	97017-08030	BOLT	2				
32	92907-08600	WASHER, PLATE	2				
33	JN3-K8357-00	HOLDER 1	1				
34	JN6-K8358-01	HOLDER 2	1				
35	97707-40525	SCREW, TAPPING	2				
36	90201-048R5	WASHER, PLATE	2				
37	90502-10013	SPRING, CONICAL	2				
38	90387-046N7	COLLAR	2				
39	JU0-K7762-00	LABEL, WARNING 2 (E)	1				FOR USA,CAN,JPN
	JU0-K7762-10	LABEL, WARNING 2 (E,F)	1				FOR OTHERS
	JU0-K7762-20	LABEL, WARNING 2 (G,S)	1				FOR OTHERS



JW11100-E140



JW11100-E150

FIG. 15 FUEL TANK

REF. NO.	PART NO.	DESCRIPTION	JW11				REMARKS
1	JW1-F4111-00	TANK, FUEL	1				UR SINGLE LAYER
	JW1-F4111-10	TANK, FUEL	1				UR COEXTRUDED
2	JW1-F4300-00	.FUEL PIPE JOINT	2				
3	JU5-F4375-00	.GROMMET	2				
4	JN6-F4610-00	CAP ASSY	1				
5	JW1-F1738-00	BOLT	2				
6	90560-08251	SPACER	2				
7	JN6-F4410-11	FUEL PUMP ASSY	1				
8	JW1-F3394-00	BOLT, SPECIAL	2				
9	JW1-F4312-00	PIPE 2	1				
10	JN6-F4560-00	FILTER ASSY	1				
11	JW1-F4311-00	PIPE, FUEL 1	1				
12	JW1-F4313-00	PIPE 3	1				
13	JW1-F4314-00	PIPE 4	1				
14	90467-12845	CLIP	2				
15	90467-10846	CLIP	6				
16	JW1-F1977-00	CLAMP, FUEL PIPE	1				
17	90464-12836	CLAMP	1				

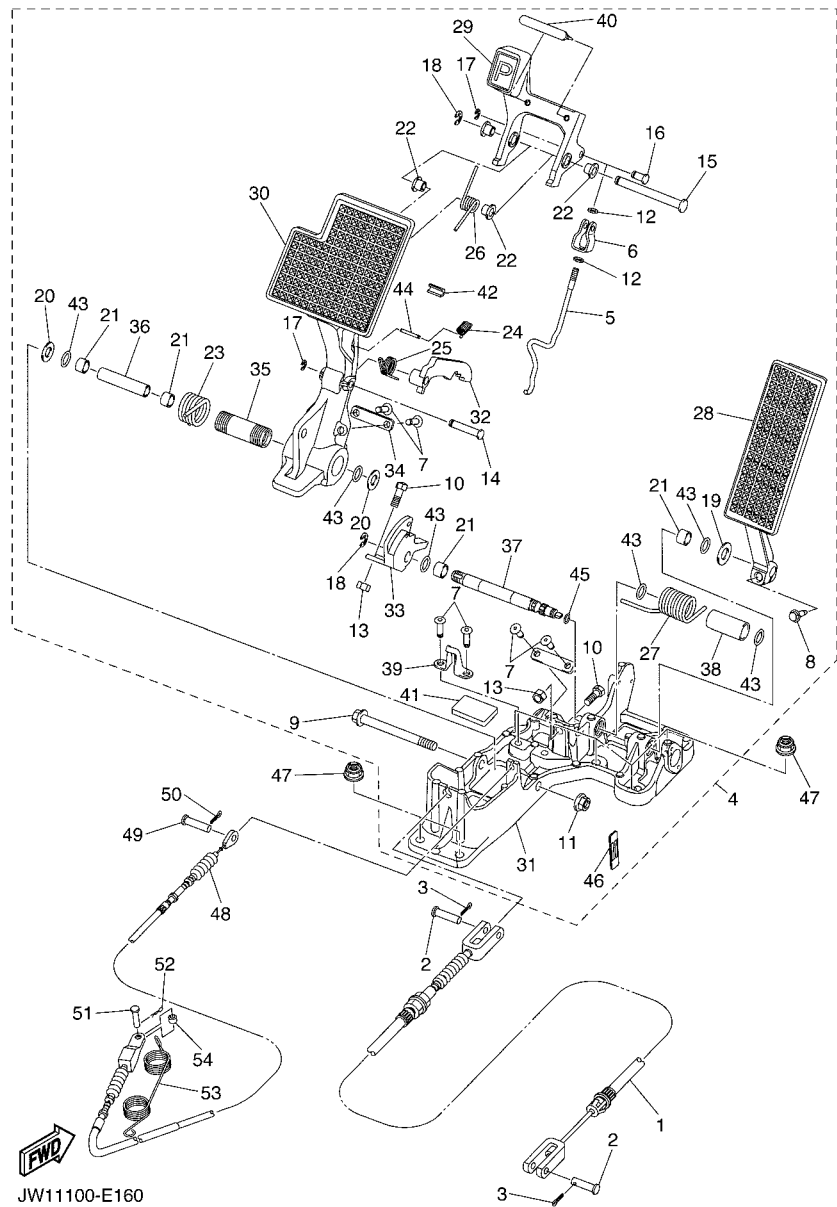
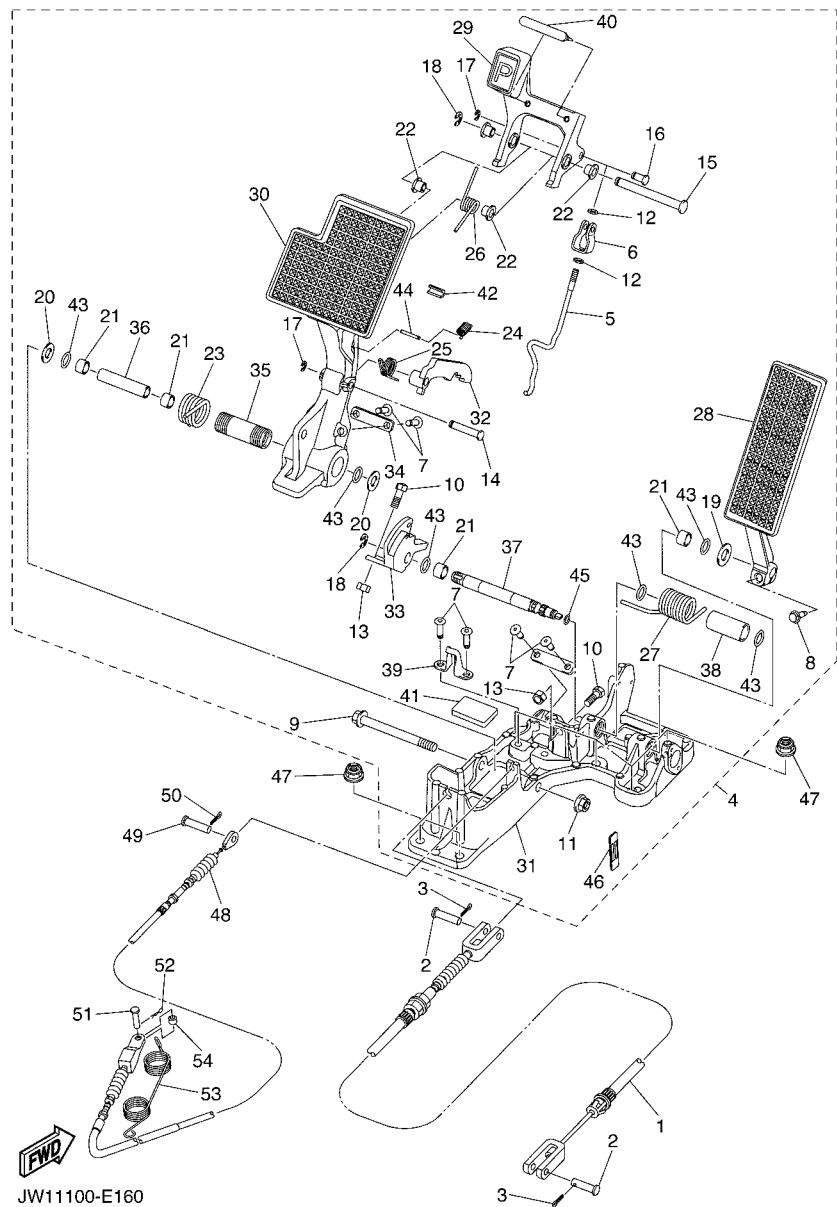


FIG. 16 PEDAL ASSEMBLY

REF. NO.	PART NO.	DESCRIPTION	JW11				REMARKS
1	JW1-F6341-00	WIRE, BRAKE 1	1				
2	91701-10028	PIN, CLEVIS	2				
3	91490-30015	PIN, COTTER	2				
4	JW1-F7850-00	PEDAL ASSY (L.H)	1				
5	JW1-F720G-00	.PUSH ROD ASSY	1				
6	JW1-F7232-00	.END, ROD 2	1				
7	JW1-F1128-00	.RIVET	6				
8	JW1-F7117-00	.BOLT, MAIN STAND	1				
9	JW1-F7217-00	.BOLT	1				
10	JW1-F7227-00	.BOLT, AJUSTING	2				
11	JW1-F7218-00	.NUT	1				
12	JW1-F7855-00	.NUT, RING	2				
13	JW1-F7238-00	.NUT, ADJUSTING	2				
14	JW1-F5734-00	.PIN 1	1				
15	JW1-F5744-00	.PIN 2	1				
16	JW1-F5754-00	.PIN 3	1				
17	JW1-F5866-00	.CIRCLIP	2				
18	JW1-F6466-00	.RING, SNAP	2				
19	JW1-F723F-00	.WASHER, SPECIAL	1				
20	JW1-F723G-00	.WASHER, SPECIAL	2				
21	JW1-F582M-00	.BEARING	4				
22	JW1-F339Y-00	.BEARING	4				
23	JW1-F7825-00	.SPRING, RETURN	1				
24	JW1-F5659-00	.HOOK, SPRING 2	1				
25	JW1-F5658-00	.HOOK, SPRING 1	1				
26	JW1-F7216-00	.SPRING, RETURN	1				
27	JW1-F5735-00	.SPRING, RETURN 1	1				



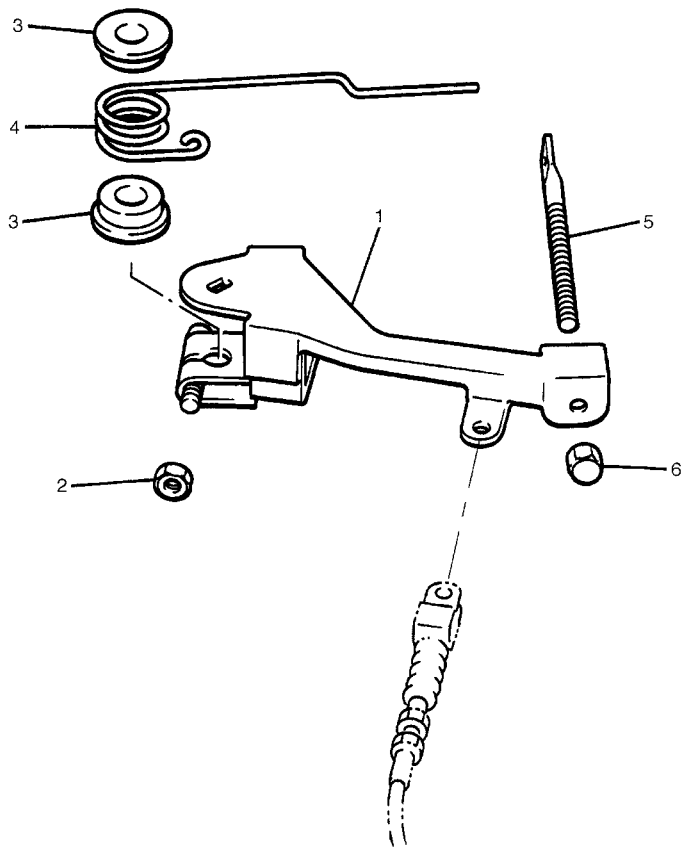
JW11100-E160

FIG. 16 PEDAL ASSEMBLY

REF. NO.	PART NO.	DESCRIPTION	JW11				REMARKS
28	JW1-F7871-00	.PEDAL, ACCELERATOR	1				
29	JW1-F7252-00	.LEVER, BRAKE PEDAL	1				
30	JW1-F7211-00	.PEDAL, BRAKE	1				
31	JW1-F785A-00	.PEDAL SET	1				
32	JW1-F5666-00	.SECTOR, PARKING BRAKE	1				
33	JW1-F7249-00	.PEDAL, LOCK	1				
34	JW1-F7275-00	.PLATE	2				
35	JW1-F7243-00	.BOSS, BRAKE PEDAL	1				
36	JW1-F7213-00	.COLLAR	1				
37	JW1-F7853-00	.SHAFT, PEDAL 1	1				
38	JW1-F7814-00	.BUSH, PEDAL	1				
39	JW1-F7254-00	.HOOK	1				
40	JW1-F5672-00	.PAD, PARKING PEDAL	1				
41	JW1-F7257-00	.PAD, BRAKE	1				
42	JW1-F5673-00	.DAMPER, BRAKE	1				
43	JW1-F3147-00	.O-RING	6				
44	JW1-F5677-00	.PIN, HOLD 1	1				
45	JW1-F3188-00	.O-RING	1				
46	JW1-F118L-00	.LABEL, BRAKE	1				
47	9560P-08200	NUT	6				
48	JW1-F6311-00	CABLE, THROTTLE 1	1				
49	91701-06016	PIN, CLEVIS	1				
50	91401-20015	PIN, COTTER	1				
51	91701-05014	PIN, CLEVIS	1				
52	90468-10049	CLIP	1				
53	90508-16460	SPRING, TORSION	1				
54	90560-05001	SPACER	1				

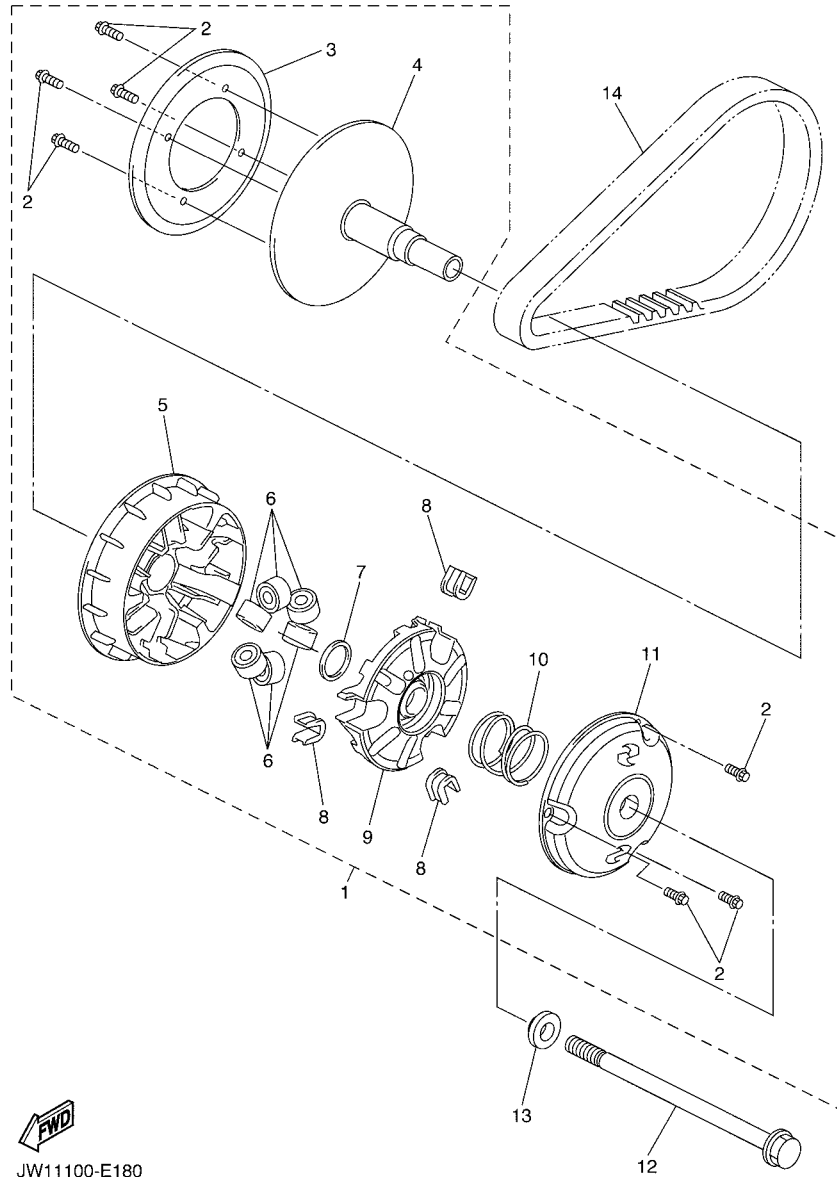


FIG. 17 GOVERNOR



REF. NO.	PART NO.	DESCRIPTION	JW11				REMARKS
1	J38-27951-00	LEVER, SPEED LIMITER	1				
2	95307-06600	NUT	1				
3	90386-08141	BUSH	2				
4	90508-40678	SPRING, TORSION	1				
5	J38-27959-00	SCREW, ADJUSTING	1				
6	9560P-06200	NUT, FLANGE	1				

  
JT71010-B190



JW11100-E180

FIG. 18 PRIMARY SHEAVE

REF. NO.	PART NO.	DESCRIPTION	JW11				REMARKS
1	JW1-G6201-00	PRIMARY CLUTCH ASSY	1				
2	JW1-G8171-00	.BOLT	7				
3	JW1-G6256-00	.PULLEY 1	1				
4	JW1-G6210-00	.PRIMARY FIXED SHEAVE COMP.	1				
5	JW1-G6220-00	.PRIMARY SLIDING SHEAVE COMP.	1				
6	JW1-G6232-00	.WEIGHT 1	6				
7	JW1-G621E-00	.SHIM, PINION	1				
8	JW1-G6253-00	.SLIDER	3				
9	JW1-G6251-00	.SPIDER	1				
10	JW1-G6275-00	.SPRING, CLUTCH 1	1				
11	JW1-G6230-00	.PRIMARY SHEAVE CAP COMP.	1				
12	JW1-G6249-00	BOLT	1				
13	JW1-G2548-00	WASHER	1				
14	JW1-G6241-00	V-BELT	1				



# PARTS NEWS

News No. PE0-GC-070003

Date: February, 20, 2007

Signature: K.Otsuka

Cause     Revision Notice     Correction     Sales Unit Change     Others

Model	YDRA (JW11)
Subject	SHEAVE ASSEMBLY AND COLLAR ADDED
CATALOGUE NO.	1EJW1-100E1

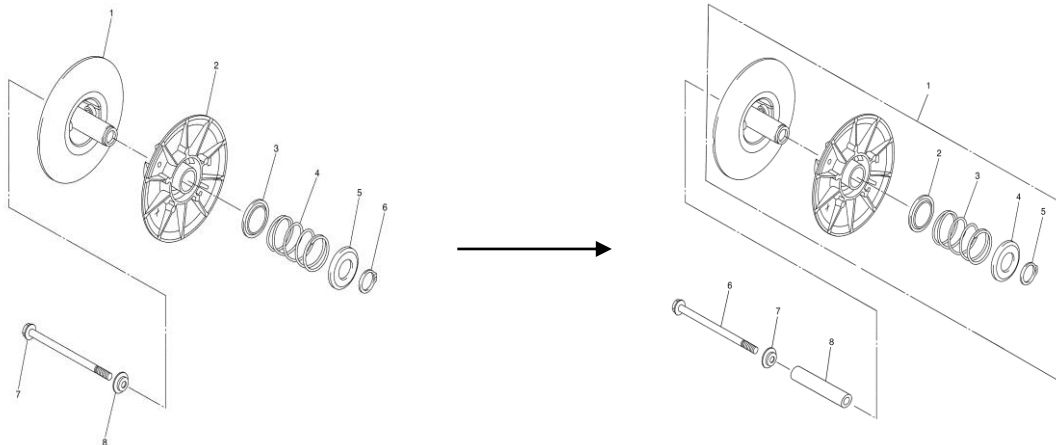
Time of YPEC Revision      Text, Illustration --> Feb./ 23/2007    PDF Replace --> Feb./ 23/2007  
(YPEC = Yamaha Parts Electrical Catalogue = Website parts catalogue)

Please make the following changes to your parts catalogue.

The Secondary Sheave will now be available as an assembly and a collar is added.

Secondary Sheave Assembly **JW1-G6202-00** is added and the individual sheaves **JW1-G6261-00** and **JW1-G6271-00** are deleted. Collar **JW1-G2758-00** is added.

Fig.No-Ref.No.	OLD P/No.	NEW P/No.	PART NAME	REMARKS
19-1	JW1-G6261-00	<b>JW1-G6202-00</b>	SECONDARY SHEAVE ASSY	
19-2	JW1-G6271-00	<b>JW1-G6244-00</b>	. SEAT, SPRING	
19-3	JW1-G6244-00	<b>JW1-G6276-00</b>	. SPRING, CLUTCH 2	
19-4	JW1-G6276-00	<b>JW1-G6280-00</b>	. SECONDARY SPRING SEAT COMP.	
19-5	JW1-G6280-00	<b>JW1-F5415-00</b>	. CIRCLIP	
19-6	JW1-F5415-00	<b>90105-08807</b>	BOLT, FLANGE	
19-7	90105-08807	<b>90209-08019</b>	WASHER	
19-8	90209-08019	<b>JW1-G2758-00</b>	COLLAR	



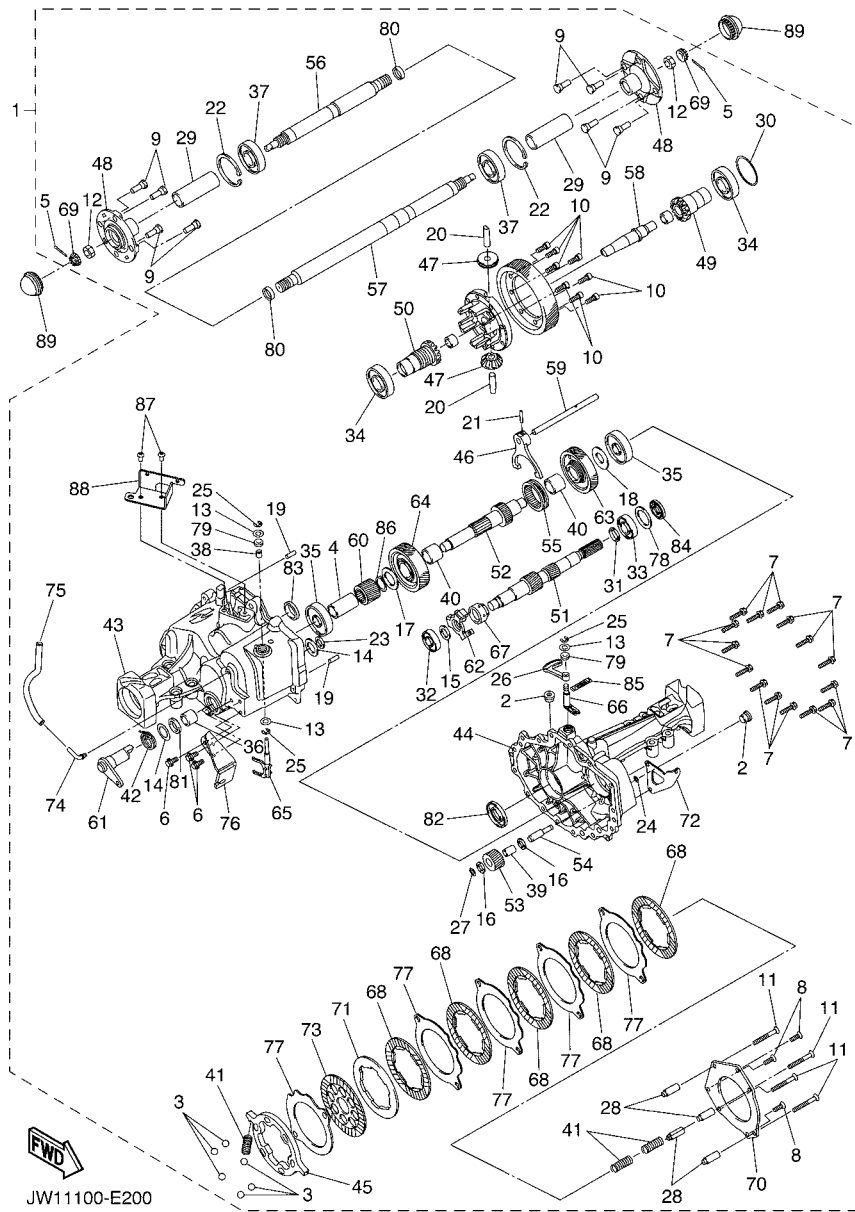
Thank you very much for your cooperation.

Parts  
Manager  
Check

Service  
Manager  
Check

Parts  
Manager  
File

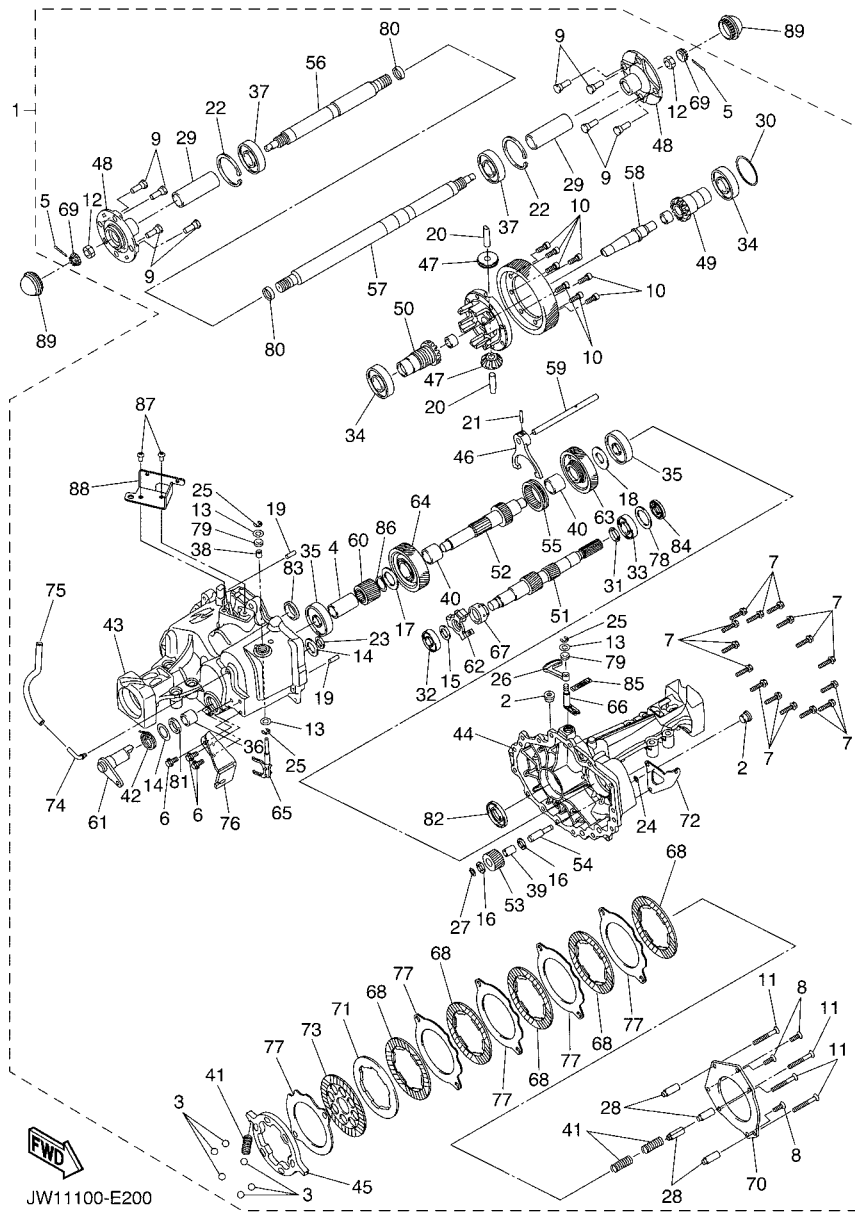
YAMAHA MOTOR CO.,LTD  
2500 Shingai Iwata Shizuoka 438-8501.Japan



JW11100-E200

FIG. 20 TRANSAXLE & BRAKE

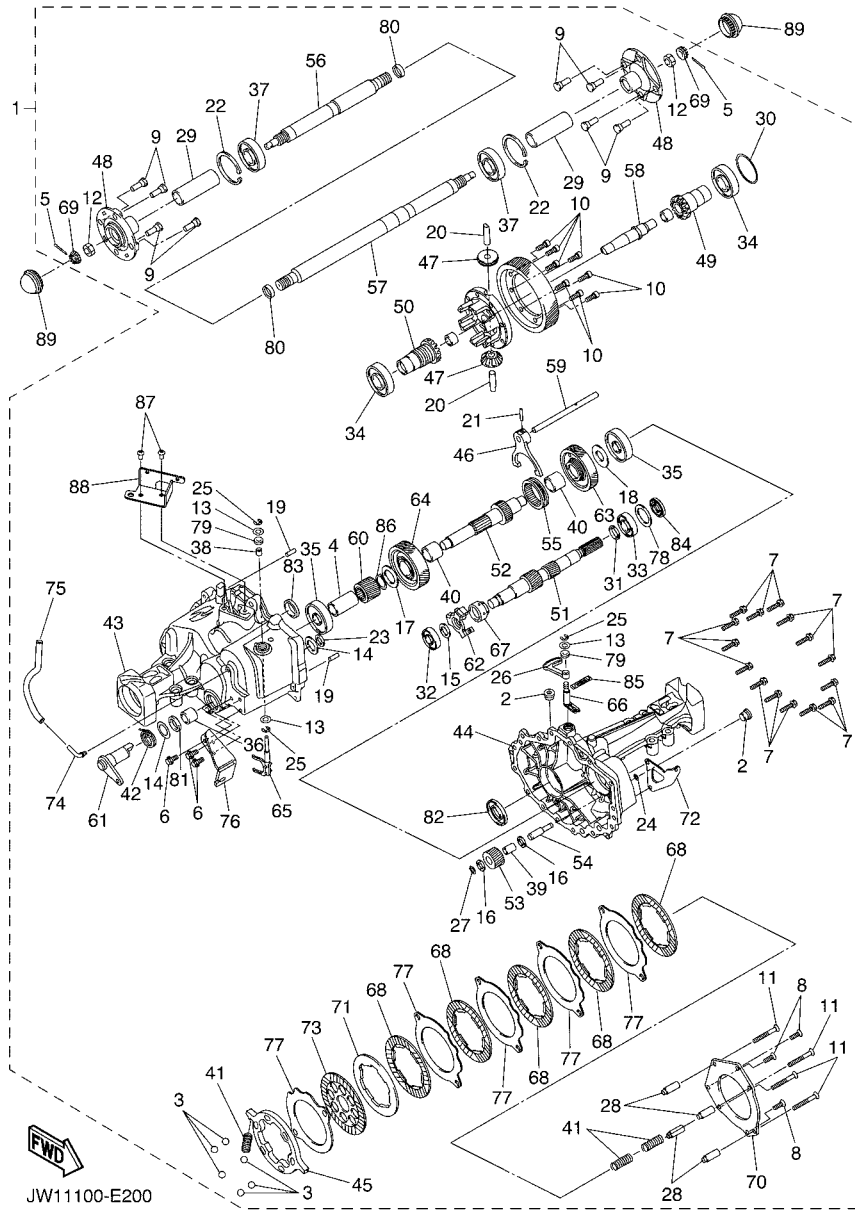
REF. NO.	PART NO.	DESCRIPTION	JW11				REMARKS
1	JW1-G6300-00	TRANS AXLE ASSY	1				
2	JW1-G6168-00	.PLUG, DRAIN 1	2				
3	JW1-F4684-00	.BALL	6				
4	JW1-G4132-00	.BUSHING	1				
5	JW1-G633J-00	.PIN, COTTER	2				
6	JW1-G4581-00	.BOLT	3				
7	JW1-G4582-00	.BOLT, 2	15				
8	JW1-G4189-00	.SCREW	3				
9	JW1-G4178-00	.BOLT, STUD	8				
10	JW1-G6155-00	.BOLT 1	8				
11	JW1-G6158-00	.BOLT 2	4				
12	JW1-G4583-00	.NUT	2				
13	JW1-G4126-00	.WASHER, SHIFT ROD LEVER	3				
14	JW1-G4138-00	.WASHER	2				
15	JW1-G4177-00	.WASHER	1				
16	JW1-G4188-00	.WASHER	2				
17	JW1-G5677-00	.WASHER	1				
18	JW1-G5618-00	.WASHER, 1	1				
19	JW1-F536G-00	.PIN	2				
20	JW1-G4184-00	.PIN	2				
21	JW1-G4137-00	.PIN	1				
22	JW1-G4156-00	.RING, SNAP	2				
23	JW1-G5239-00	.RING	1				
24	JW1-G6854-00	.RING	1				
25	JW1-G6142-00	.RING,HOLE SNAP 1	3				
26	JW1-G6393-00	.LEVER, NEUTRAL	1				
27	JW1-F4629-00	.RING	1				



JW11100-E200

FIG. 20 TRANSAXLE & BRAKE

REF. NO.	PART NO.	DESCRIPTION	JW11				REMARKS
28	JW1-G6153-00	.COLLAR, GUIDE	1				
29	JW1-G6128-00	.SPACER, BEARING	2				
30	JW1-G6117-00	.SHIM, RING GEAR	1				
31	JW1-G4314-00	.SPACER	1				
32	JW1-G6387-00	.BEARING, PLAIN 1	1				
33	JW1-G6388-00	.BEARING, PLAIN 2	1				
34	JW1-G6164-00	.BEARING 1	2				
35	JW1-G6165-00	.BEARING 2	2				
36	JW1-G6166-00	.BEARING 3	1				
37	JW1-F2176-00	.BEARING	2				
38	JW1-G6102-00	.BEARING ASSY	1				
39	JW1-G5552-00	.BEARING, PLAIN	1				
40	JW1-G6167-00	.BEARING 4	2				
41	JW1-G4135-00	.SPRING	3				
42	JW1-G6375-00	.SPRING, RETURN 1	1				
43	JW1-G6312-00	.CASE, TRANSMISSION 2	1				
44	JW1-G6311-00	.CASE, TRANSMISSION 1	1				
45	JW1-F384K-00	.BALL, SEAT	1				
46	JW1-G6338-00	.FORK, SHIFT	1				
47	JW1-G6415-00	.PINION, DIFFERENTIAL	2				
48	JW1-G6542-00	.HUB	2				
49	JW1-G6326-00	.GEAR, WHEEL 1	1				
50	JW1-G6327-00	.GEAR, WHEEL 2	1				
51	JW1-G6335-00	.SHAFT 1	1				
52	JW1-G6348-00	.SHAFT 2	1				
53	JW1-G6356-00	.GEAR, IDLER	1				
54	JW1-G6349-00	.SHAFT 3	1				



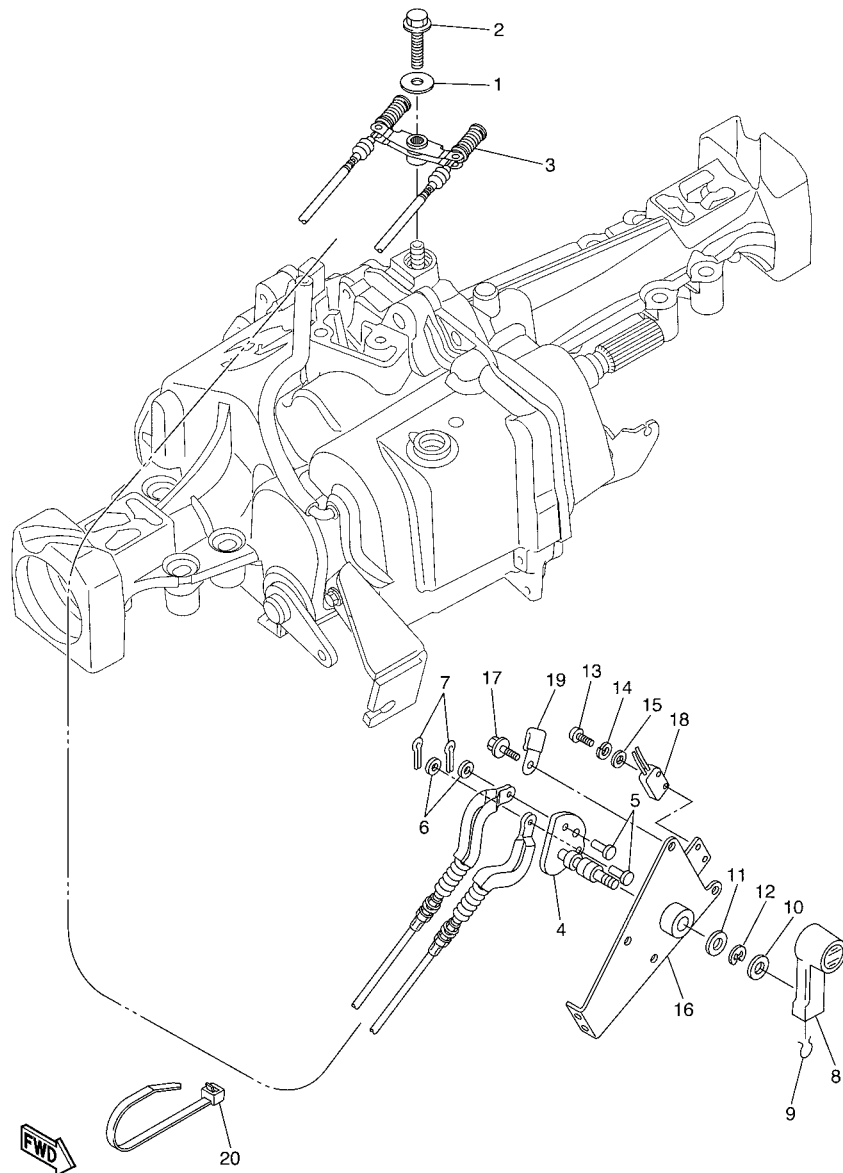
JW11100-E200

FIG. 20 TRANSAXLE & BRAKE

REF. NO.	PART NO.	DESCRIPTION	JW11				REMARKS
55	JW1-G6328-00	.GEAR, WHEEL 3	1				
56	JW1-G6512-00	.SHAFT, REAR AXLE 2 (R.H)	1				
57	JW1-G6511-00	.SHAFT, REAR AXLE 1 (L.H)	1				
58	JW1-G6112-00	.SHAFT, RING GEAR	1				
59	JW1-G633A-00	.BAR, SHIFT FORK GUIDE	1				
60	JW1-G6131-00	.GEAR, RING 2	1				
61	JW1-G633G-00	.SHAFT	1				
62	JW1-H1253-00	.GOVERNER	1				
63	JW1-G6363-00	.GEAR, REVERSE	1				
64	JW1-G6111-00	.GEAR, RING	1				
65	JW1-G6380-00	.SHAFT ASSY 1	1				
66	JW1-G6386-00	.ARM, SHIFT	1				
67	JW1-G4139-00	.COLLAR	1				
68	JW1-G6336-00	.PLATE 1	5				
69	JW1-G4127-00	.NUT, 1	2				
70	JW1-G6114-00	.PLATE, COVER	1				
71	JW1-G4526-00	.PLATE	1				
72	JW1-G6554-00	.BRACKET 1	1				
73	JW1-G6345-00	.DISC, FRICTION	1				
74	JW1-G4391-00	.NIPPLE, HOSE	1				
75	JW1-G6894-00	.HOSE	1				
76	JW1-G6555-00	.BRACKET 2	1				
77	JW1-G633H-00	.PLATE 2	5				
78	JW1-G6344-00	.SHIM	1				
79	JW1-G6163-00	.SEAL,OIL 1	2				
80	JW1-G5874-00	.RING, SEAL	2				
81	JW1-G6137-00	.SEAL 2	1				







JW11100-E210

FIG. 21 SHIFTER & CABLES

REF. NO.	PART NO.	DESCRIPTION	JW11				REMARKS
1	90201-05800	WASHER, PLATE	1				
2	90105-05006	BOLT, FLANGE	1				
3	JW1-G8330-00	CABLE END ASSY	1				Go to P/N: PE0-GC-070004
4	JF2-46382-00	LEVER, SHIFT 1	1				
5	91701-06014	PIN, CLEVIS	2				
6	9290P-06600	WASHER	2				
7	91401-20012	PIN, COTTER	2				
8	JN3-G6381-00	KNOB, SHIFT	1				
9	JN3-G6376-00	SPRING SET	1				
10	90201-208S8	WASHER, PLATE	1				
11	90201-198S7	WASHER, PLATE	1				
12	99009-19400	CIRCLIP	1				
13	98507-04016	SCREW, PAN HEAD	2				
14	92907-04100	WASHER, SPRING	2				
15	92907-04600	WASHER	2				
16	JN3-G6372-00	BRACKET, SHIFT WIRE	1				
17	90105-06876	BOLT, FLANGE	3				
18	JN3-82617-01	SWITCH	1				
19	90465-06038	CLAMP	1				
20	90464-76800	CLAMP	1				

# PARTS NEWS

News No. PE0-GC-070004

Date: February, 20, 2007

Signature: K.Otsuka

Cause  Revision Notice  Correction  Sales Unit Change  Others

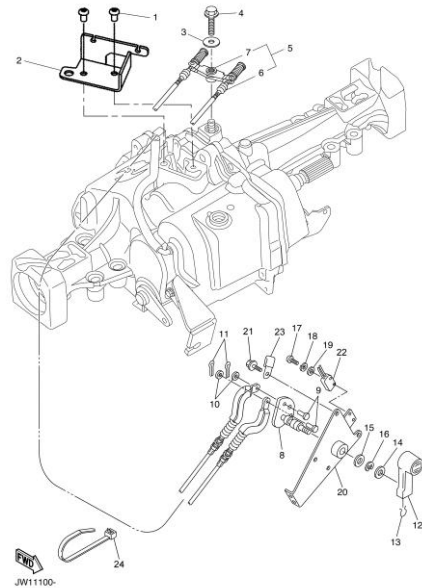
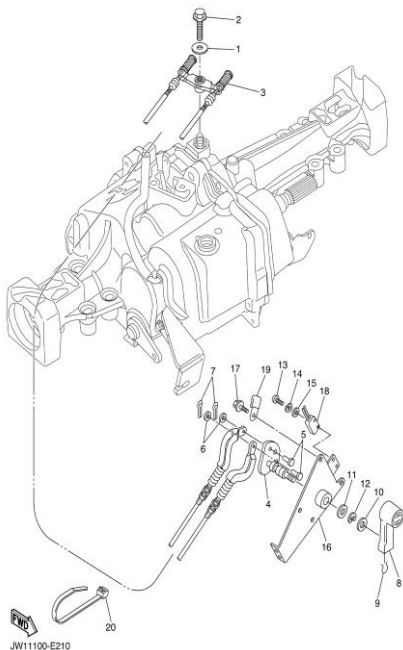
Model	YDRA (JW11)
Subject	SHIFTER CABLES
CATALOGUE NO.	1EJW1-100E1

Time of YPEC Revision Text, Illustration --> Feb./ 23/2007 PDF Replace --> Feb./ 23/2007  
(YPEC = Yamaha Parts Electrical Catalogue = Website parts catalogue)

Please make the following corrections to your parts catalogue.  
Cable Bracket and mounting Screws moved from Fig. 20 to Fig. 21.  
Cable End Assembly P/N change and child parts added.

Fig.No-Ref.No.	OLD P/No.	NEW P/No.	PART NAME	QTY	REMARKS
21-1	90201-05800	<b>JW1-G4165-00</b>	SCREW, DETENT	2	<b>PARTS MOVED FROM FIG. 20</b>
21-2	90105-05006	<b>JW1-G1661-00</b>	BRACKET	1	

21-5	91701-06014	<b>JW1-G8330-01</b>	CABLE END ASSY	1	<b>ASSY. P/N CHANGE TO -01 AND CHILD PARTS ADDED</b>
21-6	9290P-06600	<b>JW1-G8371-01</b>	.WIRE, SHIFT	2	
21-7	91490-20015	<b>JW1-G6383-01</b>	.LEVER SHIFT 2	1	



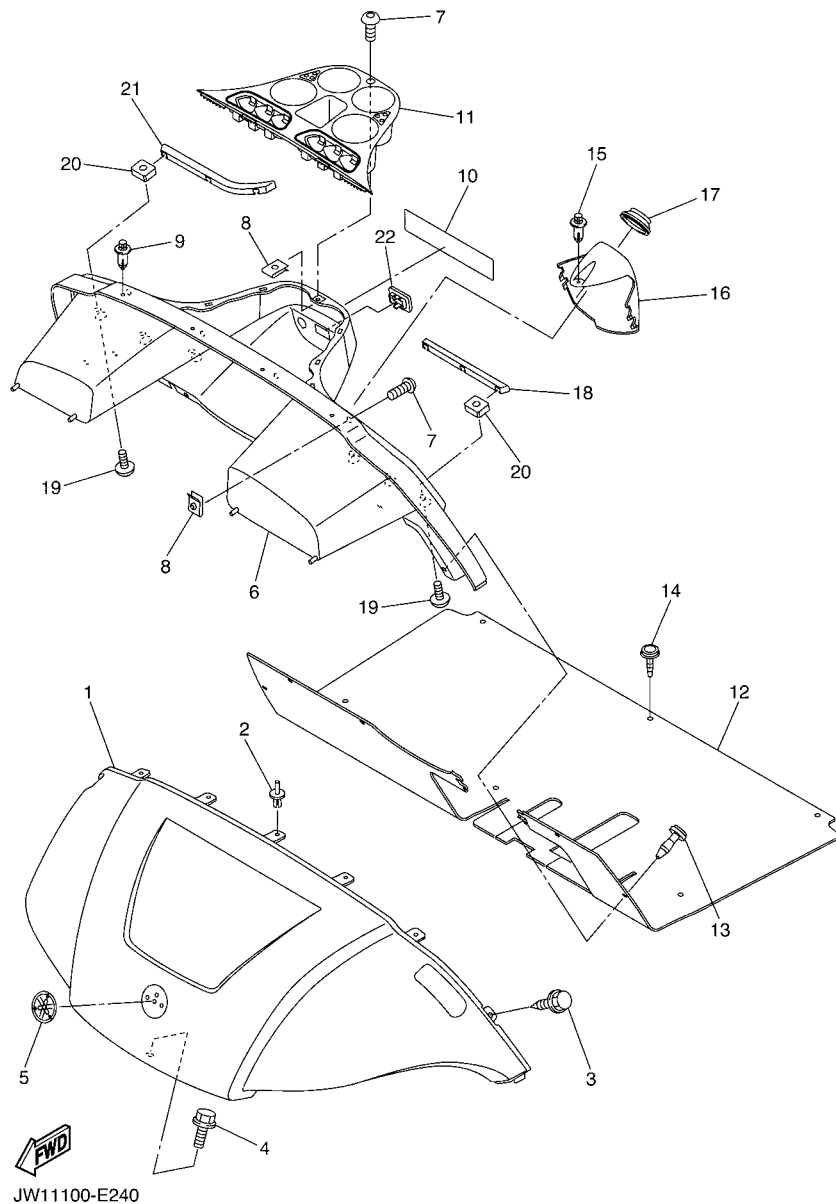
Thank you very much for your cooperation.

Parts Manager Check	Service Manager Check	Parts Manager File
---------------------	-----------------------	--------------------

YAMAHA MOTOR CO.,LTD  
2500 Shingai Iwata Shizuoka 438-8501.Japan





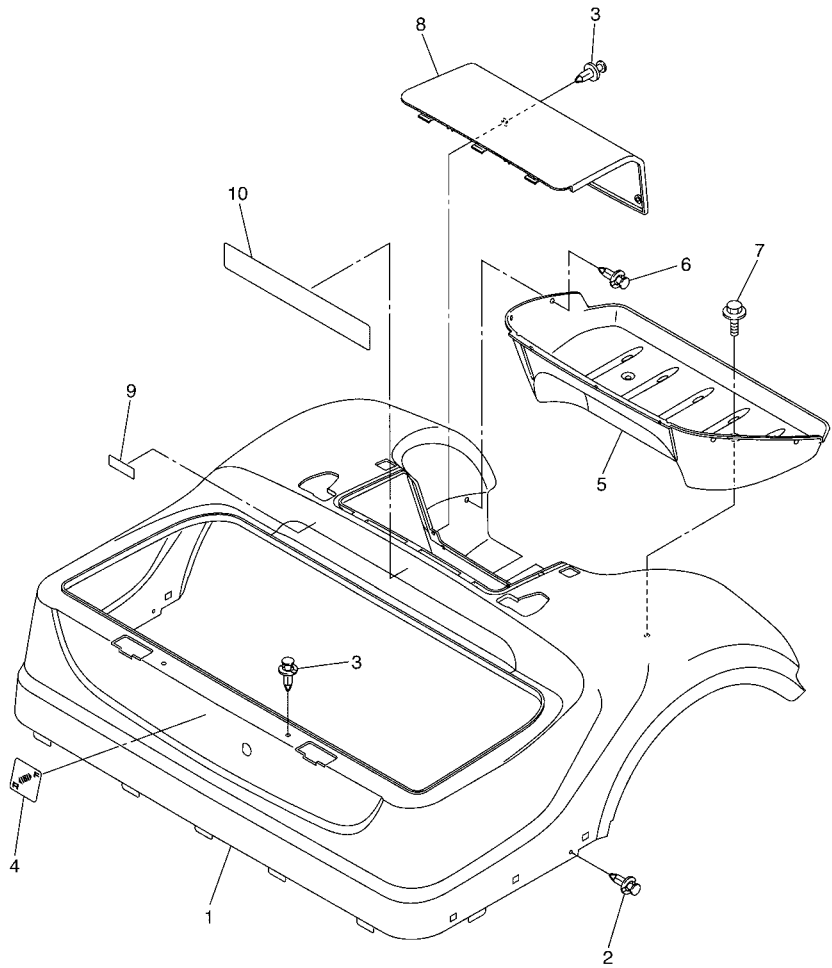


**FIG. 24 BODY**

REF. NO.	PART NO.	DESCRIPTION	JW11				REMARKS
1	JW1-K8115-00	COWL, FRONT	1				UR FOR WS7
	JW1-K8115-10	COWL, FRONT	1				UR FOR VDGS1
	JW1-K8115-20	COWL, FRONT	1				UR FOR HTR
	JW1-K8115-30	COWL, FRONT	1				UR FOR LNYM8
	JW1-K8115-40	COWL, FRONT	1				UR FOR NBM7
	JW1-K8115-50	COWL, FRONT	1				UR FOR BMG
	JW1-K8115-60	COWL, FRONT	1				UR FOR DPBMT
2	90267-63047	RIVET, BLIND	5				
3	JW1-F3396-00	SCREW, SPECIAL	2				
4	90105-06876	BOLT, FLANGE	1				
5	JW1-F4161-00	EMBLEM 1	1				
6	JW1-K8114-00	PANEL, FRONT	1				
7	90111-05801	BOLT,HEX. SOCKET BUTTON	5				
8	90183-05008	NUT, SPRING	5				
9	90269-07001	RIVET	4				
10	JW1-K7768-00	LABEL, WARNING (E)	1				FOR USA,CAN,JPN
	JW1-K7768-10	LABEL, WARNING (E,F)	1				FOR OTHERS
	JW1-K7768-20	LABEL, WARNING (G,S)	1				FOR OTHERS
11	JW1-K835E-00	HOLDER, BEVERAGE	1				
12	JW1-K8233-10	MAT, MAIN FLOOR 3	1				
13	JW1-K7329-00	RIVET	5				
14	JW1-K7449-00	RIVET 1	6				
15	90269-06804	RIVET	1				
16	JW1-K8273-00	COVER, HOLE	1				
17	JW1-K8245-00	SEAL 1	1				
18	JW1-K8261-00	PLATE, BODY PROTECT 1	1				
19	90110-06102	BOLT, HEXAGON SOCKET HEAD	6				



FIG. 25 BODY 2



REF. NO.	PART NO.	DESCRIPTION	JW11				REMARKS
1	JW1-K8142-00	PANEL, REAR BODY	1				UR FOR WS7 Go to P/N: PE0-GC-070003
	JW1-K8142-10	PANEL, REAR BODY	1				UR FOR VDGS1 Go to P/N: PE0-GC-070003
	JW1-K8142-20	PANEL, REAR BODY	1				UR FOR HTR Go to P/N: PE0-GC-070003
	JW1-K8142-30	PANEL, REAR BODY	1				UR FOR LNYM8 Go to P/N: PE0-GC-070003
	JW1-K8142-40	PANEL, REAR BODY	1				UR FOR NBM7 Go to P/N: PE0-GC-070003
	JW1-K8142-50	PANEL, REAR BODY	1				UR FOR BMG Go to P/N: PE0-GC-070003
	JW1-K8142-60	PANEL, REAR BODY	1				UR FOR DPBMT Go to P/N: PE0-GC-070003
2	90269-06804	RIVET	2				Go to P/N: PE0-GC-070003
3	90269-08813	RIVET	4				Go to P/N: PE0-GC-070003
4	JN3-K7741-00	INDICATOR 1	1				Go to P/N: PE0-GC-070003
5	JW1-K8237-00	COVER, REAR FLOOR	1				Go to P/N: PE0-GC-070003
6	90269-08813	RIVET	7				Go to P/N: PE0-GC-070003
7	90119-06868	BOLT, WITH WASHER	2				Go to P/N: PE0-GC-070003
8	JW1-K8151-00	PANEL, INSPECTION LID 1	1				Go to P/N: PE0-GC-070003
9	JN6-H2377-00	LABEL	1				Go to P/N: PE0-GC-070003
10	JW1-K8297-00	PLATE, CAUTION 1	1				Go to P/N: PE0-GC-070003



JW11100-E250

# PARTS NEWS

News No. PE0-GC-070005 (1/2)

Date: February, 20, 2007

Signature: K.Otsuka

 Cause     Revision Notice     Correction     Sales Unit Change     Others

Model	YDRA (JW11)
Subject	CORRECTION BODY 2
CATALOGUE NO.	1EJW1-100E1

Time of YPEC Revision                      Text, Illustration --> Feb./ 23/2007    PDF Replace --> Feb./ 23/2007  
 (YPEC = Yamaha Parts Electrical Catalogue = Website parts catalogue)

Please make the following corrections to your parts catalogue.

Protective seals (dampers) added to rear body

Bolt P/N change

Caution Plate Deleted

Fig.No-Ref.No.	OLD P/No.	NEW P/No.	PART NAME				REMARKS
25-2	90269-06804	<b>JW1-F2873-00</b>	SEAL 1	1			<b>PARTS ADDED</b>
25-3	90269-08813	<b>JW1-F2874-00</b>	SEAL 2	1			
25-4	JN3-K7441-00	<b>JW1-F2875-00</b>	SEAL 3	1			
25-5	JW1-K8237-00	<b>JW1-F2876-00</b>	SEAL 4	1			
25-6	90269-08813	<b>JW1-F2877-00</b>	SEAL 5	1			
25-7	90119-06868	90269-06804	RIVET	2			
25-8	JW1-K8151-00	90269-08813	SEAL 2	11			
25-9	JN6-H2377-00	JN3-K7441-00	INDICATOR 1	1			
25-10	JW1-K8297-00	JW1-K8237-00	COVER, REAR FLOOR	1			
25-11	---	<b>JW1-K6179-00</b>	BOLT, SPECIAL 1	2			<b>NEW P/N</b>
25-12	---	JW1-K8151-00	PANEL, INSPECTION LID 1	1			
25-13	---	JN6-H2377-00	SEAL 4	1			

Thank you very much for your cooperation.

 Parts  
 Manager  
 Check

 Service  
 Manager  
 Check

 Parts  
 Manager  
 File

 YAMAHA MOTOR CO.,LTD  
 2500 Shingai Iwata Shizuoka 438-8501.Japan



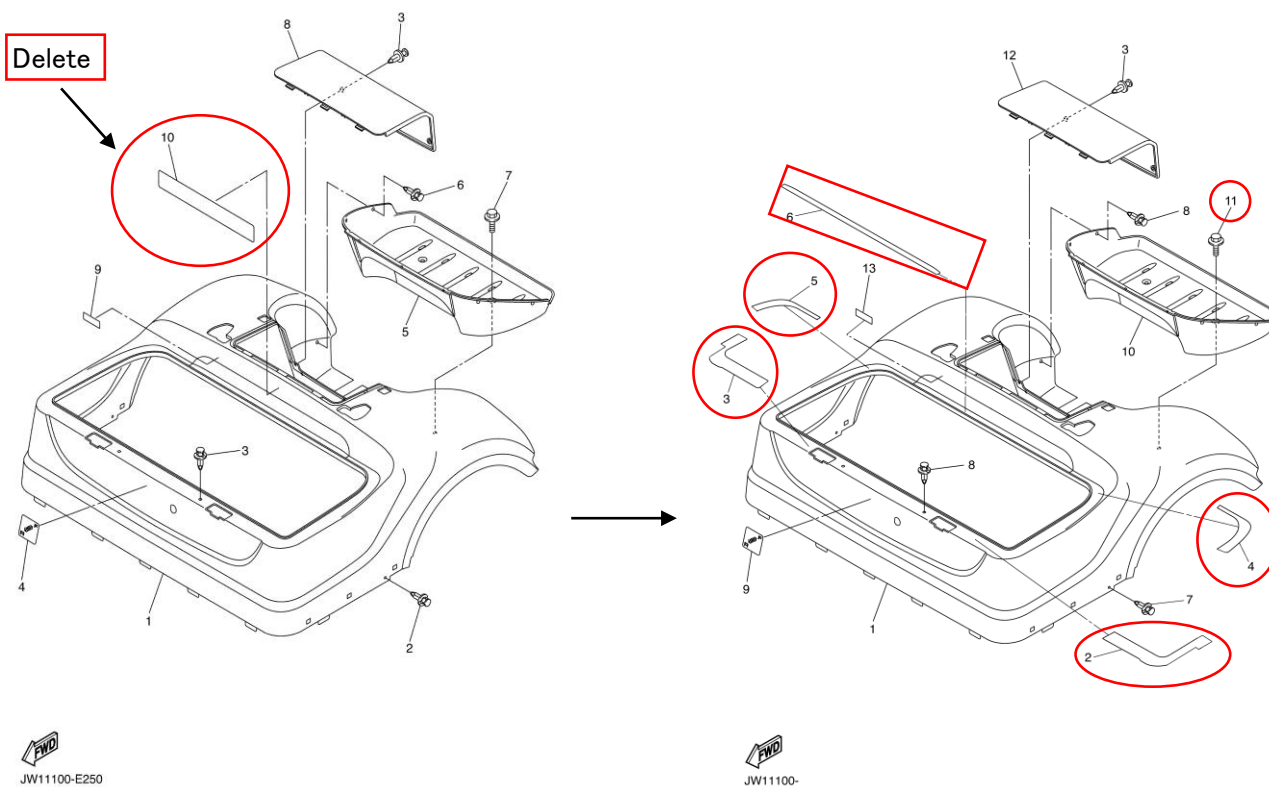
# PARTS NEWS

News No. PE0-GC-070005 (2/2)

Date: February, 20, 2007

Signature: K.Otsuka

Model	YDRA (JW11)
Subject	CORRECTION BODY 2
CATALOGUE NO.	1EJW1-100E1



 JW11100-E250

 JW11100-

Thank you very much for your cooperation.

Parts  
Manager  
Check

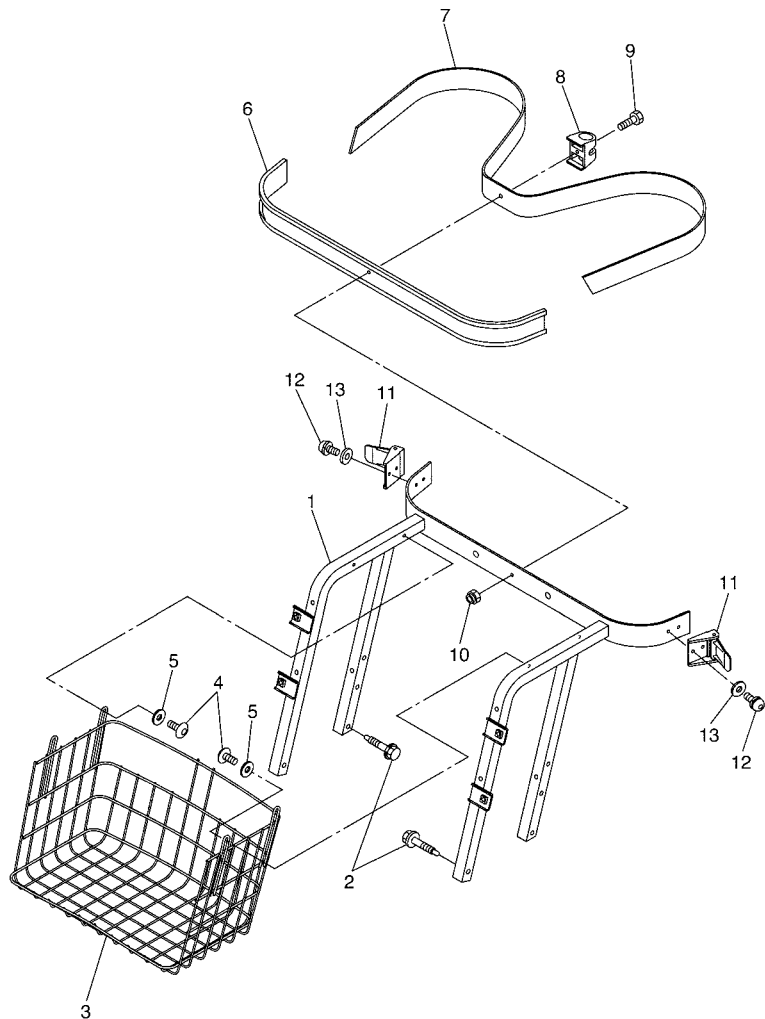
Service  
Manager  
Check

Parts  
Manager  
File

YAMAHA MOTOR CO.,LTD  
2500 Shingai Iwata Shizuoka 438-8501.Japan



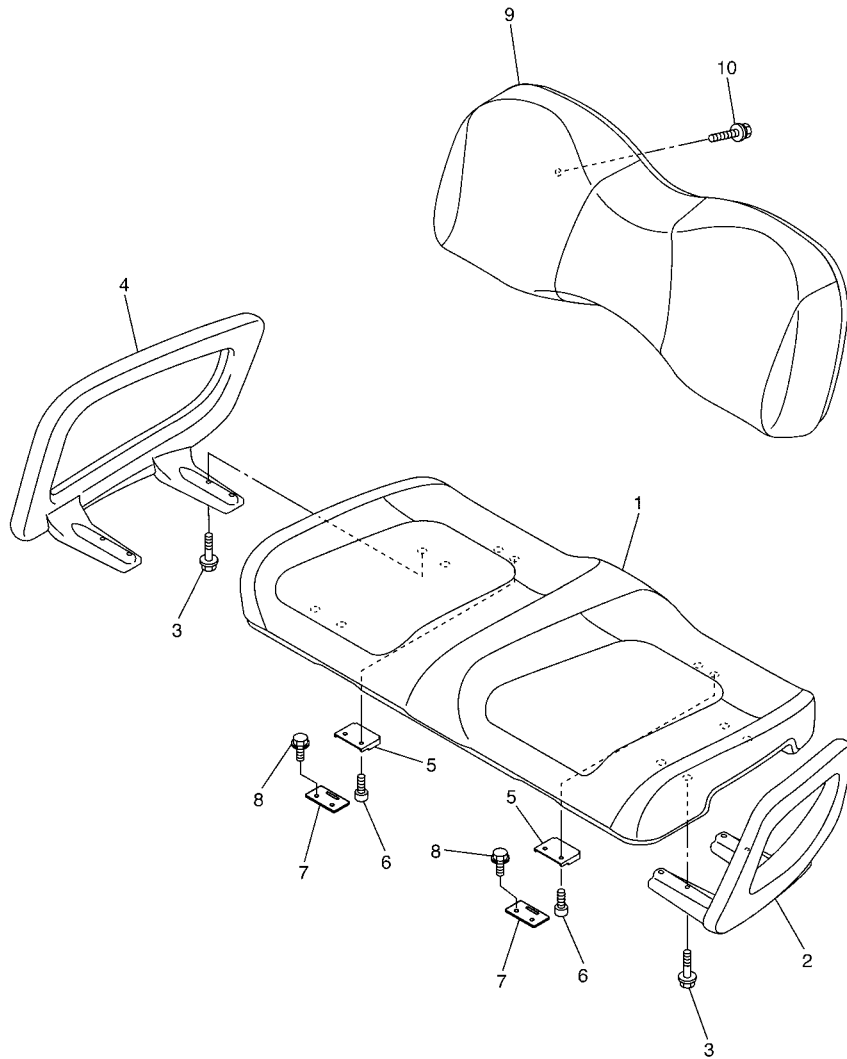
FIG. 27 CARRIER



REF. NO.	PART NO.	DESCRIPTION	JW11				REMARKS
1	JW1-K8423-00	SUPPORT, SEAT BACK	1				
2	90109-08169	BOLT	4				
3	JW1-K8340-00	LUGGAGE RACK ASSY., REAR	1				
4	90110-06102	BOLT, HEXAGON SOCKET HEAD	4				
5	90201-068G7	WASHER, PLATE	4				
6	JF2-K8356-00	PAD, BAG SUPPORT	1				
7	JN6-K8355-00	BAND	1				
8	JW1-K834G-00	HOLDER, RAKE SAND	1				
9	9708R-06020	BOLT	1				
10	90185-06836	NUT, SELF-LOCKING	1				
11	JN6-K8380-00	LOCK ASSY	2				
12	90159-06845	SCREW, WITH WASHER	4				
13	9299R-06200	WASHER	4				



JW11100-E270



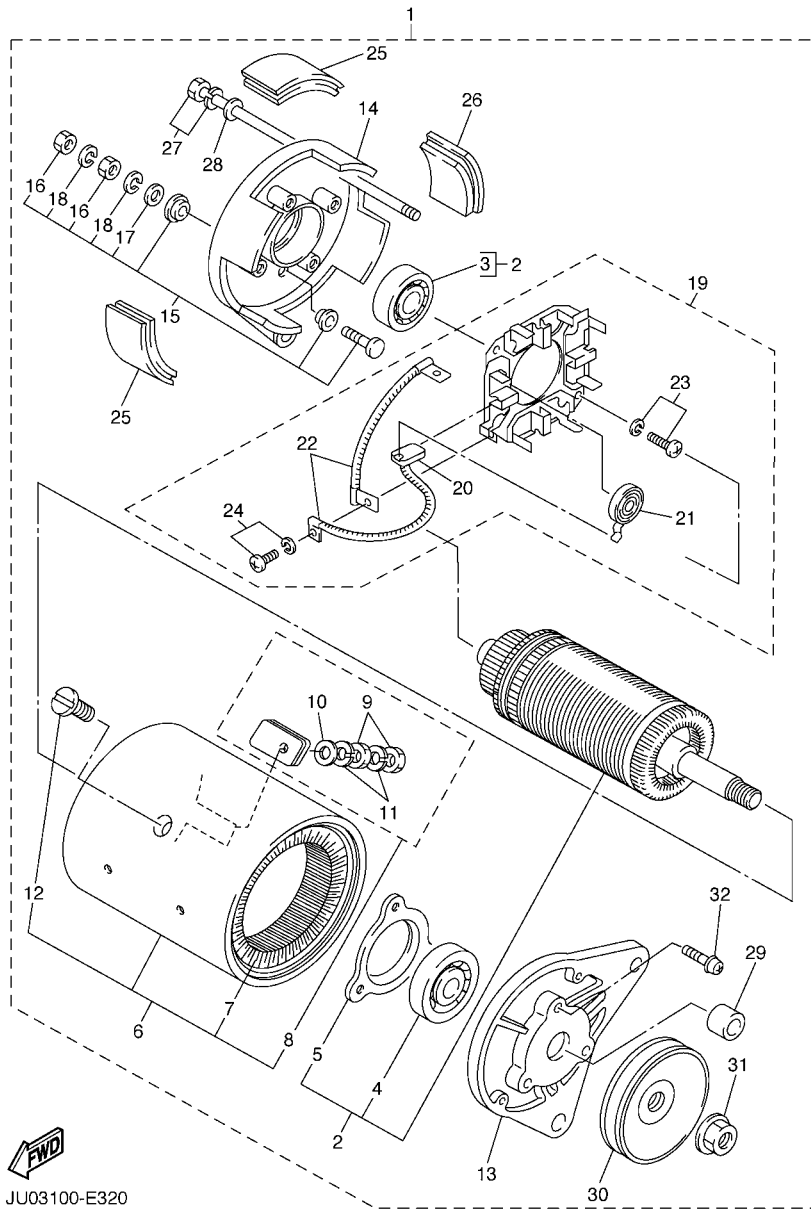
**FIG. 28 SEAT**

REF. NO.	PART NO.	DESCRIPTION	JW11				REMARKS
1	JW1-K8401-00	SEAT SUB-ASSY,CUSHION	1				
2	JW1-K8361-00	ARM REST 1	1				
3	9582P-06040	BOLT, FLANGE	8				
4	JW1-K8362-00	ARM REST 2	1				
5	JW1-K8426-00	HINGE, SEAT 1	2				
6	90110-06041	BOLT, HEXAGON SOCKET HEAD	4				
7	JW1-K8427-00	HINGE, SEAT 2	2				
8	90105-06861	BOLT, FLANGE	4				
9	JW1-K8402-00	SEAT SUB ASSY, BACK	1				
10	90119-06808	BOLT, WITH WASHER	4				



JW11100-E280

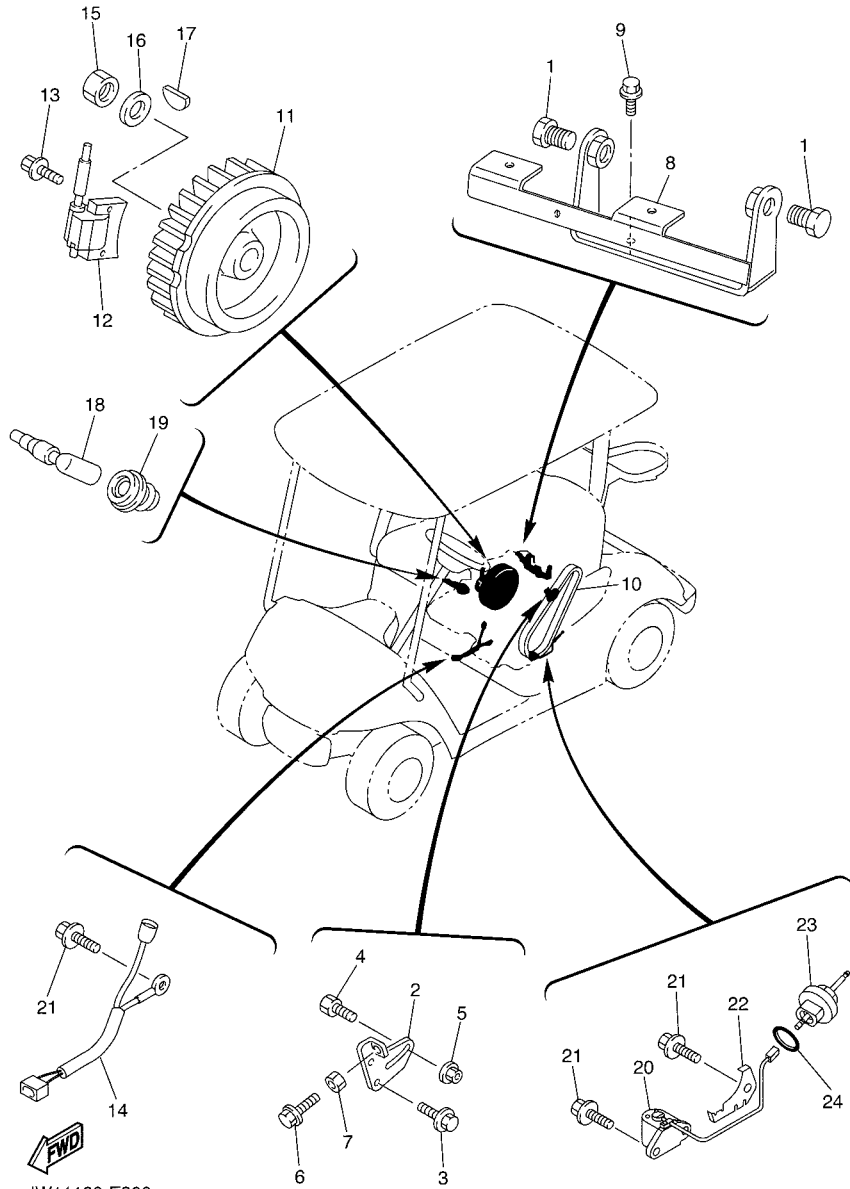
FIG. 29 STARTING MOTOR



JU03100-E320

REF. NO.	PART NO.	DESCRIPTION	JW11				REMARKS
1	JN6-H1100-03	STARTER GENERATOR ASSY	1				
2	JN3-H1150-00	.ARMATURE ASSY	1				
3	93306-20226	..BEARING	1				KOYO
4	93306-30317	..BEARING	1				
5	J10-81159-10	..HOLDER, BEARING	1				
6	JN6-H1110-10	..STATOR ASSY	1				
7	JN6-H1160-10	..FIELD COIL ASSY	1				
8	J10-81148-10	..SCREW SET 4	2				
9	9530N-06600	...NUT	2				
10	9290N-06600	...WASHER	1				
11	9290N-06100	...WASHER, SPRING	2				
12	J10-81146-10	..SCREW 2	4				
13	JN6-H1165-00	.BRACKET, STARTER GENERATOR 1	1				
14	J10-81166-10	.BRACKET, STARTER GENERATOR 2	1				
15	J10-81147-10	.SCREW SET 3	2				
16	9530N-06600	..NUT	2				
17	9290N-06600	..WASHER	1				
18	9290N-06100	..WASHER, SPRING	2				
19	JN6-H1119-00	.BRUSH HOLDER ASSY	1				
20	JF2-H1111-00	..BRUSH	4				
21	JN6-H1113-00	..SPRING, BRUSH	4				
22	J10-H1115-10	..WIRE, LEAD	2				
23	9850N-05016	..SCREW, PAN HEAD	2				
24	9850N-04010	..SCREW, PAN HEAD	4				
25	J10-81129-10	.COVER, BRUSH	3				
26	J10-H1139-10	.COVER, BRUSH 2	1				
27	J10-81145-10	.SCREW 1	2				

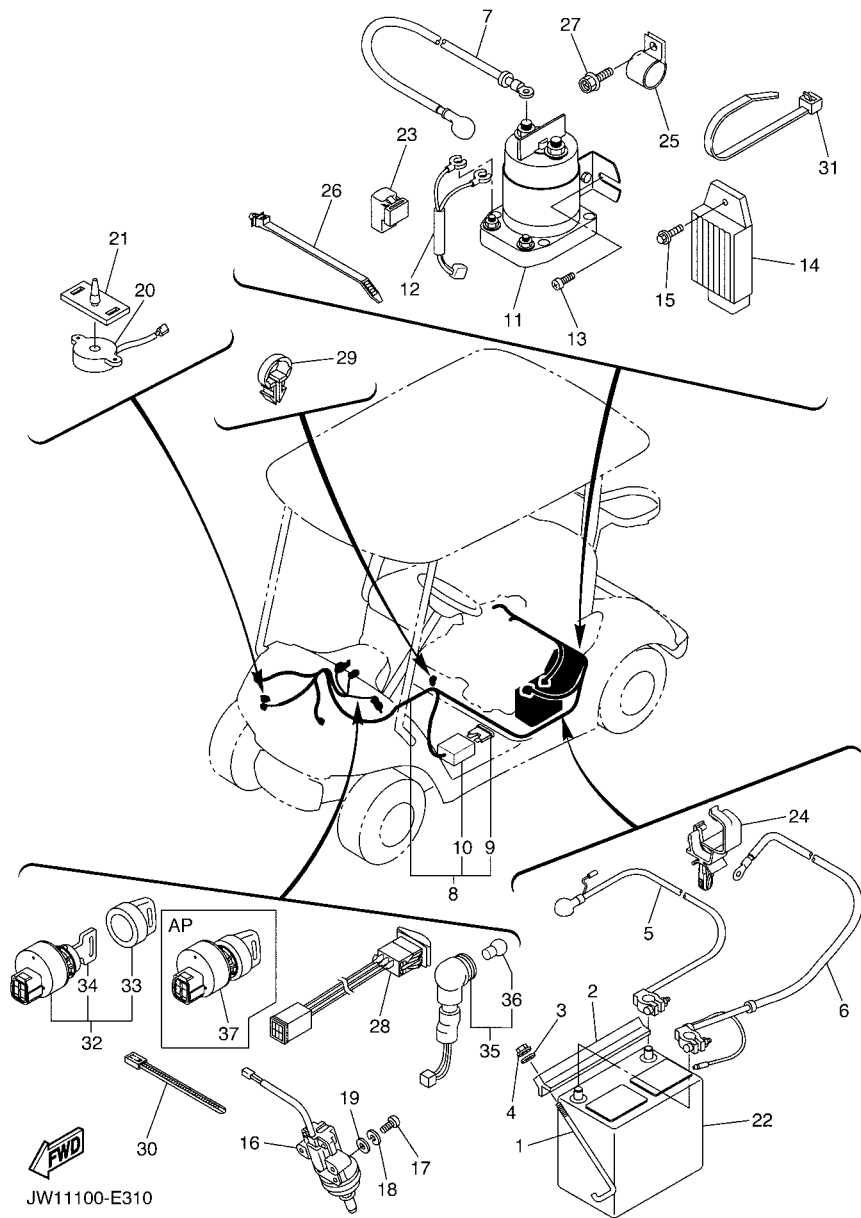




JW11100-E300

FIG. 30 ELECTRICAL 1

REF. NO.	PART NO.	DESCRIPTION	JW11				REMARKS
1	95817-12030	BOLT, FLANGE	2				
2	JW1-H1170-10	TENSIONER ASSY	1				
3	9582P-08020	BOLT, FLANGE	2				
4	90109-08875	BOLT	1				
5	95707-08500	NUT, FLANGE	1				
6	90101-06478	BOLT	1				
7	95307-06600	NUT	1				
8	JN6-H1171-10	BRACKET, STARTER GENERATOR	1				
9	9582P-08020	BOLT, FLANGE	2				
10	J55-H1173-00	BELT	1				
11	JR7-85650-00	ROTOR ASSY	1				
12	JN6-85640-01	T.C.I. UNIT ASSY	1				
13	95827-06025	BOLT, FLANGE	2				
14	JN6-82318-00	WIRE, SUB-LEAD	1				
15	95307-18600	NUT	1				
16	90201-18620	WASHER, PLATE	1				
17	90280-04052	KEY, WOODRUFF	1				
18	JN6-82370-00	PLUG CAP ASSY	1				
19	JE8-82372-00	SEAL, PLUG CAP	1				
20	JT0-85720-00	OIL LEVEL GAUGE ASSY	1				
21	95827-06012	BOLT, FLANGE	4				
22	JT0-85724-00	CLAMP	1				
23	JT0-15362-00	PLUG, OIL LEVEL	1				
24	93210-15414	O-RING	1				



JW11100-E310

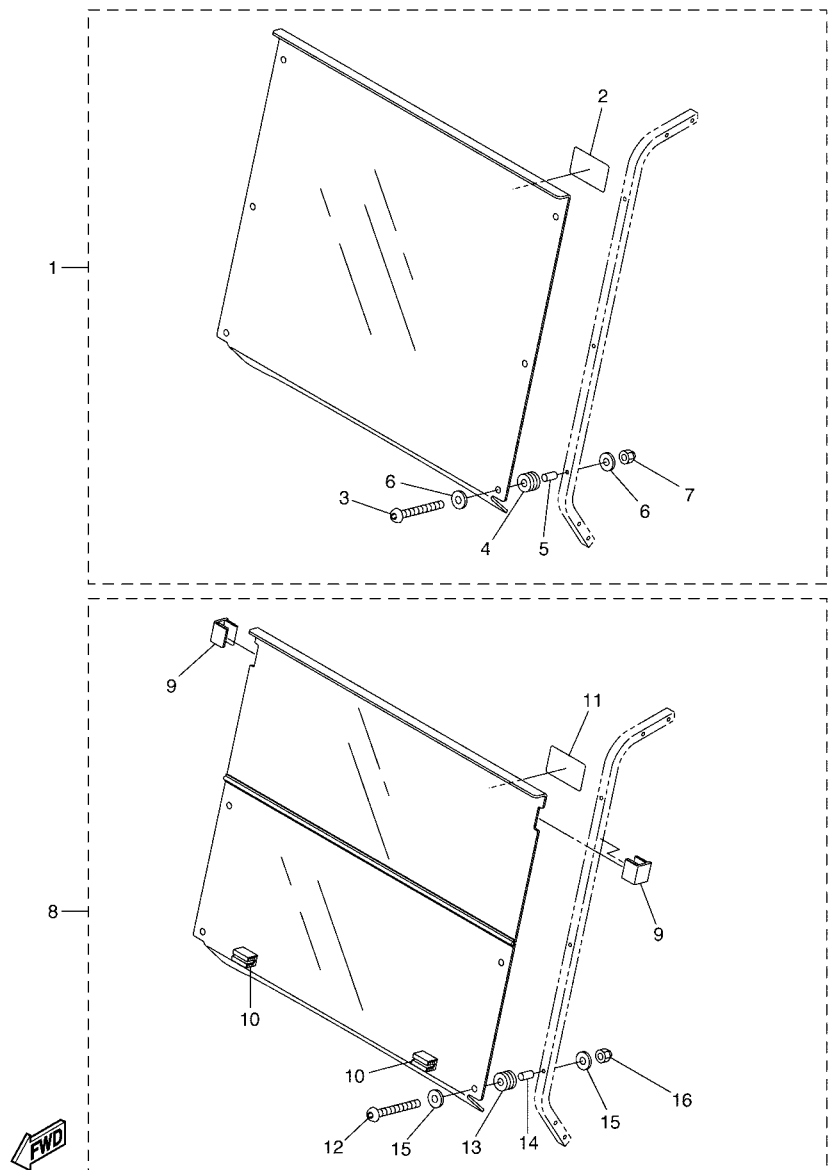
FIG. 31 ELECTRICAL 2

REF. NO.	PART NO.	DESCRIPTION	JW11				REMARKS
1	JW1-H2133-00	SCREW, FITTING	2				
2	J55-H2136-00	PLATE, BATTERY FITTING	1				
3	9290P-06200	WASHER	2				
4	95707-06500	NUT, FLANGE	2				
5	JW1-H2115-00	WIRE, PLUS LEAD	1				
6	JW1-H2116-00	WIRE, MINUS LEAD	1				
7	JW1-H2117-00	WIRE, LEAD	1				
8	JW1-H2590-00	WIRE HARNESS ASSY	1				
9	42X-82151-00	.FUSE (10A-BL)	1				
10	JR1-H2150-00	.FUSE HOLDER ASSY	1				
11	JR3-H1950-00	RELAY ASSY	1				
12	JN6-H2105-00	WIRE HARNESS	1				
13	90163-06005	SCREW, TAPPING	2				
14	JF2-81910-01	VOLTAGE REGULATOR ASSY	1				
15	90105-06876	BOLT, FLANGE	1				
16	JF7-82817-20	SWITCH	1				
17	98507-05025	SCREW, PAN HEAD	2				
18	92907-05100	WASHER, SPRING	2				
19	92907-05600	WASHER, PLATE	2				
20	JR1-H3383-01	BUZZER	1				
21	JN6-H3386-01	STAY, BUZZER	1				
22	*	BATTERY ASSY (GC-24, 12V)	1				LM
23	4U8-81950-02	RELAY ASSY	1				
24	90464-20237	CLAMP	5				
25	90461-14108	CLAMP	1				
26	90464-38800	CLAMP	3				
27	90105-08867	BOLT, FLANGE	1				



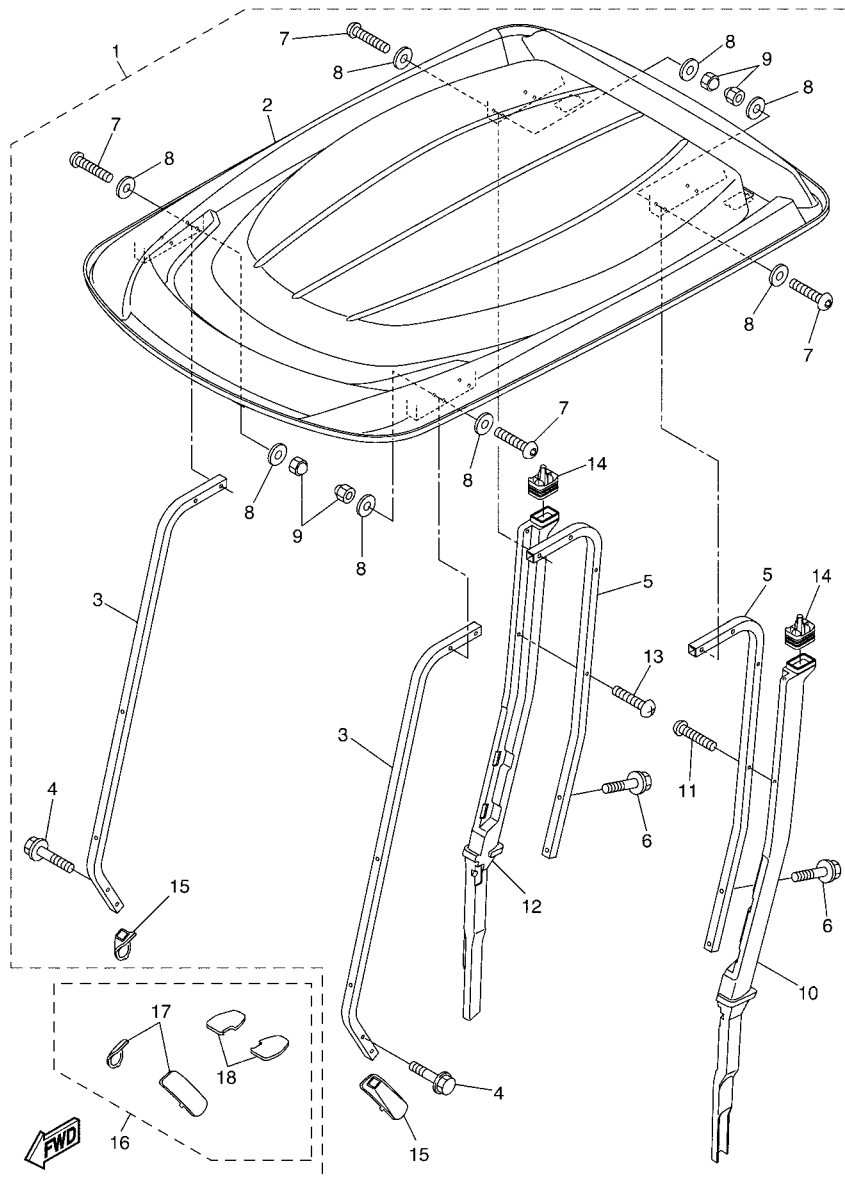


FIG. 32 ALTERNATE FOR WINDSHIELD



JW11100-E320

REF. NO.	PART NO.	DESCRIPTION	JW11				REMARKS
1	JW1-K7200-00	WINDSHIELD ASSY, SOLID (CLEAR)	1				UR AP
	JW1-K7200-10	WINDSHIELD ASSY, SOLID(SMOKE)	1				UR AP
2	JU0-K7458-00	.LABEL, WARNING	1				
3	JW1-K7212-00	.BOLT, WIND SHIELD	6				
4	JW1-K7237-00	.GROMMET	6				
5	JW1-K7115-00	.COLLAR	6				
6	90201-068G7	.WASHER, PLATE	12				
7	JW1-K7217-00	.NUT, WIND SHIELD	6				
8	JW1-K7200-20	WINDSHIELD ASSY, HINGED(CLEAR)	1				UR AP
	JW1-K7200-30	WINDSHIELD ASSY, HINGED(SMOKE)	1				UR AP
9	JW1-K7173-00	.LEVER, LATCH 1	2				
10	JW1-K7222-00	.BRACKET, WINDSHIELD(R.H)	2				
11	JU0-K7458-00	.LABEL, WARNING	1				
12	JW1-K7212-00	.BOLT, WIND SHIELD	4				
13	JW1-K7237-00	.GROMMET	4				
14	JW1-K7115-00	.COLLAR	4				
15	90201-068G7	.WASHER, PLATE	8				
16	JW1-K7217-00	.NUT, WIND SHIELD	4				



JW11100-E330

FIG. 33 ALTERNATE FOR SUN ROOF

REF. NO.	PART NO.	DESCRIPTION	JW11				REMARKS
1	JW1-K8310-00	SUN ROOF ASSY	1				AP
2	JW1-K8314-00	.COVER, SUN ROOF	1				
3	JW1-K8312-00	.SUPPORT, SUN ROOF 1	2				
4	90105-08892	.BOLT, FLANGE	4				
5	JW1-K8313-00	.SUPPORT, SUN ROOF 2	2				
6	90105-08892	.BOLT, FLANGE	4				
7	JU0-K8388-00	.BOLT, ROOF 1	8				
8	90201-088T2	.WASHER, PLATE	16				
9	JU0-K8398-00	.NUT, ROOF 1	8				
10	JW1-F413G-00	.TUBE, DRAIN	1				
11	90157-06814	.SCREW, PAN HEAD	2				
12	JW1-F413J-00	.TUBE, DRAIN 2	1				
13	90157-06814	.SCREW, PAN HEAD	2				
14	JW1-F414G-00	.SEAL	2				
15	JW1-K832F-00	.GROMMET, ROOF SUPPORT 1	2				
16	JW1-F8108-00	COVER ASSY	1				AP
17	JW1-K832H-00	.GROMMET, ROOF SUPPORT 3	2				
18	JW1-K833H-00	.GROMMET, ROOF SUPPORT 4	2				

NUMERICAL INDEX

PART NO.	GRID NO.	PART NO.	GRID NO.	PART NO.	GRID NO.	PART NO.	GRID NO.	PART NO.	GRID NO.	PART NO.	GRID NO.
JT0-11111-00	B - 3	7E1-14191-00	B - 8	123-83516-21	D - 13	JU0-F3511-00	B - 14	JW1-F5659-00	C - 5	JW1-G4132-00	C - 10
JN6-11116-00	B - 3	1KT-14197-01	B - 8	JN6-83530-00	D - 13	JW1-F3512-00	B - 14	JW1-F5666-00	C - 6	JW1-G4135-00	C - 11
JN6-11133-10	B - 3	127-14198-00	B - 8	JN6-85640-01	D - 11	JU0-F3521-00	B - 14	JW1-F5672-00	C - 6	JW1-G4137-00	C - 10
JR7-11163-00	B - 3	7NJ-14211-00	B - 8	JR7-85650-00	D - 11	5UG-F3527-00	C - 2	JW1-F5673-00	C - 6	JW1-G4138-00	C - 10
JN6-11168-00	B - 3	73A-14212-00	B - 8	JT0-85720-00	D - 11	JU0-F3570-20	B - 14	JW1-F5677-00	C - 6	JW1-G4139-00	C - 12
JN6-11169-00	B - 3	73A-14212-10	B - 8	JT0-85724-00	D - 11	JW1-F3811-00	C - 2	JW1-F5734-00	C - 5	JW1-G4156-00	C - 10
JT0-11181-00	B - 3	J10-14227-00	B - 8	JN6-E1166-00	B - 3	JN3-F3814-00	C - 2	JW1-F5735-00	C - 5	JW1-G4165-00	C - 13
JN6-11191-01	B - 3	3G2-1423A-67	B - 8	JW1-E2691-00	B - 6	JW1-F3822-00	C - 3	JW1-F5744-00	C - 5	JW1-G4177-00	C - 10
JN6-11193-00	B - 3	3G2-1423A-68-A0	B - 8	JU0-E3586-00	B - 7	JU0-F3828-00	C - 2	JW1-F5754-00	C - 5	JW1-G4178-00	C - 10
812-11198-00	B - 10	3G2-1423E-33-A0	B - 8	JU0-E4411-00	B - 7	4XE-F3833-00	C - 2	JW1-F582M-00	C - 5	JW1-G4184-00	C - 10
JN6-11400-00	B - 4	JN6-14291-00	B - 8	JU0-E4412-00	B - 7	JW1-F3837-00	C - 2	JW1-F5866-00	C - 5	JW1-G4188-00	C - 10
JN6-11454-00	B - 4	7KY-14613-01	B - 9	5UH-E4424-00	B - 7	JN3-F3838-00	C - 2	JW1-F6311-00	C - 6	JW1-G4189-00	C - 10
JR7-11610-00	B - 4	1WG-14922-00	B - 8	JU0-E4450-00	B - 7	JU0-F3841-00	C - 3	JW1-F6312-00	B - 7	JW1-G4314-00	C - 11
JR7-11610-10	B - 4	JN6-1495H-3B	B - 8	JU0-E445E-00	B - 7	5UG-F3844-00	C - 2	JW1-F6331-00	B - 7	JW1-G4391-00	C - 12
JR7-11610-20	B - 4	JR7-15100-00	B - 10	JW1-E4710-00	B - 9	JW1-F384K-00	C - 11	JU0-F6333-00	B - 7	JW1-G4526-00	C - 12
JR7-11631-00-A0	B - 4	JR7-15123-00	B - 10	JW1-F1128-00	C - 5	JU0-F3857-10	C - 2	JW1-F6341-00	C - 5	JW1-G4581-00	C - 10
583-11633-00	B - 4	JN6-15155-00	B - 10	JW1-F118L-00	C - 6	JW1-F3866-00	C - 2	JW1-F6466-00	C - 5	JW1-G4582-00	C - 10
JR7-11635-00	B - 4	J38-15361-00	B - 10	JU0-F1436-00	B - 9	JW1-F387A-00	C - 2	JW1-F7117-00	C - 5	JW1-G4583-00	C - 10
JR7-11636-00	B - 4	JT0-15362-00	D - 11	JW1-F1531-00	B - 12	JW1-F387E-00	C - 2	JW1-F720G-00	C - 5	JW1-G5161-00	C - 13
JN6-11650-00	B - 4	796-15363-01	B - 10	JW1-F16A2-00	C - 13	5UG-F387F-00	C - 2	JW1-F7211-00	C - 6	JW1-G5239-00	C - 10
JN6-11654-00	B - 4	JR7-15407-00	B - 10	JW1-F16A3-00	C - 13	5UG-F387G-00	C - 2	JW1-F7213-00	C - 6	JW1-G5552-00	C - 11
JN6-12111-01	B - 5	JN6-15411-01	B - 10	JW1-F16A4-00	C - 13	5UG-F387J-00	C - 2	JW1-F7216-00	C - 5	JW1-G5618-00	C - 10
J38-12117-01	B - 5	JN6-15451-02	B - 10	JW1-F1738-00	B - 13	5UG-F387K-00	C - 2	JW1-F7217-00	C - 5	JW1-G5677-00	C - 10
J38-12118-00	B - 5	JR6-19001-00	B - 2		C - 4	JW1-F3894-00	C - 2	JW1-F7218-00	C - 5	JW1-G5874-00	C - 12
4G0-12119-00	B - 5	JT0-21481-00	B - 11	JW1-F1977-00	C - 4	JW1-F4111-00	C - 4	JW1-F7227-00	C - 5	JW1-G6102-00	C - 11
7RH-12121-00	B - 5	JU0-2179R-00	B - 6	JW1-F2110-00	B - 12	JW1-F4111-10	C - 4	JW1-F7232-00	C - 5	JW1-G6111-00	C - 12
JN6-12151-00	B - 5	401-22128-01	B - 14	JN6-F2123-10	B - 12	JW1-F413G-00	D - 15	JW1-F7238-00	C - 5	JW1-G6112-00	C - 12
JN6-12153-00	B - 5	2NL-23448-00	B - 14	JN6-F2124-10	B - 12	JW1-F413J-00	D - 15	JW1-F723F-00	C - 5	JW1-G6114-00	C - 12
JR7-12154-01	B - 5	2NL-23517-00	B - 14	JW1-F2176-00	C - 11	JW1-F414G-00	D - 15	JW1-F723G-00	C - 5	JW1-G6117-00	C - 11
J38-12156-00	B - 5	2HR-23526-00	B - 14	JW1-F217G-00	B - 12	JW1-F4161-00	D - 3	JW1-F7243-00	C - 6	JW1-G6128-00	C - 11
22F-12159-00	B - 5	J38-27951-00	C - 7	JW1-F2210-00	B - 12	JW1-F4300-00	C - 4	JW1-F7249-00	C - 6	JW1-G6131-00	C - 12
JR7-12170-00	B - 5	J38-27959-00	C - 7	JW1-F2501-00	B - 13	JW1-F4311-00	C - 4	JW1-F7252-00	C - 6	JW1-G6137-00	C - 12
JN6-12616-00	B - 6	JF2-46382-00	C - 14	JW1-F2545-00	B - 13	JW1-F4312-00	C - 4	JW1-F7254-00	C - 6	JW1-G6142-00	C - 10
JN6-12621-02	B - 6	J10-81129-10	D - 9	JW1-F2588-00	B - 13	JW1-F4313-00	C - 4	JW1-F7257-00	C - 6	JW1-G6153-00	C - 11
JN6-12651-00	B - 6	J10-81145-10	D - 9	JW1-F258G-00	B - 13	JW1-F4314-00	C - 4	JW1-F7275-00	C - 6	JW1-G6155-00	C - 10
JN6-12652-00	B - 6	J10-81146-10	D - 9	JW1-F312G-00	D - 4	JU5-F4375-00	C - 4	JW1-F7411-00	B - 13	JW1-G6158-00	C - 10
JR7-12658-00	B - 6	J10-81147-10	D - 9	JW1-F3147-00	C - 6	JN6-F4410-11	C - 4	JW1-F7814-00	C - 6	JW1-G6163-00	C - 12
JN6-13567-00	B - 7	J10-81148-10	D - 9	JW1-F3183-00	C - 2	JN6-F4560-00	C - 4	JW1-F7825-00	C - 5	JW1-G6164-00	C - 11
JN6-13595-00	B - 7	J10-81159-10	D - 9	JW1-F3188-00	C - 6	JN6-F4610-00	C - 4	JW1-F7850-00	C - 5	JW1-G6165-00	C - 11
JR6-14101-00	B - 8	J10-81166-10	D - 9	JW1-F3350-00	B - 14	JW1-F4629-00	C - 10	JW1-F7853-00	C - 6	JW1-G6166-00	C - 11
7LV-14118-00	B - 8	JF2-81910-01	D - 12	JW1-F3390-00	B - 14	JW1-F467K-00	C - 2	JW1-F7855-00	C - 5	JW1-G6167-00	C - 11
732-14142-65-A0	B - 8	4U8-81950-02	D - 12	JW1-F3394-00	C - 4	JW1-F4684-00	C - 10	JW1-F785A-00	C - 6	JW1-G6168-00	C - 10
73A-1414G-00	B - 8	42X-82151-00	D - 12	JW1-F3396-00	D - 3	JW1-F5100-00	C - 15	JW1-F7871-00	C - 6	JW1-G6201-00	C - 8
JN5-14150-00	B - 8	JN6-82318-00	D - 11		D - 6	JN6-F5118-00	B - 15	JW1-F8108-00	D - 15	JW1-G6210-00	C - 8
7R1-14162-00	B - 8	JN6-82370-00	D - 11	JW1-F339Y-00	C - 2		C - 13	JW1-G1661-00	C - 13	JW1-G621E-00	C - 8
796-14184-00	B - 8	JE8-82372-00	D - 11		C - 5	JW1-F536G-00	C - 10	JW1-G2548-00	C - 8	JW1-G6220-00	C - 8
JN6-14185-00	B - 8	JN3-82617-01	C - 14	JW1-F3400-00	C - 2	JW1-F5415-00	C - 9	JW1-G4126-00	C - 10	JW1-G6230-00	C - 8
22F-14186-00	B - 8	JF7-82817-20	D - 12	5UG-F3489-00	C - 2	JW1-F5658-00	C - 5	JW1-G4127-00	C - 12	JW1-G6232-00	C - 8

NUMERICAL INDEX

PART NO.	GRID NO.	PART NO.	GRID NO.	PART NO.	GRID NO.	PART NO.	GRID NO.	PART NO.	GRID NO.	PART NO.	GRID NO.
JW1-G6241-00	C - 8	JW1-G8330-00	C - 14	JW1-K7540-00	D - 2	JF2-K8356-00	D - 7	90173-06001	D - 4	90468-10049	C - 6
JW1-G6244-00	C - 9	JN6-H1100-03	D - 9	JN3-K7741-00	D - 5	JN3-K8357-00	C - 3	90179-08879	B - 9	90501-264A9	B - 5
JW1-G6249-00	C - 8	JN6-H1110-10	D - 9	JU0-K7762-00	C - 3	JN6-K8358-01	C - 3	90179-12262	C - 15	90502-10013	C - 3
JW1-G6251-00	C - 8	JF2-H1111-00	D - 9	JU0-K7762-10	C - 3	JW1-K835E-00	D - 3	90179-13878	B - 12	90508-16460	C - 6
JW1-G6253-00	C - 8	JN6-H1113-00	D - 9	JU0-K7762-20	C - 3	JW1-K8361-00	D - 8	90183-05008	D - 3	90508-40678	C - 7
JW1-G6256-00	C - 8	J10-H1115-10	D - 9	JW1-K7768-00	D - 3	JW1-K8362-00	D - 8	90183-08800	B - 13	90560-05001	C - 6
JW1-G6261-00	C - 9	JN6-H1119-00	D - 9	JW1-K7768-10	D - 3	JN6-K8380-00	D - 7	90185-06836	D - 7	90560-08251	C - 4
JW1-G6271-00	C - 9	J10-H1139-10	D - 9	JW1-K7768-20	D - 3	JU0-K8388-00	D - 15	90185-08841	B - 9	91401-20012	C - 14
JW1-G6275-00	C - 8	JN3-H1150-00	D - 9	JW1-K8114-00	D - 3	JU0-K8398-00	D - 15	90185-12061	C - 2	91401-20015	C - 6
JW1-G6276-00	C - 9	JN6-H1160-10	D - 9	JW1-K8115-00	D - 3	JW1-K8401-00	D - 8	90201-048R5	C - 3	91401-25020	B - 14
JW1-G6280-00	C - 9	JN6-H1161-00	D - 10	JW1-K8115-10	D - 3	JW1-K8402-00	D - 8	90201-05800	C - 14		C - 2
JW1-G6300-00	C - 10	JN6-H1165-00	D - 9	JW1-K8115-20	D - 3	JW1-K8423-00	D - 7	90201-068G7	D - 7	91490-30015	C - 5
JW1-G6311-00	C - 11	JW1-H1170-10	D - 11	JW1-K8115-30	D - 3	JW1-K8426-00	D - 8		D - 14	91701-05010	B - 7
JW1-G6312-00	C - 11	JN6-H1171-10	D - 11	JW1-K8115-40	D - 3	JW1-K8427-00	D - 8	90201-088T2	D - 15	91701-05014	C - 6
JW1-G6326-00	C - 11	J55-H1173-00	D - 11	JW1-K8115-50	D - 3	JG5-WF511-10	B - 14	90201-128S4	B - 12	91701-06014	C - 14
JW1-G6327-00	C - 11	JW1-H1253-00	C - 12	JW1-K8115-60	D - 3	90101-06478	D - 11	90201-18620	D - 11	91701-06016	C - 6
JW1-G6328-00	C - 12	JN3-H1661-00	D - 10	JW1-K8142-00	D - 5	90105-05006	C - 14	90201-198S7	C - 14	91701-10028	C - 5
JW1-G6335-00	C - 11	JR3-H1950-00	D - 12	JW1-K8142-10	D - 5	90105-06831	B - 13	90201-208S8	C - 14	92902-04100	B - 8
JW1-G6336-00	C - 12	JN6-H2105-00	D - 12	JW1-K8142-20	D - 5	90105-06861	D - 8	90209-08018	C - 9	92907-04100	C - 14
JW1-G6338-00	C - 11	JW1-H2115-00	D - 12	JW1-K8142-30	D - 5	90105-06862	B - 7	90209-32832	B - 15	92907-04600	C - 14
JW1-G633A-00	C - 12	JW1-H2116-00	D - 12	JW1-K8142-40	D - 5	90267-63047	C - 14	90269-63047	D - 3	92907-05100	D - 12
JW1-G633G-00	C - 12	JW1-H2117-00	D - 12	JW1-K8142-50	D - 5		D - 3	90269-06804	D - 3	92907-05600	D - 12
JW1-G633H-00	C - 12	JW1-H2133-00	D - 12	JW1-K8142-60	D - 5		D - 12		D - 5	92907-08600	C - 3
JW1-G633J-00	C - 10	J55-H2136-00	D - 12	JW1-K8151-00	D - 5	90105-08806	C - 9		D - 6	9290N-06100	D - 9
JW1-G6344-00	C - 12	JR1-H2150-00	D - 12	JW1-K8164-00	D - 2	90105-08867	D - 12	90269-07001	D - 3	9290N-06600	D - 9
JW1-G6345-00	C - 12	JN6-H2377-00	D - 5	JW1-K8174-00	D - 2	90105-08878	D - 2	90269-08813	B - 6	9290P-06200	D - 12
JW1-G6348-00	C - 11	JU2-H2510-10	D - 13	JW1-K818A-00	D - 6	90105-08892	D - 15		D - 5	9290P-06600	C - 14
JW1-G6349-00	C - 11	JU2-H2510-20	D - 13	JW1-K818B-00	D - 6	90105-10064	B - 14	90280-04052	D - 11	9290P-10200	B - 11
JW1-G6356-00	C - 11	JU2-H2511-00	D - 13	JW1-K8191-00	D - 6	90105-10728	B - 14	90340-12097	B - 10	9290P-12200	C - 2
JW1-G6363-00	C - 12	5UG-H2579-00	D - 13	JW1-K8192-00	D - 6	90105-10810	C - 3	90381-17067	B - 14	92990-05100	B - 8
JN3-G6372-00	C - 14	JW1-H2590-00	D - 12	JW1-K8233-10	D - 3	90105-10890	B - 14	90381-18001	B - 14	9299R-06200	D - 7
JW1-G6375-00	C - 11	JW1-H2917-00	D - 13	JW1-K8237-00	D - 5	90105-13864	B - 12	90386-08141	C - 7	93102-30083	B - 14
JN3-G6376-00	C - 14	JR1-H3383-01	D - 12	JW1-K8245-00	D - 3	90109-08169	D - 7	90387-046N7	C - 3	93102-35014	B - 10
JW1-G6380-00	C - 12	JN6-H3386-01	D - 12	JW1-K8261-00	D - 3	90109-08875	D - 11	90387-12016	B - 14	93210-15414	D - 11
JN3-G6381-00	C - 14	JW1-K7115-00	D - 14	JW1-K8262-00	D - 4	90110-06041	D - 8	90387-241M7	B - 14	93210-22344	B - 10
JW1-G6386-00	C - 12	JW1-K7173-00	D - 14	JW1-K8270-00	D - 6	90110-06102	D - 3	90461-14108	D - 12	93210-398D6	B - 7
JW1-G6387-00	C - 11	JW1-K7200-00	D - 14	JW1-K8273-00	D - 3		D - 7	90464-12836	C - 4	93306-005Y3	B - 14
JW1-G6388-00	C - 11	JW1-K7200-10	D - 14	JW1-K8297-00	D - 5	90111-05801	D - 3	90464-19815	D - 13	93306-20201	B - 10
JW1-G6393-00	C - 10	JW1-K7200-20	D - 14	JW1-K8310-00	D - 15	90114-12800	B - 14	90464-20237	D - 12	93306-20226	D - 9
JW1-G6415-00	C - 11	JW1-K7200-30	D - 14	JW1-K8312-00	D - 15	90119-06808	D - 8	90464-38800	D - 12	93306-204X0	B - 14
JW1-G6511-00	C - 12	JW1-K7212-00	D - 14	JW1-K8313-00	D - 15	90119-06838	B - 7	90464-40825	D - 13	93306-20714	B - 10
JW1-G6512-00	C - 12	JW1-K7217-00	D - 14	JW1-K8314-00	D - 15	90119-06868	D - 5	90464-76800	C - 14	93306-30317	D - 9
JW1-G6542-00	C - 11	JW1-K7222-00	D - 14	JW1-K832F-00	D - 15	90119-08825	B - 9		D - 13	93306-30709	B - 10
JW1-G6554-00	C - 12	JW1-K7237-00	D - 14	JW1-K832H-00	D - 15	90157-06814	D - 15	90465-06038	C - 14	93450-21053	B - 4
JW1-G6555-00	C - 12	JW1-K7329-00	D - 3	JW1-K833H-00	D - 15	90159-06107	B - 10	90467-10846	C - 4	94702-00343	B - 3
JW1-G6854-00	C - 10	JW1-K7449-00	D - 3	JW1-K8340-00	D - 7	90159-06845	D - 7	90467-12845	C - 4	94702-00348	B - 3
JW1-G6894-00	C - 12	JU0-K7458-00	D - 14	JW1-K834G-00	D - 7	90163-06005	D - 12	90467-13847	B - 3	95307-06600	C - 7
JW1-G8171-00	C - 8	JW1-K7510-00	D - 2	JN6-K8355-00	D - 7	90170-05302	B - 5	90468-10049	B - 7		D - 11

NUMERICAL INDEX

PART NO.	GRID NO.	PART NO.	GRID NO.	PART NO.	GRID NO.	PART NO.	GRID NO.	PART NO.	GRID NO.	PART NO.	GRID NO.
95307-18600	D - 11	99530-14016	B - 3								
9530N-06600	D - 9										
95607-08710	B - 3										
95607-10200	B - 14										
95607-12200	B - 12										
	C - 2										
95607-14100	B - 15										
9560P-06200	C - 7										
9560P-08200	C - 6										
9560P-10200	B - 11										
	B - 12										
	D - 2										
9561P-12100	B - 14										
95627-08618	B - 3										
95707-06500	D - 12										
95707-08500	B - 7										
	D - 11										
95807-06020	B - 6										
95807-10055	B - 12										
95807-10065	B - 14										
95817-08045	B - 10										
95817-10050	B - 10										
95817-10070	B - 3										
95817-12030	D - 11										
95817-12065	B - 12										
95817-12080	B - 14										
9581P-08016	C - 2										
95827-06012	D - 11										
95827-06025	D - 11										
95827-06030	B - 3										
9582P-06012	D - 2										
9582P-06040	D - 8										
9582P-08020	D - 11										
97017-08030	C - 3										
9708R-06020	D - 7										
9751P-10650	B - 12										
97707-40525	C - 3										
97707-60520	B - 6										
98507-04010	B - 8										
98507-04016	C - 14										
98507-05008	B - 8										
98507-05025	D - 12										
9850N-04010	D - 9										
9850N-05016	D - 9										
9850N-05018	D - 10										
99001-07600	B - 7										
99009-19400	C - 14										
99530-08016	B - 10										