

PARTS CATALOG



2005

G22-EB (JU22) U.S.A.



THIS CATALOG COVERS SERIAL NUMBER JU2-205701 AND ABOVE

CONTENTS

ACCELERATOR	B3
BATTERY CHARGER DPI	C7
BATTERY CHARGER MAC	C6
BODY	B8
BODY 2	B9-10
BODY FITTING	B11
BRAKE	A11-12
BRAKE 2	B1
BRAKE 3	B2
BUMPER	B7
CARRIER	B12
CONTROLLER 1	C3
ELECTRIC MOTOR	C2
ELECTRICAL 1	C4-5
FRAME	A6
FRONT SUSPENSION & WHEEL	A7-8
OPTIONAL ENERGY/HOUR GAUGES	C12
OPTIONAL LIGHT KIT	C10-11
OPTIONAL SUN ROOF	C9
OPTIONAL WINDSHIELD	C8
REAR ARM & SUSPENSION	A5
REAR AXLE MOUNT & WHEEL	B6
SEAT	C1
STEERING	A9-10
TRANSAXLE	B4-5

FOREWORD

This Parts Catalog is related to the parts for the model(s) on the cover page. When you are ordering replacement parts, please refer to this Parts Catalog and quote both part numbers and part names correctly.

1. Modifications or additions which have been made after the issue of the Parts Catalog will be announced in the Parts News. It is advisable that you make the necessary corrections to the Parts Catalog according to the Parts News.
2. Abbreviations
The following abbreviations are used in this Parts catalog.

 "UR" Use specified parts number.
 "UN" Use as many as needed.
 "AP" Locally made (Parts need to be ordered locally)
 "F#" Frame No. (Applicable machine No.)
3. The number of components for assembly
 * Parts which are to be supplied in an assembly, are listed with a dor(>) in front of the part name as shown below.
 * The numeral appearing to the right of each component part indicates the quantity of parts for each assembly unit.

PART NO.	DESCRIPTION	QTY	REMARKS
2F5-83310-60-00	FRONT FLASHER LIGHT ASSY	2	
115-83311-60-00	.BULB (6V-18W)	1	

4. Applicable colors of graphics are represented in the "REMARKS" as shown below.

PART NO.	DESCRIPTION	QTY	REMARKS
2N4-24110-00-X5	FUEL TANK COMP.	2	MXR
3J1-24240-10-00	.GRAPHIC, FUEL TANK	1	FOR MXR

5. Note that the illustrations for reference in finding parts numbers are not to be used for assembling. When assembling, please use the applicable service manual.

6. The asterisk (*) before a reference number indicates modified items after the first edition.

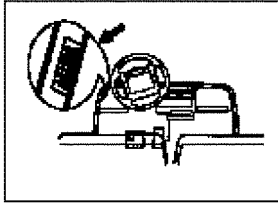
CONTENTS

ACCELERATOR	B3
BATTERY CHARGER DPI	C7
BATTERY CHARGER MAC	C6
BODY	B8
BODY 2	B9-10
BODY FITTING	B11
BRAKE	A11-12
BRAKE 2	B1
BRAKE 3	B2
BUMPER	B7
CARRIER	B12
CONTROLLER 1	C3
ELECTRIC MOTOR	C2
ELECTRICAL 1	C4-5
FRAME	A6
FRONT SUSPENSION & WHEEL	A7-8
OPTIONAL ENERGY/HOUR GAUGES	C12
OPTIONAL LIGHT KIT	C10-11
OPTIONAL SUN ROOF	C9
OPTIONAL WINDSHIELD	C8
REAR ARM & SUSPENSION	A5
REAR AXLE MOUNT & WHEEL	B6
SEAT	C1
STEERING	A9-10
TRANSAXLE	B4-5

FOREWORD

7. Applicable Serial No.

Frame Serial No.



8. Applicable Color Code (The (*) mark shows Model color.).

Abbreviation	Color Marketing Name	Color Code
DPBMT(*)	BRIGHT BLUE METALLIC	0978
DRMG(*)	CANDY APPLE RED METALLIC	0811
HTR(*)	BURGUNDY	00EY
VDGS1(*)	HUNTER GREEN	0614
VPYS2(*)	IVORY	0500

9. Applicable Starting Serial No.

Frame Serial No.

Serial No.	Name	Model Code
JU2-205701	G22-EB	JU22

CONTENTS

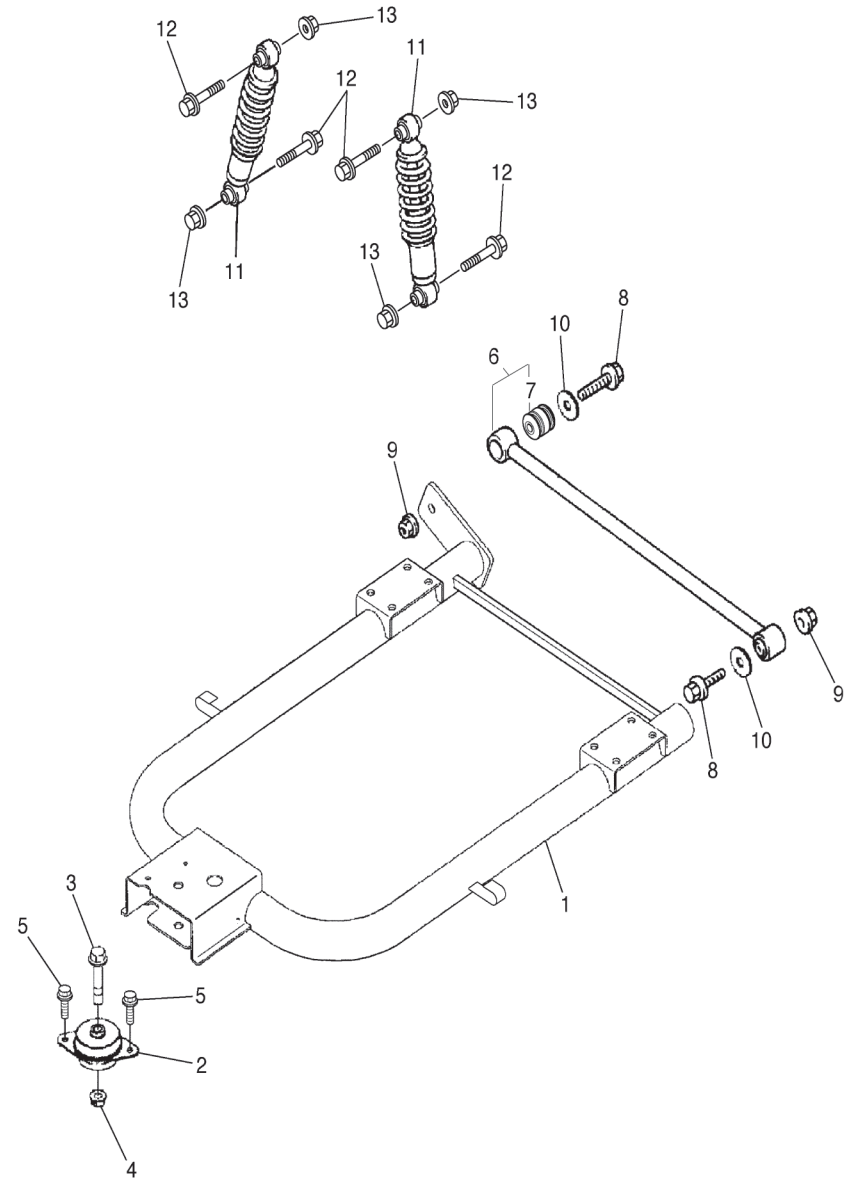
ACCELERATOR	B3
BATTERY CHARGER DPI	C7
BATTERY CHARGER MAC	C6
BODY	B8
BODY 2	B9-10
BODY FITTING	B11
BRAKE	A11-12
BRAKE 2	B1
BRAKE 3	B2
BUMPER	B7
CARRIER	B12
CONTROLLER 1	C3
ELECTRIC MOTOR	C2
ELECTRICAL 1	C4-5
FRAME	A6
FRONT SUSPENSION & WHEEL	A7-8
OPTIONAL ENERGY/HOUR GAUGES	C12
OPTIONAL LIGHT KIT	C10-11
OPTIONAL SUN ROOF	C9
OPTIONAL WINDSHIELD	C8
REAR ARM & SUSPENSION	A5
REAR AXLE MOUNT & WHEEL	B6
SEAT	C1
STEERING	A9-10
TRANSAXLE	B4-5

CONTENTS

ACCELERATOR	B3
BATTERY CHARGER DPI	C7
BATTERY CHARGER MAC	C6
BODY	B8
BODY 2	B9-10
BODY FITTING	B11
BRAKE	A11-12
BRAKE 2	B1
BRAKE 3	B2
BUMPER	B7
CARRIER	B12
CONTROLLER 1	C3
ELECTRIC MOTOR	C2
ELECTRICAL 1	C4-5
FRAME	A6
FRONT SUSPENSION & WHEEL	A7-8
OPTIONAL ENERGY/HOUR GAUGES	C12
OPTIONAL LIGHT KIT	C10-11
OPTIONAL SUN ROOF	C9
OPTIONAL WINDSHIELD	C8
REAR ARM & SUSPENSION	A5
REAR AXLE MOUNT & WHEEL	B6
SEAT	C1
STEERING	A9-10
TRANSAXLE	B4-5

G22-EB
PARTS CATALOG
©2005 by Yamaha Motor Co., Ltd.
1st Edition, January 2005
All rights reserved
any reprinting or unauthorized use
without the written permission of
Yamaha Motor Co., Ltd.
is expressly prohibited.
Printed in the U.S.A.

REAR ARM & SUSPENSION



Ref. No.	Part Number	Description	Qty	Remarks
1	JU2-F2110-01-00	REAR ARM COMP.	1	
2	JN6-F2123-10-00	BUSH 1	1	
3	90105-13864-00	BOLT, FLANGE	1	
4	90179-13878-00	NUT	1	
5	9751P-10620-00	BOLT, WITH WASHER	2	
6	JN6-F2172-00-00	ROD, CONNECTING 2	1	
7	JN6-F2124-10-00	. BUSH 2	2	
8	9581P-12065-00	BOLT, FLANGE	2	
9	9560P-12200-00	NUT, FLANGE	2	
10	90201-128S4-00	WASHER, PLATE	2	
11	JN4-F2210-00-00	SHOCK ABSORBER ASSY, REAR	2	
12	95807-10055-00	BOLT, FLANGE	4	
13	95607-10200-00	NUT, U FLANGE	4	

CONTENTS

ACCELERATOR	B3
BATTERY CHARGER DPI	C7
BATTERY CHARGER MAC	C6
BODY	B8
BODY 2	B9-10
BODY FITTING	B11
BRAKE	A11-12
BRAKE 2	B1
BRAKE 3	B2
BUMPER	B7
CARRIER	B12
CONTROLLER 1	C3
ELECTRIC MOTOR	C2
ELECTRICAL 1	C4-5
FRAME	A6
FRONT SUSPENSION & WHEEL	A7-8
OPTIONAL ENERGY/HOUR GAUGES	C12
OPTIONAL LIGHT KIT	C10-11
OPTIONAL SUN ROOF	C9
OPTIONAL WINDSHIELD	C8
REAR ARM & SUSPENSION	A5
REAR AXLE MOUNT & WHEEL	B6
SEAT	C1
STEERING	A9-10
TRANSAXLE	B4-5

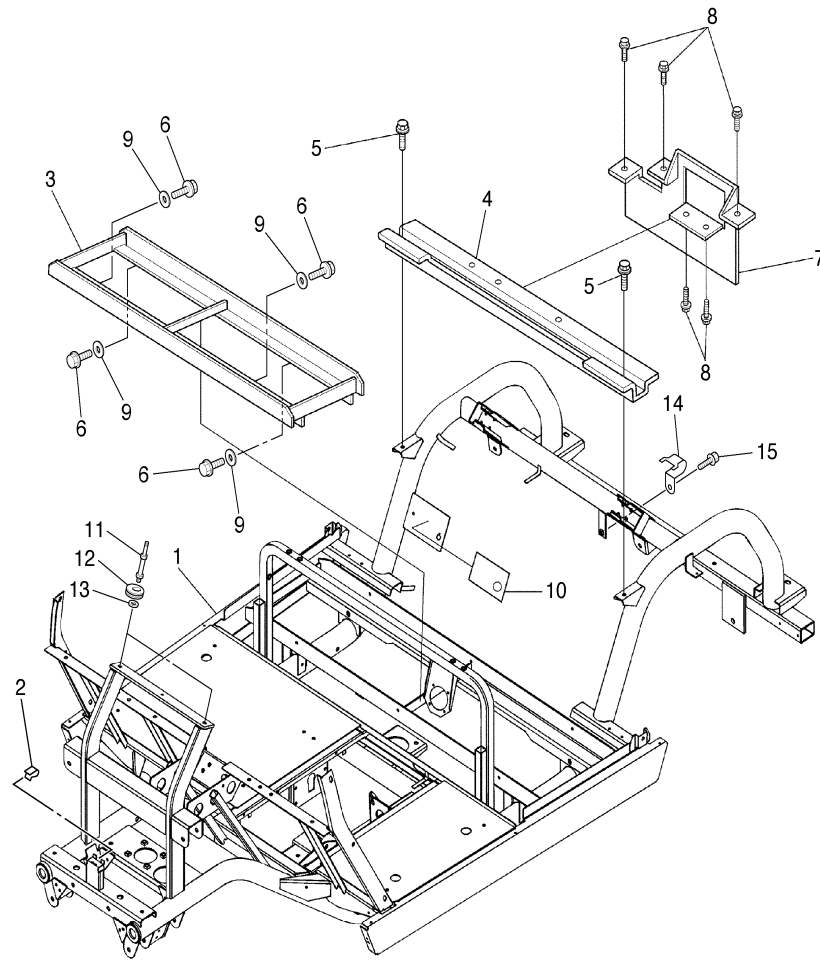

JT83010-C010

FRAME

Ref. No.	Part Number	Description	Qty	Remarks
1	JU2-F2501-00-00	FRAME COMP.	1	
2	JU0-F2567-00-00	SUPPORT 1	1	
3	JU2-F2554-10-00	BASE, BATTERY	1	
4	JU0-F254R-00-00	SUPPORT, BODY MOUNTING .	1	
5	95807-08016-00	BOLT, FLANGE	2	
6	90105-10881-00	BOLT, FLANGE	4	
7	JU2-F252M-00-00	BRACKET, 3	1	
8	90163-06005-00	SCREW, TAPPING	5	
9	90201-11800-00	WASHER, PLATE	4	
10	JR1-K8298-10-00	PLATE, CAUTION 2	1	
11	JU0-K834A-00-00	REINF., HOLDER	2	FOR SUN ROOF
12	JN3-K832F-00-00	GROMMET, ROOF SUPPORT .	2	FOR SUN ROOF
13	90201-11800-00	WASHER, PLATE	2	FOR SUN ROOF
14	90462-20186-00	CLAMP	1	
15	90105-06876-00	BOLT, FLANGE	1	

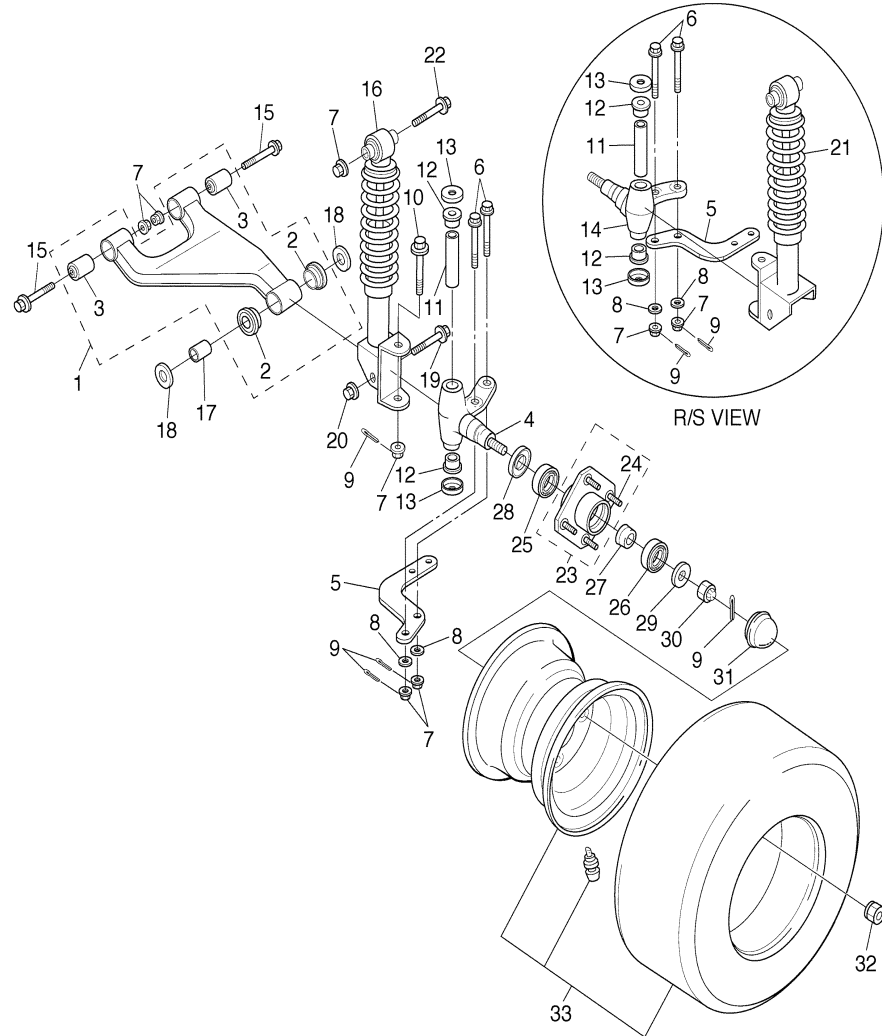
CONTENTS

ACCELERATOR	B3
BATTERY CHARGER DPI	C7
BATTERY CHARGER MAC	C6
BODY	B8
BODY 2	B9-10
BODY FITTING	B11
BRAKE	A11-12
BRAKE 2	B1
BRAKE 3	B2
BUMPER	B7
CARRIER	B12
CONTROLLER 1	C3
ELECTRIC MOTOR	C2
ELECTRICAL 1	C4-5
FRAME	A6
FRONT SUSPENSION & WHEEL	A7-8
OPTIONAL ENERGY/HOUR GAUGES	C12
OPTIONAL LIGHT KIT	C10-11
OPTIONAL SUN ROOF	C9
OPTIONAL WINDSHIELD	C8
REAR ARM & SUSPENSION	A5
REAR AXLE MOUNT & WHEEL	B6
SEAT	C1
STEERING	A9-10
TRANSAXLE	B4-5



JU22100-D020

FRONT SUSPENSION & WHEEL



Ref. No.	Part Number	Description	Qty	Remarks
1	JU0-F3570-20-00	FRONT LOWER ARM COMP. . .	2	
2	90381-18001-00	. BUSH, SOLID	2	
3	2HR-23526-00-00	. BUSH	2	
4	JU0-F3511-00-00	KNUCKLE, STEERING 1	1	
5	JU0-F3512-01-00	ARM, KNUCKLE 1	2	
6	90105-10728-00	BOLT, FLANGE	4	
7	95607-10200-00	NUT, U FLANGE	12	
8	90201-108P8-00	WASHER, PLATE	4	
9	91401-25020-00	PIN, COTTER	8	
10	90105-10064-00	BOLT, FLANGE	2	
11	2NL-23448-00-00	SPACER	2	
12	90381-17067-00	BUSH, SOLID	4	
13	2NL-23517-00-00	COVER, THRUST 1	4	
14	JU0-F3521-00-00	KNUCKLE, STEERING 2	1	
15	90105-10890-00	BOLT, FLANGE	4	
16	JU0-F3350-20-00	SHOCK ABSORBER ASSY . . .	1	
17	90387-12016-00	COLLAR	2	
18	401-22128-01-00	COVER, THRUST 1	4	
19	95817-12080-00	BOLT, FLANGE	2	
20	9561P-12100-00	NUT	2	
21	JU0-F3390-20-00	SHOCK ABSORBER ASSY 2 . .	1	
22	95807-10065-00	BOLT, FLANGE	2	
23	JG5-WF511-10-00	HUB, FRONT	2	
24	90114-12800-00	. BOLT, SERRATION	4	
25	93306-204X0-00	BEARING	2	
26	93306-005Y3-00	BEARING	2	
27	90387-241M7-00	COLLAR	2	
28	93102-30083-00	OIL SEAL	2	
29	90209-32832-00	WASHER	2	
30	95607-14100-00	NUT, U	2	

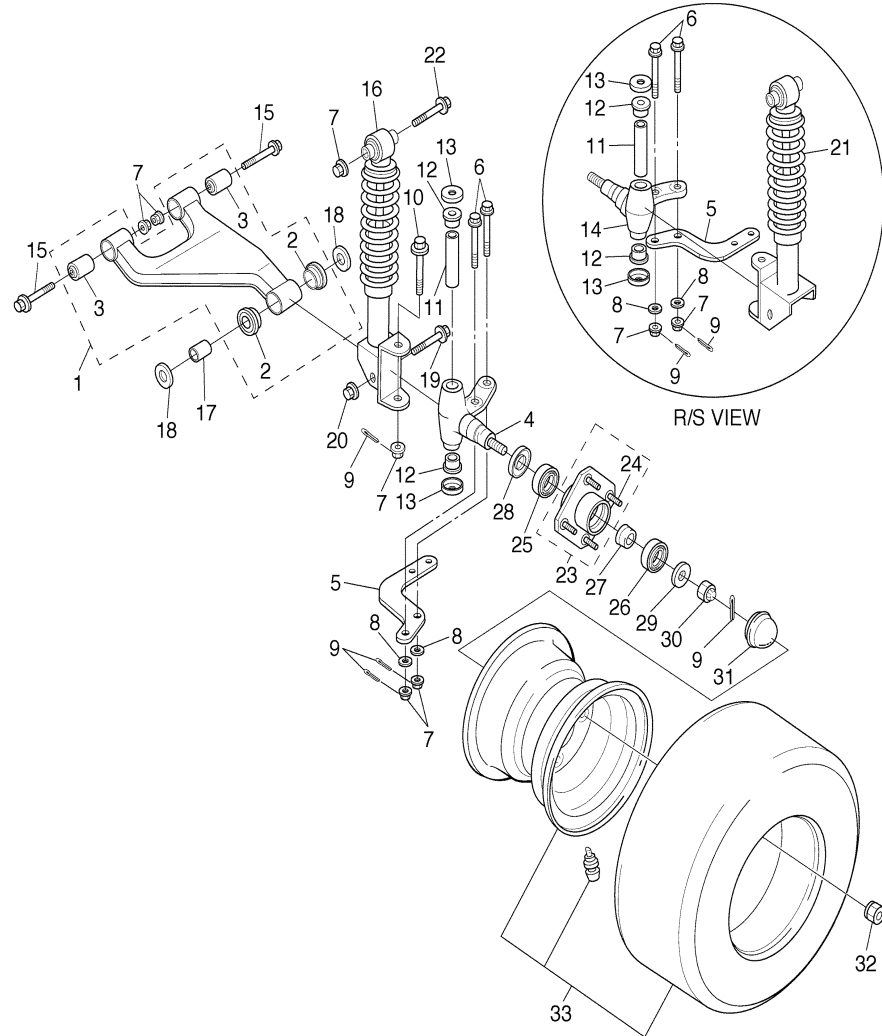
CONTENTS

ACCELERATOR	B3
BATTERY CHARGER DPI	C7
BATTERY CHARGER MAC	C6
BODY	B8
BODY 2	B9-10
BODY FITTING	B11
BRAKE	A11-12
BRAKE 2	B1
BRAKE 3	B2
BUMPER	B7
CARRIER	B12
CONTROLLER 1	C3
ELECTRIC MOTOR	C2
ELECTRICAL 1	C4-5
FRAME	A6
FRONT SUSPENSION & WHEEL	A7-8
OPTIONAL ENERGY/HOUR GAUGES	C12
OPTIONAL LIGHT KIT	C10-11
OPTIONAL SUN ROOF	C9
OPTIONAL WINDSHIELD	C8
REAR ARM & SUSPENSION	A5
REAR AXLE MOUNT & WHEEL	B6
SEAT	C1
STEERING	A9-10
TRANSAXLE	B4-5

CONTINUED ON NEXT FRAME ►



FRONT SUSPENSION & WHEEL



Ref. No.	Part Number	Description	Qty	Remarks
31	JN6-F5118-00-00	COVER, HUB DUST	2	
32	90179-12262-00	NUT	8	
33	JN6-F5100-11-00	WHEEL ASSY (18X8.5-8 4PLY)	2	UR KENDA
	JU0-F5100-00-00	WHEEL ASSY (18X8.5-8 4PR)	2	UR MAXXIS PRORIDE

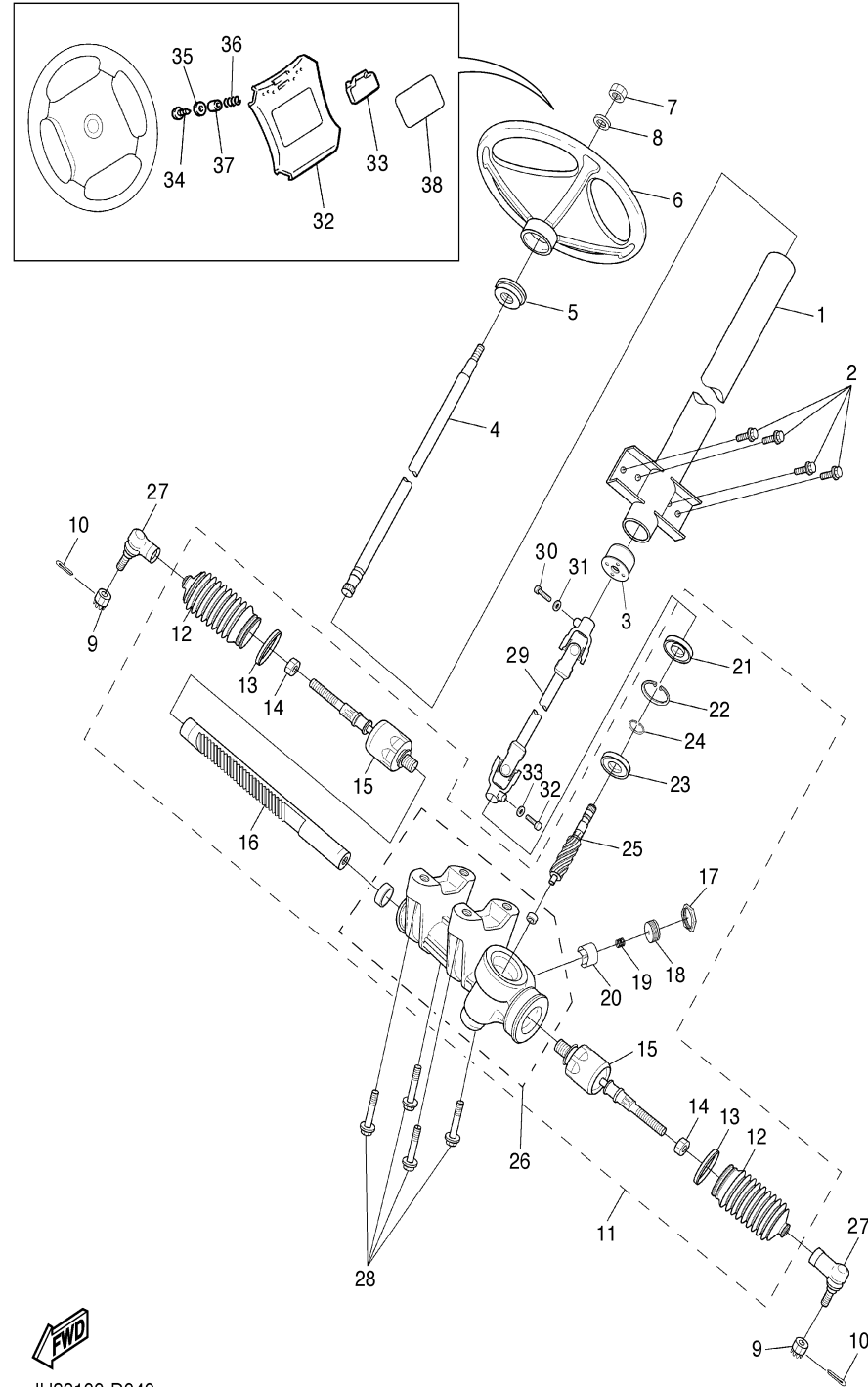
CONTENTS

ACCELERATOR	B3
BATTERY CHARGER DPI	C7
BATTERY CHARGER MAC	C6
BODY	B8
BODY 2	B9-10
BODY FITTING	B11
BRAKE	A11-12
BRAKE 2	B1
BRAKE 3	B2
BUMPER	B7
CARRIER	B12
CONTROLLER 1	C3
ELECTRIC MOTOR	C2
ELECTRICAL 1	C4-5
FRAME	A6
FRONT SUSPENSION & WHEEL	A7-8
OPTIONAL ENERGY/HOUR GAUGES	C12
OPTIONAL LIGHT KIT	C10-11
OPTIONAL SUN ROOF	C9
OPTIONAL WINDSHIELD	C8
REAR ARM & SUSPENSION	A5
REAR AXLE MOUNT & WHEEL	B6
SEAT	C1
STEERING	A9-10
TRANSAXLE	B4-5



JT73010-C120

STEERING



Ref. No.	Part Number	Description	Qty	Remarks
1	JU0-F3811-00-00	COLUMN, STEERING	1	
2	9581P-08016-00	BOLT, FLANGE	4	
3	JU0-F3857-00-00	HOLDER	1	
4	JU0-F3828-00-00	ROD, STEERING	1	
5	JN3-F3814-00-00	HOLDER, HANDLE UPPER	1	
6	JN3-F3838-00-00	WHEEL, STEERING	1	
7	90185-12061-00	NUT, SELF-LOCKING	1	
8	9290P-12200-00	WASHER	1	
9	95607-12200-00	NUT, SELF-LOCKING	2	
10	91401-25020-00	PIN, COTTER	2	
11	JU0-F3400-00-00	STEERING ASSY	1	
12	JU0-F3848-00-00	. BOOT	2	
13	JU0-F1338-00-00	. CLAMP	2	
14	JU0-F3833-00-00	. NUT 1	2	
15	JU0-F3837-00-00	. ROD, TIE 2	2	
16	JU0-F387E-00-00	. GEAR, RACK	1	
17	JU0-F3834-00-00	. NUT 2	1	
18	JU0-F387G-00-00	. COVER, ADJUST	1	
19	JU0-F387K-00-00	. SPRING, PRESSURE	1	
20	JU0-F387F-00-00	. PAD, PRESSURE	1	
21	JU0-F3844-00-00	. SEAL	1	
22	JU0-F387J-00-00	. RING, STOPPER	1	
23	JU0-F339Y-00-00	. BEARING	1	
24	JU0-F3183-00-00	. CIRCLIP	1	
25	JU0-F387A-00-00	. GEAR, PINION	1	
26	JU0-F620A-00-00	. HOUSING, MAIN 1	1	
27	JU0-F3841-00-00	JOINT, UNIVERSAL 1	2	
28	90105-10810-00	BOLT, FLANGE	4	
29	JU0-F3822-00-00	JOINT 1	1	
30	97017-08030-00	BOLT	2	

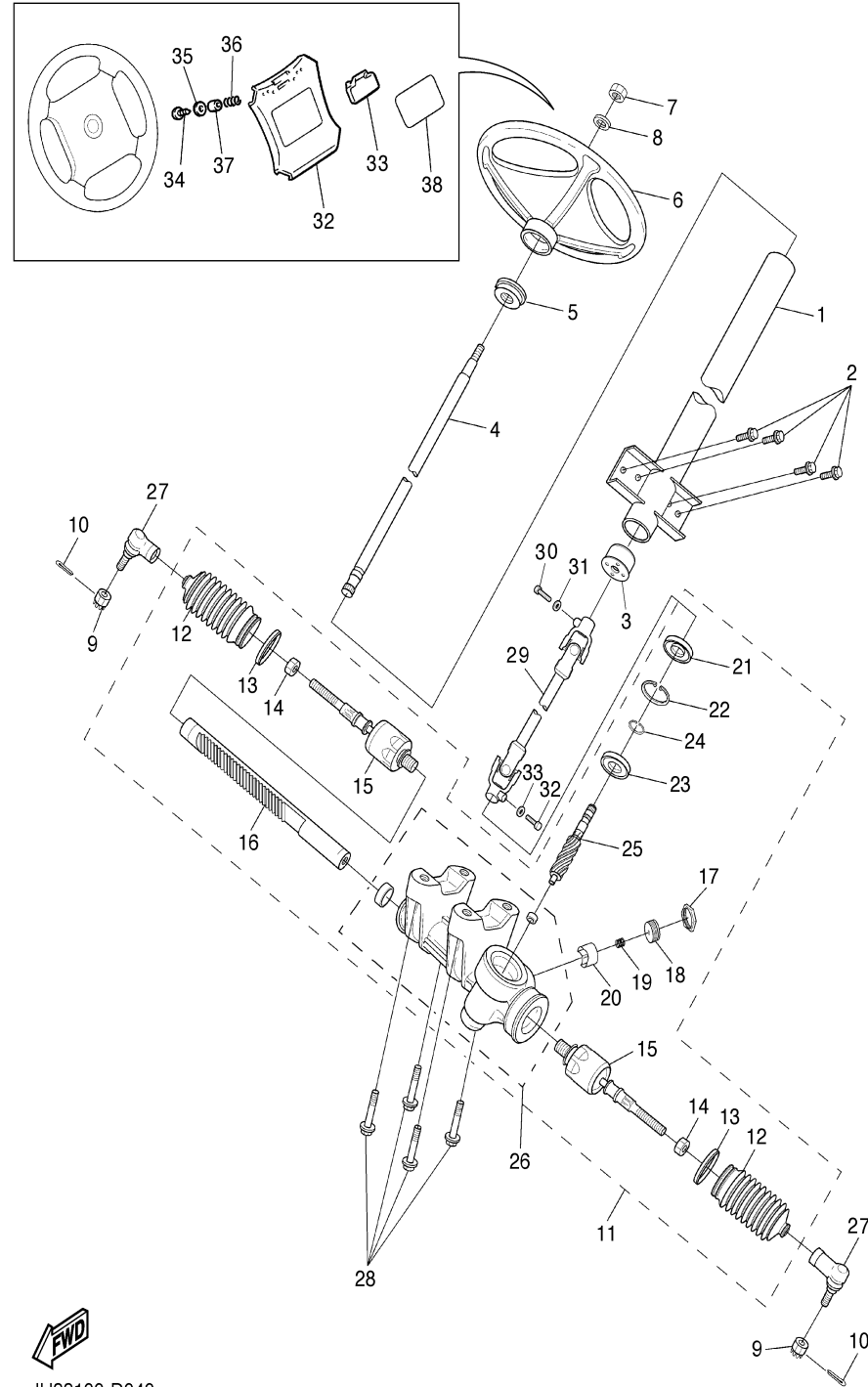
CONTENTS

ACCELERATOR	B3
BATTERY CHARGER DPI	C7
BATTERY CHARGER MAC	C6
BODY	B8
BODY 2	B9-10
BODY FITTING	B11
BRAKE	A11-12
BRAKE 2	B1
BRAKE 3	B2
BUMPER	B7
CARRIER	B12
CONTROLLER 1	C3
ELECTRIC MOTOR	C2
ELECTRICAL 1	C4-5
FRAME	A6
FRONT SUSPENSION & WHEEL	A7-8
OPTIONAL ENERGY/HOUR GAUGES	C12
OPTIONAL LIGHT KIT	C10-11
OPTIONAL SUN ROOF	C9
OPTIONAL WINDSHIELD	C8
REAR ARM & SUSPENSION	A5
REAR AXLE MOUNT & WHEEL	B6
SEAT	C1
STEERING	A9-10
TRANSAXLE	B4-5

CONTINUED ON NEXT FRAME ►



STEERING



Ref. No.	Part Number	Description	Qty	Remarks
31	92907-08600-00	WASHER, PLATE	2	
32	JN3-K8357-00-00	HOLDER 1	1	
33	JN6-K8358-01-00	HOLDER 2	1	
34	97707-40525-00	SCREW, TAPPING	2	
35	90201-048R5-00	WASHER, PLATE	2	
36	90502-10013-00	SPRING, CONICAL	2	
37	90387-046N7-00	COLLAR	2	
38	JU0-K7762-00-00	LABEL, WARNING 2 (E)	1	

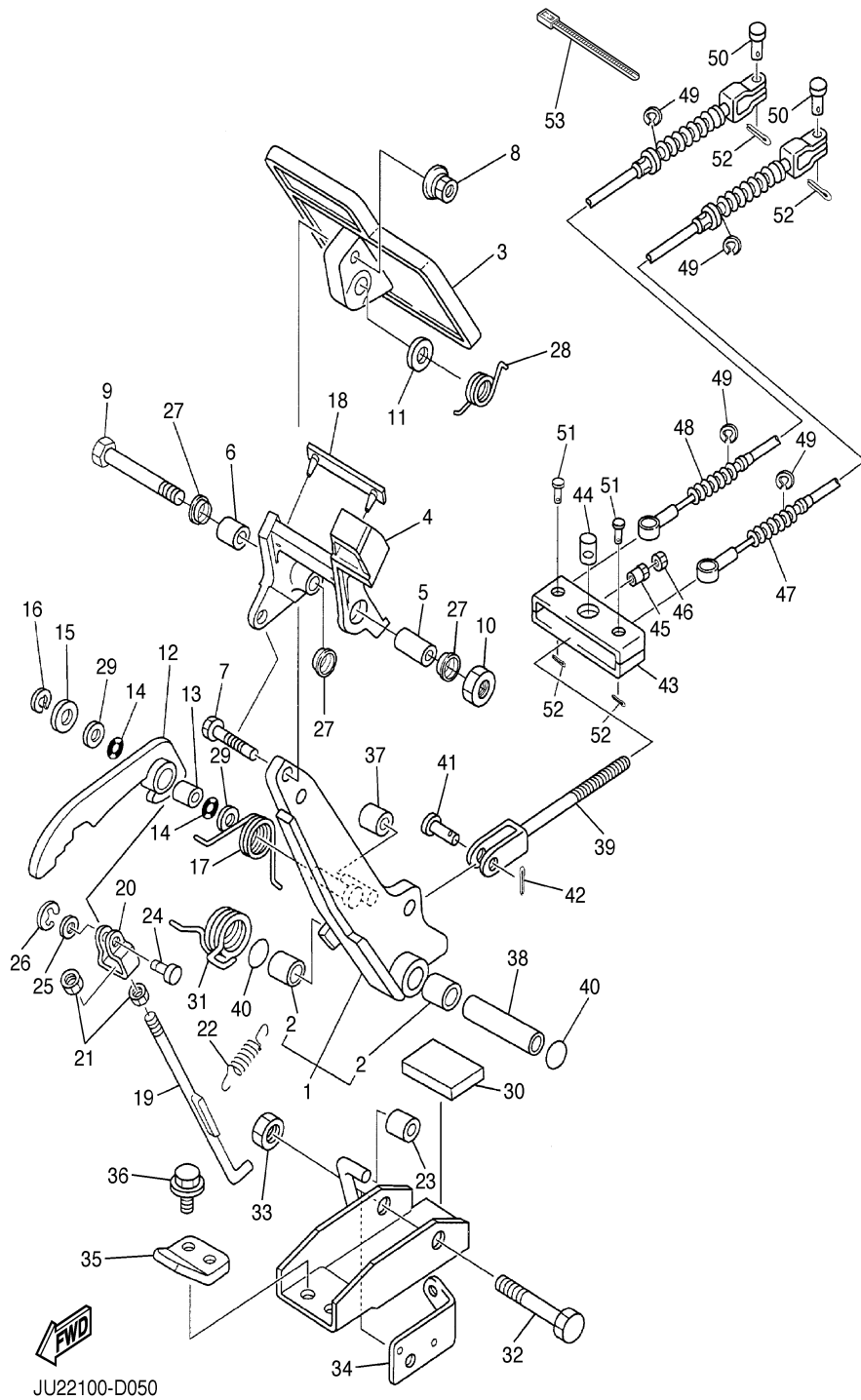
CONTENTS

ACCELERATOR	B3
BATTERY CHARGER DPI	C7
BATTERY CHARGER MAC	C6
BODY	B8
BODY 2	B9-10
BODY FITTING	B11
BRAKE	A11-12
BRAKE 2	B1
BRAKE 3	B2
BUMPER	B7
CARRIER	B12
CONTROLLER 1	C3
ELECTRIC MOTOR	C2
ELECTRICAL 1	C4-5
FRAME	A6
FRONT SUSPENSION & WHEEL	A7-8
OPTIONAL ENERGY/HOUR GAUGES	C12
OPTIONAL LIGHT KIT	C10-11
OPTIONAL SUN ROOF	C9
OPTIONAL WINDSHIELD	C8
REAR ARM & SUSPENSION	A5
REAR AXLE MOUNT & WHEEL	B6
SEAT	C1
STEERING	A9-10
TRANSAXLE	B4-5



JU22100-D040

BRAKE



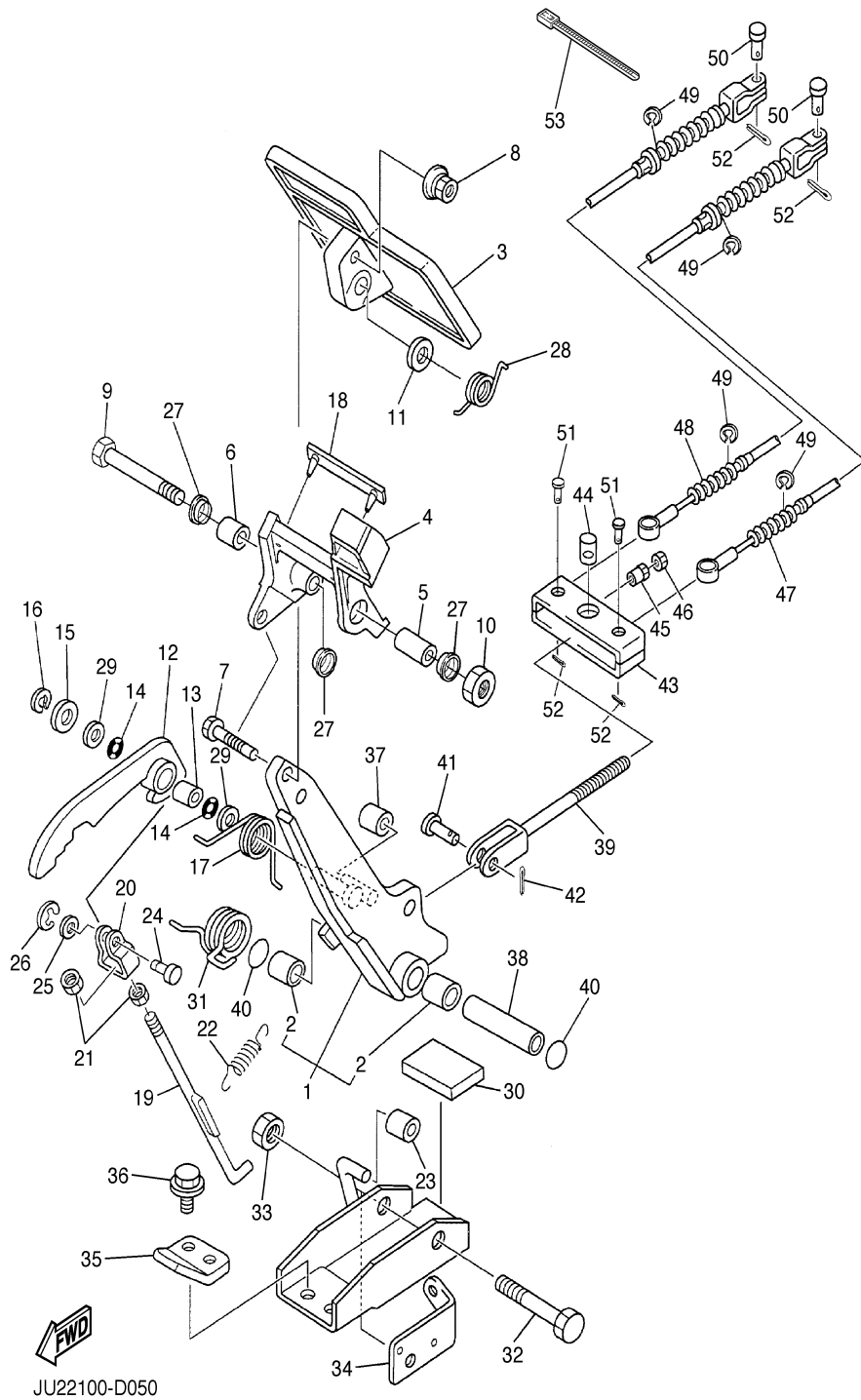
Ref. No.	Part Number	Description	Qty	Remarks
1	J46-27250-03-00	BRAKE ARM COMP.	1	
2	90384-14080-00	. BUSH, BIMETAL FORMED ...	2	
3	JU0-27211-01-00	PEDAL, BRAKE	1	
4	JU0-25671-00-00	PEDAL, PARKING BRAKE	1	
5	90387-08014-00	COLLAR	1	
6	90387-08013-00	COLLAR	1	
7	97027-06035-00	BOLT	1	
8	90179-07564-00	NUT	1	
9	97027-08100-00	BOLT	1	
10	95307-08600-00	NUT	1	
11	92907-08200-00	WASHER	1	
12	J17-25666-02-00	SECTOR, PARKING BRAKE ..	1	
13	90384-10162-00	BUSH, BIMETAL FORMED	1	
14	J17-27221-00-00	SEAL, SHAFT	2	
15	92907-10600-00	WASHER, PLATE	1	
16	99001-07600-00	CIRCLIP	1	
17	90508-14548-00	SPRING, TORSION	1	
18	J17-25672-01-00	PAD, PARKING PEDAL	1	
19	J17-27231-03-00	ROD, BRAKE	1	
20	J17-27232-00-00	END, ROD 2	1	
21	95307-06700-00	NUT	2	
22	90506-09001-00	SPRING, TENSION	1	
23	J17-25673-00-00	DAMPER, BRAKE	1	
24	J17-27228-00-00	PIN, JOINT	1	
25	92907-05600-00	WASHER, PLATE	1	
26	99001-04600-00	CIRCLIP	1	
27	90387-12009-00	COLLAR	3	
28	90508-32015-00	SPRING, TORSION	1	
29	90201-104G8-00	WASHER, PLATE	2	
30	JN3-F7245-00-00	PAD, BRAKE PEDAL	1	

CONTENTS

ACCELERATOR	B3
BATTERY CHARGER DPI	C7
BATTERY CHARGER MAC	C6
BODY	B8
BODY 2	B9-10
BODY FITTING	B11
BRAKE	A11-12
BRAKE 2	B1
BRAKE 3	B2
BUMPER	B7
CARRIER	B12
CONTROLLER 1	C3
ELECTRIC MOTOR	C2
ELECTRICAL 1	C4-5
FRAME	A6
FRONT SUSPENSION & WHEEL	A7-8
OPTIONAL ENERGY/HOUR GAUGES	C12
OPTIONAL LIGHT KIT	C10-11
OPTIONAL SUN ROOF	C9
OPTIONAL WINDSHIELD	C8
REAR ARM & SUSPENSION	A5
REAR AXLE MOUNT & WHEEL	B6
SEAT	C1
STEERING	A9-10
TRANSAXLE	B4-5

CONTINUED ON NEXT FRAME ►

BRAKE



JU22100-D050

Ref. No.	Part Number	Description	Qty	Remarks
31	90508-40007-00	SPRING, TORSION	1	
32	90101-10884-00	BOLT	1	
33	95607-10200-00	NUT, U FLANGE	1	
34	J55-2252M-00-00	BRACKET, 3	1	
35	J17-27246-00-00	NAIL, BRAKE	1	
36	90105-08878-00	BOLT, FLANGE	2	
37	J17-25673-00-00	DAMPER, BRAKE	1	
38	90387-107F8-00	COLLAR	1	
39	JN6-F5685-00-00	ROD	1	
40	93210-132A8-00	O-RING	2	
41	91701-10022-00	PIN, CLEVIS	1	
42	91490-30015-00	PIN, COTTER	1	
43	JN6-F5681-00-00	EQUALIZER, BRAKE	1	
44	90249-14129-00	PIN	1	
45	90179-08894-00	NUT	1	
46	95307-08700-00	NUT	1	
47	JU0-F6341-00-00	CABLE, BRAKE	1	
48	JU0-F6351-00-00	CABLE, BRAKE	1	
49	99001-09600-00	CIRCLIP	4	
50	91701-08018-00	PIN, CLEVIS	2	
51	91701-08026-00	PIN, CLEVIS	2	
52	91490-25015-00	PIN, COTTER	4	
53	90464-31827-00	CLAMP	1	

CONTENTS

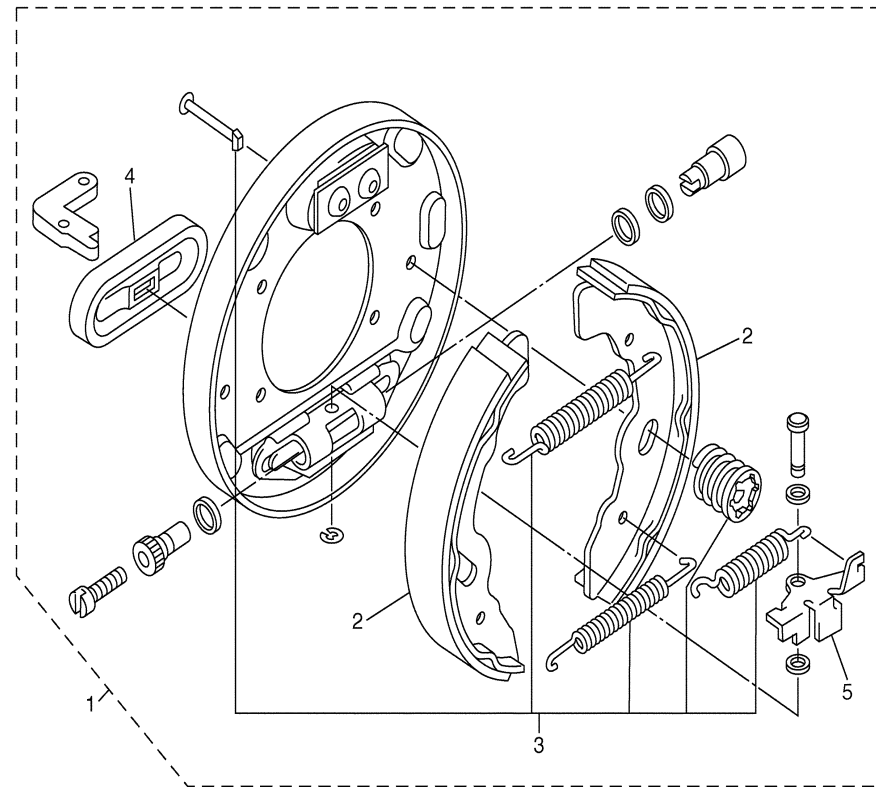
ACCELERATOR	B3
BATTERY CHARGER DPI	C7
BATTERY CHARGER MAC	C6
BODY	B8
BODY 2	B9-10
BODY FITTING	B11
BRAKE	A11-12
BRAKE 2	B1
BRAKE 3	B2
BUMPER	B7
CARRIER	B12
CONTROLLER 1	C3
ELECTRIC MOTOR	C2
ELECTRICAL 1	C4-5
FRAME	A6
FRONT SUSPENSION & WHEEL	A7-8
OPTIONAL ENERGY/HOUR GAUGES	C12
OPTIONAL LIGHT KIT	C10-11
OPTIONAL SUN ROOF	C9
OPTIONAL WINDSHIELD	C8
REAR ARM & SUSPENSION	A5
REAR AXLE MOUNT & WHEEL	B6
SEAT	C1
STEERING	A9-10
TRANSAXLE	B4-5

BRAKE 2

Ref. No.	Part Number	Description	Qty	Remarks
1	JN6-F7290-03-00	BACKING PLATE ASSY 2	1	(L.H)
2	JN6-F5331-01-00	. SHOE, BRAKE 2	1	1 EACH SIDE
3	JG5-F819G-00-00	. REPAIR PARTS KIT	1	
4	JN6-F7286-00-00	. COVER, DUST	1	
5	JN6-F722E-01-00	. LEVER, ADJUSTOR (LH)	1	

CONTENTS

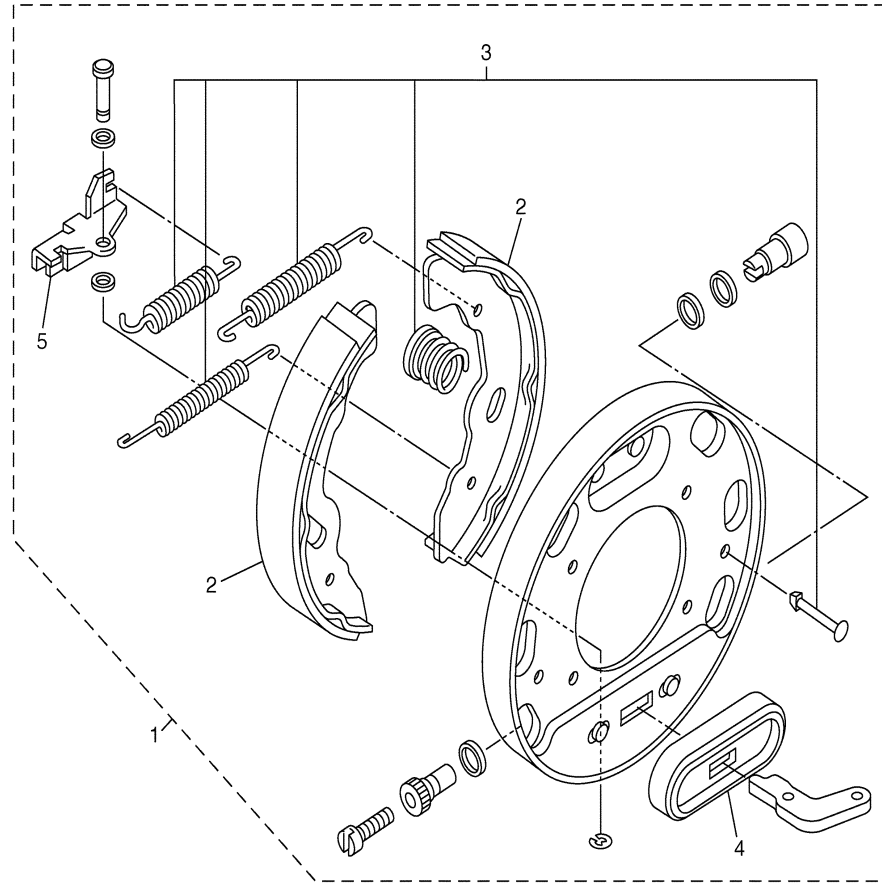
ACCELERATOR	B3
BATTERY CHARGER DPI	C7
BATTERY CHARGER MAC	C6
BODY	B8
BODY 2	B9-10
BODY FITTING	B11
BRAKE	A11-12
BRAKE 2	B1
BRAKE 3	B2
BUMPER	B7
CARRIER	B12
CONTROLLER 1	C3
ELECTRIC MOTOR	C2
ELECTRICAL 1	C4-5
FRAME	A6
FRONT SUSPENSION & WHEEL	A7-8
OPTIONAL ENERGY/HOUR GAUGES	C12
OPTIONAL LIGHT KIT	C10-11
OPTIONAL SUN ROOF	C9
OPTIONAL WINDSHIELD	C8
REAR ARM & SUSPENSION	A5
REAR AXLE MOUNT & WHEEL	B6
SEAT	C1
STEERING	A9-10
TRANSAXLE	B4-5



JT71010-B160

BRAKE 3

Ref. No.	Part Number	Description	Qty	Remarks
1	JN6-F7280-03-00	BACKING PLATE ASSY 1	1	(R.H)
2	JN6-F5331-01-00	. SHOE, BRAKE 2	1	1 EACH SIDE
3	JG5-F819G-00-00	. REPAIR PARTS KIT	1	
4	JN6-F7286-00-00	. COVER, DUST	1	
5	JN6-F722F-00-00	. LEVER, ADJUSTOR (RH)	1	



CONTENTS

ACCELERATOR	B3
BATTERY CHARGER DPI	C7
BATTERY CHARGER MAC	C6
BODY	B8
BODY 2	B9-10
BODY FITTING	B11
BRAKE	A11-12
BRAKE 2	B1
BRAKE 3	B2
BUMPER	B7
CARRIER	B12
CONTROLLER 1	C3
ELECTRIC MOTOR	C2
ELECTRICAL 1	C4-5
FRAME	A6
FRONT SUSPENSION & WHEEL	A7-8
OPTIONAL ENERGY/HOUR GAUGES	C12
OPTIONAL LIGHT KIT	C10-11
OPTIONAL SUN ROOF	C9
OPTIONAL WINDSHIELD	C8
REAR ARM & SUSPENSION	A5
REAR AXLE MOUNT & WHEEL	B6
SEAT	C1
STEERING	A9-10
TRANSAXLE	B4-5



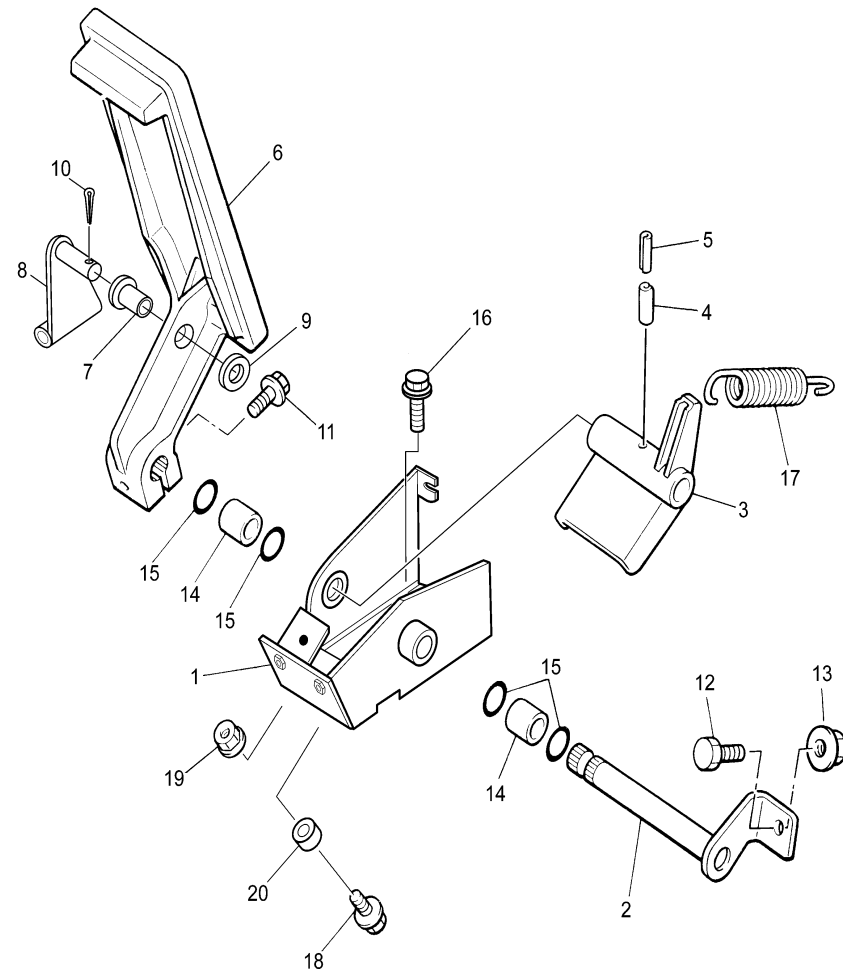
JT71010-B170

ACCELERATOR

Ref. No.	Part Number	Description	Qty	Remarks
1	JN6-F7874-01-00	BRACKET, ACCELERATOR PEDAL	1	
2	J17-27853-01-00	SHAFT, PEDAL 1	1	
3	J22-27872-00-00	ARM, ACCELERATOR PEDAL .	1	
4	91609-60028-00	PIN, SPRING	1	
5	91609-35028-00	PIN, SPRING	1	
6	JF3-27871-00-00	PEDAL, ACCELERATOR	1	
7	90381-06033-00	BUSH, SOLID	1	
8	J14-27815-00-00	LEVER, CRANK PEDAL	1	
9	9290P-06600-00	WASHER	1	
10	91401-20012-00	PIN, COTTER	1	
11	95807-06025-00	BOLT, FLANGE	1	
12	90106-08806-00	BOLT	1	
13	95707-08500-00	NUT, FLANGE	1	
14	90384-14080-00	BUSH, BIMETAL FORMED	2	
15	93210-14104-00	O-RING	4	
16	90105-08878-00	BOLT, FLANGE	3	
17	90506-26282-00	SPRING, TENSION	1	
18	95807-06025-00	BOLT, FLANGE	1	
19	95707-06500-00	NUT, FLANGE	1	
20	90387-068T4-00	COLLAR	1	

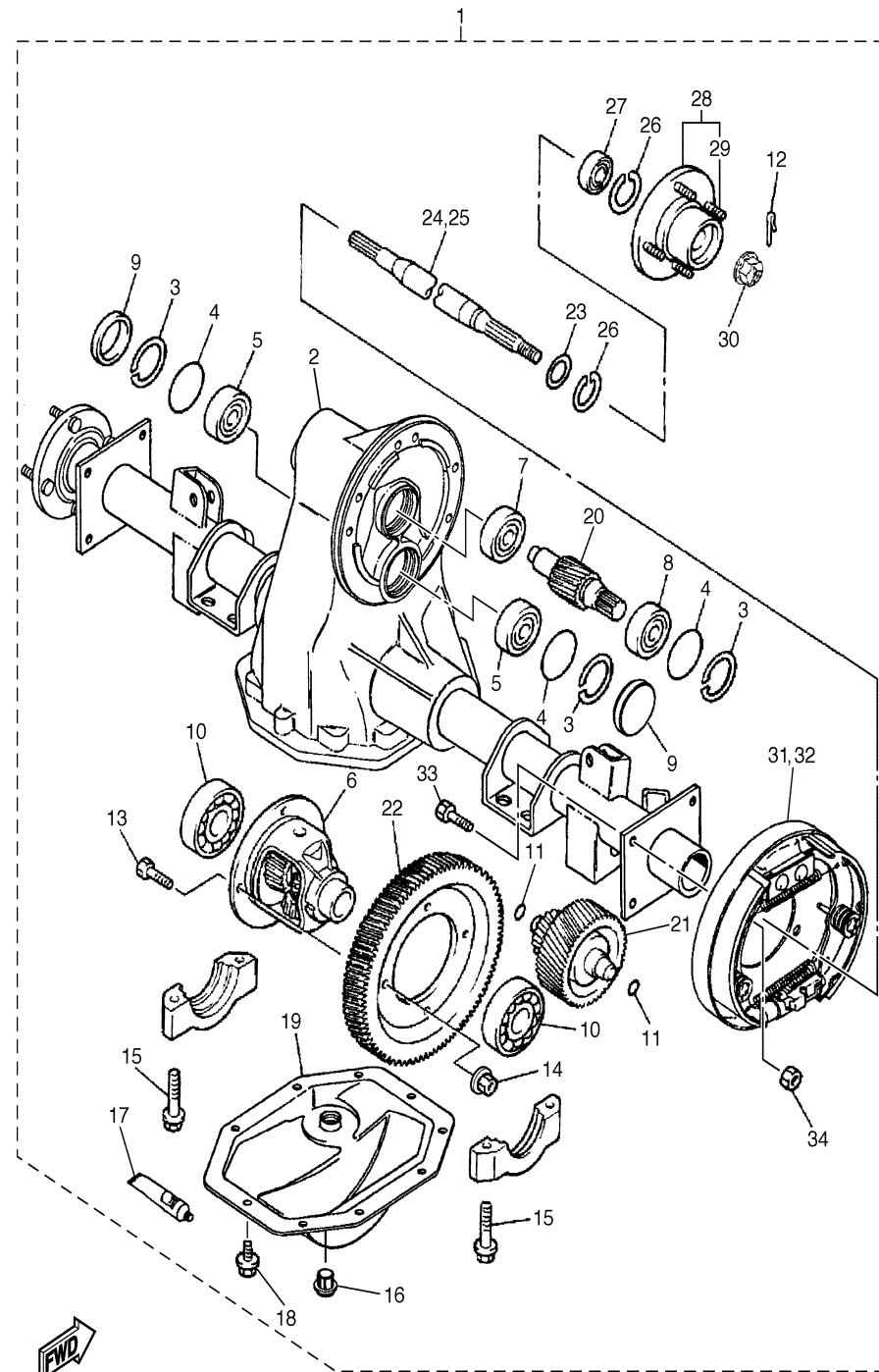
CONTENTS

ACCELERATOR	B3
BATTERY CHARGER DPI	C7
BATTERY CHARGER MAC	C6
BODY	B8
BODY 2	B9-10
BODY FITTING	B11
BRAKE	A11-12
BRAKE 2	B1
BRAKE 3	B2
BUMPER	B7
CARRIER	B12
CONTROLLER 1	C3
ELECTRIC MOTOR	C2
ELECTRICAL 1	C4-5
FRAME	A6
FRONT SUSPENSION & WHEEL	A7-8
OPTIONAL ENERGY/HOUR GAUGES	C12
OPTIONAL LIGHT KIT	C10-11
OPTIONAL SUN ROOF	C9
OPTIONAL WINDSHIELD	C8
REAR ARM & SUSPENSION	A5
REAR AXLE MOUNT & WHEEL	B6
SEAT	C1
STEERING	A9-10
TRANSAXLE	B4-5



JU2100-5080

TRANSAXLE



JU81110-C090

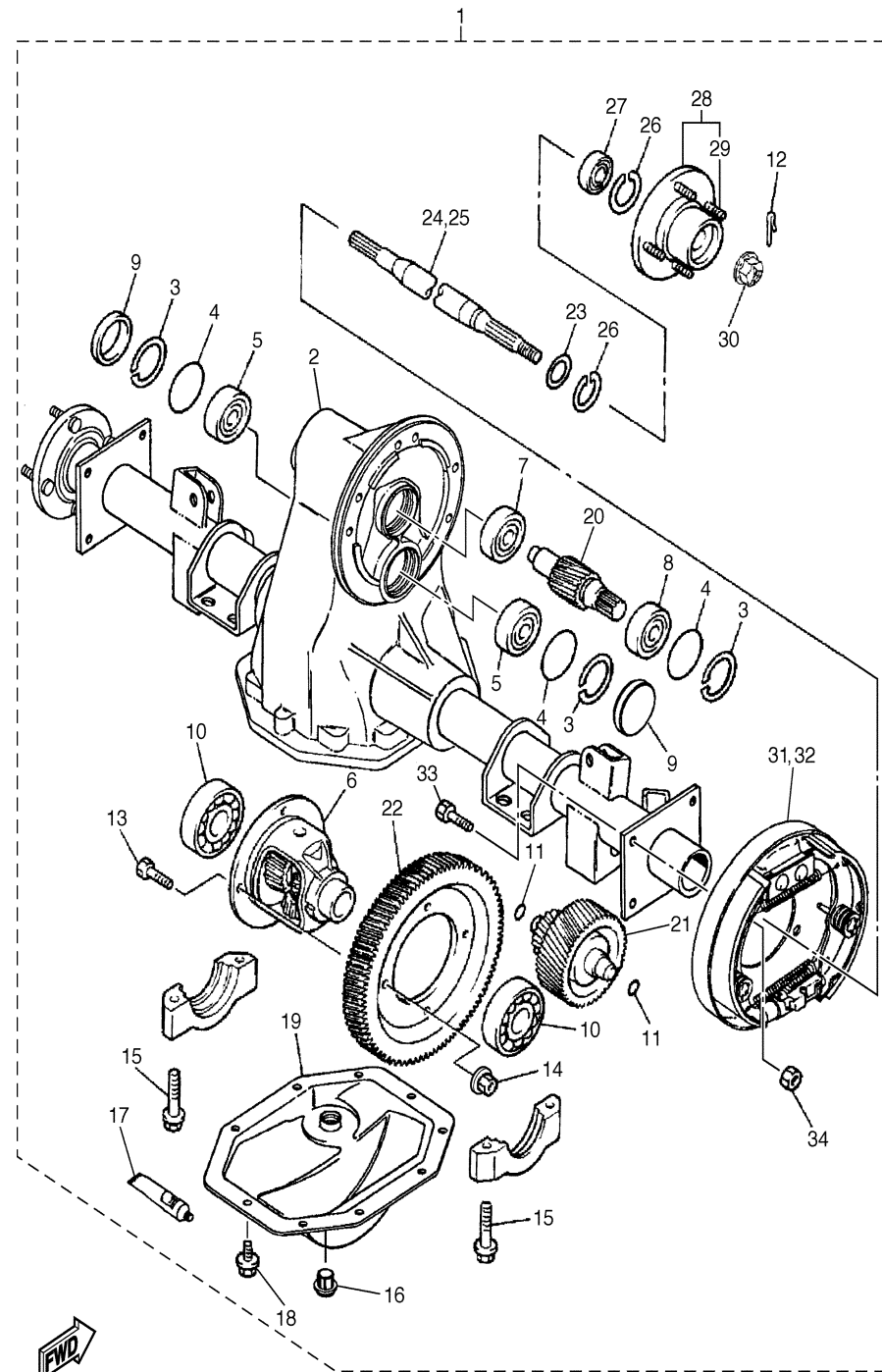
Ref. No.	Part Number	Description	Qty	Remarks
1	JU2-G6300-00-00	TRANS AXLE ASSY	1	
2	JR1-G6310-20-00	. CASE ASSY	1	
3	93420-50804-00	. CIRCLIP	3	
4	93210-478B8-00	. O-RING	3	
5	93306-303Y6-00	. BEARING	2	
6	JU2-G6410-00-00	. DIFFERENTIAL ASSY.	1	
7	93306-203X1-00	. BEARING	1	
8	93306-005Y1-00	. BEARING	1	
9	JH7-G3396-01-00	. PLUG, BLIND	2	
10	93306-007Y0-00	. BEARING	2	
11	93210-148B9-00	. O-RING	2	
12	91490-25025-00	. PIN, COTTER	2	
13	90101-10854-00	. BOLT	4	
14	90170-10840-00	. NUT	4	
15	90105-10840-00	. BOLT, FLANGE	4	
16	JN3-G6432-00-00	. STOPPER	1	
17	ACC-QUICK-GS-KT	. SEAL 1	1	QUICK GASKET
18	90101-08856-00	. BOLT	10	
19	JR1-G6312-11-00	. CASE, TRANSMISSION 2	1	
20	JU2-G6321-00-00	. SHAFT, INPUT	1	
21	JU2-G6350-00-00	. COUNTER GEAR ASSY	1	
22	JU2-G6421-00-00	. GEAR, RING	1	
23	93101-24822-00	. OIL SEAL	2	
24	JR1-G6512-00-00	. SHAFT, REAR AXLE 2 (R.H)	1	
25	JR1-G6511-00-00	. SHAFT, REAR AXLE 1 (L.H)	1	
26	93420-44805-00	. CIRCLIP	4	
27	93306-004X5-00	. BEARING	2	
28	JN3-G6514-00-00	. HUB, REAR AXLE	2	
29	90114-12804-00	. . BOLT, SERRATION	4	
30	90185-16833-00	. NUT, SELF-LOCKING	2	

CONTENTS

ACCELERATOR	B3
BATTERY CHARGER DPI	C7
BATTERY CHARGER MAC	C6
BODY	B8
BODY 2	B9-10
BODY FITTING	B11
BRAKE	A11-12
BRAKE 2	B1
BRAKE 3	B2
BUMPER	B7
CARRIER	B12
CONTROLLER 1	C3
ELECTRIC MOTOR	C2
ELECTRICAL 1	C4-5
FRAME	A6
FRONT SUSPENSION & WHEEL	A7-8
OPTIONAL ENERGY/HOUR GAUGES	C12
OPTIONAL LIGHT KIT	C10-11
OPTIONAL SUN ROOF	C9
OPTIONAL WINDSHIELD	C8
REAR ARM & SUSPENSION	A5
REAR AXLE MOUNT & WHEEL	B6
SEAT	C1
STEERING	A9-10
TRANSAXLE	B4-5

CONTINUED ON NEXT FRAME ►

TRANSAXLE



JU81110-C090

Ref. No.	Part Number	Description	Qty	Remarks
31	JN6-F7280-03-00	. BACKING PLATE ASSY 1 ...	1	SEE BRAKE 3
32	JN6-F7290-03-00	. BACKING PLATE ASSY 2 ...	1	SEE BRAKE 2
33	90101-08855-00	. BOLT	8	
34	90170-08841-00	. NUT	8	

CONTENTS

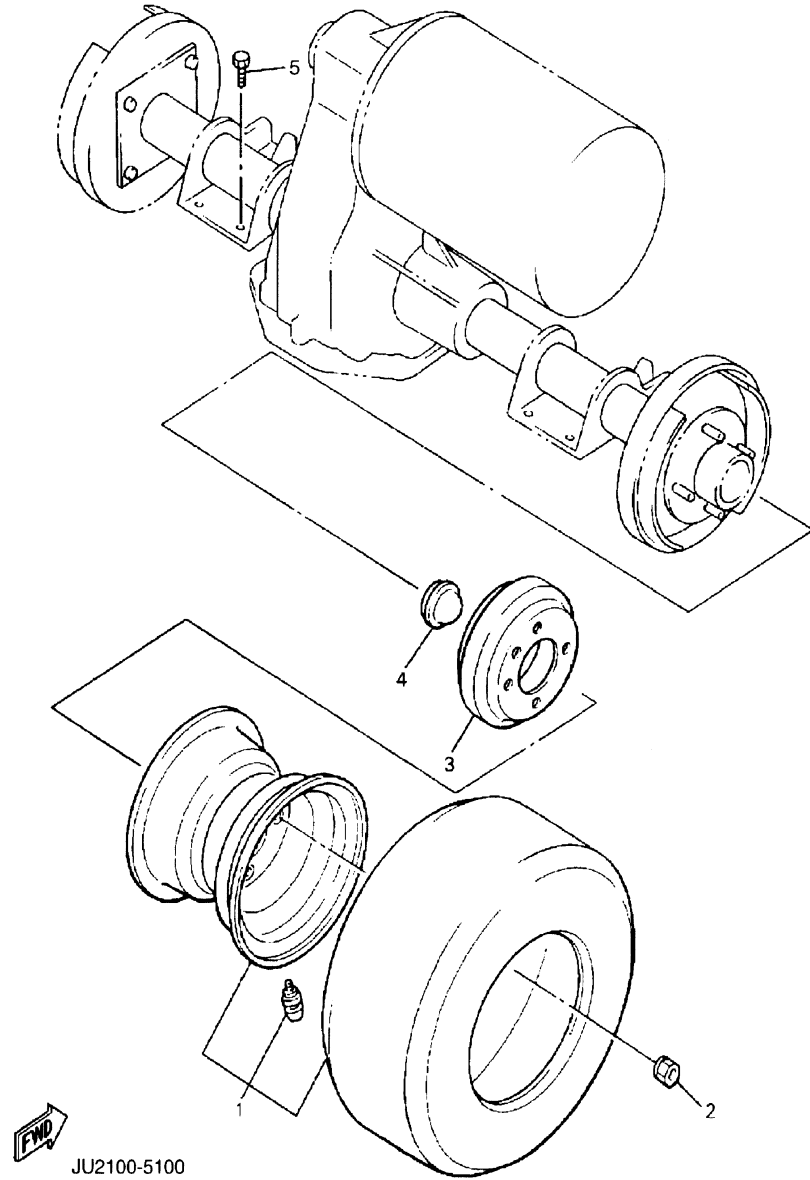
ACCELERATOR	B3
BATTERY CHARGER DPI	C7
BATTERY CHARGER MAC	C6
BODY	B8
BODY 2	B9-10
BODY FITTING	B11
BRAKE	A11-12
BRAKE 2	B1
BRAKE 3	B2
BUMPER	B7
CARRIER	B12
CONTROLLER 1	C3
ELECTRIC MOTOR	C2
ELECTRICAL 1	C4-5
FRAME	A6
FRONT SUSPENSION & WHEEL	A7-8
OPTIONAL ENERGY/HOUR GAUGES	C12
OPTIONAL LIGHT KIT	C10-11
OPTIONAL SUN ROOF	C9
OPTIONAL WINDSHIELD	C8
REAR ARM & SUSPENSION	A5
REAR AXLE MOUNT & WHEEL	B6
SEAT	C1
STEERING	A9-10
TRANSAXLE	B4-5

REAR AXLE MOUNT & WHEEL

Ref. No.	Part Number	Description	Qty	Remarks
1	JN6-F5100-11-00	WHEEL ASSY (18X8.5-8 4PLY)	2	UR KENDA
	JU0-F5100-00-00	WHEEL ASSY (18X8.5-8 4PR)	2	UR MAXXIS PRORIDE
2	90179-12262-00	NUT	8	
3	JU0-G6521-00-00	DRUM	2	
4	JN6-F5118-00-00	COVER, HUB DUST	2	
5	9751P-10620-00	BOLT, WITH WASHER	8	

CONTENTS

ACCELERATOR	B3
BATTERY CHARGER DPI	C7
BATTERY CHARGER MAC	C6
BODY	B8
BODY 2	B9-10
BODY FITTING	B11
BRAKE	A11-12
BRAKE 2	B1
BRAKE 3	B2
BUMPER	B7
CARRIER	B12
CONTROLLER 1	C3
ELECTRIC MOTOR	C2
ELECTRICAL 1	C4-5
FRAME	A6
FRONT SUSPENSION & WHEEL	A7-8
OPTIONAL ENERGY/HOUR GAUGES	C12
OPTIONAL LIGHT KIT	C10-11
OPTIONAL SUN ROOF	C9
OPTIONAL WINDSHIELD	C8
REAR ARM & SUSPENSION	A5
REAR AXLE MOUNT & WHEEL	B6
SEAT	C1
STEERING	A9-10
TRANSAXLE	B4-5



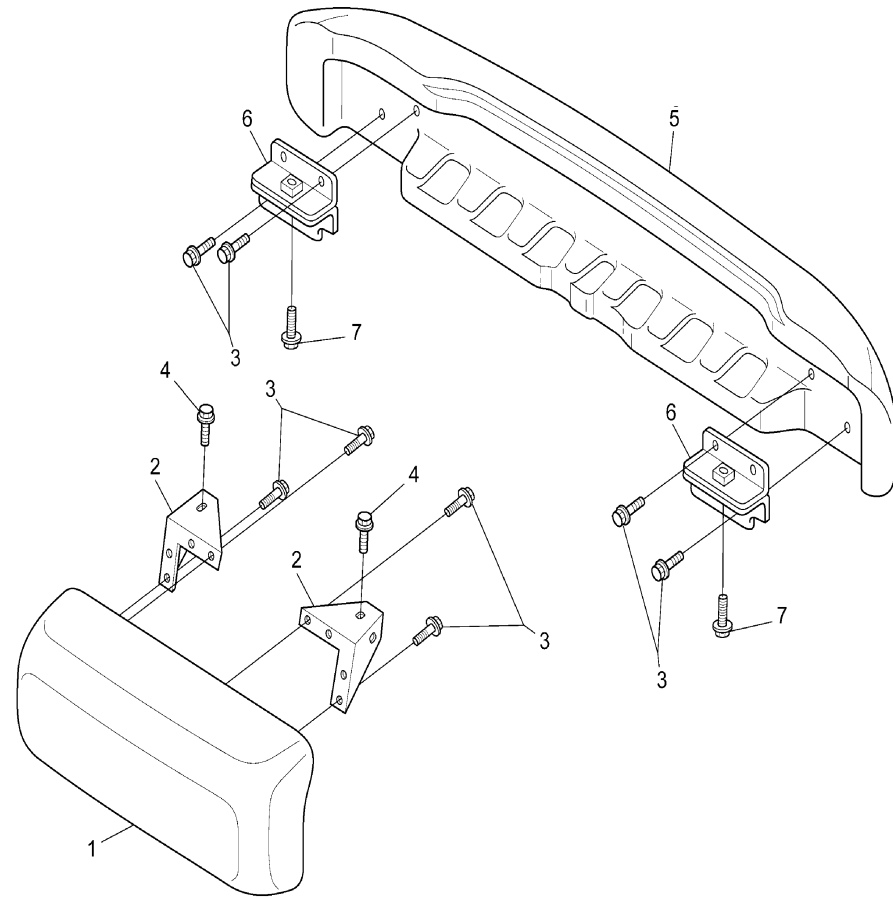
B6

BUMPER

Ref. No.	Part Number	Description	Qty	Remarks
1	JN3-K7510-02-00	FRONT BUMPER COMP.	1	
2	JU0-K8164-00-00	STAY, FRONT BUMPER	2	
3	90105-06876-00	BOLT, FLANGE	8	
4	9581P-08012-00	BOLT, FLANGE	2	
5	JN6-K7540-00-00	REAR BUMPER COMP.	1	
6	JN3-K8174-00-00	STAY, REAR BUMPER	2	
7	90105-10881-00	BOLT, FLANGE	2	

CONTENTS

ACCELERATOR	B3
BATTERY CHARGER DPI	C7
BATTERY CHARGER MAC	C6
BODY	B8
BODY 2	B9-10
BODY FITTING	B11
BRAKE	A11-12
BRAKE 2	B1
BRAKE 3	B2
BUMPER	B7
CARRIER	B12
CONTROLLER 1	C3
ELECTRIC MOTOR	C2
ELECTRICAL 1	C4-5
FRAME	A6
FRONT SUSPENSION & WHEEL	A7-8
OPTIONAL ENERGY/HOUR GAUGES	C12
OPTIONAL LIGHT KIT	C10-11
OPTIONAL SUN ROOF	C9
OPTIONAL WINDSHIELD	C8
REAR ARM & SUSPENSION	A5
REAR AXLE MOUNT & WHEEL	B6
SEAT	C1
STEERING	A9-10
TRANSAXLE	B4-5



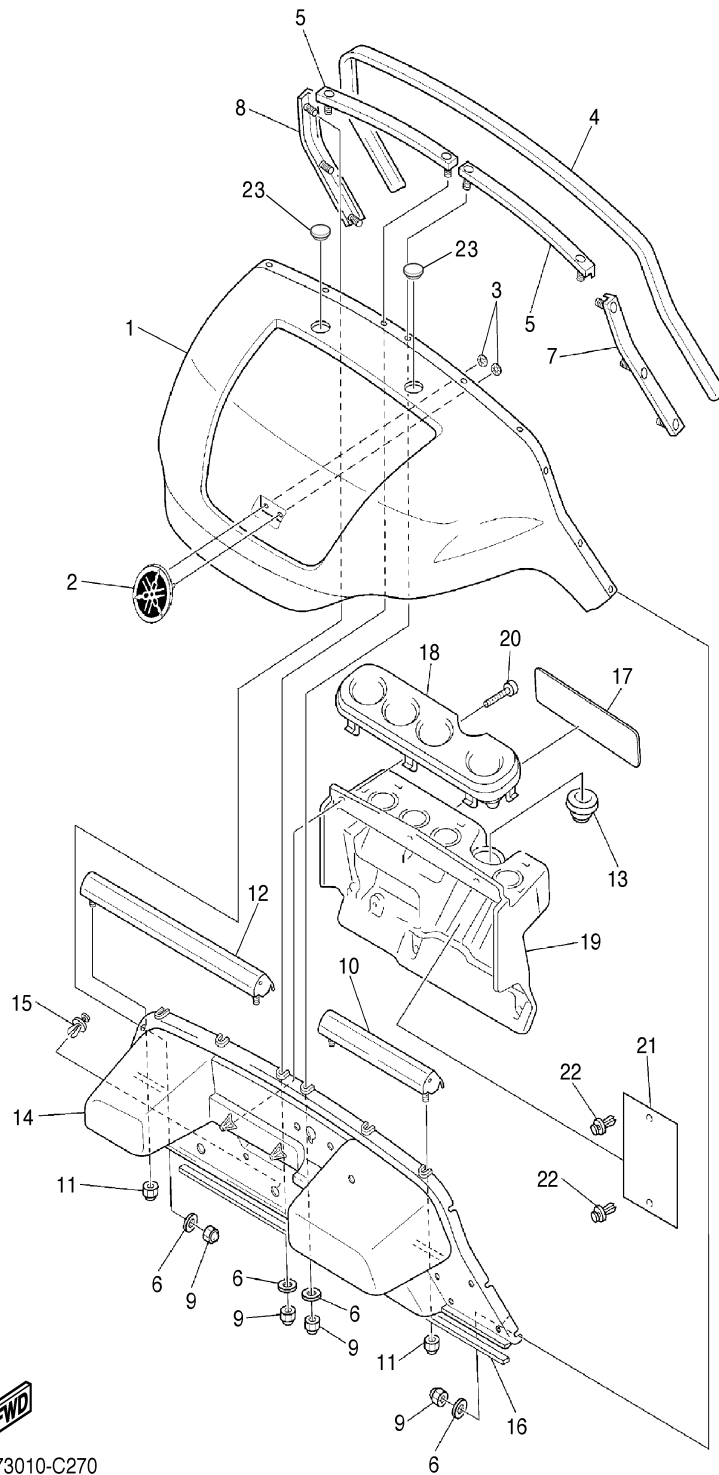
JU0100-5240

BODY

Ref. No.	Part Number	Description	Qty	Remarks
1	JU0-K8115-00-00	COWL, FRONT	1	IVORY
	JU0-K8115-30-00	COWL, FRONT	1	BURGUNDY
	JU0-K8115-50-00	COWL, FRONT	1	HUNTER GREEN
	JU0-K8115-60-00	COWL, FRONT	1	CANDY APPLE RED MET.
	JU0-K8115-80-00	COWL, FRONT	1	BRIGHT BLUE MET.
2	JU0-F4161-00-00	EMBLEM 1	1	
3	JU0-K7573-00-00	NUT, SPECIAL	2	
4	JF2-K811V-00-00	PROTECTOR 1	1	
5	JU0-K8261-00-00	PLATE, BODY PROTECT 1 ...	2	
6	90201-06829-00	WASHER, PLATE	10	
7	JF2-K8262-01-00	PLATE, BODY PROTECT 2 ...	1	
8	JF2-K8263-01-00	PLATE, BODY PRTOTECT 3 ..	1	
9	90185-06836-00	NUT, SELF-LOCKING	10	
10	JN6-K8264-00-00	PLATE, BODY PROTECT 4 ...	1	
11	9560P-06200-00	NUT, FLANGE	4	
12	JN6-K8265-00-00	PLATE, BODY PROTECT 5 ...	1	
13	JN3-K8273-00-00	COVER, HOLE	1	
14	JF2-K8114-03-00	PANEL, FRONT	1	
15	90269-08066-00	RIVET	3	
16	JN3-K815G-00-00	SEAL, FRONT STORAGE	1	
17	JR1-K7768-00-00	LABEL, WARNING	1	
18	JN6-K835E-00-00	HOLDER, BEVERAGE	1	
19	JR1-K835G-00-00	HOUSING, HOLDER	1	
20	9770P-60130-00	SCREW, TAPPING	6	
21	JN6-K8182-00-00	PLATE 2	1	
22	90267-63047-00	RIVET, BLIND	2	
23	JN3-K818E-00-00	CAP, PROTECTOR	2	W/O SUNTOP

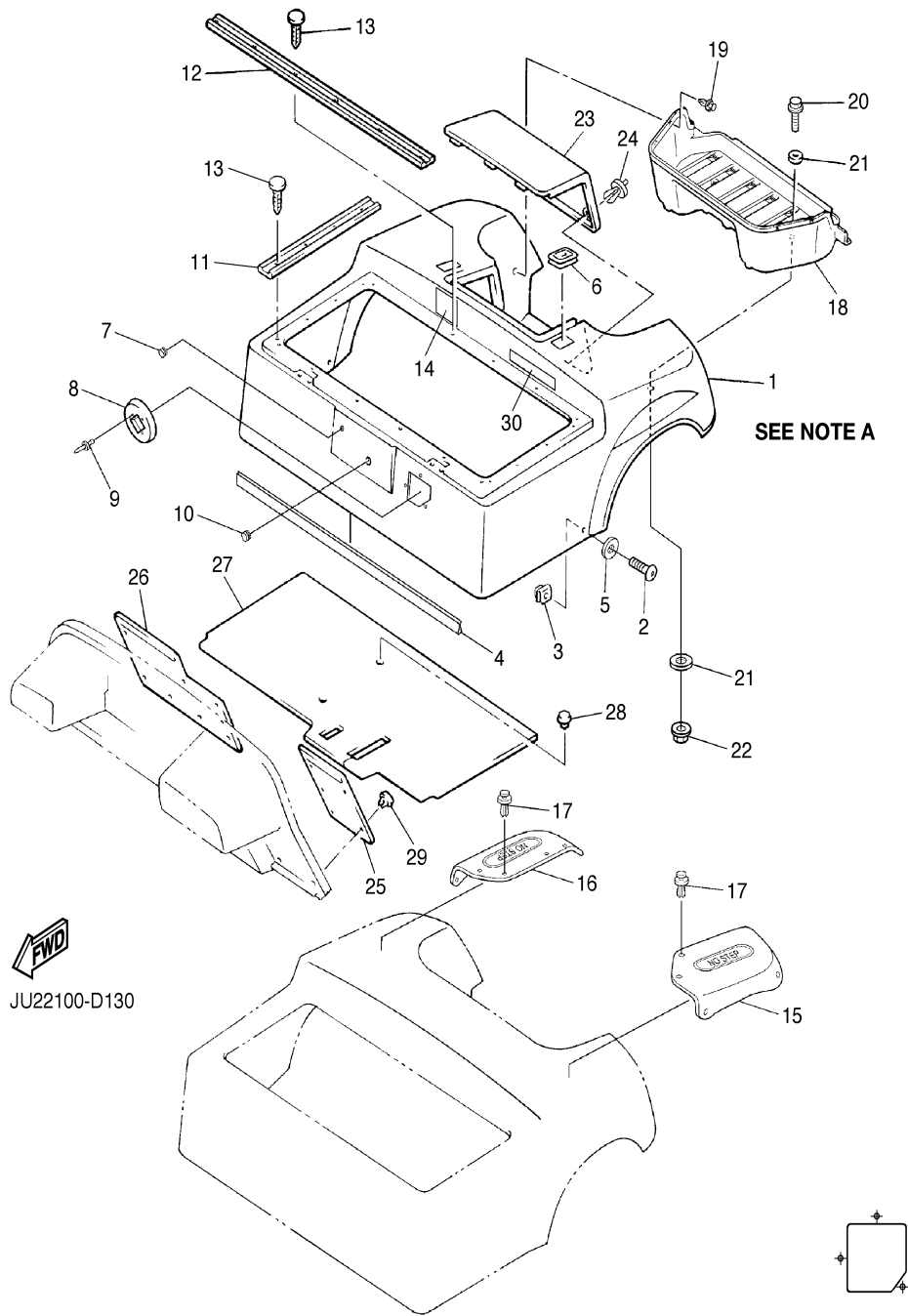
CONTENTS

ACCELERATOR	B3
BATTERY CHARGER DPI	C7
BATTERY CHARGER MAC	C6
BODY	B8
BODY 2	B9-10
BODY FITTING	B11
BRAKE	A11-12
BRAKE 2	B1
BRAKE 3	B2
BUMPER	B7
CARRIER	B12
CONTROLLER 1	C3
ELECTRIC MOTOR	C2
ELECTRICAL 1	C4-5
FRAME	A6
FRONT SUSPENSION & WHEEL	A7-8
OPTIONAL ENERGY/HOUR GAUGES	C12
OPTIONAL LIGHT KIT	C10-11
OPTIONAL SUN ROOF	C9
OPTIONAL WINDSHIELD	C8
REAR ARM & SUSPENSION	A5
REAR AXLE MOUNT & WHEEL	B6
SEAT	C1
STEERING	A9-10
TRANSAXLE	B4-5



JT73010-C270

BODY 2



NOTE A: THE G22E REAR BODY PANEL REQUIRES AN OPENING BE MADE, SO THAT THE THE BATTERY CHARGER RECEPTICAL GUIDE (JN4-K827A-00-00) CAN BE MOUNTED. THE CORRECT SHAPE IS MARKED ON THE BACKSIDE OF THE BODY PANEL AND IS SHOWN ABOVE.

NOTE B: WHEN REPLACING THE G22E REAR BODY PANEL, YOU MUST ALSO REPLACE REF. #30, CAUTION PLATE 1 (JN4-K8297-10-00).

Ref. No.	Part Number	Description	Qty	Remarks
1	JN6-K8142-02-00	PANEL, REAR BODY	1	IVORY (SEE NOTE A)
	JN6-K8142-52-00	PANEL, REAR BODY	1	HUNTER GREEN (SEE NOTE A)
	JU0-K8142-32-00	PANEL, REAR BODY	1	BURGUNDY (SEE NOTE A)
	JU0-K8142-62-00	PANEL, REAR BODY	1	CANDY APPLE RED MET. (SEE NOTE A)
	JU0-K8142-82-00	PANEL, REAR BODY	1	BRIGHT BLUE MET. (SEE NOTE A)
2	90110-06837-00	BOLT, HEXAGON SOCKET HEAD	2	
3	90183-06811-00	NUT, SPRING	2	
4	JN6-K824E-00-00	TRIM, REAR BODY 1	1	
5	90201-068H0-00	WASHER, PLATE	2	
6	JN3-K8363-00-00	PROTECTOR	2	
7	JR1-K8139-00-00	CAP, END	1	
8	JN4-K827A-00-00	GUIDE 1	1	
9	90267-60840-00	RIVET, BLIND	3	
10	90338-25836-00	PLUG	1	
11	JN3-K8425-00-00	SEAL, SEAT	2	
12	JN3-K842A-00-00	SEAL, SEAT 2	1	
13	90338-05834-00	PLUG	14	
14	JU2-K7765-00-00	LABEL, WARNING 5	1	
15	JN3-K8243-00-00	MAT, REAR BODY SIDE (LH) .	1	
16	JN3-K8244-00-00	MAT, REAR BODY SIDE (RH) .	1	
17	90269-07810-00	RIVET	10	
18	JF2-K8237-00-00	COVER, REAR FLOOR	1	
19	90269-08813-00	RIVET	7	
20	90101-06876-00	BOLT	2	
21	90201-068G7-00	WASHER, PLATE	4	
22	9572R-06300-00	NUT, NYLON	2	

CONTENTS

ACCELERATOR	B3
BATTERY CHARGER DPI	C7
BATTERY CHARGER MAC	C6
BODY	B8
BODY 2	B9-10
BODY FITTING	B11
BRAKE	A11-12
BRAKE 2	B1
BRAKE 3	B2
BUMPER	B7
CARRIER	B12
CONTROLLER 1	C3
ELECTRIC MOTOR	C2
ELECTRICAL 1	C4-5
FRAME	A6
FRONT SUSPENSION & WHEEL	A7-8
OPTIONAL ENERGY/HOUR GAUGES	C12
OPTIONAL LIGHT KIT	C10-11
OPTIONAL SUN ROOF	C9
OPTIONAL WINDSHIELD	C8
REAR ARM & SUSPENSION	A5
REAR AXLE MOUNT & WHEEL	B6
SEAT	C1
STEERING	A9-10
TRANSAXLE	B4-5

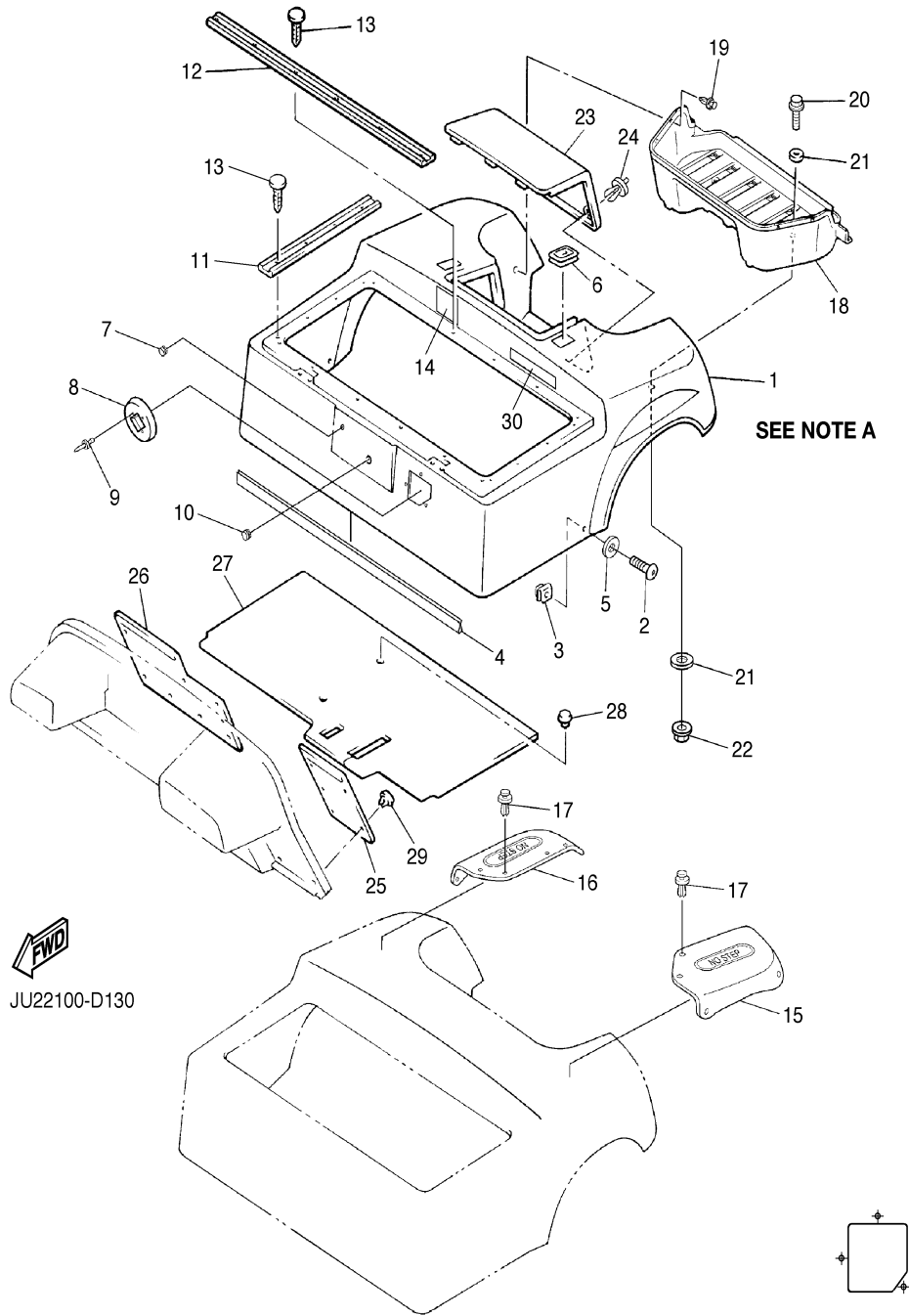
CONTINUED ON NEXT FRAME ►

BODY 2

Ref. No.	Part Number	Description	Qty	Remarks
23	JU0-K8151-00-00	PANEL, INSPECTION LID 1	1	
24	90269-06804-00	RIVET	2	
25	JN6-K8231-01-00	MAT, MAIN FLOOR 1	1	
26	JN6-K8232-01-00	MAT, MAIN FLOOR 2	1	
27	JN6-K8233-01-00	MAT, MAIN FLOOR 3	1	
28	90269-08813-00	RIVET	4	
29	90267-63047-00	RIVET, BLIND	9	
30	JN4-K8297-10-00	PLATE, CAUTION 1	1	SEE NOTE B

CONTENTS

ACCELERATOR	B3
BATTERY CHARGER DPI	C7
BATTERY CHARGER MAC	C6
BODY	B8
BODY 2	B9-10
BODY FITTING	B11
BRAKE	A11-12
BRAKE 2	B1
BRAKE 3	B2
BUMPER	B7
CARRIER	B12
CONTROLLER 1	C3
ELECTRIC MOTOR	C2
ELECTRICAL 1	C4-5
FRAME	A6
FRONT SUSPENSION & WHEEL	A7-8
OPTIONAL ENERGY/HOUR GAUGES	C12
OPTIONAL LIGHT KIT	C10-11
OPTIONAL SUN ROOF	C9
OPTIONAL WINDSHIELD	C8
REAR ARM & SUSPENSION	A5
REAR AXLE MOUNT & WHEEL	B6
SEAT	C1
STEERING	A9-10
TRANSAXLE	B4-5



NOTE A: THE G22E REAR BODY PANEL REQUIRES AN OPENING BE MADE, SO THAT THE THE BATTERY CHARGER RECEPTICAL GUIDE (JN4-K827A-00-00) CAN BE MOUNTED. THE CORRECT SHAPE IS MARKED ON THE BACKSIDE OF THE BODY PANEL AND IS SHOWN ABOVE.

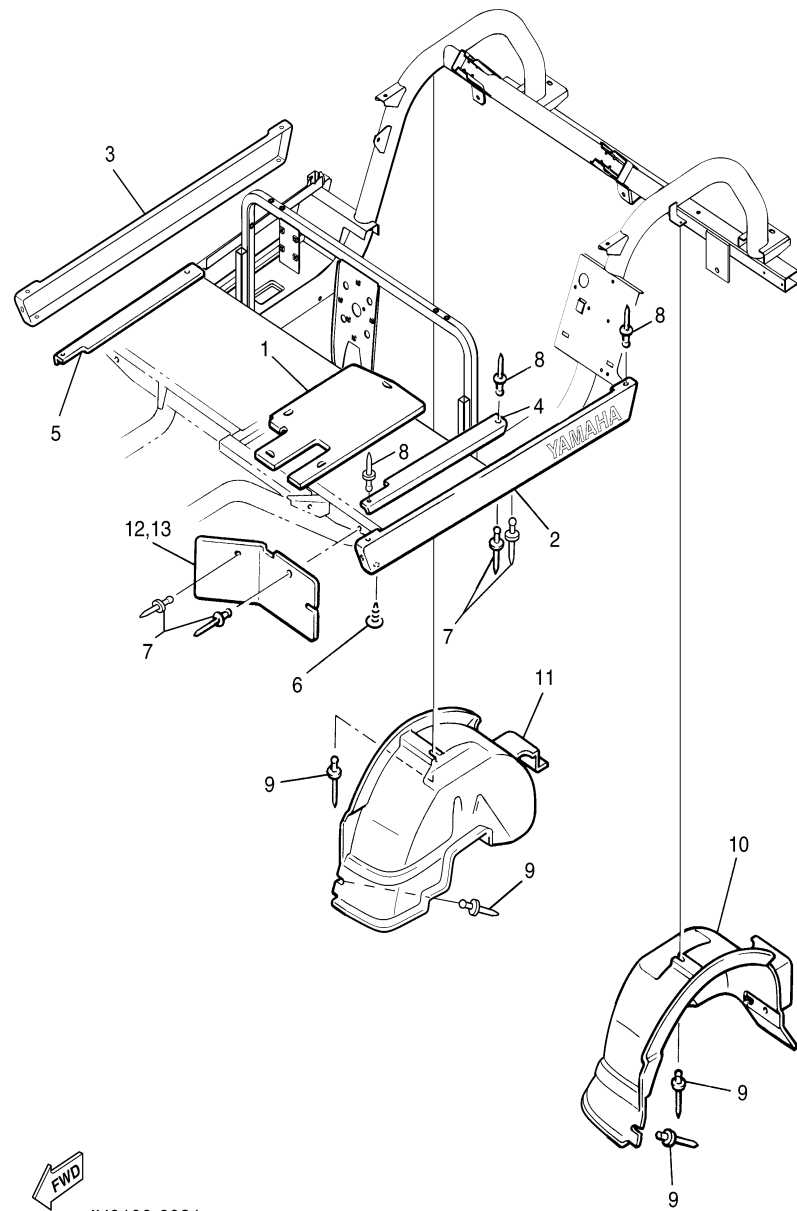
NOTE B: WHEN REPLACING THE G22E REAR BODY PANEL, YOU MUST ALSO REPLACE REF. #30, CAUTION PLATE 1 (JN4-K8297-10-00).

BODY FITTING

Ref. No.	Part Number	Description	Qty	Remarks
1	JN6-K8271-00-00	SERVICE LID, PEDAL	1	
2	JU0-K818A-00-00	PROTECTOR, SIDE PLATE 1 ..	1	
3	JU0-K818B-00-00	PROTECTOR, SIDE PLATE 2 ..	1	
4	JF2-K8215-10-00	PLATE, SIDE TRIM 1	1	
5	JF2-K821F-10-00	PLATE, SIDE TRIM 2	1	
6	90338-05829-00	PLUG	4	
7	90267-48831-00	RIVET, BLIND	8	
8	90267-48154-00	RIVET, BLIND	6	
9	90267-48086-00	RIVET, BLIND	4	
10	JF2-K8191-01-00	PANEL, REAR FENDER 1	1	
11	JF2-K8192-01-00	PANEL, REAR FENDER 2	1	
12	JF2-K8187-00-00	FLAP, FRONT FENDER (L.H) ..	1	
13	JF2-K8189-00-00	FLAP, FRONT FENDER (R.H) .	1	

CONTENTS

ACCELERATOR	B3
BATTERY CHARGER DPI	C7
BATTERY CHARGER MAC	C6
BODY	B8
BODY 2	B9-10
BODY FITTING	B11
BRAKE	A11-12
BRAKE 2	B1
BRAKE 3	B2
BUMPER	B7
CARRIER	B12
CONTROLLER 1	C3
ELECTRIC MOTOR	C2
ELECTRICAL 1	C4-5
FRAME	A6
FRONT SUSPENSION & WHEEL	A7-8
OPTIONAL ENERGY/HOUR GAUGES	C12
OPTIONAL LIGHT KIT	C10-11
OPTIONAL SUN ROOF	C9
OPTIONAL WINDSHIELD	C8
REAR ARM & SUSPENSION	A5
REAR AXLE MOUNT & WHEEL	B6
SEAT	C1
STEERING	A9-10
TRANSAXLE	B4-5

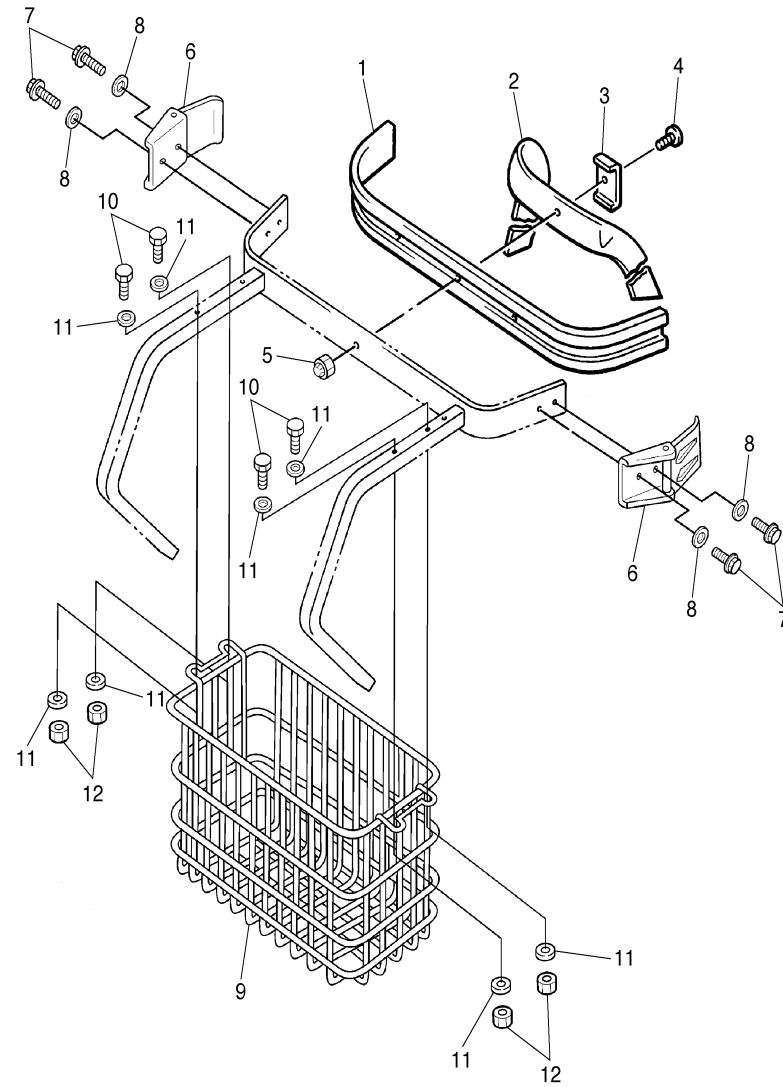


CARRIER

Ref. No.	Part Number	Description	Qty	Remarks
1	JF2-K8356-00-00	PAD, BAG SUPPORT	1	
2	JN6-K8355-00-00	BAND	1	
3	J38-78367-00-00	PLATE, ANCHOR	1	
4	90101-06865-00	BOLT	1	
5	90185-06836-00	NUT, SELF-LOCKING	1	
6	JN6-K8380-00-00	LOCK ASSY	2	
7	90159-06845-00	SCREW, WITH WASHER	4	
8	9299R-06200-00	WASHER	4	
9	JN6-K8340-00-00	LUGGAGE RACK ASSY., REAR	1	
10	90111-08803-00	BOLT	4	
11	90201-088R9-00	WASHER, PLATE	8	
12	90185-08832-00	NUT, SELF-LOCKING	4	

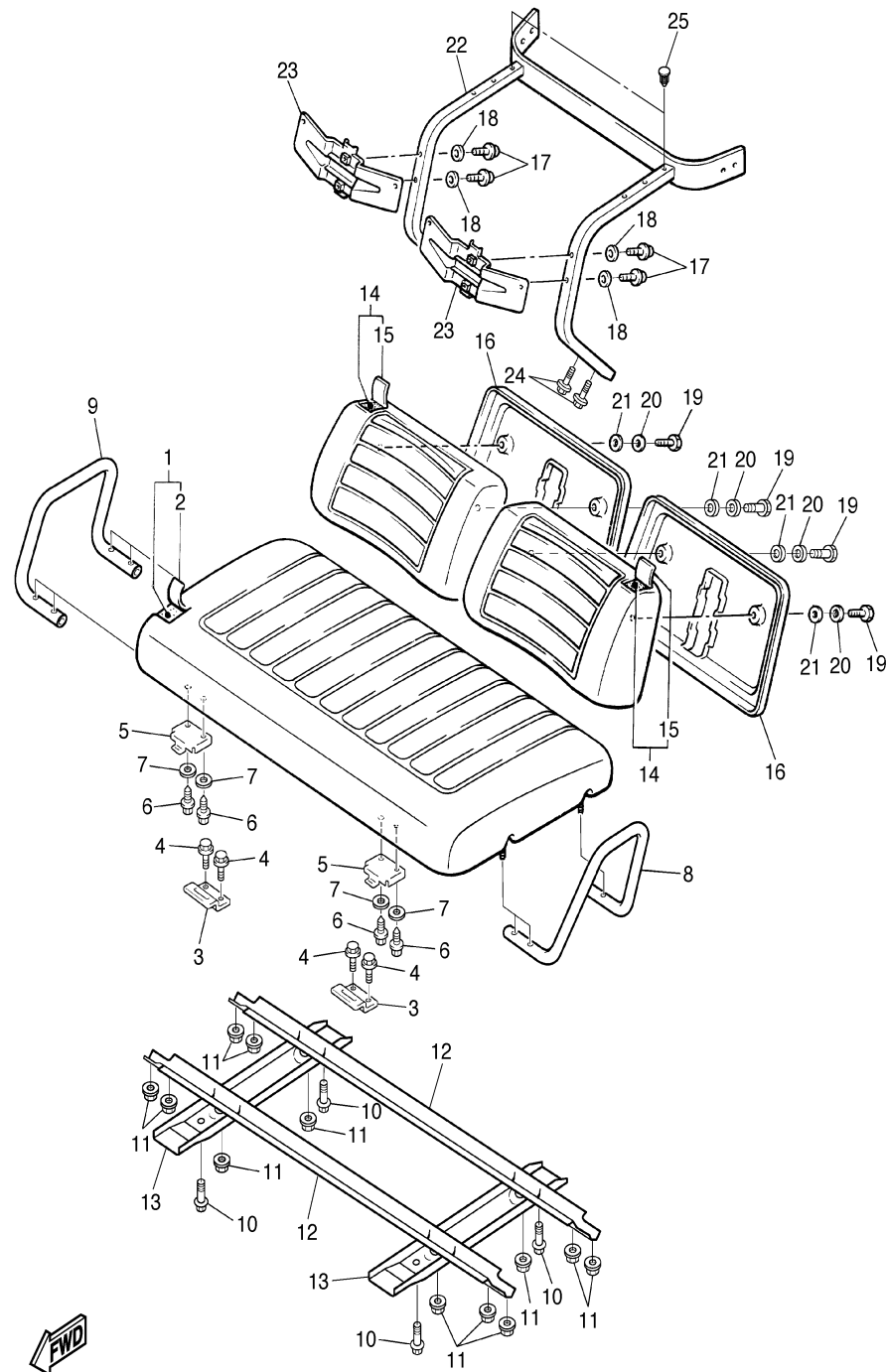
CONTENTS

ACCELERATOR	B3
BATTERY CHARGER DPI	C7
BATTERY CHARGER MAC	C6
BODY	B8
BODY 2	B9-10
BODY FITTING	B11
BRAKE	A11-12
BRAKE 2	B1
BRAKE 3	B2
BUMPER	B7
CARRIER	B12
CONTROLLER 1	C3
ELECTRIC MOTOR	C2
ELECTRICAL 1	C4-5
FRAME	A6
FRONT SUSPENSION & WHEEL	A7-8
OPTIONAL ENERGY/HOUR GAUGES	C12
OPTIONAL LIGHT KIT	C10-11
OPTIONAL SUN ROOF	C9
OPTIONAL WINDSHIELD	C8
REAR ARM & SUSPENSION	A5
REAR AXLE MOUNT & WHEEL	B6
SEAT	C1
STEERING	A9-10
TRANSAXLE	B4-5



JT73010-C310

SEAT



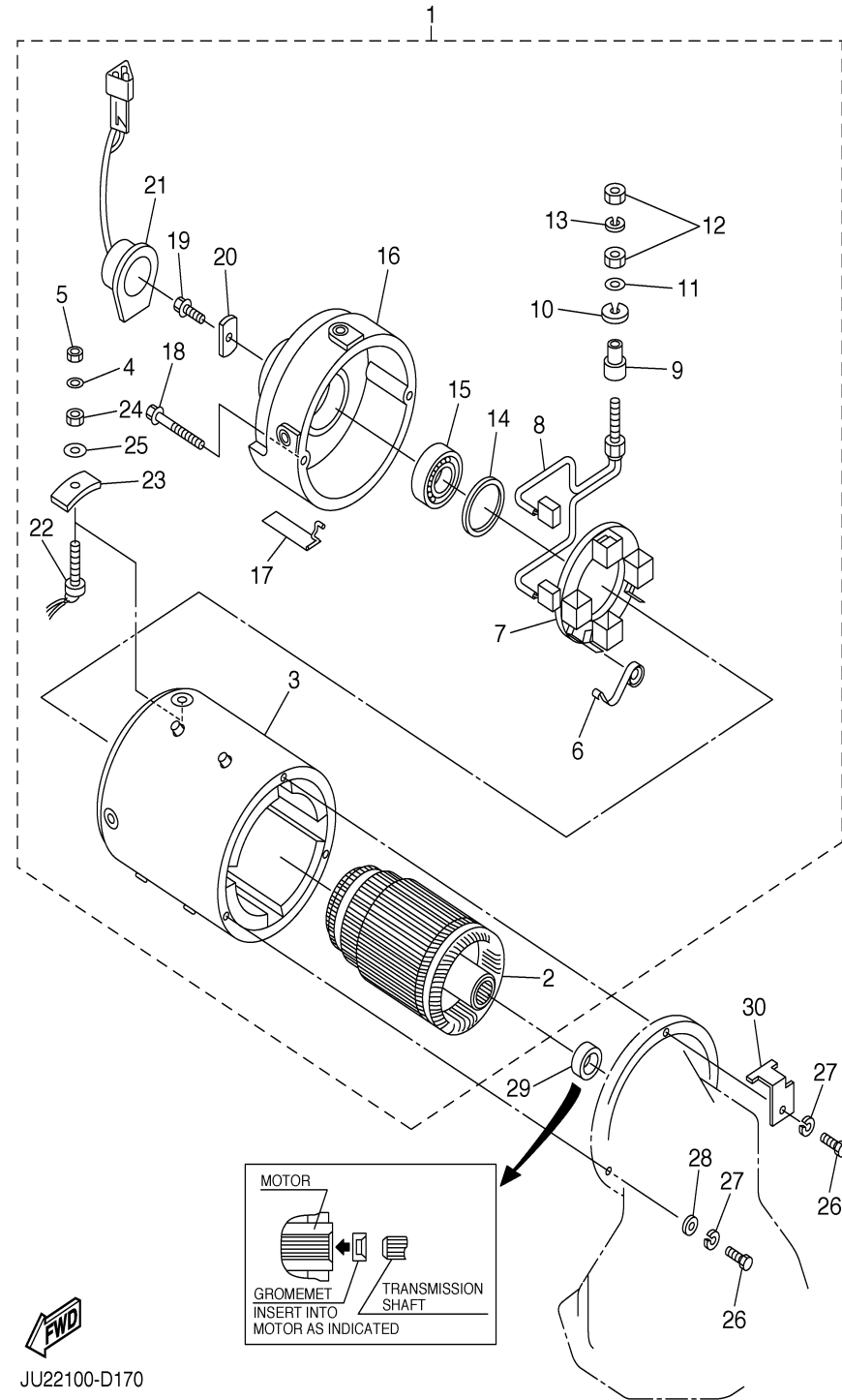
JT73010-C320

Ref. No.	Part Number	Description	Qty	Remarks
1	JN6-K8401-10-00	SEAT SUB-ASSY, CUSHION ..	1	UR IVORY WHITE
	JU0-K8401-00-00	SEAT SUB-ASSY, CUSHION ..	1	UR TAN
2	JN6-K8404-10-00	. COVER, SEAT	1	UR IVORY WHITE
	JU0-K8404-00-00	. COVER, SEAT	1	UR TAN
3	JF2-K8427-00-00	HINGE, SEAT 2	2	
4	90105-06903-00	BOLT, FLANGE	4	
5	JN3-K8426-01-00	HINGE, SEAT 1	2	
6	90111-06810-00	BOLT	4	
7	90204-06807-00	WASHER, SPRING	4	
8	JN6-K8361-00-00	ARM REST 1	1	
9	JU0-K8362-00-00	ARM REST 2	1	
10	90167-04815-00	SCREW, TAPPING	4	
11	9560P-08200-00	NUT	12	
12	JN6-K8121-00-00	REINFORCEMENT 1	2	
13	JN6-K8122-02-00	REINFORCEMENT 2	2	
14	JN3-K8402-00-00	SEAT SUB ASSY, BACK	2	UR IVORY WHITE
	JU0-K8402-00-00	SEAT SUB ASSY, BACK	2	UR TAN
15	JN3-K841G-09-00	. COVER, SEAT BACK 2	1	UR IVORY WHITE
	JU0-K841G-09-00	. COVER, SEAT BACK 2	1	UR TAN
16	JN3-K8413-00-00	COVER, SEAT BACK	2	
17	90119-08820-00	BOLT, WITH WASHER	4	
18	90201-098J4-00	WASHER, PLATE	4	
19	95880-06025-00	BOLT, FLANGE	4	
20	90201-068G0-00	WASHER, PLATE	4	
21	90201-068G6-00	WASHER, PLATE	4	
22	JU0-K8423-00-00	SUPPORT, SEAT BACK	1	
23	JN3-K842H-00-00	RETAINER, SEAT	2	
24	90105-08871-00	BOLT, FLANGE	4	
25	90338-09828-00	PLUG	2	

CONTENTS

ACCELERATOR	B3
BATTERY CHARGER DPI	C7
BATTERY CHARGER MAC	C6
BODY	B8
BODY 2	B9-10
BODY FITTING	B11
BRAKE	A11-12
BRAKE 2	B1
BRAKE 3	B2
BUMPER	B7
CARRIER	B12
CONTROLLER 1	C3
ELECTRIC MOTOR	C2
ELECTRICAL 1	C4-5
FRAME	A6
FRONT SUSPENSION & WHEEL	A7-8
OPTIONAL ENERGY/HOUR GAUGES	C12
OPTIONAL LIGHT KIT	C10-11
OPTIONAL SUN ROOF	C9
OPTIONAL WINDSHIELD	C8
REAR ARM & SUSPENSION	A5
REAR AXLE MOUNT & WHEEL	B6
SEAT	C1
STEERING	A9-10
TRANSAXLE	B4-5

ELECTRIC MOTOR



JU22100-D170

Ref. No.	Part Number	Description	Qty	Remarks
1	JU2-H1890-10-00	MOTOR ASSY	1	
2	JU2-H1850-10-00	. ARMATURE ASSY	1	
3	JU2-H1160-10-00	. FIELD COIL ASSY	1	
4	JU2-H185A-10-00	. WASHER, PLATE	2	
5	JU2-H182A-10-00	. NUT	2	
6	JU2-H1617-10-00	. SPRING, BRUSH	4	
7	JU2-H1840-10-00	. BRUSH HOLDER ASSY	1	
8	JU2-H1801-10-00	. BRUSH SET	2	
9	JU2-H182G-10-00	. BUSH, TERMINAL	2	
10	JU2-H1843-10-00	. WASHER 1	2	
11	JU2-H181L-10-00	. WASHER, PLAIN	2	
12	JU2-H1872-10-00	. NUT, SPECIAL	4	
13	JU2-H1835-10-00	. WASHER	2	
14	JU2-H1856-10-00	. BEARING	1	
15	JU2-H185B-10-00	. BEARING 1	1	
16	JU2-H183J-10-00	. BRACKET, FRONT	1	
17	JU2-H1129-10-00	. COVER, BRUSH	1	
18	JU2-H1828-10-00	. BOLT 2	2	
19	JU2-H2113-10-00	. SCREW	1	
20	JU2-H181K-10-00	. MAGNET	1	
21	JU2-H1670-10-00	. PICK-UP ASSY	1	
22	JU2-H272L-10-00	. INSULATOR, 1	2	
23	JU2-H272N-10-00	. PLATE, INSULATOR	2	
24	JU2-H182A-10-00	. NUT	2	
25	JU2-H3348-10-00	. WASHER	2	
26	90101-06857-00	BOLT	3	
27	90215-06811-00	WASHER, LOCK	3	
28	90201-068E2-00	WASHER, PLATE	2	
29	JH7-H1829-00-00	GROMMET	1	
30	JU2-H218E-00-00	RELIEF, STRAIN 1	1	

CONTENTS

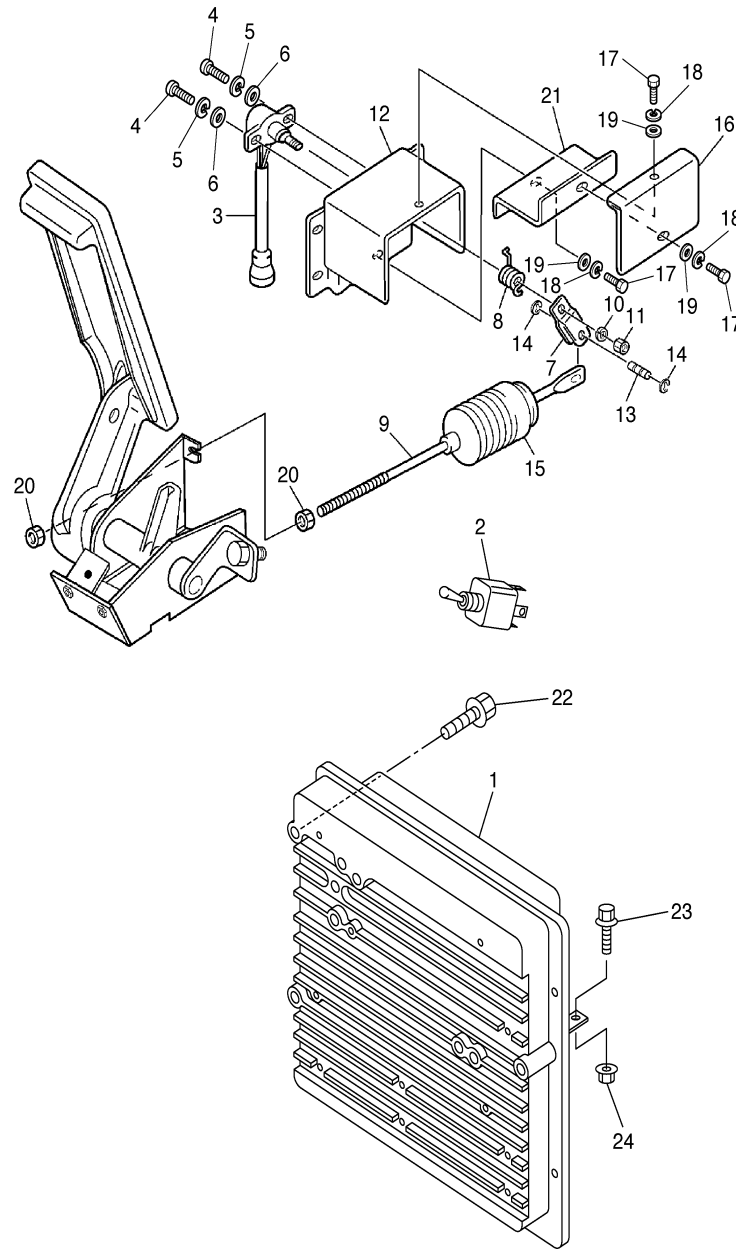
ACCELERATOR	B3
BATTERY CHARGER DPI	C7
BATTERY CHARGER MAC	C6
BODY	B8
BODY 2	B9-10
BODY FITTING	B11
BRAKE	A11-12
BRAKE 2	B1
BRAKE 3	B2
BUMPER	B7
CARRIER	B12
CONTROLLER 1	C3
ELECTRIC MOTOR	C2
ELECTRICAL 1	C4-5
FRAME	A6
FRONT SUSPENSION & WHEEL	A7-8
OPTIONAL ENERGY/HOUR GAUGES	C12
OPTIONAL LIGHT KIT	C10-11
OPTIONAL SUN ROOF	C9
OPTIONAL WINDSHIELD	C8
REAR ARM & SUSPENSION	A5
REAR AXLE MOUNT & WHEEL	B6
SEAT	C1
STEERING	A9-10
TRANSAXLE	B4-5

CONTROLLER 1

Ref. No.	Part Number	Description	Qty	Remarks
1	JU2-H6510-21-00	MOTOR CONTROL UNIT ASSY	1	
2	JU2-H2727-00-00	SWITCH	1	
3	JR1-85885-00-00	THROTTLE SENSOR ASSY	1	
4	98507-05016-00	SCREW, PAN HEAD	3	
5	92907-05100-00	WASHER, SPRING	3	
6	92907-05600-00	WASHER, PLATE	3	
7	JF3-2625H-00-00	ARM, THROTTLE	1	
8	JF3-27825-00-00	SPRING, RETURN	1	
9	JU2-F7241-00-00	ROD, JOINT	1	
10	9290P-06100-00	WASHER	1	
11	95307-06600-00	NUT	1	
12	JF3-27981-00-00	BRACKET, THROTTLE	1	
13	JF3-27813-00-00	PIN, PEDAL CRANK	1	
14	99001-04600-00	CIRCLIP	2	
15	JN4-F7486-00-00	COVER 1	1	
16	JF3-27487-00-00	COVER 2	1	
17	97007-05016-00	BOLT	6	
18	92907-05100-00	WASHER, SPRING	6	
19	92907-05600-00	WASHER, PLATE	6	
20	95307-08700-00	NUT	2	
21	JF3-27445-00-00	PLATE 1	1	
22	9582P-06040-00	BOLT, FLANGE	3	
23	9582P-06016-00	BOLT, FLANGE	3	
24	9560P-06200-00	NUT, FLANGE	3	

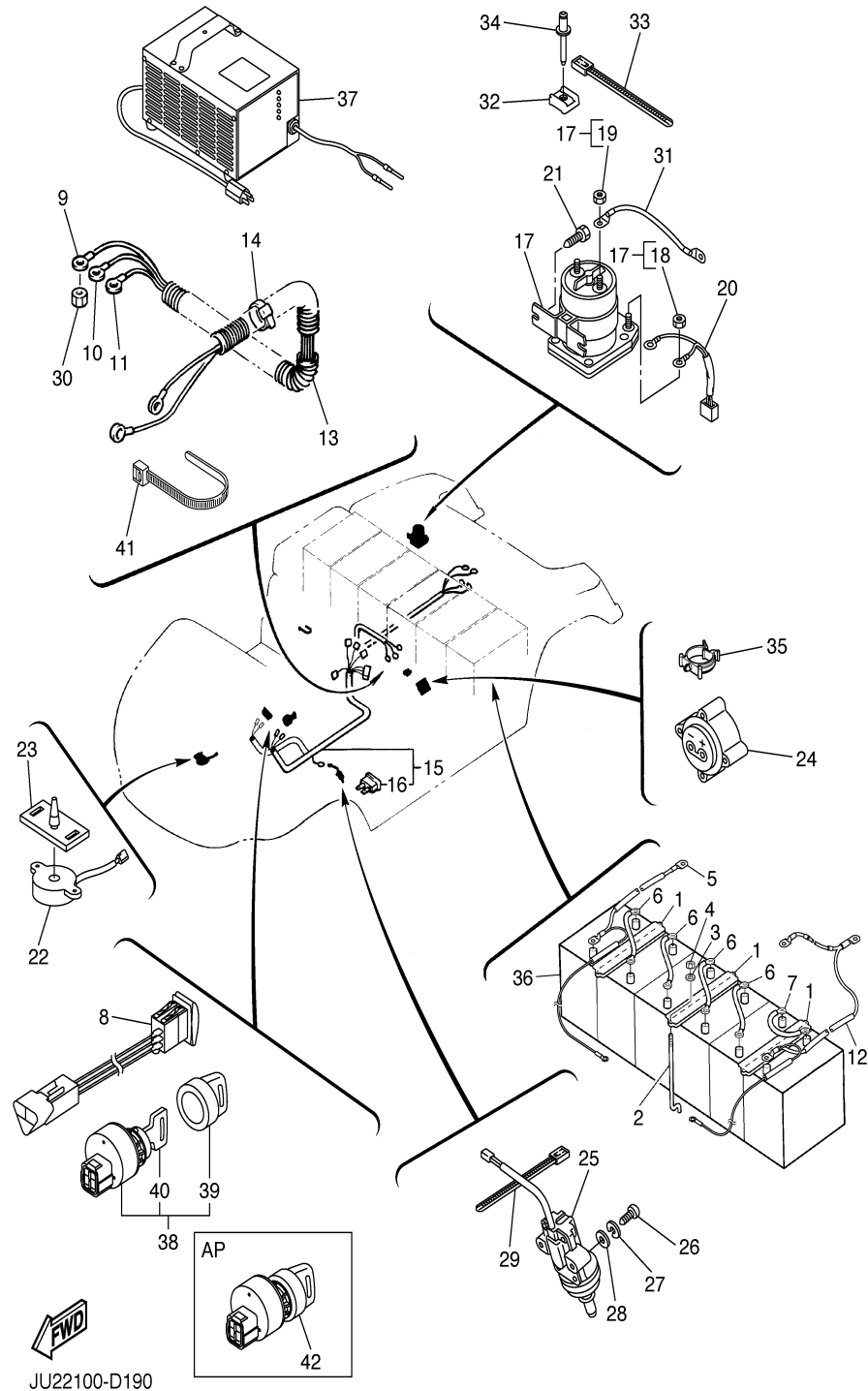
CONTENTS

ACCELERATOR	B3
BATTERY CHARGER DPI	C7
BATTERY CHARGER MAC	C6
BODY	B8
BODY 2	B9-10
BODY FITTING	B11
BRAKE	A11-12
BRAKE 2	B1
BRAKE 3	B2
BUMPER	B7
CARRIER	B12
CONTROLLER 1	C3
ELECTRIC MOTOR	C2
ELECTRICAL 1	C4-5
FRAME	A6
FRONT SUSPENSION & WHEEL	A7-8
OPTIONAL ENERGY/HOUR GAUGES	C12
OPTIONAL LIGHT KIT	C10-11
OPTIONAL SUN ROOF	C9
OPTIONAL WINDSHIELD	C8
REAR ARM & SUSPENSION	A5
REAR AXLE MOUNT & WHEEL	B6
SEAT	C1
STEERING	A9-10
TRANSAXLE	B4-5



JU22100-D180

ELECTRICAL 1



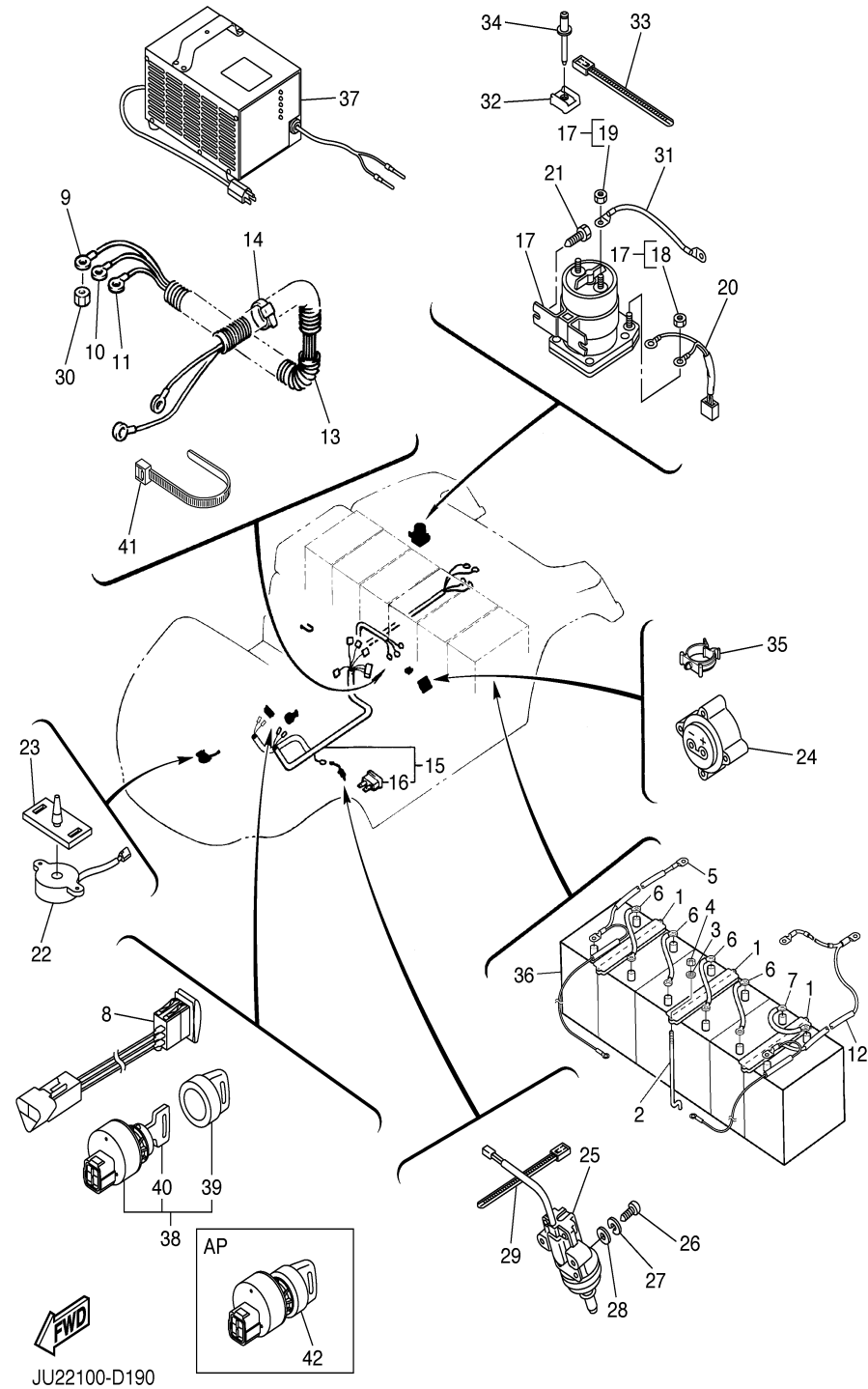
Ref. No.	Part Number	Description	Qty	Remarks
1	JF3-H2136-00-00	PLATE, BATTERY FITTING	3	
2	JN3-H2133-00-00	SCREW, FITTING	6	
3	90201-068R7-00	WASHER, PLATE	6	
4	95707-06500-00	NUT, FLANGE	6	
5	JU2-H2115-10-00	WIRE, PLUS LEAD	1	
6	JU2-H2127-10-00	WIRE, LEAD 2	4	
7	JU2-H2149-10-00	WIRE, LEAD 3	1	
8	JU2-H2917-00-00	SWITCH	1	
9	JU2-H2521-10-00	WIRE, LEAD	1	
10	JU2-H2531-10-00	WIRE, LEAD	1	
11	JU2-H6171-10-00	WIRE, LEAD 1	1	
12	JU2-H6172-10-00	WIRE, LEAD 2	1	
13	JU2-H7196-00-00	TUBE 1	1	
14	90465-13152-00	CLAMP	1	
15	JU2-H2590-10-00	WIRE HARNESS ASSY	1	
16	JR1-H2151-00-00	. FUSE (3A)	1	
17	JU6-H1950-00-00	RELAY ASSY	1	
18	90179-05886-00	. NUT	2	
19	90179-08887-00	. NUT	2	
20	JN6-H2105-00-00	WIRE HARNESS	1	
21	90163-06005-00	SCREW, TAPPING	2	
22	JR1-H3383-01-00	BUZZER	1	
23	JN6-H3386-01-00	STAY, BUZZER	1	
24	JR1-H6181-02-00	RECEPTACLE	1	
25	JF7-82817-20-00	SWITCH	1	
26	98507-05025-00	SCREW, PAN HEAD	2	
27	92907-05100-00	WASHER, SPRING	2	
28	92907-05600-00	WASHER, PLATE	2	
29	90464-40825-00	CLAMP	4	
30	JG6-H1872-00-00	NUT, SPECIAL	4	

CONTENTS

ACCELERATOR	B3
BATTERY CHARGER DPI	C7
BATTERY CHARGER MAC	C6
BODY	B8
BODY 2	B9-10
BODY FITTING	B11
BRAKE	A11-12
BRAKE 2	B1
BRAKE 3	B2
BUMPER	B7
CARRIER	B12
CONTROLLER 1	C3
ELECTRIC MOTOR	C2
ELECTRICAL 1	C4-5
FRAME	A6
FRONT SUSPENSION & WHEEL	A7-8
OPTIONAL ENERGY/HOUR GAUGES	C12
OPTIONAL LIGHT KIT	C10-11
OPTIONAL SUN ROOF	C9
OPTIONAL WINDSHIELD	C8
REAR ARM & SUSPENSION	A5
REAR AXLE MOUNT & WHEEL	B6
SEAT	C1
STEERING	A9-10
TRANSAXLE	B4-5

CONTINUED ON NEXT FRAME ►

ELECTRICAL 1



Ref. No.	Part Number	Description	Qty	Remarks
31	JU2-H6527-10-00	WIRE 7	1	
32	90207-05800-00	WASHER, FINISH	2	
33	90464-40825-00	CLAMP	2	
34	90267-489U9-00	RIVET, BLIND	2	
35	90464-25826-00	CLAMP	2	
36	JR1-H2110-20-00	BATTERY (8V BCI GROUP GC-2H)	6	CALL PARTS DEPT.
37	MAC-SCR48-17-17	CHARGER (JR1-H2107-03-00)	1	60HZ/120V
	JU2-H2107-01-00	CHARGER DPI	1	60HZ/120V
38	JU2-H2510-10-00	MAIN SWITCH ASSY	1	STD
39	5UG-H2579-00-00	. CAP, KEY	1	
40	JU2-H2511-00-00	. KEY, MAIN SWITCH	1	
41	90464-14806-00	CLAMP	1	
42	JU2-H2510-20-00	MAIN SWITCH ASSY	1	AP RANDOM KEY

CONTENTS

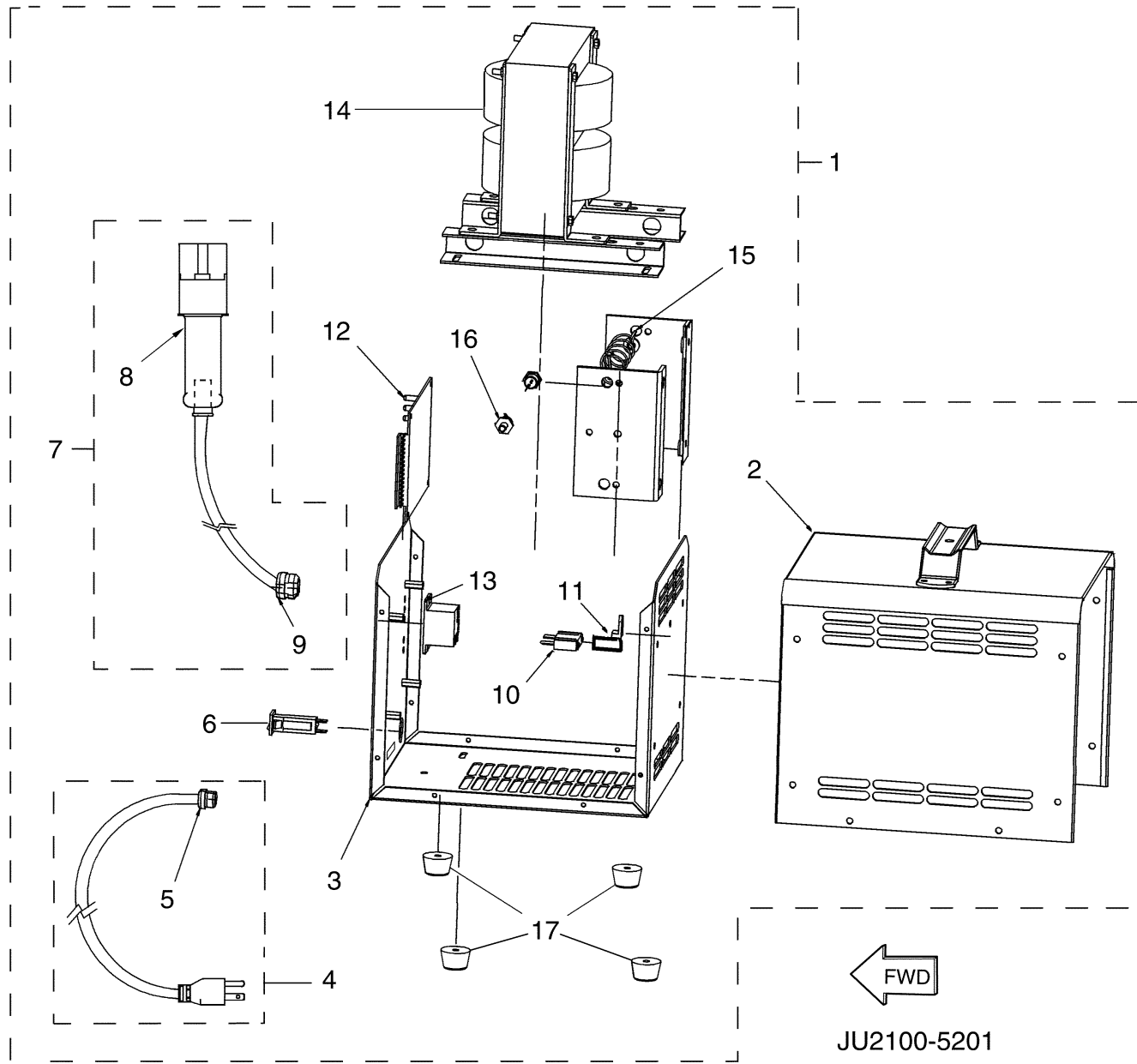
ACCELERATOR	B3
BATTERY CHARGER DPI	C7
BATTERY CHARGER MAC	C6
BODY	B8
BODY 2	B9-10
BODY FITTING	B11
BRAKE	A11-12
BRAKE 2	B1
BRAKE 3	B2
BUMPER	B7
CARRIER	B12
CONTROLLER 1	C3
ELECTRIC MOTOR	C2
ELECTRICAL 1	C4-5
FRAME	A6
FRONT SUSPENSION & WHEEL	A7-8
OPTIONAL ENERGY/HOUR GAUGES	C12
OPTIONAL LIGHT KIT	C10-11
OPTIONAL SUN ROOF	C9
OPTIONAL WINDSHIELD	C8
REAR ARM & SUSPENSION	A5
REAR AXLE MOUNT & WHEEL	B6
SEAT	C1
STEERING	A9-10
TRANSAXLE	B4-5

BATTERY CHARGER MAC

Ref. No.	Part Number	Description	Qty	Remarks
1	MAC-SCR48-17-17	CHARGER (JR1-H2107-03-00)	1	MAC 60HZ/120V
2	MAC-WP141-06-20	. CASE COVER	1	MAC
3	MAC-WP140-81-00	. CASE MAIN	1	MAC
4	MAC-11438-10-00	. AC CORD ASSY	1	120V
5	MAC-M3660-00-00	. AC STRAIN RELIEF	1	MAC
6	MAC-M1406-10-00	. CIRCUIT BREAKER, 15A AC	1	MAC
7	MAC-CDC10-23-00	. DC CORD ASSY 8FT	1	MAC
8	MAC-M1409-80-00	. DC PLUG SET	1	MAC
9	MAC-M6680-00-00	. DC STRAIN RELIEF	1	MAC
10	MAC-WP154-77-00	. DC FUSE ASSY	1	MAC
11	MAC-M1546-10-00	. TIE, CABLE STRAP	1	MAC
12	MAC-0480S-1F-17	. CONTROL CIRCUIT	1	MAC
13	MACM1406-50-00	. RELAY	1	MAC
14	MAC-TX141-10-V0	. POWER TRANSFORMER	1	U.S. 60HZ/120V
15	MAC-WP135-52-L0	. SHUNT	1	MAC
16	MAC-M3998-00-00	. RECTIFIER, SCR	2	MAC
17	MAC-M1202-60-00	. BUMPER	1	

CONTENTS

ACCELERATOR	B3
BATTERY CHARGER DPI	C7
BATTERY CHARGER MAC	C6
BODY	B8
BODY 2	B9-10
BODY FITTING	B11
BRAKE	A11-12
BRAKE 2	B1
BRAKE 3	B2
BUMPER	B7
CARRIER	B12
CONTROLLER 1	C3
ELECTRIC MOTOR	C2
ELECTRICAL 1	C4-5
FRAME	A6
FRONT SUSPENSION & WHEEL	A7-8
OPTIONAL ENERGY/HOUR GAUGES	C12
OPTIONAL LIGHT KIT	C10-11
OPTIONAL SUN ROOF	C9
OPTIONAL WINDSHIELD	C8
REAR ARM & SUSPENSION	A5
REAR AXLE MOUNT & WHEEL	B6
SEAT	C1
STEERING	A9-10
TRANSAXLE	B4-5

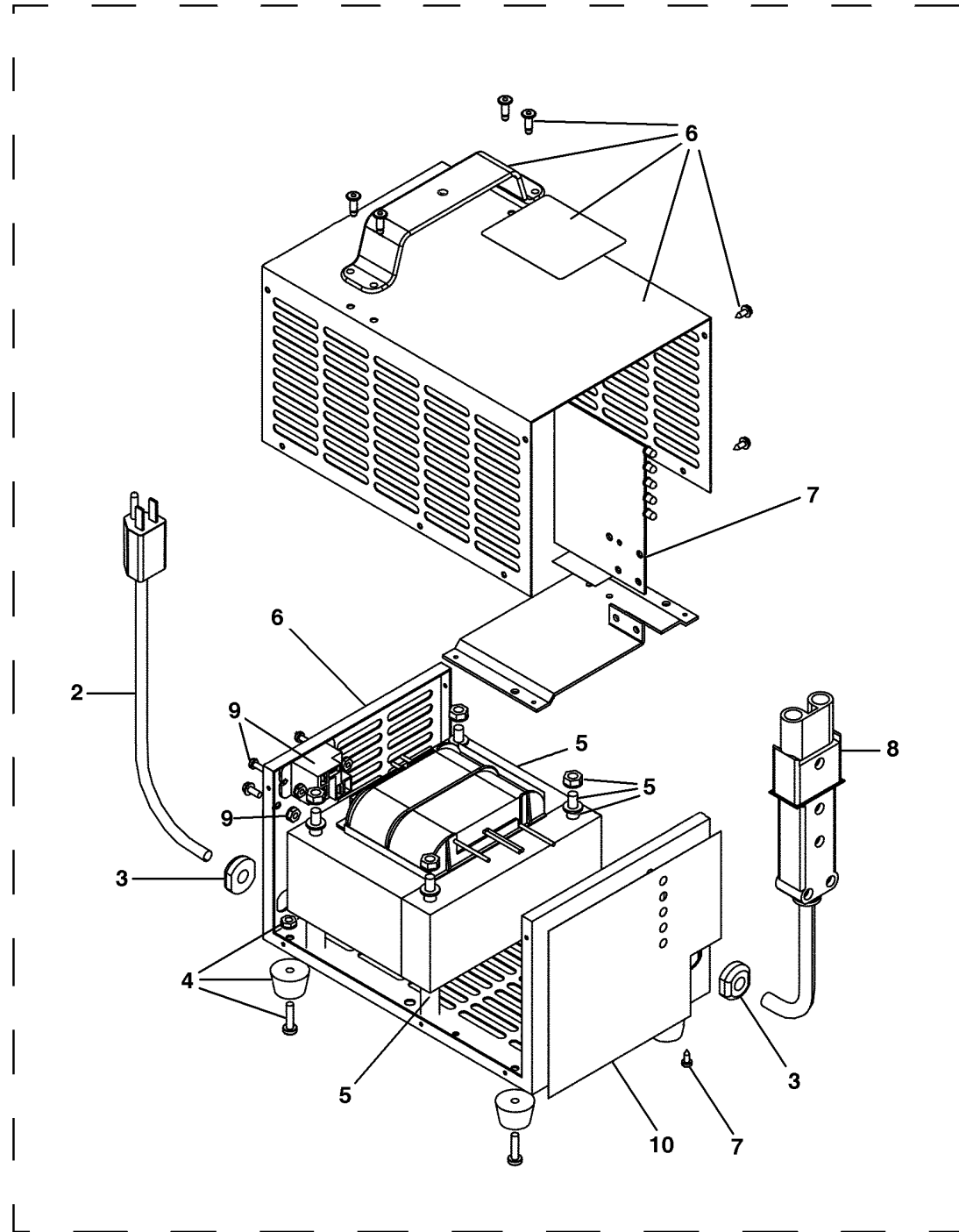


BATTERY CHARGER DPI

Ref. No.	Part Number	Description	Qty	Remarks
1	JU2-H2107-01-00	CHARGER DPI	1	DPI 60HZ/120V
2	DPI-JU201-00-00	. INPUT AC CABLE	1	KIT 1
3	DPI-JU202-00-00	. STRAIN RELIEF SET	1	KIT 2
4	DPI-JU203-00-00	. BUMPER SET	1	KIT 3
5	DPI-JU204-00-00	. TRANSFORMER SET	1	KIT 4
6	DPI-JU205-00-00	. CASE SET	1	KIT 5
7	DPI-JU206-00-00	. PC BOARD SET	1	KIT 6
8	DPI-JU207-00-00	. DC PLUG	1	KIT 7
9	DPI-JU208-00-00	. RELAY SET	1	KIT 8
10	DPI-JU209-00-00	. FRONT PANEL LABEL	1	KIT 9

CONTENTS

ACCELERATOR	B3
BATTERY CHARGER DPI	C7
BATTERY CHARGER MAC	C6
BODY	B8
BODY 2	B9-10
BODY FITTING	B11
BRAKE	A11-12
BRAKE 2	B1
BRAKE 3	B2
BUMPER	B7
CARRIER	B12
CONTROLLER 1	C3
ELECTRIC MOTOR	C2
ELECTRICAL 1	C4-5
FRAME	A6
FRONT SUSPENSION & WHEEL	A7-8
OPTIONAL ENERGY/HOUR GAUGES	C12
OPTIONAL LIGHT KIT	C10-11
OPTIONAL SUN ROOF	C9
OPTIONAL WINDSHIELD	C8
REAR ARM & SUSPENSION	A5
REAR AXLE MOUNT & WHEEL	B6
SEAT	C1
STEERING	A9-10
TRANSAXLE	B4-5

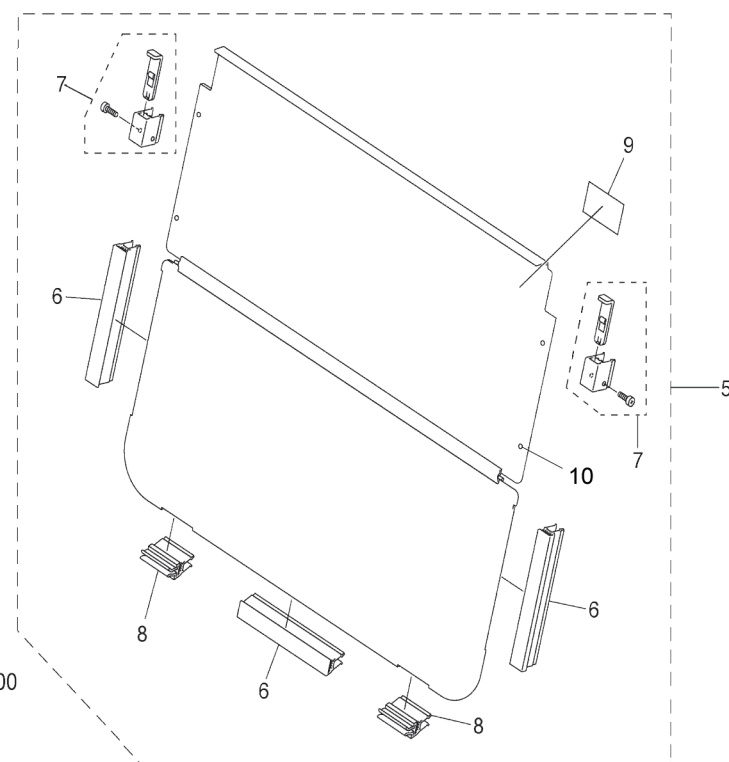
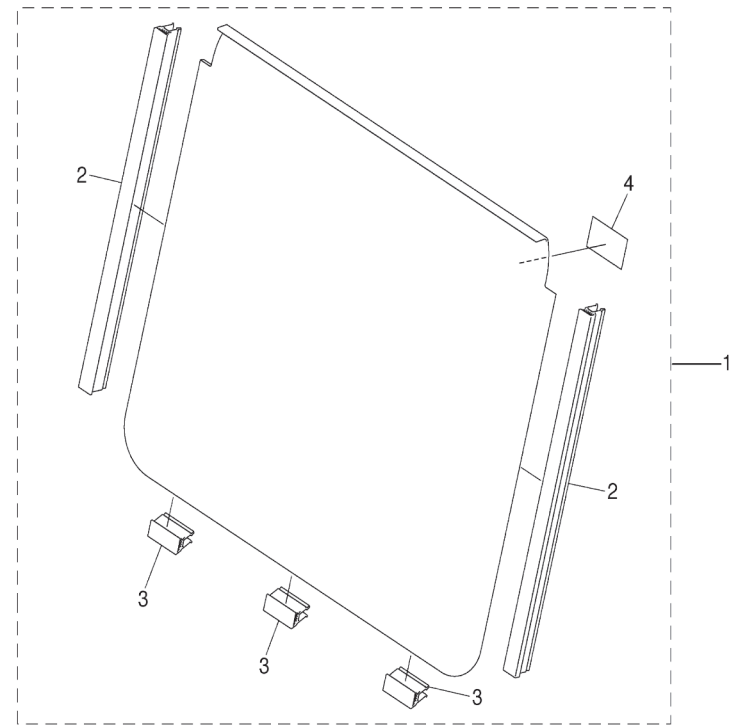


OPTIONAL WINDSHIELD

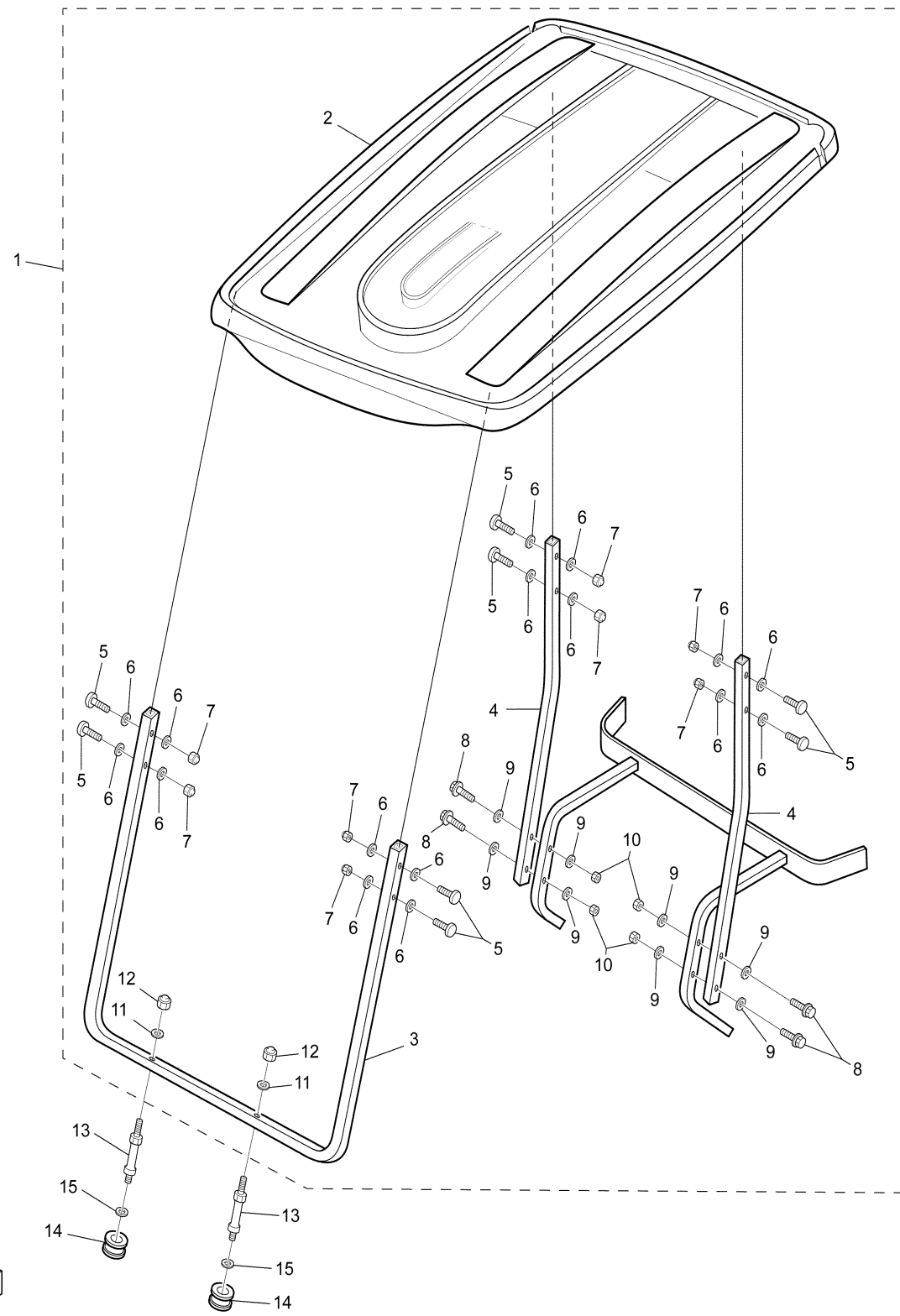
Ref. No.	Part Number	Description	Qty	Remarks
1	JU0-K7200-03-00	WINDSHIELD ASSY, SOLID (CLEAR)	1	UR AP
	JU0-K7200-13-00	WINDSHIELD ASSY, SOLID (TINTED)	1	UR AP
2	JU0-K838A-20-00	. RETAINER 1	2	
3	JU0-K838A-10-00	. RETAINER 1	3	
4	JU0-K7458-00-00	. LABEL, WARNING	1	
5	JU0-K7200-22-00	WINDSHIELD ASSY, HINGED (CLEAR)	1	UR AP
	JU0-K7200-32-00	WINDSHIELD ASSY, HINGED (SMOKE)	1	UR AP
6	JU0-K838B-00-00	. RETAINER 2	3	
7	GCA-WSUPP-ER-KT	. UPPER, LATCH 2	1	
8	JU0-K7222-01-00	. BRACKET, WINDSHIELD (R.H.)	2	
9	JU0-K7458-00-00	. LABEL, WARNING	1	
10	JN3-K7238-00-00	. DAMPER, WINDSHIELD	4	

CONTENTS

ACCELERATOR	B3
BATTERY CHARGER DPI	C7
BATTERY CHARGER MAC	C6
BODY	B8
BODY 2	B9-10
BODY FITTING	B11
BRAKE	A11-12
BRAKE 2	B1
BRAKE 3	B2
BUMPER	B7
CARRIER	B12
CONTROLLER 1	C3
ELECTRIC MOTOR	C2
ELECTRICAL 1	C4-5
FRAME	A6
FRONT SUSPENSION & WHEEL	A7-8
OPTIONAL ENERGY/HOUR GAUGES	C12
OPTIONAL LIGHT KIT	C10-11
OPTIONAL SUN ROOF	C9
OPTIONAL WINDSHIELD	C8
REAR ARM & SUSPENSION	A5
REAR AXLE MOUNT & WHEEL	B6
SEAT	C1
STEERING	A9-10
TRANSAXLE	B4-5



OPTIONAL SUN ROOF



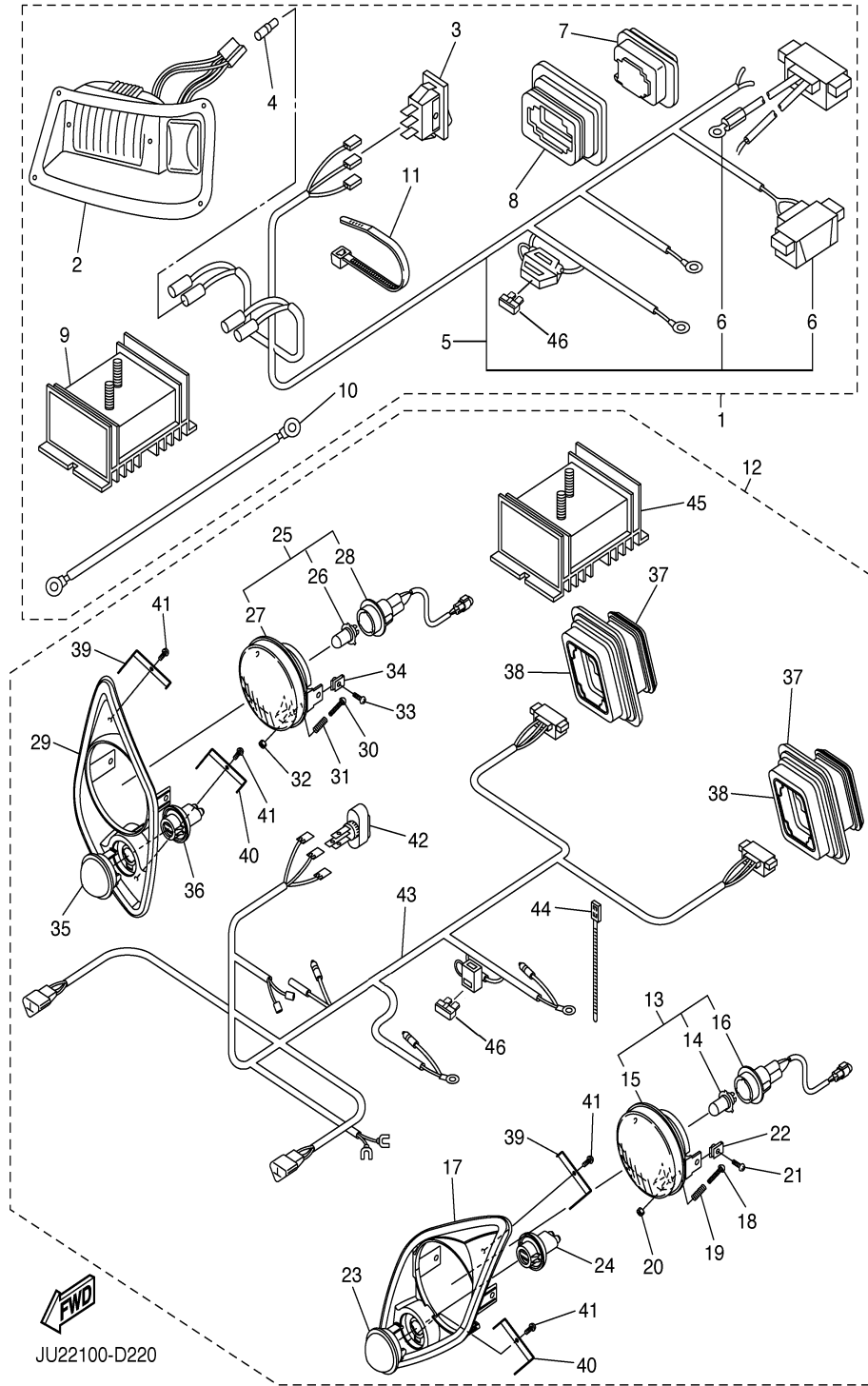
JU0100-5370

Ref. No.	Part Number	Description	Qty	Remarks
1	JU0-K8310-00-00	SUN ROOF ASSY	1	UR IVORY
	JU0-K8310-10-00	SUN ROOF ASSY	1	UR TAN
2	JU0-K8314-00-00	. COVER, SUN ROOF	1	UR IVORY
	JU0-K8314-10-00	. COVER, SUN ROOF	1	UR TAN
3	JU0-K8312-01-00	. SUPPORT, SUN ROOF 1	1	
4	JU0-K8313-01-00	. SUPPORT, SUN ROOF 2	2	
5	JU0-K8388-00-00	. BOLT, ROOF 1	8	
6	90201-088T2-00	. WASHER, PLATE	16	
7	JU0-K8398-00-00	. NUT, ROOF 1	8	
8	90101-22864-00	. BOLT	4	
9	90201-088J3-00	. WASHER, PLATE	8	
10	90185-12835-00	. NUT, SELF-LOCKING	4	
11	90201-098J4-00	. WASHER, PLATE	2	
12	90176-08801-00	. NUT, CROWN	2	
13	JU0-K834A-00-00	. REINF., HOLDER	2	FOR SUN ROOF
14	JN3-K832F-00-00	. GROMMET, ROOF SUPPORT	2	FOR SUN ROOF
15	90201-11800-00	. WASHER, PLATE	2	FOR SUN ROOF

CONTENTS

ACCELERATOR	B3
BATTERY CHARGER DPI	C7
BATTERY CHARGER MAC	C6
BODY	B8
BODY 2	B9-10
BODY FITTING	B11
BRAKE	A11-12
BRAKE 2	B1
BRAKE 3	B2
BUMPER	B7
CARRIER	B12
CONTROLLER 1	C3
ELECTRIC MOTOR	C2
ELECTRICAL 1	C4-5
FRAME	A6
FRONT SUSPENSION & WHEEL	A7-8
OPTIONAL ENERGY/HOUR GAUGES	C12
OPTIONAL LIGHT KIT	C10-11
OPTIONAL SUN ROOF	C9
OPTIONAL WINDSHIELD	C8
REAR ARM & SUSPENSION	A5
REAR AXLE MOUNT & WHEEL	B6
SEAT	C1
STEERING	A9-10
TRANSAXLE	B4-5

OPTIONAL LIGHT KIT



JU22100-D220

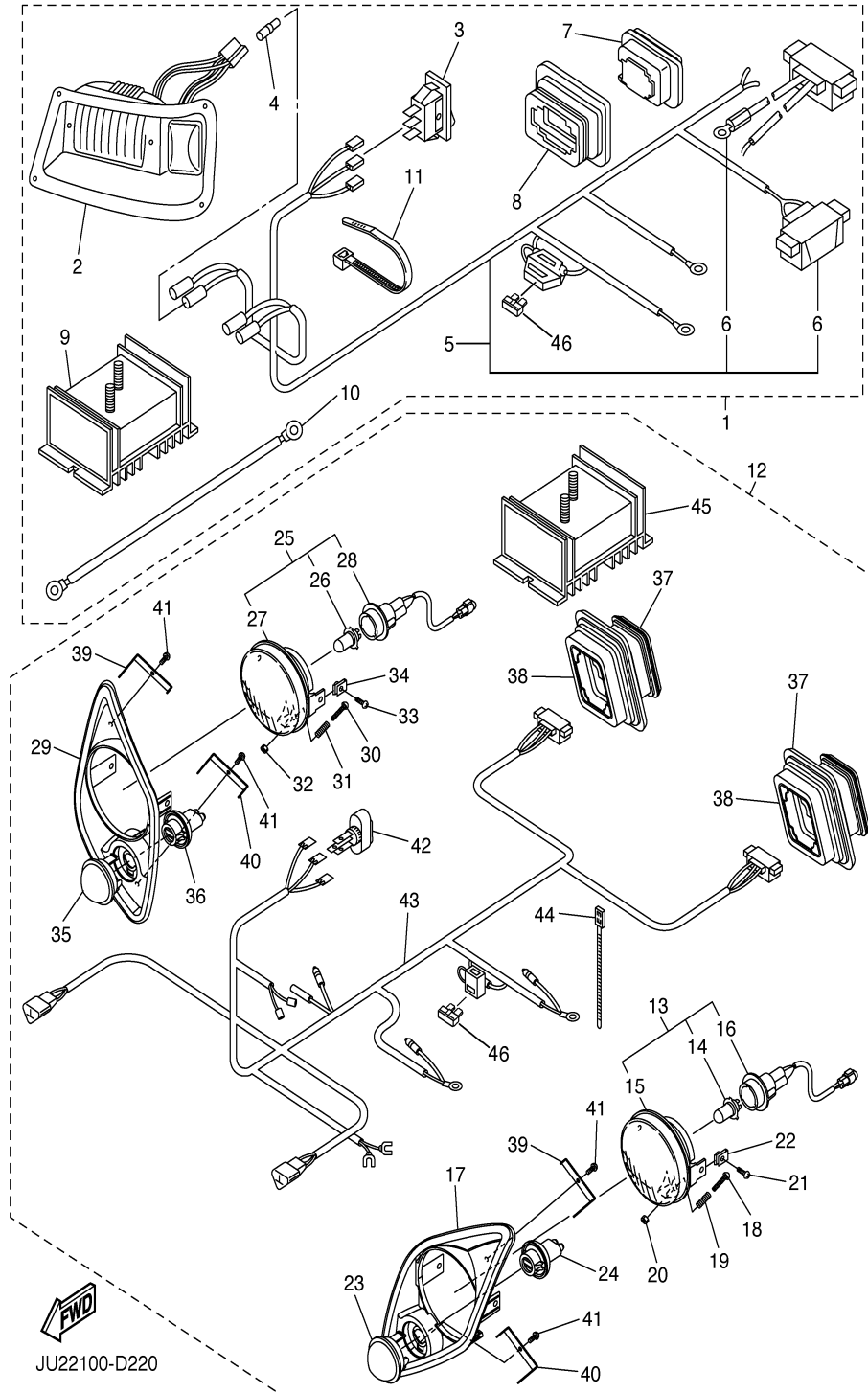
Ref. No.	Part Number	Description	Qty	Remarks
1	JR1-H430A-20-00	HEADLIGHT UNIT ASSY	1	UR
2	JN3-H4303-20-00	. HEADLIGHT UNIT ASSY	2	
3	JN3-H3976-20-00	. SWITCH, HANDLE 1	1	
4	9E212-10401-00	. TERMINAL	2	
5	JR1-H4159-00-00	. CORD, HEADLIGHT	1	
6	JN3-H4517-00-00	. . CORD, TAILLIGHT	2	
7	JU5-H4700-00-00	. TAILLIGHT ASSY	2	
8	JU5-H4718-00-00	. GROMMET	2	
9	JR1-H1910-00-00	. VOLTAGE REGULATOR ASSY	1	
10	JR1-H4149-00-00	. WIRE, LEAD 2	1	
11	90464-40800-00	. CLAMP	20	
12	JU2-H430A-00-00	HEADLIGHT UNIT ASSY	1	UR
13	5FU-H4300-00-00	. HEADLIGHT ASSY	1	
14	5FU-H4314-00-00	. . BULB, HEADLIGHT (12V-30/30W)	1	
15	5FU-H4320-00-00	. . LENS ASSY	1	
16	5FU-H4340-00-00	. . SOCKET CORD ASSY 1	1	
17	JU7-H411T-01-00	. HOLDER, 1	1	
18	98507-03540-00	. SCREW, PAN HEAD	1	
19	90501-10060-00	. SPRING, SCREW	1	
20	2GU-84334-00-00	. NUT, ADJUSTING	1	
21	90150-05802-00	. SCREW, ROUND HEAD	2	
22	90183-05008-00	. NUT, SPRING	2	
23	JU7-H5415-00-00	. MARK, SIGNAL LAMP	1	
24	JU7-H3547-00-00	. COVER, SOCKET	1	
25	5FU-H4300-00-00	. HEADLIGHT ASSY	1	
26	5FU-H4314-00-00	. . BULB, HEADLIGHT (12V-30/30W)	1	
27	5FU-H4320-00-00	. . LENS ASSY	1	
28	5FU-H4340-00-00	. . SOCKET CORD ASSY 1	1	
29	JU7-H411U-01-00	. HOLDER, 2	1	

CONTENTS

ACCELERATOR	B3
BATTERY CHARGER DPI	C7
BATTERY CHARGER MAC	C6
BODY	B8
BODY 2	B9-10
BODY FITTING	B11
BRAKE	A11-12
BRAKE 2	B1
BRAKE 3	B2
BUMPER	B7
CARRIER	B12
CONTROLLER 1	C3
ELECTRIC MOTOR	C2
ELECTRICAL 1	C4-5
FRAME	A6
FRONT SUSPENSION & WHEEL	A7-8
OPTIONAL ENERGY/HOUR GAUGES	C12
OPTIONAL LIGHT KIT	C10-11
OPTIONAL SUN ROOF	C9
OPTIONAL WINDSHIELD	C8
REAR ARM & SUSPENSION	A5
REAR AXLE MOUNT & WHEEL	B6
SEAT	C1
STEERING	A9-10
TRANSAXLE	B4-5

CONTINUED ON NEXT FRAME ►

OPTIONAL LIGHT KIT



Ref. No.	Part Number	Description	Qty	Remarks
30	98507-03540-00	. SCREW, PAN HEAD	1	
31	90501-10060-00	. SPRING, SCREW	1	
32	2GU-84334-00-00	. NUT, ADJUSTING	1	
33	90150-05802-00	. SCREW, ROUND HEAD	2	
34	90183-05008-00	. NUT, SPRING	2	
35	JU7-H5415-00-00	. MARK, SIGNAL LAMP	1	
36	JU7-H3547-00-00	. COVER, SOCKET	1	
37	JU5-H4700-00-00	. TAILLIGHT ASSY	2	
38	JU5-H4718-00-00	. GROMMET	2	
39	JU7-H4118-01-00	. STAY, HEADLIGHT 1	2	
40	JU7-H4119-01-00	. STAY, HEADLIGHT 2	2	
41	97707-40112-00	. SCREW, TAPPING	4	
42	JN3-H3976-20-00	. SWITCH, HANDLE 1	1	
43	JU0-H4159-00-00	. CORD, HEADLIGHT	1	
44	90464-14806-00	. CLAMP	20	
45	JR1-H1910-00-00	. VOLTAGE REGULATOR ASSY	1	
46	42X-82151-00-00	. FUSE, (10A-BL)	1	

CONTENTS

ACCELERATOR	B3
BATTERY CHARGER DPI	C7
BATTERY CHARGER MAC	C6
BODY	B8
BODY 2	B9-10
BODY FITTING	B11
BRAKE	A11-12
BRAKE 2	B1
BRAKE 3	B2
BUMPER	B7
CARRIER	B12
CONTROLLER 1	C3
ELECTRIC MOTOR	C2
ELECTRICAL 1	C4-5
FRAME	A6
FRONT SUSPENSION & WHEEL	A7-8
OPTIONAL ENERGY/HOUR GAUGES	C12
OPTIONAL LIGHT KIT	C10-11
OPTIONAL SUN ROOF	C9
OPTIONAL WINDSHIELD	C8
REAR ARM & SUSPENSION	A5
REAR AXLE MOUNT & WHEEL	B6
SEAT	C1
STEERING	A9-10
TRANSAXLE	B4-5

OPTIONAL ENERGY/HOUR GAUGES

Ref. No.	Part Number	Description	Qty	Remarks
1	JR1-H351C-10-00	BATTERY ENERGY METER ...	1	INCL. MOUNTING SCREWS AND TERMINAL CONNECTORS
12	JN6-H351C-00-00	HOUR METER	1	INCL. MOUNTING SCREWS AND TERMINAL CONNECTORS

CONTENTS

ACCELERATOR	B3
BATTERY CHARGER DPI	C7
BATTERY CHARGER MAC	C6
BODY	B8
BODY 2	B9-10
BODY FITTING	B11
BRAKE	A11-12
BRAKE 2	B1
BRAKE 3	B2
BUMPER	B7
CARRIER	B12
CONTROLLER 1	C3
ELECTRIC MOTOR	C2
ELECTRICAL 1	C4-5
FRAME	A6
FRONT SUSPENSION & WHEEL	A7-8
OPTIONAL ENERGY/HOUR GAUGES	C12
OPTIONAL LIGHT KIT	C10-11
OPTIONAL SUN ROOF	C9
OPTIONAL WINDSHIELD	C8
REAR ARM & SUSPENSION	A5
REAR AXLE MOUNT & WHEEL	B6
SEAT	C1
STEERING	A9-10
TRANSAXLE	B4-5

