

PARTS CATALOG



YAMAHA

YAMAHA GOLF-CAR COMPANY

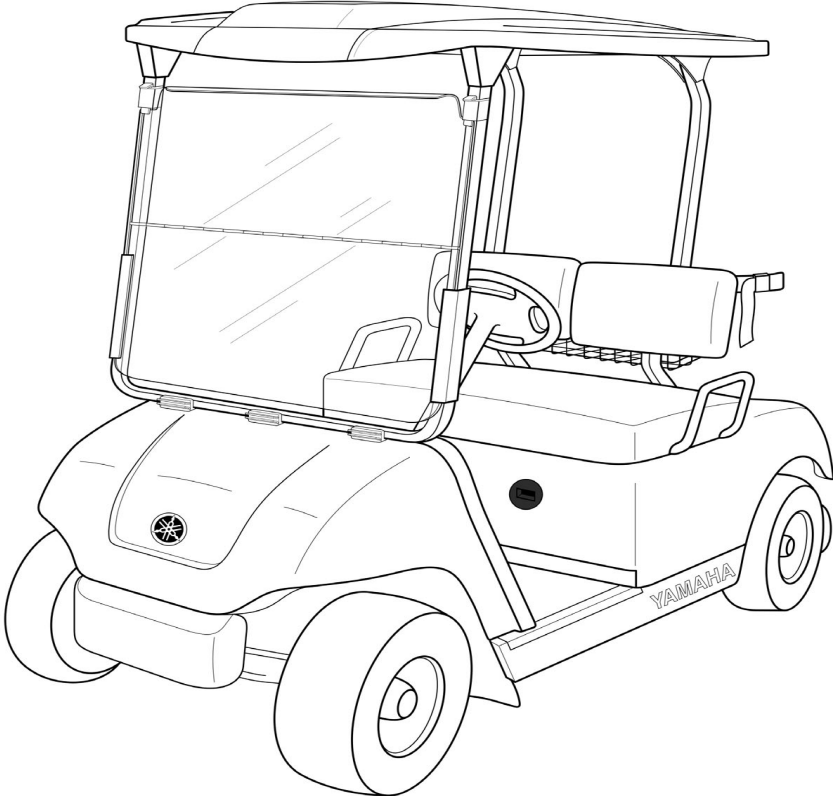
G-MAX 48 V

2004 G22EZ

(JU21) U.S.A., CANADA, EUROPE, OTHERS

OCTOBER 2003

1CJU2-100E1



FOREWORD

This Parts Catalogue is related to the parts for the model(s) shown in the frame below. When you are ordering replacement parts, please refer to this Parts Catalogue and quote both part numbers and part names correctly.

G22E (JU21)

1. Modifications or additions which have been made after issue of the Parts Catalogue will be announced in the Yamaha Parts News. It is advisable that you make necessary corrections to the Parts Catalogue according to the Yamaha Parts News.

2. Abbreviations
The following abbreviations are used in this Parts Catalogue.

- “UR” Use specified part number.
- “UN” Use as many as needed.
- “AP” Alternate parts.
- “LM” Local Made (Parts need to be ordered locally)
- “F#” Frame Number (Applicable machine number)

3. Parts, which are to be supplied in an assembly, are listed with a dot (.) in front of the part name as shown below.

EXAMPLE
MOTOR ASSY
.BRACKET, FRONT
.ARMATURE ASSY.

4. Number of component for assembly
The numeral appearing to the right of each component part indicates the quantity of parts for each assembly unit.

EXAMPLE:

PART NO.	DESCRIPTION	Q'TY	REMARKS
JU2-H1160-00-00	.FIELD COIL ASSY.	1	
JH7-H1872-00-00	.NUT, SPECIAL	4	

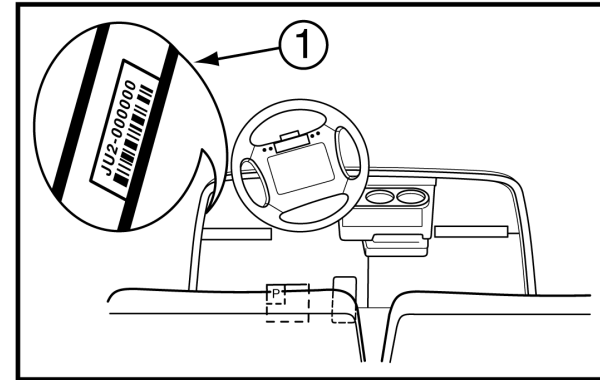
5. Applicable colors of body panels as well as other relevant information are represented in the “REMARKS” column as shown below.

EXAMPLE:

PART NO.	DESCRIPTION	Q'TY	REMARKS
JU0-K8115-00-00	COWL FRONT	1	Ivory color
JN6-F512M-C0-00	.HUB-CAP, CHROME	4	With clips

6. Applicable Serial No. and Color Code

① Vehicle (Frame) Serial No. JU2-000101 ~



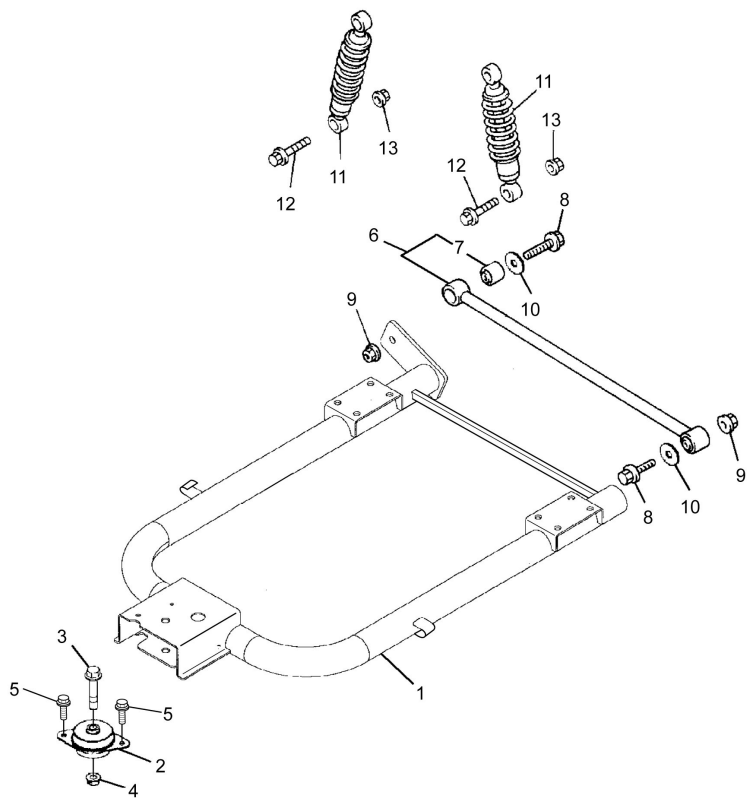
7. Note that the illustrations are to be used as a reference for finding part numbers, and not to be used for assembling. When dis-assembling and/or re-assembling, please use the applicable service manual.

8. The asterisk (*) before a reference number indicates modification items after the first edition.

CONTENTS

CHASSIS	PAGE		PAGE
Rear Arm / Suspension	5	Optional Light Kit	35
Frame	6	Optional Energy/Hour Gauges	36
Front Suspension / Wheel	7~8		
Steering	9~10		
Brake	11~12		
Brake 2	13		
Brake 3	14		
Accelerator	15		
Transmission	16~17		
Rear Axle Mount / Wheel	18		
Bumper	19		
Body (Front)	20~21		
Body 2 (Rear)	22~23		
Body Fitting	24		
Carrier	25		
Seat	26		
Electric Motor	27		
Controller 1	28		
Electrical 1	29~30		
Battery Charger	31		
Optional Hub Caps	32		
Optional Windshield	33		
Optional Sunroof	34		

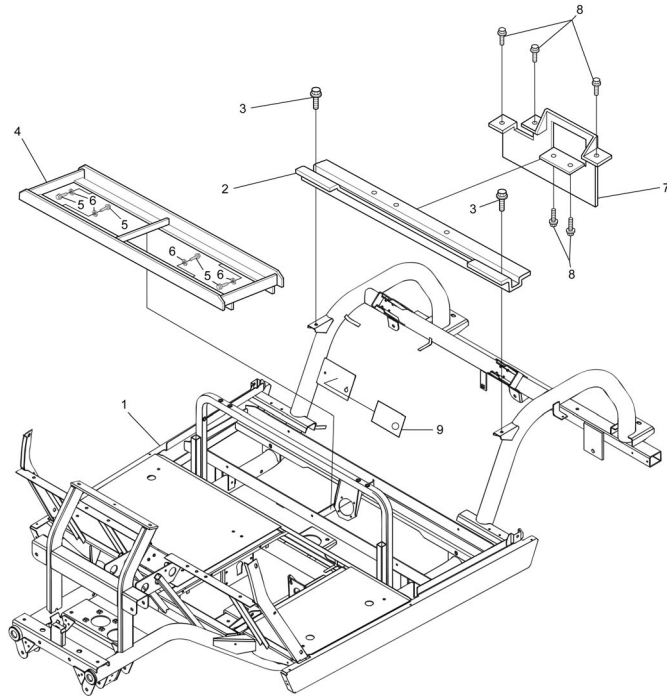
FIG. 1 REAR ARM / SUSPENSION



REF NO.	PART NUMBER	DESCRIPTION	QTY	REMARKS
1	JU2-F2110-01-00	REAR ARM COMP.	1	
2	JN6-F2123-01-00	BUSHING, 1	1	
3	90105-13864-00	BOLT, FLANGE	1	
4	90179-13878-00	NUT	1	
5	9751P-10620-00	BOLT, HEX. HEAD W/WASHER	2	
6	JN6-F2172-00-00	ROD, CONNECTING 2	1	
7	JN6-F2124-00-00	.BUSHING, 2	2	
8	9581P-12065-00	BOLT, FLANGE	2	
9	9560P-12200-00	NUT, U-FLANGE	2	
10	90201-12426-00	WASHER, PLAIN	2	
11	JN4-F2210-00-00	SHOCK ABSORBER	2	
12	95807-10055-00	BOLT, FLANGE	4	
13	95607-10200-00	NUT, U-FLANGE	4	



JU2100-5010



JU2100-5020

FIG. 2 FRAME

REF NO.	PART NUMBER	DESCRIPTION	QTY	REMARKS
1	JU2-F2501-00-00	FRAME COMP.	1	
2	JU0-F254R-00-00	SUPPORT, BODY MOUNT UPPR.	1	
3	95817-08016-00	BOLT, FLANGE	2	
4	JU2-F2554-10-00	BASE, BATTERY	1	
5	90105-10881-00	BOLT, FLANGE	4	
6	90201-11800-00	WASHER, PLATE	4	
7	JU2-F252M-00-00	BRKT, 3	1	
8	90163-06005-00	SCREW, HEX TAPPING	5	
9	JR1-K8298-10-00	PLATE, CAUTION 2	1	UR, USA SEE NOTE "A"
	JR1-K8298-20-00	PLATE, CAUTION 2	1	UR, CAN, EUR SEE NOTE "A"

NOTE "A": When replacing "Frame Comp. JU2-F2501-00-00" you must also replace "Plate Caution 2 JR1-K8298-**-00".

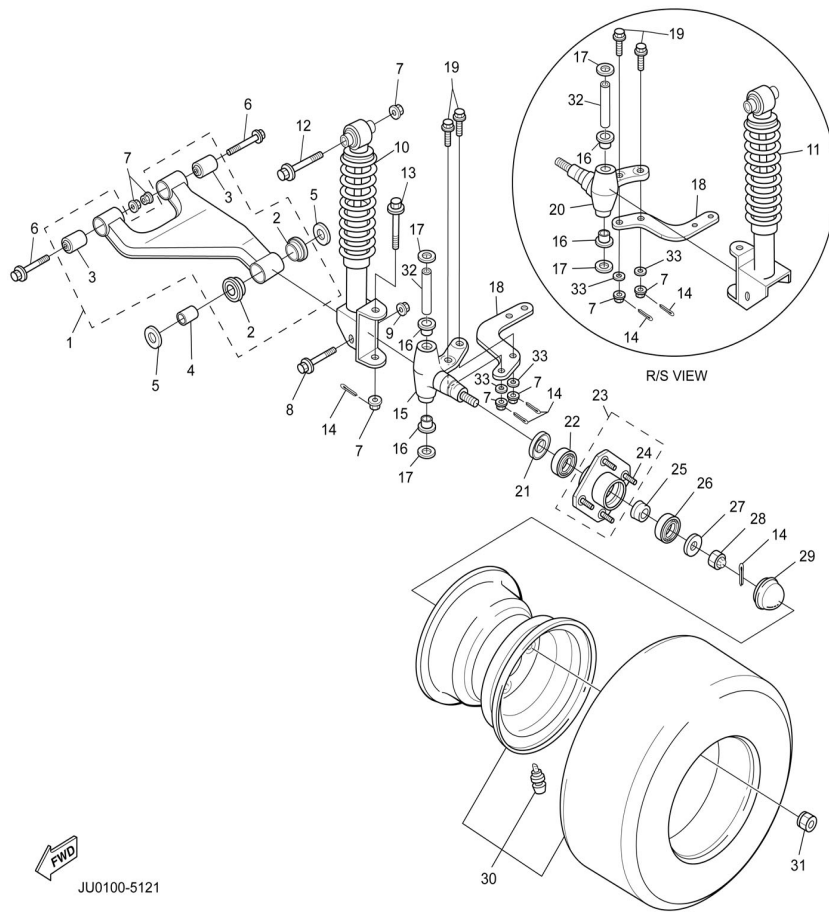
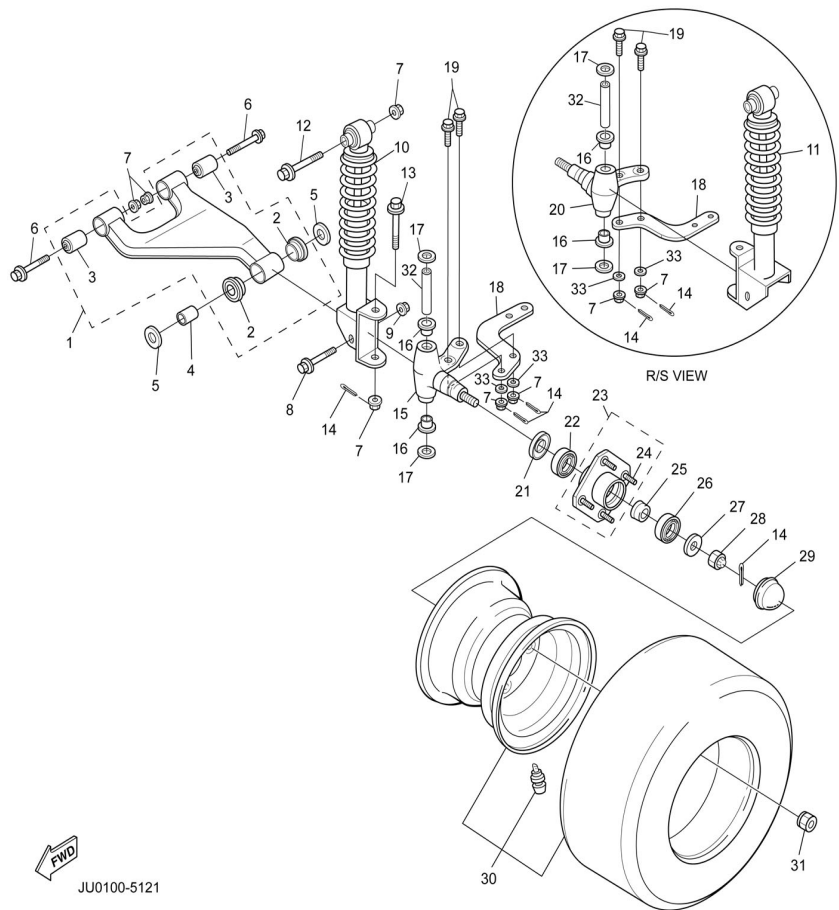


FIG. 3 FRONT SUSPENSION / WHEEL

REF NO.	PART NUMBER	DESCRIPTION	QTY	REMARKS
1	JU0-F3570-20-00	FRONT LOWER ARM COMP.	2	FITS LS AND RS
2	90381-18001-00	.BUSHING SOLID	4	FITS LS AND RS
3	2HR-23526-00-00	.BUSH 1	4	FITS LS AND RS
4	90387-12016-00	COLLAR	2	
5	401-22128-01-00	COVER, 1	4	
6	90105-10890-00	BOLT, FLANGE	4	
7	95607-10200-00	NUT, U-FLANGE	12	
8	95817-12080-00	BOLT, FLANGE	2	
9	9561P-12100-00	NUT, U-FLANGE	2	
10	JU0-F3350-20-00	CUSHION ASSY.	1	
11	JU0-F3390-20-00	CUSHION ASSY. 2	1	
12	95807-10065-00	BOLT, FLANGE	2	
13	90105-10064-00	BOLT, FLANGE	2	
14	91401-25020-00	PIN, SPLIT	8	
15	JU0-F3511-00-00	KNUCKLE, STEERING LH	1	
16	90381-17067-00	BUSH, SOLID	4	
17	2NL-23517-00-00	COVER, THRUST 1	4	
18	JU0-F3512-01-00	ARM, KNUCKLE	2	
19	90105-10728-00	BOLT, FLANGE	4	
20	JU0-F3521-00-00	KNUCKLE, STEERING RH	1	
21	93102-30083-00	SEAL, OIL	2	
22	93306-204X0-00	BEARING	2	
23	JG5-WF511-00-00	HUB	2	
24	90114-12800-00	.BOLT, KNURLED	8	
25	90387-241M7-00	COLLAR	2	
26	93306-005Y3-00	BEARING	2	
27	90209-32832-00	WASHER	2	

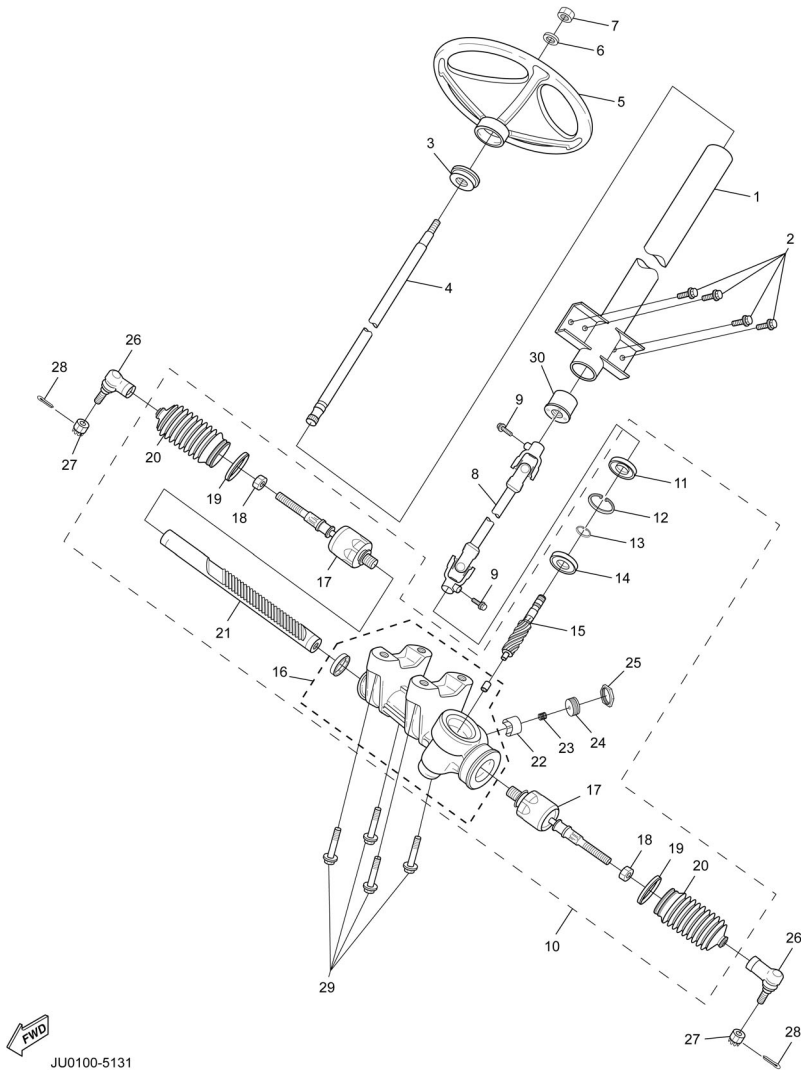


JU0100-5121

FIG. 3 FRONT SUSPENSION / WHEEL

REF NO.	PART NUMBER	DESCRIPTION	QTY	REMARKS
28	95607-14100-00	NUT,U FLANGE	2	
29	JN6-F5118-00-00	COVER, HUB DUST	2	
30	JN6-F5100-11-00	WHEEL ASSY. (KENDA TIRE)	2	
	JU0-F5100-00-00	WHEEL ASSY. (MAXXIS TIRE)	2	
31	90179-12262-00	NUT	8	
32	2NL-23448-00-00	SPACER	2	
33	90201-108P8-00	WASHER, PLAIN	4	

FIG. 4 STEERING



REF NO.	PART NUMBER	DESCRIPTION	QTY	REMARKS
1	JU0-F3811-00-00	COLUMN, STEERING	1	
2	9581P-08016-00	BOLT,FLG. (7-FQA)	4	
3	JN3-F3814-00-00	HOLDER,HANDLE UPPER	1	
4	JU0-F3828-00-00	ROD,STRG.	1	
5	JN3-F3838-00-00	WHEEL,STRG.	1	
6	9290P-12200-00	WASHER PLAIN (7-FQA)	1	
7	90185-12061-00	NUT,SELF-LOCKING	1	
8	JU0-F3822-00-00	JT.,1	1	
9	97517-08530-00	BOLT,HEX. HEAD W/WASHER	2	
10	JU0-F3400-00-00	STEERING ASSEMBLY	1	
11	JU0-F3844-00-00	.SEAL	1	
12	JU0-F387J-00-00	.RING	1	
13	JU0-F3183-00-00	.CIRCLIP	1	
14	JU0-F339Y-00-00	.BEARING	1	
15	JU0-F387A-00-00	.GEAR PINION	1	
16	JU0-F620A-00-00	.HOUSING COMP.	1	
17	JU0-F3837-00-00	.ROD, TIE	2	
18	JU0-F3833-00-00	.NUT, 1	2	
19	JU0-F1338-00-00	.CLAMP	2	
20	JU0-F3848-00-00	.BOOT	2	
21	JU0-F387E-00-00	.GEAR, RACK	1	
22	JU0-F387F-00-00	.PAD, PRESSURE	1	
23	JU0-F387K-00-00	.SPRING, PRESSURE	1	
24	JU0-F387G-00-00	.COVER, ADJUST	1	
25	JU0-F3834-00-00	.NUT, 2	1	
26	JU0-F3841-00-00	JT., UNIVERSAL	2	
27	95607-12200-00	NUT, U FLANGE	2	

FIG. 4 STEERING

REF NO.	PART NUMBER	DESCRIPTION	QTY	REMARKS
28	91401-25020-00	PIN, SPLIT	2	
29	90105-10810-00	BOLT, FLG.	4	
30	JU0-F3857-00-00	HOLDER	1	

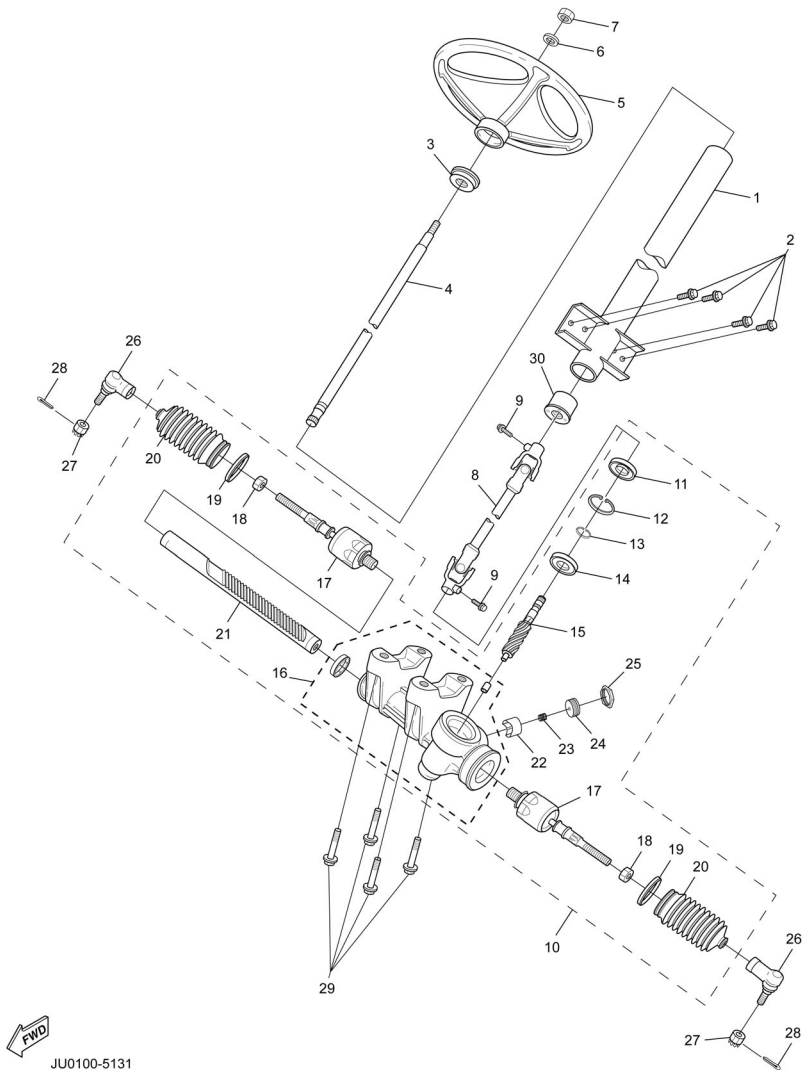
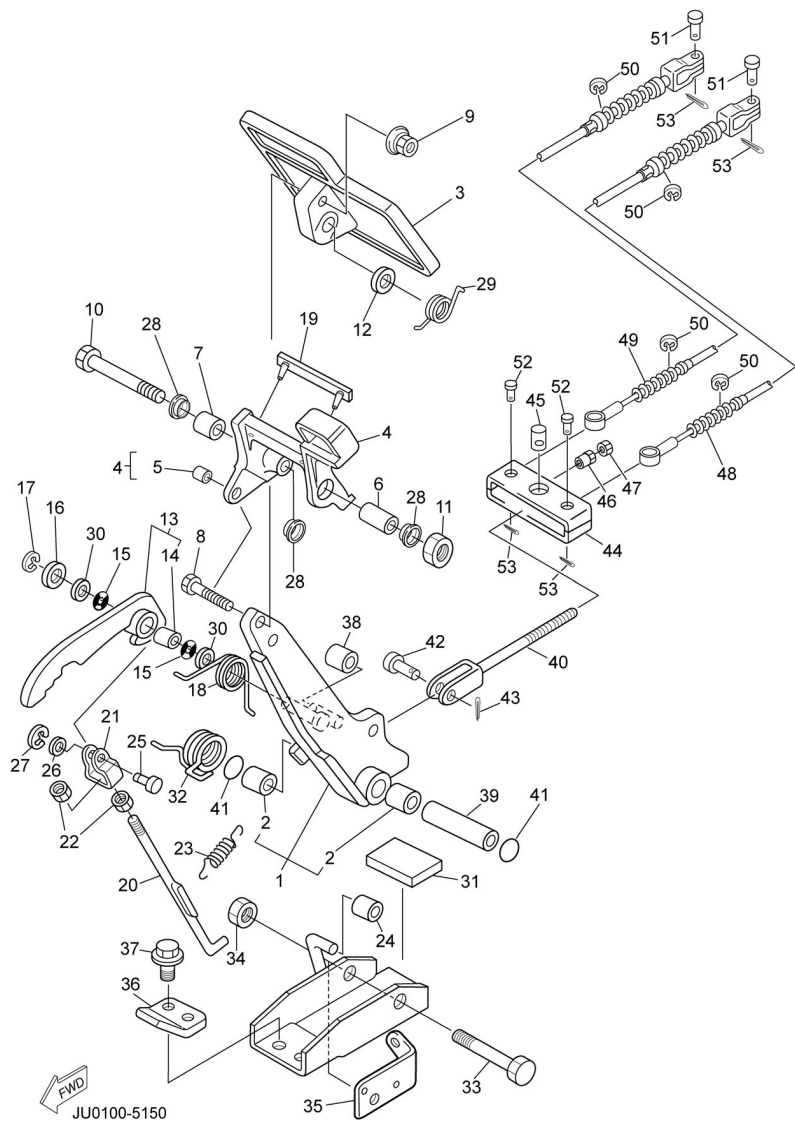


FIG. 5 BRAKE



REF NO.	PART NUMBER	DESCRIPTION	QTY	REMARKS
1	J46-27250-03-00	BRAKE ARM COMP	1	
2	90384-14080-00	.BUSH, BIMETAL FORMED	2	
3	JU0-27211-01-00	PEDAL, BRAKE	1	
4	JU0-25671-00-00	PEDAL, PARKING BRAKE	1	
5	90384-05163-00	.BUSH, BIMETAL	1	
6	90387-08014-00	COLLAR	1	
7	90387-08013-00	COLLAR	1	
8	97017-06035-00	BOLT, HEX.	1	
9	90179-06387-00	NUT	1	
10	97027-08100-00	BOLT, HEX.	1	
11	95337-08600-00	NUT, HEX.	1	
12	92907-08200-00	WASHER, PLAIN	1	
13	J17-25666-02-00	SECTOR, PARKING BRAKE	1	
14	90384-10162-00	.BUSH, BIMETAL	1	
15	J17-27221-00-00	SEAL, SHAFT	2	
16	92907-10600-00	WASHER, PLAIN	1	
17	99080-07600-00	CIRCLIP (E)	1	
18	90508-14548-00	SPRING, TORSION	1	
19	J17-25672-01-00	PAD, PARKING	1	
20	J17-27231-03-00	ROD, BRAKE	1	
21	J17-27232-00-00	END, ROD 1	1	
22	95317-06700-00	NUT, HEX.	2	
23	90506-08526-00	SPRING, TENSION	1	
24	J17-25673-00-00	DAMPER, BRAKE	1	
25	J17-27228-00-00	PIN, LINK JOINT	1	
26	92907-05600-00	WASHER, PLAIN	1	
27	99080-04600-00	CIRCLIP (E)	1	

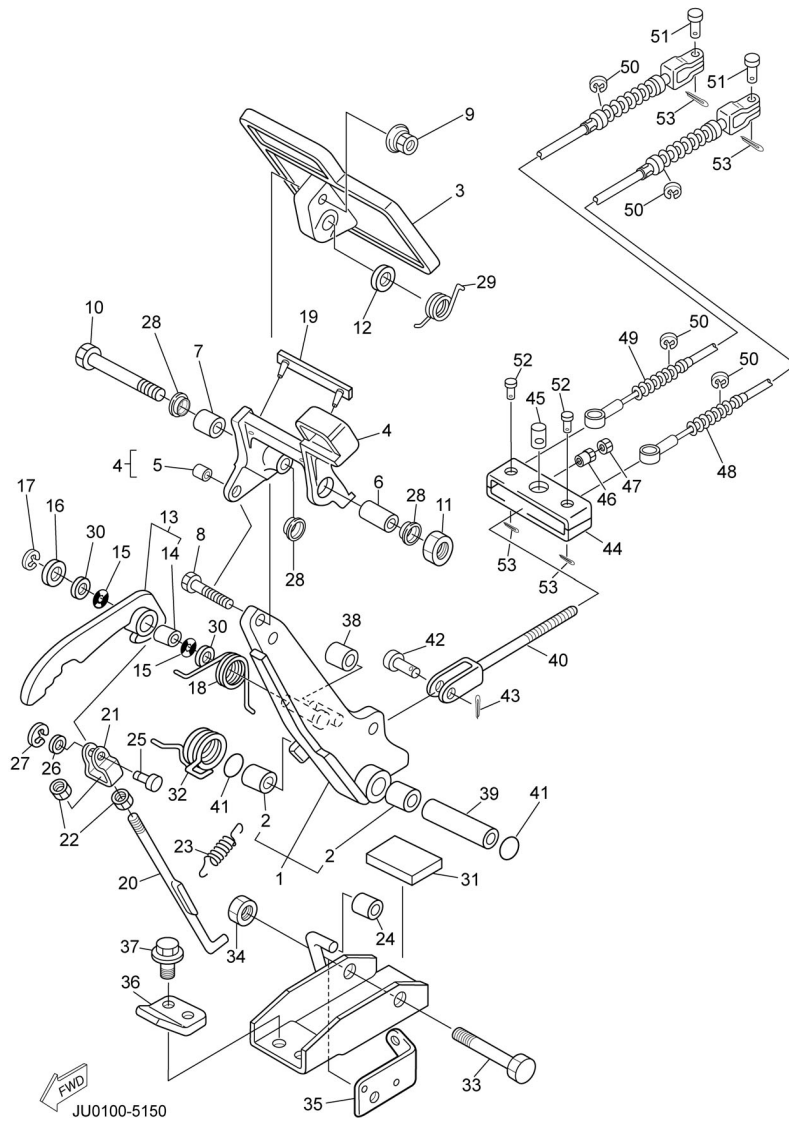
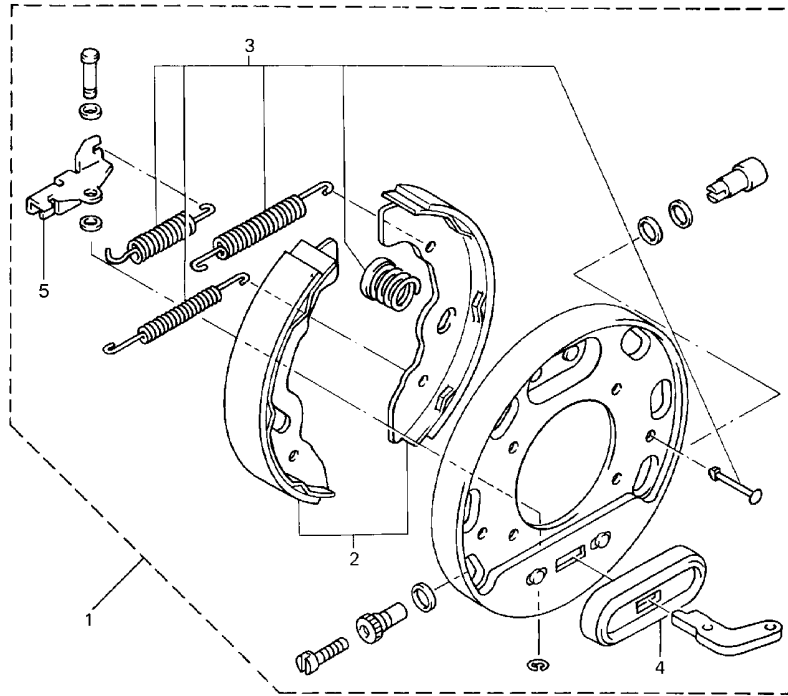


FIG. 5 BRAKE

REF NO.	PART NUMBER	DESCRIPTION	QTY	REMARKS
28	90387-12009-00	BUSH	3	
29	90508-32015-00	SPRING, TORSION	1	
30	90201-104G8-00	WASHER, PLATE	2	
31	JN3-F7245-00-00	PAD, BRAKE PEDAL	1	
32	90508-40007-00	SPRING, TORSION	1	
33	90101-10884-00	BOLT, HEX.	1	
34	95607-10200-00	NUT, U-FLANGE	1	
35	J55-2252M-00-00	BRACKET, 3	1	
36	J17-27246-00-00	NAIL, BRAKE	1	
37	90105-08878-00	BOLT, FLANGE	2	
38	J17-25673-00-00	DAMPER, BRAKE	1	
39	90387-107F8-00	COLLAR	1	
40	JN6-F5685-00-00	ROD	1	
41	93210-14579-00	O-RING	2	
42	91701-10022-00	PIN	1	
43	91490-30020-00	PIN, SPLIT	1	
44	JN6-F5681-00-00	EQUALIZER, BRAKE	1	
45	90249-14129-00	PIN	1	
46	90179-08894-00	NUT	1	
47	95317-08700-00	NUT, HEX.	1	
48	JU0-F6341-00-00	WIRE, BRAKE 1	1	
49	JU0-F6351-00-00	WIRE, BRAKE 2	1	
50	99001-09600-00	CIRCLIP (E)	4	
51	91701-08018-00	PIN	2	
52	91701-08026-00	PIN	2	
53	91490-25020-00	PIN, SPLIT	4	

FIG. 6 BRAKE 2

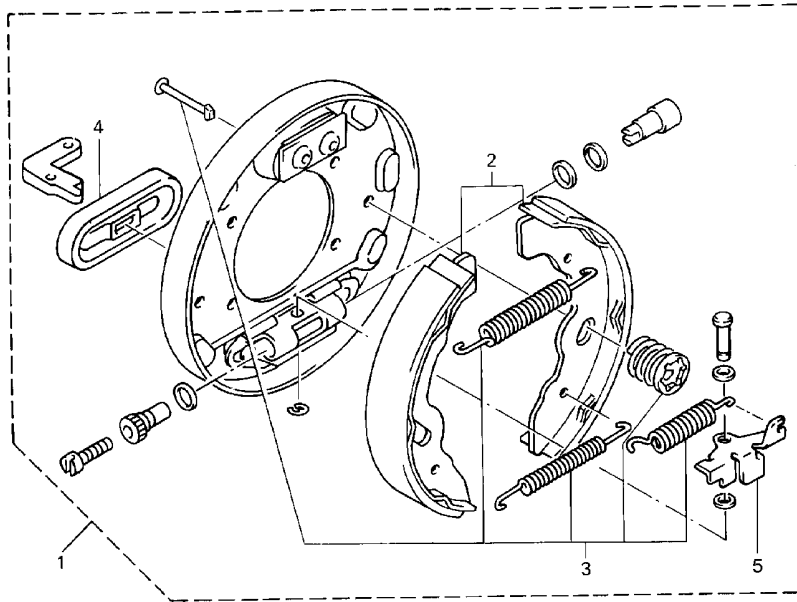


REF NO.	PART NUMBER	DESCRIPTION	QTY	REMARKS
1	JN6-F7280-03-00	BACKING PLATE, (RH)	1	(FOR RIGHT WHEEL ONLY)
2	JN6-F5331-01-00	.SHOE, BRAKE SET	1	(FOR ONE WHEEL)
3	JG5-F819G-00-00	.REPAIR PARTS KIT	1	
4	JG5-F7286-00-00	.COVER, DUST	1	
5	JN6-F722F-00-00	.LEVER ADJUSTER, (RH)	1	



JN4100-5061

FIG. 7 BRAKE 3



REF NO.	PART NUMBER	DESCRIPTION	QTY	REMARKS
1	JN6-F7290-03-00	BACKING PLATE, (LH)	1	(FOR LEFT WHEEL ONLY)
2	JN6-F5331-01-00	.SHOE, BRAKE SET	1	(FOR ONE WHEEL)
3	JG5-F819G-00-00	.REPAIR PARTS KIT	1	
4	JG5-F7286-00-00	.COVER, DUST	1	
5	JN6-F722E-00-00	.LEVER ADJUSTER, (LH)	1	


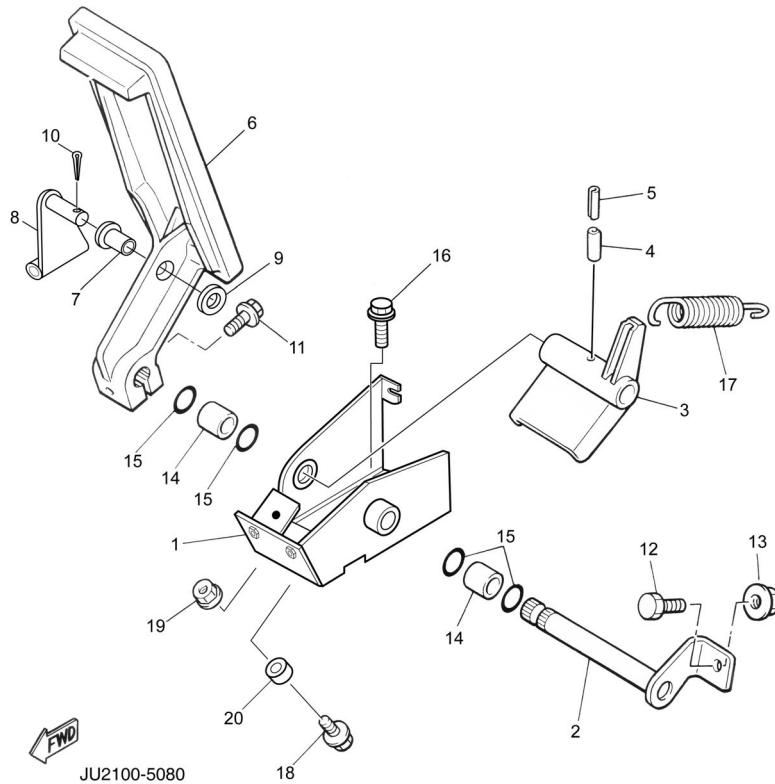
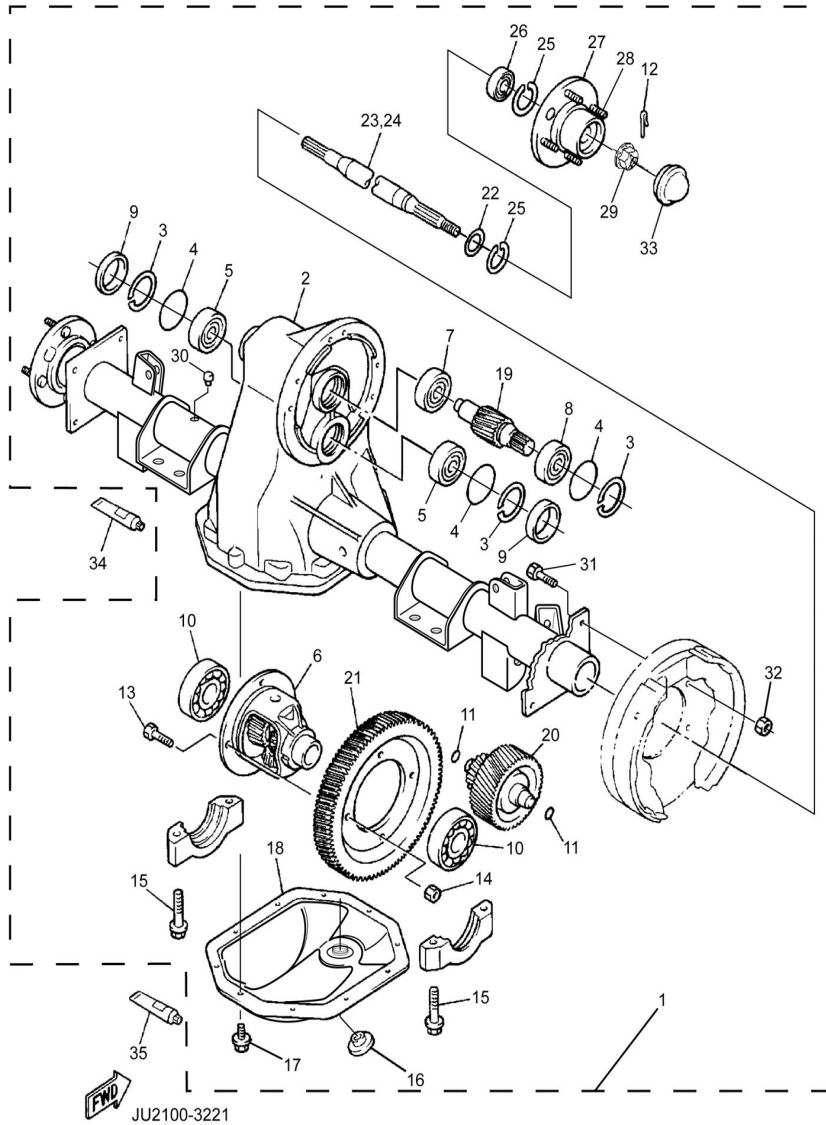
 JN4100-5071

FIG. 8 ACCELERATOR



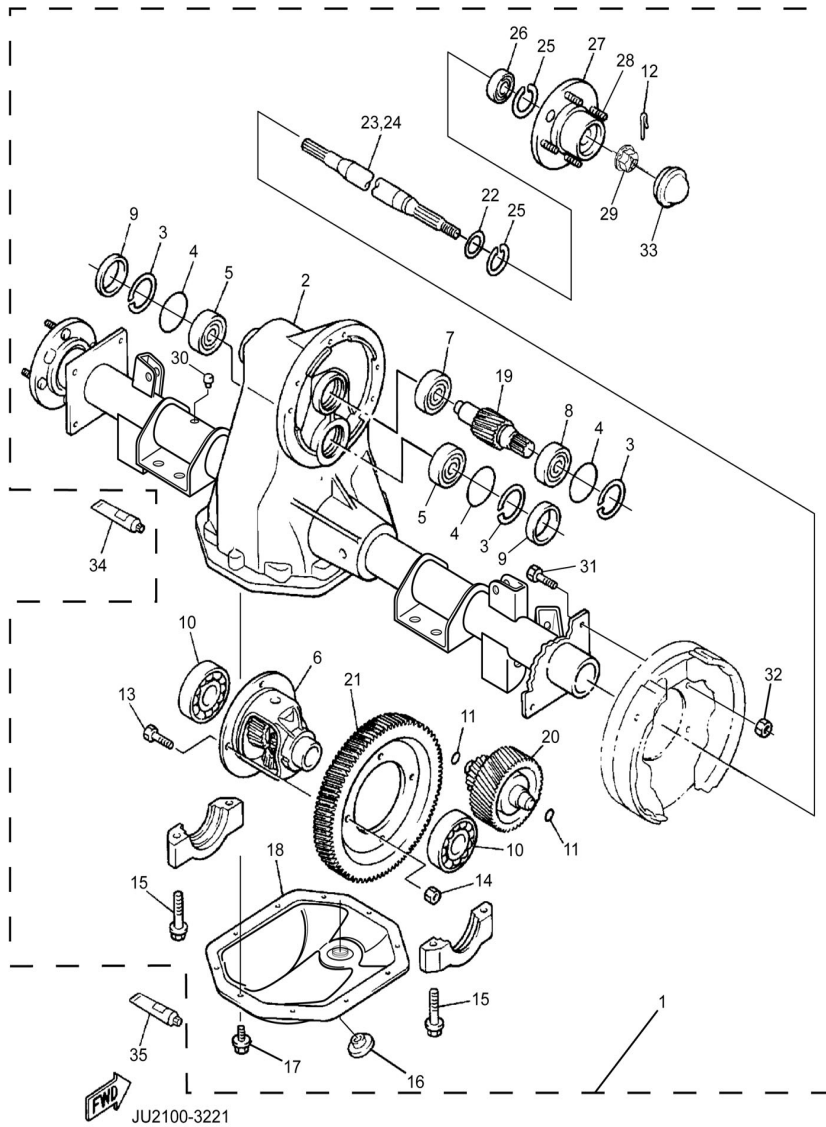
REF NO.	PART NUMBER	DESCRIPTION	QTY	REMARKS
1	JN6-F7874-01-00	BRKT., PEDAL ACCELERATOR	1	
2	J17-27853-01-00	SHAFT, PEDAL 1	1	
3	J22-27872-00-00	ARM, ACCELERATOR PEDAL	1	
4	91609-60028-00	PIN, SPRING	1	
5	JF3-27871-00-00	PEDAL, ACCELERATOR	1	
6	90381-06033-00	BUSH, SOLID	1	
7	J14-27815-00-00	LEVER, CRANK PEDAL	1	
8	9290P-06600-00	WASHER, PLAIN	1	
9	91490-20015-00	PIN, SPLIT	1	
10	95817-06025-00	BOLT, FLANGE	1	
11	90106-08806-00	BOLT, RD. HEX	1	
12	95707-08500-00	NUT, FLANGE	1	
13	91609-35028-00	PIN, SPRING	1	
14	90384-14080-00	BUSH, BIMETAL FORMED	2	
15	93210-14104-00	O-RING	4	
16	90105-08878-00	BOLT, HEX. H	3	
17	90506-26282-00	SPRING, TENSION	1	
18	95817-06025-00	BOLT, FLANGE	1	
19	95707-06500-00	NUT, FLANGE	1	
20	90387-068T4-00	COLLAR	1	

FIG. 9 TRANSAXLE 1



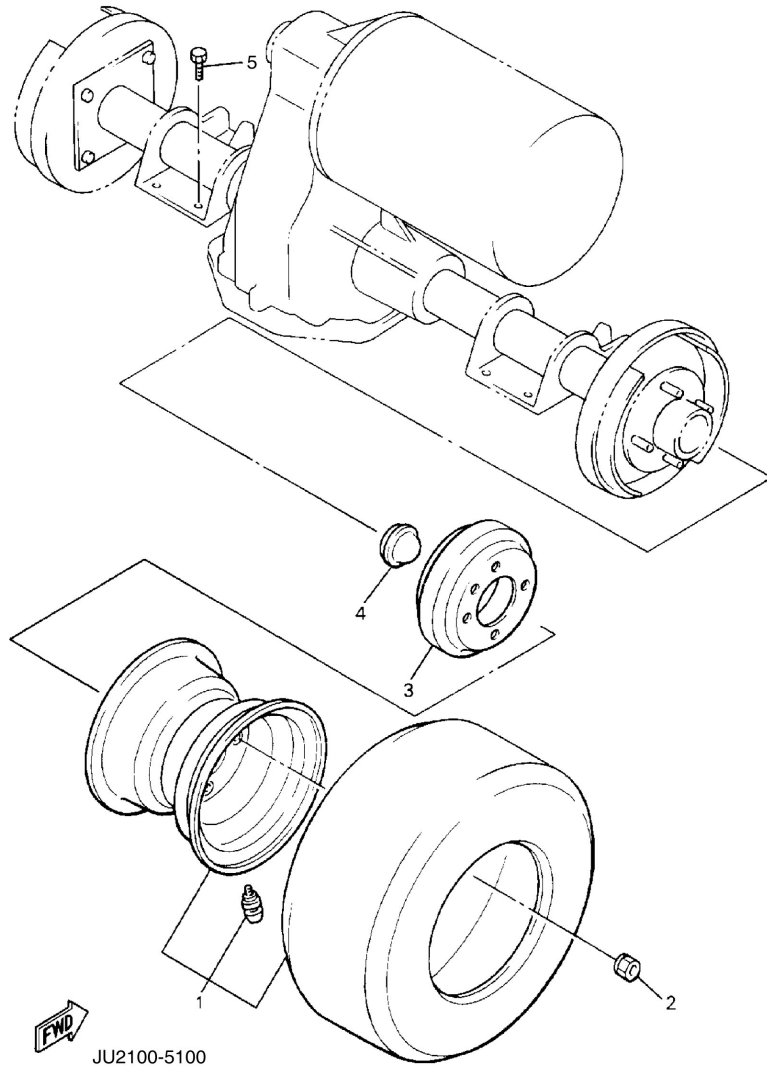
REF NO.	PART NUMBER	DESCRIPTION	QTY	REMARKS
1	JR1-G6300-05-00	TRANSAXLE ASSEMBLY	1	
2	JR1-G6310-20-00	.CASE ASSY.	1	
3	93420-50804-00	.CIRCLIP	3	
4	93210-478B8-00	.RING	3	
5	93306-303Y6-00	.BEARING	2	
6	JN6-G6410-00-00	.DIFFERENTIAL ASSY.	1	
7	93306-203X1-00	.BEARING	1	
8	93306-005Y1-00	.BEARING	1	
9	JH7-G3396-01-00	.PLUG, BLIND	2	
10	93306-007Y0-00	.BEARING	2	
11	93210-148B9-00	.O-RING	2	
12	91490-25030-00	.PIN, SPLIT	2	
13	90101-10854-00	.BOLT, HEX.	4	
14	90170-10840-00	.NUT, HEX.	4	
15	90105-10840-00	.BOLT, FLANGE	4	
16	JN3-G6432-00-00	.STOPPER	1	
17	90101-08856-00	.BOLT, HEX.	10	
18	JR1-G6312-11-00	.CASE, TRANSMISSION 2	1	
19	JH7-G6321-00-00	.SHAFT, INPUT	1	
20	JR1-G6350-00-00	.COUNTER GEAR ASSY.	1	
21	JH7-G6421-00-00	.GEAR, RING	1	
22	93101-24822-00	.SEAL, OIL	2	
23	JR1-G6512-00-00	.SHAFT, RR. AXLE, RIGHT 2	1	
24	JR1-G6511-00-00	.SHAFT, RR. AXLE, LEFT 1	1	
25	93420-44805-00	.CIRCLIP	4	
26	93306-004X5-00	.BEARING	2	

FIG. 9 TRANSAXLE 1



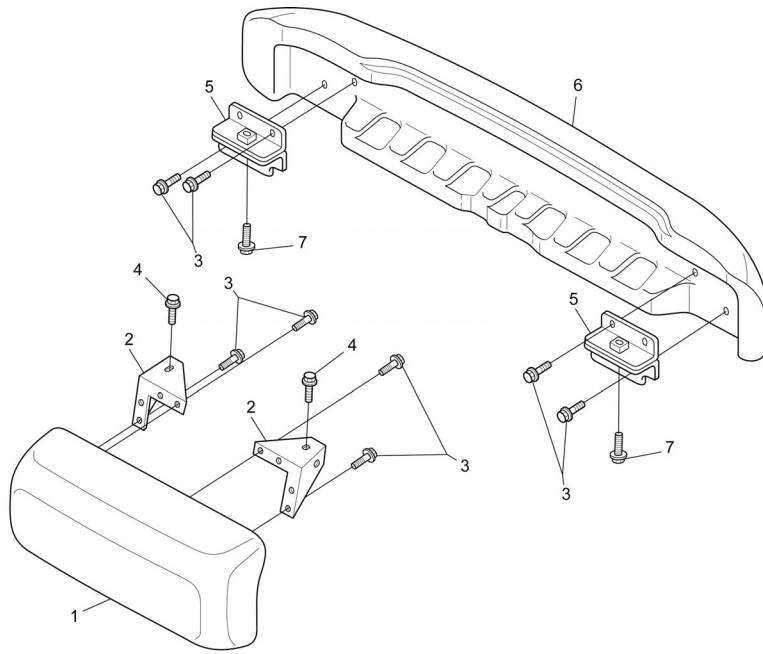
REF NO.	PART NUMBER	DESCRIPTION	QTY	REMARKS
27	JN3-G6514-00-00	.HUB, RR. AXLE	2	
28	90114-12804-00	..BOLT, KNURLED	8	
29	90185-16833-00	.NUT, SELF-LOCKING	2	
30	JH7-G5619-00-00	.CAP	1	
31	90101-08855-00	.BOLT, HEX.	8	
32	90170-08841-00	.NUT, HEX.	8	
33	JN6-F5118-00-00	.COVER, HUB DUST	2	
34	ACC-YAMAB-ON-D5	YAMABOND #5	1	
35	ACC-QUICK-GS-KT	SEALANT	1	

FIG. 10 REAR AXLE MOUNT / WHEEL



REF NO.	PART NUMBER	DESCRIPTION	QTY	REMARKS
1	JN6-F5100-11-00	WHEEL ASSY. (KENDA TIRE)	2	
	JU0-F5100-00-00	WHEEL ASSY. (MAXXIS TIRE)	2	
2	90179-12262-00	NUT	8	
3	J55-G6521-10-00	DRUM	2	
4	JN6-F5118-00-00	COVER, HUB DUST	2	
5	9751P-10620-00	BOLT, HEX HEAD W/WASHER (7-FQA)	8	

FIG. 11 BUMPER



REF NO.	PART NUMBER	DESCRIPTION	QTY	REMARKS
1	JN3-K7510-02-00	FRONT BUMPER COMP.	1	
2	JU0-K8164-00-00	STAY, FR. BUMPER 1	2	
3	90105-06876-00	BOLT, FLANGE	8	
4	9581P-08012-00	BOLT, FLANGE	2	
5	JN3-K8174-00-00	STAY, RR. BUMPER 1	2	
6	JN6-K7540-00-00	REAR BUMPER COMP.	1	
7	90105-10881-00	BOLT, FLANGE	2	

 JU0100-5240

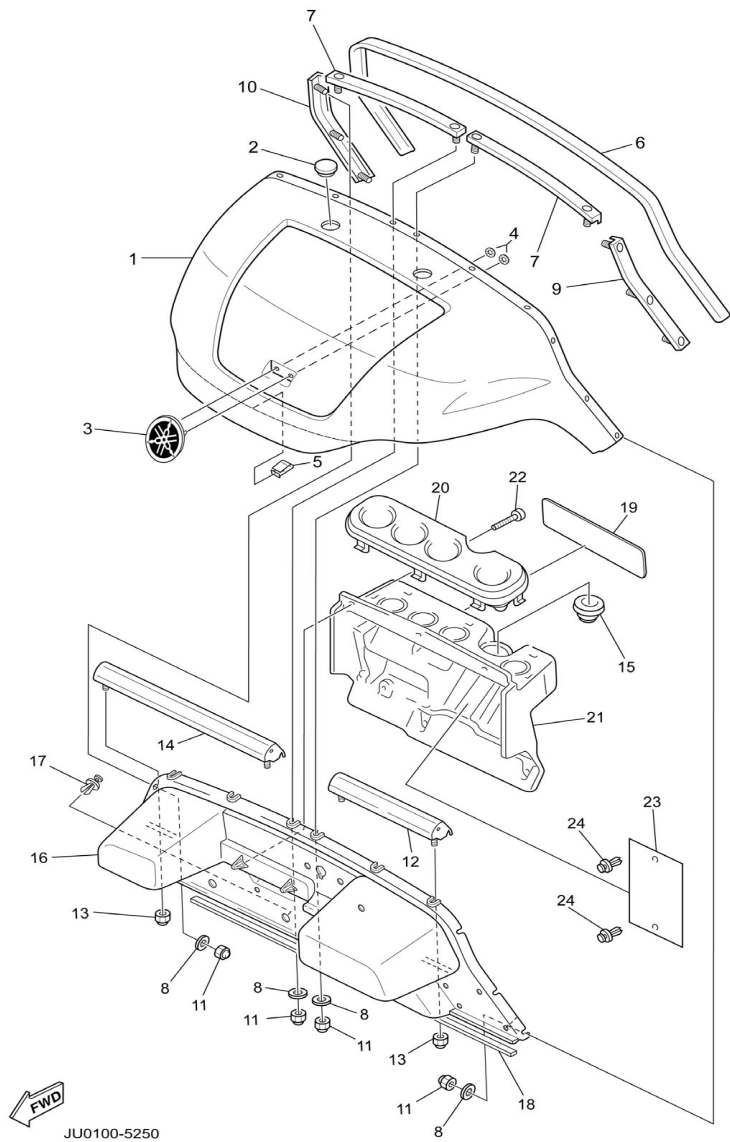


FIG. 12 BODY

REF NO.	PART NUMBER	DESCRIPTION	QTY	REMARKS
1	JU0-K8115-00-00	COWL, FRONT	1	IVORY
	JU0-K8115-30-00	COWL, FRONT	1	BURGUNDY
	JU0-K8115-50-00	COWL, FRONT	1	HUNTER GRN
	JU0-K8115-60-00	COWL, FRONT	1	CANDY APPLE RED METALLIC
	JU0-K8115-70-00	COWL, FRONT	1	BRILLIANT BLUE METALLIC
2	JN3-K818E-00-00	CAP, PROTECTOR	2	W/O SUNTOP
3	JU0-F4161-00-00	EMBLEM, 1	1	
4	JU0-K7573-00-00	NUT, SPECIAL	2	
5	JU0-F2567-00-00	CLIP, FRONT COWL	1	
6	JF2-K811V-00-00	PROTECTOR, 1	1	
7	JU0-K8261-00-00	PLATE, BODY PROTECTOR 1	2	
8	90201-06829-00	WASHER, PLAIN	10	
9	JF2-K8262-01-00	PLATE, BODY PROTECTOR 2	1	
10	JF2-K8263-01-00	PLATE, BODY PROTECTOR 3	1	
11	90185-06836-00	NUT, SELF-LOCKING	10	
12	JN6-K8264-00-00	PLATE, BODY PROTECTOR 4	1	
13	9560P-06200-00	NUT, U-FLANGE	4	
14	JN6-K8265-00-00	PLATE, BODY PROTECTOR 5	1	
15	JN3-K8273-00-00	COVER, HOLE 1	1	
16	JF2-K8114-03-00	PANEL, FRONT	1	
17	90269-08069-00	RIVET	3	
18	JN3-K815G-00-00	SEAL, FRONT STORAGE	1	
19	JR1-K7768-00-00	LABEL, WARNING 8	1	UR, FOR USA SEE NOTE "A"
	JR1-K7768-10-00	LABEL, WARNING 8	1	UR, FOR CAN SEE NOTE "A"

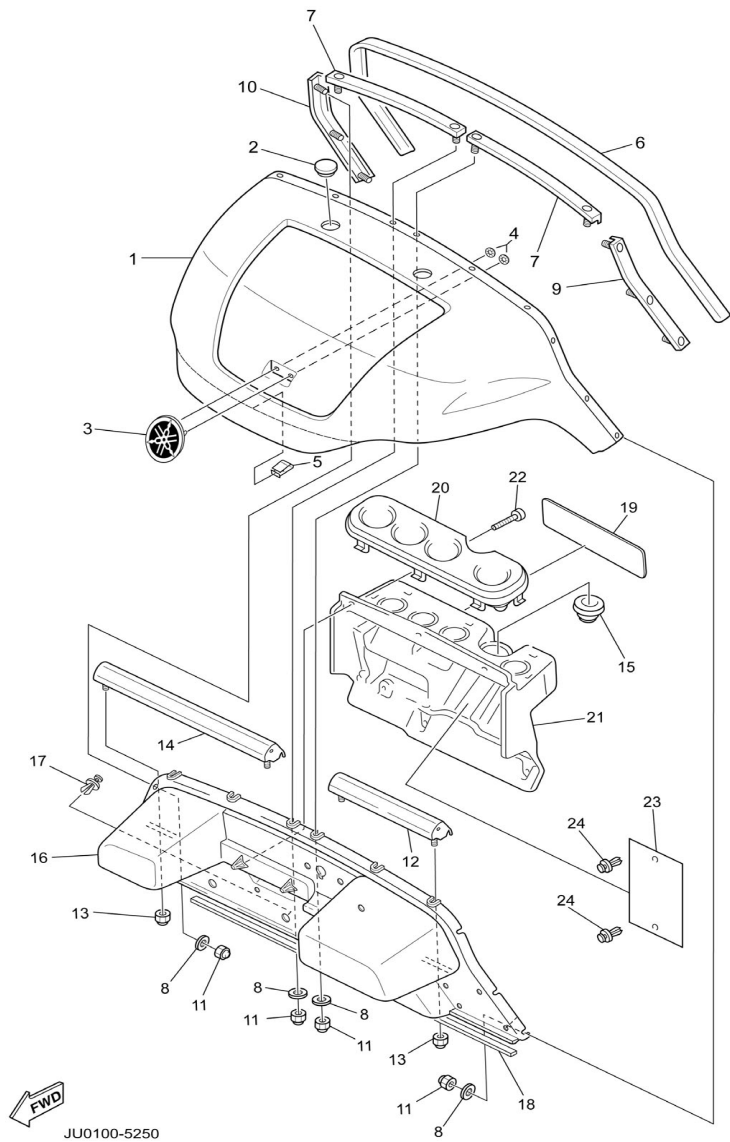
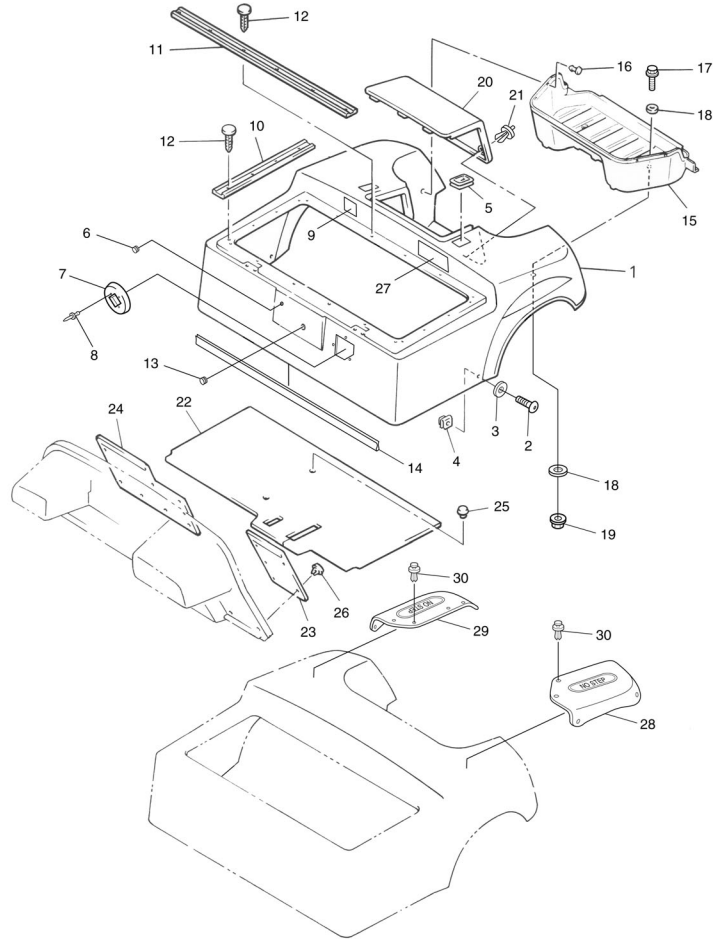


FIG. 12 BODY

REF NO.	PART NUMBER	DESCRIPTION	QTY	REMARKS
	JR1-K7768-20-00	LABEL, WARNING 8	1	UR, FOR EUR SEE NOTE "A"
20	JN6-K835E-00-00	HOLDER, BEVERAGE	1	
21	JR1-K835G-00-00	HOUSING, HOLDER	1	
22	9770P-60130-00	SCREW, PAN TAP (7-FQA)	6	
23	JN6-K8182-00-00	PLATE, 2	1	
24	90267-63047-00	RIVET, BLIND	2	

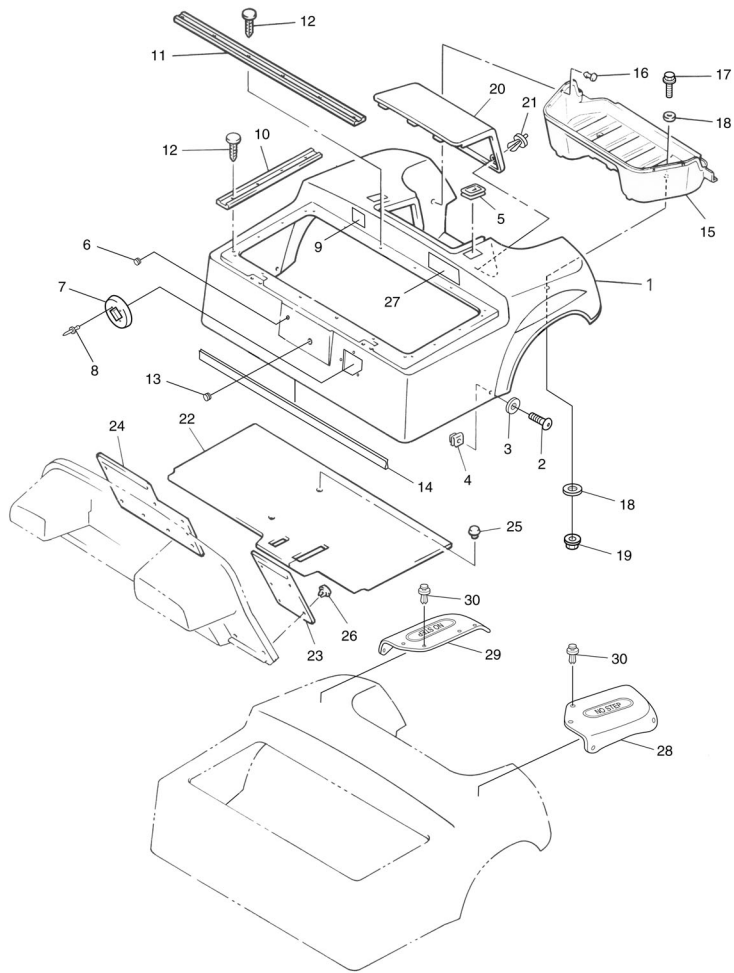
NOTE "A": When replacing "Housing Holder JR1-K835G-00-00" you should also replace "Label Warning 8 JR1-K7768-**-00".

FIG. 13 BODY 2



JU2100-5130

REF NO.	PART NUMBER	DESCRIPTION	QTY	REMARKS
1	JN6-K8142-02-00	PANEL, REAR BODY	1	IVORY SEE NOTE "A"
	JU0-K8142-32-00	PANEL, REAR BODY	1	BURGUNDY SEE NOTE "A"
	JN6-K8142-52-00	PANEL, REAR BODY	1	HUNTER GREEN SEE NOTE "A"
	JU0-K8142-62-00	PANEL, REAR BODY	1	CANDY APPLE RED METALLIC SEE NOTE "A"
	JU0-K8142-72-00	PANEL, REAR BODY	1	BRILLIANT BLUE METALLIC SEE NOTE "A"
2	90110-06837-00	BOLT, HEX. SOCKET	2	
3	90201-068H0-00	WASHER, PLAIN	2	
4	90183-06811-00	NUT, SPRING	2	
5	JN3-K8363-00-00	PROTECTOR	2	
6	JR1-K8139-00-00	CAP, END	1	
7	JN4-K827A-00-00	GUIDE, 1	1	
8	90267-60840-00	RIVET, BLIND	3	
9	JU2-K7765-00-00	LABEL, WARNING 5	1	SEE NOTE "A"
10	JN3-K8425-00-00	SEAL, SEAT	2	
11	JN3-K842A-00-00	SEAL, SEAT 2	1	
12	90338-05834-00	PLUG	14	
13	90338-25836-00	PLUG	1	
14	JN6-K824E-00-00	TRIM, REAR BODY 1	1	
15	JF2-K8237-00-00	COVER, REAR FLOOR	1	
16	90269-08813-00	RIVET	7	
17	90101-06876-00	BOLT, HEX. W/WASHER	2	
18	90201-068G7-00	WASHER, PLAIN	4	
19	9572R-06300-00	NUT, NYLON (0-FQA)	2	
20	JU0-K8151-00-00	PANEL, INSPECTION LID OUTER	1	



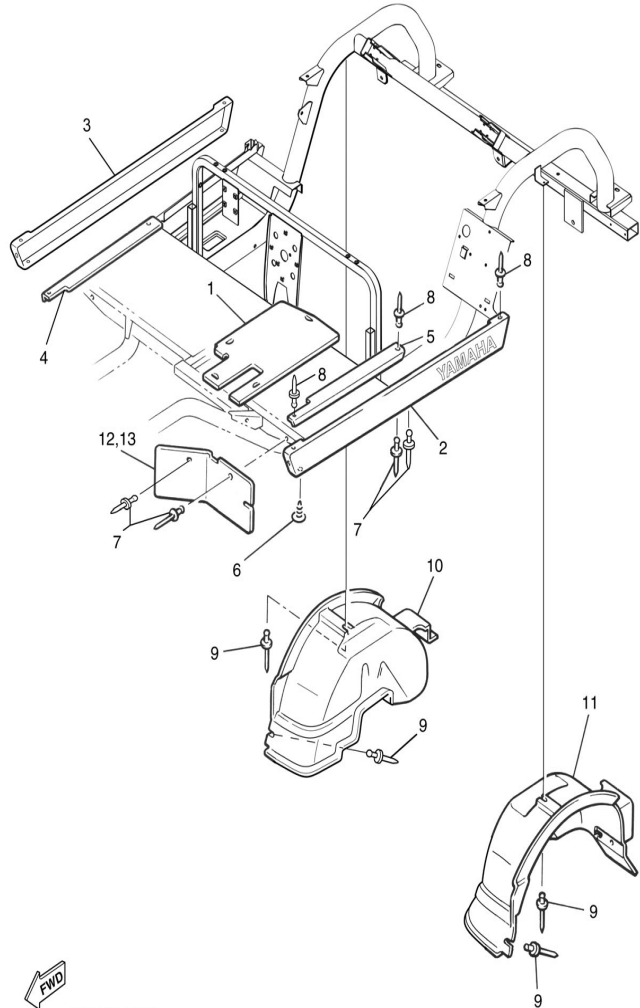
JU2100-5130

FIG. 13 BODY 2

REF NO.	PART NUMBER	DESCRIPTION	QTY	REMARKS
21	90267-36853-00	RIVET, BLIND	2	
22	JN6-K8233-01-00	MAT, MAIN FLOOR 3	1	
23	JN6-K8231-01-00	MAT, MAIN FLOOR 1	1	
24	JN6-K8232-01-00	MAT, MAIN FLOOR 2	1	
25	90269-08813-00	RIVET	4	
26	90267-63047-00	RIVET,BLIND	9	
27	JN4-K8297-10-00	PLATE, CAUTION 1	1	SEE NOTE "A"
28	JN3-K8243-00-00	MAT, BODY SIDE LEFT	1	
29	JN3-K8244-00-00	MAT, BODY SIDE RIGHT	1	
30	90269-07810-00	RIVET	10	

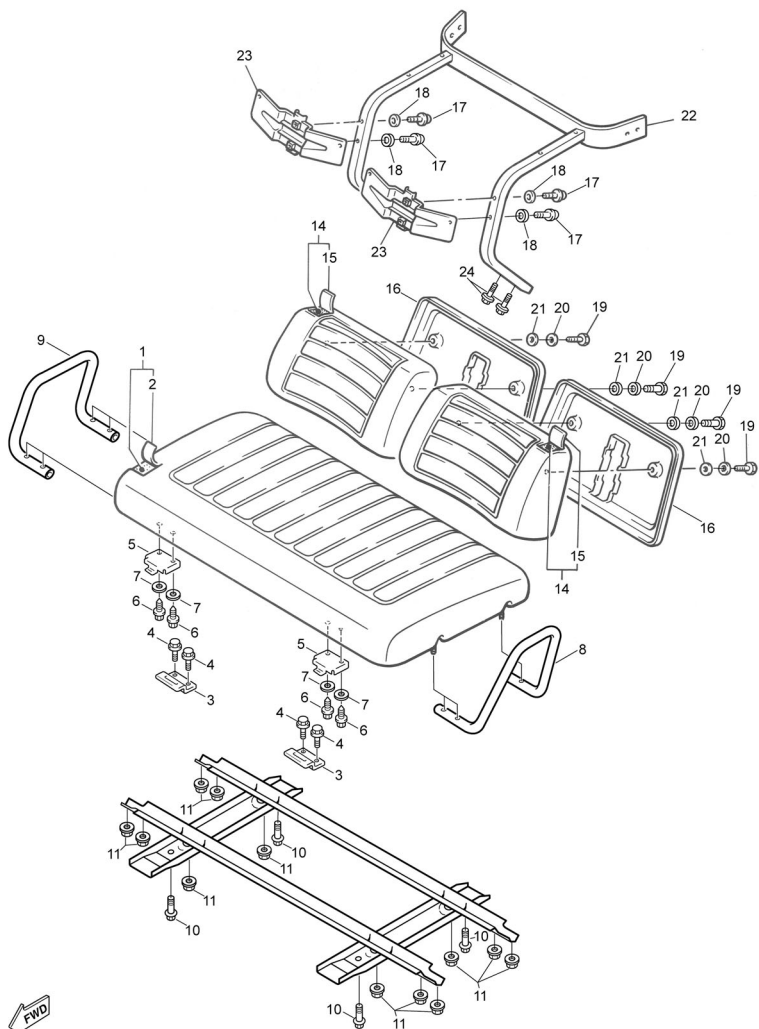
NOTE "A": When replacing "Panel Rear Body JN6-K8142-**-00 or JU0-K8142-**-00" you must also replace "Label Warning 5 JU2-K7765-00-00" and "Plate Caution 1 JN4-K8297-10-00".

FIG. 14 BODY FITTING



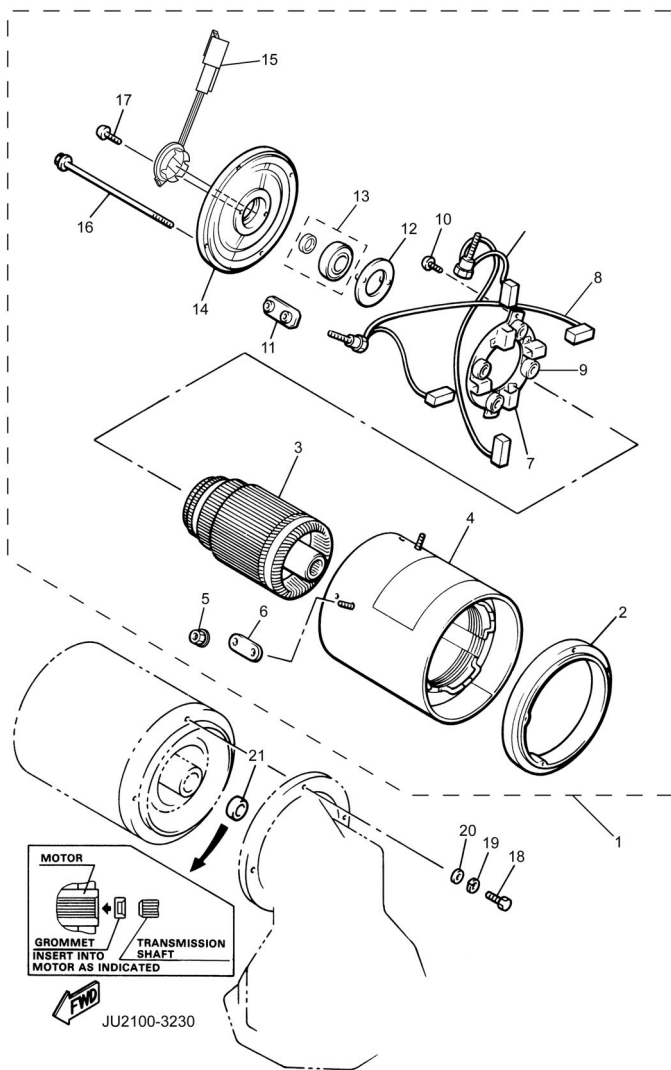
REF NO.	PART NUMBER	DESCRIPTION	QTY	REMARKS
1	JN6-K8271-00-00	SERVICE LID, PEDAL	1	
2	JU0-K818A-00-00	PROTECTOR, SIDE PLATE 1	1	
3	JU0-K818B-00-00	PROTECTOR, SIDE PLATE 2	1	
4	JF2-K8215-10-00	PLATE, SIDE TRIM	1	
5	JF2-K821F-10-00	PLATE, SIDE TRIM	1	
6	90338-05829-00	PLUG	4	
7	90267-48831-00	RIVET, BLIND	8	
8	90267-48154-00	RIVET, BLIND	6	
9	90267-48086-00	RIVET, BLIND	4	
10	JF2-K8192-00-00	PANEL, REAR FENDER 2	1	
11	JF2-K8191-00-00	PANEL, REAR FENDER 1	1	
12	JF2-K8187-00-00	FLAP, FRONT FENDER LEFT	1	
13	JF2-K8189-00-00	FLAP, FRONT FENDER RIGHT	1	

FIG. 16 SEAT



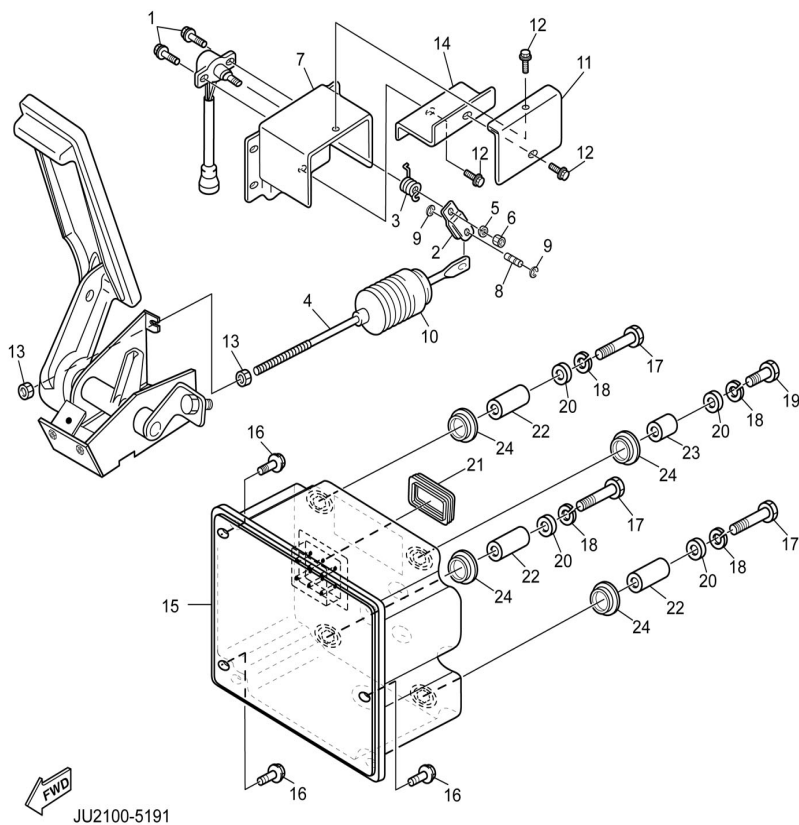
REF NO.	PART NUMBER	DESCRIPTION	QTY	REMARKS
1	JN6-K8401-10-00	CUSHION SEAT	1	
2	JN6-K8404-10-00	.COVER, SEAT 2	1	
3	JF2-K8427-00-00	HINGE, SEAT FEMALE	2	
4	90105-06903-00	BOLT, FLANGE	4	
5	JN3-K8426-01-00	HINGE, SEAT MALE	2	
6	90111-06810-00	BOLT, HEX. SOCKET BUTTON	4	
7	90204-06807-00	WASHER, SPRG.	4	
8	JN6-K8361-00-00	ARM REST 1	1	
9	JU0-K8362-00-00	ARMREST 2	1	
10	90167-04815-00	SCREW, P/H TAPPING	4	
11	9560P-08200-00	NUT, U-FLANGE	12	
12	JN6-K8121-00-00	REINFORCEMENT 1	2	
13	JN6-K8122-01-00	REINFORCEMENT 2	2	
14	JN3-K8402-00-00	BACK, SEAT SUB.	2	
15	JN3-K841G-09-00	.COVER, SEAT BACK 2	1	
16	JN3-K8413-00-00	COVER, SEAT BACK	2	
17	90119-08820-00	BOLT, HEX. WWASHER	4	
18	90201-098J4-00	WASHER, PLAIN	4	
19	95895-06025-00	BOLT, FLANGE	4	
20	90201-068G0-00	WASHER, PLAIN	4	
21	90201-068G6-00	WASHER, PLAIN	4	
22	JU0-K8423-00-00	SUPPORT, SEAT BACK	1	
23	JN3-K842H-00-00	RETAINER, SEAT	2	
24	90105-08871-00	BOLT, FLANGE	4	

FIG. 17 ELECTRIC MOTOR



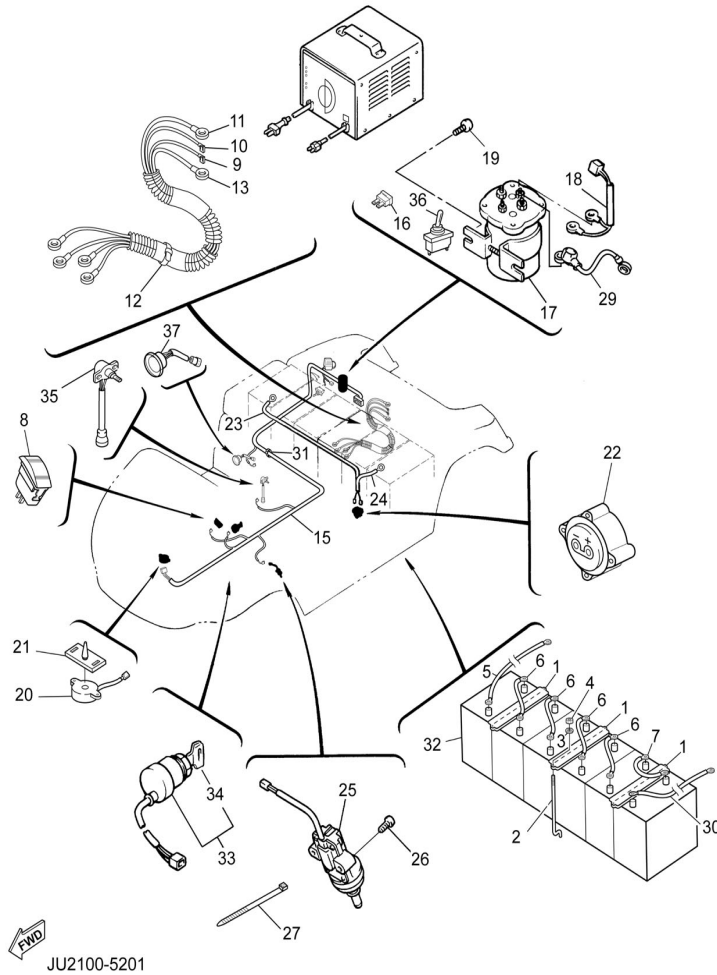
REF NO.	PART NUMBER	DESCRIPTION	QTY	REMARKS
1	JU2-H1890-00-00	MOTOR ASSY.	1	
2	JH7-H183J-00-00	.BRACKET, FRONT	1	
3	JU2-H1850-00-00	.ARMATURE ASSY	1	
4	JU2-H1160-00-00	.FIELD COIL ASSY	1	
5	JH7-H1872-00-00	.NUT, SPECIAL	4	
6	JR1-H1843-00-00	.WASHER, 1	2	
7	JF2-81119-00-00	.BRUSH HOLDER ASSY.	1	
8	JU2-H1801-00-00	.BRUSH SET	1	
9	J38-81113-10-00	.SPRG., BRUSH	1	
10	JH7-H1848-00-00	.SCREW, BRUSH HOLDER	2	
11	JG6-H1824-00-00	.WASHER 2	2	
12	JH7-H1856-10-00	.RETAINER	1	
13	JU2-H185B-00-00	.BEARING 1	1	
14	JU2-H1822-00-00	.BRACKET, ELECTRIC	1	
15	JU2-H1670-00-00	.PICK-UP ASSY	1	
16	JR1-H1828-00-00	.BOLT 2	4	
17	JH7-H1846-00-00	.SCREW, 1	2	
18	90101-06857-00	BOLT	3	
19	90215-06811-00	WASHER, TONGUED	3	
20	90201-068E2-00	WASHER, PLATE	2	
21	JH7-H1829-00-00	GROMMET	1	

FIG. 18 CONTROLLER 1



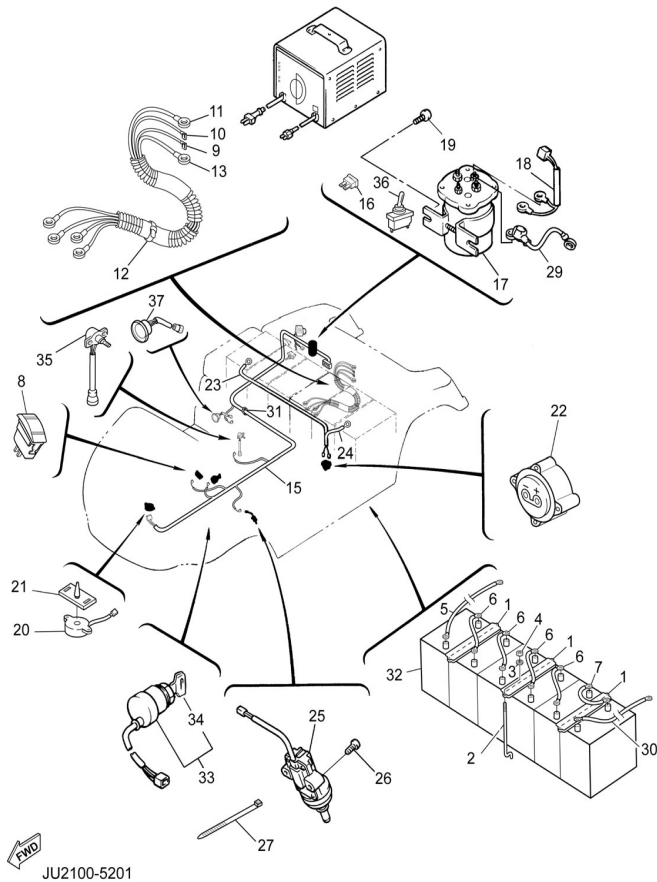
REF NO.	PART NUMBER	DESCRIPTION	QTY	REMARKS
1	95607-05316-00	SCREW, PAN HEAD W/WASHER	3	
2	JF3-2625H-00-00	ARM, THROTTLE	1	
3	JF3-27825-00-00	SPRING, RETURN	1	
4	JU2-F7241-00-00	ROD, JOINT	1	
5	9290P-06100-00	WASHER, SPRING (7-FQA)	1	
6	95307-06600-00	NUT, HEX.	1	
7	JF3-27981-00-00	BRACKET, THROTTLE	1	
8	JF3-27813-00-00	PIN, PEDAL CRANK	1	
9	99001-04600-00	CIRCLIP (E)	2	
10	JN4-F7486-00-00	COVER, 1	1	
11	JF3-27487-00-00	COVER, 2	1	
12	97507-05616-00	BOLT, HEX. HEAD W/WASHER	6	
13	95307-08700-00	NUT, HEX.	2	
14	JF3-27445-00-00	PLATE 1	1	
15	JU2-H6510-00-00	CONTROL UNIT	1	
16	97507-06620-00	BOLT, HEX. HEAD W/WASHER	3	
17	JU2-H332G-00-00	BOLT, SPECIAL 1	3	
18	JU2-H2534-00-00	WASHER, LOCK	4	
19	JU2-H332H-00-00	BOLT, SPECIAL	1	
20	JU2-H2558-00-00	WASHER	4	
21	JR1-H215D-00-00	SEAL MCU, CANNON PLUG	1	
22	JU2-H252S-00-00	SPACER, 1	3	
23	JU2-H253S-00-00	SPACER, 2	1	
24	JU2-H6115-00-00	GROMMET	4	

FIG. 19 ELECTRICAL 1



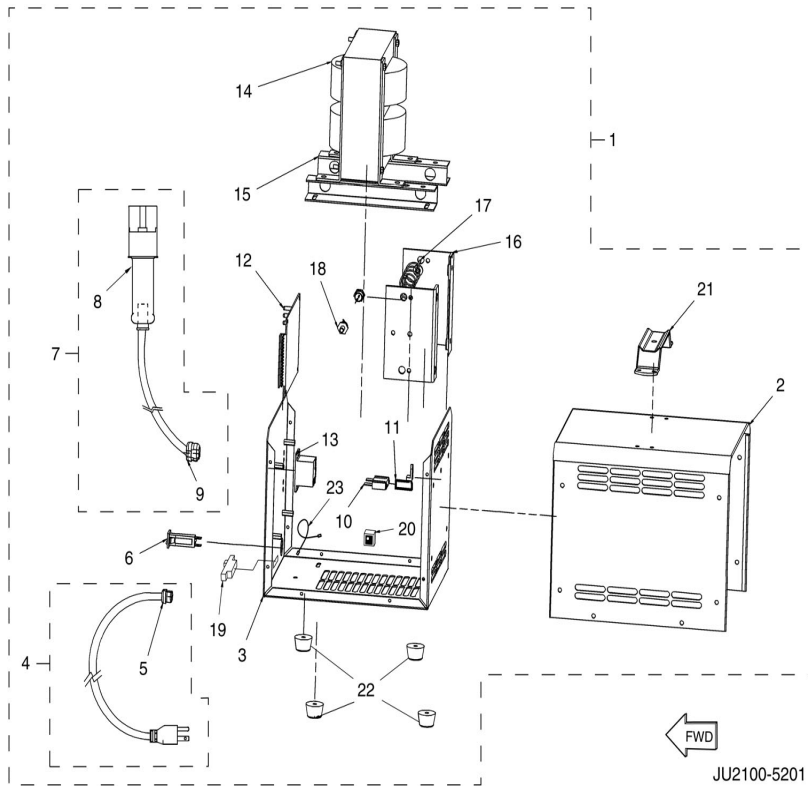
REF NO.	PART NUMBER	DESCRIPTION	QTY	REMARKS
1	JF3-H2136-00-00	PLATE, BATTERY	3	
2	JN3-H2133-00-00	SCREW, FITTING	6	
3	90201-068R7-00	WASHER, PLAIN	6	
4	95707-06500-00	NUT, FLANGE	6	
5	JU2-H2115-00-00	WIRE, PLUS LEAD	1	
6	JR1-H2127-01-00	WIRE, LEAD 2	4	
7	JR1-H2149-01-00	WIRE, LEAD 3	1	
8	JR1-H2917-10-00	SWITCH, F/R CONTROL	1	
9	JU2-H2521-00-00	WIRE, LEAD	1	
10	JU2-H2531-00-00	WIRE, LEAD	1	
11	JU2-H6171-00-00	WIRE, LEAD 1	1	
12	90465-13152-00	CLAMP	1	
13	JU2-H6172-00-00	WIRE, LEAD 2	1	
14	JU2-H7196-00-00	TUBE, 1	1	
15	JU2-H2590-00-00	WIRE HARNESS	1	
16	JR1-H2151-00-00	.FUSE	1	(3A-BL)
17	JR1-H1950-00-00	RELAY ASSY.	1	
18	JN6-H2105-00-00	HARNESS,WIRE	1	
19	90163-06005-00	SCREW, HEX.	2	
20	JR1-H3383-01-00	BUZZER	1	
21	JN6-H3386-01-00	STAY, BUZZER	1	
22	JR1-H6181-02-00	RECEPTACLE	1	
23	JU2-H1215-00-00	WIRE, LEAD 1	1	
24	JU2-H1216-00-00	WIRE, LEAD 2	1	
25	JF7-82817-20-00	SWITCH, ACCELERATOR STOP	1	
26	97607-05325-00	SCREW, PAN HEAD W/WASHER	2	
27	90464-31827-00	CLAMP	4	

FIG. 19 ELECTRICAL 1



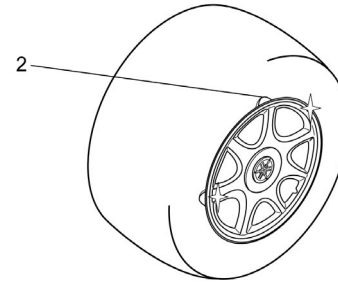
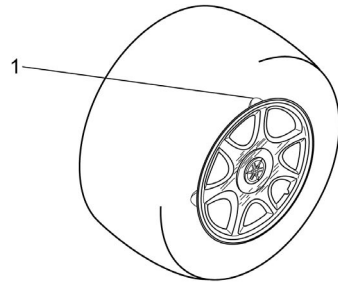
REF NO.	PART NUMBER	DESCRIPTION	QTY	REMARKS
28	JG6-H1872-00-00	NUT, SPECIAL	4	
29	JU2-H6527-00-00	WIRE, 7	1	
30	JU2-H6521-00-00	WIRE, 1	1	
31	90464-25826-00	CLAMP	3	
32	JR1-H2210-20-00	BATTERY ASSY	6	8 V x 6, BCI GROUP GC-2H, USE LOCAL MFR.
	JR1-H2110-C0-00	BATTERY ASSY	6	8 V x 6, BCI GROUP GC-2H, USE LOCAL MFR.
33	JR1-82510-02-00	MAIN SWITCH ASSY.	1	
	JR1-82510-09-00	MAIN SWITCH ASSY. RANDOM KEY	1	AP
34	J44-82511-00-YY	.KEY, MAIN SWITCH	1	FOR STD MAIN SWITCH ONLY
35	JR1-85885-00-00	THROTTLE SENSOR ASSY.	1	
36	JR1-H2727-00-00	SWITCH, TOW / STORAGE	1	
37	JU2-HA2F0-00-00	TRANSMITTING UNIT	1	

FIG. 20 BATTERY CHARGER



REF NO.	PART NUMBER	DESCRIPTION	QTY	REMARKS
1	MAC-SCR48-17-17	CHARGER (JR1-H2107-03)	1	120V SCR481717
	MAC-BA165-00-20	CHARGER (JR1-H2107-20)	1	EXPORT 220-240V BA1650
2	MAC-WP141-06-20	.CASE COVER	1	WP14106-2
3	MAC-WP140-81-00	.CASE MAIN	1	WP14081
4	MAC-11438-10-00	.AC CORD ASSY	1	120V WP11438-1
		.AC CORD ASSY	1	EXPORT LM
5	MAC-M3660-00-00	.AC STRAIN RELIEF	1	M366
6	MAC-M1406-10-00	.CIRCUIT BREAKER, 15A AC	1	M14061
7	MAC-CDC10-23-00	.DC CORD ASSY	1	CDC1023
8	MAC-M1409-80-00	.DC PLUG SET	1	M14098
9	MAC-M6680-00-00	.DC STRAIN RELIEF	1	M6680
10	MAC-WP154-77-00	.DC FUSE ASSY	1	WP15477-0
11	MAC-M1546-10-00	.TIE, CABLE STRAP	1	M15461
12	MAC-0480S-1F-17	.CONTROL CIRCUIT	1	CNM0480S1F17
13	MAC-M1406-50-00	.RELAY	1	M14065
14	MAC-TX141-10-V0	.POWER TRANSFORMER	1	U.S. 120V TX14110V
	MAC-TX141-70-V0	.POWER TRANSFORMER	1	EXPORT 220-240V TX14170V
15	MAC-TX141-10-V1	.TX RAIL	2	WP14108-1A
16	MAC-WP120-09-20	.HEAT SINK	2	WP12009-2
17	MAC-WP135-52-L0	.SHUNT	1	WP13552
18	MAC-M3998-00-00	.RECTIFIER, SCR	2	M3998
19	MAC-M1304-90-00	.SWITCH, AC VOLTAGE	1	EXPORT 220-240V M13049
20	MAC-WP139-76-00	.RESISTOR ASSY	1	EXPORT 220-240V WP13976
21	MAC-M1422-00-00	.HANDLE	1	M14220
22	MAC-M1202-60-00	.BUMPER	1	M12026
23	MAC-WP122-36-50	.VARISTOR ASSY	1	U.S. 120V WP12236-5
	MAC-WP140-18-40	.VARISTOR ASSY	1	EXPORT 130/220-240V WP14018-4

FIG. 21 OPTIONAL HUB CAPS

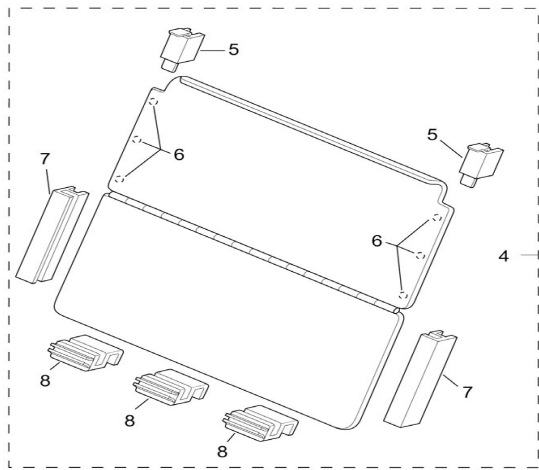
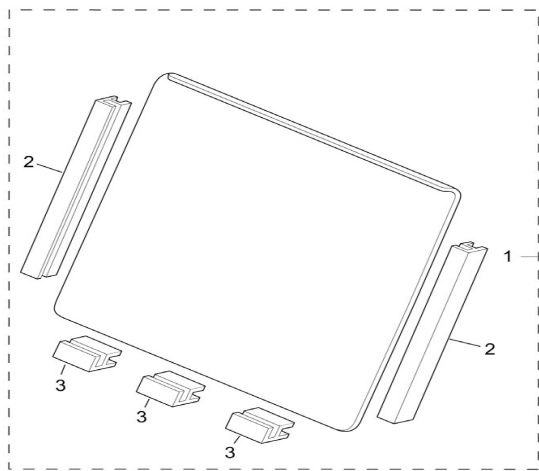


REF NO.	PART NUMBER	DESCRIPTION	QTY	REMARKS
1	JN6-F512M-C0-00	HUB-CAP, CHROME	4	Comes with clips
2	JN6-F512M-SM-00	HUB-CAP, BRUSHED ALUMINUM	4	Comes with clips
3	JG5-F512N-00-00	.CLIP, HUB CAP	3	



JU0100-5340

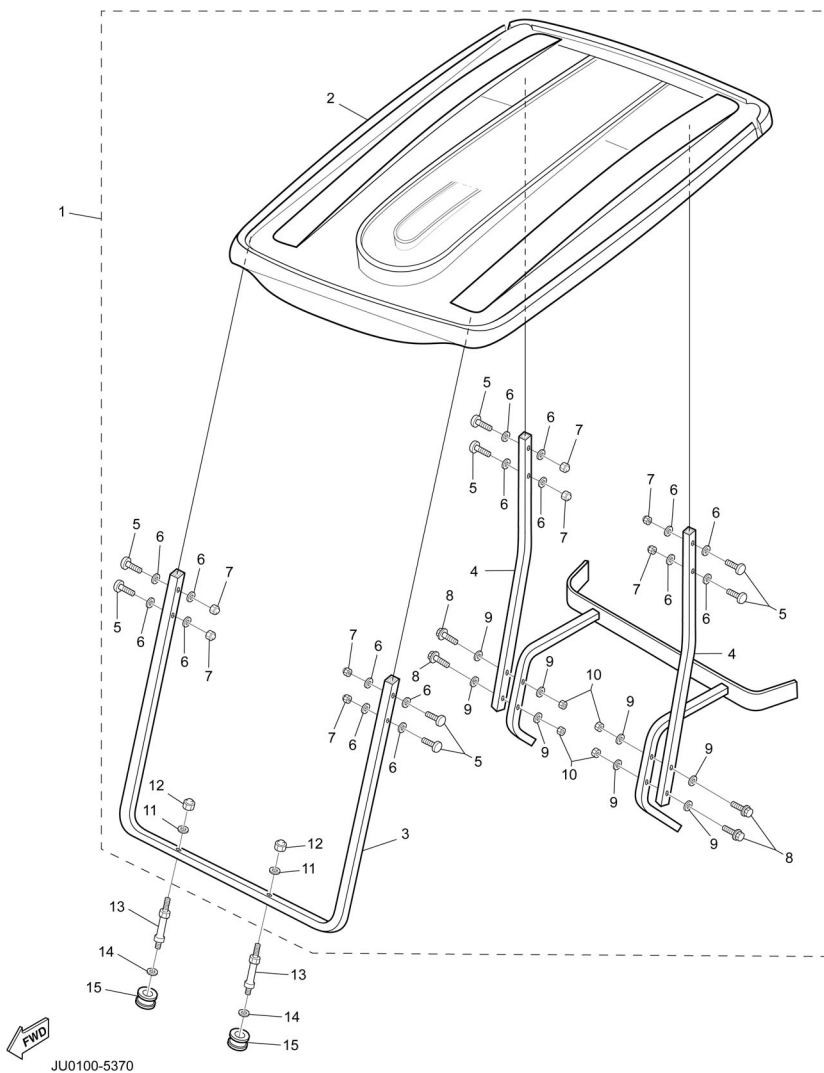
FIG. 22 OPTIONAL WINDSHIELD



JU0100-5360

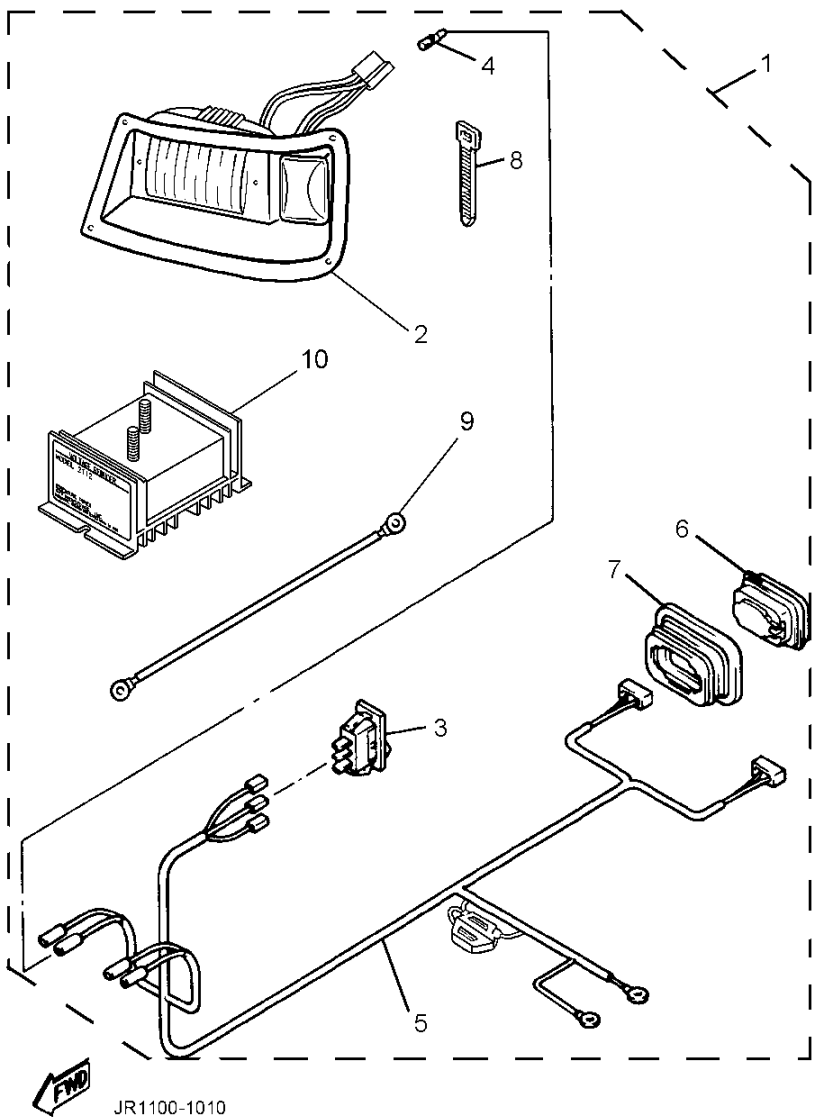
REF NO.	PART NUMBER	DESCRIPTION	QTY	REMARKS
1	JU0-K7200-02-00	WINDSHIELD ASSY., SOLID (CLEAR)	1	UR, AP
	JU0-K7200-12-00	WINDSHIELD ASSY., SOLID (TINTED)	1	UR, AP
2	JU0-K838C-00-00	.HOLDER SHIELD	2	
3	JU0-K722A-00-00	.FASTENER, 2	3	
4	JU0-K7200-21-00	WINDSHIELD ASSY., HINGED (CLEAR)	1	UR, AP
	JU0-K7200-31-00	WINDSHIELD ASSY., HINGED (TINTED)	1	UR, AP
5	JU0-K722E-00-00	.FASTENER, 3	2	
6	JN3-K7238-00-00	.DAMPER, WINDSHIELD	6	
7	JU0-K838A-00-00	.RETAINER 1	2	
8	JU0-K7222-00-00	.BRACKET, W/S	3	

FIG. 23 OPTIONAL SUN ROOF



REF NO.	PART NUMBER	DESCRIPTION	QTY	REMARKS
1	JU0-K8310-00-00	SUN ROOF ASSY	1	
2	JU0-K8314-00-00	.COVER, SUNROOF	1	
3	JU0-K8312-01-00	.SUPPORT, ROOF 1	1	
4	JU0-K8313-01-00	.SUPPORT, ROOF 2	2	
5	JU0-K8388-00-00	.BOLT, ROOF 1	8	
6	90201-088T2-00	.WASHER, PLAIN	16	
7	JU0-K8398-00-00	.NUT, ROOF 1	8	
8	90101-22864-00	.BOLT, HEX.	4	
9	90201-088J3-00	.WASHER, PLAIN	8	
10	90185-12835-00	.NUT, SELF LOCKING	4	
11	90201-098J4-00	.WASHER, PLAIN	2	
12	90176-08801-00	.NUT, CAP	2	
13	JU0-K834A-00-00	REINF., HOLDER	2	
14	90201-11800-00	WASHER, PLATE	2	
15	JN3-K832F-00-00	GROMMET, ROOF	2	

FIG. 24 OPTIONAL LIGHT KIT

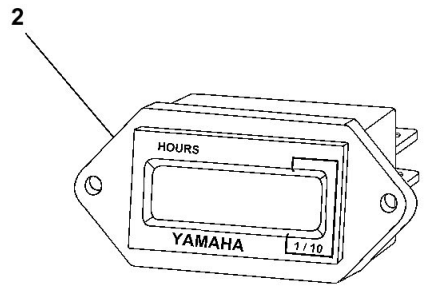
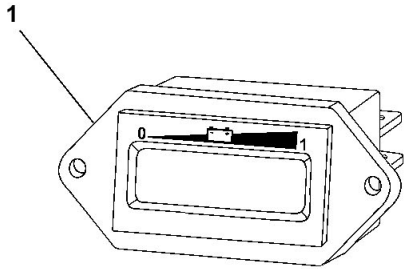


REF NO.	PART NUMBER	DESCRIPTION	QTY	REMARKS
1	JR1-H430A-20-00	HEAD LIGHT UNIT COMP.	1	
2	JN3-H4303-20-00	.HEAD LIGHT UNIT ASSY.	1	INCLUDES RH/LH HEADLIGHTS
3	JN3-H3976-20-00	.SWITCH, HANDLE 1	1	
4	9E212-10401-00	.TERMINAL, WIRE	2	
5	JR1-H4159-00-00	.CORD, HEAD LIGHT	1	
6	JN3-H4700-00-00	.TAIL LIGHT ASSY	2	
7	JN3-H4718-00-00	.GROMMET, TAIL LAMP	2	
8	90464-40800-00	.CLAMP	20	
9	JR1-H4149-00-00	.WIRE LEAD 2	1	
10	JR1-H1910-00-00	.VOLTAGE REGULATOR	1	

FIG. 25 OPTIONAL ENERGY / HOUR GAUGES

REF NO.	PART NUMBER	DESCRIPTION	QTY	REMARKS
1	JR1-H351C-10-00	BATTERY ENERGY METER	1	SEE NOTE "A"
2	JN6-H351C-00-00	HOUR METER	1	SEE NOTE "A"

NOTE "A": Includes mounting screws and terminal connectors.



JN8100-1010

CONTENTS

CHASSIS	PAGE		PAGE
Rear Arm / Suspension	5	Optional Light Kit	35
Frame	6	Optional Energy/Hour Gauges	36
Front Suspension / Wheel	7~8		
Steering	9~10		
Brake	11~12		
Brake 2	13		
Brake 3	14		
Accelerator	15		
Transmission	16~17		
Rear Axle Mount / Wheel	18		
Bumper	19		
Body (Front)	20~21		
Body 2 (Rear)	22~23		
Body Fitting	24		
Carrier	25		
Seat	26		
Electric Motor	27		
Controller 1	28		
Electrical 1	29~30		
Battery Charger	31		
Optional Hub Caps	32		
Optional Windshield	33		
Optional Sunroof	34		

