

PARTS CATALOG



YAMAHA

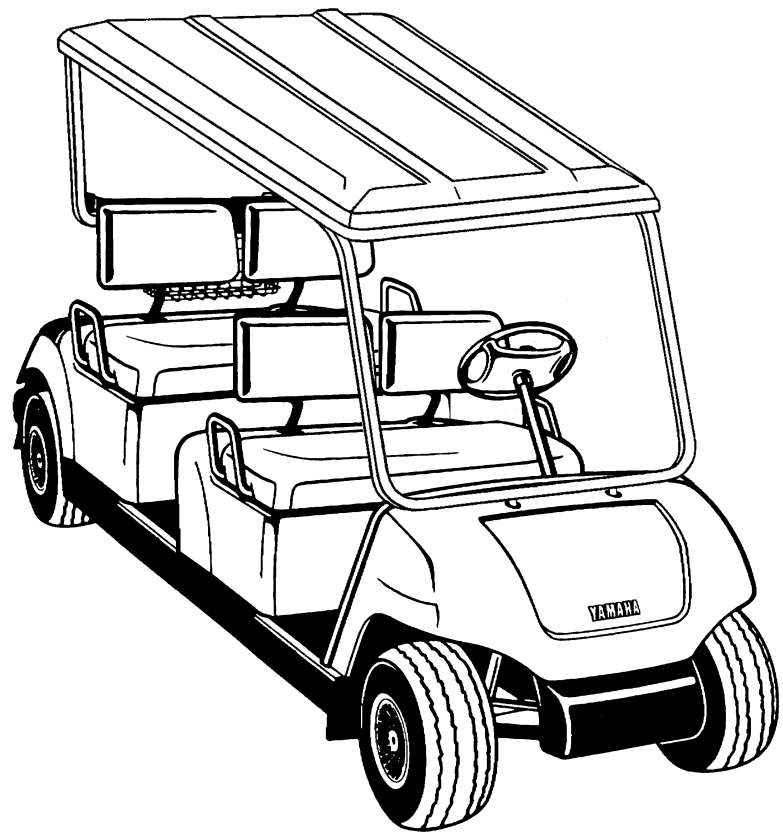
YAMAHA GOLF-CAR COMPANY

2000 G20AU
2001 G20AW
2002 G20AX

(JR81) U.S.A

AUGUST 2001

10JR8-100E1



FOREWORD

This Parts Catalogue is related to the parts for the model(s) shown in the frame below. When you are ordering replacement parts, please refer to this Parts Catalogue and quote both part numbers and part names correctly.

G20A (JR81)

1. Modifications or additions which have been made after issue of the Parts Catalogue will be announced in the Yamaha Parts News. It is advisable that you make necessary corrections to the Parts Catalogue according to the Yamaha Parts News.

2. Abbreviations

The following abbreviations are used in this Parts Catalogue.

“UR” Use specified part number.

“UN” Use as many as needed.

“AP” Alternate parts.

“LM” Local Made (Parts need to be ordered locally)

“F#” Frame Number (Applicable machine number)

3. Parts, which are to be supplied in an assembly, are listed with a dot (.) in front of the part name as shown below.

EXAMPLE

CARBURETOR ASSY

.JET, PILOT

.NOZZLE, MAIN

4. Number of component for assembly

The numeral appearing to the right of each component part indicates the quantity of parts for each assembly unit.

EXAMPLE

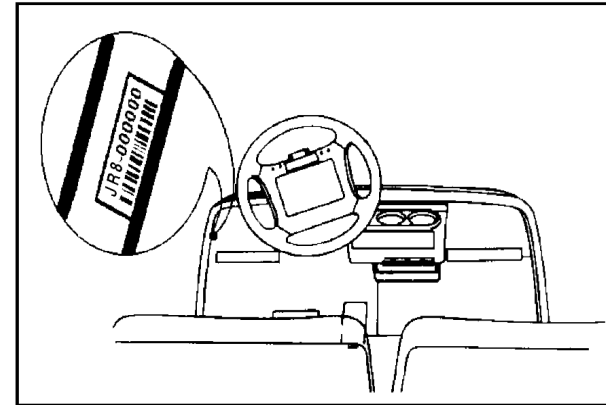
PART NO.	DESCRIPTION	Q'TY	REMARKS
2F5-83310-60	FRONT FLASHER LIGHT ASSY	2	
115-83311-60	.BULB (6V-18W)	1	

5. Applicable colors of graphics are represented in the “REMARKS” as shown below.

PART NO.	DESCRIPTION	Q'TY	REMARKS
2N4-24110-00-X5	FUEL TANK COMP.	1	MAXIM RED
3J1-24240-10	.GRAPHIC, FUEL TANK	1	for MXR

6. Applicable Serial No. and Color Code:

① Frame Serial No. JR8-000101	~
② Engine Serial No. JR3-012677	~



① PPG / Ditzler Paint Code for G20A:
Ultima Ivory 91390

7. Note that the illustrations are for reference in finding parts numbers, not to be used for assembling. When assembling, please use the applicable service manual.

8. The asterisk (*) before a reference number indicates modification items after the first edition.

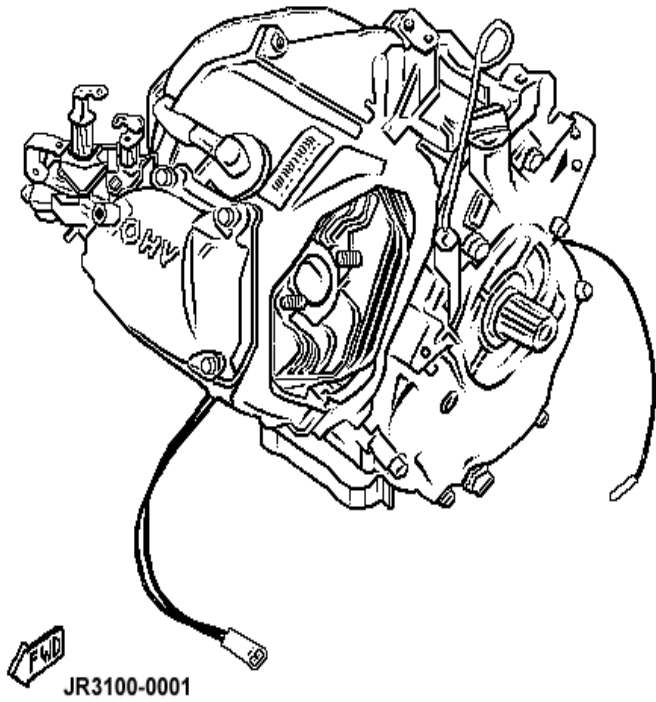
CONTENTS

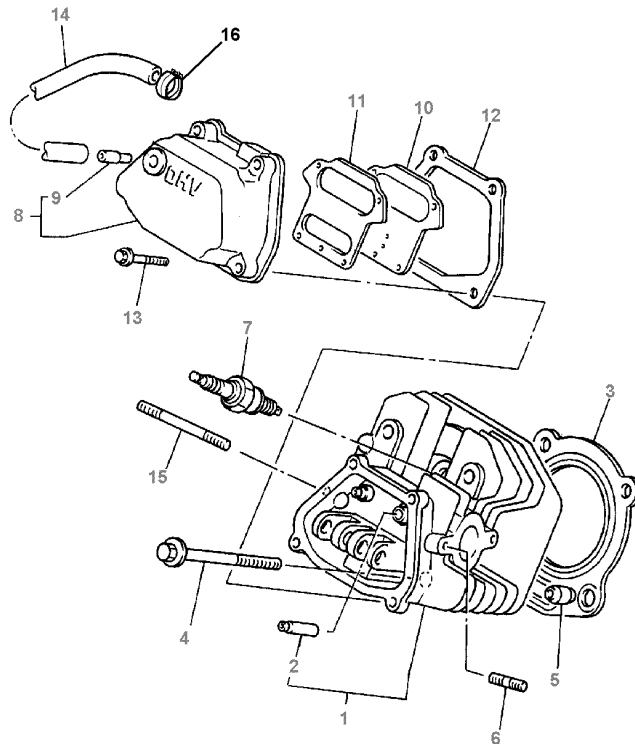
ENGINE	PAGE		PAGE
Engine Assembly	5	Secondary Sheave	30
Cylinder Head	6	Transmission	31 ~ 33
Crankshaft / Piston	7	Rear Axle Mount / Wheel	34
Camshaft / Valve	8	Shifter / Cables	35
Air Shroud / Fan	9	Bumper	36
Intake	10	Body (Front)	37
Carburetor	11	Intermediate Body	38
Exhaust	12	Body 2 (Rear)	39 ~ 40
Crankcase	13	Body Fitting	41
		Carrier	42
		Front Seat	43
		Rear Seat	44
		Starter Generator	45 ~ 46
		Electrical 1	47
		Electrical 2	48 ~ 49
		Optional Hub Caps	50
		Optional Windshield	51
		Sunroof Assy.	52
		Optional Ornament Plate	53
		Optional Light Kit	54

CHASSIS	PAGE
Engine Mount	14
Rear Arm / Suspension	15
Frame	16
Front Suspension / Wheel	17 ~ 18
Steering	19 ~ 20
Fuel Tank	21
Brake	22 ~ 24
Brake 2	25
Brake 3	26
Accelerator	27
Governor	28
Primary Clutch	29

FIG. 1 ENGINE ASSEMBLY

REF NO.	PART NUMBER	DESCRIPTION	QTY	REMARKS
1	JR3-19001-00-00	ENGINE ASSEMBLY	1	





JN7010-6011

FIG. 2 CYLINDER HEAD

REF NO.	PART NUMBER	DESCRIPTION	QTY	REMARKS
1	JN6-11102-00-00	HEAD, CYLINDER	1	
2	JN6-11133-10-00	.GUIDE, VALVE	2	
3	JN6-11181-00-00	GASKET, CYLINDER HEAD	1	
4	95817-10070-00	BOLT, FLANGE	4	
5	99530-14016-00	PIN, DOWEL A	2	
6	95617-08618-00	BOLT, STUD	2	
7	NGK-BPR2E-S0-00	PLUG, SPARK	1	STD, U.S.
	94702-00348	PLUG, SPARK	1	STD, EUROPE
	NGK-BPR4E-S0-00	PLUG, SPARK	1	AP, U.S.
	94702-00343	PLUG, SPARK	1	AP, EUROPE
8	JN6-11191-01-00	COVER, CYLINDER	1	
9	JN6-11116-00-00	.JOINT, BREATHER	1	
10	JN6-11168-00-00	COVER, BREATHER	1	
11	JN6-11169-00-00	GASKET, BREATHER	1	
12	JN6-11193-00-00	GASKET, HEAD COVER	1	
13	95817-06030-00	BOLT, FLANGE	4	
14	JN6-E1166-00-00	PIPE, BREATHER	1	
15	95617-08710-00	BOLT, STUD	2	
16	90467-13847-00	CLAMP	2	

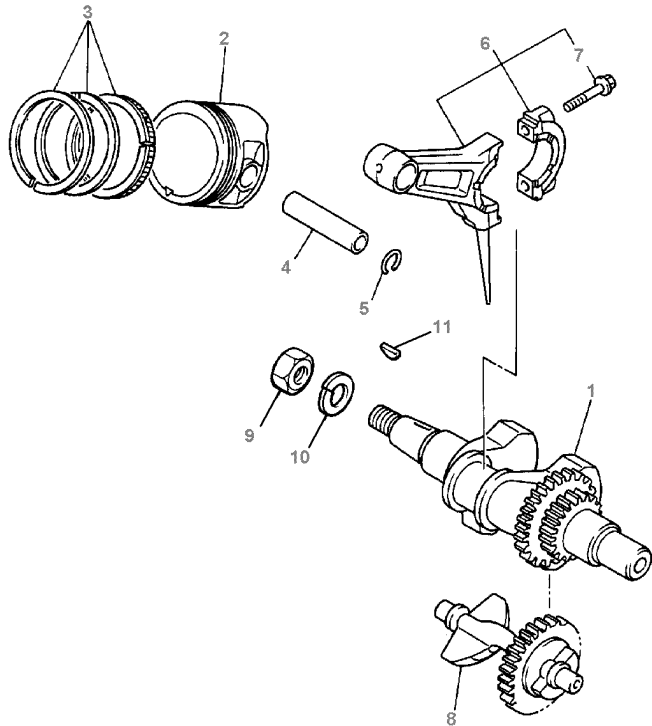


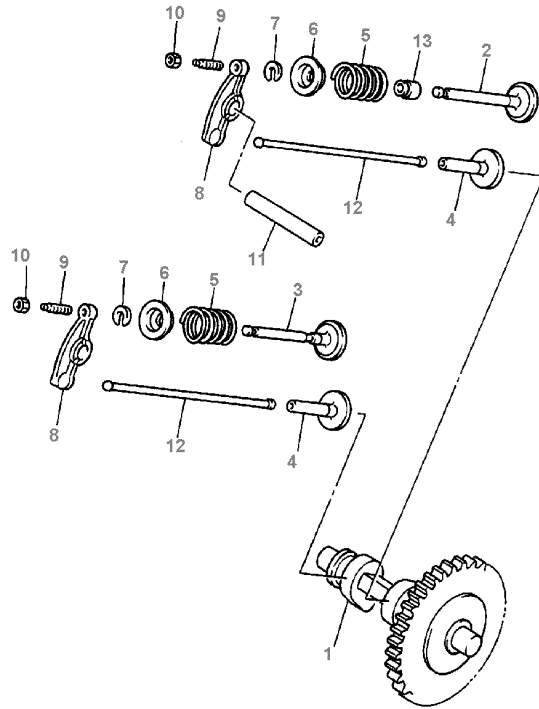
FIG. 3 CRANKSHAFT / PISTON

REF NO.	PART NUMBER	DESCRIPTION	QTY	REMARKS
1	JN6-11400-00-00	CRANK ASSY.	1	
2	JN6-11631-00-A0	PISTON, (STD)	1	STD
	JN6-11635-00-00	PISTON, (0.25mm O/S)	1	AP
	JN6-11636-00-00	PISTON (0.50mm O/S)	1	AP
3	JN6-11610-00-00	PISTON RING SET, STD.	1	STD
	JN6-11610-10-00	PISTON RING SET, (0.25mm O/S)	1	AP
	JN6-11610-20-00	PISTON RING SET, (0.50mm O/S)	1	AP
4	447-11633-00-00	PIN, PISTON	1	
5	93450-21053-00	CIRCLIP	2	
6	JN6-11650-00-00	CONNECTING ROD ASSY	1	
7	JN6-11654-00-00	.BOLT, CONNECTING ROD	2	
8	JN6-11454-00-00	WEIGHT, 1	1	
9	95317-18600-00	NUT, HEX.	1	
10	90201-18620-00	WASHER, PLAIN	1	
11	90280-04052-00	KEY, WOODRUFF	1	



JN7010-6020

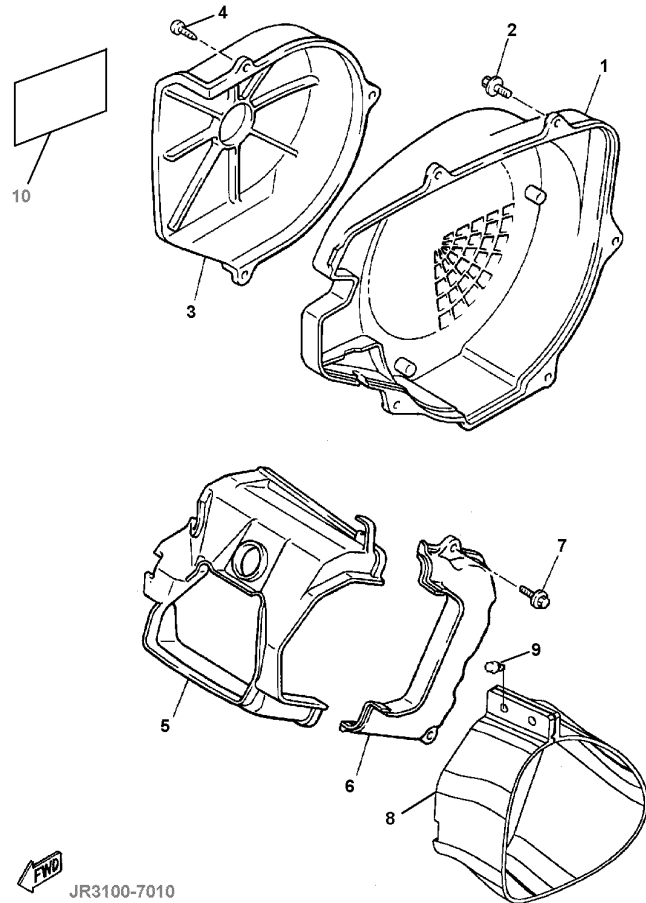
FIG. 4 CAMSHAFT / VALVE



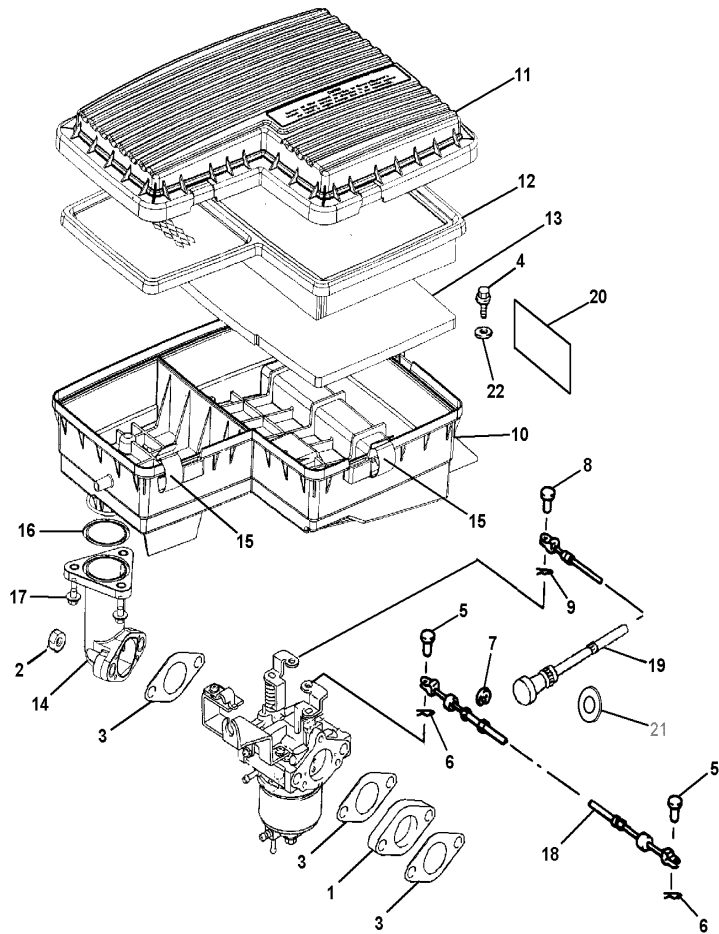
REF NO.	PART NUMBER	DESCRIPTION	QTY	REMARKS
1	JN6-12171-00-00	SHAFT, CAM 1	1	
2	JN6-12111-01-00	VALVE, INTAKE	1	
3	JN6-12121-00-00	VALVE, EXHAUST	1	
4	JN6-12153-00-00	LIFTER, VALVE	2	
5	90501-264A9-00	SPRING, COMPRESSION	2	
6	J38-12117-01-00	RETAINER, VALVE SPRING	2	
7	J38-12118-00-00	LOCK, VALVE SPRING	2	
8	JN6-12151-00-00	ARM, VALVE ROCKER	2	
9	22F-12159-00-00	SCREW, VALVE	2	
10	90170-05302-00	NUT, HEX.	2	
11	J38-12156-00-00	SHAFT, ROCKER	1	
12	JN6-12154-00-00	ROD, VALVE PUSH	2	
13	5H0-12119-00-00	SEAL, VALVE STEM	1	

 JN7010-6030

FIG. 5 AIR SHROUD / FAN



REF NO.	PART NUMBER	DESCRIPTION	QTY	REMARKS
1	JN6-12621-00-00	CASE, FAN 1	1	
2	95817-06020-00	BOLT, FLANGE	5	
3	JN6-12616-00-00	COVER, FAN CASE	1	
4	97707-60520-00	SCREW, PAN HEAD	3	
5	JN6-12651-00-00	AIR SHROUD, CYLINDER 1	1	
6	JN6-12652-00-00	AIR SHROUD, CYLINDER 2	1	
7	95817-06020-00	BOLT, FLANGE	2	
8	JN6-E2691-00-00	DUCT, 1	1	
9	90269-08813-00	RIVET	2	
10	JR3-2179R-03-00	PLATE, EPA / CALIF.	1	UR, U.S. MODEL

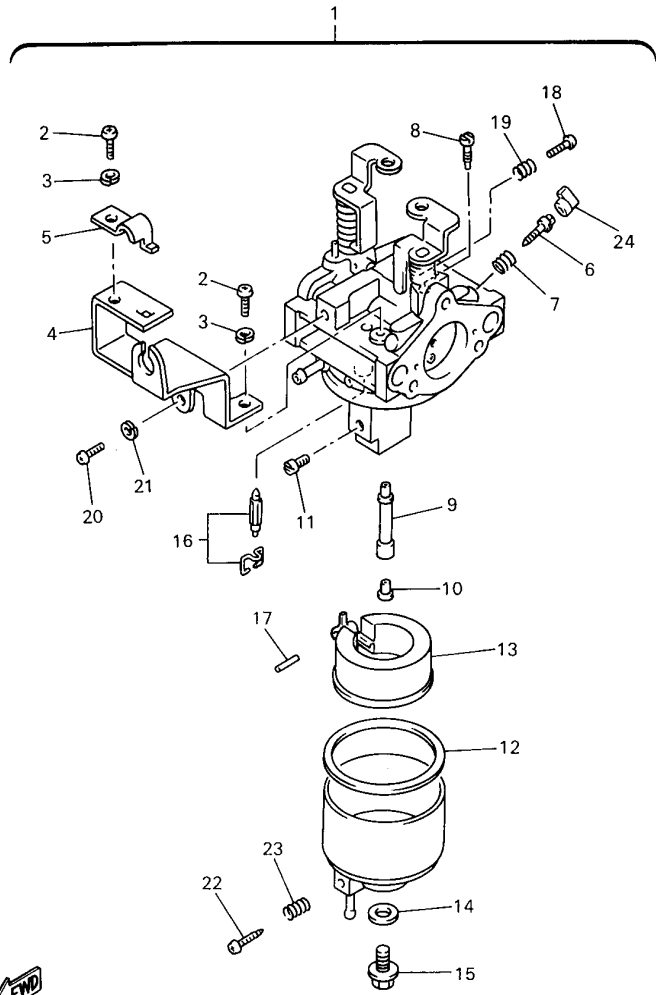


 JN6200-7010

FIG. 6 INTAKE

REF NO.	PART NUMBER	DESCRIPTION	QTY	REMARKS
1	JN6-13595-00-00	JOINT	1	
2	95707-08500-00	NUT, FLANGE	2	
3	JN6-13567-00-00	GASKET	3	
4	90119-06920-00	BOLT, HEX HEAD W/WASHER	2	
5	91790-05010-00	PIN, CYL. HEAD	2	
6	90468-10050-00	CLIP	2	
7	99080-07600-00	CIRCLIP (E)	1	
8	91790-05010-00	PIN, CYL. HEAD	1	
9	90468-10050-00	CLIP	1	
10	JN6-E4411-02-00	CASE, AIR FILTER	1	SEE NOTE "A"
11	JN6-E4412-01-00	CAP, CASE 1	1	
12	JN6-E4450-01-00	ELEMENT ASSY.	1	
13	JN6-E445E-00-00	FILTER, 1	1	
14	JN6-E3586-01-00	JOINT, CARBURETOR	1	
15	JN6-E4424-00-00	CLIP, CAP FIT	5	
16	93210-398D6-00	O-RING	1	
17	90105-06862-00	BOLT, FLANGE	3	
18	JN6-F6312-01-00	WIRE, THROTTLE	1	
19	JR8-F6331-02-00	WIRE, STARTER	1	
20	JN6-K7761-10-00	LABEL, WARNING 1	1	SEE NOTE "A"
21	90201-118N2-00	WASHER, PLAIN	1	

NOTE "A": When replacing "Case Air Filter JN6-E4411-02-00" you must also replace "Label Warning 1 JN6-K7761-10-00".

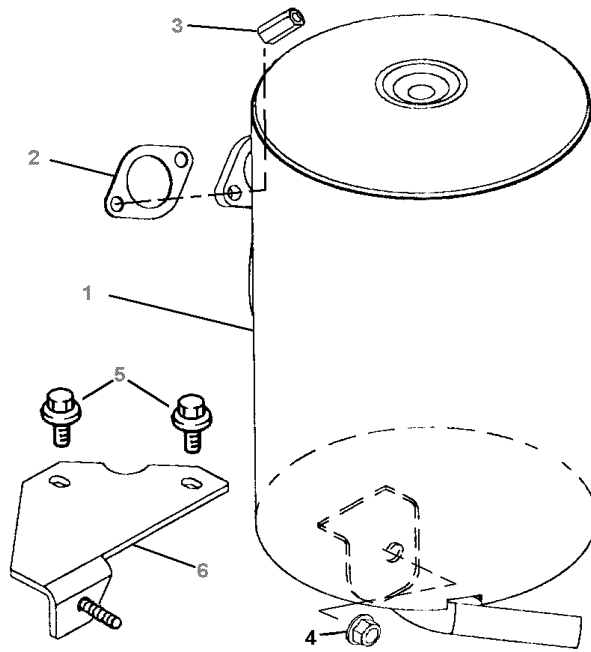


JR2010-7060


FIG. 7 CARBURETOR

REF NO.	PART NUMBER	DESCRIPTION	QTY	REMARKS
1	JN6-14101-14-00	CARBURETOR ASSY.	1	UR
2	98507-05100-00	.SCREW, PAN HEAD	2	
3	92990-05100-00	.WASHER	2	
4	JN6-14291-00-00	.BRACKET 1	1	
5	J10-14227-00-00	.WASHER	1	
6	7LV-14211-00-00	.SCREW, PILOT ADJUSTING	1	
7	73A-14212-00-00	.SPRING, PILOT ADJUSTING	1	
8	620-1414J-24-00	.JET, PILOT	1	(#61.3)
9	JN6-1495H-3B-00	.NOZZLE, MAIN	1	
10	73A-1414G-00-00	.PIPE, MAIN BLEED	1	
11	3G2-1423E-33-00	.JET, MAIN	1	(#83.8)
12	796-14184-00-00	.GASKET, FLOAT CHAMBER	1	
13	JN6-14185-00-00	.FLOAT	1	
14	127-14198-00-00	.GASKET	1	
15	7R1-14162-00-00	.BOLT, HOLDING	1	
16	JN5-14150-00-00	.NEEDLE ASSY	1	
17	22F-14186-00-00	.PIN, FLOAT	1	
18	1WG-14922-00-00	.SCREW, THROTTLE	1	
19	73A-14212-10-00	.SPRING	1	
20	98507-04010-00	.SCREW, PAN HEAD	1	
21	92990-05100-00	.WASHER	1	
22	7E1-14191-00-00	.PLUG, DRAIN	1	
23	73A-14212-00-00	.SPRING	1	
24	7LV-14118-00-00	.CAP	1	
	1K7-14197-01-00	.VENT HOSE	1	

FIG. 8 EXHAUST



REF NO.	PART NUMBER	DESCRIPTION	QTY	REMARKS
1	JN6-E4710-00-00	MUFFLER ASSEMBLY	1	
2	7KY-14613-01-00	GASKET, EXHAUST 1	1	
3	90179-08879-00	NUT	2	
4	90185-08841-00	NUT, U-FLANGE	1	
5	90119-08825-00	BOLT, HEX HEAD W/WASHER	2	
6	JN6-F1435-10-00	BRACKET, MUFFLER	1	

 JN6100-6021

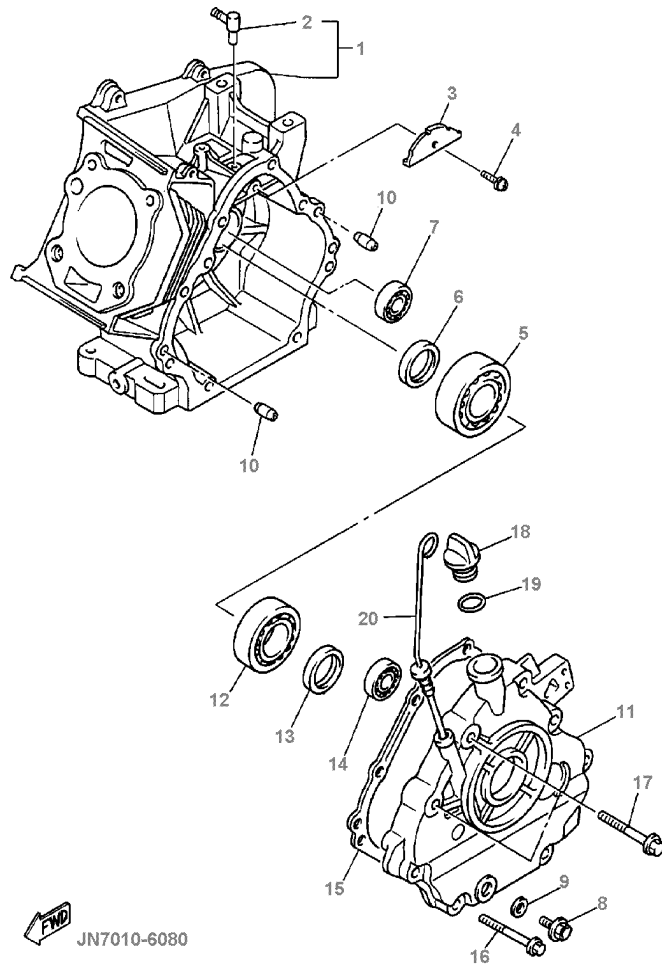
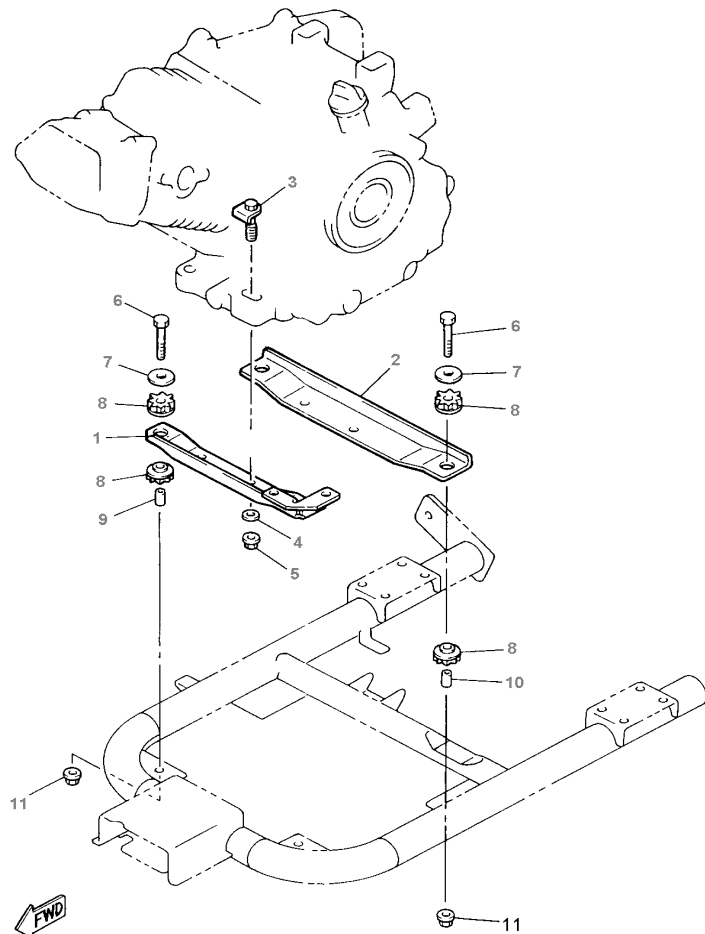


FIG. 9 CRANKCASE

REF NO.	PART NUMBER	DESCRIPTION	QTY	REMARKS
1	JN6-15100-02-00	CRANKCASE ASSY	1	
2	JN6-15155-00-00	.NOZZLE, 3	1	
3	JN6-15123-00-00	PLATE, BAFFLE	1	
4	90159-06107-00	SCREW, W/WASHER	1	
5	93306-30709-00	BEARING	1	
6	93102-35191-00	SEAL, OIL	1	
7	93306-20211-00	BEARING	1	
8	90340-12097-00	PLUG, STRAIGHT	1	
9	812-11198-00-00	GASKET	1	
10	91808-16023-00	PIN, DOWEL A	2	
11	JN6-15411-00-00	COVER, CRANKCASE	1	
12	93306-20716-00	BEARING	1	
13	93102-35191-00	SEAL, OIL	1	
14	93306-20211-00	BEARING	1	
15	JN6-15451-02-00	GASKET, CRANKCASE	1	
16	95817-08045-00	BOLT, FLANGE	6	
17	95817-10050-00	BOLT, FLANGE	2	
18	796-15363-01-00	PLUG, OIL	1	
19	93210-22344-00	O-RING	1	
20	J38-15361-00-00	GAUGE, LEVEL	1	

FIG. 10 ENGINE MOUNT



JR2010-7090

REF NO.	PART NUMBER	DESCRIPTION	QTY	REMARKS
1	JN6-F1411-00-00	BRACKET, ENGINE 1	1	
2	JN6-F1419-02-00	BRACKET, ENGINE 2	1	
3	JN6-F1481-00-00	BOLT, ENGINE	4	
4	92907-10200-00	WASHER, PLAIN	4	
5	95607-10200-00	NUT, U-FLANGE	4	
6	90101-08870-00	BOLT, HEX	4	
7	90201-088K6-00	WASHER, PLAIN	4	
8	JN6-F1486-00-00	DAMPER, 2	8	
9	JN6-F1459-00-00	SPACER	2	
10	JN6-F1459-10-00	SPACER	2	
11	95617-08200-00	NUT, U-FLANGE	4	

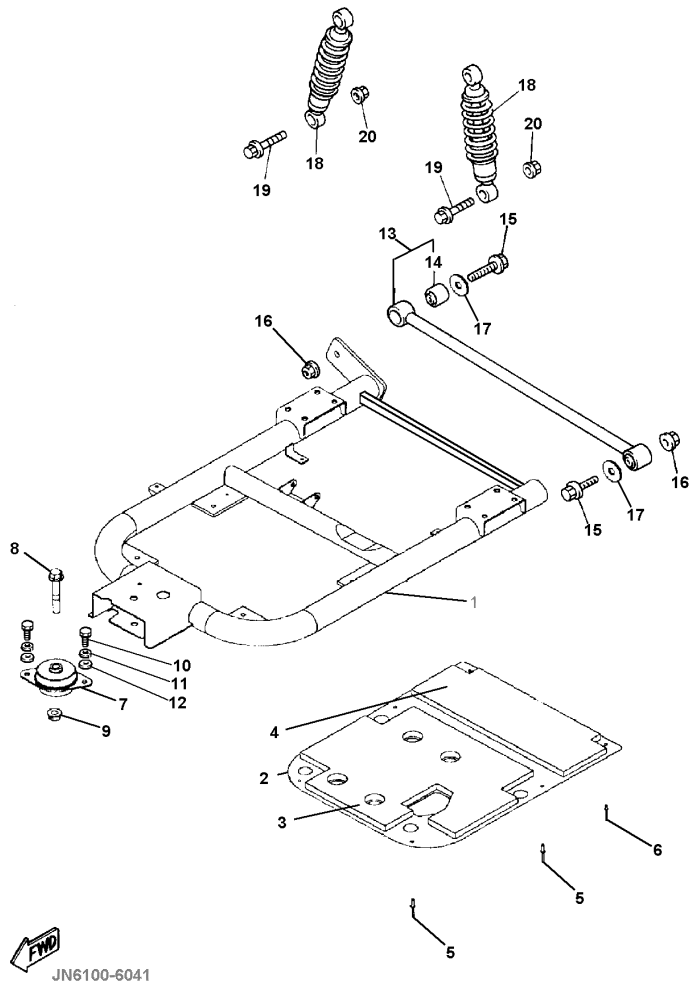
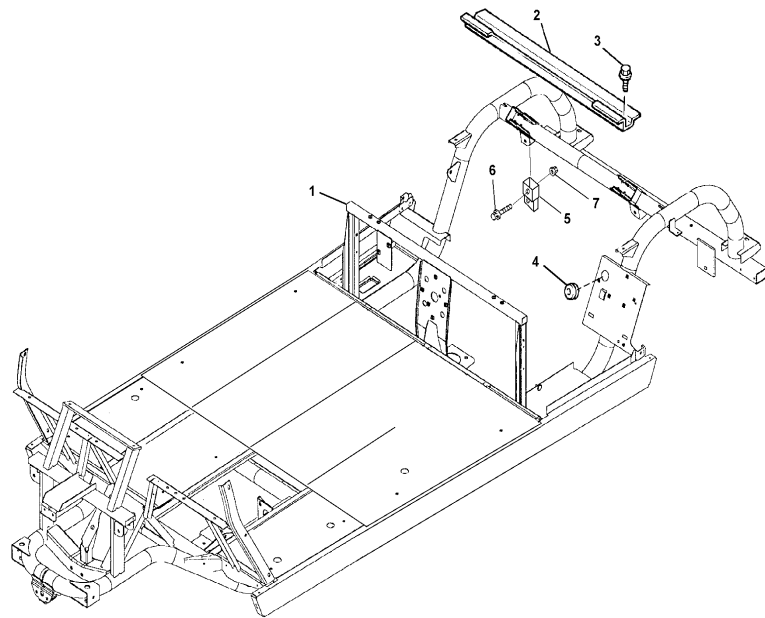


FIG. 11 REAR ARM / SUSPENSION

REF NO.	PART NUMBER	DESCRIPTION	QTY	REMARKS
1	JN6-F2110-01-00	REAR ARM COMP.	1	
2	JN6-F2128-01-00	COVER, 1	1	
3	JN6-F211E-01-00	PANEL, INNER 1	1	
4	JN6-F211G-01-00	PANEL, INNER 2	1	
5	90267-48850-00	RIVET, BLIND	4	
6	90267-40851-00	RIVET, BLIND	2	
7	JN6-F2123-01-00	BUSHING, 1	1	
8	90105-13864-00	BOLT, FLANGE	1	
9	90179-13878-00	NUT	1	
10	97017-10020-00	BOLT, HEX. HEAD	2	
11	92907-10100-00	WASHER, LOCK	2	
12	92907-10600-00	WASHER, PLAIN	2	
13	JN6-F217G-00-00	ROD, CONNECTING	1	
14	JN6-F2124-00-00	BUSHING, 2	2	
15	95817-12065-00	BOLT, FLANGE	2	
16	95617-12200-00	NUT, U-FLANGE	2	
17	90201-12426-00	WASHER, PLAIN	2	
18	JN3-F2210-00-00	SHOCK ABSORBER	2	
19	95807-10055-00	BOLT, FLANGE	4	
20	95607-10200-00	NUT, U-FLANGE	4	




 JR8100-1010

FIG. 12 FRAME

REF NO.	PART NUMBER	DESCRIPTION	QTY	REMARKS
1	JR8-F2501-00-00	FRAME COMP.	1	
2	JN6-F254R-00-00	SUPPORT, BODY MOUNTING	1	
3	95817-08016-00	BOLT, FLANGE	2	
4	90480-25856-00	GROMMET	1	
5	JR8-G6554-00-00	BRACKET 1	2	
6	95807-10055-00	BOLT, FLANGE	2	
7	95607-10200-00	NUT, FLANGE	2	

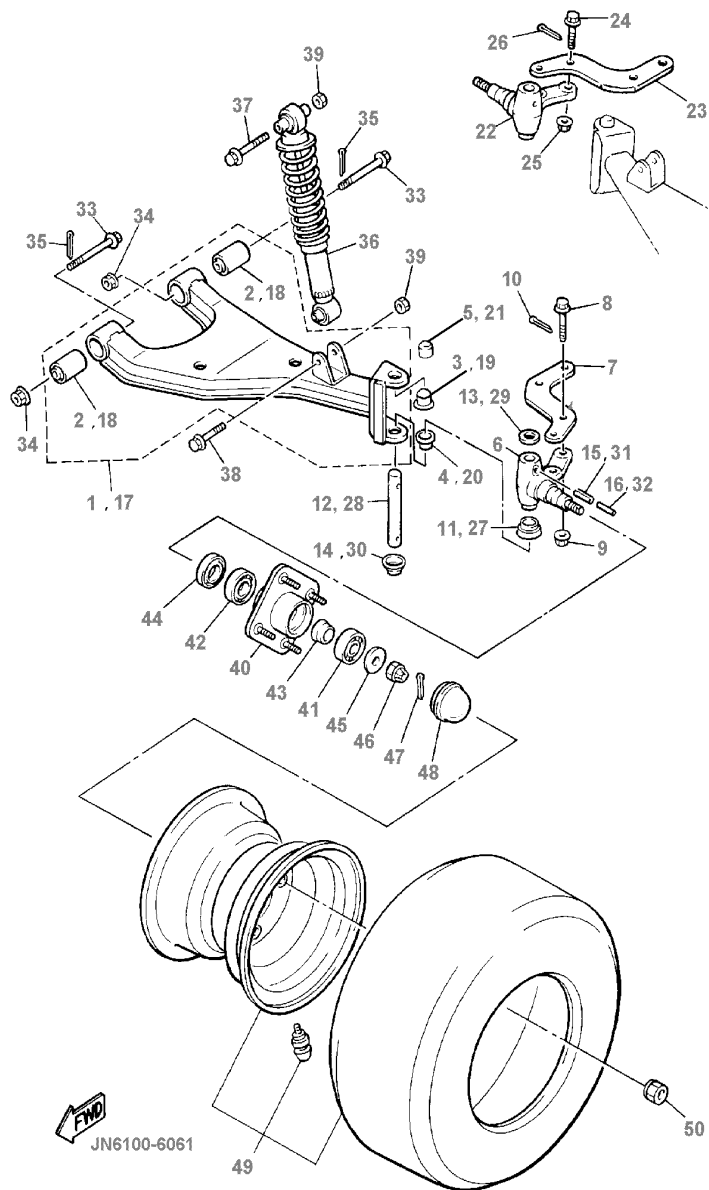
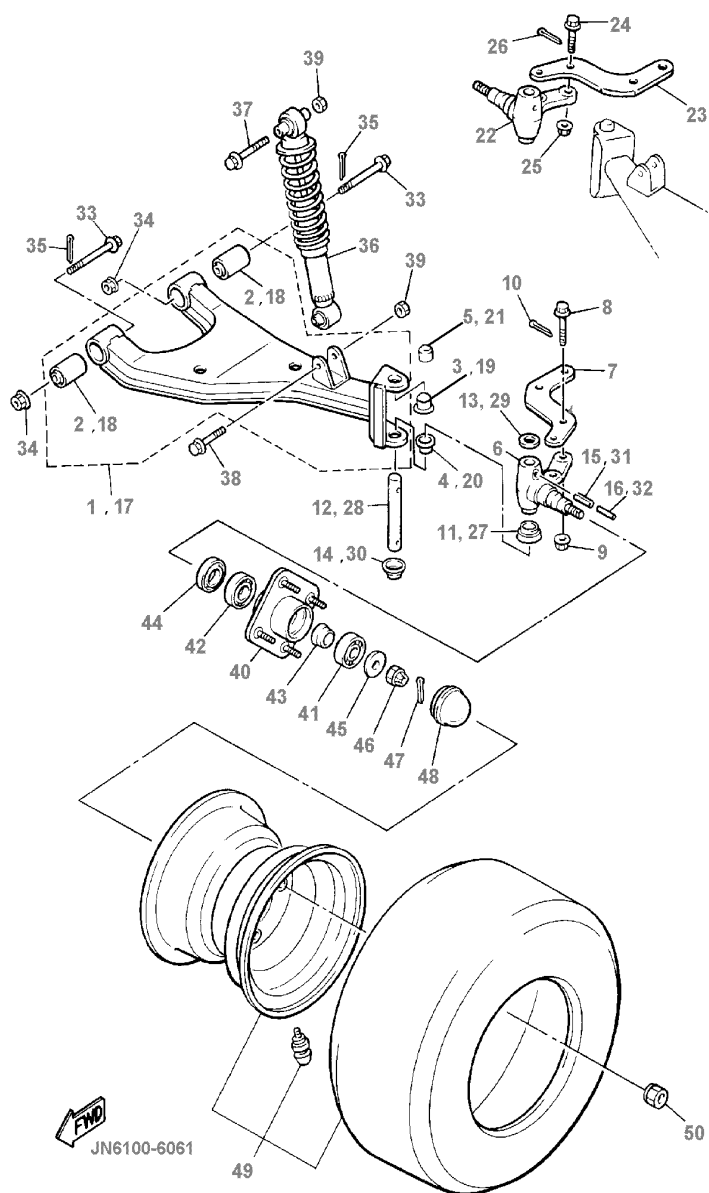


FIG. 13 FRONT SUSPENSION / WHEEL

REF NO.	PART NUMBER	DESCRIPTION	QTY	REMARKS
1	JN6-F3570-00-00	FRONT LOWER ARM, LEFT	1	
2	JN6-F3526-00-00	.BUSHING, ARM	1	
3	90384-15826-00	BUSH, BIMETAL	1	UR
4	90384-15825-00	BUSH, BIMETAL	1	UR
5	90334-19800-00	PLUG, STRAIGHT	1	UR
6	JN6-F3511-00-00	KNUCKLE, STEERING	1	
7	JN3-F3512-00-00	ARM, KNUCKLE	1	
8	95814-10040-00	BOLT, FLANGE	2	
9	95617-10200-00	NUT, U-FLANGE	2	
10	91490-25020-00	PIN, SPLIT	2	
11	J38-23527-00-00	SEAL, DUST 1	1	
12	J38-23516-00-00	PIN, STEERING KNUCKLE	1	
13	90201-156J2-00	WASHER, PLAIN	1	
14	J38-23528-00-00	SEAL, DUST 2	1	
15	91609-60028-00	PIN, SPRING	1	
16	91609-35028-00	PIN, SPRING	1	
17	JN6-F3580-00-00	FRONT LOWER ARM, RIGHT	1	
18	JN6-F3526-00-00	.BUSHING, ARM	1	
19	90384-15826-00	BUSH, BIMETAL	1	
20	90384-15825-00	BUSH, BIMETAL	1	
21	90334-19800-00	PLUG, STRAIGHT	1	
22	JN6-F3521-00-00	KNUCKLE, STEERING	1	
23	JN3-F3512-00-00	ARM, KNUCKLE	1	
24	95814-10040-00	BOLT, FLANGE	2	
25	95607-10200-00	NUT, U-FLANGE	2	
26	91490-25020-00	PIN, SPLIT	2	
27	J38-23527-00-00	SEAL, DUST 1	1	

FIG. 13 FRONT SUSPENSION / WHEEL



REF NO.	PART NUMBER	DESCRIPTION	QTY	REMARKS
28	J38-23516-00-00	PIN, STEERING KNUCKLE	1	
29	90201-156J2-00	WASHER, PLAIN	1	
30	J38-23528-00-00	SEAL, DUST 2	1	
31	91609-60028-00	PIN, SPRING	1	
32	91609-35028-00	PIN, SPRING	1	
33	95817-10075-00	BOLT, FLANGE	4	
34	95607-10200-00	NUT, U-FLANGE	4	
35	91490-25020-00	PIN, SPLIT	4	
36	JJ3-F3350-00-00	CUSHION ASSY.	2	
37	95817-10065-00	BOLT, FLANGE	2	
38	95817-10055-00	BOLT, FLANGE	2	
39	95607-10200-00	NUT, U-FLANGE	4	
40	JG5-WF511-00-00	HUB	2	
41	93306-204X0-00	BEARING	2	
42	93306-005Y3-00	BEARING	2	
43	90387-241M7-00	COLLAR	2	
44	93102-30083-00	SEAL, OIL	2	
45	90209-32271-00	WASHER	2	
46	95607-14100-00	NUT, U	2	
47	91490-25020-00	PIN, SPLIT	2	
48	JN6-F5118-00-00	COVER, HUB DUST	2	
49	JN6-F5100-11-00	FR. WHEEL ASSY	2	
50	90179-12262-00	NUT	8	

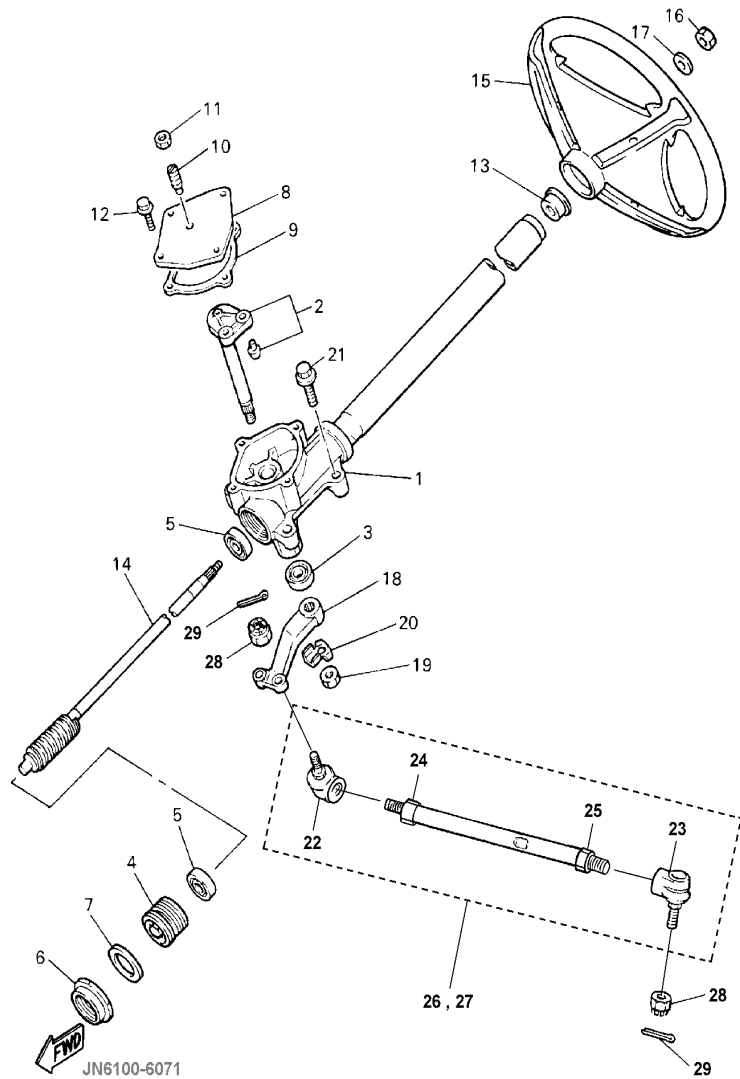


FIG. 14 STEERING

REF NO.	PART NUMBER	DESCRIPTION	QTY	REMARKS
1	JG5-F3811-00-00	COLUMN, STEERING	1	
2	J38-23816-00-00	ARM, PITMAN	1	
3	93102-22314-00	SEAL, OIL	1	
4	J55-F3876-00-00	BOLT	1	
5	93332-000Y2-00	BEARING	2	
6	J10-23877-00-00	NUT	1	
7	J10-23444-00-00	WASHER	1	
8	JN3-F3818-00-00	COVER, STEERING	1	
9	J38-23462-01-00	SEAL, STEERING	1	
10	J10-23459-00-00	BOLT	1	
11	90170-08024-00	NUT, HEX.	1	
12	95817-06020-00	BOLT, FLANGE	4	
13	JN3-F3814-00-00	HOLDER, HANDLE	1	
14	J10-23840-00-00	STEERING SHAFT	1	
15	JN3-F3838-00-00	WHEEL, STEERING	1	
16	95617-12100-00	NUT, SELF-LOCKING	1	
17	92907-12200-00	WASHER, PLAIN	1	
18	J38-23826-01-00	ARM, IDLER	1	
19	95707-16300-00	NUT, NYLON	1	
20	90215-16252-00	WASHER, TONGUE	1	
21	95817-10050-00	BOLT, FLANGE	4	
22	JN6-F3845-00-00	UNIVERSAL JOINT	2	
23	JN6-F3841-00-00	UNIVERSAL JOINT	2	
24	95607-10200-00	NUT, (RH THREAD)	2	
25	90170-12054-00	NUT, (LH THREAD)	2	
26	JN6-F3850-11-00	TIE ROD ASSY, RIGHT	1	
27	JN6-F3830-11-00	TIE ROD ASSY, LEFT	1	

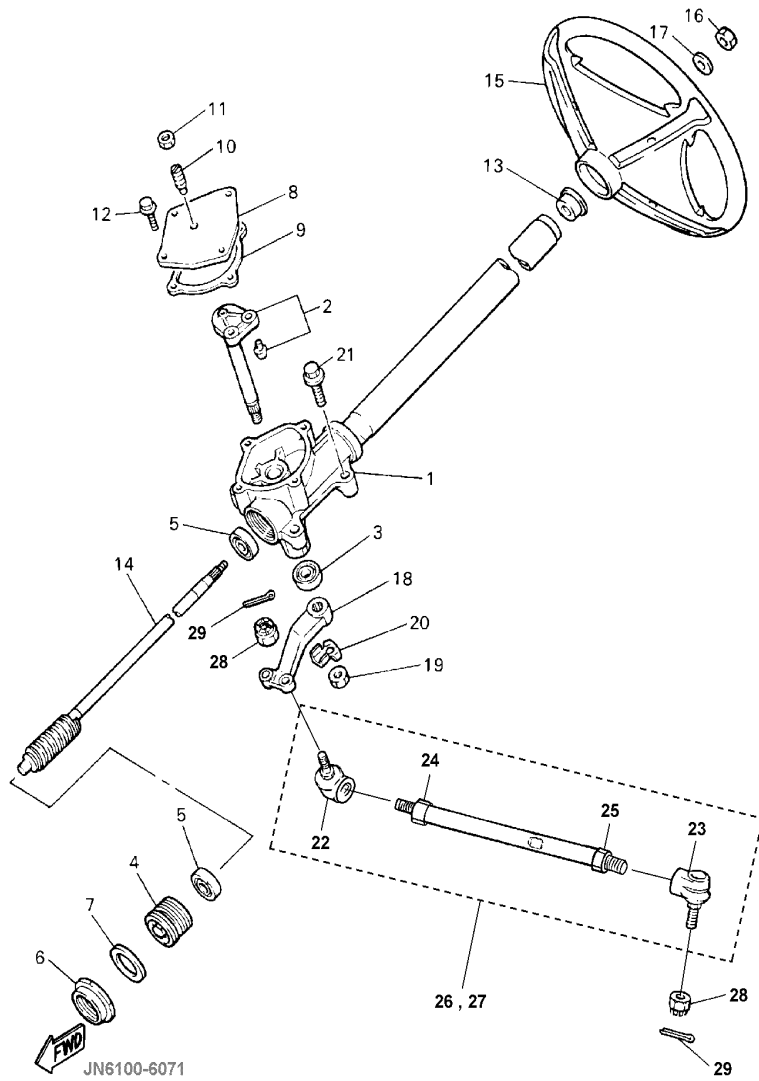
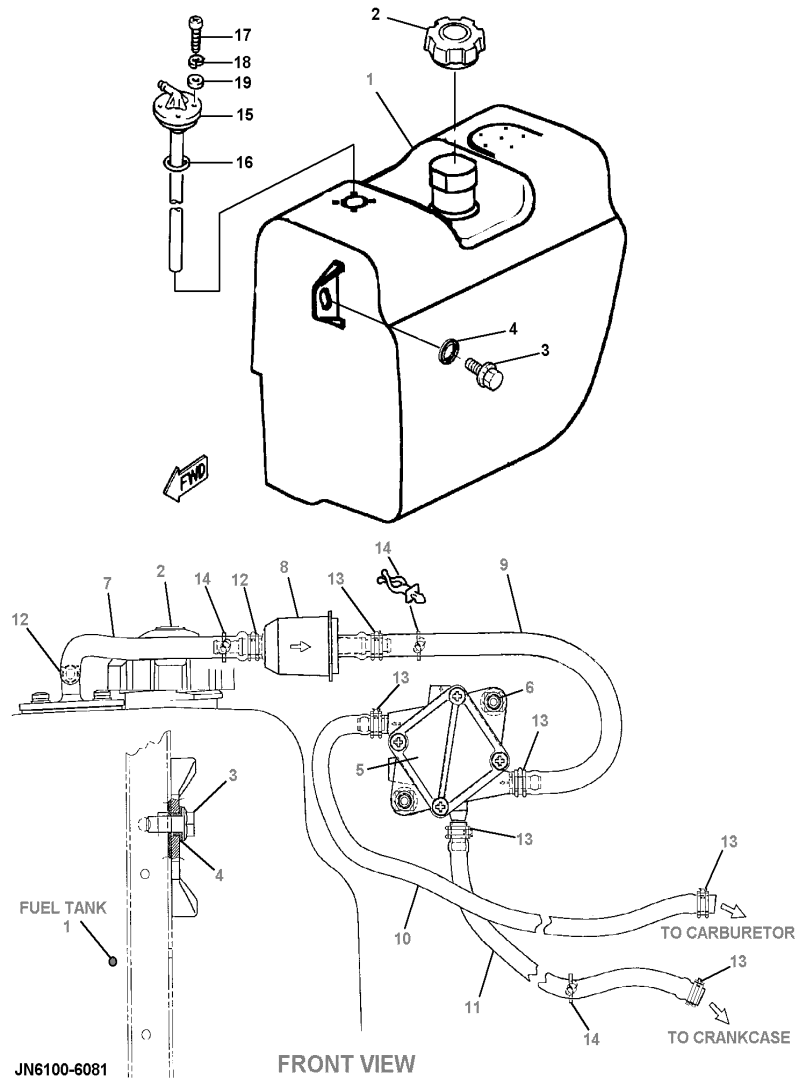


FIG. 14 STEERING

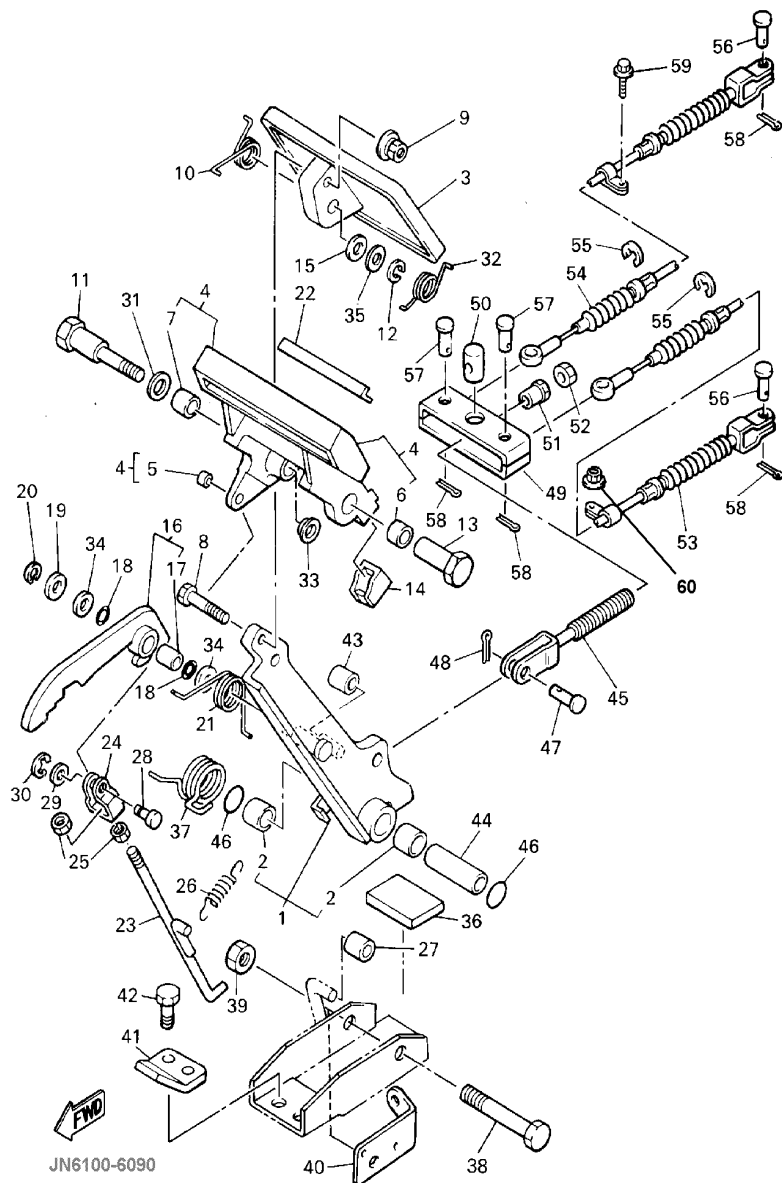
REF NO.	PART NUMBER	DESCRIPTION	QTY	REMARKS
28	95607-10200-00	NUT, U-FLANGE	4	
29	91490-25020-00	PIN, SPLIT	4	

FIG. 15 FUEL TANK



REF NO.	PART NUMBER	DESCRIPTION	QTY	REMARKS
1	JN6-F4110-01-00	FUEL TANK COMP	1	
2	JN6-F4610-00-00	CAP ASSY.	1	
3	95817-08020-00	BOLT, FLANGE	2	
4	90560-08066-00	SPACER	2	
5	JN6-F4410-00-00	FUEL PUMP ASSY	1	
6	95817-06016-00	BOLT, FLANGE	2	
7	JN6-F4312-00-00	PIPE, 2	1	
8	JN6-F4560-00-00	FILTER ASSY.	1	
9	JN6-F4311-00-00	PIPE, FUEL	1	
10	JN6-F4313-00-00	PIPE, 3	1	
11	JN6-F4314-00-00	PIPE, 4	1	
12	90467-12845-00	CLIP	2	RED
13	90467-10846-00	CLIP	6	GREEN
14	90464-11816-00	CLAMP	3	
15	JN3-F4300-02-00	.FUEL PIPE JOINT	1	
16	93210-228C4-00	.O-RING	1	
17	98507-05014-00	.SCREW, PAN HEAD	4	
18	92907-05100-00	.WASHER, LOCK	4	
19	92907-05600-00	.WASHER, PLAIN	4	

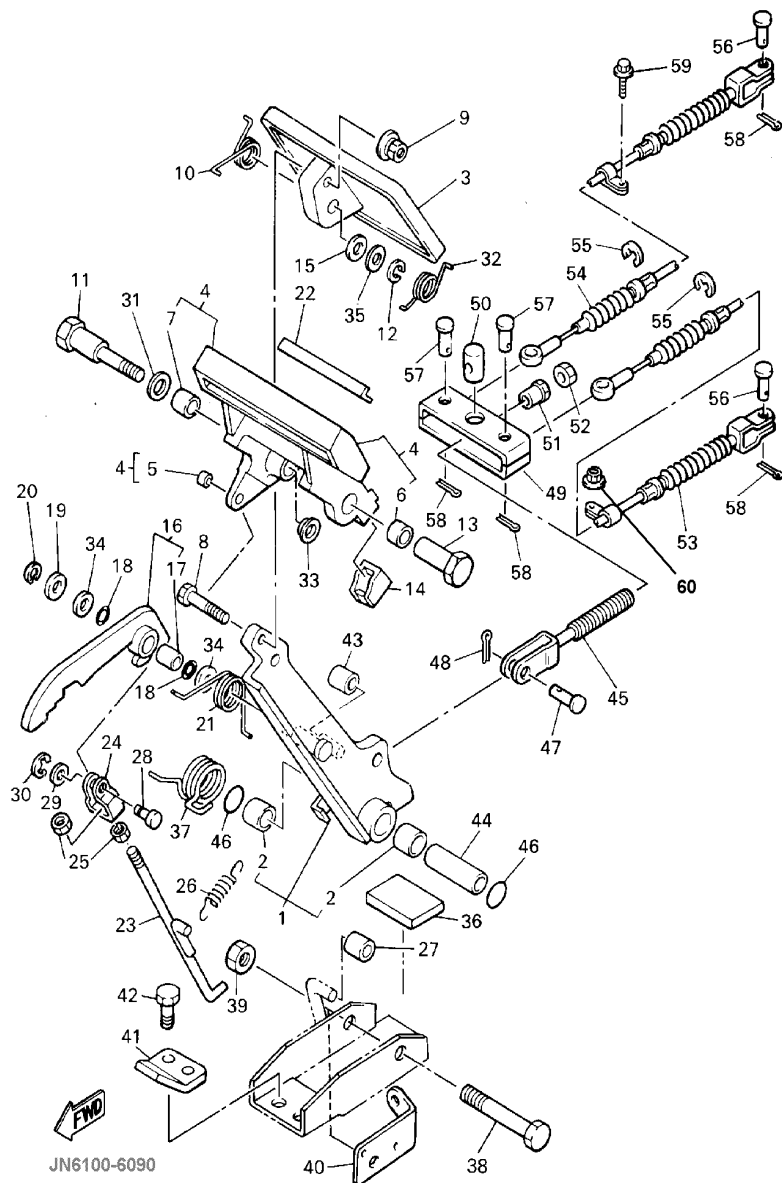
JN6100-6081



JN6100-6090

FIG. 16 BRAKE

REF NO.	PART NUMBER	DESCRIPTION	QTY	REMARKS
1	J46-27250-03-00	BRAKE ARM COMP	1	
2	90384-14080-00	.BUSH, BIMETAL FORMED	2	
3	J10-27211-00-00	PEDAL, BRAKE	1	
4	J17-25670-01-00	PARKING PEDAL COMP.	1	
5	90384-05163-00	.BUSH, BIMETAL	1	
6	90384-12164-00	.BUSH, BIMETAL	1	
7	90380-12051-00	.BUSH, SOLID	1	
8	90101-06555-00	BOLT, HEX.	1	
9	90179-06387-00	NUT	1	
10	90508-23542-00	SPRING, TORSION	1	
11	90109-08669-00	BOLT	1	
12	92907-08100-00	WASHER, SPRING	1	
13	90179-08378-00	NUT	1	
14	J17-25679-01-00	DAMPER	2	
15	92907-08200-00	WASHER, PLAIN	1	
16	J17-W2561-02-00	SECTOR, PARKING BRAKE	1	
17	90384-10162-00	.BUSH, BIMETAL	1	
18	J17-27221-00-00	SEAL, SHAFT	2	
19	92907-10600-00	WASHER, PLAIN	1	
20	99080-07600-00	CIRCLIP (E)	1	
21	90508-14548-00	SPRING, TORSION	1	
22	J17-25672-01-00	PAD, PARKING	1	
23	J17-27231-03-00	ROD, BRAKE	1	
24	J17-27232-00-00	END, ROD 1	1	
25	95317-06700-00	NUT, HEX.	2	
26	90506-08526-00	SPRING, TENSION	1	
27	J17-25673-00-00	DAMPER, BRAKE	1	

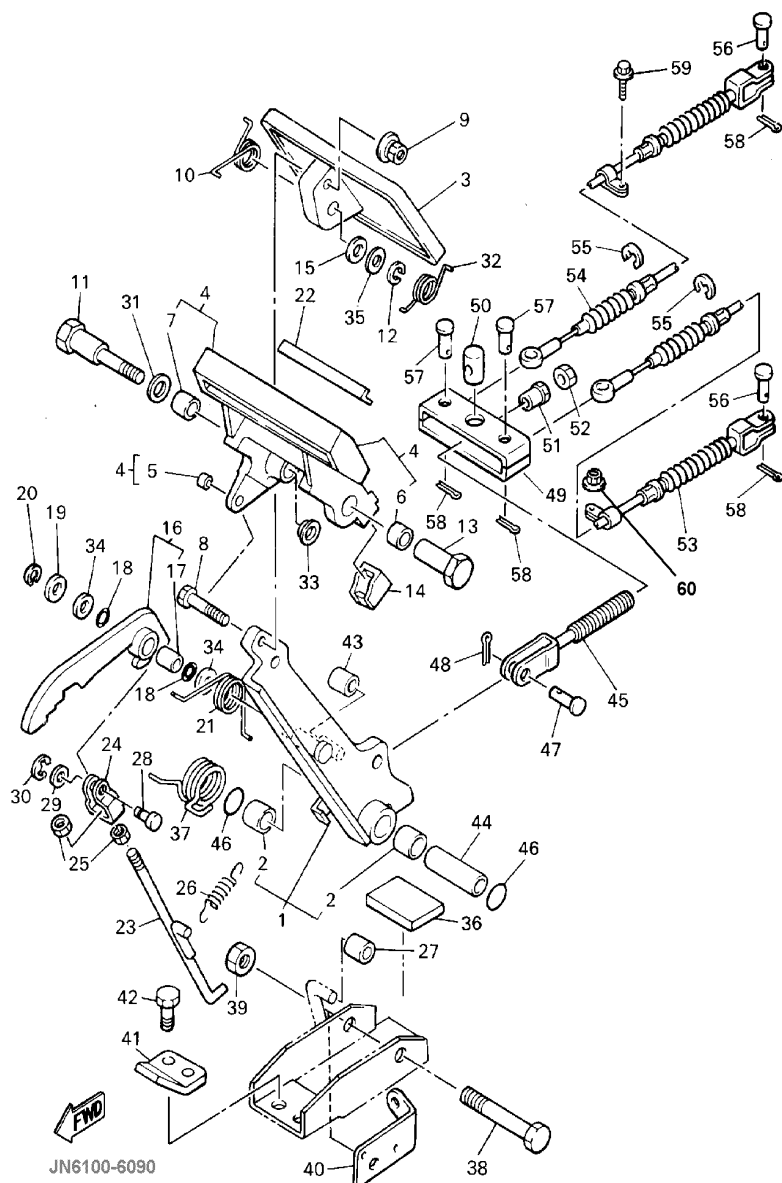


JN6100-6090

FIG. 16 BRAKE

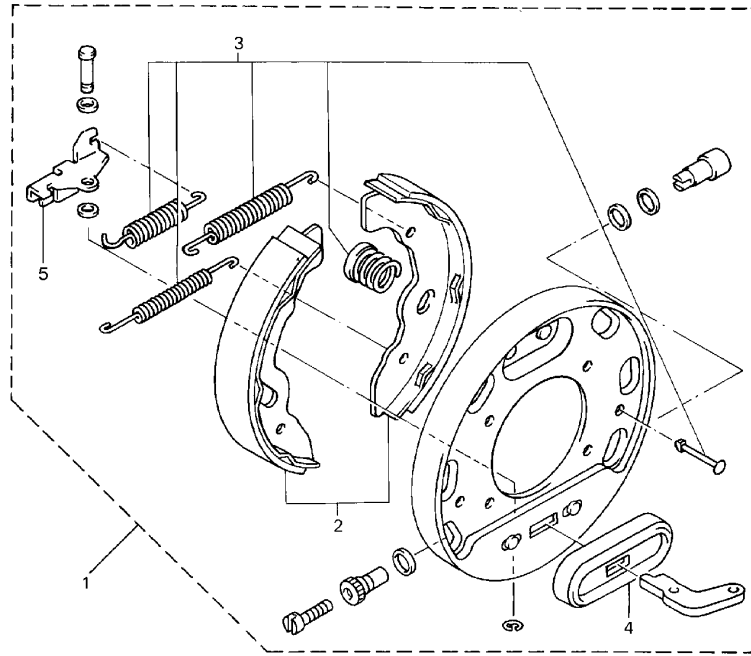
REF NO.	PART NUMBER	DESCRIPTION	QTY	REMARKS
28	J17-27228-00-00	PIN, LINK JOINT	1	
29	92907-05600-00	WASHER, PLAIN	1	
30	99080-04600-00	CIRCLIP (E)	1	
31	90201-123F2-00	WASHER, PLAIN	1	
32	90508-26557-00	SPRING, TORSION	1	
33	90380-12105-00	BUSH, SOLID	1	
34	90201-104G8-00	WASHER, PLAIN	2	
35	J55-27226-00-00	WASHER, LINK	1	
36	JN3-F7245-00-00	PAD, BRAKE PEDAL	1	
37	90508-405A9-00	SPRING, TORSION	1	
38	90101-10447-00	BOLT, HEX.	1	
39	95617-10200-00	NUT, U-FLANGE	1	
40	J55-2252M-00-00	BRACKET, 3	1	
41	J17-27246-00-00	NAIL, BRAKE	1	
42	95817-08020-00	BOLT, FLANGE	2	
43	J17-25673-00-00	DAMPER, BRAKE	1	
44	90387-107F8-00	COLLAR	1	
45	JR8-F5685-00-00	ROD	1	
46	93210-132A8-00	O-RING	2	
47	91701-10022-00	PIN	1	
48	91490-30020-00	PIN, SPLIT	1	
49	JN6-F5681-00-00	EQUALIZER, BRAKE	1	
50	90249-14129-00	PIN	1	
51	90179-08885-00	NUT, FLANGE LOCK	1	
52	95317-08700-00	NUT, HEX.	1	
53	JN6-F6341-00-00	WIRE, BRAKE 1	1	
54	JF2-F6351-10-00	WIRE, BRAKE 2	1	

FIG. 16 BRAKE



REF NO.	PART NUMBER	DESCRIPTION	QTY	REMARKS
55	99001-09600-00	CIRCLIP (E)	4	
56	91701-08018-00	PIN	2	
57	91701-08026-00	PIN	2	
58	91490-25020-00	PIN,SPLIT	4	
59	95817-06016-00	BOLT, FLANGE	2	
60	95617-08200-00	NUT, U-FLANGE	1	

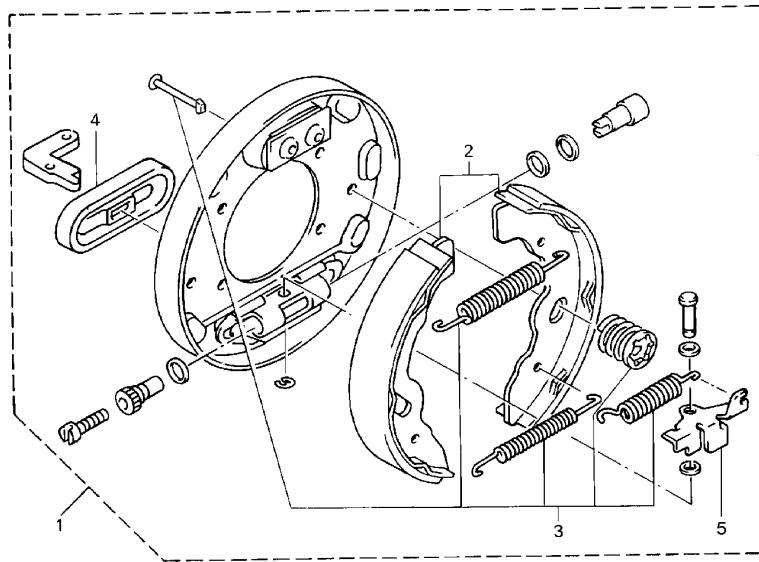
FIG. 17 BRAKE 2



REF NO.	PART NUMBER	DESCRIPTION	QTY	REMARKS
1	JN6-F7280-00-00	BACKING PLATE, (RH)	1	(FOR RIGHT WHEEL ONLY)
2	JN3-F5340-00-00	.SHOE, BRAKE SET	1	(FOR ONE WHEEL)
3	JG5-F819G-00-00	.REPAIR PARTS KIT	1	
4	JG5-F7286-00-00	.COVER, DUST	1	
5	JN6-F722F-00-00	.LEVER ADJUSTER (RH)	1	

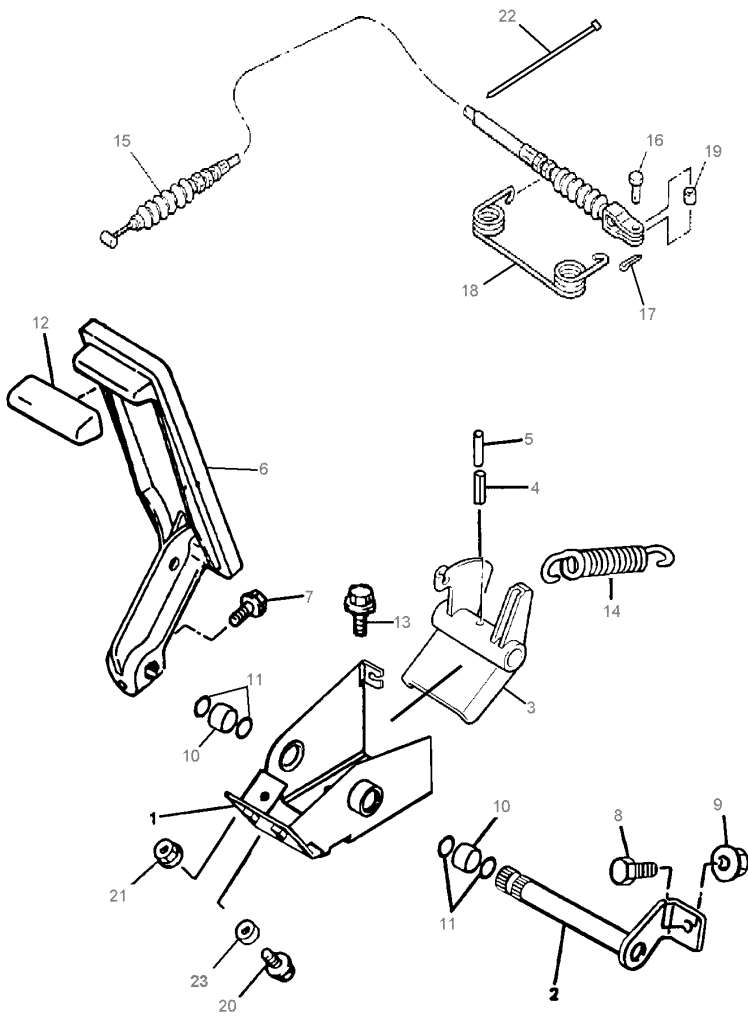
 JN4100-5061

FIG. 18 BRAKE 3



REF NO.	PART NUMBER	DESCRIPTION	QTY	REMARKS
1	JN6-F7290-00-00	BACKING PLATE, (LH)	1	(FOR LEFT WHEEL ONLY)
2	JN3-F5330-00-00	.SHOE, BRAKE SET	1	(FOR ONE WHEEL)
3	JG5-F819G-00-00	.REPAIR PARTS KIT	1	
4	JG5-F7286-00-00	.COVER, DUST	1	
5	JN6-F722E-00-00	.LEVER ADJUSTER (LH)	1	

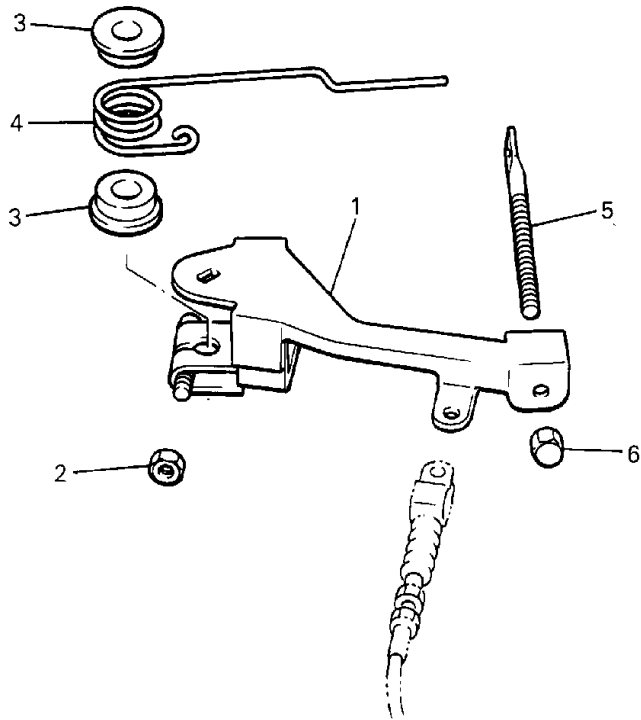




FWD
JN6200-7020

FIG. 19 ACCELERATOR

REF NO.	PART NUMBER	DESCRIPTION	QTY	REMARKS
1	JN6-F7874-01-00	BRACKET, PEDAL	1	
2	J17-27853-01-00	SHAFT, PEDAL	1	
3	J38-27872-00-00	ARM, ACCELERATOR	1	
4	91609-60028-00	PIN, SPRING	1	
5	91609-35028-00	PIN, SPRING	1	
6	JF3-27871-00-00	PEDAL, ACCELERATOR	1	
7	95817-06025-00	BOLT, FLANGE	1	
8	90106-08040-00	BOLT, RD. HEX	1	
9	95707-08500-00	NUT, FLANGE	1	
10	90384-14080-00	BUSH, BIMETAL	2	
11	93210-14104-00	O-RING	4	
12	JN3-F7854-00-00	COVER, PEDAL	1	
13	95817-08016-00	BOLT, HEX. H	3	
14	90506-26282-00	SPRING, TENSION	1	
15	JR8-F6311-00-00	WIRE, THROTTLE	1	
16	91790-05012-00	PIN	1	
17	90468-10050-00	CLIP	1	
18	90508-16460-00	SPRING, TORSION	1	
19	90560-05001-00	SPACER	1	
20	95817-06025-00	BOLT, FLANGE	1	
21	95707-06500-00	NUT, FLANGE	1	
22	90601-200U1-00	BAND	1	
23	90387-068T4-00	COLLAR	1	

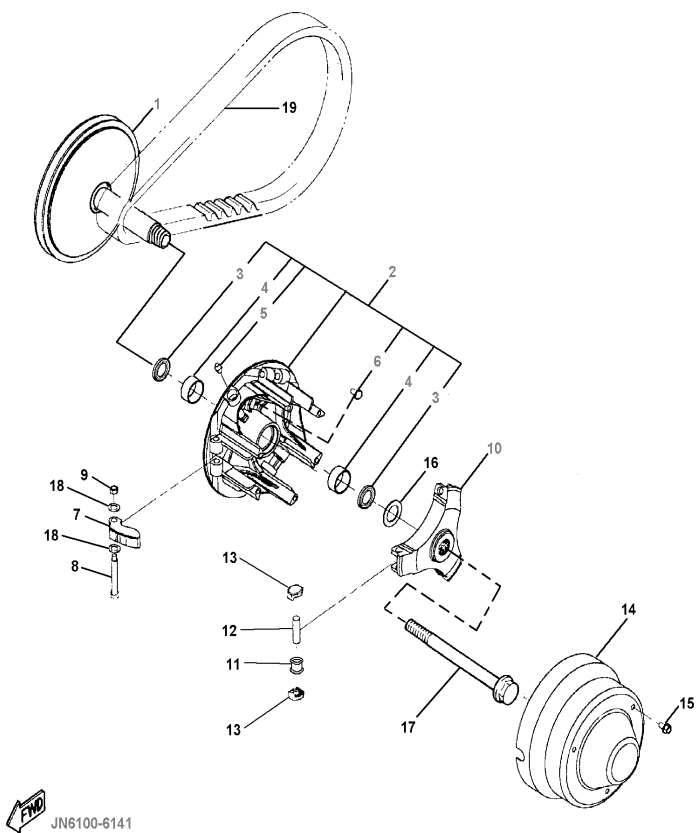


JN6100-6131

FIG. 20 GOVERNOR

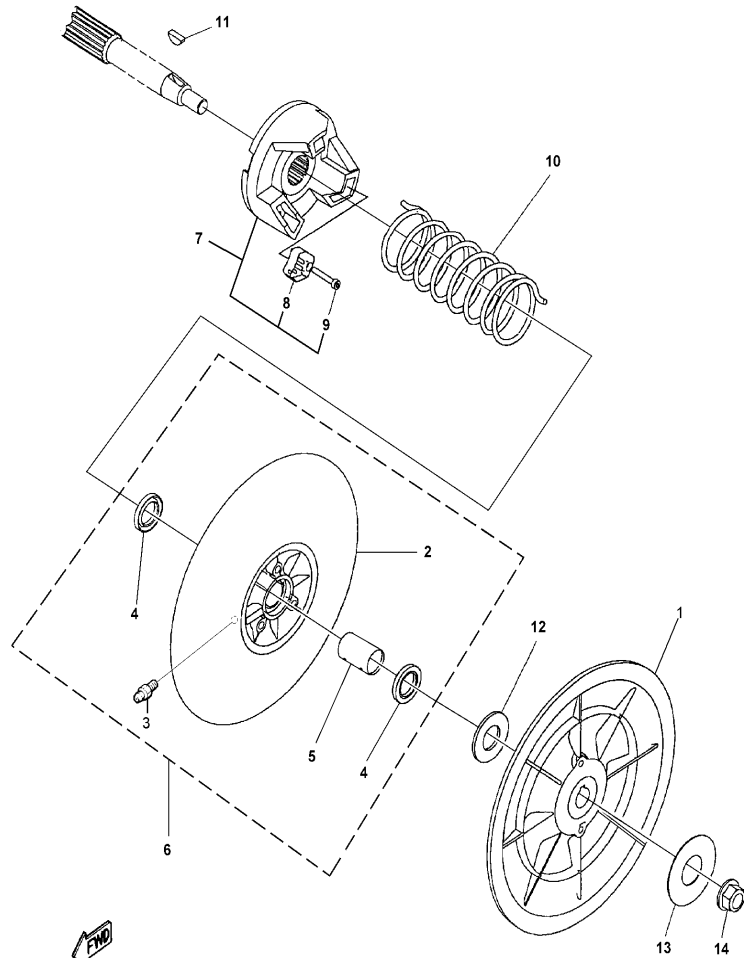
REF NO.	PART NUMBER	DESCRIPTION	QTY	REMARKS
1	J38-27951-00-00	LEVER, SPEED	1	
2	95317-06600-00	NUT, HEX.	1	
3	90386-08141-00	BUSH	2	
4	90508-40678-00	SPRING, TORSION	1	
5	J38-27959-00-00	SCREW, ADJUSTING	1	
6	95607-06200-00	NUT, U-FLANGE	1	
7	JN3-G6555-00-00	BRACKET 2	1	
8	90105-08859-00	BOLT, FLANGE	1	

FIG. 21 PRIMARY CLUTCH



REF NO.	PART NUMBER	DESCRIPTION	QTY	REMARKS
	JN6-G6201-00-00	PRIMARY CLUTCH ASSEMBLY	1	SEE NOTE "A"
1	JN6-G6210-00-00	PRIMARY FIXED SHEAVE	1	
2	JN6-G6220-00-00	PRIMARY SLIDING SHEAVE	1	
3	93101-28831-00	.SEAL, OIL	2	
4	90384-27823-00	.BUSH, BIMETAL	2	
5	93700-06810-00	.NIPPLE, GREASE	1	
6	90338-04840-00	.PLUG	3	
7	JN6-G6232-00-00	WEIGHT, 1	3	
8	90109-06860-00	BOLT	3	
9	90185-06834-00	NUT, SELF-LOCKING	3	
10	JN6-G6251-00-00	SPIDER	1	
11	JN6-G6258-01-00	COLLAR, ROLLER	3	
12	93610-358A3-00	PIN, DOWEL	3	
13	JN6-G6253-00-00	SLIDER	6	
14	JN6-G6231-00-00	CAP	1	
15	90105-06861-00	BOLT, FLANGE	3	
16	90201-228K5-00	WASHER, PLAIN	1	
17	JN6-G6249-00-00	BOLT	1	
18	JN6-G621F-00-00	SHIM, THRUST	6	
19	J55-G6241-00-00	BELT	1	

NOTE "A": Assembly includes all parts except REF. Numbers 14, 15, 17 and 19 (the cap, 3 flange bolts for cap, the main bolt for the Primary Clutch assembly and the belt).



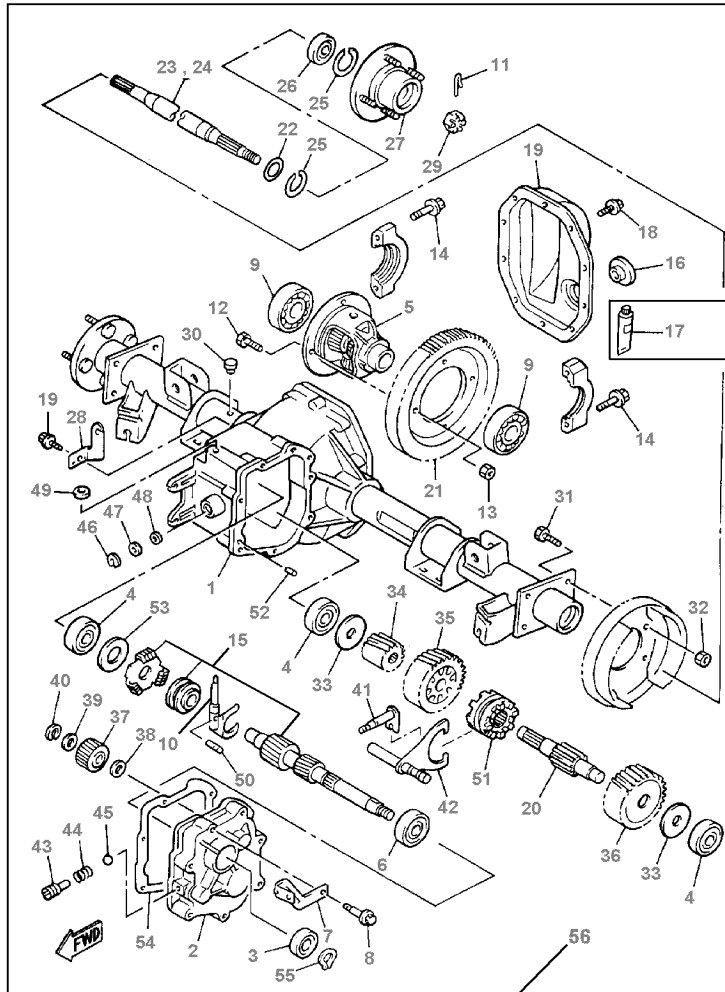
JN6100-6152

FIG. 22 SECONDARY SHEAVE

REF NO.	PART NUMBER	DESCRIPTION	QTY	REMARKS
1	JN6-G6260-00-00	SECONDARY FIXED SHEAVE	1	
2	JN6-G6271-02-00	SECONDARY SLIDING SHEAVE	1	
3	93700-06809-00	.NIPPLE, GREASE	1	
4	93109-20069-00	.SEAL, OIL	2	
5	90384-20143-00	BUSHING	1	
6	JN6-G6270-01-KT	SECONDARY SLIDING SHEAVE KIT	1	SEE NOTE "A"
7	JN6-G6280-00-00	SECONDARY SPRING SEAT	1	
8	JN6-E7688-00-00	.SHOE, RAMP	3	
9	90110-04834-00	.BOLT, HEX. SOCKET	3	
10	90508-45844-00	SPRING, TORSION	1	L=100.5mm±1.5
11	90280-05022-00	KEY, WOODRUFF	1	
12	90202-20130-00	WASHER, PLAIN	1	
13	90201-12588-00	WASHER, PLAIN	1	
14	95617-12200-00	NUT, U-FLANGE	1	

NOTE "A": Secondary sheave kit includes oil seals, bushing and grease nipple.

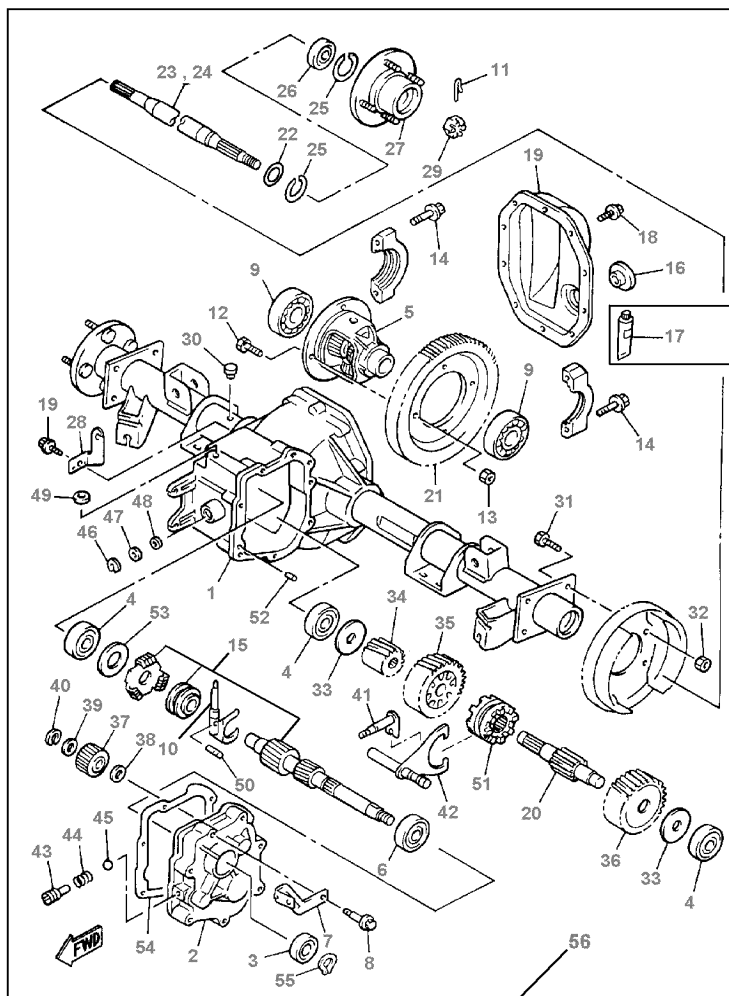
FIG. 23 TRANSMISSION 1



JR2010-6222

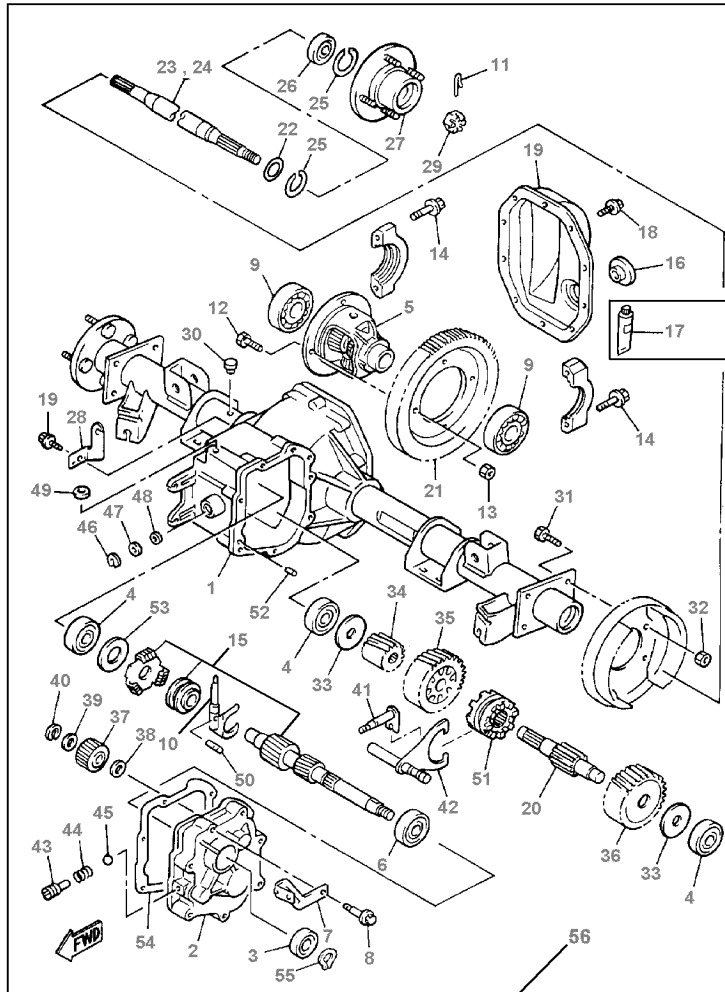
REF NO.	PART NUMBER	DESCRIPTION	QTY	REMARKS
1	JN3-G6290-00-00	CASE ASSY	1	
2	JN3-G6313-00-00	COVER, TRANSMISSION	1	
3	93102-25868-00	SEAL, OIL	1	
4	93306-303Y6-00	BEARING	3	
5	JN6-G6410-00-00	DIFFERENTIAL ASSY.	1	
6	93306-005Y4-00	BEARING	1	
7	JN6-G6555-00-00	BRACKET, 2	1	
8	90105-08859-00	BOLT, FLANGE	7	
9	93306-007Y0-00	BEARING	2	
10	JN3-G633E-00-00	BAR, 1	1	
11	91490-25030-00	PIN, SPLIT	2	
12	90101-10854-00	BOLT, HEX.	4	
13	90170-10840-00	NUT, HEX.	4	
14	90105-10840-00	BOLT, FLANGE	4	
15	JN3-G6320-00-00	SHAFT, INPUT ASSY.	1	
16	JN3-G6432-00-00	STOPPER	1	
17	ACC-QUICK-GS-KT	SEALANT 1	1	
18	90101-08856-00	BOLT, HEX.	11	
19	JN3-G6314-00-00	COVER, TRANSMISSION	1	
20	JN3-G633G-00-00	SHAFT	1	
21	JN3-G6355-00-00	GEAR, PRIMARY	1	
22	93101-24822-00	SEAL, OIL	2	
23	JN3-G6511-00-00	SHAFT, RR. AXLE	1	
24	JN3-G6512-00-00	SHAFT, RR. AXLE	1	
25	93420-44805-00	CIRCLIP	4	
26	93306-004X5-00	BEARING	2	
27	JN3-G6514-00-00	HUB, RR. AXLE	2	

FIG. 23 TRANSMISSION 1



JR2010-6222

REF NO.	PART NUMBER	DESCRIPTION	QTY	REMARKS
28	JN3-G6556-00-00	BRACKET, 3	1	
29	90185-16833-00	NUT, SELF-LOCKING	2	
30	JH7-G5619-00-00	CAP	1	
31	90101-08855-00	BOLT, HEX.	8	
32	90170-08841-00	NUT, HEX.	8	
33	90201-178H8-00	WASHER, PLAIN	2	
34	JN3-G6316-00-00	GEAR, PINION	1	
35	JN3-G6326-00-00	GEAR, WHEEL 1	1	
36	JN3-G6327-00-00	GEAR, WHEEL 2	1	
37	JN3-G6356-00-00	GEAR, IDLER	1	
38	90201-208H9-00	WASHER, PLAIN	1	
39	90201-208J0-00	WASHER, PLAIN	1	
40	93440-20813-00	CIRCLIP	1	
41	JN3-G638A-00-00	BAR, SHIFT 1	1	
42	JN6-G638E-00-00	BAR, SHIFT 2	1	
43	90113-08803-00	BOLT, SET	1	
44	90501-10852-00	SPRING, COMPRESSION	1	
45	93500-06826-00	BALL	1	
46	93410-12822-00	CIRCLIP	1	
47	90202-12807-00	WASHER, PLAIN	1	
48	93104-11829-00	SEAL, OIL	1	
49	93109-10820-00	SEAL, OIL	1	
50	JN3-G6249-00-00	BOLT	1	
51	JN3-G6153-00-00	COLLAR, GUIDE	1	
52	93606-10842-00	PIN, DOWEL	2	
53	JN3-G6344-00-00	SHIM	1	0.76mm (0.030in)
	JN3-G6344-10-00	SHIM	1	0.90mm (0.035in)

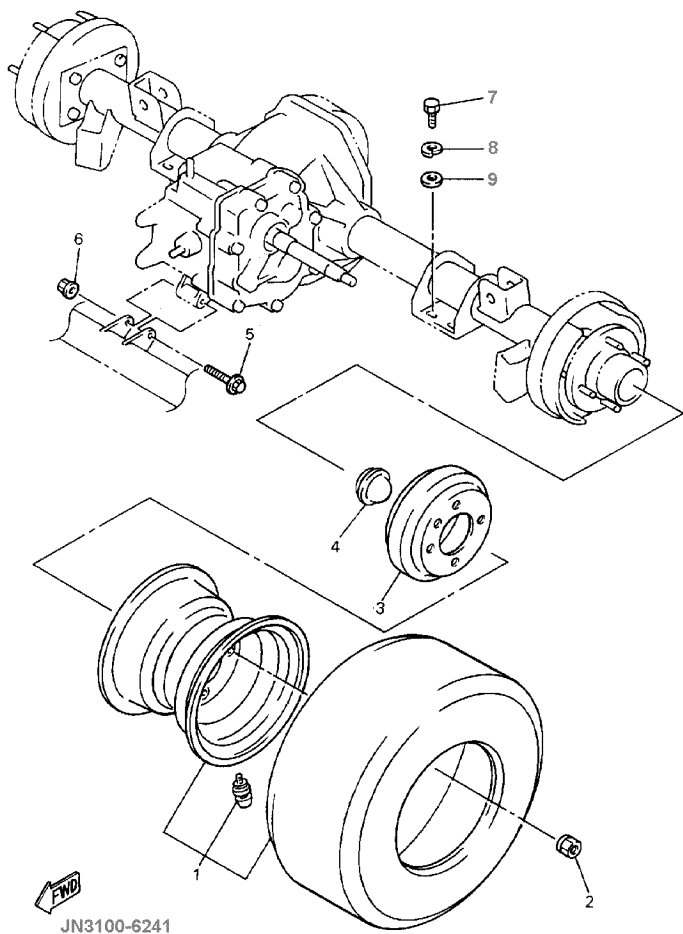


JR2010-6222

FIG. 23 TRANSMISSION 1

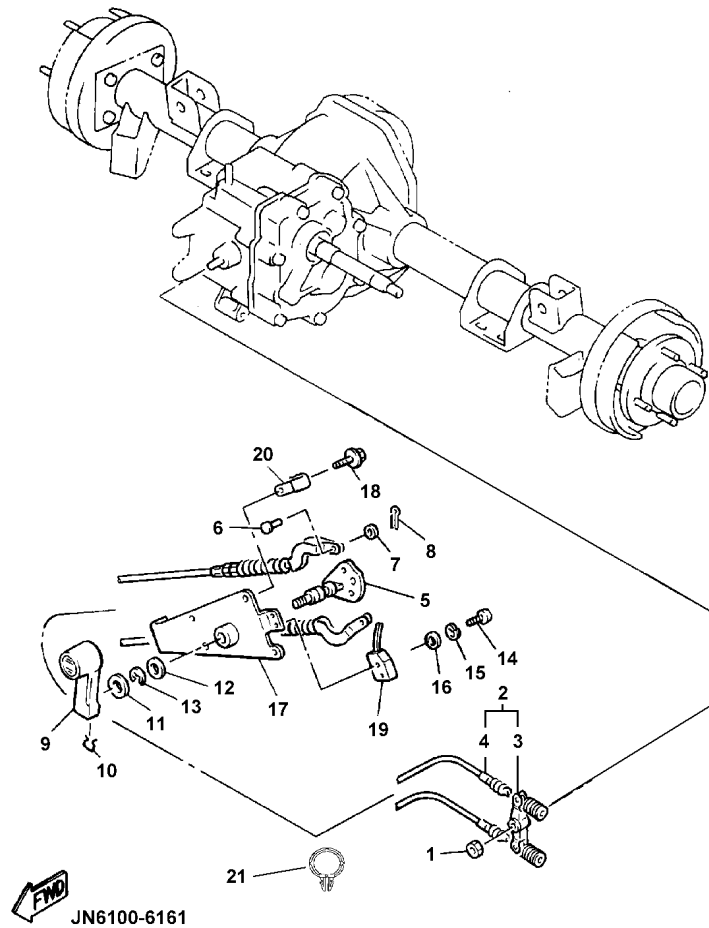
REF NO.	PART NUMBER	DESCRIPTION	QTY	REMARKS
	JN3-G6344-20-00	SHIM	1	1.0mm (0.040in)
	JN3-G6344-30-00	SHIM	1	1.14mm (0.045in)
	JN3-G6344-40-00	SHIM	1	1.27mm (0.050in)
	JN3-G6344-50-00	SHIM	1	1.39mm (0.055in)
	JN3-G6344-60-00	SHIM	1	1.52mm (0.060in)
	JN3-G6344-70-00	SHIM	1	1.65mm (0.065in)
	JN3-G6344-80-00	SHIM	1	0.38mm (0.015in)
54	JN3-G6319-00-00	GASKET	1	
55	93410-25017-00	CIRCLIP (S)	1	
56	JN6-G6300-01-00	TRANSAXLE ASSEMBLY	1	With brake plates

FIG. 24 REAR AXLE MOUNT / WHEEL



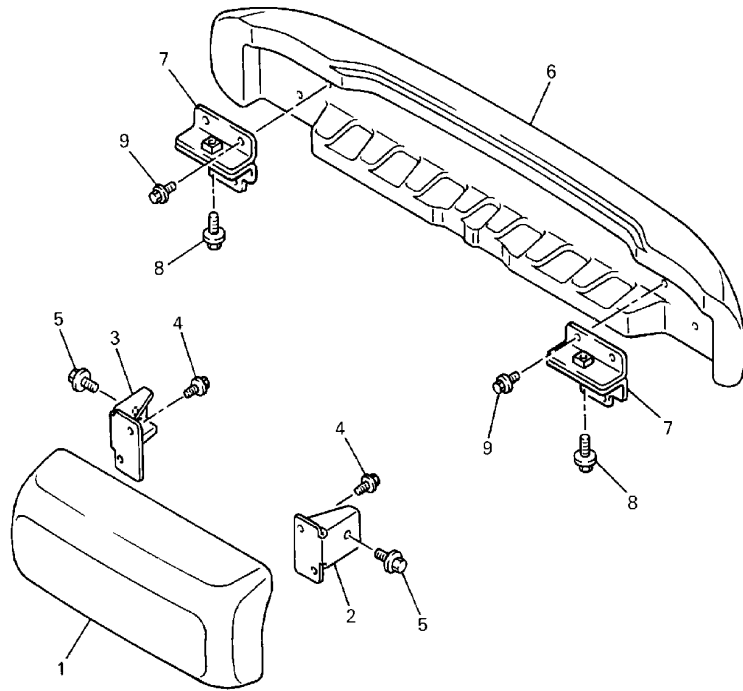
REF NO.	PART NUMBER	DESCRIPTION	QTY	REMARKS
1	JN6-F5100-11-00	WHEEL ASSY.	2	
2	90179-12262-00	NUT	8	
3	J55-G6521-00-00	DRUM	2	
4	JN6-F5118-00-00	COVER, HUB DUST	2	
5	95817-08075-00	BOLT, FLANGE	1	
6	95707-08500-00	NUT, FLANGE	1	
7	97017-10020-00	BOLT	8	
8	92907-10100-00	WASHER, LOCK	8	
9	90201-102G9-00	WASHER	8	

FIG. 25 SHIFTER / CABLES



REF NO.	PART NUMBER	DESCRIPTION	QTY	REMARKS
1	95617-08100-00	NUT, U	1	
2	JR8-G8330-01-00	CABLE, SHIFT ASSY.	2	
3	J55-G6383-00-00	LEVER, SHIFT 2	1	
4	JR8-G6371-01-00	WIRE SHIFT	2	
5	JF2-46382-00-00	LEVER, SHIFT 1	1	
6	91702-06014-00	PIN	2	
7	92907-06600-00	WASHER, PLAIN	2	
8	91490-20025-00	PIN, SPLIT	2	
9	JN3-G6381-00-00	KNOB, SHIFT	1	
10	JN3-G6376-00-00	SPRING SET	1	
11	90201-201L9-00	WASHER, PLAIN	1	
12	90201-19551-00	WASHER, PLAIN	1	
13	99009-19400-00	CIRCLIP (S)	1	
14	98507-04016-00	SCREW, PANHEAD	2	
15	92907-04100-00	WASHER, LOCK	2	
16	92907-04600-00	WASHER	2	
17	JN3-G6372-00-00	BRACKET, SHIFT	1	
18	95817-06016-00	BOLT, FLANGE	4	
19	JN3-82617-00-00	SWITCH	1	
20	90465-06038-00	CLAMP	1	
21	90464-19815-00	CLAMP	1	

FIG. 26 BUMPER



REF NO.	PART NUMBER	DESCRIPTION	QTY	REMARKS
1	JN3-K7510-02-00	FRONT BUMPER COMP.	1	
2	JN3-K8164-00-00	STAY, FR. BUMPER	1	
3	JN3-K8165-00-00	STAY, FR. BUMPER	1	
4	95817-06016-00	BOLT, FLANGE	4	
5	95817-08016-00	BOLT, FLANGE	2	
6	JN6-K7540-00-00	REAR BUMPER	1	
7	JN3-K8174-00-00	STAY, RR. BUMPER	2	
8	95817-10020-00	BOLT, FLANGE	2	
9	95817-06016-00	BOLT, FLANGE	4	

 JN6100-6170

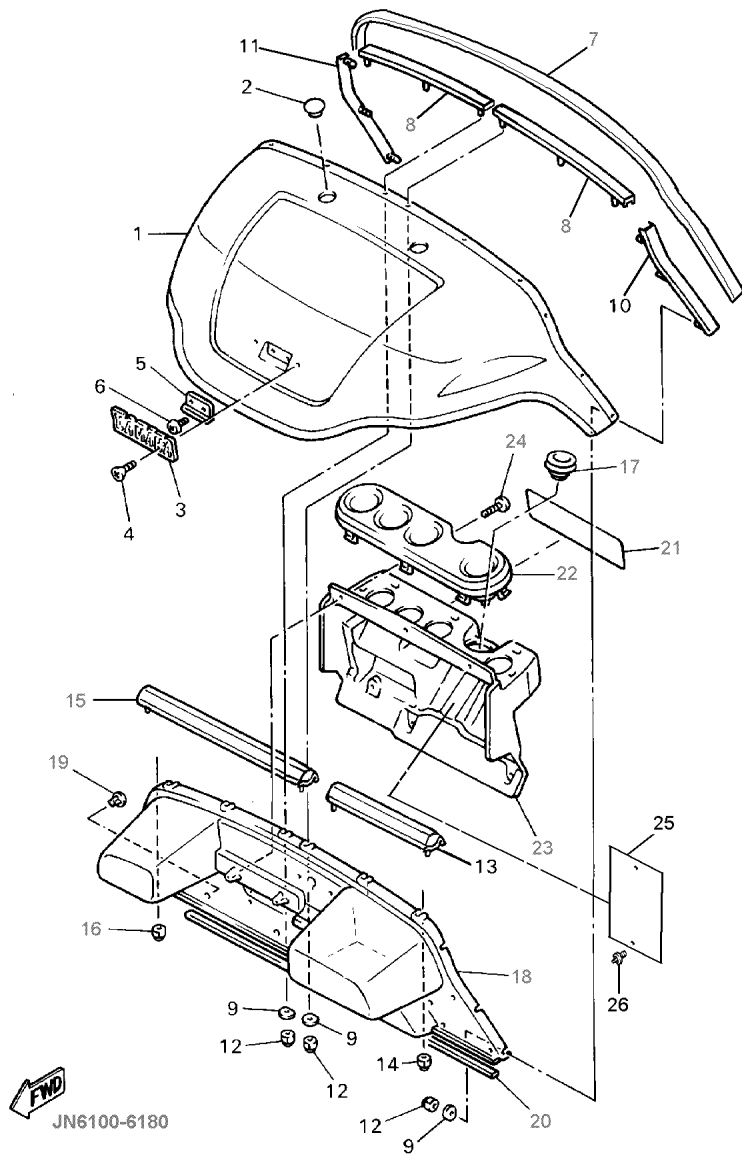
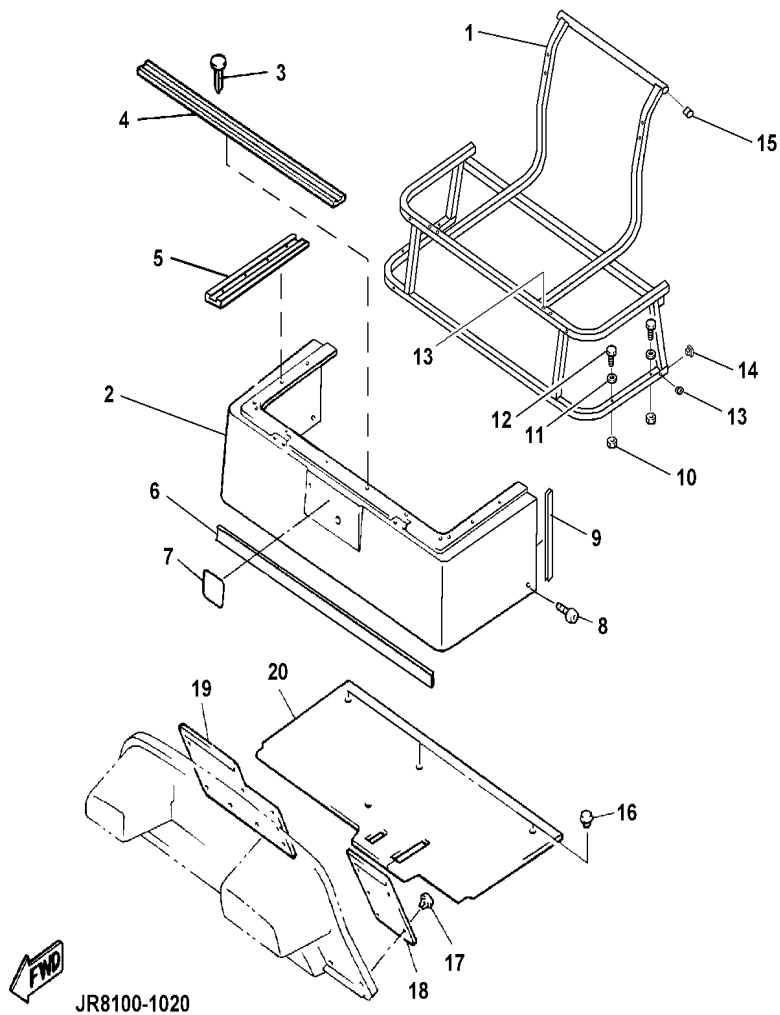


FIG. 27 BODY

REF NO.	PART NUMBER	DESCRIPTION	QTY	REMARKS
1	JN3-K8115-00-00	COWL, FRONT	1	IVORY
2	JN3-K818E-00-00	CAP, PROTECTOR	2	W/O SUNTOP
3	JN6-F4161-01-00	EMBLEM, 1	1	
4	90162-04002-00	SCREW, OVAL C	2	
5	JF2-K811G-00-00	BOLT, COWL FITTING	1	
6	98980-06016-00	SCREW, BINDING	2	
7	JF2-K811V-00-00	PROTECTOR, 1	1	
8	JF2-K8261-02-00	PLATE, BODY PROTECTOR	2	
9	JN3-K8117-00-00	PLATE, 1	12	
10	JF2-K8262-01-00	PLATE, BODY PROTECTOR	1	
11	JF2-K8263-01-00	PLATE, BODY PROTECTOR	1	
12	90185-06836-00	NUT, SELF-LOCKING	12	
13	JN6-K8264-00-00	PLATE, BODY PROTECTOR	1	
14	95607-06200-00	NUT, U-FLANGE	2	
15	JN6-K8265-00-00	PLATE, BODY PROTECTOR	1	
16	95607-06200-00	NUT, U-FLANGE	2	
17	JN3-K8273-00-00	COVER, HOLE 1	1	
18	JF2-K8114-02-00	PANEL, FRONT	1	
19	90269-08069-00	RIVET	3	
20	JN3-K815G-00-00	SEAL, FRONT STORAGE	1	
21	JR8-K7768-00-00	LABEL, WARNING 8	1	SEE NOTE "A"
22	JN6-K835E-00-00	HOLDER, BEVERAGE	1	
23	JN3-K835G-00-00	HOUSING, HOLDER	1	SEE NOTE "A"
24	97707-60130-00	SCREW, PAN HEAD	6	
25	JN6-K8182-00-00	PLATE, 2	1	
26	90267-63047-00	RIVET, BLIND	2	

NOTE "A": When replacing "Housing Holder JN3-K835G-00-00" you must also replace "Label Warning 8 JR8-K7768-00-00".

FIG. 28 INTERMEDIATE BODY



REF NO.	PART NUMBER	DESCRIPTION	QTY	REMARKS
1	JR8-K8420-00-00	SEAT ASSY. 2	1	
2	JR8-K8141-00-00	PANEL, INTERMEDIATE BODY	1	IVORY SEE NOTE "A"
3	90338-05834-00	PLUG, SEAT SEAL	12	
4	JN3-K842A-00-00	SEAT SEAL 2	1	
5	JR8-K8425-00-00	SEAT SEAL	2	
6	JN6-K824E-00-00	TRIM, REAR BODY	1	
7	JN3-K7741-00-00	INDICATOR 1	1	SEE NOTE "A"
8	90111-06810-00	BOLT, HEX SOCKET	2	
9	JR8-K8447-00-00	TRIM	2	
10	9560P-08200-00	NUT	4	
11	90201-088S2-00	WASHER	4	
12	90101-08870-00	BOLT	4	
13	4XE-F1399-00-00	NUT (RIVNUT)	6	
14	5FU-F111A-00-00	END PLUG	2	
15	4XE-F1399-00-00	CAP, ROUND	2	
16	90269-08813-00-00	RIVET	4	
17	90267-63047-00	RIVET, BLIND	10	
18	JN6-K8231-00-00	MAT MAIN FLOOR 1	1	
19	JN6-K8232-00-00	MAT MAIN FLOOR 2	1	
20	JN6-K8233-00-00	MAT MAIN FLOOR 3	1	

NOTE "A": When replacing "Panel Intermediate Body JR8-K8141-00-00" you must also replace "Indicator 1 JN3-K7741-00-00".

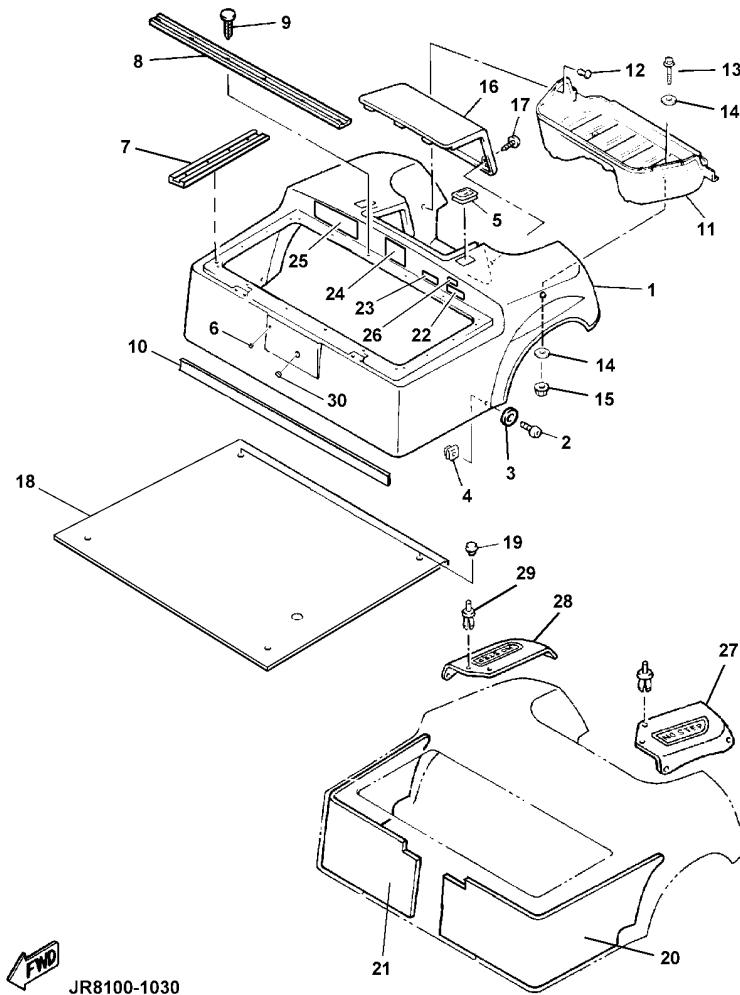


FIG. 29 BODY 2

REF NO.	PART NUMBER	DESCRIPTION	QTY	REMARKS
1	JN6-K8142-00-00	PANEL, REAR BODY	1	IVORY SEE NOTE "A"
2	90110-06200-00	BOLT, HEX. SOCKET	2	
3	90201-068H0-00	WASHER, PLAIN	2	
4	90183-06811-00	NUT, SPRING	2	
5	JN3-K8363-00-00	PROTECTOR	2	
6	90338-05834-00	PLUG, REAR BODY CHOKE HOLE	1	
7	JN3-K8425-00-00	SEAL, SEAT	2	
8	JN3-K842A-00-00	SEAL, SEAT 2	2	
9	90338-05834-00	PLUG	20	
10	JN6-K824E-00-00	TRIM, REAR BODY	1	
11	JF2-K8237-00-00	COVER, REAR FLOOR	1	
12	90269-08069-00	RIVET	7	
13	90101-06876-00	BOLT, HEX HEAD W/WASHER	2	UR
14	90201-068G7-00	WASHER, PLAIN	4	UR
15	90185-06836-00	NUT, SELF LOCK	2	UR
16	JN3-K8151-00-00	PANEL, INSPECTION	1	
17	90267-36853-00	RIVET, BLIND	2	
18	JR8-K8241-00-00	MAT, REAR FLOOR	1	
19	90269-08813-00	RIVET	4	
20	JN6-K8251-01-00	PAD, SILENCER 1	1	
21	JN6-K8252-01-00	PAD, SILENCER 2	1	
22	JR8-F4236-00-00	MARK 2	1	UR
23	JN6-H2377-00-00	LABEL	1	SEE NOTE "A"
24	JN3-K8299-10-00	PLATE, CAUTION 3	1	SEE NOTE "A"

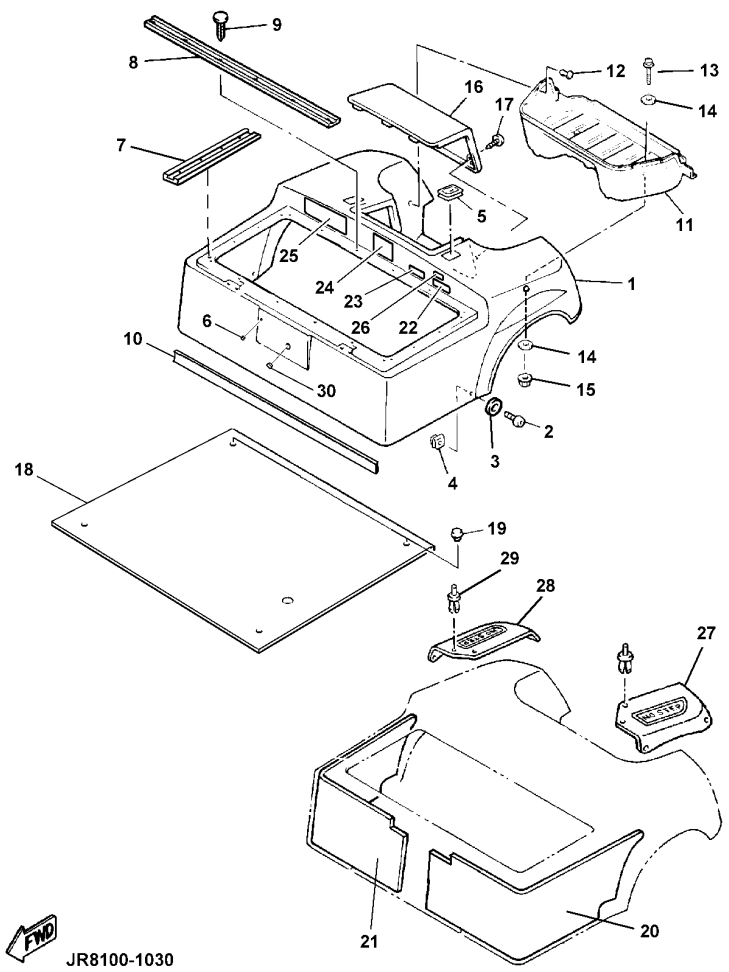
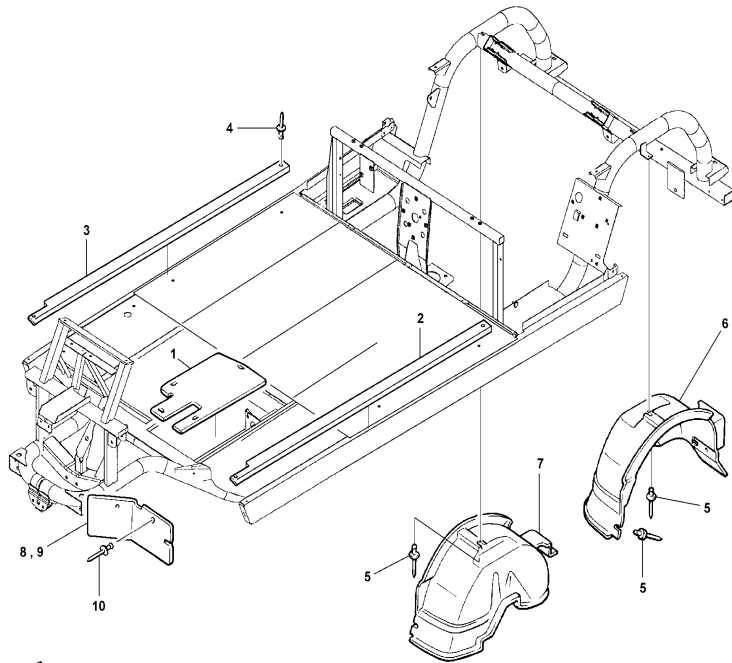


FIG. 29 BODY 2

REF NO.	PART NUMBER	DESCRIPTION	QTY	REMARKS
25	JN3-K8297-10-00	PLATE, CAUTION 1	1	SEE NOTE "A"
26	JN6-F4239-00-00	MARK 5	1	UR
27	JN3-K8243-00-00	MAT, BODY SIDE LEFT	1	
28	JN3-K8244-00-00	MAT, BODY SIDE RIGHT	1	
29	90269-07810-00	RIVET	10	
30	90338-25836-00	PLUG, REAR BODY F/R HOLE	1	

NOTE "A": When replacing "Panel Rear Body JN6-K8142-00-00" you must also replace "Label JN6-H2377-00-00", "Plate Caution 3 JN3-K8299-10-00", and "Plate Caution 1 JN3-K8297-10-00".

FIG. 30 BODY FITTING



 JR8100-1040

REF NO.	PART NUMBER	DESCRIPTION	QTY	REMARKS
1	JN6-K8271-00-00	SERVICE LID	1	
2	JR8-K821F-01-00	PLATE, SIDE TRIM	1	
3	JR8-K8215-01-00	PLATE, SIDE TRIM	1	
4	90267-48154-00	RIVET, BLIND	6	
5	90267-48086-00	RIVET, BLIND	4	
6	JF2-K8191-00-00	PANEL, REAR FENDER (LH)	1	
7	JF2-K8192-00-00	PANEL, REAR FENDER (RH)	1	
8	JF2-K8187-00-00	FLAP, FRONT FENDER LEFT	1	
9	JF2-K8189-00-00	FLAP, FRONT FENDER RIGHT	1	
10	90267-48831-00	RIVET, BLIND	4	

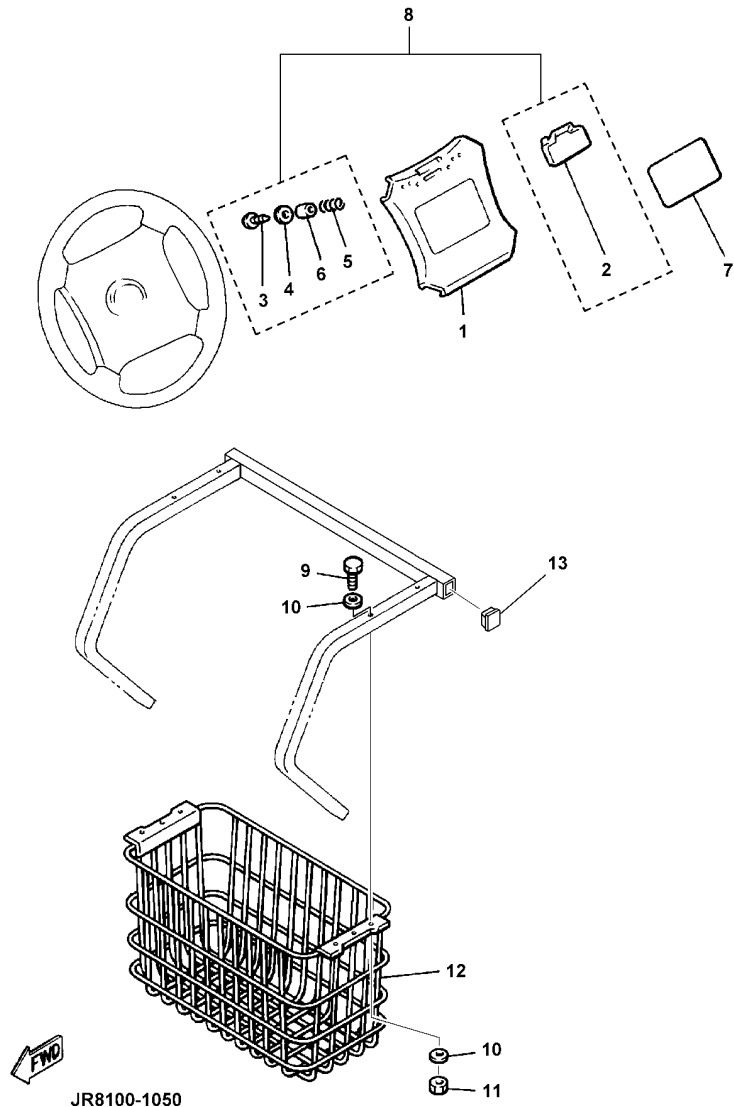


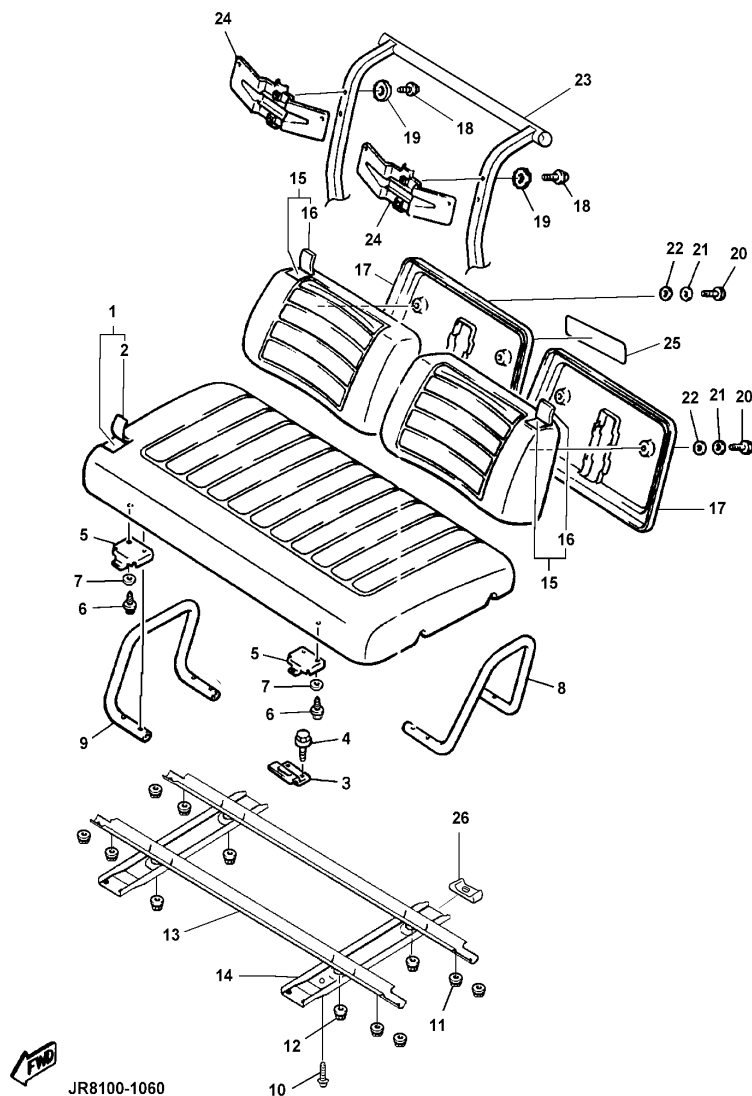
FIG. 31 CARRIER

REF NO.	PART NUMBER	DESCRIPTION	QTY	REMARKS
1	JN3-K8357-00-00	HOLDER, 1	1	SEE NOTE "A"
2	JN6-K8358-00-00	HOLDER, 2	1	
3	97707-40625-00	SCREW, PAN HEAD	2	
4	90201-044H9-00	WASHER, PLAIN	2	
5	90502-10013-00	SPRING, CONICAL	2	
6	90387-046N7-00	COLLAR	2	
7	JN3-K7762-01-00	LABEL, WARNING 2	1	SEE NOTE "A"
8	JN6-K8358-00-KT	INFORMATION HOLDER KIT	1	SEE NOTE "B"
9	90111-08803-00	BOLT, HEX. SOCKET	2	
10	90201-08103-00	WASHER, PLAIN	4	
11	90185-08832-00	NUT, SELF-LOCKING	2	
12	JN3-K8340-00-00	LUGGAGE RACK	1	
13	5FU-F111A-00-00	END PLUG	2	

NOTE "A": When replacing "Holder 1 JN3-K8357-00-00" you must also replace "Label Warning 2 JN3-K7762-01-00".

NOTE "B": Includes 2, 3, 4, 5, 6.

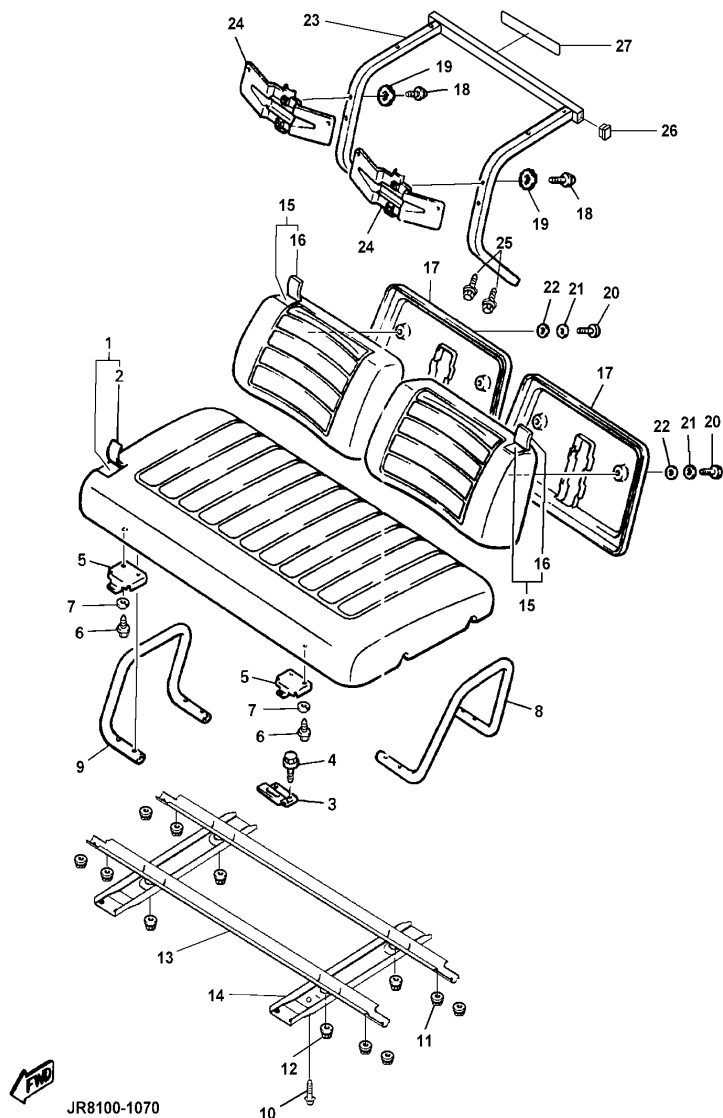
FIG. 32 FRONT SEAT



REF NO.	PART NUMBER	DESCRIPTION	QTY	REMARKS
1	JN6-K8401-10-00	CUSHION SEAT	1	UR
2	JN6-K8404-10-00	.COVER, SEAT	1	
3	JF2-K8427-00-00	HINGE, SEAT FEMALE	2	
4	90105-06903-00	BOLT, FLANGE	4	
5	JN3-K8426-01-00	HINGE, SEAT MALE	2	UR
6	90111-06810-00	BOLT, BUTTON	4	
7	90204-06870-00	WASHER, LOCK	4	
8	JN6-K8361-00-00	ARM REST 1	1	UR
9	JN6-K8362-00-00	ARMREST 2	1	
10	90167-04815-00	SCREW, P/H TAPPING	4	
11	90185-08839-00	NUT, SELF LOCKING	8	
12	95617-08200-00	NUT, U-FLANGE	4	
13	JN6-K8121-00-00	REINFORCEMENT 1	2	
14	JN6-K8122-01-00	REINFORCEMENT 2	2	UR
15	JN3-K8402-00-00	BACK, SEAT SUB.	2	
16	JN3-K841G-09-00	.COVER, SEAT BACK 2	1	
17	JN3-K8413-00-00	COVER, SEAT BACK	2	SEE NOTE "A"
18	90111-08803-00	BOLT, HEX SOCKET	4	
19	90201-098J4-00	WASHER, PLAIN	4	
20	958950-06025-00	BOLT, FLANGE	4	
21	90201-068G0-00	WASHER, PLAIN	4	
22	90201-068G6-00	WASHER, PLAIN	4	
23	JR8-K8420-00-00	SEAT ASSY. 2	1	
24	JN3-K842H-00-00	RETAINER, SEAT	2	
25	JR8-K7767-00-00	LABEL, WARNING 7	1	SEE NOTE "A"
26	JR8-K8461-00-00	PROTECTOR 1	2	

NOTE "A": When replacing the RS "Cover Seat Back JN3-K8413-00-00" you must also replace "Label Warning 7 JR8-K7767-00-00".

FIG. 33 REAR SEAT



REF NO.	PART NUMBER	DESCRIPTION	QTY	REMARKS
1	JN6-K8401-10-00	CUSHION SEAT	1	UR
2	JN6-K8404-10-00	.COVER, SEAT	1	
3	JF2-K8427-00-00	HINGE, SEAT FEMALE	2	
4	90105-06903-00	BOLT, FLANGE	4	
5	JN3-K8426-01-00	HINGE, SEAT MALE	2	UR
6	90111-06810-00	BOLT, BUTTON	4	
7	90204-06870-00	WASHER, LOCK	4	
8	JR8-K836L-00-00	ARM REST 3	1	
9	JN6-K8362-00-00	ARMREST 2	1	
10	90167-04815-00	SCREW, P/H TAPPING	4	
11	90185-08839-00	NUT, SELF LOCKING	8	
12	95617-08200-00	NUT, U-FLANGE	4	
13	JN6-K8121-00-00	REINFORCEMENT 1	2	
14	JN6-K8122-01-00	REINFORCEMENT 2	2	UR
15	JN3-K8402-00-00	BACK, SEAT SUB.	2	
16	JN3-K841G-09-00	.COVER, SEAT BACK 2	1	
17	JN3-K8413-00-00	COVER, SEAT BACK	2	
18	90119-08820-00	BOLT, HEX. W/WASHER	4	
19	90201-098J4-00	WASHER, PLAIN	4	
20	958950-06025-00	BOLT, FLANGE	4	
21	90201-068G0-00	WASHER, PLAIN	4	
22	90201-068G6-00	WASHER, PLAIN	4	
23	JR8-K8423-00-00	SUPPORT, SEAT BACK	1	SEE NOTE "A"
24	JN3-K842H-00-00	RETAINER, SEAT	2	
25	95817-08045-00	BOLT, FLANGE	4	
26	5FU-F111A-00-00	END PLUG	2	
27	JR8-K7766-00-00	LABEL, WARNING 6	1	SEE NOTE "A"

NOTE "A": When replacing "Support Seat Back JR8-K8423-00-00" you must also replace "Label Warning 6 JR8-K7766-00-00".

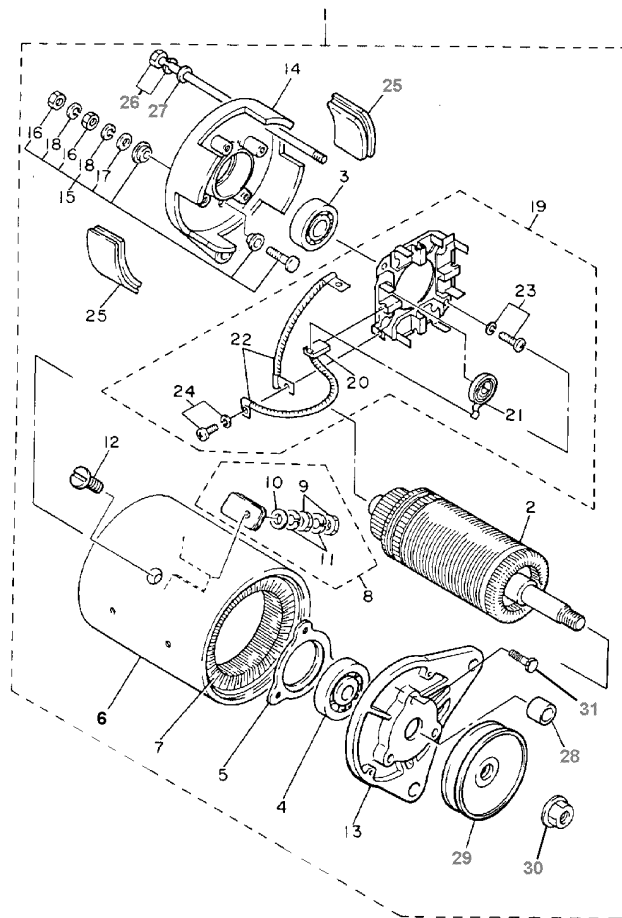


FIG. 34 STARTER GENERATOR

REF NO.	PART NUMBER	DESCRIPTION	QTY	REMARKS
1	JN6-H1100-01-00	STARTER GENERATOR	1	
2	JN3-H1150-00-00	.ARMATURE ASSY	1	
3	93306-20226-00	.BEARING 1 (6202 SD)	1	
4	J10-81158-10-00	.BEARING 2 (6203 SD)	1	
5	J10-81159-10-00	.HOLDER, BEARING	1	
6	JN6-H1110-10-00	.STATOR ASSY	1	
7	JN6-H1160-10-00	.FIELD COIL ASSY	1	
8	J10-81148-10-00	.SCREW 4	2	
9	95380-06600-00	.NUT	4	
10	92990-06600-00	.WASHER, WAVE	2	
11	92995-06100-00	.WASHER, WAVE	4	
12	J10-81146-10-00	.SCREW 2	4	
13	J38-81165-10-00	.BRACKET, STARTER GENERATOR 1	1	
14	J10-81166-10-00	.BRACKET, STARTER GENERATOR 2	1	
15	J10-81147-10-00	.SCREW 3	2	
16	95380-06600-00	.NUT	4	
17	92990-06600-00	.WASHER, WAVE	2	
18	92995-06100-00	.WASHER, WAVE	4	
19	JF2-81119-00-00	.BRUSH HOLDER ASSY	1	
20	JF2-81111-00-00	.BRUSH	4	
21	J38-81113-10-00	.SPRING, BRUSH	4	
22	J10-81115-10-00	.WIRE, LEAD	2	
23	98507-05016-00	.SCREW, PAN HEAD	2	
24	98580-04010-00	.SCREW, PAN HEAD	4	
25	J10-81129-10-00	.COVER, BRUSH	4	
26	J10-81145-10-00	.SCREW 1	2	
27	92990-06600-00	.WASHER, PLAIN	2	



JN6100-6231

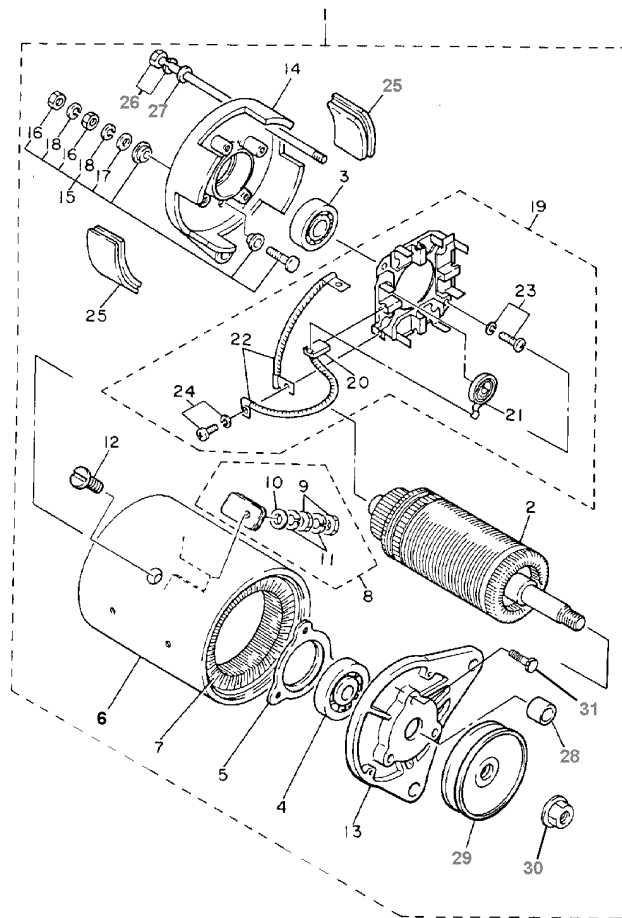
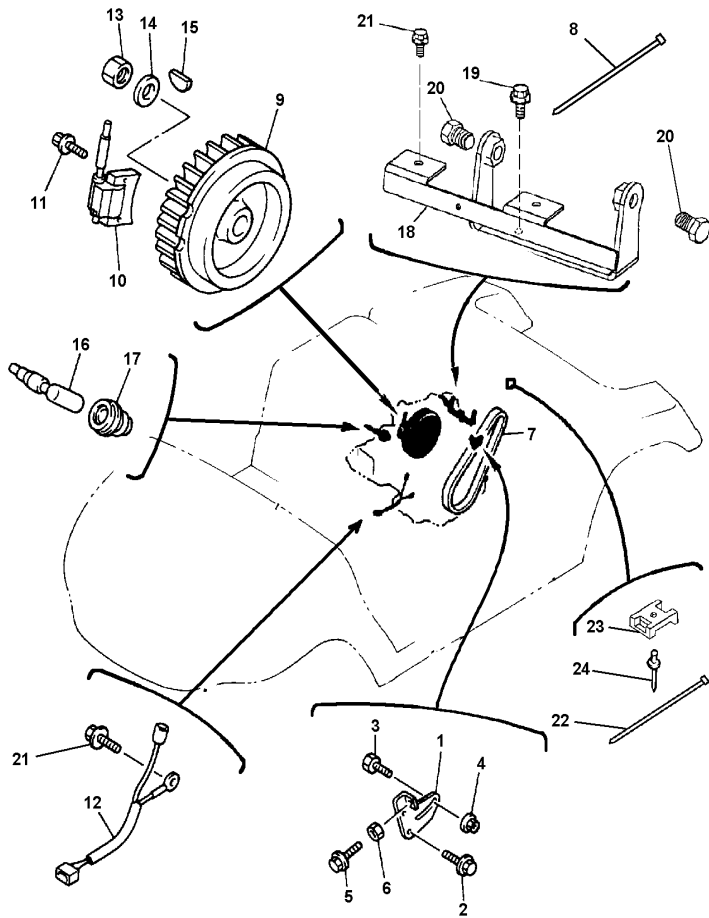


FIG. 34 STARTER GENERATOR

REF NO.	PART NUMBER	DESCRIPTION	QTY	REMARKS
28	JN3-H1661-00-00	.SPACER	1	
29	JN3-H1161-00-00	.PULLEY	2	
30	90179-16889-00	.NUT, FLANGE	1	
31	98507-05018-00	.SCREW	3	



JN6100-6231

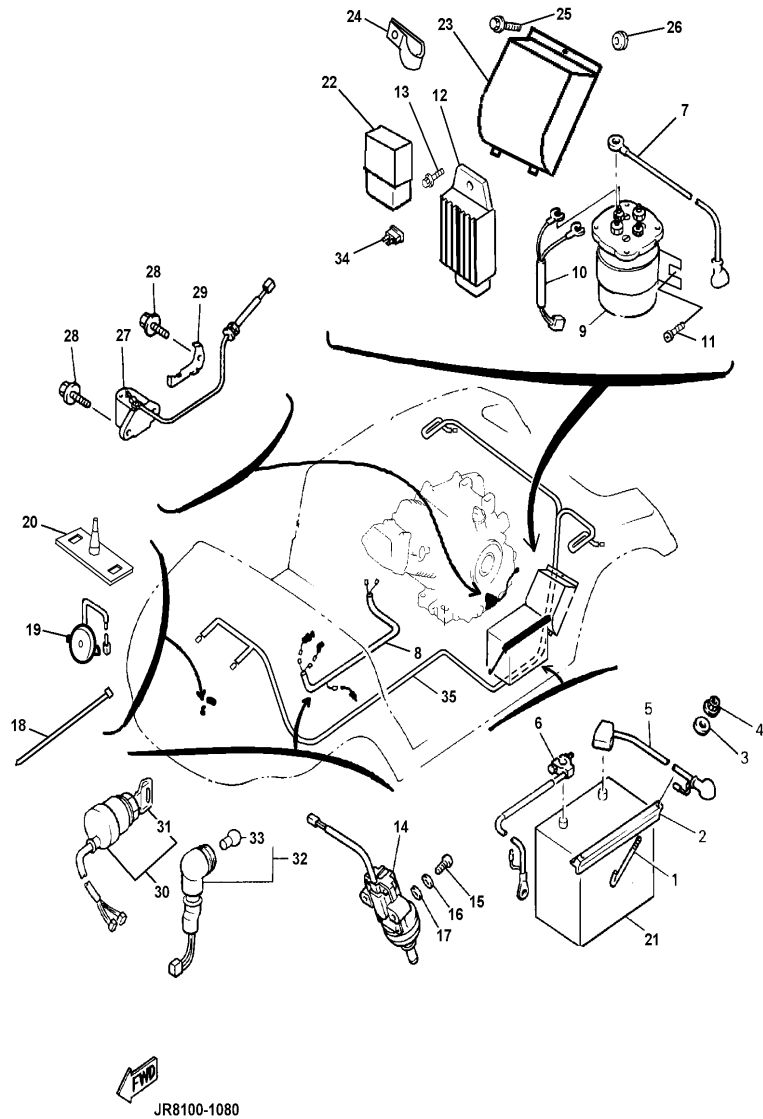


 JN6100-6240

FIG. 35 ELECTRICAL 1

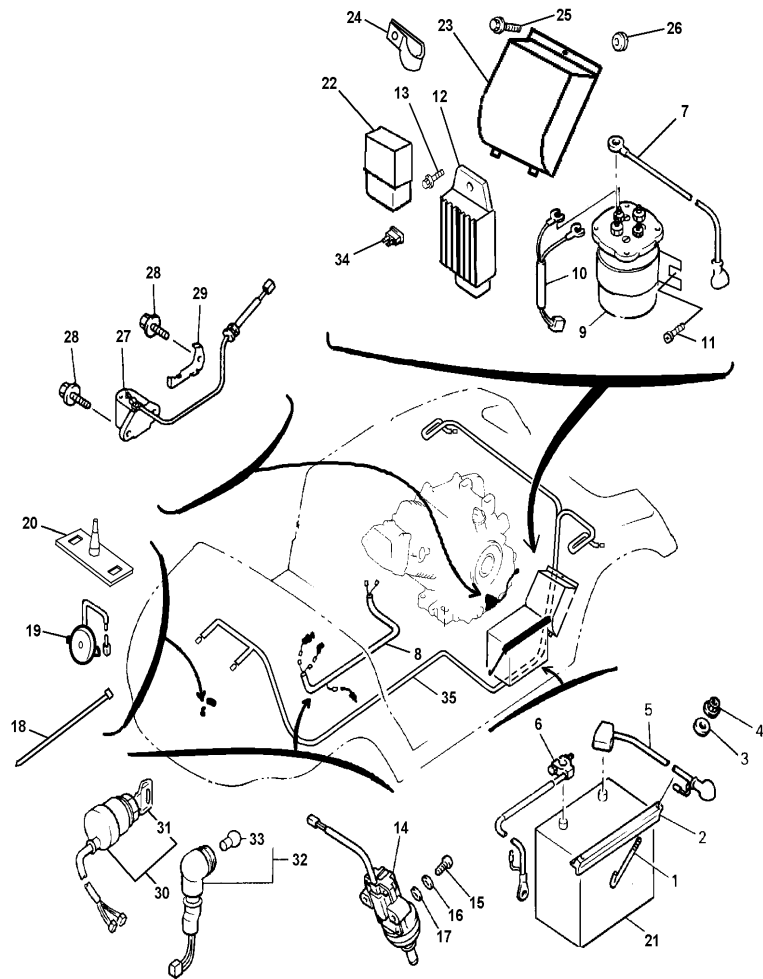
REF NO.	PART NUMBER	DESCRIPTION	QTY	REMARKS
1	JN6-H1170-00-00	TENSIONER ASSY	1	
2	95817-08020-00	BOLT, FLANGE	2	
3	90109-087A5-00	BOLT	1	
4	95707-08500-00	NUT, FLANGE	1	
5	90107-06035-00	BOLT, HEX.	1	
6	95317-06600-00	NUT, HEX.	1	
7	JN6-H1173-00-00	BELT	1	
8	90464-09823-00	CLAMP	1	
9	JN6-85650-00-00	ROTOR ASSY.	1	
10	JN6-85640-00-00	T.C.I. UNIT	1	
11	95817-06025-00	BOLT, FLANGE	2	
12	JN6-82318-00-00	WIRE, SUB-LEAD	1	
13	95307-18600-00	NUT, HEX.	1	
14	90201-18620-00	WASHER, PLAIN	1	
15	90280-04052-00	KEY, WOODRUFF	1	
16	85G-82370-20-00	PLUG CAP ASSY	1	
17	JE8-82372-00-00	SEAL, PLUG CAP	1	
18	JN6-H1171-00-00	BRACKET, STARTER GENERATOR	1	
19	95817-08020-00	BOLT, FLANGE	2	
20	95817-12025-00	BOLT, FLANGE	2	
21	95817-06016-00	BOLT, FLANGE	3	
22	90464-40825-00	CLAMP	2	
23	90207-05800-00	WASHER, FINISH	1	
24	90267-48838-00	RIVET	1	

FIG. 36 ELECTRICAL 2



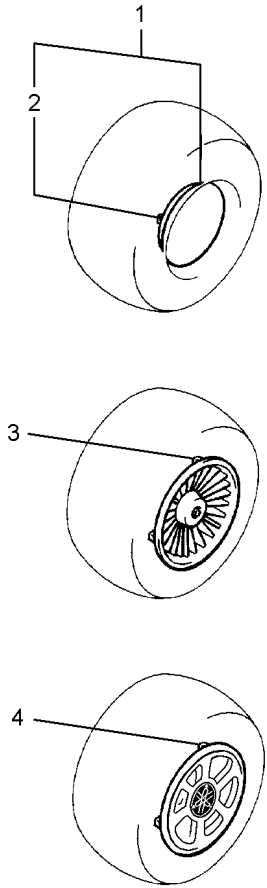
REF NO.	PART NUMBER	DESCRIPTION	QTY	REMARKS
1	JN3-H2133-00-00	SCREW, FITTING	2	
2	J55-H2136-00-00	PLATE, BATTERY	1	
3	92907-06200-00	WASHER, PLAIN	2	
4	95707-06500-00	NUT, FLANGE	2	
5	JN6-H2115-01-00	WIRE, PLUS LEAD	1	
6	JN6-H2116-01-00	WIRE, MINUS LEAD	1	
7	JN6-H2117-00-00	WIRE, LEAD	1	
8	JR8-H2590-00-00	WIRE HARNESS	1	WITH #33 FUSE
9	JF2-H1950-00-00	RELAY ASSY.	1	
10	JN6-H2105-00-00	HARNESS, WIRE	1	
11	90163-06005-00	SCREW, HEX. T	2	
12	JF2-81910-01-00	VOLTAGE REGULATOR	1	
13	95817-06016-00	BOLT, FLANGE	1	
14	JF7-82817-20-00	SWITCH, ACCELERATOR STOP	1	
15	98507-05025-00	SCREW, PAN HEAD	2	
16	92907-05100-00	WASHER, LOCK	2	
17	92907-05600-00	WASHER, PLATE	2	
18	90464-31827-00	CLAMP	4	
19	JR1-H3383-01-00	BUZZER	1	
20	JN6-H3386-00-00	STAY, BUZZER	1	
21	*	BATTERY ASSY.	1	LM
22	4U8-81950-02-00	RELAY ASSY.	1	
23	JN6-H1942-00-00	COVER	1	
24	90461-16802-00	CLAMP	1	
25	95817-06016-00	BOLT, FLANGE	2	
26	90480-25856-00	GROMMET	1	
27	JN6-85720-12-00	OIL LEVEL GAUGE	1	

FIG. 36 ELECTRICAL 2



REF NO.	PART NUMBER	DESCRIPTION	QTY	REMARKS
28	95817-06012-00	BOLT, FLANGE	4	
29	JN6-85724-00-00	CLAMP, OIL LEVEL	1	
30	JN8-82510-01-00	MAIN SWITCH	1	
31	J44-82511-00-YY	KEY, MAIN SWITCH	1	
32	JN6-83530-00-00	PILOT LAMP A	1	
33	123-83516-21-XX	.BULB, (12V-3.4W)	1	
34	42X-82151-00-00	FUSE (10A-BLADE)	1	
35	JR8-H259L-00-00	WIRE, HARNESS ASSY. 1	1	

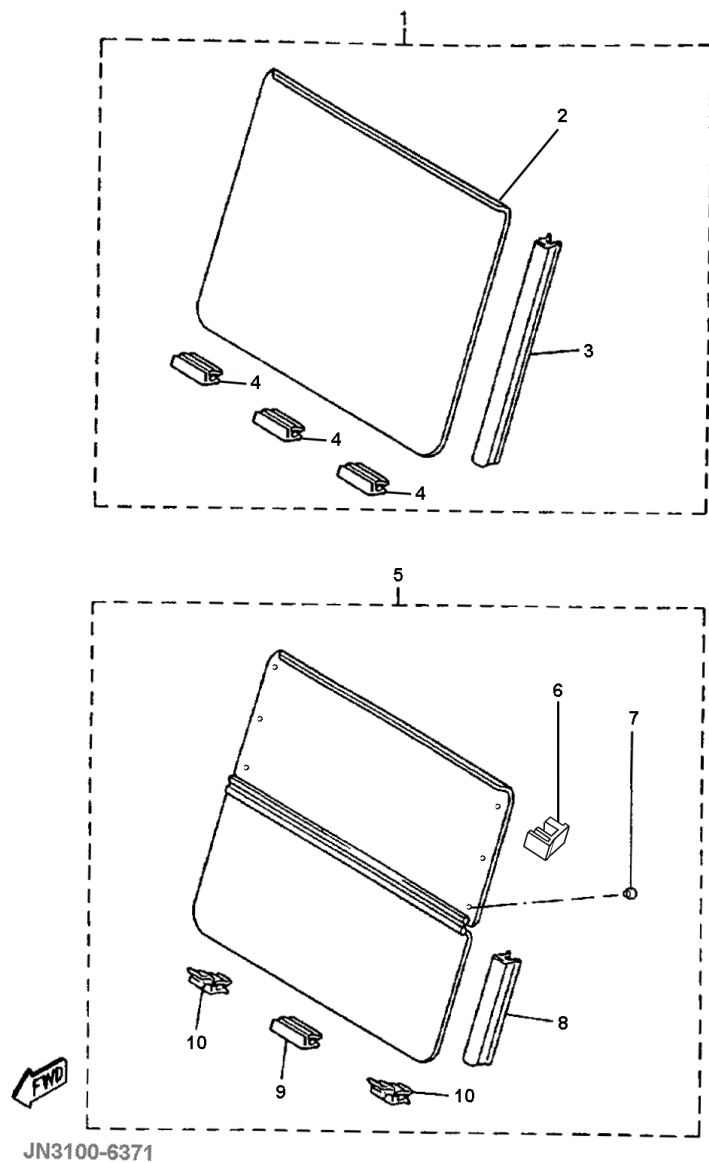
FIG. 37 OPTIONAL HUB CAPS



REF NO.	PART NUMBER	DESCRIPTION	QTY	REMARKS
1	JG5-F512L-00-00	HUB-CAP, PLAIN	4	Comes with clips
2	JG5-F512N-00-00	.CLIP, HUB CAP	3	
3	JG5-F512M-00-00	HUB-CAP, MAG-STYLE	4	Comes with clips
4	JN6-HUBCP-TF-00	HUB-CAP, TUNING FORK LOGO	4	Comes with clips

 JN6100-6261

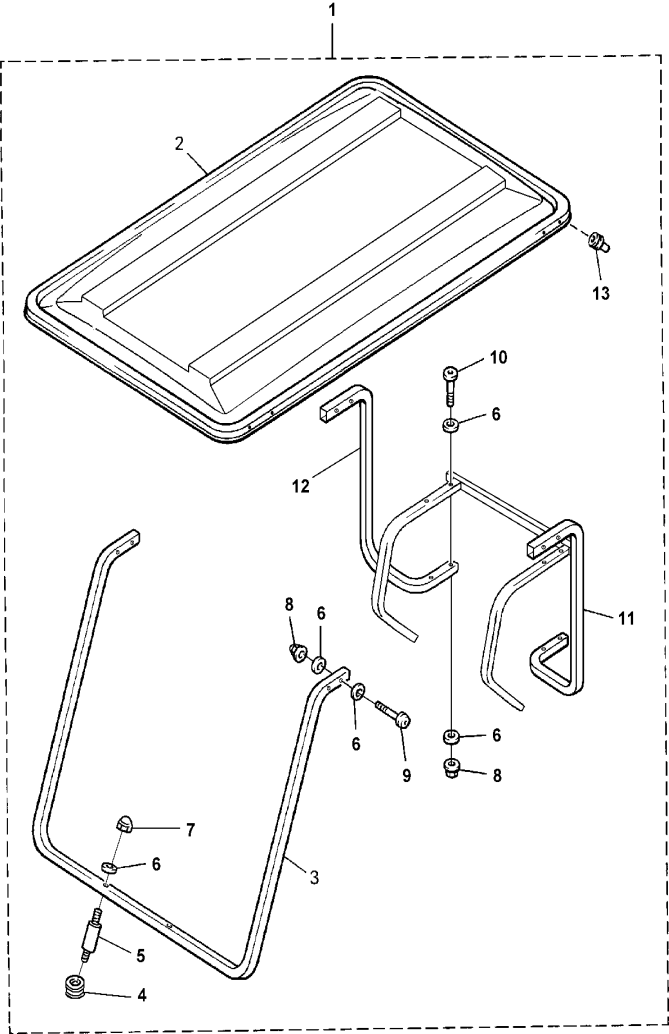
FIG. 38 OPTIONAL WINDSHIELD



REF NO.	PART NUMBER	DESCRIPTION	QTY	REMARKS
1	JN3-K7200-00-00	WINDSHIELD ASSY. (ONE PIECE, CLEAR)	1	UR, AP
	JN3-K7200-10-00	WINDSHIELD ASSY. (ONE PIECE, TINTED)	1	UR, AP
2	JN3-K7211-01-00	.WINDSHIELD (ONE PIECE, CLEAR)	1	UR
	JN3-K7211-11-00	.WINDSHIELD (ONE PIECE, TINTED)	1	UR
3	JN3-K838C-00-00	.HOLDER SHIELD	2	
4	JN3-K722A-01-00	.FASTENER, 2	3	
5	JN3-K7200-20-00	WINDSHIELD ASSY. (HINGED, CLEAR)	1	UR, AP
	JN3-K7200-30-00	WINDSHIELD ASSY. (HINGED, TINTED)	1	UR, AP
6	ACC-CCGLU-ES-ET	LATCH, RUBBER	2	SEE NOTE "A"
7	JN3-K7238-00-00	..DAMPER, WINDSHIELD	6	
8	JN3-K838A-00-00	.RETAINER 1	2	
9	JN3-K722A-01-00	.FASTENER 2	1	
10	JN3-K7222-00-00	.BRACKET, W/S	2	

NOTE "A": Includes adhesive. Replaces old style latch for hinged windshields.

FIG. 39 OPTIONAL SUN ROOF

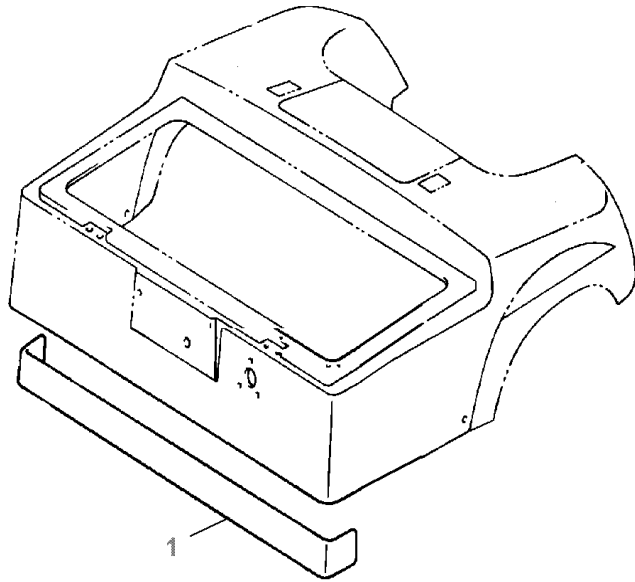


 JR8100-1090

REF NO.	PART NUMBER	DESCRIPTION	QTY	REMARKS
1	JR8-K8310-00-00	SUN ROOF ASSY	1	
2	JR8-K8314-00-00	.COVER, SUNROOF	1	
3	JR8-K8312-00-00	.SUPPORT, ROOF 1	1	
4	JN3-K832F-00-00	.GROMMET, ROOF	2	
5	JN6-K834A-00-00	.REINF., HOLDER	2	UR
6	90201-088J3-00	.WASHER, PLAIN	26	
7	90176-08801-00	.NUT, CAP	2	UR
8	90185-12835-00	.NUT, SELF-LOCKING	10	
9	90101-22863-00	.BOLT, HEX.	8	
10	90101-22864-00	.BOLT, HEX.	4	
11	JR8-K8313-01-00	.SUPPORT, ROOF 2 (LH)	1	
12	JR8-K831A-01-00	.SUPPORT, ROOF 3 (RH)	1	
13	JN3-K832G-00-00	.GROMMET, ROOF	2	

FIG. 40 OPTIONAL ORNAMENT PLATE

REF NO.	PART NUMBER	DESCRIPTION	QTY	REMARKS
1	JN3-K814N-00-00	PLATE, ORNAMENT	1	



 JN6100-6291

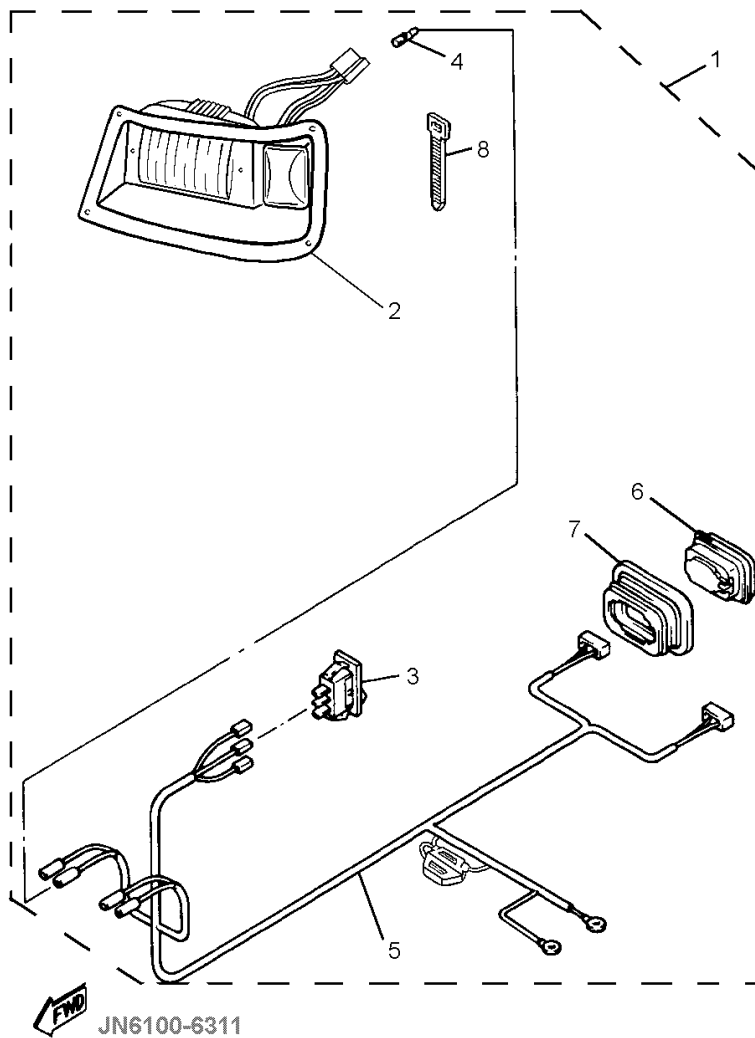


FIG. 41 OPTIONAL LIGHT KIT

REF NO.	PART NUMBER	DESCRIPTION	QTY	REMARKS
1	JN6-H430A-20-00	LIGHT KIT ASSY.	1	
2	JN3-H4303-20-00	.HEAD LIGHT UNIT ASSY.	1	INCLUDES RH & LH HEADLIGHTS
3	JN3-H3976-20-00	.SWITCH	1	
4	90890-05159-00	.BULLET, PLUG	2	
5	JN6-H4159-00-00	.CORD, HEAD LIGHT	1	
6	JN3-H4700-00-00	.TAIL LIGHT ASSY	2	
7	JN3-H4718-00-00	.GROMMET, TAIL	2	
8	90464-14806-00	.CLAMP	25	

CONTENTS

ENGINE	PAGE		PAGE
Engine Assembly	5	Secondary Sheave	30
Cylinder Head	6	Transmission	31 ~ 33
Crankshaft / Piston	7	Rear Axle Mount / Wheel	34
Camshaft / Valve	8	Shifter / Cables	35
Air Shroud / Fan	9	Bumper	36
Intake	10	Body (Front)	37
Carburetor	11	Intermediate Body	38
Exhaust	12	Body 2 (Rear)	39 ~ 40
Crankcase	13	Body Fitting	41
		Carrier	42
		Front Seat	43
		Rear Seat	44
		Starter Generator	45 ~ 46
		Electrical 1	47
		Electrical 2	48 ~ 49
		Optional Hub Caps	50
		Optional Windshield	51
		Sunroof Assy.	52
		Optional Ornament Plate	53
		Optional Light Kit	54
CHASSIS			
Engine Mount	14		
Rear Arm / Suspension	15		
Frame	16		
Front Suspension / Wheel	17 ~ 18		
Steering	19 ~ 20		
Fuel Tank	21		
Brake	22 ~ 24		
Brake 2	25		
Brake 3	26		
Accelerator	27		
Governor	28		
Primary Clutch	29		

