



# PARTS CATALOG



# YAMAHA

YAMAHA GOLF-CAR COMPANY

**1996 G16EP**

**1997 G16ER**

**1998 G16ES**

**1999 G16ET**

**2000 G16EU**

**2001 G16EW**

**2002 G16EX**

(JN81) U.S.A., CANADA, EUROPE, OTHERS



# FOREWORD

This Parts Catalogue is related to the parts for the model(s) shown in the frame below. When you are ordering replacement parts, please refer to this Parts Catalogue and quote both part numbers and part names correctly.

G16E (JN81)

1. Modifications or additions which have been made after issue of the Parts Catalogue will be announced in the Yamaha Parts News. It is advisable that you make necessary corrections to the Parts Catalogue according to the Yamaha Parts News.

2. Abbreviations

The following abbreviations are used in this Parts Catalogue.

- “UR”            Use specified part number.
- “UN”            Use as many as needed.
- “AP”            Alternate parts.
- “LM”            Local Made (Parts need to be ordered locally)
- “F#”            Frame Number (Applicable machine number)

3. Parts, which are to be supplied in an assembly, are listed with a dot (.) in front of the part name as shown below.

EXAMPLE  
 CARBURETOR ASSY  
   .JET, PILOT  
   .NOZZLE, MAIN

4. Number of component for assembly

The numeral appearing to the right of each component part indicates the quantity of parts for each assembly unit.

EXAMPLE

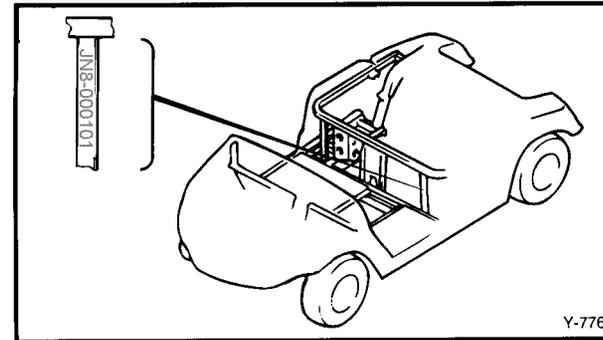
PART NO.	DESCRIPTION	Q'TY	REMARKS
2F5-83310-60	FRONT FLASHER LIGHT ASSY	2	
115-83311-60	.BULB (6V-18W)	1	

5. Applicable colors of graphics are represented in the “REMARKS” as shown below.

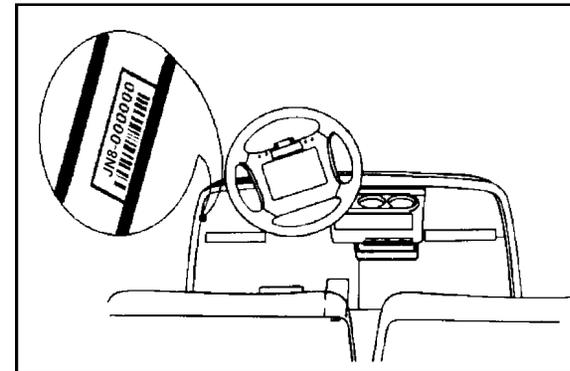
PART NO.	DESCRIPTION	Q'TY	REMARKS
2N4-24110-00-X5	FUEL TANK COMP.	1	MAXIM RED
3J1-24240-10	.GRAPHIC, FUEL TANK	1	for MXR

6. Applicable Serial No. and Color Code

- ① Frame Serial No. JN8-000101 ~
- ② Engine Serial No. JN8-000101 ~



- ① Frame Serial No. JN8-300101 ~
- ② Engine Serial No. JN8-300101 ~



7. Note

that the illustrations are for reference in finding parts numbers, not to be used for assembling. When assembling, please use the applicable service manual.

8. The asterisk (\*) before a reference number indicates modification items after the first edition.

## CONTENTS

CHASSIS	PAGE		PAGE
Rear Arm / Suspension	5	Optional Seat Adjuster	34
Frame	6	Optional Hub Caps	35
Front Suspension / Wheel	7 ~ 8	Optional Draw Bar	36
Steering	9 ~ 10	Optional Windshield	37
Brake	11 ~ 13	Optional Sunroof	38
Brake 2	14	Optional Ornament Plate	39
Brake 3	15	Optional Fleet Numbers	40 ~ 41
Accelerator	16	Optional Sand Bottle / Rake	42
Transaxle 1	17 ~ 18	Optional Light Kit	43
Rear Axle Mount / Wheel	19	Optional Enclosure	44
Bumper	20	Optional Energy / Hour Gauges	45
Body (Front)	21 ~ 22		
Body 2 (Rear)	23 ~ 24		
Body Fitting	25		
Carrier	26		
Seat	27 ~ 28		
Electric Motor	29		
Controller 1	30		
Controller 2	31		
Electrical 1	32 ~ 33		

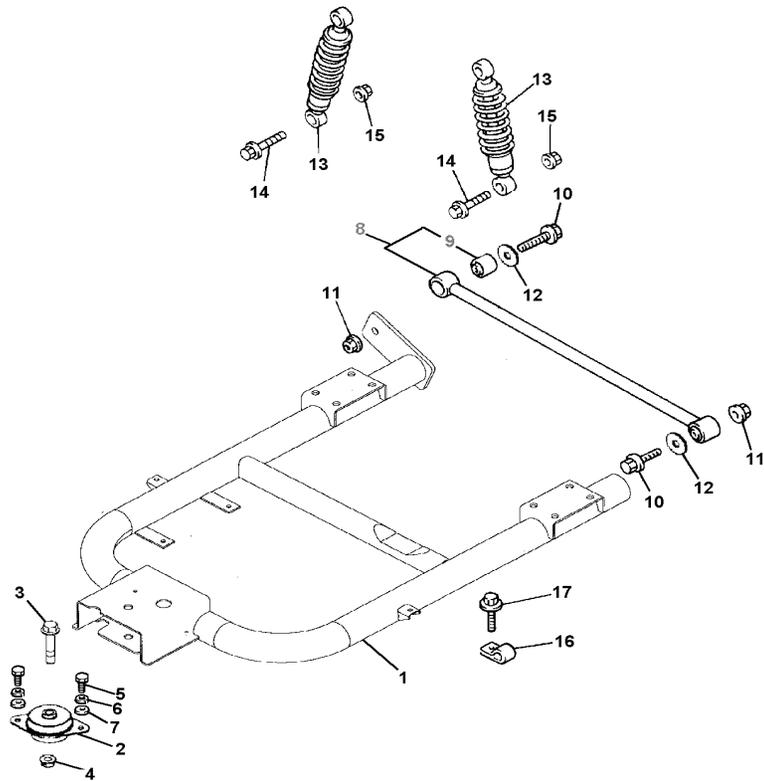
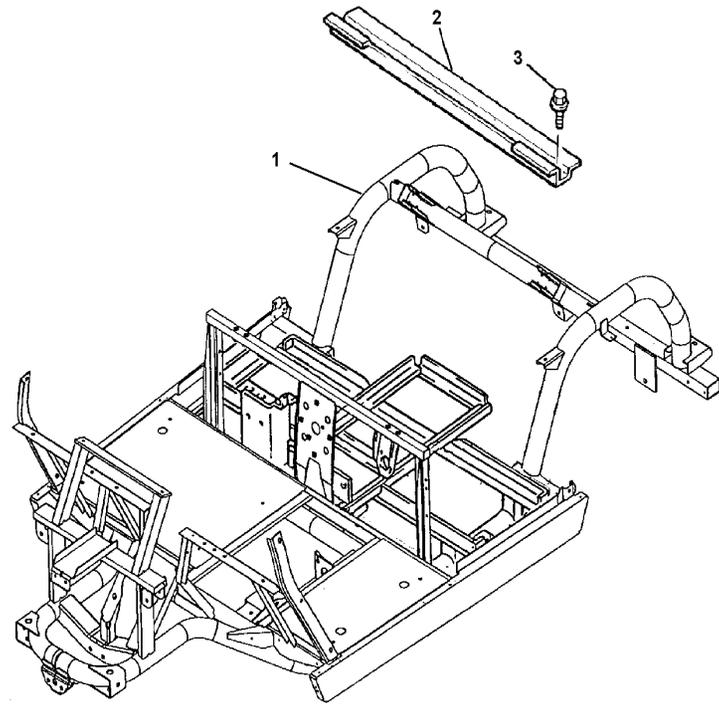


FIG. 1 REAR ARM / SUSPENSION

REF NO.	PART NUMBER	DESCRIPTION	QTY	REMARKS
1	JN8-F2110-00-00	REAR ARM COMP.	1	
2	JN6-F2123-01-00	BUSHING, 1	1	
3	90105-13864-00	BOLT, FLANGE	1	
4	90179-13878-00	NUT	1	
5	97017-10020-00	BOLT, HEX. HEAD	2	
6	92907-10100-00	WASHER, LOCK	2	
7	92907-10600-00	WASHER, PLAIN	2	
8	JN6-F217G-00-00	ROD, CONNECTING	1	
9	JN6-F2124-00-00	BUSHING, 2	2	
10	95817-12065-00	BOLT, FLANGE	2	
11	95617-12200-00	NUT, U-FLANGE	2	
12	90201-12426-00	WASHER, PLAIN	2	
13	JN4-F2210-00-00	SHOCK ABSORBER	2	
14	95807-10055-00	BOLT, FLANGE	4	
15	95607-10200-00	NUT, U-FLANGE	4	
16	90462-20186-00	CLAMP	2	
17	95817-06016-00	BOLT, FLANGE	2	

 JN8100-6010



 JN8100-6020

FIG. 2 FRAME

REF NO.	PART NUMBER	DESCRIPTION	QTY	REMARKS
1	JN8-F2501-01-00	FRAME COMP.	1	
2	JN6-F254R-00-00	SUPPORT, BODY MOUNT	1	
3	95817-08016-00	BOLT, FLANGE	2	

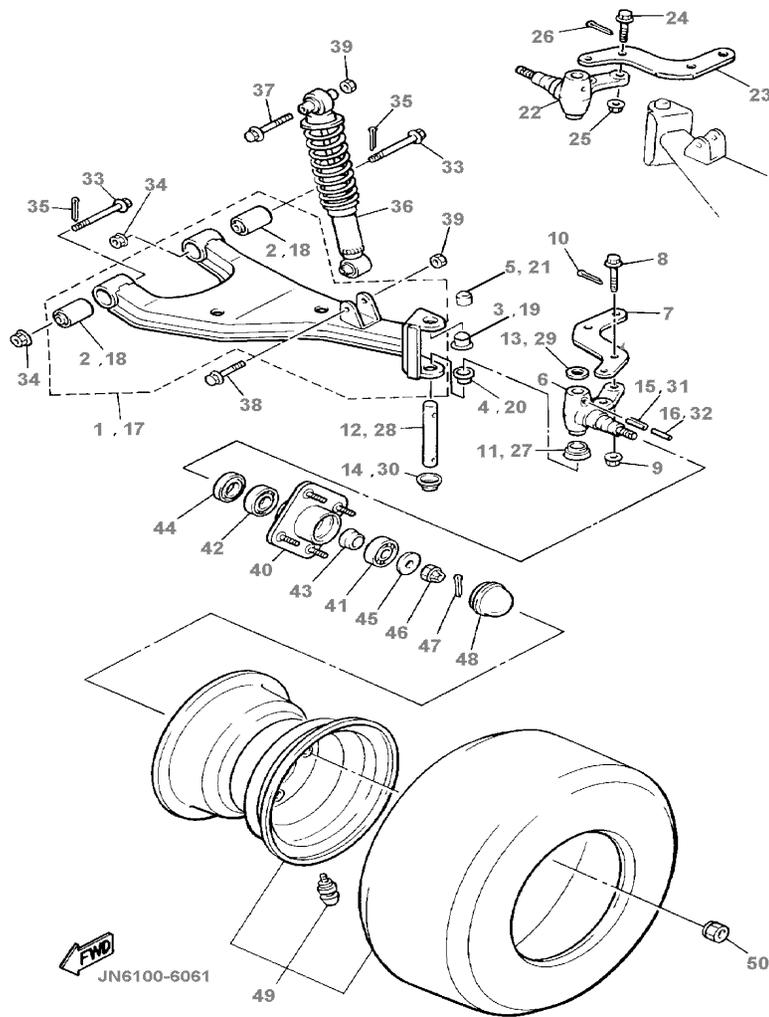


FIG. 3 FRONT SUSPENSION / WHEEL

REF NO.	PART NUMBER	DESCRIPTION	QTY	REMARKS
1	JN6-F3570-00-00	FRONT LOWER ARM, LEFT	1	
2	JN6-F3526-00-00	.BUSHING, ARM	1	
3	90384-15826-00	BUSH, BIMETAL	1	UR, F# JN8-204601~
4	90384-15825-00	BUSH, BIMETAL	1	UR, F# JN8-204601~
5	90334-19800-00	PLUG, STRAIGHT	1	UR, F# JN8-204601~
6	JN6-F3511-00-00	KNUCKLE, STEERING	1	
7	JN3-F3512-00-00	ARM, KNUCKLE	1	
8	95814-10040-00	BOLT, FLANGE	2	
9	95617-10200-00	NUT, U-FLANGE	2	
10	91490-25020-00	PIN, SPLIT	2	
11	J38-23527-00-00	SEAL, DUST 1	1	
12	J38-23516-00-00	PIN, STEERING KNUCKLE	1	
13	90201-156J2-00	WASHER, PLAIN	1	
14	J38-23528-00-00	SEAL, DUST 2	1	
15	91609-60028-00	PIN, SPRING	1	
16	91609-35028-00	PIN, SPRING	1	
17	JN6-F3580-00-00	FRONT LOWER ARM, RIGHT	1	
18	JN6-F3526-00-00	.BUSHING, ARM	1	
19	90384-15826-00	BUSH, BIMETAL	1	
20	90384-15825-00	BUSH, BIMETAL	1	
21	90386-19800-00	PLUG, STRAIGHT	1	
22	JN6-F3521-00-00	KNUCKLE, STEERING	1	
23	JN3-F3512-00-00	ARM, KNUCKLE	1	
24	95814-10040-00	BOLT, FLANGE	2	
25	95607-10200-00	NUT, U-FLANGE	2	
26	91401-25020-00	PIN, SPLIT	2	
27	J38-23527-00-00	SEAL, DUST 1	1	

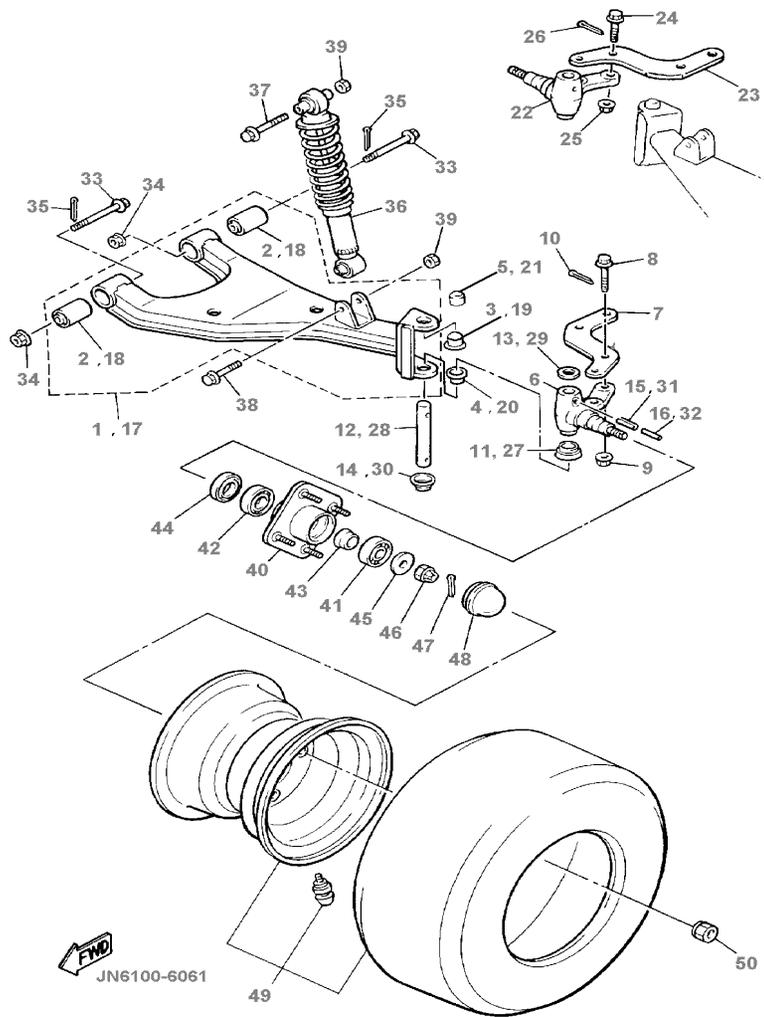


FIG. 3 FRONT SUSPENSION / WHEEL

REF NO.	PART NUMBER	DESCRIPTION	QTY	REMARKS
28	J38-23516-00-00	PIN, STEERING KNUCKLE	1	
29	90201-156J2-00	WASHER, PLAIN	1	
30	J38-23528-00-00	SEAL, DUST 2	1	
31	91609-60028-00	PIN, SPRING	1	
32	91609-35028-00	PIN, SPRING	1	
33	95817-10075-00	BOLT, FLANGE	4	
34	95607-10200-00	NUT, U-FLANGE	4	
35	91490-25020-00	PIN, SPLIT	4	
36	JN4-F3350-00-00	CUSHION ASSY.	2	
37	95817-10065-00	BOLT, FLANGE	2	
38	95817-10055-00	BOLT, FLANGE	2	
39	95607-10200-00	NUT, U-FLANGE	4	
40	JG5-WF511-00-00	HUB	2	
41	93306-204X0-00	BEARING	2	
42	93306-005Y3-00	BEARING	2	
43	90387-241M7-00	COLLAR	2	
44	93102-30083-00	SEAL, OIL	2	
45	90209-32271-00	WASHER	2	
46	95607-14100-00	NUT, U	2	
47	91490-25020-00	PIN, SPLIT	2	
48	JN6-F5118-00-00	COVER, HUB DUST	2	
49	JN6-F5100-11-00	FR. WHEEL ASSY	2	
50	90179-12262-00	NUT	8	

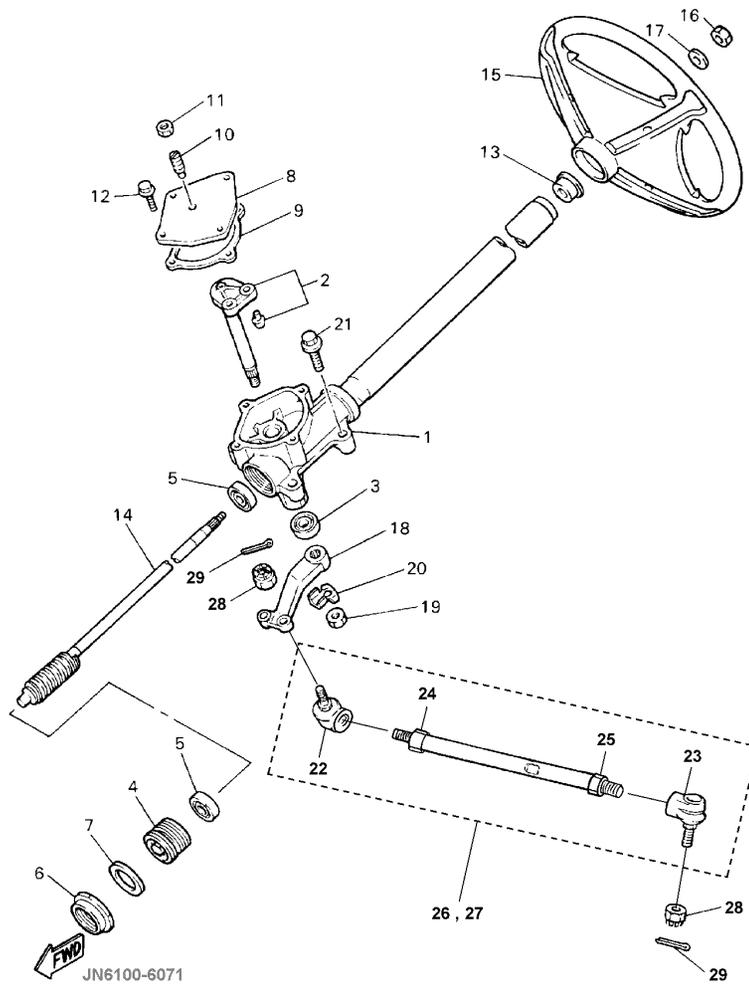


FIG. 4 STEERING

REF NO.	PART NUMBER	DESCRIPTION	QTY	REMARKS
1	JG5-F3811-00-00	COLUMN, STEERING	1	
2	J38-23816-00-00	ARM, PITMAN	1	
3	93102-22314-00	SEAL, OIL	1	
4	J55-F3876-00-00	BOLT	1	
5	93332-000Y2-00	BEARING	2	
6	J10-23877-00-00	NUT	1	
7	J10-23444-00-00	WASHER	1	
8	JN3-F3818-00-00	COVER, STEERING	1	
9	J38-23462-01-00	SEAL, STEERING	1	
10	J10-23459-00-00	BOLT	1	
11	90170-08024-00	NUT, HEX.	1	
12	95817-06020-00	BOLT, FLANGE	4	
13	JN3-F3814-00-00	HOLDER, HANDLE	1	
14	J10-23840-00-00	STEERING SHAFT	1	
15	JN3-F3838-00-00	WHEEL, STEERING	1	
16	95617-12200-00	NUT, SELF-LOCKING	1	
17	92907-12200-00	WASHER, PLAIN	1	
18	J38-23826-01-00	ARM, IDLER	1	
19	95707-16300-00	NUT, NYLON	1	
20	90215-16252-00	WASHER, TONGUE	1	
21	95817-10050-00	BOLT, FLANGE	4	
22	JN6-F3841-00-00	UNIVERSAL, JOINT	2	
23	JN6-F3845-00-00	UNIVERSAL, JOINT	2	
24	95607-10200-00	NUT, (RH THREAD)	2	
25	90170-12054-00	NUT, (LH THREAD)	2	
26	JN6-F3850-11-00	TIE ROD ASSY, RIGHT	1	
27	JN6-F3830-11-00	TIE ROD ASSY, LEFT	1	



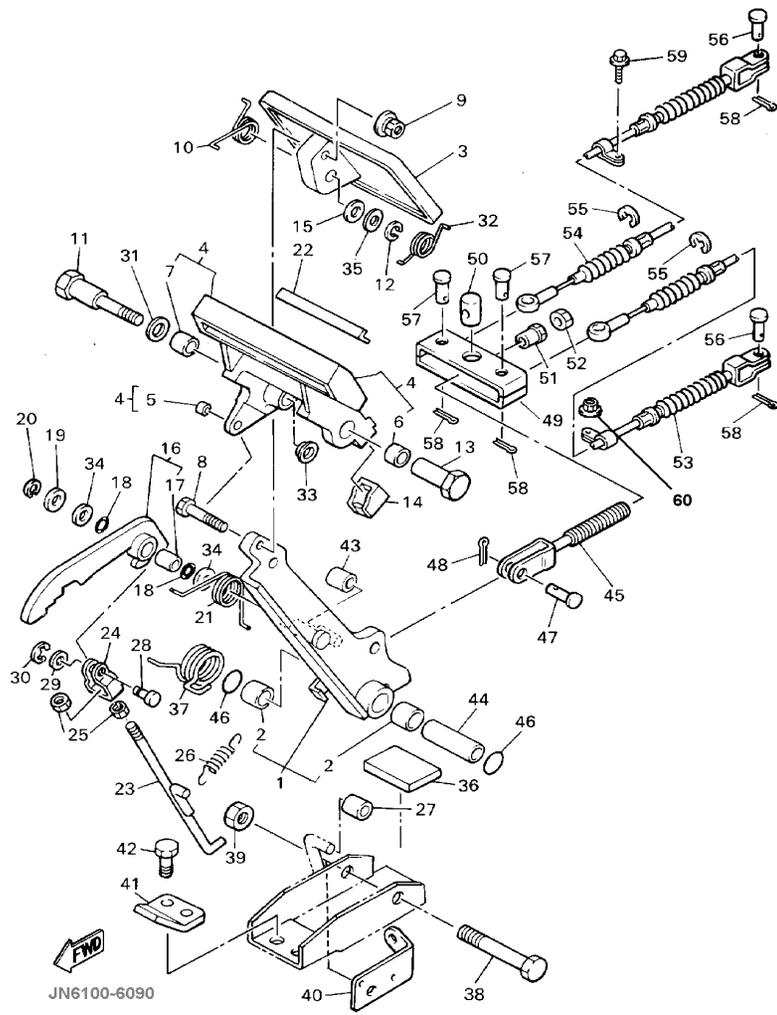


FIG. 5 BRAKE

REF NO.	PART NUMBER	DESCRIPTION	QTY	REMARKS
1	J46-27250-03-00	BRAKE ARM COMP	1	
2	90384-14080-00	.BUSH, BIMETAL FORMED	2	
3	J10-27211-00-00	PEDAL, BRAKE	1	
4	J17-25670-01-00	PARKING PEDAL COMP.	1	
5	90384-05163-00	.BUSH, BIMETAL	1	
6	90384-12164-00	.BUSH, BIMETAL	1	
7	90380-12051-00	.BUSH, SOLID	1	
8	90101-06555-00	BOLT, HEX.	1	
9	90179-06387-00	NUT	1	
10	90508-23542-00	SPRING,TORSION	1	
11	90109-08669-00	BOLT	1	
12	92907-08100-00	WASHER, SPRING	1	
13	90179-08378-00	NUT	1	
14	J17-25679-01-00	DAMPER	2	
15	92907-08200-00	WASHER, PLAIN	1	
16	J17-W2561-02-00	SECTOR, PARKING BRAKE	1	
17	90384-10162-00	.BUSH, BIMETAL	1	
18	J17-27221-00-00	SEAL, SHAFT	2	
19	92907-10600-00	WASHER, PLAIN	1	
20	99080-07600-00	CIRCLIP (E)	1	
21	90508-14548-00	SPRING, TORSION	1	
22	J17-25672-01-00	PAD, PARKING	1	
23	J17-27231-03-00	ROD, BRAKE	1	
24	J17-27232-00-00	END, ROD 1	1	
25	95317-06700-00	NUT, HEX.	2	
26	90506-08526-00	SPRING,TENSION	1	
27	J17-25673-00-00	DAMPER, BRAKE	1	

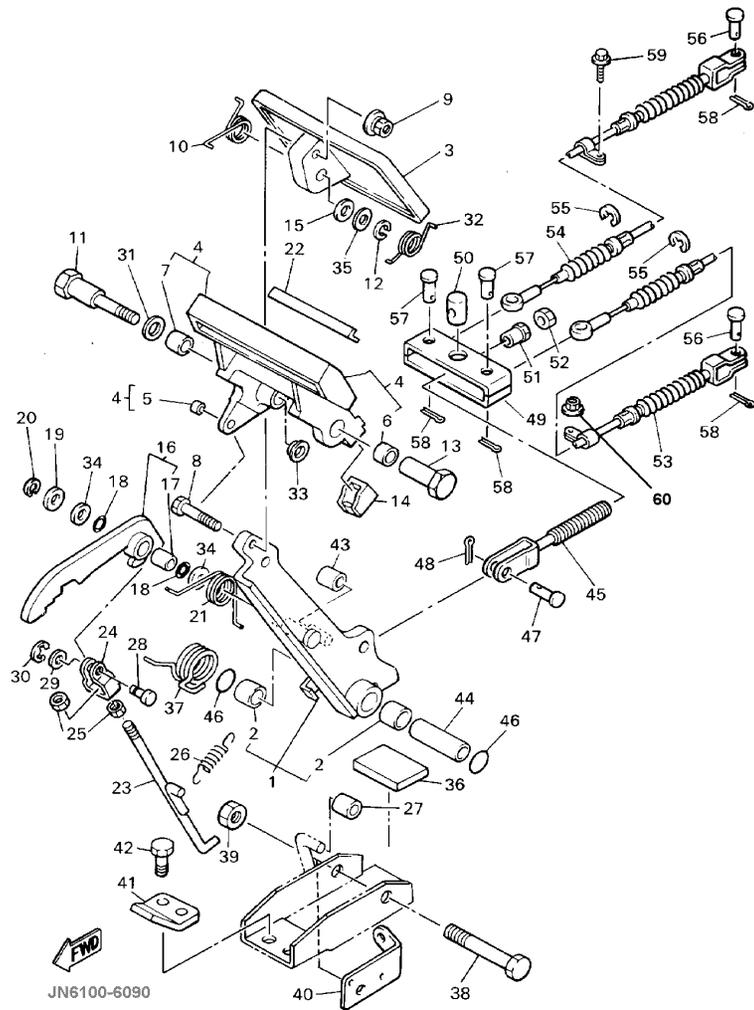


FIG. 5 BRAKE

REF NO.	PART NUMBER	DESCRIPTION	QTY	REMARKS
28	J17-27228-00-00	PIN, LINK JOINT	1	
29	92907-05600-00	WASHER, PLAIN	1	
30	99080-04600-00	CIRCLIP (E)	1	
31	90201-123F2-00	WASHER, PLAIN	1	
32	90508-26557-00	SPRING, TORSION	1	
33	90380-12105-00	BUSH, SOLID	1	
34	90201-104G8-00	WASHER, PLAIN	2	
35	J55-27226-00-00	WASHER, LINK	1	
36	JN3-F7245-00-00	PAD, BRAKE PEDAL	1	
37	90508-405A9-00	SPRING, TORSION	1	
38	90101-10447-00	BOLT, HEX.	1	
39	95617-10200-00	NUT, U-FLANGE	1	
40	J55-2252M-00-00	BRACKET, 3	1	
41	J17-27246-00-00	NAIL, BRAKE	1	
42	95807-08020-00	BOLT, FLANGE	2	
43	J17-25673-00-00	DAMPER, BRAKE	1	
44	90387-107F8-00	COLLAR	1	
45	JN6-F5685-00-00	ROD	1	
46	93210-132A8-00	O-RING	2	
47	91701-10022-00	PIN	1	
48	91490-30020-00	PIN, SPLIT	1	
49	JN6-F5681-00-00	EQUALIZER, BRAKE	1	
50	90249-14129-00	PIN	1	
51	90179-08261-00	NUT	1	
52	95317-08700-00	NUT, HEX.	1	
53	JN6-F6341-00-00	WIRE, BRAKE 1	1	
54	JF2-F6351-10-00	WIRE, BRAKE 2	1	

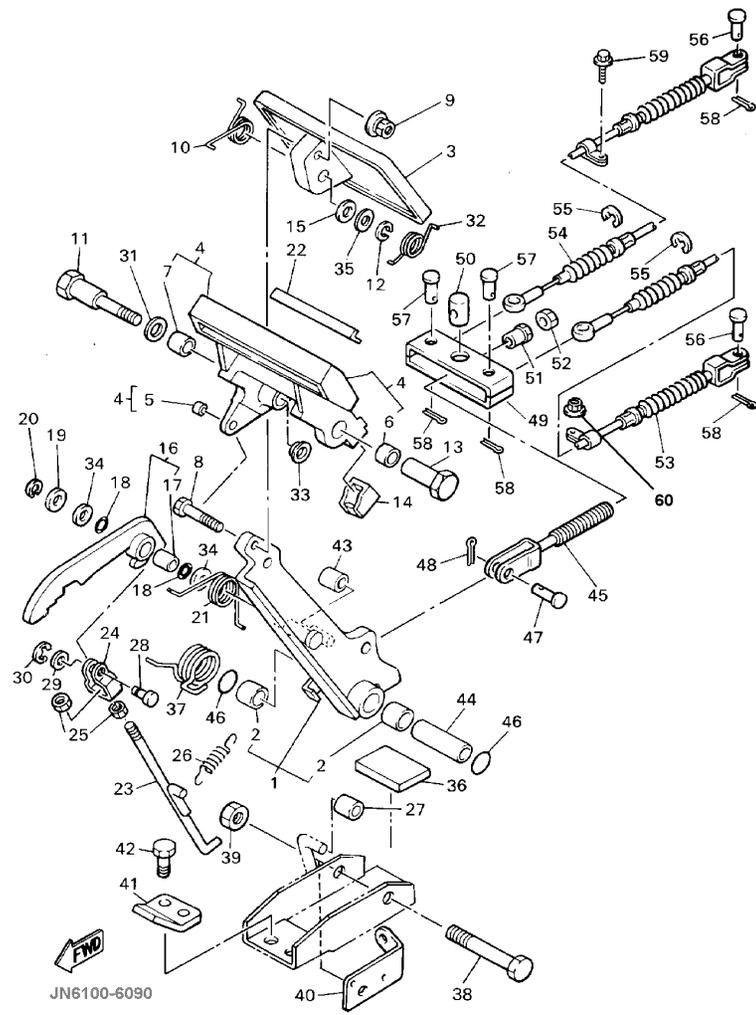


FIG. 5 BRAKE

REF NO.	PART NUMBER	DESCRIPTION	QTY	REMARKS
55	99001-09600-00	CIRCLIP (E)	4	
56	91701-08018-00	PIN	2	
57	91701-08026-00	PIN	2	
58	91490-25020-00	PIN,SPLIT	4	
59	95817-06016-00	BOLT, FLANGE	2	
60	95607-08200-00	NUT, U-FLANGE	1	

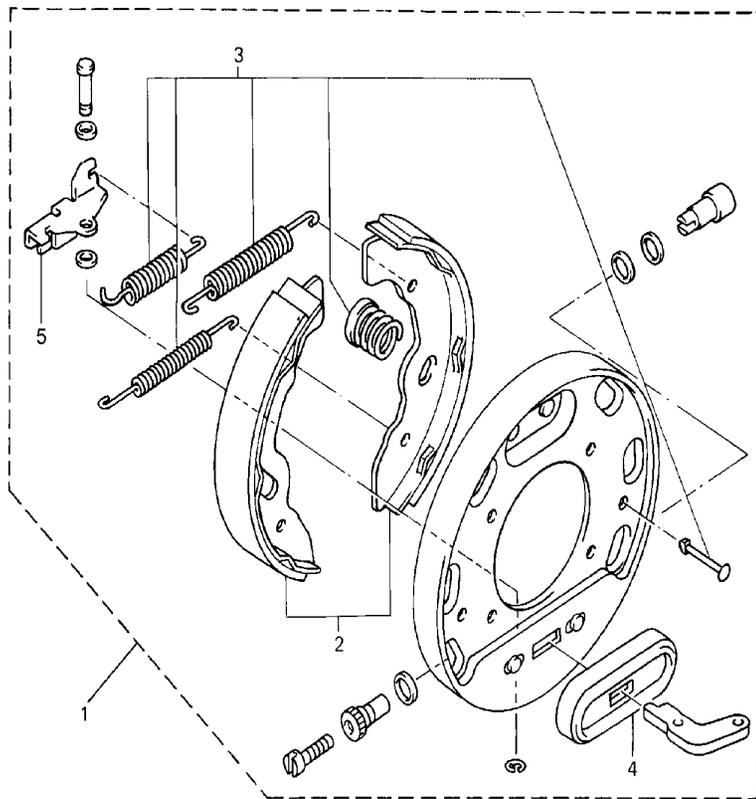
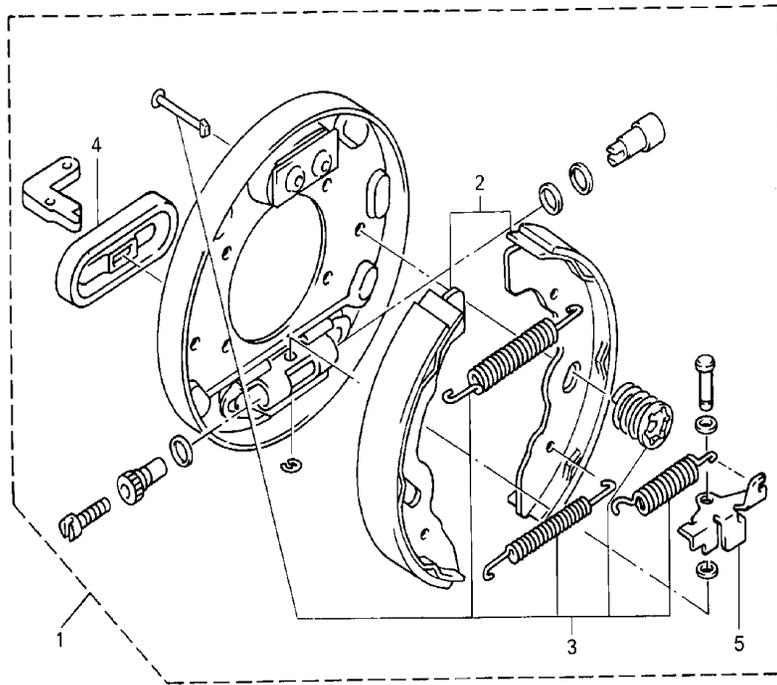


FIG. 6 BRAKE 2

REF NO.	PART NUMBER	DESCRIPTION	QTY	REMARKS
1	JN6-F7280-00-00	BACKING PLATE, (RH)	1	(FOR RIGHT WHEEL ONLY)
2	JN3-F5340-00-00	.SHOE, BRAKE SET	1	(FOR ONE WHEEL)
3	JG5-F819G-00-00	.REPAIR PARTS KIT	1	
4	JG5-F7286-00-00	.COVER, DUST	1	
5	JN6-F722F-00-00	.LEVER ADJUSTER (RH)	1	

 JN4100-5061

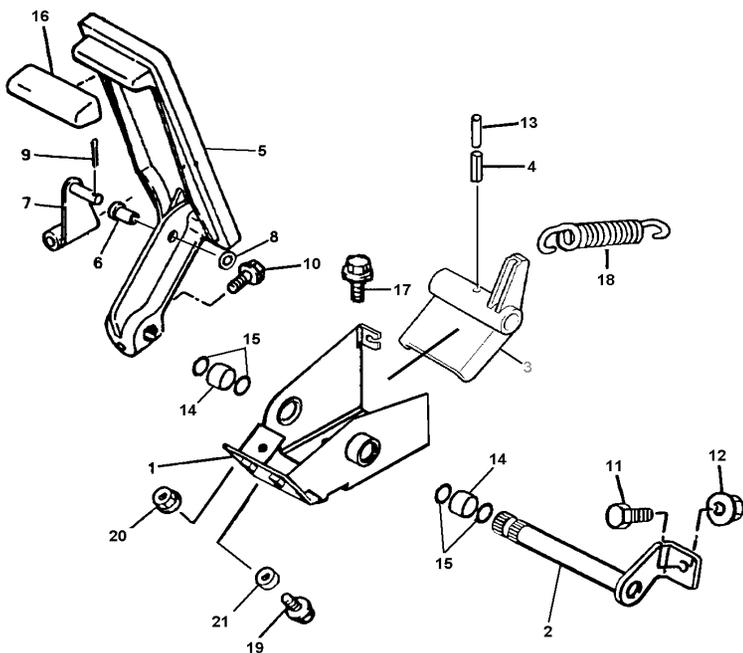
FIG. 7 BRAKE 3



REF NO.	PART NUMBER	DESCRIPTION	QTY	REMARKS
1	JN6-F7290-00-00	BACKING PLATE, LEFT	1	(FOR LEFT WHEEL ONLY)
2	JN3-F5330-00-00	.SHOE, BRAKE SET	1	(FOR ONE WHEEL)
3	JG5-F819G-00-00	.REPAIR PARTS KIT	1	
4	JG5-F7286-00-00	.COVER, DUST	1	
5	JN6-F722E-00-00	.LEVER ADJUSTER (LH)	1	

 JN4100-5071

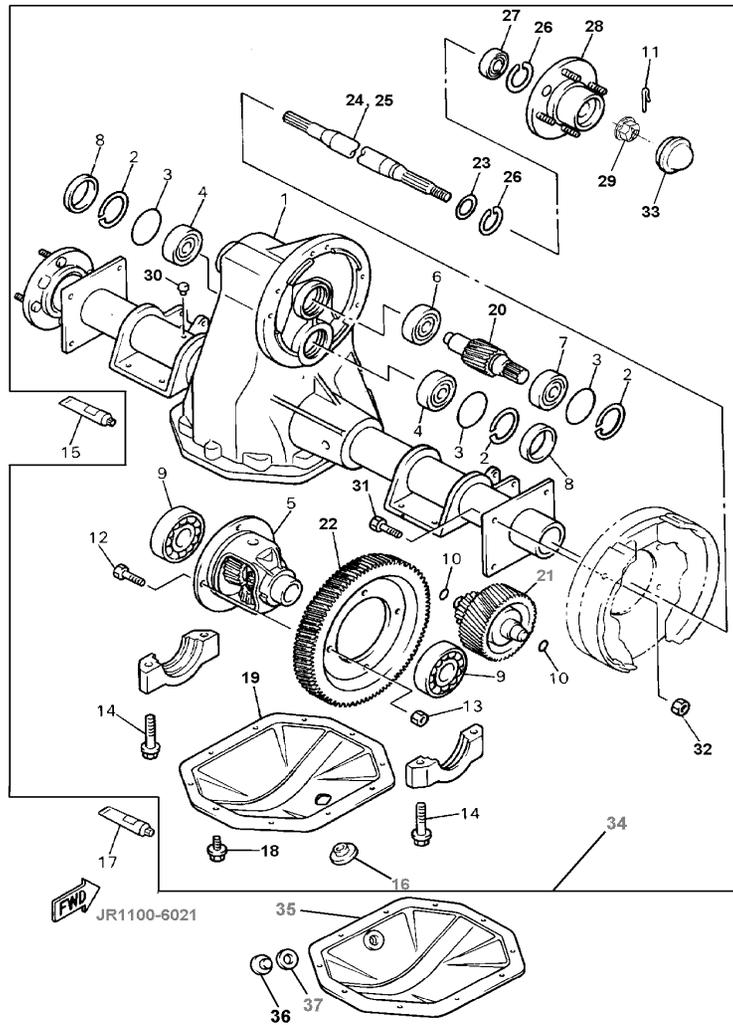
FIG. 8 ACCELERATOR



 JN8100-6031

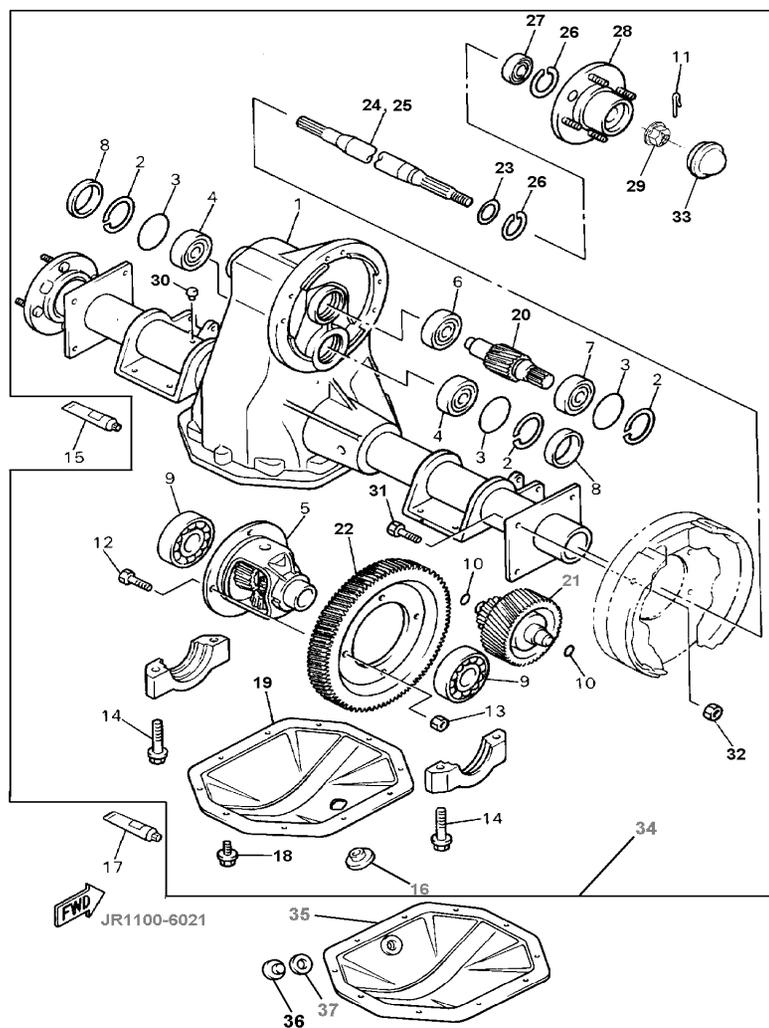
REF NO.	PART NUMBER	DESCRIPTION	QTY	REMARKS
1	JN6-F7874-01-00	BRACKET, PEDAL	1	
2	J17-27853-01-00	SHAFT, PEDAL	1	
3	J22-27872-00-00	ARM, ACCELERATOR	1	
4	91609-60028-00	PIN, SPRING	1	
5	JF3-27871-01-00	PEDAL, ACCELERATOR	1	
6	90381-06033-00	BUSH, SOLID	1	
7	J14-27815-00-00	LEVER, CRANK	1	
8	92907-06600-00	WASHER, PLAIN	1	
9	91401-20015-00	PIN, SPLIT	1	
10	95817-06025-00	BOLT, FLANGE	1	
11	90106-08040-00	BOLT, RD. HEX	1	
12	95707-08500-00	NUT, FLANGE	1	
13	91609-35028-00	PIN, SPRING	1	
14	90384-14080-00	BUSH, BIMETAL	2	
15	93210-14104-00	O-RING	4	
16	JN3-F7854-00-00	COVER, PEDAL	1	
17	95817-08016-00	BOLT, HEX. H	3	
18	90506-26282-00	SPRING, TENSION	1	
19	95817-06025-00	BOLT, FLANGE	1	
20	95707-06500-00	NUT, FLANGE	1	
21	90387-068T4-00	COLLAR	1	

FIG. 9 TRANSAXLE 1



REF NO.	PART NUMBER	DESCRIPTION	QTY	REMARKS
1	JR1-G6310-00-00	CASE ASSY	1	UR, SEE NOTE "C" F# JN8-300141~
2	93420-50804-00	CIRCLIP	3	
3	93210-478B8-00	O-RING	3	
4	93306-303Y6-00	BEARING	2	
5	JN6-G6410-00-00	DIFFERENTIAL ASSY.	1	
6	93306-203X1-00	BEARING	1	
7	93306-005Y1-00	BEARING	1	
8	JH7-G3396-00-00	PLUG, BLIND	2	
9	93306-007Y0-00	BEARING	2	
10	93210-148B9-00	O-RING	2	
11	91490-25030-00	PIN, SPLIT	2	
12	90101-10854-00	BOLT, HEX.	4	
13	90170-10840-00	NUT, HEX.	4	
14	90105-10840-00	BOLT, FLANGE	4	
15	ACC-QUICK-GS-KT	SEALANT	1	
16	JN3-G6432-00-00	STOPPER	1	
17	ACC-QUICK-GS-KT	SEALANT	1	
18	90101-08856-00	BOLT, HEX.	10	
19	JR1-G6312-00-00	CASE, TRANSMISSION	1	
20	JH7-G6321-00-00	SHAFT, INPUT	1	
21	JH7-G6350-00-00	COUNTER GEAR	1	
22	JH7-G6421-00-00	GEAR, RING	1	
23	93101-24822-00	SEAL, OIL	2	

FIG. 9 TRANSAXLE 1



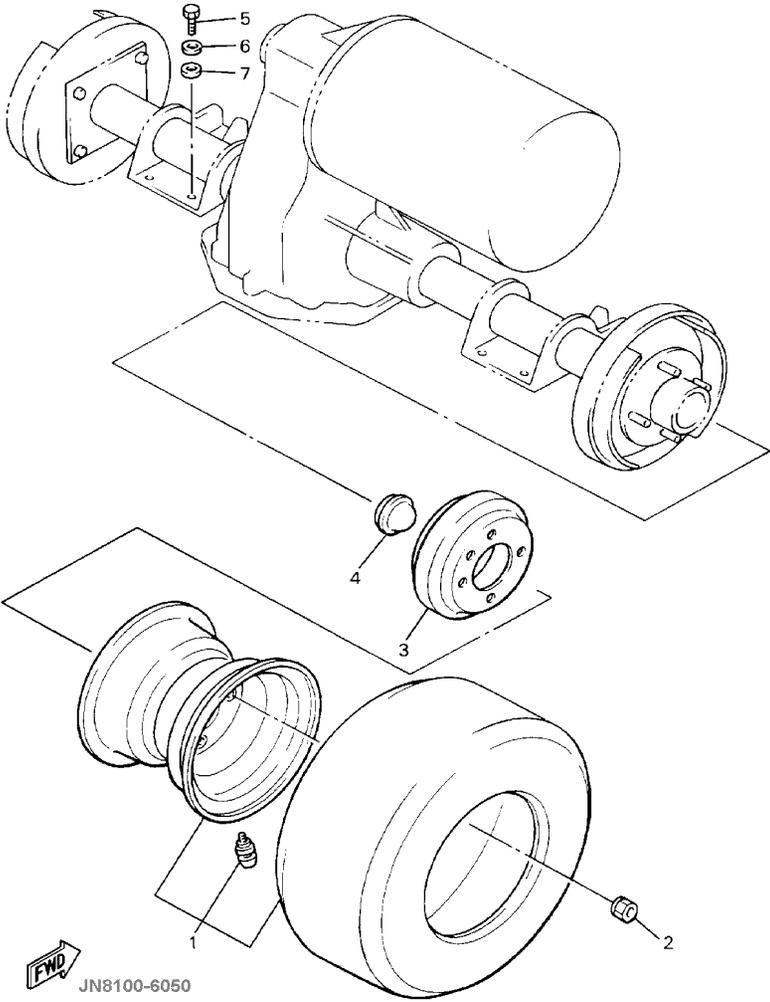
REF NO.	PART NUMBER	DESCRIPTION	QTY	REMARKS
24	JF3-G6512-01-00	SHAFT, RR. AXLE, RIGHT	1	UR, F# ~JN8-300140
	JR1-G6512-00-00	SHAFT, RR. AXLE, RIGHT	1	UR, F# JN8-300141~
25	JF3-G6511-01-00	SHAFT, RR. AXLE, LEFT	1	UR, F# ~JN8-300140
	JR1-G6511-00-00	SHAFT, RR. AXLE, LEFT	1	UR, F# JN8-300141~
26	93420-44805-00	CIRCLIP	4	
27	93306-004X5-00	BEARING	2	
28	JN3-G6514-00-00	HUB, RR. AXLE	2	
29	90185-16833-00	NUT, SELF-LOCKING	2	
30	JH7-G5619-00-00	CAP	1	
31	90101-08855-00	BOLT, HEX.	8	
32	90170-08841-00	NUT, HEX.	8	
33	JN6-F5118-00-00	COVER, HUB DUST	2	
34	JR1-G6300-01-00	TRANSAXLE ASSEMBLY	1	
35	JH7-G6312-00-00	CASE, TRANSMISSION 2	1	SEE NOTE "A"
36	JH7-G5341-00-00	PLUG, FILL/CHECK	1	SEE NOTE "B"
37	90201-158E0-00	WASHER, PLATE	1	SEE NOTE "B"

NOTE "A": If not available, use Ref. No. 19 (JR1-G6312-00-00, CASE, TRANSMISSION) with Ref. No. 16 (JN3-G6432-00-00, STOPPER).

NOTE "B": Replacement fill/check plug and washer for old style cover (JH7-G6312-00-00).

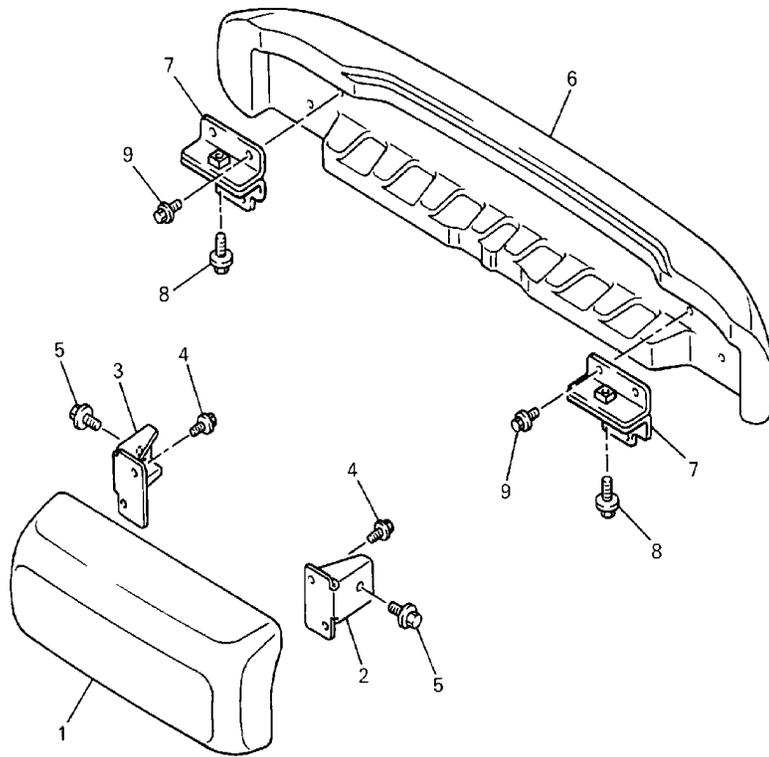
NOTE "C": For units up to F# ~JN8-300140, you must also use the new JR1 Axles, REF. Numbers 24 and 25.

FIG. 10 REAR AXLE MOUNT / WHEEL



REF NO.	PART NUMBER	DESCRIPTION	QTY	REMARKS
1	JN6-F5100-11-00	REAR WHEEL ASSY.	2	
2	90179-12262-00	NUT	8	
3	J55-G6521-00-00	DRUM	2	
4	JN6-F5118-00-00	COVER, HUB DUST	2	
5	97017-10020-00	BOLT, HEX HEAD	8	
6	92907-10100-00	WASHER, LOCK	8	
7	92907-102G9-00	WASHER	8	

FIG. 11 BUMPER



REF NO.	PART NUMBER	DESCRIPTION	QTY	REMARKS
1	JN3-K7510-02-00	FRONT BUMPER COMP.	1	
2	JN3-K8164-00-00	STAY, FR. BUMPER	1	
3	JN3-K8165-00-00	STAY, FR. BUMPER	1	
4	95817-06016-00	BOLT, FLANGE	4	
5	95817-08016-00	BOLT, FLANGE	2	
6	JN3-K7540-00-00	REAR BUMPER	1	
7	JN3-K8174-00-00	STAY, RR. BUMPER	2	
8	95817-10020-00	BOLT, FLANGE	2	
9	95817-06016-00	BOLT, FLANGE	4	

 JN6100-6170

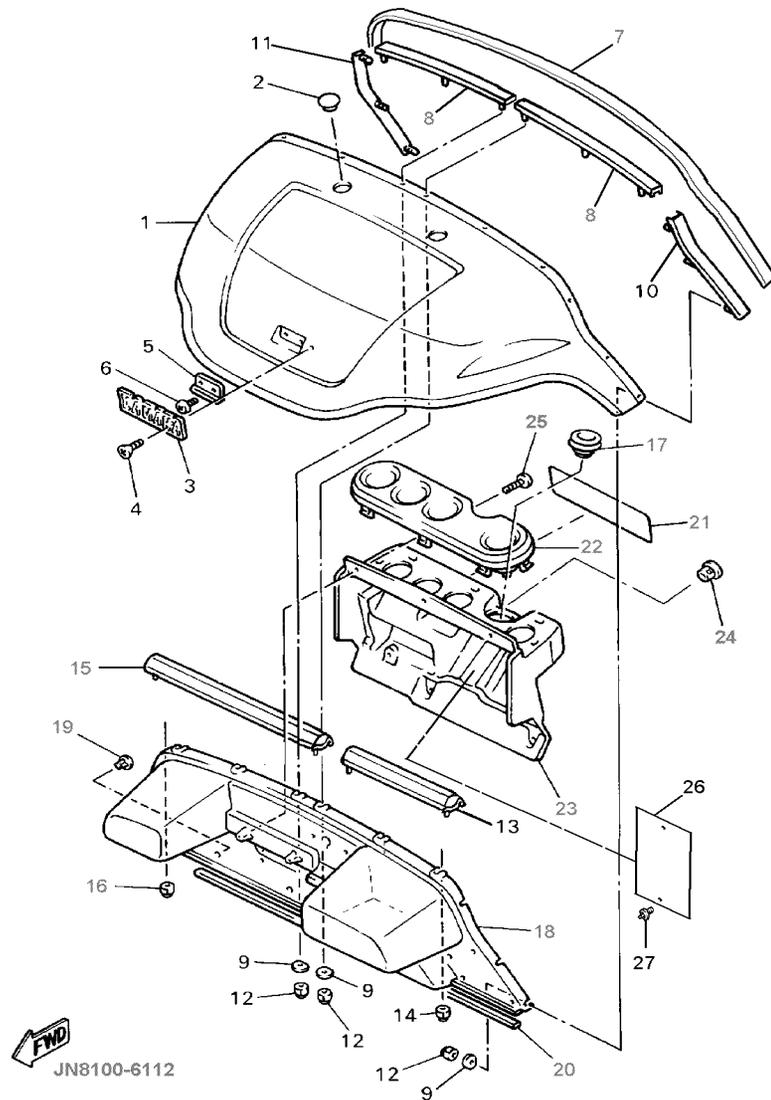


FIG. 12 BODY

REF NO.	PART NUMBER	DESCRIPTION	QTY	REMARKS
1	JN3-K8115-00-00	COWL, FRONT	1	IVORY
	JN3-K8115-10-00	COWL, FRONT	1	RED
	JN3-K8115-30-00	COWL, FRONT	1	TEAL
	JN3-K8115-50-00	COWL, FRONT	1	HUNTER GRN
2	JN3-K818E-00-00	CAP, PROTECTOR	2	W/O SUNTOP
3	JN6-F4161-01-00	EMBLEM, 1	1	
4	90162-04002-00	SCREW, OVAL C	2	
5	JF2-K811G-00-00	BOLT, COWL FITTING	1	
6	98980-06016-00	SCREW, BINDING	2	
7	JF2-K811V-00-00	PROTECTOR, 1	1	
8	JF2-K8261-02-00	PLATE, BODY PROTECTOR	2	
9	JN3-K8117-00-00	PLATE, 1	12	
10	JF2-K8262-01-00	PLATE, BODY PROTECTOR	1	
11	JF2-K8263-01-00	PLATE, BODY PROTECTOR	1	
12	90185-06836-00	NUT, SELF-LOCKING	12	
13	JN6-K8264-00-00	PLATE, BODY PROTECTOR	1	
14	95607-06200-00	NUT, U-FLANGE	2	
15	JN6-K8265-00-00	PLATE, BODY PROTECTOR	1	
16	95607-06200-00	NUT, U-FLANGE	2	
17	JN3-K8273-00-00	COVER, HOLE 1	1	
18	JF2-K8114-02-00	PANEL, FRONT	1	
19	90269-08069-00	RIVET	3	
20	JN3-K815G-00-00	SEAL, FRONT STORAGE	1	
21	JN4-K7768-00-00	LABEL, WARNING 8	1	UR, FOR USA SEE NOTE "A"
	JN4-K7768-10-00	LABEL, WARNING 8	1	UR, FOR CAN SEE NOTE "A"
	JN4-K7768-20-00	LABEL, WARNING 8	1	UR, FOR EUR SEE NOTE "A"

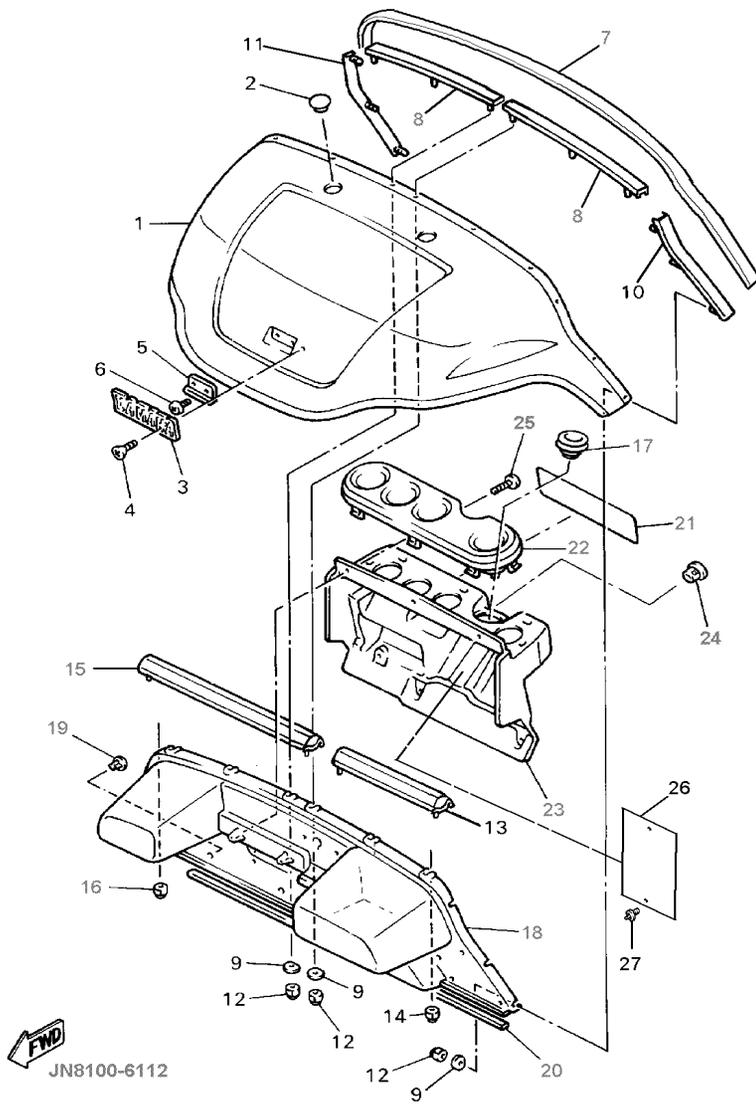
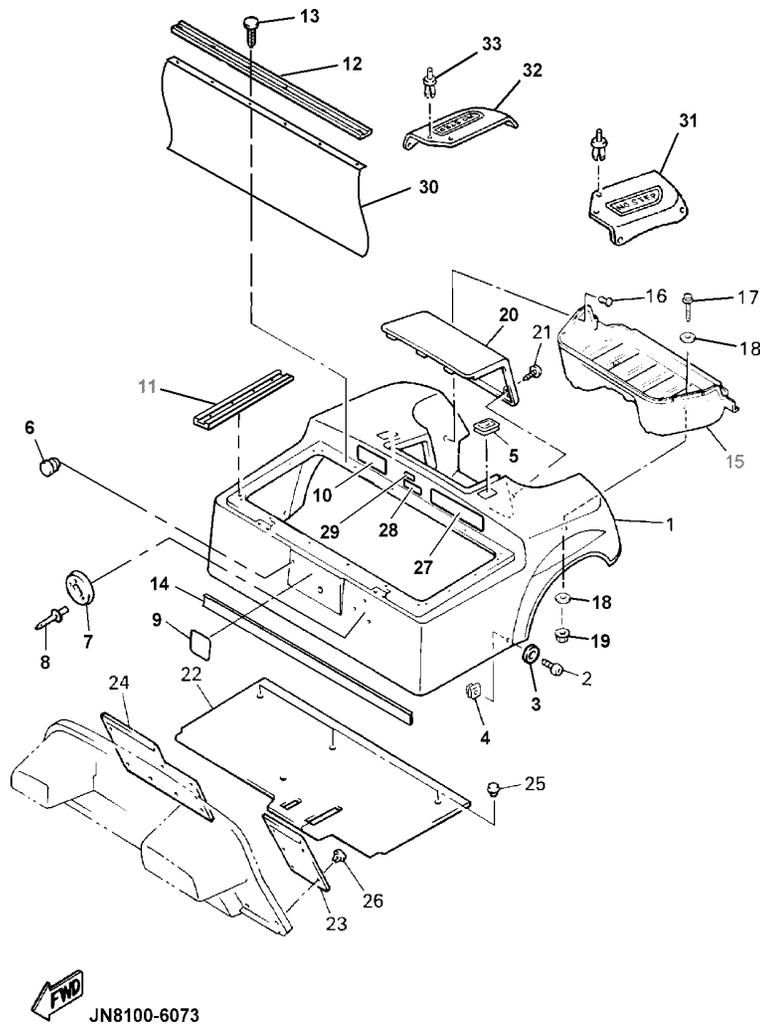


FIG. 12 BODY

REF NO.	PART NUMBER	DESCRIPTION	QTY	REMARKS
22	JN3-K835E-00-00	HOLDER, BEVERAGE	1	
23	JN3-K835G-00-00	HOUSING, HOLDER	1	SEE NOTE "A"
24	90338-14827-00	PLUG	1	
25	97707-60130-00	SCREW, PAN HEAD	6	
26	JN6-K8182-00-00	PLATE, 2	1	
27	90267-63047-00	RIVET, BLIND	2	

NOTE "A": When replacing "Housing Holder JN3-K835G-00-00" you must also replace "Label Warning 8 JN4-K7768-\*\*-00".

FIG. 13 BODY 2



REF NO.	PART NUMBER	DESCRIPTION	QTY	REMARKS
1	JN4-K8142-00-00	PANEL, REAR BODY IVORY	1	UR, SEE NOTE "A" F# ~JN8-307500
	JN4-K8142-10-00	PANEL, REAR BODY RED	1	UR, SEE NOTE "A" F# ~JN8-307500
	JN4-K8142-30-00	PANEL, REAR BODY TEAL	1	UR, SEE NOTE "A" F# ~JN8-307500
	JN4-K8142-50-00	PANEL, REAR BODY HUNTER GRN	1	UR, SEE NOTE "A" F# ~JN8-307500
	JN8-K8142-00-00	PANEL, REAR BODY IVORY	1	UR, SEE NOTE "A" F# JN8-400101~
	JN8-K8142-10-00	PANEL, REAR BODY RED	1	UR, SEE NOTE "A" F# JN8-400101~
	JN8-K8142-30-00	PANEL, REAR BODY TEAL	1	UR, SEE NOTE "A" F# JN8-400101~
	JN8-K8142-50-00	PANEL, REAR BODY HUNTER GRN	1	UR, SEE NOTE "A" F# JN8-400101~
2	90110-06200-00	BOLT, HEX. SOCKET	2	
3	90201-068H0-00	WASHER, PLAIN	2	
4	90183-06811-00	NUT, SPRING	2	
5	JN3-K8363-00-00	PROTECTOR	2	
6	90338-11831-00	PLUG	1	
7	JN4-K827A-00-00	GUIDE, 1	1	UR, F# ~JN8-307500
	JN8-K811V-00-00	GUIDE, 1 (RUBBER)	1	UR, F# JN8-400101~
8	90267-60840-00	RIVET, BLIND	3	UR, F# ~JN8-307500
9	JN3-K7741-00-00	INDICATOR 1	1	SEE NOTE "A"
10	JN4-K7765-00-00	LABEL, WARNING 5	1	SEE NOTE "A"
11	JN3-K8425-00-00	SEAL, SEAT	2	
12	JN3-K842A-00-00	SEAL, SEAT 2	2	
13	90338-05834-00	PLUG	20	
14	JN6-K824E-00-00	TRIM, REAR BODY	1	
15	JF2-K8237-00-00	COVER, REAR FLOOR	1	
16	90269-08069-00	RIVET	7	
17	90101-06876-00	BOLT, HEX. W/WASHER	2	UR, F# JN8-000401~

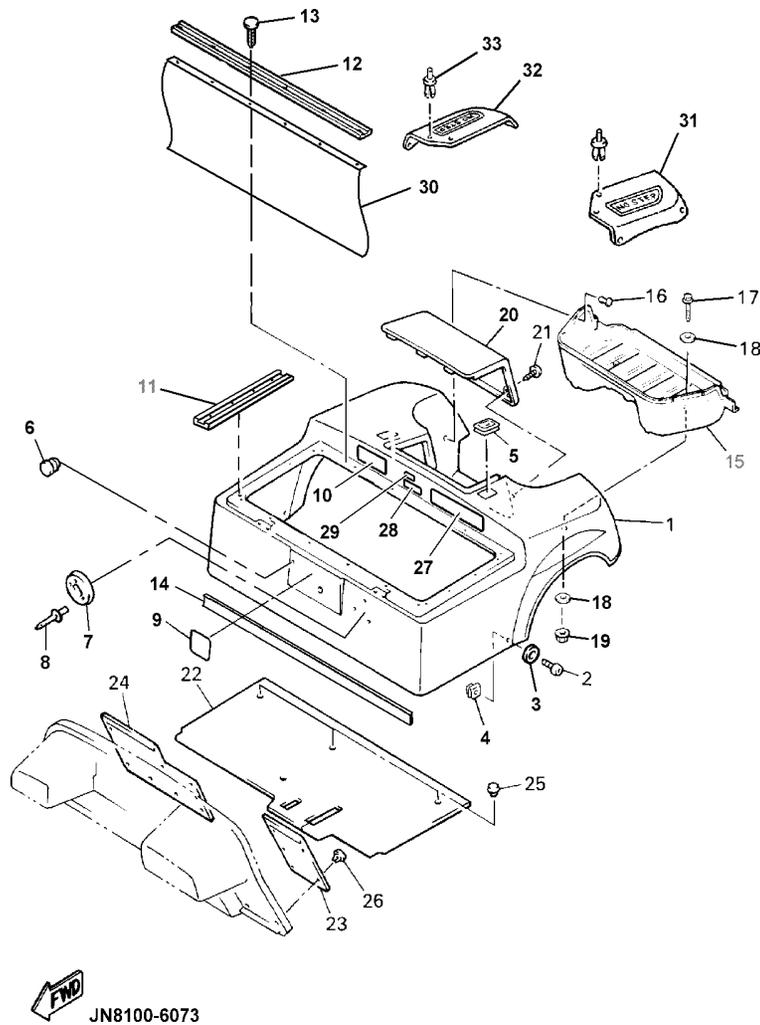


FIG. 13 BODY 2

REF NO.	PART NUMBER	DESCRIPTION	QTY	REMARKS
18	90201-068G7-00	WASHER, PLAIN	4	UR, F# JN8-000401~
19	90185-06836-00	NUT, SELF-LOCK	2	UR, F# JN8-000401~
20	JN3-K8151-00-00	PANEL, INSPECTION	1	
21	90267-36853-00	RIVET, BLIND	2	
22	JN6-K8233-00-00	MAT, MAIN FLOOR 3	1	
23	JN6-K8231-00-00	MAT, MAIN FLOOR 1	1	
24	JN6-K8232-00-00	MAT, MAIN FLOOR 2	1	
25	90269-08813-00	RIVET	4	
26	90267-63047-00	RIVET, BLIND	9	
27	JN4-K8297-10-00	PLATE, CAUTION 1	1	SEE NOTE "A"
28	JN8-F4236-01-00	MARK 2	1	F# JN8-000101~ JN8-001800
	JN8-F4236-10-00	MARK 2	1	F# JN8-100101~ JN8-104200
	JN8-F4236-20-00	MARK 2	1	F# JN8-200101~ JN8-206300
	JN8-F4236-30-00	MARK 2	1	F# JN8-300101~ JN8-307500
	JN8-F4236-40-00	MARK 2	1	F# JN8-400101~
29	JN6-F4239-00-00	MARK 5	1	
30	JN8-K836A-00-00	PROTECTOR 2	1	F# JN8-202492~
31	JN3-K8243-00-00	MAT, BODY SIDE LEFT	1	F# JN8-100101~
32	JN3-K8244-00-00	MAT, BODY SIDE RIGHT	1	F# JN8-100101~
33	90269-07810-00	RIVET	10	F# JN8-100101~

NOTE "A": When replacing "Panel Rear Body JN4-K8142-\*\*-00" you must also replace "Indicator 1 JN3-K7741-00-00", "Label Warning 5 JN4-K7765-00-00", and "Plate Caution 1 JN4-K8297-10-00".

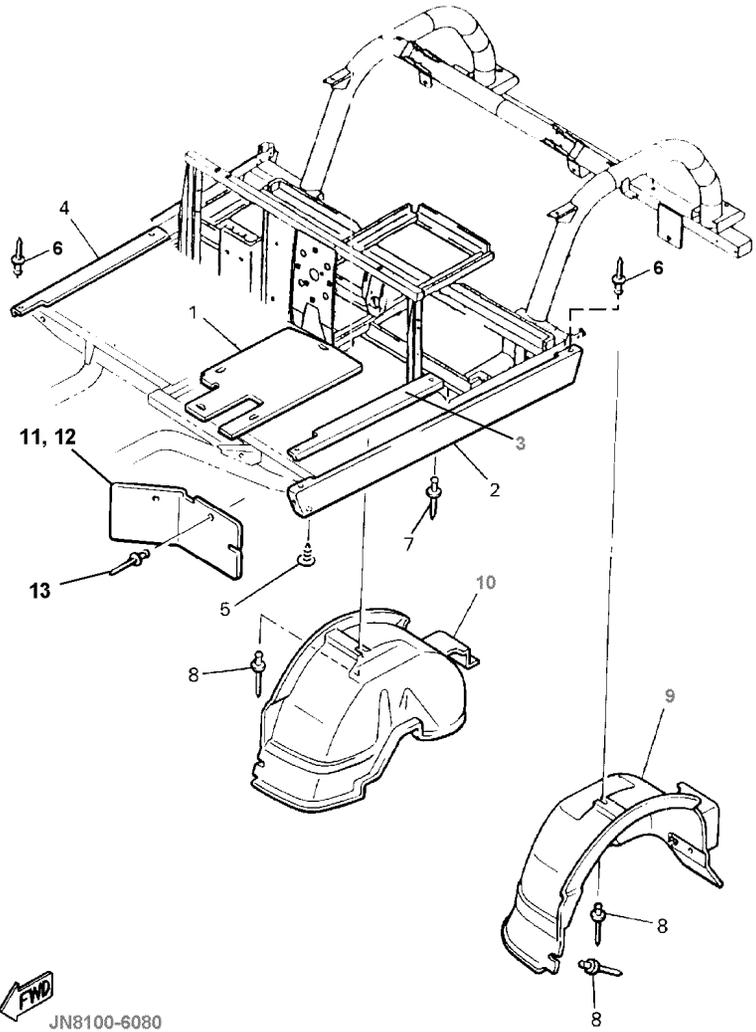


FIG. 14 BODY FITTING

REF NO.	PART NUMBER	DESCRIPTION	QTY	REMARKS
1	JN6-K8271-00-00	SERVICE LID	1	
2	JF2-K818A-00-00	PROTECTOR, SIDE	2	
3	JF2-K8215-10-00	PLATE, SIDE TRIM	1	
4	JF2-K821F-10-00	PLATE, SIDE TRIM	1	
5	90338-05829-00	PLUG	4	
6	90267-48154-00	RIVET, BLIND	6	
7	90267-48101-00	RIVET, BLIND	4	
8	90267-48086-00	RIVET, BLIND	4	
9	JF2-K8191-00-00	PANEL, REAR FENDER	1	
10	JF2-K8192-00-00	PANEL, REAR FENDER	1	
11	JF2-K8187-00-00	FLAP, FRONT FENDER LEFT	1	F# JN8-200101~
12	JF2-K8189-00-00	FLAP, FRONT FENDER RIGHT	1	F# JN8-200101~
13	90267-48831-00	RIVET, BLIND	4	F# JN8-200101~

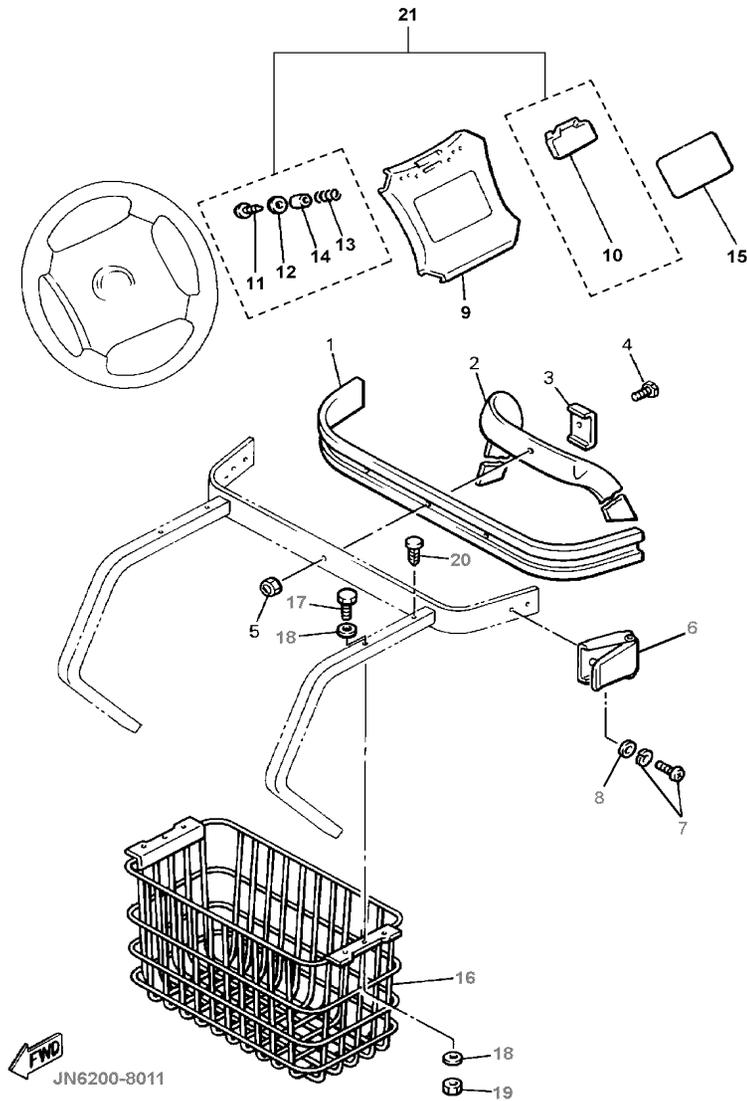


FIG. 15 CARRIER

REF NO.	PART NUMBER	DESCRIPTION	QTY	REMARKS
1	JF2-K8356-00-00	PAD, BAG SUPPORT	1	
2	JF2-K8355-00-00	BAND	1	
3	J38-78367-00-00	PLATE, ANCHOR	1	
4	90101-06865-00	BOLT, HEX.	1	
5	90185-06836-00	NUT, SELF LOCKING	1	
6	JN6-K8380-00-00	LOCK ASSY.	2	
7	90159-06845-00	SCREW, WITH WASHER	4	
8	9299R-06200-00	WASHER, PLAIN	4	
9	JN3-K8357-00-00	HOLDER, 1	1	SEE NOTE "A"
10	JN6-K8358-00-00	HOLDER, 2	1	
11	97707-40625-00	SCREW, PAN HEAD	2	
12	90201-044H9-00	WASHER, PLAIN	2	
13	90502-10013-00	SPRING, CONICAL	2	
14	90387-046N7-00	COLLAR	2	
15	JN3-K7762-01-00	LABEL, WARNING 2	1	UR, FOR USA SEE NOTE "A"
	JN3-K7762-10-00	LABEL, WARNING 2	1	UR, FOR CAN SEE NOTE "A"
	JN3-K7762-20-00	LABEL, WARNING 2	1	UR, FOR EUR SEE NOTE "A"
16	JN3-K8340-00-00	LUGGAGE RACK	1	
17	90111-08803-00	BOLT, HEX. SOCKET	2	
18	90201-08103-00	WASHER, PLAIN	4	
19	90185-08832-00	NUT, SELF-LOCKING	2	
20	90338-09828-00	PLUG	2	
21	JN6-K8358-00-KT	SCORECARD HOLDER KIT	1	SEE NOTE "B"

NOTE "A": When replacing "Holder 1 JN3-K8357-00-00" you must also replace "Label Warning 2 JN3-K7762-\*\*-00".

NOTE "B": Includes 10, 11, 12, 13, 14

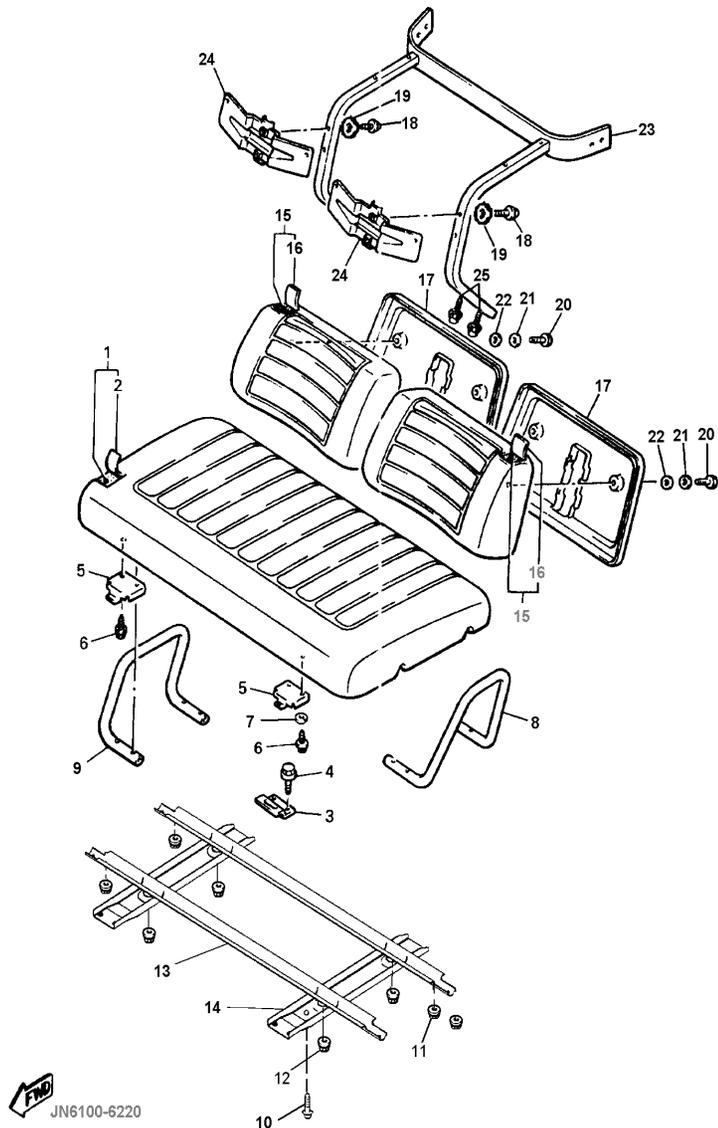
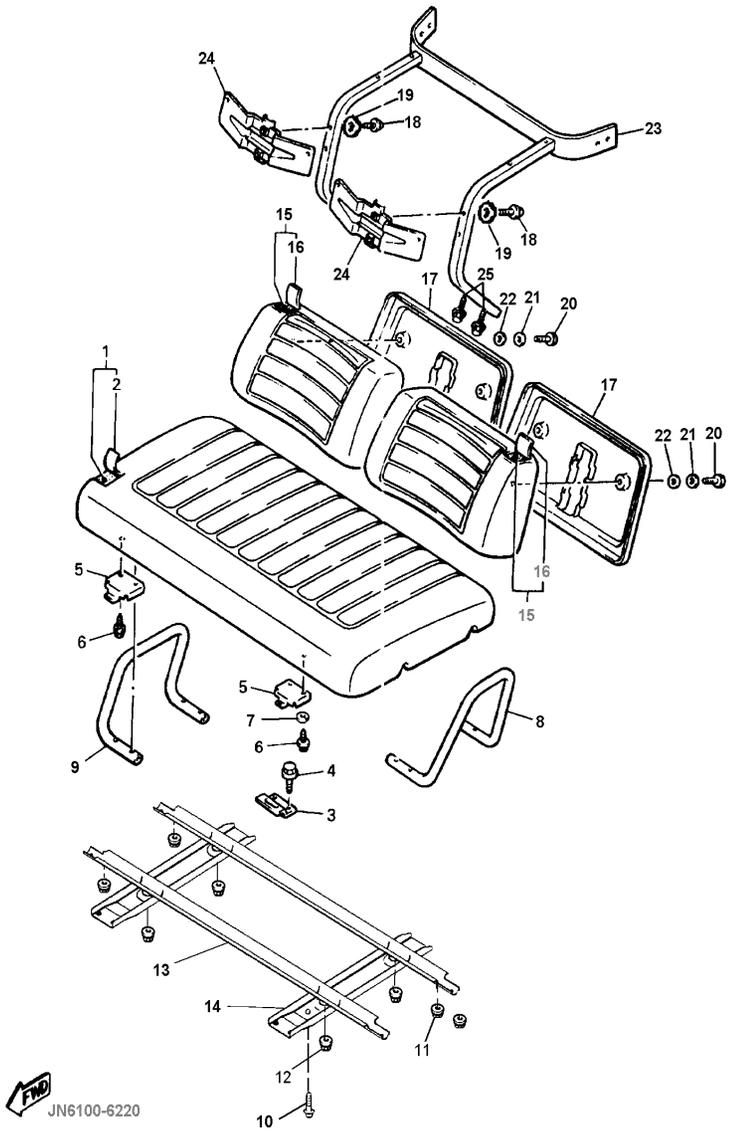


FIG. 16 SEAT

REF NO.	PART NUMBER	DESCRIPTION	QTY	REMARKS
1	JN6-K8401-10-00	CUSHION SEAT	1	UR, F# JN8-300101~
2	JN6-K8404-09-00	.COVER, SEAT	1	UR, F# ~JN8-307500
	JN6-K8404-10-00	.COVER, SEAT	1	UR, F# JN8-400101~
3	JF2-K8427-00-00	HINGE, SEAT FEMALE	2	
4	90105-06903-00	BOLT, FLANGE	4	
5	JN3-K8426-01-00	HINGE, SEAT MALE	2	UR, F# JN8-202901~
6	97395-05012-00	BOLT HEX. HEAD	4	F# ~JN8-202900
	90111-06810-00	BOLT, BUTTON	4	F# JN8-202901~
7	92990-05100-00	WASHER, LOCK	4	F# ~JN8-202900
	90204-06870-00	WASHER, LOCK	4	F# JN8-202901~
8	JN3-K8361-00-00	ARM REST 1	1	
9	JN6-K8362-00-00	ARMREST 2	1	
10	90167-04815-00	SCREW, P/H TAPPING	4	
11	90185-08839-00	NUT, SELF LOCKING	8	
12	95607-08200-00	NUT, U-FLANGE	4	
13	JN6-K8121-00-00	REINFORCEMENT 1	2	
14	JN6-K8122-01-00	REINFORCEMENT 2	2	UR, SEE NOTE "A" F# JN8-202901~
15	JN3-K8402-00-00	BACK, SEAT SUB.	2	
16	JN3-K841G-09-00	.COVER, SEAT BACK 2	1	
17	JN3-K8413-00-00	COVER, SEAT BACK	2	
18	90119-08820-00	BOLT, HEX. W/WASHER	4	
19	90201-098J4-00	WASHER, PLAIN	4	
20	95880-06025-00	BOLT, FLANGE	4	
21	90201-068G0-00	WASHER, PLAIN	4	

NOTE "A": For early units up to and including F# JN8-202900, you must also use REF Numbers 5 (JN3-K8426-01-00, Hinge, Seat Male ), 6 (90111-06810-00, Bolt Button ) and 7 (90204-06870-00, Washer, Lock).

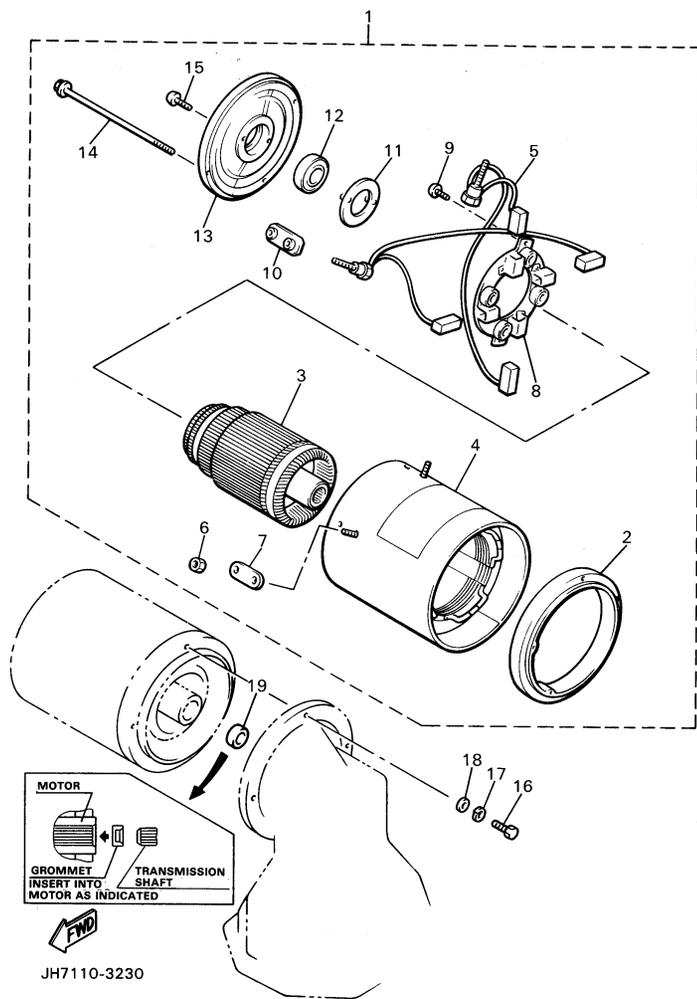


 JN6100-6220

FIG. 16 SEAT

REF NO.	PART NUMBER	DESCRIPTION	QTY	REMARKS
22	90201-068G6-00	WASHER, PLAIN	4	
23	JN3-K8423-11-00	SUPPORT, SEAT BACK	1	
24	JN3-K842H-00-00	RETAINER, SEAT	2	
25	95817-08045-00	BOLT, FLANGE	4	

FIG. 17 ELECTRIC MOTOR



REF NO.	PART NUMBER	DESCRIPTION	QTY	REMARKS
1	JH7-H1890-10-00	MOTOR ASSY.	1	
2	JH7-H183J-00-00	.BRACKET, FRONT	1	
3	JH7-H1850-00-00	.ARMATURE ASSY	1	
4	JH7-H1810-10-00	.STATOR ASSY	1	
5	JH7-H1801-00-00	.BRUSH SET	1	
6	JH7-H1872-00-00	.NUT, SPECIAL	4	
7	J51-H1843-00-00	.WASHER 1	2	
8	JH7-H1840-00-00	.BRUSH HOLDER ASSY.	1	
9	JH7-H1848-00-00	.SCREW, BRUSH HOLDER	2	
10	JG6-H1824-00-00	.WASHER 2	2	
11	JH7-H1856-00-00	.BEARING	1	
12	J56-H1857-00-00	.RETAINER	1	
13	JH7-H1822-00-00	.BRACKET, STARTING MOTOR	1	
14	JG6-H1828-00-00	.BOLT 2	4	
15	JH7-H1846-00-00	.SCREW	2	
16	90101-06857-00	BOLT	3	
17	90215-06811-00	WASHER, LOCK	3	
18	90201-068E2-00	WASHER, PLATE	3	
19	JH7-H1829-00-00	GROMMET	1	

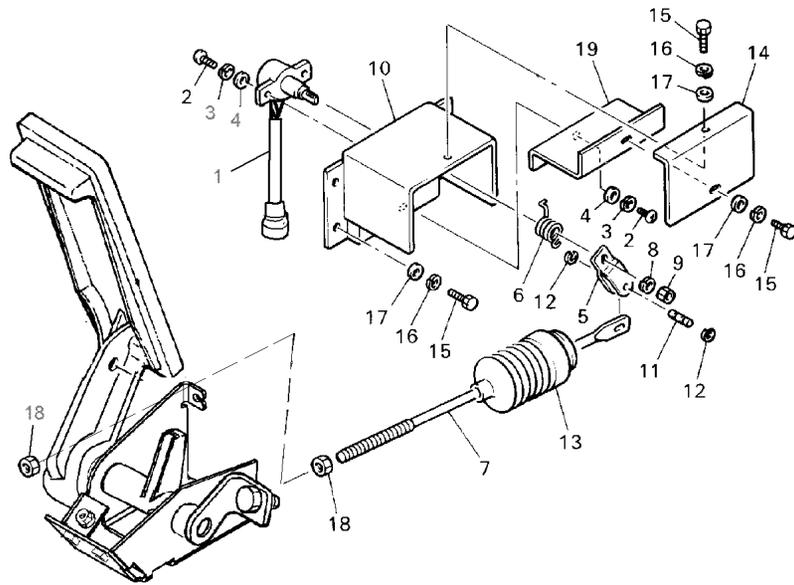
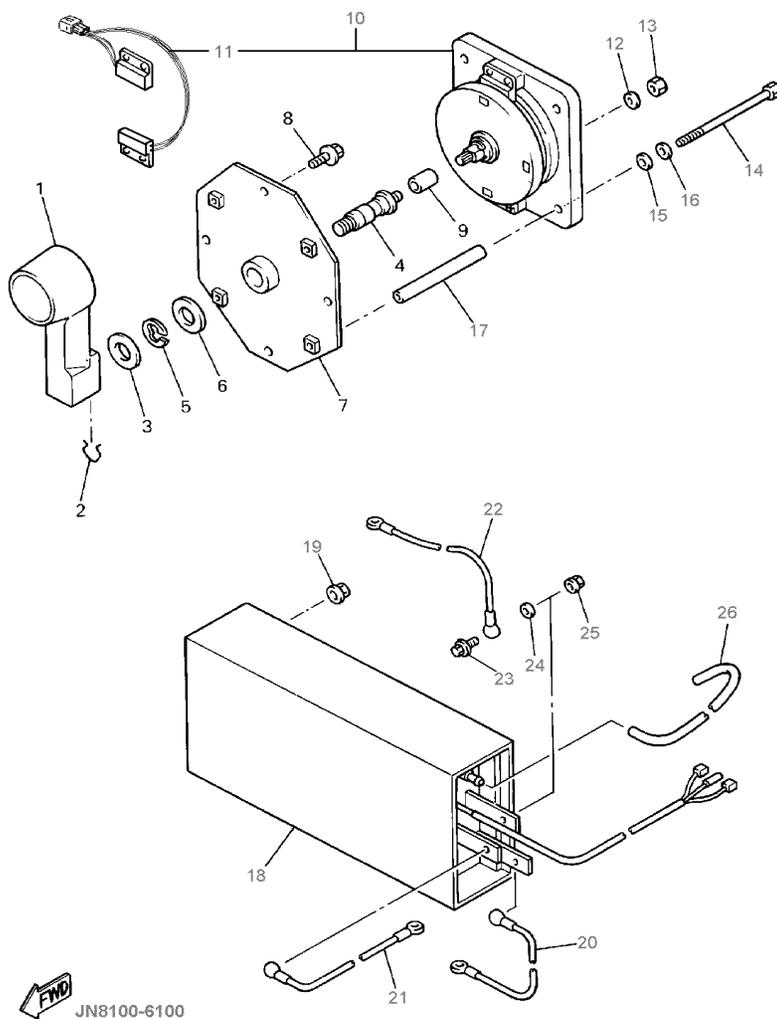


FIG. 18 CONTROLLER 1

REF NO.	PART NUMBER	DESCRIPTION	QTY	REMARKS
1	JN4-85885-01-00	THROTTLE SENSOR	1	
2	98507-05016-00	SCREW, PAN HEAD	3	
3	92907-05100-00	WASHER, LOCK	3	
4	92907-05600-00	WASHER	3	
5	JF3-2625H-00-00	ARM, THROTTLE	1	
6	JF3-27825-00-00	SPRING, RETURN	1	
7	JN4-F7241-00-00	ROD, JOINT	1	
8	92907-06100-00	WASHER, SPRING	1	
9	95307-06600-00	NUT, HEX.	1	
10	JF3-27981-00-00	BRACKET, THROTTLE	1	
11	JF3-27813-00-00	PIN, PEDAL CRANK	1	
12	99001-04600-00	CIRCLIP (E)	2	
13	JN4-F7486-00-00	COVER, 1	1	
14	JF3-27487-00-00	COVER, 2	1	
15	97017-05016-00	BOLT, HEX. HEAD	6	
16	92907-05100-00	WASHER, LOCK	6	
17	92907-05600-00	WASHER	6	
18	95307-08700-00	NUT, HEX.	2	
19	JF3-27445-00-00	PLATE 1	1	

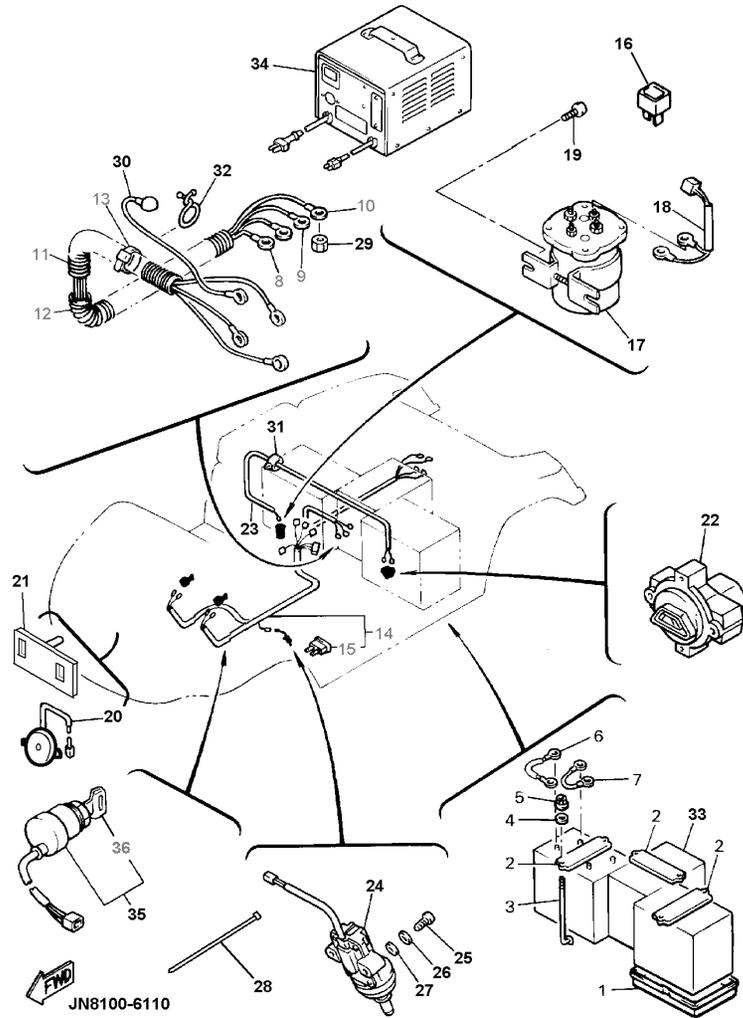
 JN8100-6090

FIG. 19 CONTROLLER 2



REF NO.	PART NUMBER	DESCRIPTION	QTY	REMARKS
1	JN3-G6381-00-00	KNOB, SHIFT	1	
2	JN3-G6376-00-00	SPRING SET	1	
3	90201-201L9-00	WASHER, PLAIN	1	
4	JN8-G6392-00-00	BAR, 1	1	
5	99009-19400-00	CIRCLIP (S)	1	
6	90201-19551-00	WASHER, PLAIN	1	
7	JN4-G6372-00-00	BRACKET, SHIFT	1	
8	95817-06016-00	BOLT, FLANGE	4	
9	J41-46394-00-00	JOINT	1	
10	JN4-82917-01-00	SWITCH, F/R SELECT ASSY	1	
11	JN4-8253R-00-00	.REED SWITCH ASSY.	1	
12	92907-06100-00	WASHER, SPRING	4	
13	95317-06600-00	NUT, HEX.	4	
14	97007-06100-00	BOLT, HEX.	4	
15	92907-06200-00	WASHER, PLAIN	4	
16	92907-06100-00	WASHER, SPRING	4	
17	90387-061W6-00	COLLAR	4	
18	JN4-86510-03-00	MOTOR CONTROL UNIT	1	
19	95707-06500-00	NUT, FLANGE	4	
20	JN4-86521-00-00	WIRE, 1	1	
21	JN4-86522-00-00	WIRE, 2	1	
22	JN8-H6523-00-00	WIRE, 3	1	
23	97007-05012-00	BOLT, HEX. H	3	
24	92907-05600-00	WASHER	3	
25	95707-05500-00	NUT, FLANGE	3	
26	90446-12375-00	HOSE	1	

FIG. 20 ELECTRICAL 1



REF NO.	PART NUMBER	DESCRIPTION	QTY	REMARKS
1	J56-H2123-00-00	SEAT, BATTERY	3	
2	JF3-H2136-00-00	PLATE, BATTERY	3	
3	JN4-H2133-00-00	SCREW, FITTING	6	
4	90201-065G8-00	WASHER, PLAIN	6	
5	95707-06500-00	NUT, FLANGE	6	
6	JN8-H2115-00-00	WIRE, PLUS LEAD	1	
7	J51-H2127-00-00	WIRE, LEAD 2	5	
8	JF3-H2521-01-00	WIRE, LEAD	1	
9	JN4-H2531-00-00	WIRE, LEAD	1	
10	JF3-H6171-00-00	WIRE, LEAD 1	1	
11	JF3-H7196-00-00	TUBE, 1	1	
12	JF3-H7197-00-00	TUBE, 2	1	
13	90465-13152-00	CLAMP	4	
14	JN8-H2590-00-00	WIRE HARNESS	1	UR, F# ~JN8-307500
	JN8-H2590-01-00	WIRE HARNESS	1	UR, SEE NOTE "A" F# JN8-400101~
15	42X-82151-00-00	.FUSE	1	(10A-BL)
16	J44-81980-60-00	DIODE ASSY.	2	
17	JF3-H1950-00-00	RELAY ASSY.	1	
18	JN6-H2105-00-00	HARNESS, WIRE	1	
19	90163-06005-00	SCREW, HEX.	2	
20	JR1-H3383-01-00	BUZZER	1	
21	JN6-H3386-00-00	STAY, BUZZER	1	
22	JN4-H6181-00-00	RECEPTACLE	1	UR, F# ~JN8-307500
	JF3-H6181-00-00	RECEPTACLE	1	UR, SEE NOTE "A" F# JN8-400101~
23	JN8-H2105-00-00	HARNESS, WIRE	1	
24	JF7-82817-20-00	SWITCH, ACCELERATOR STOP	1	

NOTE "A": JN8-H2590-01 Wire Harness to be used with JF3-H6181-00 Receptacle.

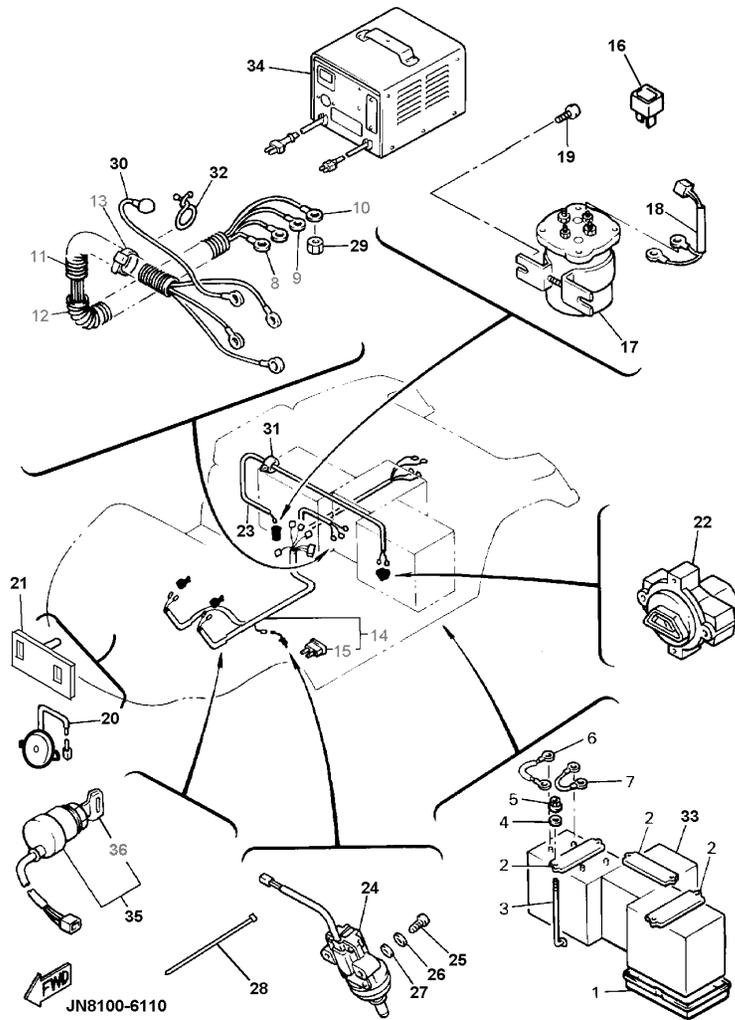


FIG. 20 ELECTRICAL 1

REF NO.	PART NUMBER	DESCRIPTION	QTY	REMARKS
25	98507-05025-00	SCREW, PAN HEAD	2	
26	92907-05100-00	WASHER, LOCK	2	
27	92907-05600-00	WASHER	2	
28	90464-31827-00	CLAMP	4	
29	JG6-H1872-00-00	NUT, SPECIAL	4	
30	JN8-H6527-00-00	WIRE, 7	1	
31	90464-25826-00	CLAMP	4	
32	90464-23041-00	CLAMP	2	
33	*	BATTERY ASSY.	6	DOMESTIC MARKET: * USE LOCAL MFR.
	JN8-H2110-B0-00	BATTERY ASSY.	6	FOR EXPORT MARKET
34	*	CHARGER, BATTERY	1	DOMESTIC MARKET: * DIRECT FROM LESTER 402-477-8988
	JN4-H2107-00-00	CHARGER, BATTERY	1	220 ~ 240 FOR EXPORT MARKET
35	JN8-82510-01-00	SWITCH, MAIN	1	
36	J44-82511-00-00	KEY, MAIN SWITCH	1	

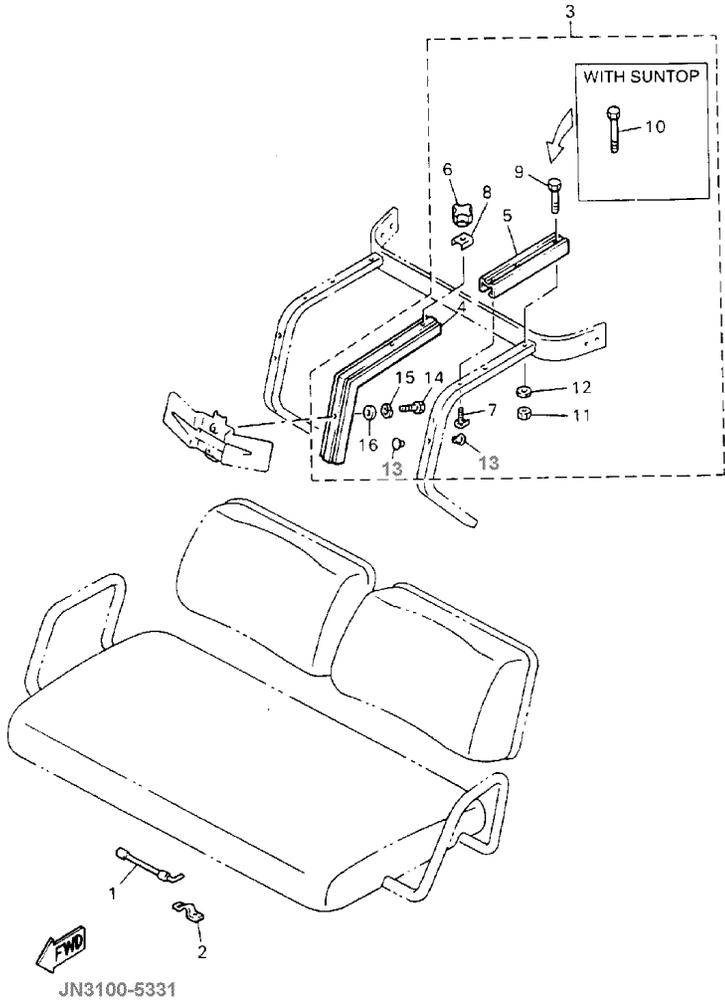
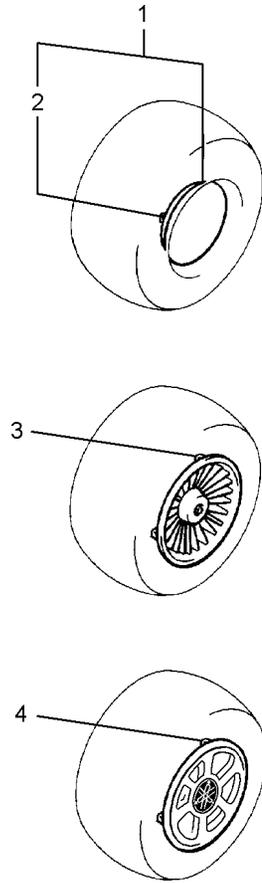


FIG. 21 OPTIONAL SEAT ADJUSTER

REF NO.	PART NUMBER	DESCRIPTION	QTY	REMARKS
1	JN3-K8421-00-00	SUPPORT, SEAT	1	
2	JF2-K8422-00-00	BRACKET, SEAT SUPPORT	1	
3	JN3-K8450-00-00	SEAT ADJUSTER ASSY	1	
4	JN3-K845A-00-00	.MEMBER, SLIDE SEAT	1	
5	JN3-K8451-00-00	.FRAME, SLIDE SEAT	1	
6	JN3-K8452-00-00	.SEAT-ADJUSTER	1	
7	JN3-K8459-00-00	.REINFORCEMENT, 1	1	
8	JN3-K845E-00-00	.REINFORCEMENT, 2	1	
9	97080-08045-00	.BOLT, HEXAGON	2	
10	97080-08070-00	.BOLT, HEXAGON	2	
11	95680-08100-00	.NUT, U	2	
12	92990-08200-00	.WASHER, PLAIN	2	
13	90338-09828-00	.PLUG	4	
14	97080-08020-00	.BOLT, HEX. HEAD	2	
15	92990-08100-00	.WASHER, SPRING	2	
16	92990-08600-00	.WASHER, PLATE	2	

FIG. 36 OPTIONAL HUB CAPS



REF NO.	PART NUMBER	DESCRIPTION	QTY	REMARKS
1	JG5-F512L-00-00	HUB-CAP, PLAIN	4	Comes with clips
2	JG5-F512N-00-00	.CLIP, HUB CAP	3	
3	JG5-F512M-00-00	HUB-CAP, MAG-STYLE	4	Comes with clips
4	JN6-HUBCP-TF-00	HUB-CAP, TUNING FORK LOGO	4	Comes with clips

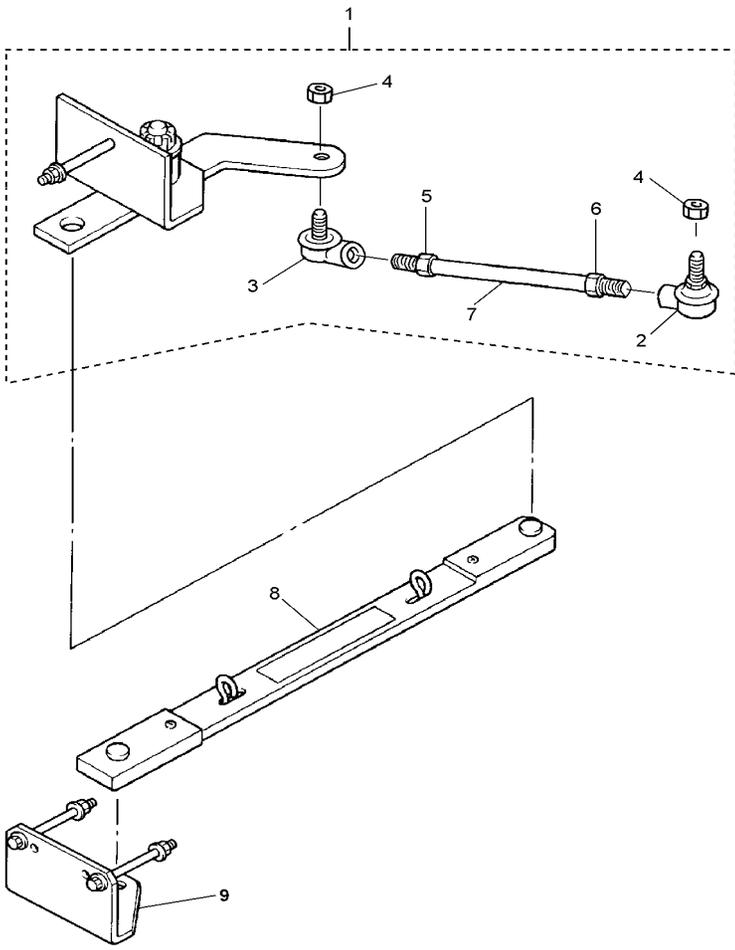
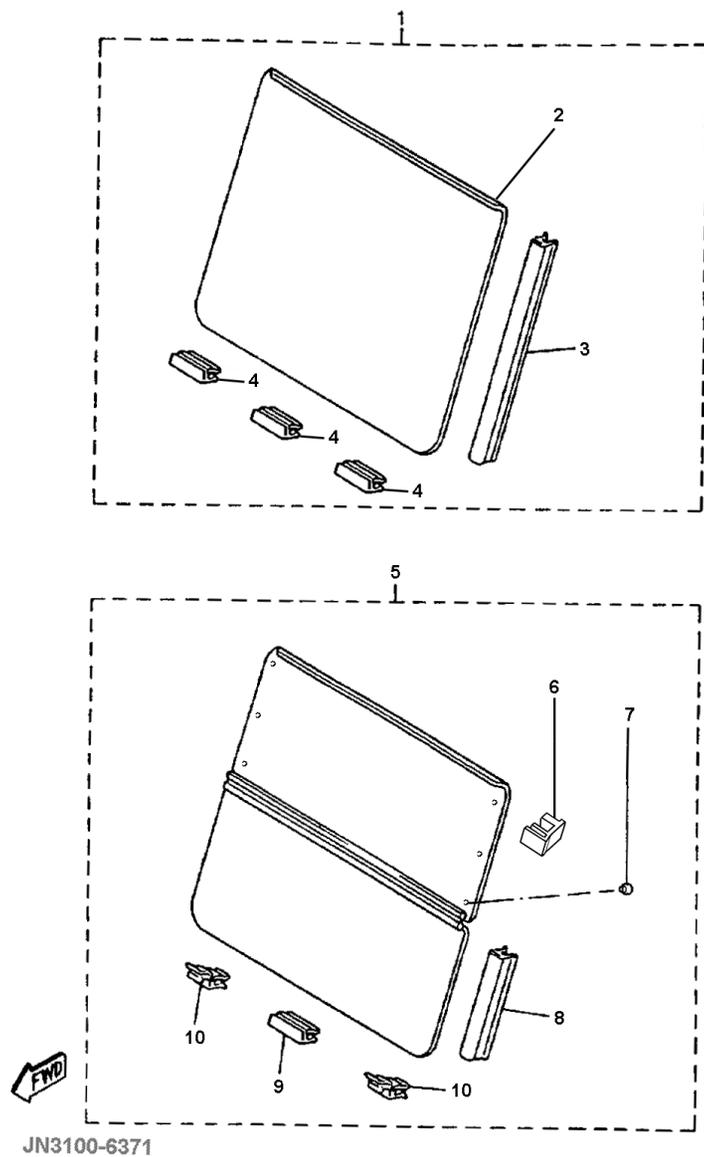


FIG. 37 OPTIONAL DRAW BAR

REF NO.	PART NUMBER	DESCRIPTION	QTY	REMARKS
1	JN3-F389K-01-00	ARM, PIVOT ASSY.	1	
2	JN6-F3841-00-00	UNIVERSAL JOINT RH	1	
3	JN6-F3845-00-00	UNIVERSAL JOINT LH	1	
4	95607-10200-00	NUT, U-FLANGE	2	
5	90170-12054-00	NUT (RH THREAD)	1	
6	95317-12700-00	NUT (LH THREAD)	1	
7	JN3-F3880-00-00	TIE ROD	1	
8	JG5-F389J-00-00	DRAW BAR ASSY.	1	
9	JN3-F3802-00-00	REAR HITCH ASSY.	1	

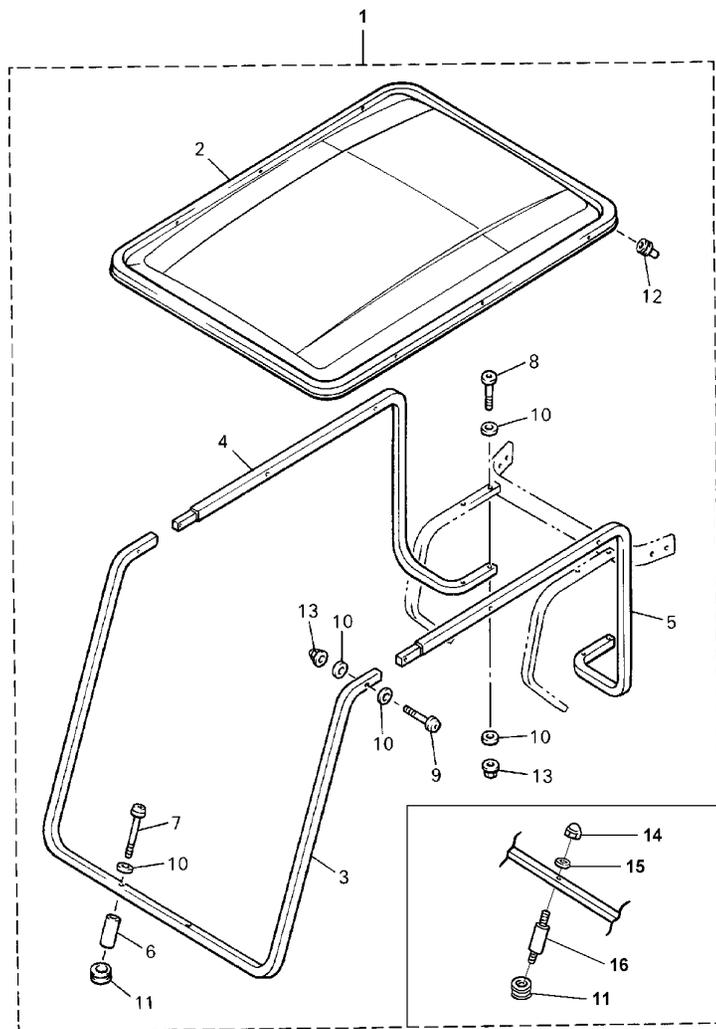
 JN6100-6271

FIG. 38 OPTIONAL WINDSHIELD



REF NO.	PART NUMBER	DESCRIPTION	QTY	REMARKS
1	JN3-K7200-00-00	WINDSHIELD ASSY. (ONE PIECE, CLEAR)	1	UR, AP
	JN3-K7200-10-00	WINDSHIELD ASSY. (ONE PIECE, TINTED)	1	UR, AP
2	JN3-K7211-01-00	.WINDSHIELD (ONE PIECE, CLEAR)	1	UR
	JN3-K7211-11-00	.WINDSHIELD (ONE PIECE, TINTED)	1	UR
3	JN3-K838C-00-00	.HOLDER SHIELD	2	
4	JN3-K722A-01-00	.FASTENER, 2	3	
5	JN3-K7200-20-00	WINDSHIELD ASSY. (HINGED, CLEAR)	1	UR, AP
	JN3-K7200-30-00	WINDSHIELD ASSY. (HINGED, TINTED)	1	UR, AP
6	ACC-CCGLU-ES-ET	LATCH, RUBBER	2	SEE NOTE "A"
7	JN3-K7238-00-00	..DAMPER, WINDSHIELD	6	
8	JN3-K838A-00-00	.RETAINER 1	2	
9	JN3-K722A-01-00	.FASTENER 2	1	
10	JN3-K7222-00-00	.BRACKET, W/S	2	

NOTE "A": Includes adhesive. Replaces old style latch for hinged windshields.



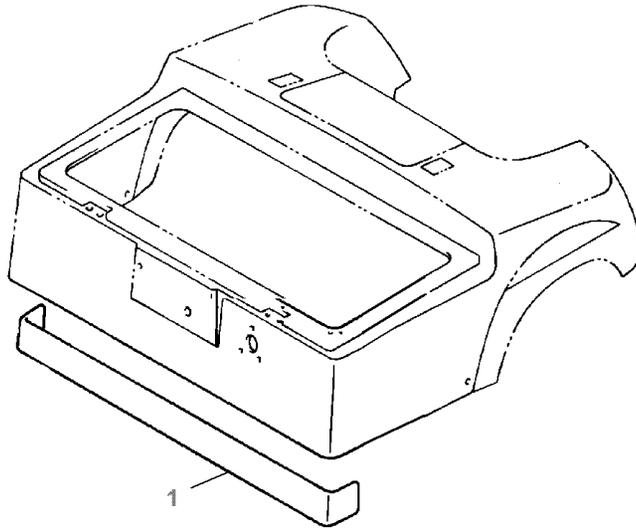
 JN3100-5371

FIG. 39 OPTIONAL SUN ROOF

REF NO.	PART NUMBER	DESCRIPTION	QTY	REMARKS
1	JN3-K8310-10-00	SUN ROOF ASSY	1	
2	JN3-K8314-00-00	.COVER, SUNROOF	1	
3	JN3-K8312-00-00	.SUPPORT, ROOF 1	1	
4	JN3-K831A-00-00	.SUPPORT, ROOF 3	1	
5	JN3-K8313-00-00	.SUPPORT, ROOF 2	1	
6	90387-09826-00	.COLLAR	2	F# ~JN8-307500
7	90101-08862-00	.BOLT, HEX.	2	F# ~JN8-307500
8	90101-22864-00	.BOLT, HEX.	4	
9	90101-22863-00	.BOLT, HEX.	6	
10	90201-088E5-00	.WASHER, PLAIN	22	
11	JN3-K832F-00-00	.GROMMET, ROOF	2	
12	JN3-K832G-00-00	.GROMMET, ROOF	2	
13	90185-12835-00	.NUT, SELF-LOCKING	10	
14	90176-08801-00	.NUT, CAP	2	F# JN8-400101~
15	90201-098J4-00	.WASHER, PLAIN	2	F# JN8-400101~
16	JN6-K834A-00-00	.REINF., HOLDER	2	F# JN8-400101~

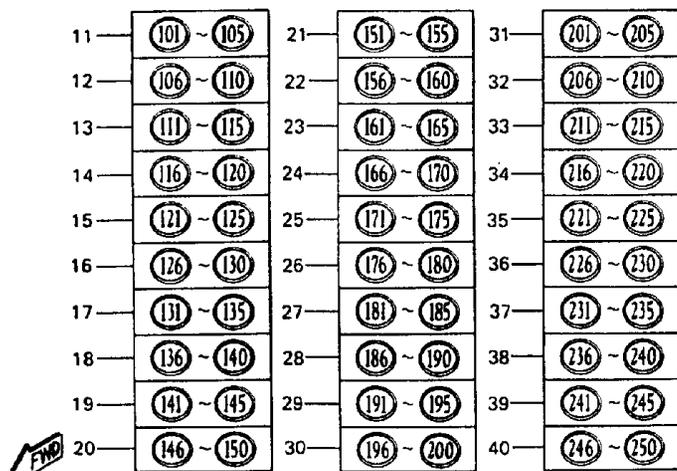
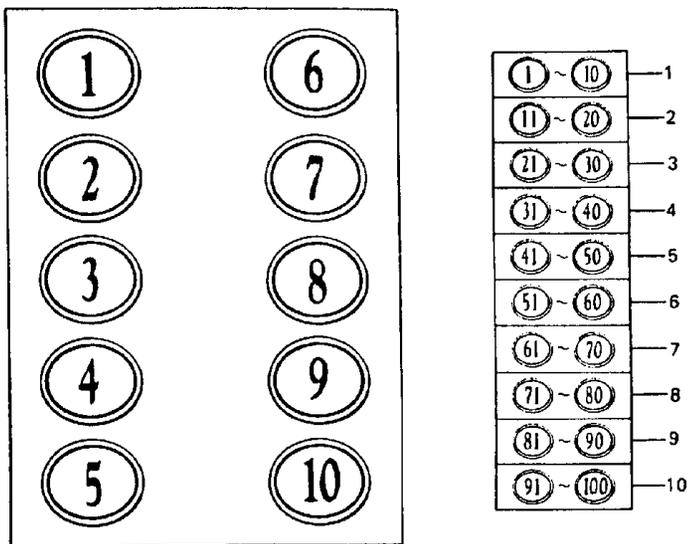
FIG. 40 OPTIONAL ORNAMENT PLATE

REF NO.	PART NUMBER	DESCRIPTION	QTY	REMARKS
1	JN3-K814N-00-00	PLATE, ORNAMENT	1	



 JN6100-6291

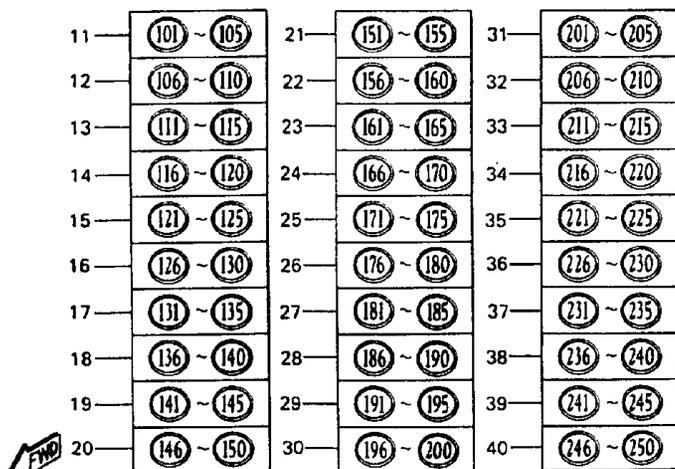
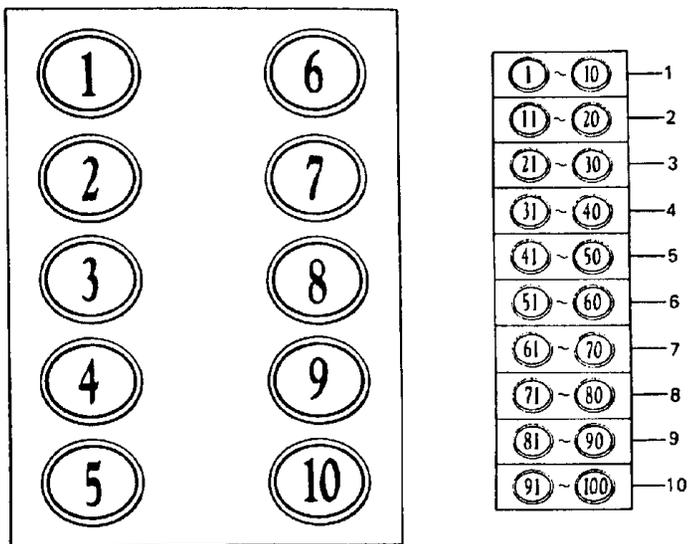
FIG. 41 OPTIONAL FLEET NUMBERS



JN3100-6400

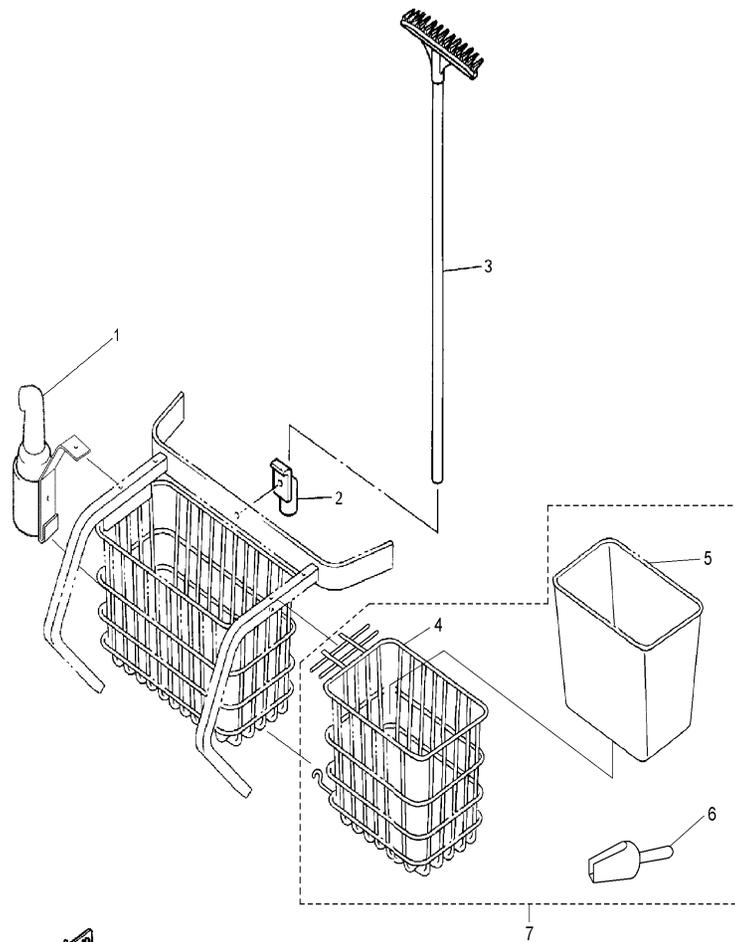
REF NO.	PART NUMBER	DESCRIPTION	QTY	REMARKS
1	JG5-K810T-10-00	FLEET, NUMBER	1	AR
2	JG5-K810T-20-00	FLEET, NUMBER	1	AR
3	JG5-K810T-30-00	FLEET, NUMBER	1	AR
4	JG5-K810T-40-00	FLEET, NUMBER	1	AR
5	JG5-K810T-50-00	FLEET, NUMBER	1	AR
6	JG5-K810T-60-00	FLEET, NUMBER	1	AR
7	JG5-K810T-70-00	FLEET, NUMBER	1	AR
8	JG5-K810T-80-00	FLEET, NUMBER	1	AR
9	JG5-K810T-90-00	FLEET, NUMBER	1	AR
10	JG5-K810T-00-00	FLEET, NUMBER	1	AR
11	JG5-K810U-A0-00	FLEET, NUMBER	1	AR
12	JG5-K810U-10-00	FLEET, NUMBER	1	AR
13	JG5-K810U-E0-00	FLEET, NUMBER	1	AR
14	JG5-K810U-20-00	FLEET, NUMBER	1	AR
15	JG5-K810U-F0-00	FLEET, NUMBER	1	AR
16	JG5-K810U-30-00	FLEET, NUMBER	1	AR
17	JG5-K810U-G0-00	FLEET, NUMBER	1	AR
18	JG5-K810U-40-00	FLEET, NUMBER	1	AR
19	JG5-K810U-H0-00	FLEET, NUMBER	1	AR
20	JG5-K810U-50-00	FLEET, NUMBER	1	AR
21	JG5-K810U-J0-00	FLEET, NUMBER	1	AR
22	JG5-K810U-60-00	FLEET, NUMBER	1	AR
23	JG5-K810U-K0-00	FLEET, NUMBER	1	AR
24	JG5-K810U-70-00	FLEET, NUMBER	1	AR
25	JG5-K810U-L0-00	FLEET, NUMBER	1	AR
26	JG5-K810U-80-00	FLEET, NUMBER	1	AR
27	JG5-K810U-M0-00	FLEET, NUMBER	1	AR

FIG. 41 OPTIONAL FLEET NUMBERS



JN3100-6400

REF NO.	PART NUMBER	DESCRIPTION	QTY	REMARKS
28	JG5-K810U-90-00	FLEET, NUMBER	1	AR
29	JG5-K810U-N0-00	FLEET, NUMBER	1	AR
30	JG5-K810U-00-00	FLEET, NUMBER	1	AR
31	JG5-K810V-A0-00	FLEET, NUMBER	1	AR
32	JG5-K810V-10-00	FLEET, NUMBER	1	AR
33	JG5-K810V-E0-00	FLEET, NUMBER	1	AR
34	JG5-K810V-20-00	FLEET, NUMBER	1	AR
35	JG5-K810V-F0-00	FLEET, NUMBER	1	AR
36	JG5-K810V-30-00	FLEET, NUMBER	1	AR
37	JG5-K810V-G0-00	FLEET, NUMBER	1	AR
38	JG5-K810V-40-00	FLEET, NUMBER	1	AR
39	JG5-K810V-H0-00	FLEET, NUMBER	1	AR
40	JG5-K810V-50-00	FLEET, NUMBER	1	AR



 JN3100-5401

FIG. 42 OPTIONAL SAND BOTTLE / RAKE

REF NO.	PART NUMBER	DESCRIPTION	QTY	REMARKS
1	JN3-K8309-00-00	SAND BOTTLE ASSY.	1	
	JN3-K839E-00-00	.SAND BOTTLE	1	
	JN3-K839G-00-00	.HOLDER, SAND BOTTLE	1	
	JN3-K839H-00-00	.BRACKET, SAND BOTTLE	1	
	JN3-K839J-00-00	.SLEEVE	1	
	95027-06016-00	.BOLT, SMALL FLANGE	3	
	90201-088E5-00	.WASHER, PLATE	1	
	95607-06200-00	.NUT, SELF LOCK	3	
2	JG5-K834G-00-00	HOLDER, RAKE	1	
3	JG5-K834H-00-00	RAKE, SAND 1	1	
4	JN6-SIDEB-AS-KT	SIDE BASKET	1	
5	JN6-SANDB-UC-KT	SAND BUCKET	1	
6	JN6-SANDS-CO-OP	SAND SCOOP	1	
7	JN6-SANDB-KK-IT	SAND BUCKET KIT	1	SEE NOTE "A"

NOTE "A" : Includes 4, 5, 6

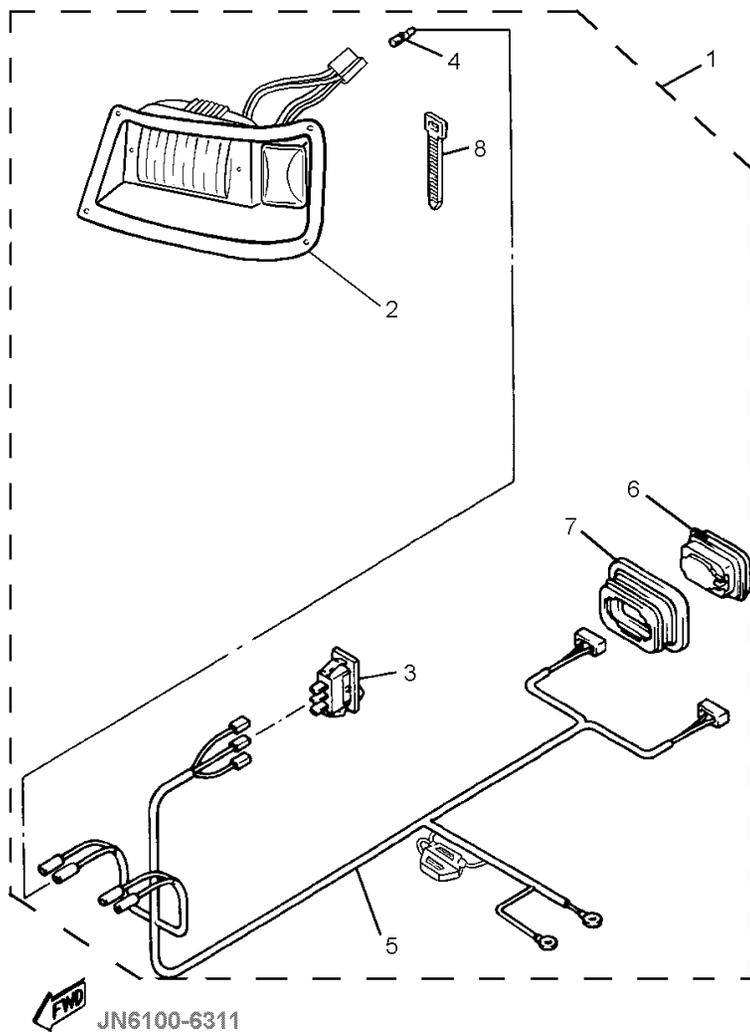
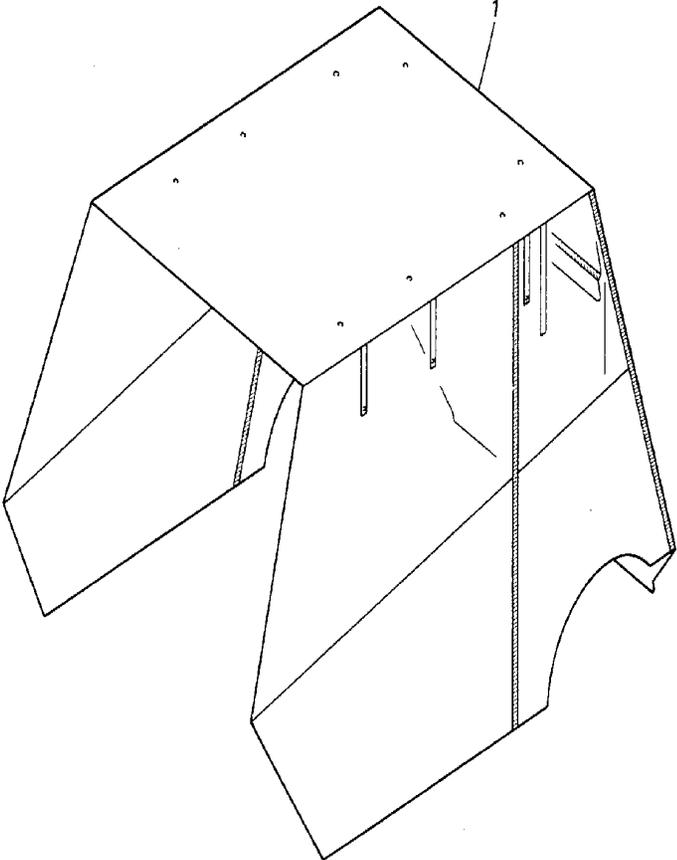


FIG. 43 OPTIONAL LIGHT KIT

REF NO.	PART NUMBER	DESCRIPTION	QTY	REMARKS
1	JN6-H430A-20-00	LIGHT KIT ASSY.	1	
2	JN3-H4303-20-00	.HEAD LIGHT UNIT ASSY.	1	INCLUDES RH & LH HEADLIGHTS
3	JN3-H3976-20-00	.SWITCH	1	
4	90890-05159-00	.BULLET, PLUG	2	
5	JN6-H4159-00-00	.CORD, HEAD LIGHT	1	
6	JN3-H4700-00-00	.TAIL LIGHT ASSY	2	
7	JN3-H4718-00-00	.GROMMET, TAIL	2	
8	90464-14806-00	.CLAMP	25	

FIG. 44 OPTIONAL ENCLOSURE



REF NO.	PART NUMBER	DESCRIPTION	QTY	REMARKS
1	JN3-K832U-00-00	ENCLOSURE	1	

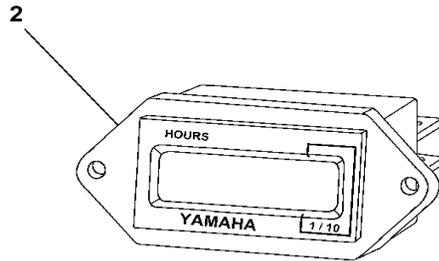
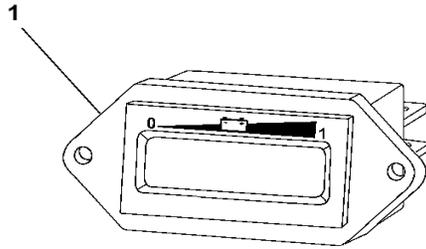


JN3100-6440

FIG. 45 OPTIONAL ENERGY / HOUR GAUGES

REF NO.	PART NUMBER	DESCRIPTION	QTY	REMARKS
1	JN8-H351C-00-00	BATTERY ENERGY GAUGE	1	SEE NOTE "A"
2	JN6-H351C-00-00	HOUR GAUGE	1	SEE NOTE "A"

NOTE "A": Includes mounting screws and terminal connectors.



JN8100-1010

## CONTENTS

CHASSIS	PAGE		PAGE
Rear Arm / Suspension	5	Optional Seat Adjuster	34
Frame	6	Optional Hub Caps	35
Front Suspension / Wheel	7 ~ 8	Optional Draw Bar	36
Steering	9 ~ 10	Optional Windshield	37
Brake	11 ~ 13	Optional Sunroof	38
Brake 2	14	Optional Ornament Plate	39
Brake 3	15	Optional Fleet Numbers	40 ~ 41
Accelerator	16	Optional Sand Bottle / Rake	42
Transaxle 1	17 ~ 18	Optional Light Kit	43
Rear Axle Mount / Wheel	19	Optional Enclosure	44
Bumper	20	Optional Energy / Hour Gauges	45
Body (Front)	21 ~ 22		
Body 2 (Rear)	23 ~ 24		
Body Fitting	25		
Carrier	26		
Seat	27 ~ 28		
Electric Motor	29		
Controller 1	30		
Controller 2	31		
Electrical 1	32 ~ 33		