

YAMAHA



PARTS CATALOG

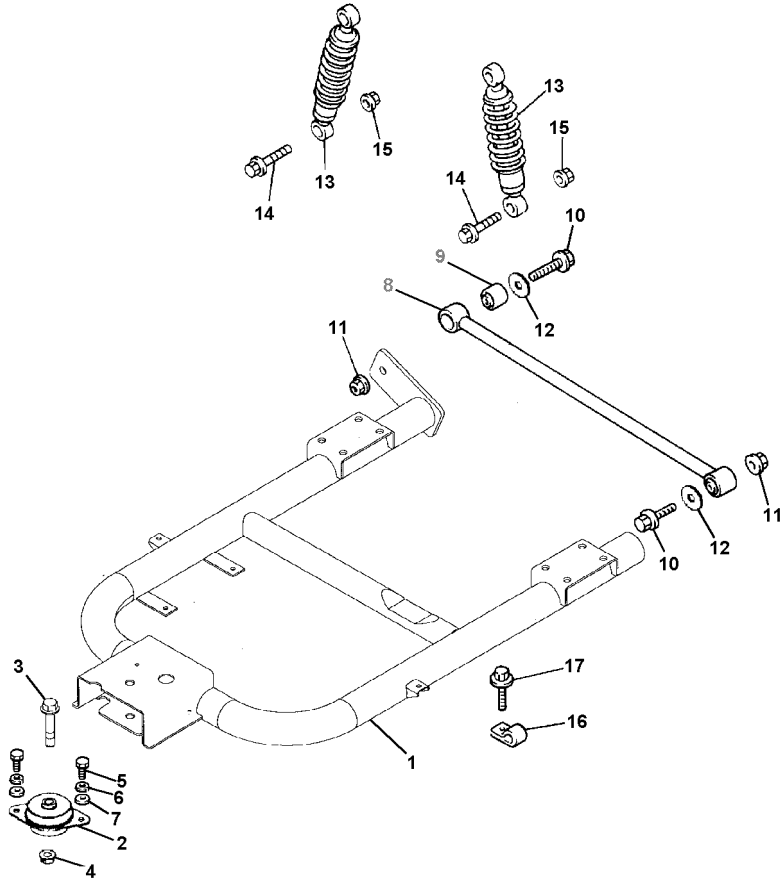
1996 G16EP
1997 G16ER
1998 G16ES
1999 G16ET
2000 G16EU
2001 G16EW

(JN81) U.S.A., CANADA, EUROPE, OTHERS

MARCH 2000

10JN8-100E4

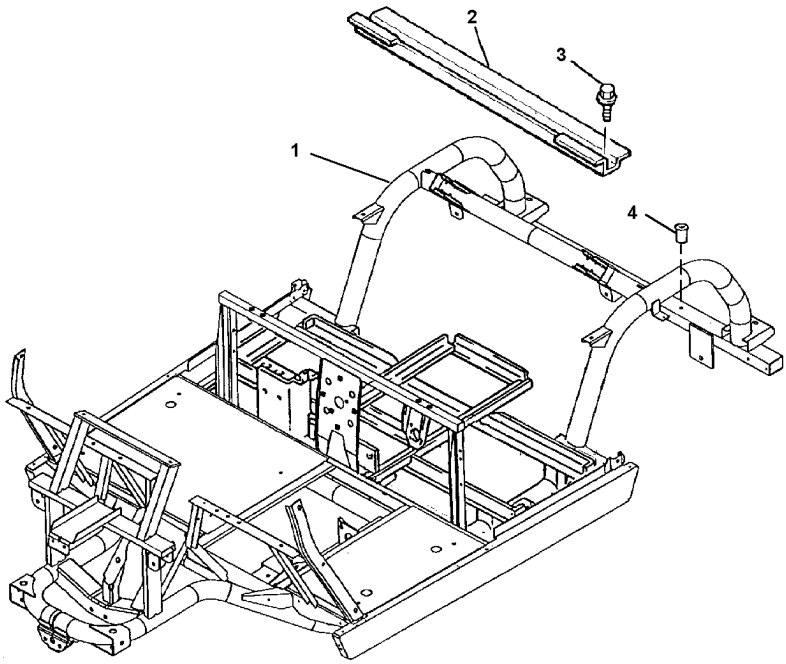
REAR ARM - SUSPENSION




Ref. No.	Part Number	Description	Qty	Remarks
1	JN8-F2110-00-00	REAR ARM COMP.	1	
2	JN6-F2123-00-00	BUSHING,	1	
3	90105-13864-00	BOLT, FLANGE	1	
4	90179-13878-00	NUT	1	
5	97017-10020-00	BOLT	2	
6	92907-10100-00	WASHER, SPRING	2	
7	92907-10600-00	WASHER, PLATE	2	
8	JN6-F2172-00-00	ROD, CONNECTING (JN6-F217G-00-00)	1	
9	JN6-F2124-00-00	BUSHING,	2	
10	95817-12065-00	BOLT, FLANGE	2	
11	95617-12200-00	NUT, SELF-LOCKING	2	
12	90201-12426-00	WASHER, PLATE	2	
13	JN4-F2210-00-00	SHOCK ABSORBER	2	
14	95817-10055-00	BOLT, FLANGE	4	
15	95617-10200-00	NUT, SELF-LOCKING	4	
16	90462-20186-00	CLAMP	2	
17	95817-06016-00	BOLT, FLANGE	2	

 JN8100-6010

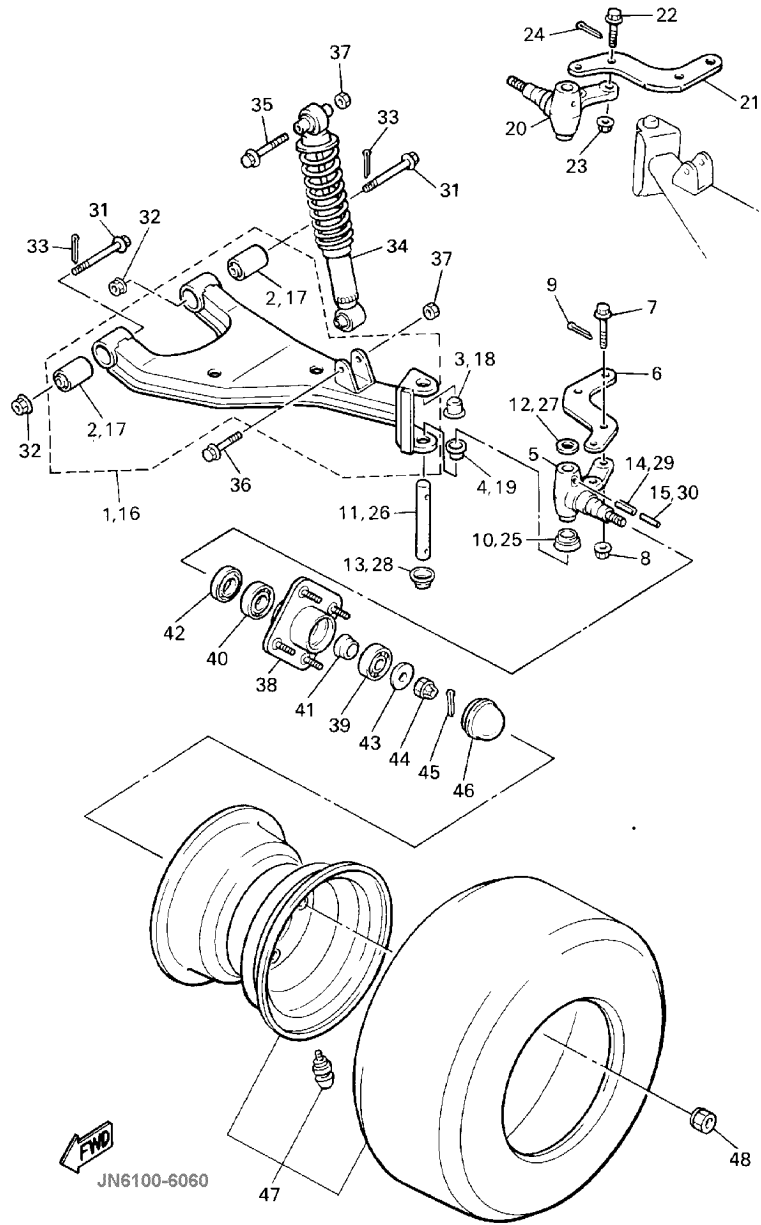
FRAME



 JN8100-6020

Ref. No.	Part Number	Description	Qty	Remarks
1	JR1-F2501-00-00	FRAME COMP.	1	
2	JN6-F254R-00-00	SUPPORT, BODY MOUNTING .	1	
3	95817-08016-00	BOLT, FLANGE	2	
4	90185-06836-00	NUT, SELF LOCKING	2	

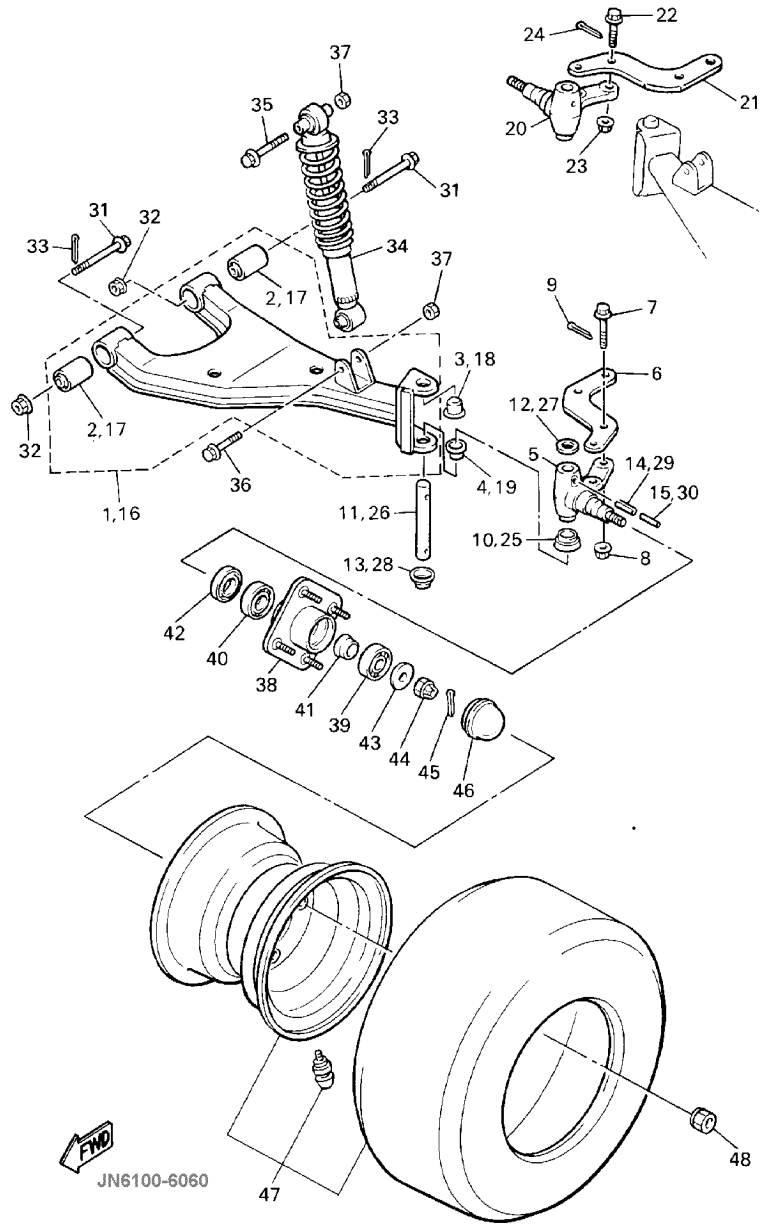
FRONT SUSPENSION - WHEEL



Ref. No.	Part Number	Description	Qty	Remarks
1	JN6-F3570-00-00	FRONT LOWER ARM, LEFT	1	
2	JN6-F3526-00-00	. BUSHING, ARM	1	
3	90338-17225-00	PLUG	1	
4	90386-15139-00	BUSH	1	
5	JN6-F3511-00-00	KNUCKLE, STEERING	1	
6	JN3-F3512-00-00	ARM, KNUCKLE	1	
7	90105-10360-00	BOLT, FLANGE	2	
8	95617-10200-00	NUT, SELF-LOCKING	2	
9	91490-25020-00	PIN, COTTER	2	
10	J38-23527-00-00	SEAL, DUST	1	
11	J38-23516-00-00	PIN, STEERING KNUCKLE	1	
12	90201-156J2-00	WASHER, PLAIN	1	
13	J38-23528-00-00	SEAL, DUST	1	
14	91609-60028-00	PIN, SPRING	1	
15	91609-35028-00	PIN, SPRING	1	
16	JN6-F3580-00-00	FRONT LOWER ARM, RIGHT	1	
17	JN6-F3526-00-00	. BUSHING, ARM	1	
18	90338-17225-00	PLUG	1	
19	90386-15139-00	BUSH	1	
20	JN6-F3521-00-00	KNUCKLE, STEERING	1	
21	JN3-F3512-00-00	ARM, KNUCKLE	1	
22	90105-10360-00	BOLT, FLANGE	2	
23	95617-10200-00	NUT, SELF-LOCKING	2	
24	91490-25020-00	PIN, COTTER	2	
25	J38-23527-00-00	SEAL, DUST	1	
26	J38-23516-00-00	PIN, STEERING KNUCKLE	1	
27	90201-156J2-00	WASHER, PLAIN	1	
28	J38-23528-00-00	SEAL, DUST	1	
29	91609-60028-00	PIN, SPRING	1	

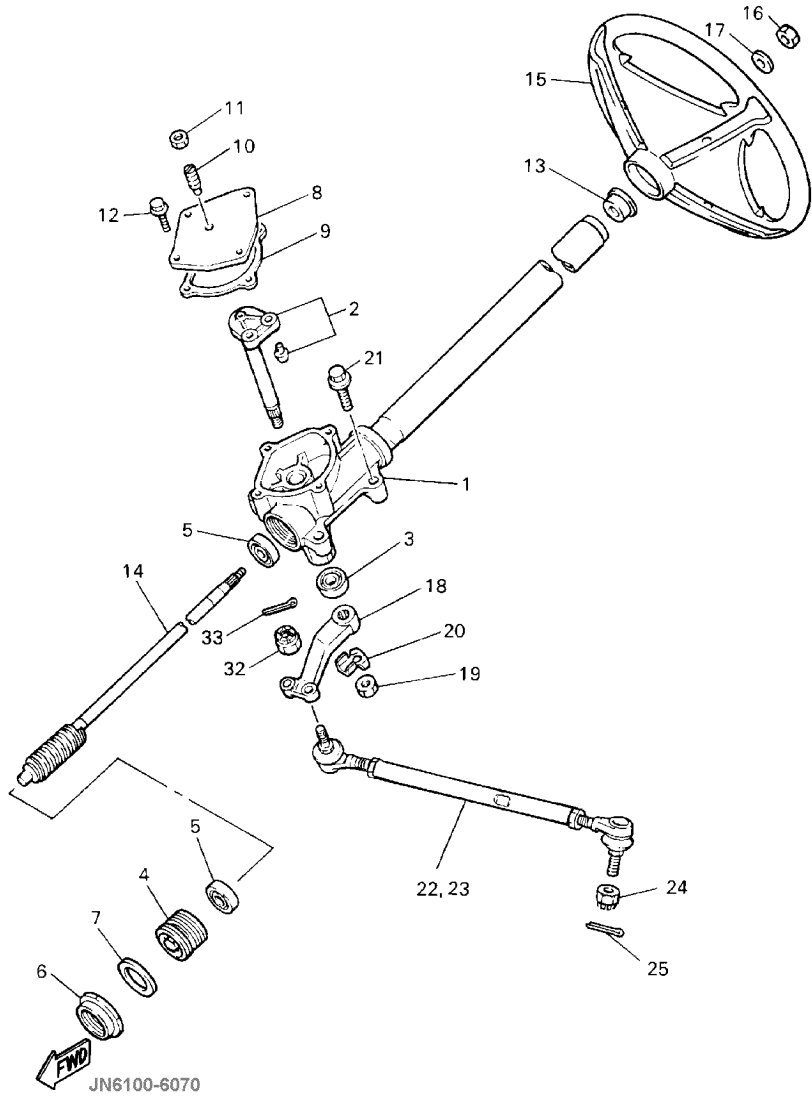
CONTINUED ON NEXT FRAME ➤

FRONT SUSPENSION - WHEEL



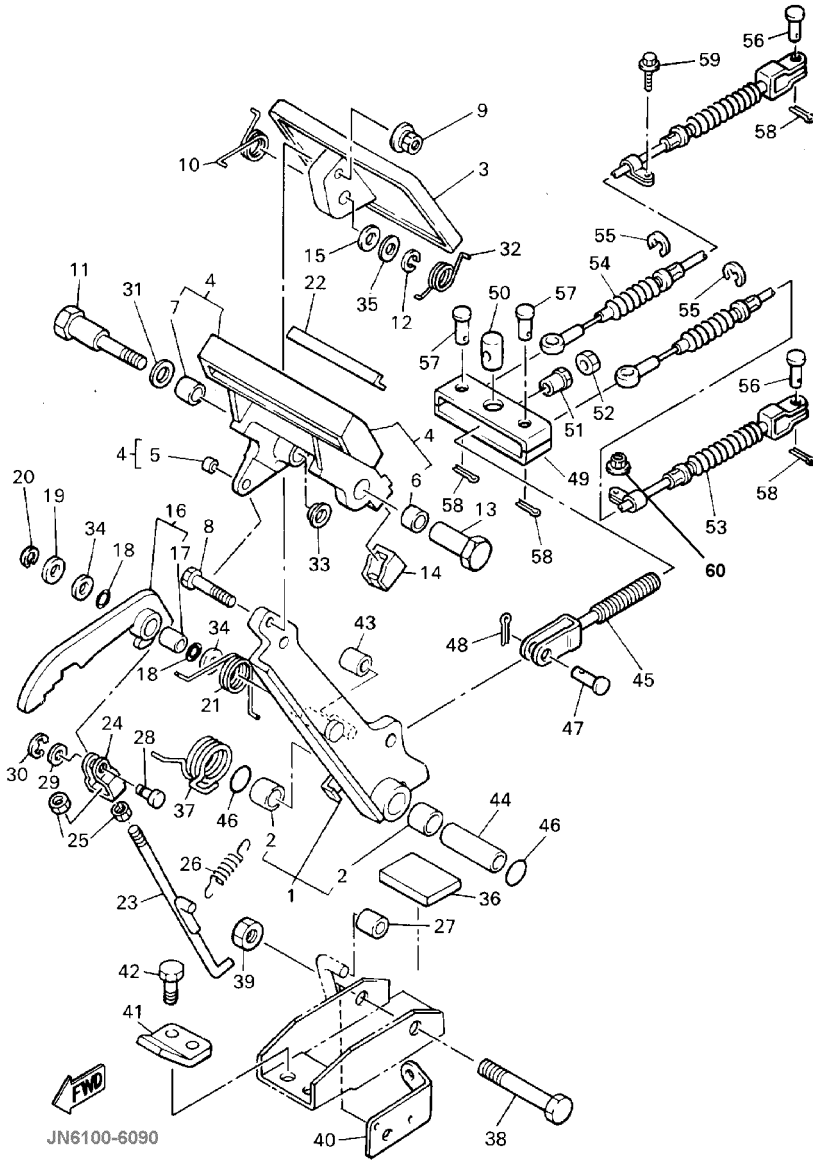
Ref. No.	Part Number	Description	Qty	Remarks
30	91609-35028-00	PIN, SPRING	1	
31	90105-10357-00	BOLT, FLANGE	4	
32	95617-10200-00	NUT, SELF-LOCKING	4	
33	91490-25020-00	PIN, COTTER	4	
34	JN4-F3350-00-00	CUSHION ASSEMBLY. (JN4-F3350-10-00)	2	
35	95807-10065-00	BOLT, FLANGE	2	
36	95817-10055-00	BOLT, FLANGE	2	
37	95617-10200-00	NUT, SELF-LOCKING	4	
38	JG5-WF511-00-00	HUB	2	
39	93306-204X0-00	BEARING	2	
40	93306-005Y3-00	BEARING	2	
41	90387-241M7-00	COLLAR	2	
42	93102-30083-00	SEAL, OIL	2	
43	90209-32271-00	WASHER	2	
44	95607-14100-00	NUT, U	2	
45	91490-25020-00	PIN, COTTER	2	
46	J17-25118-00-00	COVER, HUB DUST	2	
47	*---	FRONT WHEEL ASSEMBLY ..	1	LM
48	90179-12262-00	NUT	8	

STEERING



Ref. No.	Part Number	Description	Qty	Remarks
1	JG5-F3811-00-00	COLUMN, STEERING	1	
2	J38-23816-00-00	ARM, PITMAN	1	
3	93102-22314-00	SEAL, OIL	1	
4	J55-F3876-00-00	BOLT	1	
5	93332-000Y2-00	BEARING	2	
6	J10-23877-00-00	NUT	1	
7	J10-23444-00-00	WASHER	1	
8	JN3-F3818-00-00	COVER, STEERING	1	
9	J38-23462-00-00	SEAL, STEERING (J38-23462-01-00)	1	
10	J10-23459-00-00	BOLT	1	
11	90170-08024-00	NUT, HEX.	1	
12	95817-06020-00	BOLT, FLANGE	4	
13	JN3-F3814-00-00	HOLDER, HANDLE	1	
14	J10-23840-00-00	STEERING SHAFT	1	
15	JN3-F3838-00-00	WHEEL, STEERING	1	
16	90185-12119-00	NUT, SELF-LOCKING	1	
17	92907-12200-00	WASHER, PLAIN	1	
18	J38-23826-01-00	ARM, IDLER	1	
19	95707-16300-00	NUT, NYLON	1	
20	90215-16252-00	WASHER, TONGUE	1	
21	90105-100A4-00	BOLT, FLANGE	4	
22	JN3-F3830-00-00	TIE ROD ASSEMBLY, LEFT	1	
23	JN3-F3850-00-00	TIE ROD ASSEMBLY, RIGHT	1	
24	95617-10200-00	NUT, SELF-LOCKING	4	
25	91490-25020-00	PIN, COTTER	4	

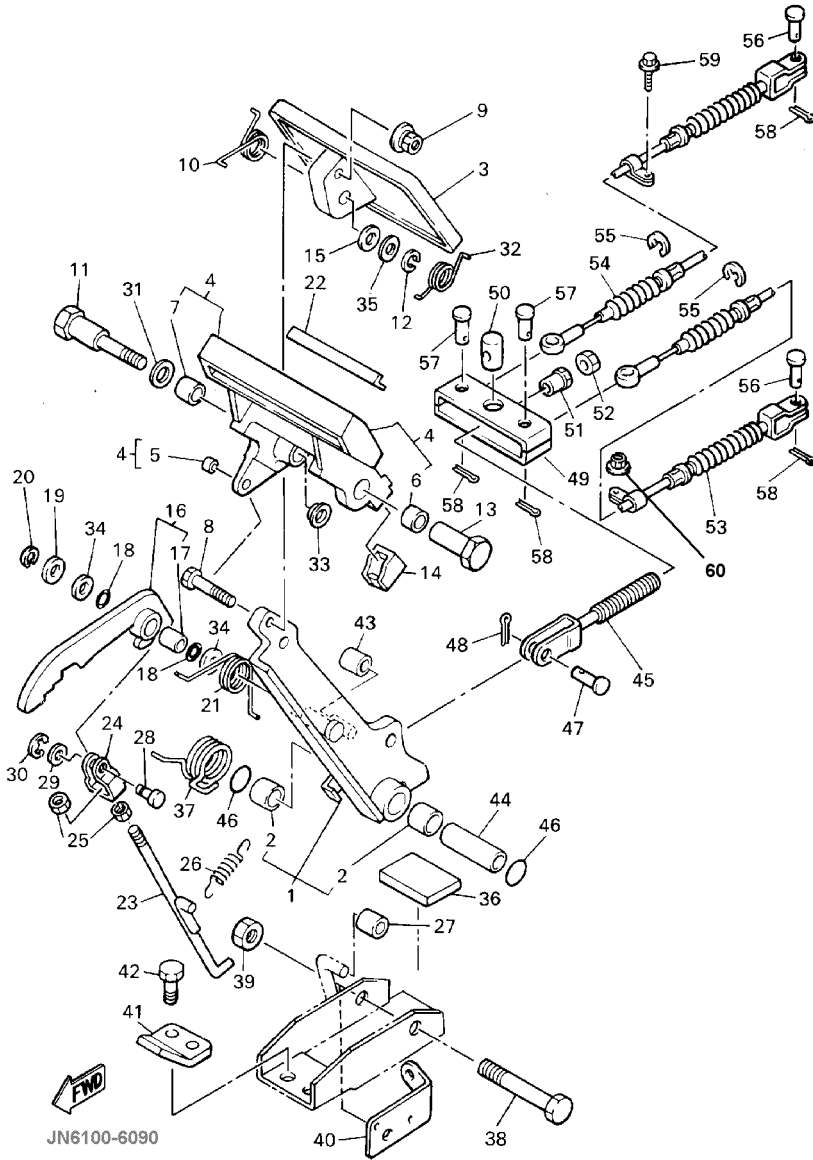
BRAKE 1



Ref. No.	Part Number	Description	Qty	Remarks
1	J46-27250-03-00	BRAKE ARM COMP	1	
2	90384-14080-00	. BUSH, BIMETAL	2	
3	J10-27211-00-00	PEDAL, BRAKE	1	
4	J17-25670-01-00	PARKING PEDAL COMP.	1	
5	90384-05163-00	. BUSH, BIMETAL	1	
6	90384-12164-00	. BUSH, BIMETAL	1	
7	90380-12051-00	. BUSH, SOLID	1	
8	90101-06555-00	BOLT, HEX.	1	
9	90179-07564-00	NUT	1	
10	90508-23542-00	SPRING, TORSION	1	
11	90109-08669-00	BOLT	1	
12	92907-08100-00	WASHER, SPRING	1	
13	90179-08378-00	NUT	1	
14	J17-25679-01-00	DAMPER	2	
15	92907-08200-00	WASHER	1	
16	J17-W2561-02-00	SECTOR, PARKING BRAKE ..	1	
17	90384-10162-00	. BUSH, BIMETAL	1	
18	J17-27221-00-00	SEAL, SHAFT	2	
19	92907-10600-00	WASHER, PLATE	1	
20	99080-07600-00	CIRCLIP (E)	1	
21	90508-14548-00	SPRING, TORSION	1	
22	J17-25672-01-00	PAD, PARKING	1	
23	J17-27231-03-00	ROD, BRAKE	1	
24	J17-27232-00-00	END, ROD	1	
25	95317-06700-00	NUT	2	
26	90506-12277-00	SPRING, TENSION	1	
27	J17-25673-00-00	DAMPER, BRAKE	1	
28	J17-27228-00-00	PIN, LINK JOINT	1	
29	92907-05600-00	WASHER, PLATE	1	

CONTINUED ON NEXT FRAME ►

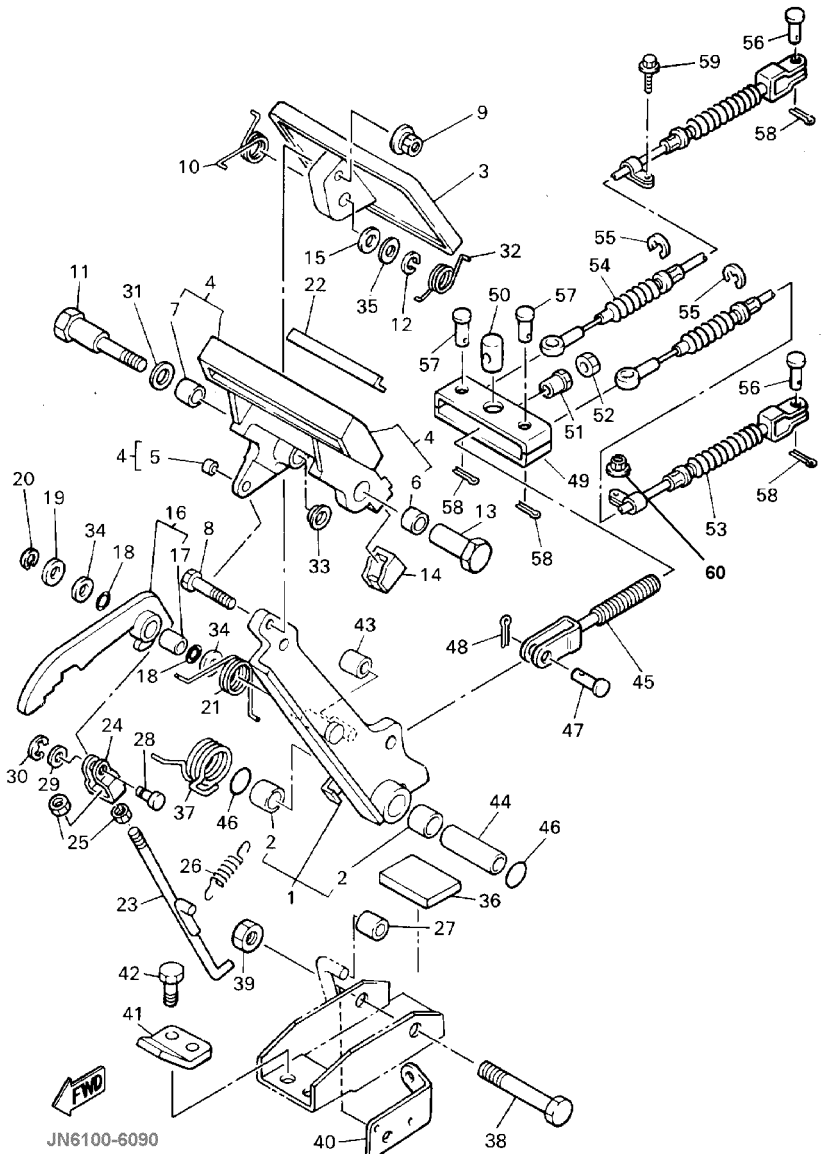
BRAKE 1



Ref. No.	Part Number	Description	Qty	Remarks
30	99080-04600-00	CIRCLIP (E)	1	
31	90201-123F2-00	WASHER, PLAIN	1	
32	90508-26557-00	SPRING, TORSION	1	
33	90380-12105-00	BUSH, SOLID	1	
34	90201-104G8-00	WASHER, PLAIN	2	
35	J55-27226-00-00	WASHER, LINK	1	
36	JN3-F7245-00-00	PAD, BRAKE PEDAL	1	
37	90508-405A9-00	SPRING, TORSION	1	
38	90101-10447-00	BOLT, HEX.	1	
39	95617-10200-00	NUT, SELF-LOCKING	1	
40	J55-2252M-00-00	BRACKET,	1	
41	J17-27246-00-00	NAIL, BRAKE	1	
42	95807-08020-00	BOLT, FLANGE	2	
43	J17-25673-00-00	DAMPER, BRAKE	1	
44	90387-107F8-00	COLLAR	1	
45	JN6-F5685-00-00	ROD	1	
46	93210-132A8-00	O-RING	2	
47	91701-10022-00	PIN	1	
48	91490-30020-00	PIN, COTTER	1	
49	JN6-F5681-00-00	EQUALIZER, BRAKE	1	
50	90249-14129-00	PIN	1	
51	90179-08261-00	NUT	1	
52	95317-08700-00	NUT	1	
53	JF2-F6341-10-00	WIRE, BRAKE 1	1	
54	JF2-F6351-10-00	WIRE, BRAKE	1	
55	99080-09600-00	CIRCLIP (E) (990010960000) ..	4	
56	91701-08018-00	PIN	1	
57	91701-08026-00	PIN	1	
58	91490-25020-00	PIN, COTTER	4	

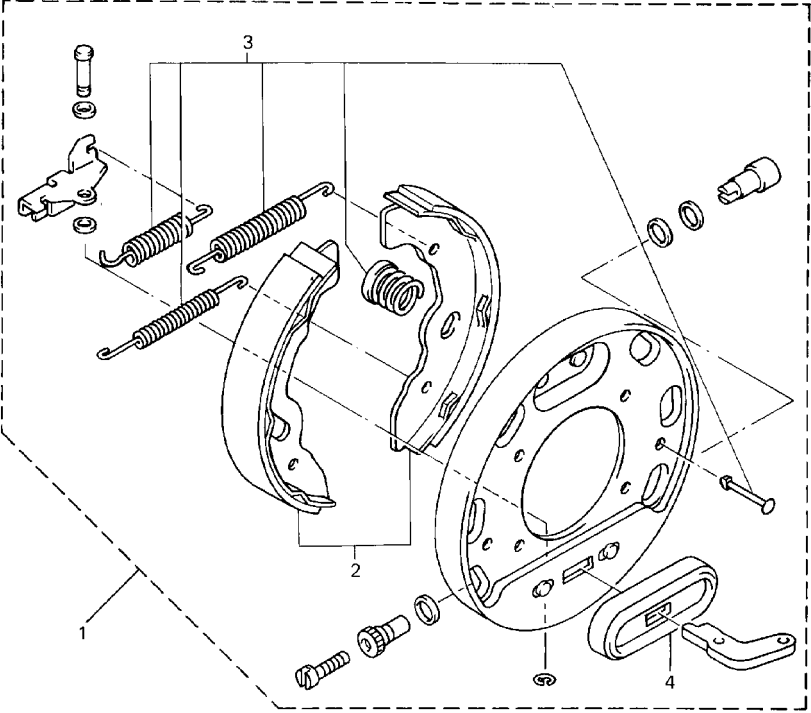
CONTINUED ON NEXT FRAME ►

BRAKE 1



Ref. No.	Part Number	Description	Qty	Remarks
59	95817-06016-00	BOLT, FLANGE	1	
60	95617-08200-00	NUT, SELF-LOCKING (95607-08200-00)	1	

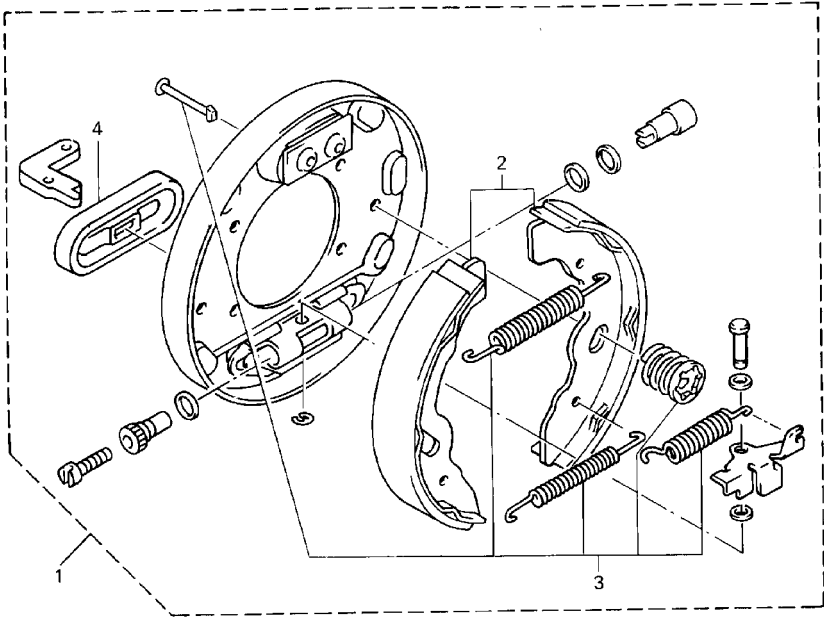
BRAKE 2



Ref. No.	Part Number	Description	Qty	Remarks
1	JN3-F7280-00-00	BACKING PLATE, (RH)	1	FOR RIGHT WHEEL ONLY
2	JN3-F5340-00-00	. SHOE, BRAKE SET	1	
3	JG5-F819G-00-00	. REPAIR PARTS KIT	1	
4	JG5-F7286-00-00	. COVER, DUST	1	

 JN4100-5060

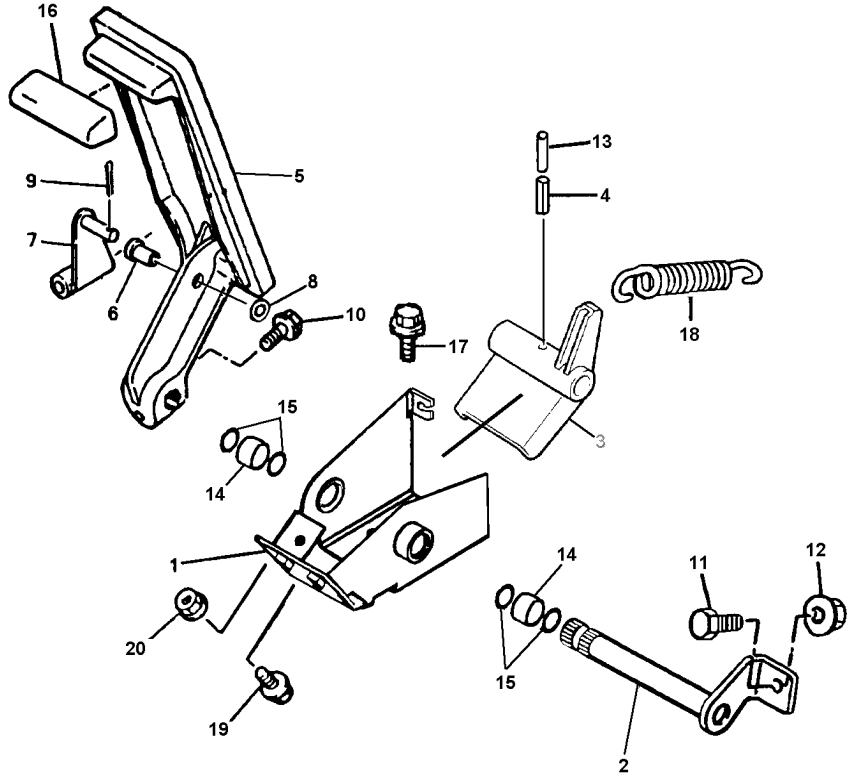
BRAKE 3



Ref. No.	Part Number	Description	Qty	Remarks
1	JN3-F7290-00-00	BACKING PLATE, LEFT	1	FOR LEFT WHEEL ONLY
2	JN3-F5330-00-00	. SHOE, BRAKE SET	1	FOR ONE WHEEL
3	JG5-F819G-00-00	. REPAIR PARTS KIT	1	
4	JG5-F7286-00-00	. COVER, DUST	1	

 JN4100-5070

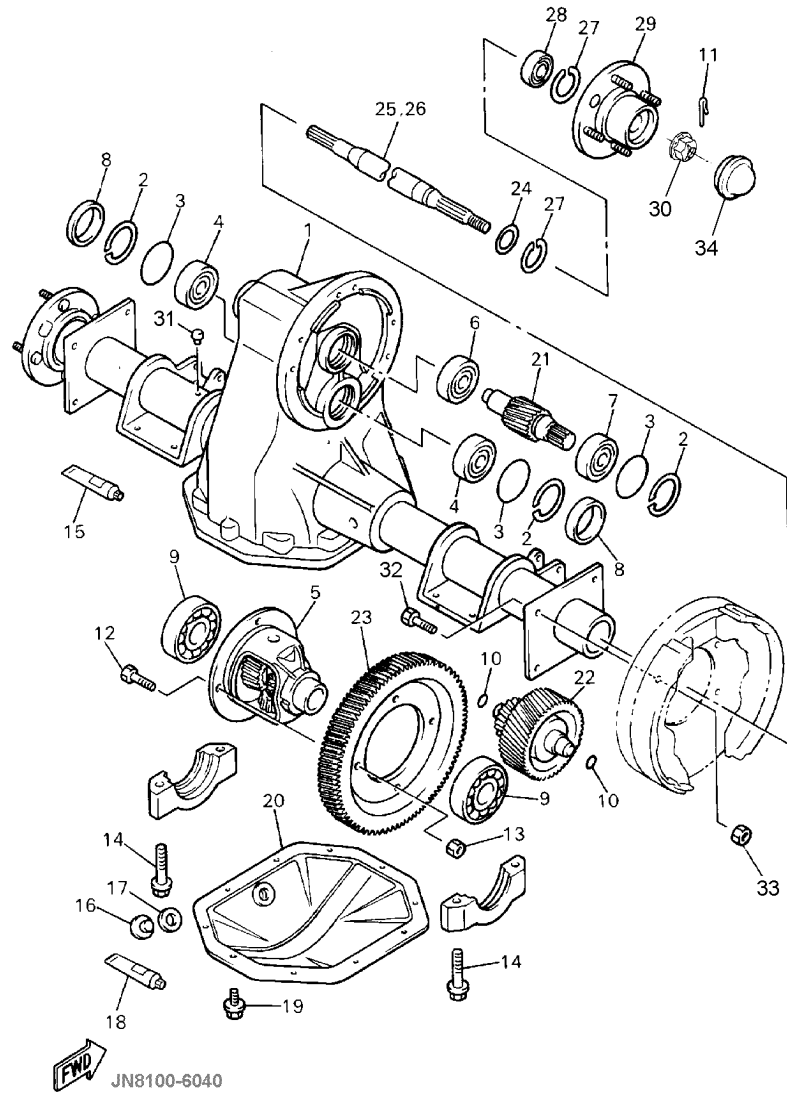
ACCELERATOR



 JN8100-6030

Ref. No.	Part Number	Description	Qty	Remarks
1	JN6-F7874-00-00	BRACKET, PEDAL	1	
2	J17-27853-01-00	SHAFT, PEDAL	1	
3	J22-27872-00-00	ARM, ACCELERATOR	1	
4	91609-60028-00	PIN, SPRING	1	
5	JF3-27871-00-00	PEDAL, ACCELERATOR	1	
6	90381-06033-00	BUSH, SOLID	1	
7	J14-27815-00-00	LEVER, CRANK	1	
8	92907-06600-00	WASHER, PLATE	1	
9	91490-20015-00	PIN, COTTER	1	
10	95817-06025-00	BOLT, FLANGE	1	
11	90106-08040-00	BOLT, RD. HEX	1	
12	95707-08500-00	NUT, FLANGE	1	
13	91609-35028-00	PIN, SPRING	1	
14	90384-14080-00	BUSH, BIMETAL	2	
15	93210-14104-00	O-RING	4	
16	JN3-F7854-00-00	COVER, PEDAL	1	
17	95817-08016-00	BOLT, FLANGE	3	
18	90506-26282-00	SPRING, TENSION	1	
19	95817-06025-00	BOLT, FLANGE	1	
20	95707-06500-00	NUT, FLANGE	1	

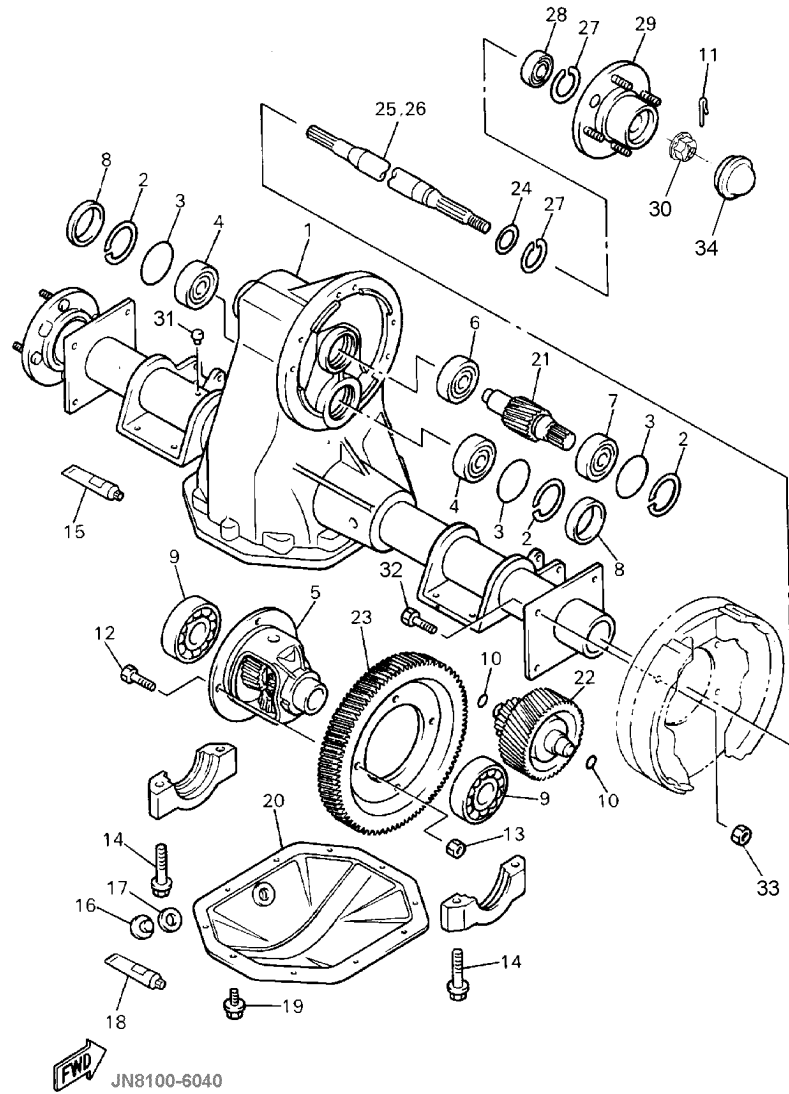
TRANSAXLE 1



Ref. No.	Part Number	Description	Qty	Remarks
1	JN4-G6310-00-00	CASE ASSEMBLY.	1	
2	93420-50804-00	CIRCLIP	3	
3	93210-478B8-00	RING	3	
4	93306-303Y6-00	BEARING	2	
5	JN3-G6410-00-00	DIFFERENTIAL ASSEMBLY. ..	1	
6	93306-203X1-00	BEARING	1	
7	93306-005Y1-00	BEARING	1	
8	JH7-G3396-00-00	PLUG, BLIND	2	
9	93306-007Y0-00	BEARING	2	
10	93210-148B9-00	O-RING	2	
11	91490-25030-00	PIN, COTTER	2	
12	90101-10854-00	BOLT, HEX.	4	
13	90170-10840-00	NUT, HEX.	4	
14	90105-10840-00	BOLT, FLANGE	4	
15	ACC-YAMAB-ON-D5	SEAL, 2 (JH7-G6137-00-00) ...	1	
16	JN3-G6432-00-00	STOPPER	1	
17	90201-158E0-00	WASHER, PLATE	1	
18	ACC-QUICK-GS-KT	SEALANT	1	
19	90101-08856-00	BOLT, HEX.	10	
20	JR1-G6312-00-00	CASE, TRANSMISSION	1	
21	JH7-G6321-00-00	SHAFT, INPUT	1	
22	JH7-G6350-00-00	COUNTER GEAR	1	
23	JH7-G6421-00-00	GEAR, RING	1	
24	93101-24822-00	SEAL, OIL	2	
25	JF3-G6512-01-00	SHAFT, RR. AXLE, RIGHT	1	
26	JF3-G6511-01-00	SHAFT, RR. AXLE, LEFT	1	
27	93420-44805-00	CIRCLIP	4	
28	93306-004X5-00	BEARING	2	
29	JN3-G6514-00-00	HUB, RR. AXLE	2	

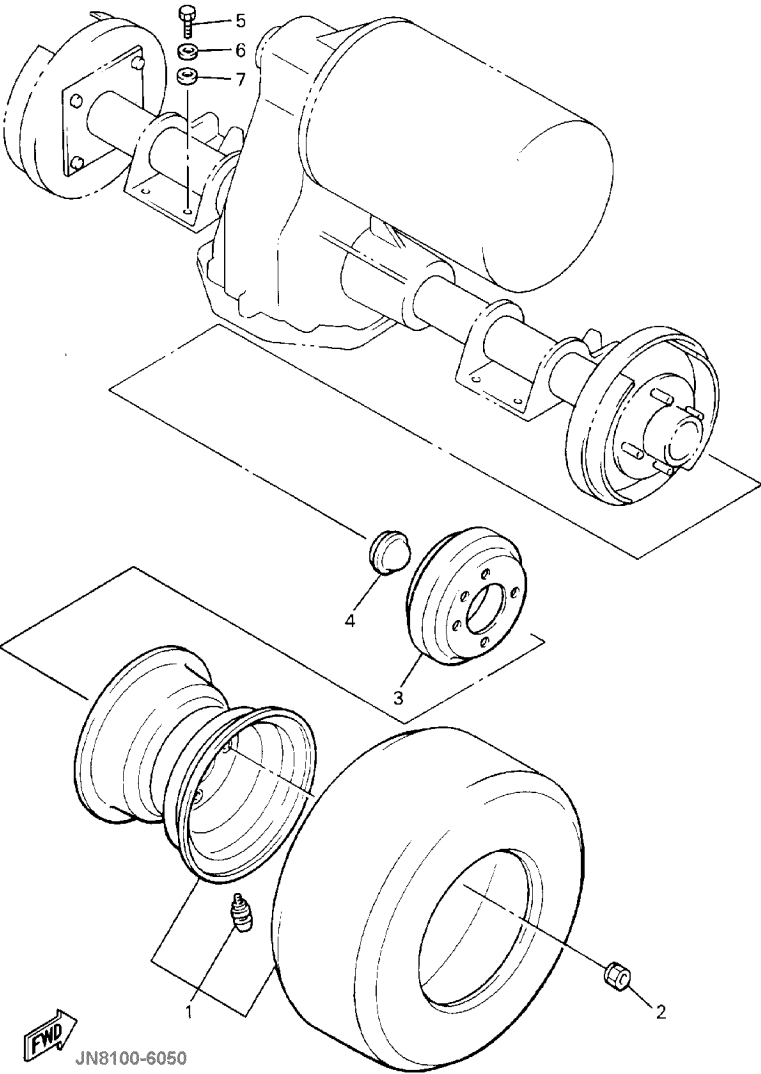
CONTINUED ON NEXT FRAME ►

TRANSAXLE 1



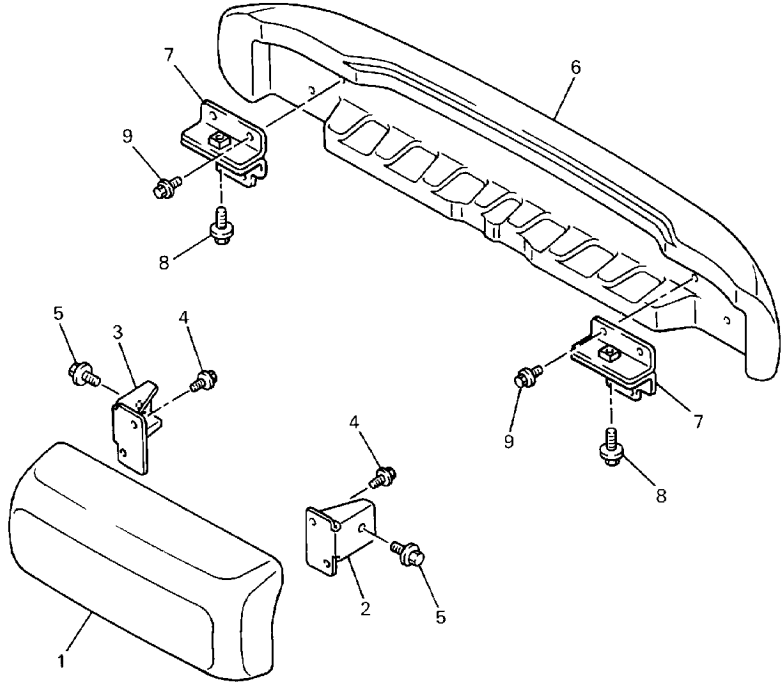
Ref. No.	Part Number	Description	Qty	Remarks
30	90185-16833-00	NUT, SELF-LOCKING	2	
31	JH7-G5619-00-00	CAP	1	
32	90101-08855-00	BOLT, HEX.	8	
33	90170-08841-00	NUT, HEX.	8	
34	J17-25118-00-00	COVER, HUB DUST	2	

REAR AXLE MOUNT - WHEEL



Ref. No.	Part Number	Description	Qty	Remarks
1	JN6-F5100-00-00	REAR WHEEL ASSEMBLY (JG5-F5100-30-00)	2	
2	90179-12262-00	NUT	8	
3	J55-G6521-00-00	DRUM	2	
4	J17-25118-00-00	COVER, HUB DUST	2	
5	97017-10020-00	BOLT	8	
6	92907-10100-00	WASHER, SPRING	8	
7	92907-10600-00	WASHER, PLATE	8	

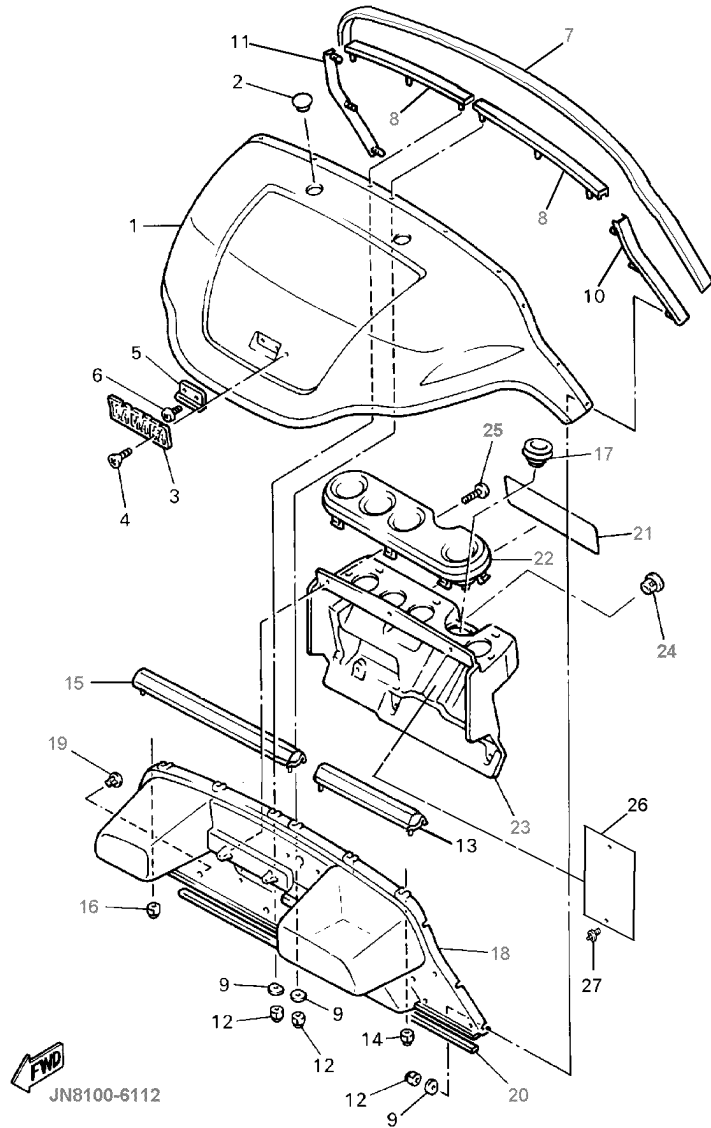
BUMPER



Ref. No.	Part Number	Description	Qty	Remarks
1	JN3-K7510-00-00	FRONT BUMPER COMP.	1	
2	JN3-K8164-00-00	STAY, FR. BUMPER	1	
3	JN3-K8165-00-00	STAY, FR. BUMPER	1	
4	95817-06016-00	BOLT, FLANGE	4	
5	95817-08016-00	BOLT, FLANGE	2	
6	JN3-K7540-00-00	REAR BUMPER	1	
7	JN3-K8174-00-00	STAY, RR. BUMPER	2	
8	95817-10020-00	BOLT, FLANGE	2	
9	95817-06016-00	BOLT, FLANGE	4	

 JN6100-6170

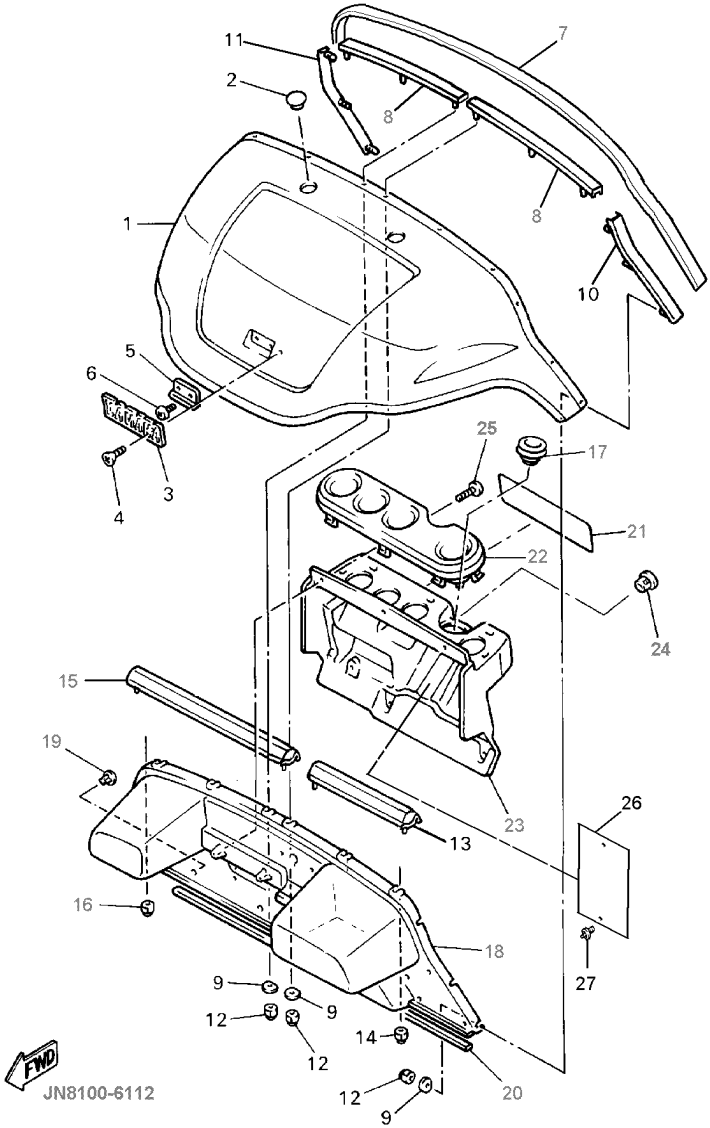
BODY 1



Ref. No.	Part Number	Description	Qty	Remarks
1	JN3-K8115-00-00	COWL, FRONT	1	IVORY
	JN3-K8115-10-00	COWL, FRONT	1	RED
	JN3-K8115-20-00	COWL, FRONT	1	GRAY
	JN3-K8115-30-00	COWL, FRONT	1	TEAL
2	JN3-K818E-00-00	CAP, PROTECTOR	2	
3	JN6-F4161-00-00	EMBLEM,	1	
4	90162-04002-00	SCREW, OVAL C	2	
5	JF2-K811G-00-00	BOLT, COWL FITTING	1	
6	98980-06016-00	SCREW, BINDING	2	
7	JF2-K811V-00-00	PROTECTOR,	1	
8	JF2-K8261-00-00	PLATE, BODY PROTECTOR ..	2	
9	JN3-K8117-00-00	PLATE,	12	
10	JF2-K8262-00-00	PLATE, BODY PROTECTOR ..	1	
11	JF2-K8263-00-00	PLATE, BODY PROTECTOR ..	1	
12	90185-06836-00	NUT, SELF LOCKING	12	
13	JN6-K8264-00-00	PLATE, BODY PROTECTOR ..	1	
14	95607-06200-00	NUT, SELF U-FLANGE	2	
15	JN6-K8265-00-00	PLATE, BODY PROTECTOR ..	1	
16	95607-06200-00	NUT, SELF U-FLANGE	2	
17	JN3-K8273-00-00	COVER, HOLE	1	
18	JF2-K8114-02-00	PANEL, FRONT	1	
19	90269-08069-00	RIVET	3	
20	JN3-K815G-00-00	SEAL, FRONT STORAGE	1	
21	JN4-K7768-00-00	LABEL, WARNING 8	1	UR
22	JN3-K835E-00-00	HOLDER, BEVERAGE	1	
23	JN3-K835G-00-00	HOUSING, HOLDER	1	
24	90338-14827-00	PLUG	1	
25	97707-60130-00	SCREW, PAN HEAD	2	
26	JN6-K8182-00-0	PLATE 2	1	

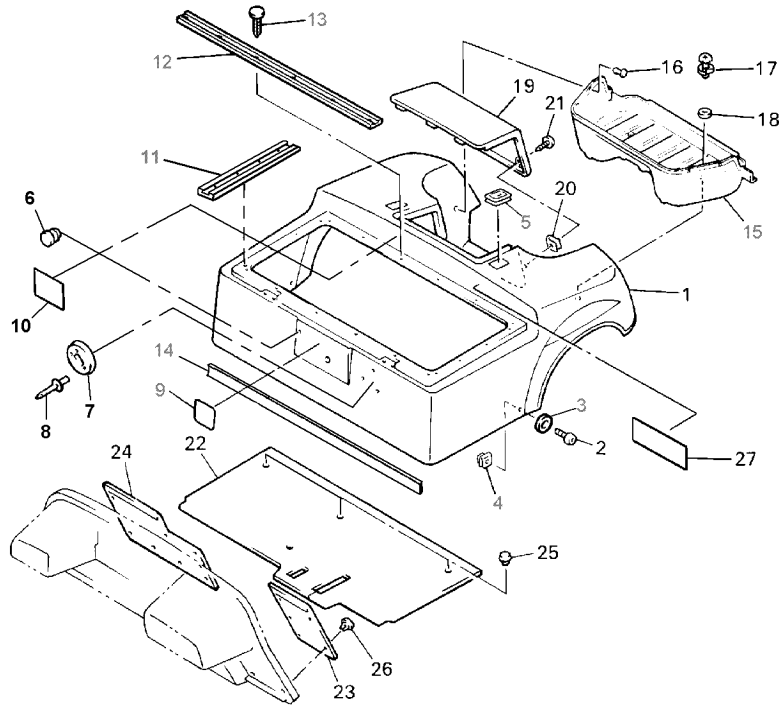
CONTINUED ON NEXT FRAME ►

BODY 1



Ref. No.	Part Number	Description	Qty	Remarks
27	90267-63047-00	RIVET, BLIND	2	

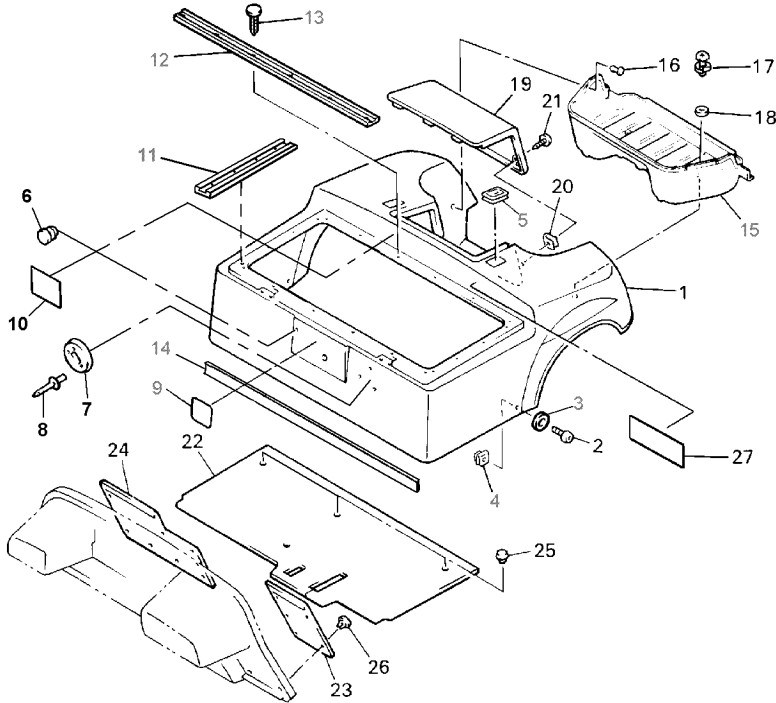
BODY 2



Ref. No.	Part Number	Description	Qty	Remarks
1	JN4-K8142-00-00	PANEL, REAR BODY	1	IVORY
	JN4-K8142-10-00	PANEL, REAR BODY	1	RED
	JN4-K8142-20-00	PANEL, REAR BODY	1	GRAY
	JN4-K8142-30-00	PANEL, REAR BODY	1	TEAL
2	90110-06200-00	BOLT, HEXAGON SOCKET HEAD	2	
3	90201-068H0-00	WASHER, PLAIN	2	
4	90183-06811-00	NUT, SPRING	2	
5	JN3-K8363-00-00	PROTECTOR	2	
6	90338-11831-00	PLUG	1	
7	JN4-K827A-00-00	GUIDE, 1	1	
8	90267-60840-00	RIVET, BLIND	3	
9	JN3-K7741-00-00	INDICATOR,	1	
10	JN4-K7765-00-00	LABEL, WARNING	1	UR
11	JN3-K8425-00-00	SEAL, SEAT	2	
12	JN3-K842A-00-00	SEAL, SEAT	2	
13	90338-05834-00	PLUG	20	
14	JN6-K824E-00-00	TRIM, REAR BODY	1	
15	JF2-K8237-00-00	COVER, REAR FLOOR	1	
16	90269-08069-00	RIVET	7	
17	90119-06823-00	BOLT, HEX. W/WASHER	2	
18	90201-068G7-00	WASHER, PLAIN	2	
19	JN3-K8151-00-00	PANEL, INSPECTION	1	
20	90183-06035-00	NUT, SPRING	2	
21	90160-05805-00	SCREW, ROUND TAPPING ...	2	
22	JN6-K8233-00-00	MAT, MAIN FLOOR 3	1	
23	JN6-K8231-00-00	MAT, MAIN FLOOR	1	
24	JN6-K8232-00-00	MAT, MAIN FLOOR	1	
25	90269-08813-00	RIVET	4	

CONTINUED ON NEXT FRAME ►

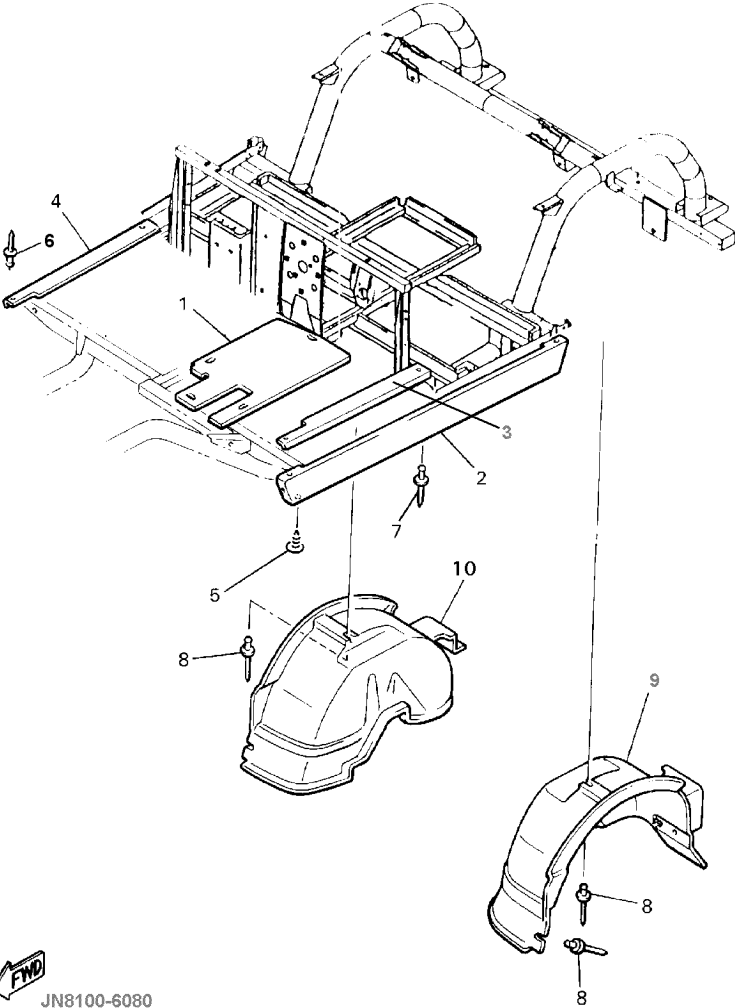
BODY 2



Ref. No.	Part Number	Description	Qty	Remarks
26	90267-63047-00	RIVET, BLIND	9	
27	JN4-K8297-00-00	PLATE, CAUTION	1	UR

 JN8100-6070

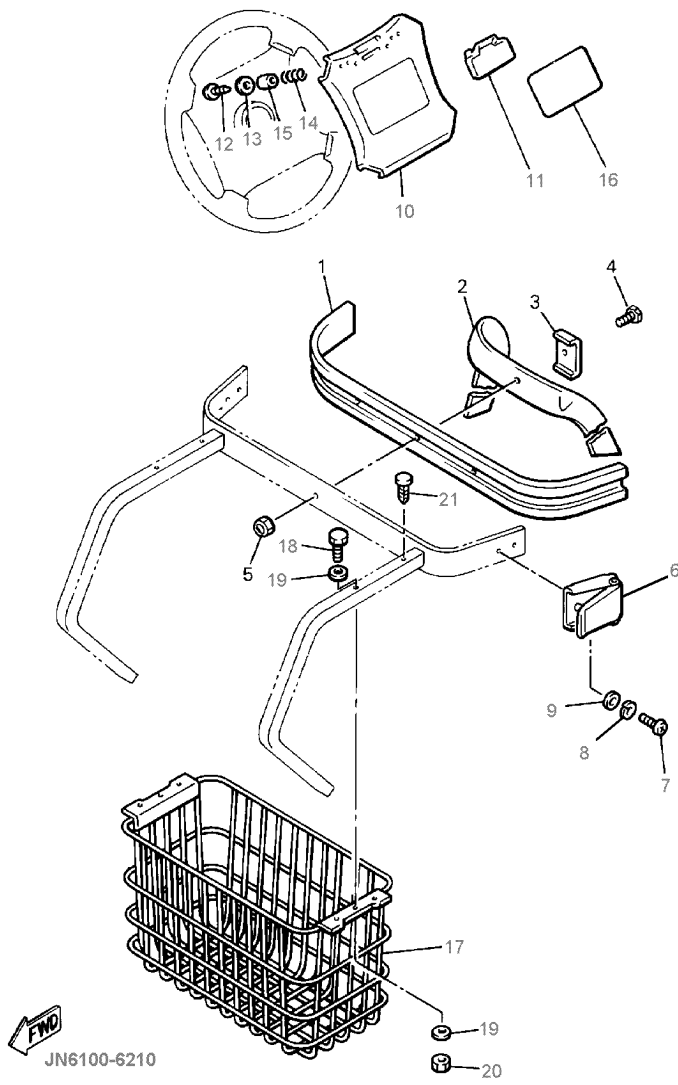
BODY FITTING



Ref. No.	Part Number	Description	Qty	Remarks
1	JN6-K8271-00-00	SERVICE LID	1	
2	JF2-K818A-00-00	PROTECTOR, SIDE	2	
3	JF2-K8215-10-00	PLATE, SIDE TRIM	1	
4	JF2-K821F-10-00	PLATE, SIDE TRIM	1	
5	90338-05829-00	PLUG	6	
6	90267-48154-00	RIVET, BLIND	4	
7	90267-48831-00	RIVET, BLIND (90267-48101-00)	4	
8	90267-48086-00	RIVET, BLIND	4	
9	JF2-K8191-00-00	PANEL, REAR FENDER	1	
10	JF2-K8192-00-00	PANEL, REAR FENDER	1	

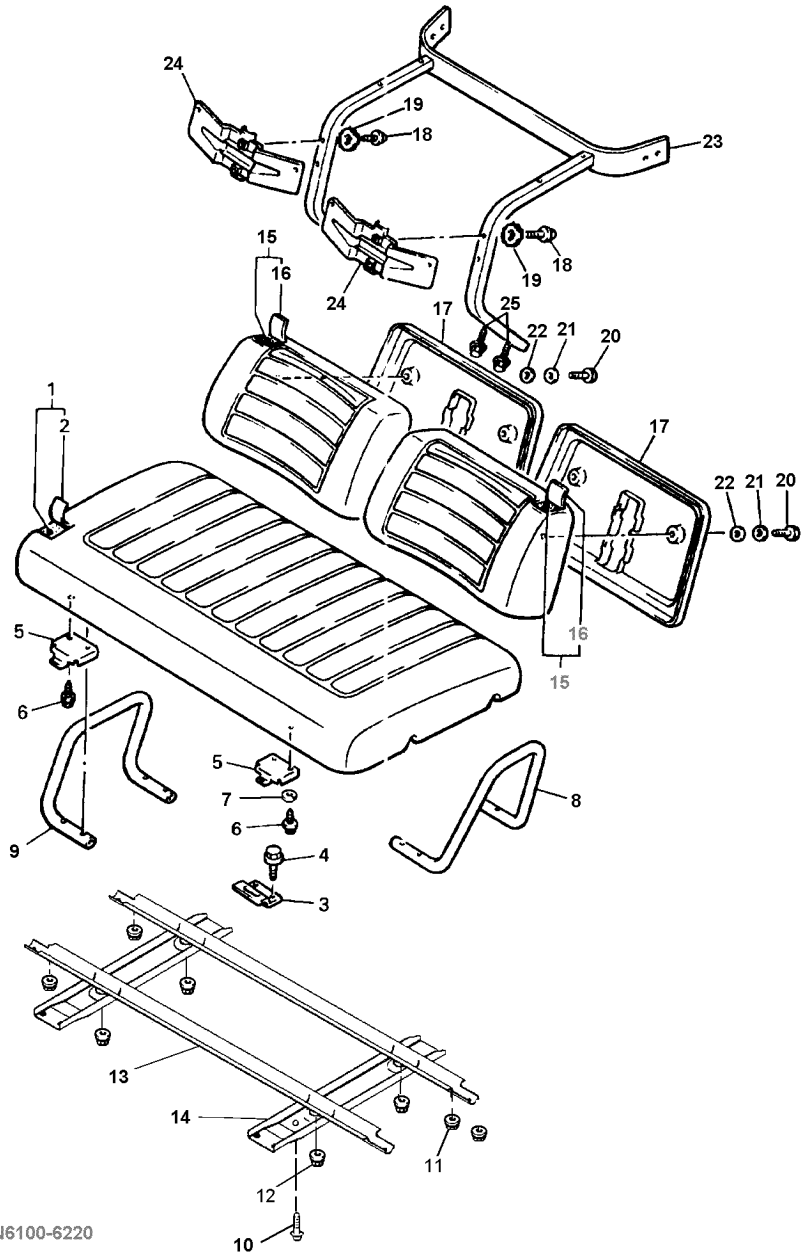
 JN8100-6080

CARRIER



Ref. No.	Part Number	Description	Qty	Remarks
1	JF2-K8356-00-00	PAD, BAG SUPPORT	1	
2	JN6-K8355-00-00	BAND (JF2-K8355-00-00)	1	
3	J38-78367-00-00	PLATE, ANCHOR	1	
4	90101-06865-00	BOLT, HEX.	1	
5	90185-06836-00	NUT, SELF LOCKING	1	
6	JN6-K8380-00-00	LOCK ASSEMBLY.	2	
7	98580-06010-00	SCREW, PAN HEAD (92503-06010)	4	
8	92995-06100-00	WASHER, SPRING	4	
10	JN3-K8357-00-00	HOLDER,	1	
11	JN6-K8358-00-00	HOLDER,	1	
12	97707-40625-00	SCREW, TAPPING	2	
13	90201-044H9-00	WASHER, PLAIN	2	
14	90502-10013-00	SPRING, CONICAL	2	
15	90387-046N7-00	COLLAR	2	
16	JN3-K7762-01-00	LABEL, WARNING	1	UR
17	JN3-K8340-00-00	LUGGAGE RACK	1	
18	90111-08803-00	BOLT, HEX. SOCKET	2	
19	90201-08103-00	WASHER, PLAIN	4	
20	90185-08832-00	NUT, SELF-LOCKING	2	
21	90338-09828-00	PLUG	2	

SEAT

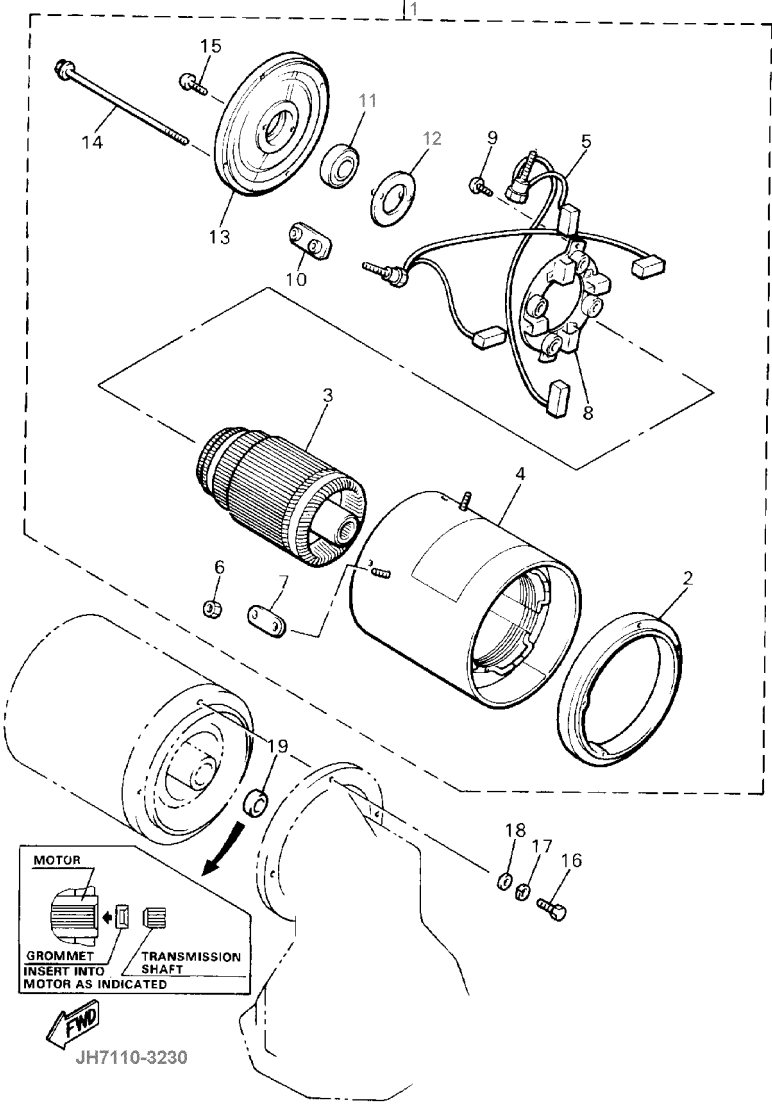


Ref. No.	Part Number	Description	Qty	Remarks
1	JN6-K8401-00-00	CUSHION SEAT	1	
2	JN6-K8404-09-00	. COVER, SEAT	1	
3	JF2-K8427-00-00	HINGE, SEAT FEMALE	2	
4	90105-06903-00	BOLT, WASHER BASED	4	
5	JN3-K8426-00-00	HINGE, SEAT MALE	2	
6	97395-05012-00	BOLT HEX. HEAD	4	
7	92990-05100-00	WASHER, SPRING	4	
8	JN3-K8361-00-00	ARM REST	1	
9	JN6-K8362-00-00	ARMREST	1	
10	90167-04815-00	SCREW, P/H TAPPING	4	
11	90185-08839-00	NUT, SELF LOCKING	8	
12	95617-08200-00	NUT, SELF-LOCKING (95607-08200-00)	4	
13	JN6-K8121-00-00	REINFORCEMENT	2	
14	JN6-K8122-00-00	REINFORCEMENT	2	
15	JN3-K8402-00-00	BACK, SEAT SUB.	2	
16	JN3-K841G-09-00	. COVER, SEAT BACK	1	
17	JN3-K8413-00-00	COVER, SEAT BACK	2	
18	90119-08820-00	BOLT, HEX. W/WASHER	4	
19	90201-098J4-00	WASHER, PLAIN	4	
20	95895-06025-00	BOLT, FLANGE	4	
21	90201-068G0-00	WASHER, PLAIN	4	
22	90201-068G6-00	WASHER, PLAIN	4	
23	JN3-K8423-00-00	SUPPORT, SEAT BACK	1	
24	JN3-K842H-00-00	RETAINER, SEAT	2	
25	95817-08045-00	BOLT, FLANGE	4	



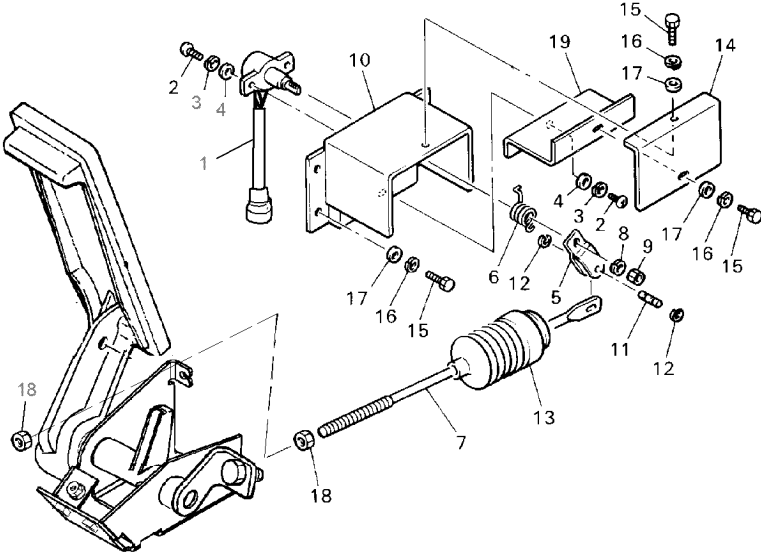
JN6100-6220

ELECTRIC MOTOR



Ref. No.	Part Number	Description	Qty	Remarks
1	JH7-H1890-10-00	MOTOR ASSEMBLY	1	
2	JH7-H183J-00-00	. BRACKET, FRONT	1	
3	JH7-H1850-00-00	. ARMATURE ASSEMBLY	1	
4	JH7-H1810-10-00	. STATOR ASSEMBLY	1	
5	JH7-H1801-00-00	. BRUSH SET	1	
6	JH7-H1872-00-00	. NUT, SPECIAL	4	
7	J51-H1843-00-00	. WASHER 1	2	
8	JH7-H1840-00-00	. BRUSH HOLDER ASSEMBLY	1	
9	JH7-H1848-00-00	. SCREW, BRUSH HOLDER	2	
10	JG6-H1824-00-00	. WASHER 2	2	
11	JH7-H1856-00-00	. BEARING	1	
12	J56-H1857-00-00	. RETAINER	1	
13	JH7-H1822-00-00	. BRACKET, STARTING MOTOR	1	
14	JG6-H1828-00-00	. BOLT 2	4	
15	JH7-H1846-00-00	. SCREW	2	
16	90101-06857-00	BOLT	3	
17	90215-06811-00	WASHER, LOCK	3	
18	90201-068E2-00	WASHER, PLATE	3	
19	JH7-H1829-00-00	GROMMET	1	

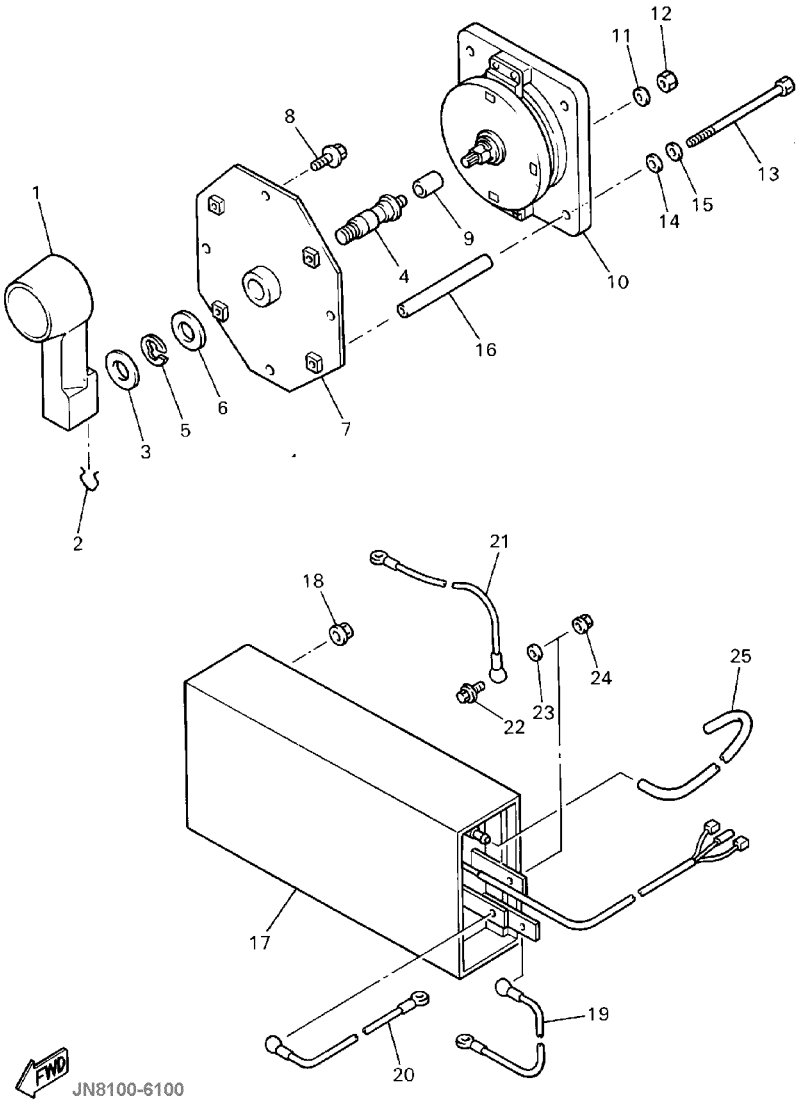
CONTROLLER 1



Ref. No.	Part Number	Description	Qty	Remarks
1	JN4-85885-01-00	THROTTLE SENSOR	1	
2	98507-05016-00	SCREW, PAN HEAD	3	
3	92907-05100-00	WASHER, SPRING	3	
4	92907-05600-00	WASHER, PLATE	3	
5	JF3-2625H-00-00	ARM, THROTTLE	1	
6	JF3-27825-00-00	SPRING, RETURN	1	
7	JN4-F7241-00-00	ROD, JOINT	1	
8	92907-06100-00	WASHER, SPRING	1	
9	95317-06600-00	NUT (95307-06600-00)	1	
10	JF3-27981-00-00	BRACKET, THROTTLE	1	
11	JF3-27813-00-00	PIN, PEDAL CRANK	1	
12	99080-04600-00	CIRCLIP (E)	2	
13	JN4-F7486-00-00	COVER 1	1	
14	JF3-27487-00-00	COVER 2	1	
15	97007-05016-00	BOLT	6	
16	92907-05100-00	WASHER, SPRING	6	
17	92907-05600-00	WASHER, PLATE	6	
18	95317-08700-00	NUT	2	
19	JF3-27445-00-00	PLATE 1	1	

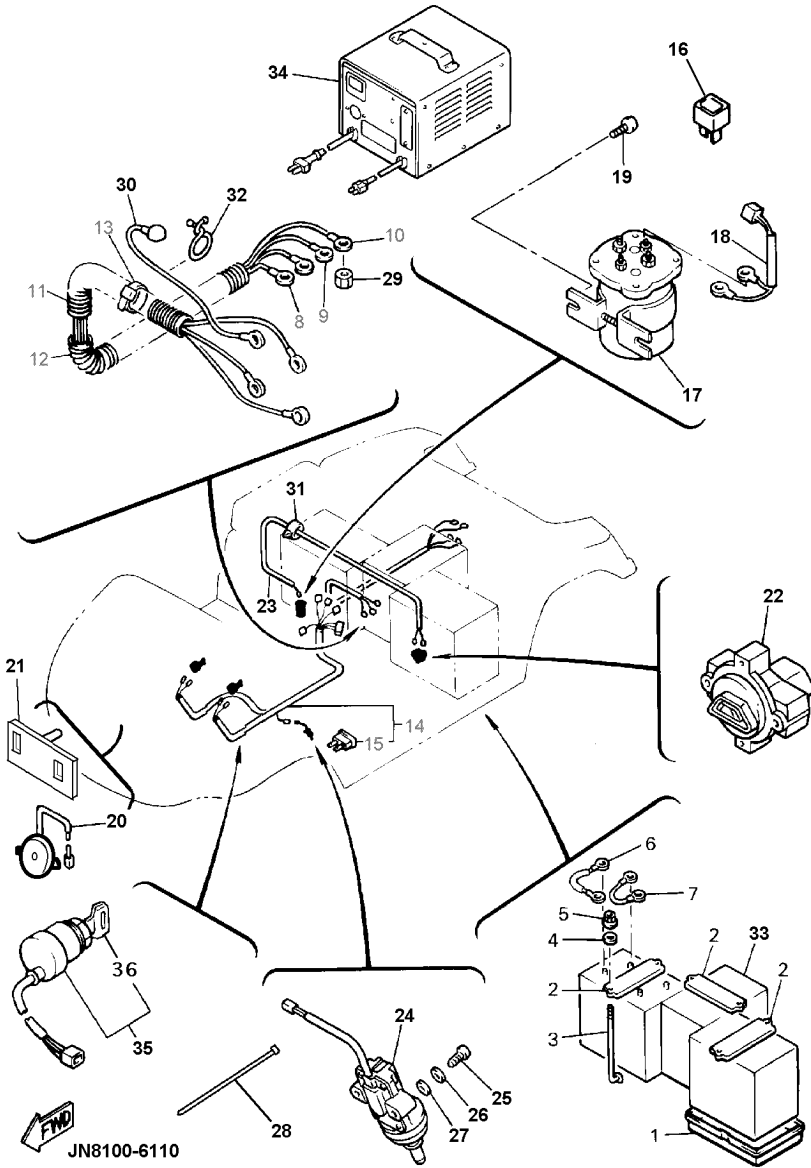
FWD
JN8100-6090

CONTROLLER 2



Ref. No.	Part Number	Description	Qty	Remarks
1	JN3-G6381-00-00	KNOB, SHIFT	1	
2	JN3-G6376-00-00	SPRING SET	1	
3	90201-201L9-00	WASHER, PLAIN	1	
4	JF3-46392-00-00	BAR 1	1	
5	99009-19400-00	CIRCLIP	1	
6	90201-19551-00	WASHER, PLAIN	1	
7	JN4-G6372-00-00	BRACKET, SHIFT	1	
8	95817-06016-00	BOLT, FLANGE	4	
9	J41-46394-00-00	JOINT	1	
10	JN4-82917-00-00	F/R SELECT SWITCH ASSEMBLY	1	
11	92907-06100-00	WASHER, SPRING	4	
12	95317-06600-00	NUT (95307-06600-00)	4	
13	97007-06100-00	BOLT, HEXAGON	4	
14	92907-06200-00	WASHER	4	
15	92907-06100-00	WASHER, SPRING	4	
16	90387-061W6-00	COLLAR	4	
17	JN4-86510-02-00	MOTOR CONTROL UNIT (JN4-86510-01-00)	1	
18	95707-06500-00	NUT, FLANGE	4	
19	JN4-86521-00-00	WIRE 1	1	
20	JN4-86522-00-00	WIRE 2	1	
21	JN8-H6523-00-00	WIRE 3	1	
22	97007-05012-00	BOLT	3	
23	92907-05600-00	WASHER, PLATE	3	
24	95707-05500-00	NUT, FLANGE	3	
25	90446-12375-00	HOSE	1	

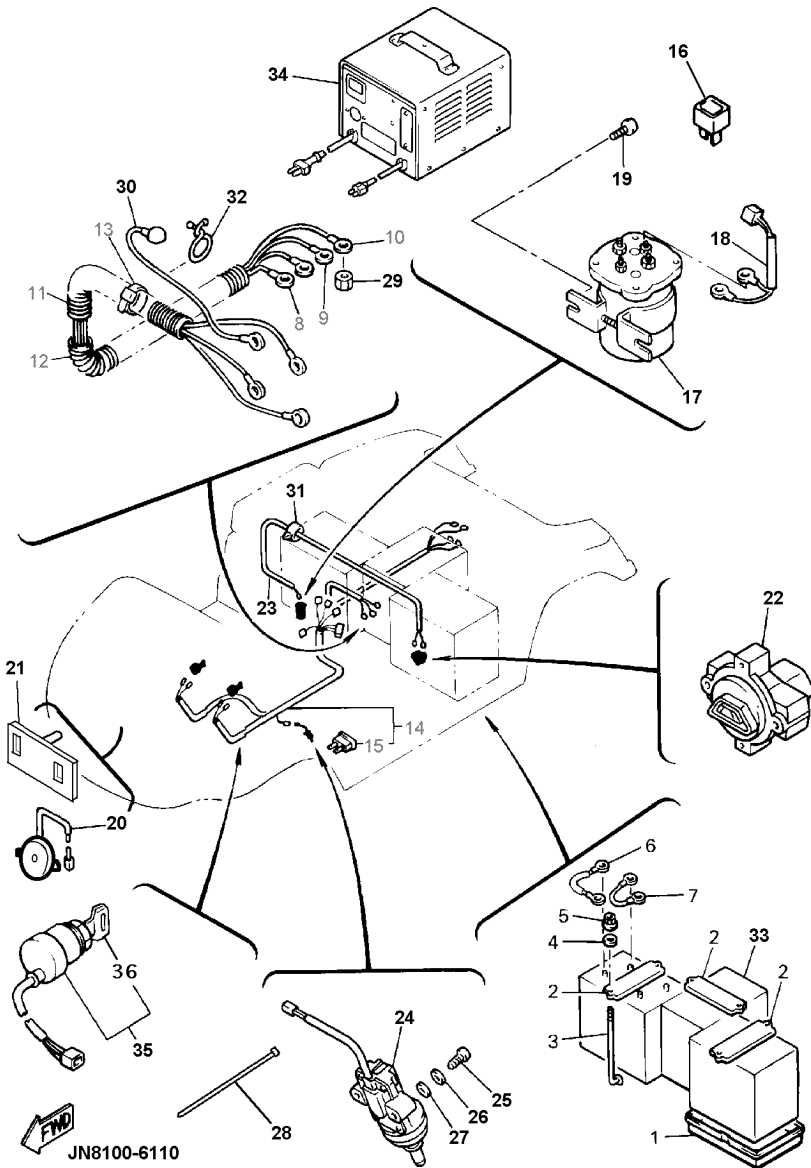
ELECTRICAL 1



Ref. No.	Part Number	Description	Qty	Remarks
1	J56-H2123-00-00	SEAT, BATTERY	3	
2	JF3-H2136-00-00	PLATE, BATTERY	3	
3	JN4-H2133-00-00	SCREW, FITTING	6	
4	90201-065G8-00	WASHER, PLATE	6	
5	95707-06500-00	NUT, FLANGE	6	
6	JN8-H2115-00-00	WIRE, PLUS LEAD	1	
7	J51-H2127-00-00	WIRE, LEAD 2	5	
8	JF3-H2521-01-00	WIRE, LEAD	1	
9	JN4-H2531-00-00	WIRE, LEAD	1	
10	JF3-H6171-00-00	WIR, LEAD 1	1	
11	JF3-H7196-00-00	TUBE 1	1	
12	JF3-H7197-00-00	TUBE 2	1	
13	90464-13080-00	CLAMP	1	
14	JN8-H2590-00-00	WIRE HARNESS	1	
15	42X-82151-00-00	. FUSE (10A-BL)	1	10A-BL
16	J44-81980-60-00	DIODE	2	
17	JF3-H1950-00-00	RELAY ASSEMBLY	1	
18	JN6-H2105-00-00	HARNESS, WIRE	1	
19	90163-06005-00	SCREW, HEX. T	2	
20	JR1-H3383-00-00	BUZZER	1	
21	JN6-H3386-00-00	STAY, BUZZER	1	
22	JN4-H6181-00-00	RECEPTACLE	1	
23	JN8-H2105-00-00	HARNESS, WIRE	1	
24	JF7-82817-20-00	SWITCH, ACCELERATOR STOP	1	
25	98507-05025-00	SCREW, PAN HEAD	2	
26	92907-05100-00	WASHER, SPRING	2	
27	92907-05600-00	WASHER, PLATE	2	
28	90464-31827-00	CLAMP	4	
29	JG6-H1872-00-00	NUT, SPECIAL	4	

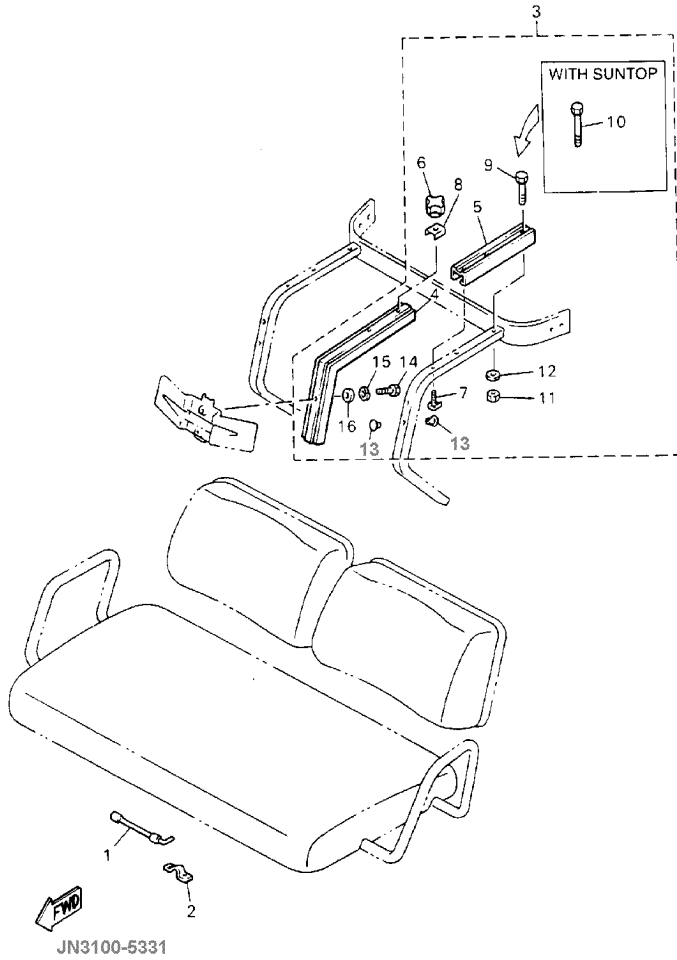
CONTINUED ON NEXT FRAME ➤

ELECTRICAL 1



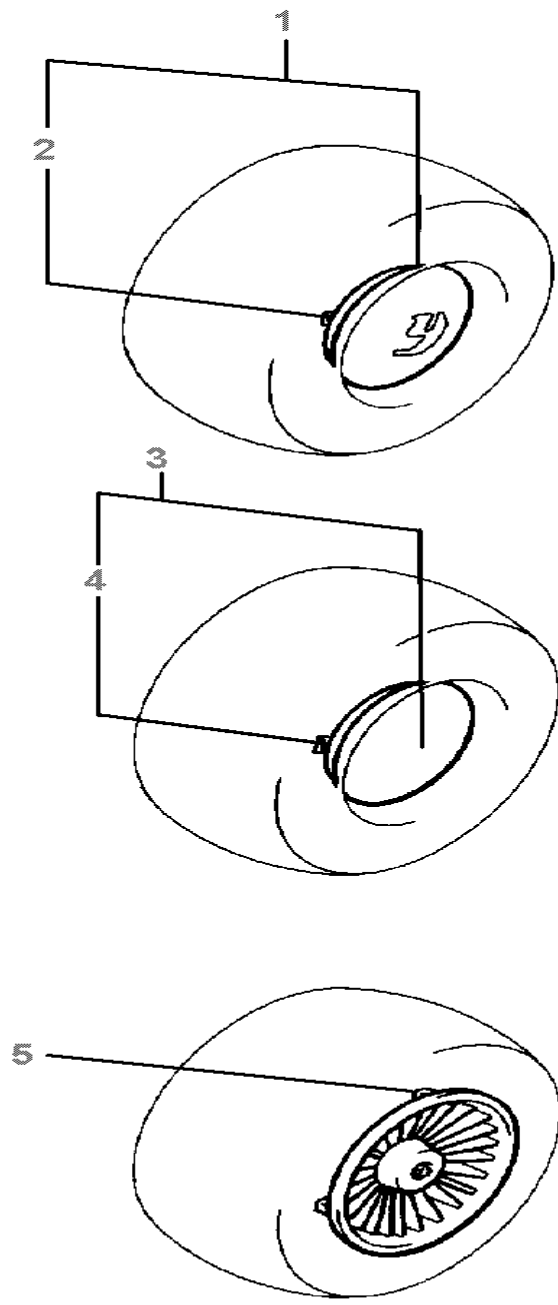
Ref. No.	Part Number	Description	Qty	Remarks
30	JN8-H6527-00-00	WIRE, 7	1	
31	90464-20181-00	CLAMP	4	
32	90464-23041-00	CLAMP	2	
33	*---	FRONT WHEEL ASSEMBLY	6	LM
34	JN4-H2107-00-00	CHARGER, BATTERY	1	
35	JN8-82510-00-00	MAIN SWITCH	1	
36	J44-82511-00-YY	. KEY, MAIN SWITCH (J44825110000)	1	

SEAT ADJUSTER (OPTIONAL)



Ref. No.	Part Number	Description	Qty	Remarks
1	JN3-K8421-00-00	SUPPORT, SEAT	1	
2	JF2-K8422-00-00	BRACKET, SEAT SUPPORT	1	
3	JN3-K8450-00-00	SEAT ADJUSTER ASSEMBLY	1	
4	JN3-K845A-00-00	. MEMBER, SLIDE SEAT	1	
5	JN3-K8451-00-00	. FRAME, SLIDE SEAT	1	
6	JN3-K8452-00-00	. SEAT-ADJUSTER	1	
7	JN3-K8459-00-00	. REINFORCEMENT,	1	
8	JN3-K845E-00-00	. REINFORCEMENT,	1	
9	97004-08045-00	. BOLT, HEXAGON	2	
10	97004-08070-00	. BOLT, HEXAGON	2	
11	95680-08100-00	. NUT, U	12	
12	92990-08200-00	. WASHER, PLAIN	2	
13	90338-09828-00	. PLUG	4	
14	97004-08020-00	. BOLT, HEX. HEAD	2	
15	92990-08100-00	. WASHER	2	
16	92990-08600-00	. WASHER, PLATE	2	

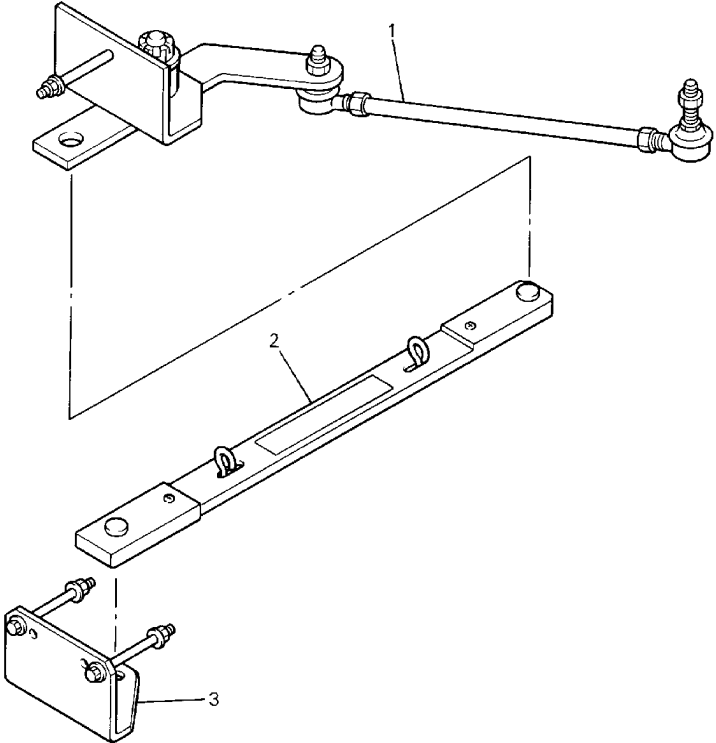
HUB CAPS (OPTIONAL)



Ref. No.	Part Number	Description	Qty	Remarks
1	JG5-F512K-00-00	HUB-CAP, YAMAHA LOGO ...	4	
2	ACC-11401-06-10	. CLIP, HUB CAP (JG5F512N0000)	3	
3	JG5-F512L-00-00	HUB-CAP, PLAIN	4	
4	ACC-11401-06-10	. CLIP, HUB CAP (JG5F512N0000)	3	
5	JG5-F512M-00-00	HUB-CAP, MAG-STYLE	4	COMES W/ CLIPS

FWD JN6100-6260

DRAW BAR (OPTIONAL)

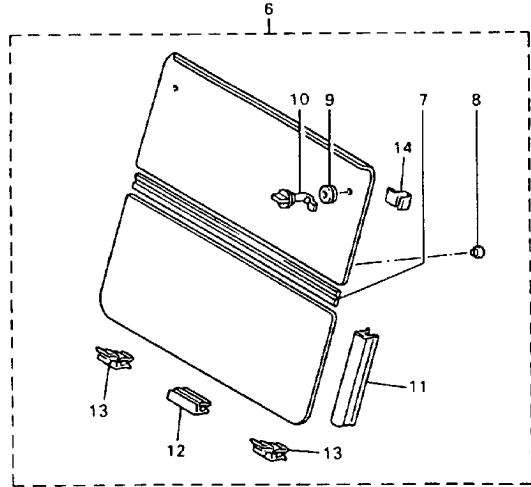
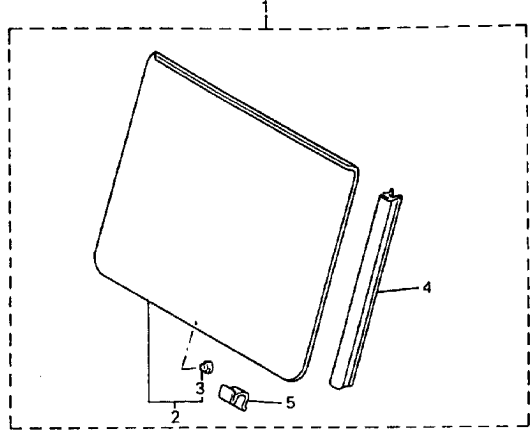


Ref. No.	Part Number	Description	Qty	Remarks
1	JG5-F389K-00-00	ARM, PIVOT ASSEMBLY.	1	
2	JG5-F389J-00-00	DRAW BAR ASSEMBLY.	1	
3	JG5-F3802-00-00	REAR HITCH ASSEMBLY.	1	

 JN6100-6270

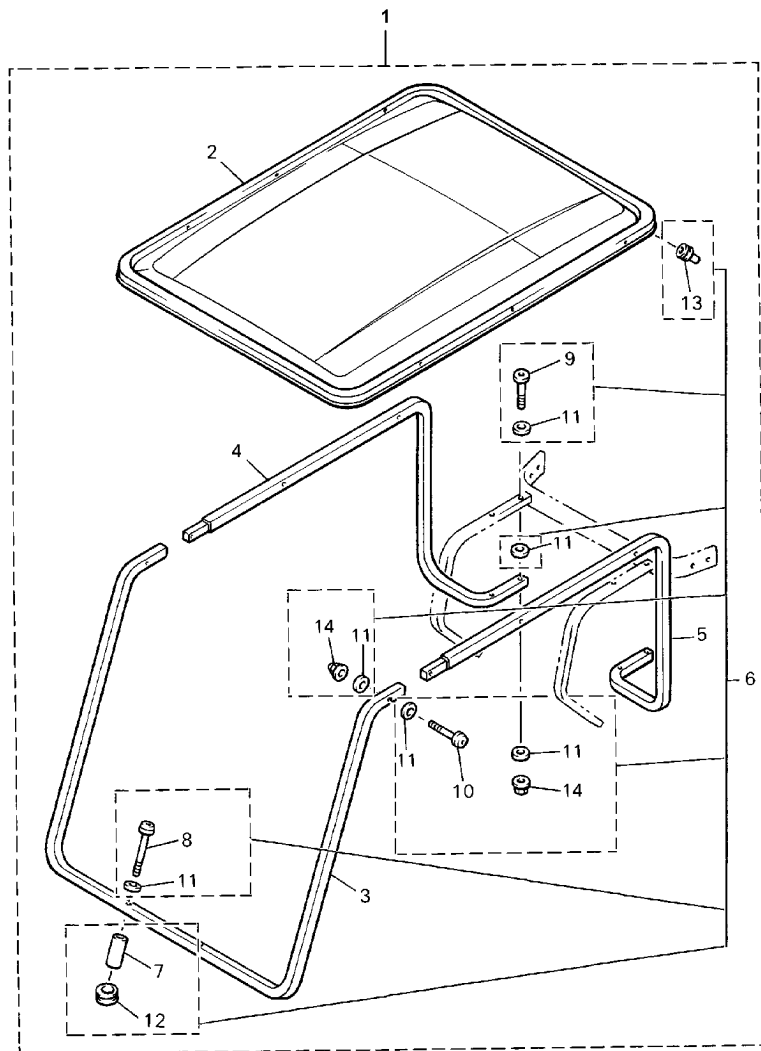
WINDSHIELD (OPTIONAL)

Ref. No.	Part Number	Description	Qty	Remarks
1	JN3-K7200-00-00	WINDSHIELD ASSEMBLY. (CLEAR)	1	
	JN3-K7200-10-00	WINDSHIELD ASSEMBLY. (TINTED)	1	
2	JN3-K7210-00-00	. WINDSHIELD COMP (CLEAR)	1	
3	JN3-K7238-00-00	.. DAMPER, WINDSHIELD	1	
4	JN3-K838C-00-00	. HOLDER SHIELD	2	
5	JN3-K722A-00-00	. FASTENER	2	
6	JN3-K7200-20-00	WINDSHIELD ASSEMBLY. (HINGED, CLEAR)	1	
	JN3-K7200-30-00	WINDSHIELD ASSEMBLY. (HINGED, TINTE)	1	
7	*---	. FRONT WHEEL ASSEMBLY	1	
8	JN3-K7238-00-00	. DAMPER, WINDSHIELD	6	
9	90480-10854-00	. GROMMET	2	
10	JN3-K7223-00-00	. FASTENER	1	
11	JN3-K838A-00-00	. RETAINER	2	
12	JN3-K722A-00-00	. FASTENER	1	
13	JN3-K7222-00-00	. BRACKET, WINDSHIELD	2	
14	JN3-K7721-00-00	. BRACKET,		



JN3100-6370

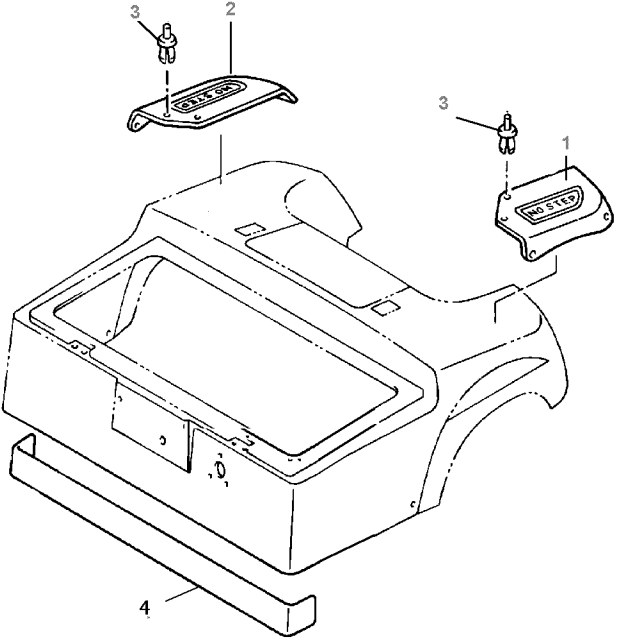
SUN ROOF (OPTIONAL)



 JN3100-5370

Ref. No.	Part Number	Description	Qty	Remarks
1	JN3-K8310-10-00	SUN ROOF ASSEMBLY	1	
2	JN3-K8314-00-00	. COVER, SUNROOF	1	
3	JN3-K8312-00-00	. SUPPORT, ROOF	1	
4	JN3-K831A-00-00	. SUPPORT, ROOF	1	
5	JN3-K8313-00-00	. SUPPORT, ROOF	1	
6	ABA-JN398-99-00	. SUN ROOF ASSEMBLY HARDWARE	1	
7	90387-09826-00	.. COLLAR	2	
8	90101-08862-00	.. BOLT, HEX.	2	
9	90101-22864-00	.. BOLT, HEX.	4	
10	90101-22863-00	.. BOLT, HEX.	6	
11	90201-088J3-00	.. WASHER, PLAIN	24	
12	JN3-K832F-00-00	.. GROMMET, ROOF	2	
13	JN3-K832G-00-00	.. GROMMET, ROOF	2	
14	90185-12835-00	.. NUT, SELF-LOCKING	10	

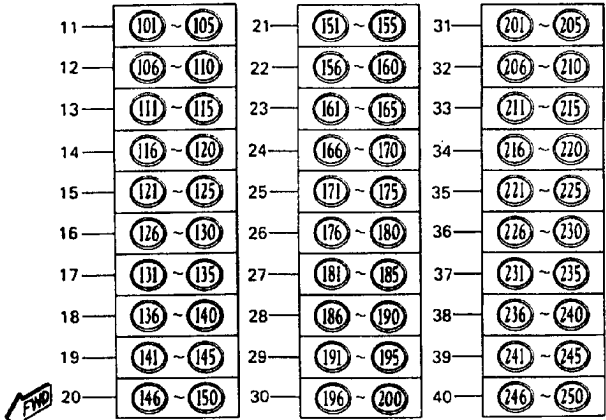
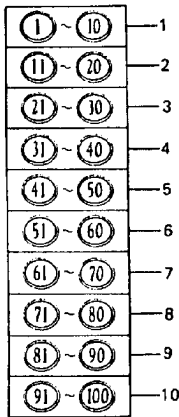
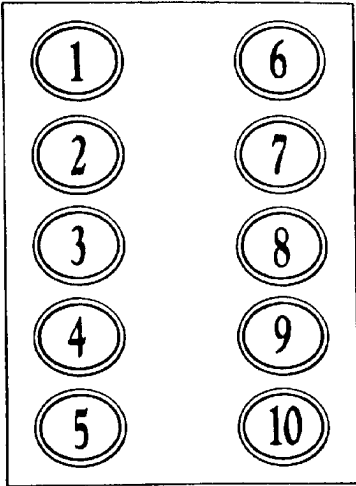
SPIKE GUARD (OPTIONAL)



Ref. No.	Part Number	Description	Qty	Remarks
1	JN3-K8243-00-00	MAT, BODY SIDE LEFT	1	
2	JN3-K8244-00-00	MAT, BODY SIDE RIGHT	1	
3	90269-07810-00	RIVET	10	
4	JN3-K814N-00-00	PLATE, ORNAMENT	1	

 JN6100-6290

FLEET NUMBERS (OPTIONAL)

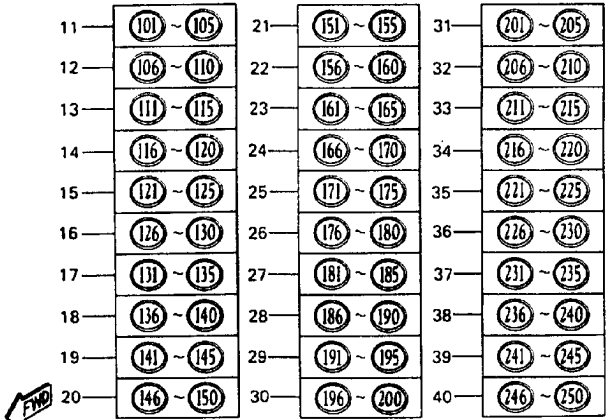
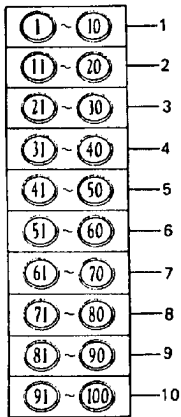
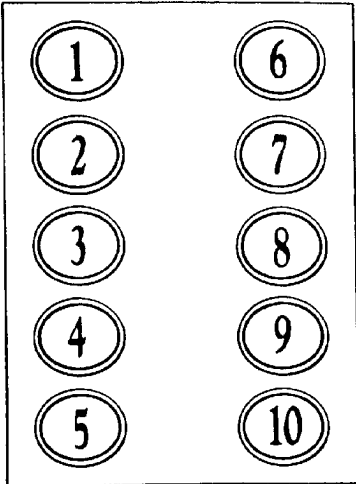


JN3100-6400

Ref. No.	Part Number	Description	Qty	Remarks
1	JG5-K810T-10-00	FLEET, NUMBER	1	
2	JG5-K810T-20-00	FLEET, NUMBER	1	
3	JG5-K810T-30-00	FLEET, NUMBER	1	
4	JG5-K810T-40-00	FLEET, NUMBER	1	
5	JG5-K810T-50-00	FLEET, NUMBER	1	
6	JG5-K810T-60-00	FLEET, NUMBER	1	
7	JG5-K810T-70-00	FLEET, NUMBER	1	
8	JG5-K810T-80-00	FLEET, NUMBER	1	
9	JG5-K810T-90-00	FLEET, NUMBER	1	
10	JG5-K810T-00-00	FLEET, NUMBER	1	
11	JG5-K810U-A0-00	FLEET, NUMBER	1	
12	JG5-K810U-10-00	FLEET, NUMBER	1	
13	JG5-K810U-E0-00	FLEET, NUMBER	1	
14	JG5-K810U-20-00	FLEET, NUMBER	1	
15	JG5-K810U-F0-00	FLEET, NUMBER	1	
16	JG5-K810U-30-00	FLEET, NUMBER	1	
17	JG5-K810U-G0-00	FLEET, NUMBER	1	
18	JG5-K810U-40-00	FLEET, NUMBER	1	
19	JG5-K810U-H0-00	FLEET, NUMBER	1	
20	JG5-K810U-50-00	FLEET, NUMBER	1	
21	JG5-K810U-J0-00	FLEET, NUMBER	1	
22	JG5-K810U-60-00	FLEET, NUMBER	1	
23	JG5-K810U-K0-00	FLEET, NUMBER	1	
24	JG5-K810U-70-00	FLEET, NUMBER	1	
25	JG5-K810U-L0-00	FLEET, NUMBER	1	
26	JG5-K810U-80-00	FLEET, NUMBER	1	
27	JG5-K810U-M0-00	FLEET, NUMBER	1	
28	JG5-K810U-90-00	FLEET, NUMBER	1	
29	JG5-K810U-N0-00	FLEET, NUMBER	1	

CONTINUED ON NEXT FRAME ➤

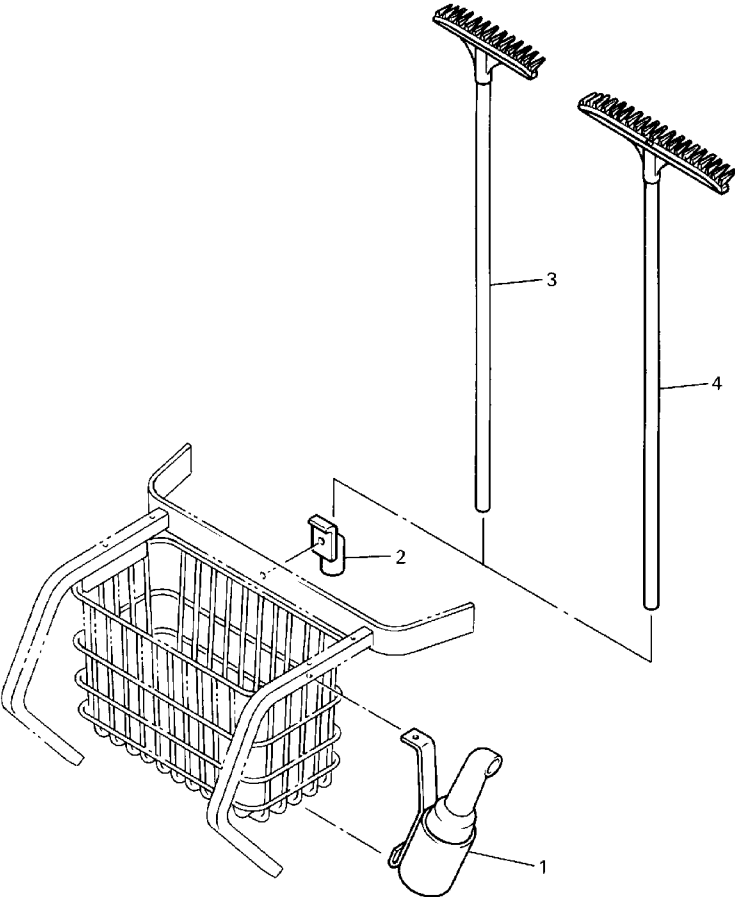
FLEET NUMBERS (OPTIONAL)



JN3100-6400

Ref. No.	Part Number	Description	Qty	Remarks
30	JG5-K810U-00-00	FLEET, NUMBER	1	
31	JG5-K810V-A0-00	FLEET, NUMBER	1	
32	JG5-K810V-10-00	FLEET, NUMBER	1	
	JG5-K810V-E0-00	FLEET, NUMBER	1	
34	JG5-K810V-20-00	FLEET, NUMBER	1	
35	JG5-K810V-F0-00	FLEET, NUMBER	1	
36	JG5-K810V-30-00	FLEET, NUMBER	1	
37	JG5-K810V-G0-00	FLEET, NUMBER	1	
38	JG5-K810V-40-00	FLEET, NUMBER	1	
39	JG5-K810V-H0-00	FLEET, NUMBER	1	
40	JG5-K810V-50-00	FLEET, NUMBER	1	

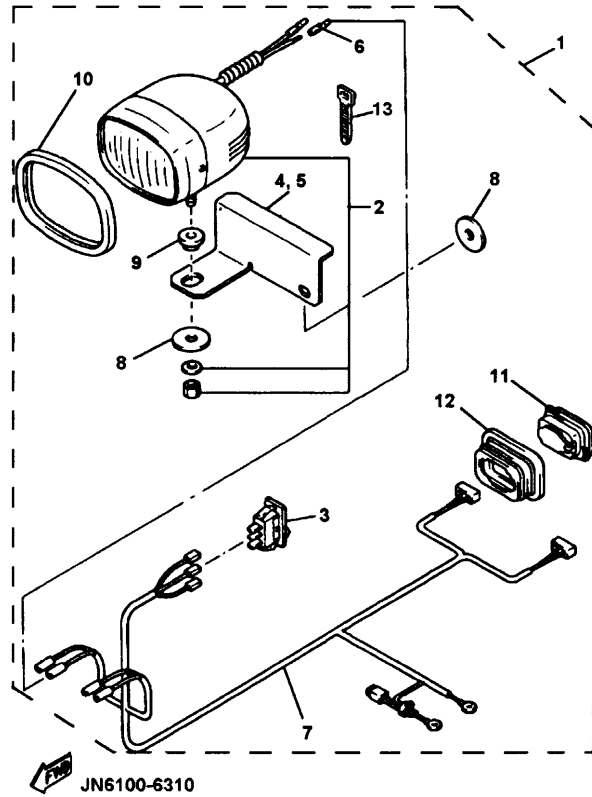
SAND BOTTLE - RAKE (OPTIONAL)



Ref. No.	Part Number	Description	Qty	Remarks
1	JN3-K8309-00-00	SAND BOTTLE ASSEMBLY ...	1	
2	JG5-K834G-00-00	HOLDER, RAKE	1	
3	JG5-K834H-00-00	RAKE, SAND	1	
4	JG5-K834J-00-00	RAKE, SAND	1	

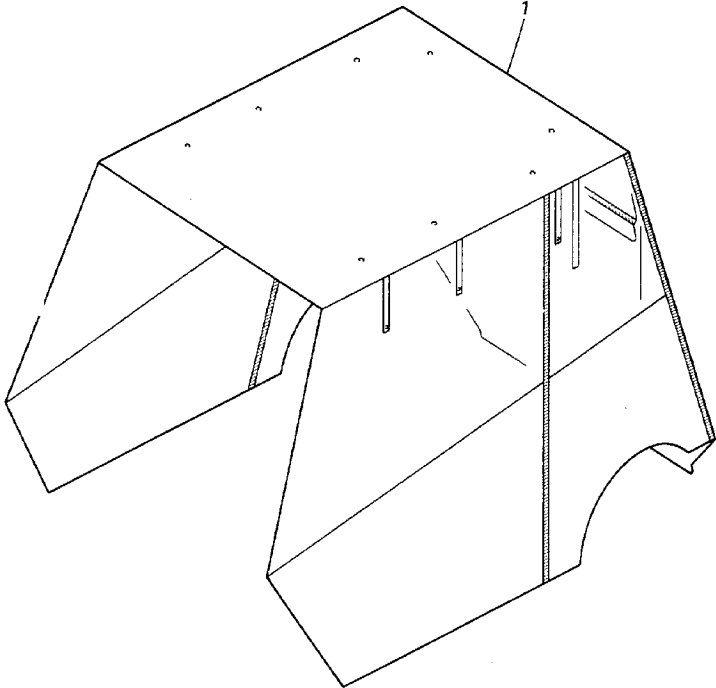
 JN3100-5400

LIGHT KIT (OPTIONAL)



Ref. No.	Part Number	Description	Qty	Remarks
1	JN6-H430A-00-00	LIGHT KIT ASSEMBLY.	1	
2	JN3-H4303-00-00	. HEAD LIGHT UNIT	2	12V 55W H3
3	*---	. FRONT WHEEL ASSEMBLY .	1	
4	JN3-H4118-00-00	. STAY, HEAD LIGHT	1	
5	JN3-H4119-00-00	. STAY, HEAD LIGHT	1	
6	90890-05159-00	. TERMINAL, WIRE (9E2121040100)	2	
7	JN6-H4159-00-00	. CORD, HEAD LIGHT	1	
8	90201-108G2-00	. WASHER, PLAIN	4	
9	JN3-H4366-00-00	. DAMPER, HEAD	2	
10	JN3-K7165-00-00	. TRIM,	2	
11	JN3-H4700-00-00	. TAIL LIGHT ASSEMBLY	2	
12	JN3-H4718-00-00	. GROMMET, TAIL	2	
13	90464-14806-00	. CLAMP	25	

ENCLOSURE (OPTIONAL)

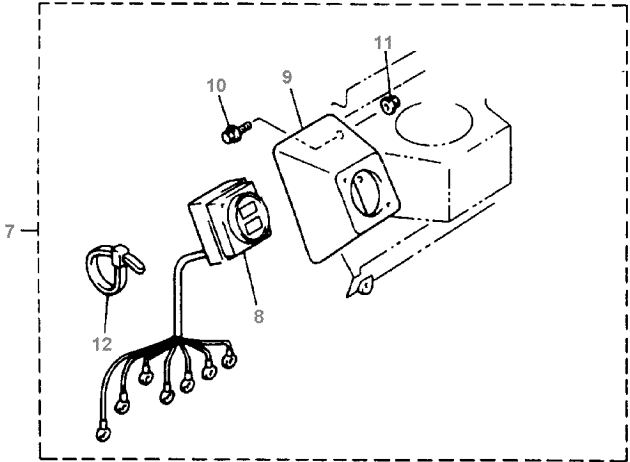
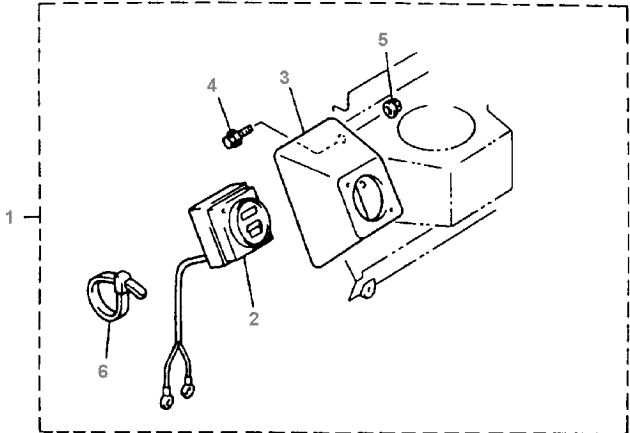


Ref. No.	Part Number	Description	Qty	Remarks
1	JN3-K832U-00-00	ENCLOSURE	1	



JN3100-6440

ENERGY GAUGE (OPTIONAL)



Ref. No.	Part Number	Description	Qty	Remarks
1	JN4-H350C-00-00	ENERGY GAUGE	1	
2	JN4-H351C-00-00	. GAUGE 1	1	
3	JN3-H3559-00-00	. COVER, METRE	1	
4	95027-06016-00	. BOLT, FLANGE	3	
5	95607-06200-00	. NUT, SELF U-FLANGE	3	
6	90464-14806-00	. CLAMP	10	
7	JN4-H350D-00-00	INTEGRATED GAUGE	1	
8	JN4-H351D-00-00	. GAUGE 2	1	
9	JN3-H3559-00-00	. COVER, METRE	1	
10	95027-06016-00	. BOLT, FLANGE	3	
11	95607-06200-00	. NUT, SELF U-FLANGE	3	
12	90464-14806-00	. CLAMP	15	

 JN4100-6300

1995~1997 MODEL GOLF CARS

PRIMARY I.D. NUMBERS FOR U.S. MODELS

For identification purposes, the following is a list of beginning primary I.D. numbers for U.S. model golf and utility cars manufactured

for the 1995~1997 model year. For previous year models refer to Technical Bulletin G94-001.

GAS CARS			
MODEL YEAR	MODEL NAME	MODEL CODE	BEGINNING PRIMARY I.D.
1995	G5AM	J50	J50-500101
1995	G8AM	JG5	JG5-400101
1995	G14AM	JN3	JN3-100101
1996	G11A	JJ3	JJ3-200101
1996	G14AP	JN3	JN3-200101
1996	G16AP	JN6	JN6-000101
1997	G16AR	JN6	JN6-100101
1997	G11AR	JR3	JR3-000101

ELECTRIC CARS			
MODEL YEAR	MODEL NAME	MODEL CODE	BEGINNING PRIMARY I.D.
1995	G9EM	JH7	JH7-300101
1995	G14EM	JN4	JN4-100101
1996	G14EP	JN4	JN4-200101
1996	G16EP	JN8	JN8-000101
1996	G19EP	JR1	JR1-000101
1997	G16ER	JN8	JN8-100101
1997	G19ER	JR1	JR1-100101