



PARTS CATALOGUE

MODEL YEAR 1996

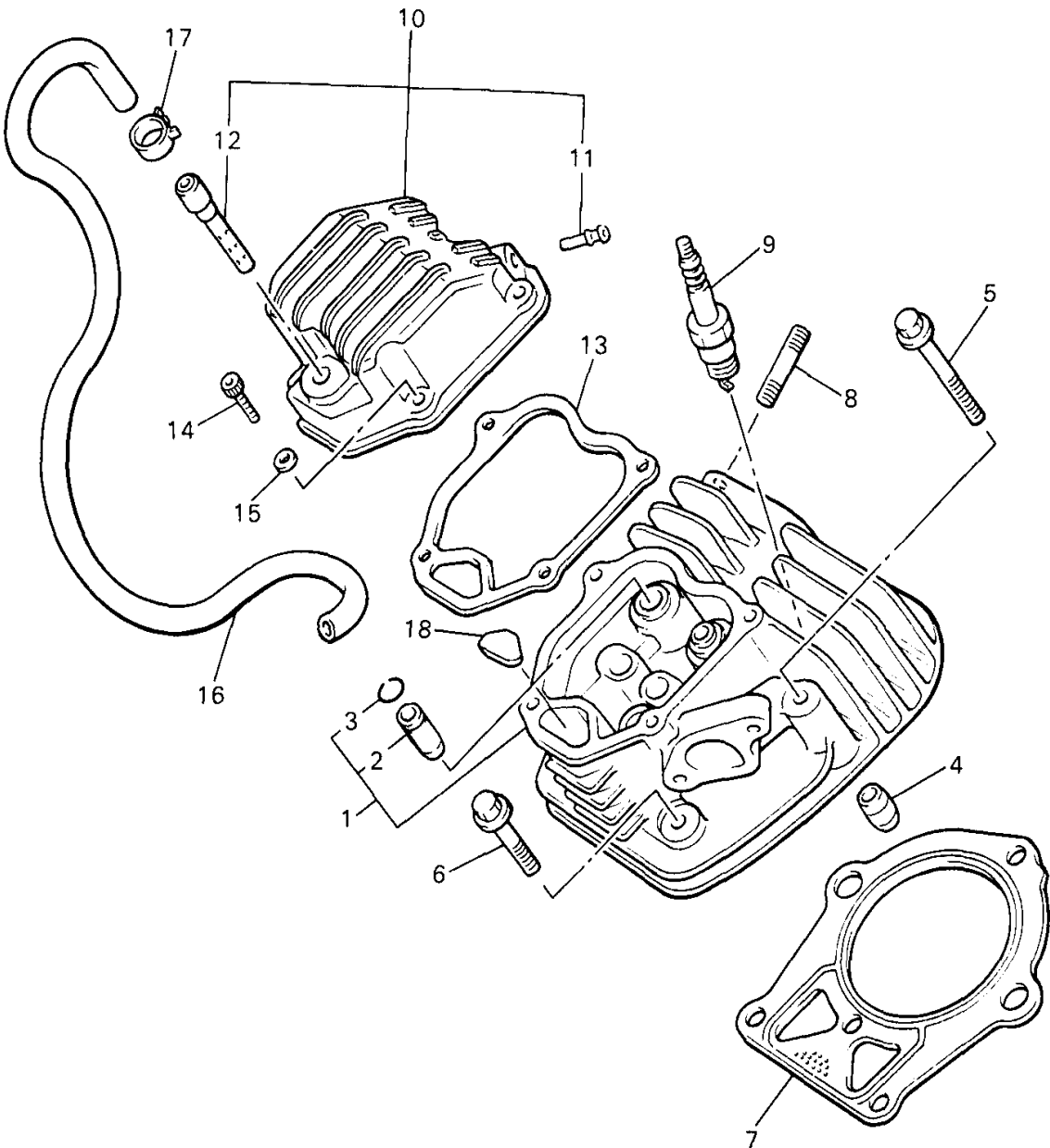
G11-AP (JJ31)

Frame Serial No.	JJ3-200101 and following
A	JJ3-200101 and following

PUBLICATION	PART NUMBER	REMARKS
OWNER'S MANUAL	LIT-19626-00-71	
ASSEMBLY	---	
SERVICE MANUAL	LIT-19616-00-70	
COUNTRY CLUB	LIT-1001J-11-96	



CYLINDER

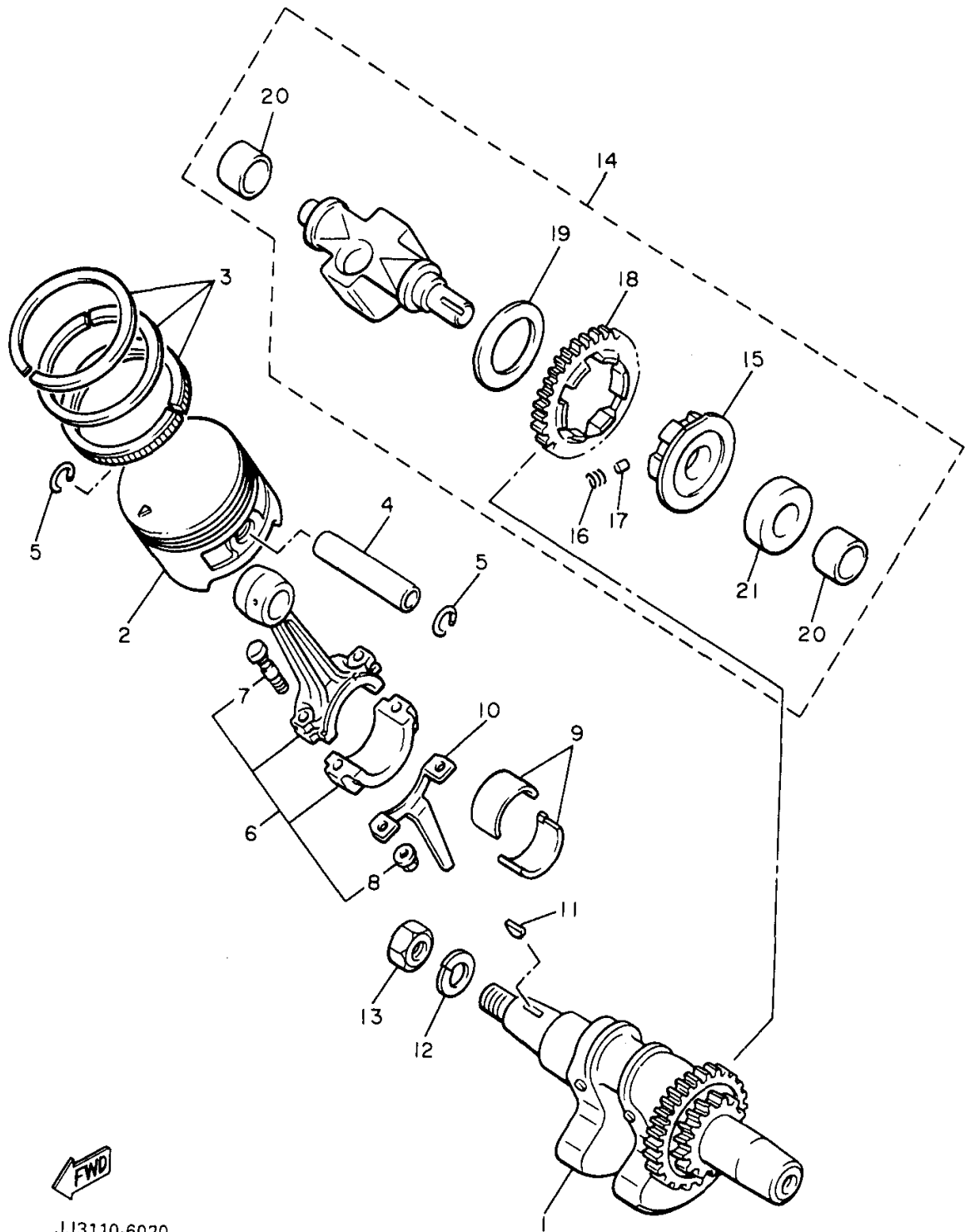


Ref. No.	Part Number	Description	Qty	Remarks
1	JN5-11102-00-00	CYLINDER HEAD ASSEMBLY	1	
2	7KY-11133-10-00	. GUIDE, INTAKE VALVE	2	
3	93440-10085-00	. CIRCLIP	2	
4	99510-12016-00	PIN, DOWEL	2	
5	95817-08070-00	BOLT, FLANGE	3	
6	95817-08045-00	BOLT, FLANGE	3	
7	JN5-11181-00-00	GASKET, CYLINDER HEAD 1	1	
8	95617-08618-00	BOLT, STUD (95627-08618-00)	2	
9	NGK-BPR2E-S0-00	PLUG, SPARK	1	
10	JN5-11191-00-00	COVER, CYLINDER HEAD 1	1	
11	J38-11116-00-00	. JOINT, BREATHER	1	
12	JN5-11116-00-00	. JOINT, BREATHER	1	
13	JN3-11193-00-00	GASKET, HEAD COVER 1	1	
14	91317-06025-00	BOLT	4	
15	92907-06600-00	WASHER, PLATE	4	
16	90445-130F8-00	HOSE	1	
17	90467-12052-00	CLIP	2	
18	JN5-11163-00-00	ELEMENT	1	



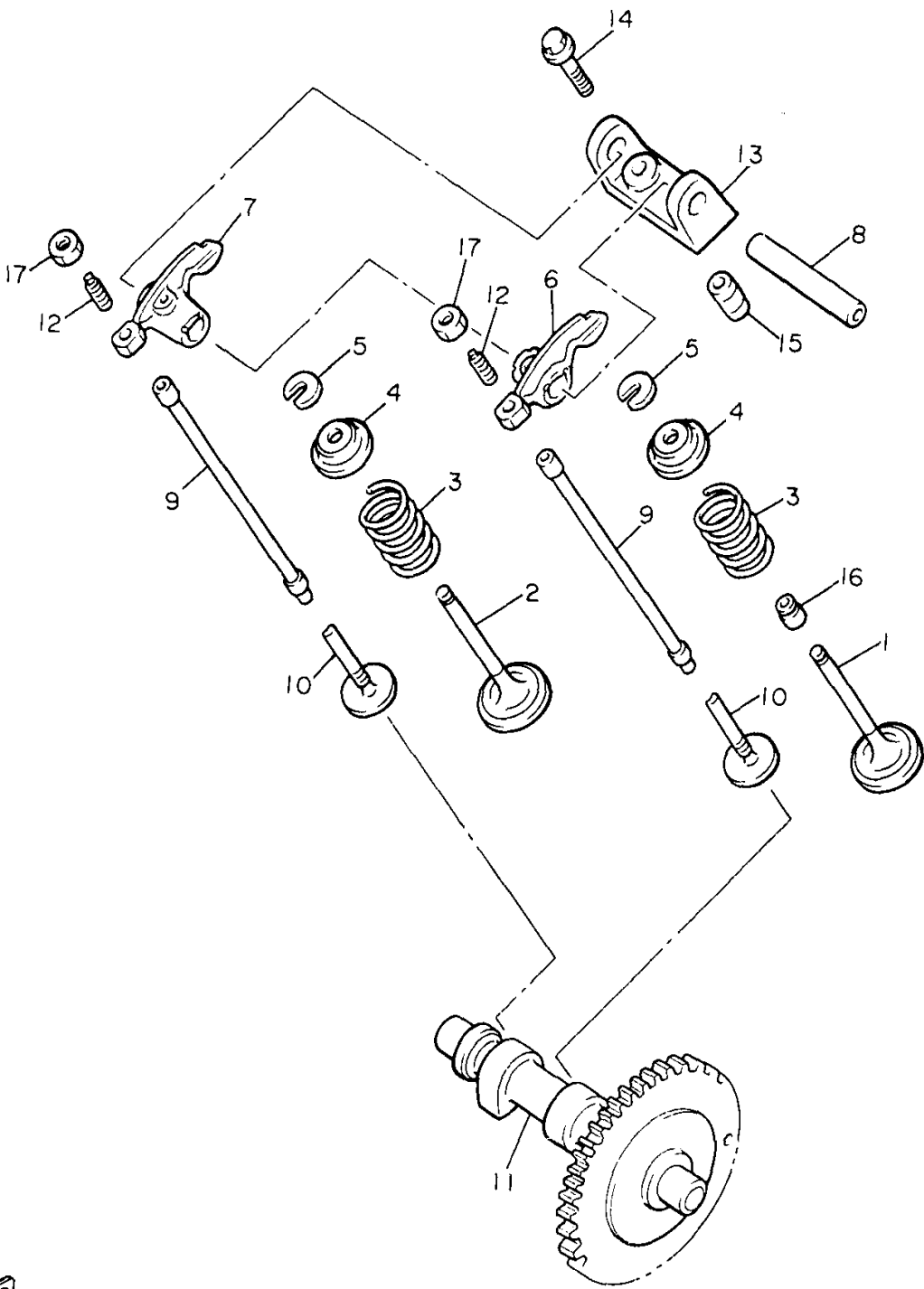
JN5010-4010

CRANKSHAFT - PISTON



Ref. No.	Part Number	Description	Qty	Remarks
1	J38-11400-00-00	CRANKSHAFT ASSEMBLY ...	1	
2	JN5-11631-00-96	PISTON (STD)	1	STD
	JN5-11635-00-00	PISTON (0.25MM O/S)	1	AP
	JN5-11636-00-00	PISTON (0.50MM O/S)	1	AP
3	JN5-11610-00-00	PISTON RING SET (STD)	1	STD
	JN5-11610-10-00	PISTON RING SET (0.25MM O/S)	1	AP
	JN5-11610-20-00	PISTON RING SET (0.50MM O/S)	1	AP
4	7A9-11633-00-00	PIN, PISTON	1	
5	93450-19047-00	CIRCLIP	2	
6	J38-11650-00-00	CONNECTING ROD ASSEMBLY	1	
7	J38-11654-00-00	. BOLT, CONNECTING ROD ..	2	
8	90179-08327-00	. NUT	2	
9	J38-11656-00-00	BEARING, CON-ROD	2	UR (BROWN)
	J38-11656-10-00	BEARING, CON-ROD	2	UR (BLACK)
	J38-11656-20-00	BEARING, CON-ROD	2	UR (BLUE)
10	J38-11657-00-00	SPLASHER, OIL	1	
11	90280-16053-00	KEY, WOODRUFF	1	
12	92907-16100-00	WASHER	1	
13	90170-16182-00	NUT	1	
14	J38-Y1149-00-00	BALANCER ASSEMBLY	1	
15	J38-11496-00-00	. BOSS, BUFFER	1	
16	90501-21133-00	. SPRING, COMPRESSION	6	
17	93605-10090-00	. PIN, DOWEL	3	
18	J38-11531-00-00	. GEAR, BALANCE WT	1	
19	90201-201G9-00	. WASHER, PLATE	1	
20	90387-155R3-00	. COLLAR	2	
21	90387-152M7-00	. COLLAR	1	

CAMSHAFT - VALVE

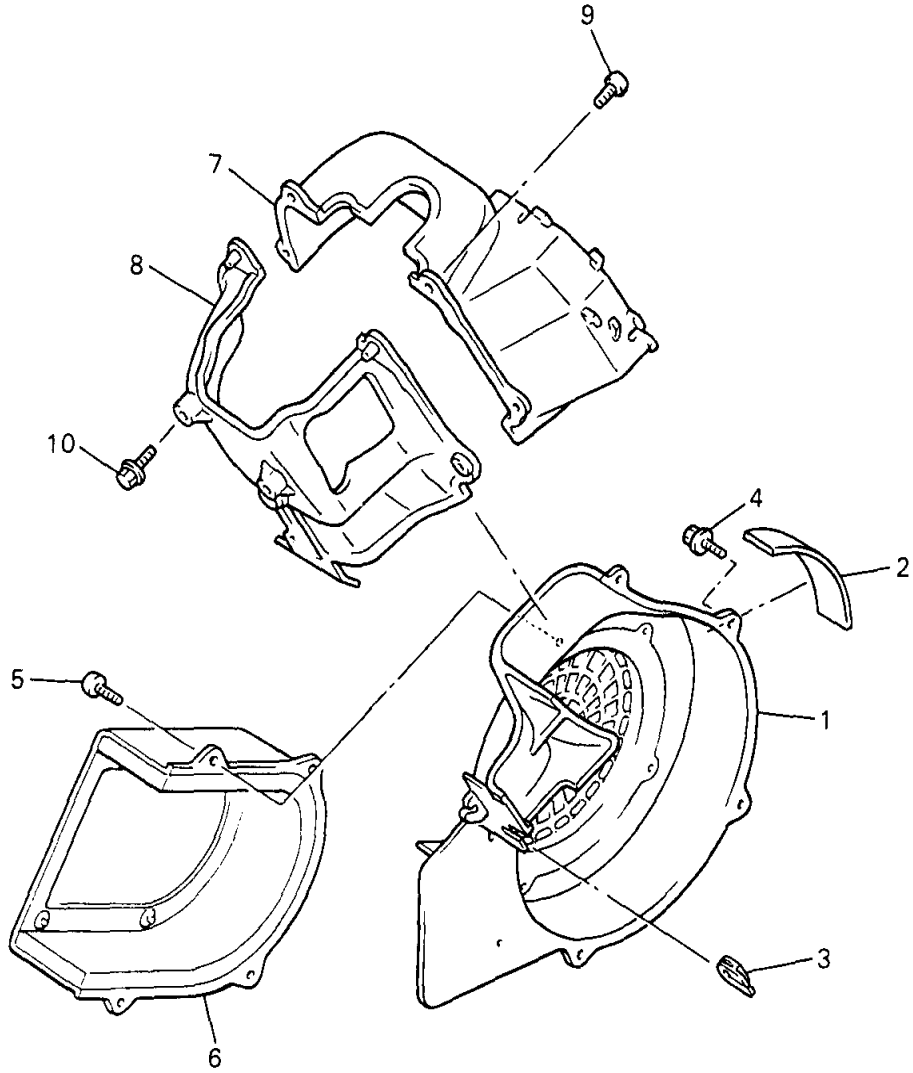


Ref. No.	Part Number	Description	Qty	Remarks
1	J38-12111-01-00	VALVE, INTAKE	1	
2	J38-12121-01-00	VALVE, EXHAUST	1	
3	90501-264A9-00	SPRING, COMPRESSION	2	
4	J38-12117-01-00	RETAINER, VALVE SPRING ..	2	
5	J38-12118-00-00	COTTER, VALVE	2	
6	J38-12151-01-00	ARM, VALVE ROCKER	1	
7	J38-12161-01-00	ARM, VALVE ROCKER 2	1	
8	J38-12156-00-00	SHAFT, ROCKER 2	1	
9	J38-12154-00-00	ROD, VALVE PUSH	2	
10	J38-12153-00-00	LIFTER, VALVE	2	
11	J38-12171-00-00	CAMSHAFT 1	1	
12	J38-12159-00-00	SCREW, VALVE ADJUSTING ..	2	
13	J38-12152-00-00	SUPPORT, ROCKER ARM	1	
14	95817-06030-00	BOLT, FLANGE	2	
15	91810-09014-00	PIN, DOWEL	2	
16	5H0-12119-00-00	SEAL, VALVE STEM	1	
17	90170-06128-00	NUT	2	



J38100-8030

AIR SHROUD - FAN

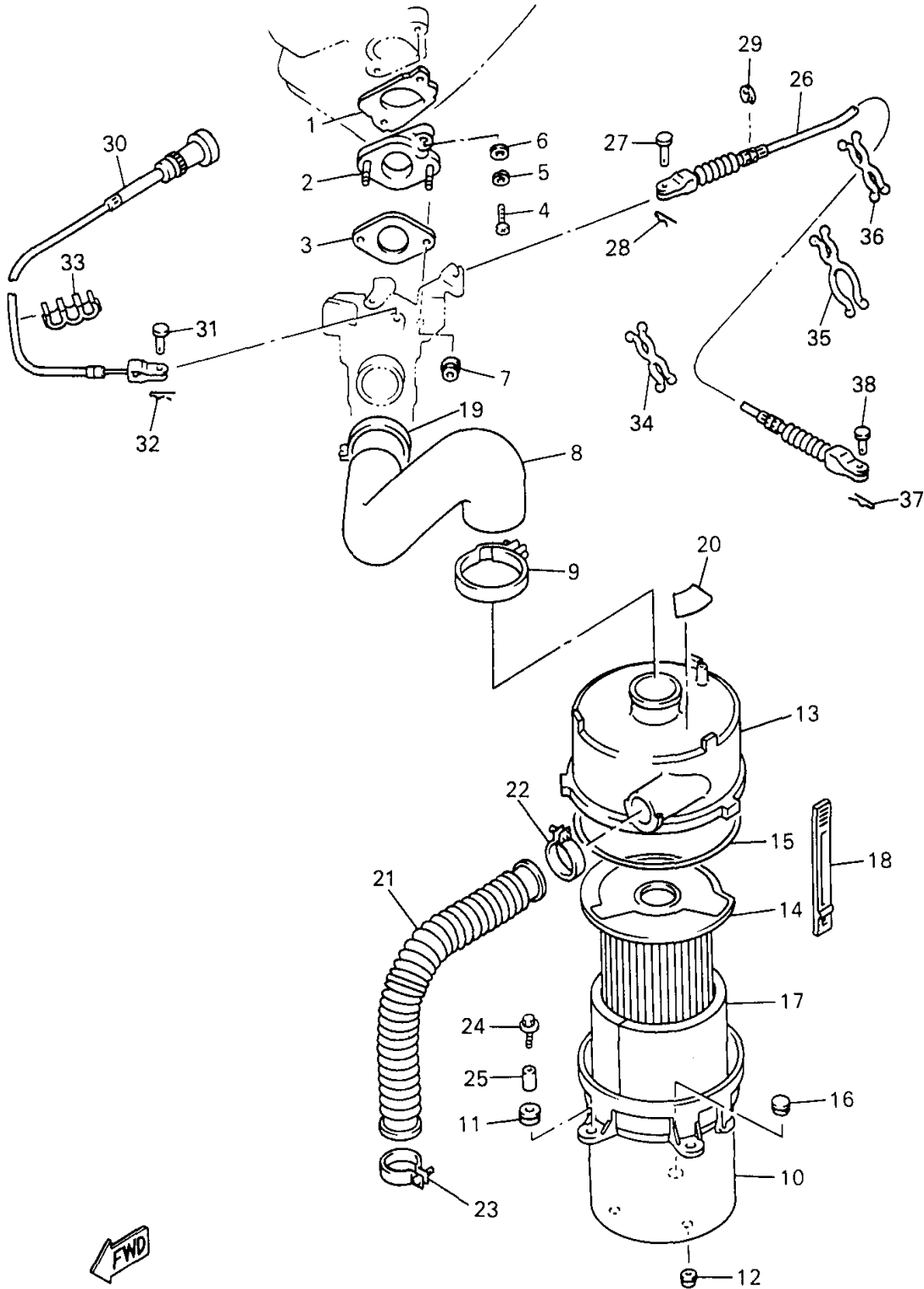


Ref. No.	Part Number	Description	Qty	Remarks
1	JN5-12621-00-00	CASE, FAN	1	
2	JN5-12659-00-00	DAMPER, AIR SHROUD 2	1	
3	90480-20280-00	GROMMET	1	
4	95817-06020-00	BOLT, FLANGE	5	
5	97707-60516-00	SCREW, TAPPING	4	
6	J38-12640-00-00	FAN CASE COVER COMP. ...	1	
7	J38-12651-02-00	AIR SHROUD, CYLINDER 1 ...	1	
8	JN5-12652-00-00	AIR SHROUD, CYLINDER 2 ...	1	
9	97707-60512-00	SCREW, TAPPING	4	
10	90109-06513-00	BOLT	4	



JN3100-5040

INTAKE



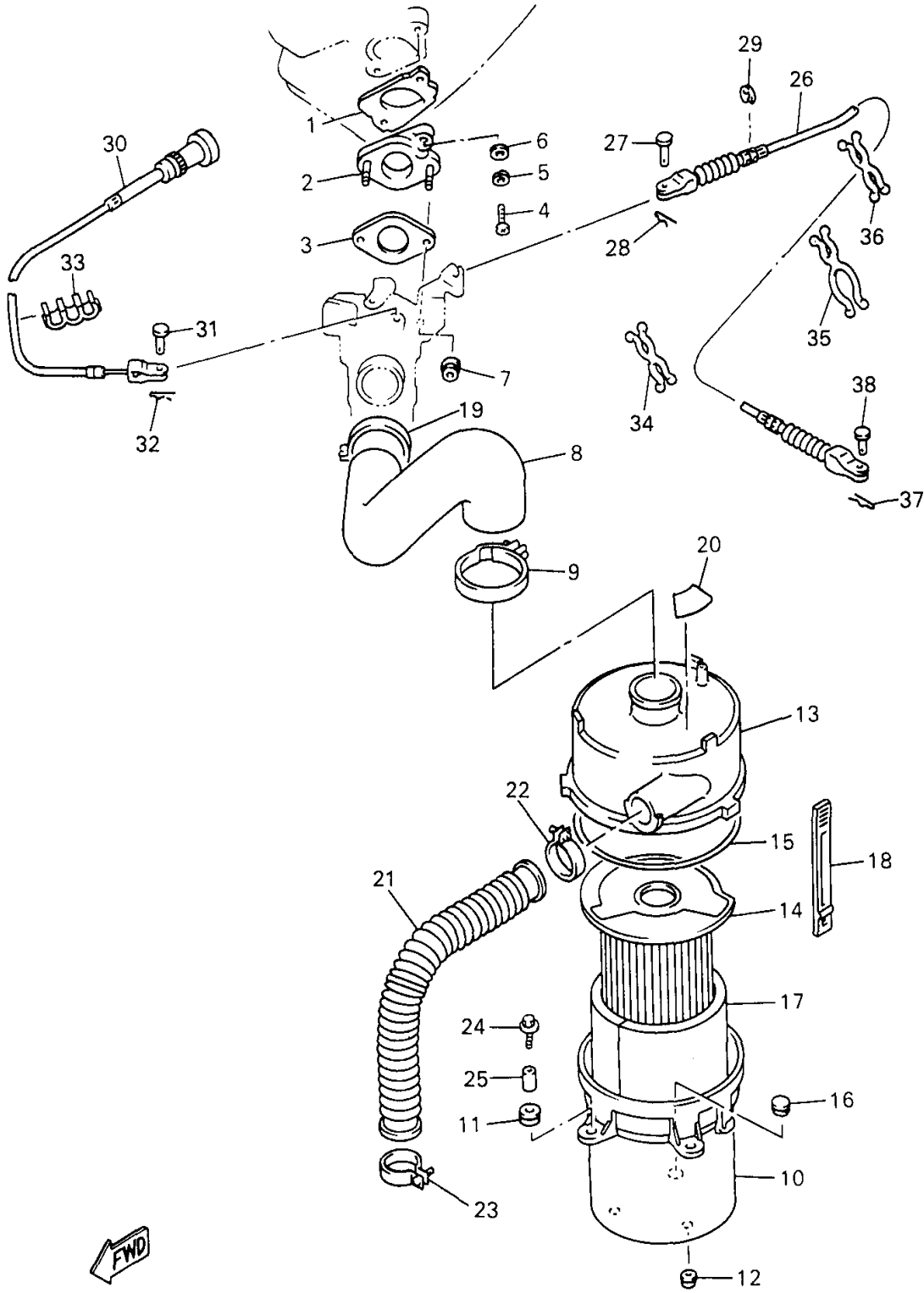
Ref. No.	Part Number	Description	Qty	Remarks
1	J38-13556-01-00	GASKET, MANIFOLD	1	
2	J38-13596-00-00	JOINT, CARBURETOR 2	1	
3	J38-13557-01-00	GASKET	1	
4	98517-06030-00	SCREW, PAN HEAD (98507-06030-00)	2	
5	92907-06100-00	WASHER, SPRING	2	
6	92907-06600-00	WASHER, PLATE	2	
7	95607-06200-00	NUT, SELF U-FLANGE	2	
8	J38-14453-01-00	JOINT, AIR CLEANER 1	1	
9	90460-53239-00	CLAMP, HOSE	1	
10	J10-14411-01-00	CASE, air cleaner 1	1	
11	90480-13238-00	GROMMET	2	
12	90480-14239-00	GROMMET	2	
13	JN3-14412-00-00	CAP, CLEANER CASE 1	1	
14	JF7-14450-01-00	ELEMENT ASSEMBLY, AIR CLEANER	1	
15	JN3-14452-00-00	SEAL	1	
16	90480-14100-00	GROMMET	1	
17	J10-14417-00-00	COVER 1	1	
18	J45-14436-00-00	HOOK	4	
19	90460-43053-00	CLAMP, HOSE	1	
20	JN3-K7761-00-00	LABEL, WARNING 1	1	
21	JN3-14437-00-00	DUCT	1	
22	90460-33087-00	CLAMP, HOSE	1	
23	90464-05819-00	CLAMP	1	
24	90119-06097-00	BOLT, WITH WASHER	2	
25	90387-06026-00	COLLAR	2	
26	J38-26312-01-00	CABLE, THROTTLE 2	1	
27	91701-05010-00	PIN, CYLINDER. HEAD	1	

CONTINUED ON NEXT FRAME ►



JJ3110-6051

INTAKE

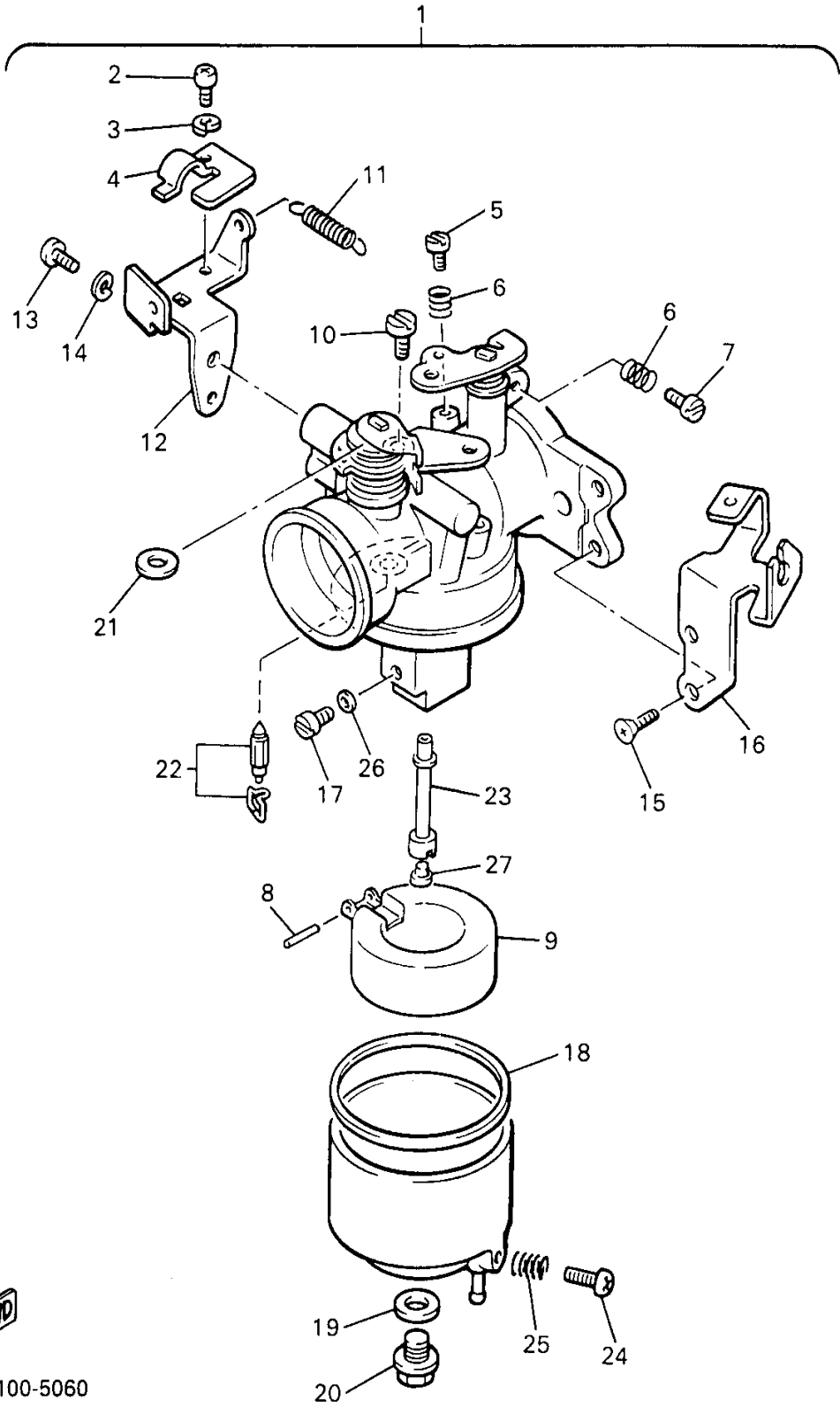


Ref. No.	Part Number	Description	Qty	Remarks
28	90468-10050-00	CLIP	1	
29	99080-07600-00	CIRCLIP (E)	1	
30	J55-F6331-01-00	WIRE, STARTER	1	
31	91701-05010-00	PIN, CYLINDER. HEAD	1	
32	90468-10050-00	CLIP	1	
33	90468-07179-00	CLIP	1	
34	90464-10038-00	CLAMP	1	
35	90464-26114-00	CLAMP	1	
36	90464-14134-00	CLAMP	2	
37	90468-10050-00	CLIP	1	
38	91701-05010-00	PIN, CYLINDER. HEAD	1	

 JJ3110-6051

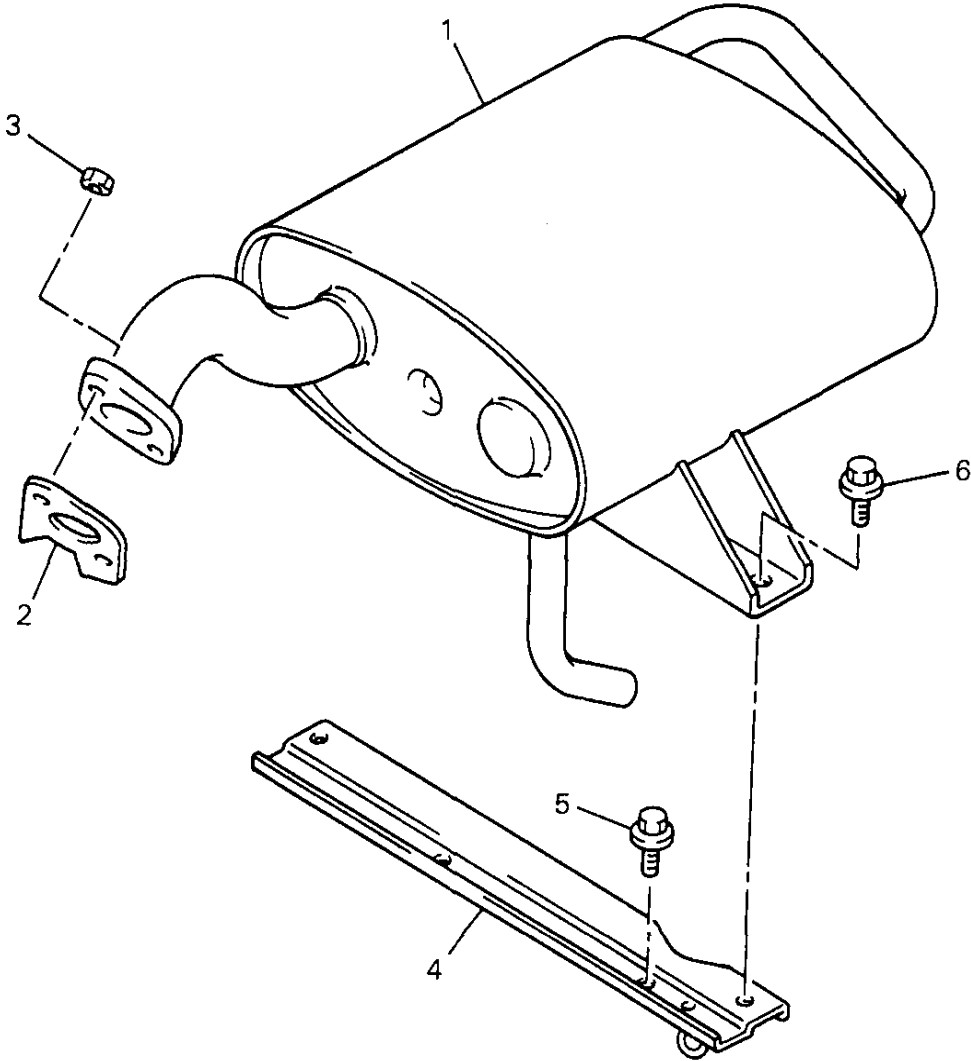
CARBURETOR

Ref. No.	Part Number	Description	Qty	Remarks
1	JN3-14101-10-00	CARBURETOR ASSEMBLY 1	1	
2	98507-05008-00	. SCREW, PAN HEAD	1	
3	92990-05100-00	. WASHER, SPRING	1	
4	J38-14243-00-00	. PLATE	1	
5	75G-14211-00-00	. SCREW, PILOT ADJUSTING	1	
6	620-14212-00-00	. SPRING, PILOT ADJUSTING	2	
7	J10-14122-00-00	. SCREW, THROTTLE	1	
8	22F-14186-00-00	. PIN, FLOAT	1	
9	J38-14185-00-00	. FLOAT	1	
10	620-14142-55-00	. JET, pilot (#55) (620-14142-11-00)	1	
11	J38-14133-00-00	. SPRING, THROTTLE STOP	1	
12	JG5-14581-00-00	. BRACKET	1	
13	98580-06010-00	. SCREW, PAN HEAD (92503-06010)	1	
14	92995-06100-00	. WASHER, SPRING	1	
15	98707-05008-00	. SCREW, FLAT HEAD	2	
16	JG5-14291-00-00	. BRACKET 1	1	
17	3G2-1414J-42-00	. JET, MAIN (#106.3)	1	
18	796-14184-00-00	. GASKET, FLOAT CHAMBER	1	
19	127-14198-00-00	. GASKET	1	
20	7R1-14162-00-00	. BOLT, HOLDING	1	
21	J10-14597-00-00	. WASHER	1	
22	JN5-14150-00-00	. NEEDLE ASSEMBLY	1	
23	JH2-1495J-7A-00	. NOZZLE, MAIN	1	
24	7E1-14191-00-00	. PLUG, DRAIN	1	
25	73A-14212-00-00	. SPRING	1	
26	JH2-14153-00-00	. WASHER, MAIN JET	1	
27	73A-1414G-00-00	. PIPE, MAIN BREED	1	



JN3100-5060

EXHAUST



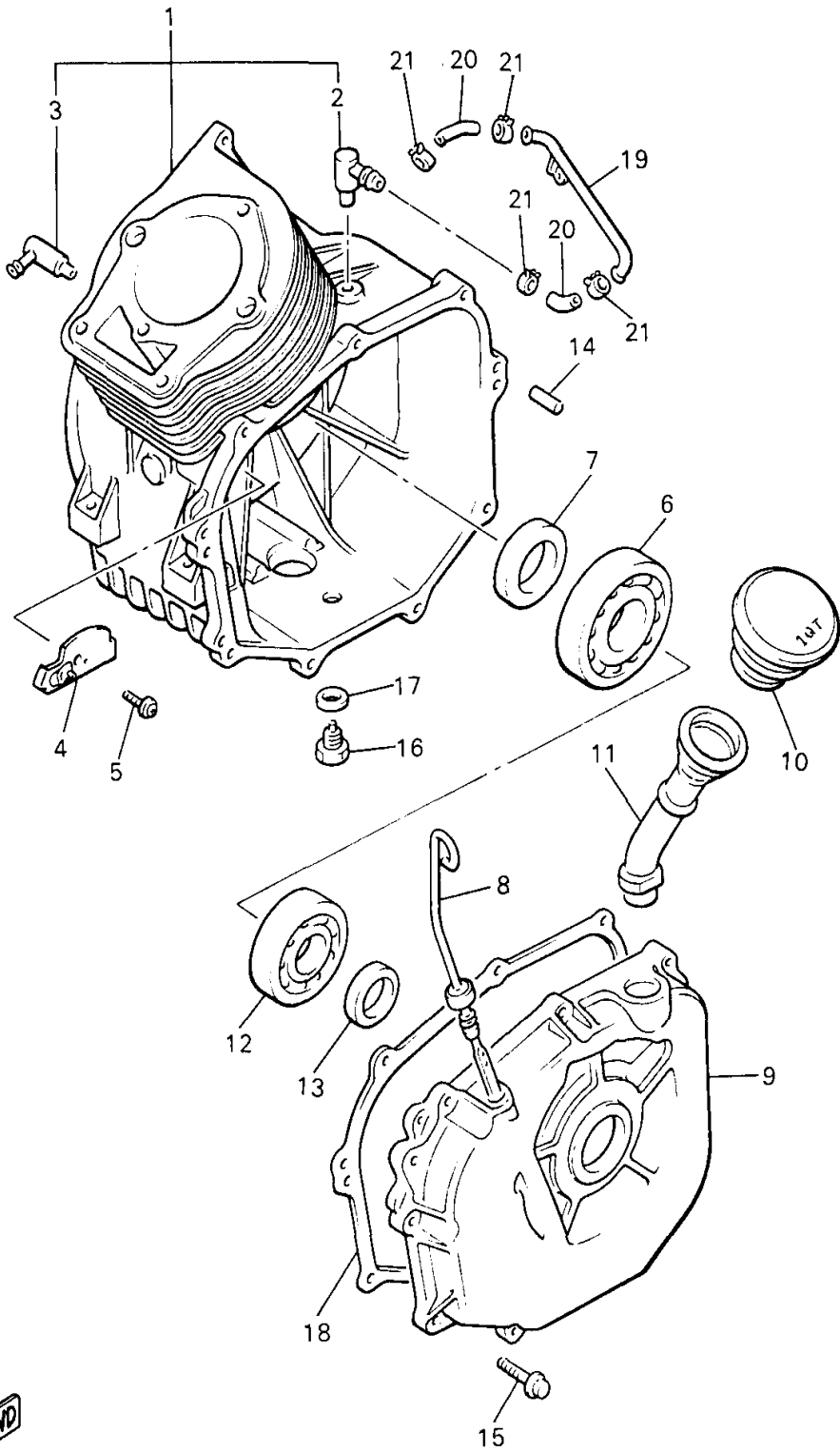
Ref. No.	Part Number	Description	Qty	Remarks
1	JN3-E4710-00-00	MUFFLER ASSEMBLY 1	1	
2	J38-14613-01-00	GASKET, EXHAUST PIPE	1	
3	95380-08600-00	NUT	2	
4	JN3-E4771-00-00	STAY, MUFFLER 1	1	
5	95027-10020-00	BOLT, FLANGE	2	
6	90119-08119-00	BOLT, WITH WASHER	2	



JN3100-5070

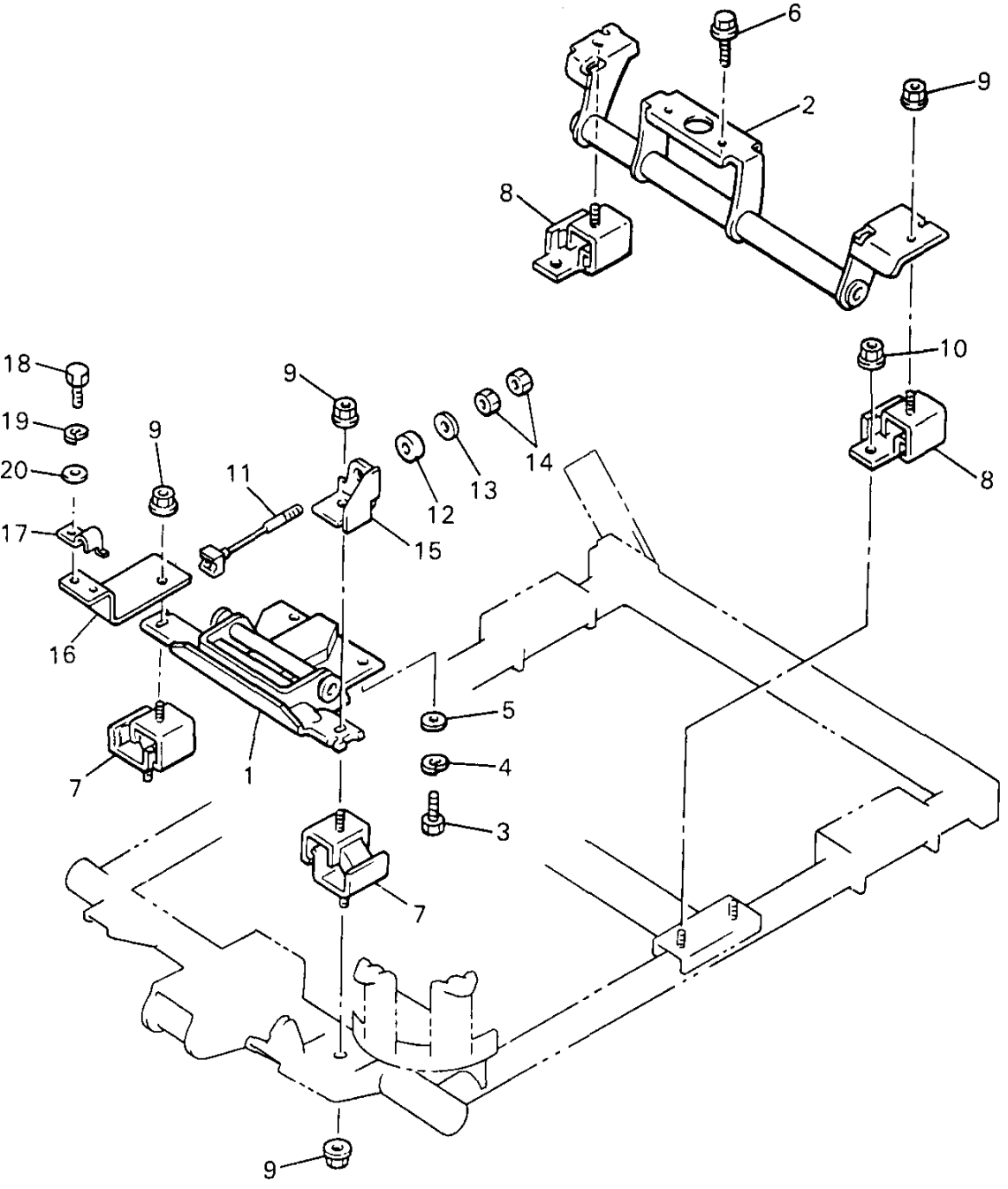
CRANKCASE

Ref. No.	Part Number	Description	Qty	Remarks
1	JN5-15100-00-00	CRANKCASE ASSEMBLY	1	
2	J38-15148-00-00	. NOZZLE 2	1	
3	J38-15155-00-00	. NOZZLE 3	1	
4	JN5-13610-00-00	REED VALVE ASSEMBLY	1	
5	90159-05117-00	SCREW, w/washer	1	
6	93306-30709-00	BEARING	1	
7	93102-35191-00	OIL SEAL	1	
8	J38-15361-00-00	GAUGE, LEVEL	1	
9	J38-15411-01-00	COVER, CRANKCASE 1	1	
10	J38-15363-00-00	PLUG, OIL	1	
11	J38-15112-00-00	PIPE, OIL	1	
12	93306-30630-00	BEARING	1	
13	93102-30195-00	OIL SEAL	1	
14	99530-08012-00	PIN, DOWEL	2	
15	95817-08035-00	BOLT, FLANGE	9	
16	97007-12020-00	BOLT	1	
17	812-11198-00-00	GASKET	1	
18	J38-15451-02-00	GASKET, CRANKCASE COVER 1	1	
19	J38-13161-00-00	PIPE, DELIVERY 1	1	
20	90445-110E6-00	HOSE	2	
21	90467-10008-00	CLIP	4	



JJ3110-6080

ENGINE BRACKET

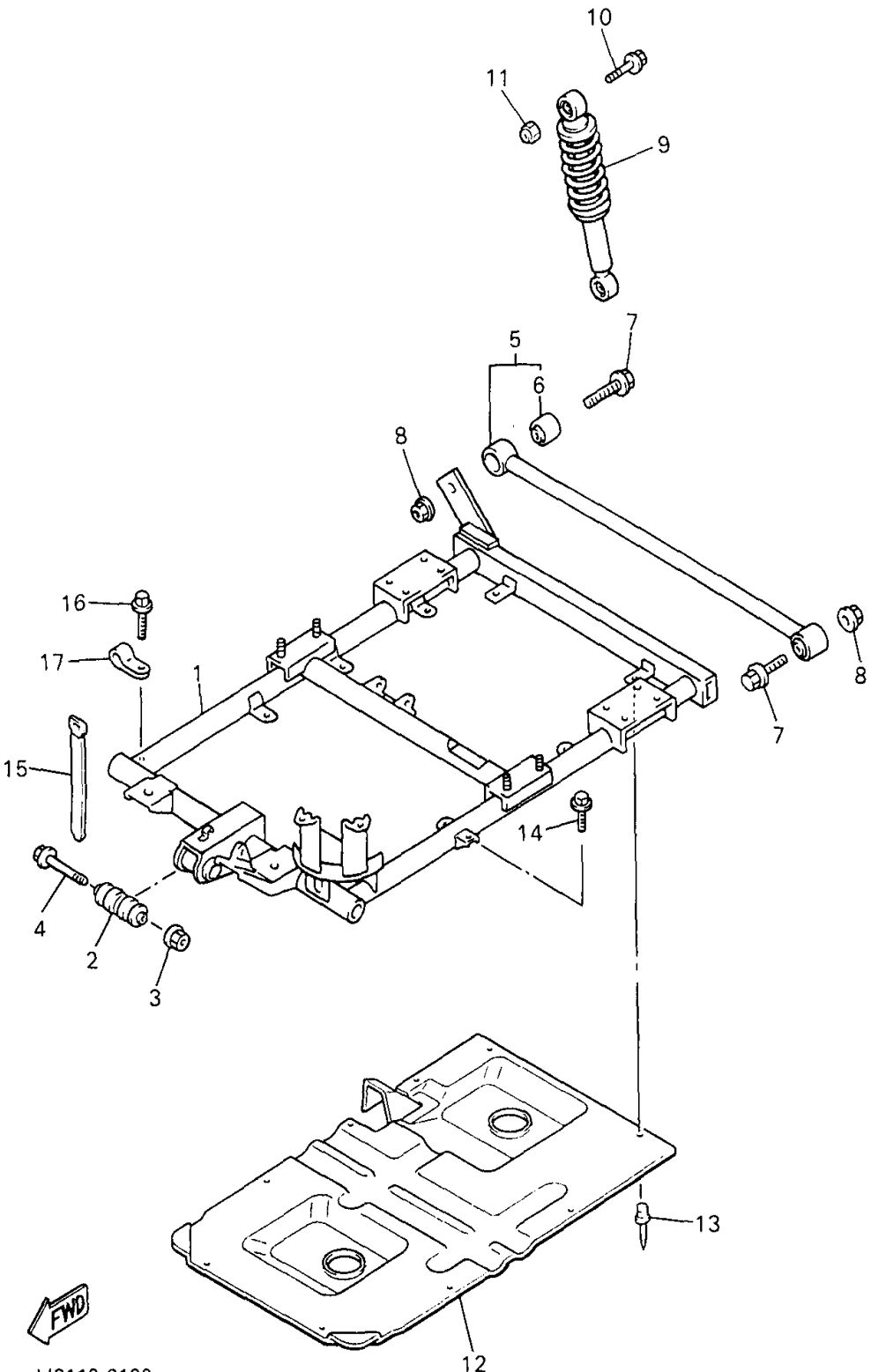


Ref. No.	Part Number	Description	Qty	Remarks
1	J38-21411-02-00	BRACKET, ENGINE 1	1	
2	JN3-F1419-00-00	BRACKET, ENGINE 2	1	
3	97027-10025-00	BOLT	2	
4	92907-10100-00	WASHER, SPRING	2	
5	92907-10600-00	WASHER, PLATE	2	
6	95027-10040-00	BOLT, FLANGE	2	
7	J38-21486-00-00	DAMPER 2	2	
8	J38-21488-00-00	DAMPER	2	
9	95707-10500-00	NUT, FLANGE	6	
10	95707-08500-00	NUT, FLANGE	4	
11	JN3-F217J-00-00	TENSIONER 1	1	
12	J17-2214F-00-00	DAMPER 1	1	
13	90201-06778-00	WASHER, PLATE	1	
14	95317-06600-00	NUT (95307-06600-00)	2	
15	JJ3-2141A-00-00	BRACKET 1	1	
16	JF2-2142G-00-00	STAY 1	1	
17	JF2-2142H-00-00	STAY 2	1	
18	97017-06016-00	BOLT	1	
19	92907-06100-00	WASHER, SPRING	1	
20	92907-06600-00	WASHER, PLATE	1	



JJ3110-6090

REAR ARM - SUSPENSION

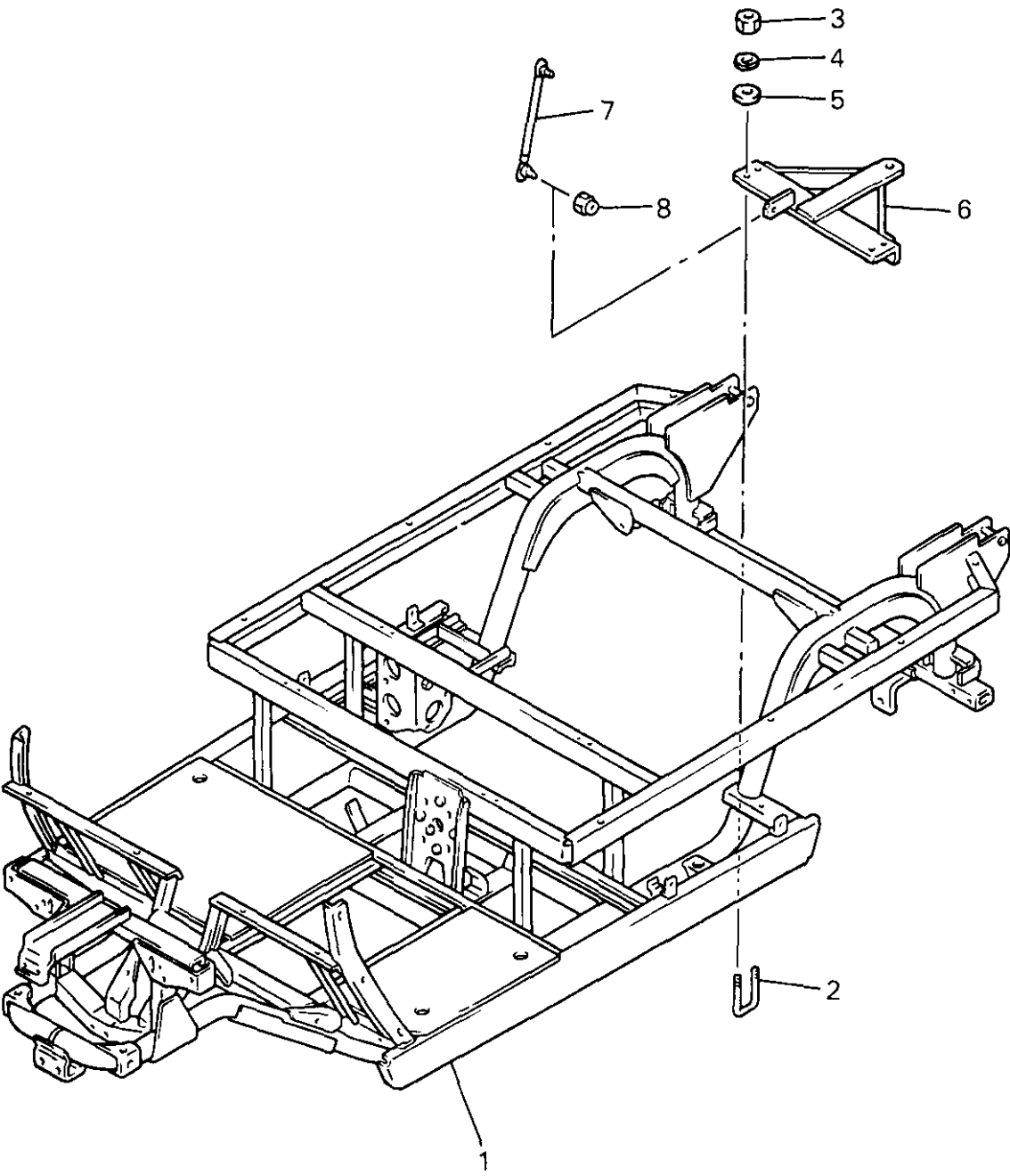


Ref. No.	Part Number	Description	Qty	Remarks
1	JN3-F2110-00-00	REAR ARM COMP.	1	
2	JN3-22123-00-00	BUSH 1	1	
3	95617-12200-00	NUT, SELF-LOCKING	1	
4	90105-12743-00	BOLT, WASHER BASED	1	
5	JF2-22172-00-00	ARM, REAR 2	1	
6	J50-22124-00-00	BUSH 2	2	
7	95817-12065-00	BOLT, FLANGE	2	
8	95617-12200-00	NUT, SELF-LOCKING	2	
9	JJ3-F2210-00-00	SHOCK ABSORBER	2	
10	95817-12065-00	BOLT, FLANGE	4	
11	90185-12072-00	NUT, SELF-LOCKING	4	
12	J38-22128-00-00	COVER, THRUST 1	1	
13	90267-40131-00	RIVET, BLIND	9	
14	95807-06016-00	BOLT, FLANGE	2	
15	JF2-82591-00-00	BAND	1	
16	95807-06016-00	BOLT, FLANGE	1	
17	90461-08133-00	CLAMP	1	

JJ3110-6100



FRAME

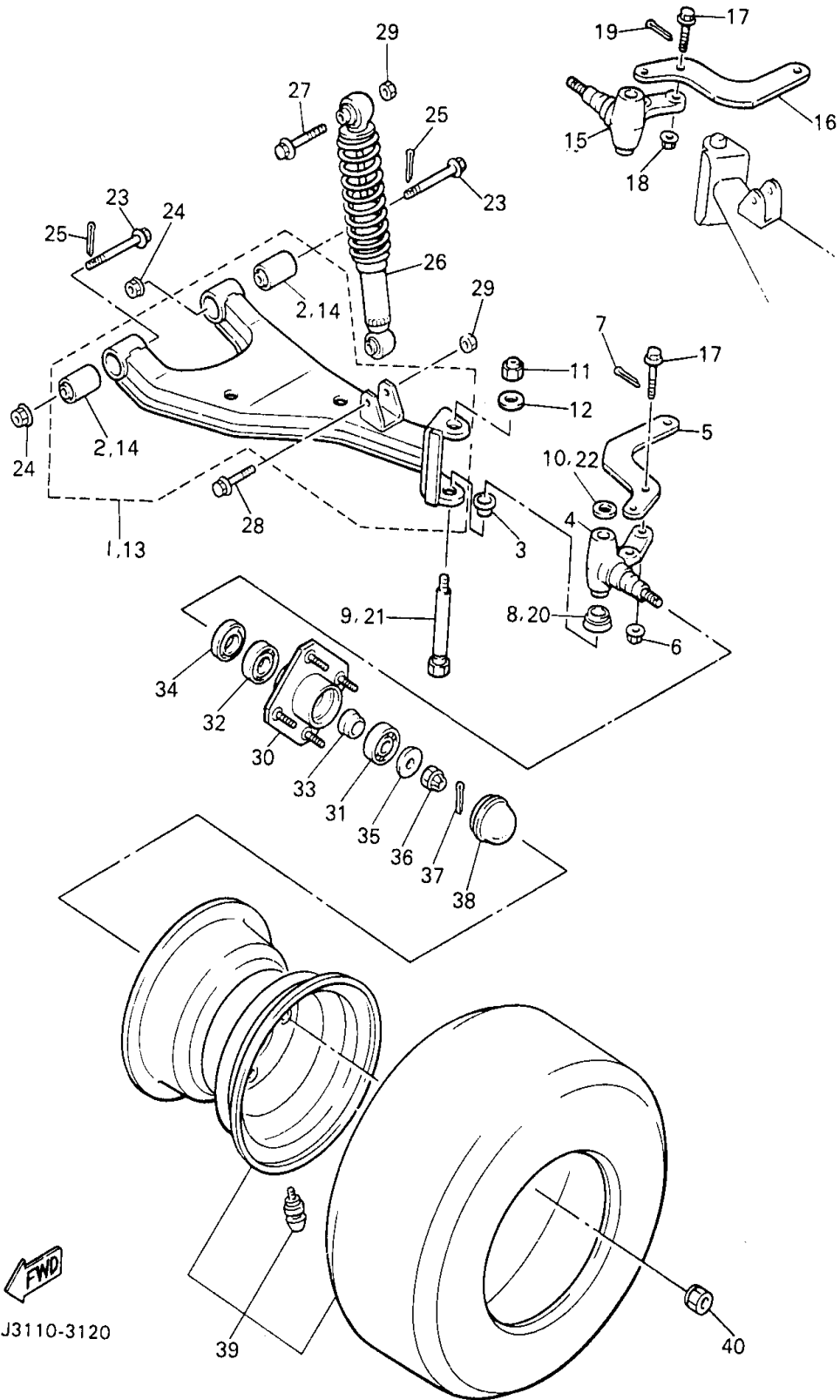


Ref. No.	Part Number	Description	Qty	Remarks
1	JJ3-F2501-21-00	FRAME COMP.	1	
2	90109-10841-00	BOLT	2	
3	90170-10847-00	NUT, HEX	4	
4	92907-10100-00	WASHER, SPRING	4	
5	92907-10200-00	WASHER, PLAIN	4	
6	JJ3-F722B-01-00	BAR, TOW	1	
7	JJ3-K7588-00-00	DAMPER 1	1	
8	95617-08200-00	NUT, SELF-LOCKING (95607-08200-00)	2	



JJ3110-6110

FRONT SUSPENSION - WHEEL

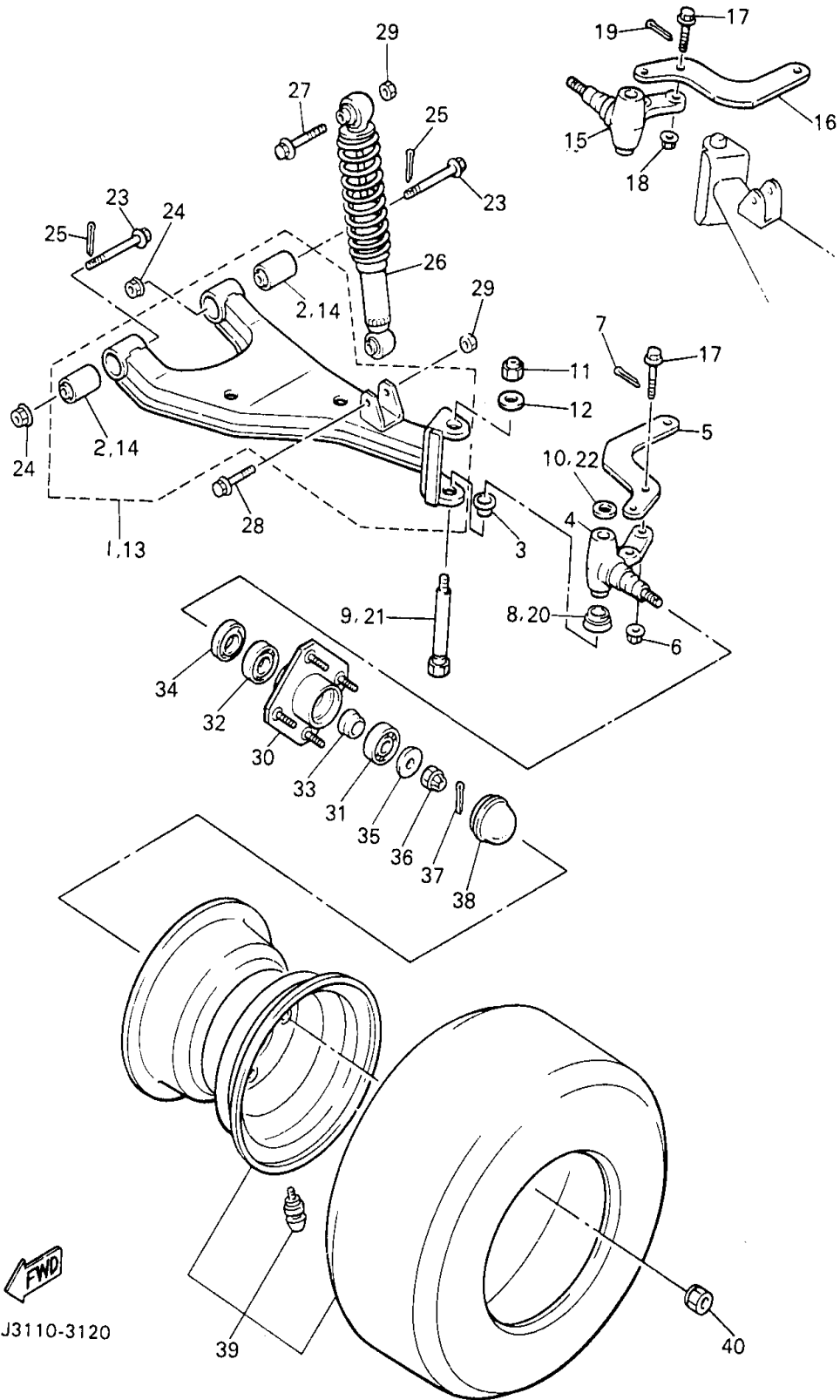


Ref. No.	Part Number	Description	Qty	Remarks
1	JJ3-F3570-01-00	FRONT LOWER ARM COMP. (LEFT)	1	
2	J38-23526-00-00	. BUSH	2	
3	90386-15139-00	BUSH	2	
4	JJ3-F3501-00-00	STEERING, KNUCKLE ASSEMBLY (LEFT)	1	
5	J38-23512-02-00	ARM, KNUCKLE 1	1	
6	95617-10200-00	NUT, SELF-LOCKING	2	
7	91490-25020-00	PIN, COTTER	2	
8	J38-23527-00-00	SEAL, DUST	1	
9	JJ3-F3516-00-00	PIN, STEERING KNUCKLE	1	
10	90201-156J2-00	WASHER, PLAIN	1	
11	95617-12200-00	NUT, SELF-LOCKING	2	
12	92907-12300-00	WASHER	2	
13	JJ3-F3580-01-00	FRONT LOWER ARM COMP. (RIGHT)	1	
14	J38-23526-00-00	. BUSH	2	
15	JJ3-F3502-00-00	STEERING, KNUCKLE ASSEMBLY (RIGHT)	1	
16	J38-23512-02-00	ARM, KNUCKLE 1	1	
17	90105-10360-00	BOLT, FLANGE	4	
18	95617-10200-00	NUT, SELF-LOCKING	2	
19	91490-25020-00	PIN, COTTER	2	
20	J38-23527-00-00	SEAL, DUST	1	
21	JJ3-F3516-00-00	PIN, STEERING KNUCKLE	1	
22	90201-156J2-00	WASHER, PLAIN	1	
23	90105-10357-00	BOLT, FLANGE	4	
24	95617-10200-00	NUT, SELF-LOCKING	4	
25	91490-25020-00	PIN, COTTER	4	
26	JJ3-F3350-00-00	SHOCK ABSORBER ASSEMBLY	2	

CONTINUED ON NEXT FRAME ➤

FWD
JJ3110-3120

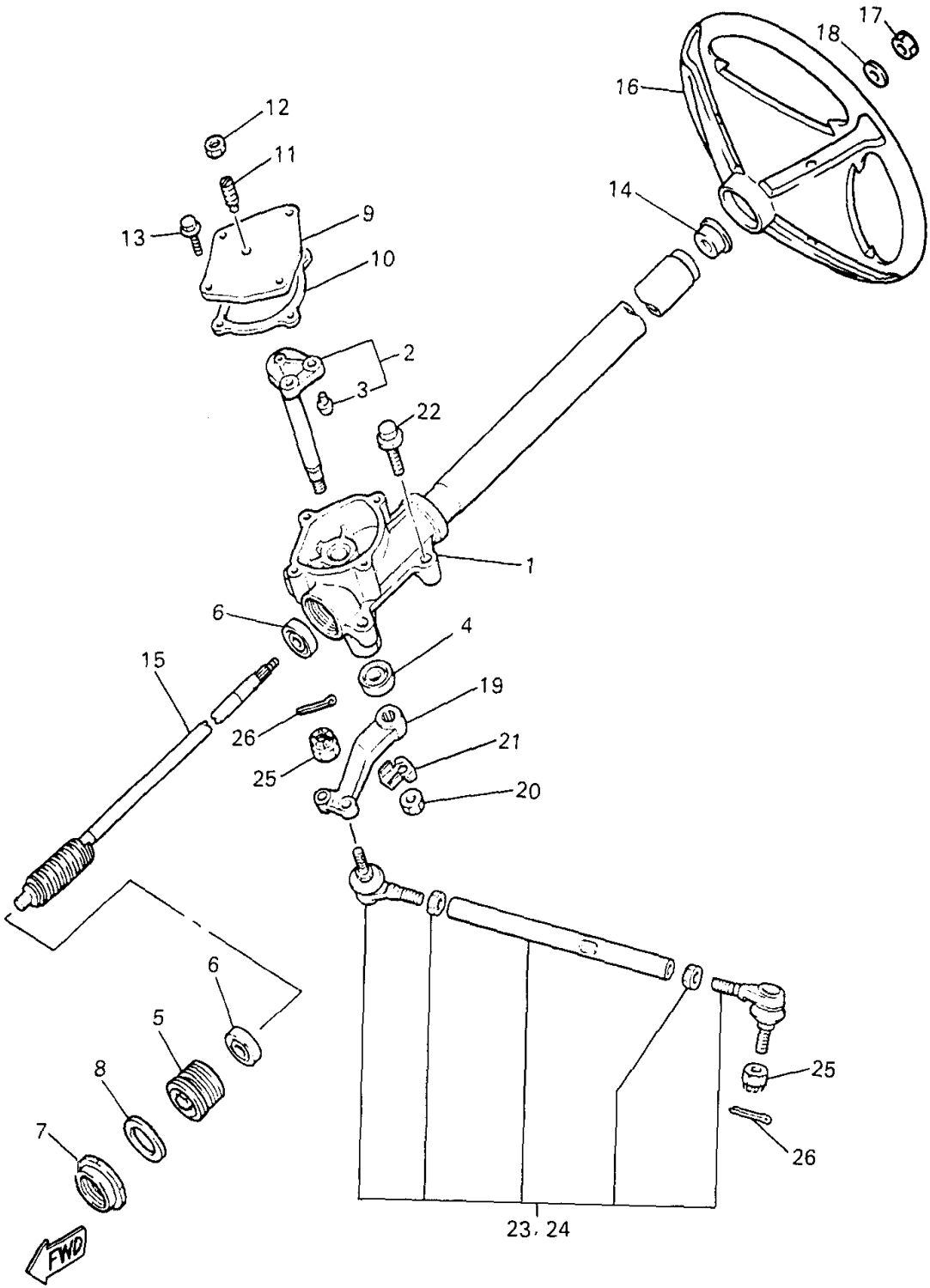
FRONT SUSPENSION - WHEEL



Ref. No.	Part Number	Description	Qty	Remarks
27	97007-10065-00	BOLT	2	
28	97017-10050-00	BOLT	2	
29	95617-10100-00	NUT, U	4	
30	JG5-WF511-00-00	HUB	2	
31	93306-204X0-00	BEARING	2	
32	93306-005Y3-00	BEARING	2	
33	90387-241M7-00	COLLAR	2	
34	93102-30083-00	SEAL, OIL	2	
35	90209-32271-00	WASHER	2	
36	95607-14100-00	NUT, U	2	
37	91490-25020-00	PIN, COTTER	4	
38	J17-25118-00-00	COVER, HUB DUST	2	
39	UNA-VAILA-BL-EI	0 0		
40	90179-12262-00	NUT	8	

JJ3110-3120

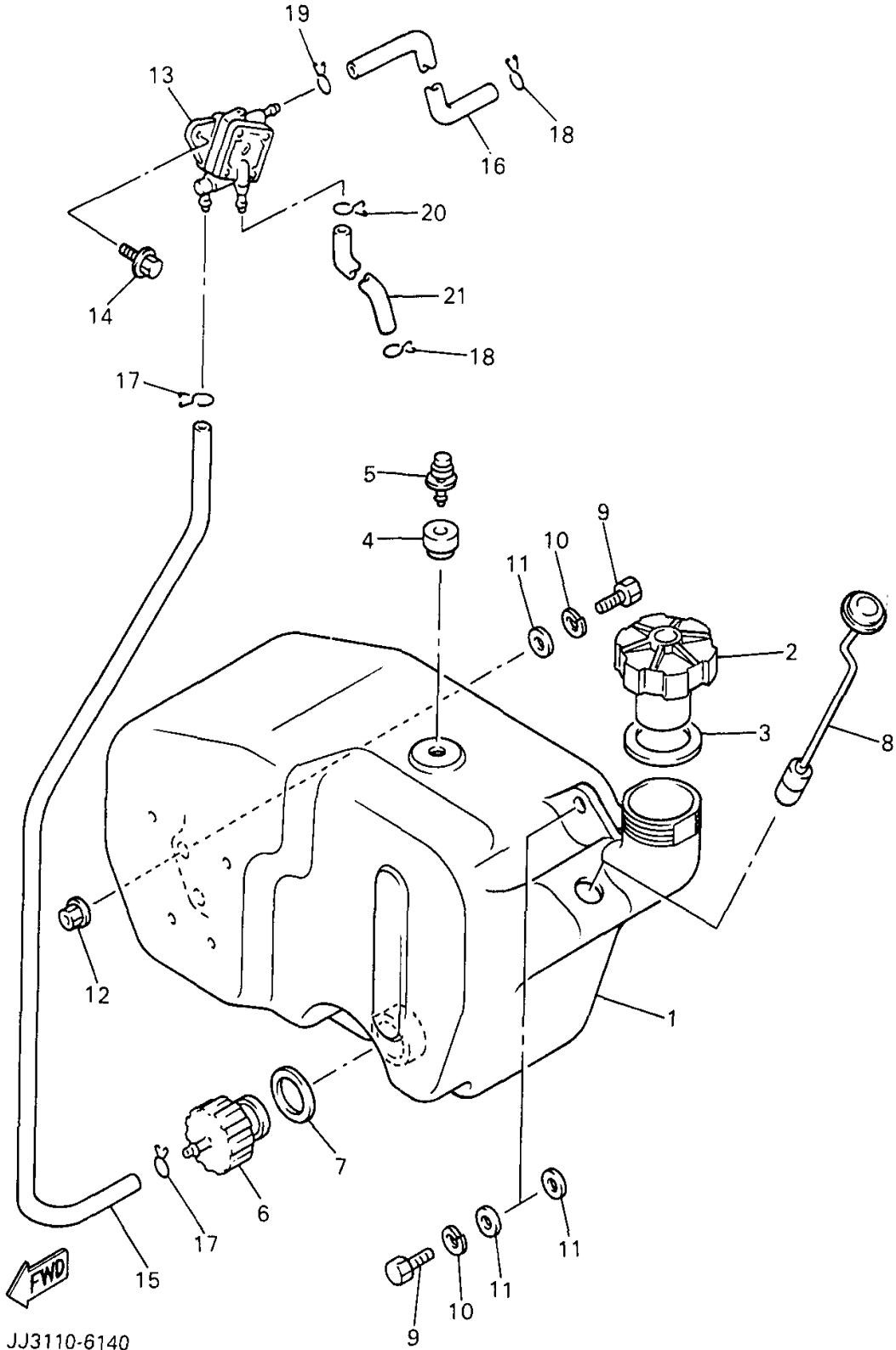
STEERING



Ref. No.	Part Number	Description	Qty	Remarks
1	JG5-F3811-00-00	COLUMN, STEERING	1	
2	J38-23816-00-00	ARM, PITMAN	1	
3	J38-23836-00-00	. PIN, PITMAN	2	
4	93102-22314-00	SEAL, OIL	1	
5	J55-F3876-00-00	BOLT	1	
6	93332-000Y2-00	BEARING	2	
7	J10-23877-00-00	NUT	1	
8	J10-23444-00-00	WASHER	1	
9	JN3-F3818-00-00	COVER, STEERING	1	
10	J38-23462-00-00	SEAL, STEERING (J38-23462-01-00)	1	
11	J10-23459-00-00	BOLT	1	
12	90170-08024-00	NUT, HEX.	1	
13	95817-06020-00	BOLT, FLANGE	4	
14	JN3-F3814-00-00	HOLDER, HANDLE	1	
15	J10-23840-00-00	STEERING SHAFT	1	
16	JN3-F3838-00-00	WHEEL, STEERING	1	
17	90185-12119-00	NUT, SELF-LOCKING	1	
18	92907-12200-00	WASHER, PLAIN	1	
19	J38-23826-01-00	ARM, IDLER	1	
20	95707-16300-00	NUT, NYLON	1	
21	90215-16252-00	WASHER, TONGUE	1	
22	95817-10050-00	BOLT, FLANGE	4	
23	JN3-F3830-00-00	TIE ROD ASSEMBLY, LEFT	1	
24	JN3-F3850-00-00	TIE ROD ASSEMBLY, RIGHT	1	
25	95617-10100-00	NUT, U	4	
26	91490-25020-00	PIN, COTTER	4	

JJ3110-6130

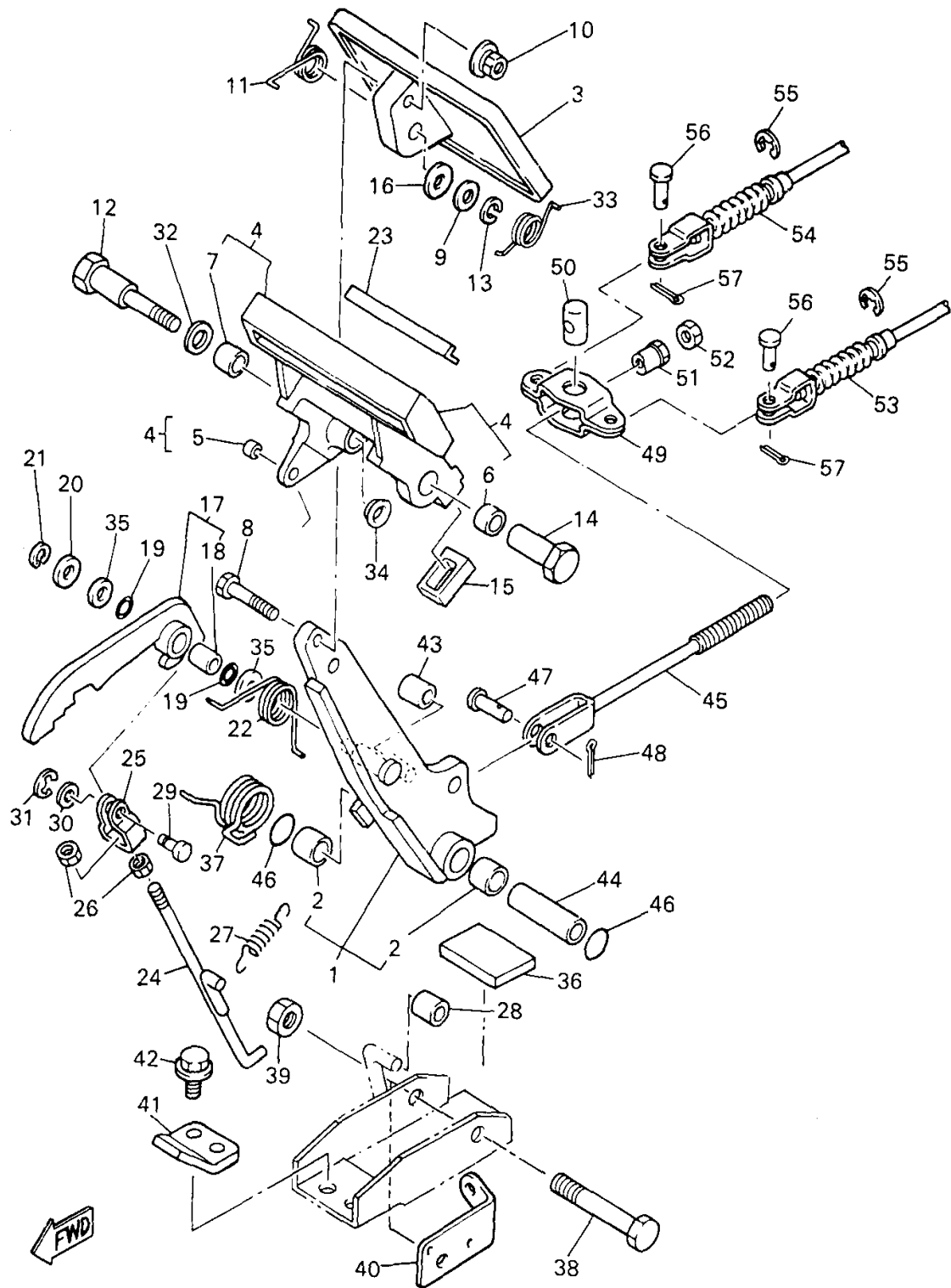
FUEL TANK



Ref. No.	Part Number	Description	Qty	Remarks
1	J55-F4111-11-00	TANK, FUEL	1	
2	J24-24620-01-00	BODY CAP ASSEMBLY	1	
3	J10-24612-00-00	GASKET, CAP	1	
4	J10-21773-00-00	GROMMET	1	
5	J24-24460-01-00	RELEASE VALVE ASSEMBLY.	1	
6	8R4-24560-00-00	FILTER ASSEMBLY.	1	
7	8F3-24564-00-00	GASKET	1	
8	J38-85710-02-00	FUEL LEVEL GAUGE ASSEMBLY.	1	
9	97007-08025-00	BOLT	3	
10	92907-08100-00	WASHER, SPRING	3	
11	90201-086A3-00	WASHER, PLATE	4	
12	95617-08200-00	NUT, SELF-LOCKING (95607-08200-00)	2	
13	JF2-24410-20-00	FUEL PUMP ASSEMBLY	1	
14	95807-06016-00	BOLT, FLANGE	2	
15	90445-117F2-00	HOSE	1	
16	90445-093J2-00	HOSE	1	
17	90467-11009-00	CLIP	2	
18	90467-08017-00	CLIP	2	
19	90467-08017-00	CLIP	1	
20	90467-09006-00	CLIP	1	
21	90445-09304-00	HOSE	1	

JJ3110-6140

BRAKE PEDAL

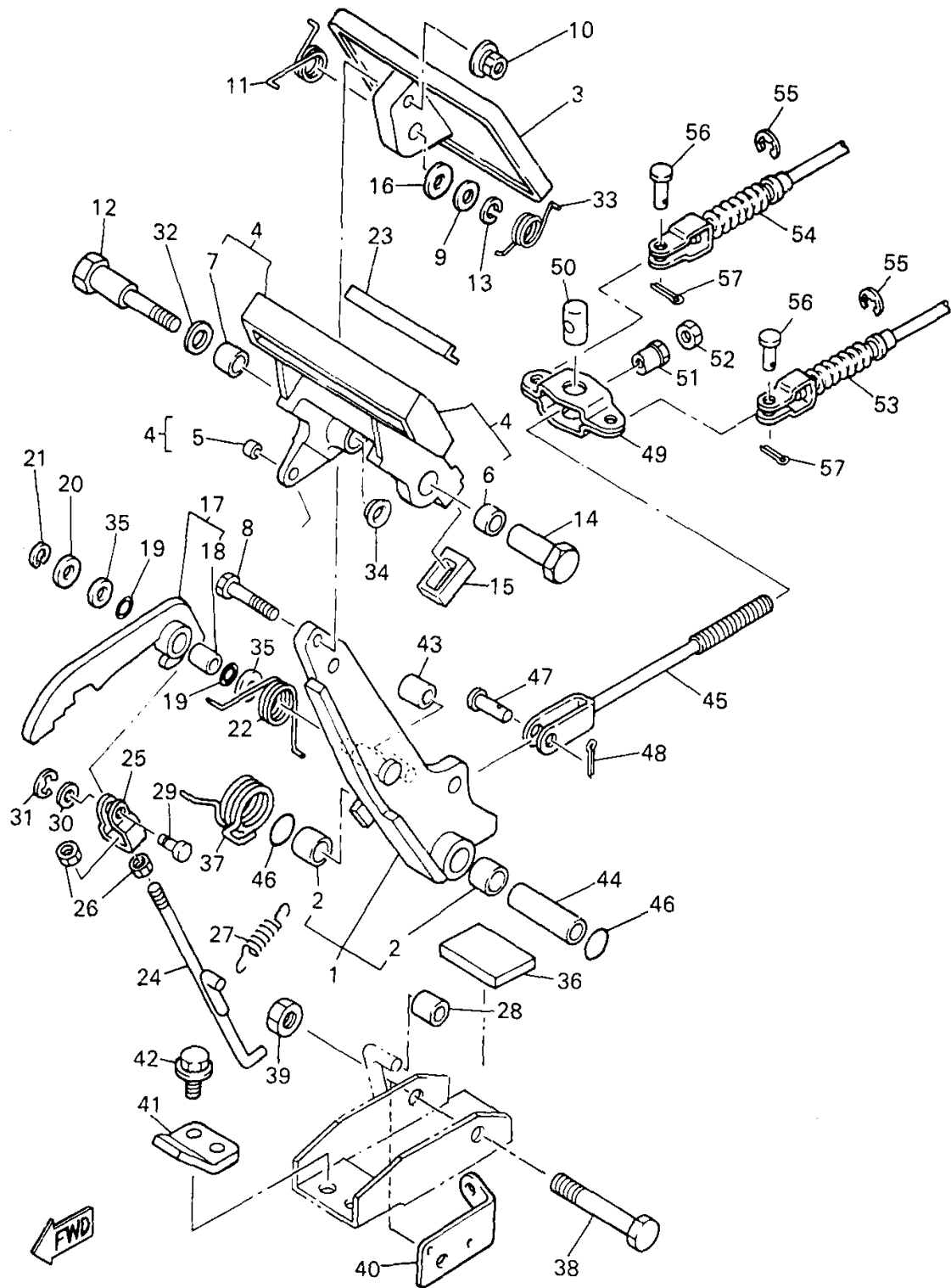


JJ3110-6150

Ref. No.	Part Number	Description	Qty	Remarks
1	J46-27250-03-00	BRAKE ARM COMP	1	
2	90384-14080-00	. BUSH, BIMETAL	2	
3	J10-27211-00-00	PEDAL, BRAKE	1	
4	J17-25670-01-00	PARKING PEDAL COMP.	1	
5	90384-05163-00	. BUSH, BIMETAL	1	
6	90384-12164-00	. BUSH, BIMETAL	1	
7	90380-12051-00	. BUSH, SOLID	1	
8	90101-06555-00	BOLT, HEX.	1	
9	J55-27226-00-00	WASHER, LINK	1	
10	90179-07564-00	NUT	1	
11	90508-23542-00	SPRING, TORSION	1	
12	90109-08669-00	BOLT	1	
13	92907-08100-00	WASHER, SPRING	1	
14	90179-08378-00	NUT	1	
15	J17-25679-01-00	DAMPER	2	
16	92990-08200-00	WASHER, PLAIN	1	
17	J17-W2561-02-00	SECTOR, PARKING BRAKE	1	
18	90384-10162-00	. BUSH, BIMETAL	1	
19	J17-27221-00-00	SEAL, SHAFT	2	
20	92990-10600-00	WASHER, PLATE	1	
21	99080-07600-00	CIRCLIP (E)	1	
22	90508-14548-00	SPRING, TORSION	1	
23	J17-25672-01-00	PAD, PARKING	1	
24	J17-27231-03-00	ROD, BRAKE	1	
25	J17-27232-00-00	END, ROD	1	
26	95317-06700-00	NUT	2	
27	90506-12277-00	SPRING, TENSION	1	
28	J17-25673-00-00	DAMPER, BRAKE	1	
29	J17-27228-00-00	PIN, LINK JOINT	1	

CONTINUED ON NEXT FRAME ►

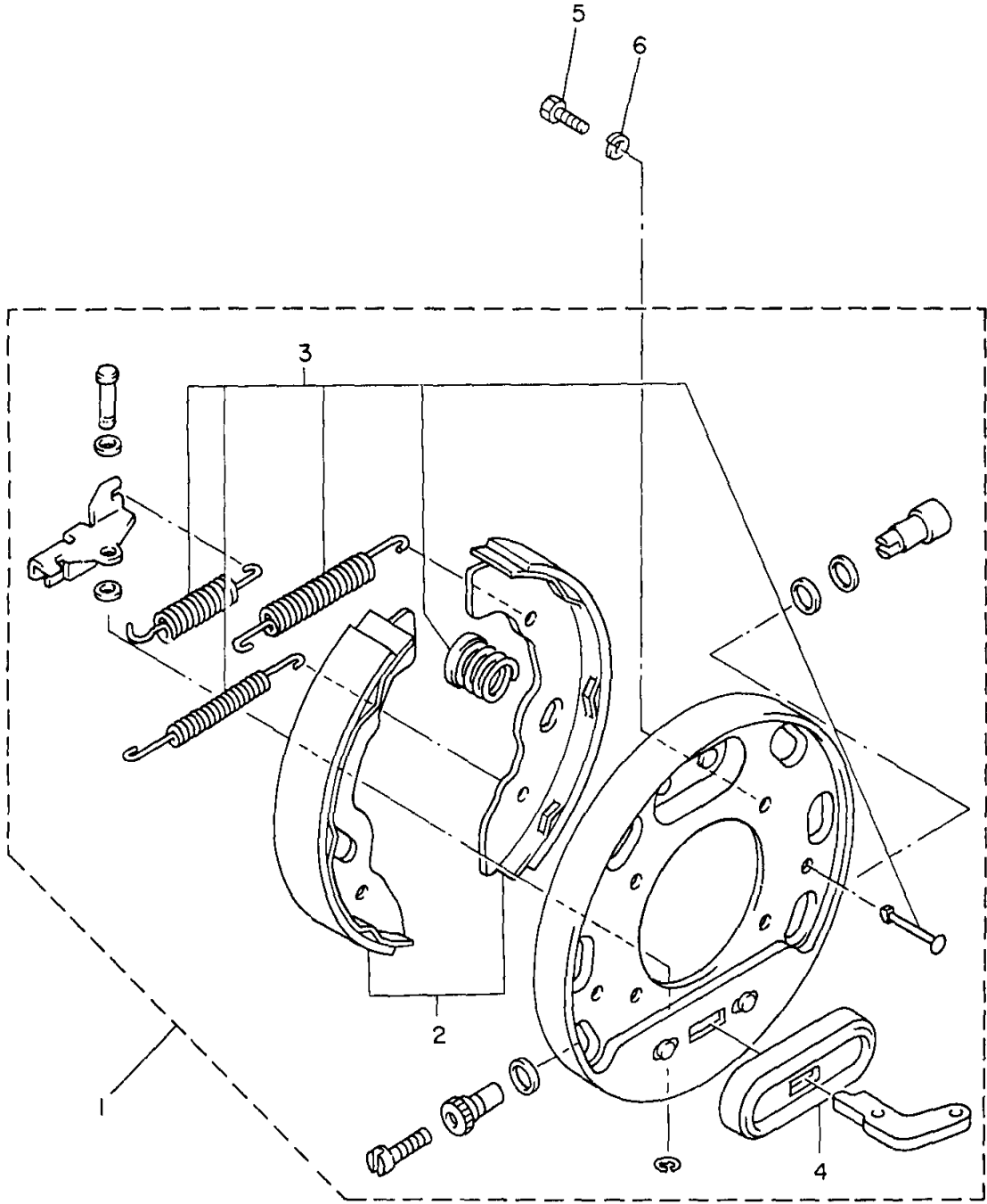
BRAKE PEDAL



JJ3110-6150

Ref. No.	Part Number	Description	Qty	Remarks
30	92990-05600-00	WASHER, PLATE	1	
31	99080-04600-00	CIRCLIP (E)	1	
32	90201-123F2-00	WASHER, PLAIN	1	
33	90508-26557-00	SPRING, TORSION	1	
34	90380-12105-00	BUSH, SOLID	1	
35	90201-104G8-00	WASHER, PLAIN	2	
36	JN3-F7245-00-00	PAD, BRAKE PEDAL	1	
37	90508-405A9-00	SPRING, TORSION	1	
38	90101-10447-00	BOLT, HEX.	1	
39	95617-10100-00	NUT, U	1	
40	J55-2252M-00-00	BRACKET,	1	
41	J17-27246-00-00	NAIL, BRAKE	1	
42	95807-08020-00	BOLT, FLANGE	2	
43	J17-25673-00-00	DAMPER, BRAKE	1	
44	90387-107F8-00	COLLAR	1	
45	J20-25685-00-00	ROD	1	
46	93210-132A8-00	O-RING	2	
47	91701-10022-00	PIN	1	
48	91490-30020-00	PIN, COTTER	1	
49	J10-25681-00-00	EQUALIZER, BRAKE	1	
50	90249-14129-00	PIN	1	
51	90179-08261-00	NUT	1	
52	95317-08700-00	NUT	1	
53	JJ3-F6341-00-00	WIRE, BRAKE 1	1	
54	JJ3-F6351-01-00	WIRE, BRAKE 2	1	
55	99001-09600-00	CIRCLIP	4	
56	91701-08018-00	PIN	4	
57	91490-25020-00	PIN, COTTER	4	

BRAKE 1

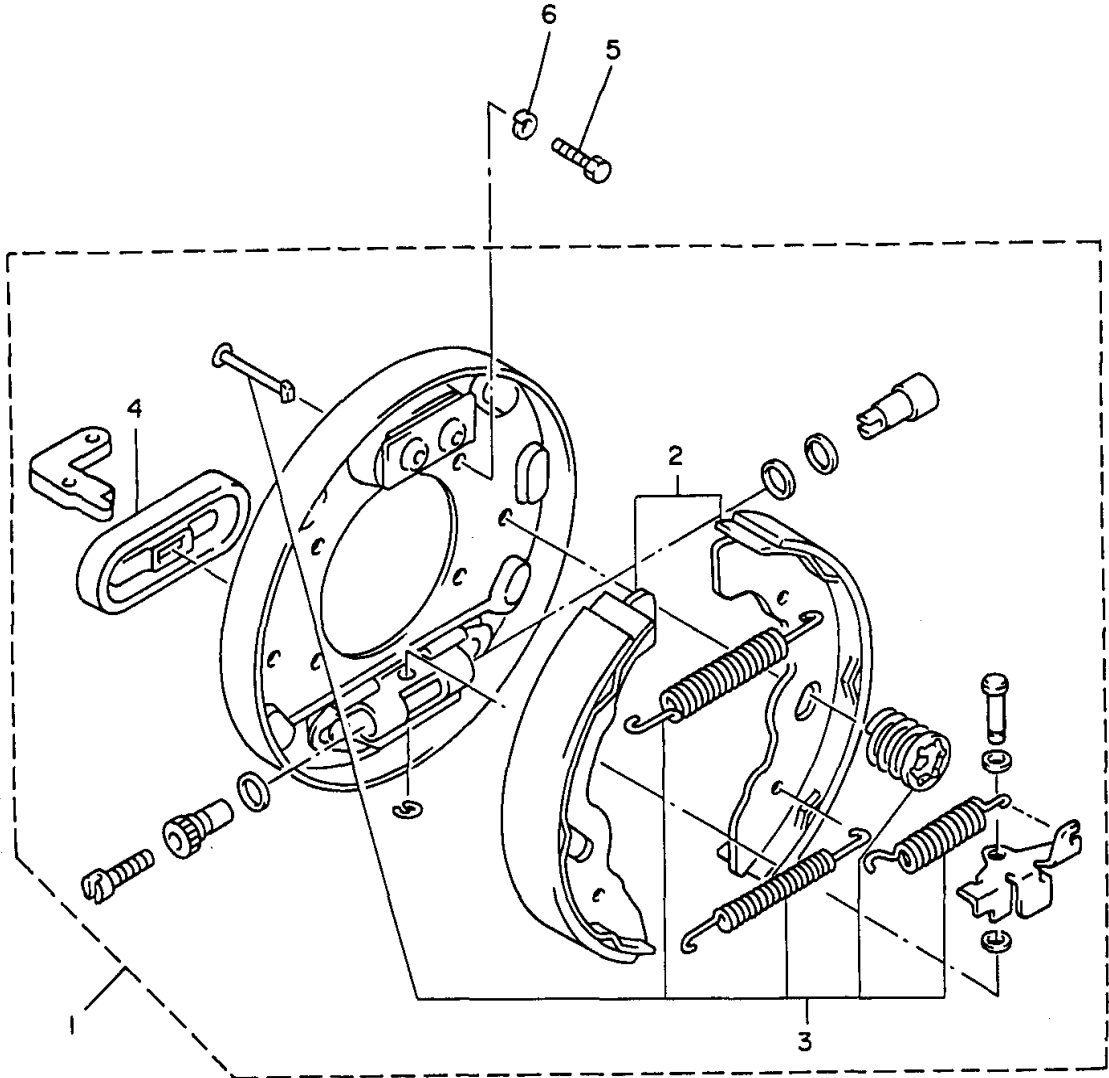


Ref. No.	Part Number	Description	Qty	Remarks
1	JN3-F7280-00-00	BACKING PLATE, (RH)	1	
2	JN3-F5340-00-00	. SHOE, BRAKE SET	1	
3	JG5-F819G-00-00	. REPAIR PARTS KIT	1	
4	JG5-F7286-00-00	. COVER, DUST	1	
5	95017-08016-00	BOLT, FLANGE	4	
6	92907-08100-00	WASHER, SPRING	4	



JG5100-3160

BRAKE 2

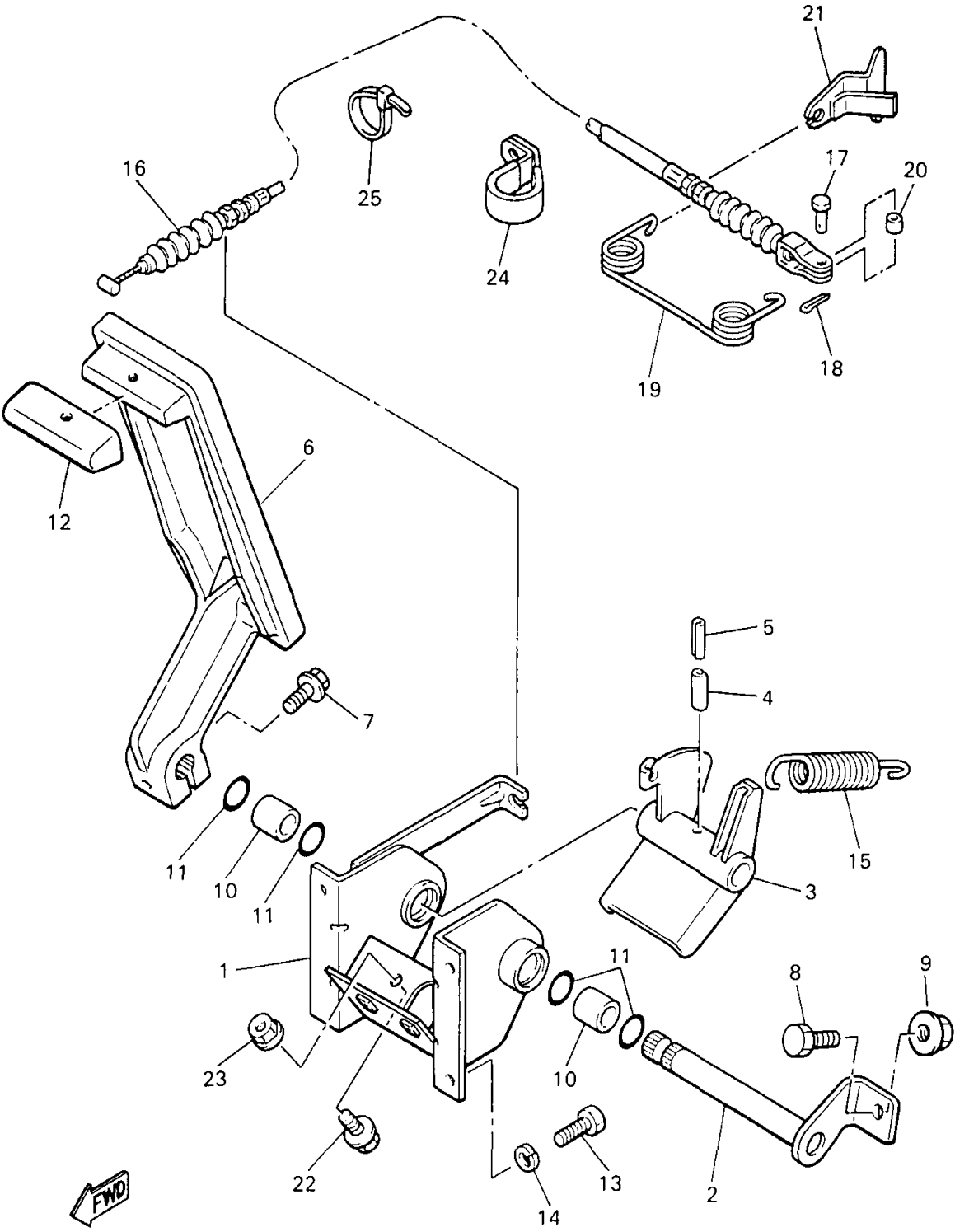


Ref. No.	Part Number	Description	Qty	Remarks
1	JN3-F7290-00-00	BACKING PLATE, LEFT	1	
2	JN3-F5330-00-00	. SHOE, BRAKE SET	1	
3	JG5-F819G-00-00	. REPAIR PARTS KIT	1	
4	JG5-F7286-00-00	. COVER, DUST	1	
5	95017-08016-00	BOLT, FLANGE	4	
6	92907-08100-00	WASHER, SPRING	4	



JG5100-3170

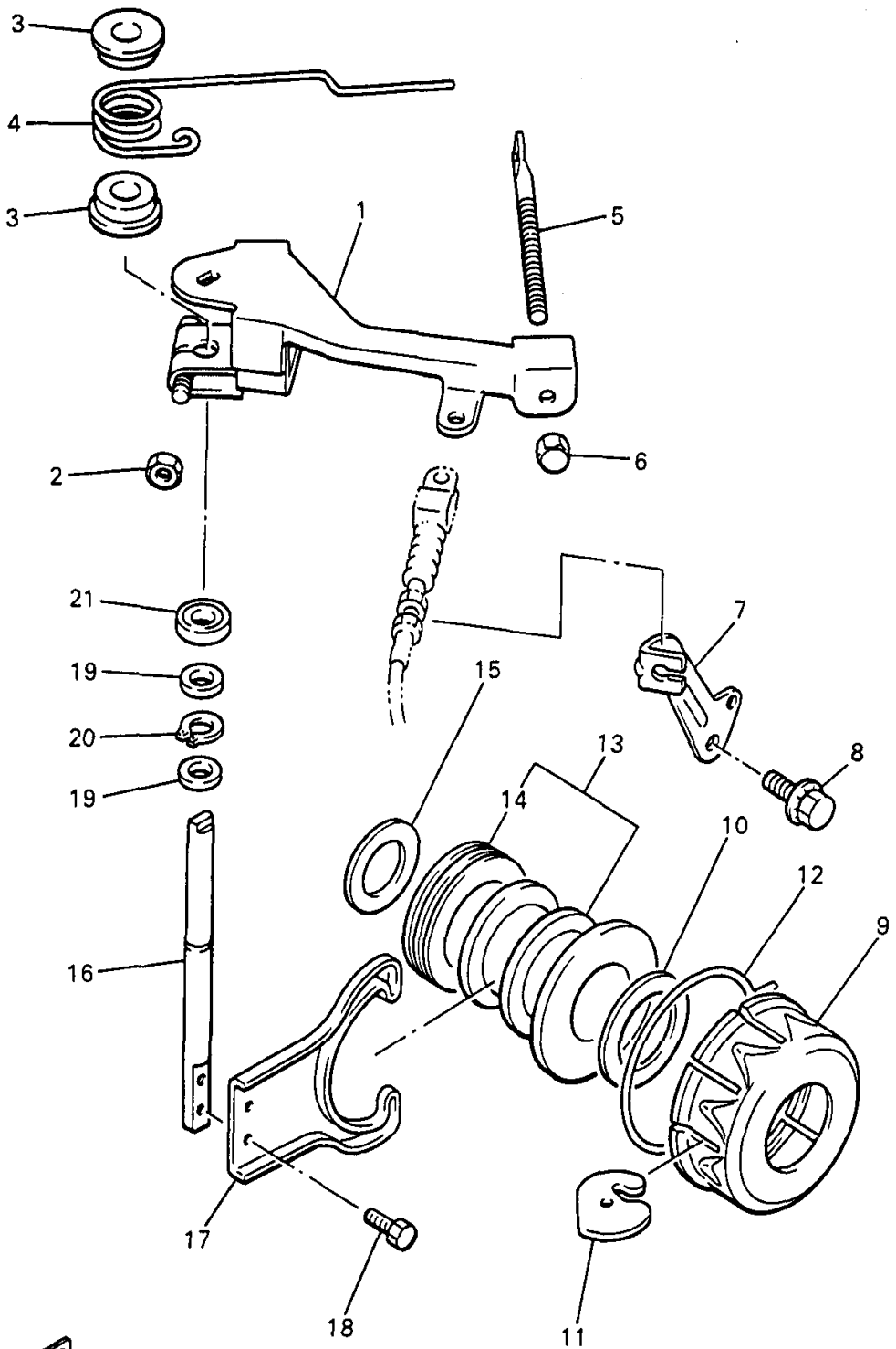
ACCELERATOR



Ref. No.	Part Number	Description	Qty	Remarks
1	JN3-27874-00-00	BRACKET, ACCELERATOR		
		PEDAL	1	
2	J17-27853-01-00	SHAFT, PEDAL	1	
3	J38-27872-00-00	ARM, ACCELERATOR	1	
4	91609-60028-00	PIN, SPRING	1	
5	91609-35028-00	PIN, SPRING	1	
6	JF3-27871-00-00	PEDAL, ACCELERATOR	1	
7	95817-06025-00	BOLT, FLANGE	1	
8	90106-08040-00	BOLT, RD. HEX	1	
9	95707-08500-00	NUT, FLANGE	1	
10	90384-14080-00	BUSH, BIMETAL	2	
11	93210-14104-00	O-RING	4	
12	JN3-F7854-00-00	COVER, PEDAL	1	
13	97017-06016-00	BOLT	4	
14	92907-06100-00	WASHER, SPRING	4	
15	90506-26282-00	SPRING, TENSION	1	
16	JJ3-F6311-00-00	WIRE, THROTTLE	1	
17	91702-05012-00	PIN	1	
18	90468-10050-00	CLIP	1	
19	90508-16460-00	SPRING, TORSION	1	
20	90560-05001-00	SPACER	1	
21	J38-27981-00-00	BRACKET, THROTTLE	1	
22	97017-06025-00	BOLT	1	
23	95707-06500-00	NUT, FLANGE	1	
24	90465-08334-00	CLAMP	1	
25	90461-08133-00	CLAMP	1	

JN3300-5180

GOVERNOR

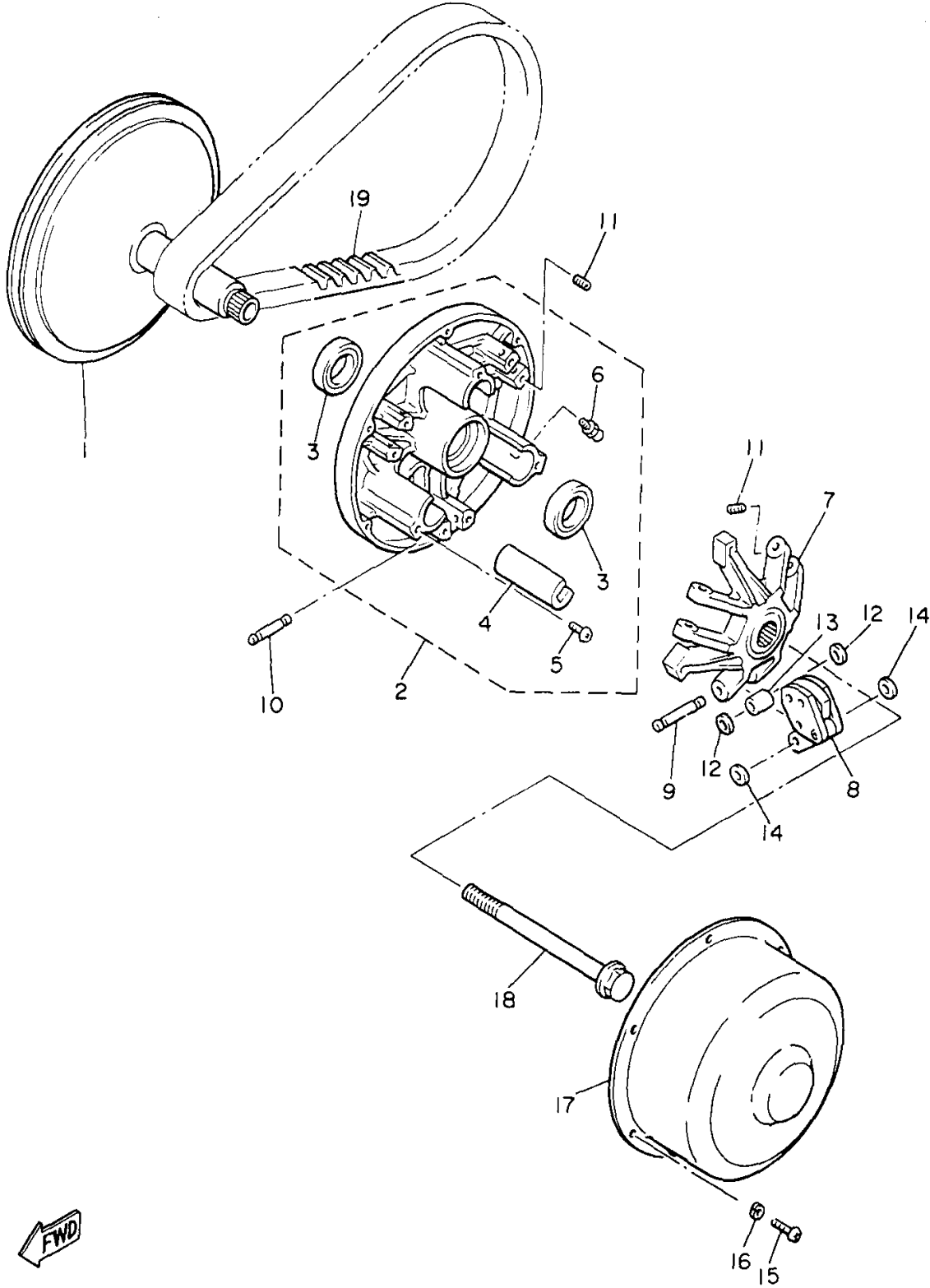


Ref. No.	Part Number	Description	Qty	Remarks
1	J38-27951-00-00	LEVER, SPEED	1	
2	95317-06600-00	NUT (95307-06600-00)	1	
3	90386-08141-00	BUSH	2	
4	90508-40678-00	SPRING, TORSION	1	
5	J38-27959-00-00	SCREW, ADJUSTING	1	
6	95607-06200-00	NUT, SELF U-FLANGE	1	
7	J38-27982-00-00	BRACKET, WIRE	1	
8	95817-08016-00	BOLT, FLANGE	1	
9	J10-27912-00-00	RETAINER	1	
10	90387-21690-00	COLLAR	1	
11	J10-27913-00-00	WEIGHT	12	
12	J10-27911-00-00	HOLDER	1	
13	J10-27927-00-00	LIFTER	1	
14	93342-22502-00	. BEARING, THRUST	1	
15	90201-20275-00	WASHER, PLATE	1	
16	J38-27921-00-00	SHAFT, GOVERNOR	1	
17	J10-27922-00-00	FORK, GOVERNOR	1	
18	91317-04008-00	BOLT	2	
19	90202-08110-00	WASHER, PLATE	2	
20	99009-06600-00	CIRCLIP	1	
21	93109-08050-00	OIL SEAL	1	



JN3100-5190

PRIMARY SHEAVE

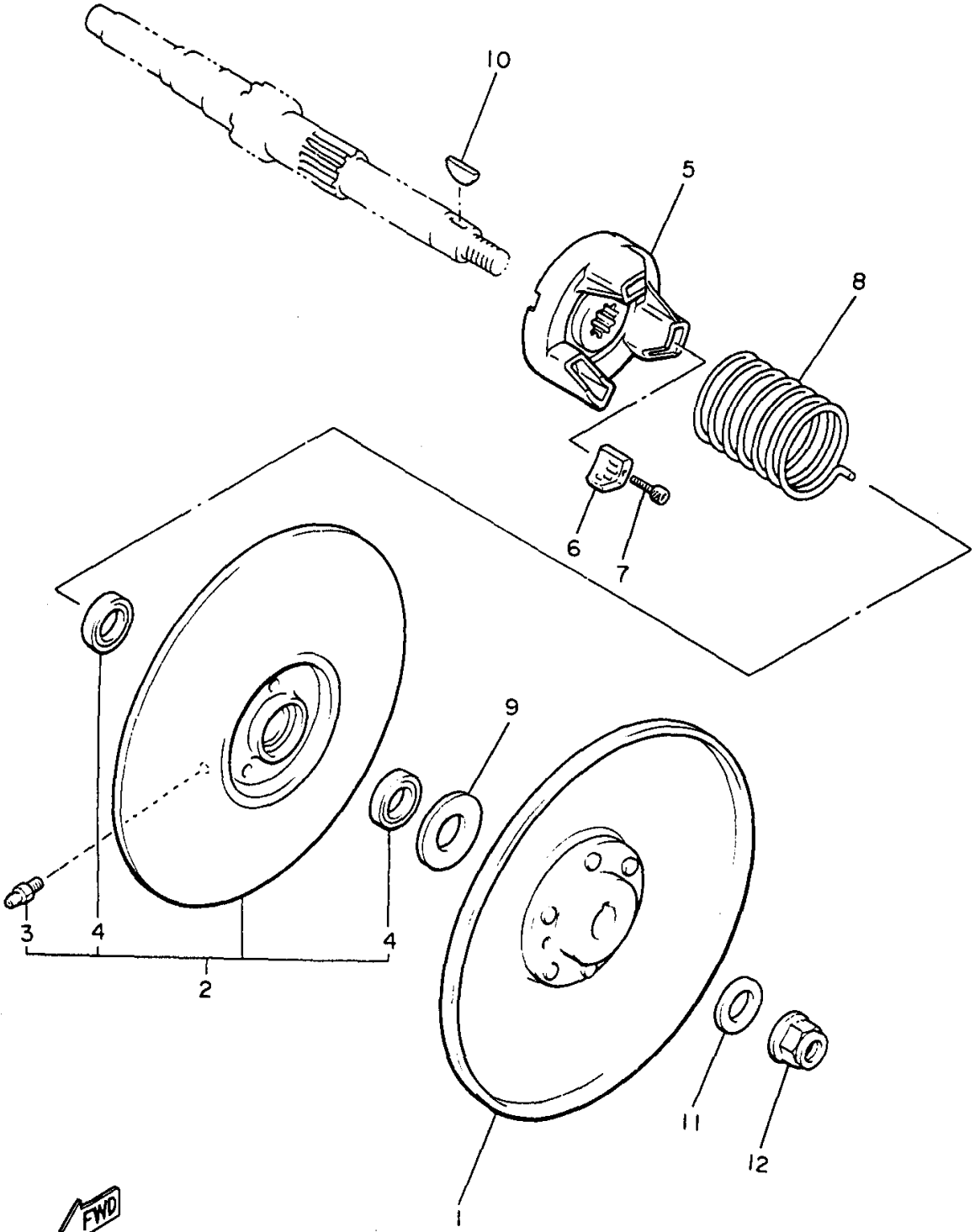


Ref. No.	Part Number	Description	Qty	Remarks
1	J38-46210-01-00	PRIMARY FIXED SHEAVE COMP.	1	
2	J38-46220-00-00	PRIMARY SLIDING SHEAVE COMP.	1	
3	93102-28348-00	. OIL SEAL	2	
4	J38-46253-00-00	. SLIDER	3	
5	98907-05008-00	. SCREW, BIND	3	
6	93700-06M03-00	. NIPPLE, GREASE	1	
7	J38-46251-00-00	SPIDER	1	
8	J38-46205-01-00	WEIGHT LINK ASSEMBLY	3	
9	J38-46236-00-00	PIN, WEIGHT	3	
10	J38-46237-00-00	PIN, WEIGHT 2	3	
11	90113-04050-00	BOLT, SET	12	
12	90202-07164-00	WASHER, PLATE	6	
13	90387-076U6-00	COLLAR	3	
14	90202-07186-00	WASHER, PLATE	6	
15	98507-05008-00	SCREW, PAN HEAD	6	
16	92907-05100-00	WASHER, SPRING	6	
17	J38-46231-00-00	CAP	1	
18	J38-46249-00-00	BOLT	1	
19	J55-G6241-00-00	BELT	1	



JH5010-2220

SECONDARY SHEAVE

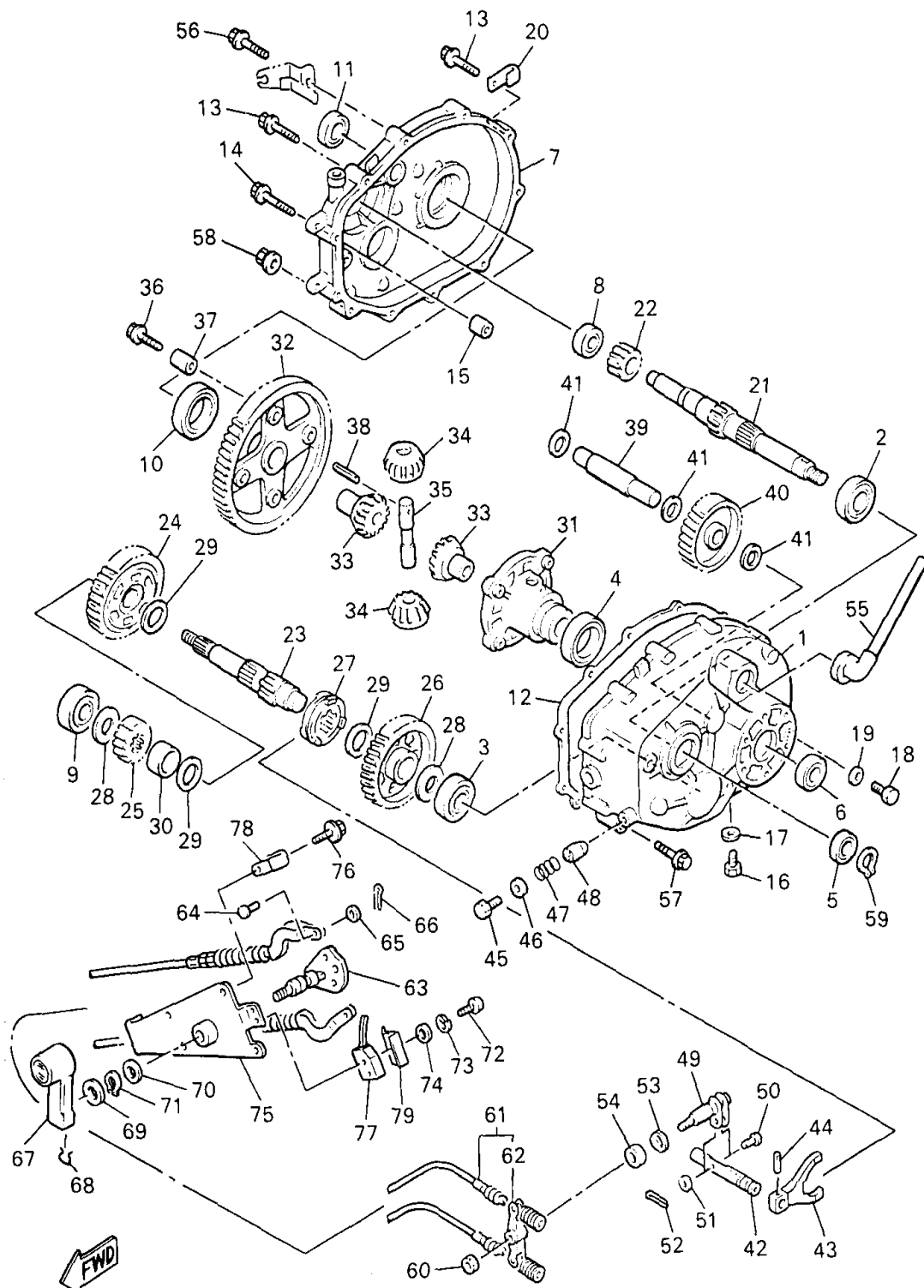


Ref. No.	Part Number	Description	Qty	Remarks
1	J55-G6260-00-00	SECONDARY FIXED SHEAVE COMP.	1	
2	J55-G6270-02-00	SECONDARY SLIDING SHEAVE COMP.	1	
3	93700-06M03-00	. NIPPLE, GREASE	1	
4	93102-20309-00	. SEAL, OIL	2	
5	JH2-46284-00-00	SEAT, SECONDARY SPRING .	1	
6	JF7-17688-00-00	SHOE, RAMP	3	
7	91317-04025-00	BOLT	3	
8	90508-45679-00	SPRING, TORSION	1	
9	90202-20130-00	WASHER, PLAIN	1	
10	90280-05022-00	KEY, WOODRUFF	1	
11	90201-12588-00	WASHER, PLATE	1	
12	95617-12200-00	NUT, SELF-LOCKING	1	



JN3300-5211

TRANSMISSION

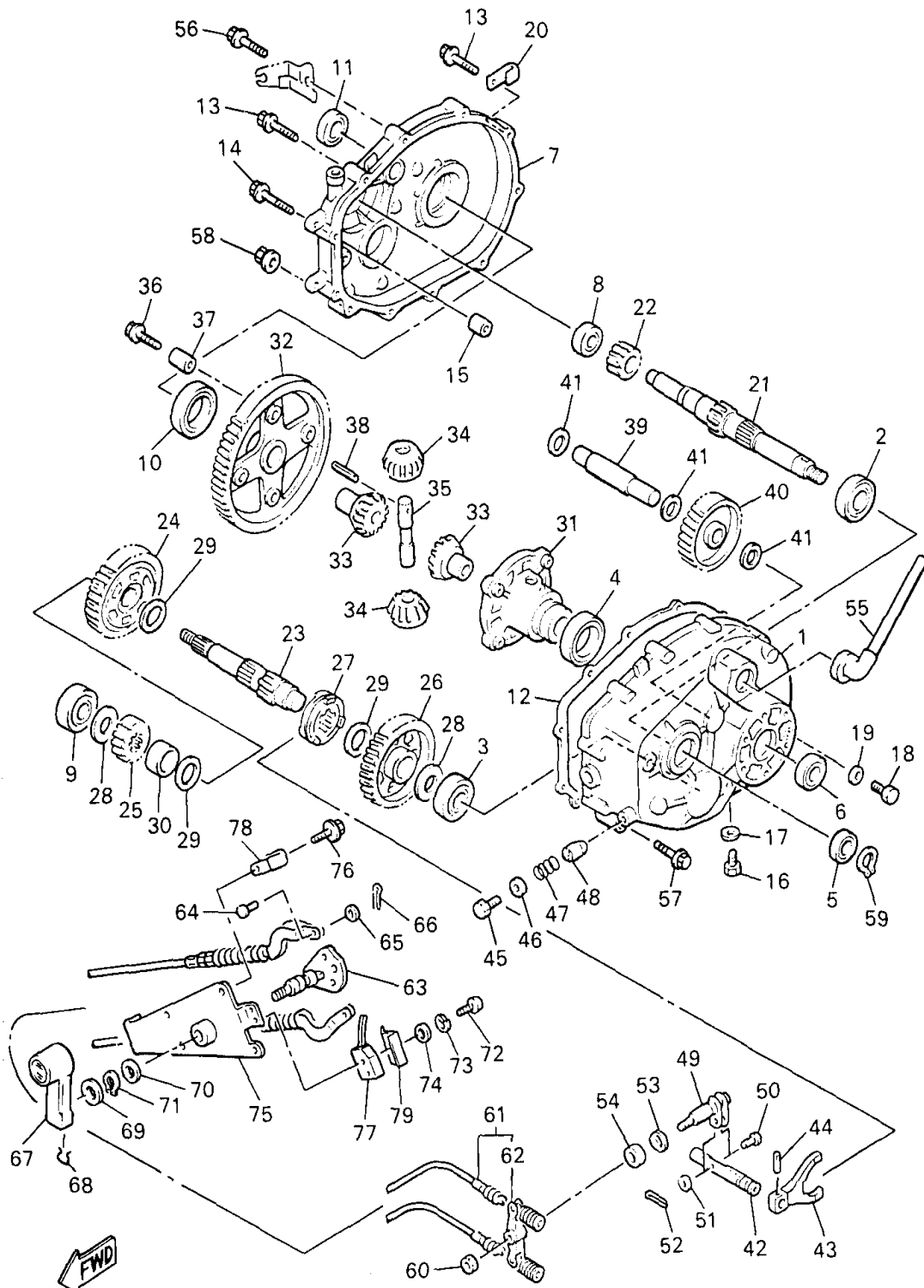


JJ3110-6220

Ref. No.	Part Number	Description	Qty	Remarks
1	J38-46311-00-00	CASE, TRANSMISSION 1	1	
2	93306-20541-00	BEARING (B6205)	1	
3	93306-20421-00	BEARING	1	
4	93306-00803-00	BEARING (B6008)	1	
5	93102-25017-00	OIL SEAL	1	
6	93102-25360-00	OIL SEAL	1	
7	J38-46312-01-00	CASE, TRANSMISSION 2	1	
8	93306-20324-00	BEARING	1	
9	93306-20421-00	BEARING	1	
10	93306-00803-00	BEARING (B6008)	1	
11	93102-25360-00	OIL SEAL	1	
12	J38-46319-01-00	GASKET	1	
13	95817-08040-00	BOLT, FLANGE	7	
14	95827-08050-00	BOLT, FLANGE	2	
15	99510-12016-00	PIN, DOWEL	2	
16	90340-14036-00	PLUG, STRAIGHT SCRW	1	
17	90430-14043-00	GASKET	1	
18	90101-08344-00	BOLT	1	
19	90201-08087-00	WASHER, PLATE	1	
20	90465-06100-00	CLAMP	1	
21	J38-46321-03-00	SHAFT, INPUT	1	
22	J38-46331-01-00	GEAR, INPUT 1	1	
23	J38-46351-00-00	SHAFT, COUNTER	1	
24	J38-46361-01-00	GEAR, COUNTER 1	1	
25	J38-46362-00-00	GEAR, COUNTER 2	1	
26	J38-46363-00-00	GEAR, REVERSE	1	
27	JJ3-4636A-00-00	DOG, CLUTCH	1	
28	90201-204K8-00	WASHER, PLATE	2	
29	90201-257J2-00	WASHER, PLATE	3	

CONTINUED ON NEXT FRAME ►

TRANSMISSION

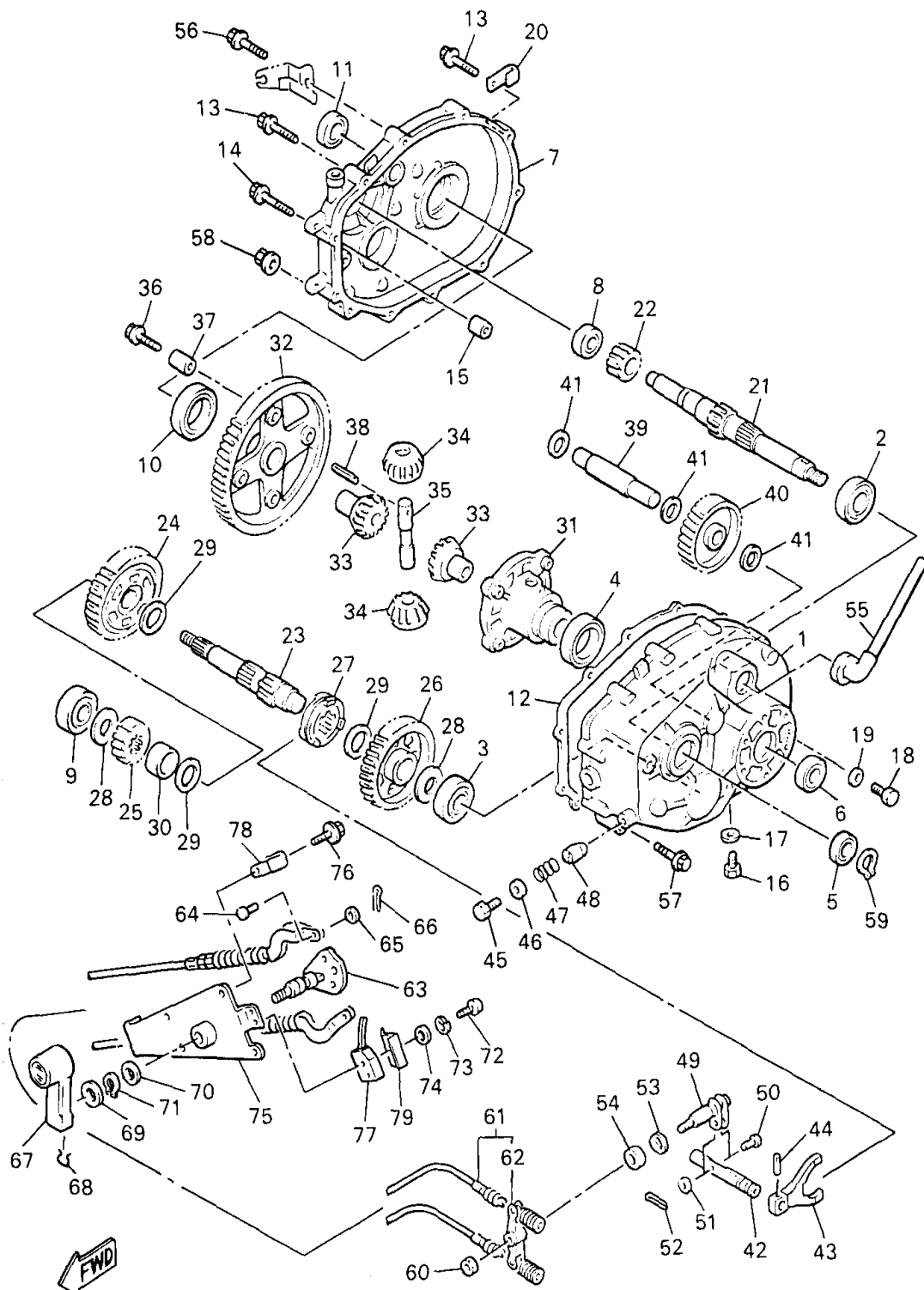


JJ3110-6220

Ref. No.	Part Number	Description	Qty	Remarks
30	90387-252M8-00	COLLAR	1	
31	JJ3-46411-00-00	CASE, DIFFERENTIAL	1	
32	JJ3-46421-00-00	GEAR, RING	1	
33	JJ3-46414-00-00	GEAR, DIFFERENTIAL SIDE	2	
34	J38-46415-00-00	PINION, DIFFERENTIAL	2	
35	J38-46417-02-00	PIN, DIFFERENTIAL	1	
36	90105-08390-00	BOLT, WASHER BASED	4	
37	91812-16001-00	PIN, DOWEL	2	
38	91690-40040-00	PIN, SPRING	1	
39	J38-46348-00-00	SHAFT 2	1	
40	J38-46356-00-00	GEAR, IDLER	1	
41	90201-17713-00	WASHER, PLATE	3	
42	J38-4633A-00-00	BAR, SHIFT FORK GUIDE	1	
43	J38-46338-00-00	FORK, SHIFT	1	
44	91609-40020-00	PIN, SPRING	1	
45	90101-08344-00	BOLT	1	
46	90201-08087-00	WASHER, PLATE	1	
47	90501-10060-00	SPRING, COMPRESSION	1	
48	90249-07215-00	PIN	1	
49	J38-46384-00-00	LEVER, SHIFT 3	1	
50	91701-06022-00	PIN, CLEVIS	1	
51	92907-06200-00	WASHER	1	
52	91490-20025-00	PIN, SPLIT	1	
53	90201-12166-00	WASHER, PLATE	1	
54	93102-12224-00	OIL SEAL	1	
55	JN3-47559-00-00	CAP 2	1	
56	95817-08040-00	BOLT, FLANGE	1	
57	95817-08075-00	BOLT, FLANGE	1	
58	95707-08500-00	NUT, FLANGE	1	

CONTINUED ON NEXT FRAME ➤

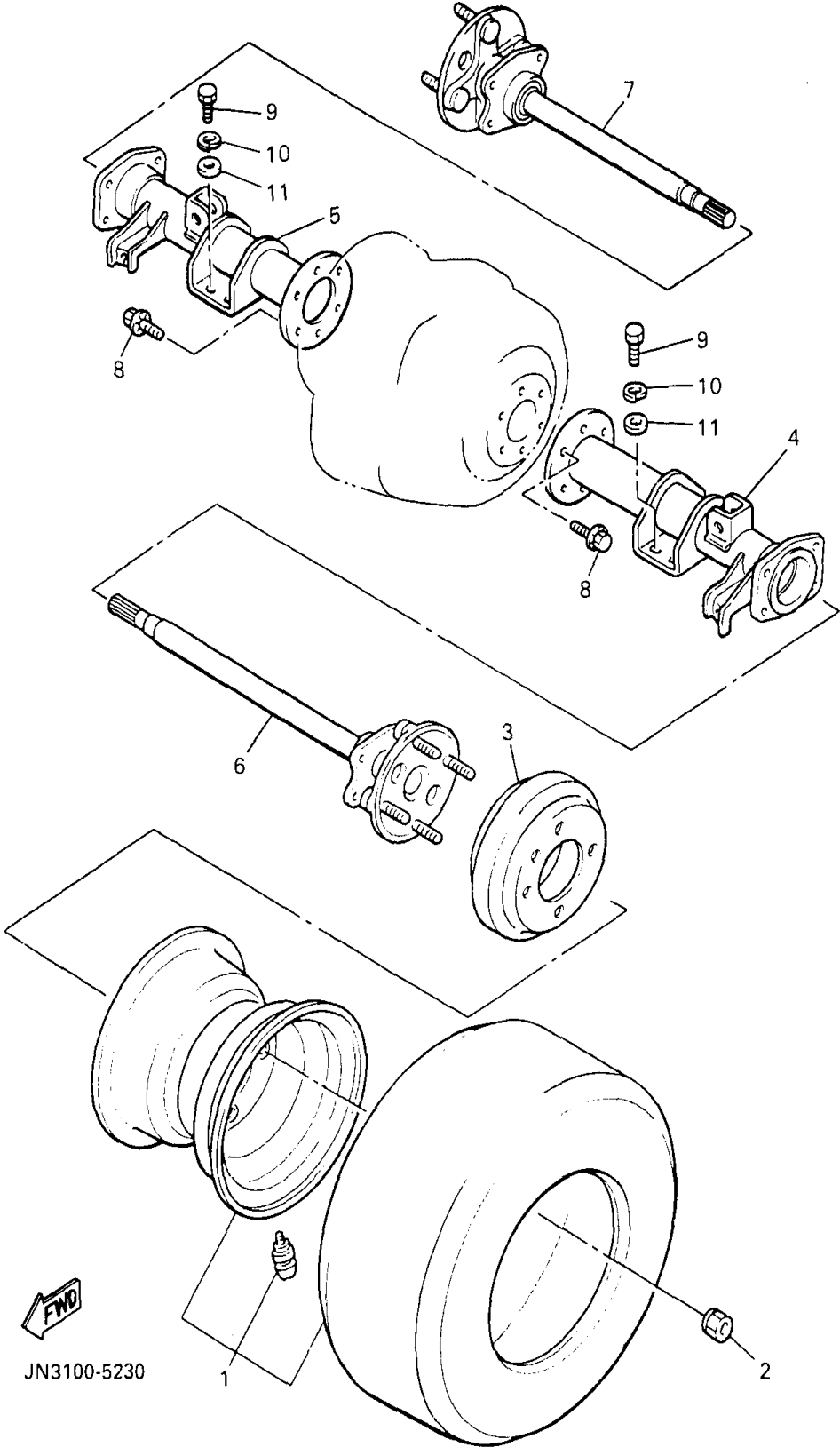
TRANSMISSION



JJ3110-6220

Ref. No.	Part Number	Description	Qty	Remarks
59	93410-25017-00	CIRCLIP	1	
60	95617-08100-00	NUT, U	1	
61	JJ3-G8330-00-00	CABLE END ASSEMBLY	1	
62	J55-G6383-00-00	. LEVER, SHIFT	1	
63	JF2-46382-00-00	LEVER, SHIFT	1	
64	91702-06014-00	PIN	2	
65	92907-06600-00	WASHER, PLATE	2	
66	91490-20025-00	PIN, SPLIT	2	
67	JN3-G6381-00-00	KNOB, SHIFT	1	
68	JN3-G6376-00-00	SPRING SET	1	
69	90201-201L9-00	WASHER, PLAIN	1	
70	90201-19551-00	WASHER, PLAIN	1	
71	99009-19400-00	CIRCLIP	1	
72	98517-04025-00	SCREW, PAN HEAD	2	
73	92907-04100-00	WASHER, SPRING	2	
74	92907-04600-00	WASHER	2	
75	JN3-G6372-00-00	BRACKET, SHIFT	1	
76	95817-06016-00	BOLT, FLANGE	4	
77	JN3-82617-00-00	SWITCH	1	
78	90465-06038-00	CLAMP	1	
79	JJ3-G6394-00-00	JOINT	1	

REAR AXLE - WHEEL

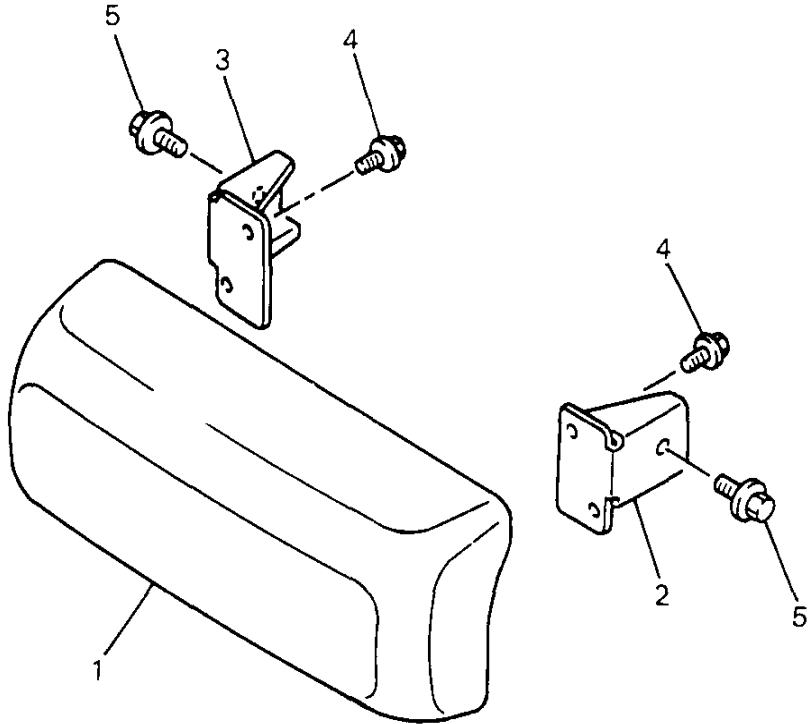


Ref. No.	Part Number	Description	Qty	Remarks
1	UNA-VAILA-BL-EI	0 0		
2	90179-12262-00	NUT	8	
3	J55-G6521-00-00	DRUM	2	
4	JF2-46540-11-00	REAR AXLE HOUSING COMP. 1	1	
5	JF2-46550-11-00	REAR AXLE HOUSING COMP. 2	1	
6	JJ3-46510-00-00	REAR AXLE SHAFT COMP. ...	1	
7	JJ3-46520-00-00	REAR AXLE SHAFT COMP. 2	1	
8	95817-08025-00	BOLT, FLANGE	12	
9	97017-10020-00	BOLT	8	
10	92907-10100-00	WASHER, SPRING	8	
11	90201-102G9-00	WASHER, PLATE	8	

JN3100-5230



BUMPER

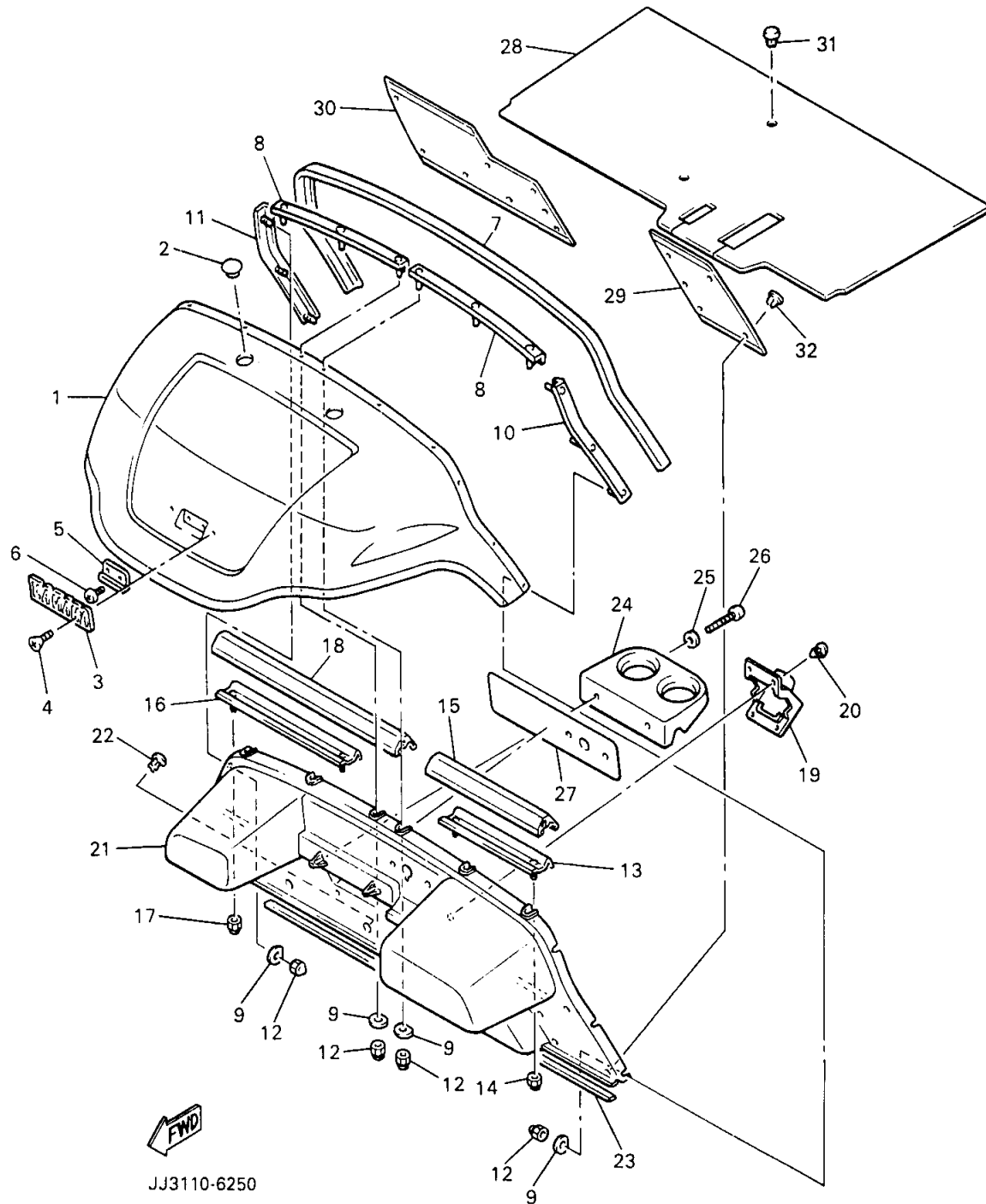


Ref. No.	Part Number	Description	Qty	Remarks
1	JN3-K7510-00-00	FRONT BUMPER COMP.	1	
2	JN3-K8164-00-00	STAY, FR. BUMPER	1	
3	JN3-K8165-00-00	STAY, FR. BUMPER	1	
4	95817-06016-00	BOLT, FLANGE	4	
5	95817-08016-00	BOLT, FLANGE	2	



JJ3110-6240

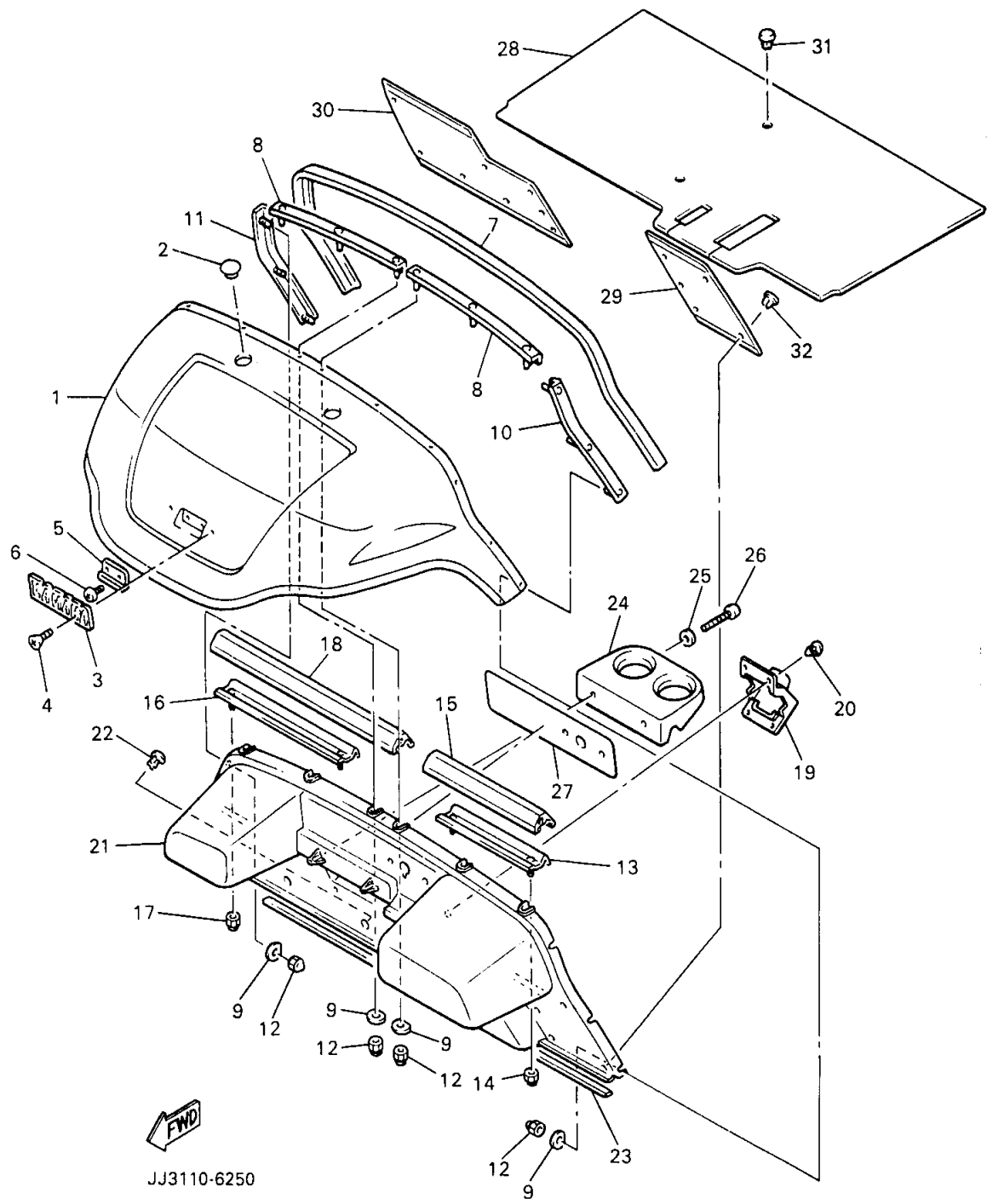
BODY



Ref. No.	Part Number	Description	Qty	Remarks
1	JN3-K8115-20-00	COWL, FRONT	1	
2	JN3-K818E-00-00	CAP, PROTECTOR	2	
3	J38-24161-00-00	EMBLEM 1	1	
4	90162-04002-00	SCREW, OVAL C	2	
5	JF2-K811G-00-00	BOLT, COWL FITTING	1	
6	98980-06016-00	SCREW, BINDING	2	
7	JF2-K811V-00-00	PROTECTOR,	1	
8	JF2-K8261-00-00	PLATE, BODY PROTECTOR	2	
9	JN3-K8117-00-00	PLATE,	12	
10	JF2-K8262-00-00	PLATE, BODY PROTECTOR	1	
11	JF2-K8263-00-00	PLATE, BODY PROTECTOR	1	
12	90185-06836-00	NUT, SELF LOCKING	12	
13	JF2-K8264-00-00	PLATE, BODY PROTECTOR	1	
14	95607-06200-00	NUT, SELF U-FLANGE	2	
15	JF2-K811W-00-00	PROTECTOR 2	1	
16	JF2-K8265-00-00	PLATE, BODY PROTECTOR 5	1	
17	95607-06200-00	NUT, SELF U-FLANGE	2	
18	JF2-K811X-00-00	PROTECTOR 3	1	
19	JF2-78273-00-00	COVER, HOLE	1	
20	90269-11042-00	RIVET	4	
21	JF2-K8114-02-00	PANEL, FRONT	1	
22	90269-08069-00	RIVET	3	
23	JN3-K815G-00-00	SEAL, FRONT STORAGE	1	
24	JF2-K835E-00-00	HOLDER, BEVERAGE	1	
25	90201-060A3-00	WASHER, PLATE	2	
26	97707-60130-00	SCREW, PAN HEAD	2	
27	JJ3-K7761-00-00	LABEL, WARNING 8	1	
28	JF2-K8233-10-00	MAT, MAIN FLOOR 3	1	
29	JF2-K8231-10-00	MAT, MAIN FLOOR 1	1	

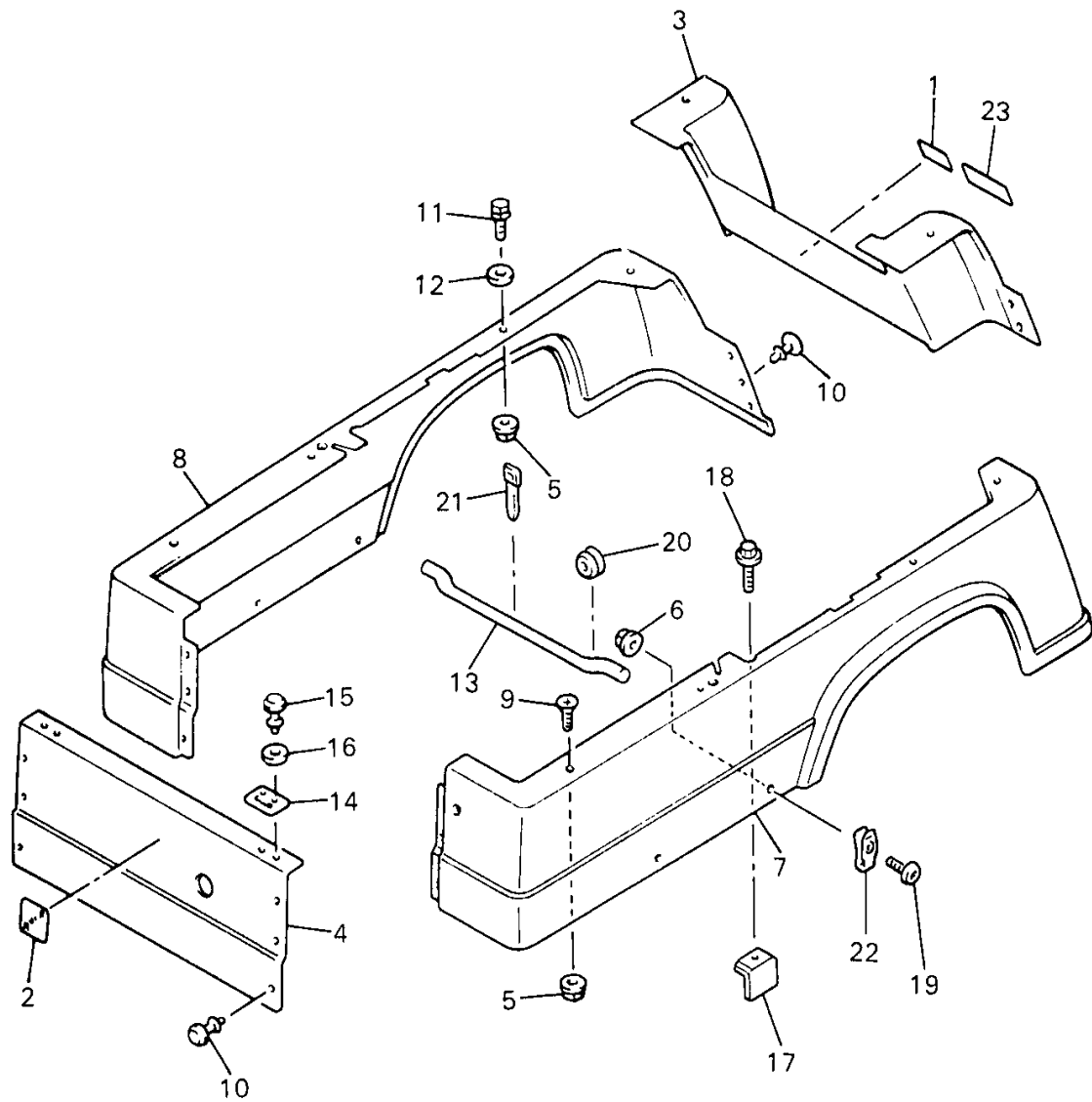
CONTINUED ON NEXT FRAME ➤

BODY



Ref. No.	Part Number	Description	Qty	Remarks
30	JF2-K8232-10-00	MAT, MAIN FLOOR 2	1	
31	90269-07809-00	RIVET	2	
32	90267-63047-00	RIVET, BLIND	13	

BODY 2

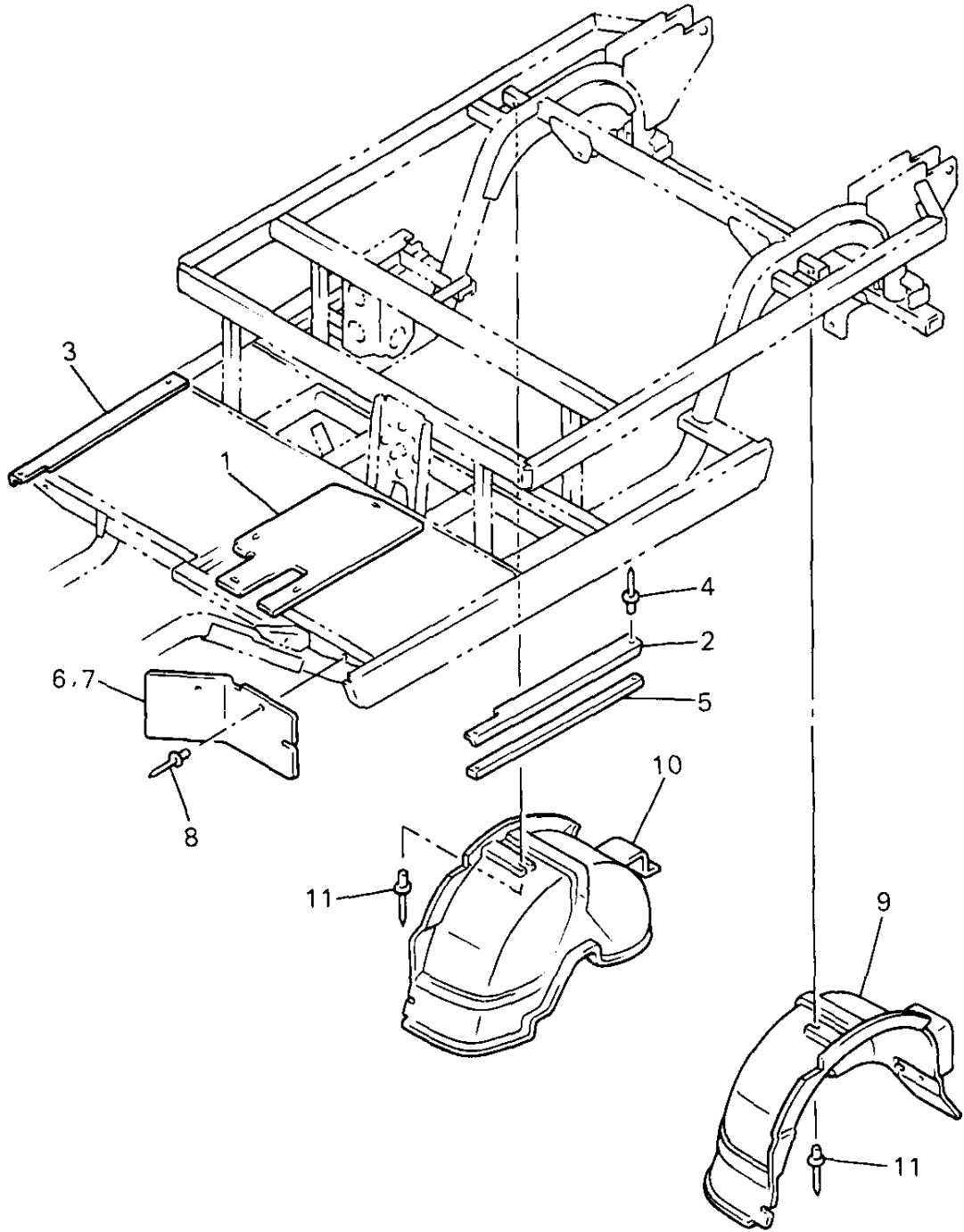


Ref. No.	Part Number	Description	Qty	Remarks
1	JJ3-K7765-00-00	LABEL, WARNING 5	1	
2	JN3-K7741-00-00	INDICATOR,	1	
3	JJ3-K8142-11-00	PANEL, REAR BODY	1	
4	JJ3-K8141-10-00	PANEL, INTERMEDIATE BODY	1	
5	90183-06810-00	NUT, SPRING	10	
6	90183-06811-00	NUT, SPRING	4	
7	JJ3-K8111-12-00	PANEL, BODY SHELL	1	
8	JJ3-K8112-12-00	PANEL, BODY SHELL	1	
9	90151-06040-00	SCREW, COUNTERSUNK	2	
10	90267-62841-00	RIVET, BLIND	10	
11	90119-06915-00	BOLT, WITH WASHER	8	
12	90201-065F3-00	WASHER, PLATE	8	
13	JJ3-K8226-00-00	ROD, SEAT STOPPER	1	
14	JJ3-K8427-01-00	HINGE, SEAT 2	2	
15	90267-64834-00	RIVET, BLIND	4	
16	90201-08681-00	WASHER, PLATE	4	
17	JJ3-K814H-00-00	HOOK, BODY LOCK	2	
18	90119-08903-00	BOLT, WITH WASHER	2	
19	90110-06200-00	BOLT, HEXAGON SOCKET HEAD	4	
20	90480-13018-00	GROMMET	1	
21	90464-10814-00	CLAMP	1	
22	JJ3-K8167-01-00	BUMPER, RUBBER 1	2	
23	JJ3-K7768-00-00	LABEL, WARNING	1	



JJ3110-6260

BODY FITTING

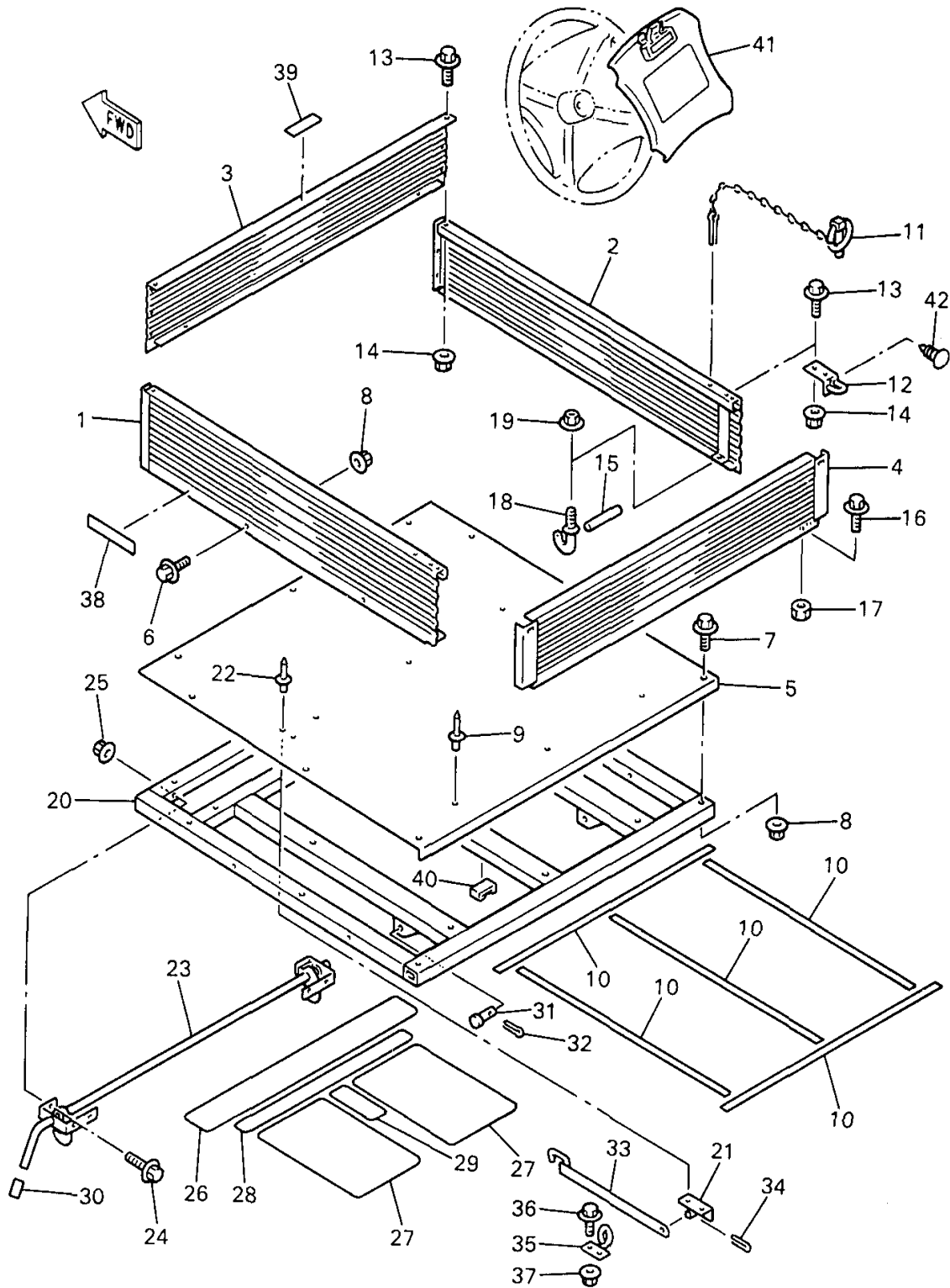


Ref. No.	Part Number	Description	Qty	Remarks
1	JF2-K8271-00-00	SERVICE LID, PEDAL	1	
2	JF2-K8215-10-00	PLATE, SIDE TRIM	1	
3	JF2-K821F-10-00	PLATE, SIDE TRIM	1	
4	90267-48154-00	RIVET, BLIND	4	
5	JJ3-K8124-00-00	REINFORCEMENT 4	2	
6	JF2-K8187-00-00	FLAP, FRONT FENDER (L.H) ..	1	
7	JF2-K8189-00-00	FLAP, FRONT FENDER (R.H) .	1	
8	90267-48831-00	RIVET, BLIND (90267-48101-00)	4	
9	JJ3-K8191-00-00	PANEL, REAR FENDER 1	1	
10	JJ3-K8192-00-00	PANEL, REAR FENDER 2	1	
11	90267-48831-00	RIVET, BLIND (90267-48101-00)	8	



JJ3110-6270

CARRIER

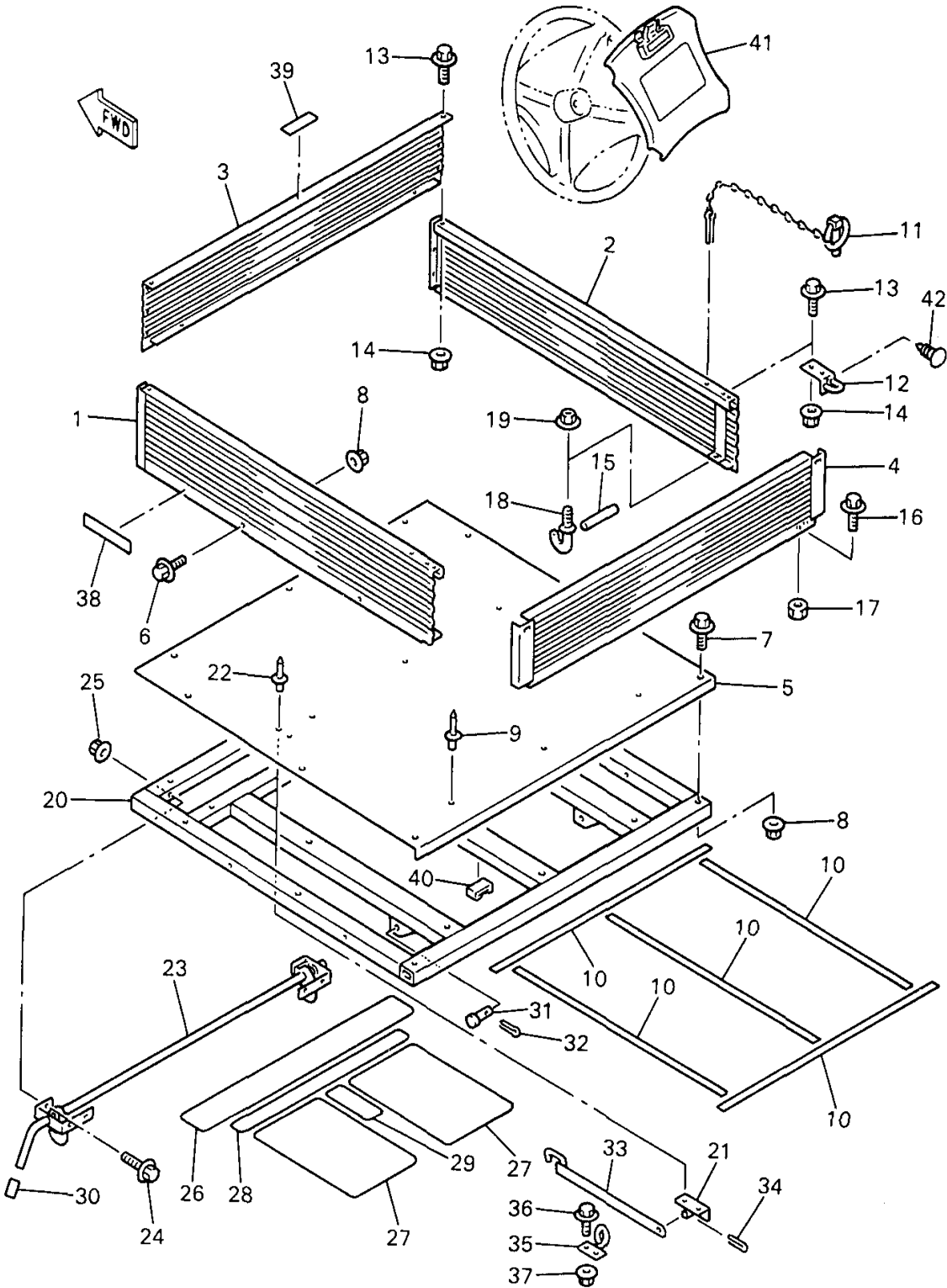


Ref. No.	Part Number	Description	Qty	Remarks
1	JJ3-K810F-00-00	SIDE PANEL COMP. (L. H.)	1	
2	JJ3-K810G-00-00	SIDE PANEL COMP. (R. H.)	1	
3	JJ3-K7782-00-00	PANEL, DASH 2	1	
4	JJ3-K810N-00-00	REAR STORAGE LID COMP.	1	
5	JJ3-K8117-00-00	PLATE 1	1	
6	90119-08038-00	BOLT, WITH WASHER	19	
7	90119-08925-00	BOLT, WITH WASHER	2	
8	95617-08200-00	NUT, SELF-LOCKING (95607-08200-00)	21	
9	90267-64844-00	RIVET, BLIND	6	
10	JJ3-K821A-00-00	PAD, BODY MOUNTING 1	5	
11	JJ3-K8156-00-00	STOPPER, LOCK	2	
12	JJ3-K8317-00-00	RING, HOOK	2	
13	90119-06908-00	BOLT, WITH WASHER	6	
14	95607-06200-00	NUT, SELF U-FLANGE	6	
15	JJ3-K8384-00-00	BOLT	2	
16	97017-06020-00	BOLT	4	
17	95380-06700-00	NUT	4	
18	JJ3-K8385-00-00	BOLT 2	2	
19	95617-08200-00	NUT, SELF-LOCKING (95607-08200-00)	2	
20	JJ3-K818N-00-00	BED, BOX	1	
21	JJ3-K8376-00-00	SUPPORT 2	1	
22	90267-64844-00	RIVET, BLIND	2	
23	JJ3-K8380-02-00	LOCK ASSEMBLY	1	
24	95807-08020-00	BOLT, FLANGE	6	
25	95617-08200-00	NUT, SELF-LOCKING (95607-08200-00)	6	
26	JJ3-K8253-20-00	PAD, SILENCER 3	1	
27	JJ3-K8254-20-00	PAD, SILENCER 4	2	

CONTINUED ON NEXT FRAME ►

JJ3110-6280

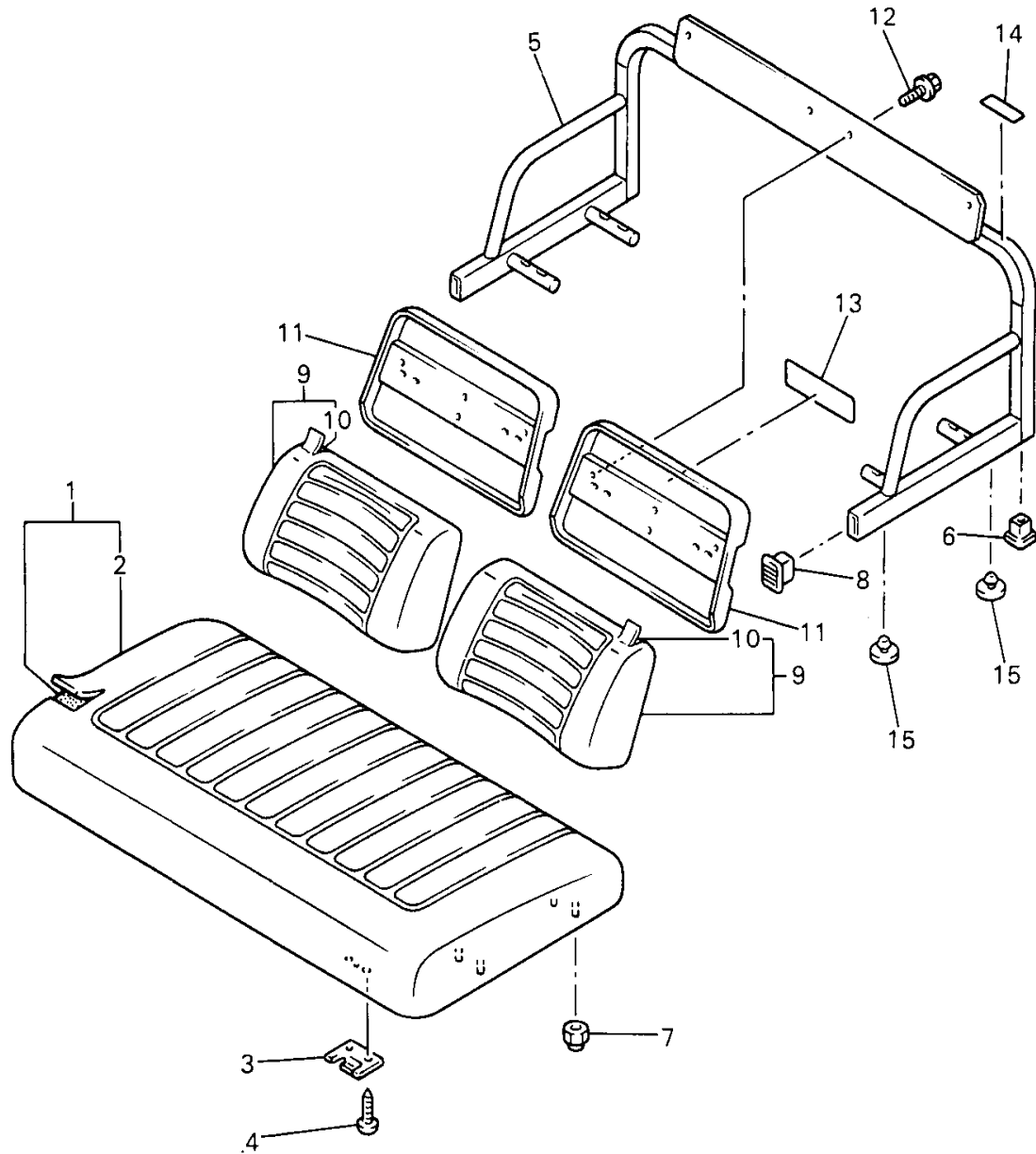
CARRIER



Ref. No.	Part Number	Description	Qty	Remarks
28	JJ3-K8255-00-00	PAD, SILENCER 5	1	
29	JJ3-K8258-00-00	PAD, SILENCER 8	1	
30	JJ3-K818M-00-00	CAP, PROTECTOR END 4	1	
31	90240-13808-00	PIN, CLEVIS	2	
32	91490-30030-00	PIN, COTTER	2	
33	JJ3-K8158-01-00	ROD, INSPECTION LID	1	
34	91490-20025-00	PIN, SPLIT	1	
35	JJ3-K8369-00-00	PIN, LEVER	1	
36	90119-06908-00	BOLT, WITH WASHER	2	
37	95607-06200-00	NUT, SELF U-FLANGE	2	
38	JJ3-K7764-01-00	LABEL, WARNING 4	1	
39	JJ3-K7766-01-00	LABEL, WARNING 6	1	
40	JJ3-K815H-00-00	DAMPER, LOCK	1	
41	JN3-K8370-00-00	HOLDER ASSEMBLY	1	
42	90338-05830-00	PLUG	4	

JJ3110-6280

SEAT

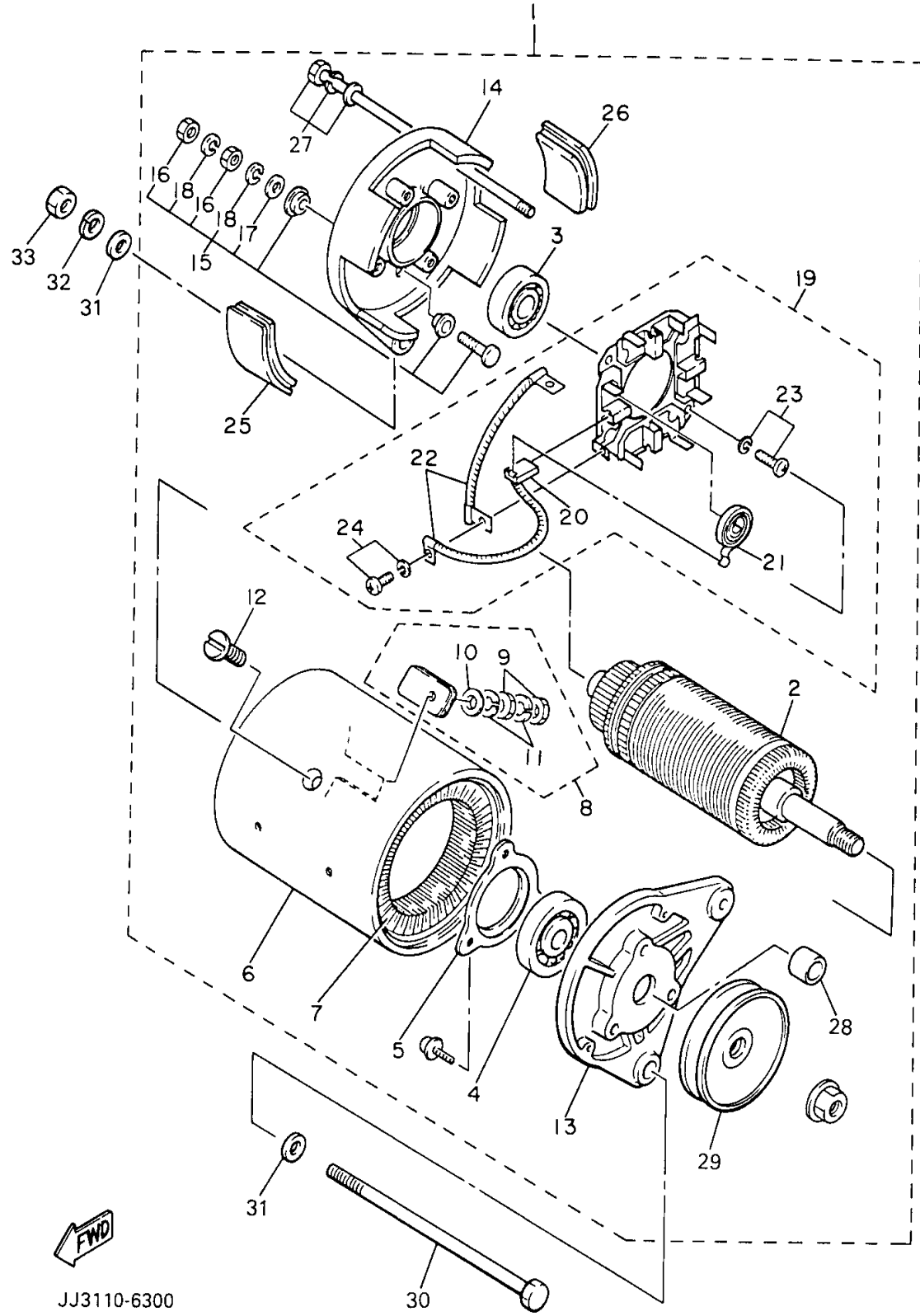


Ref. No.	Part Number	Description	Qty	Remarks
1	JJ3-K8401-00-00	SEAT SUB-ASSEMBLY, CUSHION	1	
2	JJ3-K8404-09-00	. COVER, SEAT	1	
3	JF2-K8426-00-00	HINGE, SEAT 1	2	
4	97780-50125-00	SCREW, TAPPING	4	
5	JJ3-K8420-20-00	SEAT ASSEMBLY 2	1	
6	JJ3-K818E-00-00	CAP, PROTECTOR END 1	2	
7	95617-08200-00	NUT, SELF-LOCKING (95607-08200-00)	8	
8	JJ3-K8139-00-00	CAP, END	2	
9	JJ3-K8402-00-00	SEAT SUB ASSEMBLY, BACK	2	
10	JJ3-K841G-09-00	. COVER, SEAT BACK 2	2	
11	JJ3-K8413-00-00	COVER, SEAT BACK	2	
12	90119-06915-00	BOLT, WITH WASHER	4	
13	JJ3-K7762-00-00	LABEL, WARNING 2	1	
14	JJ3-K7763-00-00	LABEL, WARNING 3	2	
15	JJ3-K8433-00-00	DAMPER, SEAT SUPPORT	4	



JJ3110-6290

STARTING MOTOR

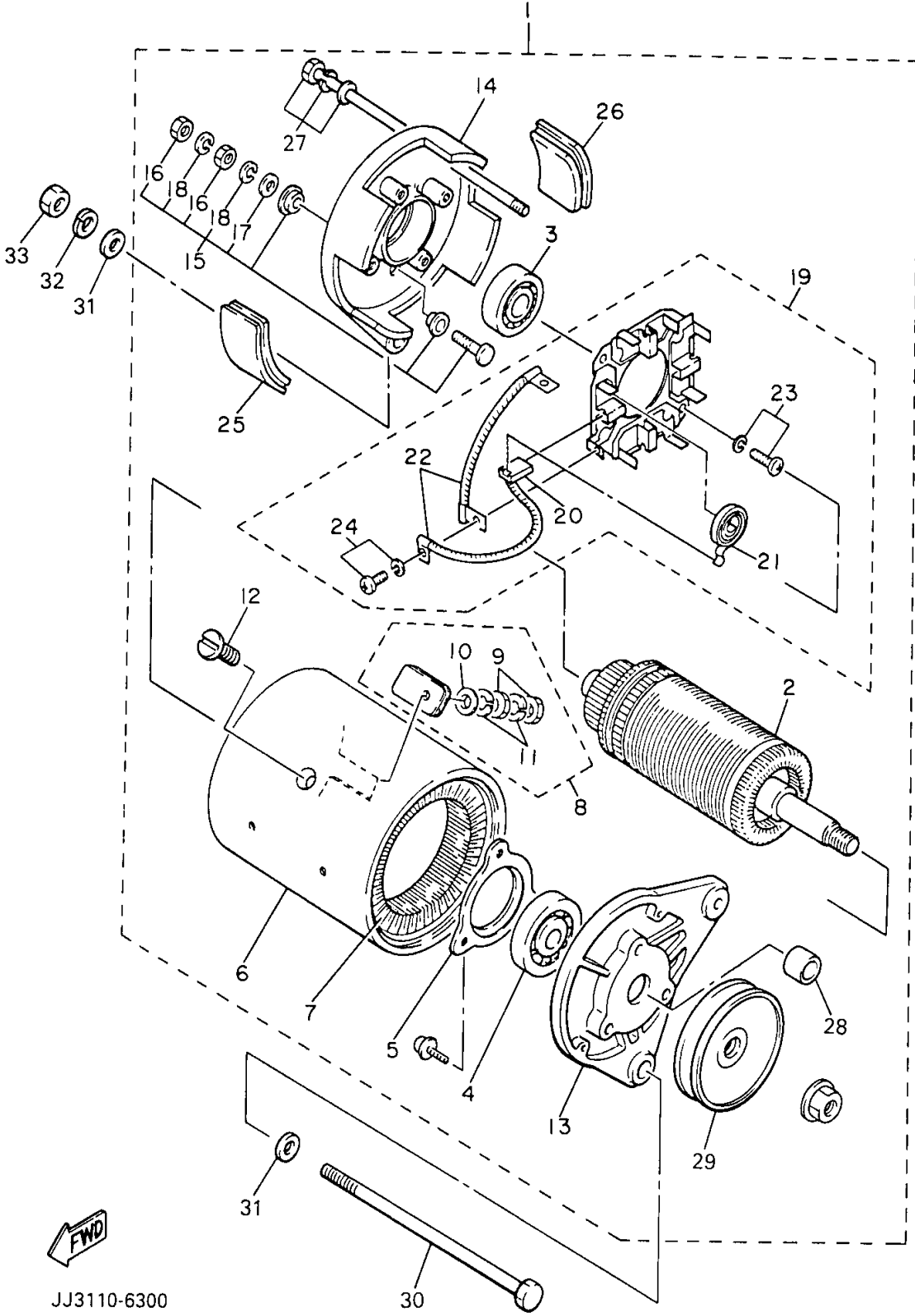


Ref. No.	Part Number	Description	Qty	Remarks
1	JN3-H1100-00-00	STARTER GENERATOR ASSEMBLY	1	
2	JN3-81150-00-00	. ARMATURE ASSEMBLY	1	
3	J10-81157-10-00	. BEARING 1 (6202 SD)	1	
4	J10-81158-10-00	. BEARING 2 (6203 SD)	1	
5	JN3-81159-00-00	. HOLDER, BEARING	1	
6	J38-81110-10-00	. STATOR ASSEMBLY	1	
7	J38-81160-10-00	. FIELD COIL ASSEMBLY	1	
8	J10-81148-10-00	. SCREW	2	
9	95380-06600-00	.. NUT	4	
10	92990-06600-00	.. WASHER, PLATE	2	
11	92995-06100-00	.. WASHER, SPRING	4	
12	J10-81146-10-00	. SCREW	4	
13	JN3-81165-00-00	. BRACKET, STARTER GENERATOR 1	1	
14	JN3-81166-00-00	. BRACKET, STARTER GENERATOR 2	1	
15	JN3-81147-00-00	. SCREW 3	2	
16	95380-06600-00	.. NUT	4	
17	92990-06600-00	.. WASHER, PLATE	2	
18	92995-06100-00	.. WASHER, SPRING	4	
19	JN3-81119-00-00	. BRUSH HOLDER ASSEMBLY	1	
20	JF2-81111-00-00	.. BRUSH	4	
21	JN3-81113-00-00	.. SPRING, BRUSH	4	
22	J10-81115-10-00	.. WIRE, LEAD	2	
23	98507-05016-00	.. SCREW, PAN HEAD	2	
24	98580-04010-00	.. SCREW, PAN HEAD	4	
25	J10-81129-10-00	. COVER, BRUSH	3	
26	J10-81129-10-00	. COVER, BRUSH	1	
27	J10-81145-10-00	. SCREW	2	

CONTINUED ON NEXT FRAME ►

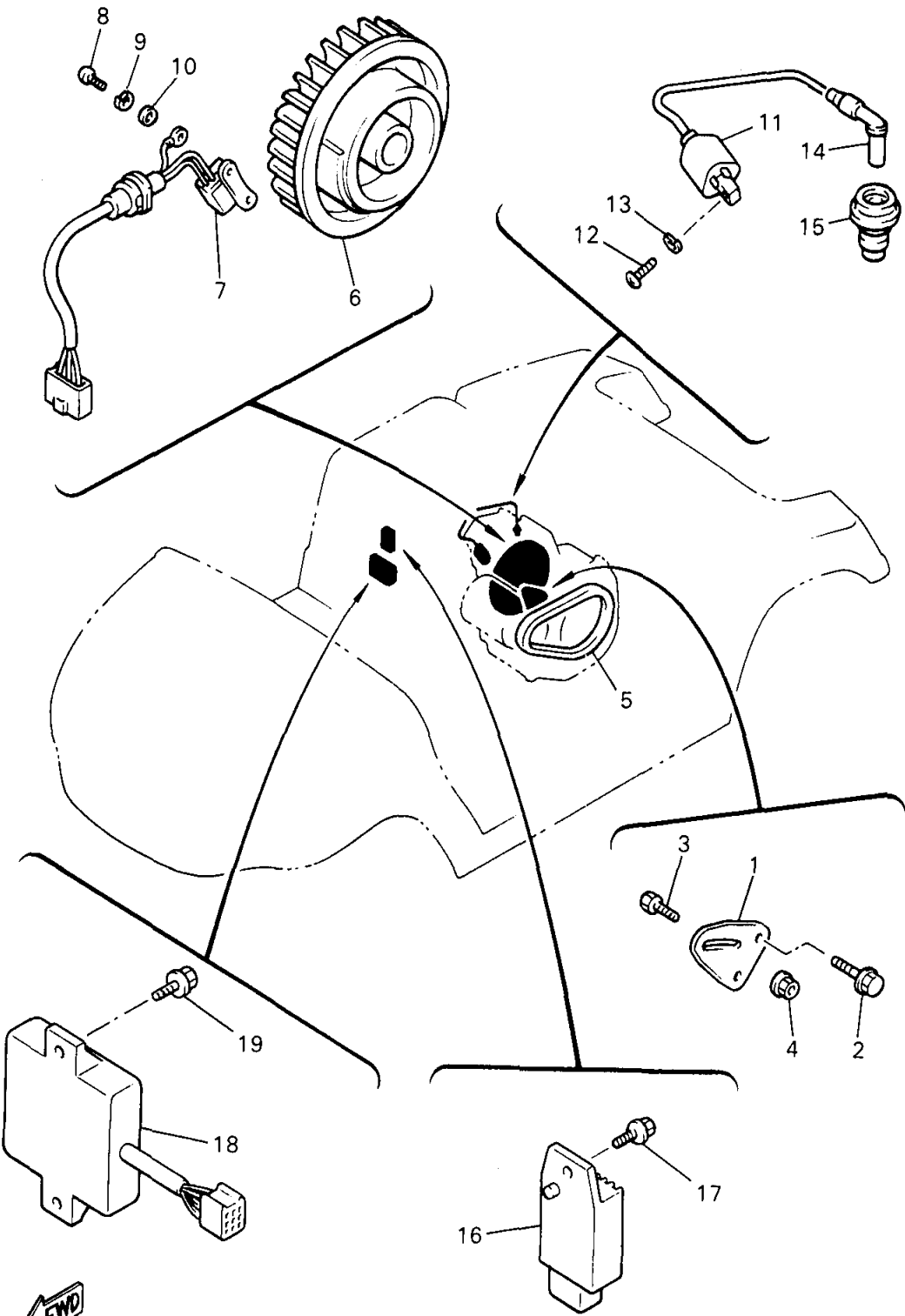
JJ3110-6300

STARTING MOTOR



Ref. No.	Part Number	Description	Qty	Remarks
28	JN3-81661-00-00	. SPACER	1	
29	JN3-81161-00-00	. PULLEY	1	
30	90101-12545-00	BOLT	1	
31	92907-12600-00	WASHER	2	
32	92907-12100-00	WASHER	1	
33	95317-12600-00	NUT	1	

ELECTRICAL 1

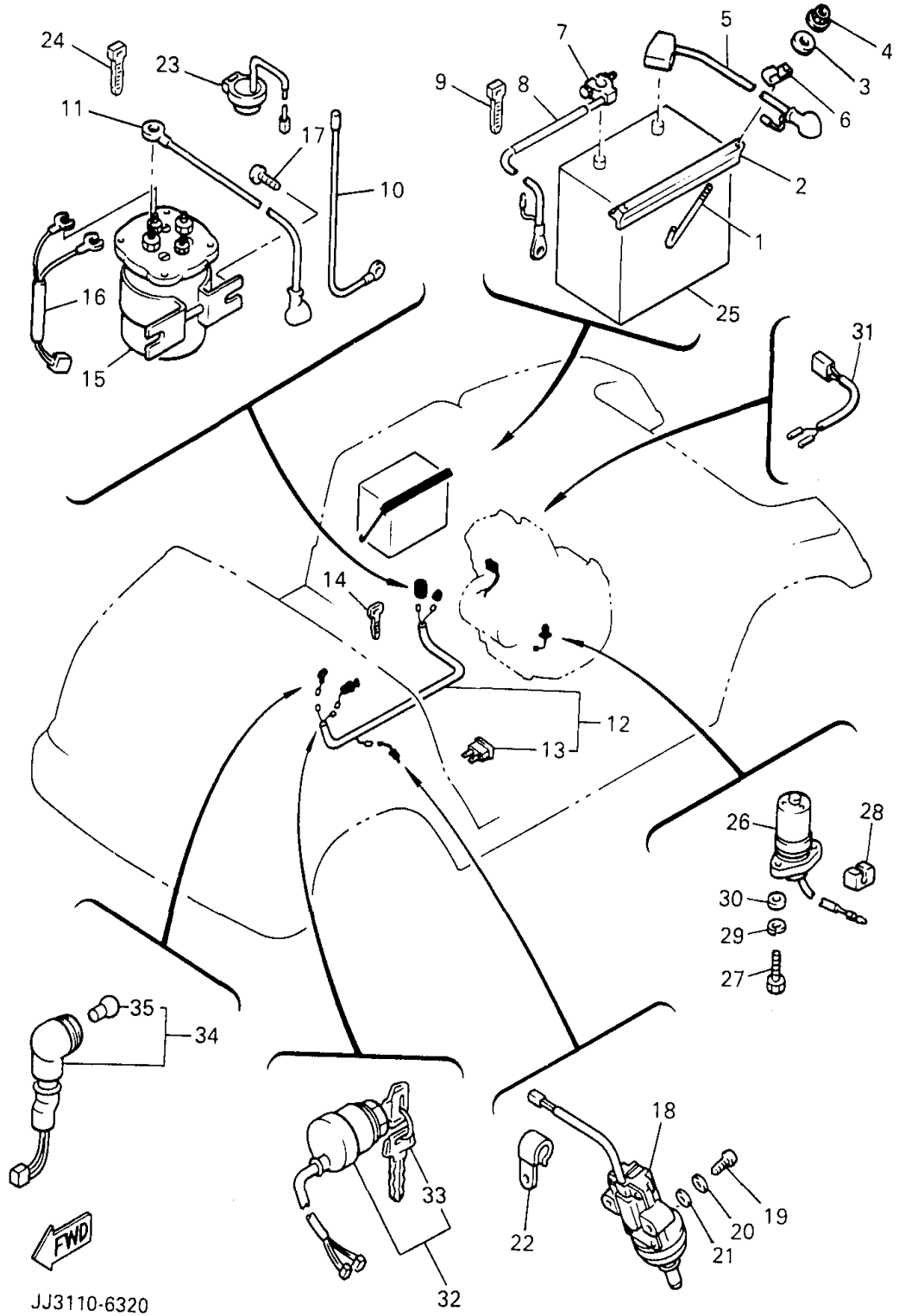


Ref. No.	Part Number	Description	Qty	Remarks
1	J38-81170-00-00	TENSIONER ASSEMBLY	1	
2	95817-08025-00	BOLT, FLANGE	2	
3	90109-087A5-00	BOLT	1	
4	95707-08600-00	NUT, FLANGE	1	
5	J55-H1173-00-00	BELT	1	
6	JF2-81350-00-00	ROTOR ASSEMBLY	1	
7	JF2-85580-00-00	COIL, PULSER	1	
8	98507-05016-00	SCREW, PAN HEAD	2	
9	92907-05100-00	WASHER, SPRING	2	
10	92907-05600-00	WASHER, PLATE	2	
11	JF2-82310-00-00	IGNITION COIL ASSEMBLY	1	
12	98507-05020-00	SCREW, PAN HEAD	2	
13	92907-05100-00	WASHER, SPRING	2	
14	8K1-82370-20-00	PLUG CAP ASSEMBLY (WITH RESISTOR)	1	
15	J38-82372-00-00	SEAL, plug cap	1	
16	JF2-81910-01-00	VOLTAGE REGULATOR	1	
17	95807-06016-00	BOLT, FLANGE	1	
18	JN3-82305-00-00	IGNITOR UNIT ASSEMBLY	1	
19	95817-06020-00	BOLT, FLANGE	2	



JN3100-5310

ELECTRICAL 2

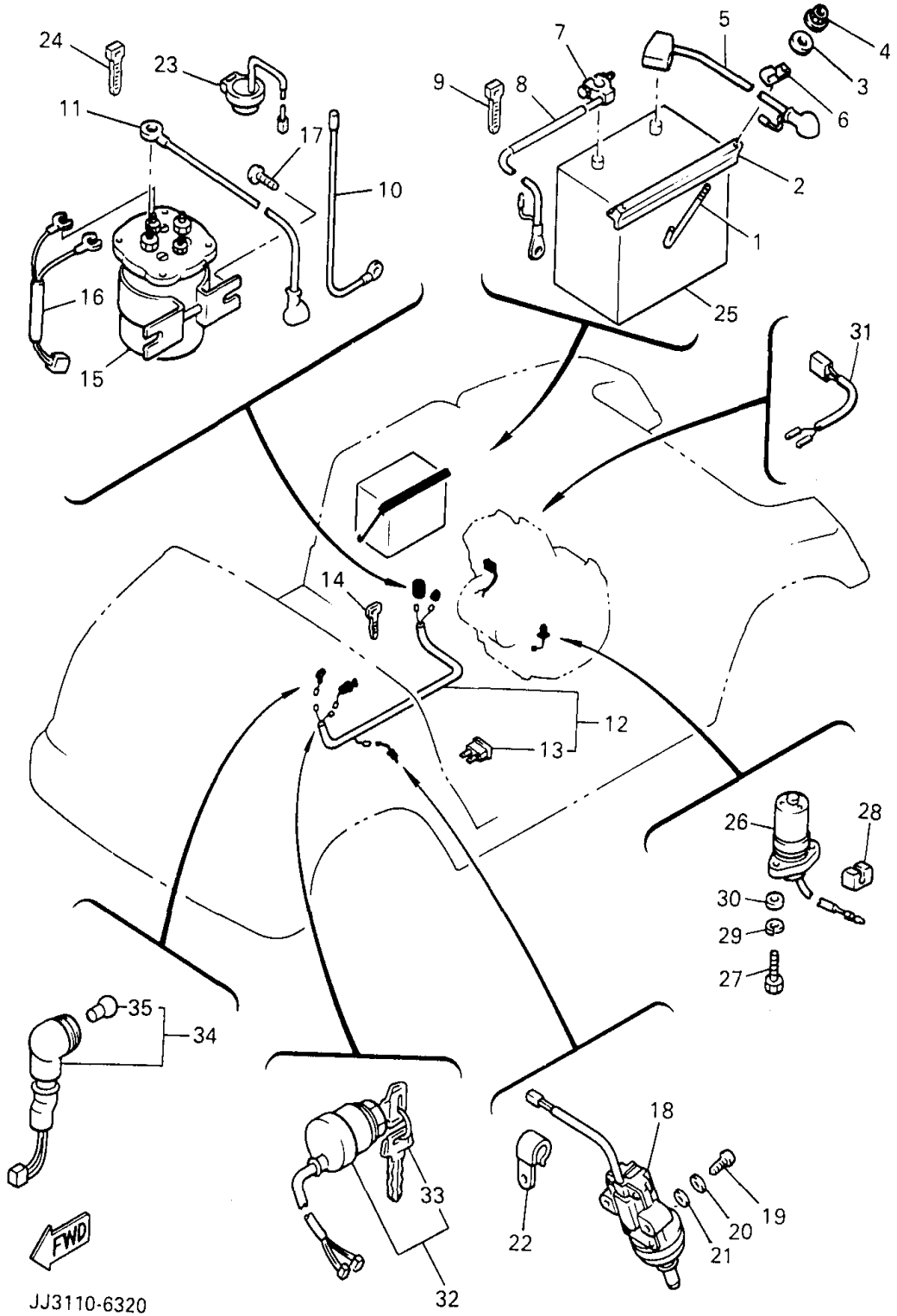


Ref. No.	Part Number	Description	Qty	Remarks
1	JN3-H2133-00-00	SCREW, FITTING	2	
2	J55-H2136-00-00	PLATE, BATTERY	1	
3	92907-06200-00	WASHER	2	
4	95707-06500-00	NUT, FLANGE	2	
5	JF2-H2115-11-00	WIRE, PLUS LEAD	1	
6	90461-08031-00	CLAMP	1	
7	JF2-H2116-02-00	WIRE, MINUS LEAD	1	
8	JF2-82139-00-00	TUBE	1	
9	90464-13080-00	CLAMP	1	
10	JG5-H232Y-00-00	WIRE, EARTH LEAD	1	
11	JF2-H2117-02-00	WIRE, LEAD	1	
12	JJ3-82590-03-00	WIRE HARNESS ASSEMBLY	1	
13	42X-82151-00-00	FUSE (10A-BL)	2	
14	90464-23041-00	CLAMP	1	
15	JF2-H1950-00-00	RELAY ASSEMBLY	1	
16	JF2-82105-00-00	WIRE HARNESS	1	
17	90163-06005-00	SCREW, HEX. T	2	
18	JF7-82817-20-00	SWITCH, ACCELERATOR STOP	1	
19	98507-05025-00	SCREW, PAN HEAD	2	
20	92907-05100-00	WASHER, SPRING	2	
21	92907-05600-00	WASHER, PLATE	2	
22	90465-08028-00	CLAMP	1	
23	JN3-83383-00-00	BUZZER	1	
24	90464-05819-00	CLAMP	1	
25	UNA-VAILA-BL-EI	0 0		
26	JH2-85720-01-00	OIL LEVEL GAUGE ASSEMBLY	1	
27	97080-06020-00	BOLT	2	
28	J38-82598-00-00	GROMMET	1	
29	92995-06100-00	WASHER, SPRING	2	

CONTINUED ON NEXT FRAME ►

JJ3110-6320

ELECTRICAL 2



Ref. No.	Part Number	Description	Qty	Remarks
30	92990-06600-00	WASHER, PLATE	2	
31	JF2-82318-00-00	WIRE, SUB-LEAD	1	
32	JN3-82510-00-00	MAIN SWITCH ASSEMBLY ...	1	
33	J44-82511-00-XX	. KEY, MAIN SWITCH (J44-82511-00-00)	1	
34	JF2-83530-01-00	PILOT LIGHT ASSEMBLY	1	
35	123-83516-21-XX	. BULB, (12V-3. 4W)	1	

JJ3110-6320