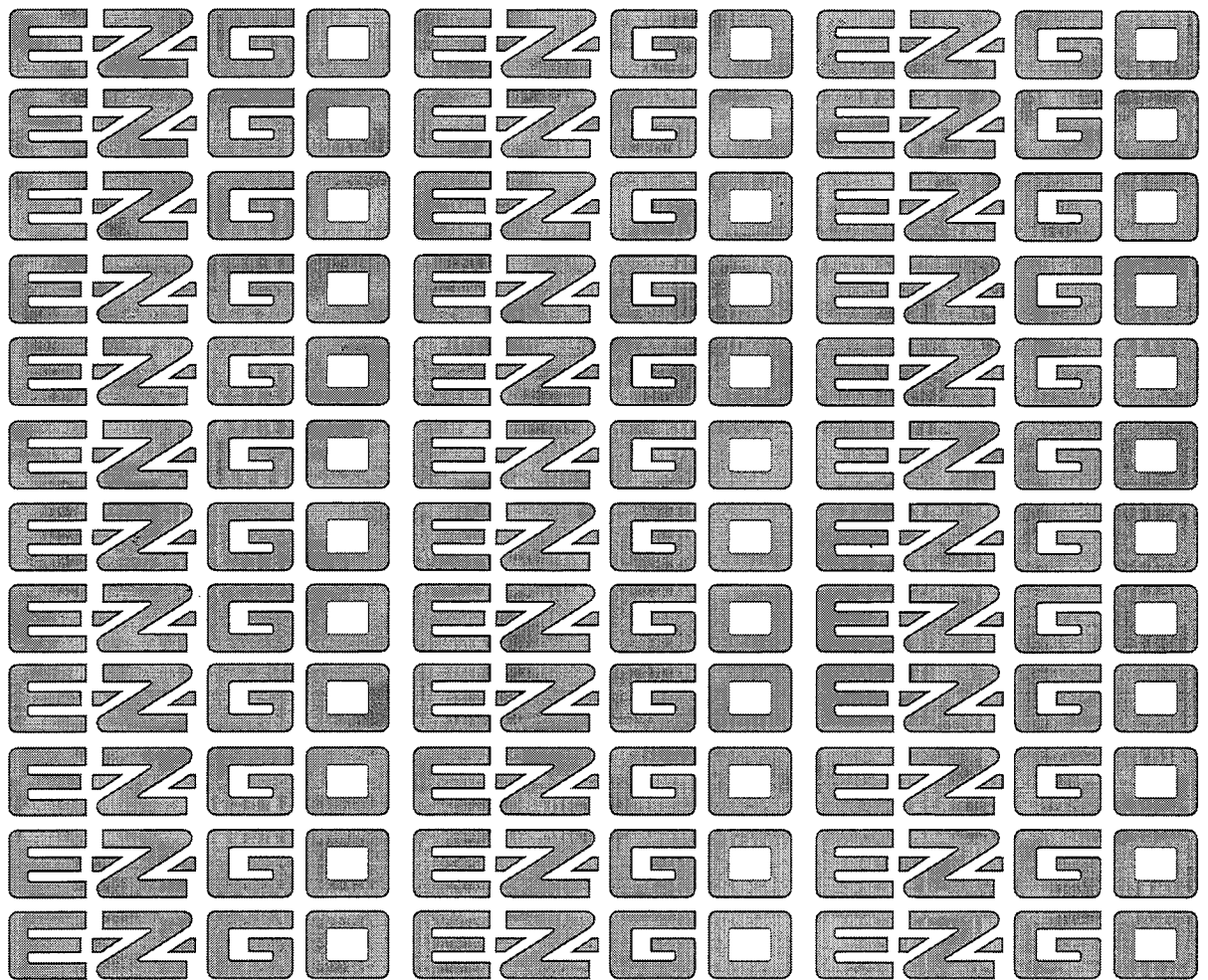




ELECTRIC POWERED TURF VEHICLE

SERVICE PARTS MANUAL



SERVICE PARTS MANUAL

ELECTRIC POWERED TURF VEHICLES

MODEL YEAR: 1988

VEHICLES

XT - 300

XT - 500

CUSTOMER SERVICE DEPARTMENT PHONE 1-800-227-7029 FAX 1-800-752-6175
E-Z-GO DIVISION OF TEXTRON, INC., P.O. BOX 388, AUGUSTA, GEORGIA 30903-0388, 1-800-241-5855

LIMITED WARRANTY

TURF VEHICLES

MODELS XT-300, XT-500, GXT-300, AND GXT-800

1. **WARRANTY:** E-Z-GO DIVISION OF TEXTRON, INC. ("E-Z-GO") warrants only to the original purchaser that any 1988 Model turf vehicle shall be free from defects in materials and workmanship for a period of one (1) year to the original retail purchaser.

Any part judged by E-Z-GO to be defective in materials or workmanship will be repaired or replaced by an authorized E-Z-GO Agent without charge for labor for a period of 90 days.

Specific exclusions from this warranty shall include any parts replaced due to normal wear or routine maintenance, including but not limited to filters and spark plugs.

Transportation charges to and from an authorized E-Z-GO agent for service or in performing field service are excluded from this warranty.

2. **REMEDY:** The sole remedy under this warranty and E-Z-GO's only obligation in the event of a defect in the vehicle, is that E-Z-GO will, at its sole option, repair or replace any defective parts.
3. **HOW TO MAKE A CLAIM:** In order to make a claim under this Warranty, you must send the defective part, freight prepaid, to: E-Z-GO DIVISION OF TEXTRON, INC., WARRANTY DEPARTMENT, 1451 MARVIN GRIFFIN ROAD, P. O. BOX 388, AUGUSTA, GEORGIA 30913-2699.

All such parts shall become the property of E-Z-GO.

4. **ITEMS NOT WARRANTED:** E-Z-GO makes no warranties or representations with respect to batteries and tires, which are warranted by their respective manufacturer.

E-Z-GO makes no warranties or representations with respect to options or accessories which are not manufactured and installed by E-Z-GO.

This warranty does not apply to Acts of God or other disasters over which E-Z-GO has no control.

5. **CONDITIONS WHICH WILL VOID WARRANTY:** This Warranty will be void if any of the following occur:
 - a) The speed of the vehicle is increased beyond factory specifications or the vehicle is modified in a way which adversely affects its condition, operation or safety.
 - b) The vehicle is not maintained or serviced in accordance with E-Z-GO's "Operations and Service Manual."
 - c) The vehicle is abused, or otherwise not used in its intended manner.
 - d) Accident or collision.
 - e) Installation of parts or accessories that are not original equipment.

6. **DISCLAIMER:** THIS WARRANTY IS MADE IN LIEU OF ALL OTHER WARRANTIES, IMPLIED OR EXPRESSED, INCLUDING ANY WARRANTY OF MERCHANTABILITY OR FITNESS FOR A PARTICULAR PURPOSE. E-Z-GO FURTHER DISCLAIMS ANY LIABILITY FOR INCIDENTAL OR CONSEQUENTIAL DAMAGES, TO INCLUDE BUT NOT BE LIMITED TO, PERSONAL INJURY OR PROPERTY DAMAGE, ARISING FROM ANY DEFECT IN THE VEHICLE.

No agent, employee or representative of E-Z-GO, or any other person, has any authority to bind E-Z-GO to any other agreement, representation, or warranty concerning the goods sold under this warranty.

Some states do not allow limitations on how long an implied warranty lasts or the exclusion or limitation of incidental or consequential damages, so the above limitations may not apply to you.

The Warranty gives you specific legal rights, and you may also have other rights which vary from state to state.

7. **WARNING:** Any modification or change to the vehicle which alters the weight distribution of the vehicle, its stability or increases the speed beyond the factory specification, could cause serious personal injury.

E-Z-GO prohibits and disclaims responsibility for any such modifications or any other alteration which would adversely affect the safety of the vehicle.

For further information, call (404) 798-4311 or write to E-Z-GO, Division of Textron, Inc. at: WARRANTY DEPARTMENT, 1451 MARVIN GRIFFIN ROAD, P. O. BOX 388, AUGUSTA, GEORGIA 30913-2699.

EZGOTEXTRON

GENERAL INDEX

Page No.

How to Use The E-Z-GO Service Manual	v
Illustrated Parts Breakdown:	
Illustration	
Accelerator and Hill Brake Linkage	AI
Accelerator Switch Assembly	BI
Battery Charger, 36 Volt	CI
Body and Associated Parts	EI
Brake Linkage	FI
Fork Assembly	OI
Forward-Neutral-Reverse Switch Assembly.	PI
Four Wheel Front Suspension	QI
Front Bumper - 3 Wheel Vehicles	RI
Front Bumper - 4 Wheel Vehicles	SI
Horn and Accessory Wiring	VI
Model Details	XI
Motor	YI
Power, Wiring	BBI
Rear Axle Assembly	CCI
Rear Suspension Components	EEI
Resistor Coil and Housing Assembly	FFI
Seating	GGI
Steering	LLI
Truckbed	MMI
Wheel Brake Assembly	NNI
Wheels and Tires	OOI
Service Accessories and Special Tools	PPI

EZGOTEXTRON

HOW TO USE THE E-Z-GO SERVICE PARTS MANUAL

This manual is divided into several sections:

1. GENERAL INFORMATION
2. ILLUSTRATED PARTS BREAKDOWN FOR ELECTRIC POWERED TURF TRUCKS
3. SERVICE ACCESSORIES AND SPECIAL TOOLS

The first section, GENERAL INFORMATION, contains the following information:

1. WARRANTY INFORMATION
2. GENERAL INDEX
3. HOW TO USE THE E-Z-GO SERVICE PARTS MANUAL

The second section, ILLUSTRATED PARTS BREAKDOWN (IPB) FOR ELECTRIC POWERED TURF TRUCKS, contains illustrations and parts lists for all systems of the electric powered vehicle.

The third section, SERVICE ACCESSORIES AND SPECIAL TOOLS, contains a listing of E-Z-GO service accessories and special tools that may be purchased from the company to aid in the servicing of the vehicle.

USE OF THE MANUAL

To use this manual, consult the GENERAL INDEX (located in the first section) to locate the information or illustration required.

E-Z-GO manuals are revised annually to coincide with the model year change. The new manual reflects revisions made since the last manual and introductory changes that are to be implemented in the new model year.

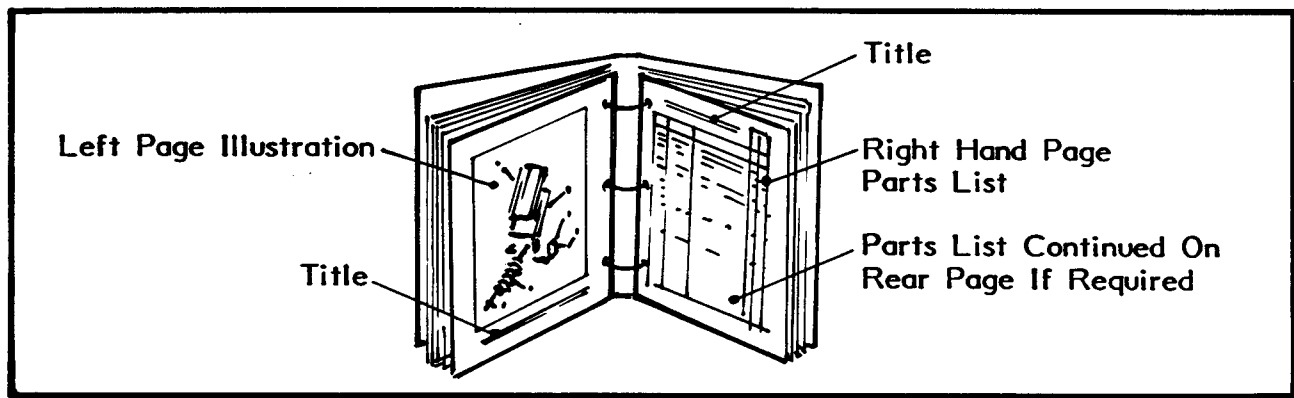
Revisions that have been made since the last issue are indicated by a ✓ that is placed in the left margin adjacent to the revised part number. If changes are interchangeable with the previous issue, the part number will be revised and marked with a ✓. Changes that are not interchangeable will be accompanied by a new illustration and parts list with the latest set appearing first. The ✓ in the left margin will always indicate the differences since the earlier issue.

Introduction of some revisions varies due to supply of components; therefore, it is possible that various combinations of components may be found that are not directly reflected by each illustration. Consult the illustration that best suits your situation and contact the Service Parts Department. It is important that the serial number of your vehicle and its model number be supplied to Service Parts when ordering any replacement components.

Locate the serial number plate (see Model Details located in the IPB section of this manual for its location) and note the complete number shown on the plate.

Each system is listed in the index and has an alphabetical prefix. The illustration always appears first and is followed by its related parts list. Additional illustrations and parts lists with the same prefix indicate significant changes that have taken place since the last issue. Note the latest version always appears first.

Note that many alphabetical prefixes are omitted. These prefixes have been assigned to systems that are not relevant to your vehicle. The index lists all relevant sections that pertain to your vehicle.



1. WHEN THE PART NUMBER IS NOT KNOWN.

- a. Determine the function and application of the part required. Turn to the General Index and select the most appropriate title.
- b. Turn to the page number indicated and locate the desired part on the illustration.
- c. From the illustration, obtain the item number assigned to the part desired. Refer to the accompanying description for specific information regarding the part.

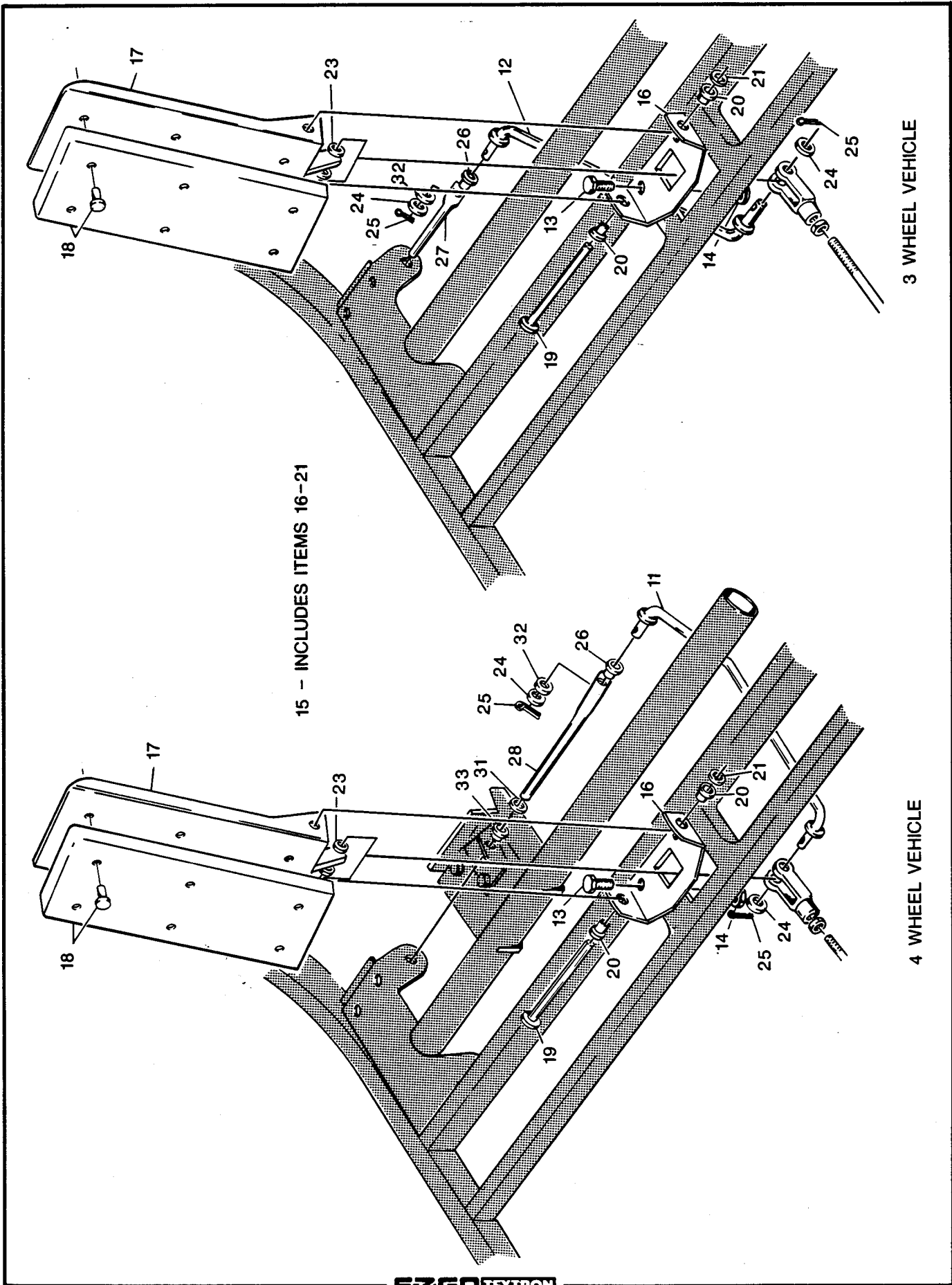
2. IF YOU KNOW THE PART NAME OR NUMBER.

Locate part number or description in the appropriate column on the right hand page. Note that it is suggested you confirm that the part selected is correct by verifying it with the pictorial representation on the left hand page.

Should an asterisk (*) appear in the part number column on the parts list page, read upwards until a part number is found. The part number is the "lowest" assembly sold by E-Z-GO and the asterisk (*) indicates that the part depicted is not available for sale by E-Z-GO.

Note that the descriptions are "indented" under the assembly that they are used on. That assembly is, in turn, listed under the assembly that it is used on. This process is repeated until the "final assembly" is reached.

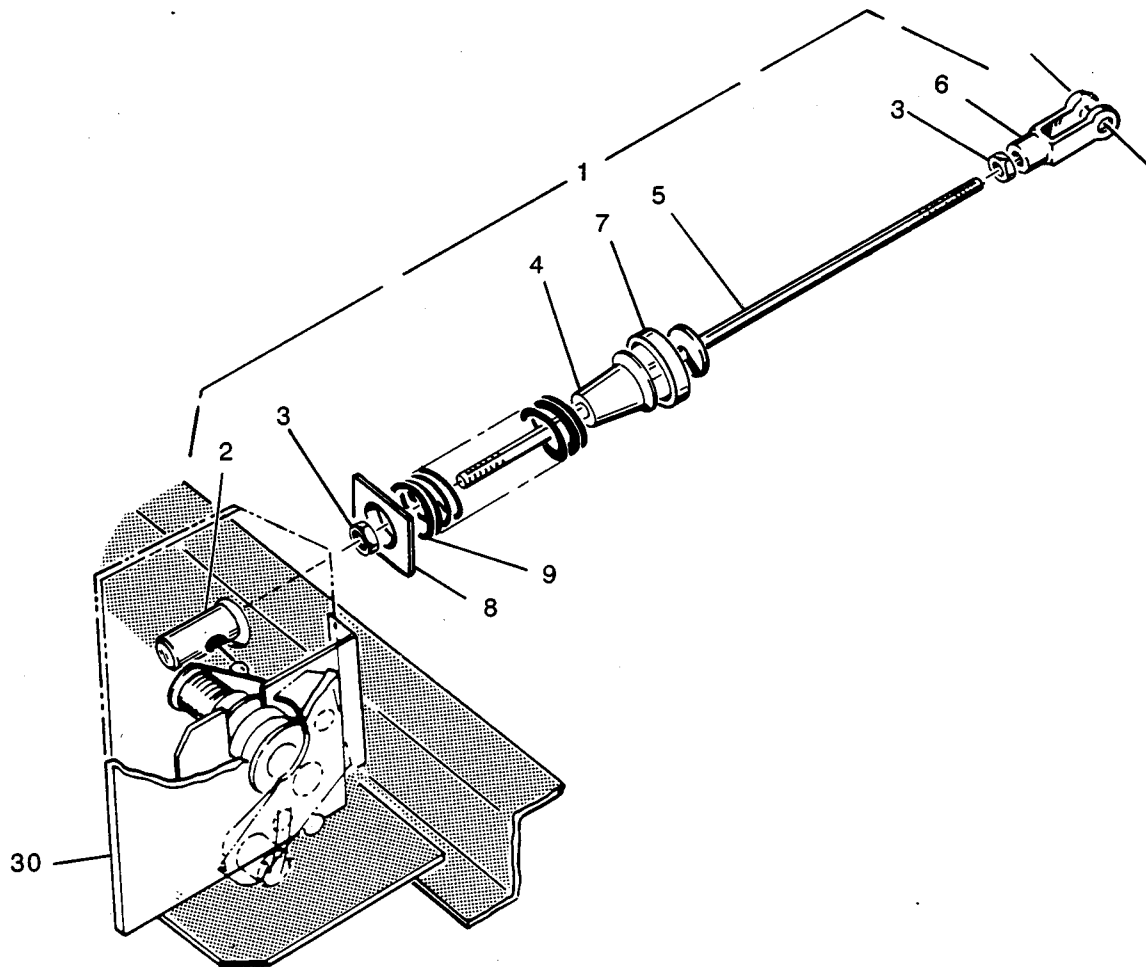
ILLUSTRATED PARTS BREAKDOWN
ELECTRIC POWERED
TURF VEHICLES



ACCELERATOR AND HILL BRAKE LINKAGE

AI

8/15/87



EZGOTEXTRON

ACCELERATOR AND HILL BRAKE LINKAGE

A2

8/15/87

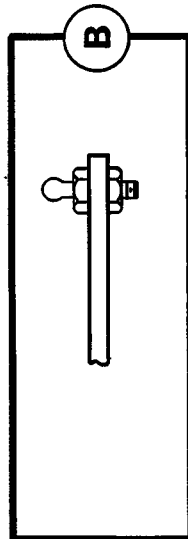
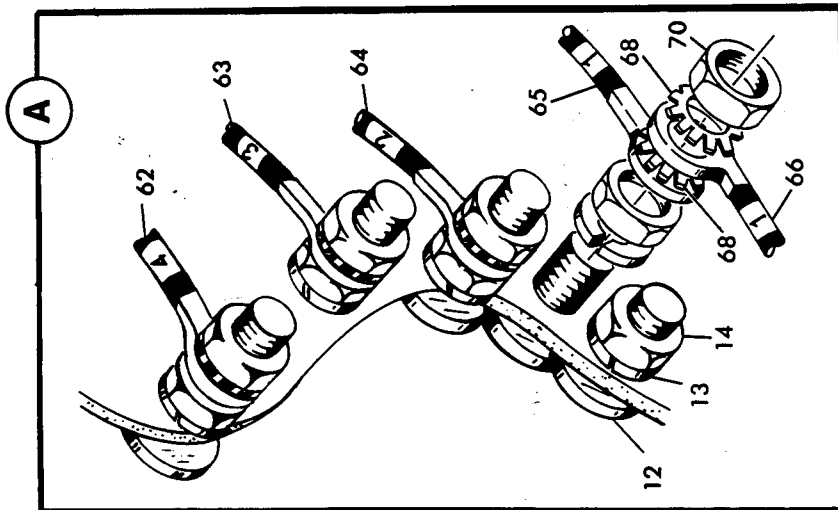
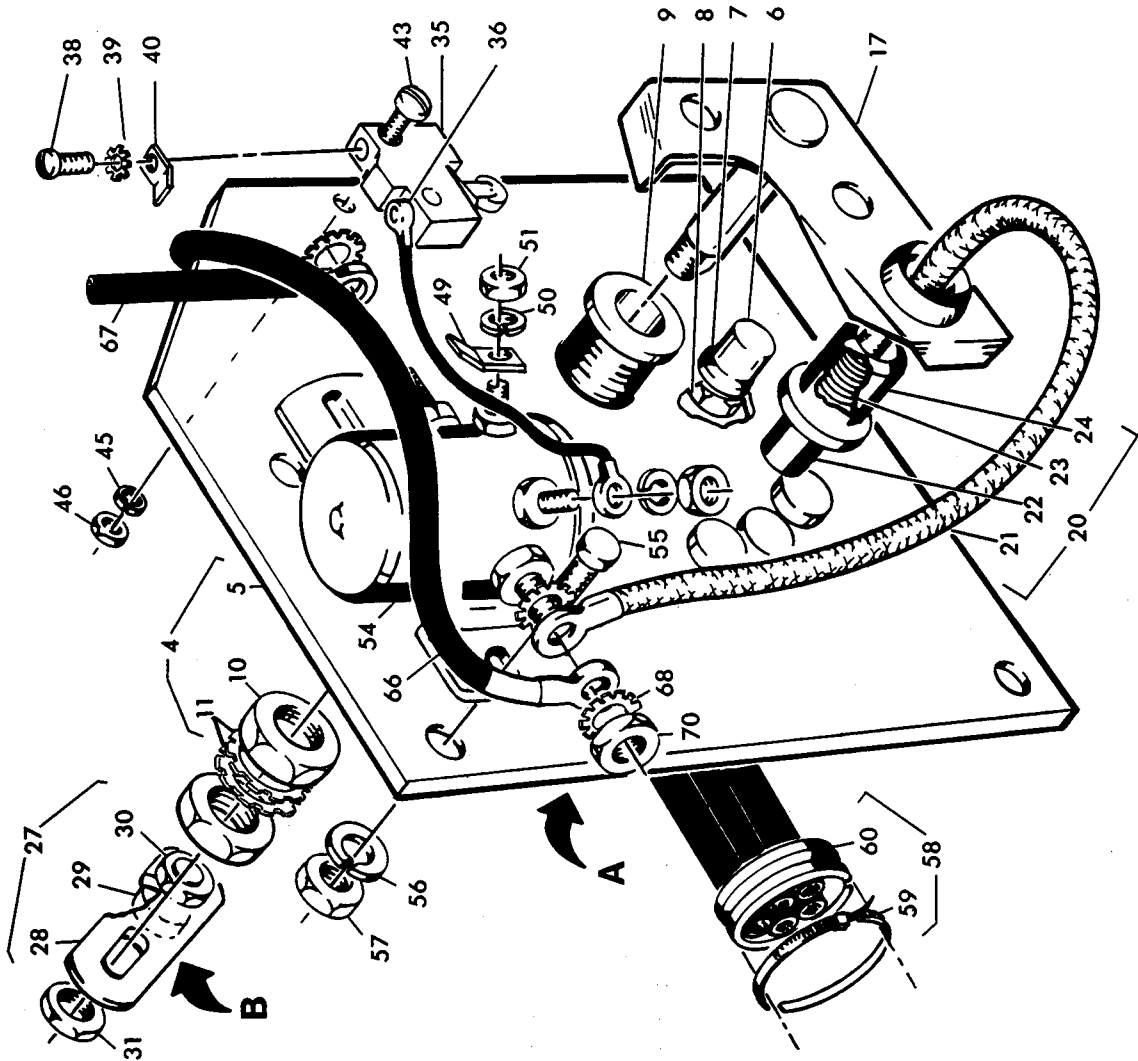
TITLE ACCELERATOR AND HILL BRAKE LINKAGE

When ordering parts, please specify model and serial no. of vehicle.

ITEM NO.	PART NO.	DESCRIPTION 1 2 3 4 5	3 WHEEL	4 WHEEL
			QTY.	
1	18043-G1	Accelerator Rod Assembly (Includes Items 2-7)	1	1
2	14444-G3	Ball Joint, Socket	1	1
3	00544-G4	Nut, 5/16-24	2	2
4	17979-G1	Bushing, Accelerator Rod	1	1
5	19710-G1	Accelerator Rod	1	1
6	10385-G4	Clevis Yoke	1	1
7	17677-G1	Retainer, Spring	1	1
8	18034-G1	Retainer, Spring	1	1
9	17675-G1	Spring, Compression	1	1
10				
11	19706-G1	Rod, Linkage	X	1
12	19707-G1	Rod, Linkage	1	X
13	00414-G6	Screw, 1/4-20 x 3/4 Lg.	2	2
14	11027-G2	Nut, Lock, 1/4-20	2	2
15	18083-G1	Accelerator Pedal Assembly (Includes Items 16-21) . .	1	1
16	12511-G1	Base Plate, Accelerator	1	1
17	18084-G1	Pedal, Accelerator	1	1
18	15827-G1	Accelerator Pedal, Pad Kit (Includes Rivets)	1	1
19	12512-G1	Pin, Accelerator Pedal	1	1
20	12513-G1	Bearing, Plastic	2	2
21	12064-G2	Nut, Push	1	1
22				
23	17255-G1	Washer, Teflon	2	2
24	00559-G8	Washer, Flat, 5/16	2	2
25	10387-G3	Cotter Pin, 3/16 x 3/4 Lg.	2	2
26	17838-G1	Bushing, Nyliner	1	1
✓ 27	19708-G1	Arm, Pivot	1	X
✓ 28	19709-G1	Arm, Pivot	X	1
29				
30	XXXX-XX	Accelerator Switch Assembly (See Accelerator Switch Assembly Illustration)	1	1
31	21957-G1	Washer, Nylon	X	1
32	20835-G1	Washer, Nylon	1	1
33	10097-G6	Bearing, Flanged, Reamed	X	1

EZGO TEXTRON

EZGO **TEXTRON**



EZGO **TEXTRON**

ACCELERATOR SWITCH ASSEMBLY

BI

8/15/87

TITLE ACCELERATOR SWITCH ASSEMBLY

When ordering parts, please specify model and serial no. of vehicle.

ITEM NO.	PART NO.	DESCRIPTION 1 2 3 4 5	3 WHEEL	4 WHEEL
			QTY.	
1	19255-G2	Accelerator Switch Assembly	1	1
2				
3				
4	18741-G1	Contact Board Assembly.	1	1
5	*	Plate, Accelerator	1	1
6	17491-G1	Stud, Stop	1	1
7	00560-G1	Washer, Flat, 3/8	1	1
8	14390-G1	Nut, Lock, 3/8-24	1	1
9	11902-G1	Bushing, Shaft	1	1
10	00545-G8	Nut, 3/4-16	2	2
11	00568-G6	Washer, Lock, External Tooth 3/4	2	2
12	*	Stud, Contact	5	5
13	*	Washer, Lock, 5/16	5	5
14	*	Nut, 5/16-24	5	5
15				
16				
17	17973-G1	Shaft and Arm Assembly	1	1
18				
19				
✓ 20	17504-G1	Brush and Lead Assembly	1	1
21	*	Terminal, Ring, #6 x 5/16	1	1
22	*	Copper Brush with Lead	1	1
23	*	Spring, Arm Contact	1	1
24	*	Holder, Brush	1	1
25				
26				
27	17663-G1	Pivot Arm Assembly	1	1
28	17655-G1	Arm, Accelerator Linkage	1	1
29	15944-G3	Ball, Ball Joint	1	1
✓ 30	11098-G9	Nut, Lock, 5/16-24	1	1
31	11098-G3	Nut, Lock, 1/2-20	1	1
32				



TITLE ACCELERATOR SWITCH ASSEMBLY

When ordering parts, please specify model and serial no. of vehicle.

ITEM NO.	PART NO.	DESCRIPTION 1 2 3 4 5	3 WHEEL	4 WHEEL
			QTY.	
33				
34				
35	10606-G2	Switch, Micro	1	1
36	17969-G1	Wire Assembly, Black	1	1
37				
38	13514-G1	Screw, Brass, Limit Switch	2	2
39	00567-G4	Washer, Lock, External Tooth, #8	1	1
40	14628-G1	Faston Tab	1	1
41				
42				
43	00139-G2	Screw, #6-32 x 1 1/4 Lg.	2	2
44				
45	00565-G3	Washer, Lock, #6	2	2
46	00525-G5	Nut, #6-32	2	2
47				
48				
49	12914-G1	Faston Tab	1	1
50	00565-G5	Washer, Lock, #10	2	2
51	00526-G4	Nut, #10-32	2	2
52				
53				
54	11761-G1	Solenoid, 36 Volt	1	1
55	00414-G6	Screw, 1/4-20 x 3/4 Lg.	2	2
56	00565-G7	Washer, Lock, 1/4	2	2
57	00532-G1	Nut, 1/4-20	2	2
58	18902-G1	Wire Harness, Accelerator Switch	1	1
59	17618-G1	Clamp, Nylon	3	3
60	18834-G1	Loom, Flex, Zip, 3/4	1	1
61				
62	18897-G5	Wire Assembly, 4	1	1
63	18897-G4	Wire Assembly, 3	1	1



TITLE ACCELERATOR SWITCH ASSEMBLY

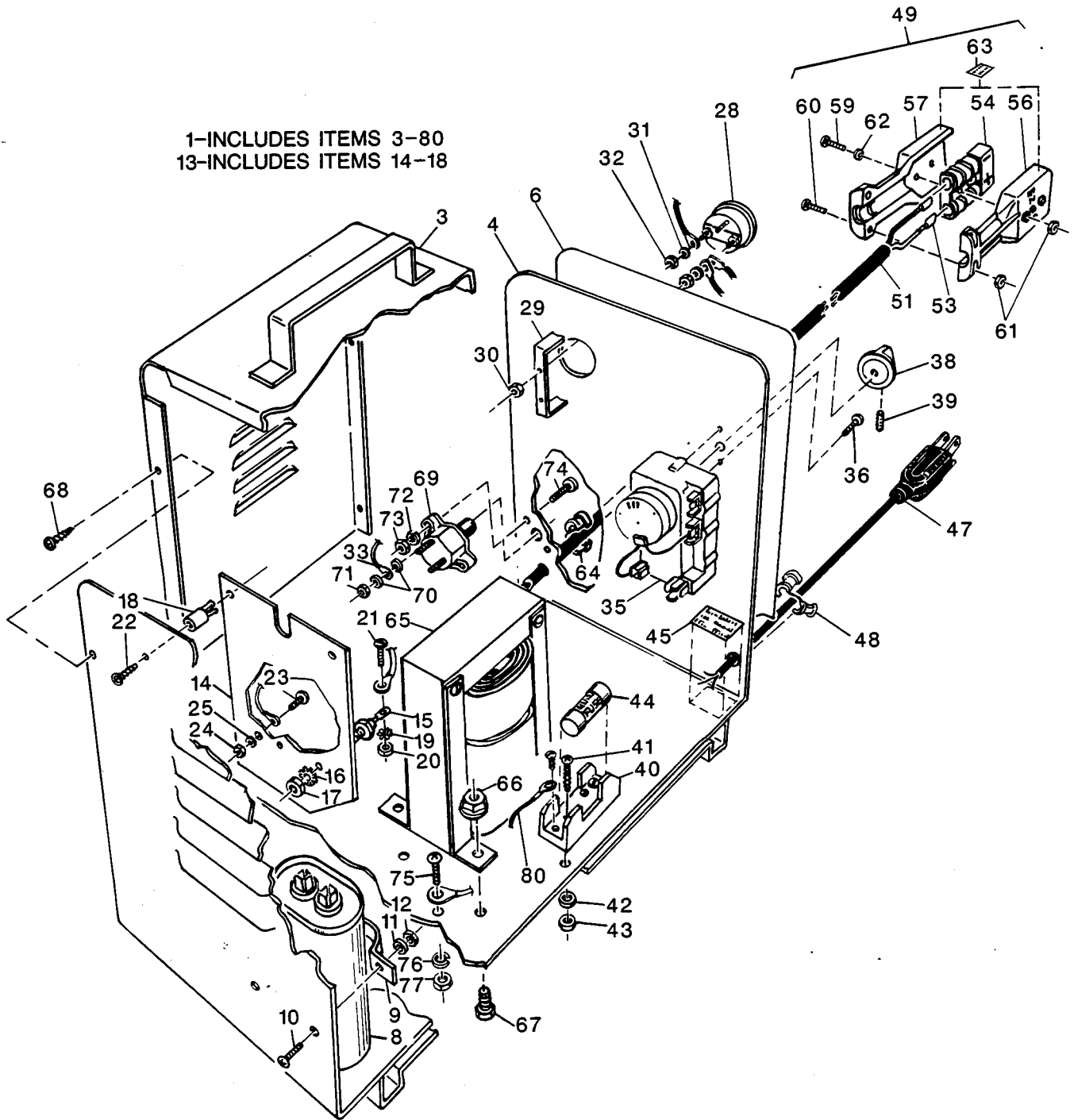
When ordering parts, please specify model and serial no. of vehicle.

3 WHEEL	4 WHEEL
QTY.	

ITEM NO.	PART NO.	DESCRIPTION 1 2 3 4 5	QTY.	
			3 WHEEL	4 WHEEL
64	18897-G2	Wire Assembly, 2	1	1
65	18897-G1	Wire Assembly, 1	1	1
66	17965-G1	Wire Assembly, Lo Speed, Solenoid	1	1
67	13493-G1	Wire Assembly, Solenoid, F-N-R Switch	1	1
68	00567-G8	Washer, Lock, External Tooth, 5/16	8	8
69				
70	00544-G4	Nut, 5/16-24	6	6
	*	Not available as an individual part.		



1-INCLUDES ITEMS 3-80
 13-INCLUDES ITEMS 14-18

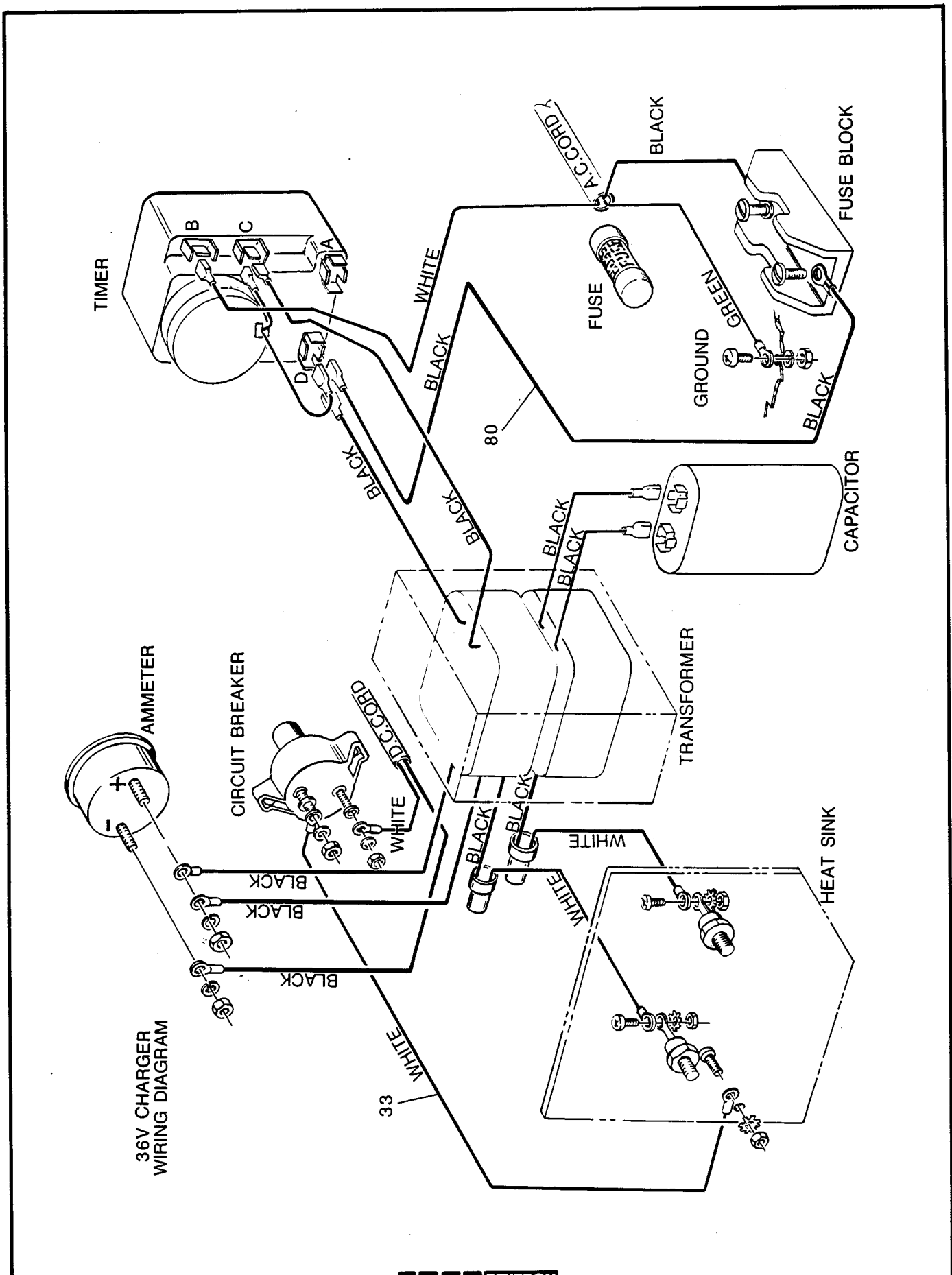


EZGO **TEXTRON**

BATTERY CHARGER, 36 VOLT

CI

8/15/87



EZGO **TEXTRON**

BATTERY CHARGER, 36 VOLT

C2

8/15/87

TITLE BATTERY CHARGER, 36 VOLT (STANDARD)
 NOTE: THE USE OF NON-U.L. PARTS WILL VOID U.L. LISTING

When ordering parts, please specify model and serial no. of vehicle.

ITEM NO.	PART NO.	DESCRIPTION 1 2 3 4 5	3 WHEEL	4 WHEEL
			QTY.	
1	19012-G1	Battery Charger, 36 Volt (Complete) 10 Ft. D.C. Cord (Includes Items 3-80)	1	1
2				
3	19096-G1	Cover Assembly, Top	1	1
4	19576-G4	Bottom Housing	1	1
5				
6	*	Decal Operating Instructions (Serialized)	1	1
7				
8	17077-G1	Capacitor	1	1
9	11559-G1	Bracket, Capacitor	1	1
10	00372-G4	Screw, #8-32 x 1/2 Lg.	2	2
11	00565-G4	Washer, Lock, #8	2	2
12	00526-G1	Nut, #8-32	2	2
13	18768-G2	Heat Sink Assembly (Includes Items 14-18)	1	1
14	18489-G1	Heat Sink	1	1
15	18488-G1	Diode (Silicon Rectifier)	2	2
16	00567-G7	Washer, Lock, External Tooth, 1/4	2	2
17	00532-G2	Nut, 1/4-28	2	2
18	11572-G2	Nut, Plastic Expansion	3	3
19	00567-G3	Washer, Lock, External Tooth, #6	2	2
20	00525-G5	Nut, #6-32	2	2
21	00138-G3	Screw, #6-32 x 3/8 Lg.	2	2
22	00512-G7	Screw, Self-Tapping, #8 x 7/8 Lg.	3	3
23	00378-G4	Screw, #10-24 x 1/2 Lg.	1	1
24	00526-G3	Nut, #10-24	1	1
25	00565-G5	Washer, Lock, #10	1	1
26				
27				
28	18764-G1	Ammeter, D. C.	1	1
29	*	Bracket, Ammeter	1	1
30	00525-G5	Nut, #6-32	2	2
31	00565-G5	Washer, Lock, #10	2	2
32	00526-G4	Nut, #10-32	2	2



TITLE BATTERY CHARGER, 36 VOLT (STANDARD)
 NOTE: THE USE OF NON-U.L. PARTS WILL VOID U.L. LISTING

When ordering parts, please specify model and serial no. of vehicle.

3 WHEEL	4 WHEEL
QTY.	

ITEM NO.	PART NO.	DESCRIPTION 1 2 3 4 5	QTY.	
			3 WHEEL	4 WHEEL
33	19441-G1	Wire, 12 Ga., 9", White	1	1
34				
35	18052-G1	Timer	1	1
36	00372-G2	Screw, #8-32 x 1/4 Lg.	2	2
37				
38	11575-G1	Knob, Timer	1	1
39	00486-G4	Screw, Set, #8-32 x 1/2 Lg.	1	1
40	19363-G1	Fuse Block	1	1
41	00372-G5	Screw, #8-32 x 5/8 Lg.	2	2
42	00565-G4	Washer, Lock, #8	2	2
43	00526-G1	Nut, #8-32	2	2
44	19361-G1	Fuse, 15 Amp	2	2
45	19434-G1	Label, Fuse Identification	1	1
46				
47	19388-G1	A. C. Cord	1	1
48	13557-G2	Strain Relief, Plastic (A. C. Cord)	1	1
49	18747-G1	D. C. Cord Assembly, 10 Ft. (Includes Items 51-63)	1	1
50				
51	14489-G2	D. C. Cord Sub Assembly, 10 Ft.	1	1
52	13802-G1	Contact, Connector	2	2
53	18782-G1	Connector	1	1
54	18972-G1	Handle Installation Kit (Includes Items 55-63) . .	1	1
55	*	Handle, Half, L.H.	1	1
56	*	Handle, Half, R.H.	1	1
57				
58				
59	00647-G8	Screw, Stainless Steel, #6-32 x 7/8 Lg. . . .	2	2
60	00647-G3	Screw, Stainless Steel, #6-32 x 3/8 Lg. . . .	2	2
61	13521-G5	Nut, Lock, Stainless Steel	4	4
62	00650-G2	Washer, Flat, #5	2	2
63	20628-G1	Label, Caution	1	1
64	13557-G3	Strain Relief, Plastic (D. C. Cord)	1	1

EZGO **TEXTRON**

TITLE BATTERY CHARGER, 36 VOLT (STANDARD)
 NOTE: THE USE OF NON-U.L. PARTS WILL VOID U.L. LISTING

When ordering parts, please specify model and serial no. of vehicle.

ITEM NO.	PART NO.	DESCRIPTION 1 2 3 4 5	3 WHEEL	4 WHEEL
			QTY.	
65	19928-G1	Transformer Assembly	1	1
66	11027-G2	Nut, Lock, 1/4-20	4	4
67	00414-G5	Screw, 1/4-20 x 5/8	4	4
68	00614-G4	Screw, Self-Tapping, #8 x 1/2 Lg.	10	10
69	19362-G1	Circuit Breaker, 50 Amp (Includes Items 70, 71) . .	1	1
70	00559-G3	Washer, Flat, #10	4	4
71	00526-G4	Nut, #10-32	2	2
72	00565-G4	Washer, Lock, #8	2	2
73	00526-G1	Nut, #8-32	2	2
74	00372-G6	Screw, #8-32 x 3/4 Lg.	2	2
75	00372-G3	Screw, #8-32 x 3/8 Lg.	1	1
76	00565-G4	Washer, Lock, #8	1	1
77	00526-G1	Nut, #8-32	1	1
78				
79				
80	19402-G1	Wire Assembly, 16 Ga., Black	1	1
	*	Not available as an individual part.		

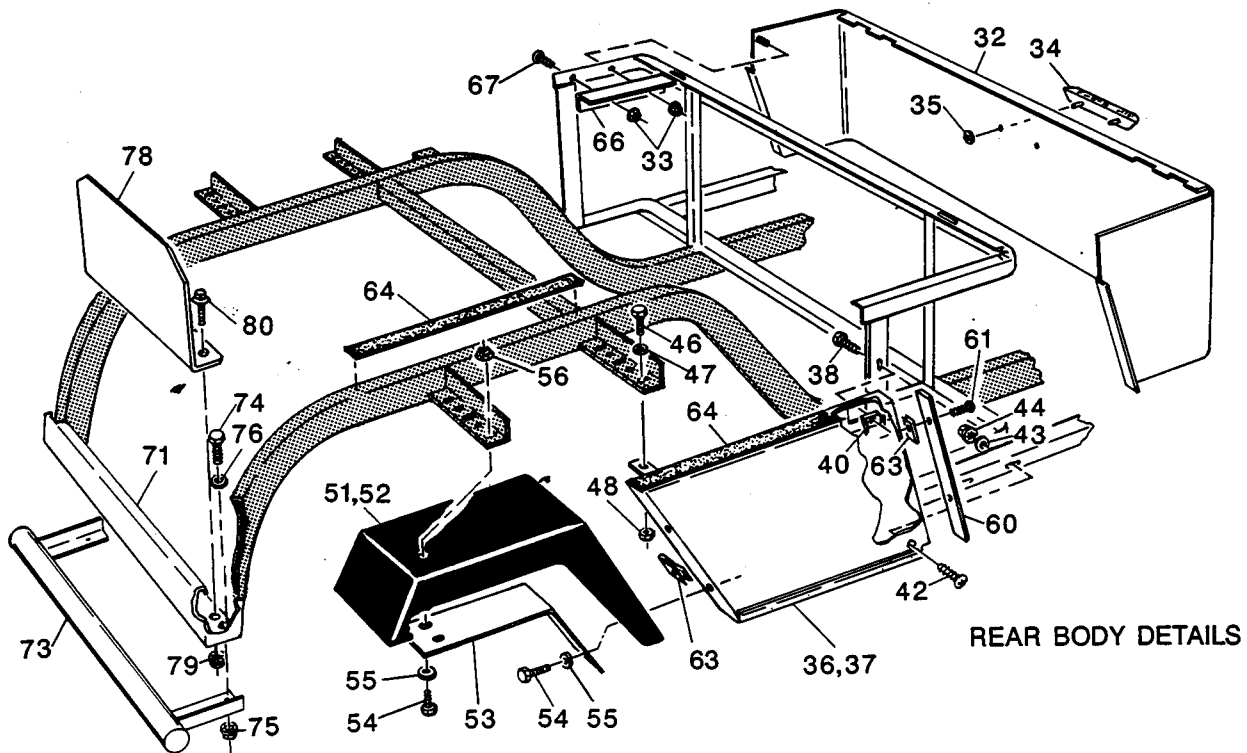
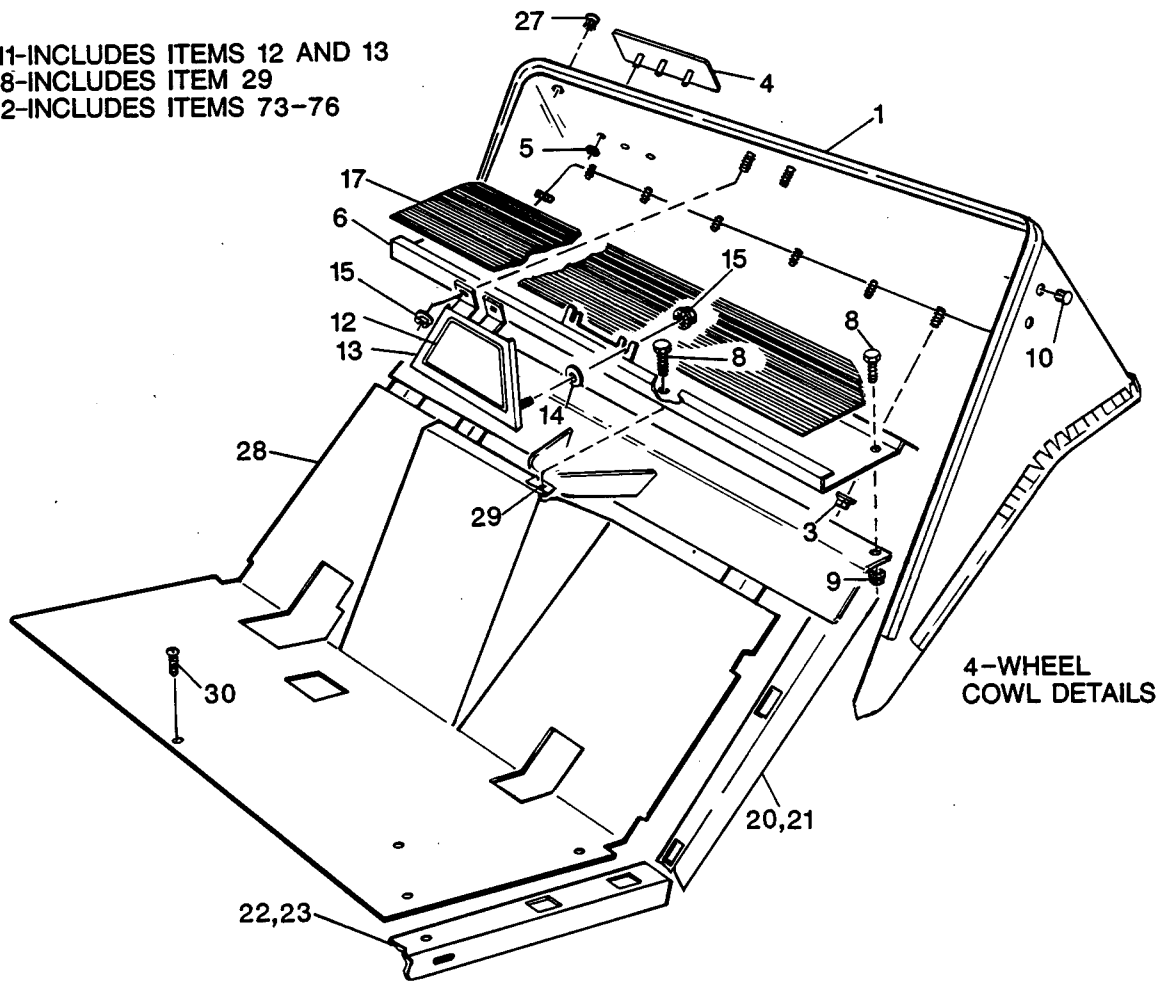
EZGO TEXTRON

EZGO TEXTRON

C6

8/15/87

11-INCLUDES ITEMS 12 AND 13
 28-INCLUDES ITEM 29
 72-INCLUDES ITEMS 73-76

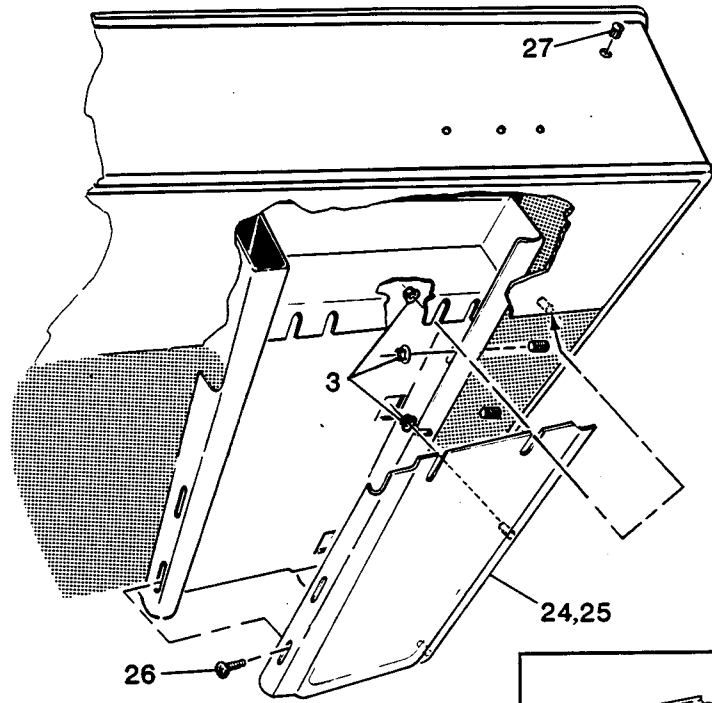


EZGOTEXTRON

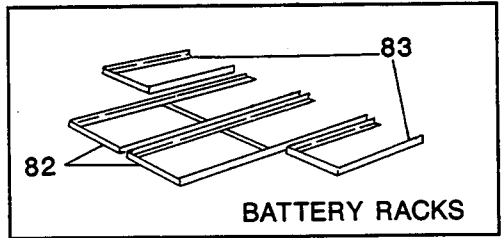
BODY AND ASSOCIATED PARTS

E1

10/01/87

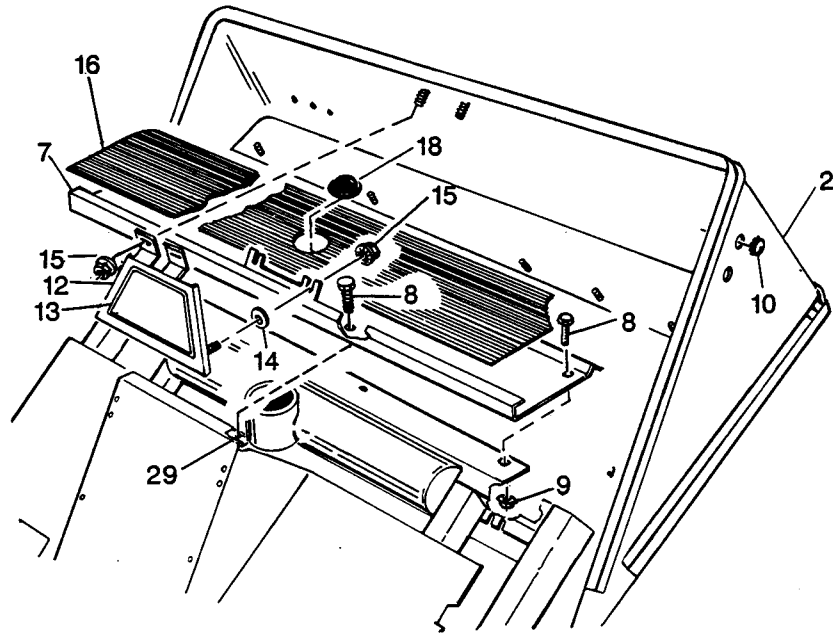


3-WHEEL COWL DETAILS



BATTERY RACKS

11 - INCLUDES ITEMS 12 AND 13



BODY AND ASSOCIATED PARTS (3-Wheel Cowl Details)

E2

10/01/87

TITLE BODY AND ASSOCIATED PARTS

When ordering parts, please specify model and serial no. of vehicle.

ITEM NO.	PART NO.	DESCRIPTION 1 2 3 4 5	3 WHEEL	4 WHEEL
			QTY.	
1	20418-G2	Cowl	X	1
2	20415-G2	Cowl	1	X
3	11027-G2	Nut, Lock, 1/4-20	16	13
4	19817-G1	Nameplate, E-Z-GO	1	1
5	12064-G3	Nut, Push	3	3
6	18353-G2	Dash Tray	X	1
7	18352-G2	Dash Tray	1	X
8	00414-G6	Screw, 1/4-20 x 3/4 Lg.	5	5
9	11027-G2	Nut, Lock, 1/4-20	3	3
10	12088-G3	Plug, Button, Stainless Steel	4	4
11	19879-G1	Cowl Support and Decal Assembly (Includes 12 and 13)	1	1
12	*	Cowl Support	1	1
13	20412-G1	Decal, Warning	1	1
14	00560-G1	Washer, Flat, 3/8	2	2
15	11027-G2	Nut, Lock, 1/4-20	4	4
16	17098-G1	Mat, Dash Tray	1	X
17	17097-G1	Mat, Dash Tray	X	1
18	12110-G1	Cap, Fork Stem	1	X
19				
20	15536-G1	Rail, Top, Passenger Side	1	1
21	15536-G2	Rail, Top, Driver's Side	1	1
22	15533-G3	Side Rail Assembly, Passenger Side, Stainless Steel . .	1	1
23	15533-G4	Side Rail Assembly, Driver's Side, Stainless Steel . . .	1	1
24	19837-G4	Splash Panel, Passenger Side	1	X
25	19837-G2	Splash Panel, Driver's Side	1	X
26	00106-G6	Screw, Self-Drill and Tap, #12-4 x 3/4 Lg.	4	X
27	12088-G1	Plug, Button, Stainless Steel	2	2
28	15671-G2	Floorboard (Includes Item 29)	1	1
29	14776-G1	Nut, "J", 1/4-20	2	2
30	00106-G6	Screw, Self-Drill and Tap, #12-24 x 3/4 Lg.	23	23
31				
32	20443-G2	Seat Wrap	1	1



TITLE BODY AND ASSOCIATED PARTS

When ordering parts, please specify model and serial no. of vehicle.

ITEM NO.	PART NO.	DESCRIPTION 1 2 3 4 5	3 WHEEL	4 WHEEL
			QTY.	
33	11027-G1	Nut, Lock, 1/4-20	9	9
34	19882-G1	Indicator, F-N-R	1	1
35	12064-G3	Nut, Push	2	2
36	18982-G3	Lower Panel, Passenger Side	1	1
37	18982-G4	Lower Panel, Driver's Side	1	1
38	13437-G3	Screw, Lock, 5/16-18 x 1 Lg.	2	2
39				
40	11840-G1	Nut, Speed Grip, 5/16-18	2	2
41				
42	16705-G3	Screw, Truss Head, Stainless Steel, 1/4-20 x 3/4 Lg. . .	4	4
43	00559-G7	Washer, Flat, 1/4	4	4
44	14390-G4	Nut, Lock, 1/4-20	4	4
45				
46	00414-G6	Screw, 1/4-20 x 3/4 Lg.	2	2
47	00559-G7	Washer, Flat, 1/4	2	2
48	14390-G4	Nut, Lock, 1/4-20	2	2
49				
50				
51	18213-G1	Fender, Passenger Side	1	1
52	18213-G2	Fender, Driver's Side	1	1
53	18249-G1	Brace, Fender	2	2
54	00414-G6	Screw, 1/4-20 x 3/4 Lg.	8	8
55	00559-G7	Washer, Flat, 1/4	8	8
56	11027-G2	Nut, Lock, 1/4-20	4	4
57				
58				
59				
60	22224-G1	Trim.	2	2
61	16705-G1	Screw, Truss Head, 1/4-20 x 1 Lg.	4	4



TITLE BODY AND ASSOCIATED PARTS

When ordering parts, please specify model and serial no. of vehicle.

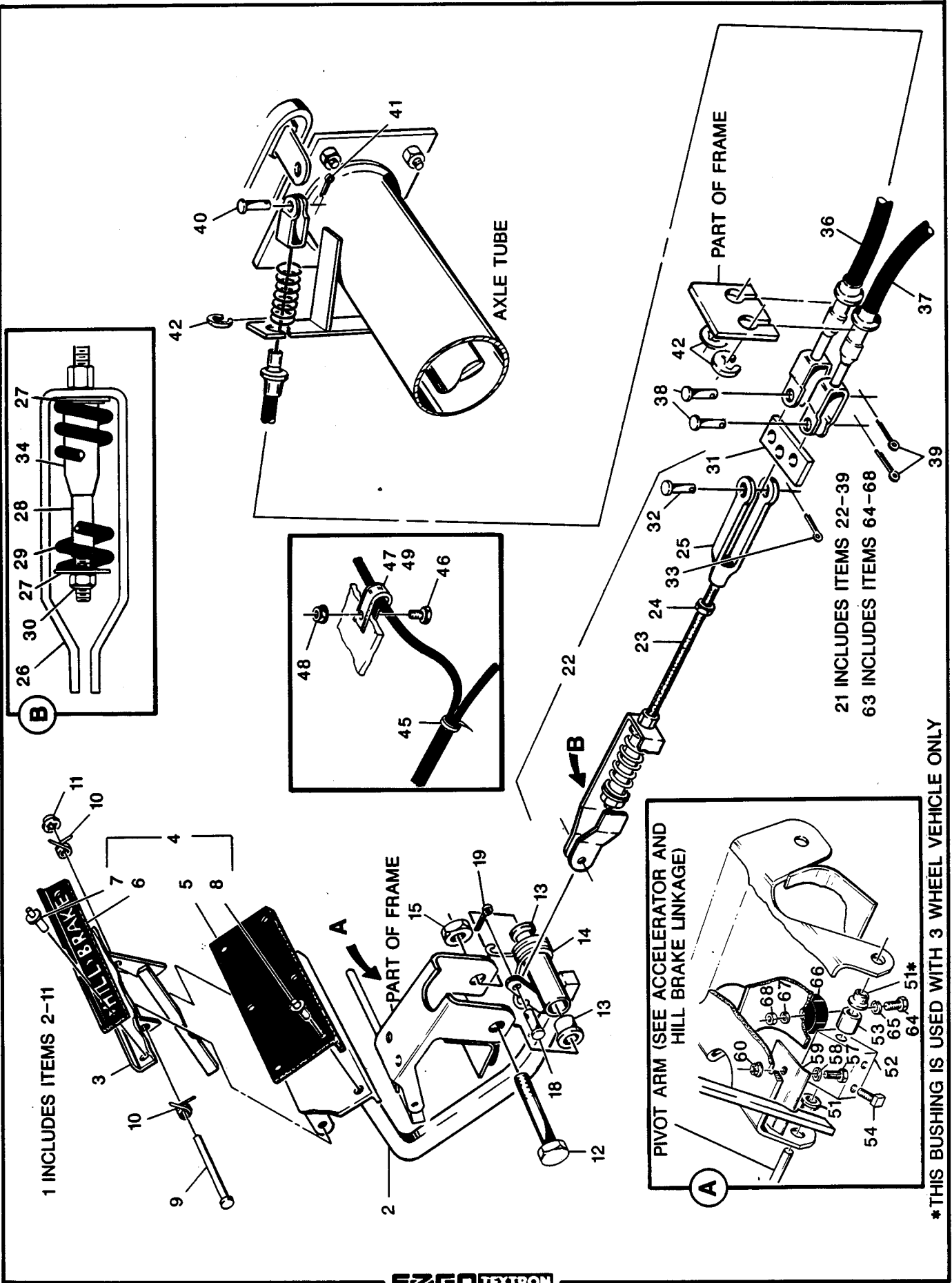
ITEM NO.	PART NO.	DESCRIPTION 1 2 3 4 5	3 WHEEL	4 WHEEL
			QTY.	
62				
63	14776-G1	Nut, "J", 1/4-20	4	4
64	14382-G1	Strip, Noise Suppressor	4	4
65				
66	18817-G2	Angle, Side, Seat Frame	1	1
67	00414-G6	Screw, 1/4-20 x 3/4 Lg.	1	1
68				
69				
70				
71	11707-G2	Bumper, Rear	1	1
72	19102-G1	Rear Bumper Kit (Includes Items 73-76)	1	1
73	19019-G1	Bumper Rear	1	1
74	00426-G8	Screw, 3/8-16 x 1 Lg.	2	2
75	11027-G5	Nut, Lock, 3/8-16	2	2
76	00560-G1	Washer, Flat, 3/8	2	2
77				
78	19876-G1	Shield, Rear	1	1
79	11027-G2	Nut, Lock, 1/4-20	2	2
80	13437-G9	Screw, Lock, 1/4-20 x 3/4 Lg.	2	2
81				
82	15528-G3	Rack, Battery, Inner, Stainless Steel	2	2
83	15528-G4	Rack, Battery, Outer, Stainless Steel	2	2



EZGO  **TEXTRON**

E6

10/01/87



1 INCLUDES ITEMS 2-11

21 INCLUDES ITEMS 22-39
63 INCLUDES ITEMS 64-68

PIVOT ARM (SEE ACCELERATOR AND HILL BRAKE LINKAGE)

*THIS BUSHING IS USED WITH 3 WHEEL VEHICLE ONLY

EZGO **TEXTRON**

BRAKE LINKAGE
FI

TITLE BRAKE LINKAGE

When ordering parts, please specify model and serial no. of vehicle.

ITEM NO.	PART NO.	DESCRIPTION 1 2 3 4 5	3 WHEEL	4 WHEEL
			QTY.	
1	23033-G1	Brake Pedal Assembly (Includes Items 2-11)	1	1
✓ 2	23037-G1	Pedal, Brake (Complete with Pad, Item 4)	1	1
3	15813-G1	Pedal, Hill Brake (Complete with Pad, Item 6)	1	1
4	15826-G1	Brake/Hill Brake Pedal Pad Kit (Includes Items 5-8)	1	1
5	*	Pad, Brake Pedal	1	1
6	*	Pad, Hill Brake Pedal	1	1
7	15766-G1	Rivet, Small Head	3	3
8	15767-G1	Rivet, Large Head	6	6
9	15932-G1	Pin, Hill Brake Pedal	1	1
10	11737-G1	Spring, Torsion	2	2
11	12064-G1	Push Nut	1	1
12	14158-G1	Bolt, Shoulder, 3/8-16	1	1
13	11079-G1	Bushing, Flanged, Nylon	2	2
14	13197-G1	Spring, Torsion	1	1
15	13521-G4	Nut, Lock, 3/8-16	1	1
16				
17				
18	10386-G3	Pin, Clevis	1	1
19	10387-G3	Cotter Pin, 3/32 x 3/4 Lg.	1	1
20				
✓ 21	23026-G2	Brake Linkage Assembly (Includes Items 22-39)	1	1
✓ 22	23062-G2	Compensating Link Assembly (Includes Items 23-34)	1	1
✓ 23	23059-G2	Rod, Weldment	1	1
✓ 24	00544-G4	Nut, 5/16-24	1	1
✓ 25	10385-G4	Yoke, Clevis	1	1
✓ 26	23030-G1	Yoke, Brake	1	1
27	15121-G1	Washer, Flat, 5/16	2	2
✓ 28	23061-G1	Tube	1	1
✓ 29	23463-G1	Spring, Compression	1	1
30	15126-G1	Nut, Lock, 5/16-24	1	1
31	13659-G1	Bar, Equalizer	1	1
32	10386-G3	Pin, Clevis	1	1

EZGO TEXTRON

TITLE BRAKE LINKAGE

When ordering parts, please specify model and serial no. of vehicle.

ITEM NO.	PART NO.	DESCRIPTION 1 2 3 4 5	3 WHEEL	4 WHEEL
			QTY.	
	33	10387-G3	Cotter Pin, 3/32 x 3/4 Lg.	1 1
✓	34	17979-G1	Bushing, Accelerator Rod	1 1
	35			
✓	36	23084-G1	Cable, Brake, Passenger Side	1 1
✓	37	23084-G2	Cable, Brake, Driver's Side	1 1
	38	10386-G3	Pin, Clevis	2 2
	39	10387-G3	Cotter Pin, 3/32 x 3/4 Lg.	2 2
	40	10386-G3	Pin, Clevis	2 2
	41	10387-G3	Cotter Pin, 3/32 x 3/4 Lg.	2 2
	42	12305-G1	Ring, Retaining	4 4
	43			
	44			
	45	16172-G1	Clamp, Nylon	1 1
	46	00414-G6	Screw, Hex, 1/4-20 x 3/4 Lg.	3 3
	47	11845-G2	Clip, Cable	1 1
	48	11027-G2	Nut, Lock, 1/4-20	3 3
✓	49	11845-G4	Clip, Cable	2 2
	50			
	51	10097-G6	Bearing, Flanged	2 1
	52	12156-G1	Cam, Hill Brake	1 1
	53	14134-G2	Spacer	1 1
	54	00491-G3	Setscrew, 1/4-20 x 3/8 Lg.	2 2
	55			
	56			
	57	00414-G6	Screw, Hex, 1/4-20 x 3/4 Lg.	2 2
	58	00565-G7	Washer, Lock, 1/4	2 2
	59	15022-G1	Bracket, Catch	1 1
	60	11027-G2	Nut, Lock, 1/4-20	2 2
	61			
	62			
	63	14061-G1	Pedal Bumper Service Kit (Includes Items 64-68)	1 1
	64	00150-G6	Screw, #10-24 x 3/4 Lg.	1 1

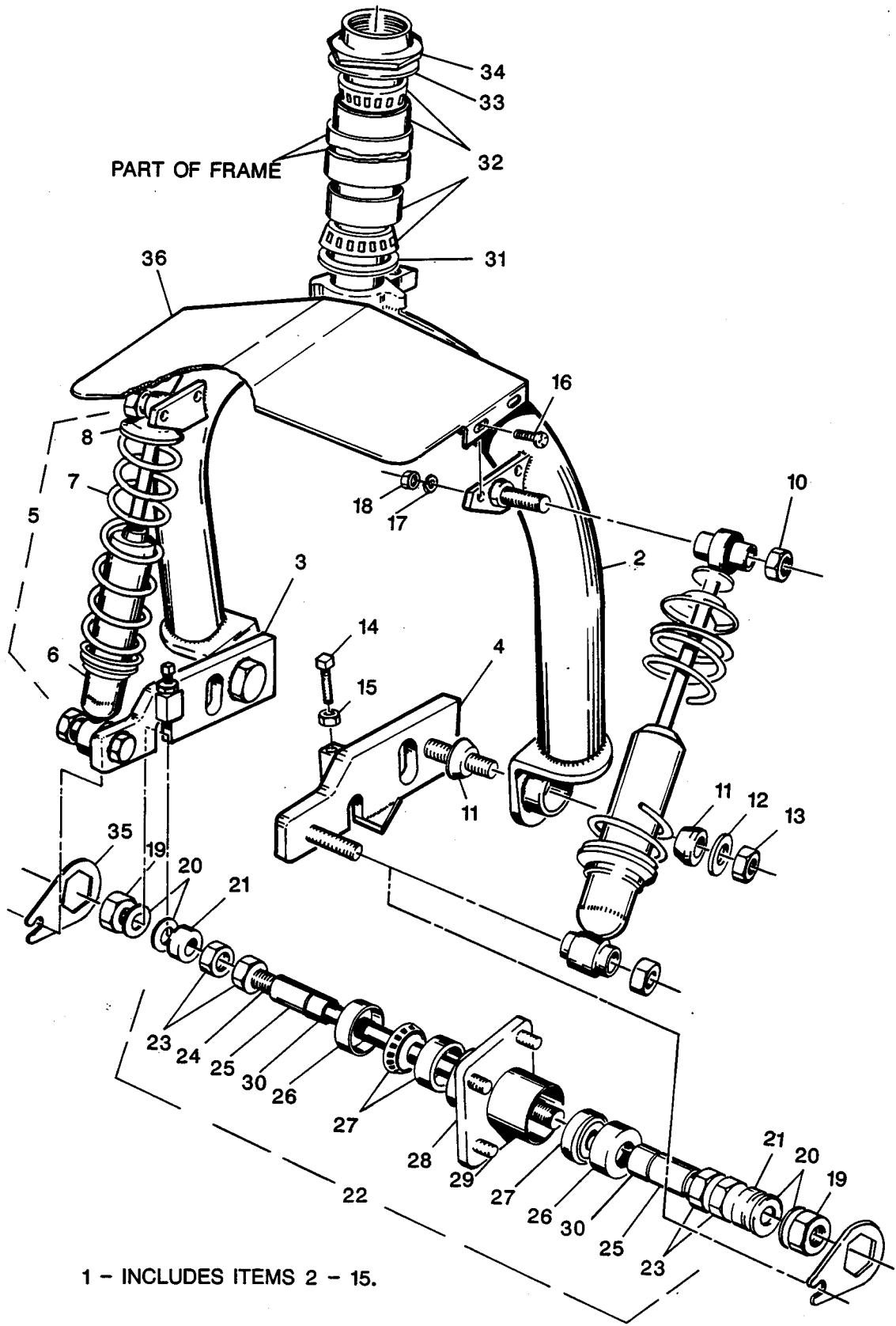
EZGO **TEXTRON**

TITLE BRAKE LINKAGE

When ordering parts, please specify model and serial no. of vehicle.

ITEM NO.	PART NO.	DESCRIPTION 1 2 3 4 5	3 WHEEL	4 WHEEL
			QTY.	
65	00559-G5	Washer, Flat, #10		
66	13728-G1	Bumper, Rubber		
67	00565-G5	Washer, Lock, #10		
68	00526-G3	Nut, #10-24		
	*	Not available as an individual part.		





EZGO **TEXTRON**

FORK ASSEMBLY
01

8/15/87

TITLE FORK ASSEMBLY

When ordering parts, please specify model and serial no. of vehicle.

ITEM NO.	PART NO.	DESCRIPTION 1 2 3 4 5	3 WHEEL	4 WHEEL
			QTY.	
1	17533-G3	Fork Assembly (Includes Items 2-15)	1	X
2	17537-G2	Fork	1	X
3	17542-G3	Axle Bracket Assembly (Passenger Side) S.S.	1	X
4	17542-G4	Axle Bracket Assembly (Driver's Side) Stainless Steel	1	X
5	19796-G3	Shock Absorber Assembly (Includes Items 6-8)	2	X
6	17907-G1	Shock Absorber	1	X
7	19795-G2	Spring, Compression	1	X
8	17816-G2	Retainer, Spring, Stainless Steel	1	X
9				
10	00657-G1	Nut, Lock, Stainless Steel, 1/2-13	4	X
11	15588-G1	Bushing, Pivot	4	X
12	00653-G5	Washer, Flat, Stainless Steel, 5/8	2	X
13	00654-G7	Nut, Lock, Stainless Steel, 5/8-11	2	X
14	00655-G6	Setscrew, Square Head, S.S., 1/4-20 x 1 3/4 Lg. . .	2	X
15	00656-G1	Nut, Stainless Steel, 1/4-20	2	X
16	00671-G4	Screw, Stainless Steel, #10-24 x 1/2 Lg.	4	X
17	00664-G5	Washer, Lock, Stainless Steel, #10	4	X
18	00672-G3	Nut, Stainless Steel, #10-24	4	X
19	00673-G1	Nut, Stainless Steel, 3/4-16	2	X
20	00653-G6	Washer, Flat, Stainless, 3/4	4	X
21	17650-G2	Ring, Adjuster, Stainless Steel	2	X
22	17535-G2	Hub and Axle Assembly (Includes Items 23-30)	1	X
23	00667-G°	Nut, Stainless Steel, 3/4-16	4	X
24	10223-G5	Axle, Front	1	X
25	17536-G2	Spacer, Axle, Stainless Steel	2	X
26	19471-G1	Seal, Grease	2	X
27	50908-G1	Bearing and Race Assembly	2	X
28	19888-G1	Hub Assembly (Includes Item 29)	1	X
29	19862-G1	Bolt, Hub, 1/2-20	4	X
30	11655-G	Spacer, Axle	2	X
31	13136-G1	Spacer	1	X
32	11103-G1	Bearing, Roller, Complete	2	X

EZGO TEXTRON

TITLE FORK ASSEMBLY

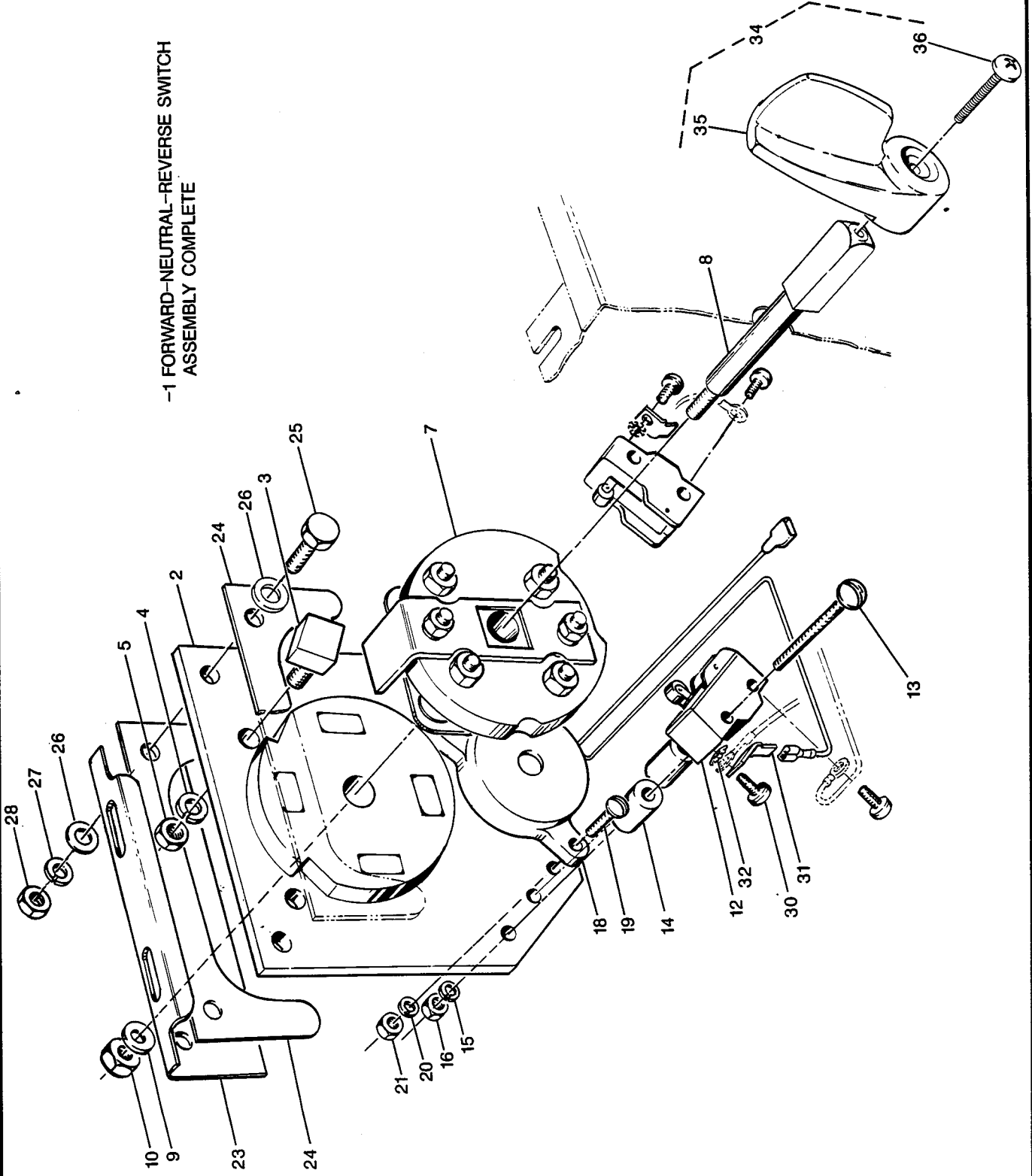
When ordering parts, please specify model and serial no. of vehicle.

ITEM NO.	PART NO.	DESCRIPTION 1 2 3 4 5	3 WHEEL	4 WHEEL
			QTY.	
33	10669-G3	Washer, Special	1	X
34	11098-G1	Nut, Lock, 1 3/8-12	1	X
35	18256-G2	Retainer, Axle Nut, Stainless Steel	2	X
36	15643-G1	Shield	1	X



EZGO  **TEXTRON**

-1 FORWARD-NEUTRAL-REVERSE SWITCH ASSEMBLY COMPLETE



FORWARD-NEUTRAL-REVERSE SWITCH ASSEMBLY

TITLE FORWARD-NEUTRAL-REVERSE SWITCH ASSEMBLY

When ordering parts, please specify model and serial no. of vehicle.

ITEM NO.	PART NO.	DESCRIPTION 1 2 3 4 5	3 WHEEL	4 WHEEL
			QTY.	
1	20270-G2	Forward-Neutral-Reverse Switch Assembly Complete . .	1	1
2	14651-G1	Contact Board Assembly	1	1
3	14654-G1	Stop	2	2
4	00565-G7	Washer, Lock, 1/4	2	2
5	00532-G1	Nut, 1/4-20	2	2
6				
7	12835-G1	Forward-Neutral-Reverse Switch Cam Assembly . . .	1	1
8	19470-G1	Shaft, Forward-Neutral-Reverse Switch	1	1
9	00560-G1	Washer, Flat, 3/8	1	1
10	14390-G1	Nut, Lock, 3/8-24	1	1
11				
12	10606-G2	Switch, Micro	2	2
13	00139-G6	Screw, #6-32 x 1 3/4 Lg.	4	4
14	12806-G1	Spacer, Micro Switch	4	4
15	00565-G3	Washer, Lock, #6	4	4
16	00525-G5	Nut, #6-32	4	4
17				
18	17940-G1	Buzzer	1	1
19	00138-G5	Screw, #6-32 x 5/8 Lg.	2	2
20	00565-G3	Washer, Lock, #6	2	2
21	00525-G5	Nut, #6-32	2	2
22				
23	12863-G1	Bracket, Mounting	1	1
24	15461-G1	Support, Bracket Mounting	2	2
✓ 25	00415-G2	Screw, 1/4-20 x 1 1/4 Lg.	2	2
26	00559-G7	Washer, Flat, 1/4	4	4
27	00565-G7	Washer, Lock, 1/4	2	2
28	00532-G1	Nut, 1/4-20	2	2
29				
30	13514-G1	Screw, Brass, #6-32 x .22 Lg.	4	4
31	14628-G1	Faston Tab	2	2
32	00567-G3	Washer, Lock, External Tooth, #6	2	2



TITLE FORWARD-NEUTRAL-REVERSE SWITCH ASSEMBLY

When ordering parts, please specify model and serial no. of vehicle.

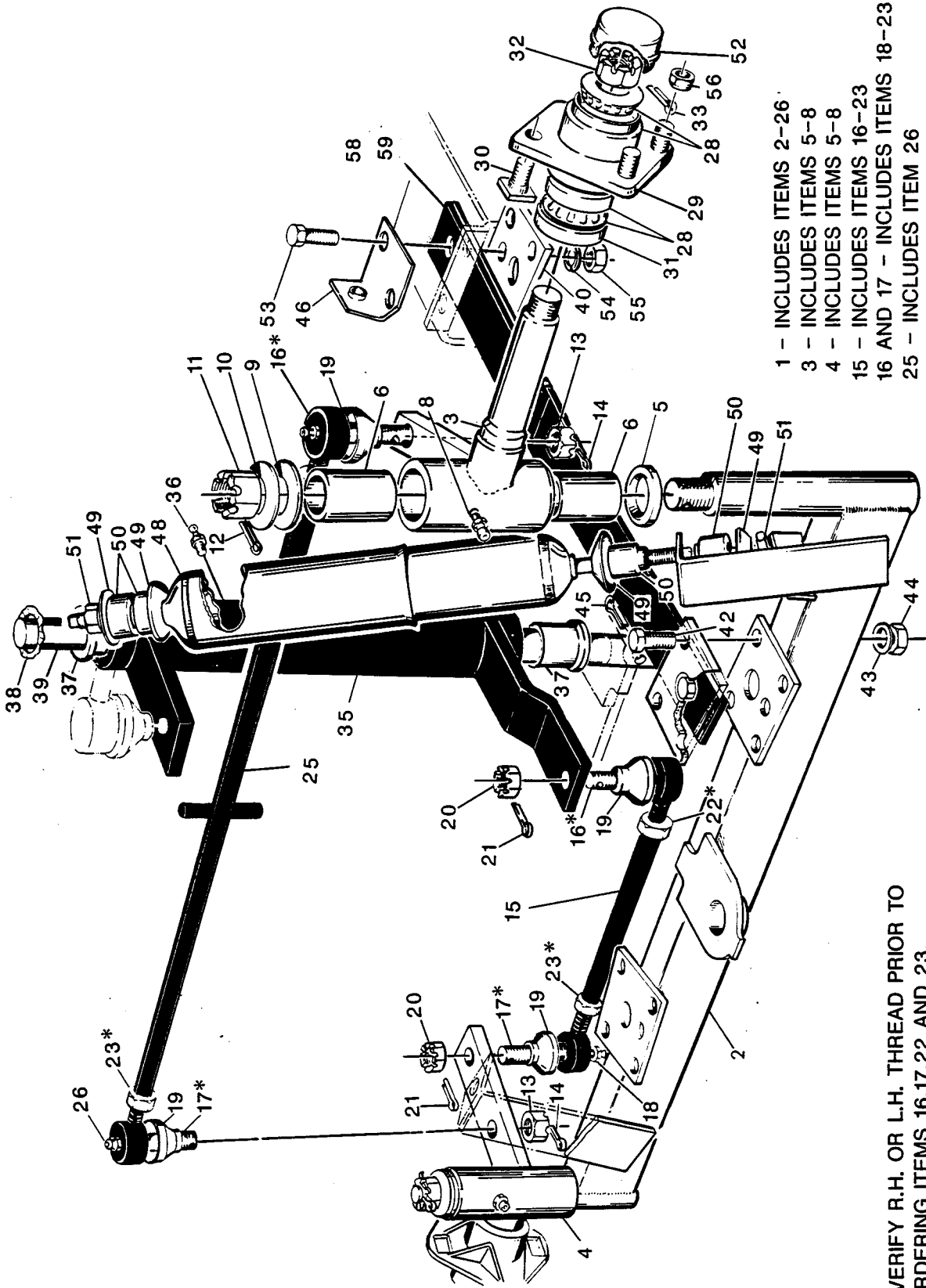
ITEM NO.	PART NO.	DESCRIPTION 1 2 3 4 5	3 WHEEL	4 WHEEL
			QTY.	
33				
34	20325-G1	Switch Handle Kit		
35	19886-G1	Handle, Plastic		
36	00740-G4	Screw, #10-32 x 1/2 Lg.		



EZGO **TEXTRON**

P4

8/15/87



- 1 - INCLUDES ITEMS 2-26
- 3 - INCLUDES ITEMS 5-8
- 4 - INCLUDES ITEMS 5-8
- 15 - INCLUDES ITEMS 16-23
- 16 AND 17 - INCLUDES ITEMS 18-23
- 25 - INCLUDES ITEM 26
- 29 - INCLUDES ITEM 30
- 35 - INCLUDES ITEMS 36-37

*VERIFY R.H. OR L.H. THREAD PRIOR TO ORDERING ITEMS 16,17,22 AND 23.

EZGO TEXTRON

FOUR WHEEL FRONT SUSPENSION

Q1

8/15/87

TITLE FOUR WHEEL FRONT SUSPENSION

When ordering parts, please specify model and serial no. of vehicle.

ITEM NO.	PART NO.	DESCRIPTION 1 2 3 4 5	3 WHEEL	4 WHEEL
			QTY.	
1	19518-G1	Front Axle Assembly (Includes Items 2 - 26)	X	1
2	19385-G1	Axle Weldment	X	1
3	16625-G1	Spindle Assembly, Driver's Side (Includes Items 5-8)	X	1
4	19397-G1	Spindle Assembly, Passenger Side (Includes Items 5-8)	X	1
5	16626-G1	Seal	X	2
6	16623-G1	Bearing, Bronze	X	4
7				
8	10389-G3	Grease Fitting	X	2
9	16982-G1	Bearing, Thrust	X	2
✓ 10	00879-G5	Washer, Flat, 5/8	X	2
✓ 11	00886-G1	Nut, Slotted, 5/8-18	X	2
✓ 12	19060-G1	Cotter Pin, Stainless Steel, 1/4 x 1 1/2 Lg.	X	2
13	50209-G1	Nut, Slotted, 7/16-20	X	2
14	10387-G2	Cotter Pin, 3/16 x 1 Lg.	X	2
15	18377-G1	Tie Rod Assembly (Includes Items 16 - 23) Includes Quantity 1 L.H. and 1 R.H. Rod End .	X	1
16	20795-G1	Tie Rod End, L.H. Thread, Quantity 1 per Assembly	X	1
17	20795-G2	Tie Rod End, R.H. Thread, Quantity 1 per Assembly	X	1
18	10389-G3	Grease Fitting, Quantity 2 per Assembly . .	X	2
19	50641-G1	Boot, Rubber	X	2
20	50209-G1	Nut, Slotted, 7/16-20, Quantity 2 per Tie Rod Assembly	X	2
21	10387-G2	Pin, Cotter, 3/16 x 1 Lg. Quantity 2 per Tie Rod Assembly	X	2
22	18434-G1	Nut, 9/16-18, L.H. Thread	X	1
23	18434-G2	Nut, 9/16-18, R. H. Thread	X	1
24				
25	19202-G1	Tie Rod with Tow Pin Assembly (Includes Item 26) Includes Quantity 1 L.H. and Quantity 1 R.H. Rod End	X	1
26	10389-G3	Grease Fitting	X	2
27				

EZGO TEXTRON

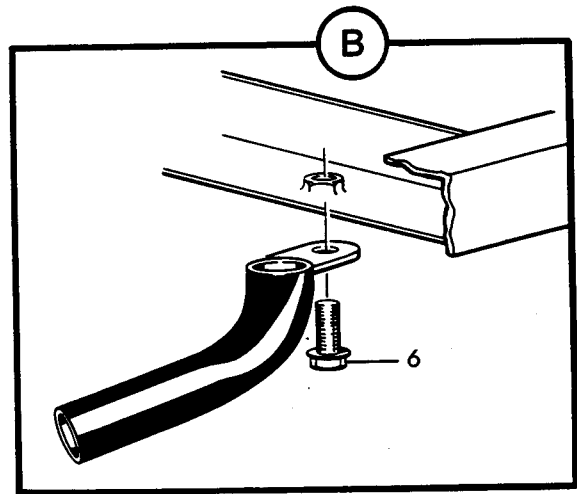
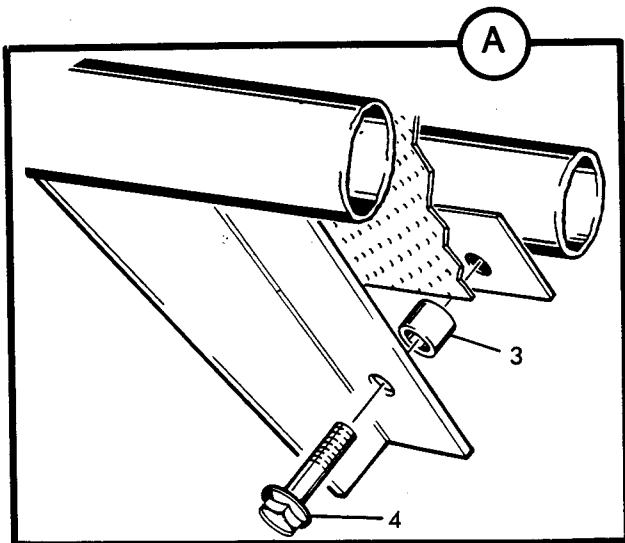
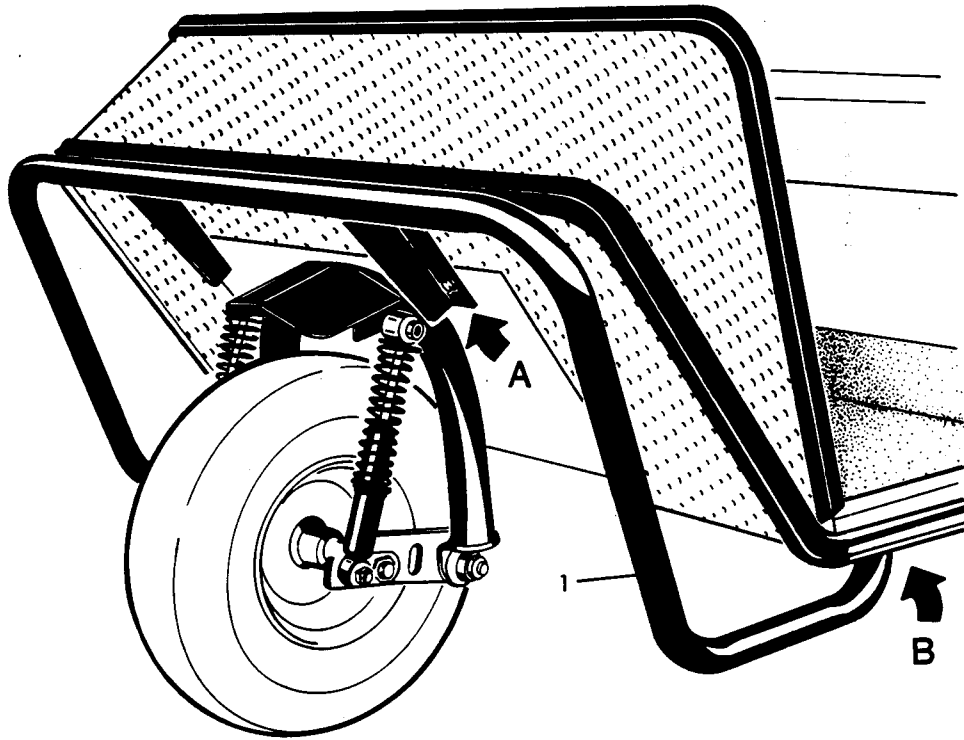
TITLE FOUR WHEEL FRONT SUSPENSION

When ordering parts, please specify model and serial no. of vehicle.

ITEM NO.	PART NO.	DESCRIPTION 1 2 3 4 5	3 WHEEL	4 WHEEL
			QTY.	
28	50892-G1	Bearing and Race Assembly	X	4
29	19932-G1	Hub Assembly (Includes Item 30)	X	2
30	19862-G1	Bolt, Hub, 1/2-20	X	8
31	19472-G1	Seal, Grease	X	2
32	12093-G1	Nut, Slotted, 1-14	X	2
33	10387-G1	Cotter Pin, 1/4 x 1 1/2 Lg.	X	2
34				
35	19306-G1	Idler Assembly (Includes Items 36 and 37)	X	1
36	10389-G3	Grease Fitting	X	1
37	15012-G1	Bushing, Flanged	X	2
38	13221-G1	Washer, Spring Wave	X	1
39	16417-G1	Shaft, Idler	X	1
40	15023-G2	Retainer, Spring	X	4
41				
✓ 42	00876-G4	Screw, 3/8-16 x 1 1/2 Lg.	X	8
✓ 43	00878-G1	Washer, Lock, 3/8	X	8
✓ 44	00877-G5	Nut, 3/8-16	X	8
45	10387-G6	Pin, Cotter, 3/8 x 1 1/2 Lg.	X	1
46	18219-G1	Pivot Arm Assembly	X	1
47				
48	15707-G1	Shock Absorber	X	2
49	10435-G1	Washer, 13/32	X	8
50	10194-G1	Bushing, Rubber	X	8
51	00532-G6	Nut, 3/8-24	X	4
52	12091-G1	Cap, Spindle	X	2
53	00427-G6	Screw, 3/8-16 x 2 Lg.	X	6
54	00566-G1	Washer, Lock, 3/8	X	6
55	00532-G5	Nut, 3/8-16	X	6
56	14723-G1	Nut, Lug, 1/2-20	X	8
57				
58	17989-G1	Spring, Leaf (Utility Vehicles Only)	X	2
59	15040-G1	Spring, Leaf (Golf Cars Only)	X	2

EZGO **TEXTRON**

EZGO TEXTRON



EZGO **TEXTRON**

FRONT BUMPER - 3 WHEEL VEHICLES

RI

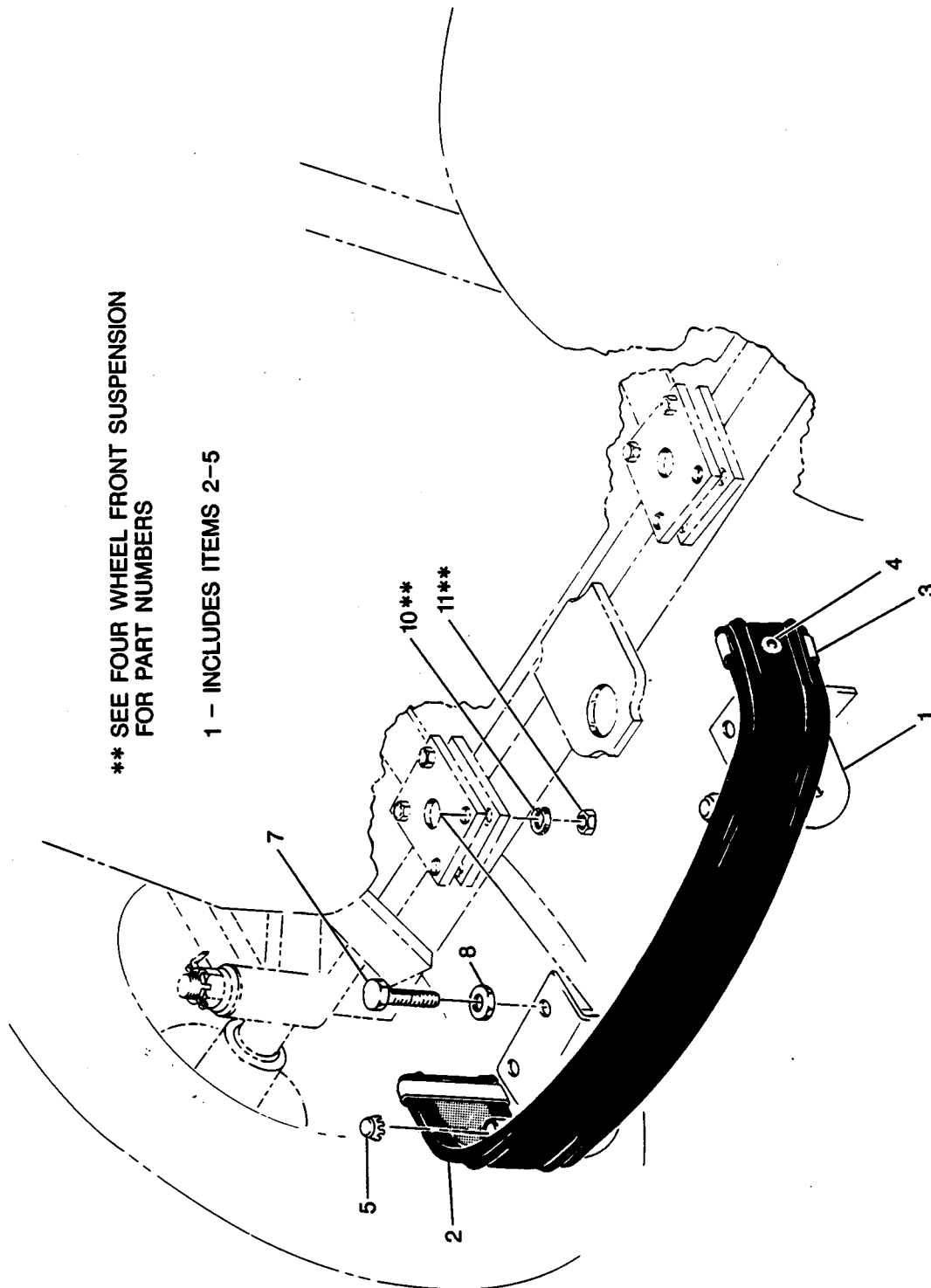
10/01/87

TITLE: FRONT BUMPER - 3 WHEEL VEHICLES

When ordering parts, please specify model and serial no. of vehicle.

ITEM NO.	PART NO.	DESCRIPTION 1 2 3 4 5	3 WHEEL	4 WHEEL
			QTY.	
1	19507-G1	Front Bumper	1	X
2				
3	19522-G1	Spacer, Front Bumper	2	X
4	13437-G8	Screw, Lock, 3/8-16 x 2 Lg.	2	X
5				
6	13437-G4	Screw, Lock, 3/8-16 x 1 Lg.	2	X





** SEE FOUR WHEEL FRONT SUSPENSION FOR PART NUMBERS

1 - INCLUDES ITEMS 2-5

EZGO **TEXTRON**

FRONT BUMPER - 4 WHEEL VEHICLES

SI

10/01/87

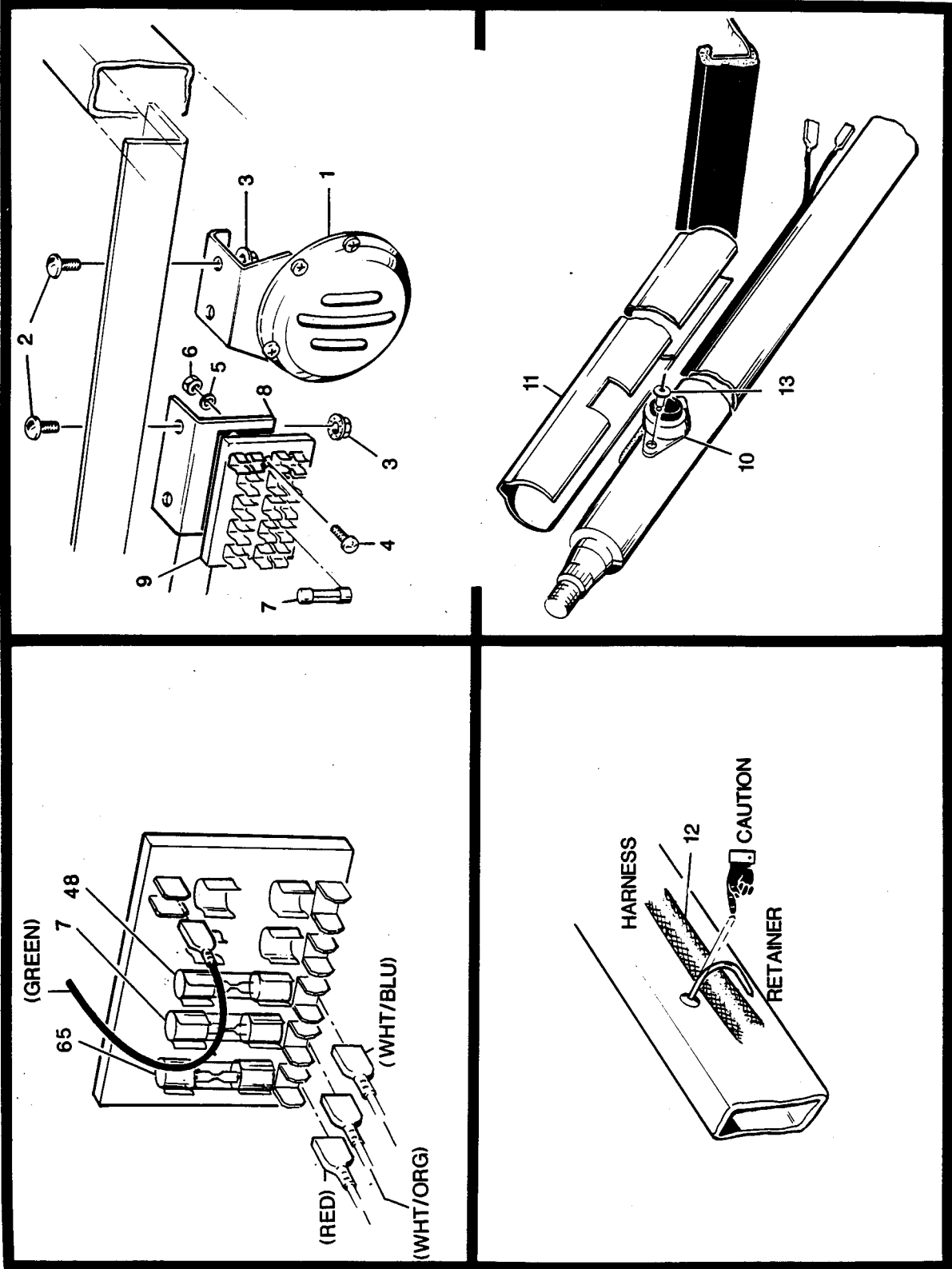
TITLE FRONT BUMPER - 4 WHEEL VEHICLES

When ordering parts, please specify model and serial no. of vehicle.

3 WHEEL	4 WHEEL
---------	---------

ITEM NO.	PART NO.	DESCRIPTION 1 2 3 4 5	QTY.	
			3 WHEEL	4 WHEEL
1	23353-G1	Bumper Assembly (Includes Items 2-5)	X	1
2	20584-G2	Trim, Bumper	X	1
3	20687-G1	Clip, Bumper	X	2
4	00849-G1	Rivet	X	2
5	17055-G1	Button, Plug	X	2
6				
7	00876-G6	Screw, 3/8-16 x 1 3/4 Lg.	X	4
8	00879-G1	Washer, Flat, 3/8	X	4
9				
10	**	Washer, Lock, 3/8	X	4
11	**	Nut, 3/8-16	X	4
	**	See 4-Wheel Front Suspension for part numbers.		





EZGO **TEXTRON**

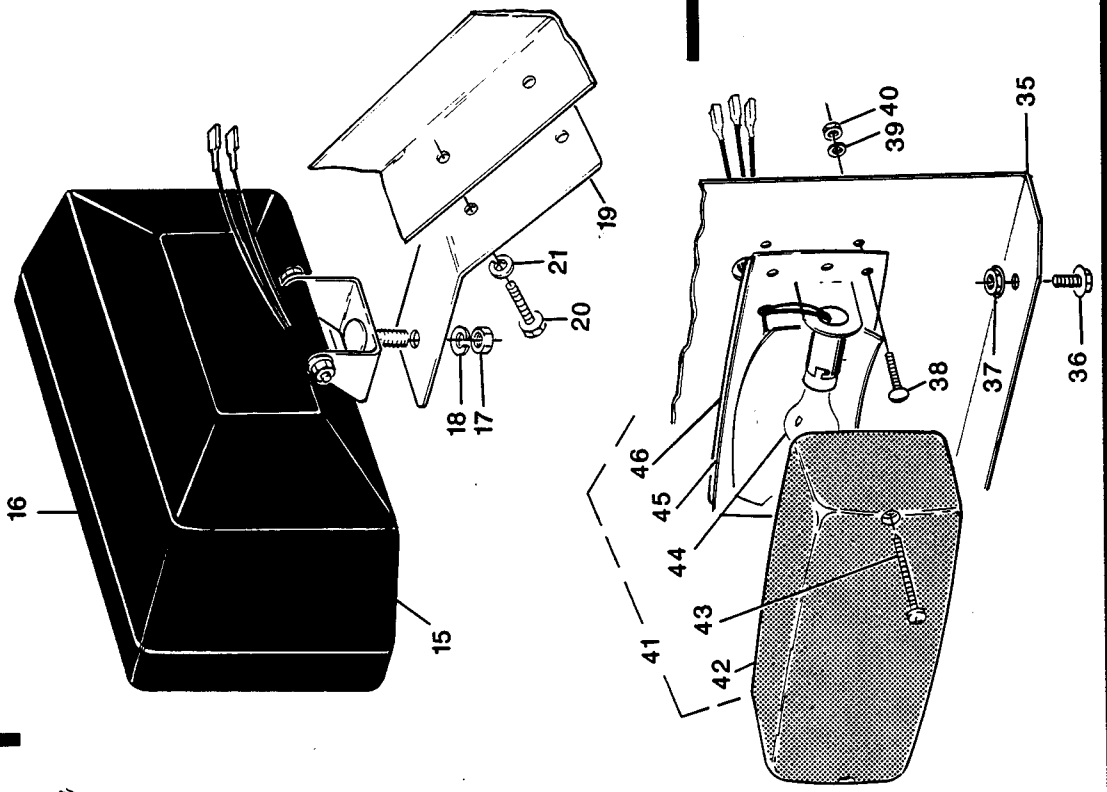
HORN AND ACCESSORY WIRING

VI

10/01/87

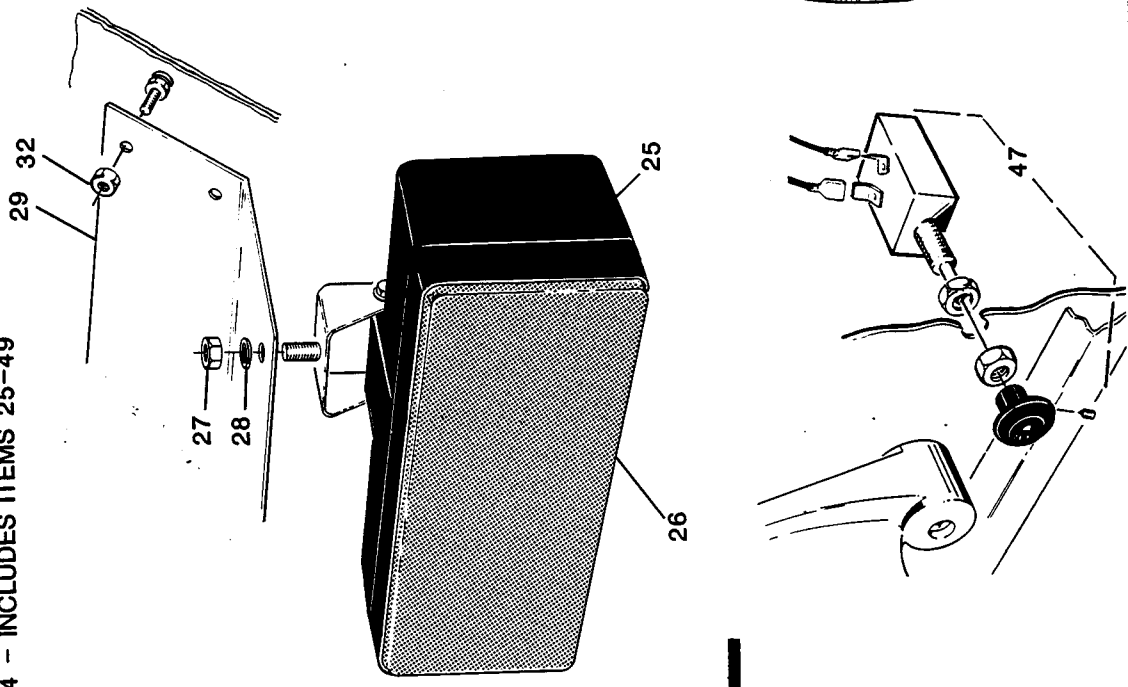
3 WHEEL

14 - INCLUDES ITEMS 15-21 AND 35-49



4 WHEEL

24 - INCLUDES ITEMS 25-49

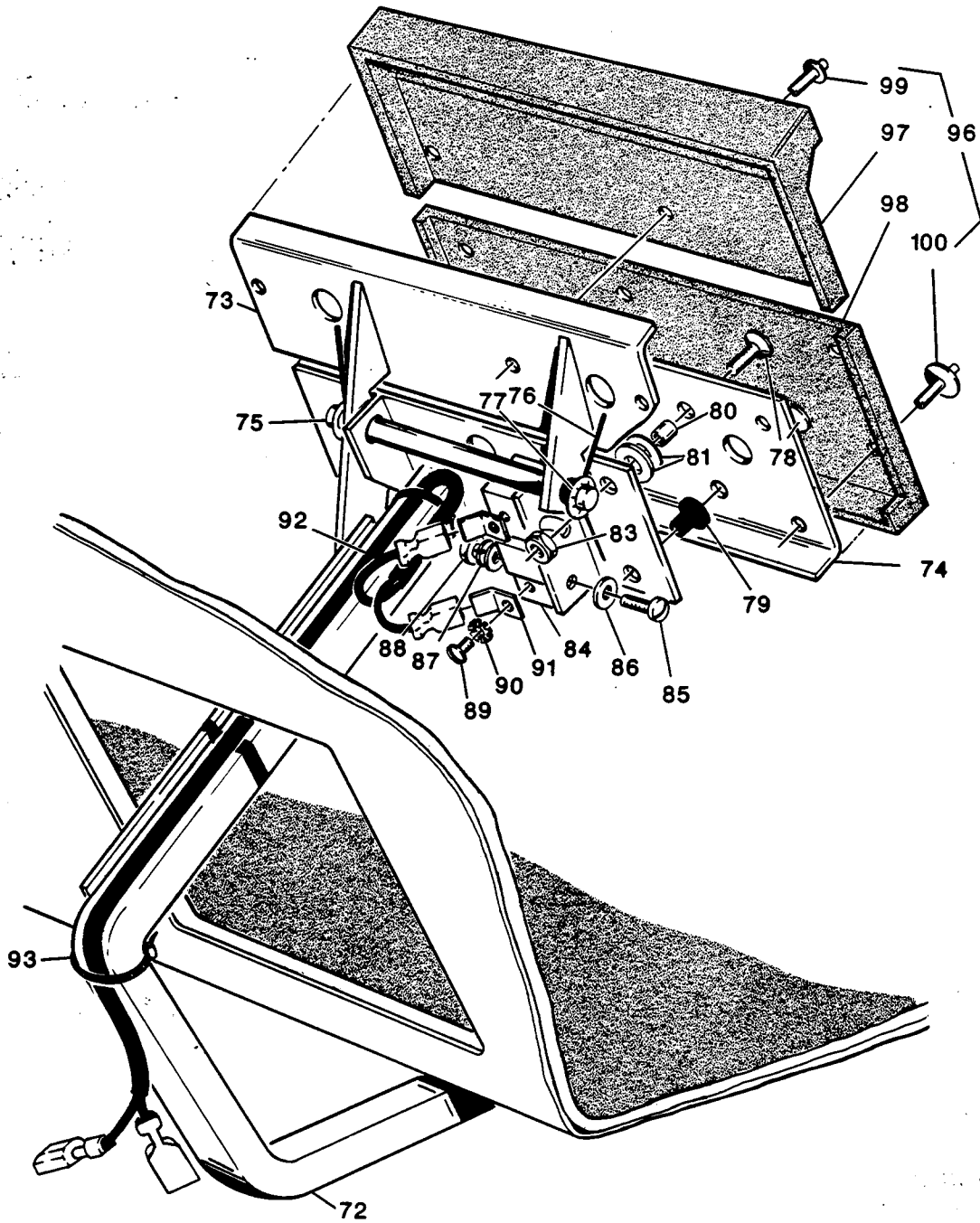


EZGOTEXTRON

HORN AND ACCESSORY WIRING

V2

10/01/87



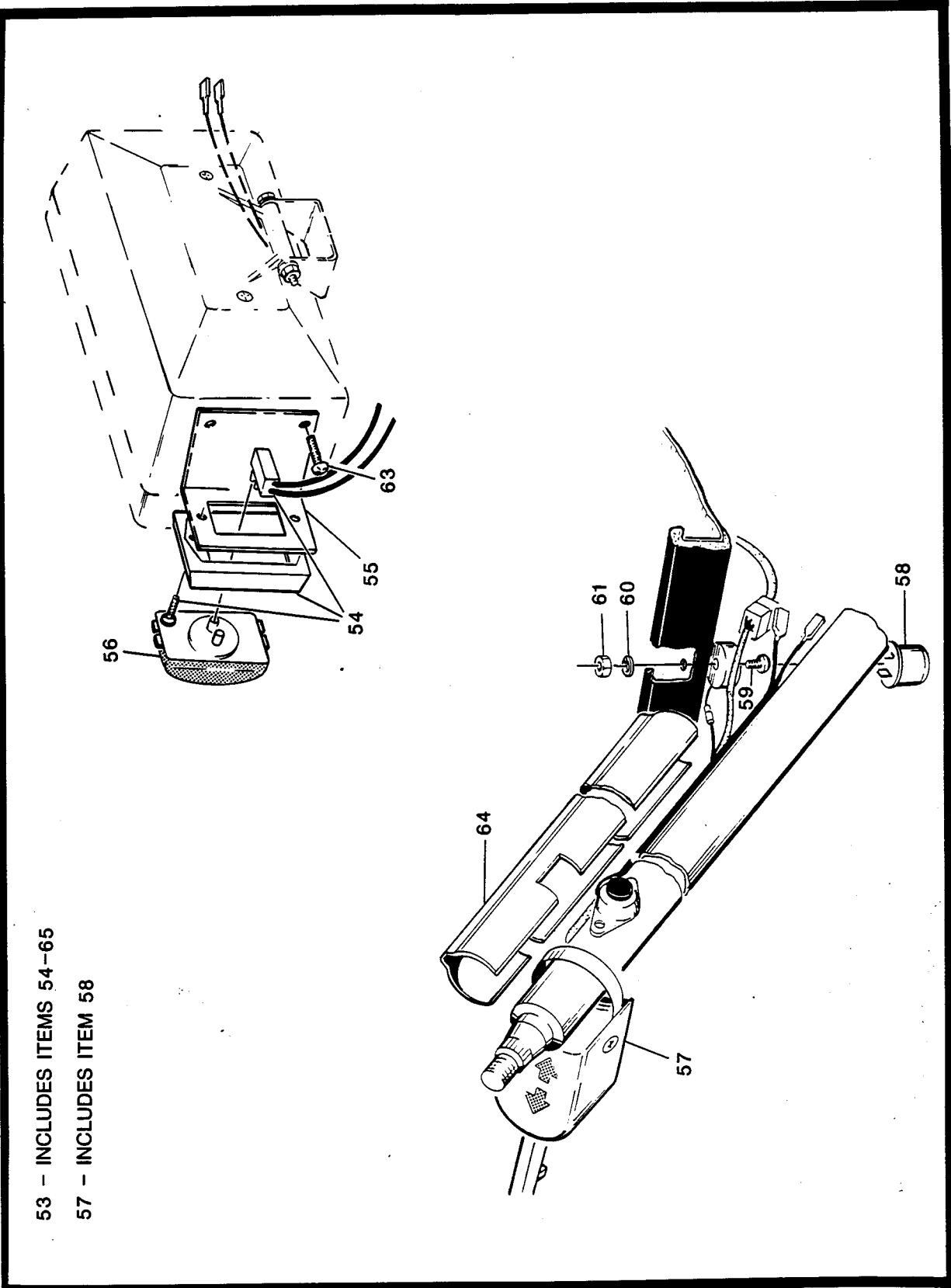
71 - INCLUDES ITEMS 72-100

EZGO **TEXTRON**

HORN AND ACCESSORY WIRING

V3

10/01/87



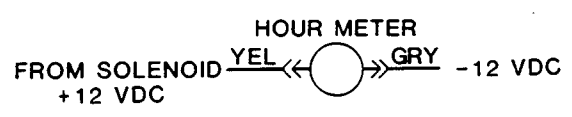
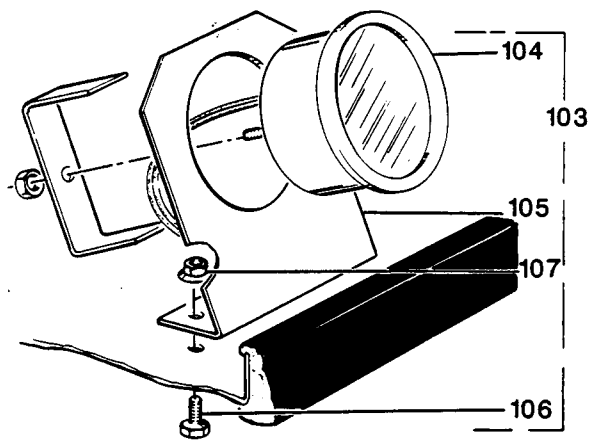
EZGO TEXTRON

HORN AND ACCESSORY WIRING

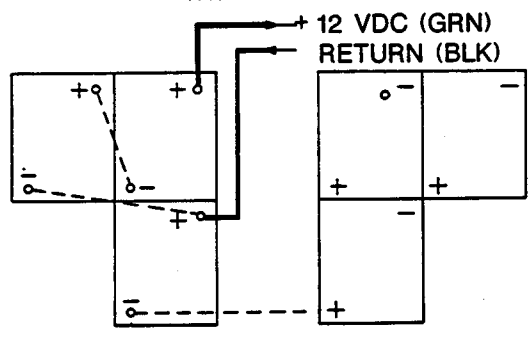
V4

10/01/87

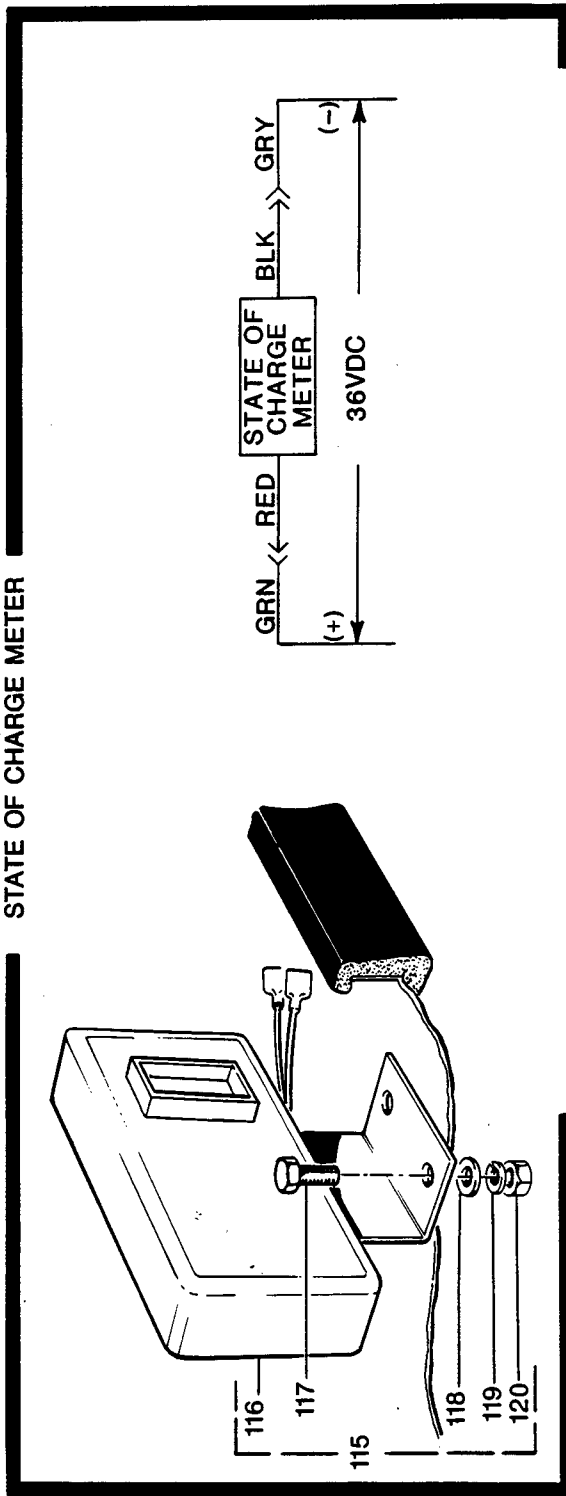
HOUR METER



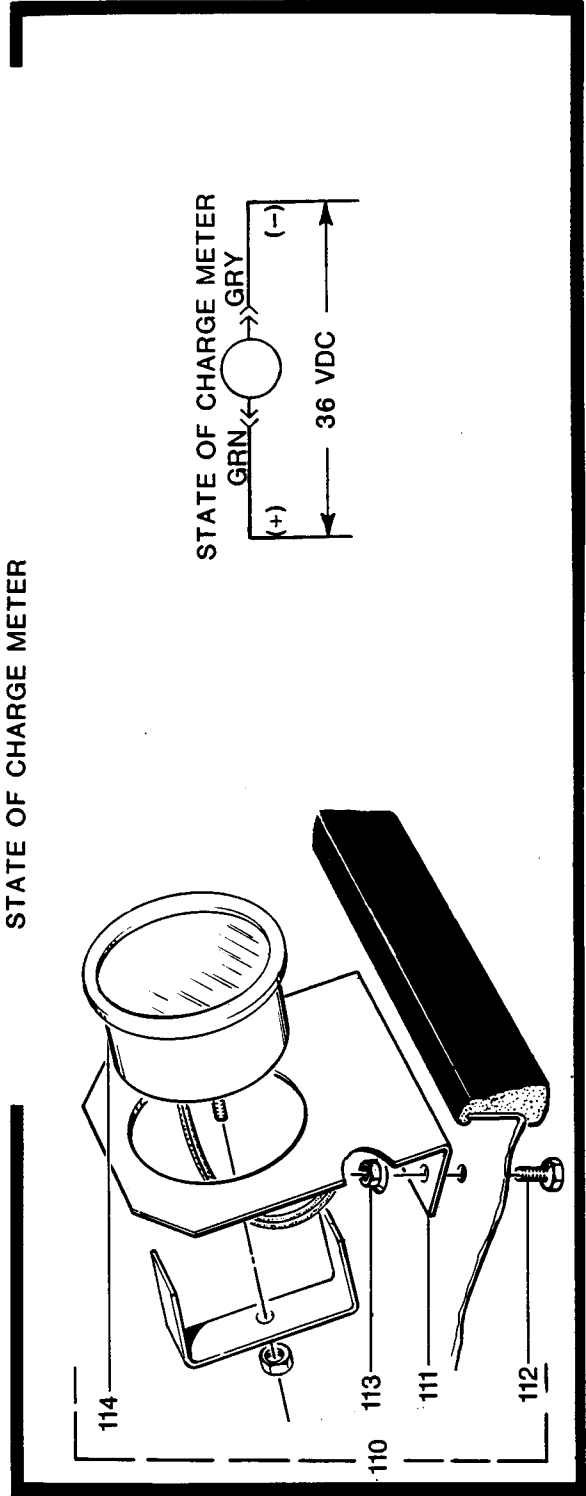
(WIRE HARNESS)



STATE OF CHARGE METER



STATE OF CHARGE METER



EZGO TEXTRON

TITLE HORN AND ACCESSORY WIRING

When ordering parts, please specify model and serial no. of vehicle.

ITEM NO.	PART NO.	DESCRIPTION 1 2 3 4 5	3 WHEEL	4 WHEEL
			QTY.	
1	18427-G1	Horn	1	1
2	16705-G3	Screw, Stainless Steel, 1/4-20 x 3/4 Lg.	4	4
3	11027-G2	Nut, Lock, 1/4-20	4	4
4	00138-G4	Screw, #6-32 x 1/2 Lg.	2	2
5	00565-G3	Washer, Lock, #6	2	2
6	00525-G5	Nut, #6-32	2	2
7	18392-G1	Fuse, 15 Amp	1	1
8	22767-G1	Plate, Fuse Block	1	1
9	22674-G1	Block, Fuse	1	1
10	22242-G1	Switch, Horn	1	1
11	20961-G3	Cover, Steering Column	1	1
12	22069-G1	Harness, Wiring	1	1
13	14601-G8	Rivet	2	2
14	22301-G1	Head and Taillight Kit, 3 Wheel (Includes Items 15-21 and 35-49))	1	X
15	20209-G2	Headlamp Assembly (Includes Item 16)	2	X
16	22523-G1	Bulb, Halogen, Replacement	1	X
17	00533-G1	Nut, 1/2-13	2	X
18	00566-G3	Washer, Lock, 1/2	2	X
19	22274-G1	Bracket, Headlamp Mounting	2	X
20	00106-G6	Screw, Self-Drill and Tap, #12-24 x 3/4 Lg.	4	X
21	00594-G7	Washer, Lock, 1/4	4	X
22				
23				
24	22301-G2	Head and Taillight Kit, 4 Wheel (Includes Items 25-49) .	X	1
25	20209-G2	Headlamp Assembly (Includes Item 26)	X	2
26	22523-G1	Bulb, Replacement	X	1
27	00533-G1	Nut, 1/2-13	X	2
28	00566-G3	Washer, Lock, 1/2	X	2
29	22056-G1	Support, Headlamp	X	1
30				
31				
32	14390-G4	Nut, Lock, 1/4-20	X	4



When ordering parts, please specify model and serial no. of vehicle.

ITEM NO.	PART NO.	DESCRIPTION 1 2 3 4 5	3 WHEEL	4 WHEEL
			QTY.	
33				
34				
35	22282-G1	Plate, Taillight Mount	1	1
36	13437-G9	Screw, Lock, 1/4-20 x 3/4 Lg.	2	2
37	11027-G2	Nut, Lock, 1/4-20	2	2
38	00138-G4	Screw, #6-32 x 1/2 Lg.	8	8
39	00565-G3	Washer, Lock, #6	8	8
40	00525-G5	Nut, #6-32	8	8
41	22288-G1	Taillight Assembly (Includes Items 42-46)	2	2
42	22258-G1	Lens, Cover	1	1
43	22264-G1	Screw	2	2
44	21759-G1	Bulb, Replacement	1	1
45	22257-G1	Base, Taillight	1	1
46	22259-G1	Gasket, Rubber	1	1
47	18431-G1	Switch, Headlamp	1	1
48	18392-G2	Fuse, 20 Amp	1	1
49	16172-G1	Clamp, Nylon.	4	4
50				
51				
52				
53	22437-G1	Turn Signal Kit (Includes Items 54-65)	1	1
54	18927-G2	Mount Kit, Turn Signal	2	2
55	21806-G1	Bracket, Turn Signal	2	2
56	19180-G2	Signal Lamp, Yellow	2	2
57	17867-G1	Switch, Turn Signal (Includes Item 58)	1	1
58	21640-G1	Flasher	1	1
59	00372-G4	Screw, #8-32 x 1/2 Lg.	1	1
60	00565-G4	Washer, Lock, #8	1	1
61	00526-G1	Nut, #8-32	1	1
62	16172-G1	Clamp, Nylon	2	2
63	00598-G4	Screw, Self-Tapping, #8-18 x 1/2 Lg.	4	4
64	20965-G3	Cover, Steering Column	1	1
65	18392-G2	Fuse, 20 Amp	1	1



TITLE HORN AND ACCESSORY WIRING

When ordering parts, please specify model and serial no. of vehicle.

ITEM NO.	PART NO.	DESCRIPTION 1 2 3 4 5	3 WHEEL	4 WHEEL
			QTY.	
66				
67				
68				
69				
70				
✓ 71	22449-G2	Brake Pedal Assembly (Includes Items 72-100)	1	1
✓ 72	22357-G2	Brake Pedal Arm	1	1
✓ 73	22360-G1	Hill Brake Pedal	1	1
✓ 74	15809-G2	Brake Pedal Plate	1	1
✓ 75	15932-G1	Pin, Hill Brake Pedal	1	1
✓ 76	11737-G1	Spring, Torsion	2	2
✓ 77	12064-G1	Push Nut	1	1
✓ 78	00737-G6	Screw, #10-24 x 3/4 Lg.	4	4
✓ 79	00739-G1	Rubber Well Nut, #10-24	2	2
✓ 80	22362-G1	Stand-off, Brake Pedal	2	2
✓ 81	00731-G2	Washer, Spring, Curved	4	4
82				
✓ 83	11098-G7	Nut, Lock, #10-24	2	2
✓ 84	10606-G1	Switch, Micro	1	1
✓ 85	00139-G2	Screw, #6-32 x 1 1/4 Lg..	2	2
✓ 86	00559-G3	Washer, Flat, #6	4	4
87	00565-G3	Washer, Lock, #6	2	2
88	00525-G5	Nut, #6-32	2	2
✓ 89	13514-G1	Screw, Brass	2	2
90	00567-G3	Washer, Lock, External Tooth, #6	2	2
91	14628-G1	Fast-On Tab	2	2
✓ 92	22447-G1	Wire Harness Brake	1	1
93	16172-G1	Clamp, Nylon	2	2
94				
95				
96	15826-G1	Brake Pedal Pad Kit (Includes Items 97-100)	1	1
97	*	Hill Brake Pad	1	1



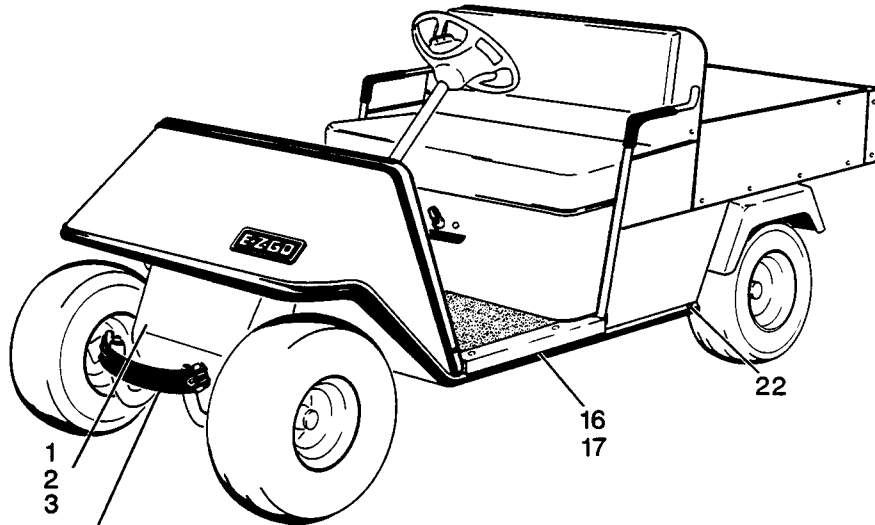
TITLE HORN AND ACCESSORY WIRING

When ordering parts, please specify model and serial no. of vehicle

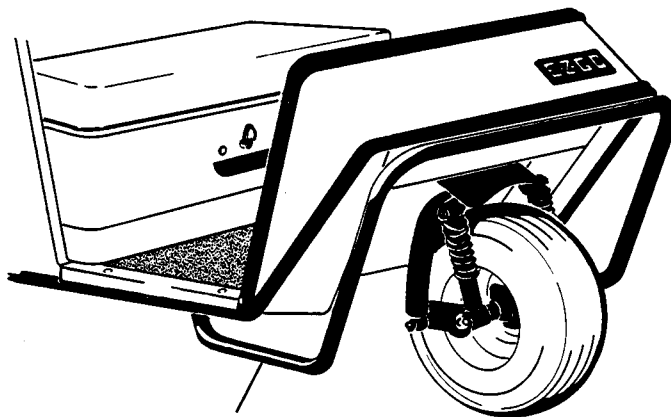
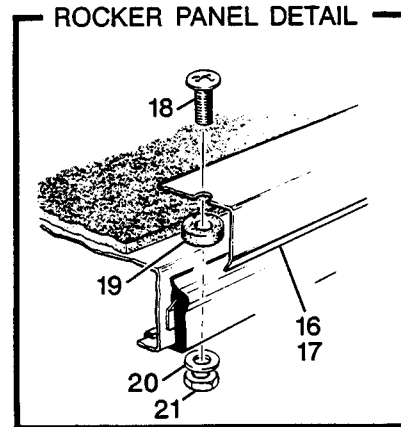
3 WHEEL	4 WHEEL
QTY.	

ITEM NO.	PART NO.	DESCRIPTION 1 2 3 4 5	QTY.	
			3 WHEEL	4 WHEEL
98	16493-G1	Brake Pad	1	1
99	15766-G1	Rivet, Small head	3	3
100	15767-G1	Rivet, Large Head	6	6
101				
102				
103	19313-G2	Hour Meter Kit (Includes Items 104-107)	1	1
104	21573-G1	Hour Meter	1	1
105	18001-G1	Bracket, Hour Meter	1	1
106	00414-G4	Screw, 1/4-20 x 1/2 Lg.	2	2
107	11027-G2	Nut, Lock, 1/2-20	2	2
108				
109				
110	19197-G7	Meter Kit, State of Charge (Round) (Includes Items 111-114)	1	1
111	18001-G1	Bracket	1	1
112	00414-G4	Screw, Hex, 1/4-20 x 1/2 Lg.	2	2
113	11027-G2	Nut, Lock, 1/4-20	2	2
114	19714-G1	Meter, State of Charge	1	1
115	19197-G3	Meter Kit, State of Charge (Square)(Includes Items 116-120)	1	1
116	19196-G2	Meter, State of Charge	1	1
117	00372-G5	Screw, #8-32 x 5/8 Lg.	1	1
118	00559-G4	Washer, Flat, #8	2	2
119	00565-G4	Washer, Lock, #8	2	2
120	00526-G1	Nut, #8-32	2	2
	*	Not available as an individual part.		

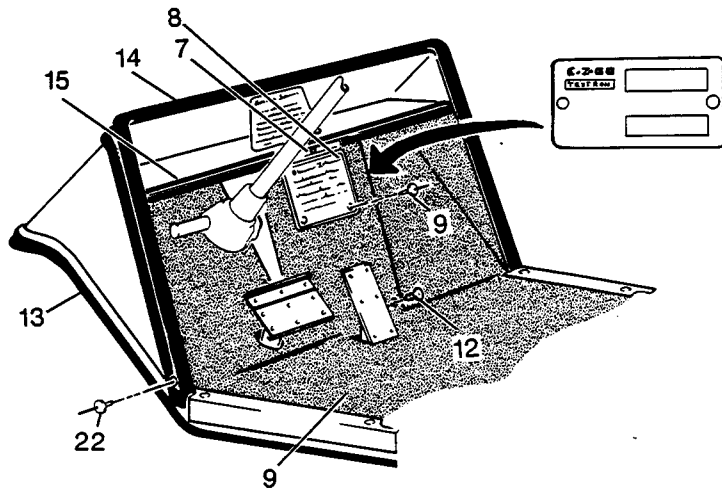




SEE FRONT BUMPER ILLUSTRATION



SEE FRONT BUMPER ILLUSTRATION



6 - INCLUDES ITEMS
7 AND 8
12 - INCLUDES
ITEMS 13-22

EZGO **TEXTRON**

MODEL DETAILS

X1

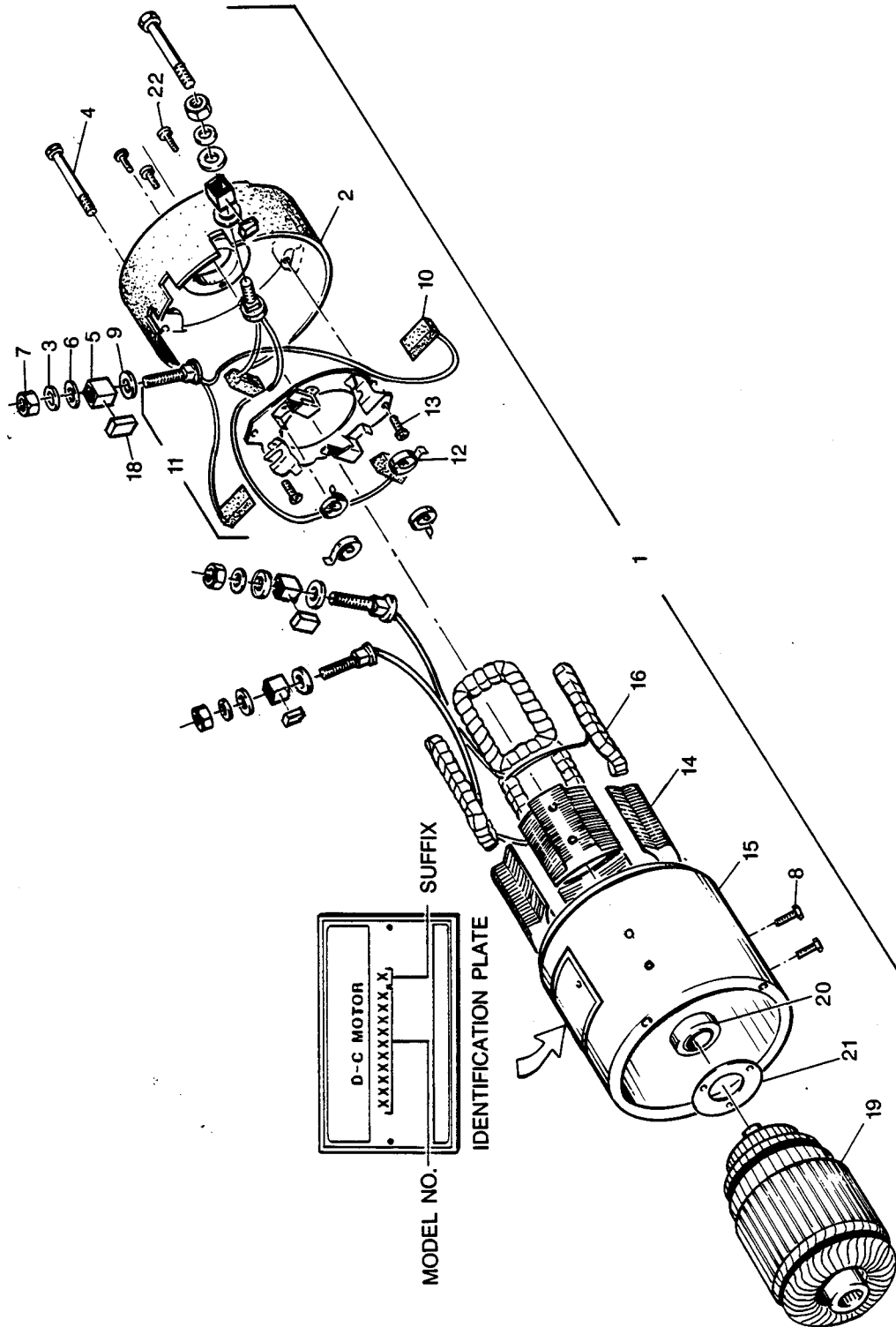
10/01/87

TITLE MODEL DETAILS

When ordering parts, please specify model and serial no. of vehicle.

ITEM NO.	PART NO.	DESCRIPTION 1 2 3 4 5	3 WHEEL	4 WHEEL
			QTY.	
	1	15929-G1	Shield	X 1
	2	00240-G8	Screw, 1/4-20 x 1 Lg.	X 4
	3	14390-G4	Nut, Lock, 1/4-20	X 4
	4			
	5			
✓	6	17117-G3	Decal and Plate Assembly	1 1
	7	*	Panel, Mounting Plate	1 1
✓	8	23446-G1	Label, Operating Instructions	1 1
✓	9	18350-G1	Floormat, 3/16	1 1
	10	16816-G1	Fastener, Ratchet Type	6 6
	11	15058-G2	Rivet, Pop, 3/16	3 3
✓	12	22329-G3	Vinyl Bumper Trim Kit (Includes Items 13-22)	1 1
	13	19095-G1	Vinyl Bumper Body Trim (Sides and Front)	1 1
	14	22273-G1	Vinyl Bumper Body Trim (Back of Cowl)	1 1
	15	17203-G4	Vinyl Bumper Body Trim (Dash Tray)	1 1
	16	22223-G2	Trim, Rocker Panel, Driver's Side	1 1
	17	22223-G1	Trim, Rocker Panel, Passenger Side	1 1
	18	16705-G1	Screw, Stainless Steel, 1/4-20 x 1 Lg.	4 4
	19	12905-G1	Spacer, Neoprene	4 4
	20	00559-G7	Washer, Flat, 1/4	4 4
	21	14390-G4	Nut, Lock, 1/4-20	4 4
✓	22	15058-G2	Rivet, Pop, 3/16	4 4





EZGO **TEXTRON**

MOTOR
YI

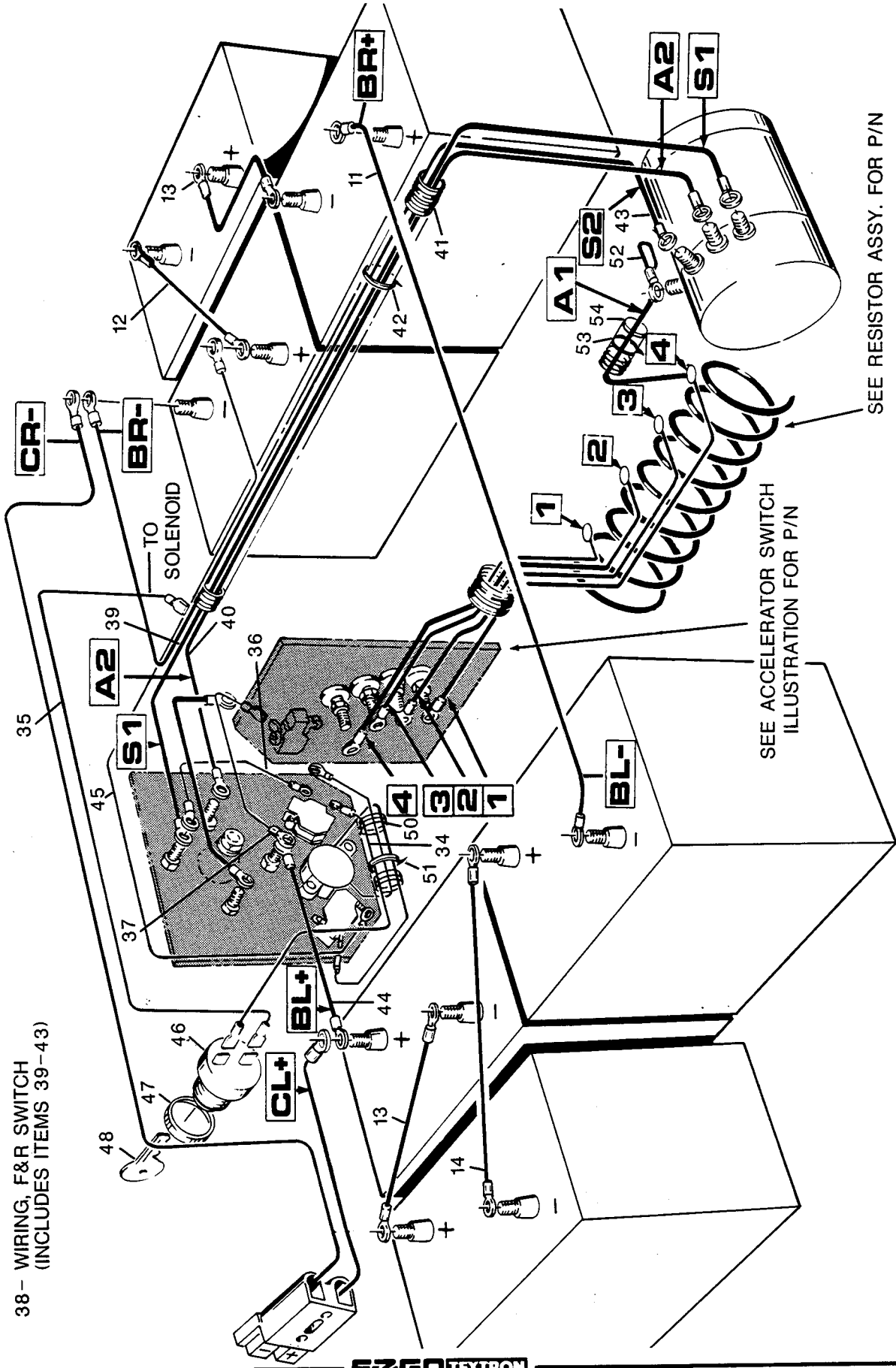
8/15/87

When ordering parts, please specify model and serial no. of vehicle.

ITEM NO.	PART NO.	DESCRIPTION 1 2 3 4 5	3 WHEEL	4 WHEEL
			QTY.	
✓ 1	22858-G1	Motor	1	1
2	16922-G1	Endshield, Commutator End.	1	1
3	13483-G1	Washer	4	4
4	16919-G1	Screw, Motor Clamp	2	2
5	15437-G1	Bushing, Insulator	4	4
6	15438-G1	Washer, Insulator	4	4
7	15440-G1	Nut, Lock	4	4
8	23234-G1	Screw, Pole Piece	8	8
9	15442-G1	Washer, Insulator, Terminal	4	4
10	16917-G1	Brush Assembly	2	2
11	16916-G1	Brush Rigging	1	1
12	15446-G1	Brush Spring	4	4
13	51333-G1	Screw, Brush Rigging Mount	2	2
14	*	Field Pole Pieces	4	4
15	*	Shell, Stator	1	1
16	23235-G1	Field Coils (Set)	1	1
17				
18	16948-G1	Gasket	4	4
19	23237-G1	Armature	1	1
20	16918-G1	Ball Bearing, Commutator End	1	1
21	16930-G1	Retainer, Bearing	1	1
22	23236-G1	Screw, Bearing Retainer	3	3
	*	Not available as an individual part.		

33- CONTROL WIRING HARNESS, F&R SWITCH
(INCLUDES ITEMS 34,35,36,&37)

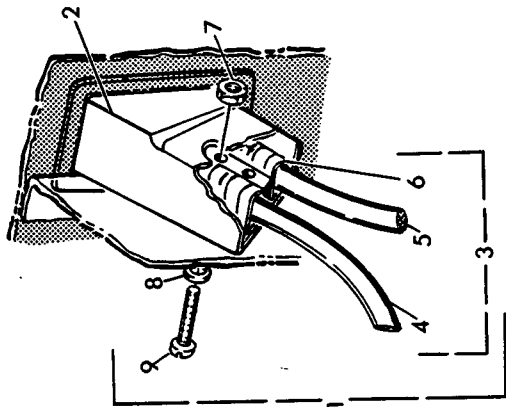
38- WIRING, F&R SWITCH
(INCLUDES ITEMS 39-43)



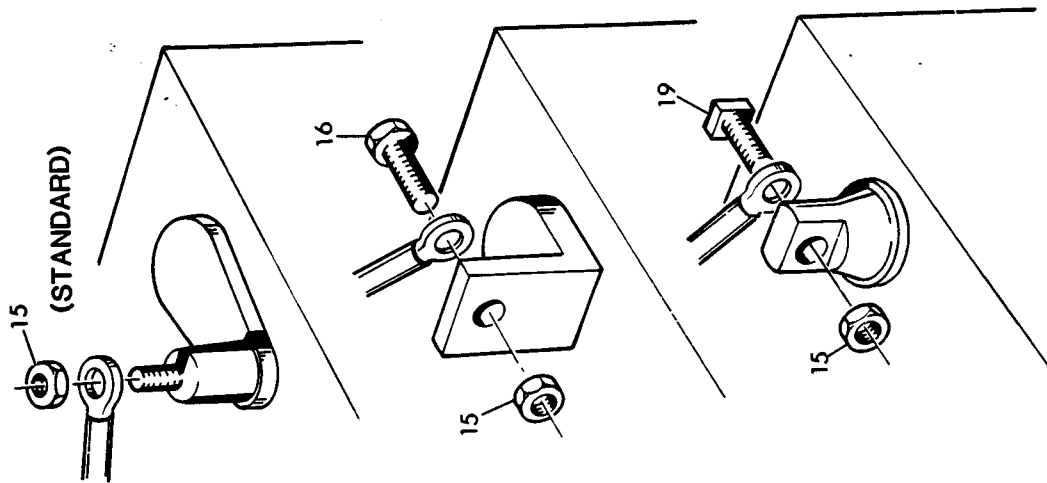
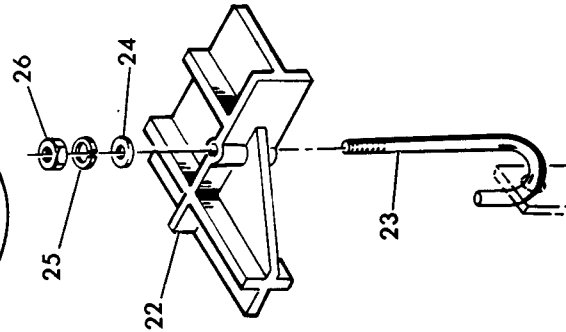
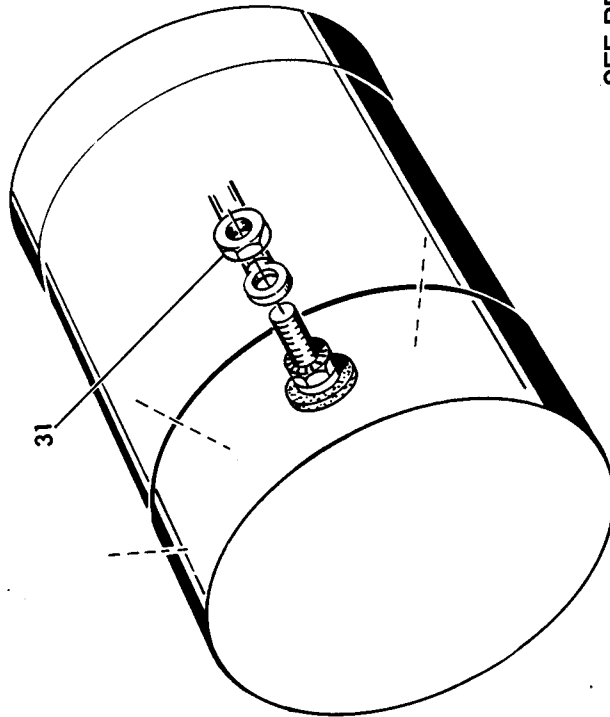
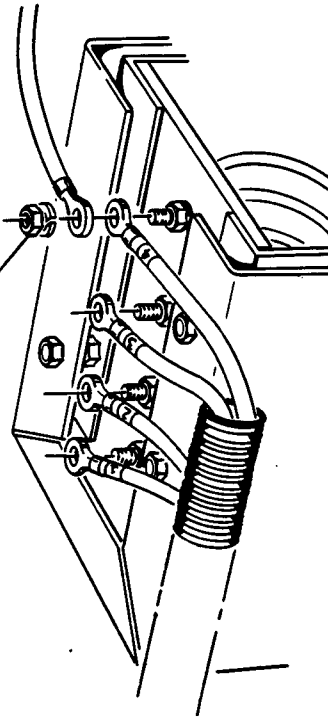
EZGO **TEXTRON**

POWER WIRING
BBI

8/15/87



SEE RESISTOR ASSY. ILLUSTRATION FOR
HARDWARE PART NUMBERS



EZGO **TEXTRON**

POWER WIRING
BB2

8/15/87

TITLE POWER WIRING

When ordering parts, please specify model and serial no. of vehicle.

ITEM NO.	PART NO.	DESCRIPTION 1 2 3 4 5	3 WHEEL	4 WHEEL
			QTY.	
1	18840-G1	Receptacle and Harness Assembly	1	1
2	18724-G1	Charger Receptacle Holder	1	1
3	18841-G1	Wiring Harness Charger Connector	1	1
4	14852-G1	Wire Assembly (CR-)	1	1
5	14852-G2	Wire Assembly (CL+)	1	1
6	18782-G1	Connector, Anderson	1	1
7	14390-G9	Nut, Lock, #6-32	2	2
8	00559-G3	Washer, Flat #6	2	2
9	00645-G2	Screw, #6-32 x 1 1/4 Lg.	2	2
10				
11	11885-G4	Wire Assembly	1	1
12	11885-G2	Wire Assembly	1	1
13	11893-G1	Wire Assembly	2	2
14	11894-G1	Wire Assembly	1	1
15	00702-G2	Nut, Heavy, 5/16-18	12	12
16	00270-G6	Screw, 5/16-18 x 3/4 Lg.	12	12
17				
18				
19	12649-G1	Bolt, Battery, Square Head, 5/16-18 x 1 Lg.	12	12
20				
21				
22	15736-G1	Battery Hold Down	2	2
23	15734-G2	J Bolt, Battery	2	2
24	00559-G8	Washer, Flat, Narrow, 5/16	2	2
25	00565-G8	Washer, Lock, 5/16	2	2
26	00702-G2	Nut, Heavy, 5/16-18	2	2
27				
28				
29				
30				
31	00532-G3	Nut, 5/16-18	4	4
32				

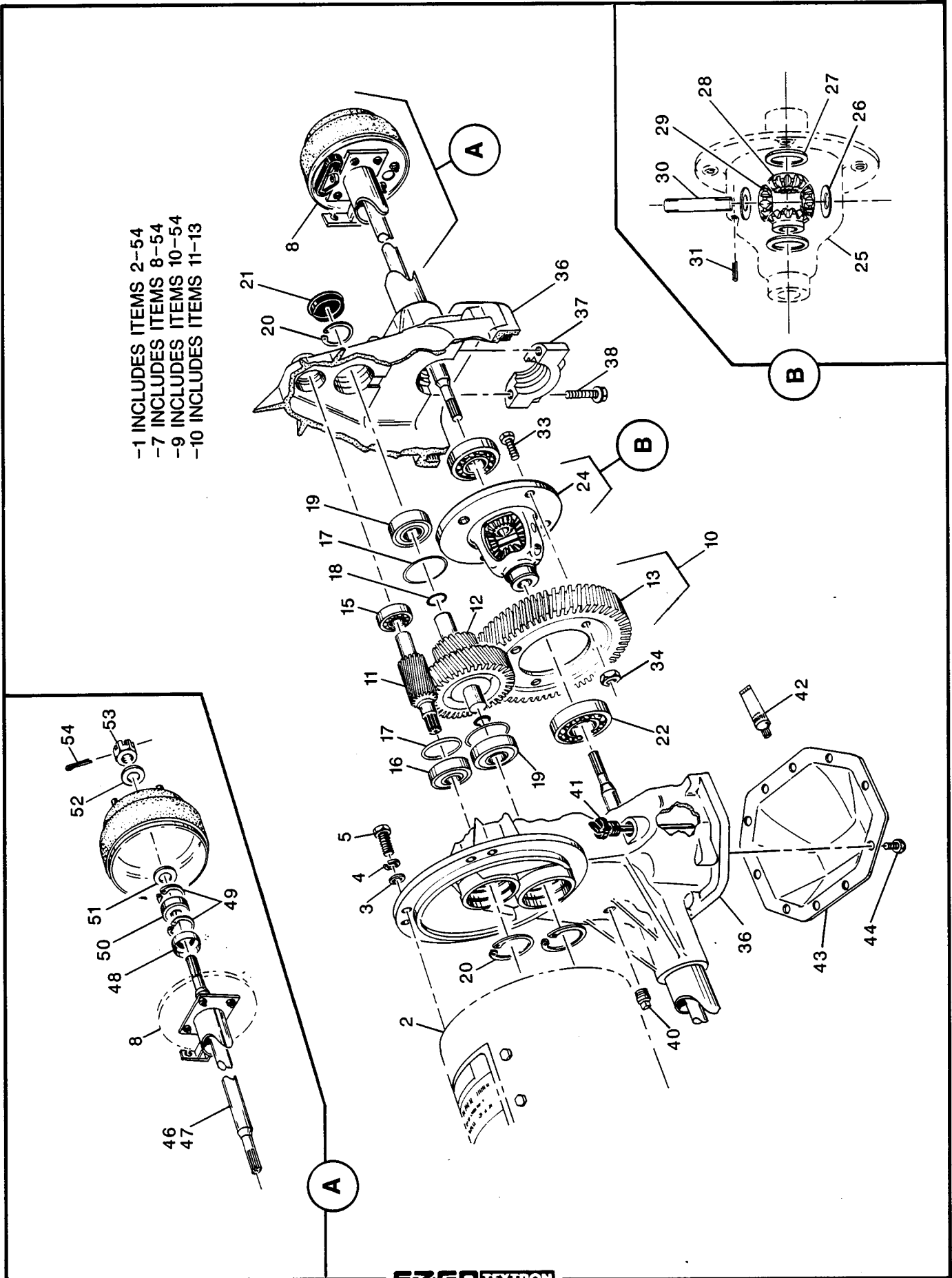


TITLE POWER WIRING

When ordering parts, please specify model and serial no. of vehicle.

ITEM NO.	PART NO.	DESCRIPTION 1 2 3 4 5	3 WHEEL	4 WHEEL
			QTY.	
33	17868-G1	Control Wiring Harness, F-N-R Switch	1	1
34	14619-G2	Wire Assembly (Light Blue)	1	1
35	17870-G1	Wire Assembly (Yellow)	1	1
36	14615-G1	Wire Assembly (Black)	1	1
37	17869-G1	Wire Assembly (Red and White)	1	1
38	18894-G1	Wiring Harness, F-N-R Switch	1	1
39	17855-G1	Wire Assembly (S1)	1	1
40	17856-G1	Wire Assembly (A2)	1	1
41	18834-G3	Loom, Flex, Zip	1	1
42	17618-G1	Clamp, Nylon (Black)	5	5
43	17858-G1	Wire Assembly (S2)	1	1
44	14610-G1	Wire Assembly	1	1
45	18518-G1	Wire Assembly	1	1
46	17421-G1	Ignition Switch Kit	1	1
47	17137-G1	Face Nut	1	1
48	17063-G1	Ignition Key	1	1
49				
50	17314-G8	Loom Flex	1	1
51	16172-G1	Clamp, Nylon	2	2
52	18908-G1	Wire Assembly, (A1-4) (Includes Items 53, 54)	1	1
53	16172-G1	Clamp, Nylon.	3	3
54	17314-G6	Loom, Flex	1	1
		Related Test Equipment		
	**	Current Indicator	NA	NA
	**	Battery Tester (Discharge Machine)	NA	NA
	**	Hydrometer	NA	NA
	**	Ohm Meter (Multi-Meter)	NA	NA
	**	See Service Accessories and Special Tools Section.		





REAR AXLE ASSEMBLY, HELICAL
CCI

TITLE REAR AXLE ASSEMBLY, HELICAL

When ordering parts, please specify model and serial no. of vehicle.

ITEM NO.	PART NO.	DESCRIPTION 1 2 3 4 5	3 WHEEL	4 WHEEL
			QTY.	
1	23133-G1	Rear Axle Motor and Brake Assembly (Includes Items 2-54)	1	1
2	XXXXX-XX	Motor (See Motor Section)	1	1
3	00559-G7	Washer, Flat, 1/4	3	3
4	00565-G7	Washer, Lock, 1/4	3	3
5	00797-G2	Screw, 1/4-20 x 1 1/4 Lg.	3	3
6				
7	23524-G1	Rear Axle and Brake Assembly (Includes Items 8-54)	1	1
8	XXXXX-XX	Brake Set (See Wheel Brake Assembly Section)	1	1
9	23092-G1	Rear Axle Assembly (Includes Items 10-54)	1	1
10	23501-G1	Gear Set (Includes Items 11-13)	1	1
11	23503-G1	Gear, Input	1	1
12	23505-G1	Gear, Intermediate	1	1
13	20376-G1	Gear, Output	1	1
14				
15	23520-G1	Ball Bearing, Input Gear	1	1
16	23519-G1	Ball Bearing, Input Gear, Motor Side	1	1
17	23525-G1	Seal, "O" Ring	3	3
18	23526-G1	Seal, "O" Ring	2	2
19	23521-G1	Ball Bearing, Intermediate Gear	2	2
20	23530-G1	Retaining Ring	3	3
21	23531-G1	Cover, Dust	1	1
22	17473-G1	Ball Bearing, Output Gear	2	2
23				
24	18463-G1	Differential Assembly (Includes Items 25-31)	1	1
25	13108-G1	Case, Differential	1	1
26	13106-G1	Washer, Thrust Pinion Gear	2	2
27	13104-G1	Washer, Thrust Differential Gear	2	2
28	18060-G1	Gear, Differential	2	2
29	13105-G1	Gear, Pinion	2	2
30	13107-G1	Shaft, Pinion Gear	1	1
31	13102-G1	Pin, Locking	1	1
32				



TITLE REAR AXLE ASSEMBLY, HELICAL

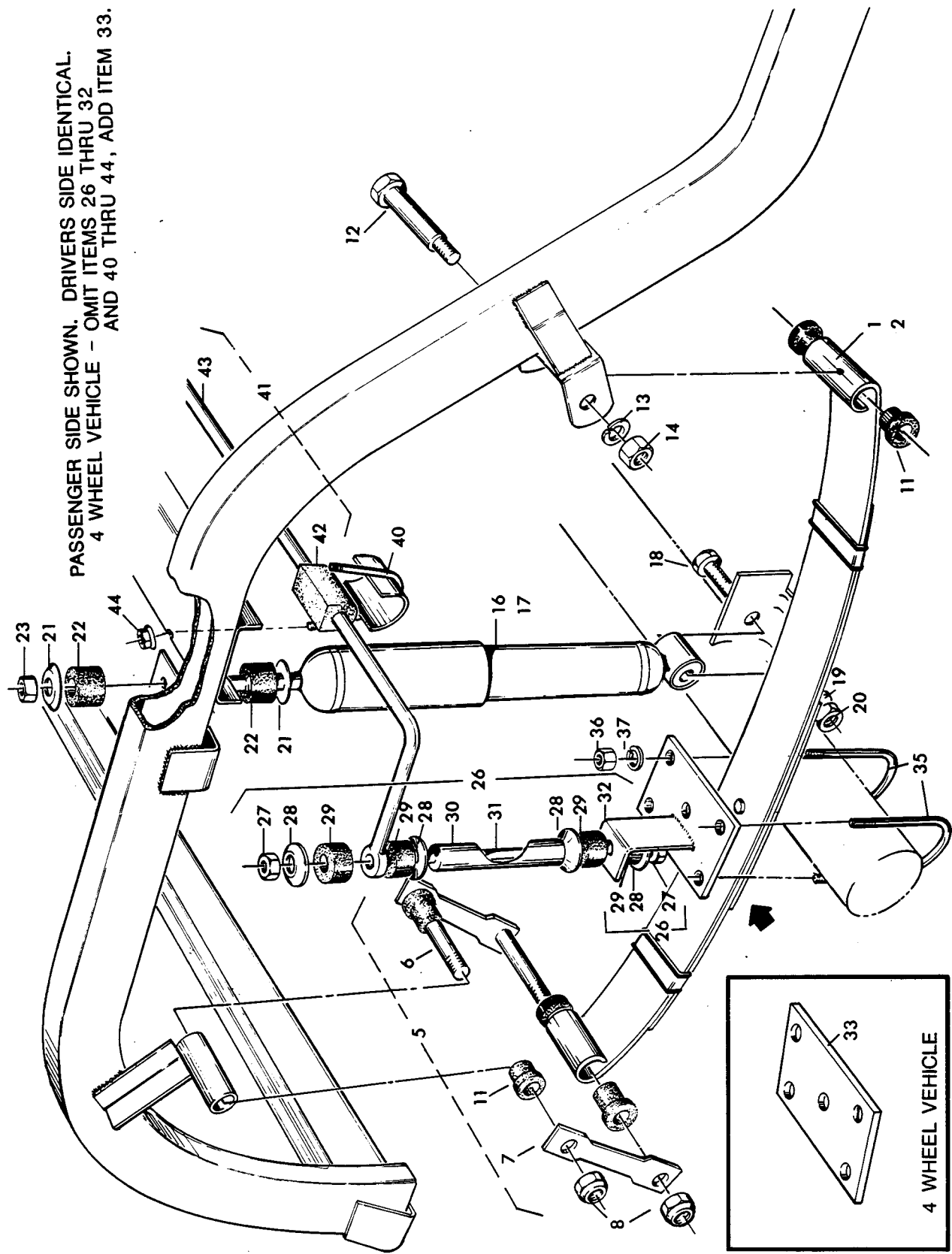
When ordering parts, please specify model and serial no. of vehicle.

ITEM NO.	PART NO.	DESCRIPTION 1 2 3 4 5	3 WHEEL	4 WHEEL
			QTY.	
33	00433-G1	Screw, 3/8-24 x 1 1/8 Lg.	4	4
34	00532-G6	Nut, 3/8-24	4	4
35				
36	*	Axle Housing Assembly (Includes Items 37 and 38)	1	1
37	*	Retainer, Bearing	2	2
38	15118-G1	Screw, 3/8-16 x 2 1/8 Lg.	4	4
39				
40	23529-G1	Plug, Vent	1	1
41	23528-G1	Dipstick	1	1
42	20536-G1	Sealant (Enough for 1 Application)	1	1
43	23527-G1	Cover Plate	1	1
44	15558-G1	Screw, 5/16-18 x 3/4 Lg.	10	10
45				
46	20377-G3	Shaft, Axle, Driver's Side	1	1
47	20377-G4	Shaft, Axle, Passenger Side	1	1
48	15114-G1	Seal, Axle	2	2
49	15113-G1	Retaining Ring	4	4
50	15112-G1	Ball Bearing, Axle	2	2
51	15485-G1	Washer, Flat, 20mm	2	2
52	15487-G1	Washer, Brake Drum, 5/8	2	2
53	15483-G1	Nut, Slotted, 5/8-18	2	2
54	10387-G1	Cotter Pin, 1/8 x 1 1/2 Lg.	2	2
55	**	Slide Hammer Kit	N/A	N/A
56	**	Tool, Seal Removal	N/A	N/A
	*	Not available as an individual part.		
	**	See Service Accessories and Special Tools.		



EZGO  **TEXTRON**

PASSENGER SIDE SHOWN. DRIVERS SIDE IDENTICAL.
 4 WHEEL VEHICLE - OMIT ITEMS 26 THRU 32
 AND 40 THRU 44, ADD ITEM 33.



EZGOTEXTRON

REAR SUSPENSION COMPONENTS
 EEI

8/15/87

TITLE REAR SUSPENSION COMPONENTS

When ordering parts, please specify model and serial no. of vehicle.

ITEM NO.	PART NO.	DESCRIPTION 1 2 3 4 5	3 WHEEL	4 WHEEL
			QTY.	
1	20398-G1	Leaf Spring	2	2
2	11645-G2	Heavy Duty Leaf Spring	2	2
3				
4				
5	19675-G1	Spring Shackle (Includes Items 6-8)	2	2
6	*	Stud Plate, Shackle	2	2
7	*	Plate, Shackle	2	2
8	19676-G1	Nut, Lock, 3/8-24	4	4
9				
10				
11	20098-G1	Bushing, Rubber	12	12
12	15727-G1	Bolt, Shoulder, 3/8-16	2	2
13	00566-G1	Washer, Lock, 3/8	2	2
14	00532-G5	Nut, 3/8-16	2	2
15				
16	20278-G1	Shock Absorber	2	2
17	20279-G1	Shock Absorber, Heavy Duty	2	2
18	00428-G4	Screw, 3/8-16 x 2 1/2 Lg.	2	2
19	00560-G1	Washer, Flat, 3/8	2	2
20	00550-G5	Nut, Lock, 3/8-16	2	2
21	10435-G1	Washer, Shock Absorber	4	4
22	10194-G1	Bushing, Shock Absorber	4	4
23	00532-G6	Nut, 3/8-24	2	2
24				
25				
26	14770-G1	Stabilizer Bar Spring Bracket Assembly (Includes Items 27-32)	2	X
27	00532-G5	Nut, 3/8-16	4	X
28	10435-G1	Washer, Shock Absorber	8	X
29	10194-G1	Bushing, Shock Absorber	8	X
30	10840-G3	Spacer	2	X
31	10579-G6	Rod, Threaded	2	X
32	17141-G1	Bracket, Spring Retainer	2	X



TITLE REAR SUSPENSION COMPONENTS

When ordering parts, please specify model and serial no. of vehicle.

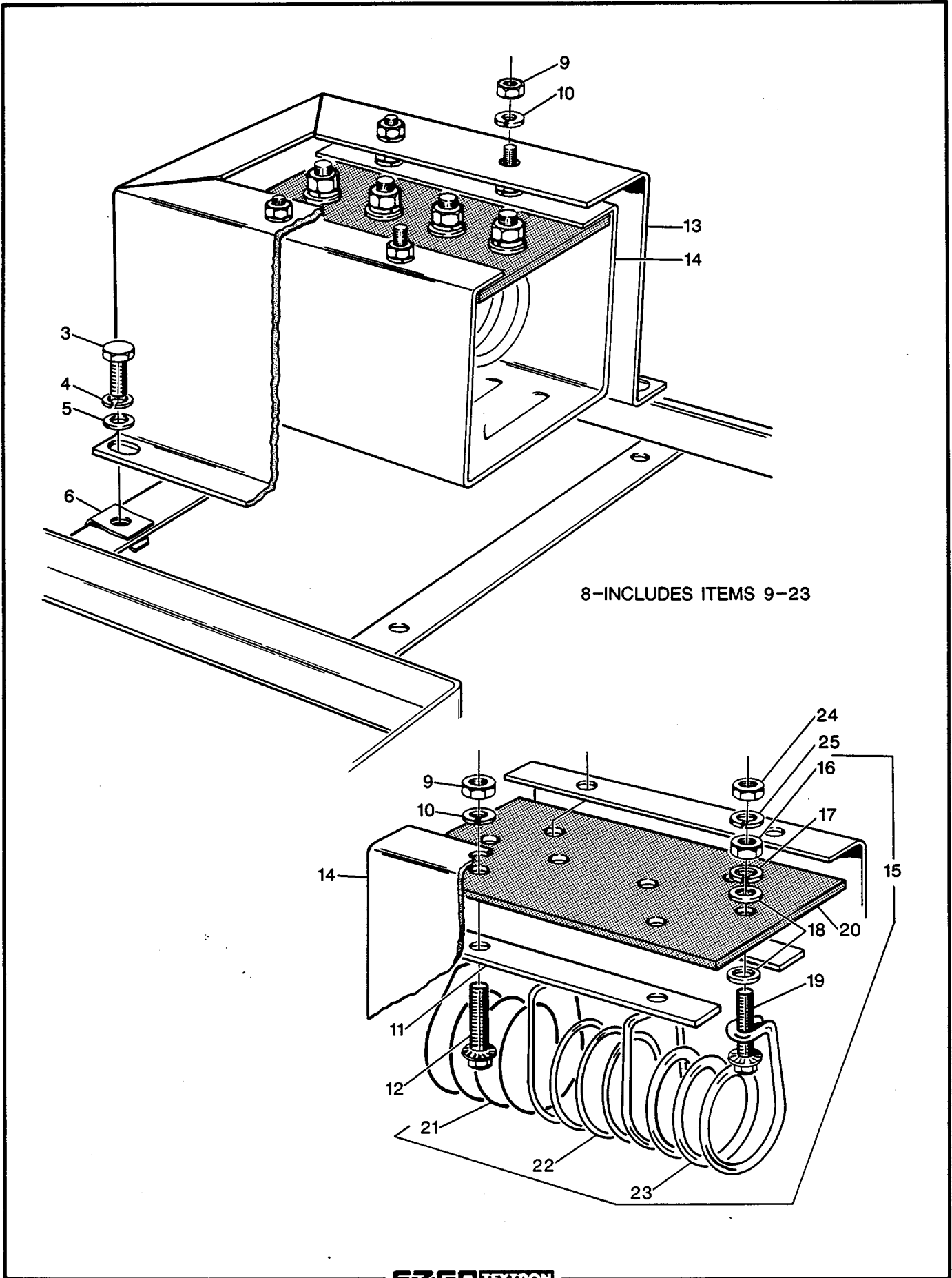
ITEM NO.	PART NO.	DESCRIPTION 1 2 3 4 5	3 WHEEL	4 WHEEL
			QTY.	
33	17034-G1	Plate, Spring Retainer	X	2
34				
35	12058-G2	"U" Bolt, Axle	4	4
36	00532-G5	Nut, 3/8-16	8	8
37	00566-G1	Washer, Lock 3/8	8	8
38				
39				
40	11640-G1	Bracket, Stabilizer Bar	2	X
41	17284-G1	Stabilizer Bar Assembly (Includes Items 42-43)	1	X
42	11155-G1	Bushing, Stabilizer	2	X
43	*	Bar, Stabilizer	1	X
44	11027-G4	Nut, Lock, 5/16-24	4	X
	*	Not available as an individual part.		



EZGO **TEXTRON**

EE4

8/15/87



RESISTOR COIL AND HOUSING ASSEMBLY
FFI

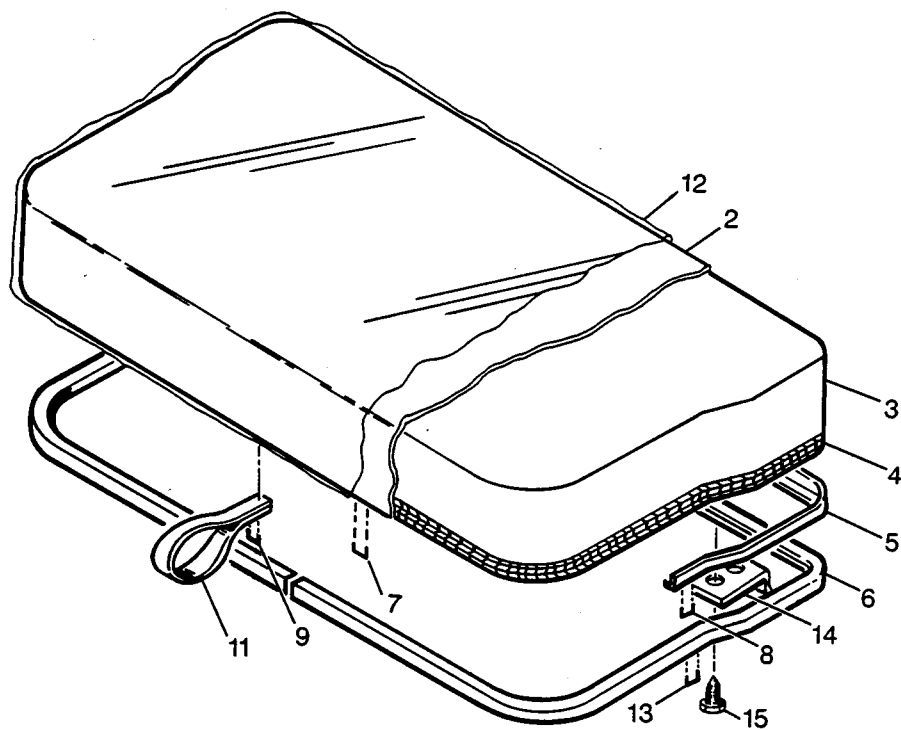
TITLE RESISTOR COIL AND HOUSING ASSEMBLY

When ordering parts, please specify model and serial no. of vehicle.

3 WHEEL	4 WHEEL
---------	---------

ITEM NO.	PART NO.	DESCRIPTION 1 2 3 4 5	QTY.	
			3 WHEEL	4 WHEEL
1				
2				
3	00661-G6	Screw, Stainless Steel, 1/4-20 x 3/4 Lg.	4	4
4	00664-G7	Washer, Lock, Stainless Steel, 1/4	4	4
5	00660-G7	Washer, Flat, Stainless Steel, 1/4	4	4
6	00709-G1	Nut, 'U', 1/4-20	4	4
7				
✓ 8	23319-G1	Resistor Coil Assembly (Includes Items 9-23)	1	1
✓ 9	00883-G1	Nut, 1/4-20	8	8
✓ 10	00664-G7	Washer, Lock, Stainless Steel, 1/4	8	8
✓ 11	22951-G1	Strip, Support	2	2
✓ 12	00661-G8	Screw, Stainless Steel, 1/4-20 x 1 Lg.	4	4
13	18814-G1	Shield, Resistor	1	1
14	18812-G1	Housing, Resistor	1	1
✓ 15	23302-G1	Resistor Board Assembly (Includes Items 16-23) . .	1	1
✓ 16	00883-G3	Nut, 5/16-18	4	4
✓ 17	00882-G8	Washer, Lock, 5/16	4	4
✓ 18	00660-G8	Washer, Flat, Stainless Steel 5/16	8	8
✓ 19	00880-G1	Screw, Lock, 5/16-18 x 1 1/2 Lg.	4	4
20	18811-G1	Board, Resistor	1	1
✓ 21	23293-G1	Coil, Resistor, Light	1	1
✓ 22	23294-G1	Coil, Resistor, Medium	1	1
✓ 23	23295-G1	Coil, Resistor, Heavy	1	1
✓ 24	00883-G3	Nut, 5/16-18	4	4
✓ 25	00882-G8	Washer, Lock, 5/16	4	4





1 - INCLUDES ITEMS 2-13

EZGO **TEXTRON**

SEATING
GGI

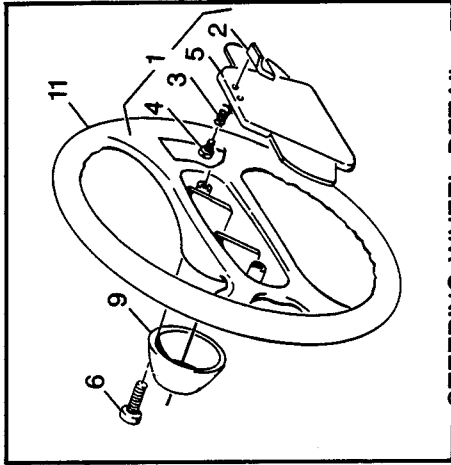
10/01/87

TITLE SEATING

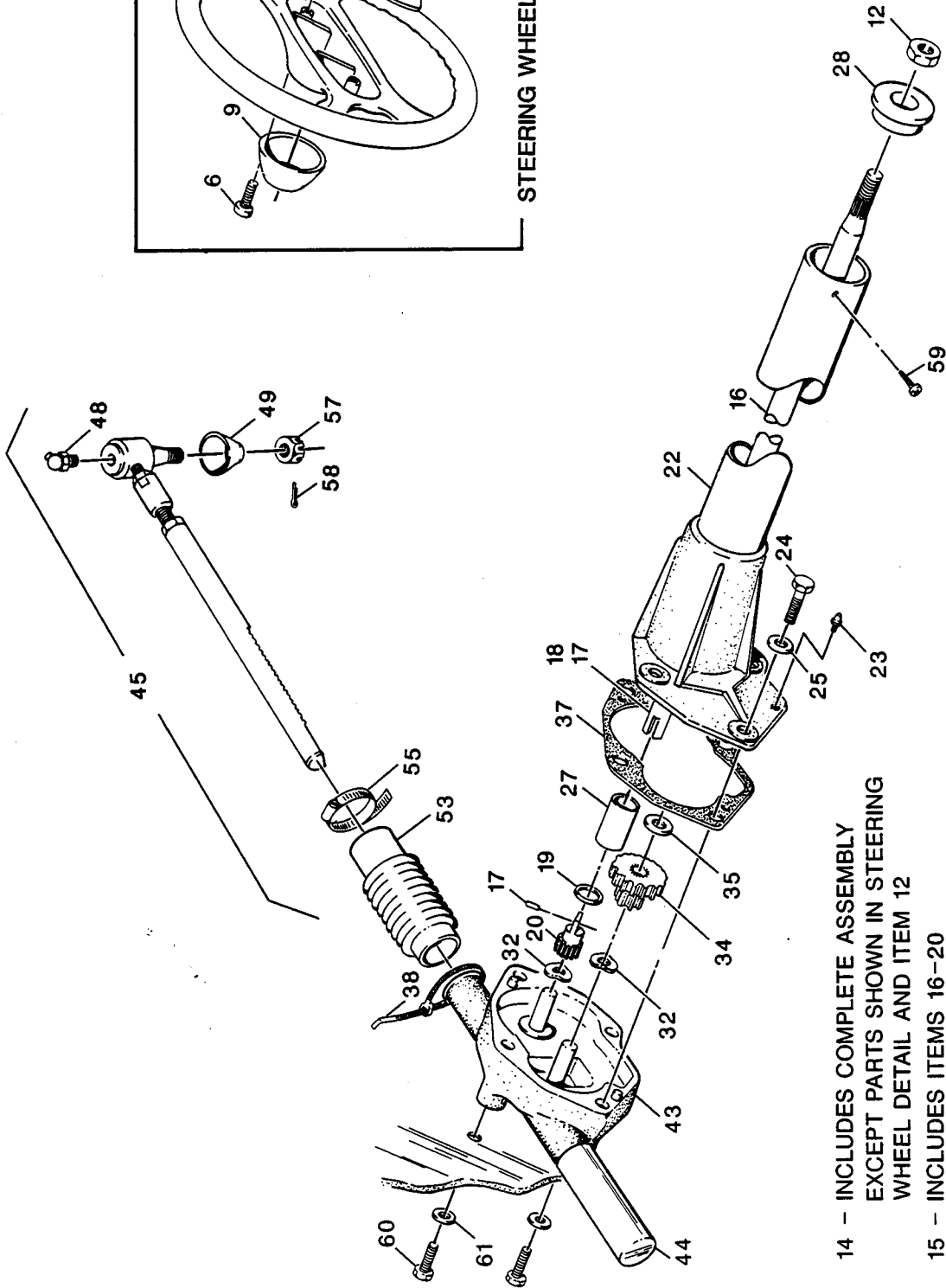
When ordering parts, please specify model and serial no. of vehicle.

ITEM NO.	PART NO.	DESCRIPTION 1 2 3 4 5	3 WHEEL	4 WHEEL
			QTY.	
1	18985-G4	Seat Bottom Assembly (Includes Items 2-13)	1	1
2	18146-G1	Cover, Seat Bottom, Tan	1	1
3	18147-G1	Cushion, Foam	1	1
4	18148-G2	Seat Bottom, Plywood	1	1
5	17113-G1	Trim, Vinyl	1	1
6	12727-G1	Gasket, Seal	1	1
7	*	Staple, Flat, Stainless Steel, 3/8 x 3/8 Lg.	110	110
8	*	Staple, Flat, Stainless Steel, 5/16 x 5/8 Lg.	24	24
9	*	Staple, Flat, Stainless Steel, 1/8 x 1 Lg.	4	4
10				
11	11394-G1	Webbing	1	1
12	*	Bag, Plastic	1	1
13	*	Staple, Stainless Steel, 1/2 x 9/16 Lg.	71	71
14	18250-G1	Bracket, Seat Hinge	2	2
✓ 15	00114-G6	Screw, Self-Tapping, 1/4-10 x 3/4 Lg.	4	4
	*	Not available as an individual part.		





STEERING WHEEL DETAIL



- 14 - INCLUDES COMPLETE ASSEMBLY EXCEPT PARTS SHOWN IN STEERING WHEEL DETAIL AND ITEM 12
- 15 - INCLUDES ITEMS 16-20
- 43 - INCLUDES ITEM 44

EZGO **TEXTRON**

STEERING
LLI

8/15/87

TITLE STEERING

When ordering parts, please specify model and serial no. of vehicle.

ITEM NO.	PART NO.	DESCRIPTION 1 2 3 4 5	3 WHEEL	4 WHEEL
			QTY.	
1	18322-G1	Plate, Scorecard Holder Assembly (Includes Items 2-5) .	1	1
2	18409-G1	Clip, Scorecard	1	1
3	18410-G1	Spring, Stainless Steel	2	2
4	18411-G1	Screw, Stainless Steel	2	2
5	18412-G1	Plate, Scorecard Holder	1	1
6	18464-G1	Screw, Self-Tapping, #8 x 7/8 Lg.	2	2
7				
8				
✓ 9	23225-G1	Hub, Cover Extension	1	1
10				
✓ 11	23172-G1	Steering Wheel	1	1
✓ 12	00545-G6	Nut, 5/8 x 18	1	1
13				
14	19152-G1	Steering Unit Assembly (Includes Items 15-58)	1	1
15	17163-G1	Steering Shaft Assembly (Includes Items 16-20) . . .	1	1
16	*	Shaft, Steering	1	1
17	*	Pin, Dowel, 1/4	2	2
18	*	Coupling	1	1
19	*	Washer, Thrust	1	1
20	*	Pinion, Steering	1	1
21				
22	19153-G2	Steering Column Assembly (Service)	1	1
23	*	Grease Fitting	1	1
✓ 24	00444-G8	Screw, 5/16-24 x 1 Lg.	4	4
25	00565-G3	Washer, Lock, 5/16	4	4
26				
27	17140-G1	Sleeve	1	1
28	17161-G1	Bushing and Seal Assembly	1	1
29				
30				
31				
32	51294-G1	Washer, Wave Type Spring	2	2

EZGO TEXTRON

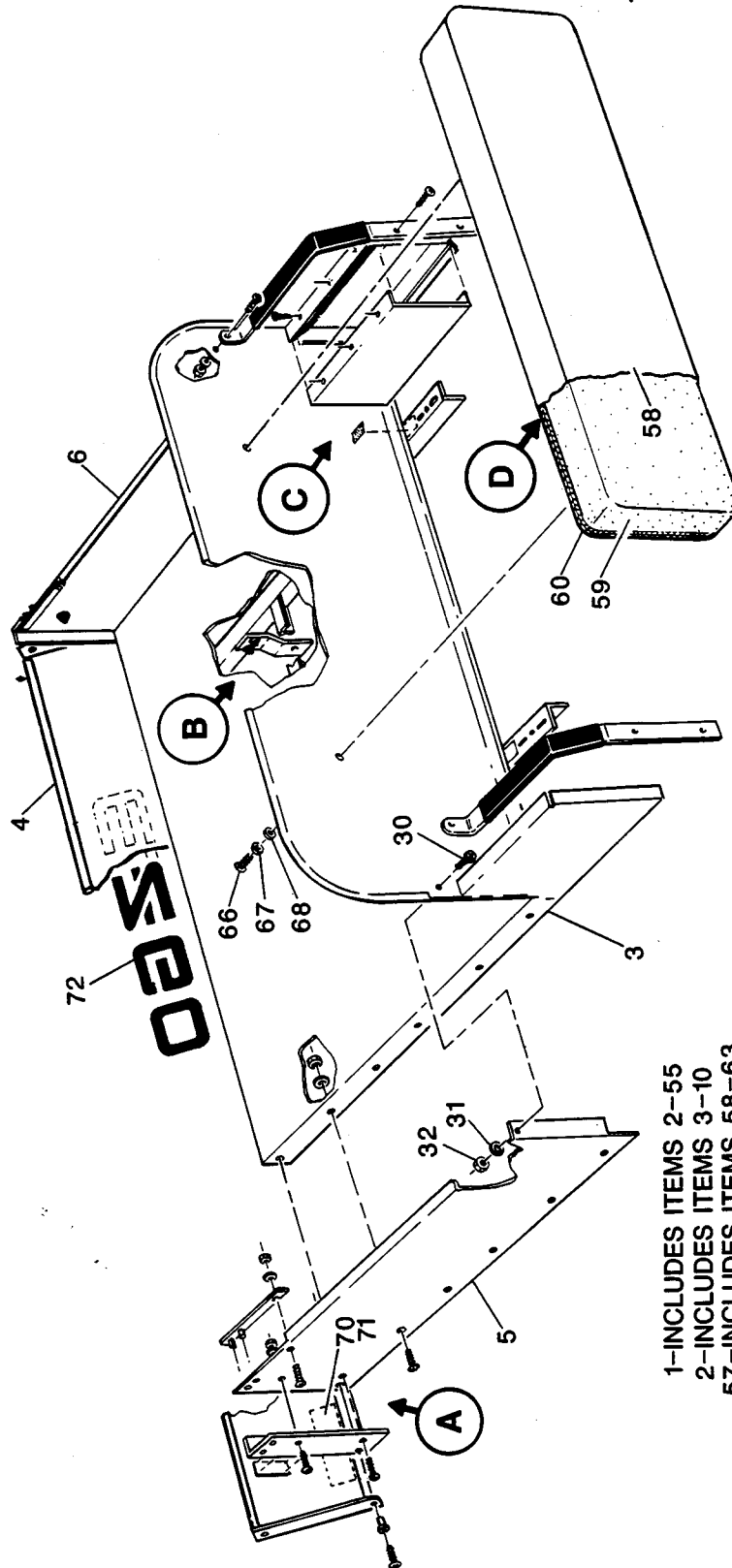
TITLE STEERING

When ordering parts, please specify model and serial no. of vehicle.

ITEM NO.	PART NO.	DESCRIPTION 1 2 3 4 5	3 WHEEL	4 WHEEL
			QTY.	
33				
✓ 34	23279-G1	Gear, Reduction	1	1
35	13059-G2	Washer, Thrust	1	1
36				
37	19154-G1	Gasket, Housing	1	1
38	17618-G1	Clamp, Nylon	1	1
39				
40				
41				
42				
43	13097-G1	Housing Assembly (Includes Item 44).	1	1
44	13570-G1	Cover, Rack	1	1
45	15407-G1	Rack and Rod Assembly (Includes Items 48-57).	1	1
46				
47				
48	18456-G1	Grease Fitting 90°	1	1
✓ 49	50641-G1	Rubber Boot, Tie Rod End	1	1
50				
51				
52				
53	17617-G1	Bellows	1	1
54				
55	11391-G1	Clamp, Hose	1	1
56				
57	50209-G1	Nut, Slotted, 7/16-20	1	1
58	10387-G2	Cotter Pin, 3/16 x 1 Lg.	1	1
59	00118-G2	Screw, Self-Tapping, #6-18 x 1/4 Lg.	1	1
60	00276-G6	Screw, 5/16-24 x 3/4 Lg.	3	3
61	00565-G8	Washer, Lock, 5/16	3	3
	*	Not available as an individual part.		

EZGO **TEXTRON**

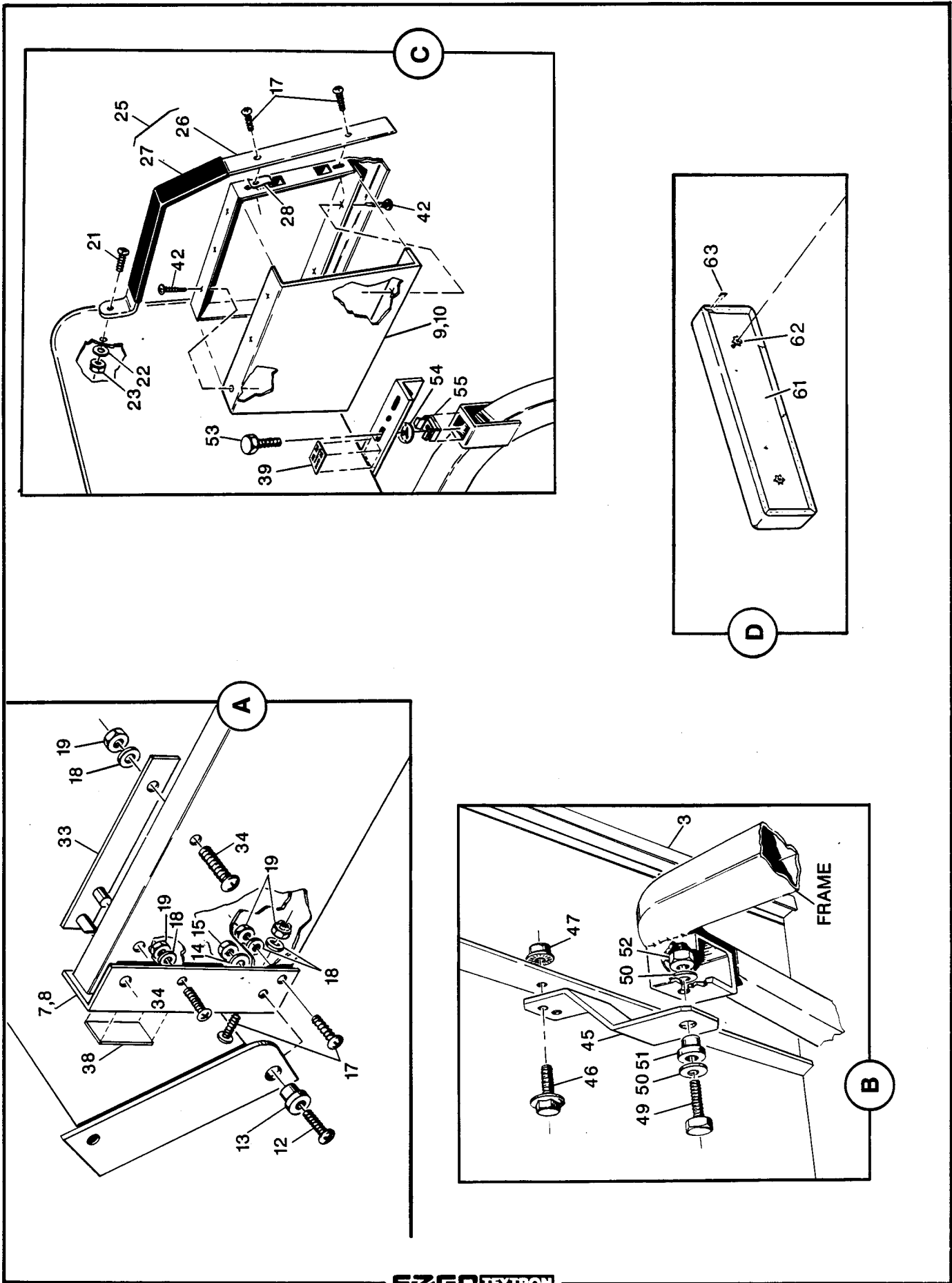
EZGO **TEXTRON**



- 1-INCLUDES ITEMS 2-55
- 2-INCLUDES ITEMS 3-10
- 57-INCLUDES ITEMS 58-63.

EZGO **TEXTRON**

TRUCKBED
MMI



EZGO **TEXTRON**

TRUCKBED
MM2

10/01/87

TITLE TRUCKBED

When ordering parts, please specify model and serial no. of vehicle.

ITEM NO.	PART NO.	DESCRIPTION 1 2 3 4 5	3 WHEEL	4 WHEEL
			QTY.	
1	18973-G2	Truckbed Assembly, Field (Includes Items 2-55)	1	1
2	18974-G2	Truckbed Kit (Includes Items 3-10)	1	1
3	18975-G2	Flatbed Assembly	1	1
4	18477-G4	Tailgate	1	1
5	18978-G3	Panel, Side, Passenger Side	1	1
6	18978-G4	Panel, Side, Driver's Side	1	1
7	18470-G3	Bracket, Tailgate, Passenger Side	1	1
8	18470-G4	Bracket, Tailgate, Driver's Side	1	1
9	18484-G3	Panel, Seat, Driver's Side	1	1
10	18484-G4	Panel, Seat, Passenger Side	1	1
11				
12	16705-G9	Screw, Stainless Steel, 1/4-20 x 1 1/8 Lg.	2	2
13	18478-G1	Bushing	2	2
14	00559-G7	Washer, Flat, 1/4	2	2
15	14390-G4	Nut, Lock, 1/4-20	2	2
16				
17	16705-G1	Screw, Stainless Steel, 1/4-20 x 1 Lg.	14	14
18	00559-G7	Washer, Flat, 1/4	14	14
19	14390-G4	Nut, Lock, 1/4-20	14	14
20				
21	16705-G3	Screw, Stainless Steel, 1/4-20 x 3/4 Lg.	2	2
22	00559-G7	Washer, Flat, 1/4	2	2
23	14390-G4	Nut, Lock, 1/4-20	2	2
24				
25	19776-G1	Restraint, Hip-Hand Hold Assembly (Includes Items 26 and 27)	2	2
26	19775-G1	Restraint, Hip-Hand Hold	1	1
27	23152-G1	Handgrip	1	1
28	14776-G1	Nut, "J", 1/4-20	4	4
29				
30	16705-G3	Screw, Stainless Steel, 1/4-20 x 3/4 Lg.	2	2
31	00559-G7	Washer, Flat, 1/4	2	2
32	14390-G4	Nut, Lock, 1/4-20	2	2



TITLE TRUCKBED

When ordering parts, please specify model and serial no. of vehicle.

ITEM NO.	PART NO.	DESCRIPTION 1 2 3 4 5	3 WHEEL	4 WHEEL
			QTY.	
33	18621-G1	Latch, Tailgate	2	2
34	16705-G2	Screw, Stainless Steel, 1/4-20 x 5/8 Lg.	4	4
35				
36				
37				
38	14465-G1	Strip, Noise Suppressor	3	3
39	18462-G1	Label, Warning	2	2
40				
41				
42	18449-G1	Screw, Self-Drilling and Tapping, Stainless Steel, #8-32 x 1/2 Lg.	10	10
43				
44				
45	18159-G1	Bracket, Bed Pivot	2	2
46	13437-G4	Screw, Lock, 3/8-16 x 1 Lg.	4	4
47	11027-G5	Nut, Lock, 3/8-16	4	4
48				
49	00665-G2	Screw, Stainless Steel, 3/8-16 x 1 1/4 Lg.	2	2
50	00653-G1	Washer, Flat, Stainless Steel, 3/8	2	2
51	18220-G1	Bushing, Pivot	2	2
52	00657-G3	Nut, Lock, Stainless Steel, 3/8-16	2	2
53	00648-G1	Screw, Lock, 5/16-18 x 1 1/4 Lg.	2	2
54	18315-G1	Fastener, Locking, 5/16	2	2
55	11840-G1	Nut, Speed Grip, 5/16-18	2	2
56				
57	18948-G1	Seat Back Assembly (Tan) (Includes items 58-63) . . .	1	1
58	18144-G1	Cover Assembly, Seat Back (Tan)	1	1
59	18145-G1	Foam, Cushion	1	1
60				
61	18951-G1	Seat Back, Plywood	1	1
62	11782-G2	Nut, Tee, 1/4-20	2	2
63	*	Staple, Flat, 3/8 x 3/8	95	95
64				



TITLE TRUCKBED

When ordering parts, please specify model and serial no. of vehicle.

ITEM NO.	PART NO.	DESCRIPTION 1 2 3 4 5	3 WHEEL	4 WHEEL
			QTY.	
65				
66	16705-G1	Screw, Stainless Steel, 1/4-20 x 1 Lg.	2	2
67	00664-G7	Washer, Lock, Stainless Steel, 1/4	2	2
68	00660-G7	Washer, Flat, Stainless Steel, 1/4	2	2
69				
70	19565-G1	Decal, XT-500 (White)	X	1
71	19567-G1	Decal, XT-300 (White)	1	X
72	19818-G1	Decal, E-Z-GO (White)	1	1
	*	Not available as an individual part.		

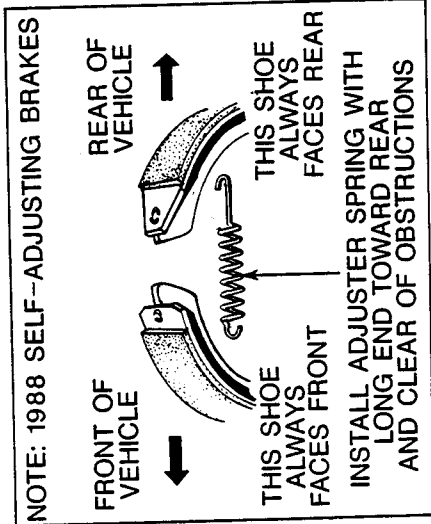
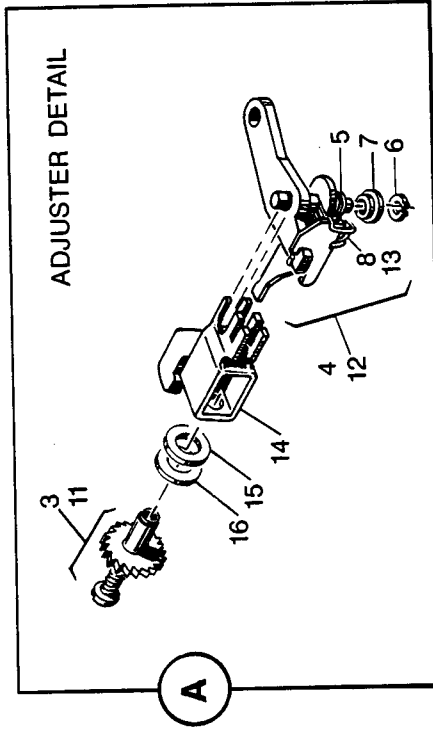
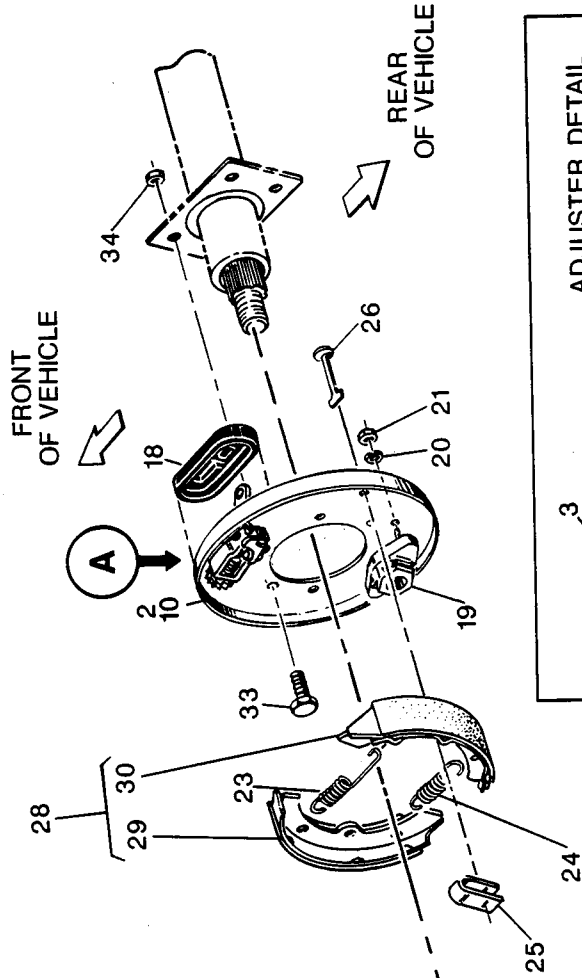


EZGO **TEXTRON**

MM6

10/01/87

SELF-ADJUSTING BRAKES
(DRIVER'S SIDE SHOWN)



- 1 - INCLUDES ITEMS 2-8, 14-30
- 9 - INCLUDES ITEMS 10-30

TITLE WHEEL BRAKE ASSEMBLY

When ordering parts, please specify model and serial no. of vehicle.

ITEM NO.	PART NO.	DESCRIPTION 1 2 3 4 5	3 WHEEL	4 WHEEL
			QTY.	
✓ 1	22997-G2	Brake Assembly, Driver's Side (Includes Items 2-8, 14-30)	1	1
2	22518-G1	Backing Plate, Driver's Side	1	1
✓ 3	23360-G1	Adjuster Assembly, Driver's Side	1	1
✓ 4	23357-G1	Lever Assembly, Driver's Side (Includes Items 5-8)	1	1
5	*	Spring	1	1
6	*	Retainer	1	1
7	*	Washer, Shoulder	1	1
✓ 8	23536-G1	Spring, Torsion, Driver's Side	1	1
✓ 9	22997-G1	Brake Assembly, Passenger Side (Includes Items 10-30).	1	1
10	22519-G1	Backing Plate, Passenger Side	1	1
✓ 11	23361-G1	Adjuster Assembly, Passenger Side	1	1
✓ 12	23358-G1	Lever Assembly, Passenger Side (Includes Items 5-7 and 13)	1	1
✓ 13	23537-G1	Spring, Torsion, Passenger Side	1	1
✓ 14	23363-G1	Adjuster Body	1	1
✓ 15	23382-G1	Washer	1	1
✓ 16	23362-G1	Washer, Thrust	1	1
17				
18	22519-G1	Dust Cover	1	1
✓ 19	23356-G1	Anchor Block	1	1
20	00565-G1	Washer, Lock, 1/4	2	2
21	13632-G1	Nut, 6mm	2	2
22				
✓ 23	23359-G1	Spring, Brake, Adjuster	1	1
24	17290-G1	Spring, Brake, Anchor	1	1
25	17291-G1	Spring, Shoe, Clamp	2	2
26	17292-G1	Pin, Tension	2	2
27				
✓ 28	23364-G1	Brake Shoe Set	1	1
29	*	Brake Shoe, Leading	1	1
30	*	Brake Shoe, Trailing	1	1
31				
32				

EZGO TEXTRON

TITLE WHEEL BRAKE ASSEMBLY

When ordering parts, please specify model and serial no. of vehicle.

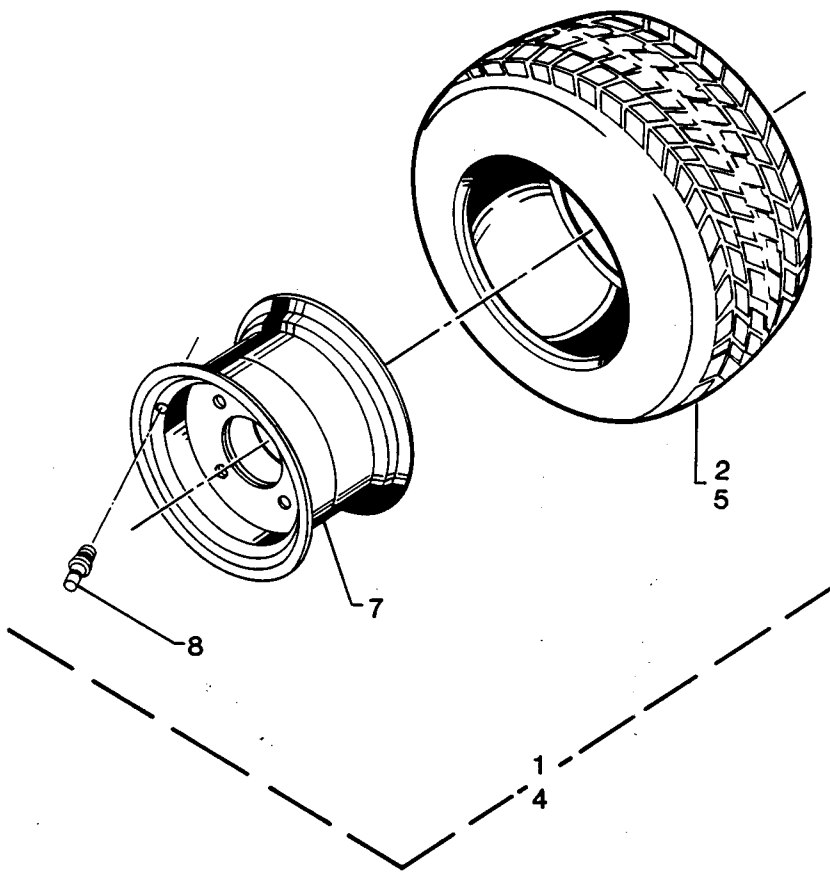
ITEM NO.	PART NO.	DESCRIPTION 1 2 3 4 5	3 WHEEL	4 WHEEL
			QTY.	
33	17083-G1	Bolt, 5/16-24 x 3/4 Lg.	8	8
34	15126-G1	Nut, Lock, 5/16-24	8	8
35				
36				
37	15485-G1	Washer	2	2
38	19186-G1	Brake Drum Assembly (Includes Item 39)	2	2
39	19862-G1	Lug Bolt	4	4
40				
41				
42				
43	XXXXX-XX	Washer (See Rear Axle Illustration for Part Number). .	2	2
44	XXXXX-XX	Nut, Slotted (See Rear Axle Illustration for Part Number)	2	2
45	XXXXX-XX	Cotter Pin (See Rear Axle Illustration for Part Number)	2	2
	*	Not available as an individual part.		



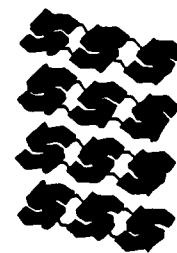
EZGO **TEXTRON**

NN4

8/15/87



POWER RIB



SOFTTRACK

EZGOTEXTRON

WHEELS AND TIRES
OOI

10/01/87

TITLE WHEELS AND TIRES

When ordering parts, please specify model and serial no. of vehicle.

3 WHEEL	4 WHEEL
QTY.	

ITEM NO.	PART NO.	DESCRIPTION 1 2 3 4 5	QTY.	
			3 WHEEL	4 WHEEL
1	14697-G2	18 x 8.50 x 8 Tire and Wheel Assembly, Rear, Softrac (Standard)	AR	AR
2	14697-G1	18 x 8.50 x 8 Tire, Rear, Softrac	AR	AR
3				
4	14728-G2	18 x 8.50 x 8 Tire and Wheel Assembly, Front, Power Rib	AR	AR
5	14728-G1	18 x 8.50 x 8 Tire, Front, Power Rib	AR	AR
6				
7	15169-G1	Wheel Rim, 1 Piece, 8.50 x 8 (Standard)	AR	AR
8	11657-G1	Valve Stem (Standard with Items 1 and 4).	AR	AR



EZGO TEXTRON

SERVICE ACCESSORIES AND SPECIAL TOOLS

EZGO TEXTRON

EZGO  **TEXTRON**

PART #

SPECIAL TOOLS

Current Indicator	16489-G2
Multi-Meter (Ohm Meter)	51020-G2
Seal Installation Tool (Rear Axle Shaft Seal)	18739-G1
Slide Hammer Kit (Axle Puller)	18753-G1

PAINT

Primer (Spray Can)	51130-G1
Paint, Gloss Black (Spray Can)	50633-G1
Paint, Flat Black (Spray Can)	15430-G1
Paint, Turf Green (Spray Can)	20451-G1
Paint, Gloss Black (Quarts)	50633-G3
Paint, Flat Black (Quarts)	15632-G1
Paint, Turf Green (Quarts)	20451-G2
Paint, Gloss Black (Gallons)	50633-G4
Paint, Flat Black (Gallons)	15632-G2
Paint, Turf Green (Gallons)	20451-G3



EZGO · **TEXTRON** ·



E-Z-GO Division of Textron Inc.
P.O. Box 388 Augusta, Georgia 30903-0388
Telephone 1-800-241-5855

Copyrighted Material
This manual may not be reproduced in whole or
in part without the express permission of
E-Z-GO Division of Textron Inc.
Technical Communications Department