

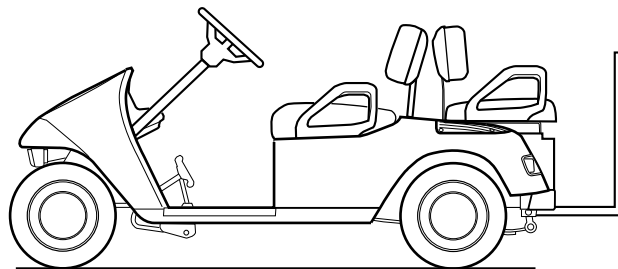
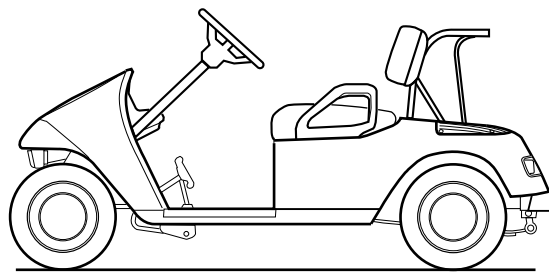


A Textron Company

SERVICE PARTS MANUAL

TXT 48V

ELECTRIC POWERED GOLF CAR



614278

ISSUED JANUARY 2010

SERVICE PARTS MANUAL

ELECTRIC POWERED 48V GOLF CARS

FLEET 48V GOLF CARS FLEET PDS 48V GOLF CARS FREEDOM 48V GOLF CARS FREEDOM PDS 48V GOLF CARS

STARTING MODEL YEAR 2010

E-Z-GO Division of TEXTRON Inc. reserves the right to incorporate engineering and design changes to products in this Manual, without obligation to include these changes on units leased/sold previously.

The information contained in this Manual may be revised periodically by the E-Z-GO Division, and therefore is subject to change without notice.

The E-Z-GO Division **DISCLAIMS LIABILITY FOR ERRORS IN THIS MANUAL**, and the E-Z-GO Division **SPECIFICALLY DISCLAIMS LIABILITY FOR INCIDENTAL AND CONSEQUENTIAL DAMAGES** resulting from the use of the information and materials in this Manual.

TO CONTACT US

NORTH AMERICA:

TECHNICAL ASSISTANCE & WARRANTY PHONE: 1-800-774-3946, FAX: 1-800-448-8124

SERVICE PARTS PHONE: 1-888-GET-EZGO (1-888-438-3946), FAX: 1-800-752-6175

INTERNATIONAL: PHONE: 001-706-798-4311, FAX: 001-706-771-4609

E-Z-GO DIVISION OF TEXTRON INC., 1451 MARVIN GRIFFIN ROAD, AUGUSTA, GEORGIA USA 30906-3852

GENERAL INFORMATION

This vehicle has been designed and manufactured in the United States of America (USA) as a 'World Vehicle'. The Standards and Specifications listed in the following text originate in the USA unless otherwise indicated.

The use of non Original Equipment Manufacturer (OEM) approved parts may void the warranty.

Tampering with or adjusting the governor to permit vehicle to operate at above factory specifications will void the vehicle warranty.

When servicing engines, all adjustments and replacement components must be per original vehicle specifications in order to maintain the United States of America Federal and State emission certification applicable at the time of manufacture.

BATTERY PROLONGED STORAGE

All batteries will self discharge over time. The rate of self discharge varies depending on the ambient temperature and the age and condition of the batteries.

A fully charged battery will not freeze in winter temperatures unless the temperature falls below -75° F (-60° C).

TABLE OF CONTENTS

SECTION	Page No.
HOW TO USE THE SERVICE PARTS MANUAL	Vii
ACCELERATOR PEDAL ASSEMBLY	A-1
• Accelerator Pedal Pad	
• Accelerator Pedal Assembly	
• Switches	
BATTERY CHARGER	B-1
• Charger	
• Charger Cords	
• Cover	
• Handle	
BODY -	C-1
• Front Bumper	
• Front Splash Shield	
• Cowl	
• Nameplate	
• Instrument Panel	
• Instrument Panel Trim	
• Cup Holder	
• Pedal Cover	
• Floorboard	
• Floormat	
• Rocker Panels	
• Rear Body	
• Rear Splash Shields	
• Seat Support	
• Bagwell Liner	
• Access Panel	
• Scuff Guards	
• Rear Bumper	
• Side Baskets	
• Sand Bottle	
• Cooler	
• Soft Swipe	
• Divot Repair	
• Club & Ball Washer	
• Four Bag Attachment	
BRAKES - MECHANICAL	D-1
ELECTRICAL SYSTEM - MAIN COMPONENTS	E-1
• Main Harness	
• Solenoid	
• Reverse Warning Indicator	
• Run / Tow Switch	
• Run Plug	
• Controller Splash Shield	
• Key Switch	
• Charger Receptacle	
• Solenoid Wires	
• Batteries	
• Battery Tray	

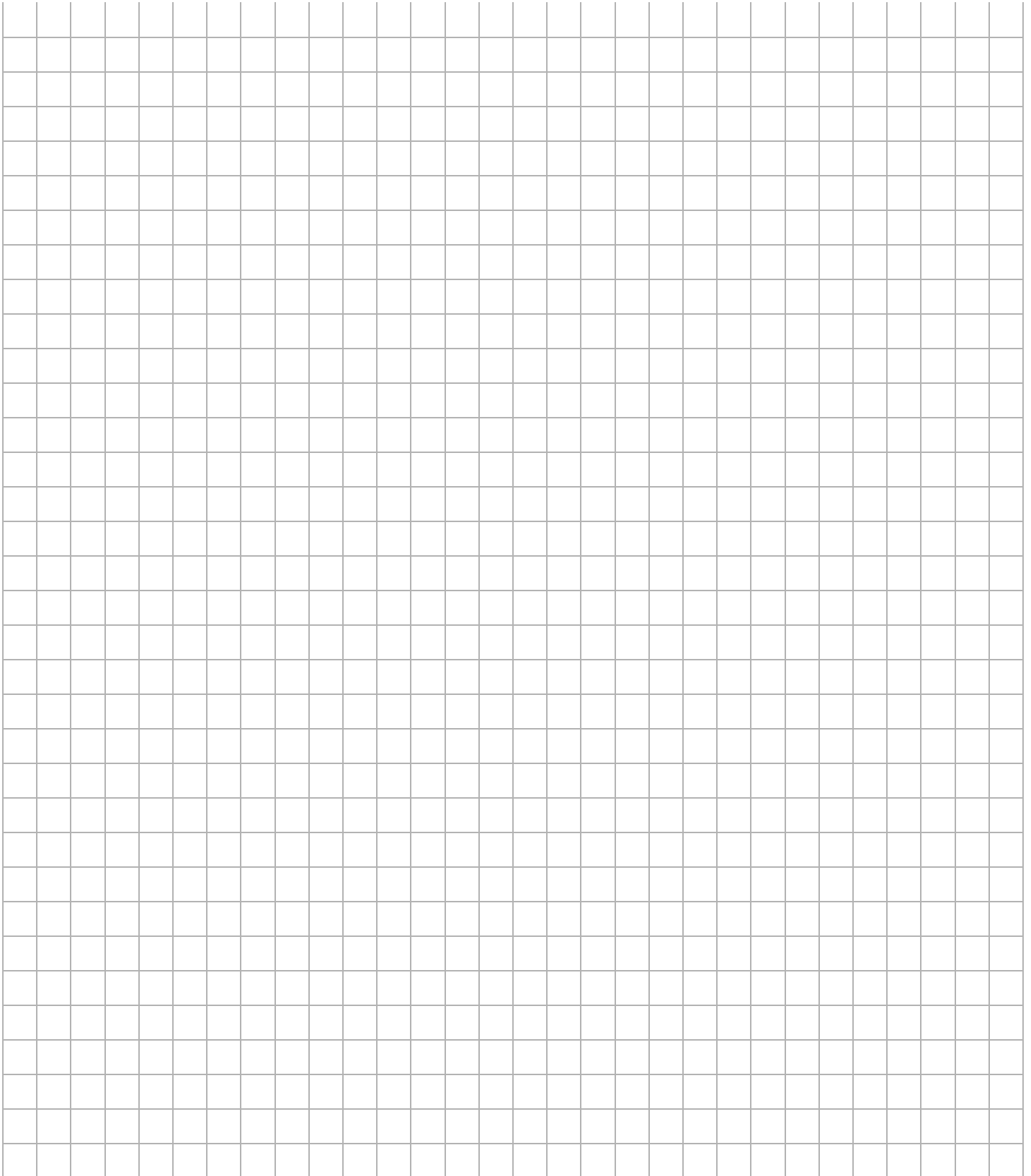
TABLE OF CONTENTS

SECTION	Page No.
<ul style="list-style-type: none">• Battery Hold Down• Battery Strap• Wires• Horn Assembly• Horn Button• State of Charge Meter• Headlights• Tail Lights• Turn Signal Switch• Headlight Switch	
ELECTRONIC SPEED CONTROL	G-1
<ul style="list-style-type: none">• Controller Assembly• Resistor Assembly• Resistor Mounting Bracket• Sensor	
FRONT SUSPENSION -	H-1
<ul style="list-style-type: none">• Strut Assemblies• Spindles• A-Arm• Front Hub• Wheel Bolt• Steering Rack Assembly• Steering Column• Steering Wheel• Score Card Holder	
MOTOR	J-1
REAR AXLE	K-1
<ul style="list-style-type: none">• Axle Assembly• Rear Hub• Wheel Bolt• Axle Shaft	
REAR SUSPENSION	L-1
<ul style="list-style-type: none">• Shocks• Leaf Spring• Shackles• Bushings	
SEATING	M-1
<ul style="list-style-type: none">• Front Seat Bottom• Front Seat Back• Hip Restraints• Seat Back Support• Sweater Basket• Bag Strap• Bag Strap Clamp• Rear Seat Bottom• Rear Seat Back• Seat Back Support• Seat Hinge• Arm Rest	

TABLE OF CONTENTS

SECTION	Page No.
<ul style="list-style-type: none">• Rear Seat Floor Board Assembly• Seat Belt	
TOW BAR - CASUAL	N-1
<ul style="list-style-type: none">• Tow Bar• Latch• Retainer	
TOW BAR - PERMANENT TOWED VEHICLE	N-3
<ul style="list-style-type: none">• Steering Link• Front Casting• Spacer• Rod Ends	
WEATHER PROTECTION - GOLF CAR SUN TOP	P-1
<ul style="list-style-type: none">• Sun Top• Top Struts• Windshield	
WHEELS AND TIRES	Q-1
<ul style="list-style-type: none">• Tires• Wheels• Lug Nuts• Dust Cap• Wheel Cover	

NOTES

A large grid of graph paper for taking notes, consisting of 20 columns and 30 rows of small squares.

HOW TO USE THE SERVICE PARTS MANUAL

This manual is divided into several sections:

GENERAL INFORMATION

- TABLE OF CONTENTS
- HOW TO USE THE SERVICE PARTS MANUAL

ILLUSTRATED PARTS BREAKDOWN

- Contains illustrations and parts lists for all systems of the vehicle.

USE OF THE MANUAL

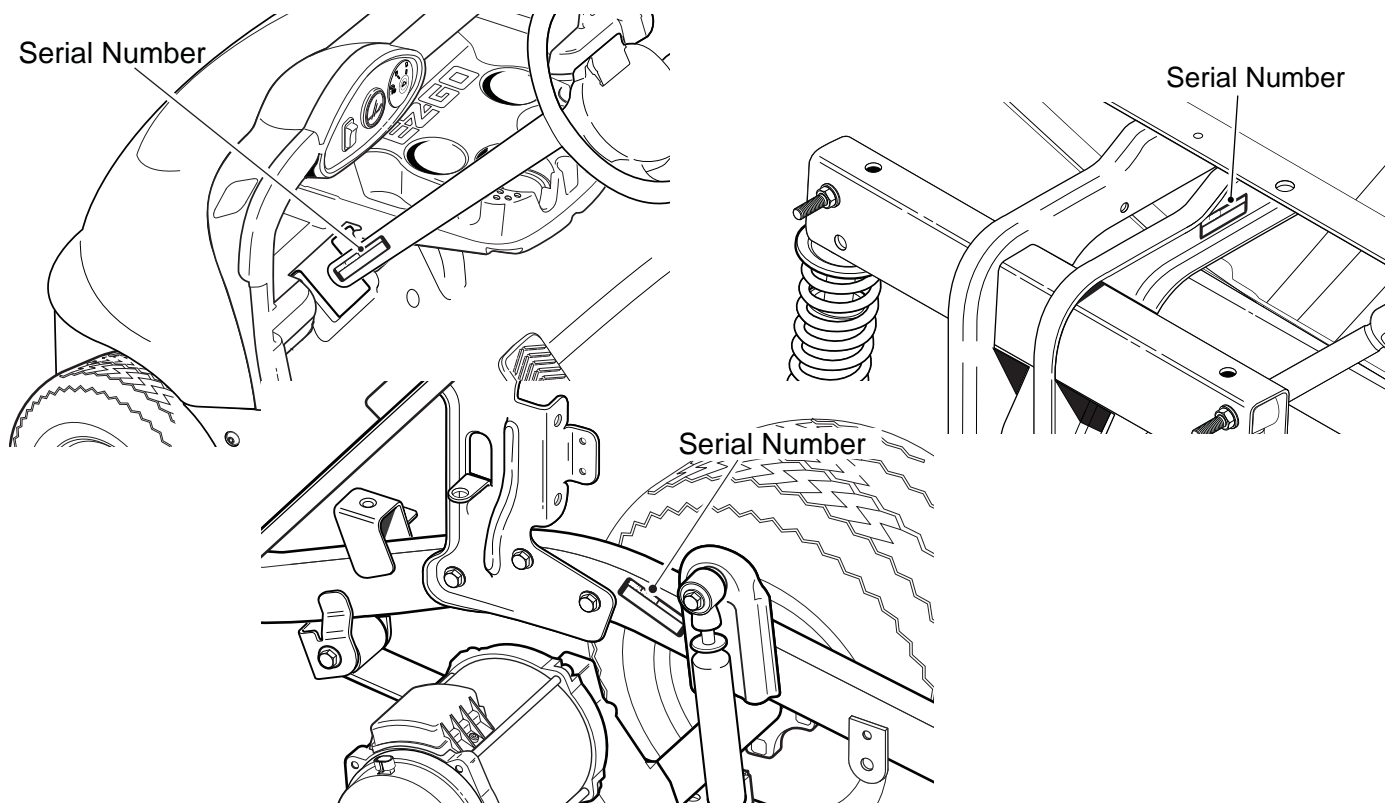
To use this manual, consult the TABLE OF CONTENTS (page iii) to locate the information or illustration required.

Introduction of some revisions varies due to supply of components; therefore, it is possible that various combinations of components may be found that are not directly reflected by each illustration. Consult the illustration that best suits your situation. Locate the serial number. It is important that the serial number of your vehicle and its model number be supplied to Service Parts when ordering any replacement components.

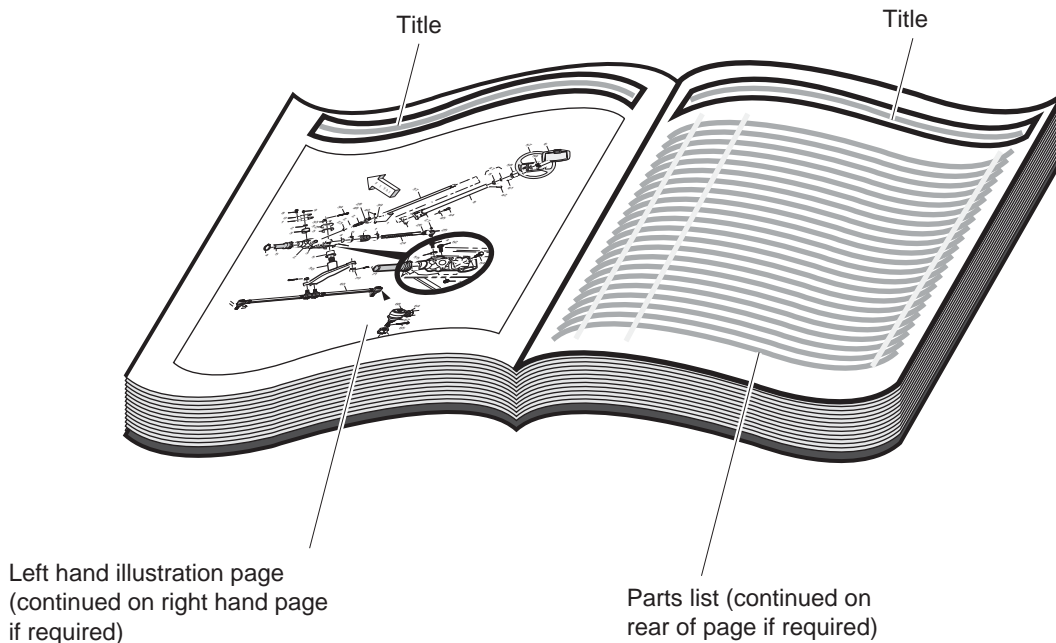
SERIAL NUMBER LOCATION

Three serial number and manufacture date code labels are on the vehicle. One is placed on the steering column, the second is located on the frame member under the front splash shield on the driver side and the third is located on the passenger side frame rail at the rear of the vehicle.

In order to obtain correct components for the vehicle, the manufacture date code, serial number and vehicle model must be provided when ordering service parts.



HOW TO USE THE SERVICE PARTS MANUAL



WHEN THE PART NUMBER IS NOT KNOWN

- Determine the function and application of the part required. Turn to the TABLE OF CONTENTS and select the most appropriate component description.
- Turn to the page number indicated and locate the part description in the parts list. Read the full accompanying description for specific information regarding the part that was not shown in the index.
- From the parts list, obtain the item number assigned to it and confirm that the part selected is correct by verifying it with the pictorial representation on the illustrated page.

Should an asterisk (*) appear in the part number column on the parts list page, read upwards until a part number is found. The part number is the lowest assembly sold by Service Parts. The asterisk (*) indicates that the part depicted is not available for purchase.

NOTE: Descriptions are indented under the assembly that they are used on. That assembly is, in turn listed under the assembly that it is used on. This process is repeated until the highest final assembly is reached.

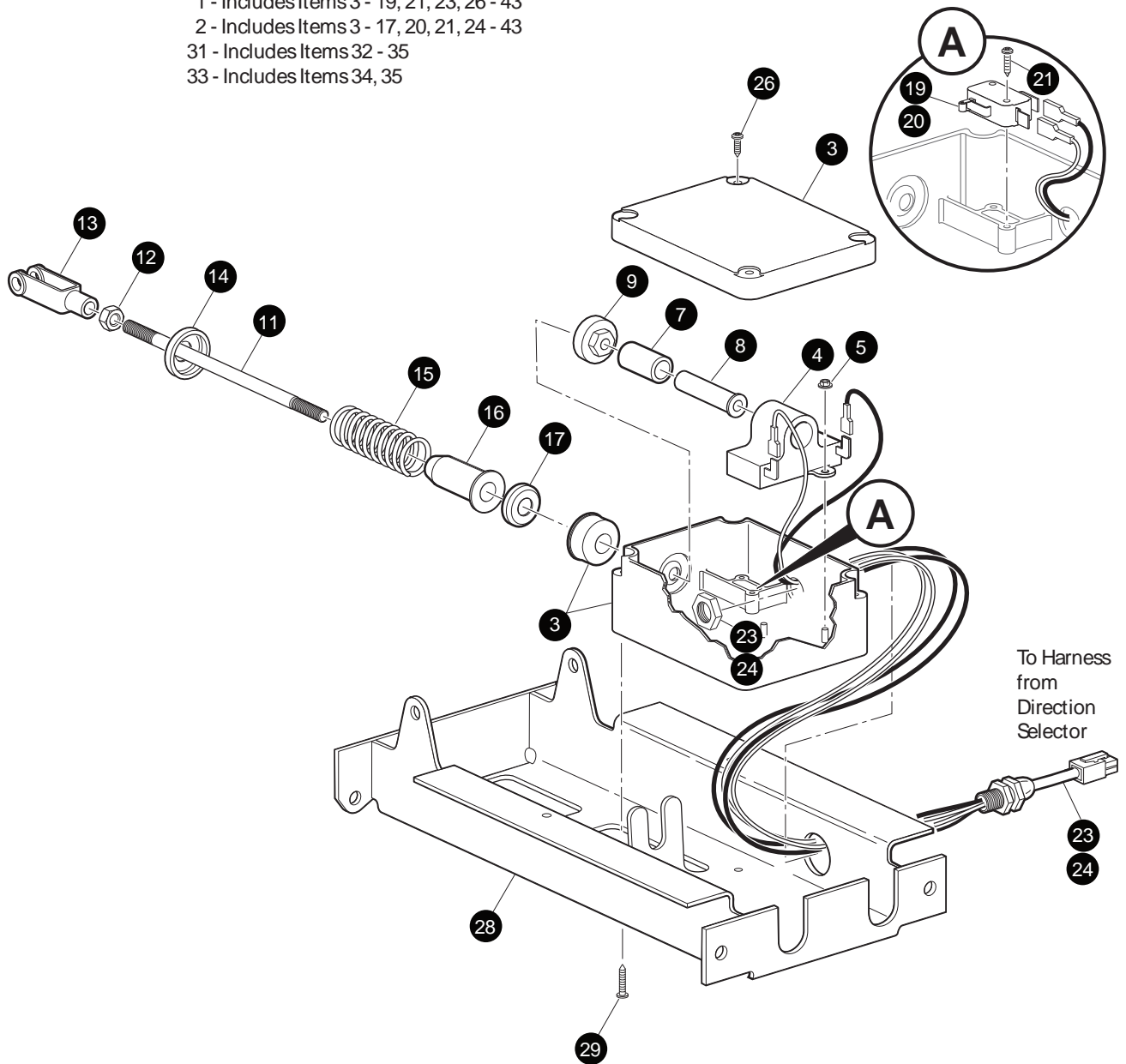
To facilitate the maintenance and repair of the vehicle, a Technician's Repair and Service Manual is available from the Service Parts Department.

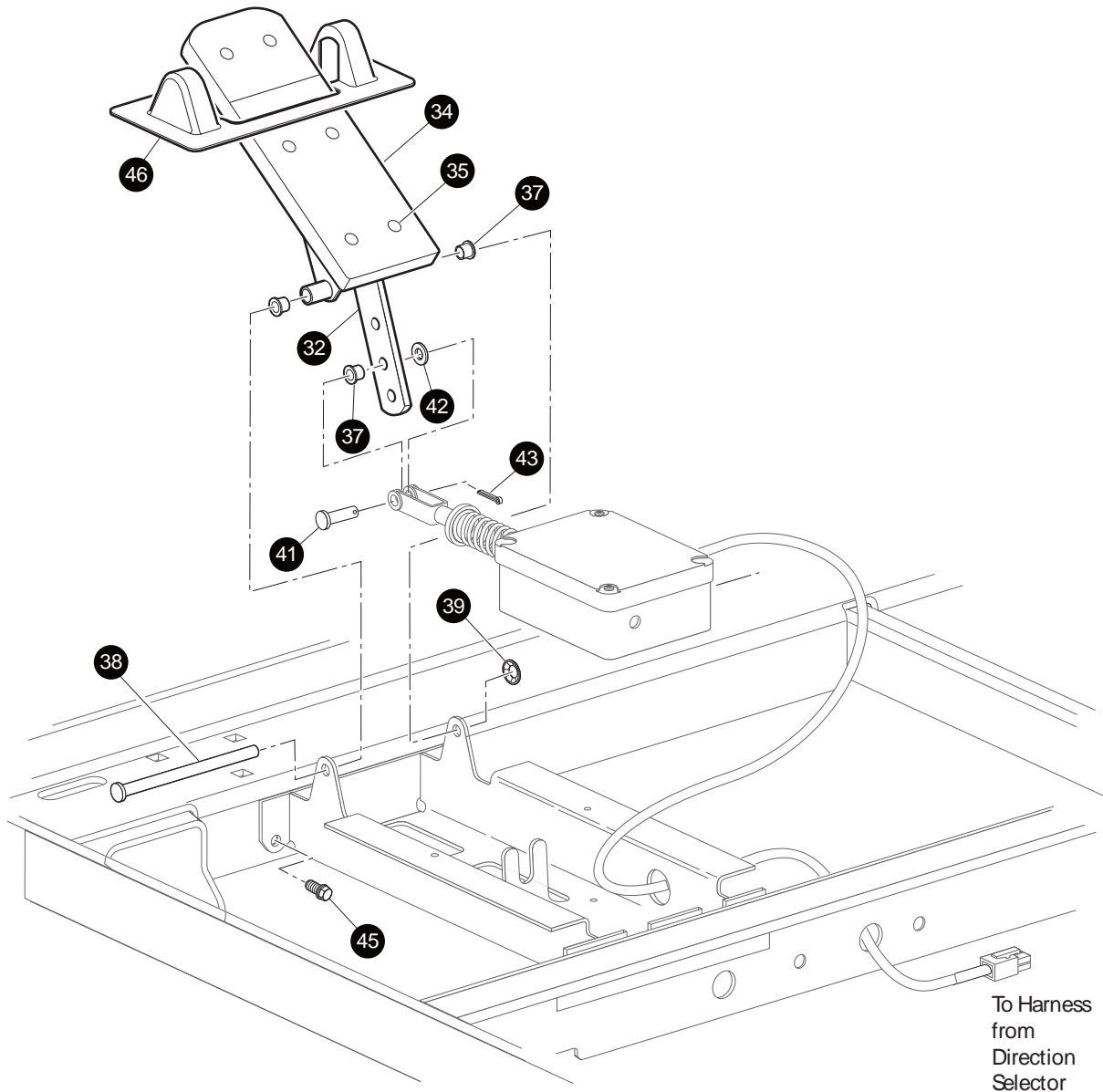
ILLUSTRATED PARTS BREAKDOWN

ILLUSTRATED PARTS BREAKDOWN

ACCELERATOR

- 1 - Includes Items 3 - 19, 21, 23, 26 - 43
- 2 - Includes Items 3 - 17, 20, 21, 24 - 43
- 31 - Includes Items 32 - 35
- 33 - Includes Items 34, 35





ACCELERATOR

Where applicable, THE USE OF NON UL PARTS WILL VOID ANY UL LISTING.

When ordering parts, please specify the model and serial number of the product.

* Indicates a component that is not available as an individual part.

G** Indicates consult Customer Service Department for additional information.

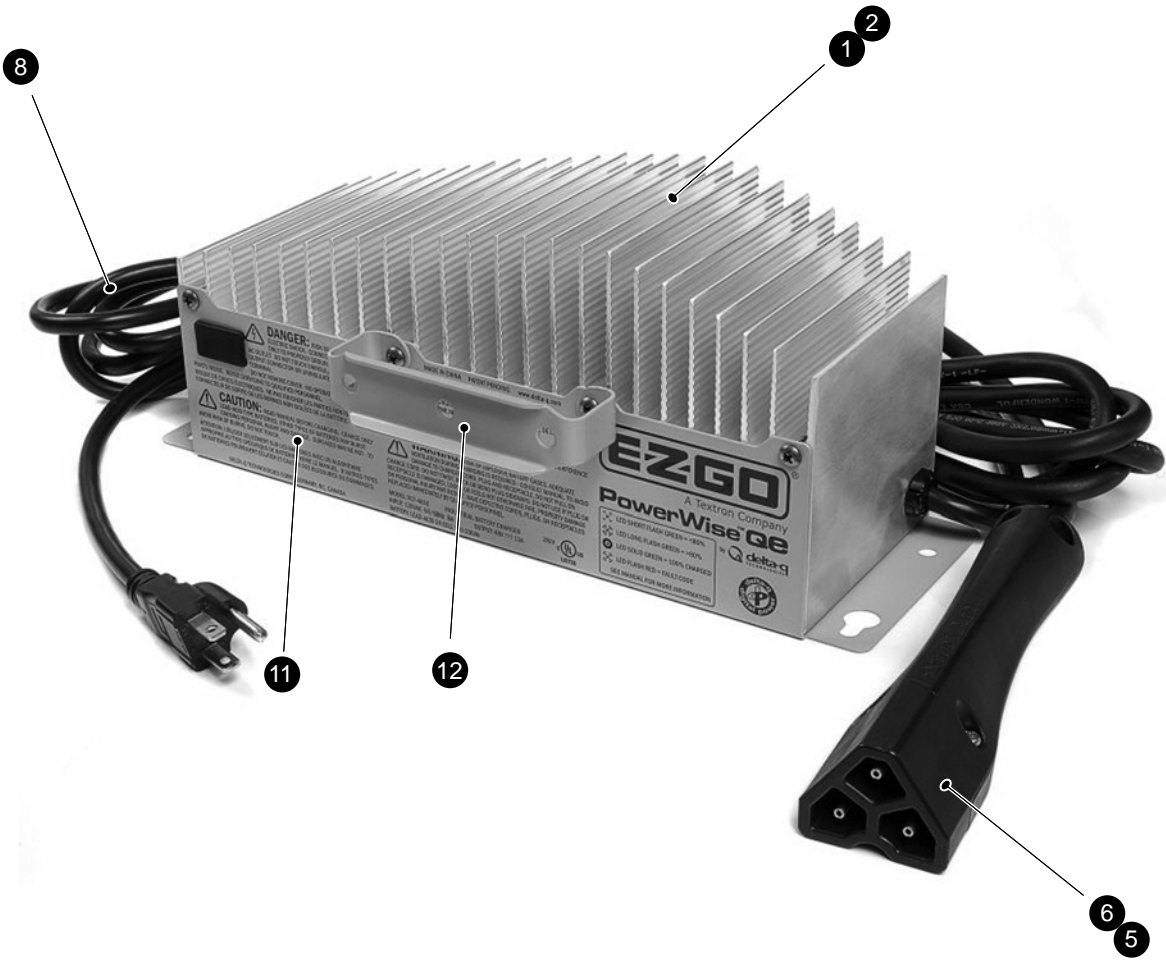
ITEM	PART NO.	1 2 3 4 5	DESCRIPTION	QTY.
1	73333-G09		PEDAL BOX ASSEMBLY (INCLUDES ITEMS 3 - 19, 21, 23, 26 - 43)	1
2	73333-G10		PEDAL BOX ASSEMBLY, PDS MODEL ONLY (INCLUDES ITEMS 3 - 17, 20, 21, 24 - 43)	1
3	25853-G01		PEDAL BOX AND COVER (SEAL AND BEARING)	1
4	25854-G01		INDUCTIVE THROTTLE SENSOR	1
5	00983-G01		SELF THREADING NUT, 3/16"	2
6				
7	25857-G01		PLUNGER SLEEVE.....	1
8	28443-G01		PLUNGER.....	1
9	28444-G01		PLUNGER CAM.....	1
10				
11	73332-G01		ACCELERATOR ROD	1
12	00532-G4		NUT, 5/16 - 24.....	1
13	10385-G4		CLEVIS YOKE (ADJUSTABLE).....	1
14	17677-G2		SPRING RETAINER, 3/8"	1
15	73046-G01		COMPRESSION SPRING	1
16	17979-G1		ACCELERATOR ROD BUSHING	1
17	17677-G1		SPRING RETAINER, 1/2"	1
18				
19	25861-G01		MICRO SWITCH.....	1
20	25861-G02		MICRO SWITCH (PDS MODEL ONLY).....	1
21	01050-G01		SCREW-PLASTITE, #4 - 20 X 5/8" LG.....	2
22				
23	25879-G03		WIRING HARNESS (PEDAL BOX ASSEMBLY)	1
24	25879-G05		WIRING HARNESS (PEDAL BOX ASSEMBLY) (PDS MODEL ONLY)	1
25				
26	00684-G6		SCREW, #8 - 32 X 3/4" LG (STAINLESS STEEL).....	2
27				
28	70116-G02		ACCELERATOR PEDAL BRACKET.....	1
29	01051-G01		SCREW, #8 - 16 X 1/2" LG	4

Where applicable, THE USE OF NON UL PARTS WILL VOID ANY UL LISTING.
 When ordering parts, please specify the model and serial number of the product.
 * Indicates a component that is not available as an individual part.
 G** Indicates consult Customer Service Department for additional information.

ITEM	PART NO.	1	2	3	4	5	DESCRIPTION	QTY.
30								
31	25799-G03						ACCELERATOR PEDAL ASSEMBLY (INCLUDES ITEMS 32 - 35).....	1
32	*						ACCELERATOR PEDAL	1
33	27844-G01						ACCELERATOR PEDAL PAD KIT (INCLUDES ITEMS 34, 35).....	1
34	27512-G01						ACCELERATOR PEDAL PAD	1
35	15766-G1						OVAL RIVET 3/16" X 7/16" LG	6
36								
37	17838-G1						NYLON BUSHING	3
38	74432-G01						PEDAL PIVOT PIN	1
39	12064-G6						PUSHNUT, 9/32" I.D.	1
40								
41	10386-G3						CLEVIS PIN, 5/16" X 13/16" LG	1
42	17255-G1						TEFLON WASHER, 5/16"	1
43	10387-G3						COTTER PIN, 3/32" X 3/4" LG	1
44								
45	00715-G2						BOLT, 5/16 - 18 X 4/5" LG	4
46	70135-G01						PEDAL PIVOT COVER	1

BATTERY CHARGER

- 1 48V Battery Charger with 3 meter Cord includes items 5,8,11 & 12
- 2 48V Battery Charger with 5.5 meter Cord includes items 6,8,11 & 12



BATTERY CHARGER

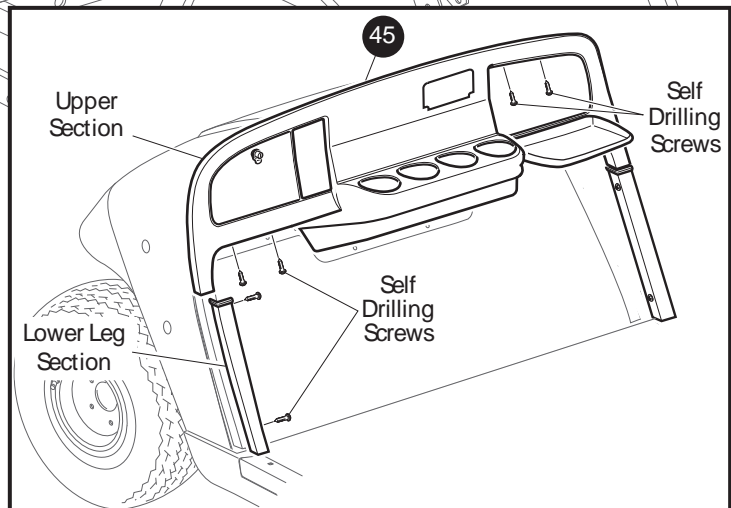
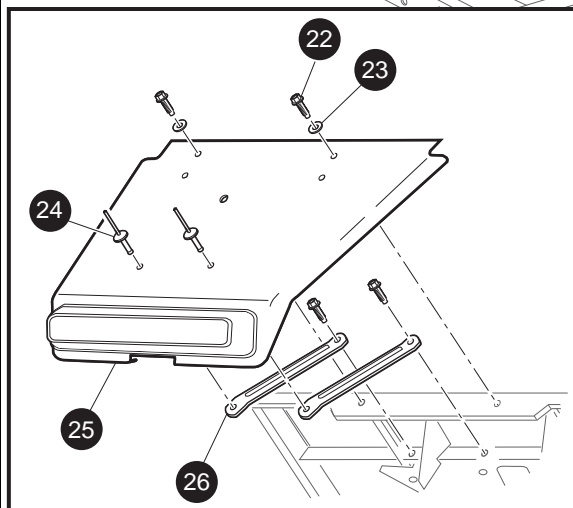
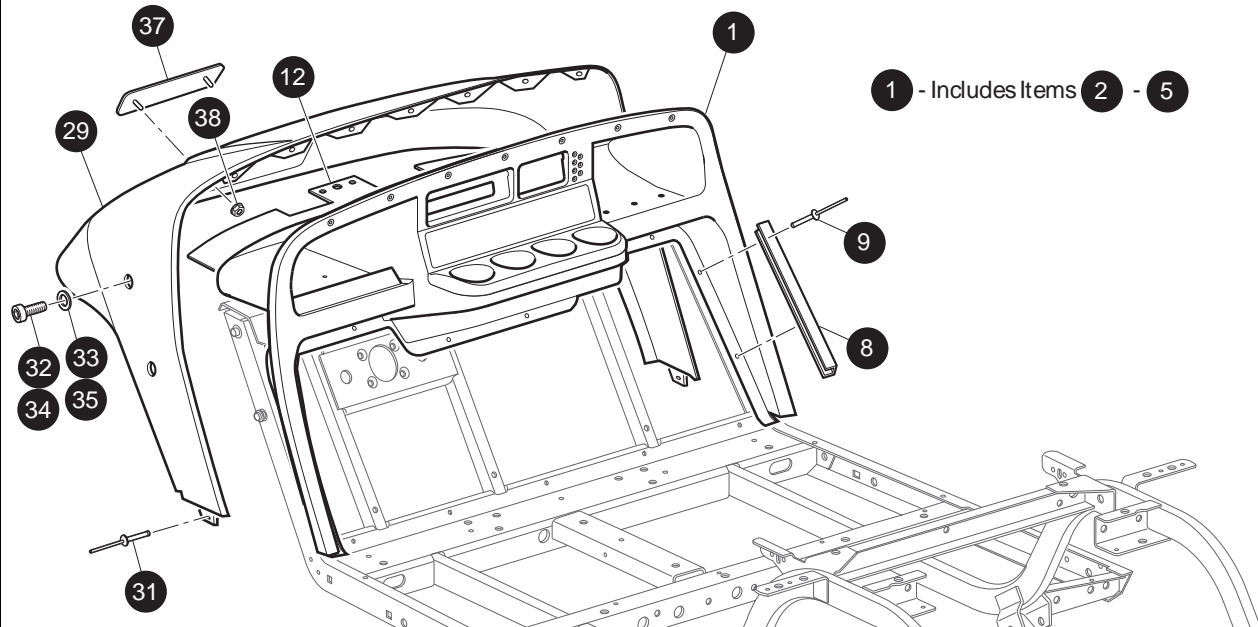
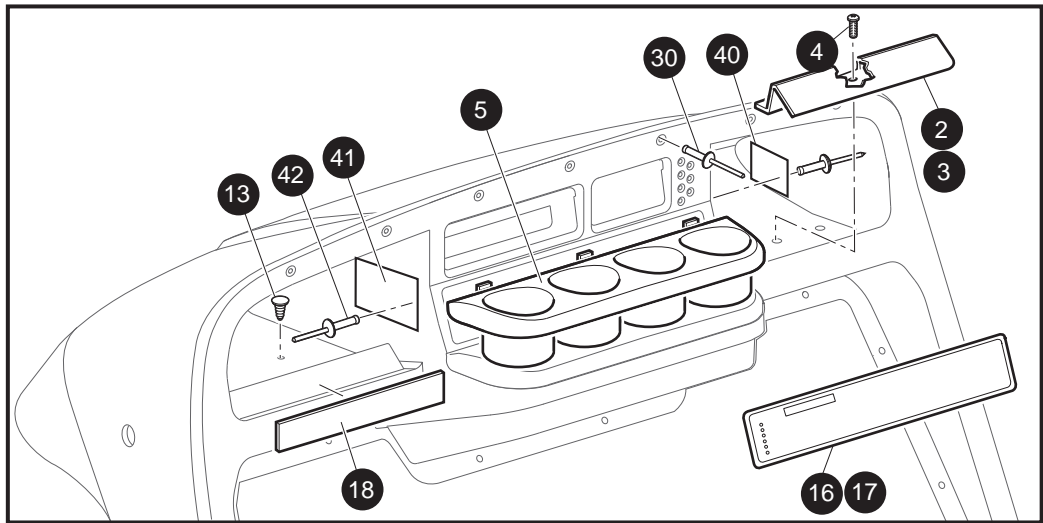
When ordering parts, please specify the model and serial number of the product.

* Indicates a component that is not available as an individual part.

*** Indicates consult Customer Service Department for additional information.

ITEM	PART NO.	1 2 3 4 5	DESCRIPTION	QTY.
1	611200		48V BATTERY CHARGER , 3 meter CORD (includes items 5, 8,11, & 12) ...	1
2	611201		48V BATTERY CHARGER, 5.5 meter CORD (includes items 6, 8, 11, & 12)	1
3				
4				
5	611218		DC CORD, 3 meters (INCLUDES STRAIN RELIEF)	1
6	611219		DC CORD, 5.5 meters (INCLUDES STRAIN RELIEF)	1
7				
8	611212		AC CORD, DOMESTIC	1
9				
10				
11	611220		48V CHARGER COVER KIT (includes item 12)	1
12	611216		CHARGER HANDLE.....	1
13				

BODY



Where applicable, THE USE OF NON UL PARTS WILL VOID ANY UL LISTING.
 When ordering parts, please specify the model and serial number of the product.
 * Indicates a component that is not available as an individual part.
 G** Indicates consult Customer Service Department for additional information.

ITEM	PART NO.	1 2 3 4 5	DESCRIPTION	QTY.
1	71151G01		INSTRUMENT PANEL ASSEMBLY (INCLUDES ITEMS 2 - 5)	1
2	71153G01		DEFLECTOR (PASSENGER SIDE)	1
3	71154G01		DEFLECTOR (DRIVER SIDE).....	1
4	00614G5		SCREW, #8 - 18 X 5/8" LG	6
5	71158G01		INSTRUMENT PANEL INSERT (4 CUP HOLDER).....	1
6				
7				
8	71115G01		VINYL TRIM	2
9	71055G01		RIVET, 3/16" X 1" LG (ALUMINUM).....	10
10				
11				
12	71413G01		SPLASH PANEL.....	1
13	16816G2		RATCHET FASTENER, 1/4" X 3/4" LG	5
14				
15				
16	608465		LABEL (SAFETY).....	1
17				
18	74443G01		LABEL (ANTI-ROLLBACK)	1
19				
20				
21				
22	01038G01		BOLT, 1/4 - 20 X 11/16" LG	4
23	16469G1		WASHER, 1/4"	2
24	01057G01		RIVET, 1/4" X 1" LG	2
25	27166G04		FRONT SHIELD	1
26	70725G02		FRONT SHIELD BRACE.....	2
27				
28				
29	71051G**		COWL.....	1
30	71055G01		RIVET, 3/16" X 1" LG (ALUMINUM).....	9

BODY

Where applicable, THE USE OF NON UL PARTS WILL VOID ANY UL LISTING.

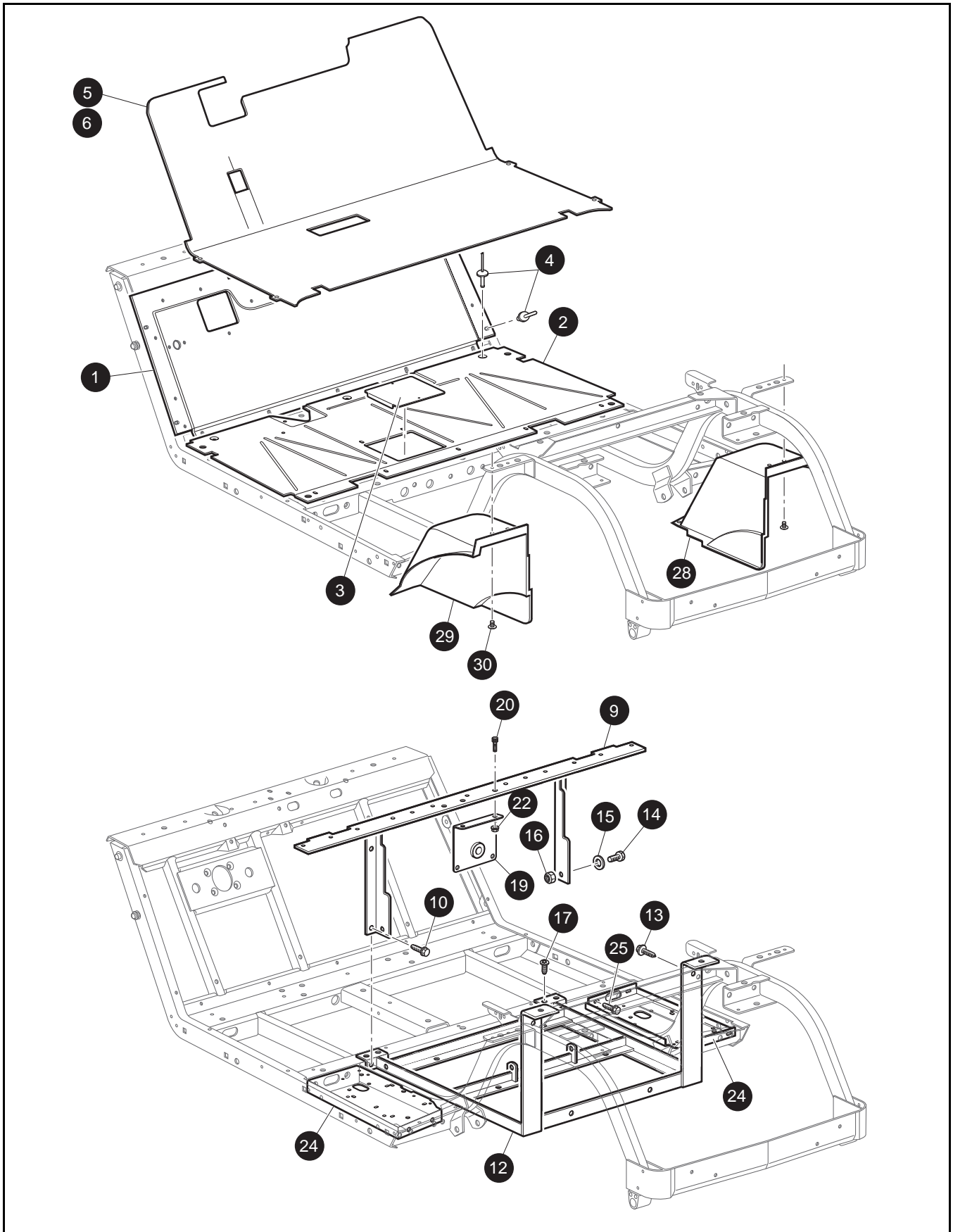
When ordering parts, please specify the model and serial number of the product.

* Indicates a component that is not available as an individual part.

G** Indicates consult Customer Service Department for additional information.

ITEM	PART NO.	1 2 3 4 5	DESCRIPTION	QTY.
31	10570G11		RIVET, 3/16" X 3/4" LG (STAINLESS STEEL)	2
32	71056G01		BOLT, 5/16 - 18 X 5/8" LG	4
33	00570G2		WASHER, 5/16.....	4
34	00438G6		BOLT, 5/16 - 18 X 3/4" LG (WITH TOP)	2
35	00571G2		WASHER, 5/16"	2
36				
37	71037G02		E-Z-GO NAMEPLATE (GOLD).....	1
38	71597G01		NUT, SELF-THREADING, 5MM STUD x 10MM HEX	2
39				
40				
41				
42				
43				
44				
45	74239G01		INSTRUMENT PANEL WOODGRAIN APPLIQUE KIT	1

BODY

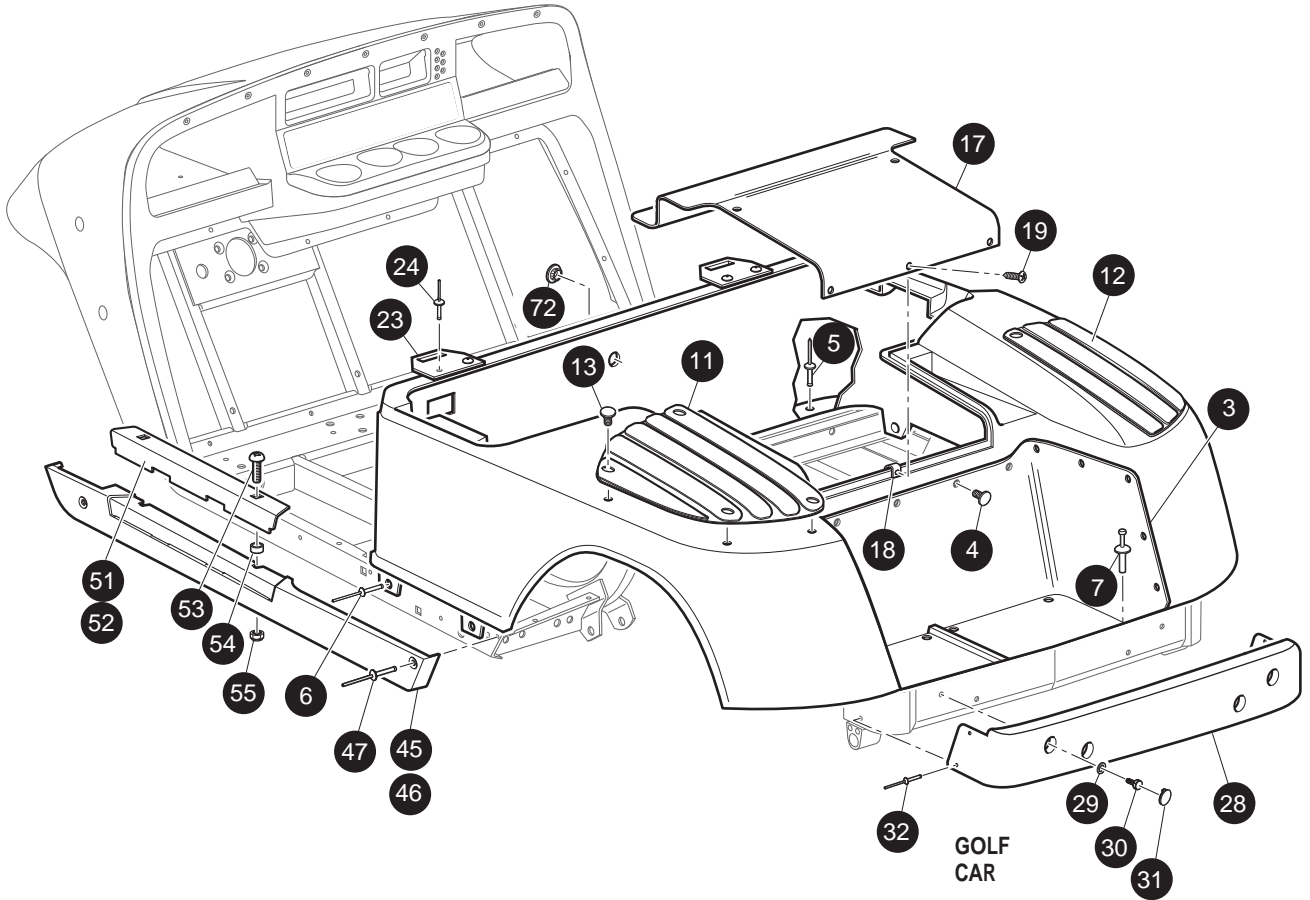


Where applicable, THE USE OF NON UL PARTS WILL VOID ANY UL LISTING.
 When ordering parts, please specify the model and serial number of the product.
 * Indicates a component that is not available as an individual part.
 G** Indicates consult Customer Service Department for additional information.

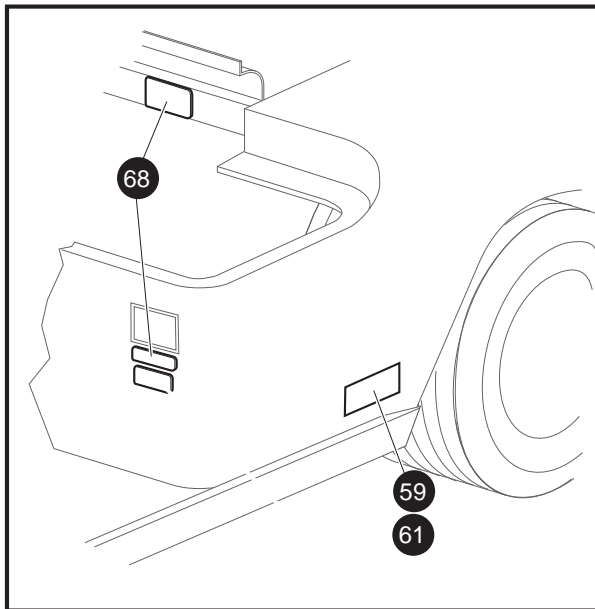
ITEM	PART NO.	1 2 3 4 5	DESCRIPTION	QTY.
1	70662G01		UPPER FLOORPAN.....	1
2	70451G01		LOWER FLOORPAN.....	1
3	70452G01		ACCESS COVER.....	1
4	14601G11		RIVET, 3/16" X 9/16" LG (ALUMINUM).....	16
5	70995G01		FLOORMAT.....	1
6	70995G02		FLOORMAT WITH HORN HOLE.....	1
7				
8				
9	70440G04		SEAT FRAME.....	1
10	00715G2		BOLT, 5/16 - 18 X 4/5" LG.....	2
11				
12				
13	600496		BATTERY TRAY.....	1
14	70244G03		SPLASH PANEL.....	1
15	00715G2		BOLT, 5/16 - 18 X 4/5" LG.....	4
16				
17				
18	71812G01		FENDER LINER (PASSENGER SIDE).....	1
19	71812G02		FENDER LINER (DRIVER SIDE).....	1
20	16816G2		RATCHET FASTENER, 1/4" X 3/4" LG.....	8

BODY

- 1 - Includes Items 3 4
- 2 - Includes Items 3 4



LABELS



Where applicable, THE USE OF NON UL PARTS WILL VOID ANY UL LISTING.

When ordering parts, please specify the model and serial number of the product.

* Indicates a component that is not available as an individual part.

G** Indicates consult Customer Service Department for additional information.

ITEM	PART NO.	1 2 3 4 5	DESCRIPTION	QTY.
1	71912G4**		REAR BODY (WITHOUT TAILLIGHTS) (INCLUDES ITEMS 3, 4)	1
2	71334G0**		REAR BODY (WITH TAILLIGHTS) (INCLUDES ITEMS 3, 4).....	1
3	71318G01		BAGWELL LINER.....	1
4	16816G1		RATCHET FASTENER, 1/4" X 9/16" LG	26
5	10570G10		RIVET, 5/32" X 9/16" LG (STAINLESS STEEL)	6
6	10570G12		RIVET, 1/4" X 9/16" LG (ALUMINUM).....	4
7	18436G1		RIVET, 1/4" X 3/4" LG	2
8				
9				
10				
11	75126G01		FENDER SCUFFGUARD (DRIVER SIDE)	1
12	75126G02		FENDER SCUFFGUARD (PASSENGER SIDE).....	1
13	16816G2		RATCHET FASTENER, 1/4" X 3/4" LG	8
14				
15				
16				
17	71320G01		ACCESS PANEL	1
18	71364G02		'J' CLIP	1
19	01107G01		SCREW, #8 X 5/8" LG (STAINLESS STEEL)	5
20				
21				
22				
23	71609G01		SEAT HINGE PLATE	2
24	10570G11		RIVET, 3/16" X 3/4" LG (STAINLESS STEEL)	4
25				
26				
27				
28	71578G01		REAR BUMPER	1
29	00571G2		WASHER, 5/16"	4
30	71102G01		BOLT, 1/4 - 20 X 3/4" LG	4

BODY

Where applicable, THE USE OF NON UL PARTS WILL VOID ANY UL LISTING.

When ordering parts, please specify the model and serial number of the product.

* Indicates a component that is not available as an individual part.

G** Indicates consult Customer Service Department for additional information.

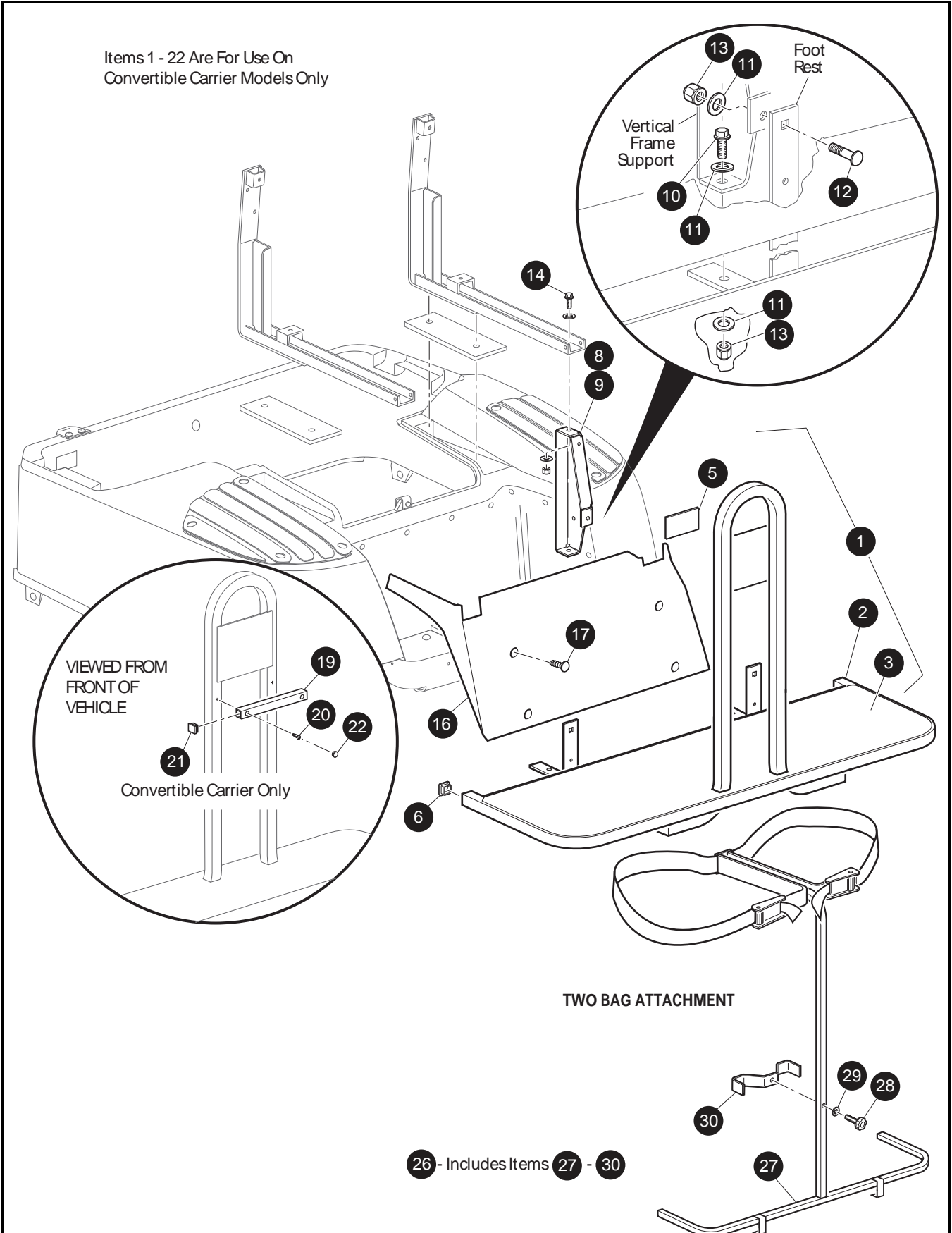
ITEM	PART NO.	1 2 3 4 5	DESCRIPTION	QTY.
31	71514G01		BUMPER PLUG	4
32	14601G17		RIVET, 3/16" X 9/16" LG (ALUMINUM)	4
33				
34				
35				
36	71456G01		REAR BUMPER (SHUTTLE 2+2)	1
37	71398G01		BOLT, 1/4 - 20 X 1 1/4" LG	2
38	71455G01		BUMPER PLUG	4
39	71102G01		BOLT, 1/4 - 20 X 3/4" LG	2
40	71554G01		'J' TYPE NUT RETAINER.....	2
41	71455G01		BUMPER STAY	4
42				
43				
44				
45	71501G01		ROCKER PANEL (PASSENGER SIDE).....	1
46	71502G01		ROCKER PANEL (DRIVER SIDE)	1
47	15058G6		RIVET, 3/16" X 15/16" LG (ALUMINUM)	4
48				
49				
50				
51	71507G01		SILL PLATE (PASSENGER SIDE)	1
52	71507G02		SILL PLATE (DRIVER SIDE).....	1
53	16705G1		SCREW, 1/4 - 20 X 1" LG (STAINLESS STEEL)	4
54	23726G4		SPACER, 5/16".....	4
55	14390G4		LOCK NUT, 1/4 - 20	4
56				
57				
58				
59	613478		LABEL (48V FLEET)	2
60				

Where applicable, THE USE OF NON UL PARTS WILL VOID ANY UL LISTING.
 When ordering parts, please specify the model and serial number of the product.
 * Indicates a component that is not available as an individual part.
 G** Indicates consult Customer Service Department for additional information.

ITEM	PART NO.	1 2 3 4 5	DESCRIPTION	QTY.
61	605407		LABEL (48V FREEDOM)	2
62				
63				
64				
65				
66				
67				
68	*		LABEL (SERIAL NUMBER)	1
69				
70				
71				
72	74024G01		SEAT WRAP MOUNTED NOISE SUPPRESSOR	1

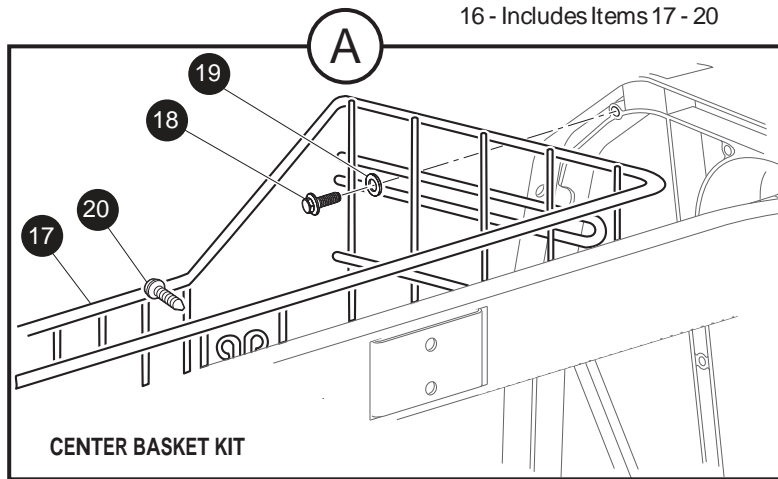
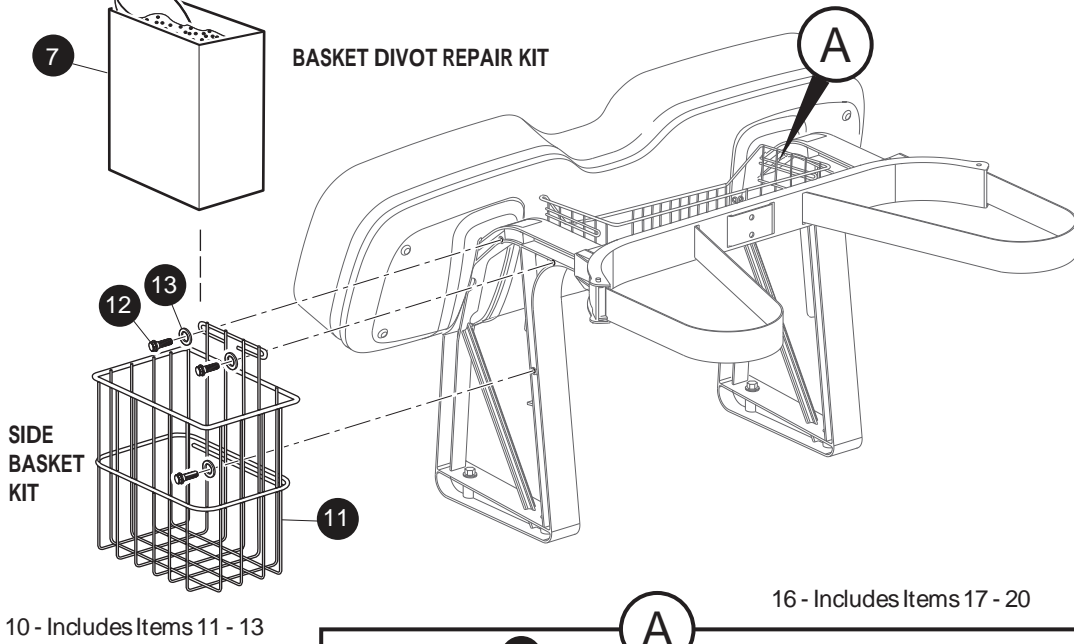
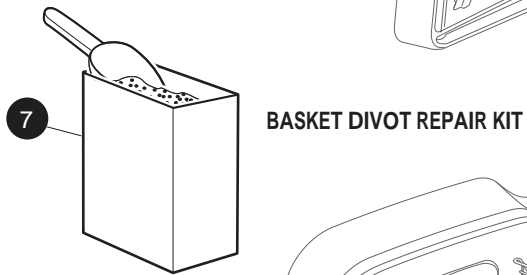
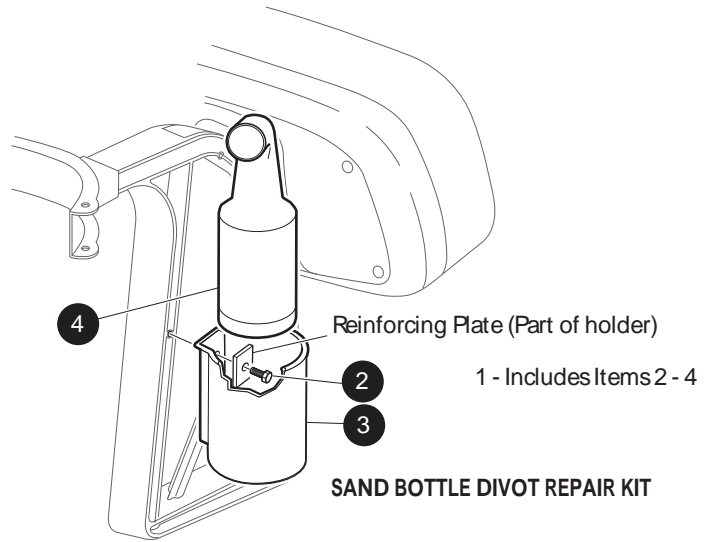
BODY

Items 1 - 22 Are For Use On
Convertible Carrier Models Only



Where applicable, THE USE OF NON UL PARTS WILL VOID ANY UL LISTING.
 When ordering parts, please specify the model and serial number of the product.
 * Indicates a component that is not available as an individual part.
 G** Indicates consult Customer Service Department for additional information.

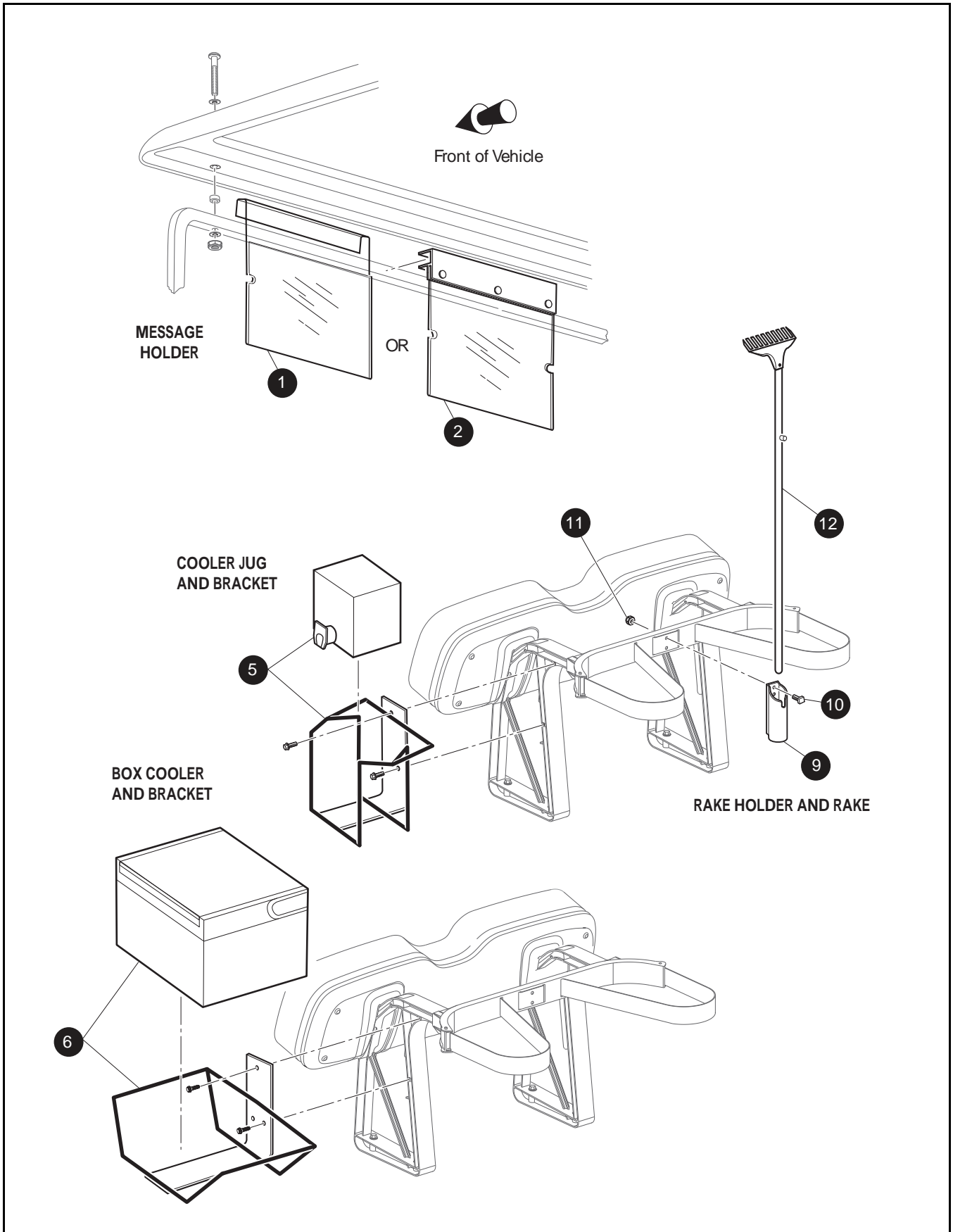
ITEM	PART NO.	1 2 3 4 5	DESCRIPTION	QTY.
1	70361G01		FOOTREST ASSEMBLY (INCLUDES ITEMS 2 - 5)	1
2	70633G01		FOOTREST	1
3	70362G01		FLOOR MAT	1
4	19853G1		END CAP, 1"	2
5	74074G01		LABEL (WARNING)	1
6				
7				
8	74126G01		VERTICAL FRAME SUPPORT (PASSENGER SIDE)	1
9	74126G02		VERTICAL FRAME SUPPORT (DRIVER SIDE).....	1
10	00427G6		BOLT, 3/8 - 16 X 1 1/2" LG	2
11	00560G1		WASHER, 3/8"	10
12	00769G2		CARRIAGE BOLT, 3/8 - 16 X 1 1/4" LG	2
13	11098G5		LOCK NUT, 3/8 - 16	10
14	01006G02		BOLT, 3/8 - 16 X 1" LG	2
15				
16	74149G01		VALANCE PANEL	1
17	16816G2		RATCHET FASTENER, 1/4" X 3/4" LG	4
18				
19	75268G01		SUPPORT	1
20	606882		SELF THREADING SCREW, #12 - 24 X 3/4" LG	2
21	19859G1		END CAP, 3/4".....	2
22	20271G2		HOLE PLUG, 1/2"	2
23				
24				
25				
26	75183G01		TWO BAG ATTACHMENT KIT (INCLUDES ITEMS 27 - 30)	1
27	75188G01		TWO BAG ATTACHMENT	1
28	22238G2		KNOB, 3/8 - 16 X 1 1/2" LG	1
29	17255G1		TEFLON WASHER, 5/16".....	1
30	75187G01		SUPPORT BRACKET.....	1



Where applicable, THE USE OF NON UL PARTS WILL VOID ANY UL LISTING.
 When ordering parts, please specify the model and serial number of the product.
 * Indicates a component that is not available as an individual part.
 G** Indicates consult Customer Service Department for additional information.

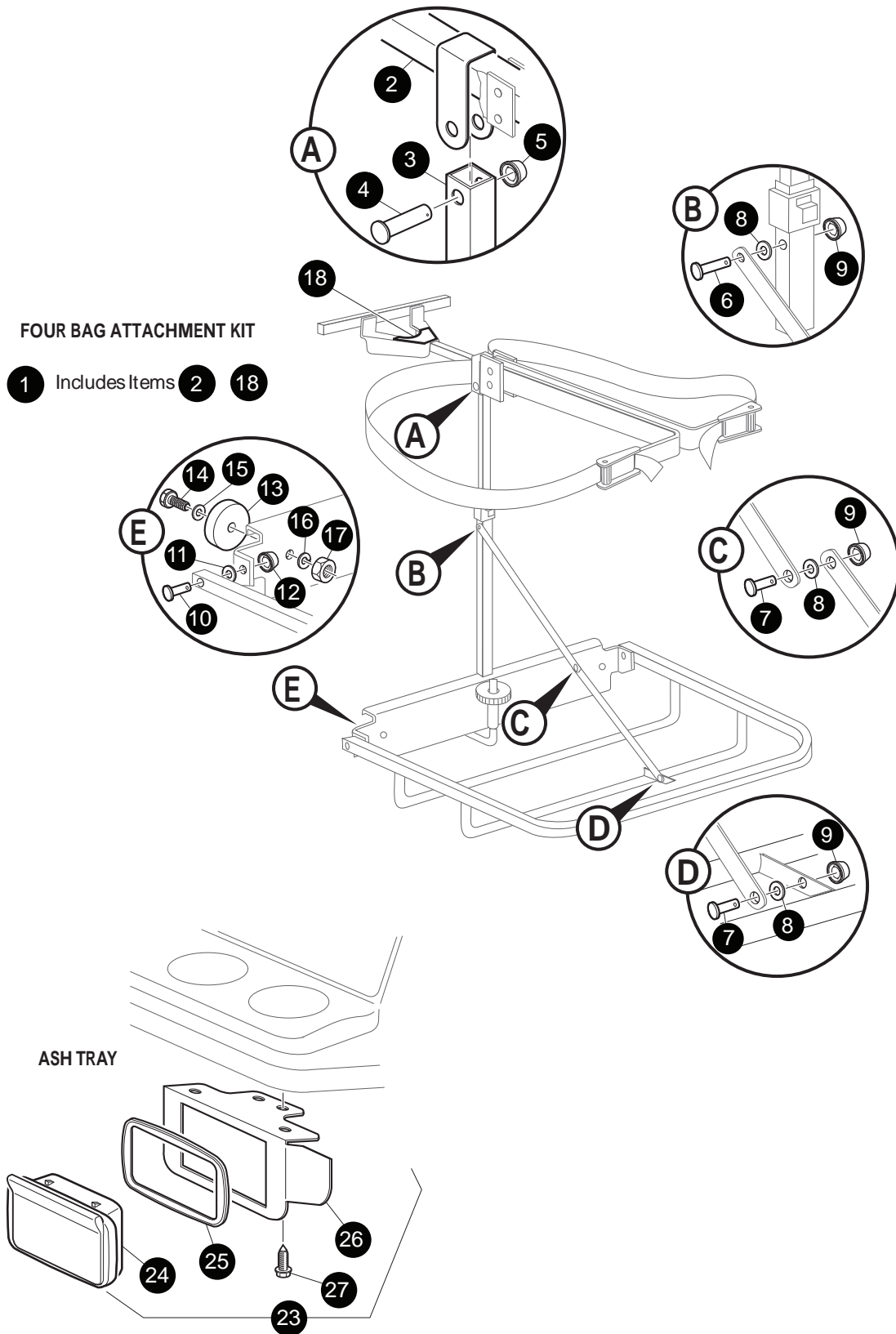
ITEM	PART NO.	1 2 3 4 5	DESCRIPTION	QTY.
1	28661G01		SAND BOTTLE DIVOT REPAIR KIT (INCLUDES ITEMS 2 - 4)	1
2	71102G01		BOLT, 1/4 - 20 X 3/4" LG.....	1
3	28660G01		SAND BOTTLE HOLDER	1
4	28659G01		SAND BOTTLE	1
5				
6				
7	23300G01		BASKET DIVOT REPAIR KIT (INCLUDES SCOOP)	1
8				
9				
10	75007G02		SIDE BASKET KIT (INCLUDES ITEMS 11 - 13).....	1
11	75460G01		SIDE BASKET	1
12	71102G01		BOLT, 1/4 - 20 X 3/4" LG.....	3
13	00793G2		FLAT WASHER, 1/4" (STAINLESS STEEL)	3
14				
15				
16	75003G02		CENTER BASKET KIT (INCLUDES ITEMS 17 - 20)	1
17	75461G01		CENTER BASKET	1
18	71102G01		BOLT, 1/4 - 20 X 3/4" LG.....	2
19	00793G2		FLAT WASHER, 1/4" (STAINLESS STEEL)	2
20	01105G01		SCREW, #10 X 5/8" LG (STAINLESS STEEL)	2

BODY



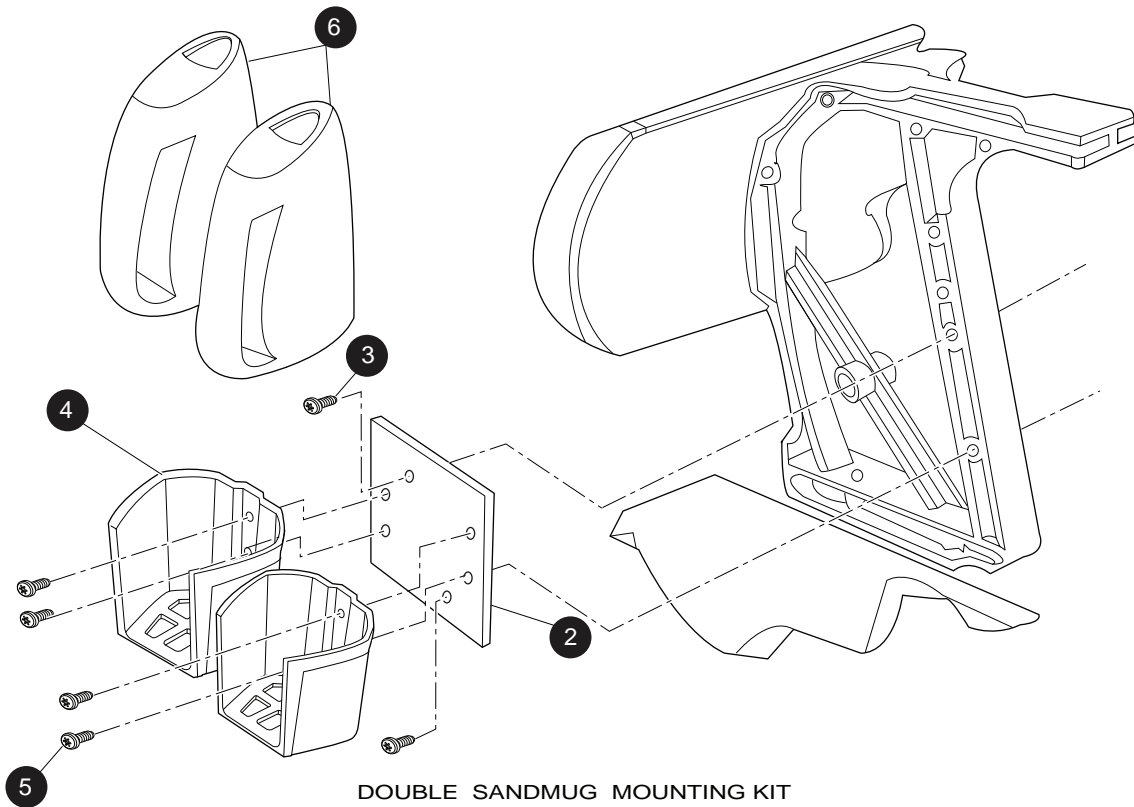
Where applicable, THE USE OF NON UL PARTS WILL VOID ANY UL LISTING.
 When ordering parts, please specify the model and serial number of the product.
 * Indicates a component that is not available as an individual part.
 G** Indicates consult Customer Service Department for additional information.

ITEM	PART NO.	1 2 3 4 5	DESCRIPTION	QTY.
1	75509G01		MESSAGE HOLDER (ONE PIECE).....	1
2	75496G01		MESSAGE HOLDER.....	1
3				
4				
5	75495G01		COOLER JUG AND BRACKET KIT	1
6	75344G01		BOX COOLER AND BRACKET KIT	1
7				
8				
9	25885G01		RAKE HOLDER.....	1
10	00989G06		SQUARE HEAD BOLT, 1/4 - 20 X 3/4" LG.....	2
11	11027G2		LOCK NUT, 1/4 - 20	2
12	14735G1		RAKE.....	1

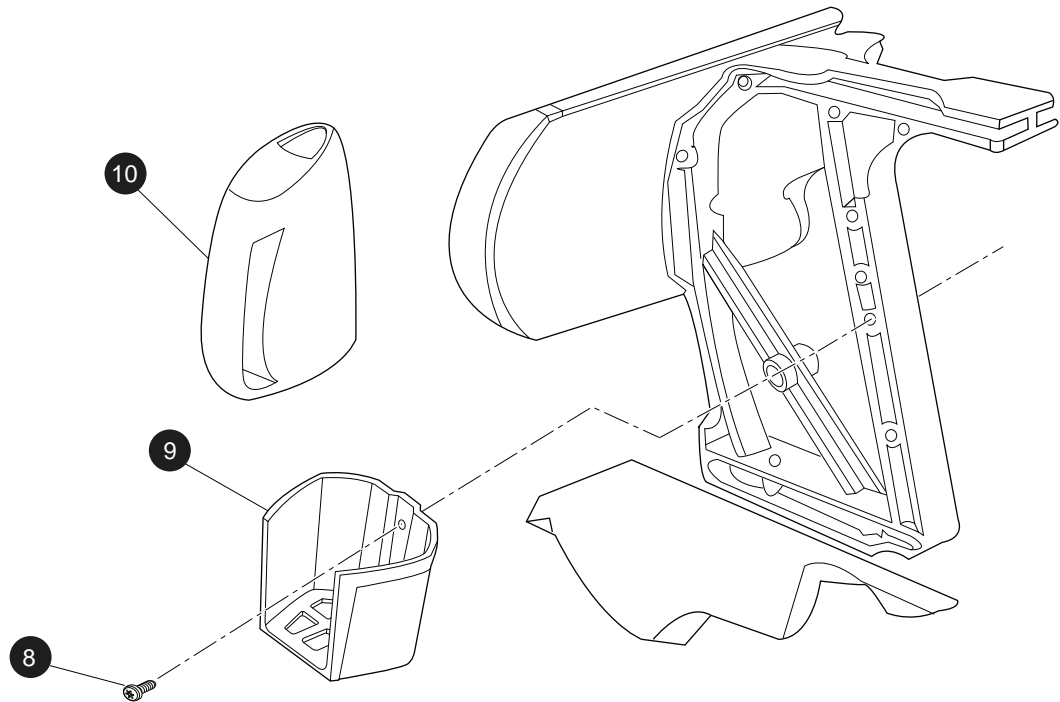


Where applicable, THE USE OF NON UL PARTS WILL VOID ANY UL LISTING.
 When ordering parts, please specify the model and serial number of the product.
 * Indicates a component that is not available as an individual part.
 G** Indicates consult Customer Service Department for additional information.

ITEM	PART NO.	1 2 3 4 5	DESCRIPTION	QTY.
1	75335G01		FOUR BAG ATTACHMENT KIT (INCLUDES ITEMS 2 - 18)	1
2	*		TOP ASSEMBLY	1
3	*		BOTTOM ASSEMBLY	1
4	17651G2		CLEVIS PIN, 5/16 X 1 1/8" LG.....	1
5	28129G01		PUSH NUT, 5/16".....	1
6	17651G2		CLEVIS PIN, 5/16 X 1 1/8" LG.....	1
7	17651G3		CLEVIS PIN, 5/16 X 1/2" LG.....	2
8	00559G8		WASHER, 5/16"	3
9	28129G01		PUSH NUT, 5/16".....	3
10	*		CLEVIS PIN 3/8 X 1 1/4" LG.....	2
11	00560G1		WASHER, 3/8"	2
12	*		PUSH NUT, 3/8".....	2
13	13728G1		RUBBER BUMPER.....	2
14	00150G6		SCREW, #10 - 24 X 3/4" LG	2
15	00559G5		WASHER, #10	2
16	00565G5		LOCK WASHER, #10	2
17	00526G3		NUT, #10 - 24.....	2
18	*		LABEL (WARNING)	1
19				
20				
21				
22				
23	75109G02		ASH TRAY KIT (INCLUDES ITEMS 24 - 27)	1
24	27731G01		ASH TRAY	1
25	27736G01		GASKET	1
26	75108G02		BRACKET	1
27	00100G4		SCREW, #10 - 16 X 1/2" LG	4



DOUBLE SANDMUG MOUNTING KIT
ITEM 1 INCLUDES 2 TO 6

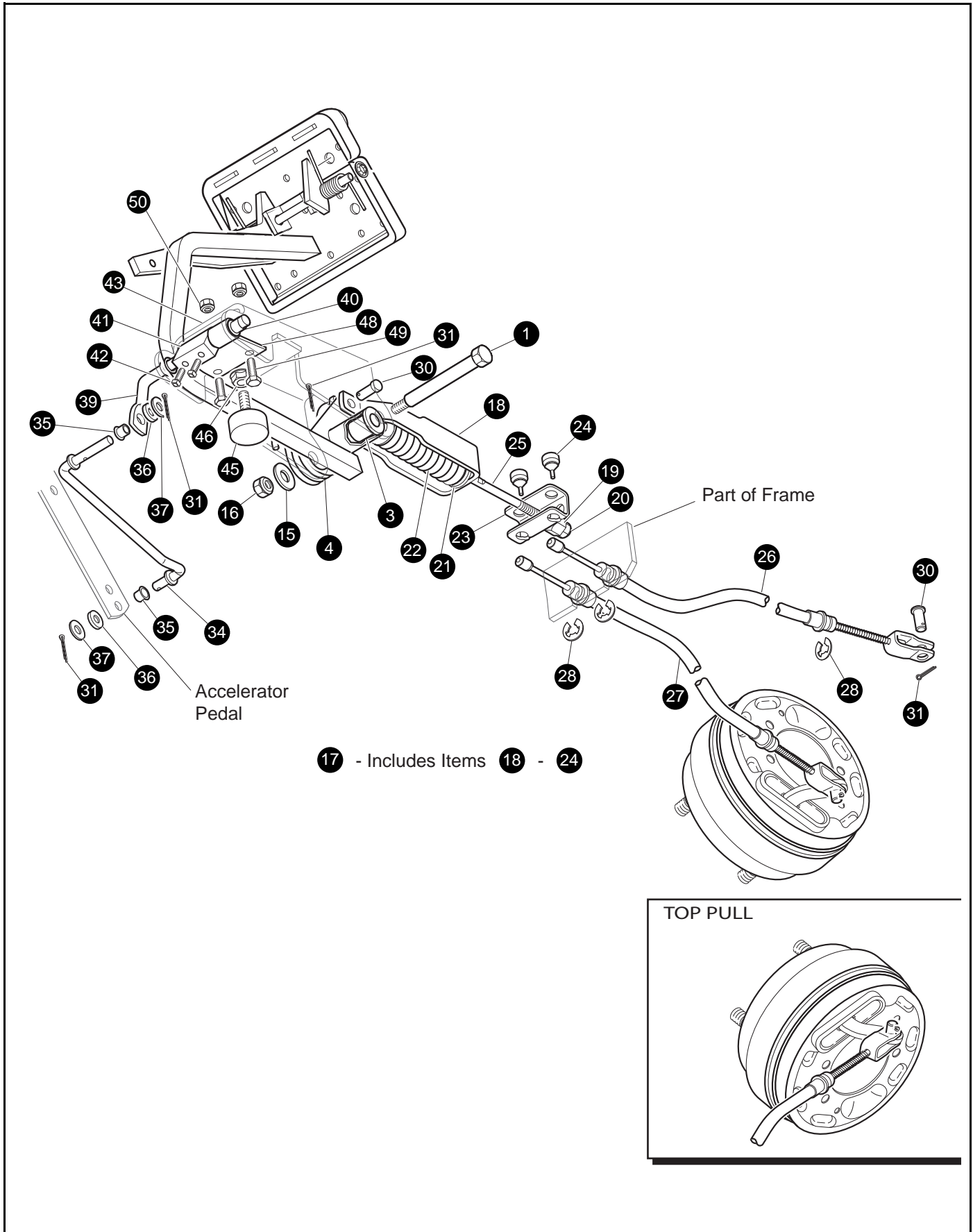


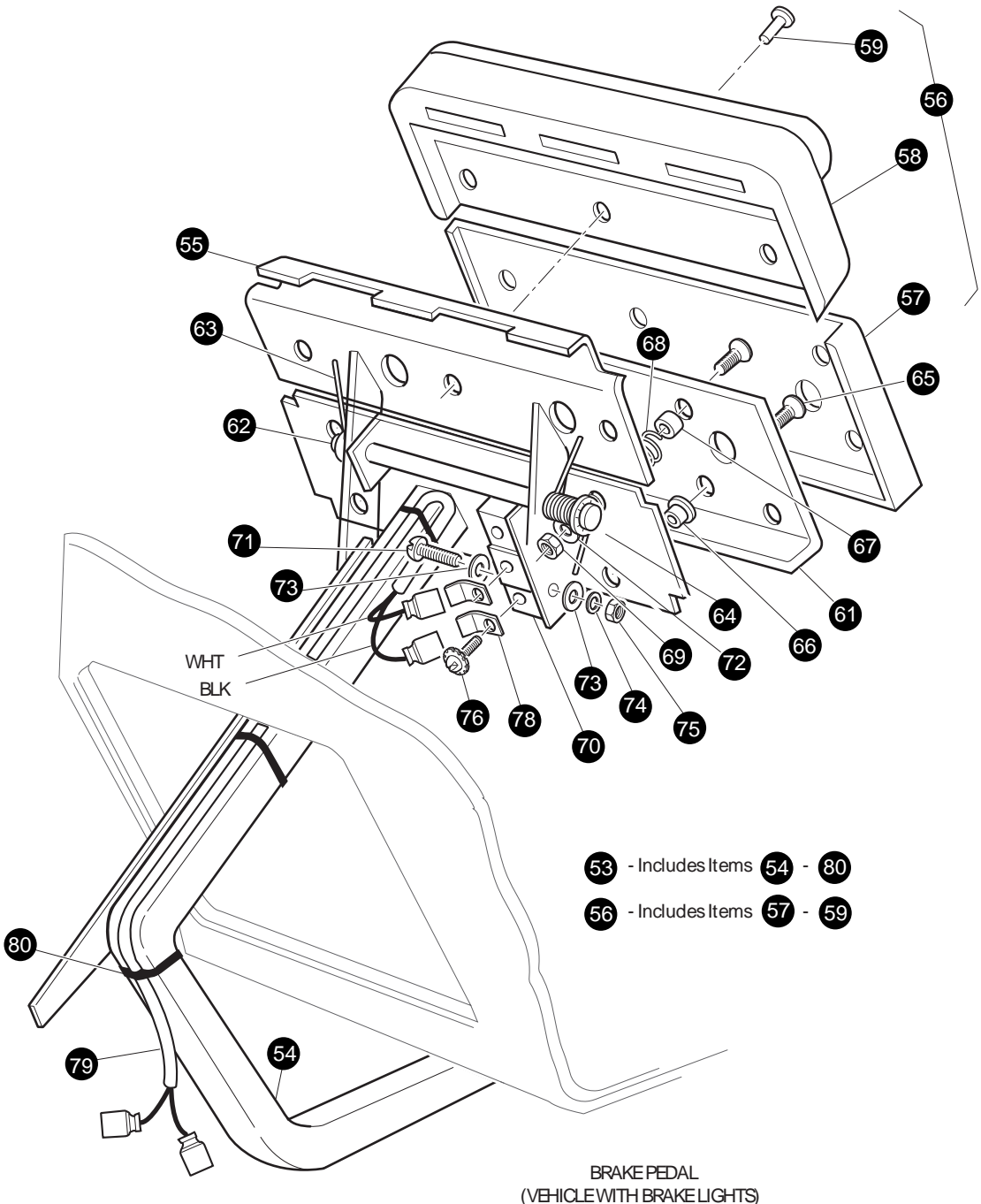
SINGLE SANDMUG MOUNTING KIT
ITEM 7 INCLUDES 8 TO 10

Where applicable, THE USE OF NON UL PARTS WILL VOID ANY UL LISTING.
 When ordering parts, please specify the model and serial number of the product.
 * Indicates a component that is not available as an individual part.
 G** Indicates consult Customer Service Department for additional information.

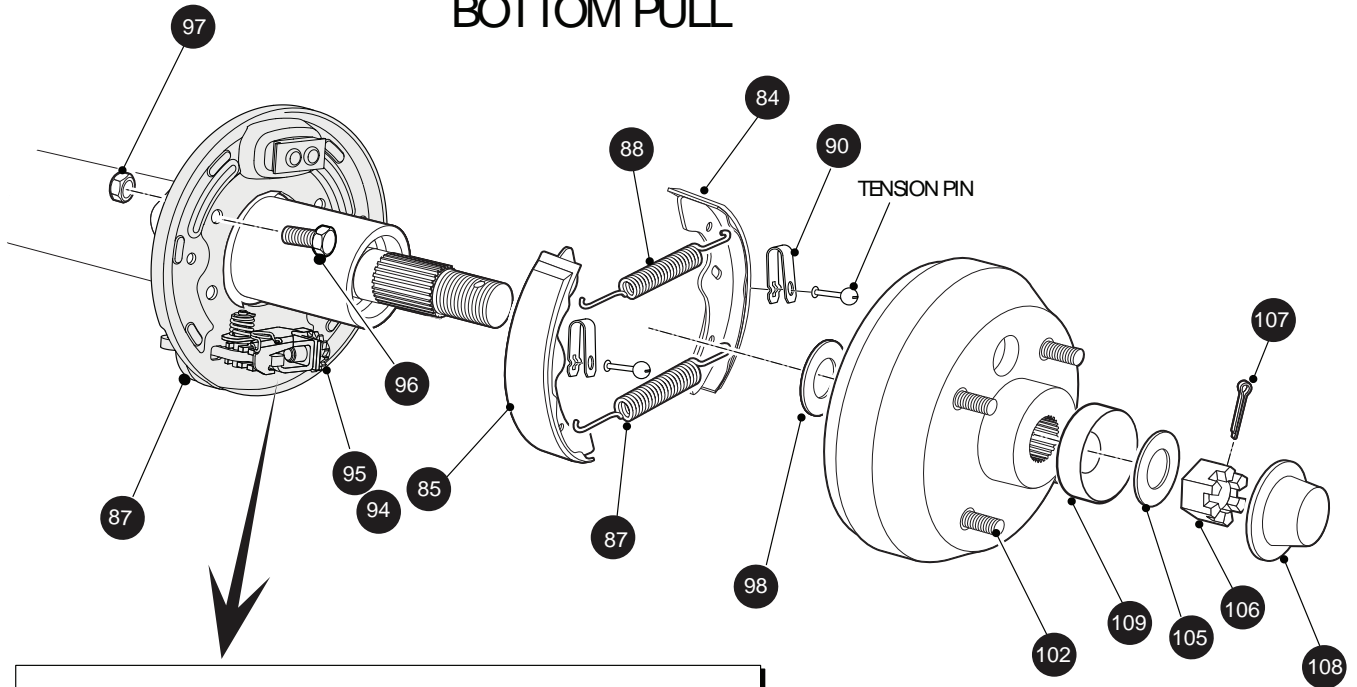
ITEM	PART NO.	1 2 3 4 5	DESCRIPTION	QTY.
1	606986		DOUBLE SANDMUG MOUNTING KIT (INCLUDES 2-6)	1
2	606988		MOUNTING PLATE, SAND MUG - HOLDER.....	1
3	71102G01		BOLT 1/4 - 20 X 3/4	2
4	606950		SAND MUG HOLDER.....	2
5	*		BOLT 1/4 - 20 X 1/2	4
6	606949		SAND MUG.....	2
7	606951		SINGLE SANDMUG MOUNTING KIT (INCLUDES 8-10).....	1
8	71102G01		BOLT 1/4 - 20 X 3/4	1
9	606950		SAND MUG HOLDER.....	1
10	606949		SAND MUG.....	1

BRAKES - MECHANICAL

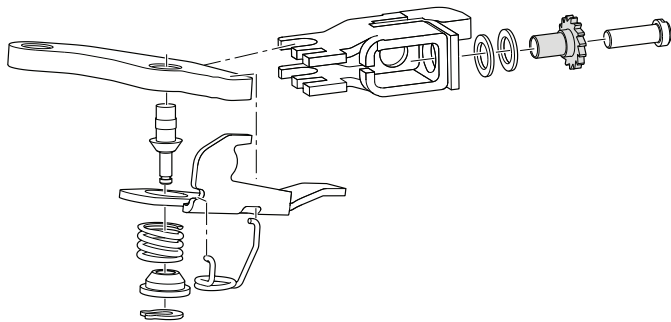




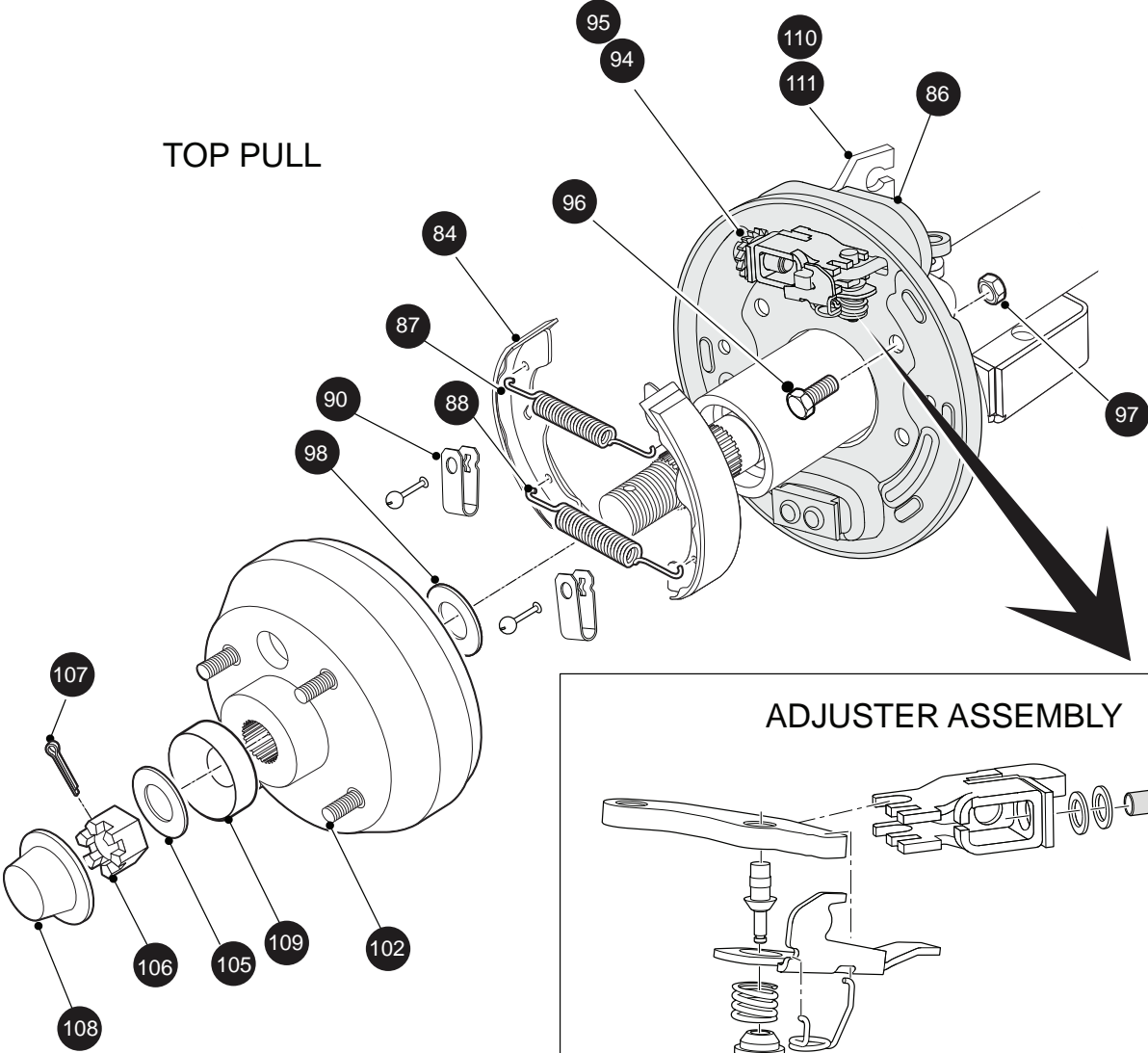
BOTTOM PULL



ADJUSTER ASSEMBLY



TOP PULL



BRAKES - MECHANICAL

When ordering parts, please specify the model and serial number of the product.

* Indicates a component that is not available as an individual part.

*** Indicates consult Customer Service Department for additional information.

ITEM	PART NO.	1 2 3 4 5	DESCRIPTION	QTY.
1	70582G01		SHOULDER BOLT, 3/8 - 16 X 4" LG (STAINLESS STEEL).....	1
2				
3	70581G01		FLANGED BUSHING	2
4	70676G01		TORSION SPRING	1
5				
6				
7				
8				
9				
10				
11				
12				
13				
14				
15	00643G1		WASHER, 3/8".....	1
16	11098G5		LOCK NUT, 3/8 - 16.....	1
17	612558		COMPENSATOR ASSEMBLY (INCLUDES ITEMS 18 - 24).....	1
18	27330G01		BRAKE YOKE	1
19	00963G01		SPHERICAL NUT, 5/16 - 24.....	1
20	11098G9		LOCK NUT, 5/16 - 24	1
21	15121G1		WASHER 5/16	2
22	23463G1		COMPRESSION SPRING	1
23	28082G01		EQUALIZER BRACKET	1
24	612557		BRAKE COMPENSATOR LINK ROD	1
25	28083G01		BRAKE COMPENSATOR BUMPER	2
26	70968G03		BRAKE CABLE DRIVER SIDE.....	1
27	607167		BRAKE CABLE PASSENGER SIDE	1
28	01111G01		RETAINING RING, 13/32" (STAINLESS STEEL)	4
29				
30	10386G3		CLEVIS PIN, 5/16" X 13/16" LG	3
31	10387G3		COTTER PIN, 3/32" X 3/4" LG	5

BRAKES - MECHANICAL

When ordering parts, please specify the model and serial number of the product.

* Indicates a component that is not available as an individual part.

*** Indicates consult Customer Service Department for additional information.

ITEM	PART NO.	1 2 3 4 5	DESCRIPTION	QTY.
32				
33				
34	70601G01		KICK-OFF LINK	1
35	17838G1		NYLON BUSHING	2
36	20835G1		TEFLON WASHER, 3/8"	2
37	00559G8		WASHER, 5/16"	2
38				
39	70098G01		KICK-OFF CAM PIVOT.....	1
40	10097G6		FLANGED BEARING	2
41	70587G01		KICK-OFF CAM	1
42	71215G01		SETSCREW, 1/4 - 20 X 1/2" LG	2
43	14134G4		SPACER.....	1
44				
45	70113G01		ADJUSTABLE BUMPER.....	1
46	11027G1		LOCK NUT, 5/16 - 18	1
47				
48	70080G02		CATCH BRACKET	1
49	00414G6		BOLT, 1/4 - 20 X 3/4" LG.....	2
50	14390G4		LOCK NUT, 1/4 - 20 (STAINLESS STEEL).....	2
51				
52				
53	70690G02		BRAKE PEDAL ASSEMBLY (WITH BRAKE LIGHTS) (INCLUDES ITEMS 54 - 80)	1
54	*		BRAKE PEDAL.....	1
55	70611G02		PARK BRAKE PEDAL	1
56	70274G01		BRAKE/PARK BRAKE PEDAL PAD KIT (INCLUDES ITEMS 57 - 59)	1
57	*		SERVICE BRAKE PAD	1
58	*		PARK BRAKE PAD	1
59	16409G1		OVAL RIVET, 3/16" x 7/16" LG	9
60				
61	70258G03		BRAKE PEDAL PLATE	1

BRAKES - MECHANICAL

When ordering parts, please specify the model and serial number of the product.

* Indicates a component that is not available as an individual part.

*** Indicates consult Customer Service Department for additional information.

ITEM	PART NO.	1	2	3	4	5	DESCRIPTION	QTY.
62	70682G01						PIVOT PIN	1
63	70681G01						TORSION SPRING	2
64	01071G01						PUSHNUT, 5/16"	1
65	00737G8						SCREW, #10 - 24 X 7/8" LG	4
66	00739G1						RUBBER NUT, #10 - 24	2
67	74535G01						BRAKE PEDAL STANDOFF	2
68	27137G01						CONICAL SPRING	2
69	14390G10						LOCK NUT, #10 - 24	2
70	10606G8						MICRO SWITCH	1
71	00957G1						BOLT, #6 - 32 X 1 1/4" LG	2
72	00559G5						WASHER, #10	2
73	00559G3						WASHER, #6	4
74	00565G3						LOCK WASHER, #6	2
75	00525G5						NUT, #6 - 32	2
76	13514G1						SCREW AND LOCK WASHER, #6	2
77								
78	14628G1						FASTON TAB	2
79	24605G1						WIRE HARNESS (BRAKE LIGHT)	1
80	17618G1						WIRE TIE	4
81								
82	612189						BRAKE ASSEMBLY (DRIVER SIDE) (INCLUDES ITEMS 84 - 88, 90, 95)	1
83	612211						BRAKE ASSEMBLY (PASSENGER SIDE) (INCLUDES ITEMS 84 - 88 & 90,94)	1
84	612412						BRAKE SHOE	2
85	612411						BRAKE SHOE	2
86	612413						DUST COVER	1
87	612415						SPRING	1
88	612414						SPRING	1
89								
90	612416						SHOE CLAMP	2
91								
92								

BRAKES - MECHANICAL

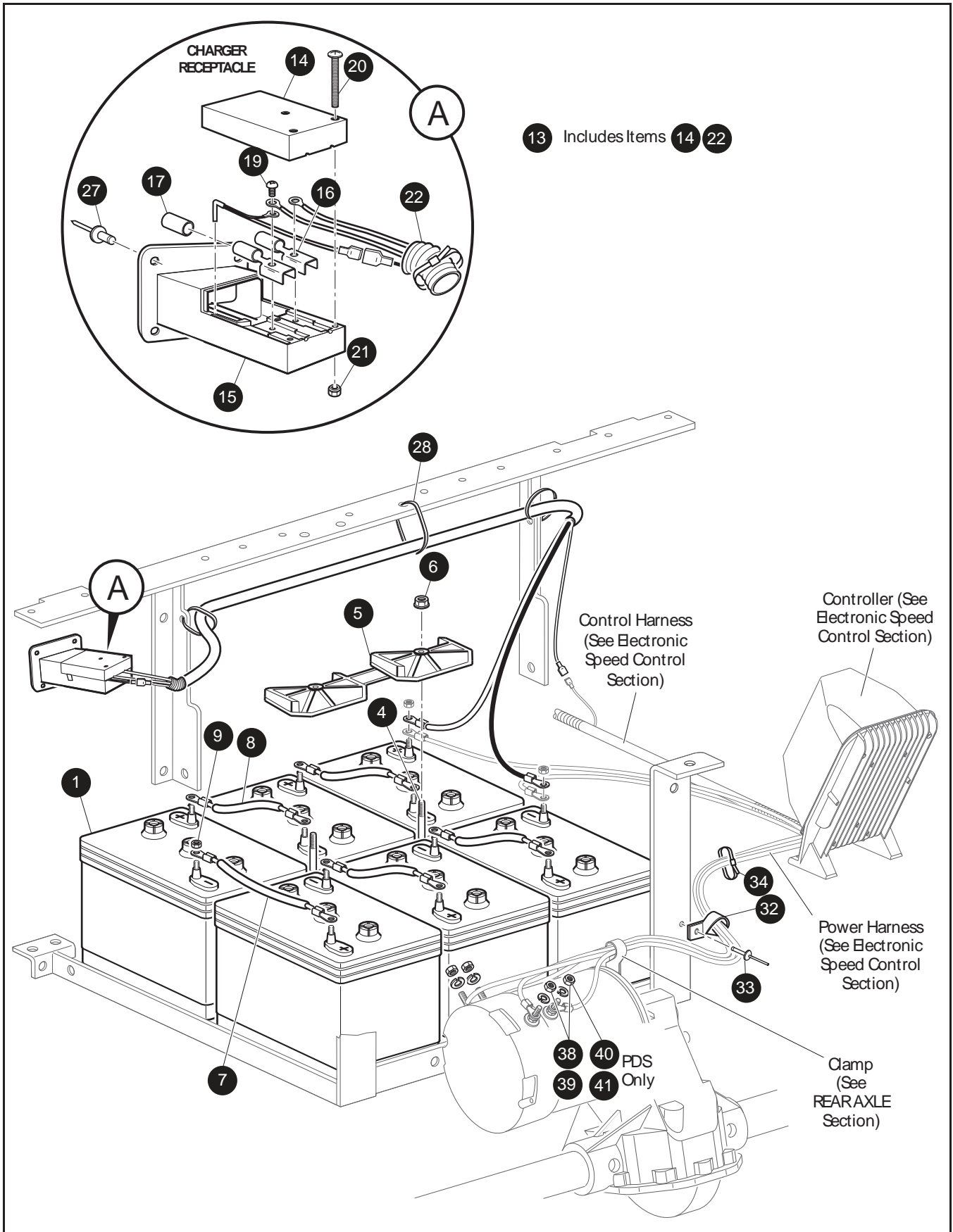
When ordering parts, please specify the model and serial number of the product.

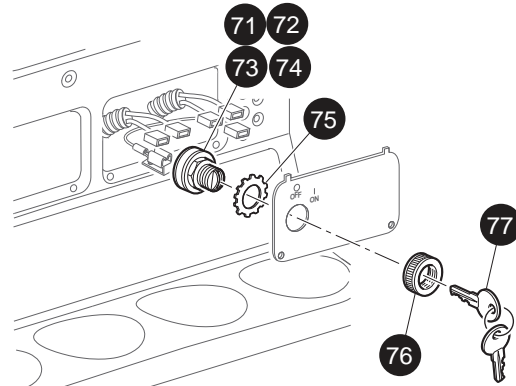
* Indicates a component that is not available as an individual part.

*** Indicates consult Customer Service Department for additional information.

ITEM	PART NO.	1 2 3 4 5	DESCRIPTION	QTY.
93				
94	612418		ADJUSTER.....	1
95	612417		ADJUSTER.....	1
96	17083G2		BOLT, 5/16 - 24 X 1" LG.....	8
97	15126G1		LOCK NUT, 5/16 - 24	8
98	21809G1		INNER BRAKE DRUM WASHER, 1 5/16" OD X 1" ID X 1/32".....	2
99				
100	21807G2		BRAKE DRUM ASSEMBLY (INCLUDES ITEMS 101 - 102)	2
101	*		BRAKE DRUM.....	1
102	19862G2		LUG BOLT, 1/2 - 20 X 1 3/16" LG	4
103				
104				
105	606945		OUTER BRAKE DRUM WASHER.....	2
106	606403		SLOTTED NUT, M22 X 1.5	2
107	10387G1		COTTER PIN, 1/8" X 1-1/2" LG	2
108	74175G01		SPINDLE CAP	2
109	607033		SPINDLE CAP ADAPTER	2
110	608200		BRAKE CABLE BRACKET (PASSENGER SIDE)	1
111	608201		BRAKE CABLE BRACKET (DRIVER SIDE).....	1

ELECTRICAL

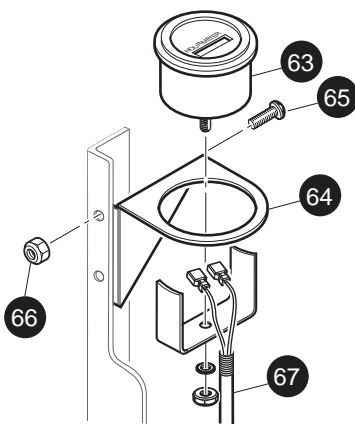




KEY SWITCH AND KEY SET

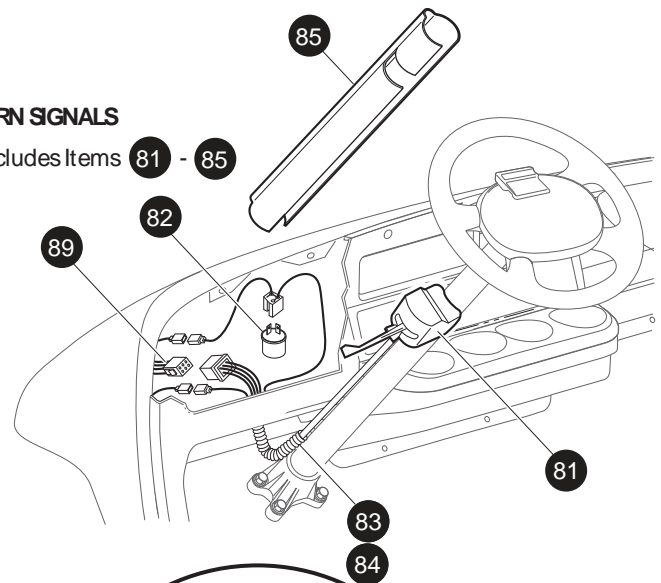
HOUR METER DETAIL

62 - Includes Items 63 - 67



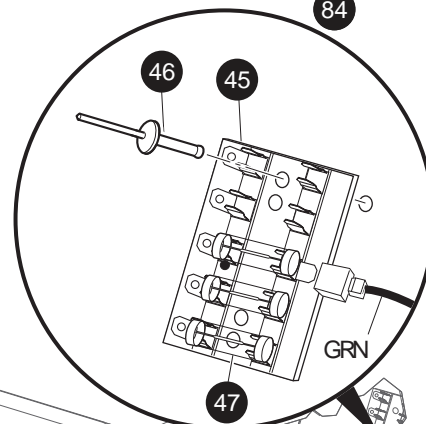
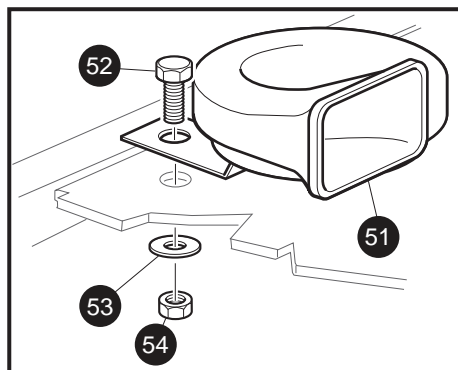
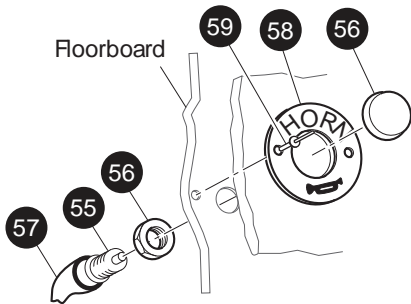
TURN SIGNALS

80 - Includes Items 81 - 85

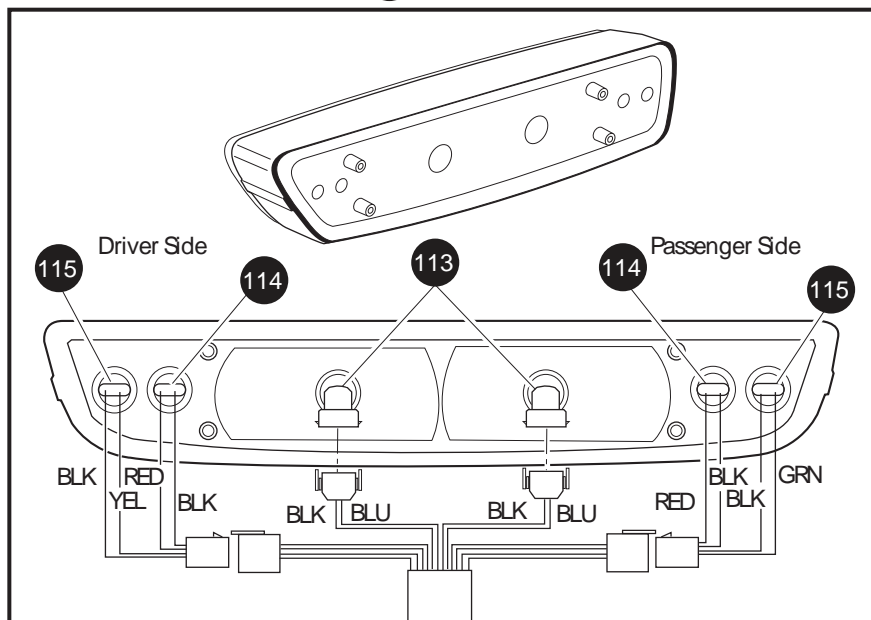
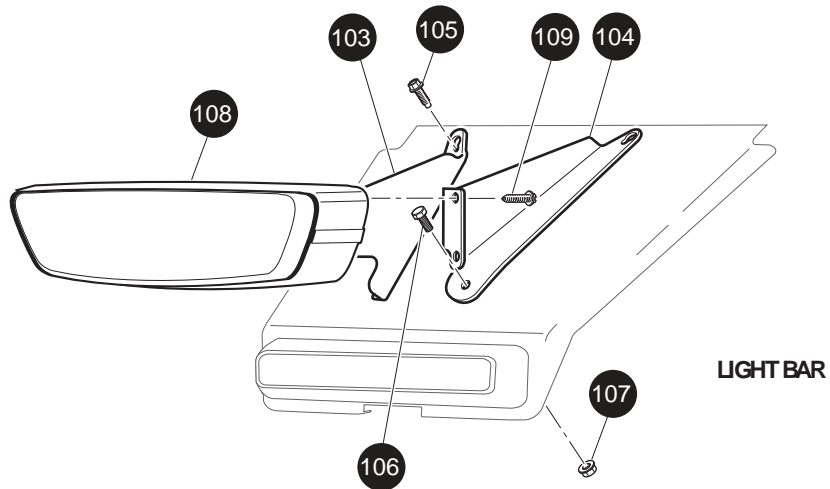
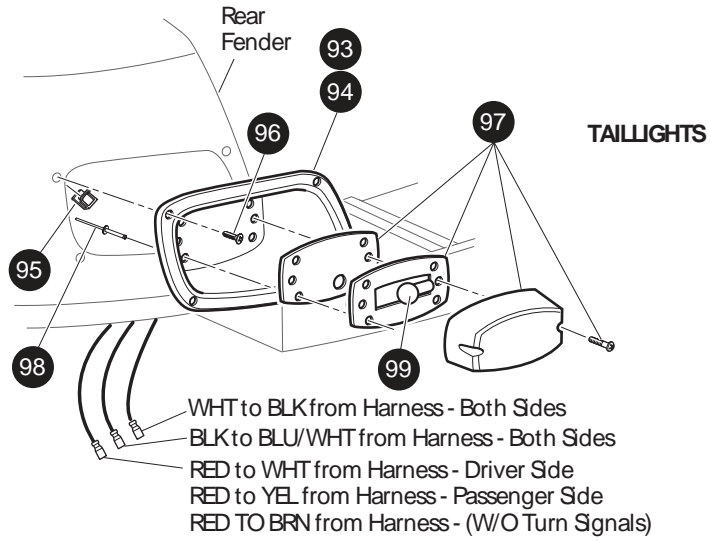


HORN BUTTON

Floorboard



ELECTRICAL



Where applicable, THE USE OF NON UL PARTS WILL VOID ANY UL LISTING.
 When ordering parts, please specify the model and serial number of the product.
 * Indicates a component that is not available as an individual part.
 G** Indicates consult Customer Service Department for additional information.

ITEM	PART NO.	1 2 3 4 5	DESCRIPTION	QTY.
1	612626		8 VOLT BATTERY T 875.....	6
2				
3				
4	01101G01		HOLD DOWN BOLT (STAINLESS STEEL).....	2
5	612867		BATTERY RETAINER	1
6	11027G1		LOCK NUT, 5/16 - 18	2
7	613236		6 AWG WIRE, BLUE 380mm (15").....	4
8	613237		6 AWG WIRE, BLUE 150mm (5.90").....	1
9	00702G2		NUT, 5/16 - 18	12
10				
11				
12				
13	613304		CHARGER RECEPTACLE ASSEMBLY (INCLUDES ITEMS 14 - 23).....	1
14	*		RECEPTACLE COVER	1
15	*		RECEPTACLE BOTTOM	1
16	73051G05		FEMALE CONNECTOR	2
17	73051G06		INSULATOR SLEEVE.....	1
18				
19	73051G08		SCREW, #10 - 32 X 1/2" LG (BRASS)	2
20	73051G09		SCREW, #6 - 32 X 1 3/4" LG (STAINLESS STEEL).....	3
21	73051G10		LOCK NUT, #6 - 32.....	3
22	*		WIRE HARNESS (CHARGER).....	1
23				
24				
25				
26				
27	71055G01		RIVET, 3/16" X 1" LG (ALUMINUM).....	4
28	17618G1		WIRE TIE	3
29				
30				

ELECTRICAL

Where applicable, THE USE OF NON UL PARTS WILL VOID ANY UL LISTING.

When ordering parts, please specify the model and serial number of the product.

* Indicates a component that is not available as an individual part.

G** Indicates consult Customer Service Department for additional information.

ITEM	PART NO.	1 2 3 4 5	DESCRIPTION	QTY.
31				
32	27327G01		CABLE CLAMP	1
33	10570G11		RIVET, 3/16" X 3/4" LG (STAINLESS STEEL)	1
34	17618G1		WIRE TIE	11
35				
36				
37				
38	00993G01		LOCK WASHER, 5/16" (SILICON BRONZE)	AR
39	28418G01		NUT, 5/16 - 18 (BRASS).....	AR
40	00993G02		LOCK WASHER, 1/4" (SILICON BRONZE)	2
41	28418G02		NUT, 1/4 - 20 (BRASS).....	2
42				
43				
44				
45	22674G1		FUSE BLOCK.....	1
46	01041G01		RIVET, 1/8" X 13/16" LG	2
47	18392G1		15 AMP FUSE	AR
48				
49				
50				
51	32860G1		HORN.....	1
52	00414G5		BOLT, 1/4 - 20 X 5/8" LG	1
53	00559G7		WASHER, 1/4" FL	1
54	14390G4		LOCK NUT, 1/4 - 20	1
55	17318G1		HORN SWITCH.....	1
56	17318G2		HORN SWITCH CAP AND NUT	1
57	27068G01		HORN SWITCH BOOT	1
58	19233G1		HORN SWITCH LABEL	1
59	71055G01		RIVET, 3/16" X 1" LG (ALUMINUM).....	2
60				

Where applicable, THE USE OF NON UL PARTS WILL VOID ANY UL LISTING.
 When ordering parts, please specify the model and serial number of the product.
 * Indicates a component that is not available as an individual part.
 G** Indicates consult Customer Service Department for additional information.

ITEM	PART NO.	1 2 3 4 5	DESCRIPTION	QTY.
61				
62	75113G02		HOUR METER KIT (INCLUDES ITEMS 63 - 67).....	1
63	74665G02		HOUR METER.....	1
64	74716G01		HOUR METER BRACKET.....	1
65	74696G01		RETAINER CLIP	1
66	10570G11		RIVET	2
67	75117G01		WIRE HARNESS (HOUR METER).....	1
68				
69				
70				
71	17421G1		KEY SWITCH KIT (W/O LIGHTS - STANDARD - WITH HARDWARE).....	1
72	17955G1		KEY SWITCH (WITHOUT LIGHTS - NON STANDARD)	1
73	18027G1		KEY SWITCH (WITHOUT LIGHTS - INDIVIDUALLY KEYED)	1
74	33639G01		KEY SWITCH (WITH LIGHTS)	1
75	00568G6		LOCK WASHER, 3/4".....	1
76	17137P1		FACE NUT, 3/4 - 20.....	1
77	17063G1		KEY (SET).....	1
78				
79				
80	75107G02		TURN SIGNAL KIT (INCLUDES ITEMS 81 - 85).....	1
81	17867G1		TURN SIGNAL (WITH MOUNTING HARDWARE).....	1
82	21640G1		TURN SIGNAL FLASHER.....	1
83	32307G3		FLEX LOOM, 3/8" X 8" LG.....	1
84	17618G1		WIRE TIE	2
85	20965G3		STEERING COLUMN COVER	1
86				
87				
88				
89	73043G01		WIRE HARNESS (ACCESSORY).....	1
90				

ELECTRICAL

Where applicable, THE USE OF NON UL PARTS WILL VOID ANY UL LISTING.

When ordering parts, please specify the model and serial number of the product.

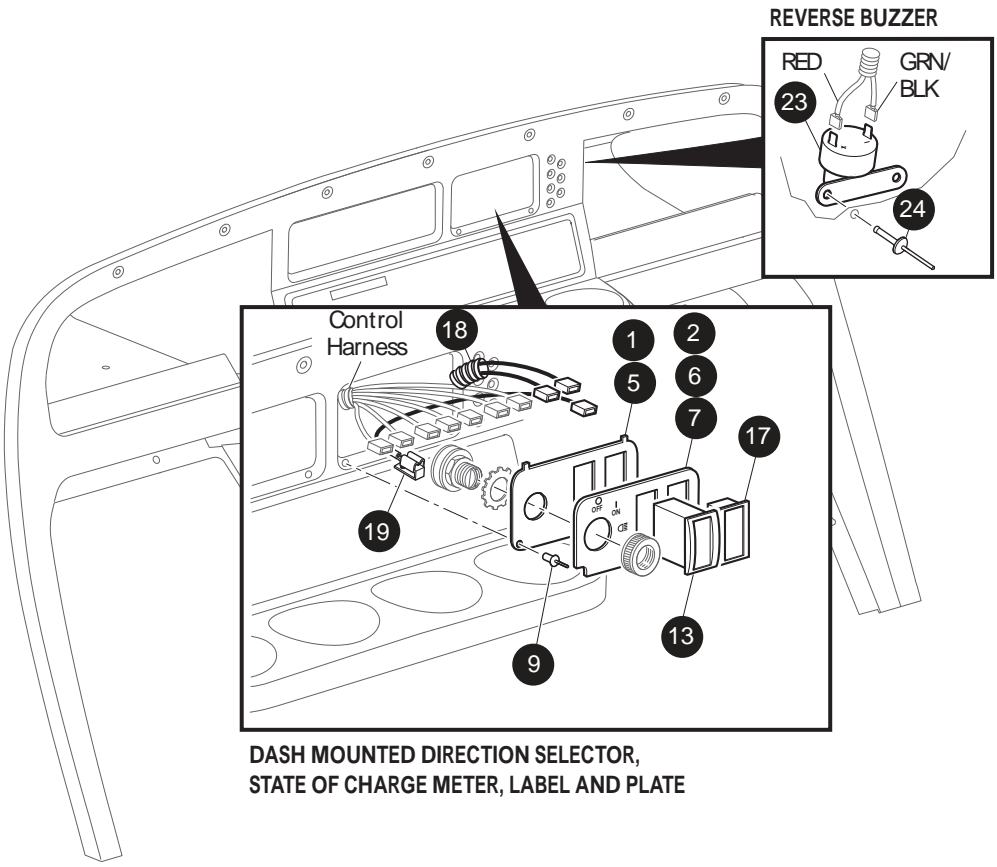
* Indicates a component that is not available as an individual part.

G** Indicates consult Customer Service Department for additional information.

ITEM	PART NO.	1 2 3 4 5	DESCRIPTION	QTY.
91				
92				
93	74371G01		BEZEL (DRIVER SIDE).....	1
94	74371G02		BEZEL (PASSENGER SIDE)	1
95	71364G02		'J' CLIP	8
96	71425G01		COUNTERSUNK SCREW, #8	8
97	22288G2		BRAKE / TAILLIGHT LAMP.....	1
98	14601G11		RIVET, 3/16" X 9/16" LG (ALUMINUM).....	4
99	21759G1		TAILLIGHT BULB	AR
100				
101				
102				
103	74236G03		HEADLIGHT MOUNT BRACKET (PASSENGER SIDE).....	1
104	74236G04		HEADLIGHT MOUNT BRACKET (DRIVER SIDE)	1
105	01038G01		BOLT, 1/4 - 20 X 11/16" LG	2
106	00414G6		BOLT, 1/4 - 20 X 3/4" LG	2
107	11027G2		LOCK NUT, 1/4 - 20	2
108	74001G01		HEADLIGHT AND TURN SIGNAL LIGHT	1
109	00114-G6		SCREW, 1/4 - 14 X 3/4" LG.....	4
110				
111				
112				
113	74004G01		HEAD LIGHT BULB	AR
114	74005G01		MARKER LIGHT BULB.....	AR
115	74006G01		TURN SIGNAL BULB.....	AR

Notes:

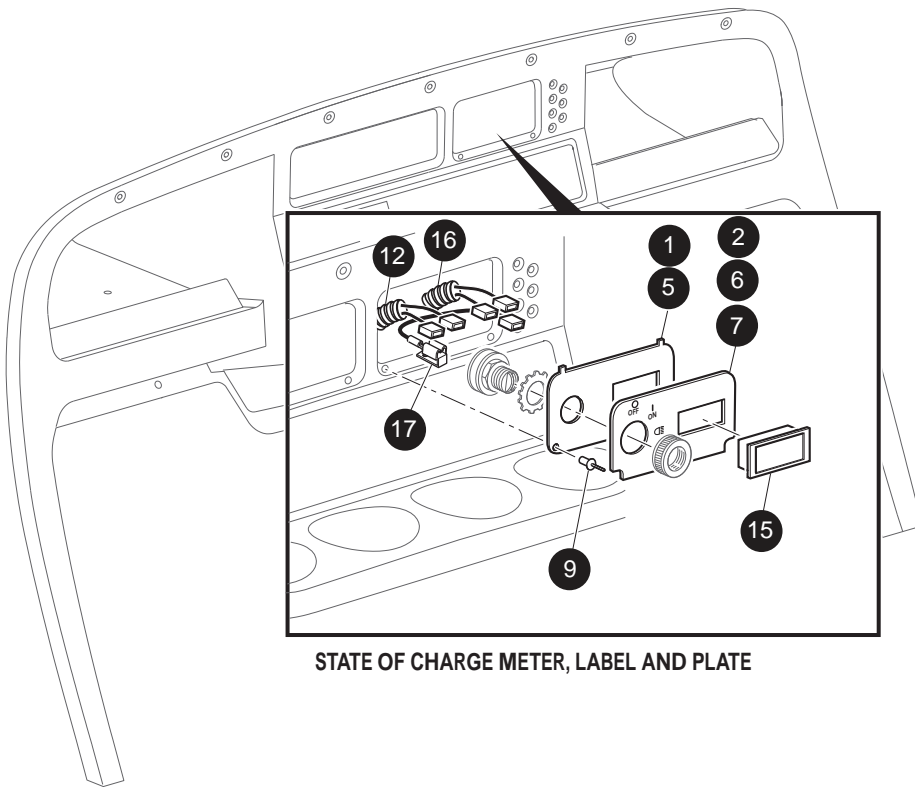
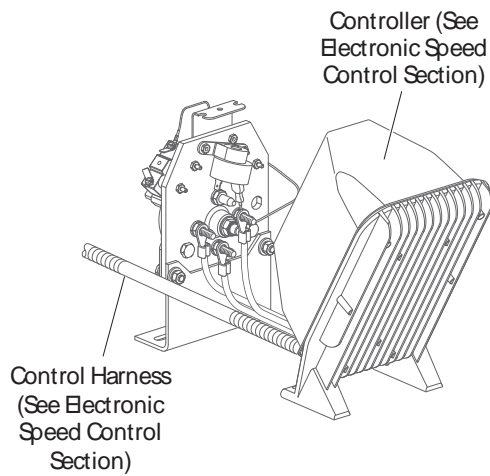
A large grid of graph paper for taking notes, consisting of 20 columns and 30 rows of small squares.



DASH MOUNTED DIRECTION SELECTOR,
STATE OF CHARGE METER, LABEL AND PLATE

Where applicable, THE USE OF NON UL PARTS WILL VOID ANY UL LISTING.
 When ordering parts, please specify the model and serial number of the product.
 * Indicates a component that is not available as an individual part.
 G** Indicates consult Customer Service Department for additional information.

ITEM	PART NO.	1	2	3	4	5	DESCRIPTION	QTY.
1	73030G05						PLATE (KEY SWITCH, DIRECTION SELECTOR)	1
2	74316G01						LABEL (KEY SWITCH WITHOUT LIGHTS, DIRECTION SELECTOR).....	1
3								
4								
5	73030G06						PLATE (KEY SWITCH, DIRECTION SELECTOR, CHARGE METER)	1
6	74320G01						LABEL (KEY SWITCH WITHOUT LIGHTS, DIRECTION SELECTOR, CHARGE METER)	1
7	74322G01						LABEL (KEY SWITCH WITH LIGHTS, DIRECTION SELECTOR, CHARGE METER)	1
8								
9	33623G02						DRIVE RIVET, 3/16" X 3/8" LG	2
10								
11								
12								
13	74323G01						DIRECTION SELECTOR SWITCH (DASH MOUNTED).....	1
14								
15								
16								
17	33636G04						STATE OF CHARGE METER (VERTICAL)	1
18	74018G01						WIRE HARNESS (STATE OF CHARGE METER)	1
19	25978G74						18 GA WIRE (RED 6").....	1
20								
21								
22								
23	73290G02						REVERSE WARNING BUZZER (CONTINUOUS TONE)	1
24	01041G01						RIVET, 1/8" X 13/16" LG	2



Where applicable, THE USE OF NON UL PARTS WILL VOID ANY UL LISTING.
 When ordering parts, please specify the model and serial number of the product.
 * Indicates a component that is not available as an individual part.
 G** Indicates consult Customer Service Department for additional information.

ITEM	PART NO.	1	2	3	4	5	DESCRIPTION	QTY.
1	73030G01						PLATE (KEY SWITCH ONLY)	1
2	71145G01						LABEL (KEY SWITCH ONLY)	1
3								
4								
5	73030G02						PLATE (KEY SWITCH, STATE OF CHARGE METER)	1
6	71123G02						LABEL (KEY SWITCH W/O LIGHTS, STATE OF CHARGE METER)	1
7	71129G02						LABEL (KEY SWITCH W/ LIGHTS, STATE OF CHARGE METER)	1
8								
9	33623G02						DRIVE RIVET, 3/16" X 3/8" LG	2
10								
11								
12	73041G01						WIRE HARNESS (KEY SWITCH)	1
13								
14								
15	33636G01						STATE OF CHARGE METER	1
16	74018G01						WIRE HARNESS (STATE OF CHARGE METER)	1
17	25978G74						18 GA WIRE (RED 6")	1
18								
19								
20								
21	00565G8						LOCK WASHER, 5/16"	4
22	00532G3						NUT, 5/16 - 18	4

ELECTRONIC SPEED CONTROL

Where applicable, THE USE OF NON UL PARTS WILL VOID ANY UL LISTING.

When ordering parts, please specify the model and serial number of the product.

* Indicates a component that is not available as an individual part.

G** Indicates consult Customer Service Department for additional information.

ITEM	PART NO.	1	2	3	4	5	DESCRIPTION	QTY.	
1	612756						ELECTRONIC SPEED CONTROL ASSEMBLY 48V (INCLUDES ITEMS 3 - 30)		1
2									
3	71102G01						BOLT, 1/4 - 20 X 3/4" LG.....		3
4	73471G01						HEATSINK		1
5	73296G01						BOLT, 8MM		3
6	00565G8						WASHER 5/16		3
7	00559G8						WASHER FLAT		3
8									
9									
10	73106G01						WIRE HARNESS (POWER)		1
11	620437						6 AWG WIRE, BLUE 6.755MM.....		1
12	620432						6 AWG WIRE, GREEN 400MM		1
13									
14									
15									
16									
17									
18	73057G01						BRACKET		1
19	00414G5						BOLT 1/4 - 20.....		2
20	612711						SOLINOID 48V		1
21	607592						WIRE ASSEMBLY, 4AWG, GREEN, 706MM		1
22	620430						RESISTER ASSEMBLY 500 OHM		1
23	23195G1						RING TERMINAL		2
24	620429						RESISTER, 500 OHM, 6.5W.....		1
25	10569G1						VINYL TUBING 3/8		1
26									
27	00544G4						LOCK NUT, 5/16 - 18.....		1
28	00565G8						LOCK WASHER		1
29	01110G01						FLAT WASHER.....		2
30	11027G02						FLANGED NUT.....		2

ELECTRONIC SPEED CONTROL

Where applicable, THE USE OF NON UL PARTS WILL VOID ANY UL LISTING.

When ordering parts, please specify the model and serial number of the product.

* Indicates a component that is not available as an individual part.

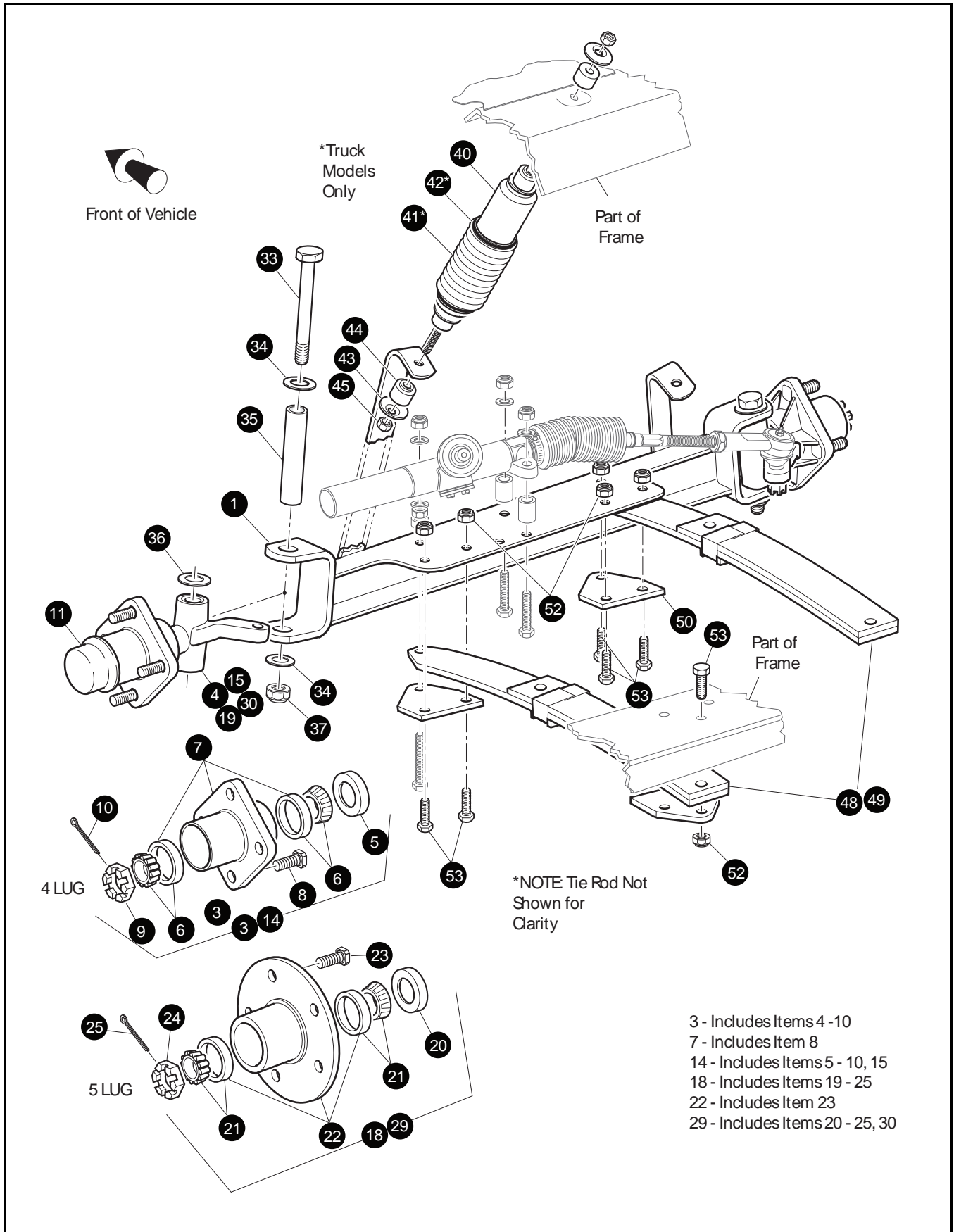
G** Indicates consult Customer Service Department for additional information.

ITEM	PART NO.	1	2	3	4	5	DESCRIPTION	QTY.
31	612753						COVER ASSEMBLY (INCLUDES ITEMS 32 - 40)	1
32	73482G01						COVER (WITH GASKET)	1
33	613048						LABEL (TOW SWITCH)	1
34								
35	73125G01						TOGGLE SWITCH WITH SEAL (INCLUDES ITEMS 37 - 39)	1
36	*						SCREW, #5 - 40.....	4
37	*						NUT, 15/32 - 32.....	1
38	73139G01						SEALED NUT, 15/32 - 32.....	1
39	73138G02						WIRE HARNESS (TOW SWITCH).....	1
40	17618G1						WIRE TIE	1
41								

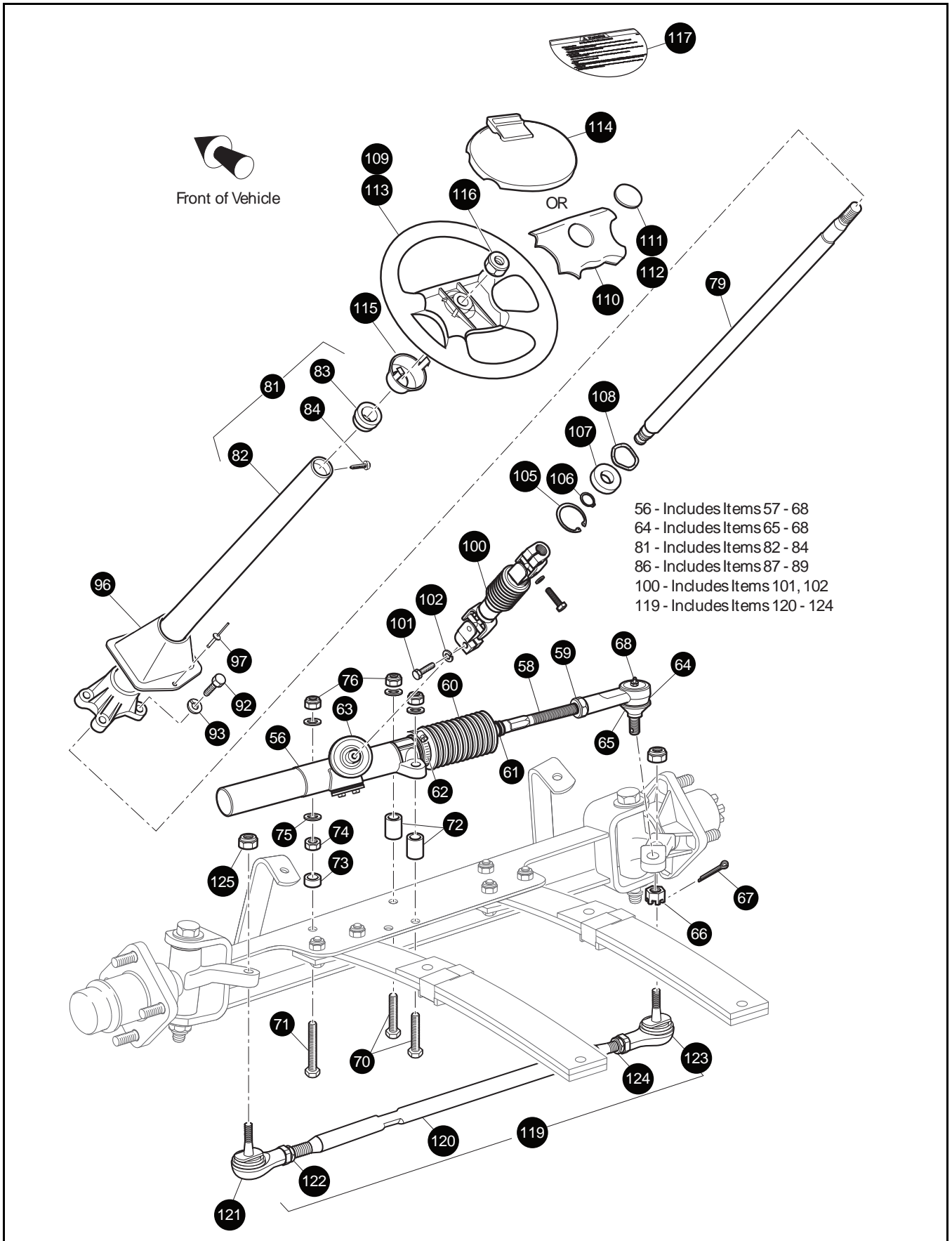
Notes:

A large grid of graph paper for taking notes, consisting of 20 columns and 30 rows of small squares.

FRONT SUSPENSION & STEERING



FRONT SUSPENSION & STEERING



FRONT SUSPENSION & STEERING

Where applicable, THE USE OF NON UL PARTS WILL VOID ANY UL LISTING.

When ordering parts, please specify the model and serial number of the product.

* Indicates a component that is not available as an individual part.

G** Indicates consult Customer Service Department for additional information.

ITEM	PART NO.	1 2 3 4 5	DESCRIPTION	QTY.
1	602513		FRONT AXLE.....	1
2				
3	70942G01		SPINDLE AND HUB ASSEMBLY, 4 LUG (PASSENGER SIDE) (INCLUDES ITEMS 4 - 10)	1
4	70942G02		SPINDLE ASSEMBLY (PASSENGER SIDE)	1
5	25146G1		GREASE SEAL.....	1
6	50892G1		ROLLER BEARING AND RACE ASSEMBLY	2
7	70895G01		WHEEL HUB ASSEMBLY WITH RACES, 4 LUG (INCLUDES ITEM 8)	1
8	19862G1		LUG BOLT, 1/2 - 20 X 1 3/16" LG	4
9	12093G1		CASTELLATED NUT, 1 - 14	1
10	00798G8		COTTER PIN, 5/32" X 1 3/4" LG	1
11	12091G2		SPINDLE CAP	2
12				
13				
14	70673G01		SPINDLE AND HUB ASSEMBLY, 4 LUG (DRIVER SIDE) (INCLUDES ITEMS 5 - 10, 15)	1
15	70673G02		SPINDLE ASSEMBLY (DRIVER SIDE).....	1
16				
17				
18	70943G01		SPINDLE AND HUB ASSEMBLY, 5 LUG (PASSENGER SIDE) (INCLUDES ITEMS 19 - 25)	1
19	70942G02		SPINDLE ASSEMBLY (PASSENGER SIDE)	1
20	12092G1		GREASE SEAL.....	1
21	50892G1		ROLLER BEARING AND RACE ASSEMBLY	2
22	70772G01		WHEEL HUB ASSEMBLY WITH RACES, 5 LUG (INCLUDES ITEM 23).....	1
23	30143G1		LUG BOLT, 1/2 - 20 X 1 7/32" LG	5
24	12093G1		CASTELLATED NUT, 1 - 14	1
25	00798G8		COTTER PIN, 5/32" X 1 3/4" LG	1
26				
27				
28				

FRONT SUSPENSION & STEERING

Where applicable, THE USE OF NON UL PARTS WILL VOID ANY UL LISTING.

When ordering parts, please specify the model and serial number of the product.

* Indicates a component that is not available as an individual part.

G** Indicates consult Customer Service Department for additional information.

ITEM	PART NO.	1 2 3 4 5	DESCRIPTION	QTY.
29	70797G01		SPINDLE AND HUB ASSEMBLY, 5 LUG (DRIVER SIDE) (INCLUDES ITEMS 20 - 25, 30)	1
30	70673G02		SPINDLE ASSEMBLY (DRIVER SIDE)	1
31				
32				
33	00407G6		BOLT, 1/2 - 13 X 6" LG	2
34	00560G3		WASHER, 1/2"	4
35	70745G01		KING PIN TUBE	2
36	70754G01		THRUST WASHER, 1" (STAINLESS STEEL)	2
37	14390G6		LOCK NUT, 1/2 - 13	2
38				
39				
40	76419G01		SHOCK ABSORBER	2
41	70509G01		SHOCK ABSORBER BOOT	2
42	31539G1		WIRE TIE	4
43	10435G1		SHOCK ABSORBER WASHER	8
44	10194G1		RUBBER BUSHING	8
45	00532G6		NUT, 3/8 - 24	4
46				
47				
48	70990G02		LEAF SPRING (SEE PART NUMBER ON SPRING)	2
49	70989G03		LEAF SPRING (HEAVY DUTY) (SEE PART NUMBER ON SPRING)	2
50	70163G03		SPRING PLATE	4
51				
52	00734G1		LOCK NUT, 7/16 - 14	11
53	00463G11		BOLT, 7/16 - 14 X 1 3/4" LG	11
54				
55				
56	70964G02		RACK AND PINION UNIT (COMPLETE) (INCLUDES ITEMS 57 - 68)	1
57	*		STEERING BOX INSTALLATION TAG	1

FRONT SUSPENSION & STEERING

Where applicable, THE USE OF NON UL PARTS WILL VOID ANY UL LISTING.

When ordering parts, please specify the model and serial number of the product.

* Indicates a component that is not available as an individual part.

G** Indicates consult Customer Service Department for additional information.

ITEM	PART NO.	1	2	3	4	5	DESCRIPTION	QTY.
58	70694G01						RACK EXTENSION	1
59	*						JAM NUT, 1/2 - 20.....	1
60	70961G01						RACK BOOT	1
61	12416G2						WIRE TIE	1
62	11391G8						CLAMP, 1 13/16 - 2 3/8"	1
63	70638G01						PINION SEAL	1
64	70695G01						RACK BALL JOINT (INCLUDES ITEMS 65 - 68)	1
65	50641G1						RUBBER BOOT	1
66	50209G2						CASTELLATED NUT, 7/16 - 20	1
67	10387G2						COTTER PIN, 3/32" X 1" LG	1
68	10389G3						GREASE FITTING, STRAIGHT.....	1
69								
70	00464G6						BOLT, 7/16 - 14 X 2 3/4" LG	2
71	01068G01						BOLT, 7/16 - 14 X 3 1/2" LG	1
72	70667G02						SPACER	2
73	70667G03						SPACER (SHORT).....	1
74	00532G7						NUT, 7/16 - 14	1
75	00560G2						FLAT WASHER, 7/16"	4
76	00734G1						LOCK NUT, 7/16 - 14	3
77								
78								
79	70607G01						STEERING SHAFT	1
80								
81	70758G05						STEERING COLUMN KIT (INCLUDES ITEMS 82 - 84)	1
82	70610G03						STEERING COLUMN	1
83	28569G01						STEERING COLUMN BUSHING.....	1
84	01022G01						SCREW, #6 - 20 X 5/16" LG	1
85								
86								
87								

FRONT SUSPENSION & STEERING

Where applicable, THE USE OF NON UL PARTS WILL VOID ANY UL LISTING.

When ordering parts, please specify the model and serial number of the product.

* Indicates a component that is not available as an individual part.

G** Indicates consult Customer Service Department for additional information.

ITEM	PART NO.	1 2 3 4 5	DESCRIPTION	QTY.
88				
89				
90				
91				
92	01006G01		BOLT, 3/8 - 16 X 1 1/4" LG	4
93	00879G1		LOCK WASHER, 3/8"	4
94				
95				
96	70997G01		COVER.....	1
97	71055G01		RIVET, 3/16" X 1" LG (ALUMINUM)	1
98				
99				
100	70580G01		INTERMEDIATE SHAFT (INCLUDES ITEMS 101, 102).....	1
101	01055G01		BOLT, M8 X 1.25 - 05 LG	2
102	00565G8		LOCK WASHER, 5/16"	2
103				
104				
105	70751G01		RETAINING RING (INTERNAL).....	1
106	70888G01		RETAINING RING (EXTERNAL).....	1
107	15112G1		BALL BEARING	1
108	70887G01		WAVE WASHER.....	1
109	71146G01		STEERING WHEEL	1
110	71147G01		STEERING WHEEL COVER	1
111	71047G01		LABEL (E-Z-GO)	1
112	74405G01		LABEL (CUSHMAN).....	1
113	602979		STEERING WHEEL	1
114	607925		CLIPBOARD.....	1
115	71949G01		HUB COVER	1
116	14390G2		LOCK NUT, 5/8 - 18	1
117	608529		WARNING LABEL.....	1

FRONT SUSPENSION & STEERING

Where applicable, THE USE OF NON UL PARTS WILL VOID ANY UL LISTING.

When ordering parts, please specify the model and serial number of the product.

* Indicates a component that is not available as an individual part.

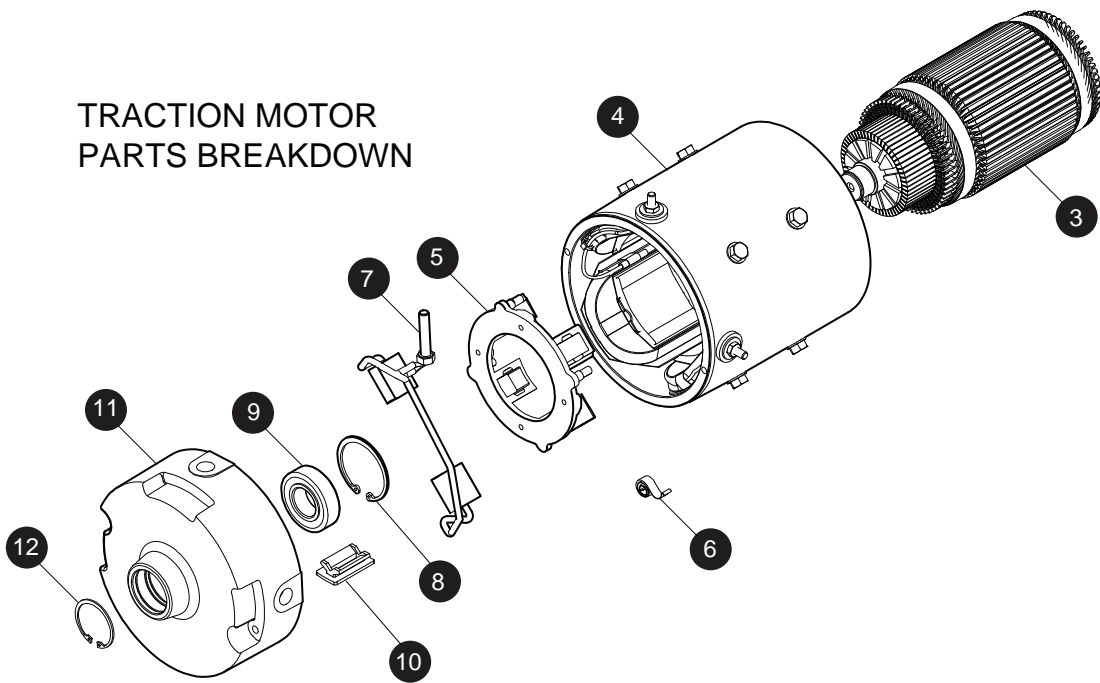
G** Indicates consult Customer Service Department for additional information.

ITEM	PART NO.	1	2	3	4	5	DESCRIPTION	QTY.
118								
119	70876G02						TIE ROD ASSEMBLY (INCLUDES ITEMS 120 - 124)	1
120	70897G02						THREADED ROD (24" LG).....	1
121	70902G01						TIE ROD END (LEFT HAND THREADS)	1
122	01069G01						JAM NUT, M12 X 1.25 - 05 (LEFT HAND THREADS).....	1
123	70902G02						TIE ROD END (RIGHT HAND THREADS).....	1
124	01069G02						JAM NUT, M12 X 1.25 - 05 (RIGHT HAND THREADS)	1
125	00734G1						LOCK NUT, 7/16 - 14	2

Notes:

A large grid of graph paper for taking notes, consisting of 20 columns and 30 rows of small squares.

TRACTION MOTOR PARTS BREAKDOWN



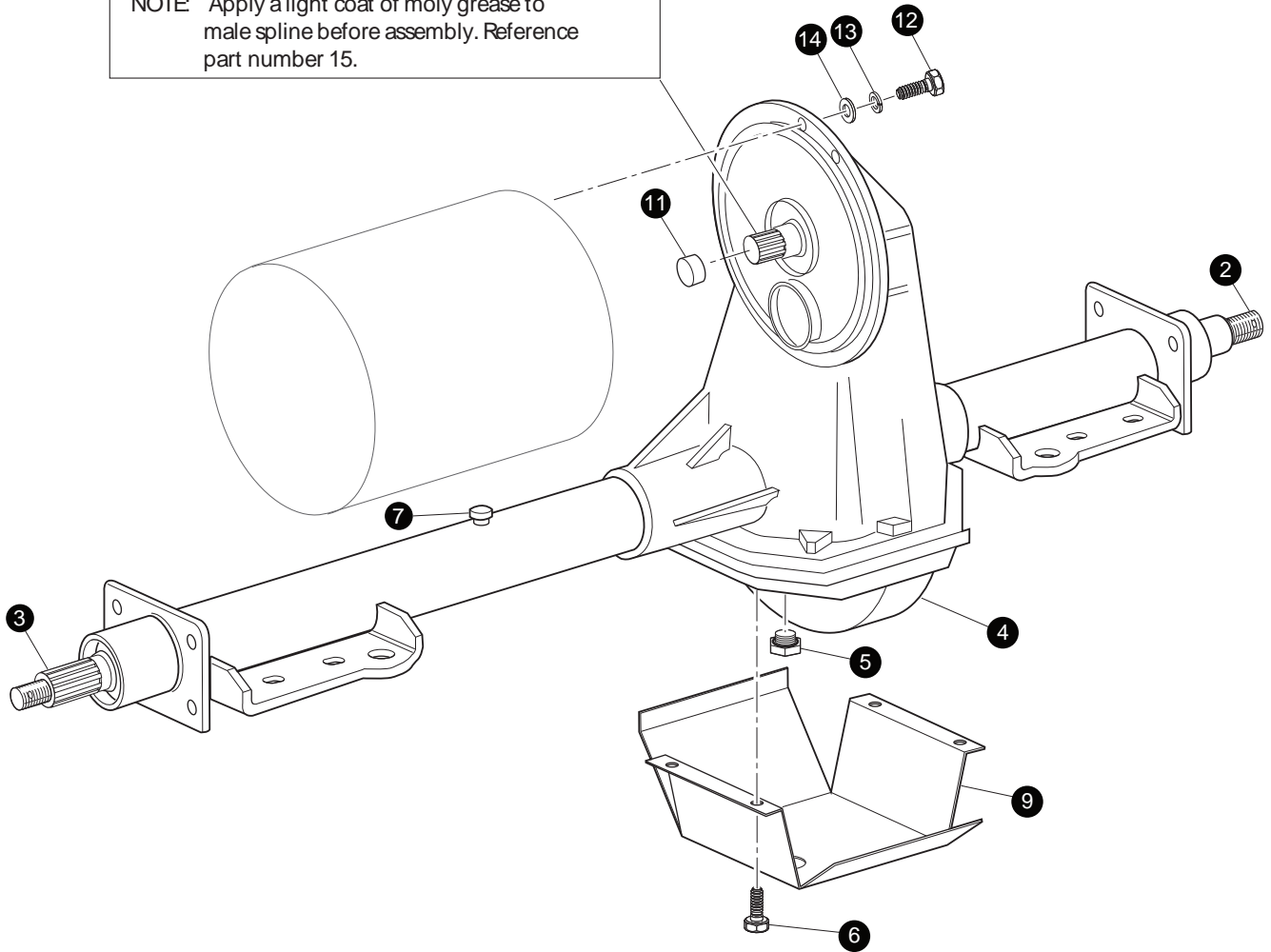
Where applicable, THE USE OF NON UL PARTS WILL VOID ANY UL LISTING.
 When ordering parts, please specify the model and serial number of the product.
 * Indicates a component that is not available as an individual part.
 G** Indicates consult Customer Service Department for additional information.

ITEM	PART NO.	1	2	3	4	5	DESCRIPTION	QTY.	
1	612624	MOTOR 48V (INCLUDES ITEMS 3 - 12).....							1
2									
3	K09-2266	ARMATURE ASSEMBLY							1
4	DL4-2101	FRAME AND FILED ASSEMBLY							1
5	A04-1064D	BRUSH BOX ASSEMBLY.....							1
6	B00-016A	BRUSH SPRING.....							1
7	AC6-2034AS	BRUSH AND TERMINAL SERVICE KIT							1
8	H-004	RETAINING RING.....							1
9	BR-205	BEARING.....							1
10	EJ8-024	COVER							1
11	AY5-002	COMMUTATOR END HEAD.....							1
12	H-156	RETAINING RING.....							1

REAR AXLE

1 - Includes Items 2 - 7

NOTE: Apply a light coat of moly grease to male spline before assembly. Reference part number 15.

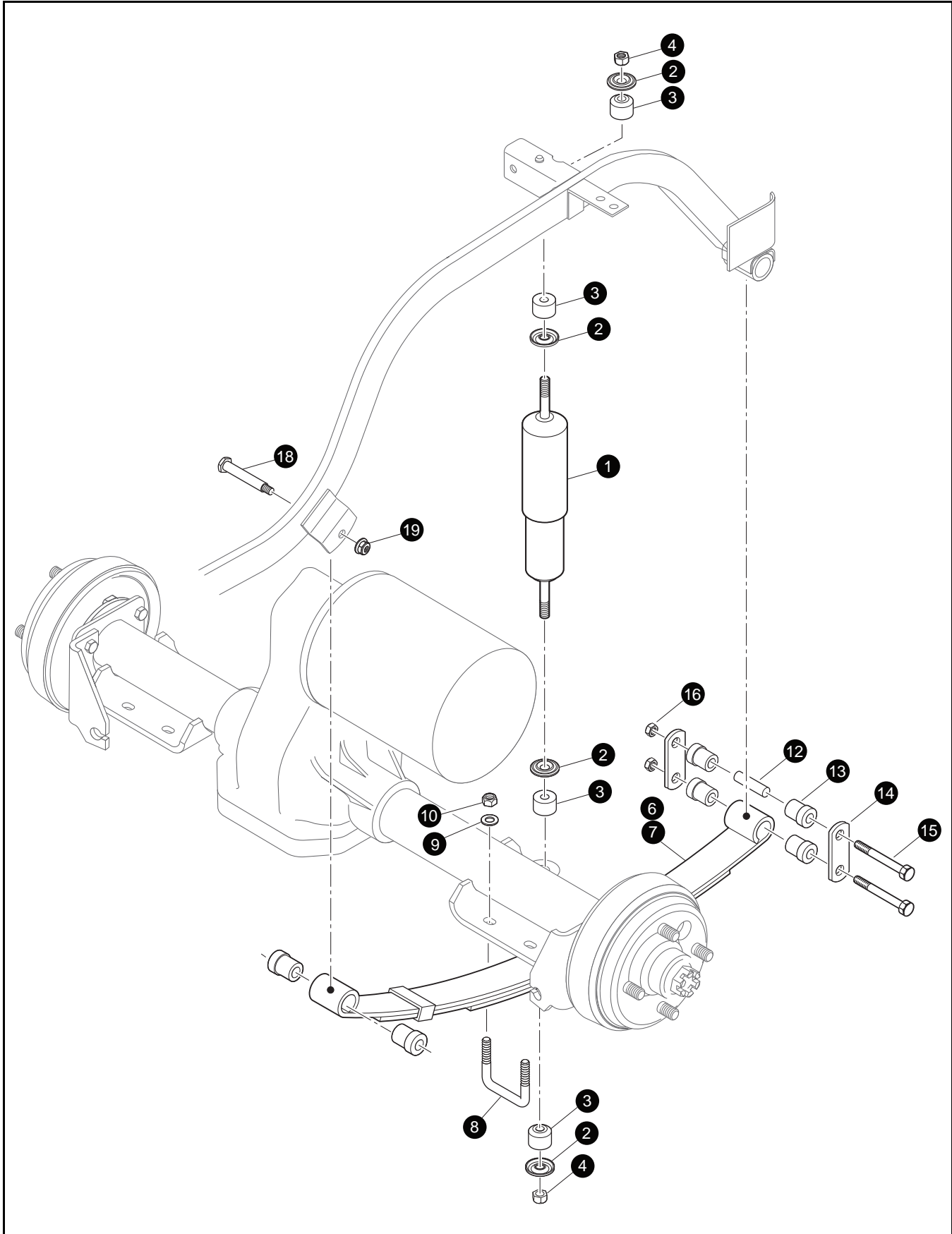


REAR AXLE

Where applicable, THE USE OF NON UL PARTS WILL VOID ANY UL LISTING.
 When ordering parts, please specify the model and serial number of the product.
 * Indicates a component that is not available as an individual part.
 G** Indicates consult Customer Service Department for additional information.

ITEM	PART NO.	1 2 3 4 5	DESCRIPTION	QTY.
1	73500G01		REAR AXLE ASSEMBLY (INCLUDES ITEMS 2 - 7)	1
2	20377G12		AXLE SHAFT (PASSENGER SIDE)	1
3	20377G11		AXLE SHAFT (DRIVER SIDE).....	1
4	*		DIFFERENTIAL COVER.....	1
5	28610G01		FILL PLUG WITH 'O' RING.....	1
6	15558G1		BOLT, 5/16 - 18 X 3/4" LG.....	10
7	73050G01		VENT	1
8				
9	72763G01		SCUFF GUARD	1
10				
11	XXXXX-XXX		SPLINE BUMPER (SEE ELECTRIC MOTOR).....	1
12	00797G2		BOLT, 1/4 - 20 X 1 1/4" LG	3
13	00565G7		LOCK WASHER, 1/4"	3
14	00559G7		WASHER FLAT, 1/4"	3
15	28095G01		MOLY LUBE, 2 OZ.	AR

REAR SUSPENSION



REAR SUSPENSION

Where applicable, THE USE OF NON UL PARTS WILL VOID ANY UL LISTING.

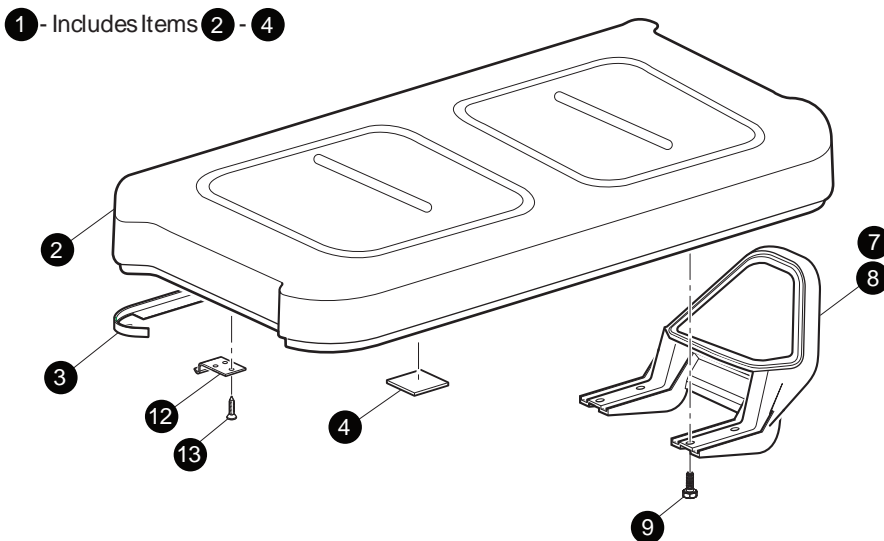
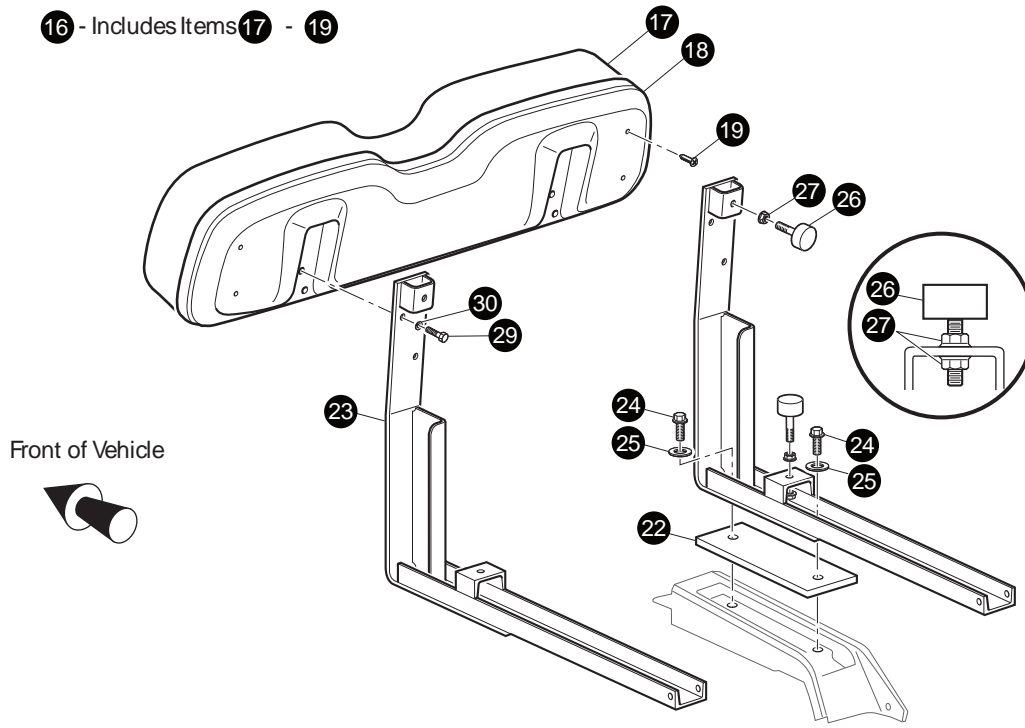
When ordering parts, please specify the model and serial number of the product.

* Indicates a component that is not available as an individual part.

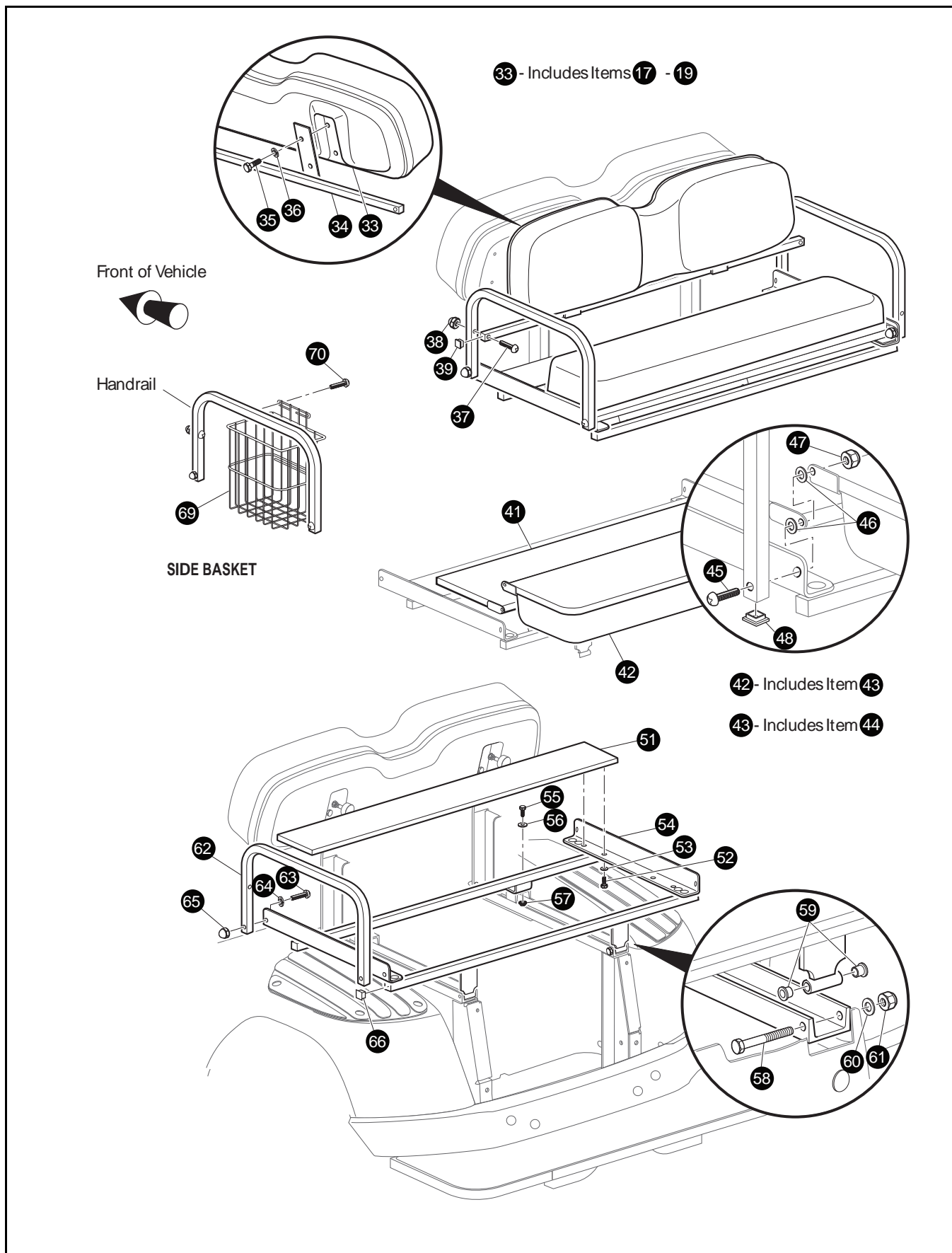
G** Indicates consult Customer Service Department for additional information.

ITEM	PART NO.	1 2 3 4 5	DESCRIPTION	QTY.
1	76418-G01		SHOCK ABSORBER.....	2
2	10435-G1		SHOCK ABSORBER WASHER.....	8
3	10194-G1		RUBBER BUSHING.....	8
4	00532-G6		NUT, 3/8 - 24.....	4
5				
6	603109		REAR LEAF SPRINGS (REPLACE LEFT & RIGHT SPRINGS SIMULTANEOUSLY)	2
7	74207-G01		LEAF SPRING, 4 LEAF.....	2
8	72618-G01		'U' BOLT, 3/8 - 16 X 2" X 2 1/2" LG.....	4
9	00560-G1		WASHER, 3/8".....	8
10	11098-G5		LOCK NUT, 3/8 - 16.....	8
11				
12	70289-G02		SPACER.....	4
13	70291-G01		FLANGED BUSHING (LEAF SPRING).....	12
14	70290-G02		SHACKLE PLATE.....	4
15	00665-G9		BOLT, 3/8 - 16 X 3 1/2" LG (STAINLESS STEEL).....	4
16	11098-G5		LOCK NUT, 3/8 - 16.....	4
17				
18	14158-G1		SHOULDER BOLT, 3/8 - 16 X 3 1/4" LG.....	2
19	12262-G1		LOCK NUT, 3/8 - 16.....	2

SEATING - CONVERTIBLE CARRIER



SEATING - CONVERTIBLE CARRIER



SEATING - CONVERTIBLE CARRIER

Where applicable, THE USE OF NON UL PARTS WILL VOID ANY UL LISTING.

When ordering parts, please specify the model and serial number of the product.

* Indicates a component that is not available as an individual part.

G** Indicates consult Customer Service Department for additional information.

ITEM	PART NO.	1 2 3 4 5	DESCRIPTION	QTY.
1	71611G**		SEAT BOTTOM ASSEMBLY (INCLUDES ITEMS 2 - 4)	1
2	71602G**		VINYL SEAT BOTTOM COVER	1
3	71012G01		VINYL TRIM (SEAT BOTTOM)	1
4	17074G1		RUBBER PAD	2
5				
6				
7	71701G01		HIP RESTRAINT (PASSENGER SIDE)	1
8	71702G01		HIP RESTRAINT (DRIVER SIDE)	1
9	71204G01		BOLT, 1/4 - 20 X 7/8" LG	8
10				
11				
12	71610G01		SEAT HINGE	2
13	00720G08		SCREW, #12 - 14 X 1" LG (STAINLESS STEEL)	4
14				
15				
16	71751G**		SEAT BACK ASSEMBLY (INCLUDES ITEMS 17 - 19)	1
17	71753G**		VINYL SEAT BACK COVER	1
18	71752G01		PLASTIC SEAT BACK COVER	1
19	01107G01		SCREW, #8 X 5/8" LG (STAINLESS STEEL)	4
20				
21				
22	70364G01		SPACER	2
23	74111G01		SEAT BACK SUPPORT	2
24	01006G02		BOLT, 3/8 - 16 X 1 1/2" LG	4
25	00560G1		WASHER, 3/8"	4
26	70113G01		ADJUSTABLE BUMPER	2
27	11027G1		LOCK NUT, 5/16 - 18	2
28				
29	00661G8		BOLT, 1/4 - 20 X 1" LG (STAINLESS STEEL)	4
30	00664G7		LOCK WASHER, 1/4" (STAINLESS STEEL)	4

SEATING - CONVERTIBLE CARRIER

Where applicable, THE USE OF NON UL PARTS WILL VOID ANY UL LISTING.

When ordering parts, please specify the model and serial number of the product.

* Indicates a component that is not available as an individual part.

G** Indicates consult Customer Service Department for additional information.

ITEM	PART NO.	1 2 3 4 5	DESCRIPTION	QTY.
31				
32				
33	71751G**		SEAT BACK ASSEMBLY (INCLUDES ITEMS 17 - 19).....	1
34	75258G01		SEAT BACK SUPPORT	1
35	00661G8		BOLT, 1/4 - 20 X 0.75" LG (STAINLESS STEEL).....	4
36	00664G7		LOCK WASHER, 1/4" (STAINLESS STEEL)	4
37	16705G6		SCREW, 1/4 - 20 X 1 3/4" LG (STAINLESS STEEL)	2
38	00520G1		ACORN NUT, 1/4 - 20 (STAINLESS STEEL)	2
39	75261G01		CAP-TUBE - 3/4 X 11 GA.....	2
40				
41	71062G01		BED	1
42	71063G**		SEAT BOTTOM ASSEMBLY (INCLUDES ITEM 43).....	1
43	75197G**		SEAT BOTTOM (INCLUDES ITEM 44)	1
44	75252G**		VINYL SEAT BOTTOM COVER.....	1
45	00762G4		SCREW, 5/16 - 18 X 1 1/4" LG (STAINLESS STEEL)	2
46	17255G01		WASHER, LK - SS - 5/16"	4
47	00891G3		NUT - ACCORN - SS - 5/16 - 18.....	2
48	19859G1		CAP-TUBE - 3/4 X 11 GA.....	4
49				
50				
51	71060G01		BED FRONT (INCLUDES MAT).....	1
52	00661G6		BOLT, 1/4 - 20 X 3/4" LG (STAINLESS STEEL).....	4
53	00559G8		WASHER - LK - SP - SS - 1/4"	4
54	75193G01		SUPPORT FRAME.....	1
55	00438G8		BOLT, 5/16 - 18 X 1" LG	2
56	00559G8		WASHER, 5/16"	2
57	11027G1		LOCK NUT, 5/16 - 18	2
58	00440G4		BOLT, 5/16 - 18 X 2 1/2" LG	2
59	17838G1		NYLON BUSHING.....	4
60	00559G8		WASHER, 5/16"	2

SEATING - CONVERTIBLE CARRIER

Where applicable, THE USE OF NON UL PARTS WILL VOID ANY UL LISTING.

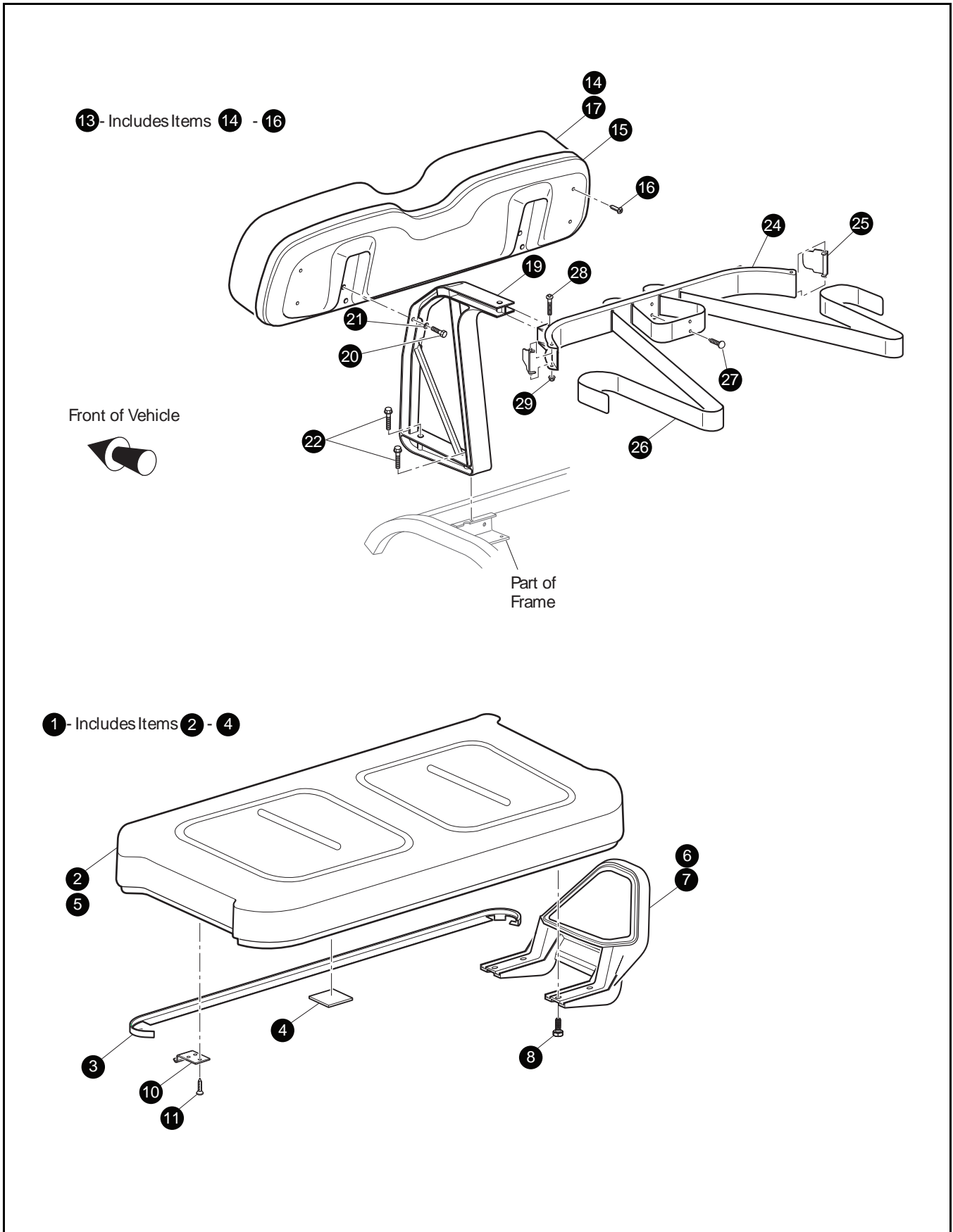
When ordering parts, please specify the model and serial number of the product.

* Indicates a component that is not available as an individual part.

G** Indicates consult Customer Service Department for additional information.

ITEM	PART NO.	1 2 3 4 5	DESCRIPTION	QTY.
61	00654G3		LOCK NUT, 5/16 - 18 (STAINLESS STEEL)	2
62	75196G01		HANDRAIL	2
63	00762G2		SCREW, 5/16 - 18 X 1 1/4" LG (STAINLESS STEEL)	2
64	00664G8		LOCK WASHER, 5/16" (STAINLESS STEEL)	2
65	00520G3		ACORN NUT, 5/16 - 18 (STAINLESS STEEL)	2
66	75261G02		END CAP, 1"	4
67				
68				
69	75007G01		SIDE BASKET (BLACK).....	2
70	00106G6		SELF THREADING SCREW, #12 - 24 X 3/4" LG	4

SEATING AND BAG HOLDER - GOLF CAR



SEATING AND BAG HOLDER - GOLF CAR

Where applicable, THE USE OF NON UL PARTS WILL VOID ANY UL LISTING.

When ordering parts, please specify the model and serial number of the product.

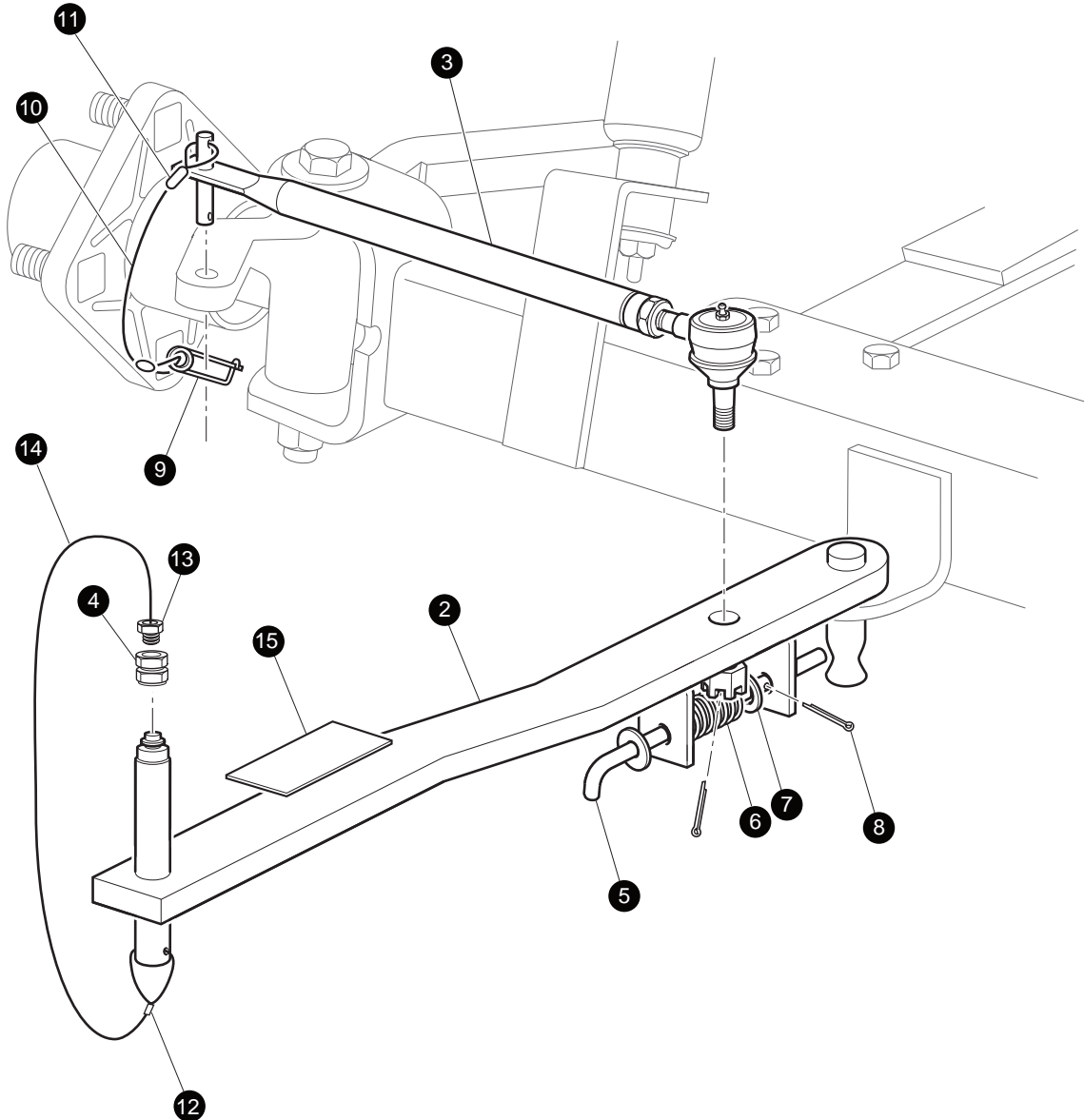
* Indicates a component that is not available as an individual part.

G** Indicates consult Customer Service Department for additional information.

ITEM	PART NO.	1 2 3 4 5	DESCRIPTION	QTY.
1	71611G**		SEAT BOTTOM ASSEMBLY (INCLUDES ITEMS 2 - 4)	1
2	71602G**		VINYL SEAT BOTTOM COVER	1
3	71012G01		VINYL TRIM (SEAT BOTTOM)	1
4	17074G1		RUBBER PAD	2
5	604912G**		TWO TONE VINYL SEAT BOTTOM	1
6	71701G01		HIP RESTRAINT (PASSENGER SIDE)	1
7	71702G01		HIP RESTRAINT (DRIVER SIDE)	1
8	71204G01		BOLT, 1/4 - 20 X 7/8" LG	8
9				
10	71610G01		SEAT HINGE	2
11	00720G08		SCREW, #12 - 14 X 1" LG (STAINLESS STEEL)	4
12				
13	71751G**		SEAT BACK ASSEMBLY (INCLUDES ITEMS 14 - 16)	1
14	71753G**		VINYL SEAT BACK COVER	1
15	71752G01		PLASTIC SEAT BACK COVER	1
16	01107G01		SCREW, #8 X 5/8" LG (STAINLESS STEEL)	4
17	604916G**		TWO TONE VINYL SEAT BACK	1
18				
19	71811G03		SEAT SUPPORT BRACKET	2
20	00661G8		BOLT, 1/4 - 20 X 1" LG (STAINLESS STEEL)	4
21	00664G7		LOCK WASHER, 1/4" (STAINLESS STEEL)	4
22	01075G01		SCREW, 3/8 - 16 X 2 1/2" LG	4
23				
24	71851G01		BAG HOLDER BRACKET	1
25	71856G01		BAG RETAINER CLAMP	2
26	71853G01		BAG RETAINER STRAP	1
27	16816G1		RATCHET FASTENER, 1/4" X 9/16" LG	2
28	01102G01		CARRIAGE BOLT, 1/4 - 20 X 1 1/2" LG (STAINLESS STEEL)	2
29	11027G2		LOCK NUT, 1/4 - 20	2

TOW BAR - CASUAL

1 - Includes Items 2 - 15

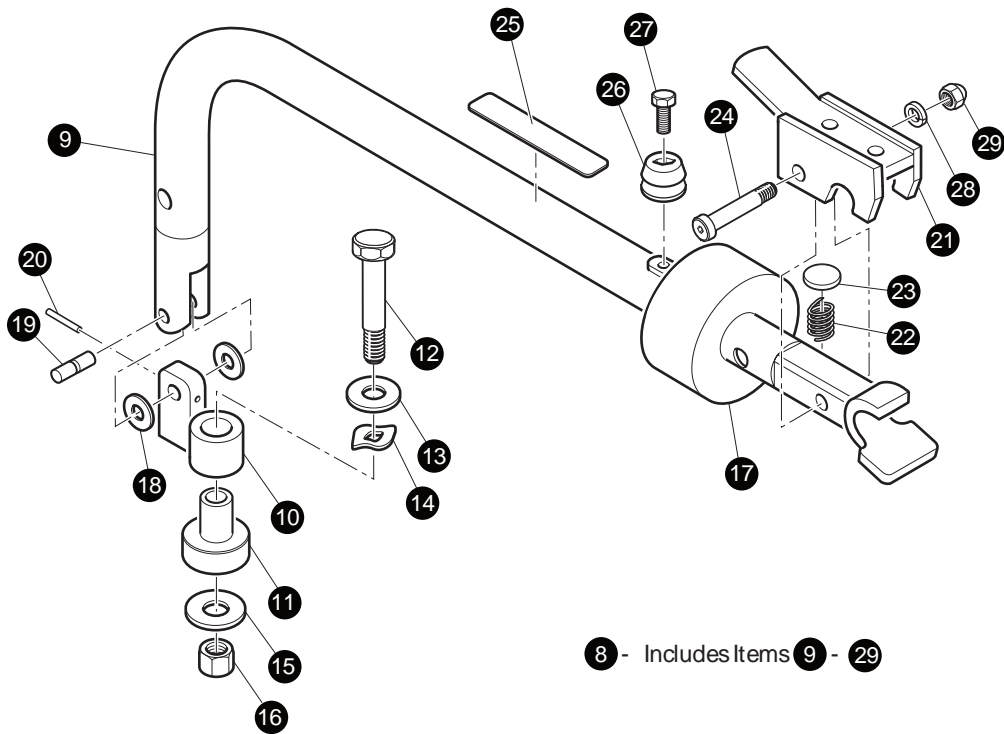
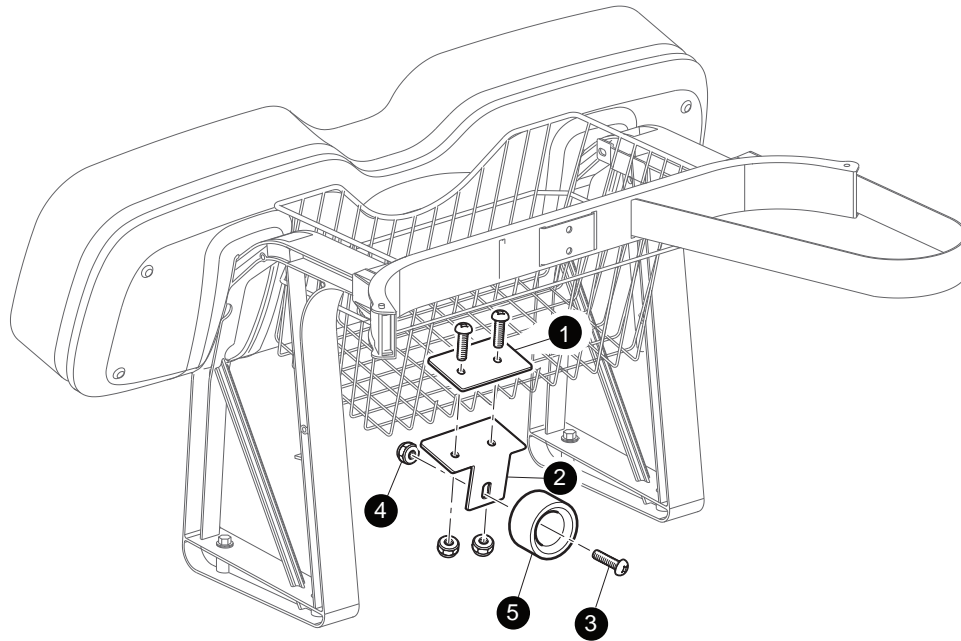


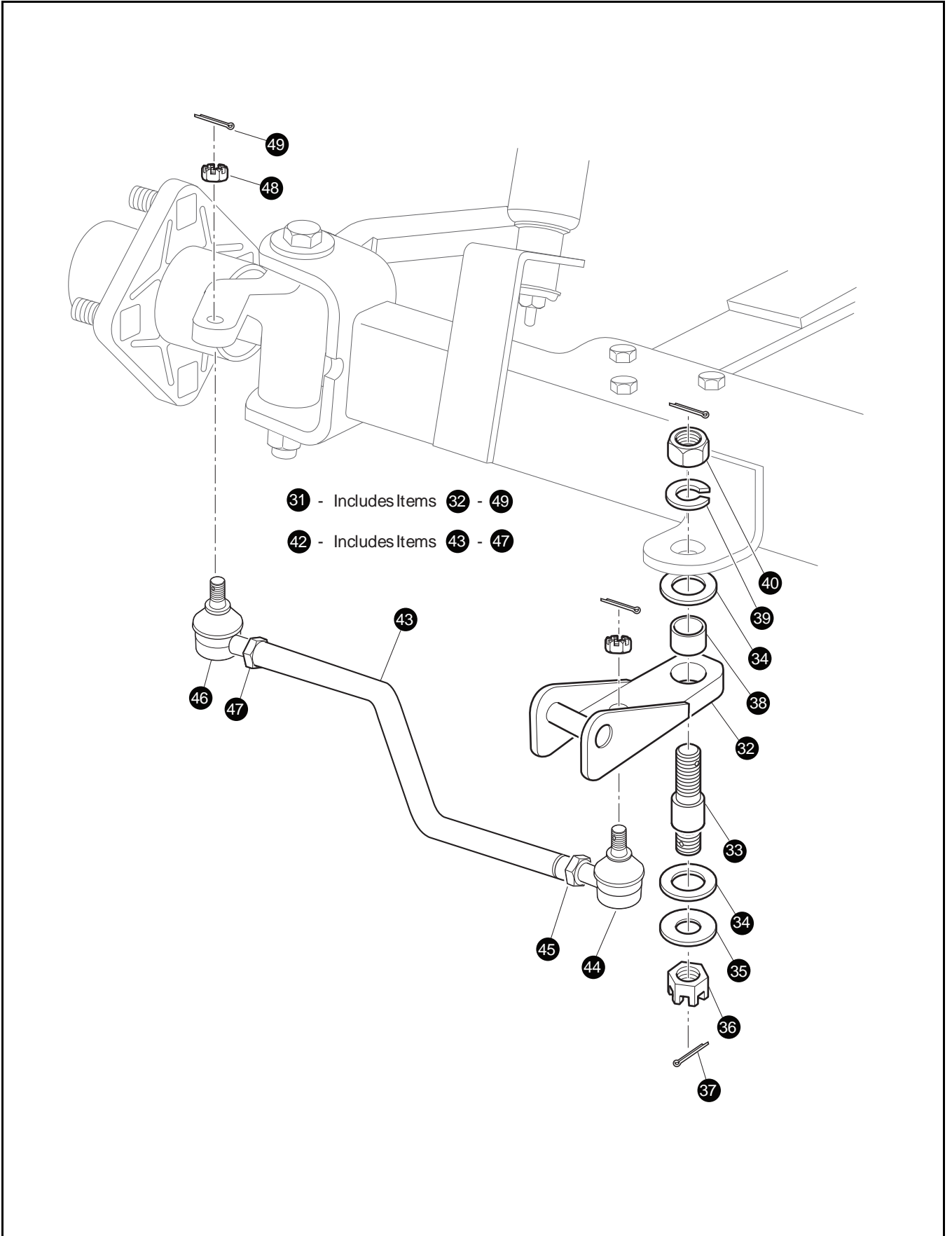
TOW BAR - CASUAL

Where applicable, THE USE OF NON UL PARTS WILL VOID ANY UL LISTING.
 When ordering parts, please specify the model and serial number of the product.
 * Indicates a component that is not available as an individual part.
 G** Indicates consult Customer Service Department for additional information.

ITEM	PART NO.	1 2 3 4 5	DESCRIPTION	QTY.
1	75033G01		CASUAL TOW BAR (INCLUDES ITEMS 2 - 15).....	1
2	*		TOW BAR	1
3	75034G01		TIE ROD (INCLUDES NUT AND COTTER PIN)	1
4	75060G01		COUPLING	1
5	75058G01		LOCK PIN	1
6	75065G01		COMPRESSION SPRING	1
7	00922G2		WASHER, 3/8"	1
8	10387G2		COTTER PIN, 3/32" X 1" LG	1
9	75068G01		SAFETY PIN	1
10	14869G5		WIRE ROPE	1
11	16783G1		FERRULE	3
12	75067G01		FERRULE	1
13	75035G02		HEX HEAD PLUG	1
14	14869G3		WIRE ROPE	1
15	75091G01		LABEL (WARNING)	1

TOW BAR - PERMANENT





TOW BAR - PERMANENT

Where applicable, THE USE OF NON UL PARTS WILL VOID ANY UL LISTING.

When ordering parts, please specify the model and serial number of the product.

* Indicates a component that is not available as an individual part.

G** Indicates consult Customer Service Department for additional information.

ITEM	PART NO.	1 2 3 4 5	DESCRIPTION	QTY.
1	75318G01		MOUNTING PLATE.....	1
2	75319G01		STOP MOUNT PLATE	1
3	16705G1		SCREW, 1/4 - 20 X 1" LG (STAINLESS STEEL)	3
4	00891G2		LOCK NUT, 1/4 - 20 (STAINLESS STEEL)	3
5	75338G02		FEMALE STOP	1
6				
7				
8	75304G01		TOW BAR ASSEMBLY (TOWING VEHICLE) (INCLUDES ITEMS 9 - 29)	1
9	75299G01		TOW BAR	1
10	75302G01		UPPER PIVOT	1
11	75291G01		LOWER PIVOT	1
12	00410G8		BOLT, 1/2 - 20 X 3" LG.....	1
13	00675G3		WASHER, 1/2" (STAINLESS STEEL).....	1
14	75339G01		SPRING WASHER	1
15	00571G5		WASHER, 1/2"	1
16	11098G8		LOCK NUT, 1/2 - 20.....	1
17	75362G01		LATCH STOP.....	1
18	75340G01		WASHER, 3/8"	2
19	75360G01		PIVOT PIN	1
20	13571G7		SPRING PIN	1
21	75303G01		LATCH	1
22	20852G2		COMPRESSION SPRING	1
23	25661G02		CUP WASHER.....	1
24	13005G4		SHOULDER BOLT, 5/16 - 18 X 2" LG.....	1
25	75370G01		LABEL (WARNING)	1
26	75338G03		MALE STOP	1
27	12547G4		BOLT, 6MM X 1 X 30 MM LG.....	1
28	00565G8		LOCK WASHER, 5/16"	1
29	00520G3		ACORN NUT, 5/16 - 18 (STAINLESS STEEL)	1
30				

TOW BAR - PERMANENT

Where applicable, THE USE OF NON UL PARTS WILL VOID ANY UL LISTING.

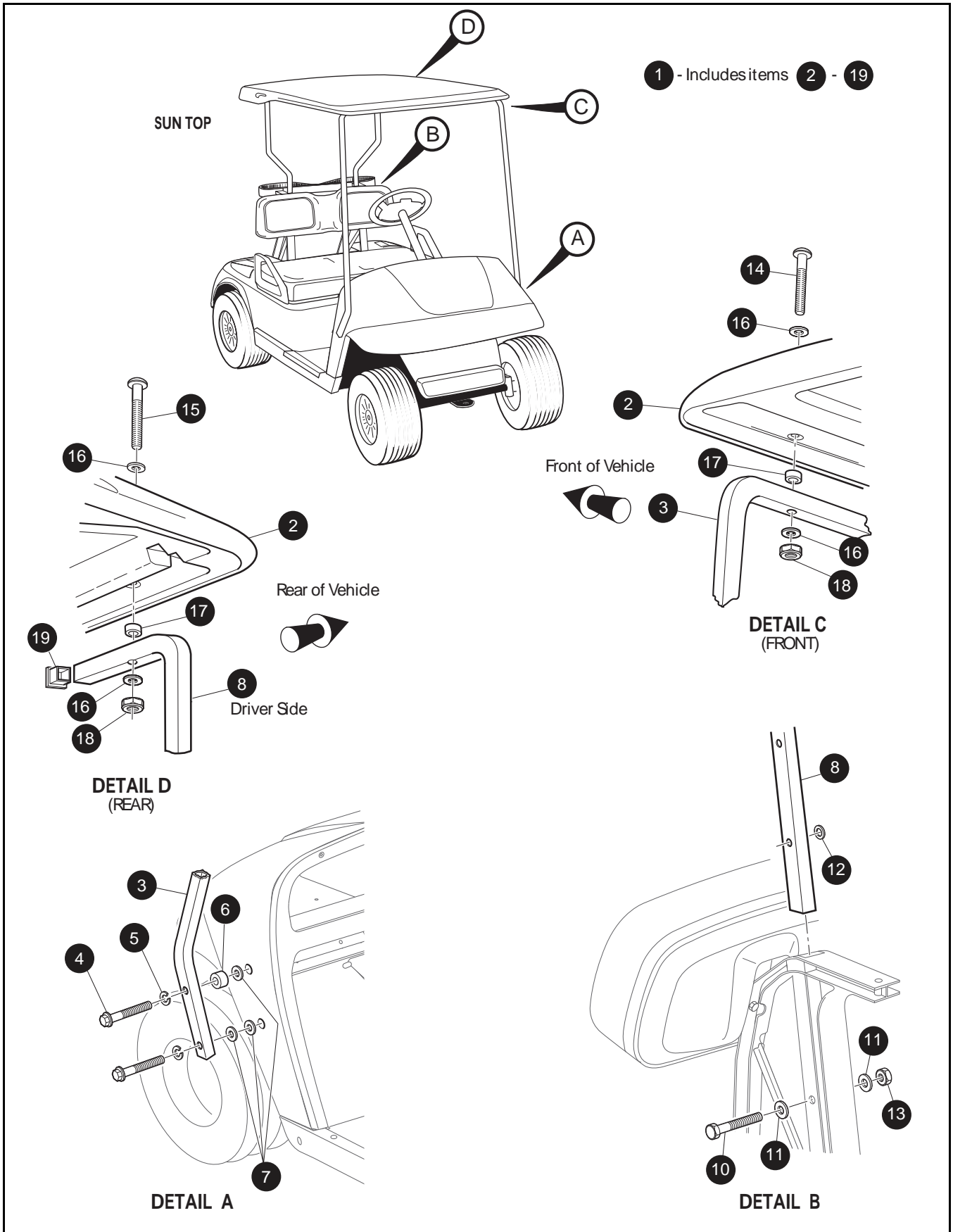
When ordering parts, please specify the model and serial number of the product.

* Indicates a component that is not available as an individual part.

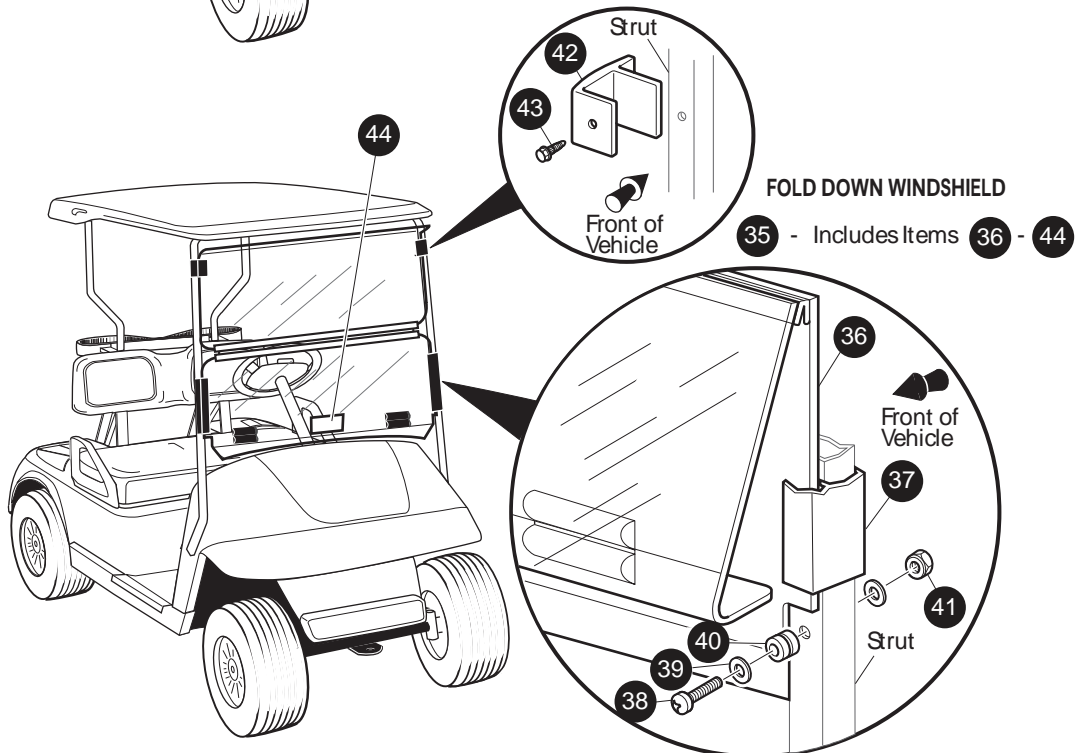
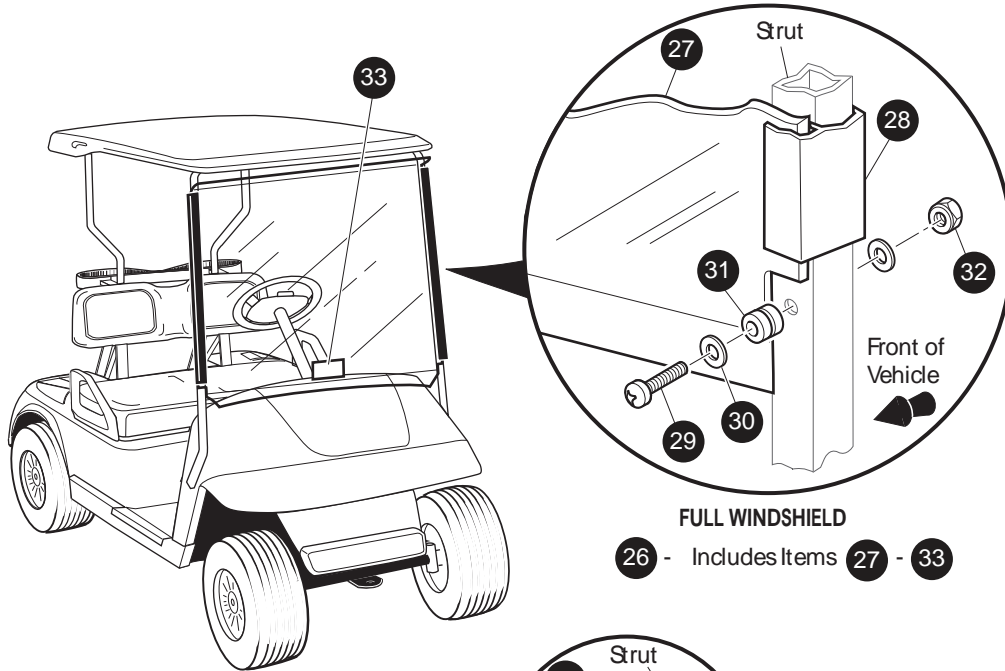
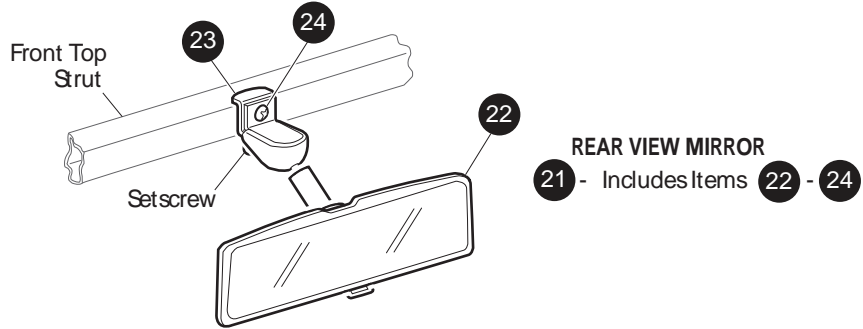
G** Indicates consult Customer Service Department for additional information.

ITEM	PART NO.	1 2 3 4 5	DESCRIPTION	QTY.
31	75308G01		TOW BAR HITCH ASSEMBLY (TOWED VEHICLE) (INCLUDES ITEMS 32 - 49).....	1
32	75305G01		HITCH.....	1
33	75292G01		PIVOT BOLT.....	1
34	75309G01		THRUST WASHER.....	2
35	75342G01		WASHER, 3/4".....	1
36	00518G8		CASTELLATED NUT, 3/4 - 16.....	1
37	10387G1		COTTER PIN, 1/8" X 1 1/2" LG.....	2
38	75307G01		BEARING.....	1
39	00566G6		LOCK WASHER, 3/4".....	1
40	00533G8		NUT, 3/4 - 16.....	1
41				
42	602981		TIE ROD ASSEMBLY (INCLUDES ITEMS 43 - 47).....	1
43	603089		THREADED ROD.....	1
44	27205G01		TIE ROD END (LEFT HAND THREADS).....	1
45	18434G3		JAM NUT, M12 X 1.25-05 (LEFT HAND THREADS).....	1
46	27205G02		TIE ROD END (RIGHT HAND THREADS).....	1
47	18434G4		JAM NUT, M12 X 1.25-05 (RIGHT HAND THREADS).....	1
48	50209G2		CASTELLATED NUT, 7/16 - 20.....	2
49	10387G2		COTTER PIN, 3/32" X 1" LG.....	2

WEATHER PROTECTION - GOLF CAR

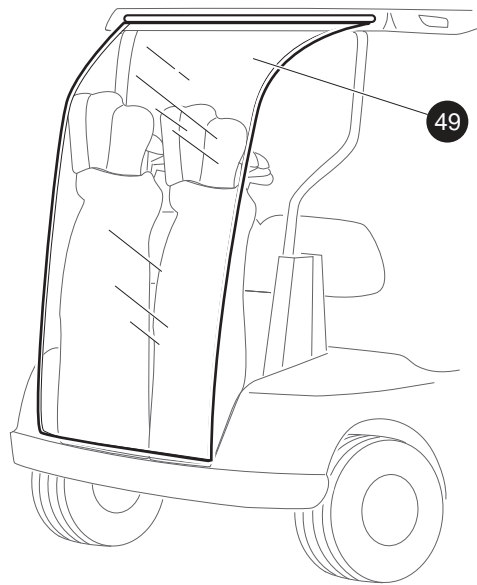
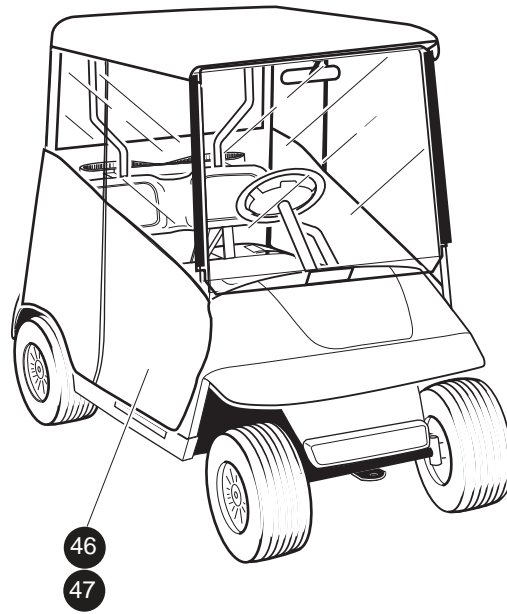


WEATHER PROTECTION - GOLF CAR



WEATHER PROTECTION - GOLF CAR

WEATHER ENCLOSURE



BAG AND RAIN CURTAIN

WEATHER PROTECTION - GOLF CAR

Where applicable, THE USE OF NON UL PARTS WILL VOID ANY UL LISTING.

When ordering parts, please specify the model and serial number of the product.

* Indicates a component that is not available as an individual part.

G** Indicates consult Customer Service Department for additional information.

ITEM	PART NO.	1 2 3 4 5	DESCRIPTION	QTY.
1	75040G**		SUN TOP KIT (GOLF CAR) (INCLUDES ITEMS 2 - 19)	1
2	27069G**		SUN TOP	1
3	75045G05		FRONT STRUT.....	1
4	000440G2		SCREW - CAP - 5/16 - 18 X 2 1/4".....	4
5	00559G8		WASHER - 5/16" FL - B - CP.....	4
6	75048G01		SPACER, 1/2"	2
7	00570G2		WASHER, 5/16"	6
8	75046G02		REAR STRUT	2
9				
10	00685G7		BOLT, 5/16 - 18 X 1 3/4" LG (STAINLESS STEEL)	4
11	01110G03		WASHER, 5/16" (STAINLESS STEEL).....	8
12	17255G1		TEFLON WASHER, 5/16".....	4
13	01109G01		LOCK NUT, 5/16 - 18 (STAINLESS STEEL).....	4
14	00753G5		SCREW, 1/4 - 20 X 2" LG (STAINLESS STEEL).....	2
15	00753G6		SCREW, 1/4 - 20 X 2 1/4" LG (STAINLESS STEEL).....	2
16	01110G01		WASHER, 1/4" (STAINLESS STEEL).....	8
17	75051G01		SPACER	4
18	00654G2		LOCK NUT, 1/4 - 20 (STAINLESS STEEL).....	4
19	19853G1		END CAP, 1"	2
20				
21	19528G2		REAR VIEW MIRROR KIT (INCLUDES ITEMS 22 - 24)	1
22	19496G1		REAR VIEW MIRROR	1
23	19502G2		SUPPORT BRACKET.....	1
24	19527G1		SCREW, #8 - 32 X 5/8" LG (STAINLESS STEEL).....	1
25				
26	75524G01		WINDSHIELD KIT (GOLF CAR) (INCLUDES ITEMS 27 - 33).....	1
27	*		WINDSHIELD	1
28	EGWHC12		SASH, 26" LG	2
29	EGWHS12		SCREW, 1/4 - 20 X 1 3/4" LG (STAINLESS STEEL).....	2
30	EGWHW12		WASHER, 1/4" (STAINLESS STEEL).....	4

WEATHER PROTECTION - GOLF CAR

Where applicable, THE USE OF NON UL PARTS WILL VOID ANY UL LISTING.


When ordering parts, please specify the model and serial number of the product.

* Indicates a component that is not available as an individual part.

G** Indicates consult Customer Service Department for additional information.

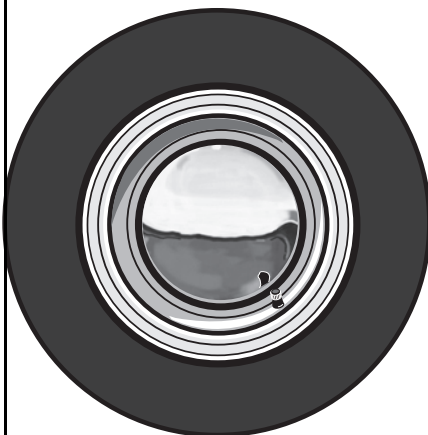
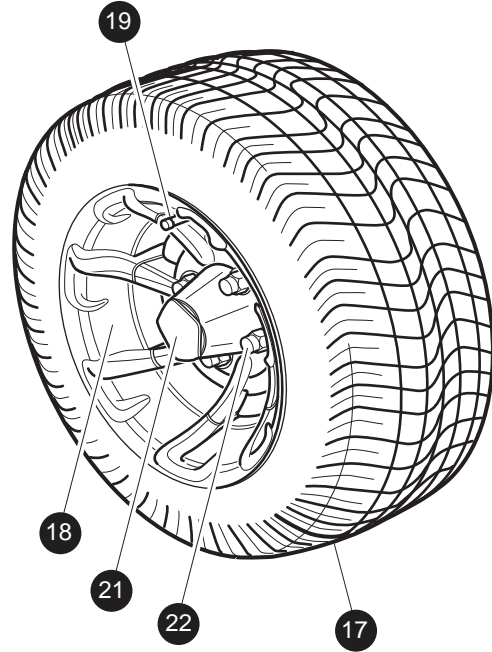
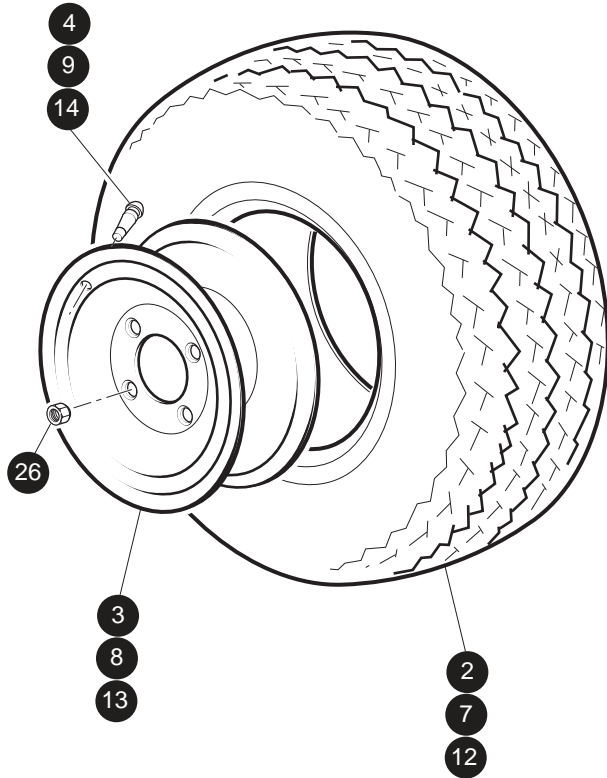
ITEM	PART NO.	1	2	3	4	5	DESCRIPTION	QTY.
31	EGWHG13						RUBBER GROMMET	2
32	EGWHN12						LOCK NUT, 1/4 - 20 (STAINLESS STEEL).....	2
33	EGWHL14						LABEL (SAFETY)	1
34								
35	75077G01						FOLD DOWN WINDSHIELD KIT (GOLF CAR) (INCLUDES ITEMS 36 - 44).....	1
36	*						WINDSHIELD	1
37	EGWHC10						SASH, 12" LG	2
38	EGWHS12						SCREW, 1/4 - 20 X 1 3/4" LG (STAINLESS STEEL).....	2
39	EGWHW12						WASHER, 1/4" (STAINLESS STEEL).....	4
40	EGWHG13						RUBBER GROMMET	2
41	EGWHN12						LOCK NUT, 1/4 - 20 (STAINLESS STEEL).....	2
42	137-010						TOP GRIP, 3/4" X 2"	2
43	136-008						TOP GRIP FASTENER.....	2
44	EGWHL14						LABEL (SAFETY)	1
45								
46	75078G01						WEATHER ENCLOSURE (3 SIDED) RECOMMENDED FOR VEHICLES WITH WINDSHIELDS	1
47	75079G01						WEATHER ENCLOSURE (4 SIDED) RECOMMENDED FOR VEHICLES WITHOUT WINDSHIELDS	1
48								
49	75191G01						BAG COVER AND RAIN CURTAIN KIT.....	1
							For service or replacement windshield parts, contact: Eagle Parts, Inc. 1411 Marvin Griffin Rd. Augusta, GA 30906 Telephone (706) 790-6687 or FAX (706) 790-6066	

Notes:

A large grid of graph paper for taking notes, consisting of 20 columns and 30 rows of small squares.

WHEELS AND TIRES

- 1 Includes Items 2 4
- 6 Includes Items 7 9
- 11 Includes Items 12 14
- 16 Includes Items 17 19



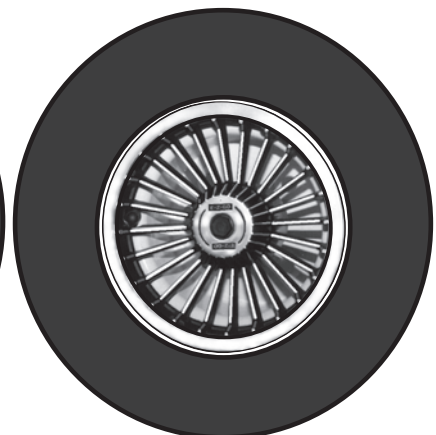
6" CHROME HUBCAP

28



8" CHROME HUBCAP

30



SILVER/ GOLD SPOKE HUBCAP

32 34

WHEELS AND TIRES

Where applicable, THE USE OF NON UL PARTS WILL VOID ANY UL LISTING.

When ordering parts, please specify the model and serial number of the product.

* Indicates a component that is not available as an individual part.

G** Indicates consult Customer Service Department for additional information.

ITEM	PART NO.	1 2 3 4 5	DESCRIPTION	QTY.
1	612772		TIRE AND WHEEL ASSEMBLY (KENDA HOLE--HOLE 18 X 8.5 - 8) (INCLUDES ITEMS 2 - 4).....	1
2	612771		TIRE (KENDA 18 X 8.5 - 8)	1
3	612770		KENDA WHEEL (Kenda wheels are marked with "M").....	1
4	11657G2		VALVE STEM.....	1
5				
6	28757G03		WHEEL AND TIRE ASSEMBLY (TURF SAVER 18 X 8.5 - 8) (INCLUDES ITEMS 7 - 9).....	1
7	28764G03		TIRE (TURF-SAVER 18 X 8.5 - 8)	1
8	28759G01		WHEEL RIM (4 LUG).....	1
9	11657G2		VALVE STEM.....	1
10				
11	28842G01		WHEEL AND TIRE ASSEMBLY (SURE TRAIL 6-PLY 18.5 X 8.5 - 8) (INCLUDES ITEMS 12 - 14).....	1
12	28764G08		TIRE (SURE TRAIL 18.5 X 8.5 - 8).....	1
13	28759G01		WHEEL RIM (4 LUG).....	1
14	11657G2		VALVE STEM.....	1
15				
16	600599		WHEEL AND TIRE ASSEMBLY (ALLOY WHEEL)	1
17	601768		TIRE (TOUR MAX 205 X 50 - 10).....	1
18	601766		WHEEL ALLOY RIM.....	1
19	601767		VALVE STEM.....	1
20				
21	601353		WHEEL ALLOY CAP.....	1
22	601354		WHEEL ALLOY LUG NUT	4
23				
24				
25				
26	14723G1		LUG NUT, 1/2 - 20.....	16
27				
28	16042G1		6" CHROME HUBCAP	4

WHEELS AND TIRES

Where applicable, THE USE OF NON UL PARTS WILL VOID ANY UL LISTING.

When ordering parts, please specify the model and serial number of the product.

* Indicates a component that is not available as an individual part.

G** Indicates consult Customer Service Department for additional information.

ITEM	PART NO.	1 2 3 4 5	DESCRIPTION	QTY.
29	16042G2		6" CHROME HUBCAP (SET OF FOUR).....	1
30	14913G1		8" CHROME HUBCAP	4
31	14913G2		8" CHROME HUBCAP (SET OF FOUR).....	1
32	19241G2		GOLD SPOKE HUBCAP	4
33	19241G4		GOLD SPOKE HUBCAP (SET OF FOUR)	1
34	19241G1		SILVER SPOKE HUBCAP	4
35	19241G3		SILVER SPOKE HUBCAP (SET OF FOUR).....	1

OPTIONS AND ACCESORIES

OPTIONS/ACCESSORIES

OPTIONS AND ACCESORIES

2 BAG ATTACHMENT	75183G01	Body
4 BAG ATTACHMENT	75335G01	Body
CHARGER INSTALLATION, 48V W/ 5.5M CORD.	606594	Charger
CHARGER INSTALLATION, WORLD	611919	Charger
CHARGER W/ 3M CORD		
CHARGER INSTALLATION, WORLD	611920	Charger
CHARGER W/ 5.5M CORD		
SEAT INSTALLATION - GRAY	71600G03	Seating
SEAT INSTALLATION - TAN	71600G07	Seating
SEAT INSTALLATION - NON STANDARD COLOR	71600G09	Seating
FRONT WHEEL INSTALLATION - USA TRAIL	27773G01	Wheels And Tires
8" CHROME HUBCAP	14913G*	Wheels And Tires
6" CHROME HUBCAP	16042G*	Wheels And Tires
GOLD SPOKE HUBCAP	19241G*	Wheels And Tires
SILVER SPOKE HUBCAP	19241G*	Wheels And Tires
ASHTRAY KIT	75109G02	Body
CENTER BASKET	75003G01	Body
COOLER JUG AND BRACKET KIT	75495G01	Body
COOLER BOX AND BRACKET KIT	75344G01	Body
DIVOT REPAIR KIT	23300G1	Body
MESSAGE HOLDER KIT (REQUIRES SUN TOP)	75509G01	Body
MESSAGE HOLDER KIT (REQUIRES SUN TOP)	75496G01	Body
REAR VIEW MIRROR (REQUIRES SUN TOP)	19528G2	Weather Protection - Golf Car
SAND BOTTLE	28661G**	Body
SAND RAKE	14735G1	Body d
SAND RAKE HOLDER	75006G01	Body
SIDE BASKET	75007G**	Body
SUN TOP KIT, GOLF CAR	75040G**	Weather Protection - Golf Car
TOW BAR KIT (CASUAL)	75033G01	Tow Bar - Casual
TOW BAR KIT (PERMANENT)	75304G01	Tow Bar - Permanent
WINDSHIELD KIT, GOLF CAR	75524G01	Weather Protection, Golf Car
WINDSHIELD KIT, FOLD DOWN, GOLF CAR	74910G01	Weather Protection, Golf Car
TIRE DOMINATOR 20X11-10	605316	Wheels and Tires

OPTIONS AND ACCESORIES

PATHFINDER TIRE, BRUSHED WHEEL LH	605355	Wheels and Tires
PATHFINDER TIRE, BRUSHED WHEEL RH	605356	Wheels and Tires
PRO TOUR - POLISHED WHEEL	605317	Wheels and Tires
PRO TOUR, TIRE 205/50-10	605315	Wheels and Tires
V-STEM-BRUSHED SPOKED WHEEL	605351	Wheels and Tires
PRO BRUSHED WHEEL	605318	Wheels and Tires
DOMINATOR - POLISHED WHEEL	605319	Wheels and Tires
DOMINATOR - BRUSHED WHEEL	605320	Wheels and Tires
CHROME CENTER CAP - SPOKED WHEEL	604929	Wheels and Tires
NUT, LUG-CHROME	605310	Wheels and Tires
V-STEM-POLISHED SPOKED WHEEL	605311	Wheels and Tires
PATHFINDER TIRE 22X11-10	604928	Wheels and Tires
PATHFINDER TIRE, POLISHED WHEEL LH	604930	Wheels and Tires
PATHFINDER TIRE, POLISHED WHEEL RH	605228	Wheels and Tires
JACK-UP KIT	74786G02	Wheels and Tires
BFS - INSTALLATION	607108	Electrical System
NOZZLE GUN - BFS-08	608813	Electrical System

SPECIALTY PRODUCTS

SPECIALTY PRODUCTS

SPECIAL TOOLS	PART NO.
BATTERY MAINTENANCE KIT	25587G01
SEAL INSTALLATION TOOL (REAR AXLE SHAFT SEAL)	18739G1
CURRENT INDICATOR	16489G2
DIGITAL MULTI-METER	27481G01
CRIMPING TOOL	27765G01
TUBELESS TIRE REPAIR KIT	606009
TIRE PLUGGER REFILL PACK	606831

TOUCH UP PAINT	PART NO.
PEN 3 OUNCE (89 ML) - HUNTER GREEN	28432G02
PEN 3 OUNCE (89 ML) - CHAMPAGNE BEIGE	28432G01
PEN 3 OUNCE (89 ML) - WHITE	28432G05
PEN 3 OUNCE (89 ML) - INDUSTRIAL YELLOW.....	28432G03
PEN 3 OUNCE (89 ML) - ORANGE	28432G04
PEN 3 OUNCE (89 ML) - STEEL BLUE PEARL	28432G**
PEN 3 OUNCE (89 ML) - CAMOUFLAGE PAINT (THREE PENS)	75831G01
AEROSOL 12 OUNCE (360 ML) - HUNTER GREEN	28140G09
AEROSOL 12 OUNCE (360 ML) - CHAMPAGNE BEIGE	28140G15
AEROSOL 12 OUNCE (360 ML) - INDUSTRIAL YELLOW.....	28140G14

MAINTENANCE PRODUCTS	PART NO.
PLEXUS® CLEANER, 13 OUNCE (380 ML) (FOR WINDSHIELDS)	28433G02
BATTERY PROTECTOR, 14 OUNCE (410 ML) SPRAY	27619G02
E-Z-GO ALL SURFACE CLEANER	606311
E-Z-GO FIBREGLASS/PLASTIC RESTORER	606313
WINDSHIELD AND PLASTIC PROTECTOR	606314
64 OZ HANDCLEANER.....	607636
4 OZ HAND CLEANER.....	607637



A Textron Company

E-Z-GO Division of Textron Inc.,
1451 Marvin Griffin Road, Augusta, Georgia 30906 - 3852 USA

TO CONTACT US...

North America:

**Technical Assistance & Warranty
Service Parts**

Phone: 1-800-774-3946, FAX: 1-800-448-8124

Phone: 1-888-GET-E-Z-GO (1-888-438-3946), FAX: 1-800-752-6175

International:

Phone: 001-706-798-4311, FAX: 001-706-771-4609

ISO 9001
ISO 14001

BUREAU VERITAS
Certification



Copyrighted Material
This manual may not be reproduced in whole or
in part without the express permission of
E-Z-GO Division of Textron, Inc.
Technical Communications Department