

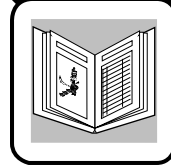
620388



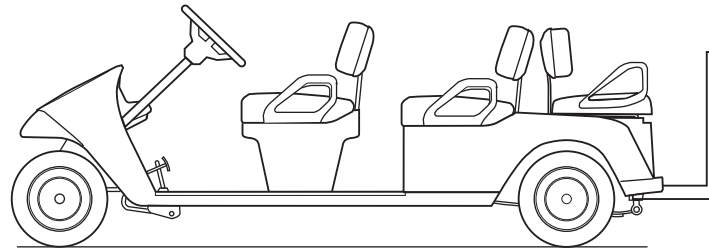
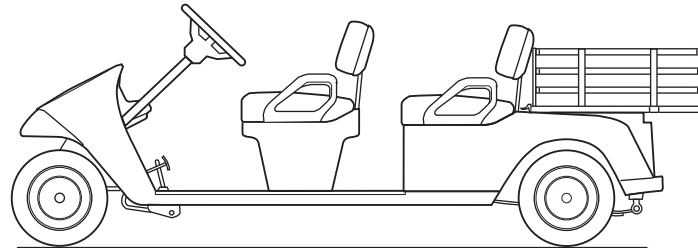
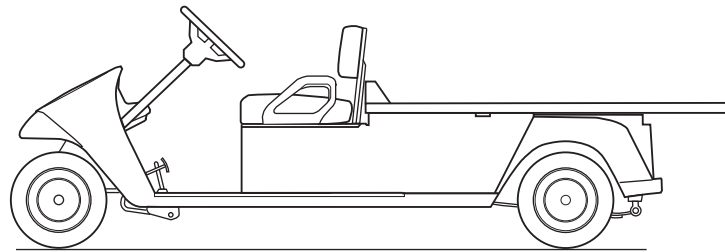
A Textron Company



A Textron Company



SERVICE PARTS MANUAL



GASOLINE POWERED PERSONNEL CARRIERS AND GOLF CAR

ISSUED APRIL 2008

REVISED MAY 2012

SERVICE PARTS MANUAL

GASOLINE POWERED PERSONNEL CARRIERS AND GOLF CARS

SHUTTLE/BELLHOP 2

SHUTTLE/BELLHOP 4

SHUTTLE/BELLHOP 6

STARTING MODEL YEAR 2008

The E-Z-GO Division of Textron Inc. reserves the right to incorporate engineering and design changes to products in this Manual, without obligation to include these changes on units leased/sold previously.

The information contained in this Manual may be revised periodically by the E-Z-GO Division, and therefore is subject to change without notice.

The E-Z-GO Division DISCLAIMS LIABILITY FOR ERRORS IN THIS MANUAL, and the E-Z-GO Division SPECIFICALLY DISCLAIMS LIABILITY FOR INCIDENTAL AND CONSEQUENTIAL DAMAGES resulting from the use of the information and materials in this Manual.

TO CONTACT US

NORTH AMERICA:

TECHNICAL ASSISTANCE & WARRANTY PHONE: 1-800-774-3946, FAX: 1-800-448-8124

SERVICE PARTS PHONE: 1-888-GET-EZGO (1-888-438-3946), FAX: 1-800-752-6175

INTERNATIONAL: PHONE: 001-706-798-4311, FAX: 001-706-771-4609

E-Z-GO DIVISION OF TEXTRON, INC., 1451 MARVIN GRIFFIN ROAD, AUGUSTA, GEORGIA USA 30906-3852

GENERAL INFORMATION

This vehicle has been designed and manufactured in the United States of America (USA) as a 'World Vehicle'. The Standards and Specifications listed in the following text originate in the USA unless otherwise indicated.

The use of non Original Equipment Manufacturer (OEM) approved parts may void the warranty.

Overfilling battery may void the warranty.

Tampering with or adjusting the governor to permit vehicle to operate at above factory specifications will void the vehicle warranty.

When servicing engines, all adjustments and replacement components must be per original vehicle specifications in order to maintain the United States of America Federal and State emission certification applicable at the time of manufacture.

BATTERY PROLONGED STORAGE

All batteries will self discharge over time. The rate of self discharge varies depending on the ambient temperature and the age and condition of the batteries.

A fully charged battery will not freeze in winter temperatures unless the temperature falls below -75° F (-60° C).

TABLE OF CONTENTS

SECTION	Page No.
HOW TO USE THE SERVICE PARTS MANUAL	V
ACCELERATOR	A-1
• Pedal Cover	
• Pedal Box Assembly	
• Accelerator Pedal Assembly	
AIR FILTER	B-1
• Air Cleaner Element	
• Air Filter Housing	
• Air Cleaner Hose	
BODY	C-1
• Front Bumper	
• Front Splash Shield	
• Cowl	
• Instrument Panel	
• Rocker Panels	
• Rear Body	
• Seat Support	
BRAKES - FRONT DISC	D-1
• Brake Pedal Pad	
• Brake Pedal	
• Brake Compensator Assembly	
• Spindle Calliper Disc Hub Assembly	
BRAKES - MECHANICAL	E-1
• Brake Pedal Pad	
• Brake Pedal	
• Brake Cable	
• Brake Drum Assembly	
CARBURETOR	F-1
• Carburetor	
• Main Jet	
• Choke Cable	
CLUTCH	G-1
• Drive Clutch	
• Driven Clutch	
DIRECTION SELECTOR	H-1
• Push/Pull Shifter Cable	
• Compression Spring	
• Neutral Lock Bracket	
ELECTRICAL SYSTEM	J-1
• Main Harness	
• Battery	
• Hour Meter	
• Ground Cable	
• Turn Signal	
• Headlight	
• Key Switch	
• Tail Lights	

TABLE OF CONTENTS

SECTION	Page No.
ENGINE AND MUFFLER	K-1
• Engine	
• Muffler	
• Oil Dip Stick	
• Oil Filter	
ENGINE MOUNTING	L-1
• Engine Pan Mount	
• Front Engine Mount	
FRONT SUSPENSION AND STEERING	M-1
• Strut	
• Spindle	
• Steering Box	
• Steering Column	
• Steering Wheel	
FUEL SYSTEM	N-1
• Fuel Tank	
• Pulse Line	
REAR AXLE	P-1
• Axle Shaft	
• Axle Tube	
• Oil Check Plug	
REAR SUSPENSION	Q-1
• Shocks	
• Leaf Spring	
• Shackles	
SEATING	R-1
• Seat Bottom	
• Seat Back	
• Hip Restraints	
• Seat Back Support	
• Seat Bottom, Rear Facing Seat	
STARTER / GENERATOR	S-1
• Starter	
• Starter Belt	
• Starter Tensioner	
WEATHER PROTECTION	T-1
• Sun Top	
• Windshield	
WHEELS AND TIRES	U-1
• Tire & Wheel Assembly	
• Lug Nuts	

HOW TO USE THE SERVICE PARTS MANUAL

This manual is divided into several sections:

GENERAL INFORMATION

- TABLE OF CONTENTS
- HOW TO USE THE SERVICE PARTS MANUAL

ILLUSTRATED PARTS BREAKDOWN

- Contains illustrations and parts lists for all systems of the vehicle.

USE OF THE MANUAL

To use this manual, consult the TABLE OF CONTENTS (page iii) to locate the information or illustration required.

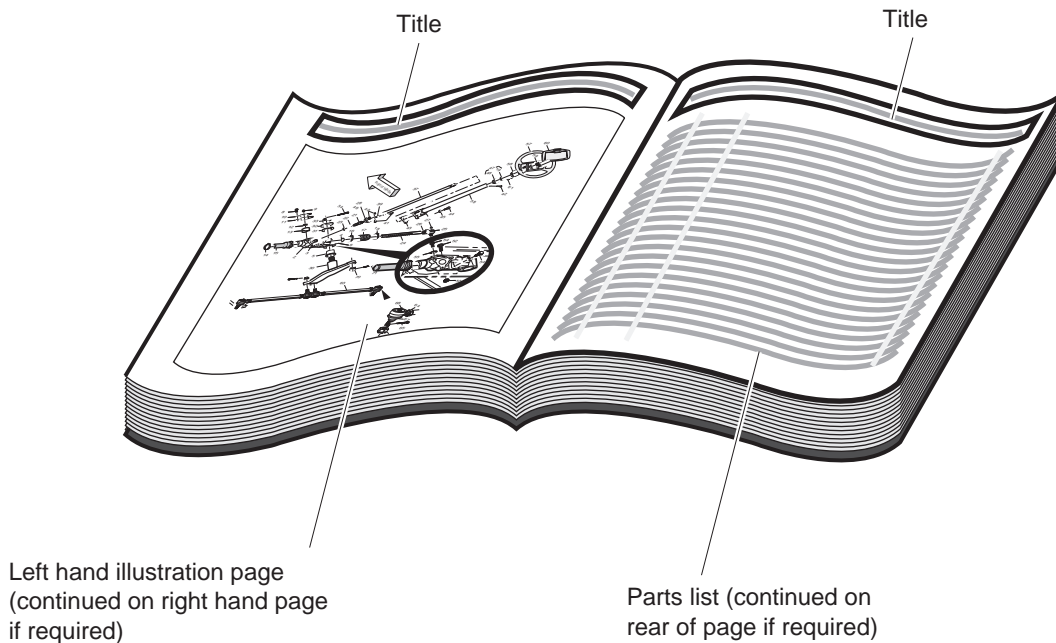
Introduction of some revisions varies due to supply of components; therefore, it is possible that various combinations of components may be found that are not directly reflected by each illustration. Consult the illustration that best suits your situation. Locate the serial number. It is important that the serial number of your vehicle and its model number be supplied to Service Parts when ordering any replacement components.

SERIAL NUMBER LOCATION

Three serial number and manufacture date code labels are on the vehicle. One is placed on the steering column, the second is located on the frame member under the front splash shield on the driver side and the third is located on the passenger side frame rail at the rear of the vehicle.

In order to obtain correct components for the vehicle, the manufacture date code, serial number and vehicle model must be provided when ordering service parts.

HOW TO USE THE SERVICE PARTS MANUAL



1. WHEN THE PART NUMBER IS NOT KNOWN

- Determine the function and application of the part required. Turn to the TABLE OF CONTENTS and select the most appropriate component description.
- Turn to the page number indicated and locate the part description in the parts list. Read the full accompanying description for specific information regarding the part that was not shown in the index.
- From the parts list, obtain the item number assigned to it and confirm that the part selected is correct by verifying it with the pictorial representation on the illustrated page.

Should an asterisk (*) appear in the part number column on the parts list page, read upwards until a part number is found. The part number is the lowest assembly sold by Service Parts. The asterisk (*) indicates that the part depicted is not available for purchase.

NOTE: Descriptions are indented under the assembly that they are used on. That assembly is, in turn listed under the assembly that it is used on. This process is repeated until the highest final assembly is reached.

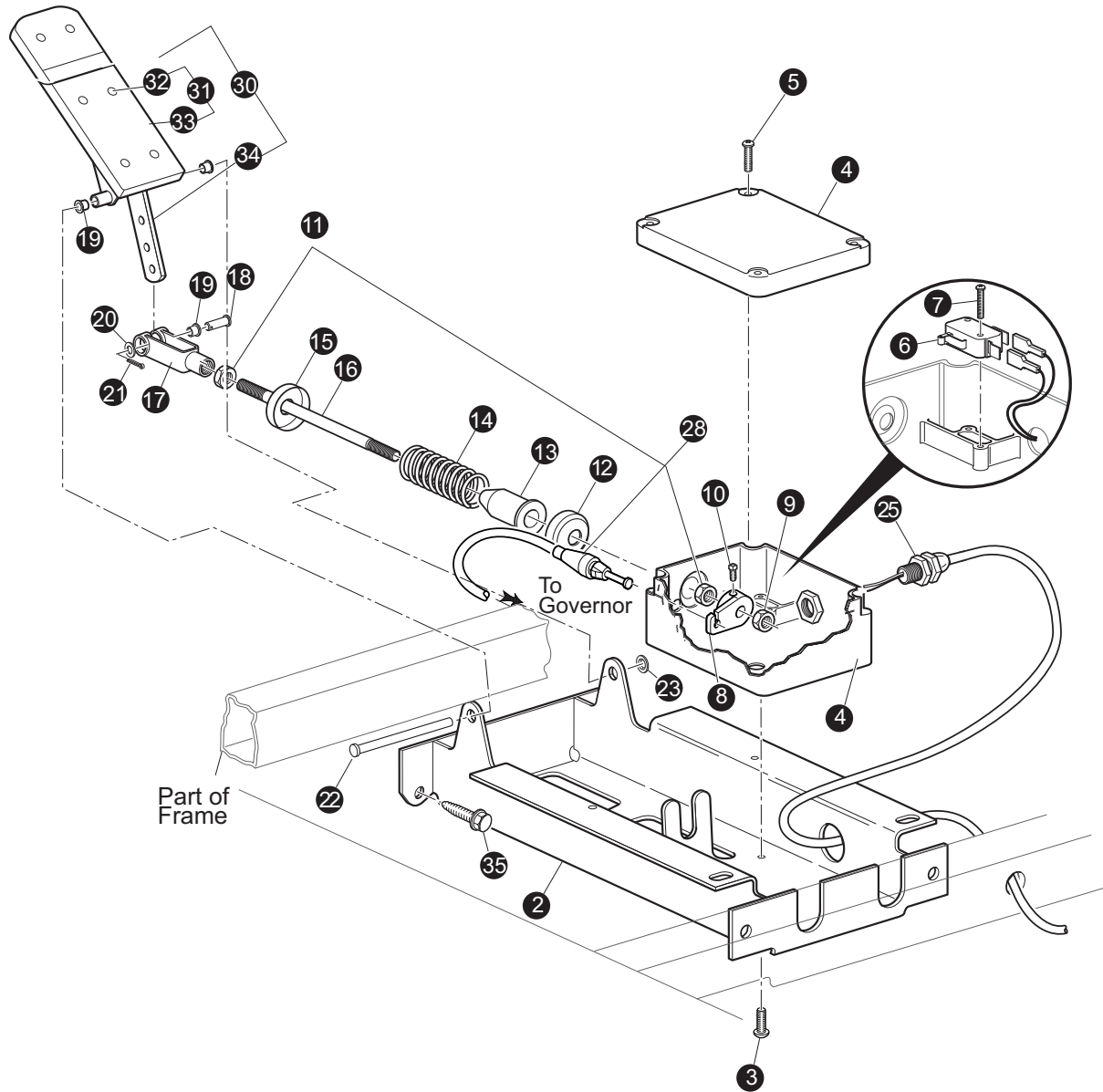
To facilitate the maintenance and repair of the vehicle, a Technician's Repair and Service Manual is available from the Service Parts Department.

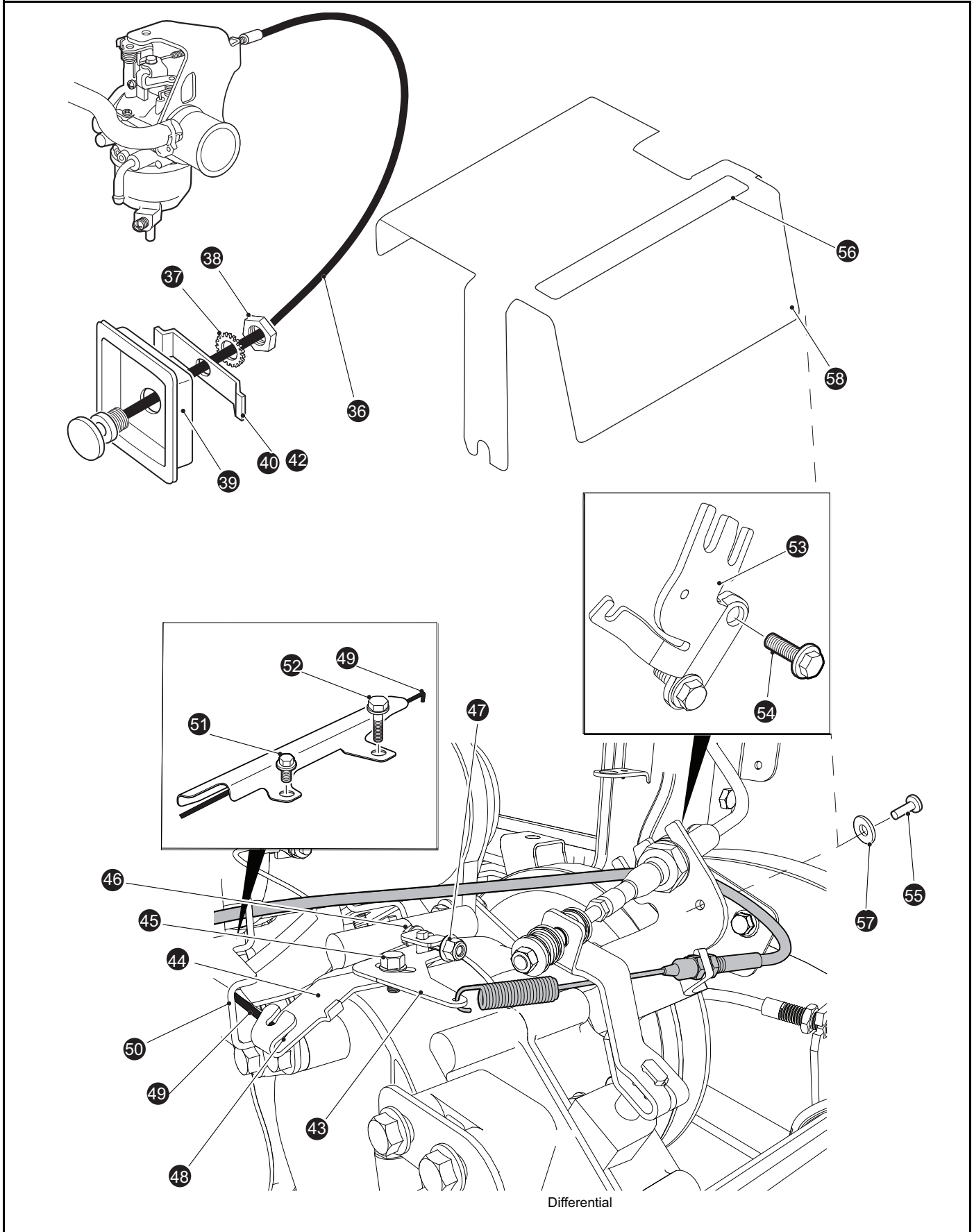
ILLUSTRATED PARTS BREAKDOWN

ILLUSTRATED PARTS BREAKDOWN

ACCELERATOR

1 - Includes Items 3 - 39





ACCELERATOR

When ordering parts, please specify the model and serial number of the product.

* Indicates a component that is not available as an individual part.

*** Indicates consult Customer Service Department for additional information.

ITEM	PART NO.	1 2 3 4 5	DESCRIPTION	QTY.
1	606992		PEDAL BOX ASSEMBLY (INCLUDES ITEMS 2 - 39,	1
2	70116G02		ACCELERATOR PEDAL BRACKET	1
3	01051G01		SCREW, #8 - 16 X 1/2" LG	4
4	25853G03		PEDAL BOX AND COVER	1
5	00684G6		SCREW, #8 - 32 X 3/4" LG (STAINLESS STEEL)	2
6	25861G01		MICRO SWITCH	1
7	01050G01		SCREW, #4 - 20 X 5/8" LG	2
8	72716G01		MICRO SWITCH CAM	1
9	15126G1		LOCK NUT, 5/16 - 24	1
10	00487G3		SETSCREW, 1/4 - 20 X 3/8" LG	1
11	00532G4		NUT, 5/16 - 24	2
12	17677G1		SPRING RETAINER	1
13	17979G1		ACCELERATOR ROD BUSHING	1
14	73046G01		COMPRESSION SPRING	1
15	17677G2		SPRING RETAINER	1
16	72072G01		ACCELERATOR ROD	1
17	10385G4		CLEVIS YOKE (ADJUSTABLE)	1
18	10386G3		CLEVIS PIN, 5/16" X 13/16" LG	1
19	17838G1		NYLON BUSHING	3
20	17255G1		TEFLON WASHER, 5/16"	1
21	10387G3		COTTER PIN, 3/32" X 3/4" LG	1
22	74432G01		PEDAL PIVOT PIN	1
23	12064G6		PUSH NUT, 9/32"	1
24	12730G1		WHEEL BEARING GREASE (NOT ILLUSTRATED)	A/R
25	72201G04		WIRE HARNESS (PEDAL BOX)	1
26				
27				
28	608618		ACCELERATOR CABLE	1
29				
30	25799G03		ACCELERATOR PEDAL ASSEMBLY (INCLUDES ITEMS 31- 33)	1
31	27844G01		ACCELERATOR PEDAL PAD KIT (INCLUDES ITEMS 32- 33)	1

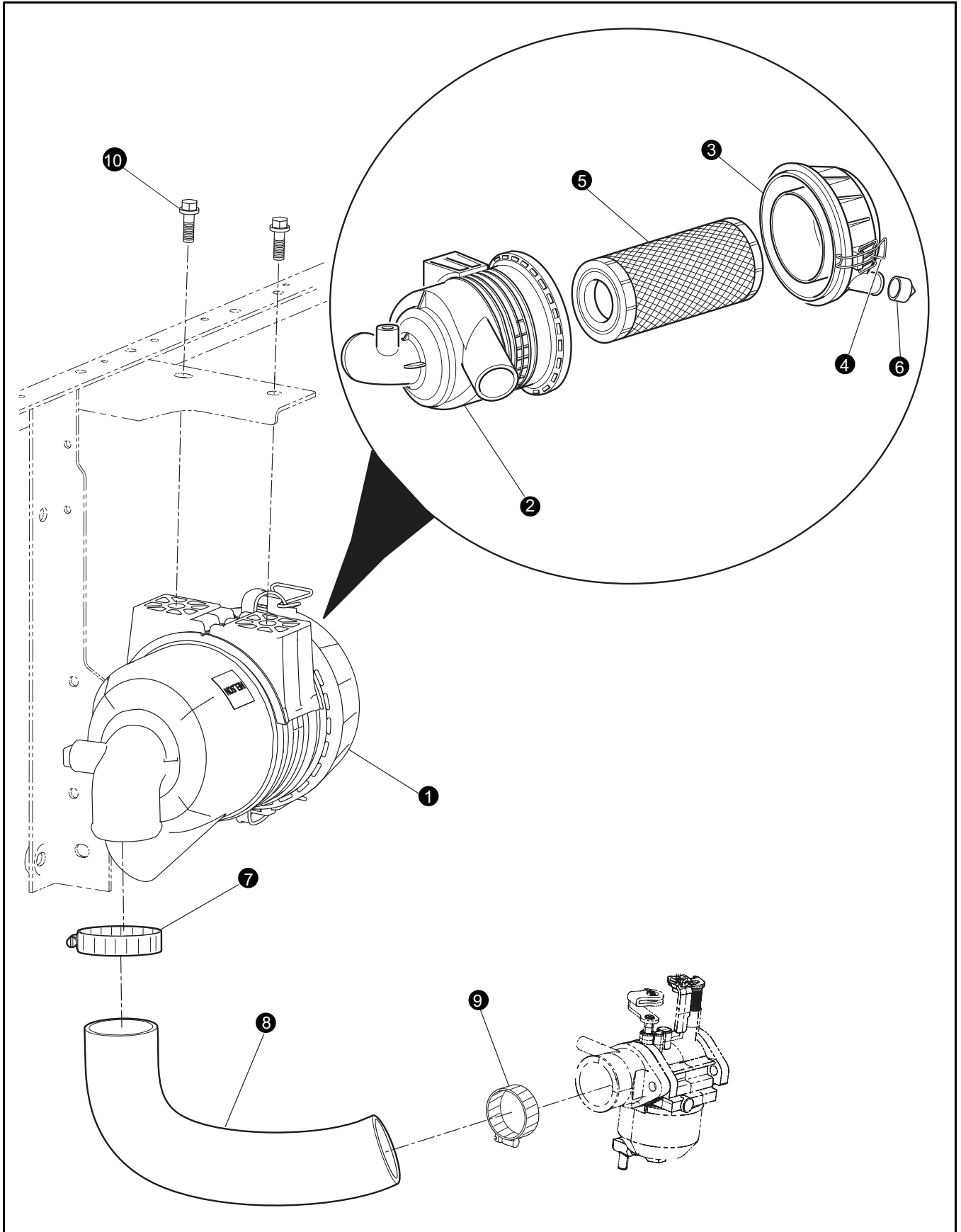
When ordering parts, please specify the model and serial number of the product.

* Indicates a component that is not available as an individual part.

*** Indicates consult Customer Service Department for additional information.

ITEM	PART NO.	1	2	3	4	5	DESCRIPTION	QTY.
32	16409G1						OVAL RIVET, 3/16" X 7/16" LG	6
33	27512G01						ACCELERATOR PEDAL PAD	1
34	*						ACCELERATOR PEDAL	
35	00715G2						BOLT, 5/16 -18 X 4/5" LG.....	4
36	605795						CHOKE CABLE ASSY	1
37	00568G4						LOCK WASHER, 9/16"	1
38	00545G4						JAM NUT, 9/16 - 18.....	1
39	72154G01						CHOKE CABLE ADAPTER.....	1
40	72155G02						RETAINER (SHUTTLE -2)	1
41		1						
42	72155G01						RETAINER (SHUTTLE 4 -6)	1
43	606083						UPPER GOVERNOR BRACKET.....	1
44	606005						LOWER GOVERNOR BRACKET	1
45	606265						BOLT, M6 - 1 X 12.....	1
46	606421						BOLT, M6 - 1 X 30.....	1
47	450452						NUT, M6 - 1.0.....	1
48	606283						GOVERNOR LEVER BUSHING	1
49	606284						GOVERNOR ROD	1
50	603890						GOVERNOR ROD GUARD	1
51	606264						BOLT, M6 - 1 X 20.....	1
52	606262						BOLT, M8 - 1.25 X 16.....	1
53	606074						GOVERNOR CABLE / DIRECTION SELECTOR BRACKET	1
54	606256						BOLT, M10 - 1.25 X 16.....	2
55	14601G11						RIVET.....	1
56	608527						GOVERNOR WARNING DECAL.....	1
57	00915G1						WASHER	1
58	606199						GOVERNOR COVER	1
59	17618G1						NYLON CLAMP	2

AIRFILTER



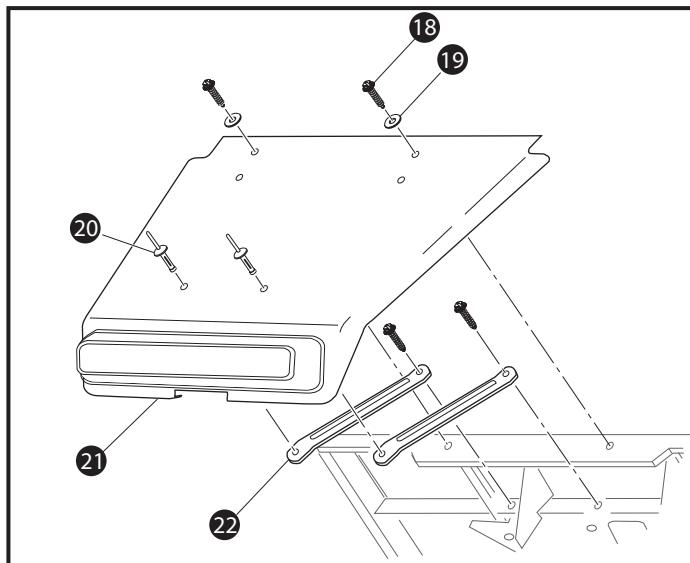
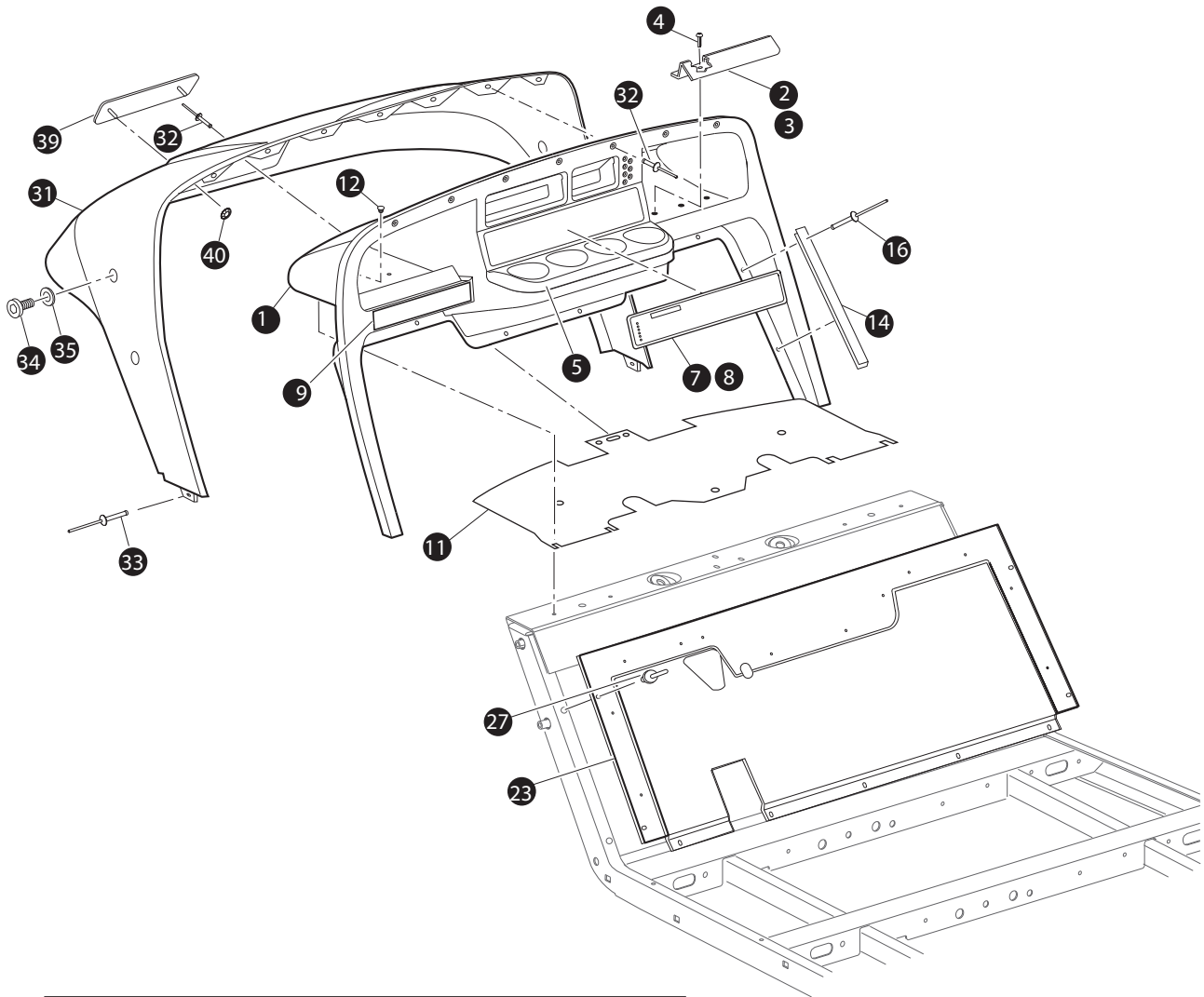
When ordering parts, please specify the model and serial number of the product.

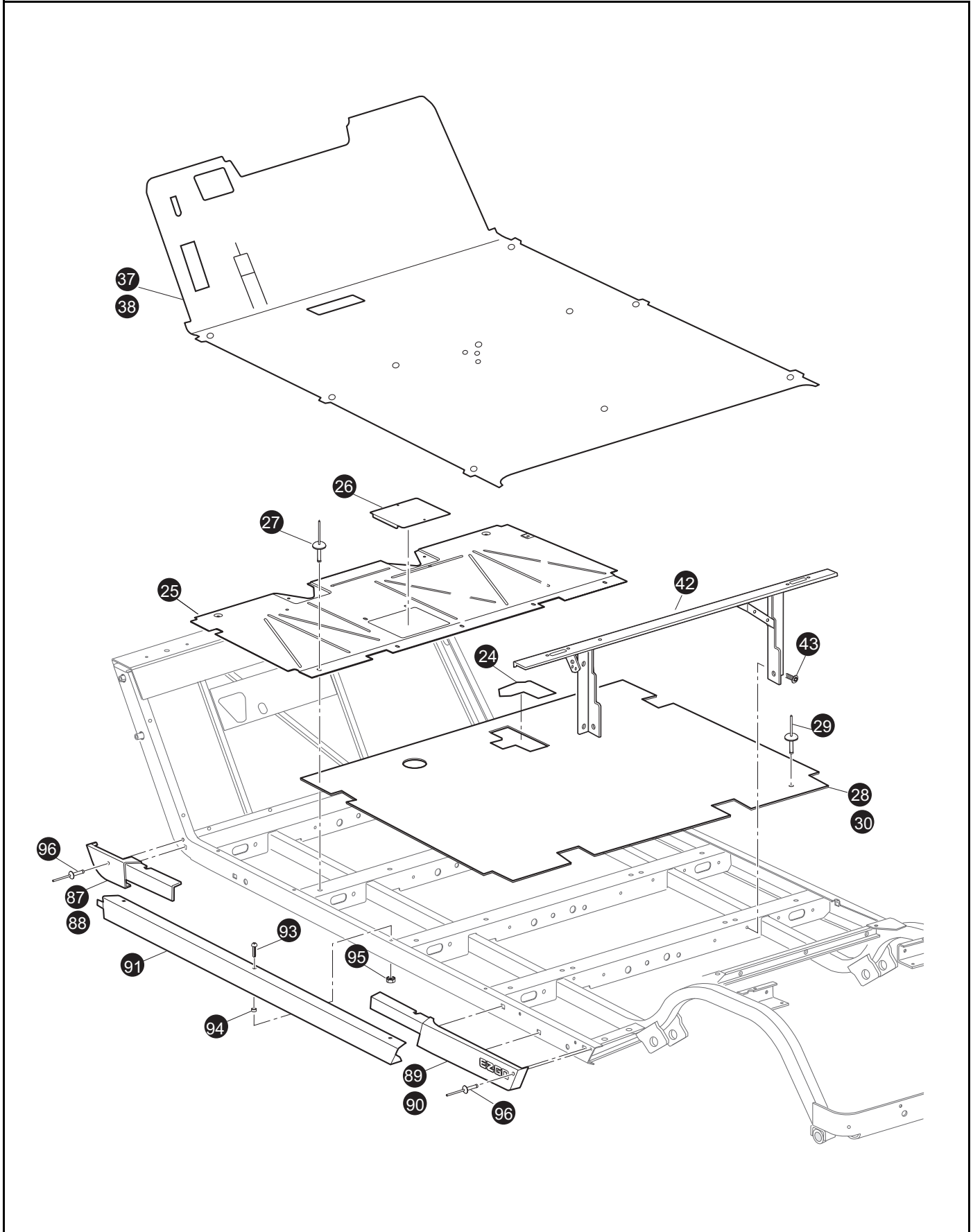
* Indicates a component that is not available as an individual part.

*** Indicates consult Customer Service Department for additional information.

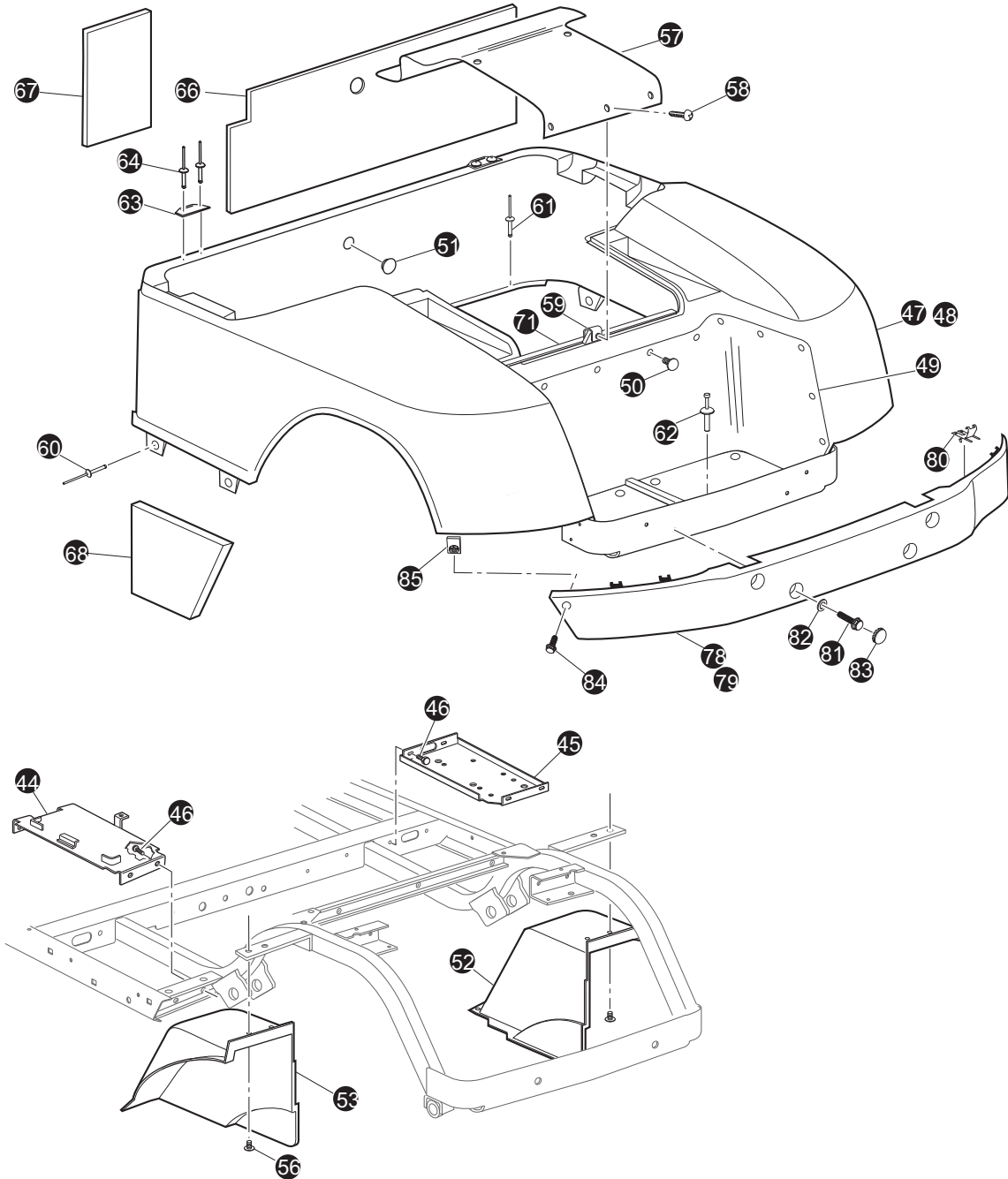
ITEM	PART NO.	1 2 3 4 5	DESCRIPTION	QTY.
1	606952		AIR CLEANER (INCLUDES ITEMS 2 - 6)	1
2	607269		BODY & BRACKET ASSEMBLY	1
3	72599G01		AIR CLEANER COVER	1
4	72604G01		AIR CLEANER CLIP	2
5	28463G01		AIR FILTER	1
6	28462G01		VALVE DUST EJECTOR	1
7	11391G7		HOSE CLAMP	1
8	607950		HOSE	1
9	11391G1		HOSE CLAMP	1
10	25532G1		BOLT AND WASHER, M8 X 1.25 X 18 MM	2

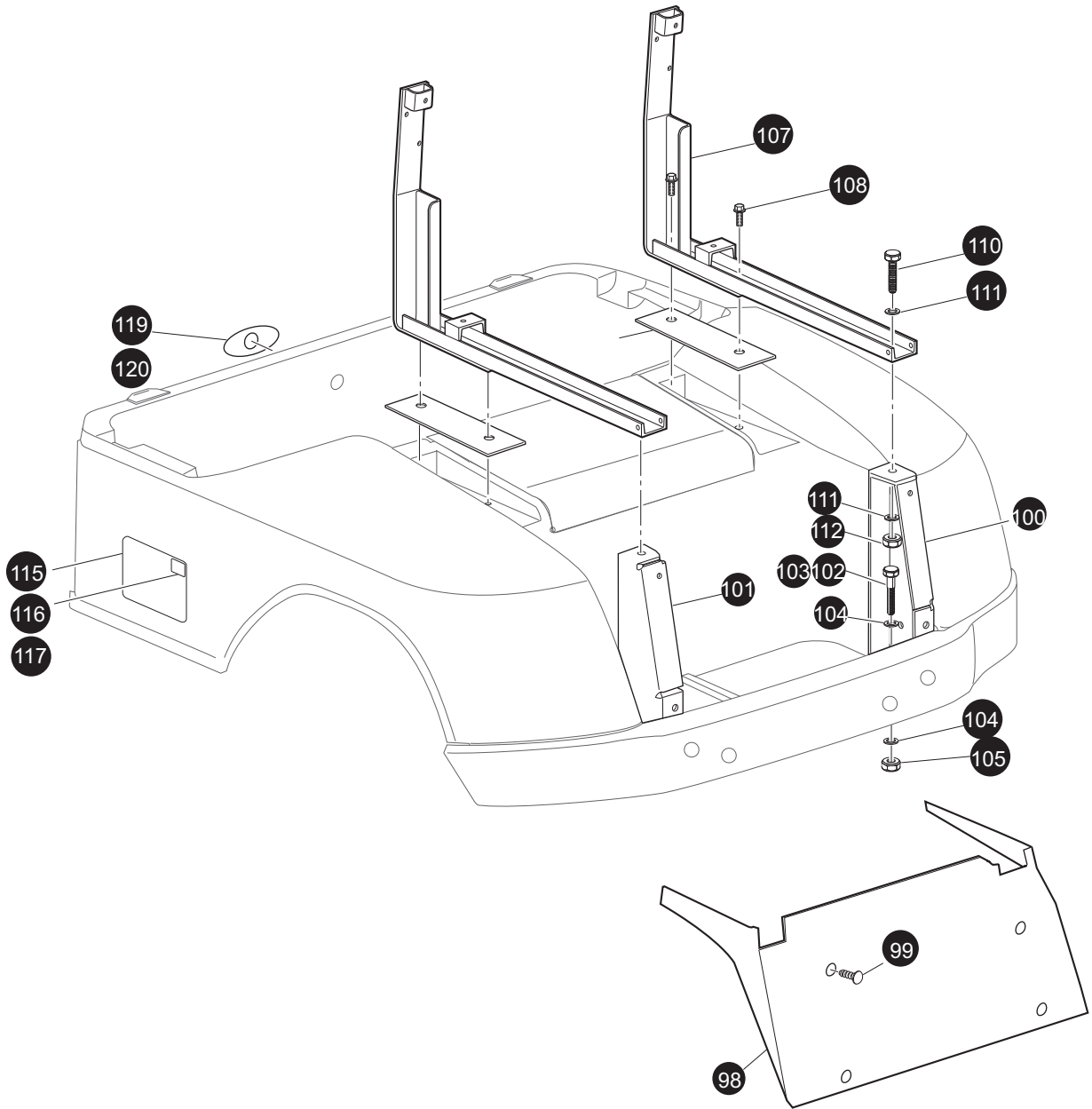
BODY



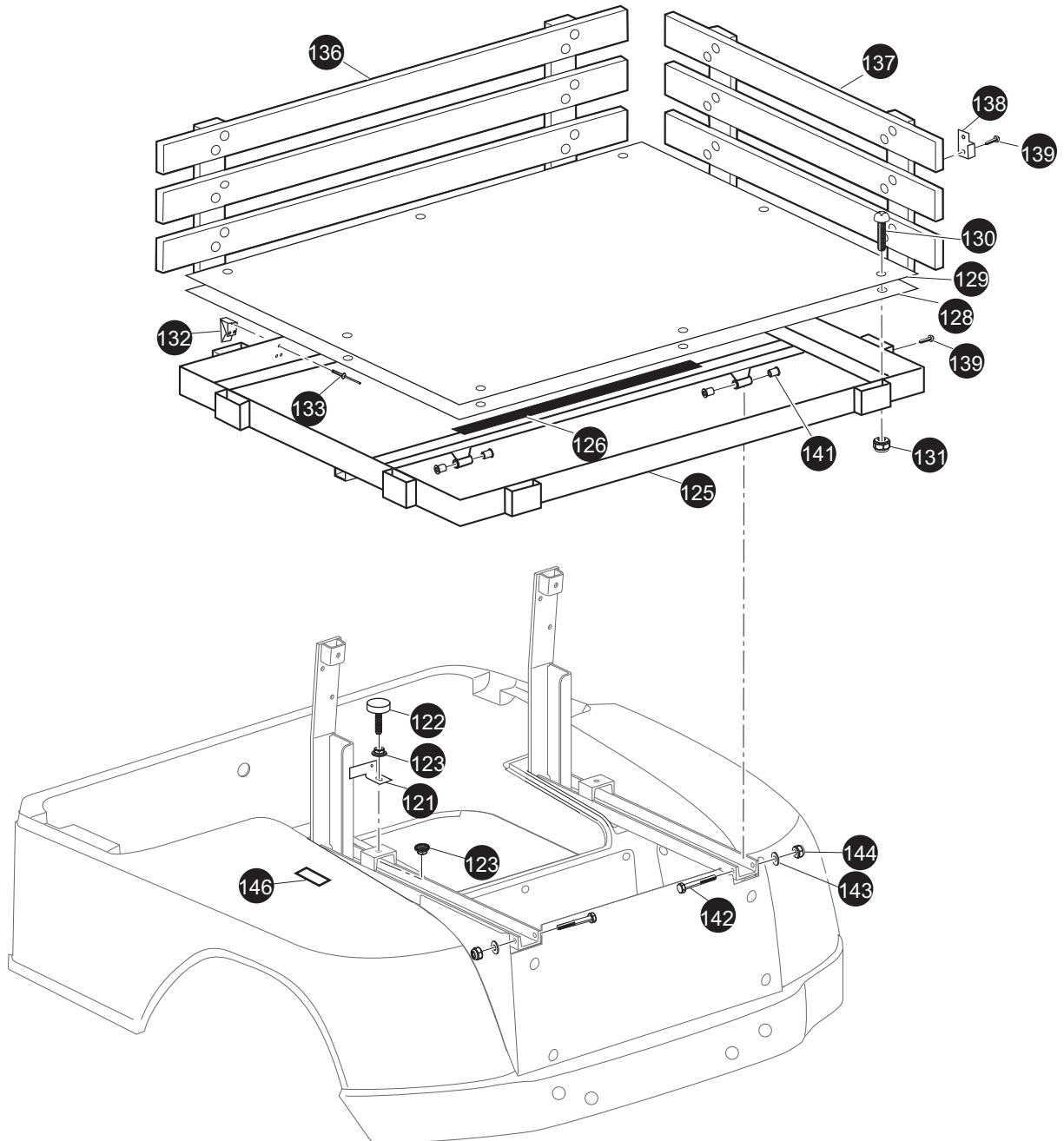


BODY

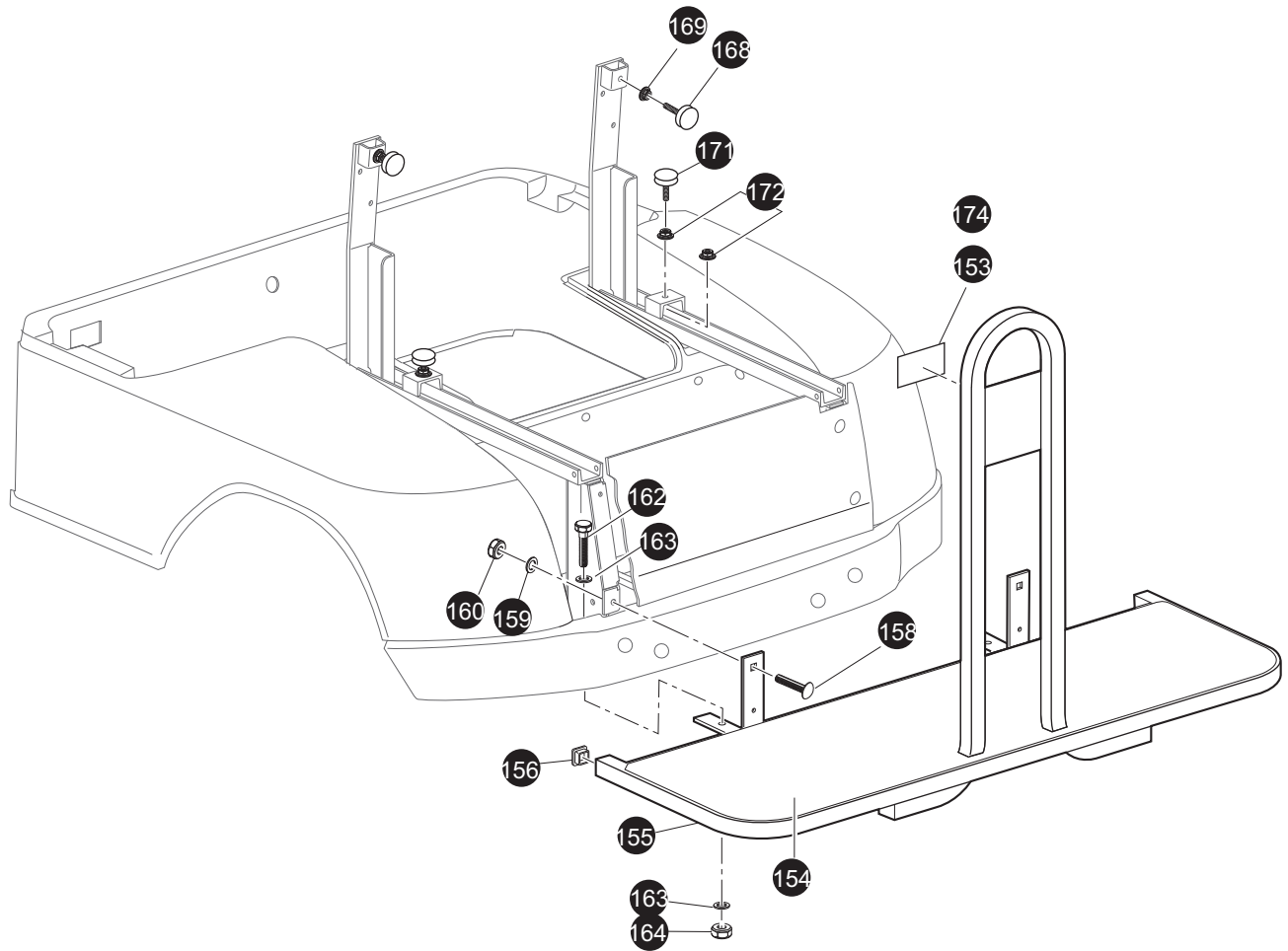


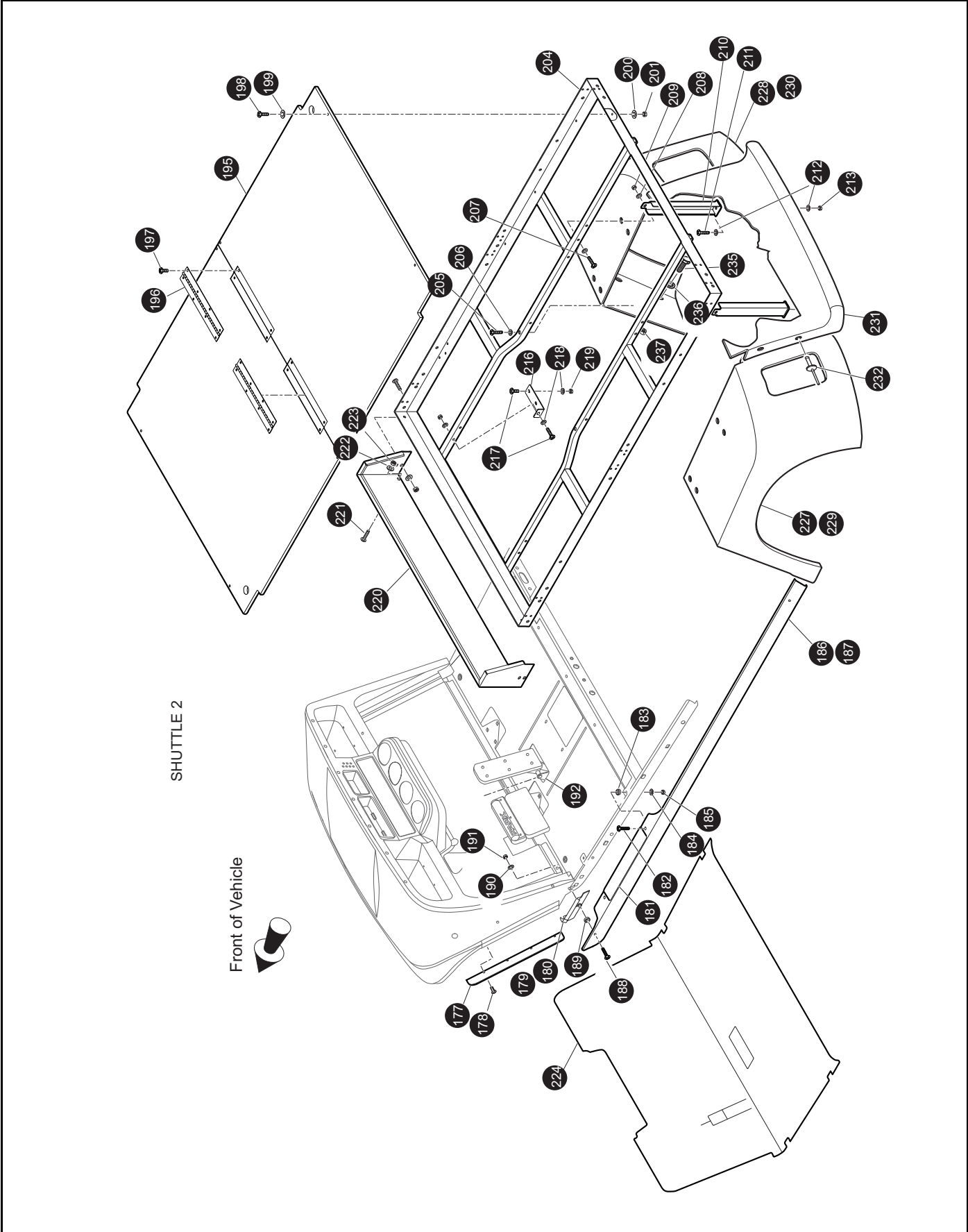


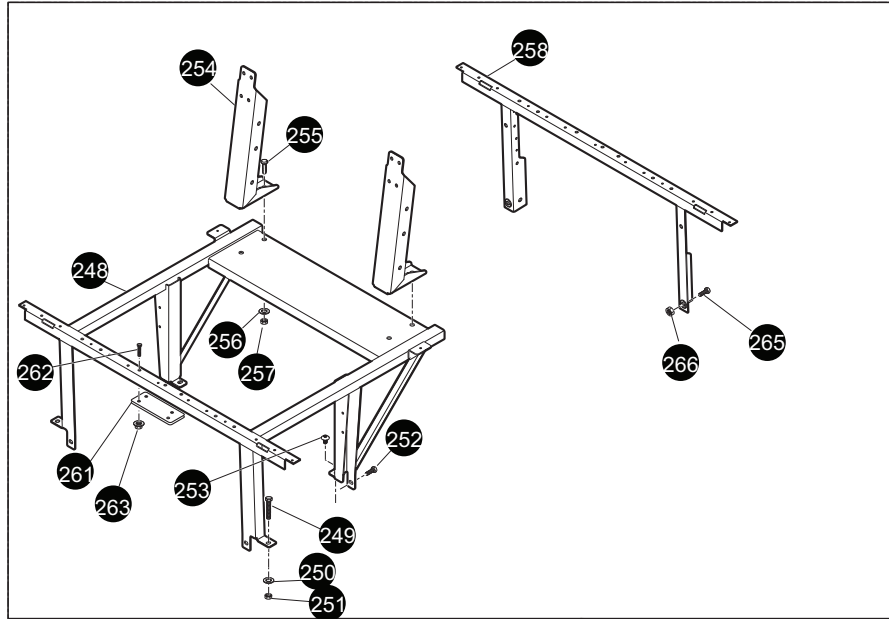
BODY



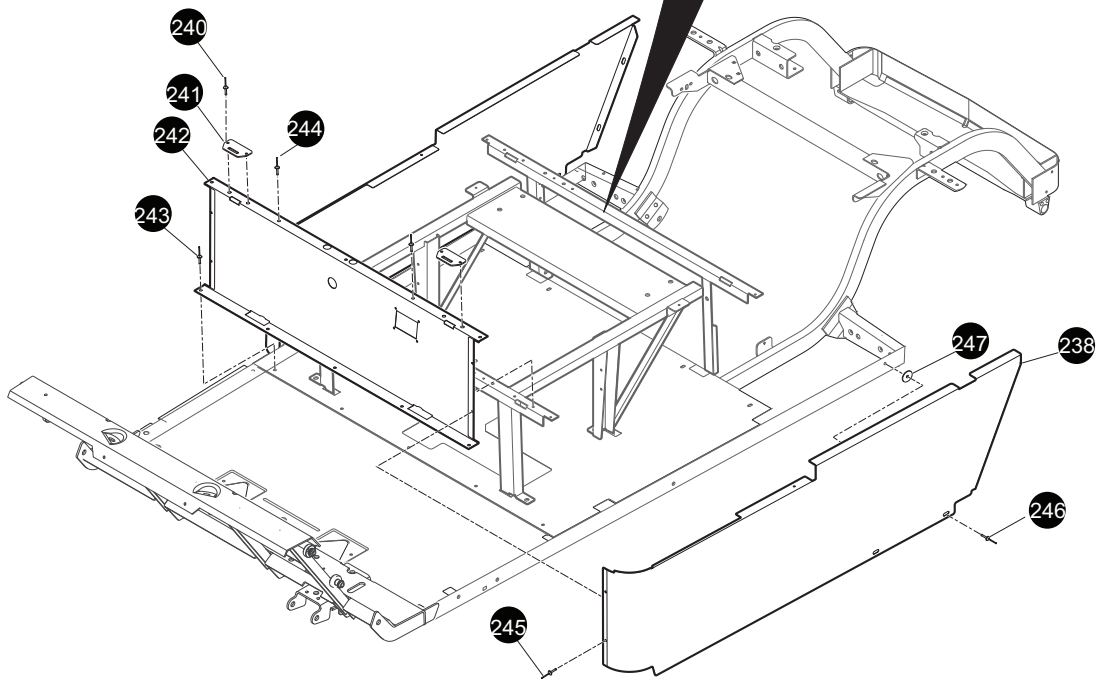
151 - Includes Items 152 - 155







SHUTTLE 2



BODY

When ordering parts, please specify the model and serial number of the product.

* Indicates a component that is not available as an individual part.

*** Indicates consult Customer Service Department for additional information.

ITEM	PART NO.	1 2 3 4 5	DESCRIPTION	QTY.
1	71151G01		INSTRUMENT PANEL ASSEMBLY (INCLUDES ITEMS 2 - 5).....	1
2	71153G01		BALL DEFLECTOR (PASSENGER SIDE).....	1
3	71154G01		BALL DEFLECTOR (DRIVER SIDE)	1
4	00614G5		SCREW, #8 - 18 X 5/8" LG	6
5	71158G01		INSTRUMENT PANEL INSERT (4 CUP HOLDER).....	1
6				
7	35962G01		LABEL (SAFETY).....	1
8	35964G01		LABEL (SAFETY) (EC).....	1
9	74443G01		LABEL (ANTI-ROLLBACK)	1
10				
11	71413G01		SPLASH PANEL.....	1
12	16816G2		RATCHET FASTENER, 1/4" X 3/4" LG	5
13				
14	71115G01		VINYL TRIM	2
15				
16	71055G01		RIVET, 3/16" X 1" LG (ALUMINUM).....	10
17				
18	01038G01		BOLT, 1/4 - 20 X 11/16" LG	4
19	16469G1		WASHER, 1/4".....	2
20	01057G01		RIVET, KTR, 1/4" X 3/4" LG	2
21	27166G04		FRONT SHIELD	1
22	70725G02		FRONT SHIELD BRACE.....	2
23	70662G01		UPPER FLOORPAN.....	1
24	601976		BLCK 3/16 THICK MATTING	1
25	70451G01		LOWER FLOORPAN	1
26	70452G01		ACCESS COVER	1
27	14601G11		RIVET, 3/16" X 9/16" LG (ALUMINUM).....	16
28	70823G01		REAR FLOORPAN	1
29	10570G10		RIVET, 5/32" X 9/16" LG (STAINLESS STEEL)	5
30				
31	71051G**		COWL.....	1

When ordering parts, please specify the model and serial number of the product.

* Indicates a component that is not available as an individual part.

*** Indicates consult Customer Service Department for additional information.

ITEM	PART NO.	1 2 3 4 5	DESCRIPTION	QTY.
32	71055G01		RIVET, 3/16" X 1" LG (ALUMINUM).....	9
33	10570G11		RIVET, 3/16" X 3/4" LG (STAINLESS STEEL).....	2
34	71056G01		BOLT, 5/16 - 18 X 5/8" LG.....	4
35	00570G2		WASHER, 5/16	4
36	70823G01		REAR FLOORPAN (HAND PARK BRAKE)	1
37	70668G02		FLOORMAT (HAND PARK BRAKE)	1
38	70663G04		FLOORMAT	1
39	71037G03		E-Z-GO NAMEPLATE (GOLD)	1
40	71597G01		NUT, SELF THREADING.....	2
41				
42	70440G03		SEAT FRAME	1
43	00715G2		BOLT, 5/16 - 18 X 4/5" LG.....	2
44	600496		BATTERY TRAY.....	1
45	70244G03		SPLASH PAN.....	1
46	00715G2		BOLT, 5/16 - 18 X 4/5" LG.....	8
47	71912G6**		REAR BODY ASSEMBLY (W/OUT TAILLIGHTS) (INCLUDES ITEMS 49, 50)	1
48	71332G3**		REAR BODY ASSEMBLY (W/ TAILLIGHTS) (INCLUDES ITEMS 49, 50).....	1
49	71318G01		BAGWELL LINER.....	1
50	16816G1		RATCHET FASTENER, 1/4" X 9/16" LG	12
51	71316G01		PLUG	1
52	71812G01		FENDER LINER (PASSENGER SIDE) (SHUTTLE)	1
53	71812G02		FENDER LINER (DRIVER SIDE) (SHUTTLE).....	1
54				
55				
56				
57	71320G01		ACCESS PANEL.....	1
58	01107G01		SCREW, #8 X 3/8" LG (STAINLESS STEEL)	5
59	71364G02		'J' CLIP.....	1
60	10570G12		RIVET, 1/4" X 9/16" LG (ALUMINUM).....	4
61	10570G10		RIVET, 5/32" X 9/16" LG (STAINLESS STEEL).....	6
62	18436G1		PLASTIC DRIVE RIVET, 1/4" X 3/4" LG	2

BODY

When ordering parts, please specify the model and serial number of the product.

* Indicates a component that is not available as an individual part.

*** Indicates consult Customer Service Department for additional information.

ITEM	PART NO.	1 2 3 4 5	DESCRIPTION	QTY.
63	71609G01		HINGE PLATE	2
64	10570G11		RIVET, 3/16" X 3/4" LG (STAINLESS STEEL)	4
65				
66	72112G01		SEATWRAP NOISE SUPPRESSOR (LARGE).....	1
67	72549G01		SEATWRAP NOISE SUPPRESSOR (SMALL)	1
68	72552G01		SEATWRAP NOISE SUPPRESSOR (DRIVER SIDE, SIDE).....	1
69				
70				
71	22744G1		BAGWELL NOISE SUPPRESSOR	1
72				
73				
74				
75				
76				
77				
78	71451G02		BUMPER (SHUTTLE 4)	1
79	71456G01		BUMPER (SHUTTLE 6)	1
80	71457G01		STAY	4
81	71398G01		BOLT, 1/4 - 20 X 1 1/4" LG (SHUTTLE 4 - QTY 4) (SHUTTLE 6 - QTY 2)	AR
82	00571G2		WASHER, 5/16" (SHUTTLE 4 - QTY 4) (SHUTTLE 6 - QTY 2).....	AR
83	71455G01		BUMPER PLUG	4
84	71102G03		BOLT, 1/4 - 20 x 11/16" LG	2
85	71554G01		'J' TYPE NUT RETAINER, 1/4 - 20	2
86				
87	71642G02		ROCKER PANEL (FRONT, PASSENGER SIDE).....	1
88	71642G01		ROCKER PANEL (FRONT, DRIVER SIDE)	1
89	71643G02		ROCKER PANEL (REAR, PASSENGER SIDE).....	1
90	71643G01		ROCKER PANEL (REAR, DRIVER SIDE)	1
91	71641G01		SILL PLATE (PASSENGER SIDE)	1
92	71641G02		SILL PLATE (DRIVER SIDE).....	1
93	16705G1		SCREW, 1/4 - 20 X 1" LG (STAINLESS STEEL)	6

When ordering parts, please specify the model and serial number of the product.

* Indicates a component that is not available as an individual part.

*** Indicates consult Customer Service Department for additional information.

ITEM	PART NO.	1 2 3 4 5	DESCRIPTION	QTY.
94	23726G4		SPACER, 5/16"	6
95	00891G2		LOCK NUT, 1/4 - 20 (STAINLESS STEEL).....	6
96	15058G6		RIVET, 3/16" X 15/16" LG (ALUMINUM).....	4
97				
98	74149G01		VALANCE PANEL	1
99	16816G2		RATCHET FASTENER, 1/4" X 3/4" LG.....	4
100	74126G01		VERTICAL FRAME SUPPORT (PASSENGER SIDE).....	1
101	74126G02		VERTICAL FRAME SUPPORT (DRIVER SIDE)	1
102	00427G4		BOLT, 3/8 - 16 X 1 1/2" LG (SHUTTLE 4).....	2
103	00427G6		BOLT, 3/8 - 16 X 1 3/4" LG (SHUTTLE 6).....	2
104	00560G1		WASHER, 3/8"	4
105	11098G5		LOCK NUT, 3/8 - 16	2
106				
107	74111G01		SEAT BACK SUPPORT	2
108	01006G02		SELF TAPPING SCREW, 3/8 - 16 X 1 1/2" LG.....	4
109	70364G01		SPACER.....	2
110	00426G8		BOLT, 3/8 - 16 X 1" LG.....	2
111	00560G1		WASHER, 3/8"	4
112	11098G5		LOCK NUT, 3/8 - 16	2
113				
114				
115	35434G01		LABEL (SHUTTLE)	2
116	35430G13		LABEL (6).....	2
117	35430G14		LABEL (4).....	2
118				
119	12109G01		LABEL (F-R).....	1
120	73317G01		LABEL (F-R) (EC)	1
121	72914G01		HOLD DOWN BRACKET	1
122	70113G01		ADJUSTABLE BUMPER.....	2
123	11027G1		LOCK NUT, 5/16 - 18	4
124				

BODY

When ordering parts, please specify the model and serial number of the product.

* Indicates a component that is not available as an individual part.

*** Indicates consult Customer Service Department for additional information.

ITEM	PART NO.	1 2 3 4 5	DESCRIPTION	QTY.
125	74080G01		CARGO DECK	1
126	23052G1		NOISE SUPPRESSOR	1
127	74082G01		STEEL DECK	1
128	74097G01		CARGO BED MAT	1
129	16705G3		SCREW, 1/4 - 20 X 3/4" LG (STAINLESS STEEL)	8
130	14390G4		LOCK NUT, 1/4 - 20.....	8
131	72913G01		LATCH	1
132	00100G6		RIVET, 5/32" X 9/16" LG (STAINLESS STEEL)	3
133				
134				
135	34280G02		FRONT/REAR CARGO RACK	2
136	34280G01		SIDE CARGO RACK	2
137	74079G02		TAILGATE RETAINER BRACKET	2
138	00666G6		SCREW, #10 - 12 X 3/4" LG (STAINLESS STEEL)	10
139				
140	17838G1		BUSHING	4
141	00440G4		BOLT, 5/16 - 18 X 2 1/2" LG	2
142	00559G8		WASHER, 5/16".....	2
143	11098G6		LOCK NUT, 5/16 - 18 (STAINLESS STEEL)	2
144				
145	74099G01		WARNING LABEL	1
146				
147				
148				
149				
150	70361G02		FOOT REST ASSEMBLY (INCLUDES ITEMS 152 - 155)	1
151				
152	74132G01		WARNING LABEL.....	1
153	70362G01		FLOOR MAT	1
154	70633G01		FOOT REST.....	1
155	19853G1		END PLUG	2

When ordering parts, please specify the model and serial number of the product.

* Indicates a component that is not available as an individual part.

*** Indicates consult Customer Service Department for additional information.

ITEM	PART NO.	1 2 3 4 5	DESCRIPTION	QTY.
156				
157	00769G2		CARRIAGE BOLT, 3/8 - 16 X 1 1/4" LG.....	2
158	00560G1		WASHER, 3/8".....	2
159	11098G5		LOCK NUT, 3/8 - 16.....	2
160				
161	00427G6		BOLT, 3/8 - 16 X 1 3/4" LG.....	2
162	00560G1		WASHER, 3/8".....	4
163	11098G5		LOCK NUT, 3/8 - 16.....	2
164				
165				
166				
167	70113G01		ADJUSTABLE BUMPER.....	2
168	11027G1		LOCK NUT, 5/16 - 18.....	2
169	70113G01		ADJUSTABLE BUMPER.....	2
170	11027G1		LOCK NUT, 5/16 - 18.....	4
171				
172	74074G01		LABEL, WARNING (EC).....	1
173				
174				
175				
176				
177	71424G01		SPACER, DRIVER SIDE.....	1
178	71424G02		SPACER, PASSENGER SIDE.....	1
179	71764G01		SILL PLATE TREAD.....	2
180	16705G5		SCREW, 1/4 - 20 X 1" LG (STAINLESS STEEL).....	4
181	23726G2		SPACER, 1/4".....	4
182	00559G7		WASHER, 1/4".....	4
183	14390G4		LOCK NUT, 1/4 - 20.....	4
184	600035G01		ROCKER PANEL, DRIVER SIDE.....	1
185	600035G02		ROCKER PANEL, PASSENGER SIDE.....	1
186	00789G2		SCREW, #10 - 24 X 1 1/4 LG.....	4

BODY

When ordering parts, please specify the model and serial number of the product.

* Indicates a component that is not available as an individual part.

*** Indicates consult Customer Service Department for additional information.

ITEM	PART NO.	1 2 3 4 5	DESCRIPTION	QTY.
187	23726G2		SPACER, 1/4"	4
188	00660G5		WASHER, #10	4
189	11098G7		LOCK NUT, #10-24"	4
190	70135G01		PEDAL PIVOT COVER	1
191				
192				
193	72966G01		CARGO DECK	2
194	33121G01		HINGE	2
195	16705G3		SCREW, 1/4 - 20 X 3/4" LG (STAINLESS STEEL)	16
196	16705G9		SCREW, 1/4 - 20 X 1 1/4" LG (STAINLESS STEEL)	4
197	00559G7		WASHER, 1/4"	4
198	00559G7		WASHER, 1/4"	4
199	00654G2		LOCK NUT, 1/4 - 20	4
200				
201				
202	72956G01		BED FRAME	1
203	01075G01		SCREW, 3/8 - 16 X 2 3/4" LG	2
204	00571G3		WASHER, 3/8	2
205	00439G6		SCREW, 5/16 - 18 X 1 3/4" LG	4
206	00559G8		WASHER, 5/16	8
207	11098G6		LOCK NUT, 5/16 - 18	4
208	72982G01		BRACKET	2
209	00438G6		BOLT, 5/16 - 18 X 3/4" LG	2
210	00559G8		WASHER, 5/16	4
211	11098G6		LOCK NUT, 5/16 - 18	2
212				
213				
214	72983G01		BED MOUNT BRACKET	2
215	16705G3		SCREW, 1/4 - 20 X 3/4" LG (STAINLESS STEEL)	4
216	00559G7		WASHER, 1/4"	4
217	00654G2		LOCK NUT, 1/4 - 20	4

When ordering parts, please specify the model and serial number of the product.

* Indicates a component that is not available as an individual part.

*** Indicates consult Customer Service Department for additional information.

ITEM	PART NO.	1 2 3 4 5	DESCRIPTION	QTY.
218	72967G01		BULKHEAD.....	1
219	16705G3		SCREW, 1/4 - 20 X 3/4" LG (STAINLESS STEEL).....	4
220	00559G7		WASHER, 1/4".....	4
221	00654G2		LOCK NUT, 1/4 - 20.....	4
222	70663G03		FLOORMAT.....	1
223				
224				
225	71572G01		FENDER (DRIVER SIDE).....	1
226	71572G02		FENDER (PASSENGER SIDE).....	1
227	71572G03		FENDER WITH TAILLIGHT (DRIVER SIDE).....	1
228	71572G04		FENDER WITH TAILLIGHT (PASSENGER SIDE).....	1
229	71587G02		REAR PANEL.....	1
230	71055G01		RIVET, 3/16" X 1" LG.....	4
231	11027G2		LOCK NUT, 1/4 - 20.....	12
232	00559G7		WASHER, 1/4".....	12
233	00414G7		BOLT, 1/4 - 20 X 7/8" LG.....	12
234				
235				
236	602037		SIDE PANEL, DRIVER SIDE.....	1
237	602029		SIDE PANEL, PASSENGER SIDE.....	1
238	10570G11		RIVET, 3/16" X 3/4" LG (STAINLESS STEEL).....	4
239	71609G01		SEAT HINGE.....	2
240	600034GXX		SEAT WRAP PANEL.....	1
241	10570G10		RIVET, 5/32" X 9/16" LG (STAINLESS STEEL).....	5
242	10570G10		RIVET, 5/32" X 9/16" LG (STAINLESS STEEL).....	2
243	10570G10		RIVET, 5/32" X 9/16" LG (STAINLESS STEEL).....	4
244	10570G12		RIVET, 1/4" X 9/16" LG.....	2
245	23726G2		WASHER, 1/4".....	4
246	600038G01		SEAT FRAME WELDMENT.....	1
247	00438G8		BOLT, 5/16 - 18 x 1" LG.....	2
248	00559G8		WASHER, 5/16.....	2

BODY

When ordering parts, please specify the model and serial number of the product.

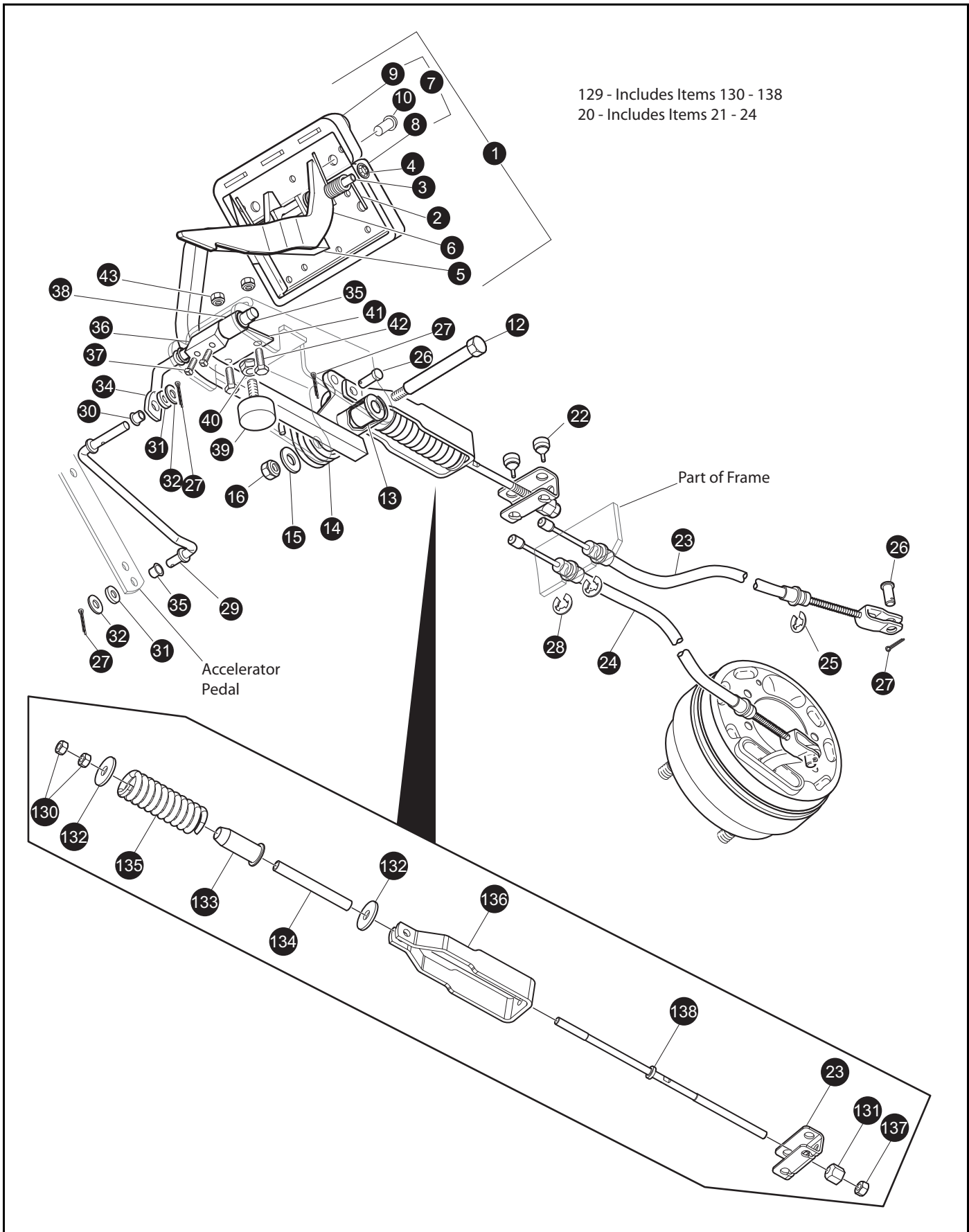
* Indicates a component that is not available as an individual part.

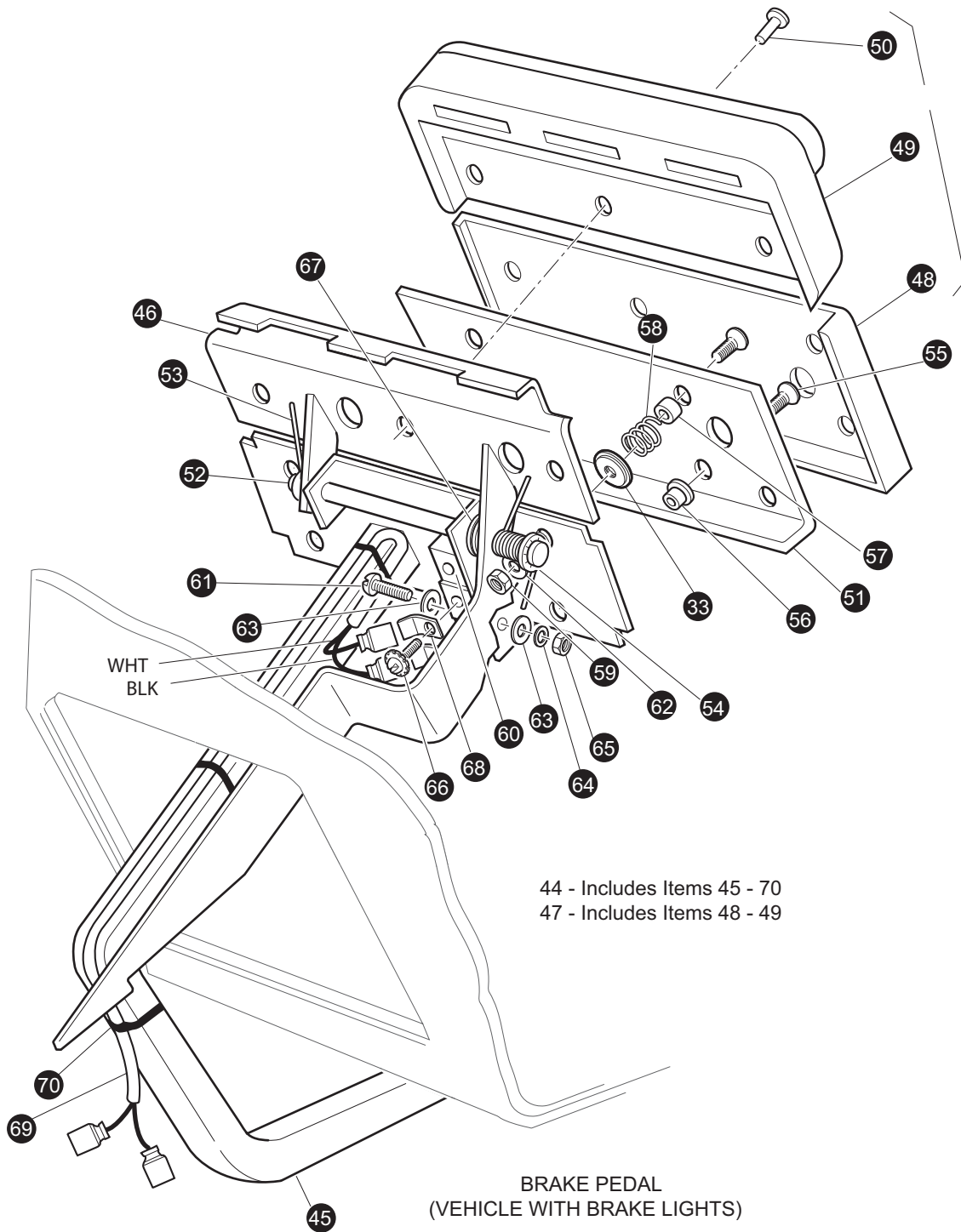
*** Indicates consult Customer Service Department for additional information.

ITEM	PART NO.	1 2 3 4 5	DESCRIPTION	QTY.
249	11098G6		LOCK NUT, 5/16 - 18.....	2
250	00715G2		BOLT, 5/16 - 18 X 13/16" LG	4
251	70200G01		BOLT, 3/8 - 16 X 3/4" LG	2
252	75900G02		SEAT BACK BRACKET.....	2
253	00427G2		BOLT, 3/8 - 16 X 1" LG	4
254	00560G1		WASHER, 3/8".....	4
255	11098G4		LOCK NUT, 3/8 - 16.....	4
256	605694		SEAT FRAME.....	1
257				
258				
259	600264G01		F&R BRACKET	1
260	28272G01		SCREW, 1/4 - 20 X 1.....	2
261	11027G2		LOCK NUT, 1/4 - 20.....	2
262				
263	00715G2		BOLT, 5/16 - 18 X 13/16" LG	2
264	11098G6		LOCK NUT, 5/16 - 18.....	2

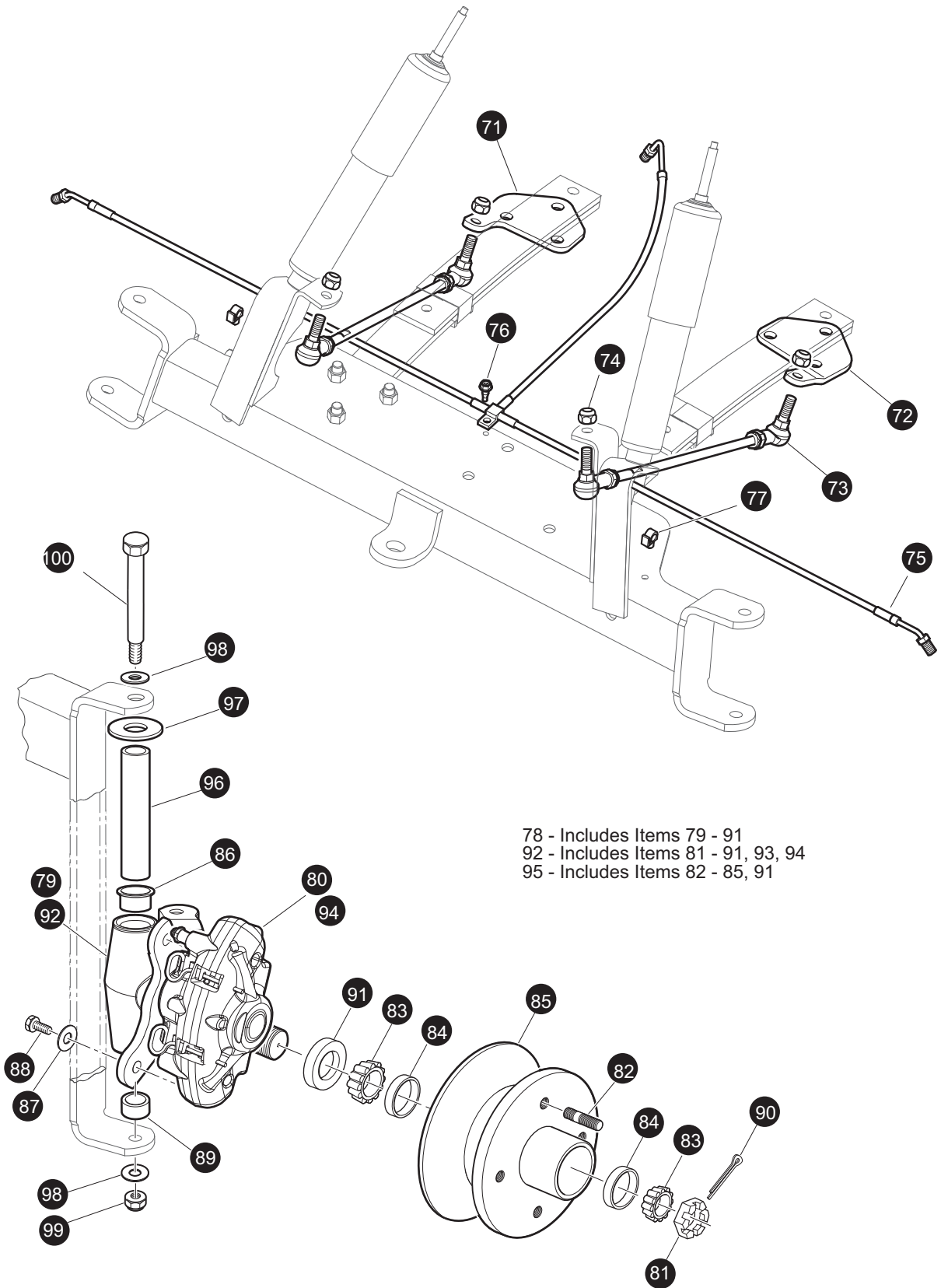
BRAKES - FRONT DISC

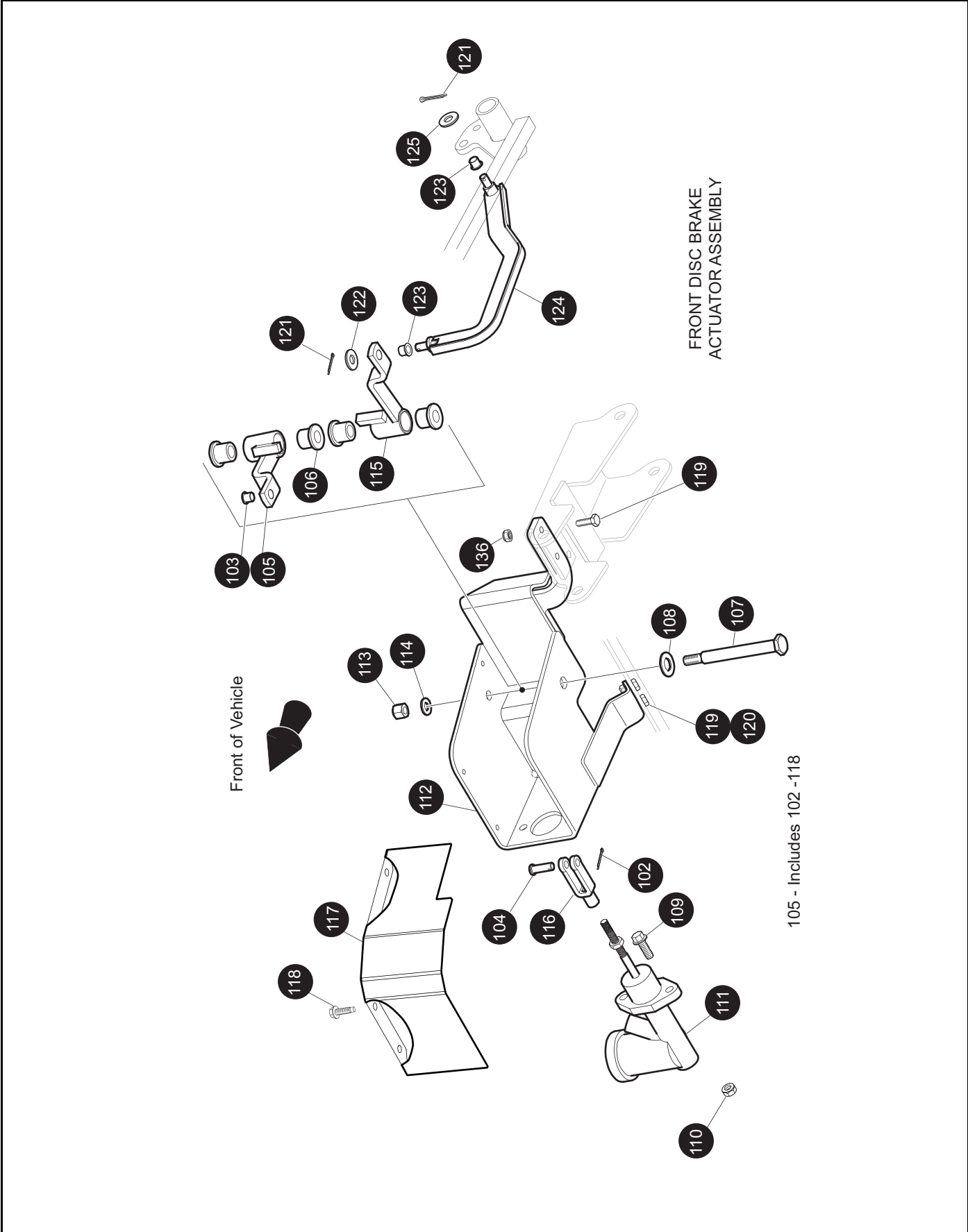
129 - Includes Items 130 - 138
20 - Includes Items 21 - 24





BRAKES - FRONT DISC





BRAKES - FRONT DISC

When ordering parts, please specify the model and serial number of the product.

* Indicates a component that is not available as an individual part.

*** Indicates consult Customer Service Department for additional information.

ITEM	PART NO.	1 2 3 4 5	DESCRIPTION	QTY.
1	74723G01		BRAKE PEDAL ASSEMBLY (WITHOUT BRAKE LIGHTS) (INCLUDES ITEMS 2 - 11)	1
2	70681G01		TORSION SPRING	2
3	70682G01		PIVOT PIN	1
4	01071G01		PUSHNUT, 5/16"	2
5	*		BRAKE PEDAL	1
6	74724G01		PARK BRAKE PEDAL.....	1
7	70274G01		BRAKE/PARK BRAKE PEDAL PAD KIT (INCLUDES ITEMS 8 - 10)	1
8	*		SERVICE BRAKE PAD.....	1
9	*		PARK BRAKE PEDAL PAD	1
10	16409G1		OVAL RIVET, 3/16" X 15/32" LG	9
11				
12	70582G01		SHOULDER BOLT, 3/8 - 16 X 4" LG	1
13	70581G01		FLANGED BUSHING	2
14	70676G01		TORSION SPRING	1
15	00643G1		WASHER, 3/8"	1
16	11098G5		LOCK NUT, 3/8 - 16.....	1
17				
18	12416G2		NYLON WEDGE LOCK CLAMP(NOT ILLUSTRATED)	6
19				
20	624713		EQUALIZER AND BRAKE CABLE ASSEMBLY (INCLUDES ITEMS 21 - 24)	1
21	28082G01		EQUALIZER BRACKET	1
22	28083G01		BRAKE COMPENSATOR BUMPER.....	2
23	624695		BRAKE CABLE (DRIVER SIDE).....	1
24	624696		BRAKE CABLE (PASSENGER SIDE)	1
25	01111G01		RETAINING RING, S.S.	4
26	10386G3		CLEVIS PIN, 5/16" X 1" LG	5
27	10387G3		COTTER PIN, 3/32" X 3/4" LG	3
28				
29	70601G01		KICK-OFF LINK.....	1
30	17838G1		NYLON BUSHING	2

BRAKES - FRONT DISC

When ordering parts, please specify the model and serial number of the product.

* Indicates a component that is not available as an individual part.

*** Indicates consult Customer Service Department for additional information.

ITEM	PART NO.	1 2 3 4 5	DESCRIPTION	QTY.
31	20835G1		NYLON WASHER, 3/8"	2
32	00559G8		WASHER, 5/16"	2
33	00642-G8		WASHER - 5/16"	2
34	70098G01		KICK-OFF CAM PIVOT.....	1
35	10097G6		FLANGED BEARING	2
36	70587G01		KICK-OFF CAM	1
37	71215G01		SETSCREW, 1/4 - 20 X 1/2" LG	2
38	14134G4		SPACER.....	1
39	70113G01		ADJUSTABLE BUMPER.....	1
40	11027G1		LOCK NUT, 5/16 - 18	1
41	70080G02		CATCH BRACKET	1
42	00414G8		BOLT, 1/4 - 20 X 3/4" LG.....	2
43	14390G4		LOCK NUT, 1/4 - 20	2
44	74874G01		BRAKE PEDAL ASSEMBLY (WITH BRAKE LIGHTS) (INCLUDES ITEMS 45 - 70)	1
45	*		BRAKE PEDAL.....	1
46	74724G01		PARK BRAKE PEDAL	1
47	70274G01		BRAKE/PARK BRAKE PEDAL PAD KIT (INCLUDES ITEMS 48 - 49)	1
48	*		SERVICE BRAKE PAD	1
49	*		PARK BRAKE PAD	1
50	16409G1		OVAL RIVET, 3/16" X 15/32" LG.....	9
51	70258G03		BRAKE PEDAL PLATE	1
52	70682G01		PIVOT PIN.....	1
53	70681G01		TORSION SPRING.....	2
54	01071G01		PUSHNUT, 5/16"	2
55	00737G8		SCREW, #10 - 24 X 1" LG.....	4
56	00739G1		RUBBER NUT, #10 - 24	2
57	74535G01		BRAKE PEDAL STANDOFF.....	2
58	27137G01		CONICAL SPRING	2
59	14390G10		LOCK NUT, #10 - 24.....	2
60	10606G8		MICRO SWITCH	1

BRAKES - FRONT DISC

When ordering parts, please specify the model and serial number of the product.

* Indicates a component that is not available as an individual part.

*** Indicates consult Customer Service Department for additional information.

ITEM	PART NO.	1 2 3 4 5	DESCRIPTION	QTY.
61	00645-G2		SCREW, #6 - 32 X 1 1/4" LG	2
62	00559G5		WASHER, #10	2
63	00559G3		WASHER, #6	4
64	00565G3		LOCK WASHER, #6.....	2
65	00525G5		NUT, #6 - 32	2
66	13514G1		SCREW AND LOCK WASHER, #6.....	2
67	20835G1		WASHER, TEFLON, 3/8"	2
68	14628G1		FASTON TAB	2
69	24605G1		WIRE HARNESS (BRAKE LIGHT)	1
70	17618G1		WIRE TIE	3
71	74731G02		SPRING PLATE (PASSENGER SIDE).....	1
72	74731G01		SPRING PLATE (DRIVER SIDE)	1
73	74730G01		FOUR LINK ROD	2
74	01084G01		LOCK NUT, M10-1.25.....	4
75	74736G01		BRAKE LINE	1
76	01038G01		SCREW, 1/4 - 20 X 4444" LG.....	1
77	74875G01		WIRE RETAINER	2
78	602281		SPINDLE, CALIPER AND DISC HUB ASSEMBLY (DRIVER SIDE) (INCLUDES ITEMS 79 - 91).....	1
79	602176		DISC BRAKE SPINDLE (DRIVER SIDE).....	1
80	74733G02		CALIPER (DRIVER SIDE).....	1
81	12093G1		SLOTTED NUT	1
82	74864G01		DRIVE FLANGE STUD.....	4
83	11750G2		ROLLER BEARING.....	2
84	51141G1		BEARING RACE	2
85	74673G01		DISC BRAKE HUB.....	1
86	70648G01		FLANGED BEARING	1
87	00566G1		WASHER, 3/8"	2
88	00426G8		BOLT, 3/8 - 16 X 1	2
89	70749G01		BEARING	1
90	00798G8		COTTER PIN	1
91	25146G1		GREASE SEAL.....	1

BRAKES - FRONT DISC

When ordering parts, please specify the model and serial number of the product.

* Indicates a component that is not available as an individual part.

*** Indicates consult Customer Service Department for additional information.

ITEM	PART NO.	1 2 3 4 5	DESCRIPTION	QTY.
92	602288		SPINDLE, CALIPER AND DISC HUB ASSEMBLY (PASSENGER SIDE) (INCLUDES ITEMS 81 - 91, 93 - 94)	1
93	602158		DISC BRAKE SPINDLE (PASSENGER SIDE).....	1
94	74733G01		CALIPER (PASSENGER SIDE)	1
95	74948G01		DISC BRAKE SERVICE HUB (INCLUDES ITEMS 82 - 85, 91)	1
96	70745G01		KINGPIN TUBE.....	2
97	70754G01		THRUST WASHER.....	2
98	00560G3		WASHER, 1/2"	4
99	14390G3		LOCKNUT, 1/2 - 13	2
100	00407G6		CAPSCREW, 1/2 - 13 X 6" LG.....	2
101	608706		FRONT DISC BRAKE BRAKE ACTUATOR ASSEMBLY (INCLUDES ITEMS 102 - 118).....	1
102	10387G3		COTTER PIN, 3/32 X 3/4" LG	1
103	17838G1		NYLON BUSHING.....	1
104	10386G3		CLEVIS PIN, 5/16 X 1" LG	1
105	608122		UPPER ACTUATOR PIVOT	1
106	70581G02		ACETAL BUSHING.....	4
107	74711G01		SHOULDER BOLT.....	1
108	00560G3		WASHER, 1/2"	1
109	00439G1		BOLT, 1/2 - 13 X 6" LG	2
110	11098G06		LOCKNUT, 5/16 - 18.....	2
111	887364		MASTER CYLINDER	1
112	608661		MASTER CYLINDER MOUNT WELDMENT.....	1
113	11098G5		LOCKNUT, 3/8 - 16.....	1
114	00679G1		WASHER, 3/8" STAINLESS	1
115	608118		LOWER ACTUATOR PIVOT	1
116	10385G4		CLEVIS YOKE	1
117	606869		ACTUATOR COVER	1
118	01038G01		SCREW, 1/4 -20 SWAGEFORM	3
119	00414G8		BOLT, 1/4 - 20 X 1 1/4" LG.....	4
120	00891G2		LOCKNUT, 1/4 - 20	4
121	10387G3		COTTER PIN, 3/32 X 3/4.....	2

BRAKES - FRONT DISC

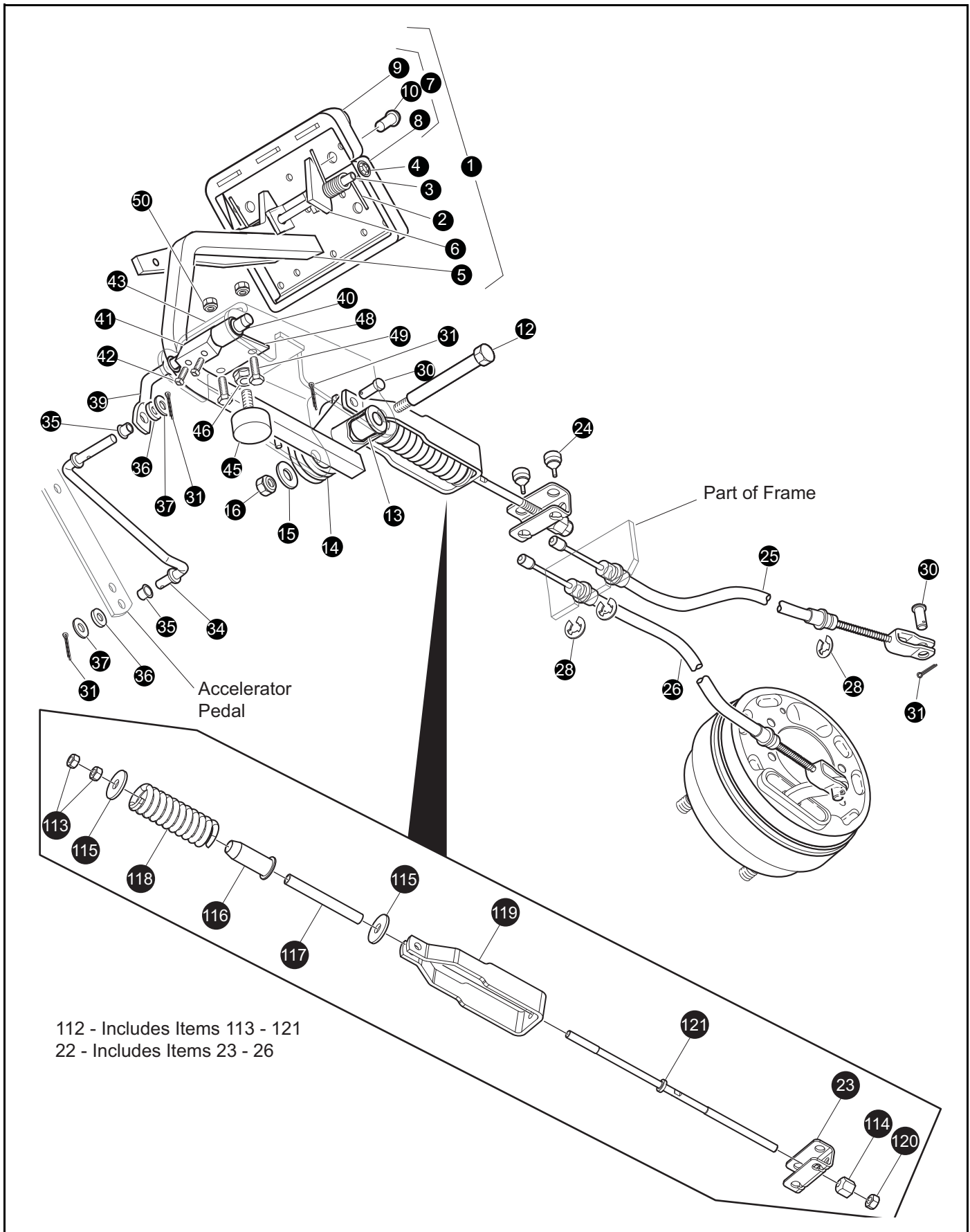
When ordering parts, please specify the model and serial number of the product.

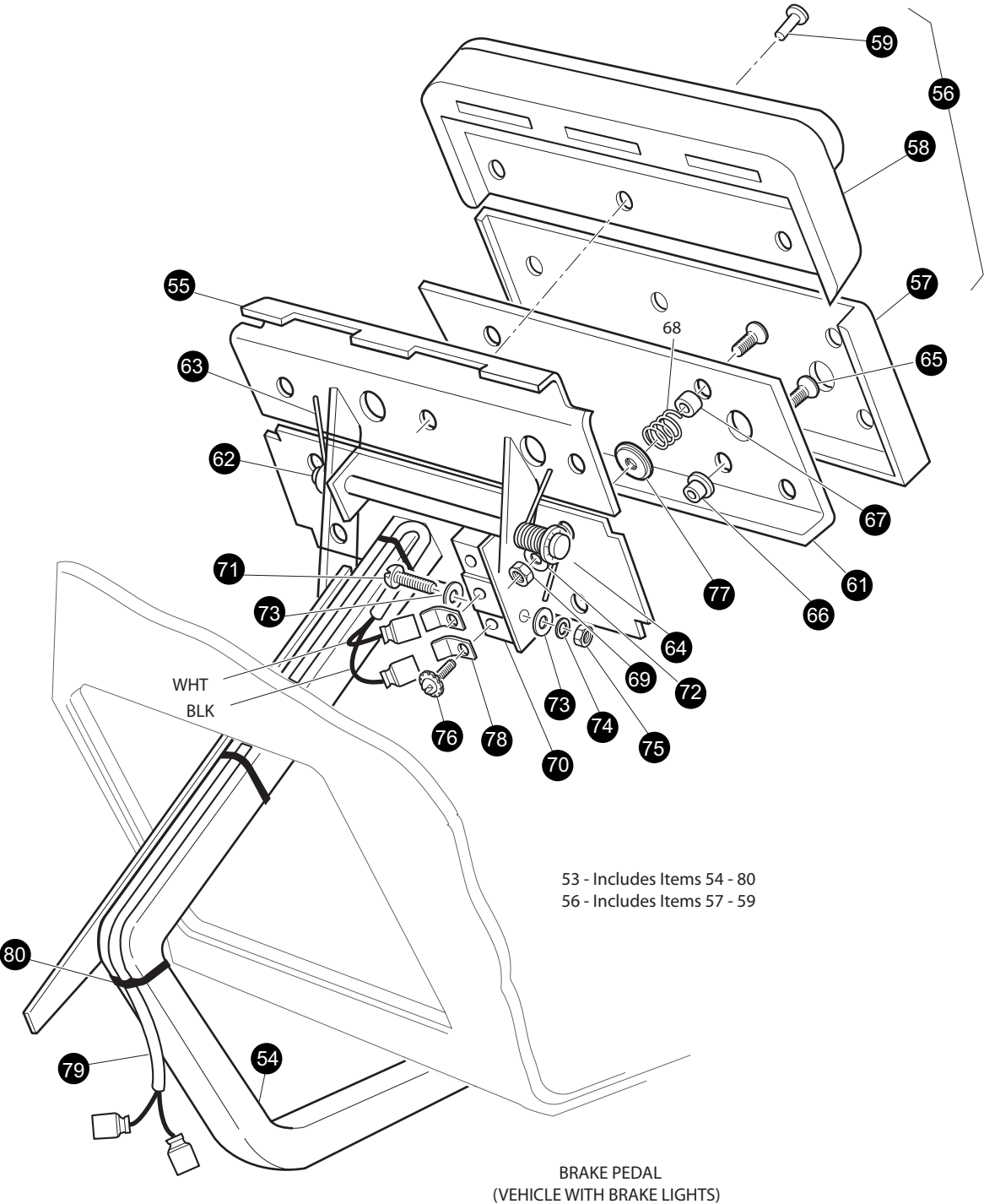
* Indicates a component that is not available as an individual part.

*** Indicates consult Customer Service Department for additional information.

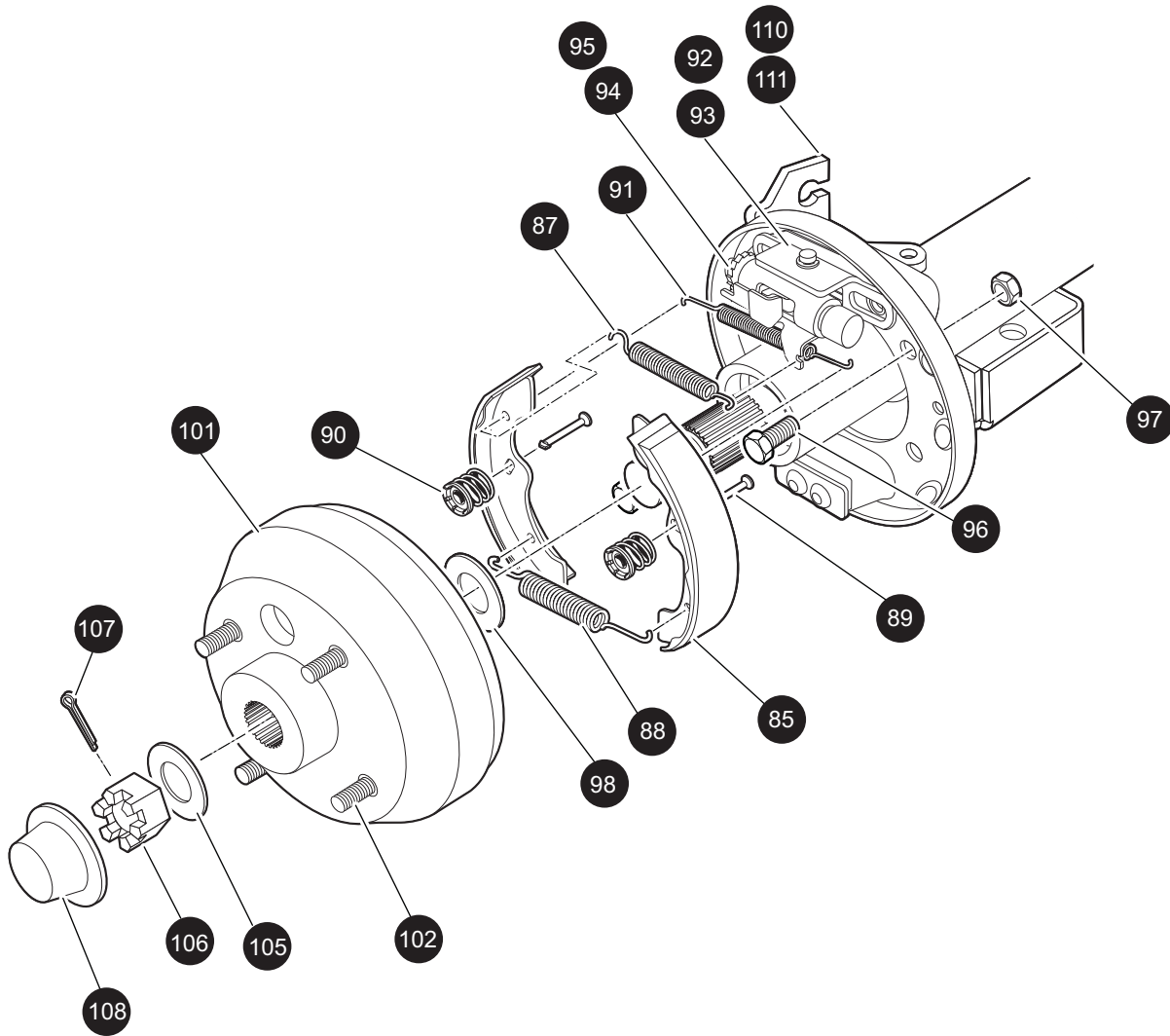
ITEM	PART NO.	1	2	3	4	5	DESCRIPTION	QTY.
122	20835G1						WASHER, NYLON.....	1
123	17838G1						NYLON BUSHING.....	2
124	74865G01						ACTUATOR LINKAGE.....	1
125	00771G5						WASHER, 3/8".....	1
126	74917G01						DISC BRAKE PAD AND PIN KIT (SERVICES ONE CORNER) (INCLUDES ITEMS 127 - 128).....	1
127	*						BRAKE PADS	2
128	*						BRAKE PAD RETAINER PINS	2
129	612558						COMPENSATOR ASSEMBLY (INCLUDES ITEMS 130 - 138).....	1
130	00532G4						HEX NUT	2
131	629486						HEX NUT, 5/16 - 24.....	1
132	15121G1						FLAT WASHER - 5/16.....	2
133	17979G1						ACCELERATOR ROD BUSHING	1
134	23061G2						TUBE.....	1
135	23463G1						COMPRESSION SPRING	1
136	27330G01						BRAKE YOKE	1
137	11098G9						HEX LOCK NUT, 5/16 - 24.....	1
138	612557						COMPENSATOR LINK ROD	1

BRAKES - MECHANICAL





BRAKES - MECHANICAL



- 82 - Includes Items 84 - 92, 94, 95
- 83 - Includes Items 84 - 91, 93 - 95
- 84 - Includes Items 85
- 86 - Includes Items 87 - 91
- 92 - Includes Items 94, 95
- 93 - Includes Items 94, 95
- 100 - Includes Items 101, 102

BRAKES - MECHANICAL

When ordering parts, please specify the model and serial number of the product.

* Indicates a component that is not available as an individual part.

*** Indicates consult Customer Service Department for additional information.

ITEM	PART NO.	1 2 3 4 5	DESCRIPTION	QTY.
1	70612G02		BRAKE PEDAL ASSEMBLY (WITHOUT BRAKE LIGHTS) (INCLUDES ITEMS 2 - 10)	1
2	70681G01		TORSION SPRING.....	2
3	70682G01		PIVOT PIN.....	1
4	01071G01		PUSHNUT, 5/16"	2
5	*		BRAKE PEDAL.....	1
6	70611G02		PARK BRAKE PEDAL	1
7	70274G01		BRAKE/PARK BRAKE PEDAL PAD KIT (INCLUDES ITEMS 8 - 10).....	1
8	*		SERVICE BRAKE PAD	1
9	*		PARK BRAKE PEDAL PAD	1
10	15766G1		OVAL RIVET, 3/16" X 7/16" LG.....	9
11				
12	70582G01		SHOULDER BOLT, 3/8 - 16 X 4" LG (STAINLESS STEEL)	1
13	70581G01		FLANGED BUSHING.....	2
14	70676G01		TORSION SPRING	1
15	00643G1		WASHER, 3/8"	1
16	11098G5		LOCK NUT, 3/8 - 16	1
17				
18	12416G2		NYLON WEDGE LOCK CLAMP (NOT ILLUSTRATED).....	6
19				
20				
21				
22	624714		EQUALIZER AND BRAKE CABLE ASSEMBLY (INCLUDES ITEMS 23 - 26)	1
23	28082G01		EQUALIZER BRACKET	1
24	28083G01		BRAKE COMPENSATOR BUMPER	2
25	624695		BRAKE CABLE DRIVER SIDE.....	1
26	624696		BRAKE CABLE PASSENGER SIDE	1
27				
28	01111G01		RETAINING RING, 13/32" (STAINLESS STEEL).....	4
29				
30	10386G3		CLEVIS PIN, 5/16" X 13/16" LG.....	3

BRAKES - MECHANICAL

When ordering parts, please specify the model and serial number of the product.

* Indicates a component that is not available as an individual part.

*** Indicates consult Customer Service Department for additional information.

ITEM	PART NO.	1 2 3 4 5	DESCRIPTION	QTY.
31	10387G3		COTTER PIN, 3/32" X 3/4" LG	5
32				
33				
34	70601G01		KICK-OFF LINK.....	1
35	17838G1		NYLON BUSHING.....	2
36	20835G1		TEFLON WASHER, 3/8"	2
37	00559G8		WASHER, 5/16".....	2
38				
39	70098G01		KICK-OFF CAM PIVOT	1
40	10097G6		FLANGED BEARING	2
41	70587G01		KICK-OFF CAM.....	1
42	71215G01		SETSCREW, 1/4 - 20 X 1/2" LG.....	2
43	14134G4		SPACER	1
44				
45	70113G01		ADJUSTABLE BUMPER	1
46	11027G1		LOCK NUT, 5/16 - 18.....	1
47				
48	70080G02		CATCH BRACKET	1
49	00414G6		BOLT, 1/4 - 20 X 3/4" LG	2
50	14390G4		LOCK NUT, 1/4 - 20 (STAINLESS STEEL)	2
51				
52				
53	70690G02		BRAKE PEDAL ASSEMBLY (WITH BRAKE LIGHTS) (INCLUDES ITEMS 54 - 80).....	1
54	*		BRAKE PEDAL	1
55	70611G02		PARK BRAKE PEDAL.....	1
56	70274G01		BRAKE/PARK BRAKE PEDAL PAD KIT (INCLUDES ITEMS 57 - 59).....	1
57	*		SERVICE BRAKE PAD.....	1
58	*		PARK BRAKE PAD.....	1
59	16409G1		OVAL RIVET, 3/16" x 7/16" LG	9
60				
61	70258G03		BRAKE PEDAL PLATE	1

BRAKES - MECHANICAL

When ordering parts, please specify the model and serial number of the product.

* Indicates a component that is not available as an individual part.

*** Indicates consult Customer Service Department for additional information.

ITEM	PART NO.	1 2 3 4 5	DESCRIPTION	QTY.
62	70682G01		PIVOT PIN.....	1
63	70681G01		TORSION SPRING.....	2
64	01071G01		PUSHNUT, 5/16"	1
65	00737G8		SCREW, #10 - 24 X 7/8" LG.....	4
66	00739G1		RUBBER NUT, #10 - 24	2
67	74535G01		BRAKE PEDAL STANDOFF.....	2
68	27137G01		CONICAL SPRING.....	2
69	14390G10		LOCK NUT, #10 - 24.....	2
70	10606G8		MICRO SWITCH	1
71	00957G1		BOLT, #6 - 32 X 1 1/4" LG	2
72	00559G5		WASHER, #10	2
73	00559G3		WASHER, #6.....	4
74	00565G3		LOCK WASHER, #6	2
75	00525G5		NUT, #6 - 32	2
76	13514G1		SCREW AND LOCK WASHER, #6	2
77				
78	14628G1		FASTON TAB.....	2
79	24605G1		WIRE HARNESS (BRAKE LIGHT).....	1
80	17618G1		WIRE TIE.....	4
81				
82	70998G01		BRAKE ASSEMBLY (DRIVER SIDE) (INCLUDES ITEMS 84 - 92, 94 - 95) ..	1
83	70998G02		BRAKE ASSEMBLY (PASSENGER SIDE) (INCLUDES ITEMS 84 - 91, 93 - 95)	1
84	70794G01		BRAKE SHOE KIT (INCLUDES ITEM 85)	2
85	*		BRAKE SHOE.....	2
86	27944G01		BRAKE SPRING KIT (INCLUDES ITEMS 87 - 91)	2
87	*		UPPER SPRING	1
88	*		LOWER SPRING	1
89	*		PIN	2
90	*		CUP AND SPRING	2
91	*		ADJUSTER SPRING	1

BRAKES - MECHANICAL

When ordering parts, please specify the model and serial number of the product.

* Indicates a component that is not available as an individual part.

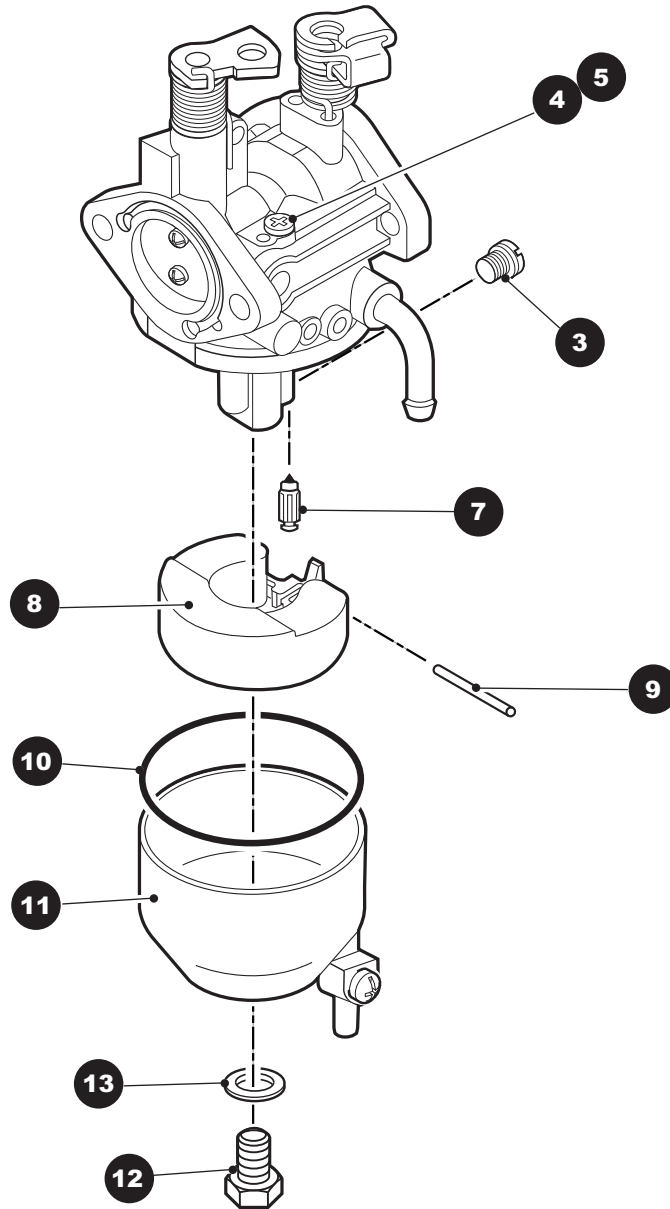
*** Indicates consult Customer Service Department for additional information.

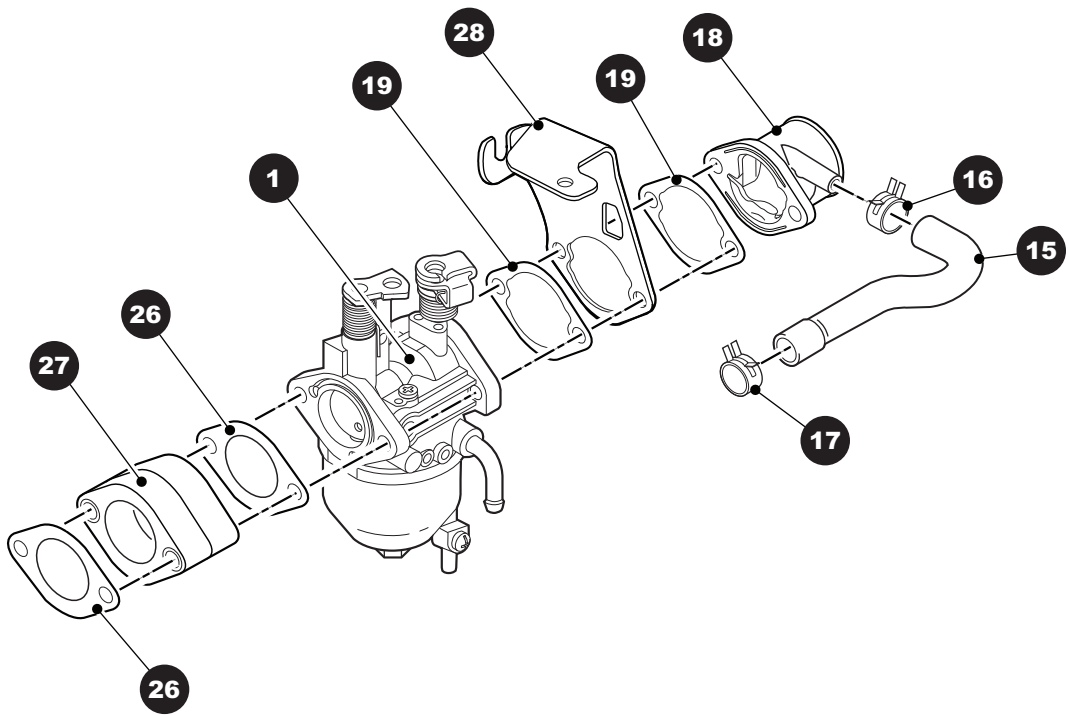
ITEM	PART NO.	1 2 3 4 5	DESCRIPTION	QTY.
92	72582G01		BRAKE ADJUSTER KIT (DRIVER SIDE) (INCLUDES ITEMS 94 - 95) ...	1
93	72582G02		BRAKE ADJUSTER KIT (PASSENGER SIDE) (INCL. ITEMS 94 - 95)....	1
94	*		ADJUSTER.....	1
95	*		TEFLON WASHER.....	2
96	17083G2		BOLT, 5/16 - 24 X 1" LG	8
97	15126G1		LOCK NUT, 5/16 - 24.....	8
98	21809G1		INNER BRAKE DRUM WASHER, 1 5/16" OD X 1" ID X 1/32"	2
99				
100	21807G2		BRAKE DRUM ASSEMBLY (INCLUDES ITEMS 101 - 102).....	2
101	*		BRAKE DRUM	1
102	19862G2		LUG BOLT, 1/2 - 20 X 1 3/16" LG	4
103				
104				
105	606945		OUTER BRAKE DRUM WASHER	2
106	606403		SLOTTED NUT, M22 X 1.5.....	2
107	10387G1		COTTER PIN, 1/8" X 1 1/2" LG	2
108	74175G01		SPINDLE CAP.....	2
109				
110	608200		BRAKE CABLE BRACKET (PASSENGER SIDE).....	1
111	608201		BRAKE CABLE BRACKET (DRIVER SIDE)	1
112	612558		COMPENSATOR ASSEMBLY (INCLUDES ITEMS 113 - 121)	1
113	00532G4		HEX NUT	2
114	629486		HEX NUT, 5/16 - 24.....	1
115	15121G1		FLAT WASHER - 5/16.....	2
116	17979G1		ACCELERATOR ROD BUSHING	1
117	23061G2		TUBE.....	1
118	23463G1		COMPRESSION SPRING	1
119	27330G01		BRAKE YOKE	1
120	11098G9		HEX LOCK NUT, 5/16 - 24.....	1
121	612557		COMPENSATOR LINK ROD	1

Notes:

A large rectangular area filled with a fine grid of lines, intended for writing notes. The grid consists of approximately 20 columns and 35 rows of small squares.

CARBURETOR





CARBURETOR

THE USE OF NON U.L. PARTS WILL VOID ANY U.L. LISTING.

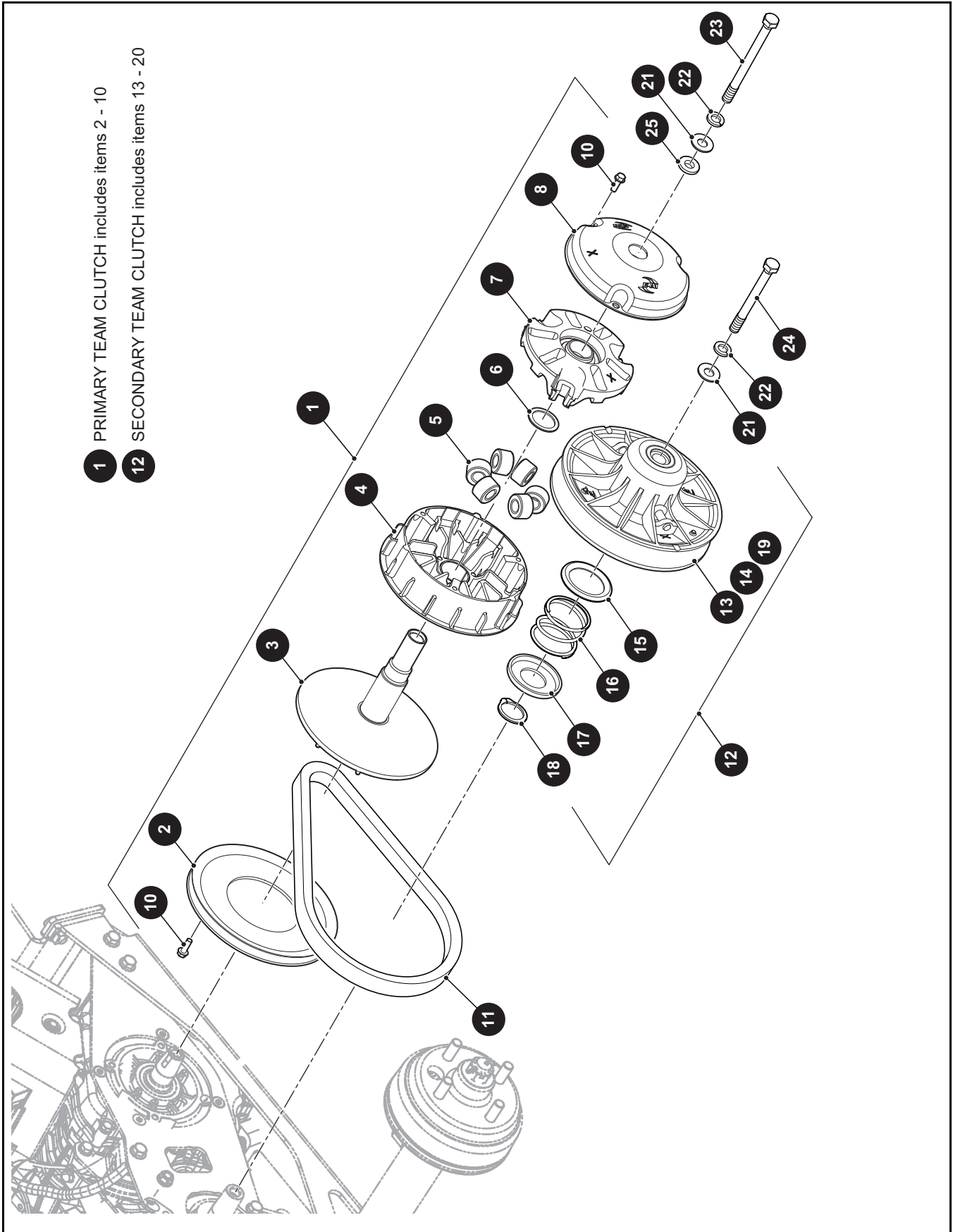
When ordering parts, please specify the model and serial number of the product.

* Indicates a component that is not available as an individual part.

G** Indicates consult Customer Service Department for additional information.

ITEM	PART NO.	1 2 3 4 5	DESCRIPTION	QTY.
1	607954		CARBURETOR (INCLUDES ITEMS 3 - 21).....	1
2				
3	607683		MAIN JET (#104).....	1
4	608021		PILOT JET (#44).....	1
5	603585		PLUG.....	1
6				
7	603586		NEEDLE VALVE.....	1
8	603587		FLOAT.....	1
9	603588		FLOAT PIN.....	1
10	603589		FLOAT BOWL GASKET.....	1
11	603590		FLOAT CHAMBER.....	1
12	603592		BOWL SCREW.....	1
13	603591		BOWL GASKET.....	1
14				
15	603598		BREATHER TUBE.....	1
16	603596		CLAMP, INTAKE TUBE.....	1
17	603597		CLAMP CYLINDER HEAD TUBE.....	1
18	603594		INTAKE TUBE.....	1
19	603593		CHOKE GASKET.....	2
20	603595		NUT, M6 X 1.0.....	2
21	608023		THROTTLE ROD ATTACHMENT BUSHING.....	1
22				
23	607684		MAIN JET (#102) (FOR ELEVATIONS OF 3000 FT - 6000 FT).....	1
24	607685		MAIN JET (#100) (FOR ELEVATIONS OF 6000 FT - 10000 FT).....	1
25				
26	603580		CARBURETOR MOUNT GASKET.....	2
27	603581		CARBURETOR INSULATOR.....	1

CLUTCH



Where applicable, THE USE OF NON UL PARTS WILL VOID ANY UL LISTING.

When ordering parts, please specify the model and serial number of the product.

* Indicates a component that is not available as an individual part.

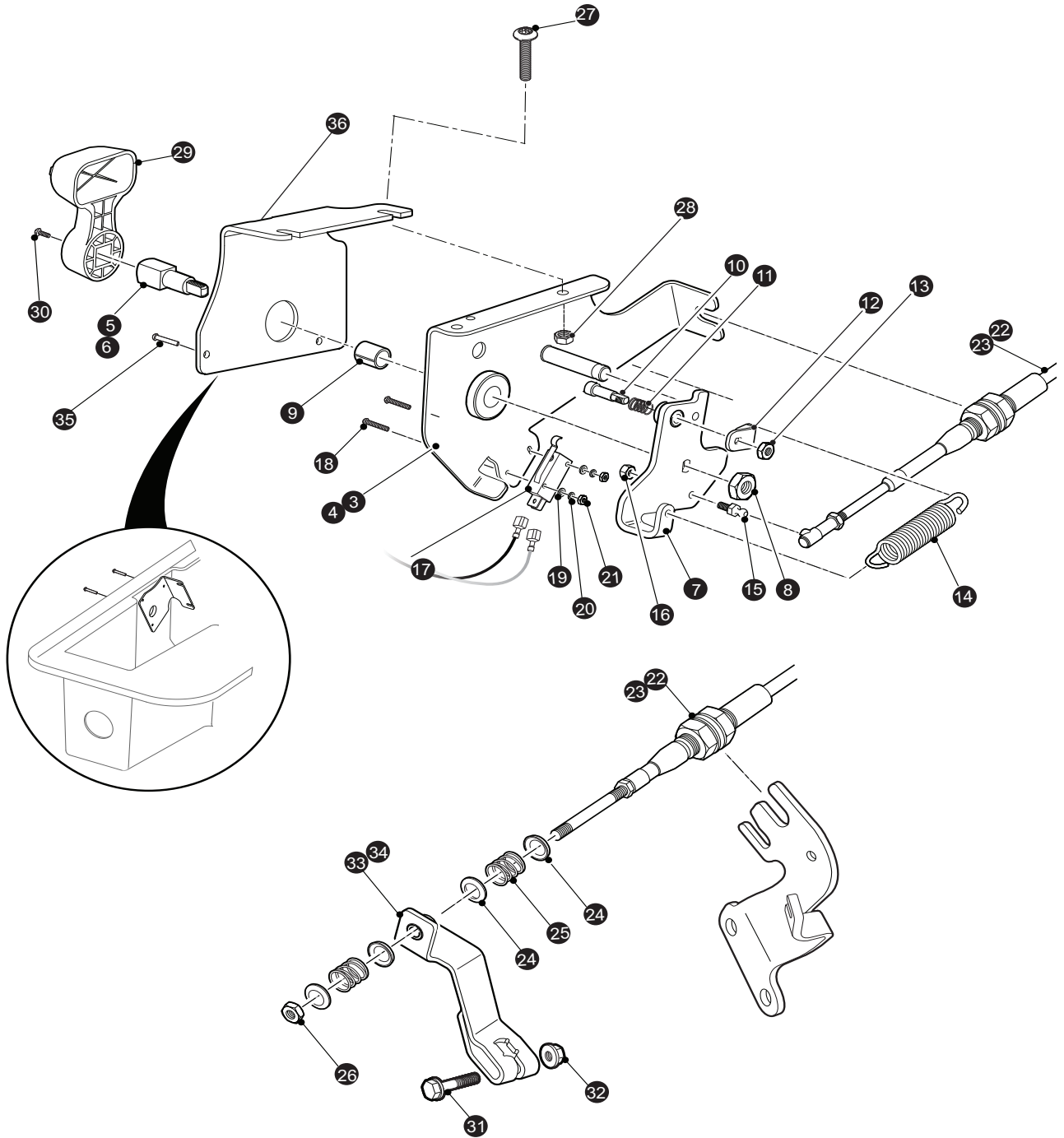
G** Indicates consult Customer Service Department for additional information.

ITEM	PART NO.	1 2 3 4 5	DESCRIPTION	QTY.
1	623948		PRIMARY TEAM CLUTCH (Includes items 2 - 10)	1
2	619333		PRIMARY STARTER PULLY, 195 - SVC	1
3	619334		STATIONARY ASSEMBLY	1
4	619335		MOVEABLE PRIMARY ASSEMBLY	1
5	624112		SHIFT ROLLER ASSEMBLY	6
6	619337		SHIM, 39.5 X 31.75.....	1
7	619338		PRIMARY SPIDER ASSEMBLY	1
8	619339		PRIMARY DUST COVER ASSEMBLY	1
9				
10	619332		BOLT, 1/4 - 20 X.75.....	7
11	618630		DRIVE BELT	1
12	623949		SECONDARY TEAM CLUTCH (Includes items 13 - 20).....	1
13	*		SECONDARY STATIONARY, 9.5	1
14	*		MOVEABLE SECONDARY, 9.5	1
15	619327		INNER RETAINER SPRING	1
16	624111		COMPRESSION SPRING, 2.70 OD	1
17	619329		OUTER SPRING RETAINER.....	1
18	619330		RETAINER RING	1
19	619331		THRUST WASHER, 1.530 x 1.830 x 1	1
20				
21	606239		CONICAL WASHER, M12.....	2
22	00566G3		SPRING TYPE LOCK WASHER	2
23	606245		HEX BOLT, M12 - 1.25 X 160.....	1
24	606243		HEX BOLT, M12 - 1.25 X 120.....	1
25	606230		CLUTCH WASHER	1

DIRECTION SELECTOR

1 - includes Items (3, 5, 7 - 22, 24 - 33)

2 - includes Items (4, 6, 7 - 21, 23 - 33)



DIRECTION SELECTOR

Where applicable, THE USE OF NON UL PARTS WILL VOID ANY UL LISTING.

When ordering parts, please specify the model and serial number of the product.

* Indicates a component that is not available as an individual part.

G** Indicates consult Customer Service Department for additional information.

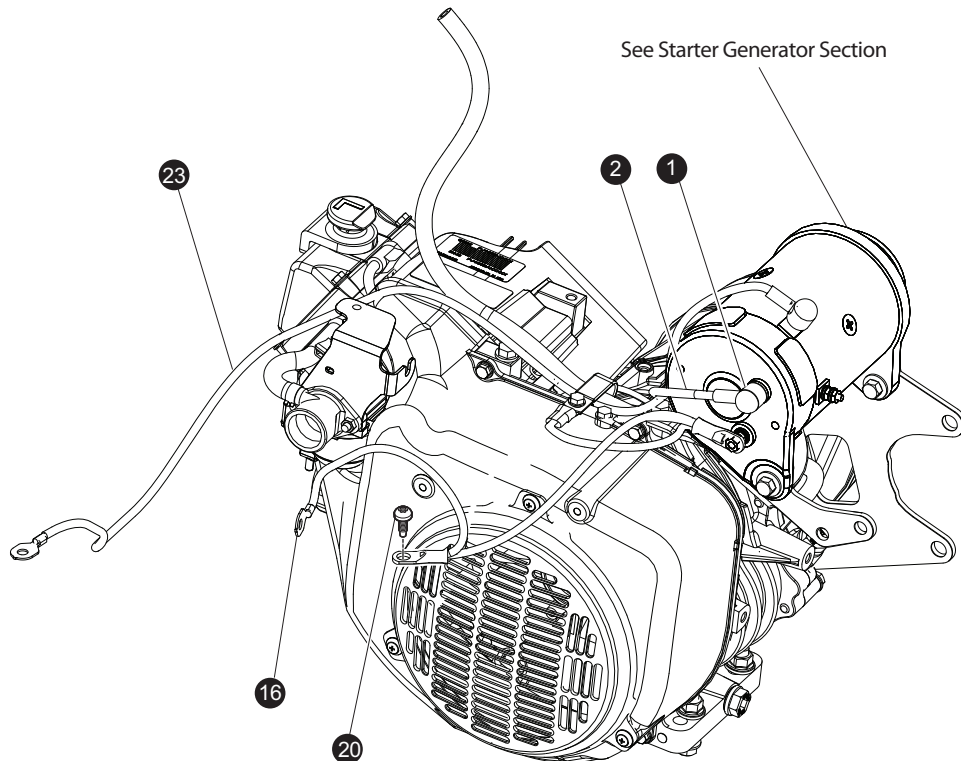
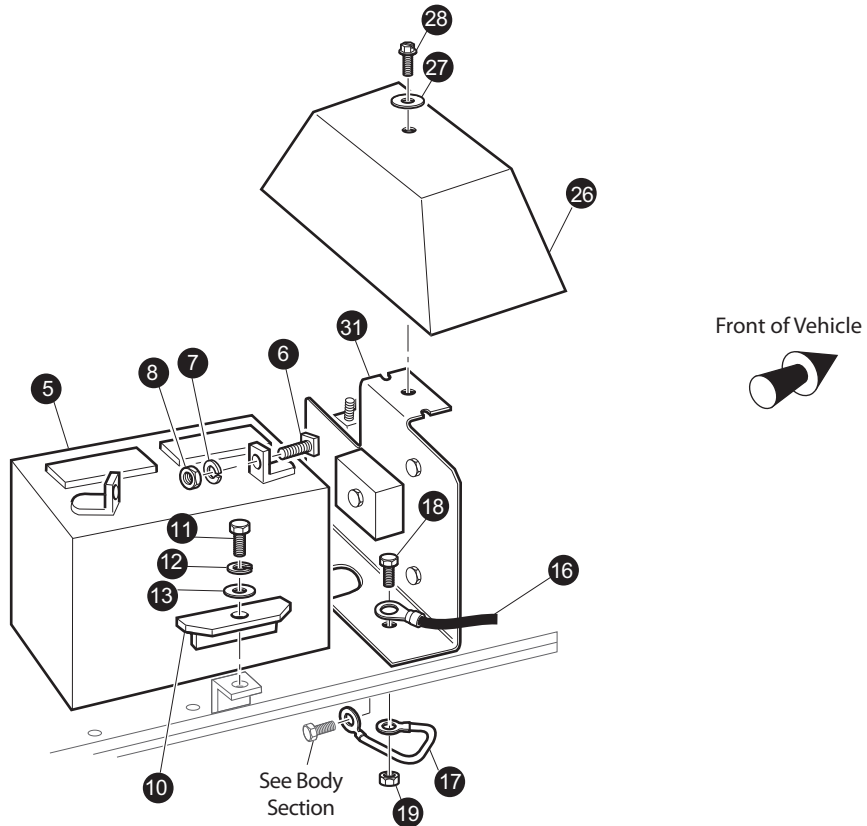
ITEM	PART NO.	1 2 3 4 5	DESCRIPTION	QTY.
1	606170		DIRECTION SELECTOR ASSEMBLY (INCLUDES ITEMS 3, 5, 7-22, 24-33) ...	1
2	605999		DIRECTION SELECTOR ASSEMBLY (INCLUDES ITEMS 4, 6, 7-21, 23-33) ...	1
3	608831		DIRECTION SELECTOR BRACKET WITH BUSHING (INCLUDES ITEM 9)	1
4	608830		DIRECTION SELECTOR BRACKET WITH BUSHING (INCLUDES ITEM 9)	1
5	70233G01		DIRECTION SELECTOR SHAFT	1
6	606266		DIRECTION SELECTOR SHAFT	1
7	603700		DIRECTION SELECTOR CAM	1
8	14390G1		LOCK NUT, 3/8 - 24	1
9	*		BUSHING	1
10	72724G01		NEUTRAL LOCK PIN	1
11	72733G01		COMPRESSION SPRING, 3/8" X 5/8" LG	1
12	72729G01		NEUTRAL LOCK BRACKET	1
13	00734G2		LOCK NUT, 1/4 - 28	1
14	28574G01		EXTENSION SPRING	1
15	72732G01		BALL STUD, 1/4"	1
16	00734G5		LOCK NUT, #10 - 32	1
17	72736G01		MICRO SWITCH	1
18	01062G01		SCREW, #4 - 40 X 1" LG	2
19	00559G1		WASHER, #4	2
20	00565G1		LOCK WASHER, #4	2
21	00526G2		NUT, #4 - 40	2
22	605808		PUSH / PULL SHIFTER CABLE	1
23	605809		PUSH / PULL SHIFTER CABLE	1
24	25727G01		CUP WASHER, 1/4"	4
25	72735G01		COMPRESSION SPRING, 19/32" X 1" LG	2
26	00734G5		LOCK NUT, #10 - 32	1
27	70227G01		SCREW, 1/4 - 20 X 7/8" LG	2
28	11027G2		LOCK NUT, 1/4 - 20	2
29	71205G01		DIRECTION SELECTOR HANDLE	1
30	00740G4		SCREW, #10 - 32 X 1/2" LG (STAINLESS STEEL)	1

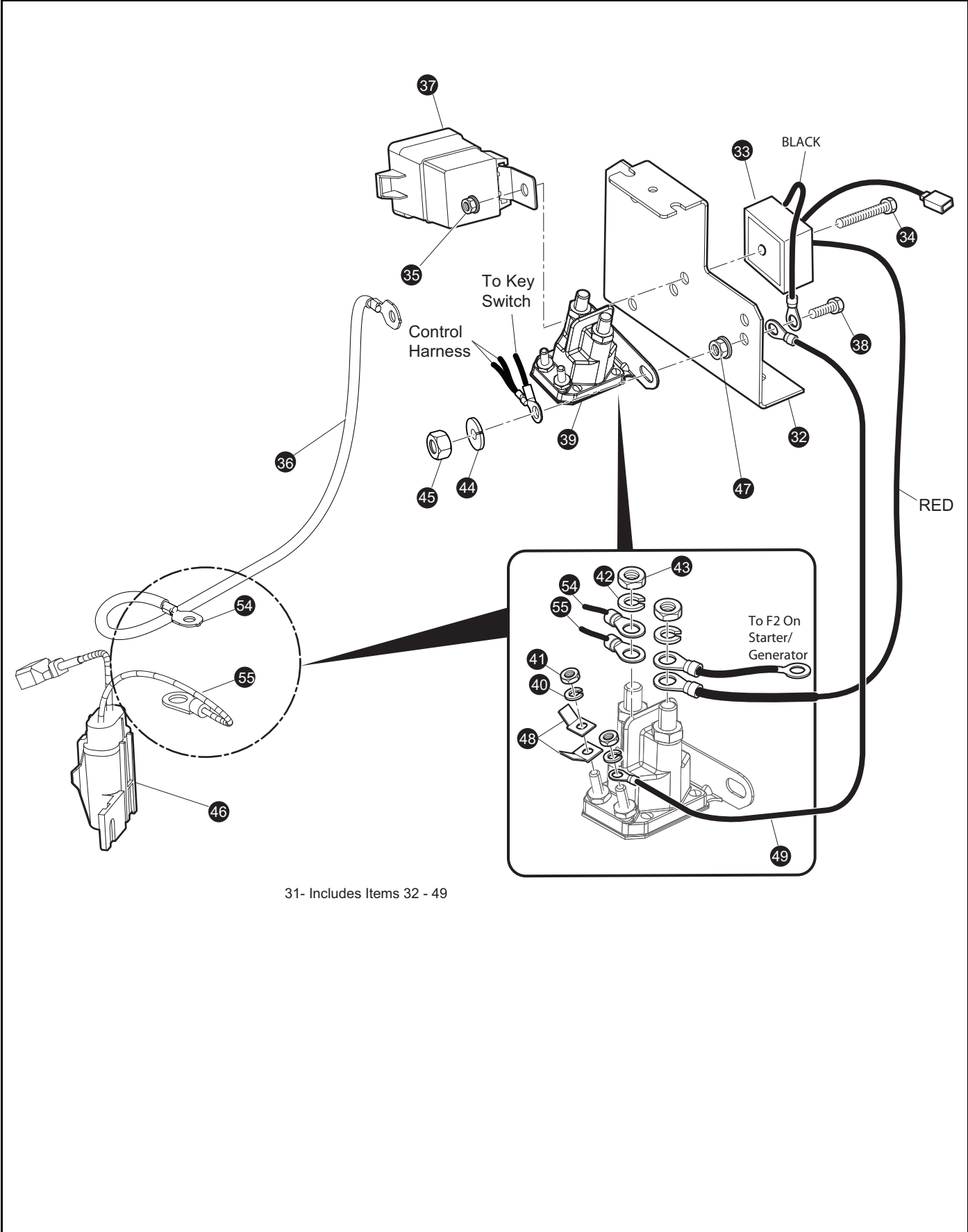
DIRECTION SELECTOR

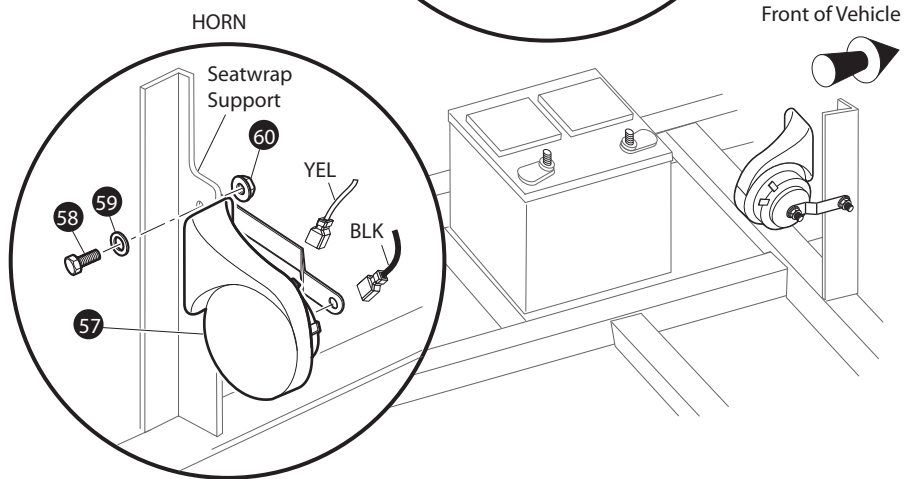
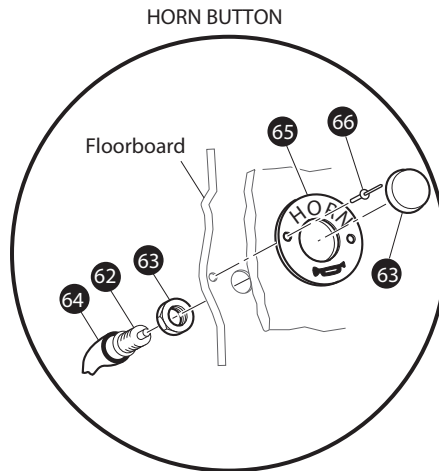
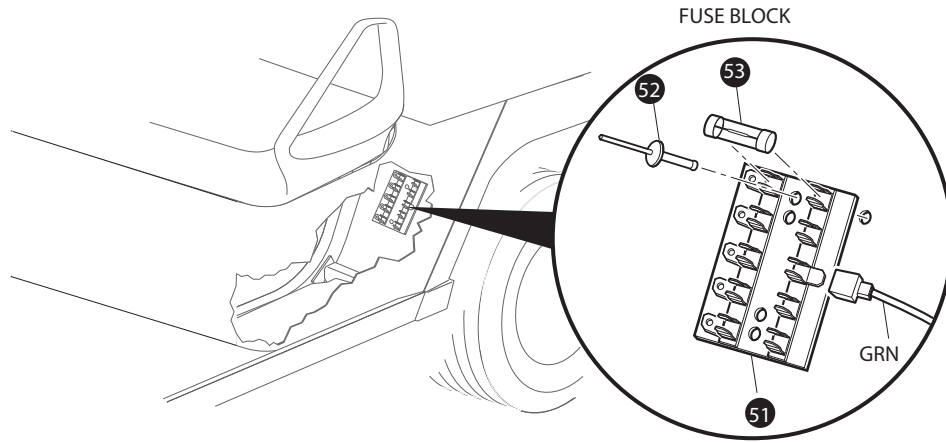
Where applicable, THE USE OF NON UL PARTS WILL VOID ANY UL LISTING.
 When ordering parts, please specify the model and serial number of the product.
 * Indicates a component that is not available as an individual part.
 G** Indicates consult Customer Service Department for additional information.

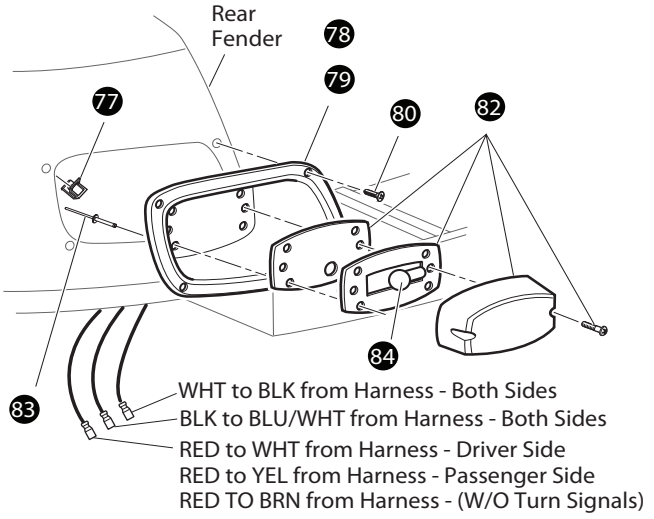
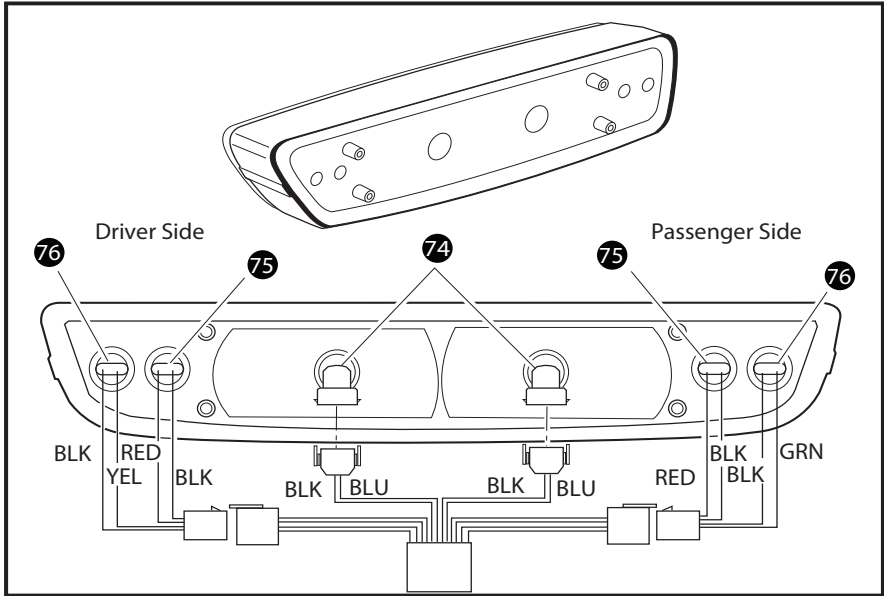
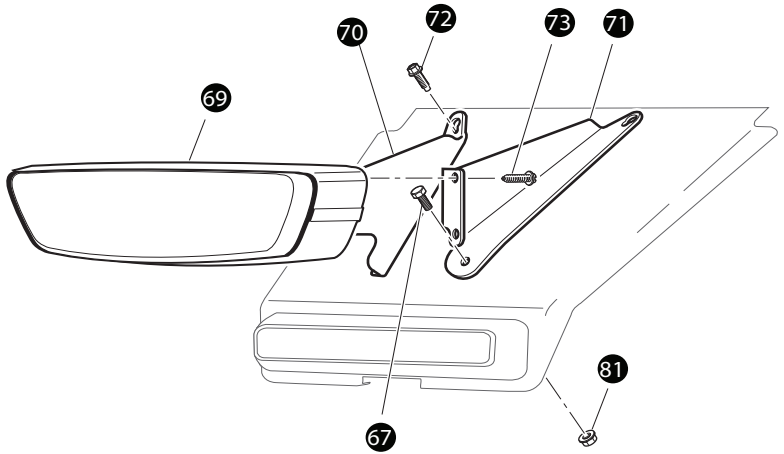
ITEM	PART NO.	1 2 3 4 5	DESCRIPTION	QTY.
31	606421		BOLT, M6 - 1.00 X 30	1
32	450452		NUT, M6 - 1.00	1
33	608832		SHIFTER ARM (INCLUDES ITEM 34)	1
34	*		BUSHING, FLIP LOK, 0.25	1
35	71055G01		RIVET	3
36	605869		MOUNTING BRACKET	1

ELECTRICAL SYSTEM

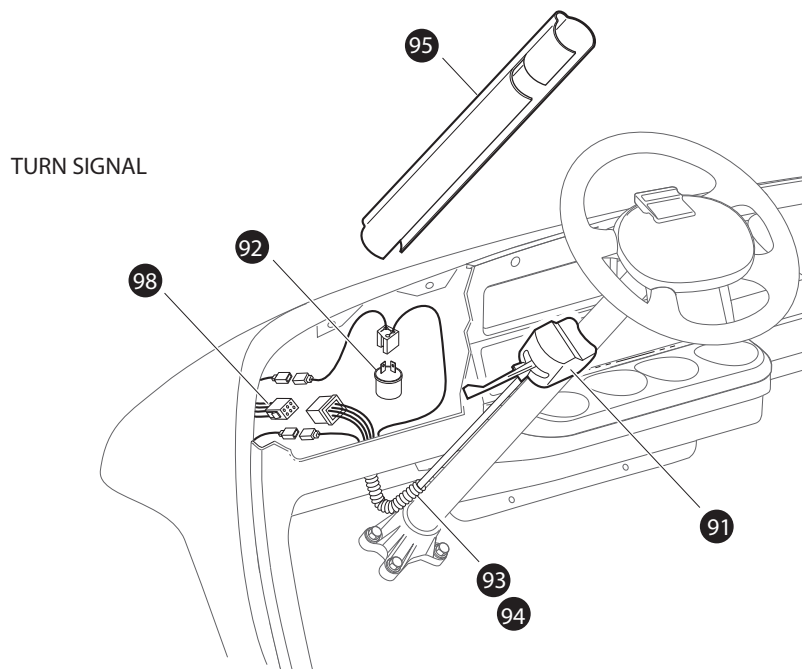
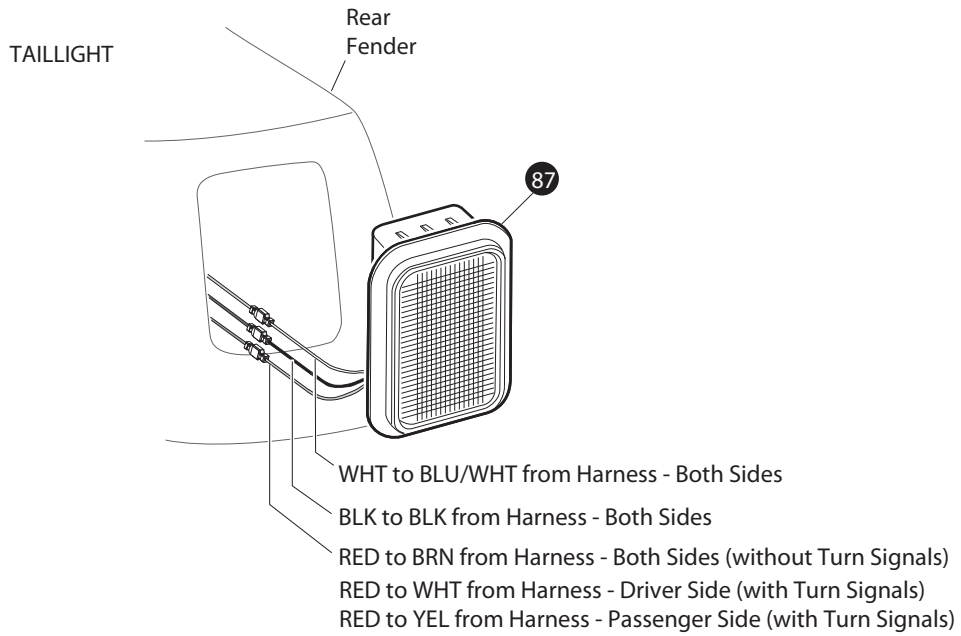






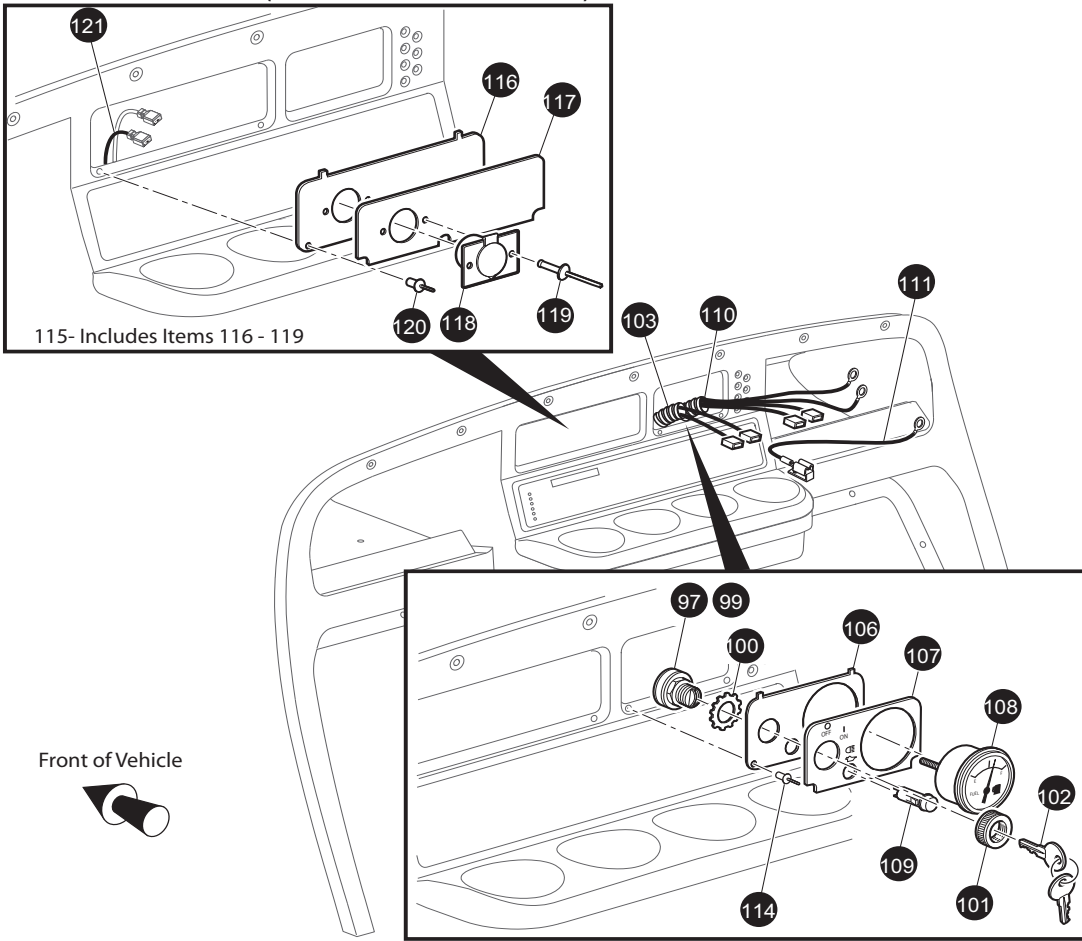


Ref Ele 8-4

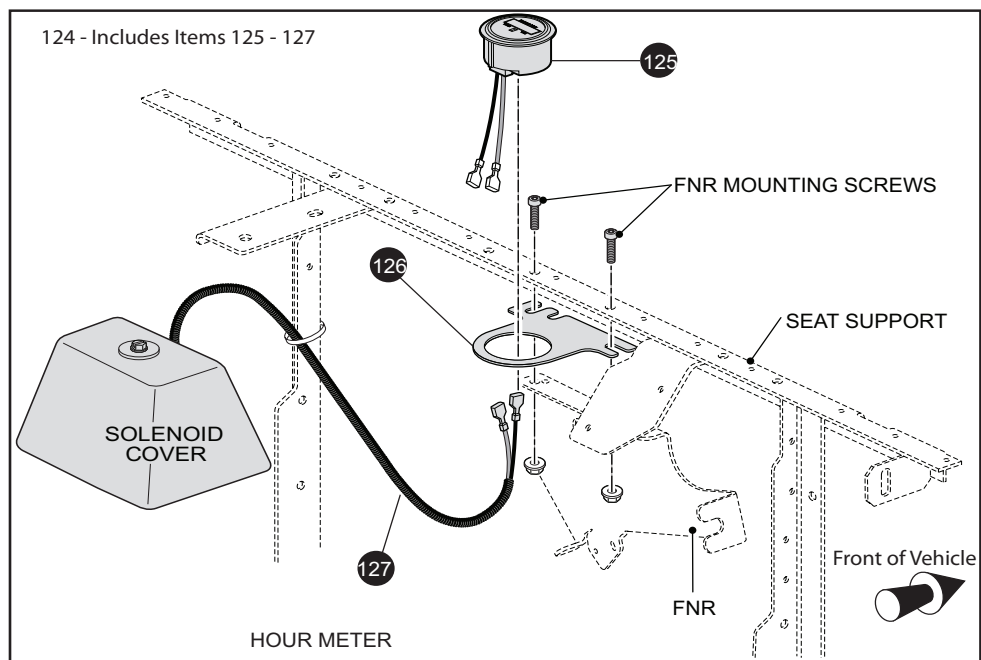


90 - Includes Items 91 - 95

CONSOLE INSERT PLATE (WITH POWER OUTLET SHOWN)



KEY SWITCH, INDICATOR LIGHT(S), AND FUEL GAUGE



ELECTRICAL SYSTEM

When ordering parts, please specify the model and serial number of the product.

* Indicates a component that is not available as an individual part.

*** Indicates consult Customer Service Department for additional information.

ITEM	PART NO.	1 2 3 4 5	DESCRIPTION	QTY.
1	607053		6 GA WIRE (BLACK 6", F1 - A2).....	1
2	25682G01		TERMINAL COVER.....	3
3				
4				
5	24775G*		BATTERY, 12V	1
6	*		BOLT, 5/16 - 18 X 1 1/4" LG.....	2
7	*		LOCK WASHER, 5/16" (SILICON BRONZE).....	2
8	*		NUT, 5/16 - 18 (SILICON BRONZE)	2
9				
10	72101G02		BATTERY HOLD DOWN	1
11	00438G6		BOLT, 5/16 - 18 X 3/4" LG	3
12	00565G8		LOCK WASHER, 5/16"	1
13	00571G2		WASHER, 5/16" (STAINLESS STEEL)	1
14				
15				
16	27044G03		GROUND CABLE.....	1
17	25976G19		14 GA WIRE (BLACK 6").....	1
18	00438G6		BOLT, 5/16 - 18 X 3/4" LG	2
19	11027G1		LOCK NUT, 5/16 - 18.....	2
20	26676G01		FLANGED BOLT	1
21				
22				
23	607103		6 GA WIRE (42" LONG)	1
24	605777		WIRE HARNESS (CONTROL).....	1
25	17618G1		WIRE TIE (NOT ILLUSTRATED)	AR
26	73049G01		COVER FNR	1
27	16469G1		WASHER, 1/4"	1
28	00114G6		SCREW, 1/4 - 14 X 3/4" LG.....	1
29				
30				
31	605563		ELECTRICAL PLATE ASSEMBLY (INCLUDES ITEMS 32 - 49)	1

ELECTRICAL SYSTEM

When ordering parts, please specify the model and serial number of the product.

* Indicates a component that is not available as an individual part.

*** Indicates consult Customer Service Department for additional information.

ITEM	PART NO.	1 2 3 4 5	DESCRIPTION	QTY.
32	73057G01		BRACKET.....	1
33	27739G01		VOLTAGE REGULATOR.....	1
34	00415G4		BOLT, 1/4 - 20 X 1 1/4" LG.....	1
35	11027G2		LOCK NUT, 1/4 - 20.....	1
36	25972G33		WIRE ASSEMBLY 6 GA.....	1
37	603282		RELAY.....	1
38	00661G8		BOLT, 1/4 - 20 X 1" LG.....	1
39	612813		SOLENOID.....	1
40	*		LOCK WASHER, #10.....	2
41	*		NUT, #10 - 32.....	2
42	*		LOCK WASHER, 5/16".....	2
43	*		NUT, 5/16 - 24.....	2
44	00664G7		LOCK WASHER - SS - .255/.263.....	1
45	00532G1		NUT, 1/4 - 20.....	1
46	600418G01		FUSE HOLDER ASSEMBLY.....	1
47	11027G2		LOCK NUT, 1/4 - 20.....	1
48	73446G01		FASTON TAB, 90°.....	2
49	25978G56		18 GA WIRE (BLACK 5 3/4").....	1
50				
51	22674G1		FUSE BLOCK.....	1
52	01041G01		RIVET, 1/8" X 13/16" LG.....	2
53	18392G1		15 AMP FUSE.....	3
54	25972G33		#6 GA WIRE ASSEMBLY.....	1
55	20216G1		16 GA WIRE (RED).....	1
56				
57	32860G1		HORN.....	1
58	00414G5		BOLT, 1/4 - 20 x 5/8" LG.....	1
59	00559G7		WASHER, 1/4" (STAINLESS STEEL).....	1
60	14390G4		LOCK NUT, 1/4 - 20.....	1
61				
62	17318G1		HORN SWITCH.....	1

ELECTRICAL SYSTEM

When ordering parts, please specify the model and serial number of the product.

* Indicates a component that is not available as an individual part.

*** Indicates consult Customer Service Department for additional information.

ITEM	PART NO.	1 2 3 4 5	DESCRIPTION	QTY.
63	17318G2		HORN SWITCH CAP AND NUT	1
64	27068G01		HORN SWITCH BOOT.....	1
65	19233G1		HORN SWITCH LABEL.....	1
66	71055G01		RIVET, 3/16" X 1" LG (ALUMINUM)	2
67	00414G6		BOLT, 1/4 - 20 x 3/4 " LG.....	2
68				
69	74001G01		HEADLIGHT AND TURN SIGNAL LIGHT.....	1
70	74236G03		HEADLIGHT MOUNT BRACKET (PASSENGER SIDE).....	1
71	74236G04		HEADLIGHT MOUNT BRACKET (DRIVER SIDE)	1
72	01038G01		BOLT, 1/4 20 X 11/16" LG.....	2
73	00114G6		SCREW, 1/4 - 14 X 3/4" LG.....	4
74	74004G01		HEADLIHT BULB	AR
75	74005G01		MARKER LIGHT BULB	AR
76	74006G01		TURN SIGNAL BULB	AR
77	71364G02		'J' CLIP (SHUTTLE 4/6) (SHUTTLE 4/6).....	8
78	74371G01		BEZEL (DRIVER SIDE) (SHUTTLE 4/6).....	1
79	74371G02		BEZEL (PASSENGER SIDE) (SHUTTLE 4/6)	1
80	71425G01		COUNTERSUNK SCREW, #8 (SHUTTLE 4/6).....	8
81	11027G2		LOCT NUT, 1/4 - 20.....	2
82	22288G2		BRAKE / TAILLIGHT LAMP (SHUTTLE 4/6).....	1
83	14601-G11		RIVET, 3/16" X 9/16" LG (ALUMINUM).....	4
84	21759G1		TAILLIGHT BULB	AR
85				
86				
87	32739G2		TAILLIGHT ASSEMBLY (SHUTTLE 2) (COMPLETE).....	2
88				
89				
90	75107G02		TURN SIGNAL KIT (INCLUDES ITEMS 91 - 95).....	1
91	17867G1		TURN SIGNAL (WITH MOUNTING HARDWARE) (INCLUDES ITEM 106)	1
92	21640G1		TURN SIGNAL FLASHER.....	1
93	32307G3		FLEX LOOM, 3/8 X 8" LG	1

ELECTRICAL SYSTEM

When ordering parts, please specify the model and serial number of the product.

* Indicates a component that is not available as an individual part.

*** Indicates consult Customer Service Department for additional information.

ITEM	PART NO.	1 2 3 4 5	DESCRIPTION	QTY.
94	17618G1		WIRE TIE.....	2
95	20965G3		STEERING COLUMN COVER.....	1
96				
97	18602G1		IGNITION SWITCH (FLEET KEYED)	1
98	606045		WIRE HARNESS (ACCESSORY)	1
99	33639G03		IGNITION SWITCH (WITH LIGHTS, INDIVIDUALLY KEYED).....	1
100	00568G6		LOCK WASHER, 3/4"	1
101	17137G1		FACE NUT, 3/4 - 20.....	1
102	17063G1		IGNITION KEY	1
103	605866		WIRE HARNESS (KEY SWITCH).....	1
104				
105				
106	73030G04		PLATE (FUEL GAUGE AND OIL LIGHT)	1
107	71127G01		LABEL (OIL LIGHT AND FUEL GAUGE WITH HEADLIGHTS)	1
108	21553G1		FUEL GAUGE	1
109	23474G1		INDICATOR LIGHT	1
110	74311G01		HARNESS (OIL LIGHT/FUEL GAUGE).....	1
111	25978G122		18 GA WIRE (RED 6")	1
112				
113				
114	33623G02		DRIVE RIVET, 3/16" X 3/8" LG	2
115	74693G01		CONSOLE INSERT ASSEMBLY (INCLUDES ITEMS 116 - 119).....	1
116	73522G03		CONSOLE INSERT PLATE.....	1
117	35962G01		LABEL (CONSOLE INSERT PLATE)	1
118	71078G01		POWER OUTLET (12 VOLT)	1
119	14601G10		RIVET, 3/16" X 7/16" LG (ALUMINUM)	2
120	33623G02		DRIVE RIVET, 3/16" X 3/8" LG	3
121	71081G01		WIRE HARNESS (POWER OUTLET)	1
122				
123				
124	607285		HOUR METER KIT (INCLUDES ITEMS 125 - 127).....	1

ELECTRICAL SYSTEM

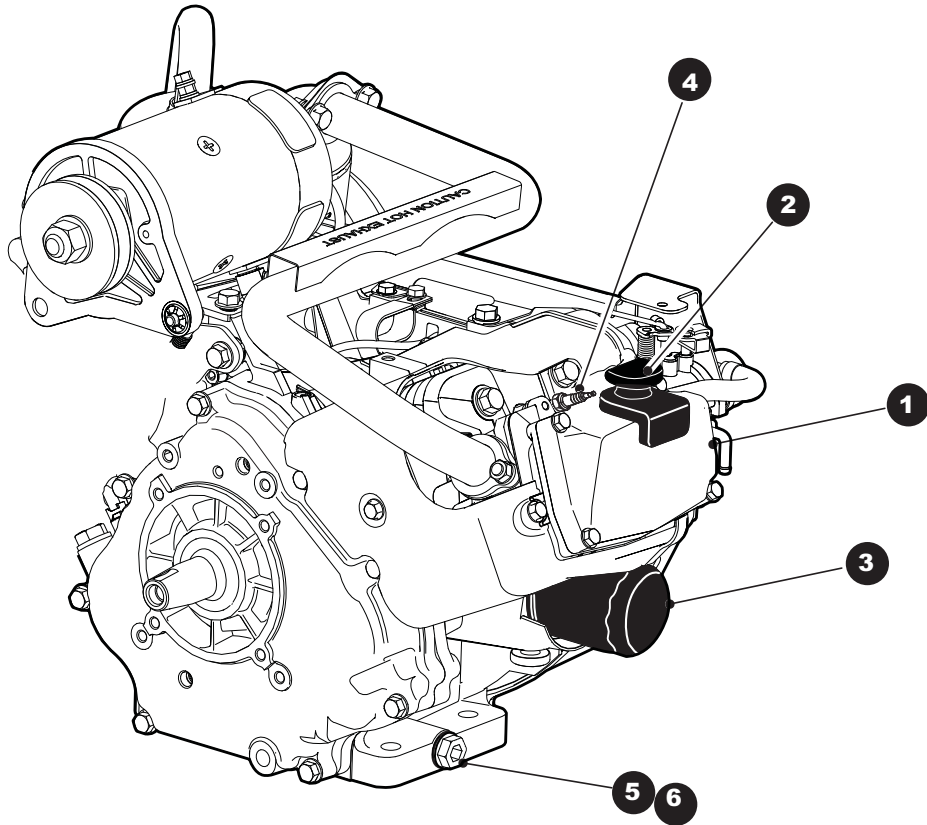
When ordering parts, please specify the model and serial number of the product.

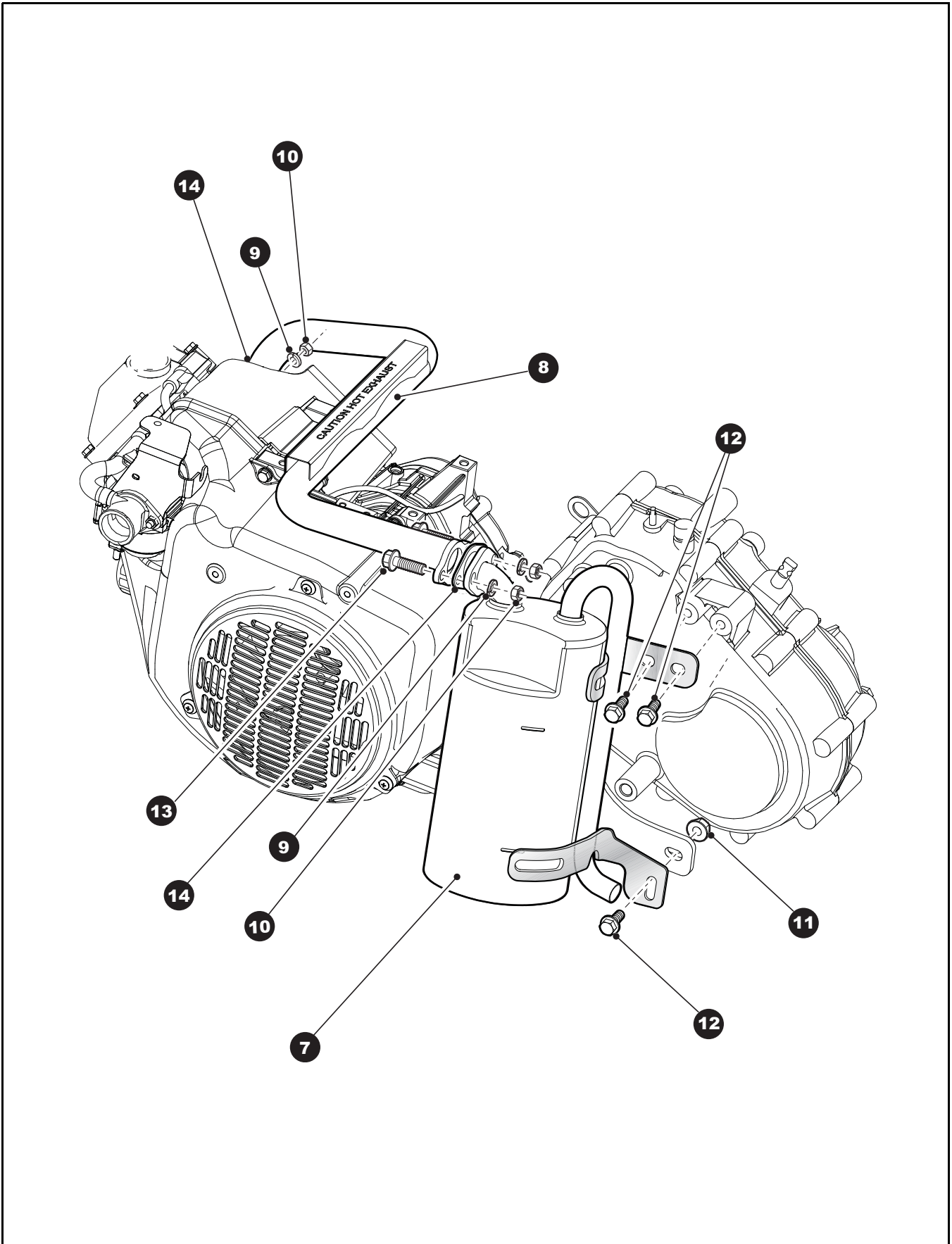
* Indicates a component that is not available as an individual part.

*** Indicates consult Customer Service Department for additional information.

ITEM	PART NO.	1	2	3	4	5	DESCRIPTION	QTY.
125	617074						HOUR METER.....	1
126	603721						HOUR METER BRACKET	1
127	606254						WIRE HARNESS (HOUR METER).....	1
128	31539G1						NYLON CLAMP 15.5" (NOT ILLUSTRATED)	AR
129	73290G03						CONT TONE POTTED BUZZER (NOT SHOWN).....	1

ENGINE AND MUFFLER





ENGINE AND MUFFLER

Where applicable, THE USE OF NON UL PARTS WILL VOID ANY UL LISTING.

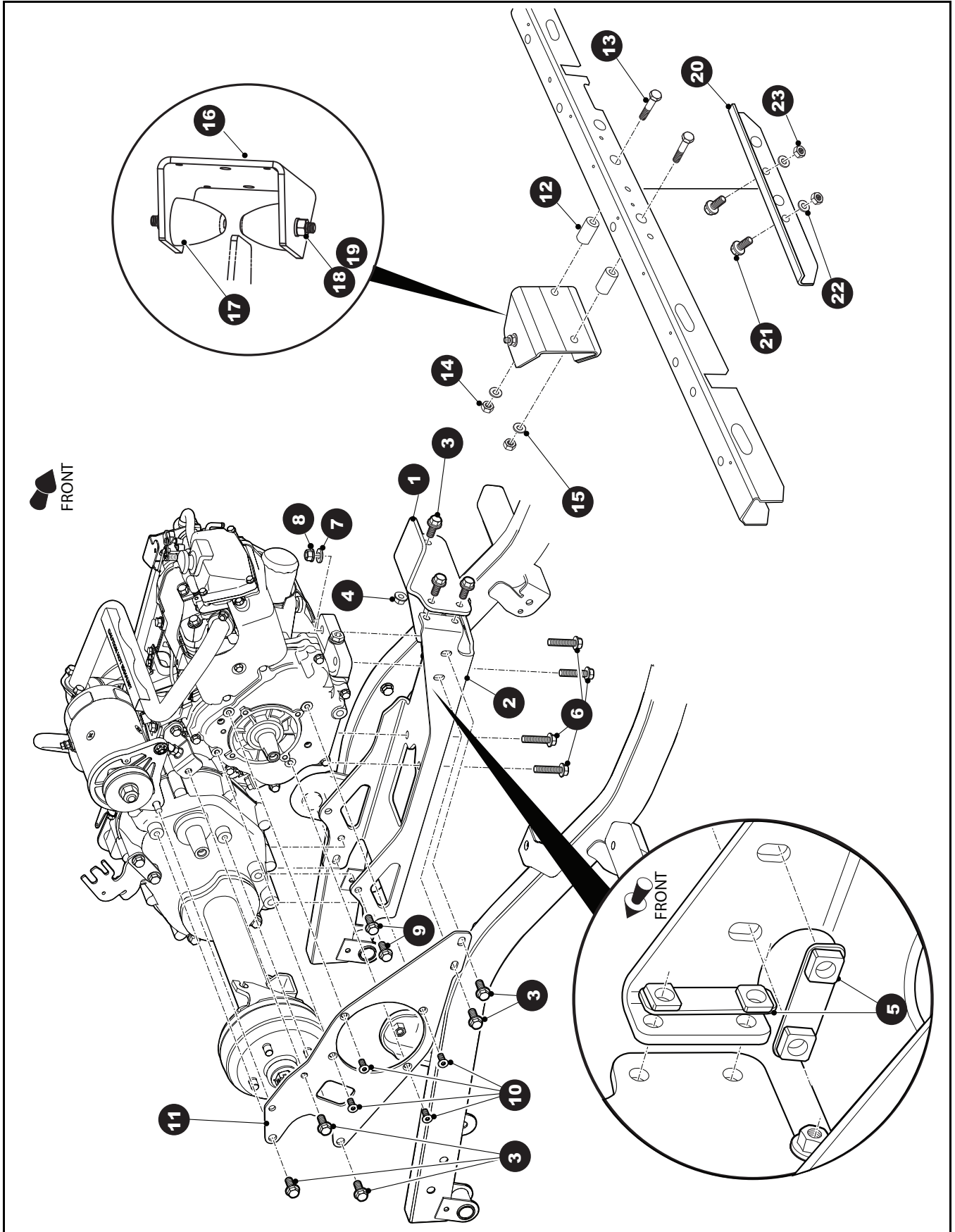
When ordering parts, please specify the model and serial number of the product.

* Indicates a component that is not available as an individual part.

G** Indicates consult Customer Service Department for additional information.

ITEM	PART NO.	1 2 3 4 5	DESCRIPTION	QTY.
1	607154		ENGINE, GAS, 13HP, NON-GOLF.....	1
2	606390		DIP STICK.....	1
3	607454		OIL FILTER.....	1
4	607462		SPARK PLUG (BPR2ES).....	1
5	603557		OIL DRAIN PLUG.....	1
6	603562		'O' RING, 16MM.....	1
7	612266		MUFFLER.....	1
8	606982		EXHAUST PIPE.....	1
9	606272		WASHER, 8MM.....	4
10	606267		NUT, M8 X 1.25.....	4
11	606279		NUT, M10 - 1.25.....	1
12	606256		BOLT, M10 - 1.25 X 25.....	3
13	602330		BOLT, M8 - 1.25 X 30.....	2
14	603599		EXHAUST GASKET.....	2

ENGINE MOUNTING

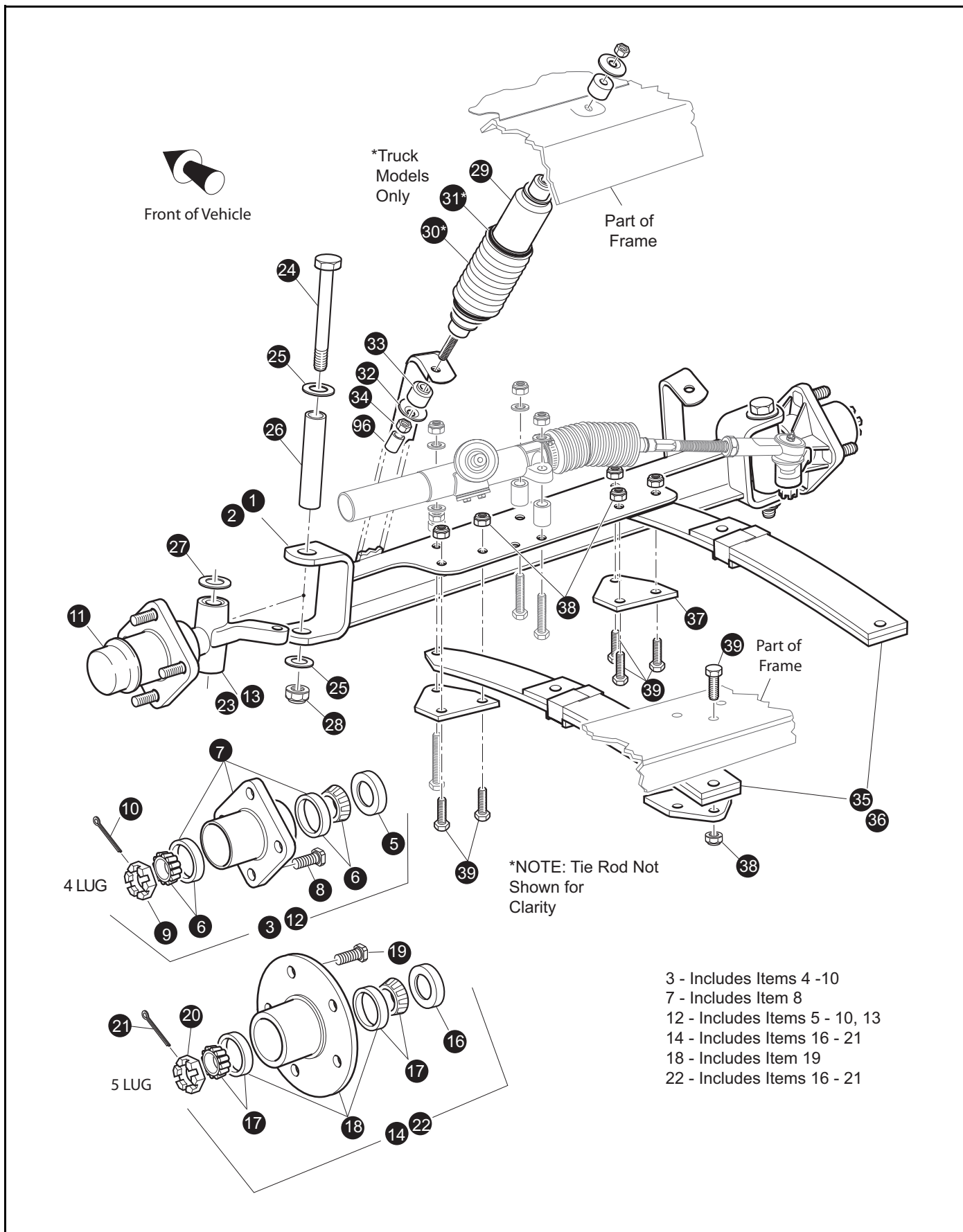


ENGINE MOUNTING

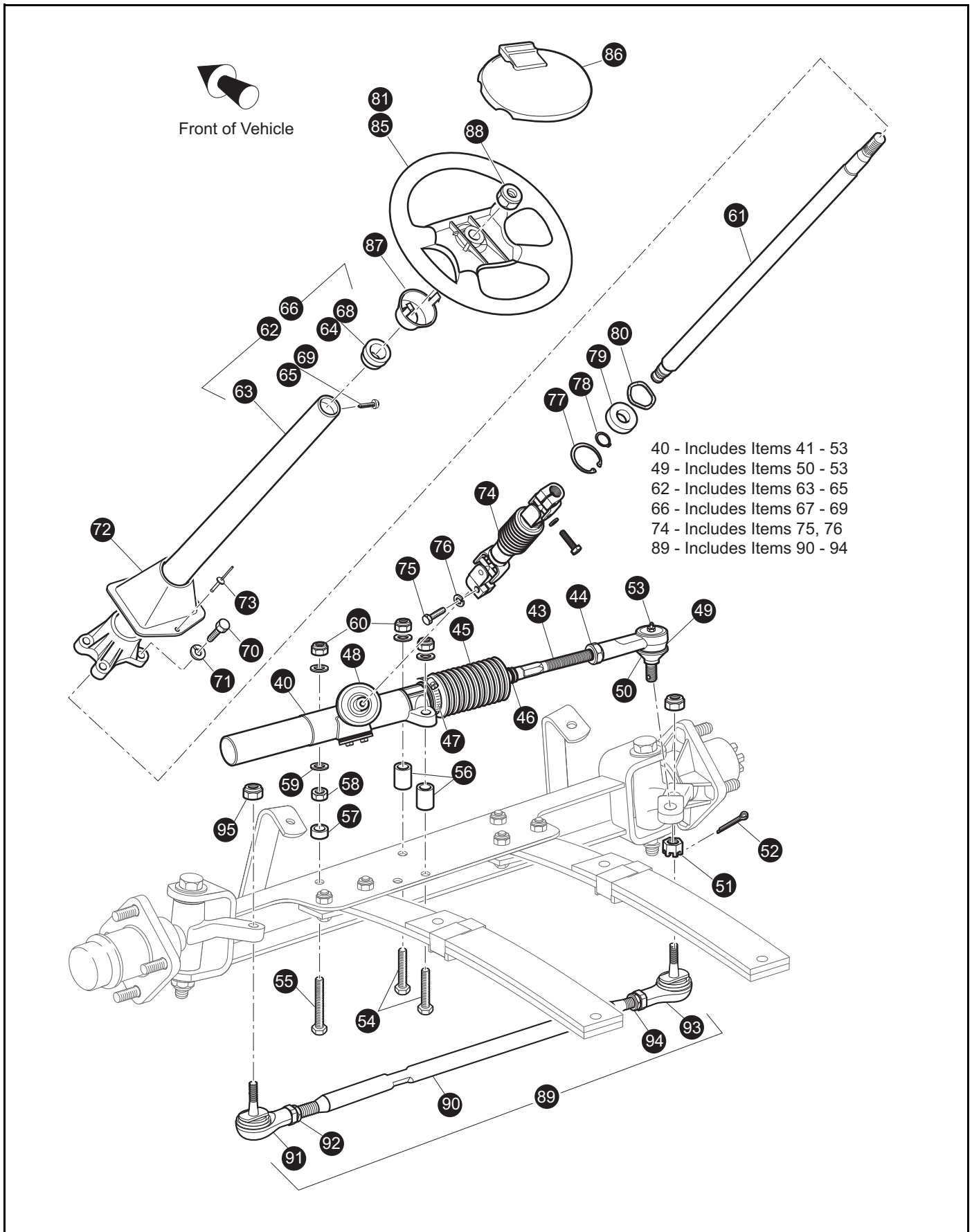
Where applicable, THE USE OF NON UL PARTS WILL VOID ANY UL LISTING.
 When ordering parts, please specify the model and serial number of the product.
 * Indicates a component that is not available as an individual part.
 G** Indicates consult Customer Service Department for additional information.

ITEM	PART NO.	1 2 3 4 5	DESCRIPTION	QTY.
1	606007		FRONT ENGINE MOUNT	1
2	603101		ENGINE PAN MOUNT	1
3	606256		BOLT, M10 - 1.25 X 25	8
4	606279		NUT, M10 - 1.25	1
5	606096		NUT PLATE	2
6	606259		BOLT, M10 - 1.25 X 45	4
7	603823		FLAT WASHER, M10 X 22 - 2.5.....	4
8	606279		NUT, M10 - 1.25	4
9	608020		BOLT, M10 - 1.25 X 34	4
10	606246		FLAT HEAD SCREW, T40.....	4
11	602146		DIFFERENTIAL PLATE.....	1
12	72016G01		TUBE SPACER	2
13	00428G8		HEX HEAD 3/8 - 16, UNC X 2.75.....	2
14	11098G5		PLASTIC INSERT LOCK NUT	2
15	00643G1		FLAT WASHER	2
16	605995		TS2 FRONT MOUNT BRACKET	1
17	605757		RUBBER BUMPER	2
18	00974G01		HEX - NUT	2
19	00968G01		LOCK WASHER.....	2
20	70269G02		CROSSMEMBER BRACE	1
21	00438G7		SCREW, HEX HEAD 5/16 - 18 UNC.....	2
22	01110G3		FLAT WASHER	2
23	01109G01		PLASTIC INSERT LOCK NUT	2

FRONT SUSPENSION / STEERING



FRONT SUSPENSION / STEERING



FRONT SUSPENSION / STEERING

When ordering parts, please specify the model and serial number of the product.

* Indicates a component that is not available as an individual part.

*** Indicates consult Customer Service Department for additional information.

ITEM	PART NO.	1 2 3 4 5	DESCRIPTION	QTY.
1	602513		FRONT AXLE	1
2	602327		FRONT AXLE WITH FRONT DISC BRAKES	1
3	70942G03		SPINDLE AND HUB ASSEMBLY, 4 LUG (PASSENGER SIDE) (INCLUDES ITEMS 4 - 10).....	1
4	70942G04		SPINDLE ASSEMBLY (PASSENGER SIDE).....	1
5	25146G1		GREASE SEAL	1
6	50892G1		ROLLER BEARING AND RACE ASSEMBLY	2
7	70589G01		WHEEL HUB ASSEMBLY WITH RACES, 4 LUG (INCLUDES ITEM 8) ..	1
8	19862G1		LUG BOLT, 1/2 - 20 X 1 3/16" LG	4
9	12093G1		CASTELLATED NUT, 1 - 14.....	1
10	00798G8		COTTER PIN, 5/32" X 1 3/4" LG.....	1
11	12091G2		SPINDLE CAP	2
12	70673G03		SPINDLE AND HUB ASSEMBLY, 4 LUG (DRIVER SIDE) (INCLUDES ITEMS 5 - 10, 13).....	1
13	70673G04		SPINDLE ASSEMBLY (DRIVER SIDE)	1
14	602288		SPINDLE AND HUB ASSEMBLY WITH FRONT DISC BRAKES (PASSENGER SIDE)(INCLUDES ITEMS 16 - 21).....	1
15				
16	12092G1		GREASE SEAL	1
17	50892G1		ROLLER BEARING AND RACE ASSEMBLY	2
18	74673G01		WHEEL HUB ASSEMBLY WITH RACES, (INCLUDES ITEM 19).....	1
19	30143G1		LUG BOLT, 1/2 - 20 X 1 7/32" LG	5
20	12093G1		CASTELLATED NUT, 1 - 14.....	1
21	00798G8		COTTER PIN, 5/32" X 1 3/4" LG.....	1
22	602281		SPINDLE AND HUB ASSEMBLY, WITH FRONT DISC BRAKES (DRIVER SIDE)(INCLUDES ITEMS 15 - 20)	1
23				
24	00407G6		BOLT, 1/2 - 13 X 6" LG	2
25	00560G3		WASHER, 1/2"	4
26	70745G01		KING PIN TUBE	2
27	70754G01		THRUST WASHER, 1" (STAINLESS STEEL).....	2
28	14390G6		LOCK NUT, 1/2 - 13.....	2
29	76419G01		SHOCK ABSORBER.....	2

FRONT SUSPENSION / STEERING

When ordering parts, please specify the model and serial number of the product.

* Indicates a component that is not available as an individual part.

*** Indicates consult Customer Service Department for additional information.

ITEM	PART NO.	1 2 3 4 5	DESCRIPTION	QTY.
30	70509G01		SHOCK ABSORBER BOOT	2
31	31539G1		WIRE TIE	4
32	10435G1		SHOCK ABSORBER WASHER.....	8
33	10194G1		RUBBER BUSHING	8
34	00532G6		NUT, 3/8 - 24	4
35				
36	70664G03		LEAF SPRING (HEAVY DUTY) (SEE PART NUMBER ON SPRING).....	2
37	70163G03		SPRING PLATE	4
38	00734G1		LOCK NUT, 7/16 - 14	11
39	00463G11		BOLT, 7/16 - 14 X 1 3/4" LG.....	11
40	70964G01		RACK AND PINION UNIT (COMPLETE) (INCLUDES ITEMS 41 - 53).....	1
41	70965G01		STEERING RACK COVER & BEARING	1
42	*		STEERING BOX INSTALLATION TAG	1
43	70694G01		RACK EXTENSION	1
44	*		JAM NUT, 1/2 - 20	1
45	70961G01		RACK BOOT	1
46	12416G2		WIRE TIE.....	1
47	11391G8		CLAMP, 1 13/16 - 2 3/8"	1
48	70638G01		PINION SEAL	1
49	70695G01		RACK BALL JOINT (INCLUDES ITEMS 50 - 53).....	1
50	50641G1		RUBBER BOOT	1
51	50209G2		CASTELLATED NUT, 7/16 - 20.....	1
52	10387G2		COTTER PIN, 3/32" X 1" LG.....	1
53	10389G3		GREASE FITTING, STRAIGHT	1
54	00464G6		BOLT, 7/16 - 14 X 2 3/4" LG.....	2
55	01068G01		BOLT, 7/16 - 14 X 3 1/2" LG.....	1
56	70667G02		SPACER.....	2
57	70667G03		SPACER (SHORT).....	1
58	00532G7		NUT, 7/16 - 14	1
59	00560G2		FLAT WASHER, 7/16"	7
60	00734G1		LOCK NUT, 7/16 - 14	3

FRONT SUSPENSION / STEERING

When ordering parts, please specify the model and serial number of the product.

* Indicates a component that is not available as an individual part.

*** Indicates consult Customer Service Department for additional information.

ITEM	PART NO.	1 2 3 4 5	DESCRIPTION	QTY.
61	70607G01		STEERING SHAFT	1
62	70758G06		STEERING COLUMN KIT (INCLUDES ITEMS 63 - 65)	1
63	70610G03		STEERING COLUMN	1
64	28569G01		STEERING COLUMN BUSHING	1
65	01022G01		SCREW, #6 - 20 X 5/16" LG	1
66	70758G08		STEERING COLUMN KIT (HORN) (INCLUDES ITEMS 67 - 69)	1
67	70610G04		STEERING COLUMN	1
68	28569G01		STEERING COLUMN BUSHING	1
69	01022G01		SCREW, #6 - 20 X 5/16" LG	1
70	01006G01		BOLT, 3/8 - 16 X 1 1/4" LG	4
71	00879G1		LOCK WASHER, 3/8"	4
72	70997G01		COVER	1
73	71055G01		RIVET, 3/16" X 1" LG (ALUMINUM)	1
74	70580G01		INTERMEDIATE SHAFT (INCLUDES ITEMS 75, 76)	1
75	01055G01		BOLT, M8 X 1.25 - 05	2
76	00565G8		LOCK WASHER, 5/16"	2
77	70751G01		RETAINING RING (INTERNAL)	1
78	70888G01		RETAINING RING (EXTERNAL)	1
79	15112G1		BALL BEARING	1
80	70887G01		WAVE WASHER	1
81				
82				
83				
84				
85	602979		STEERING WHEEL	1
86	607925		CLIPBOARD	1
87	71949G01		HUB COVER	1
88	14390G2		LOCK NUT, 5/8 - 18	1
89	70876G02		TIE ROD ASSEMBLY (INCLUDES ITEMS 90 - 94)	1
90	70897G02		THREADED ROD (24" LG)	1
91	70902G01		TIE ROD END (LEFT HAND THREADS)	1

FRONT SUSPENSION / STEERING

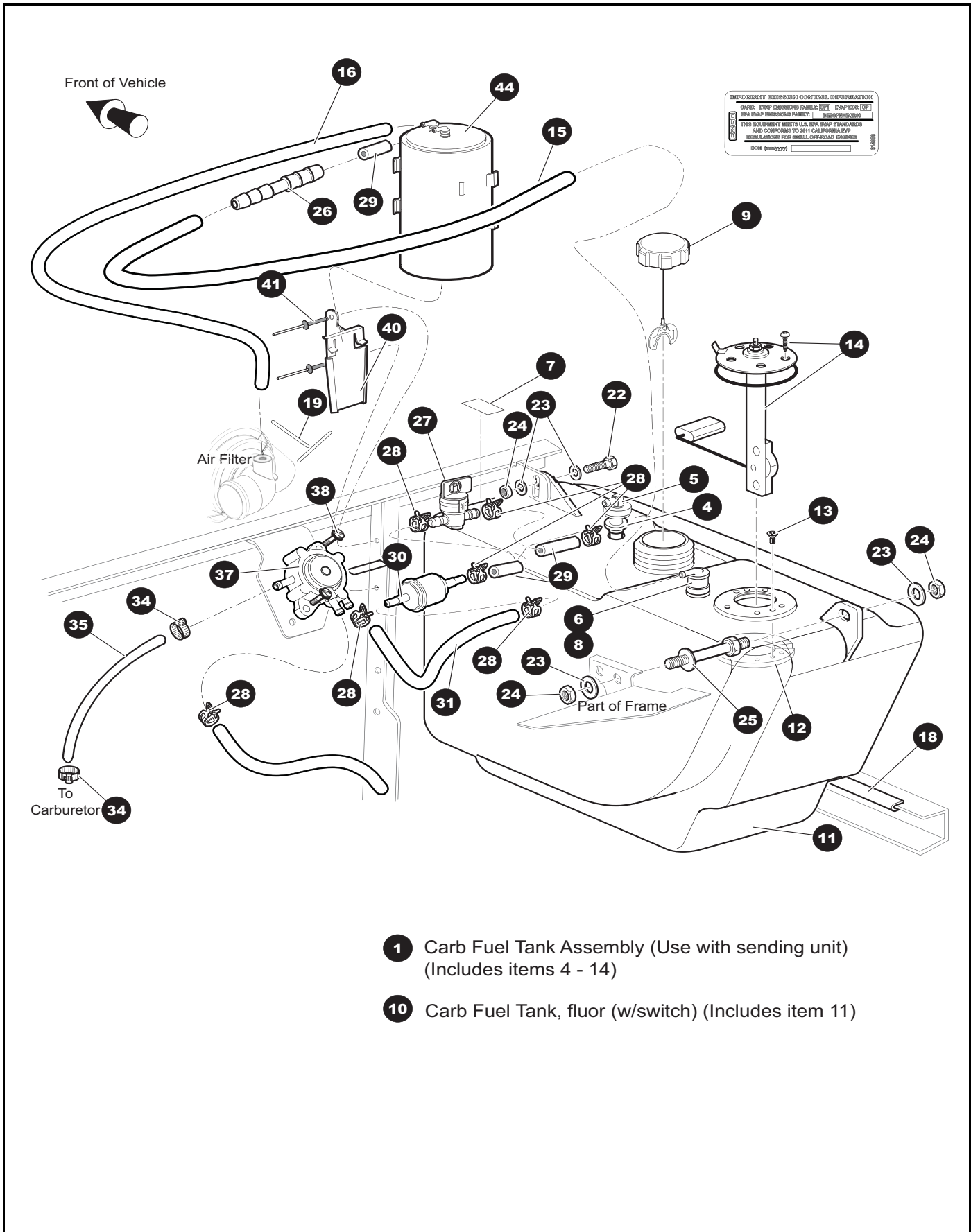
When ordering parts, please specify the model and serial number of the product.

* Indicates a component that is not available as an individual part.

*** Indicates consult Customer Service Department for additional information.

ITEM	PART NO.	1 2 3 4 5	DESCRIPTION	QTY.
92	01069G01		JAM NUT, M12 X 1.25 - 05 (LEFT HAND THREADS)	1
93	70902G02		TIE ROD END (RIGHT HAND THREADS)	1
94	01069G02		JAM NUT, M12 X 1.25 - 05 (RIGHT HAND THREADS).....	1
95	00734G1		LOCK NUT, 7/16 - 14	2
96	10044G01		CAP, VINYL.....	2

FUEL SYSTEM



- 1 Carb Fuel Tank Assembly (Use with sending unit) (Includes items 4 - 14)
- 10 Carb Fuel Tank, fluor (w/switch) (Includes item 11)

FUEL SYSTEM

When ordering parts, please specify the model and serial number of the product.

* Indicates a component that is not available as an individual part.

*** Indicates consult Customer Service Department for additional information.

ITEM	PART NO.	1 2 3 4 5	DESCRIPTION	QTY.
1	620181		CARB FUEL TANK ASSEMBLY (Use with sending unit) (Includes items 4 - 14)	1
2				
3				
4	70988G01		SIPHON TUBE GROMMET	1
5	18287G3		SIPHON TUBE ASSEMBLY	1
6	606068		ROLLOVER VALVE GROMMET	1
7	617886		EPA FUEL TANK LABEL	1
8	606067		ROLLOVER VALVE	1
9	617885		FUEL TANK CAP (RATCHET).....	1
10	607479		CARB FUEL TANK, FLUOR (W/SWITCH) (Includes item 11).....	1
11	618669		FUEL TANK, W/ SENDER UNIT	1
12	72229G01		FUEL TANK ADAPTER	1
13	72230G01		FLAT HEAD MACHINE SCREW	2
14	20048G2		FUEL LEVEL SENDER	1
15	607546		LOW PRESSURE FUEL HOSE, 3/16 I.D. X 3/8 O.D. X 17.00 LONG (CARB)	1
16	606966		LOW PRESSURE FUEL HOSE, 3/16 I.D. X 3/8 O.D. X 34.00 LONG (CARB)	1
17				
18	32372G6		BLACK TRIM, 6.25 LONG	1
19	17618G1		NYLON CLAMP	2
20				
21				
22	00438G8		HEX HEAD BOLT, 5/16 - 18 X 1	1
23	00559G8		FLAT WASHER, 5/16	4
24	11098G6		LOCK NUT, 5/16 - 18	3
25	70483G01		SPACER BOLT, 5/16 - 18.....	1
26	615346		HOSE REDUCER-ID 1/4 X 3/16.....	1
27	611181		FUEL SHUT-OFF VALVE	1
28	18292G1		HOSE CLAMP,.50 DIAMETER	7
29	615350		FUEL SYSTEM HOSE 2.00"	3
30	72084G01		FUEL LINE FILTER.....	1
31	606969		FUEL SYSTEM HOSE,.25 I.D. X.50 O.D. X 8.00 LONG	1

FUEL SYSTEM

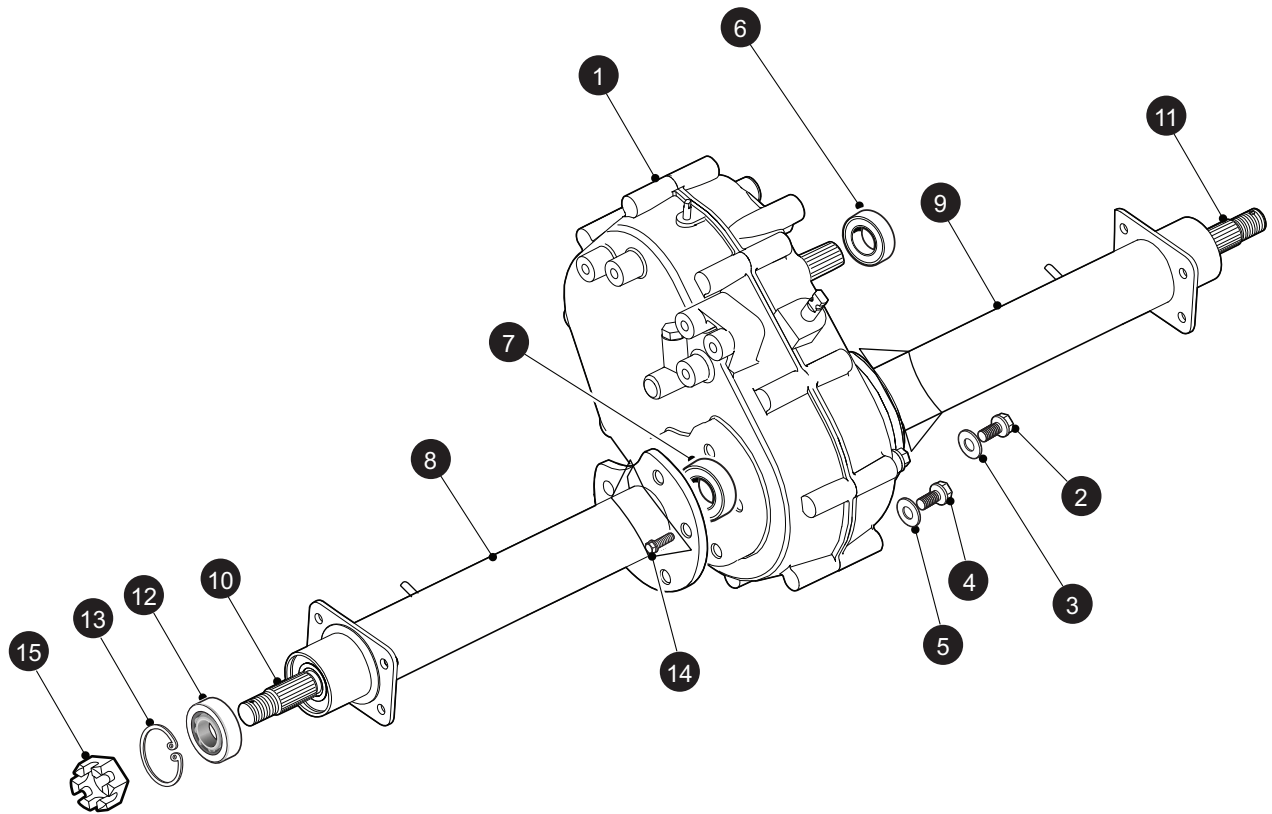
When ordering parts, please specify the model and serial number of the product.

* Indicates a component that is not available as an individual part.

*** Indicates consult Customer Service Department for additional information.

ITEM	PART NO.	1	2	3	4	5	DESCRIPTION	QTY.
32								
33								
34	11391G4						HOSE CLAMP, .25 - .63 DIA	2
35	604597						CARB FUEL SYSTEM HOSE,.25 I.D. X.50 O.D. X 26.00 LONG	1
36								
37	602061						FUEL PUMP	1
38	00114G6						HEX WASHER HEAD SLOTTED TAPPING SCREW, 1/4 - 14 X .75.....	2
39								
40	606310						CARBON CANISTER MOUNTING BRACKET (CARB ONLY).....	1
41	10570G11						RIVET, 3/16 DIA X .70 (CARB ONLY)	2
42								
43								
44	606071						CARBON CANISTER (CARB ONLY)	1

REAR AXLE



REAR AXLE

Where applicable, THE USE OF NON UL PARTS WILL VOID ANY UL LISTING.

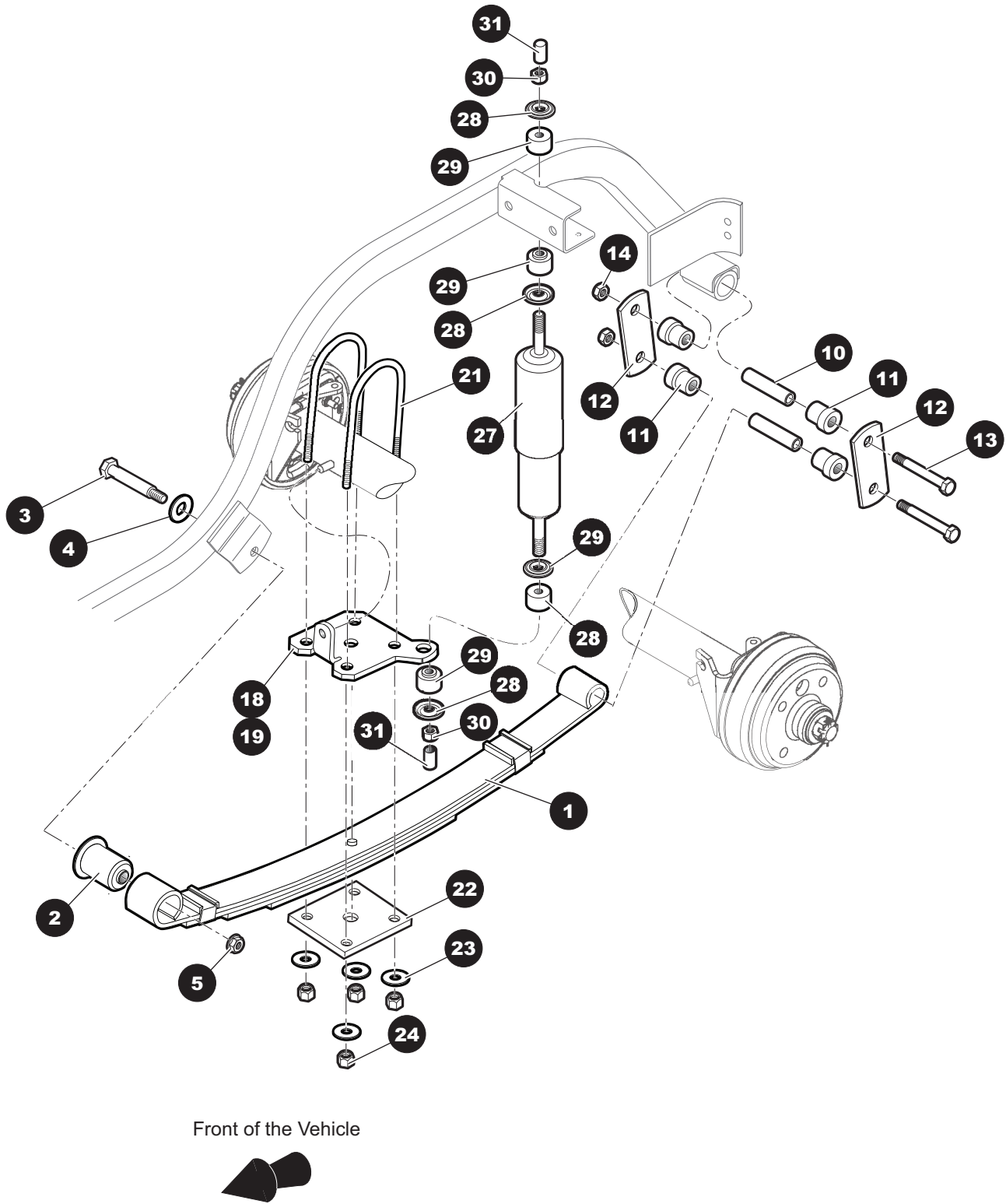
When ordering parts, please specify the model and serial number of the product.

* Indicates a component that is not available as an individual part.

G** Indicates consult Customer Service Department for additional information.

ITEM	PART NO.	1 2 3 4 5	DESCRIPTION	QTY.
1	605891		REAR AXLE, (INCLUDES ITEMS 2 - 15)	1
2	26770G01		OIL CHECK PLUG.....	1
3	26771G01		GASKET, 14 MM.....	1
4	26770G01		OIL DRAIN PLUG	1
5	26771G01		GASKET, 14 MM.....	1
6	72259G01		INPUT SHAFT OIL SEAL	1
7	72259G01		AXLE SHAFT OIL SEAL	2
8	607939		AXLE TUBE (DRIVER SIDE).....	1
9	607940		AXLE TUBE (PASSENGER SIDE)	1
10	607945		AXLE SHAFT (DRIVER SIDE) INCLUDES ITEM 12.....	1
11	607946		AXLE SHAFT (PASSENGER SIDE) INCLUDES ITEM 12	1
12	26811G01		BALL BEARING	2
13	26814G01		RETAINING RING.....	2
14	72260G01		FLANGED BOLT, M10 X 1.5 X 23 MM LG.....	10
15	606403		SLOTTED NUT, M22 X 1.5	2

REAR SUSPENSION



REAR SUSPENSION

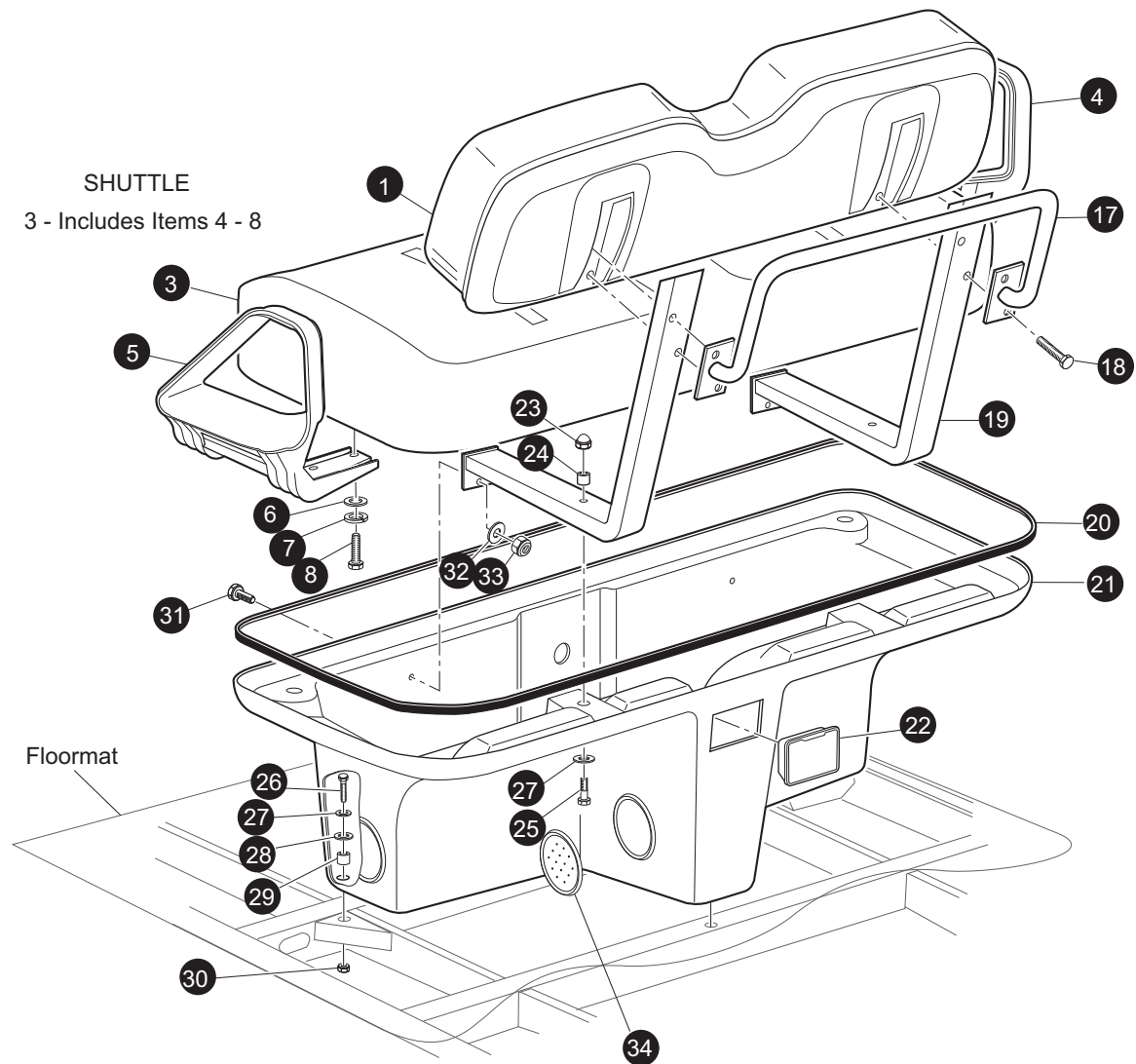
When ordering parts, please specify the model and serial number of the product.

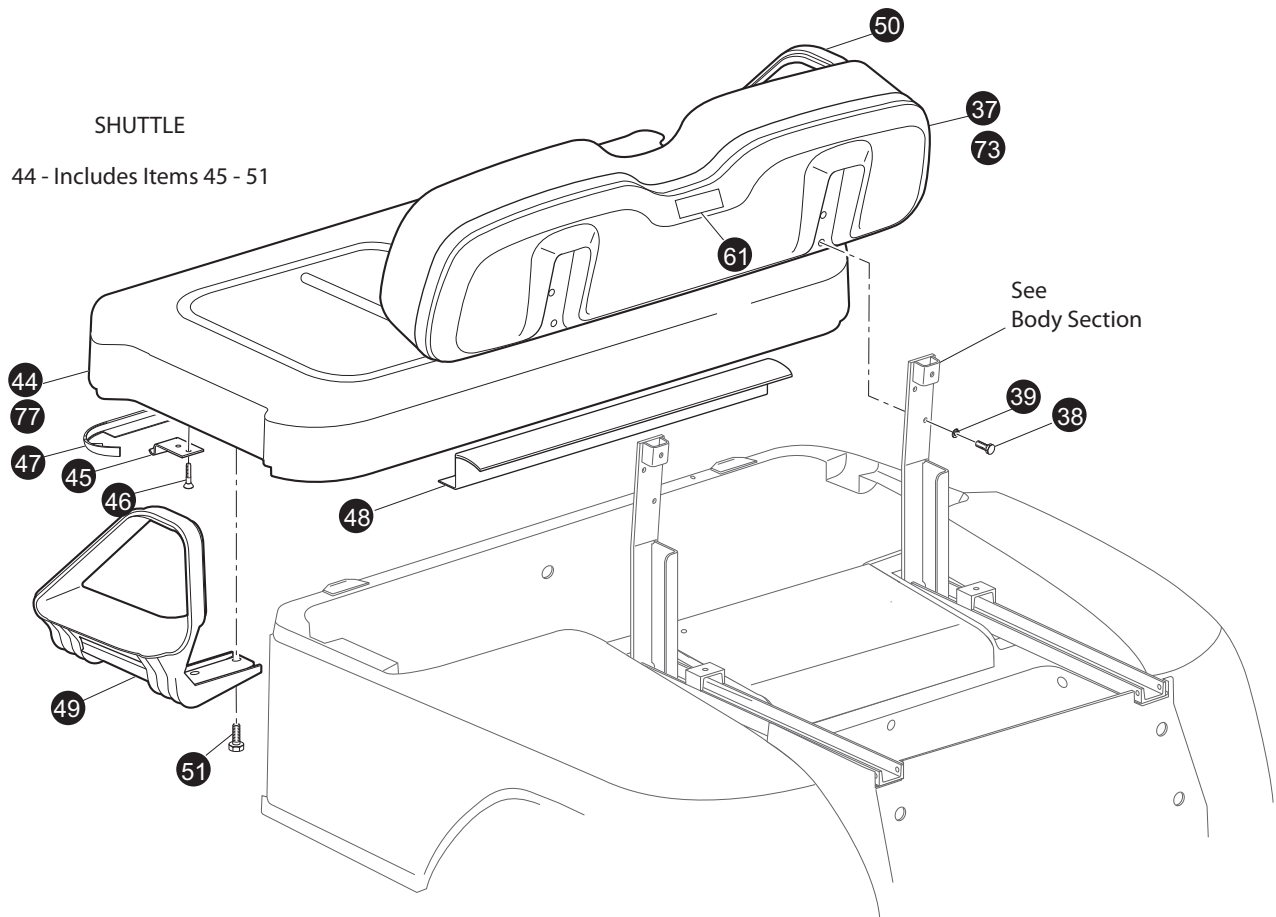
* Indicates a component that is not available as an individual part.

*** Indicates consult Customer Service Department for additional information.

ITEM	PART NO.	1 2 3 4 5	DESCRIPTION	QTY.
1	605722		HEAVY DUTY LEAF SPRING.....	2
2	605445		LEAF SPRING BUSHING, FRONT	2
3	00665G9		HEX HEAD BOLT, SS 3/8 - 16 X 3.5 LG.....	2
4	00643G1		FLAT WASHER, .411 I.D. X 1.00 O.D. X .06	2
5	12262G1		FLANGED LOCK NUT, 3/8 - 16	2
6				
7				
8				
9				
10	70289G02		SPLIT STEEL SPACER	4
11	70291G01		FLANGED URETHANE BUSHING	8
12	604961		SHACKLE PLATE	4
13	00665G9		HEX HEAD BOLT, SS 3/8 - 16 X 3.5 LG.....	4
14	11098G5		LOCK NUT, 3/8 - 16	4
15				
16				
17				
18	605938		AXLE BRACKET, DRIVER SIDE	1
19	605958		AXLE BRACKET, PASSTENGER SIDE.....	1
20	70492G01		RUBBER BUMPER.....	2
21	32195G3		U-BOLT	4
22	605956		REAR SUSPENSION PLATE	2
23	00643G1		FLAT WASHER, .411 I.D. X 1.00 O.D. X .06	8
24	11098G5		LOCK NUT, 3/8 - 16	8
25				
26				
27	70248G01		SHOCK ABSORBER	2
28	10435G1		SHOCK ABSORBER WASHER.....	8
29	10194G1		RUBBER SHOCK BUSHING	8
30	00532G6		HEX NUT, 3/8 - 24.....	4
31	10044G01		VINYL CAP	4

SEATING



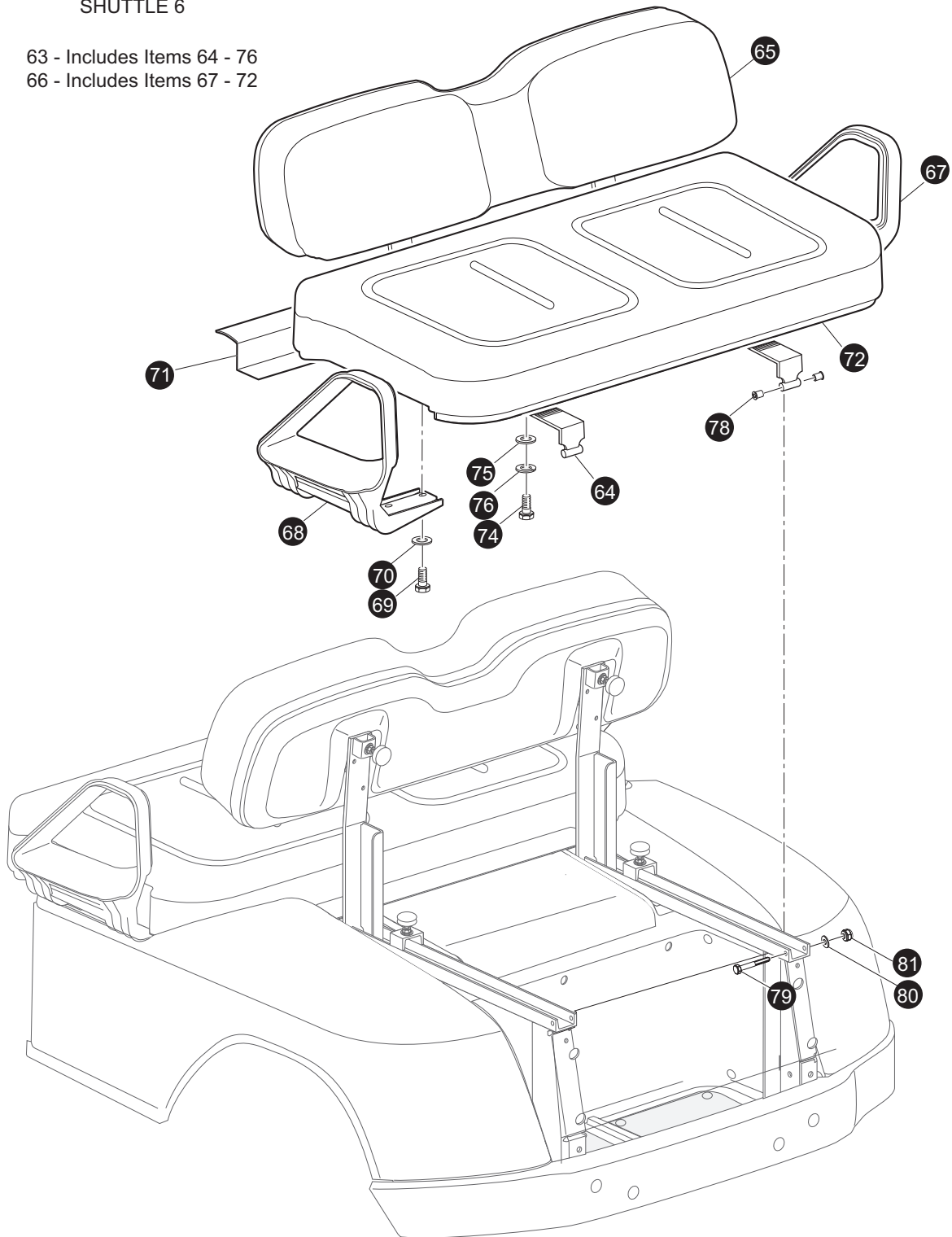


SEATING

SHUTTLE 6

63 - Includes Items 64 - 76

66 - Includes Items 67 - 72



When ordering parts, please specify the model and serial number of the product.

* Indicates a component that is not available as an individual part.

*** Indicates consult Customer Service Department for additional information.

ITEM	PART NO.	1 2 3 4 5	DESCRIPTION	QTY.
1	71751-G**		SEAT BACK ASSEMBLY	1
2				
3	71888-G**		SEAT BOTTOM (INCLUDES ITEMS 4 - 8) (SHUTTLE 4 & 6).....	1
4	71701-G01		HIP RESTRAINT (PASSENGER SIDE)	1
5	71702-G01		HIP RESTRAINT (DRIVER SIDE).....	1
6	01110-G01		WASHER, 1/4" (STAINLESS STEEL)	8
7	00664-G7		LOCKWASHER, 1/4" (STAINLESS STEEL).....	8
8	00415-G2		BOLT, 1/4 - 20 X 1 1/4" LG	8
9				
10				
11				
12				
13				
14				
15				
16				
17	71632-G01		REAR HAND HOLD BAR.....	1
18	71204-G02		BOLT, 1/4 - 20 X 2" LG.....	4
19	71868-G01		SEAT BACK BRACKET	2
20	32805-G6		TRIM, BLACK.....	1
21	70836-G0**		SEAT POD	1
22	27731-G01		ASHTRAY	1
23	15717-G5		ACORN NUT, 3/8 - 16.....	2
24	23726-G4		SPACER, 5/16"	2
25	00427-G8		BOLT, 3/8 - 16 X 2" LG.....	2
26	00439-G8		BOLT, 5/16 - 18 X 2" LG.....	3
27	00675-G1		WASHER, 3/8" (STAINLESS STEEL).....	5
28	71883-G01		RUBBER WASHER, 5/8"	3
29	23726-G9		SPACER, 3/4"	3
30	11098-G6		LOCK NUT, 5/16 - 18 (STAINLESS STEEL).....	3
31	00976-G06		SCREW, 5/16 - 18 X 3/4" LG (STAINLESS STEEL).....	2

SEATING

When ordering parts, please specify the model and serial number of the product.

* Indicates a component that is not available as an individual part.

*** Indicates consult Customer Service Department for additional information.

ITEM	PART NO.	1 2 3 4 5	DESCRIPTION	QTY.
32	01110-G01		WASHER, 1/4" (STAINLESS STEEL)	2
33	11098-G6		LOCK NUT, 1/4 - 20 (STAINLESS STEEL)	2
34	71599-G01		VENT PLUG	4
35				
36				
37	71751-G**		SEAT BACK.....	1
38	00661-G8		BOLT, 1/4 - 20 X 1" LG (STAINLESS STEEL).....	4
39	00664-G7		LOCK WASHER, 1/4" (STAINLESS STEEL).....	4
40				
41	74137-G01		SEAT BACK SUPPORT (TG5).....	2
42	01006-G02		BOLT, 3/8 - 16 X 1 1/4" LG (TG5).....	4
43				
44	71611-G**		SEAT BOTTOM (INCLUDES ITEMS 45 - 51) (SHUTTLE 4 & 6)	1
45	71610-G01		SEAT HINGE.....	2
46	00720-G08		SCREW, #12 - 14 X 1" LG (STAINLESS STEEL).....	6
47	71012-G01		FRONT EDGE TRIM.....	1
48	71608-G01		BACK EDGE TRIM	1
49	71702-G01		HIP RESTRAINT (DRIVER SIDE)	1
50	71701-G01		HIP RESTRAINT (PASSENGER SIDE).....	1
51	71204-G01		BOLT, 1/4 - 20 X 7/8" LG	8
52				
53				
54				
55				
56				
57				
58				
59				
60				
61	74095-G01		LABEL (WARNING) (SHUTTLE 4).....	1
62				

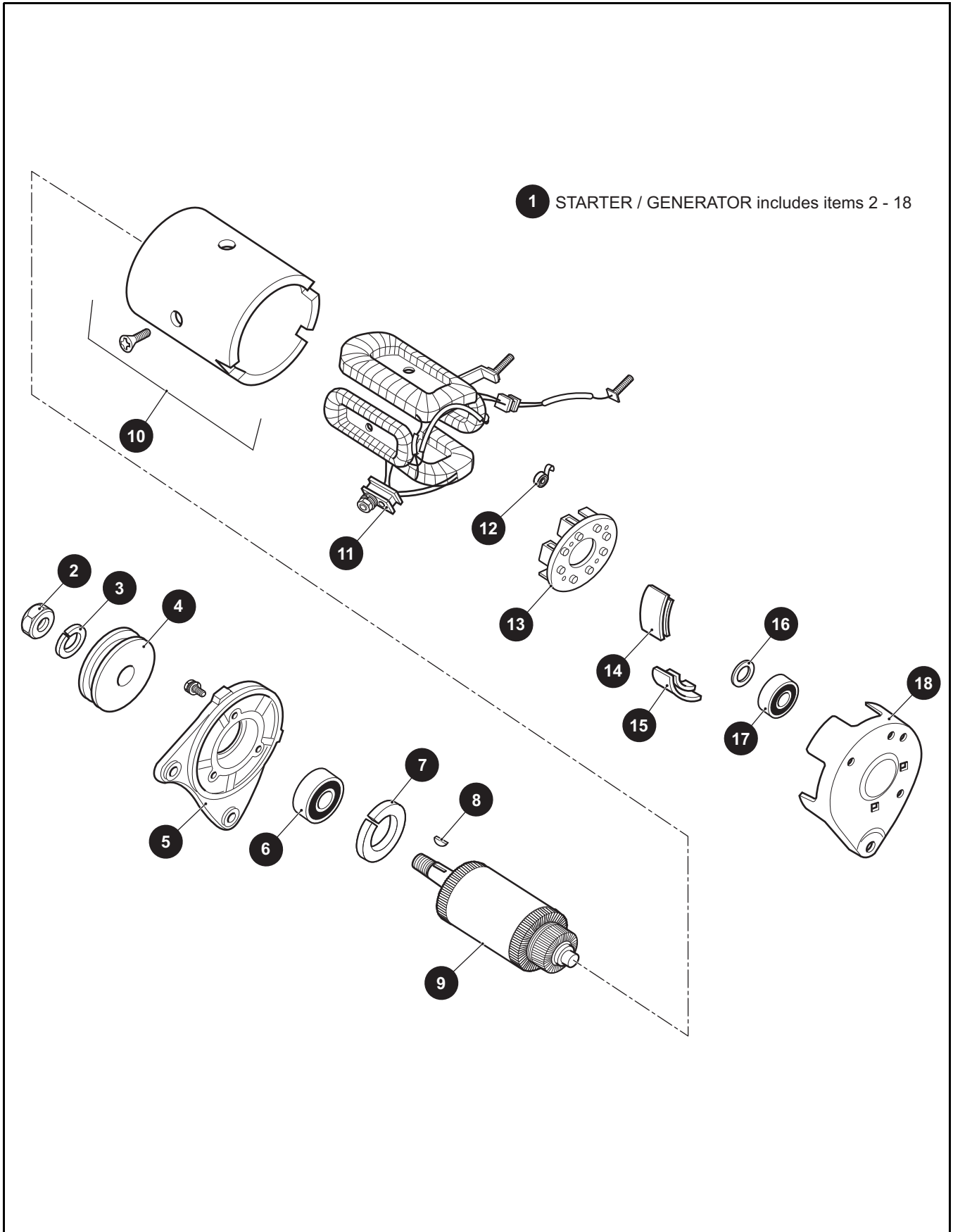
When ordering parts, please specify the model and serial number of the product.

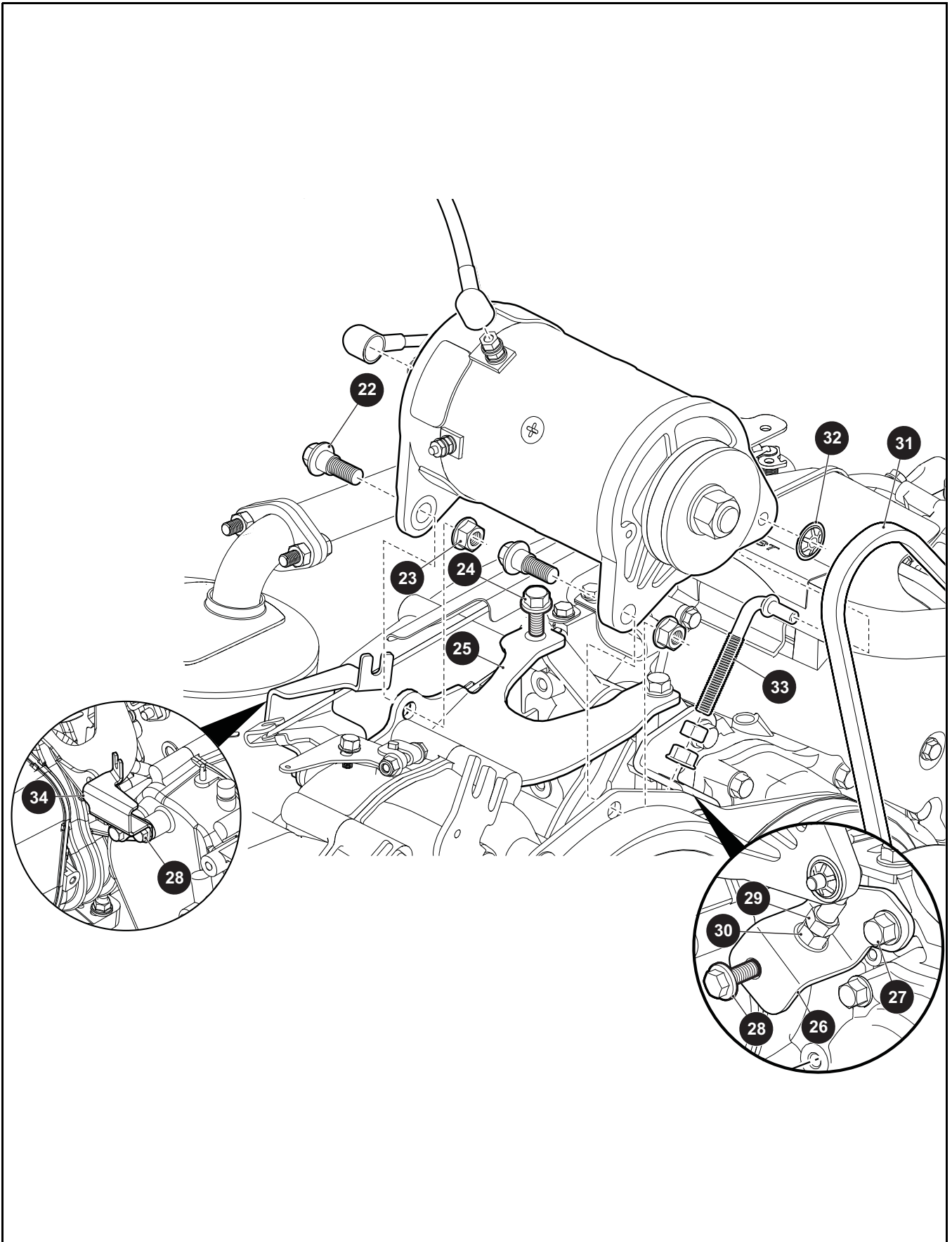
* Indicates a component that is not available as an individual part.

*** Indicates consult Customer Service Department for additional information.

ITEM	PART NO.	1 2 3 4 5	DESCRIPTION	QTY.
63	74131-G**		SEAT ASSEMBLY (INCLUDES ITEMS 64 - 76) (SHUTTLE 6)	1
64	72918-G01		SEAT SUPPORT BRACKET	2
65	71751-G**		SEAT BACK.....	1
66	74139-G**		SEAT BOTTOM (INCLUDES ITEMS 67 - 72)	1
67	71701-G01		HIP RESTRAINT (PASSENGER SIDE).....	1
68	71702-G01		HIP RESTRAINT (DRIVER SIDE)	1
69	00661-G8		BOLT, 1/4 - 20 X 1" LG (STAINLESS STEEL)	8
70	01110-G01		WASHER, 1/4" (STAINLESS STEEL).....	8
71	71012-G01		SEAT TRIM (REAR).....	1
72	74140-G01		SEAT TRIM (FRONT)	1
73	604916-G**		TWO TONE VINYL SEAT BACK	1
74	00661-G8		BOLT, 1/4 - 20 X 1" LG (STAINLESS STEEL).....	12
75	01110-G01		WASHER, 1/4" (STAINLESS STEEL)	12
76	00565-G2		LOCK WASHER, 1/4".....	12
77	604912-G**		TWO TONE VINYL SEAT BOTTOM	1
78	17838-G1		NYLON BUSHING	4
79	00440-G4		BOLT, 5/16 - 18 X 2 1/2" LG.....	2
80	00559-G8		WASHER, 5/16"	2
81	11098-G6		LOCK NUT, 5/16 - 18 (STAINLESS STEEL).....	2

STARTER / GENERATOR





STARTER / GENERATOR

Where applicable, THE USE OF NON UL PARTS WILL VOID ANY UL LISTING.

When ordering parts, please specify the model and serial number of the product.

* Indicates a component that is not available as an individual part.

G** Indicates consult Customer Service Department for additional information.

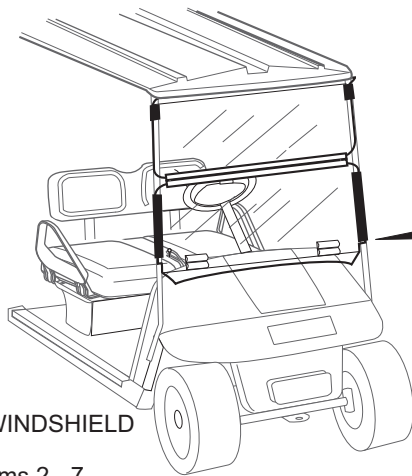
ITEM	PART NO.	1 2 3 4 5	DESCRIPTION	QTY.
1	617120		STARTER / GENERATOR (INCLUDES 2 - 18).....	1
2	612029		NUT.....	1
3	612030		LOCKWASHER	1
4	617172		PULLEY	1
5	612032		FRONT COVER.....	1
6	612033		BEARING.....	1
7	612034		RETAINING RING.....	1
8	612035		KEY.....	1
9	612036		ARMATURE ASSEMBLY	1
10	612037		FRAME & FIELD ASSEMBLY.....	1
11	612038		BRUSH LEAD & TERMINAL PKG	1
12	612039		BRUSH SPRING.....	1
13	612040		BRUSH BOX ASSEMBLY.....	1
14	612041		BRUSH 1 COVER.....	2
15	612042		BRUSH 2 COVER.....	2
16	612043		WAVY WASHER	1
17	612044		BEARING.....	1
18	612045		REAR COVER	1
19				
20				
21				
22	606235		BOLT, HXFL SHLDR - M10 - 1.25 X 20.....	2
23	606279		NUT, M10 - 1.25	2
24	606261		BOLT, M8 - 1.25 X 20	3
25	602141		STARTER / GENERATOR BRACKET.....	1
26	602145		TENSIONER BRACKET	1
27	606261		BOLT, M8 - 1.25 X 20	1
28	606256		BOLT, M10 - 1.25 X 25	9
29	606255		NUT, M10 - 1.25	1
30	606274		NUT, M10 - 1.25	1

STARTER / GENERATOR

Where applicable, THE USE OF NON UL PARTS WILL VOID ANY UL LISTING.
 When ordering parts, please specify the model and serial number of the product.
 * Indicates a component that is not available as an individual part.
 G** Indicates consult Customer Service Department for additional information.

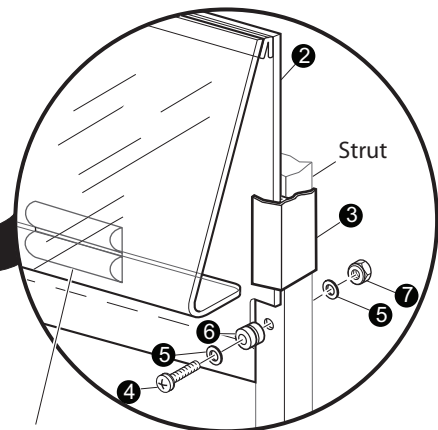
ITEM	PART NO.	1 2 3 4 5	DESCRIPTION	QTY.
31	16548G1		STARTER / GENERATOR BELT	1
32	12064G6		PUSH NUT, 5/16"	1
33	625705		TENSIONER BOLT	1
34	603884		CABLE GUIDE BRACKET	1

WEATHER PROTECTION



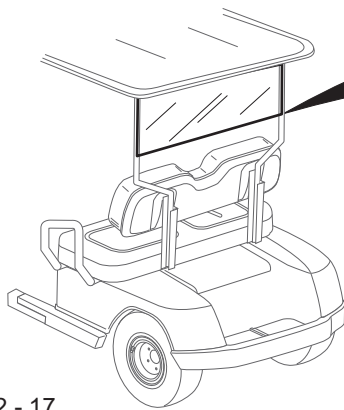
FOLD DOWN WINDSHIELD

1 - Includes Items 2 - 7



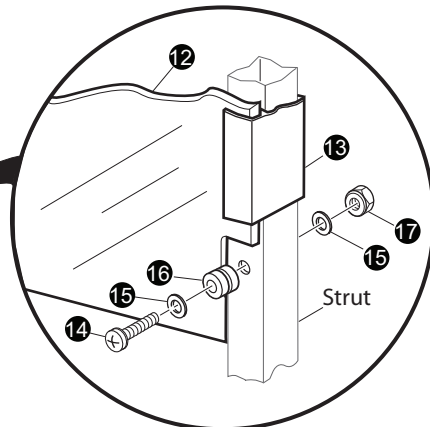
Windshield Retainer

Front of Vehicle

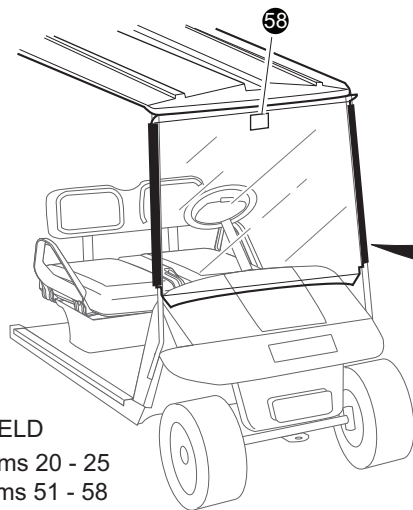


REAR WINDSHIELD

11 - Includes Items 12 - 17

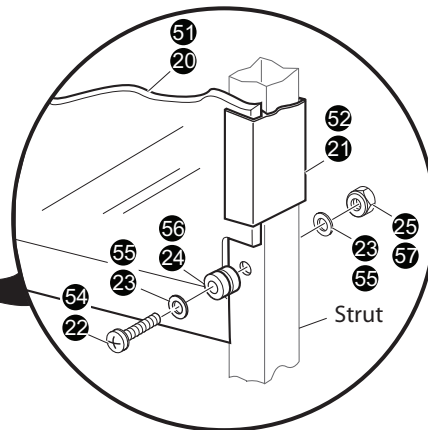


Front of Vehicle

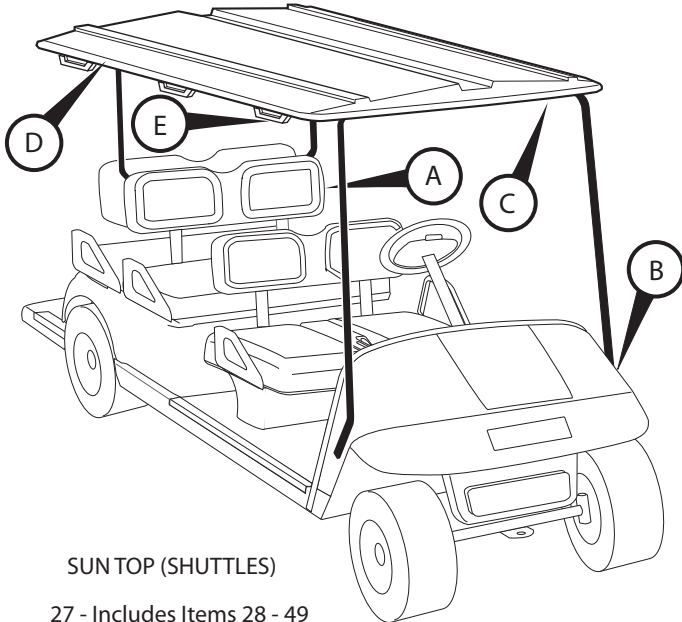
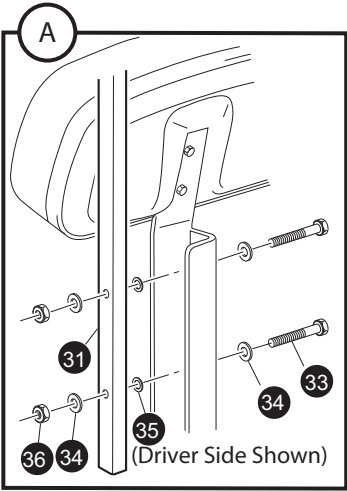
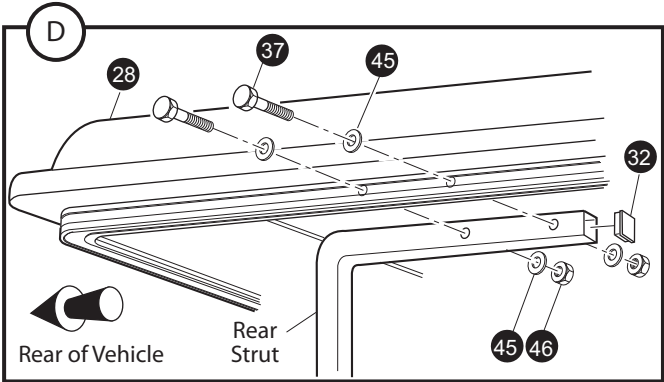


FULL WINDSHIELD

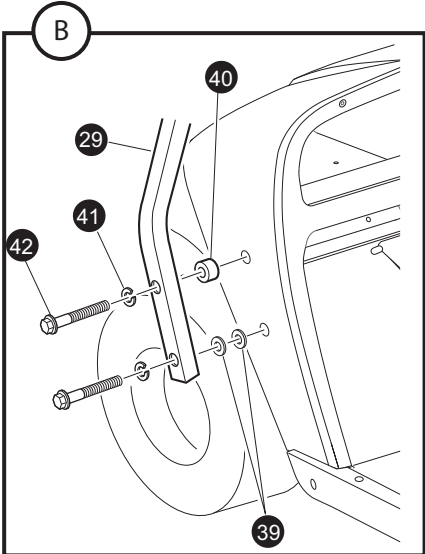
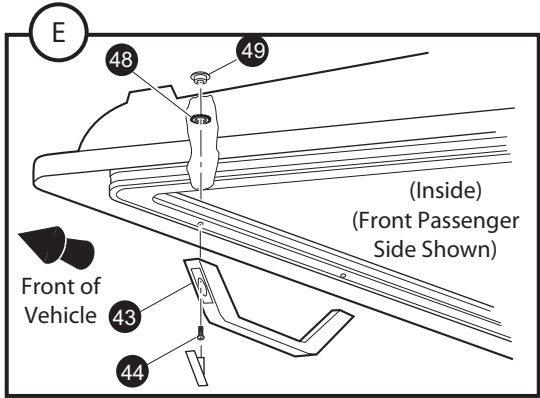
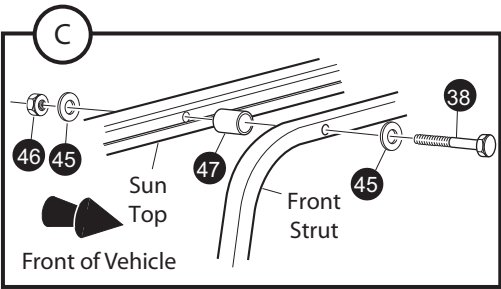
19 - Includes Items 20 - 25
50 - Includes Items 51 - 58



Front of Vehicle



SUN TOP (SHUTTLES)
27 - Includes Items 28 - 49



WEATHER PROTECTION

When ordering parts, please specify the model and serial number of the product.

* Indicates a component that is not available as an individual part.

*** Indicates consult Customer Service Department for additional information.

ITEM	PART NO.	1 2 3 4 5	DESCRIPTION	QTY.
1	75534G01		WINDSHIELD KIT, FOLD DOWN (INCLUDES ITEMS 2 - 9)	1
2	E950WSB3		FOLD DOWN WINDSHIELD.....	1
3	EGWHC24		SASH, 3/4" X 14" LG.....	2
4	EGWHS12		SCREW, 1/4 - 20 X 1 3/4" LG (STAINLESS STEEL).....	2
5	EGWHW12		WASHER, 1/4" (STAINLESS STEEL).....	4
6	EGWHG13		RUBBER GROMMET	2
7	EGWHN12		LOCK NUT, 1/4 - 20 (STAINLESS STEEL).....	2
8				
9				
10				
11	75535G01		WINDSHIELD KIT, REAR (INCLUDES ITEMS 12 - 17).....	1
12	EIRWFB3		REAR WINDSHIELD.....	1
13	EGWHC14		SASH, 1" X 15 9/16" LG.....	2
14	EGWHS14		SCREW, 1/4 - 20 X 2" LG (STAINLESS STEEL).....	2
15	EGWHW13		WASHER, 1/4" (STAINLESS STEEL).....	6
16	EGWHG13		RUBBER GROMMET	2
17	EGWHN13		LOCK NUT, 1/4 - 20 (STAINLESS STEEL).....	2
18				
19	75536G01		WINDSHIELD KIT, FULL (INCLUDES ITEMS 20 - 25)	1
20	EISWFB3		FULL, WINDSHIELD.....	1
21	EGWHC13		SASH, 3/4" X 22 7/16" LG.....	2
22	EGWHS13		SCREW, 1/4 - 20 X 1 3/4" LG (STAINLESS STEEL).....	2
23	EGWHW13		WASHER, 1/4" (STAINLESS STEEL).....	4
24	EGWHG13		RUBBER GROMMET	2
25	EGWHN13		LOCK NUT, 1/4 - 20 (STAINLESS STEEL).....	2
26				
27	75282G0*		SUN TOP KIT (SHUTTLE) (INCLUDES ITEMS 28 - 49)	1
28	75271G0*		SUN TOP	1
29	75045G03		FRONT STRUT.....	1
30	75274G01		REAR STRUT (DRIVER SIDE).....	1
31	75274G02		REAR STRUT (PASSENGER SIDE)	1

WEATHER PROTECTION

When ordering parts, please specify the model and serial number of the product.

* Indicates a component that is not available as an individual part.

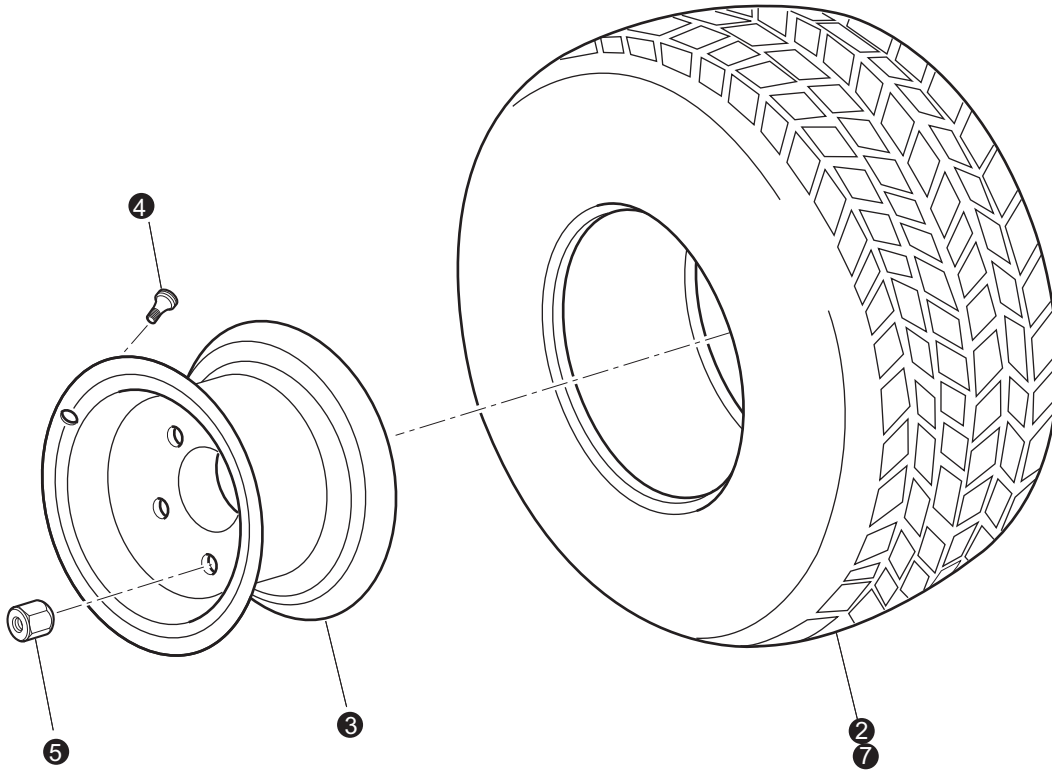
*** Indicates consult Customer Service Department for additional information.

ITEM	PART NO.	1 2 3 4 5	DESCRIPTION	QTY.
32	19853G1		END CAP, 1"	2
33	00665G5		BOLT, 3/8 - 16 X 1 3/4" LG (STAINLESS STEEL)	4
34	00679G1		WASHER, 3/8" (STAINLESS STEEL)	8
35	00771G5		NYLON WASHER, 3/8"	4
36	00891G5		LOCK NUT, 3/8 - 16.....	4
37	00440G4		BOLT, 5/16 - 18 X 2 1/2" LG	4
38	00441G2		BOLT, 5/16 - 18 X 3 1/4" LG	2
39	00879G1		WASHER, 3/8"	4
40	75048G01		SPACER, 1/2"	2
41	00905G8		LOCK WASHER, 5/16"	4
42	00440G2		BOLT, 5/16 - 18 X 2 1/4" LG	4
43	75240G01		HANDLE	5
44	00163G2		SCREW, 1/4 - 20 X 1 1/4" LG.....	10
45	00642G8		WASHER, 5/16".....	12
46	11098G6		LOCK NUT, 5/16 - 18 (STAINLESS STEEL)	6
47	18716G2		SPACER, 1"	2
48	00567G8		LOCK WASHER, 5/16".....	10
49	01010G01		TEE NUT, 1/4 - 20	10
50	611099		WINDSHIELD KIT FULL (INCLUDES ITEMS 51 - 58)	1
51	*		WINDSHIELD (SHUTTLE 4/6)	1
52	110-044		SASH, 1" X 26" LG	2
53	110-074		HARDWARE SET (INCLUDES ITEMS 54 -57).....	1
54			SCREW, 1/4-20 X 2 LG (STAINLESS STEEL)	1
55			WASHER, 1/4" (STAINLESS STEEL).....	4
56	110-072C		RUBBER GROMMET	2
57			LOCK NUT, 1/4-20 (STAINLESS STEEL).....	2
58	110-066		LABEL (SAFETY).....	1

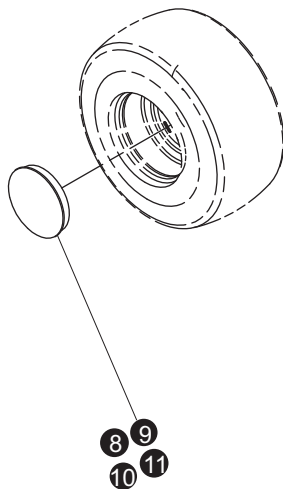
WHEELS AND TIRES

1 - Includes Items 2, 3, 4

6 - Includes Items 3, 4, 7



(Style of tire may differ from tire shown)



WHEELS AND TIRES

When ordering parts, please specify the model and serial number of the product.

* Indicates a component that is not available as an individual part.

*** Indicates consult Customer Service Department for additional information.

ITEM	PART NO.	1 2 3 4 5	DESCRIPTION	QTY.
1	28757G01		TIRE AND WHEEL ASSEMBLY (INCLUDES ITEMS 2, 3, 4).....	AR
2	28764G01		TIRE, 18 X 8.50 - 8 LINKS®	1
3	28759G01		WHEEL RIM	1
4	11657G2		VALVE STEM.....	1
5	14723G1		LUG NUT, 1/2 - 20.....	AR
6	28842G01		TIRE AND WHEEL ASSEMBLY (INCLUDES ITEMS 3,4 AND 7)	1
7	28764G06		TRAIL TIRE,	1
8	14913G1		8"CHROME E-Z-GO WHEEL COVER.....	4
9	16042G1		6"CHROME E-Z-GO WHEEL COVER.....	4
10	19241G2		GOLD SPOKE WHEEL COVER.....	4
11	19241G1		SILVER SPOKE WHEEL COVER.....	4

SPECIALTY PRODUCTS

SPECIALTY PRODUCTS

SPECIAL TOOLS	PART NO.
HIGH RESISTANCE SPARK PLUG WIRE SET	26733G02
CLUTCH PULLER (DRIVE)	19779G2
FLYWHEEL PULLER	27111G01
CURRENT INDICATOR	16489G2
DIGITAL MULTI-METER	27481G01
TUBELESS TIRE REPAIR KIT	606009
TIRE PLUGGER REFILL PACK (50/BOX)	606831

TOUCH UP PAINT	PART NO.
PEN 3 OUNCE (89 ML) - HUNTER GREEN	28432G02
PEN 3 OUNCE (89 ML) - CHAMPAGNE BEIGE	28432G01
PEN 3 OUNCE (89 ML) - WHITE	28432G05
PEN 3 OUNCE (89 ML) - INDUSTRIAL YELLOW	28432G03
PEN 3 OUNCE (89 ML) - ORANGE	28432G04
PEN 3 OUNCE (89 ML) - STEEL BLUE PEARL	28432G24
PEN 3 OUNCE (89 ML) - CAMOUFLAGE PAINT (THREE PENS)	75831G01
AEROSOL 12 OUNCE (360 ML) - HUNTER GREEN	28140G09
AEROSOL 12 OUNCE (360 ML) - CHAMPAGNE BEIGE	28140G15
AEROSOL 12 OUNCE (360 ML) - INDUSTRIAL YELLOW	28140G14

MAINTENANCE PRODUCTS	PART NO.
PLEXUS® CLEANER, 13 OUNCE (380 ML) (FOR WINDSHIELDS)	28433G02
BATTERY PROTECTOR, 14 OUNCE (410 ML) SPRAY	27619G02
E-Z-GO ALL SURFACE CLEANER	606311
E-Z-GO FIBREGLASS/PLASTIC RESTORER	606313
WINDSHIELD AND PLASTIC PROTECTOR	606314
64 OZ HAND CLEANER	607636
4 OZ HAND CLEANER	607637

OPTIONS/ACCESSORIES

OPTIONS/ACCESSORIES

ITEM	KIT NO.	SECTION
ASHTRAY KIT	75109G02	Body - Accessories Continued
CLUTCH BELT SHEILD.	605950	Clutch
DROP SIDE KIT.	34538G03	Body
PINSTRIPING INSTALLATION (GOLD)	75111G01	Body
PINSTRIPING INSTALLATION (DARK GREEN).	75111G01	Body
PINSTRIPING INSTALLATION (WHITE).	75111G01	Body
PINSTRIPING INSTALLATION (BLACK).	75111G01	Body
PINSTRIPING INSTALLATION (RED).	75111G01	Body
PINSTRIPING INSTALLATION (BURGUNDY)	75111G01	Body
PINSTRIPING INSTALLATION (NON STANDARD COLOR)75111G01	75111G01	Body
REAR VIEW MIRROR KIT.	19528G2	Body
SUN TOP KIT, SHUTTLE	606057	Weather Protection
SUN TOP ASSEMBLY,	75282G02	Weather Protection
TURN SIGNAL KIT	75107G02	Electrical System
WINDSHIELD KIT, SHUTTLE 2+2.	606058	Weather Protection
WINDSHIELD KIT, FLAT	75524G04	Weather Protection
4 CADDY CARRIER CONV RETROFIT KIT	75278G03	Weather Protection



A Textron Company

E-Z-GO Division Of Textron, Inc.,
1451 Marvin Griffin Road, Augusta, Georgia USA 30906-3852

TO CONTACT US

North America:

Technical Assistance & Warranty Phone: 1-800-774-3946, FAX: 1-800-448-8124
Service Parts Phone: 1-888-GET-EZGO (1-888-438-3946), FAX: 1-800-752-6175

International:

Phone: 001-706-798-4311, FAX: 001-706-771-4609

Certified ISO 9001 / ISO 14001 by



Copyrighted Material
This manual may not be reproduced in whole or
in part without the express permission of
E-Z-GO Division of Textron, Inc.
Technical Communications Department