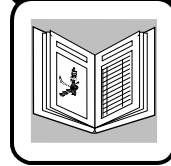




620394



SERVICE PARTS MANUAL



GASOLINE POWERED PERSONNEL CARRIERS

ISSUED APRIL 2008

SERVICE PARTS MANUAL

GASOLINE POWERED PERSONNEL CARRIERS AND GOLF CARS

ST SHUTTLE 4

ST SHUTTLE 6

STARTING MODEL YEAR 2008

DISCLAIMER: The E-Z-GO Division of Textron Inc. reserves the right to incorporate engineering and design changes to products in this Manual, without obligation to include these changes on units leased/sold previously.

The information contained in this Manual may be revised periodically by the E-Z-GO Division, and therefore is subject to change without notice.

The E-Z-GO Division DISCLAIMS LIABILITY FOR ERRORS IN THIS MANUAL, and the E-Z-GO Division SPECIFICALLY DISCLAIMS LIABILITY FOR INCIDENTAL AND CONSEQUENTIAL DAMAGES resulting from the use of the information and materials in this Manual.

CUSTOMER SERVICE DEPARTMENT IN USA PHONE: 1-800-241-5855 FAX: 1-800-448-8124

OUTSIDE USA PHONE: 001-706-798-4311, FAX: 001-706-771-4609

E-Z-GO DIVISION OF TEXTRON, INC., MARVIN GRIFFIN RD., AUGUSTA, GEORGIA USA 30906

NOTES

To obtain a copy of the limited warranty applicable to the vehicle, call or write a local Distributor, authorized Branch or the Warranty Department with vehicle serial number and manufacturer code.

The use of non Original Equipment Manufacturer (OEM) parts may void the warranty.

Overfilling of batteries may void the warranty.

BATTERY PROLONGED STORAGE

All batteries will self discharge over time. The rate of self discharge varies depending on the ambient temperature and the age and condition of the batteries.

A fully charged battery will not freeze in winter temperatures unless the temperature falls below -75 F (-60 C).

As with all electric vehicles, the batteries must be checked and recharged as required or at a minimum of 30 day intervals.

TABLE OF CONTENTS

SECTION	Page No.
HOW TO USE THE SERVICE PARTS MANUAL	V
ACCELERATOR	A-1
• Pedal Cover	
• Pedal Box Assembly	
• Accelerator Pedal Assembly	
AIR FILTER	B-1
• Air Cleaner Element	
• Air Filter Housing	
• Air Cleaner Hose	
BODY	C-1
• Front Bumper	
• Front Splash Shield	
• Cowl	
• Instrument Panel	
• Rocker Panels	
• Rear Body	
• Seat Support	
BRAKES - MECHANICAL	D-1
• Brake Pedal Pad	
• Brake Pedal	
• Brake Cable	
• Brake Drum Assembly	
CARBURETOR	E-1
• Carburetor	
• Main Jet	
• Choke Cable	
CLUTCH	F-1
• Drive Clutch	
• Driven Clutch	
DIRECTION SELECTOR	G-1
• Push/Pull Shifter Cable	
• Compression Spring	
• Neutral Lock Bracket	
ELECTRICAL SYSTEM	H-1
• Main Harness	
• Battery	
• Hour Meter	
• Ground Cable	
• Turn Signal	
• Headlight	
• Key Switch	
• Tail Lights	
ENGINE AND MUFFLER	J-1
• Engine	
• Muffler	
• Oil Dip Stick	
• Oil Filter	

TABLE OF CONTENTS

SECTION	Page No.
ENGINE MOUNTING	K-1
• Engine Pan Mount	
• Front Engine Mount	
FRONT SUSPENSION AND STEERING	L-1
• Strut	
• Spindle	
• Steering Box	
• Steering Column	
• Steering Wheel	
FUEL SYSTEM	M-1
• Fuel Tank	
• Pulse Line	
REAR AXLE	N-1
• Axle Shaft	
• Axle Tube	
• Oil Check Plug	
REAR SUSPENSION	P-1
• Shocks	
• Leaf Spring	
• Shackles	
SEATING -	Q-1
• Seat Bottom	
• Seat Back	
• Hip Restraints	
• Seat Back Support	
• Seat Bottom, Rear Facing Seat	
STARTER / GENERATOR	R-1
• Starter	
• Starter Belt	
• Starter Tensioner	
CARGO BED	S-1
• WOOD STAKE	
• PLASTIC BED	
WEATHER PROTECTION	T-1
• Sun Top	
• Windshield	
WHEELS AND TIRES	U-1
• Tire & Wheel Assembly	
• Lug Nuts	
SPECIALTY PRODUCT	APPENDIX A-1
OPTIONS/ACCESSORIES	APPENDIX B-1

HOW TO USE THE SERVICE PARTS MANUAL

This manual is divided into several sections:

GENERAL INFORMATION

- TABLE OF CONTENTS
- HOW TO USE THE SERVICE PARTS MANUAL

ILLUSTRATED PARTS BREAKDOWN

- Contains illustrations and parts lists for all systems of the vehicle.

USE OF THE MANUAL

To use this manual, consult the TABLE OF CONTENTS (page iii) to locate the information or illustration required.

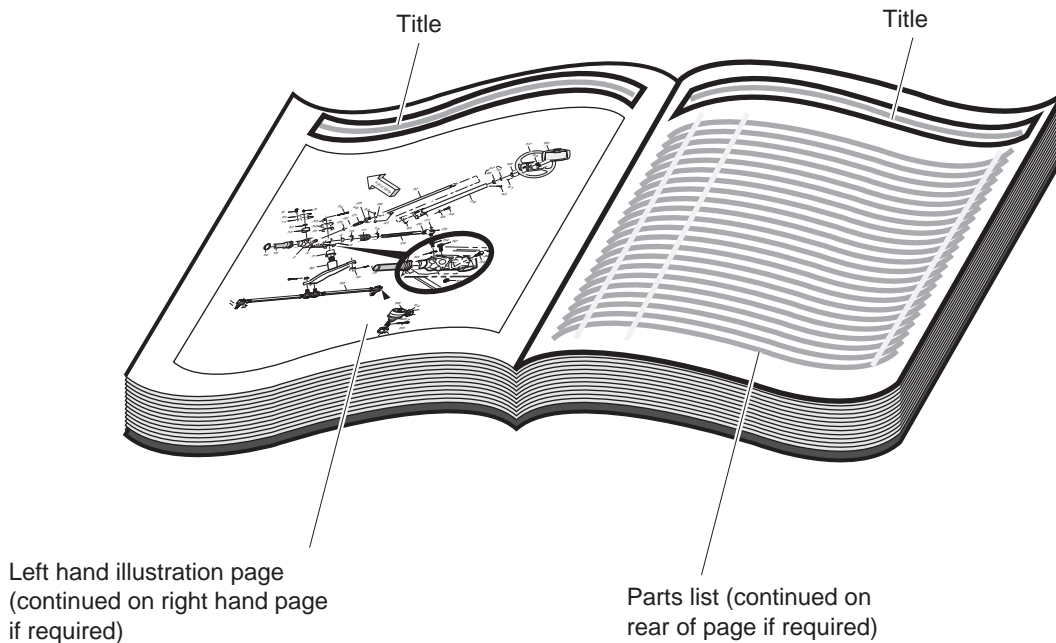
Introduction of some revisions varies due to supply of components; therefore, it is possible that various combinations of components may be found that are not directly reflected by each illustration. Consult the illustration that best suits your situation. Locate the serial number. It is important that the serial number of your vehicle and its model number be supplied to Service Parts when ordering any replacement components.

SERIAL NUMBER LOCATION

Three serial number and manufacture date code labels are on the vehicle. One is placed on the steering column, the second is located on the frame member under the front splash shield on the driver side and the third is located on the passenger side frame rail at the rear of the vehicle.

In order to obtain correct components for the vehicle, the manufacture date code, serial number and vehicle model must be provided when ordering service parts.

HOW TO USE THE SERVICE PARTS MANUAL



1. WHEN THE PART NUMBER IS NOT KNOWN

- Determine the function and application of the part required. Turn to the TABLE OF CONTENTS and select the most appropriate component description.
- Turn to the page number indicated and locate the part description in the parts list. Read the full accompanying description for specific information regarding the part that was not shown in the index.
- From the parts list, obtain the item number assigned to it and confirm that the part selected is correct by verifying it with the pictorial representation on the illustrated page.

Should an asterisk (*) appear in the part number column on the parts list page, read upwards until a part number is found. The part number is the lowest assembly sold by Service Parts. The asterisk (*) indicates that the part depicted is not available for purchase.

NOTE: Descriptions are indented under the assembly that they are used on. That assembly is, in turn listed under the assembly that it is used on. This process is repeated until the highest final assembly is reached.

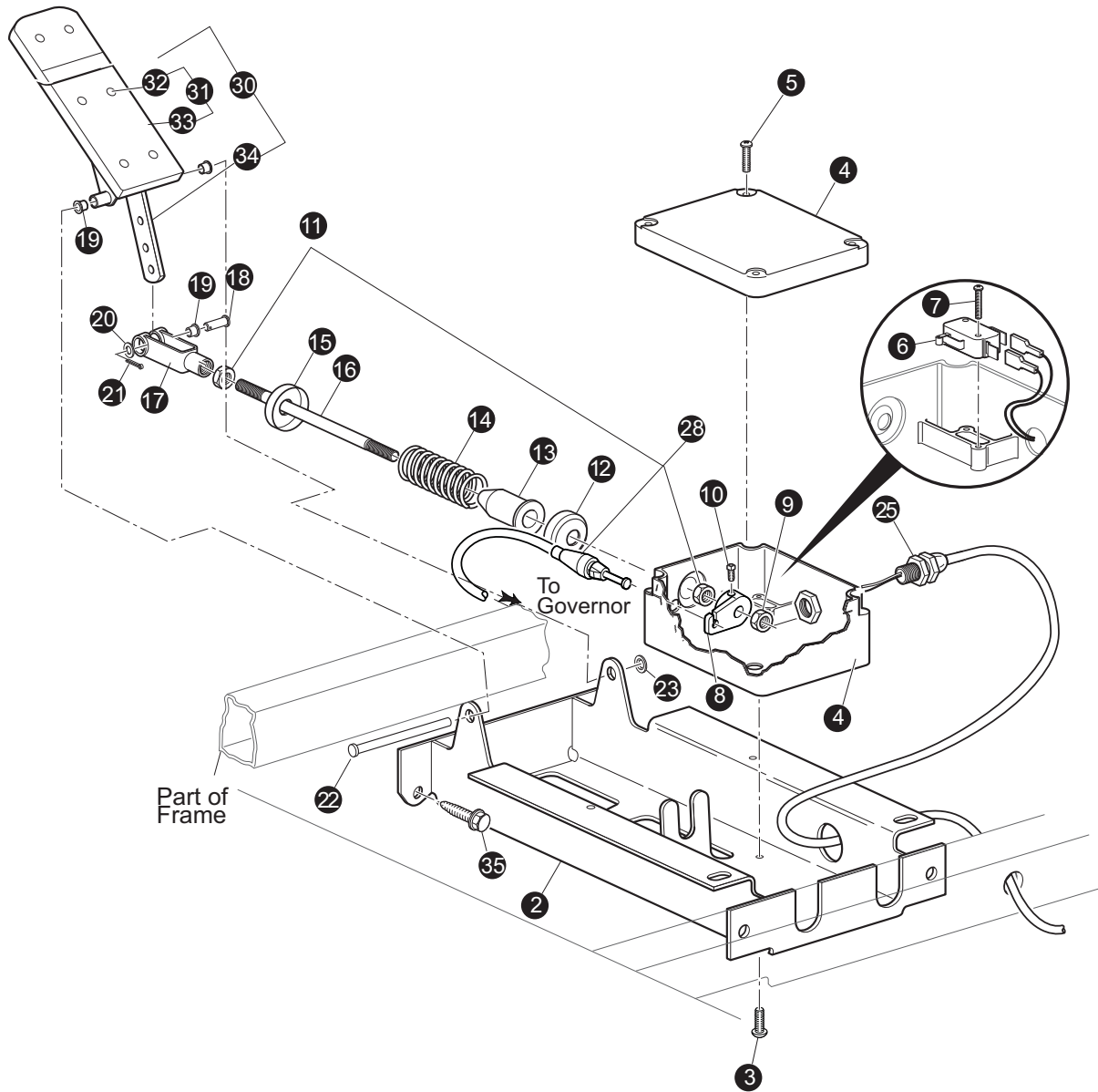
To facilitate the maintenance and repair of the vehicle, a Technician's Repair and Service Manual is available from the Service Parts Department.

ILLUSTRATED PARTS BREAKDOWN

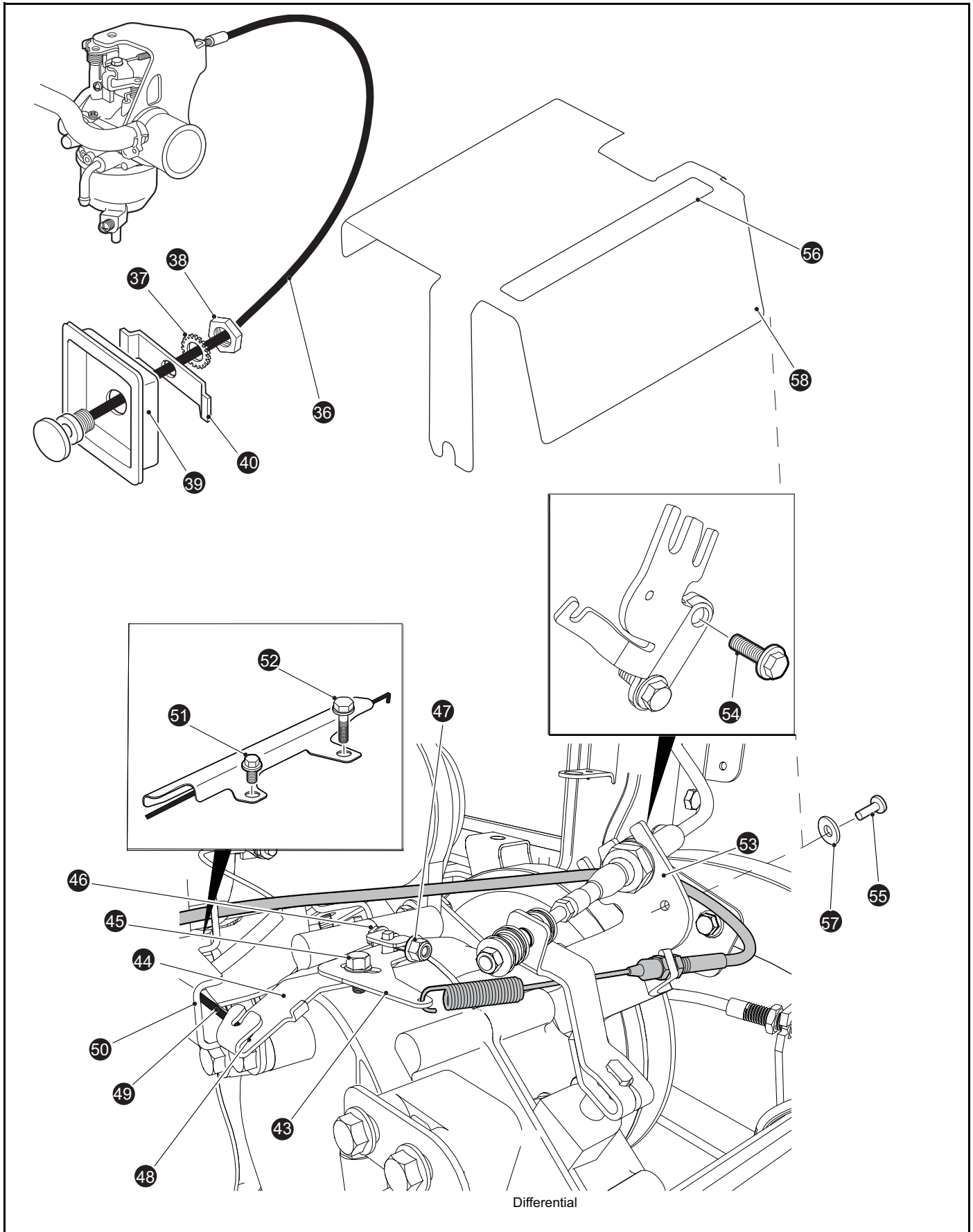
ILLUSTRATED PARTS BREAKDOWN

ACCELERATOR AND CHOKE

1 - Includes Items 3 - 34



ACCELERATOR AND CHOKE



ACCELERATOR AND CHOKE

When ordering parts, please specify the model and serial number of the product.

* Indicates a component that is not available as an individual part.

*** Indicates consult Customer Service Department for additional information.

ITEM	PART NO.	1 2 3 4 5	DESCRIPTION	QTY.
1	606992		PEDAL BOX ASSEMBLY (INCLUDES ITEMS 2 - 34	1
2	70116G02		ACCELERATOR PEDAL BRACKET	1
3	01051G01		SCREW, #8 - 16 X 1/2" LG	4
4	25853G03		PEDAL BOX AND COVER	1
5	00684G6		SCREW, #8 - 32 X 3/4" LG (STAINLESS STEEL)	2
6	25861G01		MICRO SWITCH	1
7	01050G01		SCREW, #4 - 20 X 5/8" LG	2
8	72716G01		MICRO SWITCH CAM	1
9	15126G1		LOCK NUT, 5/16 - 24	1
10	00487G3		SETSCREW, 1/4 - 20 X 3/8" LG	1
11	00532G4		NUT, 5/16 - 24	2
12	17677G1		SPRING RETAINER	1
13	17979G1		ACCELERATOR ROD BUSHING	1
14	73046G01		COMPRESSION SPRING	1
15	17677G2		SPRING RETAINER	1
16	72072G01		ACCELERATOR ROD	1
17	10385G4		CLEVIS YOKE (ADJUSTABLE)	1
18	10386G3		CLEVIS PIN, 5/16" X 13/16" LG	1
19	17838G1		NYLON BUSHING	3
20	17255G1		TEFLON WASHER, 5/16"	1
21	10387G3		COTTER PIN, 3/32" X 3/4" LG	1
22	74432G01		PEDAL PIVOT PIN	1
23	12064G6		PUSH NUT, 9/32"	1
24	12730G1		WHEEL BEARING GREASE (NOT ILLUSTRATED)	A/R
25	72201G04		WIRE HARNESS (PEDAL BOX)	1
26				
27				
28	608618		ACCELERATOR CABLE	1
29				
30	25799G03		ACCELERATOR PEDAL ASSEMBLY (INCLUDES ITEMS 31- 33)	1
31	27844G01		ACCELERATOR PEDAL PAD KIT (INCLUDES ITEMS 32- 33)	1

ACCELERATOR AND CHOKE

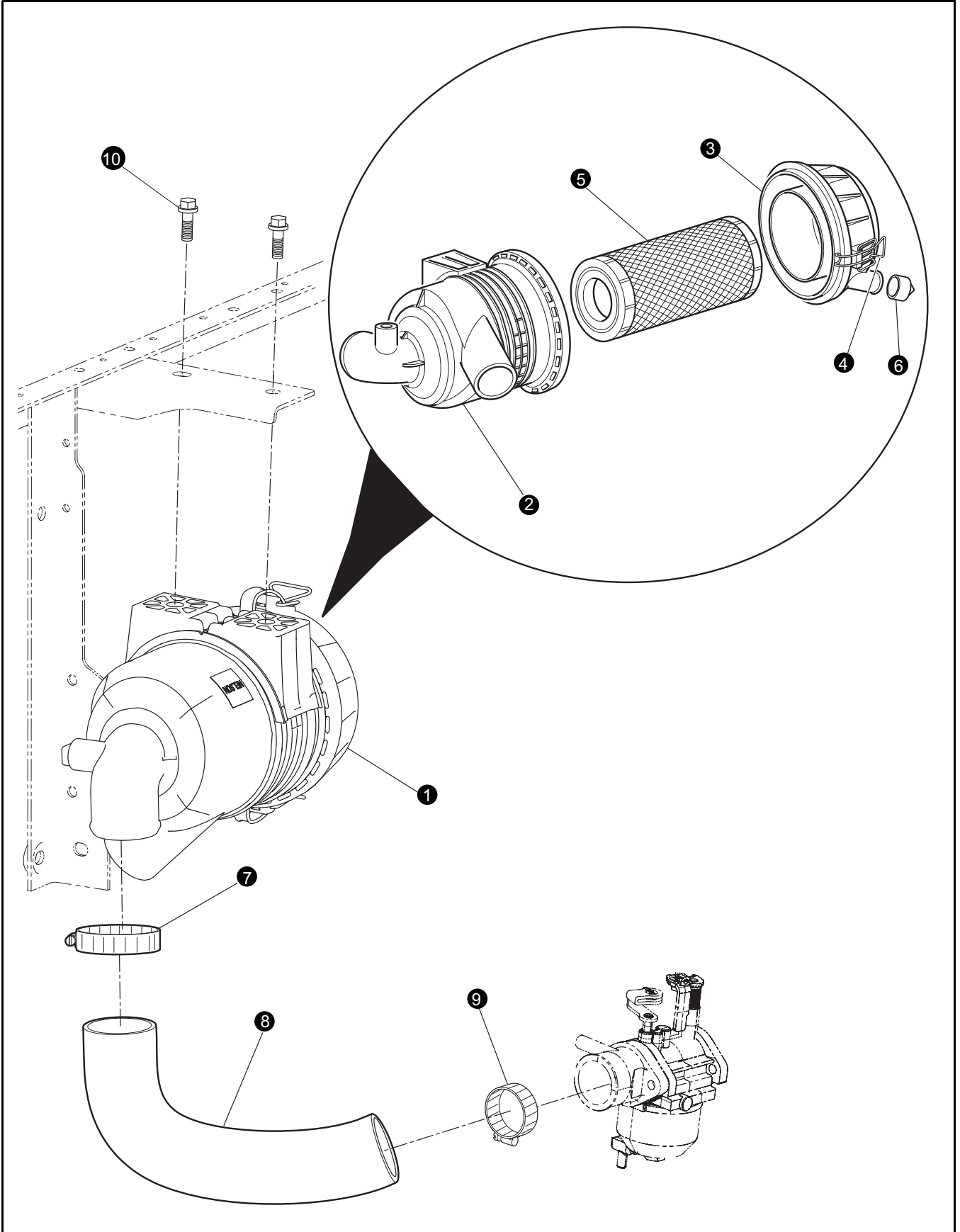
When ordering parts, please specify the model and serial number of the product.

* Indicates a component that is not available as an individual part.

*** Indicates consult Customer Service Department for additional information.

ITEM	PART NO.	1 2 3 4 5	DESCRIPTION	QTY.
32	16409G1		OVAL RIVET, 3/16" X 7/16" LG	6
33	27512-G01		ACCELERATOR PEDAL PAD	1
34	*		ACCELERATOR PEDAL	
35	00715G2		BOLT, 5/16 -18 X 4/5" LG.....	4
36	605795		CHOKE CABLE ASSY (TS - 4, TS - 6).....	1
37	00568G4		LOCK WASHER, 9/16"	1
38	00545G4		JAM NUT, 9/16 - 18.....	1
39	72154G01		CHOKE CABLE ADAPTER.....	1
40	72155G02		RETAINER	1
41				
42				
43	606083		UPPER GOVERNOR BRACKET.....	1
44	606005		LOWER GOVERNOR BRACKET	1
45	606265		BOLT, M6 - 1 X 12.....	1
46	606421		BOLT, M6 - 1 X 30.....	1
47	450452		NUT, M6 - 1.0.....	1
48	606283		GOVERNOR LEVER BUSHING	1
49	606284		GOVERNOR ROD	1
50	603890		GOVERNOR ROD GUARD	1
51	606264		BOLT, M6 - 1 X 20.....	1
52	606262		BOLT, M8 - 1.25 X 16.....	1
53	606074		GOVERNOR CABLE / DIRECTION SELECTOR BRACKET	1
54	606256		BOLT, M10 - 1.25 X 16.....	2
55	14601G11		RIVET.....	1
56	608527		GOVERNOR WARNING DECAL.....	1
57	00915G1		WASHER	1
58	606199		GOVERNOR COVER	1
59	17618G1		NYLON CLAMP	2

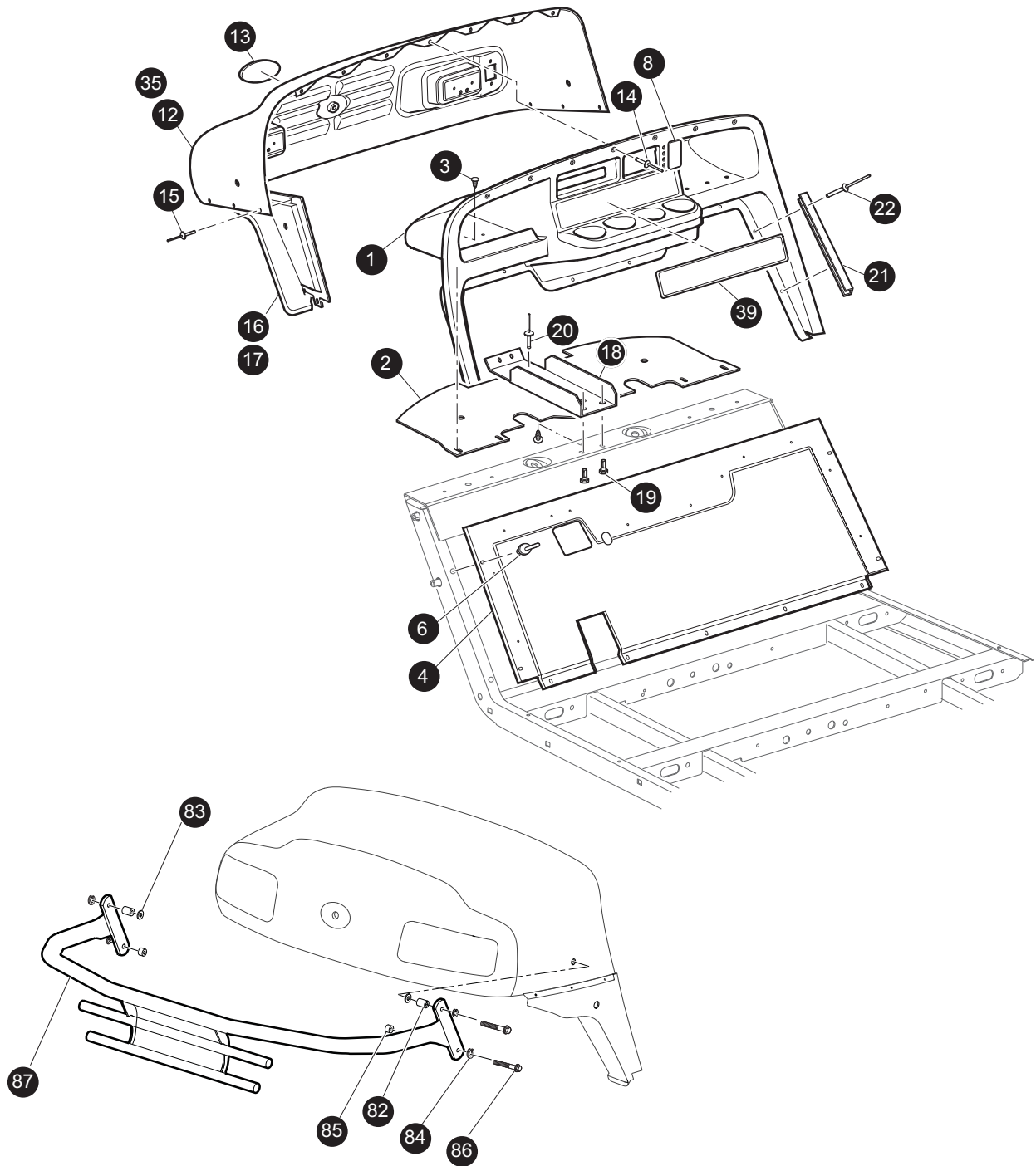
AIR FILTER



THE USE OF NON U.L. PARTS WILL VOID ANY U.L. LISTING.
 When ordering parts, please specify the model and serial number of the product.
 * Indicates a component that is not available as an individual part.
 G** Indicates consult Customer Service Department for additional information.

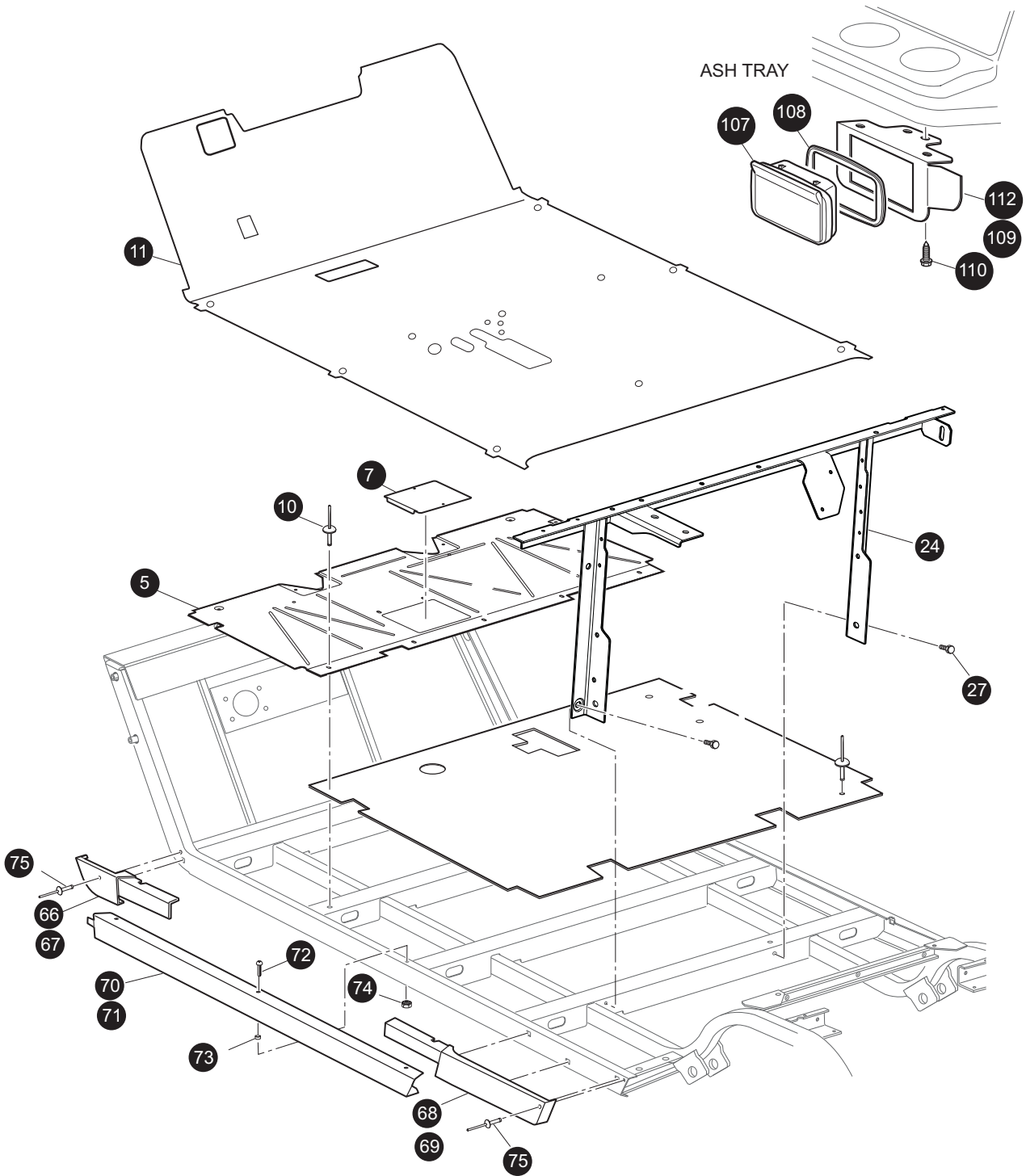
ITEM	PART NO.	1 2 3 4 5	DESCRIPTION	QTY.
1	606952		AIR CLEANER (INCLUDES ITEMS 2 - 6).....	1
2	607269		BODY & BRACKET ASSEMBLY	1
3	72599G01		AIR CLEANER COVER	1
4	72604G01		AIR CLEANER CLIP	2
5	28463G01		AIR FILTER	1
6	28462G01		VALVE DUST EJECTOR	1
7	11391G7		HOSE CLAMP	1
8	607950		HOSE	1
9	11391G1		HOSE CLAMP	1
10	25532G1		BOLT AND WASHER, M8 X 1.25 X 18 MM	2

BODY



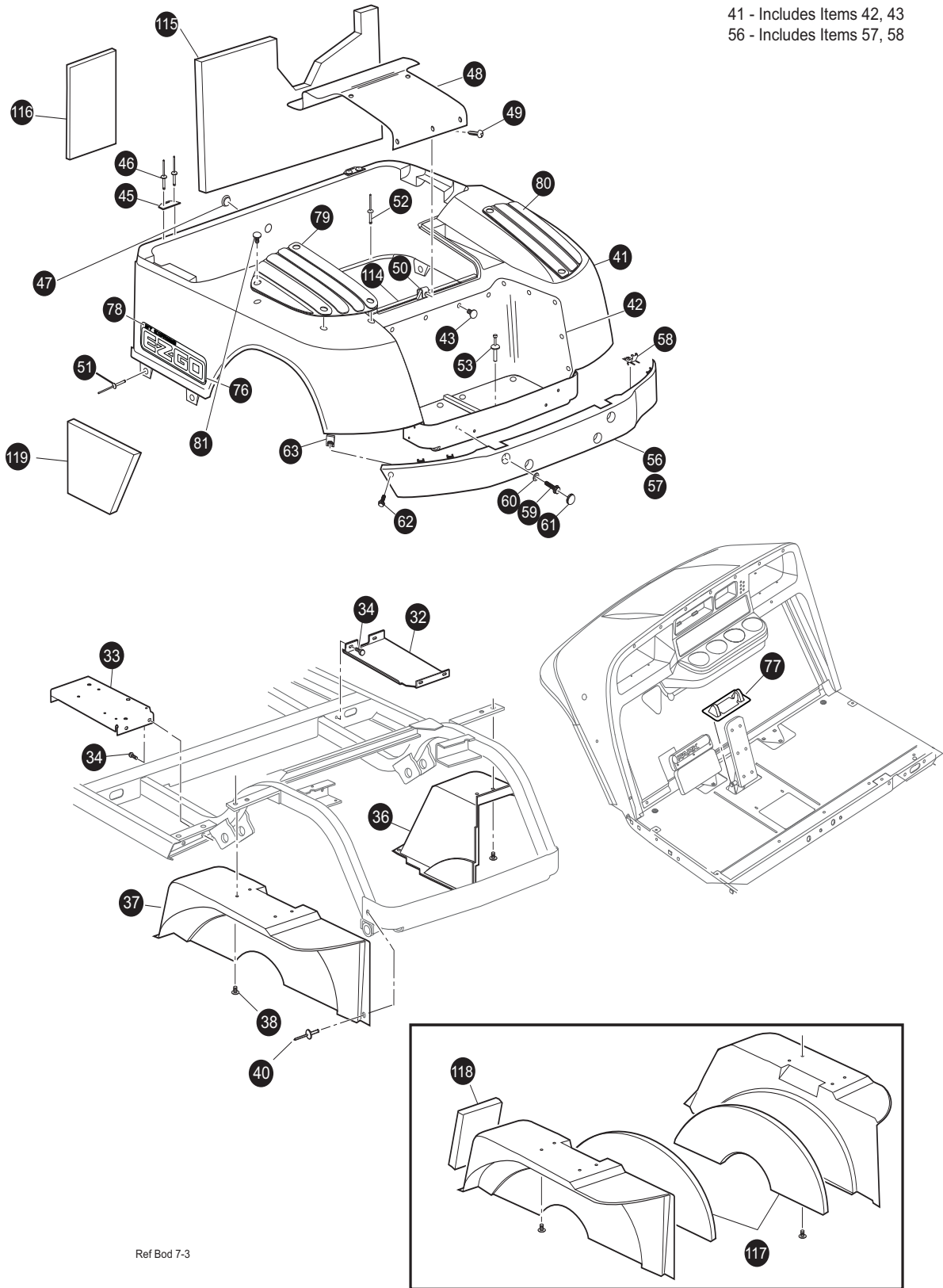
106 - Includes Items 107 - 110

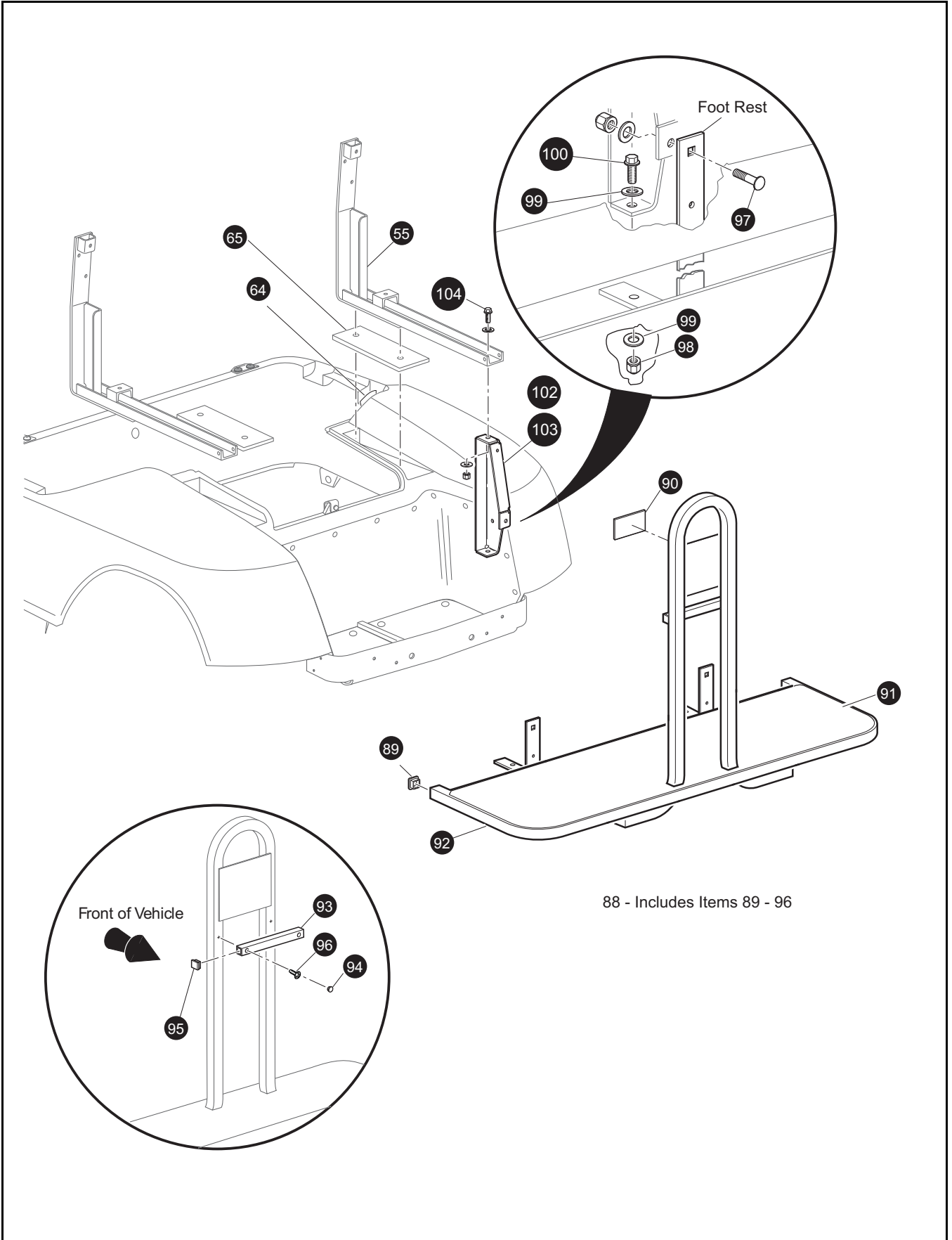
111 - Includes Items 107 - 108, 110, 112



Ref Bod 7-2

BODY





BODY

THE USE OF NON U.L. PARTS WILL VOID ANY U.L. LISTING.

When ordering parts, please specify the model and serial number of the product.

* Indicates a component that is not available as an individual part.

G** Indicates consult Customer Service Department for additional information.

ITEM	PART NO.	1 2 3 4 5	DESCRIPTION	QTY.
1	71151G03		INSTRUMENT PANEL ASSEMBLY	1
2	71413G01		SPLASH PANEL.....	1
3	16816G2		RATCHET FASTENER, 1/4" X 3/4" LG	5
4	70662G01		UPPER FLOORPAN.....	1
5	70451G01		LOWER FLOORPAN.....	1
6	14601G11		RIVET, 3/16" X 9/16" LG (ALUMINUM).....	16
7	70452G01		ACCESS COVER.....	1
8	35968G01		LABEL (TEE HOLDER COVER)	1
9	70823G01		REAR FLOORPAN.....	1
10	10570G10		RIVET, 5/32" X 9/16" LG (STAINLESS STEEL)	5
11	70668G0*		FLOORMAT.....	1
12	606534G0xx		COWL.....	1
13	74183G01		NAMEPLATE (E-Z-GO) (OVAL)	1
14	71055G01		RIVET, 3/16" X 1" LG	7
15	71055G01		RIVET, 3/16" X 1" LG	6
16	71338G01		FENDER FLARE (DRIVER SIDE).....	1
17	71338G02		FENDER FLARE (PASSENGER SIDE)	1
18	71101G02		COWL SUPPORT BRACKET	1
19	71102G02		SELF TAPPING SCREW, 1/4 - 20 X 1/2" LG	3
20	71055G01		RIVET, 3/16" X 1 1/8" LG	1
21	71115G01		VINYL TRIM	2
22	71055G01		RIVET, 3/16" X 1" LG	10
23	00571G2		WASHER, 5/16 (WITHOUT SUN TOP).....	2
24	605694		SEAT FRAME.....	1
25				
26	00715G2		BOLT, 5/16 - 18 X 13/16" LG	2
27				
28				
29				
30				

THE USE OF NON U.L. PARTS WILL VOID ANY U.L. LISTING.
 When ordering parts, please specify the model and serial number of the product.
 * Indicates a component that is not available as an individual part.
 G** Indicates consult Customer Service Department for additional information.

ITEM	PART NO.	1 2 3 4 5	DESCRIPTION	QTY.
31				
32	70244G03		SPLASH PAN (PASSENGER SIDE)	1
33	70244G03		SPLASH PAN (DRIVER SIDE).....	1
34	00715G2		BOLT, 5/16 - 18 X 13/16" LG	8
35	71090GXX		COWL.....	1
36	608124		FENDER LINER (PASSENGER SIDE)	1
37	608125		FENDER LINER (DRIVER SIDE).....	1
38	16816-G2		RATCHET FASTENER, 1/4" X 3/4" LG	8
39	601781		CONSOL PICTOGRAM LABEL	1
40	14601G17		RIVET	2
41	71912G**		REAR BODY ASSEMBLY (W/OUT TAILLIGHTS) (INCLUDES ITEMS 42, 43)..	1
42	71318G01		BAGWELL LINER	1
43	16816G1		RATCHET FASTENER, 1/4" X 9/16" LG	20
44				
45	71609G01		HINGE PLATE	2
46	10570G11		RIVET, 3/16" X 3/4" LG (STAINLESS STEEL)	4
47	71316G01		PLUG.....	1
48	71320G01		ACCESS PANEL	1
49	01107G01		SCREW, #8 X 5/8" LG	5
50	71364G02		'J' CLIP	1
51	10570G12		RIVET, 1/4" X 9/16" LG (ALUMINUM)	4
52	10570G10		RIVET, 5/32" X 9/16" LG (STAINLESS STEEL)	6
53	18436G1		PLASTIC DRIVE RIVET, 1/4" X 9/16" LG	2
54				
55	74111G01		SEAT SUPPORT	2
56	71451G02		REAR BUMPER ASSEMBLY (INCLUDES ITEMS 69 & 70).....	1
57	*		REAR BUMPER.....	1
58	*		STAY	1
59	71398G01		BOLT, 1/4 - 20 X 1 1/4" LG	4
60	00571G2		WASHER, 5/16"	4

BODY

THE USE OF NON U.L. PARTS WILL VOID ANY U.L. LISTING.

When ordering parts, please specify the model and serial number of the product.

* Indicates a component that is not available as an individual part.

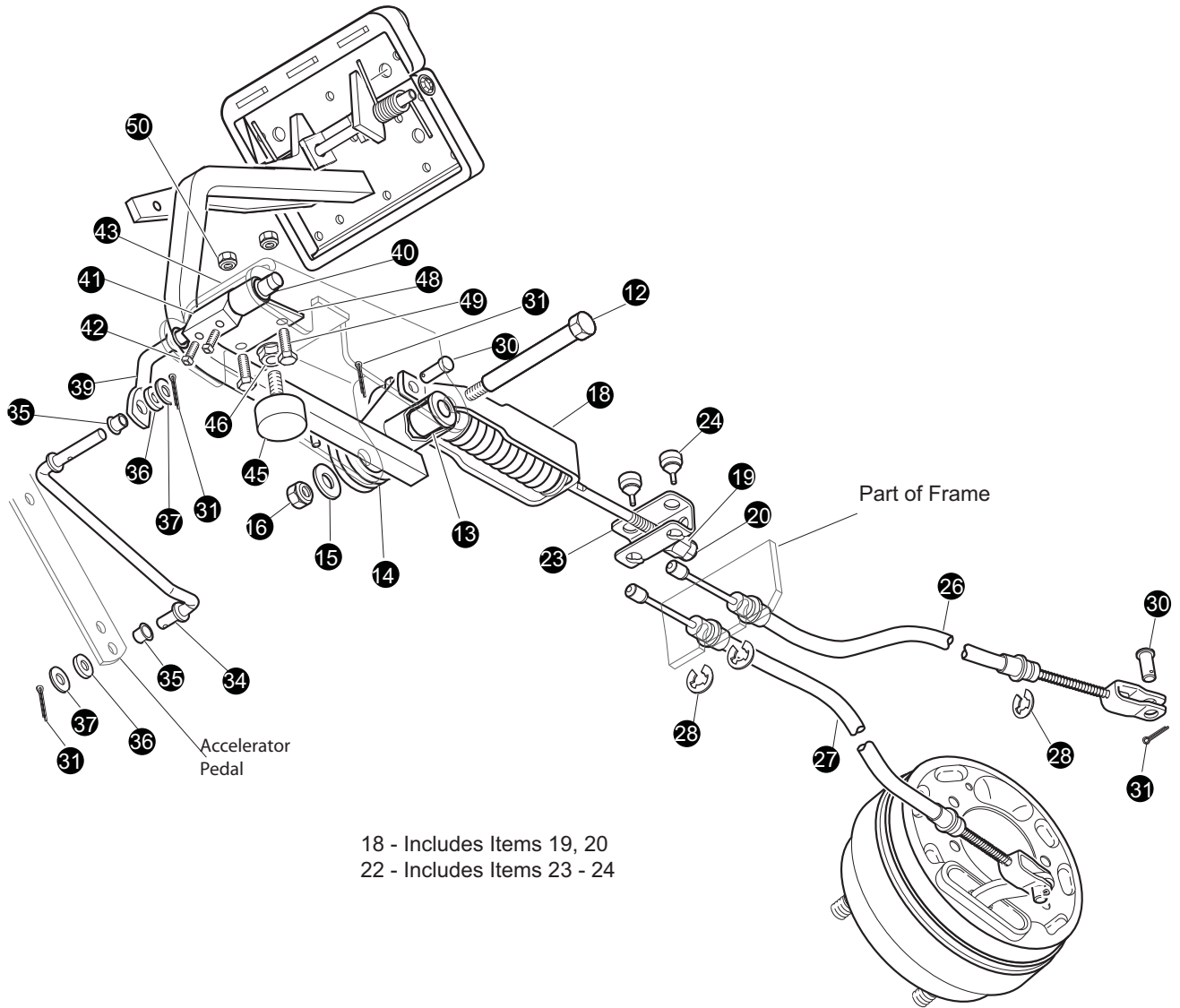
G** Indicates consult Customer Service Department for additional information.

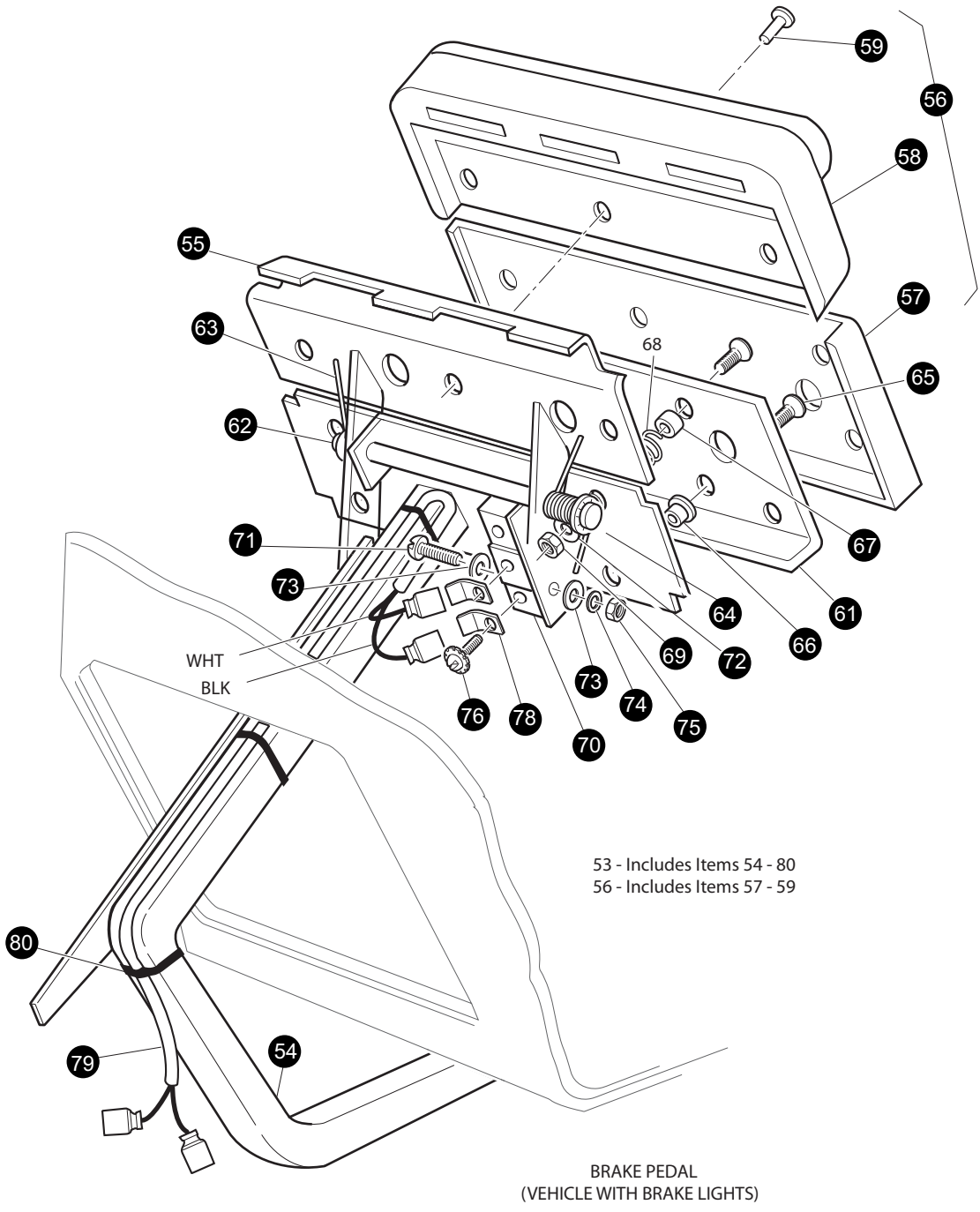
ITEM	PART NO.	1 2 3 4 5	DESCRIPTION	QTY.
61	71455G01		BUMPER PLUG	4
62	71102G03		BOLT, 1/4 - 20 x 11/16" LG	2
63	71554G01		J-TYPE NUT RETAINER, 1/4 - 20.....	2
64	74093G01		LABEL (WARNING).....	1
65	70364G01		SPACER.....	2
66	71642G01		ROCKER PANEL (FRONT, DRIVER SIDE)	1
67	71642G02		ROCKER PANEL (FRONT, PASSENGER SIDE).....	1
68	71643G01		ROCKER PANEL (REAR, DRIVER SIDE)	1
69	71643G02		ROCKER PANEL (REAR, PASSENGER SIDE).....	1
70	71641G01		SILL PLATE (PASSENGER SIDE)	1
71	71641G02		SILL PLATE (DRIVER SIDE).....	1
72	16705G1		SCREW, 1/4 - 20 X 1" LG (STAINLESS STEEL)	6
73	23726G4		SPACER, 5/16".....	6
74	14390G4		LOCK NUT, 1/4 - 20	6
75	15058G6		RIVET, 3/16" X 15/16" LG (ALUMINUM).....	4
76	620312		E-Z-GO LOGO LARGE LABEL	2
77	70135G01		PEDAL PIVOT COVER	1
78	608431		LABEL (ST EXPRESS)	2
79	75126G01		FENDER SCUFFGUARD (DRIVER SIDE)	1
80	75126G02		FENDER SCUFFGUARD (PASSENGER SIDE).....	1
81	16816G2		RATCHET FASTENER, 1/4" x 3/4 " LG.....	8
82	75048G04		SPACER, 1".....	2
83	00570G2		WASHER, 5/16.....	2
84	00905G8		LOCK WASHER	4
85	75048G01		SPACER.....	2
86	01035G02		BOLT 5/16 - 18 X 2.50.....	4
87	604659		BRUSH GUARD.....	1
88	70361G03		FOOTREST ASSEMBLY (INCLUDES 89 - 96).....	1
89	19853G1		END CAP, 1"	2
90	71929G01		LABEL (WARNING)	1

THE USE OF NON U.L. PARTS WILL VOID ANY U.L. LISTING.
 When ordering parts, please specify the model and serial number of the product.
 * Indicates a component that is not available as an individual part.
 G** Indicates consult Customer Service Department for additional information.

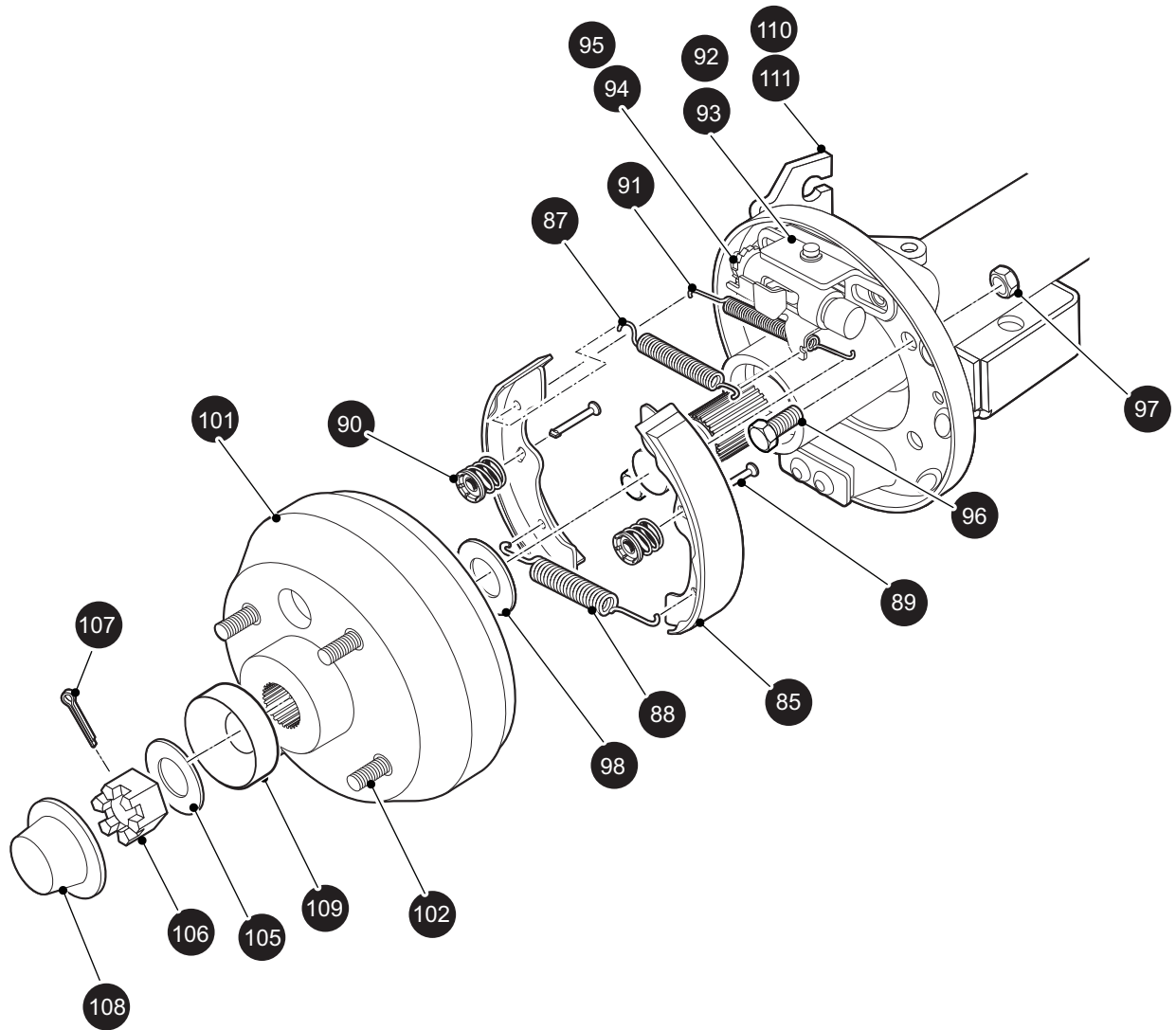
ITEM	PART NO.	1 2 3 4 5	DESCRIPTION	QTY.
91	70362G01		FLOORMAT	1
92	70633G01		FOOTREST	1
93	75268G01		FOOTREST MOUNTING TUBE	1
94	20271G2		HOLE PLUG	2
95	19859G1		END CAP, 3/4	2
96	606682		SCREW, 1/4 - 20 X .75	2
97	00769G2		CARRIAGE BO-LT, 3/8 - 16 X 1 1/4" LG	2
98	11098G5		LOCK NUT, 3/8 - 16	6
99	00560G1		WASHER, 3/8"	14
100	00427G4		BOLT, 3/8 - 16 X 1 - 3/4.....	2
101				
102	74126G01		VERTICAL FRAME SUPPORT (PASSENGER SIDE)	1
103	74126G02		VERTICAL FRAME SUPPORT (DRIVER SIDE).....	1
104	00426G8		BOLT, 3/8 - 16 X 1" LG	2
105				
106	75109G02		ASH TRAY KIT (INCLUDES ITEMS 107 - 110).....	1
107	27731G01		ASH TRAY	1
108	27736G01		GASKET	1
109	75108G02		BRACKET	1
110	00100G4		SCREW, #10 - 16 x 1/2" LG.....	4
111	75109G01		ASH TRAY KIT (INCLUDES ITEMS (107-108, 110,112)	1
112	75108G02		BRACKET (E-COAT)	1
113				
114	22744G1		BAGWELL NOISE SUPPRESSOR	1
115	606248		SEAT WRAP FOAM	1
116	72549G01		SEATWRAP NOISE SUPPRESSOR	1
117	72548G01		FENDER NOISE SUPPRESSOR	2
118	72551G01		FENDER NOISE SUPPRESSOR (DRIVER SIDE, FRONT).....	1
119	72552G01		SEATWRAP NOISE SUPPRESSOR (DRIVER SIDE, SIDE).....	1

BRAKES - MECHANICAL





BRAKES - MECHANICAL



- 82 - Includes Items 84 - 92, 94, 95
- 83 - Includes Items 84 - 91, 93 - 95
- 84 - Includes Items 85
- 86 - Includes Items 87 - 91
- 92 - Includes Items 94, 95
- 93 - Includes Items 94, 95
- 100 - Includes Items 101, 102

BRAKES - MECHANICAL

THE USE OF NON U.L. PARTS WILL VOID ANY U.L. LISTING.
 When ordering parts, please specify the model and serial number of the product.
 * Indicates a component that is not available as an individual part.
 G** Indicates consult Customer Service Department for additional information.

ITEM	PART NO.	1 2 3 4 5	DESCRIPTION	QTY.
1				
2				
3				
4				
5				
6				
7				
8				
9				
10				
11				
12	70582G01		SHOULDER BOLT, 3/8 - 16 X 4" LG (STAINLESS STEEL).....	1
13	70581G01		FLANGED BUSHING	2
14	70676G01		TORSION SPRING	1
15	00643G1		WASHER, 3/8"	1
16	11098G5		LOCK NUT, 3/8 - 16	1
17				
18	70272G04		COMPENSATOR ASSEMBLY (INCLUDES ITEMS 19, 20).....	1
19	00963G01		SPHERICAL NUT, 5/16 - 24	1
20	11098G9		LOCK NUT, 5/16 - 24	1
21				
22	70969G06		EQUALIZER AND BRAKE CABLE ASSEMBLY (INCLUDES ITEMS 23-24).....	1
23	28082G01		EQUALIZER BRACKET	1
24	28083G01		BRAKE COMPENSATOR BUMPER.....	2
25				
26	70968G08		BRAKE CABLE 58.31"	1
27	70968G09		BRAKE CABLE 68.00"	1
28	01111G01		RETAINING RING, 13/32" (STAINLESS STEEL).....	4
29				
30	10386G3		CLEVIS PIN, 5/16" X 13/16" LG.....	3

BRAKES - MECHANICAL

THE USE OF NON U.L. PARTS WILL VOID ANY U.L. LISTING.

When ordering parts, please specify the model and serial number of the product.

* Indicates a component that is not available as an individual part.

G** Indicates consult Customer Service Department for additional information.

ITEM	PART NO.	1 2 3 4 5	DESCRIPTION	QTY.
31	10387G3		COTTER PIN, 3/32" X 3/4" LG	5
32				
33				
34	70601G01		KICK-OFF LINK.....	1
35	17838G1		NYLON BUSHING.....	2
36	20835G1		TEFLON WASHER, 3/8"	2
37	00559G8		WASHER, 5/16"	2
38				
39	70098G01		KICK-OFF CAM PIVOT.....	1
40	10097G6		FLANGED BEARING	2
41	70587G01		KICK-OFF CAM.....	1
42	71215G01		SETSCREW, 1/4 - 20 X 1/2" LG.....	2
43	14134G4		SPACER.....	1
44				
45	70113G01		ADJUSTABLE BUMPER	1
46	11027G1		LOCK NUT, 5/16 - 18	1
47				
48	70080G02		CATCH BRACKET	1
49	00414G6		BOLT, 1/4 - 20 X 3/4" LG	2
50	14390G4		LOCK NUT, 1/4 - 20 (STAINLESS STEEL)	2
51				
52				
53	70690G02		BRAKE PEDAL ASSEMBLY (WITH BRAKE LIGHTS) (INCLUDES ITEMS 54 - 80).....	1
54	*		BRAKE PEDAL.....	1
55	70611G02		PARK BRAKE PEDAL	1
56	70274G01		BRAKE/PARK BRAKE PEDAL PAD KIT (INCLUDES ITEMS 57 - 59).....	1
57	*		SERVICE BRAKE PAD	1
58	*		PARK BRAKE PAD.....	1
59	16409G1		OVAL RIVET, 3/16" x 7/16" LG.....	9

BRAKES - MECHANICAL

THE USE OF NON U.L. PARTS WILL VOID ANY U.L. LISTING.

When ordering parts, please specify the model and serial number of the product.

* Indicates a component that is not available as an individual part.

G** Indicates consult Customer Service Department for additional information.

ITEM	PART NO.	1	2	3	4	5	DESCRIPTION	QTY.
60								
61	70258G03						BRAKE PEDAL PLATE	1
62	70682G01						PIVOT PIN	1
63	70681G01						TORSION SPRING	2
64	01071G01						PUSHNUT, 5/16"	1
65	00737G8						SCREW, #10 - 24 X 7/8" LG	4
66	00739G1						RUBBER NUT, #10 - 24	2
67	74535G01						BRAKE PEDAL STANDOFF	2
68	27137G01						CONICAL SPRING	2
69	14390G10						LOCK NUT, #10 - 24	2
70	10606G8						MICRO SWITCH	1
71	00957G1						BOLT, #6 - 32 X 1 1/4" LG	2
72	00559G5						WASHER, #10	2
73	00559G3						WASHER, #6	4
74	00565G3						LOCK WASHER, #6	2
75	00525G5						NUT, #6 - 32	2
76	13514G1						SCREW AND LOCK WASHER, #6	2
77								
78	14628G1						FASTON TAB	2
79	24605G1						WIRE HARNESS (BRAKE LIGHT)	1
80	17618G1						WIRE TIE	4
81								
82	70998G01						BRAKE ASSEMBLY (DRIVER SIDE) (INCLUDES ITEMS 84 - 92, 94, 95)	1
83	70998G02						BRAKE ASSEMBLY (PASSENGER SIDE) (INCLUDES ITEMS 84 - 91, 93 - 95)	1
84	70794G01						BRAKE SHOE KIT (INCLUDES ITEM 85)	2
85	*						BRAKE SHOE	2
86	27944G01						BRAKE SPRING KIT (INCLUDES ITEMS 87 - 91)	2
87	*						UPPER SPRING	1
88	*						LOWER SPRING	1

BRAKES - MECHANICAL

THE USE OF NON U.L. PARTS WILL VOID ANY U.L. LISTING.

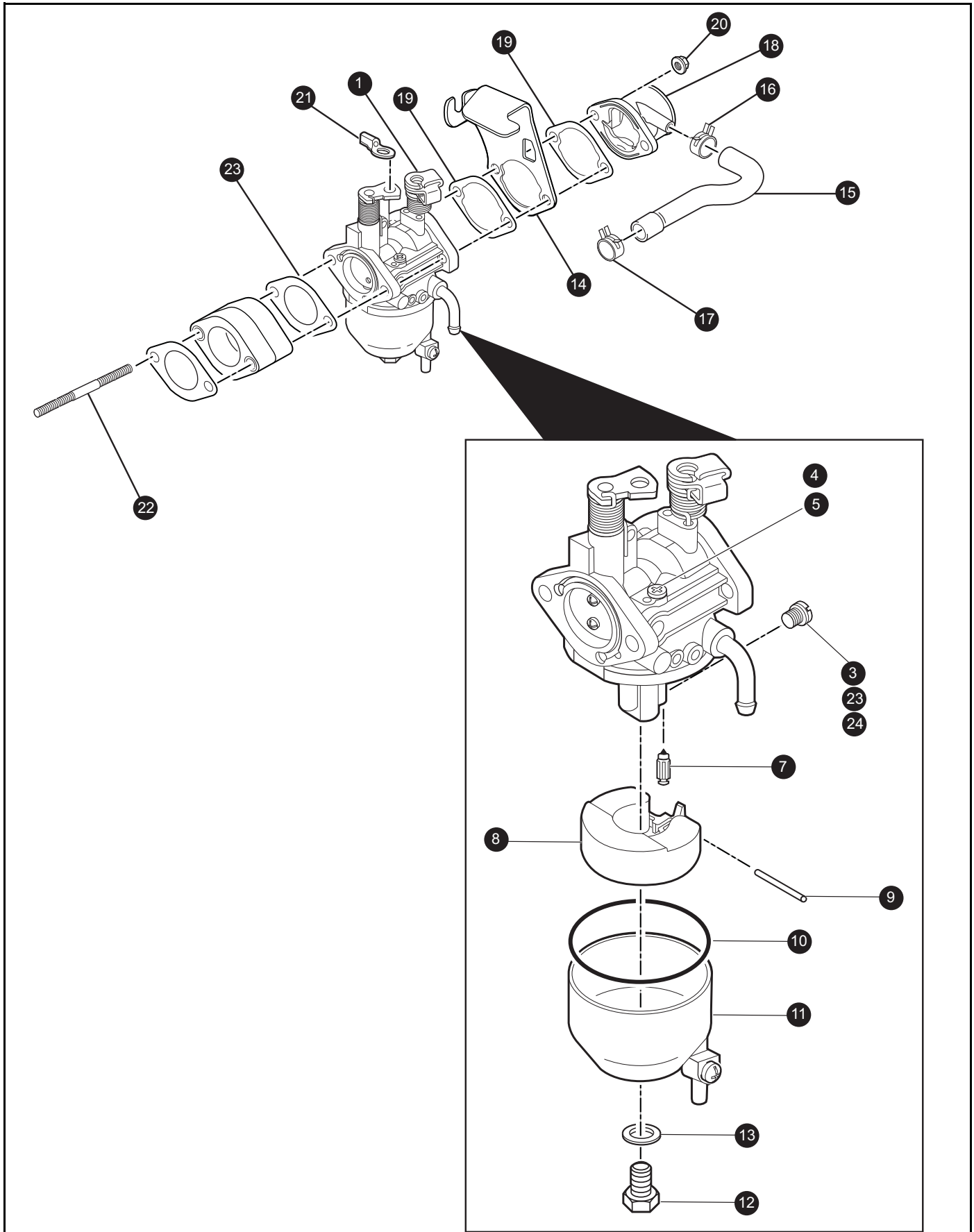
When ordering parts, please specify the model and serial number of the product.

* Indicates a component that is not available as an individual part.

G** Indicates consult Customer Service Department for additional information.

ITEM	PART NO.	1	2	3	4	5	DESCRIPTION	QTY.
89	*						PIN	2
90	*						CUP AND SPRING	2
91	*						ADJUSTER SPRING.....	1
92	72582G01						BRAKE ADJUSTER KIT (DRIVER SIDE) (INCLUDES ITEMS 94, 95)	1
93	72582G02						BRAKE ADJUSTER KIT (PASSENGER SIDE) (INCL. ITEMS 94, 95).....	1
94	*						ADJUSTER	1
95	*						TEFLON WASHER.....	2
96	17083G2						BOLT, 5/16 - 24 X 1" LG	8
97	15126G1						LOCK NUT, 5/16 - 24	8
98	21809G1						INNER BRAKE DRUM WASHER, 1 5/16" OD X 1" ID X 1/32"	2
99								
100	21807G2						BRAKE DRUM ASSEMBLY (INCLUDES ITEMS 101 - 102).....	2
101	*						BRAKE DRUM.....	1
102	19862G2						LUG BOLT, 1/2 - 20 X 1 3/16" LG	4
103								
104								
105	606945						OUTER BRAKE DRUM WASHER	2
106	606403						SLOTTED NUT, M22 X 1.5	2
107	10387G1						COTTER PIN, 1/8" X 1 1/2" LG.....	2
108	74175G01						SPINDLE CAP.....	2
109	607033						SPINDLE CAP ADAPTER.....	2
110	608200						BRAKE CABLE BRACKET (PASSENGER SIDE).....	1
111	608201						BRAKE CABLE BRACKET (DRIVER SIDE)	1

CARBURETOR



When ordering parts, please specify the model and serial number of the product.

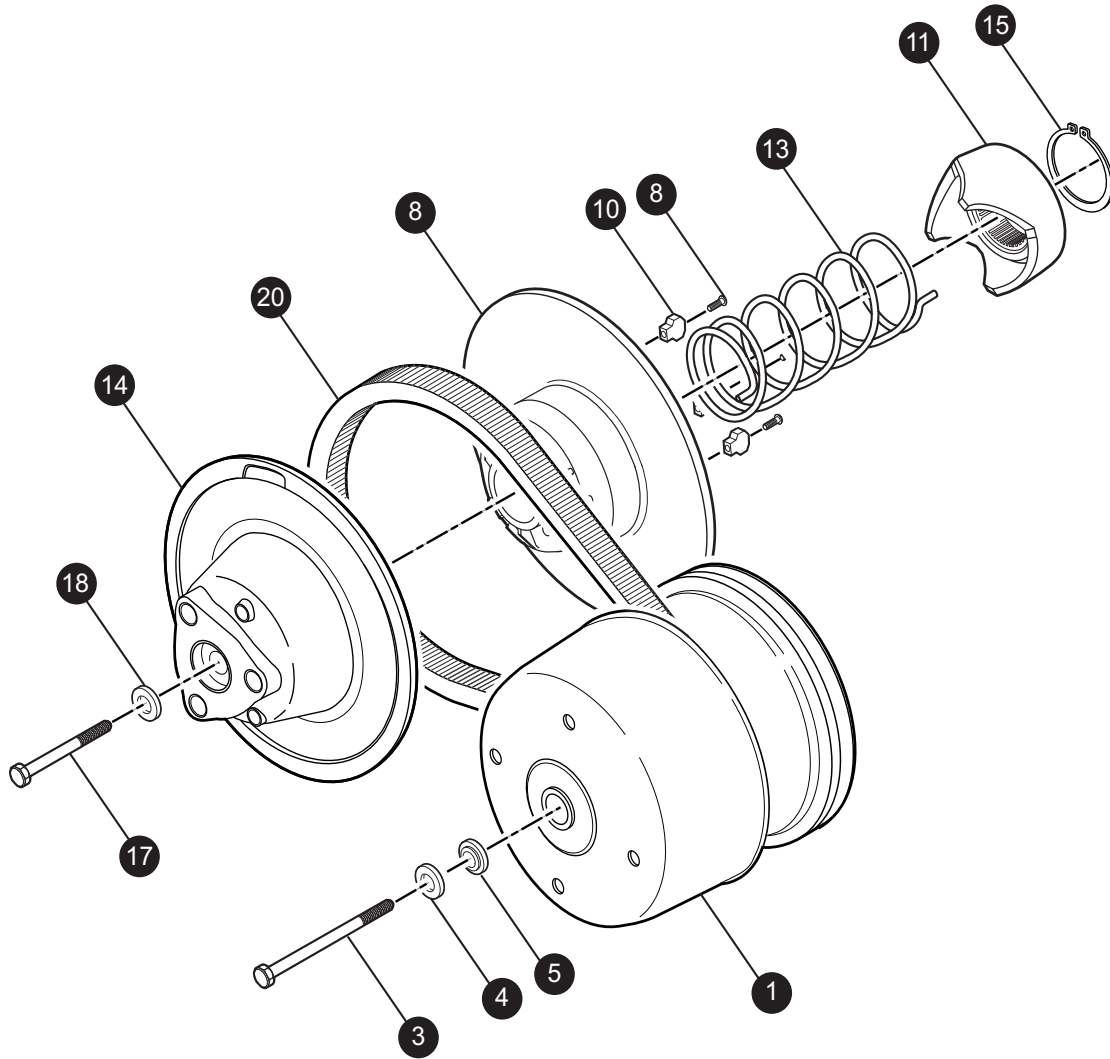
* Indicates a component that is not available as an individual part.

*** Indicates consult Customer Service Department for additional information.

ITEM	PART NO.	1 2 3 4 5	DESCRIPTION	QTY.
1	607955		CARBURETOR (INCLUDES ITEMS 3 - 22)	1
2				
3	607956		MAIN JET (#106).....	1
4	607957		PILOT JET (#52)	1
5	603585		PLUG.....	1
6				
7	603586		NEEDLE VALVE	1
8	603587		FLOAT	1
9	603588		FLOAT PIN	1
10	603589		FLOAT BOWL GASKET	1
11	603590		FLOAT CHAMBER	1
12	603592		BOWL SCREW.....	1
13	603591		BOWL GASKET	1
14	603583		CHOKE BRACKET.....	1
15	603598		BREATHER TUBE.....	1
16	603596		CLAMP, INTAKE TUBE	1
17	603597		CLAMP CYLINDER HEAD TUBE	1
18	603594		INTAKE TUBE	1
19	603593		CHOKE GASKET	2
20	603595		NUT, M6 X 1.0	2
21	608023		THROTTLE ROD ATTACHMENT BUSHING	1
22	603584		STUD BOLT.....	2
23	607684		MAIN JET (#102) (FOR ELEVATIONS OF 6000 FT - 10000 FT)	1
24	607983		MAIN JET (#104) (FOR ELEVATIONS OF 3000 FT - 6000 FT)	1

CLUTCH

7 - Includes items 8 to 15



When ordering parts, please specify the model and serial number of the product.

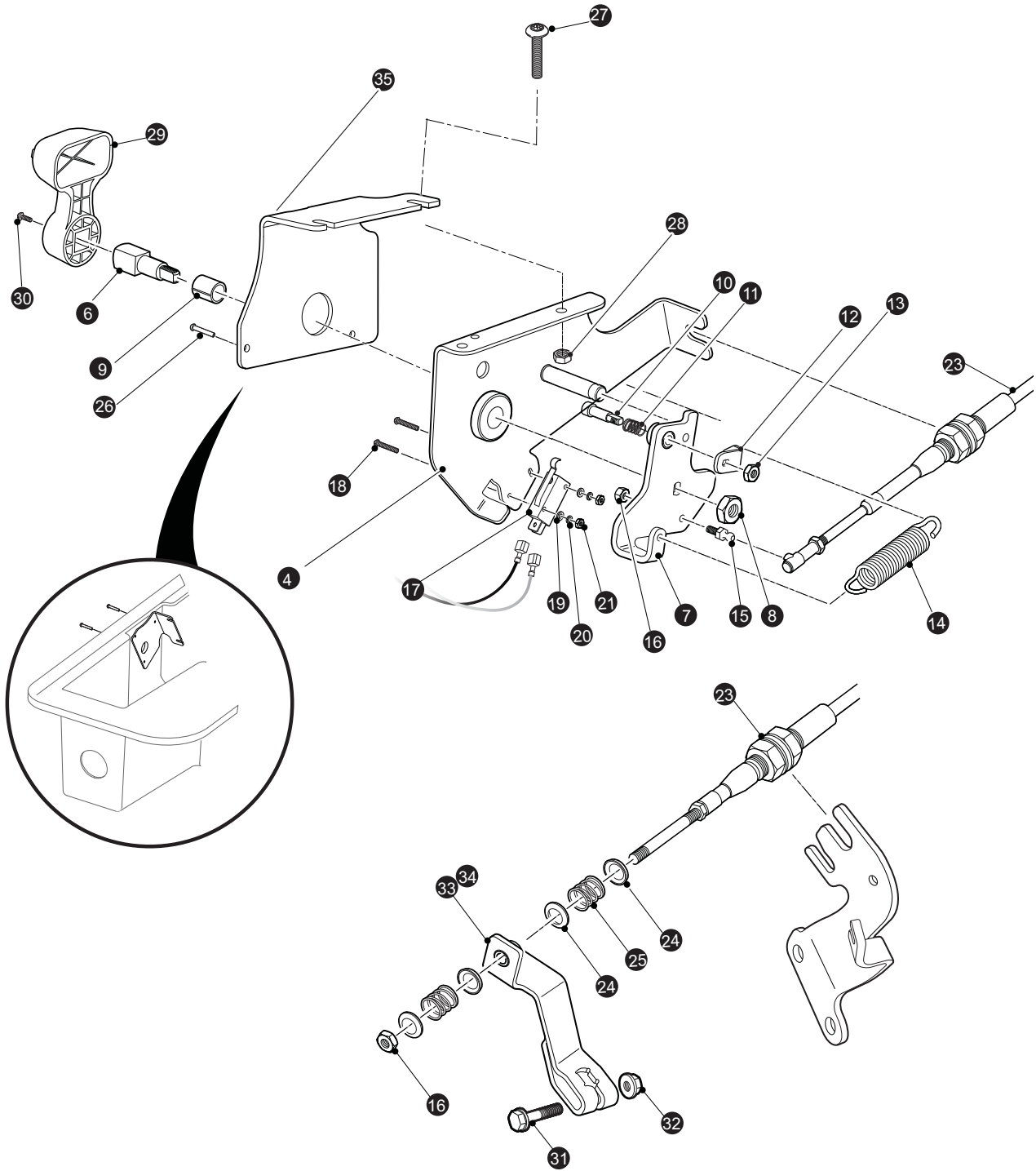
* Indicates a component that is not available as an individual part.

*** Indicates consult Customer Service Department for additional information.

ITEM	PART NO.	1 2 3 4 5	DESCRIPTION	QTY.
1	602000		DRIVE CLUTCH	1
2				
3	606245		BOLT, M12 - 1.25 X 160MM LG	1
4	606239		WASHER, M12	1
5	606230		WASHER	1
6				
7	602001		DRIVEN CLUTCH ASSEMBLY (INCLUDES ITEMS 8 - 15)	1
8	*		MOVABLE SHEAVE	1
9	608210		SCREW, M4 X 25.....	3
10	608204		RAMP BUTTON	3
11	*		CAM.....	1
12				
13	608209		COMPRESSION SPRING	1
14	*		SHEAVE AND POST	1
15	608211		HEAVY DUTY RETAINING RING.....	1
16				
17	606243		BOLT, M12 - 1.25 X 120MM LG	1
18	606239		WASHER, M12	1
19				
20	606136		DRIVE BELT	1

DIRECTION SELECTOR

- 1 - includes Items (16, 23 - 26, 33 - 34)
- 2 - includes Items (4 - 21)



DIRECTION SELECTOR

Where applicable, THE USE OF NON UL PARTS WILL VOID ANY UL LISTING.

When ordering parts, please specify the model and serial number of the product.

* Indicates a component that is not available as an individual part.

G** Indicates consult Customer Service Department for additional information.

ITEM	PART NO.	1 2 3 4 5	DESCRIPTION	QTY.
1	608184		DIRECTION SELECTOR CABLE ASSEMBLY (INCLUDES ITEMS 16, 23-26, 33-34)	1
2	605999		DIRECTION SELECTOR ASSEMBLY (INCLUDES ITEMS 4, 6, 7-21, 23-33) ...	1
3				
4	603627		DIRECTION SELECTOR BRACKET WITH BUSHING (INCLUDES ITEM 9)	1
5				
6	606266		DIRECTION SELECTOR SHAFT	1
7	603700		DIRECTION SELECTOR CAM	1
8	14390G1		LOCK NUT, 3/8 - 24	1
9	*		BUSHING	1
10	72724G01		NEUTRAL LOCK PIN	1
11	72733G01		COMPRESSION SPRING, 3/8" X 5/8" LG	1
12	72729G01		NEUTRAL LOCK BRACKET	1
13	00734G2		LOCK NUT, 1/4 - 28	1
14	28574G01		EXTENSION SPRING	1
15	72732G01		BALL STUD, 1/4"	1
16	00734G5		LOCK NUT, #10 - 32	1
17	72736G01		MICRO SWITCH	1
18	01062G01		SCREW, #4 - 40 X 1" LG	2
19	00559G1		WASHER, #4	2
20	00565G1		LOCK WASHER, #4	2
21	00526G2		NUT, #4 - 40	2
22				
23	605809		PUSH / PULL SHIFTER CABLE	1
24	25727G01		CUP WASHER, 1/4"	4
25	72735G01		COMPRESSION SPRING, 19/32" X 1" LG	2
26	14608G8		RIVET	3
27	70227G01		SCREW, 1/4 - 20 X 7/8" LG	2
28	11027G2		LOCK NUT, 1/4 - 20	2
29	71205G01		DIRECTION SELECTOR HANDLE	1

DIRECTION SELECTOR

Where applicable, THE USE OF NON UL PARTS WILL VOID ANY UL LISTING.

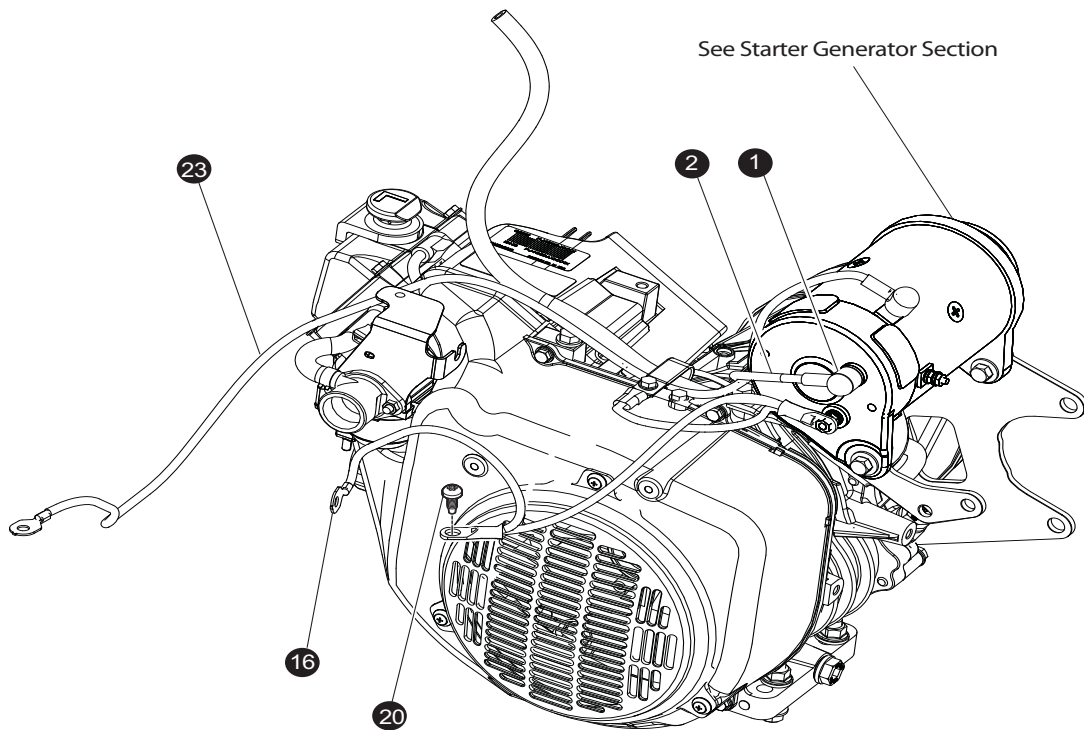
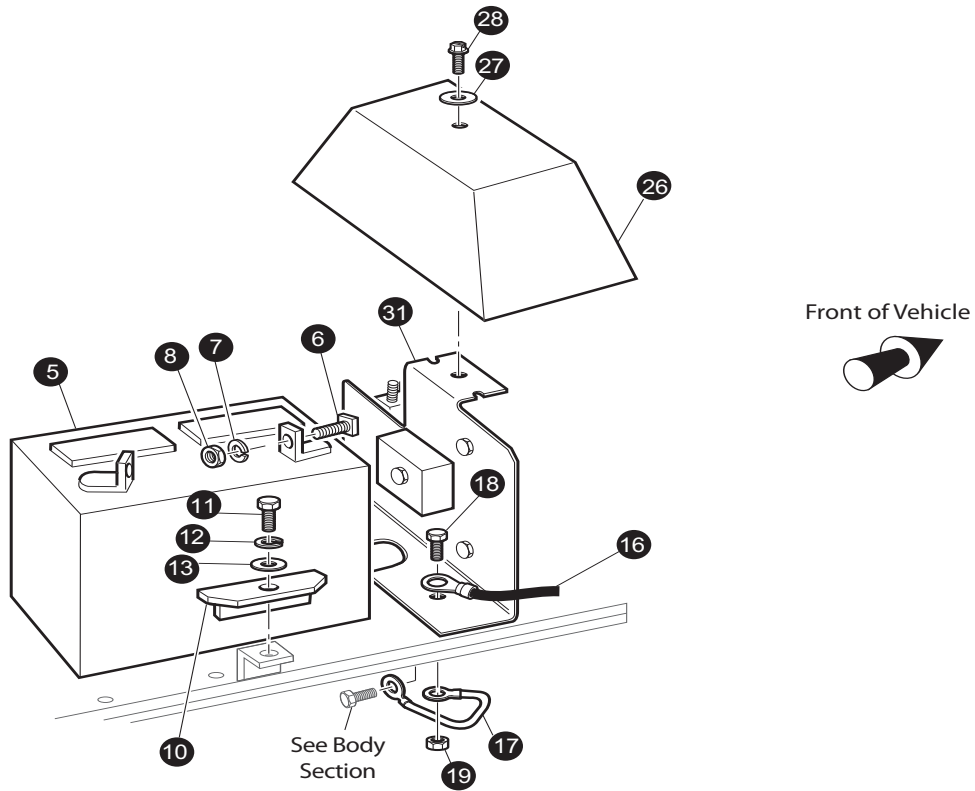
When ordering parts, please specify the model and serial number of the product.

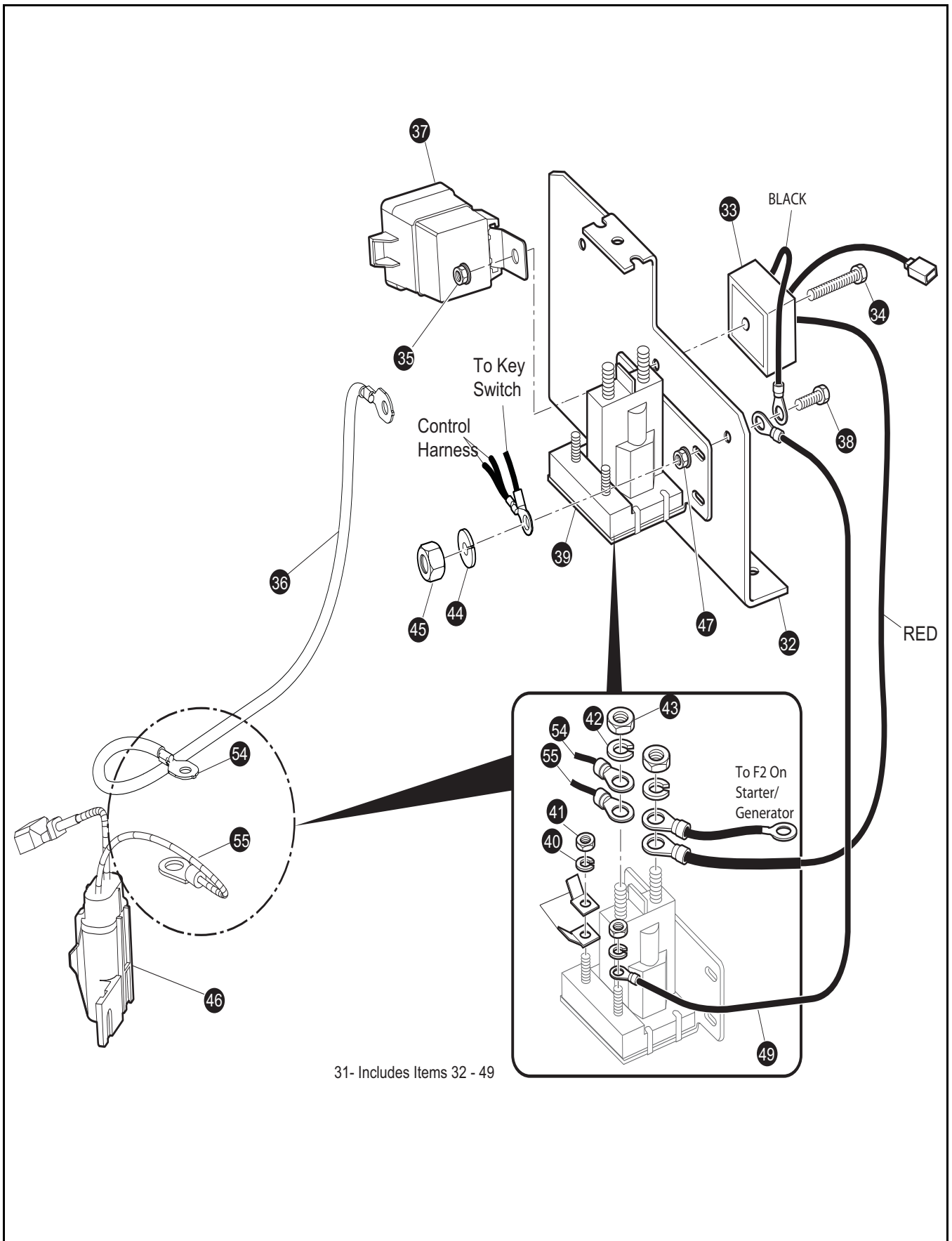
* Indicates a component that is not available as an individual part.

G** Indicates consult Customer Service Department for additional information.

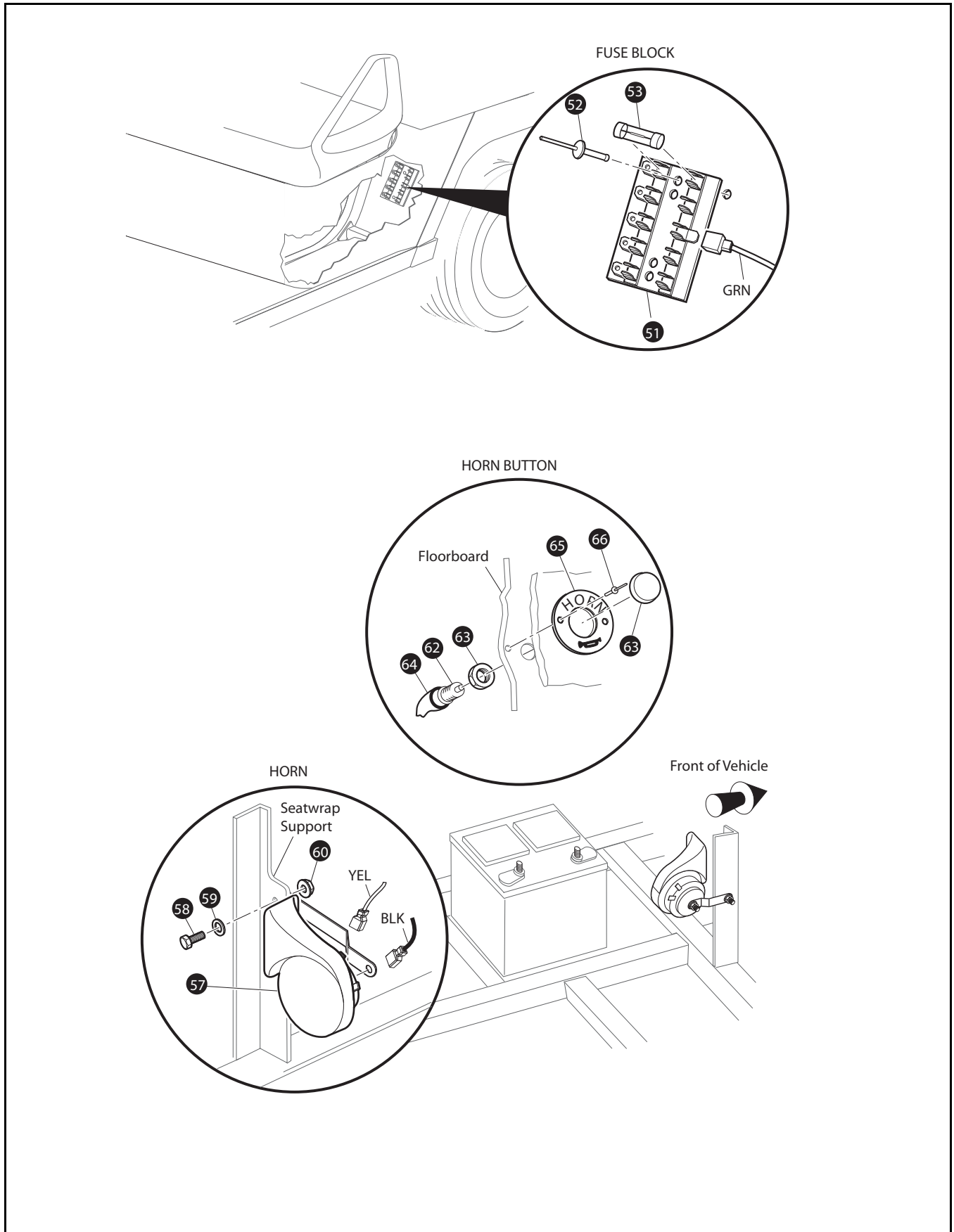
ITEM	PART NO.	1 2 3 4 5	DESCRIPTION	QTY.
30	00740G4		SCREW, #10 - 32 X 1/2" LG (STAINLESS STEEL)	1
31	606421		BOLT, M6 - 1.00 X 30	1
32	450452		NUT, M6 - 1.00	1
33	606014		BRACKET	1
34	*		BUSHING, FLIP LOK, 0.25	1
35				
36	605869		MOUNTING BRACKET	1

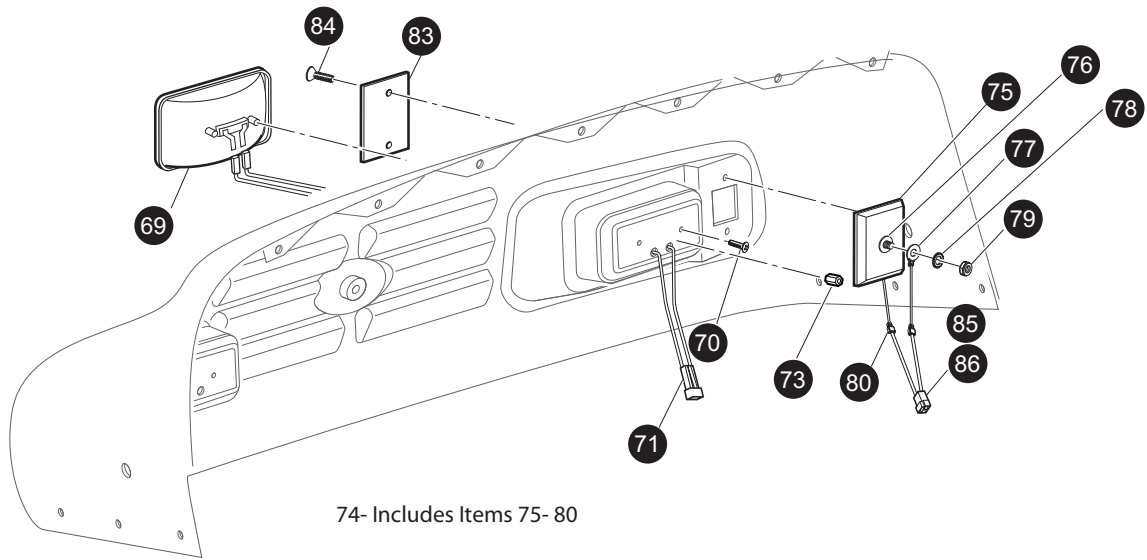
ELECTRICAL SYSTEM





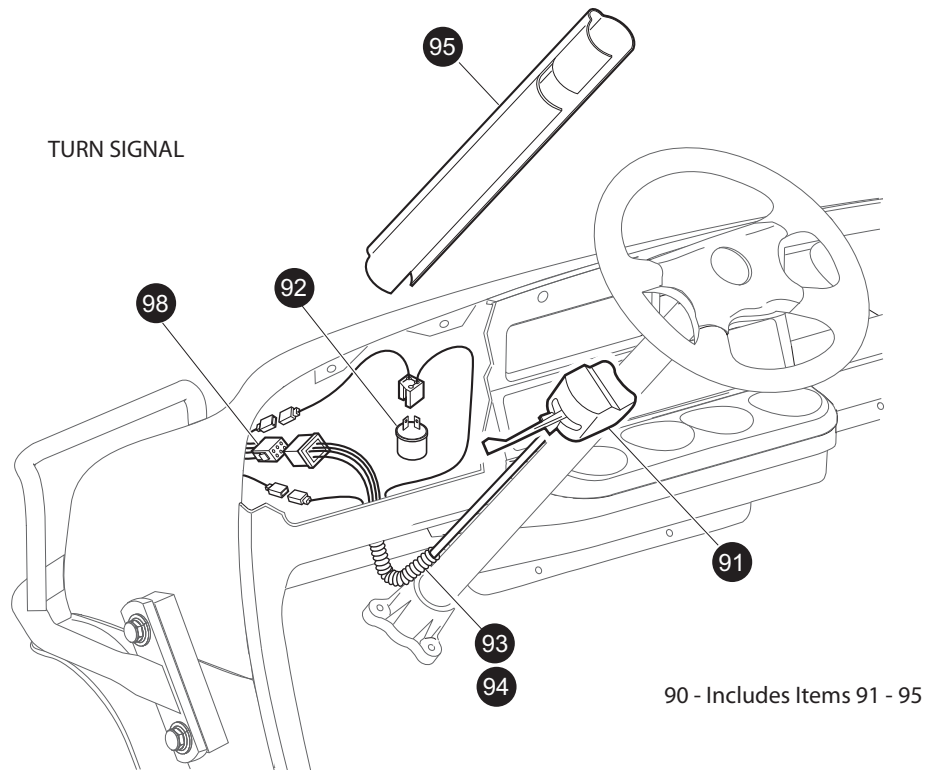
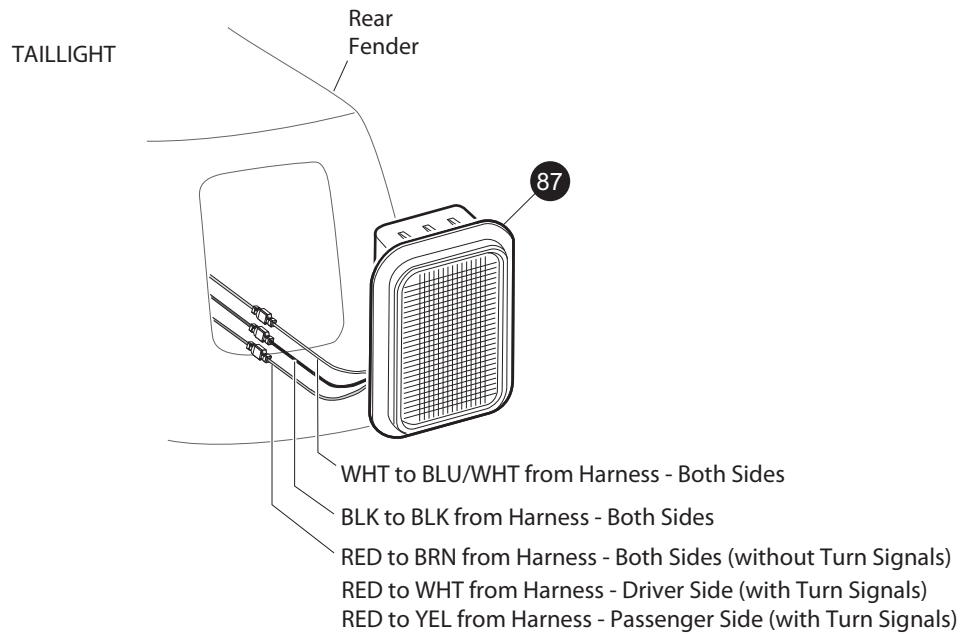
ELECTRICAL SYSTEM





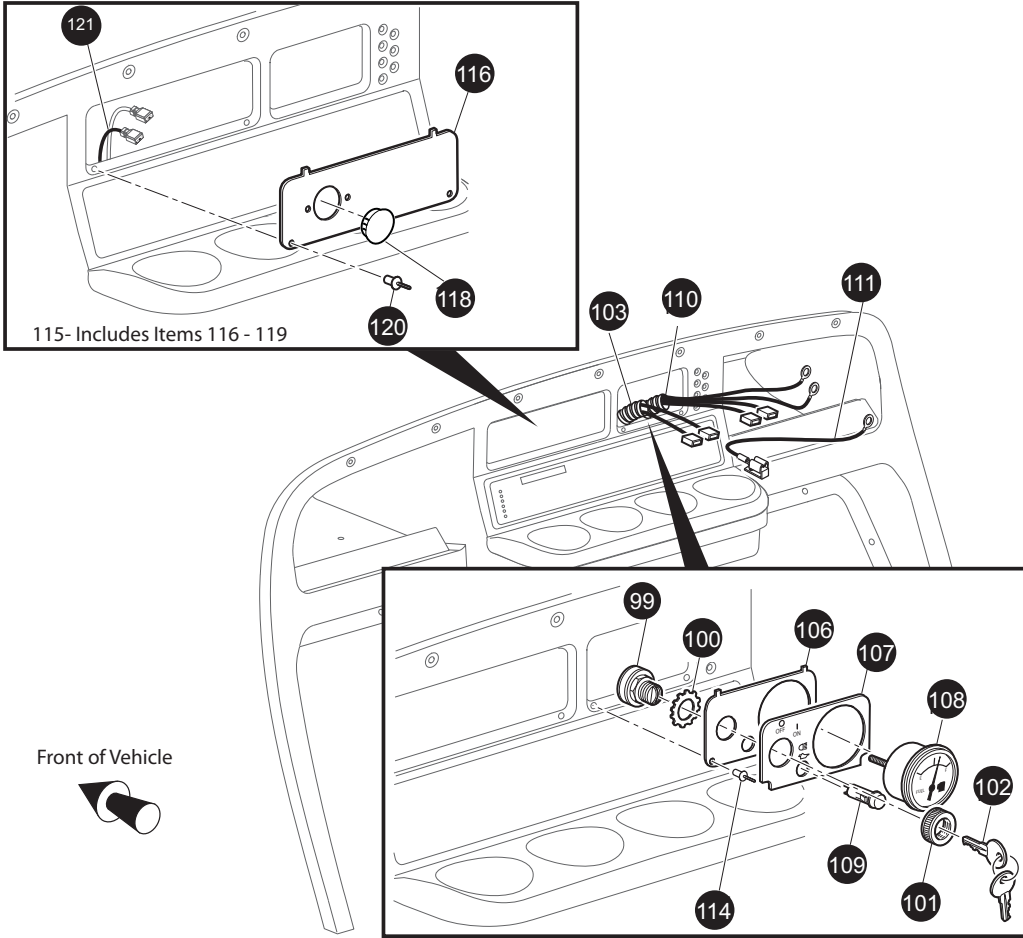
Ref Ele 11-4

ELECTRICAL SYSTEM

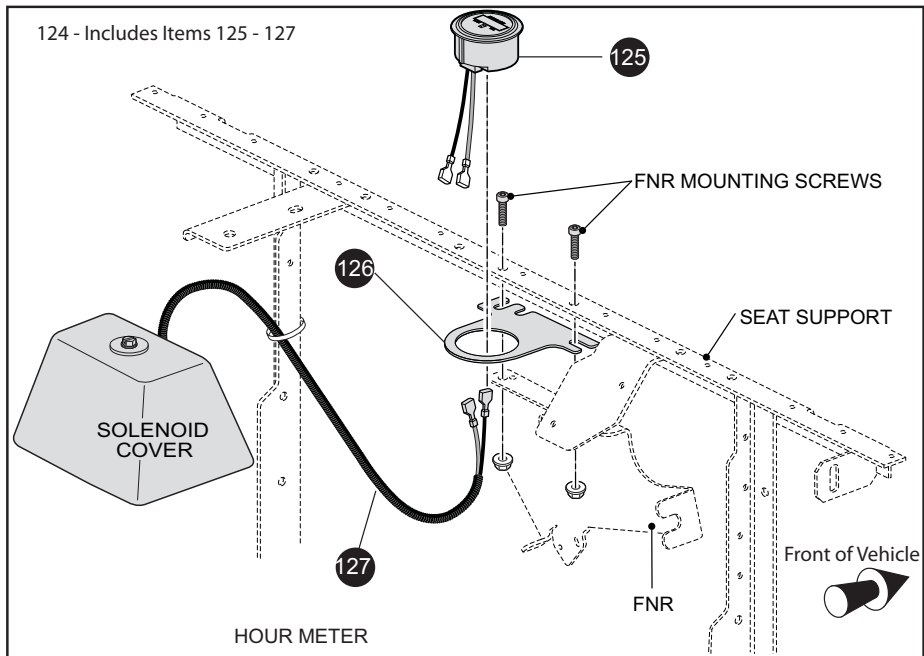


Ref Ele 11-5

CONSOLE INSERT PLATE (WITH POWER OUTLET SHOWN)



124 - Includes Items 125 - 127



Ref Ele 11-6

ELECTRICAL SYSTEM

THE USE OF NON UL PARTS WILL VOID ANY UL LISTING.

When ordering parts, please specify the model and serial number of the product.

* Indicates a component that is not available as an individual part.

G** Indicates consult Customer Service Department for additional information.

ITEM	PART NO.	1 2 3 4 5	DESCRIPTION	QTY.
1	607053		6 GA WIRE (BLACK 6", F1 - A2).....	1
2	25682G01		TERMINAL COVER	3
3				
4				
5	24775G*		BATTERY, 12V	1
6	*		BOLT, 5/16 - 18 X 1 1/4" LG.....	2
7	*		LOCK WASHER, 5/16" (SILICON BRONZE)	2
8	*		NUT, 5/16 - 18 (SILICON BRONZE)	2
9				
10	72101G02		BATTERY HOLD DOWN.....	1
11	00438G6		BOLT, 5/16 - 18 X 3/4" LG	3
12	00565G8		LOCK WASHER, 5/16".....	1
13	00571G2		WASHER, 5/16" (STAINLESS STEEL)	1
14				
15				
16	27044G03		GROUND CABLE.....	1
17	25976G19		14 GA WIRE (BLACK 6")	1
18	00438G6		BOLT, 5/16 - 18 X 3/4" LG	2
19	11027G1		LOCK NUT, 5/16 - 18	2
20	26676G01		FLANGED BOLT	1
21				
22				
23	607103		6 GA WIRE (42" LONG).....	1
24	605777		WIRE HARNESS (CONTROL).....	1
25	17618G1		WIRE TIE (NOT ILLUSTRATED)	AR
26	73049G01		COVER FNR	1
27	16469G1		WASHER, 1/4"	1
28	00114G6		SCREW, 1/4 - 14 X 3/4" LG.....	1
29				
30				

ELECTRICAL SYSTEM

THE USE OF NON UL PARTS WILL VOID ANY UL LISTING.
 When ordering parts, please specify the model and serial number of the product.
 * Indicates a component that is not available as an individual part.
 G** Indicates consult Customer Service Department for additional information.

ITEM	PART NO.	1 2 3 4 5	DESCRIPTION	QTY.
31	605563		ELECTRICAL PLATE ASSEMBLY (INCLUDES ITEMS 32 - 49)	1
32	73057G01		BRACKET	1
33	27739G01		VOLTAGE REGULATOR	1
34	00415G4		BOLT, 1/4 - 20 X 1 1/4" LG.....	1
35	11027G2		LOCK NUT, 1/4 - 20	1
36	25972G33		WIRE ASSEMBLY 6 GA	1
37	603282		RELAY	1
38	00661G8		BOLT, 1/4 - 20 X 1" LG.....	1
39	27153G01		SOLENOID	1
40	*		LOCK WASHER, #10	2
41	*		NUT, #10 - 32	2
42	*		LOCK WASHER, 5/16"	2
43	*		NUT, 5/16 - 24	2
44	00664G7		LOCK WASHER - SS - .255/.263.....	1
45	00532G1		NUT, 1/4 - 20	1
46	600418G01		FUSE HOLDER ASSEMBLY	1
47	11027G2		LOCK NUT, 1/4 - 20	1
48	73446G01		FASTON TAB, 90°	2
49	25978G56		18 GA WIRE (BLACK 5 3/4").....	1
50				
51	22674G1		FUSE BLOCK.....	1
52	01041G01		RIVET, 1/8" X 13/16" LG	2
53	18392G1		15 AMP FUSE	3
54	25972G33		#6 GA WIRE ASSEMBLY	1
55	20216G1		16 GA WIRE (RED).....	1
56				
57	32860G1		HORN.....	1
58	00414G5		BOLT, 1/4 - 20 x 5/8" LG.....	1
59	00559G7		WASHER, 1/4" (STAINLESS STEEL)	1
60	14390G4		LOCK NUT, 1/4 - 20	1

ELECTRICAL SYSTEM

THE USE OF NON UL PARTS WILL VOID ANY UL LISTING.

When ordering parts, please specify the model and serial number of the product.

* Indicates a component that is not available as an individual part.

G** Indicates consult Customer Service Department for additional information.

ITEM	PART NO.	1 2 3 4 5	DESCRIPTION	QTY.
61				
62	17318G1		HORN SWITCH.....	1
63	17318G2		HORN SWITCH CAP AND NUT	1
64	27068G01		HORN SWITCH BOOT	1
65	19233G1		HORN SWITCH LABEL	1
66	71055G01		RIVET, 3/16" X 1" LG (ALUMINUM)	2
67				
68				
69	22523G01		HEADLIGHT (INCLUDES ITEM 70).....	2
70	00906G6		SCREW, #10 - 16 X 1" LG	4
71	74337G01		JUMPER WIRE (HEADLIGHT)	2
72				
73	605953		SPACER.....	4
74	20570G3		TURN SIGNAL LIGHT ASSEMBLY (INCLUDES ITEMS 75 - 80).....	2
75	20574G3		TURN SIGNAL LIGHT	1
76	00660G7		WASHER, 1/4" (STAINLESS STEEL).....	1
77	20606G1		WIRE ASSEMBLY	1
78	00567G7		LOCK WASHER, 1/4"	1
79	00532G1		NUT, 1/4 - 20.....	1
80	18995G1		PUSH-ON TERMINAL (MALE)	1
81				
82				
83	20574G4		LENS, AMBER	1
84	00118G5		SCREW, #6 - 18 X 5/8" LG.....	4
85	74056G01		TURN SIGNAL JUMPER, RED/BLACK (PASSENGER SIDE)	1
86	74056G02		TURN SIGNAL JUMPER, GREEN/BLACK (DRIVER SIDE)	1
87	32739G2		TAILLIGHT ASSEMBLY (COMPLETE)	2
88				
89				
90	606887		TURN SIGNAL KIT (INCLUDES ITEMS 91 - 95).....	1

ELECTRICAL SYSTEM

THE USE OF NON UL PARTS WILL VOID ANY UL LISTING.

When ordering parts, please specify the model and serial number of the product.

* Indicates a component that is not available as an individual part.

G** Indicates consult Customer Service Department for additional information.

ITEM	PART NO.	1	2	3	4	5	DESCRIPTION	QTY.
91	17867G1						TURN SIGNAL (WITH MOUNTING HARDWARE) (INCLUDES ITEM 106).	1
92	21640G1						TURN SIGNAL FLASHER.....	1
93	32307G3						FLEX LOOM, 3/8 X 8" LG.....	1
94	17618G1						WIRE TIE.....	2
95	20965G3						STEERING COLUMN COVER.....	1
96								
97								
98	606046						WIRE HARNESS (ACCESSORY).....	1
99	33639G01						IGNITION SWITCH (WITH LIGHTS).....	1
100	00568G6						LOCK WASHER, 3/4".....	1
101	17137G1						FACE NUT, 3/4 - 20.....	1
102	17063G1						IGNITION KEY.....	1
103	605866						WIRE HARNESS (KEY SWITCH).....	1
104								
105								
106	73030G04						PLATE (FUEL GAUGE AND OIL LIGHT).....	1
107	71127G01						LABEL (OIL LIGHT AND FUEL GAUGE WITH HEADLIGHTS).....	1
108	21553G1						FUEL GAUGE.....	1
109	23474G1						INDICATOR LIGHT.....	1
110	74311G01						HARNESS (OIL LIGHT/FUEL GAUGE).....	1
111	25978G122						18 GA WIRE (RED 6").....	1
112								
113								
114	33623G02						DRIVE RIVET, 3/16" X 3/8" LG.....	2
115	74693G02						CONSOLE INSERT ASSEMBLY (INCLUDES ITEMS 116 - 119).....	1
116	73522G03						CONSOLE INSERT PLATE.....	1
117								
118	20271G10						PLUG.....	1
119								
120	33623G02						DRIVE RIVET, 3/16" X 3/8" LG.....	3

ELECTRICAL SYSTEM

THE USE OF NON UL PARTS WILL VOID ANY UL LISTING.

When ordering parts, please specify the model and serial number of the product.

* Indicates a component that is not available as an individual part.

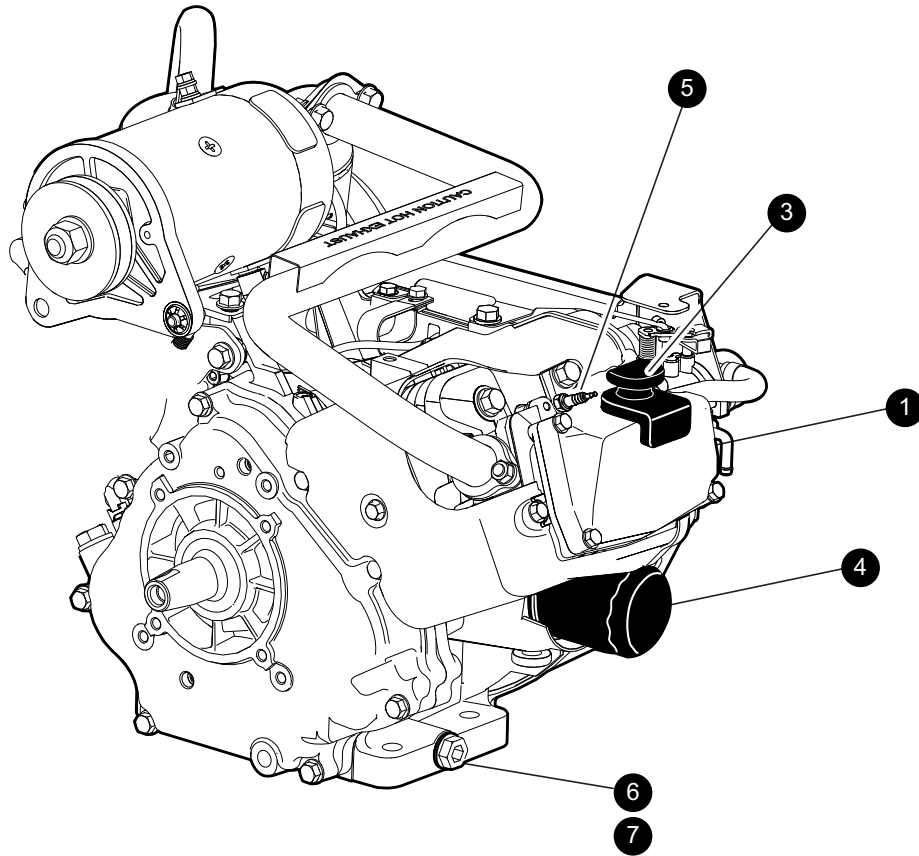
G** Indicates consult Customer Service Department for additional information.

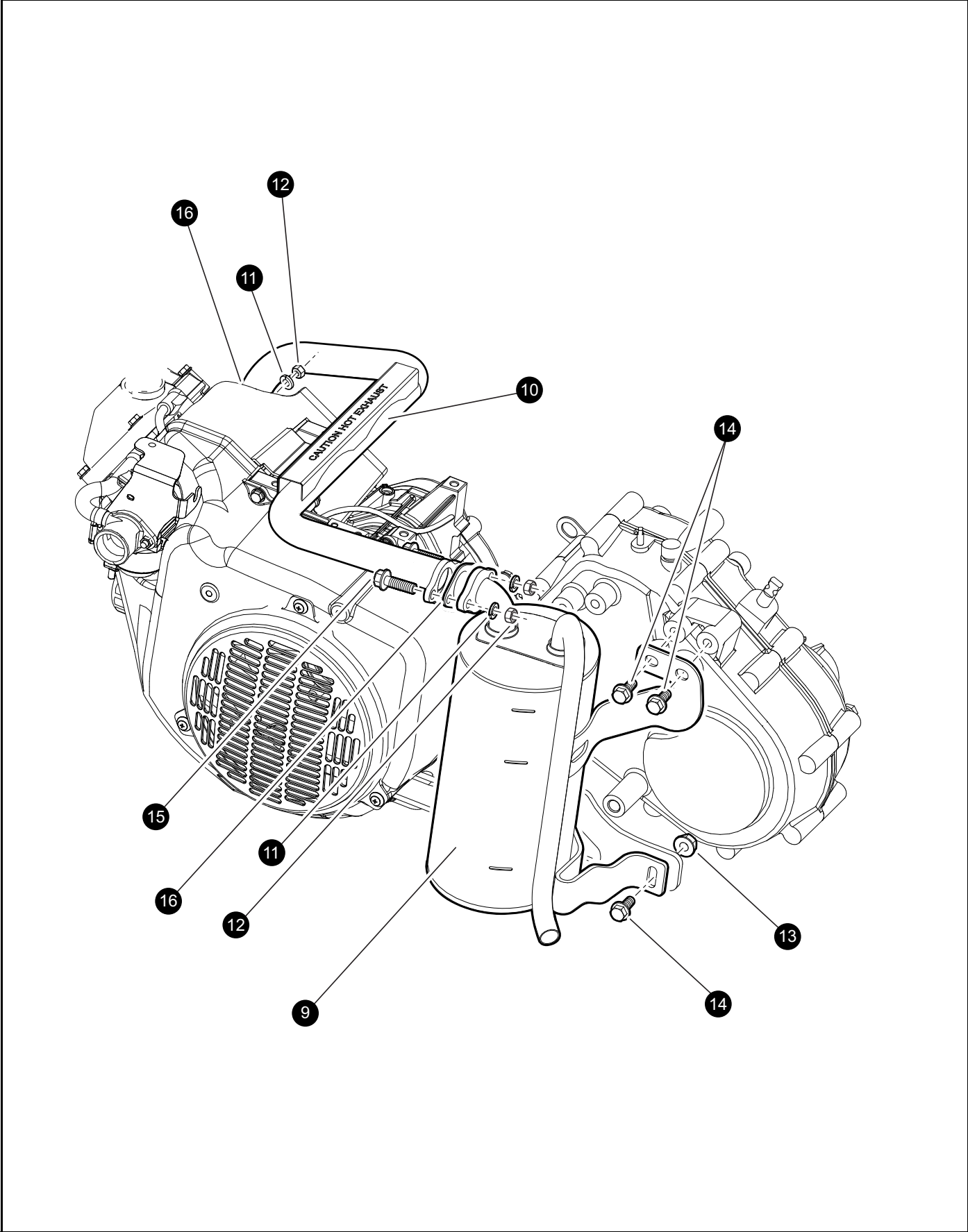
ITEM	PART NO.	1 2 3 4 5	DESCRIPTION	QTY.
121	71081G01		WIRE HARNESS (POWER OUTLET)	1
122				
123				
124	607285		HOUR METER KIT (INCLUDES ITEMS 125 - 127)	1
125	603720		HOUR METER.....	1
126	603721		HOUR METER BRACKET.....	1
127	606254		WIRE HARNESS (HOUR METER).....	1
128	31539G1		NYLON CLAMP 15.5" (NOT ILLUSTRATED)	AR
129	73290G03		CONT TONE POTTED BUZZER (NOT SHOWN).....	1

Notes:

A large grid of graph paper for taking notes, consisting of 20 columns and 30 rows of small squares.

ENGINE AND MUFFLER





ENGINE AND MUFFLER

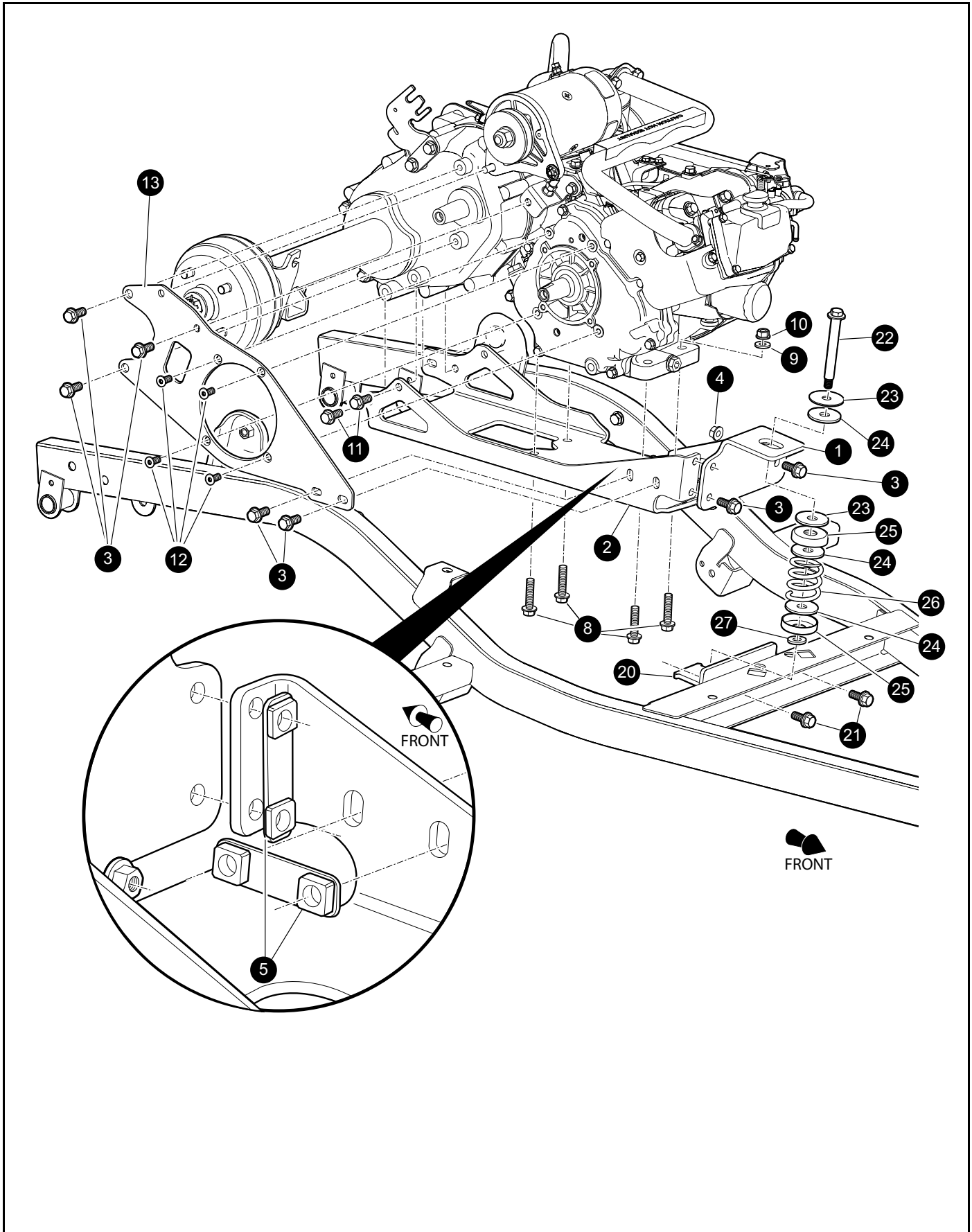
When ordering parts, please specify the model and serial number of the product.

* Indicates a component that is not available as an individual part.

*** Indicates consult Customer Service Department for additional information.

ITEM	PART NO.	1 2 3 4 5	DESCRIPTION	QTY.
1	607154		ENGINE, GAS, 13HP, NON-GOLF	1
2				
3	606391		DIP STICK	1
4	607454		OIL FILTER	1
5	607462		SPARK PLUG (BPR2ES)	1
6	603557		OIL DRAIN PLUG	1
7	603562		'O' RING, 16MM.....	1
8				
9	606984		MUFFLER	1
10	606982		EXHAUST PIPE	1
11	606272		WASHER, 8MM.....	4
12	606267		NUT, M8 X 1.25	4
13	606279		NUT, M10 - 1.25	1
14	606256		BOLT, M10 - 1.25 X 25	3
15	602330		BOLT, M8 - 1.25 X 30	2
16	603599		EXHAUST GASKET	2

ENGINE MOUNTING



ENGINE MOUNTING

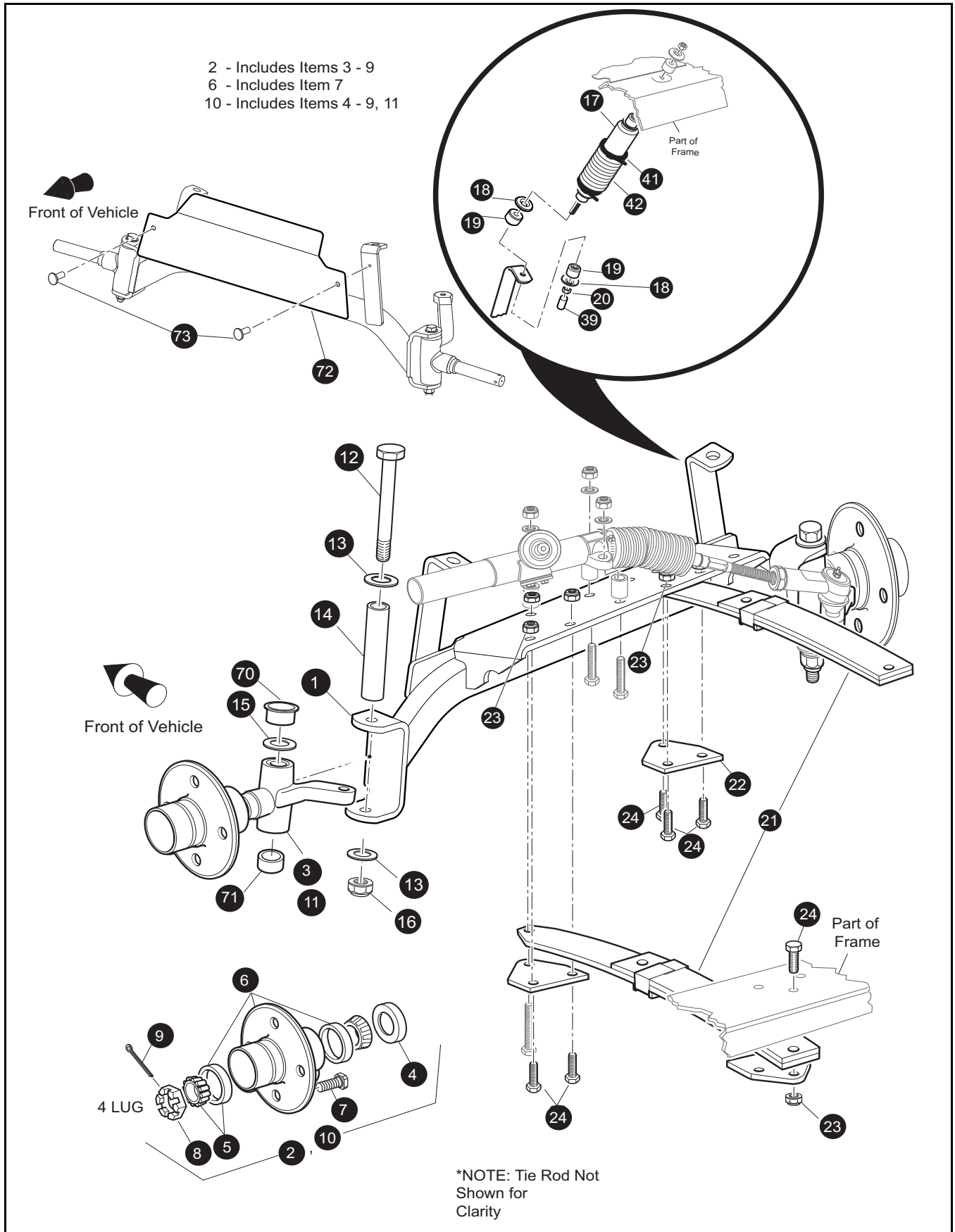
When ordering parts, please specify the model and serial number of the product.

* Indicates a component that is not available as an individual part.

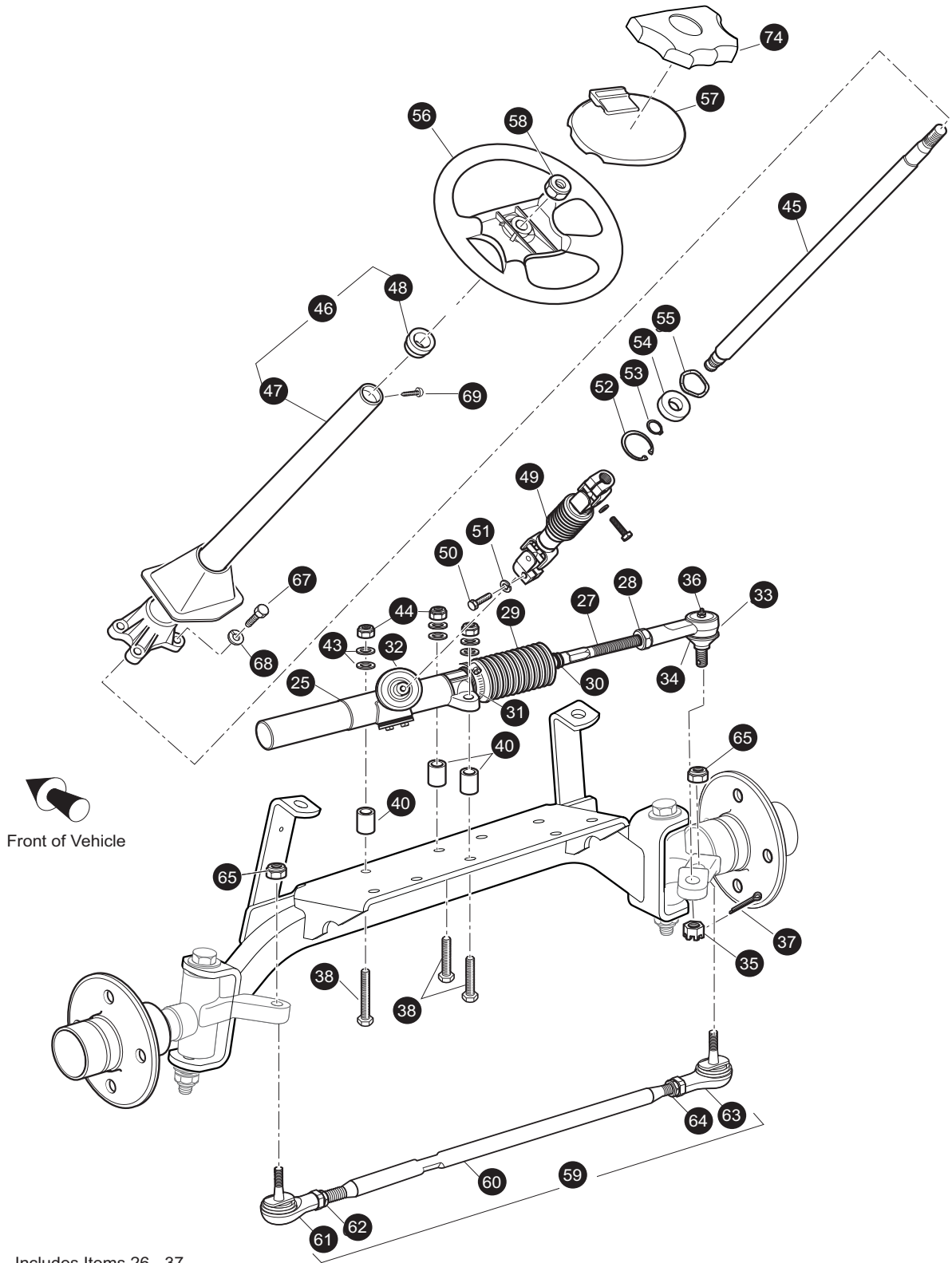
*** Indicates consult Customer Service Department for additional information.

ITEM	PART NO.	1 2 3 4 5	DESCRIPTION	QTY.
1	606007		FRONT ENGINE MOUNT	1
2	603101		ENGINE PAN MOUNT	1
3	606256		BOLT, M10 - 1.25 X 25.....	10
4	606279		NUT, M10 - 1.25.....	1
5	606096		NUT PLATE.....	2
6				
7				
8	606259		BOLT,	4
9	603823		FLAT WASHER, M10 X 22 - 2.5	4
10	606279		NUT, M10 - 1.25.....	4
11	608020		BOLT, M10 - 1.25 X 34.....	4
12	606246		FLAT HEAD SCREW, T40	4
13	602146		DIFFERENTIAL PLATE	1
14				
15				
16				
17				
18				
19				
20	603683		ISO MOUNT.....	1
21	603799		BOLT, M10 -1.0 X 25.....	2
22	607299		BOLT, M10 - 1.5	1
23	607297		RUBBER WASHER	2
24	607298		DELTRIN WASHER	3
25	24939G2		CAP ADAPTER.....	2
26	606166		COMPRESSION SPRING	1
27	604066		WASHER, M10 - 10.5 X 30.....	1

FRONT SUSPENSION/STEERING



FRONT SUSPENSION/STEERING



- 25 - Includes Items 26 - 37
- 33 - Includes Items 34 - 37
- 46 - Includes Items 47,48,69
- 49 - Includes Items 51, 52
- 59 - Includes Items 60 - 64

FRONT SUSPENSION/STEERING

Where applicable, THE USE OF NON UL PARTS WILL VOID ANY UL LISTING.

When ordering parts, please specify the model and serial number of the product.

* Indicates a component that is not available as an individual part.

G** Indicates consult Customer Service Department for additional information.

ITEM	PART NO.	1 2 3 4 5	DESCRIPTION	QTY.
1	606989		FRONT AXLE	1
2	70930-G01		SPINDLE AND HUB ASSEMBLY, 4 LUG (PASSENGER SIDE) (INCLUDES ITEMS 3 - 9).....	1
3	70802-G01		SPINDLE ASSEMBLY (PASSENGER SIDE).....	1
4	25146-G1		GREASE SEAL.....	1
5	11750-G2		ROLLER BEARING AND RACE ASSEMBLY.....	2
6	35886-G01		WHEEL HUB ASSEMBLY WITH RACES, 4 LUG (INCLUDES ITEM 7)	1
7	19862-G1		LUG BOLT, 1/2 - 20 X 1 3/16" LG.....	4
8	12093-G1		CASTELLATED NUT, 1 - 14	1
9	00798-G8		COTTER PIN, 5/32" X 1 3/4" LG	1
10	70931-G01		SPINDLE AND HUB ASSEMBLY, 4 LUG (DRIVER SIDE) (INCLUDES ITEMS 4 - 9, 11).....	1
11	70803-G01		SPINDLE ASSEMBLY (DRIVER SIDE)	1
12	00407-G6		BOLT, 1/2 - 13 X 6" LG	2
13	00560-G3		WASHER, 1/2"	4
14	70745-G01		KING PIN TUBE	2
15	70754-G01		THRUST WASHER, 1" (STAINLESS STEEL).....	2
16	14390-G6		LOCK NUT, 1/2 - 13	2
17	76419-G01		SHOCK ABSORBER.....	2
18	10435-G1		SHOCK ABSORBER WASHER	8
19	10194-G1		RUBBER BUSHING	8
20	00532-G6		NUT, 3/8 - 24	4
21	70664-G03		LEAF SPRING (HEAVY DUTY)	2
22	70163-G03		SPRING PLATE	4
23	00734-G1		LOCK NUT, 7/16 - 14	12
24	00463-G11		BOLT, 7/16 - 14 X 1 3/4" LG	12
25	70964-G01		RACK AND PINION UNIT (COMPLETE) (INCLUDES ITEMS 26 - 37)	1
26	*		STEERING BOX INSTALLATION TAG.....	1
27	70694-G01		RACK EXTENSION	1
28	*		JAM NUT, 1/2 - 20.....	1
29	70961-G01		RACK BOOT.....	1

FRONT SUSPENSION/STEERING

Where applicable, THE USE OF NON UL PARTS WILL VOID ANY UL LISTING.

When ordering parts, please specify the model and serial number of the product.

* Indicates a component that is not available as an individual part.

G** Indicates consult Customer Service Department for additional information.

ITEM	PART NO.	1 2 3 4 5	DESCRIPTION	QTY.
30	12416-G2		WIRE TIE	1
31	11391-G8		CLAMP, 1 13/16 - 2 3/8"	1
32	70638-G01		PINION SEAL	1
33	70695-G01		RACK BALL JOINT (INCLUDES ITEMS 34 -37)	1
34	50641-G1		RUBBER BOOT	1
35	50209-G2		CASTELLATED NUT, 7/16 - 20	1
36	10387-G2		GREASE FITTING, STRAIGHT	1
37	10389-G3		COTTER PIN, 3/32" X 1" LG	1
38	00464-G6		BOLT, 7/16 - 14 X 2 3/4" LG	3
39	10044G01		VINYL CAP	2
40	70667-G02		SPACER	3
41	31539G1		NYLON CLAMP	4
42	70509G01		SHOCK ABSORBER BOOT	2
43	00560-G2		FLAT WASHER, 7/16"	6
44	00734-G1		LOCK NUT, 7/16 - 14	3
45	70607-G01		STEERING SHAFT	1
46	70758-G05		STEERING COLUMN KIT (INCLUDES ITEMS 47,48 & 69)	1
47	70610-G03		STEERING COLUMN	1
48	28569-G01		STEERING COLUMN BUSHING	1
49	70580-G01		INTERMEDIATE SHAFT (INCLUDES ITEMS 50, 51)	1
50	01055-G01		BOLT, M8 X 1.25 - 05	1
51	00565-G8		LOCK WASHER, 5/16"	1
52	70751-G01		RETAINING RING (INTERNAL)	1
53	70888-G01		RETAINING RING (EXTERNAL)	1
54	15112-G1		BALL BEARING	1
55	70887-G01		WAVE WASHER	1
56	602980		STEERING WHEEL	1
57	71950-G01		CLIPBOARD	1
58	14390-G2		LOCK NUT, 5/8 - 18	1
59	70876-G02		TIE ROD ASSEMBLY (INCLUDES ITEMS 60 - 64)	1

FRONT SUSPENSION/STEERING

Where applicable, THE USE OF NON UL PARTS WILL VOID ANY UL LISTING.

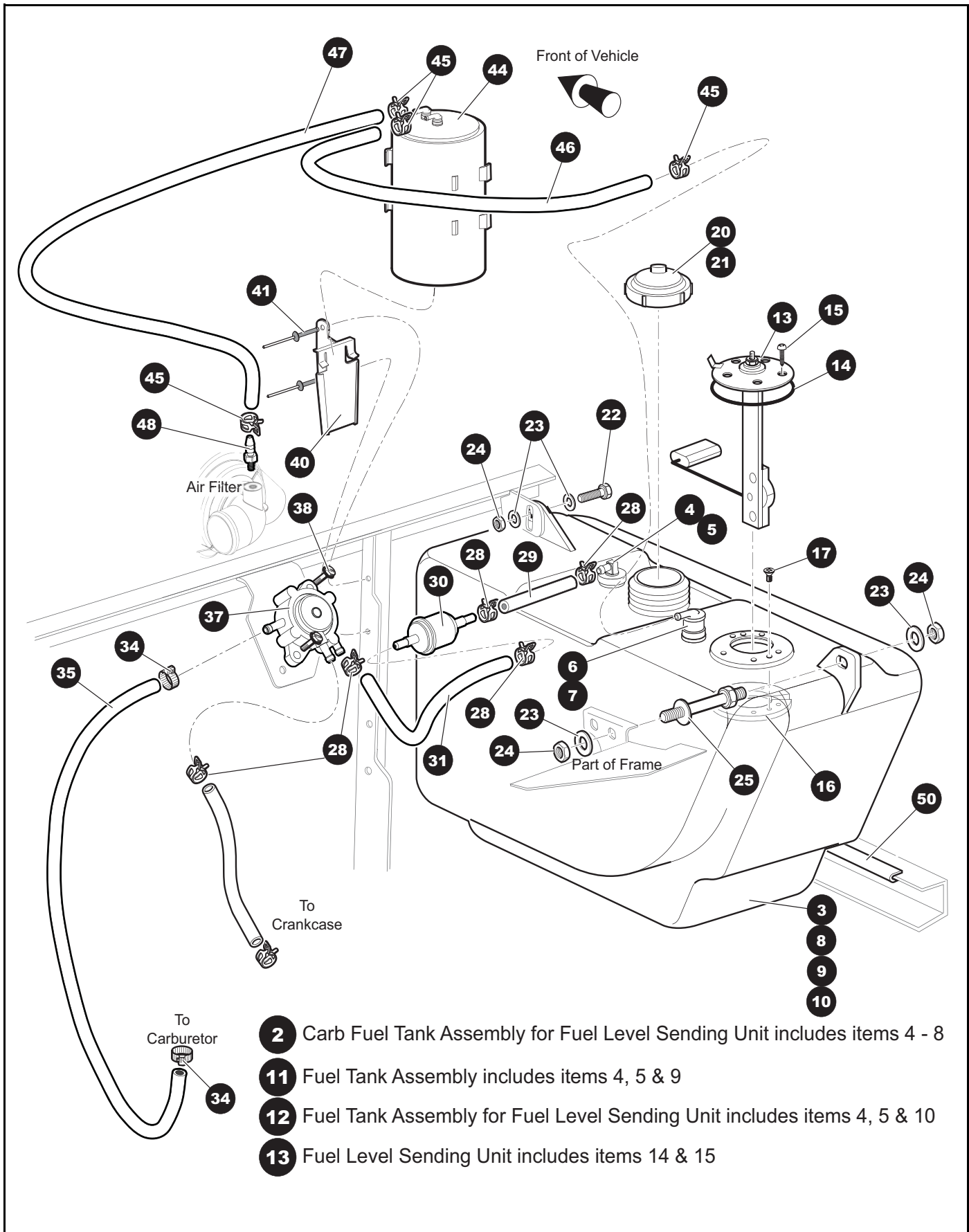
When ordering parts, please specify the model and serial number of the product.

* Indicates a component that is not available as an individual part.

G** Indicates consult Customer Service Department for additional information.

ITEM	PART NO.	1	2	3	4	5	DESCRIPTION	QTY.
60	70897-G02						THREADED ROD (24" LG).....	1
61	70902-G01						TIE ROD END (LEFT HAND THREADS)	1
62	01069-G01						JAM NUT, M12 X 1.25 - 05 (LEFT HAND THREADS).....	1
63	70902-G02						TIE ROD END (RIGHT HAND THREADS).....	1
64	01069-G02						JAM NUT, M12 X 1.25 - 05 (RIGHT HAND THREADS)	1
65	00734-G1						LOCK NUT, 7/16 - 14	2
66								
67	01006-G01						BOLT, 3/8 - 16 x 1 1/4" LG.....	4
68	00879 -G1						LOCK WASHER, 3/8".....	4
69	01022-G01						SCREW #6 - 20 x 5/16" LG	1
70	70648-G01						FLANGED BEARING	1
71	70749-G01						BEARING	1
72	605642						STEERING RACK COVER	1
73	15058G1						RIVET	2
74	71147G01						STEERING WHEEL COVER	1

FUEL SYSTEM



- 2** Carb Fuel Tank Assembly for Fuel Level Sending Unit includes items 4 - 8
- 11** Fuel Tank Assembly includes items 4, 5 & 9
- 12** Fuel Tank Assembly for Fuel Level Sending Unit includes items 4, 5 & 10
- 13** Fuel Level Sending Unit includes items 14 & 15

FUEL SYSTEM

When ordering parts, please specify the model and serial number of the product.

* Indicates a component that is not available as an individual part.

*** Indicates consult Customer Service Department for additional information.

ITEM	PART NO.	1 2 3 4 5	DESCRIPTION	QTY.
1				
2	620182		CARB FUEL TANK ASSEMBLY (use with sending unit) (inc items 4 - 8)	1
3				
4	70988G01		SIPHON TUBE GROMMET	1
5	18287G3		SIPHON TUBE ASSEMBLY	1
6	606068		ROLLOVER VALVE GROMMET	1
7	606067		ROLLOVER VALVE	1
8	607479		CARB STANDARD FUEL TANK	1
9	605701		STANDARD FUEL TANK	1
10	605523		STANDARD FUEL TANK FOR USE WITH SENDING UNIT	1
11	605521		FUEL TANK ASSEMBLY (includes items 4, 5 & 9)	1
12	605704		FUEL TANK ASSEMBLY (use with sending unit) (inc items 4, 5 & 10)	1
13	20048G2		FUEL LEVEL SENDING UNIT (includes items 14 & 15)	1
14	*		GASKET	1
15	*		STAINLESS STEEL HEX HEAD SCREW WITH SEALANT, #10 - 32 X 1/2	5
16	72229G01		FUEL TANK ADAPTER.....	1
17	72230G01		FLAT HEAD PHILLIPS SCREW, #6 - 32 X .50	2
18				
19	72282G01		FUEL FILL CAP	1
20	606211		CARB FUEL FILL CAP	1
21				
22	00438G8		HEX HEAD BOLT, 5/16 - 18 X 1	1
23	00559G8		FLAT WASHER, 5/16	4
24	11098G6		LOCK NUT, 5/16 - 18	3
25	70483G01		SPACER BOLT, 5/16 - 18.....	1
26				
27				
28	18292G1		HOSE CLAMP, .50 DIAMETER	5
29	607007		FUEL SYSTEM HOSE, 3.25"	1
30	72084G01		FUEL LINE FILTER.....	1
31	606969		FUEL SYSTEM HOSE, 8"	1

FUEL SYSTEM

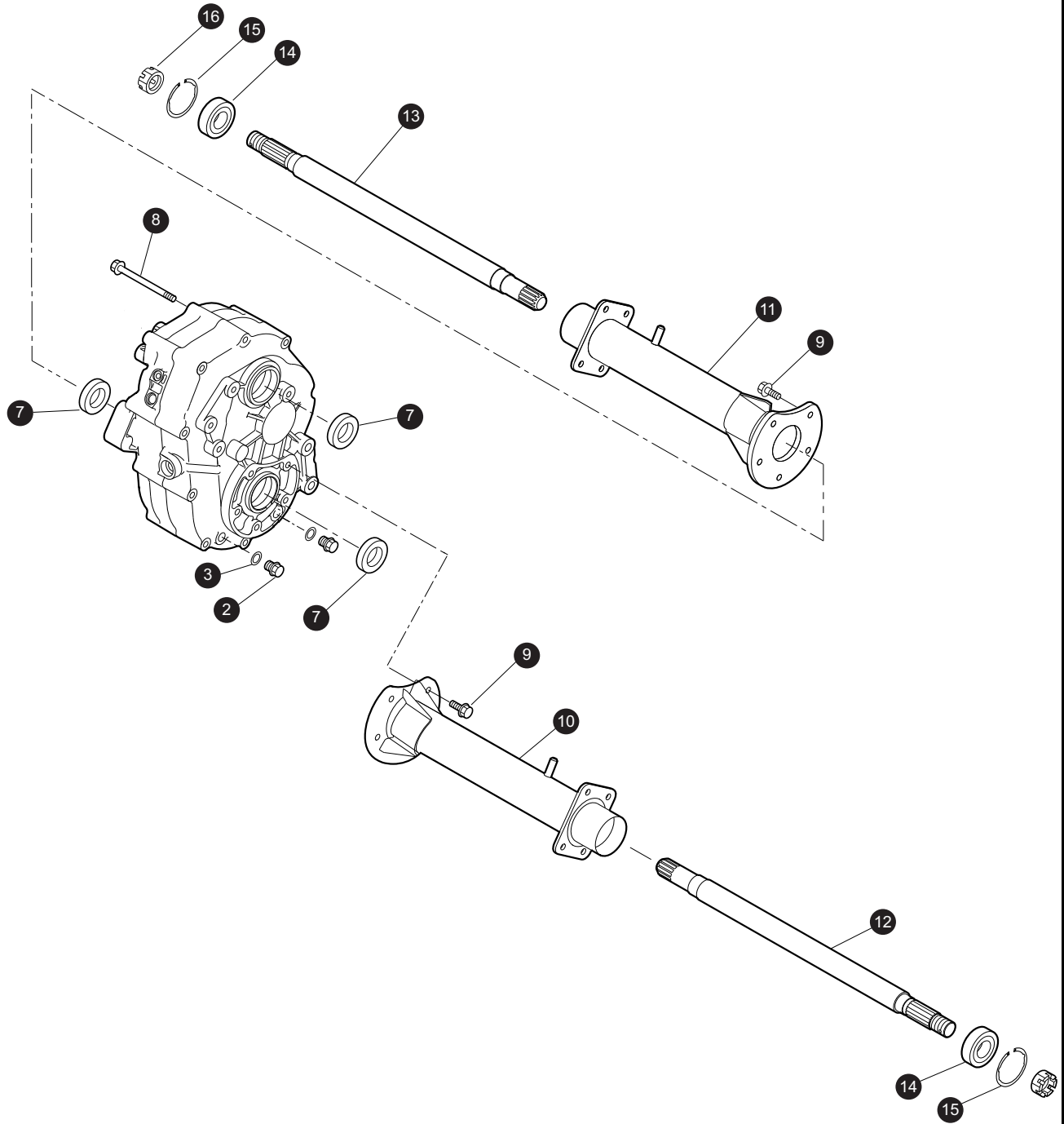
When ordering parts, please specify the model and serial number of the product.

* Indicates a component that is not available as an individual part.

*** Indicates consult Customer Service Department for additional information.

ITEM	PART NO.	1	2	3	4	5	DESCRIPTION	QTY.
32								
33								
34	11391G4						HOSE CLAMP, .25 - .63 DIA	2
35	604597						CARB FUEL SYSTEM HOSE, 26.00 LONG.....	1
36								
37	602061						FUEL PUMP	1
38	00114G6						HEX WASHER HEAD SLOTTED TAPPING SCREW, 1/4 - 14 X .75.....	2
39								
40	606310						CARBON CANNISTER MOUNTING BRACKET (CARB ONLY).....	1
41	10570G11						RIVET, 3/16 DIA X .70 (CARB ONLY)	2
42								
43								
44	606071						CARBON CANNISTER (CARB ONLY)	1
45	606963						HOSE CLAMP, .41 DIA (CARB ONLY).....	4
46	607546						LOW PRESSURE FUEL HOSE, 3/16 I.D. X 17"	1
47	606966						LOW PRESSURE FUEL HOSE, 3/16 I.D. X 34"	1
48	606404						HOSE TO AIR FILTER FITTING, .156 I.D. WITH 1/8 - 27 NPT (CARB ONLY)	1
49								
50	32372G6						BLACK TRIM, 6.25 LONG	1
51								
52	17618G1						NYLON CLAMP.....	2
53	604589						CARB LABEL (NOT SHOWN IN ILLUSTRATION)	1

REAR AXLE



REAR AXLE

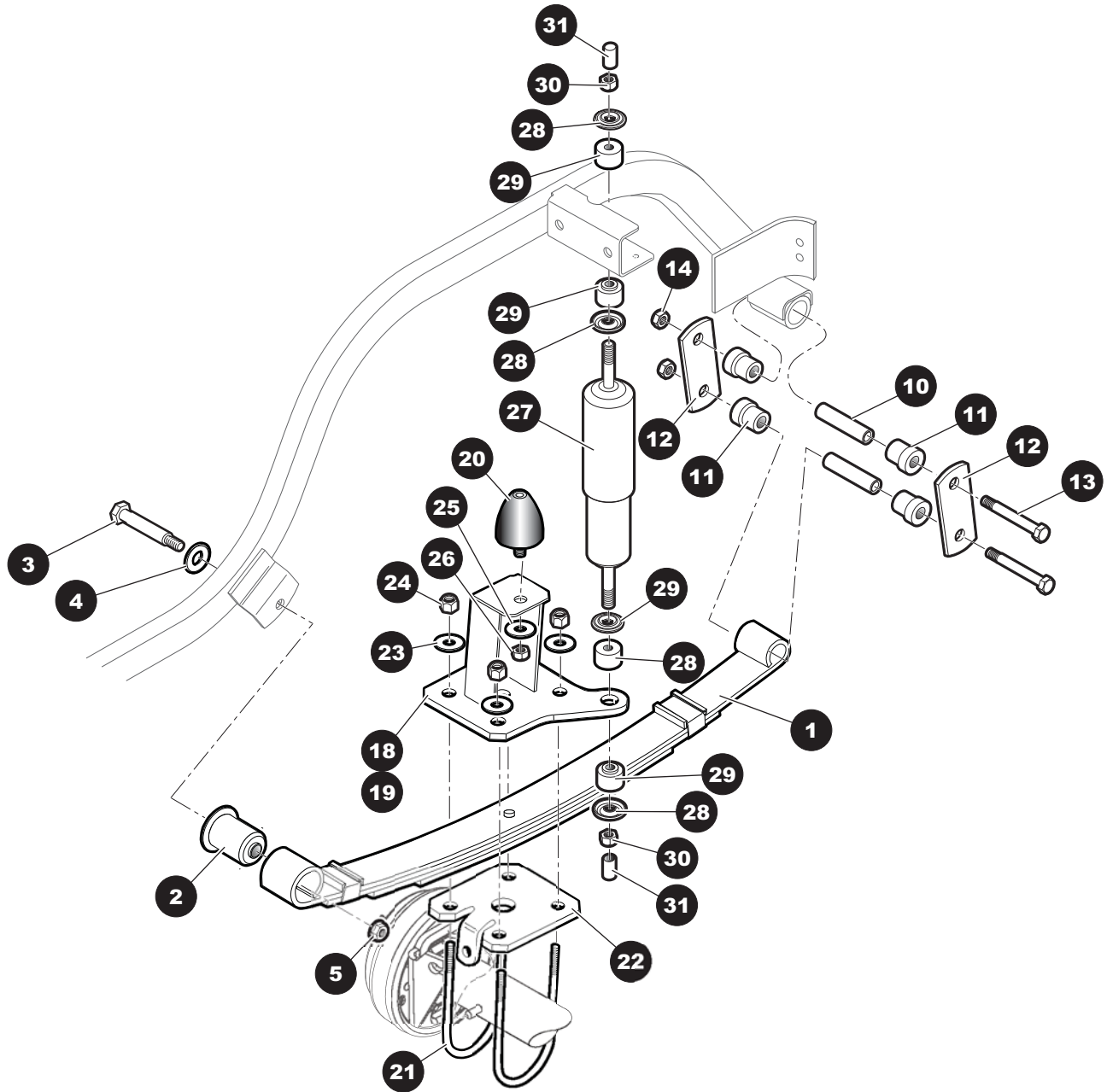
When ordering parts, please specify the model and serial number of the product.

* Indicates a component that is not available as an individual part.

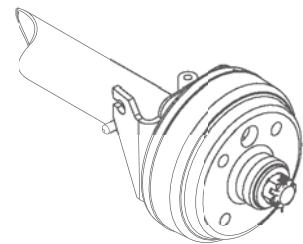
*** Indicates consult Customer Service Department for additional information.

ITEM	PART NO.	1 2 3 4 5	DESCRIPTION	QTY.
1	605891		REAR AXLE	1
2	26770G01		OIL DRAIN PLUG	2
3	26771G01		GASKET	2
4				
5				
6				
7	72259G01		OIL SEAL 28 X 47 X 9	3
8	26823G01		FLANGE BOLT M8 X 1.25 X 100	10
9	72260G01		FLANGE BOLT M10 X 1.5 X 23	10
10	607940		AXLE TUBE (PASSENGER SIDE)	1
11	607939		AXLE TUBE (DRIVER SIDE)	1
12	607988		AXLE SHAFT (PASSENGER SIDE)	1
13	607987		AXLE SHAFT (DRIVER SIDE)	1
14	26811G01		BALL BEARING	2
15	26814G01		SNAP RING	2
16	606403		SLOTTED NUT	2

REAR SUSPENSION



Front of the Vehicle



REAR SUSPENSION

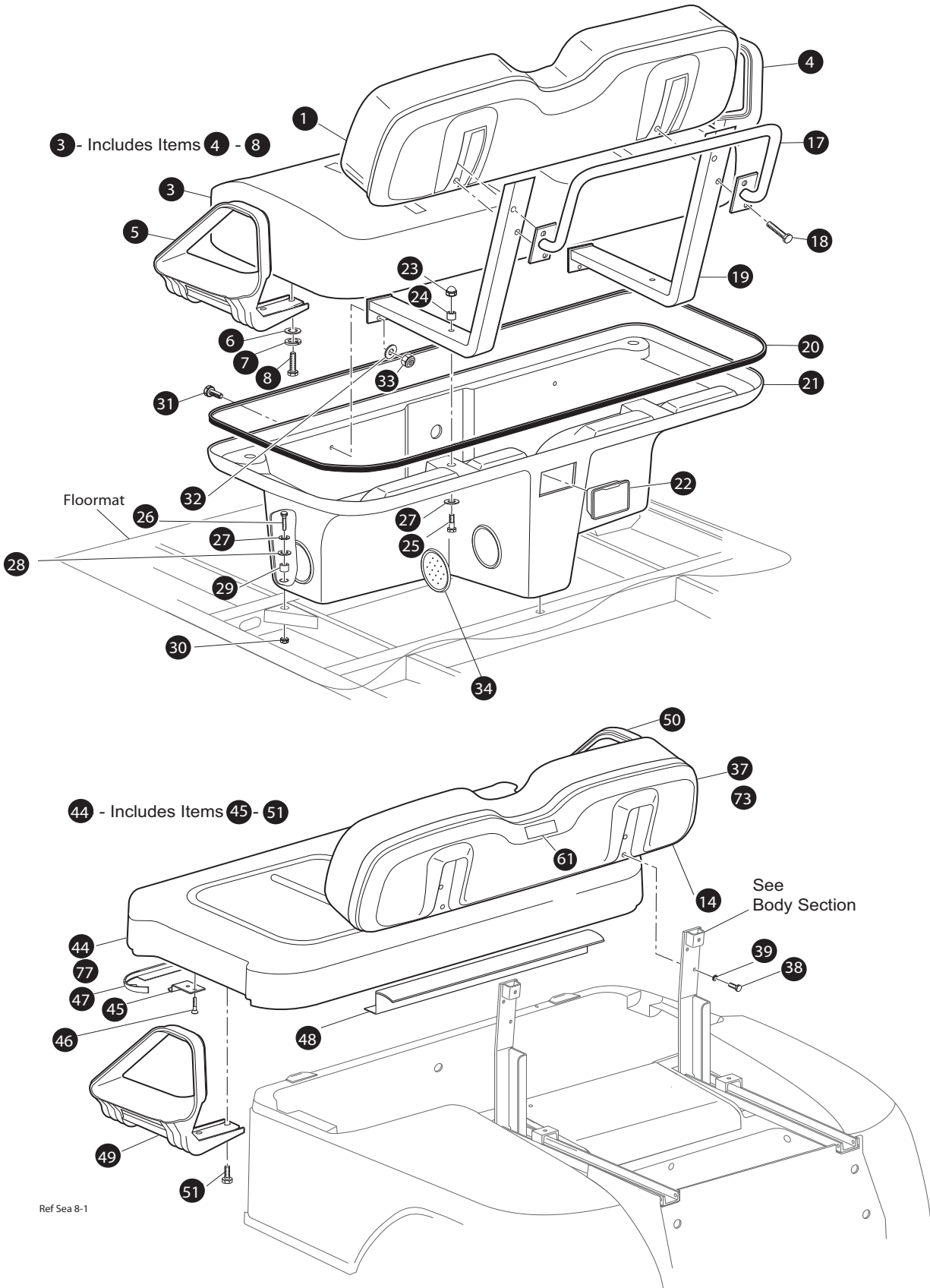
When ordering parts, please specify the model and serial number of the product.

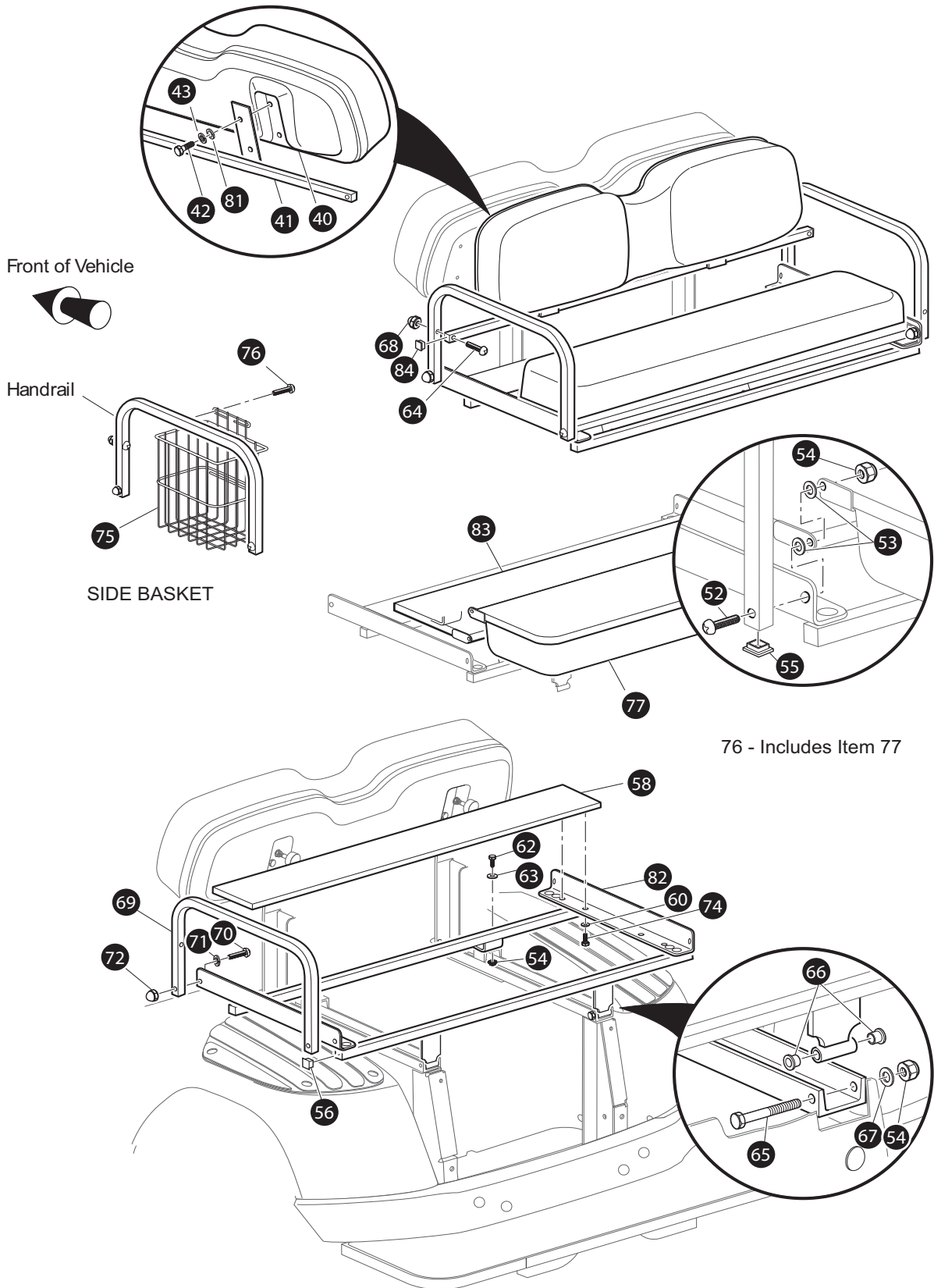
* Indicates a component that is not available as an individual part.

*** Indicates consult Customer Service Department for additional information.

ITEM	PART NO.	1 2 3 4 5	DESCRIPTION	QTY.
1	605722		HEAVY DUTY LEAF SPRING.....	2
2	605445		LEAF SPRING BUSHING, FRONT	2
3	00665G9		HEX HEAD BOLT, SS 3/8 - 16 X 3.5 LG.....	2
4	00643G1		FLAT WASHER, .411 I.D. X 1.00 O.D. X .06	2
5	12262G1		FLANGED LOCK NUT, 3/8 - 16	2
6				
7				
8				
9				
10	70289G02		SPLIT STEEL SPACER	4
11	70291G01		FLANGED URETHANE BUSHING	8
12	70290G02		SHACKLE PLATE	4
13	00665G9		HEX HEAD BOLT, SS 3/8 - 16 X 3.5 LG.....	4
14	11098G5		LOCK NUT, 3/8 - 16	4
15				
16				
17				
18	606090		SPRING PLATE, DRIVER SIDE	1
19	606091		SPRING PLATE, PASSENGER SIDE.....	1
20	70492G01		RUBBER BUMPER.....	2
21	32195G3		U-BOLT	4
22	605955		REAR SUSPENSION PLATE	2
23	00643G1		FLAT WASHER, .411 I.D. X 1.00 O.D. X .06	8
24	11098G5		LOCK NUT, 3/8 - 16	8
25	00968G01		LOCK WASHER, M10.....	2
26	00974G01		HEX NUT, M10.....	2
27	70248G01		SHOCK ABSORBER	2
28	10435G1		SHOCK ABSORBER WASHER.....	8
29	10194G1		RUBBER SHOCK BUSHING	8
30	00532G6		HEX NUT, 3/8 - 24.....	4
31	10044G01		VINYL CAP	4

SEATING





Ref Sea 11-2

SEATING

THE USE OF NON U.L. PARTS WILL VOID ANY U.L. LISTING.

When ordering parts, please specify the model and serial number of the product.

* Indicates a component that is not available as an individual part.

G** Indicates consult Customer Service Department for additional information.

ITEM	PART NO.	1 2 3 4 5	DESCRIPTION	QTY.
1	71751-G**		SEAT BACK ASSEMBLY	1
2				
3	71888-G**		SEAT BOTTOM (INCLUDES ITEMS 4 - 8) (SHUTTLE 4 & 6)	1
4	71701-G01		HIP RESTRAINT (PASSENGER SIDE).....	1
5	71702-G01		HIP RESTRAINT (DRIVER SIDE)	1
6	01110-G01		WASHER, 1/4" (STAINLESS STEEL).....	8
7	00664-G7		LOCKWASHER, 1/4" (STAINLESS STEEL).....	8
8	00415-G2		BOLT, 1/4 - 20 X 1 1/4" LG.....	8
9				
10				
11				
12				
13				
14	71572G01		SEAT BACK REAR COVER.....	1
15				
16				
17	71632-G01		REAR HAND HOLD BAR.....	1
18	71204-G02		BOLT, 1/4 - 20 X 2" LG	4
19	71868-G01		SEAT BACK BRACKET	2
20	32805-G6		TRIM, BLACK.....	1
21	70836-G0**		SEAT POD	1
22	27731-G01		ASHTRAY	1
23	15717-G5		ACORN NUT, 3/8 - 16	2
24	23726-G4		SPACER, 5/16".....	2
25	00427-G8		BOLT, 3/8 - 16 X 2" LG	2
26	00439-G8		BOLT, 5/16 - 18 X 2" LG	3
27	00675-G1		WASHER, 3/8" (STAINLESS STEEL)	5
28	71883-G01		RUBBER WASHER, 5/8"	3
29	23726-G9		SPACER, 3/4".....	3
30	11098-G6		LOCK NUT, 5/16 - 18 (STAINLESS STEEL)	3

THE USE OF NON U.L. PARTS WILL VOID ANY U.L. LISTING.
 When ordering parts, please specify the model and serial number of the product.
 * Indicates a component that is not available as an individual part.
 G** Indicates consult Customer Service Department for additional information.

ITEM	PART NO.	1 2 3 4 5	DESCRIPTION	QTY.
31	00976-G06		SCREW, 5/16 - 18 X 3/4" LG (STAINLESS STEEL)	2
32	01110-G01		WASHER, 1/4" (STAINLESS STEEL)	2
33	11098-G6		LOCK NUT, 1/4 - 20 (STAINLESS STEEL)	2
34	71599-G01		VENT PLUG	4
35				
36				
37	71751-G**		SEAT BACK	1
38	00661-G8		BOLT, 1/4 - 20 X 1" LG (STAINLESS STEEL).....	4
39	00664-G7		LOCK WASHER, 1/4" (STAINLESS STEEL)	4
40				
41	75258G01		SEAT BACK SUPPORT	1
42	605056		SCREW 1/4 - 20 X 1	4
43	0664G7		LOCK WASHER, 1/4".....	10
44	71611-G**		SEAT BOTTOM (INCLUDES ITEMS 45 - 51) (SHUTTLE 4 & 6)	1
45	71610-G01		SEAT HINGE	2
46	00720-G08		SCREW, #12 - 14 X 1" LG (STAINLESS STEEL).....	6
47	71012-G01		FRONT EDGE TRIM.....	1
48	71608-G01		BACK EDGE TRIM	1
49	71702-G01		HIP RESTRAINT (DRIVER SIDE)	1
50	71701-G01		HIP RESTRAINT (PASSENGER SIDE).....	1
51	71204-G01		BOLT, 1/4 - 20 X 7/8" LG.....	8
52	00762G6		SCREW, 5/16 - 18 X 1 1/2" LG.....	2
53	17255G1		TEFLON WASHER, 5/16"	4
54	00891G3		LOCK NUT, 5/16 - 18	6
55	19859G1		END PLUG, 3/4"	4
56	75261G02		END PLUG	4
57				
58	71060G01		BED FRONT.....	1
59	00661G6		BOLT, 1/4 - 20 X 3/4" LG	4
60	00664G7		WASHER, 5/16"	4

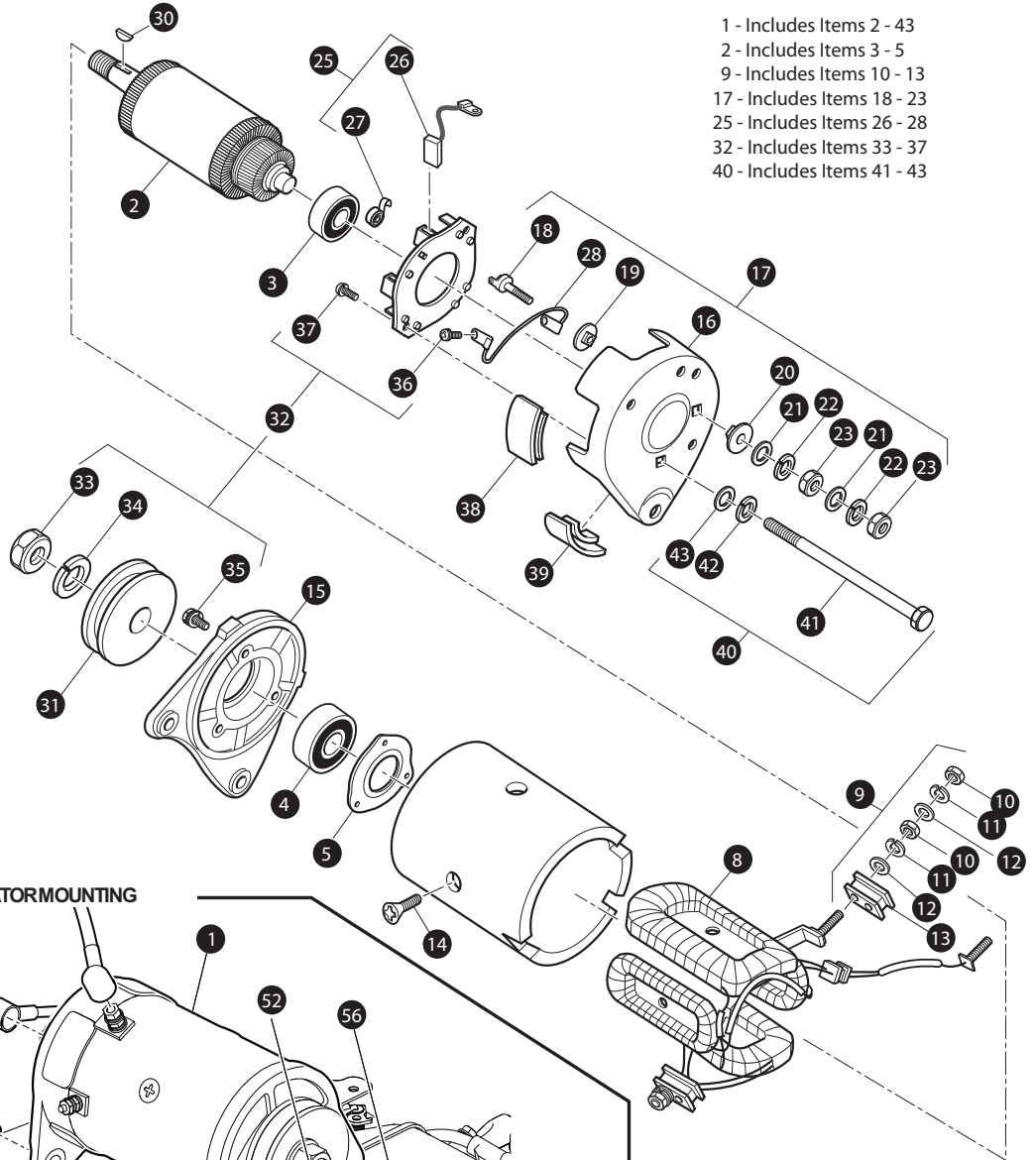
SEATING

THE USE OF NON U.L. PARTS WILL VOID ANY U.L. LISTING.
 When ordering parts, please specify the model and serial number of the product.
 * Indicates a component that is not available as an individual part.
 G** Indicates consult Customer Service Department for additional information.

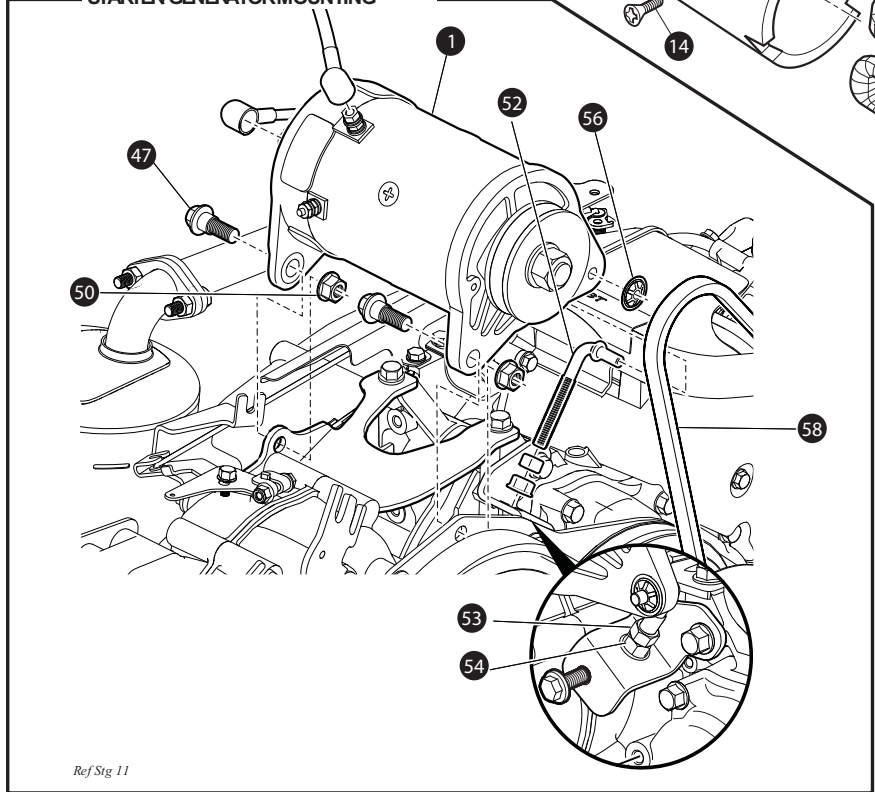
ITEM	PART NO.	1 2 3 4 5	DESCRIPTION	QTY.
61	74095-G01		LABEL (WARNING) (SHUTTLE 4).....	1
62	00438G8		BOLT, 5/16 - 18 X 1" LG	2
63	00559G8		WASHER, 5/16"	2
64	16705G13		SCREW, 1/4 - 20 X 1.875 LG.....	2
65	00272G4		BOLT, 5/16 - 18 X 2 1/2" LG	2
66	17838G1		NYLON BUSHING.....	4
67	00559G8		WASHER, 5/16"	2
68	00520G1		ACORN NUT, 1/4 - 20	2
69	75196G01		HANDRAIL	2
70	00762G2		SCREW, 5/16 - 18 X 1 1/4" LG.....	2
71	00664G8		LOCK WASHER 5/16".....	2
72	00520G3		ACORN NUT, 5/16 - 18	2
73	604916-G**		TWO TONE VINYL SEAT BACK.....	1
74	00661G6		BOLT, 1/4 - 20 X 3/4" LG	4
75				
76	606855		SEAT BOTTOM CONV CARRIER (INCLUDES ITEM 77)	1
77	604940G**		TWO TONE VINYL SEAT BOTTOM.....	1
78				
79				
80				
81	01110G01		WASHEER 1/4"	4
82	75193G01		SUPPORT FRAME.....	1
83	71062G01		BED ASSEMBLY	1
84	75261G01		END PLUG, 3/4"	2

STARTER / GENERATOR

- 1 - Includes Items 2 - 43
- 2 - Includes Items 3 - 5
- 9 - Includes Items 10 - 13
- 17 - Includes Items 18 - 23
- 25 - Includes Items 26 - 28
- 32 - Includes Items 33 - 37
- 40 - Includes Items 41 - 43



STARTER/GENERATOR MOUNTING



Ref Sig 11

STARTER / GENERATOR

THE USE OF NON U.L. PARTS WILL VOID ANY U.L. LISTING.
 When ordering parts, please specify the model and serial number of the product.
 * Indicates a component that is not available as an individual part.
 G** Indicates consult Customer Service Department for additional information.

ITEM	PART NO.	1	2	3	4	5	DESCRIPTION	QTY.
1	27065G01	STARTER / GENERATOR (INCLUDES ITEMS 2 - 43).....					1	
2	26870G01	ARMATURE (INCLUDES ITEMS 3 - 5)					1	
3	26871G01	REAR BALL BEARING					1	
4	26872G01	FRONT BALL BEARING					1	
5	26873G01	BEARING HOLDER					1	
6								
7								
8	26875G01	FIELD COIL					1	
9	26876G01	INSULATING BRUSH ASSEMBLY ('F') (INCLUDES ITEMS 10 - 13).....					2	
10	*	NUT					2	
11	*	LOCK WASHER.....					2	
12	*	WASHER.....					2	
13	*	INSULATOR					1	
14	26877G01	POLE CORE SETSCREW.....					4	
15	26878G01	FRONT COVER.....					1	
16	27879G01	REAR COVER					1	
17	26880G01	TERMINAL ASSEMBLY ('A') (INCLUDES ITEMS 18 - 23).....					2	
18	*	TERMINAL					2	
19	*	INSULATOR					2	
20	*	INSULATOR					2	
21	*	WASHER.....					4	
22	*	LOCK WASHER.....					4	
23	*	NUT					4	
24								
25	26881G01	BRUSH HOLDER ASSEMBLY (INCLUDES ITEMS 26 - 28)					1	
26	26658G01	BRUSH.....					4	
27	26882G01	BRUSH SPRING					4	
28	26883G01	BRUSH CONNECTOR.....					2	
29								
30	26884G01	KEY.....					1	

STARTER / GENERATOR

THE USE OF NON U.L. PARTS WILL VOID ANY U.L. LISTING.

When ordering parts, please specify the model and serial number of the product.

* Indicates a component that is not available as an individual part.

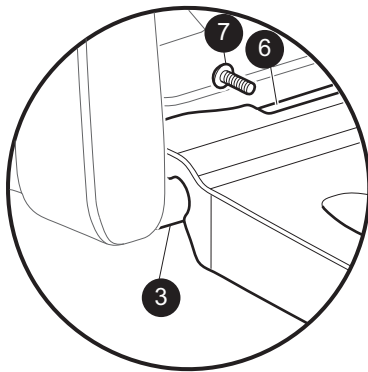
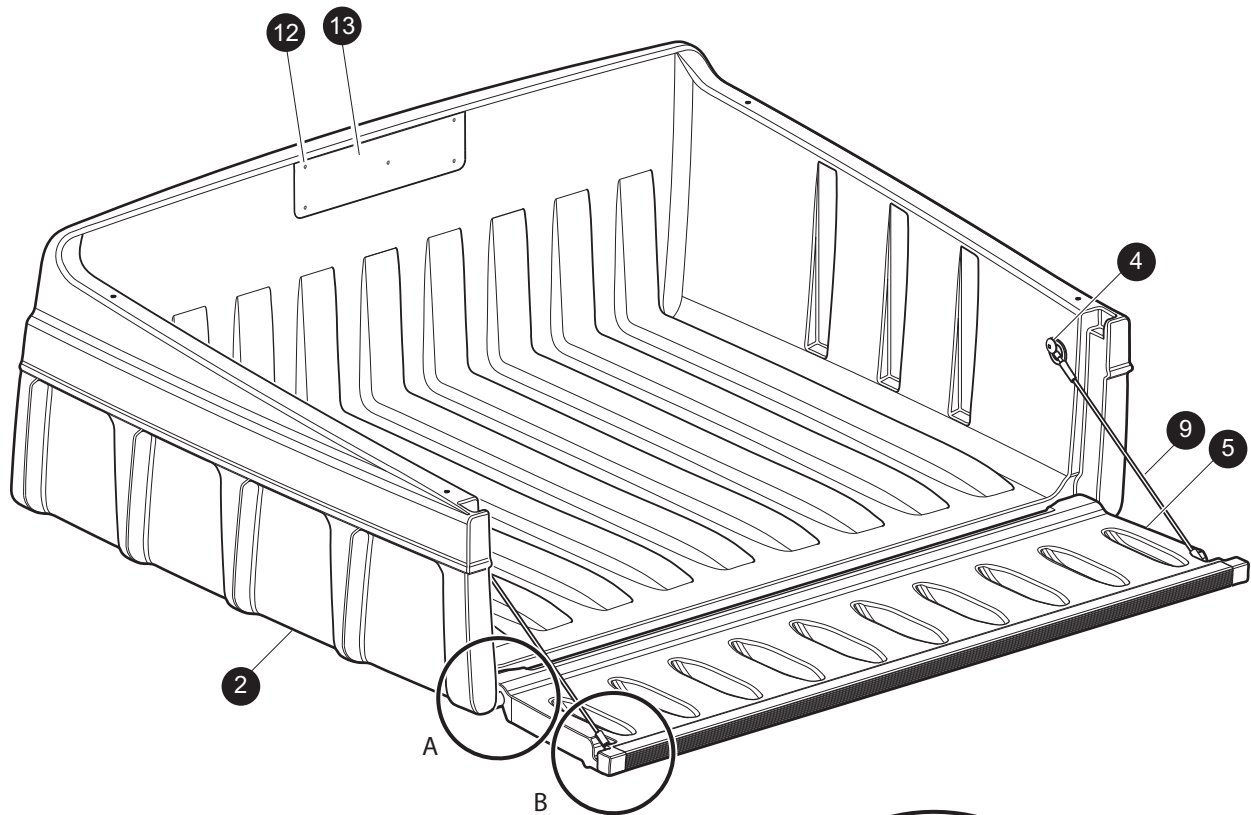
G** Indicates consult Customer Service Department for additional information.

ITEM	PART NO.	1	2	3	4	5	DESCRIPTION	QTY.
31	*						PULLEY	1
32	26886G01						BRUSH AND PULLEY HARDWARE KIT (INCLUDES ITEMS 33 - 37).....	1
33	*						NUT	1
34	*						LOCK WASHER	1
35	*						SCREW	3
36	*						SCREW	4
37	*						SCREW	2
38	26887G01						BRUSH 1 COVER.....	3
39	26888G01						BRUSH 2 COVER.....	2
40	26889G01						HOUSING HARDWARE KIT (INCLUDES ITEMS 41 - 43)	2
41	*						BOLT	2
42	*						LOCK WASHER	2
43	*						WASHER.....	2
44								
45								
46								
47	606235						BOLT, 1/2 - 13 X 8" LG	2
48								
49								
50	606279						NUT, 1/2 - 13	2
51								
52	606236						STARTER / GENERATOR ADJUSTER.....	1
53	606255						JAM NUT, 3/8 - 16	1
54	606274						NUT, 3/8 - 16	1
55								
56	12064G4						PUSH NUT, 5/16"	1
57								
58	606138						STARTER / GENERATOR BELT	1

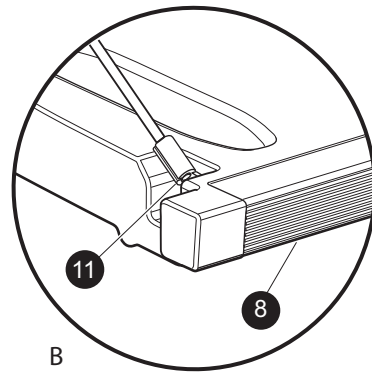
Notes:

A large grid of graph paper, consisting of 20 columns and 30 rows of small squares, intended for taking notes.

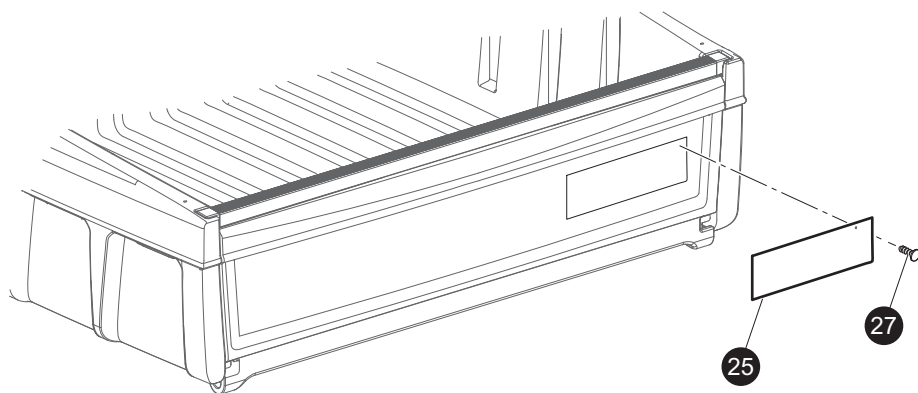
CARGO BED

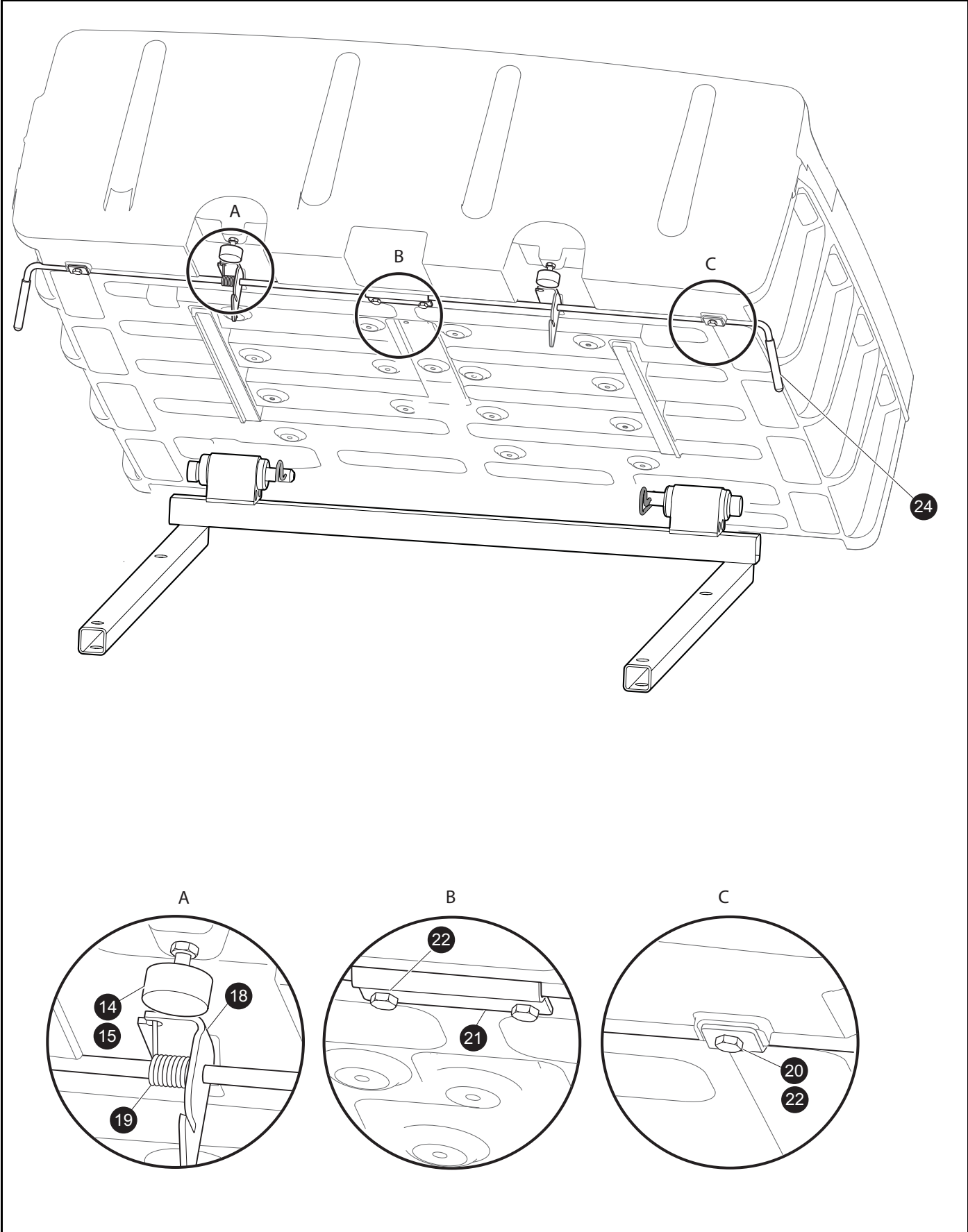


A

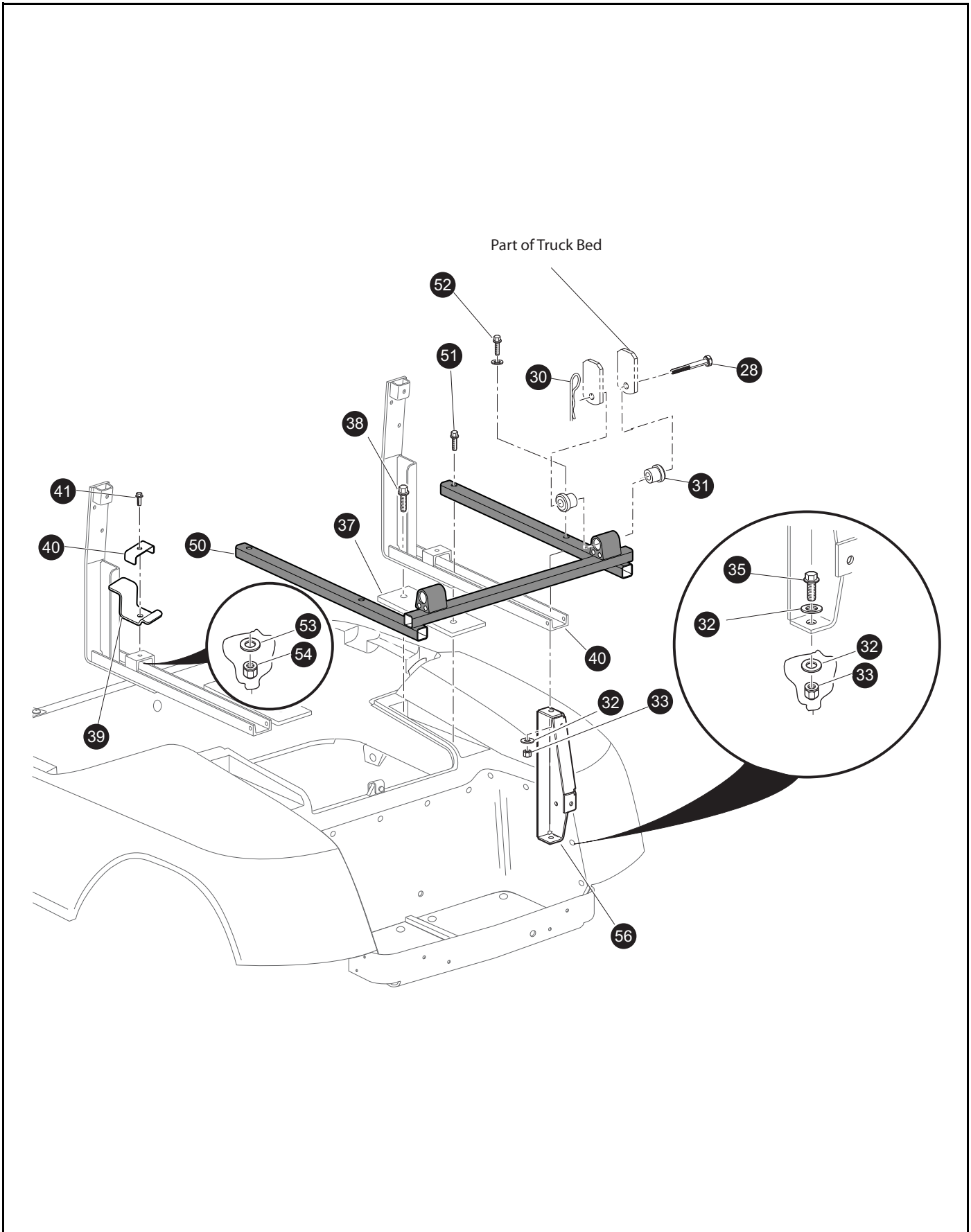


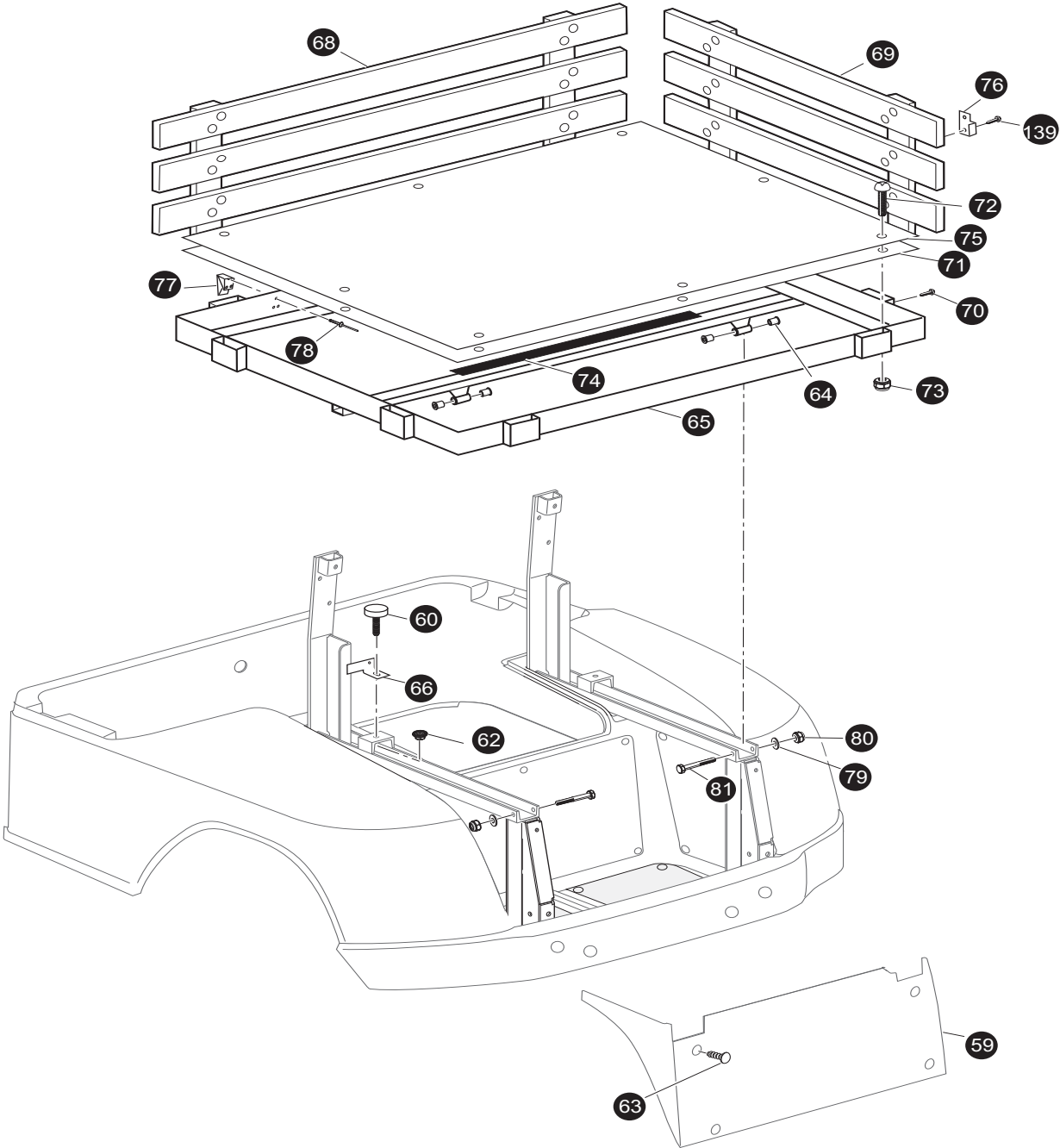
B





CARGO BED





CARGO BED

When ordering parts, please specify the model and serial number of the product.

* Indicates a component that is not available as an individual part.

*** Indicates consult Customer Service Department for additional information.

ITEM	PART NO.	1 2 3 4 5	DESCRIPTION	QTY.
1	72647G01		BED ASSEMBLY (INCLUDES ITEMS 2 -11).....	1
2	72648G01		PLASTIC BED, 36"	1
3	73454G01		PIVOT SHAFT.....	2
4	73460G01		SHOULDER BOLT, 1/4 - 20 X 3/4" LG.....	2
5	72649G01		TAILGATE	1
6	73450G01		BOWED ANGLE	1
7	16705G2		SCREW, 1/4 - 20 X 5/8" LG (STAINLESS STEEL).....	4
8	73449G01		EXTRUSION CHANNEL.....	1
9	73455G02		TAILGATE CABLE	1
10				
11	00415G2		SCREW, 1/4 - 20 X 1 1/4" LG	2
12	74821G01		LOAD BED DECAL	1
13	71055G01		RIVET	5
14	70113G01		ADJUSTABLE RUBBER BUMPER	2
15	11027G1		LOCK NUT, 5/16 - 18.....	2
16				
17				
18	74962G01		BED LATCH.....	1
19	71538G01		LATCH TORSION SPRING	1
20	71099G02		KEEPER PLATE	2
21	71477G02		RETAINER BRACKET.....	1
22	01118G01		SCREW, 1/4 - 20 X 5/8" LG.....	4
23				
24	71704G01		HANDLE GRIP	2
25			
26			E-Z-GO LABEL.....	1
27				
28	71571G01		CLEVIS PIN.....	2
29				
30	21683G1		COTTER PIN.....	2
31	70291G01		BUSHING	4

When ordering parts, please specify the model and serial number of the product.

* Indicates a component that is not available as an individual part.

*** Indicates consult Customer Service Department for additional information.

ITEM	PART NO.	1 2 3 4 5	DESCRIPTION	QTY.
32	00560G01		FLAT WASHER	8
33	11098G5		LOCK NUT	4
34				
35	00427G4		SCREW 38/ - 16.....	2
36				
37	70364G01		SPACER.....	2
38	01006G02		SCREW.....	2
39	606167		FRONT BED SUPPORT	2
40	607093		BED SUPPORT BRACKET	2
41	00439G1		SCREW 5/16 - 18.....	2
42				
43				
44				
45	74111G01		SEAT SUPPORT.....	2
46				
47				
48				
49				
50	606112		BED FRAME	1
51	01075G01		SCREW.....	2
52	00427G8		SCREW, 5/8 - 16"	2
53	00559G8		FLAT WASHER	2
54	11098G6		LOCK NUT	2
55				
56	74126G02		REAR SUPPORT FRAME (PASSENGER SIDE)	1
57				
58				
59	74149G01		PANEL.....	1
60	70113G01		ADJUSTABLE RUBBER BUMPER.....	2
61				
62	11027G1		LOCK NUT, 5/16 - 18.....	4

CARGO BED

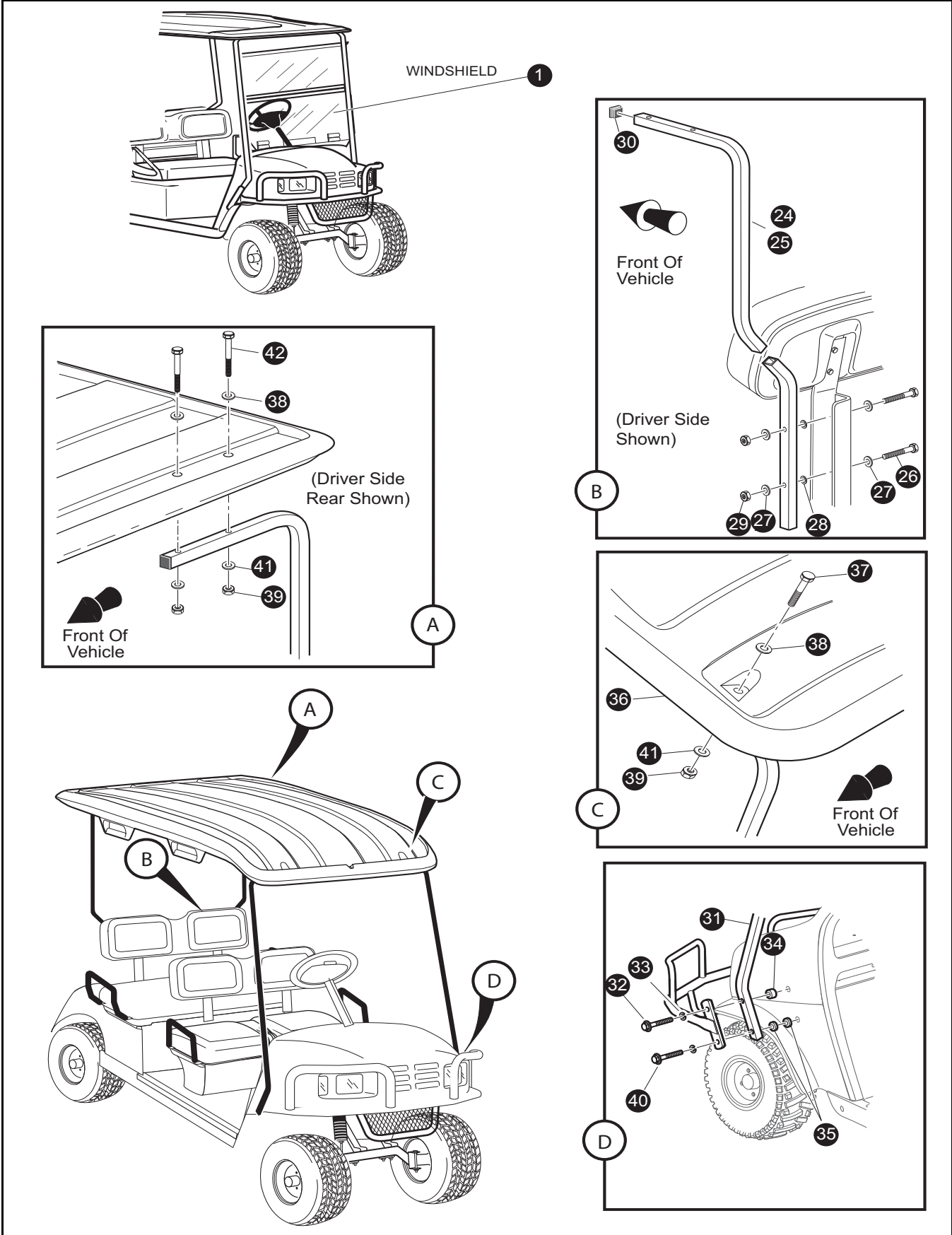
When ordering parts, please specify the model and serial number of the product.

* Indicates a component that is not available as an individual part.

*** Indicates consult Customer Service Department for additional information.

ITEM	PART NO.	1	2	3	4	5	DESCRIPTION	QTY.
63	16816G2						RIVET	4
64	17838G1						NYLON BUSHING	4
65	74080G01						CARGO DECK	1
66	72914G01						HOLD DOWN BRACKET	1
67								
68	34280G02						FRONT/REAR CARGO RACK	2
69	34280G01						SIDE CARGO RACK	2
70	00666G6						SCREW, #10 - 12 X 3/4" LG (STAINLESS STEEL)	10
71	74082G01						STEEL DECK	1
72	16705G3						SCREW, 1/4 - 20 X 3/4" LG (STAINLESS STEEL)	8
73	14390G4						LOCK NUT, 1/4 - 20.....	8
74	23052G1						NOISE SUPPRESSOR	1
75	74097G01						CARGO BED MAT.....	1
76	74079G02						TAILGATE RETAINER BRACKET	2
77	72913G01						LATCH	1
78	00100G6						RIVET, 5/32" X 9/16" LG (STAINLESS STEEL)	2
79	00559G8						WASHER, 5/16".....	2
80	11098G6						LOCK NUT, 5/16 - 18 (STAINLESS STEEL)	2
81	00440G4						BOLT, 5/16 - 18 X 2 1/2" LG	2

WEATHER PROTECTION



WEATHER PROTECTION

THE USE OF NON U.L. PARTS WILL VOID ANY U.L. LISTING.
 When ordering parts, please specify the model and serial number of the product.
 * Indicates a component that is not available as an individual part.
 G** Indicates consult Customer Service Department for additional information.

ITEM	PART NO.	1 2 3 4 5	DESCRIPTION	QTY.
1	607255		WINDSHIELD KIT	1
2				
3				
4				
5				
6				
7				
8				
9				
10				
11				
12				
13	607305		SUN TOP KIT (INCLUDES ITEMS 24 - 42)	1
14				
15				
16				
17				
18				
19				
20				
21				
22				
23	608138		SUN TOP KIT (INCLUDES ITEMS 24 -42)	1
24	75487G02		REAR SUPPORT (DRIVER SIDE)	1
25	75487G01		REAR SUPPORT (PASSENGER SIDE).....	1
26	00665G5		BOLT, 3/8 - 16 X 1 3/4" LG (STAINLESS STEEL)	4
27	00679G1		WASHER, 3/8" (STAINLESS STEEL).....	8
28	00771G5		NYLON WASHER, 3/8".....	4
29	00891G5		LOCK NUT, 3/8 - 16.....	4
30	19853-G1		END CAP, 1"	2

WEATHER PROTECTION

THE USE OF NON U.L. PARTS WILL VOID ANY U.L. LISTING.

When ordering parts, please specify the model and serial number of the product.

* Indicates a component that is not available as an individual part.

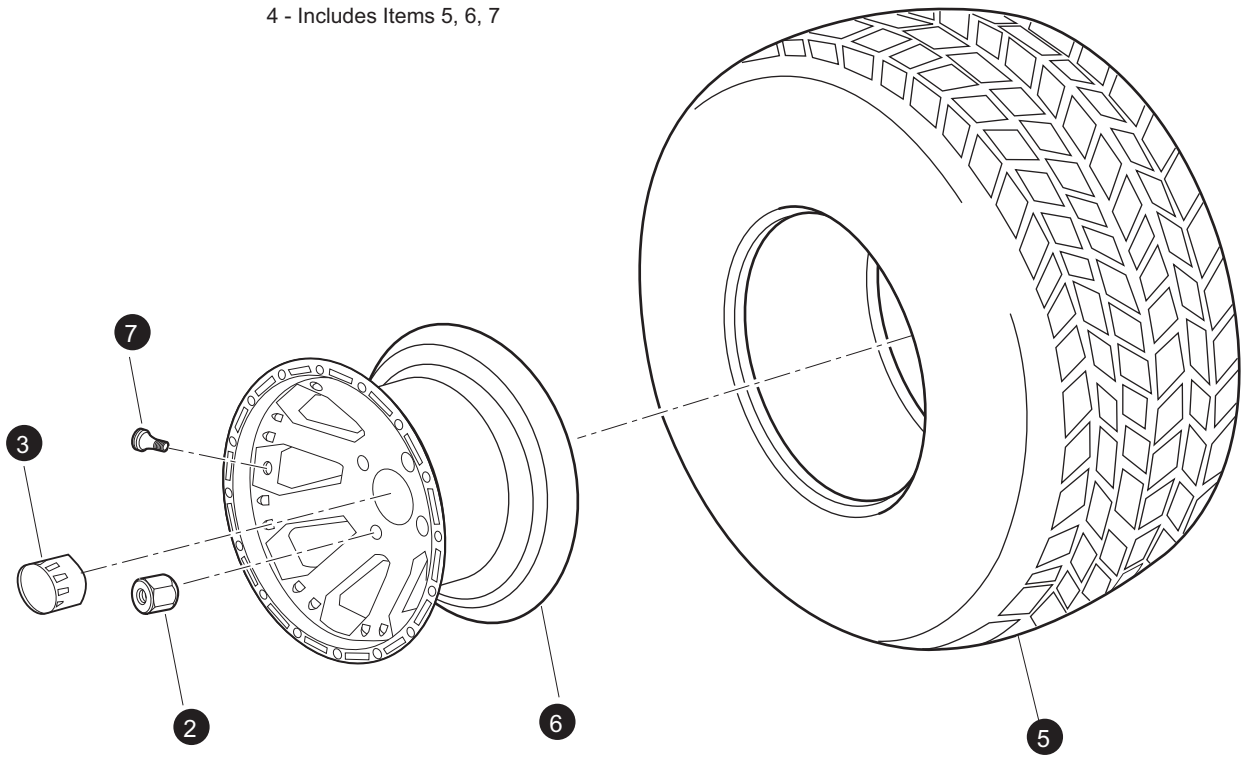
G** Indicates consult Customer Service Department for additional information.

ITEM	PART NO.	1	2	3	4	5	DESCRIPTION	QTY.
31	75488G01						FRONT SUPPORT	1
32	01035G02						BOLT, 5/16 - 18 X 2 1/2" LG.....	2
33	00905G8						LOCK WASHER, 5/16"	4
34	75048G01						SPACER, 1/2"	2
35	00879G1						LOCK WASHER, 3/8"	4
36	74374G01						SUN TOP	1
37	00685G10						SCREW,.....	2
38	00907G2						WASHER, 5/16"	6
39	11098G6						LOCK NUT, 5/16 - 18	6
40	00440G2						BOLT, 5/16 - 18 X 2 1/4" LG.....	2
41	00660G8						WASHER, 5/16"	6
42	00685G11						BOLT, 5/16 - 18 X 3 1/4" LG.....	4

WHEELS AND TIRES

1 - Includes Items 2, 3, 4

4 - Includes Items 5, 6, 7



(Style of tire may differ from tire shown)

WHEELS AND TIRES

Where applicable, THE USE OF NON UL PARTS WILL VOID ANY UL LISTING.
 When ordering parts, please specify the model and serial number of the product.
 * Indicates a component that is not available as an individual part.
 G** Indicates consult Customer Service Department for additional information.

ITEM	PART NO.	1 2 3 4 5	DESCRIPTION	QTY.
1	607253		TIRE AND WHEEL ASSEMBLY	AR
2	606925		LUG NUT.....	AR
3	606835		CENTER CAP	1
4	607252		WHEEL ASSEMBLY	1
5	606142		TIRE 23 x 10.5 x 12	1
6	606149		WHEEL RIM.....	1
7	604915		VALVE STEM.....	1

SPECIALTY PRODUCTS

SPECIALTY PRODUCTS

SPECIAL TOOLS	PART NO.
HIGH RESISTANCE SPARK PLUG WIRE SET	26733G02
CLUTCH PULLER (DRIVE)	19779G2
FLYWHEEL PULLER	27111G01
CURRENT INDICATOR	16489G2
DIGITAL MULTI-METER	27481G01
TUBELESS TIRE REPAIR KIT	606009
TIRE PLUGGER REFIL PACK (50/BOX)	606831

TOUCH UP PAINT	PART NO.
PEN 3 OUNCE (89 ML) - HUNTER GREEN	28432G02
PEN 3 OUNCE (89 ML) - CHAMPAGNE BEIGE	28432G01
PEN 3 OUNCE (89 ML) - WHITE	28432G05
PEN 3 OUNCE (89 ML) - INDUSTRIAL YELLOW	28432G03
PEN 3 OUNCE (89 ML) - ORANGE	28432G04
PEN 3 OUNCE (89 ML) - STEEL BLUE PEARL	28432G24
PEN 3 OUNCE (89 ML) - OLIVE GREEN	28432G**
PEN 3 OUNCE (89 ML) - CAMOUFLAGE PAINT (THREE PENS)	75831G01
AEROSOL 12 OUNCE (360 ML) - HUNTER GREEN	28140G09
AEROSOL 12 OUNCE (360 ML) - CHAMPAGNE BEIGE	28140G15
AEROSOL 12 OUNCE (360 ML) - INDUSTRIAL YELLOW	28140G14

MAINTENANCE PRODUCTS	PART NO.
PLEXUS® CLEANER, 13 OUNCE (380 ML) (FOR WINDSHIELDS)	28433G02
BATTERY PROTECTOR, 14 OUNCE (410 ML) SPRAY	27619G02
E-Z-GO ALLSURFACE CLEANER	606311
E-Z-GO FIBERGLASS/PLASTIC RESTORER	606313
WIND SHIELD AND PLASTIC PROTECTOR	606314
64 OZ HAND CLEANER	607636
4 OZ HAND CLEANER	607637

OPTIONS/ACCESSORIES

OPTIONS/ACCESSORIES

ITEM	KIT NO.	SECTION
ASHTRAY KIT	75109G01	See BODY
ASHTRAY KIT	75109G02	See BODY
BALL HITCH KIT	74492G02	See BODY
HOUR METER KIT	607285	See ELECTRICAL SYSTEM
REAR VIEW MIRROR KIT	19528G2	See WEATHER PROTECTION
SOFT ENCLOSURE	75367G0*	See WEATHER PROTECTION
SUN TOP KIT	607581	See WEATHER PROTECTION
SUN TOP KIT	607305	See WEATHER PROTECTION
TURN SIGNAL KIT	75107G02	See ELECTRICAL SYSTEM
GOLD SPOKE WHEEL COVERS	19241G*	See WHEELS AND TIRES
SILVER SPOKE WHEEL COVERS	19241G*	See WHEELS AND TIRES
WINDSHIELD (FULL)	607255	See WEATHER PROTECTION
FRONT SHIELD WITH WINCH RECIEVER MOUNT	605676	See STEERING SECTION
WOOD STAKE BED RED/BLK	608279	See CARGO BED
PLASTIC BED, RED/BLK	608280	See CARGO BED
CONV CARRIER WHITE/BLUE	608281	See SEATING
WOODSIDE BED WHITE/BLUE	608282	
PLASTIC BED WHITE/BLUE	608283	



A Textron Company

E-Z-GO Division Of Textron, Inc.,
1451 Marvin Griffin Road, Augusta, Georgia USA 30906-3852

TO CONTACT US

North America:

Technical Assistance & Warranty Phone: 1-800-774-3946, FAX: 1-800-448-8124
Service Parts Phone: 1-888-GET-EZGO (1-888-438-3946), FAX: 1-800-752-6175

International:

Phone: 001-706-798-4311, FAX: 001-706-771-4609

Certified ISO 9001 / ISO 14001 by



Copyrighted Material
This manual may not be reproduced in whole or
in part without the express permission of
E-Z-GO Division of Textron, Inc.
Technical Communications Department