



A Textron Company

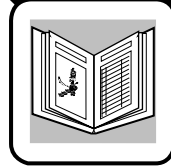
CUSHMAN

A Textron Company

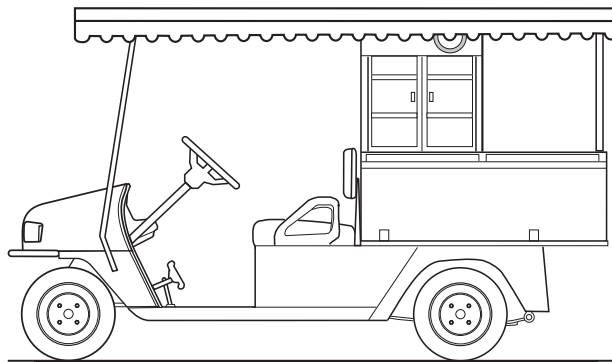
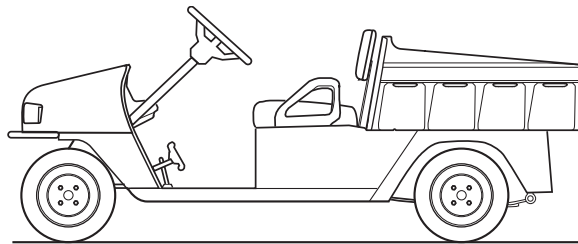
JACOBSEN

A Textron Company

606913



SERVICE PARTS MANUAL



Ref Fcv 21

GASOLINE POWERED UTILITY VEHICLES

ISSUED: APRIL 2008 REVISED: DEC 2008

SERVICE PARTS MANUAL

GASOLINE POWERED UTILITY VEHICLES

MPT™ 1200; CARB

COMMANDER™ 2200; CARB

HAULER™ 1200; CARB

REFRESHER® 1200; CARB

STARTING MODEL YEAR 2008

The E-Z-GO Division of Textron Inc. reserves the right to incorporate engineering and design changes to products in this Manual, without obligation to include these changes on units leased/sold previously.

The information contained in this Manual may be revised periodically by the E-Z-GO Division, and therefore is subject to change without notice.

The E-Z-GO Division DISCLAIMS LIABILITY FOR ERRORS IN THIS MANUAL, and the E-Z-GO Division SPECIFICALLY DISCLAIMS LIABILITY FOR INCIDENTAL AND CONSEQUENTIAL DAMAGES resulting from the use of the information and materials in this Manual.

CUSTOMER SERVICE DEPARTMENT IN USA PHONE: 1-800-241-5855 FAX: 1-800-448-8124

OUTSIDE USA PHONE: 001-706-798-4311, FAX: 001-706-771-4609

E-Z-GO DIVISION OF TEXTRON, INC., P.O.BOX 388, AUGUSTA, GEORGIA USA 30903-0388

GENERAL INFORMATION

To obtain a copy of the limited warranty applicable to the vehicle, call or write a local Distributor, authorized Branch or the Warranty Department with vehicle serial number and manufacturer code.

The use of non Original Equipment Manufacturer (OEM) parts may void the warranty.

Tampering with or adjusting the governor to permit vehicle to operate at above factory specifications will void the vehicle warranty.

When servicing engines, all adjustments and replacement components must be per original vehicle specifications in order to maintain the United States of America Federal and State emission certification applicable at the time of manufacture.

BATTERY PROLONGED STORAGE

All batteries will self discharge over time. The rate of self discharge varies depending on the ambient temperature and the age and condition of the batteries.

A fully charged battery will not freeze in winter temperatures unless the temperature falls below -75° F (-60° C).

TABLE OF CONTENTS

SECTION	Page No.
HOW TO USE THE SERVICE PARTS MANUAL	vii
ACCELERATOR ASSEMBLY	A-1
• Pedal Box Assembly	
• Accelerator Pedal	
• Micro Switch	
• Accelerator Cable	
• Choke Cable	
• Governor Cable	
AIR FILTER	B-1
• Air Cleaner Element	
• Air Filter Housing	
• Air Cleaner Hose	
BODY	C-1
• Floorpan	
• Floormat	
• Instrument Panel	
• Splash Panel	
• Cowl	
• Nameplate	
• Cup Holder	
• Fender Flares	
• Glove Box Doors	
• Rocker Panels	
• Fenders	
• Seat Frame	
• Battery Tray	
• Hitches	
BRAKES MECHANICAL	D-1
• Brake Pedal Assembly	
• Brake Pedal Pad	
• Compensator	
• Equalizer	
• Brake Cable	
• Brake Drum Assembly	
• Brake Shoes	
BRAKES DISC	E-1
• Brake Pedal Assembly	
• Brake Pedal Pad	
• Compensator	
• Equalizer	
• Brake Cable	
• Spindle for Front Disc Brake	
• Calipers	
• Disc Brake Hub Assembly	
• Master Cylinder	
• Disc Brake Pads	
CAB	F-1
• Steel Cab	
• Doors	
• Ball Cage	

TABLE OF CONTENTS

SECTION	Page No.
CARBURETOR AND CHOKE	G-1
• Carburetor	
• Main Jet	
• Needle Valve	
CLUTCH	H-1
• Drive Clutch	
• Driven Clutch	
• Drive Belt	
DIRECTION SELECTOR	J-1
• Direction Selector Assembly	
• Handle	
• Compression Spring	
• Extension Spring	
• Push Pull Shifter Cable	
• Shifter Arm	
ELECTRICAL SYSTEM	K-1
• Battery	
• Ground Cable	
• Voltage Regulator	
• Solenoid	
• Horn	
• Turn Signal	
• Headlight	
• Key Switch	
• Tail Lights	
• Fuel Gauge	
• Hour Meter	
• Wire Harness	
ENGINE AND MUFFLER	L-1
• Engine	
• Muffler	
• Oil Dip Stick	
• Oil Filter	
ENGINE MOUNTING	M-1
• Front Engine Mount	
• Engine Pan Mount	
• Differential Plate	
FRONT SUSPENSION AND STEERING	N-1
• Front Axle	
• Spindles	
• Hubs	
• Front Leaf Spring	
• Front Shock Absorber	
• Steering Box	
• Steering Column	
• Steering Wheel	
• Tie Rod	
FUEL SYSTEM	P-1
• Fuel Tank	
• Pulse Line	

TABLE OF CONTENTS

SECTION	Page No.
<ul style="list-style-type: none"> • Fuel Pump • Fuel Line • Carbon Cannister (CARB only) 	
REAR AXLE	Q-1
<ul style="list-style-type: none"> • Axle Shaft • Axle Tube • Oil Check Plug • Oil Drain Plug 	
REAR SUSPENSION	R-1
<ul style="list-style-type: none"> • Shock Absorber • Leaf Spring • Shackles • Bushings 	
REFRESHER UNIT	S-1
<ul style="list-style-type: none"> • Doors • Mounting Frame • Seat Back Support • Windshield • Canopy • Canopy Frame 	
SEATING	T-1
<ul style="list-style-type: none"> • Seat Back Support • Seat Bottom • Seat Back • Hip Restraints • Bed Bumper Bracket 	
STARTER / GENERATOR	U-1
<ul style="list-style-type: none"> • Starter / Generator • Starter / Generator Belt 	
TRUCK BED PLASTIC	V-1
<ul style="list-style-type: none"> • Bed Assembly • Bed Latch • Adjustable Bumper • Heat Shield • Name Plate • Electric Actuator 	
WEATHER PROTECTION	W-1
<ul style="list-style-type: none"> • Sun Top • 3 Sided Soft Enclosure • Windshield 	
WHEELS AND TIRES	X-1
<ul style="list-style-type: none"> • Tire & Wheel Assembly • Lug Nuts • Dust Cap 	

NOTES

A large grid of graph paper for taking notes, consisting of 20 columns and 30 rows of small squares.

HOW TO USE THE SERVICE PARTS MANUAL

This manual is divided into several sections:

GENERAL INFORMATION

- TABLE OF CONTENTS
- HOW TO USE THE SERVICE PARTS MANUAL

ILLUSTRATED PARTS BREAKDOWN

- Contains illustrations and parts lists for all systems of the vehicle

APPENDIX

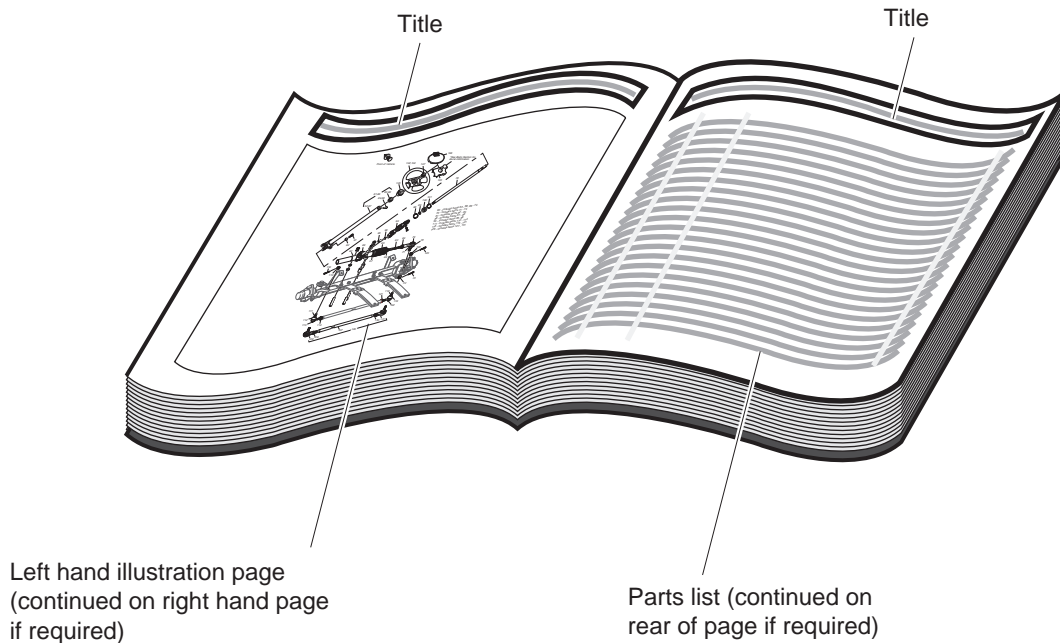
- Contains a listing of specialty products and options/accessories

USE OF THE MANUAL

To use this manual, consult the TABLE OF CONTENTS (page iii) to locate the information or illustration required.

Introduction of some revisions varies due to supply of components; therefore, it is possible that various combinations of components may be found that are not directly reflected by each illustration. Consult the illustration that best suits your situation. Locate the serial number plate (see BODY located in the Illustrated Parts Breakdown section of this manual for its location) and note the complete number shown on the plate. It is important that the serial number of your vehicle and its model number be supplied to Service Parts when ordering any replacement components.

HOW TO USE THE SERVICE PARTS MANUAL



1. WHEN THE PART NUMBER IS NOT KNOWN

- Determine the function and application of the part required. Turn to the INDEX OF MAJOR COMPONENTS and select the most appropriate component description.
- Turn to the page number indicated and locate the part description in the parts list. Read the full accompanying description for specific information regarding the part that was not shown in the index.
- From the parts list, obtain the item number assigned to it and confirm that the part selected is correct by verifying it with the pictorial representation on the illustrated page.

2. IF YOU KNOW THE PART NUMBER

- Use the INDEX OF MAJOR COMPONENTS to find the page(s) the part number appears on.
- Turn to the page number indicated and locate the part number in the parts list. Refer to the accompanying description for specific information regarding the part.
- From the parts list, obtain the item number assigned to it and confirm that the part selected is correct by verifying it with the pictorial representation on the illustrated page.

Should an asterisk (*) appear in the part number column on the parts list page, read upwards until a part number is found. The part number is the lowest assembly sold by Service Parts. The asterisk (*) indicates that the part depicted is not available for purchase.

NOTE: Descriptions are indented under the assembly that they are used on. That assembly is, in turn listed under the assembly that it is used on. This process is repeated until the highest final assembly is reached.

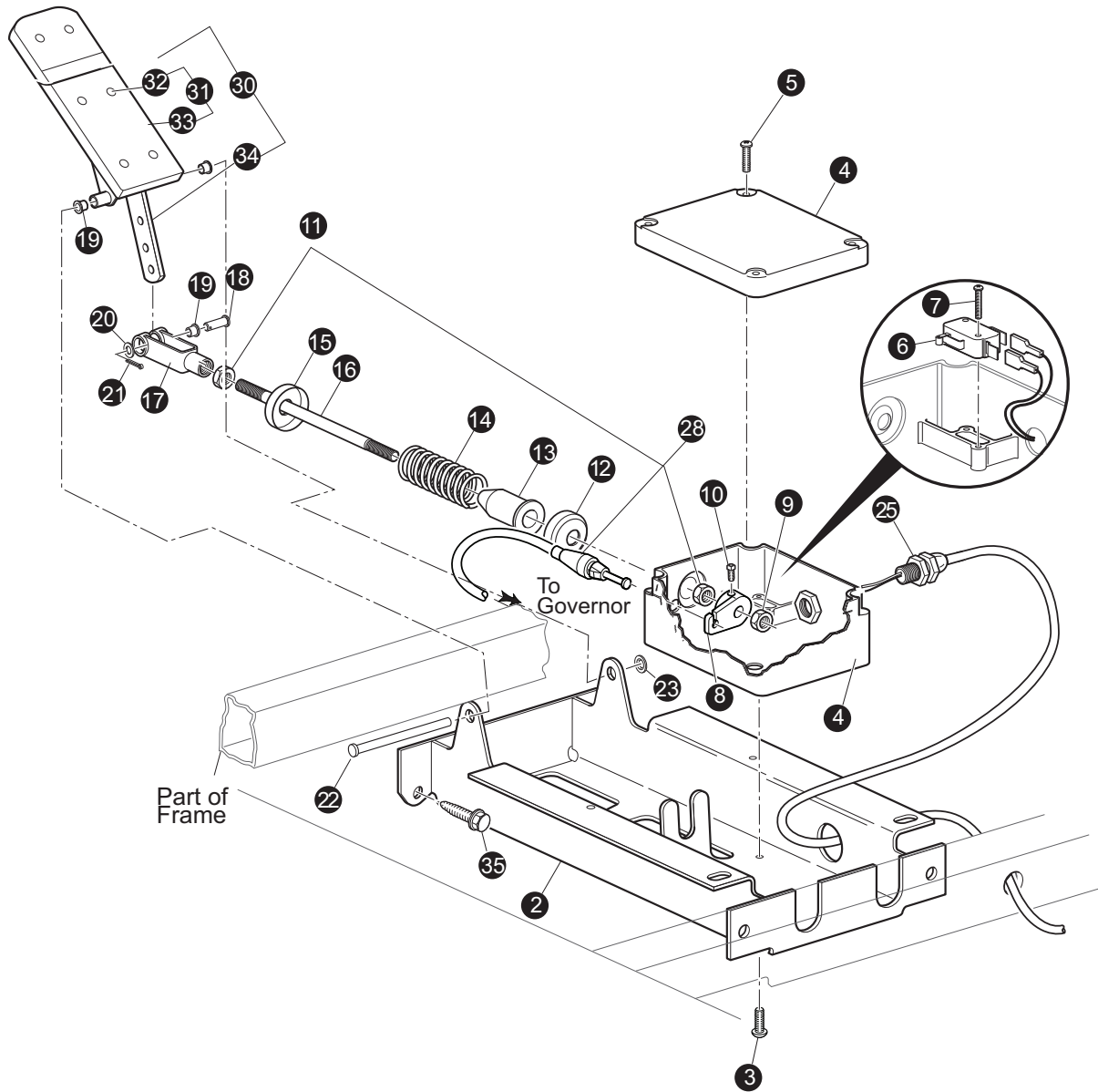
To facilitate the maintenance and repair of the vehicle, a Technician's Repair and Service Manual is available from the Service Parts Department.

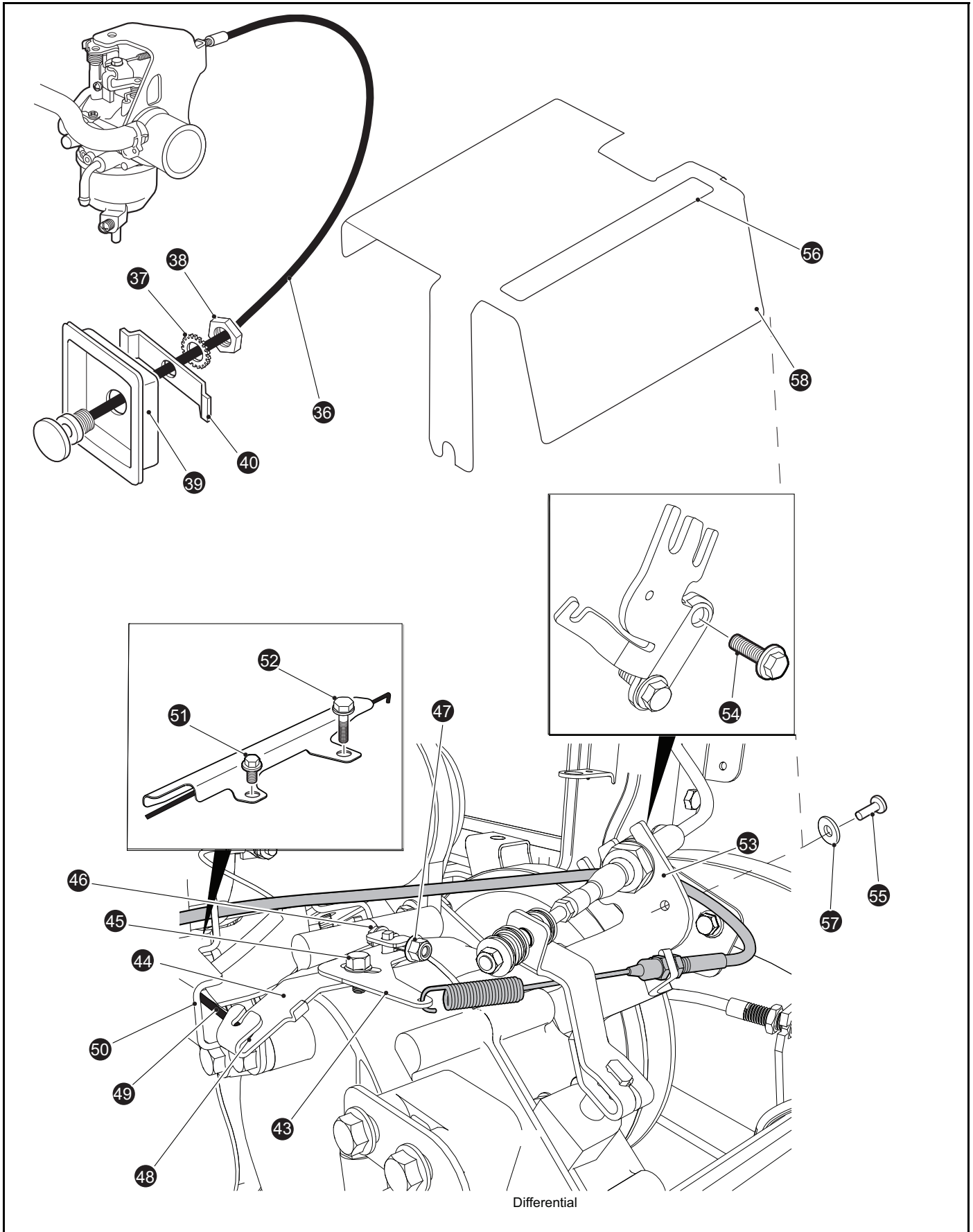
ILLUSTRATED PARTS BREAKDOWN

ILLUSTRATED PARTS BREAKDOWN

ACCELERATOR

1 - Includes Items 2 - 39





ACCELERATOR

When ordering parts, please specify the model and serial number of the product.

* Indicates a component that is not available as an individual part.

*** Indicates consult Customer Service Department for additional information.

ITEM	PART NO.	1	2	3	4	5	DESCRIPTION	QTY.
1	606991						PEDAL BOX ASSEMBLY (INCLUDES ITEMS 2 - 39,	1
2	70116G02						ACCELERATOR PEDAL BRACKET	1
3	01051G01						SCREW, #8 - 16 X 1/2" LG	4
4	25853G03						PEDAL BOX AND COVER	1
5	00684G6						SCREW, #8 - 32 X 3/4" LG (STAINLESS STEEL)	2
6	25861G01						MICRO SWITCH	1
7	01050G01						SCREW, #4 - 20 X 5/8" LG	2
8	72716G01						MICRO SWITCH CAM	1
9	15126G1						LOCK NUT, 5/16 - 24	1
10	00487G3						SETSCREW, 1/4 - 20 X 3/8" LG	1
11	00532G4						NUT, 5/16 - 24	2
12	17677G1						SPRING RETAINER	1
13	17979G1						ACCELERATOR ROD BUSHING	1
14	73046G01						COMPRESSION SPRING	1
15	17677G2						SPRING RETAINER	1
16	72072G01						ACCELERATOR ROD	1
17	10385G4						CLEVIS YOKE (ADJUSTABLE)	1
18	10386G3						CLEVIS PIN, 5/16" X 13/16" LG.....	1
19	17838G1						NYLON BUSHING	3
20	17255G1						TEFLON WASHER, 5/16"	1
21	10387G3						COTTER PIN, 3/32" X 3/4" LG.....	1
22	74432G01						PEDAL PIVOT PIN.....	1
23	12064G6						PUSH NUT, 9/32"	1
24	12730G1						WHEEL BEARING GREASE (NOT ILLUSTRATED)	A/R
25	72201G04						WIRE HARNESS (PEDAL BOX).....	1
26								
27								
28	608614						ACCELERATOR CABLE.....	1
29								
30	25799G03						ACCELERATOR PEDAL ASSEMBLY (INCLUDES ITEMS 31- 33).....	1
31	27844G01						ACCELERATOR PEDAL PAD KIT (INCLUDES ITEMS 32- 33)	

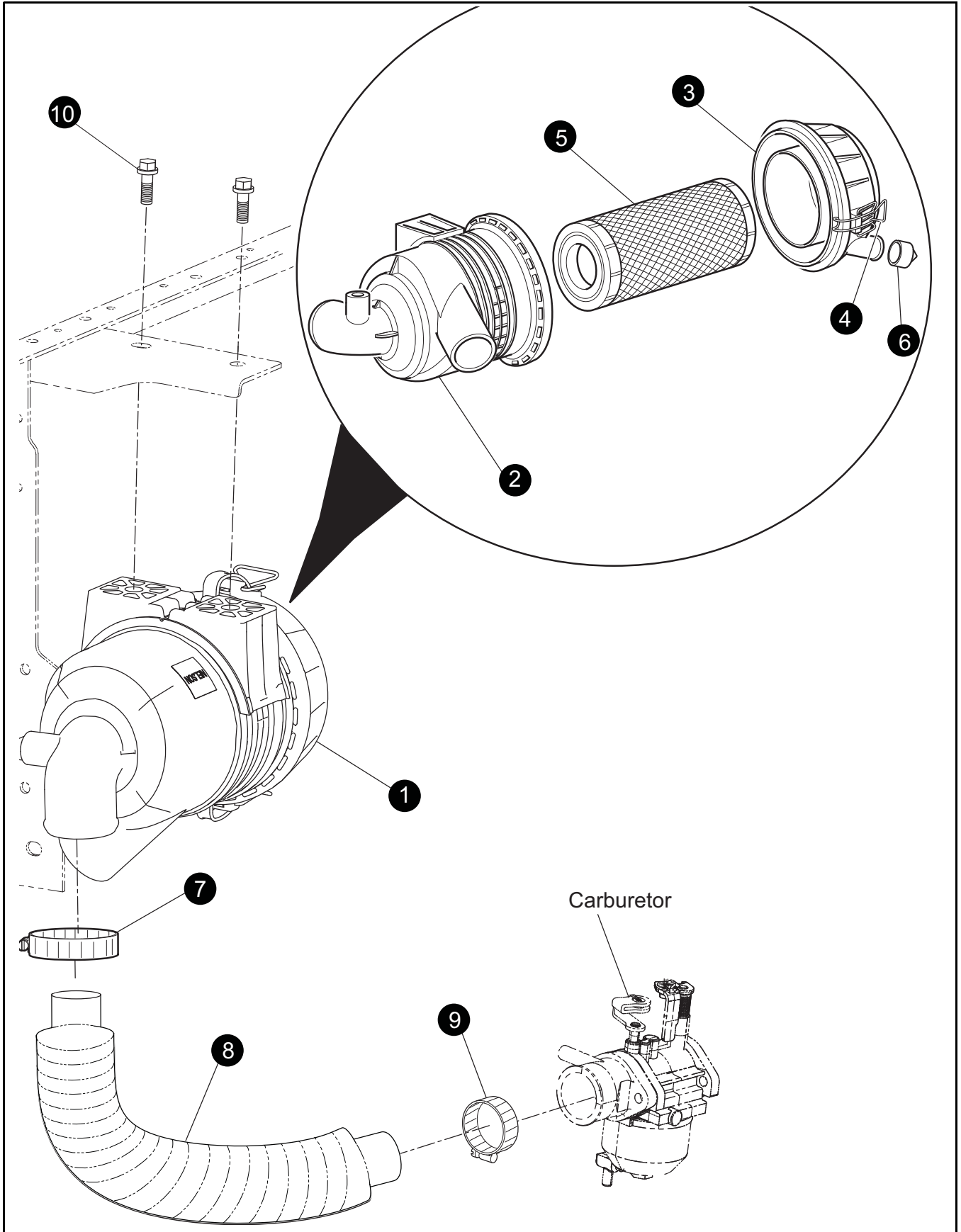
When ordering parts, please specify the model and serial number of the product.

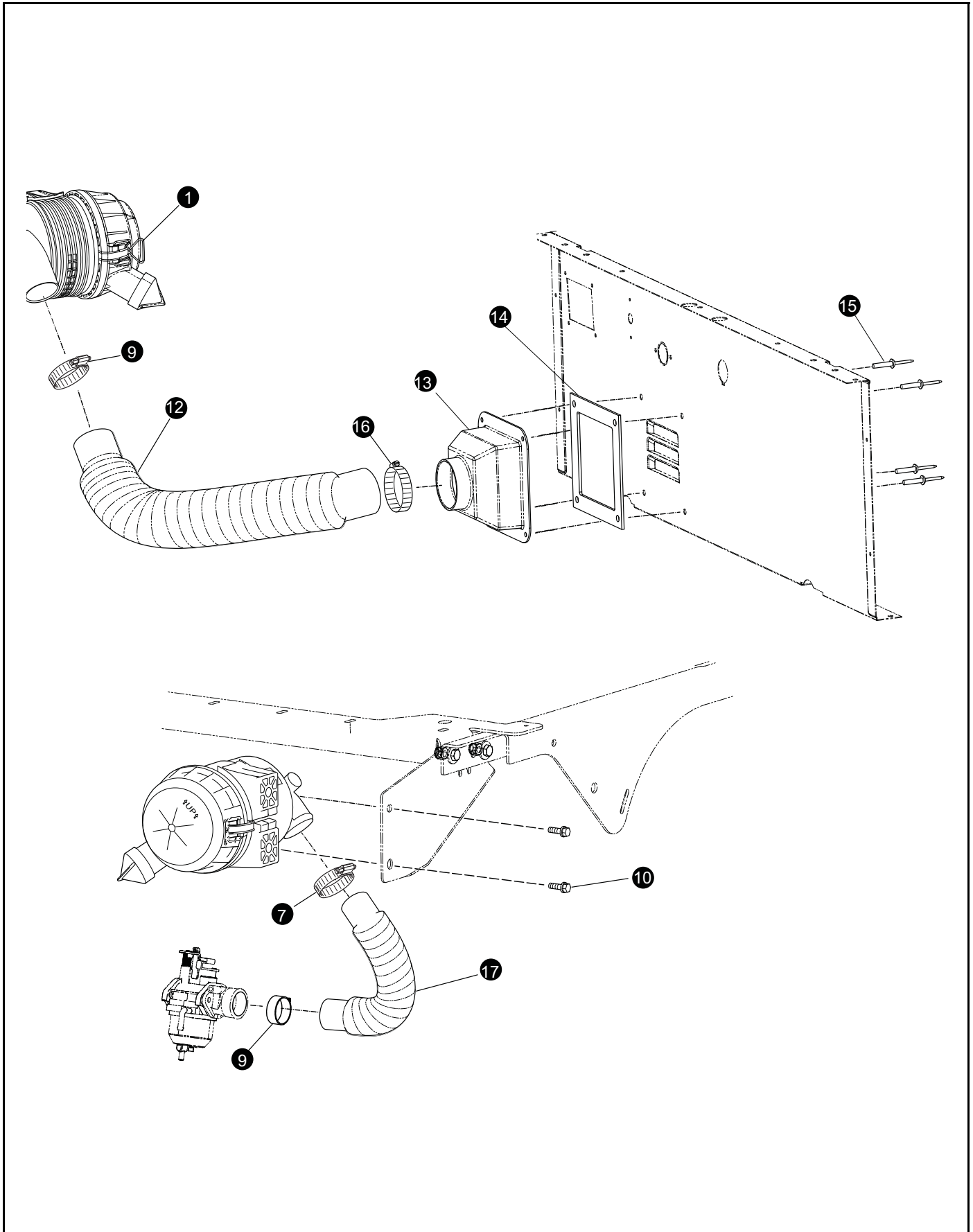
* Indicates a component that is not available as an individual part.

*** Indicates consult Customer Service Department for additional information.

ITEM	PART NO.	1	2	3	4	5	DESCRIPTION	QTY.
32	16409G1						OVAL RIVET, 3/16" X 7/16" LG	6
33	27512-G01						ACCELERATOR PEDAL PAD	1
34	*						ACCELERATOR PEDAL	
35	00715G2						BOLT, 5/16 -18 X 4/5" LG.....	4
36	605793						CHOKE CABLE ASSY	1
37	00568G4						LOCK WASHER, 9/16"	1
38	00545G4						JAM NUT, 9/16 - 18.....	1
39	72154G01						CHOKE CABLE ADAPTER.....	1
40	72155G02						RETAINER	1
41								
42								
43	606083						UPPER GOVERNOR BRACKET.....	1
44	606005						LOWER GOVERNOR BRACKET	1
45	606265						BOLT, M6 - 1 X 12.....	1
46	606421						BOLT, M6 - 1 X 30.....	1
47	450452						NUT, M6 - 1.0.....	1
48	606283						GOVERNOR LEVER BUSHING	1
49	606284						GOVERNOR ROD	1
50	603890						GOVERNOR ROD GUARD	1
51	606264						BOLT, M6 - 1 X 20.....	1
52	606262						BOLT, M8 - 1.25 X 16.....	1
53	606074						GOVERNOR CABLE / DIRECTION SELECTOR BRACKET	1
54	606256						BOLT, M10 - 1.25 X 16.....	2
55	14601G11						RIVET.....	1
56	608527						GOVERNOR WARNING DECAL.....	1
57	00915G1						WASHER	1
58	606199						GOVERNOR COVER	1
59	17618G1						NYLON CLAMP	2

AIR FILTER





AIR FILTER

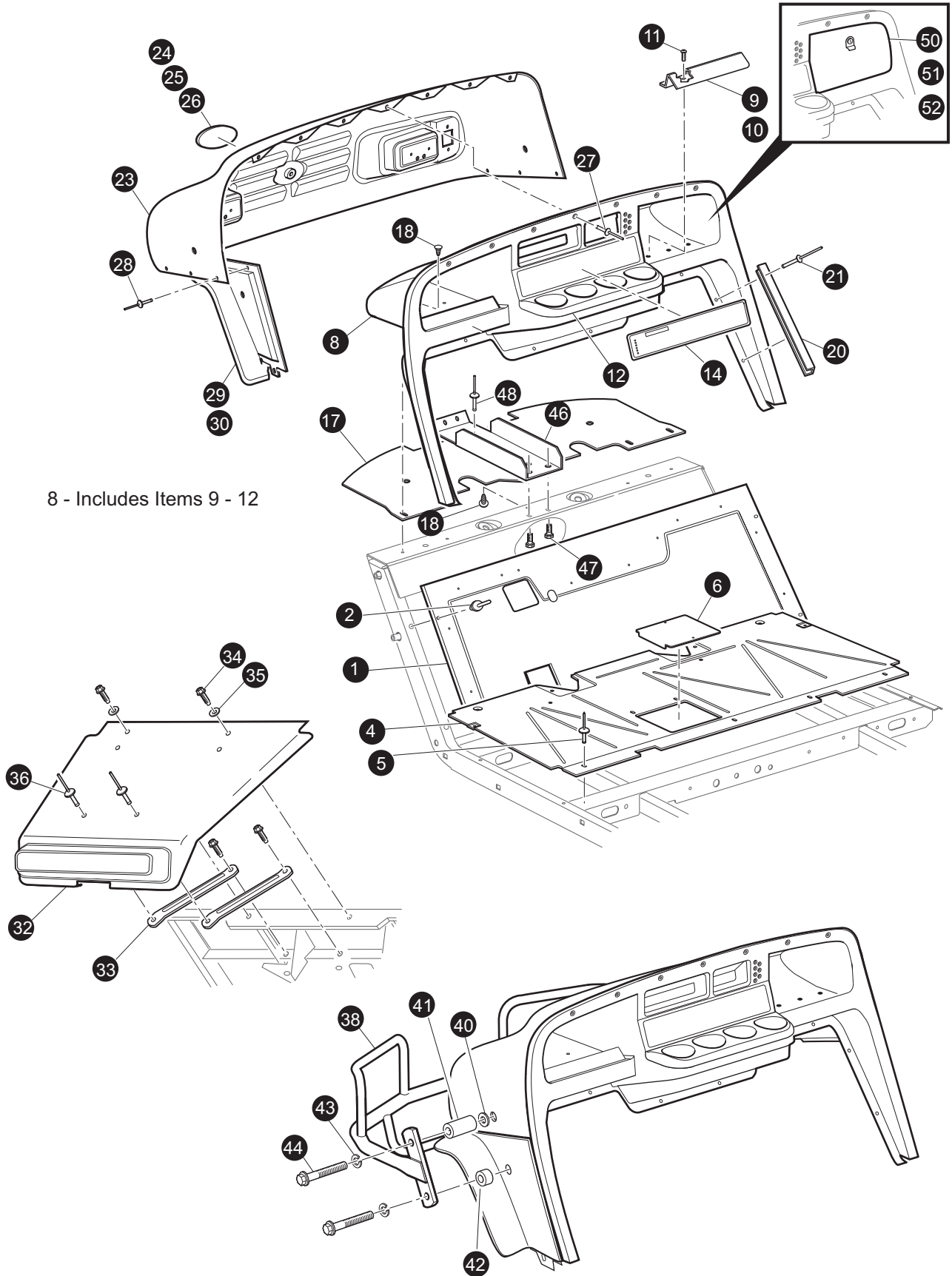
When ordering parts, please specify the model and serial number of the product.

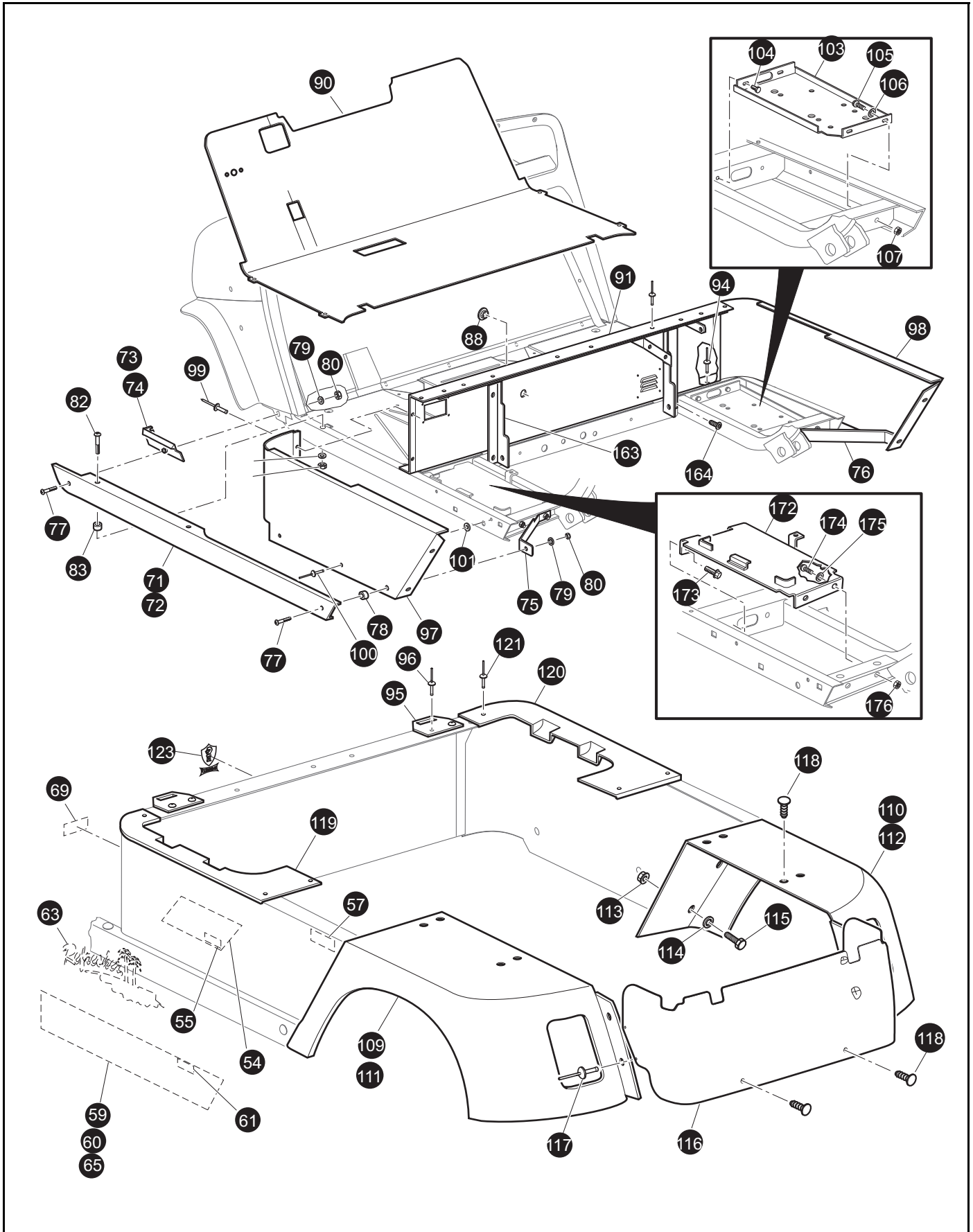
* Indicates a component that is not available as an individual part.

*** Indicates consult Customer Service Department for additional information.

ITEM	PART NO.	1 2 3 4 5	DESCRIPTION	QTY.
1	606952		AIR CLEANER (INCLUDES ITEMS 2 - 6).....	1
2	607269		BODY & BRACKET ASSEMBLY	1
3	72599G01		AIR CLEANER COVER	1
4	72604G01		AIR CLEANER CLIP	2
5	28463G01		AIR FILTER	1
6	28462G01		VALVE DUST EJECTOR.....	1
7	11391G7		HOSE CLAMP, 1.56 - 2.50 DIA	1
8	607950		HOSE 10" LONG	1
9	11391G1		HOSE CLAMP 1.31 - 2.25 DIA.....	3
10	25532G1		BOLT AND WASHER, M8 X 1.25 X 18 MM	4
11				
12	72637G03		HOSE, AIR INTAKE, 16" LONG	1
13	72416G01		INTAKE ASSEMBLY, REMOTE AIR.....	1
14	72415G01		GASKET, REMOTE AIR INTAKE	1
15	71055G01		RIVET, 3/16 DIA	4
16	11391G2		CLAMP, HOSE, 2.06 - 3.00 DIA	1
17	601910		HOSE, 14' LONG	1

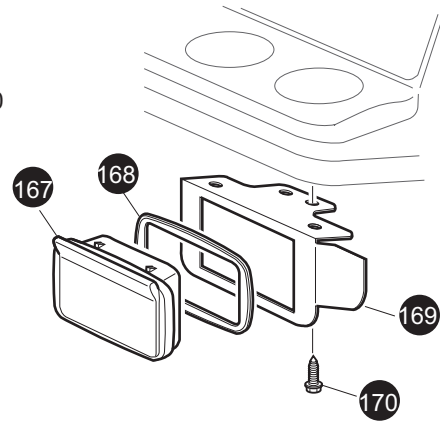
BODY



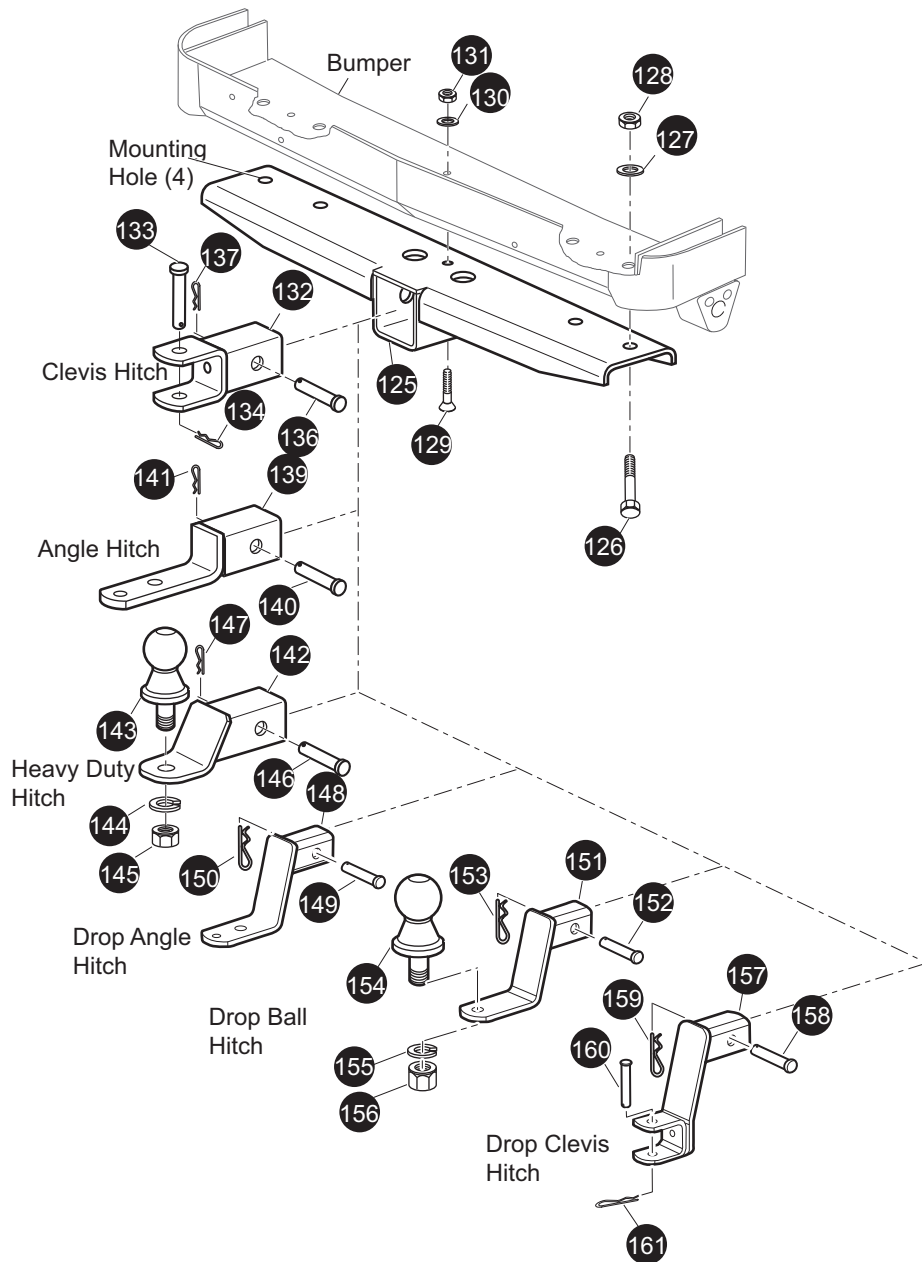


ASH TRAY

166 - Includes Items 167 - 170



HITCHES



When ordering parts, please specify the model and serial number of the product.

* Indicates a component that is not available as an individual part.

*** Indicates consult Customer Service Department for additional information.

ITEM	PART NO.	1 2 3 4 5	DESCRIPTION	QTY.
1	70662G01		UPPER FLOORPAN (AXLE MOUNTED STEERING)	1
2	14601G11		RIVET, 3/16" X 9/16" LG	9
3				
4	70451G01		LOWER FLOORPAN	1
5	14601G11		RIVET, 3/16" X 9/16" LG	7
6	70452G01		ACCESS COVER.....	1
7				
8	71151G03		INSTRUMENT PANEL ASSEMBLY (INCLUDES ITEMS 9 - 12)	1
9	71153G01		DEFLECTOR (PASSENGER SIDE).....	1
10	71154G01		DEFLECTOR (DRIVER SIDE).....	1
11	00614G5		SCREW, #8 - 18 X 5/8" LG.....	6
12	71158G01		INSTRUMENT PANEL INSERT (FOUR CUP)	1
13				
14	35964G01		LABEL (SAFETY) (PICTOGRAPH)	1
15				
16				
17	71413G01		SPLASH PANEL	1
18	16816G2		RATCHET FASTENER, 1/4" X 3/4" LG.....	5
19				
20	71115G01		VINYL TRIM.....	2
21	71055G01		RIVET, 3/16" X 1" LG	10
22				
23	606534G**		COWL (LX/SE)..... 606534G002....ST COWL SPECIAL COLOR 606534G005....ST COWL FRONT JAC ORANGE 606534G006....ST COWL FRONT LIGHT GOLD PEARL 606534G007....ST COWL SILVER PEARL METAL 606534G011....ST COWL BLACK PAINT 606534G012....ST COWL EMERALD GREEN PEARL 606534G013....ST COWL CLOUD GREY 606534G014....ST COWL VIPER BLUE METAL 606534G019....ST COWL PATRIOT BLUE PEARL 606534G020....ST COWL INFERNO RED METAL 606534G023....ST COWL ADV CLASSICE CAMO 606534G024....ST COWL FRONT NATURAL 606534G025....ST COWL FRONT NEW HOLLAND BLUE	1

BODY

When ordering parts, please specify the model and serial number of the product.

* Indicates a component that is not available as an individual part.

*** Indicates consult Customer Service Department for additional information.

ITEM	PART NO.	1	2	3	4	5	DESCRIPTION	QTY.
							606534G026....ST COWL FRONT STEEL BLUE PEARL	
							606534G027....ST COWL BRIGHT SILVER METAL	
							606534G029....ST COWL PRIME	
							606534G030....ST COWL HD ADV CAMO	
							606534G031....ST COWL FRONT METALLIC CHARCOAL	
							606534G033....ST COWL TIMERLINE GREEN	
							606534G034....ST COWL DEEP MOLTEN RED	
							606534G035....ST COWL SAFETY YELLOW	
							606534G036....ST COWL CAMPAGNE BEIGE TEXT	
							606534G037....ST COWL HUNTER GREEN	
							606534G038....ST COWL BRIGHT WHITE	
							606534G039....ST COWL FLAME RED	
							606534G040....ST COWL BLACK	
							606534G041....ST COWL ELECTRIC BLUE	
							606534G042....ST COWL PLATINUM	
							606534G043....ST COWL BURGUNDY ON CH BG	
							606534G044....ST COWL ALMOND	
							606534G046....ST COWL BURGANDY ON BLACK	
							606534G047....ST COWL BURLINGTON GREEN	
							606534G048....ST COWL BLACK ON CHAM BEIGE	
							606534G049....ST COWL RED ON CHAM BEIGE	
24	74813G01						NAMEPLATE (E-Z-GO) (OVAL)	1
25	28907G01						NAMEPLATE (JACOBSEN) (OVAL).....	1
26	74401G01						NAMEPLATE (CUSHMAN) (OVAL).....	1
27	71055G01						RIVET, 3/16" X 1" LG.....	9
28	71055G01						RIVET, 3/16" X 1" LG.....	6
29	71338G01						FENDER FLARE (DRIVER SIDE).....	1
30	71338G02						FENDER FLARE (PASSENGER SIDE)	1
31								
32	27166G04						FRONT SHIELD	1
33	70725G02						FRONT SHIELD BRACE.....	2
34	01038G01						SCREW, 1/4 - 20 X 1/2" LG.....	4
35	16469G1						WASHER, 1/4".....	2
36	01057G01						RIVET, KTR, 1/4" X 1" LG	2
37								
38	74265G02						BUMPER	1
39								
40	00570G2						WASHER, 5/16".....	2
41	75048G04						SPACER, 1".....	2

When ordering parts, please specify the model and serial number of the product.

* Indicates a component that is not available as an individual part.

*** Indicates consult Customer Service Department for additional information.

ITEM	PART NO.	1 2 3 4 5	DESCRIPTION	QTY.
42	75048G01		SPACER, 1/2"	2
43	00905G8		LOCK WASHER, 5/16"	4
44	01035G02		BOLT, 5/16 - 18 X 2 1/2" LG.....	4
45				
46	71101G01		COWL SUPPORT BRACKET	1
47	71102G02		SELF TAPPING SCREW, 1/4 - 20 X 1/2" LG.....	3
48	71055G01		RIVET, 3/16" X 1 1/8" LG	1
49				
50	75459G01		GLOVE BOX DOORS (BOTH SIDES).....	1
51	75459G02		GLOVE BOX DOOR (DRIVER SIDE).....	1
52	75459G03		GLOVE BOX DOOR (PASSENGER SIDE)	1
53				
54	600823		LABEL (MPT™)	2
55	600817		LABEL (1200).....	2
56				
57	74099G01		LABEL, TILT WARNING PICTOGRAPH.....	2
58				
59	28915G01		LABEL (JACOBSEN HAULER™) (DRIVER SIDE).....	1
60	28915G02		LABEL (JACOBSEN HAULER™) (PASSENGER SIDE).....	1
61	74099G01		LABEL (1200).....	2
62				
63	75743G01		LABEL (REFRESHER)	2
64				
65	600811		LABEL (CUSHMAN COMMANDER™) (DRIVER SIDE)	2
66				
67				
68				
69	*		SERIAL NUMBER PLATE.....	1
70				
71	71439G03		ROCKER PANEL (DRIVER SIDE).....	1
72	71439G04		ROCKER PANEL (PASSENGER SIDE)	1

BODY

When ordering parts, please specify the model and serial number of the product.

* Indicates a component that is not available as an individual part.

*** Indicates consult Customer Service Department for additional information.

ITEM	PART NO.	1 2 3 4 5	DESCRIPTION	QTY.
73	71424G01		FENDER SPACER (DRIVER SIDE).....	1
74	71424G02		FENDER SPACER (PASSENGER SIDE)	1
75	71440G03		BRACE (DRIVER SIDE).....	1
76	71440G04		BRACE (PASSENGER SIDE)	1
77	00789G2		SCREW, #10 - 24 X 1 1/4" LG.....	4
78	23726G2		SPACER, 1/4"	2
79	00660G5		WASHER, #10.....	4
80	14390G10		LOCK NUT, #10 - 24.....	4
81				
82	16705G1		SCREW, 1/4 - 20 X 1" LG.....	4
83	23726G2		SPACER, 1/4"	4
84	00559G7		WASHER, 1/4".....	4
85	14390G4		LOCK NUT, 1/4 - 20.....	4
86				
87				
88	20271G9		HOLE PLUG, 1/2"	1
89				
90	70663G04		FLOORMAT (AXLE MOUNTED STEERING).....	1
91	609143G**		SEAT WRAP (W/DRIVER SIDE LOUVERS)..... 609143G02....SPECIAL COLOR 609143G05....FRONT JAC ORANGE 609143G35....SAFETY YELLOW 609143G36....CHAMPAGNE BEIGE 609143G37....HUNTER GREEN 609143G38....BRIGHT WHITE 609143G39....FLAME RED 609143G40....WRAP BLACK	1
92				
93				
94	10570G10		RIVET, 5/32" X 9/16" LG.....	8
95	71609G01		SEAT HINGE PLATE	2
96	10570G11		RIVET, 3/16" X 3/4" LG.....	4
97	609168G1**		SIDE PANEL, DRIVER SIDE..... 609168G102....SPECIAL COLOR 609168G105....FRONT JAC ORANGE	1

When ordering parts, please specify the model and serial number of the product.

* Indicates a component that is not available as an individual part.

*** Indicates consult Customer Service Department for additional information.

ITEM	PART NO.	1 2 3 4 5	DESCRIPTION	QTY.
98	609168G2**		609168G135....SAFETY YELLOW 609168G136....CHAMPAGNE BEIGE 609168G137....HUNTER GREEN 609168G138....BRIGHT WHITE 609168G139....FLAME RED 609168G140....BLACK SIDE PANEL, PASSENGER SIDE..... 609168G202....SPECIAL COLOR 609168G205....FRONT JAC ORANGE 609168G235....SAFETY YELLOW 609168G236....CHAMPAGNE BEIGE 609168G237....HUNTER GREEN 609168G238....BRIGHT WHITE 609168G239....FLAME RED 609168G240....BLACK	1
99	10570G10		RIVET, 5/32" X 9/16" LG	4
100	10570G12		RIVET, 1/4" X 1/2" LG	4
101	16469G7		WASHER, 1/4"	4
102				
103	70244G03		SPLASH PANEL	1
104	00715G2		BOLT, 5/16 - 18 X 13/16" LG.....	2
105	00438G8		BOLT, 5/16 - 18 X 1" LG.....	2
106	00559G8		WASHER, 5/16"	2
107	11098G6		LOCK NUT, 5/16 - 18	2
108				
109	74893G01		FENDER (DRIVER SIDE).....	1
110	74893G02		FENDER (PASSENGER SIDE)	1
111	74893G03		FENDER WITH TAILLIGHT (DRIVER SIDE).....	1
112	74893G04		FENDER WITH TAILLIGHT (PASSENGER SIDE)	1
113	14390G4		LOCK NUT, 1/4 - 20	4
114	00642G7		WASHER, 1/4"	8
115	00414G6		BOLT, 1/4 - 20 X 7/8" LG.....	4
116	74890G01		REAR PANEL.....	1
117	71055G01		RIVET, 3/16" X 1" LG	4
118	16816G2		RATCHET FASTENER, 1/4" X 3/4" LG.....	10
119	74891G01		SEAT FILLER PANEL (DRIVER SIDE).....	1

BODY

When ordering parts, please specify the model and serial number of the product.

* Indicates a component that is not available as an individual part.

*** Indicates consult Customer Service Department for additional information.

ITEM	PART NO.	1 2 3 4 5	DESCRIPTION	QTY.
120	74891G02		SEAT FILLER PANEL (PASSENGER SIDE).....	1
121	10570G10		RIVET, 5/32" X 9/16" LG.....	6
122				
123	74755G01		LABEL (E-SHIELD™).....	1
124				
125	74348G02		HITCH RECEIVER.....	1
126	00463G4		BOLT, 7/16 - 14 X 1 1/2" LG.....	4
127	00922G3		WASHER, 7/16".....	4
128	00734G1		LOCK NUT, 7/16 - 14.....	4
129	00198G8		SCREW, 5/16 - 18 X 1" LG.....	1
130	00559G8		WASHER, 5/16".....	1
131	11098G6		LOCK NUT, 5/16 - 18.....	1
132	74338G02		CLEVIS HITCH.....	1
133	14443G7		CLEVIS PIN, 1/2" X 2 1/2" LG.....	1
134	19314G1		COTTER PIN, 2 1/2" LG.....	1
135				
136	21317G01		CLEVIS PIN, 5/8" X 3" LG.....	1
137	21683G1		COTTER PIN, 15/32" X 2 11/16" LG.....	1
138				
139	74339G02		ANGLE HITCH.....	1
140	21317G01		CLEVIS PIN, 5/8" X 3" LG.....	1
141	21683G1		COTTER PIN, 15/32" X 2 11/16" LG.....	1
142	74351G02		HEAVY DUTY HITCH.....	1
143	31757G1		HITCH BALL, 1 7/8".....	1
144	00566G6		LOCK WASHER, 3/4".....	1
145	00702G11		NUT, 3/4 - 16.....	1
146	21317G01		CLEVIS PIN, 5/8" X 3" LG.....	1
147	21683G1		COTTER PIN, 15/32" X 2 11/16" LG.....	1
148	74489G02		DROP ANGLE HITCH.....	1
149	21317G01		CLEVIS PIN, 5/8" X 3" LG.....	1
150	21683G1		COTTER PIN, 15/32" X 2 11/16" LG.....	1

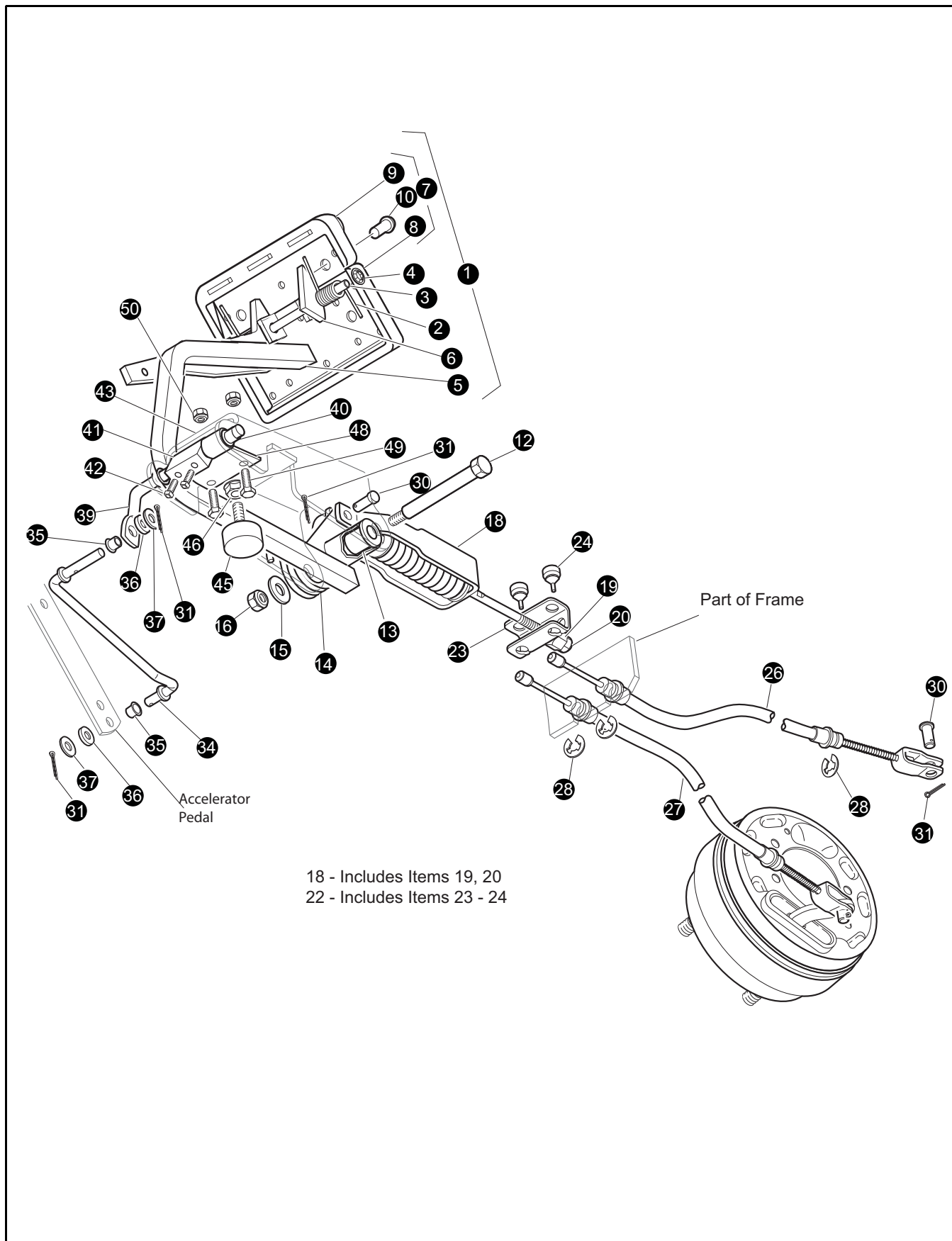
When ordering parts, please specify the model and serial number of the product.

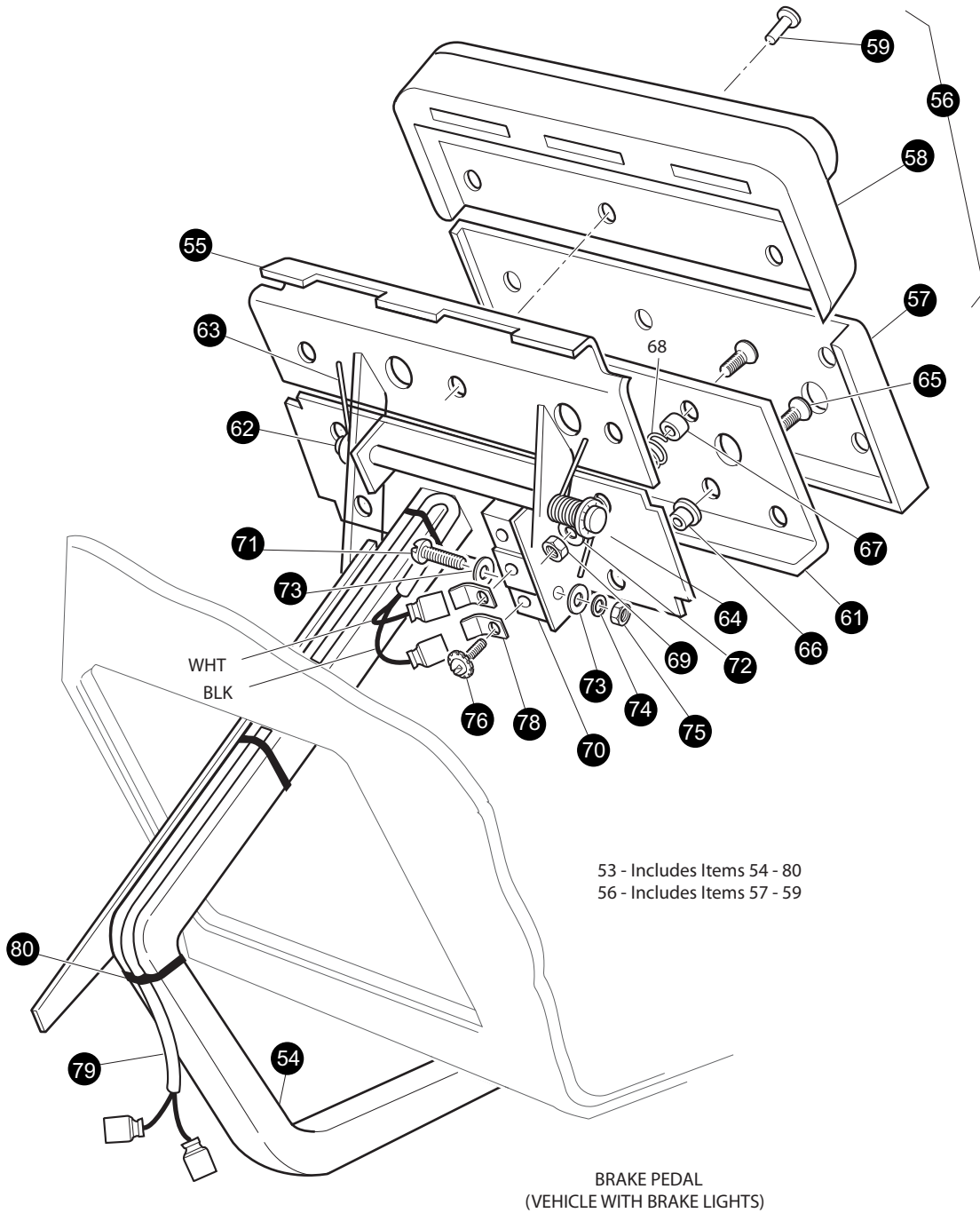
* Indicates a component that is not available as an individual part.

*** Indicates consult Customer Service Department for additional information.

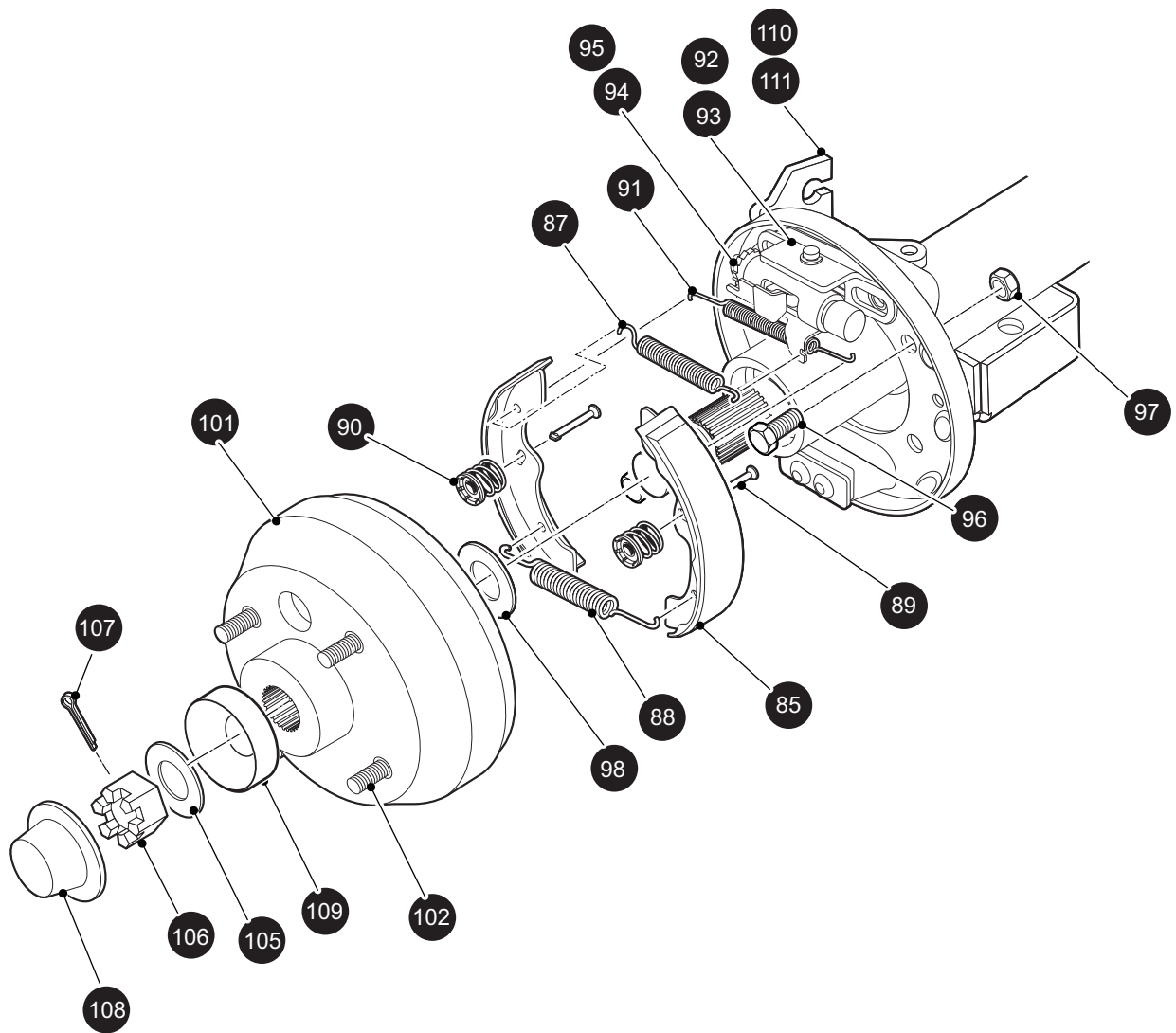
ITEM	PART NO.	1 2 3 4 5	DESCRIPTION	QTY.
151	74491G02		DROP BALL HITCH.....	1
152	21317G01		CLEVIS PIN, 5/8" X 3" LG.....	1
153	21683G1		COTTER PIN, 15/32" X 2 11/16" LG.....	1
154	31757G1		HITCH BALL, 1 7/8".....	1
155	00566G6		LOCK WASHER, 3/4".....	1
156	00702G11		NUT, 3/4 - 16.....	1
157	74495G02		DROP CLEVIS HITCH.....	1
158	21317G01		CLEVIS PIN, 5/8" X 3" LG.....	1
159	21683G1		COTTER PIN, 15/32" X 2 11/16" LG.....	1
160	14443G7		CLEVIS PIN, 1/2" X 2 1/2" LG.....	1
161	19314G1		COTTER PIN, 2 1/2" LG.....	1
162				
163	70440G04		SEAT FRAME.....	1
164	00715G2		SCREW, 3/8 - 16 X 1/4" LG.....	2
165				
166	75109G04		ASH TRAY KIT (INCLUDES ITEMS 167 - 170).....	1
167	27731G01		ASH TRAY.....	1
168	27736G01		GASKET.....	1
169	75108G02		BRACKET.....	1
170	00100G4		SCREW, #10 - 16 X 1/2" LG.....	4
171				
172	600496		BATTERY TRAY.....	1
173	00715G2		BOLT, 5/16 - 18 X 13/16" LG.....	2
174	00438G8		BOLT, 5/16 - 18 X 1" LG.....	2
175	00571G2		WASHER, 5/16".....	2
176	11098G6		LOCK NUT, 5/16 - 18.....	2

BRAKES - MECHANICAL





BRAKES - MECHANICAL



- 82 - Includes Items 84 - 92, 94, 95
- 83 - Includes Items 84 - 91, 93 - 95
- 84 - Includes Items 85
- 86 - Includes Items 87 - 91
- 92 - Includes Items 94, 95
- 93 - Includes Items 94, 95
- 100 - Includes Items 101, 102

BRAKES - MECHANICAL

When ordering parts, please specify the model and serial number of the product.

* Indicates a component that is not available as an individual part.

*** Indicates consult Customer Service Department for additional information.

ITEM	PART NO.	1 2 3 4 5	DESCRIPTION	QTY.
1	70612G02		BRAKE PEDAL ASSEMBLY (WITHOUT BRAKE LIGHTS) (INCLUDES ITEMS 2 - 10)	1
2	70681G01		TORSION SPRING.....	2
3	70682G01		PIVOT PIN.....	1
4	01071G01		PUSHNUT, 5/16"	2
5	*		BRAKE PEDAL.....	1
6	70611G02		PARK BRAKE PEDAL	1
7	70274G01		BRAKE/PARK BRAKE PEDAL PAD KIT (INCLUDES ITEMS 8 - 10).....	1
8	*		SERVICE BRAKE PAD	1
9	*		PARK BRAKE PEDAL PAD	1
10	15766G1		OVAL RIVET, 3/16" X 7/16" LG.....	9
11				
12	70582G01		SHOULDER BOLT, 3/8 - 16 X 4" LG (STAINLESS STEEL)	1
13	70581G01		FLANGED BUSHING.....	2
14	70676G01		TORSION SPRING	1
15	00643G1		WASHER, 3/8"	1
16	11098G5		LOCK NUT, 3/8 - 16	1
17				
18	70272G04		COMPENSATOR ASSEMBLY (INCLUDES ITEMS 19, 20).....	1
19	00963G01		SPHERICAL NUT, 5/16 - 24	1
20	11098G9		LOCK NUT, 5/16 - 24.....	1
21				
22	70969G06		EQUALIZER AND BRAKE CABLE ASSEMBLY (INCLUDES ITEMS 23-24) .	1
23	28082G01		EQUALIZER BRACKET	1
24	28083G01		BRAKE COMPENSATOR BUMPER	2
25				
26	70968G10		BRAKE CABLE DRIVER SIDE	1
27	70968G11		BRAKE CABLE PASSENGER SIDE.....	1
28	01111G01		RETAINING RING, 13/32" (STAINLESS STEEL).....	4
29				
30	10386G3		CLEVIS PIN, 5/16" X 13/16" LG.....	3

BRAKES - MECHANICAL

When ordering parts, please specify the model and serial number of the product.

* Indicates a component that is not available as an individual part.

*** Indicates consult Customer Service Department for additional information.

ITEM	PART NO.	1	2	3	4	5	DESCRIPTION	QTY.
31	10387G3						COTTER PIN, 3/32" X 3/4" LG	5
32								
33								
34	70601G01						KICK-OFF LINK.....	1
35	17838G1						NYLON BUSHING.....	2
36	20835G1						TEFLON WASHER, 3/8"	2
37	00559G8						WASHER, 5/16".....	2
38								
39	70098G01						KICK-OFF CAM PIVOT	1
40	10097G6						FLANGED BEARING	2
41	70587G01						KICK-OFF CAM.....	1
42	71215G01						SETSCREW, 1/4 - 20 X 1/2" LG.....	2
43	14134G4						SPACER	1
44								
45	70113G01						ADJUSTABLE BUMPER	1
46	11027G1						LOCK NUT, 5/16 - 18.....	1
47								
48	70080G02						CATCH BRACKET	1
49	00414G6						BOLT, 1/4 - 20 X 3/4" LG	2
50	14390G4						LOCK NUT, 1/4 - 20 (STAINLESS STEEL)	2
51								
52								
53	70690G02						BRAKE PEDAL ASSEMBLY (WITH BRAKE LIGHTS) (INCLUDES ITEMS 54 - 80).....	1
54	*						BRAKE PEDAL	1
55	70611G02						PARK BRAKE PEDAL.....	1
56	70274G01						BRAKE/PARK BRAKE PEDAL PAD KIT (INCLUDES ITEMS 57 - 59).....	1
57	*						SERVICE BRAKE PAD.....	1
58	*						PARK BRAKE PAD.....	1
59	16409G1						OVAL RIVET, 3/16" x 7/16" LG	9
60								
61	70258G03						BRAKE PEDAL PLATE	1

BRAKES - MECHANICAL

When ordering parts, please specify the model and serial number of the product.

* Indicates a component that is not available as an individual part.

*** Indicates consult Customer Service Department for additional information.

ITEM	PART NO.	1 2 3 4 5	DESCRIPTION	QTY.
62	70682G01		PIVOT PIN.....	1
63	70681G01		TORSION SPRING.....	2
64	01071G01		PUSHNUT, 5/16".....	1
65	00737G8		SCREW, #10 - 24 X 7/8" LG.....	4
66	00739G1		RUBBER NUT, #10 - 24.....	2
67	74535G01		BRAKE PEDAL STANDOFF.....	2
68	27137G01		CONICAL SPRING.....	2
69	14390G10		LOCK NUT, #10 - 24.....	2
70	10606G8		MICRO SWITCH.....	1
71	00957G1		BOLT, #6 - 32 X 1 1/4" LG.....	2
72	00559G5		WASHER, #10.....	2
73	00559G3		WASHER, #6.....	4
74	00565G3		LOCK WASHER, #6.....	2
75	00525G5		NUT, #6 - 32.....	2
76	13514G1		SCREW AND LOCK WASHER, #6.....	2
77				
78	14628G1		FASTON TAB.....	2
79	24605G1		WIRE HARNESS (BRAKE LIGHT).....	1
80	17618G1		WIRE TIE.....	4
81				
82	70998G01		BRAKE ASSEMBLY (DRIVER SIDE) (INCLUDES ITEMS 84 - 92, 94, 95)....	1
83	70998G02		BRAKE ASSEMBLY (PASSENGER SIDE) (INCLUDES ITEMS 84 - 91, 93 - 95).....	1
84	70794G01		BRAKE SHOE KIT (INCLUDES ITEM 85).....	2
85	*		BRAKE SHOE.....	2
86	27944G01		BRAKE SPRING KIT (INCLUDES ITEMS 87 - 91).....	2
87	*		UPPER SPRING.....	1
88	*		LOWER SPRING.....	1
89	*		PIN.....	2
90	*		CUP AND SPRING.....	2
91	*		ADJUSTER SPRING.....	1

BRAKES - MECHANICAL

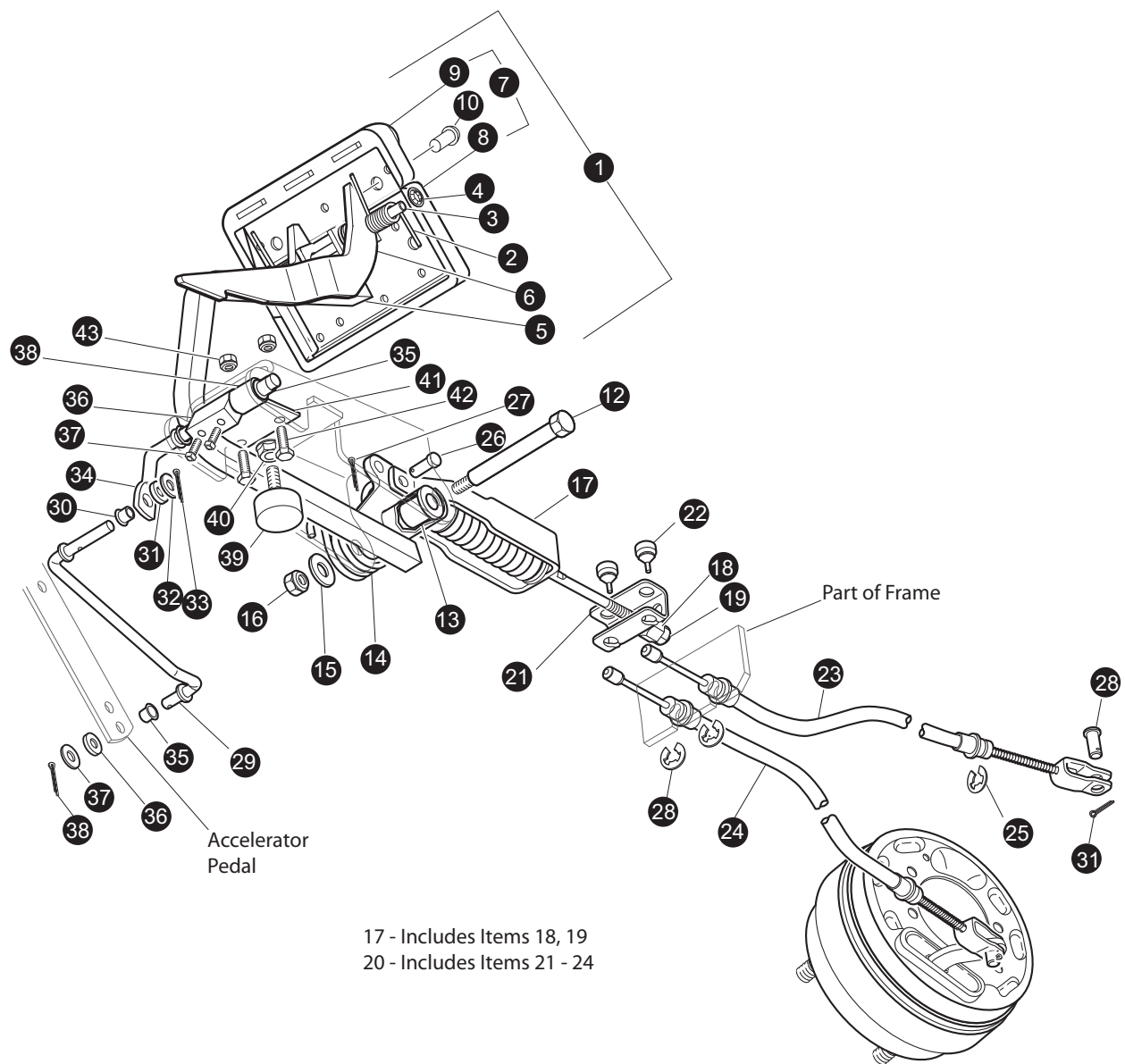
When ordering parts, please specify the model and serial number of the product.

* Indicates a component that is not available as an individual part.

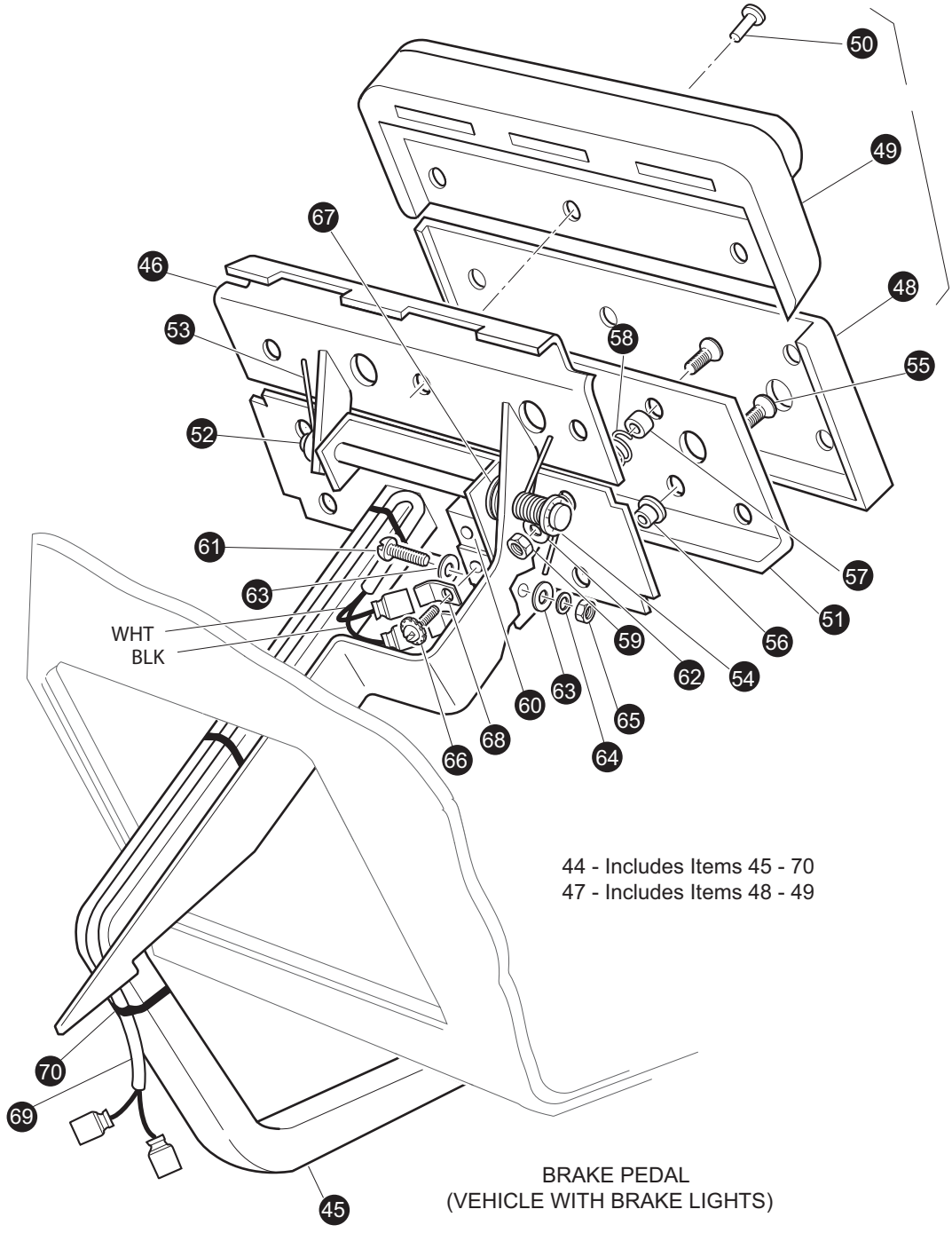
*** Indicates consult Customer Service Department for additional information.

ITEM	PART NO.	1	2	3	4	5	DESCRIPTION	QTY.
92	72582G01						BRAKE ADJUSTER KIT (DRIVER SIDE) (INCLUDES ITEMS 94, 95)	1
93	72582G02						BRAKE ADJUSTER KIT (PASSENGER SIDE) (INCL. ITEMS 94, 95).....	1
94	*						ADJUSTER.....	1
95	*						TEFLON WASHER.....	2
96	17083G2						BOLT, 5/16 - 24 X 1" LG	8
97	15126G1						LOCK NUT, 5/16 - 24.....	8
98	21809G1						INNER BRAKE DRUM WASHER, 1 5/16" OD X 1" ID X 1/32"	2
99								
100	21807G2						BRAKE DRUM ASSEMBLY (INCLUDES ITEMS 101 - 102).....	2
101	*						BRAKE DRUM	1
102	19862G2						LUG BOLT, 1/2 - 20 X 1 3/16" LG	4
103								
104								
105	606945						OUTER BRAKE DRUM WASHER	2
106	606403						SLOTTED NUT, M22 X 1.5.....	2
107	10387G1						COTTER PIN, 1/8" X 1 1/2" LG	2
108	74175G01						SPINDLE CAP.....	2
109	607033						SPINDLE CAP ADAPTER.....	2
110	608200						BRAKE CABLE BRACKET (PASSENGER SIDE).....	1
111	608201						BRAKE CABLE BRACKET (DRIVER SIDE)	1

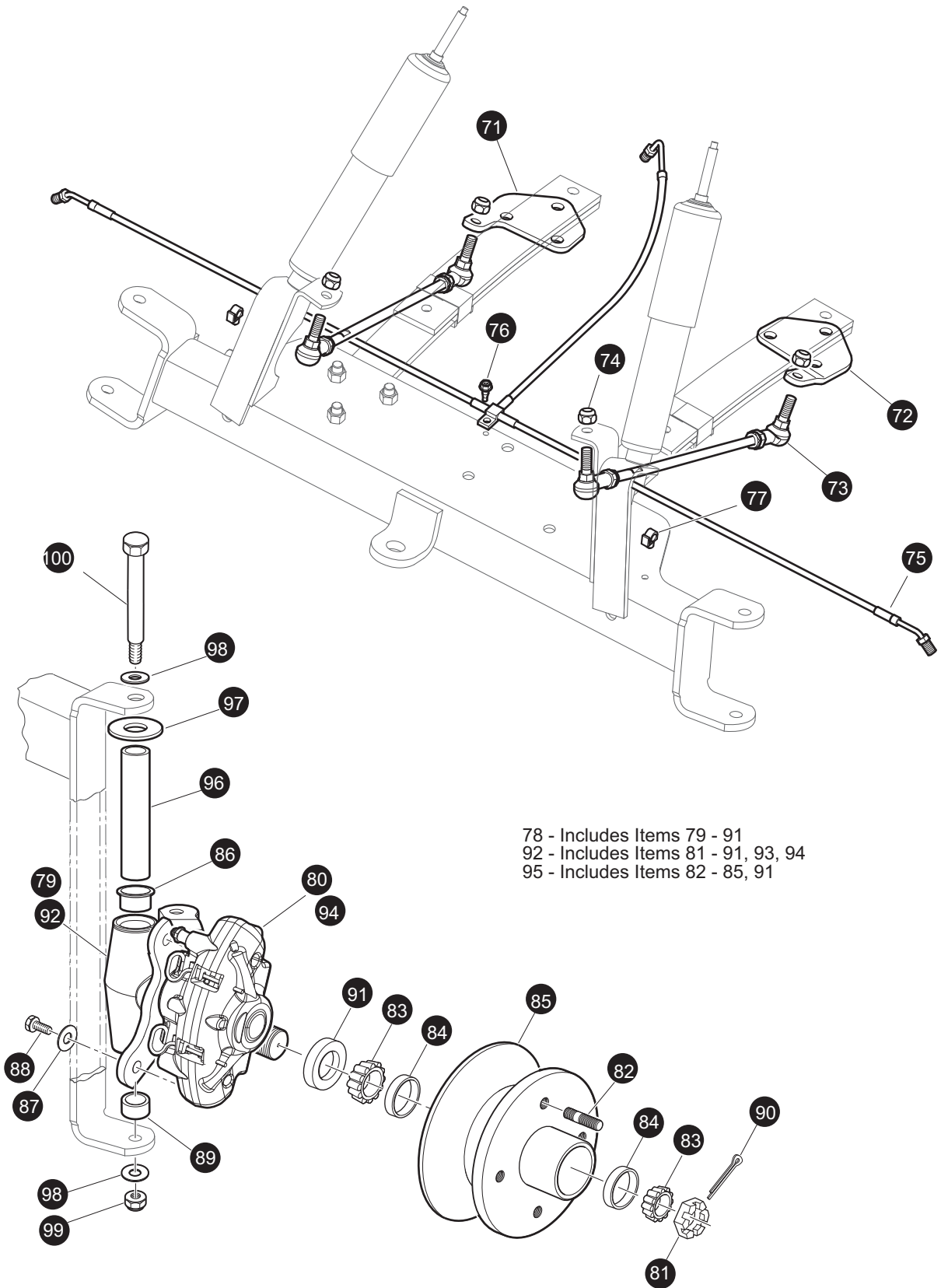
BRAKES - FRONT DISC

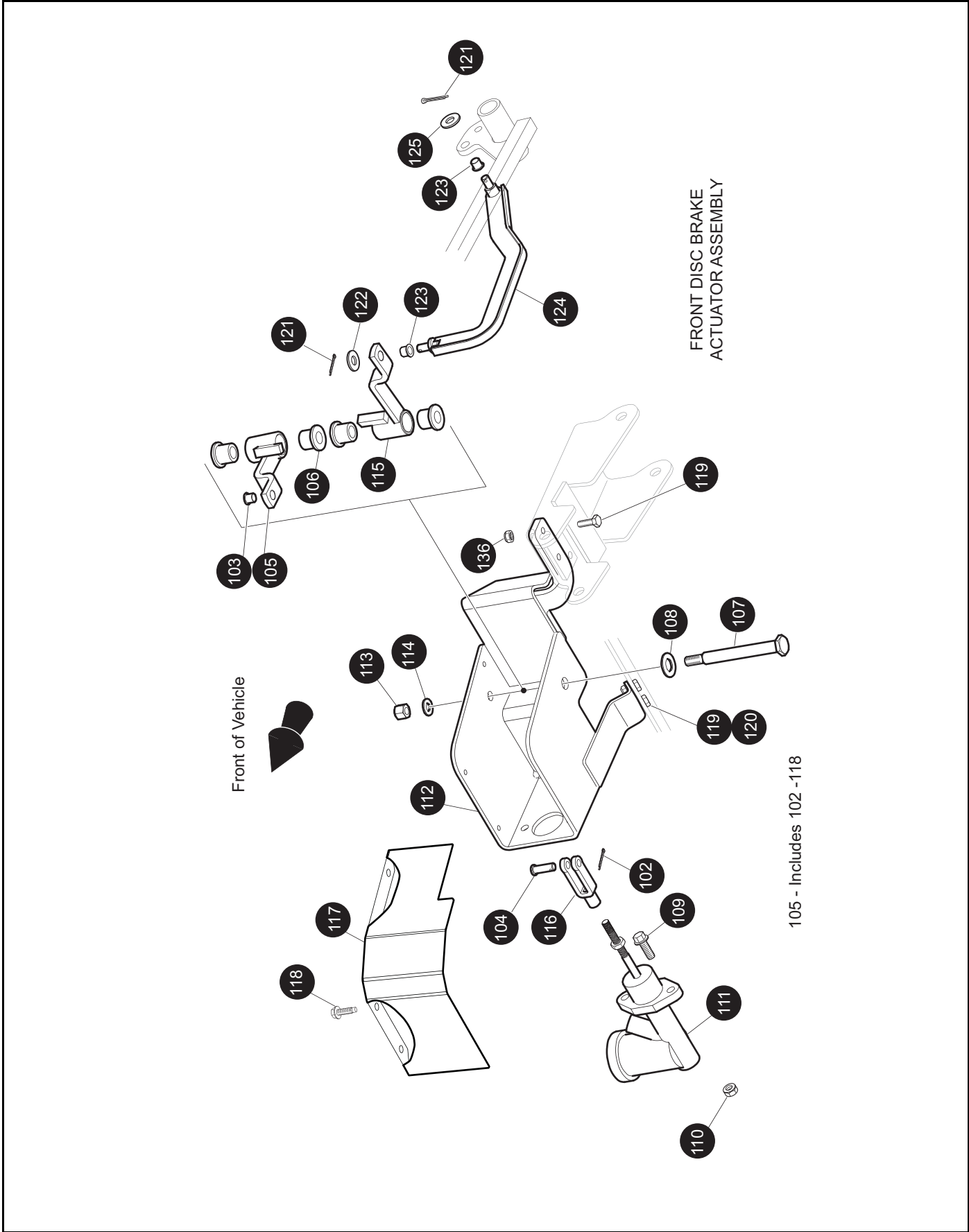


Ref Brh 21-1



BRAKES - FRONT DISC





BRAKES - FRONT DISC

When ordering parts, please specify the model and serial number of the product.

* Indicates a component that is not available as an individual part.

*** Indicates consult Customer Service Department for additional information.

ITEM	PART NO.	1 2 3 4 5	DESCRIPTION	QTY.
1	74723G01		BRAKE PEDAL ASSEMBLY (WITHOUT BRAKE LIGHTS) (INCLUDES ITEMS 2 - 11).....	1
2	70681G01		TORSION SPRING	2
3	70682G01		PIVOT PIN	1
4	01071G01		PUSHNUT, 5/16".....	2
5	*		BRAKE PEDAL	1
6	74724G01		PARK BRAKE PEDAL.....	1
7	70274G01		BRAKE/PARK BRAKE PEDAL PAD KIT (INCLUDES ITEMS 8 - 10)	1
8	*		SERVICE BRAKE PAD.....	1
9	*		PARK BRAKE PEDAL PAD	1
10	16409G1		OVAL RIVET, 3/16" X 15/32" LG	9
11				
12	70582G01		SHOULDER BOLT, 3/8 - 16 X 4" LG	1
13	70581G01		FLANGED BUSHING	2
14	70676G01		TORSION SPRING	1
15	00643G1		WASHER, 3/8".....	1
16	11098G5		LOCK NUT, 3/8 - 16.....	1
17	70272G04		COMPENSATOR ASSEMBLY (INCLUDES ITEMS 18, 19).....	1
18	00963G01		SPHERICAL NUT, 5/16 - 24.....	1
19	11098G9		LOCK NUT, 5/16 - 24	1
20	70969G05		EQUALIZER AND BRAKE CABLE ASSEMBLY (INCLUDES ITEMS 21 - 24)	1
21	28082G01		EQUALIZER BRACKET.....	1
22	28083G01		BRAKE COMPENSATOR BUMPER.....	2
23	70968G08		BRAKE CABLE (DRIVER SIDE).....	1
24	70968G09		BRAKE CABLE (PASSENGER SIDE)	1
25	01111G01		RETAINING RING, S.S.	4
26	10386G3		CLEVIS PIN, 5/16" X 1" LG	5
27	10387G3		COTTER PIN, 3/32" X 3/4" LG	3
28				
29	70601G01		KICK-OFF LINK.....	1
30	17838G1		NYLON BUSHING.....	2

BRAKES - FRONT DISC

When ordering parts, please specify the model and serial number of the product.

* Indicates a component that is not available as an individual part.

*** Indicates consult Customer Service Department for additional information.

ITEM	PART NO.	1 2 3 4 5	DESCRIPTION	QTY.
31	20835G1		NYLON WASHER, 3/8".....	2
32	00559G8		WASHER, 5/16"	2
33				
34	70098G01		KICK-OFF CAM PIVOT.....	1
35	10097G6		FLANGED BEARING	2
36	70587G01		KICK-OFF CAM	1
37	71215G01		SETSCREW, 1/4 - 20 X 1/2" LG	2
38	14134G4		SPACER.....	1
39	70113G01		ADJUSTABLE BUMPER.....	1
40	11027G1		LOCK NUT, 5/16 - 18	1
41	70080G02		CATCH BRACKET	1
42	00414G8		BOLT, 1/4 - 20 X 3/4" LG.....	2
43	14390G4		LOCK NUT, 1/4 - 20	2
44	74874G01		BRAKE PEDAL ASSEMBLY (WITH BRAKE LIGHTS) (INCLUDES ITEMS 45 - 70)	1
45	*		BRAKE PEDAL.....	1
46	74724G01		PARK BRAKE PEDAL	1
47	70274G01		BRAKE/PARK BRAKE PEDAL PAD KIT (INCLUDES ITEMS 48 - 49)	1
48	*		SERVICE BRAKE PAD	1
49	*		PARK BRAKE PAD	1
50	16409G1		OVAL RIVET, 3/16" X 15/32" LG.....	9
51	70258G03		BRAKE PEDAL PLATE	1
52	70682G01		PIVOT PIN.....	1
53	70681G01		TORSION SPRING.....	2
54	01071G01		PUSHNUT, 5/16"	2
55	00737G8		SCREW, #10 - 24 X 1" LG.....	4
56	00739G1		RUBBER NUT, #10 - 24	2
57	74535G01		BRAKE PEDAL STANDOFF.....	2
58	27137G01		CONICAL SPRING.....	2
59	14390G10		LOCK NUT, #10 - 24.....	2
60	10606G8		MICRO SWITCH	1

BRAKES - FRONT DISC

When ordering parts, please specify the model and serial number of the product.

* Indicates a component that is not available as an individual part.

*** Indicates consult Customer Service Department for additional information.

ITEM	PART NO.	1	2	3	4	5	DESCRIPTION	QTY.
61	00957G1						SCREW, #6 - 32 X 1 1/4" LG	2
62	00559G5						WASHER, #10	2
63	00559G3						WASHER, #6	4
64	00565G3						LOCK WASHER, #6.....	2
65	00525G5						NUT, #6 - 32	2
66	13514G1						SCREW AND LOCK WASHER, #6.....	2
67	20835G1						WASHER, TEFLON, 3/8"	2
68	14628G1						FASTON TAB	2
69	24605G1						WIRE HARNESS (BRAKE LIGHT)	1
70	17618G1						WIRE TIE	3
71	74731G02						SPRING PLATE (PASSENGER SIDE).....	1
72	74731G01						SPRING PLATE (DRIVER SIDE)	1
73	74730G01						FOUR LINK ROD	2
74	01084G01						LOCK NUT, M10-1.25.....	4
75	74736G01						BRAKE LINE	1
76	01038G01						SCREW, 1/4 - 20 X 4444" LG.....	1
77	74875G01						WIRE RETAINER	2
78	602281						SPINDLE, CALIPER AND DISC HUB ASSEMBLY (DRIVER SIDE) (INCLUDES ITEMS 79 - 91).....	1
79	602176						DISC BRAKE SPINDLE (DRIVER SIDE).....	1
80	74733G02						CALIPER (DRIVER SIDE).....	1
81	12093G1						SLOTTED NUT	1
82	74864G01						DRIVE FLANGE STUD.....	4
83	11750G2						ROLLER BEARING.....	2
84	51141G1						BEARING RACE	2
85	74673G01						DISC BRAKE HUB.....	1
86	70648G01						FLANGED BEARING	1
87	00566G1						WASHER, 3/8"	2
88	00426G8						BOLT, 3/8 - 16 X 1	2
89	70749G01						BEARING	1
90	00798G8						COTTER PIN	1
91	25146G1						GREASE SEAL.....	1

BRAKES - FRONT DISC

When ordering parts, please specify the model and serial number of the product.

* Indicates a component that is not available as an individual part.

*** Indicates consult Customer Service Department for additional information.

ITEM	PART NO.	1 2 3 4 5	DESCRIPTION	QTY.
92	602288		SPINDLE, CALIPER AND DISC HUB ASSEMBLY (PASSENGER SIDE) (INCLUDES ITEMS 81 - 91, 93, 94)	1
93	602158		DISC BRAKE SPINDLE (PASSENGER SIDE).....	1
94	74733G01		CALIPER (PASSENGER SIDE)	1
95	74948G01		DISC BRAKE SERVICE HUB (INCLUDES ITEMS 82 - 85, 91)	1
96	70745G01		KINGPIN TUBE.....	2
97	70754G01		THRUST WASHER.....	2
98	00560G3		WASHER, 1/2"	4
99	14390G3		LOCKNUT, 1/2 - 13	2
100	00407G6		CAPSCREW, 1/2 - 13 X 6" LG.....	2
101	608706		FRONT DISC BRAKE BRAKE ACTUATOR ASSEMBLY (INCLUDES ITEMS 102 - 118).....	1
102	10387G3		COTTER PIN, 3/32 X 3/4" LG	1
103	17838G1		NYLON BUSHING.....	1
104	10386G3		CLEVIS PIN, 5/16 X 1" LG	1
105	608122		UPPER ACTUATOR PIVOT	1
106	70581G02		ACETAL BUSHING.....	4
107	74711G01		SHOULDER BOLT.....	1
108	00560G3		WASHER, 1/2".....	1
109	00439G1		BOLT, 1/2 - 13 X 6" LG	2
110	11098G06		LOCKNUT, 5/16 - 18.....	2
111	887364		MASTER CYLINDER	1
112	608661		MASTER CYLINDER MOUNT WELDMENT.....	1
113	11098G5		LOCKNUT, 3/8 - 16.....	1
114	00679G1		WASHER, 3/8" STAINLESS	1
115	608118		LOWER ACTUATOR PIVOT	1
116	10385G4		CLEVIS YOKE.....	1
117	606869		ACTUATOR COVER	1
118	01038G01		SCREW, 1/4 -20 SWAGEFORM	3
119	00414G8		BOLT, 1/4 - 20 X 1 1/4" LG.....	4
120	00891G2		LOCKNUT, 1/4 - 20	4
121	10387G3		COTTER PIN, 3/32 X 3/4	2

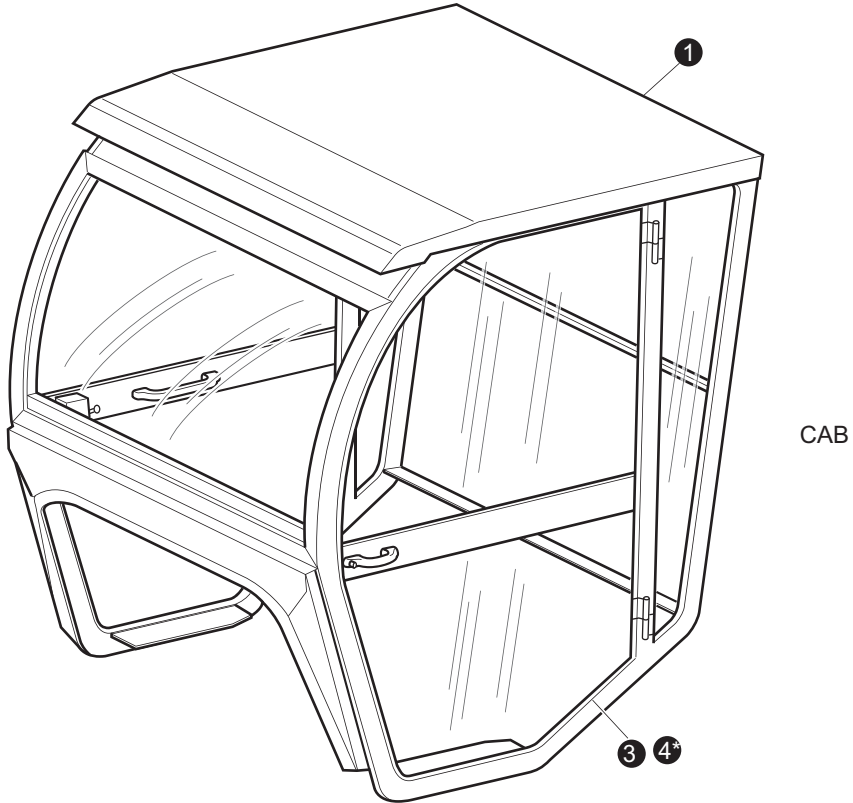
BRAKES - FRONT DISC

When ordering parts, please specify the model and serial number of the product.

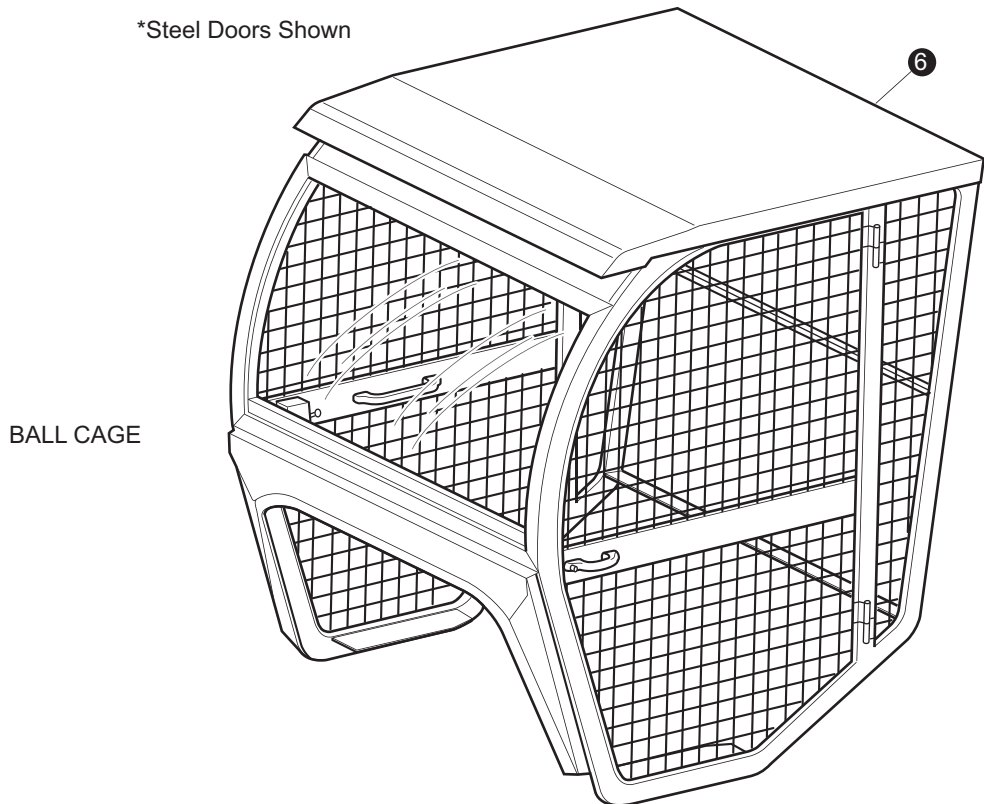
* Indicates a component that is not available as an individual part.

*** Indicates consult Customer Service Department for additional information.

ITEM	PART NO.	1	2	3	4	5	DESCRIPTION	QTY.
122	20835G1						WASHER, NYLON.....	1
123	17838G1						NYLON BUSHING.....	2
124	74865G01						ACTUATOR LINKAGE.....	1
125	00771G5						WASHER, 3/8".....	1
126	74917G01						DISC BRAKE PAD AND PIN KIT (SERVICES ONE CORNER) (INCLUDES ITEMS 127 - 128).....	1
127	*						BRAKE PADS	2
128	*						BRAKE PAD RETAINER PINS	2



*Steel Doors Shown



For Cab Accessories, See ACCESSORIES LISTING in Appendix B

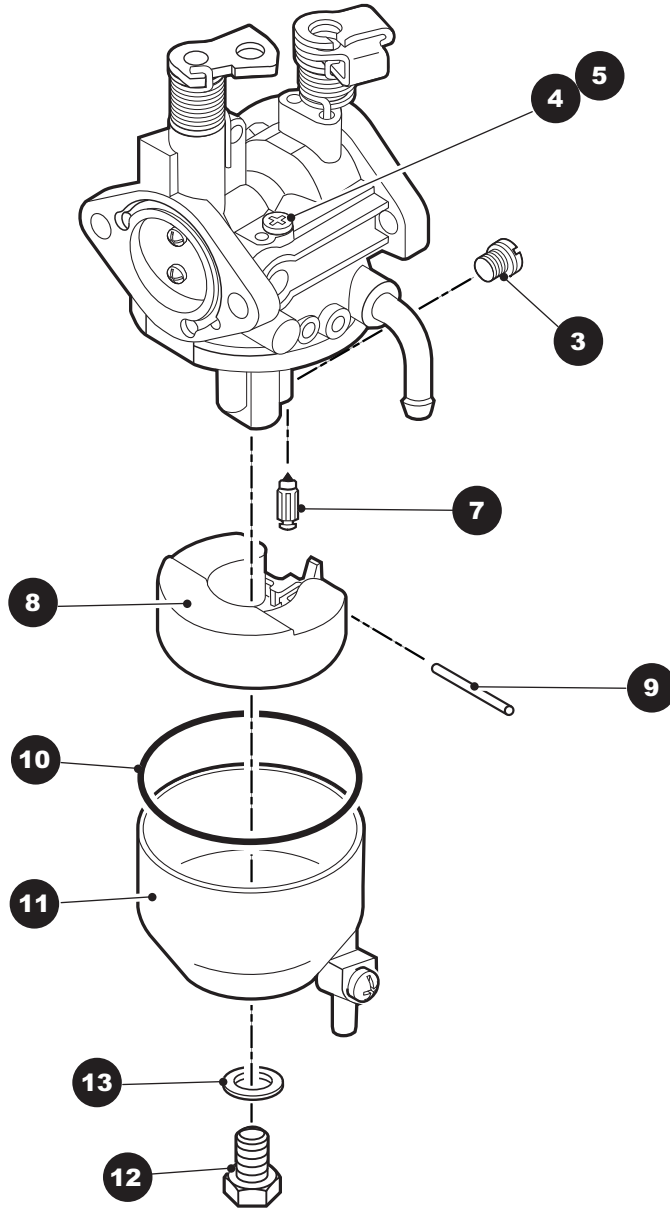
When ordering parts, please specify the model and serial number of the product.

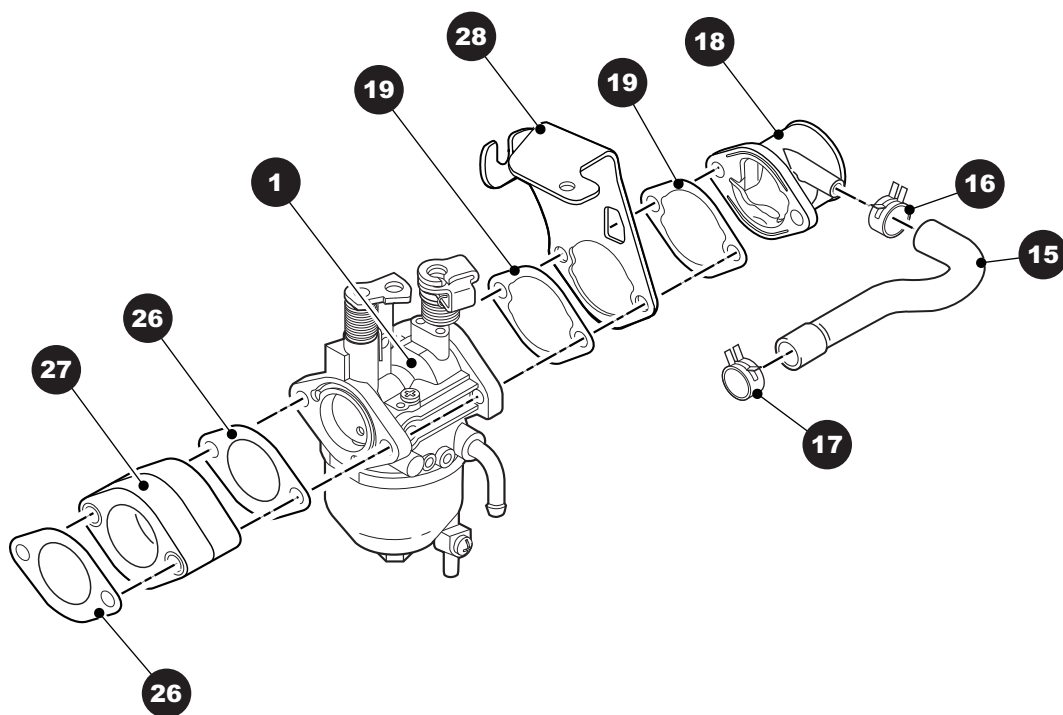
* Indicates a component that is not available as an individual part.

*** Indicates consult Customer Service Department for additional information.

ITEM	PART NO.	1 2 3 4 5	DESCRIPTION	QTY.
1	72684G**		STEEL CAB (WITHOUT DOORS) REPACEMENT PARTS AND ACCESSORIES MAY BE OBTAINED FROM CURTIS CAB, INC.	1
2				
3	75855G01		VINYL DOOR KIT	1
4	75856G**		STEEL DOOR KIT	1
5				
6	75853G01		BALL CAGE	1
<p>For Cab replacement parts and accessories, contact Curtis Cab at: Curtis Cab, Inc. 111 Higgins Street, Worcester, Massachusetts, 01606. Tel.: 508-853-2200. Toll free: 800-343-7676. www.curtiscab.com</p>				

CARBURETOR AND CHOKE





CARBURETOR AND CHOKE

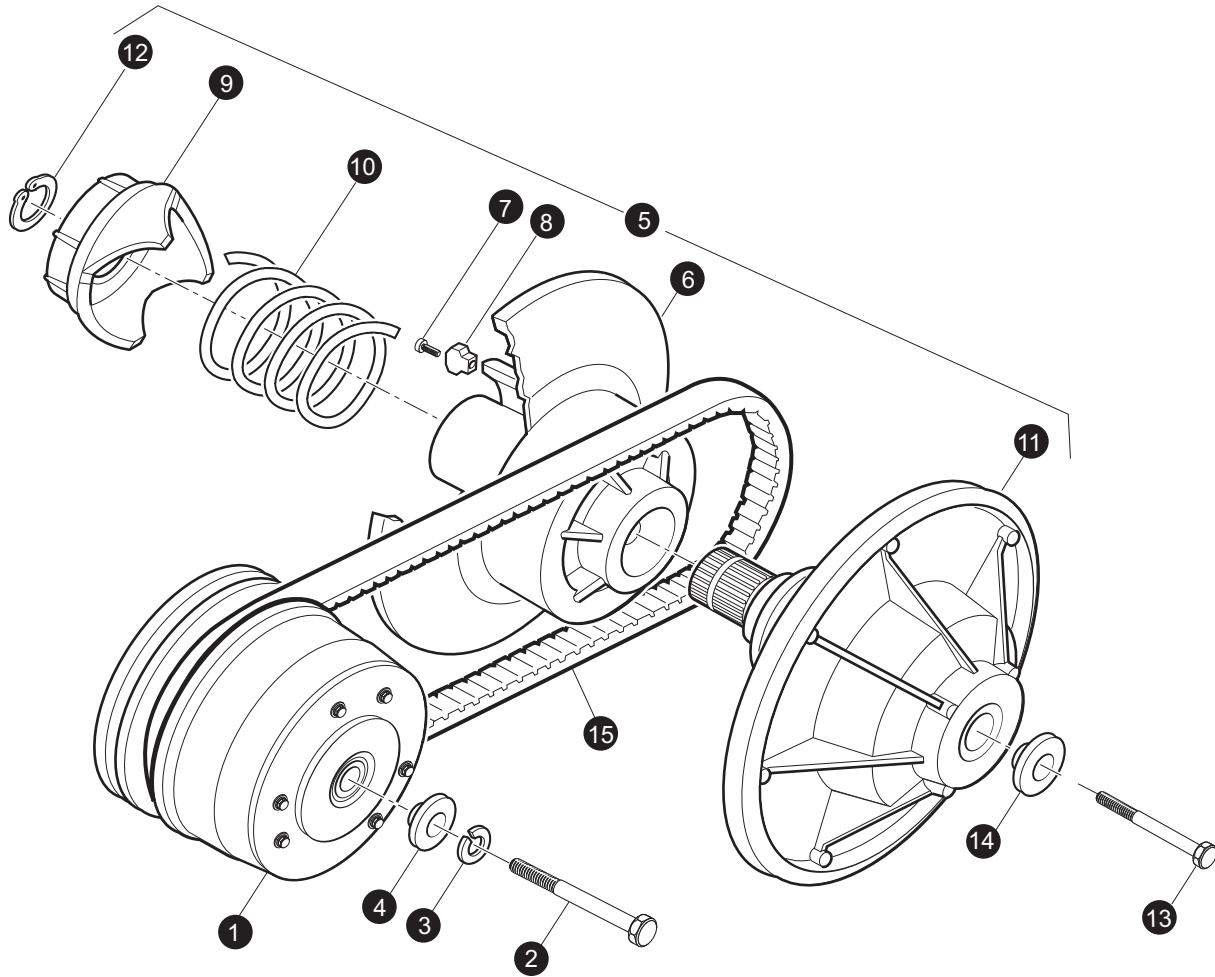
When ordering parts, please specify the model and serial number of the product.

* Indicates a component that is not available as an individual part.

*** Indicates consult Customer Service Department for additional information.

ITEM	PART NO.	1	2	3	4	5	DESCRIPTION	QTY.
1	607954						CARBURETOR (INCLUDES ITEMS 3 - 21).....	1
2								
3	607683						MAIN JET (#104).....	1
4	608021						PILOT JET (#44)	1
5	603585						PLUG.....	1
6								
7	603586						NEEDLE VALVE	1
8	603587						FLOAT	1
9	603588						FLOAT PIN	1
10	603589						FLOAT BOWL GASKET	1
11	603590						FLOAT CHAMBER	1
12	603592						BOWL SCREW	1
13	603591						BOWL GASKET	1
14								
15	603598						BREATHER TUBE.....	1
16	603596						CLAMP, INTAKE TUBE	1
17	603597						CLAMP CYLINDER HEAD TUBE	1
18	603594						INTAKE TUBE	1
19	603593						CHOKE GASKET	2
20	603595						NUT, M6 X 1.0	2
21	608023						THROTTLE ROD ATTACHMENT BUSHING	1
22								
23	607684						MAIN JET (#102) (FOR ELEVATIONS OF 3000 FT - 6000 FT)	1
24	607685						MAIN JET (#100) (FOR ELEVATIONS OF 6000 FT - 10000 FT)	1
25								
26	603580						CARBURETOR MOUNT GASKET	2
27	603581						CARBURETOR INSULATOR	1

CLUTCH



When ordering parts, please specify the model and serial number of the product.

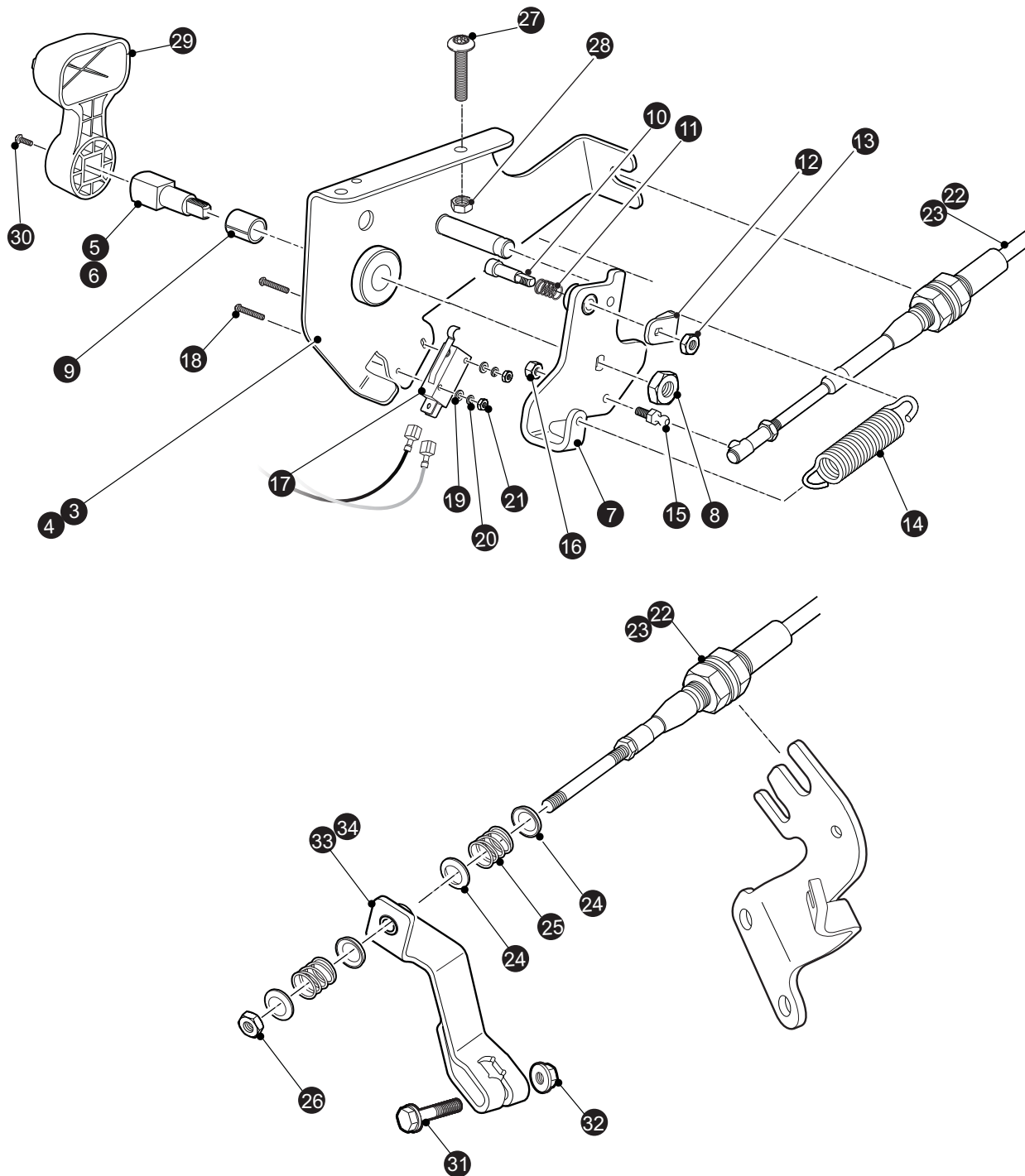
* Indicates a component that is not available as an individual part.

*** Indicates consult Customer Service Department for additional information.

ITEM	PART NO.	1 2 3 4 5	DESCRIPTION	QTY.
1	602000		DRIVE CLUTCH	1
2	606245		BOLT, M12 - 1.25 X 160MM LG	1
3	606239		WASHER, M12	1
4	606230		WASHER	1
5	602001		DRIVEN CLUTCH ASSEMBLY (INCLUDES ITEMS 8 - 15).....	1
6	*		MOVABLE SHEAVE	1
7	608210		SCREW, M4 X 25.....	3
8	608204		RAMP BUTTON.....	3
9	*		CAM.....	1
10	608209		COMPRESSION SPRING.....	1
11	*		SHEAVE AND POST	1
12	608211		HEAVY DUTY RETAINING RING.....	1
13	606243		BOLT, M12 - 1.25 X 120MM LG	1
14	606239		WASHER, M12	1
15	606136		DRIVE BELT	1

DIRECTION SELECTOR

1 - includes Items (3, 5, 7 - 22, 24 - 33)



DIRECTION SELECTOR

When ordering parts, please specify the model and serial number of the product.

* Indicates a component that is not available as an individual part.

*** Indicates consult Customer Service Department for additional information.

ITEM	PART NO.	1 2 3 4 5	DESCRIPTION	QTY.
1	606173		DIRECTION SELECTOR ASSEMBLY (INCLUDES ITEMS 3, 5, 7-22, 24-33)	1
2				
3	608831		DIRECTION SELECTOR BRACKET WITH BUSHING (INCLUDES ITEM 9)	1
4				
5	70233G01		DIRECTION SELECTOR SHAFT.....	1
6				
7	603700		DIRECTION SELECTOR CAM.....	1
8	14390G1		LOCK NUT, 3/8 - 24.....	1
9	*		BUSHING	1
10	72724G01		NEUTRAL LOCK PIN	1
11	72733G01		COMPRESSION SPRING, 3/8" X 5/8" LG	1
12	72729G01		NEUTRAL LOCK BRACKET	1
13	00734G2		LOCK NUT, 1/4 - 28.....	1
14	28574G01		EXTENSION SPRING	1
15	72732G01		BALL STUD, 1/4".....	1
16	00734G5		LOCK NUT, #10 - 32.....	1
17	72736G01		MICRO SWITCH	1
18	01062G01		SCREW, #4 - 40 X 1" LG.....	2
19	00559G1		WASHER, #4	2
20	00565G1		LOCK WASHER, #4	2
21	00526G2		NUT, #4 - 40	2
22	605807		PUSH / PULL SHIFTER CABLE	1
23				
24	25727G01		CUP WASHER, 1/4"	4
25	72735G01		COMPRESSION SPRING, 19/32" X 1" LG	2
26	00734G5		LOCK NUT, #10 - 32.....	1
27	70227G01		SCREW, 1/4 - 20 X 7/8" LG	2
28	11027G2		LOCK NUT, 1/4 - 20	2
29	71205G01		DIRECTION SELECTOR HANDLE	1
30	00740G4		SCREW, #10 - 32 X 1/2" LG (STAINLESS STEEL).....	1
31	606421		BOLT, M6 - 1.00 X 30.....	1

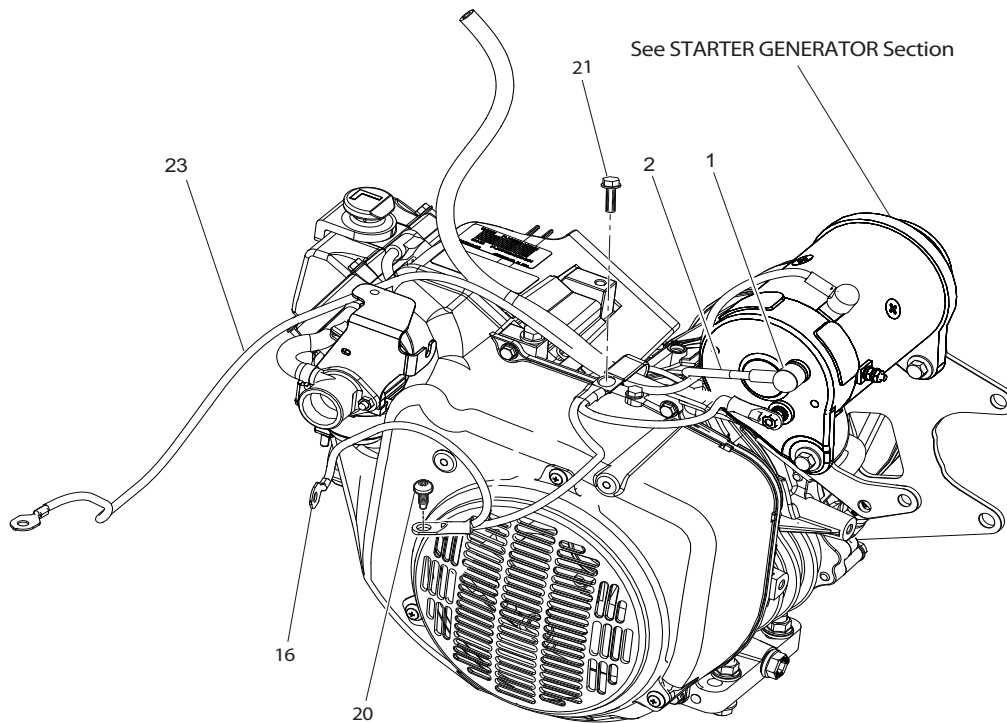
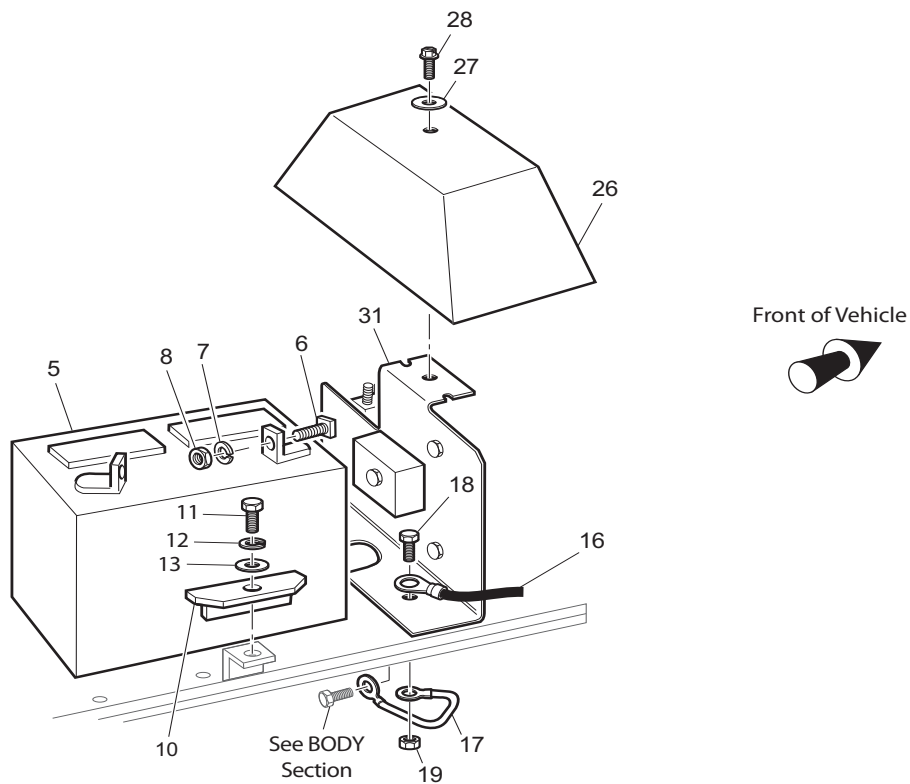
DIRECTION SELECTOR

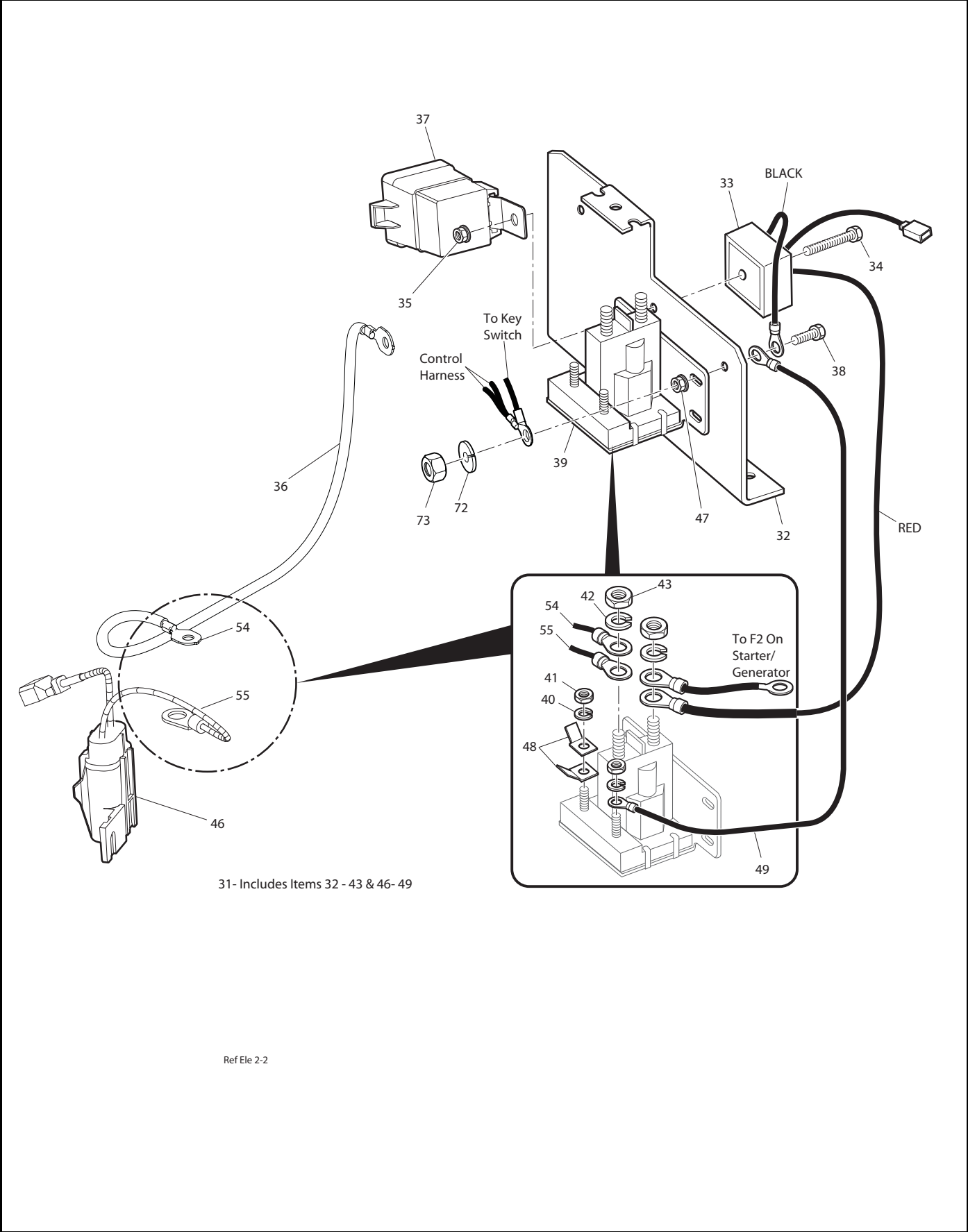
When ordering parts, please specify the model and serial number of the product.

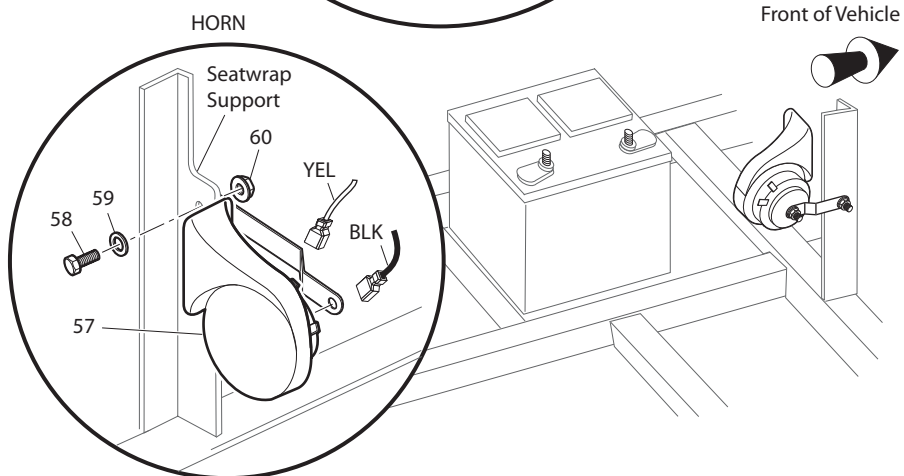
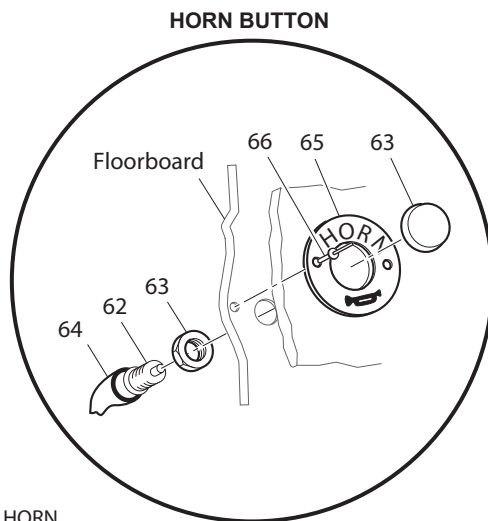
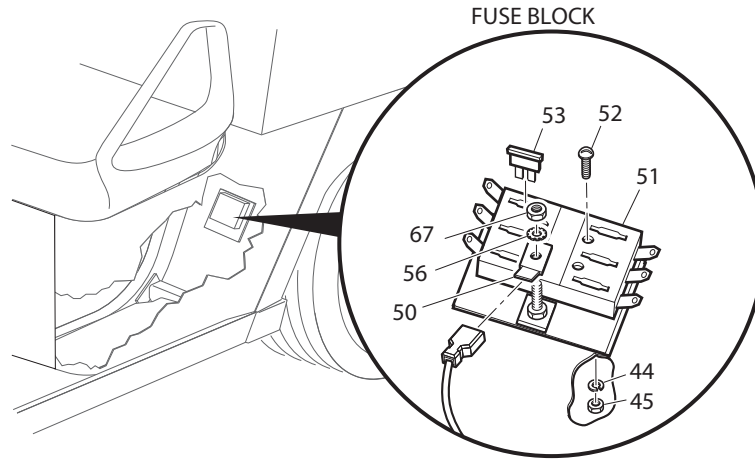
* Indicates a component that is not available as an individual part.

*** Indicates consult Customer Service Department for additional information.

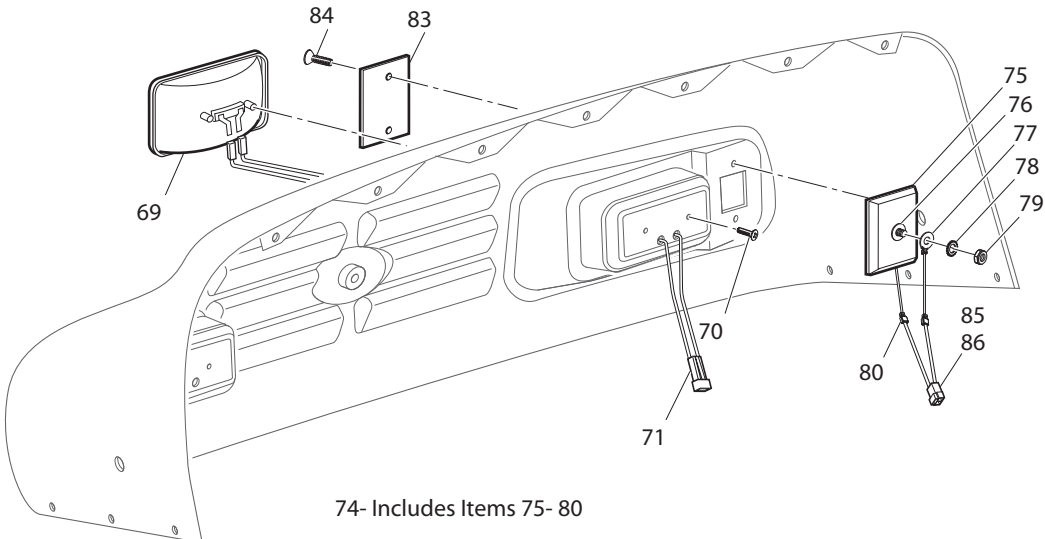
ITEM	PART NO.	1 2 3 4 5	DESCRIPTION	QTY.
32	450452		NUT, M6 - 1.00	1
33	608832		SHIFTER ARM (INCLUDES ITEM 34)	1
34	*		BUSHING, FLIP LOK, 0.25	1
35	31539G1		WIRE TIE (NOT SHOWN IN ILLUSTRATION).....	1
36	01072G01		CABLE CLIP (NOT SHOWN IN ILLUSTRATION).....	1



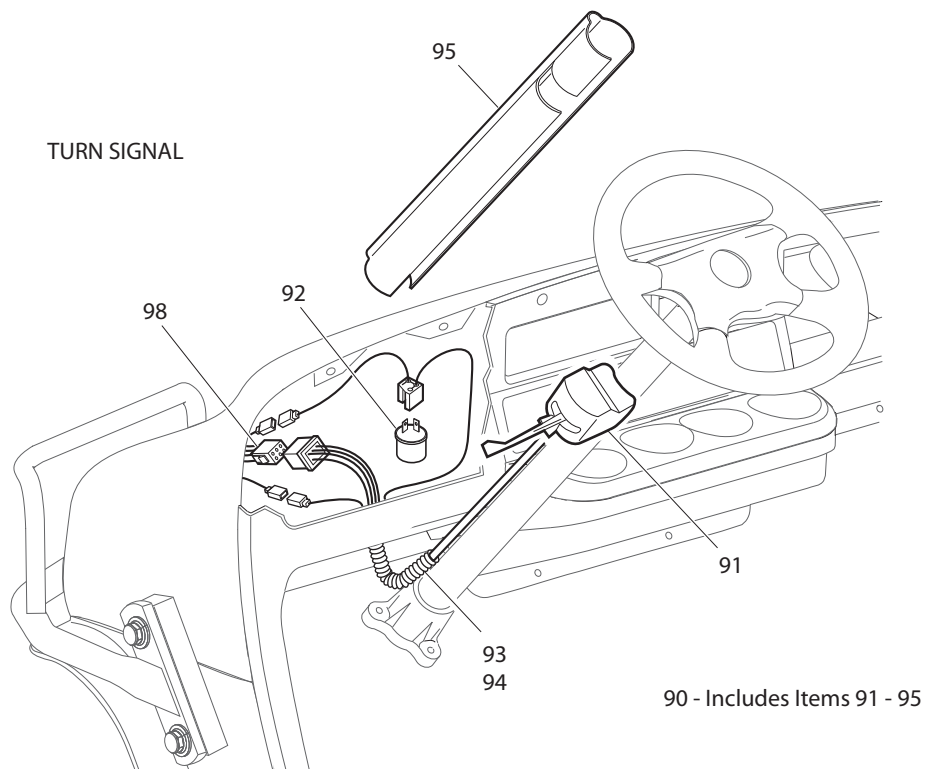
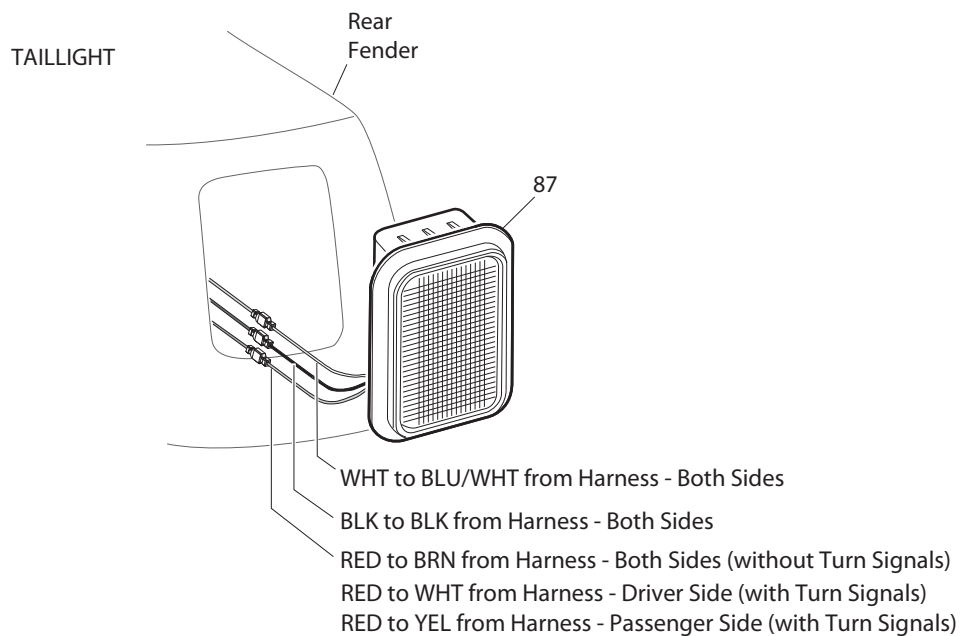




Ref Ele 21-3

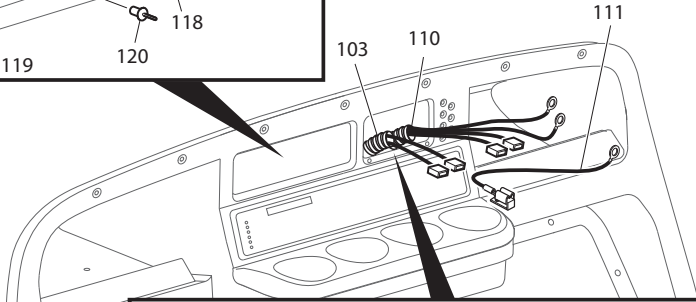
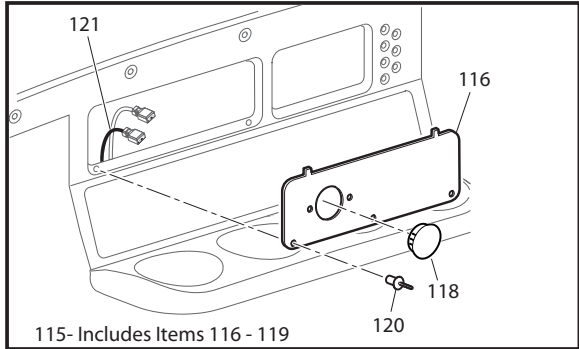


Ref Ele 11-4

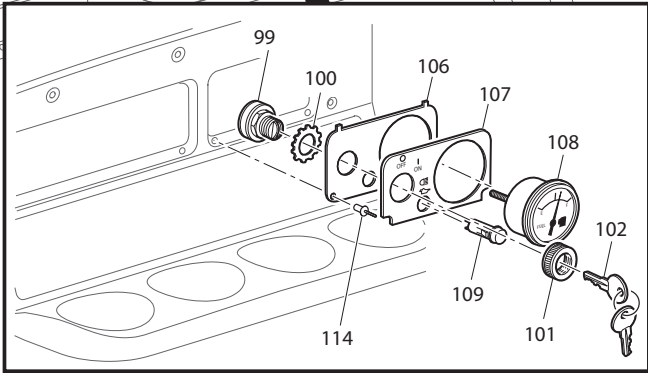


Ref Ele 11-5

CONSOLE INSERT PLATE (WITH POWER OUTLET SHOWN)

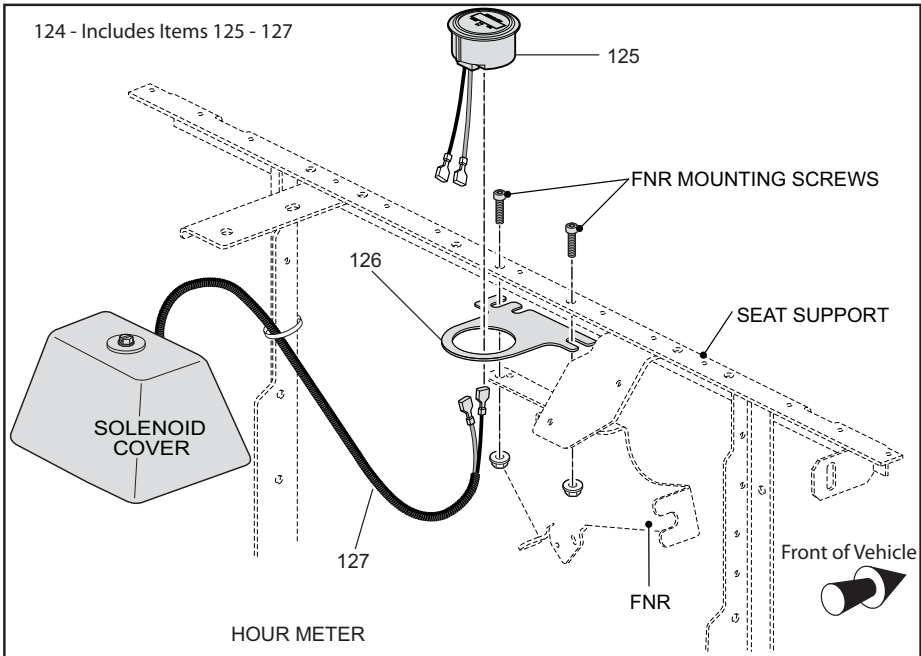


Front of Vehicle



KEY SWITCH, INDICATOR LIGHT(S), AND FUEL GAUGE

124 - Includes Items 125 - 127



Ref Ele 11-6

ELECTRICAL

When ordering parts, please specify the model and serial number of the product.

* Indicates a component that is not available as an individual part.

*** Indicates consult Customer Service Department for additional information.

ITEM	PART NO.	1 2 3 4 5	DESCRIPTION	QTY.
1	607053		6 GA WIRE (BLACK 6", F1 - A2).....	1
2	25682G1		TERMINAL COVER.....	3
3				
4				
5	24775G*		BATTERY, 12V	1
6	*		BOLT, 5/16 - 18 X 1 1/4" LG.....	2
7	*		LOCK WASHER, 5/16" (SILICON BRONZE).....	2
8	*		NUT, 5/16 - 18 (SILICON BRONZE)	2
9				
10	72101G02		BATTERY HOLD DOWN	1
11	00438G6		BOLT, 5/16 - 18 X 3/4" LG	3
12	00565G8		LOCK WASHER, 5/16"	1
13	00571G2		WASHER, 5/16" (STAINLESS STEEL)	1
14				
15				
16	27044G03		GROUND CABLE.....	1
17	25976G19		14 GA WIRE (BLACK 6").....	1
18	00438G6		BOLT, 5/16 - 18 X 3/4" LG	2
19	11027G1		LOCK NUT, 5/16 - 18.....	2
20	26676G01		FLANGED BOLT	1
21	606264		BOLT, M6-1 X 20	1
22				
23	25972G85		6 GA WIRE (BLACK 23", F2 - SOL).....	1
24	605821		WIRE HARNESS (CONTROL).....	1
25	17618G1		WIRE TIE (NOT ILLUSTRATED)	AR
26	73049G01		COVER FNR	1
27	16469G1		WASHER, 1/4"	1
28	00114G6		SCREW, 1/4 - 14 X 3/4" LG.....	1
29				
30				
31	605563		ELECTRICAL PLATE ASSEMBLY (INCLUDES ITEMS 32 - 49)	1

When ordering parts, please specify the model and serial number of the product.

* Indicates a component that is not available as an individual part.

*** Indicates consult Customer Service Department for additional information.

ITEM	PART NO.	1 2 3 4 5	DESCRIPTION	QTY.
32	73057G01		BRACKET.....	1
33	27739G01		VOLTAGE REGULATOR.....	1
34	00415G4		BOLT, 1/4 - 20 X 1 1/4" LG.....	1
35	11027G2		LOCK NUT, 1/4 - 20.....	1
36	25972G33		WIRE ASSEMBLY 6 GA.....	1
37	603282		RELAY.....	1
38	00661G08		BOLT, 1/4 - 20 X 1" LG.....	1
39	27153G01		SOLENOID.....	1
40	*		LOCK WASHER, #10.....	2
41	*		NUT, #10 - 32.....	2
42	*		LOCK WASHER, 5/16".....	2
43	*		NUT, 5/16 - 24.....	2
44	00559G5		WASHER, # 10.....	2
45	14390G10		LOCKNUT, #10-24.....	2
46	600418G01		FUSE HOLDER ASSEMBLY.....	1
47	11027G2		LOCK NUT, 1/4 - 20.....	1
48	73446G01		FASTON TAB, 90°.....	2
49	25978G56		18 GA WIRE (BLACK 5 3/4").....	1
50	12914G01		PUSH ON MALE TERMINAL.....	1
51	35211G01		FUSE BLOCK.....	1
52	00379G2		RIVET, 1/8" X 13/16" LG.....	2
53	35212G01		15 AMP FUSE.....	3
54	25972G33		#6 GA WIRE ASSEMBLY.....	1
55	20216G1		16 GA WIRE (RED).....	1
56	00567G5		LOCK WASHER, #10.....	1
57	32860G1		HORN.....	1
58	00414G5		BOLT, 1/4 - 20 x 5/8" LG.....	1
59	00559G7		WASHER, 1/4" (STAINLESS STEEL).....	1
60	14390G4		LOCK NUT, 1/4 - 20.....	1
61				
62	17318G1		HORN SWITCH.....	1

ELECTRICAL

When ordering parts, please specify the model and serial number of the product.

* Indicates a component that is not available as an individual part.

*** Indicates consult Customer Service Department for additional information.

ITEM	PART NO.	1 2 3 4 5	DESCRIPTION	QTY.
63	17318G2		HORN SWITCH CAP AND NUT	1
64	27068G01		HORN SWITCH BOOT	1
65	19233G1		HORN SWITCH LABEL	1
66	71055G01		RIVET, 3/16" X 1" LG (ALUMINUM)	2
67	00526G4		NUT, #10-32	1
68				
69	22523G01		HEADLIGHT (INCLUDES ITEM 70)	2
70	01085G01		SCREW, #10 - 24 X 2 - 1/7	4
71	74337G01		JUMPER WIRE (HEADLIGHT)	2
72				
73				
74	20570G3		TURN SIGNAL LIGHT ASSEMBLY (INCLUDES ITEMS 75 - 80)	2
75	20574G3		TURN SIGNAL LIGHT	1
76	00660G7		WASHER, 1/4" (STAINLESS STEEL)	1
77	20606G1		WIRE ASSEMBLY	1
78	00567G7		LOCK WASHER, 1/4"	1
79	00532G1		NUT, 1/4 - 20	1
80	18995G1		PUSH-ON TERMINAL (MALE)	1
81				
82				
83	20574G4		LENS, AMBER	1
84	00118G5		SCREW, #6 - 18 X 5/8" LG	4
85	74056G01		TURN SIGNAL JUMPER, RED/BLACK (PASSENGER SIDE)	1
86	74056G02		TURN SIGNAL JUMPER, GREEN/BLACK (DRIVER SIDE)	1
87	32739G2		TAILLIGHT ASSEMBLY (COMPLETE)	2
88				
89				
90	606887		TURN SIGNAL KIT (INCLUDES ITEMS 91 - 95)	1
91	17867G1		TURN SIGNAL (WITH MOUNTING HARDWARE) (INCLUDES ITEM 106)	1
92	21640G1		TURN SIGNAL FLASHER	1
93	32307G3		FLEX LOOM, 3/8 X 8" LG	1

When ordering parts, please specify the model and serial number of the product.

* Indicates a component that is not available as an individual part.

*** Indicates consult Customer Service Department for additional information.

ITEM	PART NO.	1 2 3 4 5	DESCRIPTION	QTY.
94	17618G1		WIRE TIE.....	2
95	20965G3		STEERING COLUMN COVER.....	1
96				
97				
98	606045		WIRE HARNESS (ACCESSORY)	1
99	18602G1		IGNITION SWITCH (WITH LIGHTS, INDIVIDUALLY KEYED).....	1
100	00568G6		LOCK WASHER, 3/4"	1
101	17137G1		FACE NUT, 3/4 - 20.....	1
102	17063G1		IGNITION KEY	1
103	605830		WIRE HARNESS (KEY SWITCH).....	1
104				
105				
106	73030G04		PLATE (FUEL GAUGE AND OIL LIGHT)	1
107	71131G01		LABEL (OIL LIGHT AND FUEL GAUGE WITH HEADLIGHTS)	1
108	21553G1		FUEL GAUGE	1
109	23474G1		INDICATOR LIGHT	1
110	74311G01		HARNESS (OIL LIGHT/FUEL GAUGE).....	1
111	25978G122		18 GA WIRE (RED 6")	1
112				
113				
114	33623G02		DRIVE RIVET, 3/16" X 3/8" LG	2
115	74693G01		CONSOLE INSERT ASSEMBLY (INCLUDES ITEMS 116 - 119).....	1
116	73522G03		CONSOLE INSERT PLATE.....	1
117				
118	20271G10		HOLE PLUG	1
119				
120	33623G02		DRIVE RIVET, 3/16" X 3/8" LG	3
121				
122				
123				
124	607285		HOUR METER KIT (INCLUDES ITEMS 125 - 127).....	1

ELECTRICAL

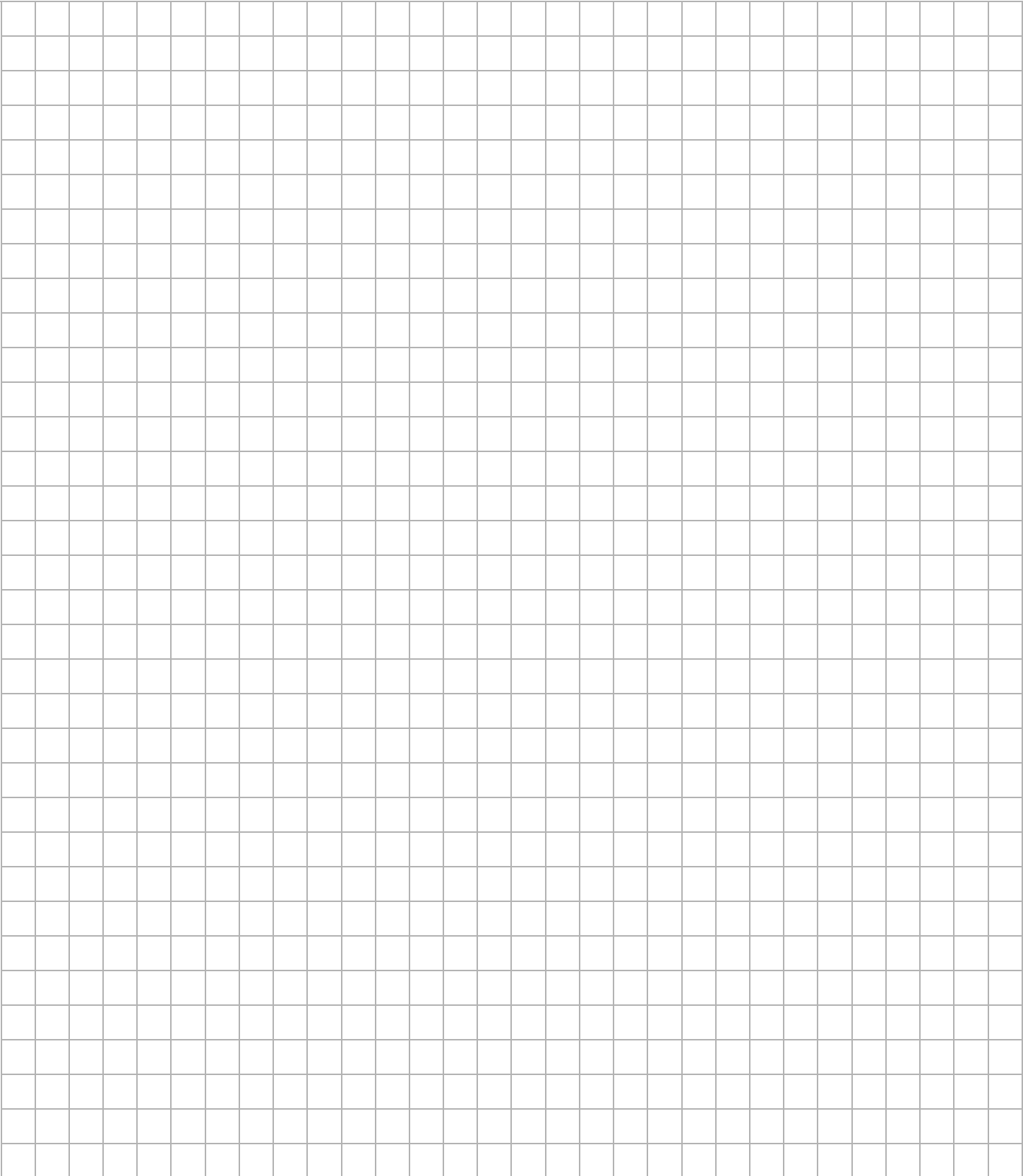
When ordering parts, please specify the model and serial number of the product.

* Indicates a component that is not available as an individual part.

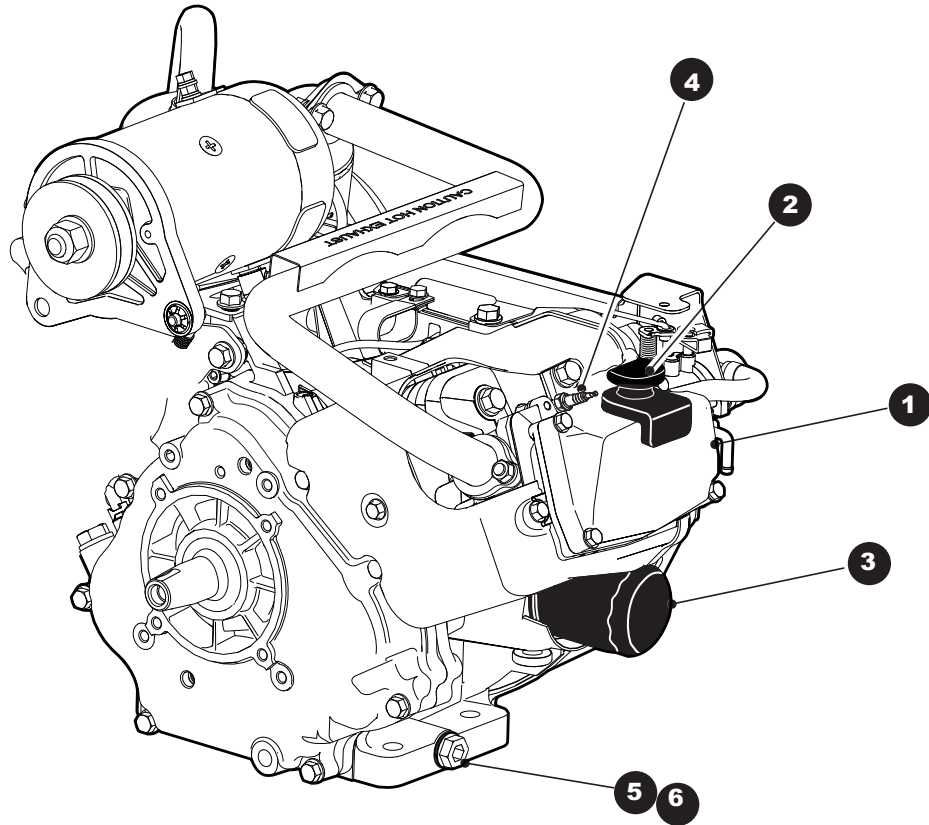
*** Indicates consult Customer Service Department for additional information.

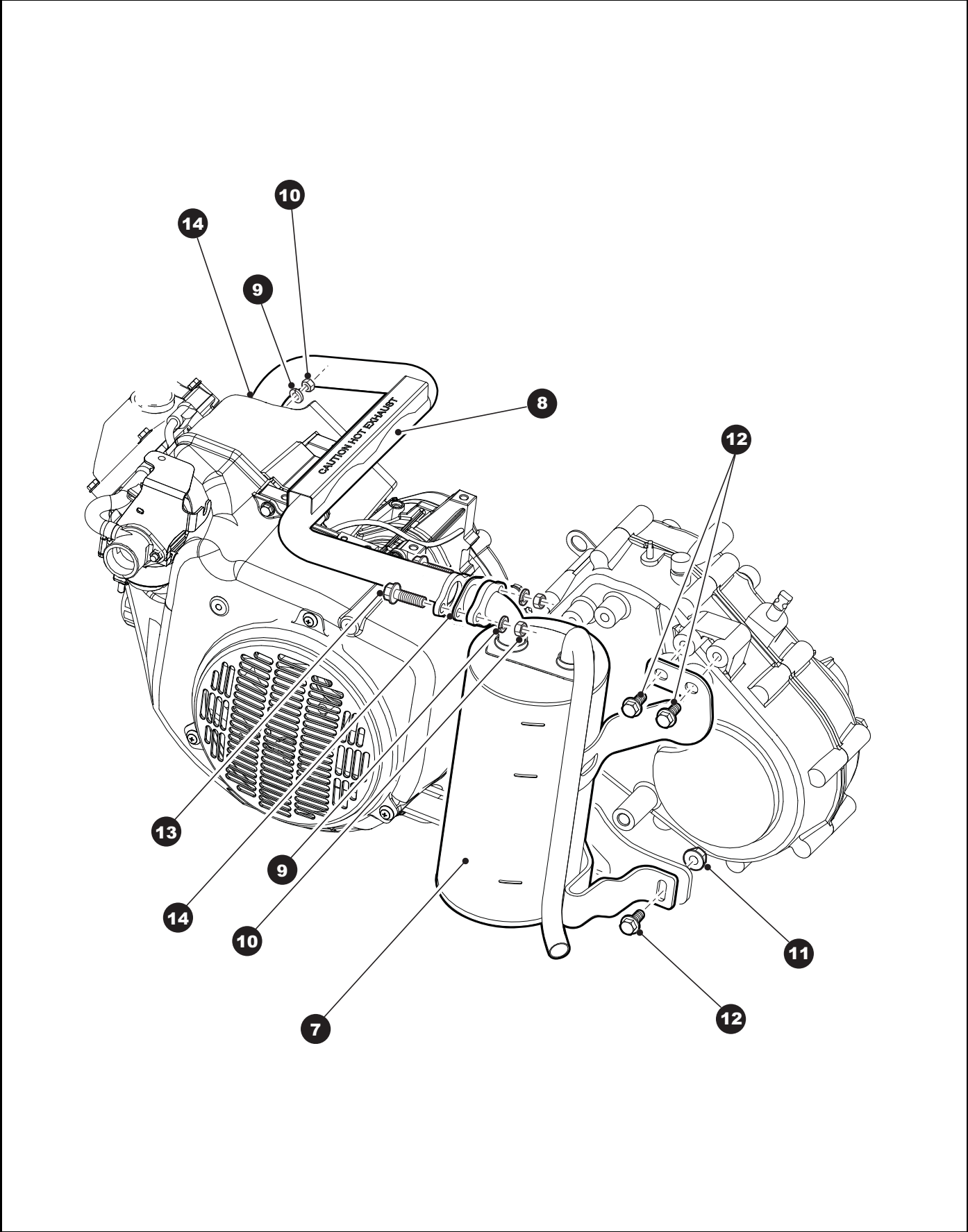
ITEM	PART NO.	1	2	3	4	5	DESCRIPTION	QTY.
125	603720						HOUR METER.....	1
126	603721						HOUR METER BRACKET.....	1
127	606254						WIRE HARNESS (HOUR METER).....	1

Notes:



ENGINE AND MUFFLER





ENGINE AND MUFFLER

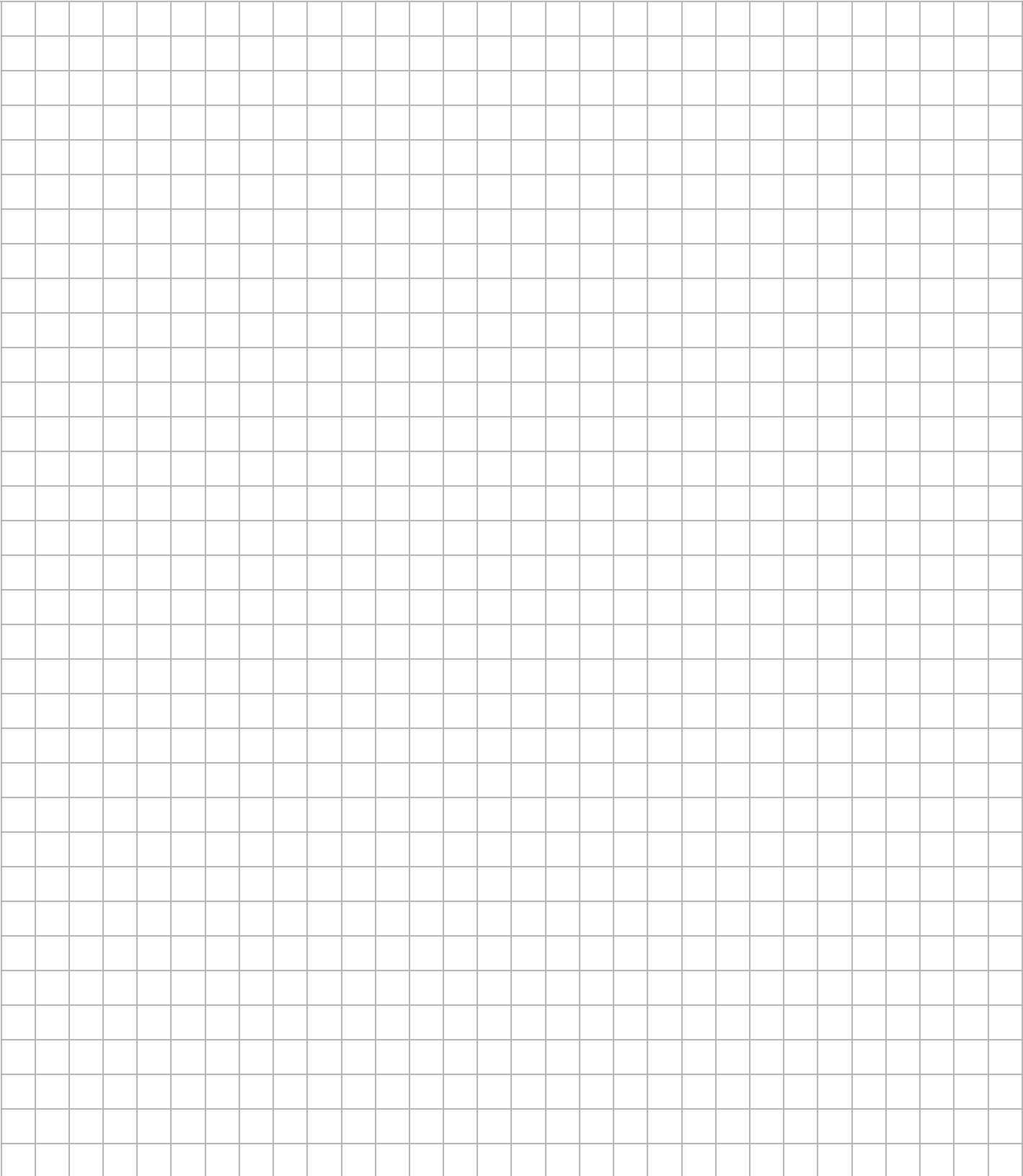
When ordering parts, please specify the model and serial number of the product.

* Indicates a component that is not available as an individual part.

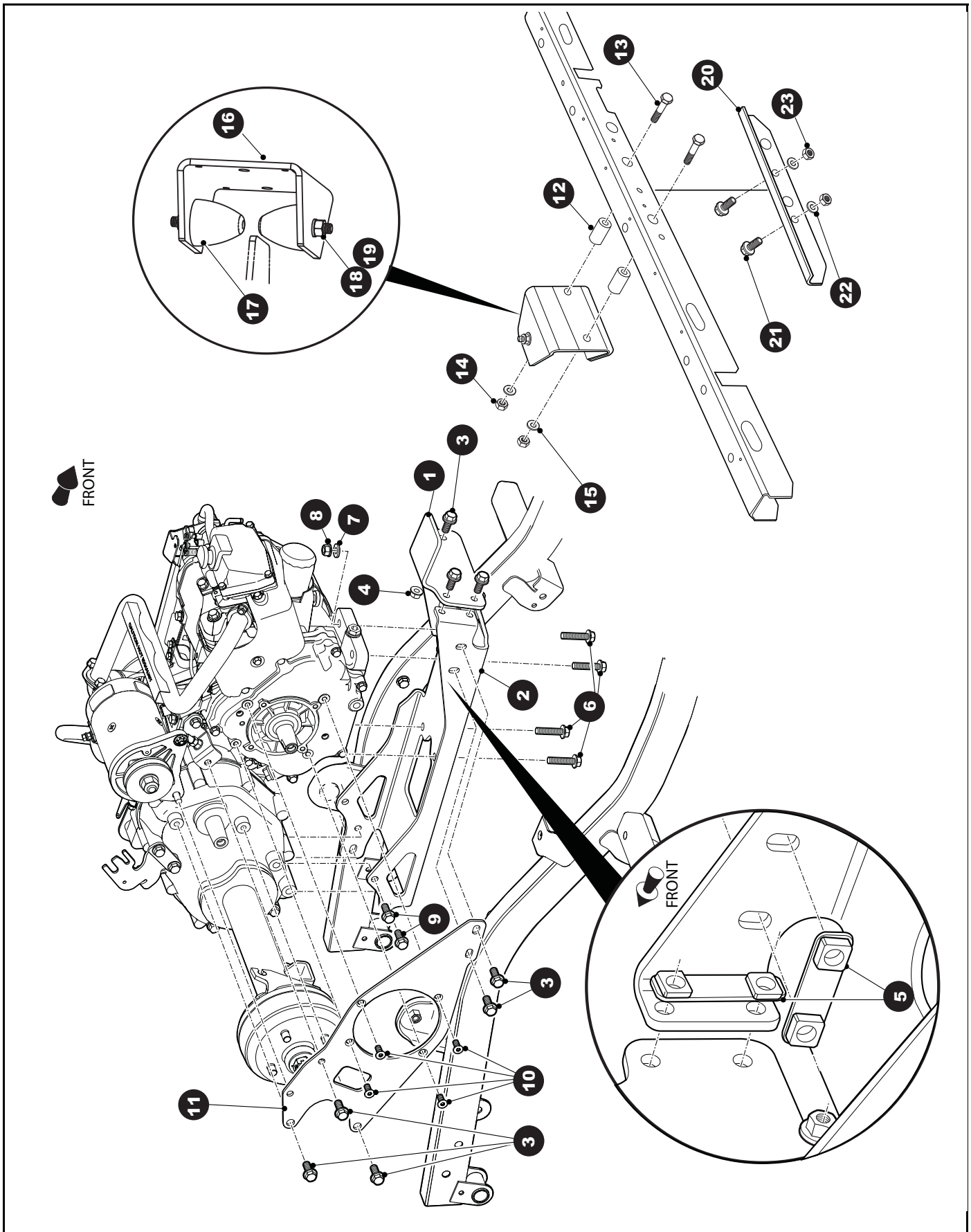
*** Indicates consult Customer Service Department for additional information.

ITEM	PART NO.	1 2 3 4 5	DESCRIPTION	QTY.
1	607154		ENGINE, GAS, 13HP, NON-GOLF	1
2	606390		DIP STICK.....	1
3	607454		OIL FILTER	1
4	607462		SPARK PLUG (BPR2ES).....	1
5	603557		OIL DRAIN PLUG	1
6	603562		'O' RING, 16MM	1
7	606984		MUFFLER.....	1
8	606982		EXHAUST PIPE	1
9	606272		WASHER, 8MM	4
10	606267		NUT, M8 X 1.25	4
11	606279		NUT, M10 - 1.25	1
12	606256		BOLT, M10 - 1.25 X 25	3
13	602330		BOLT, M8 - 1.25 X 30	2
14	603599		EXHAUST GASKET	2

Notes:

A large grid of empty squares for taking notes. The grid consists of 20 columns and 30 rows of small squares, providing a structured area for handwritten notes.

ENGINE MOUNTING



ENGINE MOUNTING

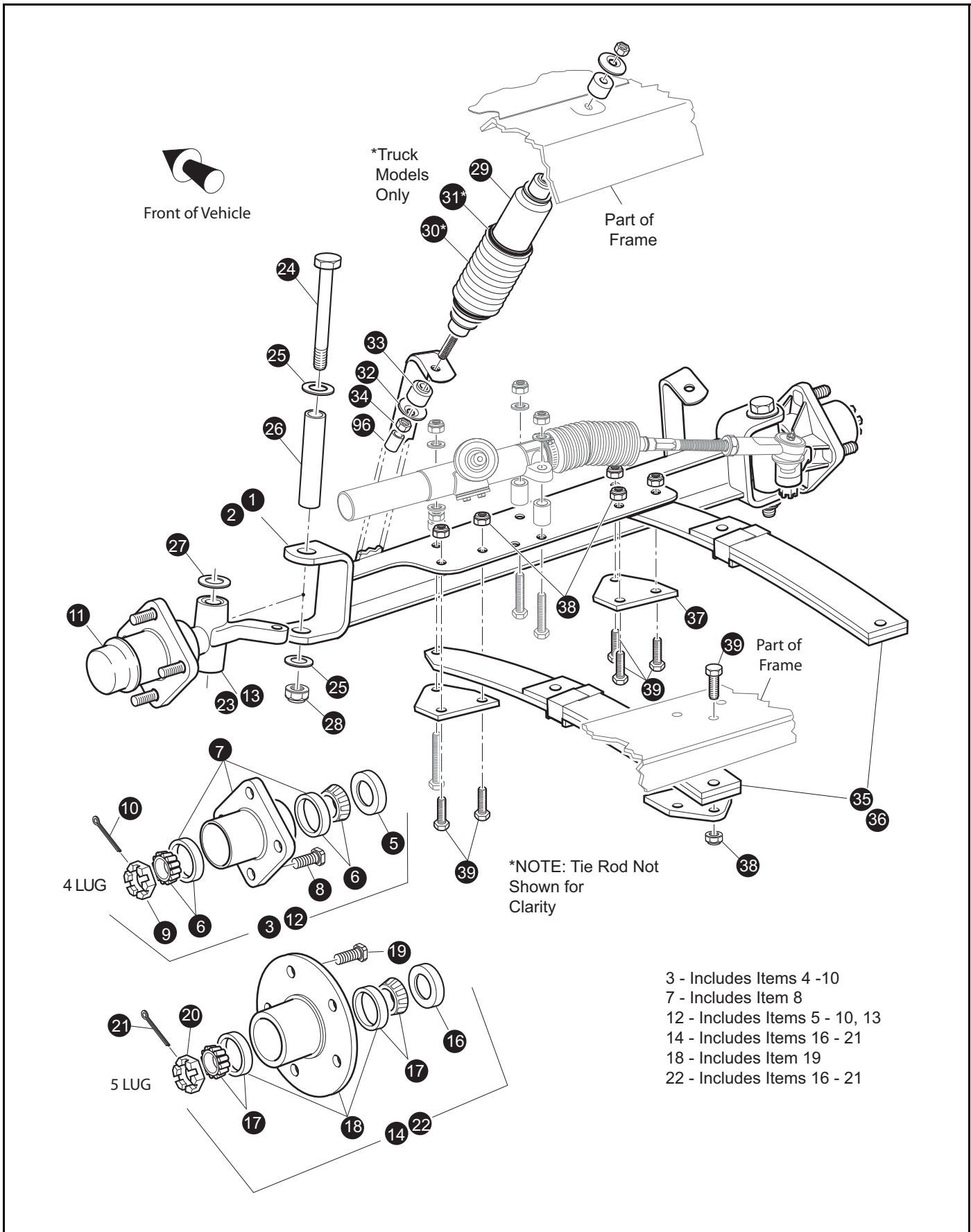
When ordering parts, please specify the model and serial number of the product.

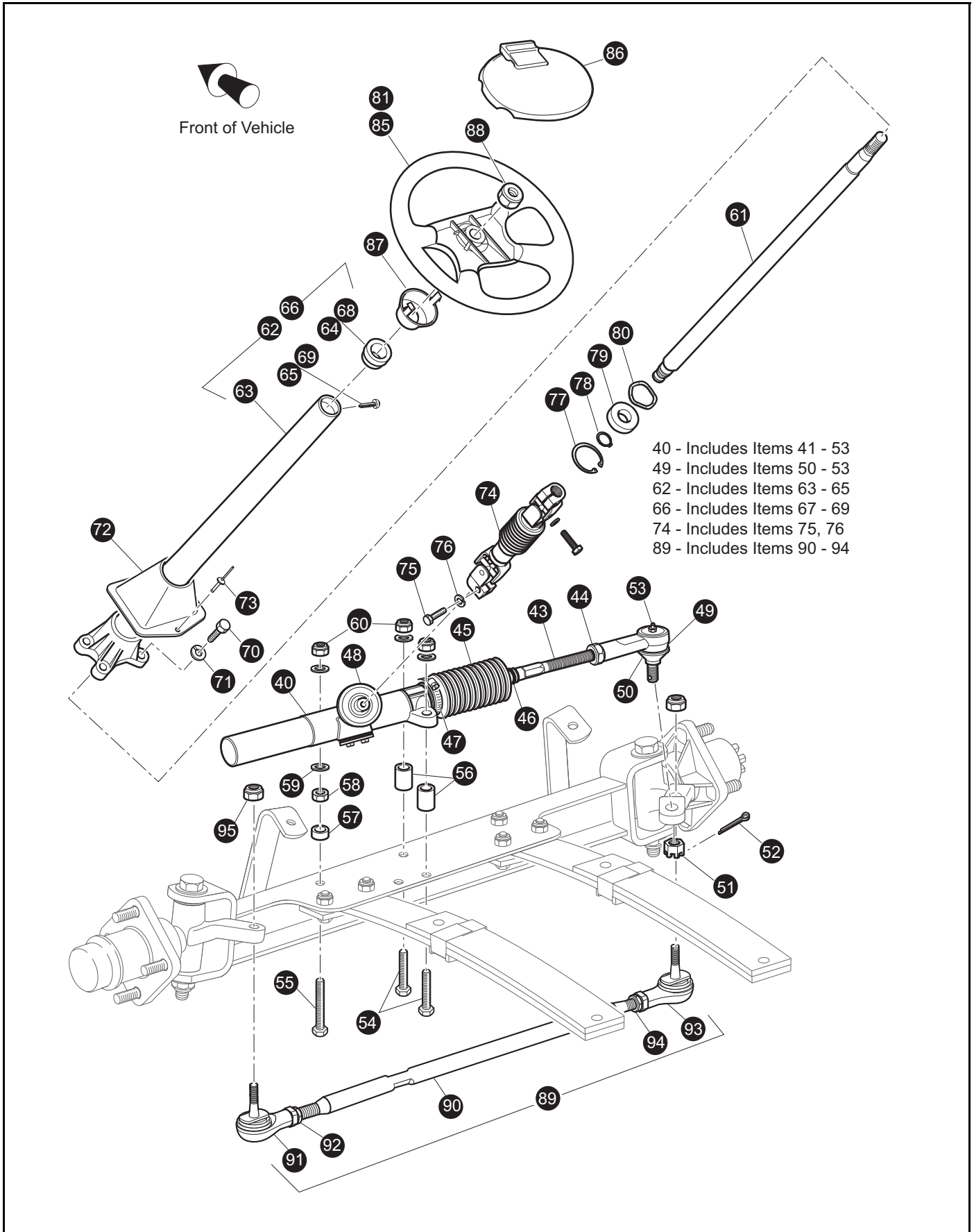
* Indicates a component that is not available as an individual part.

*** Indicates consult Customer Service Department for additional information.

ITEM	PART NO.	1 2 3 4 5	DESCRIPTION	QTY.
1	606007		FRONT ENGINE MOUNT	1
2	603101		ENGINE PAN MOUNT	1
3	606256		BOLT, M10 - 1.25 X 25.....	8
4	606279		NUT, M10 - 1.25.....	1
5	606096		NUT PLATE.....	2
6	606259		BOLT, M10 - 1.25 X 45.....	4
7	603823		FLAT WASHER, M10 X 22 - 2.5	4
8	606279		NUT, M10 - 1.25.....	4
9	608020		BOLT, M10 - 1.25 X 34.....	4
10	606246		FLAT HEAD SCREW, T40	4
11	602146		DIFFERENTIAL PLATE	1
12	72016G01		TUBE SPACER	2
13	00428G6		HEX HEAD 3/8 - 16, UNC X 2.75	2
14	11098G5		PLASTIC INSERT LOCK NUT.....	2
15	00643G1		FLAT WASHER	2
16	605995		TS2 FRONT MOUNT BRACKET	1
17	605757		RUBBER BUMPER.....	2
18	00974G01		HEX - NUT	2
19	00968G01		LOCK WASHER.....	2
20	70269G02		CROSSMEMBER BRACE	1
21	00438G7		SCREW, HEX HEAD 5/16 - 18 UNC.....	2
22	01110G3		FLAT WASHER	2
23	01109G01		PLASTIC INSERT LOCK NUT.....	2

FRONT SUSPENSION / STEERING





FRONT SUSPENSION / STEERING

When ordering parts, please specify the model and serial number of the product.

* Indicates a component that is not available as an individual part.

*** Indicates consult Customer Service Department for additional information.

ITEM	PART NO.	1 2 3 4 5	DESCRIPTION	QTY.
1	602513		FRONT AXLE	1
2	602327		FRONT AXLE WITH FRONT DISC BRAKES	1
3	70942G03		SPINDLE AND HUB ASSEMBLY, 4 LUG (PASSENGER SIDE) (INCLUDES ITEMS 4 - 10).....	1
4	70942G04		SPINDLE ASSEMBLY (PASSENGER SIDE).....	1
5	25146G1		GREASE SEAL	1
6	50892G1		ROLLER BEARING AND RACE ASSEMBLY	2
7	70589G01		WHEEL HUB ASSEMBLY WITH RACES, 4 LUG (INCLUDES ITEM 8) ..	1
8	19862G1		LUG BOLT, 1/2 - 20 X 1 3/16" LG.....	4
9	12093G1		CASTELLATED NUT, 1 - 14.....	1
10	00798G8		COTTER PIN, 5/32" X 1 3/4" LG.....	1
11	12091G2		SPINDLE CAP	2
12	70673G03		SPINDLE AND HUB ASSEMBLY, 4 LUG (DRIVER SIDE) (INCLUDES ITEMS 5 - 10, 13).....	1
13	70673G04		SPINDLE ASSEMBLY (DRIVER SIDE)	1
14	602288		SPINDLE AND HUB ASSEMBLY WITH FRONT DISC BRAKES (PASSENGER SIDE)(INCLUDES ITEMS 15 - 20).....	1
15				
16	12092G1		GREASE SEAL	1
17	50892G1		ROLLER BEARING AND RACE ASSEMBLY	2
18	74673G01		WHEEL HUB ASSEMBLY WITH RACES, (INCLUDES ITEM 19).....	1
19	30143G1		LUG BOLT, 1/2 - 20 X 1 7/32" LG	5
20	12093G1		CASTELLATED NUT, 1 - 14.....	1
21	00798G8		COTTER PIN, 5/32" X 1 3/4" LG.....	1
22	602281		SPINDLE AND HUB ASSEMBLY, WITH FRONT DISC BRAKES (DRIVER SIDE)(INCLUDES ITEMS 15 - 20)	1
23				
24	00407G6		BOLT, 1/2 - 13 X 6" LG	2
25	00560G3		WASHER, 1/2"	4
26	70745G01		KING PIN TUBE	2
27	70754G01		THRUST WASHER, 1" (STAINLESS STEEL).....	2
28	14390G6		LOCK NUT, 1/2 - 13.....	2
29	76419G01		SHOCK ABSORBER.....	2

FRONT SUSPENSION / STEERING

When ordering parts, please specify the model and serial number of the product.

* Indicates a component that is not available as an individual part.

*** Indicates consult Customer Service Department for additional information.

ITEM	PART NO.	1 2 3 4 5	DESCRIPTION	QTY.
30	70509G01		SHOCK ABSORBER BOOT	2
31	31539G1		WIRE TIE	4
32	10435G1		SHOCK ABSORBER WASHER.....	8
33	10194G1		RUBBER BUSHING	8
34	00532G6		NUT, 3/8 - 24	4
35	70990G02		LEAF SPRING (SEE PART NUMBER ON SPRING).....	2
36	70664G03		LEAF SPRING (HEAVY DUTY) (SEE PART NUMBER ON SPRING).....	2
37	70163G03		SPRING PLATE	4
38	00734G1		LOCK NUT, 7/16 - 14	11
39	00463G11		BOLT, 7/16 - 14 X 1 3/4" LG.....	11
40	70964G01		RACK AND PINION UNIT (COMPLETE) (INCLUDES ITEMS 41 - 53).....	1
41	70965G01		STEERING RACK COVER & BEARING	1
42	*		STEERING BOX INSTALLATION TAG	1
43	70694G01		RACK EXTENSION	1
44	*		JAM NUT, 1/2 - 20	1
45	70961G01		RACK BOOT	1
46	12416G2		WIRE TIE.....	1
47	11391G8		CLAMP, 1 13/16 - 2 3/8"	1
48	70638G01		PINION SEAL	1
49	70695G01		RACK BALL JOINT (INCLUDES ITEMS 50 - 53).....	1
50	50641G1		RUBBER BOOT	1
51	50209G2		CASTELLATED NUT, 7/16 - 20.....	1
52	10387G2		COTTER PIN, 3/32" X 1" LG.....	1
53	10389G3		GREASE FITTING, STRAIGHT	1
54	00464G6		BOLT, 7/16 - 14 X 2 3/4" LG.....	2
55	01068G01		BOLT, 7/16 - 14 X 3 1/2" LG.....	1
56	70667G02		SPACER.....	2
57	70667G03		SPACER (SHORT).....	1
58	00532G7		NUT, 7/16 - 14	1
59	00560G2		FLAT WASHER, 7/16"	7
60	00734G1		LOCK NUT, 7/16 - 14	3

FRONT SUSPENSION / STEERING

When ordering parts, please specify the model and serial number of the product.

* Indicates a component that is not available as an individual part.

*** Indicates consult Customer Service Department for additional information.

ITEM	PART NO.	1 2 3 4 5	DESCRIPTION	QTY.
61	70607G01		STEERING SHAFT	1
62	70758G06		STEERING COLUMN KIT (INCLUDES ITEMS 63 - 65)	1
63	70610G03		STEERING COLUMN	1
64	28569G01		STEERING COLUMN BUSHING.....	1
65	01022G01		SCREW, #6 - 20 X 5/16" LG	1
66	70758G08		STEERING COLUMN KIT (HORN) (INCLUDES ITEMS 67 - 69)	1
67	70610G04		STEERING COLUMN	1
68	28569G01		STEERING COLUMN BUSHING.....	1
69	01022G01		SCREW, #6 - 20 X 5/16" LG	1
70	01006G01		BOLT, 3/8 - 16 X 1 1/4" LG	4
71	00879G1		LOCK WASHER, 3/8".....	4
72	70997G01		COVER.....	1
73	71055G01		RIVET, 3/16" X 1" LG (ALUMINUM).....	1
74	70580G01		INTERMEDIATE SHAFT (INCLUDES ITEMS 75, 76).....	1
75	01055G01		BOLT, M8 X 1.25 - 05.....	2
76	00565G8		LOCK WASHER, 5/16"	2
77	70751G01		RETAINING RING (INTERNAL).....	1
78	70888G01		RETAINING RING (EXTERNAL).....	1
79	15112G1		BALL BEARING.....	1
80	70887G01		WAVE WASHER.....	1
81				
82				
83				
84				
85	602979		STEERING WHEEL	1
86	607925		CLIPBOARD.....	1
87	71949G01		HUB COVER	1
88	14390G2		LOCK NUT, 5/8 - 18.....	1
89	70876G02		TIE ROD ASSEMBLY (INCLUDES ITEMS 90 - 94).....	1
90	70897G02		THREADED ROD (24" LG).....	1
91	70902G01		TIE ROD END (LEFT HAND THREADS)	1

FRONT SUSPENSION / STEERING

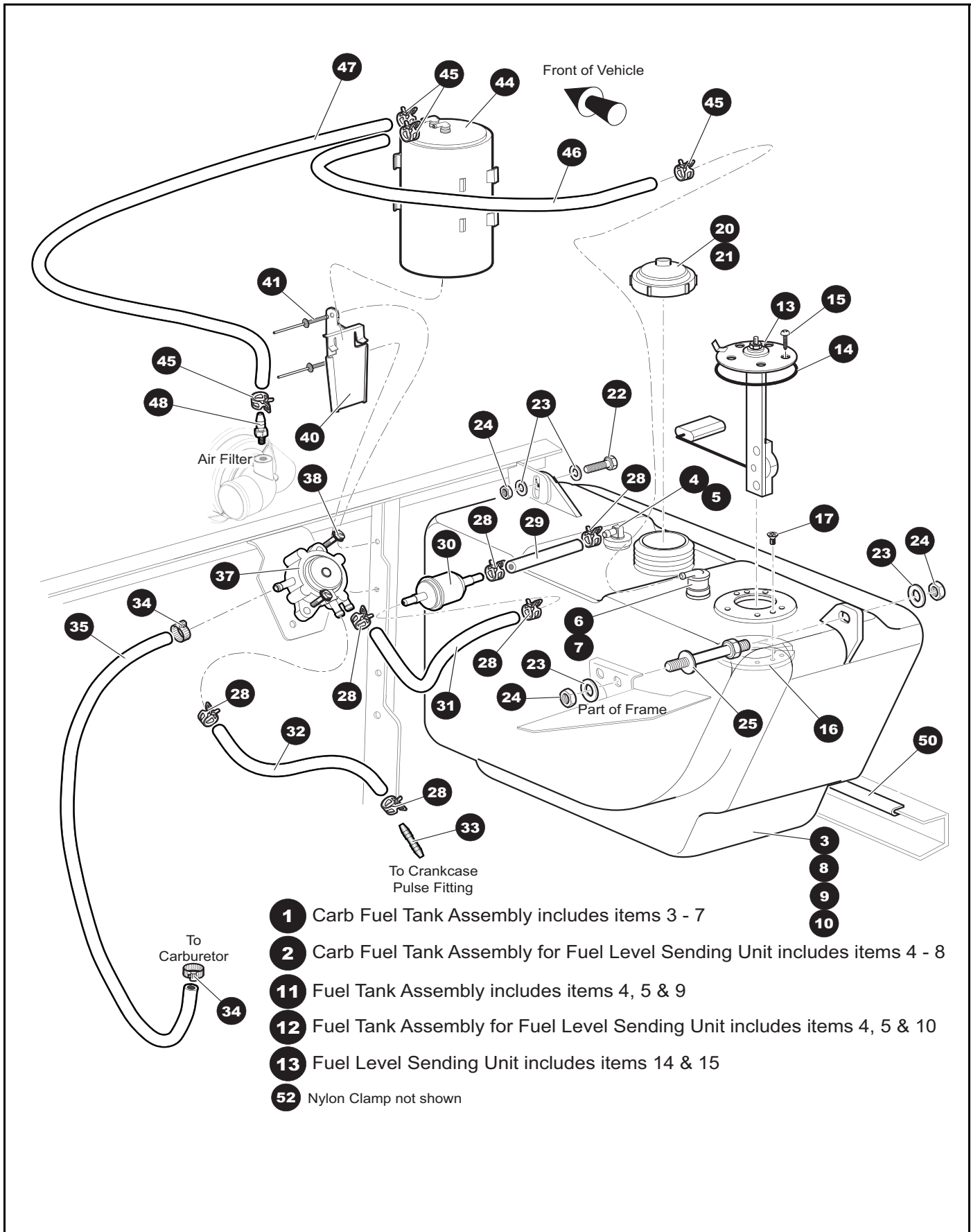
When ordering parts, please specify the model and serial number of the product.

* Indicates a component that is not available as an individual part.

*** Indicates consult Customer Service Department for additional information.

ITEM	PART NO.	1 2 3 4 5	DESCRIPTION	QTY.
92	01069G01		JAM NUT, M12 X 1.25 - 05 (LEFT HAND THREADS)	1
93	70902G02		TIE ROD END (RIGHT HAND THREADS)	1
94	01069G02		JAM NUT, M12 X 1.25 - 05 (RIGHT HAND THREADS).....	1
95	00734G1		LOCK NUT, 7/16 - 14	2
96	10044G01		CAP, VINYL.....	2

FUEL SYSTEM



When ordering parts, please specify the model and serial number of the product.

* Indicates a component that is not available as an individual part.

*** Indicates consult Customer Service Department for additional information.

ITEM	PART NO.	1 2 3 4 5	DESCRIPTION	QTY.
1	620180		CARB FUEL TANK ASSEMBLY (includes items 3 - 7)	1
2	620182		CARB FUEL TANK ASSEMBLY (use with sending unit) (inc items 4 - 8).....	1
3	620179		CARB STANDARD FUEL TANK.....	1
4	70988G01		SIPHON TUBE GROMMET	1
5	18287G3		SIPHON TUBE ASSEMBLY	1
6	606068		ROLLOVER VALVE GROMMET	1
7	606067		ROLLOVER VALVE	1
8	607479		CARB STANDARD FUEL TANK FOR USE WITH SENDING UNIT.....	1
9	605701		STANDARD FUEL TANK.....	1
10	605523		STANDARD FUEL TANK FOR USE WITH SENDING UNIT.....	1
11	605521		FUEL TANK ASSEMBLY (includes items 4, 5 & 9).....	1
12	605704		FUEL TANK ASSEMBLY (use with sending unit) (inc items 4, 5 & 10)	1
13	20048G2		FUEL LEVEL SENDING UNIT (includes items 14 & 15)	1
14	*		GASKET	1
15	*		STAINLESS STEEL HEX HEAD SCREW WITH SEALANT, #10 - 32 X 1/2	5
16	72229G01		FUEL TANK ADAPTER.....	1
17	72230G01		FLAT HEAD PHILLIPS SCREW, #6 - 32 X .50	2
18				
19	72282G01		FUEL FILL CAP	1
20	606211		CARB FUEL FILL CAP	1
21				
22	00438G8		HEX HEAD BOLT, 5/16 - 18 X 1	1
23	00559G8		FLAT WASHER, 5/16	4
24	11098G6		LOCK NUT, 5/16 - 18	3
25	70483G01		SPACER BOLT, 5/16 - 18.....	1
26				
27				
28	18292G1		HOSE CLAMP, .50 DIAMETER	6
29	608014		FUEL SYSTEM HOSE, .25 I.D. X .50 O.D. X 3.25 LONG	1
30	72084G01		FUEL LINE FILTER.....	1
31	608014		FUEL SYSTEM HOSE, .25 I.D. X .50 O.D. X 8.00 LONG	1

FUEL SYSTEM

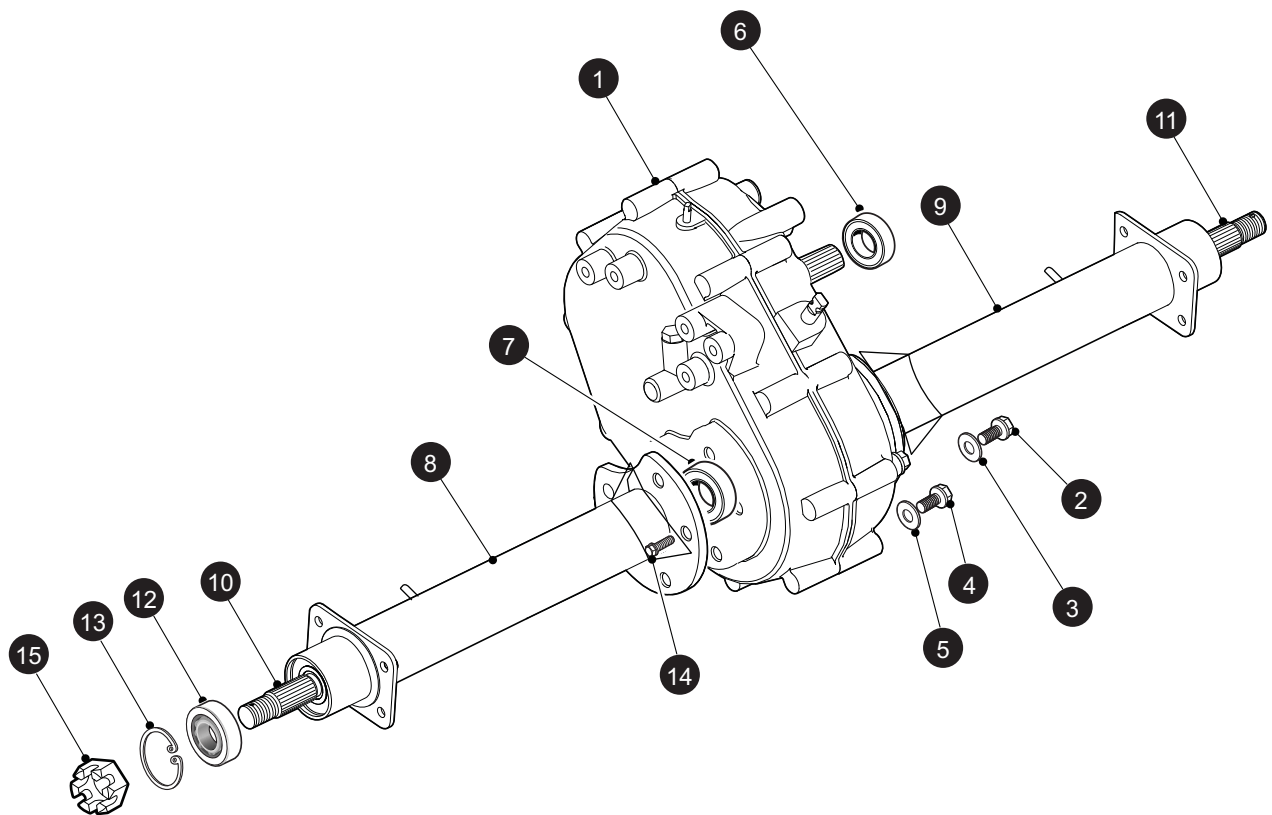
When ordering parts, please specify the model and serial number of the product.

* Indicates a component that is not available as an individual part.

*** Indicates consult Customer Service Department for additional information.

ITEM	PART NO.	1 2 3 4 5	DESCRIPTION	QTY.
32	27183G01		LOW PRESSURE PULSE LINE, .25 I.D. X .50 O.D. X 9.00 LONG.....	1
33	607010		PULSE LINE CONNECTOR, .156 I.D.	1
34	11391G4		HOSE CLAMP, .25 - .63 DIA	2
35	608014		CARB FUEL SYSTEM HOSE, .25 I.D. X .50 O.D. X 26.00 LONG.....	1
36				
37	602061		FUEL PUMP	1
38	00114G6		HEX WASHER HEAD SLOTTED TAPPING SCREW, 1/4 - 14 X .75.....	2
39				
40	606310		CARBON CANNISTER MOUNTING BRACKET (CARB ONLY).....	1
41	10570G11		RIVET, 3/16 DIA X .70 (CARB ONLY)	2
42				
43				
44	606071		CARBON CANNISTER (CARB ONLY6)	1
45	606963		HOSE CLAMP, .41 DIA (CARB ONLY).....	4
46	28839G01		LOW PRESSURE FUEL HOSE, 3/16 I.D. X 3/8 O.D. X 17.00 LONG (CARB)	1
47	28839G01		LOW PRESSURE FUEL HOSE, 3/16 I.D. X 3/8 O.D. X 34.00 LONG (CARB)	1
48	606404		HOSE TO AIR FILTER FITTING, .156 I.D. WITH 1/8 - 27 NPT (CARB ONLY)	1
49				
50	22280G1		BLACK TRIM, 6.25 LONG	1
51				
52	17618G1		NYLON CLAMP.....	2

REAR AXLE



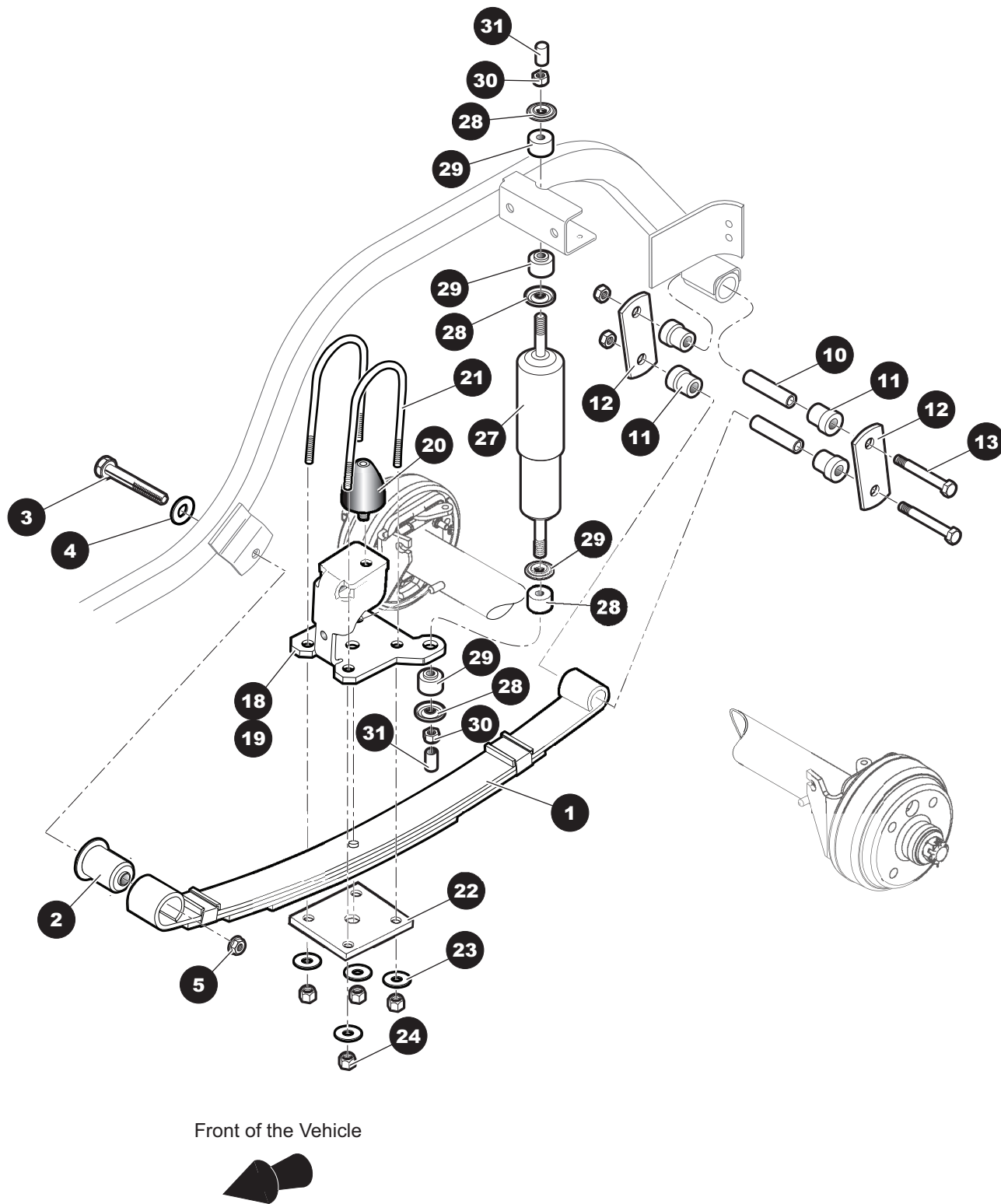
When ordering parts, please specify the model and serial number of the product.

* Indicates a component that is not available as an individual part.

*** Indicates consult Customer Service Department for additional information.

ITEM	PART NO.	1 2 3 4 5	DESCRIPTION	QTY.
1	605891		REAR AXLE, (INCLUDES ITEMS 2 - 15)	1
2	26770G01		OIL CHECK PLUG	1
3	26771G01		GASKET, 14 MM	1
4	26770G01		OIL DRAIN PLUG	1
5	26771G01		GASKET, 14 MM	1
6	72259G01		INPUT SHAFT OIL SEAL	1
7	72259G01		AXLE SHAFT OIL SEAL	2
8	607939		AXLE TUBE (DRIVER SIDE)	1
9	607940		AXLE TUBE (PASSENGER SIDE)	1
10	607945		AXLE SHAFT (DRIVER SIDE) INCLUDES ITEM 12	1
11	607946		AXLE SHAFT (PASSENGER SIDE) INCLUDES ITEM 12	1
12	26811G01		BALL BEARING	2
13	26814G01		RETAINING RING	2
14	72260G01		FLANGED BOLT, M10 X 1.5 X 23 MM LG	10
15	606403		SLOTTED NUT, M22 X 1.5	2

REAR SUSPENSION



REAR SUSPENSION

When ordering parts, please specify the model and serial number of the product.

* Indicates a component that is not available as an individual part.

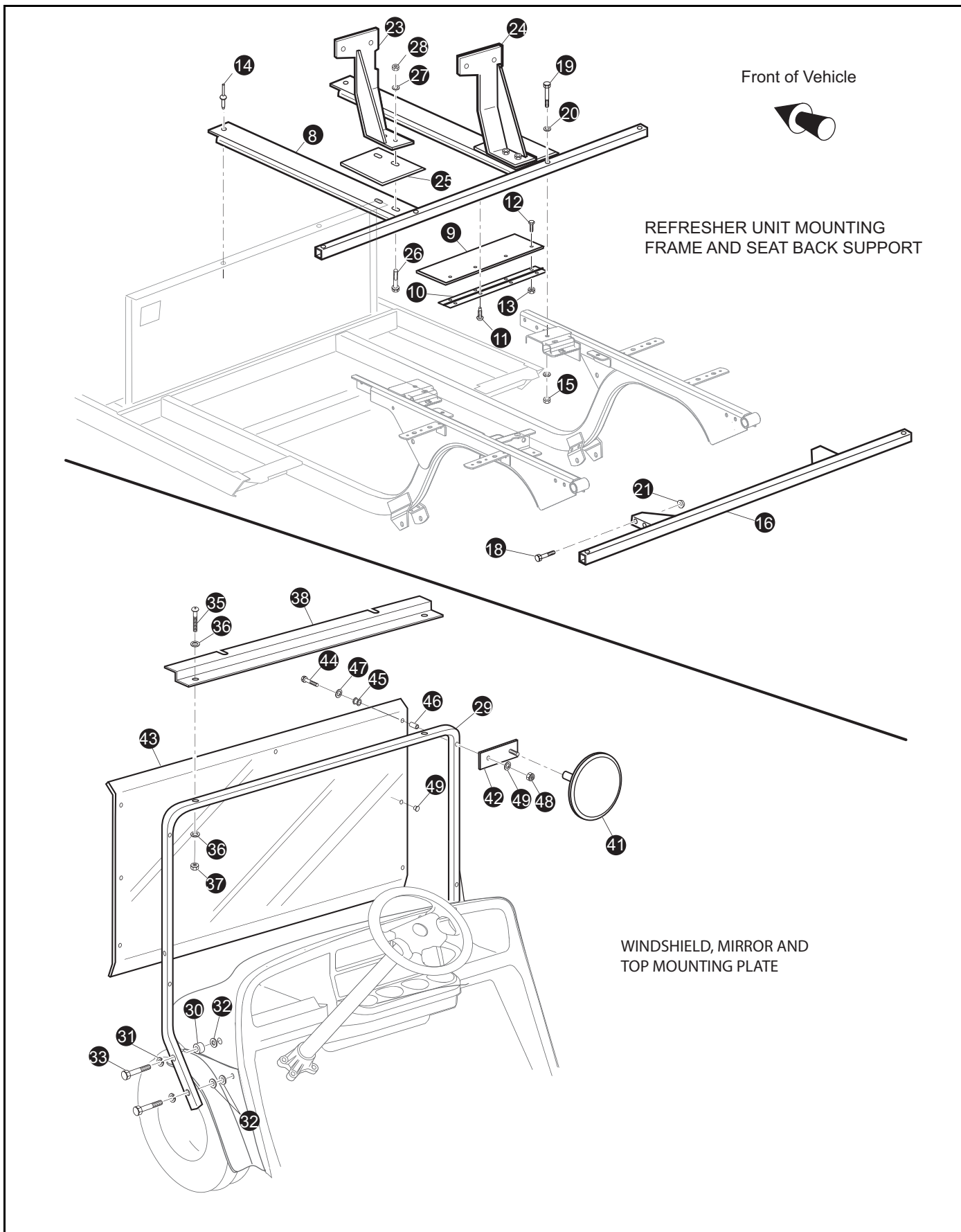
*** Indicates consult Customer Service Department for additional information.

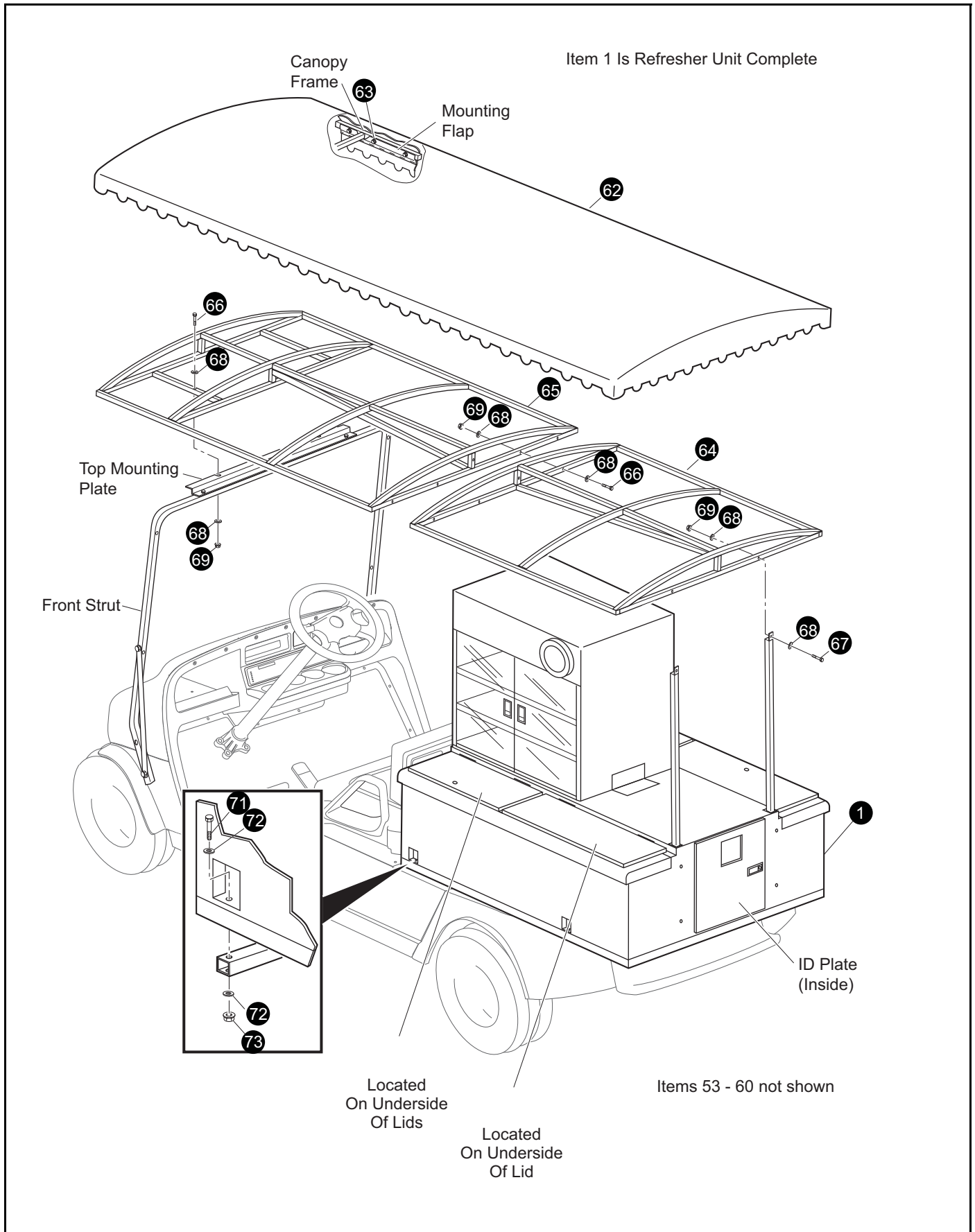
ITEM	PART NO.	1 2 3 4 5	DESCRIPTION	QTY.
1	605722		HEAVY DUTY LEAF SPRING.....	2
2	605445		LEAF SPRING BUSHING, FRONT.....	2
3	00665G9		HEX HEAD BOLT, SS 3/8 - 16 X 3.5 LG.....	2
4	00643G1		FLAT WASHER, .411 I.D. X 1.00 O.D. X .06.....	2
5	12262G1		FLANGED LOCK NUT, 3/8 - 16.....	2
6				
7				
8				
9				
10	70289G02		SPLIT STEEL SPACER.....	4
11	70291G01		FLANGED URETHANE BUSHING.....	8
12	70290G02		SHACKLE PLATE.....	4
13	00665G9		HEX HEAD BOLT, SS 3/8 - 16 X 3.5 LG.....	4
14	11098G5		LOCK NUT, 3/8 - 16.....	4
15				
16				
17				
18	605952		AXLE BRACKET, DRIVER SIDE.....	1
19	605959		AXLE BRACKET, PASSTENGER SIDE.....	1
20	70492G01		RUBBER BUMPER.....	2
21	32195G3		U-BOLT.....	4
22	605956		REAR SUSPENSION PLATE.....	2
23	00643G1		FLAT WASHER, .411 I.D. X 1.00 O.D. X .06.....	8
24	11098G5		LOCK NUT, 3/8 - 16.....	8
25				
26				
27	70248G01		SHOCK ABSORBER.....	2
28	10435G1		SHOCK ABSORBER WASHER.....	8
29	10194G1		RUBBER SHOCK BUSHING.....	8
30	00532G6		HEX NUT, 3/8 - 24.....	4
31	10044G01		VINYL CAP.....	4

Notes:

A large grid of graph paper, consisting of 20 columns and 30 rows of small squares, intended for taking notes.

REFRESHER UNIT





REFRESHER UNIT

When ordering parts, please specify the model and serial number of the product.

* Indicates a component that is not available as an individual part.

*** Indicates consult Customer Service Department for additional information.

ITEM	PART NO.	1 2 3 4 5	DESCRIPTION	QTY.
1	74434G01		REFRESHER UNIT (COMPLETE) (INCLUDES ITEMS 3 - 49)	1
2				
3				
4				
5				
6				
7				
8	74421G02		REFRESHER UNIT MOUNTING FRAME (FRONT).....	1
9	74392G02		ENGINE ACCESS DOOR.....	1
10	33121G01		ACCESS DOOR HINGE	1
11	00106G6		SCREW, 12 - 24 X 3/4" LG	4
12	00414G5		BOLT, 1/4 - 20 X 1/2" LG.....	4
13	00891G2		LOCK NUT, 1/4 - 20	4
14	10570G10		RIVET, 5/32" (STAINLESS STEEL)	2
15	11098G6		LOCK NUT, 5/16 - 18	2
16	71545G01		REFRESHER UNIT MOUNTING FRAME (REAR).....	1
17				
18	00427G8		BOLT, 3/8 - 16 X 2" LG.....	4
19	00439G8		BOLT, 5/16 - 18 X 2" LG.....	2
20	00559G8		WASHER, 5/16"	4
21	11027G5		LOCK NUT, 5/16 - 18	4
22				
23	70008G01		SEAT BACK SUPPORT (DRIVER SIDE).....	1
24	70008G02		SEAT BACK SUPPORT (PASSENGER SIDE)	1
25	74855G01		SIDE COVER	2
26	00438G8		BOLT, 5/16 - 18 X 1" LG	4
27	00559G8		WASHER, 5/16".....	4
28	11098G6		LOCK NUT, 5/16 - 18.....	4
29	75045G06		FRONT STRUT.....	1
30	75048G01		SPACER.....	2
31	00905G8		LOCK WASHER, 5/16" (BLACK).....	4

REFRESHER UNIT

When ordering parts, please specify the model and serial number of the product.

* Indicates a component that is not available as an individual part.

*** Indicates consult Customer Service Department for additional information.

ITEM	PART NO.	1 2 3 4 5	DESCRIPTION	QTY.
32	00879G1		WASHER, 3/8" X 1"	6
33	01035G02		BOLT, 5/16 - 18 X 2 1/2" LG	4
34				
35	16705G6		BOLT, 1/4 - 20 X 1 1/2" LG	2
36	00559G7		WASHER, 1/4"	4
37	00891G2		LOCK NUT, 1/4 - 20.....	2
38	74191G02		TOP MOUNTING PLATE.....	1
39	36002G01		DECAL (WARNING).....	3
40	35991G01		DECAL (WARNING).....	1
41	74202G01		MIRROR, 6".....	2
42	74203G02		MIRROR MOUNTING BRACKET	2
43	75021G03		WINDSHIELD	1
44	16705G6		BOLT, 1/4 - 20 X 1 3/4" LG	4
45	72147G01		RUBBER GROMMET	4
46	23726G7		SPACER	4
47	00660G7		WASHER, 1/4"	8
48	00891G2		LOCK NUT, 1/4 - 20.....	4
49	75124G01		BUMPER	2
50				
51				
52			ITEMS 53 - 60 NOT SHOWN	
53	74346G01		SIGN BOARD.....	2
54	75793G01		CONDIMENT TRAY	1
55	75794G01		BOTTLE CADDY.....	1
56	75795G01		CASH DRAWER	1
57	75796G01		MINI BOTTLE CARRIER	1
58	75797G01		HUMIDOR.....	1
59	75798G01		CREDIT CARD MACHINE MOUNT.....	1
60	75891G01		FOOD WARMER	1
61			THE FOLLOWING SERVICE PARTS AND ACCESORIES ARE AVAILABLE FROM 19TH HOLE MARKETING, INC, 400 E. COMSTOCK DRIVE, CHANDLER, AZ 85225, PHONE: (480) 497 - 8280	

REFRESHER UNIT

When ordering parts, please specify the model and serial number of the product.

* Indicates a component that is not available as an individual part.

*** Indicates consult Customer Service Department for additional information.

ITEM	PART NO.	1 2 3 4 5	DESCRIPTION	QTY.
62	EZRAM10064		CANOPY	1
63	H1092		SELF TAPPING SCREW, 10MM X 1/2" LG	40
64	EZRAM10060		CANOPY FRAME (REAR)	1
65	EZRAM10061		CANOPY FRAME (FRONT)	1
66	H1075		BOLT, 1/4 - 20 X 2"	7
67	H1077		BOLT, 1/4 - 20 X 1 1/4" LG	2
68	H1079		WASHER, 1/4"	18
69	H1078		LOCK NUT, 1/4 - 20.....	9
70				
71	H1083		BOLT, 5/16 - 18 X 1 1/4" LG	4
72	H1019		WASHER, 5/16"	8
73	H1017		LOCK NUT, 5/16 - 18.....	4
74			ITEMS 75 - 106 NOT SHOWN	
75	EZRAM10033		COLD STORAGE DOOR, FRONT	1
76	EZRAM10037		COLD STORAGE DOOR, REAR	1
77	EZRAM10041		CONSUMABLE ICE DOOR.....	1
78	EZRAM10022		CANOPY UPRIGHT	1
79	EZRAM10069		HOSE MOUNTING BRACKET	1
80	H4007		COMPRESSION HINGE	1
81	EZRAM10075		TRASH DOOR HINGE	1
82	B6001		TRASH BIN	1
83	H4008		TRASH DOOR LATCH	1
84	EZRAM10045		TRASH DOOR COMPARTMENT.....	1
85	M6003		DOOR SEAL GASKET	1
86	H2006		LOCK (COLD STORAGE DOOR)	1
87				
88	EZRAM10069		HOSE MOUNTING BRACKET	2
89	H5012		SPIGOT VALVE	2
90	H5000		DRAIN HOSE, 36" LG	1
91	H5007		HOSE ADAPTER, 3/4" X 1/2"	2
92	H5006		COMBINATION ELBOW	3

REFRESHER UNIT

When ordering parts, please specify the model and serial number of the product.

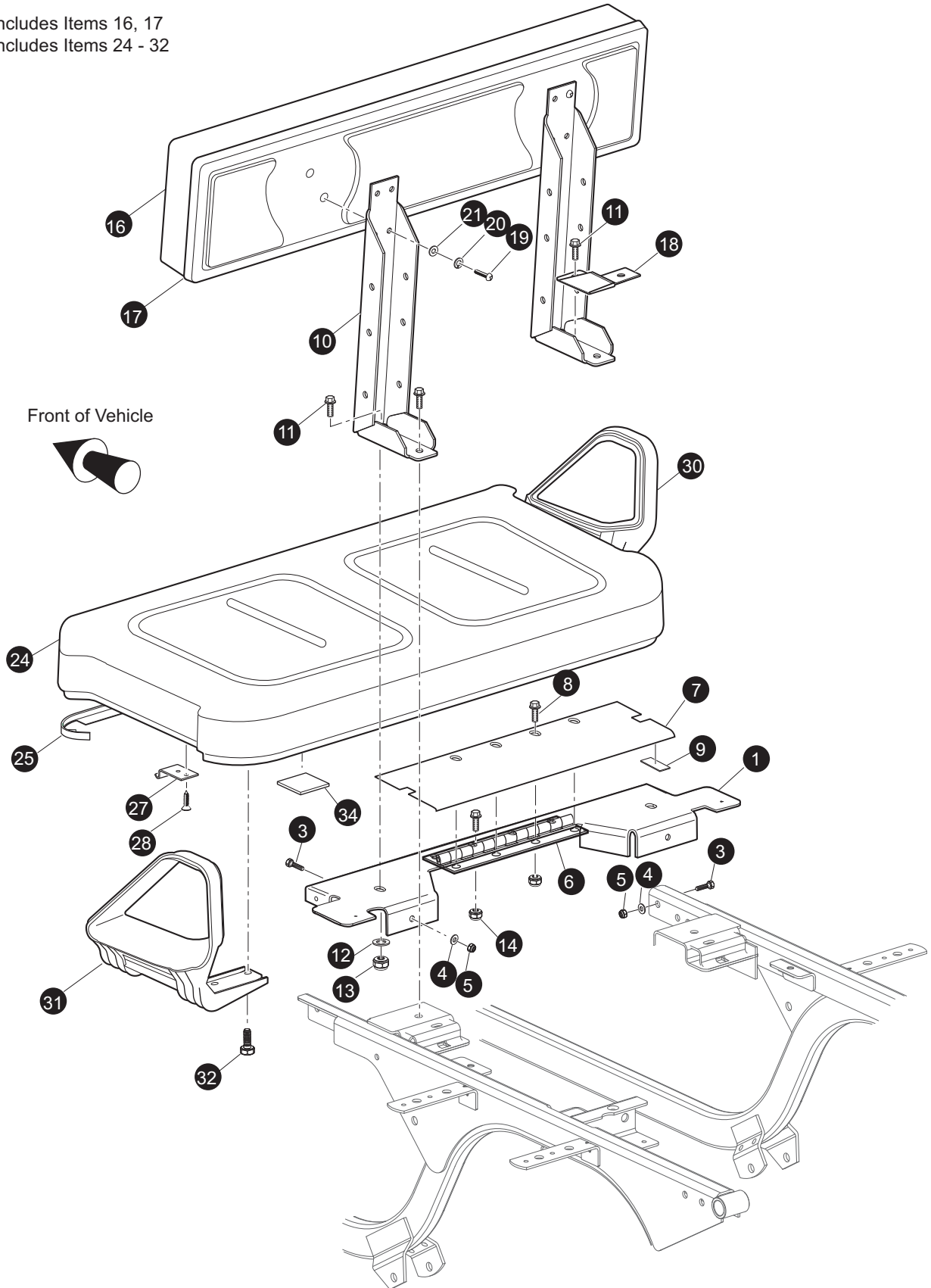
* Indicates a component that is not available as an individual part.

*** Indicates consult Customer Service Department for additional information.

ITEM	PART NO.	1 2 3 4 5	DESCRIPTION	QTY.
93	H5005		COMBINATION TEE	1
94	H1070		HOSE CLAMP.....	1
95				
96	B10000		TOUCH UP PAINT REPAIR KIT	1
97	EZRAM100010		DOOR ACCESSORY MODULE (LEFT)	1
98	EZRAM100012		DOOR ACCESSORY MODULE (RIGHT).....	1
99	H4009		LOCKING LATCH	1
100	B9001		CUP DISPENSER.....	1
101	B9002		CUP DISPENSOR COVER RING.....	1
102	B9003		CUP DISPENSOR COVER SPRING.....	1
103	B6011		AIRPOT, 3.75 LITER (STAINLESS STEEL).....	1
104	EZRAM100020		AIRPOT RACK ASSEMBLY.....	1
105	H600		DOOR HINGE (STAINLESS STEEL).....	1
106	M1002		CUSHIONING ADHESIVE TAPE.....	1

SEATING

15 - Includes Items 16, 17
23 - Includes Items 24 - 32



When ordering parts, please specify the model and serial number of the product.

* Indicates a component that is not available as an individual part.

*** Indicates consult Customer Service Department for additional information.

ITEM	PART NO.	1 2 3 4 5	DESCRIPTION	QTY.
1	71446G02		SEAT BACK SUPPORT	1
2	00715G2		BOLT, 5/16 - 18 X 13/16" LG.....	1
3	00438G8		BOLT, 5/16 - 18 X 1" LG.....	4
4	00642G8		WASHER, 5/16"	4
5	11098G6		LOCK NUT, 5/16 - 18	4
6	33121G01		HINGE.....	1
7	71558G02		ACCESS COVER.....	1
8	00414G5		BOLT, 1/4 - 20 X 1/2" LG.....	8
9	14382G7		NOISE SUPPRESSOR.....	2
10	75900G02		SEAT BACK SUPPORT BRACKET	2
11	01006G01		BOLT, 3/8 - 16 X 1 1/4" LG.....	4
12	00560G1		WASHER, 3/8"	4
13	11098G5		LOCK NUT, 3/8 - 16	4
14	14390G4		LOCK NUT, 1/4 - 20	8
15	71274G**		SEAT BACK ASSEMBLY (INCLUDES ITEMS 16, 17)	1
16	18144G**		VINYL SEAT BACK COVER	1
17	74889G01		PLASTIC SEAT BACK COVER (BLACK)	1
18	74947G01		BED BUMPER BRACKET	2
19	16705G12		SCREW, 1/4 - 20 X 1" LG	4
20	00664G7		LOCK WASHER, 1/4"	4
21	01110G01		WASHER, 1/4"	4
22	604916G**		TWO TONE VINYL SEAT BACK	1
23	71611G**		SEAT BOTTOM ASSEMBLY (INCLUDES ITEMS 24 - 32).....	1
24	71602G**		VINYL SEAT BOTTOM COVER	1
25	71012G01		VINYL TRIM (SEAT BOTTOM).....	1
26				
27	71610G01		SEAT HINGE	2
28	00720G08		SCREW, #12 - 14 X 1" LG	6
29				
30	71701G01		HIP RESTRAINT (PASSENGER SIDE)	1
31	71702G01		HIP RESTRAINT (DRIVER SIDE).....	1

SEATING

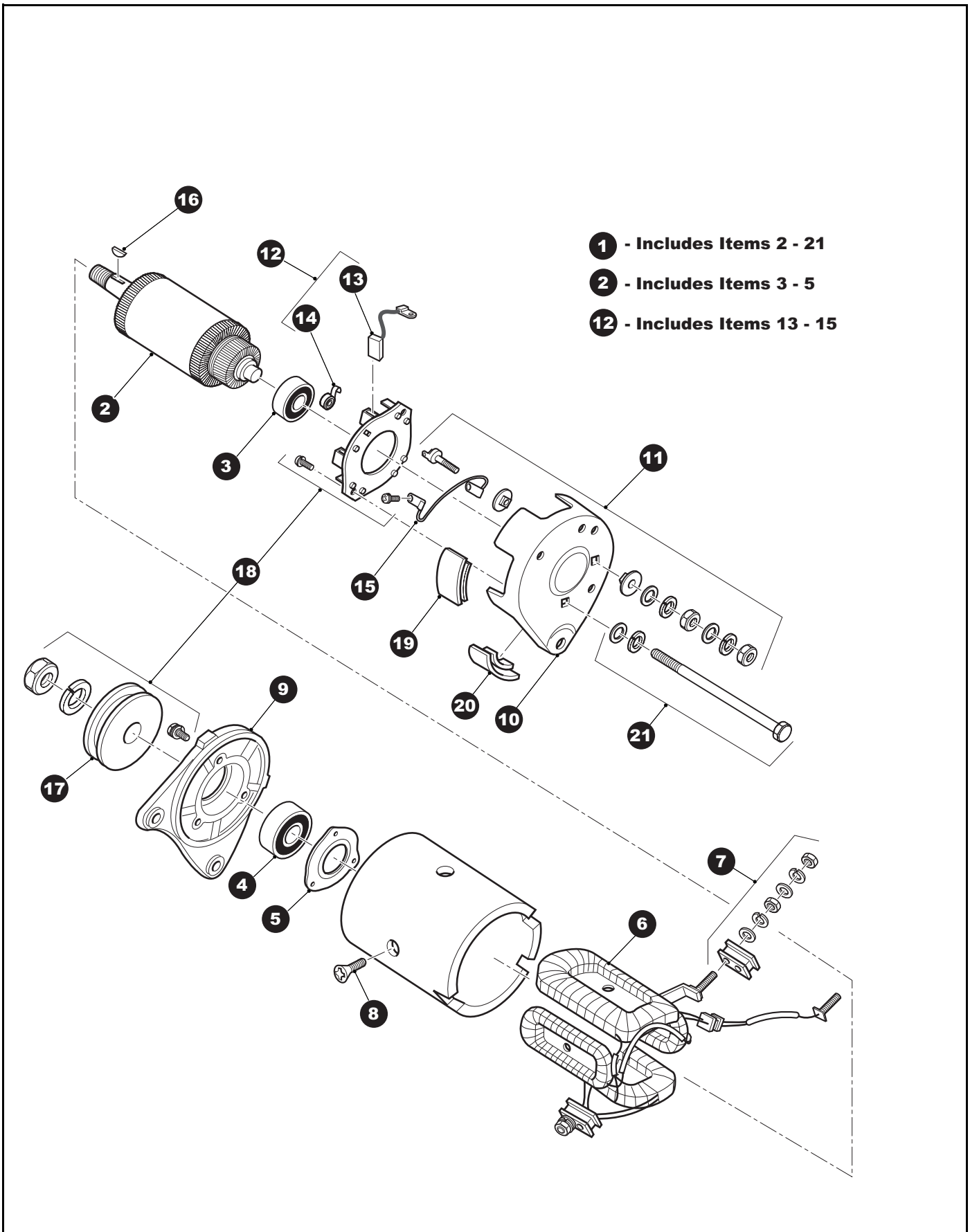
When ordering parts, please specify the model and serial number of the product.

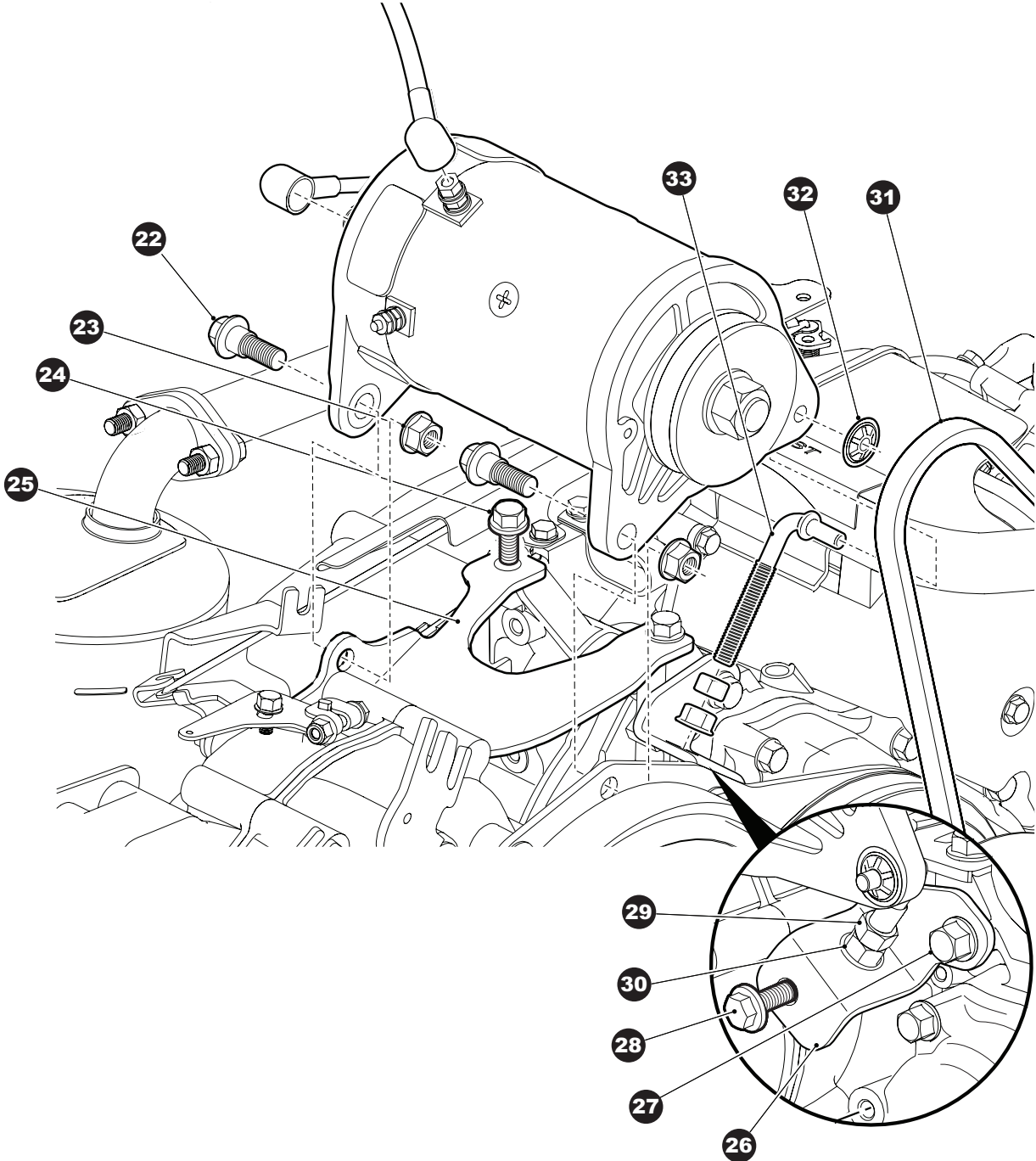
* Indicates a component that is not available as an individual part.

*** Indicates consult Customer Service Department for additional information.

ITEM	PART NO.	1	2	3	4	5	DESCRIPTION	QTY.
32	71204G01						BOLT, 1/4 - 20 X 7/8" LG.	8
33	604912G**						TWO TONE VINYL SEAT BOTTOM	1
34	17074G1						BUMPER	2

STARTER / GENERATOR





STARTER / GENERATOR

When ordering parts, please specify the model and serial number of the product.

* Indicates a component that is not available as an individual part.

*** Indicates consult Customer Service Department for additional information.

ITEM	PART NO.	1 2 3 4 5	DESCRIPTION	QTY.
1	27065G01		STARTER / GENERATOR (INCLUDES ITEMS 2 - 21).....	1
2	26870G01		ARMATURE (INCLUDES ITEMS 3 - 5)	1
3	26871G01		REAR BALL BEARING	1
4	26872G01		FRONT BALL BEARING.....	1
5	26873G01		BEARING HOLDER.....	1
6	26875G01		FIELD COIL.....	1
7	26876G01		INSULATING BRUSH ASSEMBLY ('F').....	2
8	26877G01		POLE CORE SETSCREW.....	4
9	26878G01		FRONT COVER.....	1
10	26879G01		REAR COVER	1
11	26880G01		TERMINAL ASSEMBLY ('A').....	2
12	26881G01		BRUSH HOLDER ASSEMBLY (INCLUDES ITEMS 13 - 15).....	1
13	26658G01		BRUSH	4
14	26882G01		BRUSH SPRING	4
15	26883G01		BRUSH CONNECTOR.....	2
16	26884G01		KEY	1
17	26885G01		PULLEY (GSB107-35011)	1
18	26886G01		BRUSH AND PULLEY HARDWARE KIT	1
19	26887G01		BRUSH 1 COVER.....	3
20	26888G01		BRUSH 2 COVER.....	2
21	26889G01		HOUSING HARDWARE KIT	2
22	606235		BOLT, HXFL SHLDR - M10 - 1.25 X 20.....	2
23	606279		NUT, M10 - 1.25	2
24	606261		BOLT, M8 - 1.25 X 20	3
25	602141		STARTER/GENERATOR BRACKET.....	1
26	602145		TENSIONER BRACKET.....	1
27	606261		BOLT, M8 - 1.25 X 20	1
28	606256		BOLT, M10 - 1.25 X 25	1
29	606255		NUT, M10 - 1.25	1
30	606274		NUT, M10 - 1.25	1
31	606138		STARTER/GENERATOR BELT	1

STARTER / GENERATOR

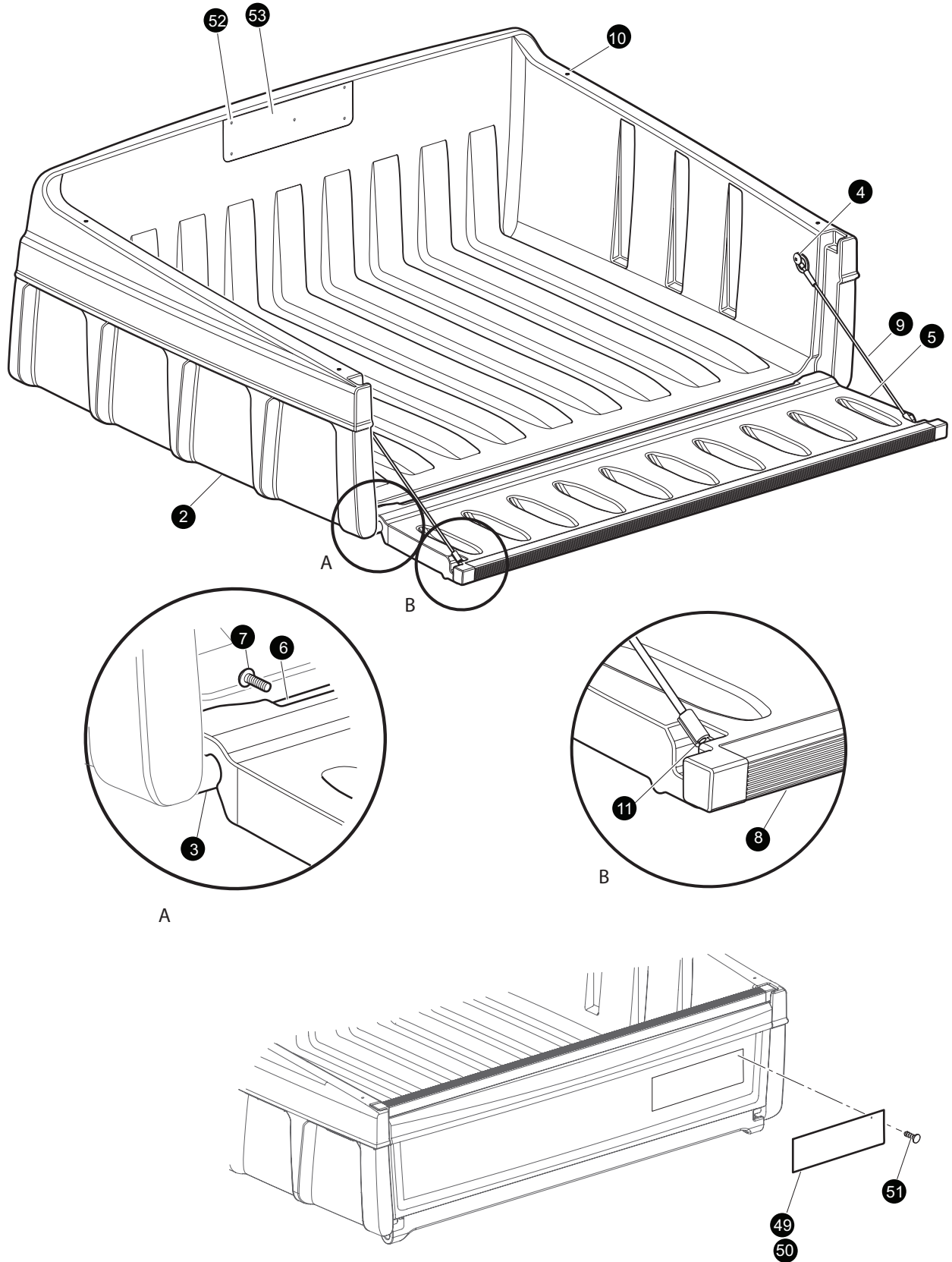
When ordering parts, please specify the model and serial number of the product.

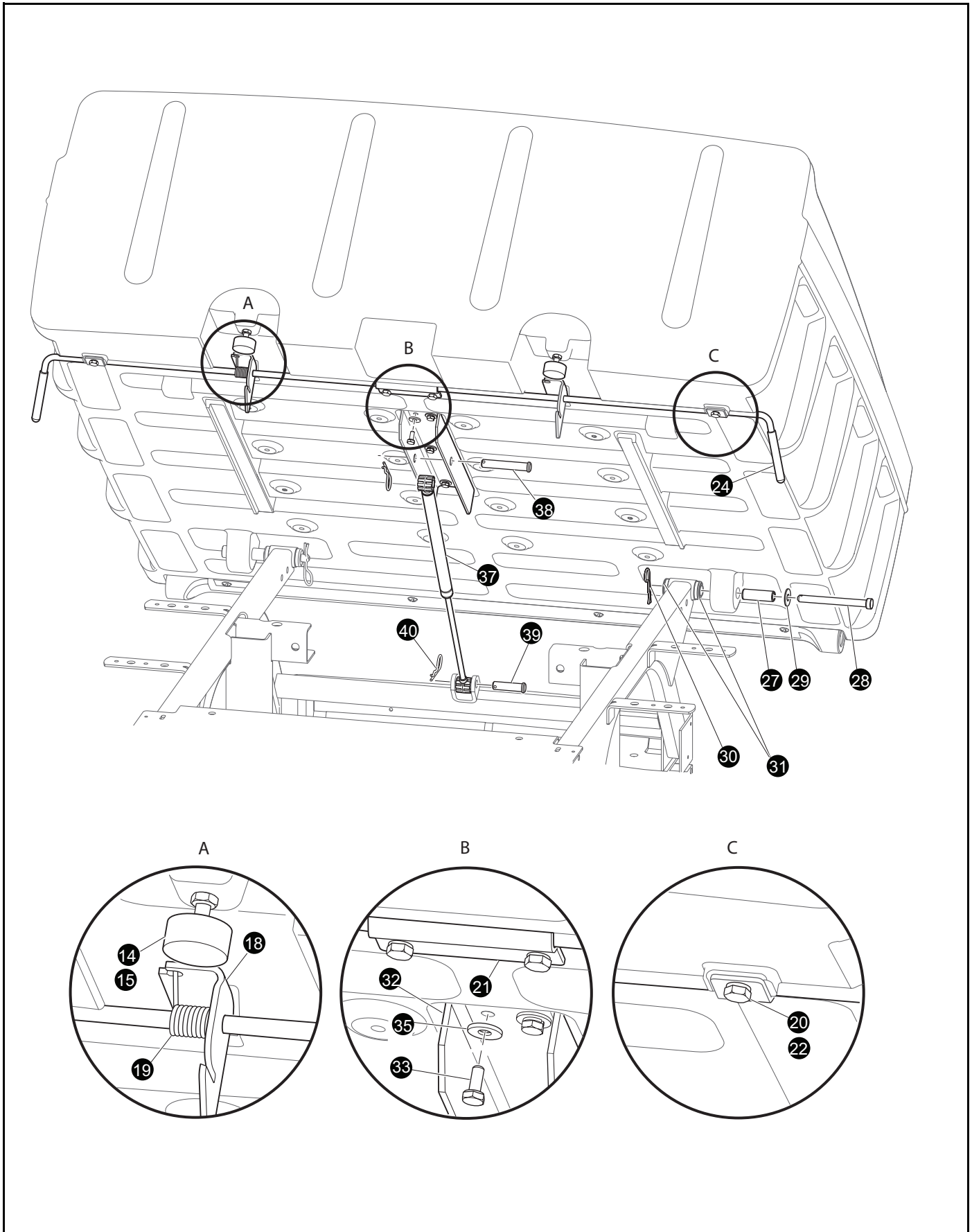
* Indicates a component that is not available as an individual part.

*** Indicates consult Customer Service Department for additional information.

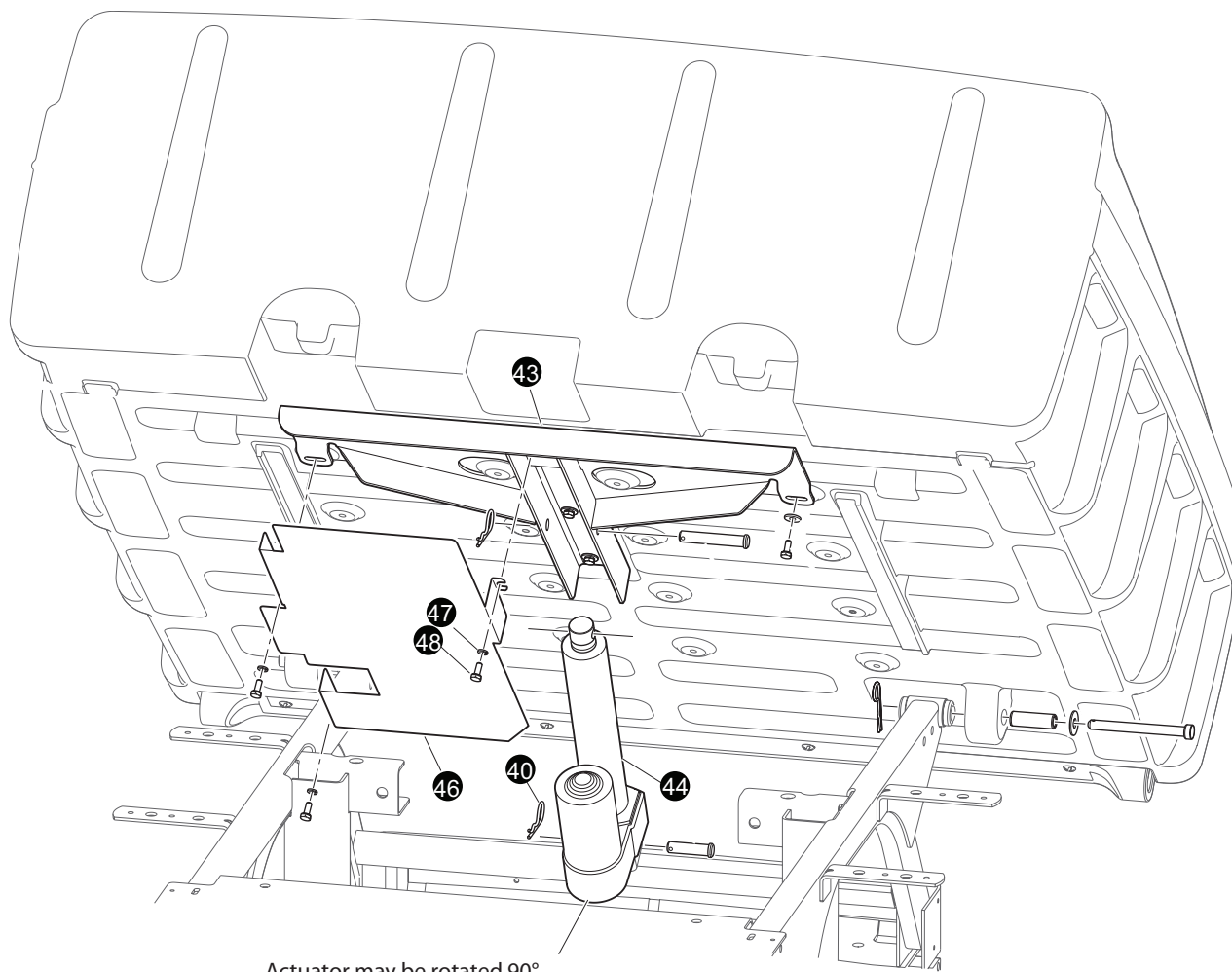
ITEM	PART NO.	1 2 3 4 5	DESCRIPTION	QTY.
32	12064G6		PUSH NUT, 5/16"	1
33	606236		TENSIONER BOLT	1

TRUCK BED, PLASTIC





TRUCK BED, PLASTIC



Actuator may be rotated 90°
on some models

TRUCK BED, PLASTIC

When ordering parts, please specify the model and serial number of the product.

* Indicates a component that is not available as an individual part.

*** Indicates consult Customer Service Department for additional information.

ITEM	PART NO.	1 2 3 4 5	DESCRIPTION	QTY.
1	73451G01		BED ASSEMBLY, 40" (INCLUDES ITEMS 2 -11)	1
2	73447G01		PLASTIC BED, 40"	1
3	73454G01		PIVOT SHAFT	2
4	73460G01		SHOULDER BOLT, 1/4 - 20 X 3/4" LG	2
5	73448G01		TAILGATE	1
6	73450G01		BOWED ANGLE	1
7	16705G2		SCREW, 1/4 - 20 X 5/8" LG (STAINLESS STEEL)	4
8	73449G01		EXTRUSION CHANNEL	1
9	73455G01		TAILGATE CABLE	1
10				
11	00415G2		SCREW, 1/4 - 20 X 5/8" LG (STAINLESS STEEL)	2
12				
13				
14	70113G01		ADJUSTABLE RUBBER BUMPER	2
15	11027G1		LOCK NUT, 5/16 - 18	2
16				
17				
18	74962G01		BED LATCH	1
19	71538G01		LATCH TORSION SPRING	1
20	71099G02		KEEPER PLATE	2
21	71477G02		RETAINER BRACKET	1
22	01118G01		SCREW, 1/4 - 20 X 5/8" LG	4
23				
24	71704G01		HANDLE GRIP	2
25				
26				
27	71570G01		BUSHING	2
28	71571G01		CLEVIS PIN	2
29	00571G5		WASHER, 1/2"	2
30	21683G1		COTTER PIN	2
31	70291G01		BUSHING	4

TRUCK BED, PLASTIC

When ordering parts, please specify the model and serial number of the product.

* Indicates a component that is not available as an individual part.

*** Indicates consult Customer Service Department for additional information.

ITEM	PART NO.	1 2 3 4 5	DESCRIPTION	QTY.
32	71569G02		SPRING CHANNEL.....	1
33	01118G01		SCREW, 1/4 - 20 X 5/8" LG.....	8
34				
35	00642G7		WASHER, 1/4".....	8
36				
37	71537G02		GAS SPRING	2
38	14443G10		CLEVIS PIN, 1/2" X 2 27/32" LG	1
39	14443G11		CLEVIS PIN, 1/2" X 1 3/4" LG	1
40	21683G1		COTTER PIN,	2
41				
42				
43	71547G02		OUTRIGGER CHANNEL.....	1
44	27612G02		ELECTRIC ACTUATOR, 12 VOLT, 1500 LBS.....	1
45				
46	72339G02		PLASTIC BED HEAT SHIELD (GASOLINE VEHICLE ONLY)	1
47	00642G7		WASHER, 1/4".....	2
48	01118G01		SCREW, 1/4-20 X 5/8".....	2
49				
50				
51				
52				
53				
54				
55				
56				
57				
58				
59				
60				
61				
62				

TRUCK BED, PLASTIC

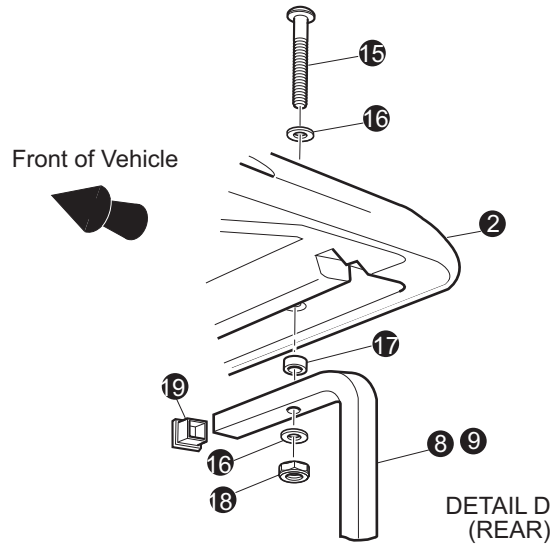
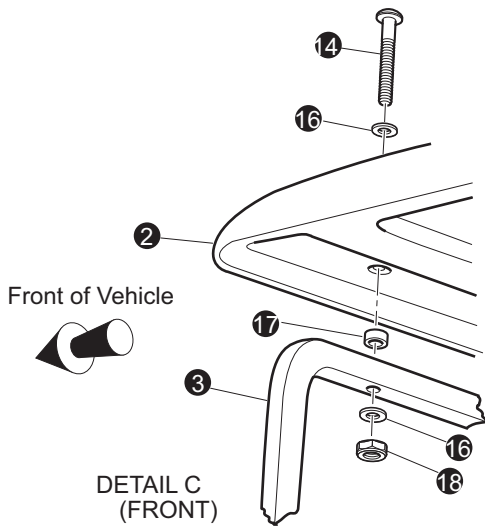
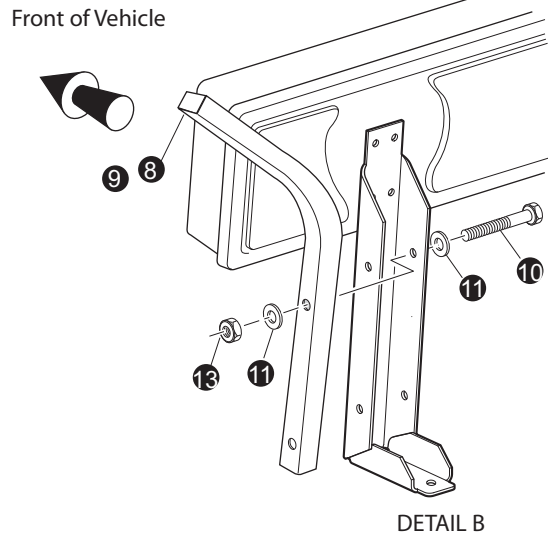
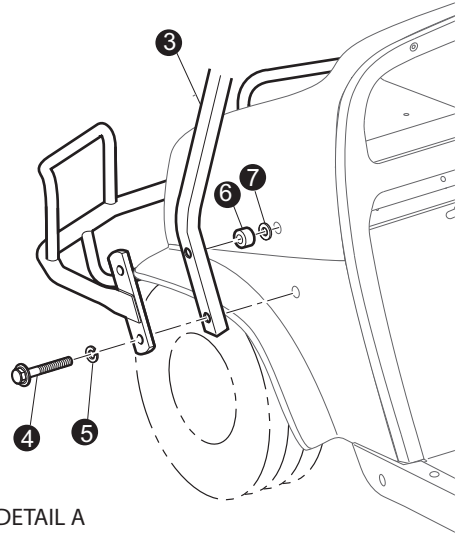
When ordering parts, please specify the model and serial number of the product.

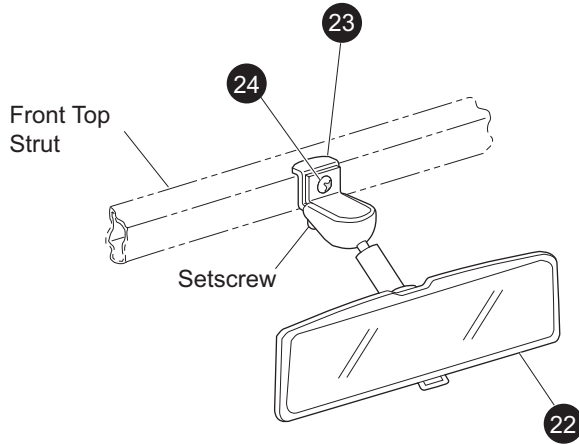
* Indicates a component that is not available as an individual part.

*** Indicates consult Customer Service Department for additional information.

ITEM	PART NO.	1 2 3 4 5	DESCRIPTION	QTY.
63	600110		JACOBSEN PLATE.....	1
64	600108G01		CUSHMAN PLATE.....	1
65	16816G2		RATCHET FASTENER.....	4
66				
67	74821G01		LOAD BED DECAL.....	1
68	71055G01		RIVET.....	5

WEATHER PROTECTION



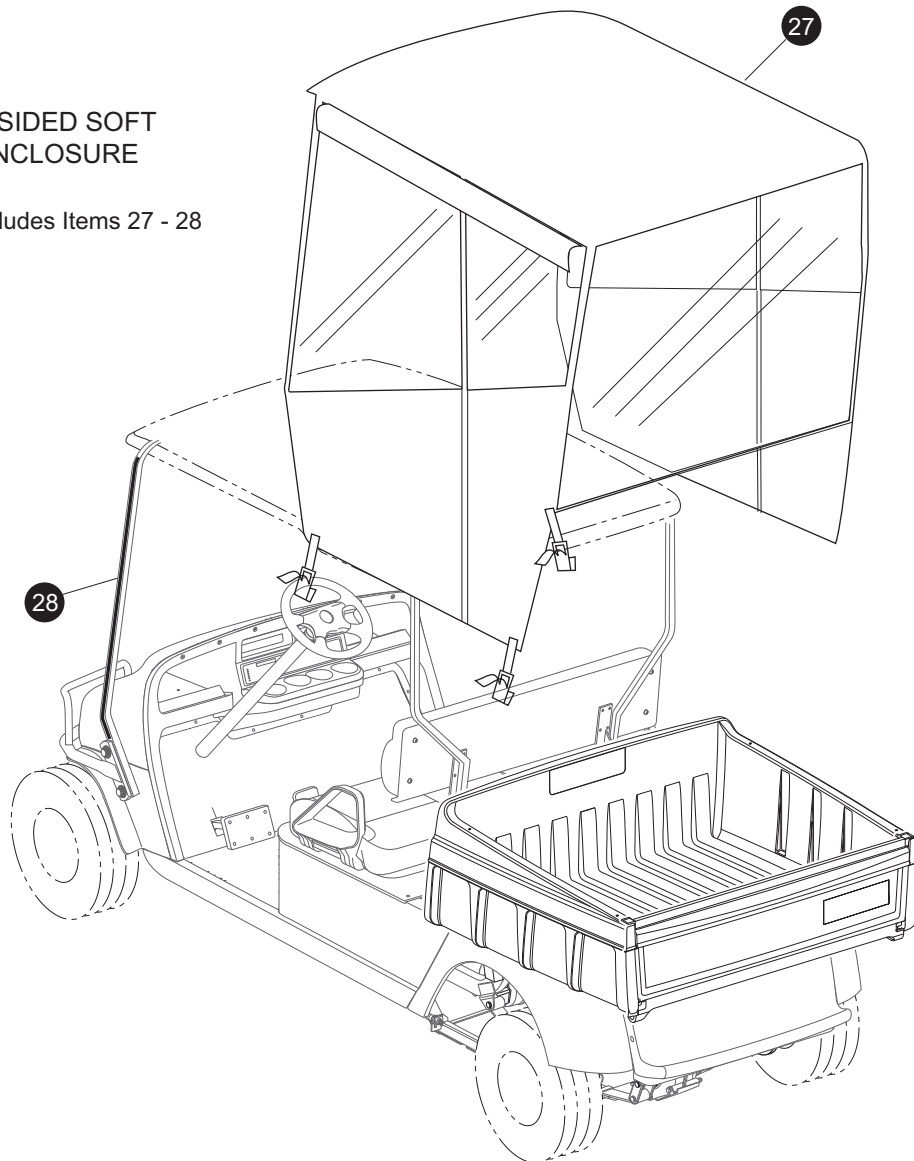


REAR VIEW MIRROR

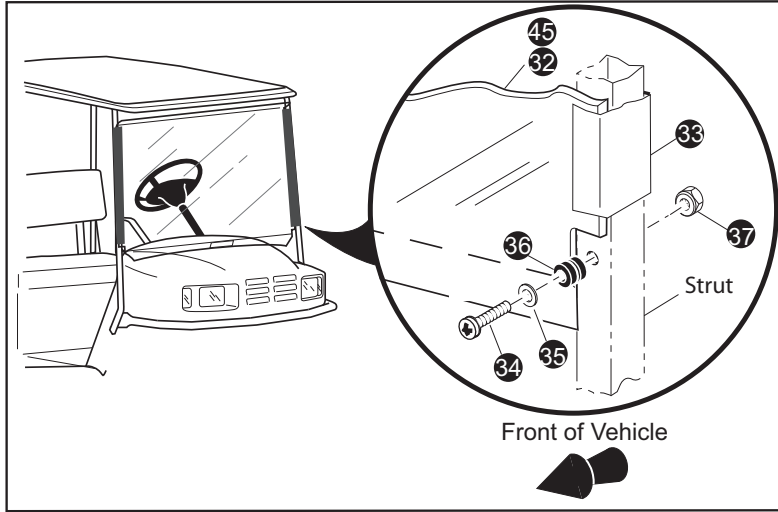
21 - Includes Items 22 - 24

3-SIDED SOFT ENCLOSURE

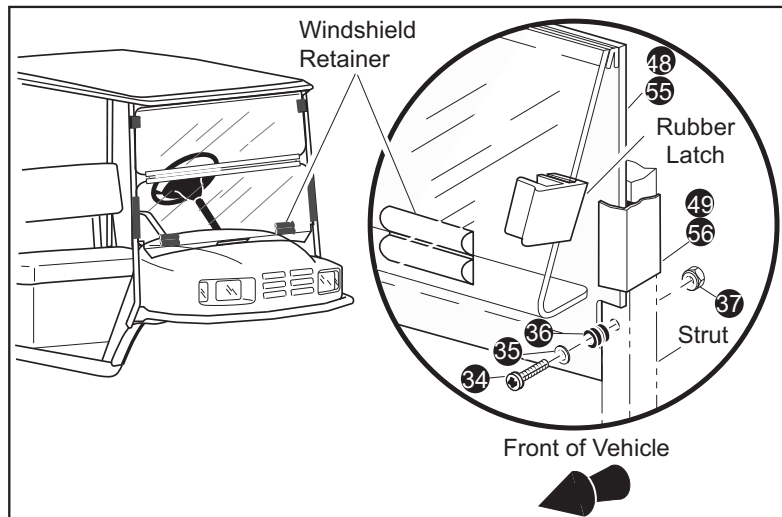
26 - Includes Items 27 - 28



WEATHER PROTECTION



- 44 - Includes item 45
- 47 - Includes item 48 - 49
- 54 - Includes item 55 - 56



WEATHER PROTECTION

When ordering parts, please specify the model and serial number of the product.

* Indicates a component that is not available as an individual part.

*** Indicates consult Customer Service Department for additional information.

ITEM	PART NO.	1 2 3 4 5	DESCRIPTION	QTY.
1	75040-G**		SUN TOP KIT (INCLUDES ITEMS 2 - 19).....	1
2	27069-G01		SUN TOP.....	1
3	75045-G05		FRONT STRUT.....	1
4	00440-G2		BOLT, 5/16 - 18 X 2 1/4" LG.....	4
5	00905-G8		LOCK WASHER, 5/16".....	4
6	75048-G01		SPACER, 1/2".....	2
7	00570-G2		WASHER, 5/16".....	6
8	75838-G04		REAR STRUT (PASSENGER SIDE).....	1
9	75838-G03		REAR STRUT (DRIVER SIDE).....	1
10	00685-G7		BOLT, 5/16 - 18 X 1 3/4" LG.....	4
11	01110-G03		WASHER, 5/16".....	8
12				
13	11098-G6		LOCK NUT, 5/16 - 18.....	4
14	00753-G5		SCREW, 1/4 - 20 X 2" LG (STAINLESS STEEL).....	2
15	00753-G6		SCREW, 1/4 - 20 X 2 1/4" LG (STAINLESS STEEL).....	2
16	01110-G01		WASHER, 1/4" (STAINLESS STEEL).....	8
17	75051-G01		SPACER.....	4
18	00891-G2		LOCK NUT, 1/4 - 20.....	4
19	19853-G1		END CAP, 1".....	2
20				
21	19528-G2		REAR VIEW MIRROR KIT (REQUIRES SUN TOP) (INCLUDES ITEMS 22 - 24).....	1
22	19496-G1		REAR VIEW MIRROR.....	1
23	19502-G2		SUPPORT BRACKET.....	1
24	19527-G1		SCREW, #8 - 32 X 5/8" LG (STAINLESS STEEL).....	1
25				
26	75367-G**		3-SIDED SOFT ENCLOSURE (REQUIRES SUN TOP) (INCL ITEMS 27 - 28).....	1
27	*		ENCLOSURE.....	1
28	*		VELCRO.....	AR
29				
30				

WEATHER PROTECTION

When ordering parts, please specify the model and serial number of the product.

* Indicates a component that is not available as an individual part.

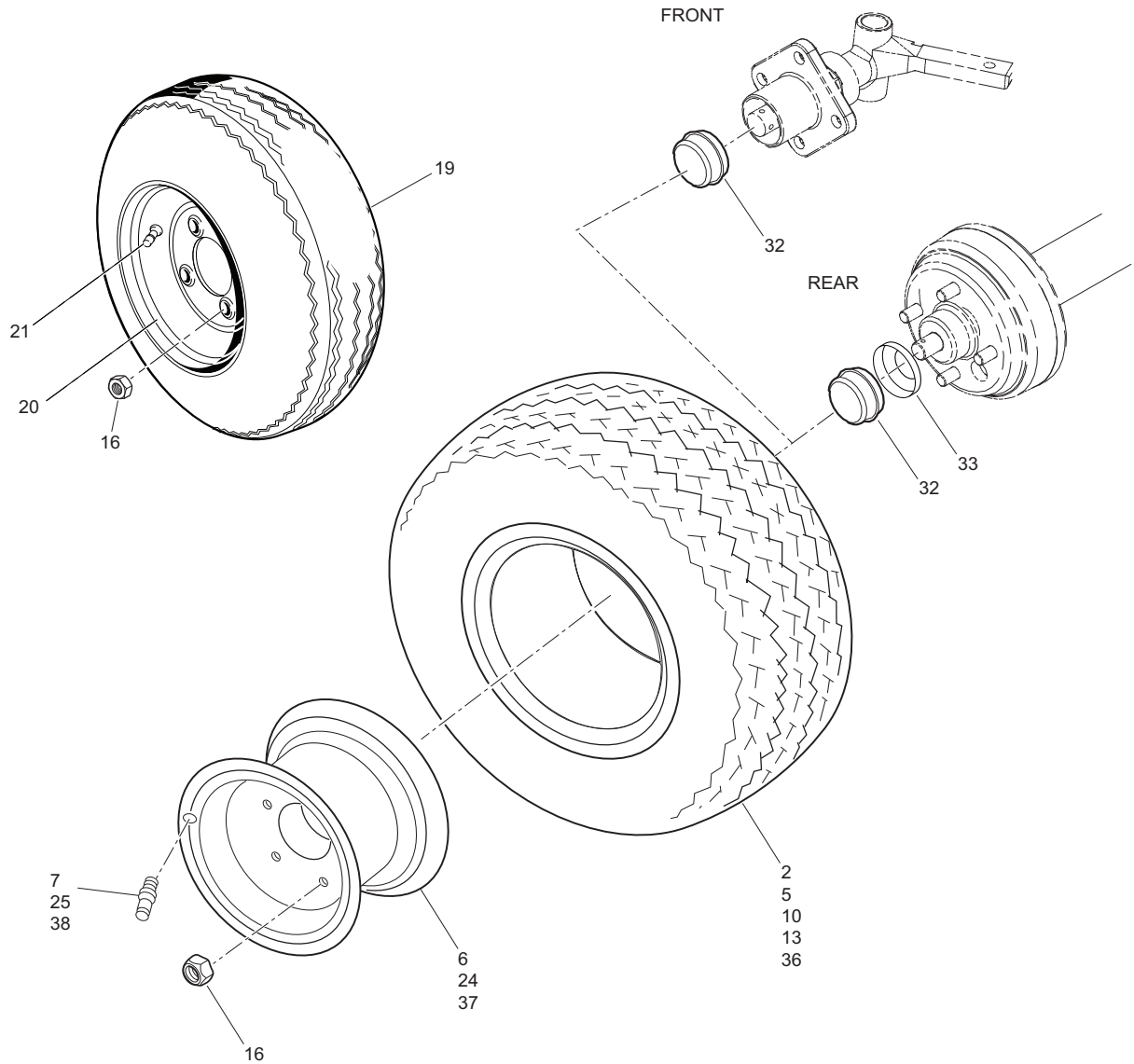
*** Indicates consult Customer Service Department for additional information.

ITEM	PART NO.	1	2	3	4	5	DESCRIPTION	QTY.
31	71966-G01						WINDSHIELD KIT (FULL) (INCLUDES ITEMS 32 - 38)	1
32	71954-G01						WINDSHIELD (FULL) (LEXAN)	1
33	EGWHC12						SASH, 26" LG.	2
34	EGWHS12						BOLT, 1/4 - 20 X 1 3/4" LG. (STAINLESS STEEL).....	2
35	EGWHG12						WASHER, 1/4" (STAINLESS STEEL).....	4
36	EGWHG13						RUBBER GROMMET	2
37	EGWHN12						LOCK NUT, 1/4 - 20 (STAINLESS STEEL).....	2
38	71963-G01						SAFETY LABEL	1
39								
40								
41								
42								
43								
44	71966-G03						WINDSHIELD KIT (FULL) (INCLUDES ITEMS 45, 33 - 37)	1
45	71960-G01						WINDSHIELD (FULL)	1
46								
47	71966-G04						WINDSHIELD KIT (SPLIT) (INCLUDES ITEMS 48, 49, 34 - 37)	1
48	71961-G01						WINDSHIELD (SPLIT)	1
49	EGWHC10						SASH, 12" LG.	2
50								
51								
52								
53								
54	71966-G02						WINDSHIELD KIT (SPLIT) (INCLUDES ITEMS 55, 56, 34 - 37)	1
55	71955-G01						WINDSHIELD (SPLIT) (LEXAN)	1
56	EGWHC10						SASH, 12" LG.	2

WHEELS AND TIRES

- 1 - Includes Items 2, 24, 25
- 4 - Includes Items 5, 7
- 9 - Includes Items 10, 24, 25
- 12 - Includes Items 13, 24, 25
- 18 - Includes Items 19, 20, 21
- 35 - Includes items 36, 37, 38

Tire design may vary by Part Number



Ref Whl 20-1



GOLD / SILVER / CHROME SPOKE HUBCAP
23, 24, 25

WHEELS AND TIRES

When ordering parts, please specify the model and serial number of the product.

* Indicates a component that is not available as an individual part.

G** Indicates consult Customer Service Department for additional information.

ITEM	PART NO.	1 2 3 4 5	DESCRIPTION	QTY.
1	28757G01		TIRE AND WHEEL ASSEMBLY (LINKS 18 X 8.5 - 8) (INCLUDES ITEMS 2, 24, 25).....	1
2	28764G01		TIRE (LINKS 18 X 8.5 - 8)	1
3				
4	28442G01		TIRE AND WHEEL ASSEMBLY (TURF SAVER 20 X 10 - 10) MPT & JACOBSEN ONLY STANDARD REAR TIRE (INCLUDES ITEMS 5 - 7).....	1
5	28442G02		CARLISLE TIRE (TURF SAVER 20 X 10 - 10).....	1
6	15172G01		WHEEL RIM.....	1
7	11657G1		VALVE STEM.....	1
8				
9	28757G03		WHEEL & TIRE ASSEMBLY (TURF SAVER 18 X 8.5 - 8) (INCLUDES ITEMS 10, 24, 25).....	1
10	28764G03		TIRE (TURF-SAVER 18 X 8.5 - 8).....	1
11				
12	28842G01		WHEEL AND TIRE ASSEMBLY) (USA TRAIL 18 X 8.5 - 8) (INCLUDES ITEMS 13 , 24, 25).....	1
13	28764G06		CARLISLE TIRE (18.5 X 8.5 - 8 LOAD RANGE C).....	1
14				
15				
16	14723G1		LUG NUT.....	A/R
17				
18	27784G06		WHEEL AND TIRE ASSEMBLY, USA TRAIL (INCLUDES ITEMS 19 - 21) INDUSTRIAL VEHICLE TIRE ONLY	1
19	27784G07		CARLISLE TIRE (USA TRAIL 5.70 X 8).....	1
20	*		WHEEL RIM (4 LUG).....	1
21	*		VALVE STEM.....	1
22				
23				
24	28759G01		WHEEL RIM (4 LUG).....	1
25	11657G2		VALVE STEM.....	1
26				

WHEELS AND TIRES

When ordering parts, please specify the model and serial number of the product.

* Indicates a component that is not available as an individual part.

G** Indicates consult Customer Service Department for additional information.

ITEM	PART NO.	1 2 3 4 5	DESCRIPTION	QTY.
27				
28	19241G2		GOLD SPOKE HUBCAP (OPTIONAL)	A/R
29	19241G1		SILVER SPOKE HUBCAP (OPTIONAL)	A/R
30	16042G1		CHROME SPOKE HUBCAP (OPTIONAL).....	A/R
31				
32	12091G2		SPINDLE CAP	A/R
33	607033		SPINDLE CAP ADAPTER.....	A/R
34				
35	25373G01		WHEEL AND TIRE ASSEMBLY (TURF SAVER) (INCLUDES ITEM 36, 37, 38) REFRESHER VEHICLE ONLY	1
36	21526G2		CARLISLE TIRE (TURF SAVER 18 X 9.5 - 8).....	1
37	25759G01		WHEEL RIM (4 LUG).....	1
38	11657G2		VALVE STEM.....	1

OPTIONS/ACCESSORIES

OPTIONS/ACCESSORIES

ITEM	KIT NO.	SECTION
ASHTRAY KIT	75109-G04	See BODY
BALL HITCH KIT	74492-G0*	See BODY
CAB (BALL CAGE)	75853-G0*	See CAB
CAB DOOR SET	75856-G0*	See CAB
CAB DOOR SET (VINYL)	75855-G01	See CAB
CAB	75854-G0*	See CAB
CAB SWITCH PANEL	74250-G01	See CAB
CLEVIS HITCH KIT	74492-G0*	See BODY
DEFROSTER/COOLING FAN	74248-G01	See CAB
ELECTRIC DUMP KIT	74658-G04	See TRUCK BED
GLOVE BOX DOOR	75456-G0*	See BODY
HOUR METER KIT	75114-G02	See ELECTRICAL SYSTEM
INSIDE REAR VIEW MIRROR (CAB)	27924-G01	See WEATHER PROTECTION
REAR VIEW MIRROR KIT	19528-G2	See WEATHER PROTECTION
SOFT ENCLOSURE	75367-G0*	See WEATHER PROTECTION
STROBE LIGHT	74245-G01	See CAB
SUN TOP KIT	75040-G0*	See WEATHER PROTECTION
TURN SIGNAL KIT	75107-G02	See ELECTRICAL SYSTEM
WHEEL COVERS (GOLD SPOKE)	19241-G*	See WHEELS AND TIRES
WHEEL COVERS (SILVER SPOKE)	19241-G*	See WHEELS AND TIRES
WINDSHIELD (FULL) (LEXAN-POLYCARBONATE)	71966-G01	See WEATHER PROTECTION
WINDSHIELD (SPLIT) (LEXAN-POLYCARBONATE)	71966-G02	See WEATHER PROTECTION
WINDSHIELD (FULL) (PLEXIGLAS)	71966-G03	See WEATHER PROTECTION
WINDSHIELD (SPLIT) (PLEXIGLAS)	71966-G04	See WEATHER PROTECTION
WINDSHIELD WIPER	74244-G01	See CAB
WORK LIGHTS	74247-G01	See CAB
WORK LIGHT BAR WITH LIGHTS	71323-G01	See ELECTRICAL SYSTEM
WORK LIGHT BAR WITH STROBE	71323-G02	See ELECTRICAL SYSTEM
WORK LIGHT BAR WITH LIGHTS AND STROBE	71323-G03	See ELECTRICAL SYSTEM

SPECIALTY PRODUCTS

SPECIALTY PRODUCTS

SPECIAL TOOLS	PART NO.
HIGH RESISTANCE SPARK PLUG WIRE SET	26733-G02
CLUTCH PULLER (DRIVE)	19779-G2
FLYWHEEL PULLER	27111-G01
CURRENT INDICATOR	16489-G2
DIGITAL MULTI-METER	27481-G01
SLIDE HAMMER (AXLE/HUB REMOVAL)	15947-G1
SLIDE HAMMER (AXLE REMOVAL ONLY)	18753-G1
COMPRESSION TESTER	72524-G01
FEELER GAUGE	72525-G01
TACHOMETER	72526-G01

ENGINE OIL	PART NO.
4 CYCLE ENGINE OIL, 5 GALLON (19 LITER)	25730-G03
4 CYCLE ENGINE OIL, 12 QUART CASE	25730-G04
4 CYCLE ENGINE OIL, 1 QUART BOTTLE (950 ML)	25730-G06

TOUCH UP PAINT	PART NO.
PEN 3 OUNCE (89 ML) - HUNTER GREEN	28432-G02
PEN 3 OUNCE (89 ML) - CHAMPAGNE BEIGE	28432-G01
PEN 3 OUNCE (89 ML) - WHITE	28432-G05
PEN 3 OUNCE (89 ML) - INDUSTRIAL YELLOW	28432-G03
PEN 3 OUNCE (89 ML) - ORANGE	28432-G04
PEN 3 OUNCE (89 ML) - STEEL BLUE PEARL	28432-G24
PEN 3 OUNCE (89 ML) - OLIVE GREEN	28432-G**
PEN 3 OUNCE (89 ML) - CAMOUFLAGE PAINT (THREE PENS)	75831-G01
AEROSOL 12 OUNCE (360 ML) - HUNTER GREEN	28140-G09
AEROSOL 12 OUNCE (360 ML) - CHAMPAGNE BEIGE	28140-G15
AEROSOL 12 OUNCE (360 ML) - WHITE	28140-G03
AEROSOL 12 OUNCE (360 ML) - INDUSTRIAL YELLOW	28140-G14
AEROSOL 12 OUNCE (360 ML) - ORANGE	28140-G13
AEROSOL 12 OUNCE (360 ML) - STEEL BLUE PEARL	28140-G**
AEROSOL 12 OUNCE (360 ML) - OLIVE GREEN	28140-G**

SPECIALTY PRODUCTS

MAINTENANCE PRODUCTS	PART NO.
FORMULA 40 VINYL-COAT® - WHITE	28166-G01
PLEXUS® CLEANER, 7 OUNCE (210 ML) (FOR WINDSHIELDS)	28433-G01
PLEXUS® CLEANER, 13 OUNCE (380 ML) (FOR WINDSHIELDS)	28433-G02
BATTERY PROTECTOR, 14 OUNCE (410 ML) SPRAY	75500-G01
CARBURETOR & CHOKE CLEANER, 15 OUNCE (440 ML) SPRAY	75501-G01
WHITE LITHIUM GREASE, 14 OUNCE (410 ML) SPRAY	75502-G01
PENETRANT/LUBRICANT, 15 OUNCE (440 ML) SPRAY	75503-G01
MULTI-PURPOSE CLEANER & DEGREASER, 14 OUNCE (410 ML) SPRAY	75504-G01
MULTI-PURPOSE HAND CLEANER, 32 OUNCE (950 ML) LIQUID	75505-G01
BATTERY CLEANER, 32 OUNCE (950 ML) WITH TRIGGER SPRAYER	75506-G01
BIO-DEGRADABLE CLEANER, 32 OUNCE (950 ML) WITH TRIGGER SPRAYER	75507-G01
MULTI-PURPOSE VALUE PACK	75508-G01
• BATTERY PROTECTOR, 4 OUNCE (120 ML) SPRAY	
• PENETRANT/LUBRICANT, 4 OUNCE (120 ML) SPRAY	
• WHITE LITHIUM GREASE, 4 OUNCE (120 ML) SPRAY	
• CARBURETOR & CHOKE CLEANER, 4 OUNCE (120 ML) SPRAY	

SPECIALTY PRODUCTS



A Textron Company

E-Z-GO Division Of Textron, Inc.,
1451 Marvin Griffin Road, Augusta, Georgia USA 30906-3852

TO CONTACT US

North America:

Technical Assistance & Warranty Phone: 1-800-774-3946, FAX: 1-800-448-8124
Service Parts Phone: 1-888-GET-EZGO (1-888-438-3946), FAX: 1-800-752-6175

International:

Phone: 001-706-798-4311, FAX: 001-706-771-4609

Certified ISO 9001 / ISO 14001 by



Copyrighted Material
This manual may not be reproduced in whole or
in part without the express permission of
E-Z-GO Division of Textron, Inc.
Technical Communications Department