

28810-G01



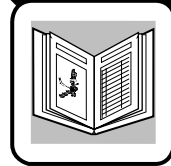
A Textron Company

**CUSHMAN**<sup>®</sup>

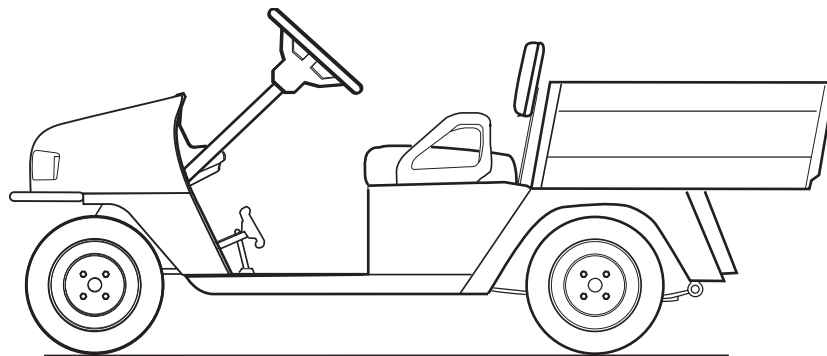
A Textron Company

**JACOBSEN**<sup>®</sup>

A Textron Company



# SERVICE PARTS MANUAL



**ELECTRIC POWERED UTILITY VEHICLE**

STARTING MODEL YEAR: 2004

# SERVICE PARTS MANUAL

## ELECTRIC UTILITY VEHICLES

**MPT™ 800**

**INDUSTRIAL™ 800**

**HAULER™ 800**

**COMMANDER™ 280**

E-Z-GO Division of Textron, Inc. reserves the right to make design changes without obligation to make these changes on units previously sold and the information contained in this manual is subject to change without notice.

E-Z-GO Division of Textron, Inc. is not liable for errors in this manual or for incidental or consequential damages that result from the use of the material in this manual.

**CUSTOMER SERVICE DEPARTMENT IN USA PHONE: 1-800-241-5855 FAX: 1-800-448-8124**

**OUTSIDE USA PHONE: 010-1-706-798-4311 FAX: 010-1-706-771-4609**

**E-Z-GO DIVISION OF TEXTRON, INC., P.O.BOX 388, AUGUSTA, GEORGIA USA 30903-0388**

## **NOTES**

To obtain a copy of the limited warranty applicable to the vehicle, call or write a local Distributor, authorized Branch or the Warranty Department with vehicle serial number and manufacturer code.

The use of non Original Equipment Manufacturer (OEM) parts may void the warranty.

Overfilling of batteries may void the warranty.

### **BATTERY PROLONGED STORAGE**

All batteries will self discharge over time. The rate of self discharge varies depending on the ambient temperature and the age and condition of the batteries.

A fully charged battery will not freeze in winter temperatures unless the temperature falls below -75° F (-60° C).

As with all electric vehicles, the batteries must be checked and recharged as required or at a minimum of 30 day intervals.

# TABLE OF CONTENTS

<b>SECTION</b>	<b>Page No.</b>
HOW TO USE THE SERVICE PARTS MANUAL . . . . .	v
ILLUSTRATED PARTS BREAKDOWN . . . . .	vii
ACCELERATOR . . . . .	A-1
BATTERY CHARGER (ON BOARD) . . . . .	B-1
BATTERY CHARGER (PORTABLE) . . . . .	B-9
BATTERY CHARGER (LESTER - CE) . . . . .	B-17
BODY . . . . .	C-1
BRAKES . . . . .	D-1
BRAKES - FRONT DISC . . . . .	D-9
CAB . . . . .	E-1
DIRECTION SELECTOR . . . . .	F-1
ELECTRIC MOTOR . . . . .	G-1
ELECTRICAL SYSTEM . . . . .	H-1
ELECTRONIC SPEED CONTROL . . . . .	J-1
FRONT SUSPENSION / STEERING . . . . .	K-1
REAR AXLE . . . . .	L-1
REAR SUSPENSION . . . . .	M-1
SEATING . . . . .	N-1
TRUCK BED, MANUAL LIFT . . . . .	Q-1
TRUCK BED, ELECTRIC LIFT . . . . .	Q-9
WEATHER PROTECTION . . . . .	R-1
WHEELS AND TIRES . . . . .	S-1
SPECIALTY PRODUCTS . . . . .	APPENDIX A-1
OPTIONS/ACCESSORIES . . . . .	APPENDIX B-1



# HOW TO USE THE SERVICE PARTS MANUAL

This manual is divided into several sections:

## GENERAL INFORMATION

- TABLE OF CONTENTS
- HOW TO USE THE SERVICE PARTS MANUAL

## ILLUSTRATED PARTS BREAKDOWN

- Contains illustrations and parts lists for all systems of the vehicle

## APPENDIX

- Contains a listing of specialty products and options/accessories

## INDEX OF MAJOR COMPONENTS

- Contains a listing of parts (excluding hardware) grouped by part number and description and indicates on which page(s) they can be found

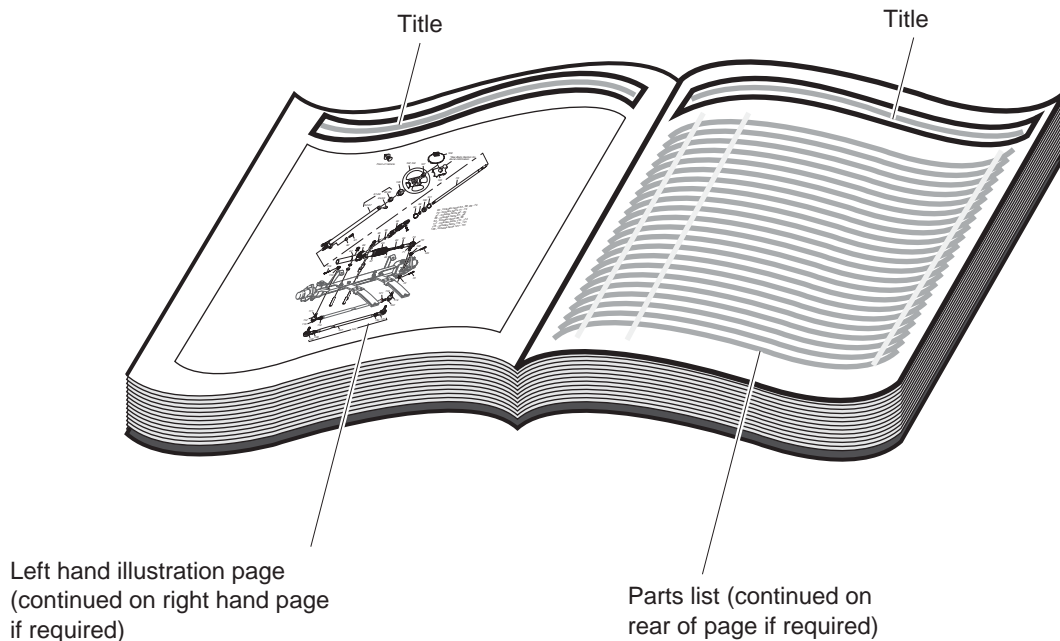
## USE OF THE MANUAL

To use this manual, consult the TABLE OF CONTENTS (page iii) or the INDEX OF MAJOR COMPONENTS (located at rear of this manual) to locate the information or illustration required.

Introduction of some revisions varies due to supply of components; therefore, it is possible that various combinations of components may be found that are not directly reflected by each illustration. Consult the illustration that best suits your situation. Locate the serial number plate (see BODY located in the Illustrated Parts Breakdown section of this manual for its location) and note the complete number shown on the plate. It is important that the serial number of your vehicle and its model number be supplied to Service Parts when ordering any replacement components.

Locate the serial number plate (see BODY located in the Illustrated Parts Breakdown section of this manual for its location) and note the complete number shown on the plate.

# HOW TO USE THE SERVICE PARTS MANUAL



## 1. WHEN THE PART NUMBER IS NOT KNOWN

- Determine the function and application of the part required. Turn to the INDEX OF MAJOR COMPONENTS and select the most appropriate component description.
- Turn to the page number indicated and locate the part description in the parts list. Read the full accompanying description for specific information regarding the part that was not shown in the index.
- From the parts list, obtain the item number assigned to it and confirm that the part selected is correct by verifying it with the pictorial representation on the illustrated page.

## 2. IF YOU KNOW THE PART NUMBER

- Use the INDEX OF MAJOR COMPONENTS to find the page(s) the part number appears on.
- Turn to the page number indicated and locate the part number in the parts list. Refer to the accompanying description for specific information regarding the part.
- From the parts list, obtain the item number assigned to it and confirm that the part selected is correct by verifying it with the pictorial representation on the illustrated page.

Should an asterisk (\*) appear in the part number column on the parts list page, read upwards until a part number is found. The part number is the lowest assembly sold by Service Parts. The asterisk (\*) indicates that the part depicted is not available for purchase.

NOTE: Descriptions are indented under the assembly that they are used on. That assembly is, in turn listed under the assembly that it is used on. This process is repeated until the highest final assembly is reached.

**To facilitate the maintenance and repair of the vehicle, a Technician's Repair and Service Manual is available from the Service Parts Department.**

# **ILLUSTRATED PARTS BREAKDOWN**

# **ILLUSTRATED PARTS BREAKDOWN**

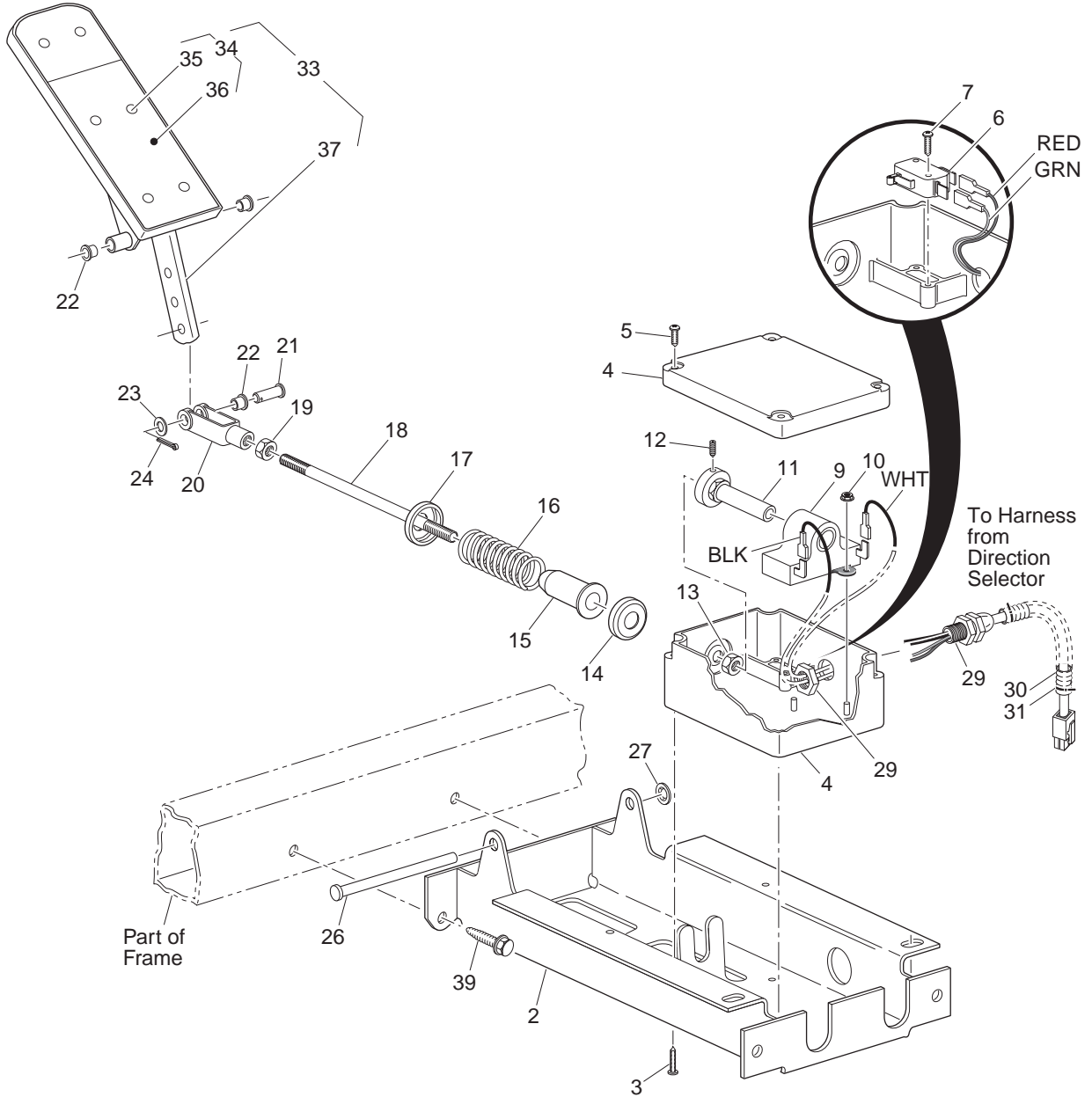


# **HOW TO USE THE SERVICE PARTS MANUAL**



# ACCELERATOR

1 - Includes Items 2 - 37



Ref Acl 3-1

# ACCELERATOR

When ordering parts, please specify the model and serial number of the product.

\* Indicates a component that is not available as an individual part.

G\*\* Indicates special Customer Service Department for additional information.

ITEM	PART NO.	1 2 3 4 5	DESCRIPTION	QTY.
1	73333-G09		PEDAL BOX ASSEMBLY (INCLUDES ITEMS 2 - 37) .....	1
2	70116-G02		ACCELERATOR PEDAL BRACKET.....	1
3	00984-G02		SCREW, #8 - 10 X 1/2" LG. ....	4
4	25853-G01		PEDAL BOX AND COVER .....	1
5	00684-G6		SCREW, #8 - 32 X 3/4" LG (STAINLESS STEEL).....	4
6	25861-G01		MICRO SWITCH.....	1
7	00982-G01		SCREW, #4 - 14 X 5/8" LG .....	2
8				
9	25854-G01		INDUCTIVE THROTTLE SENSOR .....	1
10	00983-G01		SELF THREADING NUT, 3/16" .....	2
11	26551-G01		PLUNGER.....	1
12	00486-G2		SETSCREW, #8 - 32 X 1/4" LG. ....	1
13	00550-G2		LOCK NUT, 1/4 - 28.....	1
14	17677-G1		SPRING RETAINER, 1/2" .....	1
15	17979-G1		BUSHING.....	1
16	73046-G01		COMPRESSION SPRING .....	1
17	17677-G2		SPRING RETAINER, 3/8" .....	1
18	73332-G01		ACCELERATOR ROD .....	1
19	00532-G4		NUT, 5/16 - 24.....	1
20	10385-G4		CLEVIS YOKE (ADJUSTABLE).....	1
21	10386-G3		CLEVIS PIN, 5/16" X 13/16" LG .....	1
22	17838-G1		NYLON BUSHING .....	3
23	17255-G1		TEFLON WASHER, 5/16" .....	1
24	10387-G3		COTTER PIN, 3/32" X 3/4" LG .....	1
25				
26	70134-G01		PEDAL PIVOT PIN .....	1
27	00986-G01		PUSH NUT, 5/16".....	1
28				
29	25879-G03		WIRING HARNESS (PEDAL BOX ASSEMBLY) .....	1
30	17313-G1		LOOM FLEX, 3/8" X 6" LG (BULK).....	1

# ACCELERATOR

When ordering parts, please specify the model and serial number of the product.

\* Indicates a component that is not available as an individual part.

G\*\* Indicates consult Customer Service Department for additional information.

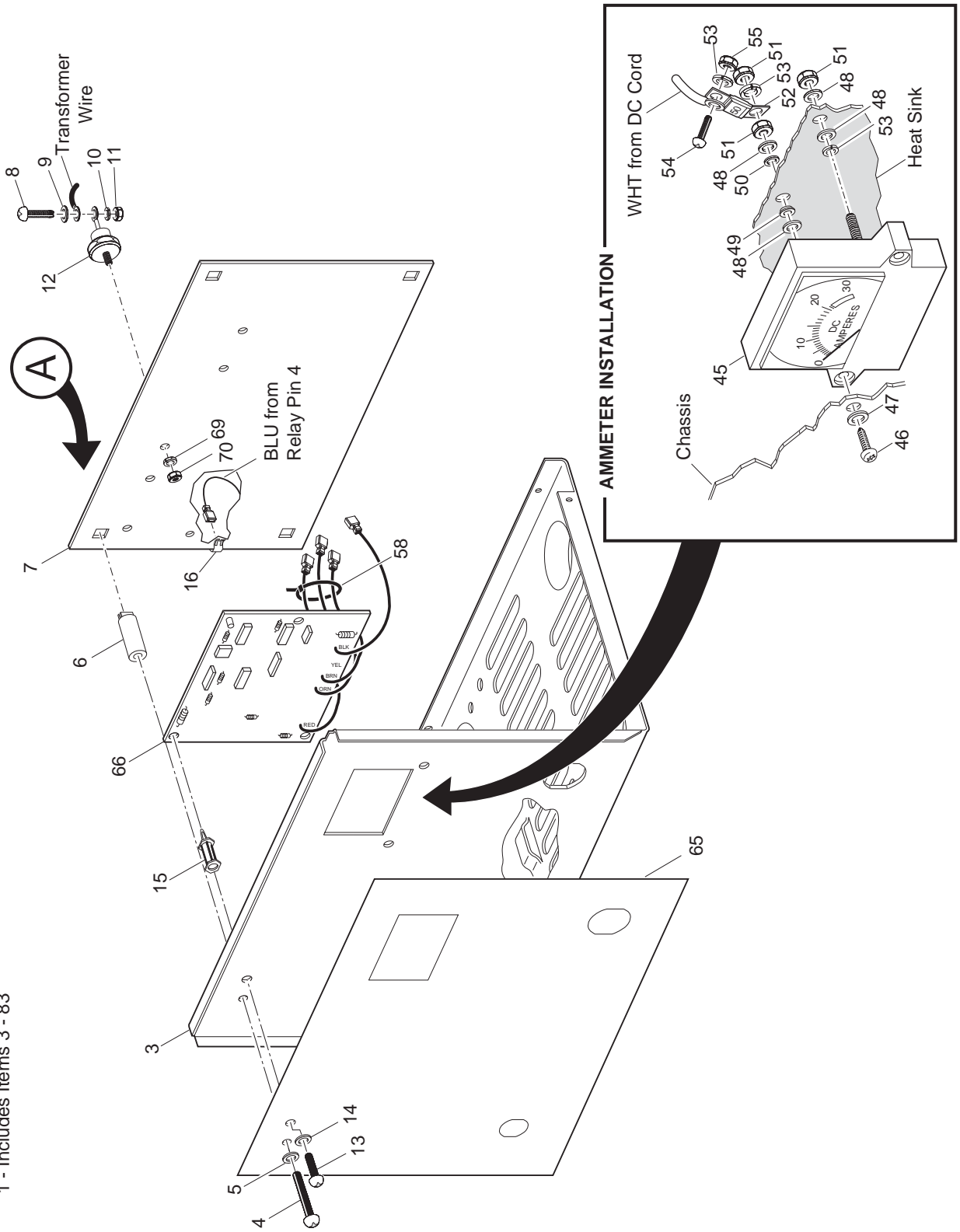
ITEM	PART NO.	1	2	3	4	5	DESCRIPTION	QTY.
31	17618-G1						WIRE TIE .....	2
32								
33	25799-G01						ACCELERATOR PEDAL ASSEMBLY (INCLUDES ITEMS 34 - 37).....	1
34	27844-G01						ACCELERATOR PEDAL PAD KIT (INCLUDES ITEMS 35 - 36).....	1
35	15766-G1						OVAL RIVET, 3/16" X 7/16" LG.....	6
36	27512-G01						ACCELERATOR PEDAL PAD .....	1
37	*						ACCELERATOR PEDAL .....	1
38								
39	00715-G2						BOLT, 5/16 - 18 X 4/5" LG .....	4



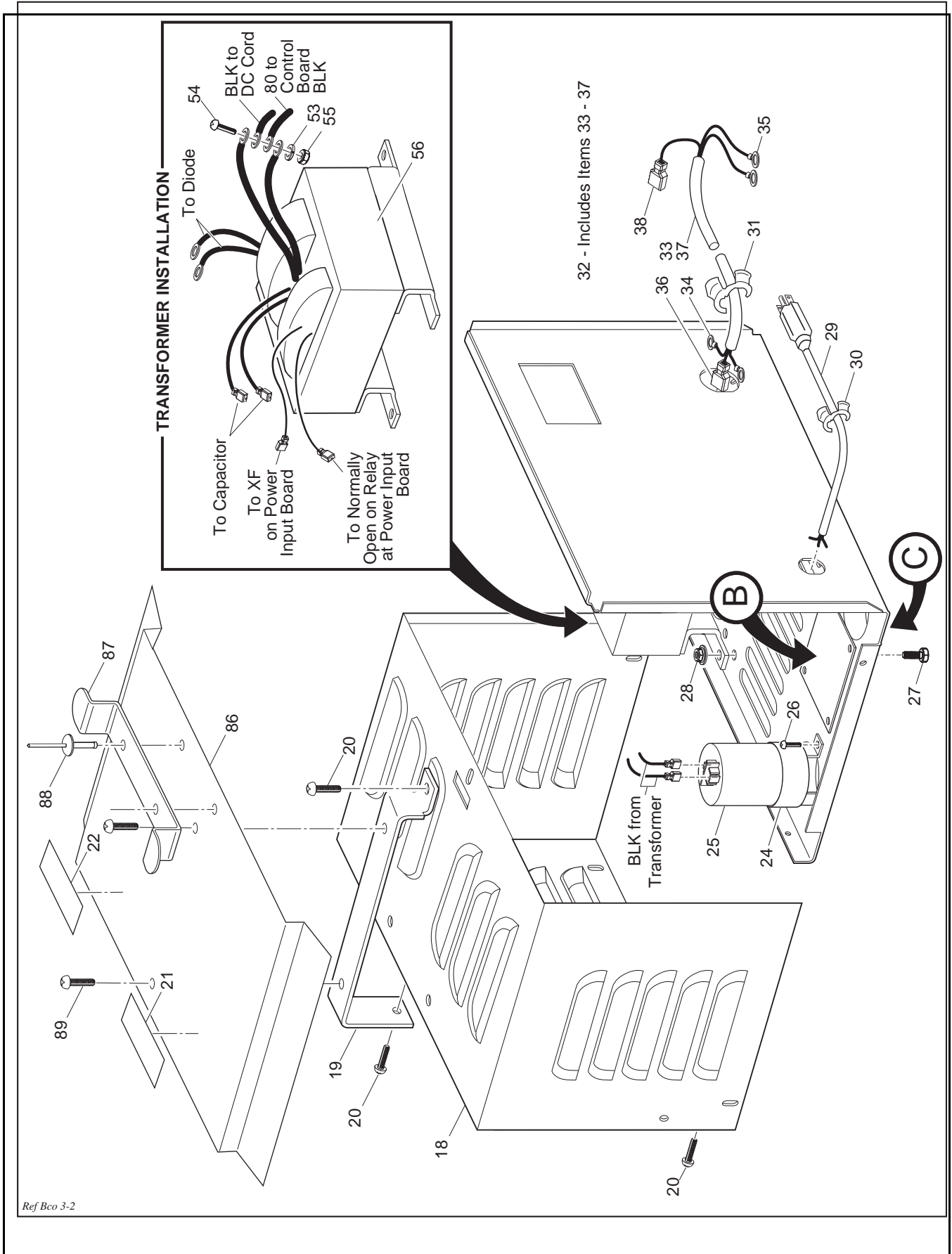
# BATTERY CHARGER, ON BOARD

1 - Includes Items 3 - 83

Ref Bco 3-1



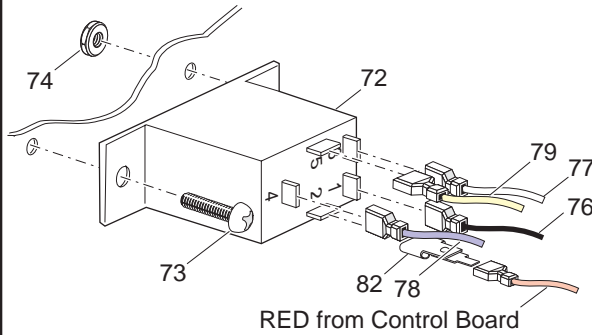
# BATTERY CHARGER, ON BOARD



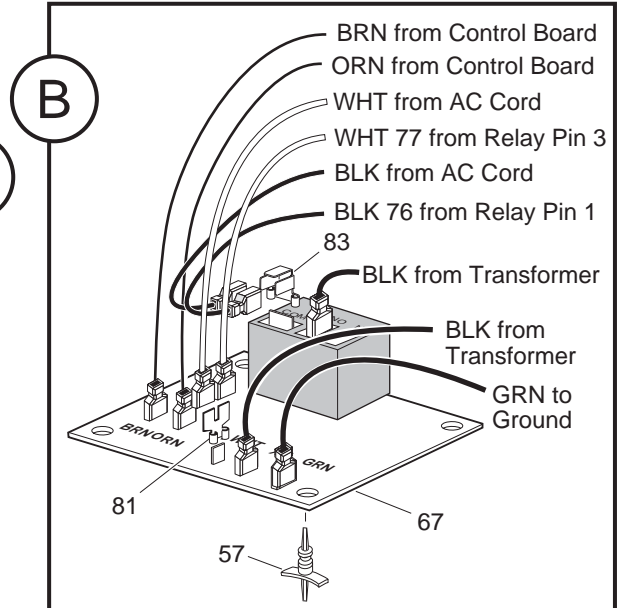


# BATTERY CHARGER, ON BOARD

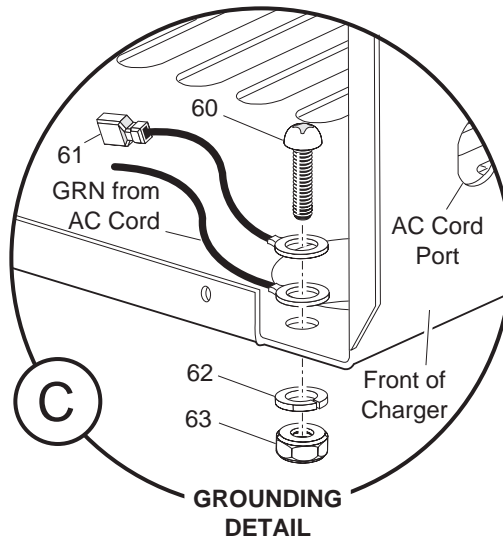
- Pin 1 - Wire 76 to Input Board "COM"
- Pin 2 - Tab Adapter 82, RED wire from Control Board
- Pin 3 - Wire 77 to Input Board "WHT"
- Pin 4 - Wire 78 to Heat Sink Clip
- Pin 5 - Wire 79 to DC Cord RED Wire



**RELAY INSTALLATION**



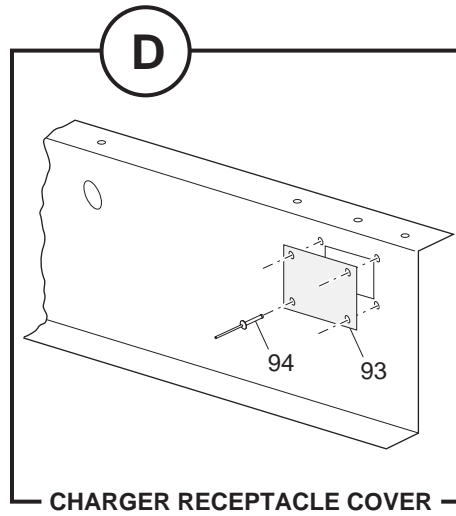
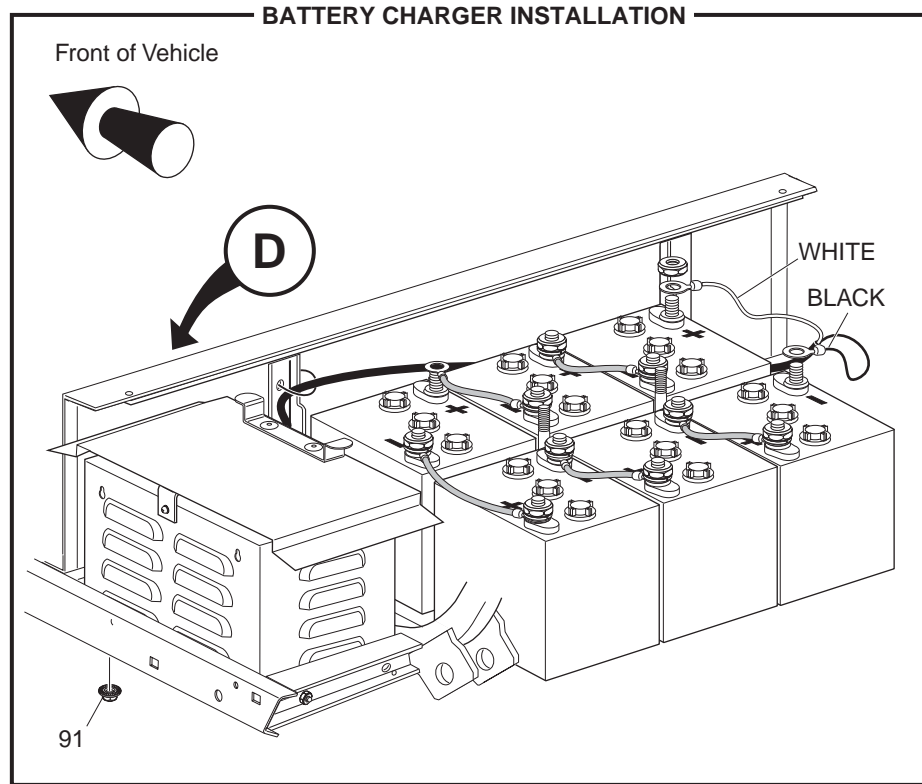
**POWER INPUT BOARD  
INSTALLATION**



**GROUNDING  
DETAIL**

Ref Bco 3-3

# BATTERY CHARGER, ON BOARD



Ref Bco 3-4

# BATTERY CHARGER, ON BOARD

THE USE OF NON U.L. PARTS WILL VOID ANY U.L. LISTING.

When ordering parts, please specify the model and serial number of the product.

\* Indicates a component that is not available as an individual part.

G\*\* Indicates consult Customer Service Department for additional information.

ITEM	PART NO.	1	2	3	4	5	DESCRIPTION	QTY.
1	28115-G06						POWERWISE™ CHARGER (ON BOARD) (INCLUDES ITEMS 3 - 83).....	1
2								
3	*						CHASSIS .....	1
4	00513-G6						SCREW, #8 - 18 X 1 3/4" LG .....	2
5	00559-G4						WASHER, #8 .....	2
6	11572-G3						EXPANSION NUT .....	2
7	28104-G01						HEAT SINK .....	1
8	00138-G3						SCREW, #6 - 32 X 3/8" LG .....	2
9	00559-G3						WASHER, #6 .....	2
10	00567-G3						LOCK WASHER, #6 .....	2
11	00525-G5						NUT, #6 - 32.....	2
12	18488-G1						DIODE.....	2
13	01005-G01						SCREW, #6 - 19 X 5/16" LG .....	3
14	00559-G3						WASHER, #6 .....	3
15	28111-G01						SUPPORT SPACER .....	3
16	28110-G01						ELECTRICAL CLIP.....	1
17								
18	*						COVER .....	1
19	28102-G01						HANDLE .....	1
20	00614-G4						SCREW, #8 - 18 X 1/2" LG .....	6
21	28136-G01						LABEL (VENTILATION).....	1
22	28136-G02						LABEL (CORD CONDITION).....	1
23								
24	26979-G01						CAPACITOR BRACKET .....	1
25	28109-G01						CAPACITOR .....	1
26	00969-G01						SCREW, #8 - 32 X 3/8" LG .....	3
27	00414-G5						BOLT, 1/4 - 20 X 5/8" LG .....	3
28	11027-G2						LOCK NUT, 1/4 - 20.....	3
29	19388-G5						AC CORD .....	1
30	13557-G2						STRAIN RELIEF (AC).....	1

## BATTERY CHARGER, ON BOARD

THE USE OF NON U.L. PARTS WILL VOID ANY U.L. LISTING.

When ordering parts, please specify the model and serial number of the product.

\* Indicates a component that is not available as an individual part.

G\*\* Indicates consult Customer Service Department for additional information.

ITEM	PART NO.	1	2	3	4	5	DESCRIPTION	QTY.
31	13557-G3						STRAIN RELIEF (DC).....	1
32	73331-G06						DC CORD ASSEMBLY (INCLUDES ITEMS 33 - 37) .....	1
33	28108-G01						DC CORD.....	1
34	11343-G3						RING TERMINAL, 3/16" .....	2
35	11343-G1						RING TERMINAL, 5/16" .....	2
36	17064-G1						FEMALE TERMINAL.....	2
37	22476-G1						HEAT SHRINK TUBING .....	A/R
38								
39								
40	22009-G1						ISOLATION MOUNT .....	4
41	01110-G01						WASHER, 1/4" (STAINLESS STEEL).....	4
42	00664-G7						LOCK WASHER, 1/4" (STAINLESS STEEL).....	4
43	00532-G1						NUT, 1/4 - 20.....	4
44								
45	28105-G01						AMMETER .....	1
46	00984-G01						SCREW, #8 - 10 X 1/2" LG. ....	2
47	00559-G4						WASHER, #8 .....	2
48	01003-G01						BRASS WASHER, #10 .....	4
49	22589-G2						SHOULDER WASHER, #10 .....	1
50	00771-G6						NYLON WASHER, 3/8".....	1
51	00528-G4						NUT, #10 - 32 (BRASS) .....	3
52	28106-G01						50 AMP FUSE.....	1
53	00565-G5						LOCK WASHER, #10 .....	4
54	00378-G4						SCREW, #10 - 24 X 1/2" LG. ....	2
55	00526-G3						NUT, #10 - 24.....	2
56	28103-G01						TRANSFORMER .....	1
57	27877-G01						SPACER SUPPORT .....	4
58	17618-G1						WIRE TIE .....	3
59								
60	00372-G3						SCREW, #8 - 32 X 3/8" LG. ....	1

# BATTERY CHARGER, ON BOARD

THE USE OF NON U.L. PARTS WILL VOID ANY U.L. LISTING.

When ordering parts, please specify the model and serial number of the product.

\* Indicates a component that is not available as an individual part.

G\*\* Indicates consult Customer Service Department for additional information.

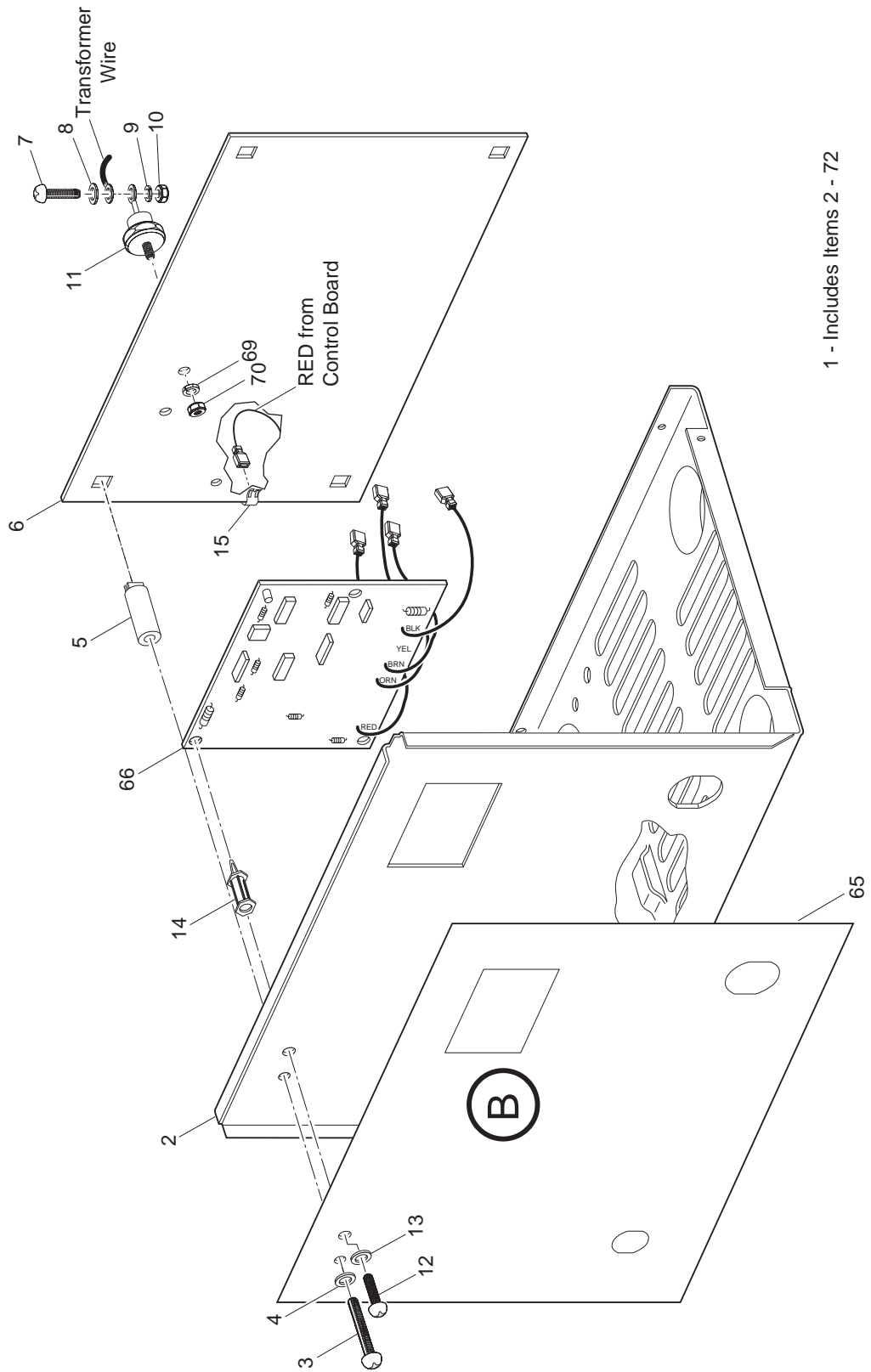
ITEM	PART NO.	1	2	3	4	5	DESCRIPTION	QTY.
61	25977-G32						16 GA WIRE (GREEN 4").....	1
62	00565-G4						LOCK WASHER, #8 .....	1
63	00526-G1						NUT, #8 - 32.....	1
64								
65	*						LABEL (POWERWISE™) .....	1
66	28126-G01						CONTROL BOARD.....	1
67	28126-G03						POWER INPUT BOARD.....	1
68								
69	00664-G7						LOCK WASHER, 1/4" (STAINLESS STEEL).....	2
70	00532-G2						NUT, 1/4 - 28.....	2
71								
72	21971-G4						RELAY .....	1
73	00138-G4						SCREW, #6 - 32 X 1/2" LG .....	2
74	14390-G9						LOCK NUT, #6 - 32 .....	2
75								
76	25977-G38						16 GA WIRE (BLACK 4") (from Relay 1 to Power Input Board "COM") .....	1
77	25977-G37						16 GA WIRE (WHITE 5") (from Relay 3 to Power Input Board "WHT").....	1
78	25978-G161						18 GA WIRE (BLUE 6") (from Relay 4 to Heat Sink clip).....	1
79	25978-G162						18 GA WIRE (YELLOW 6") (from Relay 5 to DC Cord "RED").....	1
80	25978-G163						18 GA WIRE (BLACK 7") (from Transformer S2/S3 to Control Module "Black") .....	1
81	17902-G1						TAB ADAPTER (on Power Input Board "WHT" w/ 77 & AC Cord WHT) .....	1
82	28305-G01						TERMINAL ADAPTER (on Relay 2 w/ Control Board RED).....	1
83	27285-G01						TERMINAL ADAPTER (on Relay "COM" w/ 76 & AC Cord BLK).....	1
84								
85	71968-G01						SHIELD ASSEMBLY (INCLUDES ITEMS 86 - 88).....	1
86	71967-G01						SHIELD .....	1
87	22045-G01						CORD HOLDER .....	1
88	10570-G01						RIVET,.....	2
89	00106-G6						SCREW, #12 - 24 X 3/4" LG. ....	2

# BATTERY CHARGER, ON BOARD

THE USE OF NON U.L. PARTS WILL VOID ANY U.L. LISTING.  
 When ordering parts, please specify the model and serial number of the product.  
 \* Indicates a component that is not available as an individual part.  
 G\*\* Indicates consult Customer Service Department for additional information.

ITEM	PART NO.	1	2	3	4	5	DESCRIPTION	QTY.
90								
91	11027-G2						LOCK NUT, 1/4 - 20 .....	4
92								
93	73173-G01						COVER PLATE .....	1
94	14601-G10						RIVET, 3/16" X 7/16" LG (ALUMINUM) .....	4

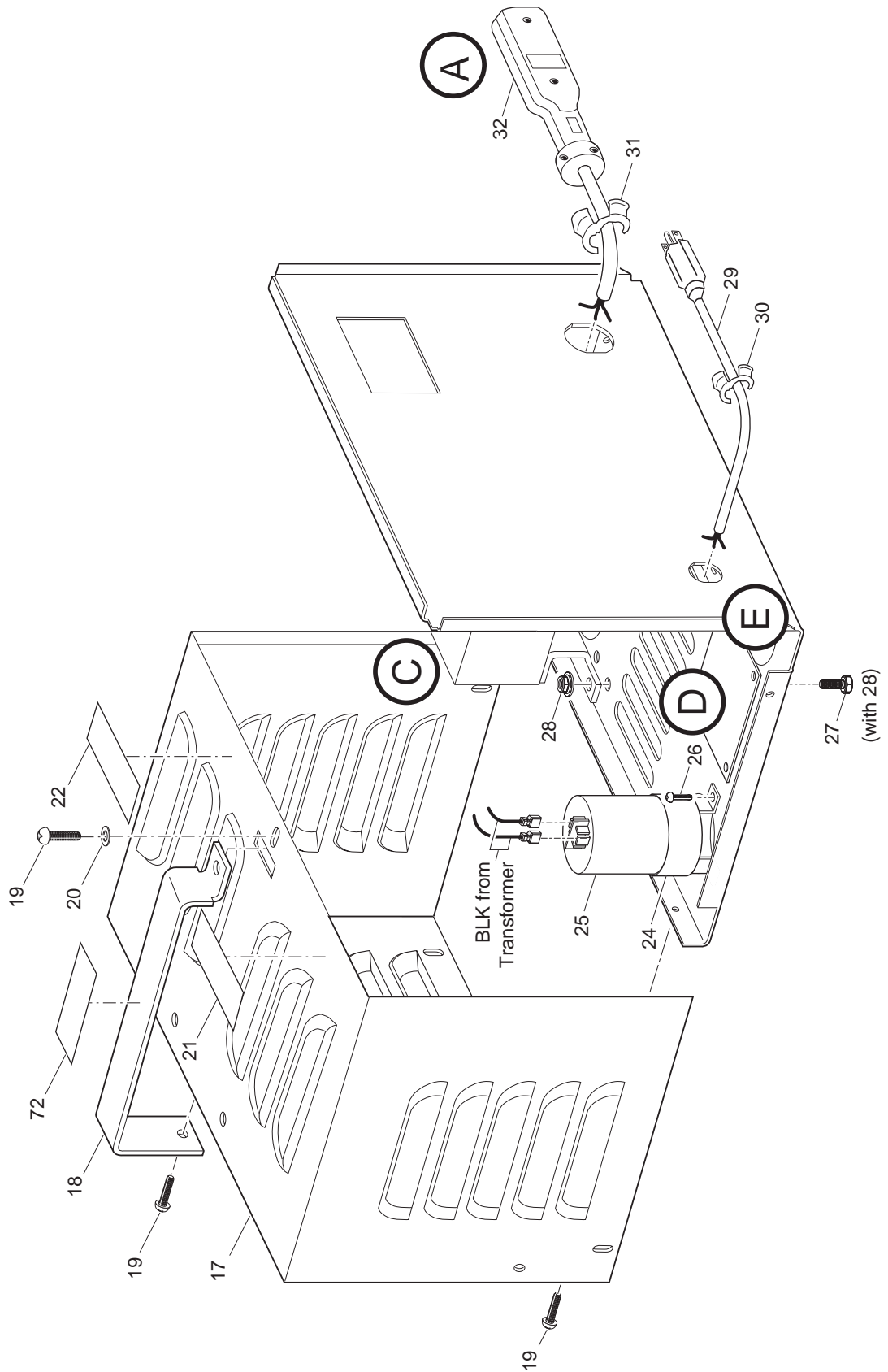
# BATTERY CHARGER, PORTABLE



1 - Includes Items 2 - 72

Ref Bep 3-1

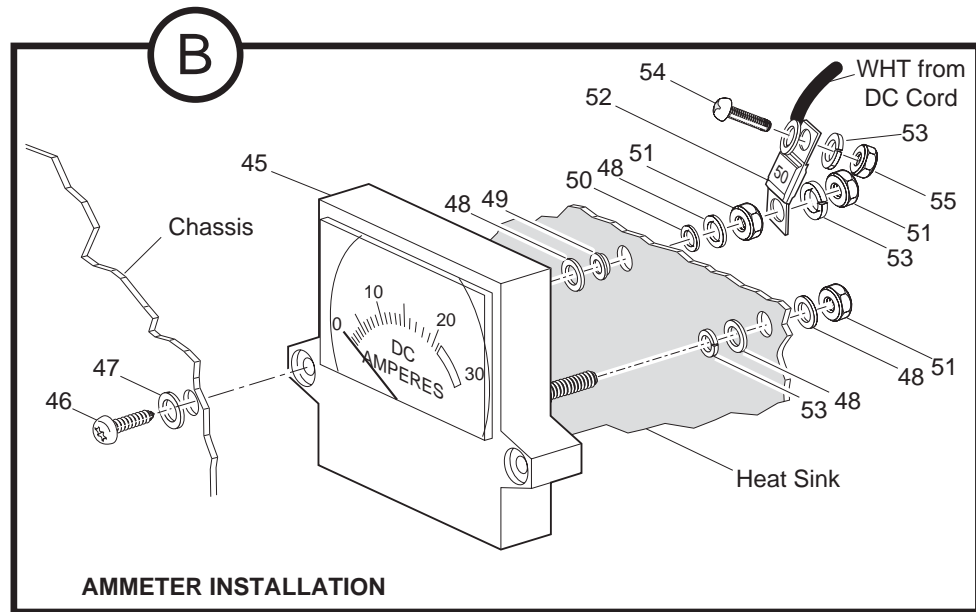
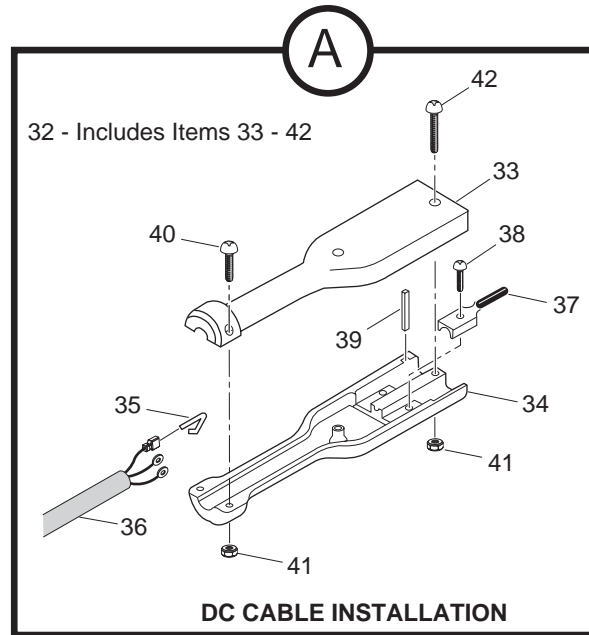
# BATTERY CHARGER, PORTABLE



Ref Bcp 3-2

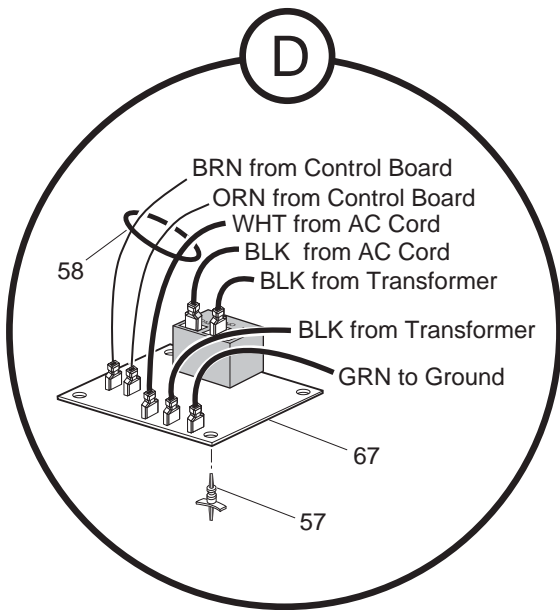
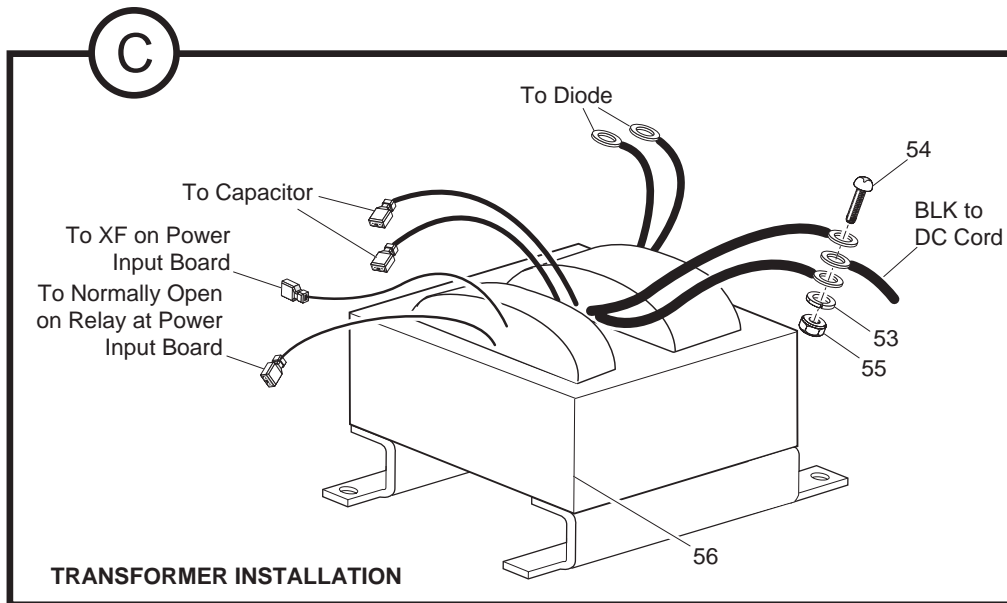


# BATTERY CHARGER, PORTABLE

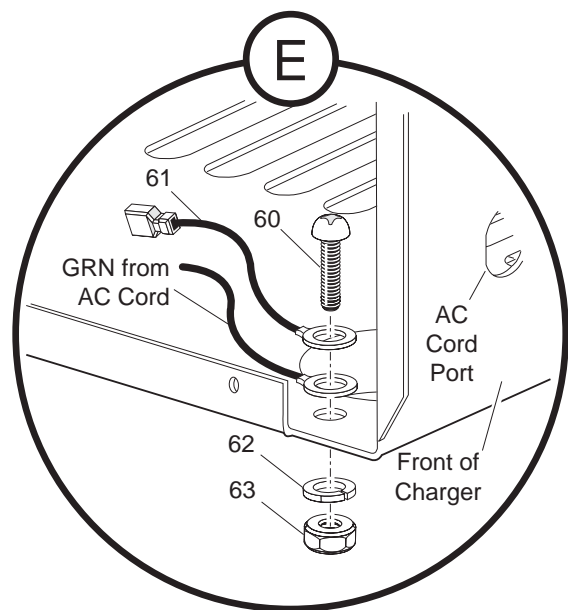


Ref Bcp 3-3

# BATTERY CHARGER, PORTABLE



**POWER INPUT BOARD  
INSTALLATION**



**GROUNDING  
DETAIL**

Ref Bcp 3-4

# BATTERY CHARGER, PORTABLE

THE USE OF NON U.L. PARTS WILL VOID ANY U.L. LISTING.

When ordering parts, please specify the model and serial number of the product.

\* Indicates a component that is not available as an individual part.

G\*\* Indicates consult Customer Service Department for additional information.

ITEM	PART NO.	1	2	3	4	5	DESCRIPTION	QTY.
1	28115-G04	POWERWISE™ CHARGER (INCLUDES ITEMS 2 - 72) .....					1	
2	*	CHASSIS .....					1	
3	00513-G6	SCREW, #8 - 18 X 1 3/4" LG. ....					2	
4	00559-G4	WASHER, #8 .....					2	
5	11572-G3	EXPANSION NUT .....					2	
6	28104-G01	HEAT SINK .....					1	
7	00138-G3	SCREW, #6 - 32 X 3/8" LG. ....					2	
8	00559-G3	WASHER, #6 .....					2	
9	00567-G3	LOCK WASHER, #6 .....					2	
10	00525-G5	NUT, #6 - 32.....					2	
11	18488-G1	DIODE.....					2	
12	01005-G01	SCREW, #6 - 19 X 5/16" LG. ....					3	
13	00559-G3	WASHER, #6 .....					3	
14	28111-G01	SUPPORT SPACER .....					3	
15	28110-G01	ELECTRICAL CLIP .....					1	
16								
17	*	COVER .....					1	
18	28102-G01	HANDLE .....					1	
19	00614-G4	SCREW, #8 - 18 X 1/2" LG. ....					6	
20	00559-G4	WASHER, #8 .....					1	
21	28136-G01	LABEL (VENTILATION) .....					1	
22	28136-G02	LABEL (DC CORD CONDITION) .....					1	
23								
24	26979-G01	CAPACITOR BRACKET .....					1	
25	28109-G01	CAPACITOR .....					1	
26	00969-G01	SCREW, #8 - 32 X 3/8" LG. ....					3	
27	00414-G5	BOLT, 1/4 - 20 X 5/8" LG. ....					3	
28	11027-G2	LOCK NUT, 1/4 - 20.....					3	
29	19388-G4	AC CORD .....					1	
30	13557-G2	STRAIN RELIEF (AC).....					1	

# BATTERY CHARGER, PORTABLE

THE USE OF NON U.L. PARTS WILL VOID ANY U.L. LISTING.

When ordering parts, please specify the model and serial number of the product.

\* Indicates a component that is not available as an individual part.

G\*\* Indicates consult Customer Service Department for additional information.

ITEM	PART NO.	1	2	3	4	5	DESCRIPTION	QTY.
31	13557-G3						STRAIN RELIEF (DC).....	1
32	28137-G01						DC CORD AND HANDLE ASSEMBLY (INCLUDES ITEMS 33 - 42) .....	1
33	73051-G11						PLUG (TOP HALF).....	1
34	73051-G12						PLUG (BOTTOM HALF).....	1
35	73051-G27						AUXILIARY CONTACT.....	1
36	73331-G01						DC CORD.....	1
37	73051-G14						MALE PIN.....	2
38	73051-G08						SCREW, #10 - 32 X 1/2" LG (BRASS) .....	2
39	73051-G15						MAGNET .....	1
40	73051-G16						SCREW, #6 - 32 X 1/2" LG (STAINLESS STEEL) .....	2
41	73051-G10						LOCK NUT, #6 - 32 .....	4
42	73051-G17						SCREW, #6 - 32 X 1" LG (STAINLESS STEEL) .....	2
43								
44								
45	28105-G01						AMMETER.....	1
46	00984-G01						SCREW, #8 - 10 X 1/2" LG. ....	2
47	00559-G4						WASHER, #8 .....	2
48	01003-G01						BRASS WASHER, #10 .....	4
49	22589-G2						SHOULDER WASHER, #10 .....	1
50	00771-G6						NYLON WASHER, 3/8".....	1
51	00528-G4						NUT, #10 - 32 (BRASS) .....	3
52	28106-G01						50 AMP FUSE.....	1
53	00565-G5						LOCK WASHER, #10 .....	4
54	00378-G4						SCREW, #10 - 24 X 1/2" LG. ....	2
55	00526-G3						NUT, #10 - 24.....	2
56	28103-G01						TRANSFORMER .....	1
57	27877-G01						SPACER SUPPORT .....	4
58	17618-G1						WIRE TIE .....	2
59								
60	00372-G3						SCREW, #8 - 32 X 3/8" LG. ....	1

# BATTERY CHARGER, PORTABLE

THE USE OF NON U.L. PARTS WILL VOID ANY U.L. LISTING.

When ordering parts, please specify the model and serial number of the product.

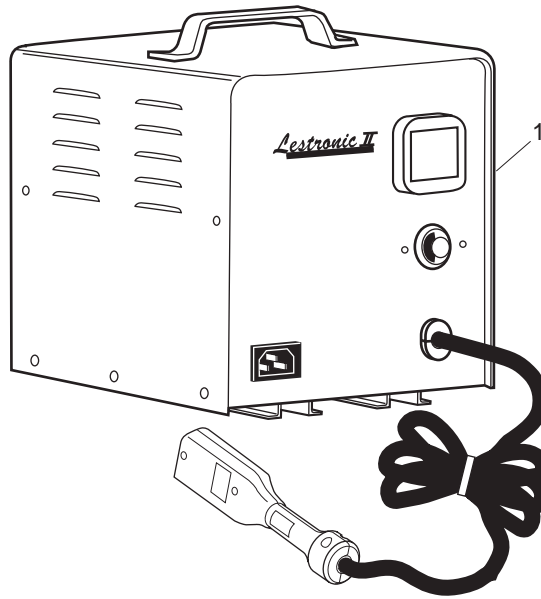
\* Indicates a component that is not available as an individual part.

G\*\* Indicates consult Customer Service Department for additional information.

ITEM	PART NO.	1	2	3	4	5	DESCRIPTION	QTY.
61	25977-G32						16 GA WIRE (GREEN 4" LG) .....	1
62	00565-G4						LOCK WASHER, #8 .....	1
63	00526-G1						NUT, #8 - 32.....	1
64								
65	*						LABEL (POWERWISE™) .....	1
66	28126-G01						CONTROL BOARD (POWERWISE™).....	1
67	28126-G03						POWER INPUT BOARD (POWERWISE™) .....	1
68								
69	00664-G7						LOCK WASHER, 1/4" (STAINLESS STEEL).....	2
70	00532-G2						NUT, 1/4 - 28.....	2
71								
72	71785-G01						LABEL (REMOVE BATTERY) .....	1

# BATTERY CHARGER, PORTABLE

# BATTERY CHARGER, LESTER



Ref Bcl 3-1

# BATTERY CHARGER, LESTER

THE USE OF NON U.L. PARTS WILL VOID ANY U.L. LISTING.

When ordering parts, please specify the model and serial number of the product.

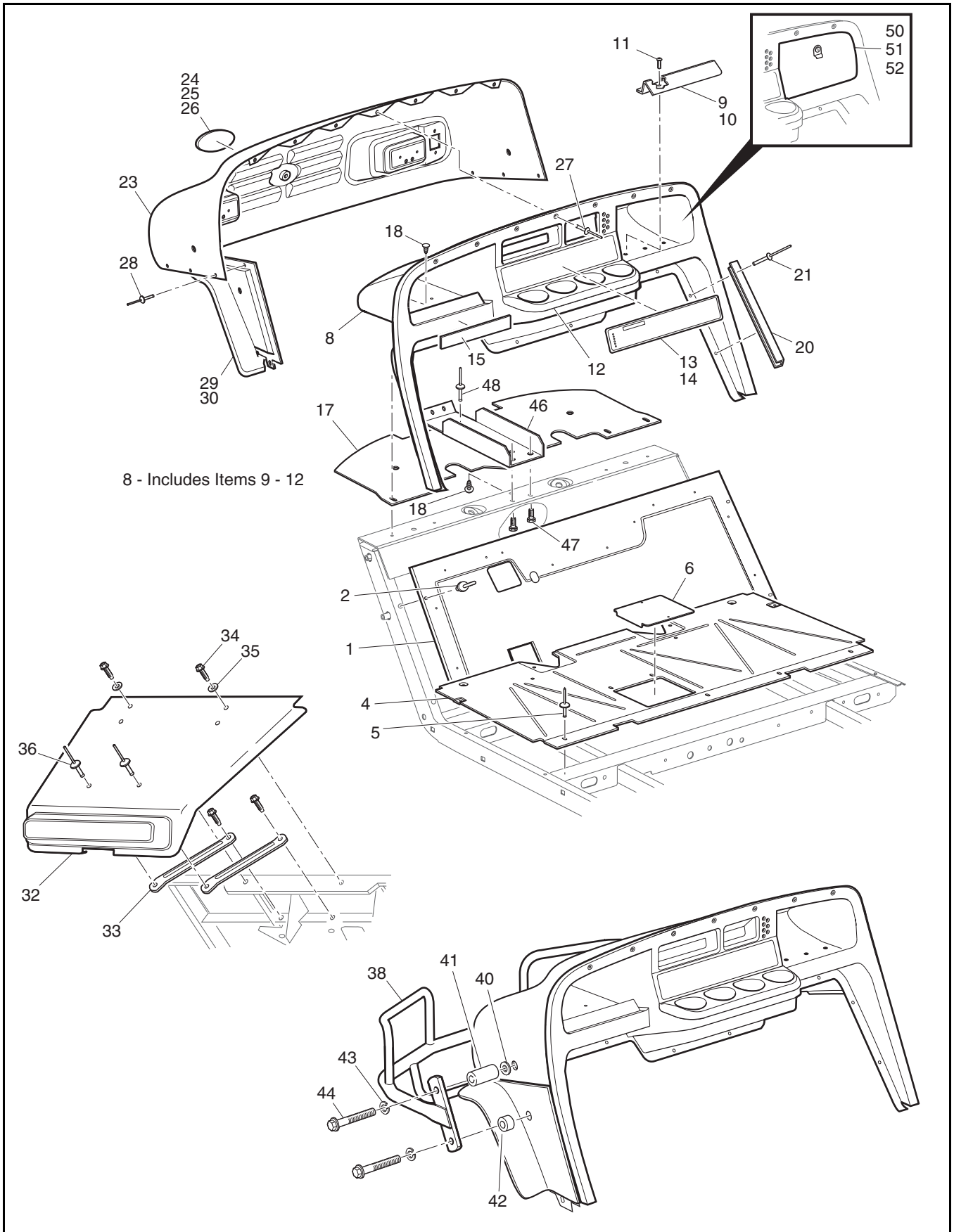
\* Indicates a component that is not available as an individual part.

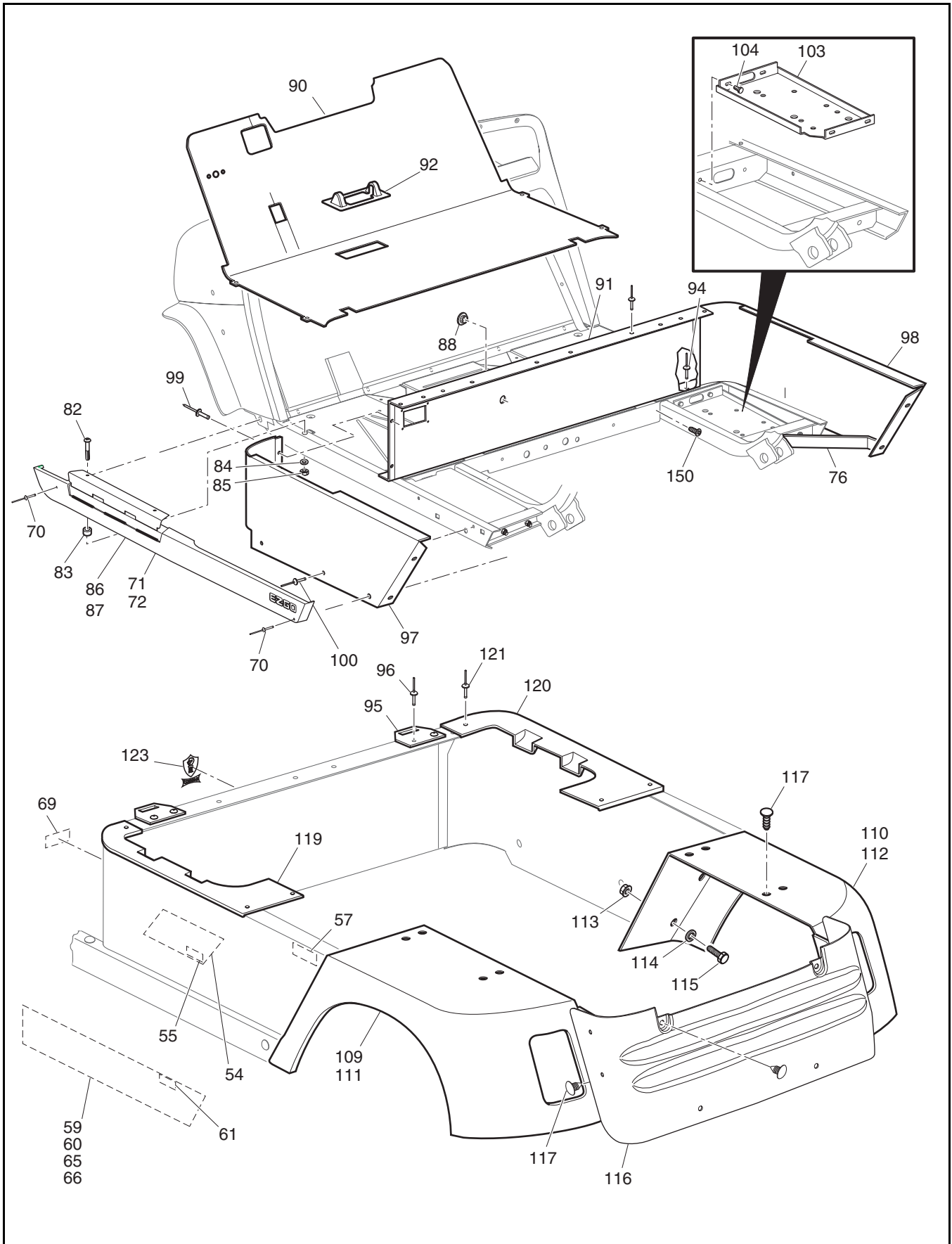
G\*\* Indicates consult Customer Service Department for additional information.

ITEM	PART NO.	1	2	3	4	5	DESCRIPTION	QTY.
1	28516-G01						<p>BATTERY CHARGER, LESTER, 36 VOLT, PORTABLE WITH POWERWISE CONNECTOR, CE APPROVED (OPTIONAL)</p> <p>For service or replacement parts, contact:                      Lester Electrical                      625 West "A" Street                      Lincoln, NE 68522</p> <p>Phone: (402) 477-8988, FAX: (402) 474-1769</p> <p>Always provide the following information when requesting information or ordering replacement parts:</p> <p>Model Number:                      Serial Number: (stamped into housing)</p>	

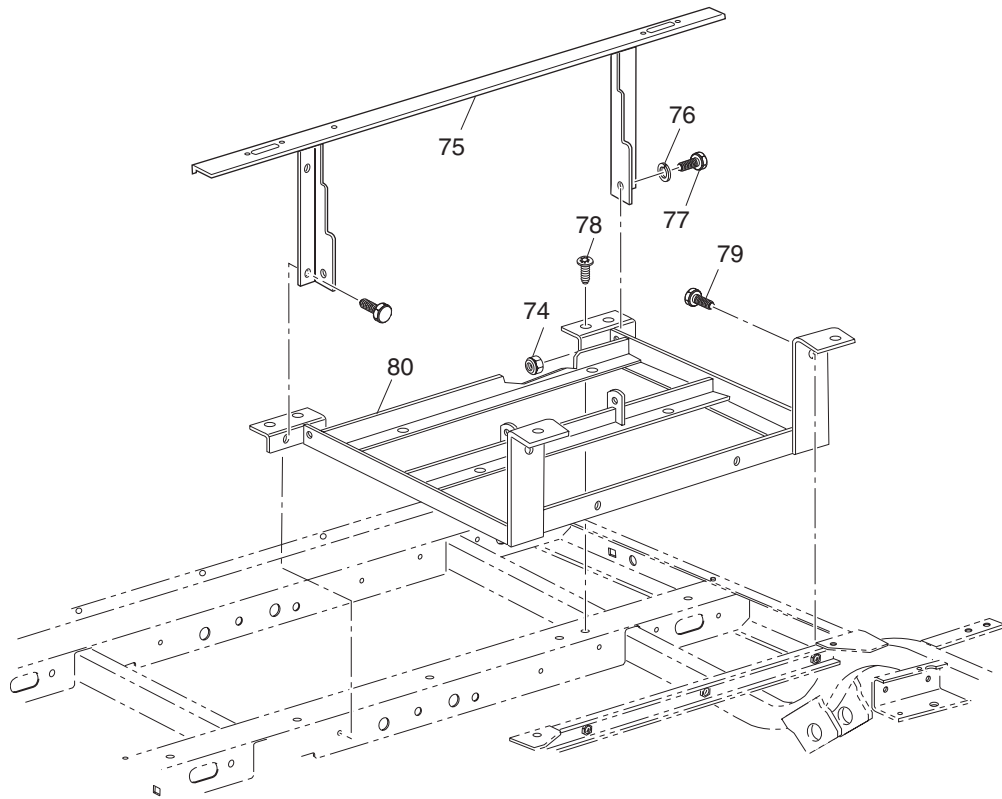


# BODY



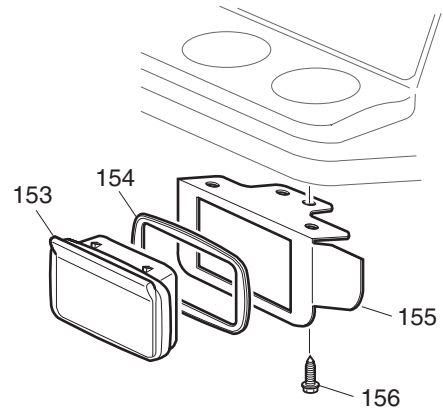


# BODY

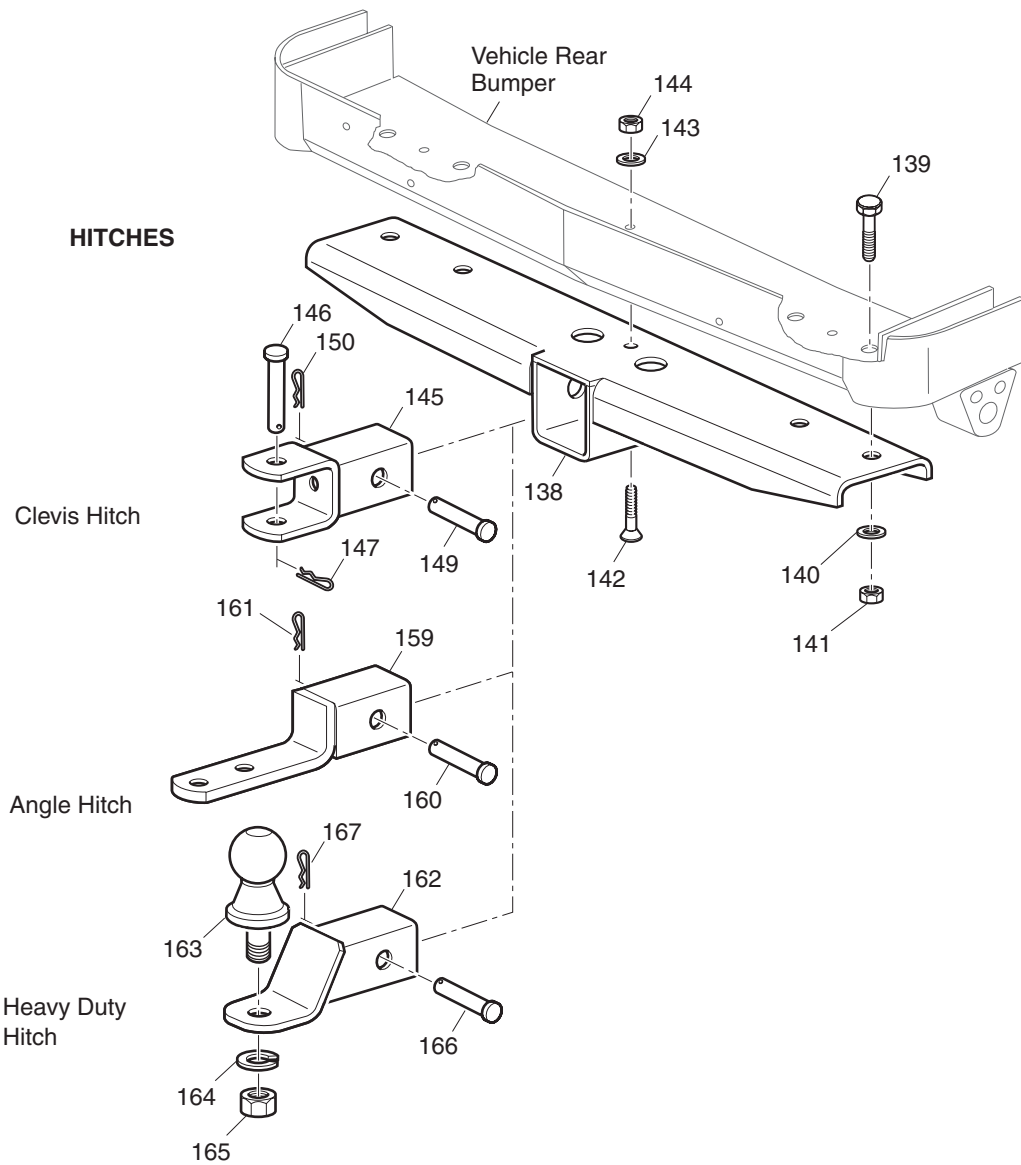


**ASH TRAY**

152 - Includes Items 153 - 156



**HITCHES**



# BODY

THE USE OF NON U.L. PARTS WILL VOID ANY U.L. LISTING.

When ordering parts, please specify the model and serial number of the product.

\* Indicates a component that is not available as an individual part.

G\*\* Indicates consult Customer Service Department for additional information.

ITEM	PART NO.	1	2	3	4	5	DESCRIPTION	QTY.
1	70662-G01						UPPER FLOORPAN.....	1
2	14601-G11						RIVET, 3/16" X 9/16" LG (ALUMINUM).....	9
3								
4	70451-G01						LOWER FLOORPAN.....	1
5	14601-G11						RIVET, 3/16" X 9/16" LG (ALUMINUM).....	7
6	70452-G01						ACCESS COVER.....	1
7								
8	71151-G01						INSTRUMENT PANEL ASSEMBLY (INCLUDES ITEMS 9 - 12) .....	1
9	71153-G01						DEFLECTOR (PASSENGER SIDE) .....	1
10	71154-G01						DEFLECTOR (DRIVER SIDE).....	1
11	00614-G5						SCREW, #8 - 18 X 5/8" LG .....	6
12	71158-G01						INSTRUMENT PANEL INSERT (FOUR CUP).....	1
13	71179-G03						LABEL (SAFETY) (TEXT) .....	1
14	74409-G01						LABEL (SAFETY) (PICTOGRAPH).....	1
15	74443-G01						LABEL (ANTI-ROLLBACK) .....	1
16								
17	71413-G01						SPLASH PANEL.....	1
18	16816-G2						RATCHET FASTENER, 1/4" X 3/4" LG .....	1
19								
20	71115-G01						VINYL TRIM .....	2
21	71055-G01						RIVET, 3/16" X 1" LG (ALUMINUM).....	10
22								
23	71468-G**						COWL.....	1
24	71289-G01						NAMEPLATE (E-Z-GO) (OVAL) .....	1
25	28907-G01						NAMEPLATE (JACOBSEN) (OVAL) .....	1
26	74401-G01						NAMEPLATE (CUSHMAN) (OVAL).....	1
27	71055-G01						RIVET, 3/16" X 1" LG .....	9
28	71055-G01						RIVET, 3/16" X 1" LG .....	6
29	71338-G01						FENDER FLARE (DRIVER SIDE).....	1
30	71338-G02						FENDER FLARE (PASSENGER SIDE) .....	1

THE USE OF NON U.L. PARTS WILL VOID ANY U.L. LISTING.  
 When ordering parts, please specify the model and serial number of the product.  
 \* Indicates a component that is not available as an individual part.  
 G\*\* Indicates consult Customer Service Department for additional information.

ITEM	PART NO.	1	2	3	4	5	DESCRIPTION	QTY.
31								
32	27166-G04						FRONT SHIELD .....	1
33	70725-G02						FRONT SHIELD BRACE.....	2
34	01038-G01						SCREW, 1/4 - 20 X 1/2" LG.....	4
35	16469-G1						WASHER, 1/4" .....	2
36	01057-G01						RIVET, KTR, 1/4" X 1" LG .....	2
37								
38	74265-G02						BUMPER .....	1
39								
40	00570-G2						WASHER, 5/16" .....	2
41	75048-G04						SPACER, 1".....	2
42	75048-G01						SPACER, 1/2".....	2
43	00905-G8						LOCK WASHER, 5/16".....	4
44	01035-G02						BOLT, 5/16 - 18 X 2 1/2" LG .....	4
45								
46	71101-G01						COWL SUPPORT BRACKET .....	1
47	71102-G02						SELF TAPPING SCREW, 1/4 - 20 X 1/2" LG .....	3
48	71055-G02						RIVET, 3/16" X 1 1/8" LG .....	1
49								
50	75459-G01						GLOVE BOX DOORS (BOTH SIDES) .....	1
51	75459-G02						GLOVE BOX DOOR (DRIVER SIDE) .....	1
52	75459-G03						GLOVE BOX DOOR (PASSENGER SIDE).....	1
53								
54	74801-G01						LABEL (MPT™).....	2
55	74803-G01						LABEL (800).....	2
56								
57	74099-G01						LABEL, TILT WARNING PICTOGRAPH .....	2
58								
59	28915-G01						LABEL (JACOBSEN HAULER™) (DRIVER SIDE).....	1
60	28915-G02						LABEL (JACOBSEN HAULER™) (PASSENGER SIDE) .....	1

# BODY

THE USE OF NON U.L. PARTS WILL VOID ANY U.L. LISTING.

When ordering parts, please specify the model and serial number of the product.

\* Indicates a component that is not available as an individual part.

G\*\* Indicates consult Customer Service Department for additional information.

ITEM	PART NO.	1 2 3 4 5	DESCRIPTION	QTY.
61	74803-G01		LABEL (800).....	2
62				
63				
64				
65	28952-G01		LABEL (CUSHMAN COMMANDER™) (DRIVER SIDE).....	1
66	28952-G02		LABEL (CUSHMAN COMMANDER™) (PASSENGER SIDE) .....	1
67				
68				
69	*		SERIAL NUMBER PLATE .....	1
70	15058-G6		RIVET, BLACK (ALUMINUM).....	4
71	71502-G01		ROCKER PANEL (DRIVER SIDE) .....	1
72	71501-G01		ROCKER PANEL (PASSENGER SIDE).....	1
73				
74	11098-G6		LOCK NUT, 5/16 - 18 .....	2
75	70441-G02		SEAT FRAME .....	1
76	00559-G8		WASHER, 5/16" .....	2
77	00438-G6		BOLT, 5/16 - 18 X 3/4" LG .....	2
78	70200-G01		SCREW, 3/8 - 16 X 1/4" LG.....	2
79	00715-G2		BOLT, 5/16 - 18 X 13/16" LG .....	4
80	70046-G02		BATTERY RACK .....	1
81				
82	16705-G1		SCREW, 1/4 - 20 X 1" LG.....	4
83	23726-G4		SPACER .....	4
84	00559-G7		WASHER, 1/4" .....	4
85	00891-G2		LOCK NUT, 1/4 - 20 .....	4
86	28971-G01		SILL PLATE TREAD (PASSENGER SIDE).....	1
87	28971-G02		SILL PLATE TREAD (DRIVER SIDE) .....	1
88	20271-G9		HOLE PLUG, 1/2" .....	1
89				
90	70663-G04		FLOORMAT (AXLE MOUNTED STEERING).....	1

THE USE OF NON U.L. PARTS WILL VOID ANY U.L. LISTING.  
 When ordering parts, please specify the model and serial number of the product.  
 \* Indicates a component that is not available as an individual part.  
 G\*\* Indicates consult Customer Service Department for additional information.

ITEM	PART NO.	1 2 3 4 5	DESCRIPTION	QTY.
91	71379-G21		SEAT WRAP PANEL.....	1
92	70135-G01		PEDAL PIVOT COVER.....	1
93				
94	10570-G10		RIVET, 5/32" X 9/16" LG.....	8
95	71609-G01		SEAT HINGE PLATE.....	2
96	10570-G11		RIVET, 3/16" X 3/4" LG.....	4
97	71259-G01		SIDE PANEL (DRIVER SIDE).....	1
98	71259-G02		SIDE PANEL (PASSENGER SIDE).....	1
99	10570-G10		RIVET, 5/32" X 9/16" LG.....	4
100	10570-G12		RIVET, 1/4" X 1/2" LG.....	4
101				
102				
103	70244-G03		SPLASH PANEL.....	2
104	00715-G2		BOLT, 5/16 - 18 X 13/16" LG.....	8
105				
106				
107				
108				
109	71224-G01		FENDER (DRIVER SIDE).....	1
110	71224-G02		FENDER (PASSENGER SIDE).....	1
111	71224-G03		FENDER WITH TAILLIGHT (DRIVER SIDE).....	1
112	71224-G04		FENDER WITH TAILLIGHT (PASSENGER SIDE).....	1
113	00891-G2		LOCK NUT, 1/4 - 20.....	8
114	00642-G7		WASHER, 1/4".....	8
115	00414-G6		BOLT, 1/4 - 20 X 3/4" LG.....	4
116	71225-G01		REAR PANEL.....	1
117	16816-G2		RATCHET FASTENER, 1/4" X 3/4" LG.....	8
118				
119	71588-G03		SEAT FILLER PANEL (DRIVER SIDE).....	1
120	71588-G04		SEAT FILLER PANEL (PASSENGER SIDE).....	1



# BODY

THE USE OF NON U.L. PARTS WILL VOID ANY U.L. LISTING.

When ordering parts, please specify the model and serial number of the product.

\* Indicates a component that is not available as an individual part.

G\*\* Indicates consult Customer Service Department for additional information.

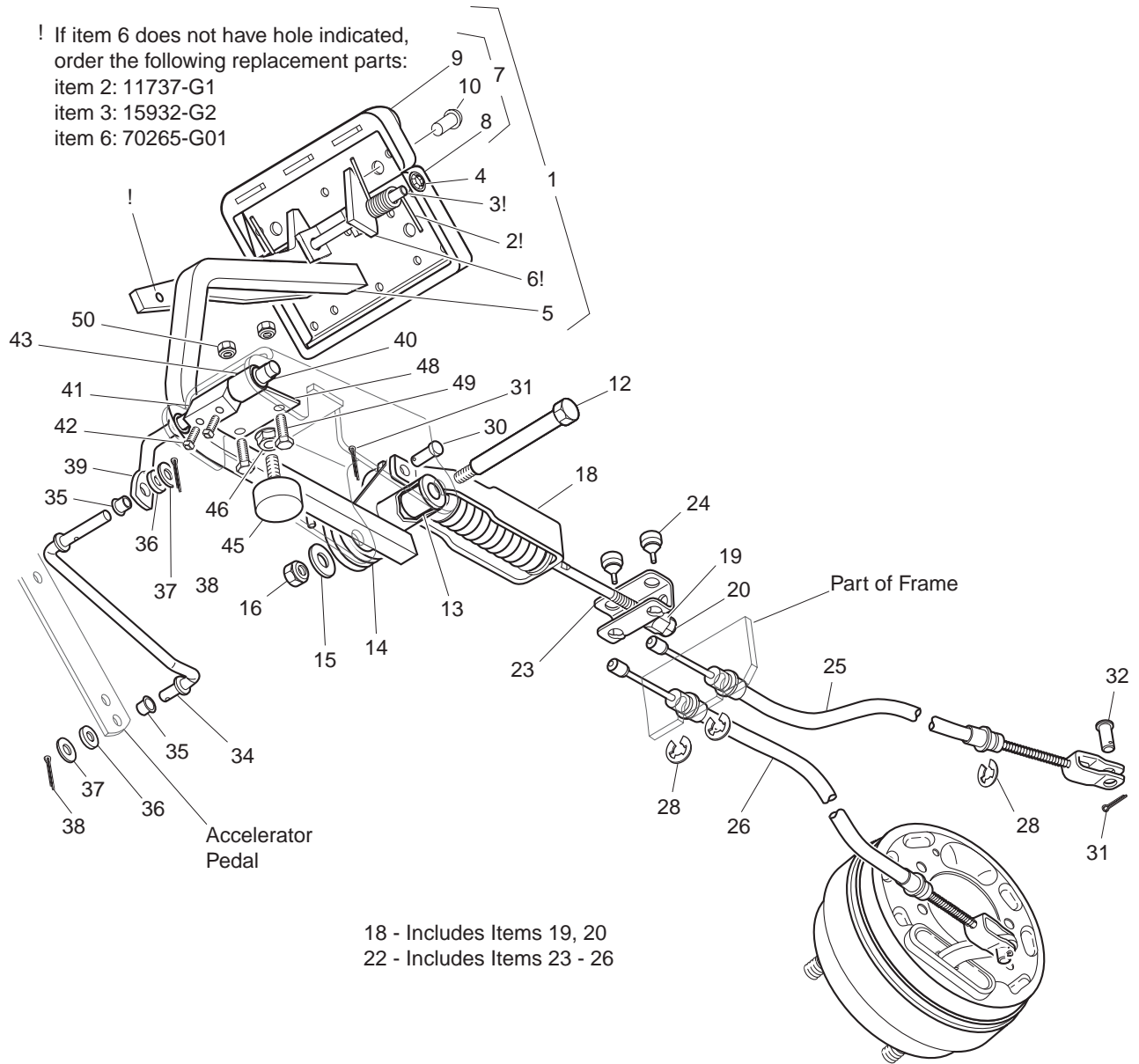
ITEM	PART NO.	1 2 3 4 5	DESCRIPTION	QTY.
121	10570-G10		RIVET, 5/32" X 9/16" LG .....	6
122				
123	74755-G01		LABEL (E-SHIELD™).....	1
124				
125	74348-G02		HITCH RECEIVER .....	1
126	00463-G4		BOLT, 7/16 - 14 X 1 1/2" LG .....	4
127	00922-G3		WASHER, 7/16" .....	4
128	00734-G1		LOCK NUT, 7/16 - 14 .....	4
129	00198-G8		SCREW, 5/16 - 18 X 1" LG.....	1
130	00559-G8		WASHER, 5/16" .....	1
131	11098-G6		LOCK NUT, 5/16 - 18 .....	1
132	74338-G02		CLEVIS HITCH.....	1
133	14443-G7		CLEVIS PIN, 1/2" X 2 1/2" LG .....	1
134	19314-G1		COTTER PIN, 2 1/2" LG.....	1
135				
136	21317-G01		CLEVIS PIN, 5/8" X 3" LG .....	1
137	21683-G1		COTTER PIN, 15/32" X 2 11/16" LG .....	1
138				
139	74339-G02		ANGLE HITCH .....	1
140	21317-G01		CLEVIS PIN, 5/8" X 3" LG .....	1
141	21683-G1		COTTER PIN, 15/32" X 2 11/16" LG .....	1
142	74351-G02		HEAVY DUTY HITCH.....	1
143	31757-G1		HITCH BALL, 1 7/8" .....	1
144	00566-G6		LOCK WASHER, 3/4" .....	1
145	00702-G11		NUT, 3/4 - 16 .....	1
146	21317-G01		CLEVIS PIN, 5/8" X 3" LG .....	1
147	21683-G1		COTTER PIN, 15/32" X 2 11/16" LG .....	1
148				
149				
150				

THE USE OF NON U.L. PARTS WILL VOID ANY U.L. LISTING.  
 When ordering parts, please specify the model and serial number of the product.  
 \* Indicates a component that is not available as an individual part.  
 G\*\* Indicates consult Customer Service Department for additional information.

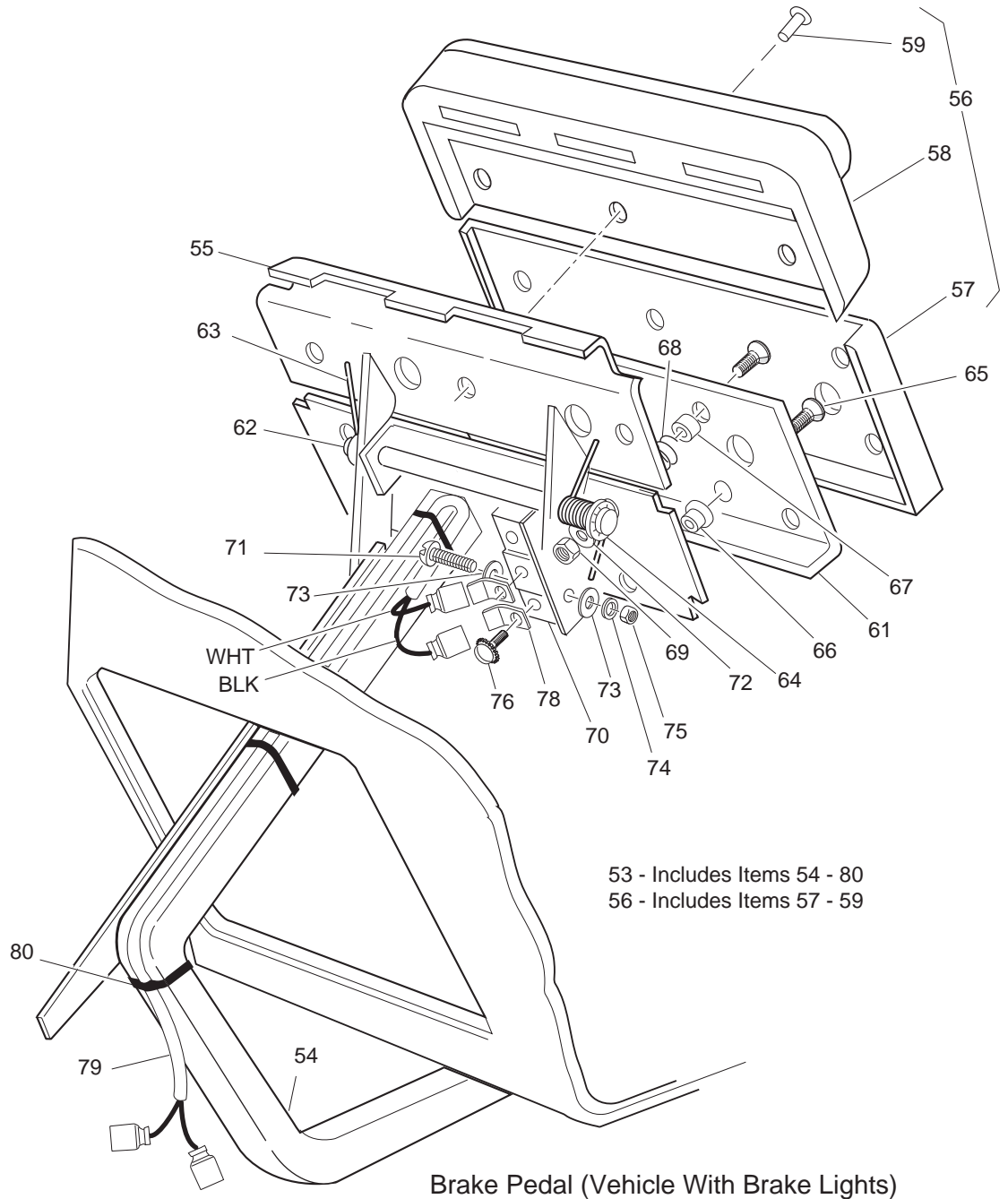
ITEM	PART NO.	1	2	3	4	5	DESCRIPTION	QTY.
151								
152	75109-G04						ASH TRAY KIT (INCLUDES ITEMS 153 - 156) .....	1
153	27731-G01						ASH TRAY .....	1
154	27736-G01						GASKET .....	1
155	75108-G02						BRACKET .....	1
156	00100-G4						SCREW, #10 - 16 X 1/2" LG .....	4

# BRAKES

! If item 6 does not have hole indicated, order the following replacement parts:  
 item 2: 11737-G1  
 item 3: 15932-G2  
 item 6: 70265-G01

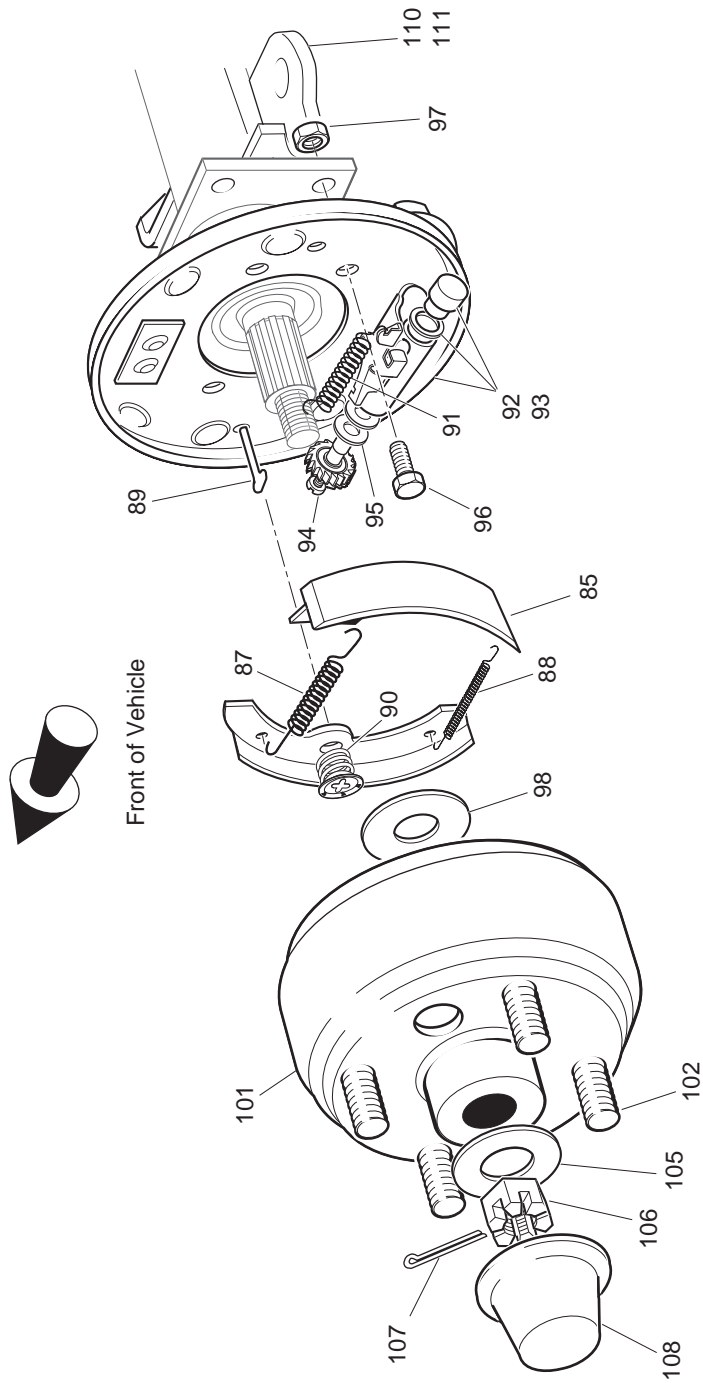


Ref Brk 3-1



Ref Brk 3-2

# BRAKES



- 82 - Includes Items 84 - 92
- 83 - Includes Items 84-91, 93
- 84 - Includes Items 85
- 86 - Includes Items 87 - 91
- 92 - Includes Items 94, 95
- 93 - Includes Items 94, 95
- 100 - Includes Items 101, 102

Ref Brk 3-3

# BRAKES

THE USE OF NON U.L. PARTS WILL VOID ANY U.L. LISTING.

When ordering parts, please specify the model and serial number of the product.

\* Indicates a component that is not available as an individual part.

G\*\* Indicates consult Customer Service Department for additional information.

ITEM	PART NO.	1 2 3 4 5	DESCRIPTION	QTY.
1	70612-G02		BRAKE PEDAL ASSEMBLY (WITHOUT BRAKE LIGHTS) (INCLUDES ITEMS 2 - 10).....	1
2	70681-G01		TORSION SPRING.....	2
3	70682-G01		PIVOT PIN.....	1
4	12064-G1		PUSHNUT, 5/16".....	1
5	*		BRAKE PEDAL.....	1
6	70611-G01		PARK BRAKE PEDAL.....	1
7	70274-G01		BRAKE/PARK BRAKE PEDAL PAD KIT (INCLUDES ITEMS 8 - 10).....	1
8	*		SERVICE BRAKE PAD.....	1
9	*		PARK BRAKE PEDAL PAD.....	1
10	15766-G1		OVAL RIVET, 3/16" X 7/16" LG.....	9
11				
12	70582-G01		SHOULDER BOLT, 3/8 - 16 X 4" LG (STAINLESS STEEL).....	1
13	70581-G01		FLANGED BUSHING.....	2
14	70676-G01		TORSION SPRING.....	1
15	00643-G1		WASHER, 3/8".....	1
16	11098-G5		LOCK NUT, 3/8 - 16.....	1
17				
18	70272-G04		COMPENSATOR ASSEMBLY (INCLUDES ITEMS 19, 20).....	1
19	00963-G01		SPHERICAL NUT, 5/16 - 24.....	1
20	11098-G9		LOCK NUT, 5/16 - 24.....	1
21				
22	70969-G03		EQUALIZER AND BRAKE CABLE ASSEMBLY (INCLUDES ITEMS 23-26).....	1
23	28082-G01		EQUALIZER BRACKET.....	1
24	28083-G01		BRAKE COMPENSATOR BUMPER.....	2
25	*		BRAKE CABLE (DRIVER SIDE).....	1
26	*		BRAKE CABLE (PASSENGER SIDE).....	1
27				
28	01111-G01		RETAINING RING, 13/32" (STAINLESS STEEL).....	4
29				

# BRAKES

THE USE OF NON U.L. PARTS WILL VOID ANY U.L. LISTING.

When ordering parts, please specify the model and serial number of the product.

\* Indicates a component that is not available as an individual part.

G\*\* Indicates consult Customer Service Department for additional information.

ITEM	PART NO.	1 2 3 4 5	DESCRIPTION	QTY.
30	10386-G3		CLEVIS PIN, 5/16" X 13/16" LG .....	3
31	10387-G3		COTTER PIN, 3/32" X 3/4" LG .....	3
32	14443-G2		CLEVIS PIN, 5/16" X 5/8" LG .....	2
33				
34	70601-G01		KICK-OFF LINK.....	1
35	17838-G1		NYLON BUSHING.....	2
36	20835-G1		TEFLON WASHER, 3/8" .....	2
37	00559-G8		WASHER, 5/16" .....	2
38	10387-G3		COTTER PIN, 3/32" X 3/4" LG .....	2
39	70098-G01		KICK-OFF CAM PIVOT .....	1
40	10097-G6		FLANGED BEARING .....	2
41	70587-G01		KICK-OFF CAM.....	1
42	71215-G01		SETSCREW, 1/4 - 20 X 1/2" LG.....	2
43	14134-G4		SPACER.....	1
44				
45	70113-G01		ADJUSTABLE BUMPER .....	1
46	11027-G1		LOCK NUT, 5/16 - 18 .....	1
47				
48	70080-G02		CATCH BRACKET .....	1
49	00414-G6		BOLT, 1/4 - 20 X 3/4" LG .....	2
50	00654-G2		LOCK NUT, 1/4 - 20 (STAINLESS STEEL) .....	2
51				
52				
53	70690-G02		BRAKE PEDAL ASSEMBLY (WITH BRAKE LIGHTS) (INCLUDES ITEMS 54 - 80).....	1
54	*		BRAKE PEDAL.....	1
55	70611-G01		PARK BRAKE PEDAL .....	1
56	70274-G01		BRAKE/PARK BRAKE PEDAL PAD KIT (INCLUDES ITEMS 57 - 59).....	1
57	*		SERVICE BRAKE PAD .....	1
58	*		PARK BRAKE PAD.....	1

# BRAKES

THE USE OF NON U.L. PARTS WILL VOID ANY U.L. LISTING.

When ordering parts, please specify the model and serial number of the product.

\* Indicates a component that is not available as an individual part.

G\*\* Indicates consult Customer Service Department for additional information.

ITEM	PART NO.	1	2	3	4	5	DESCRIPTION	QTY.
59	15766-G1						OVAL RIVET, 3/16" x 7/16" LG.....	9
60								
61	70258-G02						SERVICE BRAKE PEDAL PLATE .....	1
62	70682-G01						PIVOT PIN .....	1
63	70681-G01						TORSION SPRING.....	2
64	12064-G1						PUSHNUT, 5/16".....	1
65	00737-G8						SCREW, #10 - 24 X 7/8" LG.....	4
66	00739-G1						RUBBER NUT, #10 - 24.....	2
67	22362-G3						BRAKE PEDAL STANDOFF.....	2
68	27137-G01						CONICAL SPRING .....	2
69	11098-G7						LOCK NUT, #10 - 24.....	2
70	10606-G8						MICRO SWITCH.....	1
71	00957-G1						BOLT, #6 - 32 X 1 1/4" LG.....	2
72	00559-G5						WASHER, #10 .....	2
73	00559-G3						WASHER, #6 .....	4
74	00565-G3						LOCK WASHER, #6 .....	2
75	00525-G5						NUT, #6 - 32.....	2
76	13514-G1						SCREW AND LOCK WASHER, #6.....	2
77								
78	14628-G1						FASTON TAB.....	2
79	24605-G1						WIRE HARNESS (BRAKE LIGHT).....	1
80	17618-G1						WIRE TIE .....	3
81								
82	70998-G01						BRAKE ASSEMBLY (DRIVER SIDE) (INCLUDES ITEMS 84 - 95).....	1
83	70998-G02						BRAKE ASSEMBLY (PASSENGER SIDE) (INCLUDES ITEMS 84 - 95) .....	1
84	70794-G01						BRAKE SHOE KIT (INCLUDES ITEM 85).....	2
85	*						BRAKE SHOE .....	2
86	27944-G01						BRAKE SPRING KIT (INCLUDES ITEMS 87 - 91).....	2
87	*						UPPER SPRING .....	1
88	*						LOWER SPRING .....	1



# BRAKES

THE USE OF NON U.L. PARTS WILL VOID ANY U.L. LISTING.

When ordering parts, please specify the model and serial number of the product.

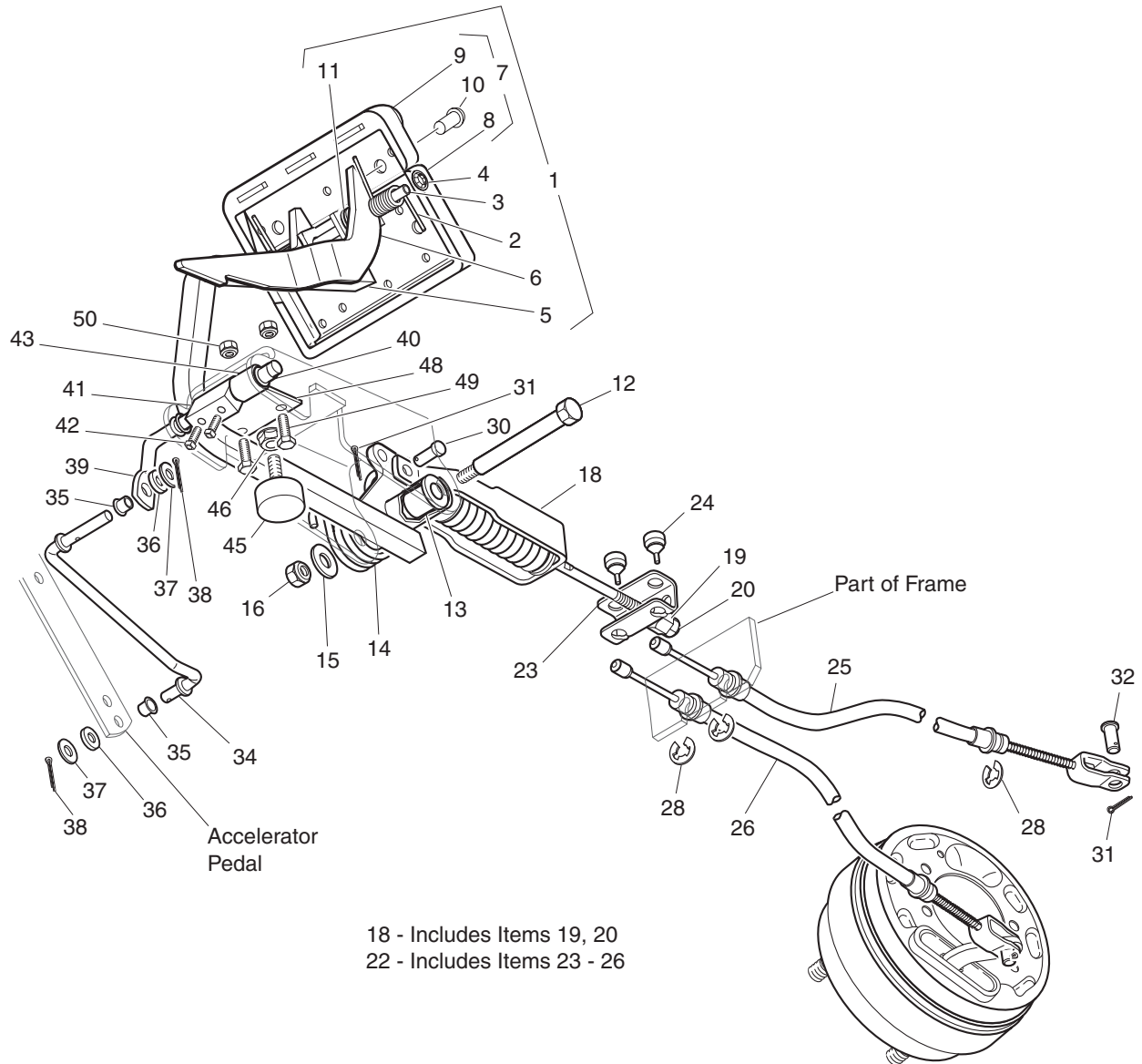
\* Indicates a component that is not available as an individual part.

G\*\* Indicates consult Customer Service Department for additional information.

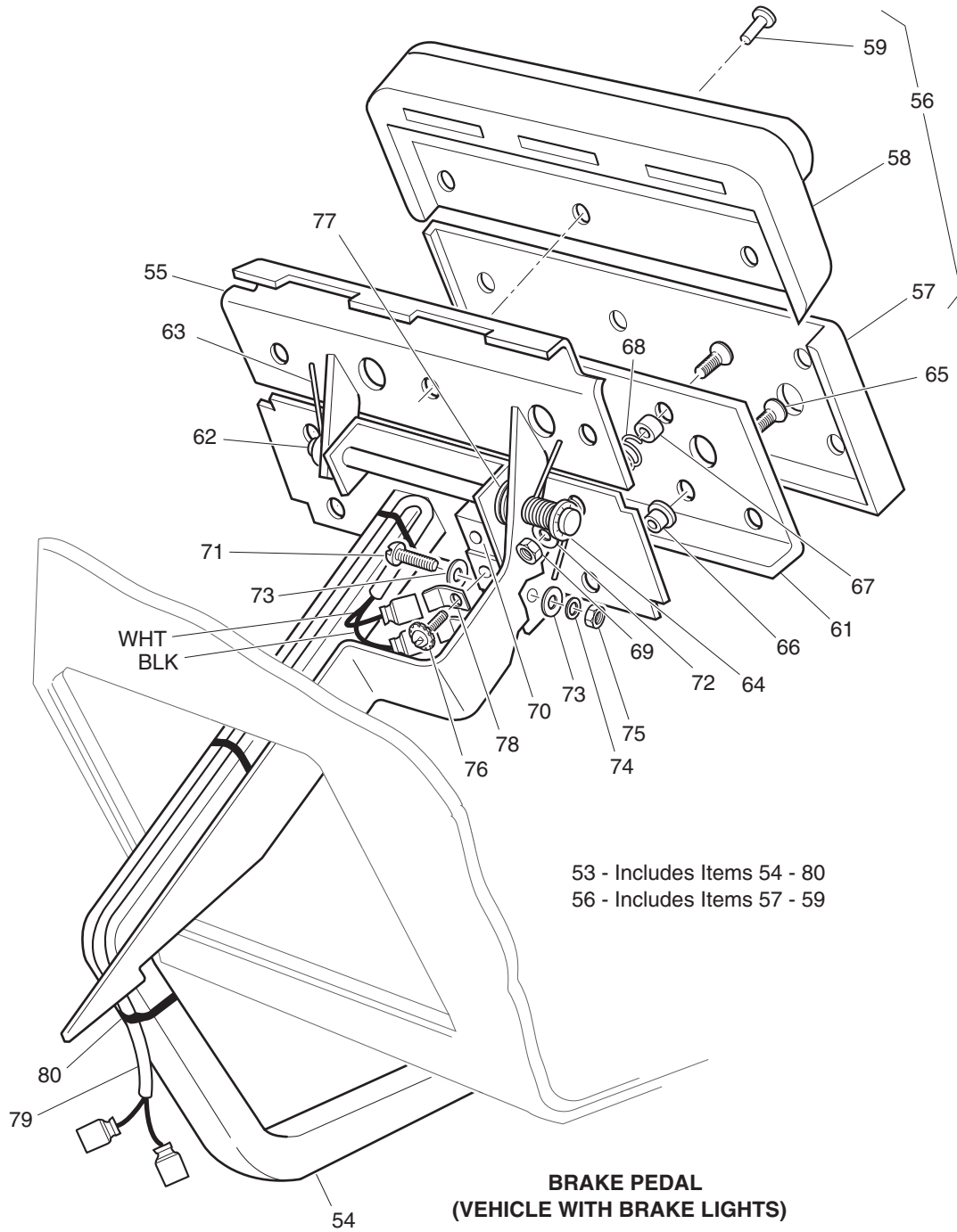
ITEM	PART NO.	1	2	3	4	5	DESCRIPTION	QTY.
89	*						PIN .....	2
90	*						CUP AND SPRING .....	2
91	*						ADJUSTER SPRING.....	1
92	72582-G01						BRAKE ADJUSTER KIT (DRIVER SIDE) (INCLUDES ITEMS 94, 95) .....	1
93	72582-G02						BRAKE ADJUSTER KIT (PASSENGER SIDE) (INCL. ITEMS 94, 95).....	1
94	*						ADJUSTER .....	1
95	*						TEFLON WASHER.....	2
96	17083-G2						BOLT, 5/16 - 24 X 1" LG .....	8
97	15126-G1						LOCK NUT, 5/16 - 24 .....	8
98	15485-G1						WASHER, 13/16" .....	2
99								
100	19186-G1						BRAKE DRUM ASSEMBLY (INCLUDES ITEMS 101 - 102).....	2
101	*						BRAKE DRUM.....	1
102	19862-G1						LUG BOLT, 1/2 - 20 X 1 3/16" LG .....	4
103								
104								
105	15487-G1						WASHER, 1 3/8" O.D. X 21/32" .....	2
106	15483-G1						CASTELLATED NUT, 5/8 - 18.....	2
107	10387-G1						COTTER PIN, 1/8" X 1 1/2" LG .....	2
108	74175-G01						SPINDLE CAP.....	2
109								
110	72036-G03						BRAKE CABLE BRACKET (PASSENGER SIDE).....	1
111	72036-G04						BRAKE CABLE BRACKET (DRIVER SIDE) .....	1



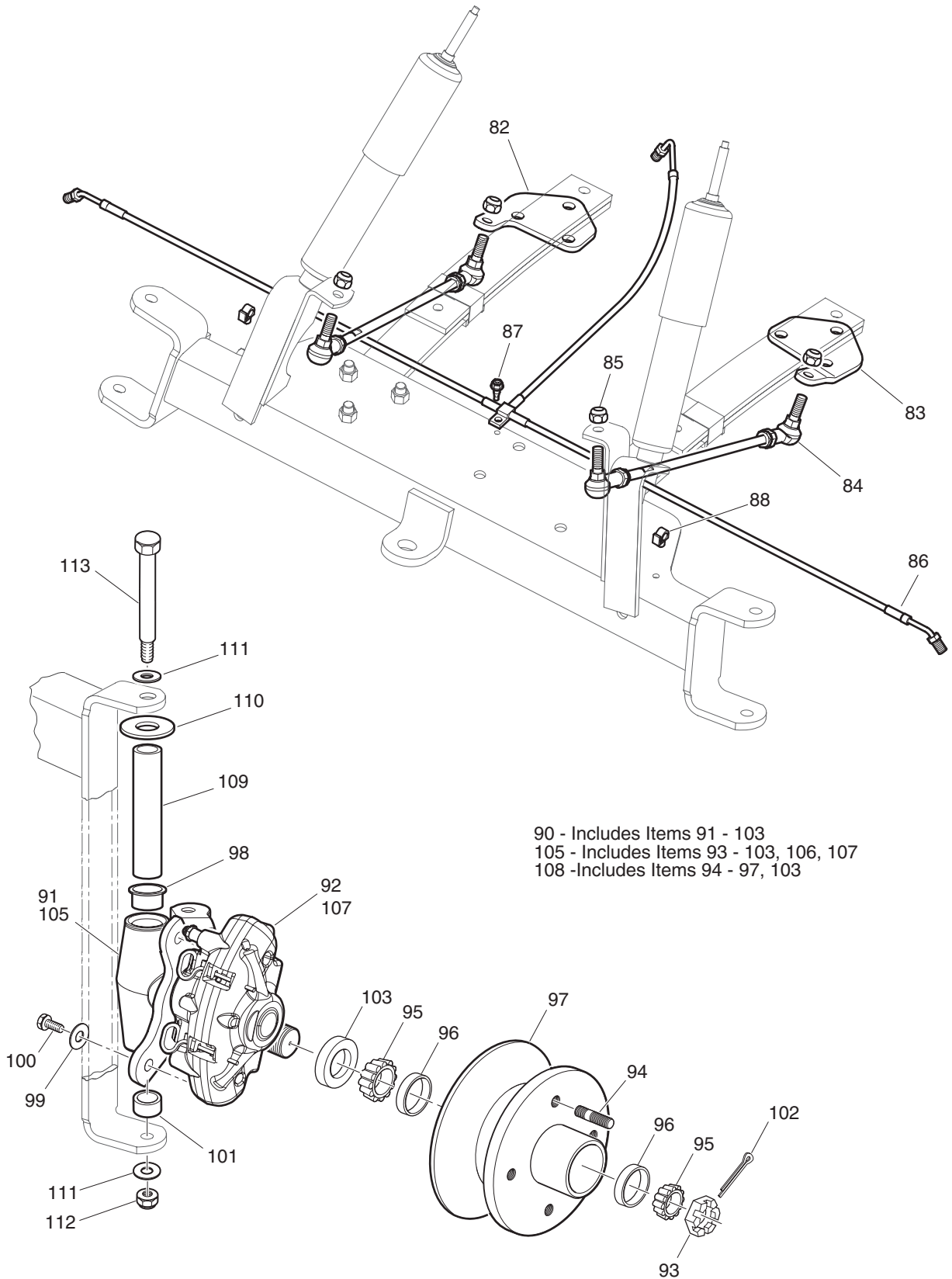
# BRAKES - FRONT DISC



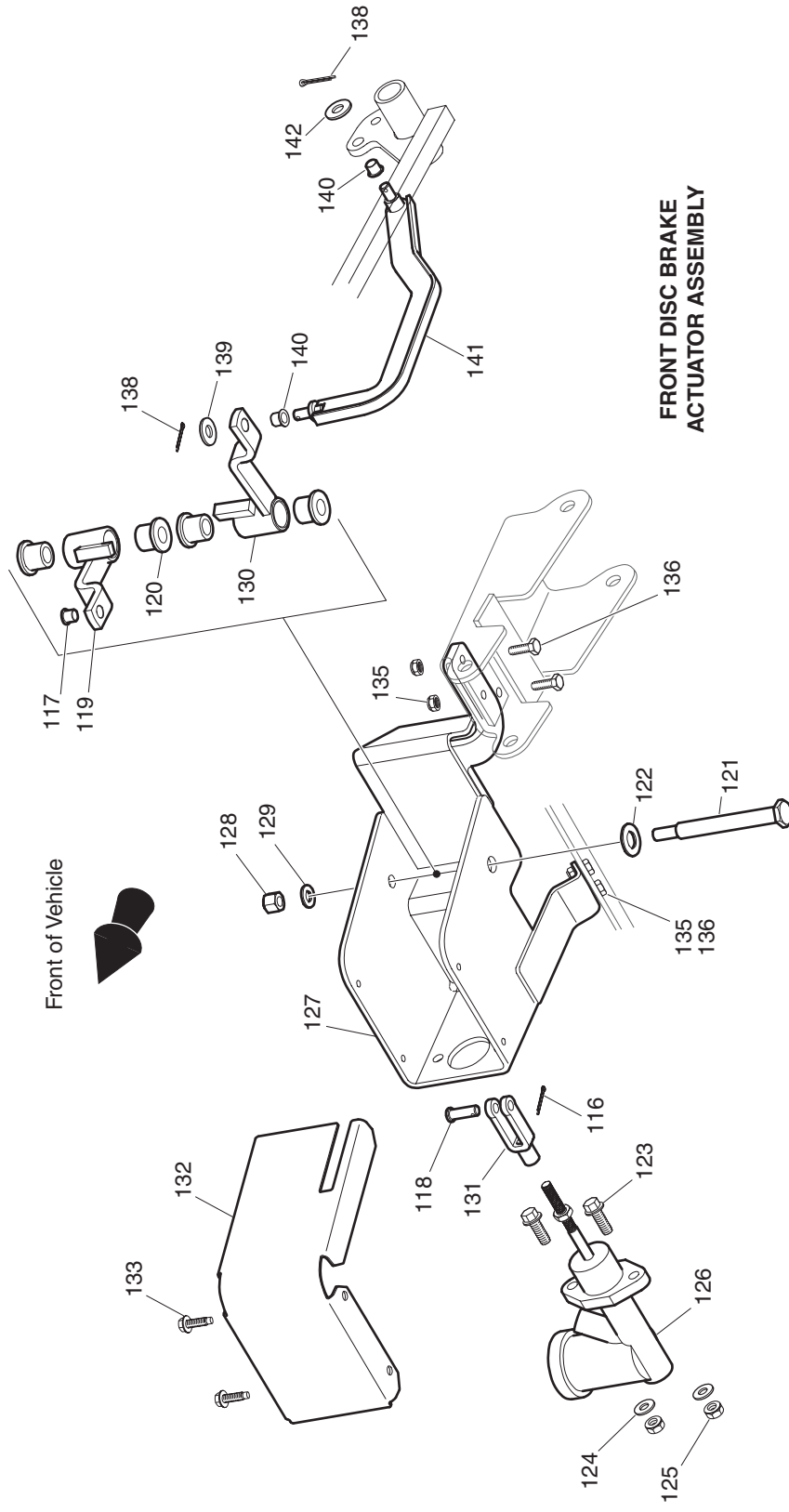
Ref Brh 21-1



# BRAKES - FRONT DISC



Ref Brh 21-3



**FRONT DISC BRAKE  
ACTUATOR ASSEMBLY**

115 - Includes 116 -133

Ref Brh 21-4

# BRAKES - FRONT DISC

THE USE OF NON U.L. PARTS WILL VOID ANY U.L. LISTING.

When ordering parts, please specify the model and serial number of the product.

\* Indicates a component that is not available as an individual part.

G\*\* Indicates consult Customer Service Department for additional information.

ITEM	PART NO.	1 2 3 4 5	DESCRIPTION	QTY.
1	74723-G01		BRAKE PEDAL ASSEMBLY (WITHOUT BRAKE LIGHTS) (INCLUDES ITEMS 2 - 11) .....	1
2	70681-G01		TORSION SPRING .....	2
3	70682-G01		PIVOT PIN .....	1
4	01071-G01		PUSHNUT, 5/16" .....	1
5	*		BRAKE PEDAL .....	1
6	74724-G01		PARK BRAKE PEDAL .....	1
7	70274-G01		BRAKE/PARK BRAKE PEDAL PAD KIT (INCLUDES ITEMS 8 - 10) .....	1
8	*		SERVICE BRAKE PAD .....	1
9	*		PARK BRAKE PEDAL PAD .....	1
10	16409-G1		OVAL RIVET, 3/16" X 15/32" LG .....	9
11	20835-G1		WASHER, TEFLON, 3/8" .....	2
12	70582-G01		SHOULDER BOLT, 3/8 - 16 X 4" LG .....	1
13	70581-G01		FLANGED BUSHING .....	2
14	70676-G01		TORSION SPRING .....	1
15	00643-G1		WASHER, 3/8" .....	1
16	11098-G5		LOCK NUT, 3/8 - 16 .....	1
17				
18	70272-G04		COMPENSATOR ASSEMBLY (INCLUDES ITEMS 19, 20) .....	1
19	00963-G01		SPHERICAL NUT, 5/16 - 24 .....	1
20	11098-G9		LOCK NUT, 5/16 - 24 .....	1
21				
22	70969-G03		EQUALIZER AND BRAKE CABLE ASSEMBLY (INCLUDES ITEMS 23 - 26)....	1
23	28082-G01		EQUALIZER BRACKET .....	1
24	28083-G01		BRAKE COMPENSATOR BUMPER.....	2
25	*		BRAKE CABLE (DRIVER SIDE).....	1
26	*		BRAKE CABLE (PASSENGER SIDE) .....	1
27				
28	12305-G1		RETAINING RING .....	4
29				

## BRAKES - FRONT DISC

THE USE OF NON U.L. PARTS WILL VOID ANY U.L. LISTING.

When ordering parts, please specify the model and serial number of the product.

\* Indicates a component that is not available as an individual part.

G\*\* Indicates consult Customer Service Department for additional information.

ITEM	PART NO.	1 2 3 4 5	DESCRIPTION	QTY.
30	10386-G3		CLEVIS PIN, 5/16" X 1" LG .....	3
31	10387-G3		COTTER PIN, 3/32" X 3/4" LG .....	3
32	14443-G2		CLEVIS PIN, 5/16" X 3/4" LG .....	2
33				
34	70601-G01		KICK-OFF LINK.....	1
35	17838-G1		NYLON BUSHING.....	2
36	20835-G1		TEFLON WASHER, 3/8" .....	2
37	00559-G8		WASHER, 5/16" .....	2
38	10387-G3		COTTER PIN, 3/32" X 3/4" LG .....	2
39	70098-G01		KICK-OFF CAM PIVOT .....	1
40	10097-G6		FLANGED BEARING .....	2
41	70587-G01		KICK-OFF CAM.....	1
42	71215-G01		SETSCREW, 1/4 - 20 X 1/2" LG.....	2
43	14134-G4		SPACER.....	1
44				
45	70113-G01		ADJUSTABLE BUMPER .....	1
46	11027-G1		LOCK NUT, 5/16 - 18 .....	1
47				
48	70080-G01		CATCH BRACKET .....	1
49	00414-G6		BOLT, 1/4 - 20 X 3/4" LG .....	2
50	00891-G2		LOCK NUT, 1/4 - 20 .....	2
51				
52				
53	74874-G01		BRAKE PEDAL ASSEMBLY (WITH BRAKE LIGHTS) (INCLUDES ITEMS 54 - 80).....	1
54	*		BRAKE PEDAL.....	1
55	74724-G01		PARK BRAKE PEDAL .....	1
56	70274-G01		BRAKE/PARK BRAKE PEDAL PAD KIT (INCLUDES ITEMS 57 - 59).....	1
57	*		SERVICE BRAKE PAD .....	1
58	*		PARK BRAKE PAD.....	1



# BRAKES - FRONT DISC

THE USE OF NON U.L. PARTS WILL VOID ANY U.L. LISTING.

When ordering parts, please specify the model and serial number of the product.

\* Indicates a component that is not available as an individual part.

G\*\* Indicates consult Customer Service Department for additional information.

ITEM	PART NO.	1	2	3	4	5	DESCRIPTION	QTY.
59	16409-G1						OVAL RIVET, 3/16" X 15/32" LG .....	9
60								
61	70258-G02						BRAKE PEDAL PLATE .....	1
62	70682-G01						PIVOT PIN .....	1
63	70681-G01						TORSION SPRING .....	2
64	01071-G01						PUSHNUT, 5/16" .....	1
65	00737-G8						SCREW, #10 - 24 X 1" LG .....	4
66	00739-G1						RUBBER NUT, #10 - 24.....	2
67	22362-G3						BRAKE PEDAL STANDOFF .....	2
68	27137-G01						CONICAL SPRING .....	2
69	11098-G7						LOCK NUT, #10 - 24.....	2
70	10606-G8						MICRO SWITCH.....	1
71	00957-G1						SCREW, #6 - 32 X 1 1/4" LG .....	2
72	00559-G5						WASHER, #10 .....	2
73	00559-G3						WASHER, #6 .....	4
74	00565-G3						LOCK WASHER, #6 .....	2
75	00525-G5						NUT, #6 - 32.....	2
76	13514-G1						SCREW AND LOCK WASHER, #6.....	2
77	20835-G1						WASHER, TEFLON, 3/8" .....	2
78	14628-G1						FASTON TAB.....	2
79	24605-G1						WIRE HARNESS (BRAKE LIGHT) .....	1
80	17618-G1						WIRE TIE .....	3
81								
82	74731-G02						SPRING PLATE (PASSENGER SIDE) .....	1
83	74731-G01						SPRING PLATE (DRIVER SIDE).....	1
84	74730-G01						FOUR LINK ROD.....	2
85	01084-G01						LOCK NUT, M10-1.25 .....	4
86	74736-G01						BRAKE LINE.....	1
87	01038-G01						SCREW, 1/4 - 20 X 4444" LG .....	1
88	74875-G01						WIRE RETAINER.....	2

## BRAKES - FRONT DISC

THE USE OF NON U.L. PARTS WILL VOID ANY U.L. LISTING.

When ordering parts, please specify the model and serial number of the product.

\* Indicates a component that is not available as an individual part.

G\*\* Indicates consult Customer Service Department for additional information.

ITEM	PART NO.	1 2 3 4 5	DESCRIPTION	QTY.
89				
90	74677-G01		SPINDLE, CALIPER AND DISC HUB ASSEMBLY (DRIVER SIDE) (INCLUDES ITEMS 91 - 103).....	1
91	74672-G01		DISC BRAKE SPINDLE (DRIVER SIDE) .....	1
92	74733-G02		CALIPER (DRIVER SIDE) .....	1
93	12093-G1		SLOTTED NUT .....	1
94	74864-G01		DRIVE FLANGE STUD.....	4
95	11750-G2		ROLLER BEARING .....	2
96	51141-G1		BEARING RACE.....	2
97	74673-G01		DISC BRAKE HUB.....	1
98	70648-G01		FLANGED BEARING.....	1
99	00565-G8		WASHER, 3/8" .....	2
100	00426-G8		BOLT, 3/8 - 16 X 1.....	2
101	70749-G01		BEARING.....	1
102	00798-G8		COTTER PIN .....	1
103	25146-G1		GREASE SEAL.....	1
104				
105	74676-G01		SPINDLE, CALIPER AND DISC HUB ASSEMBLY (PASSENGER SIDE) (INCLUDES ITEMS 93 - 103, 106, 107).....	1
106	74671-G01		DISC BRAKE SPINDLE (PASSENGER SIDE).....	1
107	74733-G01		CALIPER (PASSENGER SIDE).....	1
108	74948-G01		DISC BRAKE SERVICE HUB (INCLUDES ITEMS 94 - 97, 103).....	1
109	70745-G01		KINGPIN TUBE .....	2
110	70754-G01		THRUST WASHER .....	2
111	00560-G3		WASHER, 1/2" .....	4
112	14390-G6		LOCKNUT, 1/2 - 13 .....	2
113	00407-G6		CAPSCREW, 1/2 - 13 X 6" LG .....	2
114				
115	74702-G01		FRONT DISC BRAKE BRAKE ACTUATOR ASSEMBLY (INCLUDES ITEMS 116 - 133).....	1
116	10387-G3		COTTER PIN, 3/32 X 3/4" LG.....	1

# BRAKES - FRONT DISC

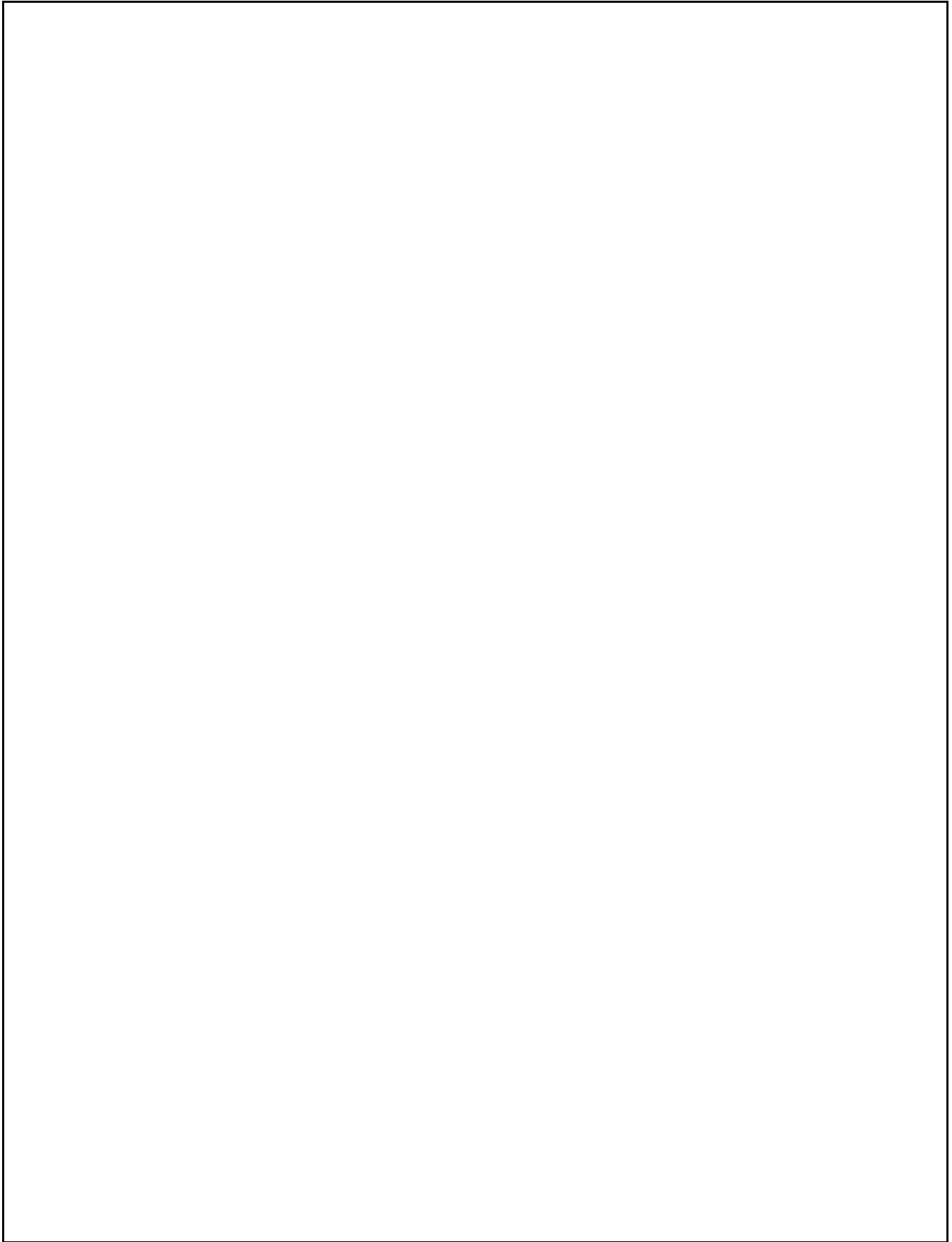
THE USE OF NON U.L. PARTS WILL VOID ANY U.L. LISTING.

When ordering parts, please specify the model and serial number of the product.

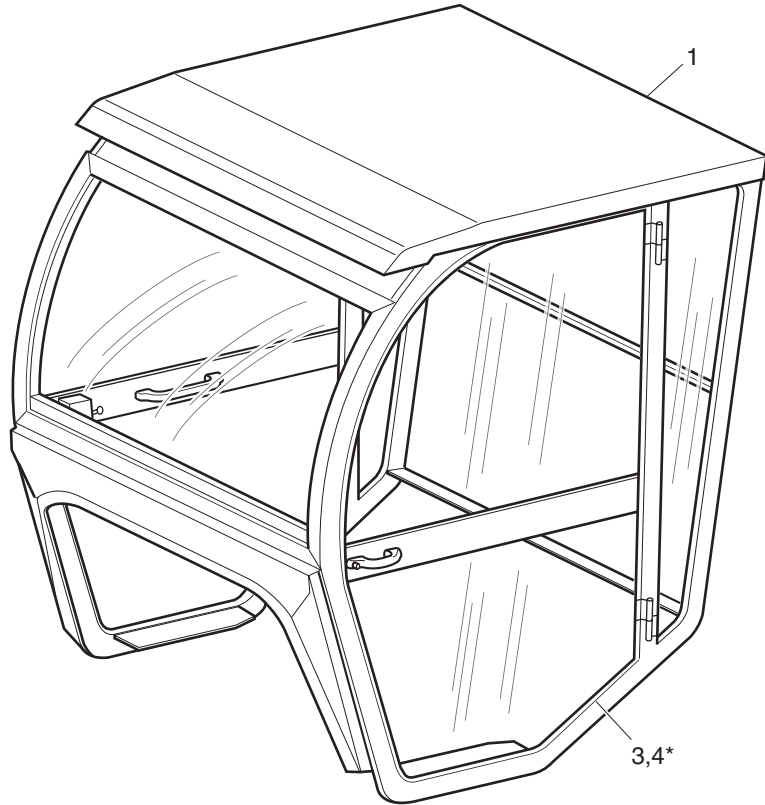
\* Indicates a component that is not available as an individual part.

G\*\* Indicates consult Customer Service Department for additional information.

ITEM	PART NO.	1	2	3	4	5	DESCRIPTION	QTY.
117	17838-G1						NYLON BUSHING .....	1
118	10386-G3						CLEVIS PIN, 5/16 X 1" LG.....	1
119	74753-G01						UPPER ACTUATOR PIVOT .....	1
120	70581-G02						ACETAL BUSHING .....	4
121	74711-G01						SHOULDER BOLT .....	1
122	00560-G3						WASHER, 1/2" .....	1
123	13437-G3						BOLT, 1/2 - 13 X 6" LG.....	2
124	00679-G2						WASHER, 5/16" STAINLESS .....	2
125	00654-G3						LOCKNUT, 5/16 - 18.....	2
126	74742-G01						MASTER CYLINDER.....	1
127	74703-G01						BRAKE ACTUATOR ASSEMBLY HOUSING .....	1
128	11098-G5						LOCKNUT, 3/8 - 16.....	1
129	00679-G1						WASHER, 3/8" STAINLESS .....	1
130	74707-G01						LOWER ACTUATOR PIVOT.....	1
131	10385-G4						CLEVIS YOKE .....	1
132	74873-G01						BRAKE ACTUATOR ASSEMBLY COVER .....	1
133	01038-G01						SCREW, 1/4 -20 SWAGEFORM.....	4
134								
135	00414-G8						BOLT, 1/4 - 20 X 1 1/4" LG .....	4
136	00891-G2						LOCKNUT, 1/4 - 20 .....	4
137								
138	10387-G3						COTTER PIN, 3/32 X 3/4 .....	2
139	20835-G1						WASHER, NYLON .....	1
140	17838-G1						NYLON BUSHING.....	2
141	74865-G01						ACTUATOR LINKAGE .....	1
142	00771-G5						WASHER, 3/8" .....	1
143	74917-G01						DISC BRAKE PAD AND PIN KIT (SERVICES ONE CORNER) (INCLUDES ITEMS 144 - 145).....	1
144	*						BRAKE PADS .....	2
145	*						BRAKE PAD RETAINER PINS .....	2



# CAB



CAB

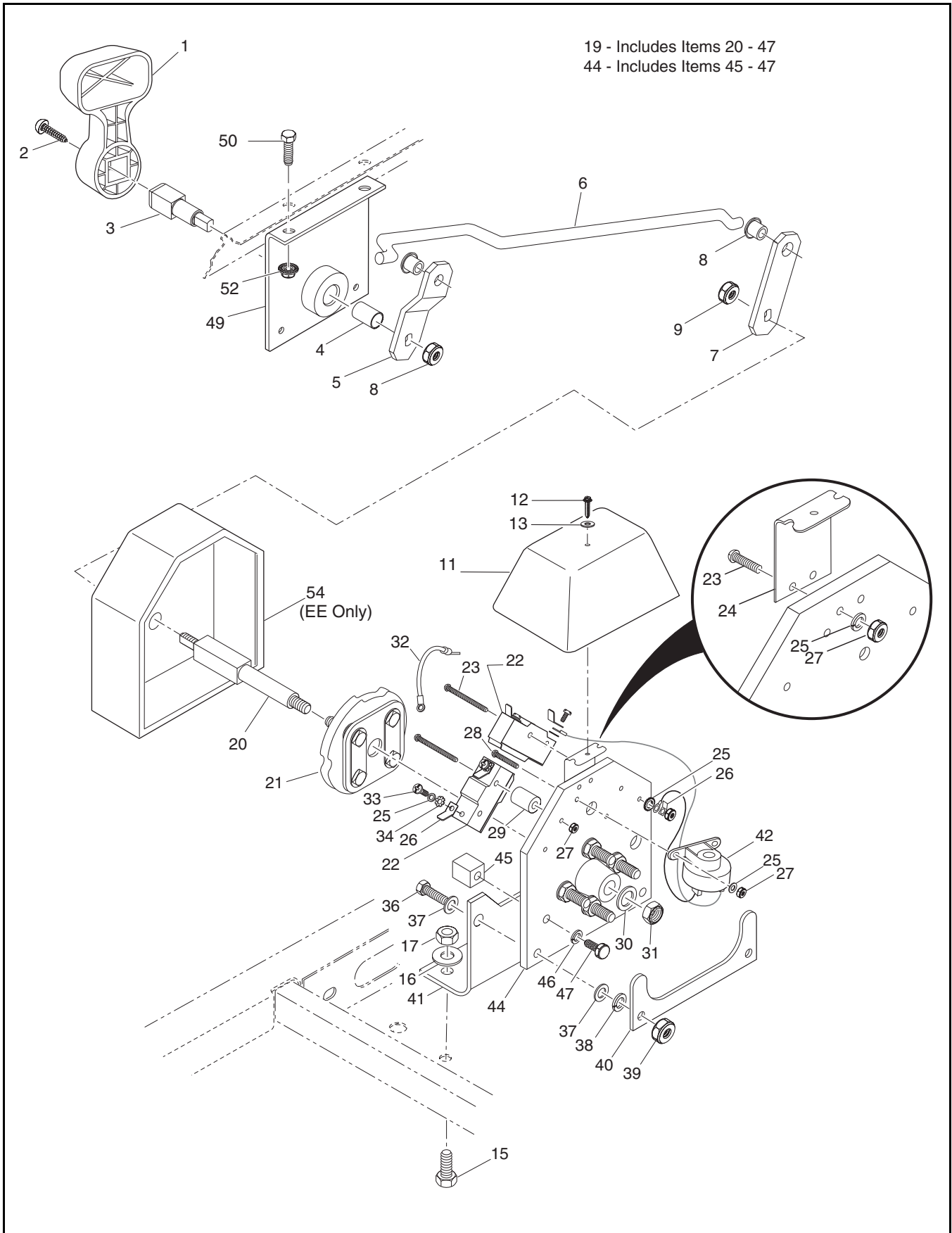
\*Steel Doors Shown

For Cab Accessories, See ACCESSORIES LISTING in Appendix B

THE USE OF NON U.L. PARTS WILL VOID ANY U.L. LISTING.  
 When ordering parts, please specify the model and serial number of the product.  
 \* Indicates a component that is not available as an individual part.  
 G\*\* Indicates consult Customer Service Department for additional information.

ITEM	PART NO.	1 2 3 4 5	DESCRIPTION	QTY.
1	72684-G**		STEEL CAB (WITHOUT DOORS) REPACEMENT PARTS AND ACCESSORIES MAY BE OBTAINED FROM CURTIS CAB, INC. ....	1
2				
3	75855-G01		VINYL DOOR KIT.....	1
4	75856-G**		STEEL DOOR KIT.....	1
<p>For Cab replacement parts and accessories, contact Curtis Cab at:                      Curtis Cab, Inc. 111 Higgins Street, Worcester, Massachusetts, 01606.                      Tel.: 508-853-2200. Toll free: 800-343-7676.                      www.curtiscab.com</p>				

# DIRECTION SELECTOR



# DIRECTION SELECTOR

THE USE OF NON U.L. PARTS WILL VOID ANY U.L. LISTING.

When ordering parts, please specify the model and serial number of the product.

\* Indicates a component that is not available as an individual part.

G\*\* Indicates consult Customer Service Department for additional information.

ITEM	PART NO.	1 2 3 4 5	DESCRIPTION	QTY.
1	71205-G01		DIRECTION SELECTOR HANDLE.....	1
2	00740-G4		SCREW, #10 - 32 X 1/2" LG (STAINLESS STEEL) .....	1
3	70233-G01		DIRECTION SELECTOR SHAFT.....	1
4	25664-G2		BUSHING .....	1
5	70334-G01		OFFSET SHIFT LINKAGE ARM .....	1
6	70313-G01		LINKAGE ROD.....	1
7	70232-G03		SHIFT LINKAGE ARM .....	1
8	22754-G3		BUSHING .....	2
9	14390-G1		LOCK NUT, 3/8 - 24 .....	2
10				
11	73049-G01		COVER.....	1
12	00114-G6		SCREW, 1/4 - 14 x 3/4" LG.....	1
13	16469-G1		WASHER, 1/4" .....	1
14				
15	00438-G6		BOLT, 5/16 - 18 X 3/4" LG. ....	2
16	01110-G03		WASHER, 5/16" (STAINLESS STEEL) .....	2
17	01109-G01		LOCK NUT, 5/16 - 18 (STAINLESS STEEL) .....	2
18				
19	70578-G02		DIRECTION SELECTOR ASSEMBLY (INCLUDES ITEMS 20 - 47) .....	1
20	73027-G01		DIRECTION SELECTOR SHAFT .....	1
21	12835-G1		CAM.....	1
22	10606-G2		MICRO SWITCH.....	2
23	00645-G7		SCREW, #6 - 32 X 2" LG. ....	4
24	73048-G01		COVER BRACKET .....	1
25	00565-G3		LOCK WASHER, #6 .....	8
26	14628-G1		FASTON TAB.....	4
27	00525-G5		NUT, #6 - 32.....	8
28	00645-G5		SCREW, #6 - 32 X 3/4" LG. ....	3
29	12806-G1		SPACER .....	4
30	00560-G1		WASHER, 3/8" .....	1



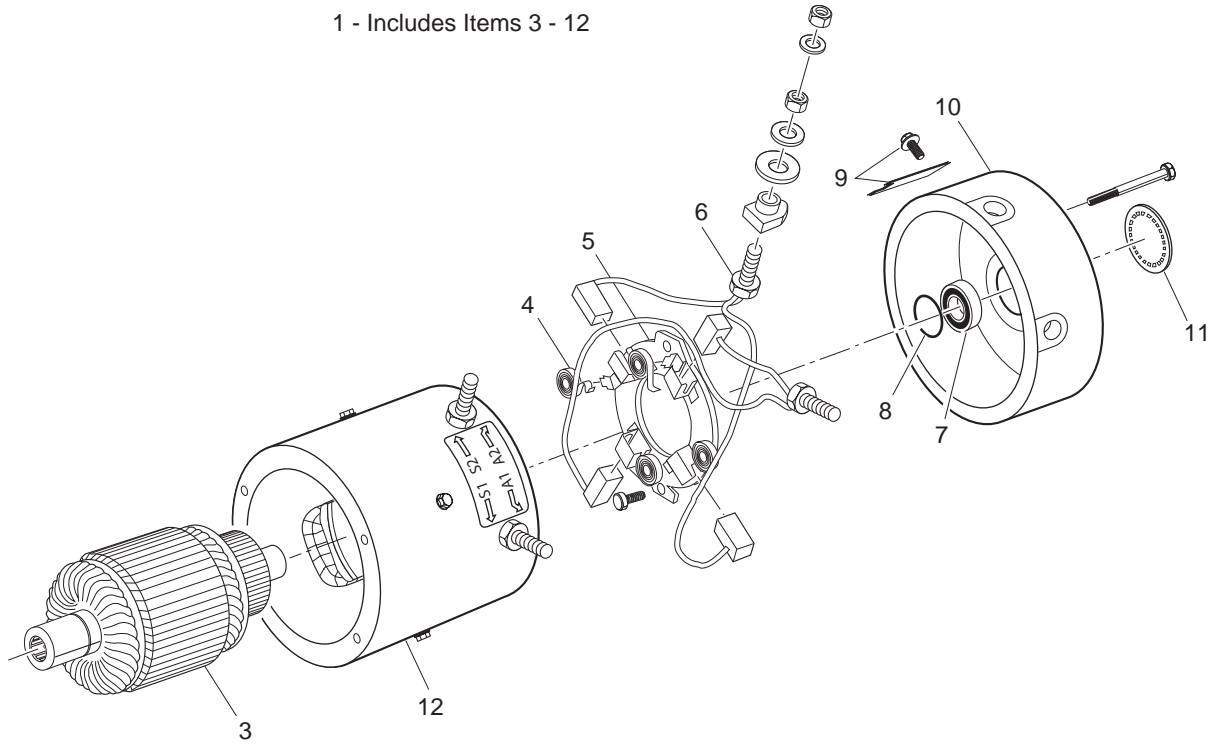
# DIRECTION SELECTOR

THE USE OF NON U.L. PARTS WILL VOID ANY U.L. LISTING.  
 When ordering parts, please specify the model and serial number of the product.  
 \* Indicates a component that is not available as an individual part.  
 G\*\* Indicates consult Customer Service Department for additional information.

ITEM	PART NO.	1	2	3	4	5	DESCRIPTION	QTY.
31	14390-G1						LOCK NUT, 3/8 - 24 .....	2
32	25978-G37						18 GA WIRE (RED 6") .....	1
33	*						SCREW.....	4
34	00567-G3						LOCK WASHER, #6 .....	4
35								
36	00661-G8						BOLT, 1/4 - 20 X 1" LG (STAINLESS STEEL) .....	2
37	01110-G01						WASHER, 1/4" (STAINLESS STEEL).....	4
38	00664-G7						LOCK WASHER, 1/4" (STAINLESS STEEL).....	2
39	00532-G1						NUT, 1/4 - 20.....	2
40	15461-G1						SUPPORT BRACKET.....	1
41	73031-G01						DIRECTION SELECTOR MOUNTING BRACKET .....	1
42	73290-G02						REVERSE WARNING BUZZER .....	1
43								
44	14651-G1						CONTACT BOARD ASSEMBLY (INCLUDES ITEMS 45 - 47) .....	1
45	24940-G1						STOP .....	2
46	00664-G7						LOCK WASHER, 1/4" (STAINLESS STEEL) .....	2
47	00414-G6						BOLT, 1/4 - 20 X 3/4" LG. ....	2
48								
49	70444-G02						BRACKET .....	1
50	28272-G01						BOLT, 1/4 - 20 X 5/8" LG .....	2
51								
52	11027-G2						LOCK NUT, 1/4 - 20 .....	2



# ELECTRIC MOTOR



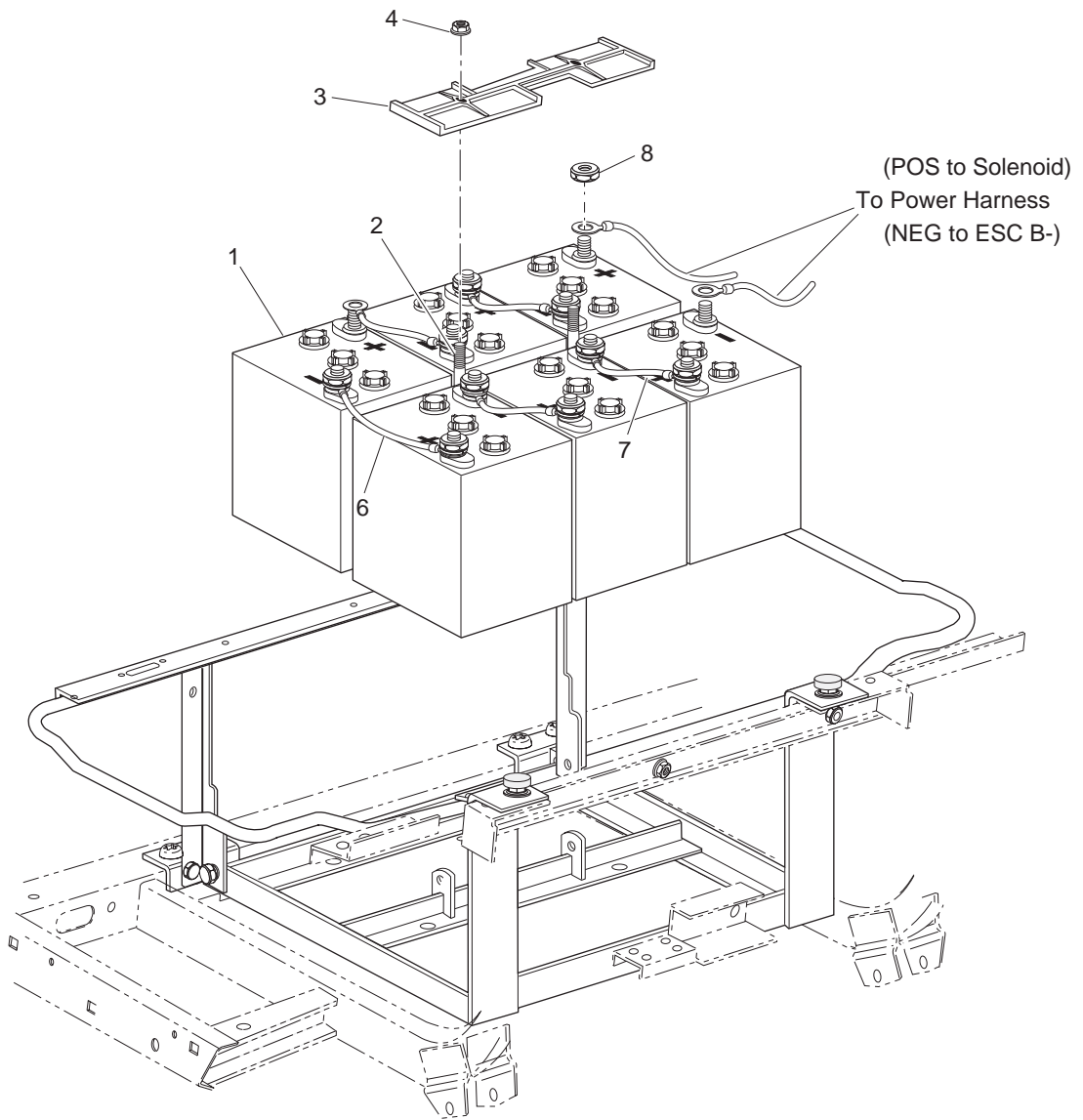
Ref Mtr 3-1

# ELECTRIC MOTOR

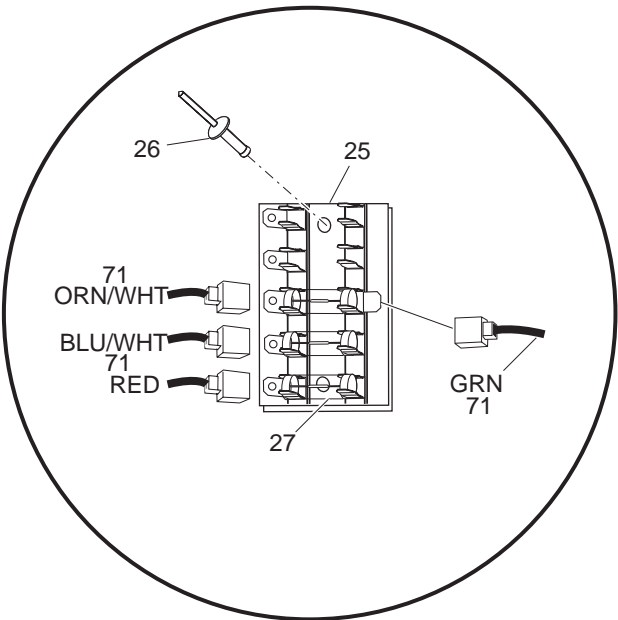
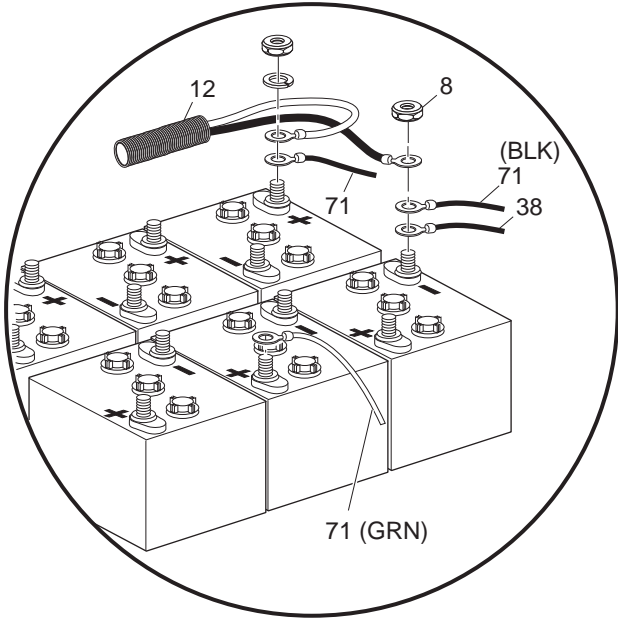
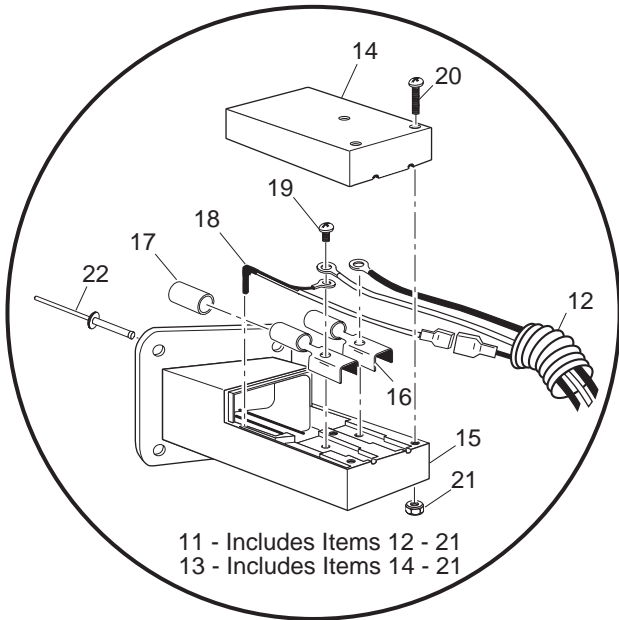
THE USE OF NON U.L. PARTS WILL VOID ANY U.L. LISTING.  
 When ordering parts, please specify the model and serial number of the product.  
 \* Indicates a component that is not available as an individual part.  
 G\*\* Indicates consult Customer Service Department for additional information.

ITEM	PART NO.	1 2 3 4 5	DESCRIPTION	QTY.
1	73445-G01		MOTOR (SERIES, FLEET SPEED) (INCLUDES ITEMS 3 - 12) .....	1
2				
3	73120-G01		ARMATURE .....	1
4	73120-G03		BRUSH SPRING.....	4
5	73120-G15		BRUSH PLATE AND BOX .....	1
6	73120-G25		BRUSH REPLACEMENT KIT (INCLUDES HARDWARE) .....	1
7	73120-G07		BEARING .....	1
8	73120-G06		SNAP RING .....	1
9	73120-G09		COVER PLATE AND SCREW .....	1
10	73120-G08		COVER COMMUTATOR END.....	1
11	73120-G16		CAP.....	1
12	73120-G29		FRAME AND FIELD COIL (INCLUDES HARDWARE).....	1

# ELECTRICAL SYSTEM

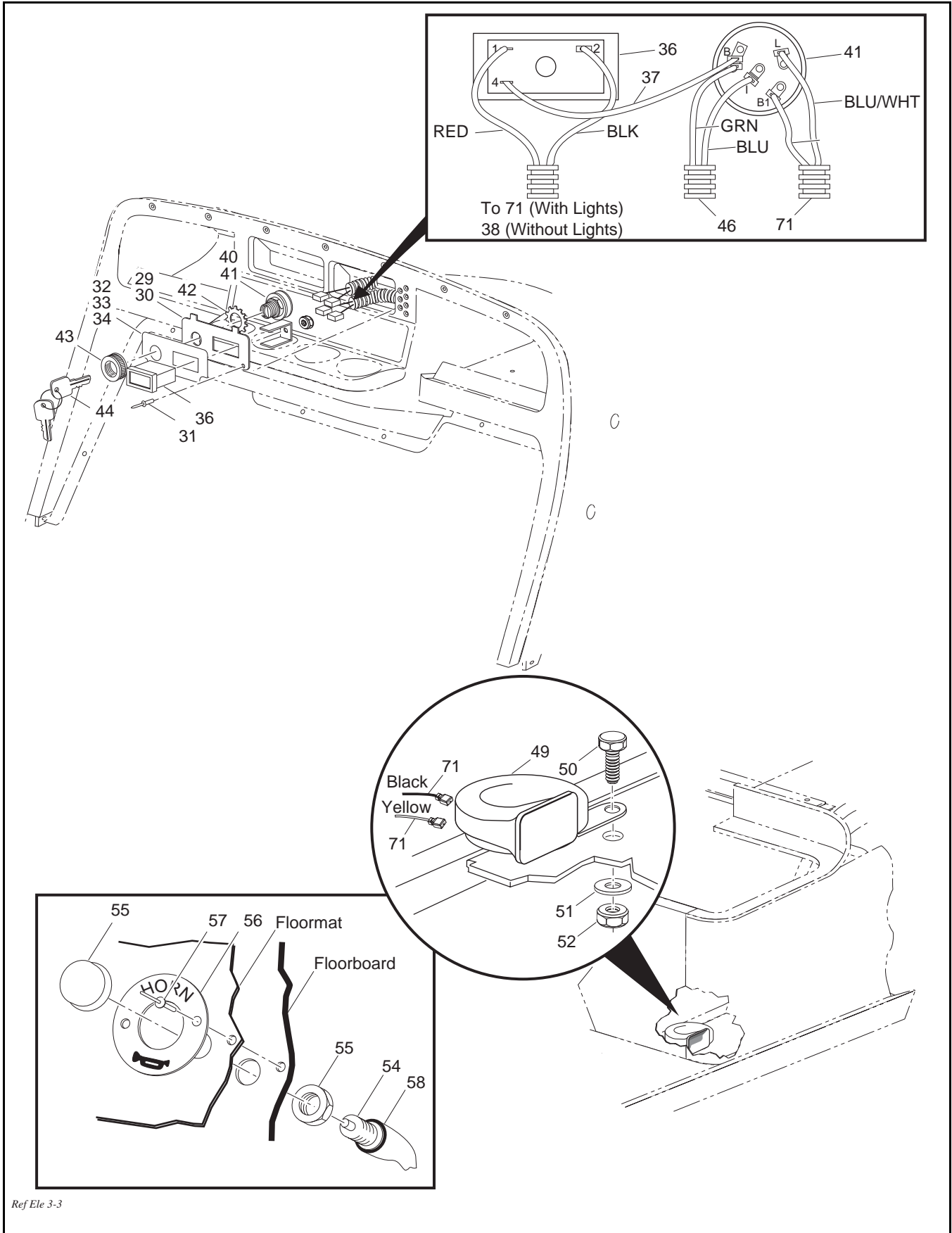


Ref Ele 3-1

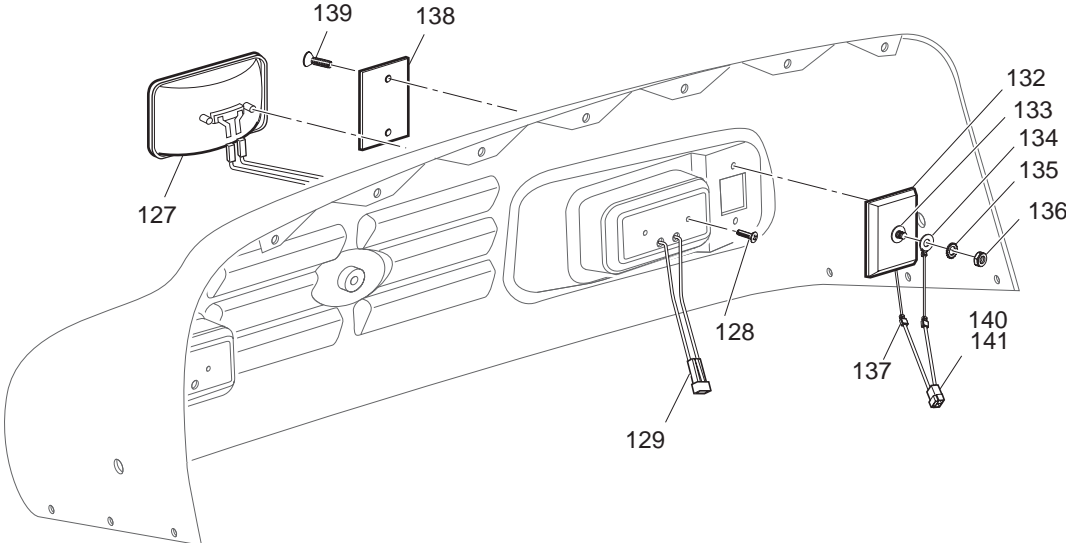


Ref Ele 3-2

# ELECTRICAL SYSTEM

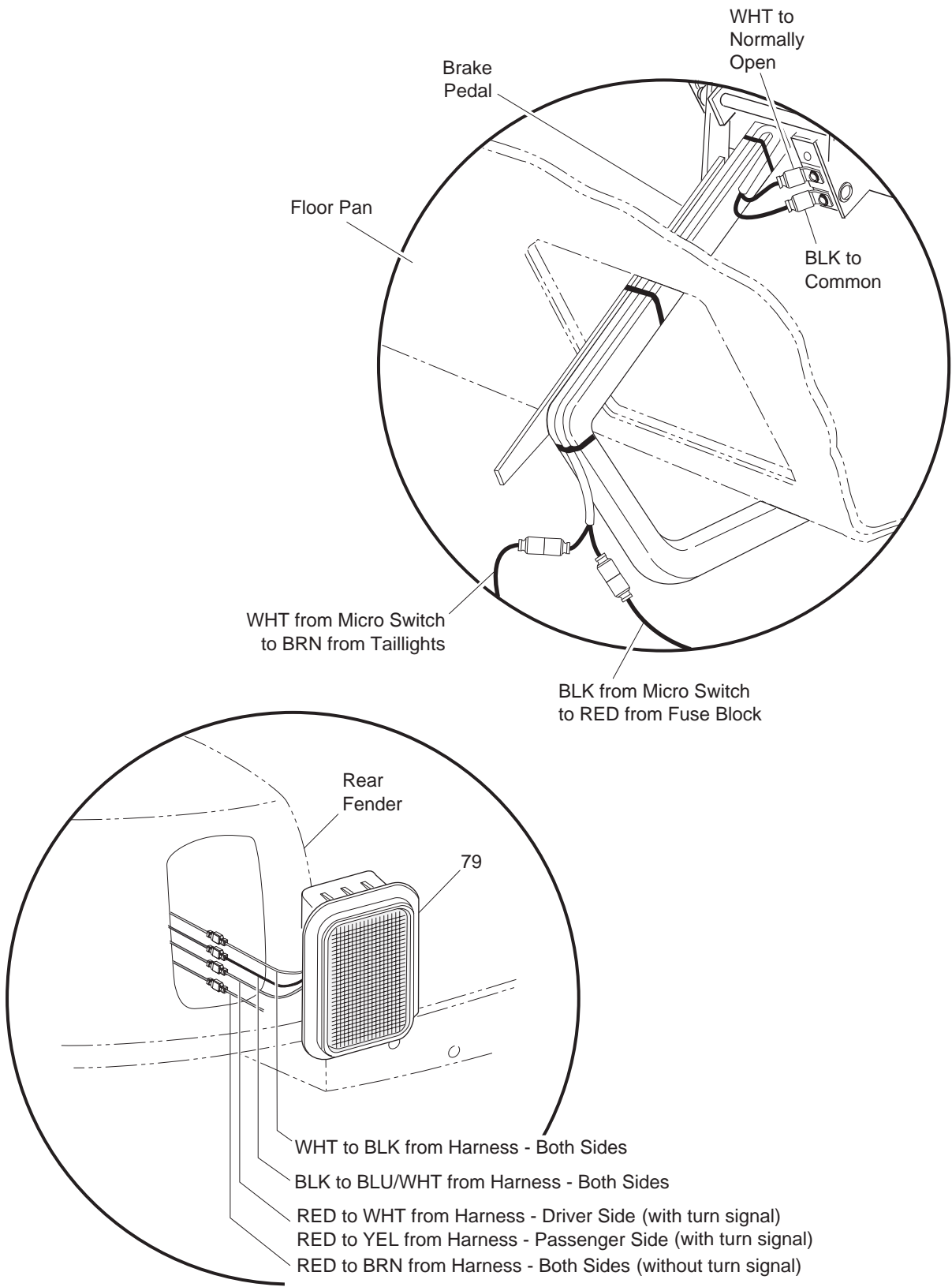


Ref Ele 3-3

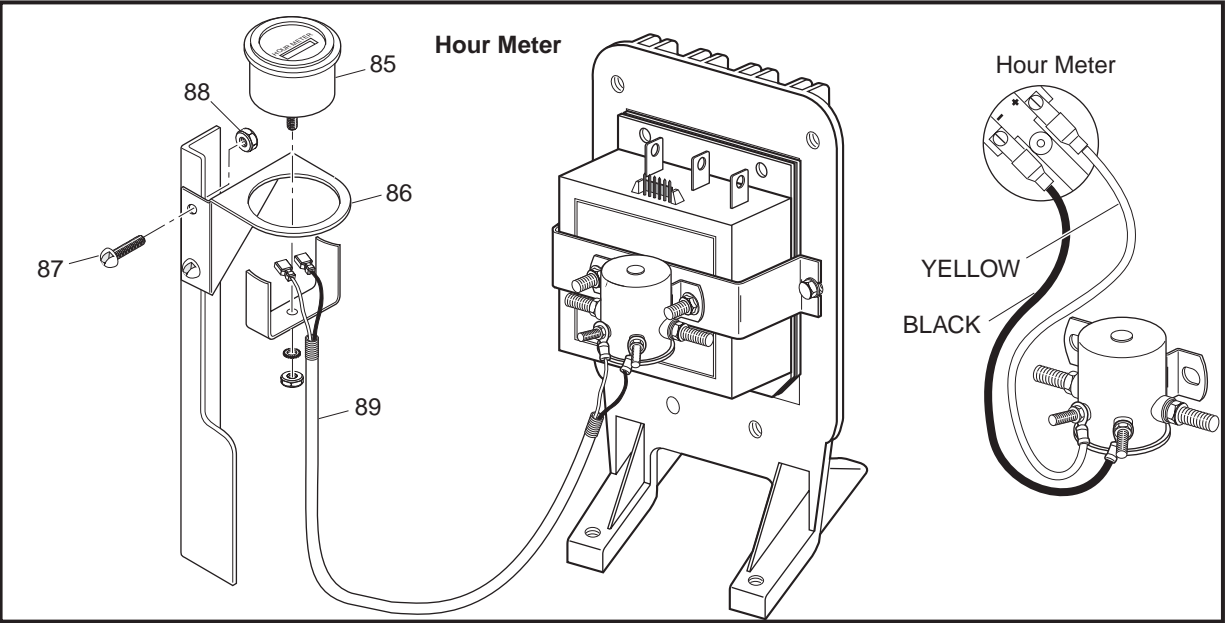
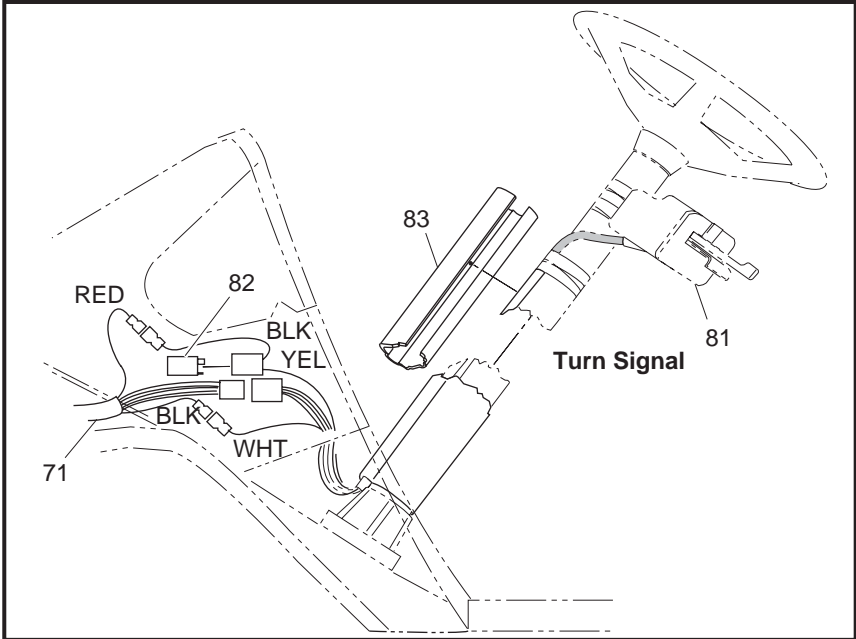




# ELECTRICAL SYSTEM

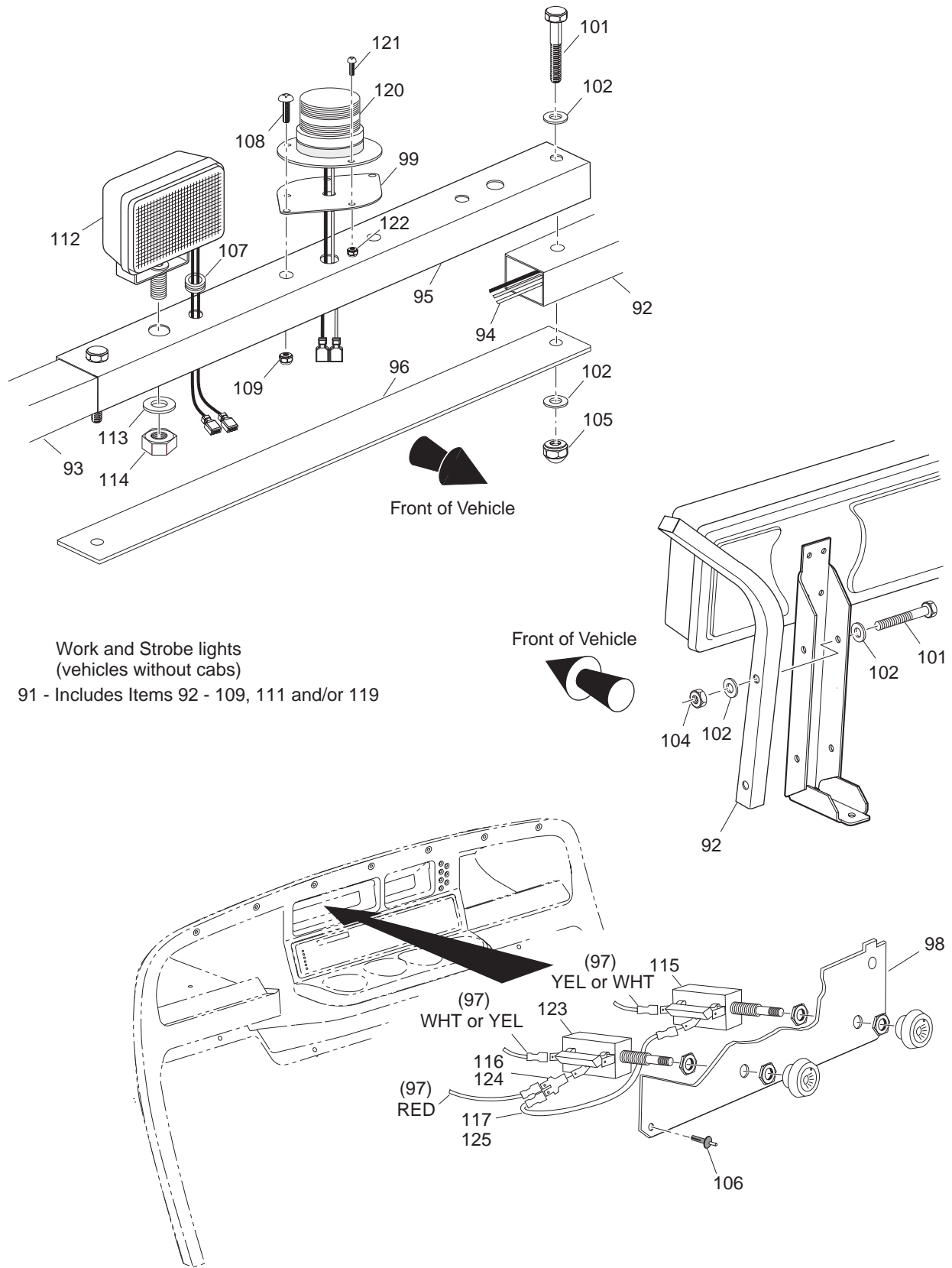


Ref Ele 3-5



Ref Ele 3-6

# ELECTRICAL SYSTEM



# ELECTRICAL SYSTEM

THE USE OF NON U.L. PARTS WILL VOID ANY U.L. LISTING.  
 When ordering parts, please specify the model and serial number of the product.  
 \* Indicates a component that is not available as an individual part.  
 G\*\* Indicates consult Customer Service Department for additional information.

ITEM	PART NO.	1 2 3 4 5	DESCRIPTION	QTY.
1	XXXXX-G**		BATTERY (6 VOLT).....	6
2	01101-G01		HOLD DOWN BOLT (STAINLESS STEEL).....	2
3	70045-G01		BATTERY RETAINER .....	1
4	11027-G1		LOCK NUT, 5/16 - 18 .....	2
5				
6	25972-G32		6 GA WIRE (BLACK 10 1/2") .....	1
7	25972-G40		6 GA WIRE (BLACK 6") .....	4
8	00702-G2		NUT, 5/16 - 18 .....	12
9				
10				
11	73063-G01		CHARGER WIRE HARNESS/RECEPTACLE ASSEMBLY (PORTABLE CHARGER) (INCLUDES ITEMS 12 - 21) .....	1
12	73082-G01		CHARGER HARNESS.....	1
13	73051-G01		CHARGER RECEPTACLE (INCLUDES ITEMS 14 - 21).....	1
14	73051-G03		RECEPTACLE COVER .....	1
15	73051-G04		RECEPTACLE BOTTOM .....	1
16	73051-G05		FEMALE CONTACT .....	2
17	73051-G06		INSULATOR SLEEVE .....	1
18	25978-G25		RED JUMPER WIRE.....	1
19	73051-G08		SCREW, #10 - 32 X 1/2" LG. (BRASS, BINDING HEAD) .....	2
20	73051-G09		SCREW, #6 - 32 X 1 3/4" LG. (STAINLESS STEEL).....	3
21	73051-G10		LOCK NUT, #6-32 .....	3
22	71055-G01		RIVET, 3/16" X 1" LG (ALUMINUM).....	4
23	17618-G1		WIRE TIE (NOT ILLUSTRATED) .....	3
24				
25	22674-G1		FUSE BLOCK.....	1
26	01041-G01		RIVET, 5/32" X 3/8" LG .....	2
27	18392-G1		FUSE, 15 AMP .....	3
28				
29	73030-G01		PLATE (IGNITION SWITCH ONLY) .....	1

# ELECTRICAL SYSTEM

THE USE OF NON U.L. PARTS WILL VOID ANY U.L. LISTING.

When ordering parts, please specify the model and serial number of the product.

\* Indicates a component that is not available as an individual part.

G\*\* Indicates consult Customer Service Department for additional information.

ITEM	PART NO.	1 2 3 4 5	DESCRIPTION	QTY.
30	73030-G02		PLATE (IGNITION WITH STATE OF CHARGE METER).....	1
31	33623-G02		DRIVE RIVET, 3/16 X 3/8" LG.....	2
32	71181-G02		DECAL (WITHOUT LIGHTS) .....	1
33	71123-G01		DECAL (WITHOUT LIGHTS, WITH STATE OF CHARGE METER) .....	1
34	71129-G01		DECAL (WITH LIGHTS AND STATE OF CHARGE METER) .....	1
35				
36	33636-G01		STATE OF CHARGE METER .....	1
37	25978-G74		18 GA WIRE (RED 6").....	1
38	74018-G01		STATE OF CHARGE METER HARNESS.....	1
39				
40	18602-G1		IGNITION SWITCH (WITHOUT LIGHTS) .....	1
41	33639-G01		IGNITION SWITCH (WITH LIGHTS).....	1
42	00568-G6		LOCK WASHER, 3/4" .....	1
43	17137-G1		FACE NUT, 3/4 - 20.....	1
44	17063-G1		IGNITION KEY (SET).....	A/R
45				
46	73041-G01		IGNITION SWITCH HARNESS.....	1
47	17618-G1		WIRE TIE (NOT ILLUSTRATED) .....	1
48				
49	32860-G1		HORN.....	1
50	00414-G5		BOLT, 1/4 - 20 X 5/8" LG .....	1
51	01110-G01		WASHER, 1/4" (STAINLESS STEEL) .....	1
52	00654-G2		LOCK NUT, 1/4 - 20 (STAINLESS STEEL) .....	1
53				
54	17318-G1		HORN SWITCH (INCLUDES ITEM 55) .....	1
55	17318-G2		BUTTON AND NUT .....	1
56	19233-G1		HORN SWITCH PLATE.....	1
57	71055-G01		RIVET, 3/16 X 1" LG (ALUMINUM) .....	2
58	27068-G01		HORN SWITCH BOOT .....	1
59				

# ELECTRICAL SYSTEM

THE USE OF NON U.L. PARTS WILL VOID ANY U.L. LISTING.  
 When ordering parts, please specify the model and serial number of the product.  
 \* Indicates a component that is not available as an individual part.  
 G\*\* Indicates consult Customer Service Department for additional information.

ITEM	PART NO.	1 2 3 4 5	DESCRIPTION	QTY.
60				
61				
62				
63				
64				
65				
66				
67				
68				
69				
70				
71	73044-G01		WIRE HARNESS (ACCESSORY).....	1
72	17618-G1		WIRE TIE (NOT ILLUSTRATED) .....	5
73	31539-G1		WIRE TIE (NOT ILLUSTRATED) .....	6
74				
75				
76				
77				
78				
79	32739-G2		STOP/TAIL LIGHT .....	2
80				
81	17867-G1		TURN SIGNAL (WITH MOUNTING HARDWARE) (INCLUDES ITEM 82) .....	1
82	21640-G1		FLASHER .....	1
83	20965-G3		STEERING COLUMN COVER.....	1
84				
85	21573-G1		HOUR METER .....	1
86	74019-G01		BRACKET .....	1
87	00150-G4		SCREW. #10 - 24 X 1/2" LG.....	2
88	11098-G7		NUT, #10 - 24 .....	2
89	75117-G02		WIRE HARNESS (HOUR METER) .....	1

# ELECTRICAL SYSTEM

THE USE OF NON U.L. PARTS WILL VOID ANY U.L. LISTING.

When ordering parts, please specify the model and serial number of the product.

\* Indicates a component that is not available as an individual part.

G\*\* Indicates consult Customer Service Department for additional information.

ITEM	PART NO.	1	2	3	4	5	DESCRIPTION	QTY.
90								
91	71323-G**						WORK LIGHT BAR WITH LIGHTS AND/OR STROBE (INCLUDES ITEMS 92 - 109, 111 AND/OR 119) .....	1
92	75838-G03						STRUT (DRIVER SIDE).....	1
93	75838-G04						STRUT (PASSENGER SIDE) .....	1
94	75346-G01						WIRE HARNESS (WORK LIGHT) .....	1
95	71294-G02						BRACE.....	1
96	71293-G02						COVER PLATE .....	1
97	75430-G01						SWITCH HARNESS .....	1
98	71077-G**						LIGHT SWITCH PLATE .....	1
99	33201-G02						STROBE LIGHT MOUNT (USED ONLY WITH STROBE LIGHT) .....	1
100	75365-G01						HARDWARE KIT (INCLUDES ITEMS 101 - 109).....	1
101	00685-G7						BOLT, 5/16 - 18 X 1 3/4" LG (STAINLESS STEEL).....	6
102	00660-G8						WASHER, 5/16" (STAINLESS STEEL) .....	12
103	15121-G1						WASHER, 3/8" X 1 1/4" .....	2
104	11098-G6						LOCK NUT, 5/16 - 18 (STAINLESS STEEL) .....	4
105	00918-G3						ACORN NUT, 5/16 - 18 .....	2
106	33623-G02						DRIVE RIVET, 3/16" X 3/8" LG.....	3
107	20367-G1						GROMMET .....	2
108	16705-G3						SCREW, 1/4 - 20 X 3/4" LG (STAINLESS STEEL) .....	2
109	14390-G4						LOCK NUT, 1/4 - 20 .....	2
110								
111	20383-G2						WORK LIGHT KIT (INCLUDES ITEMS 112-117) .....	1
112	20209-G2						WORK LIGHT (RECTANGULAR) .....	2
113	00566-G3						LOCK WASHER, 1/2" .....	2
114	00533-G1						NUT, 1/2 - 13 .....	2
115	17317-G1						LIGHT SWITCH.....	1
116	17902-G1						TAB ADAPTER.....	1
117	20053-G1						16 GA WIRE (RED 5 3/8").....	1
118								

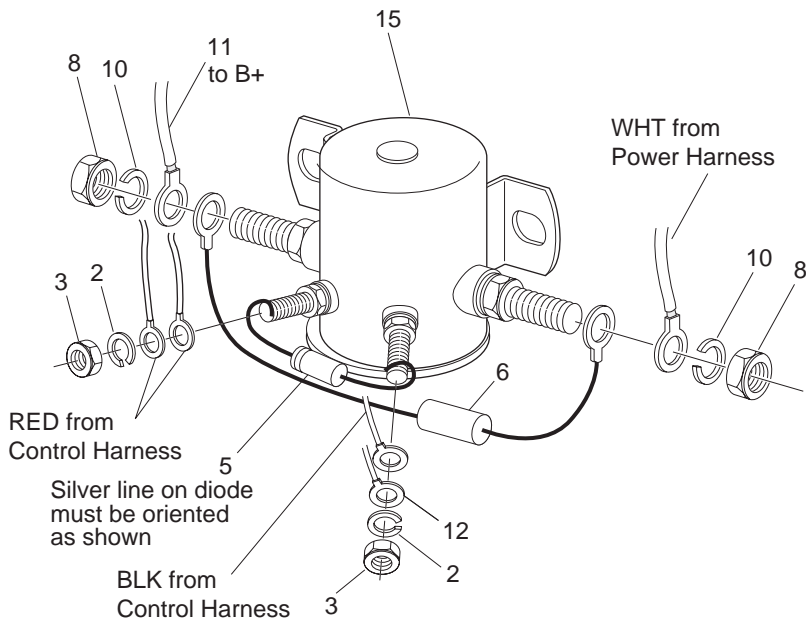
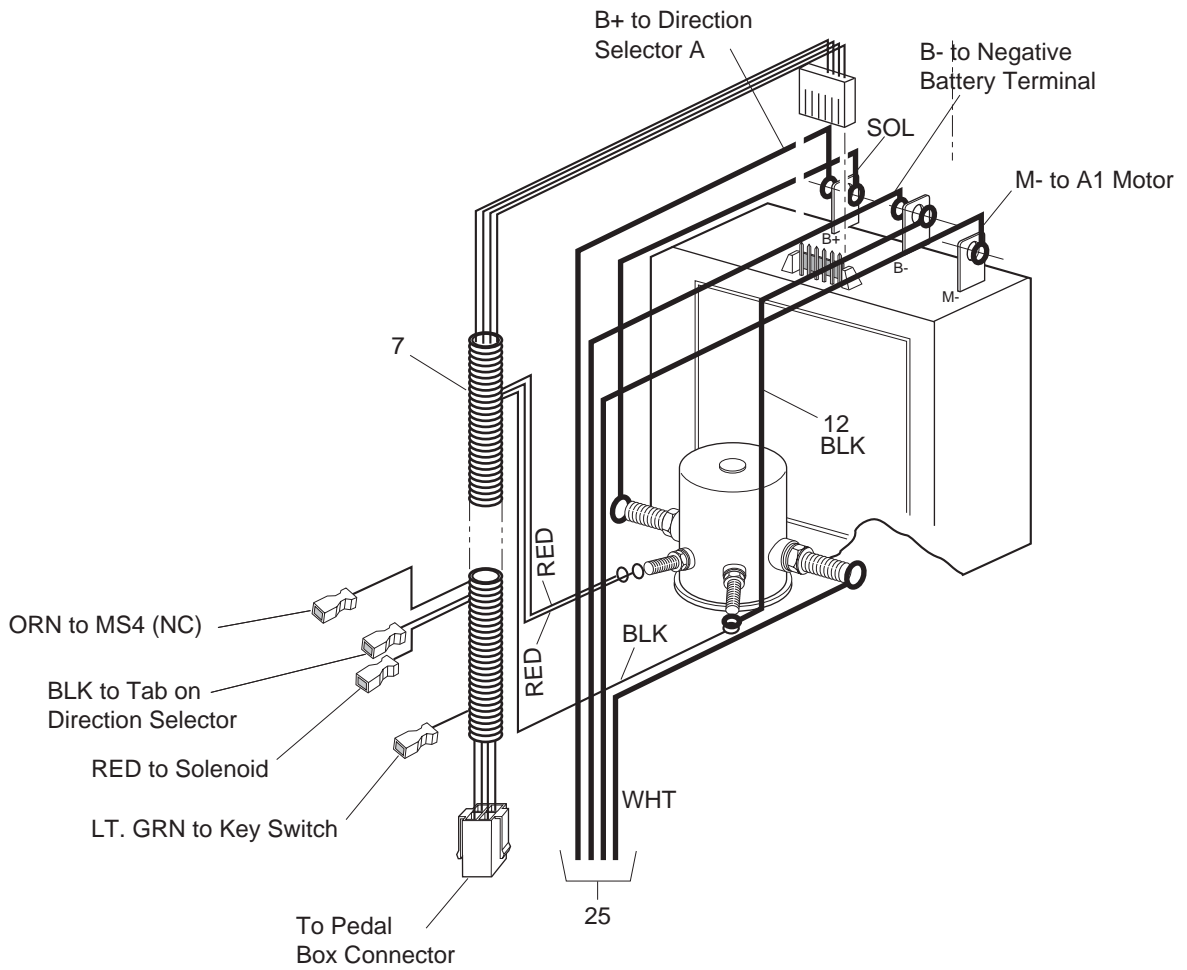
# ELECTRICAL SYSTEM

THE USE OF NON U.L. PARTS WILL VOID ANY U.L. LISTING.  
 When ordering parts, please specify the model and serial number of the product.  
 \* Indicates a component that is not available as an individual part.  
 G\*\* Indicates consult Customer Service Department for additional information.

ITEM	PART NO.	1	2	3	4	5	DESCRIPTION	QTY.
119	20385-G2						STROBE LIGHT KIT (INCLUDES ITEMS 120 - 125) .....	1
120	20394-G1						STROBE LIGHT .....	1
121	00379-G4						SCREW, #10 - 24 x 1/2" LG .....	3
122	11098-G7						LOCK NUT, #10 - 24 .....	3
123	17317-G1						LIGHT SWITCH.....	1
124	17902-G1						TAB ADAPTER.....	1
125	20053-G1						16 GA WIRE (RED 5 3/8").....	1
126								
127	20209-G3						HEADLIGHT (RECTANGULAR) (INCLUDES ITEM 128) .....	2
128	00906-G6						SCREW, #10 - 16 X 1" LG .....	2
129	74055-G01						JUMPER.....	2
130								
131	20570-G3						TURN SIGNAL LIGHT ASSEMBLY (INCLUDES ITEMS 132 - 137).....	2
132	20574-G3						TURN SIGNAL LIGHT .....	1
133	00660-G7						WASHER, 1/4" (STAINLESS STEEL).....	1
134	20606-G1						WIRE ASSEMBLY .....	1
135	00567-G7						LOCK WASHER, 1/4" .....	1
136	00532-G1						NUT, 1/4 - 20.....	1
137	18995-G1						PUSH-ON MALE TERMINAL .....	1
138	20574-G5						LENS, AMBER .....	1
139	00118-G5						SCREW, #6 - 18 X 5/8" LG.....	2
140	74056-G01						JUMPER, RED/BLACK (PASSENGER SIDE) .....	1
141	74056-G02						JUMPER, GREEN/BLACK (DRIVER SIDE).....	1

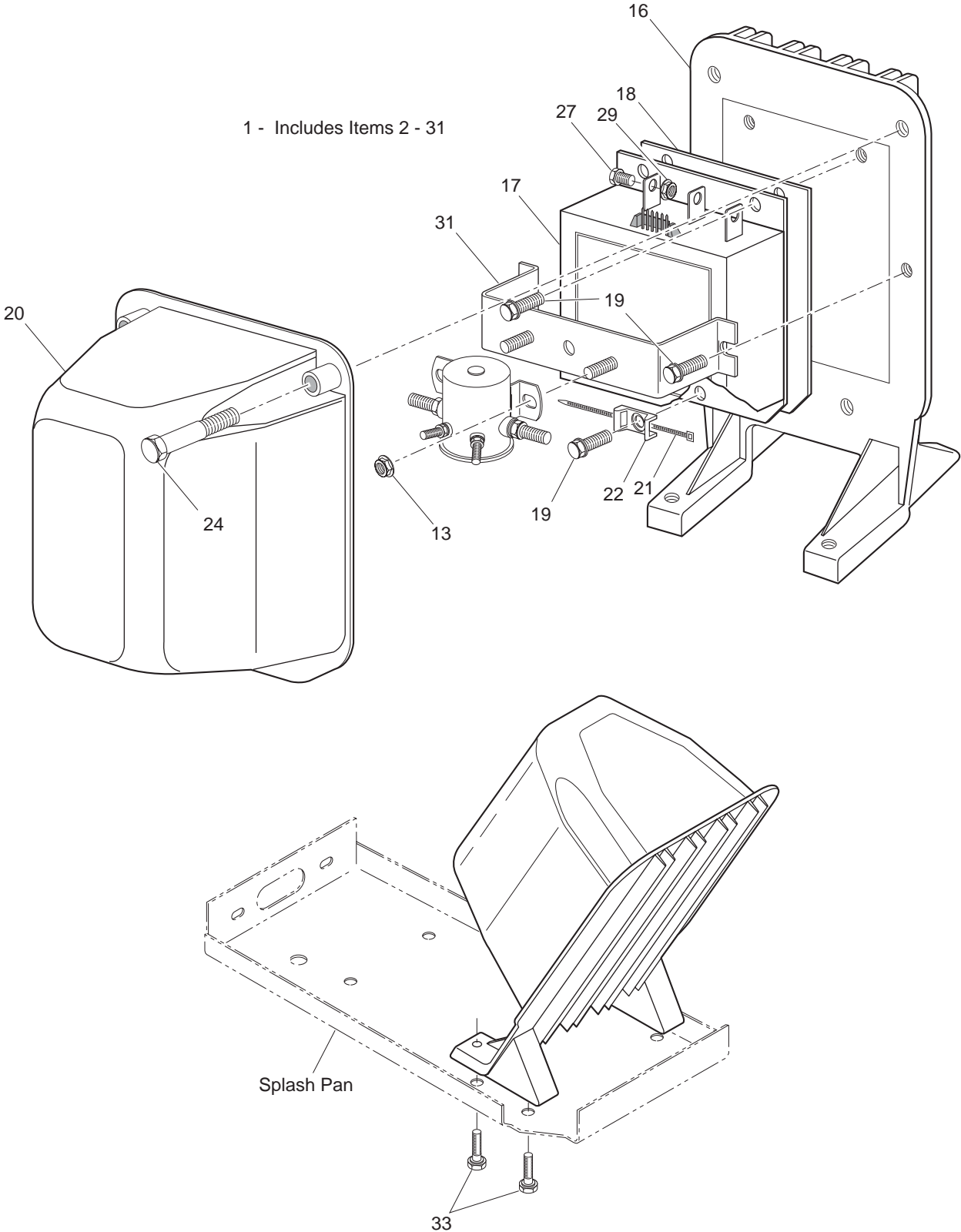


# ELECTRONIC SPEED CONTROL



Ref Esc 3-1

# ELECTRONIC SPEED CONTROL



Ref Exc 3-2

# ELECTRONIC SPEED CONTROL

THE USE OF NON U.L. PARTS WILL VOID ANY U.L. LISTING.

When ordering parts, please specify the model and serial number of the product.

\* Indicates a component that is not available as an individual part.

G\*\* Indicates consult Customer Service Department for additional information.

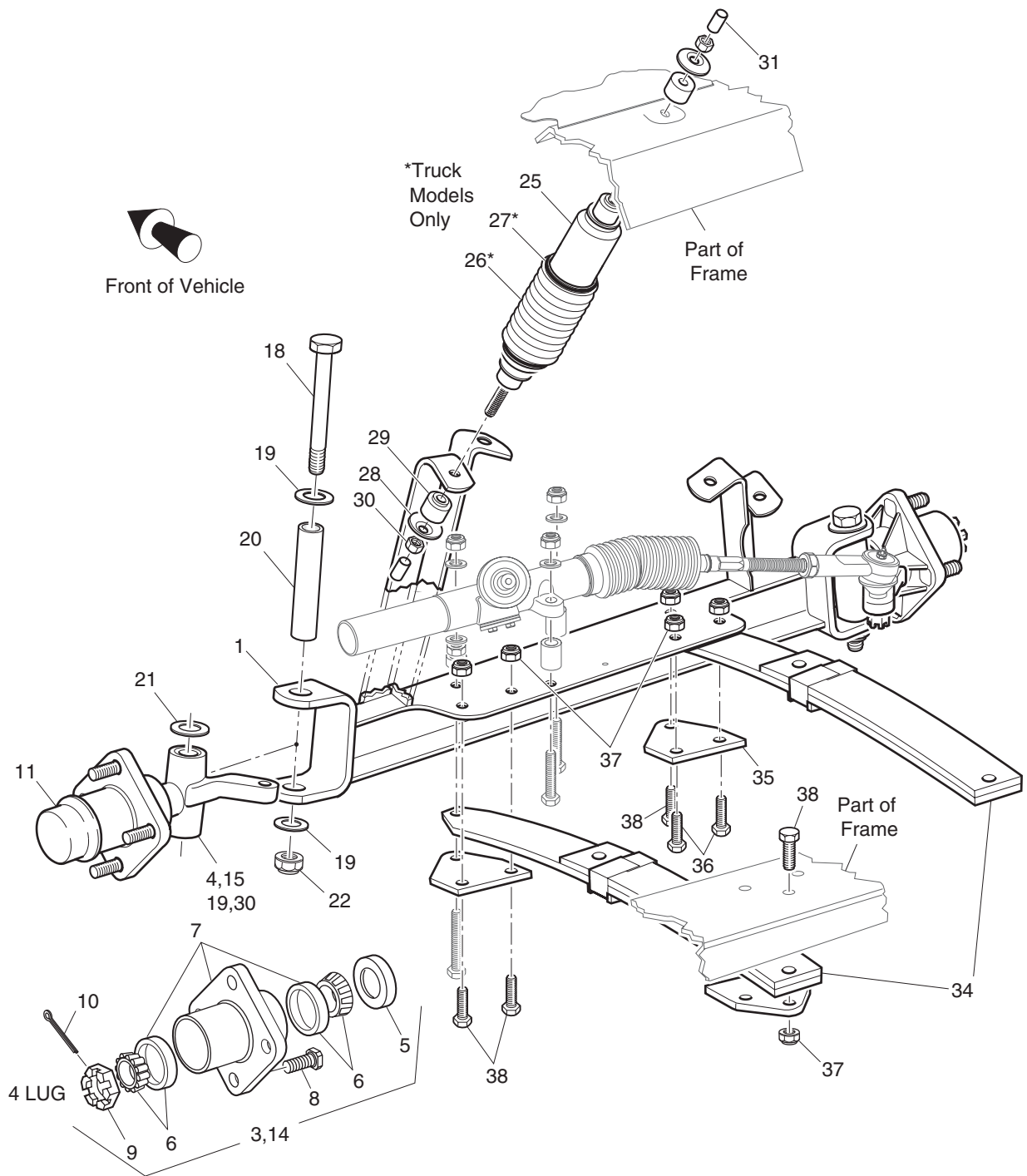
ITEM	PART NO.	1	2	3	4	5	DESCRIPTION	QTY.
1	73056-G04						ELECTRONIC SPEED CONTROL ASSEMBLY (INCLUDES ITEMS 2 - 31).....	1
2	*						LOCK WASHER, #10 .....	2
3	*						NUT, 10 - 32.....	2
4								
5	30353-G1						DIODE, 3 AMP.....	1
6	21764-G1						RESISTOR.....	1
7	73103-G02						WIRE HARNESS (CONTROL) .....	1
8	*						NUT, 5/16 - 24.....	2
9								
10	*						LOCK WASHER, 5/16" .....	2
11	25972-G56						6 GA WIRE (BLACK 6", SOL - B+) .....	1
12	25978-G10						18 GA WIRE (BLACK 6", SOL - B-).....	1
13	11027-G2						LOCK NUT, 1/4 - 20 .....	2
14								
15	27855-G01						SOLENOID, 36 VOLT .....	1
16	73083-G01						HEATSINK .....	1
17	25864-G09						ELECTRONIC SPEED CONTROLLER .....	1
18	73190-G01						THERMAL MOUNTING PAD .....	1
19	71102-G01						BOLT, 1/4 - 20 X 3/4" LG .....	5
20	73028-G01						COVER .....	1
21	31539-G1						WIRE TIE .....	1
22	73053-G01						MOUNT .....	1
23								
24	71102-G03						BOLT, 1/4 - 20 X 1 3/16" LG.....	4
25	73039-G03						WIRE HARNESS (POWER) .....	1
26								
27	00270-G5						BOLT, 5/16 - 18 X 5/8" LG .....	3
28								
29	11027-G1						NUT, 5/16 - 18.....	3
30								

# ELECTRONIC SPEED CONTROL

THE USE OF NON U.L. PARTS WILL VOID ANY U.L. LISTING.  
 When ordering parts, please specify the model and serial number of the product.  
 \* Indicates a component that is not available as an individual part.  
 G\*\* Indicates consult Customer Service Department for additional information.

ITEM	PART NO.	1	2	3	4	5	DESCRIPTION	QTY.
31	25866-G01						SOLENOID BRACKET .....	1
32								
33	71102-G01						BOLT, 1/4 - 20 X 3/4" LG. ....	4

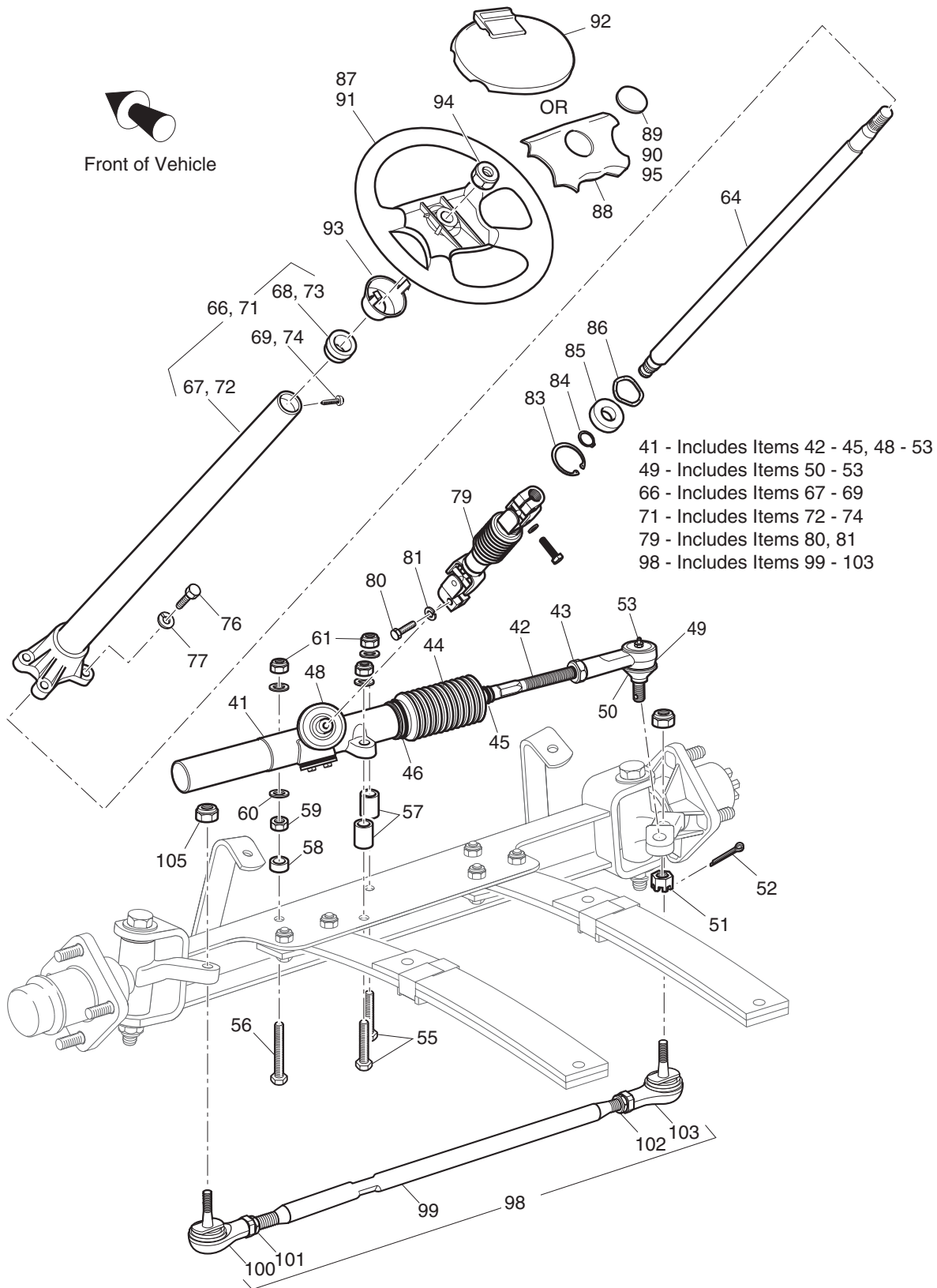
# FRONT SUSPENSION/STEERING



- 3 - Includes Items 4 - 10
- 7 - Includes Item 8
- 14 - Includes Items 5 - 10, 15

\*NOTE: Tie Rod Not Shown for Clarity

# FRONT SUSPENSION/STEERING



# FRONT SUSPENSION/STEERING

THE USE OF NON U.L. PARTS WILL VOID ANY U.L. LISTING.

When ordering parts, please specify the model and serial number of the product.

\* Indicates a component that is not available as an individual part.

G\*\* Indicates consult Customer Service Department for additional information.

ITEM	PART NO.	1 2 3 4 5	DESCRIPTION	QTY.
1	74600-G02		FRONT AXLE .....	1
2				
3	70942-G03		SPINDLE AND HUB ASSEMBLY, 4 LUG (PASSENGER SIDE) (INCLUDES ITEMS 4 - 10).....	1
4	70942-G02		SPINDLE ASSEMBLY (PASSENGER SIDE).....	1
5	25146-G1		GREASE SEAL.....	1
6	50892-G1		ROLLER BEARING AND RACE ASSEMBLY.....	2
7	70895-G01		WHEEL HUB ASSEMBLY WITH RACES, 4 LUG (INCLUDES ITEM 8) .....	1
8	19862-G1		LUG BOLT, 1/2 - 20 X 1 7/32" LG.....	4
9	12093-G1		SLOTTED NUT, 1 - 14 .....	1
10	00798-G8		COTTER PIN, 5/32" X 1 3/4" LG .....	1
11	12091-G2		SPINDLE CAP.....	2
12				
13				
14	70673-G03		SPINDLE AND HUB ASSEMBLY, 4 LUG (DRIVER SIDE) (INCLUDES ITEMS 5 - 10, 15).....	1
15	70673-G02		SPINDLE ASSEMBLY (DRIVER SIDE) .....	1
16				
17				
18	00407-G6		BOLT, 1/2 - 13 X 6" LG .....	2
19	00560-G3		WASHER, 1/2" .....	4
20	70745-G01		KING PIN TUBE .....	2
21	70754-G01		THRUST WASHER (STAINLESS STEEL).....	2
22	14390-G6		LOCK NUT, 1/2 - 13 .....	2
23				
24				
25	70928-G01		SHOCK ABSORBER.....	2
26	70509-G01		SHOCK ABSORBER BOOT .....	2
27	31539-G1		WIRE TIE .....	4
28	10435-G1		SHOCK ABSORBER WASHER.....	8
29	10194-G1		RUBBER SHOCK ABSORBER BUSHING .....	8

## FRONT SUSPENSION/STEERING

THE USE OF NON U.L. PARTS WILL VOID ANY U.L. LISTING.

When ordering parts, please specify the model and serial number of the product.

\* Indicates a component that is not available as an individual part.

G\*\* Indicates consult Customer Service Department for additional information.

ITEM	PART NO.	1 2 3 4 5	DESCRIPTION	QTY.
30	00532-G6		NUT, 3/8 - 24 .....	4
31	10044-G01		VINYL CAP .....	4
32				
33				
34	70664-G03		LEAF SPRING (HEAVY DUTY) (SEE PART NUMBER ON SPRING) .....	2
35	70163-G03		SPRING PLATE .....	4
36	00463-G4		BOLT, 7/16 - 14 X 1 1/2" LG .....	2
37	00734-G1		LOCK NUT, 7/16 - 14 .....	9
38	00463-G6		BOLT, 7/16 - 14 X 1 3/4" LG .....	9
39				
40				
41	74605-G01		RACK AND PINION UNIT (COMPLETE) (INCLUDES ITEMS 42 - 45, 48 - 53) .....	1
42	74602-G01		RACK EXTENSION .....	1
43	*		JAM NUT, 1/2 - 20 .....	1
44	70675-G01		RACK BOOT .....	1
45	17618-G1		WIRE TIE .....	1
46	12416-G2		WIRE TIE .....	1
47				
48	70638-G01		PINION SEAL .....	1
49	70695-G01		RACK BALL JOINT (INCLUDES ITEMS 50 - 53) .....	1
50	50641-G1		RUBBER BOOT .....	1
51	50209-G2		SLOTTED NUT, 7/16 - 20 .....	1
52	10387-G2		COTTER PIN, 3/32" X 1" LG .....	1
53	10389-G3		GREASE FITTING, STRAIGHT .....	1
54				
55	00464-G6		BOLT, 7/16 - 14 X 2 3/4" LG .....	2
56	01068-G01		BOLT, 7/16 - 14 X 3 1/2" LG .....	1
57	70667-G03		SPACER .....	2
58	70667-G03		SPACER (SHORT) .....	1
59	00532-G7		NUT, 7/16 - 14 .....	1



# FRONT SUSPENSION/STEERING

THE USE OF NON U.L. PARTS WILL VOID ANY U.L. LISTING.

When ordering parts, please specify the model and serial number of the product.

\* Indicates a component that is not available as an individual part.

G\*\* Indicates consult Customer Service Department for additional information.

ITEM	PART NO.	1 2 3 4 5	DESCRIPTION	QTY.
60	00560-G2		FLAT WASHER, 7/16" .....	4
61	00734-G1		LOCK NUT, 7/16 - 14 .....	3
62				
63				
64	70607-G01		STEERING SHAFT .....	1
65				
66	70758-G05		STEERING COLUMN KIT (INCLUDES ITEMS 67 - 69) .....	1
67	70610-G01		STEERING COLUMN .....	1
68	28569-G01		STEERING COLUMN BUSHING .....	1
69	01022-G01		SCREW, #6 - 20 X 5/16" LG .....	1
70				
71	70758-G04		STEERING COLUMN KIT (HORN) (INCLUDES ITEMS 72 - 74) .....	1
72	70610-G02		STEERING COLUMN .....	1
73	28569-G01		STEERING COLUMN BUSHING .....	1
74	01022-G01		SCREW, #6 - 20 X 5/16" LG .....	1
75				
76	01006-G01		BOLT, 3/8 - 16 X 1 1/4" LG WITH PATCHLOCK .....	4
77	00879-G1		LOCK WASHER, 3/8" .....	4
78				
79	70580-G01		INTERMEDIATE SHAFT (INCLUDES ITEMS 80, 81) .....	1
80	01055-G01		BOLT, M8 X 1 1/4" LG .....	2
81	00565-G8		LOCK WASHER, 5/16" .....	2
82				
83	70751-G01		RETAINING RING (INTERNAL) .....	1
84	70888-G01		RETAINING RING (EXTERNAL) .....	1
85	15112-G1		BALL BEARING .....	1
86	70887-G01		WAVE WASHER .....	1
87	71146-G01		STEERING WHEEL .....	1
88	71147-G01		STEERING WHEEL COVER .....	1
89	74815-G01		LABEL (E-Z-GO) .....	1

## FRONT SUSPENSION/STEERING

THE USE OF NON U.L. PARTS WILL VOID ANY U.L. LISTING.

When ordering parts, please specify the model and serial number of the product.

\* Indicates a component that is not available as an individual part.

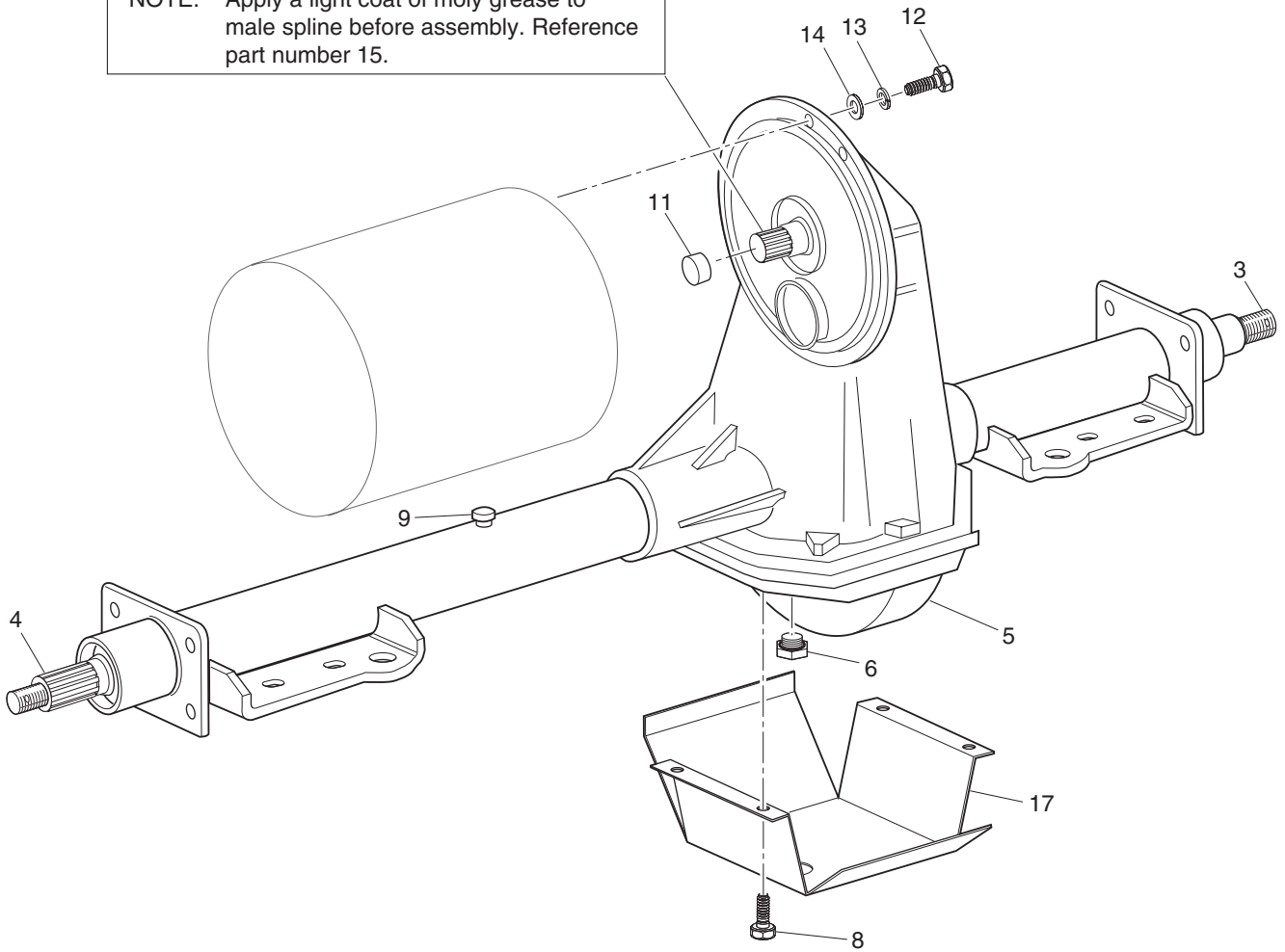
G\*\* Indicates consult Customer Service Department for additional information.

ITEM	PART NO.	1	2	3	4	5	DESCRIPTION	QTY.
90	74954-G01						LABEL (CUSHMAN).....	1
91	71948-G01						STEERING WHEEL .....	1
92	71950-G01						CLIPBOARD.....	1
93	71949-G01						HUB COVER .....	1
94	14390-G2						LOCK NUT, 5/8 - 18 .....	1
95	28909-G01						LABEL (JACOBSEN) .....	1
96								
97								
98	74604-G01						TIE ROD ASSEMBLY (INCLUDES ITEMS 127 - 131).....	1
99	70897-G02						THREADED ROD (24" LG).....	1
100	70902-G01						TIE ROD END (LEFT HAND THREADS) .....	1
101	01069-G01						JAM NUT, M12 X 1.25-05 (LEFT HAND THREADS).....	1
102	70902-G02						TIE ROD END (RIGHT HAND THREADS).....	1
103	01069-G02						JAM NUT, M12 X 1.25-05 (RIGHT HAND THREADS) .....	1
104								
105	00734-G1						LOCK NUT, 7/16 - 14 .....	2

# REAR AXLE

1 - Includes Items 3 - 9

NOTE: Apply a light coat of moly grease to male spline before assembly. Reference part number 15.

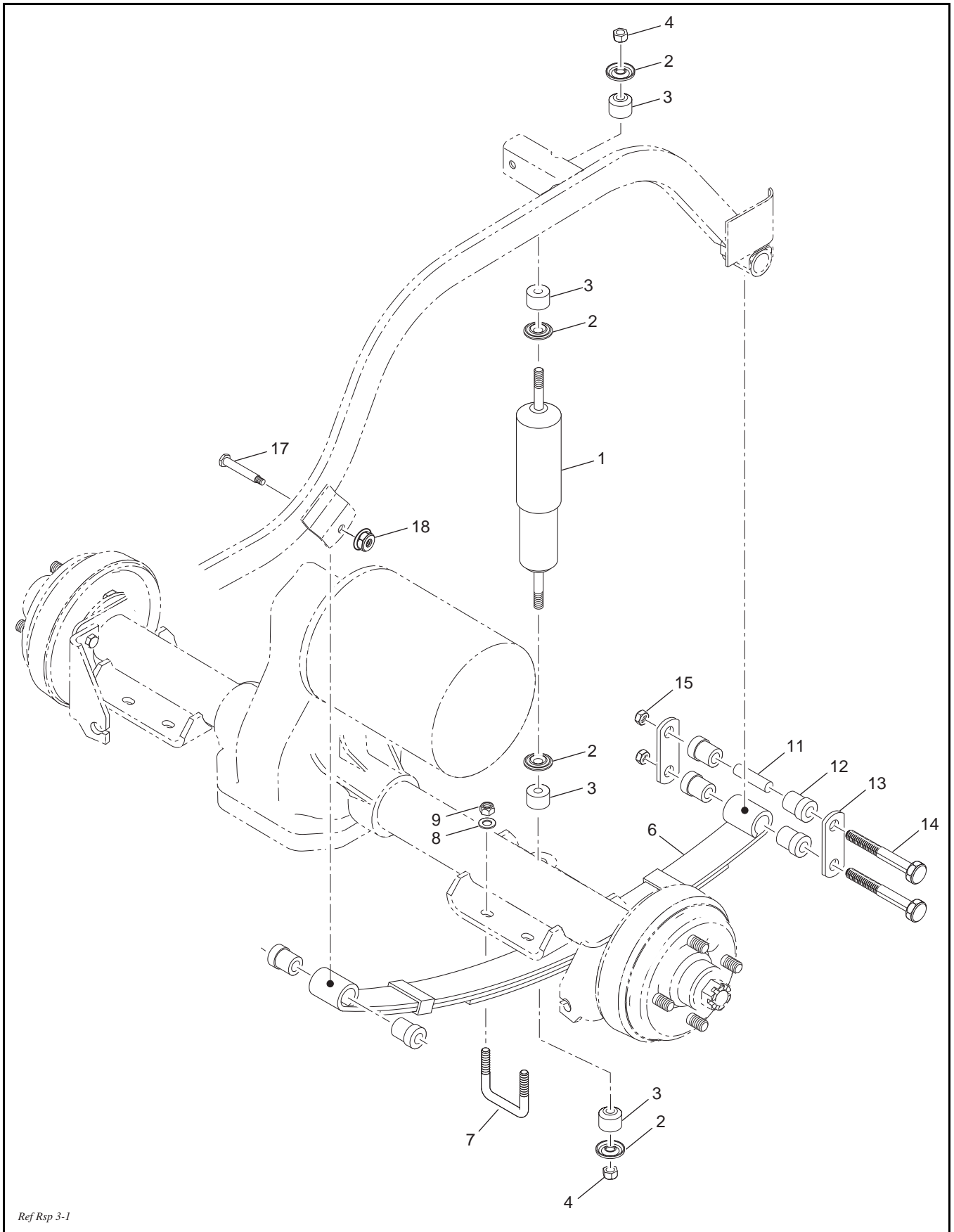


# REAR AXLE

THE USE OF NON U.L. PARTS WILL VOID ANY U.L. LISTING.  
 When ordering parts, please specify the model and serial number of the product.  
 \* Indicates a component that is not available as an individual part.  
 G\*\* Indicates consult Customer Service Department for additional information.

ITEM	PART NO.	1	2	3	4	5	DESCRIPTION	QTY.
1	73500-G01						REAR AXLE ASSEMBLY, 12.44:1 (INCLUDES ITEMS 3 - 9).....	1
2								
3	20377-G12						AXLE SHAFT (PASSENGER SIDE) .....	1
4	20377-G11						AXLE SHAFT (DRIVER SIDE).....	1
5	25228-G1						DIFFERENTIAL COVER.....	1
6	28610-G01						FILL/CHECK PLUG .....	1
7								
8	15558-G1						SCREW, 5/16 - 18 X 3/4" LG. ....	10
9	73050-G01						VENT .....	1
10								
11	24261-G1						BUMPER SPLINE .....	1
12	00797-G2						BOLT, 1/4 - 20 X 1 1/4" LG. ....	3
13	00664-G7						LOCK WASHER, 1/4" (STAINLESS STEEL) .....	3
14	01110-G01						WASHER, 1/4" (STAINLESS STEEL) .....	3
15	28095-G01						MOLY LUBE, 2 OZ. ....	AR
16								
17	72763-G02						DIFFERENTIAL GUARD.....	1

# REAR SUSPENSION



Ref Rsp 3-1

# REAR SUSPENSION

THE USE OF NON U.L. PARTS WILL VOID ANY U.L. LISTING.

When ordering parts, please specify the model and serial number of the product.

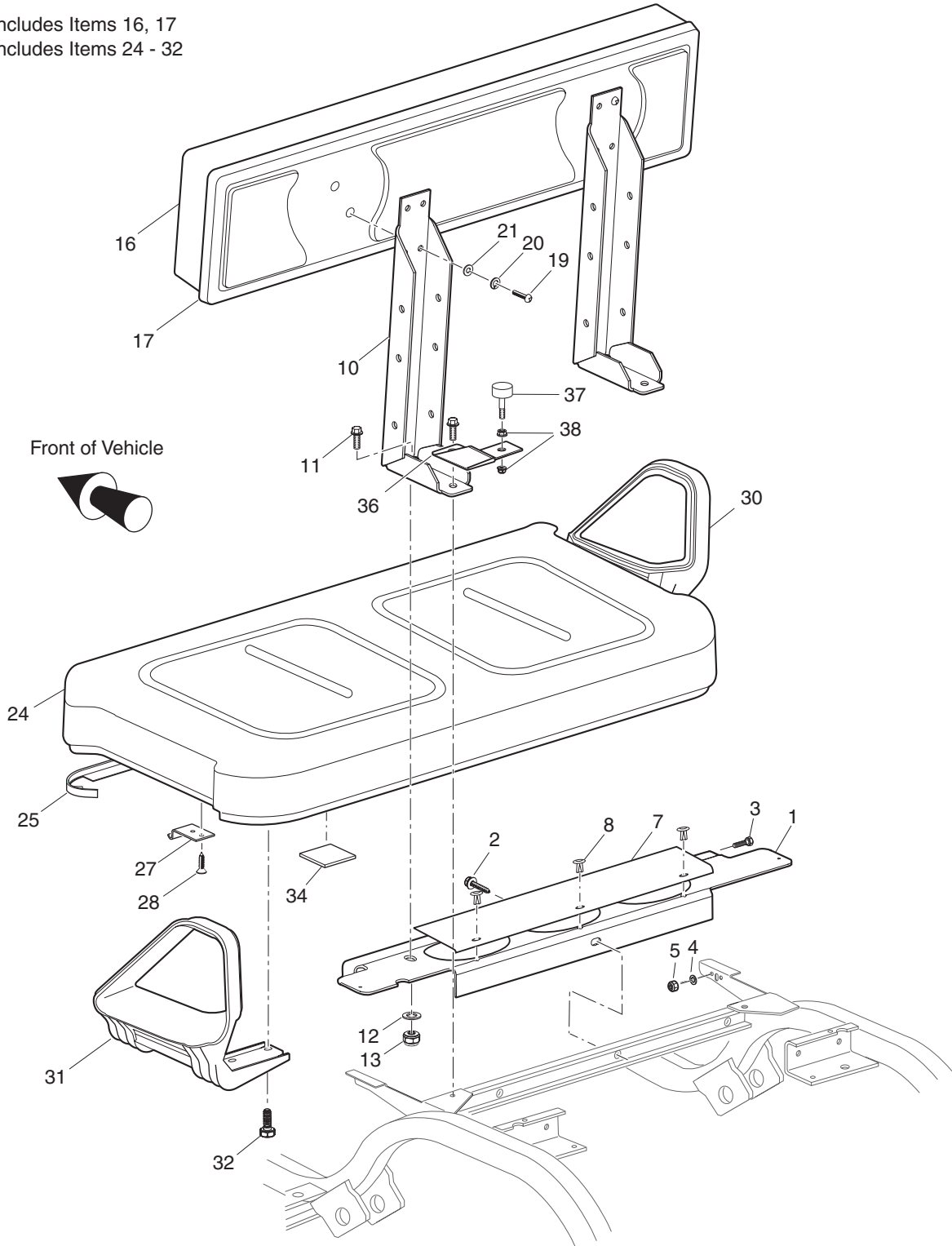
\* Indicates a component that is not available as an individual part.

G\*\* Indicates consult Customer Service Department for additional information.

ITEM	PART NO.	1 2 3 4 5	DESCRIPTION	QTY.
1	70248-G01		SHOCK ABSORBER.....	2
2	10435-G1		SHOCK ABSORBER WASHER .....	8
3	10194-G1		RUBBER SHOCK ABSORBER BUSHING .....	8
4	00532-G6		NUT, 3/8 - 24 .....	4
5				
6	74345-G03		LEAF SPRING (HEAVY DUTY).....	2
7	72618-G01		"U" BOLT, 3/8 - 16 X 2" X 2 1/2" LG .....	4
8	00560-G1		WASHER, 3/8" .....	8
9	11098-G5		LOCK NUT, 3/8 - 16 .....	8
10				
11	70289-G02		SPACER .....	4
12	70291-G01		RUBBER BUSHING .....	12
13	70290-G02		SHACKLE PLATE .....	4
14	00665-G9		BOLT, 3/8 - 16 X 3 1/2" LG (STAINLESS STEEL).....	4
15	11098-G5		LOCK NUT, 3/8 - 16 .....	4
16				
17	14158-G1		SHOULDER BOLT, 3/8 - 16 X 3 1/4" LG. ....	2
18	12262-G1		LOCK NUT, 3/8 - 16 .....	2

# SEATING

15 - Includes Items 16, 17  
23 - Includes Items 24 - 32



Ref Sea 4-1 28812

# SEATING

THE USE OF NON U.L. PARTS WILL VOID ANY U.L. LISTING.

When ordering parts, please specify the model and serial number of the product.

\* Indicates a component that is not available as an individual part.

G\*\* Indicates consult Customer Service Department for additional information.

ITEM	PART NO.	1 2 3 4 5	DESCRIPTION	QTY.
1	71262-G04		SEAT BACK SUPPORT .....	1
2	00715-G2		BOLT, 5/16 - 18 X 13/16" LG .....	1
3	00438-G8		BOLT, 5/16 - 18 X 3/4" LG .....	2
4	00642-G8		WASHER, 5/16" .....	2
5	11098-G6		LOCK NUT, 5/16 - 18 .....	2
6				
7	71263-G01		ACCESS COVER.....	1
8	18436-G1		DRIVE RIVET .....	3
9				
10	75900-G02		SEAT BACK SUPPORT BRACKET .....	2
11	01006-G1		BOLT, 3/8 - 16 X 1 1/4" LG .....	4
12	00560-G1		WASHER, 3/8" .....	2
13	11098-G5		LOCK NUT, 3/8 - 16 .....	2
14				
15	71274-G**		SEAT BACK ASSEMBLY (INCLUDES ITEMS 16, 17).....	1
16	18144-G**		VINYL SEAT BACK COVER .....	1
17	18868-G4		PLASTIC SEAT BACK COVER (BLACK) .....	1
18				
19	16705-G1		SCREW, 1/4 - 20 X 1" LG.....	4
20	00664-G7		LOCK WASHER, 1/4" (STAINLESS STEEL) .....	4
21	01110-G7		WASHER, 1/4" (STAINLESS STEEL) .....	4
22				
23	71611-G**		SEAT BOTTOM ASSEMBLY (INCLUDES ITEMS 24 - 32) .....	1
24	71602-G**		VINYL SEAT BOTTOM COVER .....	1
25	71012-G01		VINYL TRIM (SEAT BOTTOM).....	1
26				
27	71610-G01		SEAT HINGE .....	2
28	00720-G08		SCREW, #12 - 14 X 1" LG. ....	6
29				
30	71701-G01		HIP RESTRAINT (PASSENGER SIDE).....	1



# SEATING

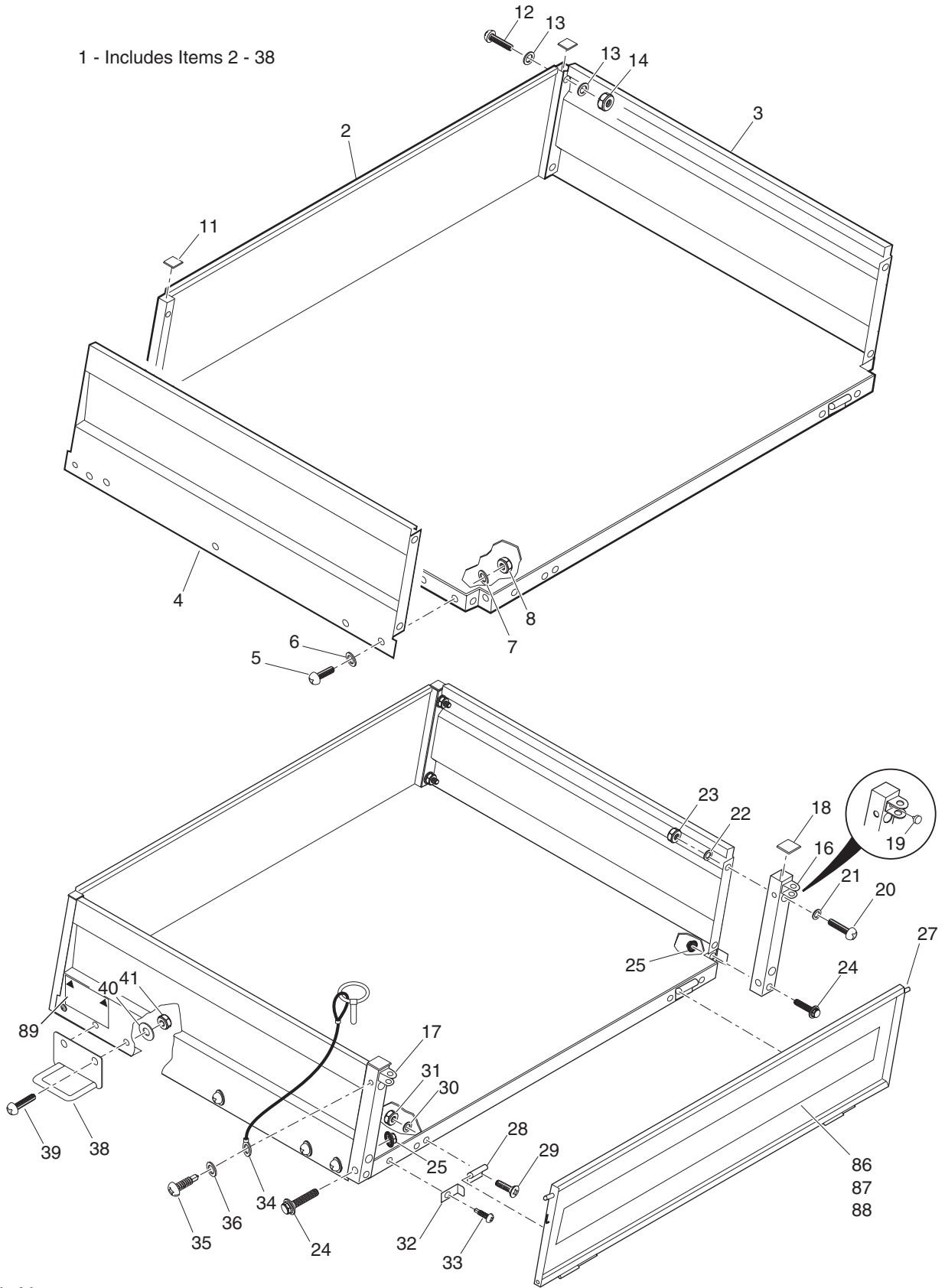
THE USE OF NON U.L. PARTS WILL VOID ANY U.L. LISTING.  
 When ordering parts, please specify the model and serial number of the product.  
 \* Indicates a component that is not available as an individual part.  
 G\*\* Indicates consult Customer Service Department for additional information.

ITEM	PART NO.	1 2 3 4 5	DESCRIPTION	QTY.
31	71702-G01		HIP RESTRAINT (DRIVER SIDE) .....	1
32	71204-G01		BOLT, 1/4 - 20 X 7/8" LG. ....	8
33				
34	17074-G1		BUMPER .....	2
35				
36	71577-G01		BED BUMPER BRACKET .....	2
37	70113-G01		ADJUSTABLE BUMPER .....	2
38	11027-G1		NUT, 5/16" - 18 .....	4



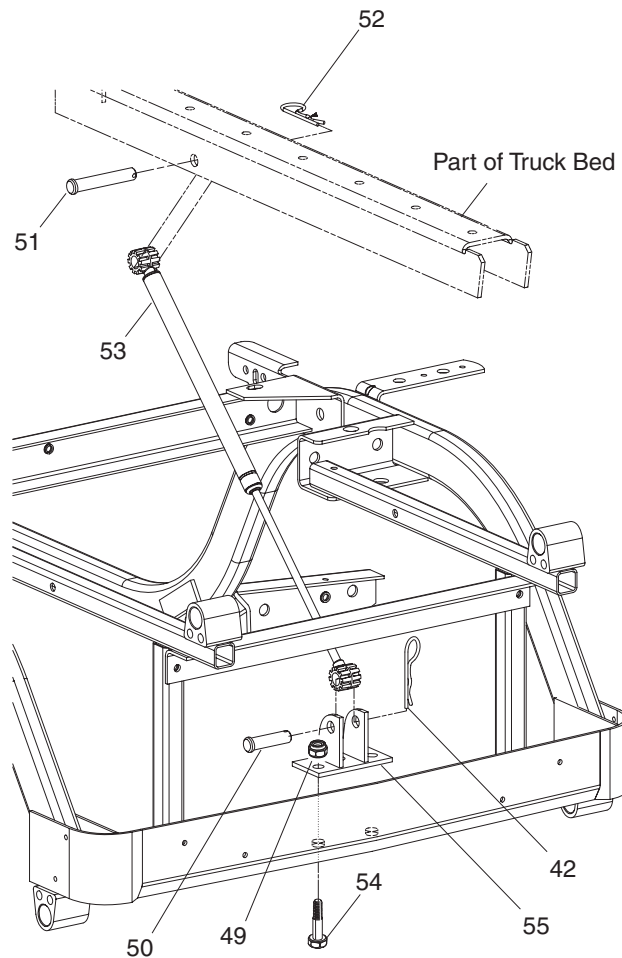
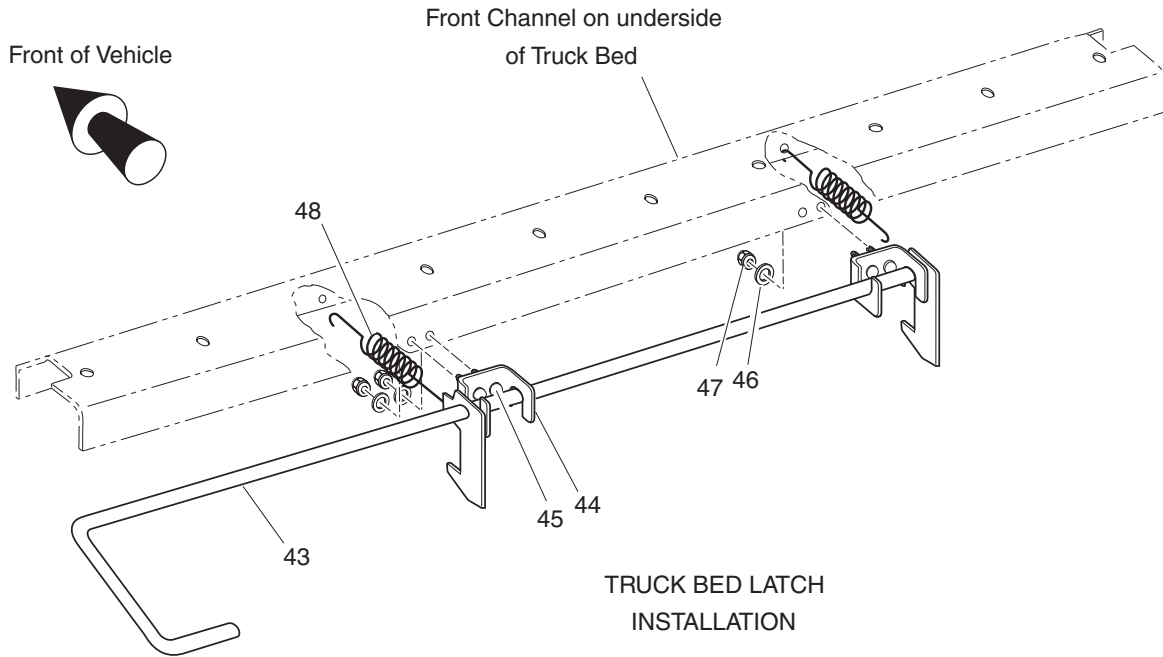
# TRUCK BED, MANUAL LIFT

1 - Includes Items 2 - 38

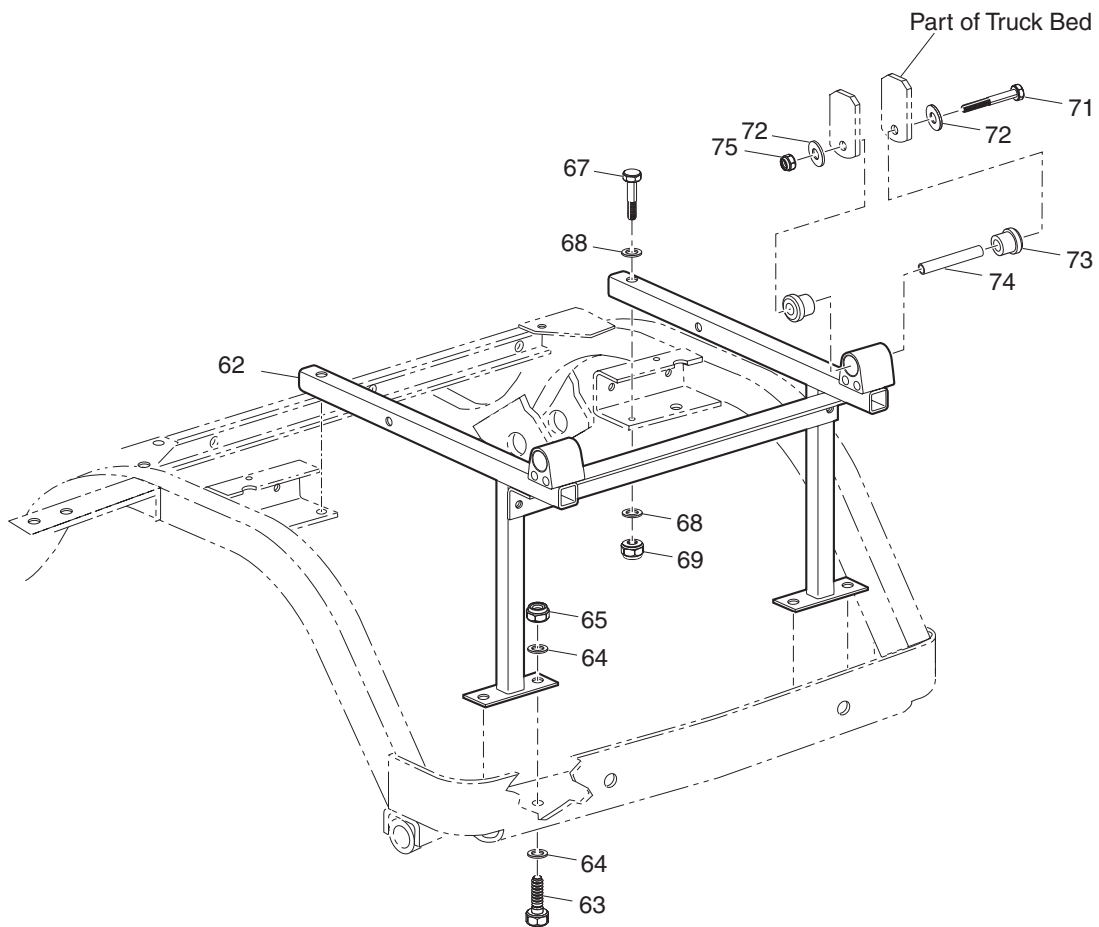
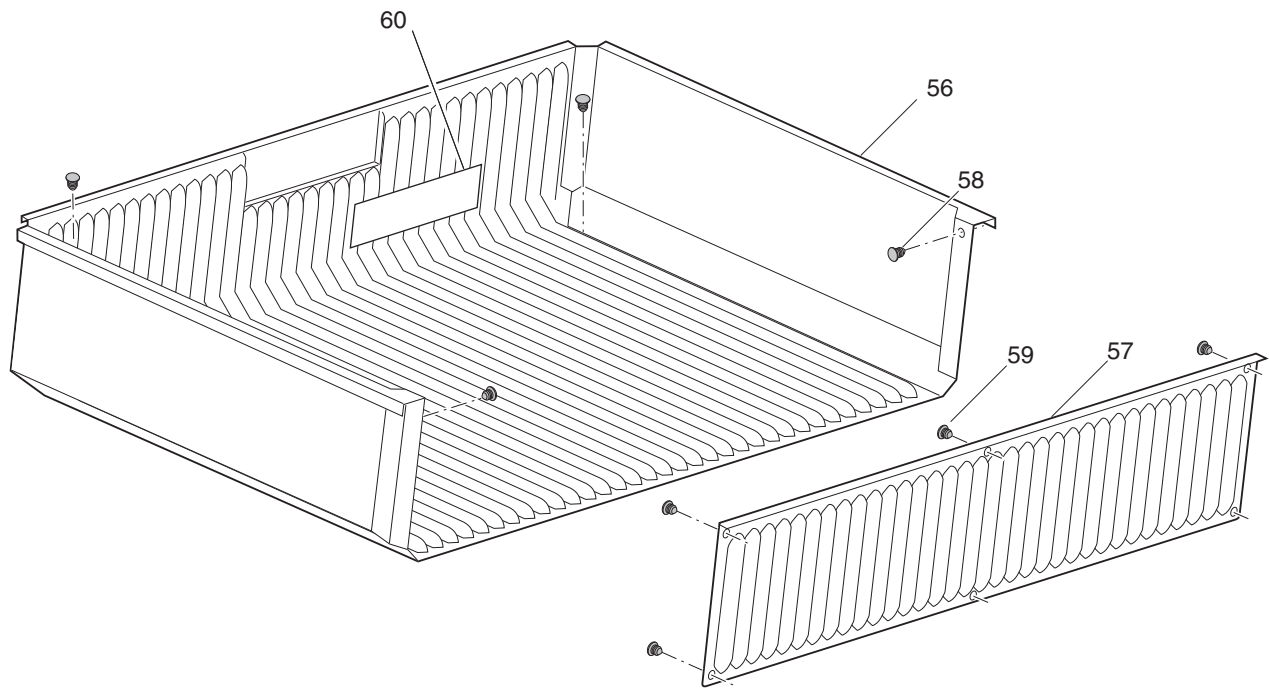


Ref Tbm 3-1

# TRUCK BED, MANUAL LIFT

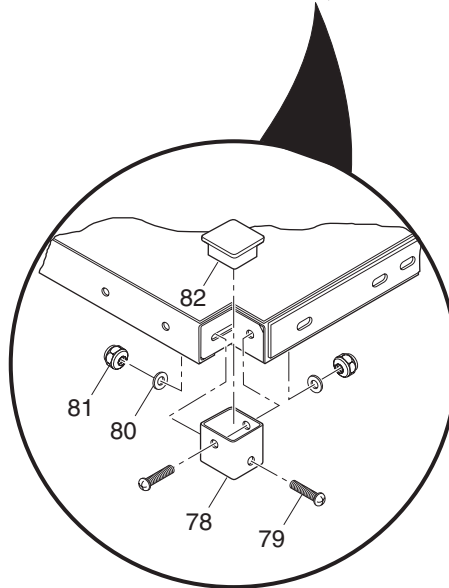
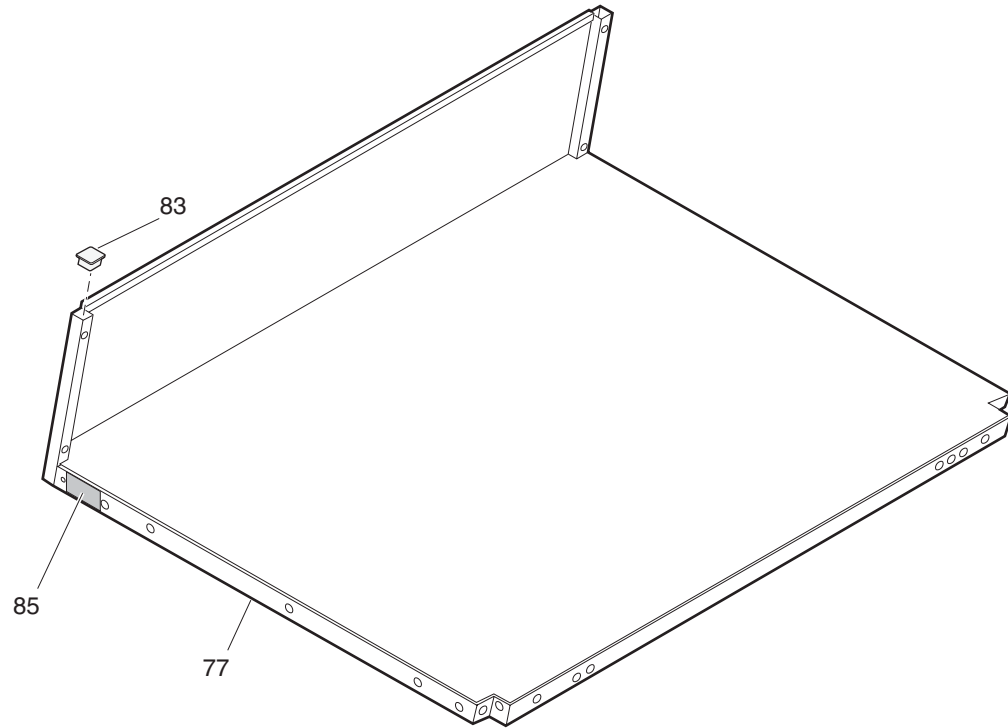


# TRUCK BED, MANUAL LIFT



Ref Tbm 3-3

# TRUCK BED, MANUAL LIFT



Ref Tbm 3-4

# TRUCK BED, MANUAL LIFT

THE USE OF NON U.L. PARTS WILL VOID ANY U.L. LISTING.

When ordering parts, please specify the model and serial number of the product.

\* Indicates a component that is not available as an individual part.

G\*\* Indicates consult Customer Service Department for additional information.

ITEM	PART NO.	1	2	3	4	5	DESCRIPTION	QTY.	
1	71260-G01	TRUCK BED ASSEMBLY (35") (INCLUDES ITEMS 2 - 38) .....							1
2	71231-G01	BED (35") .....							1
3	71248-G01	SIDE PANEL (35") (PASSENGER SIDE) .....							1
4	71248-G02	SIDE PANEL (35") (DRIVER SIDE) .....							1
5	16705-G3	SCREW, 1/4 - 20 X 3/4" LG (STAINLESS STEEL) .....							10
6	00915-G1	BONDED WASHER, 1/4" .....							10
7	01110-G01	WASHER, 1/4" (STAINLESS STEEL) .....							10
8	14390-G4	LOCK NUT, 1/4-20 .....							10
9									
10									
11	71717-G01	END CAP 1" .....							2
12	16705-G6	SCREW, 1/4 - 20 X 1 3/4" LG (STAINLESS STEEL) .....							4
13	00915-G1	BONDED WASHER, 1/4" .....							8
14	14390-G4	LOCK NUT, 1/4-20 .....							4
15									
16	71322-G03	POST (PASSENGER SIDE) .....							1
17	71322-G04	POST (DRIVER SIDE) .....							1
18	71718-G01	END CAP 1 1/2" .....							2
19	71838-G01	RUBBER BUMPER .....							2
20	16705-G6	SCREW, 1/4 - 20 X 1 3/4" LG (STAINLESS STEEL) .....							4
21	00915-G1	BONDED WASHER, 1/4" .....							4
22	01110-G01	WASHER, 1/4" (STAINLESS STEEL) .....							4
23	14390-G4	LOCK NUT, 1/4-20 .....							4
24	01074-G01	LOCK SCREW, 3/8-16 X 2" LG .....							4
25	11027-G5	LOCK NUT, 3/8-16 .....							4
26									
27	71245-G03	TAILGATE .....							1
28	27666-G01	HINGE .....							2
29	01002-G08	BOLT, 1/4-20 X 1" LG .....							4
30	01110-G01	WASHER, 1/4" (STAINLESS STEEL) .....							4

# TRUCK BED, MANUAL LIFT

THE USE OF NON U.L. PARTS WILL VOID ANY U.L. LISTING.

When ordering parts, please specify the model and serial number of the product.

\* Indicates a component that is not available as an individual part.

G\*\* Indicates consult Customer Service Department for additional information.

ITEM	PART NO.	1	2	3	4	5	DESCRIPTION	QTY.
31	14390-G4						LOCK NUT, 1/4 - 20 .....	4
32	71748-G01						TAILGATE KEEPER .....	1
33	16705-G3						SCREW, 1/4 - 20 X 3/4" LG (STAINLESS STEEL) .....	1
34	71083-G01						TAILGATE CABLE .....	2
35	00106-G6						SELF-TAPPING SCREW, #12 - 24 X 3/4" LG .....	2
36	00915-G1						BONDED WASHER, 1/4" .....	2
37								
38	71794-G01						LIFT HANDLE .....	1
39	00976-G08						SCREW, 5/16 - 18 X 1" LG (STAINLESS STEEL) .....	2
40	00559-G8						WASHER, 5/16" .....	2
41	01109-G01						LOCK NUT, 5/16 - 18 (STAINLESS STEEL) .....	2
42	21683-G1						COTTER PIN .....	1
43	71264-G01						BED LATCH .....	1
44	71827-G01						LATCH BRACKET .....	2
45	01014-G03						CARRIAGE BOLT, 1/4 - 20 X 3/4" LG .....	4
46	01110-G01						WASHER, 1/4" (STAINLESS STEEL) .....	4
47	14390-G4						LOCK NUT, 1/4 - 20 .....	4
48	71965-G01						EXTENSION SPRING .....	2
49	00734-G1						LOCK NUT, 7/16 - 14 .....	2
50	14443-G11						CLEVIS PIN, 1/2 - 1 7/8" .....	1
51	14443-G10						CLEVIS PIN, 1/2 - 3" .....	1
52	21683-G1						COTTER PIN .....	1
53	71537-G01						GAS SPRING .....	1
54	00462-G7						SCREW, 7/16 - 14 X 3/4" LG .....	1
55	71283-G02						BRACKET .....	1
56	74231-G01						BED LINER .....	1
57	74232-G01						TAILGATE LINER .....	1
58	18436-G1						RIVET, 1/4" X 3/4" LG .....	4
59	14601-G10						RIVET, 3/16" X 7/16" LG (ALUMINUM) .....	6
60	71517-G01						BED CAPACITY LABEL (500 LB) .....	1



# TRUCK BED, MANUAL LIFT

THE USE OF NON U.L. PARTS WILL VOID ANY U.L. LISTING.

When ordering parts, please specify the model and serial number of the product.

\* Indicates a component that is not available as an individual part.

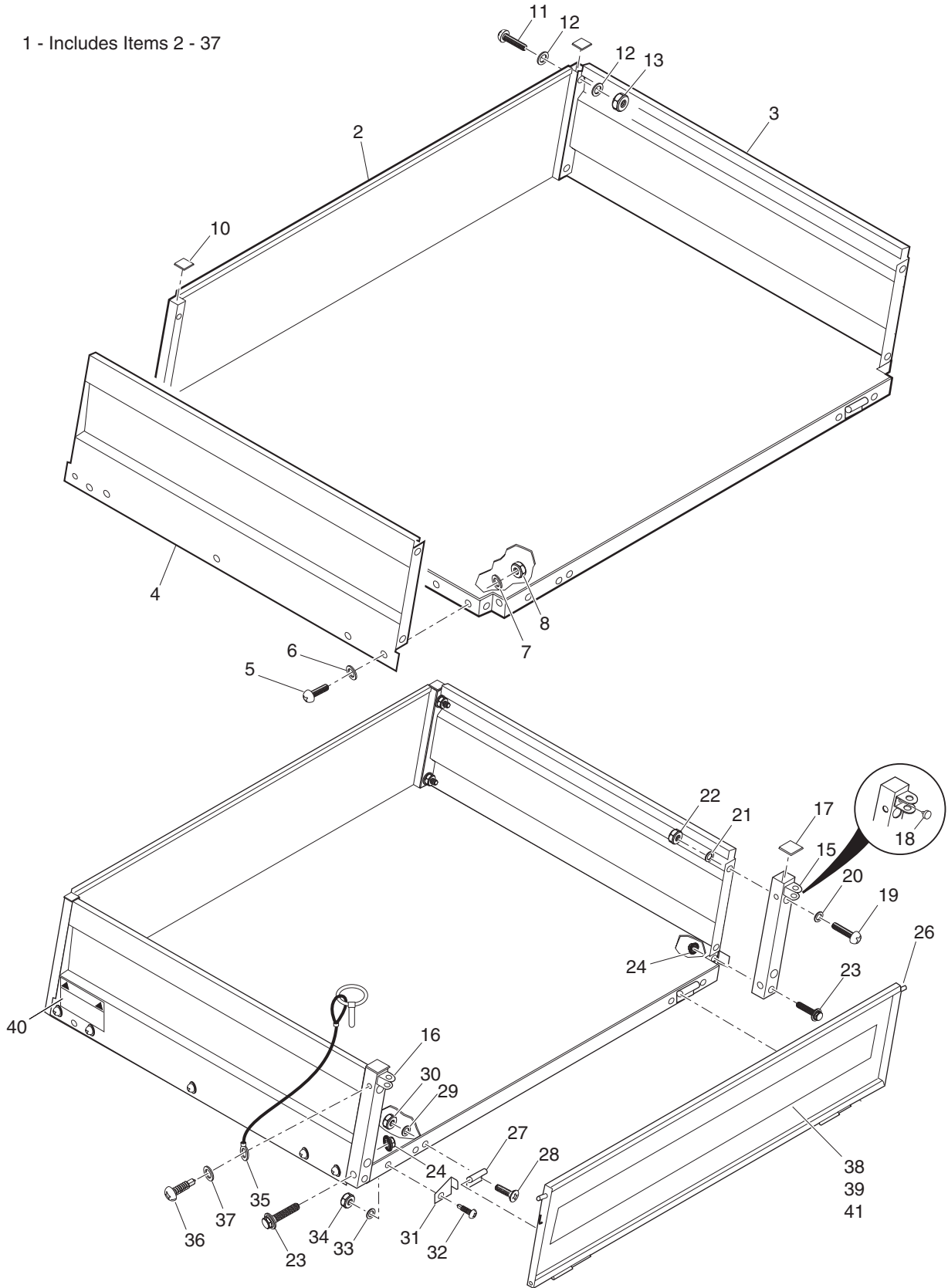
G\*\* Indicates consult Customer Service Department for additional information.

ITEM	PART NO.	1 2 3 4 5	DESCRIPTION	QTY.
61				
62	71258-G02		BED FRAME .....	1
63	00439-G2		SCREW, 5/16 - 18 X 1 1/4" LG.....	4
64	00642-G8		WASHER, 5/16" .....	8
65	01109-G01		LOCK NUT, 5/16 - 18 (STAINLESS STEEL) .....	4
66				
67	00415-G6		BOLT, 1/4 - 20 X 1 3/4" LG .....	2
68	00642-G7		WASHER, 1/4" .....	4
69	00654-G2		LOCK NUT, 1/4 - 20 (STAINLESS STEEL) .....	2
70				
71	00665-G9		BOLT, 3/8 - 16 X 3 1/2" LG (STAINLESS STEEL).....	2
72	00643-G1		WASHER, 3/8" .....	4
73	70291-G01		RUBBER BUSHING .....	4
74	70289-G02		SPACER.....	2
75	11098-G5		LOCK NUT, 3/8 - 16 .....	2
76				
77	71231-G01		BED, 35".....	1
78	71772-G01		CORNER TUBE .....	2
79	00762-G9		SCREW, 5/16 - 18 X 2 1/2" LG (STAINLESS STEEL) .....	4
80	00559-G8		WASHER, 5/16" .....	4
81	00550-G3		LOCK NUT, 5/16 - 18 .....	4
82	71718-G01		END CAP, 1 1/2".....	2
83	71717-G01		END CAP, 1".....	2
84				
85	71777-G01		DECAL (WARNING) .....	1
86	74823-G01		TAILGATE DECAL (JACOBSEN).....	1
87	74811-G01		TAILGATE DECAL (E-Z-GO).....	1
88	28960-G01		TAILGATE DECAL (CUSHMAN).....	1
89	71771-G01		LABEL (TILT WARNING) .....	1



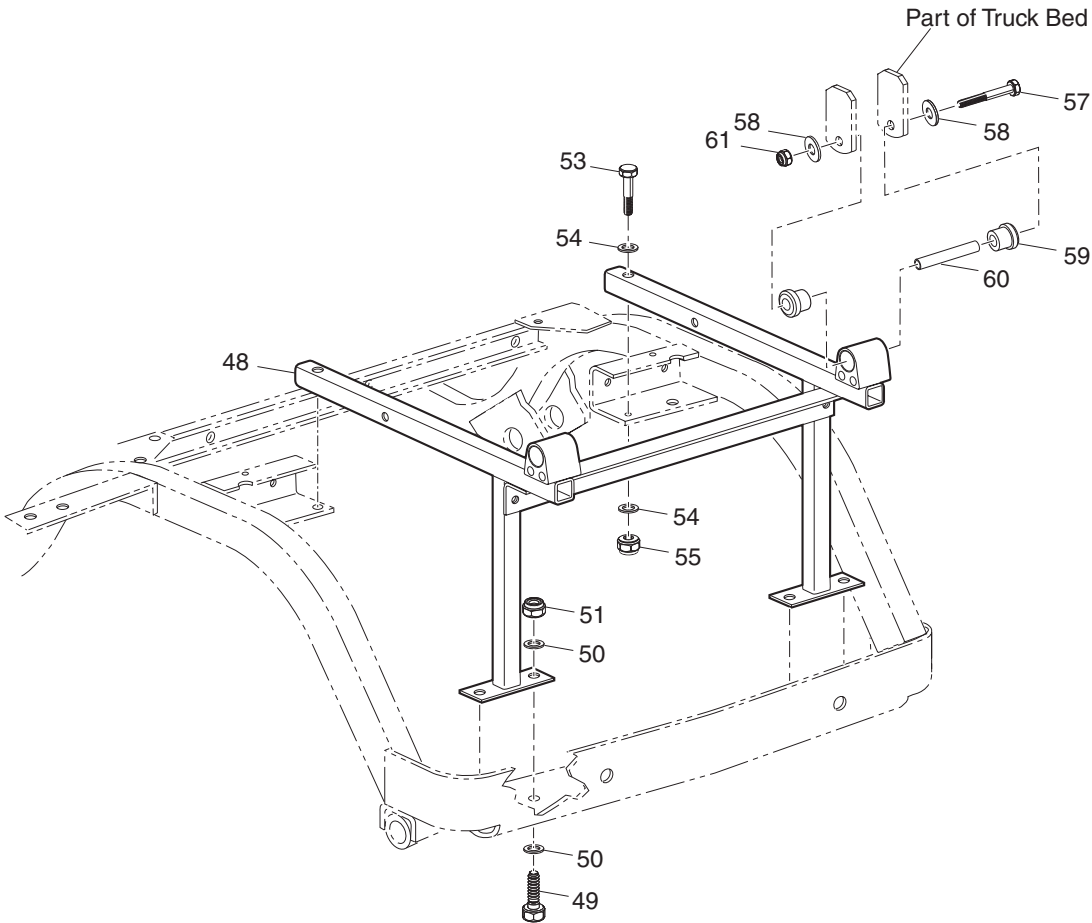
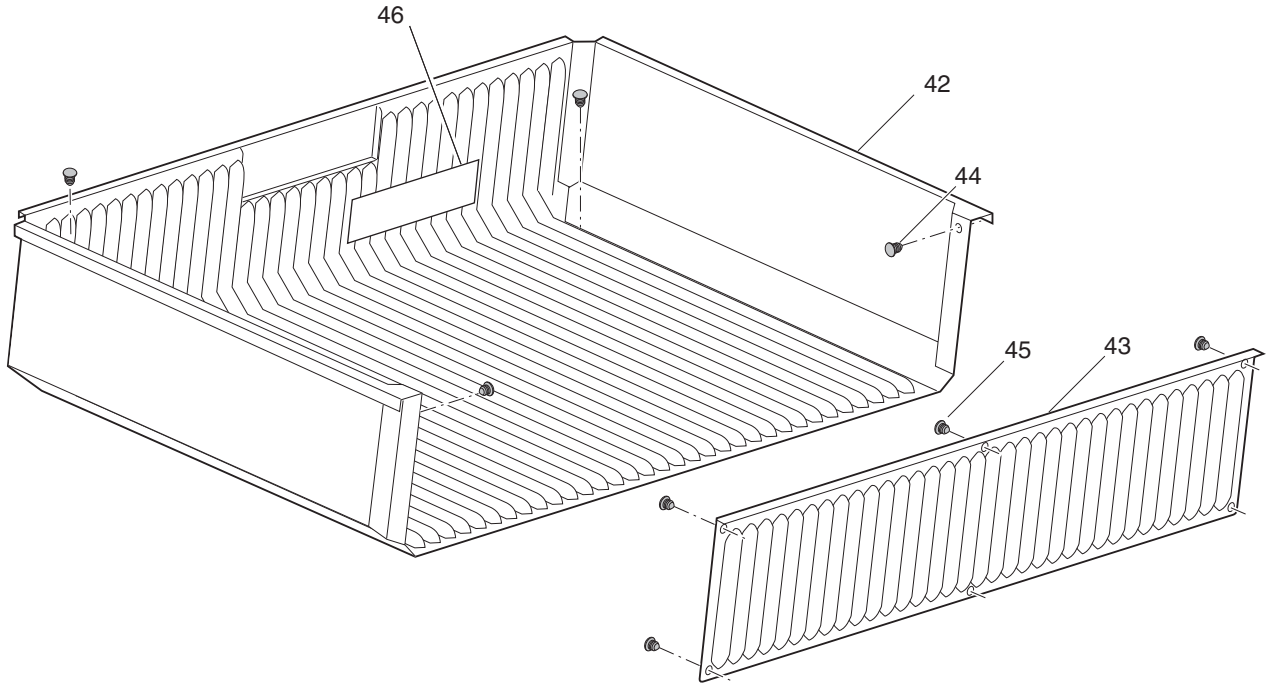
# TRUCK BED, ELECTRIC LIFT

1 - Includes Items 2 - 37



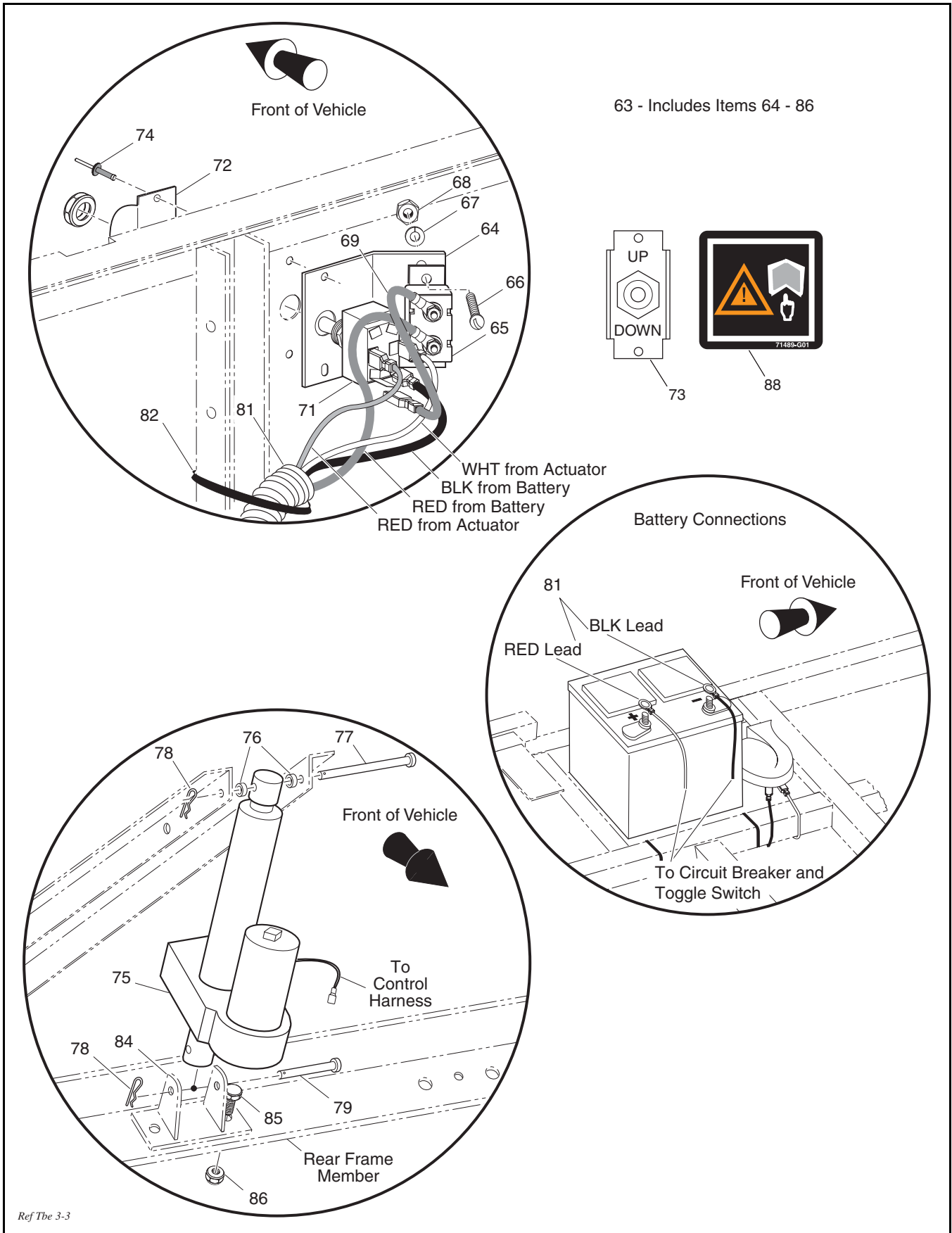
Ref Tbe 3-1

# TRUCK BED, ELECTRIC LIFT



Ref Tbe 3-2

# TRUCK BED, ELECTRIC LIFT



# TRUCK BED, ELECTRIC LIFT

THE USE OF NON U.L. PARTS WILL VOID ANY U.L. LISTING.

When ordering parts, please specify the model and serial number of the product.

\* Indicates a component that is not available as an individual part.

G\*\* Indicates consult Customer Service Department for additional information.

ITEM	PART NO.	1	2	3	4	5	DESCRIPTION	QTY.
1	71260-G01						TRUCK BED ASSEMBLY (35") (INCLUDES ITEMS 2 - 37) .....	1
2	71231-G01						BED (35") .....	1
3	71248-G01						SIDE PANEL (35") (PASSENGER SIDE) .....	1
4	71248-G02						SIDE PANEL (35") (DRIVER SIDE) .....	1
5	16705-G3						SCREW, 1/4 - 20 X 3/4" LG (STAINLESS STEEL) .....	10
6	00915-G1						BONDED WASHER, 1/4" .....	10
7	01110-G01						WASHER, 1/4" (STAINLESS STEEL) .....	10
8	14390-G4						LOCK NUT, 1/4 - 20 .....	10
9								
10	71717-G01						END CAP, 1" .....	2
11	16705-G6						SCREW, 1/4 - 20 X 1 3/4" LG (STAINLESS STEEL) .....	4
12	00915-G1						BONDED WASHER, 1/4" .....	8
13	14390-G4						LOCK NUT, 1/4 - 20 .....	4
14								
15	71322-G03						POST (PASSENGER SIDE) .....	1
16	71322-G04						POST (DRIVER SIDE) .....	1
17	71718-G01						END CAP, 1 1/2" .....	2
18	71838-G01						RUBBER BUMPER .....	2
19	16705-G6						SCREW, 1/4 - 20 X 3/4" LG (STAINLESS STEEL) .....	4
20	00915-G1						BONDED WASHER, 1/4" .....	4
21	01110-G01						WASHER, 1/4" (STAINLESS STEEL) .....	4
22	14390-G4						LOCK NUT, 1/4 - 20 .....	4
23	01074-G01						LOCK SCREW, 3/8 - 16 X 2" LG .....	4
24	11027-G5						LOCK NUT, 3/8 - 16 .....	4
25								
26	71245-G03						TAILGATE .....	1
27	27666-G01						HINGE .....	2
28	01002-G08						BOLT, 1/4 - 20 X 1" LG .....	4
29	01110-G01						WASHER, 1/4" (STAINLESS STEEL) .....	4
30	14390-G4						LOCK NUT, 1/4 - 20 .....	4

# TRUCK BED, ELECTRIC LIFT

THE USE OF NON U.L. PARTS WILL VOID ANY U.L. LISTING.

When ordering parts, please specify the model and serial number of the product.

\* Indicates a component that is not available as an individual part.

G\*\* Indicates consult Customer Service Department for additional information.

ITEM	PART NO.	1	2	3	4	5	DESCRIPTION	QTY.
31	71748-G01						TAILGATE KEEPER .....	1
32	16705-G3						SCREW, 1/4 - 20 X 3/4" LG (STAINLESS STEEL).....	1
33	01110-G01						WASHER, 1/4" (STAINLESS STEEL).....	1
34	14390-G4						LOCK NUT, 1/4 - 20.....	1
35	71083-G01						TAILGATE CABLE .....	2
36	00106-G6						SELF-TAPPING SCREW, #12 - 24 X 3/4" LG.....	2
37	00915-G1						BONDED WASHER, 1/4".....	2
38	74811-G01						TAILGATE LABEL (E-Z-GO) .....	1
39	28960-G01						TAILGATE LABEL (CUSHMAN).....	1
40	71771-G01						LABEL (TILT WARNING) .....	1
41	74823-G01						TAILGATE LABEL (JACOBSEN).....	1
42	74231-G01						BED LINER .....	1
43	74232-G01						TAILGATE LINER.....	1
44	18436-G1						RIVET, 1/4" X 1/2" LG .....	4
45	14601-G10						RIVET, 3/16" X 7/16" LG (ALUMINUM) .....	6
46	71517-G01						BED CAPACITY LABEL (500 LB) .....	1
47								
48	71258-G01						BED FRAME .....	1
49	00438-G8						SCREW, 5/16 - 18 X 1" LG.....	4
50	00642-G8						WASHER, 5/16" .....	8
51	01109-G01						LOCK NUT, 5/16 - 18 (STAINLESS STEEL) .....	4
52								
53	00415-G6						SCREW, 1/4 - 20 X 1 3/4" LG.....	2
54	00642-G7						WASHER, 5/16" .....	4
55	00654-G2						LOCK NUT, 1/4 - 20 (STAINLESS STEEL) .....	2
56								
57	00665-G9						BOLT, 3/8 - 16 X 3 1/2" LG (STAINLESS STEEL).....	2
58	00643-G1						WASHER, 3/8" .....	4
59	70291-G01						RUBBER BUSHING .....	4
60	70289-G02						SPACER.....	2

# TRUCK BED, ELECTRIC LIFT

THE USE OF NON U.L. PARTS WILL VOID ANY U.L. LISTING.

When ordering parts, please specify the model and serial number of the product.

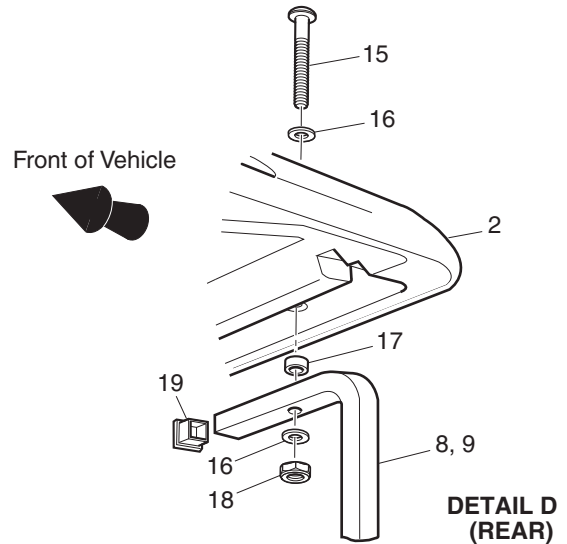
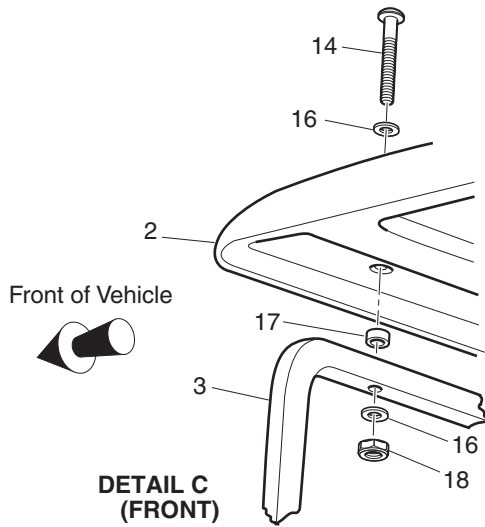
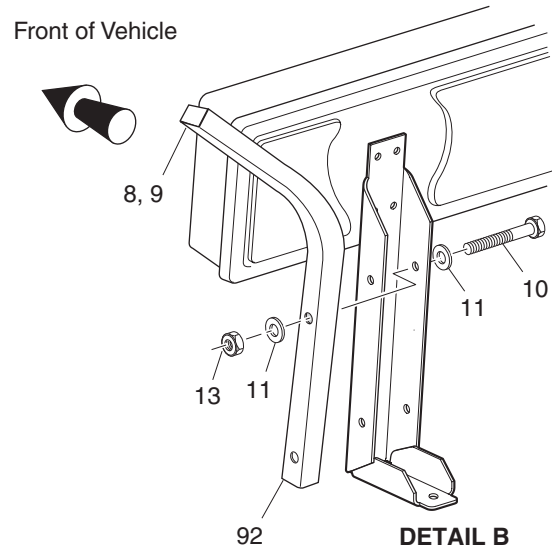
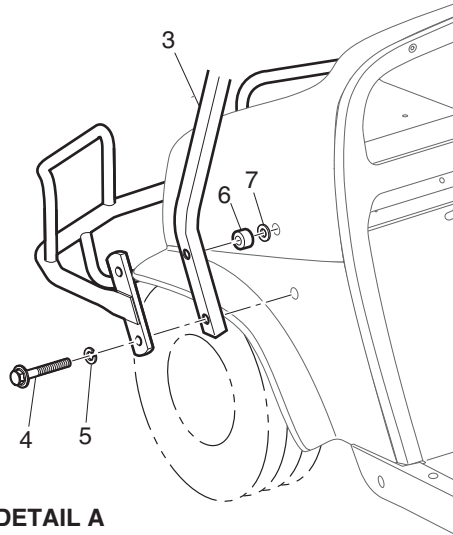
\* Indicates a component that is not available as an individual part.

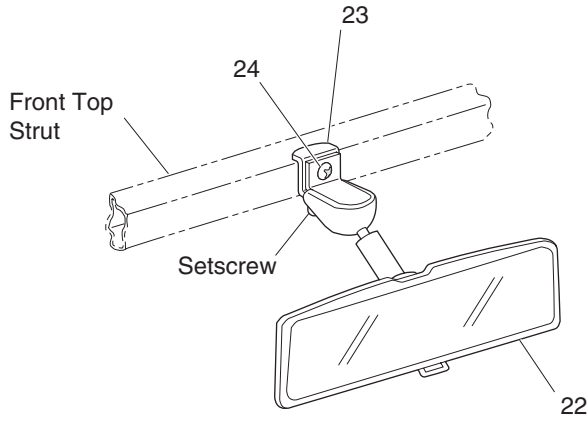
G\*\* Indicates consult Customer Service Department for additional information.

ITEM	PART NO.	1	2	3	4	5	DESCRIPTION	QTY.
61	11098-G5						LOCK NUT, 3/8 - 16 .....	2
62								
63	74052-G03						ELECTRIC DUMP KIT (INCLUDES ITEMS 64 - 86).....	1
64	74165-G01						CIRCUIT BREAKER MOUNTING BRACKET.....	1
65	21320-G4						CIRCUIT BREAKER, 30 AMP, 12V .....	1
66	00150-G4						SCREW, #10 - 24 X 1/2" LG. ....	2
67	00565-G5						LOCK WASHER, #10 .....	2
68	00526-G3						NUT, #10 - 24.....	2
69	25976-G14						14 GA WIRE (RED 5") .....	1
70								
71	27680-G01						TOGGLE SWITCH.....	1
72	27447-G01						TOGGLE GUARD .....	1
73	27446-G01						LABEL.....	1
74	10570-G9						RIVET, 1/8" X 11/32" LG (ALUMINUM).....	2
75	27612-G03						ELECTRIC ACTUATOR.....	1
76	27613-G01						SPACER .....	2
77	14443-G10						CLEVIS PIN, 1/2" X 2 7/8" LG.....	1
78	21683-G1						COTTER PIN, 15/32" X 2 13/16" LG .....	2
79	14443-G11						CLEVIS PIN, 1/2" X 1 3/4" LG .....	1
80								
81	74163-G01						WIRE HARNESS (CONTROL) .....	1
82	17618-G1						WIRE TIE .....	8
83								
84	71283-G01						ELECTRIC LIFT BRACKET.....	1
85	00462-G7						BOLT, 7/16 - 14 X 7/8" LG.....	2
86	00734-G1						LOCK NUT, 7/16 - 14 .....	2
87								
88	71489-G01						WARNING LABEL .....	1



# WEATHER PROTECTION



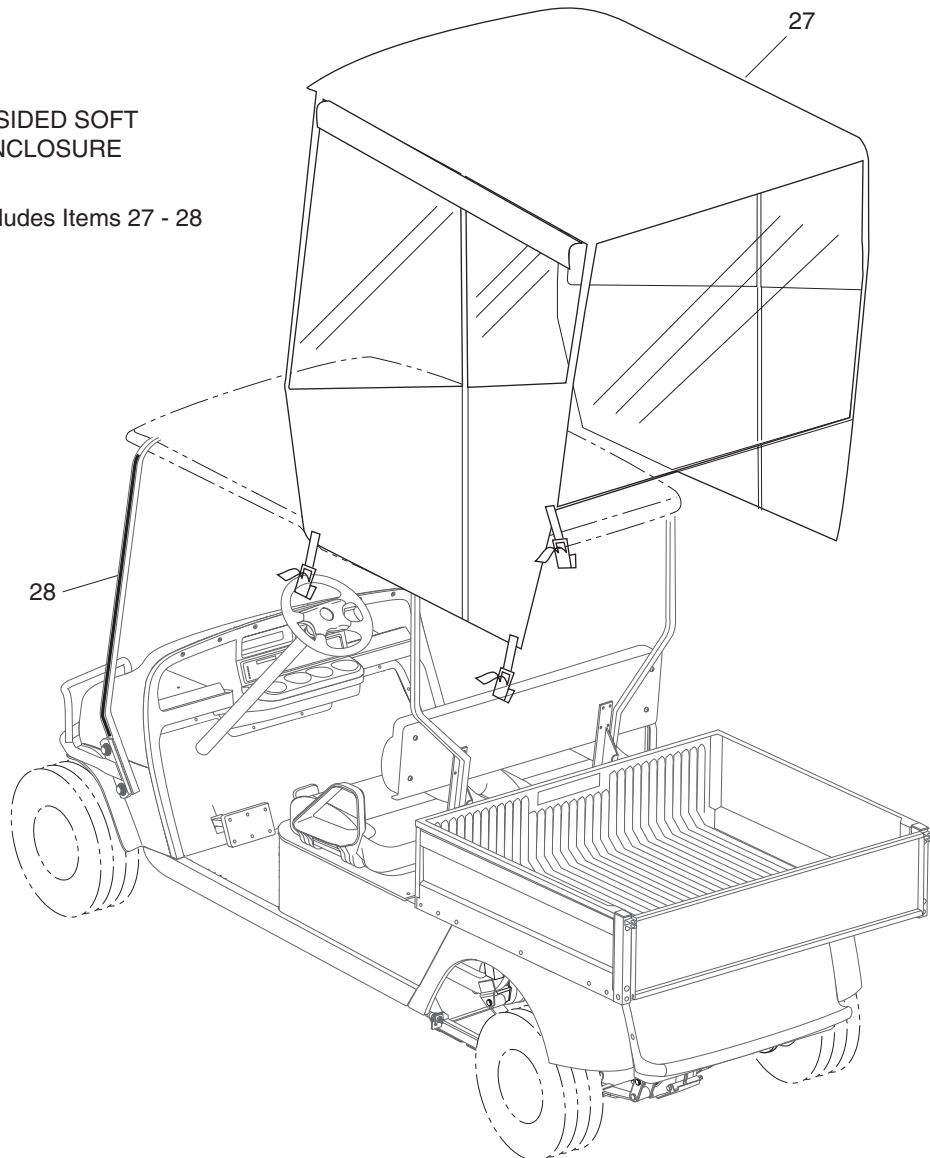


## REAR VIEW MIRROR

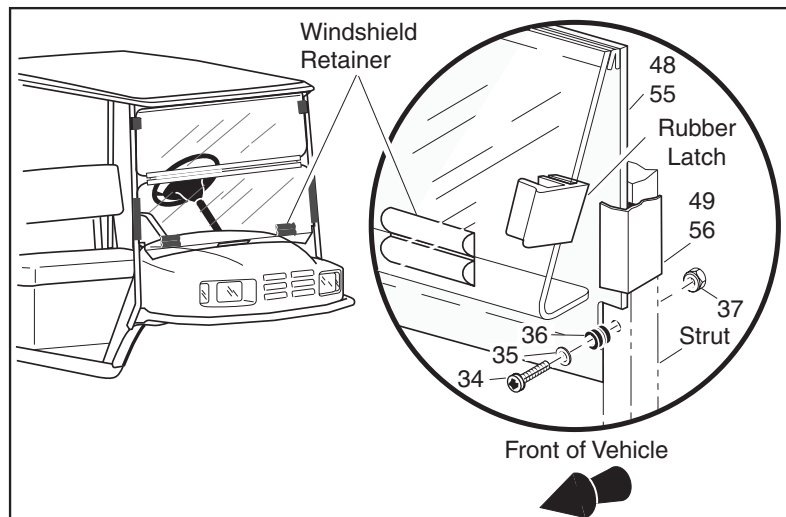
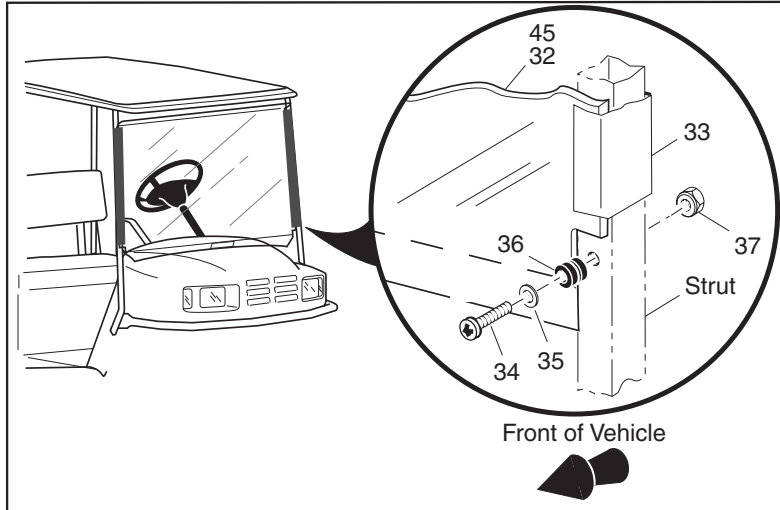
21 - Includes Items 22 - 24

## 3-SIDED SOFT ENCLOSURE

26 - Includes Items 27 - 28



# WEATHER PROTECTION



# WEATHER PROTECTION

THE USE OF NON U.L. PARTS WILL VOID ANY U.L. LISTING.  
 When ordering parts, please specify the model and serial number of the product.  
 \* Indicates a component that is not available as an individual part.  
 G\*\* Indicates consult Customer Service Department for additional information.

ITEM	PART NO.	1 2 3 4 5	DESCRIPTION	QTY.
1	75040-G**		SUN TOP KIT (INCLUDES ITEMS 2 - 19) .....	1
2	27069-G01		SUN TOP .....	1
3	75045-G05		FRONT STRUT .....	1
4	01035-G01		BOLT, 5/16 - 18 X 2 1/4" LG.....	4
5	00905-G8		LOCK WASHER, 5/16" .....	4
6	75048-G01		SPACER, 1/2" .....	2
7	00570-G2		WASHER, 5/16" .....	6
8	75838-G04		REAR STRUT (PASSENGER SIDE) .....	1
9	75838-G03		REAR STRUT (DRIVER SIDE).....	1
10	00685-G7		BOLT, 5/16 - 18 X 1 3/4" LG.....	4
11	00660-G8		WASHER, 5/16" .....	8
12				
13	11098-G6		LOCK NUT, 5/16 - 18 .....	4
14	00753-G5		SCREW, 1/4 - 20 X 2" LG (STAINLESS STEEL).....	2
15	00753-G6		SCREW, 1/4 - 20 X 2 1/4" LG (STAINLESS STEEL).....	2
16	01110-G01		WASHER, 1/4" (STAINLESS STEEL).....	8
17	75051-G01		SPACER .....	4
18	00654-G2		LOCK NUT, 1/4 - 20 .....	4
19	19853-G1		END CAP, 1" .....	2
20				
21	19528-G2		REAR VIEW MIRROR KIT (REQUIRES SUN TOP) (INCLUDES ITEMS 22 - 24).....	1
22	19496-G1		REAR VIEW MIRROR .....	1
23	19502-G2		SUPPORT BRACKET.....	1
24	19527-G1		SCREW, #8 - 32 X 5/8" LG (STAINLESS STEEL).....	1
25				
26	75367-G**		3-SIDED SOFT ENCLOSURE (REQUIRES SUN TOP) (INCL ITEMS 27 - 28) .....	1
27	*		ENCLOSURE.....	1
28	*		VELCRO .....	AR
29				

# WEATHER PROTECTION

Replacement parts for the windshield may be obtained from Eagle Parts, Inc. 1411 Marvin Griffin Rd. Augusta, GA 30906. Telephone (706) 790-6687.

\* Indicates a component that is not available as an individual part.

G\*\* Indicates consult Customer Service Department for additional information.

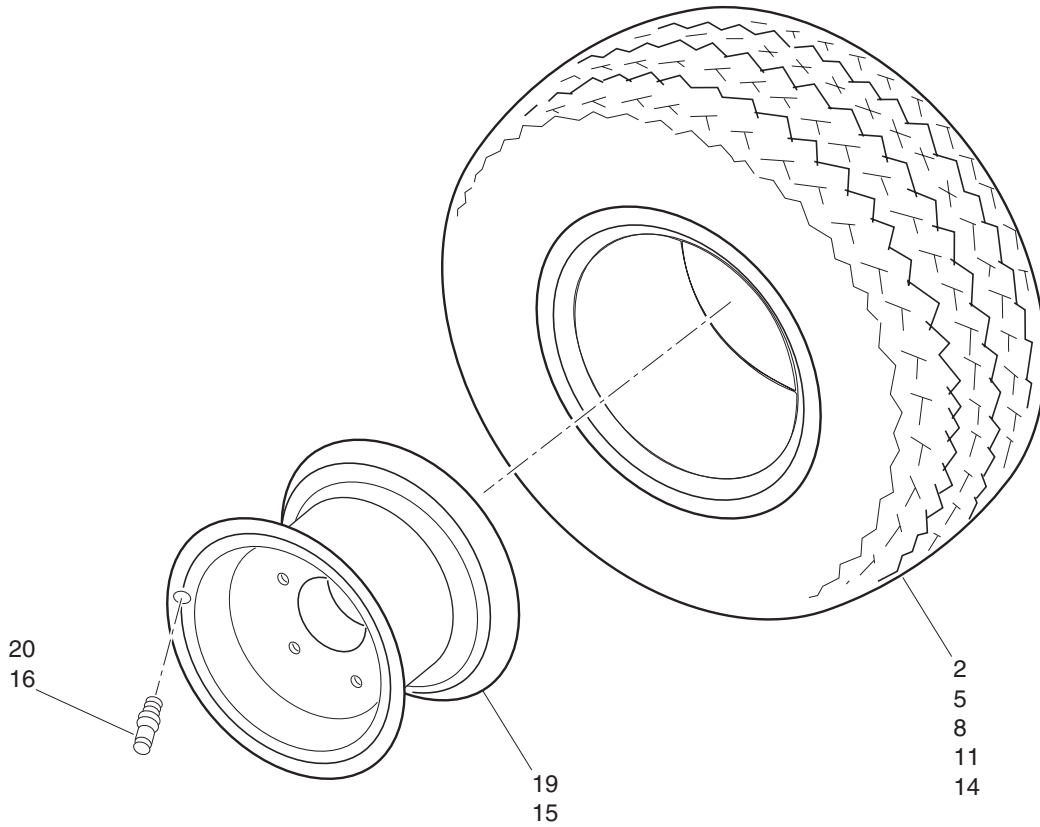
ITEM	PART NO.	1	2	3	4	5	DESCRIPTION	QTY.
30								
31	71966-G01						WINDSHIELD KIT (FULL) (INCLUDES ITEMS 32 - 38) .....	1
32	71954-G01						WINDSHIELD (FULL) (LEXAN) .....	1
33	EGWHC12						SASH, 26" LG. ....	2
34	EGWHS12						BOLT, 1/4 - 20 X 1 3/4" LG. (STAINLESS STEEL) .....	2
35	EGWHG12						WASHER, 1/4" (STAINLESS STEEL) .....	4
36	EGWHG13						RUBBER GROMMET .....	2
37	EGWHN12						LOCK NUT, 1/4 - 20 (STAINLESS STEEL) .....	2
38	EGWHL14						SAFETY LABEL.....	1
39								
40								
41								
42								
43								
44	71966-G03						WINDSHIELD KIT (FULL) (INCLUDES ITEMS 45, 33 - 37) .....	1
45	71960-G01						WINDSHIELD (FULL) .....	1
46								
47	71966-G04						WINDSHIELD KIT (SPLIT) (INCLUDES ITEMS 48, 49, 34 - 37) .....	1
48	71961-G01						WINDSHIELD (SPLIT).....	1
49	EGWHC10						SASH, 12" LG. ....	2
50								
51								
52								
53								
54	71966-G02						WINDSHIELD KIT (SPLIT) (INCLUDES ITEMS 55, 56, 34 - 37) .....	1
55	71955-G01						WINDSHIELD (SPLIT) (LEXAN).....	1
56	EGWHC10						SASH, 12" LG. ....	2



# WHEELS AND TIRES

- 1 - Includes Items 2, 19, 20
- 4 - Includes Items 5, 19, 20
- 7 - Includes Items 8, 19, 20
- 10 - Includes Items 11, 19, 20
- 13 - Includes Items 14, 15, 16

Tire design may vary by Part Number



Ref Whl 3-1



GOLD / SILVER SPOKE HUBCAP  
28, 29



# WHEELS AND TIRES

When ordering parts, please specify the model and serial number of the product.

\* Indicates a component that is not available as an individual part.

G\*\* Indicates consult Customer Service Department for additional information.

ITEM	PART NO.	1 2 3 4 5	DESCRIPTION	QTY.
1	27770-G01		WHEEL AND TIRE ASSEMBLY, LINKS (INCLUDES ITEMS 2, 19, 20) .....	A/R
2	28757-G01		CARLISLE TIRE (LINKS 18 X 8.5 - 8, 4 PLY RATED).....	A/R
3				
4	27770-G03		WHEEL AND TIRE ASSEMBLY, TURF SAVER (INCLUDES ITEMS 5, 19, 20) .....	A/R
5	28757-G03		CARLISLE TIRE (TURF SAVER 18 X 8.5 - 8, 4 PLY RATED) .....	A/R
6				
7	27770-G06		WHEEL AND TIRE ASSEMBLY, LINKS (INCLUDES ITEMS 8, 19, 20) .....	A/R
8	28757-G05		CARLISLE TIRE (LINKS 18 X 8.5 - 8, 4 PLY RATED).....	A/R
9				
10	27774-G01		WHEEL AND TIRE ASSEMBLY, USA TRAIL (INCLUDES ITEMS 11, 19, 20) ...	A/R
11	28764-G06		CARLISLE TIRE (USA TRAIL 6 PLY 18.5 X 8.5 - 8, LOAD RANGE C) .....	A/R
12				
13	27784-G02		WHEEL AND TIRE ASSEMBLY, USA TRAIL (INCLUDES ITEMS 14, 15 16) ....	A/R
14	27784-G04		CARLISLE TIRE (USA TRAIL 5.70 X 8).....	A/R
15	33678-G01		WHEEL RIM (4 LUG).....	A/R
16	26482-G01		VALVE STEM.....	A/R
17				
18				
19	28759-G01		WHEEL RIM (4 LUG).....	A/R
20	11657-G1		VALVE STEM.....	A/R
21				
22				
23				
24				
25				
26				
27	19241-G*		GOLD SPOKE HUBCAP (OPTIONAL) .....	A/R
28	19241-G*		SILVER SPOKE HUBCAP (OPTIONAL).....	A/R

## **SPECIALTY PRODUCTS**

# **SPECIALTY PRODUCTS**

## SPECIALTY PRODUCTS

<b>SPECIAL TOOLS</b>	<b>PART NO.</b>
BATTERY MAINTENANCE KIT .....	25587-G01
SEAL INSTALLATION TOOL (REAR AXLE SHAFT SEAL) .....	18739-G1
BATTERY SET DISCHARGER, 36 VOLT, 75 AMP .....	28251-G01
CURRENT INDICATOR.....	16489-G2
DIGITAL MULTI-METER .....	27481-G01
CRIMPING TOOL .....	27765-G01
SLIDE HAMMER (AXLE/HUB REMOVAL) .....	15947-G1
SLIDE HAMMER (AXLE REMOVAL ONLY) .....	18753-G1

<b>TOUCH UP PAINT</b>	<b>PART NO.</b>
PEN 3 OUNCE (89 ML) - HUNTER GREEN .....	28432-G02
PEN 3 OUNCE (89 ML) - CHAMPAGNE BEIGE .....	28432-G01
PEN 3 OUNCE (89 ML) - WHITE .....	28432-G05
PEN 3 OUNCE (89 ML) - INDUSTRIAL YELLOW.....	28432-G03
PEN 3 OUNCE (89 ML) - ORANGE .....	28432-G04
PEN 3 OUNCE (89 ML) - STEEL BLUE PEARL .....	28432-G**
PEN 3 OUNCE (89 ML) - CAMOUFLAGE PAINT (THREE PENS) .....	75831-G01
AEROSOL 12 OUNCE (360 ML) - HUNTER GREEN .....	28140-G09
AEROSOL 12 OUNCE (360 ML) - CHAMPAGNE BEIGE .....	28140-G15
AEROSOL 12 OUNCE (360 ML) - WHITE .....	28140-G03
AEROSOL 12 OUNCE (360 ML) - INDUSTRIAL YELLOW.....	28140-G14
AEROSOL 12 OUNCE (360 ML) - ORANGE .....	28140-G13
AEROSOL 12 OUNCE (360 ML) - STEEL BLUE PEARL .....	28140-G**

<b>MAINTENANCE PRODUCTS</b>	<b>PART NO.</b>
FORMULA 40 VINYL-COAT® - WHITE .....	28166-G01
PLEXUS® CLEANER, 7 OUNCE (210 ML) (FOR WINDSHIELDS) .....	28433-G01
PLEXUS® CLEANER, 13 OUNCE (380 ML) (FOR WINDSHIELDS) .....	28433-G02
BATTERY PROTECTOR, 14 OUNCE (410 ML) SPRAY .....	75500-G01
WHITE LITHIUM GREASE, 14 OUNCE (410 ML) SPRAY.....	75502-G01
PENETRANT/LUBRICANT, 15 OUNCE (440 ML) SPRAY .....	75503-G01
MULTI-PURPOSE CLEANER & DEGREASER, 14 OUNCE (410 ML) SPRAY .....	75504-G01
MULTI-PURPOSE HAND CLEANER, 32 OUNCE (950 ML) LIQUID .....	75505-G01

## SPECIALTY PRODUCTS

BATTERY CLEANER, 32 OUNCE (950 ML) WITH TRIGGER SPRAYER .....	75506-G01
BIO-DEGRADABLE CLEANER, 32 OUNCE (950 ML) WITH TRIGGER SPRAYER .....	75507-G01
MULTI-PURPOSE VALUE PACK.....	75508-G01
• BATTERY PROTECTOR, 4 OUNCE (120 ML) SPRAY	
• PENETRANT/LUBRICANT, 4 OUNCE (120 ML) SPRAY	
• WHITE LITHIUM GREASE, 4 OUNCE (120 ML) SPRAY	
• CARBURETOR & CHOKE CLEANER, 4 OUNCE (120 ML) SPRAY	



## **OPTIONS/ACCESSORIES**

# **OPTIONS/ACCESSORIES**

## OPTIONS/ACCESSORIES

ITEM	KIT NO.	COMMENTS
<b>ACCESSORIES LISTING</b>		
	<b>KIT NO.</b>	
ASHTRAY KIT . . . . .	75109-G04 . . . . .	See BODY
BALL HITCH KIT . . . . .	74492-G02 . . . . .	See BODY
BUMPER KIT . . . . .	74292-G04 . . . . .	See BODY
CLEVIS HITCH KIT . . . . .	74492-G05 . . . . .	See BODY
DEFROSTER/COOLING FAN . . . . .	74248-G01 . . . . .	See CAB
DIFFERENTIAL GUARD . . . . .	25353-G01 . . . . .	See REAR AXLE
DOOR SET . . . . .	75856-G0* . . . . .	See CAB
DOOR SET (VINYL) . . . . .	75855-G01 . . . . .	See CAB
ELECTRIC DUMP KIT . . . . .	74637-G01 . . . . .	See TRUCKBED
GLOVE BOX DOOR . . . . .	75456-G0* . . . . .	See BODY
HOUR METER KIT . . . . .	75113-G02 . . . . .	See ELECTRICAL SYSTEM
INSIDE MIRROR . . . . .	27924-G01 . . . . .	See WEATHER PROTECTION
INSTRUMENT/SWITCH PANEL . . . . .	74250-G01 . . . . .	See CAB
REAR VIEW MIRROR KIT . . . . .	19528-G2 . . . . .	See WEATHER PROTECTION
SOFT ENCLOSURE . . . . .	75367-G01 . . . . .	See WEATHER PROTECTION
STEEL CAB, W/O DOORS . . . . .	75854-G0* . . . . .	See CAB
STROBE LIGHT . . . . .	74245-G01 . . . . .	See CAB
SUN TOP KIT . . . . .	75040-G0* . . . . .	See WEATHER PROTECTION
TURN SIGNAL KIT . . . . .	75107-G02 . . . . .	See ELECTRICAL SYSTEM
GOLD SPOKE WHEEL COVERS . . . . .	19241-G* . . . . .	See WHEELS AND TIRES
SILVER SPOKE WHEEL COVERS . . . . .	19241-G* . . . . .	See WHEELS AND TIRES
WINDSHIELDS . . . . .	71966-G0* . . . . .	See WEATHER PROTECTION
WINDSHIELD WIPER . . . . .	74244-G01 . . . . .	See CAB
WORK LIGHTS . . . . .	74247-G01 . . . . .	See CAB
WORK LIGHT BAR WITH LIGHTS . . . . .	71323-G04 . . . . .	See ELECTRICAL SYSTEM
WORK LIGHT BAR WITH STROBE . . . . .	71323-G05 . . . . .	See ELECTRICAL SYSTEM
WORK LIGHT BAR WITH LIGHTS AND STROBE . . . . .	71323-G06 . . . . .	See ELECTRICAL SYSTEM



A Textron Company

E-Z-GO Division of Textron, Inc.  
P.O. Box 388 Augusta, Georgia 30903-0388 USA  
Inside USA Phone: 1-800-241-5855, FAX: 1-800-448-8124  
Outside USA Phone: 010-1-706-798-4311, FAX: 010-1-706-771-4609

Copyrighted Material  
This manual may not be reproduced in whole or  
in part without the express permission of  
E-Z-GO Division of Textron, Inc.  
Technical Communications Department