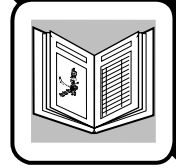


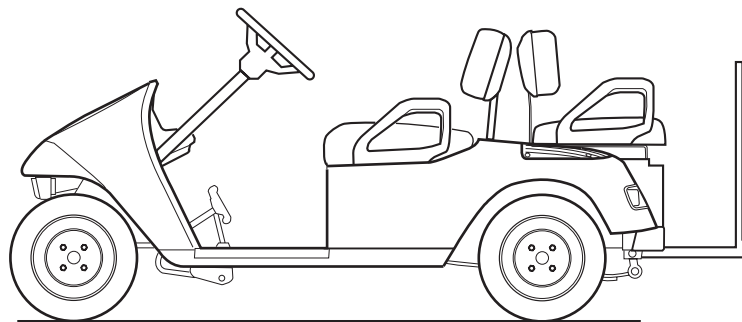
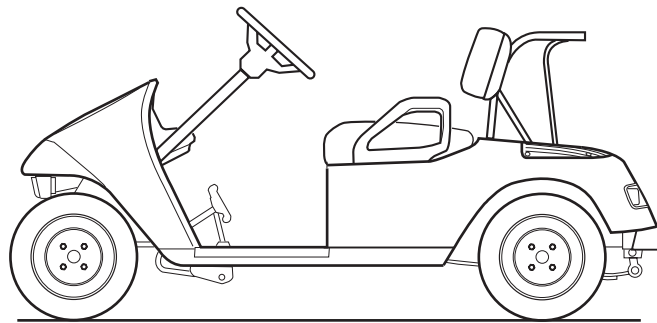
28790-G01-GB



A Textron Company



SERVICE PARTS MANUAL



Ref Fcv 1

GASOLINE POWERED FLEET GOLF CARS & PERSONAL VEHICLES

STARTING MODEL YEAR: 2003

SERVICE PARTS MANUAL

GASOLINE POWERED FLEET GOLF CARS & PERSONAL VEHICLES

FLEET GOLF CAR

FREEDOM™

FREEDOM™ SE

FREEDOM™ LE

FREEDOM™ HP

FREEDOM™ HP SE

FREEDOM™ HP LE

SHUTTLE™ 2+2

TEXTRON Golf, Turf & Specialty Products reserves the right to make design changes without obligation to make these changes on units previously sold and the information contained in this manual is subject to change without notice.

TEXTRON Golf, Turf & Specialty Products is not liable for errors in this manual or for incidental or consequential damages that result from the use of the material in this manual.

CUSTOMER SERVICE DEPARTMENT IN USA PHONE: 1-800-241-5855 FAX: 1-800-448-8124

OUTSIDE USA PHONE: 010-1-706-798-4311, FAX: 010-1-706-771-4609

TEXTRON GOLF, TURF & SPECIALTY PRODUCTS, P.O.BOX 388, AUGUSTA, GEORGIA USA 30903-0388

GENERAL INFORMATION

To obtain a copy of the limited warranty applicable to the vehicle, call or write a local Distributor, authorized Branch or the Warranty Department with vehicle serial number and manufacture date code.

The use of non Original Equipment Manufacturer (OEM) parts may void the warranty.

When servicing engines, all adjustments and replacement components must be per original vehicle specifications in order to maintain the United States of America Federal and State emission certification applicable at the time of manufacture.

TABLE OF CONTENTS

SECTION	Page No.
HOW TO USE THE SERVICE PARTS MANUAL	v
ILLUSTRATED PARTS BREAKDOWN	vii
ACCELERATOR	A-1
AIR CLEANER	B-1
BODY - FRONT	C-1
BODY - MID SECTION	C-5
BODY - REAR	C-7
BODY - FOOTREST	C-11
BODY - ACCESSORIES	C-13
BODY - ACCESSORIES CONTINUED	C-15
BODY - ACCESSORIES CONTINUED	C-17
BRAKES	D-1
CARBURETOR AND CHOKE	E-1
CLUTCHES	F-1
DIRECTION SELECTOR	G-1
ELECTRICAL SYSTEM	H-1
ENGINE AND MUFFLER	I-1
ENGINE MOUNTING	J-1
FRONT SUSPENSION/STEERING	K-1
FUEL SYSTEM	L-1
REAR AXLE	M-1
REAR SUSPENSION	N-1
SEATING AND BAG HOLDER - GOLF CAR	O-1
SEATING - SHUTTLE 2+2	O-3
SEATING - CONVERTIBLE CARRIER	O-7
STARTER / GENERATOR	P-1
TOW BAR - PERMANENT	Q-1
TOW BAR - CASUAL	Q-5
WEATHER PROTECTION - GOLF CAR	R-1

TABLE OF CONTENTS

WEATHER PROTECTION - SHUTTLE 2+2	R-7
WHEELS AND TIRES	S-1
SPECIALTY PRODUCTS	APPENDIX A-1
OPTIONS/ACCESSORIES	APPENDIX B-1
INDEX OF MAJOR COMPONENTS	INDEX-1

HOW TO USE THE SERVICE PARTS MANUAL

This manual is divided into several sections:

GENERAL INFORMATION

- TABLE OF CONTENTS
- HOW TO USE THE SERVICE PARTS MANUAL

ILLUSTRATED PARTS BREAKDOWN

- Contains illustrations and parts lists for all systems of the vehicle

APPENDIX

- Contains a listing of specialty products and options/accessories

INDEX OF MAJOR COMPONENTS

- Contains a listing of parts (excluding hardware) grouped by part number and description and indicates on which page(s) they can be found

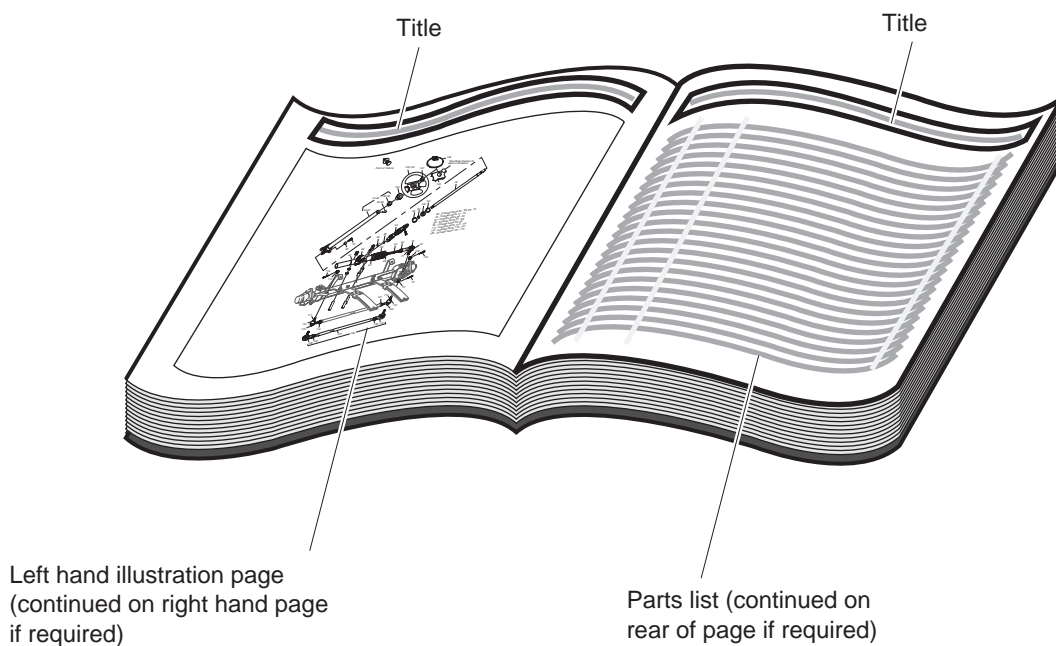
USE OF THE MANUAL

To use this manual, consult the TABLE OF CONTENTS (page iii) or the INDEX OF MAJOR COMPONENTS (located at rear of this manual) to locate the information or illustration required.

Introduction of some revisions varies due to supply of components; therefore, it is possible that various combinations of components may be found that are not directly reflected by each illustration. Consult the illustration that best suits your situation. Locate the serial number plate (see BODY located in the Illustrated Parts Breakdown section of this manual for its location) and note the complete number shown on the plate. It is important that the serial number of your vehicle and its model number be supplied to Service Parts when ordering any replacement components.

Locate the serial number plate (see BODY located in the Illustrated Parts Breakdown section of this manual for its location) and note the complete number shown on the plate.

HOW TO USE THE SERVICE PARTS MANUAL



1. WHEN THE PART NUMBER IS NOT KNOWN

- Determine the function and application of the part required. Turn to the INDEX OF MAJOR COMPONENTS and select the most appropriate component description.
- Turn to the page number indicated and locate the part description in the parts list. Read the full accompanying description for specific information regarding the part that was not shown in the index.
- From the parts list, obtain the item number assigned to it and confirm that the part selected is correct by verifying it with the pictorial representation on the illustrated page.

2. IF YOU KNOW THE PART NUMBER

- Use the INDEX OF MAJOR COMPONENTS to find the page(s) the part number appears on.
- Turn to the page number indicated and locate the part number in the parts list. Refer to the accompanying description for specific information regarding the part.
- From the parts list, obtain the item number assigned to it and confirm that the part selected is correct by verifying it with the pictorial representation on the illustrated page.

Should an asterisk (*) appear in the part number column on the parts list page, read upwards until a part number is found. The part number is the lowest assembly sold by Service Parts. The asterisk (*) indicates that the part depicted is not available for purchase.

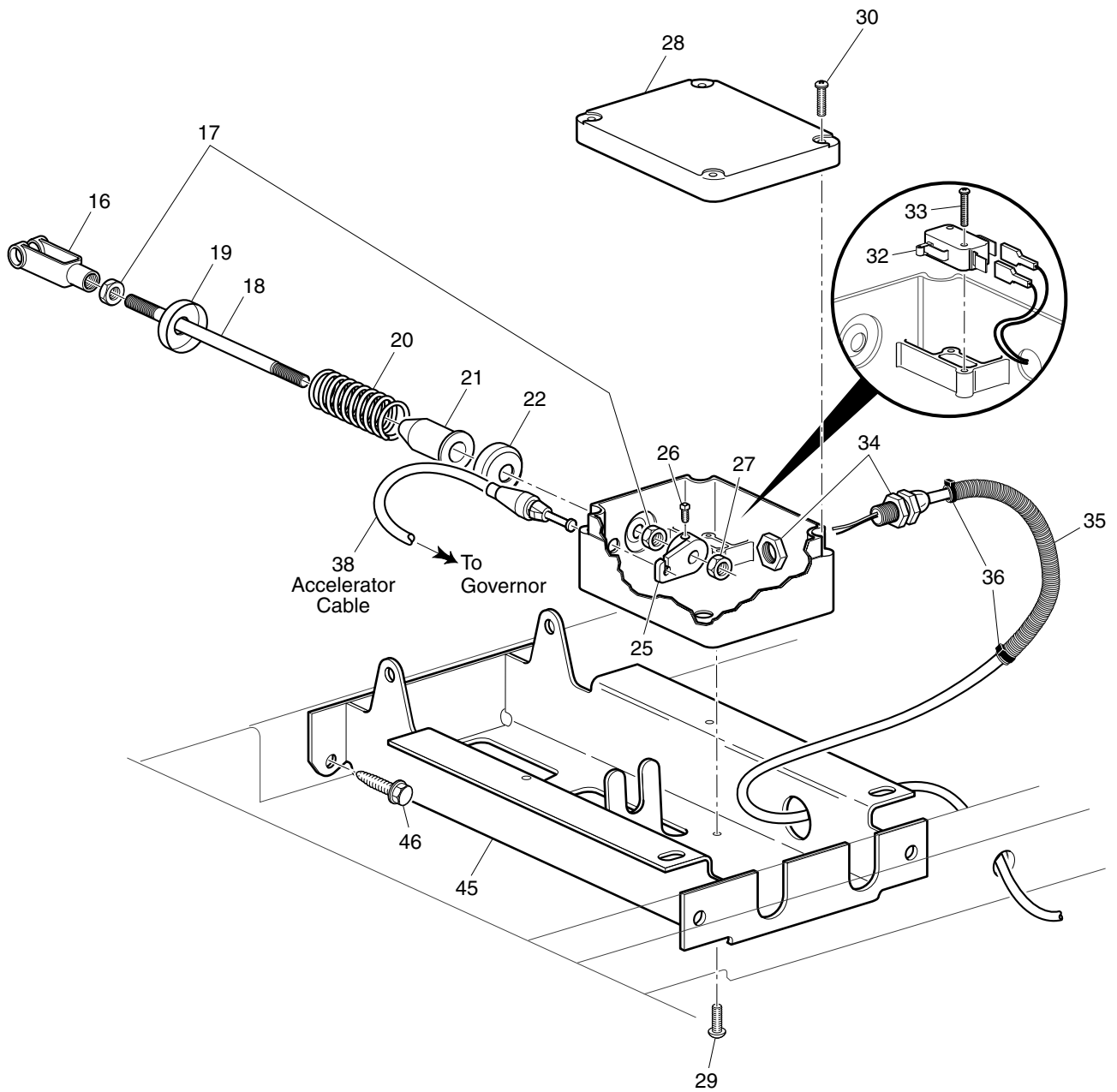
NOTE: Descriptions are indented under the assembly that they are used on. That assembly is, in turn listed under the assembly that it is used on. This process is repeated until the highest final assembly is reached.

To facilitate the maintenance and repair of the vehicle, a Technician's Repair and Service Manual is available from the Service Parts Department.

ILLUSTRATED PARTS BREAKDOWN

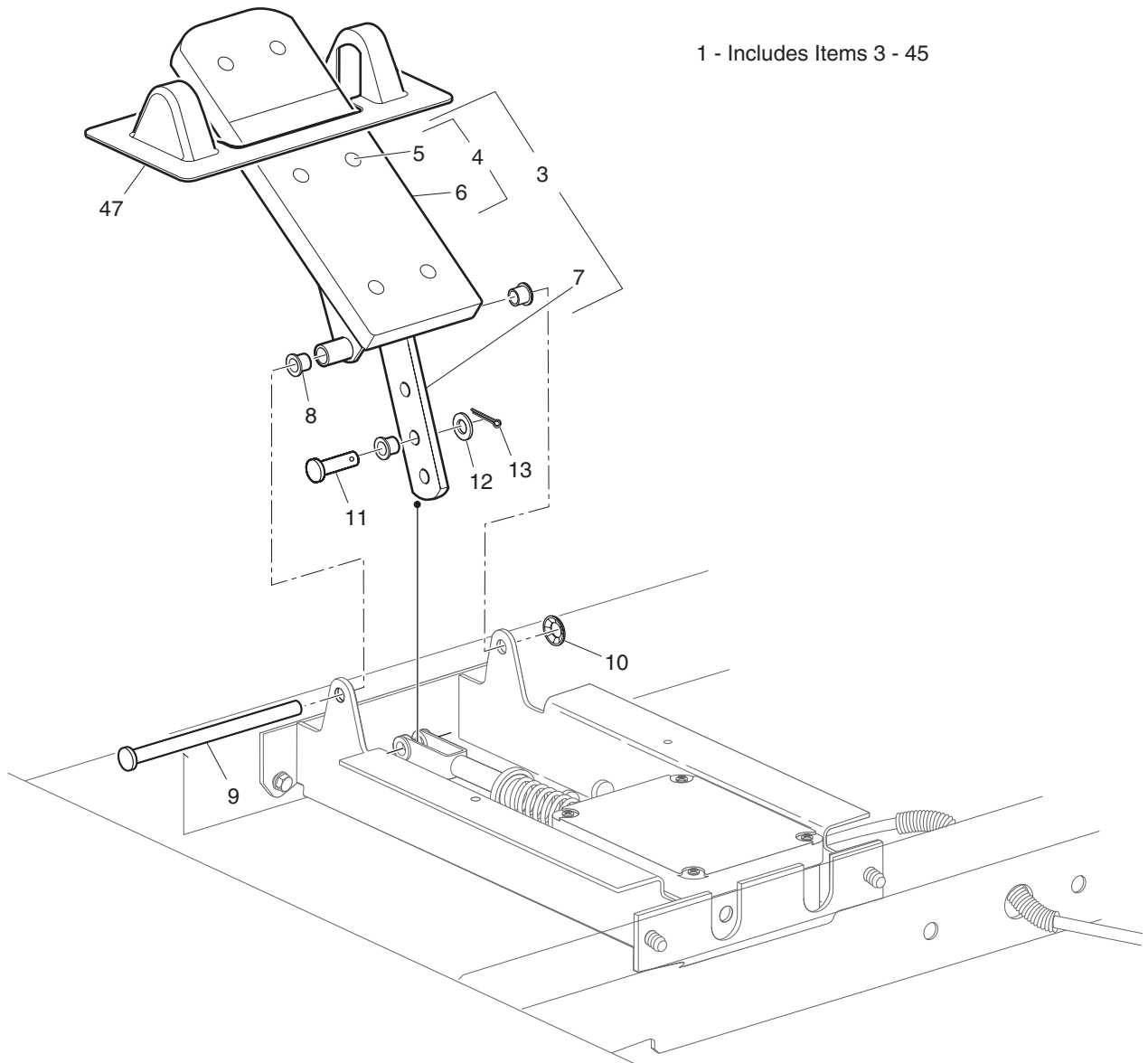
ILLUSTRATED PARTS BREAKDOWN

ACCELERATOR



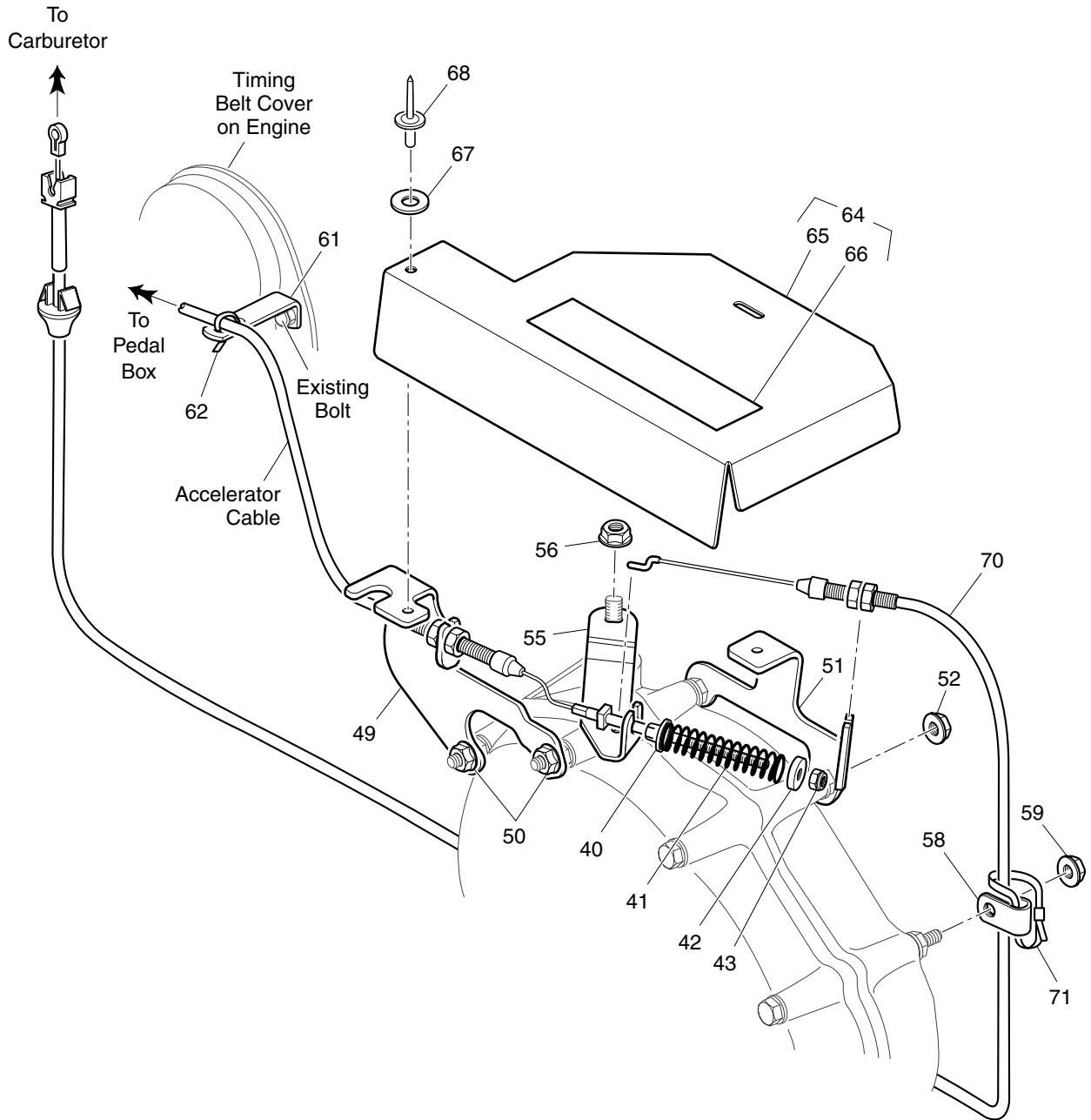
Ref Acl 2-1

ACCELERATOR



Ref Acl 2-2

ACCELERATOR



Ref Acl 2-3

ACCELERATOR

Where applicable, THE USE OF NON UL PARTS WILL VOID ANY UL LISTING.

When ordering parts, please specify the model and serial number of the product.

* Indicates a component that is not available as an individual part.

G** Indicates consult Customer Service Department for additional information.

ITEM	PART NO.	1 2 3 4 5	DESCRIPTION	QTY.
1	72717-G01		PEDAL BOX ASSEMBLY (INCLUDES ITEMS 3 - 45)	1
2				
3	25799-G01		ACCELERATOR PEDAL ASSEMBLY (INCLUDES ITEMS 4 - 7).....	1
4	27844-G01		ACCELERATOR PEDAL PAD KIT (INCLUDES ITEMS 5 - 6).....	1
5	15766-G1		OVAL RIVET, 3/16" X 7/16" LG	6
6	27512-G01		ACCELERATOR PEDAL PAD	1
7	*		ACCELERATOR PEDAL	1
8	17838-G1		NYLON BUSHING	3
9	74432-G01		PEDAL PIVOT PIN	1
10	12064-G6		PUSH NUT, 9/32"	1
11	10386-G3		CLEVIS PIN, 5/16" X 13/16" LG	1
12	17255-G1		TEFLON WASHER, 5/16"	1
13	10387-G3		COTTER PIN, 3/32" X 3/4" LG	1
14				
15				
16	10385-G4		CLEVIS YOKE (ADJUSTABLE).....	1
17	00532-G4		NUT, 5/16 - 24.....	2
18	72072-G01		ACCELERATOR ROD	1
19	17677-G2		SPRING RETAINER, 3/8"	1
20	73046-G01		COMPRESSION SPRING	1
21	17979-G1		ACCELERATOR ROD BUSHING	1
22	17677-G1		SPRING RETAINER, 1/2"	1
23				
24				
25	72716-G01		MICRO SWITCH CAM.....	1
26	00487-G3		SETSCREW, 1/4 - 20 X 3/8" LG	1
27	00550-G4		LOCK NUT, 5/16 - 24	1
28	25853-G03		PEDAL BOX AND COVER	1
29	01051-G01		SCREW, #8 - 16 X 1/2" LG	4
30	00684-G6		SCREW, #8 - 32 X 3/4" LG (STAINLESS STEEL).....	4

ACCELERATOR

Where applicable, THE USE OF NON UL PARTS WILL VOID ANY UL LISTING.

When ordering parts, please specify the model and serial number of the product.

* Indicates a component that is not available as an individual part.

G** Indicates consult Customer Service Department for additional information.

ITEM	PART NO.	1	2	3	4	5	DESCRIPTION	QTY.
31								
32	25861-G01						MICRO SWITCH.....	1
33	01050-G01						SCREW, #4 - 20 X 5/8" LG	2
34	72201-G04						WIRE HARNESS (PEDAL BOX)	1
35	17313-G1						FLEX LOOM (BULK).....	AR
36	17618-G1						WIRE TIE	2
37								
38	72713-G01						ACCELERATOR CABLE	1
39								
40	72706-G01						ACCELERATOR CABLE BUSHING	1
41	72707-G01						COMPRESSION SPRING	1
42	25727-G02						CUP WASHER, 3/16"	1
43	00734-G5						LOCK NUT, #10 - 32.....	1
44								
45	70116-G01						ACCELERATOR PEDAL BRACKET.....	1
46	00715-G2						BOLT, 5/16 - 18 X 13/16" LG	4
47	70135-G01						PEDAL PIVOT COVER.....	1
48								
49	72701-G01						ACCELERATOR CABLE MOUNTING BRACKET	1
50	26830-G01						LOCK NUT, M8 X 1.25 MM	2
51	72703-G01						THROTTLE CABLE MOUNTING BRACKET	1
52	26830-G01						LOCK NUT, M8 X 1.25 MM	2
53								
54								
55	72708-G01						GOVERNOR ARM	1
56	26830-G01						LOCK NUT, M8 X 1.25 MM	1
57								
58	11845-G3						INSULATED CABLE CLAMP, 11/16".....	1
59	26830-G01						LOCK NUT, M8 X 1.25 MM	1
60								

ACCELERATOR

Where applicable, THE USE OF NON UL PARTS WILL VOID ANY UL LISTING.

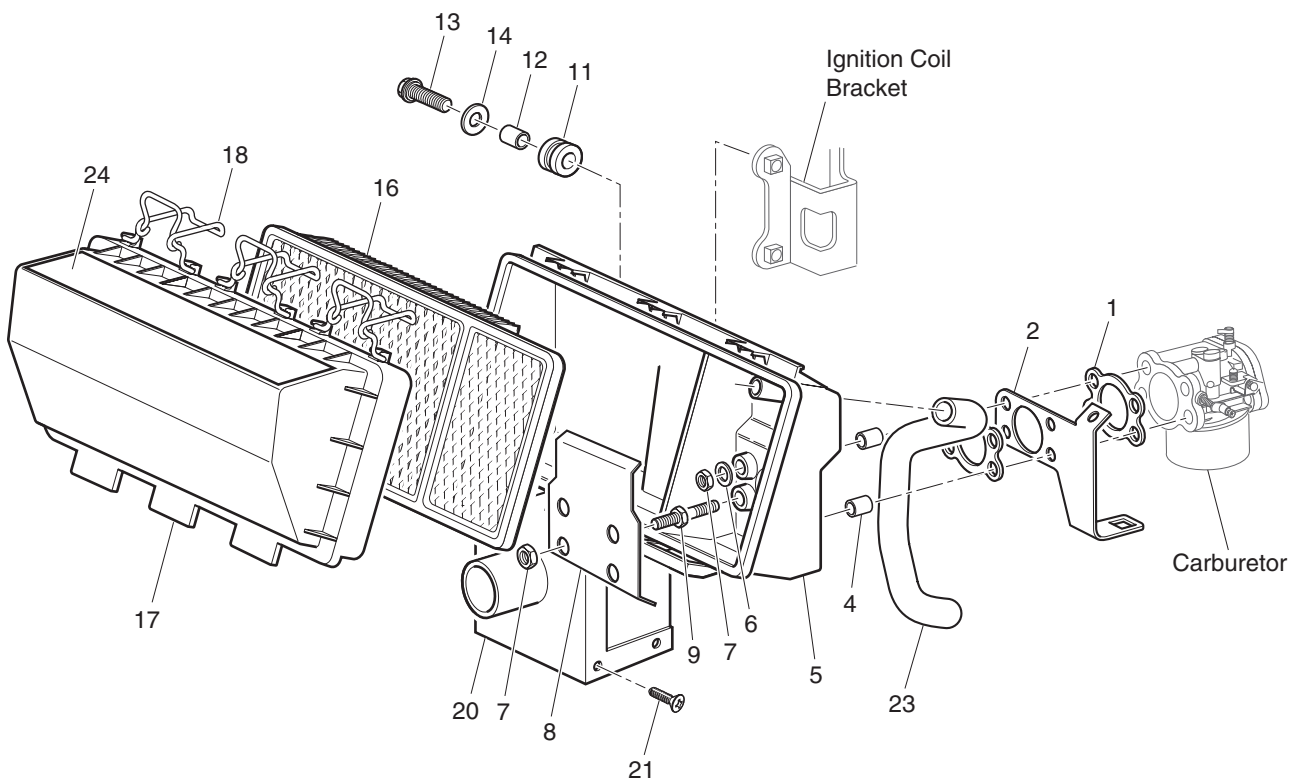
When ordering parts, please specify the model and serial number of the product.

* Indicates a component that is not available as an individual part.

G** Indicates consult Customer Service Department for additional information.

ITEM	PART NO.	1 2 3 4 5	DESCRIPTION	QTY.
61	72055-G01		ACCELERATOR CABLE BRACKET	1
62	17618-G1		WIRE TIE	1
63				
64	74457-G01		GOVERNOR COVER/LABEL ASSEMBLY (INCLUDES ITEMS 65, 66).....	1
65	72705-G01		GOVERNOR COVER	1
66	24880-G01		LABEL (WARNING - GOVERNOR)	1
67	00915-G1		BONDED WASHER, 1/4"	2
68	14601-G11		RIVET, 3/16" X 9/16" LG (ALUMINUM)	2
69				
70	72714-G01		THROTTLE CABLE.....	1
71	17618-G1		WIRE TIE	1

AIR CLEANER



Ref Air 2

AIR CLEANER

Where applicable, THE USE OF NON UL PARTS WILL VOID ANY UL LISTING.

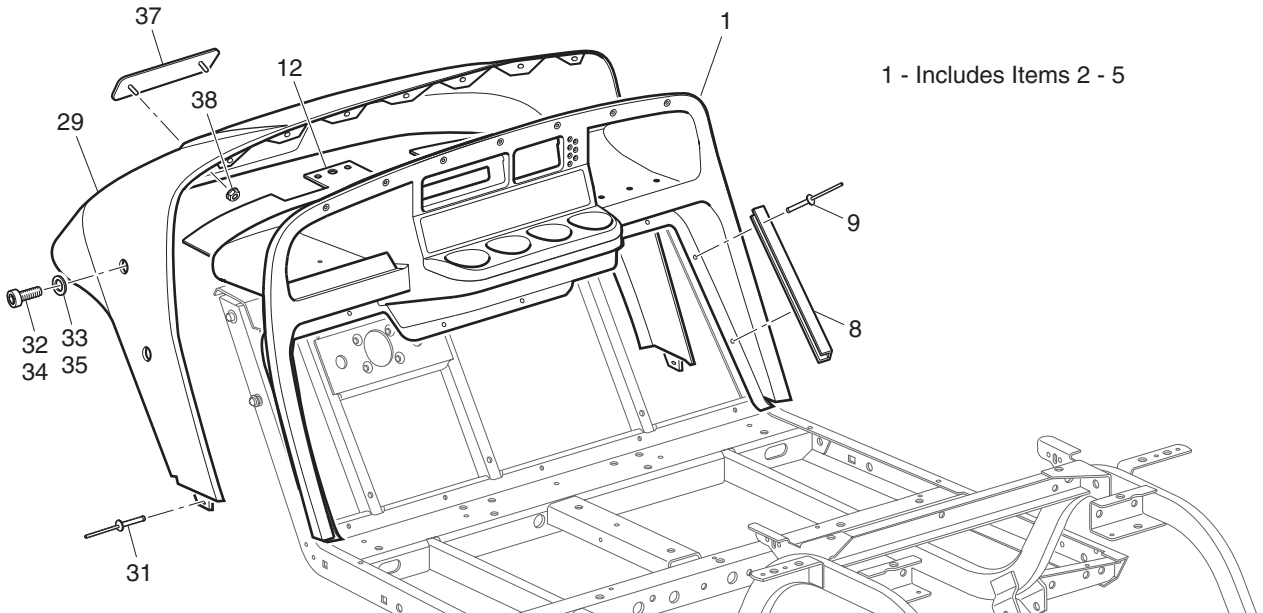
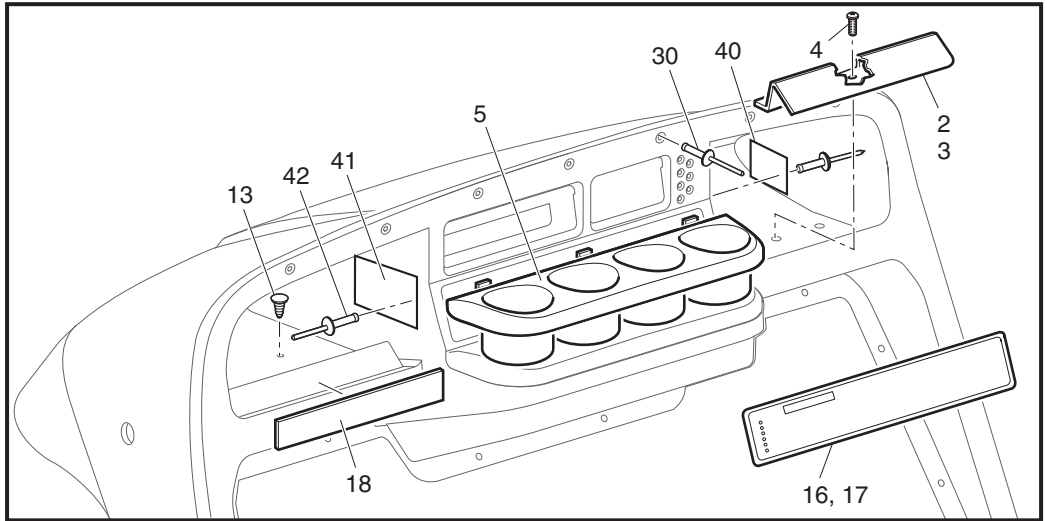
When ordering parts, please specify the model and serial number of the product.

* Indicates a component that is not available as an individual part.

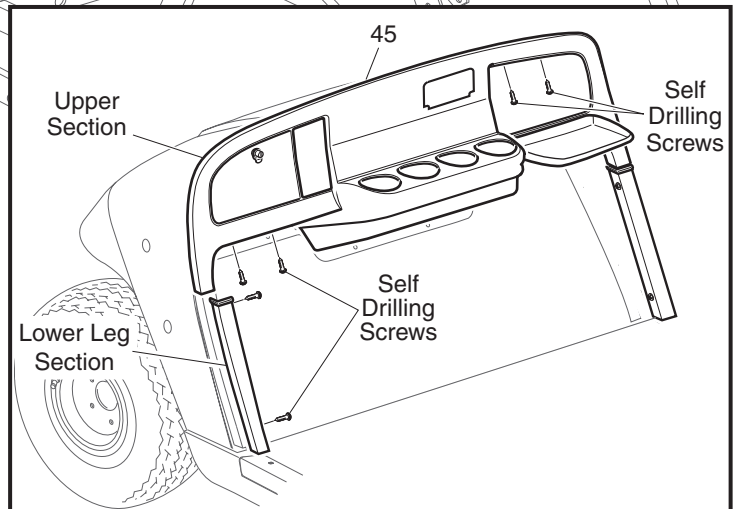
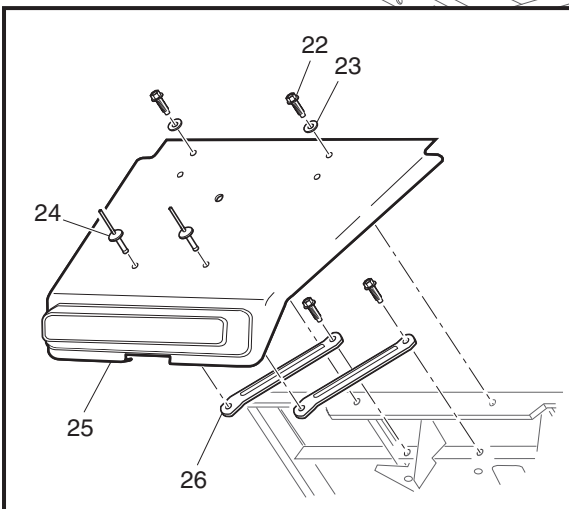
G** Indicates consult Customer Service Department for additional information.

ITEM	PART NO.	1 2 3 4 5	DESCRIPTION	QTY.
1	72710-G01		CARBURETOR / AIR BOX GASKET	2
2	72739-G01		CHOKE / THROTTLE BRACKET.....	1
3				
4	23726-G6		SPACER, 7/16".....	4
5	72178-G01		HOUSING.....	1
6	00664-G7		LOCK WASHER, 1/4" (STAINLESS STEEL)	2
7	13632-G1		NUT, M6 X 1	4
8	72529-G01		BAFFLE.....	1
9	72514-G01		STUD, M6 X 1 X 39 MM LG	2
10				
11	72147-G01		RUBBER GROMMET.....	2
12	23726-G7		SPACER, 9/16".....	2
13	26671-G01		BOLT AND WASHER, M6 X 1 X 30 MM LG	2
14	26701-G01		WASHER, 6.5 MM.....	2
15				
16	72368-G01		AIR FILTER ELEMENT	1
17	72179-G01		AIR FILTER COVER.....	1
18	72145-G01		LATCH.....	3
19				
20	72146-G01		INLET COVER	1
21	00614-G5		SCREW, #8 - 18 X 5/8" LG.....	6
22				
23	72151-G01		PCV HOSE.....	1
24	74093-G01		LABEL (WARNING).....	1

BODY - FRONT



1 - Includes Items 2 - 5



Ref Bod 2-1

BODY - FRONT

Where applicable, THE USE OF NON UL PARTS WILL VOID ANY UL LISTING.

When ordering parts, please specify the model and serial number of the product.

* Indicates a component that is not available as an individual part.

G** Indicates consult Customer Service Department for additional information.

ITEM	PART NO.	1 2 3 4 5	DESCRIPTION	QTY.
1	71151-G01		INSTRUMENT PANEL ASSEMBLY (INCLUDES ITEMS 2 - 5)	1
2	71153-G01		DEFLECTOR (PASSENGER SIDE)	1
3	71154-G01		DEFLECTOR (DRIVER SIDE).....	1
4	00614-G5		SCREW, #8 - 18 X 5/8" LG	6
5	71158-G01		INSTRUMENT PANEL INSERT (4 CUP HOLDER).....	1
6				
7				
8	71115-G01		VINYL TRIM	2
9	71055-G01		RIVET, 3/16" X 1" LG (ALUMINUM).....	10
10				
11				
12	71413-G01		SPLASH PANEL.....	1
13	16816-G2		RATCHET FASTENER, 1/4" X 3/4" LG	5
14				
15				
16	27826-G01		LABEL (SAFETY).....	1
17	35345-G01		LABEL (SAFETY - EC).....	1
18	74443-G01		LABEL (ANTI-ROLLBACK)	1
19				
20				
21				
22	01038-G01		BOLT, 1/4 - 20 X 11/16" LG	4
23	16469-G1		WASHER, 1/4"	2
24	01057-G01		RIVET, 1/4" X 1" LG	2
25	27166-G02		FRONT SHIELD	1
26	70725-G01		FRONT SHIELD BRACE.....	2
27				
28				
29	71051-G**		COWL.....	1
30	71055-G01		RIVET, 3/16" X 1" LG (ALUMINUM).....	9

BODY - FRONT

Where applicable, THE USE OF NON UL PARTS WILL VOID ANY UL LISTING.

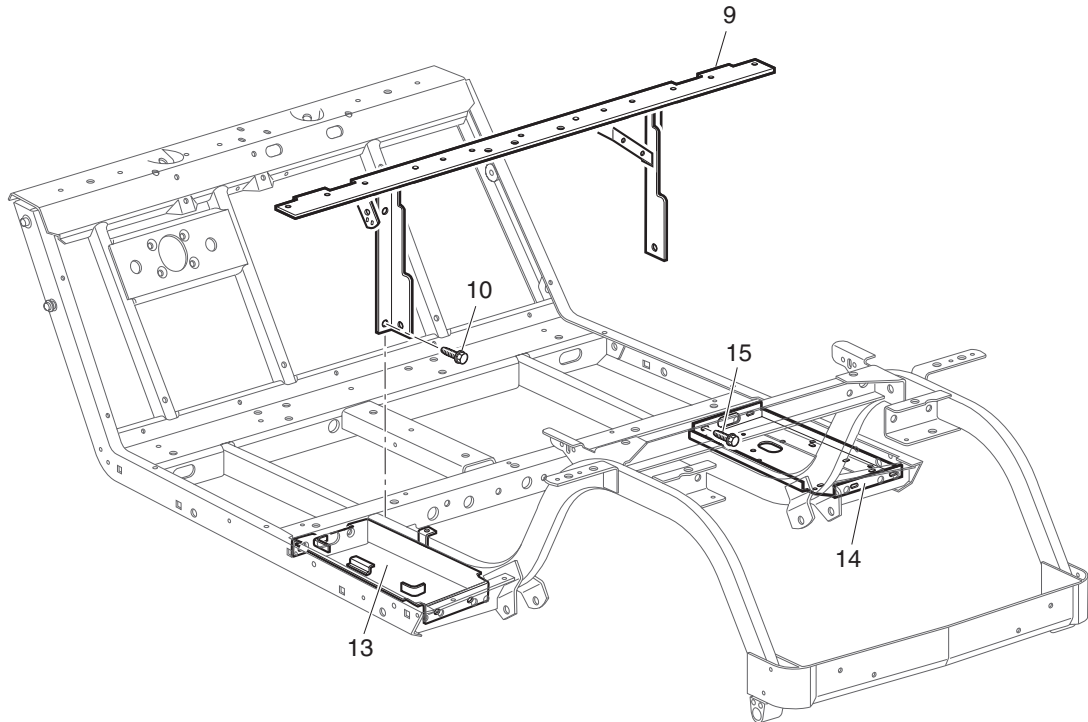
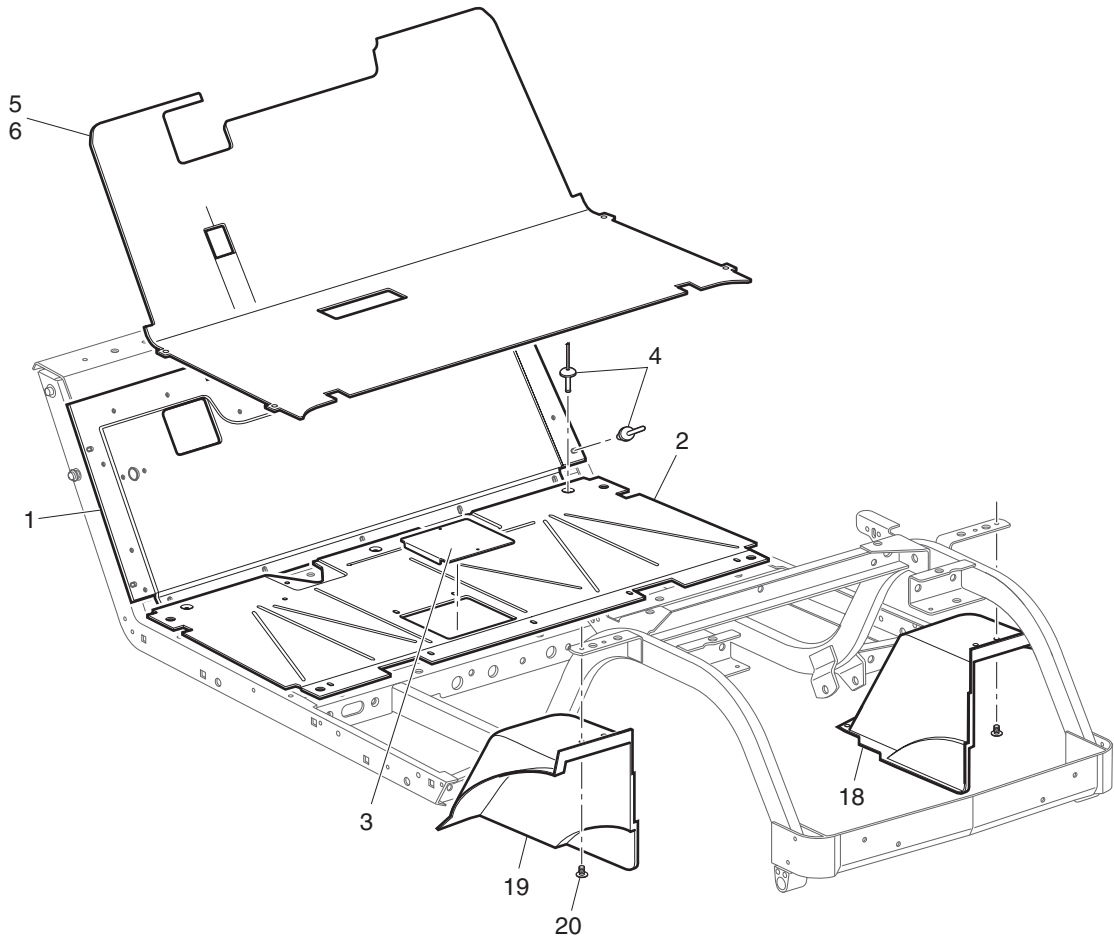
When ordering parts, please specify the model and serial number of the product.

* Indicates a component that is not available as an individual part.

G** Indicates consult Customer Service Department for additional information.

ITEM	PART NO.	1 2 3 4 5	DESCRIPTION	QTY.
31	10570-G11		RIVET, 3/16" X 3/4" LG (STAINLESS STEEL)	2
32	71056-G01		BOLT, 5/16 - 18 X 5/8" LG	4
33	00570-G2		WASHER, 5/16.....	4
34	00438-G6		BOLT, 5/16 - 18 X 3/4" LG (WITH TOP)	2
35	01110-G03		WASHER, 5/16" (STAINLESS STEEL) (WITH TOP)	2
36				
37	71037-G02		E-Z-GO NAMEPLATE (GOLD).....	1
38	71597-G01		NUT, SELF-THREADING, 5MM STUD x 10MM HEX	2
39				
40	*		SERIAL NUMBER PLATE (EARLY PRODUCTION).....	1
41	*		EC PLATE (EARLY PRODUCTION)	1
42	01041-G01		RIVET, 1/8" X 13/16" LG	4
43				
44				
45	74239-G01		INSTRUMENT PANEL WOODGRAIN APPLIQUE KIT	1

BODY - MID SECTION



Ref Bod 2-2

BODY - MID SECTION

Where applicable, THE USE OF NON UL PARTS WILL VOID ANY UL LISTING.

When ordering parts, please specify the model and serial number of the product.

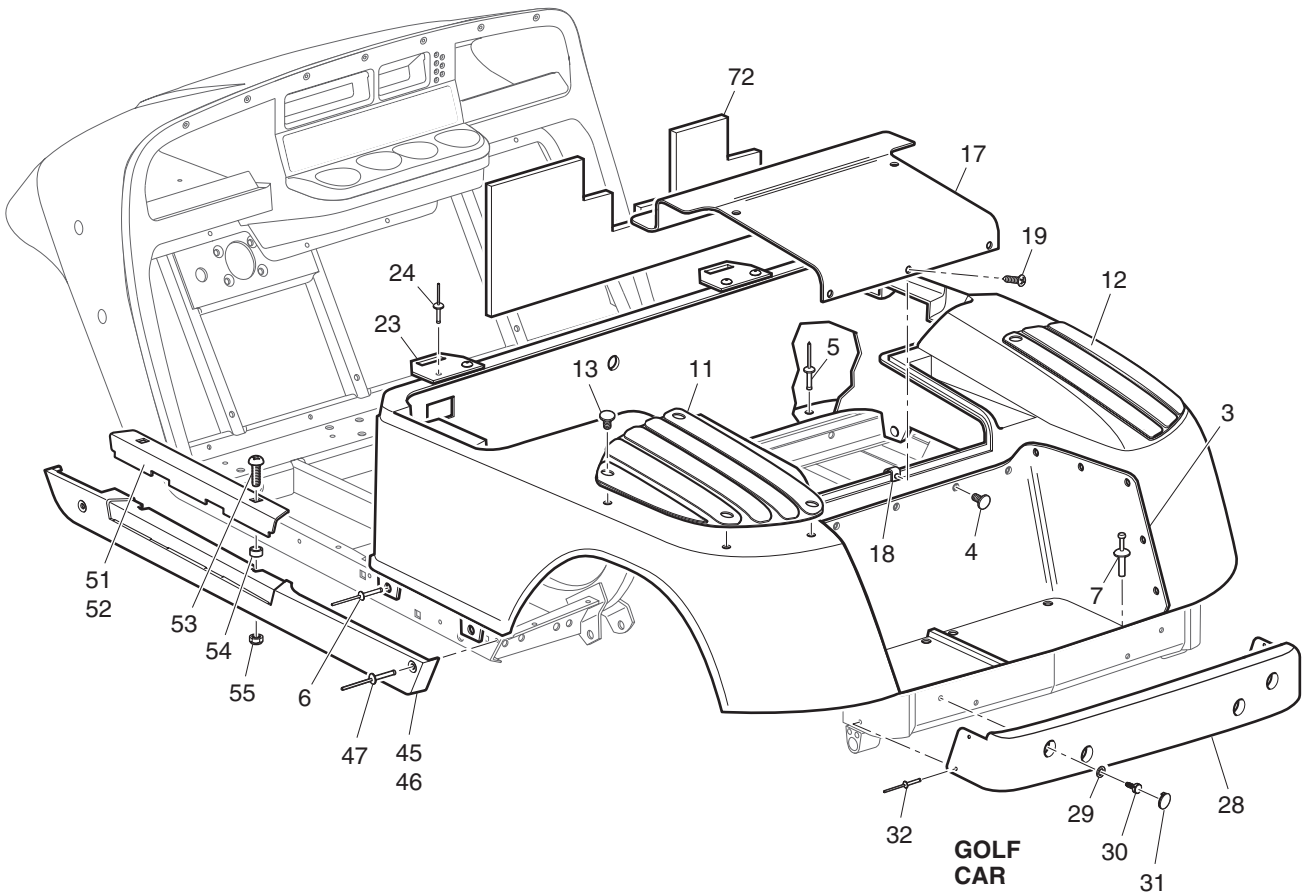
* Indicates a component that is not available as an individual part.

G** Indicates consult Customer Service Department for additional information.

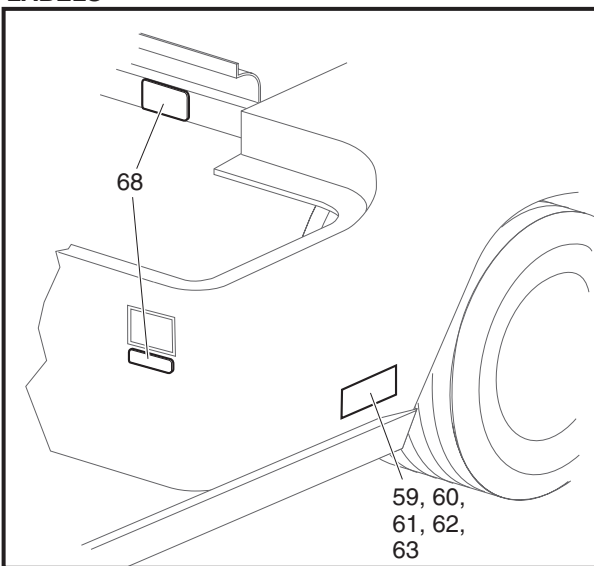
ITEM	PART NO.	1	2	3	4	5	DESCRIPTION	QTY.
1	70662-G01						UPPER FLOORPAN.....	1
2	70451-G01						LOWER FLOORPAN.....	1
3	70452-G01						ACCESS COVER.....	1
4	14601-G11						RIVET, 3/16" X 9/16" LG (ALUMINUM).....	16
5	70995-G01						FLOORMAT.....	1
6	70995-G02						FLOORMAT WITH HORN HOLE.....	1
7								
8								
9	70440-G03						SEAT FRAME.....	1
10	00715-G2						BOLT, 5/16 - 18 X 4/5" LG.....	2
11								
12								
13	70245-G01						BATTERY TRAY.....	1
14	70244-G02						SPLASH PANEL.....	1
15	00715-G2						BOLT, 5/16 - 18 X 4/5" LG.....	8
16								
17								
18	71812-G01						FENDER LINER (PASSENGER SIDE).....	1
19	71812-G02						FENDER LINER (DRIVER SIDE).....	1
20	16816-G2						RATCHET FASTENER, 1/4" X 3/4" LG.....	8

BODY - REAR

1 - Includes Items 3, 4
 2 - Includes Items 3, 4

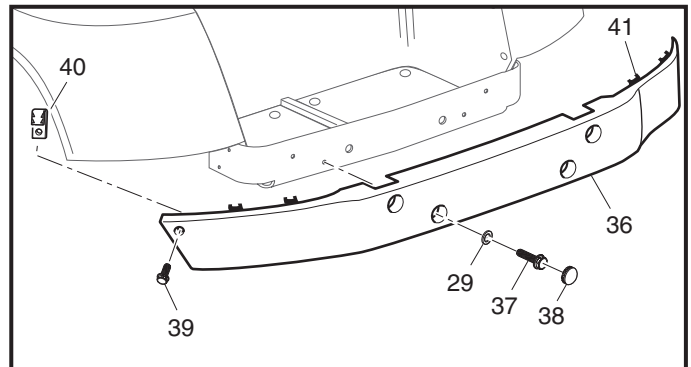


LABELS



Ref Bod 2-3

SHUTTLE 2+2 AND CONVERTIBLE CARRIER



BODY - REAR

Where applicable, THE USE OF NON UL PARTS WILL VOID ANY UL LISTING.

When ordering parts, please specify the model and serial number of the product.

* Indicates a component that is not available as an individual part.

G** Indicates consult Customer Service Department for additional information.

ITEM	PART NO.	1 2 3 4 5	DESCRIPTION	QTY.
1	71912-G0**		REAR BODY (WITHOUT TAILLIGHTS) (INCLUDES ITEMS 3, 4)	1
2	71334-G0**		REAR BODY (WITH TAILLIGHTS) (INCLUDES ITEMS 3, 4).....	1
3	71318-G01		BAGWELL LINER	1
4	16816-G1		RATCHET FASTENER, 1/4" X 9/16" LG	26
5	10570-G10		RIVET, 5/32" X 9/16" LG (STAINLESS STEEL)	6
6	10570-G12		RIVET, 1/4" X 9/16" LG (ALUMINUM)	4
7	18436-G1		RIVET, 1/4" X 3/4" LG	2
8				
9				
10				
11	75126-G01		FENDER SCUFFGUARD (DRIVER SIDE)	1
12	75126-G02		FENDER SCUFFGUARD (PASSENGER SIDE).....	1
13	16816-G2		RATCHET FASTENER, 1/4" X 3/4" LG	8
14				
15				
16				
17	71320-G01		ACCESS PANEL	1
18	71364-G02		'J' CLIP	1
19	01107-G01		SCREW, #8 X 5/8" LG (STAINLESS STEEL)	5
20				
21				
22				
23	71609-G01		SEAT HINGE PLATE	2
24	10570-G11		RIVET, 3/16" X 3/4" LG (STAINLESS STEEL)	4
25				
26				
27				
28	71578-G01		REAR BUMPER	1
29	00571-G2		WASHER, 5/16"	4
30	71102-G01		BOLT, 1/4 - 20 X 3/4" LG	4

BODY - REAR

Where applicable, THE USE OF NON UL PARTS WILL VOID ANY UL LISTING.

When ordering parts, please specify the model and serial number of the product.

* Indicates a component that is not available as an individual part.

G** Indicates consult Customer Service Department for additional information.

ITEM	PART NO.	1 2 3 4 5	DESCRIPTION	QTY.
31	71514-G01		BUMPER PLUG	4
32	14601-G17		RIVET, 3/16" X 9/16" LG (ALUMINUM)	4
33				
34				
35				
36	71456-G01		REAR BUMPER (SHUTTLE 2+2)	1
37	71398-G01		BOLT, 1/4 - 20 X 1 1/4" LG	2
38	71455-G01		BUMPER PLUG	4
39	71102-G01		BOLT, 1/4 - 20 X 3/4" LG	2
40	71554-G01		'J' TYPE NUT RETAINER.....	2
41	71457-G01		BUMPER STAY	4
42				
43				
44				
45	71501-G01		ROCKER PANEL (PASSENGER SIDE).....	1
46	71502-G01		ROCKER PANEL (DRIVER SIDE)	1
47	15058-G6		RIVET, 3/16" X 15/16" LG (ALUMINUM)	4
48				
49				
50				
51	71507-G01		SILL PLATE (PASSENGER SIDE).....	1
52	71507-G02		SILL PLATE (DRIVER SIDE).....	1
53	16705-G1		SCREW, 1/4 - 20 X 1" LG (STAINLESS STEEL)	4
54	23726-G4		SPACER, 5/16".....	4
55	00654-G2		LOCK NUT, 1/4 - 20 (STAINLESS STEEL)	4
56				
57				
58				
59	75960-G01		LABEL (FREEDOM).....	2
60	75962-G01		LABEL (FREEDOM SE)	2

BODY - REAR

Where applicable, THE USE OF NON UL PARTS WILL VOID ANY UL LISTING.

When ordering parts, please specify the model and serial number of the product.

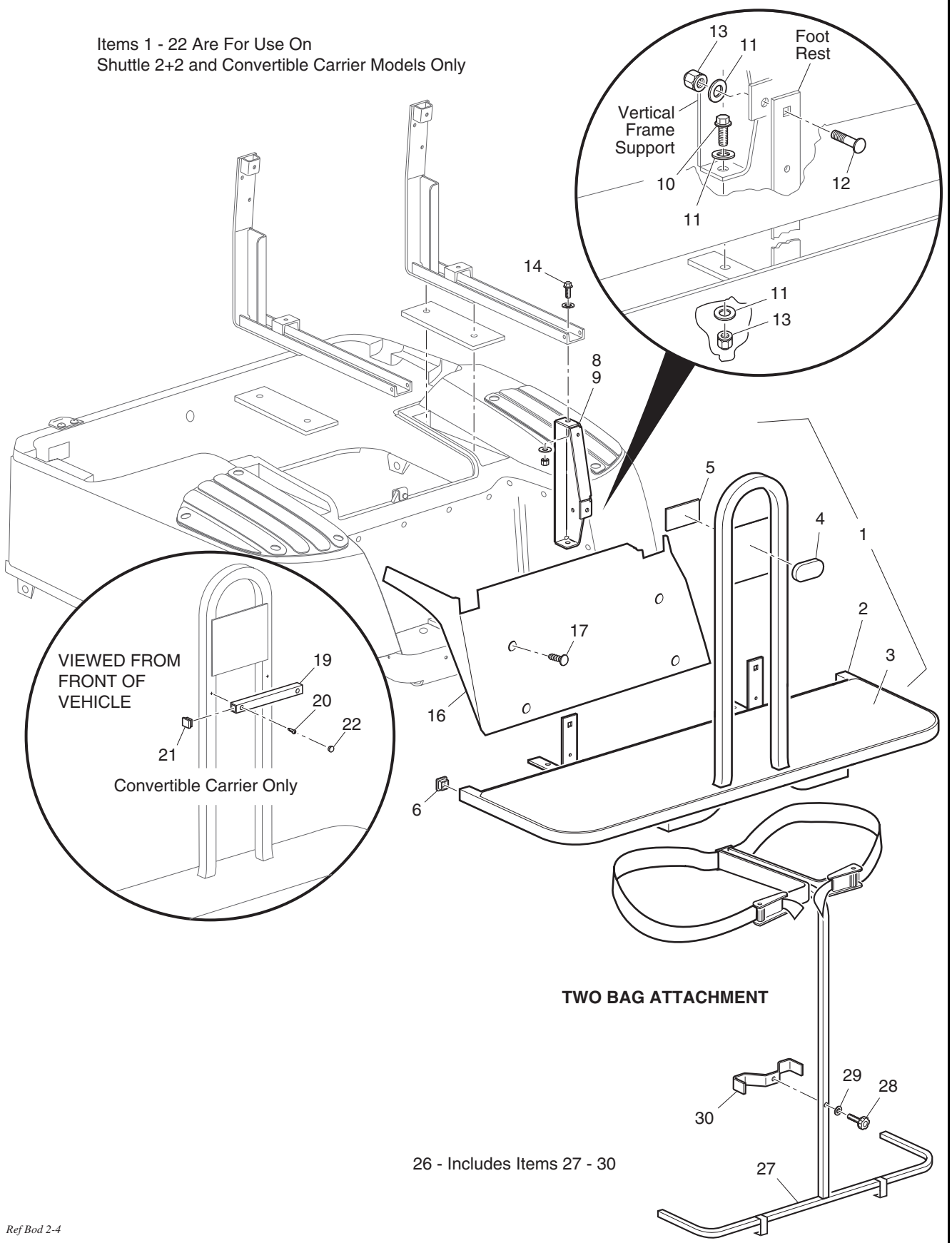
* Indicates a component that is not available as an individual part.

G** Indicates consult Customer Service Department for additional information.

ITEM	PART NO.	1	2	3	4	5	DESCRIPTION	QTY.
61	75964-G01						LABEL (FREEDOM LE)	2
62	35434-G01						LABEL (SHUTTLE)	2
63	35430-G19						LABEL (TXT 2+2).....	2
64								
65								
66								
67								
68	*						LABEL (SERIAL NUMBER)	1
69								
70								
71								
72	74024-G01						SEAT WRAP MOUNTED NOISE SUPPRESSOR	1

BODY - FOOTREST

Items 1 - 22 Are For Use On Shuttle 2+2 and Convertible Carrier Models Only



Ref Bod 2-4

BODY - FOOTREST

Where applicable, THE USE OF NON UL PARTS WILL VOID ANY UL LISTING.

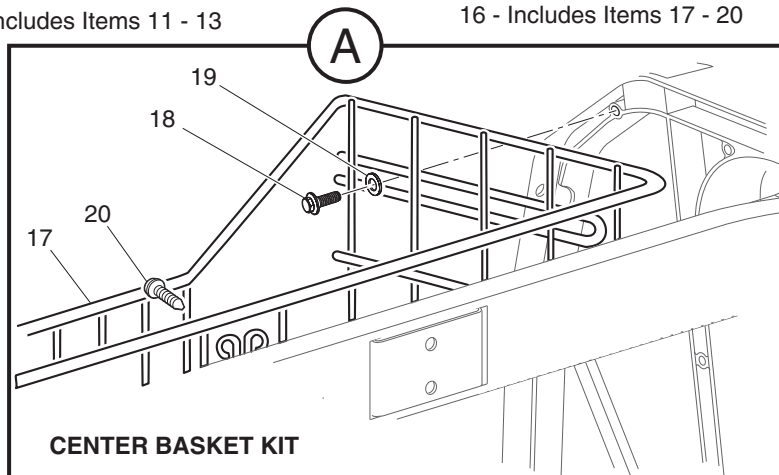
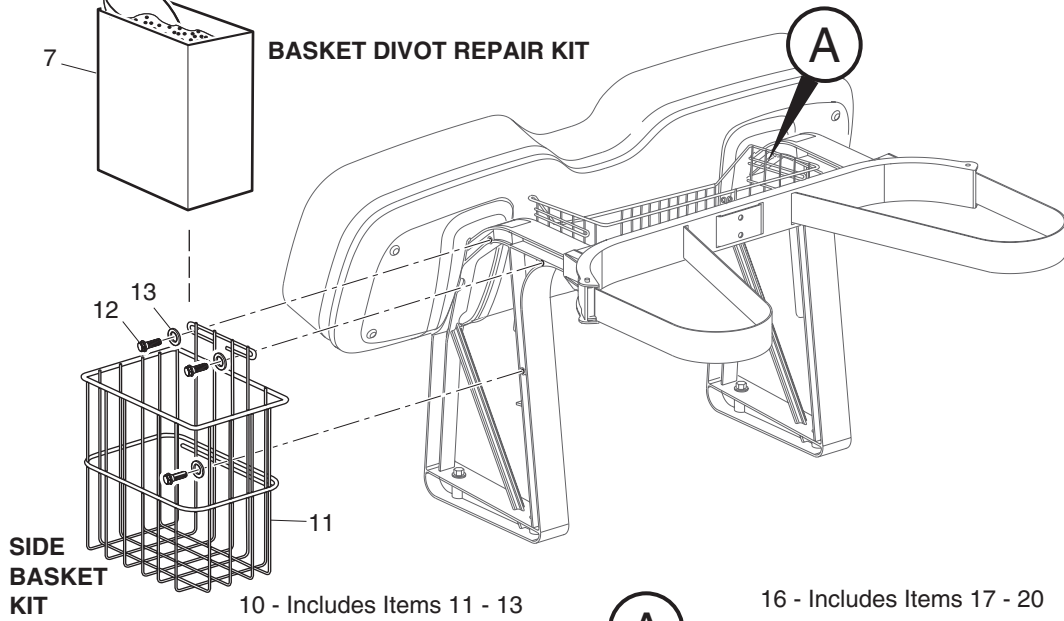
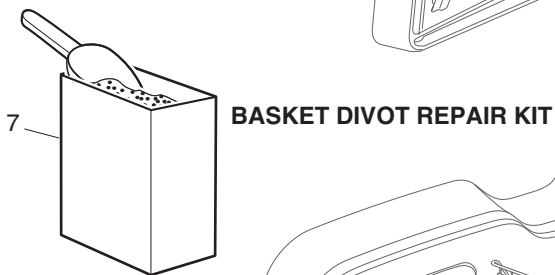
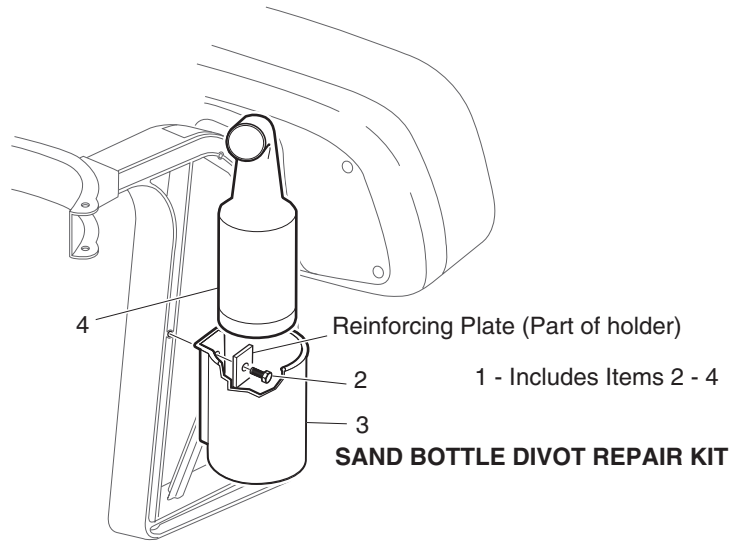
When ordering parts, please specify the model and serial number of the product.

* Indicates a component that is not available as an individual part.

G** Indicates consult Customer Service Department for additional information.

ITEM	PART NO.	1	2	3	4	5	DESCRIPTION	QTY.
1	70361-G01						FOOTREST ASSEMBLY (INCLUDES ITEMS 2 - 5).....	1
2	70350-G01						FOOTREST	1
3	70362-G01						FLOOR MAT	1
4	74129-G01						REFLECTOR	1
5	74132-G01						LABEL (WARNING)	1
6	19853-G1						END CAP, 1".....	2
7								
8	74126-G01						VERTICAL FRAME SUPPORT (PASSENGER SIDE).....	1
9	74126-G02						VERTICAL FRAME SUPPORT (DRIVER SIDE).....	1
10	00427-G4						BOLT, 3/8 - 16 X 1 1/2" LG	2
11	00560-G1						WASHER, 3/8"	10
12	00769-G2						CARRIAGE BOLT, 3/8 - 16 X 1 1/4" LG	2
13	11098-G5						LOCK NUT, 3/8 - 16	10
14	00426-G8						BOLT, 3/8 - 16 X 1" LG	2
15								
16	74149-G01						VALANCE PANEL	1
17	16816-G2						RATCHET FASTENER, 1/4" X 3/4" LG	4
18								
19	75268-G01						SUPPORT	1
20	00106-G6						SELF THREADING SCREW, #12 - 24 X 3/4" LG	2
21	19859-G1						END CAP, 3/4".....	2
22	20271-G2						HOLE PLUG, 1/2"	2
23								
24								
25								
26	75183-G01						TWO BAG ATTACHMENT KIT (INCLUDES ITEMS 27 - 30).....	1
27	75188-G01						TWO BAG ATTACHMENT	1
28	22238-G2						KNOB, 3/8 - 16 X 1 1/2" LG	1
29	17255-G1						TEFLON WASHER, 5/16"	1
30	75187-G01						SUPPORT BRACKET.....	1

BODY - ACCESSORIES



Ref Bod 2-5

BODY - ACCESSORIES

Where applicable, THE USE OF NON UL PARTS WILL VOID ANY UL LISTING.

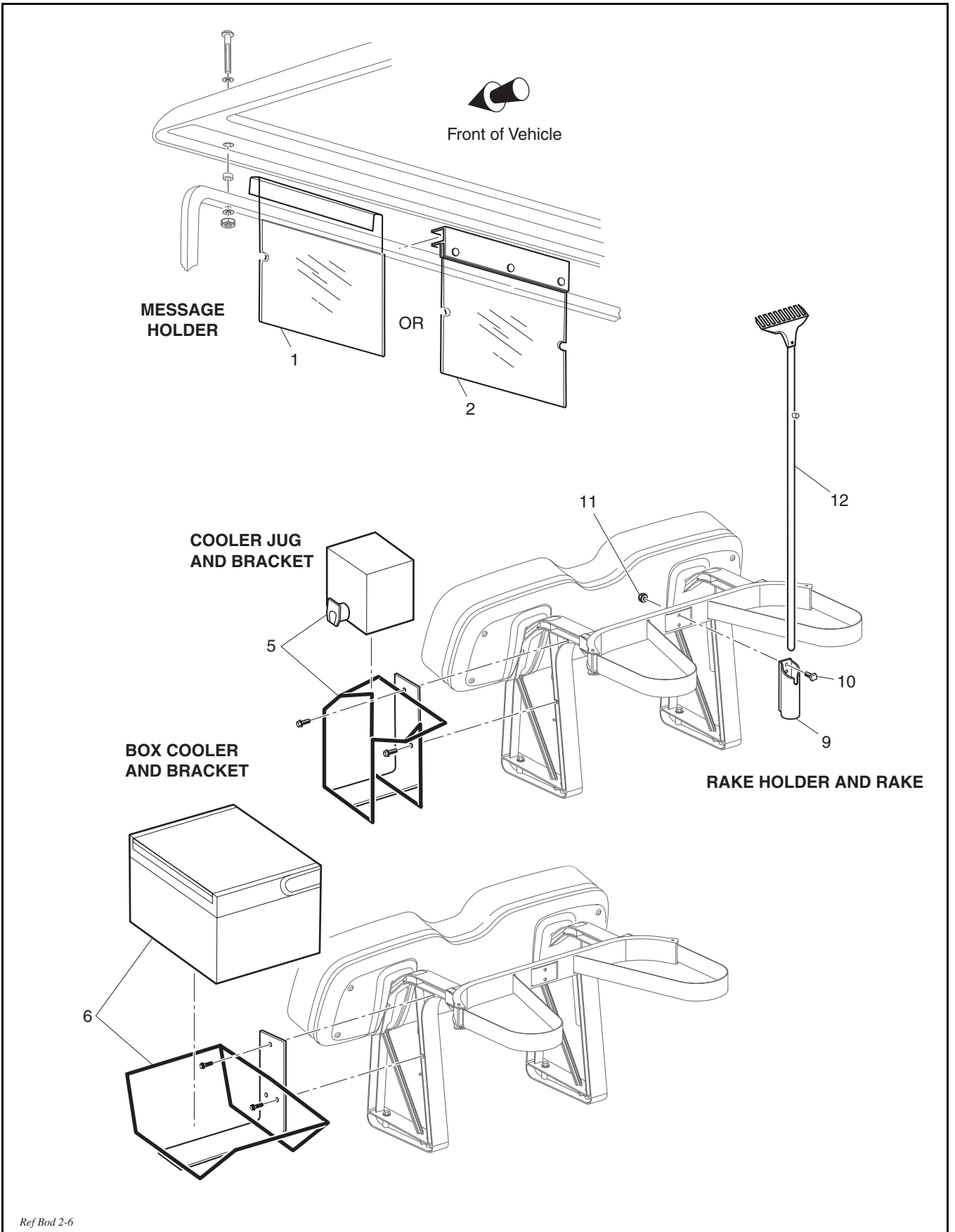
When ordering parts, please specify the model and serial number of the product.

* Indicates a component that is not available as an individual part.

G** Indicates consult Customer Service Department for additional information.

ITEM	PART NO.	1	2	3	4	5	DESCRIPTION	QTY.
1	28661-G01						SAND BOTTLE DIVOT REPAIR KIT (INCLUDES ITEMS 2 - 4).....	1
2	71102-G01						BOLT, 1/4 - 20 X 3/4" LG.....	1
3	28660-G01						SAND BOTTLE HOLDER.....	1
4	28659-G01						SAND BOTTLE.....	1
5								
6								
7	23300-G01						BASKET DIVOT REPAIR KIT (INCLUDES SCOOP).....	1
8								
9								
10	75007-G02						SIDE BASKET KIT (INCLUDES ITEMS 11 - 13).....	1
11	75460-G01						SIDE BASKET.....	1
12	71102-G01						BOLT, 1/4 - 20 X 3/4" LG.....	3
13	00793-G2						FLAT WASHER, 1/4" (STAINLESS STEEL).....	3
14								
15								
16	75003-G02						CENTER BASKET KIT (INCLUDES ITEMS 17 - 20).....	1
17	75461-G01						CENTER BASKET.....	1
18	71102-G01						BOLT, 1/4 - 20 X 3/4" LG.....	2
19	00793-G2						FLAT WASHER, 1/4" (STAINLESS STEEL).....	2
20	01105-G01						SCREW, #10 X 5/8" LG (STAINLESS STEEL).....	2

BODY - ACCESSORIES CONTINUED



BODY - ACCESSORIES CONTINUED

Where applicable, THE USE OF NON UL PARTS WILL VOID ANY UL LISTING.

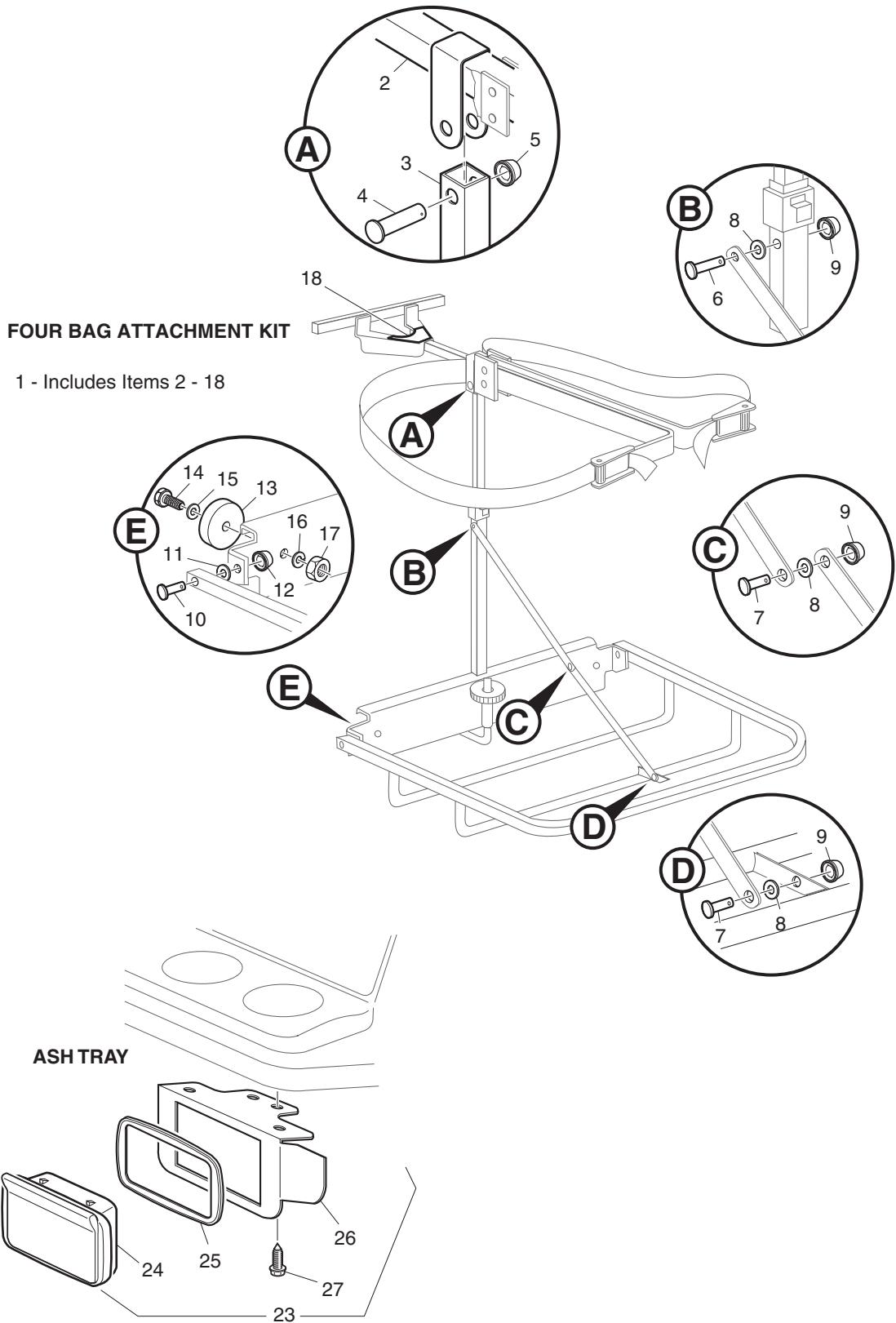
When ordering parts, please specify the model and serial number of the product.

* Indicates a component that is not available as an individual part.

G** Indicates consult Customer Service Department for additional information.

ITEM	PART NO.	1	2	3	4	5	DESCRIPTION	QTY.
1	75509-G01						MESSAGE HOLDER (ONE PIECE).....	1
2	75496-G01						MESSAGE HOLDER.....	1
3								
4								
5	75495-G01						COOLER JUG AND BRACKET KIT.....	1
6	75344-G01						BOX COOLER AND BRACKET KIT	1
7								
8								
9	25885-G01						RAKE HOLDER.....	1
10	00989-G6						SQUARE HEAD BOLT, 1/4 - 20 X 3/4" LG.....	2
11	11027-G2						LOCK NUT, 1/4 - 20	2
12	14735-G1						RAKE.....	1

BODY - ACCESSORIES CONTINUED



Ref Bod 2-7

BODY - ACCESSORIES CONTINUED

Where applicable, THE USE OF NON UL PARTS WILL VOID ANY UL LISTING.

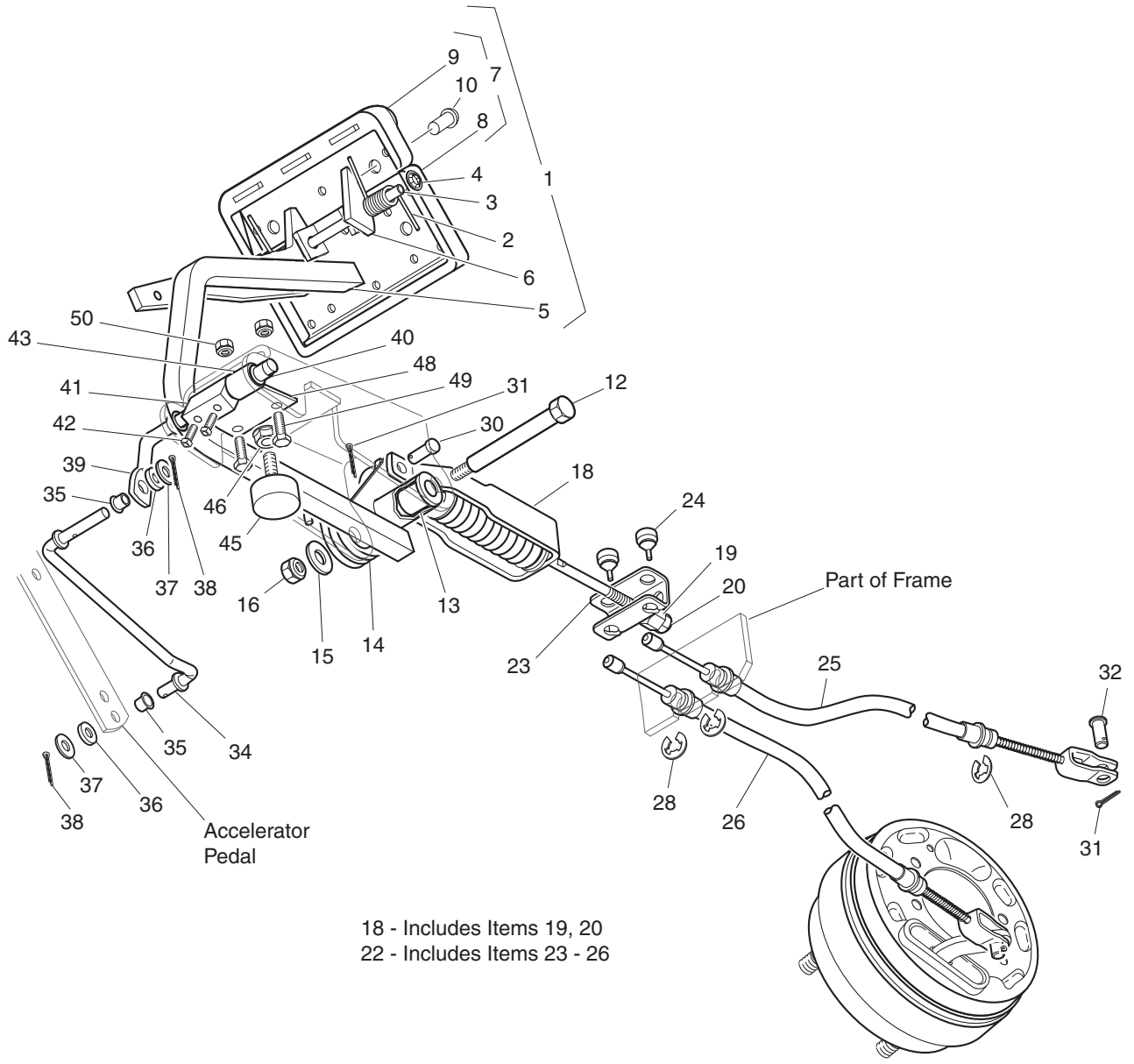
When ordering parts, please specify the model and serial number of the product.

* Indicates a component that is not available as an individual part.

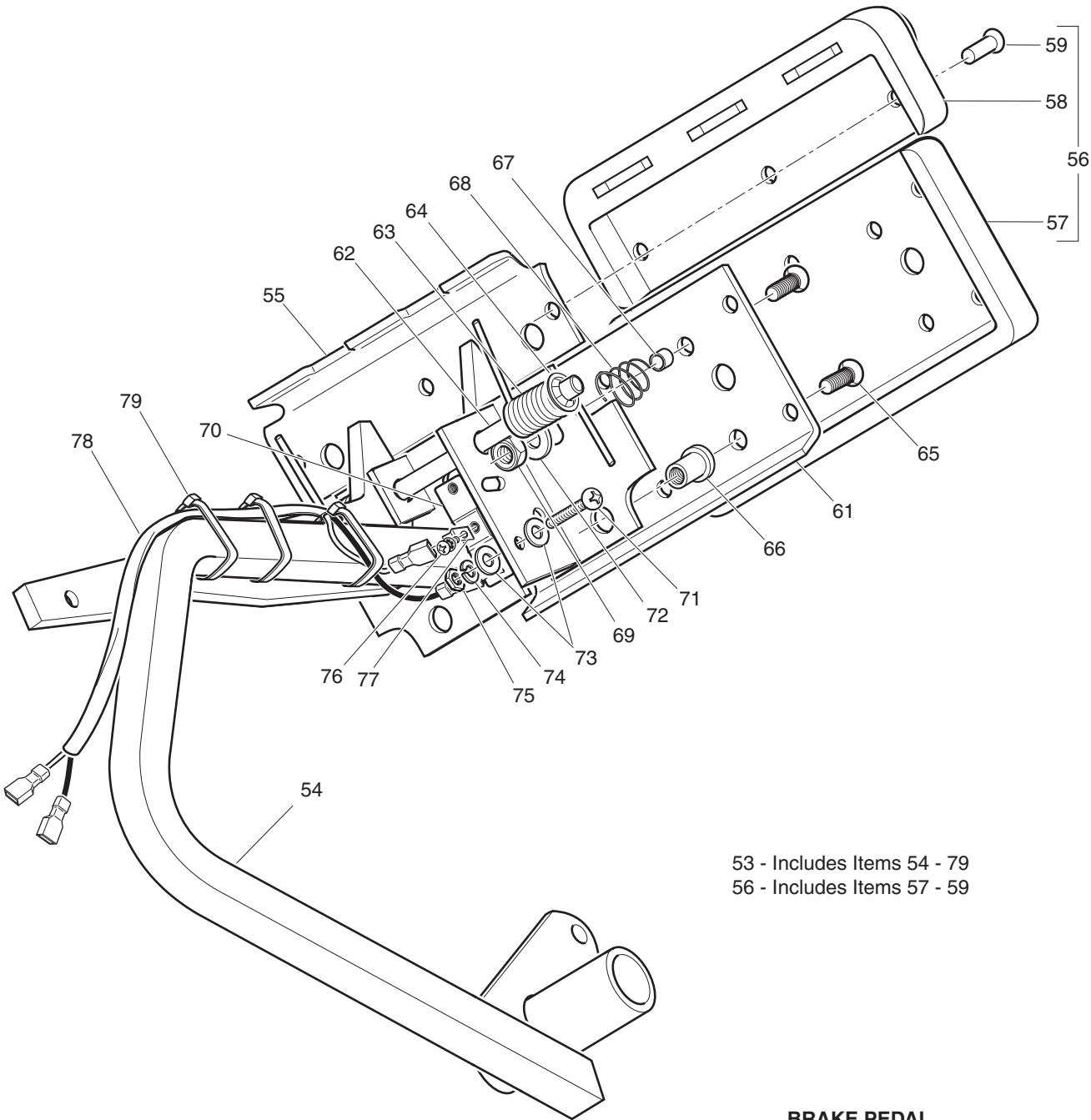
G** Indicates consult Customer Service Department for additional information.

ITEM	PART NO.	1	2	3	4	5	DESCRIPTION	QTY.
1	75355-G01						FOUR BAG ATTACHMENT KIT (INCLUDES ITEMS 2 - 18)	1
2	*						TOP ASSEMBLY	1
3	*						BOTTOM ASSEMBLY	1
4	17651-G2						CLEVIS PIN, 5/16 X 1 1/8" LG.....	1
5	28129-G01						PUSH NUT, 5/16".....	1
6	17651-G2						CLEVIS PIN, 5/16 X 1 1/8" LG.....	1
7	17651-G3						CLEVIS PIN, 5/16 X 1/2" LG.....	2
8	00559-G8						WASHER, 5/16"	3
9	28129-G01						PUSH NUT, 5/16".....	3
10	*						CLEVIS PIN 3/8 X 1 1/4" LG.....	2
11	00560-G1						WASHER, 3/8"	2
12	*						PUSH NUT, 3/8".....	2
13	13728-G1						RUBBER BUMPER.....	2
14	00150-G6						SCREW, #10 - 24 X 3/4" LG	2
15	00559-G5						WASHER, #10	2
16	00565-G5						LOCK WASHER, #10	2
17	00526-G3						NUT, #10 - 24.....	2
18	*						LABEL (WARNING)	1
19								
20								
21								
22								
23	75109-G02						ASH TRAY KIT (INCLUDES ITEMS 24 - 27)	1
24	27731-G01						ASH TRAY	1
25	27736-G01						GASKET	1
26	75108-G01						BRACKET	1
27	00100-G4						SCREW, #10 - 16 X 1/2" LG	4

BRAKES



Ref Brk 2-1

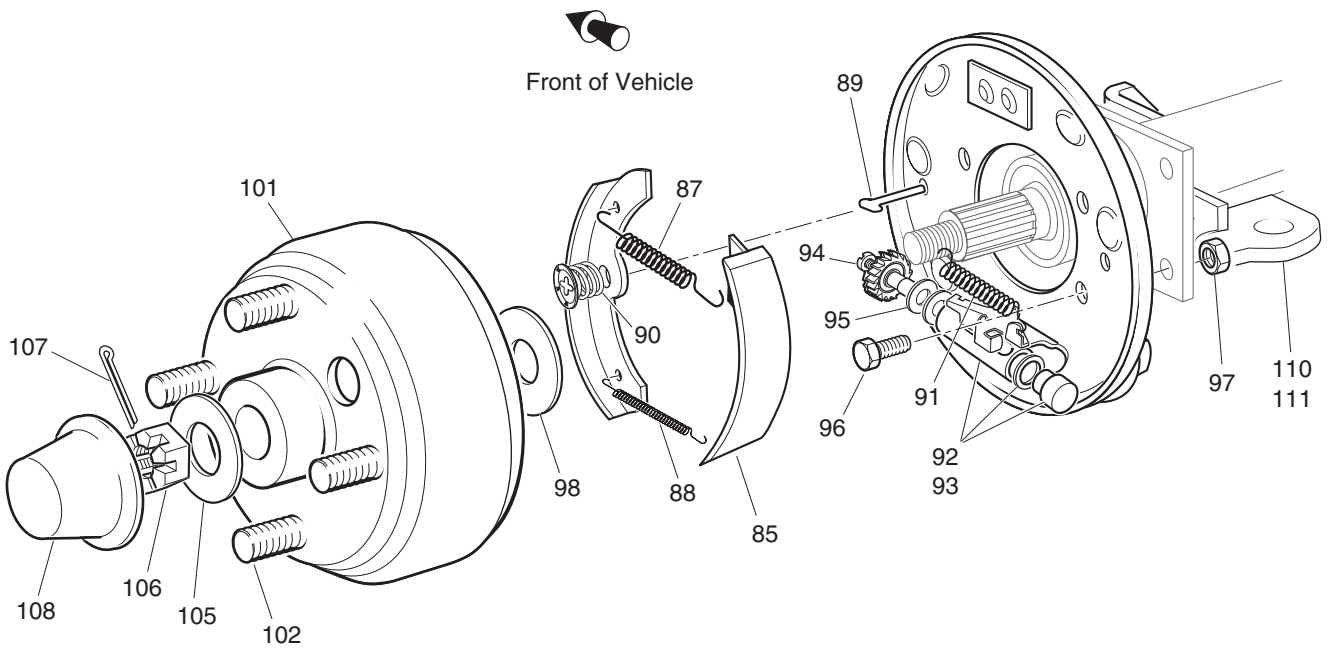


53 - Includes Items 54 - 79
56 - Includes Items 57 - 59

**BRAKE PEDAL
(VEHICLE WITH BRAKE LIGHTS)**

Ref Brk 2-2

BRAKES



- 82 - Includes Items 84 - 92, 94, 95
- 83 - Includes Items 84 - 91, 93 - 95
- 84 - Includes Items 85
- 86 - Includes Items 87 - 91
- 92 - Includes Items 94, 95
- 93 - Includes Items 94, 95
- 100 - Includes Items 101, 102

Ref Brk 2-3

BRAKES

Where applicable, THE USE OF NON UL PARTS WILL VOID ANY UL LISTING.

When ordering parts, please specify the model and serial number of the product.

* Indicates a component that is not available as an individual part.

G** Indicates consult Customer Service Department for additional information.

ITEM	PART NO.	1 2 3 4 5	DESCRIPTION	QTY.
1	70612-G01		BRAKE PEDAL ASSEMBLY (WITHOUT BRAKE LIGHTS) (INCLUDES ITEMS 2 - 10).....	1
2	70681-G01		TORSION SPRING.....	2
3	70682-G01		PIVOT PIN.....	1
4	01071-G01		PUSHNUT, 5/16".....	2
5	*		BRAKE PEDAL.....	1
6	70611-G01		PARK BRAKE PEDAL.....	1
7	70274-G01		BRAKE/PARK BRAKE PEDAL PAD KIT (INCLUDES ITEMS 8 - 10).....	1
8	*		SERVICE BRAKE PAD.....	1
9	*		PARK BRAKE PEDAL PAD.....	1
10	15766-G1		OVAL RIVET, 3/16" X 7/16" LG.....	9
11				
12	70582-G01		SHOULDER BOLT, 3/8 - 16 X 4" LG (STAINLESS STEEL).....	1
13	70581-G01		FLANGED BUSHING.....	2
14	70676-G01		TORSION SPRING.....	1
15	00643-G1		WASHER, 3/8".....	1
16	11098-G5		LOCK NUT, 3/8 - 16.....	1
17				
18	70272-G04		COMPENSATOR ASSEMBLY (INCLUDES ITEMS 19, 20).....	1
19	00963-G01		SPHERICAL NUT, 5/16 - 24.....	1
20	11098-G9		LOCK NUT, 5/16 - 24.....	1
21				
22	70969-G03		EQUALIZER AND BRAKE CABLE ASSEMBLY (INCLUDES ITEMS 23 - 26)....	1
23	28082-G01		EQUALIZER BRACKET.....	1
24	28083-G01		BRAKE COMPENSATOR BUMPER.....	2
25	*		BRAKE CABLE (DRIVER SIDE).....	1
26	*		BRAKE CABLE (PASSENGER SIDE).....	1
27				
28	01111-G01		RETAINING RING, 4/5" (STAINLESS STEEL).....	4
29				

BRAKES

Where applicable, THE USE OF NON UL PARTS WILL VOID ANY UL LISTING.

When ordering parts, please specify the model and serial number of the product.

* Indicates a component that is not available as an individual part.

G** Indicates consult Customer Service Department for additional information.

ITEM	PART NO.	1 2 3 4 5	DESCRIPTION	QTY.
30	10386-G3		CLEVIS PIN, 5/16" X 13/16" LG	1
31	10387-G3		COTTER PIN, 3/32" X 3/4" LG	3
32	14443-G2		CLEVIS PIN, 5/16" X 5/8" LG	2
33				
34	70601-G01		KICK-OFF LINK.....	1
35	17838-G1		NYLON BUSHING.....	2
36	20835-G1		TEFLON WASHER, 3/8"	2
37	00559-G8		WASHER, 5/16"	2
38	10387-G3		COTTER PIN, 3/32" X 3/4" LG	2
39	70098-G01		KICK-OFF CAM PIVOT.....	1
40	10097-G6		FLANGED BEARING	2
41	70587-G01		KICK-OFF CAM.....	1
42	71215-G01		SETSCREW, 1/4 - 20 X 1/2" LG.....	2
43	14134-G4		SPACER.....	1
44				
45	70113-G01		ADJUSTABLE BUMPER	1
46	11027-G1		LOCK NUT, 5/16 - 18	1
47				
48	70080-G01		CATCH BRACKET	1
49	00414-G6		BOLT, 1/4 - 20 X 3/4" LG	2
50	00654-G2		LOCK NUT, 1/4 - 20 (STAINLESS STEEL)	2
51				
52				
53	70690-G01		BRAKE PEDAL ASSEMBLY (WITH BRAKE LIGHTS) (INCLUDES ITEMS 54 - 79).....	1
54	*		BRAKE PEDAL.....	1
55	70611-G01		PARK BRAKE PEDAL	1
56	70274-G01		BRAKE/PARK BRAKE PEDAL PAD KIT (INCLUDES ITEMS 57 - 59).....	1
57	*		SERVICE BRAKE PAD	1
58	*		PARK BRAKE PAD.....	1

BRAKES

Where applicable, THE USE OF NON UL PARTS WILL VOID ANY UL LISTING.

When ordering parts, please specify the model and serial number of the product.

* Indicates a component that is not available as an individual part.

G** Indicates consult Customer Service Department for additional information.

ITEM	PART NO.	1	2	3	4	5	DESCRIPTION	QTY.
59	15766-G1						OVAL RIVET, 3/16" x 7/16" LG	9
60								
61	70258-G02						BRAKE PEDAL PLATE	1
62	70682-G01						PIVOT PIN	1
63	70681-G01						TORSION SPRING	2
64	12064-G1						PUSHNUT, 5/16"	1
65	00737-G8						SCREW, #10 - 24 X 7/8" LG	4
66	00739-G1						RUBBER NUT, #10 - 24.....	2
67	22362-G3						BRAKE PEDAL STANDOFF	2
68	27137-G01						CONICAL SPRING	2
69	11098-G7						LOCK NUT, #10 - 24.....	2
70	10606-G8						MICRO SWITCH.....	1
71	00957-G1						BOLT, #6 - 32 X 1 1/4" LG.....	2
72	00559-G5						WASHER, #10	2
73	00559-G3						WASHER, #6	4
74	00565-G3						LOCK WASHER, #6	2
75	00525-G5						NUT, #6 - 32.....	2
76	13514-G1						SCREW AND LOCK WASHER, #6 - 32 X 1/4" LG (BRASS)	2
77	14628-G1						PUSH ON MALE TERMINAL.....	2
78	24605-G1						WIRE HARNESS (BRAKE LIGHT)	1
79	17618-G1						WIRE TIE	3
80								
81								
82	70998-G01						BRAKE ASSEMBLY (DRIVER SIDE) (INCLUDES ITEMS 84 - 92, 94, 95)	1
83	70998-G02						BRAKE ASSEMBLY (PASSENGER SIDE) (INCLUDES ITEMS 84 - 91, 93 - 95)	1
84	70794-G01						BRAKE SHOE KIT (INCLUDES ITEM 85).....	2
85	*						BRAKE SHOE	2
86	27944-G01						BRAKE SPRING KIT (INCLUDES ITEMS 87 - 91).....	2
87	*						UPPER SPRING	1

BRAKES

Where applicable, THE USE OF NON UL PARTS WILL VOID ANY UL LISTING.

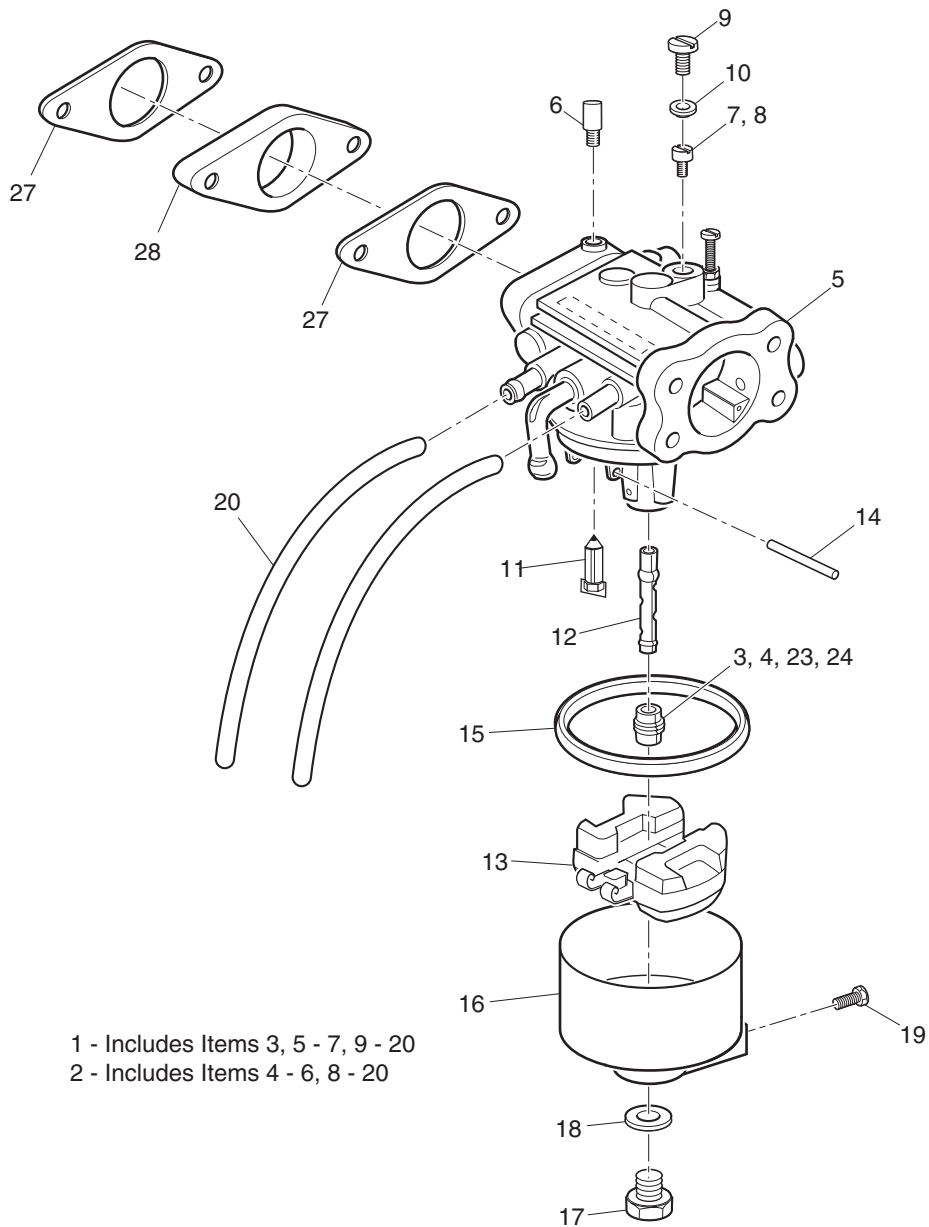
When ordering parts, please specify the model and serial number of the product.

* Indicates a component that is not available as an individual part.

G** Indicates consult Customer Service Department for additional information.

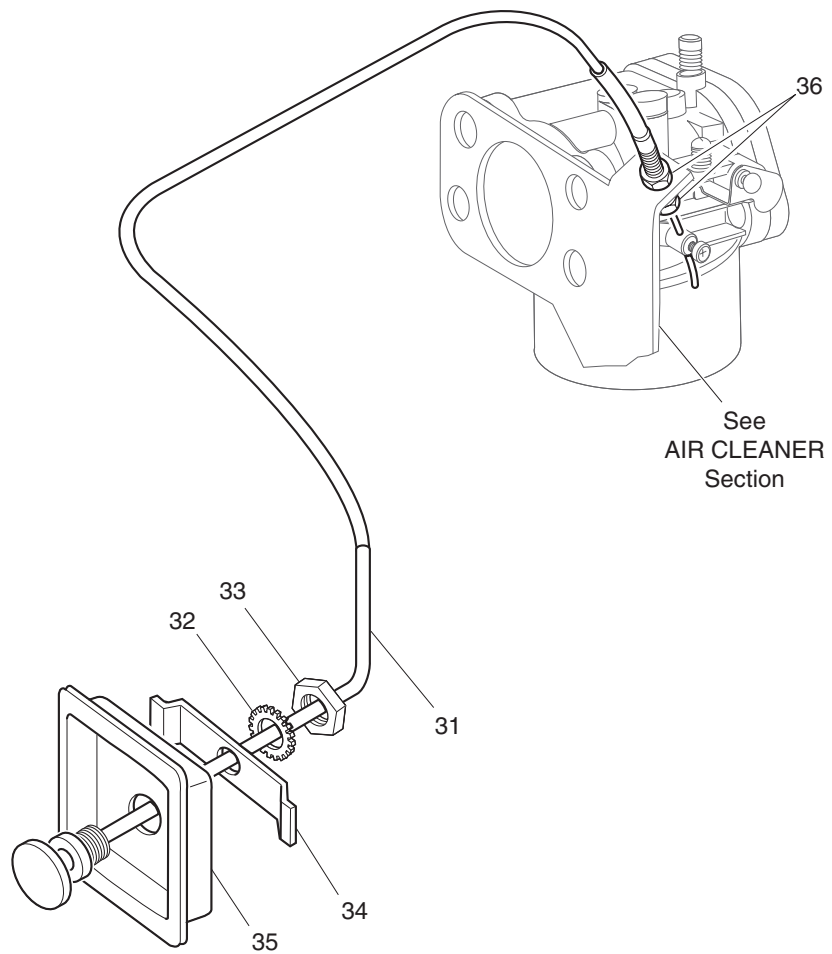
ITEM	PART NO.	1	2	3	4	5	DESCRIPTION	QTY.
88	*						LOWER SPRING	1
89	*						PIN	2
90	*						CUP AND SPRING	2
91	*						ADJUSTER SPRING.....	1
92	72582-G01						BRAKE ADJUSTER KIT (DRIVER SIDE) (INCLUDES ITEMS 94, 95)	1
93	72582-G02						BRAKE ADJUSTER KIT (PASSENGER SIDE) (INCLUDES ITEMS 94, 95)	1
94	*						ADJUSTER	1
95	*						TEFLON WASHER.....	2
96	17083-G2						BOLT, 5/16 - 24 X 1" LG	8
97	15126-G1						LOCK NUT, 5/16 - 24	8
98	21809-G1						INNER BRAKE DRUM WASHER, 1 5/16" O.D. X 1" I.D. X 1/32"	2
99								
100	21807-G1						BRAKE DRUM ASSEMBLY (INCLUDES ITEMS 101 - 102).....	2
101	*						BRAKE DRUM	1
102	19862-G1						LUG BOLT, 1/2 - 20 X 1 3/16" LG	4
103								
104								
105	21830-G1						OUTER BRAKE DRUM WASHER	2
106	00518-G8						CASTELLATED NUT, 3/4 - 16	2
107	10387-G1						COTTER PIN, 1/8" X 1 1/2" LG	2
108	74175-G01						SPINDLE CAP.....	2
109								
110	72036-G01						BRAKE CABLE BRACKET (PASSENGER SIDE).....	1
111	72036-G02						BRAKE CABLE BRACKET (DRIVER SIDE)	1

CARBURETOR AND CHOKE



Ref Cac 2-1

CARBURETOR AND CHOKE



Ref Cac 2-2

CARBURETOR AND CHOKE

Where applicable, THE USE OF NON UL PARTS WILL VOID ANY UL LISTING.

When ordering parts, please specify the model and serial number of the product.

* Indicates a component that is not available as an individual part.

G** Indicates consult Customer Service Department for additional information.

ITEM	PART NO.	1	2	3	4	5	DESCRIPTION	QTY.
1	72558-G02						CARBURETOR ASSEMBLY (FOR FUJI ENGINE P/N EH29CPG5011) (INCLUDES ITEMS 3, 5 - 7, 9 - 20)	1
2	72558-G04						CARBURETOR ASSEMBLY (FOR FUJI ENGINE P/N EH29CPG5012) (INCLUDES ITEMS 4 - 6, 8 - 20)	1
3	26646-G07						MAIN JET (#90)	1
4	26646-G01						MAIN JET (#88)	1
5	*						CARBURETOR BODY	1
6	*						PILOT SCREW	1
7	26649-G05						PILOT JET (#46)	1
8	26649-G09						PILOT JET (#44)	1
9	26841-G01						PLUG	1
10	72306-G01						GASKET	1
11	72578-G01						NEEDLE VALVE	1
12	*						MAIN NOZZLE	1
13	26648-G01						FLOAT	1
14	26840-G01						FLOAT PIN	1
15	26843-G01						FLOAT BOWL GASKET	1
16	26844-G01						FLOAT CHAMBER	1
17	26839-G01						BOWL SCREW	1
18	26838-G01						BOWL GASKET	1
19	*						DRAIN SCREW	1
20	26650-G01						VENT TUBE	2
21								
22								
23	26646-G08						MAIN JET (#86) (FOR ELEVATIONS OF 3000 FT - 6000 FT)	1
24	26646-G02						MAIN JET (#84) (FOR ELEVATIONS OF 6000 FT - 10000 FT)	1
25								
26								
27	26726-G01						CARBURETOR MOUNT GASKET	2
28	26637-G01						CARBURETOR INSULATOR	1
29								

CARBURETOR AND CHOKE

Where applicable, THE USE OF NON UL PARTS WILL VOID ANY UL LISTING.

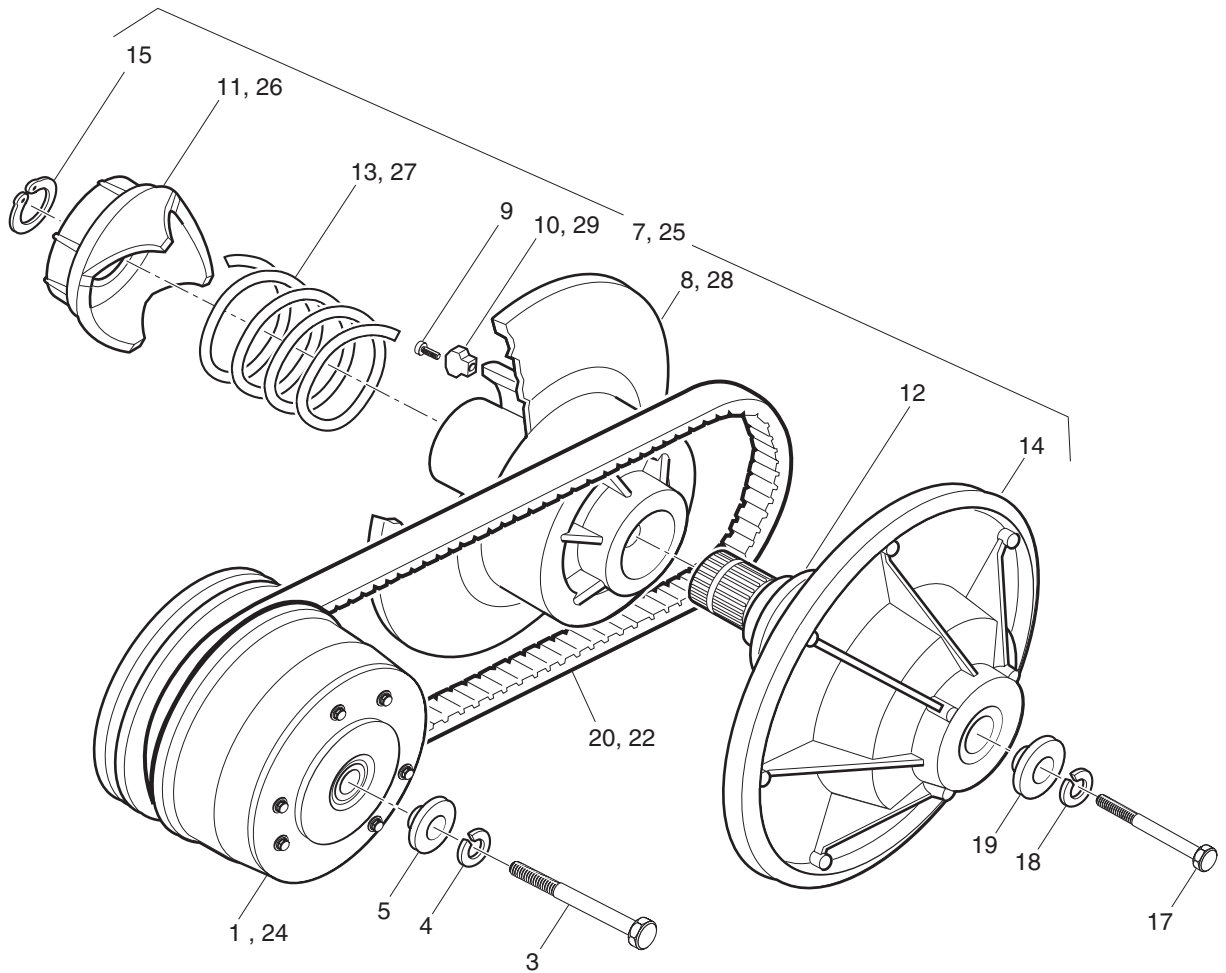
When ordering parts, please specify the model and serial number of the product.

* Indicates a component that is not available as an individual part.

G** Indicates consult Customer Service Department for additional information.

ITEM	PART NO.	1	2	3	4	5	DESCRIPTION	QTY.
30								
31	25693-G04						CHOKE CABLE (WITH NUTS)	1
32	00568-G4						LOCK WASHER, 9/16"	1
33	00545-G4						JAM NUT, 9/16 - 18	1
34	72155-G01						RETAINER	1
35	72154-G01						CHOKE CABLE ADAPTER	1
36	00544-G4						JAM NUT, 5/16 - 24	2

CLUTCHES



Ref Clt 2

CLUTCHES

Where applicable, THE USE OF NON UL PARTS WILL VOID ANY UL LISTING.

When ordering parts, please specify the model and serial number of the product.

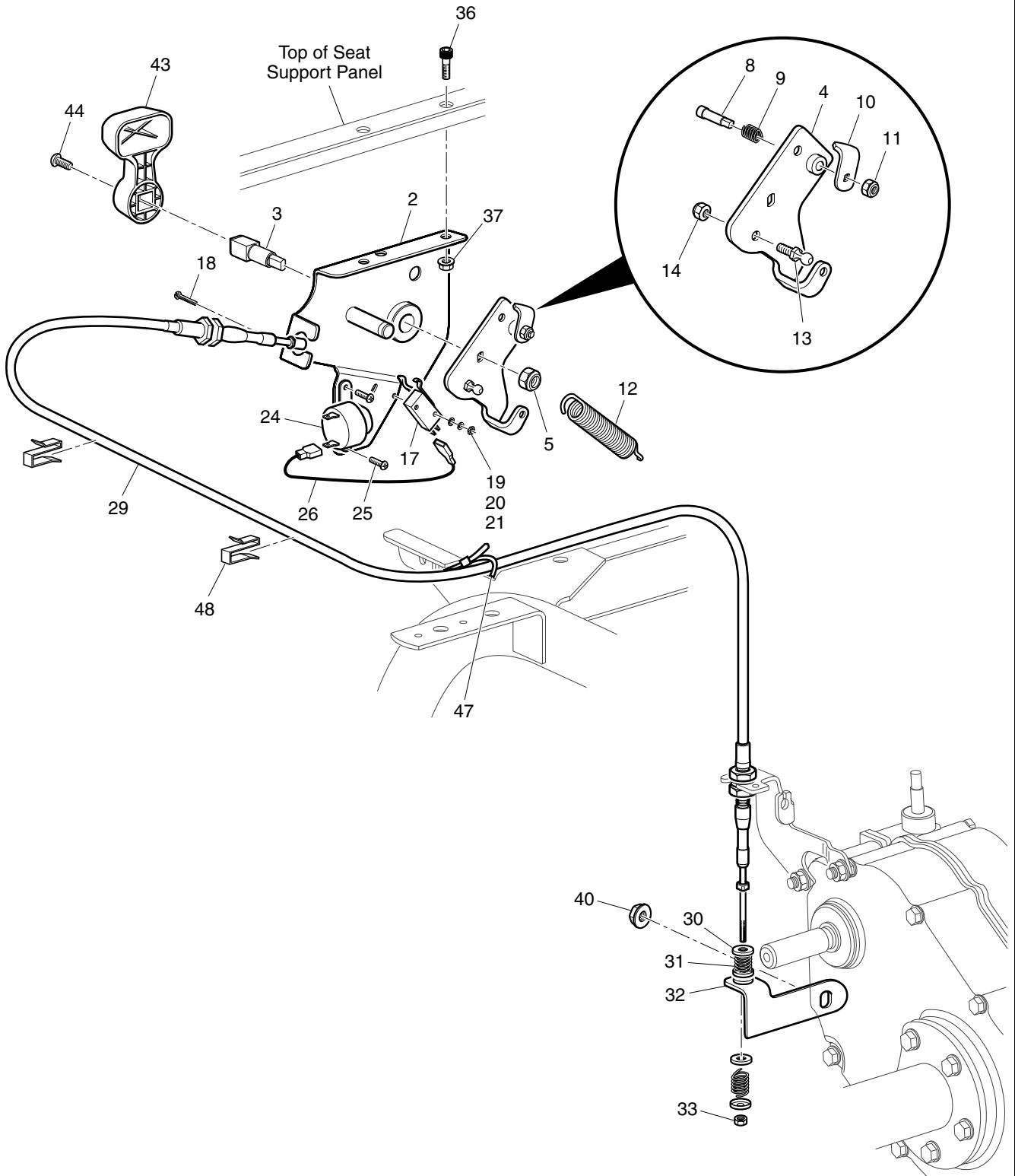
* Indicates a component that is not available as an individual part.

G** Indicates consult Customer Service Department for additional information.

ITEM	PART NO.	1 2 3 4 5	DESCRIPTION	QTY.
1	26952-G01		DRIVE CLUTCH	1
2				
3	00473-G9		BOLT, 7/16 - 20 X 6 1/2" LG	1
4	00566-G2		LOCK WASHER, 7/16"	1
5	25757-G1		PILOT WASHER	1
6				
7	26301-G02		DRIVEN CLUTCH ASSEMBLY (INCLUDES ITEMS 8 - 15)	1
8	*		MOVABLE SHEAVE (INCLUDES ITEMS 9 -10).....	1
9	00979-G01		SCREW, #10 - 24 X 7/8" LG.....	3
10	26479-G01		RAMP BUTTON	3
11	*		CAM	1
12	24600-G1		SPACER, 1 1/2"	1
13	26304-G01		COMPRESSION SPRING	1
14	*		SHEAVE AND POST	1
15	27270-G01		HEAVY DUTY RETAINING RING	1
16				
17	00441-G8		BOLT, 5/16 - 18 X 4" LG	1
18	00565-G8		LOCK WASHER, 5/16"	4
19	25756-G1		RETAINING WASHER	1
20	72054-G01		DRIVE BELT.....	1
21				
22	72328-G01		DRIVE BELT (HIGH ALTITUDE)	1
23				
24	26952-G01		DRIVE CLUTCH (HIGH ALTITUDE)	1
25	26301-G03		DRIVEN CLUTCH ASSEMBLY (HIGH ALTITUDE) (INCLUDES ITEMS 12, 14, 15, 26, 27, 28, 29).....	1
26	*		CAM	1
27	26304-G01		COMPRESSION SPRING	1
28	*		MOVABLE SHEAVE (INCLUDES ITEMS 9, 29).....	1
29	72324-G01		RAMP BUTTON, 4 CYCLE	3

DIRECTION SELECTOR

1 - Includes Items 2 - 33



Ref Dsl 2

DIRECTION SELECTOR

Where applicable, THE USE OF NON UL PARTS WILL VOID ANY UL LISTING.

When ordering parts, please specify the model and serial number of the product.

* Indicates a component that is not available as an individual part.

G** Indicates consult Customer Service Department for additional information.

ITEM	PART NO.	1	2	3	4	5	DESCRIPTION	QTY.
1	72721-G01						DIRECTION SELECTOR ASSEMBLY (INCLUDES ITEMS 2 - 33)	1
2	74456-G01						DIRECTION SELECTOR BRACKET WITH BUSHING	1
3	70233-G01						DIRECTION SELECTOR SHAFT	1
4	72738-G01						DIRECTION SELECTOR CAM	1
5	14390-G1						LOCK NUT, 3/8 - 24	1
6								
7								
8	72724-G01						NEUTRAL LOCK PIN	1
9	72733-G01						COMPRESSION SPRING, 3/8" X 5/8" LG	1
10	72729-G01						NEUTRAL LOCK BRACKET	1
11	00734-G2						LOCK NUT, 1/4 - 28	1
12	28574-G01						EXTENSION SPRING	1
13	72732-G01						BALL STUD, 1/4"	1
14	00734-G5						LOCK NUT, #10 - 32	1
15								
16								
17	72736-G01						MICRO SWITCH	1
18	01062-G01						SCREW, #4 - 40 X 1" LG	2
19	00559-G1						WASHER, #4	2
20	00565-G1						LOCK WASHER, #4	2
21	00526-G2						NUT, #4 - 40	2
22								
23								
24	73290-G03						REVERSE WARNING BUZZER	1
25	01063-G01						SCREW, #6 - 32 X 3/8" LG	2
26	25978-G345						18 GA WIRE (RED 7")	1
27								
28								
29	72734-G01						PUSH / PULL SHIFTER CABLE	1
30	25727-G01						CUP WASHER, 1/4"	4

DIRECTION SELECTOR

Where applicable, THE USE OF NON UL PARTS WILL VOID ANY UL LISTING.

When ordering parts, please specify the model and serial number of the product.

* Indicates a component that is not available as an individual part.

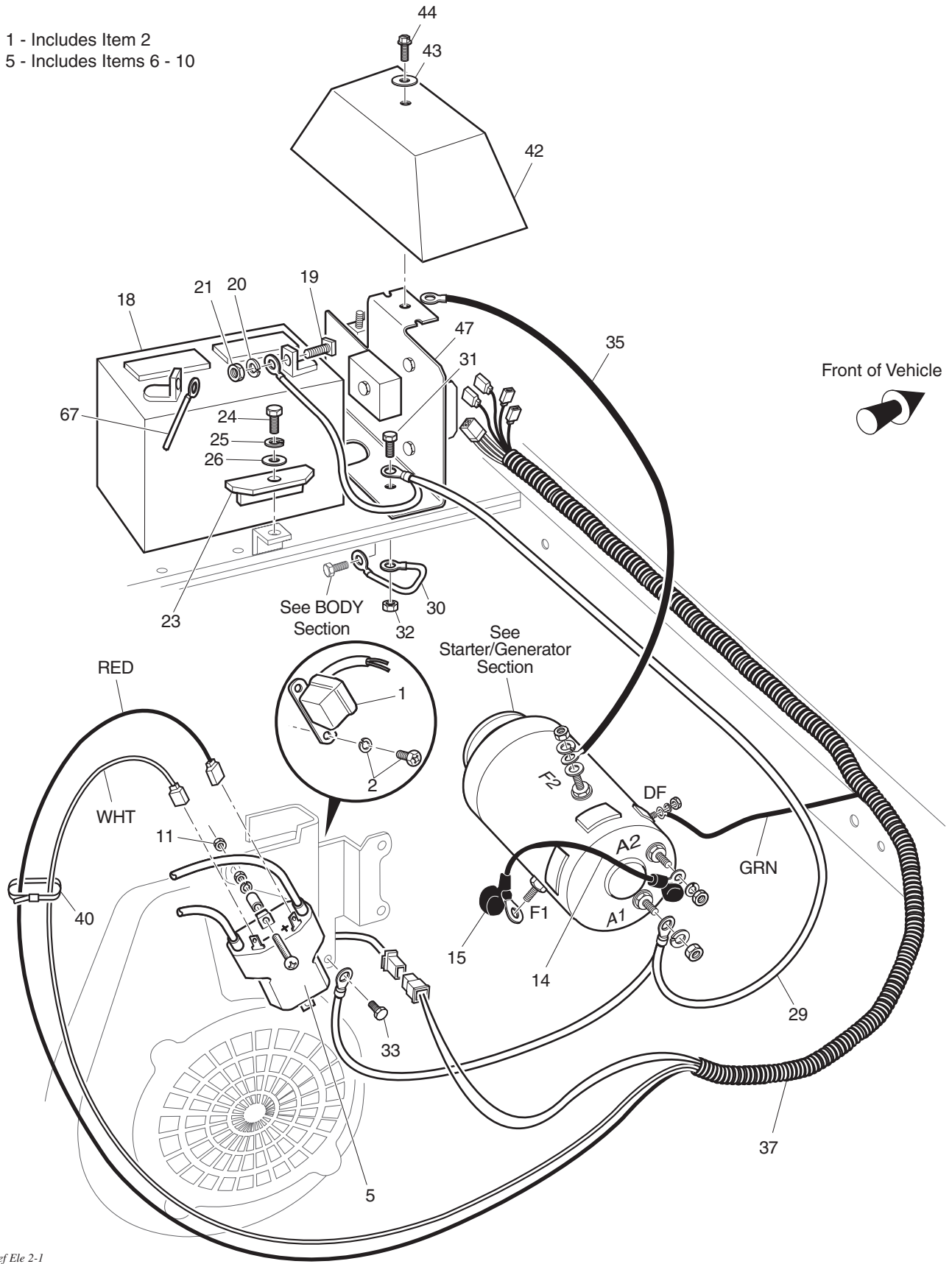
G** Indicates consult Customer Service Department for additional information.

ITEM	PART NO.	1 2 3 4 5	DESCRIPTION	QTY.
31	72735-G01		COMPRESSION SPRING, 19/32" X 1" LG.....	2
32	74455-G01		SHIFTER BRACKET WITH BUSHING.....	1
33	00734-G5		LOCK NUT, #10 - 32.....	1
34				
35				
36	70227-G01		SCREW, 1/4 - 20 X 7/8" LG.....	2
37	11027-G2		LOCK NUT, 1/4 - 20.....	2
38				
39				
40	26830-G01		LOCK NUT, M8 X 1.25 MM.....	1
41				
42				
43	71205-G01		DIRECTION SELECTOR HANDLE.....	1
44	00740-G4		SCREW, #10 - 32 X 1/2" LG (STAINLESS STEEL).....	1
45				
46				
47	17618-G1		WIRE TIE.....	1
48	01072-G01		CABLE CLIP.....	2

DIRECTION SELECTOR

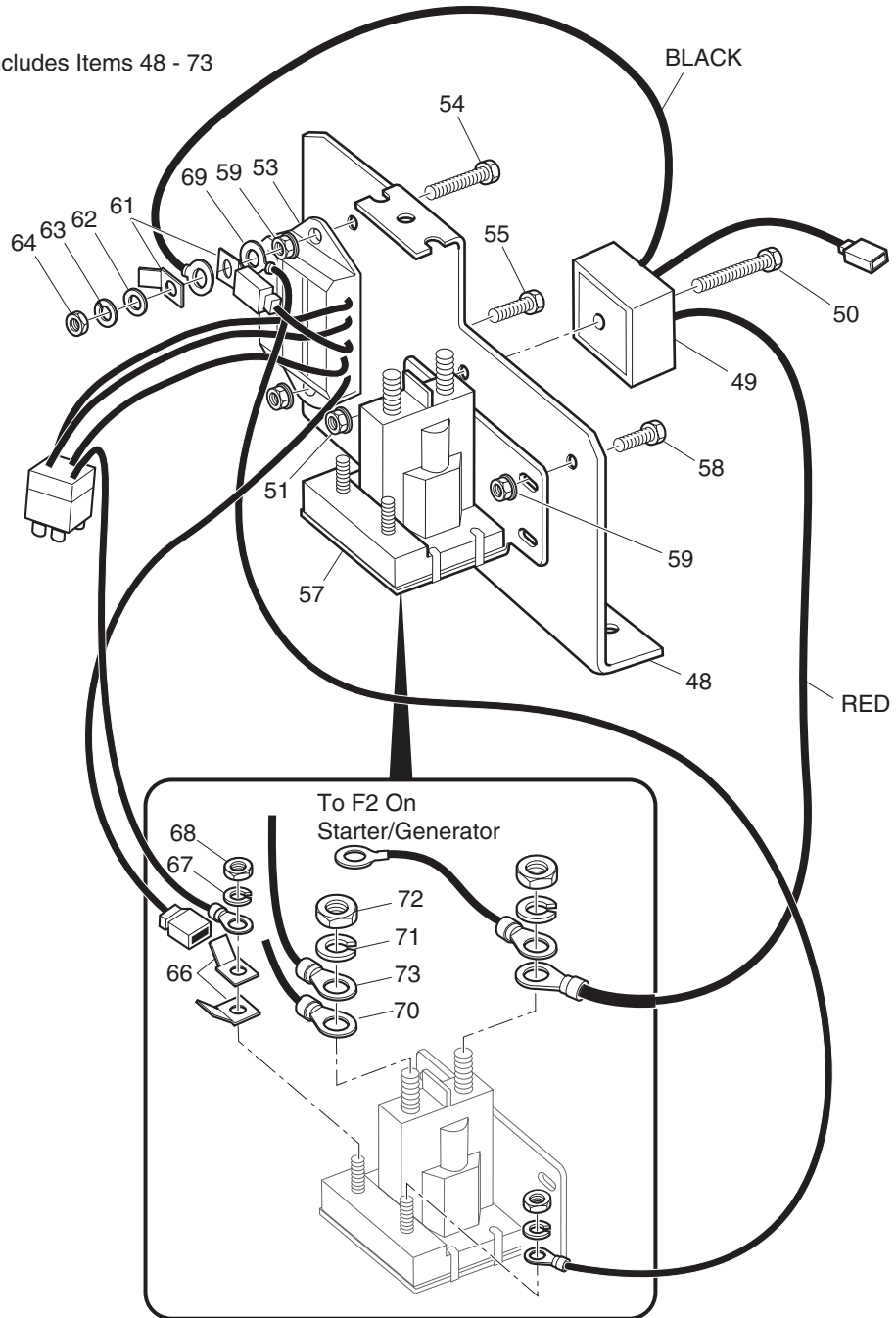
ELECTRICAL SYSTEM

1 - Includes Item 2
5 - Includes Items 6 - 10



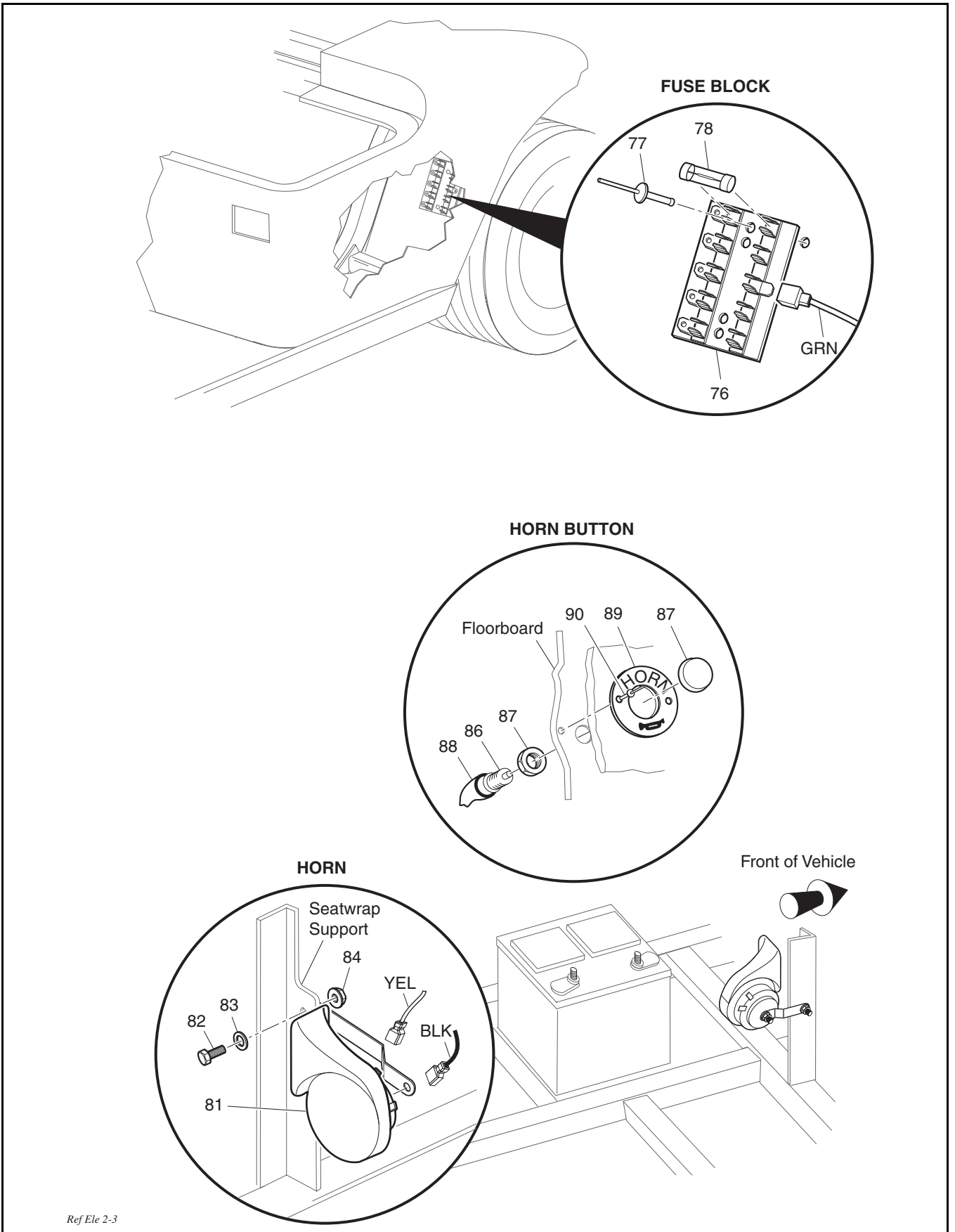
ELECTRICAL SYSTEM

47 - Includes Items 48 - 73

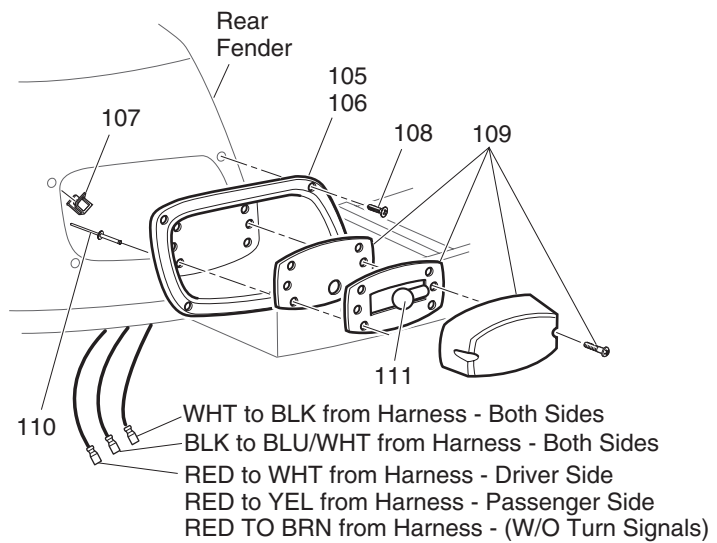
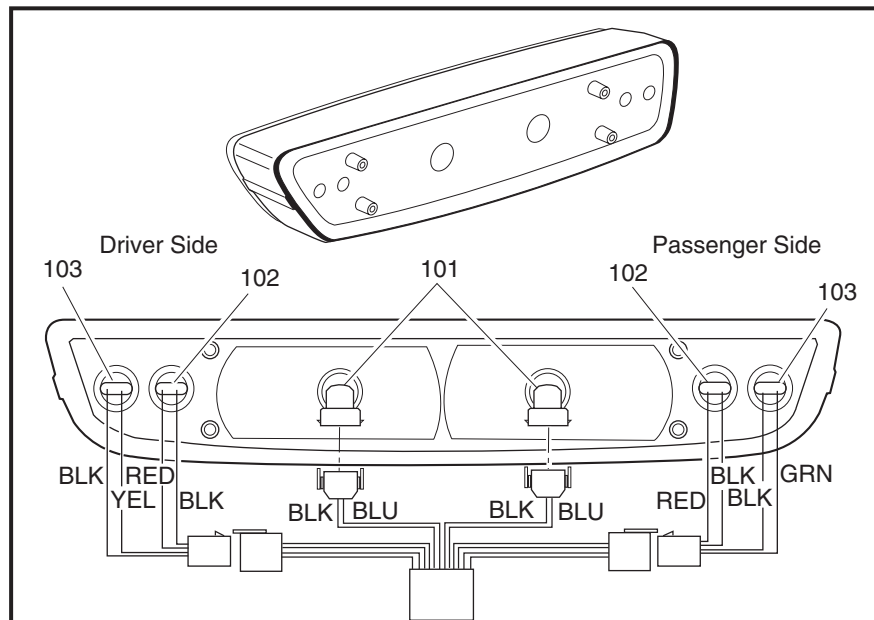
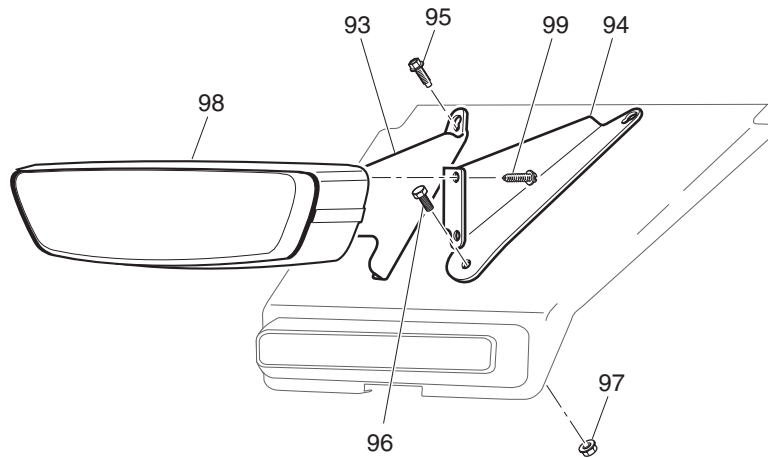


Ref Ele 2-2

ELECTRICAL SYSTEM



ELECTRICAL SYSTEM

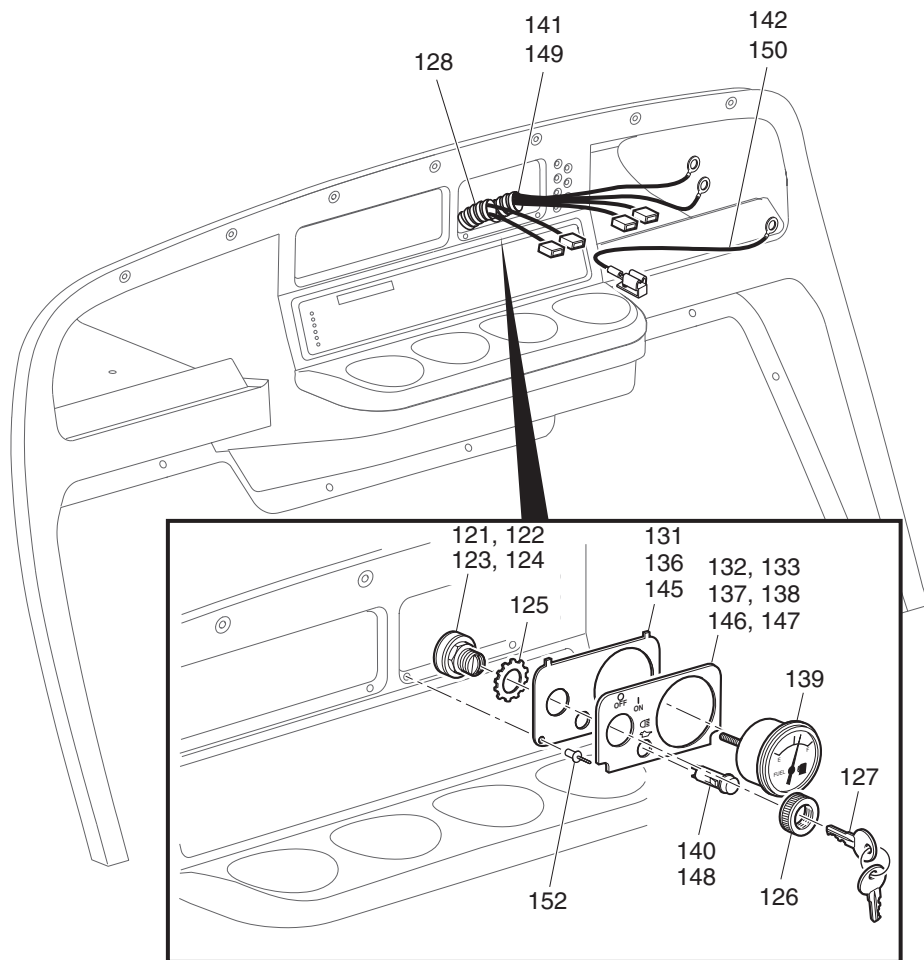
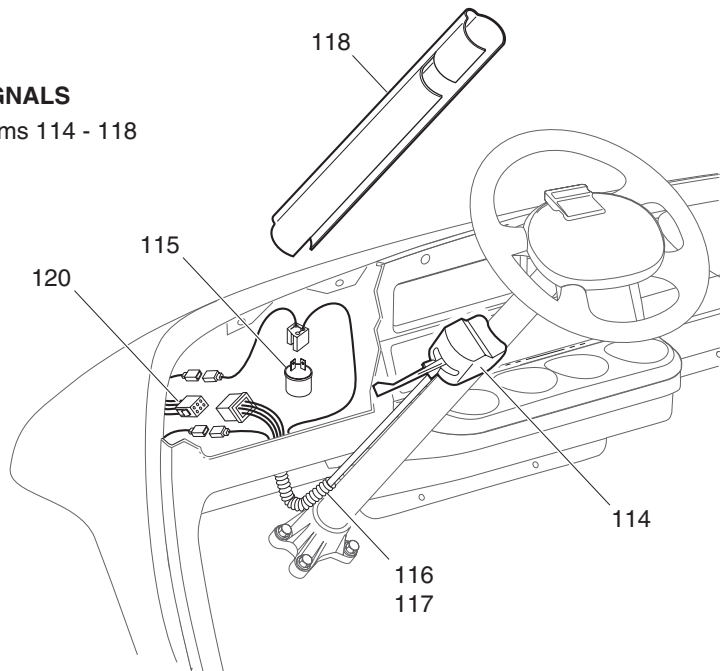


Ref Ele 2-4

ELECTRICAL SYSTEM

TURN SIGNALS

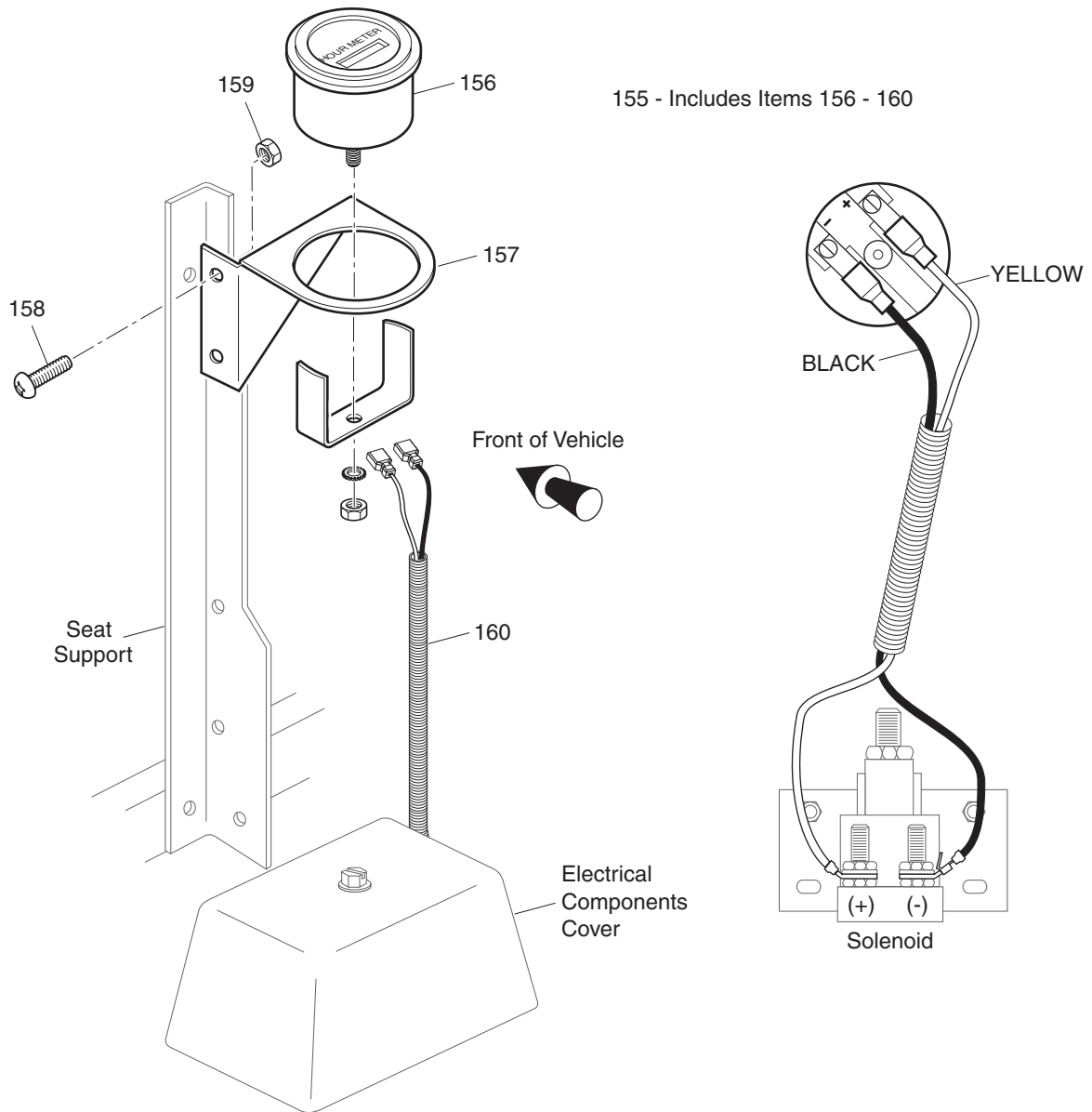
113 - Includes Items 114 - 118



Ref Ele 2-5

FUEL GAUGE, LOW OIL PRESSURE LIGHT, AND KEY SWITCH

HOUR METER



Ref Ele 2-6

ELECTRICAL SYSTEM

Where applicable, THE USE OF NON UL PARTS WILL VOID ANY UL LISTING.

When ordering parts, please specify the model and serial number of the product.

* Indicates a component that is not available as an individual part.

G** Indicates consult Customer Service Department for additional information.

ITEM	PART NO.	1 2 3 4 5	DESCRIPTION	QTY.
1	26651-G02		IGNITION PICKUP ASSEMBLY (INCLUDES ITEM 2).....	1
2	26707-G01		BOLT AND WASHER ASSEMBLY, M5 X 0.8 X 10 MM LG	1
3				
4				
5	26652-G01		IGNITION COIL ASSEMBLY (INCLUDES ITEMS 6 - 10)	1
6	*		IGNITION COIL.....	1
7	*		SPACER	1
8	*		LOCK WASHER	1
9	*		NUT.....	1
10	*		SCREW.....	1
11	13632-G1		NUT, M6 X 1	2
12				
13				
14	25887-G01		6 GA WIRE (BLACK, 6", F1 - A2).....	1
15	25682-G1		TERMINAL COVER	3
16				
17				
18	24775-G*		BATTERY, 12V	1
19	00962-G1		BOLT, 5/16 - 18 X 1 1/4" LG	2
20	00993-G01		LOCK WASHER, 5/16" (SILICON BRONZE)	2
21	00994-G01		NUT, 5/16 - 18 (SILICON BRONZE)	2
22				
23	72101-G01		BATTERY HOLD DOWN.....	1
24	00438-G6		BOLT, 5/16 - 18 X 3/4" LG	1
25	00565-G8		LOCK WASHER, 5/16".....	1
26	01110-G03		WASHER, 5/16" (STAINLESS STEEL)	1
27				
28				
29	27044-G03		GROUND CABLE.....	1
30	25976-G19		14 GA WIRE (BLACK, 6")	1

ELECTRICAL SYSTEM

Where applicable, THE USE OF NON UL PARTS WILL VOID ANY UL LISTING.

When ordering parts, please specify the model and serial number of the product.

* Indicates a component that is not available as an individual part.

G** Indicates consult Customer Service Department for additional information.

ITEM	PART NO.	1	2	3	4	5	DESCRIPTION	QTY.
31	00438-G6						BOLT, 5/16 - 18 X 3/4" LG	2
32	11027-G1						LOCK NUT, 5/16 - 18	2
33	26676-G01						FLANGED BOLT, M6 X 1 X 23 MM LG	1
34								
35	25972-G85						6 GA WIRE (BLACK 23", F2 - SOL).....	1
36								
37	70899-G01						WIRE HARNESS (CONTROL).....	1
38								
39								
40	17618-G1						WIRE TIE	AR
41								
42	73049-G01						COVER.....	1
43	16469-G1						WASHER, 1/4"	1
44	00114-G6						SCREW, 1/4 - 14 X 3/4" LG.....	1
45								
46								
47	73059-G01						ELECTRICAL PLATE ASSEMBLY (INCLUDES ITEMS 48 - 73)	1
48	73057-G01						BRACKET	1
49	27739-G01						VOLTAGE REGULATOR	1
50	00415-G2						BOLT, 1/4 - 20 X 1 1/4" LG.....	1
51	11027-G2						LOCK NUT, 1/4 - 20	1
52								
53	27746-G01						IGNITOR	1
54	00661-G8						BOLT, 1/4 - 20 X 1" LG (STAINLESS STEEL)	1
55	00414-G5						BOLT, 1/4 - 20 X 5/8" LG.....	1
56								
57	27153-G01						SOLENOID	1
58	00414-G5						BOLT, 1/4 - 20 X 5/8" LG.....	1
59	11027-G2						LOCK NUT, 1/4 - 20	3
60								

ELECTRICAL SYSTEM

Where applicable, THE USE OF NON UL PARTS WILL VOID ANY UL LISTING.

When ordering parts, please specify the model and serial number of the product.

* Indicates a component that is not available as an individual part.

G** Indicates consult Customer Service Department for additional information.

ITEM	PART NO.	1 2 3 4 5	DESCRIPTION	QTY.
61	12914-G2		PUSH ON MALE TERMINAL.....	2
62	00650-G7		WASHER, 1/4"	1
63	00664-G7		LOCK WASHER, 1/4" (STAINLESS STEEL)	1
64	00532-G1		NUT, 1/4 - 20.....	1
65				
66	12914-G1		PUSH ON MALE TERMINAL.....	2
67	00565-G5		LOCK WASHER, #10	2
68	00526-G4		NUT, #10 - 32.....	2
69	25978-G56		18 GA WIRE (BLACK, 5 3/4").....	1
70	22585-G3		IN-LINE FUSE HOLDER	1
71	00565-G8		LOCK WASHER, 5/16"	2
72	00544-G4		JAM NUT, 5/16 - 24.....	2
73	25972-G33		6 GA WIRE (BLACK, 24", B+ - SOL).....	1
74				
75				
76	22674-G1		FUSE BLOCK.....	1
77	01041-G01		RIVET, 1/8" X 13/16" LG	2
78	18392-G1		15 AMP FUSE	3
79				
80				
81	32860-G1		HORN.....	1
82	00414-G5		BOLT, 1/4 - 20 x 5/8" LG.....	1
83	01110-G01		WASHER, 1/4" (STAINLESS STEEL)	1
84	00654-G2		LOCK NUT, 1/4 - 20 (STAINLESS STEEL)	1
85				
86	17318-G1		HORN SWITCH.....	1
87	17318-G2		HORN SWITCH CAP AND NUT	1
88	27068-G01		HORN SWITCH BOOT	1
89	19233-G1		HORN SWITCH LABEL	1
90	71055-G01		RIVET, 3/16" X 1" LG (ALUMINUM)	2

ELECTRICAL SYSTEM

Where applicable, THE USE OF NON UL PARTS WILL VOID ANY UL LISTING.

When ordering parts, please specify the model and serial number of the product.

* Indicates a component that is not available as an individual part.

G** Indicates consult Customer Service Department for additional information.

ITEM	PART NO.	1	2	3	4	5	DESCRIPTION	QTY.
91								
92								
93	74236-G01						HEADLIGHT MOUNT BRACKET (PASSENGER SIDE).....	1
94	74236-G02						HEADLIGHT MOUNT BRACKET (DRIVER SIDE)	1
95	01038-G01						BOLT, 1/4 - 20 X 11/16" LG	2
96	00414-G6						BOLT, 1/4 - 20 X 3/4" LG	2
97	11027-G2						LOCK NUT, 1/4 - 20	2
98	74001-G01						HEADLIGHT AND TURN SIGNAL LIGHT	1
99	00114-G6						SCREW, 1/4 - 14 X 3/4" LG.....	4
100								
101	74004-G01						HEADLIGHT BULB	AR
102	74005-G01						MARKER LIGHT BULB	AR
103	74006-G01						TURN SIGNAL BULB	AR
104								
105	74371-G01						BEZEL (DRIVER SIDE).....	1
106	74371-G02						BEZEL (PASSENGER SIDE)	1
107	71364-G02						'J' CLIP	8
108	71425-G01						COUNTERSUNK SCREW, #8	8
109	22288-G2						BRAKE / TAILLIGHT LAMP.....	1
110	14601-G11						RIVET, 3/16" X 9/16" LG (ALUMINUM).....	4
111	21759-G1						TAILLIGHT BULB	AR
112								
113	75107-G02						TURN SIGNAL KIT (INCLUDES ITEMS 114 - 118)	1
114	17867-G1						TURN SIGNAL (WITH MOUNTING HARDWARE) (INCLUDES ITEM 115).	1
115	21640-G1						TURN SIGNAL FLASHER.....	1
116	32307-G3						FLEX LOOM, 3/8 X 8" LG	1
117	17618-G1						WIRE TIE	2
118	20965-G3						STEERING COLUMN COVER	1
119								
120	72228-G01						WIRE HARNESS (ACCESSORY).....	1

ELECTRICAL SYSTEM

Where applicable, THE USE OF NON UL PARTS WILL VOID ANY UL LISTING.

When ordering parts, please specify the model and serial number of the product.

* Indicates a component that is not available as an individual part.

G** Indicates consult Customer Service Department for additional information.

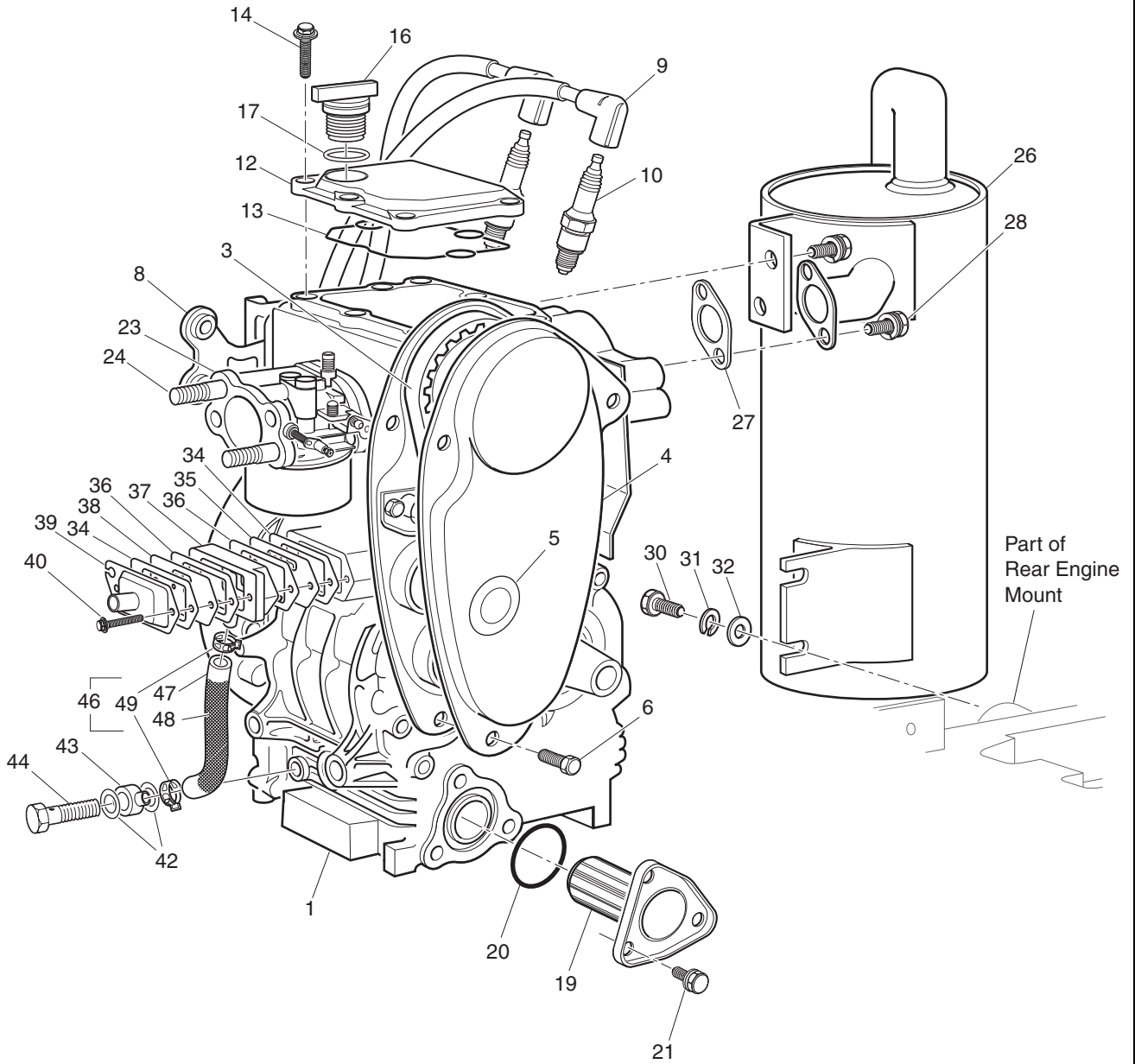
ITEM	PART NO.	1 2 3 4 5	DESCRIPTION	QTY.
121	17421-G1		KEY SWITCH KIT (W/O LIGHTS - STANDARD - WITH HARDWARE).....	1
122	17955-G1		KEY SWITCH (WITHOUT LIGHTS - NON STANDARD)	1
123	18027-G1		KEY SWITCH (WITHOUT LIGHTS - INDIVIDUALLY KEYED)	1
124	33639-G**		KEY SWITCH (WITH LIGHTS)	1
125	00568-G6		LOCK WASHER, 3/4".....	1
126	17137-G1		FACE NUT, 3/4 - 20.....	1
127	17063-G1		KEY (SET).....	1
128	73041-G01		WIRE HARNESS (KEY SWITCH).....	1
129				
130				
131	73030-G01		PLATE (KEY SWITCH ONLY)	1
132	71145-G01		LABEL (KEY SWITCH ONLY) WITHOUT HEADLIGHTS	1
133	71181-G01		LABEL (KEY SWITCH ONLY) WITH HEADLIGHTS.....	1
134				
135				
136	73030-G04		PLATE (FUEL GAUGE AND OIL LIGHT).....	1
137	71127-G01		LABEL (OIL LIGHT AND FUEL GAUGE W/O HEADLIGHTS)	1
138	71131-G01		LABEL (OIL LIGHT AND FUEL GAUGE WITH HEADLIGHTS)	1
139	21553-G1		FUEL GAUGE	1
140	23474-G1		INDICATOR LIGHT	1
141	74311-G01		WIRE HARNESS (OIL LIGHT/FUEL GAUGE).....	1
142	25978-G122		18 GA WIRE (RED, 6" LG).....	1
143				
144				
145	73030-G03		PLATE (LOW FUEL AND OIL LIGHT INDICATOR)	1
146	71125-G01		LABEL (LOW FUEL AND OIL LIGHT W/O HEADLIGHTS)	1
147	71183-G01		LABEL (LOW FUEL AND OIL LIGHT WITH HEADLIGHTS)	1
148	23474-G1		INDICATOR LIGHT	2
149	74309-G01		WIRE HARNESS (OIL LIGHT/FUEL LIGHT)	1
150	25978-G74		18 GA WIRE (RED, 6" LG).....	1

ELECTRICAL SYSTEM

Where applicable, THE USE OF NON UL PARTS WILL VOID ANY UL LISTING.
 When ordering parts, please specify the model and serial number of the product.
 * Indicates a component that is not available as an individual part.
 G** Indicates consult Customer Service Department for additional information.

ITEM	PART NO.	1	2	3	4	5	DESCRIPTION	QTY.
151								
152	33623-G02						DRIVE RIVET, 3/16" X 3/8" LG	2
153								
154								
155	75114-G02						HOUR METER KIT (INCLUDES ITEMS 156 - 160).....	1
156	21573-G1						HOUR METER.....	1
157	74019-G01						HOUR METER BRACKET	1
158	00379-G4						SCREW, #10 - 24 X 1/2" LG	2
159	11098-G7						LOCK NUT, #10 - 24	2
160	75117-G01						WIRE HARNESS (HOUR METER).....	1

ENGINE AND MUFFLER



Ref Emf 2

ENGINE AND MUFFLER

Where applicable, THE USE OF NON UL PARTS WILL VOID ANY UL LISTING.

When ordering parts, please specify the model and serial number of the product.

* Indicates a component that is not available as an individual part.

G** Indicates consult Customer Service Department for additional information.

ITEM	PART NO.	1	2	3	4	5	DESCRIPTION	QTY.
1	28590-G02						ENGINE, 295cc	1
2								
3	26626-G01						TIMING BELT	1
4	26630-G01						TIMING BELT COVER	1
5	26631-G01						TIMING BELT COVER GROMMET.....	1
6	26678-G01						BOLT, M6 X 1 X 12 MM LG	3
7								
8	26657-G01						IGNITION COIL BRACKET	1
9	26733-G01						SPARK PLUG WIRE SET (2 WITH BOOTS)	1
10	25523-G3						SPARK PLUG (NGK BPR4ES - RESISTOR).....	2
11								
12	26600-G01						VALVE COVER.....	1
13	26719-G01						VALVE COVER GASKET	1
14	26676-G01						FLANGED BOLT, M6 X 1 X 23 MM LG	6
15								
16	26601-G01						OIL FILLER CAP	1
17	26720-G01						OIL FILLER 'O' RING	1
18								
19	26591-G01						OIL FILTER	1
20	26710-G01						OIL FILTER 'O' RING	1
21	26680-G01						BOLT AND WASHER, M6 X 1 X 12 MM LG	3
22								
23	XXXXX-XX						CARBURETOR (SEE CARBURETOR SECTION).....	X
24	26667-G01						STUD, M6 X 1 X 105MM LG	2
25								
26	72019-G01						MUFFLER	1
27	25531-G1						EXHAUST GASKET	1
28	25532-G1						BOLT AND WASHER, M8 X 1.25 X 18 MM LG	4
29								
30	00438-G8						BOLT, 5/16 - 18 X 1" LG	1

ENGINE AND MUFFLER

Where applicable, THE USE OF NON UL PARTS WILL VOID ANY UL LISTING.

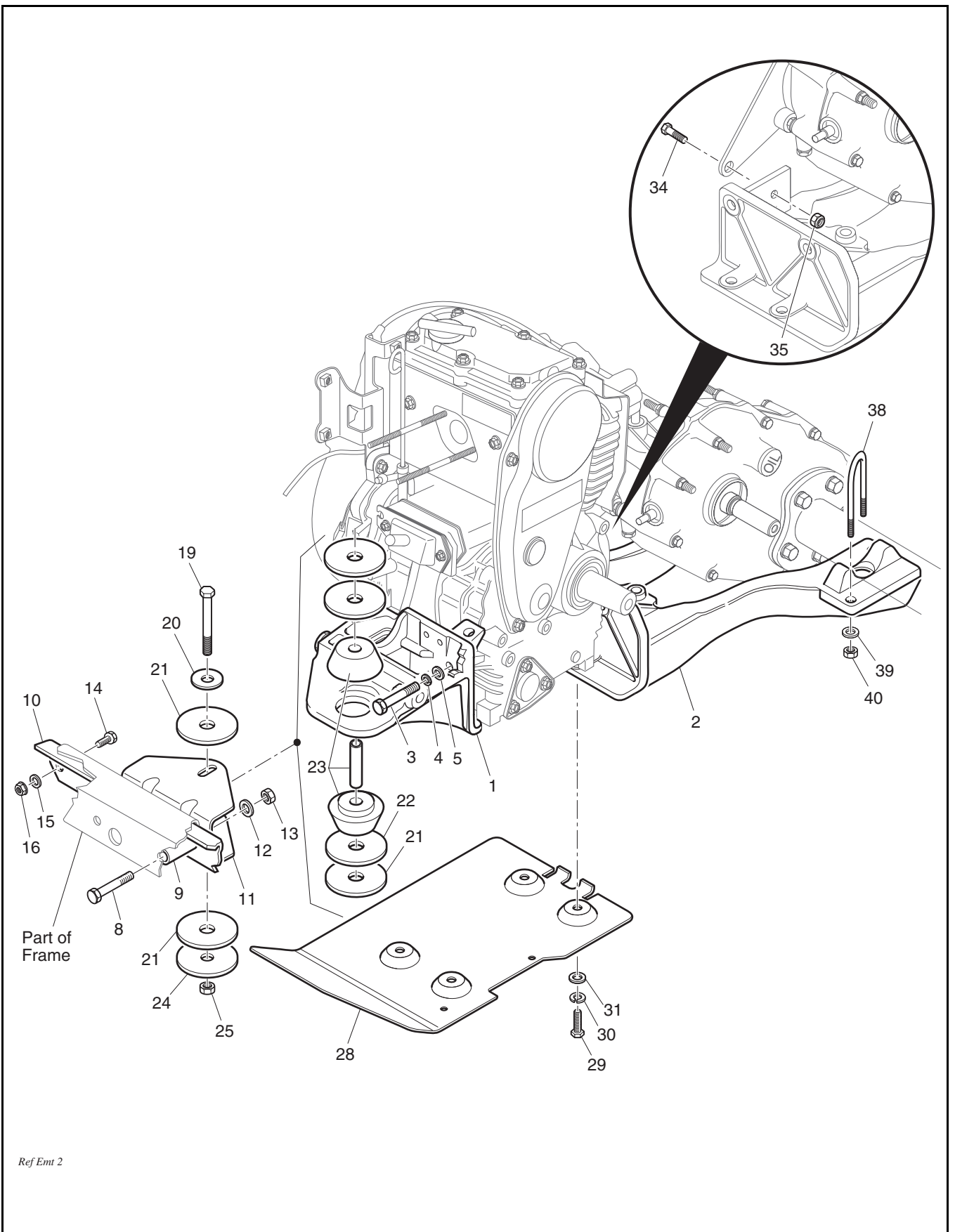
When ordering parts, please specify the model and serial number of the product.

* Indicates a component that is not available as an individual part.

G** Indicates consult Customer Service Department for additional information.

ITEM	PART NO.	1 2 3 4 5	DESCRIPTION	QTY.
31	00565-G8		LOCK WASHER, 5/16"	1
32	00642-G8		WASHER, 5/16"	1
33				
34	72555-G01		BREATHER COVER GASKET (THICK).....	2
35	72657-G01		INNER BREATHER PLATE (LONG SLOT).....	1
36	72554-G01		BREATHER COVER GASKET (THIN).....	2
37	72658-G01		BREATHER BOX.....	1
38	72676-G01		OUTER BREATHER PLATE (SHORT SLOT)	1
39	72659-G01		BREATHER COVER	1
40	72680-G01		FLANGED BOLT, M6 X 1 X 70 MM LG	2
41				
42	72656-G01		ALUMINUM GASKET.....	2
43	72655-G01		BANJO UNION.....	1
44	72654-G01		BANJO BOLT	1
45				
46	72653-G01		RUBBER RETURN HOSE (INCLUDES ITEMS 47 - 49)	1
47	72677-G01		RUBBER HOSE, 6 MM ID X 12 MM OD X 145 MM LG	1
48	72678-G01		MESH PROTECTIVE COVER.....	1
49	72679-G01		HOSE CLAMP	2

ENGINE MOUNTING



Ref Emt 2

ENGINE MOUNTING

Where applicable, THE USE OF NON UL PARTS WILL VOID ANY UL LISTING.

When ordering parts, please specify the model and serial number of the product.

* Indicates a component that is not available as an individual part.

G** Indicates consult Customer Service Department for additional information.

ITEM	PART NO.	1	2	3	4	5	DESCRIPTION	QTY.
1	72010-G01						FRONT ENGINE MOUNT	1
2	72011-G01						REAR ENGINE MOUNT	1
3	00463-G4						BOLT, 7/16 - 14 X 1 1/2" LG	4
4	00566-G2						LOCK WASHER, 7/16"	4
5	00922-G3						WASHER, 7/16"	4
6								
7								
8	00428-G6						BOLT, 3/8 - 16 X 2 3/4" LG	2
9	72016-G01						SPACER	2
10	70269-G01						CROSSMEMBER BRACE	1
11	72044-G01						MOUNT BRACKET	1
12	00643-G1						WASHER, 3/8"	2
13	11098-G5						LOCK NUT, 3/8 - 16	2
14	00438-G7						BOLT, 5/16 - 18 X 7/8" LG	2
15	01110-G03						WASHER, 5/16" (STAINLESS STEEL)	2
16	01109-G01						LOCK NUT, 5/16 - 18 (STAINLESS STEEL)	2
17								
18								
19	00430-G4						BOLT, 3/8 - 16 X 4 1/2" LG	1
20	15121-G1						WASHER, 3/8"	1
21	72050-G01						PLASTIC WASHER, 2 1/4" OD X 5/8" ID X 1/8"	4
22	72051-G01						WASHER, 2 1/2" OD X 5/8" ID X 1/8"	2
23	72015-G01						ISOLATION MOUNT	1
24	72051-G02						WASHER, 3/8"	1
25	11098-G5						LOCK NUT, 3/8 - 16	1
26								
27								
28	72719-G01						ENGINE GUARD.....	1
29	00463-G4						BOLT, 7/16 - 14 X 1 1/2" LG	4
30	00566-G2						LOCK WASHER, 7/16"	4

ENGINE MOUNTING

Where applicable, THE USE OF NON UL PARTS WILL VOID ANY UL LISTING.

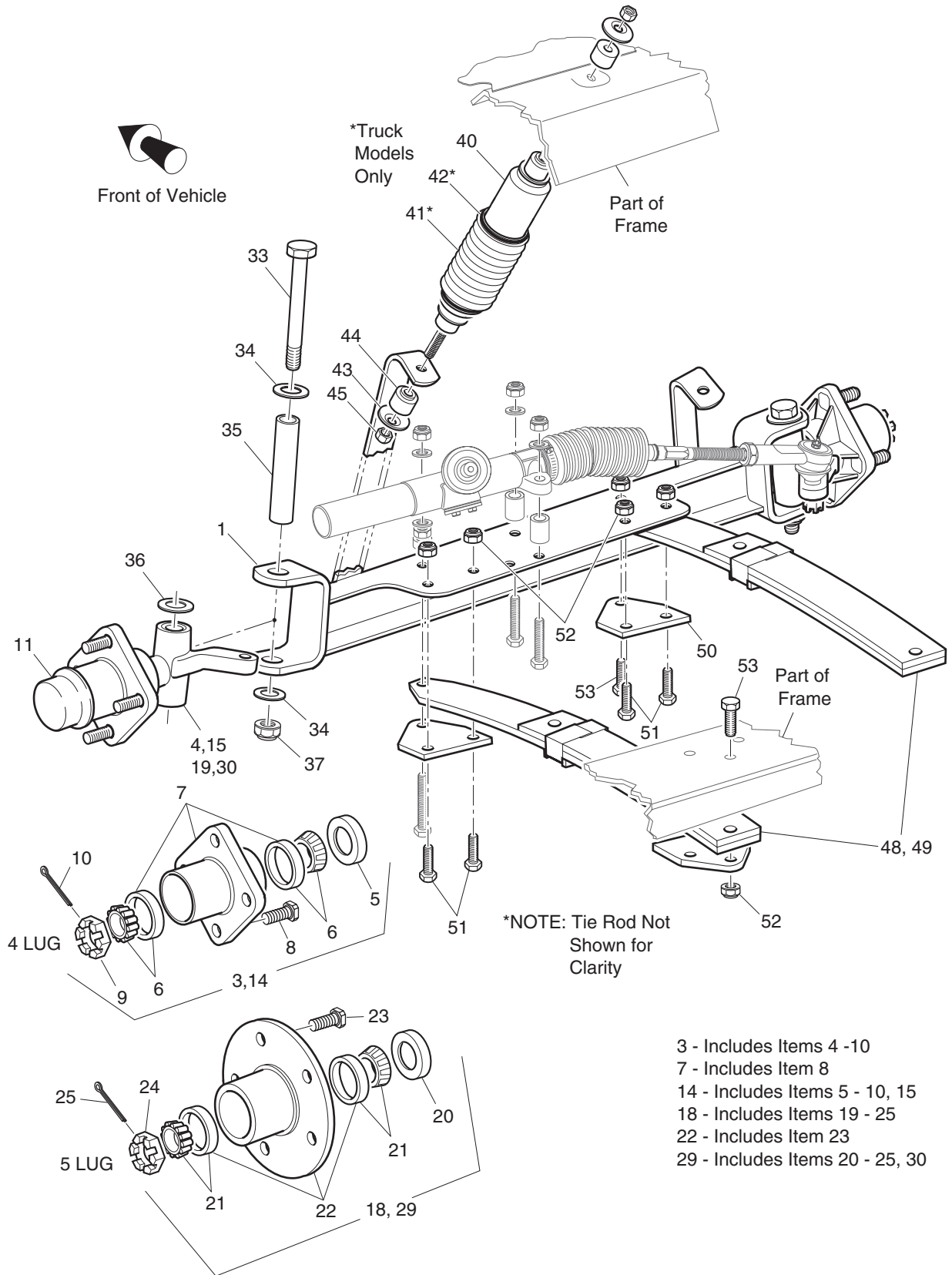
When ordering parts, please specify the model and serial number of the product.

* Indicates a component that is not available as an individual part.

G** Indicates consult Customer Service Department for additional information.

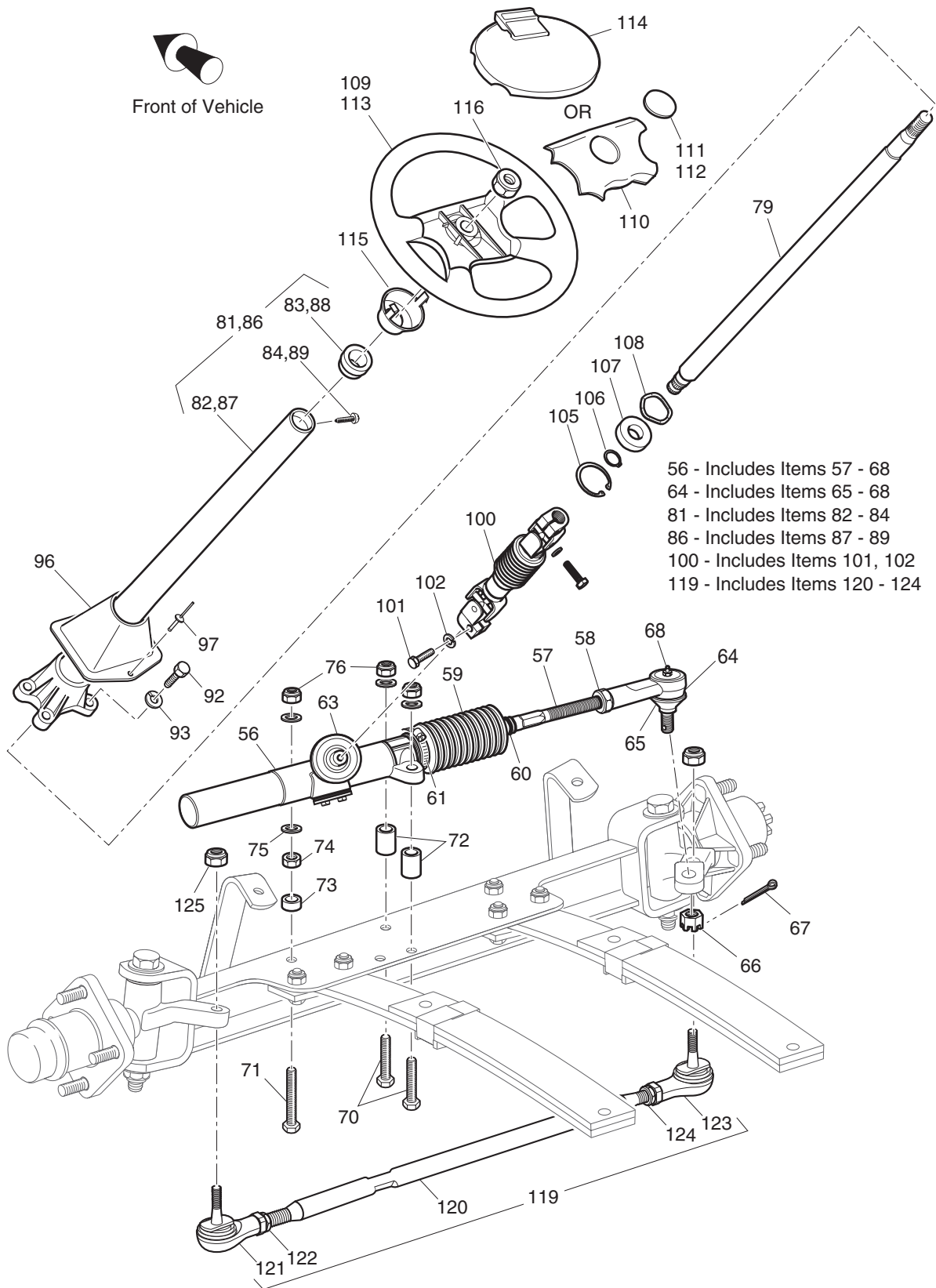
ITEM	PART NO.	1 2 3 4 5	DESCRIPTION	QTY.
31	00922-G3		WASHER, 7/16"	4
32				
33				
34	00439-G1		BOLT, 5/16 - 18 X 1 1/8" LG	1
35	01109-G01		LOCK NUT, 5/16 - 18 (STAINLESS STEEL)	1
36				
37				
38	72035-G01		'U' BOLT, 7/16 - 14 X 3 7/16" X 3 9/16" LG	2
39	00922-G3		WASHER, 7/16"	4
40	00734-G1		LOCK NUT, 7/16 - 14	4

FRONT SUSPENSION/STEERING



Ref Fss 1-1

FRONT SUSPENSION/STEERING



Ref Fss 1-2

FRONT SUSPENSION/STEERING

Where applicable, THE USE OF NON UL PARTS WILL VOID ANY UL LISTING.

When ordering parts, please specify the model and serial number of the product.

* Indicates a component that is not available as an individual part.

G** Indicates consult Customer Service Department for additional information.

ITEM	PART NO.	1	2	3	4	5	DESCRIPTION	QTY.
1	70963-G01						FRONT AXLE	1
2								
3	70942-G01						SPINDLE AND HUB ASSEMBLY, 4 LUG (PASSENGER SIDE) (INCLUDES ITEMS 4 - 10).....	1
4	70942-G02						SPINDLE ASSEMBLY (PASSENGER SIDE).....	1
5	25146-G1						GREASE SEAL.....	1
6	50892-G1						ROLLER BEARING AND RACE ASSEMBLY.....	2
7	70895-G01						WHEEL HUB ASSEMBLY WITH RACES, 4 LUG (INCLUDES ITEM 8)	1
8	19862-G1						LUG BOLT, 1/2 - 20 X 1 3/16" LG.....	4
9	12093-G1						CASTELLATED NUT, 1 - 14	1
10	00798-G8						COTTER PIN, 5/32" X 1 3/4" LG	1
11	12091-G2						SPINDLE CAP.....	2
12								
13								
14	70673-G01						SPINDLE AND HUB ASSEMBLY, 4 LUG (DRIVER SIDE) (INCLUDES ITEMS 5 - 10, 15).....	1
15	70673-G02						SPINDLE ASSEMBLY (DRIVER SIDE)	1
16								
17								
18	70943-G01						SPINDLE AND HUB ASSEMBLY, 5 LUG (PASSENGER SIDE) (INCLUDES ITEMS 19 - 25).....	1
19	70942-G02						SPINDLE ASSEMBLY (PASSENGER SIDE).....	1
20	12092-G1						GREASE SEAL.....	1
21	50892-G1						ROLLER BEARING AND RACE ASSEMBLY.....	2
22	70772-G01						WHEEL HUB ASSEMBLY WITH RACES, 5 LUG (INCLUDES ITEM 23)	1
23	30143-G1						LUG BOLT, 1/2 - 20 X 1 7/32" LG.....	5
24	12093-G1						CASTELLATED NUT, 1 - 14	1
25	00798-G8						COTTER PIN, 5/32" X 1 3/4" LG	1
26								
27								
28								

FRONT SUSPENSION/STEERING

Where applicable, THE USE OF NON UL PARTS WILL VOID ANY UL LISTING.

When ordering parts, please specify the model and serial number of the product.

* Indicates a component that is not available as an individual part.

G** Indicates consult Customer Service Department for additional information.

ITEM	PART NO.	1	2	3	4	5	DESCRIPTION	QTY.
29	70797-G01						SPINDLE AND HUB ASSEMBLY, 5 LUG (DRIVER SIDE) (INCLUDES ITEMS 20 - 25, 30).....	1
30	70673-G02						SPINDLE ASSEMBLY (DRIVER SIDE)	1
31								
32								
33	00407-G6						BOLT, 1/2 - 13 X 6" LG	2
34	00560-G3						WASHER, 1/2"	4
35	70745-G01						KING PIN TUBE	2
36	70754-G01						THRUST WASHER, 1" (STAINLESS STEEL).....	2
37	14390-G6						LOCK NUT, 1/2 - 13	2
38								
39								
40	70928-G01						SHOCK ABSORBER.....	2
41	70509-G01						SHOCK ABSORBER BOOT	2
42	31539-G1						WIRE TIE	4
43	10435-G1						SHOCK ABSORBER WASHER	8
44	10194-G1						RUBBER BUSHING	8
45	00532-G6						NUT, 3/8 - 24	4
46								
47								
48	70990-G02						LEAF SPRING (SEE PART NUMBER ON SPRING).....	2
49	70989-G02						LEAF SPRING (HEAVY DUTY) (SEE PART NUMBER ON SPRING).....	2
50	70163-G02						SPRING PLATE	4
51	00463-G4						BOLT, 7/16 - 14 X 1 1/2" LG	4
52	00734-G1						LOCK NUT, 7/16 - 14	11
53	00463-G6						BOLT, 7/16 - 14 X 1 3/4" LG	7
54								
55								
56	70964-G01						RACK AND PINION UNIT (COMPLETE) (INCLUDES ITEMS 57 - 68).....	1
57	70694-G01						RACK EXTENSION	1

FRONT SUSPENSION/STEERING

Where applicable, THE USE OF NON UL PARTS WILL VOID ANY UL LISTING.

When ordering parts, please specify the model and serial number of the product.

* Indicates a component that is not available as an individual part.

G** Indicates consult Customer Service Department for additional information.

ITEM	PART NO.	1	2	3	4	5	DESCRIPTION	QTY.
58	*						JAM NUT, 1/2 - 20.....	1
59	70961-G01						RACK BOOT.....	1
60	12416-G2						WIRE TIE.....	1
61	11391-G8						CLAMP, 1 13/16 - 2 3/8".....	1
62								
63	70638-G01						PINION SEAL.....	1
64	70695-G01						RACK BALL JOINT (INCLUDES ITEMS 65 - 68).....	1
65	50641-G1						RUBBER BOOT.....	1
66	50209-G2						CASTELLATED NUT, 7/16 - 20.....	1
67	10387-G2						COTTER PIN, 3/32" X 1" LG.....	1
68	10389-G3						GREASE FITTING, STRAIGHT.....	1
69								
70	00464-G6						BOLT, 7/16 - 14 X 2 3/4" LG.....	2
71	01068-G01						BOLT, 7/16 - 14 X 3 1/2" LG.....	1
72	70667-G02						SPACER.....	2
73	70667-G03						SPACER (SHORT).....	1
74	00532-G7						NUT, 7/16 - 14.....	1
75	00560-G2						FLAT WASHER, 7/16".....	4
76	00734-G1						LOCK NUT, 7/16 - 14.....	3
77								
78								
79	70607-G01						STEERING SHAFT.....	1
80								
81	70758-G03						STEERING COLUMN KIT (INCLUDES ITEMS 82 - 84).....	1
82	70610-G01						STEERING COLUMN.....	1
83	28569-G01						STEERING COLUMN BUSHING.....	1
84	01022-G01						SCREW, #6 - 20 X 5/16" LG.....	1
85								
86	70758-G04						STEERING COLUMN KIT (HORN) (INCLUDES ITEMS 87 - 89).....	1
87	70610-G02						STEERING COLUMN.....	1

FRONT SUSPENSION/STEERING

Where applicable, THE USE OF NON UL PARTS WILL VOID ANY UL LISTING.

When ordering parts, please specify the model and serial number of the product.

* Indicates a component that is not available as an individual part.

G** Indicates consult Customer Service Department for additional information.

ITEM	PART NO.	1	2	3	4	5	DESCRIPTION	QTY.
88	28569-G01						STEERING COLUMN BUSHING.....	1
89	01022-G01						SCREW, #6 - 20 X 5/16" LG	1
90								
91								
92	01006-G01						BOLT, 3/8 - 16 X 1 1/4" LG	4
93	00879-G1						LOCK WASHER, 3/8".....	4
94								
95								
96	70997-G01						COVER.....	1
97	71055-G01						RIVET, 3/16" X 1" LG (ALUMINUM).....	1
98								
99								
100	70580-G01						INTERMEDIATE SHAFT (INCLUDES ITEMS 101, 102).....	1
101	01055-G01						BOLT, M8 X 1.25 - 05.....	2
102	00565-G8						LOCK WASHER, 5/16"	2
103								
104								
105	70751-G01						RETAINING RING (INTERNAL).....	1
106	70888-G01						RETAINING RING (EXTERNAL).....	1
107	15112-G1						BALL BEARING	1
108	70887-G01						WAVE WASHER.....	1
109	71146-G01						STEERING WHEEL	1
110	71147-G01						STEERING WHEEL COVER	1
111	71047-G01						LABEL (E-Z-GO)	1
112	74405-G01						LABEL (CUSHMAN).....	1
113	71948-G01						STEERING WHEEL	1
114	71950-G01						CLIPBOARD.....	1
115	71949-G01						HUB COVER	1
116	14390-G2						LOCK NUT, 5/8 - 18	1
117								

FRONT SUSPENSION/STEERING

Where applicable, THE USE OF NON UL PARTS WILL VOID ANY UL LISTING.

When ordering parts, please specify the model and serial number of the product.

* Indicates a component that is not available as an individual part.

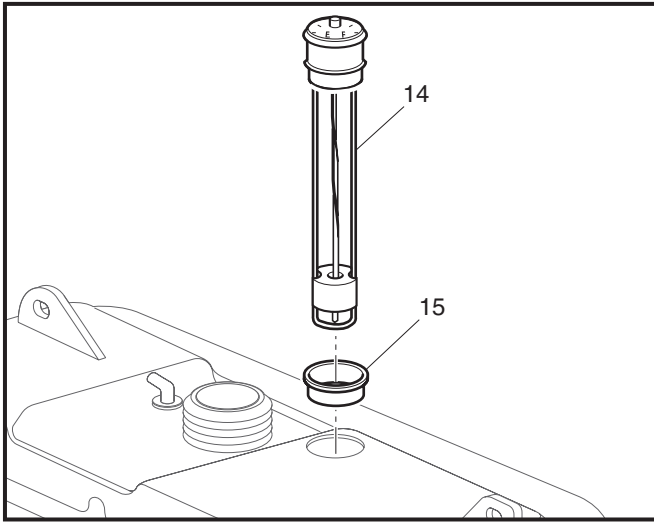
G** Indicates consult Customer Service Department for additional information.

ITEM	PART NO.	1 2 3 4 5	DESCRIPTION	QTY.
118				
119	70876-G02		TIE ROD ASSEMBLY (INCLUDES ITEMS 120 - 124).....	1
120	70897-G02		THREADED ROD (24" LG).....	1
121	70902-G01		TIE ROD END (LEFT HAND THREADS)	1
122	01069-G01		JAM NUT, M12 X 1.25 - 05 (LEFT HAND THREADS).....	1
123	70902-G02		TIE ROD END (RIGHT HAND THREADS).....	1
124	01069-G02		JAM NUT, M12 X 1.25 - 05 (RIGHT HAND THREADS)	1
125	00734-G1		LOCK NUT, 7/16 - 14	2

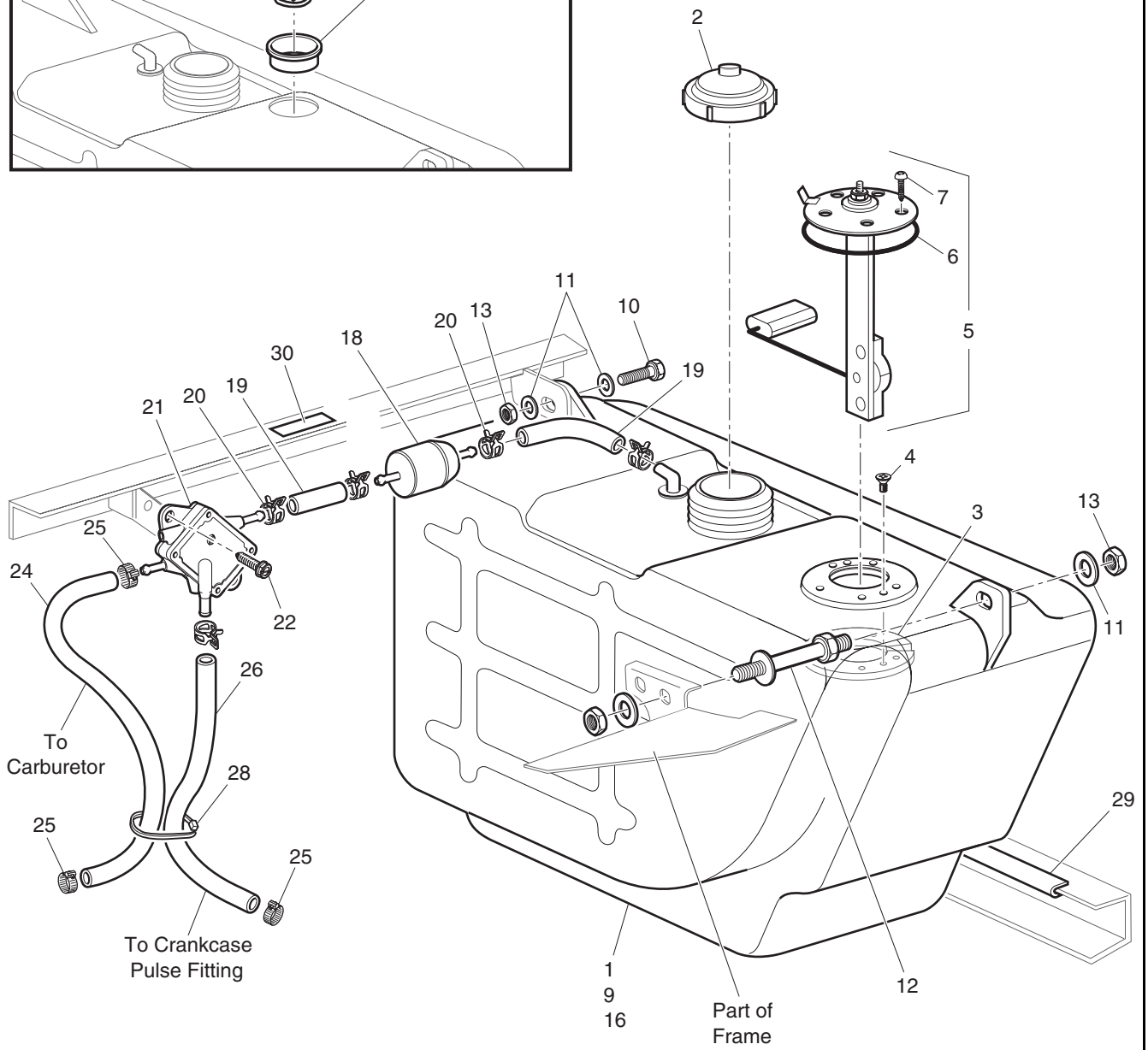
FRONT SUSPENSION/STEERING

FUEL SYSTEM

MECHANICAL GAUGE



Front of Vehicle



Ref Fsy 2

FUEL SYSTEM

Where applicable, THE USE OF NON UL PARTS WILL VOID ANY UL LISTING.

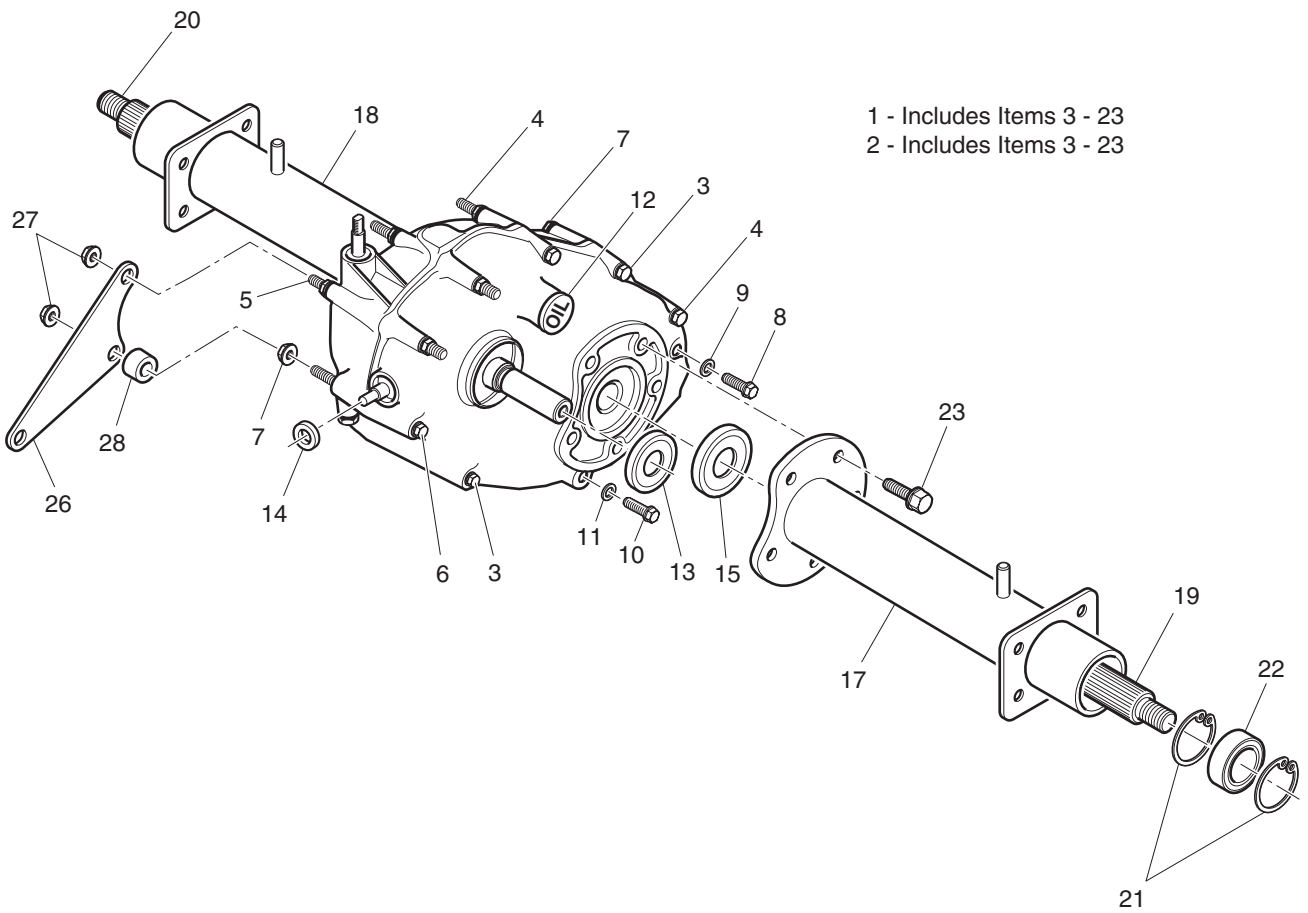
When ordering parts, please specify the model and serial number of the product.

* Indicates a component that is not available as an individual part.

G** Indicates consult Customer Service Department for additional information.

ITEM	PART NO.	1 2 3 4 5	DESCRIPTION	QTY.
1	72092-G01		FUEL TANK (FOR VEHICLES WITHOUT GAUGE)	1
2	72282-G01		FUEL TANK CAP.....	1
3	72229-G01		FUEL LEVEL SENDER ADAPTER	1
4	72230-G01		SCREW, #6 - 32 X 1/2" LG.....	2
5	20048-G2		FUEL LEVEL SENDER (ELEC. FUEL GAUGE) (INCLUDES ITEMS 6, 7)	1
6	*		GASKET	1
7	72232-G01		SCREW, #10 - 32 x 3/4" LG.....	5
8				
9	72092-G02		FUEL TANK (FOR ELECTRIC FUEL GAUGE).....	1
10	00438-G8		BOLT, 5/16 - 18 X 1" LG	1
11	00559-G8		WASHER, 5/16"	4
12	70483-G01		SPACER.....	1
13	01109-G01		LOCK NUT, 5/16 - 18 (STAINLESS STEEL)	3
14	72281-G01		FUEL GAUGE (MECHANICAL)	1
15	72280-G01		GROMMET.....	1
16	72092-G04		FUEL TANK (FOR MECHANICAL GAUGE)	1
17				
18	72084-G01		FUEL FILTER	1
19	17470-G1		FUEL SYSTEM TUBING, 1/4" ID X 1/2" OD X 3 1/4" LG (BULK).....	2
20	18292-G1		CLAMP	5
21	72021-G01		FUEL PUMP.....	1
22	00114-G6		SCREW, 1/4 - 14 X 3/4" LG.....	2
23				
24	17470-G1		FUEL SYSTEM TUBING, 1/4" ID X 1/2" OD X 16" LG (BULK)	A/R
25	11391-G4		HOSE CLAMP, 1/4"	3
26	27183-G01		TUBING, 1/4" ID X 1/2" OD X 16" LG (BULK).....	A/R
27				
28	17618-G1		WIRE TIE	3
29	22280-G1		VINYL TRIM, 6 1/4" LG (BULK)	A/R
30	26459-G01		LABEL (UNLEADED GASOLINE ONLY)	1

REAR AXLE



Ref Rax 2

REAR AXLE

Where applicable, THE USE OF NON UL PARTS WILL VOID ANY UL LISTING.

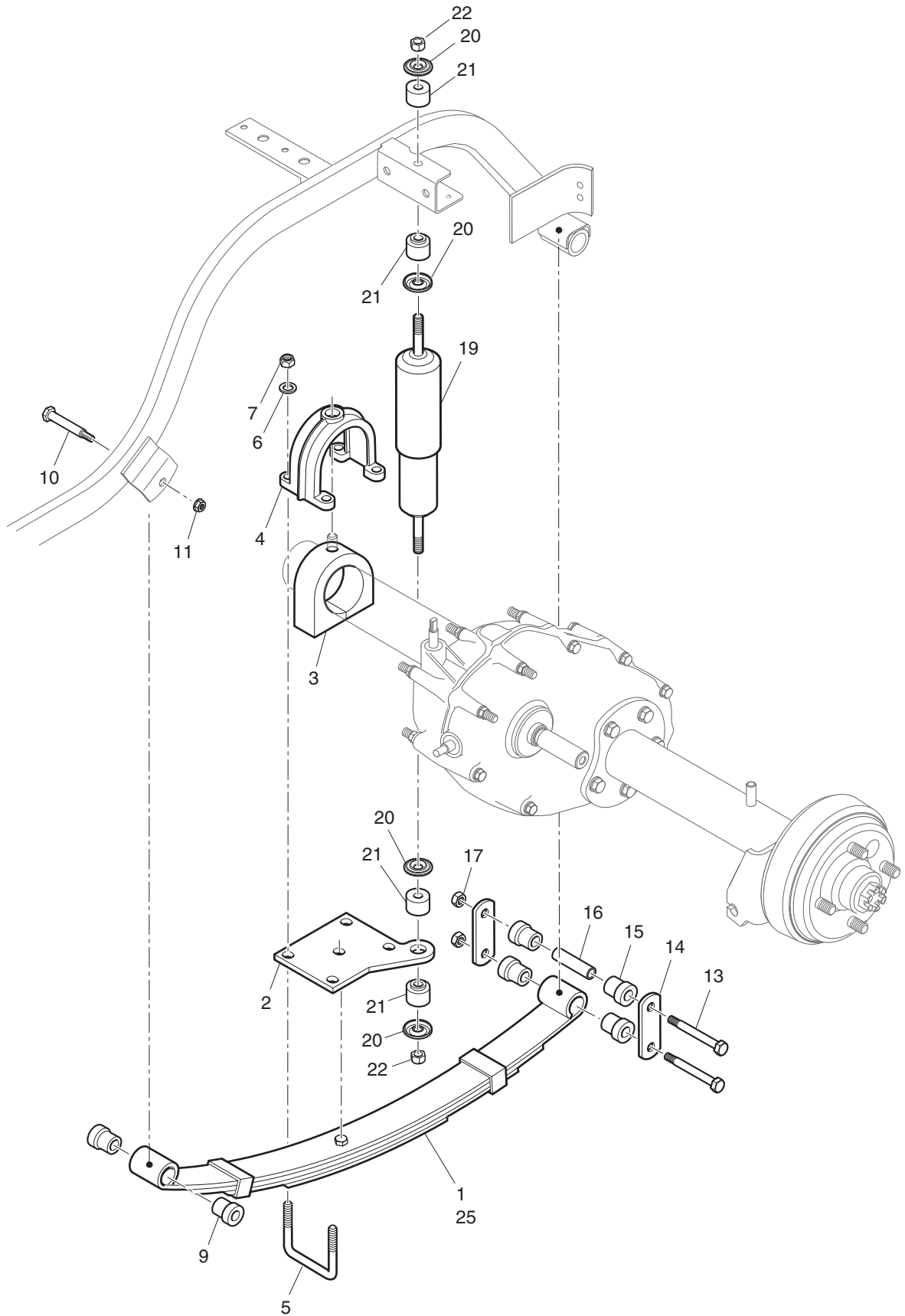
When ordering parts, please specify the model and serial number of the product.

* Indicates a component that is not available as an individual part.

G** Indicates consult Customer Service Department for additional information.

ITEM	PART NO.	1 2 3 4 5	DESCRIPTION	QTY.
1	72715-G01		REAR AXLE (13.32:1) (INCLUDES ITEMS 3 - 23)	1
2	72715-G02		REAR AXLE, FREEDOM HP (10.67:1) (INCLUDES ITEMS 3 - 23)	1
3	26823-G01		FLANGED BOLT, M8 X 1.25 X 100 MM LG.....	5
4	26824-G01		FLANGED BOLT, M8 X 1.25 X 110 MM LG.....	2
5	*		BOLT, M8 X 1.25 X 146 MM LG.....	2
6	72052-G01		FLANGED BOLT, M8 X 1.25 X 130 MM LG.....	1
7	72269-G01		FLANGE NUT, M8 X 1.25 MM	12
8	26768-G01		OIL CHECK PLUG.....	1
9	26769-G01		GASKET, 8 MM.....	1
10	26770-G01		OIL DRAIN PLUG	1
11	26771-G01		GASKET, 14 MM.....	1
12	26772-G01		OIL FILLER PLUG	1
13	26761-G01		INPUT SHAFT SEAL	1
14	26762-G01		SHIFTER SHAFT SEAL.....	1
15	72259-G01		AXLE SHAFT SEAL.....	2
16				
17	72115-G01		AXLE TUBE (DRIVER SIDE).....	1
18	72116-G01		AXLE TUBE (PASSENGER SIDE)	1
19	72056-G01		AXLE SHAFT (DRIVER SIDE).....	1
20	72057-G01		AXLE SHAFT (PASSENGER SIDE)	1
21	26814-G01		RETAINING RING.....	4
22	26811-G01		BALL BEARING	2
23	72260-G01		FLANGED BOLT, M10 X 1.5 X 23 MM LG.....	10
24				
25				
26	72017-G01		AXLE BRACKET	1
27	26830-G01		LOCK NUT, M8 X 1.25 MM	2
28	75048-G01		SPACER, 1/2".....	1

REAR SUSPENSION



Ref Rsp 2

REAR SUSPENSION

Where applicable, THE USE OF NON UL PARTS WILL VOID ANY UL LISTING.

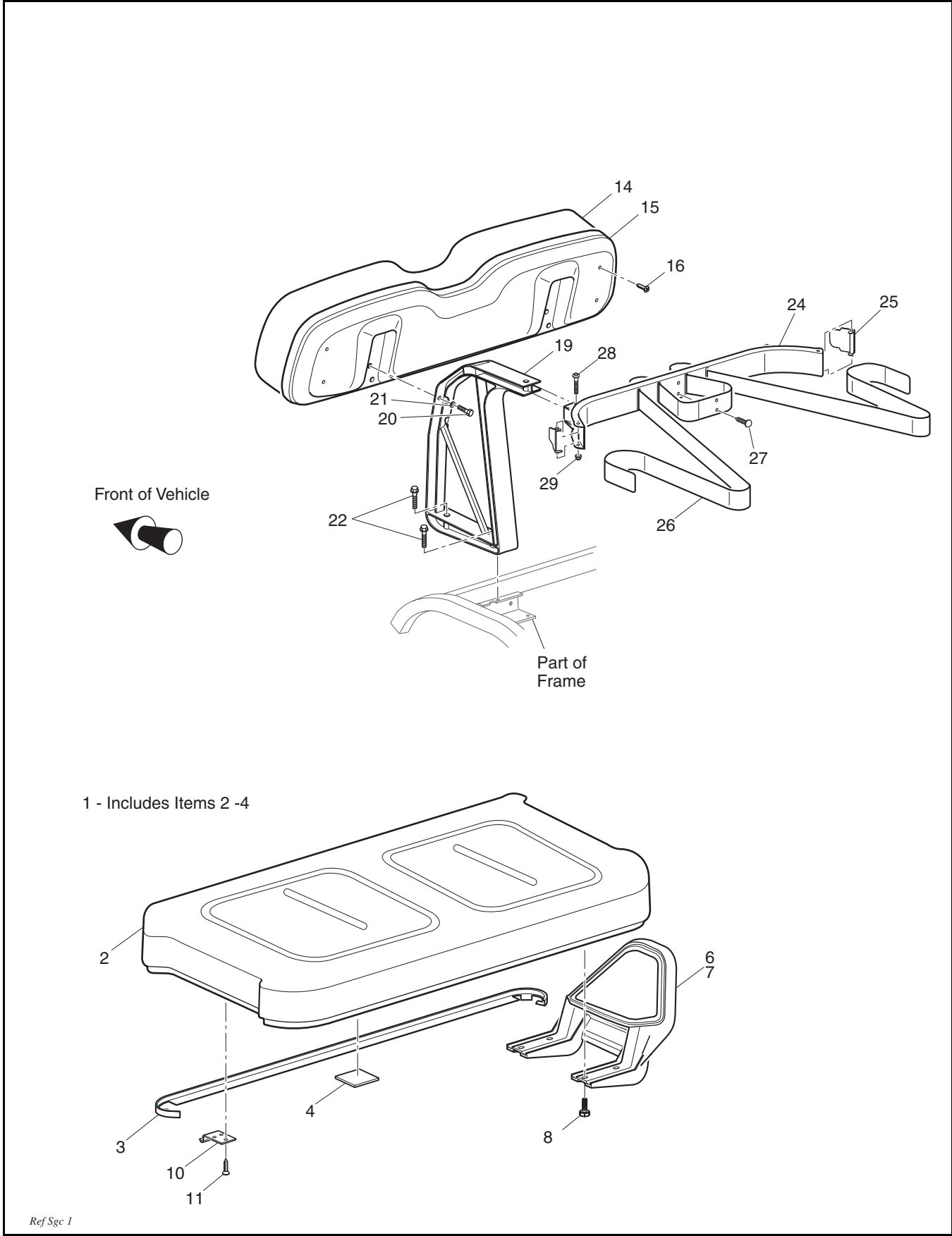
When ordering parts, please specify the model and serial number of the product.

* Indicates a component that is not available as an individual part.

G** Indicates consult Customer Service Department for additional information.

ITEM	PART NO.	1	2	3	4	5	DESCRIPTION	QTY.
1	70505-G01						LEAF SPRING SET (CONTAINS 2 SPRINGS).....	1
2	72028-G01						ISOMOUNT BASE PLATE	2
3	72117-G01						ISOMOUNT BUSHING.....	2
4	72037-G01						ISOMOUNT CAP.....	2
5	72618-G01						'U' BOLT, 3/8 - 16 X 2" X 2 1/2" LG	4
6	00560-G1						WASHER, 3/8"	8
7	11098-G5						LOCK NUT, 3/8 - 16	8
8								
9	70291-G01						FLANGED BUSHING	4
10	14158-G1						SHOULDER BOLT, 3/8 - 16 x 3 1/4" LG.....	2
11	12262-G1						LOCK NUT, 3/8 - 16	2
12								
13	00665-G9						BOLT, 3/8 - 16 X 3 1/2" LG (STAINLESS STEEL).....	4
14	70290-G01						SHACKLE PLATE	4
15	70291-G01						FLANGED BUSHING	8
16	70289-G02						SPACER.....	4
17	11098-G5						LOCK NUT, 3/8 - 16	4
18								
19	70324-G01						SHOCK ABSORBER.....	2
20	10435-G1						SHOCK ABSORBER WASHER	8
21	10194-G1						RUBBER BUSHING	8
22	00532-G6						NUT, 3/8 - 24	4
23								
24								
25	70506-G01						LEAF SPRING SET, (USE ON SHUTTLE 2+2 AND CONVERTIBLE CARRIER ONLY) (CONTAINS 2 SPRINGS).....	1

SEATING AND BAG HOLDER - GOLF CAR



Ref Sgc 1

SEATING AND BAG HOLDER - GOLF CAR

Where applicable, THE USE OF NON UL PARTS WILL VOID ANY UL LISTING.

When ordering parts, please specify the model and serial number of the product.

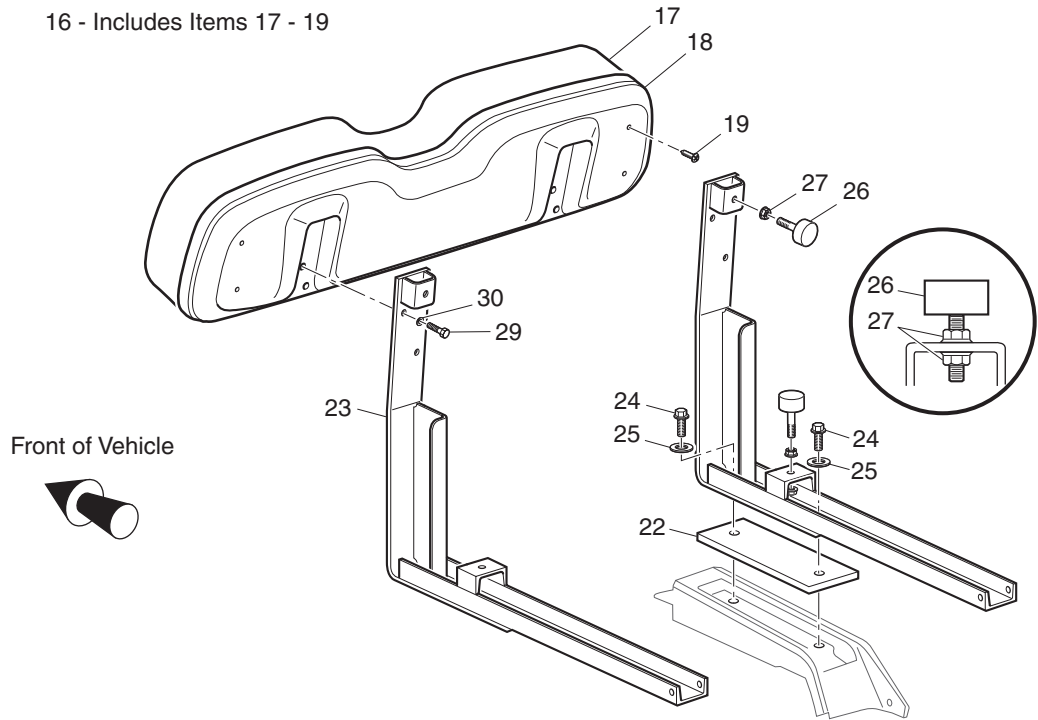
* Indicates a component that is not available as an individual part.

G** Indicates consult Customer Service Department for additional information.

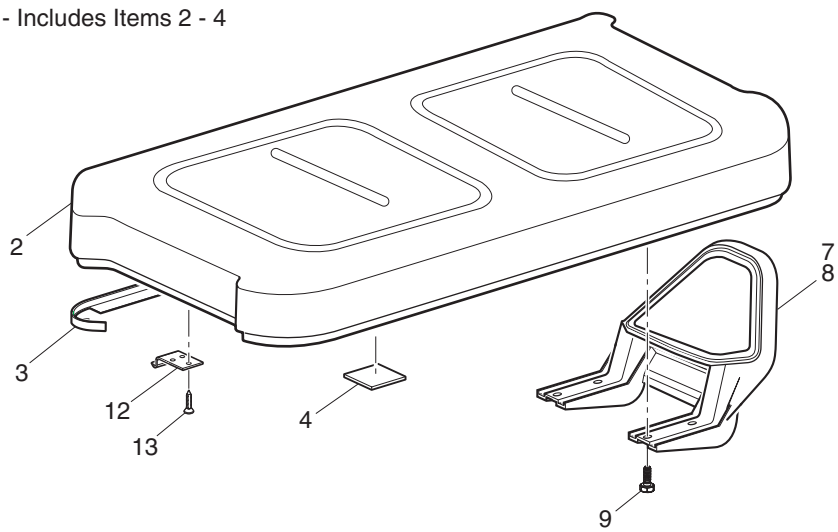
ITEM	PART NO.	1	2	3	4	5	DESCRIPTION	QTY.
1	71611-G**						SEAT BOTTOM ASSEMBLY (INCLUDES ITEMS 2 - 4)	1
2	71602-G**						VINYL SEAT BOTTOM COVER	1
3	71012-G01						VINYL TRIM (SEAT BOTTOM)	1
4	17074-G1						RUBBER PAD	2
5								
6	71701-G01						HIP RESTRAINT (PASSENGER SIDE)	1
7	71702-G01						HIP RESTRAINT (DRIVER SIDE)	1
8	71204-G01						BOLT, 1/4 - 20 X 7/8" LG	8
9								
10	71610-G01						SEAT HINGE	2
11	00720-G08						SCREW, #12 - 14 X 1" LG (STAINLESS STEEL)	4
12								
13	71751-G**						SEAT BACK ASSEMBLY (INCLUDES ITEMS 14 - 16)	1
14	71753-G**						VINYL SEAT BACK COVER	1
15	71752-G01						PLASTIC SEAT BACK COVER	1
16	01107-G01						SCREW, #8 X 5/8" LG (STAINLESS STEEL)	4
17								
18								
19	71811-G02						SEAT SUPPORT BRACKET	2
20	00661-G8						BOLT, 1/4 - 20 X 1" LG (STAINLESS STEEL)	4
21	00664-G7						LOCK WASHER, 1/4" (STAINLESS STEEL)	4
22	71802-G01						BOLT, 3/8 - 16 X 2 3/4" LG	4
23								
24	71851-G01						BAG HOLDER BRACKET	1
25	71856-G01						BAG RETAINER CLAMP	2
26	71853-G01						BAG RETAINER STRAP	1
27	16816-G1						RATCHET FASTENER, 1/4" X 9/16" LG	2
28	01102-G01						CARRIAGE BOLT, 1/4 - 20 X 1 1/2" LG (STAINLESS STEEL)	2
29	11027-G2						LOCK NUT, 1/4 - 20	2

SEATING - SHUTTLE 2+2

16 - Includes Items 17 - 19

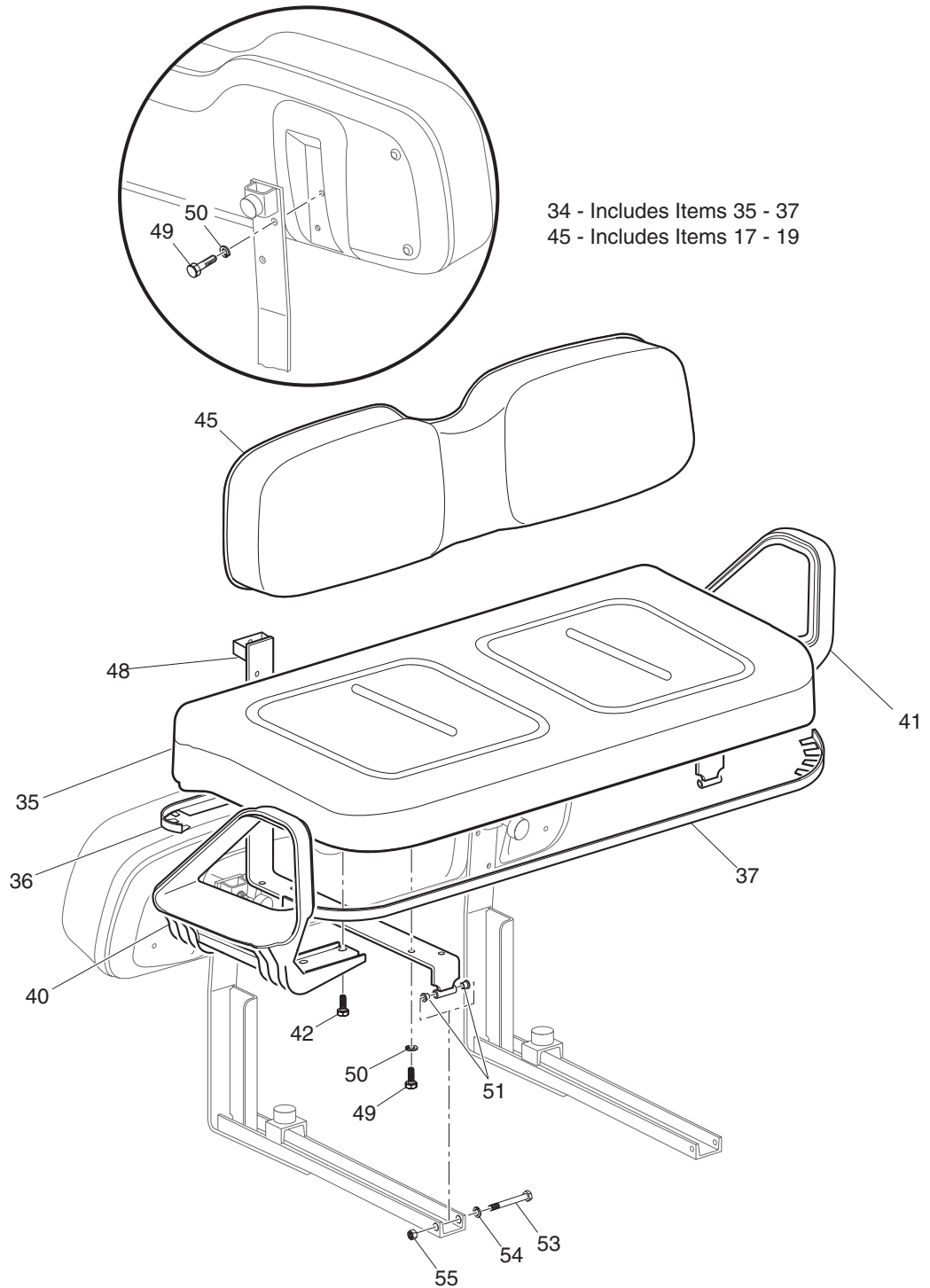


1 - Includes Items 2 - 4



Ref Ssh 1-1

SEATING - SHUTTLE 2+2



Ref Ssh 1-2

SEATING - SHUTTLE 2+2

Where applicable, THE USE OF NON UL PARTS WILL VOID ANY UL LISTING.

When ordering parts, please specify the model and serial number of the product.

* Indicates a component that is not available as an individual part.

G** Indicates consult Customer Service Department for additional information.

ITEM	PART NO.	1 2 3 4 5	DESCRIPTION	QTY.
1	71611-G**		SEAT BOTTOM ASSEMBLY (INCLUDES ITEMS 2 -4)	1
2	71602-G**		VINYL SEAT BOTTOM COVER	1
3	71012-G01		VINYL TRIM (SEAT BOTTOM)	1
4	17074-G1		RUBBER PAD	2
5				
6				
7	71701-G01		HIP RESTRAINT (PASSENGER SIDE)	1
8	71702-G01		HIP RESTRAINT (DRIVER SIDE)	1
9	71204-G01		BOLT, 1/4 - 20 X 7/8" LG	8
10				
11				
12	71610-G01		SEAT HINGE	2
13	00720-G08		SCREW, #12 - 14 X 1" LG (STAINLESS STEEL)	6
14				
15				
16	71751-G**		SEAT BACK ASSEMBLY (INCLUDES ITEMS 17 - 19)	1
17	71753-G**		VINYL SEAT BACK COVER	1
18	71752-G01		PLASTIC SEAT BACK COVER	1
19	01107-G01		SCREW, #8 X 5/8" LG (STAINLESS STEEL)	4
20				
21				
22	70364-G01		SPACER	2
23	74111-G01		SEAT BACK SUPPORT	2
24	01006-G02		BOLT, 3/8 - 16 X 1 1/2" LG	4
25	00560-G1		WASHER, 3/8"	4
26	70113-G01		ADJUSTABLE BUMPER	4
27	11027-G1		LOCK NUT, 5/16 - 18	6
28				
29	00661-G8		BOLT, 1/4 - 20 X 1" LG (STAINLESS STEEL)	4
30	00664-G7		LOCK WASHER, 1/4" (STAINLESS STEEL)	4

SEATING - SHUTTLE 2+2

Where applicable, THE USE OF NON UL PARTS WILL VOID ANY UL LISTING.

When ordering parts, please specify the model and serial number of the product.

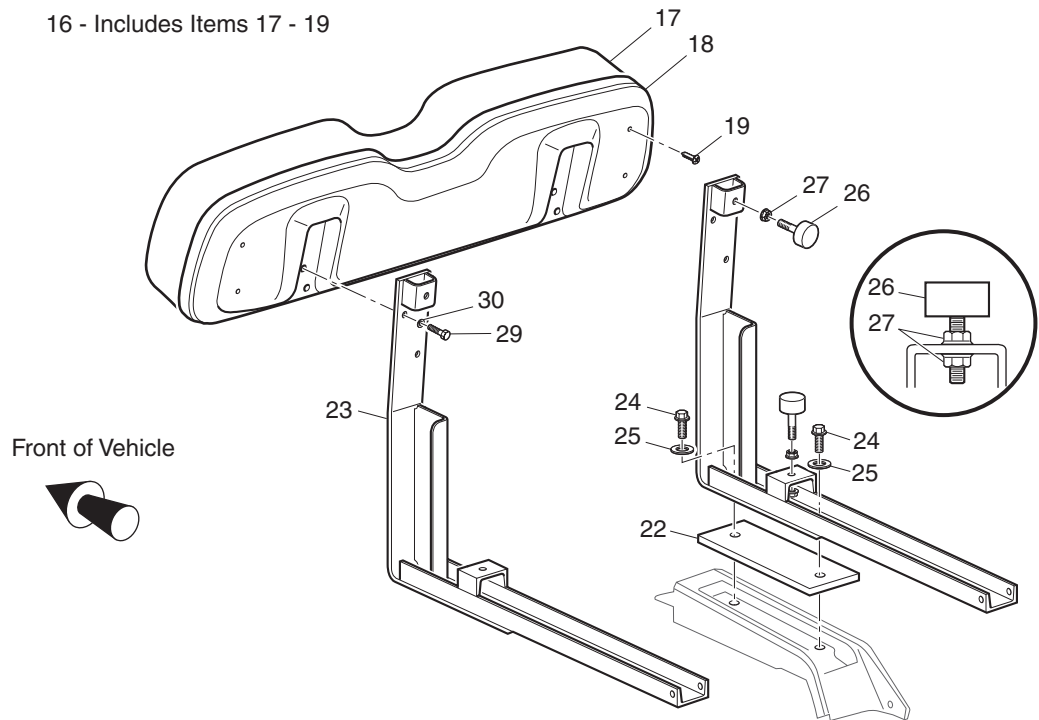
* Indicates a component that is not available as an individual part.

G** Indicates consult Customer Service Department for additional information.

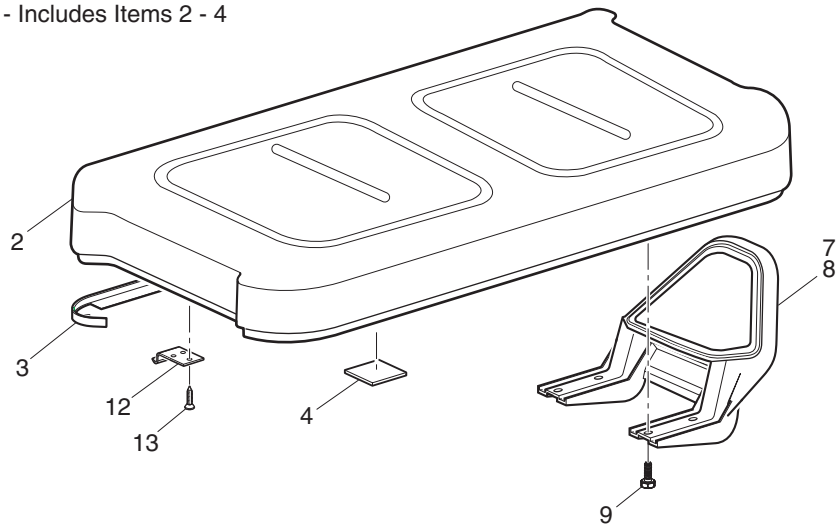
ITEM	PART NO.	1	2	3	4	5	DESCRIPTION	QTY.
31								
32								
33								
34	74139-G**						SEAT BOTTOM ASSEMBLY (INCLUDES ITEMS 42 - 44)	1
35	71602-G**						VINYL COVER (SEAT BOTTOM)	1
36	74140-G01						TRIM	1
37	71012-G01						TRIM	1
38								
39								
40	71702-G01						HIP RESTRAINT (DRIVER SIDE).....	1
41	71701-G01						HIP RESTRAINT (PASSENGER SIDE)	1
42	00661-G8						BOLT, 1/4 - 20 X 1" LG (STAINLESS STEEL).....	8
43								
44								
45	71751-G**						SEAT BACK ASSEMBLY (INCLUDES ITEMS 17 - 19).....	1
46								
47								
48	74117-G01						SEAT SUPPORT BRACKET	2
49	00661-G8						BOLT, 1/4 - 20 X 1" LG (STAINLESS STEEL).....	12
50	00664-G7						LOCK WASHER, 1/4" (STAINLESS STEEL)	12
51	17838-G1						NYLON BUSHING.....	4
52								
53	00440-G4						BOLT, 5/16 - 18 X 2 1/4" LG	2
54	00571-G2						WASHER, 5/16"	2
55	11098-G6						LOCK NUT, 5/16 - 18	2

SEATING - CONVERTIBLE CARRIER

16 - Includes Items 17 - 19

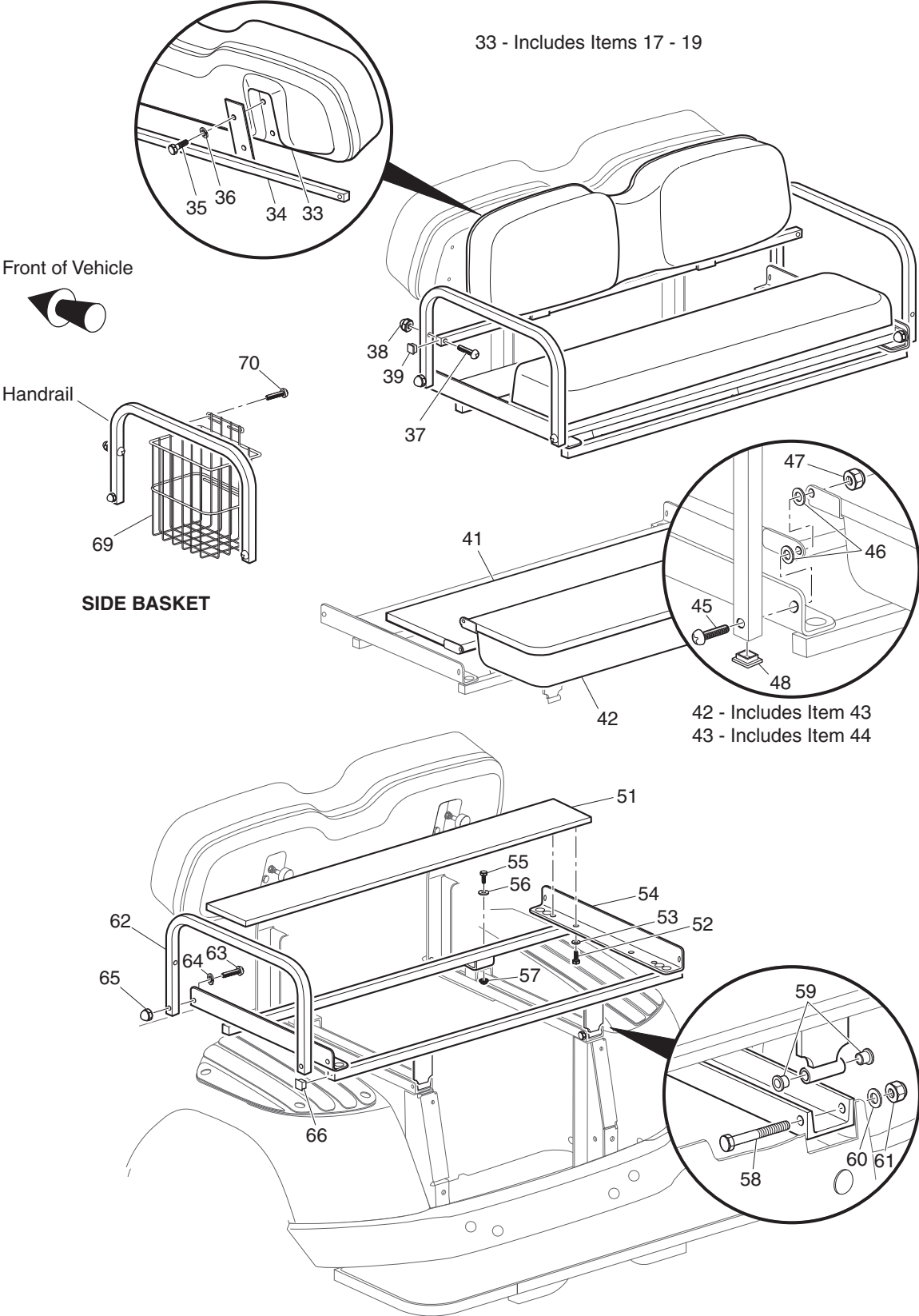


1 - Includes Items 2 - 4



Ref Scc 1-1

SEATING - CONVERTIBLE CARRIER



Ref Scc 1-2

SEATING - CONVERTIBLE CARRIER

Where applicable, THE USE OF NON UL PARTS WILL VOID ANY UL LISTING.

When ordering parts, please specify the model and serial number of the product.

* Indicates a component that is not available as an individual part.

G** Indicates consult Customer Service Department for additional information.

ITEM	PART NO.	1	2	3	4	5	DESCRIPTION	QTY.
1	71611-G**						SEAT BOTTOM ASSEMBLY (INCLUDES ITEMS 2 - 4)	1
2	71602-G**						VINYL SEAT BOTTOM COVER	1
3	71012-G01						VINYL TRIM (SEAT BOTTOM)	1
4	17074-G1						RUBBER PAD	2
5								
6								
7	71701-G01						HIP RESTRAINT (PASSENGER SIDE)	1
8	71702-G01						HIP RESTRAINT (DRIVER SIDE)	1
9	00661-G8						BOLT, 1/4 - 20 X 1" LG (STAINLESS STEEL)	8
10								
11								
12	71610-G01						SEAT HINGE	2
13	00720-G08						SCREW, #12 - 14 X 1" LG (STAINLESS STEEL)	4
14								
15								
16	71751-G**						SEAT BACK ASSEMBLY (INCLUDES ITEMS 17 - 19)	1
17	71753-G**						VINYL SEAT BACK COVER	1
18	71752-G01						PLASTIC SEAT BACK COVER	1
19	01107-G01						SCREW, #8 X 5/8" LG (STAINLESS STEEL)	4
20								
21								
22	70364-G01						SPACER	2
23	74111-G01						SEAT BACK SUPPORT	2
24	01006-G02						BOLT, 3/8 - 16 X 1 1/2" LG	4
25	00560-G1						WASHER, 3/8"	4
26	70113-G01						ADJUSTABLE BUMPER	2
27	11027-G1						LOCK NUT, 5/16 - 18	2
28								
29	00661-G8						BOLT, 1/4 - 20 X 1" LG (STAINLESS STEEL)	4
30	00664-G7						LOCK WASHER, 1/4" (STAINLESS STEEL)	4

SEATING - CONVERTIBLE CARRIER

Where applicable, THE USE OF NON UL PARTS WILL VOID ANY UL LISTING.

When ordering parts, please specify the model and serial number of the product.

* Indicates a component that is not available as an individual part.

G** Indicates consult Customer Service Department for additional information.

ITEM	PART NO.	1	2	3	4	5	DESCRIPTION	QTY.
31								
32								
33	71751-G**						SEAT BACK ASSEMBLY (INCLUDES ITEMS 17 - 19).....	1
34	75258-G01						SEAT BACK SUPPORT	1
35	00661-G8						BOLT, 1/4 - 20 X 1" LG (STAINLESS STEEL).....	4
36	00664-G7						LOCK WASHER, 1/4" (STAINLESS STEEL)	4
37	16705-G6						SCREW, 1/4 - 20 X 1 3/4" LG (STAINLESS STEEL)	2
38	00520-G1						ACORN NUT, 1/4 - 20 (STAINLESS STEEL)	2
39	19859-G1						END PLUG, 3/4"	2
40								
41	75229-G01						BED	1
42	75263-G**						SEAT BOTTOM ASSEMBLY (INCLUDES ITEM 43).....	1
43	75197-G**						SEAT BOTTOM (INCLUDES ITEM 44)	1
44	75252-G**						VINYL SEAT BOTTOM COVER	1
45	00762-G4						SCREW, 5/16 - 18 X 1 1/2" LG (STAINLESS STEEL)	2
46	17255-G1						TEFLON WASHER, 5/16"	4
47	00654-G3						LOCK NUT, 5/16 - 18 (STAINLESS STEEL)	2
48	19859-G1						END CAP, 3/4"	4
49								
50								
51	75273-G01						BED FRONT (INCLUDES MAT).....	1
52	00661-G6						BOLT, 1/4 - 20 X 3/4" LG (STAINLESS STEEL).....	4
53	00559-G8						WASHER, 5/16"	4
54	75193-G01						SUPPORT FRAME.....	1
55	00438-G8						BOLT, 5/16 - 18 X 1" LG	2
56	00559-G8						WASHER, 5/16"	2
57	11027-G1						LOCK NUT, 5/16 - 18	2
58	00440-G4						BOLT, 5/16 - 18 X 2 1/2" LG	2
59	17838-G1						NYLON BUSHING.....	4
60	00559-G8						WASHER, 5/16"	2

SEATING - CONVERTIBLE CARRIER

Where applicable, THE USE OF NON UL PARTS WILL VOID ANY UL LISTING.

When ordering parts, please specify the model and serial number of the product.

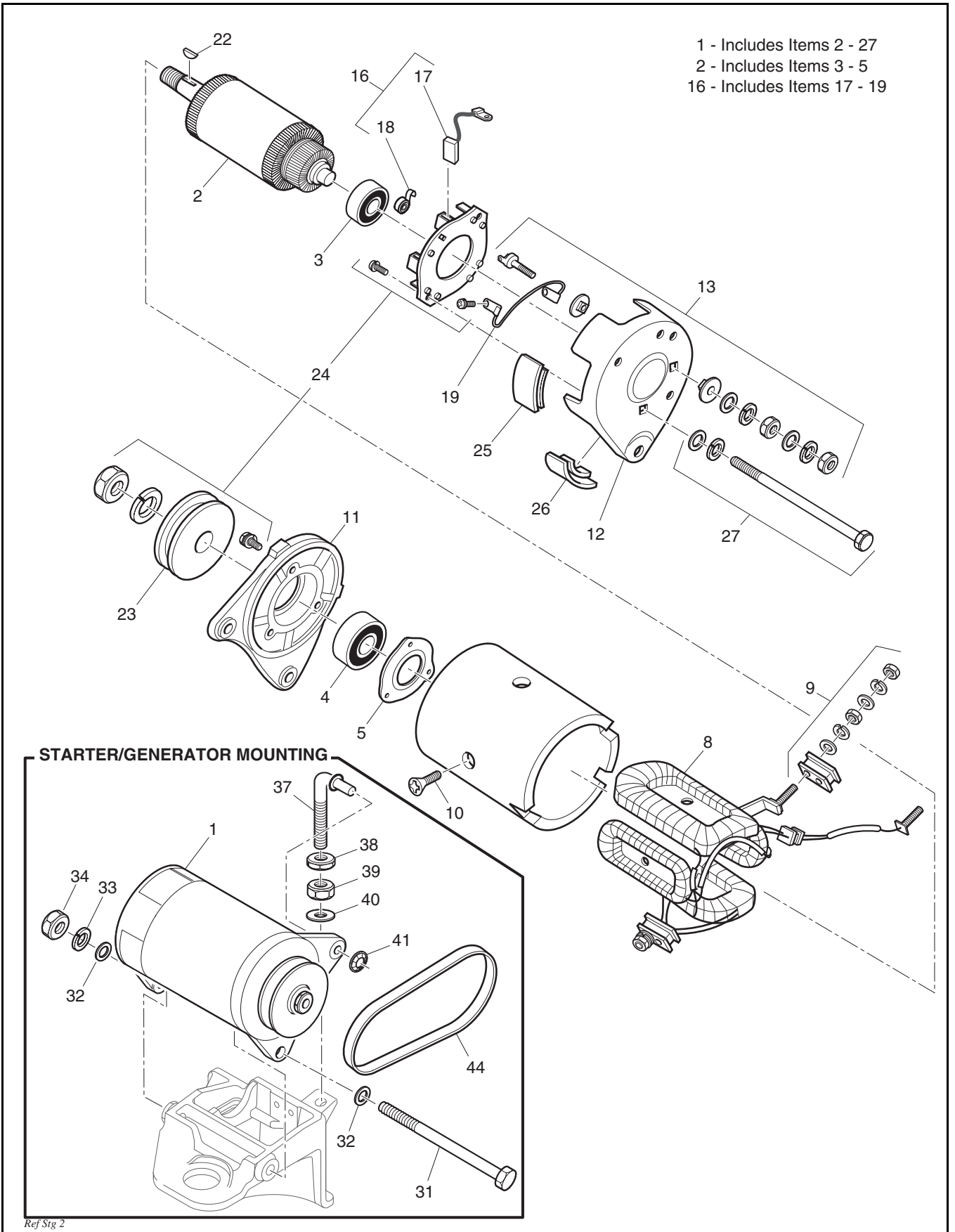
* Indicates a component that is not available as an individual part.

G** Indicates consult Customer Service Department for additional information.

ITEM	PART NO.	1	2	3	4	5	DESCRIPTION	QTY.
61	00654-G3						LOCK NUT, 5/16 - 18 (STAINLESS STEEL)	2
62	75196-G01						HANDRAIL	2
63	00762-G2						SCREW, 5/16 - 18 X 1 1/4" LG (STAINLESS STEEL)	2
64	00664-G8						LOCK WASHER, 5/16" (STAINLESS STEEL)	2
65	00520-G3						ACORN NUT, 5/16 - 18 (STAINLESS STEEL)	2
66	75261-G02						END CAP, 1"	4
67								
68								
69	75460-G01						SIDE BASKET (BLACK).....	2
70	00106-G6						SELF THREADING SCREW, #12 - 24 X 3/4" LG	4

SEATING - CONVERTIBLE CARRIER

STARTER / GENERATOR



STARTER / GENERATOR

Where applicable, THE USE OF NON UL PARTS WILL VOID ANY UL LISTING.

When ordering parts, please specify the model and serial number of the product.

* Indicates a component that is not available as an individual part.

G** Indicates consult Customer Service Department for additional information.

ITEM	PART NO.	1	2	3	4	5	DESCRIPTION	QTY.
1	27065-G01						STARTER / GENERATOR (INCLUDES ITEMS 2 - 27).....	1
2	26870-G01						ARMATURE (INCLUDES ITEMS 3 - 5)	1
3	26871-G01						REAR BALL BEARING	1
4	26872-G01						FRONT BALL BEARING	1
5	26873-G01						BEARING HOLDER	1
6								
7								
8	26875-G01						FIELD COIL	1
9	26876-G01						INSULATING BRUSH ASSEMBLY ('F').....	2
10	26877-G01						POLE CORE SETSCREW.....	4
11	26878-G01						FRONT COVER.....	1
12	27879-G01						REAR COVER	1
13	26880-G01						TERMINAL ASSEMBLY ('A').....	2
14								
15								
16	26881-G01						BRUSH HOLDER ASSEMBLY (INCLUDES ITEMS 17 - 19)	1
17	26658-G01						BRUSH.....	4
18	26882-G01						BRUSH SPRING	4
19	26883-G01						BRUSH CONNECTOR.....	2
20								
21								
22	26884-G01						KEY.....	1
23	GSB107-35011						PULLEY	1
24	26886-G01						BRUSH AND PULLEY HARDWARE KIT.....	1
25	26887-G01						BRUSH 1 COVER.....	3
26	26888-G01						BRUSH 2 COVER.....	2
27	26889-G01						HOUSING HARDWARE KIT	2
28								
29								
30								

STARTER / GENERATOR

Where applicable, THE USE OF NON UL PARTS WILL VOID ANY UL LISTING.

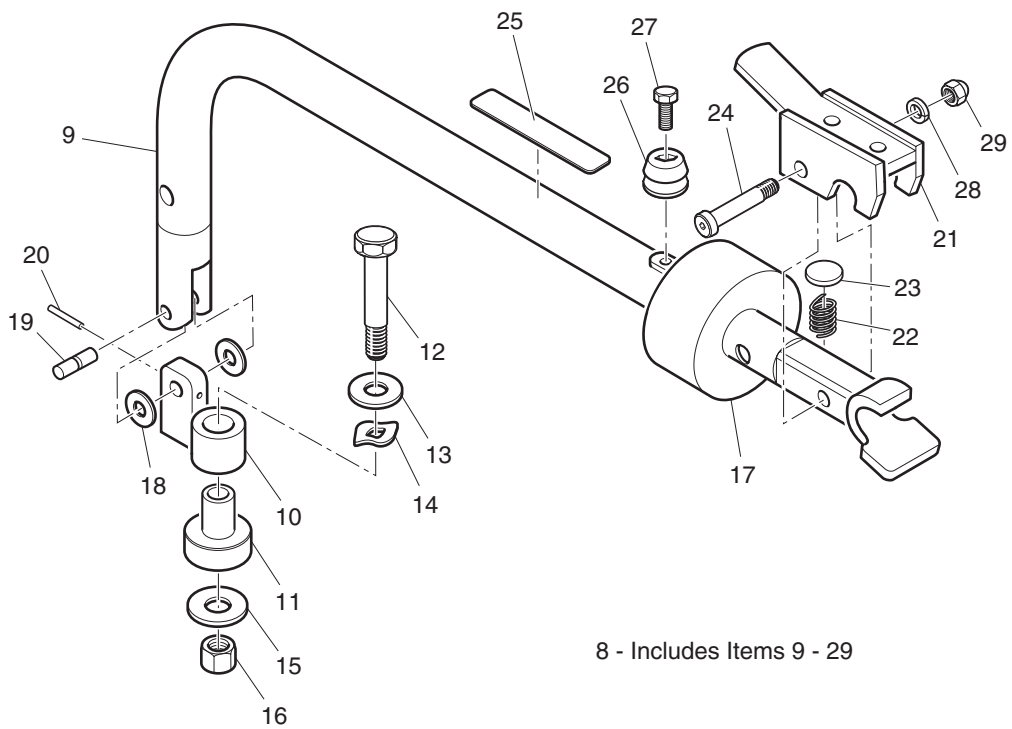
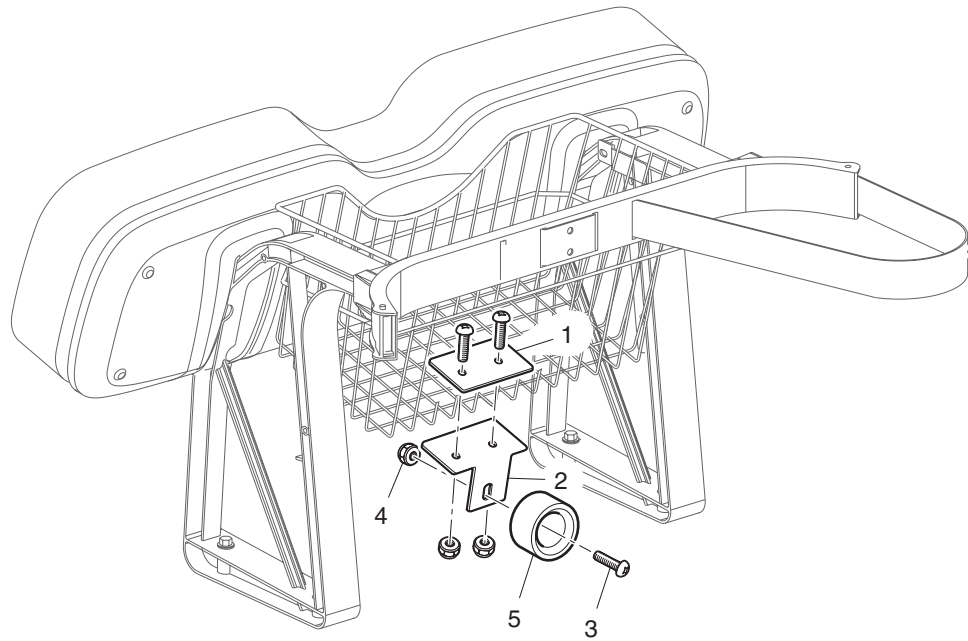
When ordering parts, please specify the model and serial number of the product.

* Indicates a component that is not available as an individual part.

G** Indicates consult Customer Service Department for additional information.

ITEM	PART NO.	1 2 3 4 5	DESCRIPTION	QTY.
31	00938-G4		BOLT, 1/2 - 13 X 8" LG	1
32	00560-G3		WASHER, 1/2"	2
33	00566-G3		LOCK WASHER, 1/2"	1
34	00533-G1		NUT, 1/2 - 13	1
35				
36				
37	28617-G01		STARTER / GENERATOR ADJUSTER.....	1
38	00544-G5		JAM NUT, 3/8 - 16	1
39	00532-G5		NUT, 3/8 - 16	1
40	00560-G1		WASHER, 3/8"	1
41	12064-G4		PUSH NUT, 5/16"	1
42				
43				
44	26414-G01		STARTER / GENERATOR BELT	1

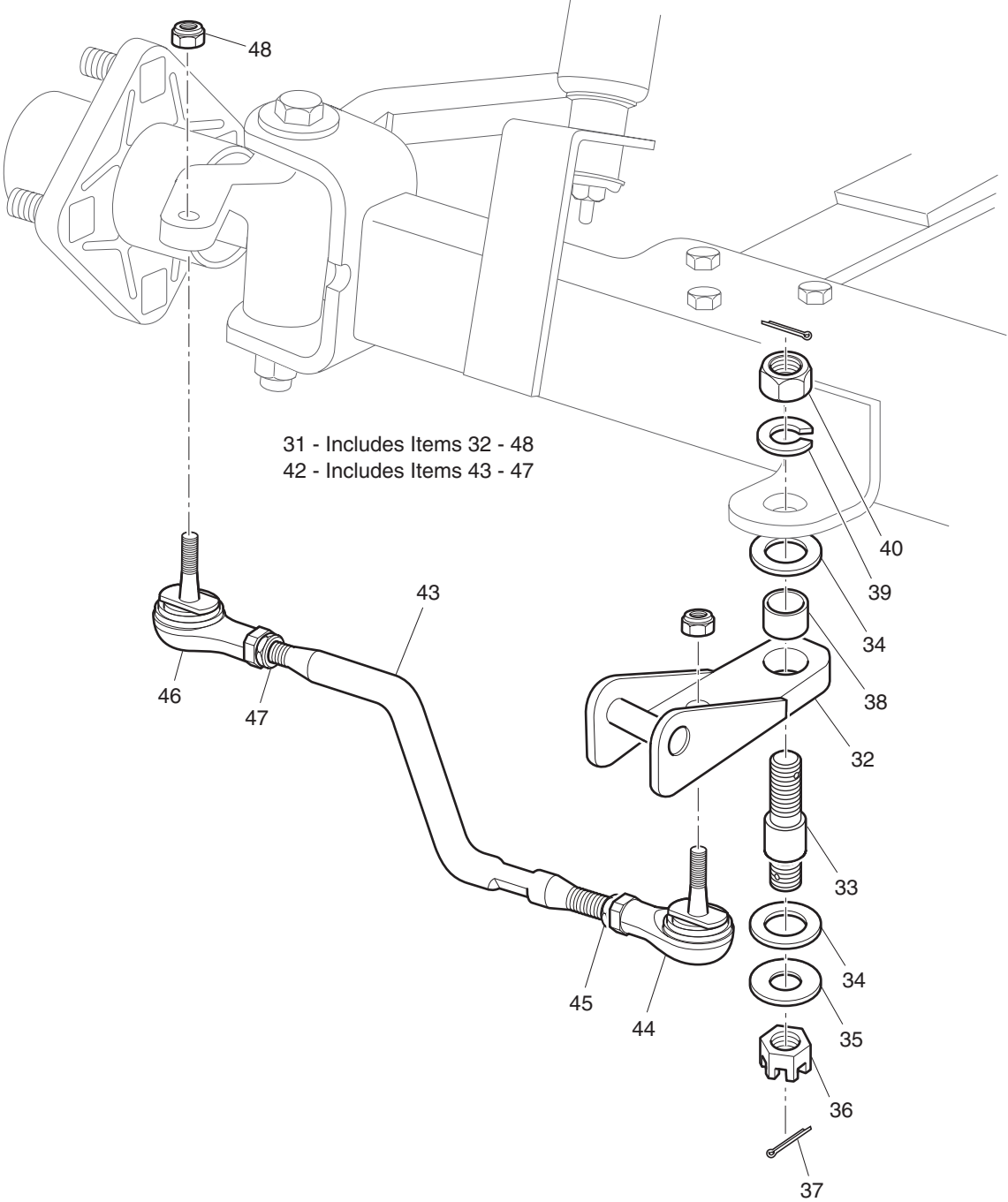
TOW BAR - PERMANENT



8 - Includes Items 9 - 29

Ref Twb 1-1

TOW BAR - PERMANENT



Ref Twb 1-2

TOW BAR - PERMANENT

Where applicable, THE USE OF NON UL PARTS WILL VOID ANY UL LISTING.

When ordering parts, please specify the model and serial number of the product.

* Indicates a component that is not available as an individual part.

G** Indicates consult Customer Service Department for additional information.

ITEM	PART NO.	1 2 3 4 5	DESCRIPTION	QTY.
1	75318-G01		MOUNTING PLATE.....	1
2	75319-G01		STOP MOUNT PLATE	1
3	16705-G1		SCREW, 1/4 - 20 X 1" LG (STAINLESS STEEL)	3
4	00654-G2		LOCK NUT, 1/4 - 20 (STAINLESS STEEL)	3
5	75338-G02		FEMALE STOP	1
6				
7				
8	75304-G01		TOW BAR ASSEMBLY (TOWING VEHICLE) (INCLUDES ITEMS 9 - 29)	1
9	75299-G01		TOW BAR	1
10	75302-G01		UPPER PIVOT	1
11	75291-G01		LOWER PIVOT	1
12	00410-G8		BOLT, 1/2 - 20 X 3" LG.....	1
13	00675-G3		WASHER, 1/2" (STAINLESS STEEL).....	1
14	75339-G01		SPRING WASHER	1
15	00571-G5		WASHER, 1/2"	1
16	11098-G8		LOCK NUT, 1/2 - 20.....	1
17	75362-G01		LATCH STOP.....	1
18	75340-G01		WASHER, 3/8"	2
19	75360-G01		PIVOT PIN	1
20	13571-G7		SPRING PIN	1
21	75303-G01		LATCH	1
22	20852-G2		COMPRESSION SPRING	1
23	25661-G02		CUP WASHER.....	1
24	13005-G4		SHOULDER BOLT, 5/16 - 18 X 2" LG.....	1
25	75370-G01		LABEL (WARNING)	1
26	75338-G03		MALE STOP	1
27	12547-G4		BOLT, 6MM X 1 X 30 MM LG.....	1
28	00565-G8		LOCK WASHER, 5/16"	1
29	00520-G3		ACORN NUT, 5/16 - 18 (STAINLESS STEEL)	1
30				

TOW BAR - PERMANENT

Where applicable, THE USE OF NON UL PARTS WILL VOID ANY UL LISTING.

When ordering parts, please specify the model and serial number of the product.

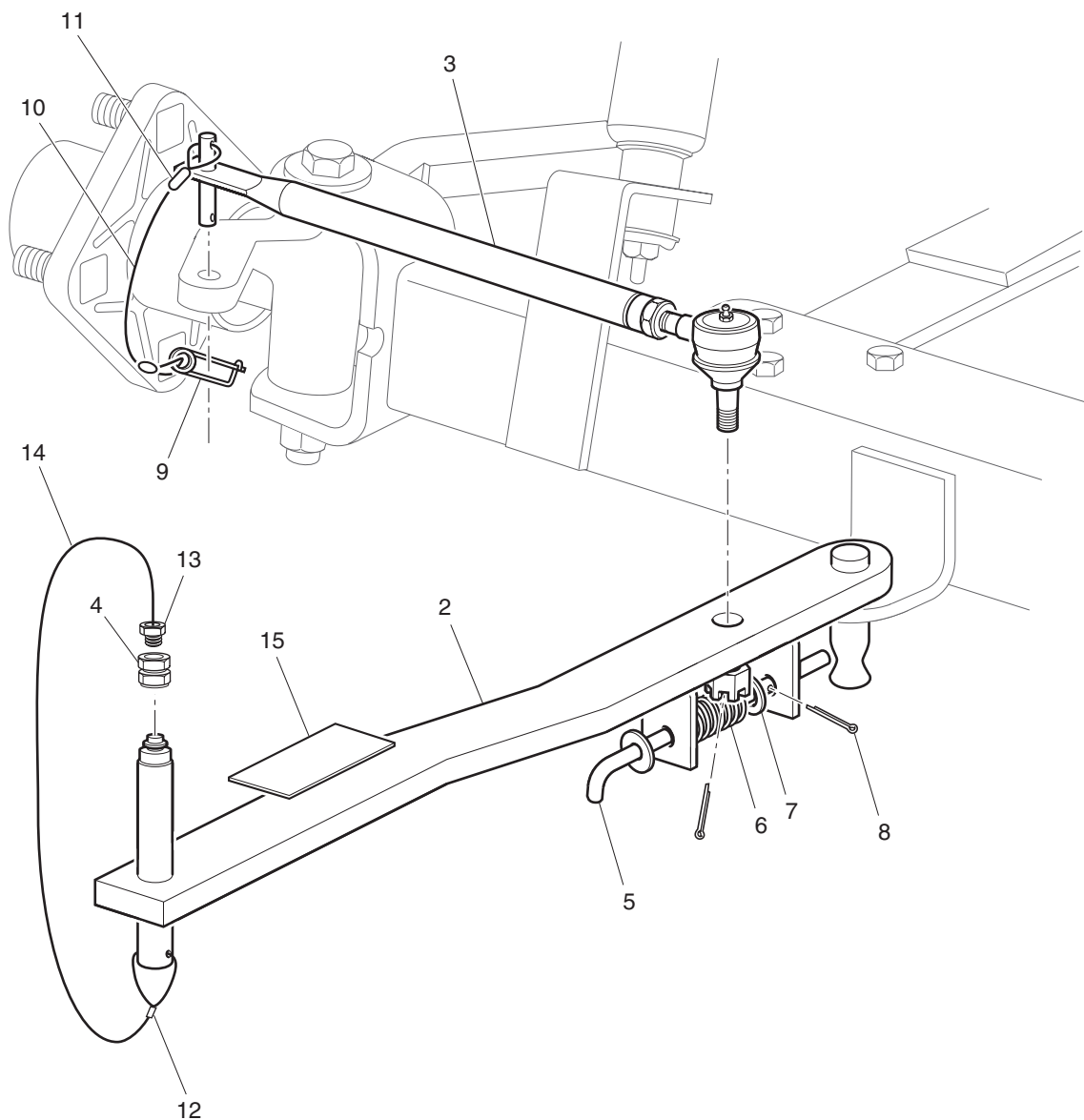
* Indicates a component that is not available as an individual part.

G** Indicates consult Customer Service Department for additional information.

ITEM	PART NO.	1	2	3	4	5	DESCRIPTION	QTY.
31	75308-G01						TOW BAR HITCH ASSEMBLY (TOWED VEHICLE) (INCLUDES ITEMS 32 - 48).....	1
32	75305-G01						HITCH.....	1
33	75292-G01						PIVOT BOLT.....	1
34	75309-G01						THRUST WASHER.....	2
35	75342-G01						WASHER, 3/4".....	1
36	00518-G8						CASTELLATED NUT, 3/4 - 16.....	1
37	10387-G1						COTTER PIN, 1/8" X 1 1/2" LG.....	2
38	75307-G01						BEARING.....	1
39	00566-G6						LOCK WASHER, 3/4".....	1
40	00533-G8						NUT, 3/4 - 16.....	1
41								
42	70905-G01						TIE ROD ASSEMBLY (INCLUDES ITEMS 43 - 47).....	1
43	70903-G01						THREADED ROD.....	1
44	70902-G01						TIE ROD END (LEFT HAND THREADS).....	1
45	01069-G01						JAM NUT, M12 X 1.25-05 (LEFT HAND THREADS).....	1
46	70902-G02						TIE ROD END (RIGHT HAND THREADS).....	1
47	01069-G02						JAM NUT, M12 X 1.25-05 (RIGHT HAND THREADS).....	1
48	00734-G1						LOCK NUT, 7/16 - 14.....	2

TOW BAR - CASUAL

1 - Includes Items 2 - 15



Ref Tbc 1

TOW BAR - CASUAL

Where applicable, THE USE OF NON UL PARTS WILL VOID ANY UL LISTING.

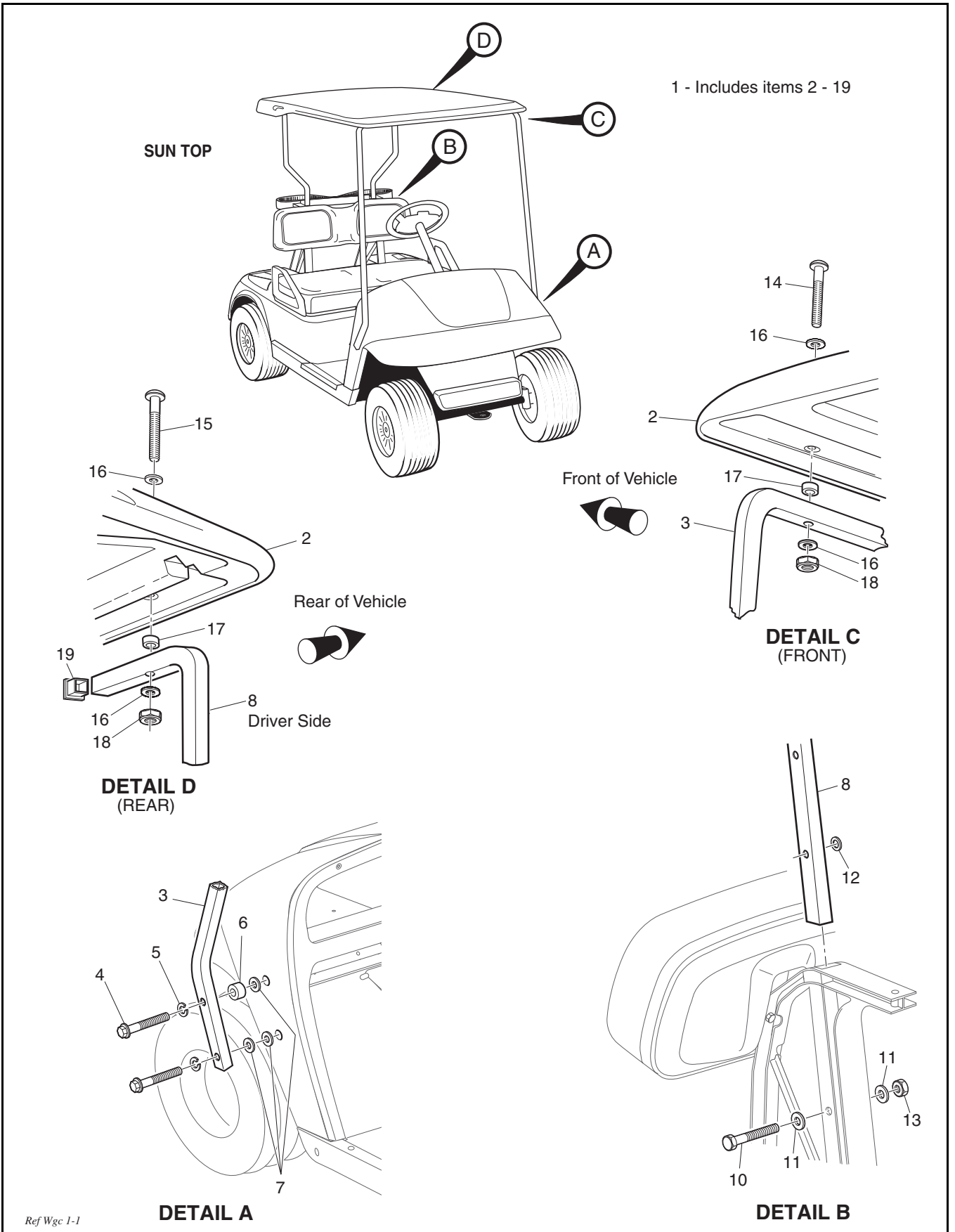
When ordering parts, please specify the model and serial number of the product.

* Indicates a component that is not available as an individual part.

G** Indicates consult Customer Service Department for additional information.

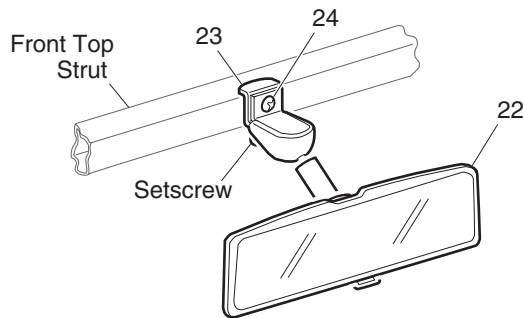
ITEM	PART NO.	1	2	3	4	5	DESCRIPTION	QTY.
1	75033-G01						CASUAL TOW BAR (INCLUDES ITEMS 2 - 15).....	1
2	*						TOW BAR	1
3	75034-G01						TIE ROD (INCLUDES NUT AND COTTER PIN)	1
4	75060-G01						COUPLING	1
5	*						LOCK PIN	1
6	75065-G01						COMPRESSION SPRING	1
7	00922-G2						WASHER, 3/8"	1
8	10387-G2						COTTER PIN, 3/32" X 1" LG	1
9	75068-G01						SAFETY PIN	1
10	14869-G5						WIRE ROPE	1
11	16783-G1						FERRULE	3
12	75067-G01						FERRULE	1
13	75035-G02						HEX HEAD PLUG	1
14	14869-G3						WIRE ROPE	1
15	75091-G01						LABEL (WARNING)	1

WEATHER PROTECTION - GOLF CAR

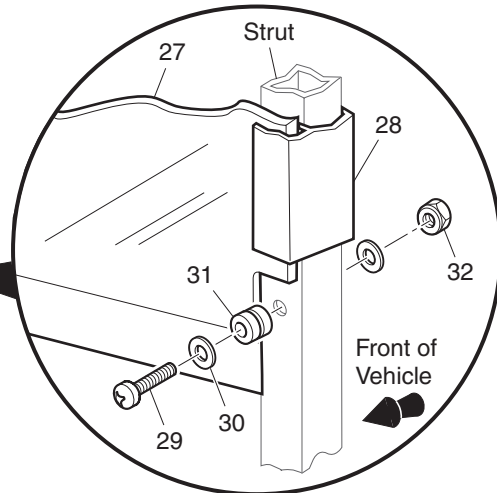
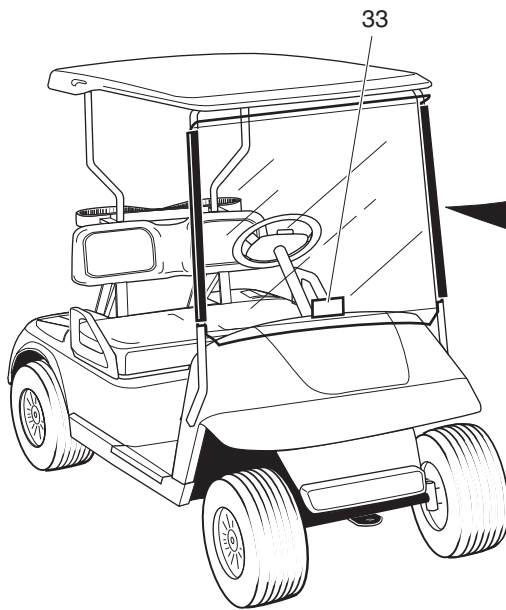


Ref Wgc 1-1

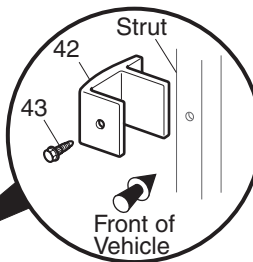
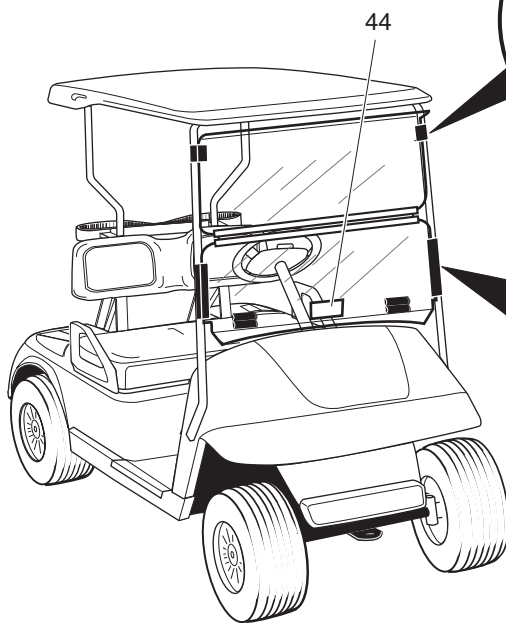
WEATHER PROTECTION - GOLF CAR



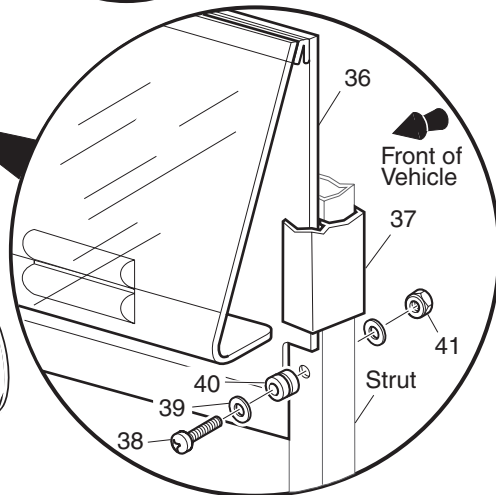
REAR VIEW MIRROR
21 - Includes Items 22 - 24



FULL WINDSHIELD
26 - Includes Items 27 - 33



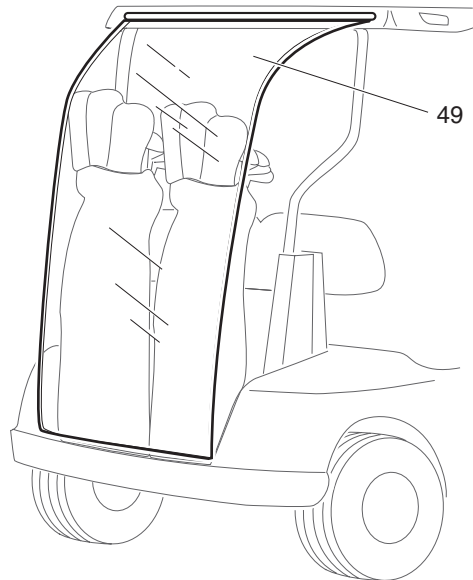
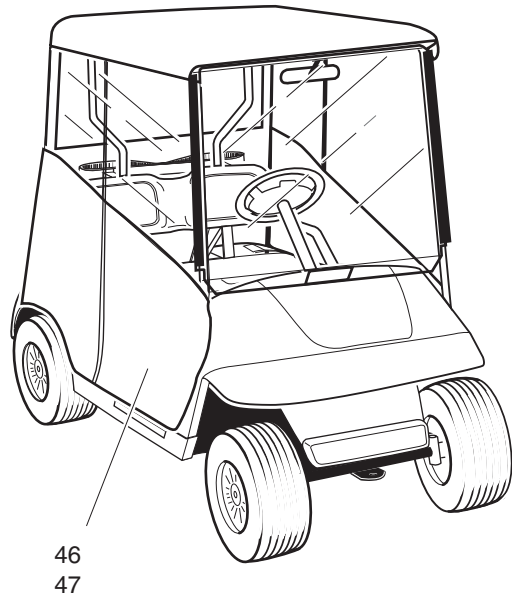
FOLD DOWN WINDSHIELD
35 - Includes Items 36 - 44



Ref Wgc 1-2

WEATHER PROTECTION - GOLF CAR

WEATHER ENCLOSURE



BAG AND RAIN CURTAIN

Ref Wgc 1-3

WEATHER PROTECTION - GOLF CAR

Where applicable, THE USE OF NON UL PARTS WILL VOID ANY UL LISTING.

When ordering parts, please specify the model and serial number of the product.

* Indicates a component that is not available as an individual part.

G** Indicates consult Customer Service Department for additional information.

ITEM	PART NO.	1	2	3	4	5	DESCRIPTION	QTY.
							For service or replacement parts, contact: Eagle Parts, Inc. 1411 Marvin Griffin Rd. Augusta, GA 30906 Telephone (706) 790-6687 or FAX (706) 790-6066	
1	75040-G**						SUN TOP KIT (GOLF CAR) (INCLUDES ITEMS 2 - 19)	1
2	27069-G**						SUN TOP	1
3	75045-G01						FRONT STRUT	1
4	01035-G01						BOLT, 5/16 - 18 X 2 1/4" LG	4
5	00905-G8						LOCK WASHER, 5/16"	4
6	75048-G01						SPACER, 1/2"	2
7	00570-G2						WASHER, 5/16"	6
8	75046-G01						REAR STRUT	2
9								
10	00685-G7						BOLT, 5/16 - 18 X 1 3/4" LG (STAINLESS STEEL)	4
11	01110-G03						WASHER, 5/16" (STAINLESS STEEL)	8
12	17255-G1						TEFLON WASHER, 5/16"	4
13	01109-G01						LOCK NUT, 5/16 - 18 (STAINLESS STEEL)	4
14	00753-G5						SCREW, 1/4 - 20 X 2" LG (STAINLESS STEEL)	2
15	00753-G6						SCREW, 1/4 - 20 X 2 1/4" LG (STAINLESS STEEL)	2
16	01110-G01						WASHER, 1/4" (STAINLESS STEEL)	8
17	75051-G01						SPACER	4
18	00654-G2						LOCK NUT, 1/4 - 20 (STAINLESS STEEL)	4
19	19853-G1						END CAP, 1"	2
20								
21	19528-G2						REAR VIEW MIRROR KIT (INCLUDES ITEMS 22 - 24)	1
22	19496-G1						REAR VIEW MIRROR	1
23	19502-G2						SUPPORT BRACKET	1
24	19527-G1						SCREW, #8 - 32 X 5/8" LG (STAINLESS STEEL)	1
25								

WEATHER PROTECTION - GOLF CAR

Where applicable, THE USE OF NON UL PARTS WILL VOID ANY UL LISTING.

When ordering parts, please specify the model and serial number of the product.

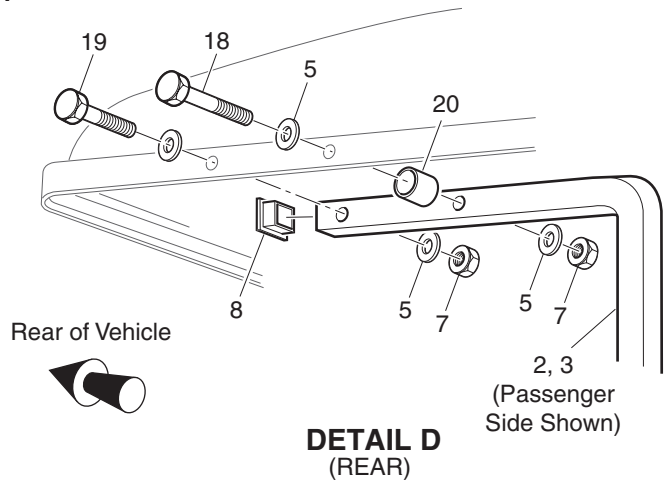
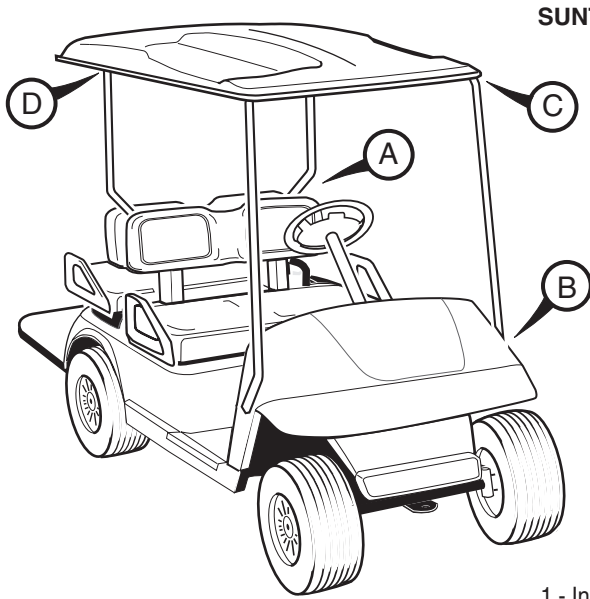
* Indicates a component that is not available as an individual part.

G** Indicates consult Customer Service Department for additional information.

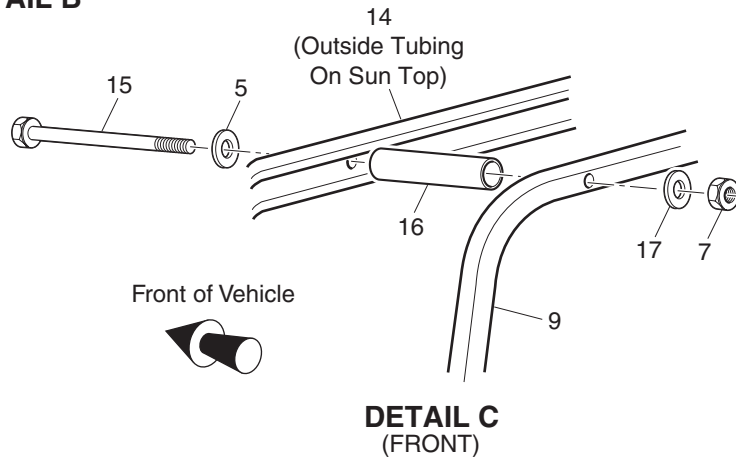
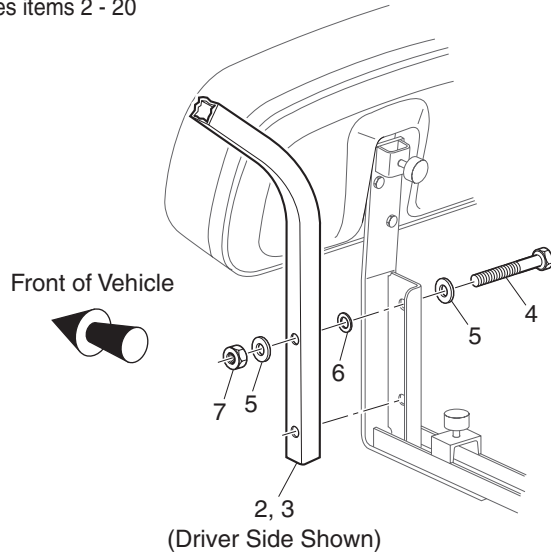
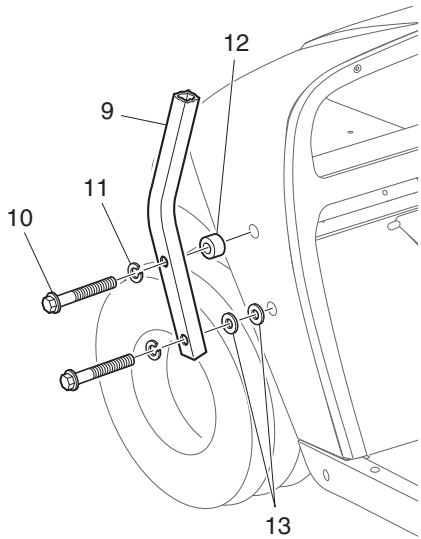
ITEM	PART NO.	1	2	3	4	5	DESCRIPTION	QTY.
26	75524-G01						WINDSHIELD KIT (GOLF CAR) (INCLUDES ITEMS 27 - 33).....	1
27	*						WINDSHIELD	1
28	EGWHC12						SASH, 26" LG	2
29	EGWHS12						SCREW, 1/4 - 20 X 1 3/4" LG (STAINLESS STEEL).....	2
30	EGWHW12						WASHER, 1/4" (STAINLESS STEEL).....	4
31	EGWHG13						RUBBER GROMMET	2
32	EGWHN12						LOCK NUT, 1/4 - 20 (STAINLESS STEEL).....	2
33	EGWHL14						LABEL (SAFETY)	1
34								
35	75525-G01						FOLD DOWN WINDSHIELD KIT (GOLF CAR) (INCLUDES ITEMS 36 - 44).....	1
36	*						WINDSHIELD	1
37	EGWHC10						SASH, 12" LG	2
38	EGWHS12						SCREW, 1/4 - 20 X 1 3/4" LG (STAINLESS STEEL).....	2
39	EGWHW12						WASHER, 1/4" (STAINLESS STEEL).....	4
40	EGWHG13						RUBBER GROMMET	2
41	EGWHN12						LOCK NUT, 1/4 - 20 (STAINLESS STEEL).....	2
42	137-010						TOP GRIP, 3/4" X 2"	2
43	136-008						TOP GRIP FASTENER.....	2
44	EGWHL14						LABEL (SAFETY)	1
45								
46	75078-G01						WEATHER ENCLOSURE (3 SIDED) RECOMMENDED FOR VEHICLES WITH WINDSHIELDS	1
47	75079-G01						WEATHER ENCLOSURE (4 SIDED) RECOMMENDED FOR VEHICLES WITHOUT WINDSHIELDS	1
48								
49	75191-G01						BAG COVER AND RAIN CURTAIN KIT.....	1

WEATHER PROTECTION - GOLF CAR

WEATHER PROTECTION - SHUTTLE 2+2

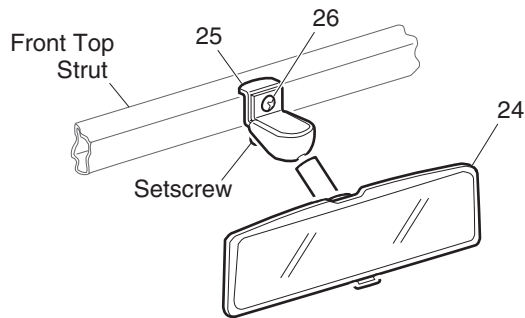


1 - Includes items 2 - 20

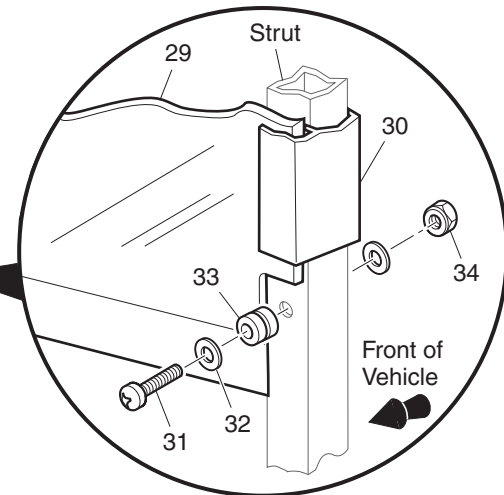
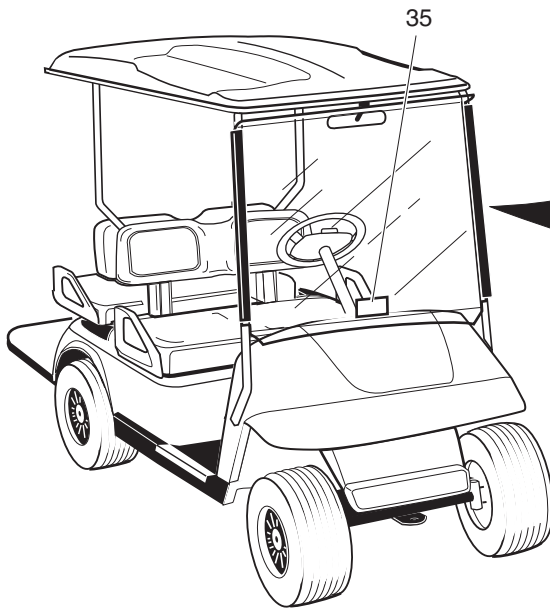


Ref Wsh 1-1

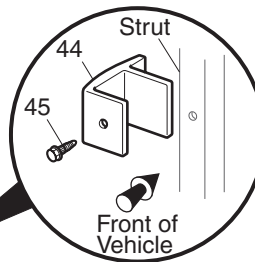
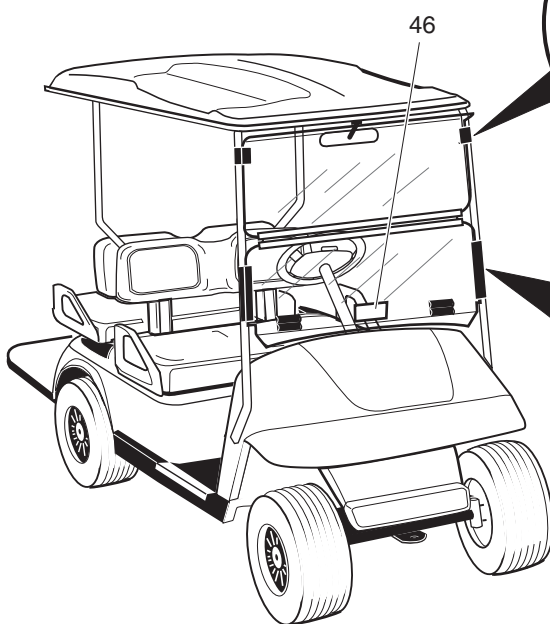
WEATHER PROTECTION - SHUTTLE 2+2



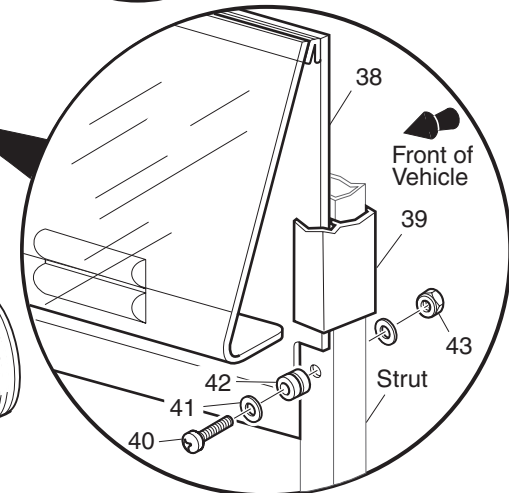
REAR VIEW MIRROR
23 - Includes Items 24 - 26



FULL WINDSHIELD
28 - Includes Items 29 - 35



FOLD DOWN WINDSHIELD
37 - Includes Items 38 - 46



Ref Wsh 1-2

WEATHER PROTECTION - SHUTTLE 2+2

Where applicable, THE USE OF NON UL PARTS WILL VOID ANY UL LISTING.

When ordering parts, please specify the model and serial number of the product.

* Indicates a component that is not available as an individual part.

G** Indicates consult Customer Service Department for additional information.

ITEM	PART NO.	1	2	3	4	5	DESCRIPTION	QTY.
		For service or replacement parts, contact: Eagle Parts, Inc. 1411 Marvin Griffin Rd. Augusta, GA 30906 Telephone (706) 790-6687 or FAX (706) 790-6066						
1	75123-G01	SUN TOP (SHUTTLE 2+2) (INCLUDES ITEMS 2 - 20).....						1
2	75074-G01	REAR STRUT (DRIVER SIDE).....						1
3	75074-G02	REAR STRUT (PASSENGER SIDE).....						1
4	00665-G5	BOLT, 3/8 - 16 X 1 3/4" LG (STAINLESS STEEL).....						4
5	00679-G1	WASHER, 3/8 (STAINLESS STEEL).....						18
6	00771-G5	WASHER, 3/8.....						4
7	00891-G5	LOCK NUT, 3/8 - 16.....						10
8	19853-G1	END CAP, 1".....						2
9	75125-G01	FRONT STRUT.....						1
10	01035-G01	BOLT, 5/16 - 18 X 2 1/4" LG.....						4
11	00905-G8	LOCK WASHER, 5/16".....						4
12	75048-G01	SPACER, 1/2".....						2
13	00879-G1	LOCK WASHER, 3/8".....						4
14	27604-G01	SUN TOP.....						1
15	00674-G8	BOLT, 3/8 - 16 X 5" LG (STAINLESS STEEL).....						2
16	18716-G1	SPACER.....						2
17	00653-G1	WASHER, 3/8" (STAINLESS STEEL).....						2
18	00665-G3	BOLT, 3/8 - 16 X 2 1/2" LG (STAINLESS STEEL).....						2
19	00665-G6	BOLT, 3/8 - 16 X 2" LG (STAINLESS STEEL).....						2
20	24647-G1	SPACER, 1/4".....						2
21								
22								
23	19528-G2	REAR VIEW MIRROR KIT (INCLUDES ITEMS 24 - 26).....						1
24	19496-G1	REAR VIEW MIRROR.....						1
25	19502-G2	SUPPORT BRACKET.....						1
26	19527-G1	SCREW, #8 - 32 X 5/8" LG (STAINLESS STEEL).....						1

WEATHER PROTECTION - SHUTTLE 2+2

Where applicable, THE USE OF NON UL PARTS WILL VOID ANY UL LISTING.

When ordering parts, please specify the model and serial number of the product.

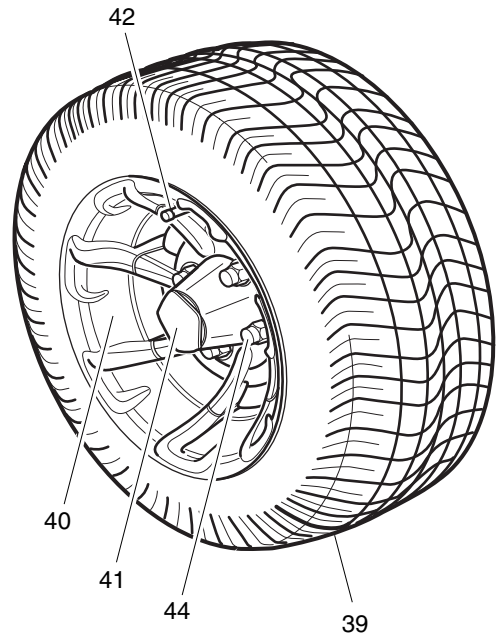
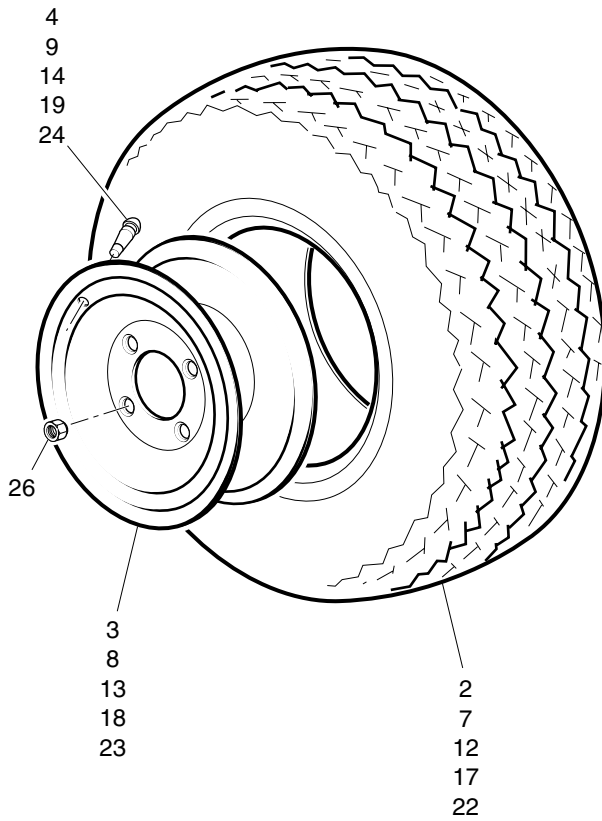
* Indicates a component that is not available as an individual part.

G** Indicates consult Customer Service Department for additional information.

ITEM	PART NO.	1	2	3	4	5	DESCRIPTION	QTY.
27								
28	75524-G02						WINDSHIELD KIT (SHUTTLE 2+2) (INCLUDES ITEMS 29 - 35).....	1
29	*						WINDSHIELD	1
30	EGWHC12						SASH, 26" LG	2
31	EGWHS12						SCREW, 1/4 - 20 X 1 3/4" LG (STAINLESS STEEL).....	2
32	EGWHW12						WASHER, 1/4" (STAINLESS STEEL).....	4
33	EGWHG13						RUBBER GROMMET	2
34	EGWHN12						LOCK NUT, 1/4 - 20 (STAINLESS STEEL).....	2
35	EGWHL14						LABEL (SAFETY)	1
36								
37	75525-G02						FOLD DOWN WINDSHIELD KIT (SHUTTLE 2+2) (INCLUDES ITEMS 38 - 46).....	1
38	*						WINDSHIELD	1
39	EGWHC10						SASH, 12" LG	2
40	EGWHS12						SCREW, 1/4 - 20 X 1 3/4" LG (STAINLESS STEEL).....	2
41	EGWHW12						WASHER, 1/4" (STAINLESS STEEL).....	4
42	EGWHG13						RUBBER GROMMET	2
43	EGWHN12						LOCK NUT, 1/4 - 20 (STAINLESS STEEL).....	2
44	137-010						TOP GRIP, 3/4" X 2"	2
45	136-008						TOP GRIP FASTENER.....	2
46	EGWHL14						LABEL (SAFETY)	1

WHEELS AND TIRES

- 1 - Includes Items 2 - 4
- 6 - Includes Items 7 - 9
- 11 - Includes Items 12 - 14
- 16 - Includes Items 17 - 19
- 21 - Includes Items 22 - 24
- 38 - Includes Items 39 - 42



6" CHROME HUBCAP
28



8" CHROME HUBCAP
29



SILVER / GOLD SPOKE HUBCAP
30, 31

Ref Whl 1

WHEELS AND TIRES

Where applicable, THE USE OF NON UL PARTS WILL VOID ANY UL LISTING.

When ordering parts, please specify the model and serial number of the product.

* Indicates a component that is not available as an individual part.

G** Indicates consult Customer Service Department for additional information.

ITEM	PART NO.	1	2	3	4	5	DESCRIPTION	QTY.
1	27772-G09						TIRE AND WHEEL ASSEMBLY (LINKS 1 18 X 8.5 - 8) (INCLUDES ITEMS 2 - 4).....	4
2	27772-G10						LINKS 1 CARLISLE TIRE, 18 X 8.5 - 8	1
3	15169-G1						WHEEL RIM (4 LUG).....	1
4	11657-G1						VALVE STEM.....	1
5								
6	27772-G03						WHEEL AND TIRE ASSEMBLY (TURF SAVER 18 X 8.5 - 8) (INCLUDES ITEMS 7 - 9).....	4
7	27772-G07						CARLISLE TIRE (TURF SAVER 18 X 8.5 - 8).....	1
8	15169-G1						WHEEL RIM (4 LUG).....	1
9	11657-G1						VALVE STEM.....	1
10								
11	27775-G01						WHEEL AND TIRE ASSEMBLY (USA TRAIL 6-PLY 18.5 X 8.5 - 8) (INCLUDES ITEMS 12 - 14).....	4
12	27775-G02						CARLISLE TIRE (USA TRAIL, 6 PLY 18 X 8.5 - 8)	1
13	15169-G1						WHEEL RIM (4 LUG).....	1
14	11657-G1						VALVE STEM.....	1
15								
16	27772-G02						WHEEL AND TIRE ASSEMBLY (TURF GLIDE 18 X 8.5 - 8) (INCLUDES ITEMS 17 - 19).....	4
17	27772-G06						CARLISLE TIRE (TURF GLIDE 18 X 8.5 - 8)	1
18	15169-G1						WHEEL RIM (4 LUG).....	1
19	11657-G1						VALVE STEM.....	1
20								
21	27772-G04						WHEEL AND TIRE ASSEMBLY (FAIRWAY 18 X 8.5 - 8) (INCLUDES ITEMS 22 - 24).....	4
22	27772-G08						CARLISLE TIRE (FAIRWAY 18 X 8.5 - 8).....	1
23	15169-G1						WHEEL RIM (4 LUG).....	1
24	11657-G1						VALVE STEM.....	1
25								
26	14723-G1						LUG NUT, 1/2 - 20.....	16
27								

WHEELS AND TIRES

Where applicable, THE USE OF NON UL PARTS WILL VOID ANY UL LISTING.

When ordering parts, please specify the model and serial number of the product.

* Indicates a component that is not available as an individual part.

G** Indicates consult Customer Service Department for additional information.

ITEM	PART NO.	1 2 3 4 5	DESCRIPTION	QTY.
28	16042-G01		6" CHROME HUBCAP	4
29	16042-G02		6" CHROME HUBCAP (SET OF FOUR).....	1
30	14913-G01		8" CHROME HUBCAP	4
31	14913-G02		8" CHROME HUBCAP (SET OF FOUR).....	1
32	19241-G02		GOLD SPOKE HUBCAP	4
33	19241-G04		GOLD SPOKE HUBCAP (SET OF FOUR)	1
34	19241-G01		SILVER SPOKE HUBCAP.....	4
35	19241-G03		SILVER SPOKE HUBCAP (SET OF FOUR).....	1
36				
37				
38	28780-G01		ALLOY WHEEL AND TIRE ASSEMBLY (PRO TOUR 18 X 8.00 - 10) (INCLUDES ITEMS 39 - 42).....	4
39	74825-G01		KENDA TIRE (PRO TOUR, 18 X 8.00 - 10)	1
40	74828-G01		ALLOY WHEEL.....	1
41	28781-G01		ALLOY WHEEL CAP	1
42	74826-G01		VALVE STEM (CHROME).....	1
43				
44	28782-G01		ALLOY WHEEL LUG NUT	16

SPECIALTY PRODUCTS

SPECIALTY PRODUCTS

SPECIALTY PRODUCTS

SPECIAL TOOLS	PART NO.
HIGH RESISTANCE SPARK PLUG WIRE SET	26733-G02
CLUTCH PULLER (DRIVE)	19779-G2
FLYWHEEL PULLER	27111-G01
CURRENT INDICATOR	16489-G2
DIGITAL MULTI-METER	27481-G01
SLIDE HAMMER (AXLE/HUB REMOVAL)	15947-G1
SLIDE HAMMER (AXLE REMOVAL ONLY)	18753-G1
COMPRESSION TESTER	72524-G01
FEELER GAUGE	72525-G01
TACHOMETER	72526-G01

ENGINE OIL	PART NO.
4 CYCLE ENGINE OIL, 5 GALLON (19 LITER)	25730-G03
4 CYCLE ENGINE OIL, 12 QUART CASE	25730-G04
4 CYCLE ENGINE OIL, 1 QUART BOTTLE (950 ML)	25730-G06

TOUCH UP PAINT	PART NO.
PEN 3 OUNCE (89 ML) - HUNTER GREEN	28432-G02
PEN 3 OUNCE (89 ML) - CHAMPAGNE BEIGE	28432-G01
PEN 3 OUNCE (89 ML) - WHITE	28432-G05
PEN 3 OUNCE (89 ML) - INDUSTRIAL YELLOW	28432-G03
PEN 3 OUNCE (89 ML) - ORANGE	28432-G04
PEN 3 OUNCE (89 ML) - STEEL BLUE PEARL	28432-G**
PEN 3 OUNCE (89 ML) - CAMOUFLAGE PAINT (THREE PENS)	75831-G01
AEROSOL 12 OUNCE (360 ML) - HUNTER GREEN	28140-G09
AEROSOL 12 OUNCE (360 ML) - CHAMPAGNE BEIGE	28140-G15
AEROSOL 12 OUNCE (360 ML) - WHITE	28140-G03
AEROSOL 12 OUNCE (360 ML) - INDUSTRIAL YELLOW	28140-G14
AEROSOL 12 OUNCE (360 ML) - ORANGE	28140-G13
AEROSOL 12 OUNCE (360 ML) - STEEL BLUE PEARL	28140-G**

SPECIALTY PRODUCTS

MAINTENANCE PRODUCTS	PART NO.
FORMULA 40 VINYL-COAT® - WHITE	28166-G01
PLEXUS® CLEANER, 7 OUNCE (210 ML) (FOR WINDSHIELDS)	28433-G01
PLEXUS® CLEANER, 13 OUNCE (380 ML) (FOR WINDSHIELDS)	28433-G02
BATTERY PROTECTOR, 14 OUNCE (410 ML) SPRAY	75500-G01
CARBURETOR & CHOKE CLEANER, 15 OUNCE (440 ML) SPRAY	75501-G01
WHITE LITHIUM GREASE, 14 OUNCE (410 ML) SPRAY	75502-G01
PENETRANT/LUBRICANT, 15 OUNCE (440 ML) SPRAY	75503-G01
MULTI-PURPOSE CLEANER & DEGREASER, 14 OUNCE (410 ML) SPRAY	75504-G01
MULTI-PURPOSE HAND CLEANER, 32 OUNCE (950 ML) LIQUID	75505-G01
BATTERY CLEANER, 32 OUNCE (950 ML) WITH TRIGGER SPRAYER	75506-G01
BIO-DEGRADABLE CLEANER, 32 OUNCE (950 ML) WITH TRIGGER SPRAYER	75507-G01
MULTI-PURPOSE VALUE PACK.....	75508-G01
• BATTERY PROTECTOR, 4 OUNCE (120 ML) SPRAY	
• PENETRANT/LUBRICANT, 4 OUNCE (120 ML) SPRAY	
• WHITE LITHIUM GREASE, 4 OUNCE (120 ML) SPRAY	
• CARBURETOR & CHOKE CLEANER, 4 OUNCE (120 ML) SPRAY	

SPECIALTY PRODUCTS

OPTIONS/ACCESSORIES

OPTIONS/ACCESSORIES

OPTIONS/ACCESSORIES

ITEM	KIT NO.	SECTION
2 BAG ATTACHMENT	75183-G01	Body - Footrest
4 BAG ATTACHMENT	75335-G01	Body - Accessories Continued
ALLOY WHEEL AND TIRE ASSEMBLY	28780-G01	Wheels And Tires
ALLOY WHEEL CAP	28781-G01	Wheels And Tires
ALLOY WHEEL LUG NUT	28782-G01	Wheels And Tires
8" CHROME HUBCAP	14913-G*	Wheels And Tires
6" CHROME HUBCAP	16042-G*	Wheels And Tires
GOLD SPOKE HUBCAP	19241-G*	Wheels And Tires
SILVER SPOKE HUBCAP	19241-G*	Wheels And Tires
ASHTRAY KIT	75109-G02	Body - Accessories Continued
BAG COVER / RAIN CURTAIN KIT	75191-G01	Weather Protection - Golf Car
CONVERTIBLE CARRIER KIT	75179-G*	Body, Seating - Convertible Carrier
CENTER BASKET	75003-G02	Body - Accessories
COOLER JUG AND BRACKET KIT	75495-G01	Body - Accessories Continued
COOLER BOX AND BRACKET KIT	75344-G01	Body - Accessories Continued
DIVOT REPAIR KIT	23300-G01	Body - Accessories
HIGH ALTITUDE CONVERSION KIT (3-6K FEET)	72754-G02	Carburetor and Choke
HIGH ALTITUDE CONVERSION KIT (6-10K FEET)	72754-G01	Carburetor and Choke
HOUR METER	75114-G02	Electrical System
MESSAGE HOLDER KIT (REQUIRES SUN TOP)	75509-G01	Body - Accessories Continued
MESSAGE HOLDER KIT (REQUIRES SUN TOP)	75496-G01	Body - Accessories Continued
REAR VIEW MIRROR (REQUIRES SUN TOP)	19528-G2	Weather Protection - Golf Car
SAND BOTTLE	28661-G01	Body - Accessories
SAND RAKE	14735-G1	Body - Accessories Continued
SAND RAKE HOLDER	75006-G01	Body - Accessories Continued
SHUTTLE 2+2 KIT	74150-G**	Body, Seating - Shuttle 2+2
SIDE BASKET	75007-G**	Body - Accessories
SUN TOP KIT, GOLF CAR	75040-G**	Weather Protection - Golf Car
SUN TOP KIT, SHUTTLE 2+2	75123-G01	Weather Protection - Shuttle 2+2
TOW BAR KIT (CASUAL)	75033-G01	Tow Bar - Casual
TOW BAR KIT (PERMANENT)	75310-G01	Tow Bar - Permanent
TURN SIGNAL KIT	75107-G02	Electrical System

OPTIONS/ACCESSORIES

ITEM	KIT NO.	SECTION
WEATHER ENCLOSURE (3 SIDED).....	75078-G01.....	Weather Protection - Golf Car
WEATHER ENCLOSURE (3 SIDED).....	75492-G01.....	Weather Protection - Shuttle 2+2
WEATHER ENCLOSURE (4 SIDED).....	75079-G01.....	Weather Protection - Golf Car
WINDSHIELD KIT, GOLF CAR	75524-G01.....	Weather Protection - Golf Car
WINDSHIELD KIT, SHUTTLE 2+2.....	75524-G02.....	Weather Protection - Shuttle 2+2
WINDSHIELD KIT, FOLD DOWN, GOLF CAR	75525-G01.....	Weather Protection - Golf Car
WINDSHIELD KIT, FOLD DOWN, SHUTTLE 2+2....	75525-G02.....	Weather Protection - Shuttle 2+2

OPTIONS/ACCESSORIES

INDEX OF MAJOR COMPONENTS

INDEX OF MAJOR COMPONENTS

BY PART DESCRIPTION

A

ACCELERATOR CABLE	A-5
AIR FILTER ELEMENT	B-2
ALLOY WHEEL	S-3
ARMATURE.....	P-2
ASH TRAY.....	C-18
AXLE SHAFT.....	M-2
AXLE SHAFT SEAL.....	M-2
AXLE TUBE.....	M-2

B

BAG COVER	R-5
BALL BEARING.....	M-2
BATTERY	H-7
BEARING AND RACE.....	K-3
BED	O-10
BOX COOLER.....	C-16
BRAKE ADJUSTER.....	D-7
BRAKE ASSEMBLY	D-6
BRAKE CABLE.....	D-4
BRAKE DRUM.....	D-7
BRAKE PEDAL PAD	D-4
BRAKE SHOE	D-6
BRAKE SPRING KIT	D-6
BREATHER	I-3
BRUSH ASSEMBLY.....	P-2
BUMPER PLUG.....	C-9
BUZZER	G-2

C

CARBURETOR.....	E-3
CATCH BRACKET	D-5
CENTER BASKET.....	C-14
CHOKE CABLE	E-4
COMPENSATOR ASSEMBLY	D-4
COOLER JUG	C-16
COWL.....	C-2

D

DIRECTION SELECTOR HANDLE	G-3
DIVOT REPAIR KIT.....	C-14
DRIVE BELT.....	F-2
DRIVE CLUTCH	F-2
DRIVEN CLUTCH.....	F-2

INDEX OF MAJOR COMPONENTS

E

ENGINE	I-2
ENGINE GUARD	J-2
ENGINE MOUNT	J-2
EQUALIZER	D-4
EXHAUST GASKET	I-2

F

FAIRWAY 18 X 8.5 - 8	S-2
FEMALE STOP	Q-3
FENDER SCUFFGUARD	C-8
FIELD COIL	P-2
FLOAT	E-3
FLOORMAT	C-6
FLOORMAT WITH HORN HOLE	C-6
FOOTREST	C-12
FOUR BAG ATTACHMENT KIT	C-18
FRONT AXLE	K-3
FRONT SHIELD	C-2
FRONT STRUT	R-4, R-9
FUEL FILTER	L-2
FUEL GAUGE	H-11
FUEL GAUGE (MECHANICAL)	L-2
FUEL PUMP	L-2
FUEL TANK	L-2
FUSE BLOCK	H-9

G

GOVERNOR ARM	A-5
--------------------	-----

H

HEADLIGHT	H-10
HEADLIGHT BULB	H-10
HIP RESTRAINT	O-2
HORN SWITCH	H-9
HOUR METER	H-12
HUB	K-3
HUBCAP	S-3

I

IGNITION COIL	H-7
IGNITION PICKUP	H-7
IGNITOR	H-8
INDICATOR LIGHT	H-11
IN-LINE FUSE HOLDER	H-9
INPUT SHAFT SEAL	M-2
INSTRUMENT PANEL WOODGRAIN APPLIQUE KIT	C-3
INTERMEDIATE SHAFT	K-6

INDEX OF MAJOR COMPONENTS

ISOLATION MOUNT J-2

K

KEY SWITCH H-11
 KICK-OFF D-5

L

LEAF SPRING K-4, N-2
 LEAF SPRING (HEAVY DUTY) K-4
 LINKS 1 18 X 8.5 - 8 S-2
 LUG NUT S-2, S-3

M

MAIN JET E-3
 MALE STOP Q-3
 MARKER LIGHT BULB H-10
 MESSAGE HOLDER C-16
 MICRO SWITCH A-5, D-6, G-2
 MUFFLER I-2

N

NEEDLE VALVE E-3

O

OIL FILLER CAP I-2
 OIL FILTER I-2
 OIL FILTER 'O' RING I-2

P

PEDAL BOX ASSEMBLY A-4
 PEDAL PIVOT COVER A-5
 PILOT JET E-3
 PINION SEAL K-5
 PRO TOUR 18 X 8.00 - 10 S-3
 PULLEY P-2

R

RACK AND PINION UNIT K-4
 RACK BALL JOINT K-5
 RACK BOOT K-5
 RAIN CURTAIN R-5
 RAKE C-16
 REAR AXLE M-2

INDEX OF MAJOR COMPONENTS

REAR BODY (WITH TAILLIGHTS).....	C-8
REAR BODY (WITHOUT TAILLIGHTS)	C-8
REAR BUMPER.....	C-8
REAR STRUT	R-4
REAR STRUT (DRIVER SIDE).....	R-9
REAR STRUT (PASSENGER SIDE).....	R-9
REAR VIEW MIRROR	R-4
REVERSE WARNING BUZZER	G-2
ROCKER PANEL.....	C-9

S

SAND BOTTLE	C-14
SEAT	O-2, O-5, O-9
SEAT BACK MOUNT.....	O-10
SEAT BACK SUPPORT	O-5, O-9
SEAT HINGE	O-2
SEAT SUPPORT BRACKET	O-2, O-6
SHIFTER CABLE.....	G-2
SHIFTER SHAFT SEAL.....	M-2
SHOCK ABSORBER	K-4, N-2
SHOCK ABSORBER BOOT	K-4
SIDE BASKET	C-14
SILL PLATE	C-9
SOLENOID	H-8
SPARK PLUG.....	I-2
SPARK PLUG WIRE SET.....	I-2
SPINDLE	K-3
STARTER / GENERATOR ADJUSTER	P-3
STARTER / GENERATOR BELT	P-3
STEERING COLUMN.....	K-5
STEERING SHAFT	K-5
STEERING WHEEL.....	K-6
SUN TOP	R-4
SUN TOP (SHUTTLE 2+2).....	R-9

T

TAILLIGHT BULB	H-10
THROTTLE CABLE	A-6
TIE ROD	K-7, Q-4, Q-6
TIMING BELT	I-2
TOW BAR	Q-3, Q-6
TOW BAR HITCH	Q-4
TUBING	L-2
TURF GLIDE 18 X 8.5 - 8.....	S-2
TURF SAVER 18 X 8.5 - 8.....	S-2
TURN SIGNAL.....	H-10
TURN SIGNAL BULB	H-10
TWO BAG ATTACHMENT KIT.....	C-12

U

USA TRAIL 6-PLY 18.5 X 8.5 - 8.....	S-2
-------------------------------------	-----

INDEX OF MAJOR COMPONENTS

V

VALANCE PANEL	C-12
VALVE COVER GASKET	I-2
VOLTAGE REGULATOR	H-8

W

WEATHER ENCLOSURE (3 SIDED)	R-5
WEATHER ENCLOSURE (4 SIDED)	R-5
WINDSHIELD	R-5, R-10
WIRE HARNESS (ACCESSORY)	H-10
WIRE HARNESS (BRAKE LIGHT)	D-6
WIRE HARNESS (CONTROL)	H-8
WIRE HARNESS (HOUR METER)	H-12
WIRE HARNESS (KEY SWITCH)	H-11
WIRE HARNESS (OIL LIGHT/FUEL GAUGE)	H-11
WIRE HARNESS (OIL LIGHT/FUEL LIGHT)	H-11
WIRE HARNESS (PEDAL BOX)	A-5

BY PART NUMBER

10606-G8 MICRO SWITCH	D-6
14735-G1 RAKE	C-16
14913-G** 8" CHROME HUBCAP	S-3
15 AMP FUSE	H-9
16042-G** 6" CHROME HUBCAP	S-3
17318-G1 HORN SWITCH	H-9
18392-G1 15 AMP FUSE	H-9
19241-G** GOLD SPOKE HUBCAP	S-3
19241-G** SILVER SPOKE HUBCAP	S-3
21553-G1 FUEL GAUGE	H-11
21759-G1 TAILLIGHT BULB	H-10
21807-G1 BRAKE DRUM	D-7
22674-G1 FUSE BLOCK	H-9
23300-G01 BASKET DIVOT REPAIR KIT	C-14
23474-G1 INDICATOR LIGHT	H-11
24605-G1 WIRE HARNESS (BRAKE LIGHT)	D-6
25523-G3 SPARK PLUG	I-2
25693-G04 CHOKE CABLE (WITH NUTS)	E-4
25861-G01 MICRO SWITCH	A-5
26301-G02 DRIVEN CLUTCH	F-2
26301-G03 DRIVEN CLUTCH ASSEMBLY (HIGH ALTITUDE)	F-2
26414-G01 STARTER / GENERATOR BELT	P-3
26591-G01 OIL FILTER	I-2
26626-G01 TIMING BELT	I-2
26651-G02 IGNITION PICKUP	H-7
26652-G01 IGNITION COIL	H-7
26710-G01 OIL FILTER 'O' RING	I-2
26733-G01 SPARK PLUG WIRE SET	I-2
26952-G01 DRIVE CLUTCH	F-2
27153-G01 SOLENOID	H-8
27166-G02 FRONT SHIELD	C-2
27739-G01 VOLTAGE REGULATOR	H-8

INDEX OF MAJOR COMPONENTS

27746-G01 IGNITOR.....	H-8
27944-G01 BRAKE SPRING KIT	D-6
28590-G02 ENGINE, 295cc.....	I-2
28659-G01 SAND BOTTLE.....	C-14
70080-G01 CATCH BRACKET.....	D-5
70135-G01 PEDAL PIVOT COVER.....	A-5
70272-G04 COMPENSATOR ASSEMBLY	D-4
70274-G01 BRAKE/PARK BRAKE PEDAL PAD KIT	D-4
70324-G01 SHOCK ABSORBER	N-2
70597-G02 LEAF SPRING	K-4
70664-G02 LEAF SPRING (HEAVY DUTY).....	K-4
70794-G01 BRAKE SHOE KIT	D-6
70899-G01 WIRE HARNESS (CONTROL)	H-8
70928-G01 SHOCK ABSORBER	K-4
70963-G01 FRONT AXLE	K-3
70964-G01 RACK AND PINION UNIT (COMPLETE)	K-4
70969-G03 EQUALIZER AND BRAKE CABLE ASSEMBLY.....	D-4
70995-G01 FLOORMAT	C-6
70995-G02 FLOORMAT WITH HORN HOLE	C-6
70998-G01 BRAKE ASSEMBLY (DRIVER SIDE).....	D-6
70998-G02 BRAKE ASSEMBLY (PASSENGER SIDE)	D-6
71051-G** COWL	C-2
71205-G01 DIRECTION SELECTOR HANDLE	G-3
71334-G** REAR BODY (WITH TAILLIGHTS).....	C-8
71456-G01 NOTCHED REAR BUMPER.....	C-9
71578-G01 REAR BUMPER.....	C-8
71912-G** REAR BODY (WITHOUT TAILLIGHTS)	C-8
72019-G01 MUFFLER.....	I-2
72021-G01 FUEL PUMP	L-2
72084-G01 FUEL FILTER	L-2
72201-G04 WIRE HARNESS (PEDAL BOX)	A-5
72228-G01 WIRE HARNESS (ACCESSORY)	H-10
72368-G01 AIR FILTER ELEMENT.....	B-2
72582-G01 BRAKE ADJUSTER KIT (DRIVER SIDE).....	D-7
72582-G02 BRAKE ADJUSTER KIT (PASSENGER SIDE)	D-7
72708-G01 GOVERNOR ARM.....	A-5
72713-G01 ACCELERATOR CABLE	A-5
72714-G01 THROTTLE CABLE	A-6
72717-G01 PEDAL BOX ASSEMBLY	A-4
72734-G01 PUSH / PULL SHIFTER CABLE	G-2
72736-G01 MICRO SWITCH.....	G-2
73041-G01 WIRE HARNESS (KEY SWITCH)	H-11
73290-G03 REVERSE WARNING BUZZER	G-2
74001-G01 HEADLIGHT AND TURN SIGNAL LIGHT	H-10
74004-G01 HEADLIGHT BULB	H-10
74005-G01 MARKER LIGHT BULB.....	H-10
74006-G01 TURN SIGNAL BULB	H-10
74239-G01 INSTRUMENT PANEL WOODGRAIN APPLIQUE KIT	C-3
74309-G01 WIRE HARNESS (OIL LIGHT/FUEL LIGHT).....	H-11
74311-G01 WIRE HARNESS (OIL LIGHT/FUEL GAUGE)	H-11
75003-G02 CENTER BASKET KIT	C-14
75007-G02 SIDE BASKET KIT.....	C-14
75040-G** SUN TOP KIT.....	R-4
75045-G01 FRONT STRUT.....	R-4
75046-G01 REAR STRUT	R-4
75074-G01 REAR STRUT (DRIVER SIDE).....	R-9

INDEX OF MAJOR COMPONENTS

75074-G02 REAR STRUT (PASSENGER SIDE).....	R-9
75109-G02 ASH TRAY KIT	C-18
75114-G02 HOUR METER KIT	H-12
75117-G01 WIRE HARNESS (HOUR METER)	H-12
75123-G01 SUN TOP (SHUTTLE 2+2).....	R-9
75125-G01 FRONT STRUT	R-9
75183-G01 TWO BAG ATTACHMENT KIT.....	C-12
75344-G01 BOX COOLER AND BRACKET KIT	C-16
75355-G01 FOUR BAG ATTACHMENT KIT	C-18
75495-G01 COOLER JUG AND BRACKET KIT	C-16



A Textron Company

E-Z-GO Division of Textron, Inc.
P.O. Box 388 Augusta, Georgia 30903-0388 USA
Inside USA Phone: 1-800-241-5855, FAX: 1-800-448-8124
Outside USA Phone: 010-1-706-798-4311, FAX: 010-1-706-771-4609

Copyrighted Material
This manual may not be reproduced in whole or
in part without the express permission of
E-Z-GO Division of Textron, Inc.
Technical Communications Department